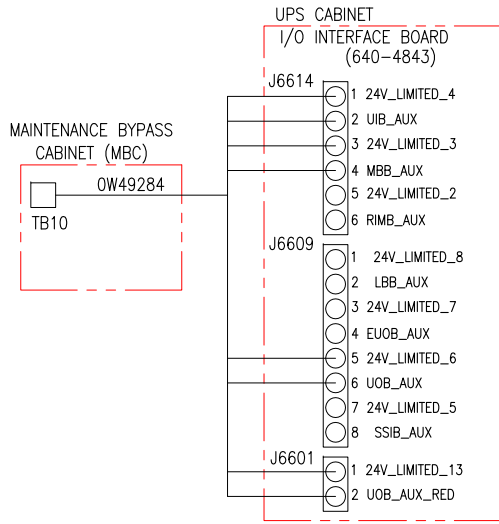
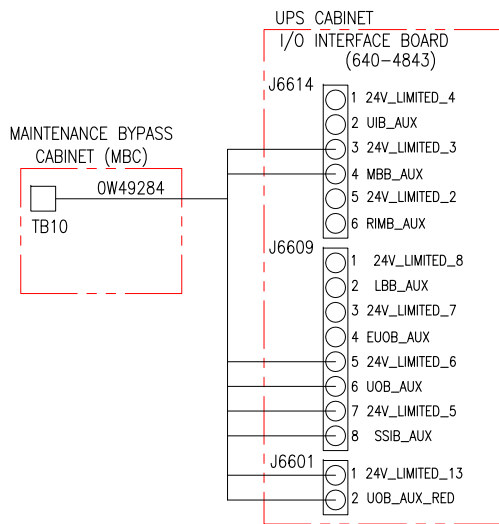


GALAXY VS UPS- MBC WITH IN/OUT XFMR INTERFACE (GVSBPIT25B/GVSBPIT50/GVSBPIT75/GVSBPOT50B/GVSBPOT100/GVSBPOT150)

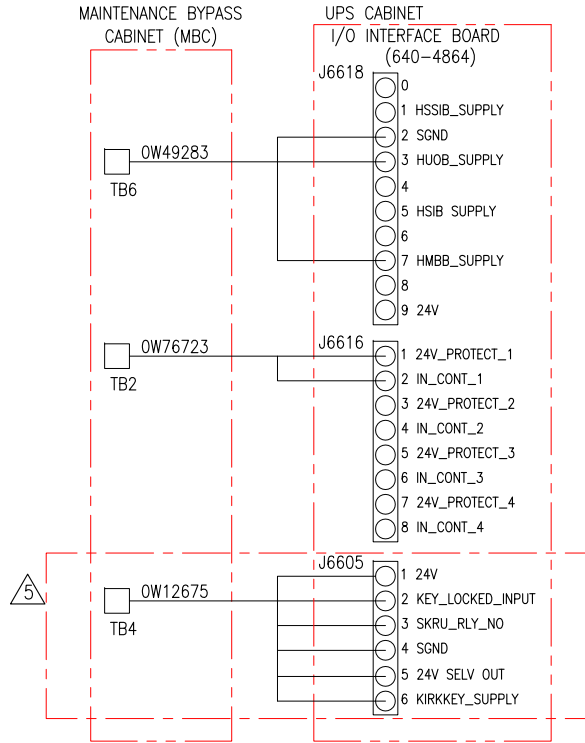
CONNECTION NON-CLASS 2/NON-SELV SIGNAL CABLE (SINGLE MAINS SYSTEM)



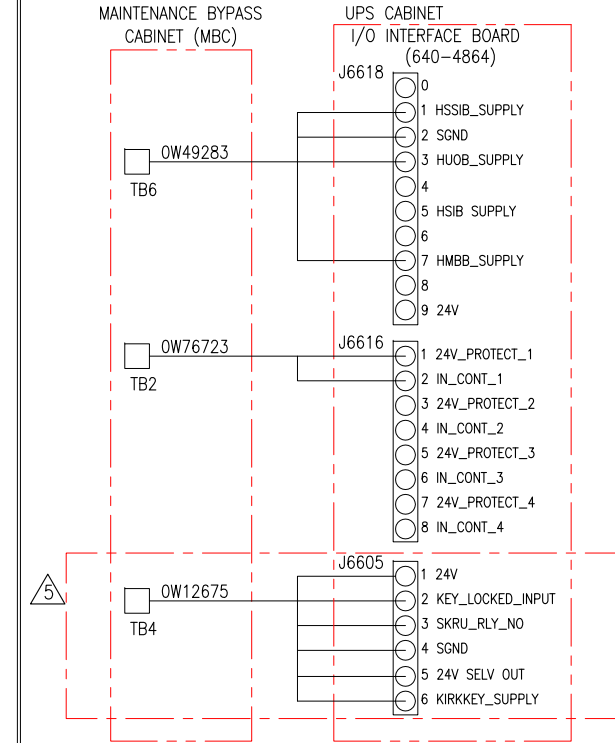
CONNECTION NON-CLASS 2/NON-SELV SIGNAL CABLE (DUAL MAINS SYSTEM)



CONNECTION CLASS 2/SELV SIGNAL CABLES (SINGLE MAINS)



CONNECTION CLASS 2/SELV SIGNAL CABLES (DUAL MAINS)



APPLICABLE MBC WITH INPUT XFMR SKUs FOR VARIOUS UPS(208V) RATINGS		
SKU NUMBER	UPS RATING (kW)	MBC SKU NUMBER
GVSUPS10KFS	10	GVSBPIT25B
GVSUPS15KFS	15	
GVSUPS20KFS	20	
GVSUPS25KFS	25	
GVSUPS30KFS	30	GVSBPIT50
GVSUPS40KFS	40	
GVSUPS50KFS	50	
GVSUPS60KFS	60	GVSBPIT75
GVSUPS75KFS	75	
GVSUPS25K75FS	25kW UPS EXPANDABLE TO 30/40/50/60/75kW (REFER TO ABOVE ROWS AS PER THE EXPANSION)	

APPLICABLE MBC WITH OUTPUT XFMR SKUs FOR VARIOUS UPS(480V) RATINGS		
SKU NUMBER	UPS RATING (kW)	MBC SKU NUMBER
GVSUPS20KGS	20	GVSBPOT50B
GVSUPS30KGS	30	
GVSUPS40KGS	40	
GVSUPS50KGS	50	
GVSUPS60KGS	60	GVSBPOT100
GVSUPS80KGS	80	
GVSUPS100KGS	100	
GVSUPS120KGS	120	GVSBPOT150
GVSUPS150KGS	150	
GVSUPS25K75FS	50kW UPS EXPANDABLE TO 60/80/100/120/150kW (REFER TO ABOVE ROWS AS PER THE EXPANSION)	

NOTES:

1. INSTALLATION SHALL COMPLY WITH ALL APPLICABLE NATIONAL, STATE AND LOCAL CODES.
2. REFER TO PRODUCT INSTALLATION DOCUMENTATION FOR SITE PREPARATIONS.
3. FOR LATEST VERSION OF BOARD PART NUMBERS CONTACT SCHNEIDER ELECTRIC.
4. ALL CIRCUITS CONNECTED MUST HAVE THE SAME OV REFERENCE.
- △5. APPLICABLE WHILE USING KIRK KEY INTERLOCK OPTION (GVSOT007).
- △6. APPLICABLE ONLY FOR MBC WITH OUTPUT XFMR SKU#GVSBPOT50/GVSBPOT100/GVSBPOT150.
7. ALL INTERFACE CABLES ARE PART OF MBC SKUs.

THIS DRAWING AND SPECIFICATIONS HEREIN ARE THE PROPERTY OF SCHNEIDER ELECTRIC AND SHALL NOT BE COPIED, REPRODUCED OR USED IN WHOLE OR IN PART, AS THE BASIS FOR THE MANUFACTURE OR SALE OF ITEMS WITHOUT WRITTEN PERMISSION FROM SCHNEIDER ELECTRIC. THIS DRAWING IS BASED UPON LATEST AVAILABLE INFORMATION AND IS SUBJECT TO CHANGE WITHOUT NOTICE.



TITLE: GALAXY VS UPS 10-75kW@208V / 20-150kW@480V
 Input: 208V,3PH,60Hz / Output: 208V,3PH,60Hz
 Input: 480V,3PH,60Hz / Output: 480V,3PH,60Hz
 UPS TO MBC w XFMR

PROJECT: DRAWINGS SHEET 1 OF 6

DWG NO: GVSUPS10K75F20K150GS-WD REV: 0

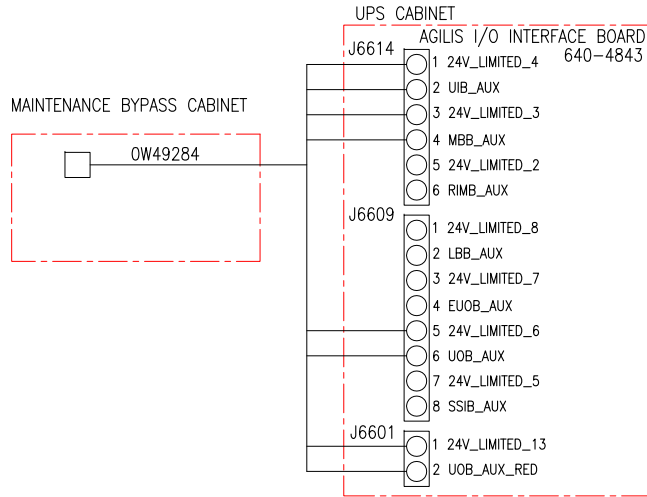
DRAWN BY: BALA 9-JUL-20 ANGLE

ENGINEER: C N/ R I 23-JUL-20 PROJECTION

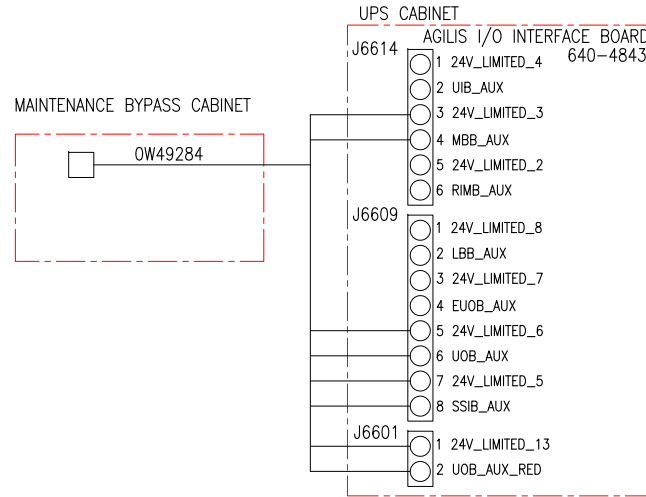
APPROVED BY: J L 23-JUL-20 IN .A

GALAXY VS UPS – FLOORMOUNT MBC WITHOUT XFMR INTERFACE (GVSBPSU80G/GVSBPSU150G)

SINGLE MAINS SYSTEM
(non-CLASS 2/non-SELV)

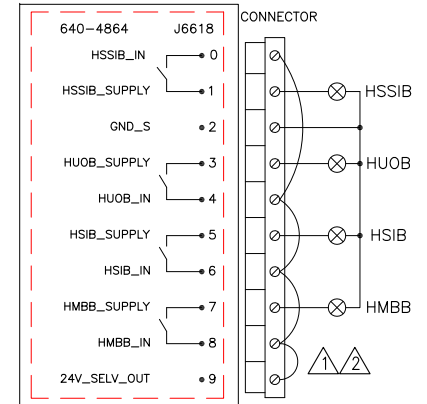


DUAL MAINS SYSTEM
(non-CLASS 2/non-SELV)



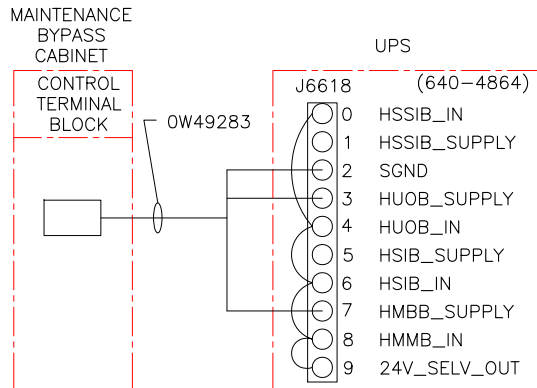
INTERFACE BETWEEN UPS AND THIRD-PARTY AUXILIARY PRODUCTS

GALAXY VS UPS

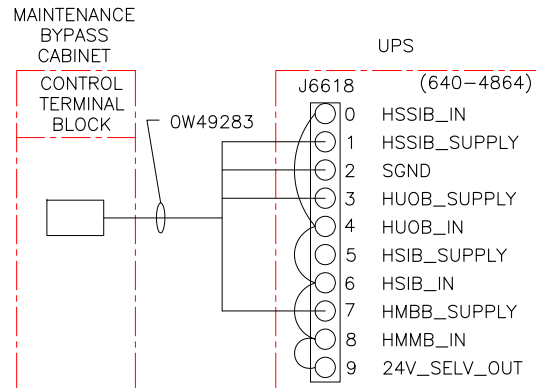


- NOTES:
- △1. CONNECT SIGNAL CABLES FROM THE BREAKER INDICATOR LIGHTS IN YOUR SWITCHGEAR TO BOARD 640-4864 TERMINAL J6618 IN THE TOP OF THE UPS. IF AN EXTERNAL SUPPLY IS USED, REMOVE JUMPER FROM J6618 BETWEEN PIN 8 AND 9 AND DON'T RETURN TO PIN2.
 - △2. THE BREAKER INDICATOR LIGHT CIRCUIT IS CONSIDERED CLASS 2/ SELV. THIS CIRCUIT MUST BE ISOLATED FROM PRIMARY CIRCUITRY. DO NOT CONNECT ANY CIRCUIT TO THE BREAKER INDICATOR LIGHT TERMINALS UNLESS IT CAN BE CONFIRMED THAT THE CIRCUIT IS CLASS 2/SELV.

SINGLE MAINS SYSTEM
(CLASS 2/SELV)



DUAL MAINS SYSTEM
(CLASS 2/SELV)



APPLICABLE FLOORMOUNT MBC SKUs FOR VARIOUS UPS(208V) RATINGS

SKU NUMBER	UPS RATING (kW)	MBC SKU NUMBER WITHOUT XFMR
GVSUPS10KFS	10	GVSBPSU80G
GVSUPS15KFS	15	
GVSUPS20KFS	20	
GVSUPS25KFS	25	
GVSUPS30KFS	30	
GVSUPS40KFS	40	
GVSUPS50KFS	50	GVSBPSU150G
GVSUPS60KFS	60	
GVSUPS75KFS	75	
GVSUPS25K75FS	25kW UPS EXPANDABLE TO 30/40/50/60/75kW (REFER TO ABOVE ROWS AS PER THE EXPANSION)	

APPLICABLE FLOORMOUNT MBC SKUs FOR VARIOUS UPS(480V) RATINGS

SKU NUMBER	UPS RATING (kW)	MBC SKU NUMBER WITHOUT XFMR
GVSUPS20KGS	20	GVSBPSU80G
GVSUPS30KGS	30	
GVSUPS40KGS	40	
GVSUPS50KGS	50	
GVSUPS60KGS	60	
GVSUPS80KGS	80	
GVSUPS100KGS	100	GVSBPSU150G
GVSUPS120KGS	120	
GVSUPS150KGS	150	
GVSUPS25K75FS	50kW UPS EXPANDABLE TO 60/80/100/120/150kW (REFER TO ABOVE ROWS AS PER THE EXPANSION)	

- NOTES:
1. INSTALLATION SHALL COMPLY WITH ALL APPLICABLE NATIONAL, STATE AND LOCAL CODES.
 2. REFER TO PRODUCT INSTALLATION DOCUMENTATION FOR SITE PREPARATIONS.
 3. FOR LATEST VERSION OF BOARD PART NUMBERS CONTACT SCHNEIDER ELECTRIC.
 4. ALL CIRCUITS CONNECTED MUST HAVE THE SAME OV REFERENCE.
 5. ALL INTERFACE CABLES ARE PART OF MBC SKUs.

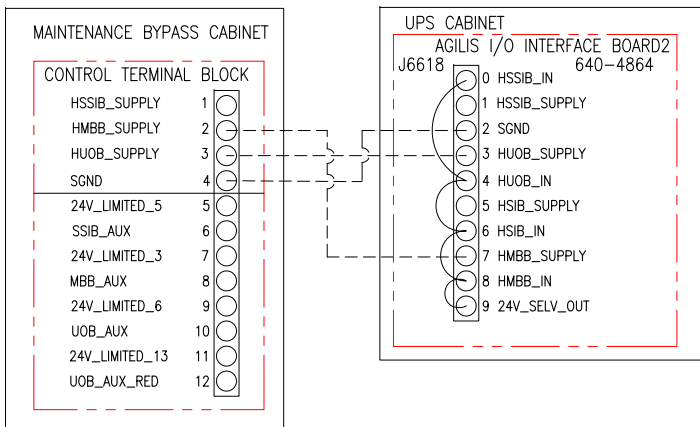
THIS DRAWING AND SPECIFICATIONS HEREIN ARE THE PROPERTY OF SCHNEIDER ELECTRIC AND SHALL NOT BE COPIED, REPRODUCED OR USED IN WHOLE OR IN PART, AS THE BASIS FOR THE MANUFACTURE OR SALE OF ITEMS WITHOUT WRITTEN PERMISSION FROM SCHNEIDER ELECTRIC. THIS DRAWING IS BASED UPON LATEST AVAILABLE INFORMATION AND IS SUBJECT TO CHANGE WITHOUT NOTICE.



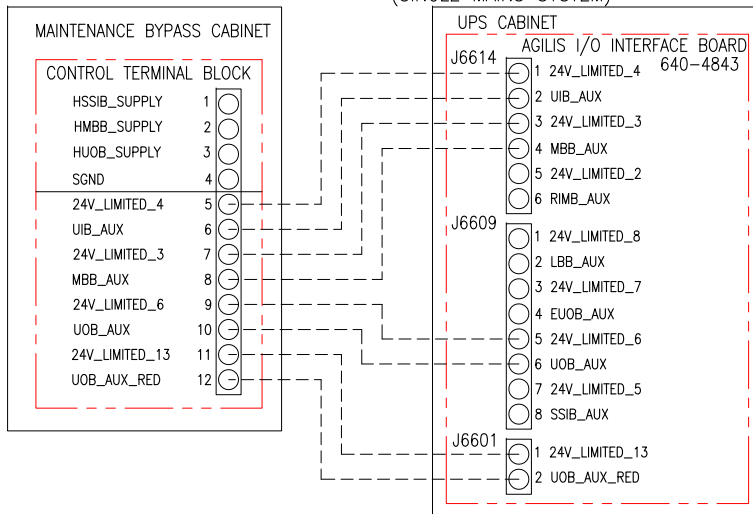
TITLE:	GALAXY VS UPS 10-75kW@208V / 20-150kW@480V Input: 208V,3PH,60Hz / Output: 208V,3PH,60Hz Input: 480V,3PH,60Hz / Output: 480V,3PH,60Hz UPS TO WALLMOUNT MBC	DWG NO:	GVSUPS10K75F20K150GS-WD	REV.	0
PROJECT:	DRAWINGS	DRAWN BY:	BALA	9-JUL-20	ANGLE
SHEET	2 OF 6	ENGINEER:	C N/ R I	23-JUL-20	PROJECTION
APPROVED BY:	J L	APPROVED BY:	J L	23-JUL-20	N . A

GALAXY VS UPS – WALLMOUNT MBC WITHOUT XFMR INTERFACE (GVSbpsu60g-wp / GVSbpsu100g-wp)

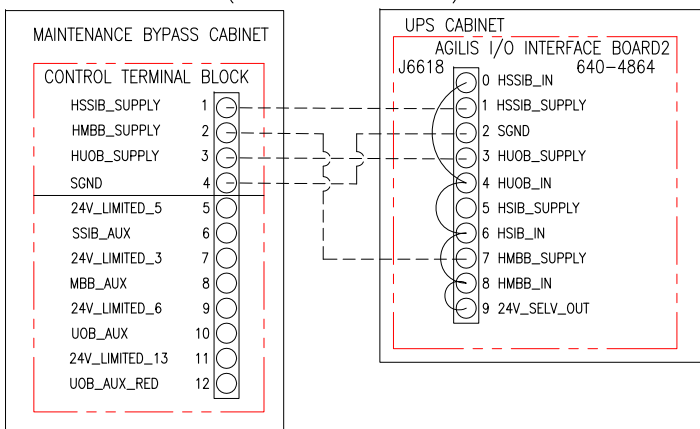
CONNECTION CLASS 2/SELV SIGNAL CABLE
(SINGLE MAINS SYSTEMS)



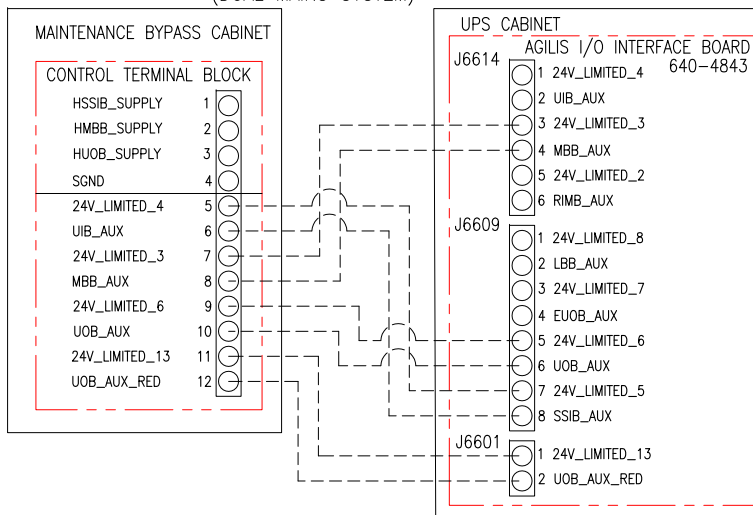
CONNECTION NON-CLASS 2/NON-SELV SIGNAL CABLE
(SINGLE MAINS SYSTEM)



CONNECTION CLASS 2/SELV SIGNAL CABLE
(DUAL MAINS SYSTEMS)



CONNECTION NON-CLASS 2/NON-SELV SIGNAL CABLE
(DUAL MAINS SYSTEM)



APPLICABLE WALLMOUNT MBC SKUs FOR VARIOUS UPS(208V) RATINGS		
SKU NUMBER	UPS RATING (kW)	MBC SKU NUMBER WITHOUT XFMR
GVSUPS10KFS	10	GVSbpsu60g-wp
GVSUPS15KFS	15	
GVSUPS20KFS	20	
GVSUPS25KFS	25	
GVSUPS30KFS	30	GVSbpsu100g-wp
GVSUPS40KFS	40	
GVSUPS50KFS	50	
GVSUPS60KFS	60	N A
GVSUPS75KFS	75	
GVSUPS25K75FS	25kW UPS EXPANDABLE TO 30/40/50/60/75kW (REFER TO ABOVE ROWS AS PER THE EXPANSION)	

APPLICABLE WALLMOUNT MBC SKUs FOR VARIOUS UPS(480V) RATINGS		
SKU NUMBER	UPS RATING (kW)	MBC SKU NUMBER WITHOUT XFMR
GVSUPS20KGS	20	GVSbpsu60g-wp
GVSUPS30KGS	30	
GVSUPS40KGS	40	
GVSUPS50KGS	50	
GVSUPS60KGS	60	GVSbpsu100g-wp
GVSUPS80KGS	80	
GVSUPS100KGS	100	
GVSUPS120KGS	120	N A
GVSUPS150KGS	150	
GVSUPS25K75FS	50kW UPS EXPANDABLE TO 60/80/100/120/150kW (REFER TO ABOVE ROWS AS PER THE EXPANSION)	

NOTES:

1. INSTALLATION SHALL COMPLY WITH ALL APPLICABLE NATIONAL, STATE AND LOCAL CODES.
2. REFER TO PRODUCT INSTALLATION DOCUMENTATION FOR SITE PREPARATIONS.
3. FOR LATEST VERSION OF BOARD PART NUMBERS CONTACT SCHNEIDER ELECTRIC.
4. ALL CIRCUITS CONNECTED MUST HAVE THE SAME OV REFERENCE.
5. ----- = ALL INTERFACE CABLES ARE PROVIDED BY OTHERS.

THIS DRAWING AND SPECIFICATIONS HEREIN ARE THE PROPERTY OF SCHNEIDER ELECTRIC AND SHALL NOT BE COPIED, REPRODUCED OR USED IN WHOLE OR IN PART, AS THE BASIS FOR THE MANUFACTURE OR SALE OF ITEMS WITHOUT WRITTEN PERMISSION FROM SCHNEIDER ELECTRIC. THIS DRAWING IS BASED UPON LATEST AVAILABLE INFORMATION AND IS SUBJECT TO CHANGE WITHOUT NOTICE.



TITLE: GALAXY VS UPS 10-75kW@208V / 20-150kW@480V
 Input: 208V,3PH,60Hz / Output: 208V,3PH,60Hz
 Input: 480V,3PH,60Hz / Output: 480V,3PH,60Hz
 UPS TO FLOORMOUNT MBC/3RD PARTY MBC

PROJECT: DRAWINGS SHEET 3 OF 6

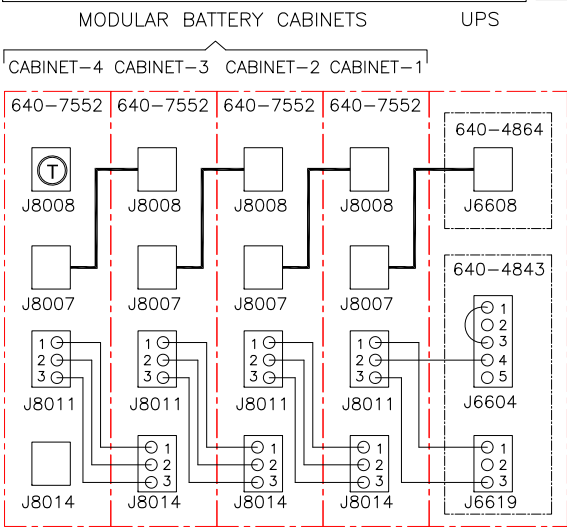
DWG NO: GVSUPS10K75F20K150GS-WD

DRAWN BY: BALA 9-JUL-20
 ENGINEER: C N/ R I 23-JUL-20

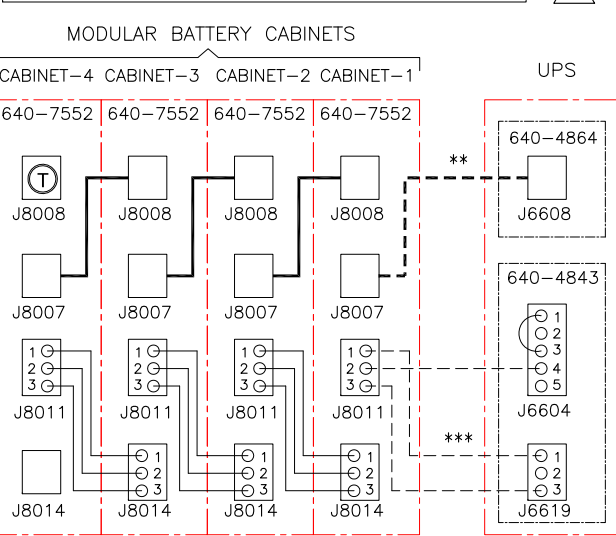
APPROVED BY: J L 23-JUL-20

REV. 0
 ANGLE PROJECTION
 N/A

UPS WITH ADJACENT MODULAR BATTERY CABINETS 4 5



UPS WITH REMOTE MODULAR BATTERY CABINETS 4



** THIS CABLE IS CLASSIFIED AS CLASS2/SELV, TO BE ORDERED SEPARATELY, FOR VARIOUS LENGTH AVAILABILITY CONTACT SCHNEIDER ELECTRIC.
 *** THIS CABLE IS CLASSIFIED AS NON-CLASS2/NON-SELV.

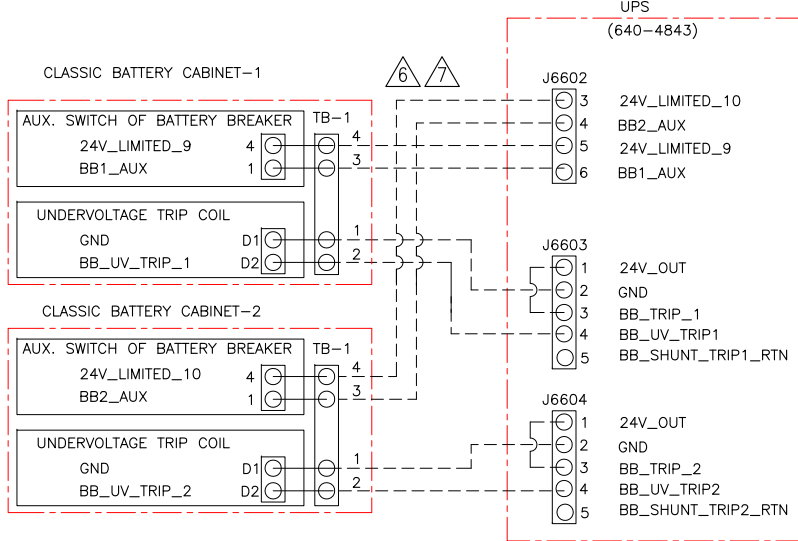
- NOTE:-
1. INSTALLATION SHALL COMPLY WITH ALL APPLICABLE NATIONAL, STATE AND LOCAL CODES.
 2. REFER TO PRODUCT INSTALLATION DOCUMENTATION FOR SITE PREPARATIONS.
 3. FOR LATEST BOARD PART NUMBERS CONTACT SCHNEIDER ELECTRIC.
 4. INTERFACE CABLES BETWEEN BATTERY CABINETS ARE PART OF BATTERY CABINET SKU.
 - Δ5. INTERFACE CABLES BETWEEN BATTERY CABINET AND UPS IS PART OF OPTIONAL CABLE KIT GVSOPT030.
 - Δ6. ----- = CABLES PROVIDED BY SCHNEIDER ELECTRIC FOR ADJACENT CONFIGURATION, PROVIDED BY OTHERS FOR REMOTE CONFIGURATION.
 - Δ7. MAXIMUM ALLOWABLE DISTANCE BETWEEN UPS AND BATTERY IS 656 FEET [200 METERS].
 - Δ8. FOR Li-Ion BATTERY INTERFACE DETAILS REFER TO SKU# LIBSMG95EUL /DRAWING # "LIBSMG95EUL-LI-ION BATTERY RACK TYPE E-U-L GVS"

FOR Li-Ion BATTERY SOLUTION REFER TO NOTE-8

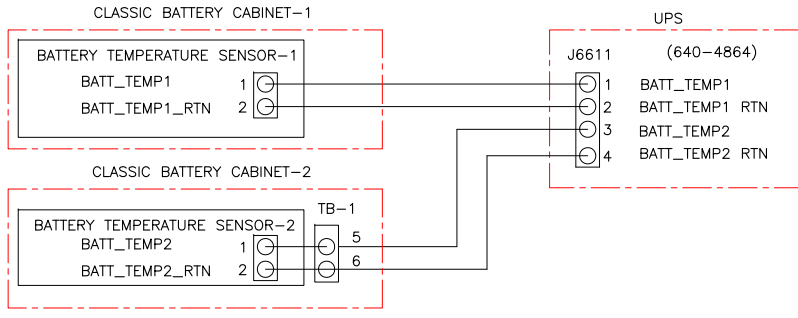
APPLICABLE NUMBER OF MODULAR BATTERY CABINETS (ModBC) FOR 480V UPS		
SKU NUMBER	UPS RATING (kW)	MINIMUM- MAXIMUM NUMBER OF CABINETS (GVSMODBC6) (BREAKER-150A 3POLE, JDF36150- MAKE: SCHNEIDER ELECTRIC)
GVSUPS20KGS	20	1 - 4
GVSUPS30KGS	30	1 - 4
GVSUPS40KGS	40	1 - 4
GVSUPS50KGS	50	1 - 4
GVSUPS60KGS	60	2 - 4
GVSUPS80KGS	80	2 - 4
GVSUPS100KGS	100	2 - 4
GVSUPS120KGS	120	3 - 4
GVSUPS150KGS	150	3 - 4
GVSUPS50K150GS	50KW UPS EXPANDABLE TO 60/80/100/120/150KW (REFER TO THE RESPECTIVE ROW BASED ON THE EXPANSION)	

APPLICABLE NUMBER OF MODULAR BATTERY CABINETS (ModBC) FOR 208V UPS		
SKU NUMBER	UPS RATING (kW)	MINIMUM- MAXIMUM NUMBER OF CABINETS (GVSMODBC6) (BREAKER-150A 3POLE, JDF36150- MAKE: SCHNEIDER ELECTRIC)
GVSUPS10KFS	10	1 - 4
GVSUPS15KFS	15	1 - 4
GVSUPS20KFS	20	1 - 4
GVSUPS25KFS	25	1 - 4
GVSUPS30KFS	30	2 - 4
GVSUPS40KFS	40	2 - 4
GVSUPS50KFS	50	2 - 4
GVSUPS60KFS	60	3 - 4
GVSUPS75KFS	75	3 - 4
GVSUPS25K75FS	25KW UPS EXPANDABLE TO 30/40/50/60/75KW (REFER TO THE RESPECTIVE ROW BASED ON THE EXPANSION)	

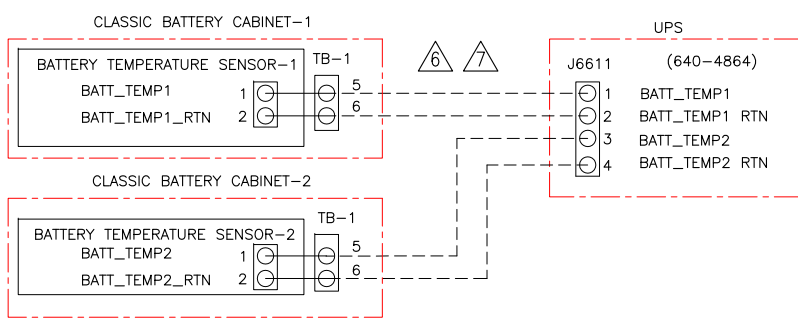
INTERFACE UPS TO 1 OR 2 BATTERY CABINETS (GVSCBT1/GVSCBT2/GVSCBT3/GVSCBT4/GVSCBT5/GVSCBTST1/GVSCBTST2/GVSCBTST3/GVSCBTST4/GVSCBTST5)



BATTERY TEMPERATURE SENSOR INTERFACE FOR ADJACENT CONFIGURATION



BATTERY TEMPERATURE SENSOR INTERFACE FOR REMOTE CONFIGURATION



APPLICABLE NUMBER OF CLASSICAL BATTERY CABINETS (CBC) FOR 480V UPS						
SKU NUMBER	UPS RATING (kW)	(MINIMUM-MAXIMUM NUMBER OF APPLICABLE BATTERY CABINETS)				
		GVSCBT1/GVSCBTST1	GVSCBT2/GVSCBTST2	GVSCBT3/GVSCBTST3	GVSCBT4/GVSCBTST4	GVSCBT5/GVSCBTST5
GVSUPS20KGS	20	1-2	1-2	1-2	1-2	1-2
GVSUPS30KGS	30	1-2	1-2	1-2	1-2	1-2
GVSUPS40KGS	40	1-2	1-2	1-2	1-2	1-2
GVSUPS50KGS	50	NA	1-2	1-2	1-2	1-2
GVSUPS60KGS	60	NA	1-2	1-2	1-2	1-2
GVSUPS80KGS	80	NA	NA	NA	1-2	1-2
GVSUPS100KGS	100	NA	NA	NA	1-2	1-2
GVSUPS120KGS	120	NA	NA	NA	NA	NA
GVSUPS150KGS	150	NA	NA	NA	NA	NA
GVSUPS50K150GS	50KW UPS EXPANDABLE TO 60/80/100/120/150KW (REFER TO THE RESPECTIVE ROW BASED ON THE EXPANSION)					

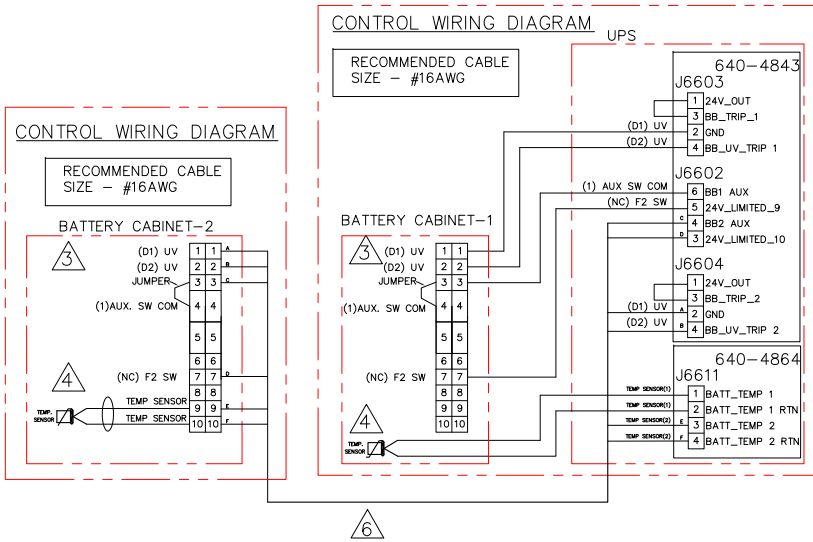
APPLICABLE NUMBER OF CLASSICAL BATTERY CABINETS (CBC) FOR 208V UPS						
SKU NUMBER	UPS RATING (kW)	(MINIMUM-MAXIMUM NUMBER OF APPLICABLE BATTERY CABINETS)				
		GVSCBT1/GVSCBTST1	GVSCBT2/GVSCBTST2	GVSCBT3/GVSCBTST3	GVSCBT4/GVSCBTST4	GVSCBT5/GVSCBTST5
GVSUPS10KFS	10	1-2	1-2	1-2	1-2	1-2
GVSUPS15KFS	15	1-2	1-2	1-2	1-2	1-2
GVSUPS20KFS	20	1-2	1-2	1-2	1-2	1-2
GVSUPS25KFS	25	1-2	1-2	1-2	1-2	1-2
GVSUPS30KFS	30	1-2	1-2	1-2	1-2	1-2
GVSUPS40KFS	40	1-2	1-2	1-2	1-2	1-2
GVSUPS50KFS	50	1-2	1-2	1-2	1-2	1-2
GVSUPS60KFS	60	NA	NA	NA	NA	NA
GVSUPS75KFS	75	NA	NA	NA	NA	NA
GVSUPS25K75FS	25KW UPS EXPANDABLE TO 30/40/50/60/75KW (REFER TO THE RESPECTIVE ROW BASED ON THE EXPANSION)					

THIS DRAWING AND SPECIFICATIONS HEREIN ARE THE PROPERTY OF SCHNEIDER ELECTRIC AND SHALL NOT BE COPIED, REPRODUCED OR USED IN WHOLE OR IN PART, AS THE BASIS FOR THE MANUFACTURE OR SALE OF ITEMS WITHOUT WRITTEN PERMISSION FROM SCHNEIDER ELECTRIC. THIS DRAWING IS BASED UPON LATEST AVAILABLE INFORMATION AND IS SUBJECT TO CHANGE WITHOUT NOTICE.

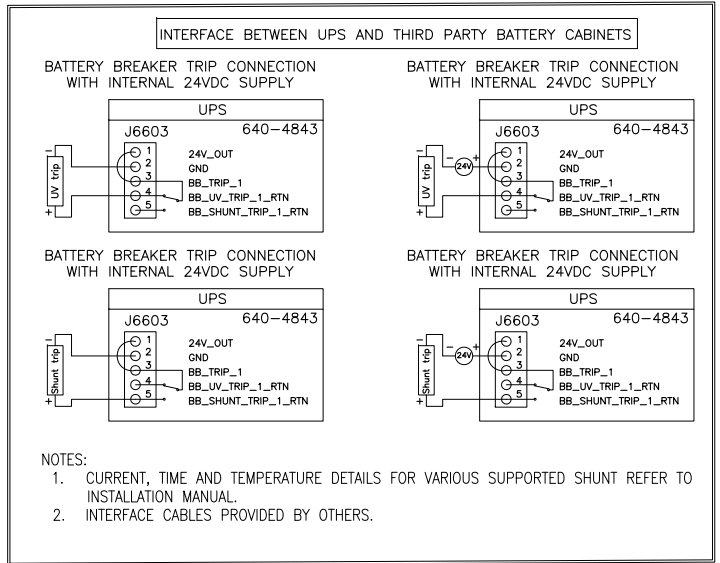


TITLE: GALAXY VS UPS 10-75kW@208V / 20-150kW@480V Input: 208V,3PH,60Hz / Output: 208V,3PH,60Hz Input: 480V,3PH,60Hz / Output: 480V,3PH,60Hz UPS TO MODULAR/CLASSICAL BATTERY CABINET	DWG NO: GVSUPS10K75F20K150GS-WD	REV: 0
PROJECT: DRAWINGS SHEET 4 OF 6	DRAWN BY: BALA 9-JUL-20	ANGLE PROJECTION
	ENGINEER: C N/ R I 23-JUL-20	
	APPROVED BY: J L 23-JUL-20	

INTERFACE UPS TO 2 BATTERY CABINETS (GVSCBT6/GVSCBT7 ORGVSCBT6ST/GVSCBT7ST)

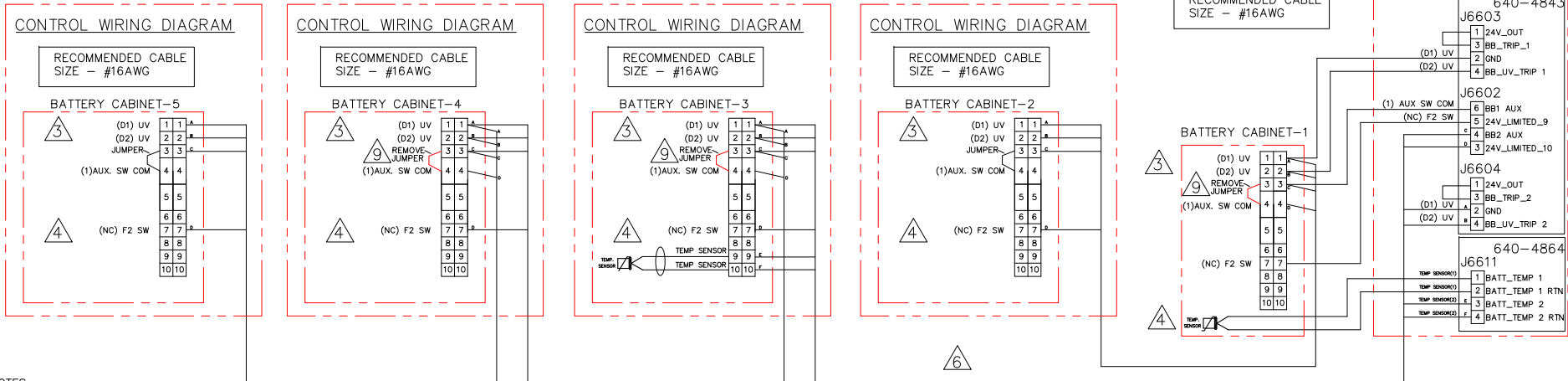


SKU NUMBER	UPS RATING (kW)	APPLICABLE NUMBER OF CLASSICAL BATTERY CABINETS (CBC) FOR 480V UPS		APPLICABLE NUMBER OF CLASSICAL BATTERY CABINETS (CBC) FOR 208V UPS	
		(MINIMUM-MAXIMUM NUMBER OF APPLICABLE BATTERY CABINETS)		(MINIMUM-MAXIMUM NUMBER OF APPLICABLE BATTERY CABINETS)	
		GVSCBT6ST	GVSCBT7ST	GVSCBT6ST	GVSCBT7ST
GVSUPS20KGS	20	1-5	NA	GVSUPS10KFS	10
GVSUPS30KGS	30	1-5	NA	GVSUPS15KFS	15
GVSUPS40KGS	40	1-2	NA	GVSUPS20KFS	20
GVSUPS50KGS	50	1-5	NA	GVSUPS25KFS	25
GVSUPS60KGS	60	1-5	NA	GVSUPS30KFS	30
GVSUPS80KGS	80	1-5	NA	GVSUPS40KFS	40
GVSUPS100KGS	100	1-5	NA	GVSUPS50KFS	50
GVSUPS120KGS	120	NA	1-5	GVSUPS60KFS	60
GVSUPS150KGS	150	NA	1-5	GVSUPS75KFS	75
GVSUPS50K150GS	50kW UPS EXPANDABLE TO 60/80/100/120/150kW (REFER TO THE RESPECTIVE ROW BASED ON THE EXPANSION)			GVSUPS25K75FS	25kW UPS EXPANDABLE TO 30/40/50/60/75kW (REFER TO THE RESPECTIVE ROW BASED ON THE EXPANSION)



- NOTES:
- CURRENT, TIME AND TEMPERATURE DETAILS FOR VARIOUS SUPPORTED SHUNT REFER TO INSTALLATION MANUAL.
 - INTERFACE CABLES PROVIDED BY OTHERS.

INTERFACE UPS TO 3-5 BATTERY CABINETS (GVSCBT6/GVSCBT7 ORGVSCBT6ST/GVSCBT7ST)



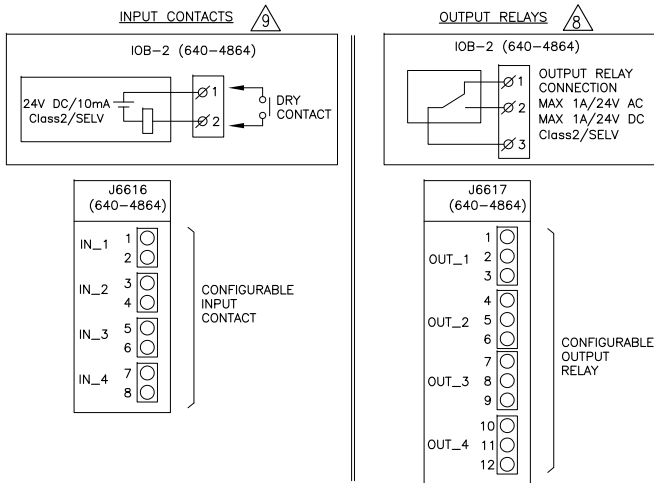
- NOTES:
- INSTALLATION SHALL COMPLY WITH ALL APPLICABLE NATIONAL, STATE AND LOCAL CODES.
 - REFER TO PRODUCT DOCUMENTATION FOR ADDITIONAL DETAILS PRIOR TO INSTALLATION AND SITE PREPARATION WORK.
 - POWER AND CONTROL CABLES ARE PROVIDED FOR UPS WITH ADJACENT BATTERY CABINET INSTALLATION (ON LEFT SIDE OF UPS CABINET).
 - TEMPERATURE SENSOR 0M-1160 IS SUPPLIED WITH THE UPS CABINET.
 - STRING DISCONNECT CABLES ARE REMOVED FROM EACH SHELF PRIOR TO SHIPMENT. RE-CONNECT PRIOR TO CABINET INSTALLATION. TORQUE CABLES TO BATTERY MANUFACTURER'S SPECIFICATION.
 - ADJACENT BATTERY CABINET-3 INSTALLATION REQUIRES OPTIONAL CABLE KIT "GVSOPT028" FOR CONNECTION TO UPS. DISCARD PRE-INSTALLED POWER AND COMMUNICATION CABLES. ADDITIONAL TEMPERATURE SENSOR 0J-0M-1160 REQUIRED.
 - BATTERY CABINET-1 AND BATTERY CABINET-3 EACH CONNECT DIRECTLY TO THE UPS CABINET.
 - REMOTE BATTERY CABLES PROVIDED BY OTHERS.
 - REMOVE THIS JUMPER FOR THREE BATTERY CABINETS CONFIGURATION

THIS DRAWING AND SPECIFICATIONS HEREIN ARE THE PROPERTY OF SCHNEIDER ELECTRIC AND SHALL NOT BE COPIED, REPRODUCED OR USED IN WHOLE OR IN PART, AS THE BASIS FOR THE MANUFACTURE OR SALE OF ITEMS WITHOUT WRITTEN PERMISSION FROM SCHNEIDER ELECTRIC. THIS DRAWING IS BASED UPON LATEST AVAILABLE INFORMATION AND IS SUBJECT TO CHANGE WITHOUT NOTICE.

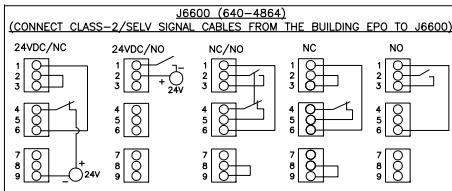


TITLE:	GALAXY VS UPS 10-75kW@208V / 20-150kW@480V Input: 208V,3PH,60Hz / Output: 208V,3PH,60Hz Input: 480V,3PH,60Hz / Output: 480V,3PH,60Hz UPS TO CLASSIC BATTERY CABINET	DWG NO:	GVSUPS10K75F20K150GS-WD	REV.	0
PROJECT:	DRAWINGS	DRAWN BY:	BALA	9-JUL-20	ANGLE
SHEET	5 OF 6	ENGINEER:	C N/ R I	23-JUL-20	PROJECTION
APPROVED BY:	J L	APPROVED BY:	J L	23-JUL-20	N. A.

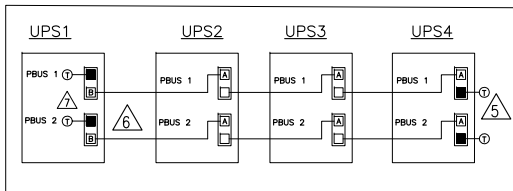
EQUIPMENT TO INPUT CONTACTS AND OUTPUT RELAYS (IN UPS)



EMERGENCY POWER OFF (EPO) CONFIGURATIONS (IN UPS)



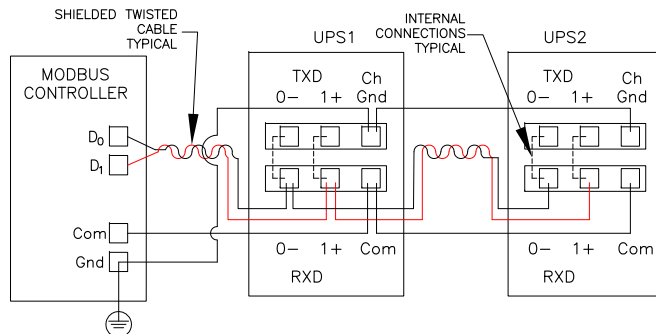
PBUS CONNECTIONS (GVSOPT006)



- NOTES:
- INSTALLATION SHALL COMPLY WITH ALL APPLICABLE NATIONAL, STATE AND LOCAL CODES.
 - REFER TO PRODUCT INSTALLATION DOCUMENTATION FOR SITE PREPARATIONS.
 - FOR LATEST VERSION OF BOARD PART NUMBERS CONTACT SCHNEIDER ELECTRIC.
 - ALL CIRCUITS CONNECTED MUST HAVE THE SAME OV REFERENCE.
 - TERMINATORS MUST BE INSTALLED & POSITIONED AS ADDRESSED IN INSTALLATION MANUAL.
 - OPTIONAL CAT5 PBUS CABLES 82 FEET [25 METERS](SKU# GVSOPT006) SHALL BE INSTALLED IN SEPARATE CONDUITS.
 - DO NOT CONNECT ANY CIRCUIT TO THE EPO TERMINAL BLOCK UNLESS IT CAN BE CONFIRMED THAT THE CIRCUIT IS CLASS 2/SELV. ALL CIRCUITS CONNECTED MUST HAVE THE SAME OV REFERENCE.
 - MAX 24V AC/ 24V DC 1A MUST BE CONNECTED TO THE OUTPUT RELAYS.
 - ALL EXTERNAL CIRCUITRY MUST BE FUSED WITH MAXIMUM 1 A FAST ACTING FUSES.
 - DO NOT CONNECT ANY CIRCUIT TO THE INPUT CONTACTS UNLESS IT CAN BE CONFIRMED THAT THE CIRCUIT IS CLASS 2. ALL CIRCUITS CONNECTED MUST HAVE THE SAME OV REFERENCE.
 - COMMON SIGNALING TO THE INPUT CONTACTS MUST BE GALVANICALLY ISOLATED TO AVOID CROSS CURRENTS BETWEEN PARALLEL UPSs.

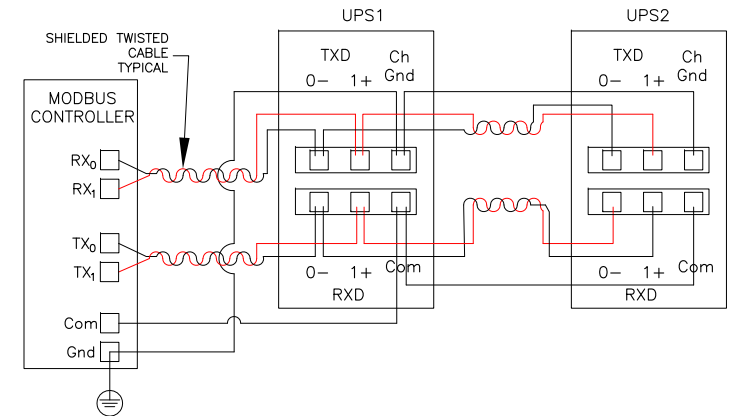
MODBUS INTERFACE DETAILS

2-WIRE CONNECTION WITH TWO UPSs

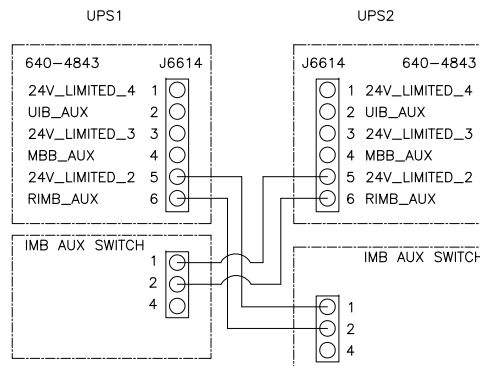


- NOTES:
- THE SHIELD CONNECTION TO THE GROUND MUST BE AS SHORT AS POSSIBLE (IDEALLY BELOW 1CM). THE SHIELD MUST BE CONNECTED TO EACH DEVICE.
 - ROUTE SIGNAL CABLES SEPARATELY FROM POWER CABLES TO ENSURE SUFFICIENT ISOLATION.
 - THE MODBUS PORT IS OPTICALLY ISOLATED. THE GROUND OF THE MODBUS PORT IS NOT CONNECTED TO ANY OTHER GROUND.
 - INSTALL 150 OHM TERMINATION RESISTORS AT EACH END OF EACH BUS IF THE BUSES ARE VERY LONG AND OPERATE AT HIGH DATA RATES. BUSES UNDER 610 METERS (2000 FEET) AT 9600 BAUD OR UNDER 305 METERS (1000 FEET) AT 19.2 BAUD SHOULD NOT REQUIRE TERMINATION RESISTORS.
 - INSTALL 400-650 OHM BIAS RESISTORS AT OR INSIDE THE SYSTEM CONTROLLER, ONE FROM D0 TO GROUND AND ONE FROM D1 TO +5V DC.

4-WIRE CONNECTION WITH TWO UPSs

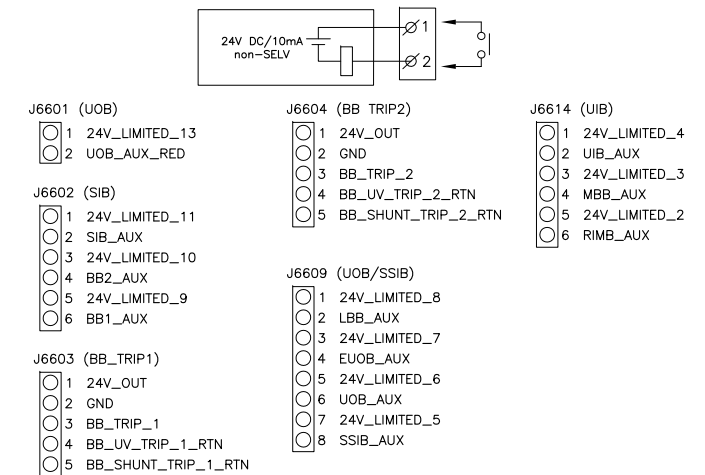


SIMPLIFIED 1+1 PARALLEL SYSTEM INTERFACE (non-CLASS2/non-SELV)



- NOTE:
- INTERFACE CABLES (LENGTH: 25 METERS) BETWEEN MAINTENANCE UPSs CAN BE ORDERED FROM THE OPTION SKU GVSOPT006 (1 KIT REQUIRED FOR 2 UPSs).

NON-SELV INTERFACE UPS(640-4843) TO THIRD PARTY SWITCHGEAR



THIS DRAWING AND SPECIFICATIONS HEREIN ARE THE PROPERTY OF SCHNEIDER ELECTRIC AND SHALL NOT BE COPIED, REPRODUCED OR USED IN WHOLE OR IN PART, AS THE BASIS FOR THE MANUFACTURE OR SALE OF ITEMS WITHOUT WRITTEN PERMISSION FROM SCHNEIDER ELECTRIC. THIS DRAWING IS BASED UPON LATEST AVAILABLE INFORMATION AND IS SUBJECT TO CHANGE WITHOUT NOTICE.



TITLE:	GALAXY VS UPS 10-75kW@208V / 20-150kW@480V Input: 208V,3PH,60Hz / Output: 208V,3PH,60Hz Input: 480V,3PH,60Hz / Output: 480V,3PH,60Hz UPS COMMUNICATION INTERFACE	DWG NO:	GVSUPS10K75F20K150GS-WD	REV.	0
PROJECT:	UPS DRAWINGS	DRAWN BY:	BALA	9-JUL-20	ANGLE
SHEET	6 OF 6	ENGINEER:	C N/ R I	23-JUL-20	PROJECTION
APPROVED BY:	J L	APPROVED BY:	J L	23-JUL-20	N. A.