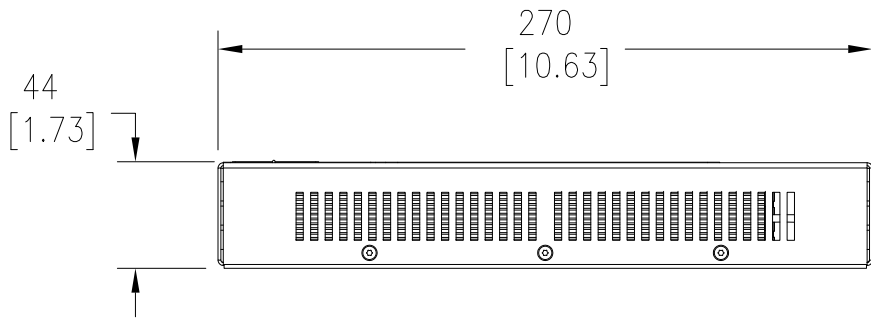


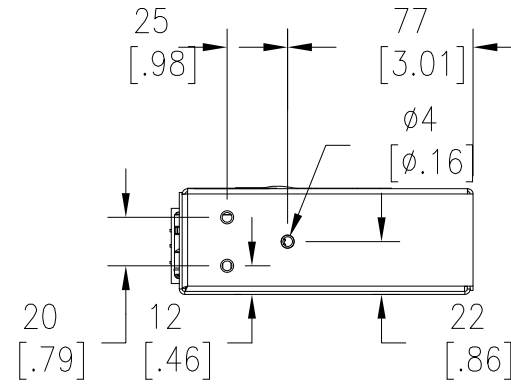
LIGHTING KIT ASSEMBLY

CONTROLLER ASSEMBLY

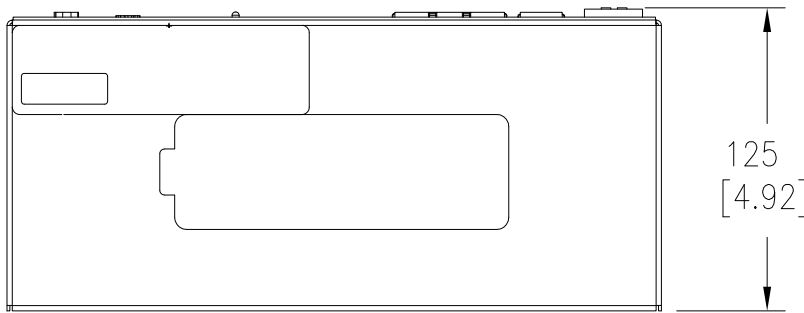
ACDC2018



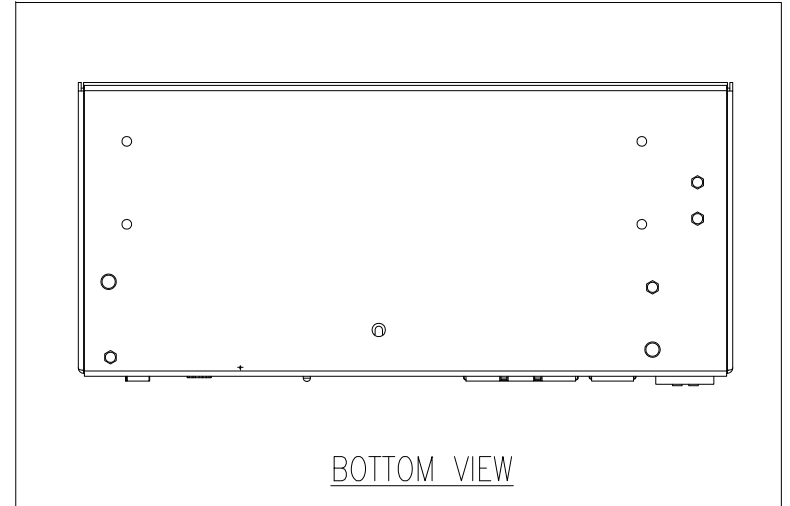
FRONT VIEW



LEFT SIDE VIEW



TOP VIEW



BOTTOM VIEW

NOTES:

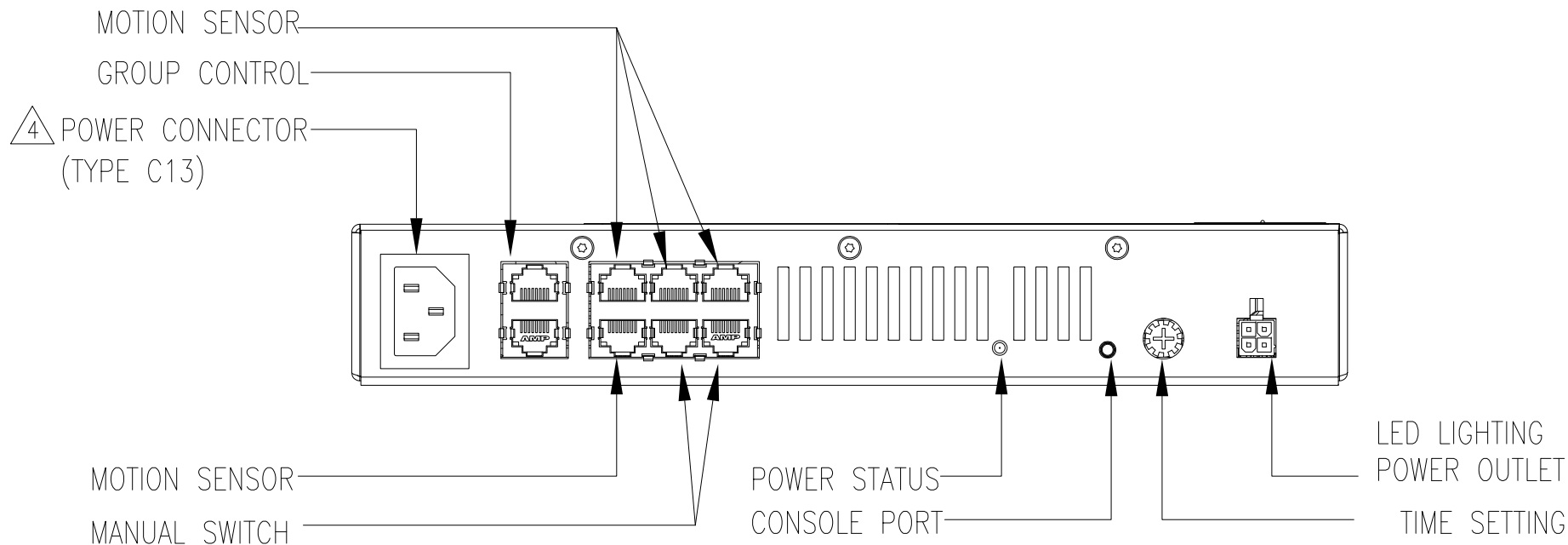
1. COMPLY WITH ALL APPLICABLE NATIONAL AND LOCAL ELECTRICAL REGULATIONS.
2. REFER TO PRODUCT DOCUMENTATION FOR ADDITIONAL DETAILS PRIOR TO INSTALLATION AND SITE PREPARATION WORK.
3. ALL DIMENSIONS ARE IN MILLIMETERS [INCHES].
4. NET WEIGHT (ALL BRACKETS INCLUDED) IS 1.17kg [2.58lbs]

THIS DRAWING AND SPECIFICATIONS HEREIN ARE THE PROPERTY OF SCHNEIDER ELECTRIC AND SHALL NOT BE COPIED, REPRODUCED OR USED IN WHOLE OR IN PART, AS THE BASIS FOR THE MANUFACTURE OR SALE OF ITEMS WITHOUT WRITTEN PERMISSION FROM SCHNEIDER ELECTRIC. THIS DRAWING IS BASED UPON LATEST AVAILABLE INFORMATION AND IS SUBJECT TO CHANGE WITHOUT NOTICE.

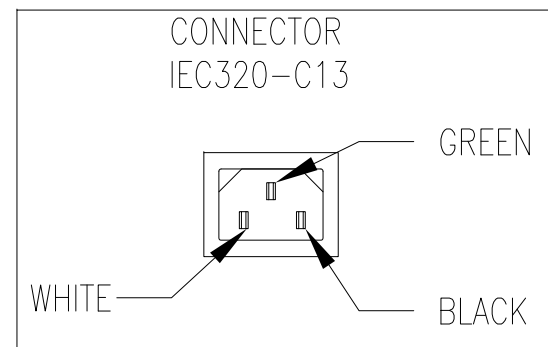


TITLE:
Eco-Aisle (TM) Aisle Containment System
LIGHTING KIT
CONTROLLER ASSEMBLY
PROJECT: SUBMITTAL DRAWINGS SHEET 1 OF 6

DWG NO:	ACDC2018-2019	REV.	0
DRAWN BY:	K.NAGENDRA	13-JAN-14	FIRST
ENGINEER:	RUSTIN SHI/MARK MENG	13-JAN-14	ANGLE
APPROVED BY:	AARON GRAFF	13-JAN-14	PROJ



REAR VIEW



NOTES:

1. COMPLY WITH ALL APPLICABLE NATIONAL AND LOCAL ELECTRICAL REGULATIONS.
2. REFER TO PRODUCT DOCUMENTATION FOR ADDITIONAL DETAILS PRIOR TO INSTALLATION AND SITE PREPARATION WORK.
3. ALL DIMENSIONS ARE IN MILLIMETERS [INCHES].
- △ 4. ACDC2018 WILL BE SUPPLIED WITH TWO POWER CORDS
POWER CORD 15A 250V C13 TO C14 UL/CSA,
POWER CORD 15A 125V C13 TO 5-15P UL/CSA

THIS DRAWING AND SPECIFICATIONS HEREIN ARE THE PROPERTY OF SCHNEIDER ELECTRIC AND SHALL NOT BE COPIED, REPRODUCED OR USED IN WHOLE OR IN PART, AS THE BASIS FOR THE MANUFACTURE OR SALE OF ITEMS WITHOUT WRITTEN PERMISSION FROM SCHNEIDER ELECTRIC. THIS DRAWING IS BASED UPON LATEST AVAILABLE INFORMATION AND IS SUBJECT TO CHANGE WITHOUT NOTICE.

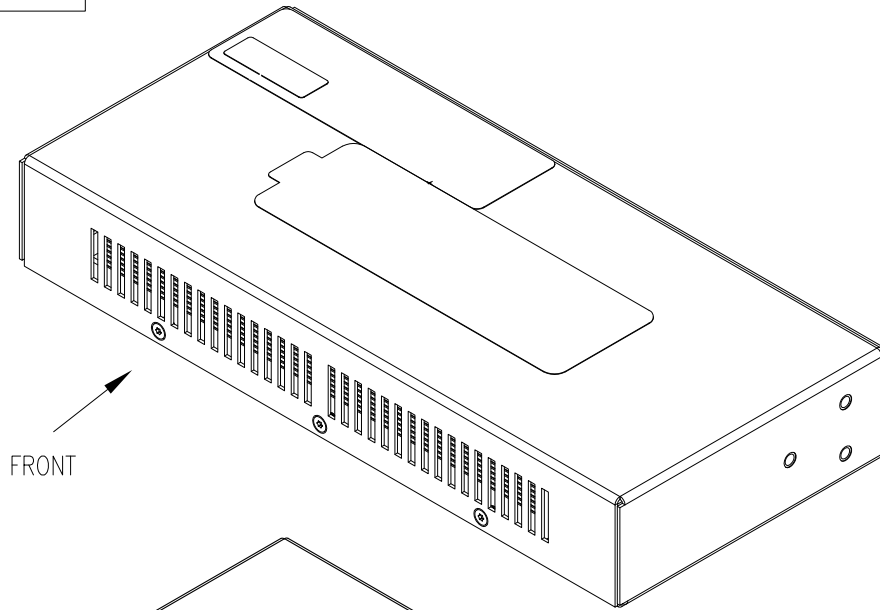


TITLE:
Eco-Aisle (TM) Aisle Containment System
LIGHTING KIT
CONTROLLER-REAR VIEW

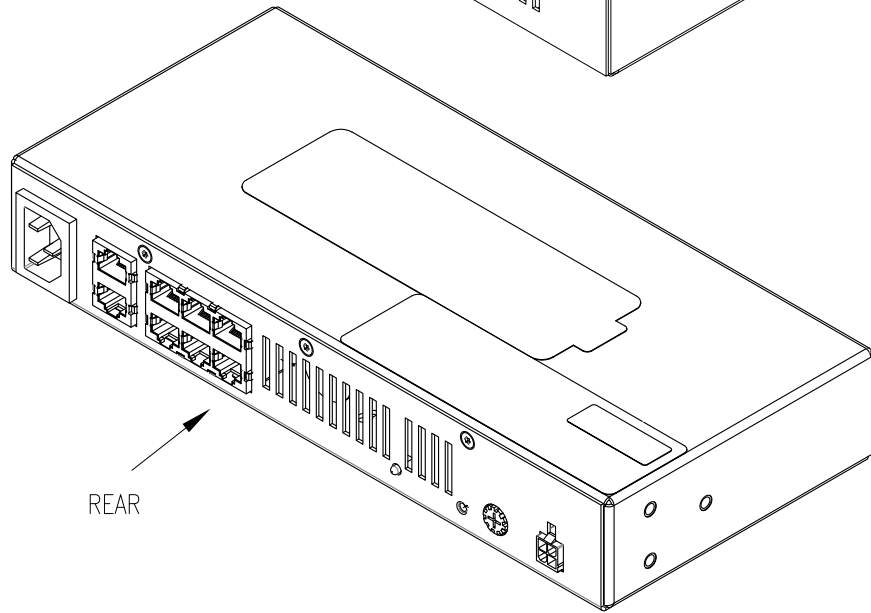
PROJECT: SUBMITTAL DRAWINGS SHEET 2 OF 6

DWG NO:	ACDC2018-2019	REV.	0
DRAWN BY:	K.NAGENDRA	13-JAN-14	FIRST
ENGINEER:	RUSTIN SHI/MARK MENG	13-JAN-14	ANGLE
APPROVED BY:	AARON GRAFF	13-JAN-14	PROJ

ACDC2018



FRONT

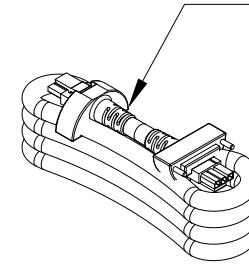


REAR

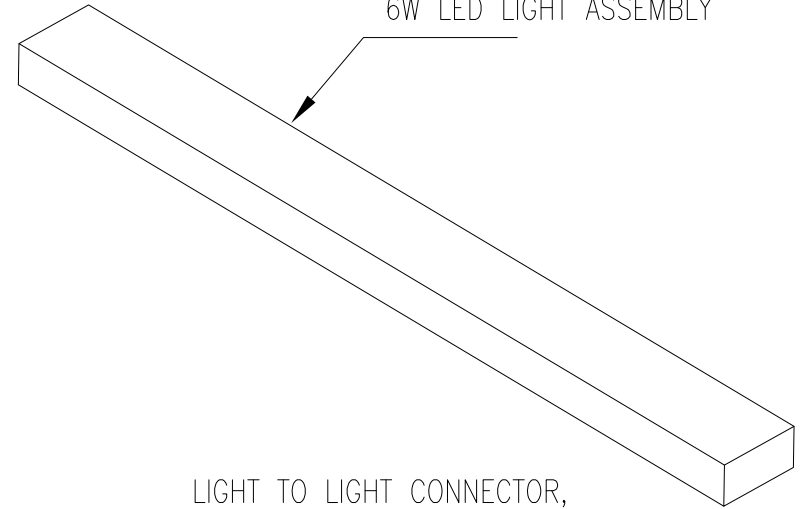
ISOMETRIC VIEW

ACDC2018-ACDC2019

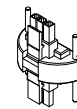
LIGHT TO LIGHT WIRE ASSEMBLY



6W LED LIGHT ASSEMBLY



LIGHT TO LIGHT CONNECTOR, END TO END



NOTES:

1. COMPLY WITH ALL APPLICABLE NATIONAL AND LOCAL ELECTRICAL REGULATIONS.
2. REFER TO PRODUCT DOCUMENTATION FOR ADDITIONAL DETAILS PRIOR TO INSTALLATION AND SITE PREPARATION WORK.
3. ALL DIMENSIONS ARE IN MILLIMETERS [INCHES].

THIS DRAWING AND SPECIFICATIONS HEREIN ARE THE PROPERTY OF SCHNEIDER ELECTRIC AND SHALL NOT BE COPIED, REPRODUCED OR USED IN WHOLE OR IN PART, AS THE BASIS FOR THE MANUFACTURE OR SALE OF ITEMS WITHOUT WRITTEN PERMISSION FROM SCHNEIDER ELECTRIC. THIS DRAWING IS BASED UPON LATEST AVAILABLE INFORMATION AND IS SUBJECT TO CHANGE WITHOUT NOTICE.



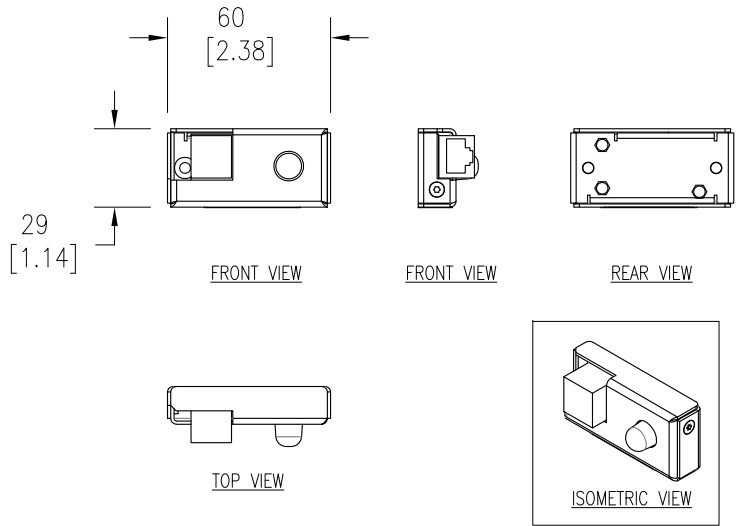
TITLE:
Eco-Aisle (TM) Aisle Containment System
LIGHTING KIT
CONTROLLER-ISOMETRIC VIEW

PROJECT: SUBMITTAL DRAWINGS SHEET 3 OF 6

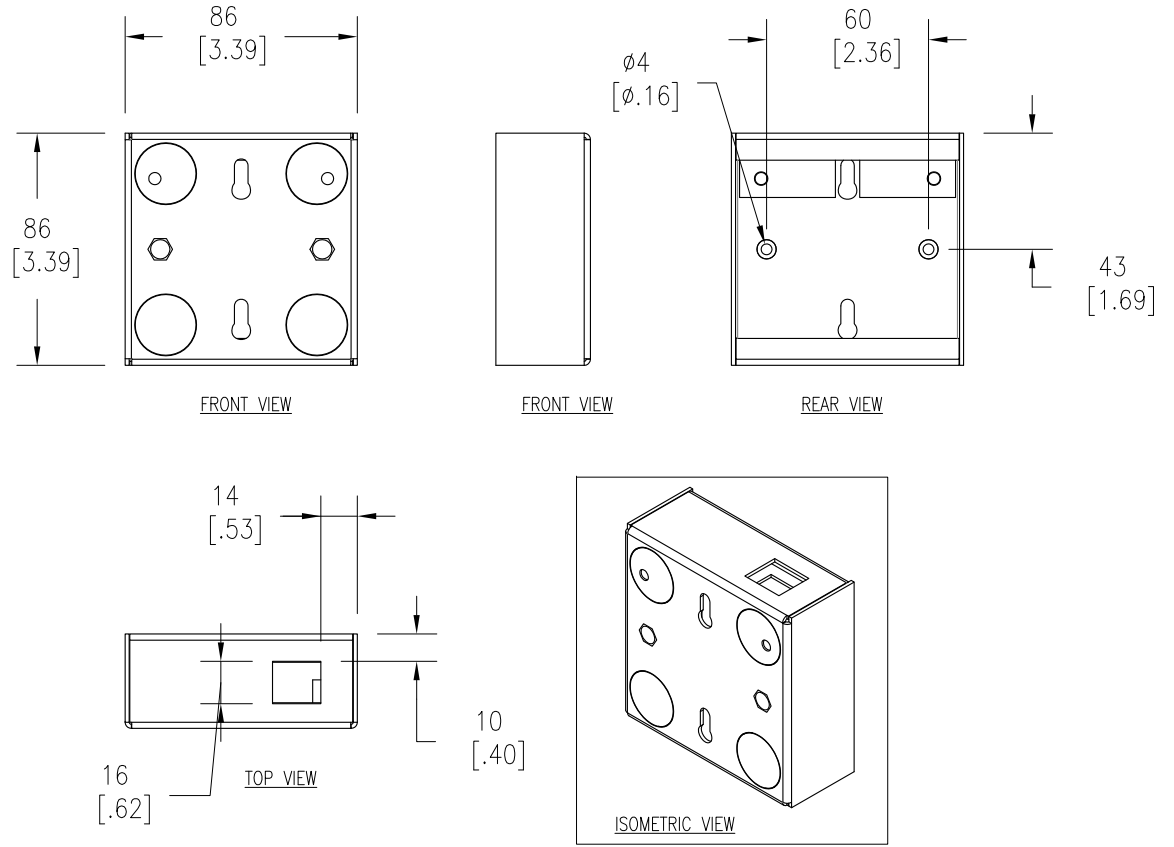
DWG NO:	ACDC2018-2019	REV.	0
DRAWN BY:	K.NAGENDRA	13-JAN-14	FIRST
ENGINEER:	RUSTIN SHI/MARK MENG	13-JAN-14	ANGLE
APPROVED BY:	AARON GRAFF	13-JAN-14	PROJ

ACDC2018

MOTION SENSOR



MANUAL SWITCH



NOTES:

1. COMPLY WITH ALL APPLICABLE NATIONAL AND LOCAL ELECTRICAL REGULATIONS.
2. REFER TO PRODUCT DOCUMENTATION FOR ADDITIONAL DETAILS PRIOR TO INSTALLATION AND SITE PREPARATION WORK.
3. ALL DIMENSIONS ARE IN MILLIMETERS [INCHES].

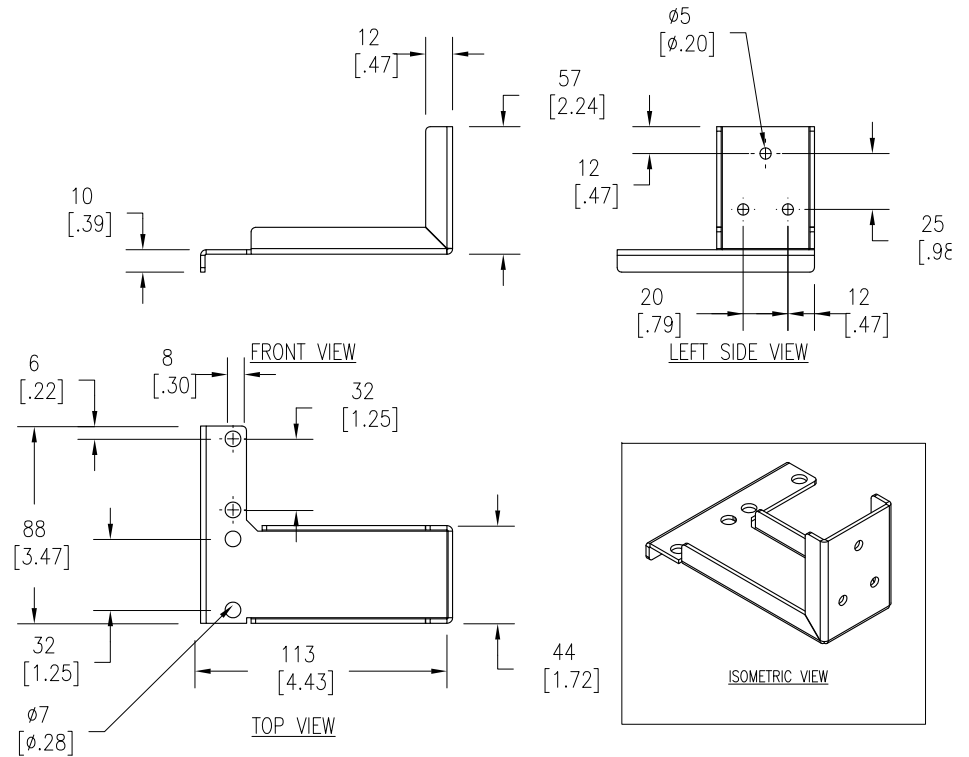
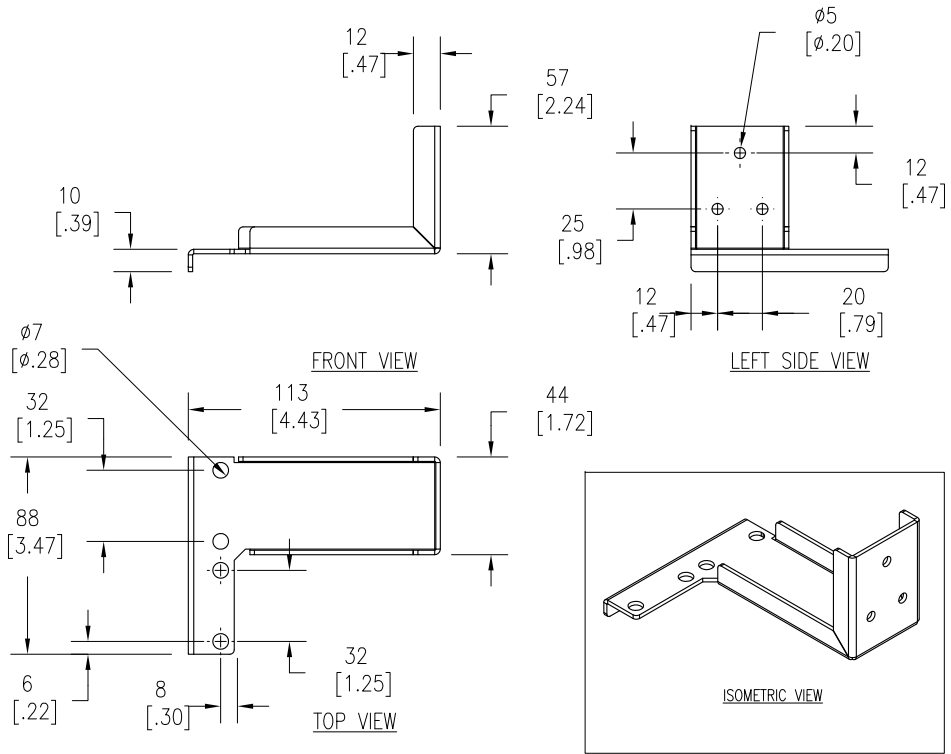
THIS DRAWING AND SPECIFICATIONS HEREIN ARE THE PROPERTY OF SCHNEIDER ELECTRIC AND SHALL NOT BE COPIED, REPRODUCED OR USED IN WHOLE OR IN PART, AS THE BASIS FOR THE MANUFACTURE OR SALE OF ITEMS WITHOUT WRITTEN PERMISSION FROM SCHNEIDER ELECTRIC. THIS DRAWING IS BASED UPON LATEST AVAILABLE INFORMATION AND IS SUBJECT TO CHANGE WITHOUT NOTICE.



TITLE:
Eco-Aisle (TM) Aisle Containment System
LIGHTING KIT
SENSOR & SWITCH
PROJECT: SUBMITTAL DRAWINGS SHEET 4 OF 6

DWG NO:	ACDC2018-2019	REV.	0
DRAWN BY:	K.NAGENDRA	13-JAN-14	FIRST
ENGINEER:	RUSTIN SHI/MARK MENG	13-JAN-14	ANGLE
APPROVED BY:	AARON GRAFF	13-JAN-14	PROJ

MOUNTING BRACKET (LH & RH)



NOTES:

1. COMPLY WITH ALL APPLICABLE NATIONAL AND LOCAL ELECTRICAL REGULATIONS.
2. REFER TO PRODUCT DOCUMENTATION FOR ADDITIONAL DETAILS PRIOR TO INSTALLATION AND SITE PREPARATION WORK.
3. ALL DIMENSIONS ARE IN MILLIMETERS [INCHES].

THIS DRAWING AND SPECIFICATIONS HEREIN ARE THE PROPERTY OF SCHNEIDER ELECTRIC AND SHALL NOT BE COPIED, REPRODUCED OR USED IN WHOLE OR IN PART, AS THE BASIS FOR THE MANUFACTURE OR SALE OF ITEMS WITHOUT WRITTEN PERMISSION FROM SCHNEIDER ELECTRIC. THIS DRAWING IS BASED UPON LATEST AVAILABLE INFORMATION AND IS SUBJECT TO CHANGE WITHOUT NOTICE.

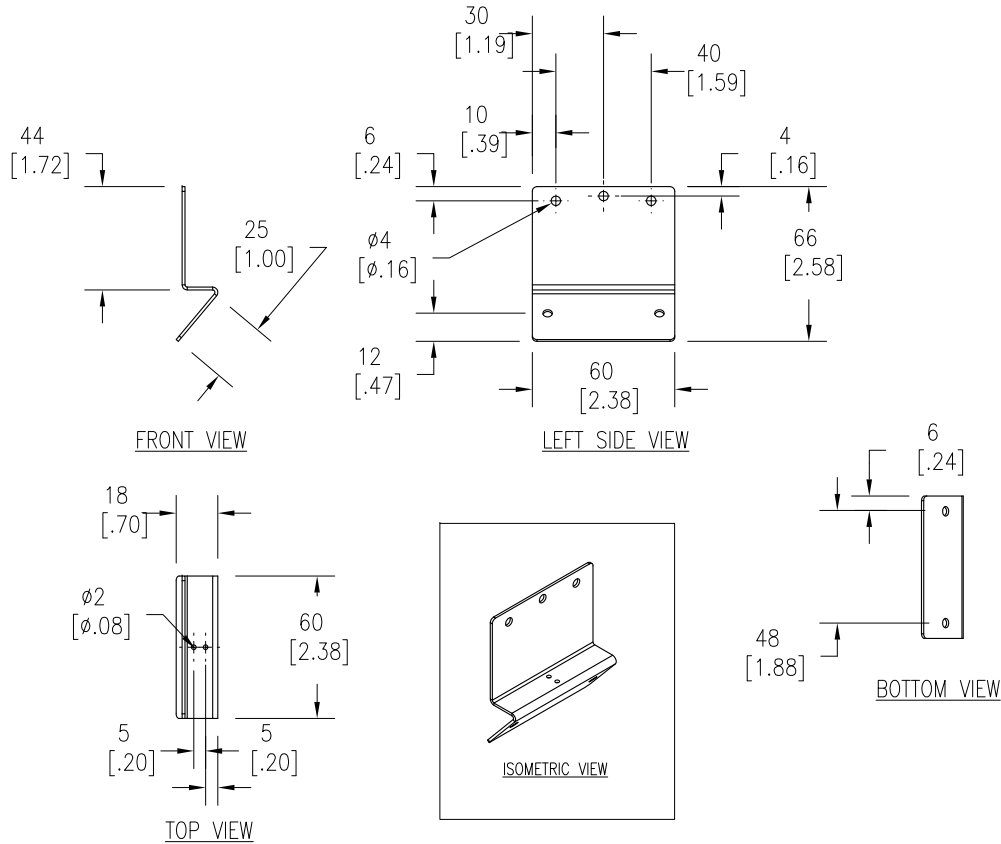


TITLE:
Eco-Aisle (TM) Aisle Containment System
LIGHTING KIT
BRACKETS

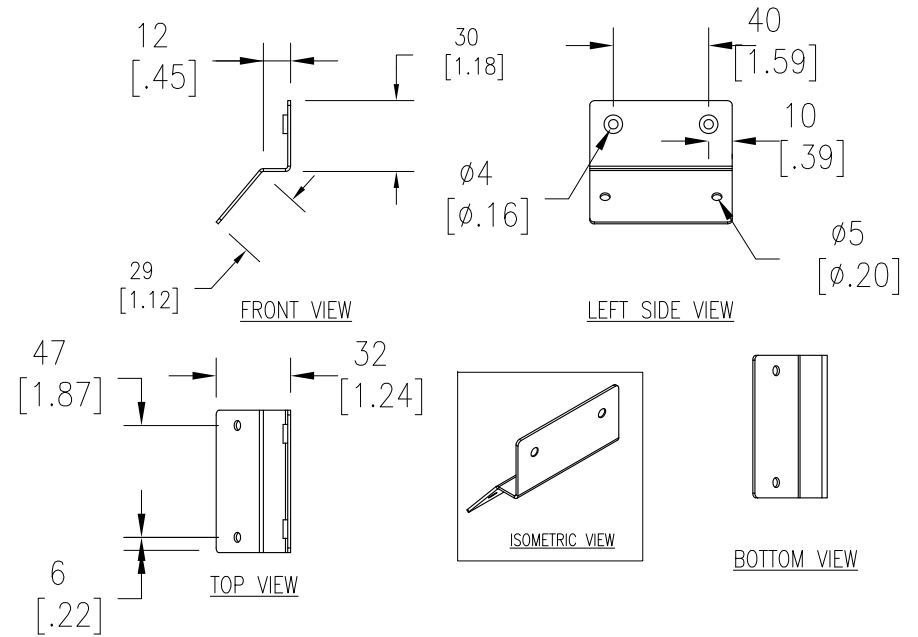
PROJECT: SUBMITTAL DRAWINGS SHEET 5 OF 6

DWG NO:	ACDC2018-2019	REV.	0
DRAWN BY:	K.NAGENDRA	13-JAN-14	FIRST ANGLE
ENGINEER:	RUSTIN SHI/MARK MENG	13-JAN-14	ANGLE PROJ
APPROVED BY:	AARON GRAFF	13-JAN-14	

SENSOR MOUNTING BRACKET-CURTAIN DOOR



SENSOR MOUNTING BRACKET-SLIDING DOOR



NOTES:

1. COMPLY WITH ALL APPLICABLE NATIONAL AND LOCAL ELECTRICAL REGULATIONS.
2. REFER TO PRODUCT DOCUMENTATION FOR ADDITIONAL DETAILS PRIOR TO INSTALLATION AND SITE PREPARATION WORK.
3. ALL DIMENSIONS ARE IN MILLIMETERS [INCHES].

THIS DRAWING AND SPECIFICATIONS HEREIN ARE THE PROPERTY OF SCHNEIDER ELECTRIC AND SHALL NOT BE COPIED, REPRODUCED OR USED IN WHOLE OR IN PART, AS THE BASIS FOR THE MANUFACTURE OR SALE OF ITEMS WITHOUT WRITTEN PERMISSION FROM SCHNEIDER ELECTRIC. THIS DRAWING IS BASED UPON LATEST AVAILABLE INFORMATION AND IS SUBJECT TO CHANGE WITHOUT NOTICE.



TITLE:
Eco-Aisle (TM) Aisle Containment System
LIGHTING KIT
BRACKETS
PROJECT: SUBMITTAL DRAWINGS SHEET 6 OF 6

DWG NO:	ACDC2018-2019	REV:	0
DRAWN BY:	K.NAGENDRA	13-JAN-14	FIRST
ENGINEER:	RUSTIN SHI/MARK MENG	13-JAN-14	ANGLE
APPROVED BY:	AARON GRAFF	13-JAN-14	PROJ