

Cisco Board Pro



Contents

04	Overview
06	Cisco Board Pro features and benefits
10	Cisco Board Pro prominent features/ differentiators
11	Cisco Board Pro support
11	Product specifications
24	Hardware specifications
26	Ordering information
30	Warranty information
30	Product sustainability
31	Cisco services and support
31	Cisco Capital
31	For more information



Cisco Board Pro is an all-in-one device that provides everything you need for hybrid teamwork: it brings your local and remote teams together to collaborate in a connected digital workspace. Recognized in the 2022 Red Dot Design Awards as “Best of the Best” in product design, and in the 2022 UC Awards as “Best Meeting Room Product” of the year, Board Pro is a purpose-built solution combining premium visual collaboration, video conferencing, ideation, and co-creation, allowing your teams to join video-first meetings, digitally whiteboard, wirelessly present, and share content.

Better still, it allows you to seamlessly connect with any third-party meeting service and use your go-to productivity tools to let your teams brainstorm, collaborate, and share ideas in one integrated and fluid workflow. Featuring stunning video, built-in AI, a capacitive touch screen and spatial audio, the Cisco Board Pro is designed for collaboration spaces of all sizes, including boardrooms, classrooms, open studios, huddle spaces, and conference rooms.



reddot winner 2022
best of the best



Figure 1. Content sharing in a video meeting using the wall-mount Board Pro 55

Overview

In the hybrid workplace, teams need to work together both in the physical workplace and virtually, just as if everyone were in the same room. Cisco Board Pro was designed to enable the future of work by giving your workforce the power to communicate, create, collaborate, and capture ideas with a connected collaboration device that extends beyond the boundaries of the meeting room. Board Pro revolutionizes the way we work by combining key requirements for team collaboration and conferencing

and connecting it to the cloud for frictionless meeting experiences and workflows. It's a digital canvas, a video-first conferencing system, and a wireless presentation screen that allows your teams to draw, annotate, share, meet, and ideate, all in a single, beautifully designed device.



Figure 2. Digital whiteboarding session in an open studio using the Board Pro 75

Available in 55-inch and 75-inch models, the Cisco Board Pro helps your teams collaborate in a variety of meeting spaces and connect with remote members to become more productive. Board Pro draws its power from the RoomOS platform for the native Webex experience and video interoperability, while also provides the flexibility to run the device on Microsoft Teams Rooms.

At the same time, Board Pro brings you optionality by seamlessly working together with your most common third-party meeting apps and productivity tools without the need to switch between devices and solutions. It can securely work with Microsoft Teams, Zoom, Google Meet, and other external meeting solutions with the same best-of-breed experience via one-button-to-push web apps powered by unparalleled interoperability behind the scenes to take the stress out of getting connected. More exclusively, it allows you to effortlessly pair your laptop with Cisco Board Pro, extending your portable device into a large studio and bringing your go-to applications to life on an intuitive touchscreen

display while leveraging advanced room, camera, and collaboration intelligence.

The solution securely connects to your virtual teams through the Webex cloud service, via your Webex App or Webex App-enabled devices, so you can create a truly integrated and seamless collaboration environment. Register the touch board, either on your premises or to the Webex cloud service to store everything created on Board Pro directly in the cloud. You can then associate it to a virtual Webex App space so your team can stay connected and get work done anywhere.



Figure 3. Cisco Board Pro on floor stand with wheel upgrade in a classroom

Cisco Board Pro features and benefits

The Cisco Board Pro is a fully self-contained system on a high-resolution 4k LCD screen. With built-in, dual 4k cameras, embedded microphone array, and a capacitive touch interface, the board brings intelligence, style, and usability to small-to-large meeting rooms.

Cisco Board Pro was built to power hybrid teamwork: high-quality, AI-powered meetings, consistent experiences, open integrations, and unified management were added to transform meeting spaces of all sizes in a simple way. With Board Pro, your team can experience smart meetings, best-of-breed visual collaboration, and robust room, device, and software integrations. This level of feature innovation and premium experience can now be brought to every room and every team with a single, integrated unit. It is a purpose-built device that seamlessly supports:

- **Real-time video collaboration** – Unlike other collaboration displays, Board Pro is designed to deliver a face-to-face experience that rivals in-person meetings. With high-quality video and audio, it turns your sessions into premium video

conferencing to build connection and digital proximity among dispersed teams.

- **Visual collaboration** – Empower your teams to generate ideas or problem-solve. The digital whiteboard lets teams brainstorm, draw, use stickies, and annotate in a freeform fashion on an infinite canvas. Use two dedicated styli and touch-based pinch and zoom for details and precision.
- **Continuous collaboration** – Every session is stored in a Webex space so you never lose an idea. Work can continue across time zones and teams can add to it any time. Share ideas and collaborate across distances without the fear of losing your work.
- **Local collaboration** – Pair the device with your laptop, share wirelessly, and annotate on any content. Go from ideate, to create, to iterate—using one capacitive touchscreen.
- **Agile workflows** – Agile teams can quickly access their preferred project management apps and collaboration tools through integrated web apps and draw, annotate, or share ideas seamlessly.

- **Hybrid education** – Teachers can instruct in-room and remote students with the digital whiteboard, where files are saved and can be shared with the entire class after the session. Bring in experts from around the world to share their knowledge with students
- **Digital signage** – Cisco Board Pro allows you to show custom content with the aim to provide information that is important to the workforce and guests, including upcoming town hall dates, company calendars, safety guidelines, and critical alerts in open spaces, hallways, and lobby areas

Table 1. Cisco Board Pro features and benefits

FEATURE	BENEFITS
<p>Design features</p>	<ul style="list-style-type: none"> • Beautiful to behold and effortless to use • From backend to UX, it is all designed together • The product is obvious: people can use it as they go with a minimum learning curve • Fits every workspace design • Flexible mounting options (wall mount, floor stand, and wheel-stand model for seamless portability) • Two active styli for continuous collaboration with magnetic attachment to the touch screen
<p>Premium presentations</p>	<ul style="list-style-type: none"> • Direct wireless sharing through the Webex App, Cisco Proximity, Miracast and AirPlay (Wireless sharing is not available on non-radio versions) • HDMI and USB-C input for 4k presentations (HDMI input supports HDCP) • HDMI output to share content on any projector or secondary screen* • Extension with an external room camera, including the Cisco PTZ 4K Camera to provide powerful close-ups and presenter tracking* • Touch-redirect connection with Board Pro transforms your PC into a board-size tablet • USB-C connection charges your laptop’s battery while presenting
<p>Whiteboarding and visual collaboration</p>	<ul style="list-style-type: none"> • Use the native Webex Whiteboard app, and the Microsoft Whiteboard (available in native Microsoft Teams mode) • With Annotate-All, users can immediately write on any content as your ideas visual collaboration flow, mark-up changes, or iterate on projects • Store whiteboards in the cloud on the Webex App, in OneDrive, or share them via email as PDF files • Write with up to two styli at the same time and zoom with your fingers, easily move, add, and delete digital stickies • View and interact with Embedded Apps in Webex meetings, including ideation tools like Miro and Mural • Set up a Cisco Room device and the Board Pro to work in companion mode

Table 1. Cisco Board Pro features and benefits

FEATURE	BENEFITS
<p>Web apps</p>	<ul style="list-style-type: none"> • Set up your team’s most used web-based applications to run directly on Board Pro; no computer is needed and apps are right where you need them. • Add your most commonly used applications like Microsoft Office 365, Trello, Miro, or Mural with the option to share and annotate on the content during meetings and access third-party whiteboarding apps. • WebRTC allows video call apps to natively use the board’s microphone and camera. • Web apps are contained and only active during use, ensuring safety on the device and privacy of meetings.
<p>Smart meeting</p>	<ul style="list-style-type: none"> • Simplified meeting-join experience on Webex natively and on third-party meeting apps powered by video interoperability, such as Microsoft Teams (CVI, WebRTC), Zoom (SIP), and Google Meet (WebRTC). • Dual 4k Camera at 83 and 120-degree holistic field of view allows for close and further participants to be seen clearly when they speak. • Support for native Microsoft Teams Rooms experience with the option to join full-featured Webex meetings and events • Background noise removal helps to keep the meeting attention on the active speaker by eliminating background noise. • Camera intelligence: Available in Webex meetings, People Focus provides an intelligent video layout option that removed excess floor and ceiling space, while optimizing the layout based on where people are sitting in the room, for a more equitable view of every participant in the meeting. Beyond that, by enabling the Frames camera control option on Webex or any third-party meeting service, each participant in the room is individually framed, leaving any blank space out of the view. • A 14-element microphone array automatically modulates the active speaker so that clear audio is delivered to the far end, whether the speaker is close to or far away from the board. • An advanced speaker tracking system ensures that the cameras always keep the speaker in focus. • USB-C passthrough allows for computers to use the Cisco Board Pro with any video client installed on the computer, while benefiting from the intelligence in camera and audio from Board Pro. • Enjoy crystal-clear, directional audio experience with integrated speakers. • Automatic wake-up: the system “wakes up” when someone walks into the room, and recognizes them through their mobile device. • Automatic power save allows Board Pro to enter a low-power standby state upon inactivity. • Board Pro can be easily controlled by the Cisco Room Navigator or with a Webex App-enabled device. • Participate in native Webex whiteboarding sessions from the Webex App. • The meeting-join experience is simple with One Button to Push (OBTP) • Get end-to-end security and encryption in Webex meetings. • Webex Assistant: users can join meetings via voice commands powered by an AI-enabled virtual assistant.

Table 1. Cisco Board Pro features and benefits

FEATURE	BENEFITS
Digital signage	<ul style="list-style-type: none"> • A powerful web engine provides the ability to connect to a web-based backend to automatically display information when Board Pro is not in use. • Content displayed in signage mode can be either static or interactive, giving users the option to interact with the content displayed. • Signage must be limited to working hours setting to avoid unnecessary power consumption and premature damage of the screen.
Smart integrations	<ul style="list-style-type: none"> • Metrics: Count the people in the room via smart sensors, enabling analytics for better resource planning. • Intelligent workspaces: measure temperature, humidity, noise and light in the rooms when paired with Cisco Room Navigator. Access the information through full stack APIs. • Supports Wi-Fi • Easily control room peripherals such as lights, room dividers, and curtains directly from the Room Navigator control unit through customizable APIs (requires external third-party control system processor).
Performance features	<ul style="list-style-type: none"> • Native screen resolution up to 4kp60 • Main video resolution up to 1080p30 • Content sharing resolution up to 4kp15 • H.323/SIP/Webex bandwidth up to 20 Mbps • Full duplex audio with high-quality stereo sound • Full Application Programming Interfaces (APIs) • Cisco Media Assure packet loss protection
Built for cloud and premises	<ul style="list-style-type: none"> • Flexibility to register on-premises or to the cloud through Webex • Hardware is optimized to run on a cloud platform for great experiences in shared rooms and spaces, with easy access to hosted conferences
BYOD USB-C passthrough	<ul style="list-style-type: none"> • Access camera, microphones, speakers, and external screens through the USB-C port. • Enjoy the meeting intelligence of the Board Pro on any software from your computer. • Charge your laptop while connected to the Board Pro. • Extra accessory: a 9-meter USB-C cable allows you to reach to the far end of the meeting space.

*Available with future software release.



Figure 4. Video conferencing in a meeting room with the Cisco Board Pro 55

Cisco Board Pro prominent features/differentiators

Enabling continuous hybrid teamwork

The Cisco Board Pro is revolutionary in its capability, usability, and design, and the ability to connect teams beyond the physical meeting room is due to the power of the Cisco platform. The consistency, simplicity, and reliability your team can leverage when using Cisco Board Pro and the Webex App is made possible by these key features within the platform:

- **Cloud-first, not cloud-only** – Cisco Board Pro can be simply and securely deployed on-premises, as a hybrid architecture or registered in the cloud and offered on a subscription basis, so you can add or update services automatically or on demand.
- **App-enabled** – Once shared or created on Board Pro and associated with a Webex space, the whiteboard and shared content live persistently and can be accessed from any mobile device—laptop, smartphone, tablet—on the Webex App from wherever you are. This means work and knowledge can be transferred seamlessly from one team member to the next, from one time zone to another.
- **Activity-based** – The capabilities you enjoy on Board Pro—meeting, calling, whiteboarding, and content sharing—are the same capabilities you will experience on the Webex App. You can start your work on Board Pro and continue on your personal and mobile devices, or vice versa.
- **Managed** – Controlled via the Control Hub, Board Pro can be deployed as a fully managed IT asset, thus providing a unified, secure, and comprehensive approach to administration, provisioning, analytics, and diagnostics that is superior to other solutions in the market.
- **User Experience (UX) first** -- Designed with minimal wires for simplicity and elegance, Board Pro allows wireless sharing and Wi-Fi connectivity to remove friction and let the ideas flow. The system is also touch-based for easy and rich team collaboration. Not only is Board Pro beautiful to behold and effortless to use, it is also affordable to acquire and easy to install and deploy, so that it can be a fixture in all of your conference rooms.

Cisco Board Pro support

Table 2. Platform support

PRODUCT FAMILY	PLATFORM SUPPORTED
Cisco Board Pro	<ul style="list-style-type: none"> • Activation and connection to Webex • Native registration with Cisco Unified Communications Manager (UCM) or Cisco Expressway™ (from version 10.5.2 or later with device pack) • Third-party H.323 gatekeepers and standards-based SIP proxies • Third-party video meeting platforms via video interoperability: Microsoft Teams (CVI, WebRTC), Google Meet (WebRTC), Zoom (SIP, via Zoom Conference Room Connector). • Microsoft Teams Rooms on Android.

Product specifications

This document is based on software version RoomOS 11.0.1.x (November, 2022). Hardware features marked by “future software release” are not yet functional with this version of the software but are expected in future releases.

Table 3. Product specifications for Cisco Board Pro

SPECIFICATION	DESCRIPTION
Software compatibility	<ul style="list-style-type: none"> • RoomOS 10.11 or later • Microsoft Teams Rooms on Android
Default components of the Cisco Board Pro	<ul style="list-style-type: none"> • Fully integrated main unit is delivered with: • Multi-touch 55- or 75-inch 4k LCD display • 2 x 4k cameras – wide and main field of view • 12 element second-generation microphone array • Integrated speakers and woofer • 2 active stylus pens • Wall mount kit (when floor stand is selected, the wall mount kit is no longer included) • Ethernet cable (16,4 feet/5 meters) • Power cord according to country specified in order

Table 3. Product specifications for Cisco Board Pro

SPECIFICATION	DESCRIPTION
Display	55-inch/75-inch LCD monitor <ul style="list-style-type: none"> • Resolution: 4k UHD (3840x2160) /16:9) • Display type: IPS LCD. • Display size in inches: 55” or 75” • Luminance: Typ 350 cd/m2 • Viewing angle: +/- 89 degrees (all directions) • Number of colors: 1.07 billion (10bit) • Contrast: 1:1000 • Response Time: 8ms
Optional hardware components	<ul style="list-style-type: none"> • Cisco Table Microphones • Cisco Ceiling Microphone • Cisco Room Navigator • Presentation cables • Cisco Active Optical USB-C Cable, 9m • Floor stand, 55-inch version • Floor stand, 75-inch version • Wheel kit for floor stand, 55-inch version • Wheel kit for floor stand, 75-inch version • Cisco PTZ 4K Camera (not applicable in China, Korea and Japan)
User interface	<ul style="list-style-type: none"> • In-cell projected capacitive touch • Optically bonded cover glass • Multi-touch • Active stylus-enabled • Stylus-finger differentiation • Natively comes with the Webex Whiteboard app for digital whiteboarding and can run third-party visual collaboration tools, such as Miro and Mural, as secure web apps
Bandwidth	<ul style="list-style-type: none"> • Up to 20 Mbps bandwidth • 720p30 from 768 kbps • 720p60 from 1152 kbps • 1080p30 from 1472 kbps • 1080p60 from 2560 kbps
Firewall traversal	<ul style="list-style-type: none"> • Cisco Expressway technology • H.460.18, H.460.19 firewall traversal

Table 3. Product specifications for Cisco Board Pro

SPECIFICATION	DESCRIPTION
Video standards	<ul style="list-style-type: none"> • H.264 AVC, H.265 HEVC, H.263
Supported resolution	<ul style="list-style-type: none"> • Screen: 4kp60 • Main video: 1080p30 • Content sharing: 4kp15
Cameras	<p>Dual 4k, 12MP cameras</p> <ul style="list-style-type: none"> • Automatic best view and speaker tracking • Automatic brightness and white balance • 5x manual zoom • 3x digital zoom via SpeakerTrack • Frames camera mode support for equitable participant views <p>Main camera:</p> <ul style="list-style-type: none"> • 85° horizontal field of view, 64° vertical field of view • Dual f/1.7-f/2.4 aperture • 12 MP image sensor, 30 fps • Focus distance: 0.8m to infinity • 1/2.3" CMOS, PDAF technology <p>Ultra-wide camera:</p> <ul style="list-style-type: none"> • 120° horizontal field of view, 90° vertical field of view • f/2.0 aperture • Fixed-focus • 12 MP image sensor, 30 fps • 1/2.3" CMOS
Video inputs	<ul style="list-style-type: none"> • USB-C DisplayPort Alternate Mode up to 3840 x 2160p60 (4kp60) • HDMI 2.0 type A input supports formats up to 3840 x 2160p30 (4kp30) • HDMI input is compatible with HDCP
Video outputs	<ul style="list-style-type: none"> • HDMI 2.0 type A up to 3840 x 2160p60 (4kp60) for screen mirroring, content and live video display (coming soon)*

Table 3. Product specifications for Cisco Board Pro

SPECIFICATION	DESCRIPTION
<p>Wireless sharing</p>	<ul style="list-style-type: none"> • Webex app (up to 3840 x 2160 at 7.5 fps) • Cisco Intelligent Proximity client (up to 1920 x 1080 at 3 fps) • Miracast (up to 1920 x 1080 at 30 fps) – Not available on Non radio version – requires Board Pro to be on Ethernet network connection • Apple AirPlay: – Not available on Non Radio versions <ul style="list-style-type: none"> - Screen mirroring up to 1920 x 1080 at 60 fps - Extended desktop (Mac only) – up to 1920 x 1080 at 60 fps - Video streaming from iPhone and iPad up to 3840 x 2160 at 30 fps - Video streaming from Mac (Safari) up to 1920 x 1080 at 60 fps
<p>Network</p>	<ul style="list-style-type: none"> • 1 x Ethernet (RJ-45) 100/1000 Mbps (external network) • 1 x Ethernet (RJ-45) 100/1000 Mbps PoE port for Cisco Room Navigator and external conferencing camera, such as the Cisco PTZ 4K Camera • Wi-Fi 802.11a/b/g/n/ac (2.4 and 5 GHz) – not available in non-radio versions <p>Note: Due to compliance regulations, it is required to enable 802.11d in the access point for the product to operate properly within 5725 MHz – 5875 MHz. A Wi-Fi connection can be used as a flexible option. Ethernet connection is always preferred for high performance.</p> <ul style="list-style-type: none"> • IPv4 Dynamic Host Configuration Protocol (DHCP)/static • IPv6 (both static and stateless address auto-configuration) • Network Time Protocol (NTP) • HTTP(S) proxy support (for signaling, not media) • Inspecting TLS proxy supported • Cisco Discovery Protocol (CDP) • 802.1X network authentication (passphrase or X.509 client certificate) • 802.1Q virtual LAN • 802.1p (Quality of Service [QoS] and Class of Service [CoS])
<p>Encode and decode</p>	<ul style="list-style-type: none"> • Video stream: Full HD 1080p30 • Content stream: 4k 2160p15 • Up to 4k content decode from Webex

Table 3. Product specifications for Cisco Board Pro

SPECIFICATION	DESCRIPTION
Companion mode	<ul style="list-style-type: none"> • In companion mode, one Cisco Room Series device and one Board Pro work together over IP as a combined system. • Users can initiate meetings using the Room Series device and use the Board Pro for digital whiteboarding. Shared content is shown on both devices, and the whiteboards are shared to the room device automatically in video calls. • Learn more about how to setup a Room device and a Board Pro in companion mode, and which are the recommended room setups for an optimal meeting experience.
Audio standards	<ul style="list-style-type: none"> • G.711, G.722, G.722.1, G.729, AAC-LD, and Opus
Audio features	<ul style="list-style-type: none"> • Acoustic Echo Cancellation (AEC) • Active Lip Synchronization • AI-Powered Noise Removal • Automatic Gain Control (AGC) • Beamforming Microphones • De-Reverberation • Full Duplex • Full-Band Audio • Noise Reduction • Self-Hear • Spatial Audio • Ultrasound Technology • Test microphone feature available in the RoomOS device settings allows users to record a sound sample and play it back to test speech pickup quality and noise removal settings
Audio inputs	<ul style="list-style-type: none"> • 2 analog microphone inputs • 1 HDMI input • 1 USB-C • 1 USB-A • Bluetooth® - Not available on Non Radio Version**

Table 3. Product specifications for Cisco Board Pro

SPECIFICATION	DESCRIPTION
<p>Audio outputs</p>	<ul style="list-style-type: none"> • 1 analog line out (stereo 3.5mm minijack) • 1 HDMI output* • 1 USB-C output • 1 USB-A output • Bluetooth® - Not available on Non Radio Version**
<p>Microphone and loudspeaker system</p>	<ul style="list-style-type: none"> • 14-element beamforming microphone array for crystal clear speech pickup and speaker tracking. <p>Note: The internal microphone array is optimized for up to 4 meters (13 ft) from the device in small and medium-sized meeting rooms and collaboration spaces. In meeting rooms where the furthest participants are seated more than 4 meters from the device, we recommend extending audio pickup by adding external table or ceiling microphones to ensure the best audio experience. Note that room acoustics and background noise level also impact the speech pickup distance and quality in the meeting space. Consult the Administration Guide and Cisco Project Workplace for guidance on best practices.</p> <ul style="list-style-type: none"> • Multi-channel loudspeaker system with high-quality full-range drivers and separate force-cancelling woofers • Loudspeaker system frequency response: 75 Hz to 20 kHz [+/- 3dB] • Max Output Sound Pressure Level: 94dB
<p>Speaker tracking</p>	<ul style="list-style-type: none"> • Built-in microphone array for sophisticated speaker tracking • Best overview functionality auto-detects people in the room and frames them for the best group view. When someone starts to talk, the system uses audio triangulation to detect the active speaker and selects the best framing to show an optimized, prominent view of the speaker • For an optimal speaker tracking experience for people joining remotely, it is recommended that the furthest in-room participant is located within less than 6 meters from the video device. Note that the best overview (automatic group framing) camera mode supports an extended distance from Board Pro.

Table 3. Product specifications for Cisco Board Pro

SPECIFICATION	DESCRIPTION
<p>USB-C BYOD</p>	<p>Ability to provide the following over one USB-C cable to a connected computer:</p> <ul style="list-style-type: none"> • USB 2.0 type C • Extension of display (3840x2160 @60fps) (computer must support Altmode Display Port) • Touch forwarding capabilities on supported operating systems • Use Cisco Board Pro camera, microphone, and speakers with any software client • Laptop charging (60W maximum) • Power output: 20V-3A (60W), o 9V-3A (27W). o 15V-3A(45W)
<p>Video stream layouts</p>	<ul style="list-style-type: none"> • Supporting available Webex video stream layouts and meeting features, including focus, grid, prominent, stack and overlay. For more information, please consult the Webex Help Center. • Available in Webex meetings, People Focus provides an intelligent video layout option that removed excess floor and ceiling space, while optimizing the layout based on where people are sitting in the room, for a more equitable view of every participant in the meeting. • Beyond that, by enabling the Frames camera control option on Webex or any third-party meeting service, each participant in the room is individually framed, leaving any blank space out of the view
<p>Language support</p>	<ul style="list-style-type: none"> • Arabic, Czech, Danish, German, US English, UK English, Catalanian, Spanish, Latin-American Spanish, Finnish, French, Canadian French, Hebrew, Hungarian, Italian, Japanese, Korean, Dutch, Norwegian, Polish, Brazilian Portuguese, Portuguese, Russian, Swedish, Turkish, Ukrainian, Chinese (Simplified), Traditional Chinese
<p>System management</p>	<ul style="list-style-type: none"> • For cloud deployments, the device is managed in the Control Hub, providing a single pane of glass of system status, activation, configuration, metrics, workspace insights, and troubleshooting • For on-premises deployments, management via Cisco Unified Communications Manager or Expressway supported from RoomOS 10.11.2 release

Table 3. Product specifications for Cisco Board Pro

SPECIFICATION	DESCRIPTION
<p>Protocols</p>	<ul style="list-style-type: none"> • H.323 • SIP • Webex • WebRTC
<p>Embedded encryption</p>	<ul style="list-style-type: none"> • H.323 and SIP point to point • Standards-based: H.235 v3 and Advanced Encryption Standard (AES-128 or 256) • Automatic key generation and exchange • Support for end-to-end encryption in Webex meetings and calls
<p>IPv6 network support</p>	<ul style="list-style-type: none"> • Single-call stack support for both H.323 and SIP • Dual-stack IPv4 and IPv6 for DHCP, SSH, HTTP, HTTPS, DNS, DiffServ • Support for both static and automatic IP configuration, stateless address auto configuration, and DHCPv6
<p>Security features</p>	<ul style="list-style-type: none"> • Secure management using HTTPS and SSH protocols • End-to-end encryption for calls and meetings on Webex • Standards-based media encryption on all back-ends (Secure Real-time Transport Protocol [SRTP], using AES-128-GCM or AES-256-GCM) • Password protection to access administration available on Room Navigator controller • Network settings protection
<p>Certificate management</p>	<ul style="list-style-type: none"> • The device comes with a manufacturer installed certificate (MIC) signed by Cisco’s manufacturing CA which can be used for Certificate Authority Proxy Function (CAPF) for secure onboarding to Cisco UCM • Option for users to install certificates with matching private keys for services such as IEEE802.1x, wifi, HTTPS server and SIP-TLS • Support for all regular certificate types and key sizes. The device comes with a pre-installed list of CAs (Certificate Authorities) that is vetted by Cisco and updated regularly. You can add or remove certificates from this list if desired. The CA list is used for outbound HTTPS and other TLS connections.

Table 3. Product specifications for Cisco Board Pro

SPECIFICATION	DESCRIPTION
<p>Power</p>	<ul style="list-style-type: none"> • Electrical rating: <ul style="list-style-type: none"> - Cisco Board Pro 55: 3.5-2.5A 100-240V 50/60Hz, Class I - Cisco Board Pro 75: 4.5-3.5A 100-240V 50/60Hz, Class I • Networked standby power: 6.5W • Standby power: 1W • Setting up Office Hours on the device allows to switch off features like signage outside of ordinary office hours, to optimize power consumption and extend screen lifetime. Outside office hours the device won't wake up even if it detects motion in the room.
<p>Operating, storage and transport temperature and humidity</p>	<ul style="list-style-type: none"> • Operating temperature: 0°C to 35°C (32°F to 95°F) ambient temperature • Operating humidity: 20% to 90% Relative Humidity (RH non-condensing) • Storage and transportation temperature (-20C to +60C) • Storage and transportation humidity (10% - 90% RH non-condensing)
<p>Multipoint support</p>	<p>5-way embedded SIP/H.323 conferencing capability with MultiSite option</p>
<p>MultiSite features</p>	<ul style="list-style-type: none"> • Adaptive SIP/H.323 MultiSite: <ul style="list-style-type: none"> - 3-way resolution up to 1080 at 30 fps plus content up to 4K at 15 fps - 4-way resolution up to 720 at 30 fps plus content up to 4K at 15 fps - 5-way resolution up to 720 at 30 fps plus content up to 4K at 10 fps • Full individual audio and video transcoding • H.323, SIP, and VoIP in the same conference • Support for presentation (H.239, BFCP) from any participant at resolutions up to 4Kp15 • Best impression (automatic continuous presence layouts) • Encryption and dual stream from any situation

Table 3. Product specifications for Cisco Board Pro

SPECIFICATION	DESCRIPTION
<p>Approvals and regulatory compliance</p>	<ul style="list-style-type: none"> • Directive 2014/30/EU (EMC Directive) - Class A • Directive 2014/53/EU (Radio Equipment Directive) • Directive 2014/35/EU (Low Voltage Directive) • Directive 2011/65/EU (RoHS) • Directive 2012/19/EU (WEEE) • NRTL approved (product safety) • FCC listed (radio equipment) • FCC CFR 47 Part 15B (EMC) - Class A • FCC CFR 47 Part 15C (RF) • FCC CFR 47 Part 15E (RF) <p>The list above reflects the regulations applicable at the time of publishing this document. For an updated list of regulations applicable, see the Product Approval Status Database for approval documents per country.</p>

* Availability with future software release.

** The Bluetooth® word mark and logos are registered trademarks owned by Bluetooth SIG, Inc. and any use of such marks by Cisco Systems, Inc. is under license. Other trademarks and trade names are those of their respective owners.

Feature availability matrix

Table 4. Feature availability matrix on Cisco Board Pro

FEATURE	RoomOS	Microsoft Teams Rooms (with registration to Control Hub)	Microsoft Teams Rooms
Native Microsoft Teams Rooms meeting experience	No	Yes	Yes
Native Webex meeting experience	Yes	Yes, via One-Button-to-Push meeting join	No
Microsoft Teams Meetings with VIMT (CVI) or WebRTC / Direct Guest Join	Yes	N/A	N/A
Google Meet interop (WebRTC)	Yes	No	No
Zoom Meetings interop	Yes, feature-rich SIP meetings	Yes, WebRTC-based meetings	Yes, WebRTC-based meetings
Video standards supported	H.264 AVC, H.265 HEVC, H.263	H.264 AVC	H.264 AVC
Standards-based video interop (SIP/H.323 dialing)	Yes	Coming soon (Microsoft announced)	Coming soon (Microsoft announced)
Content sharing resolution	In active meeting: up to 3840 x 2160 at 15 fps Outside of active meeting: up to 3840 x 2160 at 30 fps	In active meeting: up to 1920 x 1080 at 15 fps Outside of active meeting: up to 1920 x 1080 at 30 fps	In active meeting: up to 1920 x 1080 at 15 fps Outside active meeting: up to 1920 x 1080 at 30 fps

Table 4. Feature availability matrix on Cisco Board Pro

FEATURE	RoomOS	Microsoft Teams Rooms (with registration to Control Hub)	Microsoft Teams Rooms
Simultaneous content sources for local presentation (outside video meeting)	2	1	1
Wireless sharing options	Webex App, Miracast, Apple AirPlay	Microsoft Teams Sharing, Miracast	Microsoft Teams Sharing, Miracast
HDCP support	Yes, via HDMI input	No	No
USB Passthrough for touch redirect and software client-based video meetings	Yes	Yes	Yes
External PTZ camera extension	Yes	Yes	Yes
Presenter tracking mode	Yes	Yes	Yes
Secondary screen for live video/content (via HDMI out)	Coming soon	No	No
People Focus intelligent layout composition	Yes, in Webex meetings	In native Webex meetings only	No
Frames camera mode for individual participant views	Yes	Yes	Yes
ML-based noise removal	Yes	Yes	Yes
Deployment options	On premises, cloud, hybrid	Cloud only	Cloud only

Table 4. Feature availability matrix on Cisco Board Pro

FEATURE	RoomOS	Microsoft Teams Rooms (with registration to Control Hub)	Microsoft Teams Rooms
Voice assistant	Webex Assistant	No	No
Enterprise calling	Webex Calling / UCM	Teams Calling	Teams Calling
Cloud device management	Control Hub	Teams Admin Center & Control Hub	Teams Admin Center
Whiteboarding	Webex Whiteboard, with the option for third-party whiteboarding web apps	Microsoft Whiteboard (Webex Whiteboard in Webex meetings)	Microsoft Whiteboard
Room booking	Hybrid Calendar + Room Navigator touch panel	Microsoft Teams Calendar + Room Navigator touch panel as Teams Panel	Microsoft Teams Calendar+ Room Navigator touch panel as Teams Panel
Conference controls	Hybrid Calendar + Room Navigator touch panel	Microsoft Teams Calendar + Room Navigator touch panel as Microsoft Teams Rooms Touch Console	Microsoft Teams Calendar+ Room Navigator touch panel as Microsoft Teams Rooms Touch Console
Multi-inking in whiteboarding session	Yes	Yes	Yes

Table 4. Feature availability matrix on Cisco Board Pro

FEATURE	RoomOS	Microsoft Teams Rooms (with registration to Control Hub)	Microsoft Teams Rooms
Whiteboard storage/sharing	Webex App, OneDrive, email	Storage target is dependent on Microsoft setup	Storage target in MTR based on Microsoft setup
Annotation on content	Yes	Only in native Webex meetings	No
Native, third-party web apps	Yes	No, only embedded apps in Webex meetings	No
Digital signage	Yes	No	No
Custom controls with Macros and User Interface extensions	Yes	No	No
Customized branding (logos, wallpaper)	Yes	No	No
Workplace analytics in Control Hub with APIs	Yes	Yes	No
Multi-tenant device management, bulk configuration and automated software upgrades	Yes	Yes	No

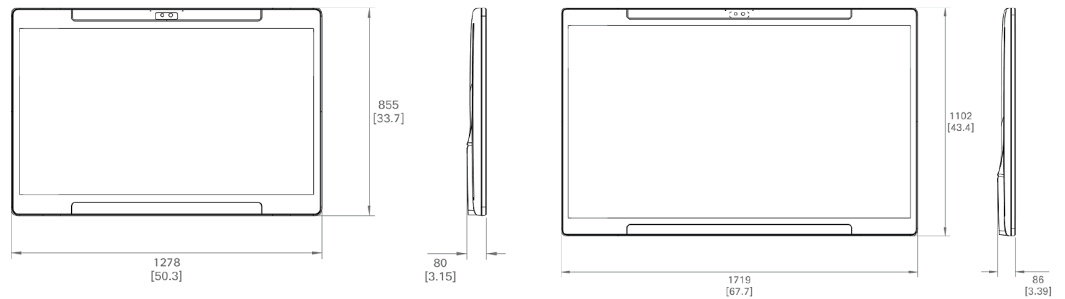
Hardware specifications

Table 5. Hardware specifications for Cisco Board Pro

TYPE	CISCO BOARD PRO 55	CISCO BOARD PRO 75
Product weight:		
Board only	40 kg	72 kg
Floor stand	27 kg	32.5 kg
Wheel upgrade kit	5.8 kg	5.5 kg
Wall mount	4.5 kg	5.8 kg

Assembled dimensions (mm [inch])

Board Pro main unit



With floor stand

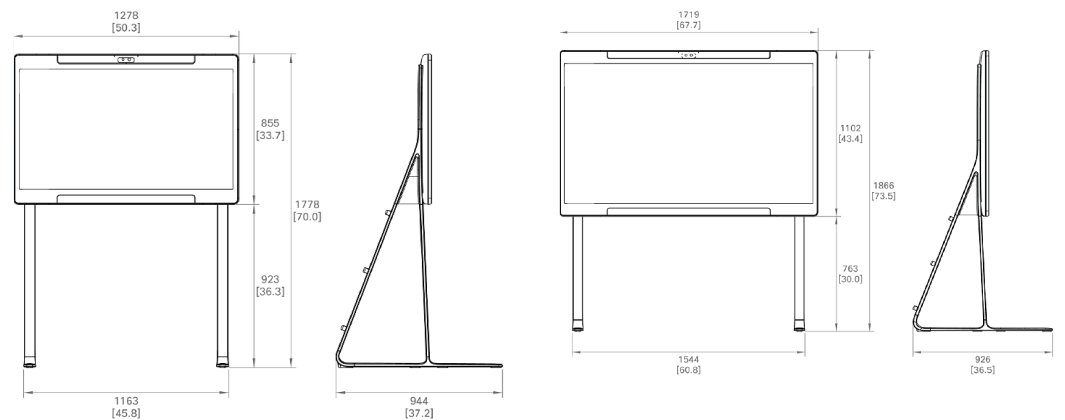


Table 5. Hardware specifications for Cisco Board Pro

TYPE	CISCO BOARD PRO 55	CISCO BOARD PRO 75
With wheel upgrade kit		
With wall mount		
Main unit (spare)	<p>Package size:</p> <ul style="list-style-type: none"> 60 x 9.5 x 39.4 in 1508 x 242 x 1000 mm 	<p>Package size:</p> <ul style="list-style-type: none"> 77.7 x 9.5 x 51.3 in 1974 x 242 x 1303 mm
Wall-mount kit	<p>Package size:</p> <ul style="list-style-type: none"> Wall Mount Kit 55": 1282x233x117mm (50,47"x9,17"x4,61") Spare Wall Mount Kit 55": 1282x904x261mm (50,47"x35,59"x10,28") 	<p>Package size:</p> <ul style="list-style-type: none"> Wall Mount Kit 75": 1658x223x117mm (65,28"x8,78"x4,61") Spare Wall Mount Kit 75": 1658x904x261mm (65,28"x35,59"x10,28")

Table 5. Hardware specifications for Cisco Board Pro

TYPE	CISCO BOARD PRO 55	CISCO BOARD PRO 75
Floor stand	Package size: <ul style="list-style-type: none"> Floor Stand Kit 55": 1569x1151x189mm (61,77"x45,31"x7,44") Spare Floor Stand Kit 55": 1569x1151x333mm (61,77"x45,31"x13,11") 	Package size: <ul style="list-style-type: none"> Floor Stand Kit 75": 1505x1064x199mm (59,25"x41,89"x7,83") Spare Floor Stand Kit 75": 1505x1064x343mm (59,25"x41,89"x13,5")
Wheel upgrade kit	Package size: <ul style="list-style-type: none"> 858x328x99mm (33,78"x12,91"x3,9") 	Package size: <ul style="list-style-type: none"> 858x328x99mm (33,78"x12,91"x3,9")

For further information about product dimensions, please consult the [Cisco Board Pro CAD Drawings](#).

Ordering information

To place an order, contact your local Cisco representative and refer to Tables 3, 4, and 5.

Table 6. Ordering information for Cisco Board Pro 55

PRODUCT NAME	PART NUMBER	COMPLIANCE MODEL NUMBER
Cisco Board Pro 55 (GPL)	CS-BRD55P-K9	TTC60-31
Cisco Board Pro 55 - Non Radio	CS-BRD55P-NR-K9	TTC60-31
Cisco Board Pro 55 - Non Radio - Non Encryption	CS-BRD55P-NR-K7	TTC60-31
Cisco Board Pro 55 - TAA - Non Radio	CS-BRD55P-NR-K9++	TTC60-31
Cisco Board Pro 55 - TAA	CS-BRD55P-K9++	TTC60-31

Table 6. Ordering information for Cisco Board Pro 55

PRODUCT NAME	PART NUMBER	COMPLIANCE MODEL NUMBER
Cisco Board Pro 55 - Non Radar	CS-BRD55P-ND-K9	TTC60-31
Cisco Board Pro 55 - Non Radar (Spare)	CS-BRD55P-ND-K9=	TTC60-31
Stands		
Cisco Board Pro 55 Wall Mount Kit	CS-BRD55P-WMK	
Cisco Board Pro 55 Wheel Upgrade Kit	CS-BRD55P-WUK	
Cisco Board Pro 55 Floor stand	CS-BRD55P-FS	
Spares		
Cisco Board Pro 55 - Spare	CS-BRD55P-K9=	TTC60-31
Cisco Board Pro 55 - Non Radio - Spare	CS-BRD55P-NR-K9=	TTC60-31
Cisco Board Pro 55 - Non Radio - Non Encryption - Spare	CS-BRD55P-NR-K7=	TTC60-31
Cisco Board Pro 55 Wheel Upgrade Kit - Spare	CS-BRD55P-WUK=	
Cisco Board Pro 55 Wall Mount Kit - Spare	CS-BRD55P-WMK=	
Cisco Board Pro 55 Floor stand - Spare	CS-BRD55P-FS=	

Table 7. Ordering information for Cisco Board Pro 75

PRODUCT NAME	PART NUMBER	COMPLIANCE MODEL NUMBER
Cisco Board Pro 75 (GPL)	CS-BRD75P-K9	TTC60-32
Cisco Board Pro 75 - Non Radio	CS-BRD75P-NR-K9	TTC60-32
Cisco Board Pro 75 - Non Radio - Non Encryption	CS-BRD75P-NR-K7	TTC60-32
Cisco Board Pro 75 - TAA -Non Radio	CS-BRD75P-NR-K9++	TTC60-32
Cisco Board Pro 75 -TAA	CS-BRD75P-K9++	TTC60-32
Cisco Board Pro 75 - Non Radar	CS-BRD75P-ND-K9	TTC60-32
Cisco Board Pro 75 - Non Radar -Spare	CS-BRD75P-ND-K9=	TTC60-32
Stands		
Cisco Board Pro 75 Wall Mount Kit	CS-BRD75P-WMK	
Cisco Board Pro 75 Wheel Upgrade Kit	CS-BRD75P-WUK	
Cisco Board Pro 75 Floor stand	CS-BRD75P-FS	
Cisco Board Pro 75 Wall stand	CS-BRD75P-WS	
Spares		
Cisco Board Pro 75 - Spare	CS-BRD75P-K9=	TTC60-32
Cisco Board Pro 75 - Non Radio -Spare	CS-BRD75P-NR-K9=	TTC60-32
Cisco Board Pro 75 - Non Radio - Non Encryption - Spare	CS-BRD75P-NR-K7=	TTC60-32

Table 7. Ordering information for Cisco Board Pro 75

PRODUCT NAME	PART NUMBER	COMPLIANCE MODEL NUMBER
Cisco Board Pro 75 - Wheel Upgrade Kit - Spare	CS-BRD75P-WUK=	
Cisco Board Pro 75 - Wall Mount Kit - Spare	CS-BRD75P-WMK=	
Cisco Board Pro 75 - Floor stand - Spare	CS-BRD75P-FS=	

Table 7. Ordering information - Options for Cisco Board Pro 55 and 75

PRODUCT NAME	PART NUMBER	COMPLIANCE MODEL NUMBER
Cisco Room Navigator Table Stand Version	CS-T10-TS-G-K9	TTC5-15
Cisco Room Navigator Wall Mount version	CS-T10-WM-G-K9	
Cisco Board Pro - Active Stylus	CS-BRDP-ACTSTYL	
Cisco Table Microphone	CS-MIC-TABLE-J=	
Cisco PTZ 4K Camera	CS-CAM-PTZ4K=	EVI-X200C
Cisco Ceiling Microphone	CTS-MIC-CLNG-G2	TC5-13
Extension cable for Table Microphone	CAB-MIC-EXT-J=	
Active Optical Cable, USB-C 3.1, 9M long, USB Charging	CAB-USBC-AC-9M	
Cisco Multi-head Cable 9 meters (4K, USB-C, HDMI, miniDP)	CAB-HDMI-MUL4K-9M	

Table 7. Ordering information - Options for Cisco Board Pro 55 and 75

PRODUCT NAME	PART NUMBER	COMPLIANCE MODEL NUMBER
USB C - USB A Cable, 4 meters	CAB-USBC-4M-GR	
Presentation cable 8m GREY HDMI 1.4b (W/ REPEATER)	CAB-PRES-2HDMI-GR	
Cisco Board Pro Floor Stand Screws - Spare	CS-BRDP-FS-SCRW=	
Cisco Board Pro Wheel Upgrade Kit Screws - Spare	CS-BRDP-WUK-SCRW=	
Cisco Board Pro Wall Mount Kit Screws - Spare	CS-BRDP-WMK-SCRW=	
Cisco Board Pro Active Stylus	CS-BRDP-ACTSTYL=	

Warranty information

Cisco Board Pro has a 90-day limited liability warranty.

Product sustainability

Information about Cisco’s environmental sustainability policies and initiatives for our products, solutions, operations, and extended operations or supply chain is provided in the “Environment Sustainability” section of Cisco’s [Corporate Social Responsibility](#) (CSR) Report.

Reference links to information about key environmental sustainability topics (mentioned in the “Environment Sustainability” section of the CSR Report) are provided in the following table:

SUSTAINABILITY TOPIC	REFERENCE
Information on product material content laws and regulations	Materials
Information on electronic waste laws and regulations, including products, batteries, and packaging	WEEE compliance

Cisco makes the packaging data available for informational purposes only. It may not reflect the most current legal developments, and Cisco does not represent, warrant, or guarantee that it is complete, accurate, or up to date. This information is subject to change without notice.

Cisco services and support

Cisco and our partners provide a broad portfolio of smart, personalized services and support that can help you realize the full business value of your Cisco collaboration investment by increasing business agility and network availability. This portfolio of services accelerates business innovation by harnessing the network as a powerful business platform.

For more information about these services, visit: <https://www.cisco.com/go/collaborationservices>.

Cisco Capital

Flexible payment solutions to help you achieve your objectives

Cisco Capital® financing makes it easier to get the right technology to achieve your objectives, enable business transformation, and help you stay competitive. We can help you reduce the total cost of ownership, conserve capital, and accelerate growth. In more than 100 countries, our flexible payment solutions can help you acquire hardware, software, services, and complementary third-party equipment in easy, predictable payments. [Learn more](#).



For more information

Learn more about the [Cisco Board Pro](#)
Read the [Cisco Board Pro installation guide](#)
Download the [Webex App](#)

March 2023