

EN



Hybrid Central Axis Far Reaching Ceiling Suspension

- Extra long extension arms for a wide reaching radius
- Patented Portegra2 safety features: Internal safety spring, safety cable catch, secondary pin lock
- For one or two end devices, each up to 21 kg / 46.3 lbs
- Adjustable ceiling substructure to facilitate installation

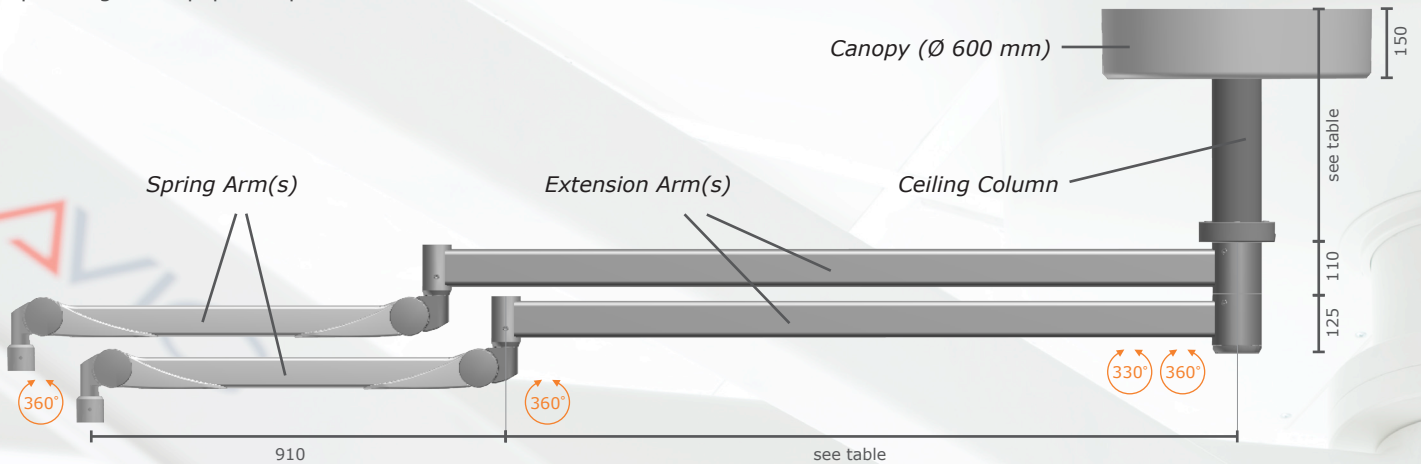
MAVIG



Ceiling Suspension System Hybrid Central Axis

The hybrid central axis suspension system is equipped with extra long extension arms to give the system an extended and stable reach. This is especially useful for crowded ceiling space in today's multifunctional rooms or to keep suspended equipment outside of the sterile zone.

The system can support up to two arms, each able to suspend up to 21 kg / 46.3 lbs. With 360° rotation (330° with rotation stop) and multiple arm lengths, the hybrid central axis allows great flexibility for room planning and equipment placement demands.



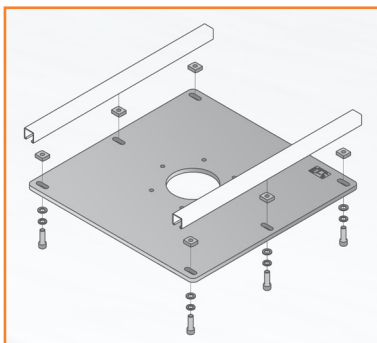
LENGTHS AND DESCRIPTIONS (Article No.)

Ceiling Column (with canopy)	200 mm	(HZS200)	
	250 mm	(HZS250)	
	300 mm	(HZS300)	
	500 mm	(HZS500)	
Single Arm System:	1450 mm	extension arm, electrical* (HZAL1E145) or non electrical (HZAL1A145)	
	1600 mm	extension arm, electrical* (HZAL1E160) or non electrical (HZAL1A160)	
	1750 mm	extension arm, electrical* (HZAL1E175) or non electrical (HZAL1A175)	
Dual Arm System:	1450 mm	upper extension arm, electrical* and	(HZAL2EA145)
	1300 mm	lower extension arm, non electrical	
	1600 mm	upper extension arm, electrical* and	(HZAL2EA160)
	1450 mm	lower extension arm, non electrical	
	1750 mm	upper extension arm, electrical* and	(HZAL2EA175)
	1600 mm	lower extension arm, non electrical	

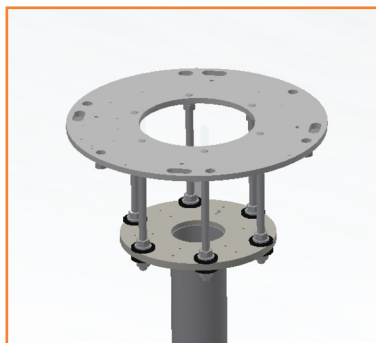
* electrical arms equipped with 3 pole sliding contacts

Mounting Plates and Adjustable Ceiling Substructures

Substructures and mounting plate allows for system installations directly on the ceiling, on metal framing systems (HALFEN/Unistrut®), and on intermediate ceilings. Uneven ceilings or small mismeasurements can be worked out with little effort.



Mounting Plate (H2P03) for an installation on HALFEN/Unistrut® metal framing systems



Substructure with Adaptor Plate (H2P02) to level out the system or to adjust small height differences



Substructure with Adaptor Plate (H2P01) and Extension to bridge large gaps