

**Model
HC102B**

20V Lithium-Ion Cordless Compact Jobsite Blower

▲WARNING: To prevent serious injury, User must read and understand Owner's Manual. SAVE THIS MANUAL.

When unpacking, make sure that the product is intact and undamaged.
If any parts are missing or broken, please call 1-888-866-5797
as soon as possible. Reference 56417.

IMPORTANT SAFETY INFORMATION


GENERAL POWER TOOL SAFETY WARNINGS

⚠️WARNING

When using electric gardening appliances, basic safety precautions should always be followed to reduce the risk of fire, electric shock, and personal injury, including the following:


READ ALL INSTRUCTIONS

Gardening Appliance Safety

- Avoid Dangerous Environment** - Do not use appliances in damp or wet locations.
- Do Not Use In Rain.**
- Keep Children Away** - All visitors should be kept at a distance from work area.
- Dress Properly** - Do not wear loose clothing or jewelry. They can be caught in moving parts. Use of rubber gloves and substantial footwear is recommended when working outdoors. Wear protective hair covering to contain long hair.
-  **Wear ANSI-approved safety goggles, hard hat and heavy-duty rubber work gloves.** Use face or dust mask if operation is dusty.
- Use Right Appliance** - Do not use appliance for any job except that for which it is intended.
- Avoid Unintentional Starting** - Do not carry appliance with finger on switch.
- Do Not Force Appliance** - It will do the job better and with less likelihood of injury at the rate for which it was designed.
- Do not Overreach** - Keep proper footing and balance at all times.
- Stay Alert** - Watch what you are doing. Use common sense. Do not operate appliance when you are tired.
- Store Idle Appliances Indoors** - When not in use, appliances should be stored indoors in dry, and high or locked-up place - out of reach of children.
- Maintain Appliance With Care** - Keep cutting edge sharp and clean for best performance and to reduce the risk of injury. Follow instructions for lubricating and changing accessories. Keep handles dry, clean, and free from oil and grease.
- Check Damaged Parts** - Before further use of the appliance, a guard or other part that is damaged should be carefully checked to determine that it will operate properly and perform its intended function. Check for alignment of moving parts, binding of moving parts, breakage of parts, mounting, and any other condition that may affect its operation. A guard or other part that is damaged should be properly repaired or replaced by a qualified technician unless indicated elsewhere in this manual.

14. Wear full eye protection and protective clothing.
15. If electrolyte contacts the skin, wash it off immediately with water.
16. **If electrolyte contacts the eyes, flush thoroughly and immediately with water. Seek medical attention.**

Blower Safety

- Power Do not put any object into openings.** Do not use with any opening blocked; keep free of dust, lint, hair, and anything that may reduce air flow.
- Keep hair, loose clothing, fingers, and all parts of body away from openings and moving parts.
- Use extra care when cleaning on stairs.
- Do not use to pick up flammable or combustible liquids, such as gasoline, or use in areas where they may be present.
- Do not pick up anything that is burning or smoking, such as cigarettes, matches, or hot ashes.**
- Remove all hard objects from work area. Do not blow debris in the direction of people, animals or property.**
- Use only accessories provided. Keep guards in place and in working order.
- Maintain labels and nameplates on the appliance. These carry important safety information. If unreadable or missing, contact Harbor Freight Tools for a replacement.
-  The battery Charger gets hot during use. The Charger's heat can build up to unsafe levels and create a fire hazard if it does not receive adequate ventilation, due to an electrical fault, or if it is used in a hot environment. Do not place the Charger on a flammable surface. Do not obstruct any vents on the Charger. **Especially avoid placing the Charger on carpets and rugs; they are not only flammable, but they also obstruct vents under the Charger.** Place the Charger on a stable, solid, nonflammable surface (such as a stable metal workbench or concrete floor) at least 1 foot away from all flammable objects, such as drapes or walls. Keep a fire extinguisher and a smoke detector in the area. Frequently monitor the Charger and Battery Pack while charging.
- People with pacemakers should consult their physician(s) before use. Electromagnetic fields in close proximity to heart pacemaker could cause pacemaker interference or pacemaker failure.

11. The warnings, precautions, and instructions discussed in this instruction manual cannot cover all possible conditions and situations that may occur. It must be understood by the operator that common sense and caution are factors which cannot be built into this product, but must be supplied by the operator.

Lithium Battery Safety Warnings



**LITHIUM BATTERIES
STORE A LARGE AMOUNT
OF ENERGY AND WILL**

VENT FIRE OR EXPLODE IF MISTREATED:

1. Keep Battery Pack dry.
2. DO NOT DO ANY OF THE FOLLOWING TO THE BATTERY PACK:
 - Open
 - Drop
 - Short-circuit
 - Puncture
 - Incinerate
 - Expose to temperatures greater than 265°F.
3. Charge Battery Pack only according to instructions.
4. Inspect Battery Pack before every use; do not use or charge if damaged.

Battery Charger Safety

1. SAVE THESE INSTRUCTIONS - This manual contains important safety and operating instructions for battery charger Model 56417.
2. Before using battery charger, read all instructions and cautionary markings on battery charger, battery, and product using battery.
3. CAUTION - To reduce risk of injury, charge only li-ion type rechargeable batteries. Other types of batteries may burst causing personal injury and damage.
4. Do not charge or use appliance in rain, or in wet locations.
5. Do not use battery-operated appliance in rain.
6. Remove or disconnect battery after use, before servicing, cleaning or removing material from the gardening appliance.
7. Do not dispose of battery in a fire. The cell may explode. Check with local codes for possible disposal instructions.
8. Do not open or mutilate the battery. Released electrolyte is corrosive and may cause damage to the eyes or skin. It may be toxic if swallowed.
9. Exercise care in handling batteries in order not to short the battery with conducting materials such as rings, bracelets, and keys. The battery or conductor may overheat and cause burns.

Vibration Safety

This tool vibrates during use.

Repeated or long-term exposure to vibration may cause temporary or permanent physical injury, particularly to the hands, arms and shoulders.

To reduce the risk of vibration-related injury:

1. Anyone using vibrating tools regularly or for an extended period should first be examined by a doctor and then have regular medical check-ups to ensure medical problems are not being caused or worsened from use. Pregnant women or people who have impaired blood circulation to the hand, past hand injuries, nervous system disorders, diabetes, or Raynaud's Disease should not use this tool. If you feel any symptoms related to vibration (such as tingling, numbness, and white or blue fingers), seek medical advice as soon as possible.
2. Do not smoke during use. Nicotine reduces the blood supply to the hands and fingers, increasing the risk of vibration-related injury.
3. Wear suitable gloves to reduce the vibration effects on the user.
4. Use tools with the lowest vibration when there is a choice.
5. Include vibration-free periods each day of work.
6. Grip tool as lightly as possible (while still keeping safe control of it). Let the tool do the work.
7. To reduce vibration, maintain the tool as explained in this manual. If any abnormal vibration occurs, stop use immediately.



**SAVE THESE
INSTRUCTIONS**

Grounding

⚠ WARNING



TO PREVENT ELECTRIC SHOCK AND DEATH FROM INCORRECT GROUNDING: Check with a qualified electrician if you are in doubt as to whether the outlet is properly grounded. Do not modify the power cord plug provided with the charger. Do not use the charger if the power cord or plug is damaged. If damaged, have it repaired by a service facility before use. If the plug will not fit the outlet, have a proper outlet installed by a qualified electrician.

Extension Cords

Note: Extension cords must not be used with this item's Charger.

Warning Symbols and Definitions

! This is the safety alert symbol. It is used to alert you to potential personal injury hazards. Obey all safety messages that follow this symbol to avoid possible injury or death.

! DANGER Indicates a hazardous situation which, if not avoided, will result in death or serious injury.

! WARNING Indicates a hazardous situation which, if not avoided, could result in death or serious injury.

! CAUTION Indicates a hazardous situation which, if not avoided, could result in minor or moderate injury.

NOTICE Addresses practices not related to personal injury.

Symbology

	Double Insulated
	Volts
	Direct Current
	Amperes
n_0 xxxx/min.	No Load Revolutions per Minute (RPM)
	WARNING marking concerning Risk of Eye Injury. Wear ANSI-approved safety goggles with side shields.
	Read the manual before set-up and/or use.
	WARNING marking concerning Risk of Fire. Do not cover Charger ventilation ducts. Charge on fireproof surface only.
	WARNING marking concerning Risk of Explosion. Do not puncture, short, or open battery packs and do not charge damaged battery packs.
	WARNING marking concerning Risk of Electric Shock. Properly connect Charger's power cord to appropriate outlet.

SPECIFICATIONS

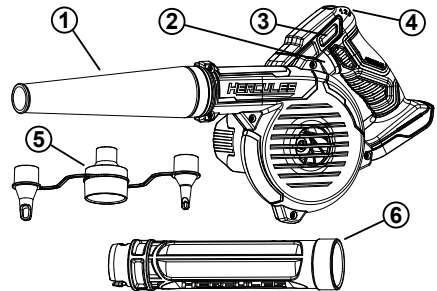
Battery Type	20V Hercules Li-Ion
--------------	---------------------

SETUP—BEFORE USE



Read the **ENTIRE IMPORTANT SAFETY INFORMATION** section at the beginning of this manual including all text under subheadings therein before set up or use of this product.

Functional Description



1. Blower Tube
2. Trigger
3. Trigger Lock
4. Speed Switch
5. 3-in-1 Nozzle
6. Extension Tube

Assembly



Read the **ENTIRE IMPORTANT SAFETY INFORMATION** section at the beginning of this manual including all text under subheadings therein before set up or use of this product.

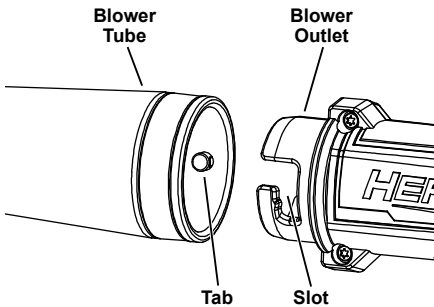
⚠WARNING

TO PREVENT SERIOUS INJURY FROM ACCIDENTAL OPERATION:

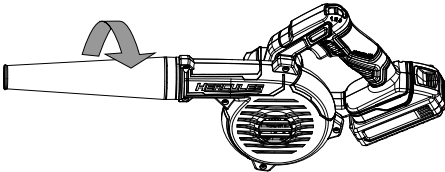
Release Trigger of the appliance and remove Battery Pack before performing any procedure in this section.

Attaching Blower Tubes

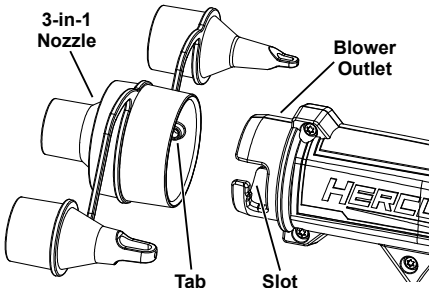
1. Slide Blower Tube over Blower Outlet, lining up Blower Tube's Tab over Blower Outlet's Slot.



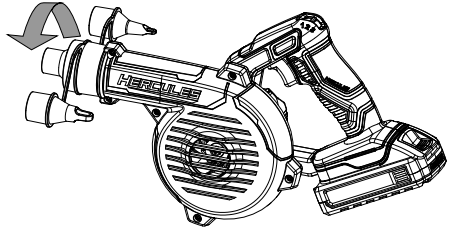
2. Rotate Blower Tube clockwise to lock in place.



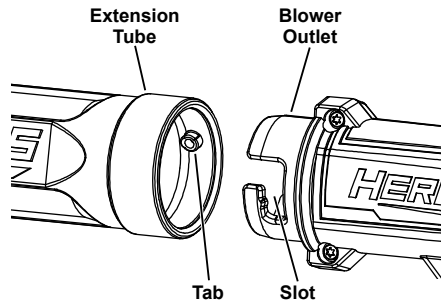
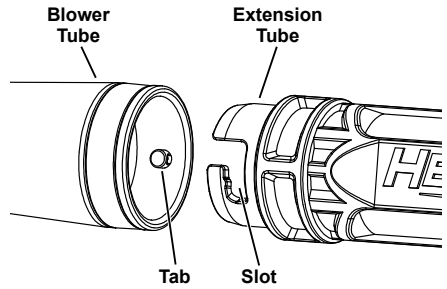
3. To use 3-in-1 Nozzle, slide Nozzle over Blower Outlet, lining up Tab on Nozzle over Blower Outlet's Slot.



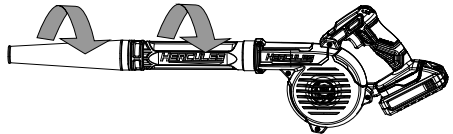
4. Rotate Nozzle clockwise to lock in place.



5. To use extension, slide Blower Tube over Extension Tube, lining up Blower Tube's Tab over Extension Tube's Slot. Then slide Extension Tube over Blower Outlet, lining up Extension Tube's Tab over Blower Outlet's Slot.



6. Rotate Blower Tube and Extension Tube clockwise to lock Tubes in place.



OPERATING INSTRUCTIONS



Read the **ENTIRE IMPORTANT SAFETY INFORMATION** section at the beginning of this manual including all text under subheadings therein before set up or use of this product.

⚠️ WARNING

TO PREVENT SERIOUS INJURY FROM FLYING DEBRIS: Wear long pants, long sleeves and protective footwear. Wear ANSI-approved safety goggles, dust mask, hearing protectors, and gloves.

Charging Battery Pack

Charge Battery Pack according to the instructions included with the 20V Hercules Battery Charger (both sold separately).

Operation

⚠️ WARNING

TO AVOID SERIOUS INJURY AND PROPERTY DAMAGE: Inspect the area before using the Blower. Remove all hard objects from work area. Do not blow debris in the direction of people, animals or property. Use both hands when operating Blower.

1. Assemble Blower in the desired configuration according to the Assembly Instructions.

CAUTION! The Blower Tube helps prevent contact with internal moving parts. To prevent injury, do not use the Blower without the Tube attached.

Note: Rake or sweep to loosen debris if necessary.

2. Make sure that the Trigger is in the off-position, then slide the Battery Pack into slot on bottom of Blower Handle until it clicks into place.
3. Hold Blower with both hands, with the Tube several inches off the ground.
4. Adjust Speed Control Switch to desired setting, then press and hold Trigger.
5. To lock Blower on for continuous operation, press Trigger fully and hold, then press and hold the Trigger Lock from the left or right. Release the Trigger first and then the Trigger Lock. To release the lock-on function, press the Trigger again.
6. Sweep from side to side.
7. Release Trigger when done.
8. When finished, to prevent accidents:
 - Remove battery pack.
 - Wipe external surfaces of the Appliance with clean cloth. Store in a dry, indoor area out of reach of children.

MAINTENANCE AND SERVICING



Procedures not specifically explained in this manual must be performed only by a qualified technician.

⚠️ WARNING

TO PREVENT SERIOUS INJURY FROM ACCIDENTAL OPERATION:

Release Trigger of the appliance and remove Battery Pack before performing any procedure in this section.

TO PREVENT SERIOUS INJURY FROM TOOL FAILURE:

Do not use damaged equipment. If abnormal noise or vibration occurs or damage is noted, have the problem corrected before further use.

Cleaning, Maintenance, and Lubrication

1. **BEFORE EACH USE**, inspect the general condition of the Appliance. Check for:
 - loose hardware
 - misalignment or binding of moving parts
 - cracked or broken parts
 - damaged electrical wiring
 - any other condition that may affect its safe operation.
2. **AFTER USE**, wipe external surfaces of the Appliance with clean cloth. Store in a dry, indoor area out of reach of children.
3. **Li-Ion BATTERY MUST BE RECYCLED OR DISPOSED OF PROPERLY.**
Do not short, incinerate or open battery.
4. All parts are permanently lubricated. Do not use additional lubrication.

LIMITED 90 DAY WARRANTY

Harbor Freight Tools Co. makes every effort to assure that its products meet high quality and durability standards, and warrants to the original purchaser that this product is free from defects in materials and workmanship for the period of 90 days from the date of purchase. This warranty does not apply to damage due directly or indirectly, to misuse, abuse, negligence or accidents, repairs or alterations outside our facilities, criminal activity, improper installation, normal wear and tear, or to lack of maintenance. We shall in no event be liable for death, injuries to persons or property, or for incidental, contingent, special or consequential damages arising from the use of our product. Some states do not allow the exclusion or limitation of incidental or consequential damages, so the above limitation of exclusion may not apply to you. THIS WARRANTY IS EXPRESSLY IN LIEU OF ALL OTHER WARRANTIES, EXPRESS OR IMPLIED, INCLUDING THE WARRANTIES OF MERCHANTABILITY AND FITNESS.

To take advantage of this warranty, the product or part must be returned to us with transportation charges prepaid. Proof of purchase date and an explanation of the complaint must accompany the merchandise. If our inspection verifies the defect, we will either repair or replace the product at our election or we may elect to refund the purchase price if we cannot readily and quickly provide you with a replacement. We will return repaired products at our expense, but if we determine there is no defect, or that the defect resulted from causes not within the scope of our warranty, then you must bear the cost of returning the product.

This warranty gives you specific legal rights and you may also have other rights which vary from state to state.

**Visit our website at: <http://www.harborfreight.com>
Email our technical support at: productsupport@harborfreight.com
For technical questions, please call 1-888-866-5797**

Copyright© 2019 by Harbor Freight Tools®. All rights reserved. No portion of this manual or any artwork contained herein may be reproduced in any shape or form without the express written consent of Harbor Freight Tools. Diagrams within this manual may not be drawn proportionally. Due to continuing improvements, actual product may differ slightly from the product described herein. Tools required for assembly and service may not be included.

HERCULES®

26541 Agoura Road • Calabasas, CA 91302 • 1-888-866-5797