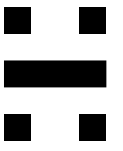


Huddly GO

Work From Home Kit



For home and small spaces.

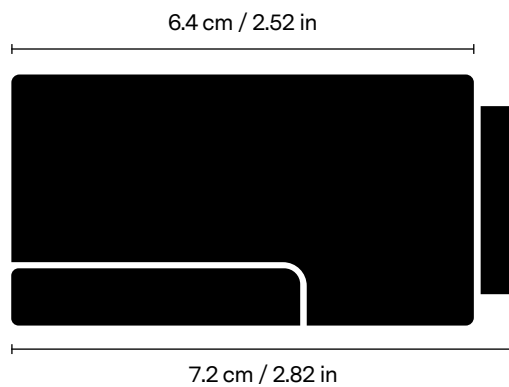
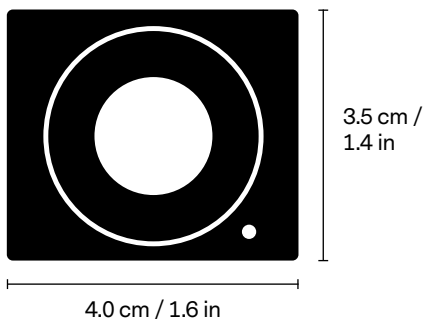


Huddly GO

Work From Home Kit

Product Information

Weight: 110 g / 0.24 lbs



Specifications

Image

- 16 Megapixels 1/2.3" CMOS Sensor
- 720p HD @ 30 fps
- 16:9 aspect ratio output
- UVC 1.1 Plug & Play Compatible
- MJPEG, YUV 4:2:2 and 4:2:0 support over USB 3
- MJPEG support over USB 2

Optics

- Ultra-wide angle glass optics
- Horizontal field of view 120°
- Vertical field of view 90°
- Diagonal field of view 150°
- f/2.8 aperture

Connectivity

- USB Type-C connector
- SuperSpeed USB 3
- HighSpeed USB 2
- Power requirement 5V 900mA

Hardware

- High-performance video processing engine
- Embedded mounting hinge
- Camera tripod mount
- Requires 5V 900 mA power supply

Color

Matte Gray

Packaging Dimensions

L: 102 mm x W: 82 mm x H: 80 mm

Huddly GO

Work From Home Kit

Product Information

Features

Wide-Angle Lens

The camera features a wide-angle lens that ensures everyone is captured on video, even those who are close to the screen.

Digital Pan/Tilt/Zoom

The camera has no moving parts, allowing Pan, Tilt, and Zoom functions to be adjusted smoothly, silently and instantly.

Image Enhancement

The camera automatically corrects white balance, color, and optical aberration. It reduces image noise through bias compensating spatio-temporal filtering with wide-area chroma filtering and adapts to poor lighting conditions with Dynamic Light Optimization.

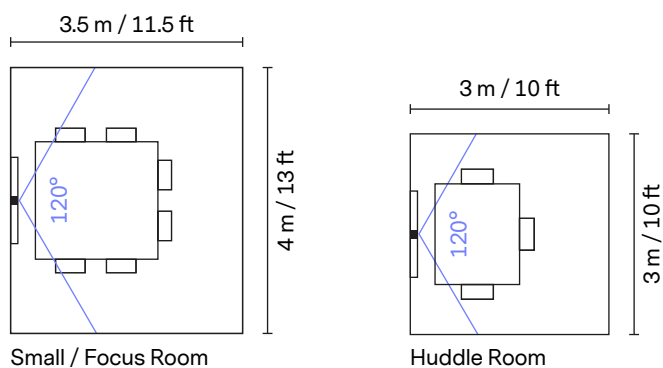
Real-Time Dewarping

The camera's wide-angle image is dewarped and perspective corrected in real time, rendering a natural, true-to-life view.

180° Auto-Flip

The camera automatically provides the correct view when mounted upside down.

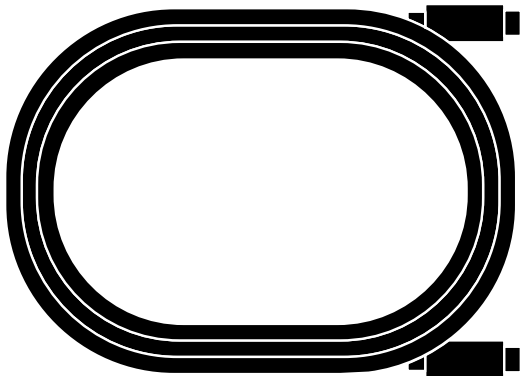
Room Examples



Huddly GO

Work From Home Kit

Accessories



Cable 0.6 m

USB 3

C to C

GTIN 7090043790337

Dimensions & Type

Length	0.6 m
Connectors	C to C
Color	Black
Weight	29 g
Cable diameter	4.0 mm

Temperature

Operating temperature	0 – 50°C
-----------------------	----------

USB Support

USB 1.1 FS/ 2.0 HS support	Yes
USB 3.1 Gen 1 support (5 Gbps)	Yes
USB 3.1 Gen 2 support (10 Gbps)	No

Power

Voltage	5 V
Rated current (max)	900 mA

Compliance

RoHS 2 (6)	Yes
RoHS 3 (10)	Yes
Halogen-free	Yes
Flammability rating	UL94 V-HB