

Neat Board - User Manual



neat.

Neat Board - Collaboration System

Neat Board transforms the meeting space experience by fitting powerful technology and all the capabilities of Zoom in an elegant all-in-one design.

Neat Board includes Screen, Camera, Speakers, Microphones and environmental sensors all in one compact design.

It's perfect for bringing superior-quality audio, video and collaboration tools to your huddle, focus and meeting spaces.

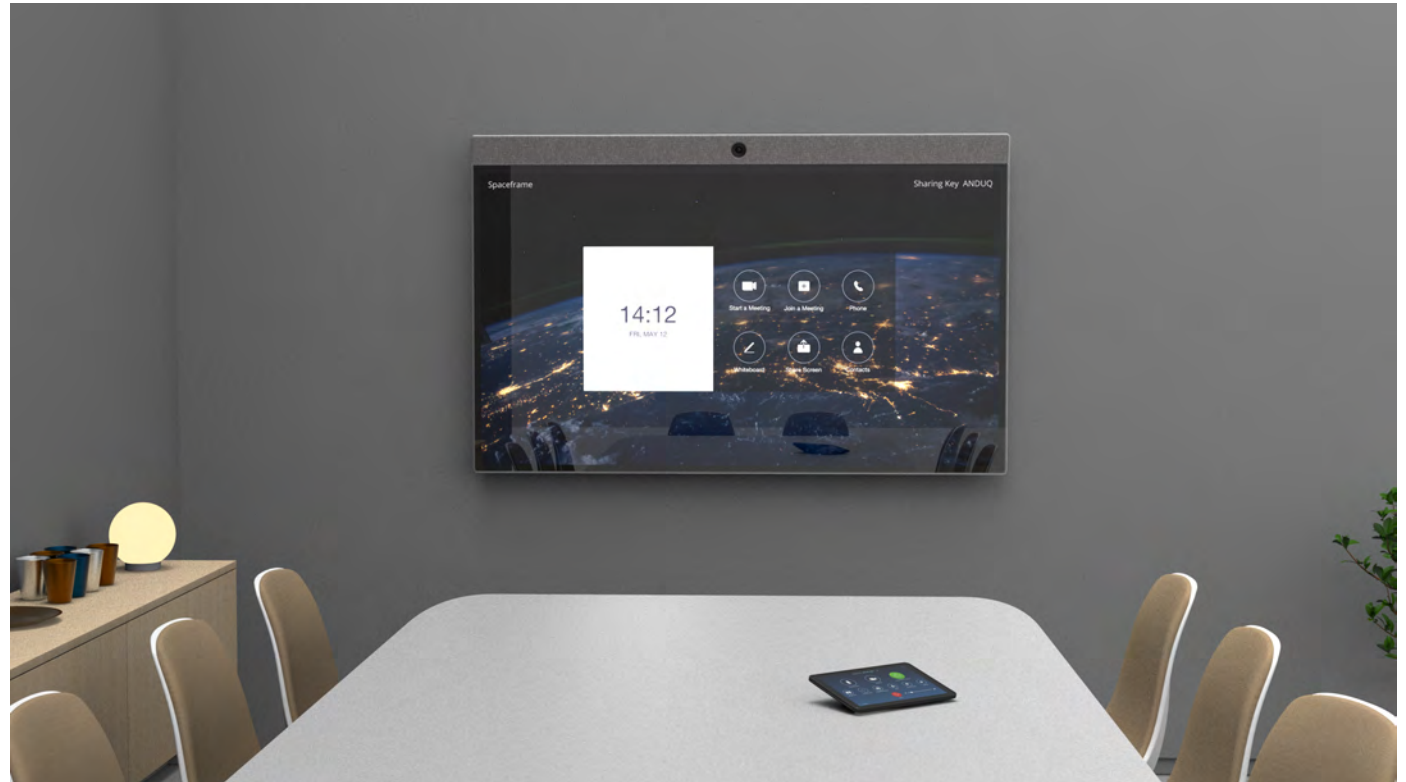
Neat Board works standalone but can also be accompanied by optional Neat Pad Controllers and Scheduling Displays.



neat.

Simple Setup

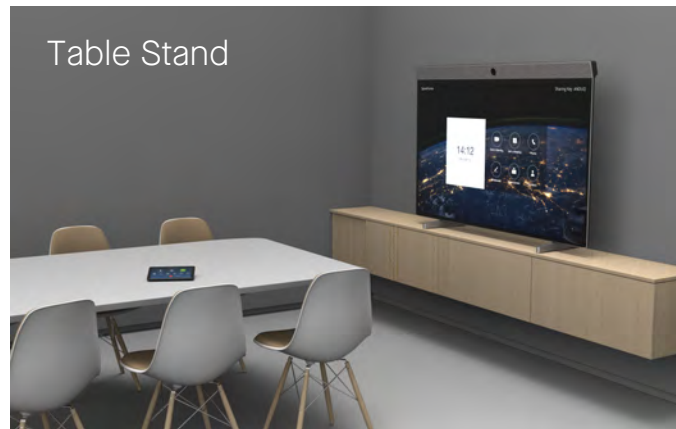
Neat Board is easy to set up, having just one cable and a choice of either a floor stand, with optional wheels, wall mount or table mount



Wall Mount



Table Stand



Floor Stand



Everything you need

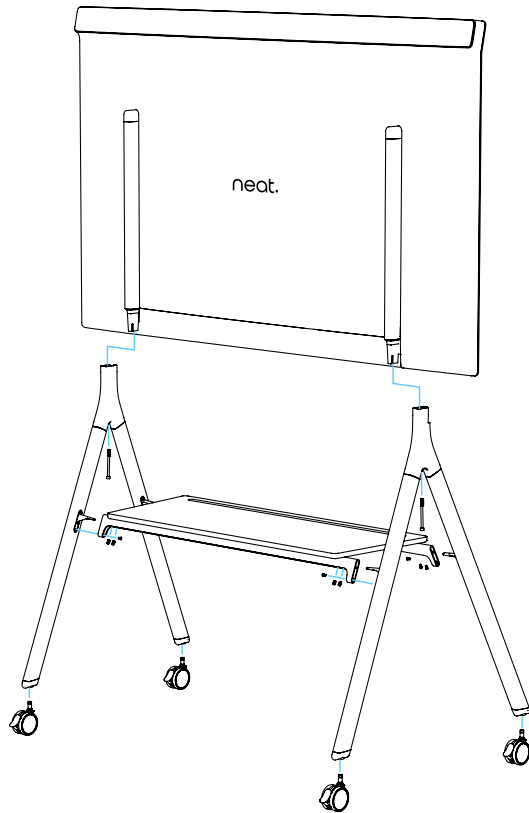
Neat Board comes with everything you need to get started, including cables and the chosen mounting option.

MOUNTING OPTIONS:

Neat Board Floor Stand (optional)

Can be used with or without wheels

2x M6 screw, 3 in (75mm) 1x 5mm hex wrench
12x M4 screw, 0.3 in (8mm) 1x 3mm hex wrench
4x Wheels



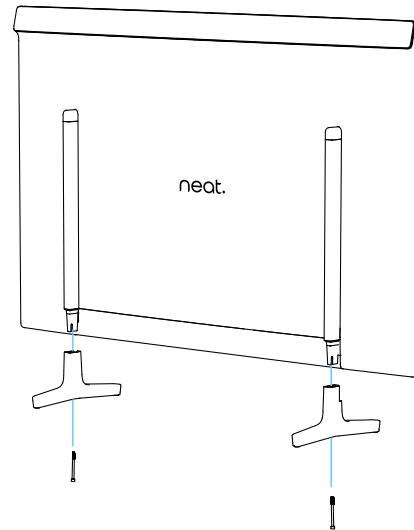
IN THE BOX:

Neat Board: All-in-one collaboration system
Ethernet cable: 16.4ft (5m)
Power cord: 9.9ft (3m)

Marker holder
2x Marker
1x 2,5mm hex wrench

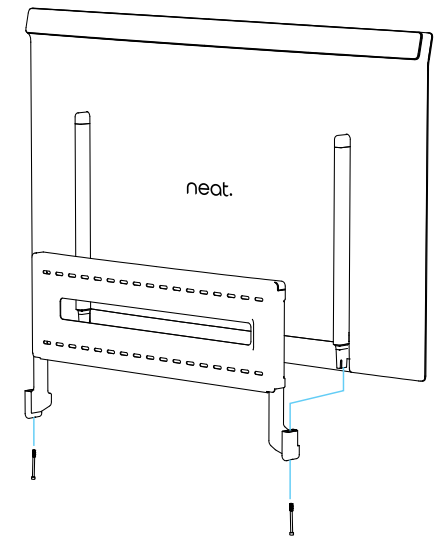
Neat Board Table Stand (Included)

2x M6 screw, 2.4 in (60mm)
1x 5mm hex wrench



Neat Board Wall mount (optional) VESA compatible

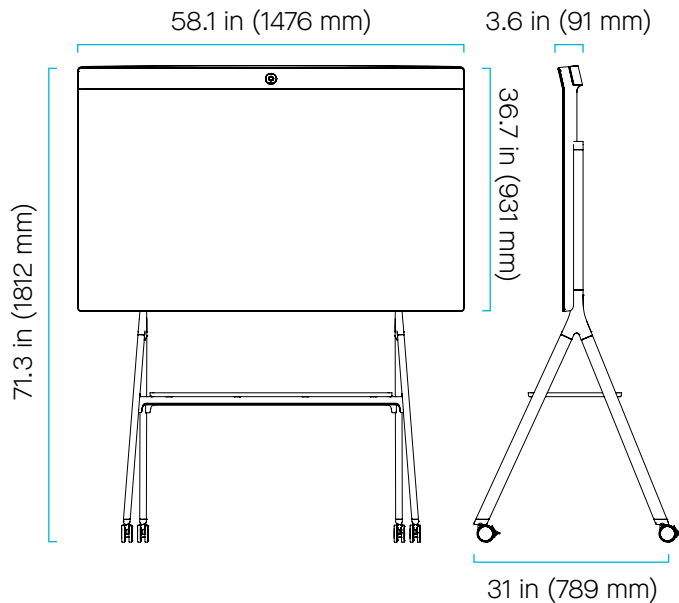
2x M6 screw, 0.8 in (20mm)
1x 5mm hex wrench



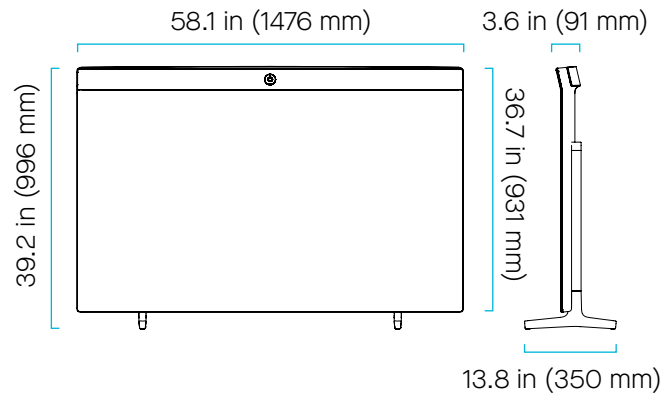
Screws for mounting to the wall are not included. Mounting on a wall should only be performed by qualified personnel in line with applicable facility and state regulations. The wall and the mounting equipment must safely withstand the load of the product.

Size and Weight

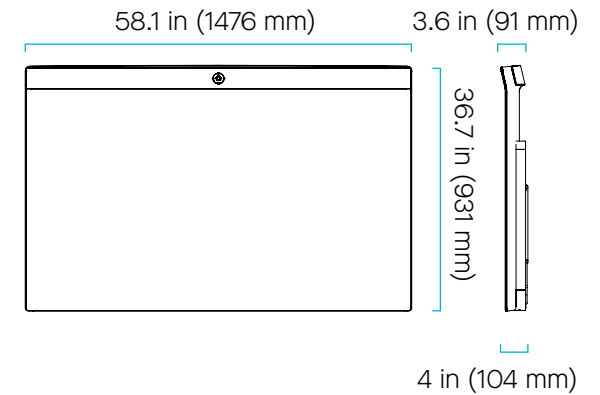
Neat Board with Floor Stand
Weight: 124.6 pounds (56,5 kg)



Neat Board with Table Stand
Weight: 102.6 pounds (46,5 kg)



Neat Board with Wall Mount
Weight: 111.6 pounds (50,6 kg)



Setup and Connectivity

Setup

Use the provided cables to set up the system. Connect the cables according to the illustration.

Cables marked blue — are included

Cables marked in green — are optional and not required for basic use of the system.

Requirements for a complete setup

Internet connection
Zoom Room License

Environmental Requirements

Ambient operating temperature:
32° to 95° F (0° - 35° C)

Storage temperature:
5° - 149° F (-15° - 65° C)

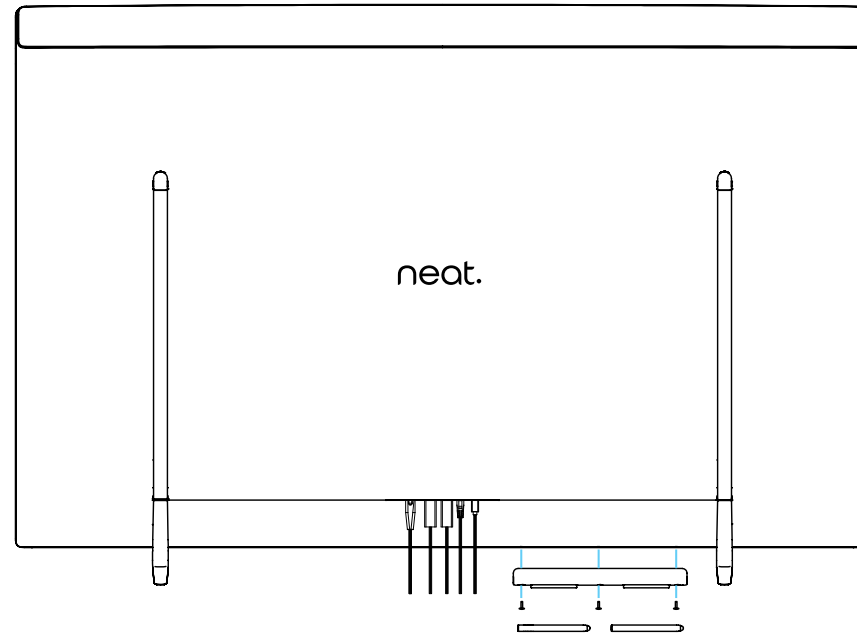
Relative humidity: 20% to 80%

Additional Product Information

<https://neat.no/board>



The 16.4 ft Ethernet Cable provided is not to be used for in-wall installation. In-wall cable routing should only be performed by qualified personnel using appropriate equipment.



AC Power - 9.9 ft (3m) Cable ~

HDMI in (4K) External input.
Cable not included

HDMI in (1080p) for HDMI sharing in
Zoom Rooms. Cable not included

Factory reset button

USB-C Debug.
Cable not included

Ethernet - Network Connection
16.4 ft (5m) Cable

neat.