

HWA SPD

Square D[®] Hard Wired Surge Protective Devices

Square D brand SurgeLogic[®] HWA SPDs are multi-phase surge protective devices and noise filters in compact and affordable packages. The compact designs allow surge suppression to be installed adjacent to power panels or directly on sensitive equipment in harsh electrical conditions.



by Schneider Electric

HWA SPD Features



HWA systems are versatile and compact surge protective devices designed to provide high-quality surge suppression for a wide variety of commercial, industrial or institutional applications. Square D brand Surgelogic HWA devices can be used in a network of surge suppression applications or as a stand-alone surge suppressor.

Superior Performance

Surgelogic HWA SPDs utilize a high-energy suppression circuit that provides from 50,000 to 100,000 peak amps of surge current rating per phase. HWA SPDs contain a suppression circuit that not only provides additional transient suppression, but also noise filtration.

Hard wire SPD units provide reliable operation by incorporating the latest engineering developments. Each MOV is individually fused and the products are contained in a NEMA Type 4 housing.

HWA SPDs incorporate the latest overvoltage technology innovations. The HWA series provides superior overvoltage withstand capability for systems with unstable power without compromising transient clamping performance.

Easy Installation

HWA SPDs mount directly to the panel through a nipped connection. They allow easy mounting near the circuit breaker in order to reduce lead lengths and improve surge suppression.

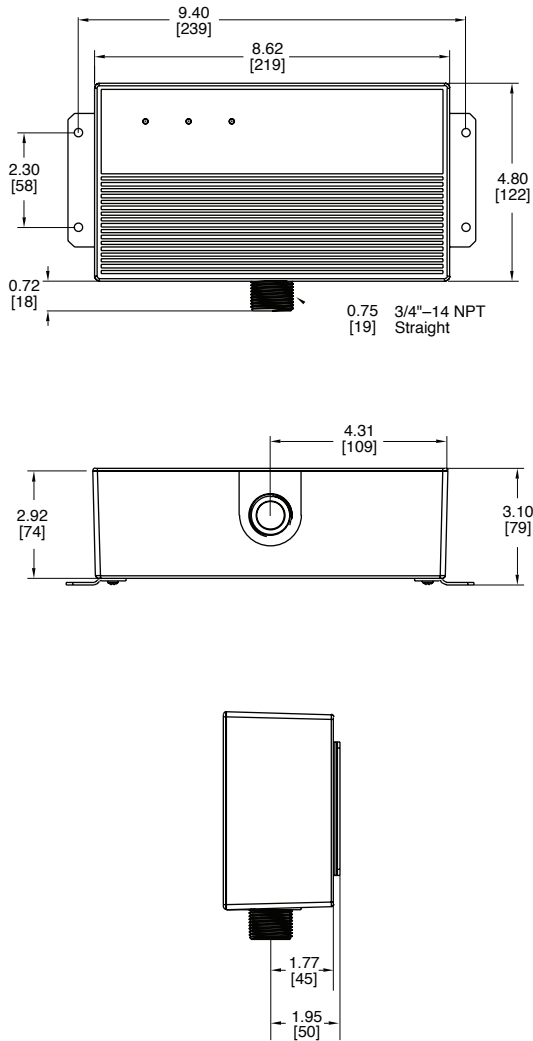
10-year Warranty

Surgelogic HWA SPDs have a 10-year warranty.

FEATURES	ADVANTAGES	BENEFITS
NEMA 4X Enclosure	Allows installation in outdoor applications	Provides surge suppression to vulnerable equipment powered from weather-exposed panels
Overvoltage technology	Superior overvoltage withstand and surge suppression	Longer product life and increased tolerance to unstable power conditions
EMI/RFI Noise Rejection	Increased transient suppression	Improves surge suppression to the equipment
LED Status Indication	Provides visual indication of the suppressor status	Allows immediate response if suppressor is damaged
Suppression Status Alarm	Provides immediate alarm if suppression is ever damaged	Warns if operating with reduced or without surge suppression
Coordinated Fuse Technology	Thermal fuse capable of extreme surge currents	Provides premium surge suppression while managing thermal effects from MOV end of life

HWA SPD

Features (continued)



HWA SPDs



Performance

Short Circuit Current Rating	200 kA
Fusing	Individually fused MOVs
Filtering EM/RFI Noise Rejection	Yes

Mechanical Description

Dimensions	8.62" x 4.80" x 2.92"
Housing Rating	NEMA 4X
Connection Method	#10 AWG
Mounting Method/Circuit Type	Parallel
Thermal Fusing	Yes
Operating Frequency	50/60 Hz
Operating Altitude	Sea Level-12,000' (3,658 m)
Storage Temperature	-40° F to +149° F (-40° C to +65° C)
Operating Temperature	-4° F to +160° F (-20° C to +71° C)

Diagnostics

Green status LED, audible alarm, dry contacts

Listings and Performance

cULus 1449 3rd edition Type 2 SPD, UL 1283
(Wye products only), CSA C22.2 No. 8-M1986

HWA SPD Specifications

Voltage	Surge Current	Configuration	Model Number	MCOV	I _n	VPR			
						L-N	L-G	L-L	N-G
120V/240	50kA	1 Ø, 3-wire+G	TVS1HWA50X	150V	20kA	900V	1200V	1500V	700V
120V/208Y ■	50kA	3 Ø, Wye, 4-wire+G	TVS2HWA50X	150V	20kA	900V	1200V	1500V	700V
277V/480Y ▲	50kA	3 Ø, Wye, 4-wire+G	TVS4HWA50X	320V	20kA	1200V	2000V	2500V	1000V
480V Delta	50kA	3 Ø, Delta, 3-wire	TVS5HWA50X	840V	20kA	N/A	N/A	3000V	N/A
240V Delta	50kA	3 Ø, Delta, 3-wire	TVS6HWA50X	300V	20kA	N/A	N/A	1500V	N/A
347V/600Y	50kA	3 Ø, Wye, 4-wire+G	TVS8HWA50X	420V	20kA	1500V	2500V	3000V	1500V
600D	50kA	3 Ø, Wye, 4-wire+G	TVS9HWA50X	840V	20kA	N/A	N/A	3000V	N/A
120V/240	80kA	1 Ø, 3-wire+G	TVS1HWA80X	150V	20kA	900V	1200V	1500V	700V
120V/208Y ■	80kA	3 Ø, Wye, 4-wire+G	TVS2HWA80X	150V	20kA	900V	1200V	1500V	700V
277V/480Y ▲	80kA	3 Ø, Wye, 4-wire+G	TVS4HWA80X	320V	20kA	1200V	2000V	2500V	1000V
480V Delta	80kA	3 Ø, Delta, 3-wire	TVS5HWA80X	840V	20kA	N/A	N/A	3000V	N/A
240V Delta	80kA	3 Ø, Wye, 3-wire	TVS6HWA80X	300V	20kA	N/A	N/A	1500V	N/A
347V/600Y	80kA	3 Ø, Wye, 4-wire+G	TVS8HWA80X	420V	20kA	1500V	2500V	3000V	1500V
600D	80kA	3 Ø, Wye, 4-wire+G	TVS9HWA80X	840V	20kA	N/A	N/A	3000V	N/A
120V/240	100kA	1 Ø, 3-wire+G	TVS1HWA10X	150V	20kA	900V	1200V	1500V	700V
120V/208Y ■	100kA	3 Ø, Wye, 4-wire+G	TVS2HWA10X	150V	20kA	900V	1200V	1500V	700V
277V/480Y ▲	100kA	3 Ø, Wye, 4-wire+G	TVS4HWA10X	320V	20kA	1200V	2000V	2500V	1000V
480V Delta	100kA	3 Ø, Delta, 3-wire	TVS5HWA10X	840V	20kA	N/A	N/A	3000V	N/A
240V Delta	100kA	3 Ø, Wye, 3-wire	TVS6HWA10X	300V	20kA	N/A	N/A	1500V	N/A
347V/600Y	100kA	3 Ø, Wye, 4-wire+G	TVS8HWA10X	420V	20kA	1500V	2500V	3000V	1500V
600D	100kA	3 Ø, Wye, 4-wire+G	TVS9HWA10X	840V	20kA	N/A	N/A	3000V	N/A

■ 208Y/120 series also applies to the following voltage 220Y/127

▲ 480Y/277 series also applies to the following voltages 380Y/220, 400Y/230, and 415Y/240

Voltage	Surge Current	Configuration	Model Number	MCOV	I _n	VPR						
						L-N	H-N	L-G	H-G	L-L	H-L	N-G
120V/240HLD	50kA	3 Ø, High-leg delta, 4-wire+G	TVS3HWA50X	150V	20kA	1000V	1200V	1200V	1500V	1500V	1800V	700V
120V/240HLD	80kA	3 Ø, High-leg delta, 4-wire+G	TVS3HWA80X	150V	20kA	1000V	1200V	1200V	1500V	1500V	1800V	700V
120V/240HLD	100kA	3 Ø, High-leg delta, 4-wire+G	TVS3HWA10X	150V	20kA	1000V	1200V	1200V	1500V	1500V	1800V	700V

Square D and SurgeLogic are trademarks or registered trademarks of Schneider Electric and/or its affiliates in the United States and/or other countries. Other marks used herein may be the property of their respective owners.

Schneider Electric USA, Inc. 1751 S. 4800 W., Salt Lake City, UT 84104, USA Telephone: (801)-977-9009 Fax: (801)-977-0200 www.surgeologic.com