



# L.T.F Dimmable Low Voltage LED Driver - CLASS 2

## 20W DA20W 120V Series Constant Current / Constant Voltage



Efficiency	higher than 85%
Power Factor	>95%
Case TC	90C° Max.
Protection	Input / Output
Storage	-30°C / +90°C
Humidity	95% RH Max.
IP Rating	IP 60, 65, 67
Class	Class 2 Power Supply
Dimming	ELV & Triac Dimmable
Optional Dim.	0-10V
Optional Dim.	DALI



Intertek



RoHS



FCC Part 15  
Class B compliant



\* Ask for more  
Information

### FEATURES

- Isolated output power per NEC and UL safety requirements
- UL and ETL recognized/ Listed, UL 8750, 1310
- Auto-reset ; Short circuit, Overload and Thermal protection
- Dimmable with ELV and Triac type dimmers
- Aluminum casing for optimal heat dissipation
- Low profile, small form factor, junction box mountable
- Flicker free dimming and excellent dimming range
- Class 2 power supply and other than Class 2 options
- Efficient, high power factor, low THD, FCC compliant

### ELECTRICAL SPECIFICATIONS

Constant Current					
Model #	Input Voltage	Input Current	Output Voltage	Output Current	Available Form Factors
DA20W350C	120V AC 50/60Hz	0.17 A	57.2V DC	350 mA	BF, BF1, SM1, D1, F2, F3, LP2, PL2
DA20W420C	120V AC 50/60Hz	0.17 A	47.7V DC	420 mA	BF, BF1, SM1, D1, F2, F3, LP2, PL2
DA20W440C	120V AC 50/60Hz	0.17 A	45.5V DC	440 mA	BF, BF1, SM1, D1, F2, F3, LP2, PL2
DA20W500C	120V AC 50/60Hz	0.17 A	40.0V DC	500 mA	BF, BF1, SM1, D1, F2, F3, LP2, T31, PL2
DA20W550C	120V AC 50/60Hz	0.17 A	36.4V DC	550 mA	BF, BF1, SM1, D1, F2, F3, LP2, PL2
DA20W620C	120V AC 50/60Hz	0.17 A	32.3V DC	620 mA	BF, BF1, SM1, D1, F2, F3, LP2, PL2
DA20W700C	120V AC 50/60Hz	0.17 A	28.6V DC	700 mA	BF, BF1, SM1, D1, F2, F3, LP2, T31, PL2
DA20W750C	120V AC 50/60Hz	0.17 A	26.7V DC	750 mA	BF, BF1, SM1, D1, F2, F3, LP2, PL2
DA20W780C	120V AC 50/60Hz	0.17 A	25.7V DC	780 mA	BF, BF1, SM1, D1, F2, F3, LP2, PL2
DA20W900C	120V AC 50/60Hz	0.17 A	22.3V DC	900 mA	BF, BF1, SM1, D1, F2, F3, LP2, PL2
DA20W950C	120V AC 50/60Hz	0.17 A	21.1V DC	950 mA	BF, BF1, SM1, D1, F2, F3, LP2, PL2
DA20W980C	120V AC 50/60Hz	0.17 A	20.4V DC	980 mA	BF, BF1, SM1, D1, F2, F3, LP2, PL2
DA20W1000C	120V AC 50/60Hz	0.17 A	20.0V DC	1000 mA	BF, BF1, SM1, D1, F2, F3, LP2, PL2
DA20W1050C	120V AC 50/60Hz	0.17 A	19.1V DC	1050 mA	BF, BF1, SM1, D1, F2, F3, LP2, PL2



Constant Current					
Model #	Input Voltage	Input Current	Output Voltage	Output Current	Available Form Factors
DA20W1100C	120V AC 50/60Hz	0.17 A	18.2V DC	1100 mA	BF, BF1, SM1, D1, F2, F3, LP2, PL2
DA20W1130C	120V AC 50/60Hz	0.17 A	17.7V DC	1130 mA	BF, BF1, SM1, D1, F2, F3, LP2, PL2
DA20W1180C	120V AC 50/60Hz	0.17 A	16.7V DC	1200 mA	BF, BF1, SM1, D1, F2, F3, LP2, PL2
DA20W1250C	120V AC 50/60Hz	0.17 A	16.0V DC	1250 mA	BF, BF1, SM1, D1, F2, F3, LP2, PL2

Constant Voltage					
Model #	Input Voltage	Input Current	Output Voltage	Output Current	Available Form Factors
DA20W12V	120V AC 50/60Hz	0.17 A	12V DC	1700 mA	BF, BF1, SM1, D1, F2, F3, LP2, PL2
DA20W24V	120V AC 50/60Hz	0.17 A	24V DC	800 mA	BF, BF1, SM1, D1, F2, F3, LP2, PL2

Dimming Guide	
Model #	Dimming Code
(L) DA20WXXXX	Standard Dimming
(L) DA20WXXXXD010	0-10V Dimming
(L) DA20WXXXXDALI	DALI Dimming

Remote Enclosure Option	
Model #	Remote Enclosure
LDA20WXXXXRE	G1, G2
LDA20WXXXXREO	G3, G4

MECHANICAL SPECS.

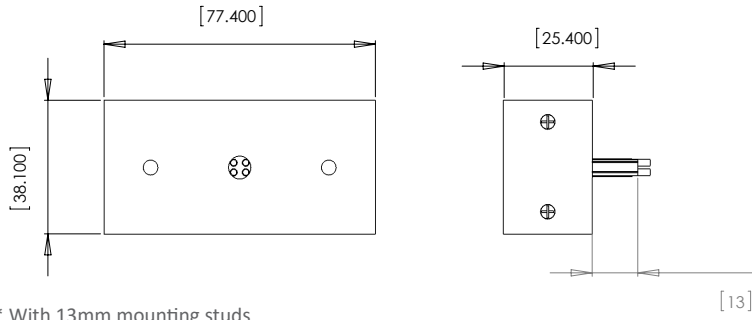
Available Form Factors	Dimensions
"BF"	77.4X38.5X25mm (mounting studs)
"BF1"	77.4X38.5X25mm (no mounting studs)
"D1"	39.5X75mm
"SM1"	107X44.5X24.5mm
"F2"	132X37X24.5mm
"F3"	71.6X62.6X30mm
"T31"	110x51x24mm
"LP1"	96x42x19mm
"LP2"	96x19x42mm
"PL2"	118.7x51.4x31.6mm
"G1"	207X50.8X43mm
"G2"	233.1X85.5X48.9mm
"G3"	280X103X56mm
"G4"	238X66X48mm

Dimmable Low Voltage LED Driver - CLASS 2 - DA20W



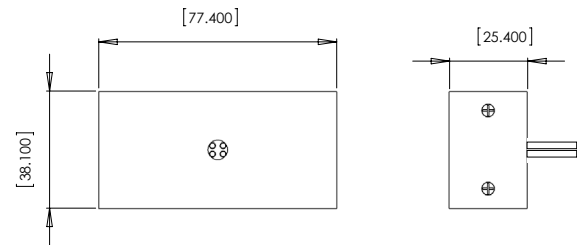
MECHANICAL SPECS.

BF\*



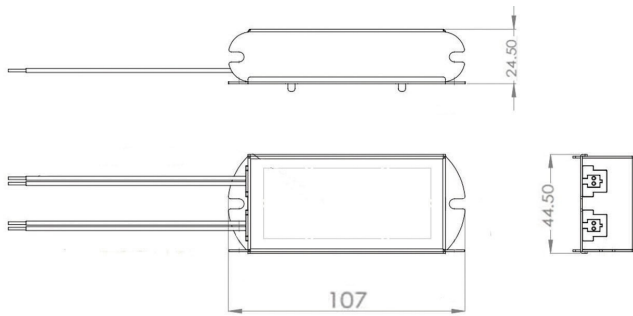
\* With 13mm mounting studs

BF1\*\*

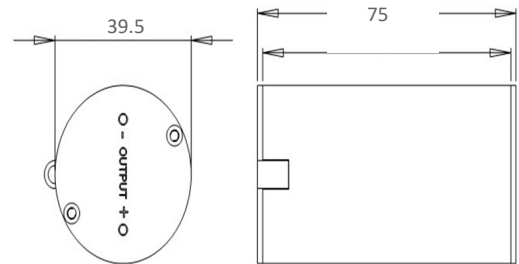


\*\* Without 13mm mounting studs

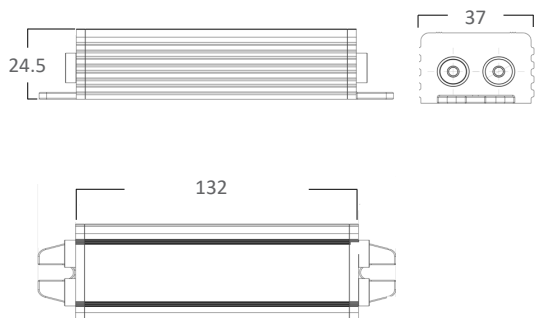
SM1



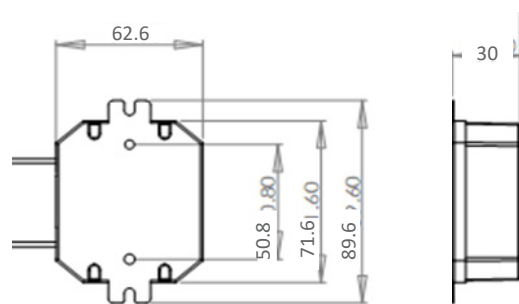
D1



F2

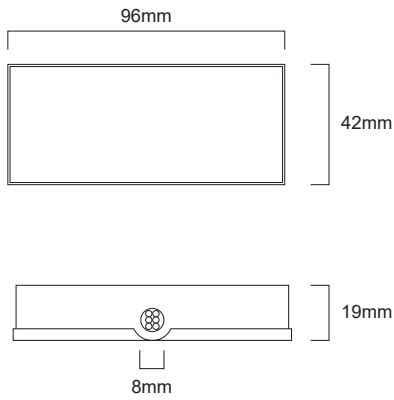


F3



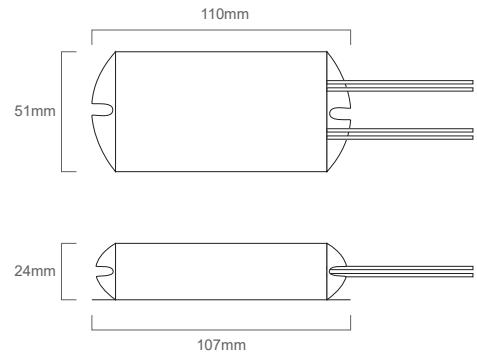


LP1

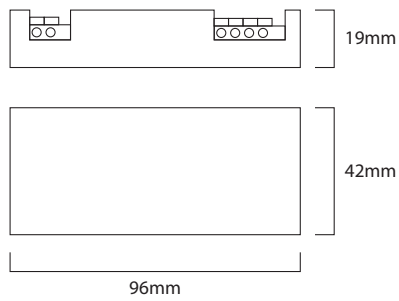


T31

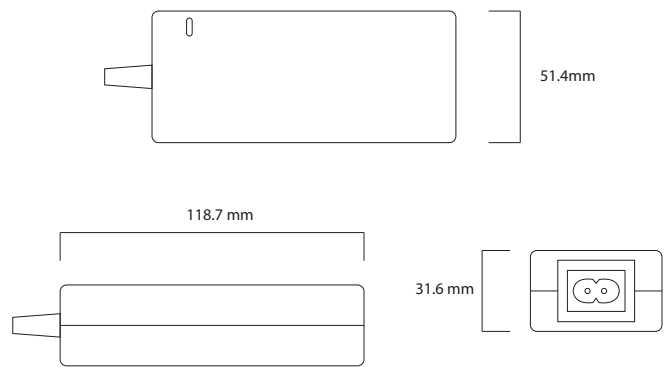
20W/30W



LP2



PL2

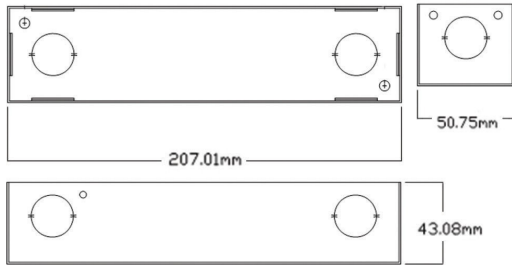


NOTE: When placing an order for PL2 model, format part number in standard sequence with PL2 suffix.  
I.E. DA20WXXXCPL2 or DA20WXXVPL2

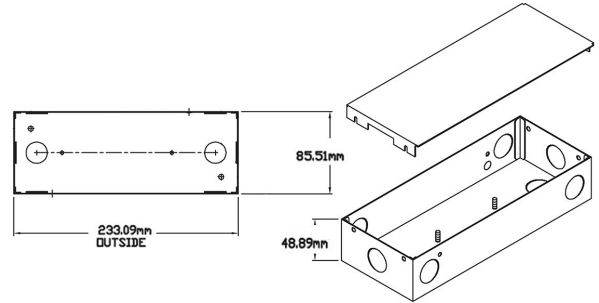


MECHANICAL SPECS. - REMOTE MODELS

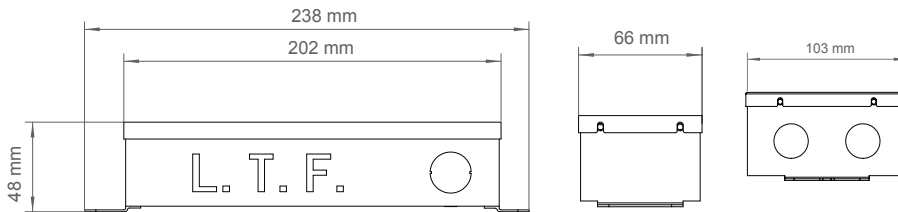
G1



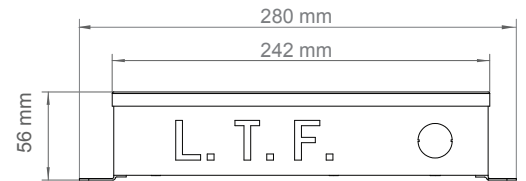
G2



G4



G3





# L.T.F

## Dimmable Low Voltage LED Driver - CLASS 2



### 20W DE20W 277V Series Constant Current / Constant Voltage



Efficiency	higher than 85%
Power Factor	>95%
Case TC	90°C Max.
Protection	Input / Output
Storage	-30°C / +90°C
Humidity	95% RH Max.
IP Rating	IP 60, 65, 67
Class	Class 2 Power Supply
Dimming	ELV & Triac Dimmable
Optional Dim.	0-10V
Optional Dim.	DALI



FCC Part 15  
Class B compliant



\* Ask for more  
Information

### FEATURES

- Isolated output power per NEC and UL safety requirements
- UL and ETL recognized/ Listed, UL 8750, 1310
- Auto-reset ; Short circuit, Overload and Thermal protection
- Dimmable with ELV and Triac type dimmers
- Aluminum casing for optimal heat dissipation
- Low profile, small form factor, junction box mountable
- Flicker free dimming and excellent dimming range
- Class 2 power supply and other than Class 2 options
- Efficient, high power factor, low THD, FCC compliant

### ELECTRICAL SPECIFICATIONS

Constant Current					
Model #	Input Voltage	Input Current	Output Voltage	Output Current	Available Form Factors
DE20W350C	277V AC 50/60Hz	0.07 A	57.2V DC	350 mA	BF, BF1, SM1, D1, F2, F3, LP2
DE20W420C	277V AC 50/60Hz	0.07 A	47.7V DC	420 mA	BF, BF1, SM1, D1, F2, F3, LP2
DE20W440C	277V AC 50/60Hz	0.07 A	45.5V DC	440 mA	BF, BF1, SM1, D1, F2, F3, LP2
DE20W500C	277V AC 50/60Hz	0.07 A	40.0V DC	500 mA	BF, BF1, SM1, D1, F2, F3, LP2
DE20W550C	277V AC 50/60Hz	0.07 A	36.4V DC	550 mA	BF, BF1, SM1, D1, F2, F3, LP2
DE20W620C	277V AC 50/60Hz	0.07 A	32.3V DC	620 mA	BF, BF1, SM1, D1, F2, F3, LP2
DE20W700C	277V AC 50/60Hz	0.07 A	28.6V DC	700 mA	BF, BF1, SM1, D1, F2, F3, LP2
DE20W750C	277V AC 50/60Hz	0.07 A	26.7V DC	750 mA	BF, BF1, SM1, D1, F2, F3, LP2
DE20W780C	277V AC 50/60Hz	0.07 A	25.7V DC	780 mA	BF, BF1, SM1, D1, F2, F3, LP2
DE20W900C	277V AC 50/60Hz	0.07 A	22.3V DC	900 mA	BF, BF1, SM1, D1, F2, F3, LP2
DE20W950C	277V AC 50/60Hz	0.07 A	21.1V DC	950 mA	BF, BF1, SM1, D1, F2, F3, LP2
DE20W980C	277V AC 50/60Hz	0.07 A	20.4V DC	980 mA	BF, BF1, SM1, D1, F2, F3, LP2
DE20W1000C	277V AC 50/60Hz	0.07 A	20.0V DC	1000 mA	BF, BF1, SM1, D1, F2, F3, LP2
DE20W1050C	277V AC 50/60Hz	0.07 A	19.1V DC	1050 mA	BF, BF1, SM1, D1, F2, F3, LP2

Dimmable Low Voltage LED Driver - CLASS 2 - DE20W



Constant Current					
Model #	Input Voltage	Input Current	Output Voltage	Output Current	Available Form Factors
DE20W1100C	277V AC 50/60Hz	0.07 A	18.2V DC	1100 mA	BF, BF1, SM1, D1, F2, F3, LP2
DE20W1130C	277V AC 50/60Hz	0.07 A	17.7V DC	1130 mA	BF, BF1, SM1, D1, F2, F3, LP2
DE20W1200C	277V AC 50/60Hz	0.07 A	16.7V DC	1200 mA	BF, BF1, SM1, D1, F2, F3, LP2
DE20W1250C	277V AC 50/60Hz	0.07 A	16.0V DC	1250 mA	BF, BF1, SM1, D1, F2, F3, LP2

Constant Voltage					
Model #	Input Voltage	Input Current	Output Voltage	Output Current	Available Form Factors
DE20W12V	277V AC 50/60Hz	0.07 A	12V DC	1700 mA	BF, BF1, SM1, D1, F2, F3, LP2
DE20W24V	277V AC 50/60Hz	0.07 A	24V DC	830 mA	BF, BF1, SM1, D1, F2, F3, LP2

Dimming Guide	
Model #	Dimming Code
(L) DE20WXXXX	Standard Dimming
(L) DE20WXXXXD010	0-10V Dimming
(L) DE20WXXXXDALI	DALI Dimming

Remote Enclosure Option	
Model #	Remote Enclosure
LDE20WXXXXRE	G1, G2
LDE20WXXXXREO	G3, G4

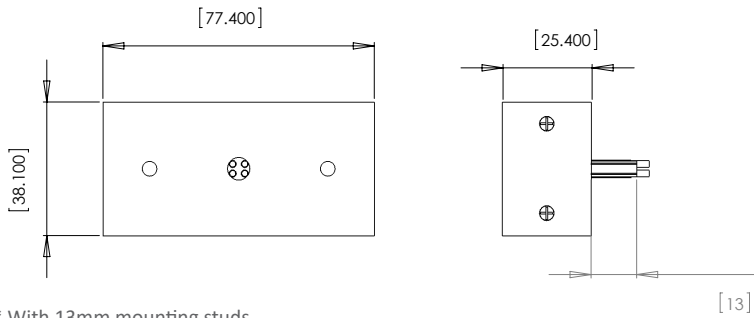
MECHANICAL SPECS.

Available Form Factors	Dimensions
"BF"	77.4X38.5X25mm (mounting studs)
"BF1"	77.4X38.5X25mm (no mounting studs)
"D1"	39.5X75mm
"SM1"	107X44.5X24.5mm
"F2"	132X37X24.5mm
"F3"	71.6X62.6X30mm
"T31"	110x51x24mm
"LP1"	96x42x19mm
"LP2"	96x19x42mm
"G1"	207X50.8X43mm
"G2"	233.1X85.5X48.9mm
"G3"	280X103X56mm
"G4"	238X66X48mm



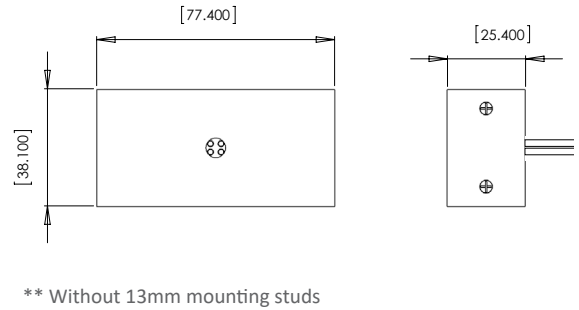
MECHANICAL SPECS.

BF\*

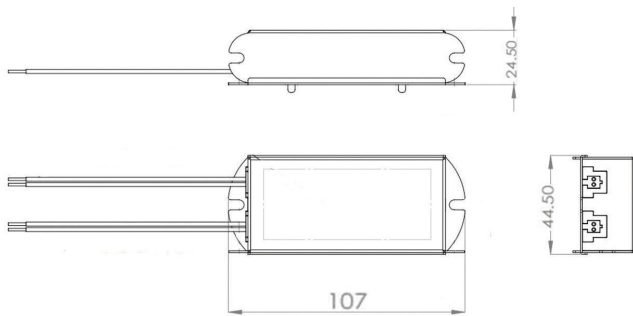


\* With 13mm mounting studs

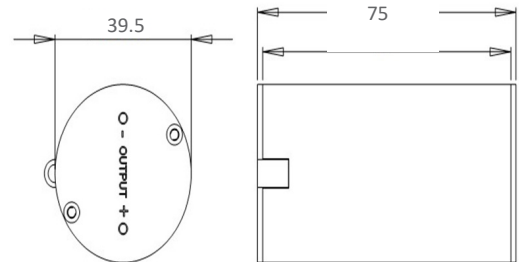
BF 1\*\*



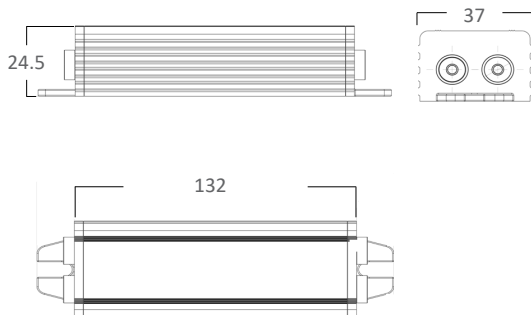
SM1



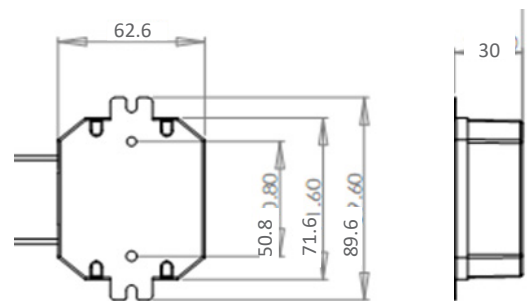
D1



F2



F3





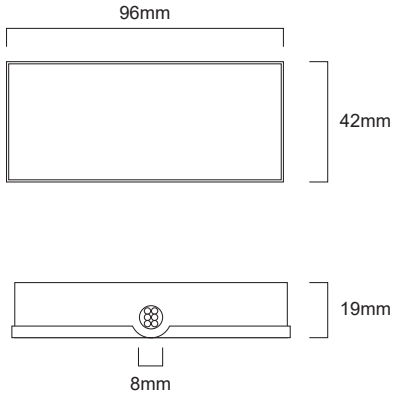


L.T.F.

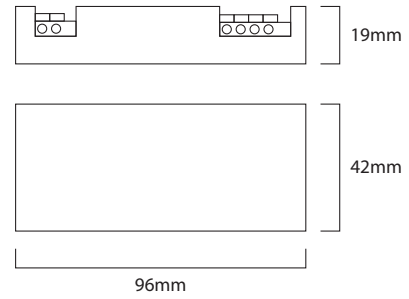
L.T.F.



LP1

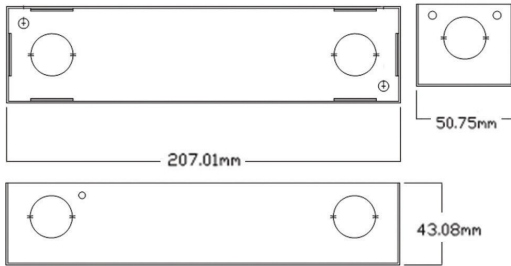


LP2

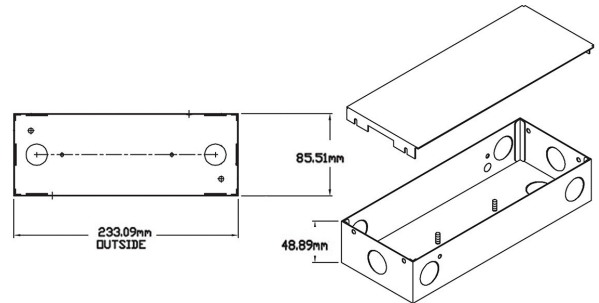


MECHANICAL SPECS. - REMOTE MODELS

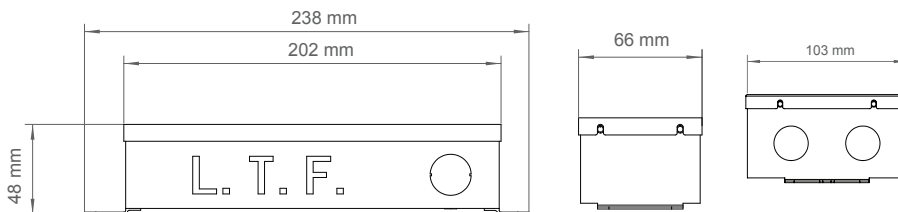
G1



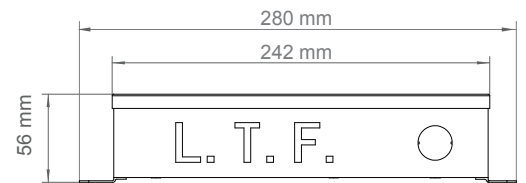
G2



G4



G3



Dimmable Low Voltage LED Driver - CLASS 2 - DE20W



# L.T.F

## Dimmable Low Voltage LED Driver - CLASS 2

### 20W DU20W 220-240V Series Constant Current / Constant Voltage



<b>Efficiency</b>	higher than 85%
<b>Power Factor</b>	>95%
<b>Case TC</b>	90C° Max.
<b>Protection</b>	Input / Output
<b>Storage</b>	-30°C / +90°C
<b>Humidity</b>	95% RH Max.
<b>IP Rating</b>	IP 60, 65, 67
<b>Class</b>	Class 2 Power Supply
<b>Dimming</b>	ELV & Triac Dimmable
<b>Optional Dim.</b>	0-10V
<b>Optional Dim.</b>	DALI



Intertek



**RoHS**



FCC Part 15  
Class B compliant



\* Ask for more  
Information

### FEATURES

- Isolated output power per NEC and UL safety requirements
- UL and ETL recognized/ Listed, UL 8750, 1310
- Auto-reset ; Short circuit, Overload and Thermal protection
- Dimmable with ELV and Triac type dimmers
- Aluminum casing for optimal heat dissipation
- Low profile, small form factor, junction box mountable
- Flicker free dimming and excellent dimming range
- Class 2 power supply and other than Class 2 options
- Efficient, high power factor, low THD, FCC compliant

### ELECTRICAL SPECIFICATIONS

Constant Current					
Model #	Input Voltage	Input Current	Output Voltage	Output Current	Available Form Factors
DU20W350C	220-240V AC 50/60Hz	0.09 A	57.2V DC	350 mA	BF, BF1, SM1, D1, F2, F3, LP2
DU20W420C	220-240V AC 50/60Hz	0.09 A	47.7V DC	420 mA	BF, BF1, SM1, D1, F2, F3, LP2
DU20W440C	220-240V AC 50/60Hz	0.09 A	45.5V DC	440 mA	BF, BF1, SM1, D1, F2, F3, LP2
DU20W500C	220-240V AC 50/60Hz	0.09 A	40.0V DC	500 mA	BF, BF1, SM1, D1, F2, F3, LP2
DU20W550C	220-240V AC 50/60Hz	0.09 A	36.4V DC	550 mA	BF, BF1, SM1, D1, F2, F3, LP2
DU20W620C	220-240V AC 50/60Hz	0.09 A	32.3V DC	620 mA	BF, BF1, SM1, D1, F2, F3, LP2
DU20W700C	220-240V AC 50/60Hz	0.09 A	28.6V DC	700 mA	BF, BF1, SM1, D1, F2, F3, LP2
DU20W750C	220-240V AC 50/60Hz	0.09 A	26.7V DC	750 mA	BF, BF1, SM1, D1, F2, F3, LP2
DU20W780C	220-240V AC 50/60Hz	0.09 A	25.7V DC	780 mA	BF, BF1, SM1, D1, F2, F3, LP2
DU20W900C	220-240V AC 50/60Hz	0.09 A	22.3V DC	900 mA	BF, BF1, SM1, D1, F2, F3, LP2
DU20W950C	220-240V AC 50/60Hz	0.09 A	21.1V DC	950 mA	BF, BF1, SM1, D1, F2, F3, LP2
DU20W980C	220-240V AC 50/60Hz	0.09 A	20.4V DC	980 mA	BF, BF1, SM1, D1, F2, F3, LP2
DU20W1000C	220-240V AC 50/60Hz	0.09 A	20.0V DC	1000 mA	BF, BF1, SM1, D1, F2, F3, LP2
DU20W1050C	220-240V AC 50/60Hz	0.09 A	19.1V DC	1050 mA	BF, BF1, SM1, D1, F2, F3, LP2

Dimmable Low Voltage LED Driver - CLASS 2 - DU20W



Constant Current					
Model #	Input Voltage	Input Current	Output Voltage	Output Current	Available Form Factors
DU20W1100C	220-240V AC 50/60Hz	0.09 A	18.2V DC	1100 mA	BF, BF1, SM1, D1, F2, F3, LP2
DU20W1130C	220-240V AC 50/60Hz	0.09 A	17.7V DC	1130 mA	BF, BF1, SM1, D1, F2, F3, LP2
DU20W1200C	220-240V AC 50/60Hz	0.09 A	16.7V DC	1200 mA	BF, BF1, SM1, D1, F2, F3, LP2
DU20W1250C	220-240V AC 50/60Hz	0.09 A	16.0V DC	1250 mA	BF, BF1, SM1, D1, F2, F3, LP2

Constant Voltage					
Model #	Input Voltage	Input Current	Output Voltage	Output Current	Available Form Factors
DU20W12V	220-240V AC 50/60Hz	0.09 A	12V DC	1700 mA	BF, BF1, SM1, D1, F2, F3, LP2
DU20W24V	220-240V AC 50/60Hz	0.09 A	24V DC	830 mA	BF, BF1, SM1, D1, F2, F3, LP2

Dimming Guide	
Model #	Dimming Code
(L) DU20WXXXX	Standard Dimming
(L) DU20WXXXXD010	0-10V Dimming
(L) DU20WXXXXDALI	DALI Dimming

Remote Enclosure Option	
Model #	Remote Enclosure
LDU20WXXXXRE	G1, G2
LDU20WXXXXREO	G3, G4

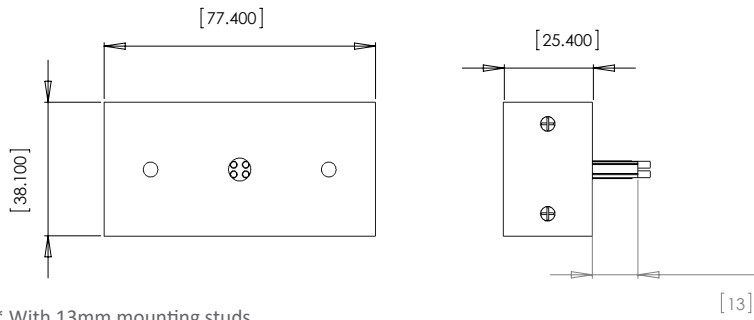
MECHANICAL SPECS.

Available Form Factors	Dimensions
"BF"	77.4X38.5X25mm (mounting studs)
"BF1"	77.4X38.5X25mm (no mounting studs)
"D1"	39.5X75mm
"SM1"	107X44.5X24.5mm
"F2"	132X37X24.5mm
"F3"	71.6X62.6X30mm
"T31"	110x51x24mm
"LP1"	96x42x19mm
"LP2"	96x19x42mm
"G1"	207X50.8X43mm
"G2"	233.1X85.5X48.9mm
"G3"	280X103X56mm
"G4"	238X66X48mm



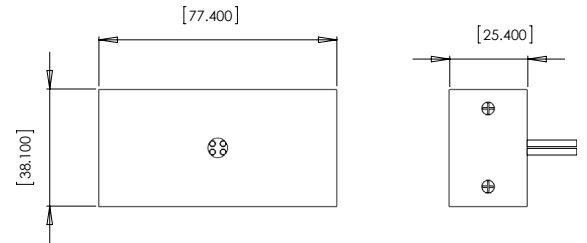
MECHANICAL SPECS.

BF\*



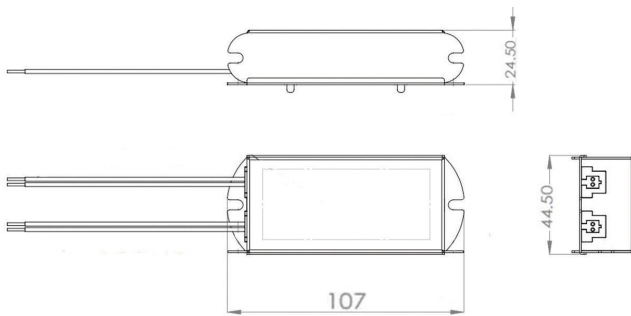
\* With 13mm mounting studs

BF1\*\*

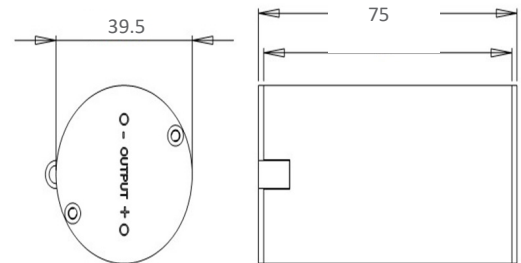


\*\* Without 13mm mounting studs

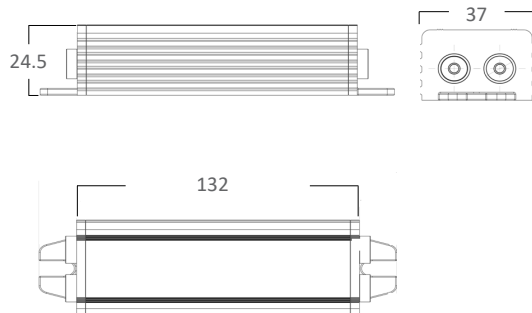
SM1



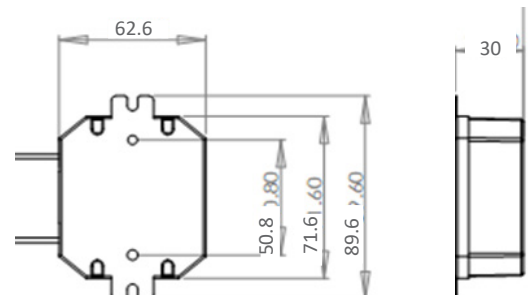
D1



F2

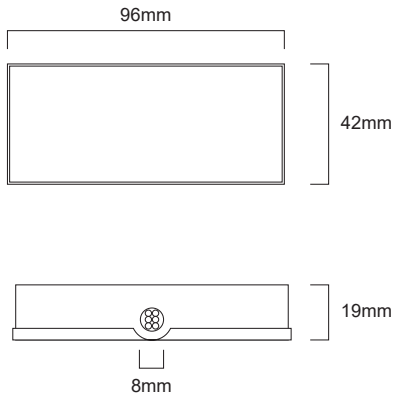


F3

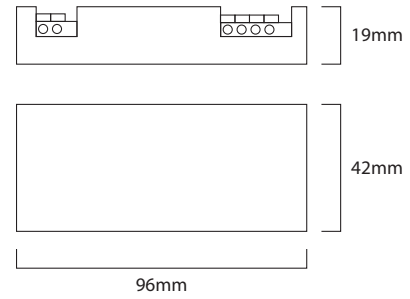




LP1

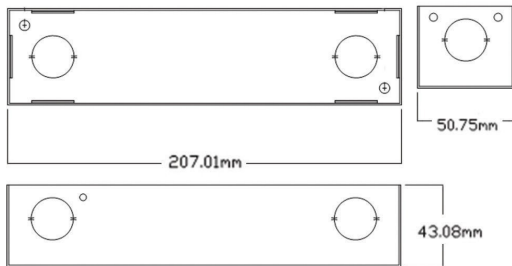


LP2

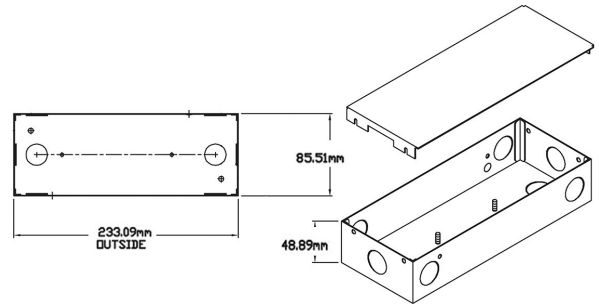


MECHANICAL SPECS. - REMOTE MODELS

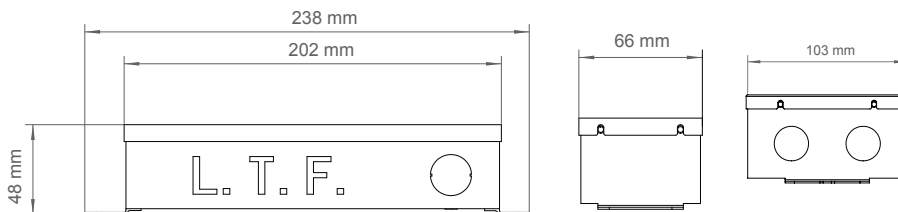
G1



G2



G4



G3

