



Project: _____

Item: _____

Quantity: _____

Date: _____

Models	Length
<input type="checkbox"/> SPC-ST-LP/SS-28	28 3/8"
<input type="checkbox"/> SPC-ST-LP/SS-36	36 3/8"
<input type="checkbox"/> SPC-ST-LP/SS-50	50 3/8"
<input type="checkbox"/> SPC-ST-LP/SS-60	60 3/8"
<input type="checkbox"/> SPC-ST-LP/SS-66	66 3/8"
<input type="checkbox"/> SPC-ST-LP/SS-74	74 3/8"
<input type="checkbox"/> SPC-ST-LP/SS-84	84 3/8"
<input type="checkbox"/> SPC-ST-LP/SS-96	96 3/8"

Standard Features

- ✓ 30" wide 14 gauge stainless steel top
- ✓ Open Storage Base
- ✓ 5" Locking Swivel Casters

Solid Top Serving Counter
Laminate Panel (LP) or Stainless Steel (SS)

SPC-ST-LP-36



- Most versatile counters, add the options you need!
- Easy to clean, low maintenance

Specifications

Top - Top to be 30" wide and fabricated from a minimum of 14 gauge stainless steel with square turndown on all sides and corners fully welded, ground and polished. Top to have #4 satin finish.

Body (SS) - Uni-body structure, fabricated from 18 gauge stainless steel, welded ground and polished. Interior reinforced with 12 gauge galvanized uprights to support shelving and a 11 gauge steel bottom.

Body (LP) - Standard grade laminate to cover all sides of an 18 gauge steel uni-body structure. Interior reinforced with 12 gauge galvanized uprights to support shelving and a 11 gauge steel bottom. Corners and bottom edge provided with 1/2" stainless steel trim strips.

Options

Top Options

- Height Other Than Standard 36" (Specify____)
- (MR)#7 Hi-Lite Edge
- (TWE) Top Width Extension (Specify _____)
- (AA) Cam Operated Line-up Locks

Above the Top

- (CCCP) CrystalClear Counter Protector
- (CCSB) CrystalClear Self-Service Single Buffet Shield
- (CCDB) CrystalClear Self-Service Double Buffet Shield
- (CCPADJ) CrystalClear Counter Protector
Adjustable from Self-Service to Full-Service
- (CCSMT) Crystal Clear Multi-Tier Single Service
- (CCDMT) Crystal Clear Multi-Tier Double Service
- (F) Overshelf
- (GA) Sloped Front Protector, Adjustable
- (GAG) Sloped Front Protector -
Adjustable - Glass Top Shelf

- (GC) Sloped Front Protector, Glass Clips
- (GCG) Sloped Front Protector - Glass Clips -
Glass Top Shelf
- (M) Buffet Shield Single Service Hinged
- (N) Buffet Shield Double Service Hinged
- (GTS) Glass Top Shelf for Protector
or Buffet Shield
- (I) 2 Tier Display Shelf, Single Service
- (I2) 2 Tier Display Shelf, Double Service
- (RR) LED Lights

Tray Slide/Cutting Boards

- (A) 10" Beaded, Stainless Steel Tray Slide
- (B) 10" Flat Surface, Stainless Steel
- (C) 10" Tubular Tray Slide
- (CTS) 10" Corian Tray Slide Solid
- (CTR) 10" Corian Tray Slide Routed Runners
- (D) 6" Wide Stainless Steel Cutting Board
- (E) 6" Wide Richlite® Composite Cutting Board
- (E1) 6" Santalite cutting board
- (FF) End Drop Shelf 12" x 30"

Base Options

- (EB) Enclosed Base - No Under Storage
- (Y) Hinged Doors
- (BB) Heated Storage Base
- (MM) Vertical Trim Strips
- (SS) Stainless Steel Legs
- S/S Toe Kick

Plumbing & Electrical Options

- (DD) Convenience Outlet, Flush
- (DC) Daisy Chain Outlet

A.I.A. File No. 00-0-00

SIS No. 00-0-00

REV 3/27/24

Approvals: _____

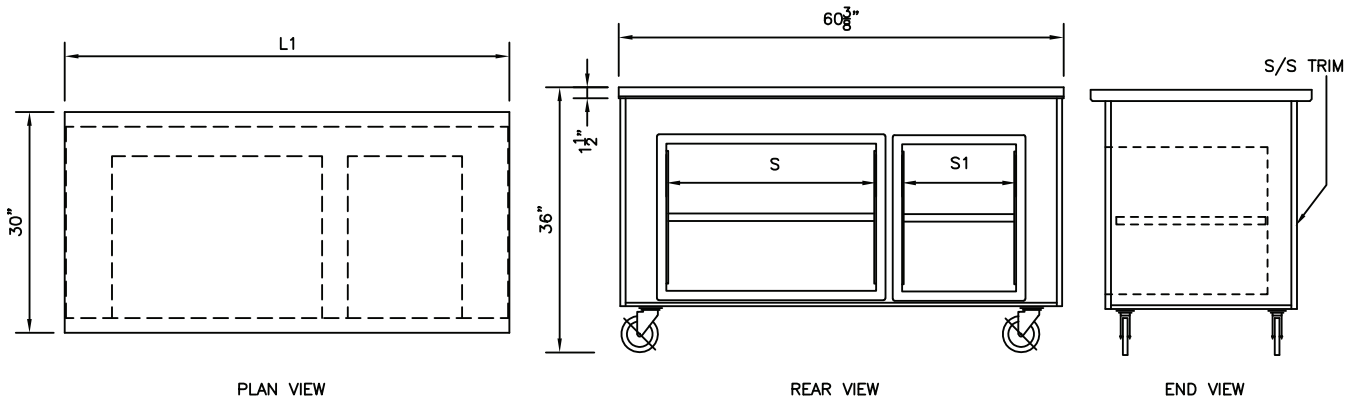
Solid Top Serving Counter

Laminate Panel (LP) or Stainless Steel (SS)

Solid Top Serving Counter
Laminate Panel (LP) or Stainless Steel (SS)

A.I.A. File No. 00-0-00

SIS No. 00-0-00



Model	L	S	S1	Approx. Ship Weight
SPC-ST-LP/SS-28	28 $\frac{3}{8}''$	15"	N/A	205 lbs.
SPC-ST-LP/SS-36	36 $\frac{3}{8}''$	15"	N/A	220 lbs.
SPC-ST-LP/SS-50	50 $\frac{3}{8}''$	15"	N/A	260 lbs.
SSPC-ST-LP/SS-60	60 $\frac{3}{8}''$	28"	15"	300 lbs.
SPC-ST-LP/SS-66	66 $\frac{3}{8}''$	28"	15"	320 lbs.
SPC-ST-LP/SS-74	74 $\frac{3}{8}''$	28"	28"	340 lbs.
SPC-ST-LP/SS-84	84 $\frac{3}{8}''$	28"	28"	360 lbs.
SPC-ST-LP/SS-96	96 $\frac{3}{8}''$	28"	28"	380 lbs.

Décor Options (Contact Factory)

- Vinyl Graphic Wrap
- Body Decal
- Over-Structure With Signage & Lights
(Specify _____)
- Stand Off or Offset Panels
(Specify Materials _____)

We reserve the right to change specifications and product design without notice. Such revisions do not entitle the buyer to corresponding changes, improvements, additions or replacement for previously purchased equipment.

All equipment to be built in accordance with the Underwriters Laboratories, Inc. and the National Sanitation Foundation, Inc. standards and shall bear the Underwriters Laboratories, Inc. listing label for safety and the Underwriters Laboratories classification label for sanitation.

REV 3/27/24