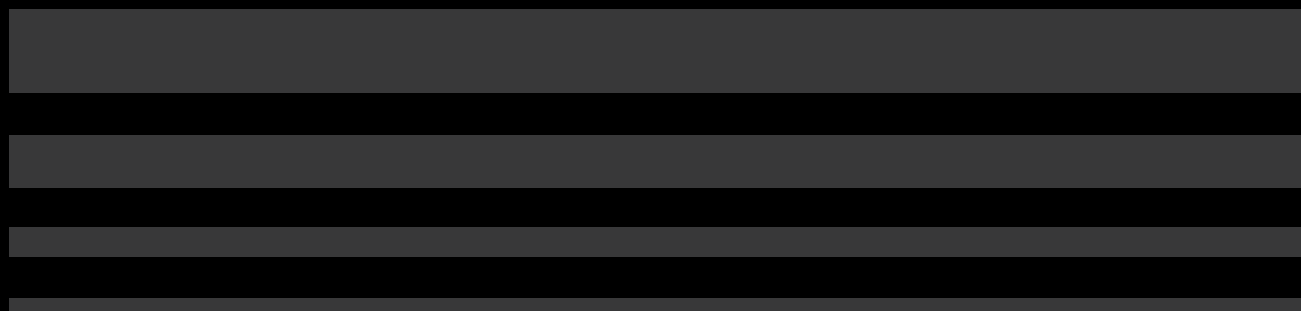


LIGHTKIT

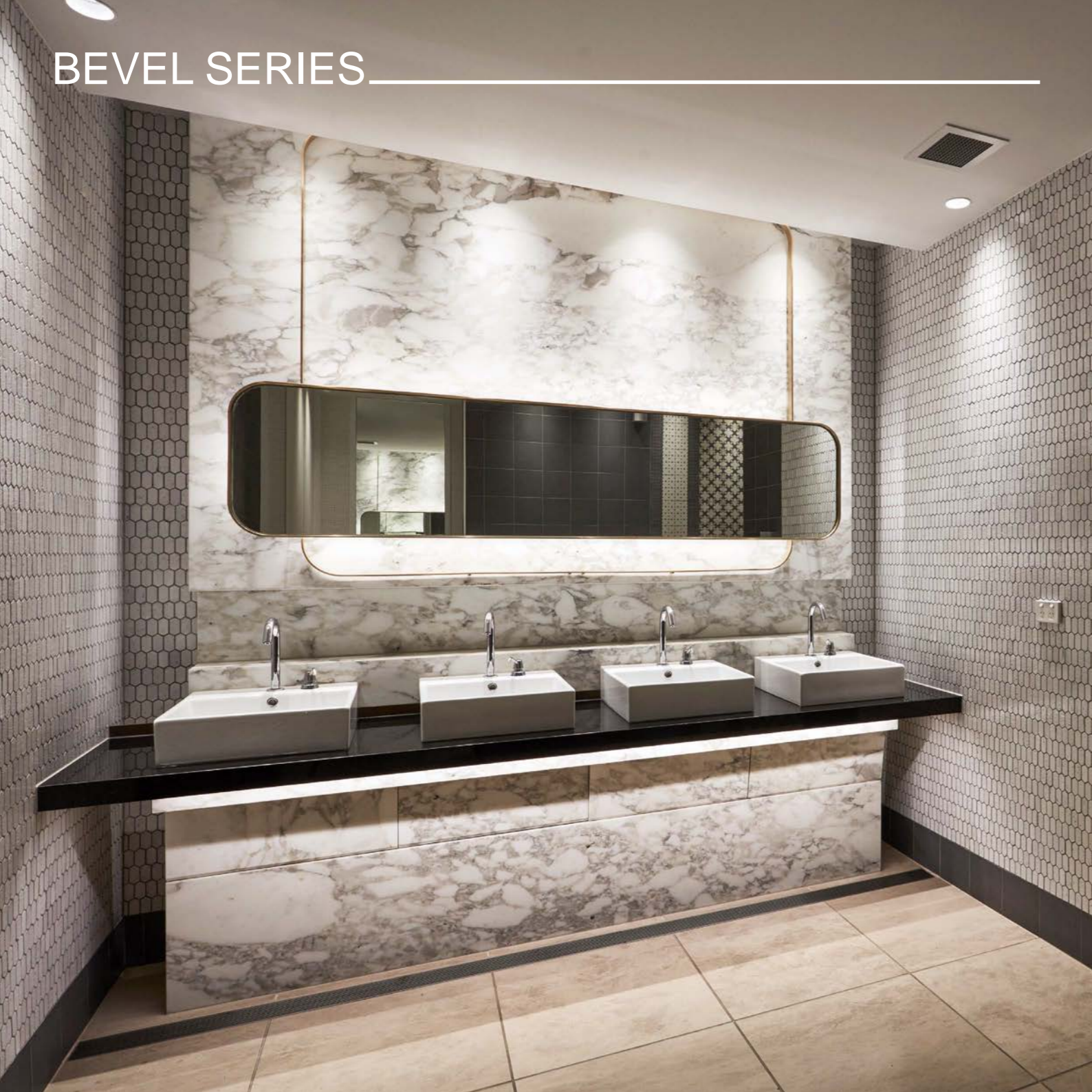


# ACCENT



# BEVEL SERIES

---



THE BEVEL SERIES is the ultimate downlight range. A deep set, low glare downlight with a minimal trim for every application, offering fixed, adjustable and wall wash options.

Adjustable version with a full 45 degree adjustment without beam distortion.

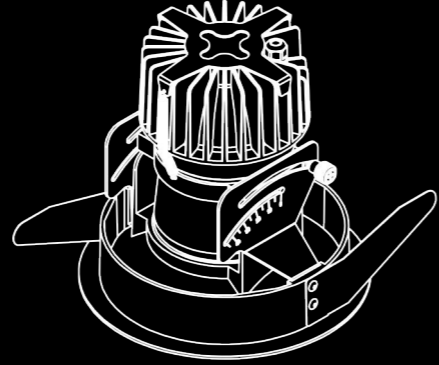
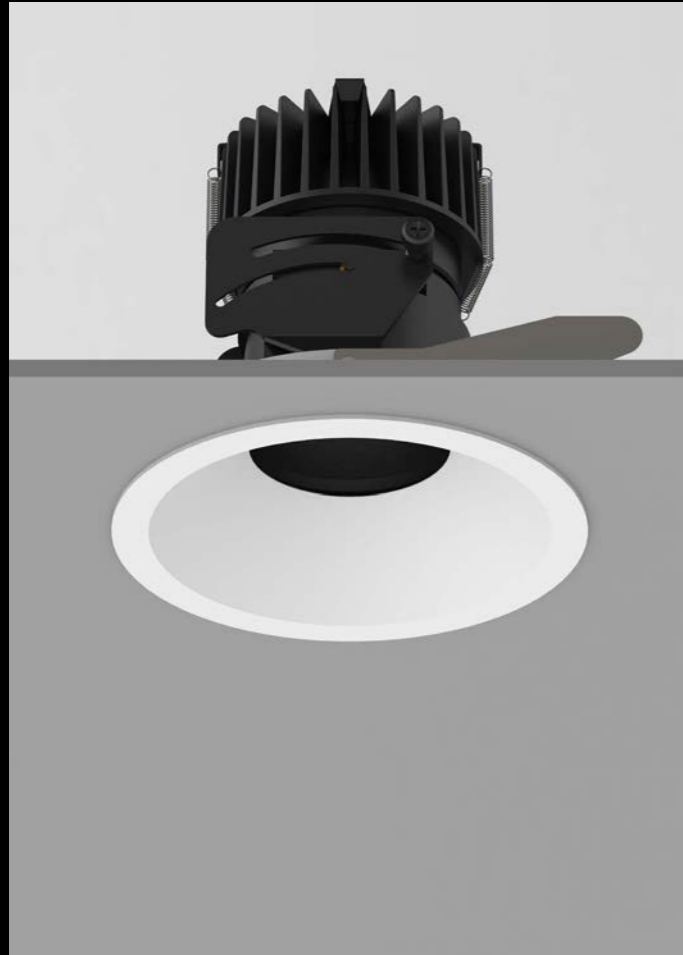
Manufactured from die cast aluminium with a textured powder coat finish.

Five size options, Large, medium, small, mini and micro with delivered lumen output varying from 200 – 2400 lumens makes this downlight a tool for any application.

Optional honeycomb louvre, solite softening lens and linear spreading lens accessories available, for use individually or combined for increased glare reduction.

Lenses interchangeable to enable on site adjustments. Lens options ranging from high peak intensity narrow beams to medium and wide beam angles. Lenses are common to the whole accent range.

# BEVEL FIXED LARGE



## DIMENSIONS

DIAMETER	WIDTH	HEIGHT	LENGTH	CUTOUT
Ø154mm	N/A	As shown	N/A	Ø135mm

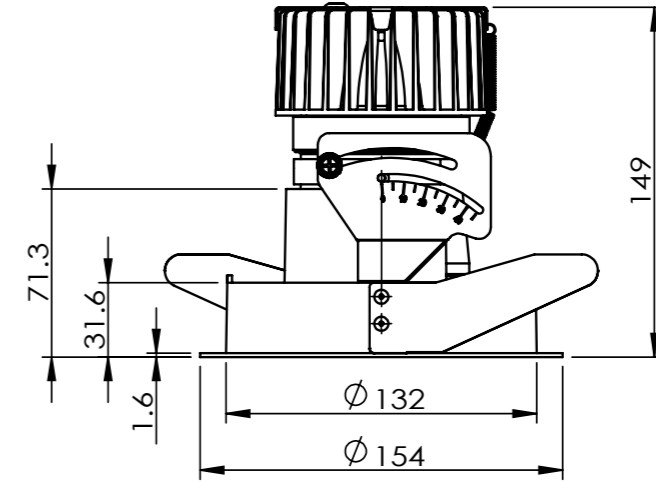
## TECHNICAL DATA

Lamp Wattage and Delivered Lumens <sup>(1)</sup> :	19W : 1534lm 25W : 1877lm	19W Warm-Dim : 1046lm 25W Warm-Dim : 1412lm
--	------------------------------	--

Lamp type:	Citizen	Glow wire resistance:	850°
Lamp life:	50,000hrs L70	LED maintenance:	Integrated
Binning:	2-Step MacAdams	Connector block:	Flex and Plug
CRI:	90Ra	Mounting surface classification:	▽
Control gear:	Remote	Protection classification:	IP
Thermal control rating:	IC-4/IC-F (abuttled & covered)	Standards:	EN/AS/NZS 60598-2-2, 62031, 62471
Materials:	Cast aluminium, Matt Powder Coated	Warranty:	5 years (T&Cs apply)
Supply Voltage:	See page 164		

<sup>(1)</sup> Delivered lumens are based on medium beam angle and 3000K LED

POWERED BY  
**I B L**



## SPECIFICATION

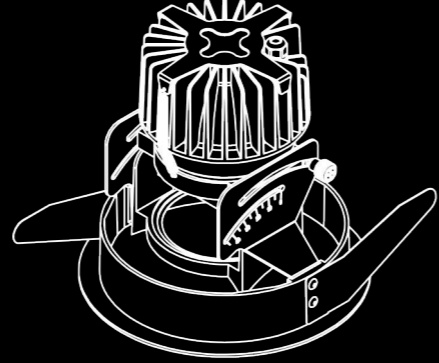
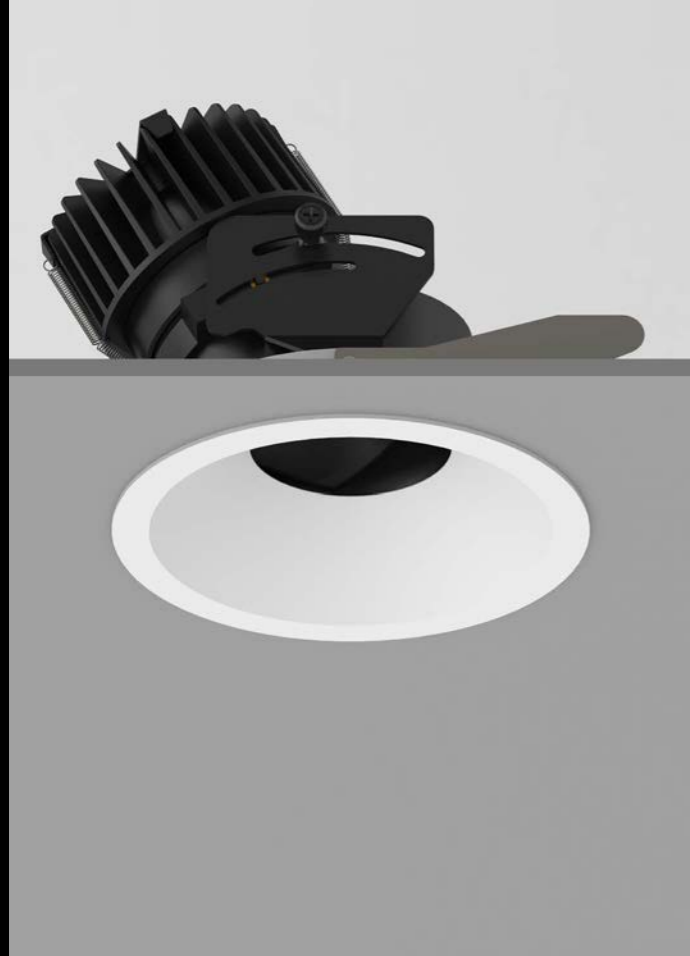
RANGE	STYLE	SIZE	MOUNTING	TYPE	BEAM ANGLE	FINISH	CCT	DRIVER	ENGINE/ POWER	INGRESS PROTECTION	ACCESSORY
Accent	Bevel	Large	Recessed	Fixed	10°(L10) <sup>®</sup> 20°(L20) 35°(L35) 45°(L45) 60°(L60)	White (1) Black (2)	2700K (2) 3000K (3) 4000K (4)  Warm-Dim 3000-2000K (3020)	Phase (2) 0-10V (3) DALI (8)	19W (D19) 25W (D25)  Warm-Dim (D19W, D25W)	IP20 IP44 (4)	Honeycomb Louvre (-H) Solite Lens(-SO) Spread Lens (-SL)

<sup>®</sup> 10° option not available with Warm Dim LED

## ORDER CODE: (Bold above denotes code)

A	B	L	R	F	-	.	-	-	-	-	-	-
---	---	---	---	---	---	---	---	---	---	---	---	---

# BEVEL ADJUSTABLE LARGE



## DIMENSIONS

DIAMETER	WIDTH	HEIGHT	LENGTH	CUTOUT
Ø154mm	N/A	As shown	N/A	Ø135mm

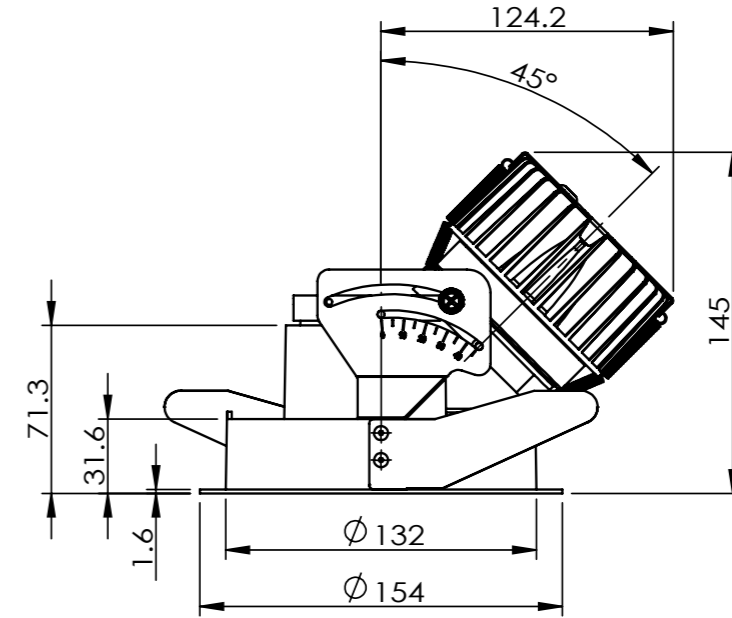
## TECHNICAL DATA

Lamp Wattage and Delivered Lumens <sup>(1)</sup> :	19W : 1534lm 25W : 1877lm	19W Warm-Dim : 1046lm 25W Warm-Dim : 1412lm
--	------------------------------	--

Lamp type:	Citizen	Glow wire resistance:	850°
Lamp life:	50,000hrs L70	LED maintenance:	Integrated
Binning:	2-Step MacAdams	Connector block:	Flex and Plug
CRI:	90Ra	Mounting surface classification:	▽
Control gear:	Remote	Protection classification:	IP
Thermal control rating:	IC-4/IC-F (abuttled & covered)	Standards:	EN/AS/NZS 60598-2-2, 62031, 62471
Materials:	Cast aluminium, Matt Powder Coated	Warranty:	5 years (T&Cs apply)
Supply Voltage:	See page 164		

<sup>(1)</sup>: Delivered lumens are based on medium beam angle and 3000K LED

POWERED BY  
**I B L**



## SPECIFICATION

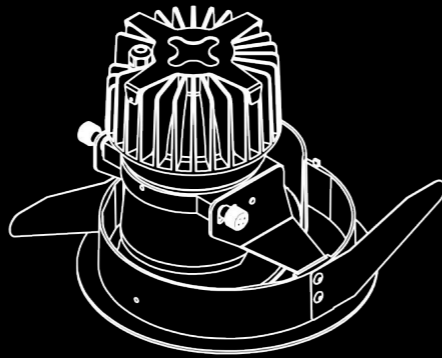
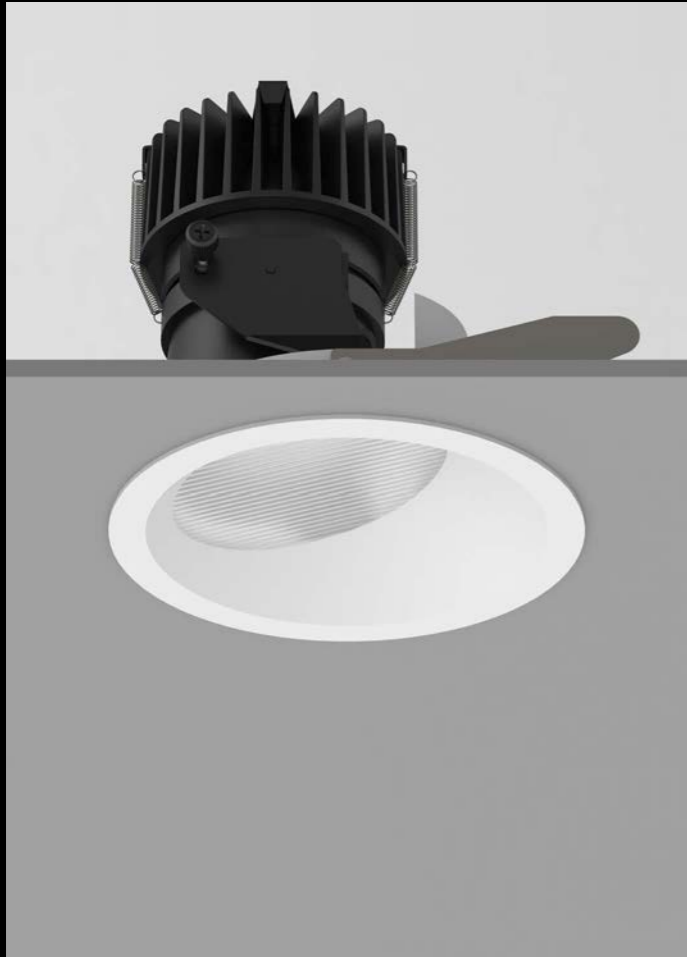
RANGE	STYLE	SIZE	MOUNTING	TYPE	BEAM ANGLE	FINISH	CCT	DRIVER	ENGINE/ POWER	INGRESS PROTECTION	ACCESSORY
Accent	Bevel	Large	Recessed	Adjustable	10°(L10) <sup>®</sup> 20°(L20) 35°(L35) 45°(L45) 60°(L60)	White (1) Black (2)	2700K (2) 3000K (3) 4000K (4)  Warm-Dim 3000-2000K (3020)	Phase (2) 0-10V (3) DALI (8)	19W (D19) 25W (D25)  Warm-Dim (D19W, D25W)	IP20 IP44 (4)	Honeycomb Louvre (-H) Solite Lens(-SO) Spread Lens (-SL)

<sup>®</sup> 10° option not available with Warm Dim LED

## ORDER CODE: (Bold above denotes code)

A	B	L	R	A	-	.	-	-	-	-	-
---	---	---	---	---	---	---	---	---	---	---	---

# BEVEL WALLWASH LARGE



### DIMENSIONS

DIAMETER	WIDTH	HEIGHT	LENGTH	CUTOUT
Ø154mm	N/A	As shown	N/A	Ø135mm

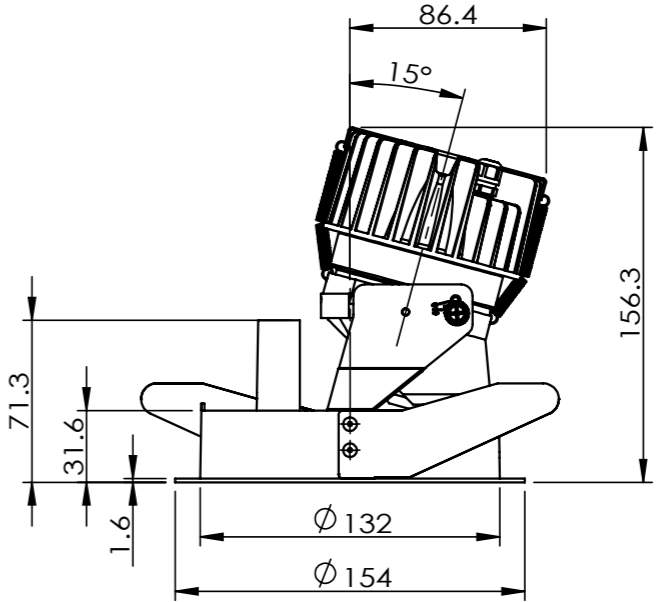
### TECHNICAL DATA

Lamp Wattage and Delivered Lumens <sup>(1)</sup> :	19W : 1559lm 25W : 1907lm	19W Warm-Dim : 1062lm 25W Warm-Dim : 1435lm
--	------------------------------	--

Lamp type:	Citizen	Glow wire resistance:	850°
Lamp life:	50,000hrs L70	LED maintenance:	Integrated
Binning:	2-Step MacAdams	Connector block:	Flex and Plug
CRI:	90Ra	Mounting surface classification:	▽
Control gear:	Remote	Protection classification:	IP
Thermal control rating:	IC-4/IC-F (abuttled & covered)	Standards:	EN/AS/NZS 60598-2-2, 62031, 62471
Materials:	Cast aluminium, Matt Powder Coated	Warranty:	5 years (T&Cs apply)
Supply Voltage:	See page 164		

<sup>(1)</sup> Delivered lumens are based on medium beam angle and 3000K LED

POWERED BY  
**I B L**



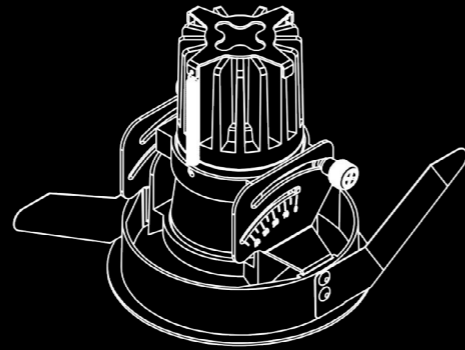
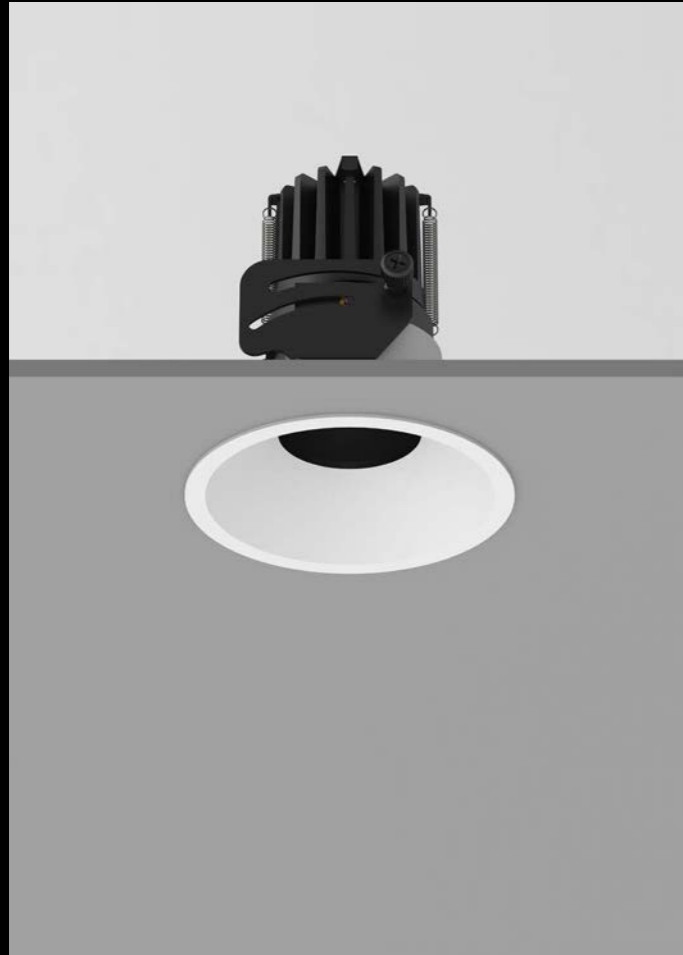
### SPECIFICATION

RANGE	STYLE	SIZE	MOUNTING	TYPE	BEAM ANGLE	FINISH	CCT	DRIVER	ENGINE/POWER	INGRESS PROTECTION
Accent	Bevel	Large	Recessed	Wall Wash	35° (L35)	White (1) Black (2)	2700K (2) 3000K (3) 4000K (4)  Warm-Dim 3000-2000K (3020)	Phase (2) 0-10V (3) DALI (8)	19W (D19) 25W (D25)  Warm-Dim (D19W, D25W)	IP20 IP44 (4)

### ORDER CODE: (Bold above denotes code)

A	B	L	R	WW	L35	.	—	—	—	—
---	---	---	---	----	-----	---	---	---	---	---

# BEVEL FIXED MEDIUM



## DIMENSIONS

DIAMETER	WIDTH	HEIGHT	LENGTH	CUTOUT
Ø105mm	N/A	As shown	N/A	Ø98mm

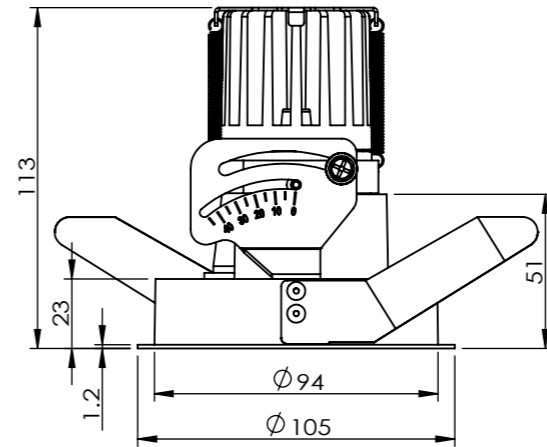
## TECHNICAL DATA

Lamp Wattage and Delivered Lumens <sup>(1)</sup> :	6W : 402lm	6W Warm-Dim : 263lm
	9W : 621lm	9W Warm-Dim : 398lm
	12W : 829lm	12W Warm-Dim : 509lm

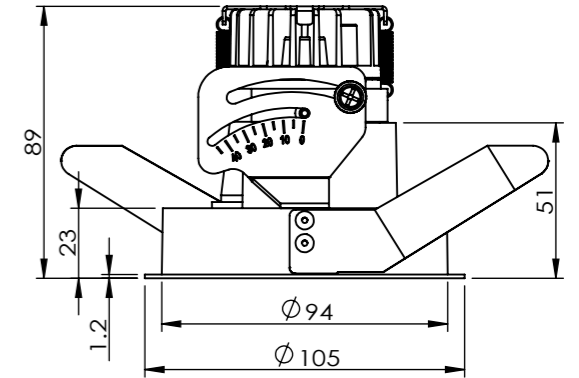
Lamp type:	Citizen	Glow wire resistance:	850°
Lamp life:	50,000hrs L70	LED maintenance:	Integrated
Binning:	2-Step MacAdams	Connector block:	Flex and Plug
CRI:	90Ra	Mounting surface classification:	
Control gear:	Remote		
Thermal control rating:	IC-4/IC-F (abuttled & covered)	Protection classification:	
Materials:	Cast aluminium, Matt Powder Coated	Standards:	EN/AS/NZS 60598-2-2, 62031, 62471
Supply Voltage:	See page 164	Warranty:	5 years (T&Cs apply)

(1): Delivered lumens are based on medium beam angle and 3000K LED

POWERED BY  
**I B L**



LOW PROFILE (6W & 9W)



## SPECIFICATION

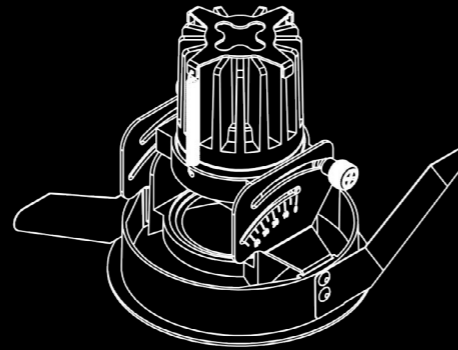
RANGE	STYLE	SIZE	MOUNTING	TYPE	BEAM ANGLE	FINISH	CCT	DRIVER	ENGINE/ POWER	INGRESS PROTECTION	ACCESSORY
Accent	Bevel	Medium	Recessed	Fixed	10°(L10) <sup>®</sup> 20°(L20) 35°(L35) 45°(L45) 60°(L60)	White (1) Black (2)	2700K (2) 3000K (3) 4000K (4)  Warm-Dim 2700-1800K (2718)	Phase (2) 0-10V (3) DALI (8)	6W (BF6) 9W (B9) 12W (C12)  Warm-Dim (B6W, B9W, C12W)	IP20 IP44 (4)	Honeycomb Louvre (-H) Solite Lens(-SO) Spread Lens (-SL)

® 10° option not available with Warm Dim LED

## ORDER CODE: (Bold above denotes code)

A	B	M	R	F	-	.	-	-	-	-	-
---	---	---	---	---	---	---	---	---	---	---	---

# BEVEL ADJUSTABLE MEDIUM



## DIMENSIONS

DIAMETER	WIDTH	HEIGHT	LENGTH	CUTOUT
Ø105mm	N/A	As shown	N/A	Ø98mm

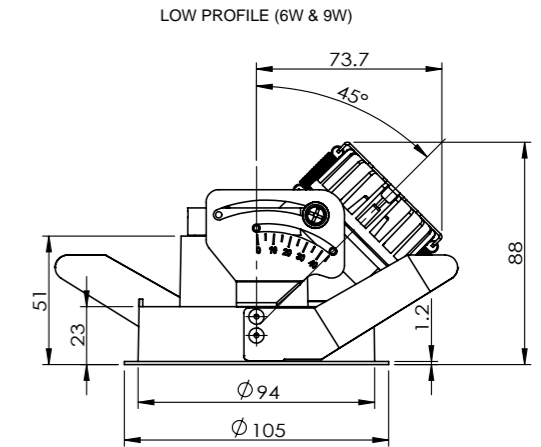
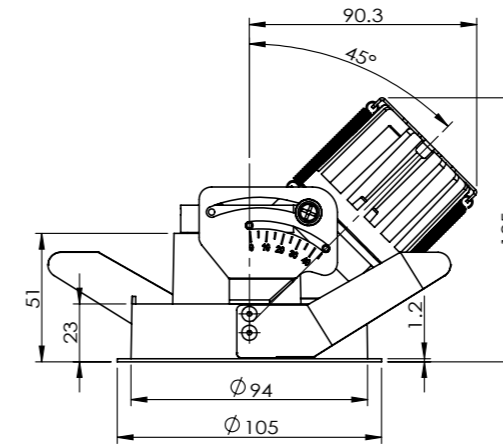
## TECHNICAL DATA

Lamp Wattage and Delivered Lumens <sup>(1)</sup> :	6W : 402lm	6W Warm-Dim : 263lm
	9W : 621lm	9W Warm-Dim : 398lm
	12W : 829lm	12W Warm-Dim : 509lm

Lamp type:	Citizen	Glow wire resistance:	850°
Lamp life:	50,000hrs L70	LED maintenance:	Integrated
Binning:	2-Step MacAdams	Connector block:	Flex and Plug
CRI:	90Ra	Mounting surface classification:	▽
Control gear:	Remote		
Thermal control rating:	IC-4/IC-F (abuttled & covered)	Protection classification:	IP
Materials:	Cast aluminium, Matt Powder Coated	Standards:	EN/AS/NZS 60598-2-2, 62031, 62471
Supply Voltage:	See page 164	Warranty:	5 years (T&Cs apply)

<sup>(1)</sup>: Delivered lumens are based on medium beam angle and 3000K LED

POWERED BY  
**I B L**



## SPECIFICATION

RANGE	STYLE	SIZE	MOUNTING	TYPE	BEAM ANGLE	FINISH	CCT	DRIVER	ENGINE/ POWER	INGRESS PROTECTION	ACCESSORY
Accent	Bevel	Medium	Recessed	Adjustable	10°(L10) <sup>®</sup> 20°(L20) 35°(L35) 45°(L45) 60°(L60)	White (1) Black (2)	2700K (2) 3000K (3) 4000K (4)  Warm-Dim 2700-1800K (2718)	Phase (2) 0-10V (3) DALI (8)	6W (BF6) 9W (B9) 12W (C12)  Warm-Dim (B6W, B9W, C12W)	IP20 IP44 (4)	Honeycomb Louvre (-H) Solite Lens(-SO) Spread Lens (-SL)

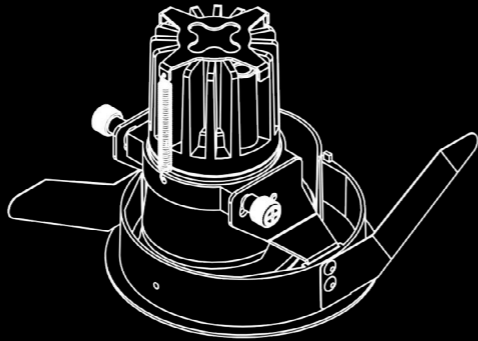
<sup>®</sup> 10° option not available with Warm Dim LED

## ORDER CODE: (Bold above denotes code)

A	B	M	R	A	-	.	-	-	-	-	-
---	---	---	---	---	---	---	---	---	---	---	---



# BEVEL WALLWASH MEDIUM



### DIMENSIONS

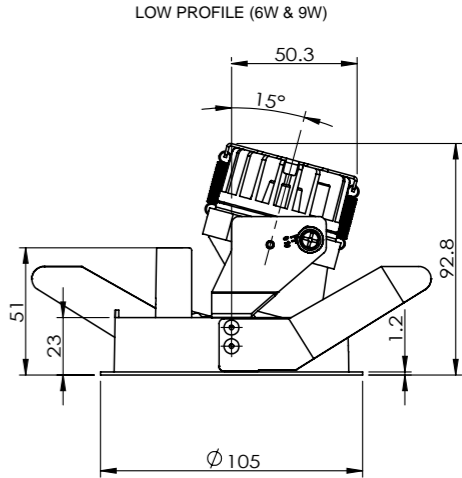
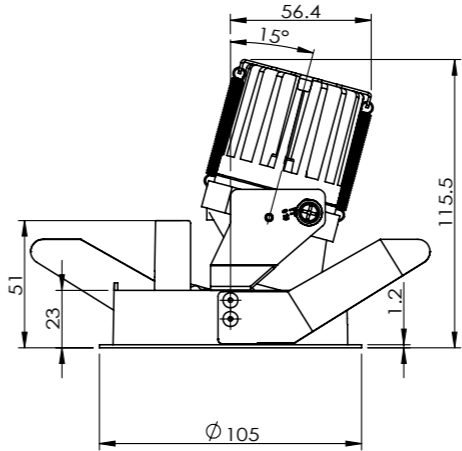
DIAMETER	WIDTH	HEIGHT	LENGTH	CUTOUT
Ø105mm	N/A	As shown	N/A	Ø98mm

### TECHNICAL DATA

Lamp Wattage and Delivered Lumens <sup>(1)</sup> :	6W : 378lm 9W : 585lm 12W : 781lm	6W Warm-Dim : 248lm 9W Warm-Dim : 375lm 12W Warm-Dim : 479lm
Lamp type:	Citizen	Glow wire resistance: 850°
Lamp life:	50,000hrs L70	LED maintenance: Integrated
Binning:	2-Step MacAdams	Connector block: Flex and Plug
CRI:	90Ra	Mounting surface classification:
Control gear:	Remote	Protection classification:
Thermal control rating:	IC-4/IC-F (abuttled & covered)	Standards: EN/AS/NZS 60598-2-2, 62031, 62471
Materials:	Cast aluminium, Matt Powder Coated	Warranty: 5 years (T&Cs apply)
Supply Voltage:	See page 164	

<sup>(1)</sup> Delivered lumens are based on medium beam angle and 3000K LED

POWERED BY  
**I B L**



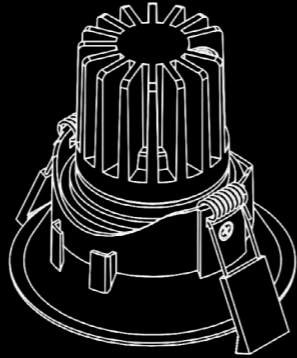
### SPECIFICATION

RANGE	STYLE	SIZE	MOUNTING	TYPE	BEAM ANGLE	FINISH	CCT	DRIVER	ENGINE/POWER	INGRESS PROTECTION
Accent	Bevel	Medium	Recessed	Wall Wash	35°(L35)	White (1) Black (2)	2700K (2) 3000K (3) 4000K (4)  Warm-Dim 2700-1800K (2718)	Phase (2) 0-10V (3) DALI (8)	6W (B6) 9W (B9) 12W (C12)  Warm-Dim (B6W, B9W, C12W)	IP20 IP44 (4)

### ORDER CODE: (Bold above denotes code)

A	B	M	R	WW	L35	.	—	—	—	—
---	---	---	---	----	-----	---	---	---	---	---

# BEVEL FIXED SMALL



### DIMENSIONS

DIAMETER	WIDTH	HEIGHT	LENGTH	CUTOUT
Ø93mm	N/A	As shown	N/A	Ø83mm

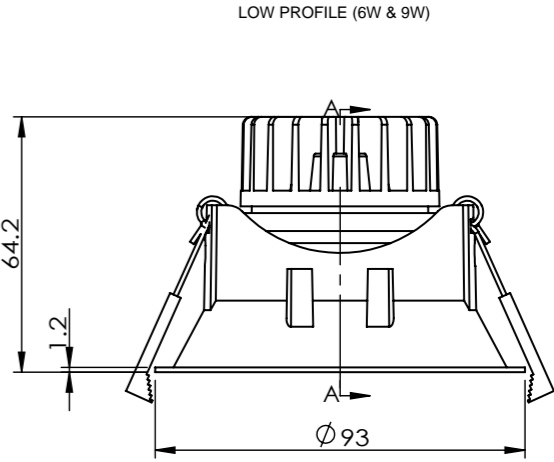
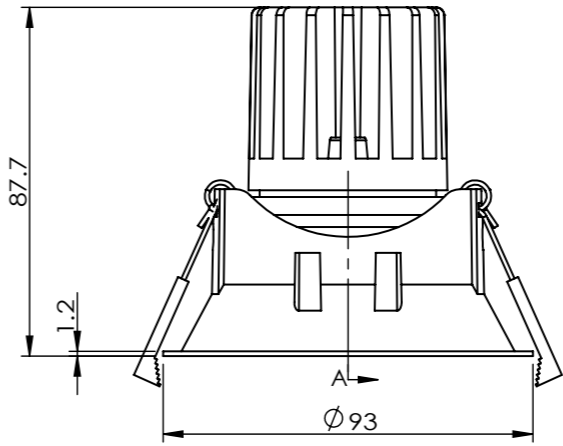
### TECHNICAL DATA

Lamp Wattage and Delivered Lumens <sup>(1)</sup> :	6W : 541lm	6W Warm-Dim : 355lm
	9W : 836lm	9W Warm-Dim : 536lm
	12W : 1117lm	12W Warm-Dim : 685lm

Lamp type:	Citizen	Glow wire resistance:	850°
Lamp life:	50,000hrs L70	LED maintenance:	Integrated
Binning:	2-Step MacAdams	Connector block:	Flex and Plug
CRI:	90Ra	Mounting surface classification:	▽
Control gear:	Remote		
Thermal control rating:	IC-4/IC-F (abuttled & covered)	Protection classification:	IP
Materials:	Cast aluminium, Matt Powder Coated	Standards:	EN/AS/NZS 60598-2-2, 62031, 62471
Supply Voltage:	See page 164	Warranty:	5 years (T&Cs apply)

<sup>(1)</sup> Delivered lumens are based on medium beam angle and 3000K LED

POWERED BY  
**I B L**



### SPECIFICATION

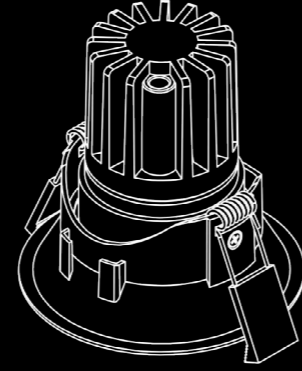
RANGE	STYLE	SIZE	MOUNTING	TYPE	BEAM ANGLE	FINISH	CCT	DRIVER	ENGINE/ POWER	INGRESS PROTECTION	ACCESSORY
Accent	Bevel	Small	Recessed	Fixed	10°(L10) <sup>®</sup> 20°(L20) 35°(L35) 45°(L45) 60°(L60)	White (1) Black (2)	2700K (2) 3000K (3) 4000K (4)  Warm-Dim 2700-1800K (2718)	Phase (2) 0-10V (3) DALI (8)	6W (BF6) 9W (B9) 12W (C12)  Warm-Dim (B6W, B9W, C12W)	IP20 IP44 (4)	Honeycomb Louvre (-H) Solite Lens(-SO) Spread Lens (-SL)

<sup>®</sup> 10° option not available with Warm Dim LED

### ORDER CODE: (Bold above denotes code)

A	B	S	R	F	-	.	-	-	-	-	-
---	---	---	---	---	---	---	---	---	---	---	---

# BEVEL ADJUSTABLE SMALL



## DIMENSIONS

DIAMETER	WIDTH	HEIGHT	LENGTH	CUTOUT
Ø93mm	N/A	As shown	N/A	Ø83mm

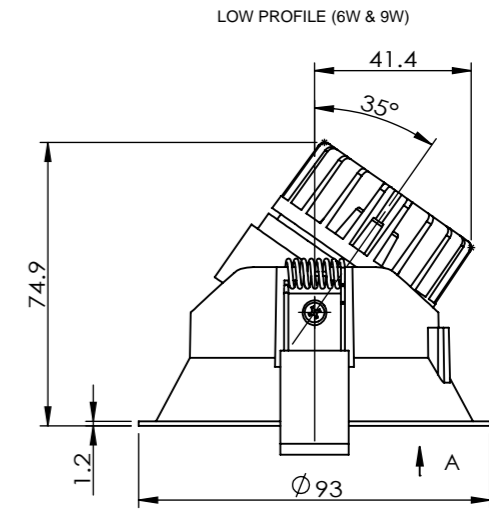
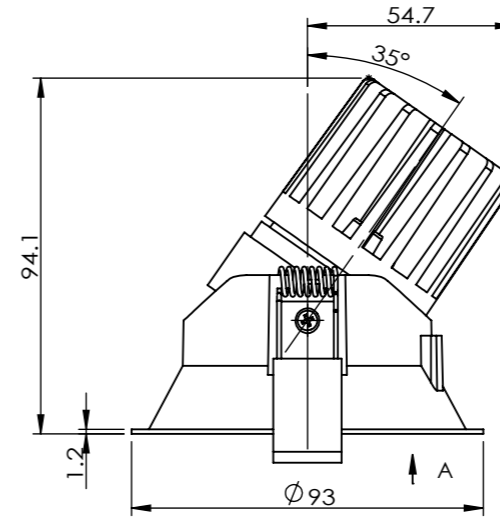
## TECHNICAL DATA

Lamp Wattage and Delivered Lumens <sup>(1)</sup> :	6W : 541lm	6W Warm-Dim : 355lm
	9W : 836lm	9W Warm-Dim : 536lm
	12W : 1117lm	12W Warm-Dim : 685lm

Lamp type:	Citizen	Glow wire resistance:	850°
Lamp life:	50,000hrs L70	LED maintenance:	Integrated
Binning:	2-Step MacAdams	Connector block:	Flex and Plug
CRI:	90Ra	Mounting surface classification:	F
Control gear:	Remote		
Thermal control rating:	IC-4/IC-F (abuttled & covered)	Protection classification:	IP
Materials:	Cast aluminium, Matt Powder Coated	Standards:	EN/AS/NZS 60598-2-2, 62031, 62471
Supply Voltage:	See page 164	Warranty:	5 years (T&Cs apply)

<sup>(1)</sup> Delivered lumens are based on medium beam angle and 3000K LED

POWERED BY  
**I B L**



## SPECIFICATION

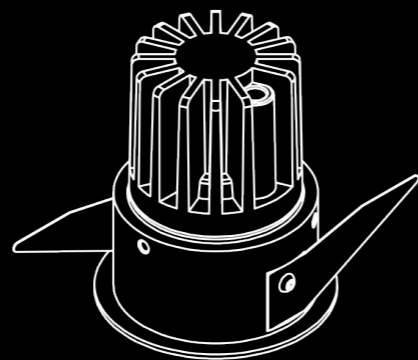
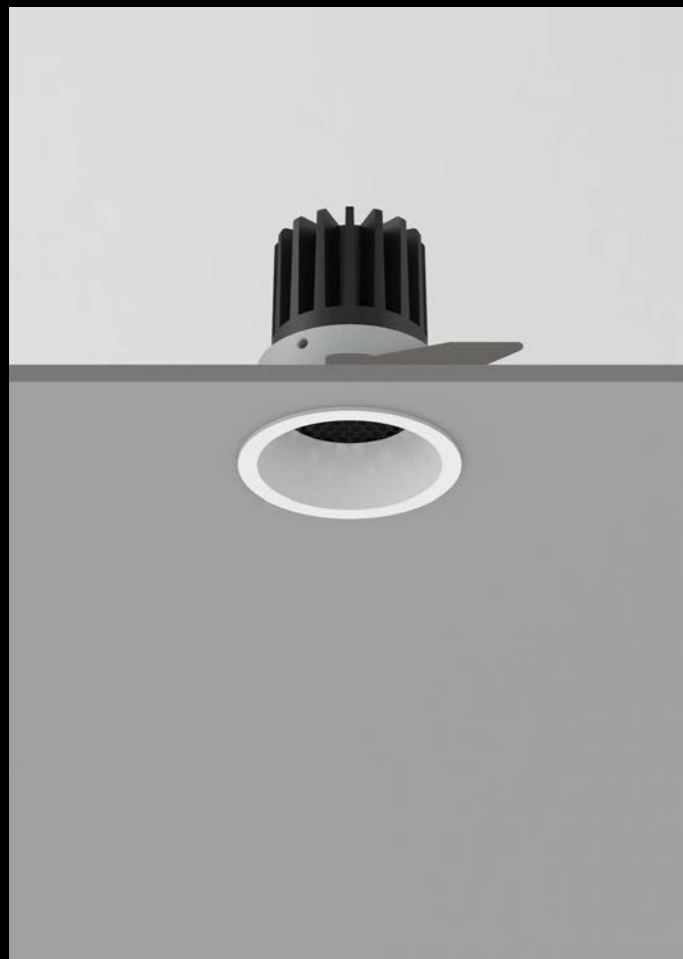
RANGE	STYLE	SIZE	MOUNTING	TYPE	BEAM ANGLE	FINISH	CCT	DRIVER	ENGINE/ POWER	INGRESS PROTECTION	ACCESSORY
Accent	Bevel	Small	Recessed	Adjustable	10°(L10) <sup>®</sup> 20°(L20) 35°(L35) 45°(L45) 60°(L60)	White (1) Black (2)	2700K (2) 3000K (3) 4000K (4)  Warm-Dim 2700-1800K (2718)	Phase (2) 0-10V (3) DALI (8)	6W (BF6) 9W (B9) 12W (C12)  Warm-Dim (B6W, B9W, C12W)	IP20 IP44 (4)	Honeycomb Louvre (-H) Solite Lens(-SO) Spread Lens (-SL)

<sup>®</sup> 10° option not available with Warm Dim LED

## ORDER CODE: (Bold above denotes code)

A	B	S	R	A	-	.	-	-	-	-	-
---	---	---	---	---	---	---	---	---	---	---	---

# BEVEL FIXED MINI



## DIMENSIONS

DIAMETER	WIDTH	HEIGHT	LENGTH	CUTOUT
Ø70mm	N/A	As shown	N/A	Ø62mm

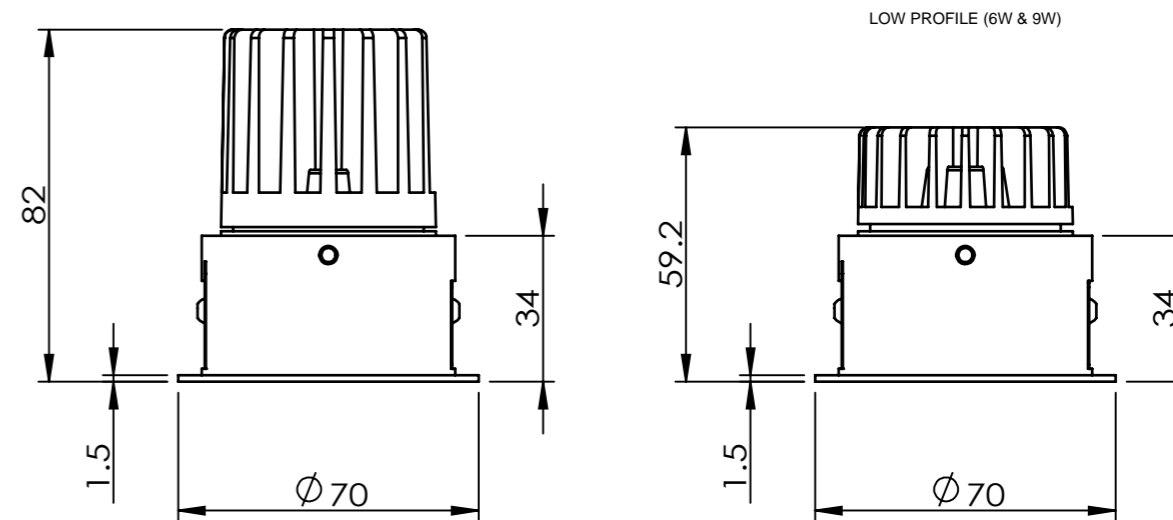
## TECHNICAL DATA

Lamp Wattage and Delivered Lumens <sup>(1)</sup> :	6W : 562lm	6W Warm-Dim : 368lm
	9W : 868lm	9W Warm-Dim : 557lm
	12W : 1161lm	12W Warm-Dim : 711lm

Lamp type:	Citizen	Glow wire resistance:	850°
Lamp life:	50,000hrs L70	LED maintenance:	Integrated
Binning:	2-Step MacAdams	Connector block:	Flex and Plug
CRI:	90Ra	Mounting surface classification:	F
Control gear:	Remote		
Thermal control rating:	IC-4/IC-F (abuttled & covered)	Protection classification:	IP
Materials:	Cast aluminium, Matt Powder Coated	Standards:	EN/AS/NZS 60598-2-2, 62031, 62471
Supply Voltage:	See page 164	Warranty:	5 years (T&Cs apply)

<sup>(1)</sup>: Delivered lumens are based on medium beam angle and 3000K LED

POWERED BY  
**I B L**



## SPECIFICATION

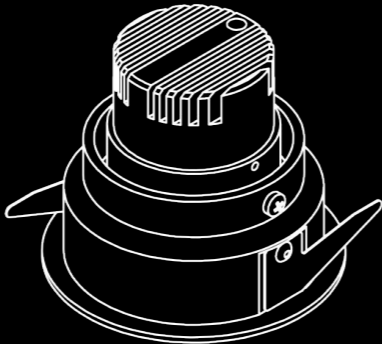
RANGE	STYLE	SIZE	MOUNTING	TYPE	BEAM ANGLE	FINISH	CCT	DRIVER	ENGINE/POWER	INGRESS PROTECTION	ACCESSORY
Accent	Bevel	Mini (MI)	Recessed	Fixed	10°(L10) <sup>®</sup> 20°(L20) 35°(L35) 45°(L45) 60°(L60)	White (1) Black (2)	2700K (2) 3000K (3) 4000K (4)  Warm-Dim 2700-1800K (2718)	Phase (2) 0-10V (3) DALI (8)	6W (BF6) 9W (B9) 12W (C12)  Warm-Dim (B6W, B9W, C12W)	IP20 IP44 (4)	Honeycomb Louvre (-H)

<sup>®</sup> 10° option not available with Warm Dim LED

## ORDER CODE: (Bold above denotes code)

A	B	MI	R	F	-	.	-	-	-	-	-
---	---	----	---	---	---	---	---	---	---	---	---

# BEVEL ADJUSTABLE MINI



### DIMENSIONS

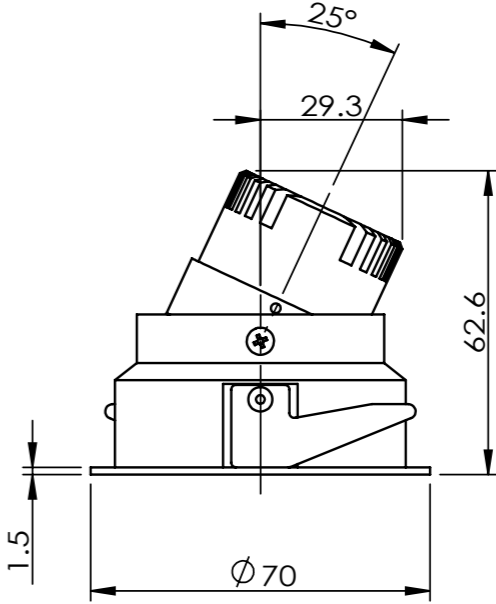
DIAMETER	WIDTH	HEIGHT	LENGTH	CUTOUT
Ø70mm	N/A	As shown	N/A	Ø62mm

### TECHNICAL DATA

Lamp Wattage and Delivered Lumens <sup>(1)</sup> :	2W : 259lm 5W : 481lm	5W Warm-Dim : 413lm	
Lamp type:	Citizen	Glow wire resistance:	850°
Lamp life:	50,000hrs L70	LED maintenance:	Integrated
Binning:	2-Step MacAdams	Connector block:	Flex and Plug
CRI:	90Ra	Mounting surface classification:	▽
Control gear:	Remote	Protection classification:	IP
Thermal control rating:	IC-4/IC-F (abuttled & covered)	Standards:	EN/AS/NZS 60598-2-2, 62031, 62471
Materials:	Cast aluminium, Matt Powder Coated	Warranty:	5 years (T&Cs apply)
Supply Voltage:	See page 164		

<sup>(1)</sup>: Delivered lumens are based on medium beam angle and 3000K LED

POWERED BY  
**I B L**



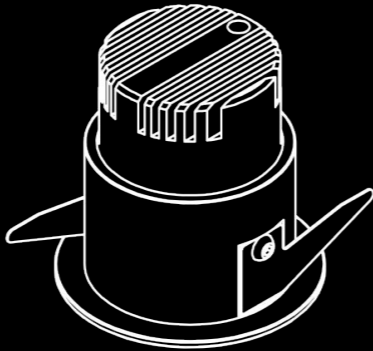
### SPECIFICATION

RANGE	STYLE	SIZE	MOUNTING	TYPE	BEAM ANGLE	FINISH	CCT	DRIVER	ENGINE/POWER	ACCESSORY
Accent	Bevel	Mini (MI)	Recessed	Adjustable	15°(L15) 25°(L25) 40°(L40)	White (1) Black (2)	2700K (2) 3000K (3) 4000K (4)  Warm-Dim 2700-1800K (2718)	Phase (2) 0-10V (3) DALI (8)	2W (A2) 5W (A5)  5W Warm-Dim (A5W)	Honeycomb Louvre (-H)

### ORDER CODE: (Bold above denotes code)

A	B	MI	R	A	-	.	-	-	-	-	-
---	---	----	---	---	---	---	---	---	---	---	---

# BEVEL FIXED MICRO



### DIMENSIONS

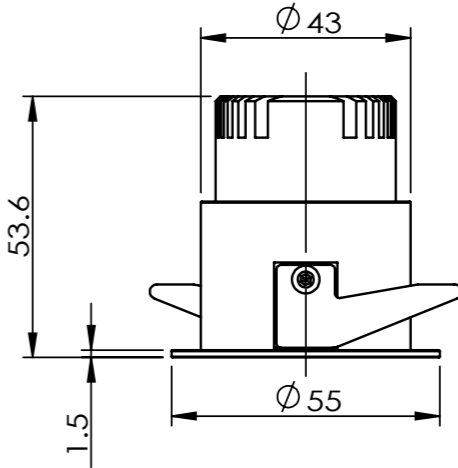
DIAMETER	WIDTH	HEIGHT	LENGTH	CUTOUT
Ø55mm	N/A	As shown	N/A	Ø46mm

### TECHNICAL DATA

Lamp Wattage and Delivered Lumens <sup>(1)</sup> :	2W : 221lm 5W : 410lm	5W Warm-Dim : 352lm
Lamp type:	Citizen	Glow wire resistance: 850°
Lamp life:	50,000hrs L70	LED maintenance: Integrated
Binning:	2-Step MacAdams	Connector block: Flex and Plug
CRI:	90Ra	Mounting surface classification:
Control gear:	Remote	Protection classification:
Thermal control rating:	IC-4/IC-F (abuttled & covered)	Standards: EN/AS/NZS 60598-2-2, 62031, 62471
Materials:	Cast aluminium, Matt Powder Coated	Warranty: 5 years (T&Cs apply)
Supply Voltage:	See page 164	

<sup>(1)</sup> Delivered lumens are based on medium beam angle and 3000K LED

POWERED BY  
**I B L**



### SPECIFICATION

RANGE	STYLE	SIZE	MOUNTING	TYPE	BEAM ANGLE	FINISH	CCT	DRIVER	ENGINE/ POWER	INGRESS PROTECTION	ACCESSORY
Accent	Bevel	Micro (MC)	Recessed	Fixed	15°(L15) 25°(L25) 40°(L40)	White (1) Black (2)	2700K (2) 3000K (3) 4000K (4)  Warm-Dim 2700-1800K (2718)	Phase (2) 0-10V (3) DALI (8)	2W (A2) 5W (A5)  5W Warm-Dim (A5W)	IP20 IP44 (4)	Honeycomb Louvre (-H)

### ORDER CODE: (Bold above denotes code)

A	B	<b>MC</b>	R	F	-	.	-	-	-	-	-	-
---	---	-----------	---	---	---	---	---	---	---	---	---	---

# PINHOLE SERIES

---



---

THE PINHOLE SERIES is a reimagined version of the lighting designers downlight of choice.

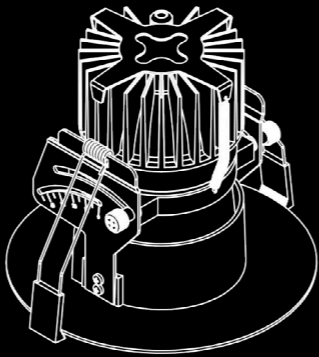
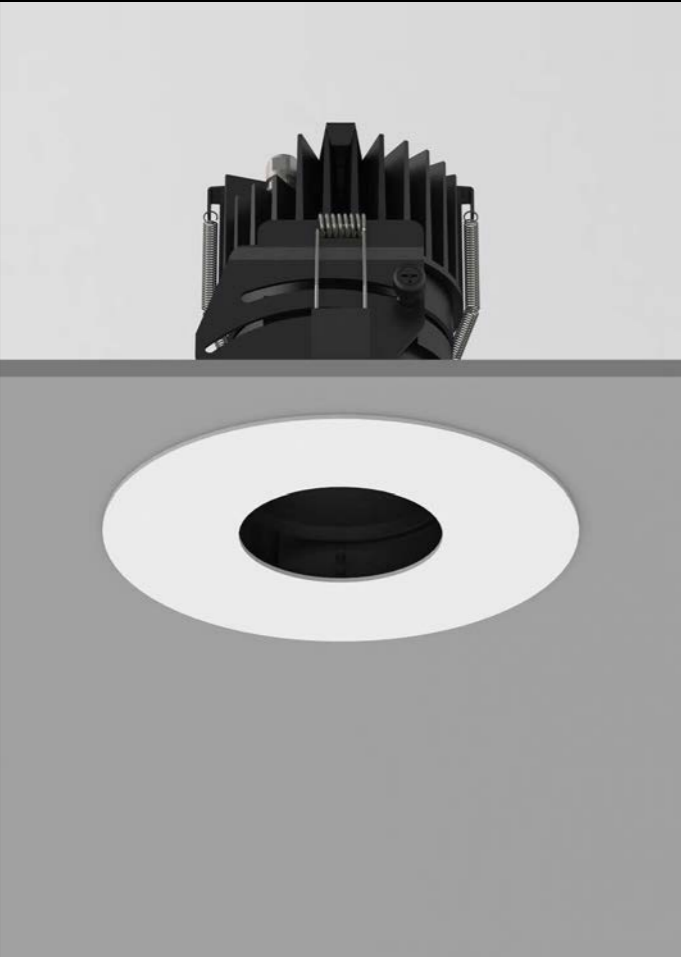
A deep set, low glare downlight with trim diameter and aperture to match the BEVEL SERIES.

Offering fixed and adjustable options. The adjustable version has a circular aperture in place of the commonly used 'slot' to ensure consistent appearance when used in conjunction with the fixed version.

Adjustable version with a full 45 degree adjustment without beam distortion.

Manufactured from die cast aluminium with a textured powder coat finish.

# PINHOLE FIXED LARGE



### DIMENSIONS

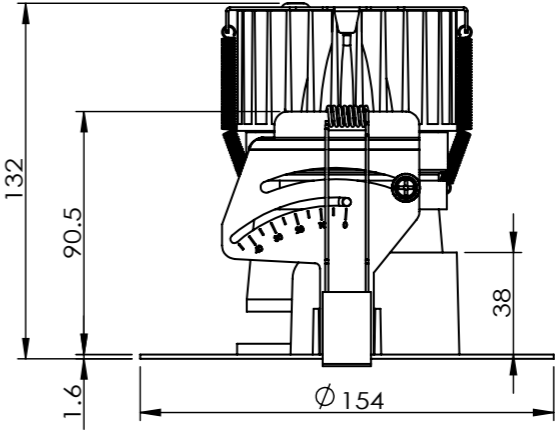
DIAMETER	WIDTH	HEIGHT	LENGTH	CUTOUT
Ø154mm	N/A	21mm	N/A	Ø128mm

### TECHNICAL DATA

Lamp Wattage and Delivered Lumens <sup>(1)</sup> :	19W : 1616lm 25W : 1977lm	19W Warm-Dim : 1101lm 25W Warm-Dim : 1487lm
Lamp type:	Citizen	Glow wire resistance: 850°
Lamp life:	50,000hrs L70	LED maintenance: Integrated
Binning:	2-Step MacAdams	Connector block: Flex and Plug
CRI:	90Ra	Mounting surface classification:
Control gear:	Remote	Protection classification:
Thermal control rating:	IC-4/IC-F (abuttled & covered)	Standards: EN/AS/NZS 60598-2-2, 62031, 62471
Materials:	Cast aluminium, Matt Powder Coated	Warranty: 5 years (T&Cs apply)
Supply Voltage:	See page 164	

<sup>(1)</sup> Delivered lumens are based on medium beam angle and 3000K LED

POWERED BY  
**I B L**



### SPECIFICATION

RANGE	STYLE	SIZE	MOUNTING	TYPE	BEAM ANGLE	FINISH	CCT	DRIVER	ENGINE/ POWER	INGRESS PROTECTION	ACCESSORY
Accent	Pinhole	Large	Recessed	Fixed	10°(L10) <sup>®</sup> 20°(L20) 35°(L35) 45°(L45) 60°(L60)	White (1) Black (2)	2700K (2) 3000K (3) 4000K (4)  Warm-Dim 3000-2000K (3020)	Phase (2) 0-10V (3) DALI (8)	19W (D19) 25W (D25)  Warm-Dim (D19W, D25W)	IP20 IP44 (4)	Honeycomb Louvre (-H) Solite Lens(-SO) Spread Lens (-SL)

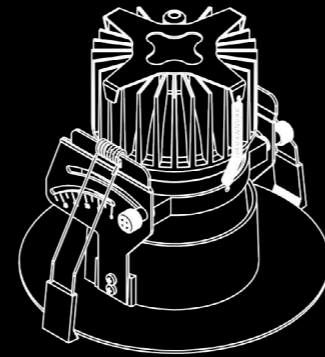
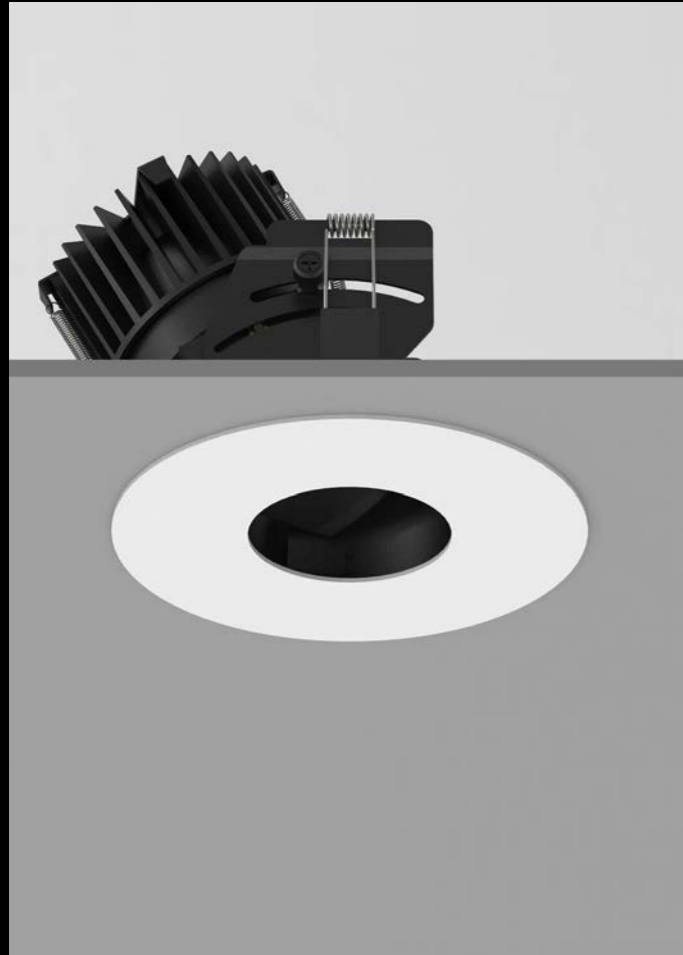
<sup>®</sup> 10° option not available with Warm Dim LED

### ORDER CODE: (Bold above denotes code)

A	P	L	R	F	-	.	-	-	-	-	-
---	---	---	---	---	---	---	---	---	---	---	---



# PINHOLE ADJUSTABLE LARGE



## DIMENSIONS

DIAMETER	WIDTH	HEIGHT	LENGTH	CUTOUT
Ø154mm	N/A	21mm	N/A	Ø128mm

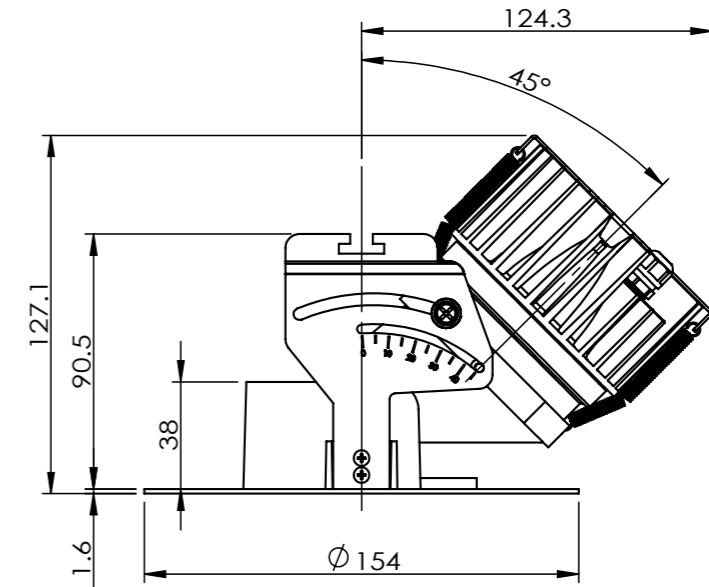
## TECHNICAL DATA

Lamp Wattage and Delivered Lumens <sup>(1)</sup> :	19W : 1616lm	19W Warm-Dim : 1101lm
	25W : 1977lm	25W Warm-Dim : 1487lm

Lamp type:	Citizen	Glow wire resistance:	850°
Lamp life:	50,000hrs L70	LED maintenance:	Integrated
Binning:	2-Step MacAdams	Connector block:	Flex and Plug
CRI:	90Ra	Mounting surface classification:	
Control gear:	Remote		
Thermal control rating:	IC-4/IC-F (abuttled & covered)	Protection classification:	
Materials:	Cast aluminium, Matt Powder Coated	Standards:	EN/AS/NZS 60598-2-2, 62031, 62471
Supply Voltage:	See page 164	Warranty:	5 years (T&Cs apply)

<sup>(1)</sup> Delivered lumens are based on medium beam angle and 3000K LED

POWERED BY  
**I B L**



## SPECIFICATION

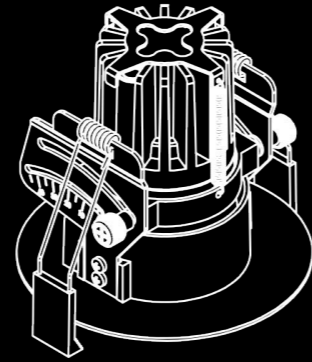
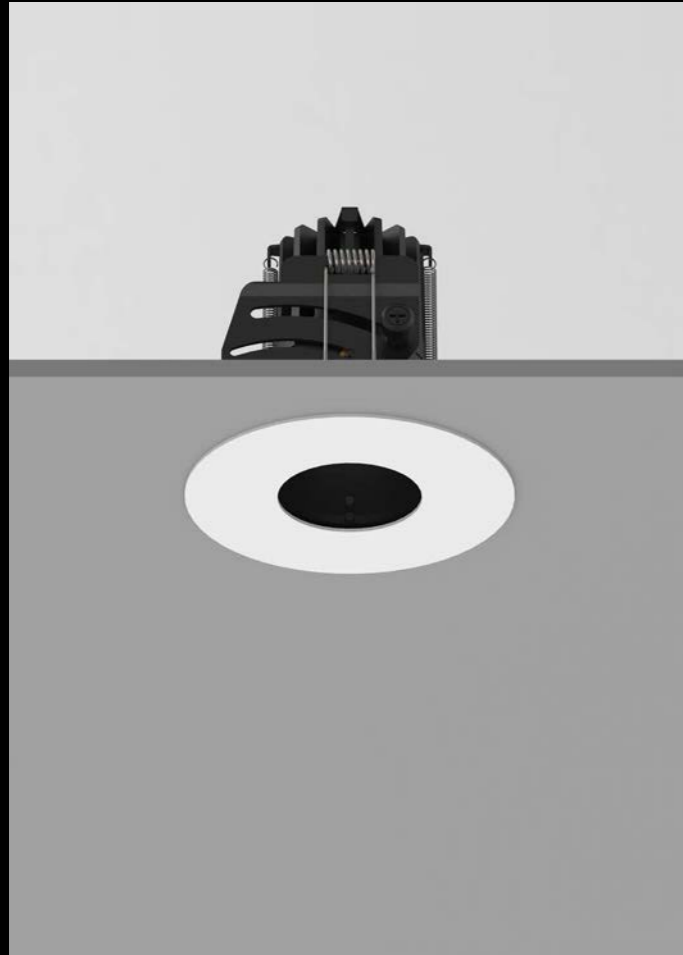
RANGE	STYLE	SIZE	MOUNTING	TYPE	BEAM ANGLE	FINISH	CCT	DRIVER	ENGINE/ POWER	INGRESS PROTECTION	ACCESSORY
Accent	Pinhole	Large	Recessed	Adjustable	10°(L10) <sup>®</sup> 20°(L20) 35°(L35) 45°(L45) 60°(L60)	White (1) Black (2)	2700K (2) 3000K (3) 4000K (4)  Warm-Dim 3000-2000K (3020)	Phase (2) 0-10V (3) DALI (8)	19W (D19) 25W (D25)  Warm-Dim (D19W, D25W)	IP20 IP44 (4)	Honeycomb Louvre (-H) Solite Lens(-SO) Spread Lens (-SL)

<sup>®</sup> 10° option not available with Warm Dim LED

## ORDER CODE: (Bold above denotes code)

<b>A</b>	<b>P</b>	<b>L</b>	<b>R</b>	<b>A</b>	-	.	-	-	-	-	-
----------	----------	----------	----------	----------	---	---	---	---	---	---	---

# PINHOLE FIXED MEDIUM



## DIMENSIONS

DIAMETER	WIDTH	HEIGHT	LENGTH	CUTOUT
Ø105mm	N/A	21mm	N/A	Ø95mm

## TECHNICAL DATA

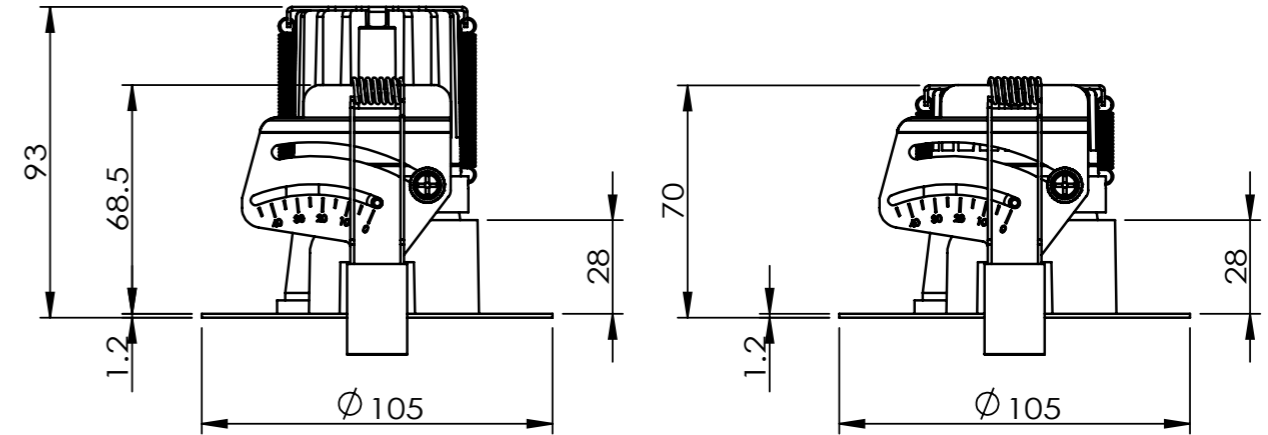
Lamp Wattage and Delivered Lumens <sup>(1)</sup> :	6W : 378lm	6W Warm-Dim : 284lm
	9W : 584lm	9W Warm-Dim : 375lm
	12W : 781lm	12W Warm-Dim : 478lm

Lamp type:	Citizen	Glow wire resistance:	850°
Lamp life:	50,000hrs L70	LED maintenance:	Integrated
Binning:	2-Step MacAdams	Connector block:	Flex and Plug
CRI:	90Ra	Mounting surface classification:	▽
Control gear:	Remote		
Thermal control rating:	IC-4/IC-F (abuttled & covered)	Protection classification:	IP
Materials:	Cast aluminium, Matt Powder Coated	Standards:	EN/AS/NZS 60598-2-2, 62031, 62471
Supply Voltage:	See page 164	Warranty:	5 years (T&Cs apply)

<sup>(1)</sup>: Delivered lumens are based on medium beam angle and 3000K LED

POWERED BY  
**I B L**

LOW PROFILE (6W, 9W)



## SPECIFICATION

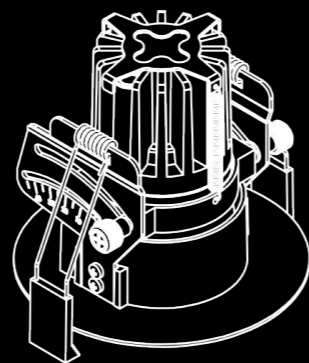
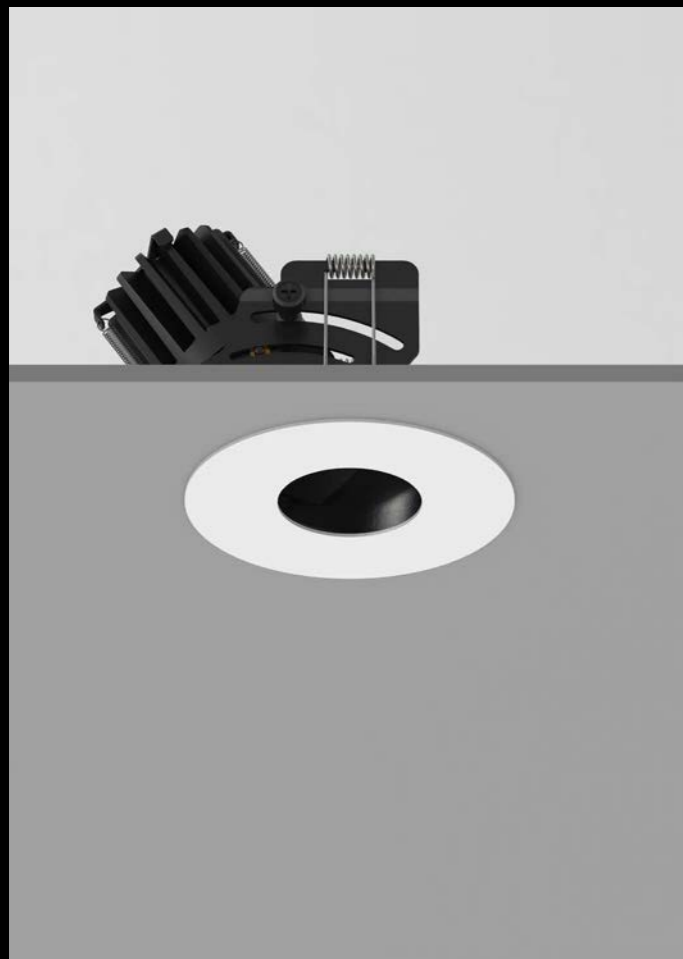
RANGE	STYLE	SIZE	MOUNTING	TYPE	BEAM ANGLE	FINISH	CCT	DRIVER	ENGINE/ POWER	INGRESS PROTECTION	ACCESSORY
Accent	Pinhole	Medium	Recessed	Fixed	10°(L10) <sup>®</sup> 20°(L20) 35°(L35) 45°(L45) 60°(L60)	White (1) Black (2)	2700K (2) 3000K (3) 4000K (4)  Warm-Dim 2700-1800K (2718)	Phase (2) 0-10V (3) DALI (8)	6W (BF6) 9W (B9) 12W (C12)  Warm-Dim (B6W, B9W, C12W)	IP20 IP44 (4)	Honeycomb Louvre (-H) Solite Lens(-SO) Spread Lens (-SL)

<sup>®</sup> 10° option not available with Warm Dim LED

## ORDER CODE: (Bold above denotes code)

A	P	M	R	F	-	.	-	-	-	-	-
---	---	---	---	---	---	---	---	---	---	---	---

# PINHOLE ADJUSTABLE MEDIUM



## DIMENSIONS

DIAMETER	WIDTH	HEIGHT	LENGTH	CUTOUT
Ø105mm	N/A	21mm	N/A	Ø95mm

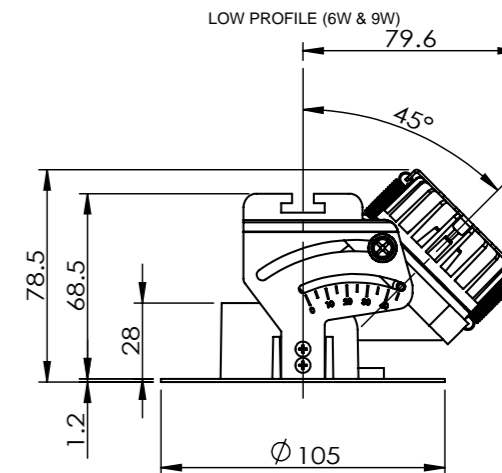
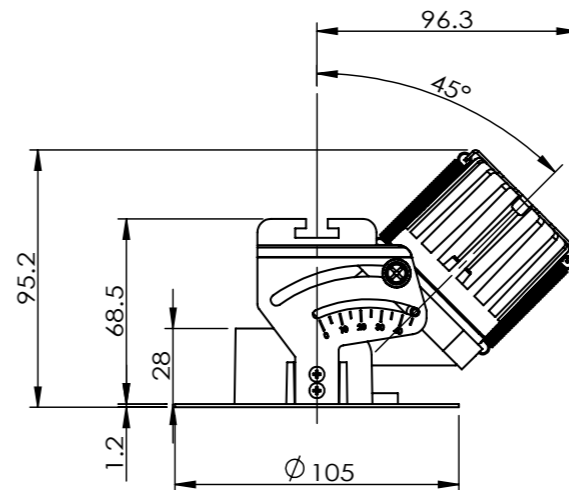
## TECHNICAL DATA

Lamp Wattage and Delivered Lumens <sup>(1)</sup> :	6W : 378lm	6W Warm-Dim : 284lm
	9W : 584lm	9W Warm-Dim : 375lm
	12W : 781lm	12W Warm-Dim : 478lm

Lamp type:	Citizen	Glow wire resistance:	850°
Lamp life:	50,000hrs L70	LED maintenance:	Integrated
Binning:	2-Step MacAdams	Connector block:	Flex and Plug
CRI:	90Ra	Mounting surface classification:	F
Control gear:	Remote		
Thermal control rating:	IC-4/IC-F (abuttled & covered)	Protection classification:	IP
Materials:	Cast aluminium, Matt Powder Coated	Standards:	EN/AS/NZS 60598-2-2, 62031, 62471
Supply Voltage:	See page 164	Warranty:	5 years (T&Cs apply)

<sup>(1)</sup>: Delivered lumens are based on medium beam angle and 3000K LED

POWERED BY  
**I B L**



## SPECIFICATION

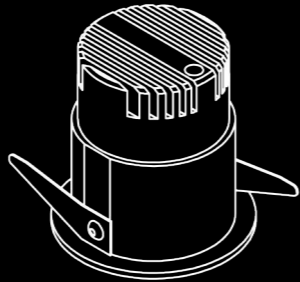
RANGE	STYLE	SIZE	MOUNTING	TYPE	BEAM ANGLE	FINISH	CCT	DRIVER	ENGINE/ POWER	INGRESS PROTECTION	ACCESSORY
Accent	Pinhole	Medium	Recessed	Adjustable	10°(L10) <sup>®</sup> 20°(L20) 35°(L35) 45°(L45) 60°(L60)	White (1) Black (2)	2700K (2) 3000K (3) 4000K (4)  Warm-Dim 2700-1800K (2718)	Phase (2) 0-10V (3) DALI (8)	6W (BF6) 9W (B9) 12W (C12)  Warm-Dim (B6W, B9W, C12W)	IP20 IP44 (4)	Honeycomb Louvre (-H) Solite Lens(-SO) Spread Lens (-SL)

<sup>®</sup> 10° option not available with Warm Dim LED

## ORDER CODE: (Bold above denotes code)

A	P	M	R	A	-	.	-	-	-	-	-
---	---	---	---	---	---	---	---	---	---	---	---

# PINHOLE FIXED MINI



### DIMENSIONS

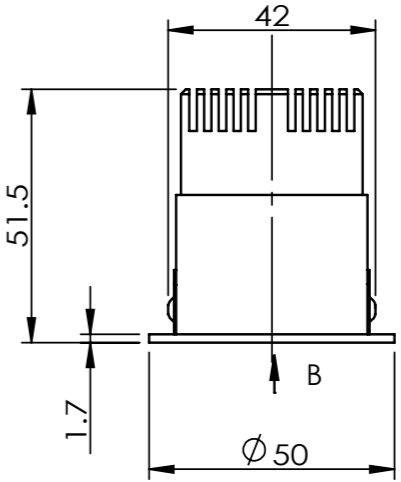
DIAMETER	WIDTH	HEIGHT	LENGTH	CUTOUT
Ø50mm	N/A	21mm	N/A	Ø43mm

### TECHNICAL DATA

Lamp Wattage and Delivered Lumens <sup>(1)</sup> :	2W : 193lm 5W : 359lm	5W Warm-Dim : 308lm
Lamp type:	Citizen	Glow wire resistance: 850°
Lamp life:	50,000hrs L70	LED maintenance: Integrated
Binning:	2-Step MacAdams	Connector block: Flex and Plug
CRI:	90Ra	Mounting surface classification:
Control gear:	Remote	
Thermal control rating:	IC-4/IC-F (abuttled & covered)	Protection classification:
Materials:	Cast aluminium, Matt Powder Coated	Standards: EN/AS/NZS 60598-2-2, 62031, 62471
Supply Voltage:	See page 164	Warranty: 5 years (T&Cs apply)

<sup>(1)</sup> Delivered lumens are based on medium beam angle and 3000K LED

POWERED BY  
**I B L**



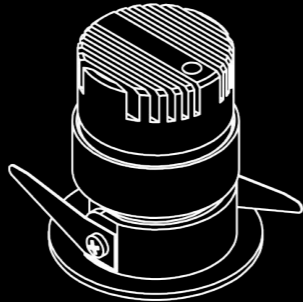
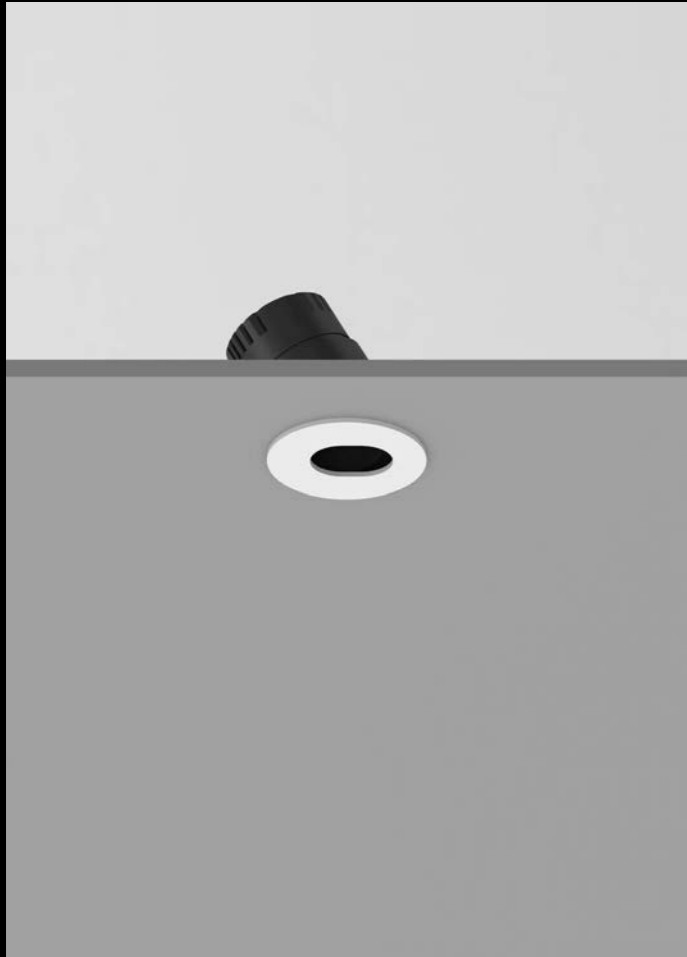
### SPECIFICATION

RANGE	STYLE	SIZE	MOUNTING	TYPE	BEAM ANGLE	FINISH	CCT	DRIVER	ENGINE/ POWER	INGRESS PROTECTION	ACCESSORY
Accent	Pinhole	Mini (MI)	Recessed	Fixed	15°(L15) 25°(L25) 40°(L40)	White (1) Black (2)	2700K (2) 3000K (3) 4000K (4)  Warm-Dim 2700-1800K (2718)	Phase (2) 0-10V (3) DALI (8)	2W (A2) 5W (A5)  5W Warm-Dim (A5W)	IP20 IP44 (4)	Honeycomb Louvre (-H)

### ORDER CODE: (Bold above denotes code)

A	P	<b>MI</b>	R	F	-	.	-	-	-	-	-
---	---	-----------	---	---	---	---	---	---	---	---	---

# PINHOLE ADJUSTABLE MINI



### DIMENSIONS

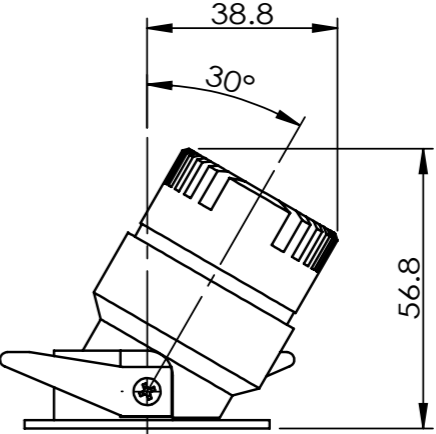
DIAMETER	WIDTH	HEIGHT	LENGTH	CUTOUT
Ø50mm	N/A	21mm	N/A	Ø43mm

### TECHNICAL DATA

Lamp Wattage and Delivered Lumens <sup>(1)</sup> :	2W : 212lm 5W : 395lm	5W Warm-Dim : 339lm	
Lamp type:	Citizen	Glow wire resistance:	850°
Lamp life:	50,000hrs L70	LED maintenance:	Integrated
Binning:	2-Step MacAdams	Connector block:	Flex and Plug
CRI:	90Ra	Mounting surface classification:	▽
Control gear:	Remote		
Thermal control rating:	IC-4/IC-F (abuttled & covered)	Protection classification:	IP
Materials:	Cast aluminium, Matt Powder Coated	Standards:	EN/AS/NZS 60598-2-2, 62031, 62471
Supply Voltage:	See page 164	Warranty:	5 years (T&Cs apply)

<sup>(1)</sup> Delivered lumens are based on medium beam angle and 3000K LED

POWERED BY  
**I B L**



### SPECIFICATION

RANGE	STYLE	SIZE	MOUNTING	TYPE	BEAM ANGLE	FINISH	CCT	DRIVER	ENGINE/POWER	INGRESS PROTECTION	ACCESSORY
Accent	Pinhole	Mini (MI)	Recessed	Adjustable	15°(L15) 25°(L25) 40°(L40)	White (1) Black (2)	2700K (2) 3000K (3) 4000K (4)  Warm-Dim 2700-1800K (2718)	Phase (2) 0-10V (3) DALI (8)	2W (A2) 5W (A5)  5W Warm-Dim (A5W)	IP20 IP44 (4)	Honeycomb Louvre (-H)

ORDER CODE: (Bold above denotes code)

A	P	MI	R	A	—	.	—	—	—	—	—
---	---	----	---	---	---	---	---	---	---	---	---

# GIMBAL SERIES

---



THE GIMBAL SERIES is a recessed downlight family, with single or multi engine frame.

A deep set, low glare adjustable downlight using a universal adjustment system; with a full 45 degree adjustment without beam distortion.

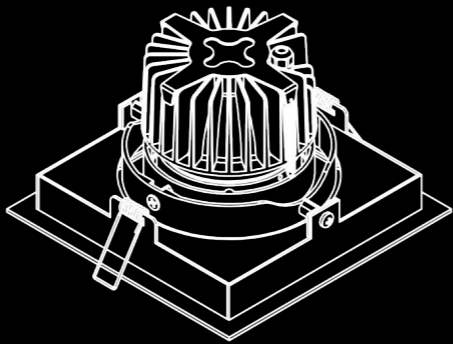
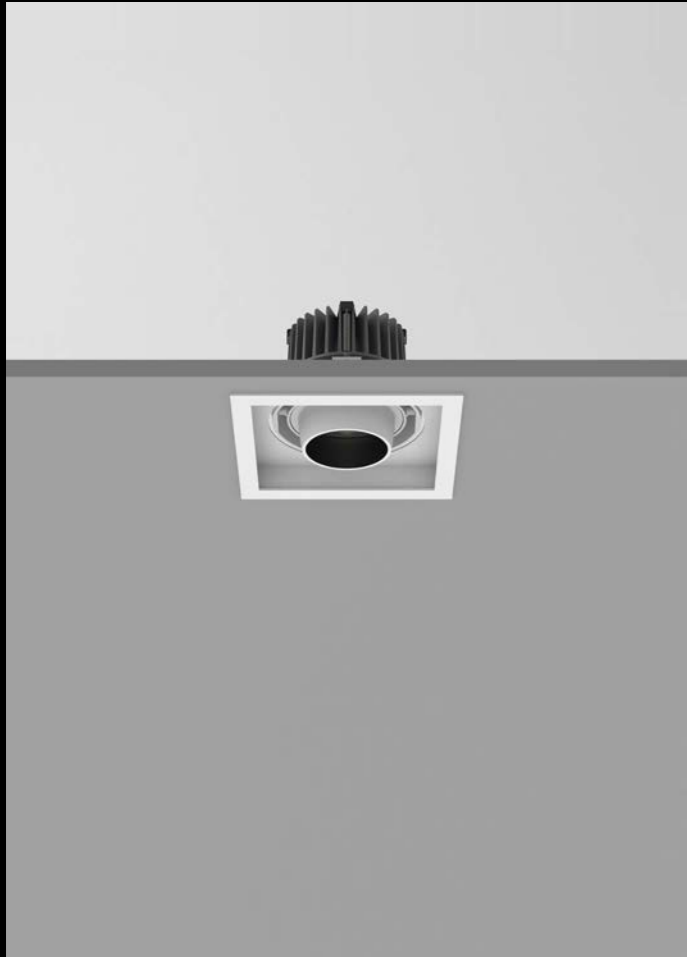
Manufactured from aluminum with a textured powder coat finish this square or rectangular luminaire offers an alternative aesthetic to the circular series.

Two size options, Large and medium, with delivered lumen output varying from 180 – 3000 lumens, makes this downlight a tool for any application.

Optional accessories available, honeycomb louvers and solite lens.

Lenses interchangeable to enable on site adjustments. Lens options ranging from high peak intensity narrow beams to medium and wide beam angles. Lenses are common to the whole accent range.

# GIMBAL LARGE SINGLE



### DIMENSIONS

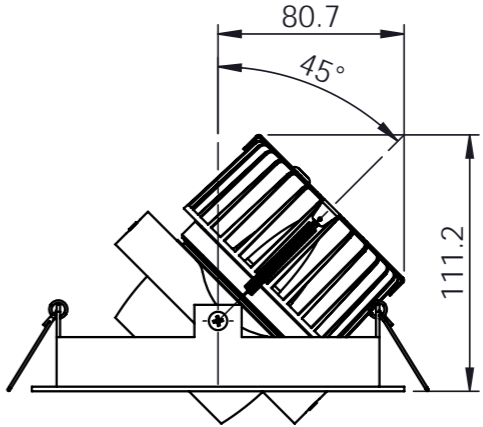
DIAMETER	WIDTH	HEIGHT	LENGTH	CUTOUT
N/A	161.5mm	As shown	161.5mm	146mm x 146mm

### TECHNICAL DATA

Lamp Wattage and Delivered Lumens <sup>(1)</sup> :	19W : 1854lm 25W : 2268lm	19W Warm-Dim: 1263lm 25W Warm-Dim : 1706lm
Lamp type:	Citizen	Glow wire resistance: 850°
Lamp life:	50,000hrs L70	LED maintenance: Integrated
Binning:	2-Step MacAdams	Connector block: Flex and Plug
CRI:	90Ra	Mounting surface classification:
Control gear:	Remote	Protection classification:
Thermal control rating:	IC-4/IC-F (abuttled & covered)	Standards: EN/AS/NZS 60598-2-2, 62031, 62471
Materials:	Cast aluminium, Matt Powder Coated	Warranty: 5 years (T&Cs apply)
Supply Voltage:	See page 164	

<sup>(1)</sup> Delivered lumens are based on medium beam angle and 3000K LED

POWERED BY  
**I B L**



### SPECIFICATION

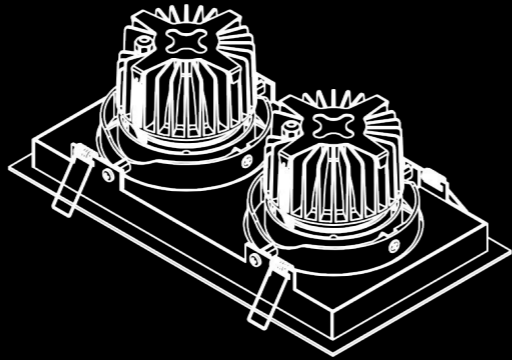
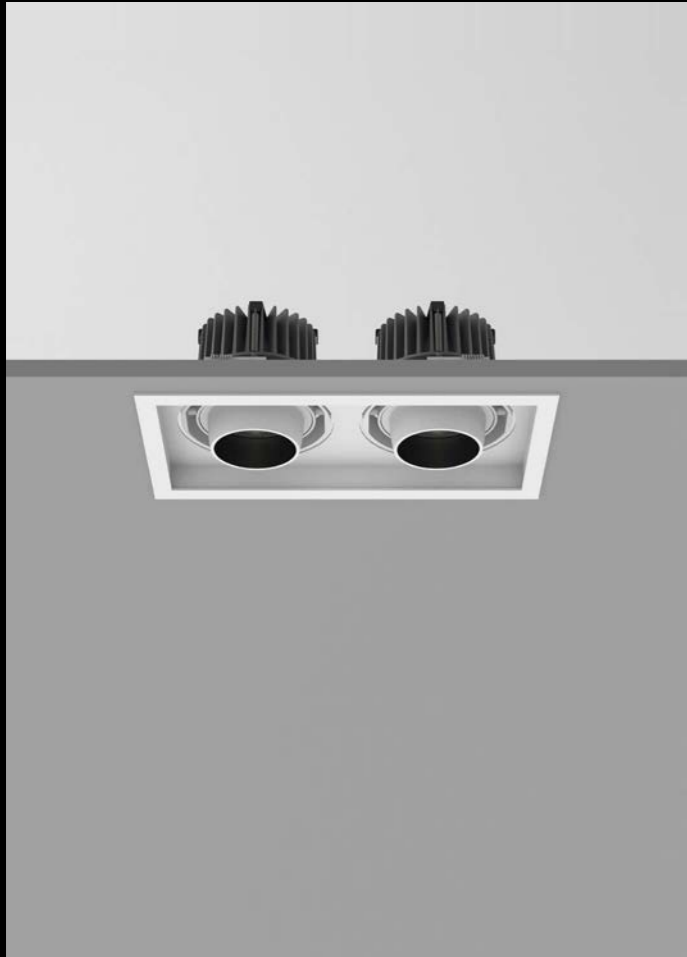
RANGE	STYLE	SIZE	MOUNTING	TYPE	BEAM ANGLE	FINISH	CCT	DRIVER	ENGINE/POWER	ACCESSORY
Accent	Gimbal (G1)	Large	Recessed	Adjustable	10°(L10) <sup>®</sup> 20°(L20) 35°(L35) 45°(L45) 60°(L60)	White (1) Black (2)	2700K (2) 3000K (3) 4000K (4)  Warm-Dim 3000-2000K (3020)	Phase (2) 0-10V (3) DALI (8)	19W (D19) 25W (D25)  Warm-Dim (D19W, D25W)	Honeycomb Louvre (-H) Solite Lens (-SO) Spread Lens (-SL)

<sup>®</sup> 10° option not available with Warm Dim LED

### ORDER CODE: (Bold above denotes code)

A	<b>G1</b>	L	R	A	—	.	—	—	—	—
---	-----------	---	---	---	---	---	---	---	---	---

# GIMBAL LARGE DOUBLE



### DIMENSIONS

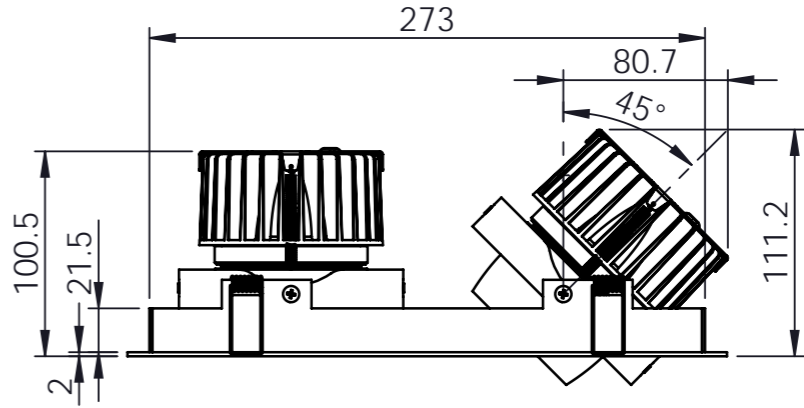
DIAMETER	WIDTH	HEIGHT	LENGTH	CUTOUT
N/A	161.5mm	As shown	294mm	273mm x 146mm

### TECHNICAL DATA

Lamp Wattage and Delivered Lumens <sup>(1)</sup> :	19W : 1854lm 25W : 2268lm	19W Warm-Dim: 1263lm 25W Warm-Dim : 1706lm
Lamp type:	Citizen	Glow wire resistance: 850°
Lamp life:	50,000hrs L70	LED maintenance: Integrated
Binning:	2-Step MacAdams	Connector block: Flex and Plug
CRI:	90Ra	Mounting surface classification:
Control gear:	Remote	Protection classification:
Thermal control rating:	IC-4/IC-F (abuttled & covered)	Standards: EN/AS/NZS 60598-2-2, 62031, 62471
Materials:	Cast aluminium, Matt Powder Coated	Warranty: 5 years (T&Cs apply)
Supply Voltage:	See page 164	

<sup>(1)</sup> Delivered lumens are based on medium beam angle and 3000K LED

POWERED BY  
**I B L**



### SPECIFICATION

RANGE	STYLE	SIZE	MOUNTING	TYPE	BEAM ANGLE	FINISH	CCT	DRIVER	ENGINE/POWER	ACCESSORY
Accent	Gimbal (G2)	Large	Recessed	Adjustable	10°(L10) <sup>®</sup> 20°(L20) 35°(L35) 45°(L45) 60°(L60)	White (1) Black (2)	2700K (2) 3000K (3) 4000K (4)  Warm-Dim 3000-2000K (3020)	Phase (2) 0-10V (3) DALI (8)	19W (D19) 25W (D25)  Warm-Dim (D19W, D25W)	Honeycomb Louvre (-H) Solite Lens (-SO) Spread Lens (-SL)

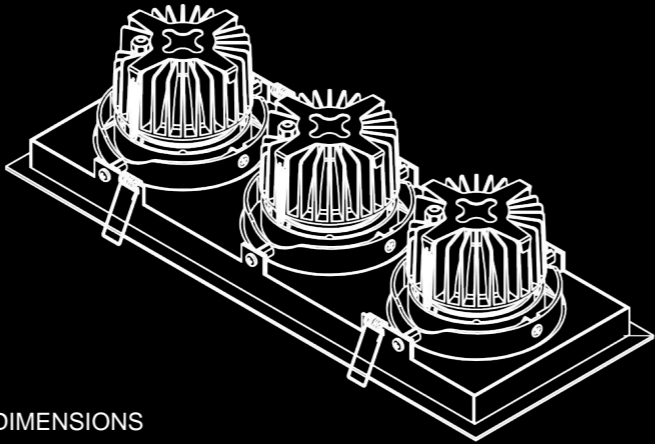
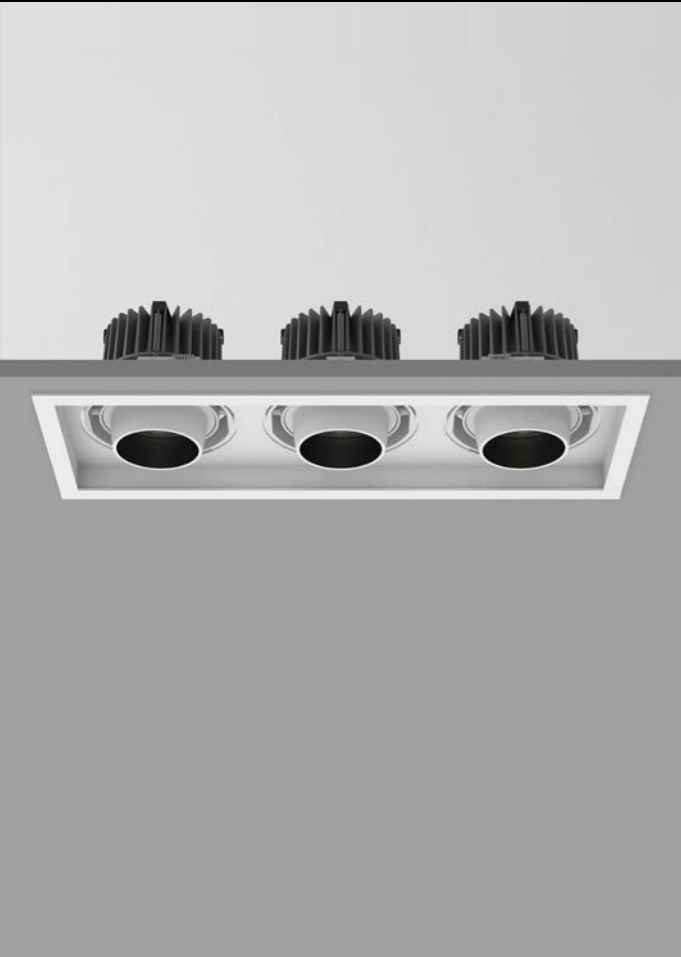
<sup>®</sup> 10° option not available with Warm Dim LED

### ORDER CODE: (Bold above denotes code)

<b>A</b>	<b>G2</b>	<b>L</b>	<b>R</b>	<b>A</b>	-	.	-	-	-	-
----------	-----------	----------	----------	----------	---	---	---	---	---	---



# GIMBAL LARGE TRIPLE



### DIMENSIONS

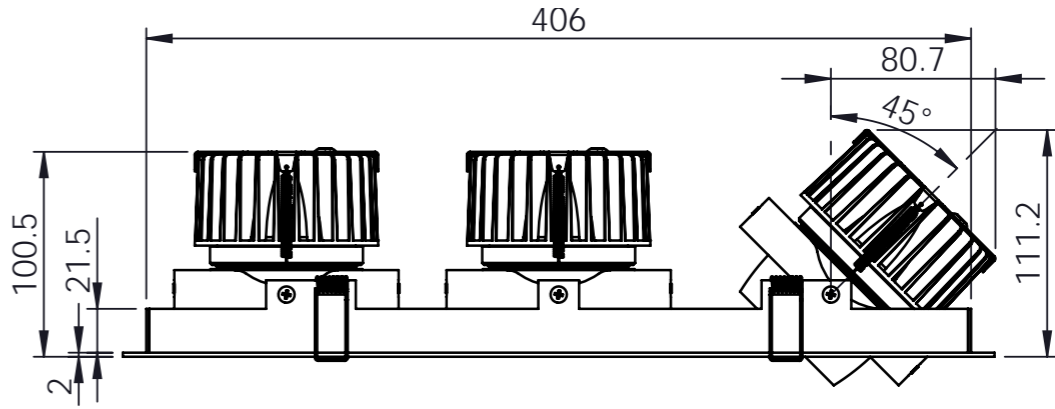
DIAMETER	WIDTH	HEIGHT	LENGTH	CUTOUT
N/A	161.5mm	As shown	427.5mm	406mm x 146mm

### TECHNICAL DATA

Lamp Wattage and Delivered Lumens <sup>(1)</sup> :	19W : 1854lm 25W : 2268lm	19W Warm-Dim : 1263lm 25W Warm-Dim : 1706lm
Lamp type:	Citizen	Glow wire resistance: 850°
Lamp life:	50,000hrs L70	LED maintenance: Integrated
Binning:	2-Step MacAdams	Connector block: Flex and Plug
CRI:	90Ra	Mounting surface classification:
Control gear:	Remote	Protection classification:
Thermal control rating:	IC-4/IC-F (abuttled & covered)	Standards: EN/AS/NZS 60598-2-2, 62031, 62471
Materials:	Cast aluminium, Matt Powder Coated	Warranty: 5 years (T&Cs apply)
Supply Voltage:	See page 164	

<sup>(1)</sup> Delivered lumens are based on medium beam angle and 3000K LED

POWERED BY  
**I B L**



### SPECIFICATION

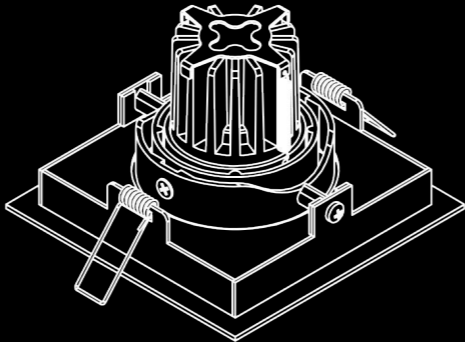
RANGE	STYLE	SIZE	MOUNTING	TYPE	BEAM ANGLE	FINISH	CCT	DRIVER	ENGINE/POWER	ACCESSORY
Accent	Gimbal (G3)	Large	Recessed	Adjustable	10°(L10) <sup>®</sup> 20°(L20) 35°(L35) 45°(L45) 60°(L60)	White (1) Black (2)	2700K (2) 3000K (3) 4000K (4)  Warm-Dim 3000-2000K (3020)	Phase (2) 0-10V (3) DALI (8)	19W (D19) 25W (D25)  Warm-Dim (D19W, D25W)	Honeycomb Louvre (-H) Solite Lens (-SO) Spread Lens (-SL)

<sup>®</sup> 10° option not available with Warm Dim LED

### ORDER CODE: (Bold above denotes code)

A	<b>G3</b>	L	R	A	-	.	-	-	-	-	-
---	-----------	---	---	---	---	---	---	---	---	---	---

# GIMBAL MEDIUM SINGLE



### DIMENSIONS

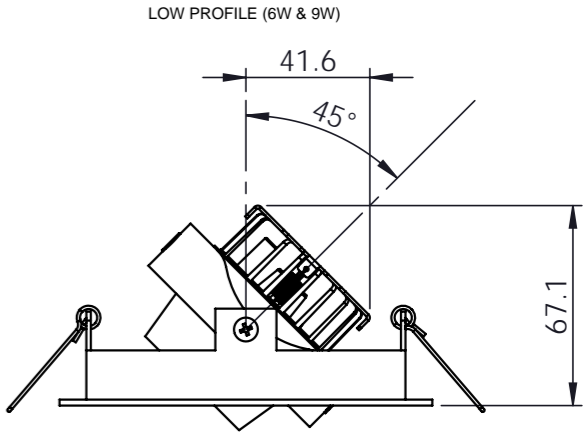
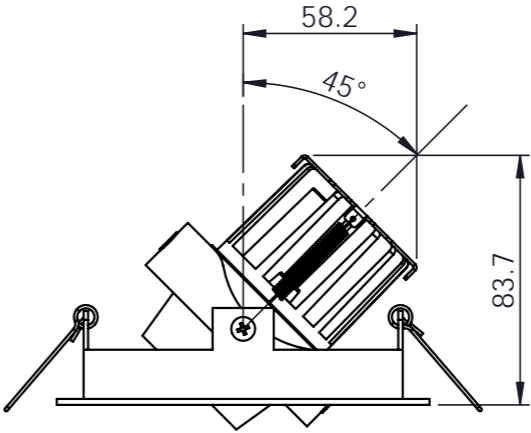
DIAMETER	WIDTH	HEIGHT	LENGTH	CUTOUT
N/A	125mm	As shown	125mm	114mm x 114mm

### TECHNICAL DATA

Lamp Wattage and Delivered Lumens <sup>(1)</sup>	6W : 470lm 9W : 727lm 12W : 971lm	6W Warm-Dim : 308lm 9W Warm-Dim : 466lm 12W Warm-Dim : 596lm	
Lamp type:	Citizen	Glow wire resistance:	850°
Lamp life:	50,000hrs L70	LED maintenance:	Integrated
Binning:	2-Step MacAdams	Connector block:	Flex and Plug
CRI:	90Ra	Mounting surface classification:	▽
Control gear:	Remote	Protection classification:	ⓘ
Thermal control rating:	IC-4/IC-F (abuttled & covered)	Standards:	EN/AS/NZS 60598-2-2, 62031, 62471
Materials:	Cast aluminium, Matt Powder Coated	Warranty:	5 years (T&Cs apply)
Supply Voltage:	See page 164		

<sup>(1)</sup> Delivered lumens are based on medium beam angle and 3000K LED

POWERED BY  
**I B L**



### SPECIFICATION

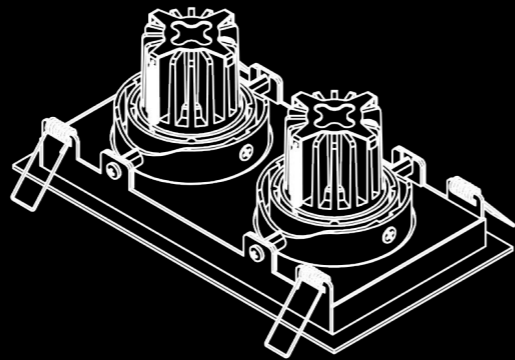
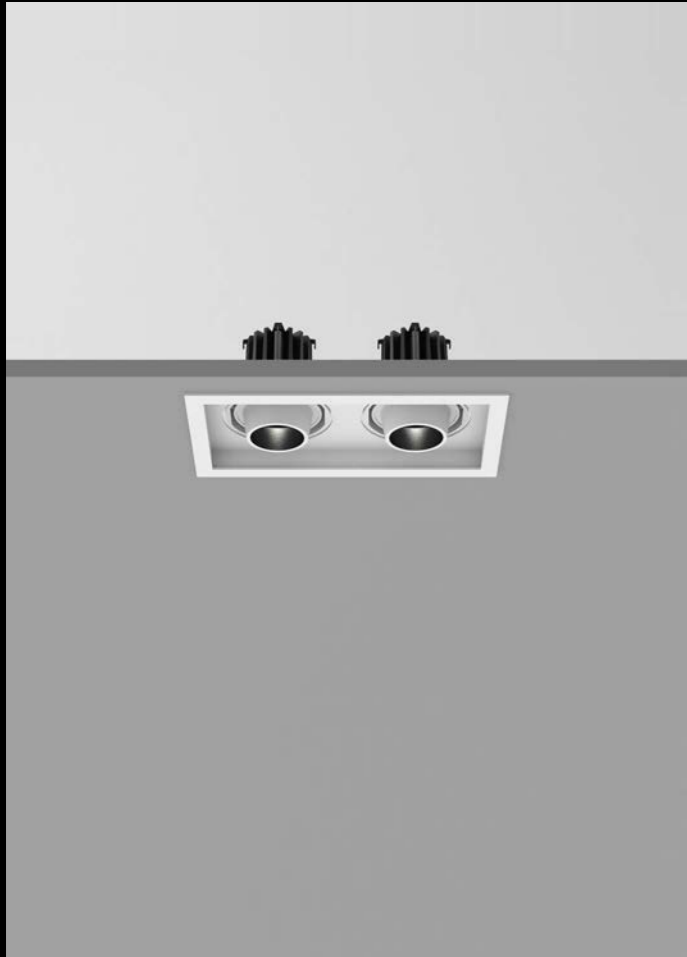
RANGE	STYLE	SIZE	MOUNTING	TYPE	BEAM ANGLE	FINISH	CCT	DRIVER	ENGINE/POWER	ACCESSORY
Accent	Gimbal (G1)	Medium	Recessed	Adjustable	10° (L10) <sup>®</sup> 20° (L20) 35° (L35) 45° (L45) 60° (L60)	White (1) Black (2)	2700K (2) 3000K (3) 4000K (4)  Warm-Dim 2700-1800K (2718)	Phase (2) 0-10V (3) DALI (8)	6W (BF6) 9W (B9) 12W (C12)  Warm-Dim (B6W, B9W, C12W)	Honeycomb Louvre (-H) Solite Lens (-SO) Spread Lens (-SL)

<sup>®</sup> 10° option not available with Warm Dim LED

### ORDER CODE: (Bold above denotes code)

A	<b>G1</b>	<b>M</b>	<b>R</b>	<b>A</b>	-	.	-	-	-	-
---	-----------	----------	----------	----------	---	---	---	---	---	---

# GIMBAL MEDIUM DOUBLE



### DIMENSIONS

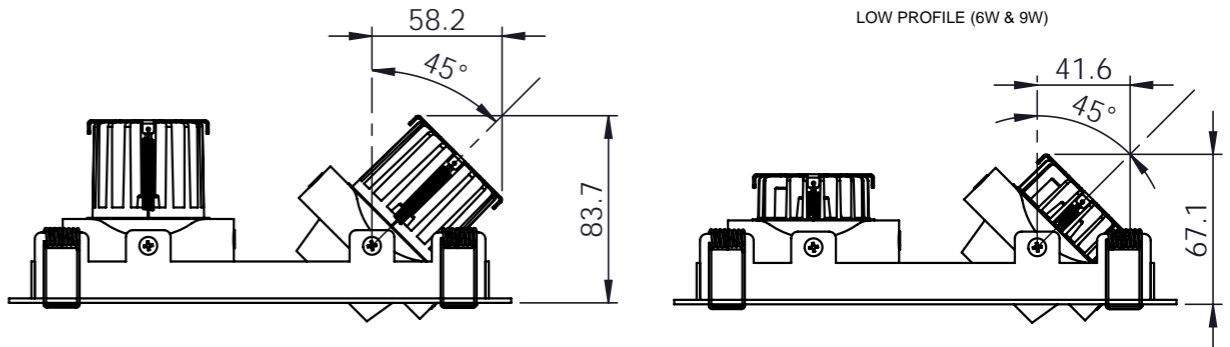
DIAMETER	WIDTH	HEIGHT	LENGTH	CUTOUT
N/A	125mm	As shown	224.5mm	205mm x 114mm

### TECHNICAL DATA

Lamp Wattage and Delivered Lumens <sup>(1)</sup>	6W : 470lm 9W : 727lm 12W : 971lm	6W Warm-Dim : 308lm 9W Warm-Dim : 466lm 12W Warm-Dim : 596lm
Lamp type:	Citizen	Glow wire resistance: 850°
Lamp life:	50,000hrs L70	LED maintenance: Integrated
Binning:	2-Step MacAdams	Connector block: Flex and Plug
CRI:	90Ra	Mounting surface classification:
Control gear:	Remote	Protection classification:
Thermal control rating:	IC-4/IC-F (abuttled & covered)	Standards: EN/AS/NZS 60598-2-2, 62031, 62471
Materials:	Cast aluminium, Matt Powder Coated	Warranty: 5 years (T&Cs apply)
Supply Voltage:	See page 164	

<sup>(1)</sup> Delivered lumens are based on medium beam angle and 3000K LED

POWERED BY  
**I B L**



### SPECIFICATION

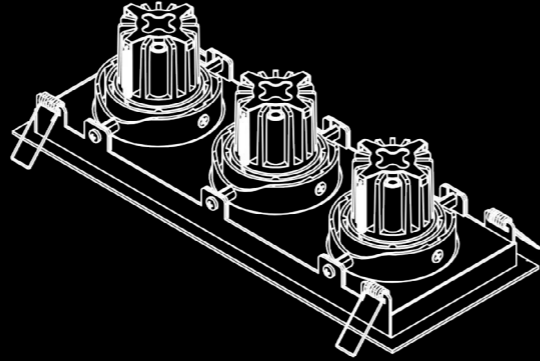
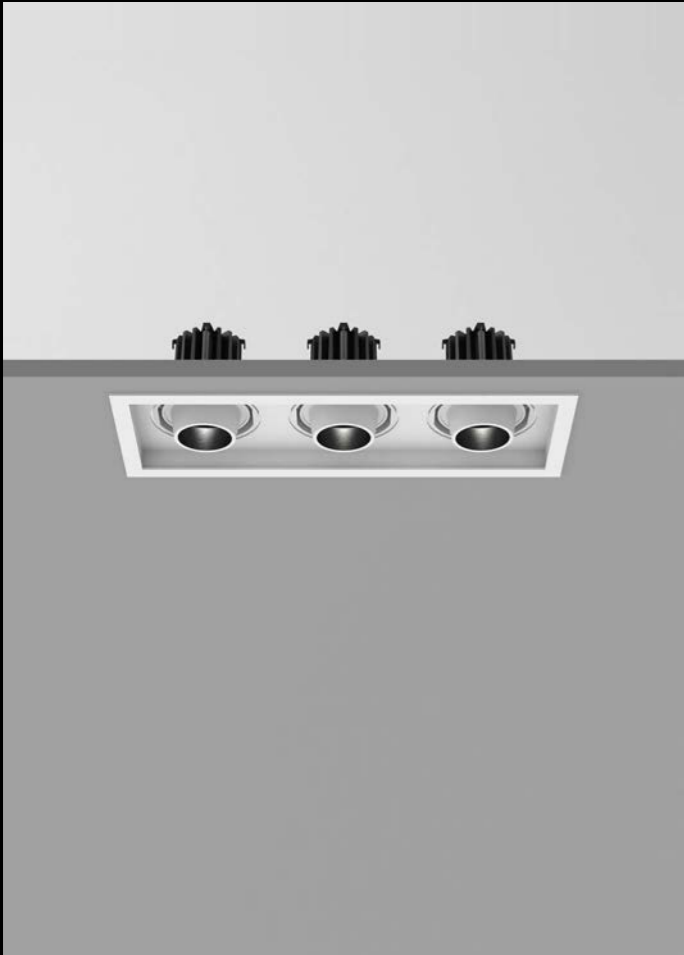
RANGE	STYLE	SIZE	MOUNTING	TYPE	BEAM ANGLE	FINISH	CCT	DRIVER	ENGINE/POWER	ACCESSORY
Accent	Gimbal (G2)	Medium	Recessed	Adjustable	10°(L10) <sup>**</sup> 20°(L20) 35°(L35) 45°(L45) 60°(L60)	White (1) Black (2)	2700K (2) 3000K (3) 4000K (4)  Warm-Dim 2700-1800K (2718)	Phase (2) 0-10V (3) DALI (8)	6W (BF6) 9W (B9) 12W (C12)  Warm-Dim (B6W, B9W, C12W)	Honeycomb Louvre (-H) Solite Lens (-SO) Spread Lens (-SL)

<sup>\*\*</sup> 10° option not available with Warm Dim LED

### ORDER CODE: (Bold above denotes code)

A	<b>G2</b>	<b>M</b>	<b>R</b>	<b>A</b>	-	.	-	-	-	-
---	-----------	----------	----------	----------	---	---	---	---	---	---

# GIMBAL MEDIUM TRIPLE



### DIMENSIONS

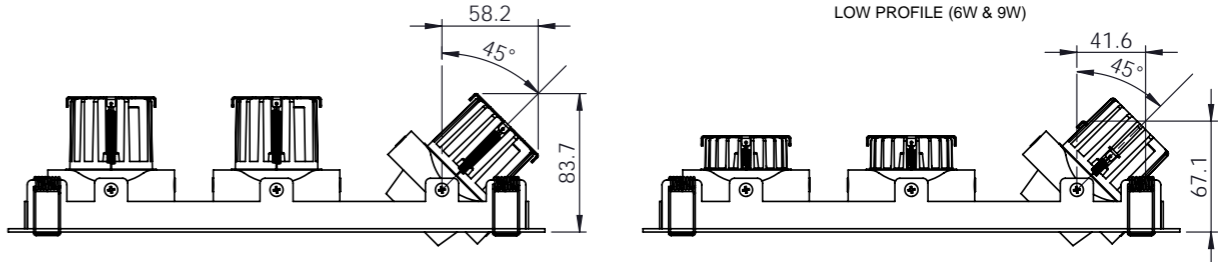
DIAMETER	WIDTH	HEIGHT	LENGTH	CUTOUT
N/A	125mm	As shown	324.5mm	305mm x 114mm

### TECHNICAL DATA

Lamp Wattage and Delivered Lumens <sup>(1)</sup>	6W : 470lm 9W : 727lm 12W : 971lm	6W Warm-Dim : 308lm 9W Warm-Dim : 466lm 12W Warm-Dim : 596lm
Lamp type:	Citizen	Glow wire resistance: 850°
Lamp life:	50,000hrs L70	LED maintenance: Integrated
Binning:	2-Step MacAdams	Connector block: Flex and Plug
CRI:	90Ra	Mounting surface classification:
Control gear:	Remote	Protection classification:
Thermal control rating:	IC-4/IC-F (abuttled & covered)	Standards: EN/AS/NZS 60598-2-2, 62031, 62471
Materials:	Cast aluminium, Matt Powder Coated	Warranty: 5 years (T&Cs apply)
Supply Voltage:	See page 164	

<sup>(1)</sup> Delivered lumens are based on medium beam angle and 3000K LED

POWERED BY  
**I B L**



### SPECIFICATION

RANGE	STYLE	SIZE	MOUNTING	TYPE	BEAM ANGLE	FINISH	CCT	DRIVER	ENGINE/POWER	ACCESSORY
Accent	Gimbal (G3)	Medium	Recessed	Adjustable	10°(L10) <sup>®</sup> 20°(L20) 35°(L35) 45°(L45) 60°(L60)	White (1) Black (2)	2700K (2) 3000K (3) 4000K (4)  Warm-Dim 2700-1800K (2718)	Phase (2) 0-10V (3) DALI (8)	6W (B6) 9W (B9) 12W (C12)  Warm-Dim (B6W, B9W, C12W)	Honeycomb Louvre (-H) Solite Lens (-SO) Spread Lens (-SL)

<sup>®</sup> 10° option not available with Warm Dim LED

### ORDER CODE: (Bold above denotes code)

A	<b>G3</b>	<b>M</b>	<b>R</b>	<b>A</b>	-	.	-	-	-	-
---	-----------	----------	----------	----------	---	---	---	---	---	---

# PUK SERIES

---



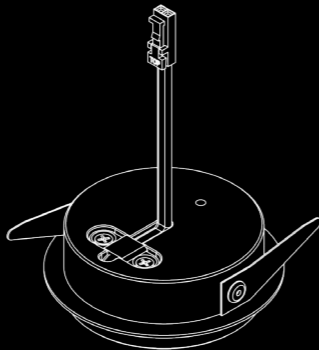
THE PUK SERIES makes use of the miniaturization of light sources and optical control. Implementing low glare precision lighting tools in applications previously not available in the market.

A low glare downlight which can be recessed into joinery with a shallow depth. Low glare with honeycomb louver.

Available in small and mini, in both surface and recessed options with a new adjustable version added to the range

Machined aluminium housing with a textured powder coat finish.

# PUK RECESSED SMALL



### DIMENSIONS

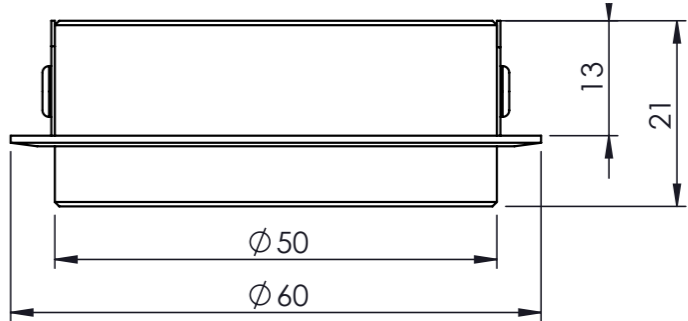
DIAMETER	WIDTH	HEIGHT	LENGTH	CUTOUT
Ø60mm	N/A	21mm	N/A	54mm

### TECHNICAL DATA

Lamp Wattage and Delivered Lumens <sup>(1)</sup> :	2W : 152lm 5W : 274lm	5W Warm-Dim : 250lm	
Lamp type:	Citizen	Glow wire resistance:	850°
Lamp life:	50,000hrs L70	LED maintenance:	Integrated
Binning:	2-Step MacAdams	Connector block:	Flex and Plug
CRI:	90Ra	Mounting surface classification:	▽
Control gear:	Remote	Protection classification:	ⓘ
Thermal control rating:	IC-4/IC-F (abuttled & covered)	Standards:	EN/AS/NZS 60598-2-2, 62031, 62471
Materials:	Cast aluminium, Matt Powder Coated	Warranty:	5 years (T&Cs apply)
Supply Voltage:	See page 164		

(1) Delivered lumens are based on medium beam angle and 3000K LED with honeycomb louvre attachment

POWERED BY  
**I B L**



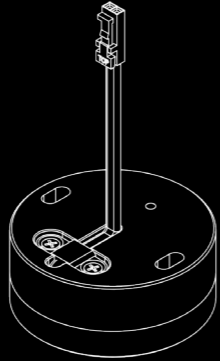
### SPECIFICATION

RANGE	STYLE	SIZE	MOUNTING	TYPE	BEAM ANGLE	COLOUR	CCT	DRIVER	ENGINE/POWER	INGRESS PROTECTION	ACCESSORY
Accent	Puk (PK)	Small	Recessed	Fixed	White CCT 15° (L15) 20° (L20) 35° (L35)	White (1) Black (2) Silver (7)	2700K (2) 3000K (3) 4000K (4)  Warm Dim 2700K-1800K (2718)	Phase (2) 0-10V (3) DALI (4)	Puk 2W (PK2) Puk 5W (PK5)  Puk 5W Warm-Dim (PK5W)	IP20 IP44 (4)	Honeycomb Louvre (-H) Solite Lens(-SO) Spread Lens (-SL)

### ORDER CODE: (Bold above denotes code)

A	PK	S	R	F	-	.	-	-	-	-	-
---	----	---	---	---	---	---	---	---	---	---	---

# PUK SURFACE SMALL



### DIMENSIONS

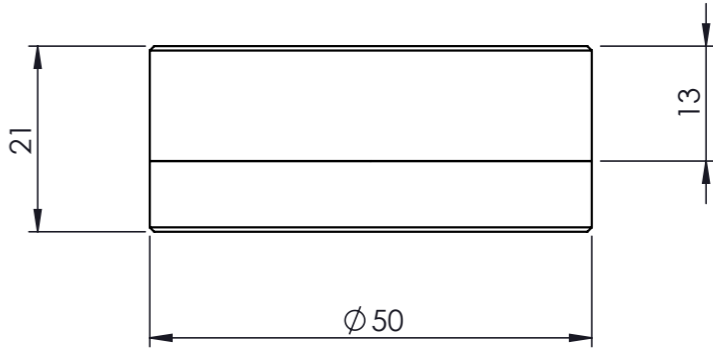
DIAMETER	WIDTH	HEIGHT	LENGTH	CUTOUT
Ø50mm	N/A	21mm	N/A	N/A

### TECHNICAL DATA

Lamp Wattage and Delivered Lumens <sup>(1)</sup> :	2W : 152lm 5W : 274lm	5W Warm-Dim : 250lm
Lamp type:	Citizen	Glow wire resistance: 850°
Lamp life:	50,000hrs L70	LED maintenance: Integrated
Binning:	2-Step MacAdams	Connector block: Flex and Plug
CRI:	90Ra	Mounting surface classification:
Control gear:	Remote	
Thermal control rating:	IC-4/IC-F (abuttled & covered)	Protection classification:
Materials:	Cast aluminium, Matt Powder Coated	Standards: EN/AS/NZS 60598-2-2, 62031, 62471
Supply Voltage:	See page 164	Warranty: 5 years (T&Cs apply)

(1): Delivered lumens are based on medium beam angle and 3000K LED with honeycomb louvre attachment.

POWERED BY  
**I B L**



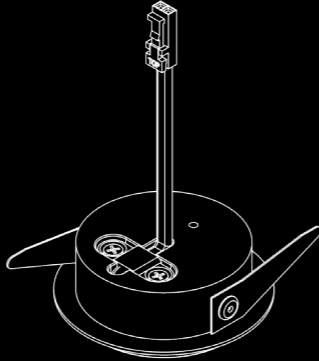
### SPECIFICATION

RANGE	STYLE	SIZE	MOUNTING	TYPE	BEAM ANGLE	COLOUR	CCT	DRIVER	ENGINE/POWER	INGRESS PROTECTION	ACCESSORY
Accent	Puk (PK)	Small	Surface	Fixed	White CCT 15°(L15) 20°(L20) 35°(L35)	White (1) Black (2) Silver (7)	2700K (2) 3000K (3) 4000K (4)  Warm Dim 2700K-1800K (2718)	Phase (2) 0-10V (3) DALI (4)	Puk 2W (PK2) Puk 5W (PK5)  Puk 5W Warm-Dim (PK5W)	IP20 IP44 (4)	Honeycomb Louvre (-H) Solite Lens(-SO) Spread Lens (-SL)

### ORDER CODE: (Bold above denotes code)

A	<b>PK</b>	<b>S</b>	<b>S</b>	<b>F</b>	-	.	-	-	-	-	-	-
---	-----------	----------	----------	----------	---	---	---	---	---	---	---	---

# PUK RECESSED MINI



### DIMENSIONS

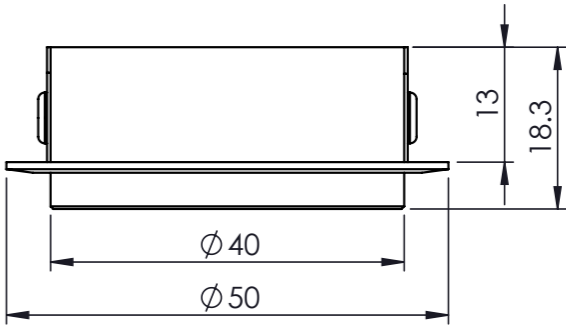
DIAMETER	WIDTH	HEIGHT	LENGTH	CUTOUT
Ø50mm	N/A	18.3mm	N/A	44mm

### TECHNICAL DATA

Lamp Wattage and Delivered Lumens <sup>(1)</sup> :	2W : 152lm 5W : 274lm	5W Warm-Dim : 250lm	
Lamp type:	Citizen	Glow wire resistance:	850°
Lamp life:	50,000hrs L70	LED maintenance:	Integrated
Binning:	2-Step MacAdams	Connector block:	Flex and Plug
CRI:	90Ra	Mounting surface classification:	
Control gear:	Remote		
Thermal control rating:	IC-4/IC-F (abuttled & covered)	Protection classification:	
Materials:	Cast aluminium, Matt Powder Coated	Standards:	EN/AS/NZS 60598-2-2, 62031, 62471
Supply Voltage:	See page 164	Warranty:	5 years (T&Cs apply)

(1): Delivered lumens are based on medium beam angle and 3000K LED with honeycomb louvre attachment.

POWERED BY  
**I B L**



### SPECIFICATION

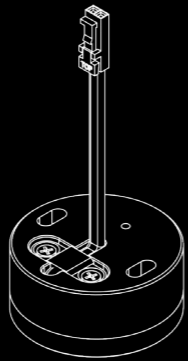
RANGE	STYLE	SIZE	MOUNTING	TYPE	BEAM ANGLE	COLOUR	CCT	DRIVER	ENGINE/POWER	INGRESS PROTECTION	ACCESSORY
Accent	Puk (PK)	Mini (MI)	Recessed	Fixed	White CCT 15°(L15) 20°(L20)	White (1) Black (2) Silver (7)	2700K (2) 3000K (3) 4000K (4)  Warm Dim 2700K-1800K (2718)	Phase (2) 0-10V (3) DALI (4)	Puk 2W (PK2) Puk 5W (PK5)  Puk 5W Warm-Dim (PK5W)	IP20 IP44 (4)	Honeycomb Louvre (-H) Solite Lens(-SO) Spread Lens (-SL)

### ORDER CODE: (Bold above denotes code)

A	PK	MI	R	F	-	.	-	-	-	-	-
---	----	----	---	---	---	---	---	---	---	---	---



# PUK SURFACE MINI



### DIMENSIONS

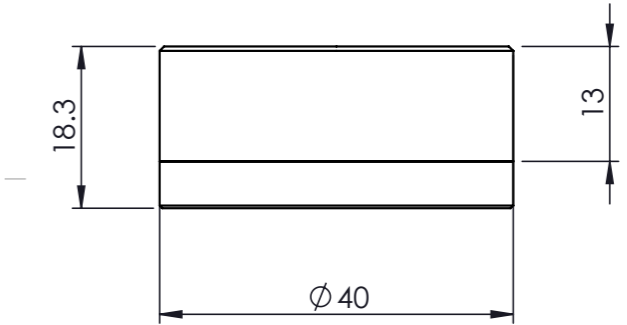
DIAMETER	WIDTH	HEIGHT	LENGTH	CUTOUT
Ø40mm	N/A	18.3mm	N/A	N/A

### TECHNICAL DATA

Lamp Wattage and Delivered Lumens <sup>(1)</sup> :	2W : 152lm 5W : 274lm	5W Warm-Dim : 250lm	
Lamp type:	Citizen	Glow wire resistance:	850°
Lamp life:	50,000hrs L70	LED maintenance:	Integrated
Binning:	2-Step MacAdams	Connector block:	Flex and Plug
CRI:	90Ra	Mounting surface classification:	
Control gear:	Remote		
Thermal control rating:	IC-4/IC-F (abuttled & covered)	Protection classification:	
Materials:	Cast aluminium, Matt Powder Coated	Standards:	EN/AS/NZS 60598-2-2, 62031, 62471
Supply Voltage:	See page 164	Warranty:	5 years (T&Cs apply)

(1): Delivered lumens are based on medium beam angle and 3000K LED with honeycomb louvre attachment.

POWERED BY  
**I B L**



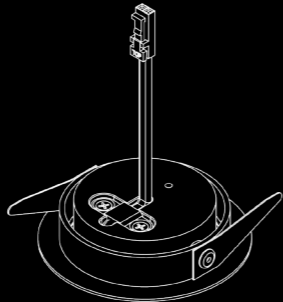
### SPECIFICATION

RANGE	STYLE	SIZE	MOUNTING	TYPE	BEAM ANGLE	COLOUR	CCT	DRIVER	ENGINE/POWER	INGRESS PROTECTION	ACCESSORY
Accent	Puk ( <b>PK</b> )	Mini ( <b>MI</b> )	Surface	Fixed	White CCT 15° ( <b>L15</b> ) 20° ( <b>L20</b> )	White (1) Black (2) Silver (7)	2700K (2) 3000K (3) 4000K (4)  Warm Dim 2700K-1800K ( <b>2718</b> )	Phase (2) 0-10V (3) DALI (4)	Puk 2W ( <b>PK2</b> ) Puk 5W ( <b>PK5</b> )  Puk 5W Warm-Dim ( <b>PK5W</b> )	IP20 IP44 (4)	Honeycomb Louvre (- <b>H</b> ) Solite Lens(- <b>SO</b> ) Spread Lens (- <b>SL</b> )

### ORDER CODE: (Bold above denotes code)

A	<b>PK</b>	<b>MI</b>	<b>S</b>	<b>F</b>	-	.	-	-	-	-	-
---	-----------	-----------	----------	----------	---	---	---	---	---	---	---

# PUK RECESSED TILT MINI



### DIMENSIONS

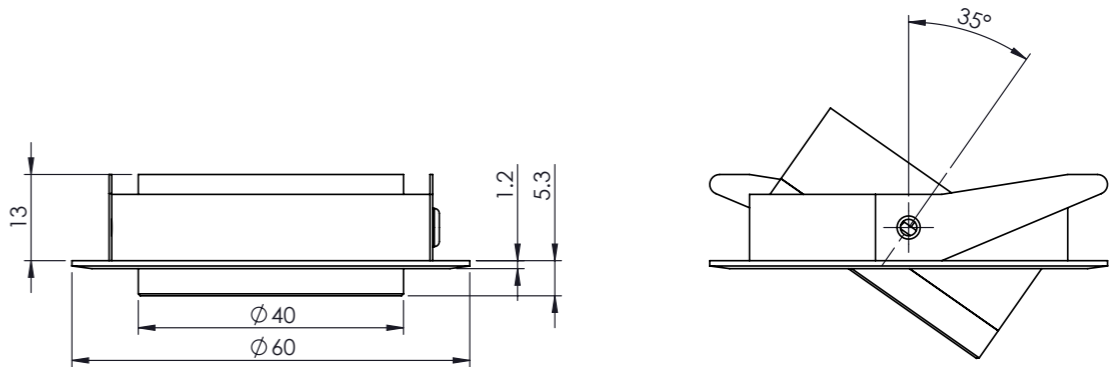
DIAMETER	WIDTH	HEIGHT	LENGTH	CUTOUT
Ø60mm	N/A	13mm	N/A	54mm

### TECHNICAL DATA

Lamp Wattage and Delivered Lumens <sup>(1)</sup> :	2W : 152lm 5W : 274lm	5W Warm-Dim : 250lm
Lamp type:	Citizen	Glow wire resistance: 850°
Lamp life:	50,000hrs L70	LED maintenance: Integrated
Binning:	2-Step MacAdams	Connector block: Flex and Plug
CRI:	90Ra	Mounting surface classification:
Control gear:	Remote	
Thermal control rating:	IC-4/IC-F (abuttled & covered)	Protection classification:
Materials:	Cast aluminium, Matt Powder Coated	Standards: EN/AS/NZS 60598-2-2, 62031, 62471
Supply Voltage:	See page 164	Warranty: 5 years (T&Cs apply)

(1): Delivered lumens are based on medium beam angle and 3000K LED with honeycomb louvre attachment.

POWERED BY  
**I B L**



### SPECIFICATION

RANGE	STYLE	SIZE	MOUNTING	TYPE	BEAM ANGLE	COLOUR	CCT	DRIVER	ENGINE/POWER	INGRESS PROTECTION	ACCESSORY
Accent	Puk (PK)	Mini (MI)	Recessed	Adjustable	White CCT 15°(L15) 20°(L20)	White (1) Black (2) Silver (7)	2700K (2) 3000K (3) 4000K (4)  Warm Dim 2700K-1800K (2718)	Phase (2) 0-10V (3) DALI (4)	Puk 2W (PK2) Puk 5W (PK5)  Puk 5W Warm-Dim (PK5W)	IP20 IP44 (4)	Honeycomb Louvre (-H) Solite Lens(-SO) Spread Lens (-SL)

### ORDER CODE: (Bold above denotes code)

A	PK	MI	R	A	-	.	-	-	-	-	-
---	----	----	---	---	---	---	---	---	---	---	---

# TUBE SERIES

---



---

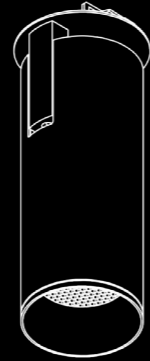
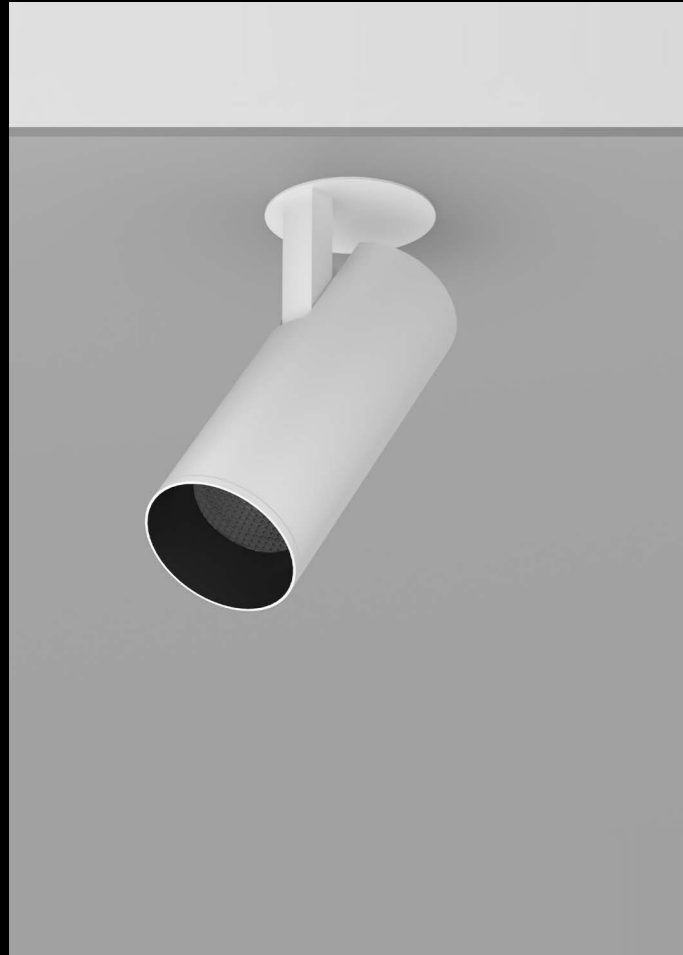
TUBE SERIES is the ultimate lighting designers tool. Offering track, surface, wall and suspended mounting families.

With the LIGHTKIT modular system, offering large, small, mini and micro families, with a constant visual language to ensure continuity in the architectural environment no matter what the scale of the space or mounting options available.

The size and mounting options, together with the interchangeable light engines across the range, ensures consistency in light quality and aesthetic impact.

A deep set light source ensures high levels of glare control, whilst miniaturized light sources and drivers allow for functional lighting solutions in a miniature footprint.

# TUBE SPOT LARGE



## DIMENSIONS

DIAMETER	WIDTH	HEIGHT	LENGTH	CUTOUT
Ø90mm	N/A	As shown	N/A	As shown

## TECHNICAL DATA

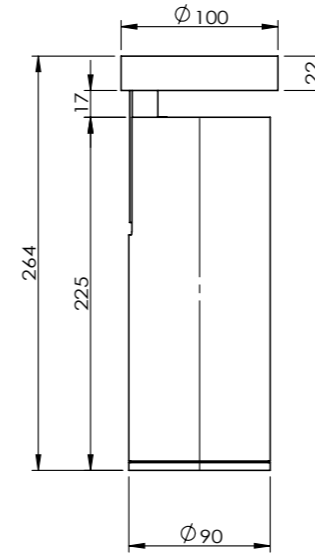
Lamp Wattage and Delivered Lumens <sup>(1)</sup> :	19W : 1314lm 25W : 1540lm	19W Warm-Dim : 896lm 25W Warm-Dim: 1210lm
--	------------------------------	--

Lamp type:	Citizen	Glow wire resistance:	850°
Lamp life:	50,000hrs L70	LED maintenance:	Integrated
Binning:	2-Step MacAdams	Connector block:	Flex and Plug
CRI:	90Ra	Mounting surface classification:	▽
Control gear:	Integral	Protection classification:	IP
Thermal control rating:	IC-4/IC-F (abuttled & covered)	Standards:	EN/AS/NZS 60598-2-2, 62031, 62471
Materials:	Cast aluminium, Matt Powder Coated	Warranty:	5 years (T&Cs apply)
Supply Voltage:	See page 164		

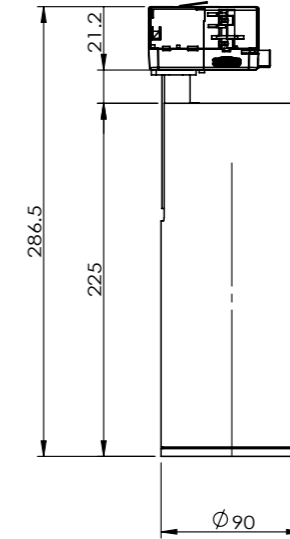
(1): Delivered lumens are based on medium beam angle and 3000K LED with honeycomb louvre attachment

POWERED BY  
**I B L**

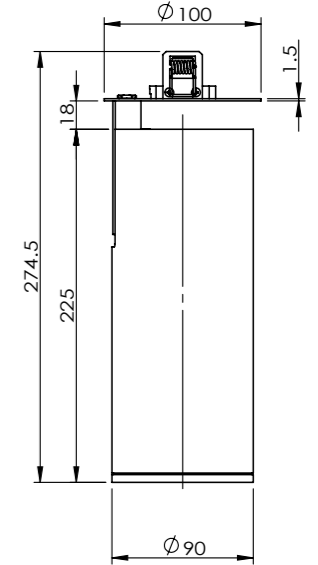
## SURFACE



## TRACK



## RECESSED



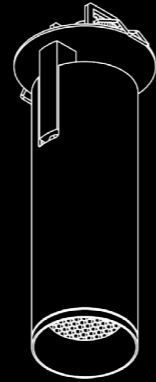
## SPECIFICATION

RANGE	STYLE	TYPE	SIZE	BEAM ANGLE	FINISH	CCT	DRIVER	ENGINE/POWER	MOUNTING	ACCESSORY
Accent	Tube Spot (TS)	Adjustable	Large	15°(L15) 25°(L25) 35°(L35) 60°(L60)	White (1) Black (2)	2700K (2) 3000K (3) 4000K (4)  Warm-Dim 3000-2000K (3020)	Non-Dim (1) Phase (2) 0-10V (3) DALI (4)	19W (D19) 25W (D25)  Warm Dim (D19W, D25W)	Track Single (T2) Track Multi (T3) Track Multi Data (T5) Surface (S) Recessed (R)	Honeycomb Louvre (-H) Solite Lens (-SO) Spread Lens (-SL)

## ORDER CODE: (Bold above denotes code)

A	<b>TS</b>	A	L	-	.	-	-	-	-	-
---	-----------	---	---	---	---	---	---	---	---	---

# TUBE SPOT SMALL



## DIMENSIONS

DIAMETER	WIDTH	HEIGHT	LENGTH	CUTOUT
Ø60mm	N/A	As shown	N/A	As shown

## TECHNICAL DATA

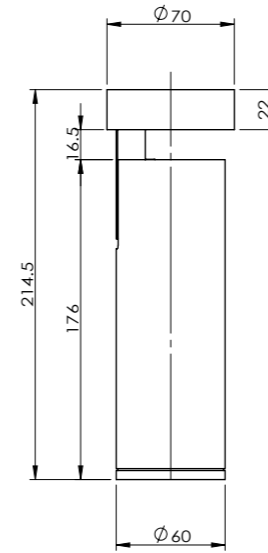
Lamp Wattage and Delivered Lumens <sup>(1)</sup> :	6W : 422lm	6W Warm-Dim : 277lm
	9W : 652lm	9W Warm-Dim : 418lm
	12W : 871lm	12W Warm-Dim : 534lm

Lamp type:	Citizen	Glow wire resistance:	850°
Lamp life:	50,000hrs L70	LED maintenance:	Integrated
Binning:	2-Step MacAdams	Connector block:	Flex and Plug
CRI:	90Ra	Mounting surface classification:	
Control gear:	Integral		
Thermal control rating:	IC-4/IC-F (abuttled & covered)	Protection classification:	
Materials:	Cast aluminium, Matt Powder Coated	Standards:	EN/AS/NZS 60598-2-2, 62031, 62471
Supply Voltage:	See page 164	Warranty:	5 years (T&Cs apply)

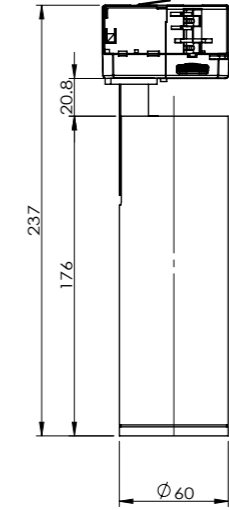
(1): Delivered lumens are based on medium beam angle and 3000K LED with honeycomb louvre attachment.

POWERED BY  
**I B L**

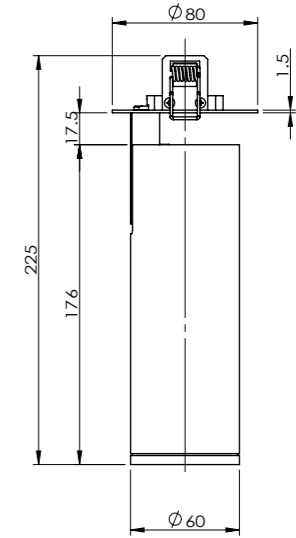
## SURFACE



## TRACK



## RECESSED



## SPECIFICATION

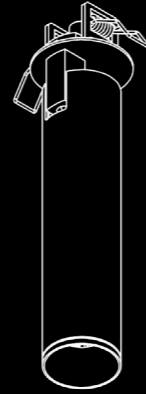
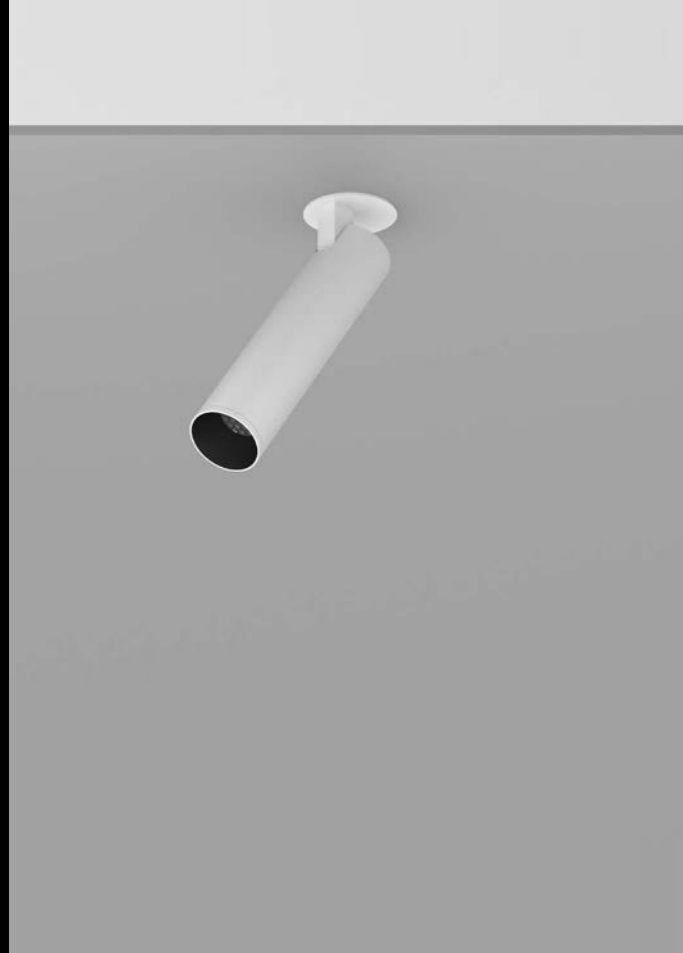
RANGE	STYLE	TYPE	SIZE	BEAM ANGLE	FINISH	CCT	DRIVER	ENGINE/POWER	MOUNTING	ACCESSORY
Accent	Tube Spot (TS)	Adjustable	Small	10° (L10) <sup>®</sup> 20° (L20) 35° (L35) 45° (L45) 60° (L60)	White (1) Black (2)	2700K (2) 3000K (3) 4000K (4)  Warm-Dim 2700-1800K (2718)	Non-Dim (1) Phase (2) 0-10V (3) DALI (4)	6W (BF6) 9W (B9) 12W (C12)  Warm Dim (B6W, B9W, C12W)	Track Single (T2) Track Multi (T3) Track Multi Data (T5) Surface (S) Recessed (R)	Honeycomb Louvre (-H) Solite Lens (-SO) Spread Lens (-SL)

® 10° option not available with Warm Dim LED

## ORDER CODE: (Bold above denotes code)

A	TS	A	S	-	.	-	-	-	-	-
---	----	---	---	---	---	---	---	---	---	---

# TUBE SPOT MINI



## DIMENSIONS

DIAMETER	WIDTH	HEIGHT	LENGTH	CUTOUT
Ø42mm	N/A	As shown	N/A	As shown

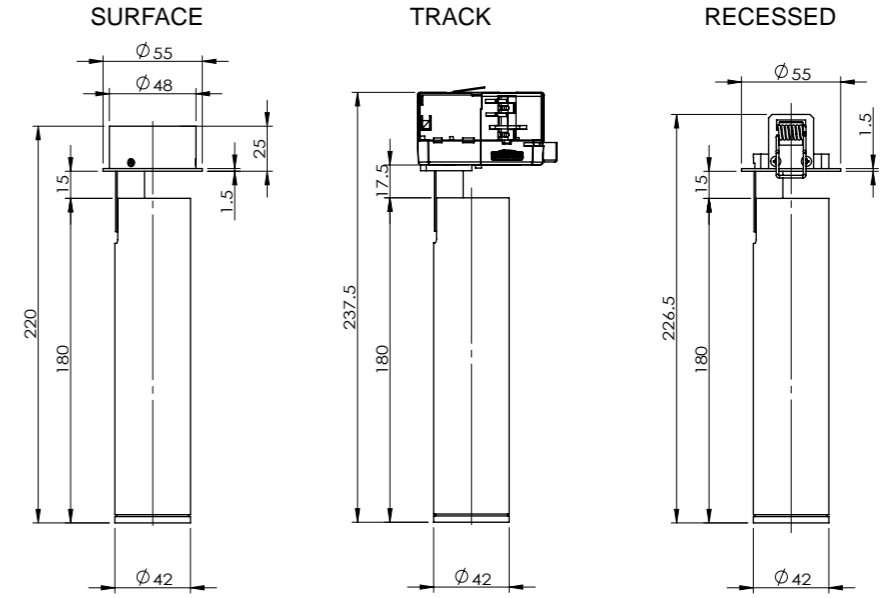
## TECHNICAL DATA

Lamp Wattage and Delivered Lumens <sup>(1)</sup> :	2W : 184lm 5W : 343lm	5W Warm-Dim: 294lm
--	--------------------------	--------------------

Lamp type:	Citizen	Glow wire resistance:	850°
Lamp life:	50,000hrs L70	LED maintenance:	Integrated
Binning:	2-Step MacAdams	Connector block:	Flex and Plug
CRI:	90Ra	Mounting surface classification:	▽
Control gear:	Integral	Protection classification:	ⓘ
Thermal control rating:	IC-4/IC-F (abuttled & covered)	Standards:	EN/AS/NZS 60598-2-2, 62031, 62471
Materials:	Cast aluminium, Matt Powder Coated	Warranty:	5 years (T&Cs apply)
Supply Voltage:	See page 164		

(1): Delivered lumens are based on medium beam angle and 3000K LED with honeycomb louvre attachment.

POWERED BY  
**I B L**



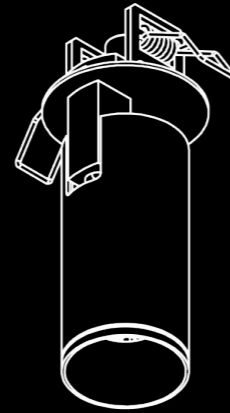
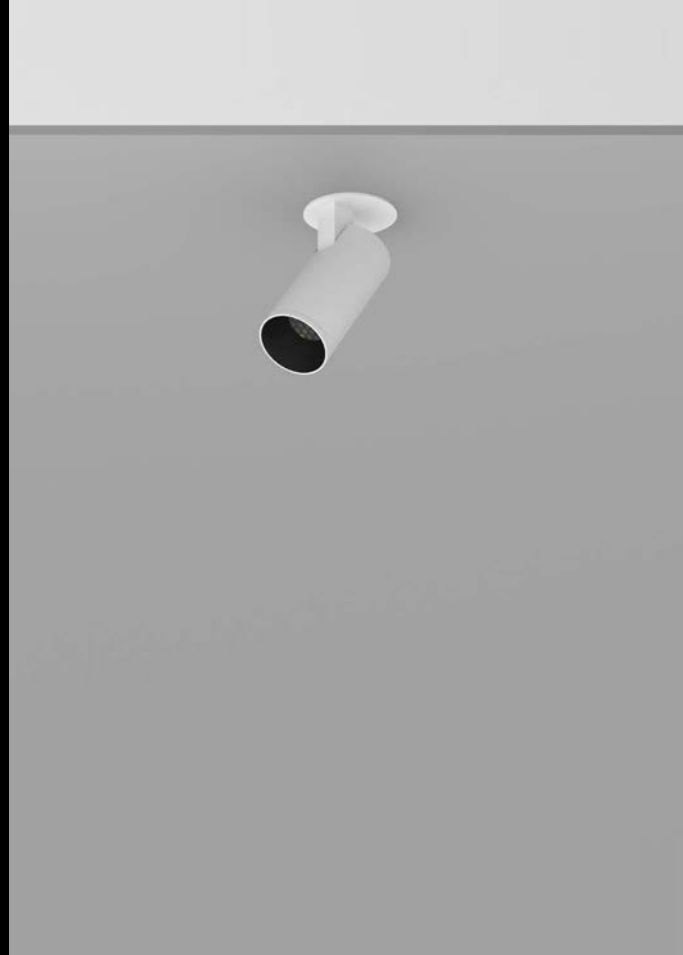
## SPECIFICATION

RANGE	STYLE	TYPE	SIZE	BEAM ANGLE	FINISH	CCT	DRIVER	ENGINE/POWER	MOUNTING	ACCESSORY
Accent	Tube Spot (TS)	Adjustable	Mini (MI)	15°(L15) 25°(L25) 40°(L40)	White (1) Black (2)	2700K (2) 3000K (3) 4000K (4)  Warm-Dim 2700-1800K (2718)	Non-Dim (1) Phase (2) 0-10V (3) DALI (4)	2W (A2) 5W (A5)  Warm Dim (A5W)	Track Single (T2) Track Multi (T3) Track Multi Data (T5) Surface (S) Recessed (R)	Honeycomb Louvre (-H) Spread Lens (-SL)

## ORDER CODE: (Bold above denotes code)

<b>A</b>	<b>TS</b>	<b>A</b>	<b>MI</b>	-	.	-	-	-	-	-
----------	-----------	----------	-----------	---	---	---	---	---	---	---

# TUBE SPOT MICRO



## DIMENSIONS

DIAMETER	WIDTH	HEIGHT	LENGTH	CUTOUT
Ø42mm	N/A	As shown	N/A	As shown

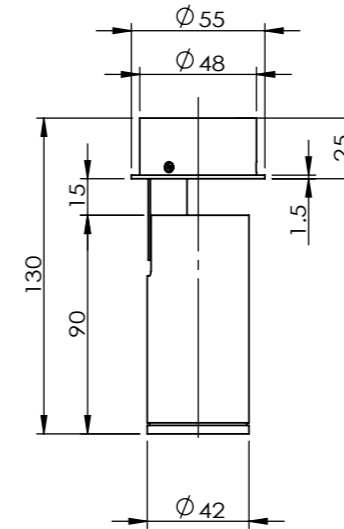
## TECHNICAL DATA

Lamp Wattage and Delivered Lumens <sup>(1)</sup> :	2W : 184lm 5W : 343lm	5W Warm-Dim: 294lm	
Lamp type:	Citizen	Glow wire resistance:	850°
Lamp life:	50,000hrs L70	LED maintenance:	Integrated
Binning:	2-Step MacAdams	Connector block:	Flex and Plug
CRI:	90Ra	Mounting surface classification:	
Control gear:	Remote		
Thermal control rating:	IC-4/IC-F (abuttled & covered)	Protection classification:	
Materials:	Cast aluminium, Matt Powder Coated	Standards:	EN/AS/NZS 60598-2-2, 62031, 62471
Supply Voltage:	See page 164	Warranty:	5 years (T&Cs apply)

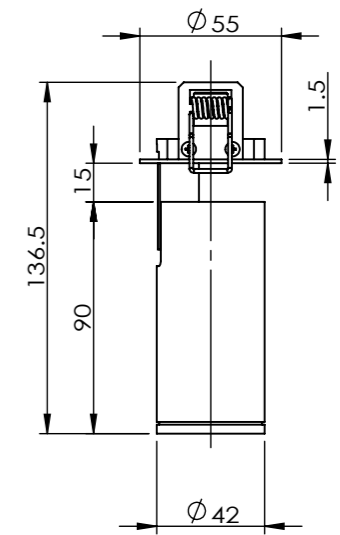
(1) Delivered lumens are based on medium beam angle and 3000K LED with honeycomb louvre attachment.

POWERED BY  
**I B L**

## SURFACE



## RECESSED



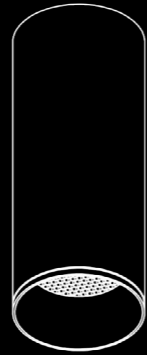
## SPECIFICATION

RANGE	STYLE	TYPE	SIZE	BEAM ANGLE	FINISH	CCT	DRIVER	ENGINE/POWER	MOUNTING	ACCESSORY
Accent	Tube Spot (TS)	Adjustable	Micro (MC)	15°(L15) 25°(L25) 40°(L40)	White (1) Black (2)	2700K (2) 3000K (3) 4000K (4)  Warm-Dim 2700-1800K (2718)	Non-Dim (1) Phase (2) 0-10V (3) DALI (4)	2W (A2) 5W (A5)  Warm Dim (A5W)	Track Single (T2) Track Multi (T3) Track Multi Data (T5) Surface (S) Recessed (R)	Honeycomb Louvre (-H) Spread Lens (-SL)

## ORDER CODE: (Bold above denotes code)

<b>A</b>	<b>TS</b>	<b>A</b>	<b>MC</b>	-	.	-	-	-	-	-
----------	-----------	----------	-----------	---	---	---	---	---	---	---

# TUBE SURFACE LARGE



## DIMENSIONS

DIAMETER	WIDTH	HEIGHT	LENGTH	CUTOUT
Ø90mm	N/A	225mm	N/A	N/A

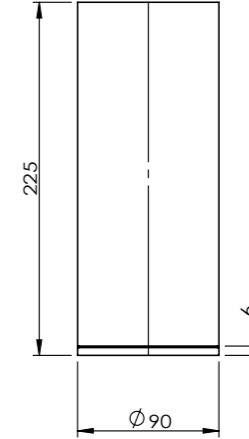
## TECHNICAL DATA

Lamp Wattage and Delivered Lumens <sup>(1)</sup> :	19W : 1314lm 25W : 1540lm	19W Warm-Dim : 896lm 25W Warm-Dim: 1210lm
--	------------------------------	--

Lamp type:	Citizen	Glow wire resistance:	850°
Lamp life:	50,000hrs L70	LED maintenance:	Integrated
Binning:	2-Step MacAdams	Connector block:	Flex and Plug
CRI:	90Ra	Mounting surface classification:	▽
Control gear:	Integral	Protection classification:	IP
Thermal control rating:	IC-4/IC-F (abuttled & covered)	Standards:	EN/AS/NZS 60598-2-2, 62031, 62471
Materials:	Cast aluminium, Matt Powder Coated	Warranty:	5 years (T&Cs apply)
Supply Voltage:	See page 164		

(1): Delivered lumens are based on medium beam angle and 3000K LED with honeycomb louvre attachment.

POWERED BY  
**I B L**



## SPECIFICATION

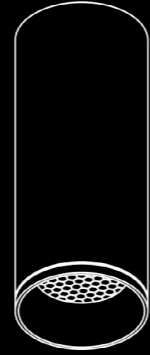
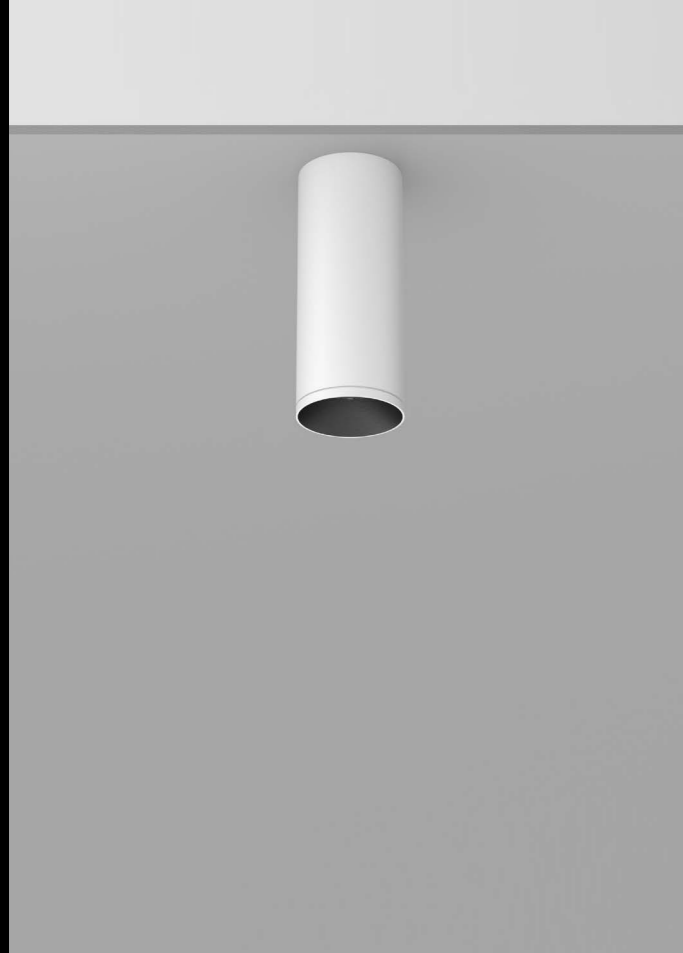
RANGE	STYLE	TYPE	SIZE	BEAM ANGLE	FINISH	CCT	DRIVER	ENGINE/POWER	ACCESSORY
Accent	Tube Surface (TS)	Fixed	Large	15°(L15) 25°(L25) 35°(L35) 60°(L60)	White (1) Black (2)	2700K (2) 3000K (3) 4000K (4)  Warm-Dim 3000-2000K (3020)	Non-Dim (1) Phase (2) 0-10V (3) DALI (4)	19W (D19) 25W (D25)  Warm Dim (D19W, D25W)	Honeycomb Louvre (-H) Solite Lens (-SO) Spread Lens (-SL)

ORDER CODE: (Bold above denotes code)

A	<b>TS</b>	<b>F</b>	<b>L</b>	—	.	—	—	—	—
---	-----------	----------	----------	---	---	---	---	---	---



# TUBE SURFACE SMALL



## DIMENSIONS

DIAMETER	WIDTH	HEIGHT	LENGTH	CUTOUT
Ø60mm	N/A	120mm	N/A	N/A

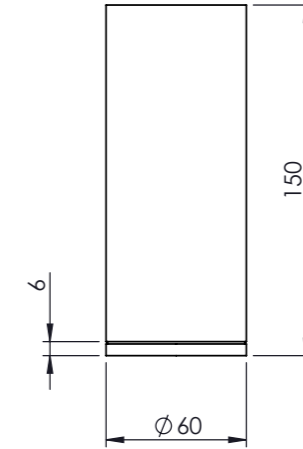
## TECHNICAL DATA

Lamp Wattage and Delivered Lumens <sup>(1)</sup> :	6W : 422lm	6W Warm-Dim : 277lm
	9W : 652lm	9W Warm-Dim : 418lm
	12W : 871lm	12W Warm-Dim : 534lm

Lamp type:	Citizen	Glow wire resistance:	850°
Lamp life:	50,000hrs L70	LED maintenance:	Integrated
Binning:	2-Step MacAdams	Connector block:	Flex and Plug
CRI:	90Ra	Mounting surface classification:	
Control gear:	Integral		
Thermal control rating:	IC-4/IC-F (abuttled & covered)	Protection classification:	
Materials:	Cast aluminium, Matt Powder Coated	Standards:	EN/AS/NZS 60598-2-2, 62031, 62471
Supply Voltage:	See page 164	Warranty:	5 years (T&Cs apply)

(1): Delivered lumens are based on medium beam angle and 3000K LED with honeycomb louvre attachment.

POWERED BY  
**I B L**



## SPECIFICATION

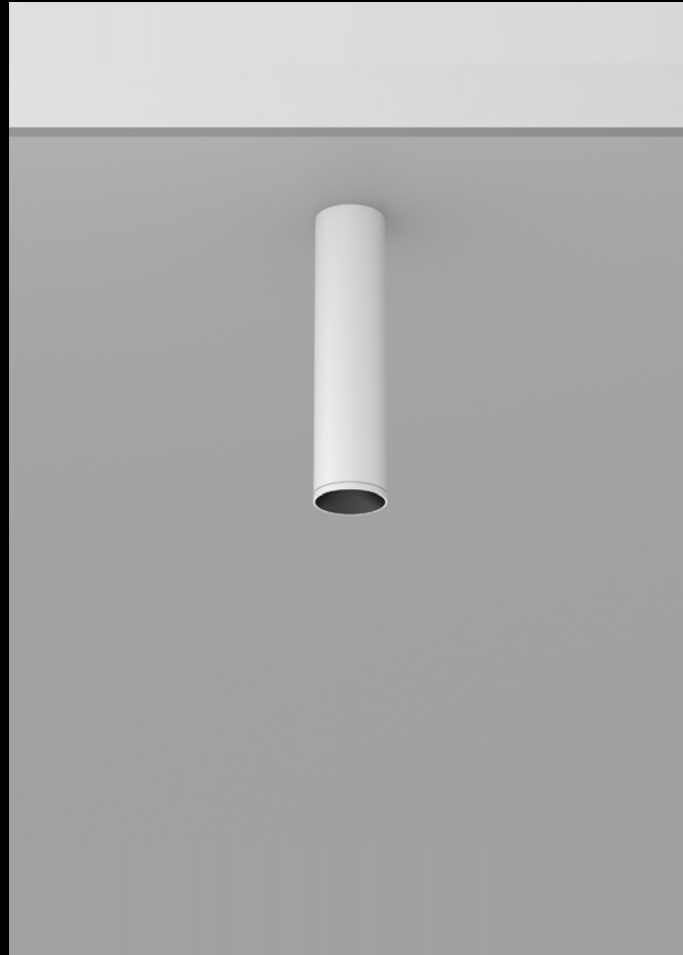
RANGE	STYLE	TYPE	SIZE	BEAM ANGLE	FINISH	CCT	DRIVER	ENGINE/POWER	ACCESSORY
Accent	Tube Surface (TS)	Fixed	Small	10° (L10) <sup>®</sup> 20° (L20) 35° (L35) 45° (L45) 60° (L60)	White (1) Black (2)	2700K (2) 3000K (3) 4000K (4)  Warm-Dim 2700-1800K (2718)	Non-Dim (1) Phase (2) 0-10V (3) DALI (4)	6W (BF6) 9W (B9) 12W (C12)  Warm Dim (B6W, B9W, C12W)	Honeycomb Louvre (-H) Solite Lens (-SO) Spread Lens (-SL)

® 10° option not available with Warm Dim LED

## ORDER CODE: (Bold above denotes code)

A	<b>TS</b>	F	S	—	.	—	—	—	—
---	-----------	---	---	---	---	---	---	---	---

# TUBE SURFACE MINI



## DIMENSIONS

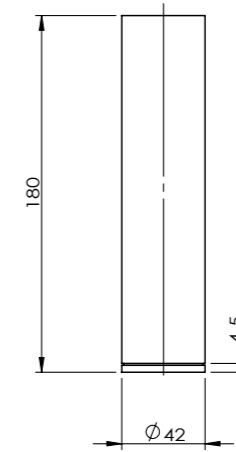
DIAMETER	WIDTH	HEIGHT	LENGTH	CUTOUT
Ø42mm	N/A	180mm	N/A	N/A

## TECHNICAL DATA

Lamp Wattage and Delivered Lumens <sup>(1)</sup> :	2W : 184lm 5W : 343lm	5W Warm-Dim: 294lm	
Lamp type:	Citizen	Glow wire resistance:	850°
Lamp life:	50,000hrs L70	LED maintenance:	Integrated
Binning:	2-Step MacAdams	Connector block:	Flex and Plug
CRI:	90Ra	Mounting surface classification:	▽
Control gear:	Integral		
Thermal control rating:	IC-4/IC-F (abuttet & covered)	Protection classification:	ⓘ
Materials:	Cast aluminium, Matt Powder Coated	Standards:	EN/AS/NZS 60598-2-2, 62031, 62471
Supply Voltage:	See page 164	Warranty:	5 years (T&Cs apply)

(1): Delivered lumens are based on medium beam angle and 3000K LED with honeycomb louvre attachment

POWERED BY  
**I B L**



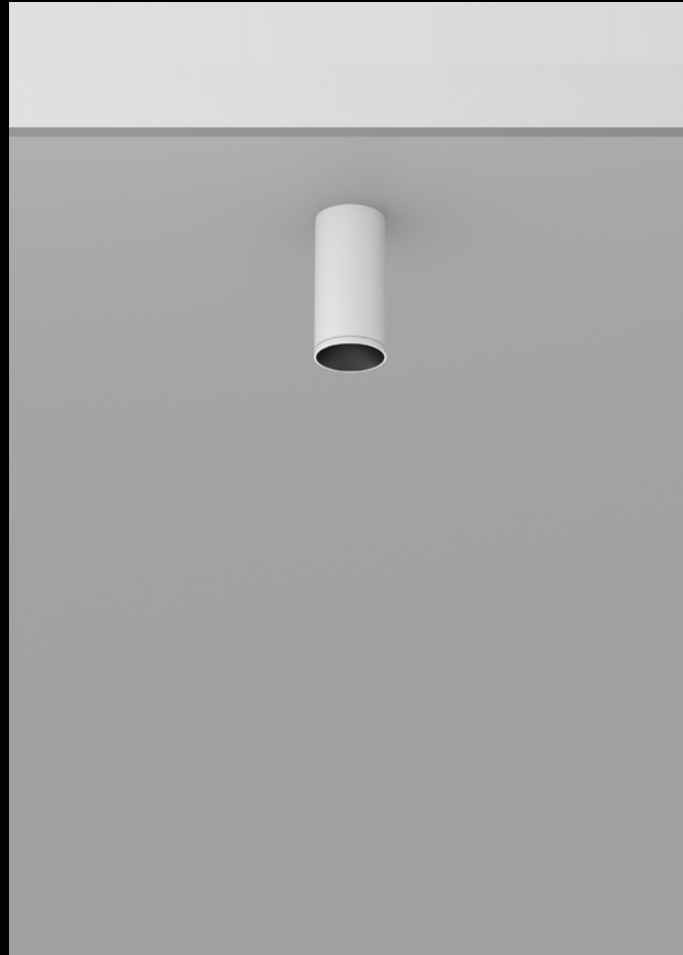
## SPECIFICATION

RANGE	STYLE	TYPE	SIZE	BEAM ANGLE	FINISH	CCT	DRIVER	ENGINE/POWER	ACCESSORY
Accent	Tube Surface (TS)	Fixed	Mini (MI)	15°(L15) 25°(L25) 40°(L40)	White (1) Black (2)	2700K (2) 3000K (3) 4000K (4) Warm-Dim 2700-1800K (2718)	Non-Dim (1) Phase (2) 0-10V (3) DALI (4)	2W (A2) 5W (A5) 5W Warm Dim (A5W)	Honeycomb Louvre (-H) Solite Lens (-SO)

ORDER CODE: (Bold above denotes code)

A	TS	F	MI	—	.	—	—	—	—
---	----	---	----	---	---	---	---	---	---

# TUBE SURFACE MICRO



## DIMENSIONS

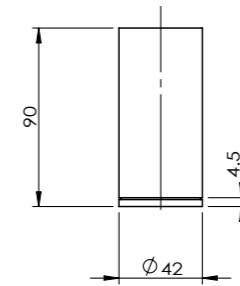
DIAMETER	WIDTH	HEIGHT	LENGTH	CUTOUT
Ø42mm	N/A	90mm	N/A	N/A

## TECHNICAL DATA

Lamp Wattage and Delivered Lumens <sup>(1)</sup> :	2W : 184lm 5W : 343lm	5W Warm-Dim: 294lm	
Lamp type:	Citizen	Glow wire resistance:	850°
Lamp life:	50,000hrs L70	LED maintenance:	Integrated
Binning:	2-Step MacAdams	Connector block:	Flex and Plug
CRI:	90Ra	Mounting surface classification:	▽
Control gear:	Remote		
Thermal control rating:	IC-4/IC-F (abuttet & covered)	Protection classification:	IP
Materials:	Cast aluminium, Matt Powder Coated	Standards:	EN/AS/NZS 60598-2-2, 62031, 62471
Supply Voltage:	See page 164	Warranty:	5 years (T&Cs apply)

(1): Delivered lumens are based on medium beam angle and 3000K LED with honeycomb louvre attachment.

POWERED BY  
**I B L**



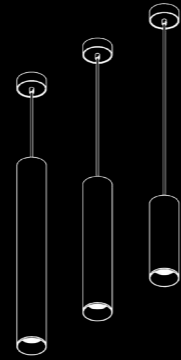
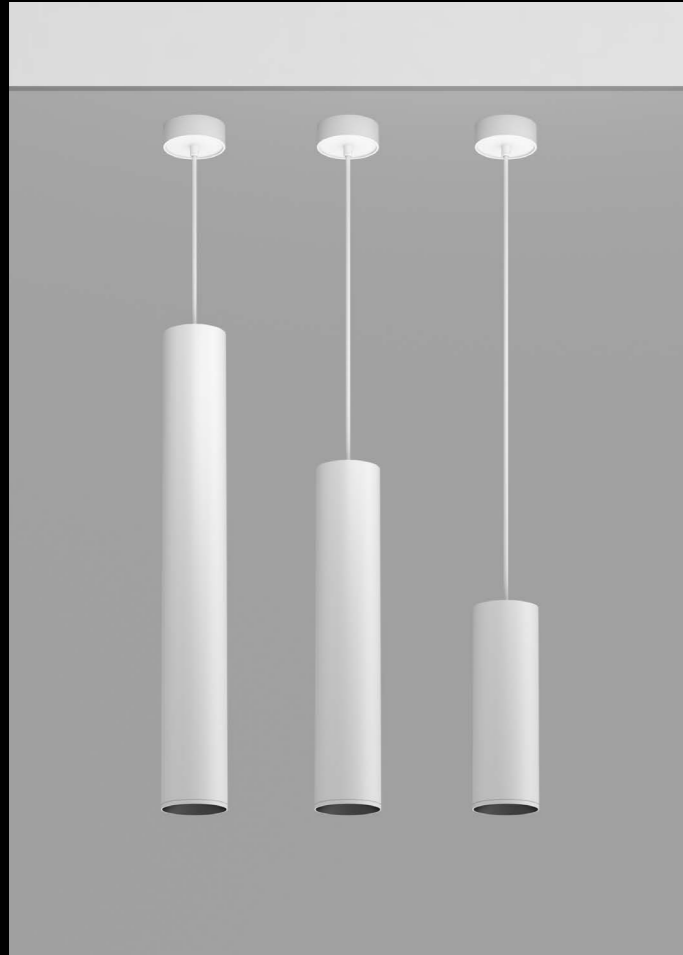
## SPECIFICATION

RANGE	STYLE	TYPE	SIZE	BEAM ANGLE	FINISH	CCT	DRIVER	ENGINE/POWER	ACCESSORY
Accent	Tube Surface (TS)	Fixed	Micro (MC)	15°(L15) 25°(L25) 40°(L40)	White (1) Black (2)	2700K (2) 3000K (3) 4000K (4) Warm-Dim 2700-1800K (2718)	Non-Dim (1) Phase (2) 0-10V (3) DALI (4)	2W (A2) 5W (A5) 5W Warm Dim (A5W)	Honeycomb Louvre (-H) Solite Lens (-SO)

ORDER CODE: (Bold above denotes code)

A	<b>TS</b>	F	<b>MC</b>	—	.	—	—	—	—
---	-----------	---	-----------	---	---	---	---	---	---

# TUBE SUSPENDED LARGE



## DIMENSIONS

DIAMETER	WIDTH	HEIGHT	LENGTH	CUTOUT
Ø90mm	N/A	As shown	N/A	As shown

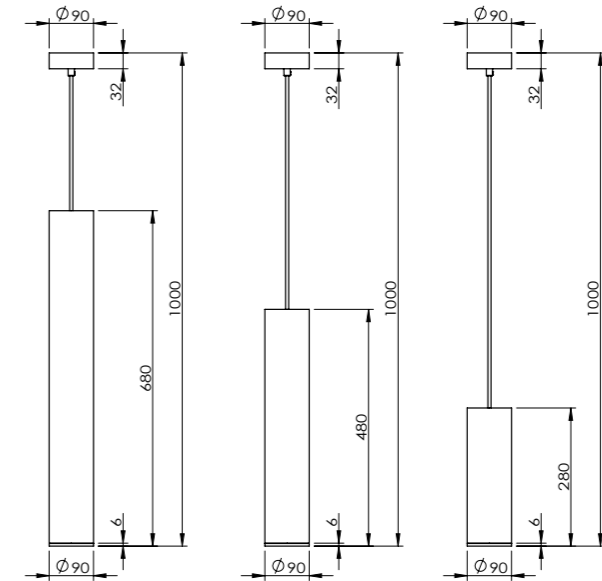
## TECHNICAL DATA

Lamp Wattage and Delivered Lumens <sup>(1)</sup> :	19W : 1314lm 25W : 1540lm	19W Warm-Dim : 896lm 25W Warm-Dim: 1210lm
--	------------------------------	--

Lamp type:	Citizen	Glow wire resistance:	850°
Lamp life:	50,000hrs L70	LED maintenance:	Integrated
Binning:	2-Step MacAdams	Connector block:	Flex and Plug
CRI:	90Ra	Mounting surface classification:	▽
Control gear:	Integral	Protection classification:	IP
Thermal control rating:	IC-4/IC-F (abuttled & covered)	Standards:	EN/AS/NZS 60598-2-2, 62031, 62471
Materials:	Cast aluminium, Matt Powder Coated	Warranty:	5 years (T&Cs apply)
Supply Voltage:	See page 164		

(1): Delivered lumens are based on medium beam angle and 3000K LED with honeycomb louvre attachment.

POWERED BY  
**I B L**



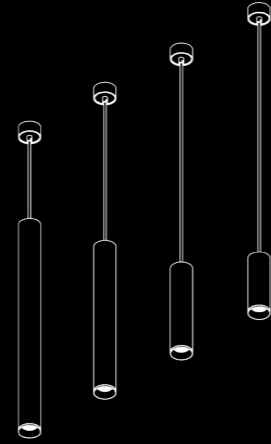
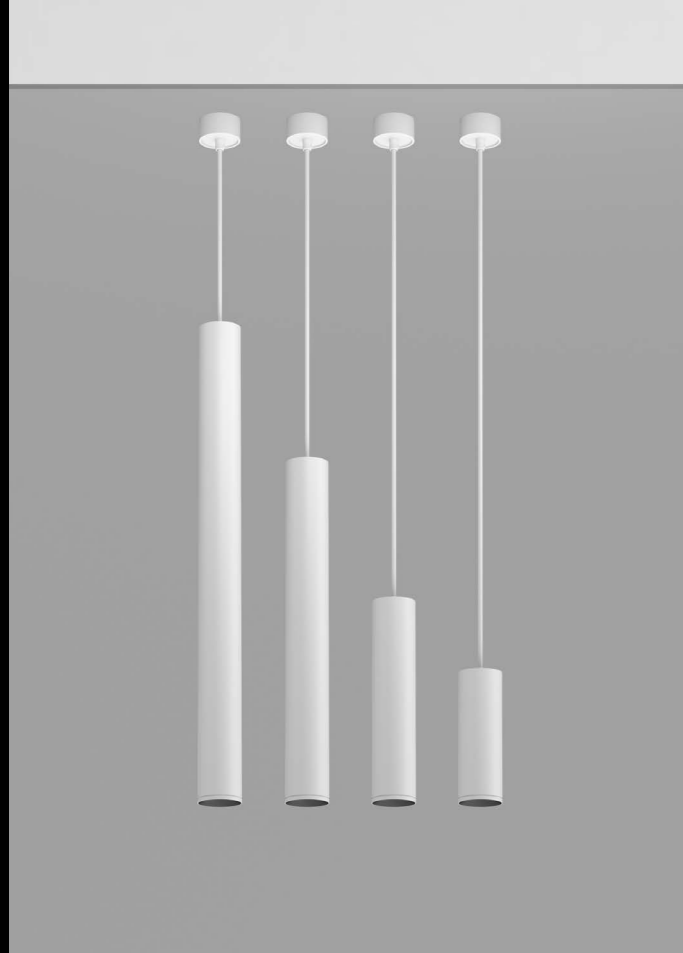
## SPECIFICATION

RANGE	STYLE	SIZE	BEAM ANGLE	COLOUR	CCT	DRIVER	ENGINE/POWER	MOUNTING	TUBE LENGTH	ROD / WIRE	ACCESSORY
Accent	Tube Suspended (TSS)	Large	15°(L15) 25°(L25) 35°(L35) 60°(L60)	White (1) Black (2)	2700K (2) 3000K (3) 4000K (4)  Warm Dim 3000K-2000K (3020)	Non-Dim (1) Phase (2) 0-10V (3) DALI (4)	19W (D19) 25W (D25)  Warm-Dim (D19W, D25W)	Track Single (T2) Track Multi (T3) Track Multi Data (T5) Surface (S)	280mm (-L280) 480mm (-L480) 680mm (-L680)	1m Rod (-R10) 2m Rod (-R20) 1m Wire (-W10) 2m Wire (-W20) 3m Wire (-W30)	Honeycomb Louvre (-H) Solite Lens (-SO) Spread Lens (-SL)

## ORDER CODE: (Bold above denotes code)

A	<b>TSS</b>	<b>L</b>	-	.	-	-	-	-	-	-	-
---	------------	----------	---	---	---	---	---	---	---	---	---

# TUBE SUSPENDED SMALL



## DIMENSIONS

DIAMETER	WIDTH	HEIGHT	LENGTH	CUTOUT
Ø60mm	N/A	As shown	N/A	As shown

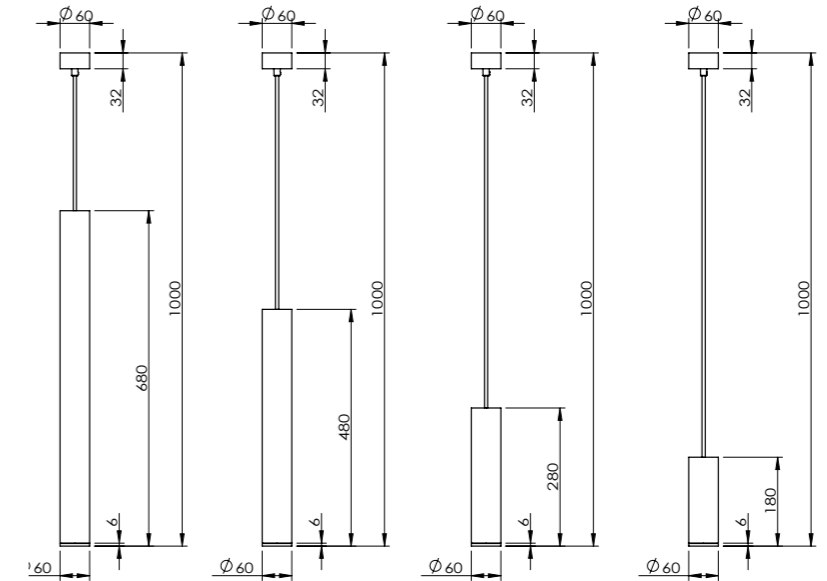
## TECHNICAL DATA

Lamp Wattage and Delivered Lumens <sup>(1)</sup> :	6W : 422lm	6W Warm-Dim : 277lm
	9W : 652lm	9W Warm-Dim : 418lm
	12W : 871lm	12W Warm-Dim : 534lm

Lamp type:	Citizen	Glow wire resistance:	850°
Lamp life:	50,000hrs L70	LED maintenance:	Integrated
Binning:	2-Step MacAdams	Connector block:	Flex and Plug
CRI:	90Ra	Mounting surface classification:	F
Control gear:	Integral		
Thermal control rating:	IC-4/IC-F (abuttled & covered)	Protection classification:	IP
Materials:	Cast aluminium, Matt Powder Coated	Standards:	EN/AS/NZS 60598-2-2, 62031, 62471
Supply Voltage:	See page 164	Warranty:	5 years (T&Cs apply)

(1): Delivered lumens are based on medium beam angle and 3000K LED with honeycomb louvre attachment.

POWERED BY  
**I B L**



## SPECIFICATION

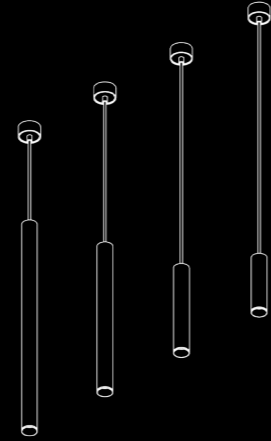
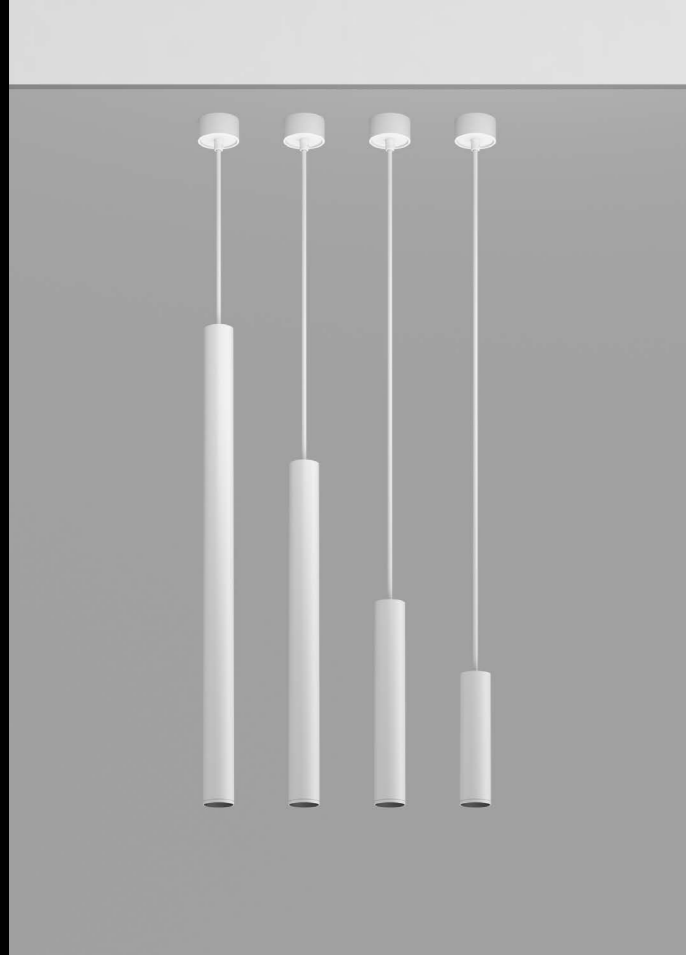
RANGE	STYLE	SIZE	BEAM ANGLE	COLOUR	CCT	DRIVER	ENGINE/POWER	MOUNTING	TUBE LENGTH	ROD / WIRE	ACCESSORY
Accent	Tube Suspended (TSS)	Small	10° (L10) <sup>†</sup> 20° (L20) 35° (L35) 45° (L45) 60° (L60)	White (1) Black (2)	2700K (2) 3000K (3) 4000K (4)  Warm Dim 2700K-1800K (2718)	Non-Dim (1) Phase (2) 0-10V (3) DALI (4)	6W (BF6) 9W (B9) 12W (C12)  Warm-Dim (D19W, D25W)	Track Single (T2) Track Multi (T3) Track Multi Data (T5) Surface (S)	180mm (-L180) 280mm (-L280) 480mm (-L480) 680mm (-L680)	1m Rod (-R10) 2m Rod (-R20) 1m Wire (-W10) 2m Wire (-W20) 3m Wire (-W30)	Honeycomb Louvre (-H) Solite Lens (-SO) Spread Lens (-SL)

† 10° option not available with Warm Dim LED

## ORDER CODE: (Bold above denotes code)

A	<b>TSS</b>	<b>S</b>	-	-	-	-	-	-	-	-	-
---	------------	----------	---	---	---	---	---	---	---	---	---

# TUBE SUSPENDED MINI



## DIMENSIONS

DIAMETER	WIDTH	HEIGHT	LENGTH	CUTOUT
Ø42mm	N/A	As shown	N/A	As shown

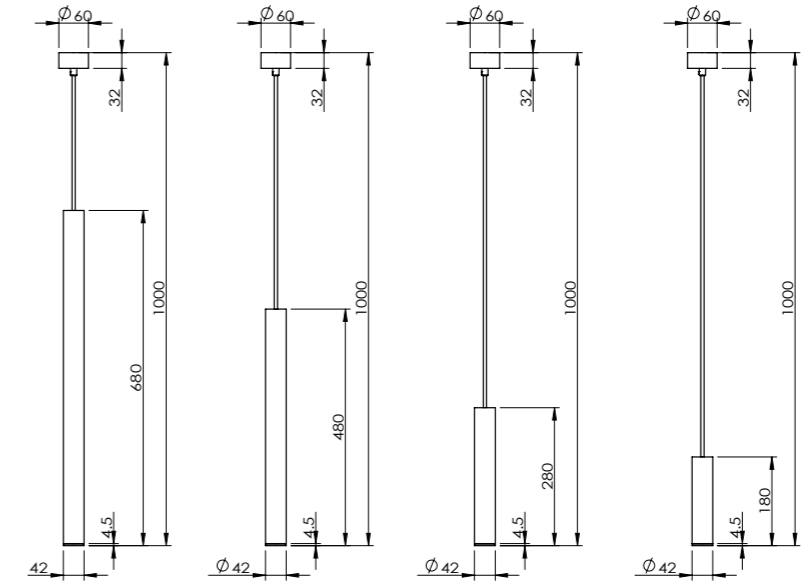
## TECHNICAL DATA

Lamp Wattage and Delivered Lumens <sup>(1)</sup> :	2W : 184lm 5W : 343lm	5W Warm-Dim: 294lm
--	--------------------------	--------------------

Lamp type:	Citizen	Glow wire resistance:	850°
Lamp life:	50,000hrs L70	LED maintenance:	Integrated
Binning:	2-Step MacAdams	Connector block:	Flex and Plug
CRI:	90Ra	Mounting surface classification:	▽
Control gear:	Integral	Protection classification:	ⓘ
Thermal control rating:	IC-4/IC-F (abuttled & covered)	Standards:	EN/AS/NZS 60598-2-2, 62031, 62471
Materials:	Cast aluminium, Matt Powder Coated	Warranty:	5 years (T&Cs apply)
Supply Voltage:	See page 164		

(1): Delivered lumens are based on medium beam angle and 3000K LED with honeycomb louvre attachment.

POWERED BY  
**I B L**



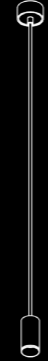
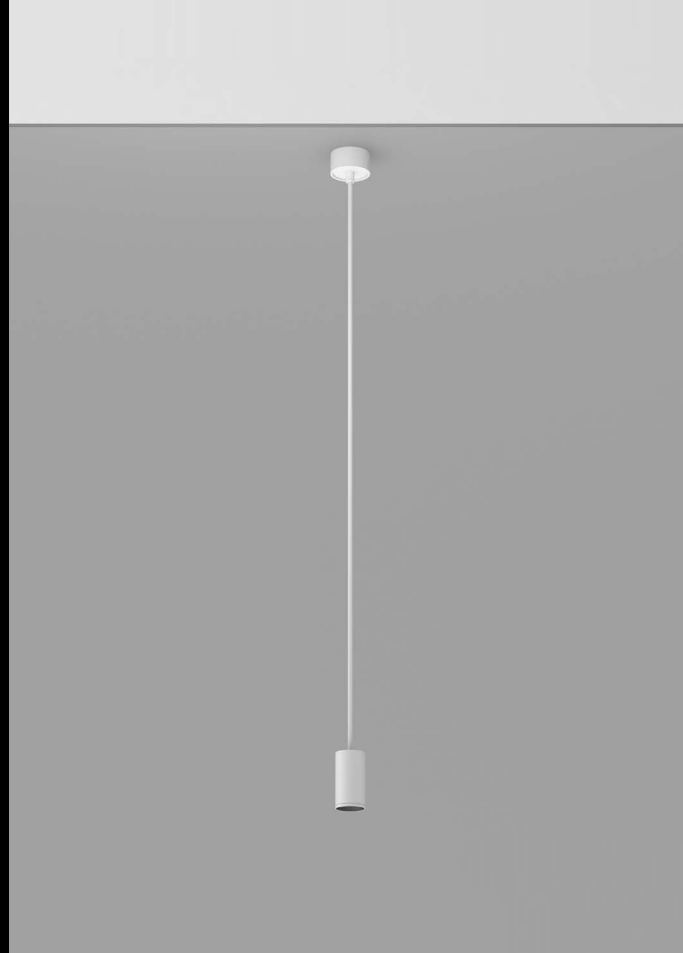
## SPECIFICATION

RANGE	STYLE	SIZE	BEAM ANGLE	COLOUR	CCT	DRIVER	ENGINE/POWER	MOUNTING	TUBE LENGTH	ROD / WIRE	ACCESSORY
Accent	Tube Suspended (TSS)	Mini (MI)	15°(L15) 25°(L25) 40°(L40)	White (1) Black (2)	2700K (2) 3000K (3) 4000K (4)  Warm Dim 2700K-1800K (2718)	Non-Dim (1) Phase (2) 0-10V (3) DALI (4)	2W (A2) 5W (A5)  5W Warm-Dim (5W)	Track Single (T2) Track Multi (T3) Track Multi Data (T5) Surface (S)	180mm (-L180) 280mm (-L280) 480mm (-L480) 680mm (-L680)	1m Rod (-R10) 2m Rod (-R20) 1m Wire (-W10) 2m Wire (-W20) 3m Wire (-W30)	Honeycomb Louvre (-H) Solite Lens (-SO)

## ORDER CODE: (Bold above denotes code)

A	<b>TSS</b>	<b>MI</b>	-	.	-	-	-	-	-	-	-
---	------------	-----------	---	---	---	---	---	---	---	---	---

# TUBE SUSPENDED MICRO



## DIMENSIONS

DIAMETER	WIDTH	HEIGHT	LENGTH	CUTOUT
Ø42mm	N/A	As shown	N/A	As shown

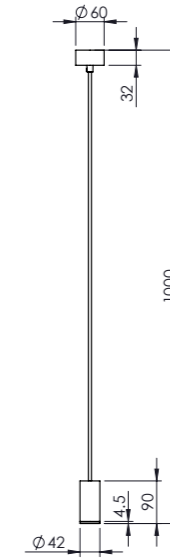
## TECHNICAL DATA

Lamp Wattage and Delivered Lumens <sup>(1)</sup> :	2W : 184lm 5W : 343lm	5W Warm-Dim: 294lm
--	--------------------------	--------------------

Lamp type:	Citizen	Glow wire resistance:	850°
Lamp life:	50,000hrs L70	LED maintenance:	Integrated
Binning:	2-Step MacAdams	Connector block:	Flex and Plug
CRI:	90Ra	Mounting surface classification:	▽
Control gear:	Remote	Protection classification:	IP
Thermal control rating:	IC-4/IC-F (abuttled & covered)	Standards:	EN/AS/NZS 60598-2-2, 62031, 62471
Materials:	Cast aluminium, Matt Powder Coated	Warranty:	5 years (T&Cs apply)
Supply Voltage:	See page 164		

(1): Delivered lumens are based on medium beam angle and 3000K LED with honeycomb louvre attachment.

POWERED BY  
**I B L**



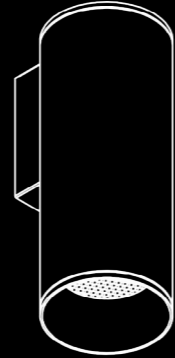
## SPECIFICATION

RANGE	STYLE	SIZE	BEAM ANGLE	COLOUR	CCT	DRIVER	ENGINE/POWER	MOUNTING	TUBE LENGTH	ROD / WIRE	ACCESSORY
Accent	Tube Suspended (TSS)	Micro (MC)	15°(L15) 25°(L25) 40°(L40)	White (1) Black (2)	2700K (2) 3000K (3) 4000K (4)  Warm Dim 2700K-1800K (2718)	Non-Dim (1) Phase (2) 0-10V (3) DALI (4)	2W (A2) 5W (A5)  5W Warm-Dim (5W)	Track Single (T2) Track Multi (T3) Track Multi Data (T5) Surface (S)	80mm (-L080)	1m Rod (-R10) 2m Rod (-R20) 1m Wire (-W10) 2m Wire (-W20) 3m Wire (-W30)	Honeycomb Louvre (-H) Solite Lens (-SO)

ORDER CODE: (Bold above denotes code)

A	<b>TSS</b>	<b>MC</b>	—	.	—	—	—	—	—	—	—
---	------------	-----------	---	---	---	---	---	---	---	---	---

# TUBE WALL DOWN LARGE



## DIMENSIONS

DIAMETER	WIDTH	HEIGHT	LENGTH	CUTOUT
Ø90mm	N/A	230mm	N/A	N/A

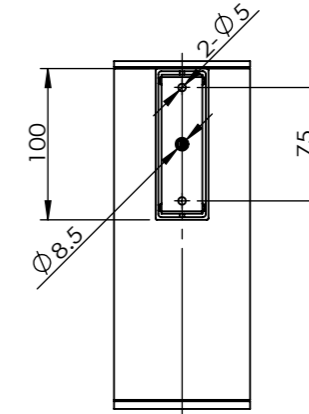
## TECHNICAL DATA

Lamp Wattage and Delivered Lumens <sup>(1)</sup> :	19W : 1314lm 25W : 1540lm	19W Warm-Dim: 896lm 25W Warm-Dim: 1210lm
--	------------------------------	---

Lamp type:	Citizen	Glow wire resistance:	850°
Lamp life:	50,000hrs L70	LED maintenance:	Integrated
Binning:	2-Step MacAdams	Connector block:	Flex and Plug
CRI:	90Ra	Mounting surface classification:	▽
Control gear:	Integral	Protection classification:	IP
Thermal control rating:	IC-4/IC-F (abuttled & covered)	Standards:	EN/AS/NZS 60598-2-2, 62031, 62471
Materials:	Cast aluminium, Matt Powder Coated	Warranty:	5 years (T&Cs apply)
Supply Voltage:	See page 164		

(1): Delivered lumens are based on medium beam angle and 3000K LED with honeycomb louvre attachment.

POWERED BY  
**I B L**



## SPECIFICATION

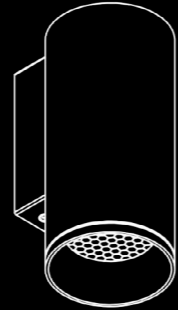
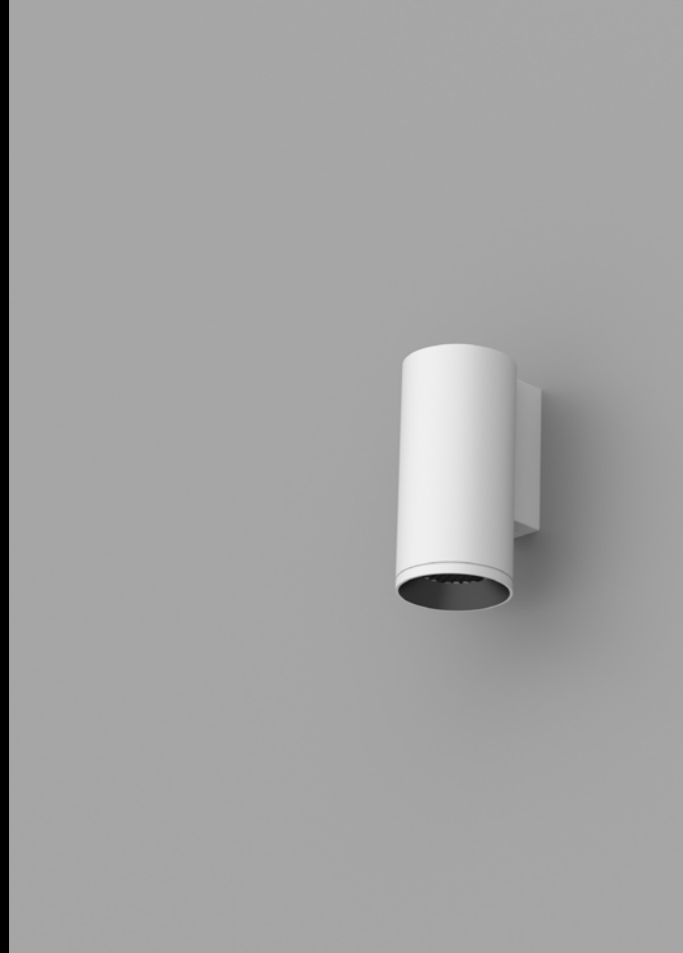
RANGE	STYLE	SIZE	MOUNTING	TYPE	BEAM ANGLE	COLOUR	CCT	DRIVER	ENGINE/POWER	ACCESSORY
Accent	Tube Surface (TSF)	Large	Wall	Down	15°(L15) 25°(L25) 35°(L35) 60°(L60)	White (1) Black (2)	2700K (2) 3000K (3) 4000K (4) Warm Dim 2700K-1800K (2718)	Non-Dim (1) Phase (2) 0-10V (3) DALI (4)	19W (D19) 25W (D23) Warm-Dim (D19W, D25W)	Honeycomb Louvre (-H) Solite Lens (-SO)

## ORDER CODE: (Bold above denotes code)

A	<b>TSF</b>	<b>L</b>	<b>W</b>	<b>D</b>	-	.	-	-	-	-
---	------------	----------	----------	----------	---	---	---	---	---	---



# TUBE WALL DOWN SMALL



## DIMENSIONS

DIAMETER	WIDTH	HEIGHT	LENGTH	CUTOUT
Ø60mm	N/A	130mm	N/A	N/A

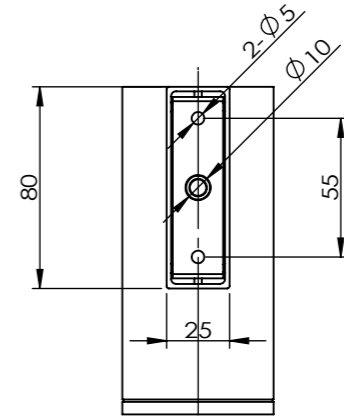
## TECHNICAL DATA

Lamp Wattage and Delivered Lumens <sup>(1)</sup> :	6W : 422lm	6W Warm-Dim: 277lm
	9W : 652lm	9W Warm-Dim: 418lm
	12W : 871lm	12W Warm-Dim: 534lm

Lamp type:	Citizen	Glow wire resistance:	850°
Lamp life:	50,000hrs L70	LED maintenance:	Integrated
Binning:	2-Step MacAdams	Connector block:	Flex and Plug
CRI:	90Ra	Mounting surface classification:	▽
Control gear:	Integral		
Thermal control rating:	IC-4/IC-F (abuttled & covered)	Protection classification:	IP
Materials:	Cast aluminium, Matt Powder Coated	Standards:	EN/AS/NZS 60598-2-2, 62031, 62471
Supply Voltage:	See page 164	Warranty:	5 years (T&Cs apply)

(1): Delivered lumens are based on medium beam angle and 3000K LED with honeycomb louvre attachment.

POWERED BY  
**I B L**



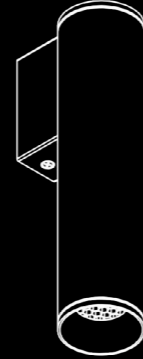
## SPECIFICATION

RANGE	STYLE	SIZE	MOUNTING	TYPE	BEAM ANGLE	COLOUR	CCT	DRIVER	ENGINE/POWER	ACCESSORY
Accent	Tube Surface (TSF)	Small	Wall	Down	10°(L10) 20°(L20) 35°(L35) 45°(L45) 60°(L60)	White (1) Black (2)	2700K (2) 3000K (3) 4000K (4)  Warm Dim 2700K-1800K (2718)	Non-Dim (1) Phase (2) 0-10V (3) DALI (4)	6W (BF6) 9W (B9) 12W (C12)  Warm-Dim (B6W, B9W, C12W)	Honeycomb Louvre (-H) Solite Lens (-SO)

ORDER CODE: (Bold above denotes code)

A	<b>TSF</b>	<b>S</b>	<b>W</b>	<b>D</b>	-	.	-	-	-	-
---	------------	----------	----------	----------	---	---	---	---	---	---

# TUBE WALL DOWN MINI



## DIMENSIONS

DIAMETER	WIDTH	HEIGHT	LENGTH	CUTOUT
Ø42mm	N/A	180mm	N/A	N/A

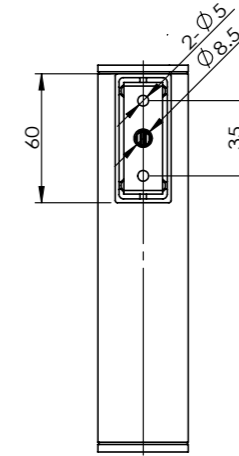
## TECHNICAL DATA

Lamp Wattage and Delivered Lumens <sup>(1)</sup> :	2W : 184lm 5W : 343lm	5W Warm-Dim: 294lm
--	--------------------------	--------------------

Lamp type:	Citizen	Glow wire resistance:	850°
Lamp life:	50,000hrs L70	LED maintenance:	Integrated
Binning:	2-Step MacAdams	Connector block:	Flex and Plug
CRI:	90Ra	Mounting surface classification:	▽
Control gear:	Integral	Protection classification:	IP
Thermal control rating:	IC-4/IC-F (abuttled & covered)	Standards:	EN/AS/NZS 60598-2-2, 62031, 62471
Materials:	Cast aluminium, Matt Powder Coated	Warranty:	5 years (T&Cs apply)
Supply Voltage:	See page 164		

(1): Delivered lumens are based on medium beam angle and 3000K LED with honeycomb louvre attachment

POWERED BY  
**I B L**



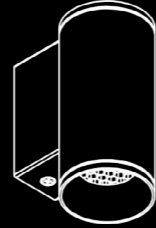
## SPECIFICATION

RANGE	STYLE	SIZE	MOUNTING	TYPE	BEAM ANGLE	COLOUR	CCT	DRIVER	ENGINE/POWER	ACCESSORY
Accent	Tube Surface (TSF)	Mini (MI)	Wall	Down	15°(L15) 25°(L25) 40°(L40)	White (1) Black (2)	2700K (2) 3000K (3) 4000K (4)  Warm Dim 2700K-1800K (2718)	Non-Dim (1) Phase (2) 0-10V (3) DALI (4)	2W (A2) 5W (A5)  5W Warm-Dim (A5W)	Honeycomb Louvre (-H) Solite Lens (-SO)

ORDER CODE: (Bold above denotes code)

A	TSF	MI	W	D	—	—	—	—	—	—
---	-----	----	---	---	---	---	---	---	---	---

# TUBE WALL DOWN MICRO



## DIMENSIONS

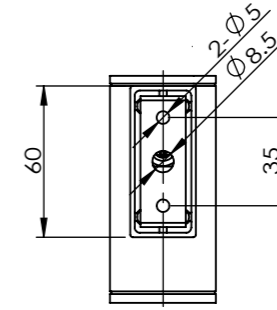
DIAMETER	WIDTH	HEIGHT	LENGTH	CUTOUT
Ø42mm	N/A	90mm	N/A	N/A

## TECHNICAL DATA

Lamp Wattage and Delivered Lumens <sup>(1)</sup> :	2W : 184lm 5W : 343lm	5W Warm-Dim: 294lm	
Lamp type:	Citizen	Glow wire resistance:	850°
Lamp life:	50,000hrs L70	LED maintenance:	Integrated
Binning:	2-Step MacAdams	Connector block:	Flex and Plug
CRI:	90Ra	Mounting surface classification:	▽
Control gear:	Remote		
Thermal control rating:	IC-4/IC-F (abuttled & covered)	Protection classification:	IP
Materials:	Cast aluminium, Matt Powder Coated	Standards:	EN/AS/NZS 60598-2-2, 62031, 62471
Supply Voltage:	See page 164	Warranty:	5 years (T&Cs apply)

(1): Delivered lumens are based on medium beam angle and 3000K LED with honeycomb louvre attachment.

POWERED BY  
**I B L**



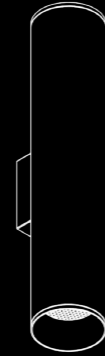
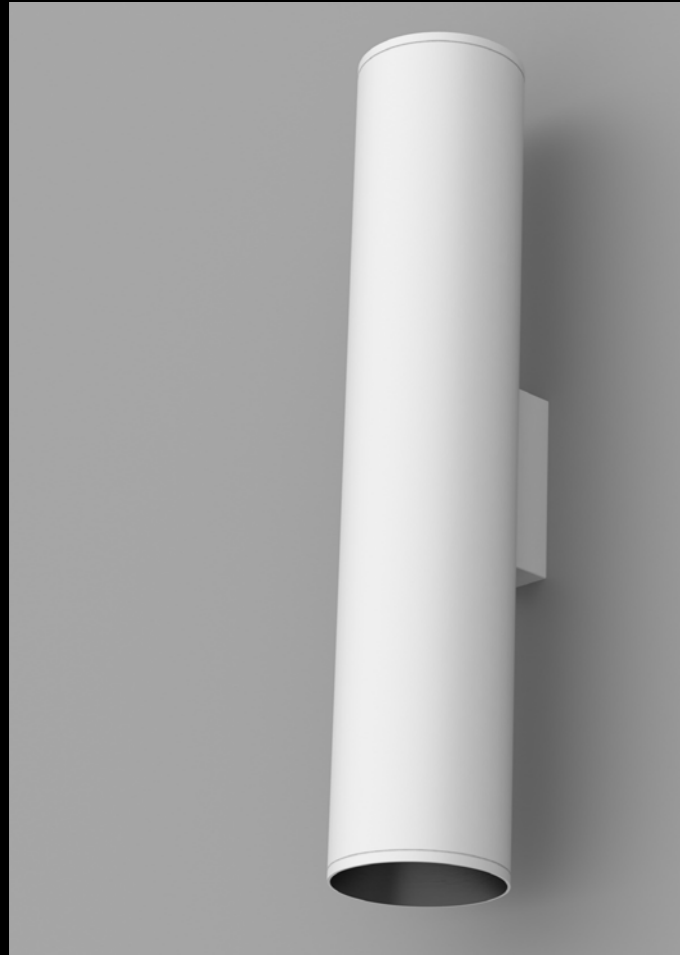
## SPECIFICATION

RANGE	STYLE	SIZE	MOUNTING	TYPE	BEAM ANGLE	COLOUR	CCT	DRIVER	ENGINE/POWER	ACCESSORY
Accent	Tube Surface (TSF)	Micro (MC)	Wall	Down	15°(L15) 25°(L25) 40°(L40)	White (1) Black (2)	2700K (2) 3000K (3) 4000K (4)  Warm Dim 2700K-1800K (2718)	Non-Dim (1) Phase (2) 0-10V (3) DALI (4)	2W (A2) 5W (A5)  5W Warm-Dim (A5W)	Honeycomb Louvre (-H) Solite Lens (-SO)

ORDER CODE: (Bold above denotes code)

A	TSF	MC	W	D	—	—	—	—	—	—
---	-----	----	---	---	---	---	---	---	---	---

# TUBE WALL UP/DOWN LARGE



## DIMENSIONS

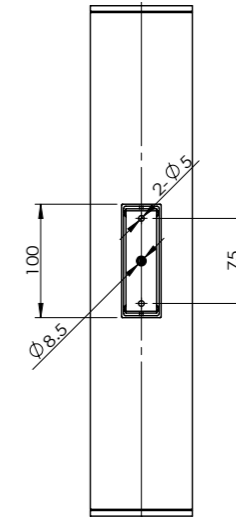
DIAMETER	WIDTH	HEIGHT	LENGTH	CUTOUT
Ø90mm	N/A	450mm	N/A	N/A

## TECHNICAL DATA

Lamp Wattage and Delivered Lumens <sup>(1)</sup> :	19W : 1314lm 25W : 1540lm	19W Warm-Dim: 896lm 25W Warm-Dim: 1210lm
Lamp type:	Citizen	Glow wire resistance: 850°
Lamp life:	50,000hrs L70	LED maintenance: Integrated
Binning:	2-Step MacAdams	Connector block: Flex and Plug
CRI:	90Ra	Mounting surface classification:
Control gear:	Integral	Protection classification:
Thermal control rating:	IC-4/IC-F (abutted & covered)	Standards: EN/AS/NZS 60598-2-2, 62031, 62471
Materials:	Cast aluminium, Matt Powder Coated	Warranty: 5 years (T&Cs apply)
Supply Voltage:	See page 164	

(1): Delivered lumens are based on medium beam angle and 3000K LED with honeycomb louvre attachment

POWERED BY  
**I B L**



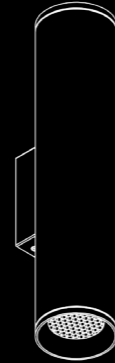
## SPECIFICATION

RANGE	STYLE	SIZE	MOUNTING	TYPE	BEAM ANGLE	COLOUR	CCT	DRIVER	ENGINE/POWER	ACCESSORY
Accent	Tube Surface (TSF)	Large	Wall	Up/Down (UD)	15°(L15) 25°(L25) 35°(L35) 60°(L60)	White (1) Black (2)	2700K (2) 3000K (3) 4000K (4) Warm Dim 2700K-1800K (2718)	Non-Dim (1) Phase (2) 0-10V (3) DALI (4)	2 x 19W (D19) 2 x 25W (D23) Warm-Dim (D19W, D25W)	Honeycomb Louvre (-H) Solite Lens (-SO)

ORDER CODE: (Bold above denotes code)

A	<b>TSF</b>	<b>L</b>	<b>W</b>	<b>UD</b>	-	-	-	-	-	-
---	------------	----------	----------	-----------	---	---	---	---	---	---

# TUBE WALL UP/DOWN SMALL



## DIMENSIONS

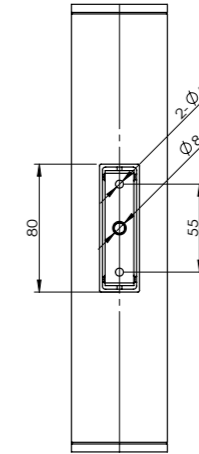
DIAMETER	WIDTH	HEIGHT	LENGTH	CUTOUT
Ø60mm	N/A	280mm	N/A	N/A

## TECHNICAL DATA

Lamp Wattage and Delivered Lumens <sup>(1)</sup>	6W : 422lm 9W : 652lm 12W : 871lm	6W Warm-Dim: 277lm 9W Warm-Dim: 418lm 12W Warm-Dim: 534lm	
Lamp type:	Citizen	Glow wire resistance:	850°
Lamp life:	50,000hrs L70	LED maintenance:	Integrated
Binning:	2-Step MacAdams	Connector block:	Flex and Plug
CRI:	90Ra	Mounting surface classification:	▽
Control gear:	Integral	Protection classification:	IP
Thermal control rating:	IC-4/IC-F (abuttled & covered)	Standards:	EN/AS/NZS 60598-2-2, 62031, 62471
Materials:	Cast aluminium, Matt Powder Coated	Warranty:	5 years (T&Cs apply)
Supply Voltage:	See page 164		

(1): Delivered lumens are based on medium beam angle and 3000K LED with honeycomb louvre attachment

POWERED BY  
**I B L**



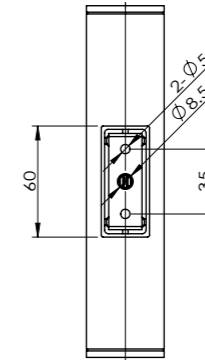
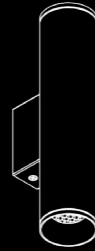
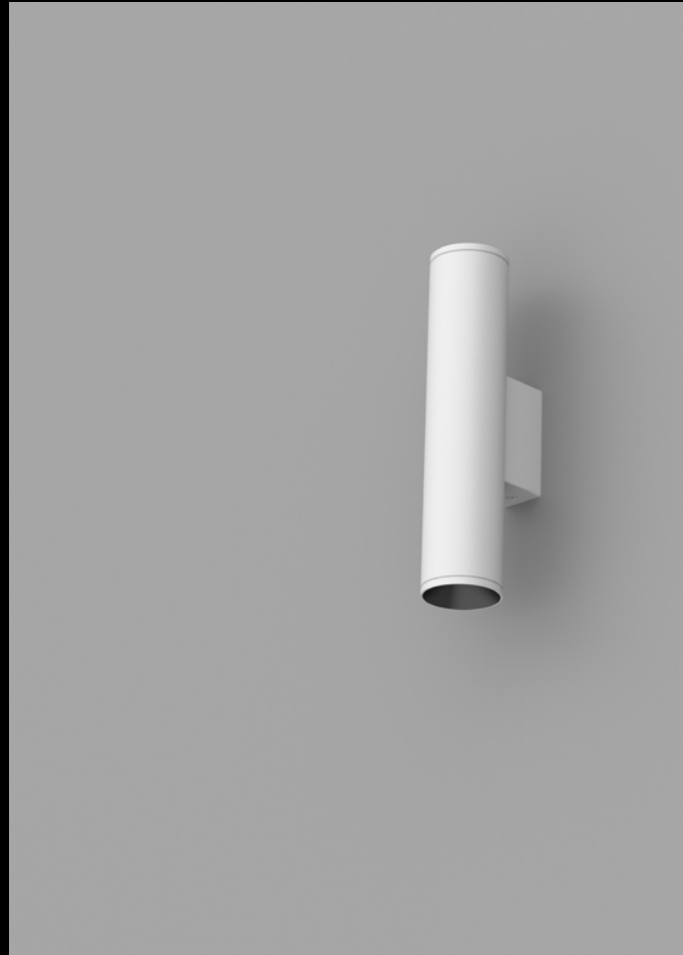
## SPECIFICATION

RANGE	STYLE	SIZE	MOUNTING	TYPE	BEAM ANGLE	COLOUR	CCT	DRIVER	ENGINE/POWER	ACCESSORY
Accent	Tube Surface (TSF)	Small	Wall	Up/Down (UD)	10°(L10) 20°(L20) 35°(L35) 45°(L45) 60°(L60)	White (1) Black (2)	2700K (2) 3000K (3) 4000K (4)  Warm Dim 2700K-1800K (2718)	Non-Dim (1) Phase (2) 0-10V (3) DALI (4)	6W (BF6) 9W (B9) 12W (C12)  Warm-Dim (B6W, B9W, C12W)	Honeycomb Louvre (-H) Solite Lens (-SO)

ORDER CODE: (Bold above denotes code)

A	<b>TSF</b>	<b>S</b>	<b>W</b>	<b>UD</b>	-	-	-	-	-	-
---	------------	----------	----------	-----------	---	---	---	---	---	---

# TUBE WALL UP/DOWN MINI



## DIMENSIONS

DIAMETER	WIDTH	HEIGHT	LENGTH	CUTOUT
Ø42mm	N/A	190mm	N/A	N/A

## TECHNICAL DATA

Lamp Wattage and Delivered Lumens <sup>(1)</sup> : <small>Specifications per LED</small>	2W : 184lm 5W : 343lm	5W Warm-Dim: 294lm	
Lamp type:	Citizen	Glow wire resistance:	850°
Lamp life:	50,000hrs L70	LED maintenance:	Integrated
Binning:	2-Step MacAdams	Connector block:	Flex and Plug
CRI:	90Ra	Mounting surface classification:	▽
Control gear:	Non-Dim, Phase Integral, 0-10V, DALI, Remote	Protection classification:	IP
Thermal control rating:	IC-4/IC-F (abutted & covered)	Standards:	EN/AS/NZS 60598-2-2, 62031, 62471
Materials:	Cast aluminium, Matt Powder Coated	Warranty:	5 years (T&Cs apply)
Supply Voltage:	See page 164		

(1): Delivered lumens are based on medium beam angle and 3000K LED with honeycomb louvre attachment

POWERED BY  
**I B L**

## SPECIFICATION

RANGE	STYLE	SIZE	MOUNTING	TYPE	BEAM ANGLE	COLOUR	CCT	DRIVER	ENGINE/POWER	ACCESSORY
Accent	Tube Surface (TSF)	Mini (MI)	Wall	Up/Down (UD)	15°(L15) 25°(L25) 40°(L40)	White (1) Black (2)	2700K (2) 3000K (3) 4000K (4)  Warm Dim 2700K-1800K (2718)	Non-Dim (1) Phase (2) 0-10V (3) DALI (4)	2 x 2W (A2) 2 x 5W (A5)  5W Warm-Dim (A5W)	Honeycomb Louvre (-H) Solite Lens (-SO)

ORDER CODE: (Bold above denotes code)

A	TSF	MI	W	UD	—	—	—	—	—	—
---	-----	----	---	----	---	---	---	---	---	---

# NIGHT SERIES

---



---

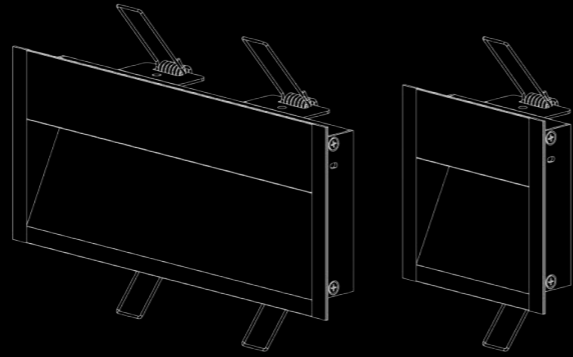
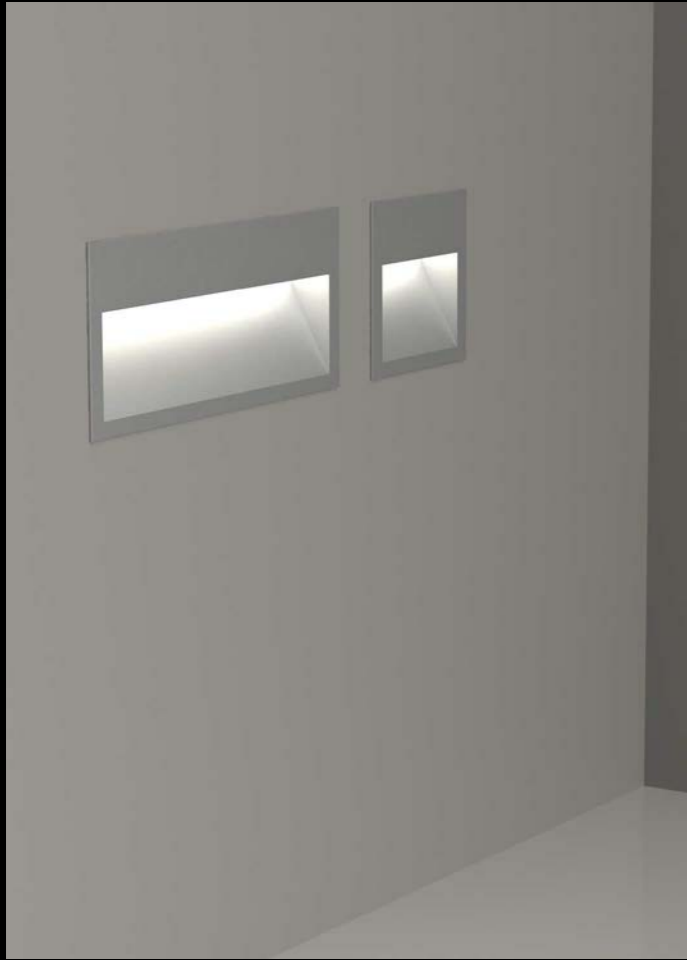
The NIGHT SERIES is a wall and ceiling mounted luminaire with recessed and surface options.

Specifically designed as a floor wash step/pathway light or night light, this is a very discrete option with soft light distribution.

The NIGHT fittings make use of the RAIL linear profile, and are available in both large and small sizes, with two lengths offering four power options from 0.4 to 2.3W

Warm-dim and tuneable white options available.

# NIGHT RECESSED LARGE



### DIMENSIONS

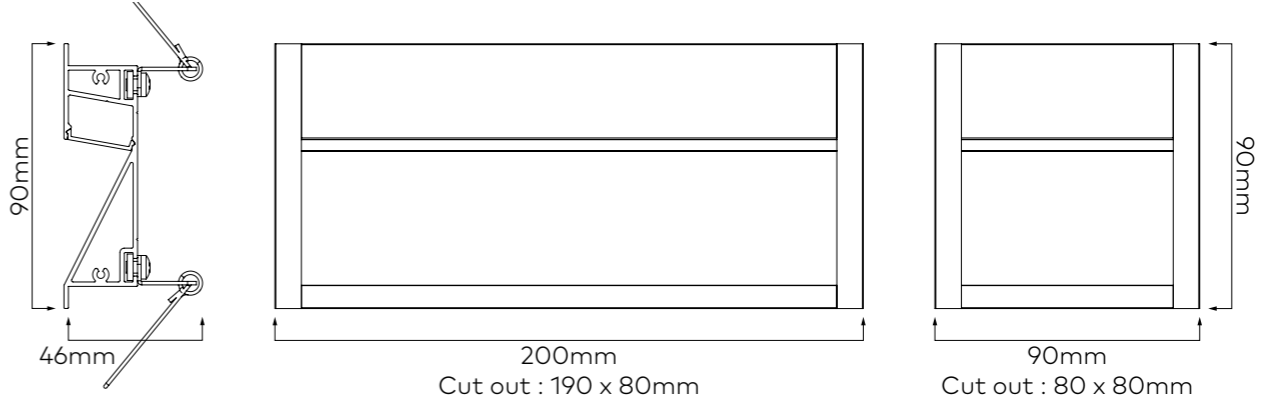
DIAMETER	WIDTH	HEIGHT	LENGTH	CUTOUT
N/A	90mm	46mm	90 & 200mm options	See drawings

### TECHNICAL DATA

Lamp Wattage and Delivered Lumens <sup>(1)</sup> :	0.8W : 44lm 1.2W : 62lm	1.6W : 105lm 2.3W : 144lm		
Lamp type:	SMD	Glow wire resistance:	960°	
Lamp life:	50,000hrs L70	LED maintenance:	LM80 (L70)	
Binning:	3-Step MacAdams	Connector block:	500mm Wire Tails	
CRI:	90Ra	Mounting surface classification:	F	
Control gear:	Remote CV	Protection classification:	IP	
Thermal control rating:	IC-4/IC-F (abuttled & covered)	Standards:	EN/AS/NZS 60598-2-2, 62031, 62471	
Materials:	Extruded aluminium with PC diffuser	Warranty:	5 years (T&Cs apply)	
Supply Voltage:	24V DC			

<sup>(1)</sup> Delivered lumens are based on 3000K LED

POWERED BY  
**I B L**



### SPECIFICATION

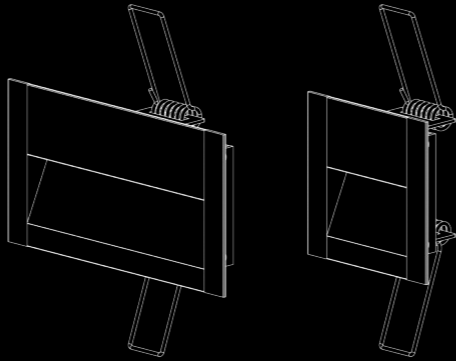
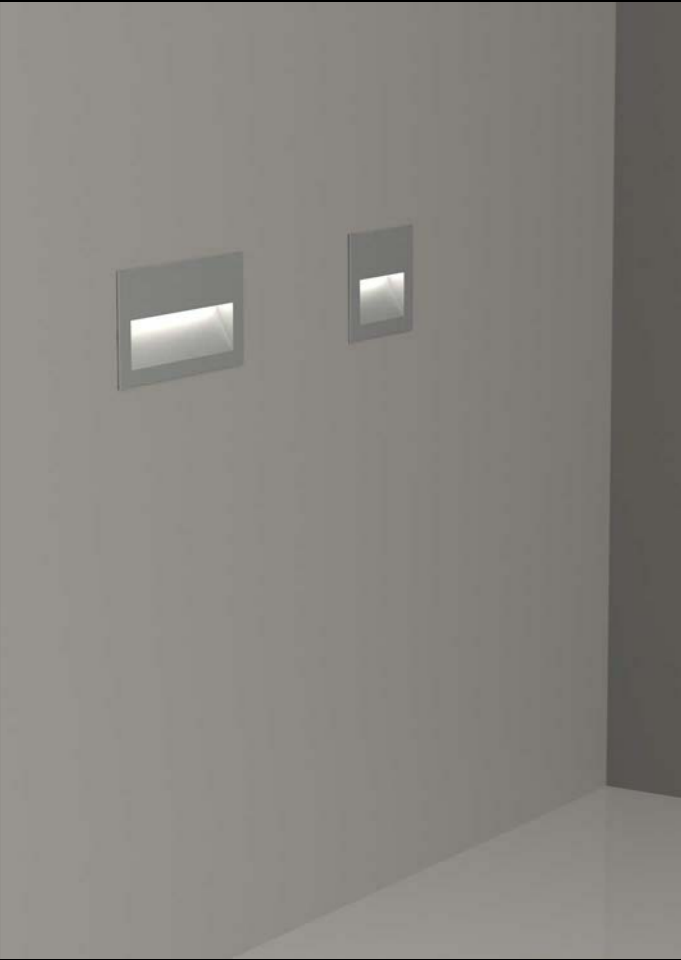
RANGE	STYLE	SIZE	MOUNTING	TYPE	DIFFUSER	FINISH	CCT	LED POWER	DRIVER
Accent	Night	Large	Recessed	Fixed	Flat (6)	White (1) Black (2) Aluminium (5)	2400K (C24) 2700K (C27) 3000K (C30) 4000K (C40) 6000K (C60) Warm Dim Voltage Reducing 2700-1800K (C2718WR)	90mm / 0.8W (008-090) 90mm / 1.2W (012-090) 200mm / 1.6W (016-200) 200mm / 2.3W (023-200)	Non-Dim (-D1) Phase (-D2) 0-10V (-D3) DALI (-D4)

### ORDER CODE: (Bold above denotes code)

A	N	L	R	F	6	.	-	-	-	-
---	---	---	---	---	---	---	---	---	---	---



# NIGHT RECESSED SMALL



### DIMENSIONS

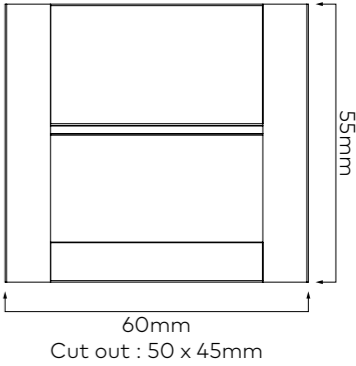
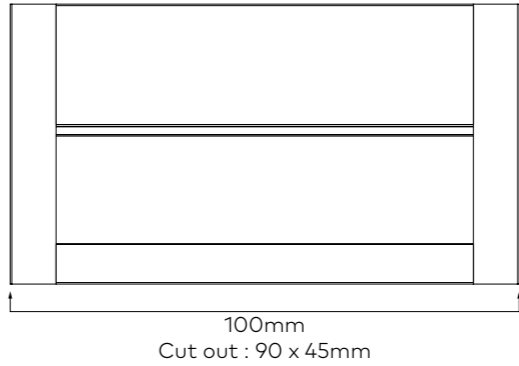
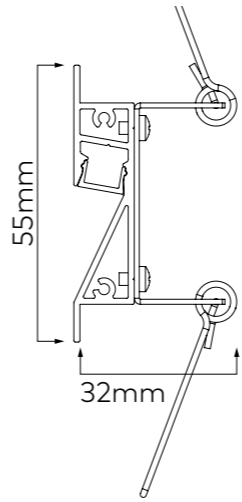
DIAMETER	WIDTH	HEIGHT	LENGTH	CUTOUT
N/A	55mm	32mm	60 & 100mm options	See drawings

### TECHNICAL DATA

Lamp Wattage and Delivered Lumens <sup>(1)</sup> :	0.4W : 22lm 0.6W : 33lm	0.8W : 41lm 1.2W : 60lm
Lamp type:	SMD	Glow wire resistance: 960°
Lamp life:	50,000hrs L70	LED maintenance: LM80 (L70)
Binning:	3-Step MacAdams	Connector block: 500mm Wire Tails
CRI:	90Ra	Mounting surface classification:
Control gear:	Remote CV	Protection classification:
Thermal control rating:	IC-4/IC-F (abuttled & covered)	Standards: EN/AS/NZS 60598-2-2, 62031, 62471
Materials:	Extruded aluminium with PC diffuser	Warranty: 5 years (T&Cs apply)
Supply Voltage:	24V DC	

<sup>(1)</sup> Delivered lumens are based on 3000K LED

POWERED BY  
**I B L**



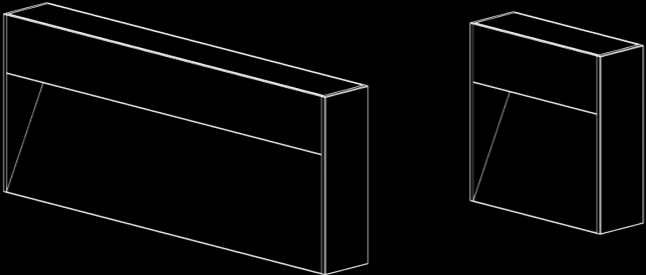
### SPECIFICATION

RANGE	STYLE	SIZE	MOUNTING	TYPE	DIFFUSER	FINISH	CCT	LED POWER	DRIVER
Accent	Night	Small	Recessed	Fixed	Flat (6)	White (1) Black (2) Aluminium (5)	2400K (C24) 2700K (C27) 3000K (C30) 4000K (C40) 6000K (C60) Warm Dim Voltage Reducing 2700-1800K (C2718WR)	60mm / 0.4W (004-060) 60mm / 0.6W (006-060) 100mm / 0.8W (008-100) 100mm / 1.2W (012-100)	Non-Dim (-D1) Phase (-D2) 0-10V (-D3) DALI (-D4)

### ORDER CODE: (Bold above denotes code)

A	N	S	R	F	6	.	-	-	-	-
---	---	---	---	---	---	---	---	---	---	---

# NIGHT SURFACE LARGE



### DIMENSIONS

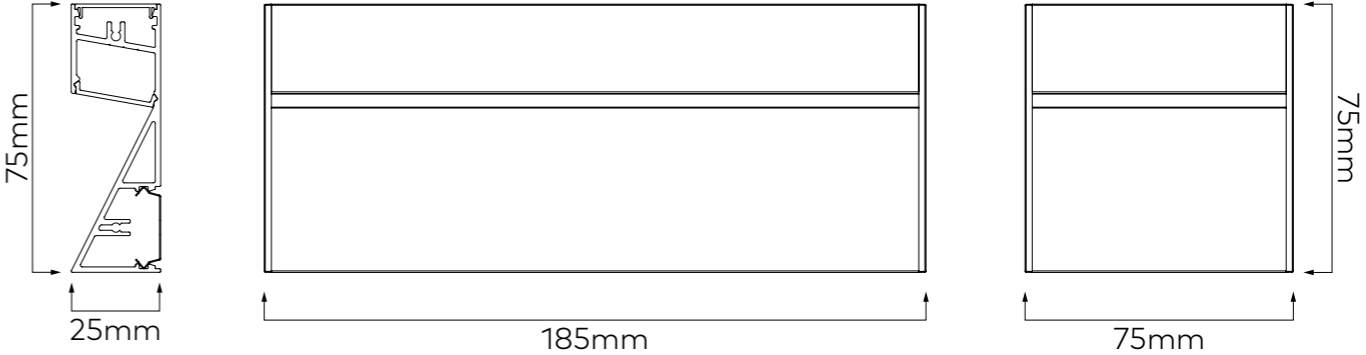
DIAMETER	WIDTH	HEIGHT	LENGTH	CUTOUT
N/A	70mm	25mm	70 & 185mm options	N/A

### TECHNICAL DATA

Lamp Wattage and Delivered Lumens <sup>(1)</sup> :	0.8W : 44lm 1.2W : 62lm	1.6W : 105lm 2.3W : 144lm		
Lamp type:	SMD	Glow wire resistance:	960°	
Lamp life:	50,000hrs L70	LED maintenance:	LM80 (L70)	
Binning:	3-Step MacAdams	Connector block:	500mm Wire Tails	
CRI:	90Ra	Mounting surface classification:		
Control gear:	Remote CV	Protection classification:		
Thermal control rating:	IC-4/IC-F (abuttled & covered)	Standards:	EN/AS/NZS 60598-2-2, 62031, 62471	
Materials:	Extruded aluminium with PC diffuser	Warranty:	5 years (T&Cs apply)	
Supply Voltage:	24V DC			

<sup>(1)</sup> Delivered lumens are based on 3000K LED

POWERED BY  
**I B L**



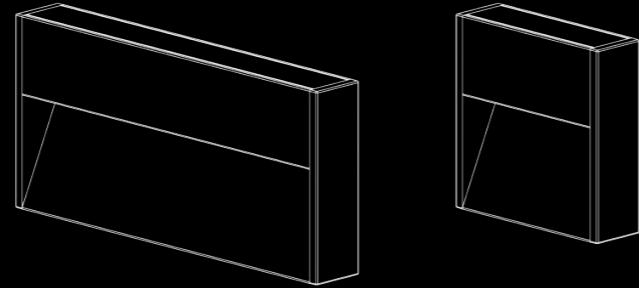
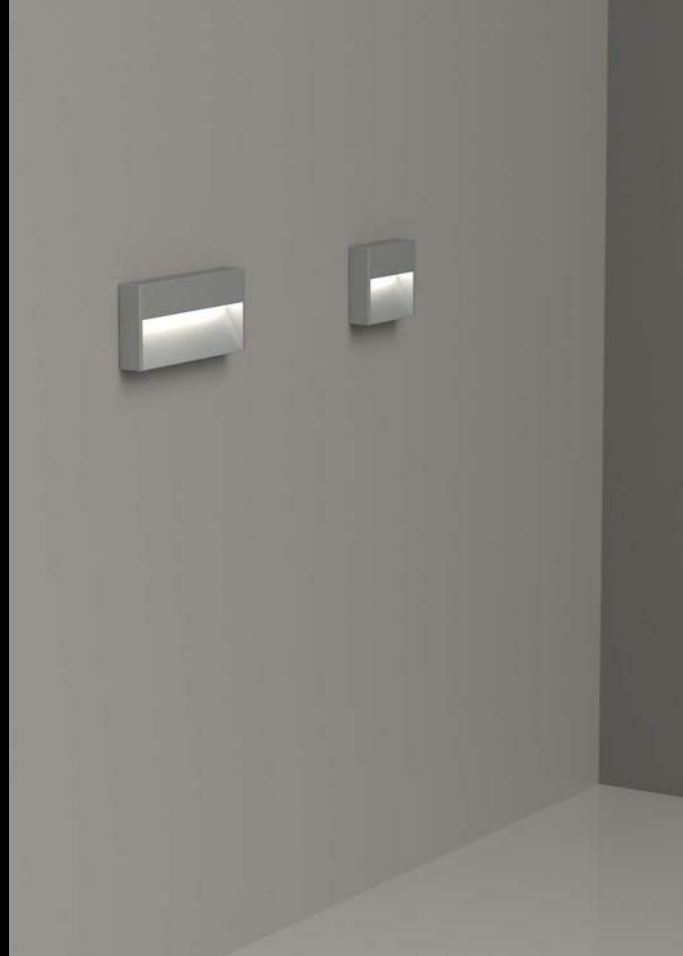
### SPECIFICATION

RANGE	STYLE	SIZE	MOUNTING	TYPE	DIFFUSER	FINISH	CCT	LED POWER	DRIVER
Accent	Night	Large	Surface	Fixed	Flat (6)	White (1) Black (2) Aluminium (5)	2400K (C24) 2700K (C27) 3000K (C30) 4000K (C40) 6000K (C60) Warm Dim Voltage Reducing 2700-1800K (C2718WR)	75mm / 0.8W (008-075) 75mm / 1.2W (012-075) 185mm / 1.6W (016-185) 185mm / 2.3W (023-185)	Non-Dim (-D1) Phase (-D2) 0-10V (-D3) DALI (-D4)

### ORDER CODE: (Bold above denotes code)

A	N	L	S	F	6	.	-	-	-	-
---	---	---	---	---	---	---	---	---	---	---

# NIGHT SURFACE SMALL



## DIMENSIONS

DIAMETER	WIDTH	HEIGHT	LENGTH	CUTOUT
N/A	40mm	12mm	45 & 85mm options	N/A

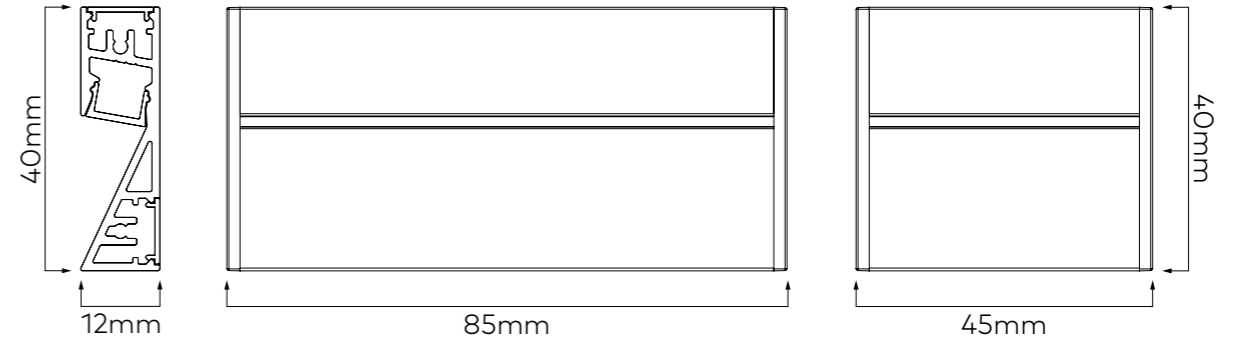
## TECHNICAL DATA

Lamp Wattage and Delivered Lumens <sup>(1)</sup> :	0.4W : 22lm 0.6W : 33lm	0.8W : 41lm 1.2W : 60lm
--	----------------------------	----------------------------

Lamp type:	SMD	Glow wire resistance:	960°
Lamp life:	50,000hrs L70	LED maintenance:	LM80 (L70)
Binning:	3-Step MacAdams	Connector block:	500mm Wire Tails
CRI:	90Ra	Mounting surface classification:	▽
Control gear:	Remote CV	Protection classification:	ⓘ
Thermal control rating:	IC-4/IC-F (abuttled & covered)	Standards:	EN/AS/NZS 60598-2-2, 62031, 62471
Materials:	Extruded aluminium with PC diffuser	Warranty:	5 years (T&Cs apply)
Supply Voltage:	24V DC		

<sup>(1)</sup> Delivered lumens are based on 3000K LED

POWERED BY  
**I B L**



## SPECIFICATION

RANGE	STYLE	SIZE	MOUNTING	TYPE	DIFFUSER	FINISH	CCT	LED POWER	DRIVER
Accent	Night	Small	Surface	Fixed	Flat (6)	White (1) Black (2) Aluminium (5)	2400K (C24) 2700K (C27) 3000K (C30) 4000K (C40) 6000K (C60) Warm Dim Voltage Reducing 2700-1800K (C2718WR)	45mm / 0.4W (004-045) 45mm / 0.6W (006-045) 85mm / 0.8W (008-085) 85mm / 1.2W (012-085)	Non-Dim (-D1) Phase (-D2) 0-10V (-D3) DALI (-D4)

ORDER CODE: (Bold above denotes code)

A	N	S	S	F	6	.	-	-	-	-
---	---	---	---	---	---	---	---	---	---	---


---


# ENGINES





# ENGINES





ENGINE	LED POWER	DRIVER REQUIREMENTS	COLOUR TEMPERATURE	BEAM ANGLES	LUMINOUS FLUX (LM) @3000K
 A ENGINE	2W	9V / 250mA	2700K, 3000K, 4000K	15°	280
				25°	277
				40°	279
	5W	9V / 500mA	2700K, 3000K, 4000K	15°	511
				25°	515
				40°	513
		36V / 150mA	Warm-Dim 2700K-1800K	25°	442
				40°	377

ENGINE	LED POWER	DRIVER REQUIREMENTS	COLOUR TEMPERATURE	BEAM ANGLES	LUMINOUS FLUX (LM) @3000K
 PUK ENGINE	2W	9V / 250mA	2700K, 3000K, 4000K	10°	216
				20°	212
				30°	192
	5W	9V / 500mA	2700K, 3000K, 4000K	10°	409
				20°	382
				30°	350
		36V / 150mA	Warm Dim 2700K - 1800K	15°	350
				20°	349
				35°	316

ENGINE	LED POWER	DRIVER REQUIREMENTS	COLOUR TEMPERATURE	BEAM ANGLES	LUMINOUS FLUX (LM) @3000K
 6W B ENGINE	6W	9V / 700mA	2700K, 3000K, 4000K	10°	626
				20°	621
				35°	601
				45°	570
				60°	598
				36V / 160mA	Warm Dim 2700K - 1800K
	35°	394			
	45°	393			
	60°	413			

ENGINE	LED POWER	DRIVER REQUIREMENTS	COLOUR TEMPERATURE	BEAM ANGLES	LUMINOUS FLUX (LM) @3000K
9W B ENGINE  	9W	31V / 250mA	2700K, 3000K, 4000K	10°	791
		36V / 250mA		20°	957
				35°	929
				45°	874
				60°	911
		36V / 250mA	Warm-Dim 2700K-1800K	20°	621
				35°	596
				45°	594
				60°	594
					628

ENGINE	LED POWER	DRIVER REQUIREMENTS	COLOUR TEMPERATURE	BEAM ANGLES	LUMINOUS FLUX (LM) @3000K
C ENGINE  	12W	31V / 350mA	2700K, 3000K, 4000K	10°	1015
		36V / 350mA		20°	1297
				35°	1242
				45°	1171
				60°	1224
		36V / 350mA	Warm-Dim 2700K-1800K	20°	787
				35°	761
				45°	776
				60°	776
					805

ENGINE	LED POWER	DRIVER REQUIREMENTS	COLOUR TEMPERATURE	BEAM ANGLES	LUMINOUS FLUX (LM) @3000K
D ENGINE  	19W	36V / 550mA	2700K, 3000K, 4000K	10°	1960
				20°	2272
				35°	2214
				45°	2190
				60°	1996
				36V / 550mA	Warm-Dim 3000K-2000K
		35°	1509		
		45°	1481		
		25W	36V / 700mA	2700K, 3000K, 4000K	10°
	20°				2797
	35°				2709
	45°				2691
	60°				2456
	36V / 700mA				Warm-Dim 3000K-2000K
			35°	2038	
			45°	1996	
	60°		1766		

[lightkit@ibl.co.uk](mailto:lightkit@ibl.co.uk)

[www.lightkit.co](http://www.lightkit.co)

