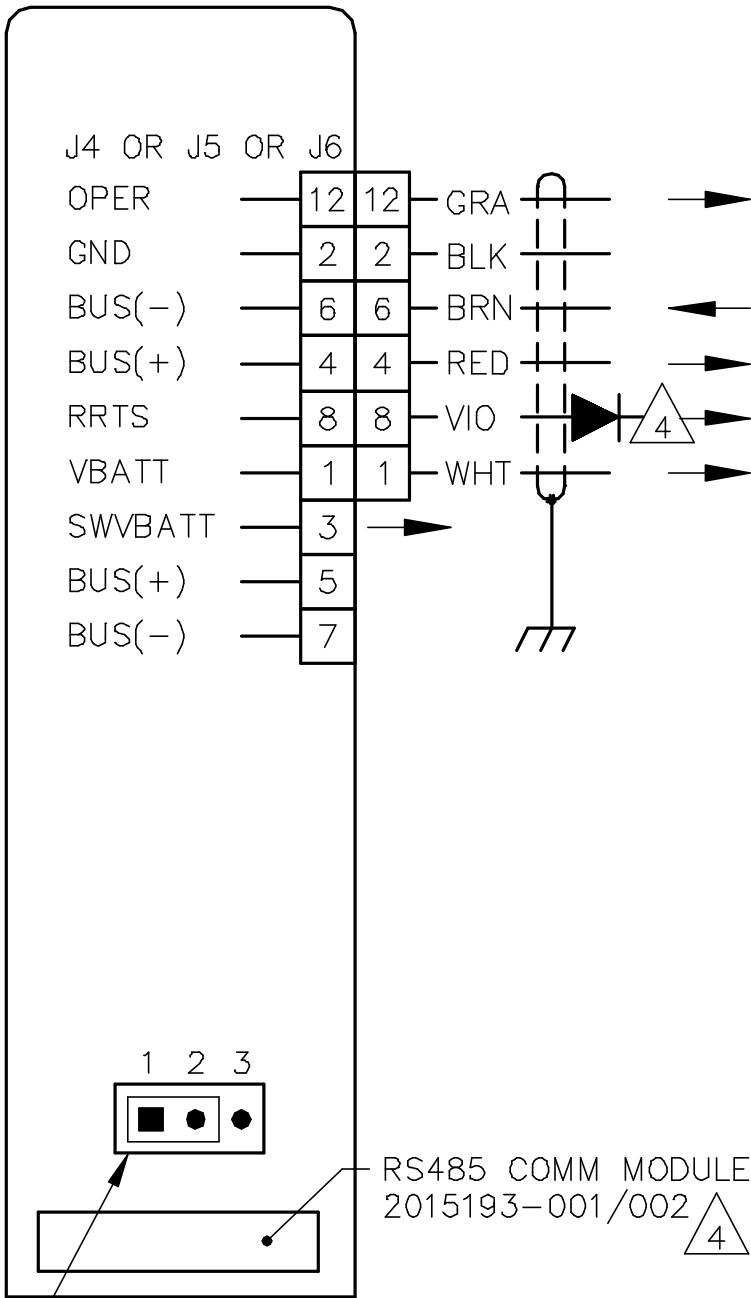


6713/6714 FCU

- ELEK BD (CB181)
- 2015382-XXX
- W/RS485 COMM MODULE
- 2015193-001
- 2015193-002

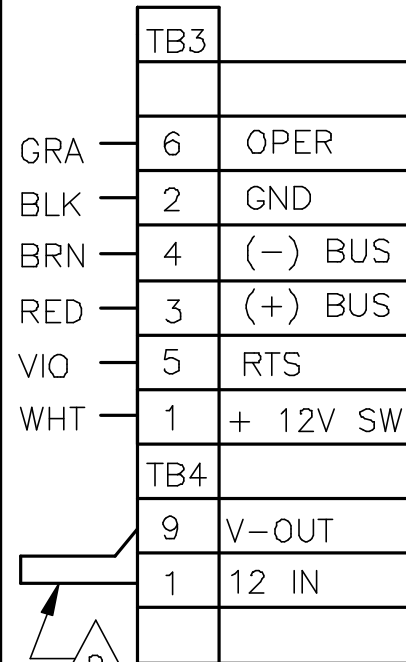


JUMPER ON J18 OR J19 OR J20 TO BE PLACED ON PINS 1 & 2 OF LAST FCU ON RS485 BUS ONLY.

POWER FROM FCU

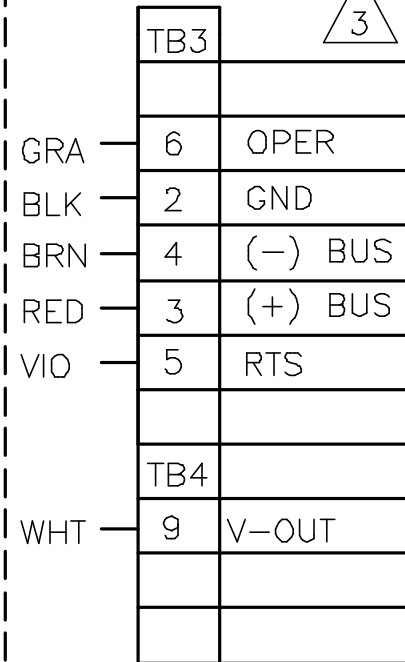
SWITCHED POWER

- RS485 MODEM INTERFACE 2017273-001
- MODEM UCI ASSY 2012630-006/008



CONTINUOUS POWER

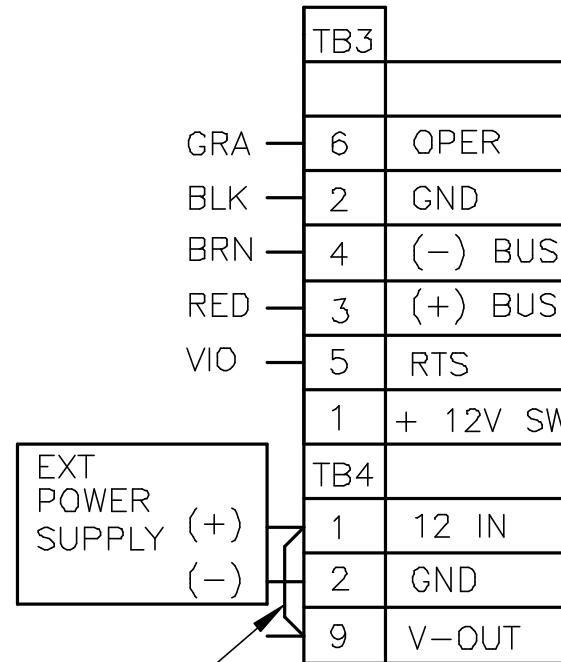
- RS485 MODEM INTERFACE 2017273-001
- MODEM UCI ASSY 2012630-006/008



EXT POWER SUPPLY

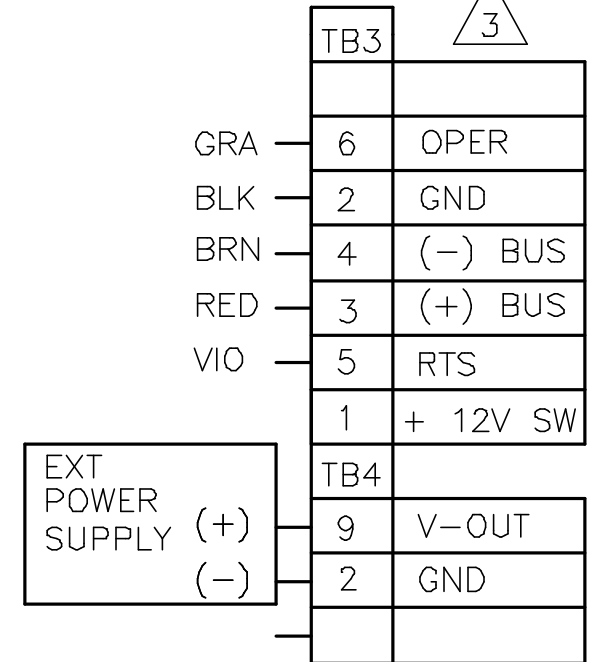
SWITCHED POWER

- RS485 MODEM INTERFACE 2017273-001
- MODEM UCI ASSY 2012630-006/008



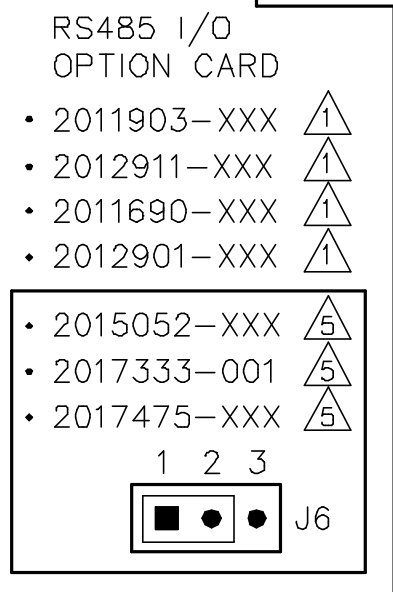
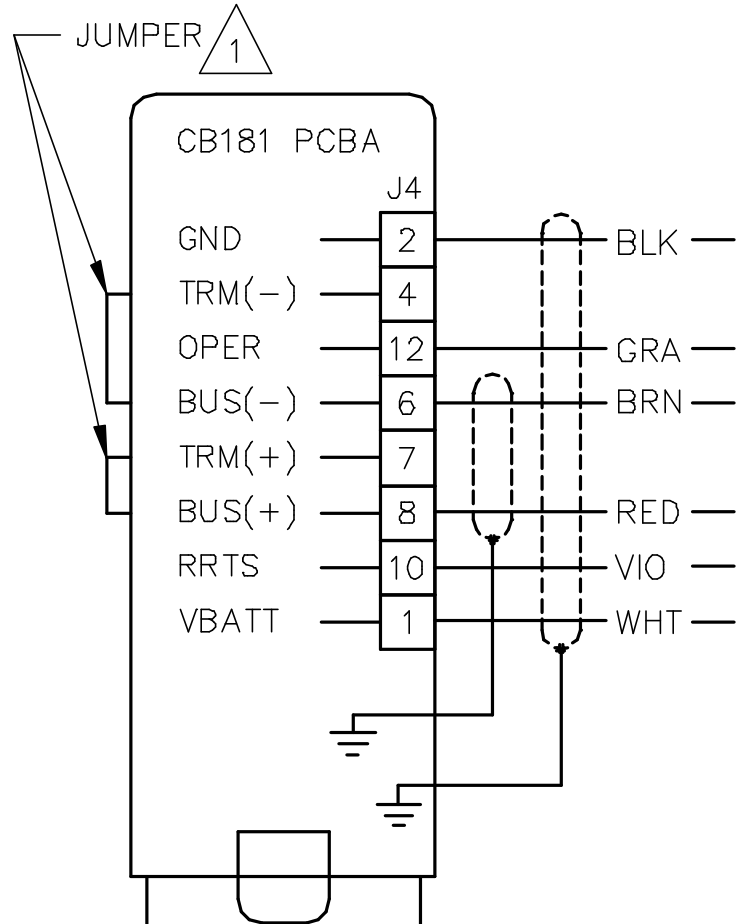
CONTINUOUS POWER

- RS485 MODEM INTERFACE 2017273-001
- MODEM UCI ASSY 2012630-006/008



6713/6714 FCU

ELEK BD (CB181)
2015382-XXX
W/RS485 I/O OPTION CARD



POWER FROM FCU

EXT POWER SUPPLY

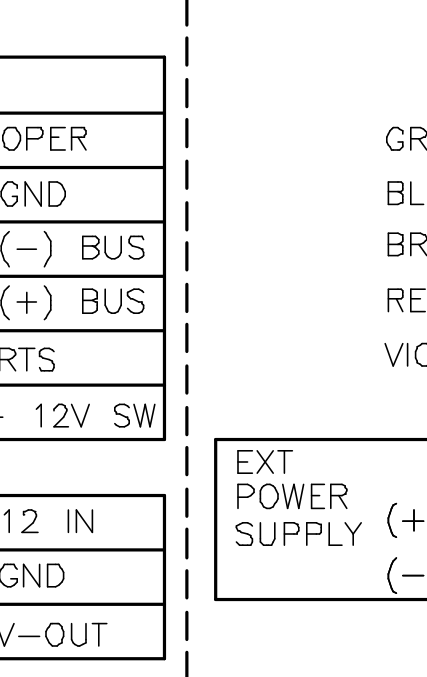
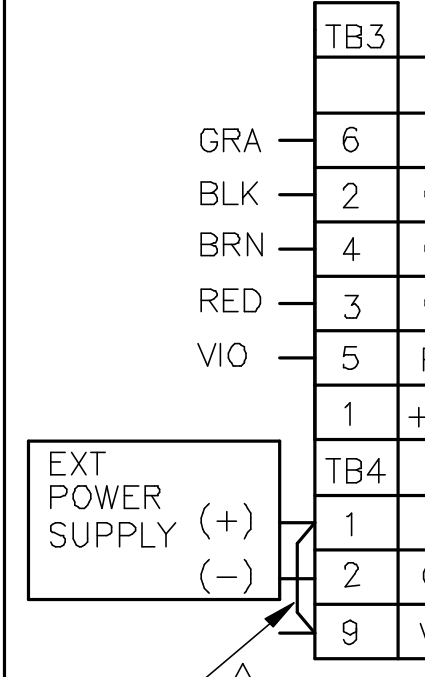
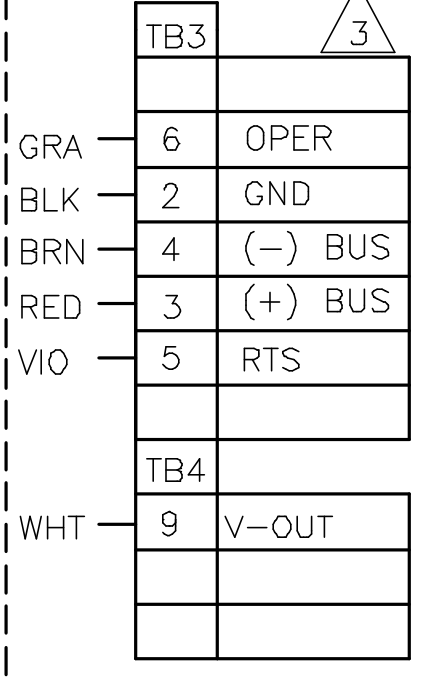
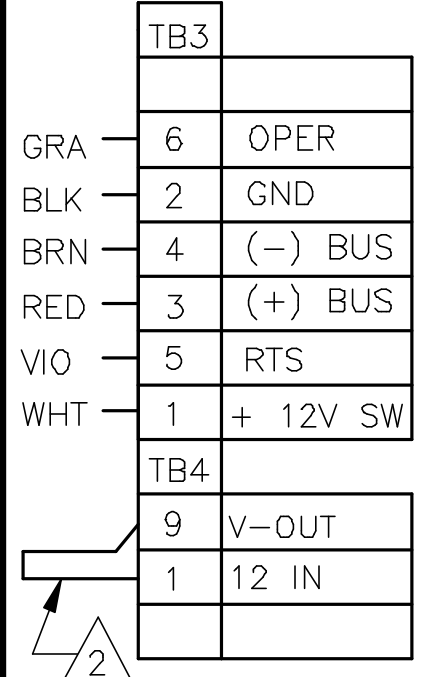
SWITCHED POWER CONTINUOUS POWER SWITCHED POWER CONTINUOUS POWER

- RS485 MODEM INTERFACE 2017273-001
- MODEM UCI ASSY 2012630-006/008

- RS485 MODEM INTERFACE 2017273-001
- MODEM UCI ASSY 2012630-006/008

- RS485 MODEM INTERFACE 2017273-001
- MODEM UCI ASSY 2012630-006/008

- RS485 MODEM INTERFACE 2017273-001
- MODEM UCI ASSY 2012630-006/008



12V SI

12V CI

12V SE

12V CE

