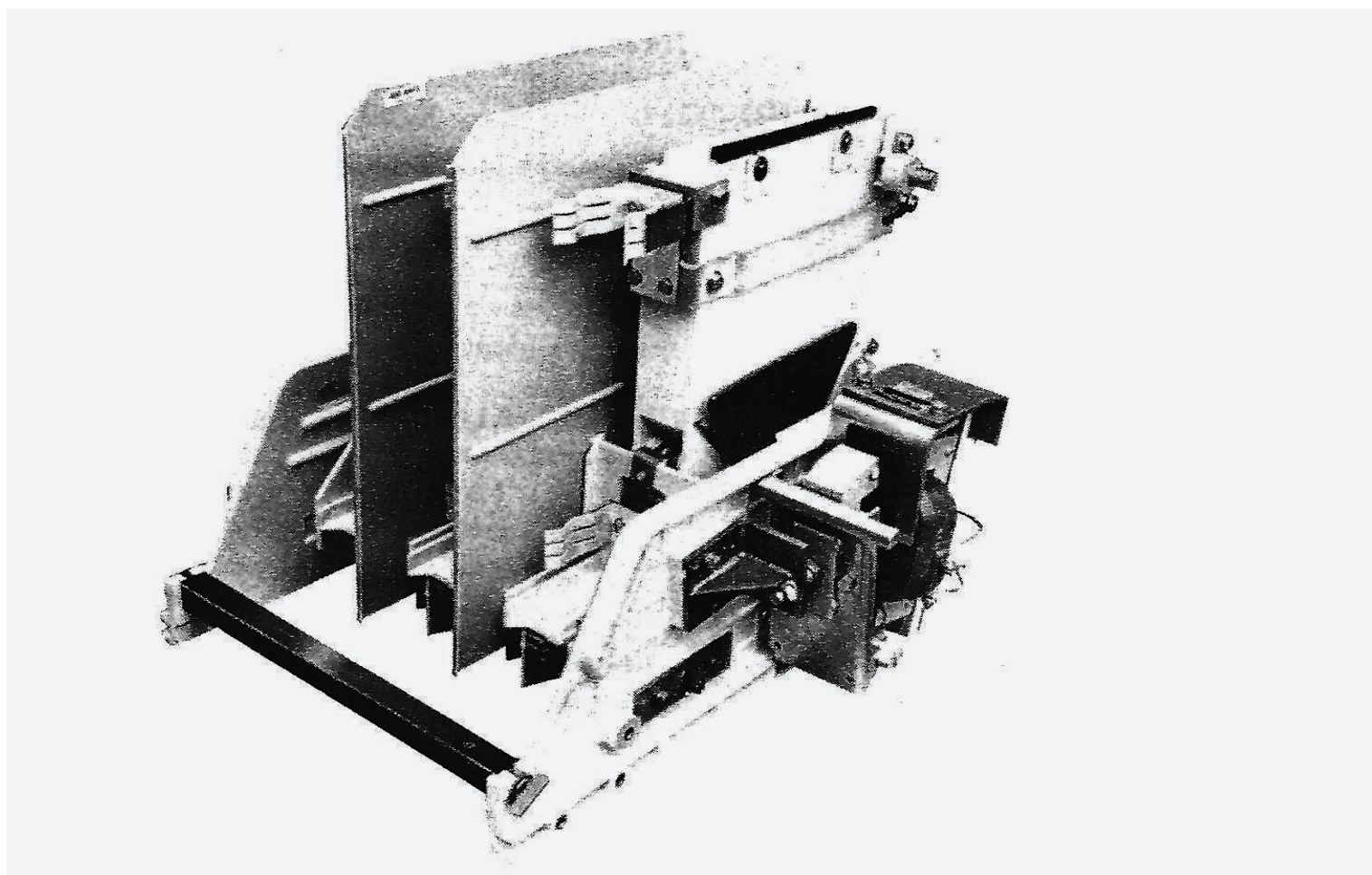

Renewal Parts

IC302G High Voltage Contactors



GC2----200A - 5000V

GC4----400A - 5000V

GC5----200A - 7200V

GC6----400A - 7200V

GD8----200A - 5000V

7200V

GD9----4000 - 5000V

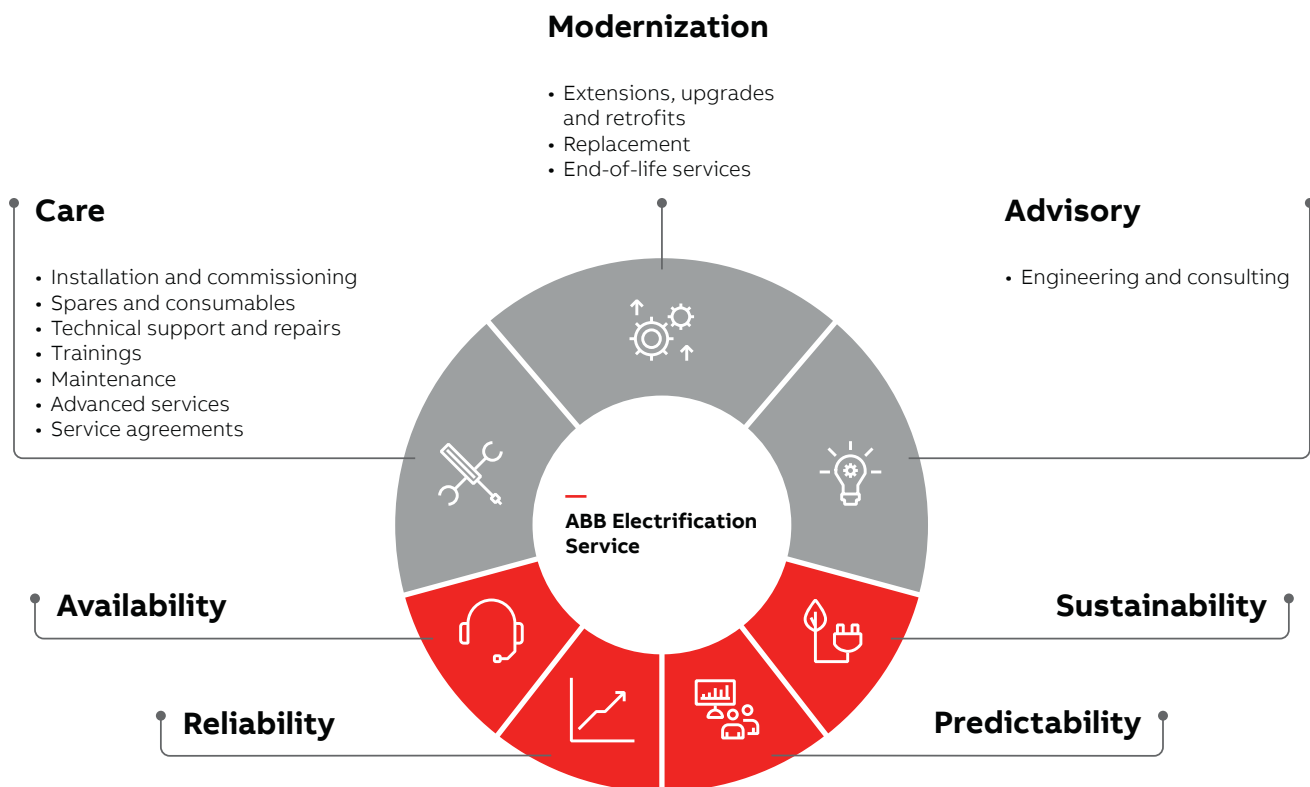
7200V

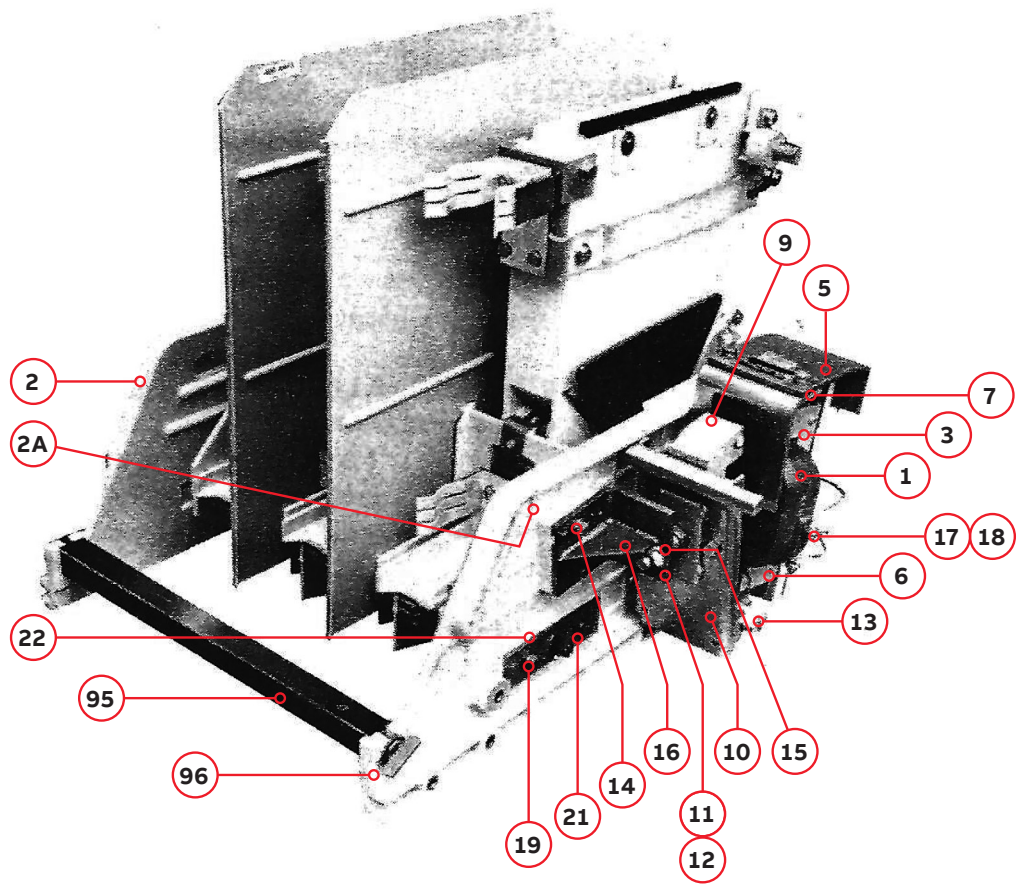
In 2018 ABB acquired GE Industrial Solutions. These contactors were manufactured by GE. They are now owned and supported by ABB. The contactors themselves are no longer available, but some spare parts are available. Additionally, modern vacuum contactors are available to directly replace the IC2814 contactor. These are the 193V and 193W contactors. See related documentation here:

[CR193V & CR193W Draw-Out Vacuum Limitamp® Contactors](#)

ABB provides comprehensive maintenance, diagnostics, and repair services for medium voltage and low voltage electrical apparatus.

The ABB Electrification Service offering is comprised of services that will help you to take care of the equipment, modernize it, and recommend the most appropriate business decisions to guarantee the availability, reliability and sustainability of critical assets and meet your evolving needs.





Parts Recommended for Normal Stock

Note: The current is identified by the number following the voltage letter in the IC designation.

Example: IC302GC4CA1A312AF3A is a 400A contactor.

Ref. No.	No. Req. for IC302G-		Catalog Number	Description
	200A	400A		
1	1	1		Operating coils (see table page 4)
27	3	3	2416875P1	Compression spring for moving contact (IC designations CA, CB, FC, FD only)
27	3	3	174A4412	Compression spring for moving contact (IC designations CC, DC only)
28	3	3	167A8898G1	Moving contact assembly
31	3	-	188A5535G2	Moving contact assembly
31	-	3	188A5535G1	Moving contact assembly
34	3	3	167A8898G1	Stationary contact
62	78	78	104B9931P1	Arc barrier plate (IC designations CA, CB, CC, FC only)
62	36	36	177B3253P3	Arc barrier plate (IC designations DC, FD only)
62	36	36	177B3253P4	Arc barrier plate (IC designations DC, FD only)
87	12	12	125A4278P3	Contact finger for stab-on (IC designations FC, FD only)
90	3	3	174A4422P1	Spring for stab-on finger (IC designations FC, FD only)

Ref. No. 1 – Operating Coils – 1 Required

NOTE: The operating coil (also pick-up resistor, holding resistor and rectifier when required) are identified by the number following the form letter in the IC designation.

EXAMPLE: IC302GC4CA1A312AA3A requires operating coil number 312, catalog number 1D130G152, holding resistor A100G50EA-TH, and rectifier catalog number IC3500A403C2.

Coil No.	Catalog Number	Pick-up Resistor (1 Required) Catalog Number	Holding Resistor Catalog Number	No. Req'd	Rectifier Catalog Number	No. Req'd
32	1D300G118	-	A100G100EA-TH	2	-	-
33	1D300G154	-	A100G250EA-TH	2	-	-
34	1D300G130	-	A100G25EA-TH	1	-	-
		-	A100G5EA-TH	1	-	-
35	1D300G118	-	A100G100EA-TH	2	-	-
		-	A100G5EA-TH	1	-	-
36	1D300G150	-	A100G2EA-TH	1	-	-
37	1D300G149	A100G3EA-TH	A100G500EA-TH	1	-	-
38	1D300G152	A100G2EA-TH	A100G50EA-TH	2	-	-
312	1D300G152	-	A100G50EA-TH	1	IC3500A403C2	1
313	1D300G144	-	A100G500EA-TH	1	IC3500A403C6	1
314	1D300G139	-	A100G750EA-TH	1	IC3500A403C5	1
315	1D300G140	-	A100G1250EA-TH	1	IC3500A403C8	1

Used Only on Excavator Contactors with Undervoltage Latch Assembly Form DA

Coil No.	Catalog Number	Rectifier	No. Req'd	Resistor	No. Req'd
6	ID300G152	IC3500A403C4	2	A50E200DA- 141AE	1
7	ID300G153	IC3500A403C6	2	A100G750EA-141AG	1
8	ID300G153	IC3500A403C6	2	A100G750EA-141AG	1
9	ID300G152	IC3500A403C4	2	A50E200DA-141AE	1
10	ID300G118	IC3500A403C6	1	A100G750EA-141AG	1

Latch Assembly Only – 1 Required

NOTE: The solenoid is identified by the number following the latch assembly form letter in the IC designation.

EXAMPLE: IC302GC4C312AF3A requires Solenoid No. 3., Cat. No. CR9500A201CM7A.

Form Letter	Catalog Number	Form Letter	Catalog Number
AA	None Used	AG	136C1754G8
AF	136C1754C7	AH	136C1754G9

Trip Solenoid for Latch Assembly (1 Required)

NOTE: The solenoid is identified by the number following the latch assembly form letter in the IC designation.

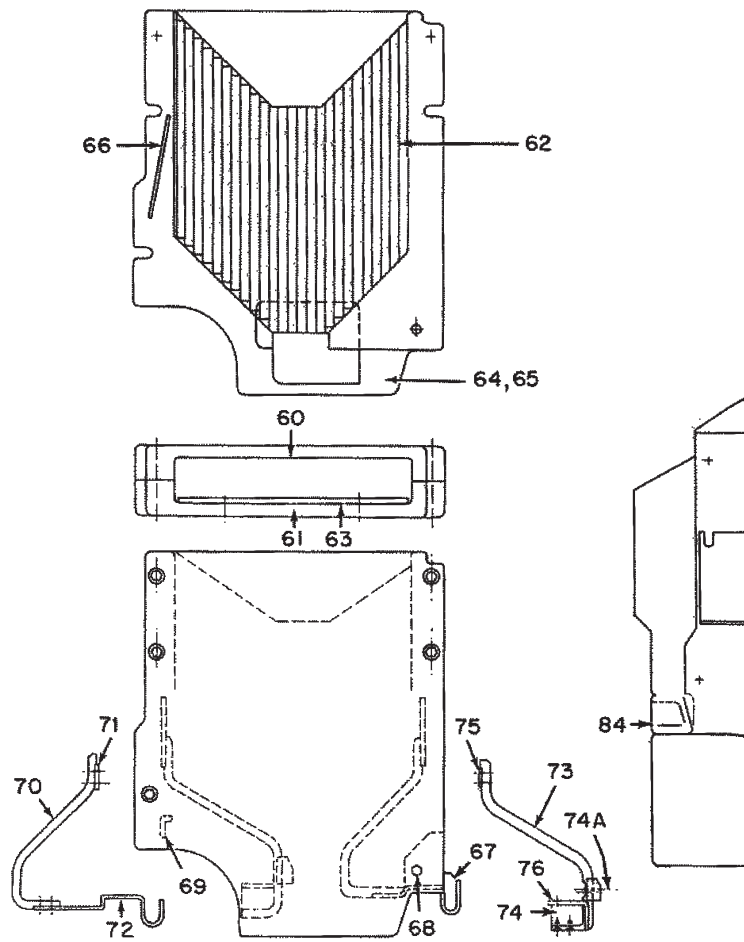
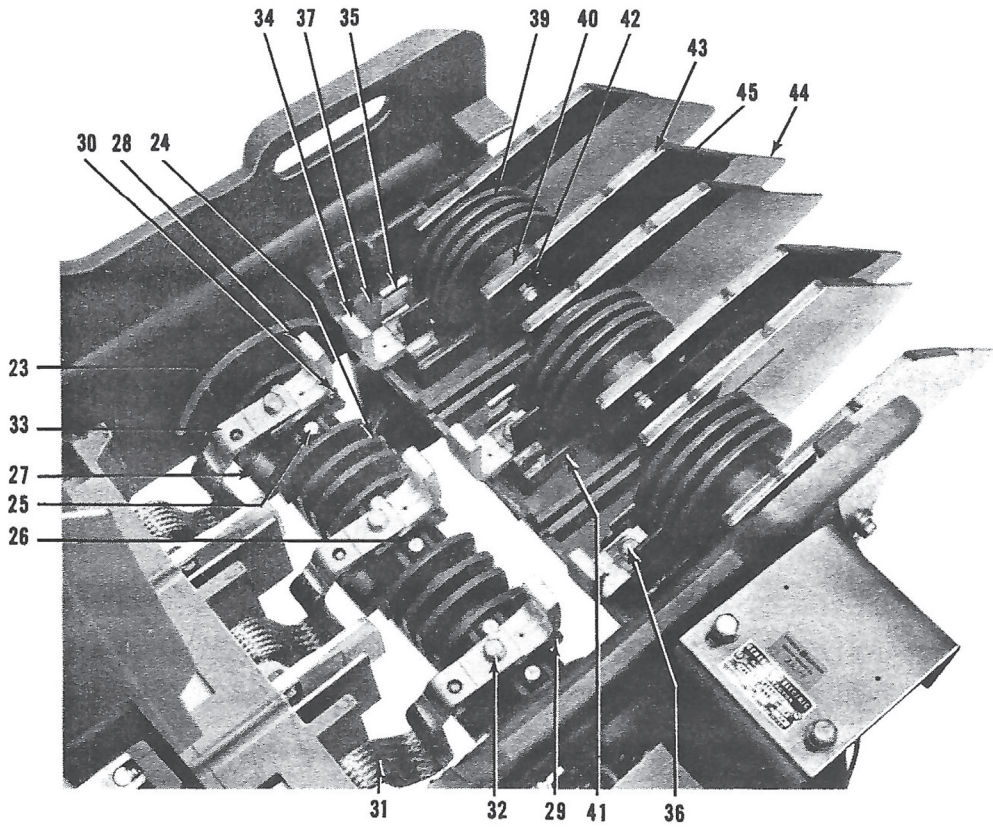
EXAMPLE: IC302GC4C312AF3A requires Solenoid No. 3.,
Cat. No. CR9500A201CM7A.

Solenoid Form No.	Solenoid Catalog Number	Solenoid Coil Catalog Number	Rectifier Catalog Number	Solenoid Form No.	Solenoid Catalog Number	Solenoid Coil Catalog Number	Rectifier Catalog Number
3	CR9500A201CM7A	15D2G55	-	55	CR9500A201CM7A	15D2G7	-
4	CR9500A201CM8A	15D2G69	-	75	CR9500A201CM9A	15D2G14	IC3500A403C2
5	CR9500A201CM3A	15D2G80	-	76	CR9500A201CM11A	15D2G3	IC3500A403C6
6	CR9500A201CM5A	15D2G88	-	90	CR9500A201CM9A	15D2G14	IC3500A403C4
53	CR9500A201CM2A	15D2G2	-	91	CR9500A201CM11A	15D2G6	IC3500A403C6
54	CR9500A201CM3A	15D2G3	-				

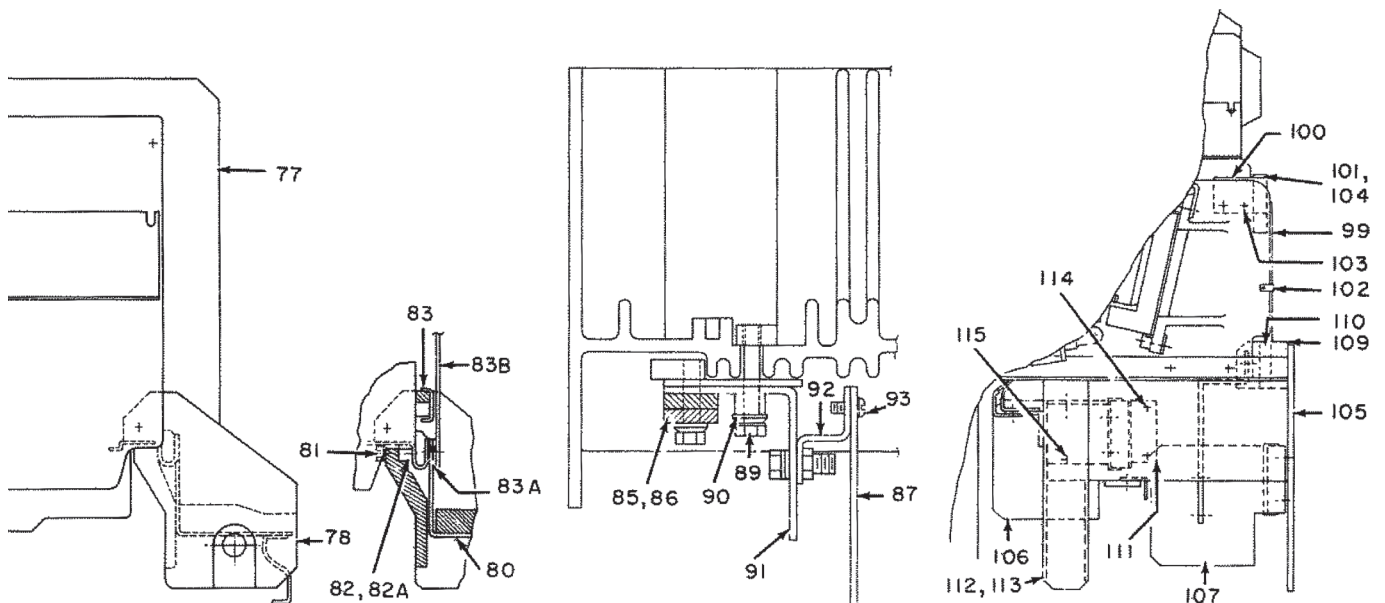
NOTE: The current is identified by the number following the voltage letter in the IC designation.

EXAMPLE: IC302GC4CA1A312AF3A is a 400A contactor.

Ref. No.	No. Req'd or IC302G-		Catalog Number	Description
	200A	400A		
2	1	1	918D625P1	Frame – right side (IC designations CA, CB, CC, DC only)
2	1	1	202B3606P2	Frame – right side (IC designations FC, FD only)
2A	1	1	157C8183P1	Frame – left side (IC designations CA, CB, CC, DC only)
2A	1	1	202B3506P1	Frame – left side (IC designations FC, FD only)
3	1	1	129B9715P1	Magnet frame for operating coil
5	1	1	218A5593G2	Coil Holder
6	1	1	188A5536P1	Clamp for magnet frame, bottom
7	1	1	388A5536P2	Clamp for magnet frame, top
8	1	1	194A7822P1	Plate for lower clamp
8A	3	3	N22P25032B6	Bolt fastening clamp to magnet frame (3/8-16, 2", hex head, pro fin)
8B	3	3	218A6880P1	Washer for bolt
	1	1	139B7623G4	Armature assembly, complete with armature, bracket, and fulcrum
9	1	1	129B9715P2	Armature
10	1	1	139B8161G1	Armature bracket
11	1	1	284B954P2	Fulcrum
	1	1	174A6263P1	Plate
	2	2	PFC41453	Bolt fastening plate to armature
12	2	2	N22P25014B6	Bolt fastening fulcrum to bracket (3/16-16, 7/8", hex head, pro fin)
	1	1	245A8403G1	Counterweight assembly (must be used on all excavators)
	2	2	N22P23016BC	Mounting bolt for counterweight
13	2	2	PFC41439	Bolt fastening armature bracket to shaft
	2	2	PFC43685	Lock washer for Ref. 13
14	1	1	139B8162G1	Armature stop
15	1	1	188A5553P1	Stop screw for armature stop
16	2	2	577A177P2	Mounting bolt for stop assembly



Ref. No.	No. Req'd for IC302G-		Catalog Number	Description
	200A	400A		
17	2	2	18BA5542P1	Terminal for operating coil
18	2	2	N144P16010B5	Screw & lock washer for terminal (10-32, 5/8", pan head, pro fin)
	2	2	8617022P1	Terminal clamp
	2	2	N144P16008B6	Screw with lock washer for mounting terminal clamp (10-32, 1/2", pan head, pro fin)
19	2	2	188A5527G1	Stub shaft assembly
21	4	4	577A176P2	Mounting bolt for stub shaft assembly
22	2	2	286A113P27	Bolt for end of stub shaft
23	2	2	188A5537G1	Bearing plate assembly for moving contact shaft
	2	2	181A4108P2	Collar for end of moving contact shaft
	4	4	245A6128P1	Set screw for collar
24	1	-	187B5651G1	Shaft assembly, complete with strait, moving contacts, support, shunt, spring, and adjusting screw (IC designations CA, FC only)
24	1	-	187B5651G2	Shaft assembly, complete with strait, moving contacts, support, shunt, spring, and adjusting screw (IC designation CC only)
24	-	1	139B7622G1	Shaft assembly, complete with strait, moving contacts, support, shunt, spring, and adjusting screw (IC designations CB, FD only)
24	-	1	139B7522G7	Shaft assembly, complete with strait, moving contacts, support, shunt, spring, and adjusting screw (IC designation DC only)
	1	1	585D924G1	Main shaft
25	3	3	188A5539P1	Pin for moving contact support
26	6	6	N22P21012B6	Bolt fastening moving contact support to shaft (1/4-20, 3/4", hex head, pro fin)
27	3	3	2416875P1	Compression spring for moving contact (IC designations CA, CB, FC, FD only)
27	3	3	174A4412	Compression spring for moving contact (IC designations CC, DC only)
28	3	3	167A8898G1	Moving contact assembly
29	3	3	139B8165G1	Support for moving contact
30	3	3	188A5551P1	Adjusting screw for contact support
31	3	-	188A5535G2	Shunt for moving contact
31	-	3	188A5535G1	Shunt for moving contact
32	3	3	577A177P4	Bolt fastening moving contact and shunt to support
33	3	3	N22P23016B6	Screw for contact support to position shunt (5/16-18, 1", hex head, pro fin)
34	3	3	167A8898G1	Stationary contact
35	3	3	139B8171G1	Clip for arcing horn



Ref. No.	No. Req'd for IC302G-		Catalog Number	Description
	200A	400A		
36	3	-	286A113P44	Bolt for clip
	3	-	577A495P1	Spring washer for Ref 36
36	-	3	577A177P2	Bolt for clip
37	1	1	685D952P1	Base
	3	3	N22P23022B6	Bolt fastening blowout coil to base (5/16-18, 1 3/8", hex head, pro fin)
	3	3	577A328P2	Tee nut for bolt
39	3	-	233A2386G1	Blowout coil
39	-	3	167A8581G1	Blowout coil
	3	3	139B8170G1	Core for blowout coil
40	3	3	194A1454P2	Insulation tube for core
	3	-	233A2387P1	Back-up strip for blowout coil
	3	-	N22P23016B6	Bolt for back-up strip (5/16-18, 1", hex head, pro fin)
42	6	6	PFC40265	Insulation washer for pole pieces
43	3	-	171B3144G1	Pole piece, left-hand
43	-	3	139B8168G1	Pole piece, left-hand
44	3	-	171B3144G2	Pole piece, right-hand
44	-	3	139B8168G2	Pole piece, right-hand
45	6	6	N647P23012C6	Bolt fastening JX)le pieces to core (5 /16-18, 3/4", button head, hex socket)
	6	6	205A7742P105	Washer for Ref 45

NOTE: The arc chute and fuse base assembly are determined by the ninth and tenth digit in the IC designation.

EXAMPLE: IC302GA4CA1A312AA2A requires arc chute and fuse base assembly designation CA. Listed below are the different designation and voltage ratings.

Arc Chute and Fuse Base Assembly

CA – 5000V, NO FUSES

CB – 5000V, NO FUSES

CC – 7200V, SHORTING BAR

DC – 7200V, NO FUSES

FC – 5000V, EXCAVATOR

FD – 7200V, EXCAVATOR

Ref. No.	No. Req'd for IC Designation						Catalog Number	Description
	CA	CB	CC	DC	FC	FD		
	3	-	3	-	-	-	177B8794G1	Arc chute assembly
	-	3	-	-	-	-	177B8794G6	Arc chute assembly
	-	-	-	3	-	3	177B8794G4	Arc chute assembly *)
	-	-	-	-	3	-	177B8794G5	Arc chute assembly *)
60	3	-	3	-	-	-	501D196P1	Arc chute side, left
60	-	3	-	-	-	-	259A2675G1	Arc chute side, left
61	3	-	3	-	-	-	501D196P2	Arc chute side, right
61	-	3	-	-	-	-	259A2675G2	Arc chute side, right
	12	12	12	-	-	-	577A328P2	Tee nut for arc chutes

*) Arc chute assembly must be ordered as a complete unit.

Ref. No.	No. Req'd for IC Designation						Catalog Number	Description
	CA	CB	CC	DC	FC	FD		
	12	12	12	-	-	-	205A742P105	Belleville washer for tee nut
	12	12	12	-	-	-	N22P23048B6	Screw (5/16-18, 3", hex head, pro fin)
	3	3	3	-	-	-	N22P23060B6	Screw (5/16-18, ¾", hex head, pro fin)
62	78	78	78	-	-	-	104B9931P1	Arc barrier plate
63	3	3	3	-	-	-	149B1784G2	Barrier holder
64	3	3	3	-	-	-	177B3273P1	Arc-chute insert – left
65	3	3	3	-	-	-	177B3273P2	Arc-chute insert – right
66	3	3	3	-	-	-	245A1235P1	Deflector
	3	3	3	-	-	-	151A7164P10	Mica tubing
67	3	3	3	-	-	-	139B8999G1	Chute block assembly
68	6	6	6	-	-	-	577A177P5	Mounting bolt for chute block
69	3	3	3	-	-	-	188A5554G1	Nut plate
	-	-	-	-	-	-	245A4320P1	Shims (as required for tight barrier bundle
	-	-	-	-	-	-	245A4320P2	Shims (as required for tight barrier bundle
	3	3	3	-	-	-	194B8338G1	Arcing horn assembly – front
	-	-	-	3	-	3	194B8338G3	Arcing horn assembly – front
70	3	3	3	-	3	-	194B8340P1	Main arcing horn
70	-	-	-	3	-	3	194B8340P4	Main arcing horn
71	3	3	3	3	3	3	259A8786P1	Spacer
72	3	3	3	3	3	3	259A5550P1	Hooked shaped end plate
	6	6	6	6	6	6	N57P16008C6	Screw fastening: spacer or end plate to horn (10-32, ½", pan head, pro fin)
	3	3	3	-	3	-	194B8338G2	Arcing horn assembly – Rear
	-	-	-	3	-	3	194B8338G4	Arcing horn assembly – Rear
73	3	3	3	-	3	-	194B8340P2	Main arcing horn
73	-	-	-	3	-	3	194B8340P5	Main arcing horn
74	3	3	3	-	3	-	259A5543P1	Block
74	-	-	-	3	-	3	259A5543P3	Block
74A	3	3	3	-	3	-	259A5543P2	Block
74A	-	-	-	3	-	3	259A5543P4	Block
75	3	3	3	3	3	3	259A8786P1	Spacer
76	3	3	3	3	3	3	194B8337P1	Spacer
77	2	2	2	2	-	-	139B7619P1	Barrier between arc chutes
77	-	-	-	-	2	2	194A6338P1	Barrier between arc chutes
78	1	1	1	1	1	1	158C1805G1	Fuse base and shunt plate assembly
80	3	3	3	3	3	3	139B8179P12	Ground strap
81	3	3	3	3	3	3	N22P23016B6	Mounting screw for ground strap (5/16-18, 1", hex head, pro fin)
82	3	3	3	3	3	3	139B8179P3	Nut block
82A	3	3	3	3	3	3	188A5292P1	Support for nut block
83	3	3	3	3	3	3	194A725P1	Saddle
83A	3	3	3	3	3	3	205A9613P6	Bus spacer
83B	-	-	3	-	-	-	205A9613P5	Shorting bar
	9	9	9	9	9	9	577A177P5	Screw for saddle, bus spacer, and shorting bar
84	1	1	1	1	1	1	116C9907P1	Chute tie bar
85	3	3	-	3	-	-	245A8058P1	Shunt
86	3	3	-	3	-	-	259A2659P1	Shunt insulation
87	2	2	-	2	-	-	188A5684P1	Barrier (Poles 1, 2)
88	1	1	1	1	-	-	245A8051P1	Barrier (Pole 3)

Ref. No.	No. Req'd for IC Designation						Catalog Number	Description
	CA	CB	CC	DC	FC	FD		
89	3	3	-	3	-	-	N22P23028B6	Mounting screw for barrier (5/16-18, 1 3/4", hex head, pro fin)
90	9	9	-	9	-	-	205A7742P105	Washer for barrier screw
91	3	3	-	3	-	-	188A5686P2	Stab
92	2	2	-	2	-	-	232A7572G1	Bracket for stab
93	4	4	-	4	-	-	576A147P4	Mounting screw for stab
94	3	3	3	3	-	-	219A1975P3	Connection bar
95	-	-	1	-	-	-	188A5532G3	Handle
96	-	-	2	-	-	-	188A5688G2	Thumb screw
97	1	1	1	1	-	-	286A113P27	Bolt
98	1	1	1	1	-	-	194A7124P4	Nut plate
99	-	-	-	-	1	1	245A4359P1	Barrier
100	-	-	-	-	2	2	259A5603P1	Support block
101	-	-	-	-	2	2	245A8103P5	Clamp
102	-	-	-	-	2	2	245A8103P2	Clamp
103	-	-	-	-	4	4	N22P23016B6	Mounting screw for support block (5/16-18, 1", hex head, pro fin)
104	-	-	-	-	2	2	N22P23012B6	Mounting screw for clamp (5/16-18, 3/4", hex head, pro fin)
	-	-	-	-	1	1	245A8103P3	Stop
	-	-	-	-	1	1	245A8103P4	Stop
	-	-	3	-	-	-	195B7760G4	Stab assembly
	-	-	-	-	1	1	158CI887G1	Base assembly, wall mounted
105	-	-	-	-	1	1	171B3167G1	Base
106	-	-	-	-	1	1	187B9489G1	Terminal base assembly
107	-	-	-	-	1	1	187B9489G3	Terminal base assembly
108	-	-	-	-	3	3	193A7120P1	Bus
	-	-	-	-	1	1	245A4360P1	Insulation angle
	-	-	-	-	2	2	245A4360P2	Insulation angle
	-	-	-	-	1	1	245A4360P3	Insulation angle
109	-	-	-	-	1	1	245A8101P1	Spacer
110	-	-	-	-	1	1	116C9929G3	Stab assembly
	-	-	-	-	3	3	194A6904G1	Stab support
	-	-	-	-	3	3	N22P25016B6	Bolt (3/8-16, 1", hex head, pro fin)
	-	-	-	-	3	3	259A8764P1	Barrier
	-	-	-	-	12	12	125A4278P3	Contact finger
	-	-	-	-	3	3	245A4281P1	Retainer
	-	-	-	-	12	12	125A4279P1	Spacer for contact finger
	-	-	-	-	6	6	125A4282P1	Retainer
	-	-	-	-	3	3	N22P21044B6	Bolt (1/4-20, 2 3/4", hex head, pro fin)
	-	-	-	-	3	3	174A4422P1	Spring
111	-	-	-	-	1	1	245A8104G1	Bracket assembly
112	-	-	-	-	1	1	245A8107P1	Support
113	-	-	-	-	1	1	245A8107P2	Support
114	-	-	-	-	4	4	N22P23012B6	Bolt (5/16-18, 3/4", hex head, pro fin)
115	-	-	-	-	4	4	N22P23008B6	Bolt (5/16-18, 1/2", hex head, pro fin)



ABB Inc.

Electrification Services
305 Gregson Dr.
Cary, NC 27511 USA

—
For further information, please visit

www.electrification.us.abb.com/services

—
For service, call:

1-888-434-7378 (US)

1-540-387-8617 (International)

—
We reserve the right to make technical changes or modify the contents of this document without prior notice. With regard to purchase orders, the agreed particulars shall prevail. ABB Ltd does not accept any responsibility whatsoever for potential errors or possible lack of information in this document.

We reserve all rights in this document and in the subject matter and illustrations contained therein. Any reproduction, disclosure to third parties or utilization of its contents – in whole or in parts – is forbidden without prior written consent of ABB Inc. Copyright© 2023 ABB. All rights reserved.