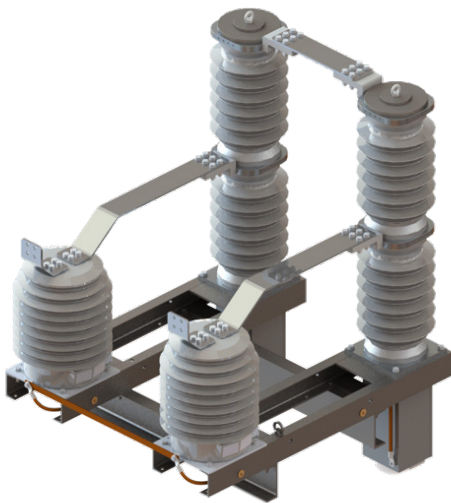


MEDIUM VOLTAGE PRODUCTS

FSG II / GSL II

17.5 kV - 170 kV BIL - 2000 A - 4 ... 40 kA - 16.7 Hz

12/24 kV - 250 kV BIL - 2000 A - 25 kA - 25 Hz



Single-pole and double pole outdoor vacuum load break switch and vacuum circuit-breaker with magnetic actuator for railway applications.

Application

The GSL is a part of the GSx product range and a purposebuilt vacuum circuit breaker intended for railway powersupply. Designed as a heavy-duty outdoor circuit breaker and widely used for 16.7 Hz feeder station, it is the ABB solution for applications that require fast triggering. Extremely high mechanicalendurance and outstanding electrical performances of vacuum interrupters provides highly reliable maintenancefree products with low life cycle costs.

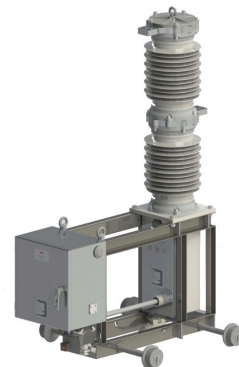
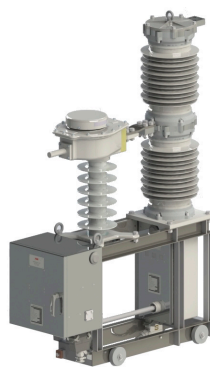
Key features

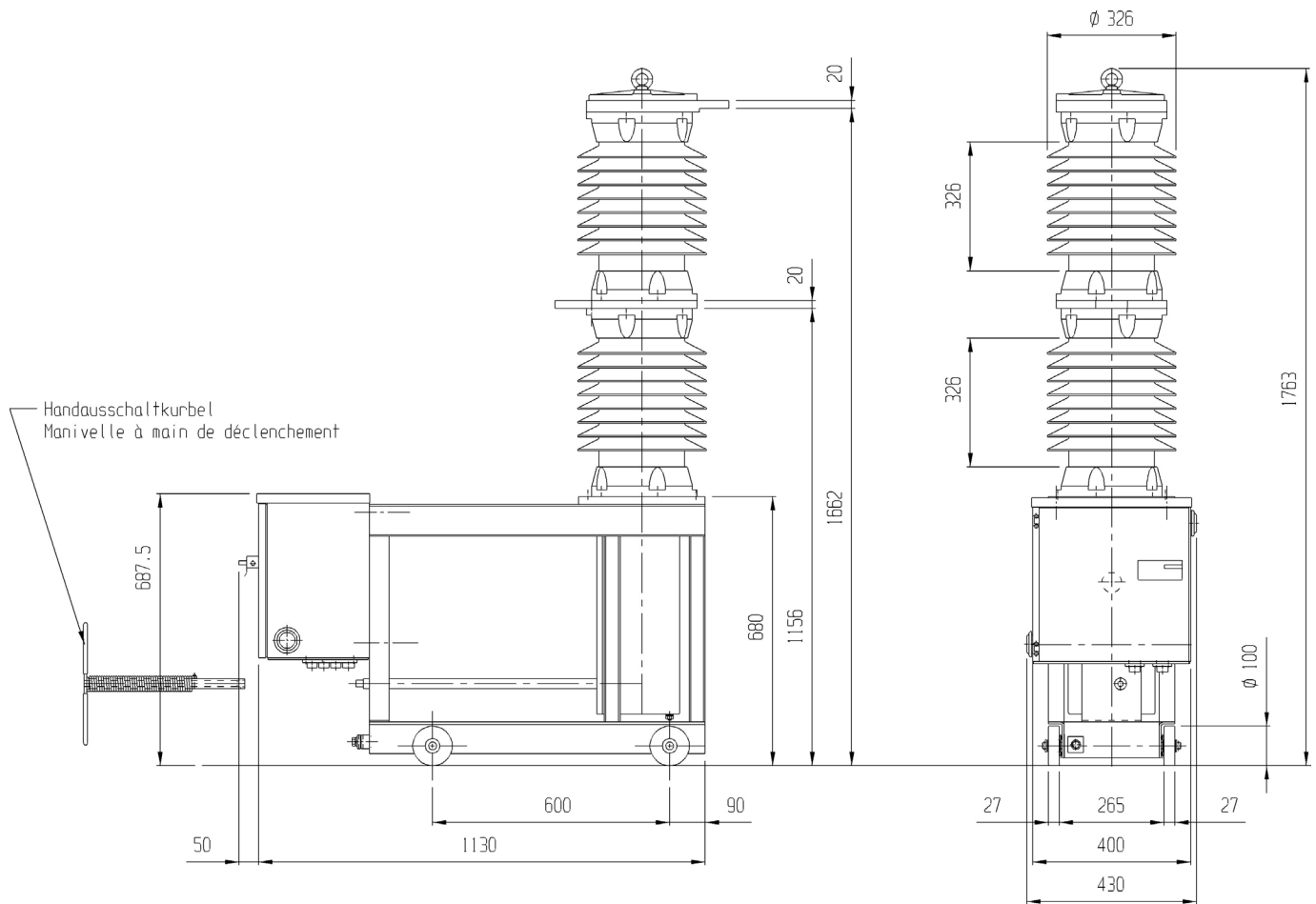
- Magnetic actuator
- Solutions for 1-phase and 2-phase systems
- Meets requirement 1 of 16.7 Hz electric railway networks

- Meets requirement 2 of 16.7 Hz electric railway networks
- Vacuum interruptor enclosed in porcelain insulators filled
- Anti-vandalism poles fitted with polymeric insulators as standard

ABB as your competitive edge

- More than 100 years of expertise in rail best practices
- Dedicated team of rail professionals
- Global supplier with global footprint
- Proven track record with many customer references worldwide
- All equipment manufactured internally by ABB with full monitoring and control of the entire design, production and delivery process
- Unrivalled level of engineering support and after-sales service





Technical data	FSG 4120	GSL 4020	GSL 5021	GSL 5022
Type	load break switch	circuit breaker	circuit breaker	circuit breaker
Rated frequency	16.7 Hz	16.7 Hz	25 Hz	25 Hz
Operating voltage	17.5 kV	17.5 kV	12 or 24 kV	12 or 24 kV
Rated power frequency withstand voltage (50 Hz/1 min)	70 kV	70 kV	70 kV	70 kV
Lightning impulse withstand voltage (1.2/50 μ s)	170 kV	170 kV	250 kV	250 kV
Rated current	2000 A	2000 A	2000 A	2000 A
Rated short-circuit breaking current	4 kA	40 kA	25 kA	25 kA
Rated short-circuit making current	78 kA	100 kA	63 kA	63 kA
Short circuit withstand current	31.5 kA/1 s	31.5 kA/1 s	25 kA/3 s	25 kA/3 s
Number of poles	1 or 2	1 or 2	1	2
Opening time	≤ 45 ms	≤ 17 ms or ≤ 45 ms	≤ 22 ms	≤ 22 ms
Closing time	≤ 60 ms	≤ 60 ms	≤ 65 ms	≤ 65 ms
Insulators	Polymeric	Polymeric	Polymeric	Polymeric

For the load break switch FSG 4120, single and two phase pole mounted versions are available.

—
 More product information:
abb.com/mediumvoltage
 Your contact center:
abb.com/contactcenters
 More service information:
abb.com/service