

# Type BYZ Indoor current transformer

## Product features

- 2500 volt test, indoor, 10 kV BIL
- 50-60 Hertz
- Primary amperes: 50 and 100
- Mechanical rating: 180 x rated current
- Thermal rating: 100 x rated current, 1 second
- Continuous current rating factor:
  - 2.0 @ 30°C ambient
  - 1.5 @ 55°C ambient
- Relay scheme: provided with unit dimensions

## Application

The BYZ zero-sequence indoor current transformer is used for ground fault detection and is primarily designed for zero-sequence overcurrent relaying schemes. The outgoing cables pass through the opening. A phase imbalance produces a secondary current in the BYZ.

## Construction features

The ring-type core is fully insulated and toroidally wound with a fully distributed secondary winding.

## Secondary terminals

Secondary terminals are electro-tin plated 10-32 tap terminals.

## Curves

Saturation, overcurrent, ratio correction factor, and phase-angle curves are available upon request.

## Test reports

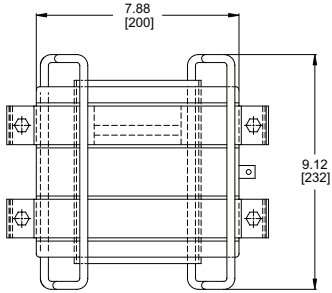
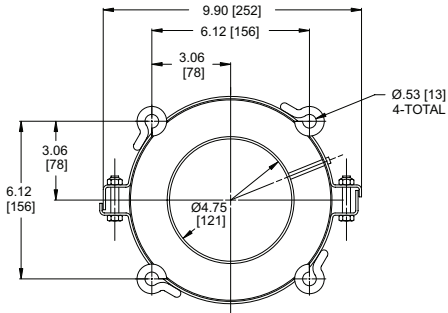
IEEE test reports are stored electronically and can be e-mailed in various formats at the time of shipment.

## Standards

This unit meets all applicable IEEE and NEMA standards.

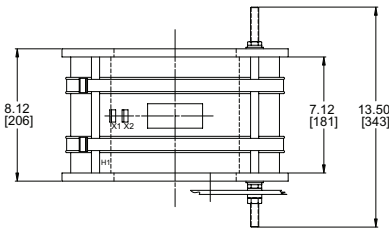
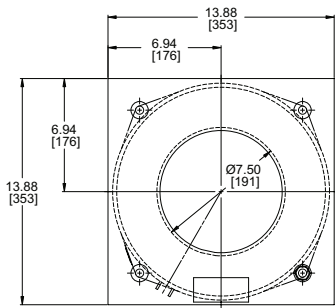


## Unit dimensions



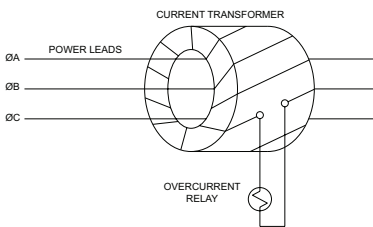
### BYZ, 592C102

Approximate weight is 38 lbs.



### BYZ, 684C188

Approximate weight is 38 lbs.



Zero sequence overcurrent relay scheme

## Selection guide

Primary ampere rating	IEEE relaying accuracy	Window diameter (in.)	Style number
50	C15	4.75	592C102G01
50	C20	7.50	684C188G02
100	C30	4.75	592C102G03
100	C50	7.50	684C188G04

Additional styles available upon request. Contact your ABB sales representative or call +1-252-827-3212 for more information.

For more information please contact:

### ABB Inc.

#### Medium Voltage Distribution Components

3022 NC 43 North

Pinetops, NC 27864

USA

Phone: +1 252 827 3212

Fax: +1 252 827 4286

[www.abb.com/mediumvoltage](http://www.abb.com/mediumvoltage)

#### Note:

We reserve the right to make technical changes or modify the contents of this document without prior notice. With regard to purchase orders, the agreed particulars shall prevail. ABB does not accept any responsibility whatsoever for potential errors or possible lack of information in this document. We reserve all rights in this document and in the subject matter and illustrations contained therein. Any reproduction—in whole or in parts—is forbidden without ABB's prior written consent.

Copyright 2009 ABB.

All rights reserved.