

Instrument transformers

Type BYZ-S Indoor current transformer

Product features

- 600 volt, indoor, 10 kV BIL
- 25-400 Hertz
- Primary amperes: 50 and 100

Application

The BYZ-S current transformer is used for ground fault detection. It is designed for zero-sequence overcurrent relaying schemes and for mounting in the cable compartment of metal-clad switchgear.

Construction features

The ring-type core is insulated and toroidally wound with a fully distributed secondary winding. The protective case, made of an impact-resistant polycarbonate, is assembled using self-tapping screws.

Secondary terminals

Secondary terminals are 10-32 brass terminal studs with hardware.

Curves

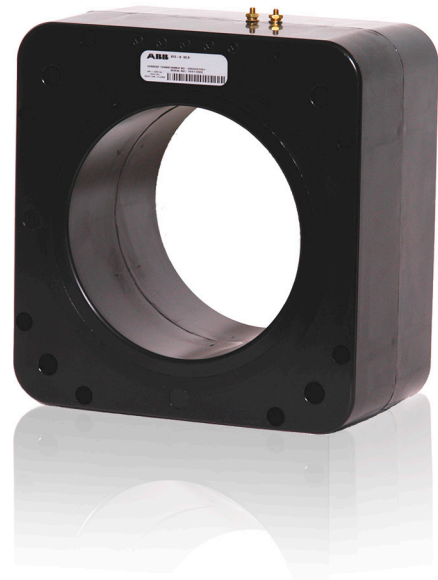
Saturation, overcurrent, ratio correction factor, and phase-angle curves are available upon request.

Test reports

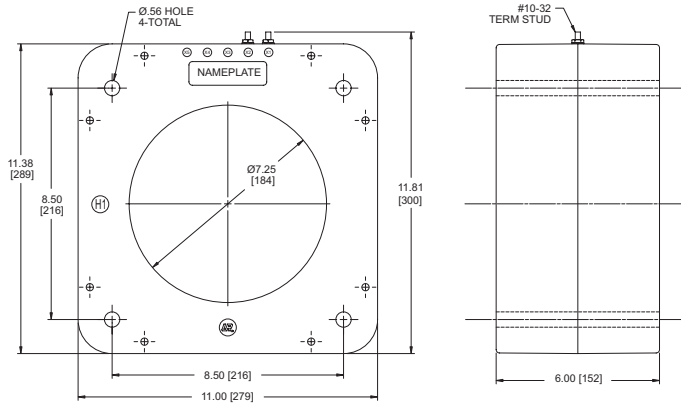
IEEE test reports are stored electronically and can be e-mailed in various formats at the time of shipment.

Standards

This unit meets all applicable IEEE and NEMA standards and is a UL Recognized Component.



Unit dimensions



BYZ-S

Approximate weight is 52 lbs.

Note: dimensions are in inches and [mm].

For more information please contact:

ABB Inc. Medium Voltage Distribution Components

3022 NC 43 North

Pinetops, NC 27864

USA

Phone: +1 252 827 3212

Fax: +1 252 827 4286

www.abb.com/mediumvoltage

Note:

We reserve the right to make technical changes or modify the contents of this document without prior notice. With regard to purchase orders, the agreed particulars shall prevail. ABB does not accept any responsibility whatsoever for potential errors or possible lack of information in this document. We reserve all rights in this document and in the subject matter and illustrations contained therein. Any reproduction—in whole or in parts—is forbidden without ABB's prior written consent.

Copyright 2009 ABB.

All rights reserved.



UL Recognized Component; File No. E96461

Selection guide

Primary amps	IEEE relaying accuracy	Style number
50	C10	7525A25G01
100	C20	7525A25G02

Mechanical rating: 180 x rated current

Thermal rating: 100 x rated current, one second

Continuous current rating factor: 2.0 @ 30°C ambient, 1.5 @ 55°C ambient

Additional styles available upon request. Contact your ABB sales representative or call +1-252-827-3212 for more information.