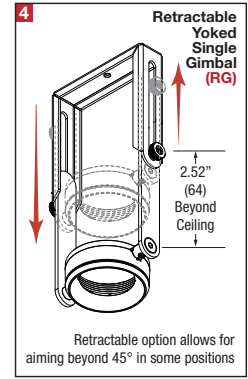
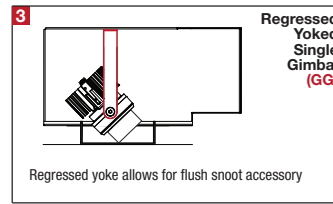
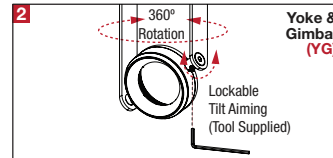
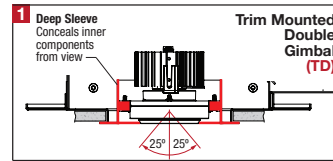
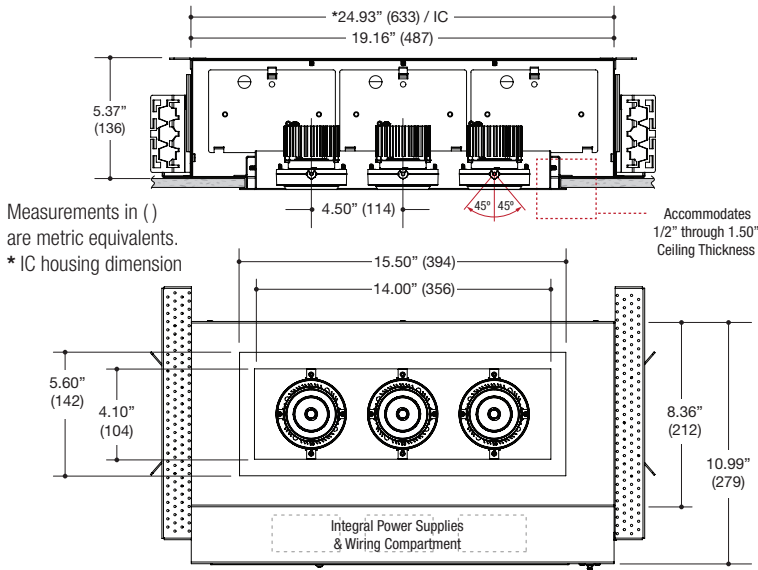


PROJECT	TYPE	CATALOG NUMBER
---------	------	----------------



DESCRIPTION

- Three light recessed accent / downlight - small size
- All steel 18GA construction with powder coat finish
- 3/4" Trim flange with 4.10" x 14.00" open aperture
- Trim flange removable for maintenance
- Vent holes for cooler operating temperature
- Trim features deep sleeve to conceal inner components
- **Ceiling Cut-Out - 5.30" x 15.20"**

LED Source

- Field-replaceable integral LED module
- Field-changeable optic
- CREE / **ValuDIM™**
- Accepts up to 2 or more optical accessories
- Double gimbal lamp holder with lockable tilt aiming
- Trim mounted double gimbal standard with optional single gimbal flush yoke, regressed yoke or adjusting retractable yoke

ELECTRICAL

- Field-replaceable integral LED driver
- Electrical wiring compartment integrated into housing construction
- Thermal protection
- Easy maintenance access through ceiling opening
- Rated for through-branch wiring
- Dimmable

MOUNTING

- Butterfly brackets for commercial installation in drywall, wood, stone, acoustic tile, or other ceiling types
- Heavy duty **L-Bars™** hanger bar system ordered separately **LF #LBARS4PK**
- Variable plate / trim assembly adjusts for 1/2"-1.50" ceiling thickness

LABELS

- Suitable for damp location

5 YEAR WARRANTY
Limited



ORDERING INFO

SERIES	LED MODULE WATTAGE AND INFORMATION	CRI / COLOR	BEAM	HSG TYPE	DRIVER / VOLTAGE	FINISH	OPTIONS
MN33BN-T New Construction Housing	CREE	8027 80CRI / 2700K	CREE	TD	DMU Dimming Multiple Forward/Reverse Phase (@ 120V only) 0-10V Wires Present (@ 120-277V) D31 Lutron LITEA Hi-lume... Forward Phase 1% (@ 120V only) DPU Lutron PEQO Hi-lume... Premier™ <i>1.9w max.</i> 0.1% with Soft-On, Fade-to-Black™	BB Black WW White WB White Trim / Black Interior	IC* Insulated Ceiling (MN33BA-T Only) Consult factory for availability * See drawing for extended length dimension
	13C 13W LED / 1473lm	8030 80CRI / 3000K	N Narrow 16°	DM Double Gimbal			
	19C 19W LED / 2117lm	8035 80CRI / 3500K	M Medium 28°	YG Yoke Gimbal Flush to Ceiling Line			
	Delivered @ 80CRI / 3000K Narrow Beam	8040 80CRI / 4000K	W Wide 42°	GG Regressed Yoked Gimbal*			
MN33BA-T New Construction / Air-tight Housing	Delivered @ 80CRI / 3000K Narrow Beam	9227 92CRI / 2700K	V Very Wide 73°	RG Retractable Yoked Gimbal			
MULTIFORMS MF350 Series Recessed 3-Light Straight Aperture Adjustable Accent Trimmed Fixture	ValuDIM™ 15V 15W LED / 876lm Delivered 3000-1800K Warm Dimming Delivered @ 92CRI / 3000K Narrow Beam	9220 92CRI / 3000-1800K Warm Dimming ValuDIM Only	ValuDIM™ N Narrow 17° M Medium 25° W Wide 38°	* Required to enable flush appearance with snoot accessory.			

Example: **MN33BN-T-13C-8027-N-TD-DMU-BB**