

Lenovo ThinkSystem DM5100F Unified and DM5100F SAN Flash Storage Array

Product Guide

Lenovo ThinkSystem DM5100F is an all-NVMe flash storage system, available as either unified or SAN, that is designed to provide performance, simplicity, capacity, security, and high availability for medium-sized enterprises. Powered by the ONTAP storage management software, the DM5100F delivers enterprise-class storage management capabilities with a wide choice of host connectivity options and enhanced data management features. The DM5100F is a perfect fit for a wide range of enterprise workloads, including big data and analytics, artificial intelligence, engineering and design, enterprise applications, and other storage I/O-intensive applications.

ThinkSystem DM5100F models are 2U rack-mount controller enclosures that include two controllers, 128 GB RAM and 16 GB battery-backed NVRAM (64 GB RAM and 8 GB NVRAM per controller), and 24 SFF hot-swap drive bays (2U24 form factor). Controllers provide universal 1/10/25 GbE NAS/iSCSI or 8/16/32 Gb Fibre Channel (FC) ports, or 1/10/25 GbE RJ-45 ports for host connectivity, depending on configuration.

A single ThinkSystem DM5100F Storage Array scales out to 48 NVMe SSDs with the attachment of one Lenovo ThinkSystem DM240N 2U24 SFF Expansion Enclosure. Up to 12x DM5100F Storage Arrays can be combined into a clustered system in a NAS environment, or up to 6x DM5100F Storage Arrays can be combined into a clustered system in a SAN environment.



Figure 1. Lenovo ThinkSystem DM5100F Storage Array

Did you know?

Industry media organization CRN has recognized the ThinkSystem DM5100F Storage System as a winner in the **2021 Product of the Year Awards** for the **Storage-SMB category**.

Read more about the CRN award and new DM Series software enhancements in the [Lenovo Xperience blog post](#) by Bob Nevins, Solutions Marketing Manager for Storage. See what CRN said about the DM5100F on the [CRN Products of the Year page](#).

Key features

The ThinkSystem DM5100F offers the following key features and benefits:

- Available as a Unified storage platform - allowing NAS, SAN, and Object workloads or as a SAN storage platform that serving only SAN workloads.
- Both platform options, Unified and SAN are available with either the Fundamentals or Premium software feature offerings which provide feature flexibility.
- Compact NVMe Flash storage system delivering high-performance and low-latency at an affordable price point, enabling customers of all sizes to enhance their analytics and AI deployments and accelerate applications' access to data.
- All-flash array capabilities to meet the demand for higher speed storage and provide higher IOPs and bandwidth with lower power usage and total cost of ownership than hybrid or HDD-based solutions.
- All-flash storage with dual active/active controller configurations for high availability and performance.
- A rich set of storage management functions available, including snapshots, volume copy, quality of service, thin provisioning, compression, deduplication, encryption, disk-based backup, application- and virtual machine-aware backup, quick data recovery, clustering, synchronous replication, and asynchronous replication.
- Simplify and automate the care and optimization of a ThinkSystem Storage environment using our cloud-based storage management platform that uses AIOps, resulting in reduced risks and higher availability.
- Predict issues before they happen and provide prescriptive guidance via AI, to improve system health and availability.
- Improved performance and data protection with RAID-DP and RAID-TEC, as well as support for traditional RAID 4.
- Flexible host connectivity to match diverse client needs with support for unified NAS and SAN storage protocols, including 1/10/25 GbE NAS and iSCSI, 8/16/32 Gb Fibre Channel connectivity, and 32 Gb NVMe over Fibre Channel (NVMe/FC).
- NVMe drive-side connectivity with multipathing with up to 24x 2.5-inch small form factor (SFF) drives in the controller enclosure and expansion enclosure.
- Optional licensed functions, including WORM (write once, read many) data protection (SnapLock) and object storage tiering (FabricPool).
- Scale-out clustering of up to 12 ThinkSystem DM Series storage systems for NAS connectivity or up to six DM Series storage systems for SAN connectivity.
- Intuitive, web-based GUI for easy system setup and management.
- Lenovo XClarity support for centralized systems management of Lenovo x86 servers, switches, and storage, which provides automated agent-less discovery, inventory, monitoring, and additional platform-specific functions across multiple systems.
- Designed for 99.9999% availability with redundant hot-swap components, including controllers and I/O modules, power supplies, and non-disruptive firmware upgrades.
- Certified storage for Oracle VM.
- Certified storage for Citrix XenServer

The ThinkSystem DM5100F supports the 2.5-inch NVMe SSDs and all drives are dual-port and hot-swappable. The DM5100F supports attachment of one DM240N 2U24 SFF expansion enclosure and drives are designed to be added dynamically, which helps to quickly and seamlessly respond to ever-growing capacity demands.

The DM5100F offers high levels of system and data availability with the following features:

- Dual-active controllers (high availability pair) with automatic load balancing and failover

- Mirrored, battery-backed controller NVRAM using 8GB of available physical memory per controller
- Dual-port NVMe SSDs with automatic drive failure detection and rebuild
- Redundant, hot-swappable and customer replaceable hardware components, including transceivers, controllers, I/O modules, power supplies, and drives
- Automated failover for the data path between the host and the drives with multipathing
- Non-disruptive controller and drive firmware upgrades
- Scale-out clustering

Components and connectors

The following figure shows the front of the DM5100F.

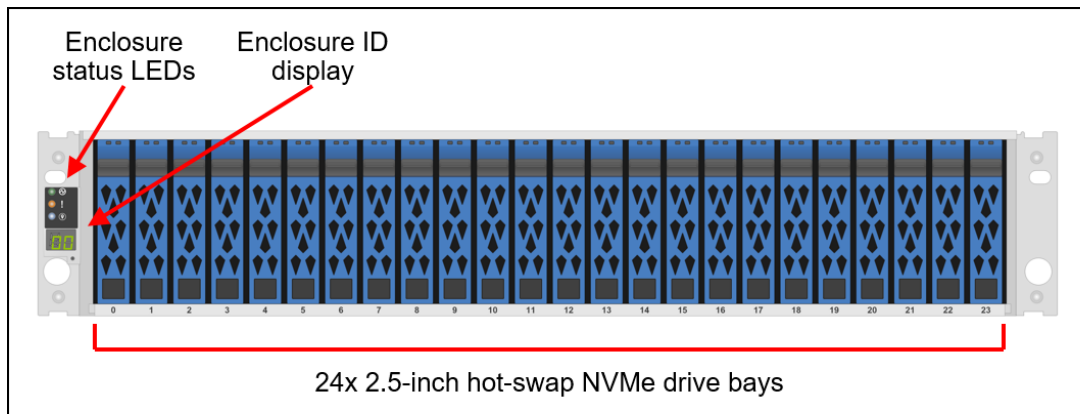


Figure 2. ThinkSystem DM5100F front view

The following figure shows the rear of the DM5100F with two hot-swap controllers and two hot-swap redundant power supplies.

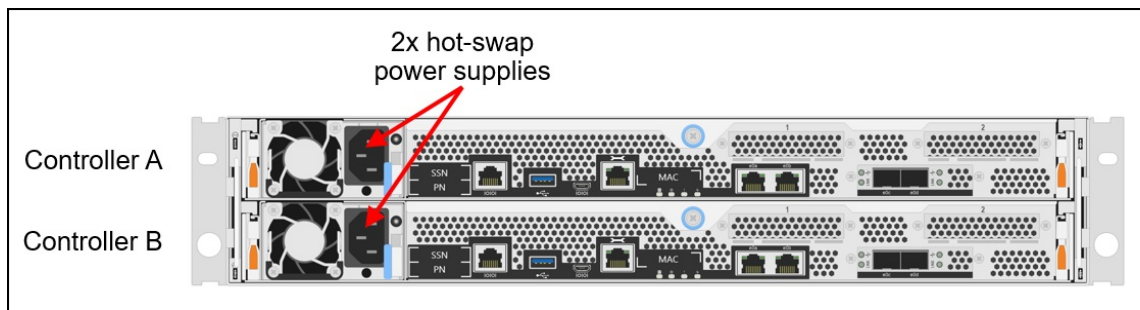


Figure 3. ThinkSystem DM5100F 2U enclosure rear view

The following figure shows the components of each of the controllers.

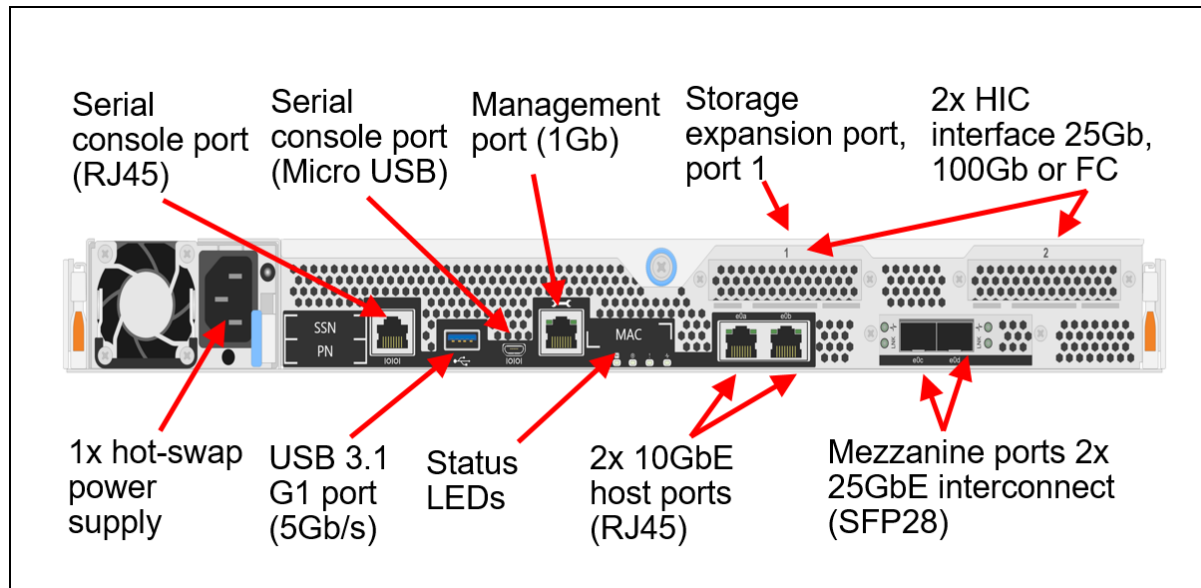


Figure 4. ThinkSystem DM5100F controller

The rear of a single DM5100F controller includes the following components:

- 1 x redundant hot-swap power supply
- Serial console port (RJ45) – inactive port
- Serial console port (Micro USB) - console port: 115.2k baud rate
- 1GbE management port (RJ45)
- 2x Host Interface Card (HIC) ports:
 - Bay 1/port 1 for HIC host connections (25Gb, FC) or optional HIC 100Gb for expansion connection.
 - Bay 2/port 2 for HIC host connections (25Gb, FC)
- USB 3.1 G1 port
- Status LEDs
- 2x 10GBASE-T on-board ports - Host connectivity only
- 2x Mezzanine 25Gb Ethernet ports – HA and cluster interconnects, controller to controller only,

Per controller, the two Host Interface Cards provide one of the following combinations of ports:

- 8x 10/25 GbE ports
- 8x 32Gb FC ports
- 4x 10/25 GbE and 4x 32Gb FC ports
- 4x 10/25 GbE and for expansion storage 2x 100 GbE ports
- 4x 32Gb FC and for expansion storage 2x 100 GbE ports

The following figure shows the front of the ThinkSystem DM240N 2U SFF NVMe expansion enclosure.

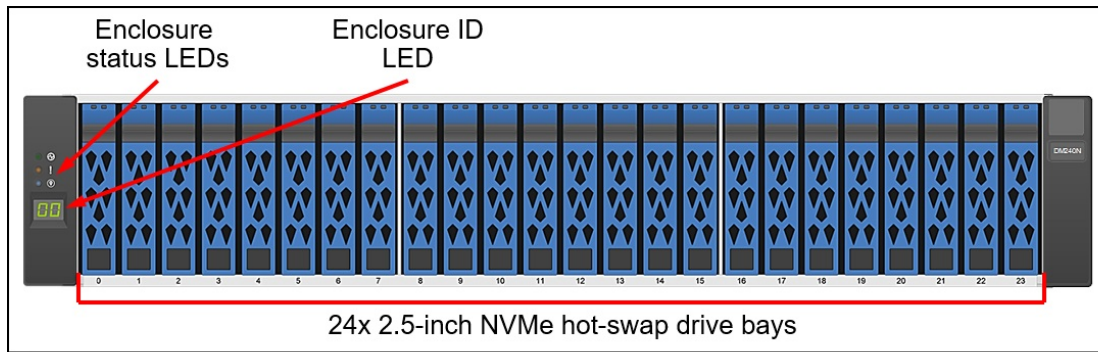


Figure 5. ThinkSystem DM240N 2U SFF NVMe expansion enclosure front view

The following figure shows the rear of the DM240N expansion enclosure.

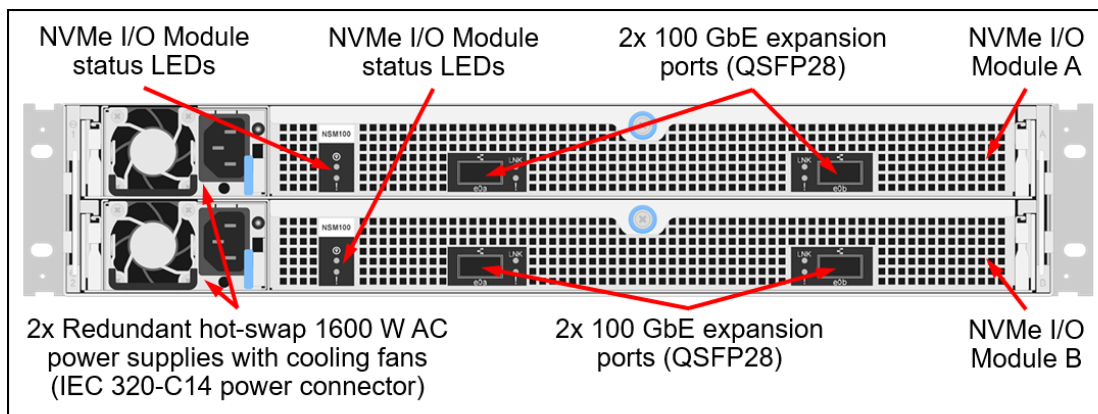


Figure 6. ThinkSystem DM240N 2U SFF NVMe expansion enclosure rear view

The rear of the ThinkSystem DM240N 2U SFF NVMe expansion enclosure includes the following components:

- Two redundant hot-swap NVMe I/O Modules; each with the following ports:
 - Two 100 GbE QSFP28 expansion ports for connections to the controller enclosure.
- Two redundant hot-swap power supplies

System specifications

The following table lists the ThinkSystem DM5100F storage system specifications.

Note: The supported hardware options, software features, and interoperability listed in this product guide are based on the ONTAP software version 9.8. For details about specific software releases that introduced support for certain hardware options and software features, refer to the Release notes of the particular software release for the ThinkSystem DM5100F that can be found at:

<http://datacentersupport.lenovo.com>

Table 1. ThinkSystem DM5100F system specifications

Attribute	Specification
Machine types	<ul style="list-style-type: none"> DM5100F controller enclosure: 7D3K DM240N expansion enclosure: 7Y62
Form factor	<ul style="list-style-type: none"> DM5100F: 2U rack mount DM240N: 2U rack mount
Controller configuration	Dual active-active controller configuration (HA pair). Up to 6 HA pairs can be combined into a single SAN cluster, or up to 12 HA pairs can be combined into a single NAS cluster.
HA pair/cluster interconnect ports	4x 25 GbE SFP28 ports (DAC cables or SW fiber optics, LC). 2 ports per controller
RAID levels	RAID-4, RAID-DP, RAID-TEC
Controller memory	128 GB RAM per system (64 GB per controller). 16 GB battery-backed NVRAM per system (8 GB per controller) mirrored between the controllers.
Drive bays	Up to 48 SFF hot-swap NVMe drive bays (1x 24-drive DM5100F controller enclosure + 1x 24-drive DM240N expansion enclosure)
Drive technology	NVMe SSDs
Drive expansion connectivity	Each DM5100F controller supports one 2-port 100GbE HIC and must be installed in port1 only for connectivity to a single DM240N expansion enclosure.
Drives	1.92 TB, 3.84 TB, 7.68 TB, and 15.36 TB NVMe SSDs (1 DWD).
Storage capacity	Up to 737 TB by using 48x 15.36 TB drives
Storage protocols	<ul style="list-style-type: none"> NAS (File access): NFS, CIFS/SMB. SAN (Block access): iSCSI, FC, NVMe/FC

Attribute	Specification
Host connectivity	<p>Base ports (per controller enclosure):</p> <ul style="list-style-type: none"> • 2x 10GBASE-T ports <p>Optional ports via HIC adapters (2 per controller):</p> <ul style="list-style-type: none"> • 25GbE HIC, with 4x 10/25 GbE SFP28 ports (DAC cables or SW fiber optic cables, LC) • 100GbE HIC, with 2x 100 GbE QSFP28 ports (DAC cables or SW fiber optic cables, MPO) • Fibre Channel HIC, with 4x 8/16/32 Gb FC SFP+ host ports, 32Gb transceivers included (SW fiber optic cables, LC) <p>The following host connectivity HIC combinations are supported in each controller:</p> <ul style="list-style-type: none"> • 25GbE + 25GbE • 32Gb FC + 32Gb FC • 25GbE + 32Gb FC <p>The following combinations of storage expansion HIC in port 1 and host HIC in port 2 are supported in each controller:</p> <ul style="list-style-type: none"> • 100GbE (port 1) + 25GbE (port 2) • 100GbE (port 1) + 32Gb FC (port 2) <p>Note: ONTAP does not support host direct attach for FC protocol.</p>
Category 1 Host operating systems*	Microsoft Windows Server, Red Hat Enterprise Linux, SUSE Linux Enterprise Server, VMware ESXi
Category 2 Host operating systems**	Oracle Linux, Oracle VM, Citrix Hypervisor, CentOS, Ubuntu, Solaris. For version details, see the latest Category 2 Interoperability Matrix, available as a download from Lenovo Storage Interoperation Center (LSIC).
Performance†	Up to 440,000 random read IOPS (8 KB blocks).
Configuration maximums‡	<ul style="list-style-type: none"> • Maximum raw storage capacity: 737 TB • Maximum aggregate size: 400 TB • Maximum number of FlexVol volumes per controller: 1000 • Maximum volume size: 100 TB (The maximum size will be increased up to 300TB in ONTAP 9.12.1P2 and later.) • Maximum number of LUNs per controller: 8192 • Maximum number of LUNs per FlexVol volume: 512 • Maximum LUN size: 16 TB (The maximum size will be increased up to 128TB in ONTAP 9.12.1P2 and later.) • Maximum number of drives in a RAID group (data + parity drives): <ul style="list-style-type: none"> ◦ RAID 4: 14 (13 + 1 NVMe SSDs) ◦ RAID-DP: 28 (26 + 2 NVMe SSDs) ◦ RAID-TEC: 29 (26 + 3 NVMe SSDs) • Maximum number of initiators per controller: 2048 • Maximum number of snapshots per FlexVol volume: 1023
Cooling	Redundant cooling with the fans that are built into power supplies (DM5100F and DM240N enclosures).
Power supply	DM5100F: Two redundant hot-swap 1600 W Platinum AC power supplies. 200-240V supply. DM240N: Two redundant hot-swap 1600 W Platinum AC power supplies. 200-240V supply.
Hot-swap parts	Controllers, I/O modules, drives, power supplies, and transceivers and DAC cables.
Management ports	<ul style="list-style-type: none"> • 1x 1 GbE port (UTP, RJ-45) per controller for out-of-band management. • 2x Serial console ports (RJ-45 and Micro-USB) for system configuration.

Attribute	Specification
Management interfaces	ThinkSystem Storage Manager web-based GUI; SSH CLI; Serial console CLI; SNMP, email, and syslog alerts; optional Lenovo XClarity.
Security features	Secure Socket Layer (SSL), Secure Shell (SSH), user level security, role-based access control (RBAC), LDAP authentication.
Warranty and support	Three-, four-, or five-year customer-replaceable unit and onsite limited warranty with selectable service levels: 9x5 service coverage next business day (NBD) onsite response (Foundation) or 24x7 service coverage with 4-hour onsite response (Essential). Premier Support is also available. Software support is included in the Foundation or Essential Service for the duration of the warranty period.
Dimensions	DM5100F enclosure: <ul style="list-style-type: none"> ● Height: 87 mm (3.4 in.) ● Width with flange: 483 mm (19 in.) ● Width without flange: 447 mm (17.6 in.) ● Depth: 543 mm (21.4 in.) DM240N expansion enclosure: <ul style="list-style-type: none"> ● Height: 87 mm (3.4 in.) ● Width with flange: 483 mm (19 in.) ● Width without flange: 447 mm (17.6 in.) ● Depth: 543 mm (21.4 in.)
Weight	<ul style="list-style-type: none"> ● DM5100F enclosure (fully configured): 24.6 kg (54.3 lb) ● DM240N expansion enclosure (fully configured): 30.2 kg (66.6 lb)

* For Category 1 operating system support information, see [Lenovo Storage Interoperation Center \(LSIC\)](#).

** For Category 2 operating system support information, see the latest Category 2 Interoperability Matrix.

Go to the [Lenovo Storage Interoperation Center \(LSIC\)](#) home page and scroll down to the Lenovo Information section and click the **Download Lenovo 3rd party of interop matrix** link.

† Estimated performance based on internal measurements.

‡ For a detailed list of configuration limits and restrictions for a specific version of the software, refer to the Lenovo Data Center Support website:

<http://datacentersupport.lenovo.com>

Controller enclosures

Preconfigured and factory-integrated models of the ThinkSystem DM5100F Unified Flash Storage Array are configured by using the Lenovo Data Center Solution Configurator (DCSC), <http://dcsc.lenovo.com>

The following table lists the CTO base model for the ThinkSystem DM5100F.

Table 2. ThinkSystem DM5100F CTO base model

Machine Type/Model	Feature code	Description
7D3KCTO1WW	BF3C	Lenovo ThinkSystem DM Series 2U NVMe Chassis

The models of the ThinkSystem DM5100F ship with the following items:

- One chassis with the following components:
 - Two controllers
 - Two power supplies
- Rack Mount Kit
- 2m USB Cable (USB Type A to Micro-USB)
- Documentation flyer
- Two customer-configured power cables

Controllers

The ThinkSystem DM5100F controller enclosures ship with two DM5100F 64GB NVMe controllers. A controller provides interfaces for host connectivity, management, and internal drives, and it runs ONTAP storage management software. Each DM5100F controller enclosure provides 128 GB RAM and 16 GB battery-backed NVRAM (64 GB RAM and 8 GB NVRAM per controller).

Each ThinkSystem DM5100F controller has two interconnect 25 GbE SFP28 ports to cable a directly-connected dual-controller HA pair or for switched cluster interconnect with multiple dual-controller HA pairs. Up to six HA pairs can be combined into a single SAN cluster or up to 12 HA pairs can be combined into a single NAS cluster.

Each DM5100F controller also has the following host interfaces:

- 2x 10GBASE-T RJ-45 ports
- 2x slots for additional host interfaces using HIC adapters; choices of HIC adapters are:
 - 25GbE HIC, with 4x 10/25 GbE SFP28 (DAC cables or SW fiber optic cables, LC)
 - 100GbE HIC, with 2x 100 GbE QSFP28 (DAC cables or SW fiber optic cables, MPO)
 - Fibre Channel HIC, with 4x 8/16/32 Gb FC SFP+ host ports, 32Gb transceivers included (SW fiber optic cables, LC)

Two controllers are required for selection and must have the same HIC adapters installed. The use of a DM240N expansion enclosure requires a 100GbE HIC for connectivity installed in port 1 in each controller.

The following table lists the controllers for the DM5100F Storage Array and supported connectivity options.

Tip: The Fibre Channel HIC includes 32Gb transceivers

Table 3. DM5100F controllers and connectivity options

Part number	Feature code	Description	Maximum quantity per controller enclosure
Controller			
None*	BEVS	Lenovo ThinkSystem DM5100F NVMe Controller, 64GB	2
Host Interface Cards			
4C57A67134	BEVR	Lenovo ThinkSystem DM Series HIC, 2x100Gb NVMe-RoCE,2-ports	2
4C57A67132	BEVQ	Lenovo ThinkSystem DM Series HIC, 10/25Gb iSCSI,4-ports	4
4C57A67133	BEVP	Lenovo ThinkSystem DM Series HIC, 16/32Gb FC,4-ports	4
SFP+ and SFP28 transceiver for 25GbE optical cables			
4XF7A14919	B4K9	10Gb SW Optical iSCSI SFP+ Module 1 pack	16
4XF7A39597	B732	25Gb Ethernet Optical SFP28 Shortwave Module 1 Pack	16

* Factory-installed only.

The following table lists the supported optical and copper cables.

Tip: The 100GbE cables used to connect the DM240N expansion enclosure are configure with the DM240N.

Table 4. Supported cables

Part number	Feature code	Description	Maximum quantity per controller enclosure
DAC breakout cable options for 100GbE			
7Z57A03564	AV22	Lenovo 1m 100G QSFP28 to 4x25G SFP28 Breakout DAC Cable	4
7Z57A03565	AV23	Lenovo 3m 100G QSFP28 to 4x25G SFP28 Breakout DAC Cable	4
7Z57A03566	AV24	Lenovo 5m 100G QSFP28 to 4x25G SFP28 Breakout DAC Cable	4
DAC cable options for 25 GbE SFP28 connectivity			
7Z57A03557	AV1W	Lenovo 1m Passive 25G SFP28 DAC Cable	20
7Z57A03558	AV1X	Lenovo 3m Passive 25G SFP28 DAC Cable	20
7Z57A03559	AV1Y	Lenovo 5m Passive 25G SFP28 DAC Cable	20
DAC cable options for 40 GbE QSFP+ to 4x 10 GbE SFP+ host connectivity			
49Y7886	A1DL	Lenovo 1m Passive QSFP+ to SFP+ Breakout DAC Cable	16
49Y7887	A1DM	Lenovo 3m Passive QSFP+ to SFP+ Breakout DAC Cable	16
49Y7888	A1DN	Lenovo 5m Passive QSFP+ to SFP+ Breakout DAC Cable	16
DAC cable options for 25GbE SFP28 and 10 GbE SFP+ connectivity (base ports and interconnect ports)			
00D6288	A3RG	0.5m Passive DAC SFP+ Cable	16
90Y9427	A1PH	1m Passive DAC SFP+ Cable	16
00AY764	A51N	1.5m Passive DAC SFP+ Cable	16
00AY765	A51P	2m Passive DAC SFP+ Cable	16
90Y9430	A1PJ	3m Passive DAC SFP+ Cable	16
90Y9433	A1PK	5m Passive DAC SFP+ Cable	16
OM3 cable options for 16/32 Gb FC and 25 GbE SW SFP28 optical transceivers			
00MN499	ASR5	Lenovo 0.5m LC-LC OM3 MMF Cable	16
00MN502	ASR6	Lenovo 1m LC-LC OM3 MMF Cable	16
00MN505	ASR7	Lenovo 3m LC-LC OM3 MMF Cable	16
00MN508	ASR8	Lenovo 5m LC-LC OM3 MMF Cable	16
00MN511	ASR9	Lenovo 10m LC-LC OM3 MMF Cable	16
00MN514	ASRA	Lenovo 15m LC-LC OM3 MMF Cable	16
00MN517	ASRB	Lenovo 25m LC-LC OM3 MMF Cable	16
00MN520	ASRC	Lenovo 30m LC-LC OM3 MMF Cable	16
OM4 cable options for 16/32 Gb FC and 25 GbE SFP28 optical transceivers			
4Z57A10845	B2P9	Lenovo 0.5m LC-LC OM4 MMF Cable	16
4Z57A10846	B2PA	Lenovo 1m LC-LC OM4 MMF Cable	16
4Z57A10847	B2PB	Lenovo 3m LC-LC OM4 MMF Cable	16
4Z57A10848	B2PC	Lenovo 5m LC-LC OM4 MMF Cable	16
4Z57A10849	B2PD	Lenovo 10m LC-LC OM4 MMF Cable	16
4Z57A10850	B2PE	Lenovo 15m LC-LC OM4 MMF Cable	16
4Z57A10851	B2PF	Lenovo 25m LC-LC OM4 MMF Cable	16

Part number	Feature code	Description	Maximum quantity per controller enclosure
4Z57A10852	B2PG	Lenovo 30m LC-LC OM4 MMF Cable	16
UTP Category 6 cables for 1/10 GbE RJ-45 adapter cards and 1 GbE RJ-45 management ports			
00WE123	AVFW	0.75m Green Cat6 Cable	6
00WE127	AVFX	1.0m Green Cat6 Cable	6
00WE131	AVFY	1.25m Green Cat6 Cable	6
00WE135	AVFZ	1.5m Green Cat6 Cable	6
00WE139	AVG0	3m Green Cat6 Cable	6

Expansion enclosures

The ThinkSystem DM5100F supports attachment of one ThinkSystem DM240N 2U24 enclosure. The expansion enclosure can be added to the system non-disruptively.

The following table lists the CTO base models for the ThinkSystem DM Series expansion enclosures.

Table 5. CTO base models for the ThinkSystem DM Series expansion enclosures

Description	Machine Type/Model	Feature code
Lenovo ThinkSystem DM240N 2U24 NVMe Expansion Enclosure (with 2x PSUs)	7Y62CTO1WW	B6W6

Configuration note: Two NVMe I/O expansion modules (feature code B73A) are pre-selected by the configurator.

The models of the ThinkSystem DM240N ship with the following items:

- One chassis with the following components:
 - Two NVMe I/O modules
 - Two power supplies
- Rack Mount Kit
- Publications Flyer
- Two customer-configured power cables
- Four customer-configured 100G QSFP28 Passive DAC cables

The ThinkSystem DM240N expansion enclosure ships with two NVMe I/O expansion modules. Each NVMe I/O expansion module provides two external 100 GbE QSFP28 ports (labeled Ports A and B) that are used for direct-attach connections to the DM5100F enclosure.

The DM5100F controller enclosure supports direct attachment of one DM240N NVMe expansion enclosure for a total of up to 48 NVMe drives. To connect the DM240N, a 100 GbE HIC (4C57A67134) in port 1 is required to be installed in the DM5100F for each controller.

The following table lists ordering information for the NVMe expansion enclosure connectivity options.

Table 6. NVMe expansion enclosure connectivity options

Part number	Feature code	Description	Required quantity
7Z57A03561	AV1Z	Lenovo 1m Passive 100G QSFP28 DAC Cable	4
7Z57A03562	AV20	Lenovo 3m Passive 100G QSFP28 DAC Cable	4
7Z57A03563	AV21	Lenovo 5m Passive 100G QSFP28 DAC Cable	4

Configuration note: Four 100G QSFP28 DAC cables are needed per expansion enclosure for directly connecting the expansion enclosure to the controller enclosure (two from each controller)

Drives

The ThinkSystem DM5100F and DM240N enclosures each support up to 24 SFF hot-swap drives, in packs of 6 drives.

The following table lists supported drive packs for the controller and expansion enclosures.

Configuration notes:

- When ordering the systems, select the drives that match the ONTAP offering and bundle you are installing on the DM controller. Drive feature codes are specific to Unified or SAN Only offerings, and to Base, Fundamentals and Premium bundles. See the [Software](#) section for details.
- Drives are sold in packs. Supported quantities are as follows:
 - The DM5100F 2U24 SFF controller enclosure supports only 12, 18 or 24 SFF drives
 - The DM240N 2U24 SFF expansion enclosure supports only 12, 18 or 24 SFF drives
- For factory-installed drive packs, all drives in the enclosure must be of the same type and capacity

Field upgrades: Drive packs for field upgrades can be ordered via the CTO base 7D4FCTO3WW, ThinkSystem DM Drive Pack Upgrades for DM5100. These are for use in existing expansion enclosures that have not been fully populated with the factory-installed drive packs

The ThinkSystem DM5100F and DM240N enclosures each support up to 24 SFF hot-swap drives, in packs of 6 drives. The following tables list the supported drive options. Note that the feature code varies, based on the software license (Base, Fundamentals or Premium) and the protocol license (Unified or SAN only).

The following table lists supported drive packs for the controller and expansion enclosures.

Configuration notes:

- When ordering the systems, select the drives that match the ONTAP offering and bundle you are installing on the DM controller. Drive feature codes are specific to Unified or SAN Only offerings, and to Base, Fundamentals and Premium bundles. See the [Software](#) section for details.
- Drives are sold in packs. Supported quantities are as follows:
 - The DM5000F 2U24 SFF controller enclosure supports only 12, 18 or 24 SFF drives (4 packs of 6 drives)
 - The DM240N 2U24 SFF expansion enclosure supports only 12, 18 or 24 SFF drives (4 packs of 6 drives)
 - A minimum of 2 drive packs is required.
- For factory-installed drive packs, all drives in the enclosure must be of the same type and capacity

Field upgrades: DM5100F drive packs for field upgrades of the existing expansion enclosures that have not been fully populated with the factory-installed drive packs can be ordered via the CTO base 7D4FCTO3WW, ThinkSystem DM Drive Pack Upgrades for DM5100F.

Table 7. Drive option feature codes

Drive Pack (6 drives each)	Unified			SAN only			Max Qty
	Base*	Funda-mentals†	Premium	Base*	Funda-mentals†	Premium	
Non-SED drives							
Lenovo ThinkSystem 12TB (6x 1.9TB NVMe Non-SED) Drive Pack for DM5100F	BEVZ	BK1Q	BEW2	BKJ2	BKJ5	BKJC	4
Lenovo ThinkSystem 23TB (6x 3.8TB NVMe Non-SED) Drive Pack for DM5100F	BEW0	BK1T	BEW5	BKJ3	BKJ8	BKJF	4
SED drives							
Lenovo ThinkSystem 12TB (6x 1.9TB NVMe SED) Drive Pack for DM5100F	BMSQ	BK1P	BEW1†	BMSS	BKJ4	BKJB†	4
Lenovo ThinkSystem 23TB (6x 3.8TB NVMe SED) Drive Pack for DM5100F	BMSR	BK1R	BEW3†	BMST	BKJ6	BKJD†	4
Lenovo ThinkSystem 46TB (6x 7.6TB NVMe SED) Drive Pack for DM5100F	BM0V	BK1U	BEW6†	BM0T	BKJ9	BKJG†	4
Lenovo ThinkSystem 92TB (6x 15.3TB NVMe SED) Drive Pack for DM5100F	BM11	BK1V	BEW7†	BM0Z	BKJA	BKJH†	4
SED FIPS drives							
Lenovo ThinkSystem 23TB (6x 3.8TB NVMe SED FIPS) Drive Pack for DM5100F	-	BK1S	BEW4†	-	BKJ7	BKJE†	4

* China only

† Available world-wide except China

Configuration notes:

- The DM5100F enclosure supports 12-24 drives in increments of 6 drives, and all drives in the enclosure must be of the same type and capacity.
- The DM240N expansion enclosure supports 6-24 drives in increments of 6 drives, and all drives in the enclosure must be of the same type and capacity.

Software

In this section:

- [Feature bundles](#)
- [ONTAP software versions](#)
- [Upgrading to Unified Premium ONTAP](#)
- [Ansible playbooks for DM Series](#)

ONTAP software unifies data management across flash, disk, and cloud to simplify the Lenovo DM storage environment. It builds the foundation for a Data Fabric, making it easy to move the data where it is needed across flash, disk, and cloud resources.

Feature bundles

Controller software for the DM5100F is available in the following bundles of features:

- SAN Base (China only) (Feature BKKC)
- SAN Premium (Feature BKKE)
- Unified Essentials (China only) (Feature BWU9)
- Unified Complete (Feature BWU8)

The following table summarizes the features in each bundle for the DM5100F.

Table 8. Comparison of software features for the DM5100F

Feature	SAN Base (PRC only)	SAN Premium	Unified Essentials (PRC only)	Unified Complete (WW)
Controller software feature code	BKKC	BKKE	BWU9	BWU8
RAID-4, RAID-DP, and RAID-TEC data protection	Included	Included	Included	Included
SAN (Block access): iSCSI, FC, NVMe/FC	Included	Included	Included	Included
NAS (File access): NFS, CIFS/SMB	No	No	Included	Included
All Flash Array (AFA) capability	Included	Included	Included	Included
Thin provisioning	Included	Included	Included	Included
Compression	Included	Included	Included	Included
Compaction	Included	Included	Included	Included
Deduplication	Included	Included	Included	Included
Snapshots	Included	Included	Included	Included
Encryption*	No	Included*†	No	Included*†
Balanced placement	Included	Included	Included	Included
Dynamic capacity expansion	Included	Included	Included	Included
Adaptive Quality of Service	Included	Included	Included	Included
SnapRestore	Included	Included	Included	Included
FlexClone	Included	Included	Included	Included
FlexVol	Included	Included	Included	Included
FlexCache	No	No	Included	Included
SnapMirror asynchronous replication	No	Included	No	Included
SyncMirror data protection	Included	Included	Included	Included
Trusted Platform Module (TPM) support	No	Included †	No	Included †
MetroCluster IP	Included	Included	Included	Included
NVMe over FC Protocol	Included	Included	Included	Included
NVMe over TCP Protocol	Included	Included	Included	Included
SnapMirror Business Continuity (SMBC)	No	Included	No	Included
SnapMirror synchronous replication	No	Included	No	Included
FlexGroup	No	No	Included	Included
SnapVault disk-based storage backup	No	No	No	Included
SnapCenter	No	Included	No	Included
ONTAP S3	No	No	Included	Included
ONTAP S3 SnapMirror	No	No	No	Included
SnapLock data protection	No	No	No	Included
Multitenant Key Magement	No	No	No	Included
Anti-ransomware Protection	No	No	No	Included
SnapMirror Cloud	No	No	No	Included
FabricPool object storage tiering	Optional	Optional	Optional	Optional

* Requires the encryption version of ONTAP. See the [ONTAP software](#) section

† Not available in PRC

The features are summarized as follows:

- **RAID-4, RAID-DP, and RAID-TEC data protection** : Provides the flexibility to choose the level of data protection required and helps improve performance and availability with built-in spare capacity and by distributing data across all physical drives in the aggregate, sustaining to up to one (RAID-4), two (RAID-DP), or three (RAID-TEC) concurrent drive failures.
- **All Flash Array (AFA) capability** : Meets the demand for higher speed, lower latency storage and provides higher IOPS and bandwidth with lower power usage and total cost of ownership than hybrid or HDD-based solutions.
- **Thin provisioning**: Optimizes efficiency by allocating storage space based on the minimum space required by each application at any given time, so that applications consume only the space they are actually using, not the total space that has been allocated to them, which allows customers to purchase storage they need today and add more as application requirements grow.
- **Compression**: Provides transparent inline and post-process data compression to reduce the amount of storage that customers need to purchase and manage.
- **Compaction**: enhances compression to further reduce the amount of storage that customers need to purchase and manage.
- **Deduplication**: Performs general-purpose deduplication for removal of redundant data to reduce the amount of storage that customers need to purchase and manage.
- **Snapshots**: Enables creation of read-only copies of data for backup, parallel processing, testing, and development, and have the copies available almost immediately.
- **Encryption**: Provides software-based encryption for data at rest for enhanced data security with the traditional drives and embedded key management (requires the encryption-capable version of the ONTAP software).
- **Balanced placement**: Provides automated workload distribution across the cluster to help increase utilization and performance.
- **Dynamic capacity expansion**: Allows the capacity of a volume or aggregate to be expanded by adding new physical drives.
- **Adaptive Quality of Service**: Simplifies operations and maintains consistent workload performance by defining QoS policies and automatically adjusting storage resources to respond to workload changes.
- **SnapRestore**: Enables quick recovery of data by reverting a local volume or file to its previous state from a particular snapshot copy stored on the file system.
- **FlexClone**: References snapshot metadata to create writable point-in-time copies of a volume.
- **FlexVol**: Provides abstraction layer between the logical volume and its physical location in the storage array.
- **FlexCache**: Speeds up access to data and offloads traffic from heavily accessed volumes for read-intensive workloads by placing frequently used data in cache locally or remotely (closer to the point of client access) and serving the data to the clients directly from cache without accessing the data source.
- **SnapMirror asynchronous replication**: Provides storage system-based data replication between the storage systems containing source (local) and destination (remote) volumes by using asynchronous (at specified regular intervals) data transfers over IP communication links.
- **SyncMirror data protection**: Adds extra level of data protection and availability by mirroring a pair of RAID aggregates.
- **Trusted Platform Module (TPM)**: For encryption enabled systems. The encryption keys for the onboard key manager (OKM) are no longer stored in the boot device, but instead are stored in the

physical TPM for systems so equipped, offering greater security and protection. Moving to the TPM is a nondisruptive process.

- **MetroCluster IP:** Provides storage system-based clustering with online, real-time data mirroring between the local and remote sites by using synchronous data transfers over IP communication links to deliver continuous availability with zero RPO and near-zero RTO. All storage systems in a MetroCluster IP configuration must be of the same model. New to ONTAP 9.11: MetroCluster with Storage Virtual Machine Disaster Recovery (SVM-DR) can now use a third site for the SVM-DR
- **NVMe over FC Protocol:** Enables NVMe over FC
- **NVMe over TCP Protocol:** Enables NVMe over TCP
- **Data Protection Optimized (DPO):** Increases the amount of concurrent SnapMirror sessions per node, as well as improving SnapMirror performance to the cluster.
- **SnapMirror Business Continuity (SMBC):** Non-disruptive failover active-active cross site clusters. Based on existing SnapMirror Synchronous Replication. Offers Zero data loss, zero downtime. You do not have to failover the application. If there is a failure the application will continue to run and there will be no need to restart.
- **SnapMirror synchronous replication:** Provides storage system-based data replication between the storage systems containing source (local) and destination (remote) volumes by using synchronous (as soon as the data is written to the source volume)
- **FlexGroup:** Enables a single volume to span across multiple clustered storage arrays to maximize storage capacity and automate load distribution. New to ONTAP 9.11: FlexGroups can now be created as SnapLock volumes.
- **SnapVault disk-based storage backup:** Enables data stored on multiple systems to be backed up to a central, secondary system quickly and efficiently as read-only snapshot copies.
- **SnapCenter:** Provides application- and virtual machine-aware backup and restoration of data by using the Snapshots technology and leverages the SnapMirror capabilities of storage systems to provide onsite or offsite backup set mirroring for disaster recovery.
- **ONTAP S3:** Expands the DM Series unified story and allows customers to manage, block, file, and object data from one interface. Customers can now natively store data in S3 buckets onboard the DM Series.
- **ONTAP S3 SnapMirror :** Enables you to protect buckets in ONTAP S3 object stores using familiar SnapMirror mirroring and backup functionality. Requires ONTAP 9.11 or later on both source and destination clusters. Requires the Unified Premium Bundle.
- **SnapMirror Cloud:** A backup and recovery technology designed for ONTAP users who want to transition their data protection workflows to the cloud. SnapMirror Cloud is an extension to the family of SnapMirror replication technologies. While SnapMirror is frequently used for ONTAP-to-ONTAP backups, SnapMirror Cloud uses the same replication engine to transfer Snapshot copies for ONTAP to S3-compliant object storage backups.
- **Multitenant Key Management (MTKM):** Provides the ability for individual tenants or storage virtual machines (SVMs) to maintain their own keys through KMIP for NVE. With multitenant external key management, you can centralize your organization's key management functions by department or tenant while inherently confirming that keys are not stored near the assets. This approach decreases the possibility of compromise.
- **Anti-ransomware:** Uses workload analysis in NAS (NFS and SMB) environments to proactively detect and warn about abnormal activity that might indicate a ransomware attack. When an attack is suspected, anti-ransomware also creates new Snapshot backups, in addition to existing protection from scheduled Snapshot copies. New to ONTAP 9.11: Optional multi-admin verification to approve administration functions that could result in data loss.
- **FabricPool:** FabricPool is a hybrid storage solution that uses an all flash (all SSD) aggregate as the performance tier and an object store as the external capacity tier. Data in a FabricPool is stored in a tier based on whether it is frequently accessed or not. Using a FabricPool helps you reduce storage

cost without compromising performance, efficiency, or protection.

- No license is required when tiering to StorageGRID or ONTAP S3.
- **SnapLock data protection:** Creates Write-Once-Read-Many (WORM) non-rewritable, non-erasable data on hard disk drives to prevent files from being altered or deleted until a predetermined or default retention date.

ONTAP software versions

The following table lists the software selection options for the DM5100F. The table also indicates which markets each version is available in.

Table 9. Software selection

Feature code	Description	Availability
ONTAP 9.12		
BX90	Lenovo ThinkSystem Storage ONTAP 9.12 Software Encryption - IPAv2	All markets
BX91	Lenovo ThinkSystem Storage ONTAP 9.12 Software NonEncryption - IPAv2	All markets
ONTAP 9.13		
BWUA	Lenovo ThinkSystem Storage ONTAP 9.13 Software Encryption - IPAv2	All markets
BWUB	Lenovo ThinkSystem Storage ONTAP 9.13 Software NonEncryption - IPAv2	All markets
ONTAP 9.14		
C0S6	Lenovo ThinkSystem Storage ONTAP 9.14 Software Encryption - IPAv2	All markets
C0S7	Lenovo ThinkSystem Storage ONTAP 9.14 Software NonEncryption - IPAv2	All markets

Software maintenance is included in the DM5100F warranty and support (see [Warranty and support](#) for details).

Upgrading to Unified Premium ONTAP

To upgrade your existing ONTAP installation to Unified Premium ONTAP, use DCSC to specify the storage you already have installed, since the upgrade license is based on your existing configuration.
<https://dcsc.lenovo.com/#/configuration/cto/7D4FCTO2WW?hardwareType=storage>

The software license for field upgrades is ordered via the CTO base 7D4FCTO2WW, as listed in the following table.

Table 11. Feature codes for ONTAP upgrades (MTM 7D4FCTO2WW)

Feature code	Description
BNDK	Unified Fundamental to Unified Premium ONTAP Upgrade Selection
BNDJ	All SAN Premium to Unified Premium ONTAP Upgrade Selection
BNDH	All SAN Fundamental to Unified Premium ONTAP Upgrade Selection
BNKP	All SAN Base to Unified Premium CFC Selection (PRC only)
BNKN	Unified Base to Unified Premium CFC Selection (PRC only)

Ansible playbooks for DM Series

Ansible Playbooks give customers the ability to quickly deploy and use DM Series storage systems using a standard open source deployment tool. Each playbook executes a set of tasks to achieve a configuration/provisioning goal.

Lenovo has created playbooks that can be used with DM Series storage systems to help with:

- Provisioning
- Configuring

To access the Ansible Playbooks for Lenovo ThinkSystem DM Series storage systems, go to the following page:

<https://github.com/lenovo/ansible-dm-series-ontap>

Management

The ThinkSystem DM5100F supports the following management interfaces:

- Lenovo ThinkSystem Storage Manager, a web-based interface via HTTPS for single-system management or centralized management of the cluster of systems, that runs on the storage system itself and requires only a supported browser (Microsoft Internet Explorer, Google Chrome, or Mozilla Firefox), so there is no need for a separate console or plug-in.
- Command line interface (CLI) via SSH or through serial console.
- Syslog, SNMP, and e-mail notifications.
- Optional Lenovo XClarity for discovery, inventory, monitoring, and alerts.

Power supplies and cables

The ThinkSystem DM5100 and DM240N 2U24 SFF enclosures ship with two redundant hot-swap 1600 W (200-240 V) Platinum AC power supplies, each with an IEC 320-C14 connector.

Each ThinkSystem DM Series enclosure requires the selection of two power cables.

Note: A 110V power source is supported; however, the system is limited to a single IO card per controller when using 110V power

Rack installation

The individually shipped ThinkSystem DM5100F and DM240N enclosures come with the ThinkSystem Storage Rack Mount Kit 2U24/4U60 listed in the following table.

Table 12. 4-post rack mount kit

Feature code	Description	Quantity
B6Y6	Lenovo ThinkSystem NVMe Rail Kit 4 post	1

When the ThinkSystem DM Series enclosures are factory-integrated and shipped installed in a rack cabinet, the rack mount kits that support Ship-in-Rack (SIR) capabilities are derived by the configurator. The SIR-capable rack mount kits are listed in the following table.

Table 13. 4-post SIR rack mount kits

Feature code	Description	Quantity
B6Y7	ThinkSystem NVMe Adjustable Rail Kit	1

The following table summarizes the rack mount kit features and specifications.

Table 14. Rack mount kit features and specifications summary

Attribute	Screw-in fixed rail with adjustable depth	
	2U24	2U24 SIR
Feature code	B38Y	B6TH
Enclosure support	DM5100F, DM240N	DM5100F, DM240N
Rail type	Fixed (static) with adjustable depth	Fixed (static) with adjustable depth
Tool-less installation	No	No
In-rack maintenance	Yes*	Yes*
Ship-in-rack (SIR) support	No	Yes
1U PDU support	Yes	Yes
0U PDU support	Limited**	Limited**
Rack type	IBM or Lenovo 4-post, IEC standard-compliant	IBM or Lenovo 4-post, IEC standard-compliant
Mounting holes	Square or round	Square or round
Mounting flange thickness	2.0 - 3.3 mm (0.08 - 0.13 in.)	2.0 - 3.3 mm (0.08 - 0.13 in.)
Distance between front and rear mounting flanges [^]	605 - 813 mm (23.8 - 32 in.)	605 - 813 mm (23.8 - 32 in.)

* The majority of the enclosure components can be serviced from the front or rear of the enclosure, which does not require the removal of the enclosure from the rack cabinet.

** If a 0U PDU is used, the rack cabinet must be at least 1000 mm (39.37 in.) deep for 2U24 enclosures.

[^] Measured when mounted on the rack, from the front surface of the front mounting flange to the rear most point of the rail.

Physical specifications

The ThinkSystem DM5100F controller enclosure has the following dimensions and weight:

- Height: 87 mm (3.4 in.)
- Width with flange: 483 mm (19 in.)
- Width without flange: 447 mm (17.6 in.)
- Depth: 543 mm (21.4 in.)
- Weight (fully configured): 24.6 kg (54.3 lb)

The ThinkSystem DM240N 2U24 SFF enclosure has the following dimensions and weight:

- Height: 87 mm (3.4 in.)
- Width with flange: 483 mm (19 in.)
- Width without flange: 447 mm (17.6 in.)
- Depth: 543 mm (21.4 in.)
- Weight (fully configured): 30.2 kg (66.6 lb)

Operating environment

The ThinkSystem DM5100F and DM240N 2U24 SFF enclosures are supported in the following environment:

- Air temperature:
 - Operating: 10 to 35 °C (50 to 95 °F)
 - Non-operating: -40 °C to +70 °C (-40 °F to 158 °F)
 - Maximum altitude: 3050 m (10,000 ft)
- Relative humidity:
 - Operating: 8% to 80% (non-condensing)
 - Non-operating: 10% to 95% (non-condensing)
- Electrical power:
 - DM5100F:
 - 200 to 240 (nominal) V AC; 50 Hz or 60 Hz; 5.40 A
 - Power load = 1079W (maximum), 826.9W (typical)
 - DM240N:
 - 100 to 127 (nominal) V AC; 50 Hz or 60 Hz; 4.11 A
 - 200 to 240 (nominal) V AC; 50 Hz or 60 Hz; 2.05 A
 - Maximum system power load: 390 W
- Heat dissipation:
 - DM5100F: 3682.79 BTU/Hr (maximum), 2822.13 BUT/Hr (typical)
 - DM240N: 1331 BTU/hour
- Acoustical noise emission:
 - DM5100F: 7.2 bels
 - DM240N: 6.4 bels

Warranty and support

The DM5100F and expansion enclosure have a 3-year warranty based on the machine type of the system:

- DM5100F controller enclosure: 7D3K (3-year warranty)
- DM240N expansion enclosure: 7Y62 (3-year warranty)

The standard warranty terms are customer-replaceable unit (CRU) and onsite (for field-replaceable units FRUs only) with standard call center support during normal business hours and 9x5 Next Business Day Parts Delivered.

Lenovo's additional support services provide a sophisticated, unified support structure for your data center, with an experience consistently ranked number one in customer satisfaction worldwide. Available offerings include:

- **Premier Support**

Premier Support provides a Lenovo-owned customer experience and delivers direct access to technicians skilled in hardware, software, and advanced troubleshooting, in addition to the following:

- Direct technician-to-technician access through a dedicated phone line
- 24x7x365 remote support
- Single point of contact service
- End to end case management
- Third-party collaborative software support
- Online case tools and live chat support
- On-demand remote system analysis

- **Warranty Upgrade (Preconfigured Support)**

Services are available to meet the on-site response time targets that match the criticality of your systems.

- 3, 4, or 5 years of service coverage
- 1-year or 2-year post-warranty extensions
- **Foundation Service:** 9x5 service coverage with next business day onsite response. YourDrive YourData is an optional extra (see below).
- **Essential Service:** 24x7 service coverage with 4-hour onsite response or 24-hour committed repair (available only in select markets). Bundled with YourDrive YourData.
- **Advanced Service:** 24x7 service coverage with 2-hour onsite response or 6-hour committed repair (available only in select markets). Bundled with YourDrive YourData.

- **Managed Services**

Lenovo Managed Services provides continuous 24x7 remote monitoring (plus 24x7 call center availability) and proactive management of your data center using state-of-the-art tools, systems, and practices by a team of highly skilled and experienced Lenovo services professionals.

Quarterly reviews check error logs, verify firmware & OS device driver levels, and software as needed. We'll also maintain records of latest patches, critical updates, and firmware levels, to ensure you systems are providing business value through optimized performance.

- **Technical Account Management (TAM)**

A Lenovo Technical Account Manager helps you optimize the operation of your data center based on a deep understanding of your business. You gain direct access to your Lenovo TAM, who serves as your single point of contact to expedite service requests, provide status updates, and furnish reports to track incidents over time. In addition, your TAM will help proactively make service recommendations and manage your service relationship with Lenovo to make certain your needs are met.

- **Enterprise Server Software Support**

Enterprise Software Support is an additional support service providing customers with software support on Microsoft, Red Hat, SUSE, and VMware applications and systems. Around the clock availability for critical problems plus unlimited calls and incidents helps customers address challenges fast, without incremental costs. Support staff can answer troubleshooting and diagnostic questions, address product comparability and interoperability issues, isolate causes of problems, report defects to software vendors, and more.

- **YourDrive YourData**

Lenovo's YourDrive YourData is a multi-drive retention offering that ensures your data is always under your control, regardless of the number of drives that are installed in your Lenovo server. In the unlikely event of a drive failure, you retain possession of your drive while Lenovo replaces the failed drive part. Your data stays safely on your premises, in your hands. The YourDrive YourData service can be purchased in convenient bundles and is optional with Foundation Service. It is bundled with Essential Service and Advanced Service.

- **Health Check**

Having a trusted partner who can perform regular and detailed health checks is central to maintaining efficiency and ensuring that your systems and business are always running at their best. Health Check supports Lenovo-branded server, storage, and networking devices, as well as select Lenovo-supported products from other vendors that are sold by Lenovo or a Lenovo-Authorized Reseller.

Examples of region-specific warranty terms are second or longer business day parts delivery or parts-only base warranty.

If warranty terms and conditions include onsite labor for repair or replacement of parts, Lenovo will dispatch a service technician to the customer site to perform the replacement. Onsite labor under base warranty is limited to labor for replacement of parts that have been determined to be field-replaceable units (FRUs). Parts that are determined to be customer-replaceable units (CRUs) do not include onsite labor under base warranty.

If warranty terms include parts-only base warranty, Lenovo is responsible for delivering only replacement parts that are under base warranty (including FRUs) that will be sent to a requested location for self-service. Parts-only service does not include a service technician being dispatched onsite. Parts must be changed at customer's own cost and labor and defective parts must be returned following the instructions supplied with the spare parts.

Lenovo Service offerings are region-specific. Not all preconfigured support and upgrade options are available in every region. For information about Lenovo service upgrade offerings that are available in your region, refer to the following resources:

- Service part numbers in Lenovo Data Center Solution Configurator (DCSC):
<http://dcsc.lenovo.com/#/services>
- Lenovo Services Availability Locator
<http://lenovolocator.com/>

For service definitions, region-specific details, and service limitations, please refer to the following documents:

- Lenovo Statement of Limited Warranty for Infrastructure Solutions Group (ISG) Servers and System Storage
<http://pcsupport.lenovo.com/us/en/solutions/ht503310>
- Lenovo Data Center Services Agreement
<http://support.lenovo.com/us/en/solutions/ht116628>

Services

Lenovo Services is a dedicated partner to your success. Our goal is to reduce your capital outlays, mitigate your IT risks, and accelerate your time to productivity.

Note: Some service options may not be available in all markets or regions. For more information, go to <https://www.lenovo.com/services>. For information about Lenovo service upgrade offerings that are available in your region, contact your local Lenovo sales representative or business partner.

Here's a more in-depth look at what we can do for you:

- **Asset Recovery Services**

Asset Recovery Services (ARS) helps customers recover the maximum value from their end-of-life equipment in a cost-effective and secure way. On top of simplifying the transition from old to new equipment, ARS mitigates environmental and data security risks associated with data center equipment disposal. Lenovo ARS is a cash-back solution for equipment based on its remaining market value, yielding maximum value from aging assets and lowering total cost of ownership for your customers. For more information, see the ARS page, <https://lenovopress.com/lp1266-reduce-e-waste-and-grow-your-bottom-line-with-lenovo-ars>.

- **Assessment Services**

An Assessment helps solve your IT challenges through an onsite, multi-day session with a Lenovo technology expert. We perform a tools-based assessment which provides a comprehensive and thorough review of a company's environment and technology systems. In addition to the technology based functional requirements, the consultant also discusses and records the non-functional business requirements, challenges, and constraints. Assessments help organizations like yours, no matter how large or small, get a better return on your IT investment and overcome challenges in the ever-changing technology landscape.

- **Design Services**

Professional Services consultants perform infrastructure design and implementation planning to support your strategy. The high-level architectures provided by the assessment service are turned into low level designs and wiring diagrams, which are reviewed and approved prior to implementation. The implementation plan will demonstrate an outcome-based proposal to provide business capabilities through infrastructure with a risk-mitigated project plan.

- **Basic Hardware Installation**

Lenovo experts can seamlessly manage the physical installation of your server, storage, or networking hardware. Working at a time convenient for you (business hours or off shift), the technician will unpack and inspect the systems on your site, install options, mount in a rack cabinet, connect to power and network, check and update firmware to the latest levels, verify operation, and dispose of the packaging, allowing your team to focus on other priorities.

- **Deployment Services**

When investing in new IT infrastructures, you need to ensure your business will see quick time to value with little to no disruption. Lenovo deployments are designed by development and engineering teams who know our Products & Solutions better than anyone else, and our technicians own the process from delivery to completion. Lenovo will conduct remote preparation and planning, configure & integrate systems, validate systems, verify and update appliance firmware, train on administrative tasks, and provide post-deployment documentation. Customer's IT teams leverage our skills to enable IT staff to transform with higher level roles and tasks.

- **Integration, Migration, and Expansion Services**

Move existing physical & virtual workloads easily, or determine technical requirements to support increased workloads while maximizing performance. Includes tuning, validation, and documenting ongoing run processes. Leverage migration assessment planning documents to perform necessary migrations.

Regulatory compliance

The ThinkSystem DM Series enclosures conform to the following regulations:

- United States: FCC Part 15, Class A; UL 60950-1
- Canada: ICES-003, Class A; CAN/CSA-C22.2 60950-1
- Mexico NOM
- European Union: CE Mark (EN55032 Class A, EN55024, IEC/EN60950-1); ROHS Directive 2011/65/EU
- Russia, Kazakhstan, Belarus: EAC
- China: CCC GB 4943.1, GB 17625.1, GB 9254 Class A; CELP; CECP
- Japan: VCCI, Class A
- Taiwan: BSMI CNS 13438, Class A; CNS 14336-1
- Korea KN32/35, Class A
- Australia/New Zealand: AS/NZS CISPR 22 Class A

Interoperability

Lenovo provides end-to-end storage compatibility testing to deliver interoperability throughout the network. The ThinkSystem DM5100F Unified Flash Storage Array supports attachment to Lenovo servers by using NVMe over Fibre Channel (NVMe/FC), NAS (NFS and CIFS/SMB), iSCSI, and Fibre Channel storage connectivity.

For end-to-end storage configuration support, refer to the Lenovo Storage Interoperation Center (LSIC): <https://datacentersupport.lenovo.com/us/en/lxic>

Use the LSIC to select the known components of your configuration and then get a list all other supported combinations, with details about supported hardware, firmware, operating systems, and drivers, plus any additional configuration notes. View results on screen or export them to Excel.

Cluster interconnect

The following table lists the Ethernet storage switch that can be used with the ThinkSystem DM5100F All Flash Storage Array for cluster interconnect and MetroCluster IP configurations.

Table 15. Ethernet storage switch

Description	Part number
BES-53248 Ethernet Storage Switch: 16x SFP ports and 2x QSFP ports active, 2 PS (CTO only)	7D2SCTO1WW

For more information, see the BES-53248 Ethernet Storage Switch for Lenovo Product Guide:

<http://lenovopress.com/lp1226>

Fibre Channel SAN switches

Lenovo offers the ThinkSystem DB Series of Fibre Channel SAN switches for high-performance storage expansion. See the DB Series product guides for models and configuration options:

- ThinkSystem DB Series SAN Switches:
<https://lenovopress.com/storage/switches/rack#rt=product-guide>

Rack cabinets

The following table lists the supported rack cabinets.

Table 16. Rack cabinets

Part number	Description
93072RX	25U Standard Rack (1000mm)
93072PX	25U Static S2 Standard Rack (1000mm)
7D6DA007WW	ThinkSystem 42U Onyx Primary Heavy Duty Rack Cabinet (1200mm)
7D6DA008WW	ThinkSystem 42U Pearl Primary Heavy Duty Rack Cabinet (1200mm)
1410-O42	Lenovo EveryScale 42U Onyx Heavy Duty Rack Cabinet
1410-P42	Lenovo EveryScale 42U Pearl Heavy Duty Rack Cabinet
93604PX	42U 1200mm Deep Dynamic Rack
93614PX	42U 1200mm Deep Static Rack
93634PX	42U 1100mm Dynamic Rack
93634EX	42U 1100mm Dynamic Expansion Rack
93074RX	42U Standard Rack (1000mm)
7D6EA009WW	ThinkSystem 48U Onyx Primary Heavy Duty Rack Cabinet (1200mm)
7D6EA00AWW	ThinkSystem 48U Pearl Primary Heavy Duty Rack Cabinet (1200mm)
1410-O48	Lenovo EveryScale 48U Onyx Heavy Duty Rack Cabinet
1410-P48	Lenovo EveryScale 48U Pearl Heavy Duty Rack Cabinet

For specifications about these racks, see the Lenovo Rack Cabinet Reference, available from:

<https://lenovopress.com/lp1287-lenovo-rack-cabinet-reference>

For more information, see the list of Product Guides in the Rack cabinets category:

<https://lenovopress.com/servers/options/racks>

Power distribution units

The following table lists the power distribution units (PDUs) that are offered by Lenovo.

Table 17. Power distribution units

Part number	Feature code	Description	ANZ	ASEAN	Brazil	EET	MEA	RUCIS	WE	HTK	INDIA	JAPAN	LA	NA	PRC
0U Basic PDUs															
00YJ776	ATZY	0U 36 C13/6 C19 24A 1 Phase PDU	N	Y	Y	N	N	N	N	N	N	Y	Y	Y	N
0U Switched and Monitored PDUs															
00YJ783	AU04	0U 12 C13/12 C19 Switched and Monitored 48A 3 Phase PDU	N	N	Y	N	N	N	Y	N	N	Y	Y	Y	N
00YJ781	AU03	0U 20 C13/4 C19 Switched and Monitored 24A 1 Phase PDU	N	N	Y	N	Y	N	Y	N	N	Y	Y	Y	N
1U Switched and Monitored PDUs															
4PU7A81117	BNDV	1U 18 C19/C13 switched and monitored 48A 3P WYE PDU - ETL	N	N	N	N	N	N	N	N	N	N	N	Y	N
4PU7A77467	BLC4	1U 18 C19/C13 Switched and Monitored 80A 3P Delta PDU	N	N	N	N	N	N	N	N	N	Y	N	Y	N
4PU7A77469	BLC6	1U 12 C19/C13 switched and monitored 60A 3P Delta PDU	N	N	N	N	N	N	N	N	N	N	N	Y	N
4PU7A77468	BLC5	1U 12 C19/C13 switched and monitored 32A 3P WYE PDU	Y	Y	Y	Y	Y	Y	Y	Y	Y	N	Y	Y	Y
4PU7A81118	BNDW	1U 18 C19/C13 switched and monitored 48A 3P WYE PDU - CE	Y	Y	Y	Y	Y	Y	Y	Y	Y	N	Y	N	Y
1U Ultra Density Enterprise PDUs (9x IEC 320 C13 + 3x IEC 320 C19 outlets)															
71763NU	6051	Ultra Density Enterprise C19/C13 PDU 60A/208V/3PH	N	N	Y	N	N	N	N	N	N	Y	Y	Y	N
71762NX	6091	Ultra Density Enterprise C19/C13 PDU Module	Y	Y	Y	Y	Y	Y	Y	Y	Y	Y	Y	Y	Y
1U C13 Enterprise PDUs (12x IEC 320 C13 outlets)															
39Y8941	6010	DPI C13 Enterprise PDU Module (WW)	Y	Y	Y	Y	Y	Y	Y	Y	Y	Y	Y	Y	Y
1U Front-end PDUs (3x IEC 320 C19 outlets)															
39Y8939	6003	DPI Single-phase 30A/208V Front-end PDU (US)	Y	Y	Y	Y	Y	Y	Y	Y	Y	Y	Y	Y	Y
39Y8934	6005	DPI Single-phase 32A/230V Front-end PDU (International)	Y	Y	Y	Y	Y	Y	Y	Y	Y	Y	Y	Y	Y
39Y8940	6004	DPI Single-phase 60A/208V Front-end PDU (US)	Y	N	Y	Y	Y	Y	Y	N	N	Y	Y	Y	N
39Y8935	6006	DPI Single-phase 63A/230V Front-end PDU (International)	Y	Y	Y	Y	Y	Y	Y	Y	Y	Y	Y	Y	Y
Line cords for 1U PDUs that ship without a line cord															
40K9611	6504	4.3m, 32A/380-415V, EPDU/IEC 309 3P+N+G 3ph wye (non-US) Line Cord	Y	Y	Y	Y	Y	Y	Y	Y	Y	Y	Y	Y	Y
40K9612	6502	4.3m, 32A/230V, EPDU to IEC 309 P+N+G (non-US) Line Cord	Y	Y	Y	Y	Y	Y	Y	Y	Y	Y	Y	Y	Y

Part number	Feature code	Description	ANZ	ASEAN	Brazil	EET	MEA	RUCIS	WE	HTK	INDIA	JAPAN	LA	NA	PRC
40K9613	6503	4.3m, 63A/230V, EPDU to IEC 309 P+N+G (non-US) Line Cord	Y	Y	Y	Y	Y	Y	Y	Y	Y	Y	Y	Y	Y
40K9614	6500	4.3m, 30A/208V, EPDU to NEMA L6-30P (US) Line Cord	Y	Y	Y	Y	Y	Y	Y	Y	Y	Y	Y	Y	Y
40K9615	6501	4.3m, 60A/208V, EPDU to IEC 309 2P+G (US) Line Cord	N	N	Y	N	N	N	Y	N	N	Y	Y	Y	N
40K9617	6505	4.3m, 32A/230V, Souriau UTG Female to AS/NZ 3112 (Aus/NZ) Line Cord	Y	Y	Y	Y	Y	Y	Y	Y	Y	Y	Y	Y	Y
40K9618	6506	4.3m, 32A/250V, Souriau UTG Female to KSC 8305 (S. Korea) Line Cord	Y	Y	Y	Y	Y	Y	Y	Y	Y	Y	Y	Y	Y

For more information, see the Lenovo Press documents in the PDU category:
<https://lenovopress.com/servers/options/pdu>

Uninterruptible power supply units

The following table lists the uninterruptible power supply (UPS) units that are offered by Lenovo.

Table 18. Uninterruptible power supply units

Part number	Description
55941KX	RT1.5kVA 2U Rack or Tower UPS (200-240VAC)
55942KX	RT2.2kVA 2U Rack or Tower UPS (200-240VAC)
55943KX	RT3kVA 2U Rack or Tower UPS (200-240VAC)
55945KX	RT5kVA 3U Rack or Tower UPS (200-240VAC)
55946KX	RT6kVA 3U Rack or Tower UPS (200-240VAC)
55948KX	RT8kVA 6U Rack or Tower UPS (200-240VAC)
55949KX	RT11kVA 6U Rack or Tower UPS (200-240VAC)
55948PX	RT8kVA 6U 3:1 Phase Rack or Tower UPS (380-415VAC)
55949PX	RT11kVA 6U 3:1 Phase Rack or Tower UPS (380-415VAC)
55943KT†	ThinkSystem RT3kVA 2U Standard UPS (200-230VAC) (2x C13 10A, 2x GB 10A, 1x C19 16A outlets)
55943LT†	ThinkSystem RT3kVA 2U Long Backup UPS (200-230VAC) (2x C13 10A, 2x GB 10A, 1x C19 16A outlets)
55946KT†	ThinkSystem RT6kVA 5U UPS (200-230VAC) (2x C13 10A outlets, 1x Terminal Block output)
5594XKT†	ThinkSystem RT10kVA 5U UPS (200-230VAC) (2x C13 10A outlets, 1x Terminal Block output)

† Only available in China and the Asia Pacific market.

For more information, see the list of Product Guides in the UPS category:
<https://lenovopress.com/servers/options/ups>

Lenovo Financial Services

Lenovo Financial Services reinforces Lenovo's commitment to deliver pioneering products and services that are recognized for their quality, excellence, and trustworthiness. Lenovo Financial Services offers financing solutions and services that complement your technology solution anywhere in the world.

We are dedicated to delivering a positive finance experience for customers like you who want to maximize your purchase power by obtaining the technology you need today, protect against technology obsolescence, and preserve your capital for other uses.

We work with businesses, non-profit organizations, governments and educational institutions to finance their entire technology solution. We focus on making it easy to do business with us. Our highly experienced team of finance professionals operates in a work culture that emphasizes the importance of providing outstanding customer service. Our systems, processes and flexible policies support our goal of providing customers with a positive experience.

We finance your entire solution. Unlike others, we allow you to bundle everything you need from hardware and software to service contracts, installation costs, training fees, and sales tax. If you decide weeks or months later to add to your solution, we can consolidate everything into a single invoice.

Our Premier Client services provide large accounts with special handling services to ensure these complex transactions are serviced properly. As a premier client, you have a dedicated finance specialist who manages your account through its life, from first invoice through asset return or purchase. This specialist develops an in-depth understanding of your invoice and payment requirements. For you, this dedication provides a high-quality, easy, and positive financing experience.

For your region-specific offers, please ask your Lenovo sales representative or your technology provider about the use of Lenovo Financial Services. For more information, see the following Lenovo website:

<https://www.lenovo.com/us/en/landingpage/lenovo-financial-services/>

Seller training courses

The following sales training courses are offered for employees and partners (login required). Courses are listed in date order.

1. **Lenovo Data Center Product Portfolio**
2024-04-22 | 20 minutes | Employees and Partners

This course introduces the Lenovo data center portfolio, and covers servers, storage, storage networking, and software-defined infrastructure products. After completing this course about Lenovo data center products, you will be able to identify product types within each data center family, describe Lenovo innovations that this product family or category uses, and recognize when a specific product should be selected.

Published: 2024-04-22

Length: 20 minutes

Employee link: Grow@Lenovo

Partner link: [Lenovo Partner Learning](#)

Course code: SXXW1110r7

2. **VTT Data Management How to sell storage - April 2024**

2024-04-10 | 60 minutes | Employees Only

In this course, you will know:

- Why do we sell storage?
- What are the basics you need to get an opportunity rolling?
- Why Lenovo for Storage?
- What is happening in the market today?
- How to determine traction?

Published: 2024-04-10

Length: 60 minutes

Employee link: [Grow@Lenovo](#)

Course code: DVDAT209

3. **Lenovo Data Backup and Recovery Solution Overview**

2024-03-25 | 40 minutes | Employees and Partners

The goal of this course is to give Lenovo sellers and business partners an overview of the Data Backup and Recovery solution. This course includes general information about backup, archive, disaster, nomenclature and key terms for back and recovery, and Lenovo features and alliance partners software.

Published: 2024-03-25

Length: 40 minutes

Employee link: [Grow@Lenovo](#)

Partner link: [Lenovo Partner Learning](#)

Course code: DSOLO200

4. **ONTAP Technical Positioning**

2024-03-14 | 45 minutes | Employees and Partners

This course focuses on enabling you to interpret the technical market trends and challenges that ONTAP customers face. You also learn to ask qualifying questions that identify which industries, companies, and customer contacts are appropriate targets for ONTAP software. Module two covers explaining ONTAP features and functionality and enabling you to strengthen ONTAP marketing claims with technical details.

Learning Objectives:

- Interpret the technical market trends and challenges that ONTAP customers face
- Ask qualifying questions that identify which industries, companies, and customer contacts are appropriate targets for ONTAP software
- Explain ONTAP features and functionality
- Strengthen ONTAP marketing claims with technical details

Published: 2024-03-14

Length: 45 minutes

Employee link: [Grow@Lenovo](#)

Partner link: [Lenovo Partner Learning](#)

Course code: DDMT200r2

5. **Data management Overview**

2024-03-14 | 25 minutes | Employees and Partners

After completing this course you will be able to:

1. Know more about the data management trends and challenges
2. Understand the data management portfolio
3. Find out how data drives business value

Published: 2024-03-14

Length: 25 minutes

Employee link: [Grow@Lenovo](#)

Partner link: [Lenovo Partner Learning](#)

Course code: DSTOO201

6. **VTT ONTAP 9.14.1 and Bundle Change Update - February 2024**

2024-03-07 | 25 minutes | Employees Only

In this course, you will know more about:

- The new Features of ONTAP 9.14.1 update
- ONTAP Bundle Update

Published: 2024-03-07

Length: 25 minutes

Employee link: [Grow@Lenovo](#)

Course code: DVDAT207

7. **Selling ONTAP**

2024-03-06 | 22 minutes | Employees and Partners

In this course, you learn how ONTAP software helps your customers simplify data management, access and protect their data across clouds, and future-proof their environments.

Learning objectives:

- Explain the value of ONTAP data-management software
- Describe the features and benefits of ONTAP 9 software
- Effectively position ONTAP software to your customers

Published: 2024-03-06

Length: 22 minutes

Employee link: [Grow@Lenovo](#)

Partner link: [Lenovo Partner Learning](#)

Course code: DDMO102

8. **Family Portfolio: Storage**

2024-02-02 | 15 minutes | Employees and Partners

This course covers products in the Lenovo storage portfolio, from storage servers to direct-access storage through storage systems.

After completing this course about the Storage family, the learner will be able to identify products within the family, describe the features of this product family, and recognize when a specific product should be selected.

Published: 2024-02-02

Length: 15 minutes

Employee link: [Grow@Lenovo](#)

Partner link: [Lenovo Partner Learning](#)

Course code: SXSX1201r16

9. **Competing with ONTAP Fundamentals**

2024-02-01 | 16 minutes | Employees and Partners

Competing with ONTAP Fundamentals is intended to help sellers and partners be able to discuss the ONTAP Fundamentals license and how to position DM Series Storage with ONTAP Fundamentals versus competition.

Objectives:

Identify How to Position DM Series Storage with ONTAP Fundamentals Vs. Competition
Discuss the ONTAP Fundamentals License

Published: 2024-02-01

Length: 16 minutes

Employee link: [Grow@Lenovo](#)

Partner link: [Lenovo Partner Learning](#)

Course code: DSTOC100

10. **VTT ONTAP 9.13.1 and Bundle Change Update - November 2023**

2023-11-14 | 60 minutes | Employees Only

In this course, you will know more about:

- The new Features of ONTAP 9.13.1 update
- ONTAP Bundle Update

Published: 2023-11-14

Length: 60 minutes

Employee link: [Grow@Lenovo](#)

Course code: DVDAT205

11. **ONTAP Data Protection Fundamentals**

2023-11-02 | 76 minutes | Employees and Partners

In this course, we discuss the integrated data protection features in ONTAP data-management software. We also discuss the tools and software that you use to manage and monitor the data protection features. You learn about cluster peering, storage virtual machine (or SVM) peering, and data protection relationships. You also learn about the architecture and functionality of the Snapshot, SnapMirror, SnapVault, and SyncMirror technologies.

Course DDMT203 – ONTAP SAN Fundamentals is a prerequisite.

Course Objectives:

- Describe the integrated data protection features in ONTAP data-management software
- Identify the tools and software that you use to manage and monitor ONTAP data protection features
- Describe cluster peering, storage virtual machine (SVM) peering, and data protection relationships
- Explain the architecture and functionality of the Snapshot, SnapMirror, SnapVault, and SyncMirror technologies

Published: 2023-11-02

Length: 76 minutes

Employee link: [Grow@Lenovo](#)

Partner link: [Lenovo Partner Learning](#)

Course code: DDMT204r2

12. **Lenovo DM Series Data Efficiency Guarantee**

2023-10-09 | 10 minutes | Employees Only

The Data Efficiency Guarantee offers Lenovo customers an agreed amount of capacity savings. If the Lenovo solution does not meet the terms agreed to in the Guarantee, Lenovo will remediate.

Course Objectives:

- Define the Lenovo DM Series Data Efficiency Guarantee
- Understand how the guarantee works
- Describe the sales process for delivering and tracking the guarantee

Published: 2023-10-09

Length: 10 minutes

Employee link: [Grow@Lenovo](#)

Course code: DDMC100

13. **ThinkSystem DM Series Technical 200 - ONTAP Data Management Fundamentals**

2023-10-03 | 90 minutes | Employees and Partners

This course focuses on enabling you to manage and provision ONTAP systems and it is part of the ISG Sales education supporting our ThinkSystem DM and DE Series education. Before taking this course, you should have completed the ThinkSystem DM and DE Series Overview as well as the ThinkSystem DM and DE Series Technical Overview 100. 200 level technical knowledge is provided separately for the DM and DE Series products.

This course focuses on enabling you to do the following:

- Describe the consumers of resources and management requirements
- Describe the user and administrative roles that manage resources
- List the various data management products you can use to manage ONTAP systems
- Define the resources that are commonly provisioned
- Describe various methods and tools that can be used to provision resources

Published: 2023-10-03

Length: 90 minutes

Employee link: [Grow@Lenovo](#)

Partner link: [Lenovo Partner Learning](#)

Course code: DDMT205

14. ThinkSystem DM Series Technical 200 - ONTAP Cluster Fundamentals

2023-10-02 | 135 minutes | Employees and Partners

This course identifies and describes the components that make up a cluster. It also describes the supported cluster configurations and details the steps that are required to create and configure a cluster as well as discusses the physical storage components and the Write Anywhere File Layout file system, also known as the WAFL file system. Course DDMT200 – ONTAP Technical Positioning is a prerequisite.

By the end of this course, you will be able to:

- Identify the components that make up a cluster
- Describe the cluster configurations that are supported
- Create and configure a cluster
- Describe the physical storage components
- Describe the Write Anywhere File Layout (WAFL) file system

Published: 2023-10-02

Length: 135 minutes

Employee link: Grow@Lenovo

Partner link: [Lenovo Partner Learning](#)

Course code: DDMT201

15. Assessment for Lenovo ThinkSystem DM and DE Series Technical Overview 100

2023-10-02 | 30 minutes | Partners Only

This is the online assessment for the virtual-live course Lenovo ThinkSystem DM and DE Series Technical Overview 100 (DDMT100).

Your objective for this assessment is to complete the 15-question quiz with the minimum passing score of 80%.

Published: 2023-10-02

Length: 30 minutes

Partner link: [Lenovo Partner Learning](#)

Course code: DDMT101

16. ThinkSystem DM Series Technical 200 Assessment

2023-09-28 | 15 minutes | Employees and Partners

This is the assessment for the DM Series Technical 200 training

Published: 2023-09-28

Length: 15 minutes

Employee link: Grow@Lenovo

Partner link: [Lenovo Partner Learning](#)

Course code: DDMT206

17. VEEAM Solutions Sales Training

2023-09-27 | 20 minutes | Employees and Partners

In this course you will learn about Hyper-availability for the Always-On Enterprise.

By the end of this training, you should be able to:

Identify and explain the core products and solutions offered by Veeam.

Explain the key benefits and value propositions of integrating Veeam solutions with Lenovo products.

Published: 2023-09-27

Length: 20 minutes

Employee link: Grow@Lenovo

Partner link: [Lenovo Partner Learning](#)

Course code: DSTOO100

18. ONTAP SAN Fundamentals

2023-09-26 | 60 minutes | Employees and Partners

In this course, you learn how ONTAP provides block access to a host by using SAN protocols. You learn about LUNs and how to map them to a host to enable read and write access. You also learn about multipathing techniques that can improve availability and performance.

The course objectives are:

1. Describe how ONTAP provides block access to a host
2. Explain how SANs use the iSCSI, FC, and FCoE protocols to transport data between a host and storage system
3. List the steps that are required to access a LUN in a storage virtual machine (SVM) from the host
4. Describe multipathing between the host and a cluster

Published: 2023-09-26

Length: 60 minutes

Employee link: Grow@Lenovo

Partner link: [Lenovo Partner Learning](#)

Course code: DDMT203

19. ONTAP NAS Fundamentals

2023-09-25 | 45 minutes | Employees and Partners

This course describes how ONTAP provides file access to clients. The course also explains how you use the NFS and SMB protocols to access files, how you access files over a network, and how you use load-balancing techniques to improve performance.

Course objectives:

1. Describe how ONTAP provides file access to clients
2. Use the NFS protocol to access files
3. Use the SMB protocol to access files
4. Access files over a network and use the load-balancing features of ONTAP

Published: 2023-09-25

Length: 45 minutes

Employee link: Grow@Lenovo

Partner link: [Lenovo Partner Learning](#)

Course code: DDMT202

20. **VEEAM Hyper-Availability Integration with ThinkSystem DM Series**

2023-09-20 | 20 minutes | Employees and Partners

In this course you will learn about VEEAM Hyper-Availability for ThinkSystem DM Series

Published: 2023-09-20

Length: 20 minutes

Employee link: [Grow@Lenovo](#)

Partner link: [Lenovo Partner Learning](#)

Course code: DSTOO300

21. **VTT The Benefits of Scale Out Clustering with DM/DG - September 2023**

2023-09-12 | 60 minutes | Employees Only

In this course, you will know more about:

- What is scale out?
- Hardware benefits
- Administrative benefits
- Scale out Features

Published: 2023-09-12

Length: 60 minutes

Employee link: [Grow@Lenovo](#)

Course code: DVDAT204

22. **Storage Masters - Unified Storage on DM Series**

2023-07-28 | 14 minutes | Employees and Partners

Storage Masters is a multi-module education series. It is intended to help sellers and partners be able to discuss various storage topics that you will encounter in the field and how to position the valuable features of the DM Series within these conversations.

By the end of this training, you should be able to:

- Describe the business challenges resolved by the unified storage for the ThinkSystem DM series.
- Learn about the technology implemented on the DM series of storage arrays.
- Find out what are the benefits of the technology and positioning.

Published: 2023-07-28

Length: 14 minutes

Employee link: [Grow@Lenovo](#)

Partner link: [Lenovo Partner Learning](#)

Course code: DSTOT2006

23. **Lenovo Data Center Product Portfolio**

2023-07-21 | 15 minutes | Employees and Partners

This course introduces the Lenovo data center portfolio, and covers servers, storage, storage networking, and software-defined infrastructure products. After completing this course about Lenovo data center products, you will be able to identify product types within each data center family, describe Lenovo innovations that this product family or category uses, and recognize when a specific product should be selected.

Published: 2023-07-21

Length: 15 minutes

Employee link: [Grow@Lenovo](#)

Partner link: [Lenovo Partner Learning](#)

Course code: SXXW1110r6

24. **VTT: SAP HANA Transition and Refresh Opportunity - July 2023**

2023-07-14 | 60 minutes | Employees Only

In this session, we cover:

- What Next for SAP Clients?
- Lenovo Opportunity
- Lenovo Portfolio for SAP Solutions
- RISE with SAP

Published: 2023-07-14

Length: 60 minutes

Employee link: [Grow@Lenovo](#)

Course code: DVDAT202

25. **Storage Masters - DM Series - Data Security**

2023-06-30 | 14 minutes | Employees and Partners

Storage Masters is a multi-module education series. It is intended to help sellers and partners be able to discuss various storage topics that you will encounter in the field and how to position the valuable features of the DM Series within these conversations.

Published: 2023-06-30

Length: 14 minutes

Employee link: [Grow@Lenovo](#)

Partner link: [Lenovo Partner Learning](#)

Course code: DSTOT2005

26. **Benefits and the positioning of Lenovo ThinkSystem file offerings with WEKA, DSS, and DM+ONTAP**

2023-05-08 | 10 minutes | Employees and Partners

Course objectives:

1. Learn about file storage
2. Understand the different types of storage
3. Recognize the Lenovo data management portfolio

Published: 2023-05-08

Length: 10 minutes

Employee link: [Grow@Lenovo](#)

Partner link: [Lenovo Partner Learning](#)

Course code: DSOLS207

27. **Lenovo ThinkSystem DM and DE Series Overview**

2023-02-15 | 25 minutes | Employees and Partners

This course focuses on enabling you to identify current business and technology challenges for your customers and position the ThinkSystem DM and DE series products, based on the needs of your customers.

The main objectives are:

- Identify current business and technology challenges for your customers
- Position the Lenovo ThinkSystem DM and DE Series products based on the needs of your customers

Published: 2023-02-15

Length: 25 minutes

Employee link: [Grow@Lenovo](#)

Partner link: [Lenovo Partner Learning](#)

Course code: DDMO101r5

28. **Storage Masters - DM Series Performance**

2023-02-15 | 15 minutes | Employees and Partners

Storage Masters is a multi-module education series. It is intended to help sellers and partners be able to discuss various storage topics that you will encounter in the field and how to position the valuable features of the DM Series within these conversations.

By the end of this course, you will be able to:

- Understand the key business challenges that companies face with their data storage solutions
- Describe DM Series features
- Explain the benefit of DM Series features to customers

Published: 2023-02-15

Length: 15 minutes

Employee link: [Grow@Lenovo](#)

Partner link: [Lenovo Partner Learning](#)

Course code: DSTOT2004r3

29. **Storage Masters - Hybrid Cloud for DM Series**

2023-02-01 | 30 minutes | Employees and Partners

Storage Masters is a multi-module education series. It is intended to help sellers and partners be able to discuss various storage topics that you will encounter in the field and how to position the valuable features of the DM Series within these conversations.

Published: 2023-02-01

Length: 30 minutes

Employee link: [Grow@Lenovo](#)

Partner link: [Lenovo Partner Learning](#)

Course code: DSTOT2003

30. **ONTAP Fundamentals Bundle**

2023-02-01 | 15 minutes | Employees and Partners

ONTAP Fundamentals is intended to help sellers and partners be able to discuss the ONTAP Fundamentals license. By the end of this training, you should be able to position ONTAP Fundamentals within the marketplace; describe the ONTAP bundle; identify when to use the ONTAP Bundle in an opportunity; and determine when to use ONTAP Premium in an opportunity.

Published: 2023-02-01

Length: 15 minutes

Employee link: [Grow@Lenovo](#)

Partner link: [Lenovo Partner Learning](#)

Course code: DSTOF200

31. AI Pipeline: From Edge to Core to Cloud
2022-12-16 | 23 minutes | Employees and Partners

By exemplifying the case of Moto GP, this 25-minute course describes the components, requirements, and technical considerations for an AI pipeline. In addition, various deployment options and Lenovo solutions that are suitable at each stage of the data pipeline are introduced through a simulated whiteboard session with a customer.

After completing this course, you will be able to:

- Identify the components, requirements, and technical considerations for an AI pipeline
- Describe the five stages of the AI pipeline
- Recall the IT challenges to be solved through an AI project

Published: 2022-12-16

Length: 23 minutes

Employee link: [Grow@Lenovo](#)

Partner link: [Lenovo Partner Learning](#)

Course code: DSOLB201

32. Lenovo DM Storage Series - Hybrid Cloud Solutions
2022-11-04 | 15 minutes | Employees Only

This course focuses on enabling you to:

- Identify DM Series Hybrid Cloud Solutions
- Describe features of the DM Series FabricPool capability
- Describe features of the DM Series Cloud Volumes ONTAP capability.

Published: 2022-11-04

Length: 15 minutes

Employee link: [Grow@Lenovo](#)

Course code: DDM201

33. Data Infrastructure Management - DM Series Storage
2022-10-28 | 25 minutes | Employees Only

This course provides a technical overview of the ThinkSystem DM series products. Course DDMO101 – Lenovo ThinkSystem DM & DE Series Overview is recommended prior to this course.

By the end of this course, you should be able to:

- Recognize the components of the Lenovo Data Management portfolio
- Discuss the features of the Lenovo Data Management components
- Describe the features of the SnapCenter software components

Published: 2022-10-28

Length: 25 minutes

Employee link: [Grow@Lenovo](#)

Course code: DDM200

34. Lenovo ThinkSystem DM and DE Series Technical Overview

2022-09-15 | 60 minutes | Employees and Partners

This course provides a technical overview of the ThinkSystem DM and DE series products. Course DDMO101 – Lenovo ThinkSystem DM & DE Series Overview is recommended prior to this course.

By the end of this course, you should be able to:

- Describe the Lenovo portfolio for the DM and DE storage systems
- Explain features of the DM series ONTAP software
- Explain features of the ThinkSystem SAN Manager

Published: 2022-09-15

Length: 60 minutes

Employee link: Grow@Lenovo

Partner link: [Lenovo Partner Learning](#)

Course code: DDMT100r2

35. ONTAP 9.11.1 Update

2022-08-31 | 30 minutes | Employees and Partners

This course aims to inform Lenovo and Partner sellers regarding the latest ONTAP 9.11.1 updates and what it means for Lenovo ThinkSystem DM Series Storage. Key New Functions and Features with ONTAP 9.11.1 Updates are:

- Autonomous Ransomware Protection enhancements
- SnapLock support for FlexGroup
- Ease of Use (ONTAP S3 enhancements)

Published: 2022-08-31

Length: 30 minutes

Employee link: Grow@Lenovo

Partner link: [Lenovo Partner Learning](#)

Course code: DDMO201

36. Partner Technical Webinar - DM Overview and Demo

2022-08-30 | 60 minutes | Partners Only

In this 60-minute replay, we discussed and demonstrated the ThinkSystem DM Series Storage. Mark Clayton, Lenovo Storage Architect, reviewed the DM and then launched into a demonstration using the DM Series user interface.

Published: 2022-08-30

Length: 60 minutes

Partner link: [Lenovo Partner Learning](#)

Course code: 082622

37. How to Attach Services for ThinkSystem DM Using DCSC

2022-05-10 | 20 minutes | Employees and Partners

The goal of this training is to review services for ThinkSystem DM products, professional and support services, support levels, and recommended options. By the end of this course, you will be able to summarize the professional services for ThinkSystem DM, identify the levels of maintenance support for the DM series, and recognize the steps required to attach services to DM products.

Published: 2022-05-10

Length: 20 minutes

Employee link: Grow@Lenovo

Partner link: [Lenovo Partner Learning](#)

Course code: DSVC122r3

38. **Benefits of All-Flash Arrays**

2022-05-03 | 10 minutes | Employees and Partners

This course starts by comparing and contrasting HDDs and SSDs, and lists the advantages of SSDs in all-flash arrays. Specific advanced features made possible by SSDs in AFAs are discussed, and workloads that are well-suited to AFAs are described.

Published: 2022-05-03

Length: 10 minutes

Employee link: [Grow@Lenovo](#)

Partner link: [Lenovo Partner Learning](#)

Course code: SXXW1232

39. **Storage Masters – Data Protection on DM Series**

2019-08-12 | 30 minutes | Employees and Partners

Storage Masters is a multi-module education series. It is intended to help sellers and partners be able to discuss various storage topics that you will encounter in the field and how to position the valuable features of the DM Series within these conversations.

Published: 2019-08-12

Length: 30 minutes

Employee link: [Grow@Lenovo](#)

Partner link: [Lenovo Partner Learning](#)

Course code: DSTOT2002

40. **Storage Masters – Data Efficiency Technologies on DM Series**

2019-08-12 | 20 minutes | Employees and Partners

Storage Masters is a multi-module education series. It is intended to help sellers and partners be able to discuss various storage topics that you will encounter in the field and how to position the valuable features of the DM Series within these conversations.

Published: 2019-08-12

Length: 20 minutes

Employee link: [Grow@Lenovo](#)

Partner link: [Lenovo Partner Learning](#)

Course code: DSTOT2001

Related publications and links

For more information, see the following resources:

- Lenovo Data Center Unified Storage product page
<https://www.lenovo.com/us/en/c/data-center/storage/unified-storage>
- Lenovo Data Center Solution Configurator
<http://dcsc.lenovo.com>
- ThinkSystem DM Series documentation
http://thinksystem.lenovofiles.com/storage/help/topic/ontap_software/overview.html
- ONTAP Ransomware Protection
https://thinksystem.lenovofiles.com/storage/help/topic/ontap_anti-ransomware/anti-ransomware.pdf
- Lenovo Data Center Support - ThinkSystem DM5100F
<http://datacentersupport.lenovo.com/products/storage/lenovo-storage/thinksystem-dm5100f>

Related product families

Product families related to this document are the following:

- [DM Series Storage](#)
- [External Storage](#)
- [Lenovo SAN Storage](#)

Notices

Lenovo may not offer the products, services, or features discussed in this document in all countries. Consult your local Lenovo representative for information on the products and services currently available in your area. Any reference to a Lenovo product, program, or service is not intended to state or imply that only that Lenovo product, program, or service may be used. Any functionally equivalent product, program, or service that does not infringe any Lenovo intellectual property right may be used instead. However, it is the user's responsibility to evaluate and verify the operation of any other product, program, or service. Lenovo may have patents or pending patent applications covering subject matter described in this document. The furnishing of this document does not give you any license to these patents. You can send license inquiries, in writing, to:

Lenovo (United States), Inc.
8001 Development Drive
Morrisville, NC 27560
U.S.A.
Attention: Lenovo Director of Licensing

LENOVO PROVIDES THIS PUBLICATION "AS IS" WITHOUT WARRANTY OF ANY KIND, EITHER EXPRESS OR IMPLIED, INCLUDING, BUT NOT LIMITED TO, THE IMPLIED WARRANTIES OF NON-INFRINGEMENT, MERCHANTABILITY OR FITNESS FOR A PARTICULAR PURPOSE. Some jurisdictions do not allow disclaimer of express or implied warranties in certain transactions, therefore, this statement may not apply to you.

This information could include technical inaccuracies or typographical errors. Changes are periodically made to the information herein; these changes will be incorporated in new editions of the publication. Lenovo may make improvements and/or changes in the product(s) and/or the program(s) described in this publication at any time without notice.

The products described in this document are not intended for use in implantation or other life support applications where malfunction may result in injury or death to persons. The information contained in this document does not affect or change Lenovo product specifications or warranties. Nothing in this document shall operate as an express or implied license or indemnity under the intellectual property rights of Lenovo or third parties. All information contained in this document was obtained in specific environments and is presented as an illustration. The result obtained in other operating environments may vary. Lenovo may use or distribute any of the information you supply in any way it believes appropriate without incurring any obligation to you.

Any references in this publication to non-Lenovo Web sites are provided for convenience only and do not in any manner serve as an endorsement of those Web sites. The materials at those Web sites are not part of the materials for this Lenovo product, and use of those Web sites is at your own risk. Any performance data contained herein was determined in a controlled environment. Therefore, the result obtained in other operating environments may vary significantly. Some measurements may have been made on development-level systems and there is no guarantee that these measurements will be the same on generally available systems. Furthermore, some measurements may have been estimated through extrapolation. Actual results may vary. Users of this document should verify the applicable data for their specific environment.

© Copyright Lenovo 2024. All rights reserved.

This document, LP1365, was created or updated on April 10, 2024.

Send us your comments in one of the following ways:

- Use the online Contact us review form found at:
<https://lenovopress.lenovo.com/LP1365>
- Send your comments in an e-mail to:
comments@lenovopress.com

This document is available online at <https://lenovopress.lenovo.com/LP1365>.

Trademarks

Lenovo and the Lenovo logo are trademarks or registered trademarks of Lenovo in the United States, other countries, or both. A current list of Lenovo trademarks is available on the Web at <https://www.lenovo.com/us/en/legal/copytrade/>.

The following terms are trademarks of Lenovo in the United States, other countries, or both:

Lenovo®

Lenovo Services

ThinkSystem®

XClarity®

The following terms are trademarks of other companies:

Linux® is the trademark of Linus Torvalds in the U.S. and other countries.

Microsoft®, Excel®, Internet Explorer®, Windows Server®, and Windows® are trademarks of Microsoft Corporation in the United States, other countries, or both.

Other company, product, or service names may be trademarks or service marks of others.