



## FOOD PROCESSING LIGHT

The Food Processing Light is designed specifically for food processing applications. This fixture meets or exceeds all NSF inspection zone requirements. The streamlined design allows easy cleaning and prevents the build-up of any liquid or particles.

Ideal for high bay lighting anywhere the NSF standards are required including inspection areas, wash down zones, freezers and more.

### KEY FEATURES:

- **IP69K** - Highest Level of Protection Against Water and High-Pressure Washdown
- **CRI 93** High Colour Rendering For Inspection Zones
- **Powder Coated** Materials; No Harmful Substances or Chemicals
- **Shatterproof** Polycarbonate Lens
- **No Exposed Screws**
- **Corrosion Resistant** and **Streamlined** Body Design
- Lifespan of **100,000 Hours**



### SPECIFICATIONS

<b>Luminous Efficacy</b>	125lm/W
<b>CCT</b>	4000K, 5000K (Standard)
<b>CRI</b>	>Ra90
<b>Beam Angle</b>	50°, 90°, 120° (Standard)
<b>Input Voltage</b>	100-277 Vac (Standard) 277-480Vac, 50/60 Hz
<b>IP Rating</b>	IP69K
<b>Lifespan</b>	100,000 Hours
<b>LED Driver</b>	MeanWell
<b>Chipset</b>	Nichia
<b>Operating Temp.</b>	-30°C ~ +50°C
<b>Warranty</b>	5 Year Warranty
<b>Certifications</b>	NSF, cUL, UL, CE, RoHS, DLC



LUMENS	LED WATTAGE	HID EQUIVALENT
30,000lm	240W	800W
24,000lm	200W	700W
18,000lm	150W	400-600W
14,400lm	120W	250-400W
12,000lm	100W	250W
8,750lm	70W	160W



**Components**

**DRIVER**



**MEANWELL**

**LV:** 100-277Vac

**HV:** 277-480Vac

**Surge Protection:** 2kV line-line, 4kV line-earth

**CHIP SET**



**NICHIA**

**L70:** 304,000 Hours

**CRI:** 93

**CCT:** 4000K or 5000K

**LENS**



Shatterproof Plastic

**D120:** 120 Degree PC Lens

**D90:** 90 Degree Clear PC Cover Lens

Clear or Frosted Lens Available

**Mounting Options**

**LOOP HANGING (Standard)**



**WALL MOUNT**



**BRACKET 15**

**STEM MOUNT**



**THREAD: 3/4" NPT**

**Key Specs**

**IP69K**



**CRI 93**



**NSF CERTIFIED**

- Wash Down Zones
- Slaughter Areas
- Inspection Stations
- Dry Storage
- Freezers
- Production Lines

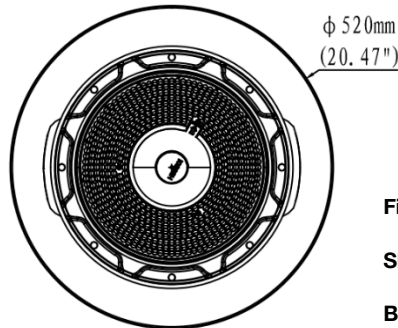
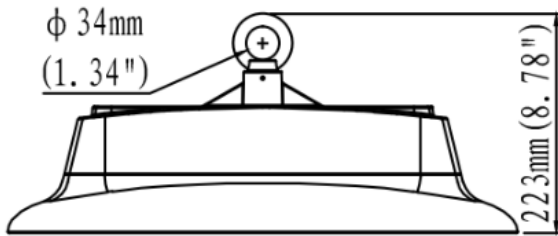


**Fixture Ordering Matrix**

Product Name	Wattage	Lens Degree	Dimming	Input Voltage	CCT	Options
<b>BE-HCP06</b>	<b>70W</b>	<b>D90:</b> - 90 Degree Lens <b>D120:</b> - 120 Degree Lens (Standard)	<b>A:</b> - Non-Dimmable (Standard) <b>B:</b> - Dimmable	<b>LV:</b> - AC 100-277Vac (Standard) <b>HV:</b> - AC 277-480Vac	<b>4000K</b>  <b>5000K (Standard)</b>	<b>SC:</b> - Safety Cable
	<b>100W</b>					<b>SGS:</b> - Surge Suppressor
	<b>120W</b>					<b>MS:</b> - Built-In Motion Sensor (Special Order)
	<b>150W</b>					<b>15:</b> - Bracket 15
	<b>200W</b>					<b>STM:</b> - Stem Mount
	<b>240W</b>					

**Example: BE-HCP06-100W-D120-A-LV-5000K-SC**

**Dimensions & Shipping Information**



**Fixture Weight:** 21lbs

**Shipping Weight:** 25 lbs

**Box Dimensions:** 580x580x272mm

 **Canada**

Canadian Purchase Orders ship from our Canadian warehouse located at:

1178 Bighorn Ave  
Pincher Creek, AB T0K 1W0  
Canada

 **USA**

USA Purchase Orders ship from our US warehouse located at:

910 S. Industrial Park Road  
Shelby, MT 59474  
USA

 **SUPPORT:**

**We sell exclusively through distributors.** If you are a manufacturing plant, we are happy to work with you and your supplier of choice.

Our lead time on standard items is 5-7 business days.

For IES Files, lighting layouts or further questions, please contact one of our sales representatives.