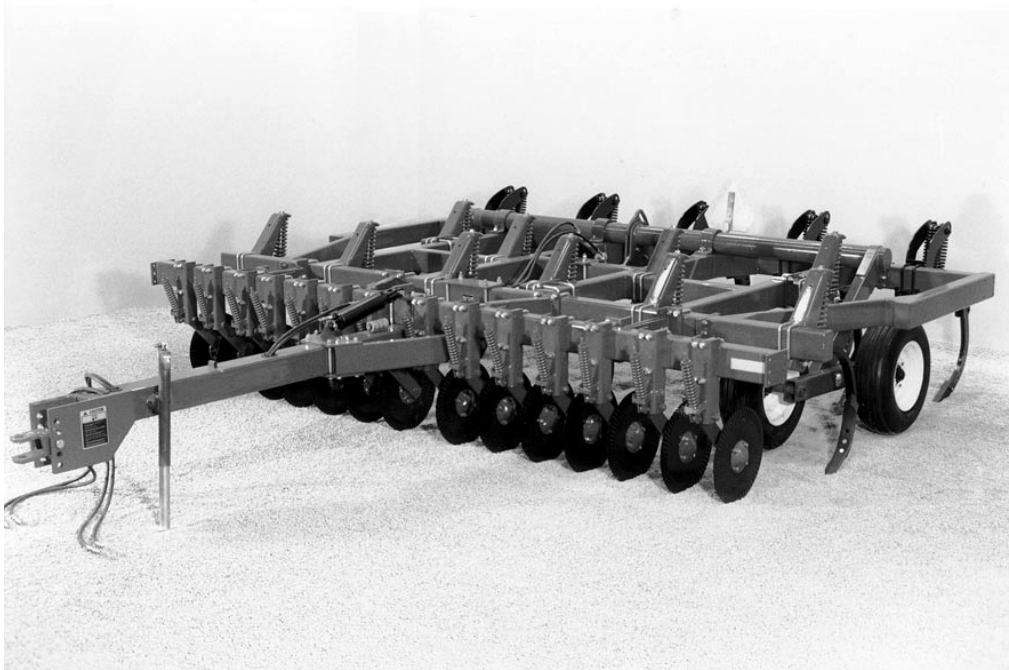




**MODEL 1230 SERIES  
COULTER CHISEL  
PARTS LIST**



**1900 NORTH STREET  
MARYSVILLE, KANSAS 66508  
(785) 562-5381**



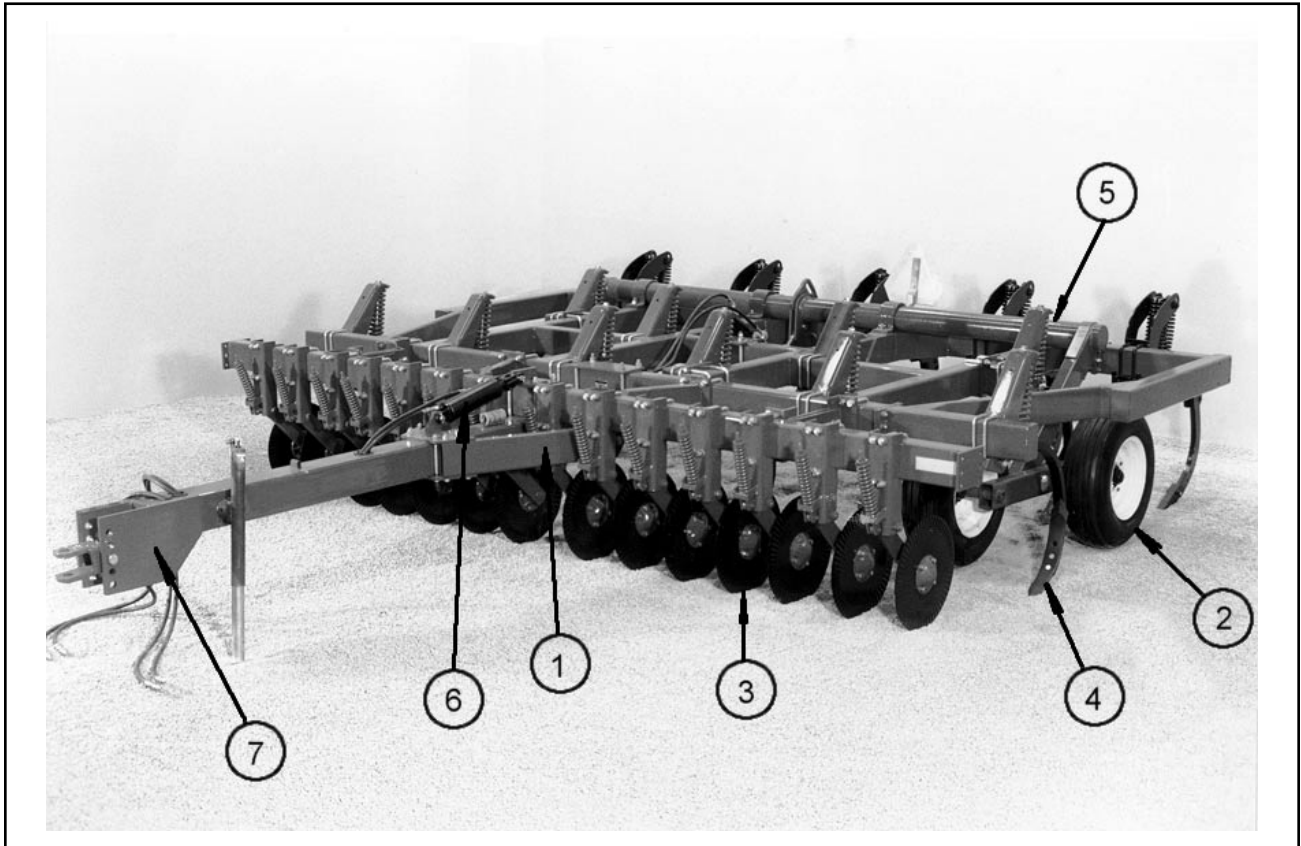
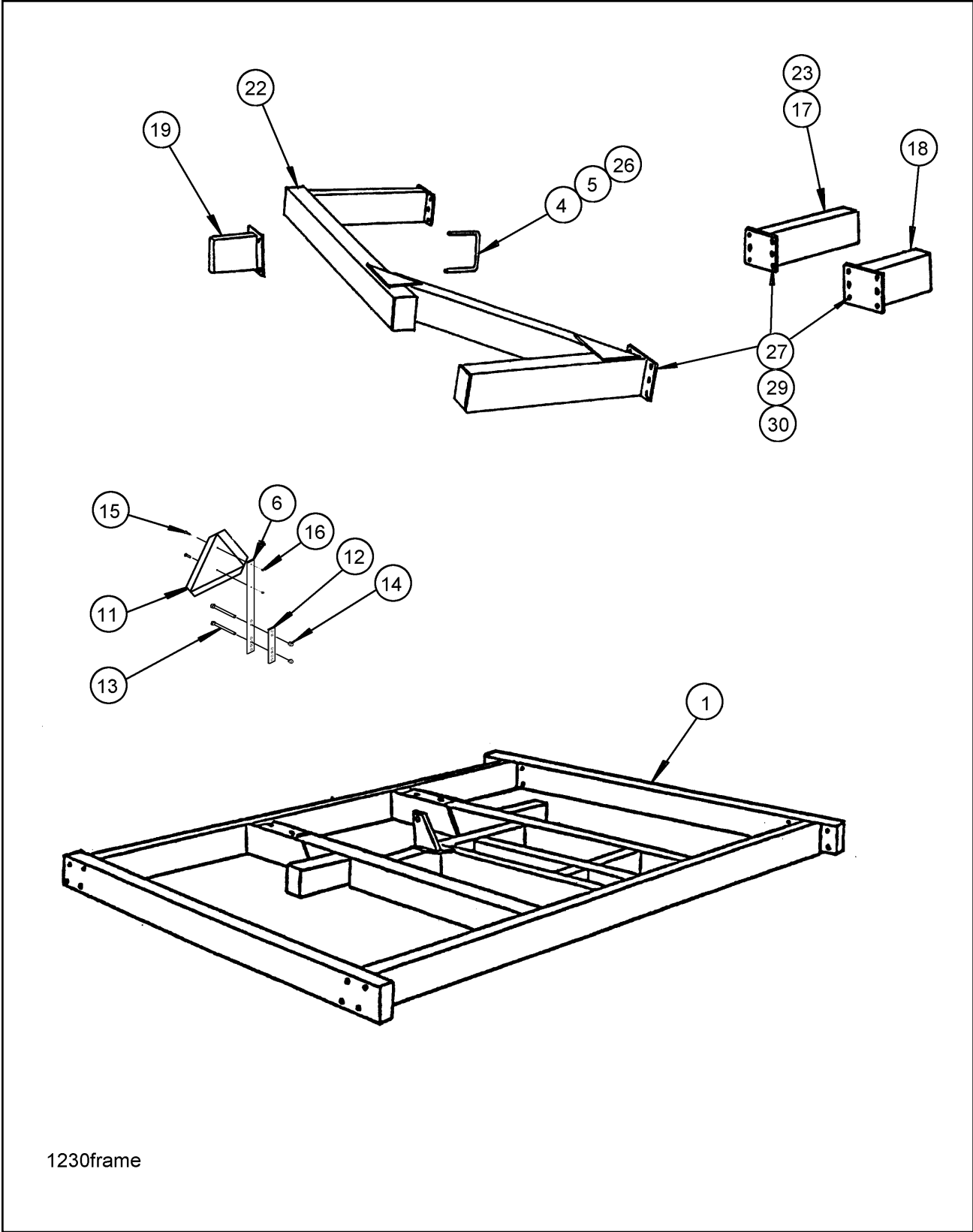


Figure 1-1 General Assembly

## GENERAL ASSEMBLY

ITEM	PAGE NO.	DESCRIPTION	QTY.
1	1-2 - 1-7	HITCH, FRAME, AND WING ASSEMBLIES	
2	1-8 - 1-9	WHEEL ASSEMBLIES	
3	1-10 - 1-23	CUTTER ASSEMBLIES	
4	1-24 - 1-29	CLAMP ASSEMBLIES	
5	1-30 - 1-31	ELECTRICAL ASSEMBLY	
6	1-32 - 1-37	HYDRAULIC ASSEMBLIES	
7	1-38 - 1-39	DECAL INSTALLATION	



1230frame

Figure 1-2 Narrow Frame, Extensions, and SMV Bracket Assemblies

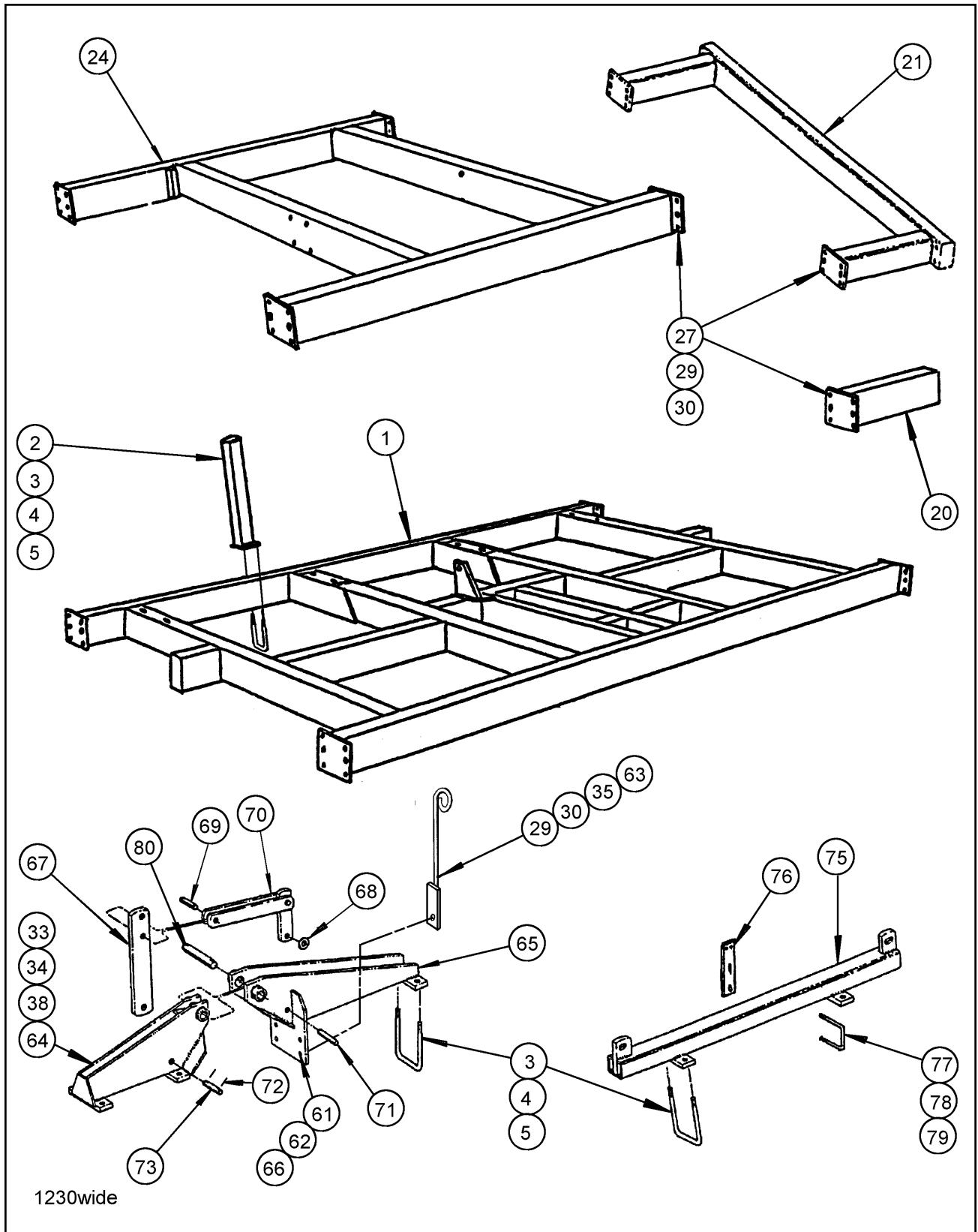


Figure 1-3 Wide Frame, Hinge, and Extension Assemblies

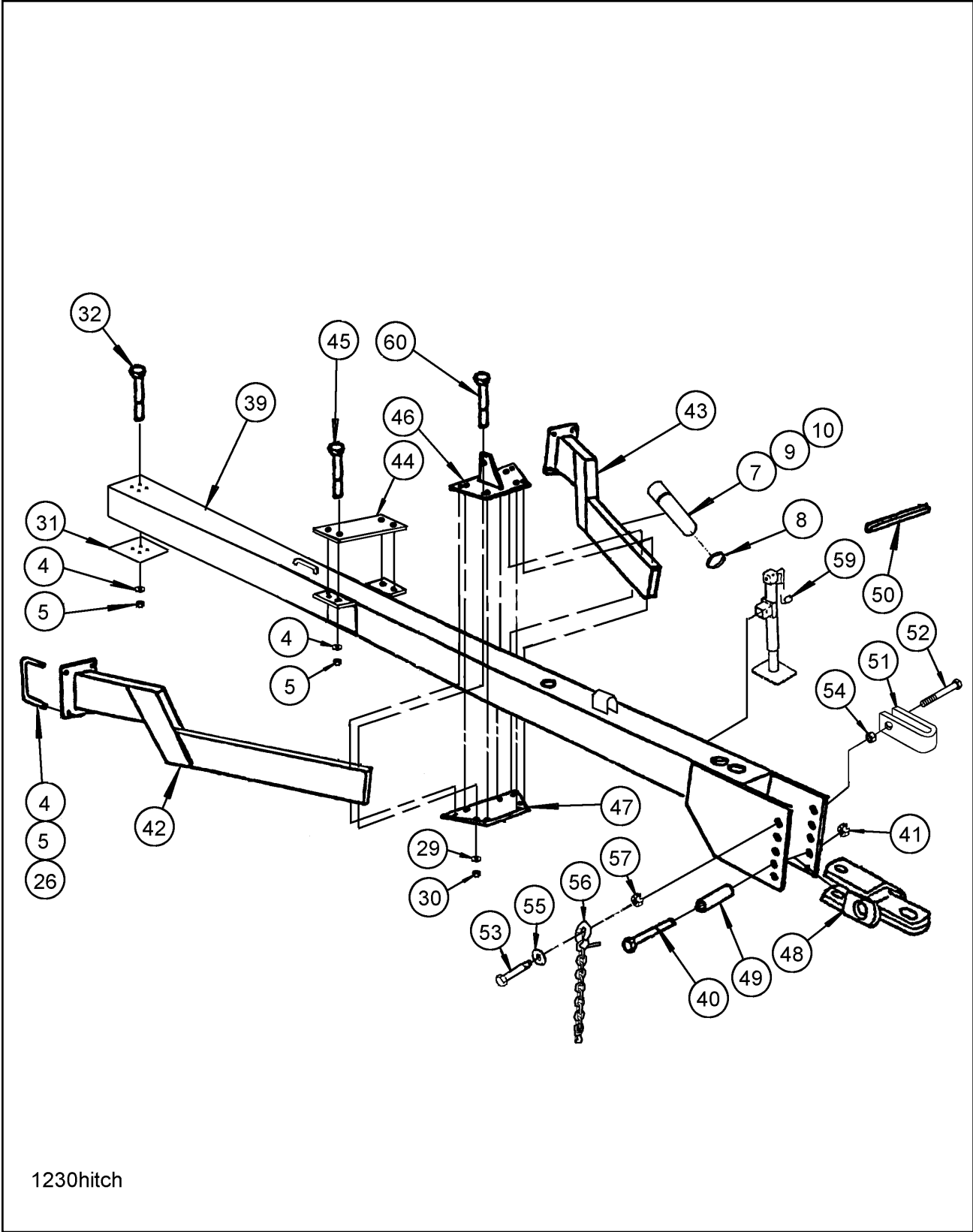


Figure 1-4 Hitch Assembly

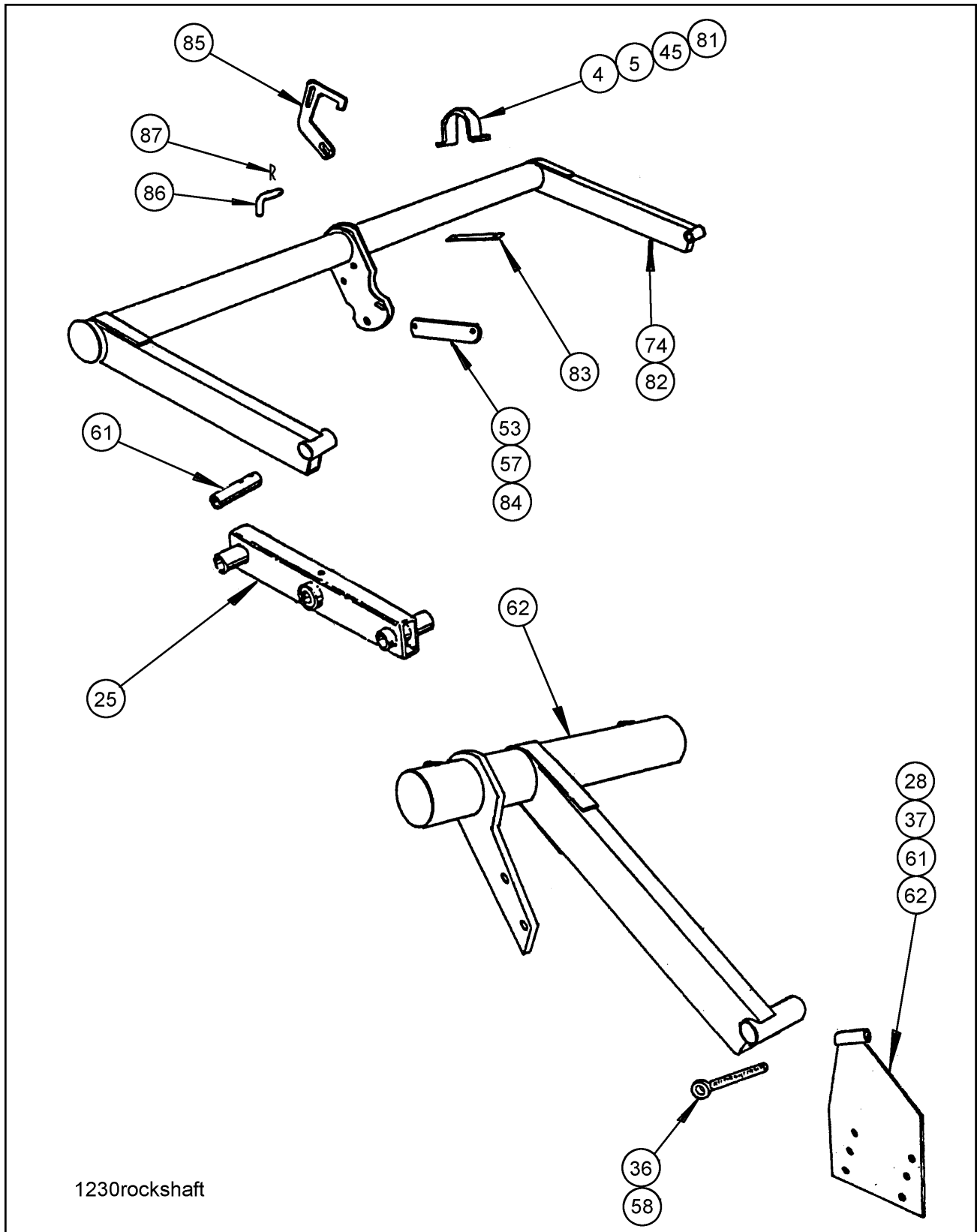


Figure 1-5 Rockshaft Assembly

## HITCH, FRAME, AND WING ASSEMBLIES

ITEM	PART NO.	DESCRIPTION
1	360946	FRAME WELDMENT 9'-5"
	360932	FRAME WELDMENT 10'-10"
2	360494-T	STAND WELDMENT
3	360348	U-BOLT
4	1-861-010034-17	WASHER, SPLIT LOCK 3/4
5	1-512-010007-12	NUT, HEX 3/4-10
6	108830	BRACKET, SMV
7	1-116-010019	BOX, MANUAL STORAGE
8	105-0093	HOSE CLAMP 4-1/2
9	F-319	MANUAL, MODEL 1230 OPERATOR'S
10	F-321	MANUAL, MODEL 1230 PARTS LIST
11	70260977	SMV EMBLEM
12	2-054-010461	BAR, WARNING LIGHTS
13	1-654-010055-16	SCREW, HEX HEAD CAP 1/2-13 X 5-1/2 GR5
14	1-512-010005-09	NUT, HEX LOCK 1/2-13
15	1-654-010047-06	SCREW, HEX HEAD CAP 1/4-20 X 1 GR5
16	1-512-010005-01	NUT, HEX LOCK 1/4-20
17	360313	EXTENSION WELDMENT 19" (123113, 123315, 123419)
18	360314	EXTENSION WELDMENT 11-1/2" (123113, 123315)
19	360465	EXTENSION WELDMENT 7-1/2" (ALL MODELS)
20	360552	EXTENSION WELDMENT 27-1/2" (123419)
21	360619	EXTENSION WELDMENT FRAME (123419)
22	360920	EXTENSION WELDMENT 2' (123213/15, 123217, 123311/13, 123315)
23	360970	EXTENSION WELDMENT 19" (123311/13, 123115)
24	360484	WING WELDMENT (123421, 123423)
25	360319	TUBE WELDMENT, BEAM
26	360350	U-BOLT
27	1-654-010059-05	SCREW, HEX HEAD CAP 5/8-11 X 2 GR5
28	360498-T	BRACKET WELDMENT, CYLINDER ANCHOR RH
	360499-T	BRACKET WELDMENT, CYLINDER ANCHOR LH
29	1-861-010034-15	WASHER, SPLIT LOCK 5/8
30	1-512-010007-11	NUT, HEX 5/8-11
31	360967-T	HITCH MOUNTING PLATE
32	W901411-4	BOLT, 3/4-10 X 14
33	W907055-4	BOLT, HEX 3/8-16 X 3 GR8
34	W915833-4	NUT, HEX 3/8-16 COARSE THREAD
35	1-654-010059-07	SCREW, HEX HEAD CAP 5/8-11 X 2-1/2 GR5
36	360490	END, ROD
37	1-654-010059-17	SCREW, HEX HEAD CAP 5/8-11 X 6 GR5
38	1-861-010032-11	WASHER, FLAT 3/8
39	360925	HITCH WELDMENT
40	1-654-010125-21	SCREW, HEX HEAD CAP 1-8 X 8 GR8
41	1-512-010005-19	NUT, HEX LOCK 1-8
42	360326	BRACE, RH DIAGONAL
43	360327	BRACE, LH DIAGONAL
44	360455-T	PLATE, HITCH MOUNTING
45	1-654-010061-22	SCREW, HEX HEAD CAP 3/4-10 X 8-1/2 GR5
46	360439-T	PLATE, UPPER
47	360442-T	PLATE, LOWER



## HITCH, FRAME, AND WING ASSEMBLIES

ITEM	PART NO.	DESCRIPTION
48	366780-T	CLEVIS, CAT III/IV
49	360172-M	BUSHING
50	1-822-010001	TRIM, FLEXIBLE
51	H148558C1-D	CLEVIS TRANSPORT CHAIN BLOCK
52	1-654-010059-11	SCREW, HEX HEAD CAP 5/8-11 X 3-1/2 GR5
53	1-654-010061-09	SCREW, HEX HEAD CAP 3/4-10 X 3 GR5
54	1-512-010005-13	NUT, HEX LOCK 5/8-11
55	011754	WASHER, 25/32 X 2-1/4 X 1/4
56	2-174-010063	CHAIN, AG SAFETY
57	1-512-010005-15	NUT, HEX LOCK 3/4-10
58	W915014-4	NUT, HEX 1-14
59	400731	JACK ASSEMBLY AND PIN
60	1-654-010059-21	SCREW, HEX HEAD CAP 5/8-11 X 8 GR5
61	360593-M	BUSHING (SINGLE WHEELS ONLY)
62	4450379	ROCKSHAFT, RH WING
	4450380	ROCKSHAFT, LH WING
63	360547-T	ROD, HOSE SUPPORT
64	360576-T	HINGE WELDMENT, OUTER
65	360938-T	HINGE WELDMENT, INNER
66	1-654-010059-04	SCREW, HEX HEAD CAP 5/8-11 X 1-3/4 GR5
67	360565-T	PLATE, WING HINGE
68	W218681B	SPACER
69	360570-M	PIN, 3/4 X 2-7/8
70	360566-T	PLATE WELDMENT, WING HINGE
71	360571-M	PIN, 3/4 X 4-1/4
72	1-647-010004217	SPRING PIN, SLOTTED 1/4 X 1-1/2
73	360572-M	PIN, 1 X 3
74	360396-T	ROCKSHAFT, 9'-6" FRAME
	360414-T	ROCKSHAFT, 10'-10" FRAME
75	360528-T	ANCHOR, WING CYLINDER
76	364491-T	PLATE, MOUNTING
77	360551	U-BOLT
78	1-861-010034-13	WASHER, SPLIT LOCK 1/2
79	1-512-010007-09	NUT, HEX 1/2
80	360948-T	HINGE PIN
81	360462-T	BEARING, ROCKSHAFT
82	5000	ZERK FITTING 1/8
83	360461-T	BAR, REINFORCEMENT
84	360458-T	PLATE, CYLINDER ARM
85	360447-T	HOOK LOCKUP
86	W238423B-T	L-PIN
87	015054	PIN, CLIP

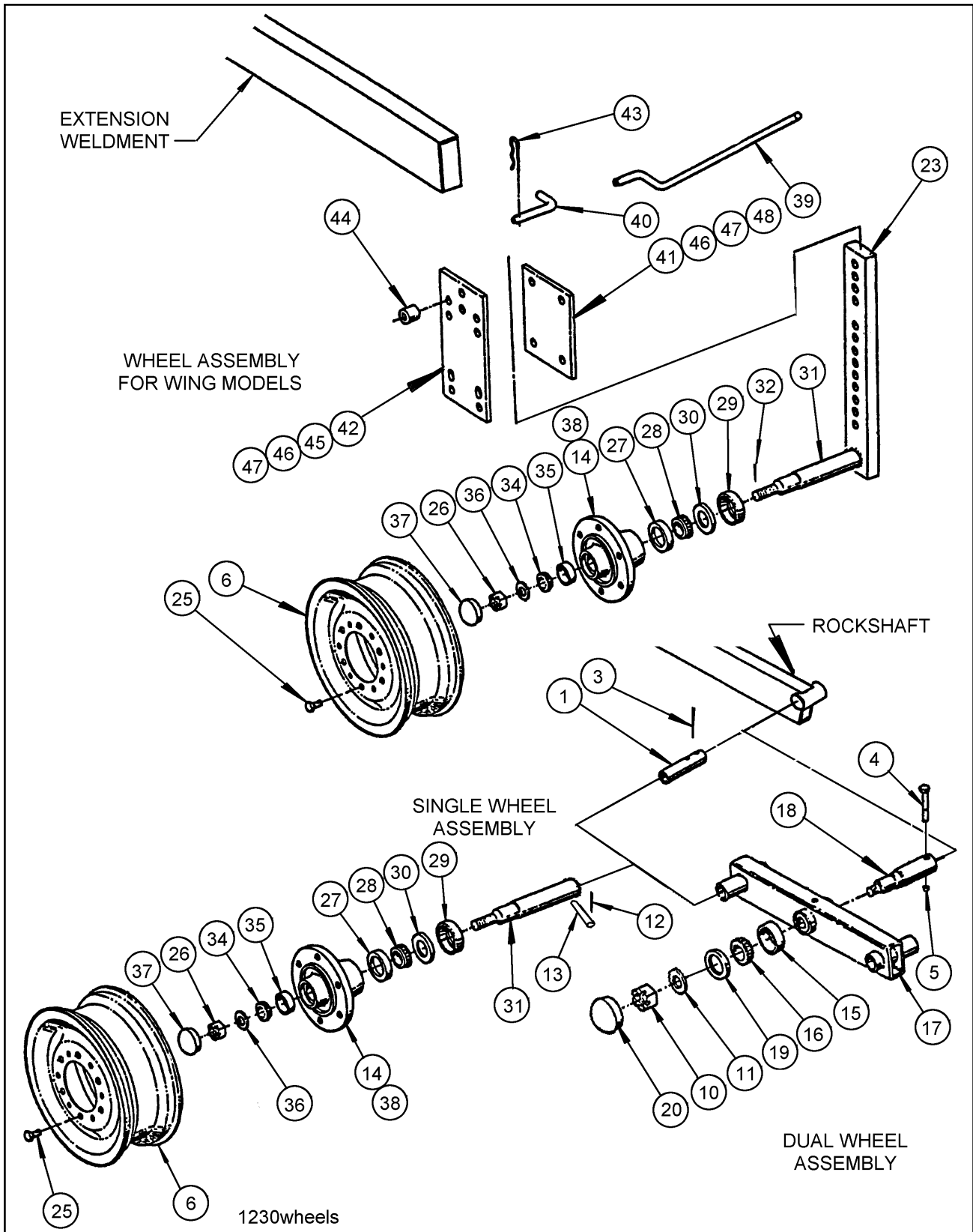


Figure 1-6 Wheel Assemblies

## WHEEL ASSEMBLIES

ITEM	PART NO.	DESCRIPTION
1	360593-M	ADAPTER BUSHING, BLACK (SINGLE WHEELS ONLY)
2	360969	WHEEL, HUB COMPLETE (SINGLE AND DUAL WHEELS) (INCL. ITEMS 14, 25-38)
3	W933481	SPRING PIN 3/4 X 2-1/4 (SINGLE WHEELS ONLY)
4	1-654-010051-15	SCREW, HEX HEAD CAP 3/8-16 X 3-1/2 GR5
5	1-512-010005-05	NUT, HEX LOCK 3/8-16
6	B4-870-024	TIRE AND WHEEL ASSY 9.5L-15 X 8 PLY (INCL. 7-9)
7	2-870-010006	WHEEL 15X8X6 BOLT
8	415	VALVE STEM
9	9.5LX15X8PLY	TIRE FARM UTIL TUBELESS
10	1-516-010001-20	NUT, HEX SLOT 1-14
11	1-861-010032-25	WASHER, FLAT 1" WIDE
12	W932038-4	PIN, COTTER 3/16 X 2
13	W933247-4	ROLL PIN 3/8 X 2-1/4
14	5000	ZERK, FITTING 1/8
15	W984133	CUP, TRB (LM501310)
16	W984136	CONE, TRB (LM 501349)
17	360319	TUBE WELDMENT, BEAM
18	360328	SPINDLE
19	360329	SEAL, GREASE
20	1-161-010002	CAP, HUB 8 BOLT
22	360599-T	STEM WELDMENT (INCL. ITEMS 23-24)
23	360597	GAUGE WHEEL STEM
24	W215058B	HUB AND SPINDLE (WING MODELS) (INCL. ITEMS 14, 25-38)
25	K1669	BOLT HUB
26	100966	NUT, HEX SLOTTED 7/8-14
27	K3548	BEARING CUP
28	K3549	BEARING CONE
29	W239582B	WEAR SLEEVE
30	W239583B	SEAL
31	W239584B	SPINDLE, HUB
32	W932035-4	COTTER PIN 3/16 X 1-1/4
34	015005	BEARING CONE
35	015006	BEARING CUP
36	30-1015842	WASHER
37	761611	CAP, HUB
38	851007	HUB
39	360596-T	LEVER, LIFT
40	W237303B-M	PIN, LOCKUP
41	360595-T	PLATE, ATTACH
42	360594-T	BRACKET, STEM SUPPORT
43	360027	PIN, HITCH LOCK
44	360559-T	SPACER
45	1-654-010059-09	SCREW, HEX HEAD CAP 5/8-11 X 3 GR5
46	1-861-010034-15	WASHER, SPLIT LOCK 5/8
47	1-512-010007-11	NUT, HEX 5/8-11
48	1-654-010059-17	SCREW, HEX HEAD CAP 5/8-11 X 6 GR5

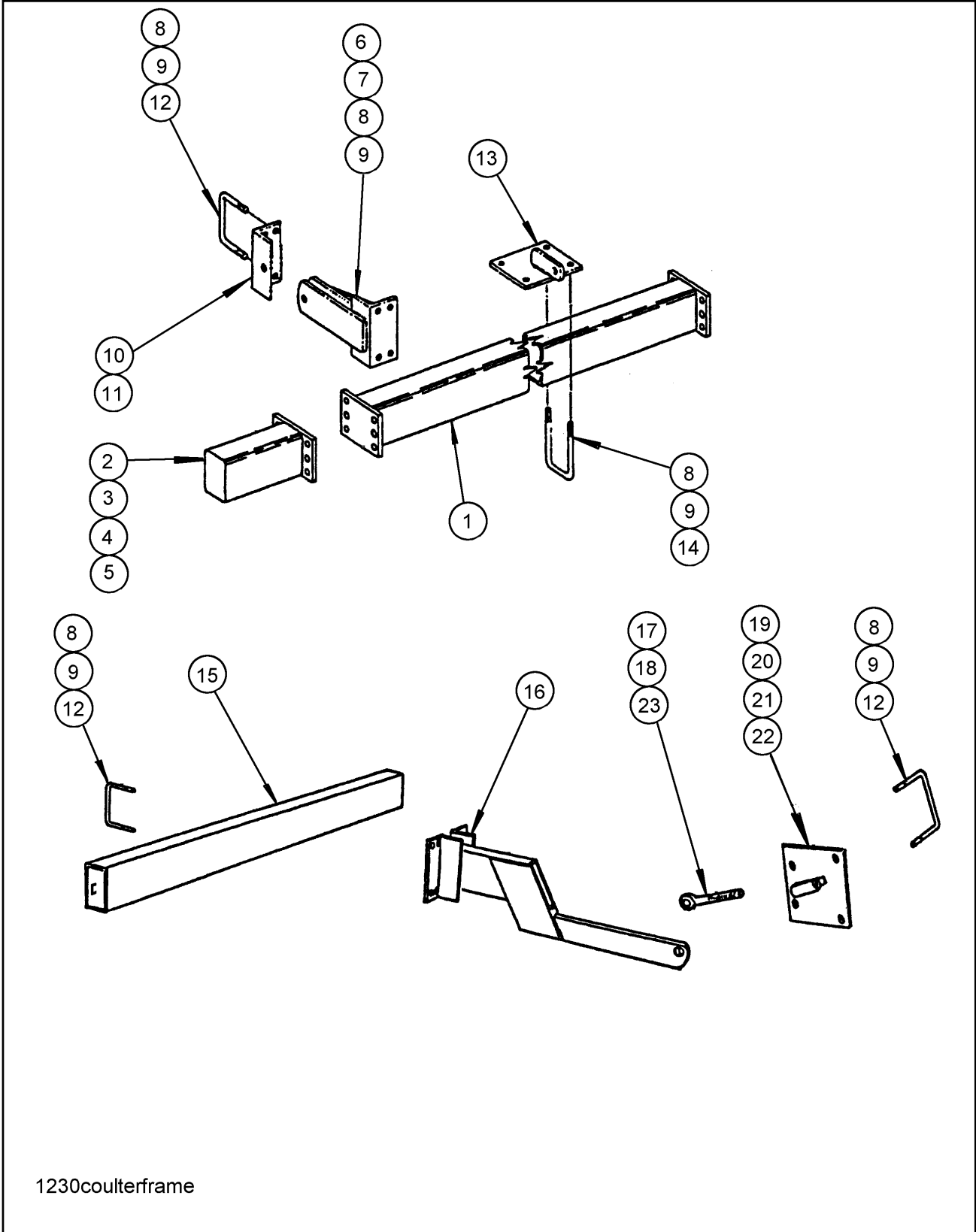


Figure 1-7 Frame Cutter Assembly (1 of 2)

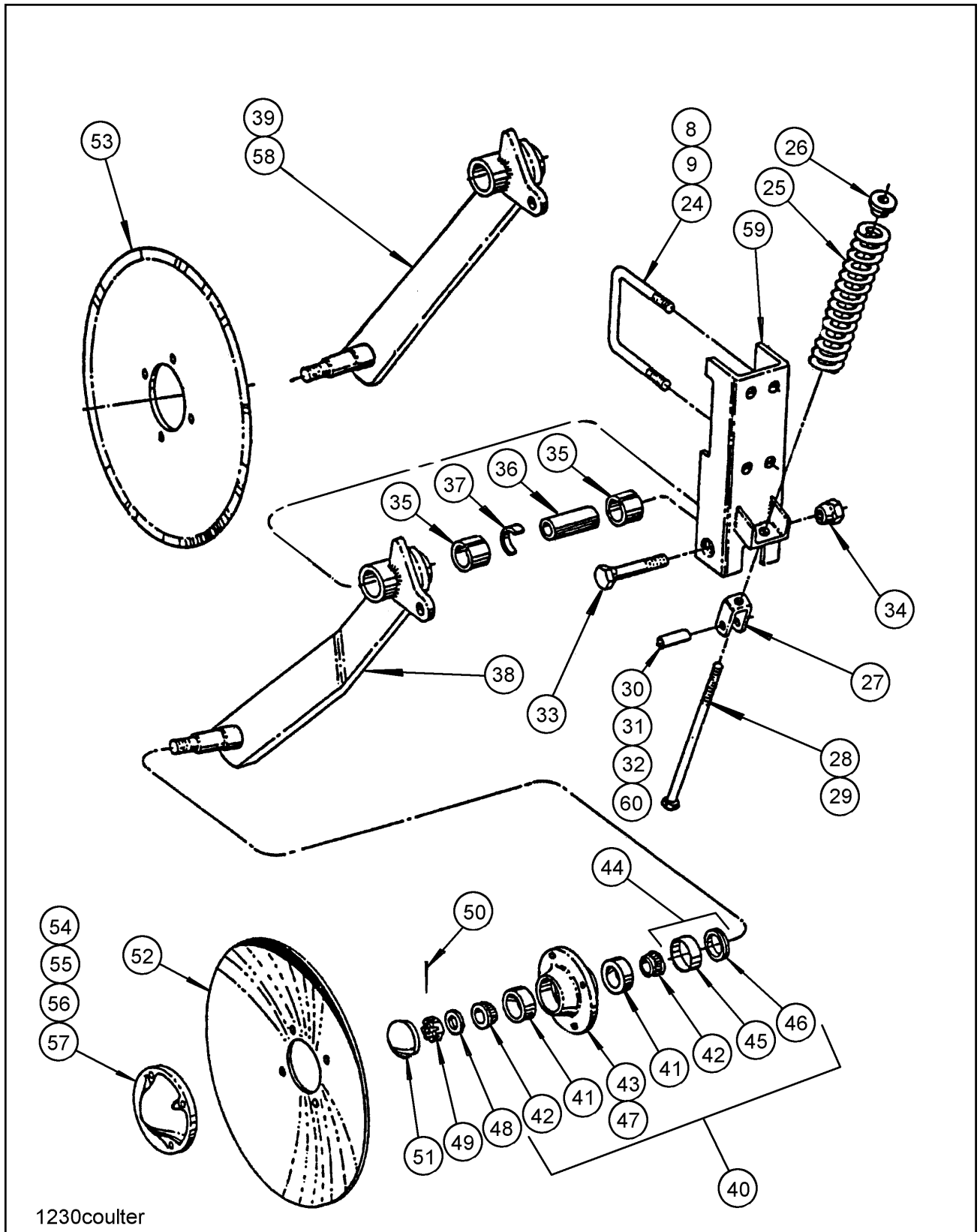


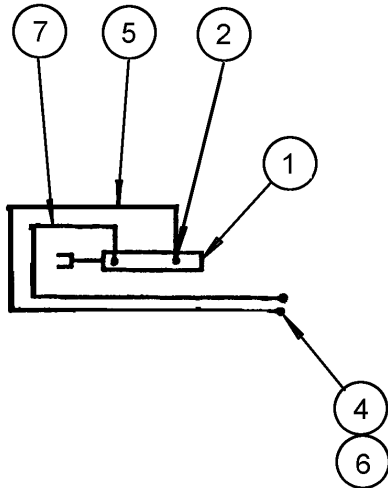
Figure 1-8 Cutter Assembly (2 of 2)

## CUTTER ASSEMBLIES

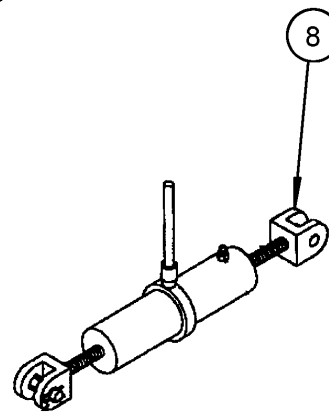
ITEM	PART NO.	DESCRIPTION
1	360624	TUBE WELDMENT, CUTTER 116"
	360625	TUBE WELDMENT, CUTTER 140"
	360626	TUBE WELDMENT, CUTTER 187"
2	360314	EXTENSION WELDMENT, 12"
3	1-654-010059-05	SCREW, HEX HEAD CAP 5/8-11 X 2 GR5
4	1-861-010034-15	WASHER, SPLIT LOCK 5/8
5	1-512-010007-11	NUT, HEX 5/8-11
6	360433-T	SUPPORT WELDMENT, CUTTER
7	1-654-010061-22	SCREW, HEX HEAD CAP 3/4-10 X 8-1/2"
8	1-861-010034-17	WASHER, SPLIT LOCK 3/4
9	1-512-010007-12	NUT, HEX 3/4-10
10	360436-T	ANGLE, SUPPORT
11	W915873-3	NUT, HEX LOCK 1-14
12	360350	U-BOLT 3/4 X 5-5/8
13	360428-T	ANCHOR WELDMENT, CYLINDER
14	360348	U-BOLT 3/4 X 7-7/8
15	360553	TUBE WELDMENT, CUTTER 44" (123419)
	360555	TUBE WELDMENT, CUTTER 67" (123421 & 123423)
16	360522-T	WING, CUTTER LIFT ARM
17	360490	END, ROD (FOLD MODELS ONLY)
18	W915014-4	NUT, HEX 1-14
19	360525-T	CYLINDER ANCHOR BRACKET RH
	360526-T	CYLINDER ANCHOR BRACKET LH
20	1-654-010059-17	SCREW, HEX HEAD CAP 5/8-10 X 6
21	1-861-010034-15	WASHER, SPLIT LOCK 5/8
22	1-512-010007-11	NUT, HEX 5/8
23	W908264-3	SCREW, HEX HEAD CAP 1-14 X 3
24	360351	U-BOLT 3/4 X 7-5/8
25	W246964B	SPRING
26	W219814B	WASHER, SPRING
27	W218438B	CLEVIS
28	W908223-4	SCREW, HEX HEAD CAP 5/8-11 X 12
29	W915117-4	NUT, HEX 5/8-11
30	360347-R	BUSHING, PLATED
31	W908337-4	SCREW, HEX HEAD CAP 3/8-16 X 2-1/4
32	W920039-4	WASHER, FLAT 3/8
33	360338	BOLT, PIVOT 3/4 X 5
34	360339	NUT, BEVEL 3/4
35	W220785B	BUSHING
36	360343-R	BUSHING, PLATED
37	W215216B	SPACER
38	360641	ARM, RH DISC CUTTER
	360644	ARM, LH DISC CUTTER
39	W939025	FITTING, GREASE 1/8
40	851997	HUB SUB ASSEMBLY (INCL. ITEMS 41-47)
41	K3548	BEARING CUP
42	K3549	BEARING CONE
43	W215224B	HUB, DISC JOINTER
44	W239653BS	GREASE AND SEAL ASSEMBLY (INCL. ITEMS 45-46)

## CUTTTER ASSEMBLIES

ITEM	PART NO.	DESCRIPTION
45	W239653B	SLEEVE
46	W239654B	SEAL
47	W939001	LUBE FITTING 1/8
48	W239296B	WASHER, 11/16 X 1-3/4
49	W915034-4	NUT, SLOTTED 5/8
50	W932018-4	PIN, COTTER 1/8 X 1-1/4
51	W20H4701	CAP, DUST
52	W220367B	BLADE, DISC 22" DISHED
53	W218440B	BLADE, COULTER 20" RIPPLE
54	W219356B	HUB CAP
55	W900395-4	SCREW, RD HEAD SQ NECK 1/2-13 X 1-1/2
56	W920085-4	WASHER, SPLIT LOCK 1/2
57	W915115-4	NUT, HEX 1/2
58	360356	ARM RH COULTER
	360357	ARM, LH COULTER
59	360941	SUPPORT WELDMENT
60	W915833-4	NUT, HEX 3/8-16 COARSE THREAD



HYDRAULIC CUTTER  
ADJUSTMENT OPTION



MANUAL CUTTER  
ADJUSTMENT OPTION

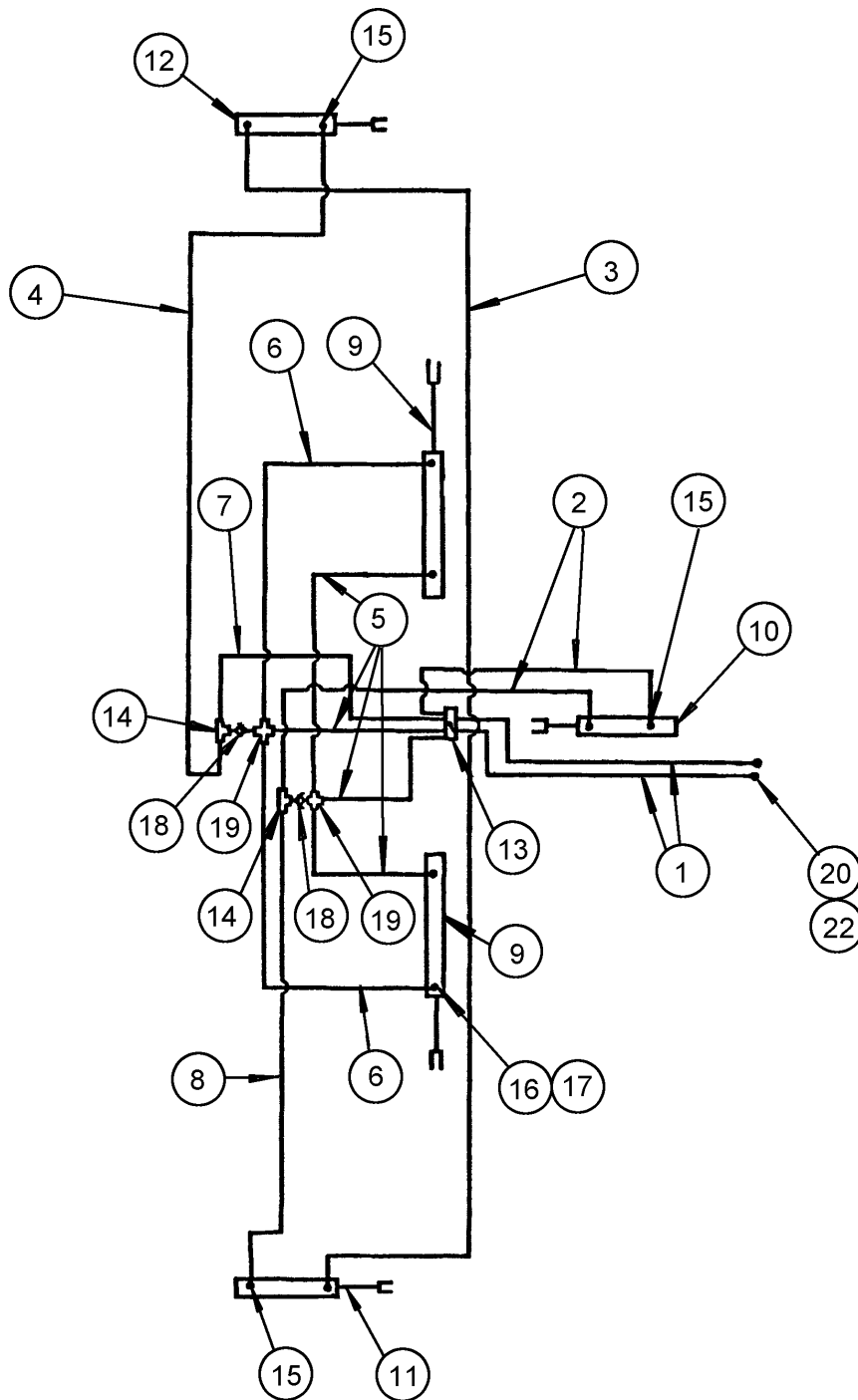
coulter adjust - rigid

Figure 1-9 Cutter Adjustment - Rigid Models



## CUTTER ADJUSTMENT - RIGID MODELS

ITEM	PART NO.	DESCRIPTION	QTY.
1	1-242-010163	CYLINDER, 3 X 8 (SEE PAGE 1-19)	1
2	1-007-010007	90 ELBOW	2
3	105874	TIE, STRAP PLASTIC (NOT SHOWN)	AR
4	2021-8-8S	ADAPTER	2
5	1-397-010077	HOSE ASSEMBLY 3/8 X 140	1
6	8010-4	COUPLER, MALE 1/2	2
7	100565	HOSE ASSEMBLY 3/8 X 132	1
8	2-423-010040	JACK, RATCHET 8" STROKE	

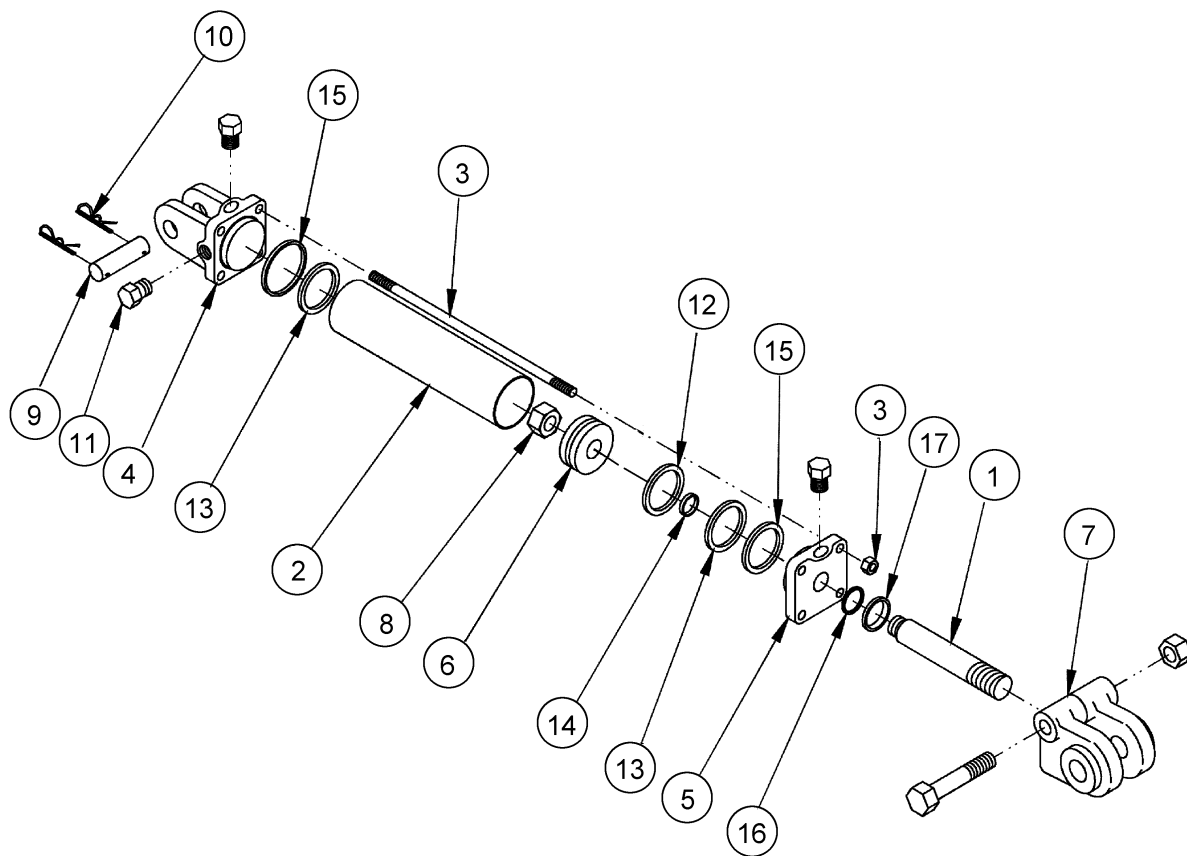


coulter adjust - fold

Figure 1-10 Cutter Adjustment - Fold Models

## CUTTER ADJUSTMENT - FOLD MODELS

ITEM	PART NO.	DESCRIPTION	QTY.
1	364487	HOSE ASSEMBLY 3/8 X 208"	2
2	364499	HOSE ASSEMBLY 3/8 X 156"	2
3	364497	HOSE ASSEMBLY 3/8 X 250"	1
4	364495	HOSE ASSEMBLY 3/8 X 104"	1
5	364494	HOSE ASSEMBLY 3/8 X 36"	4
6	364498	HOSE ASSEMBLY 3/8 X 55"	2
7	364493	HOSE ASSEMBLY 3/8 X 32-1/2"	1
8	364496	HOSE ASSEMBLY 3/8 X 130"	1
9	364545	CYLINDER, 4 X 24 (SEE PAGE 1-23)	2
10	364546	CYLINDER, 3-1/2 X 8 (SEE PAGE 1-21)	1
11	364547	CYLINDER, 3-1/4 X 8 (SEE PAGE 1-21)	1
12	364548	CYLINDER, 3 X 8 (SEE PAGE 1-21)	1
13	854394	SELECTOR VALVE	1
14	W939765	TEE, SWIVEL	2
15	W939736	ELBOW, 90	6
16	527842	ORIFICE	4
17	W939925	ELBOW 90 MALE	4
18	854845	CHECK VALVE	2
19	23069	CROSS, FEMALE	2
20	8010-4	COUPLER, MALE 1/2	2
21	105874	TIE, STRAP PLASTIC (NOT SHOWN)	AR
22	2021-8-8S	ADAPTER	2



1m242-010163

Figure 1-11 3" x 8" Hydraulic Cylinder Assembly w/ Stroke Control

### 3 X 8 HYDRAULIC CYLINDER W/ STROKE CONTROL

ITEM	PART NO.	DESCRIPTION	QTY.
	1-242-010163	CYLINDER, 3 X 8	
1	010700011	ROD, PISTON	1
2	051500007	TUBE	1
3	170201121	TIE ROD ASSY	1
4	141500043	BUTT	4
5	081500323	GLAND	1
6	071500244	PISTON	1
7	100000018	CLEVIS ASSY	1
8	220000232	NUT, LOCK	1
9	190400001	PIN, CLEVIS	2
10	190600003	HAIRPIN	1
11	200300040	PORT PLUG	1
12	----	CROWN SEAL	1
13	----	O-RING	2
14	----	O-RING	4
15	----	BU-WASHER	2
16	----	U-CUP	1
17	----	WIPER	2
18	----	PORT PLUG (NOT SHOWN)	2
	1-242-010164	PACKING KIT *	

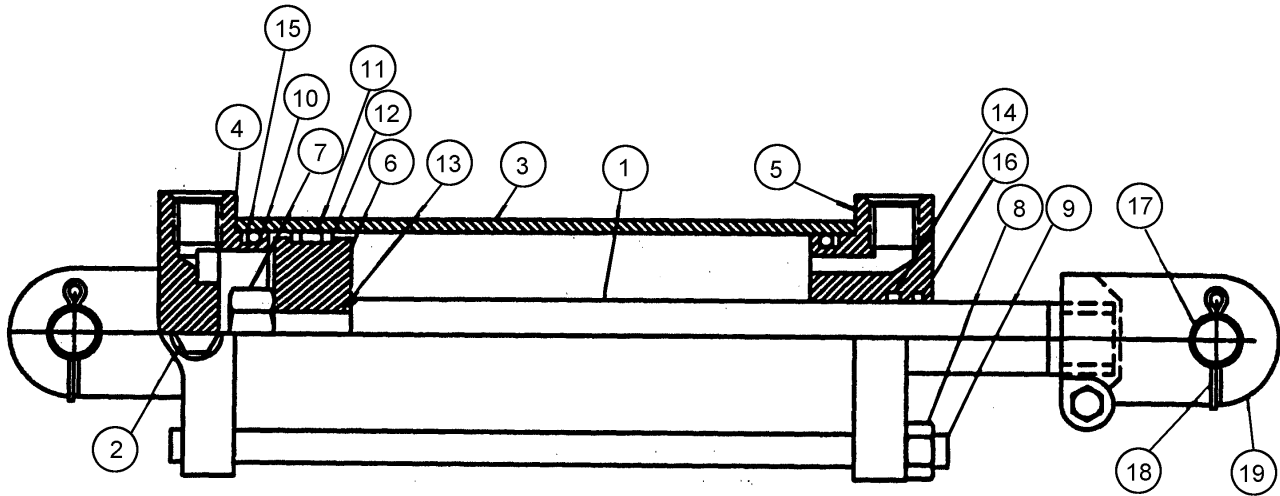
\* CONTAINS ALL NECESSARY O-RINGS AND SEALS



## 8" HYDRAULIC CYLINDER ASSEMBLY

ITEM	3 X 8"	3-1/4 X 8"	3-1/2" X 8"	DESCRIPTION	QTY.
	364548	364547	364546	CYLINDER, HYDRAULIC	
1	1R61457	1R61457	1R61457	ROD, PISTON	1
2	1R61896	1R61462	1R61464	TUBE	1
4	1R61437	1R61463	1R61448	BUTT	1
5	22944	22944	22944	NUT, LOCK	1
6	1R61897	1R61455	1R61441	PISTON	1
7	1R61712	1R61461	1R61460	GLAND	1
8	1R61453	1R61453	1R61453	CLEVIS ASSY	1
9	1R61713	1R61458	1R61458	TIE ROD ASSY	4
10	----	----	----	BEARING RING	1
11	----	----	----	SEAL	2
12	----	----	----	O-RING	1
13	----	----	----	O-RING	1
14	----	----	----	BU-WASHER	1
15	----	----	----	U-CUP	1
16	----	----	----	WIPER	1
17	17330	W915115-4	W915115-4	NUT	2
18	1R61685	1R61685	1R61685	PLUG, O-RING	2
19	1R61430	1R61430	1R61430	PIN, CLEVIS	8
20	22643	W932036-4	W932036-4	PIN, COTTER	8
21	----	----	----	O-RING	4
22	22913	W941005-4	W941005-4	NUT, HEX	4
	1R61901	1R61450	1R61465	PACKING KIT*	

\* CONTAINS ALL NECESSARY O-RINGS AND SEALS



364545

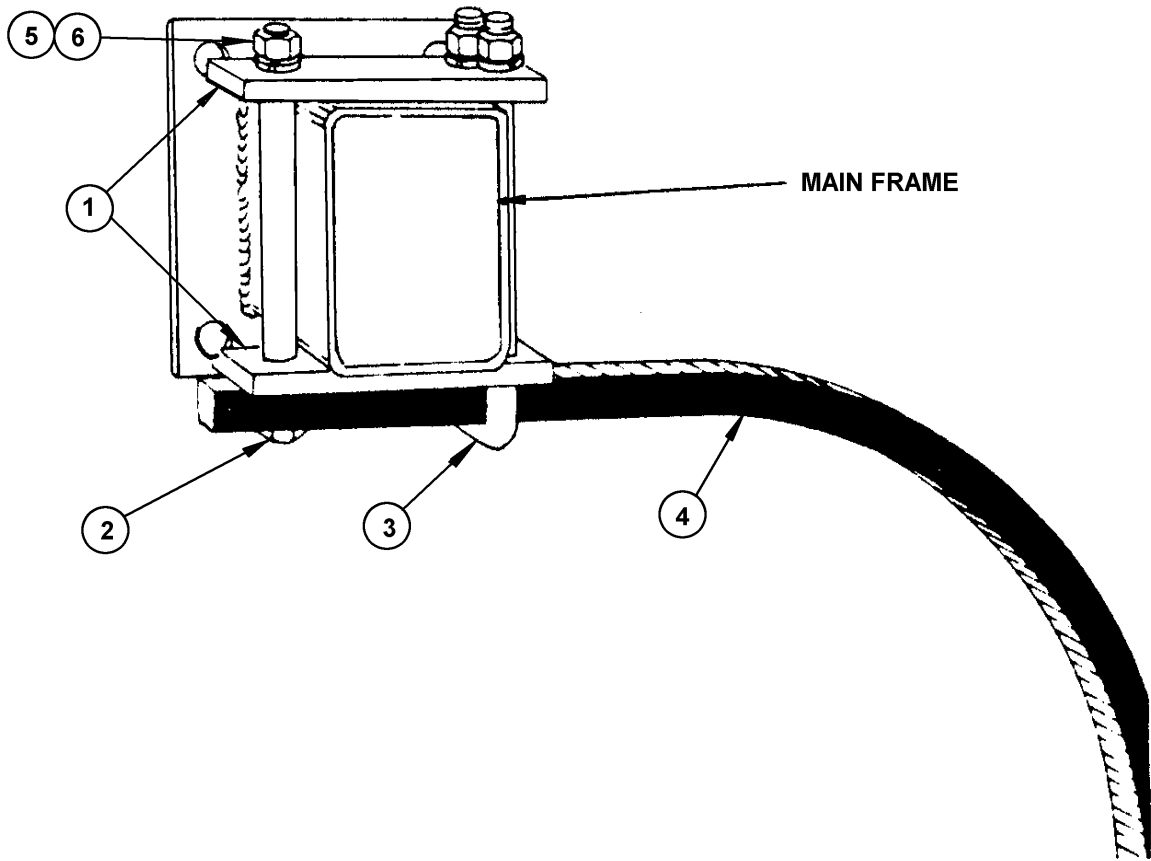
Figure 1-13 4 x 24" Hydraulic Cylinder Assembly



## 4 X 24" HYDRAULIC CYLINDER

ITEM	PART NO.	DESCRIPTION	QTY.
	364545	CYLINDER, HYDRAULIC 4 X 24	
1	EP6325	ROD, PISTON	1
2	22913	PLUG	
3	EP6326	TUBE	1
4	EP6868	BUTT	4
5	EP6869	GLAND	1
6	EP6328	PISTON	1
7	EP6259	NUT, LOCK	1
8	EP6870	NUT, HEX	1
9	EP6875	TIE ROD ASSY	1
10	----	O-RING	2
11	----	O-RING	4
12	----	BU-WASHER	2
13	----	O-RING	4
14	----	U-CUP	1
15	----	BU-WASHER	2
16	----	WIPER	2
17	EP6293	PIN, CLEVIS	2
18	23047	PIN, COTTER	1
19	EP6873	CLEVIS ASSY	1
	EP6874	PACKING KIT*	

\* CONTAINS ALL NECESSARY O-RINGS AND SEALS



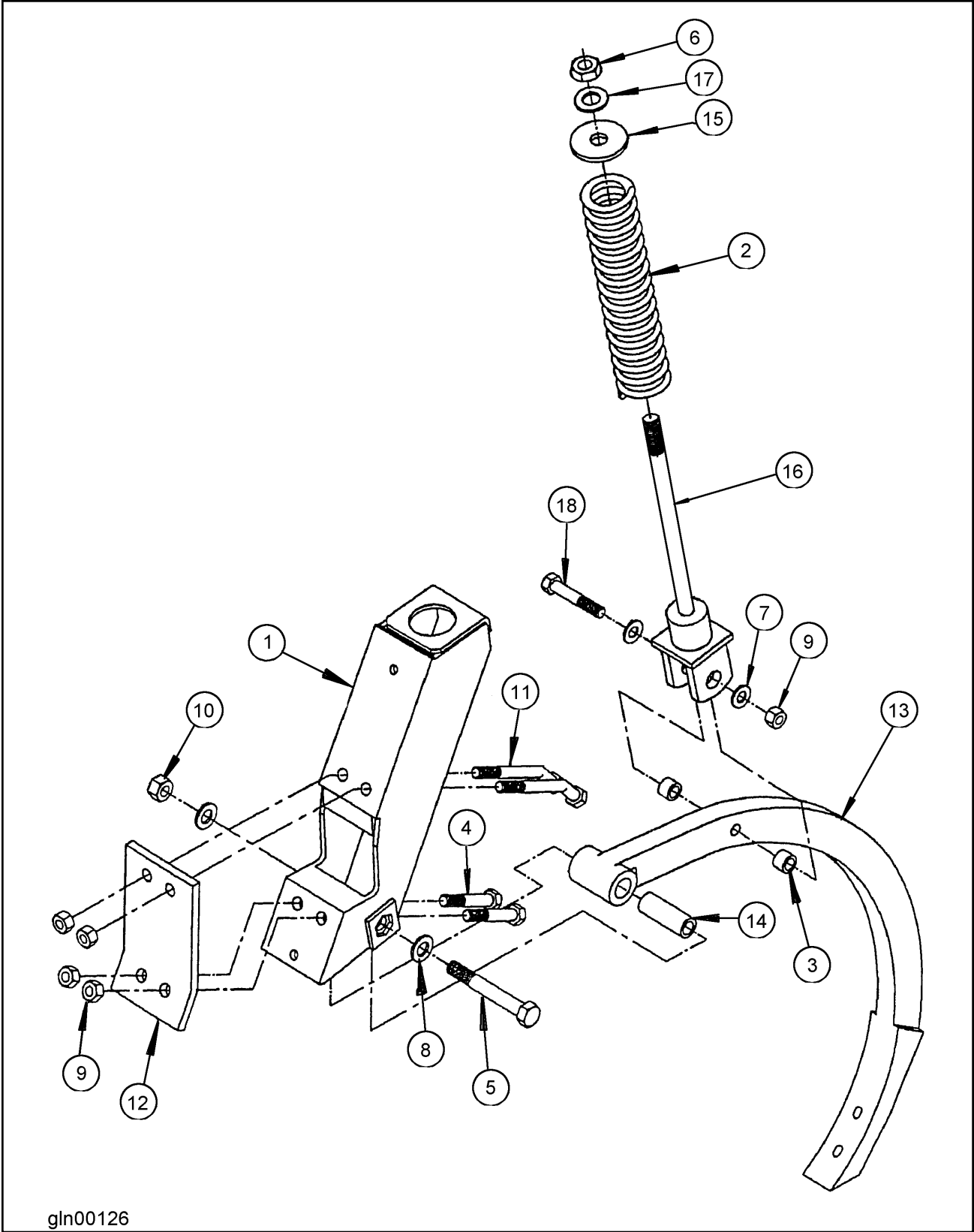
1230rigid shank

Figure 1-14 Rigid Shank Assembly

## RIGID SHANK ASSEMBLY

ITEM	PART NO.	DESCRIPTION	QTY.
1	360603-D	PLATE, CLAMP	2
2	W908188-4	SCREW, HEX HEAD CAP 3/4-10 X 9-1/2	1
3	360605	U-BOLT	1
4	W215062B	SHANK	1
5	1-861-010034-17	WASHER, SPLIT LOCK 3/4	3
6	1-512-010007-12	NUT, HEX 3/4-10	3

<b>GROUND TOOL (USED W/ ALL SHANK OPTIONS) (NOT SHOWN)</b>		
GROUND TOOL P/N	DESCRIPTION	REQD. HARDWARE
<b>1 PC. 4" PT. TWIST OPTION</b>		
66826	TWISTED SHOVEL RH 1/2 X 4 X 26	
66827	TWISTED SHOVEL LH 1/2 X 4 X 26	
<b>1 PC. 4" H/PT. TWIST OPTION</b>		
1D67066	TWISTED SHOVEL RH HS 1/2 X 4 X 26	
1D67067	TWISTED SHOVEL LH HS 1/2 X 4 X 26	
<b>1 PC. 3" PT. TWIST OPTION</b>		
73001	TWISTED SHOVEL LH 1/2 X 3 X 20-1/2	
73002	TWISTED SHOVEL RH 1/2 X 3 X 20-1/2	
<b>16" SWEEP OPTION</b>		
59476	SWEEP, 16"	
<b>18" SWEEP OPTION</b>		
59478	SWEEP, 18"	
<b>CHISEL SPIKE OPTION</b>		
EP6352	CHISEL	1-512-010007-09 1-861-010034-13 1/2-13 X 2-1/2GR8
<b>3 PC. 4" H/PT. TWIST OPTION</b>		
EP4918	POINT WEDGE BOLT 1/2 X 1-3/8	1-512-010007-09 1-861-010034-13 1/2-13 X 3-1/2PLOW
EP6133	BASE LH - FROG	
EP6134	BASE RH - FROG	
EP6193	MOLDBOARD HS - LH	
EP6194	MOLDBOARD HS - RH	
P6167	POINT HS - LH	
P6168	POINT HS - RH	
<b>3 PC. 4" PT. TWIST OPTION</b>		
EP4918	POINT WEDGE BOLT 1/2 X 1-3/8	
EP6133	BASE LH - FROG	
EP6134	BASE RH - FROG	
EP6137	MOLDBOARD - PLAIN LH	
EP6138	MOLDBOARD - PLAIN RH	
P6135	POINT - PLAIN LH	
P6136	POINT - PLAIN RH	



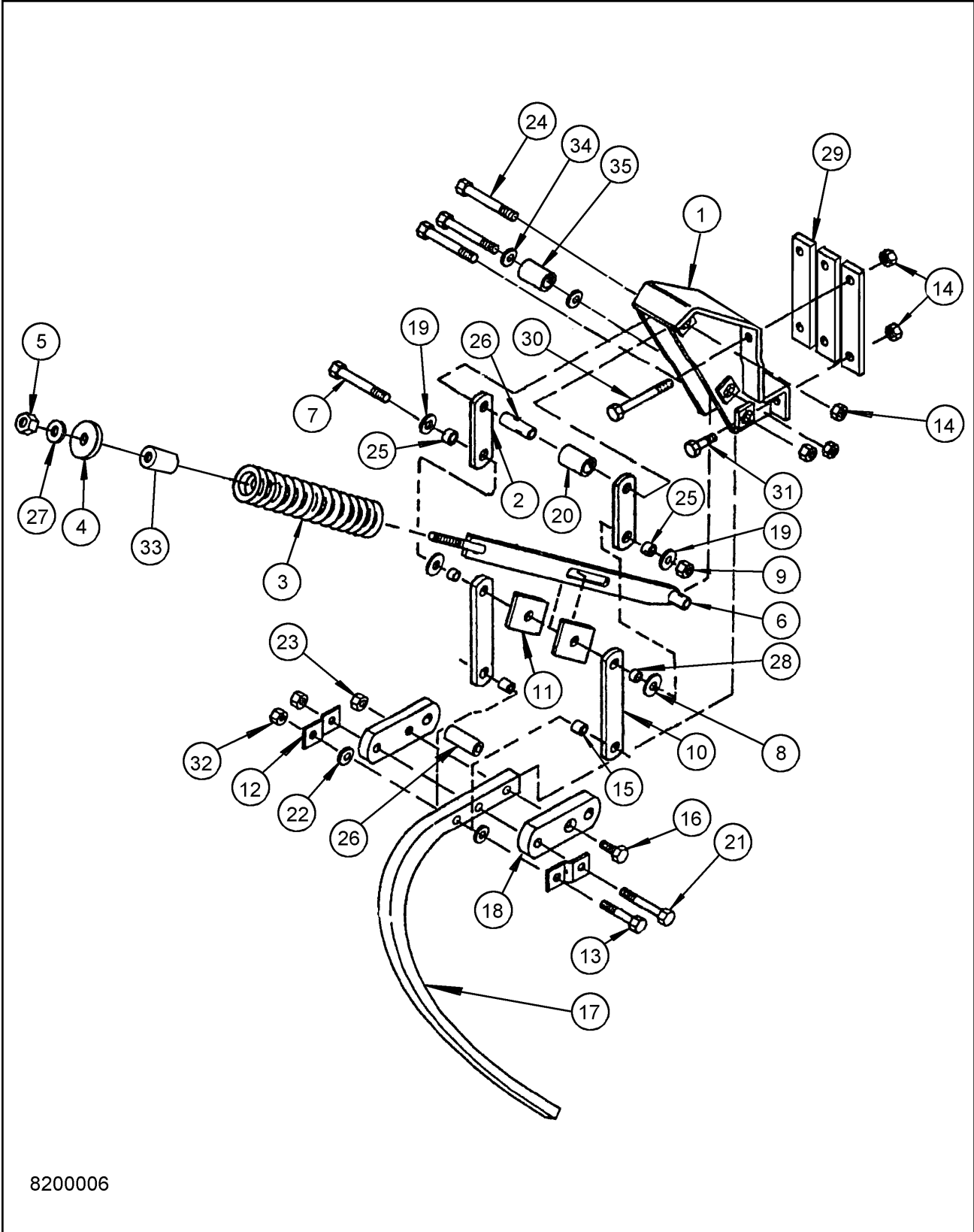
gln00126

Figure 1-15 Spring Shank Assembly

## SPRING SHANK ASSEMBLY

ITEM	PART NO.	DESCRIPTION	QTY.
	7400011	SPRING SHANK ASSEMBLY	
1	EPA66621	SHANK MOUNT WELD SPRING TYPE	1
2	EP1563	SPRING	1
3	E66636	SPACER	2
4	W907156-4	CAPSCREW, 5/8-11 X 3-3/4 GR8	2
5	W908409-4	CAPSCREW, 3/4-10 X 6	1
6	W915756-4	LOCKNUT, HEX 1-8 CENTER LOCK	1
7	010030	WASHER .66 X 1.5 X .19	2
8	012701	WASHER	2
9	W915753-4	HEX NUT, CTR LOCK 5/8-11 GRB	5
10	012239	LOCKNUT, HEX 3/4-10 GRB	1
11	1D67101	BENT BOLT 5/8-11 GR5	2
12	1D67102	BENT PLATE	1
13	366556	SHANK FORGED EYE	1
14	366568	BUSHING, PIVOT	1
15	366806	WEAR BUSHING	1
16	366807	PRESSURE ROD	1
17	366808	WASHER	1
18	EP1958	SCREW, HEX HEAD CAP 5/8-11 X 3-1/2 GR8	1

NOTE: SEE PAGE 1-25 FOR GROUND TOOL OPTIONS.



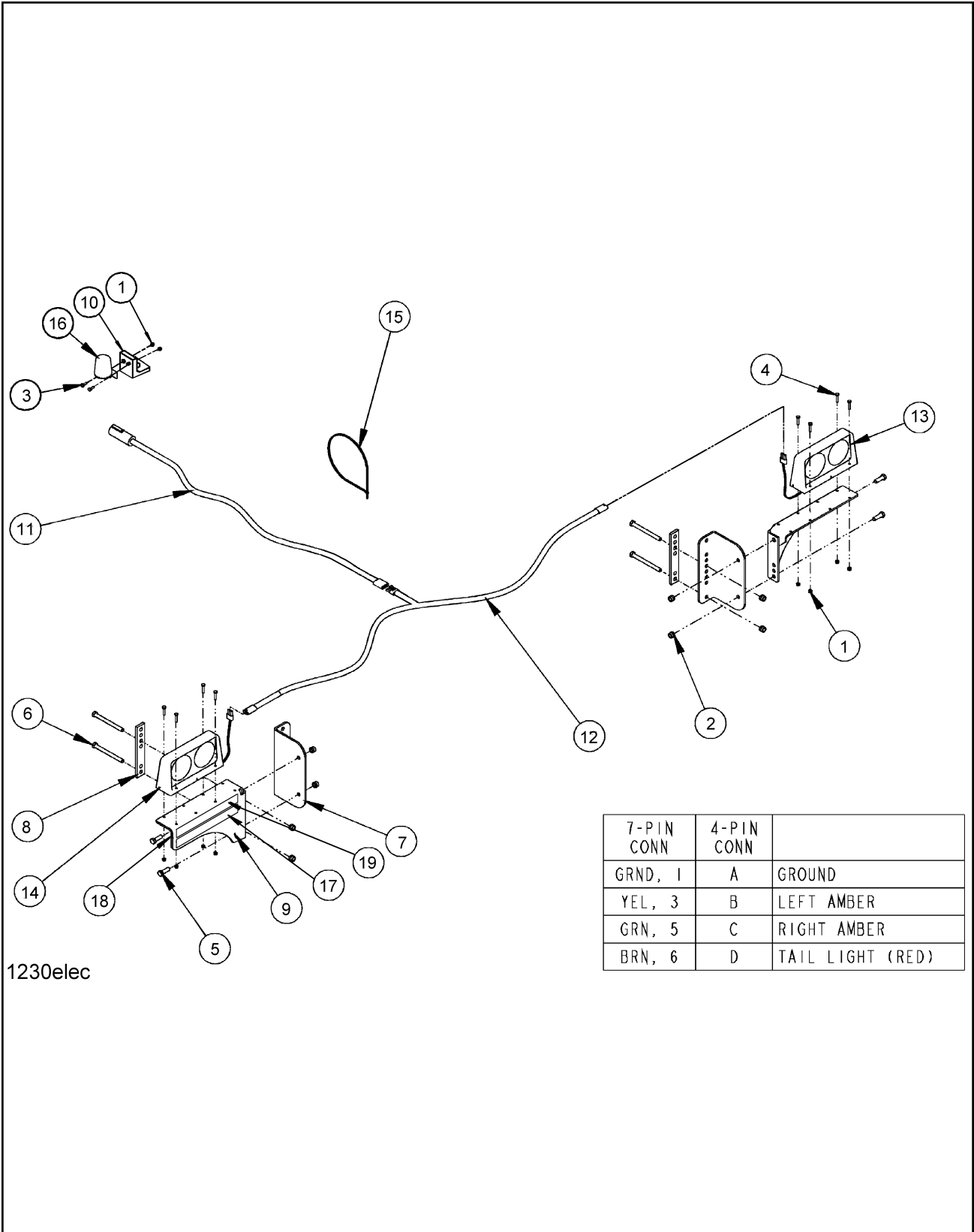
8200006

Figure 1-16 Auto Reset Shank Assembly

## AUTO RESET SHANK ASSEMBLY

ITEM	PART NO.	DESCRIPTION	
	8200006	SHANK, AUTO RESET	
1	366801	SHANK HOLDER WELDMENT	1
2	1D69379	BRACKET	2
3	1D67370	SPRING	1
4	366805	WASHER 3/8 X 4-1/2	1
5	1-516-010007-16	NUT, HEX 1-1/4-7	1
6	366784	ROD, PRESSURE	1
7	W908432-4	SCREW, HEX HEAD CAP 1-8 X 6	1
8	17887	BUSHING, MACHINE	2
9	1-512-010005-19	NUT, HEX LOCK 1-8	1
10	1D67383	BRACKET	2
11	E73212	PLATE	2
12	1D67379	STRIP, RETAINER	2
13	W907157-4	CAPSCREW, 5/8 X 4 GR8	1
14	W915838-4	NUT, HEX LOCK 3/4	9
15	1D67143	BUSHING	2
16	1D67626	CAPSCREW, HEX 5/8 X 2-3/4 GR L9	1
17	1D67369	SHANK, DEEP TILL	1
18	1D67378	BRACKET, SHANK HOLDER	2
19	1-861-010032-25	WASHER, FLAT 1"	2
20	7381-201	SPACER	1
21	W907161-4	CAPSCREW, HEX 5/8 X 5 GR8	1
22	7778-4	WASHER	2
23	W915781-4	NUT, HEX LOCK FINE 5/8-18	1
24	W907194-4	CAPSCREW, HEX 3/4 X 6 GR8	3
25	EP6732	BUSHING, TENSION	2
26	E66634	BUSHING 1-1/4 X 3-5/8	2
27	W920019-4	WASHER, FLAT 1-1/4	3
28	1D67140	BUSHING, TENSION	2
29	366803	BAR	3
30	100855	SCREW, HEX HEAD CAP 3/4-10 X 6-1/2 GR5	3
31	W907182-4	CAPSCREW, HEX 3/4-10 X 3 GR8	3
32	W915837-4	NUT, HEX TOP LOCK 5/8	2
33	202148	SPACER	1
34	012701	WASHER	2
35	366568	BUSHING, PIVOT	1

NOTE: SEE PAGE 1-25 FOR GROUND TOOL OPTIONS.



1230elec

Figure 1-17 Electrical Assembly



## ELECTRICAL ASSEMBLY

ITEM	PART NO.	DESCRIPTION	QTY.
1	1-512-010004-05	NUT, HEX LOCK 1/4-20 GRA	10
2	1-512-010005-09	NUT, HEX LOCK 1/2-13 GRB	8
3	1-654-010047-04	SCREW, HEX HEAD CAP 1/4-20 X 3/4 GR5	2
4	1-654-010047-07	SCREW, HEX HEAD CAP 1/4-20 X 1-1/4 GR5	8
5	1-654-010055-03	SCREW, HEX HEAD CAP 1/2-13 X 1-1/2 GR5	4
6	1-654-010055-16	SCREW, HEX HEAD CAP 1/2-13 X 5-1/2 GR5	4
7	2-015-010252	ANGLE, MOUNTING BRACKET LIGHTS	2
8	2-054-010461	BAR, WARNING LIGHTS	2
9	2-120-010503	BRACKET, WARNING LIGHTS	2
10	2-120-010509	BRACKET, STOR-AWAY HOLDER	1
11	2-368-010270	HARNESS, MAIN WARNING LIGHTS	1
12	2-368-010271	HARNESS, REAR WARNING LIGHTS	1
13	2-446-010044	LIGHT ASSEMBLY, WARNING RIGHT	1
14	2-446-010045	LIGHT ASSEMBLY, WARNING LEFT	1
15	105874	TIE, STRAP PLASTIC	AR
16	2-368-010287	HARNESS, STOR-AWAY	1
17	528933	REFLECTOR, RED	2
18	528934	REFLECTOR, YELLOW	2
19	528938	REFLECTOR, ORANGE	2
20	F-306	WARNING LIGHT INSTRUCTION (NOT SHOWN)	1

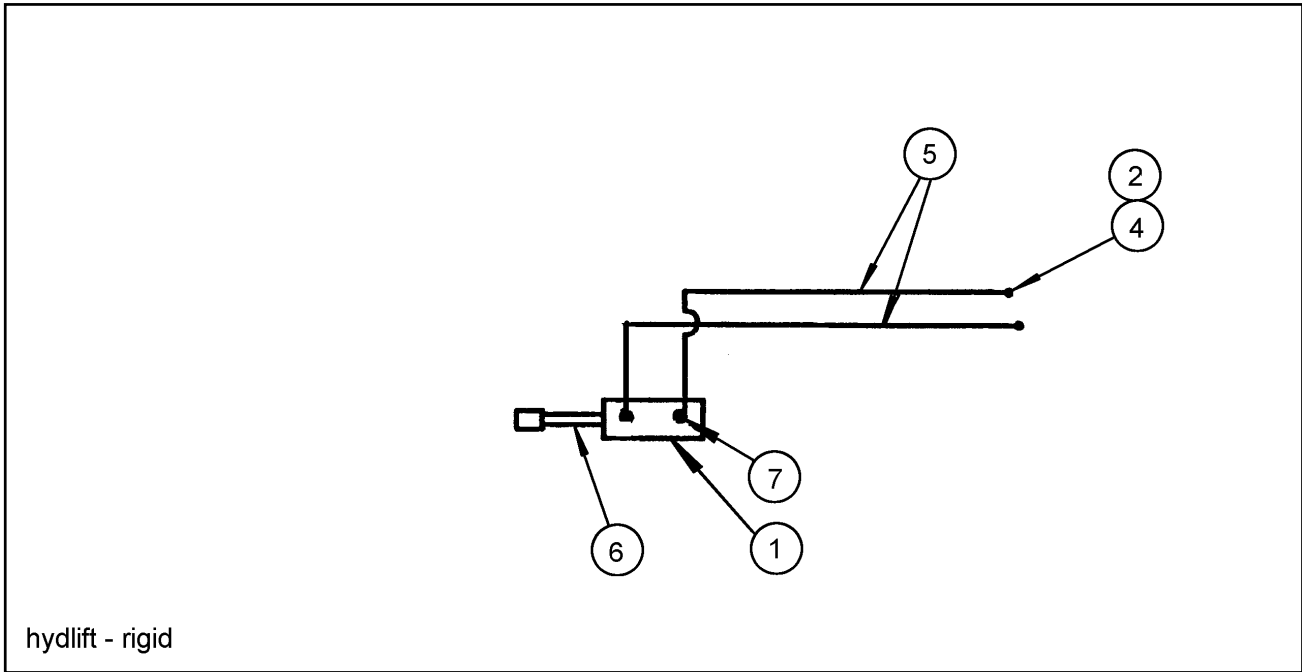


Figure 1-18 Hydraulic Lift Assembly - Rigid Models

### HYDRAULIC LIFT ASSEMBLY - RIGID MODELS

ITEM	PART NO.	DESCRIPTION	QTY
1	364485	CYLINDER, HYDRAULIC 3-1/2 X 12 (SEE PAGE 1-33)	1
2	2021-8-8S	ADAPTER	2
3	105874	TIE, STRAP PLASTIC (NOT SHOWN)	AR
4	8010-4	COUPLER, MALE 1/2	2
5	364488	HOSE, HYDRAULIC 3/8 X 228	2
6	1-741-010053	STOP, CYLINDER 1-1/2	1
7	W939736	ELBOW 90	2

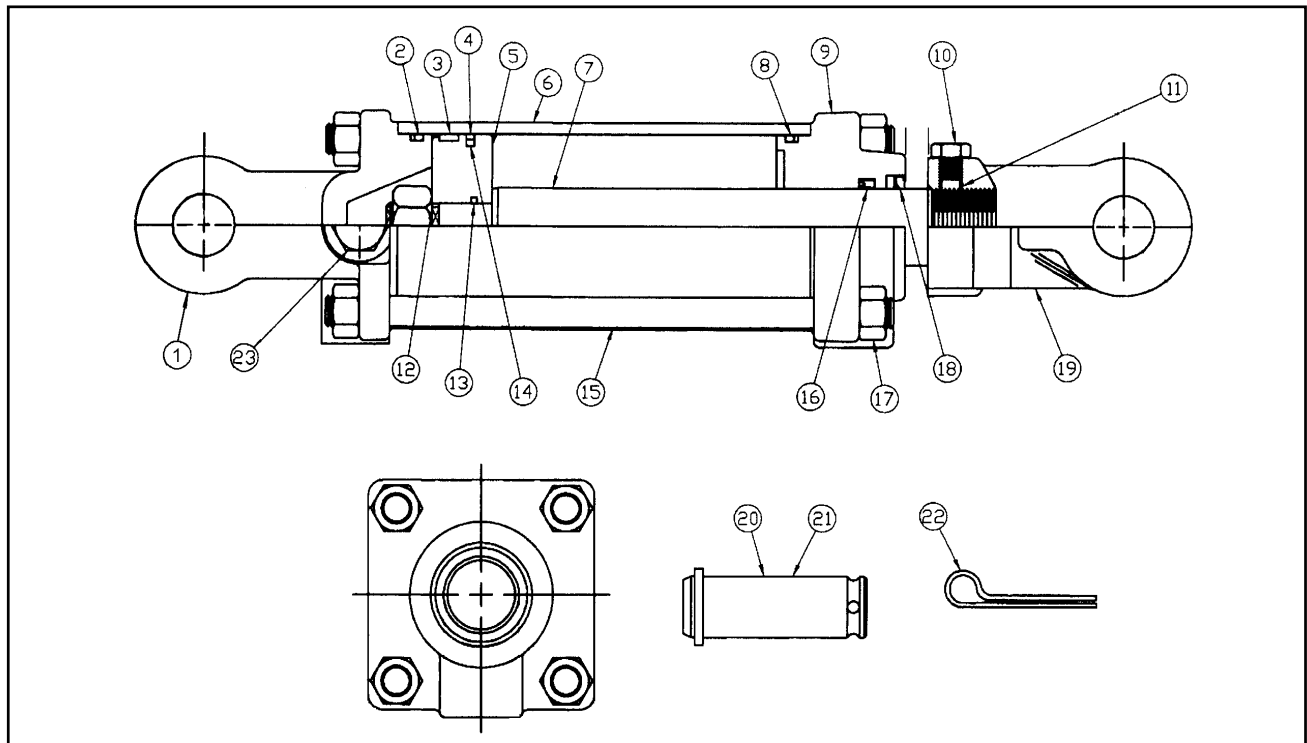


Figure 1-19 3-1/2 x 12 Hydraulic Cylinder

### 3-1/2 X 12 HYDRAULIC CYLINDER

ITEM	PART NO.	DESCRIPTION	QTY
	364485	CYLINDER, HYDRAULIC 3-1/2 X 12	1
1	528516	BASE	1
2	----	O-RING	2
3	----	WEAR RING	1
4	----	TEFLON RING	1
5	528517	PISTON	1
6	364554	TUBE ASSEMBLY	1
7	364563	ROD	1
8	----	BACK-UP	2
9	528520	HEAD	1
10	W908328-4	CAP SCREW	1
11	528508	NYLON PLUG	1
12	W915703-4	NUT	1
13	----	O-RING	1
14	----	O-RING	4
15	360692	TIE ROD	1
16	----	U-CUP	8
17	15619	NUT	1
18	----	WIPER	1
19	528510	ROD, CLEVIS	1
20	360881	PIN, CLEVIS	1
21	360579	PIN, CLEVIS	1
22	W932047-4	COTTER PIN	2
23	W941005-4	PLUG ASSEMBLY	1
	528515	SEAL KIT (CONTAINS ALL SEALS AND O-RINGS)	1

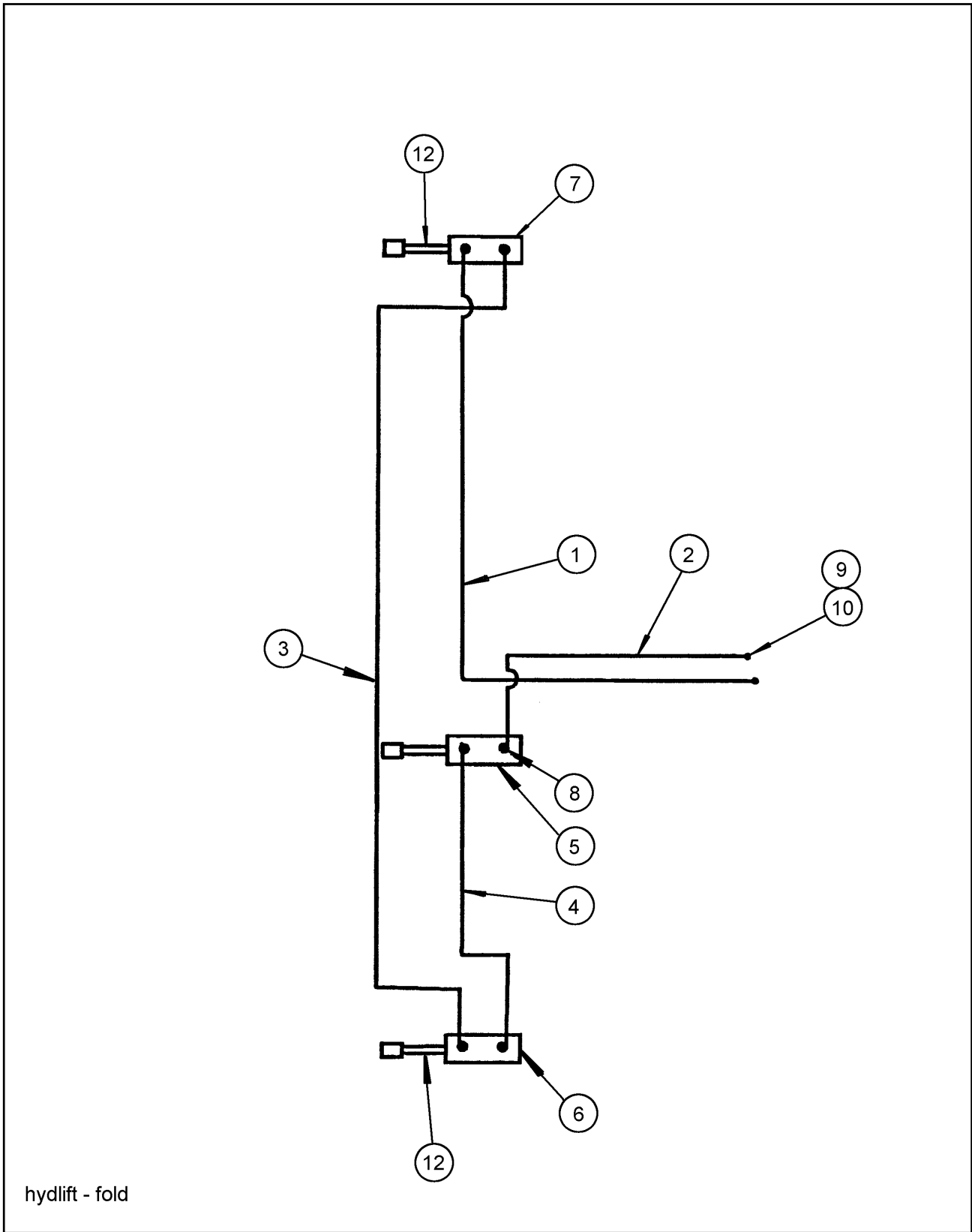
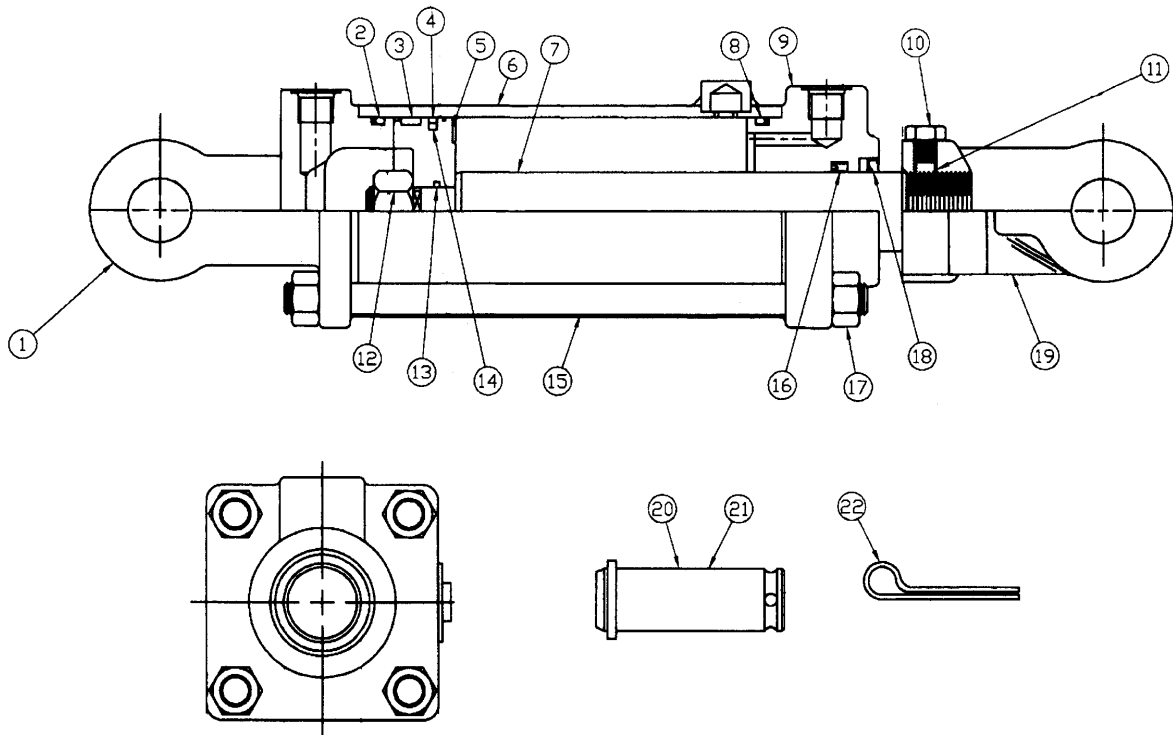


Figure 1-20 Hydraulic Lift Assembly - Fold Models

## HYDRAULIC LIFT ASSEMBLY - FOLD MODELS

ITEM	PART NO.	DESCRIPTION	QTY
1	364490	HOSE, HYDRAULIC 3/8 X 388	1
2	364488	HOSE, HYDRAULIC 1/2 X 216	1
3	364489	HOSE, HYDRAULIC 3/8 X 316	1
4	364486	HOSE, HYDRAULIC 3/8 X 192	1
5	364481	CYLINDER, HYDRAULIC 4 X 12 (SEE PAGE 1-37)	1
6	364482	CYLINDER, HYDRAULIC 3-3/4 X 12 (SEE PAGE 1-37)	1
7	364483	CYLINDER, HYDRAULIC 3-1/2 X 12 (SEE PAGE 1-37)	1
8	W939736	ELBOW	6
9	8010-4	COUPLER, MALE 1/2	2
10	2021-8-8S	ADAPTER	2
11	105874	TIE, STRAP PLASTIC (NOT SHOWN)	AR
12	1-741-010053	STOP, CYLINDER	2



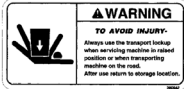
364481

Figure 1-21 Cylinder, 3-1/2" x 12" Hydraulic Assembly

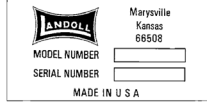
## CYLINDER, 12" HYDRAULIC ASSEMBLY

ITEM	3-1/2"X12"	3-3/4"X12"	4"X12"	DESCRIPTION	QTY
	364483	364482	364481	CYLINDER	1
1	528516	364568	364559	BASE	
2	----	----	----	O-RING	
3	----	----	----	WEAR RING	
4	----	----	----	TEFLON RING	
5	364618	364603	364555	PISTON	1
6	364564	364566	364569	TUBE	1
7	360690	360690	360690	ROD, PISTON	1
8	----	----	----	BACK-UP	1
9	364565	364567	364570	HEAD	
10	W908328-4	W908328-4	W908328-4	CAP SCREW	
11	528508	528508	528508	NYLON PLUG	1
12	W915703-4	W915703-4	W915703-4	NUT	1
13	----	----	----	O-RING	1
14	----	----	----	O-RING	1
15	360692	360697	360697	TIE ROD ASSY	4
16	----	----	----	U-CUP	1
17	15619	W915117-4	W915117-4	NUT	4
18	----	----	----	WIPER	1
19	528510	528510	528510	ROD, CLEVIS	1
20	360881	360881	360881	PIN, CLEVIS	2
21	360579	360579	360579	PIN, CLEVIS	2
22	W932047-4	W932047-4	W932047-4	PIN, COTTER	8
23	W941005-4	W941005-4	W941005-4	PLUG ASSEMBLY	1
	364573	364572	364571	PACKING KIT	1

\* CONTAINS ALL NECESSARY SEALS AND O-RINGS.



1



2

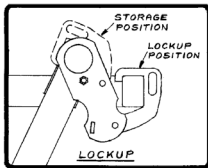
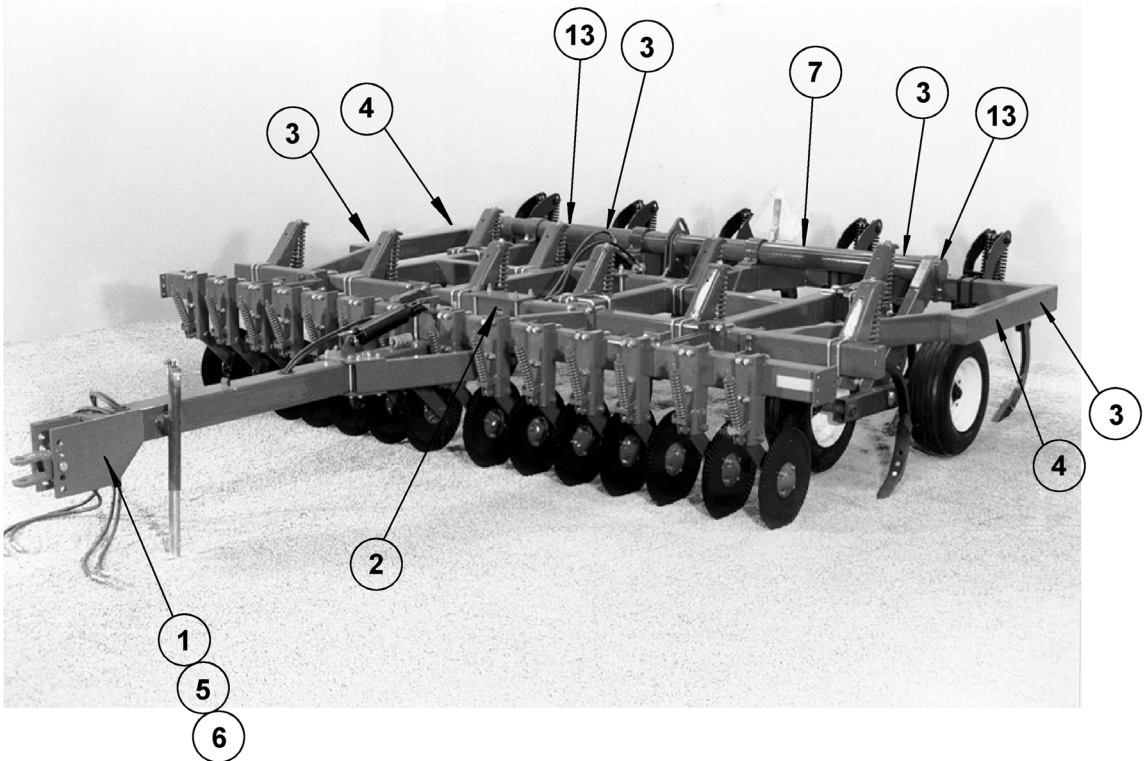
1230 3  
LANDOLL 4



5



6



7



12



13

1230decals

Figure 1-22 Decal Installation



## DECAL INSTALLATION

ITEM	PART NO.	DESCRIPTION
1	360942	DECAL, WARNING
2	1-573-010006	PLATE, NAME
3	114288	DECAL, MODEL 1230
4	2-573-010196	DECAL, LANDOLL
5	2-573-010198	DECAL MEMBER FEMA
6	017804	DECAL, WARNING
7	360459	DECAL, LOCKUP
8	10036	FASTENER, SERIAL NUMBER PLATE (NOT SHOWN)
9	528933	REFLECTOR, RED (SEE PAGE 1-31 FOR LOCATION)
10	528934	REFLECTOR, YELLOW (SEE PAGE 1-31 FOR LOCATION)
11	528938	STRIPE, ORANGE (SEE PAGE 1-31 FOR LOCATION)
12	364862	DECAL, DANGER (NOT SHOWN) (USED ON FOLD MODEL HINGES)
13	1-573-010007	DECAL LANDOLL BLACK

# NOTES

---

# NUMERICAL INDEX

<b>PART</b>	<b>PAGE</b>	<b>PART</b>	<b>PAGE</b>	<b>PART</b>	<b>PAGE</b>
010030	27	1-512-010005-13	07	1-654-010125-21	06
010700011	19	1-512-010005-15	07	170201121	19
011754	07	1-512-010005-19	06	17330	21
012239	27	1-512-010005-19	29	1-741-010053	32
012701	27	1-512-010007-09	07	1-741-010053	35
012701	29	1-512-010007-09	25	17887	29
015005	09	1-512-010007-09	25	1-822-010001	07
015006	09	1-512-010007-09	25	1-861-010032-11	06
015054	07	1-512-010007-11	06	1-861-010032-25	09
017804	39	1-512-010007-11	09	1-861-010032-25	29
051500007	19	1-512-010007-11	12	1-861-010034-13	07
071500244	19	1-512-010007-11	12	1-861-010034-13	25
081500323	19	1-512-010007-12	06	1-861-010034-13	25
1/2-13 X 2-1/2GR8	25	1-512-010007-12	12	1-861-010034-13	25
1/2-13 X 3-1/2PLOW	25	1-512-010007-12	25	1-861-010034-15	06
1/2-13 X 3PLOW	25	1-516-010001-20	09	1-861-010034-15	09
100000018	19	1-516-010007-16	29	1-861-010034-15	12
10036	39	15619	33	1-861-010034-15	12
100565	15	15619	37	1-861-010034-17	06
1-007-010007	15	1-573-010006	39	1-861-010034-17	12
100855	29	1-573-010007	39	1-861-010034-17	25
100966	09	1-647-010004217	07	190400001	19
105-0093	06	1-654-010047-04	31	190600003	19
105874	15	1-654-010047-06	06	1D67066	25
105874	17	1-654-010047-07	31	1D67067	25
105874	31	1-654-010051-15	09	1D67101	27
105874	32	1-654-010055-03	31	1D67102	27
105874	35	1-654-010055-16	06	1D67140	29
108830	06	1-654-010055-16	31	1D67143	29
1-116-010019	06	1-654-010059-04	07	1D67369	29
114288	39	1-654-010059-05	06	1D67370	29
1-161-010002	09	1-654-010059-05	12	1D67378	29
1-242-010163	15	1-654-010059-07	06	1D67379	29
1-242-010163	19	1-654-010059-09	09	1D67383	29
1-242-010164	19	1-654-010059-11	07	1D67626	29
1-397-010077	15	1-654-010059-17	06	1D69379	29
141500043	19	1-654-010059-17	09	1R61430	21
1-512-010004-05	31	1-654-010059-17	12	1R61430	21
1-512-010005-01	06	1-654-010059-21	07	1R61430	21
1-512-010005-05	09	1-654-010061-09	07	1R61437	21
1-512-010005-09	06	1-654-010061-22	06	1R61441	21
1-512-010005-09	31	1-654-010061-22	12	1R61448	21

<b>PART</b>	<b>PAGE</b>	<b>PART</b>	<b>PAGE</b>	<b>PART</b>	<b>PAGE</b>
1R61450	21	23069	17	360461-T	07
1R61453	21	2-368-010270	31	360462-T	07
1R61453	21	2-368-010271	31	360465	06
1R61453	21	2-368-010287	31	360484	06
1R61455	21	2-423-010040	15	360490	06
1R61457	21	2-446-010044	31	360490	12
1R61457	21	2-446-010045	31	360494-T	06
1R61457	21	2-573-010196	39	360498-T	06
1R61458	21	2-573-010198	39	360499-T	06
1R61458	21	2-870-010006	09	360522-T	12
1R61460	21	30-1015842	09	360525-T	12
1R61461	21	360027	09	360526-T	12
1R61462	21	360172-M	07	360528-T	07
1R61463	21	360313	06	360547-T	07
1R61464	21	360314	06	360551	07
1R61465	21	360314	12	360552	06
1R61685	21	360319	06	360553	12
1R61685	21	360319	09	360555	12
1R61685	21	360326	06	360559-T	09
1R61712	21	360327	06	360565-T	07
1R61713	21	360328	09	360566-T	07
1R61896	21	360329	09	360570-M	07
1R61897	21	360338	12	360571-M	07
1R61901	21	360339	12	360572-M	07
200300040	19	360343-R	12	360576-T	07
2-015-010252	31	360347-R	12	360579	33
202148	29	360348	06	360579	37
2021-8-8S	15	360348	12	360579	37
2021-8-8S	17	360350	06	360579	37
2021-8-8S	32	360350	12	360593-M	07
2021-8-8S	35	360351	12	360593-M	09
2-054-010461	06	360356	13	360594-T	09
2-054-010461	31	360357	13	360595-T	09
2-120-010503	31	360396-T	07	360596-T	09
2-120-010509	31	360414-T	07	360597	09
2-174-010063	07	360428-T	12	360599-T	09
220000232	19	360433-T	12	360603-D	25
22643	21	360436-T	12	360605	25
22913	21	360439-T	06	360619	06
22913	23	360442-T	06	360624	12
22944	21	360447-T	07	360625	12
22944	21	360455-T	06	360626	12
22944	21	360458-T	07	360641	12
23047	23	360459	39	360644	12

<b>PART</b>	<b>PAGE</b>	<b>PART</b>	<b>PAGE</b>	<b>PART</b>	<b>PAGE</b>
360690	37	364545	17	528508	37
360690	37	364545	23	528508	37
360690	37	364546	17	528508	37
360692	33	364546	21	528510	33
360692	37	364547	17	528510	37
360697	37	364547	21	528510	37
360697	37	364548	17	528510	37
360881	33	364548	21	528515	33
360881	37	364554	33	528516	33
360881	37	364555	37	528516	37
360881	37	364559	37	528517	33
360920	06	364563	33	528520	33
360925	06	364564	37	528933	31
360932	06	364565	37	528933	39
360938-T	07	364566	37	528934	31
360941	13	364567	37	528934	39
360942	39	364568	37	528938	31
360946	06	364569	37	528938	39
360948-T	07	364570	37	59476	25
360967-T	06	364571	37	59478	25
360969	09	364572	37	66826	25
360970	06	364573	37	66827	25
364481	35	364603	37	70260977	06
364481	37	364618	37	73001	25
364482	35	364862	39	73002	25
364482	37	366556	27	7381-201	29
364483	35	366568	27	7400011	27
364483	37	366568	29	761611	09
364485	32	366780-T	07	7778-4	29
364485	33	366784	29	8010-4	15
364486	35	366801	29	8010-4	17
364487	17	366803	29	8010-4	32
364488	32	366805	29	8010-4	35
364488	35	366806	27	8200006	29
364489	35	366807	27	851007	09
364490	35	366808	27	851997	12
364491-T	07	400731	07	854394	17
364493	17	415	09	854845	17
364494	17	4450379	07	9.5LX15X8PLY	09
364495	17	4450380	07	B4-870-024	09
364496	17	5000	07	E66634	29
364497	17	5000	09	E66636	27
364498	17	527842	17	E73212	29
364499	17	528508	33	EP1563	27

<b>PART</b>	<b>PAGE</b>	<b>PART</b>	<b>PAGE</b>	<b>PART</b>	<b>PAGE</b>
EP1958	27	W218438B	12	W915703-4	33
EP4918	25	W218440B	13	W915703-4	37
EP4918	25	W218681B	07	W915703-4	37
EP6133	25	W219356B	13	W915703-4	37
EP6133	25	W219814B	12	W915753-4	27
EP6134	25	W220367B	13	W915756-4	27
EP6134	25	W220785B	12	W915781-4	29
EP6137	25	W237303B-M	09	W915833-4	06
EP6138	25	W238423B-T	07	W915833-4	13
EP6193	25	W239296B	13	W915837-4	29
EP6194	25	W239582B	09	W915838-4	29
EP6259	23	W239583B	09	W915873-3	12
EP6293	23	W239584B	09	W920019-4	29
EP6325	23	W239653B	13	W920039-4	12
EP6326	23	W239653BS	12	W920085-4	13
EP6328	23	W239654B	13	W932018-4	13
EP6352	25	W246964B	12	W932035-4	09
EP6732	29	W900395-4	13	W932036-4	21
EP6868	23	W901411-4	06	W932036-4	21
EP6869	23	W907055-4	06	W932038-4	09
EP6870	23	W907156-4	27	W932047-4	33
EP6873	23	W907157-4	29	W932047-4	37
EP6874	23	W907161-4	29	W932047-4	37
EP6875	23	W907182-4	29	W932047-4	37
EPA66621	27	W907194-4	29	W933247-4	09
F-306	31	W908188-4	25	W933481	09
F-319	06	W908223-4	12	W939001	13
F-321	06	W908264-3	12	W939025	12
H148558C1-D	07	W908328-4	33	W939736	17
K1669	09	W908328-4	37	W939736	32
K3548	09	W908328-4	37	W939736	35
K3548	12	W908328-4	37	W939765	17
K3549	09	W908337-4	12	W939925	17
K3549	12	W908409-4	27	W941005-4	21
P6135	25	W908432-4	29	W941005-4	21
P6136	25	W915014-4	07	W941005-4	33
P6167	25	W915014-4	12	W941005-4	37
P6168	25	W915034-4	13	W941005-4	37
"SWEEP	18"	W915115-4	13	W941005-4	37
W20H4701	13	W915115-4	21	W984133	09
W215058B	09	W915115-4	21	W984136	09
W215062B	25	W915117-4	12		
W215216B	12	W915117-4	37		
W215224B	12	W915117-4	37		





---

**Intertek**

Equipment from Landoll Corporation is built to exacting standards ensured by ISO 9001 registration at all Landoll manufacturing facilities.

Model 1230 Series  
Coulter Chisel  
Parts Manual

Re-Order Part Number F-321-0202

**LANDOLL CORPORATION**

1900 North Street

Marysville, Kansas 66508

(785) 562-5381

**800-428-5655 ~ WWW.LANDOLL.COM**



Copyright 2010. Landoll Corporation

"All rights reserved, including the right to reproduce this material or portions thereof in any form"