

CONTENT

Содержание

ALFA ROMEO	5	OPEL	260
AUDI	7	PEUGEOT	278
BMW	26	PORSCHE	294
CHEVROLET	42	RENAULT	295
CHRYSLER	45	ROVER	312
CITROEN	47	SAAB	314
DAEWOO	57	SEAT	318
DAIHATSU	60	SKODA	331
FIAT	61	SMART	340
FORD	69	SSANGYONG	340
HONDA	82	SUBARU	342
HYUNDAI	102	SUZUKI	349
ISUZU	122	TOYOTA	356
IVECO	125	VOLKSWAGEN	202
JAGUAR	126	VOLVO	432
JEEP	126		
INFINITY	128	Cross reference:	
KIA	128	SIDEM - LYNXauto	444
LADA	143	TRW - LYNXauto	458
LAND ROVER	146	MOOG - LYNXauto	462
LEXUS	151	FEBI - LYNXauto	469
MAZDA	163	CTR - LYNXauto	471
MERCEDES-BENZ	178	555 - LYNXauto	475
MINI	204	OE - LYNXauto	477
MITSUBISHI	205	Part number Replacement	506
NISSAN	230		

REMARKS, SYMBOLS

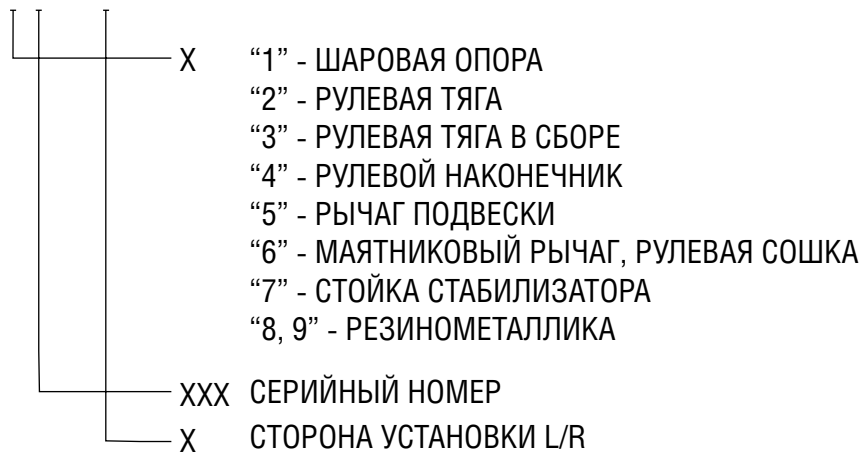
Условные обозначения, сокращения

Sedan	2 & 4 door Saloon	2 & 4 дв. Седан
Hatchback	3 & 5 door Hatchback	3 & 5 дв. Седан. Хэтчбэк
Coupe	Coupe	Купе 3 дв. Лифтбэк. Хардтоп
Cabriolet	Cabriolet, Convertible	Кабриолет
Estate	Estate	Универсал
RHD / LHD	Right / Left hand drive	Право / левостороннее управление
2WD	Two wheel drive	Привод на два колеса
4WD	Four wheel drive	Привод на четыре колеса
FWD	Front Wheel Drive	Передний привод
RWD	Rear Wheel Drive	Задний привод
Load Capacity #kg	Load Capacity	Грузоподъемность
PS	Power steering	Усилитель рулевого управления
H/D	Heavy Duty Suspension	Усиленная подвеска
Front	Front	Передний
Rear	Rear	Задний
Wheel Base	Wheel base distance	Расстояние между осями
Chassis №	Chassis №	№ шасси
12345>	Onwards	После
>67590	Up to	До
Exc.	Except	За исключением

SPECIFICATION

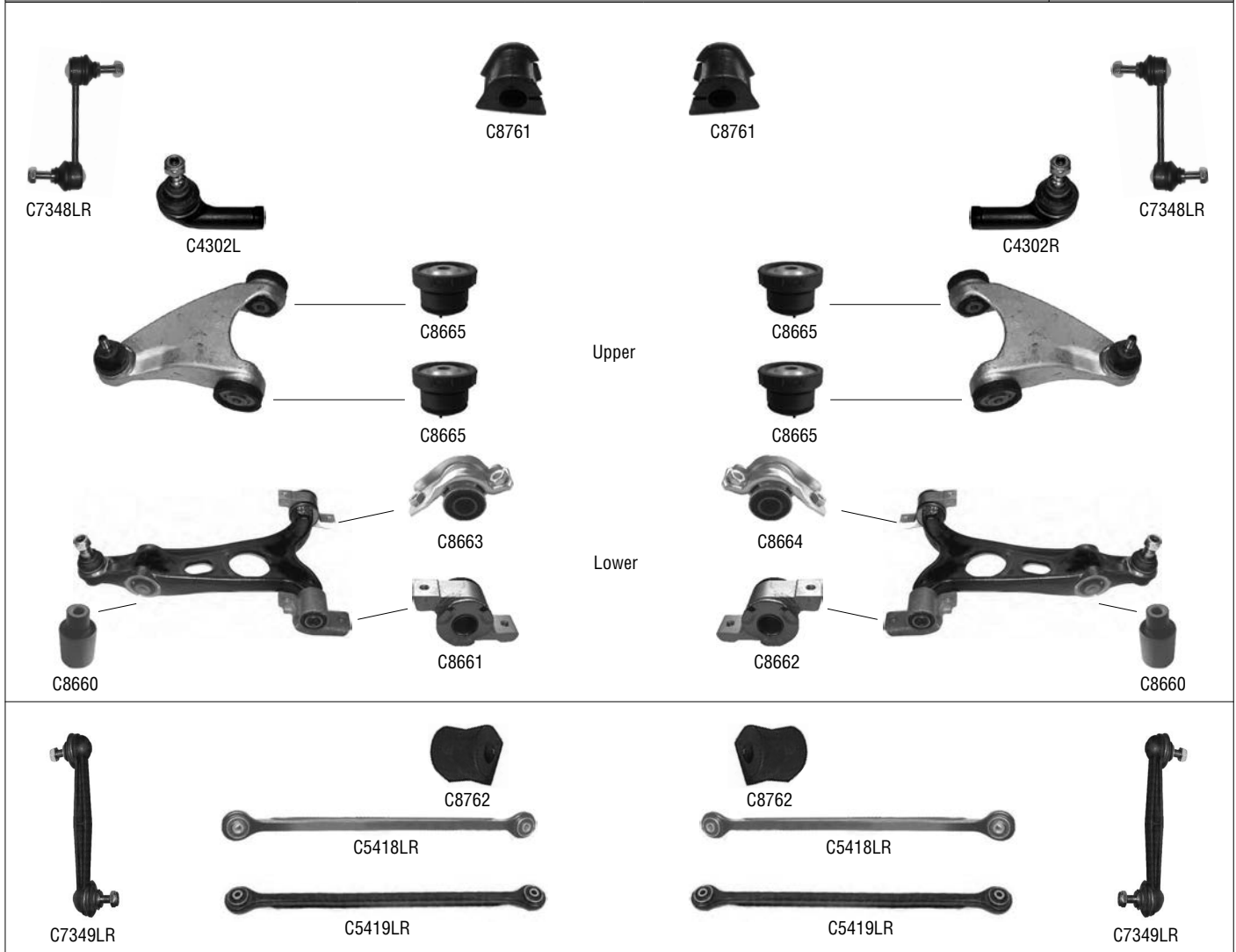
Спецификация

С 1 234 LR





ALFA ROMEO	
147 (190)	01/2001>
156 (116)	09/1997-05/2006
GT (125)	11/2003>

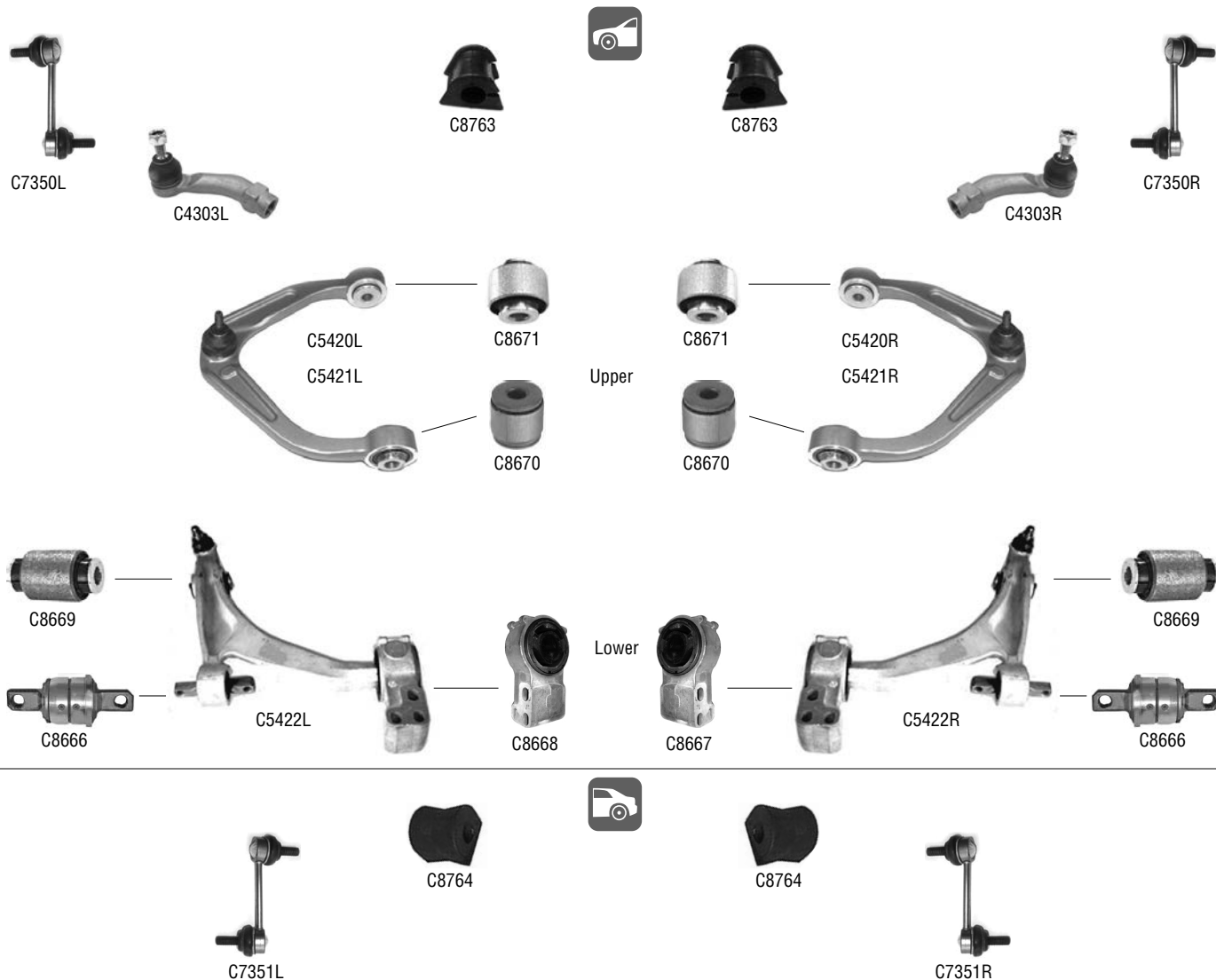


LYNX	Description	Original Number	Specification	
C4302L	Tie Rod End Left	9947919	FM14x1.5R	
C4302R	Tie Rod End Right	9947920	FM14x1.5R	
C5425L	Susp. Arm Left	60651939		
C5425R	Susp. Arm Right	60651940,		
C5417L	Susp. Arm Left	50509340		
C5417R	Susp. Arm Right	50509339		
C5418LR	Susp. Arm Rear	60629903		
C5419LR	Susp. Arm Rear	60652167		
C7348LR	Stabiliser Link Front	60625029		
C7349LR	Stabiliser Link Rear	60613575		
C8761	Stabiliser Mounting	51754198		Exc. GT
C8762	Stabiliser Mounting	46555183		Exc. GT
C8660	Silentblock		ø 42.0	
C8661	Silentblock			
C8662	Silentblock			
C8663	Silentblock			
C8664	Silentblock			
C8665	Silentblock			



159 (140)

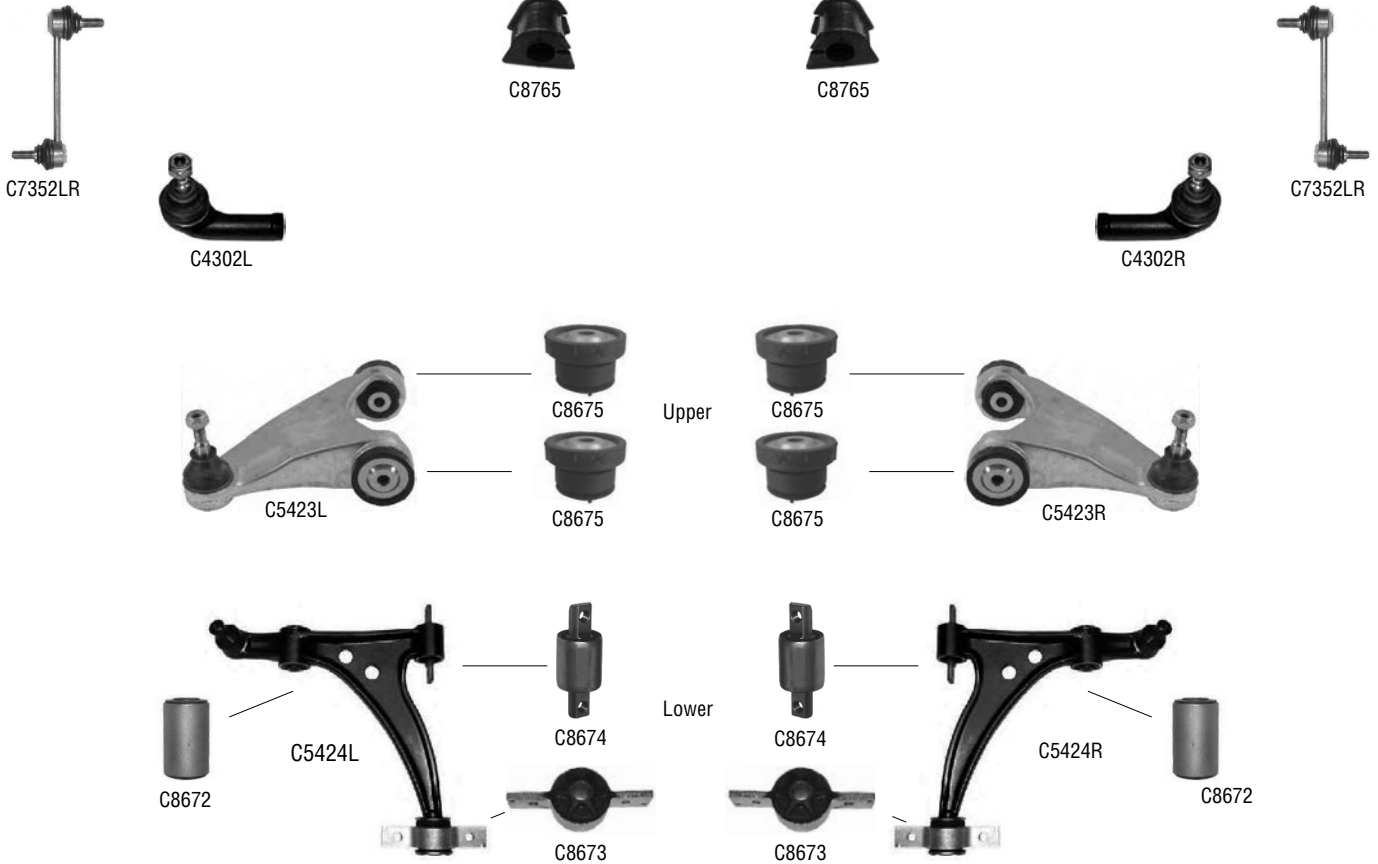
09/2005>



LYNX	Description	Original Number	Specification
C4303L	Tie Rod End Left	77363706	
C4303R	Tie Rod End Right	77363707	
C5420L	Susp. Arm Left	50704947	>02/09
C5420R	Susp. Arm Right	50704948	>02/09
C5421L	Susp. Arm Left	51817623	03/09>
C5421R	Susp. Arm Right	51817624	03/09>
C5422L	Susp. Arm Left	50704306	
C5422R	Susp. Arm Right	50704307	
C7350L	Stabiliser Link Front Left	50704361	
C7350R	Stabiliser Link Front Right	50704362	
C7351L	Stabiliser Link Rear Left	51795705	
C7351R	Stabiliser Link Rear Right	51795704	
C8763	Stabiliser Mounting	50704867	
C8764	Stabiliser Mounting	51795519	
C8666	Silentblock		
C8667	Silentblock		
C8668	Silentblock		
C8669	Silentblock		
C8670	Silentblock		
C8671	Silentblock		



166 (136) 01/1998>



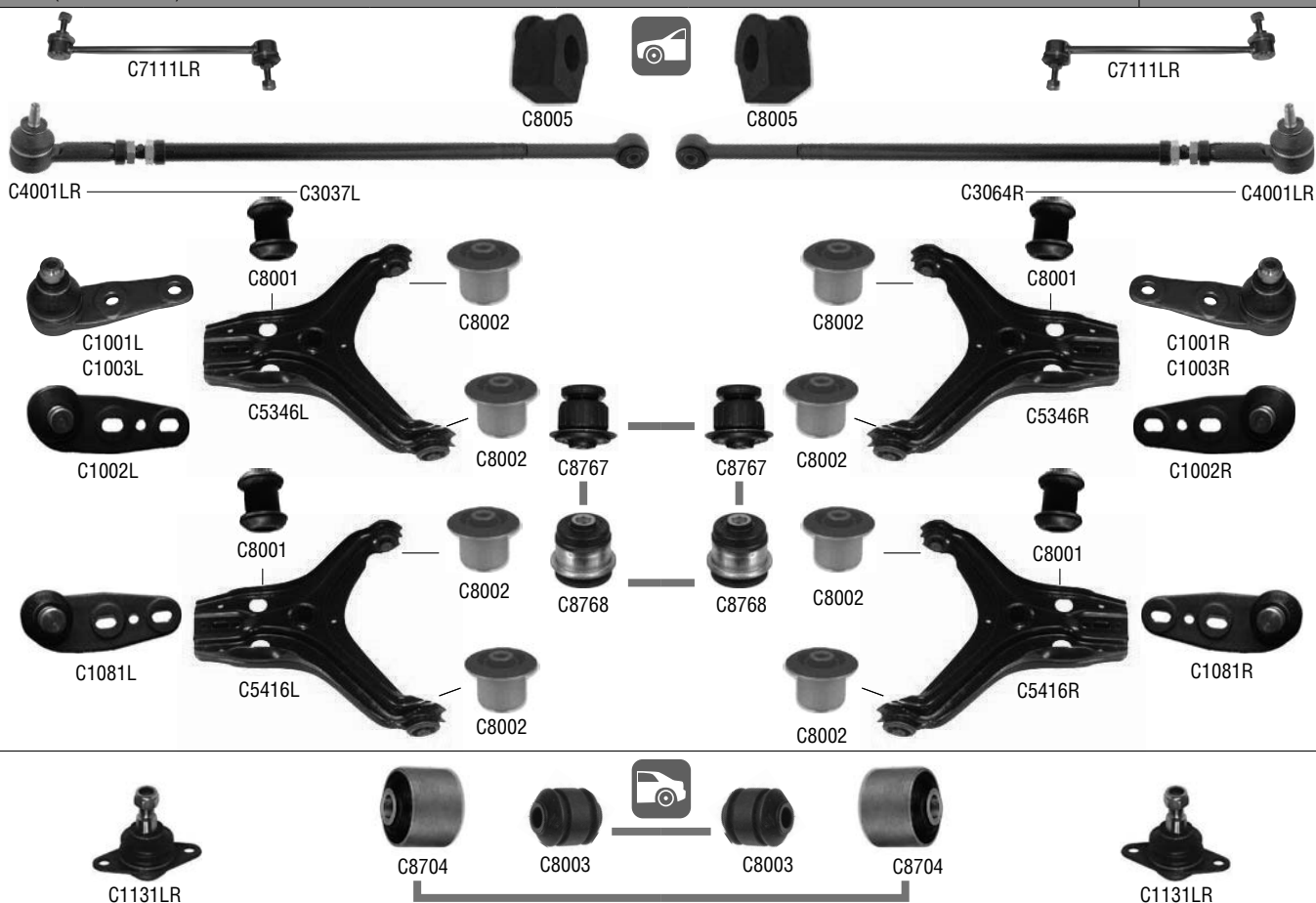
LYNX	Description	Original Number	Specification
C4302L	Tie Rod End Left	9947919	FM14x1.5R
C4302R	Tie Rod End Right	9947920	FM14x1.5R
C5423L	Susp. Arm Left	60653551	
C5423R	Susp. Arm Right	60653552	
C5424L	Susp. Arm Left	60627290	
C5424R	Susp. Arm Right	60627291	
C7352LR	Stabiliser Link Front	60630757	
C7353L	Stabiliser Link Rear Left	60628284	
C7353R	Stabiliser Link Rear Right	60628255	
C8765	Stabiliser Mounting	60662567	
C8766	Stabiliser Mounting	60659291	
C8672	Silentblock		
C8673	Silentblock		
C8674	Silentblock		
C8675	Silentblock		



AUDI

80 / 90 (89-89Q-8A-B3) / QUATTRO

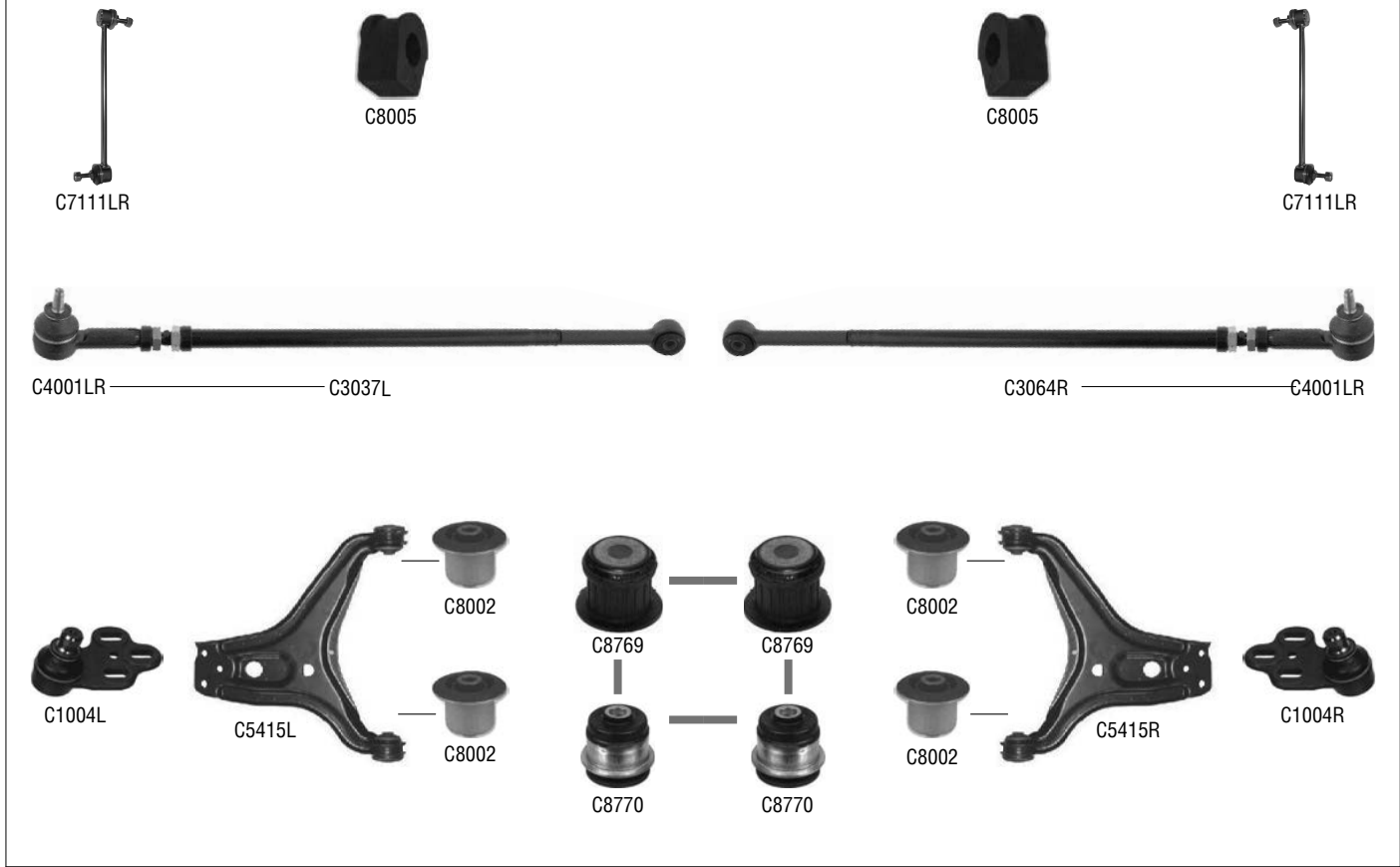
09/1986 - 09/1991



LYNX	Description	Original Number	Specification	
C4001LR	Tie Rod End	811 419 812 A		
C3037L	Side Rod Assy Left	811 419 801 E		
C3064R	Side Rod Assy Right	893 419 802		
C5346L	Susp. Arm Lower Left	893 407 147 C		>07/89
C5346R	Susp. Arm Lower Right	893 407 148 C		>07/89
C5416L	Susp. Arm Lower Left	893 407 147 E		08/89>
C5416R	Susp. Arm Lower Right	893 407 148 E		08/89>
C1001L	Ball Joint Lower Left	855 407 365		-PS, Chassis № >89-J-373598, Exc. 90
C1001R	Ball Joint Lower Right	855 407 366		-PS, Chassis № >89-J-373598, Exc. 90
C1003L	Ball Joint Lower Left	893 407 365 A		-PS, Chassis № 89-J-373599>
C1003R	Ball Joint Lower Right	893 407 366 A		-PS, Chassis № 89-J-373599>
C1002L	Ball Joint Lower Left	855 407 365 B		+PS, >07/89
C1002R	Ball Joint Lower Right	855 407 366 B		+PS, >07/89
C1081L	Ball Joint Lower Left	893 407 365 F		+PS, 08/89>
C1081R	Ball Joint Lower Right	893 407 366 F		+PS, 08/89>
C1131LR	Ball Joint Rear	857 505 365		Quattro
C7111LR	Stabiliser Link	8A0 407 465		
C8005	Stabiliser Mounting	823 411 313 A		
C8001	Silentblock	857 407 474		
C8002	Silentblock	8A0 407 181		
C8003	Silentblock	431 505 172		Exc. Quattro
C8704	Silentblock	811 511 247		Exc. Quattro
C8767	Silentblock	893 199 415		
C8768	Silentblock	893 199 419		



80 / 80 AVANT (8C-B4) 09/1991 -09/1996



LYNX	Description	Original Number	Specification
C4001LR	Tie Rod End	811 419 812 A	
C3037L	Side Rod Assy Left	811 419 801 E	
C3064R	Side Rod Assy Right	893 419 802	
C5415L	Susp. Arm Lower Left	895 407 147 A	
C5415R	Susp. Arm Lower Right	895 407 148 A	
C1004L	Ball Joint Lower Left	8A0 407 365	
C1004R	Ball Joint Lower Right	8A0 407 366	
C7111LR	Stabiliser Link	8A0 407 465	
C7112L	Stabiliser Link Left	8D0 505 465	Quattro
C7112R	Stabiliser Link Right	8D0 505 466	Quattro
C8005	Stabiliser Mounting	811 411 327 B	
C8002	Silentblock	8A0 407 181	Exc. 2.2 / 2.8
C8705	Silentblock	8A0 501 541	
C8769	Silentblock	8A0199415B	
C8770	Silentblock	8A0199419	



100 / 100 AVANT (44-44Q-C3)

08/1982 - 11/1990



C4061L



C4072L



C4072R



C4061R



C8006



C8006



C5028L



C8004



C8004



C5028R



C8006



C8006



C8006



C8006



C5029L



C8004



C8004



C5029R



C8006



C8006



C5030L



C5030R

LYNX	Description	Original Number	Specification	
C4061L	Tie Rod End Left	443 419 811 C	FM14x1.5	Chassis N ^o >44-E-068500 >11/83
C4061R	Tie Rod End Right	443 419 812 C	FM14x1.5	Chassis N ^o >44-E-068500 >11/83
C4072L	Tie Rod End Left	443 419 811 D	FM16X1.5	Chassis N ^o 44-E-068501> 11/83>
C4072R	Tie Rod End Right	443 419 812 D	FM16X1.5	Chassis N ^o 44-E-068501> 11/83>
C5028L	Susp. Arm Left	437 407 151 A	ø 18	+PS, Chassis N ^o >44-M-002673
C5028R	Susp. Arm Right	437 407 152 A	ø 18	+PS, Chassis N ^o >44-M-002673
C5029L	Susp. Arm Left	441 407 151 C	ø 19	+PS, Chassis N ^o 44-M-002674>
C5029R	Susp. Arm Right	441 407 152 C	ø 19	+PS, Chassis N ^o 44-M-002674>
C5030L	Susp. Arm Rear Left	443 505 351 P		Quattro, Chassis N ^o 44-G-073363> 01/86>
C5030R	Susp. Arm Rear Right	443 505 352 P		Quattro, Chassis N ^o 44-G-073363> 01/86>
C8004	Silentblock	431 407 183 A		
C8006	Silentblock	431 407 181 F		

• AUDI

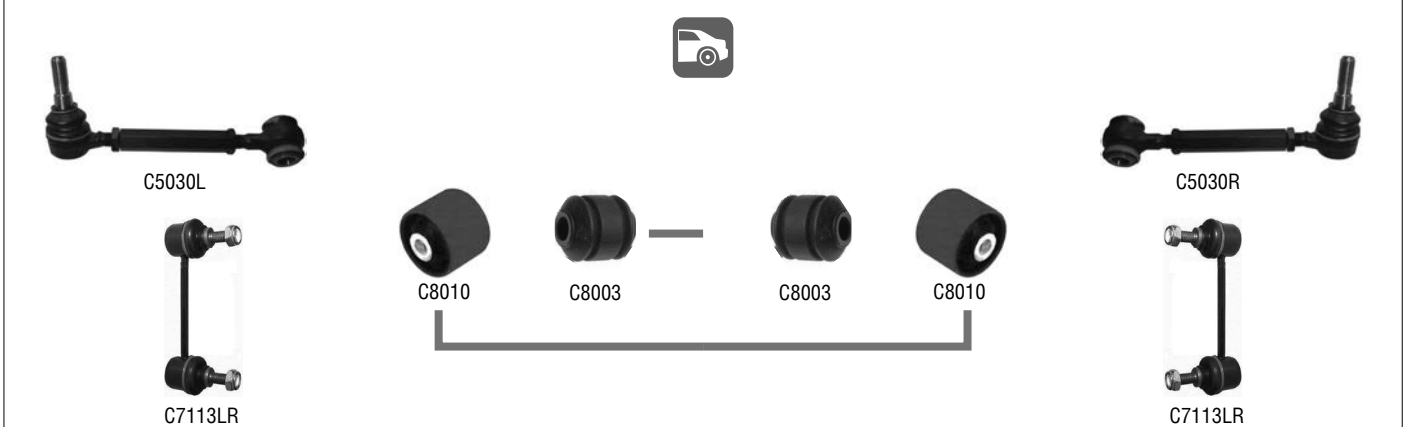


100 / 100 AVANT (4A-C4)

12/1990 - 06/1994

A6 / A6 AVANT (4A-C4)

06/1994 - 12/1997



LYNX	Description	Original Number	Specification	
C4062L	Tie Rod End Left	4A0 419 811 A	FM18X1.5R	100 Chassis N ^o >4A-P-001983 >07/92
C4062R	Tie Rod End Right	4A0 419 812 A	FM18X1.5R	100 Chassis N ^o >4A-P-001983 >07/92
C4072L	Tie Rod End Left	443 419 811 D	FM16X1.5	100 Chassis N ^o 4A-P-001984 > 07/92 > / A6
C4072R	Tie Rod End Right	443 419 812 D	FM16X1.5	100 Chassis N ^o 4A-P-001984 > 07/92 > / A6
C3063L	Side Rod Assy Left	4A0 419 801 A		100 Chassis N ^o 4A-P-001984 > 07/92 > / A6
C3063R	Side Rod Assy Right	4A0 419 802 A		100 Chassis N ^o 4A-P-001984 > 07/92 > / A6
C5015L	Susp. Arm Left	4A0 407 151		
C5015R	Susp. Arm Right	4A0 407 152		
C5030L	Susp. Arm Rear Left	443 505 351 P		Quattro
C5030R	Susp. Arm Rear Right	443 505 352 P		Quattro
C7113LR	Stabiliser Link	4A0 505 389		Quattro
C8007	Stabiliser Mounting	4A0 411 327 A	ø 25	Exc. Sport Chassis
C8008	Silentblock	4A0 407 181 A		
C8009	Silentblock	4A0 407 183 D		
C8003	Silentblock	431 505 172		100 Exc. Quattro
C8010	Silentblock	4A0 511 247		100 Exc. Quattro / A6 ALL



A2 (8Z0)

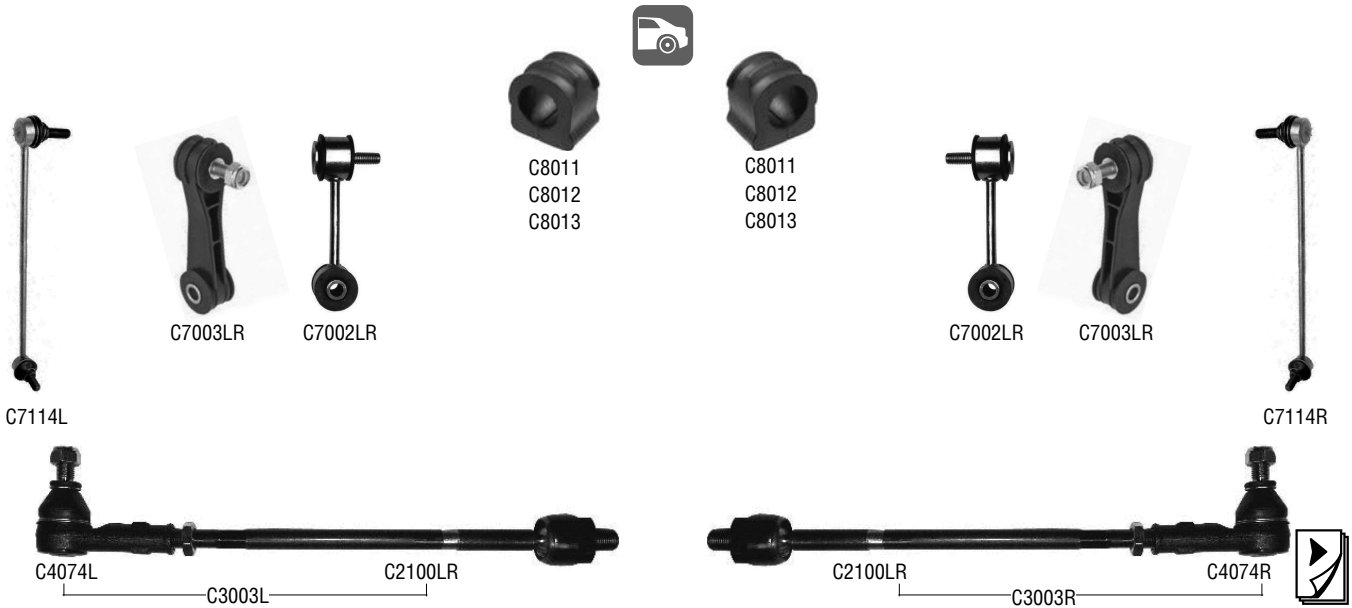
03/2001 - 08/2005



LYNX	Description	Original Number	Specification	
C2099LR	Tie Rod			1.4-1.6
C4133L	Tie Rod End Left	8Z0 423 811A		
C4133R	Tie Rod End Right	8Z0 423 812A		
C7001LR	Stabiliser Link Front	6Q0 411 315 G		1.4-1.6
C8057	Stabiliser Mounting	6Q0 411 314 P	ø 16	1.4-1.6
C8706	Silentblock	8Z0 501 541		

A3 (8L1)

09/1996 - 04/2003

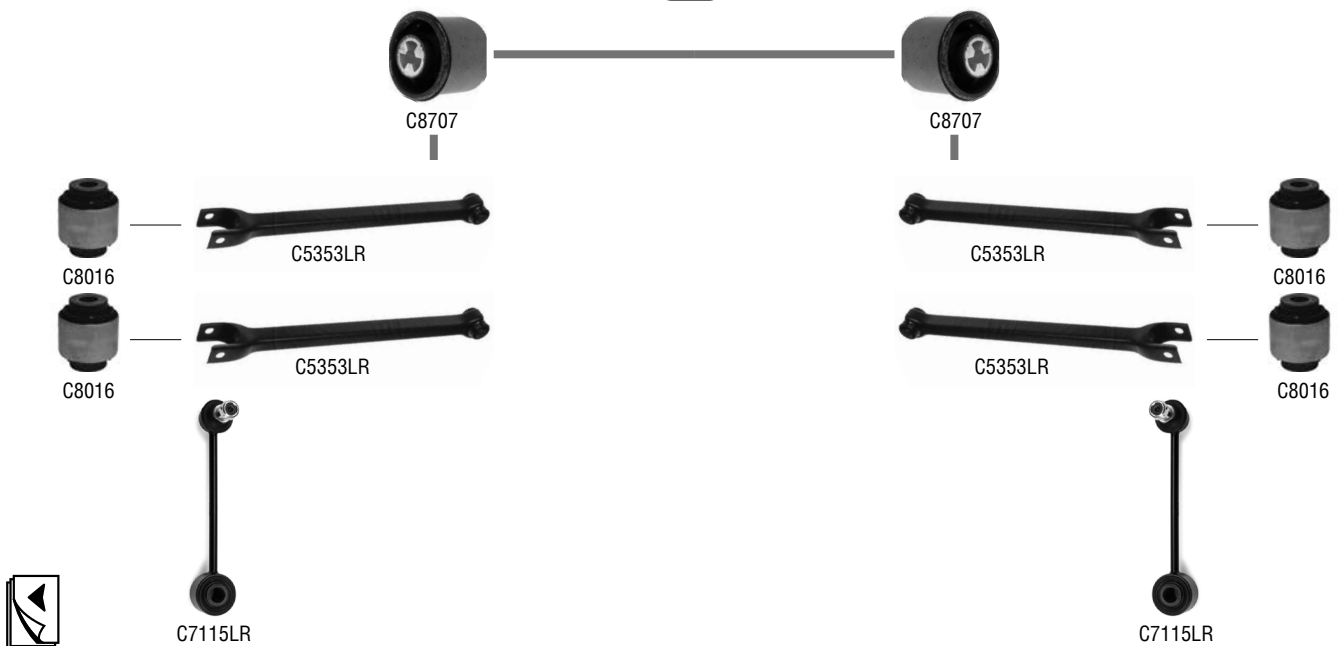
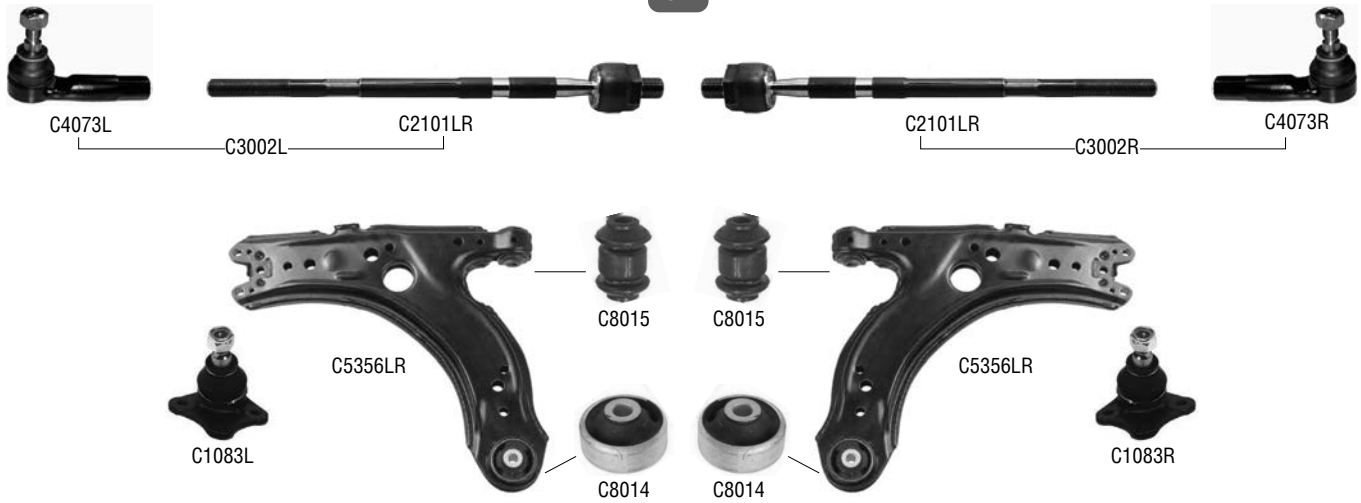


LYNX	Description	Original Number	Specification	
C2100LR	Tie Rod	1J0 422 807	MM16X1.5R	Chassis № >8L-W-050421
C4074L	Tie Rod End Left	1J0 422 811 A	FM14x1.5R	Chassis № >8L-W-050421
C4074R	Tie Rod End Right	1J0 422 812 A	FM14x1.5R	Chassis № >8L-W-050421
C3003L	Side Rod Assy Left	1J0 422 803 A		Chassis № >8L-W-050421
C3003R	Side Rod Assy Right	1J0 422 804 A		Chassis № >8L-W-050421
C7002LR	Stabiliser Link Front	1J0 411 315 G		ALL / Quattro - Chassis № >8L-X-140000, Metall
C7003LR	Stabiliser Link Front	1J0 411 315 C		ALL / Quattro - Chassis № >8L-X-140000, Plastic
C7114L	Stabiliser Link Front Left	1J0 411 315 D		Quattro - Chassis № >8L-X-140001
C7114R	Stabiliser Link Front Right	1J0 411 316 D		Quattro - Chassis № >8L-X-140001
C8011	Stabiliser Mounting	1J0 411 314 S	ø 17	OAG
C8012	Stabiliser Mounting	1J0 411 314 P	ø 20	OAR
C8013	Stabiliser Mounting	1J0 411 314 C	ø 19	OAL, OAM



A3 (8L1)

09/1996 - 04/2003



LYNX	Description	Original Number	Specification	
C2101LR	Tie Rod	1J0 422 807 B	MM16X1.5R	Chassis № 8L-W-050422>
C4073L	Tie Rod End Left	1J0 422 811 B	FM14x1.5R	Chassis № 8L-W-050422>
C4073R	Tie Rod End Right	1J0 422 812B	FM14x1.5R	Chassis № 8L-W-050422>
C3002L	Side Rod Assy Left	1J0 422 803 B		Chassis № 8L-W-050422>
C3002R	Side Rod Assy Right	1J0 422 804 B		Chassis № 8L-W-050422>
C5356LR	Susp. Arm	1J0 407 151 C		
C5353LR	Susp. Arm Rear	1J0 505 323 L		Quattro
C1083L	Ball Joint Left	1J0 407 365 C		
C1083R	Ball Joint Right	1J0 407 366 C		
C7115LR	Stabiliser Link Rear	1J0 505 466 B		Quattro
C8014	Silentblock	1J0 407 181	ø 60	
C8015	Silentblock	357 407 182	ø 31.5	
C8016	Silentblock	1J0 505 203	ø 43,6	Quattro
C8707	Silentblock	1J0 501 541 C		

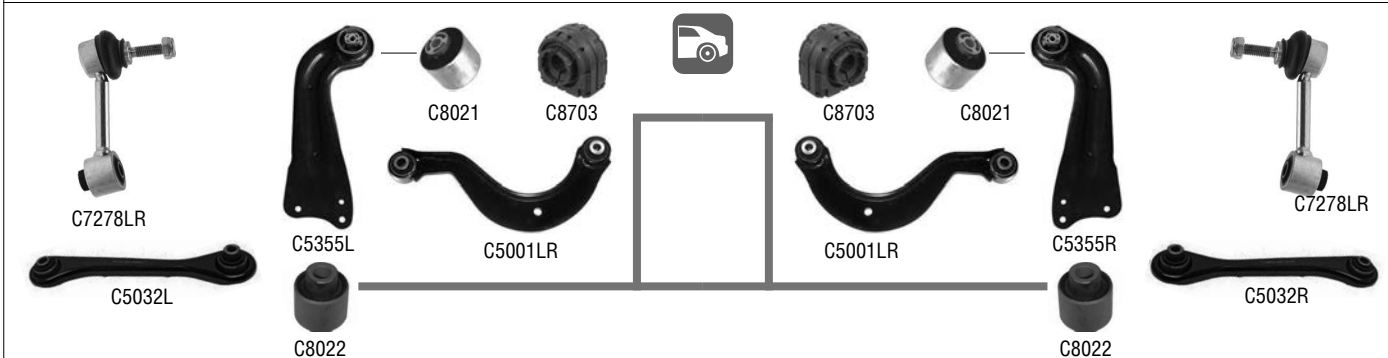
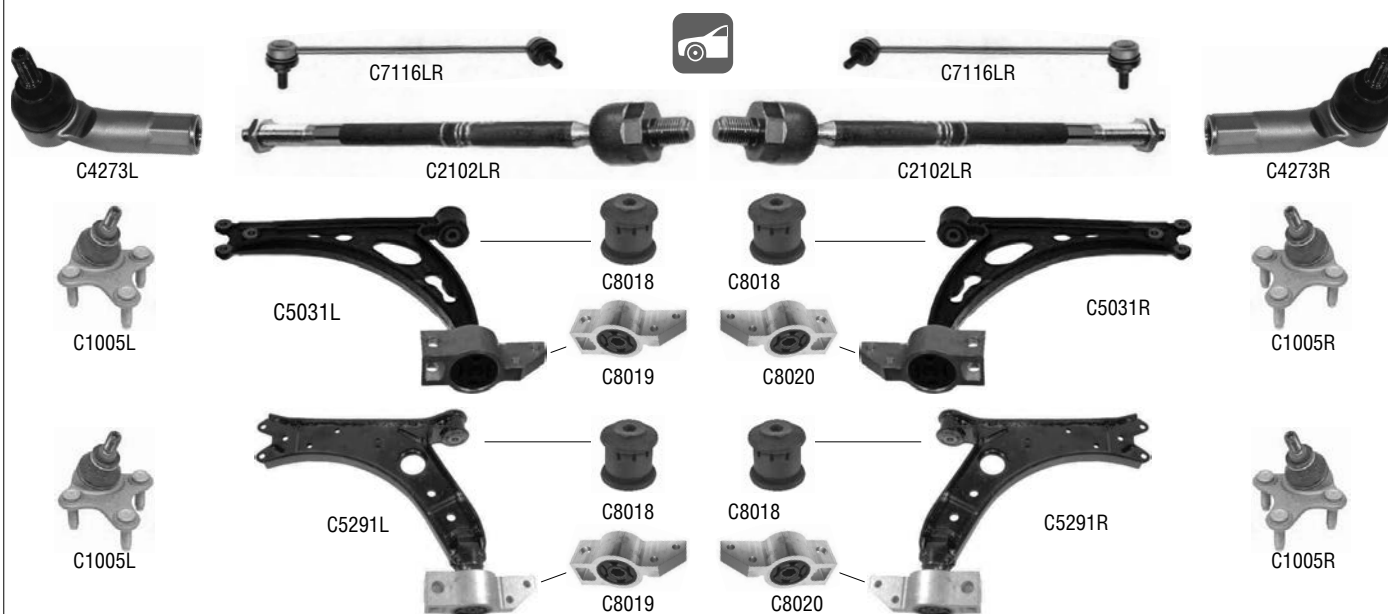


A3 (8P1)

05/2003>

A3 SPORTBACK (8PA)

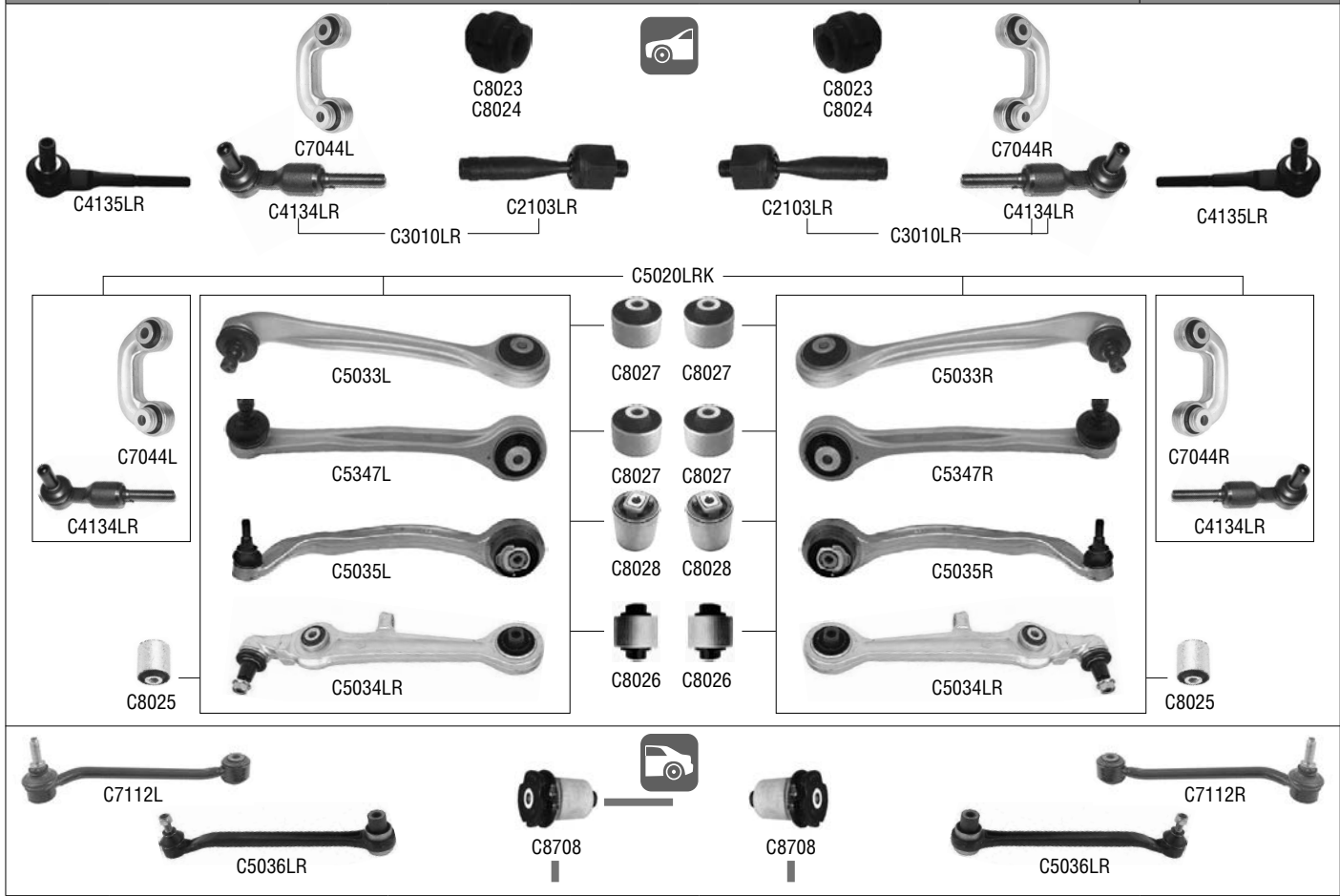
09/2004>



LYNX	Description	Original Number	Specification	
C2102LR	Tie Rod	1K0 423 810 A	MM16X1.5R	
C4273L	Tie Rod End Left	1K0 423 811 A/E	FM16x1.5R	
C4273R	Tie Rod End Right	1K0 423 812 A/E	FM16x1.5R	
C5031L	Susp. Arm Front Left	1K0 407 151 AC		>05/09 / Cast Iron
C5031R	Susp. Arm Front Right	1K0 407 152 AC		>05/09 / Cast Iron
C5291L	Susp. Arm Front Left	1K0 407 151 AA		>05/09 / Sheet Metal
C5291R	Susp. Arm Front Right	1K0 407 152 AA		>05/09 / Sheet Metal
C5032L	Susp. Arm Rear Left	1K0 501 529 F		
C5032R	Susp. Arm Rear Right	1K0 501 530 C		
C5001LR	Susp. Arm Rear Upper	1K0 505 323 N		
C5355L	Susp. Arm Rear Left	1K0 505 223 K		
C5355R	Susp. Arm Rear Right	1K0 505 224 K		
C1005L	Ball Joint Left	1K0 407 365 C		
C1005R	Ball Joint Right	1K0 407 366 C		
C7116LR	Stabiliser Link Front	1K0 411 315 J		
C7278LR	Stabiliser Link Rear	1K0 505 465 K		
C8703	Stabiliser Mounting	1K0 511 327 AP		
C8022	Silentblock	1K0 505 553 A		Steering Knuckle
C8018	Silentblock	1K0 407 182	ø 40.2	
C8019	Silentblock	1K0 199 231 J		
C8020	Silentblock	1K0 199 232 J		
C8021	Silentblock	1K0 505 541 D		



A4 (8D2-B5) 01/1995 - 11/2000
A4 AVANT (8D5-B5) 07/1995 - 09/2001



LYNX	Description	Original Number	Specification	
C2103LR	Tie Rod	8E0 422 821 C	MM16X1.5R	
C4134LR	Tie Rod End	4F0 498 811	MM14X1.5R	Chassis № >8D-X-303809 / Chassis № 8D-X-303810>, Exc. Sport Suspension
C4135LR	Tie Rod End	4F0 498 811 A	MM14X1.5R	Chassis № 8D-X-303810>, Sport Suspension
C3010LR	Side Rod Assy	4B0 419 801 M		Chassis № >8D-X-303809 / Chassis № 8D-X-303810>, Exc. Sport Suspension
C5347L	Susp. Arm Front Upper Left	4D0 407 509 J		
C5347R	Susp. Arm Front Upper Right	4D0 407 510 J		
C5033L	Susp. Arm Front Upper Left	8E0 407 505 A		
C5033R	Susp. Arm Front Upper Right	8E0 407 506 A		
C5035L	Susp. Arm Front Lower Left	8E0 407 693 Q		
C5035R	Susp. Arm Front Lower Right	8E0 407 694 Q		
C5034LR	Susp. Arm Front Lower	4D0 407 151 P		
C5036LR	Susp. Arm Rear	8D0 501 530		Quattro
C5020LRK	Suspension Kit			Exc. Sport Suspension
C7044L	Stabiliser Link Front Left	8D0 411 317 D		
C7044R	Stabiliser Link Front Right	8D0 411 318 D		
C7112L	Stabiliser Link Rear Left	8D0 505 465		Quattro
C7112R	Stabiliser Link Rear Right	8D0 505 466		Quattro
C8023	Stabiliser Mounting	4D0 411 327 G	ø 24.8	Exc. Avant, Sport Suspension
C8024	Stabiliser Mounting	4D0 411 327 H	ø 27	Avant / Sport Suspension
C8025	Silentblock	4D0 407 181 H	ø 40.2	
C8026	Silentblock	4D0 407 182 E	ø 50.4	
C8027	Silentblock	4B0 407 515	ø 46.5	
C8028	Silentblock	4D0 407 183 AB / Q	ø 65	
C8708	Silentblock	8D0 501 541 D		

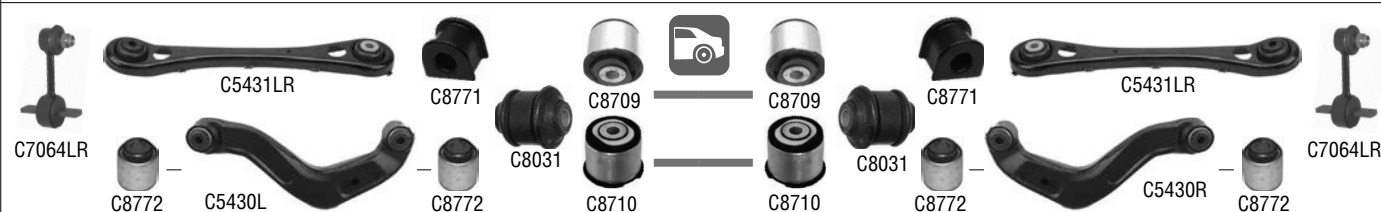
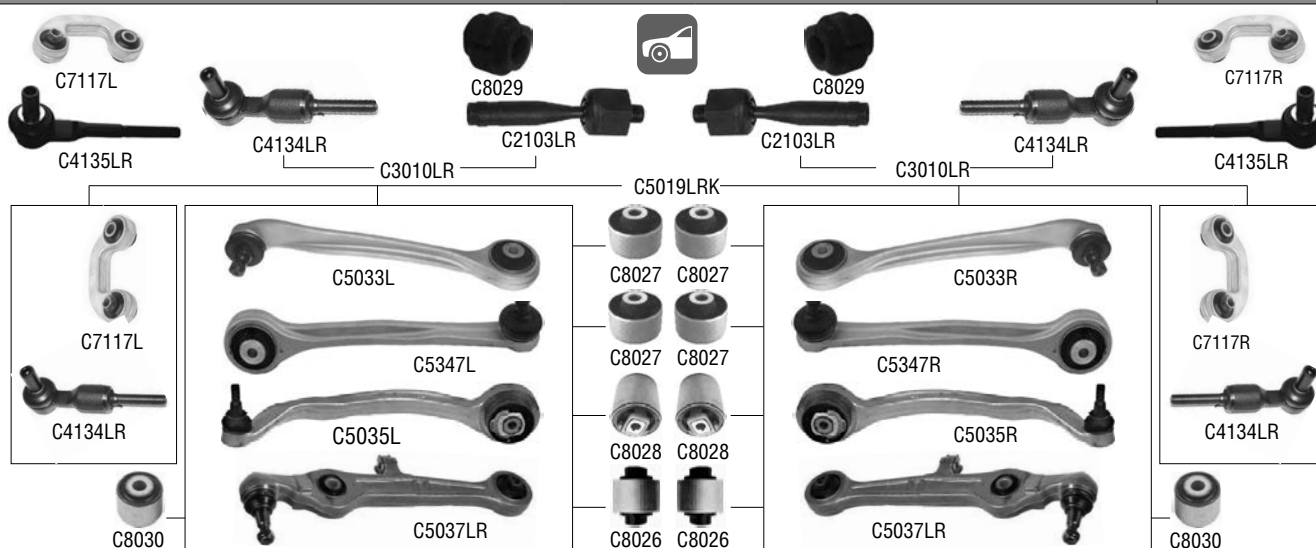


A4 (8E2-B6)

11/2000 - 11/2004

A4 AVANT (8E5-B6)

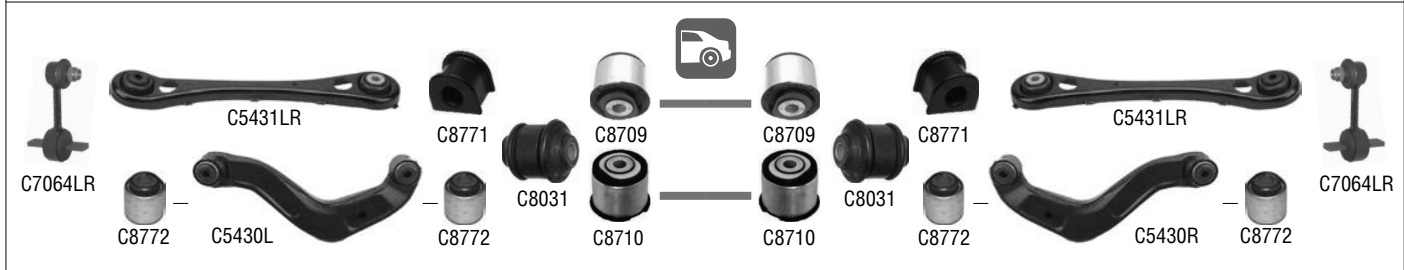
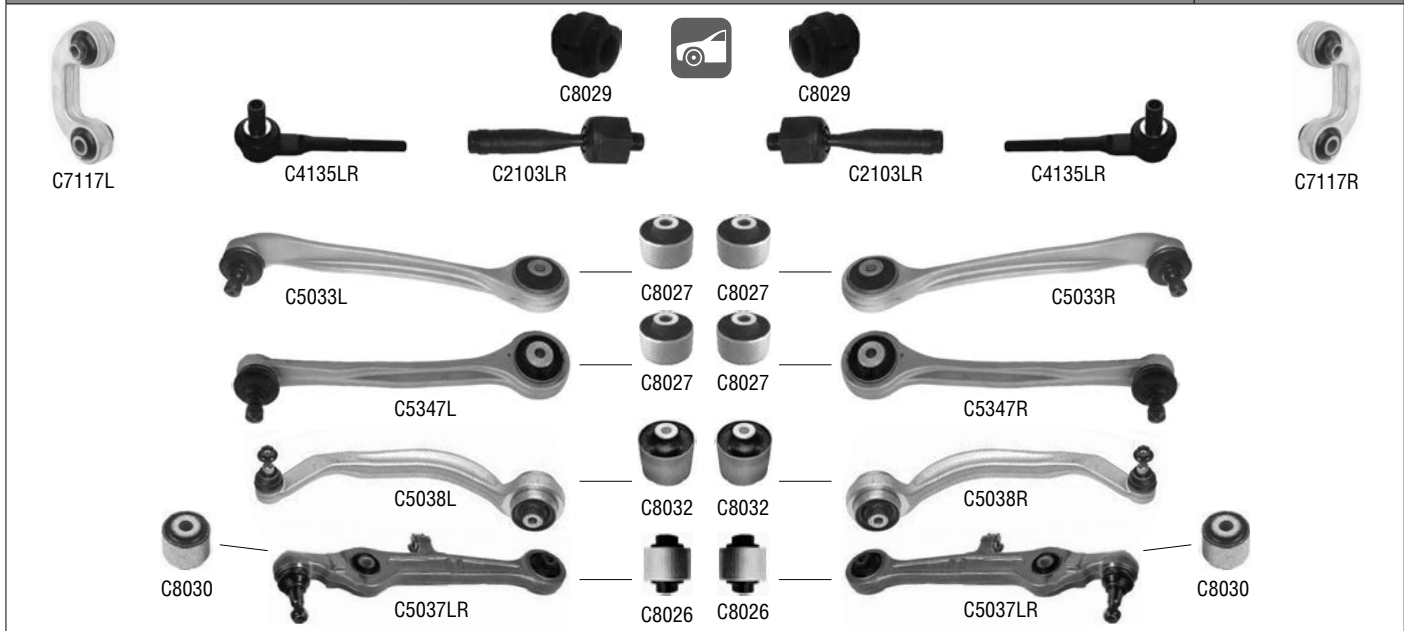
04/2001 - 12/2004



LYNX	Description	Original Number	Specification	
C2103LR	Tie Rod	8E0 422 821 C	MM16X1.5R	
C3010LR	Side Rod Assy	4B0 419 801 M		
C4134LR	Tie Rod End	4F0 498 811	MM14X1.5R	Exc. Sport Suspension
C4135LR	Tie Rod End	4F0 498 811 A	MM14X1.5R	Sport Suspension
C5033L	Susp. Arm Front Upper Left	8E0 407 505 A		
C5033R	Susp. Arm Front Upper Right	8E0 407 506 A		
C5347L	Susp. Arm Front Upper Left	8E0 407 509 A		
C5347R	Susp. Arm Front Upper Right	8E0 407 510 A		
C5035L	Susp. Arm Front Lower Left	8E0 407 693 Q		
C5035R	Susp. Arm Front Lower Right	8E0 407 694 Q		
C5037LR	Susp. Arm Front Lower	8E0 407 151 N		
C5430L	Susp. Arm Rear Left	8E0 505 323 M		
C5430R	Susp. Arm Rear Right	8E0 505 324 M		
C5431LR	Susp. Arm Rear	8E0 501 529 K		
C7117L	Stabiliser Link Left	8E0 411 317		
C7117R	Stabiliser Link Right	8E0 411 318		
C7064LR	Stabiliser Link	8E0 505 465 AF		
C5019LRK	Suspension Kit			Exc. Sport Suspension
C8029	Stabiliser Mounting	4D0 411 327 J	ø 29	
C8771	Stabiliser Mounting	4B0 511 327		
C8772	Silentblock	8E0 501 541 S		
C8030	Silentblock	8E0 407 181 C	ø 40.3	
C8026	Silentblock	4D0 407 182 G	ø 50.4	
C8027	Silentblock	4B0 407 515	ø 46.5	
C8028	Silentblock	4D0 407 183 AB	ø 65	
C8031	Silentblock	8E0 505 203 D		
C8709	Silentblock	8E0 505 145 AR		
C8710	Silentblock	8E0 505 145 AP		



A4 (8EC) 11/2004 - 10/2007
A4 AVANT (8ED) 11/2004 - 03/2008

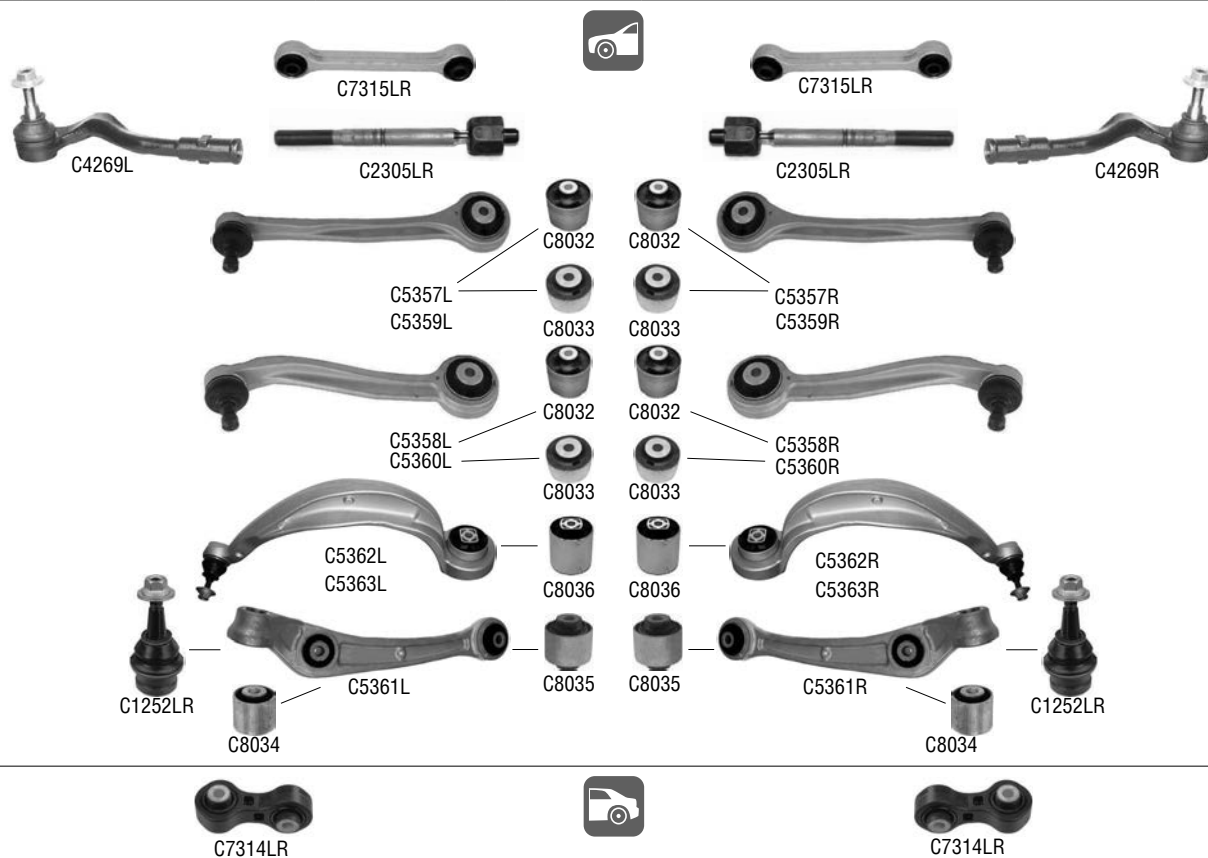


LYNX	Description	Original Number	Specification
C2103LR	Tie Rod	8E0 422 821 C	MM16X1.5R
C4135LR	Tie Rod End	4F0 498 811 A	MM14X1.5R
C5033L	Susp. Arm Front Upper Left	8E0 407 505 P	
C5033R	Susp. Arm Front Upper Right	8E0 407 506 P	
C5347L	Susp. Arm Front Upper Left	8E0 407 509 P	
C5347R	Susp. Arm Front Upper Right	8E0 407 510 P	
C5038L	Susp. Arm Front Lower Left	8E0 407 693 AL	
C5038R	Susp. Arm Front Lower Right	8E0 407 694 AL	
C5037LR	Susp. Arm Front Lower	8E0 407 151 R	
C5430L	Susp. Arm Rear Left	8E0 505 323 M	
C5430R	Susp. Arm Rear Right	8E0 505 324 M	
C5431LR	Susp. Arm Rear	8E0 501 529 K	
C7117L	Stabiliser Link Left	8E0 411 317	
C7117R	Stabiliser Link Right	8E0 411 318	
C7064LR	Stabiliser Link	8E0 505 465 AF	
C8029	Stabiliser Mounting	4D0 411 327 J	ø 29
C8771	Stabiliser Mounting	4B0 511 327	
C8772	Silentblock	8E0 501 541 S	
C8030	Silentblock	8E0 407 181 C	ø 40.3
C8032	Silentblock	4F0 407 183 C	ø 64.8
C8026	Silentblock	4D0 407 182 G	ø 50.4
C8027	Silentblock	8D0 407 515 C	ø 46.5
C8031	Silentblock	8E0 505 203 D	
C8709	Silentblock	8E0 505 145 AR	
C8710	Silentblock	8E0 505 145 AP	



A4 (8K2) / A4 AVANT (8K5)
A4 ALLROAD (8KH)
A5 (8T3, 8TA, 8F7)

11/2007>
 04/2009>
 06/2007>



LYNX	Description	Original Number	Specification	
C2305LR	Tie Rod	8J0 423 810		
C4269L	Tie Rod End Left	8K0 422 817 B		
C4269R	Tie Rod End Right	8K0 422 818 B		
C5357L	Susp. Arm Front Upper Left	8K0 407 505 A		Exc. ALLROAD, A5 Cabrio
C5357R	Susp. Arm Front Upper Right	8K0 407 506 A		Exc. ALLROAD, A5 Cabrio
C5358L	Susp. Arm Front Upper Left	8K0 407 509 A		Exc. ALLROAD, A5 Cabrio
C5358R	Susp. Arm Front Upper Right	8K0 407 510 A		Exc. ALLROAD, A5 Cabrio
C5359L	Susp. Arm Front Upper Left	8K0 407 505 B		ALLROAD, A5 Cabrio
C5359R	Susp. Arm Front Upper Right	8K0 407 506 B		ALLROAD, A5 Cabrio
C5360L	Susp. Arm Front Upper Left	8K0 407 509 B		ALLROAD, A5 Cabrio
C5360R	Susp. Arm Front Upper Right	8K0 407 510 B		ALLROAD, A5 Cabrio
C5361L	Susp. Arm Front Lower Left	8K0 407 151 B/C		
C5361R	Susp. Arm Front Lower Right	8K0 407 152 B/C		
C5362L	Susp. Arm Front Lower Left	8K0 407 693 K/N	M12, 65MM	>02/11/2009, For Silentblock
C5362R	Susp. Arm Front Lower Right	8K0 407 694 K/N	M12, 65MM	>02/11/2009, For Silentblock
C5363L	Susp. Arm Front Lower Left	8K0 407 693 T	M14, 65MM	03/11/2009>, For Silentblock
C5363R	Susp. Arm Front Lower Right	8K0 407 694 T	M14, 65MM	03/11/2009>, For Silentblock
C1252LR	Ball Joint Lower	8K0 407 689 E/F/G		
C7315LR	Stabiliser Link Front	8K0 411 317 D		
C7314LR	Stabiliser Link Rear	8K0 505 465 E		
C8032	Silentblock	8D0 407 515		Comp. of C5357L/R, C5358L/R
C8033	Silentblock	8R0 407 515		Comp. of C5359L/R, C5360L/R
C8034	Silentblock	4E0 407 181 B		
C8035	Silentblock	8K0 407 182 B		
C8036	Silentblock	8K0 407 183 A		

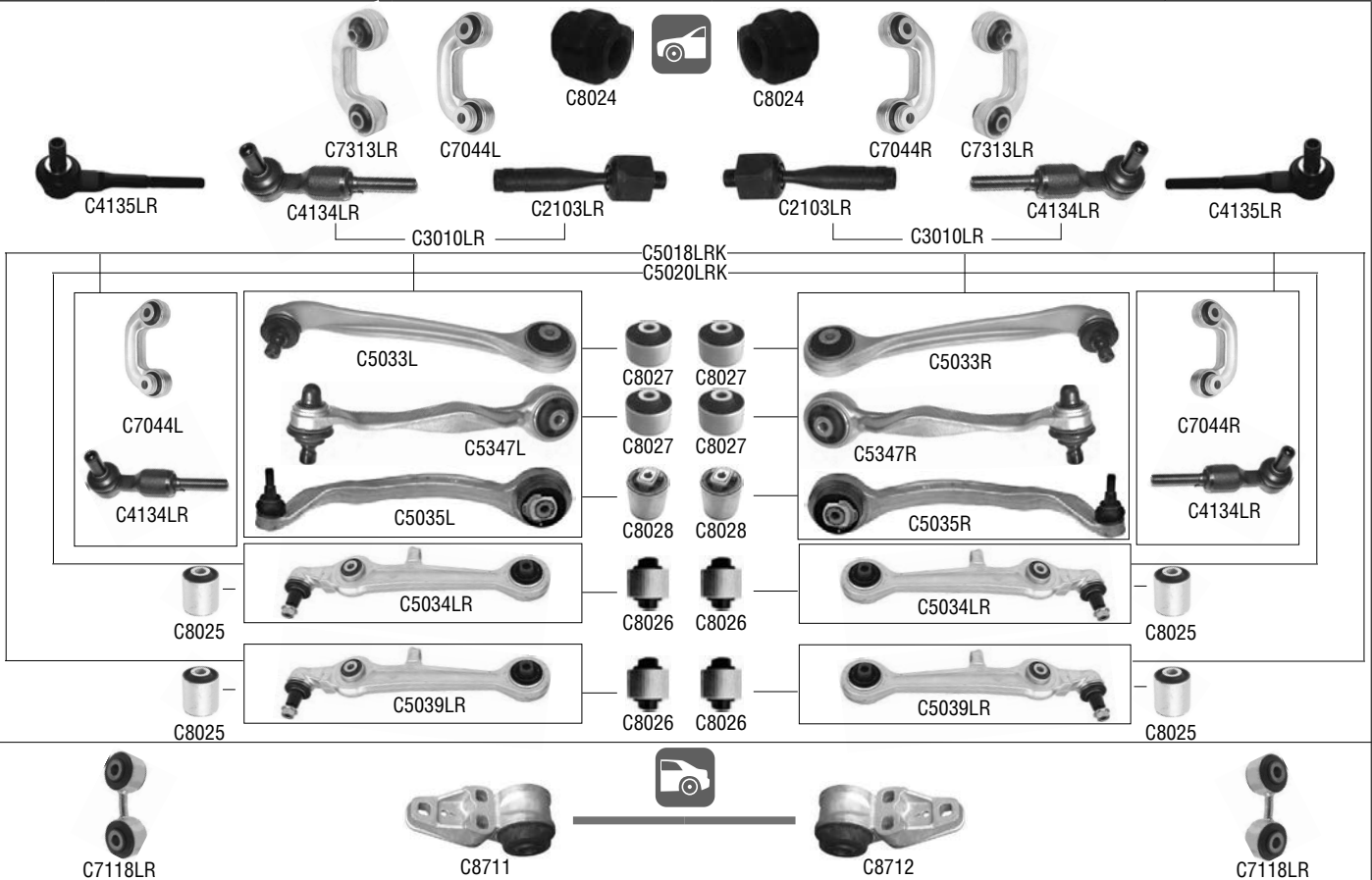


A6 / A6 AVANT (4B-C5)

01/1997 - 01/2005

A6 ALLROAD (4BH)

05/2000 - 08/2005



LYNX	Description	Original Number	Specification	
C2103LR	Tie Rod	4D0 422 821 A	MM16X1.5R	
C4134LR	Tie Rod End	4F0 498 811	MM14X1.5R	A6 Exc. Sport Suspension / Allroad Chassis № >4B-2-150000
C4135LR	Tie Rod End	4F0 498 811 A	MM14X1.5R	A6 Sport Suspension / Allroad Chassis № 4B-2-150001>
C3010LR	Side Rod Assy	4B0 419 801 M		A6 Exc. Sport Suspension / Allroad Chassis № >4B-2-150000
C5033L	Susp. Arm Front Upper Left	8E0 407 505 A/C		
C5033R	Susp. Arm Front Upper Right	8E0 407 506 A/C		
C5347L	Susp. Arm Front Upper Left	8E0 407 509 A/C		
C5347R	Susp. Arm Front Upper Right	8E0 407 510 A/C		
C5035L	Susp. Arm Front Lower Left	8E0 407 693 Q		Exc. Allroad
C5035R	Susp. Arm Front Lower Right	8E0 407 694 Q		Exc. Allroad
C5034LR	Susp. Arm Front Lower	4D0 407 151 P		Chassis № >4B-2-031500, Exc. Quattro V8, Allroad
C5039LR	Susp. Arm Front Lower	4B3 407 151 C		Chassis № 4B-2-031501> / Quattro V8 Chassis № 4B-W-100001>, Exc. Allroad
C7044L	Stabiliser Link Front Left	8D0 411 317 D		Exc. Allroad
C7044R	Stabiliser Link Front Right	8D0 411 318 D		Exc. Allroad
C7313LR	Stabiliser Link Front	4D0 411 317 K		Allroad
C7118LR	Stabiliser Link Rear	8E0 505 465 D		Quattro, Allroad
C5018LRK	Susp. Arm Kit			C5033L/R, C5347L/R, C5035L/R, C5039LR, C4134LR, C7044L/R
C5020LRK	Susp. Arm Kit			C5033L/R, C5347L/R, C5035L/R, C5034LR, C4134LR, C7044L/R
C8024	Stabiliser Mounting	4D0 411 327 H	ø 27	
C8025	Silentblock	4D0 407 181 H	ø 40.2	
C8026	Silentblock	4D0 407 182 G	ø 50.4	
C8027	Silentblock	4B0 407 515	ø 46.5	
C8028	Silentblock	4D0 407 183 AB / Q	ø 65	
C8711	Silentblock	4B0 501 521 D		
C8712	Silentblock	4B0 501 522 D		

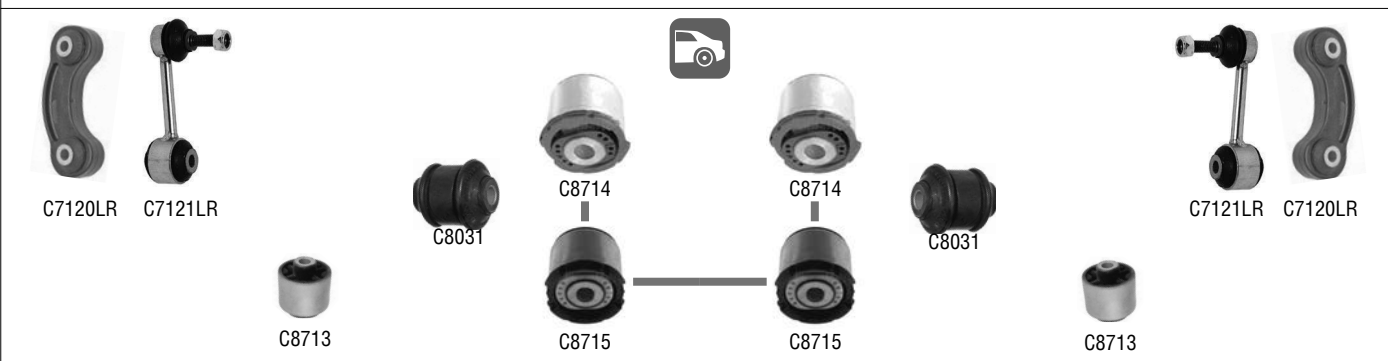
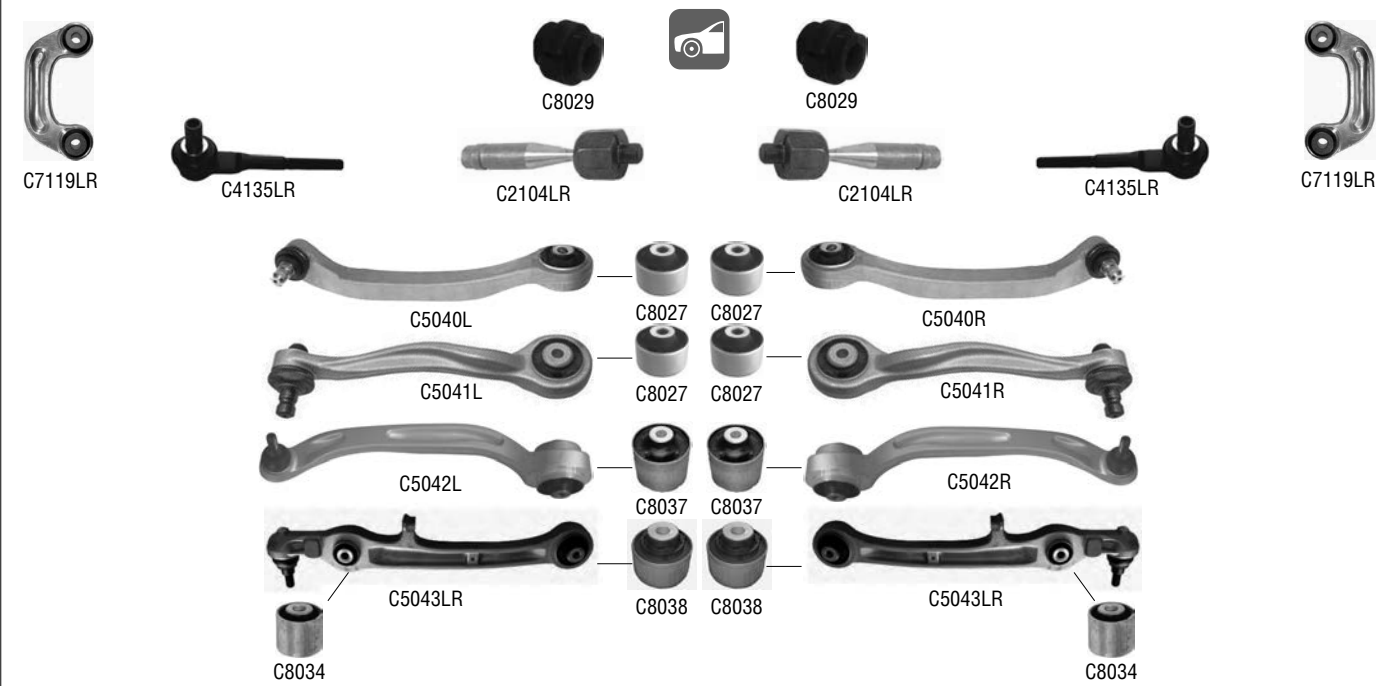


A6 (4F2) / A6 AVANT (4F5)

04/2004>

A6 ALLROAD (4FH)

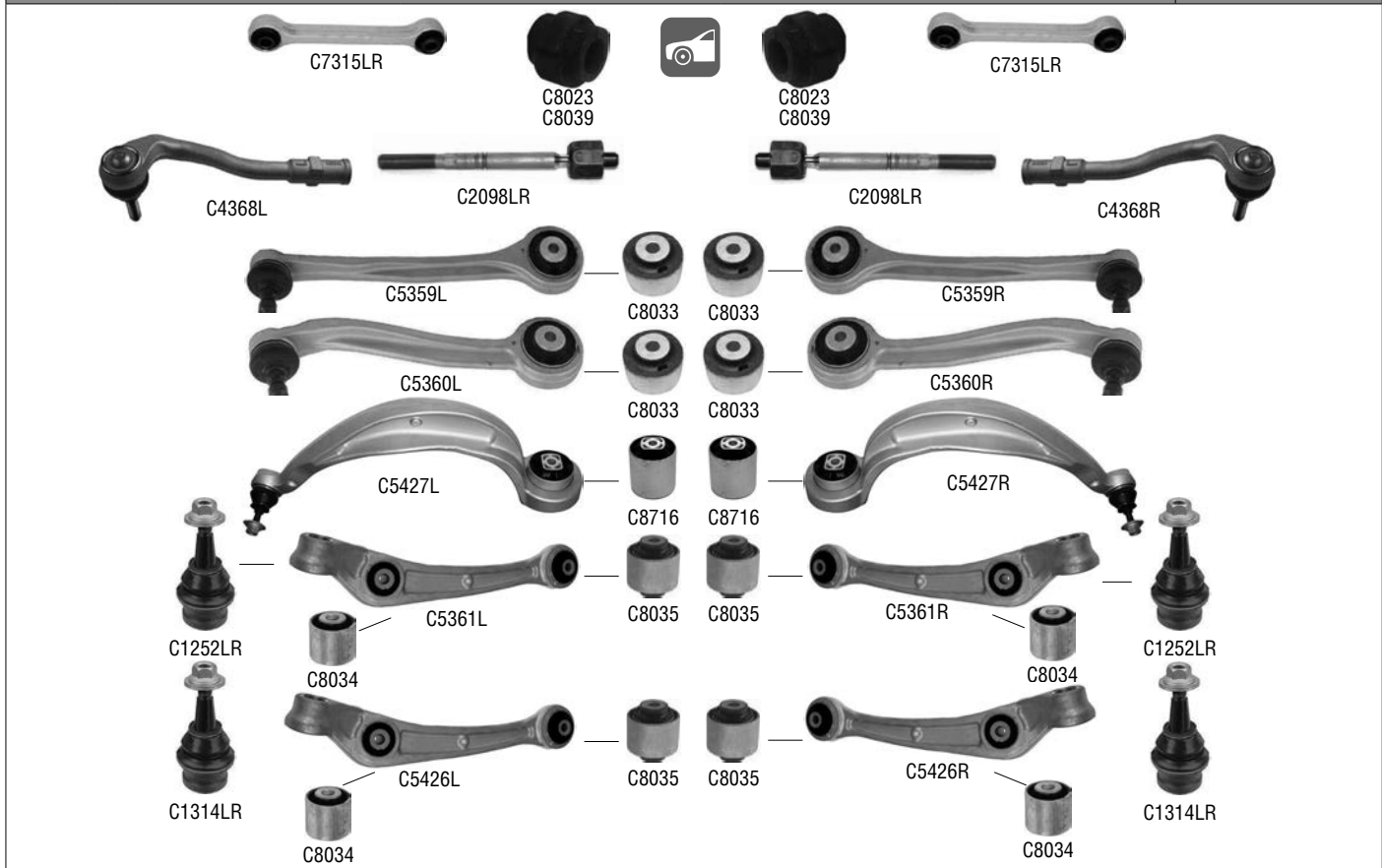
05/2006>



LYNX	Description	Original Number	Specification	
C2104LR	Tie Rod	4F0 422 821 D	MM16X1.5R	
C4135LR	Tie Rod End	4F0 419 811 A	MM14X1.5R	
C5040L	Susp. Arm Front Upper Left	4E0 407 505 B		
C5040R	Susp. Arm Front Upper Right	4E0 407 506 B		
C5041L	Susp. Arm Front Upper Left	4E0 407 509 E/G		
C5041R	Susp. Arm Front Upper Right	4E0 407 510 E/G		
C5042L	Susp. Arm Front Lower Left	4F0 407 693 H		
C5042R	Susp. Arm Front Lower Right	4F0 407 694 H		
C5043LR	Susp. Arm Front Lower	4F0 407 151 A		
C7119LR	Stabiliser Link Front	4E0 411 317 E		
C7120LR	Stabiliser Link Rear	4F0 505 465 Q		Exc. Air Suspension, Allroad
C7121LR	Stabiliser Link Rear	4F0 505 465 P		Air Suspension, Allroad
C8029	Stabiliser Mounting	4D0 411 327 J	ø 29	
C8037	Silentblock	4F0 407 183 B	ø 65	
C8038	Silentblock	4E0 407 182 C	ø 55	
C8034	Silentblock	4E0 407 181 B	ø 44	
C8027	Silentblock	8D0 407 515 C	ø 46.5	
C8031	Silentblock	8E0 505 203 D		
C8713	Silentblock	8E0 599 257 K		
C8714	Silentblock	4F0 505 145		
C8715	Silentblock	4F0 505 145 A		



A6 (4G2) 03/2011>
A6 AVANT (4G5) 05/2011>

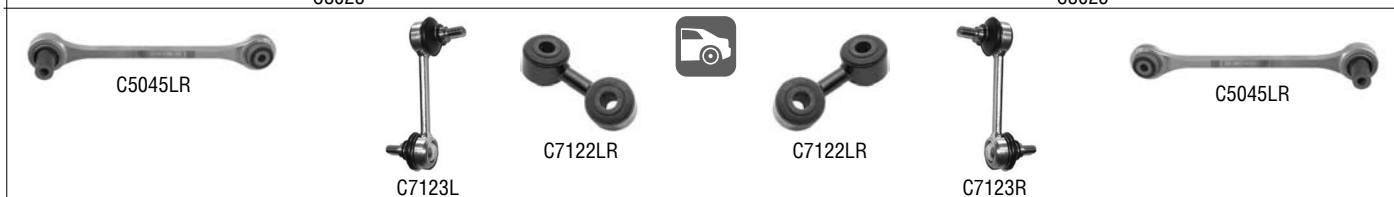
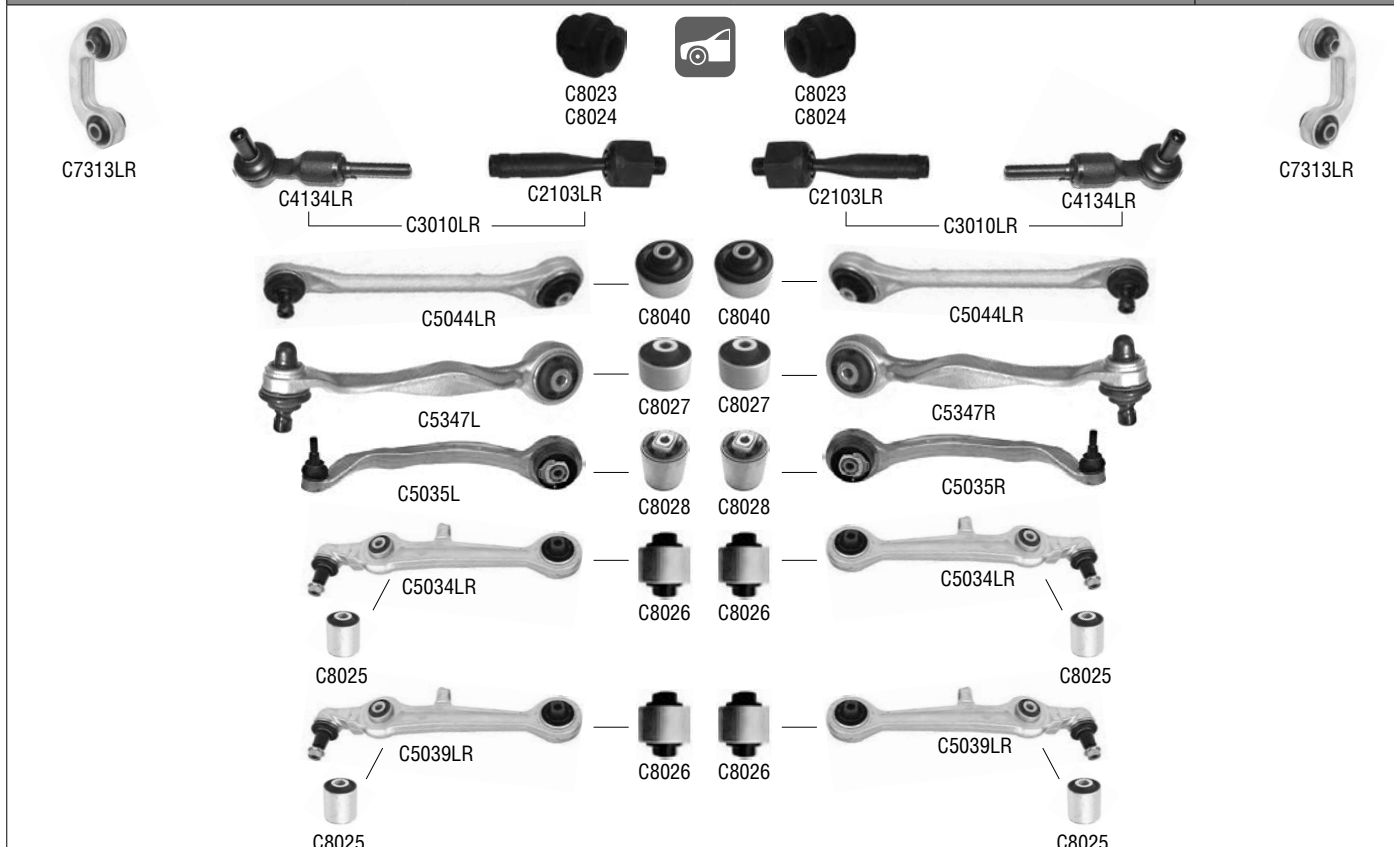


LYNX	Description	Original Number	Specification	
C2098LR	Tie Rod	4G0 423 810 A		
C4368L	Tie Rod End Left	4G0 423 811 A		
C4368R	Tie Rod End Right	4G0 423 812 A		
C5359L	Susp. Arm Front Upper Left	8K0 407 505 B		
C5359R	Susp. Arm Front Upper Right	8K0 407 506 B		
C5360L	Susp. Arm Front Upper Left	8K0 407 509 B		
C5360R	Susp. Arm Front Upper Right	8K0 407 510 B		
C5427L	Susp. Arm Front Lower Left	4G0 407 693 D		
C5427R	Susp. Arm Front Lower Right	4G0 407 694 D		
C5361L	Susp. Arm Front Lower Left	8K0 407 151 B		>15/08/11
C5361R	Susp. Arm Front Lower Right	8K0 407 152 B		>15/08/11
C5426L	Susp. Arm Front Lower Left	8K0 407 151 F		16/08/11>
C5426R	Susp. Arm Front Lower Right	8K0 407 152 F		16/08/11>
C1252LR	Ball Joint Lower	8K0 407 689 E		>15/08/11
C1314LR	Ball Joint Lower	4G0 407 689 A		16/08/11>
C7315LR	Stabiliser Link Front	8K0 411 317 D		
C7314LR	Stabiliser Link Rear	8K0 505 465 E		
C8039	Stabiliser Mounting	8K0 411 327 A	ø 23	
C8023	Stabiliser Mounting	4D0 411 327 G	ø 24.8	
C8034	Silentblock	4E0 407 181 B		
C8035	Silentblock	8K0 407 182 A		
C8716	Silentblock	4G0 407 183		
C8033	Silentblock	8R0 407 515		



A8 (4D2 - 4D8)

03/1994 - 09/2002



LYNX	Description	Original Number	Specification	
C2103LR	Tie Rod	4D0 422 821 A	MM16X1.5R	
C4134LR	Tie Rod End	4B0 419 811 F	MM14X1.5R	
C3010LR	Side Rod Assy	4B0 419 801 M		
C5044LR	Susp. Arm Front Upper	4D0 407 505 H		Chassis № 4D-S-002701>
C5347L	Susp. Arm Front Upper Left	4D0 407 509 J		
C5347R	Susp. Arm Front Upper Right	4D0 407 510 J		
C5035L	Susp. Arm Front Lower Left	8E0 407 693 Q/K		
C5035R	Susp. Arm Front Lower Right	8E0 407 694 Q/K		
C5034LR	Susp. Arm Front Lower	4D0 407 151 P		Chassis № >4D-X-005500
C5039LR	Susp. Arm Front Lower	4B3 407 151 C		Chassis № 4D-X-005501>
C5045LR	Susp. Arm Rear	4D0 501 529 F		
C7313LR	Stabiliser Link Front	4D0 411 317 K		
C7122LR	Stabiliser Link Rear	4D0 505 465 D		
C7123L	Stabiliser Link Rear Left	4D0 505 547 C		
C7123R	Stabiliser Link Rear Right	4D0 505 548 C		
C8023	Stabiliser Mounting	4D0 411 327 G	ø 24.8	Exc. Sport Suspension
C8024	Stabiliser Mounting	4D0 411 327 H	ø 27	Sport Suspension
C8040	Silentblock	4D0 407 516 C	ø 63	
C8025	Silentblock	4D0 407 181 H	ø 40.2	
C8026	Silentblock	4D0 407 182 G	ø 50.4	
C8027	Silentblock	4D0 407 515 C	ø 46.5	
C8028	Silentblock	4D0 407 183 Q	ø 65	



A8 (4E_)

10/2002 - 07/2010



C7119LR



C7119LR



C4136LR



C2105LR



C2105LR



C4136LR



C5041L



C8027



C8027



C5041R



C5040L



C8027



C8027



C5040R



C5047L



C8028



C8028



C5047R



C5046LR



C8038



C8038



C5046LR



C8034



C8034



C8034



C5048LR



C7124LR



C7124LR



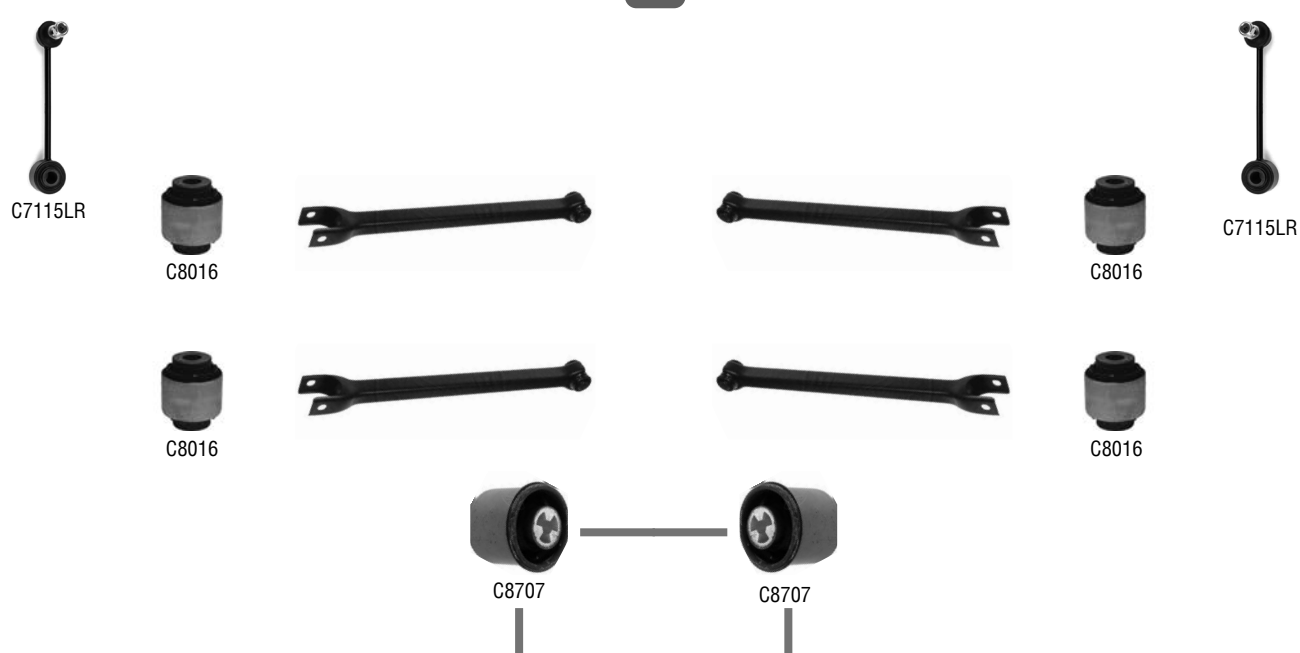
C5048LR

LYNX	Description	Original Number	Specification
C2105LR	Tie Rod	4E0 419 821 A	MM16X1.5R
C4136LR	Tie Rod End	4E0 419 811 E	MM16X1.5R
C5041L	Susp. Arm Front Upper Left	4E0 407 509 E	
C5041R	Susp. Arm Front Upper Right	4E0 407 510 E	
C5040L	Susp. Arm Front Upper Left	4E0 407 505 E	
C5040R	Susp. Arm Front Upper Right	4E0 407 506 E	
C5047L	Susp. Arm Front Lower Left	4E0 407 693 N	
C5047R	Susp. Arm Front Lower Right	4E0 407 694 N	
C5046LR	Susp. Arm Lower	4E0 407 151 L	
C5048LR	Susp. Arm Rear	4E0 501 529 G	
C7119LR	Stabiliser Link Front	4E0 411 317 E	
C7124LR	Stabiliser Link Rear	4E0 505 465 G	
C8038	Silentblock	4E0 407 182 C	ø 55
C8034	Silentblock	4E0 407 181 B	ø 44
C8027	Silentblock	8D0 407 515 C	ø 46.5
C8028	Silentblock	4D0 407 183 AB/AC	ø 65



TT (8N3-8N9)

10/1998>

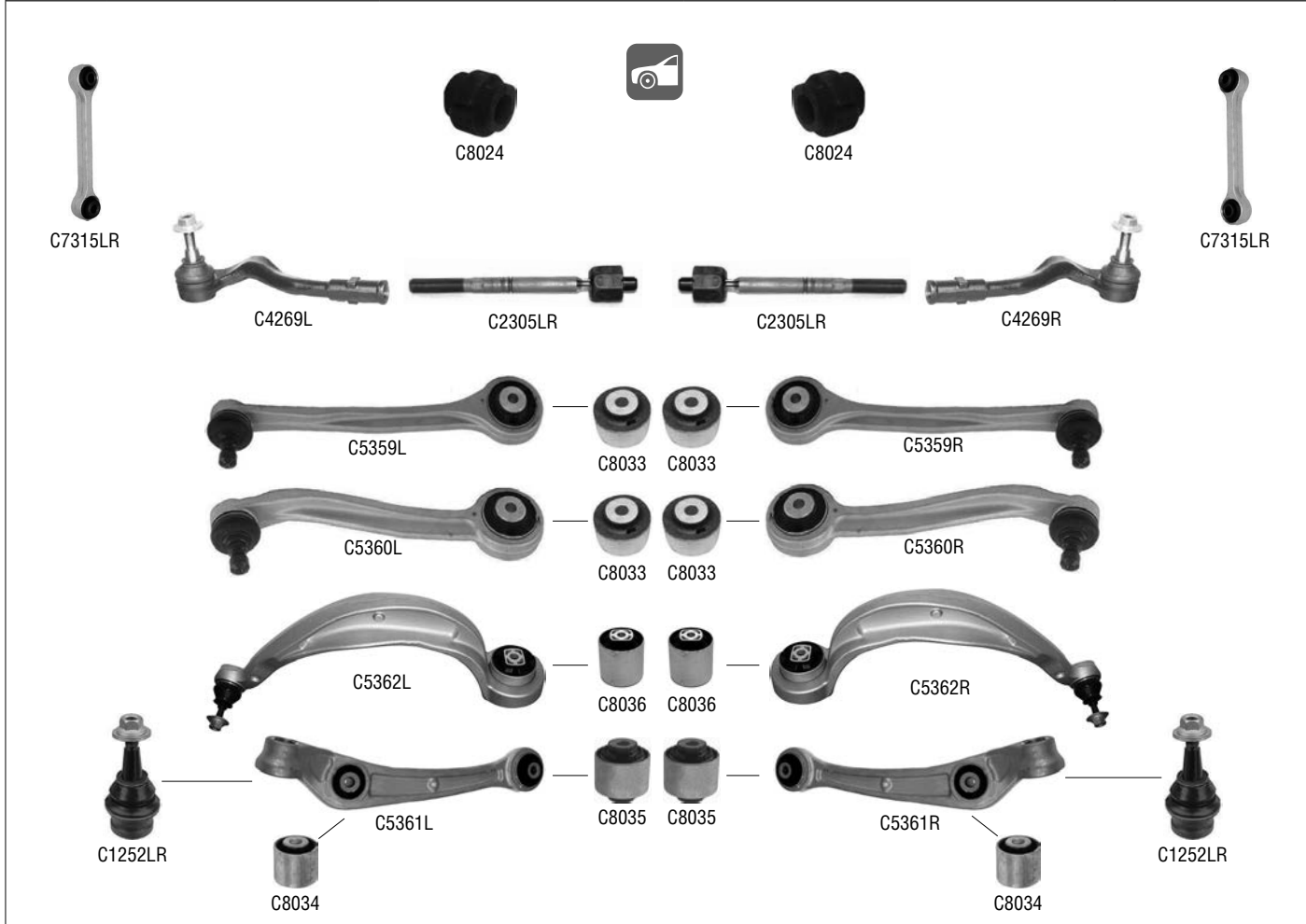


LYNX	Description	Original Number	Specification	
C5353LR	Susp. Arm Rear	1J0 505 323 L		Quattro
C7114L	Stabiliser Link Front Left	1J0 411 315 D		
C7114R	Stabiliser Link Front Right	1J0 411 316 D		
C7115LR	Stabiliser Link	1J0 505 466 B		Quattro
C8011	Stabiliser Mounting	1J0 411 314 S	ø 17	
C8012	Stabiliser Mounting	1J0 411 314 P	ø 20	
C8045	Stabiliser Mounting	1J0 411 314 T	ø 21	
C8015	Silentblock	357 407 182	ø 31.5	
C8014	Silentblock	1J0 407 181	ø 60	
C8016	Silentblock	1J0 505 203	ø 43,6	Quattro
C8707	Silentblock	1J0 501 541 C		



Q5 (8R)

11/2008>



LYNX	Description	Original Number	Specification	
C2305LR	Tie Rod	8J0 423 810		
C4269L	Tie Rod End Left	8K0 422 817 B		
C4269R	Tie Rod End Right	8K0 422 818 B		
C5359L	Susp. Arm Front Upper Left	8K0 407 505 B		
C5359R	Susp. Arm Front Upper Right	8K0 407 506 B		
C5360L	Susp. Arm Front Upper Left	8K0 407 509 B		
C5360R	Susp. Arm Front Upper Right	8K0 407 510 B		
C5361L	Susp. Arm Front Lower Left	8K0 407 151 C		
C5361R	Susp. Arm Front Lower Right	8K0 407 152 C		
C5362L	Susp. Arm Front Lower Left	8K0 407 693 N		>30/10/09
C5362R	Susp. Arm Front Lower Right	8K0 407 694 N		>30/10/09
C1252LR	Ball Joint Lower	8K0 407 689 F/G		
C7315LR	Stabiliser Link Front	8K0 411 317 C		
C7314LR	Stabiliser Link Rear	8K0 505 465 E		
C8024	Stabiliser Mounting	4D0 411 327 H	ø 27	
C8034	Silentblock	4E0 407 181 B		
C8035	Silentblock	8K0 407 182 B		
C8036	Silentblock	8K0 407 183 A		
C8033	Silentblock	8R0 407 515		



Q7

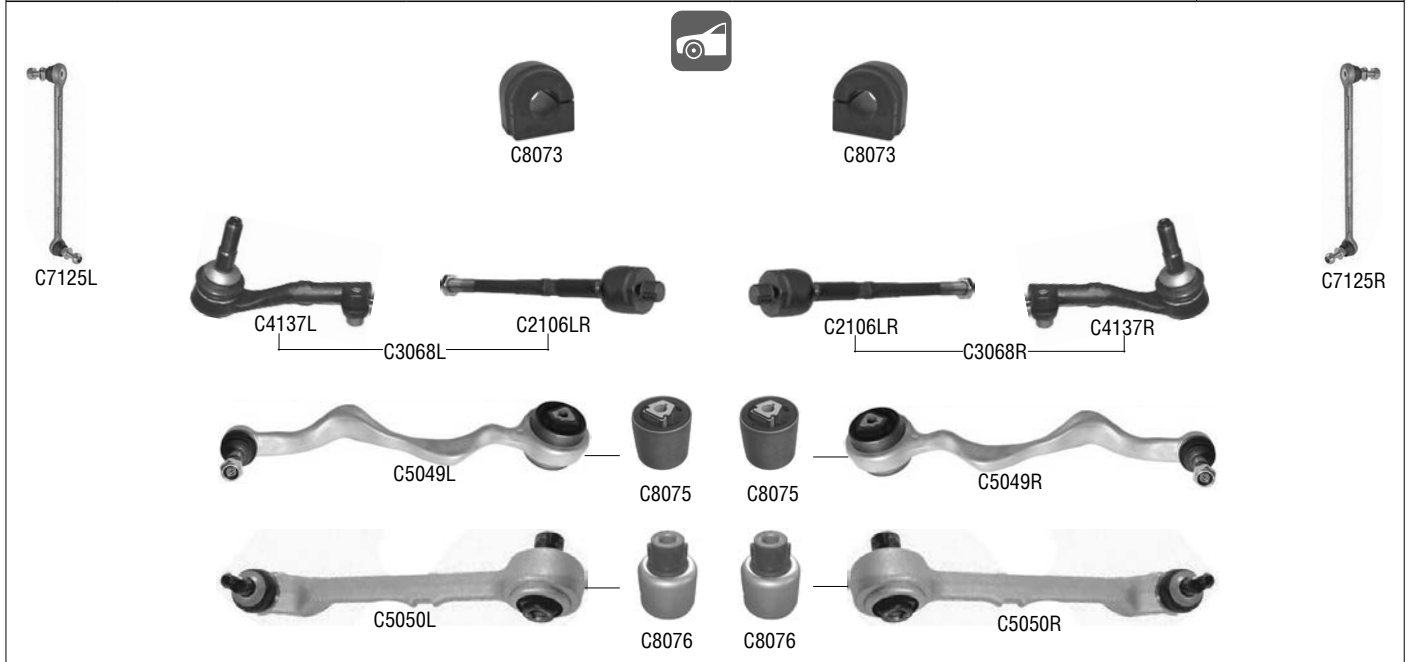
03/2006>



LYNX	Description	Original Number	Specification	
C2284LR	Tie Rod	7L0 422 821	MM16X1.5R	
C4247L	Tie Rod End Left	7L0 422 817 C/D	FM16X1.5R	
C4247R	Tie Rod End Right	7L0 422 818 C/D	FM16X1.5R	
C3049L	Side Rod Assy Left	7L0 422 803 C/D		
C3049R	Side Rod Assy Right	7L0 422 804 C/D		
C5335LR	Susp. Arm Front Upper	7L0 407 021 A/B		
C5364L	Susp. Arm Front Lower Left	7L8 407 151 B		Chassis N ^o >4L-7-002800
C5364R	Susp. Arm Front Lower Right	7L8 407 152 B		Chassis N ^o >4L-7-002800
C5336LR	Susp. Arm Rear Upper	7L0 505 323 A		
C5366L	Susp. Arm Rear Upper Left	7L0 505 397		
C5366R	Susp. Arm Rear Upper Right	7L0 505 398		
C7301LR	Stabiliser Link	7L0 411 317		
C7302L	Stabiliser Link Rear Left	7L0 505 465 C/D		Chassis N ^o 4L-8-030301>
C7302R	Stabiliser Link Rear Right	7L0 505 466 C/D		Chassis N ^o 4L-8-030301>
C8773	Stabiliser Mounting	7L8 411 313 B		
C8774	Stabiliser Mounting	7L0 511 413 E		
C8041	Silentblock	7L0 412 333 A	ø 48	
C8042	Silentblock	7L0 407 077		
C8043	Silentblock	7L8 407 183	ø 40	
C8044	Silentblock	7L0 407 182 E	ø 60.3	Chassis N ^o >4L-7-002800



BMW
1-Serie (E81, E82, E87, E88) 09/2004>

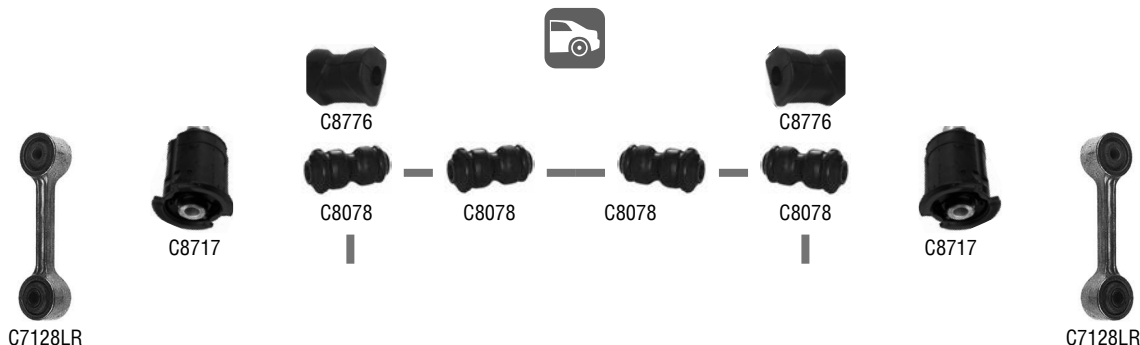
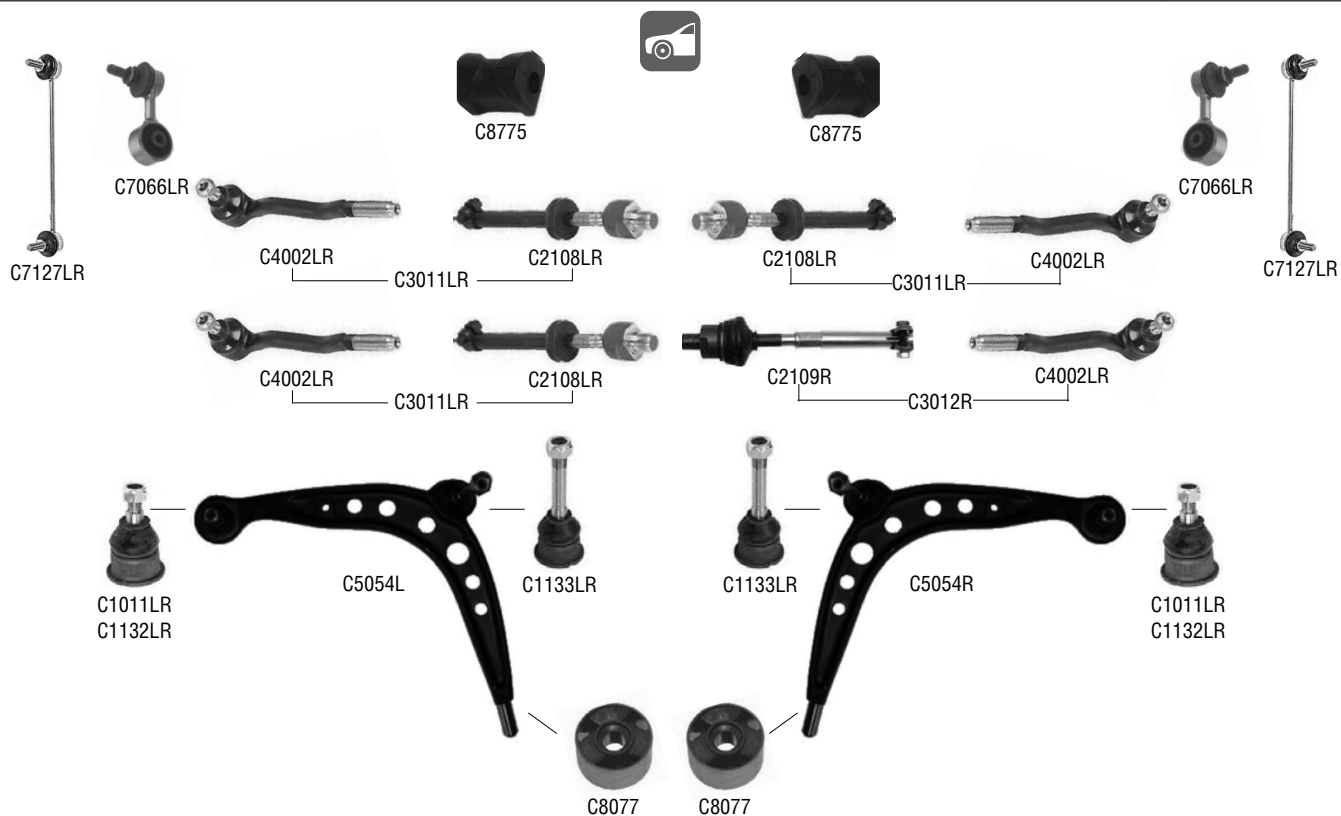


LYNX	Description	Original Number	Specification	
C2106LR	Tie Rod	Comp. of C3068L/R	MM18x1.5R	TRW Stearing
C4137L	Tie Rod End Left	32 10 6 765 089	FM14X1.5R	
C4137R	Tie Rod End Ritght	32 10 6 765 090	FM14X1.5R	
C3068L	Side Rod Assy Left	32 21 6 762 243		TRW Stearing
C3068R	Side Rod Assy Right	32 21 6 762 244		TRW Stearing
C5049L	Susp. Arm Front Left	31 12 6 769 797		
C5049R	Susp. Arm Front Right	31 12 6 769 798		
C5050L	Susp. Arm Front Left	31 12 6 770 849		
C5050R	Susp. Arm Front Right	31 12 6 770 850		
C5051LR	Susp. Arm Rear	33 32 6 765 425		
C5052LR	Susp. Arm Rear	33 32 6 777 980		
C5053LR	Susp. Arm Rear	33 32 6 763 471		
C7125L	Stabiliser Link Front Left	31 35 6 765 933		
C7125R	Stabiliser Link Front Right	31 35 6 765 934		
C7126LR	Stabiliser Link Rear	33 55 6 764 428		
C8073	Stabiliser Mounting	31 35 6 765 574		
C8777	Stabiliser Mounting	33 53 6 765 584		
C8074	Silentblock	33 32 6 775 552		
C8075	Silentblock	31 12 0 393 540	ø 70.1	
C8076	Silentblock	Comp. of C5050L/R	ø 46.2	



3-Serie (E30)

09/1982 - 08/1991

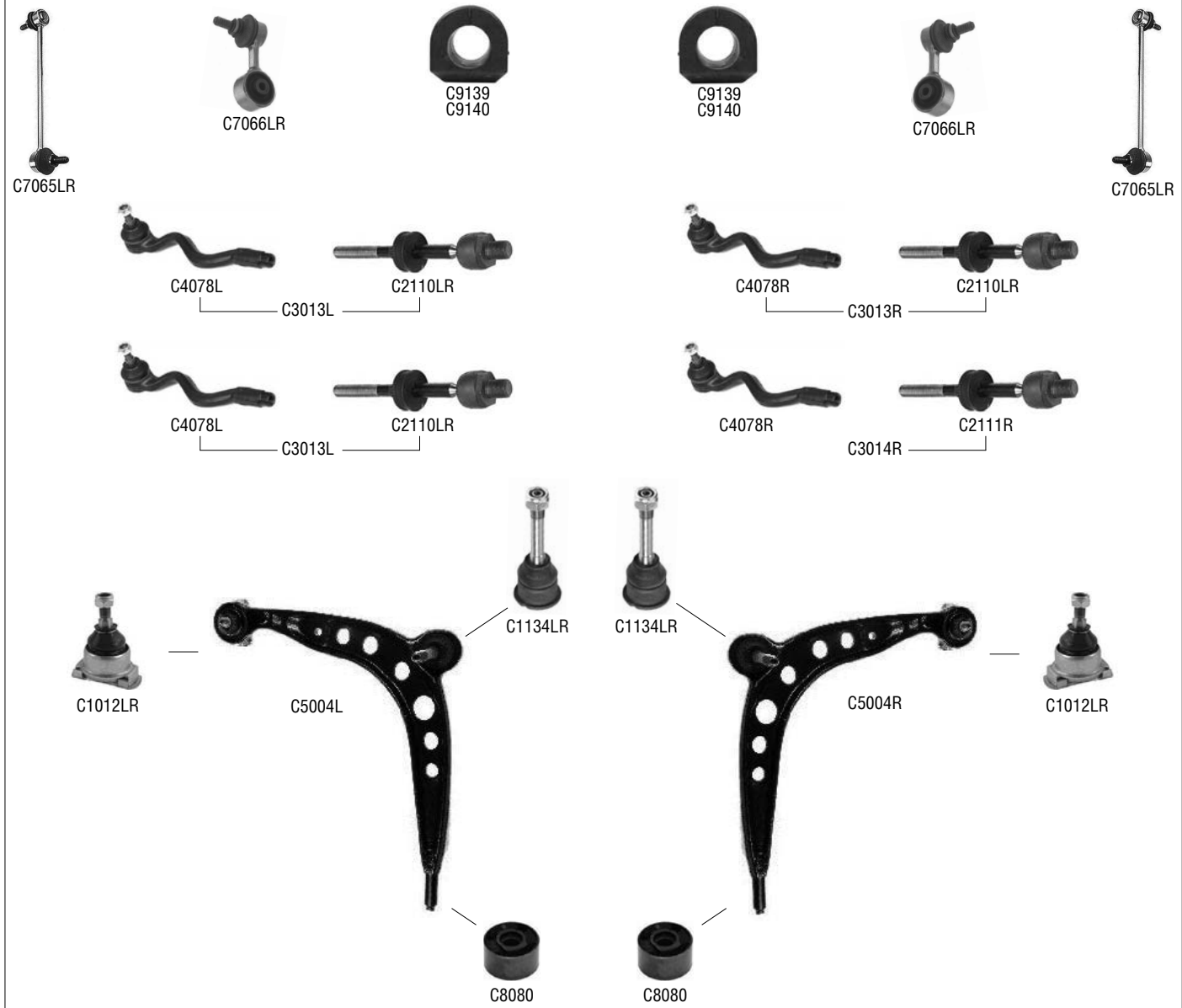


LYNX	Description	Original Number	Specification	
C2108LR	Tie Rod	32 11 1 127 124	MM18X1.5R	
C2109R	Tie Rod Right	32 11 1 130 451	MM18X1.5R	+ Steering Dumper / Right
C4002LR	Tie Rod End	32 11 1 126 757	MM14X1.5R	
C3011LR	Side Rod Assy	32 11 1 125 186		
C3012R	Side Rod Assy Right	32 11 1 125 187		+ Steering Dumper / Right
C5054L	Susp. Arm Left	31 121 127 725		
C5054R	Susp. Arm Right	31 121 127 726		
C1133LR	Ball Joint Lower	31 12 1 126 253		
C1011LR	Ball Joint Lower	31 12 1 126 254		
C1132LR	Ball Joint Lower	31 12 1 701 077		4WD
C7066LR	Stabilizer Link Front	31 35 1 091 764		Exc. 4WD
C7127LR	Stabiliser Link Front	31 35 1 701 066		4WD
C7128LR	Stabiliser Link Rear	33 55 1 126 932		
C8775	Stabiliser Mounting	31 35 1 127 414		Standart Suspension
C8776	Stabiliser Mounting	33 55 1 131 290		Standart Suspension
C8077	Silentblock	31 12 1 130 123	ø 60.5	
C8078	Silentblock	33 32 9 061 945	ø 29.7	
C8717	Silentblock	33 31 1 129 144		

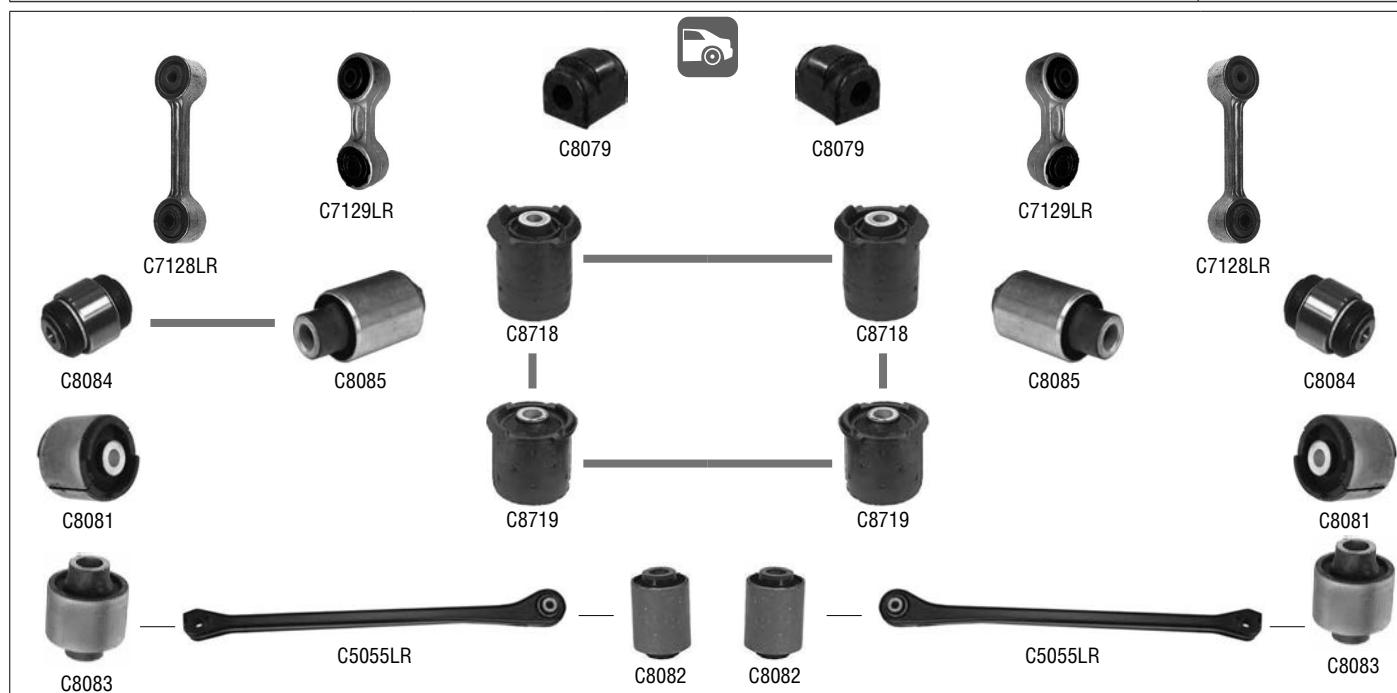


3-Serie (E36)
Z3

09/1990 - 08/2000
10/1995 - 06/2001



LYNX	Description	Original Number	Specification	
C2110LR	Tie Rod	Comp. of C3013L/R	MM18X1.5R	
C2111R	Tie Rod Right	Comp. of C3014R	MM18X1.5R	316 M40, + Steering Dumper / Right
C3013L	Side Rod Assy Left	32 11 1 139 315		
C3013R	Side Rod Assy Right	32 11 1 139 316		Exc. 316 M40, Steering Dumper / Right
C3014R	Side Rod Assy Right	32 11 1 139 318		316 M40, +Steering Dumper / Right
C4078L	Tie Rod End Left	32 11 1 139 313	FM14x1.5R	
C4078R	Tie Rod End Right	32 11 1 139 314	FM14x1.5R	
C5004L	Susp. Arm Left	31 12 6 758 513		
C5004R	Susp. Arm Right	31 12 6 758 514		
C1134LR	Ball Joint	31 12 1 139 131		
C1012LR	Ball Joint	31 12 6 758 510		
C9139	Stabiliser Mounting	31 35 1 090 186		>06/92
C9140	Stabiliser Mounting	31 35 1 090 263		06/92>
C7065LR	Stabilizer Link Front	31 35 1 134 582		>10/91
C7066LR	Stabilizer Link Front	31 35 1 091 764		10/91>



LYNX	Description	Original Number	Specification	
C5055LR	Susp. Arm Rear	33 32 6 770 813		
C7128LR	Stabiliser Link Rear	33 55 1 126 932		Exc. Compact
C7129LR	Stabiliser Link Rear	33 55 1 135 307		Compact
C8079	Stabiliser Mounting Rear	33 55 1 131 155	∅ 15	
C8080	Silentblock	31 12 1 135 351	∅ 60.5	
C8081	Silentblock	33 32 6 770 786	∅ 61.3	
C8082	Silentblock	33 32 1 092 248	∅ 35.6	
C8083	Silentblock	33 32 1 136 311	∅ 45.3	
C8084	Silentblock	33 32 1 140 345		
C8085	Silentblock	33 32 1 137 571	∅ 35.2	
C8718	Silentblock	33 31 9 059 300		
C8719	Silentblock	33 31 9 059 301		

3-Serie (E46), Exc. 325Xi, 330XD, 330Xi

02/1998 - 12/2004

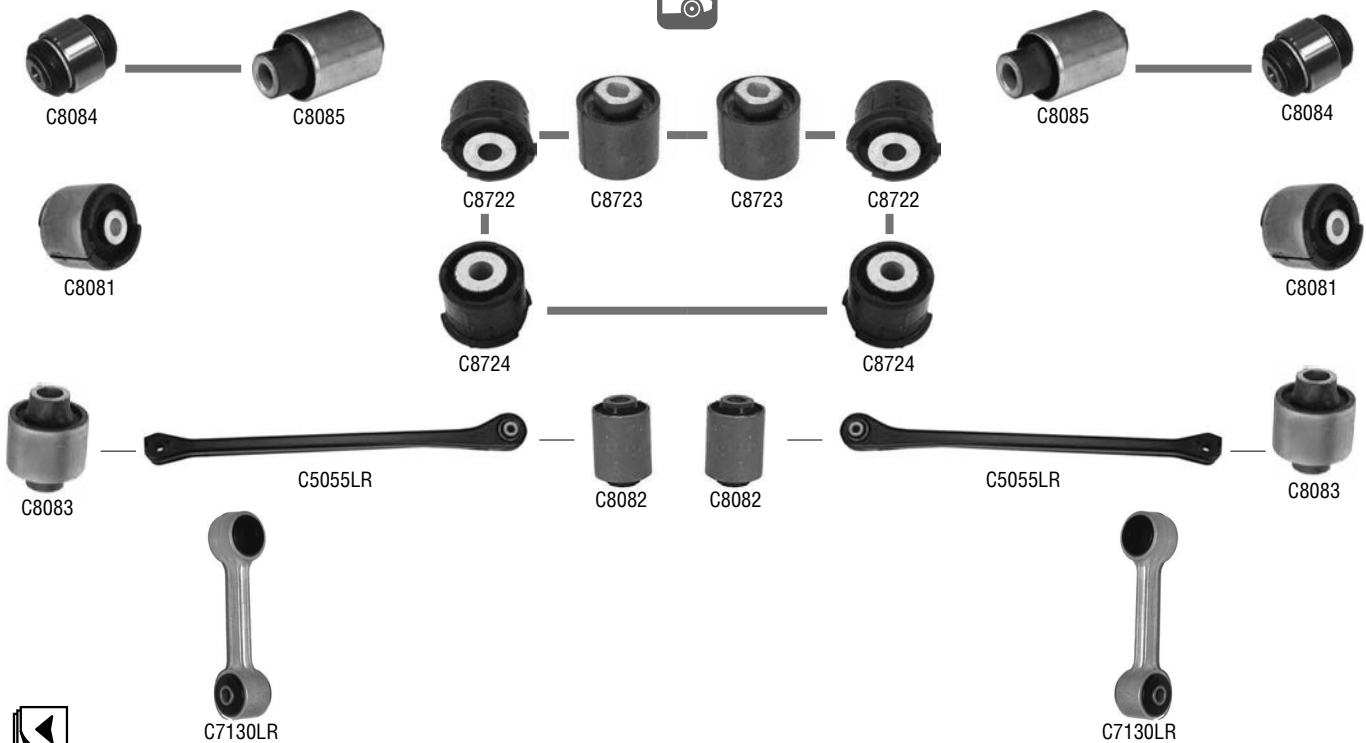
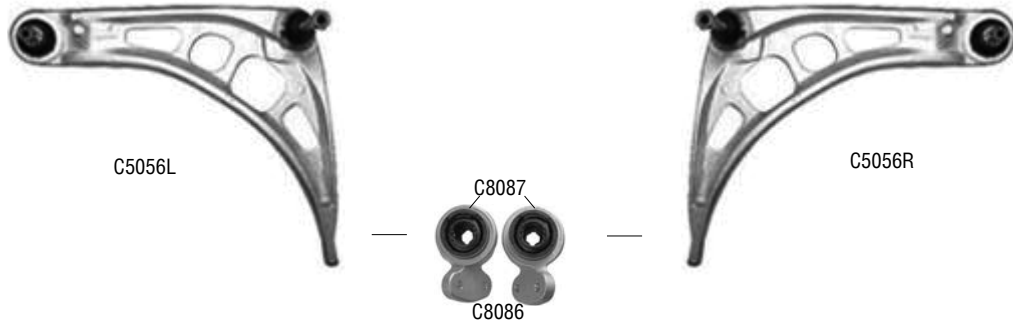


LYNX	Description	Original Number	Specification	
C2112LR	Tie Rod	Comp. of C3015L/R	MM18X1.5R	
C4138L	Tie Rod End Left	32 10 6 774 220	FM14x1.5R	
C4138R	Tie Rod End Right	32 10 6 774 221	FM14x1.5R	
C3015L	Side Rod Assy Left	32 10 6 777 503		
C3015R	Side Rod Assy Right	32 10 6 777 504		
C7068LR	Stabiliser Link Front	31 35 6 780 847		
C8720	Stabiliser Mounting	31 35 1 095 271		Exc. Sport Suspension
C8721	Stabiliser Mounting	31 35 1 094 555		Sport Suspension



3-Serie (E46), Exc. 325Xi, 330XD, 330Xi

02/1998 - 12/2004

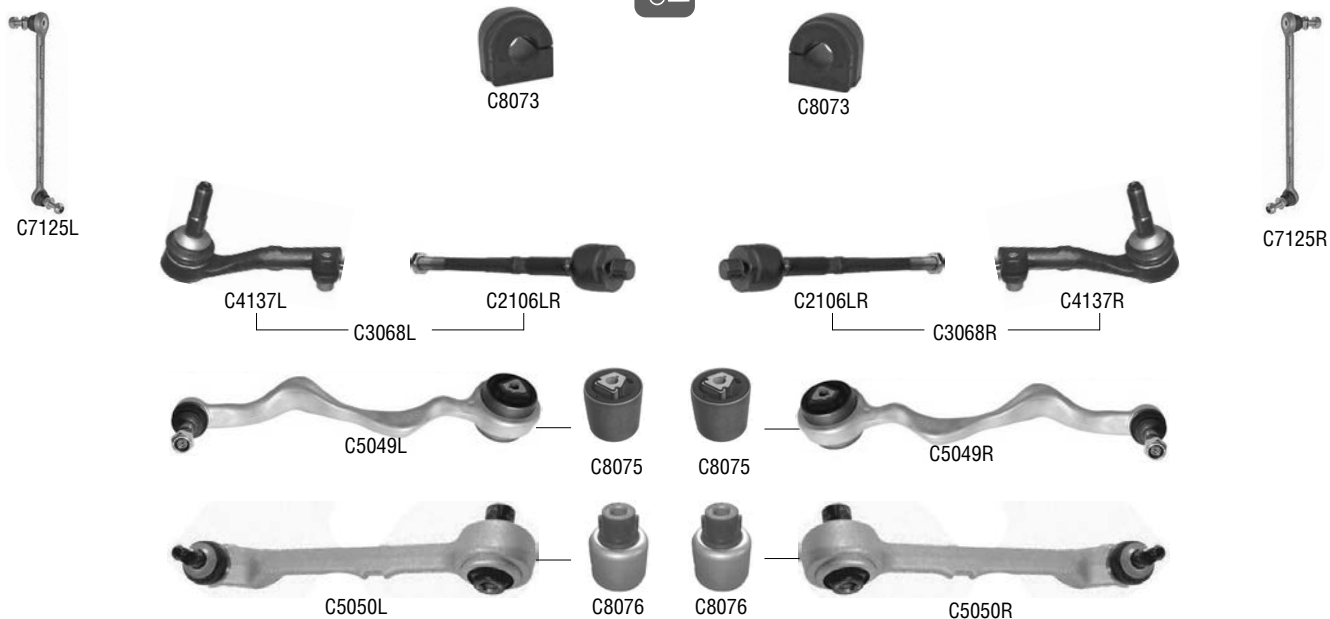


LYNX	Description	Original Number	Specification	
C5056L	Susp. Arm Front Left	31 12 1 094 465		Exc. Sport Suspension
C5056R	Susp. Arm Front Right	31 12 1 094 466		Exc. Sport Suspension
C5055LR	Susp. Arm Rear	33 32 6 770 813		
C7130LR	Stabiliser Link Rear	33 55 1 094 619		
C8087	Silentblock	Comp. of C8086	ø 66.1	
C8086	Silentblock	31 12 6 777 850		
C8081	Silentblock	33 32 6 770 786	ø 61.3	
C8082	Silentblock	33 32 1 092 248	ø 35.6	
C8083	Silentblock	33 32 1 136 311	ø 45.3	
C8084	Silentblock	33 32 1 140 345		
C8085	Silentblock	33 32 1 137 571	ø 35.2	
C8722	Silentblock	33 31 1 092 516		
C8723	Silentblock	33 17 1 093 175		
C8724	Silentblock	33 31 1 092 517		



3-Serie (E90, E91, E92)

01/2005>

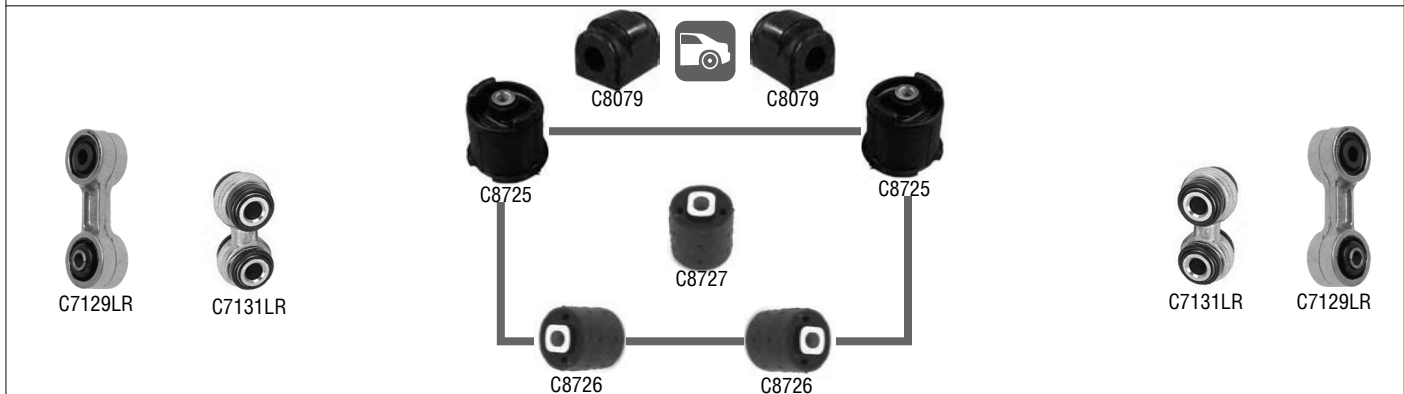
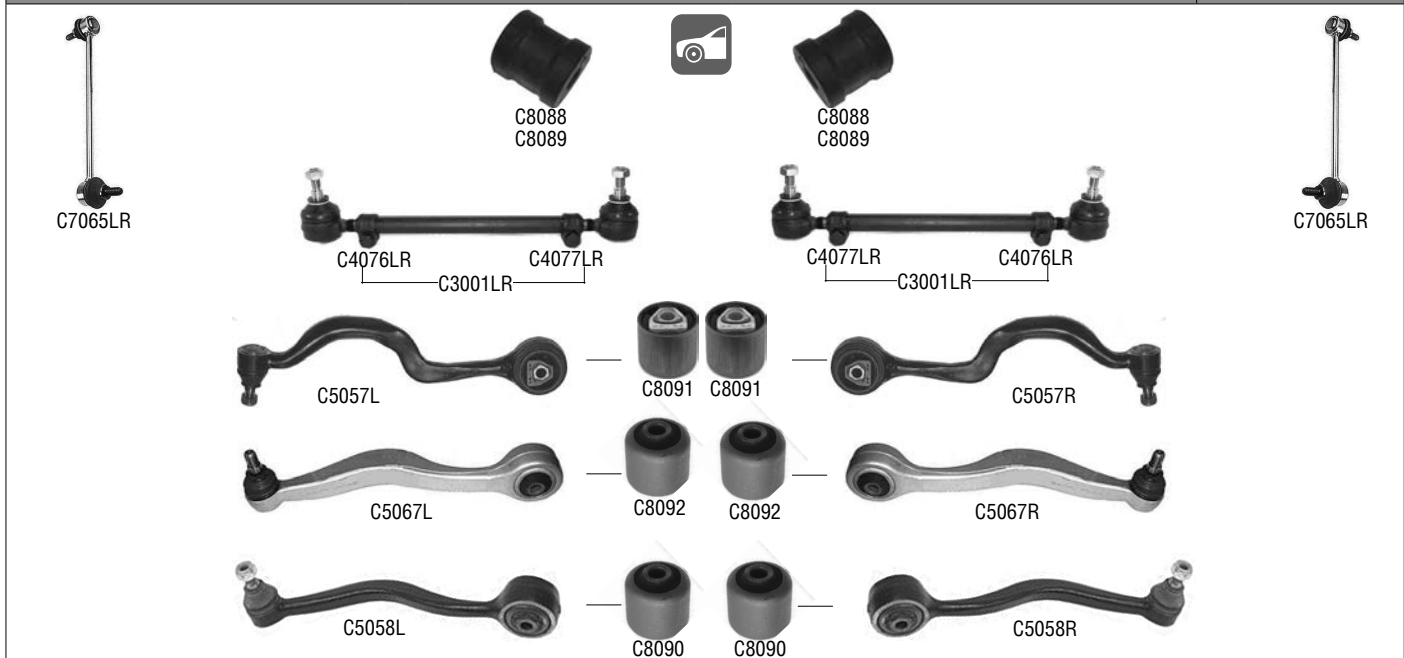


LYNX	Description	Original Number	Specification	
C2106LR	Tie Rod	Comp. of C3068L/R	MM18x1.5R	TRW Steering, Exc. 4WD
C4137L	Tie Rod End Left	32 10 6 765 089	FM14X1.5R	Exc. 4WD
C4137R	Tie Rod End Right	32 10 6 765 090	FM14X1.5R	Exc. 4WD
C3068L	Side Rod Assy Left	32 21 6 762 243		TRW Steering, Exc. 4WD
C3068R	Side Rod Assy Right	32 21 6 762 244		TRW Steering, Exc. 4WD
C5049L	Susp. Arm Front Left	31 12 6 769 797		Exc. 4WD
C5049R	Susp. Arm Front Right	31 12 6 769 798		Exc. 4WD
C5050L	Susp. Arm Front Left	31 12 6 770 849		Exc. 4WD
C5050R	Susp. Arm Front Right	31 12 6 770 850		Exc. 4WD
C5051LR	Susp. Arm Rear	33 32 6 765 425		
C5052LR	Susp. Arm Rear	33 32 6 777 980		
C5053LR	Susp. Arm Rear	33 32 6 763 471		
C7125L	Stabiliser Link Front Left	31 35 6 765 933		Exc. 4WD
C7125R	Stabiliser Link Front Right	31 35 6 765 934		Exc. 4WD
C7126LR	Stabiliser Link Rear	33 55 6 764 428		
C8073	Stabiliser Mounting	31 35 6 765 574		
C8777	Stabiliser Mounting	33 53 6 765 584		
C8074	Silentblock	33 32 6 775 552		
C8075	Silentblock	31 12 0 393 540	ø 70.1	Exc. 4WD
C8076	Silentblock	Comp. of C5050L/R	ø 46.2	Exc. 4WD



5-Serie (E34)
Exc. 525iX

01/1988 - 11/1995

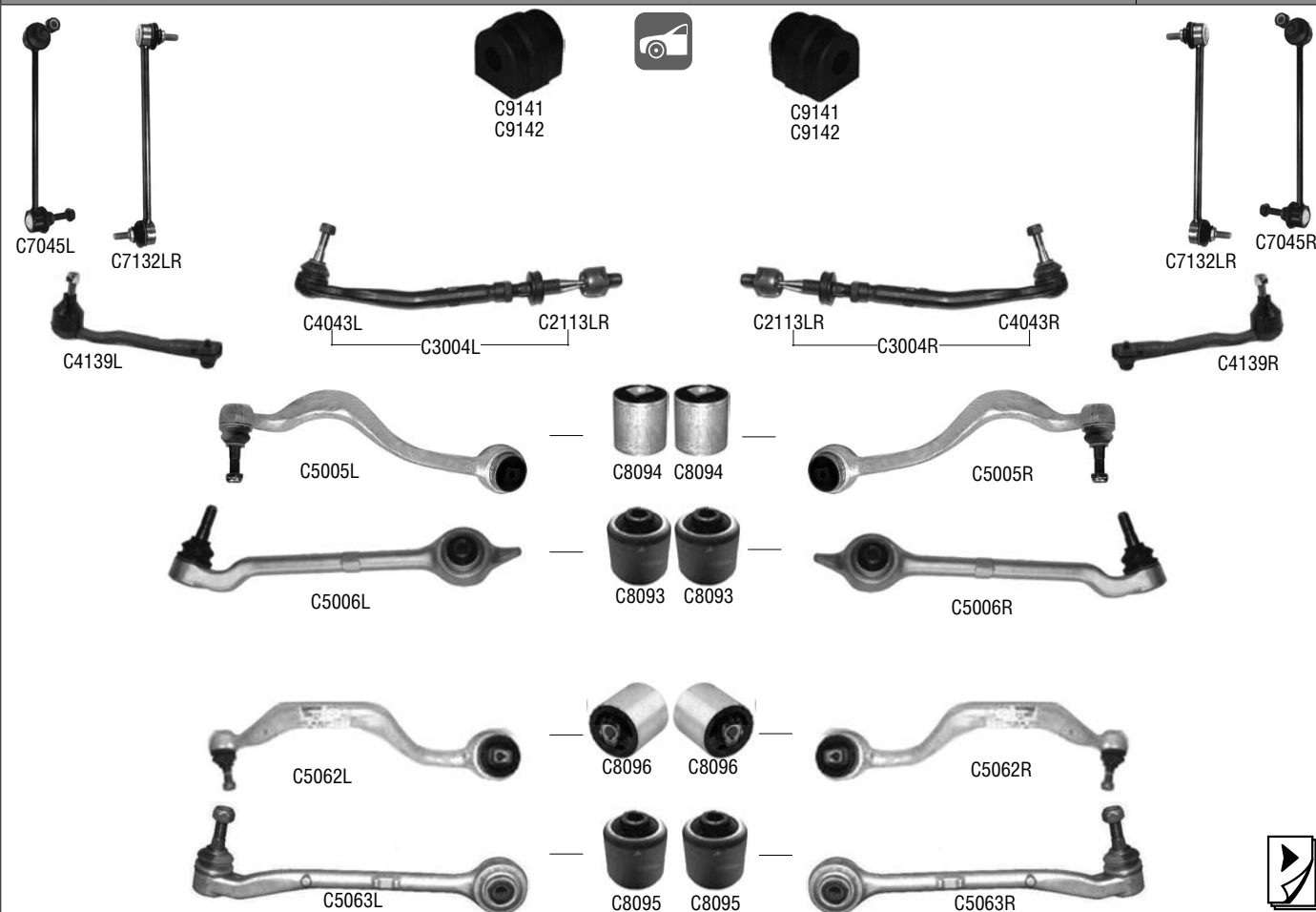


LYNX	Description	Original Number	Specification	
C4076LR	Tie Rod End Outer	32 21 1 135 820	MM14X1.5R	
C4077LR	Tie Rod End Inner	32 21 1 135 819	MM14X1.5L	
C3001LR	Side Rod Assy	32 21 1 135 666		
C5057L	Susp. Arm Front Upper Left	31 12 1 141 097		
C5057R	Susp. Arm Front Upper Right	31 12 1 141 098		
C5058L	Susp. Arm Front Lower Left	31 12 1 139 991		Steal
C5058R	Susp. Arm Front Lower Right	31 12 1 139 992		Steal
C5067L	Susp. Arm Front Lower Left	31 12 1 139 987		Alu
C5067R	Susp. Arm Front Lower Right	31 12 1 139 988		Alu
C7065LR	Stabilizer Link Front	31 35 1 134 582		
C7129LR	Stabiliser Link Rear	33 55 1 135 307		Stabiliser
C7131LR	Stabiliser Link Rear	33 32 1 126 476		Suspension Arm
C8088	Stabiliser Mounting Front	31 35 1 135 805	ø 23	Exc. Sport Suspension
C8089	Stabiliser Mounting Front	31 35 1 133 738	ø 24	Sport Suspension
C8079	Stabiliser Mounting Rear	33 55 1 131 155	ø 15	
C8090	Silentblock	31 12 1 124 622	ø 46.5	
C8091	Silentblock	31 12 1 136 605	ø 58.2	
C8092	Silentblock	31 12 1 133 236	ø 46	
C8725	Silentblock	33 31 1 128 670		
C8726	Silentblock	33 17 1 130 874		
C8727	Silentblock	33 17 1 131 245		



5-Serie (E39)

11/1995 - 05/2004

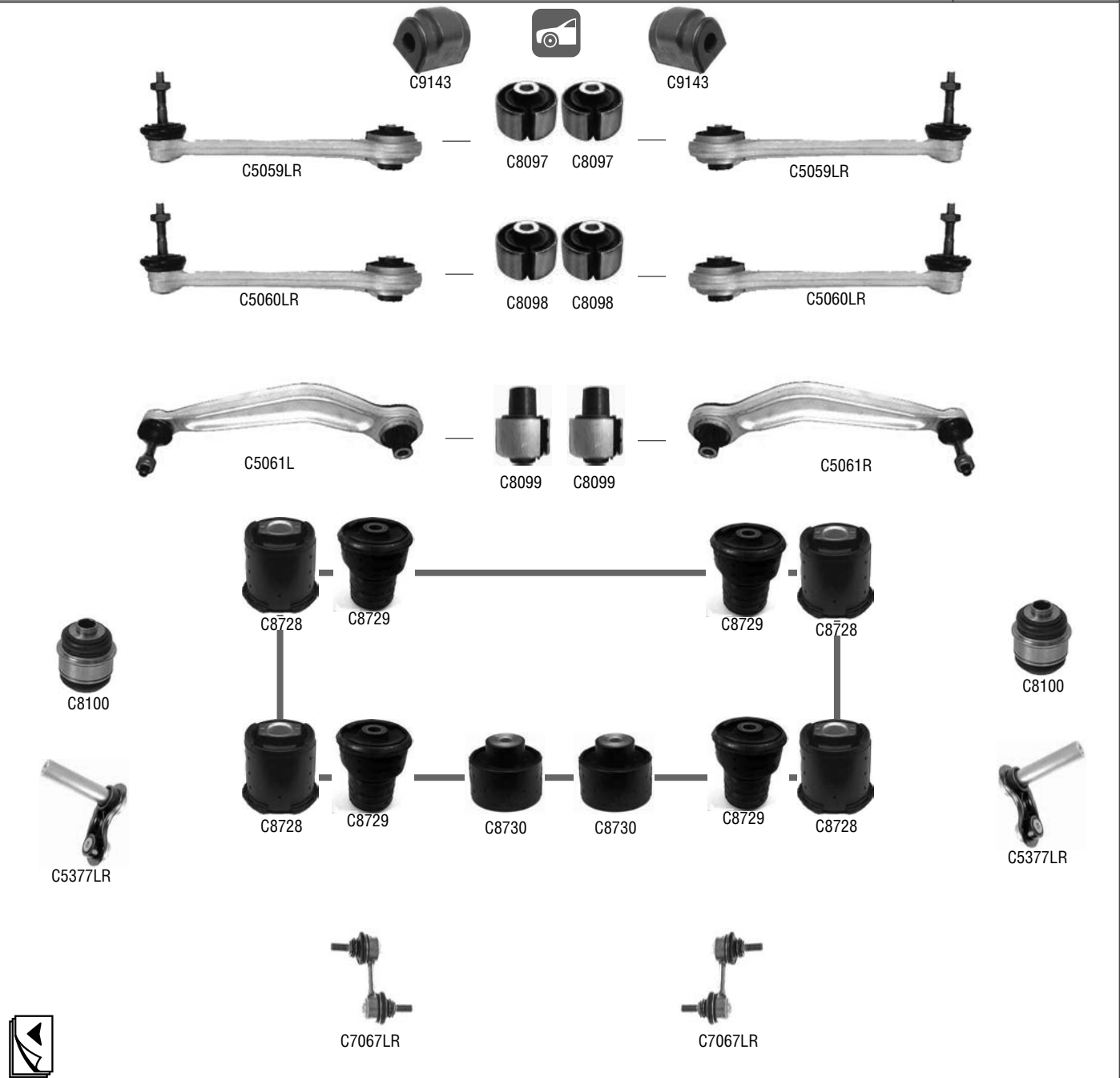


LYNX	Description	Original Number	Specification	
C2113LR	Tie Rod	Comp. of C3004L/R	MM18X1.5R	520i-530i
C4043L	Tie Rod End Left	32 11 1 091 769	FM16x1R	520i-530i
C4043R	Tie Rod End Right	32 11 1 091 770	FM16x1R	520i-530i
C4139L	Tie Rod End Left	32 21 1 091 723	FM16x1.5R	535i-M5
C4139R	Tie Rod End Right	32 21 1 091 724	FM16x1.5R	535i-M5
C3004L	Side Rod Assy Left	32 11 1 094 673		520i-530i
C3004R	Side Rod Assy Right	32 11 1 094 674		520i-530i
C5005L	Susp. Arm Front Left	31 12 1 141 717		520i-530i
C5005R	Susp. Arm Front Right	31 12 1 141 718		520i-530i
C5006L	Susp. Arm Front Left	31 12 1 094 233		520i-530i
C5006R	Susp. Arm Front Right	31 12 1 094 234		520i-530i
C5063L	Susp. Arm Front Left	31 12 1 141 961		535i-M5
C5063R	Susp. Arm Front Right	31 12 1 141 962		535i-M5
C5062L	Susp. Arm Front Left	31 12 1 092 609		535i-M5
C5062R	Susp. Arm Front Right	31 12 1 092 610		535i-M5
C7045L	Stabiliser Link Front Left	31 35 1 095 661		520i-530i
C7045R	Stabiliser Link Front Right	31 35 1 095 662		520i-530i
C7132LR	Stabiliser Link Front	31 35 1 095 664		535i-M5
C9141	Stabiliser Mounting	31 35 1 093 108	ø 22.5	520i-530i
C9142	Stabiliser Mounting	31 35 1 093 263	ø 24	520i-530i
C8093	Silentblock	31 12 1 092 019		520i-530i
C8094	Silentblock	31 12 9 068 753	ø 58.3	520i-530i
C8095	Silentblock	Comp. of C5063L/R	ø 46.3	535i-M5
C8096	Silentblock	31 12 0 006 482	ø 66	535i-M5



5-Serie (E39)

11/1995 - 05/2004

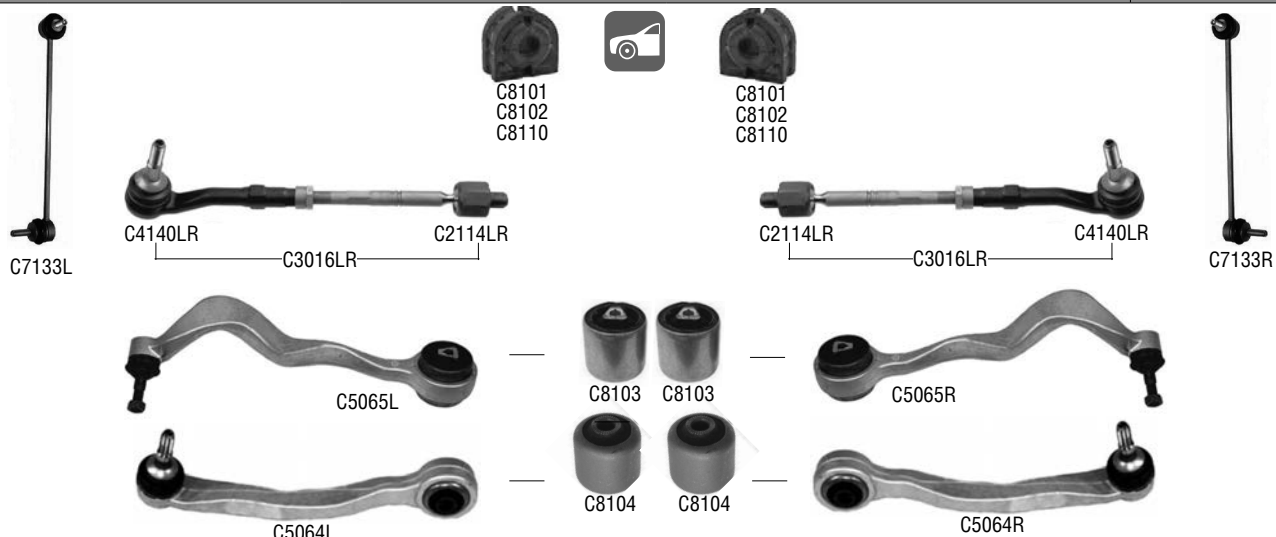


LYNX	Description	Original Number	Specification	
C5059LR	Susp. Arm Rear	33 32 6 768 791		>12/01
C5060LR	Susp. Arm Rear	33 32 6 777 424		12/01>
C5061L	Susp. Arm Rear Left	33 32 6 767 831		
C5061R	Susp. Arm Rear Right	33 32 6 767 832		
C5377LR	Susp. Arm Rear	33 32 6 770 749		
C7067LR	Stabiliser Link Rear	33 55 1 095 532		
C9143	Stabiliser Mounting	33 55 1 093 663		
C8097	Silentblock	33 32 1 090 102	ø 46.9	>12/01
C8098	Silentblock	Comp. of C5060LR	ø 47.3	12/01>
C8099	Silentblock	Comp. of C5061L/R	ø 49	
C8100	Silentblock	33 32 6 767 748	ø 52.05	
C8728	Silentblock	33 31 1 091 422		Sedan
C8729	Silentblock	33 31 1 094 036		Touring
C8730	Silentblock	33 17 1 093 008		



5-Series (E60, E61)

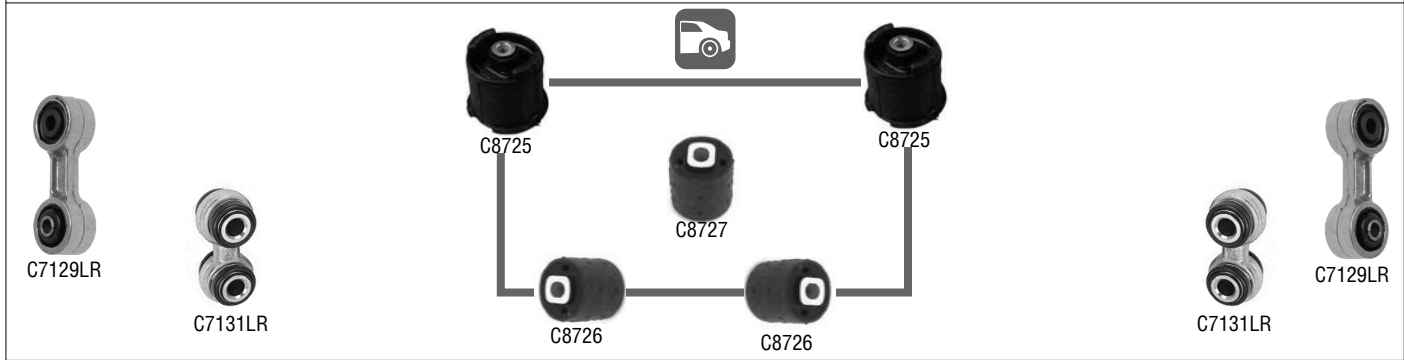
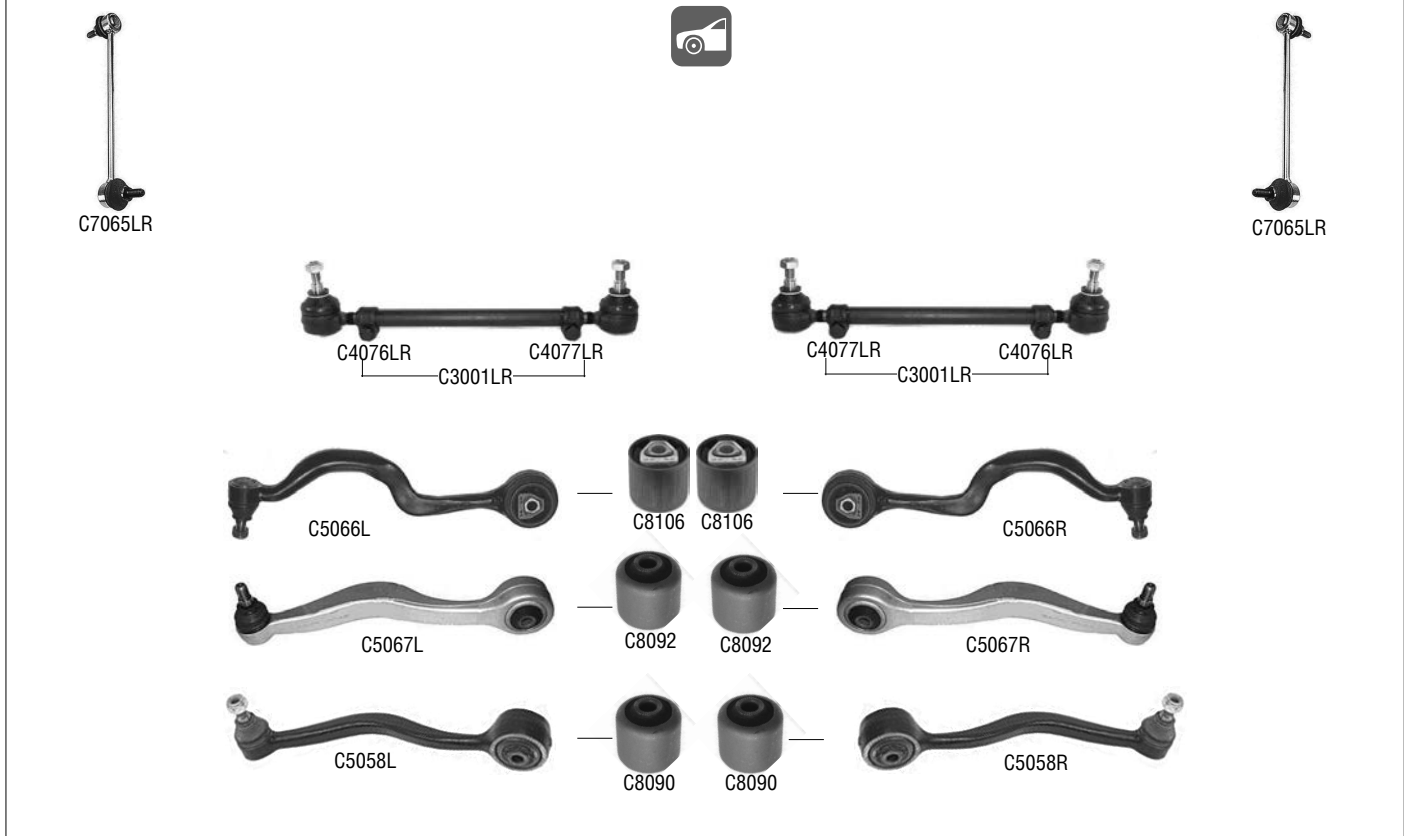
07/2003>



LYNX	Description	Original Number	Specification	
C2114LR	Tie Rod	Comp. of C3016LR	MM18X1.5R	Exc. 4WD
C4140LR	Tie Rod End	32 10 6 776 946	FM16X1.5R	Exc. 4WD
C3016LR	Side Rod Assy	32 10 6 777 479		Exc. 4WD
C5064L	Susp. Arm Front Left	31 12 6 760 181		
C5064R	Susp. Arm Front Right	31 12 6 760 182		
C5065L	Susp. Arm Front Left	31 12 6 774 825		
C5065R	Susp. Arm Front Right	31 12 6 774 826		
C5073L	Susp. Arm Rear Left	33 30 6 772 241		
C5073R	Susp. Arm Rear Right	33 30 6 772 242		
C5060LR	Susp. Arm Rear	33 32 6 777 424		
C5377LR	Susp. Arm Rear	33 32 6 770 749		
C7133L	Stabiliser Link Front	31 30 6 781 547		Exc. 4WD
C7133R	Stabiliser Link Front	31 30 6 781 548		Exc. 4WD
C7134LR	Stabiliser Link Rear	33 50 6 781 540		Exc. Active Stabilizer, Dynamic Drive
C7319LR	Stabiliser Link Rear	33 50 6 781 537		Active Stabilizer, Dynamic Drive
C8101	Stabiliser Mounting	31 35 6 761 591	ø 23.6	Exc. Sport Suspension, Dynamic Drive
C8102	Stabiliser Mounting	31 35 6 764 113	ø 25	Sport Suspension, Exc. Dynamic Drive
C8110	Stabiliser Mounting	31 35 6 753 913		05/06> Dynamic Drive
C8103	Silentblock	31 12 0 305 612	ø 70	
C8104	Silentblock	Comp. of C5064L/R		
C8098	Silentblock	Comp. of C5060LR	ø 47.3	
C8105	Silentblock	Comp. of C5073L/R	ø 49	
C8100	Silentblock	33 32 6 767 748	ø 52.05	



7-Serie (E32) 09/1986 - 09/1994

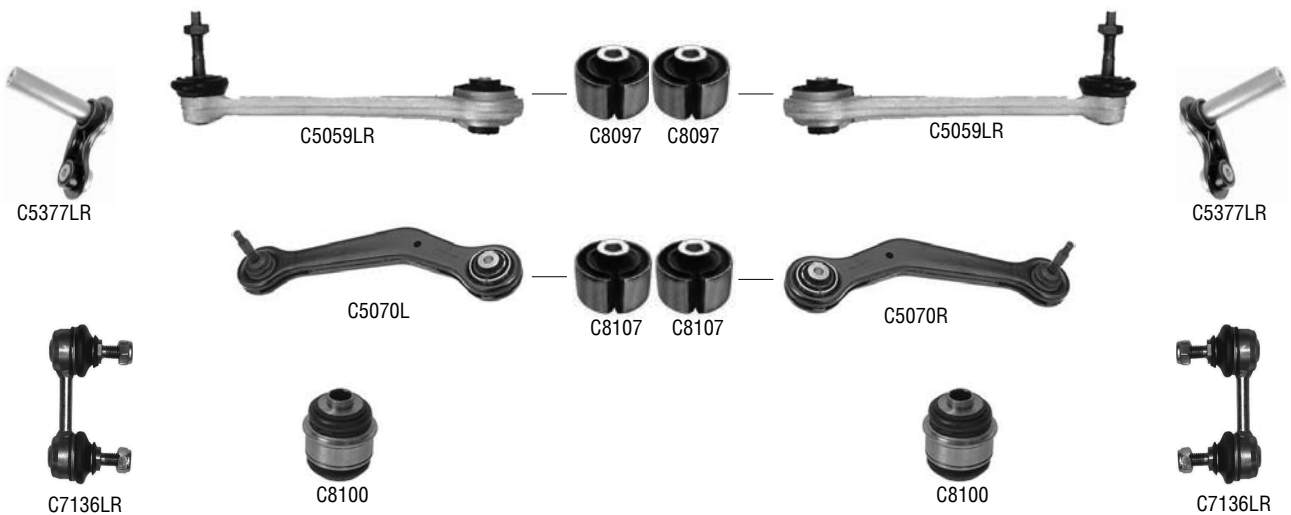


LYNX	Description	Original Number	Specification	
C4076LR	Tie Rod End Outer	32 21 1 135 820	MM14X1.5R	
C4077LR	Tie Rod End Inner	32 21 1 135 819	MM14X1.5L	
C3001LR	Side Rod Assy	32 21 1 135 666		
C5067L	Susp. Arm Front Left	31 12 1 139 987		Alu
C5067R	Susp. Arm Front Right	31 12 1 139 988		Alu
C5058L	Susp. Arm Front Left	31 12 1 139 991		Steal
C5058R	Susp. Arm Front Right	31 12 1 139 992		Steal
C5066L	Susp. Arm Left	31 12 1 139 999		
C5066R	Susp. Arm Right	31 12 1 130 090		
C7065LR	Stabilizer Link Front	31 35 1 134 582		
C7129LR	Stabiliser Link Rear	33 55 1 135 307		Stabiliser
C7131LR	Stabiliser Link Rear	33 32 1 126 476		Suspension Arm
C8090	Silentblock	31 12 1 124 622	ø 46.5	
C8106	Silentblock	31 12 1 136 607		
C8092	Silentblock	31 12 1 133 236	ø 46	
C8725	Silentblock	33 31 1 128 670		
C8726	Silentblock	33 17 1 130 874		
C8727	Silentblock	33 17 1 131 245		



7-Series (E38)

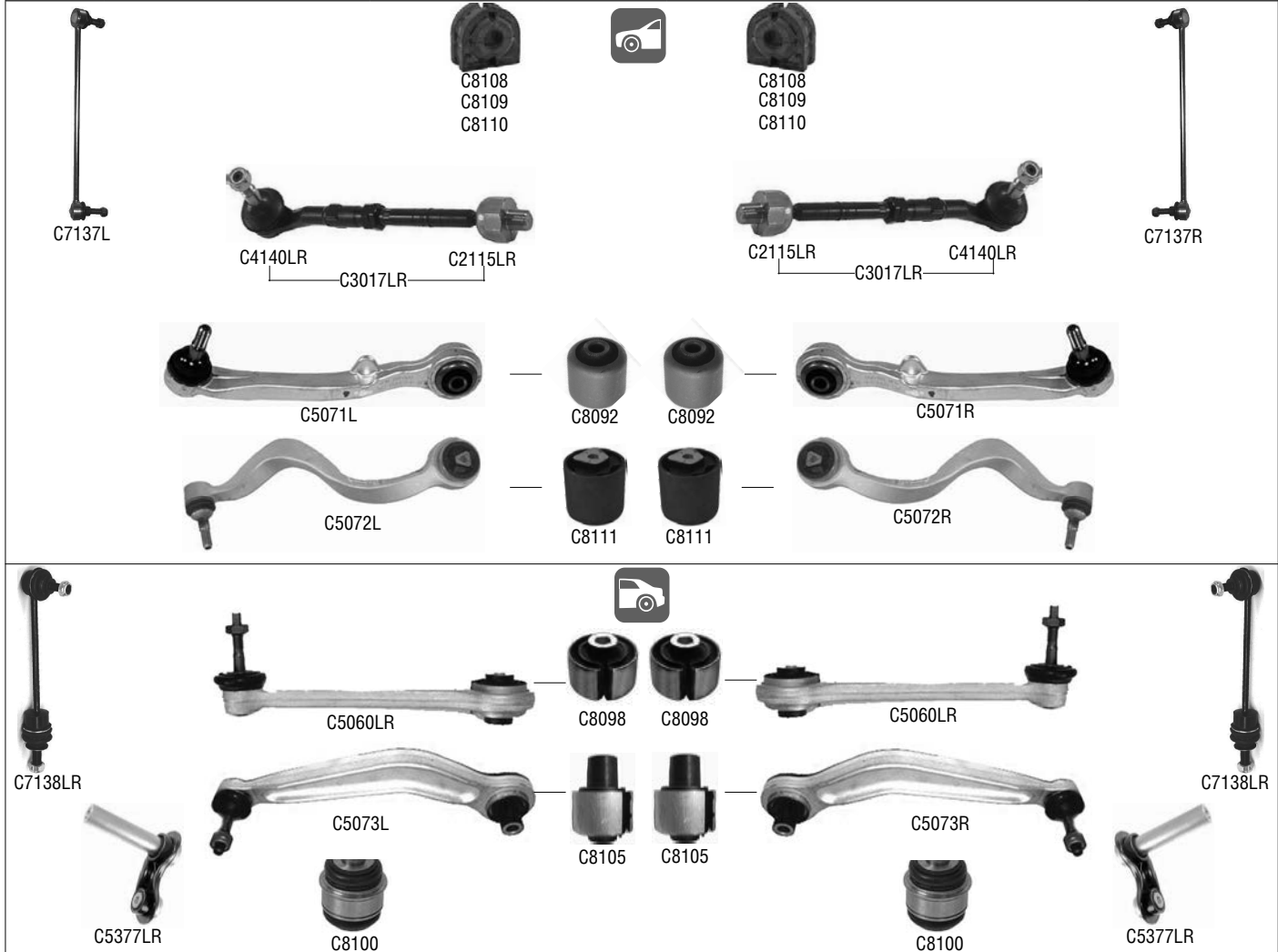
10/1994 - 11/2001



LYNX	Description	Original Number	Specification	
C4141L	Tie Rod End Left	32 21 1 141 345	FM16X1.5R	
C4141R	Tie Rod End Right	32 21 1 141 346	FM16X1.5R	
C5068L	Susp. Arm Front Left	31 12 1 142 087		
C5068R	Susp. Arm Front Right	31 12 1 142 088		
C5069L	Susp. Arm Front Left	31 12 1 141 721		
C5069R	Susp. Arm Front Right	31 12 1 141 722		
C5059LR	Susp. Arm Rear	33 32 6 768 791		
C5377LR	Susp. Arm Rear	33 32 6 770 749		
C5070L	Susp. Arm Left	33 32 6 770 059		
C5070R	Susp. Arm Right	33 32 6 770 060		
C7135LR	Stabiliser Link Front	31 35 1 095 695		
C7136LR	Stabiliser Link	33 55 1 095 696		
C8096	Silentblock	31 12 0 006 482	ø 66.2	
C8097	Silentblock	33 32 1 090 102	ø 46.9	
C8107	Silentblock	Comp. of C5070L/R	ø 49	
C8100	Silentblock	33 32 6 767 748	ø 52.05	
C8092	Silentblock	31 12 1 133 236	ø 46	



7-Serie (E65, E66) 11/2001 - 09/2008



LYNX	Description	Original Number	Specification	
C2115LR	Tie Rod		MM18X1.5R	
C4140LR	Tie Rod End	32 10 6 776 946	FM16X1.5R	
C3017LR	Side Rod Assy	32 10 6 777 268		
C5071L	Susp. Arm Front Left	31 12 6 755 835		
C5071R	Susp. Arm Front Right	31 12 6 755 836		
C5072L	Susp. Arm Front Left	31 12 6 774 831		
C5072R	Susp. Arm Front Right	31 12 6 774 832		
C5060LR	Susp. Arm Rear	33 32 6 777 424		
C5377LR	Susp. Arm Rear	33 32 6 770 749		
C5073L	Susp. Arm Rear Left	33 30 6 772 241		
C5073R	Susp. Arm Rear Right	33 30 6 772 242		
C7137L	Stabiliser Link Front Left	31 35 6 781 545		
C7137R	Stabiliser Link Front Right	31 35 6 781 546		
C7138LR	Stabiliser Link Rear	33 50 6 781 538		
C8108	Stabiliser Mounting	31 35 6 753 928	ø 24.6	>10/03
C8109	Stabiliser Mounting	31 35 6 763 267	ø 25.5	10/03>
C8110	Stabiliser Mounting	31 35 6 753 913		Dynamic Drive
C8111	Silentblock	31 12 0 302 754	ø 70	
C8098	Silentblock	Comp. of C5060LR	ø 47.3	
C8100	Silentblock	33 32 6 767 748	ø 52.05	
C8105	Silentblock	Comp. of C5073L/R	ø 49	
C8092	Silentblock	31 12 1 133 236		



X3 (E83)

01/2004>

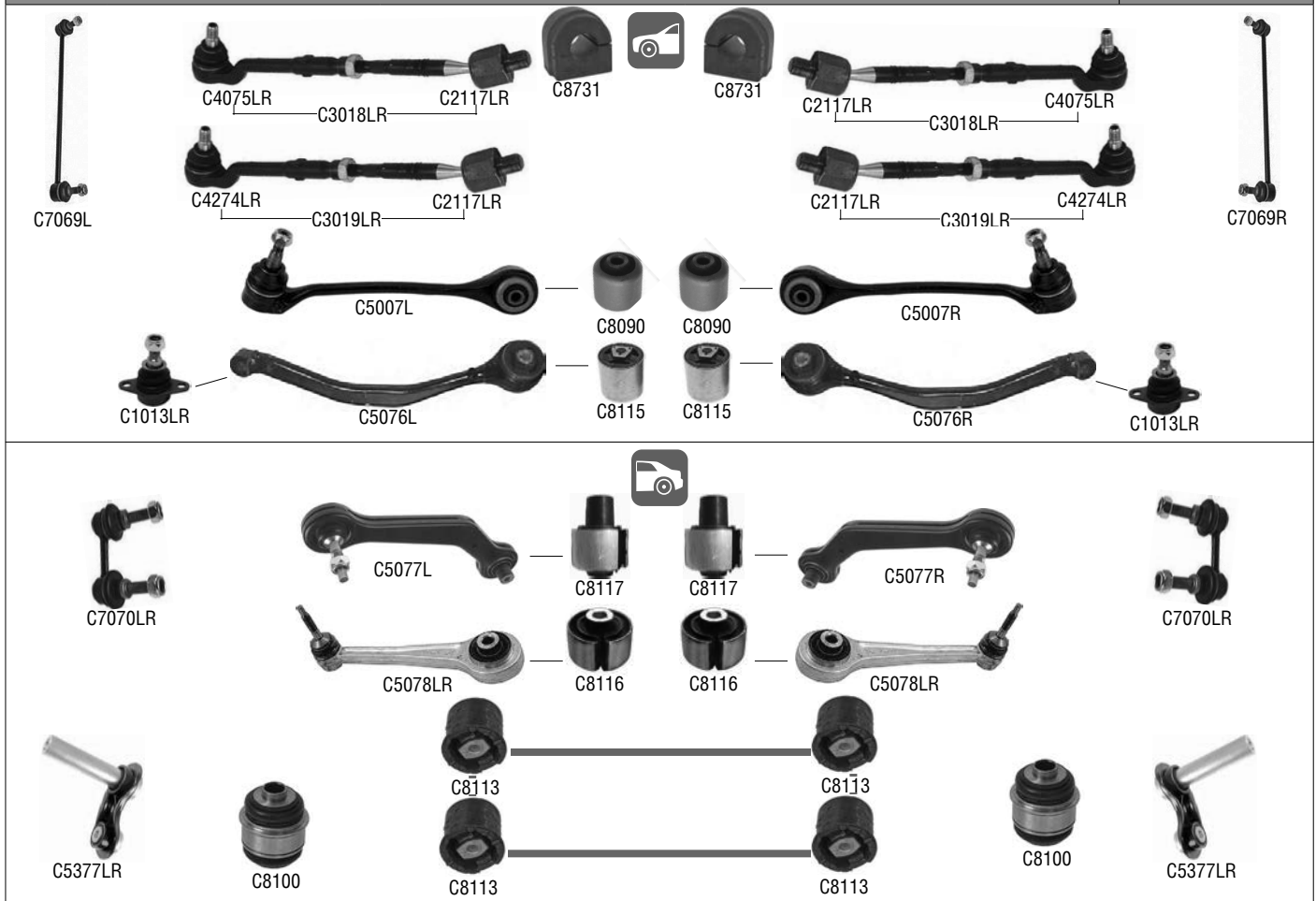


LYNX	Description	Original Number	Specification	
C2116LR	Tie Rod	Comp. of C3069LR		
C4142LR	Tie Rod End	32 30 3 418 202	FM14X1.5R	
C3069LR	Side Rod Assy	32 10 3 444 999		
C5075L	Susp. Arm Front Left	31 10 3 451 881		
C5075R	Susp. Arm Front Right	31 10 3 451 882		
C5074L	Susp. Arm Front Left	31 10 3 412 137		>12/06
C5074R	Susp. Arm Front Right	31 10 3 412 138		>12/06
C5378L	Susp. Arm Front Left	31 10 3 443 127		01/07>
C5378R	Susp. Arm Front Right	31 10 3 443 128		01/07>
C5055LR	Susp. Arm Rear	33 30 3 411 651		
C1135LR	Ball Joint	31 10 3 418 341		>12/06
C1255LR	Ball Joint	31 10 3 438 623		01/07>
C7139L	Stabiliser Link Front Left	31 30 3 414 299		
C7139R	Stabiliser Link Front Right	31 30 3 414 300		
C7140LR	Stabiliser Link	33 50 3 414 297		
C8112	Stabiliser Mounting	31 30 3 404 065		
C8090	Silentblock	31 12 1 124 622	ø 46.5	
C8115	Silentblock	31 12 6 769 715		
C8081	Silentblock	33 32 6 770 786	ø 61.3	
C8082	Silentblock	33 32 1 092 248	ø 35.6	
C8083	Silentblock	33 32 1 136 311	ø 45.3	
C8085	Silentblock	33 32 1 137 571	ø 35.2	
C8114	Silentblock	33 31 3 418 342		
C8722	Silentblock	33 31 1 092 516		
C8723	Silentblock	33 17 1 093 175		
C8724	Silentblock	33 31 1 092 517		



X5 (E53)

05/2000 - 12/2006



LYNX	Description	Original Number	Specification	
C2117LR	Tie Rod	Comp. of C3018/9LR	MM18X1.5R	
C4075LR	Tie Rod End	32 21 1 096 327	FM14x1.5R	>10/03
C4274LR	Tie Rod End	32 10 6 774 335		10/03>
C3018LR	Side Rod Assy	32 21 6 751 277		>10/03
C3019LR	Side Rod Assy	32 10 6 774 336		10/03>
C5007L	Susp. Arm Front Left	31 12 6 760 275		
C5007R	Susp. Arm Front Right	31 12 1 760 276		
C5076L	Susp. Arm Front Left	31 12 6 769 717		
C5076R	Susp. Arm Front Right	31 12 6 769 718		
C5077L	Susp. Arm Rear Left	33 32 6 770 859		
C5077R	Susp. Arm Rear Right	33 32 6 770 860		
C5078LR	Susp. Arm Rear	33 32 6 774 796		
C5377LR	Susp. Arm Rear	33 32 6 770 749		
C1013LR	Ball Joint	31 12 6 756 491		
C7069L	Stabiliser Link Front Left	31 35 6 750 703		
C7069R	Stabiliser Link Front Right	31 35 6 750 704		
C7070LR	Stabiliser Link Rear	33 55 1 096 735		
C8731	Stabiliser Mounting	31 35 1 097 021		
C8090	Silentblock	31 12 1 124 622	ø 46.5	
C8115	Silentblock	31 12 1 096 372	ø 66.4	
C8116	Silentblock	Comp. of C5078LR	ø 47	
C8117	Silentblock	Comp. of C5077L/R		
C8100	Silentblock	33 32 6 767 748	ø 52.05	
C8113	Silentblock	33 31 1 093 662		

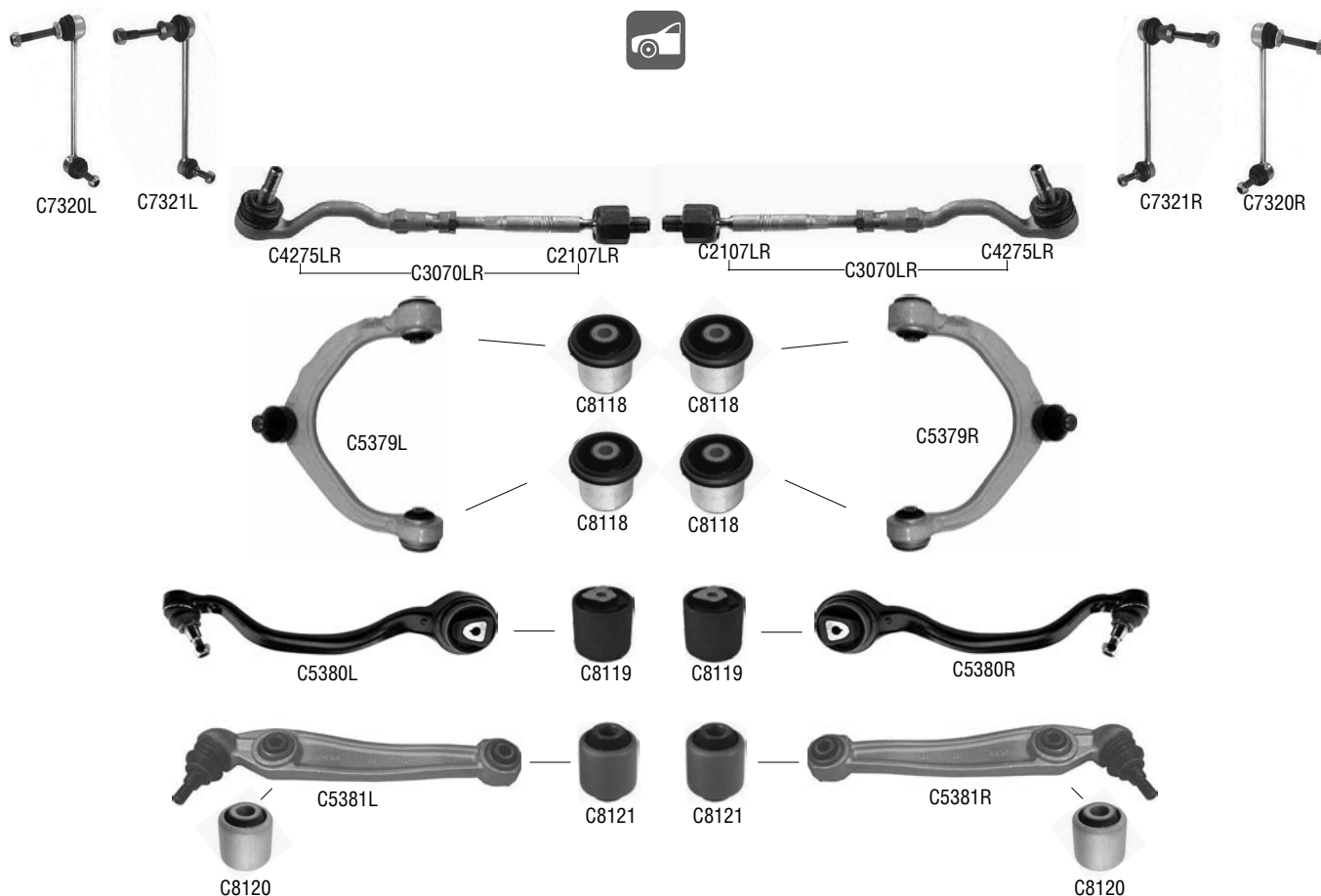


X5 (E70)

02/2007>

X6 (E71, E72)

05/2008>

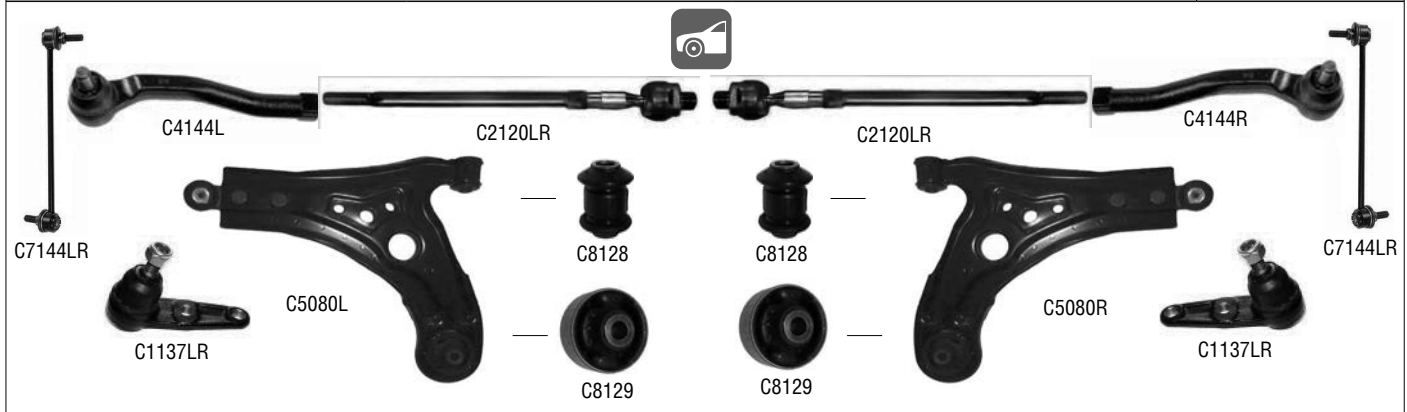


LYNX	Description	Original Number	Specification	
C2107LR	Tie Rod	32 21 6 773 740		
C4275LR	Tie Rod End	32 10 6 780 984		
C3070LR	Side Rod Assy	32 10 6 780 985		
C5379L	Susp. Arm Front Left	31 12 6 776 417		
C5379R	Susp. Arm Front Right	31 12 6 776 418		
C5380L	Susp. Arm Front Left	31 12 6 773 949		
C5380R	Susp. Arm Front Right	31 12 6 773 950		
C5381L	Susp. Arm Front Left	31 12 6 771 893		
C5381R	Susp. Arm Front Right	31 12 6 771 894		
C7320L	Stabiliser Link Front Left	31 35 6 773 023		Exc. Dynamic Drive
C7320R	Stabiliser Link Front Right	31 35 6 773 024		Exc. Dynamic Drive
C7321L	Stabiliser Link Front Left	37 11 6 771 929		Dynamic Drive
C7321R	Stabiliser Link Front Right	37 11 6 771 930		Dynamic Drive
C7322LR	Stabiliser Link Rear	33 55 6 771 937		
C8118	Silentblock	Comp. of C5379L/R		
C8119	Silentblock	31 10 6 778 015		
C8120	Silentblock	31 10 6 771 897		
C8121	Silentblock	31 10 6 771 194		

CHEVROLET

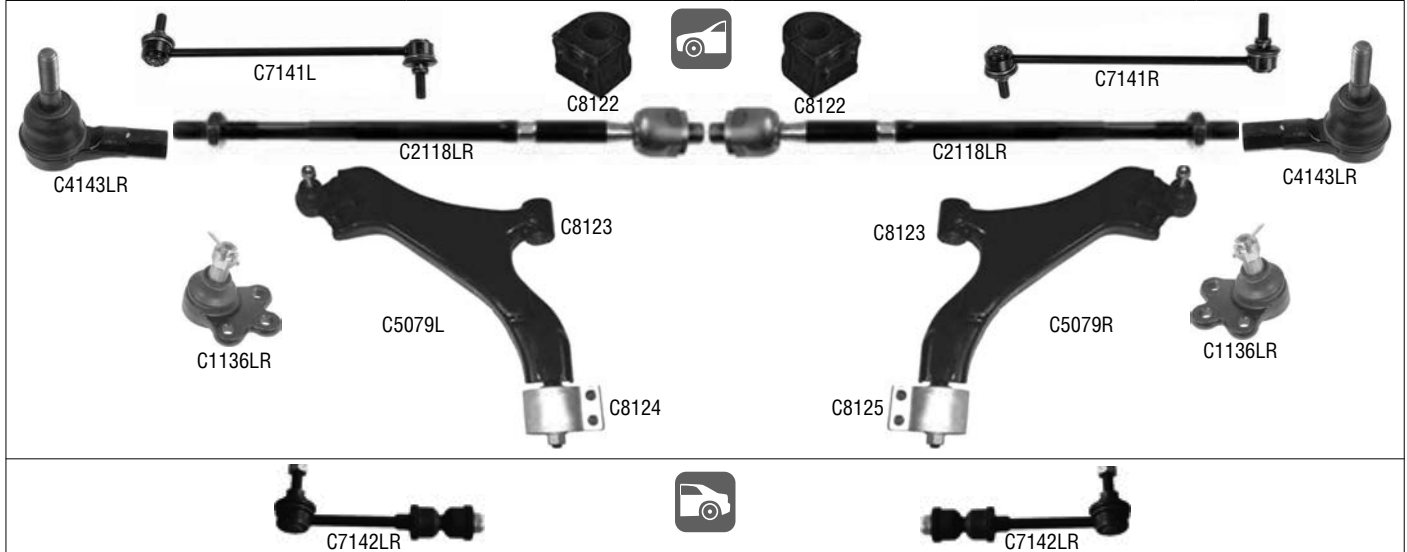


CHEVROLET AVEO / KALOS 03/2005>



LYNX	Description	Original Number	Specification
C2120LR	Tie Rod		MM16X1.5R
C4144L	Tie Rod End Left	93740722	FM12X1.5R
C4144R	Tie Rod End Right	93740723	FM12X1.5R
C5080L	Susp. Arm Left	96535081	
C5080R	Susp. Arm Right	96535082	
C1137LR	Ball Joint	96535089	
C7144LR	Stabiliser Link	96391875	
C8128	Silentblock	Comp. of C5080L/R	ø 28
C8129	Silentblock	Comp. of C5080L/R	ø 60

CAPTIVA 06/2006>

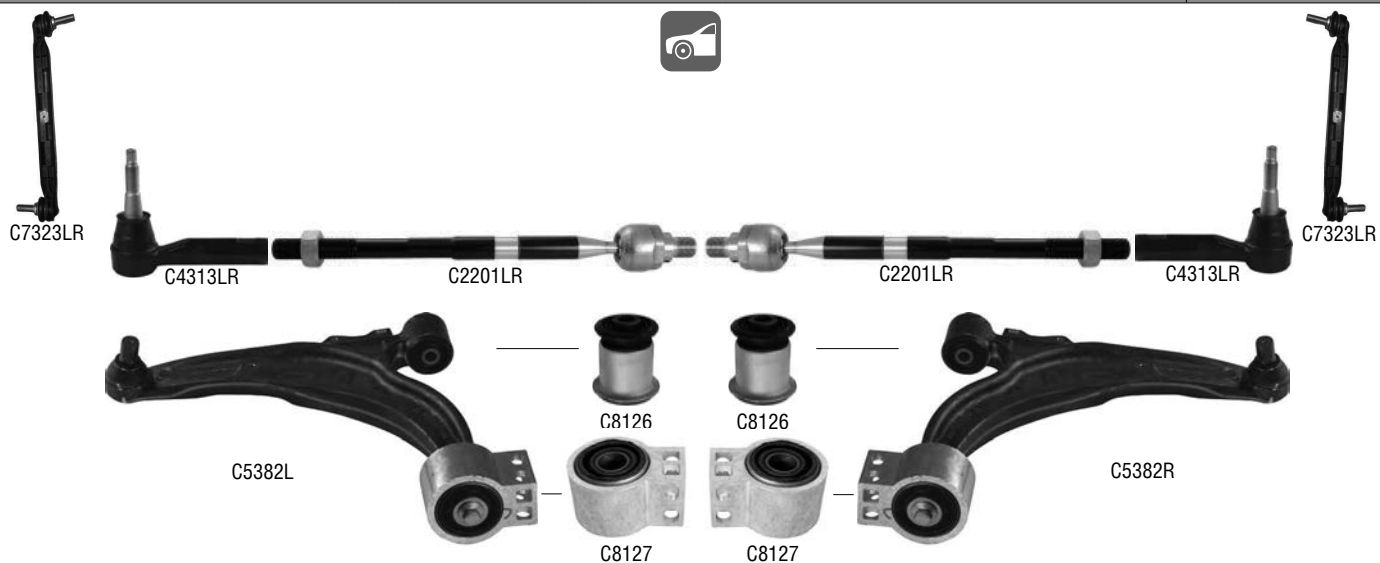


LYNX	Description	Original Number	Specification
C2118LR	Tie Rod		
C4143LR	Tie Rod End	96626667	FM14X1.5R
C5079L	Susp. Arm Left	4806300	
C5079R	Susp. Arm Right	4806301	
C1136LR	Ball Joint	15293924	
C7141L	Stabiliser Link Left	4806304	
C7141R	Stabiliser Link Right	4806305	
C7142LR	Stabiliser Link	96626150	
C8122	Stabiliser Mounting	96810751	ø 26
C8123	Silentblock	Comp. of C5079L/R	ø 14.2
C8124	Silentblock	Comp. of C5079L	ø 14.2
C8125	Silentblock	Comp. of C5079R	ø 14.2



CRUZE

05/2009>



LYNX	Description	Original Number	Specification
C2201LR	Tie Rod	13278358	MM16x1.5R
C4313LR	Tie Rod End	13278359	FM16x1.5R
C5382L	Susp. Arm Left	13272605	
C5382R	Susp. Arm Right	13272606	
C7323LR	Stabiliser Link	13219141	
C8126	Silentblock	13219090	ø 40.4
C8127	Silentblock	13230774	ø 22.3

EVANDA / EPICA (V200)

01/2003 - 12/2006

EPICA (V250)

01/2007 - 12/2011

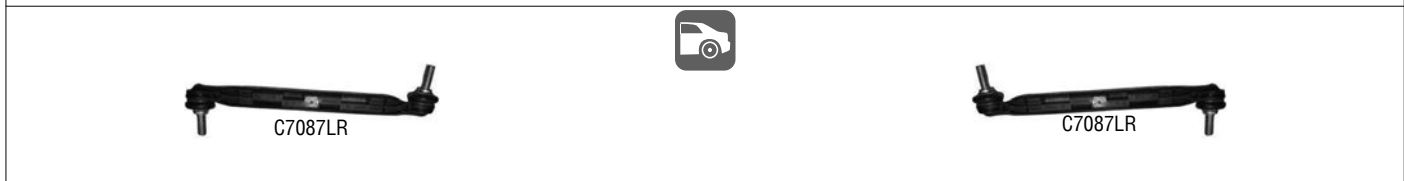


LYNX	Description	Original Number	Specification
C2119LR	Tie Rod	93740701	MM16X1.5R
C4276LR	Tie Rod End	93740710	FM14X1.5R
C1256LR	Ball Joint	96328437	
C1257LR	Ball Joint	96639918	
C7143L	Stabiliser Link Left	96225859	
C7143R	Stabiliser Link Right	96225858	
C7324L	Stabiliser Link Left	96639904	
C7324R	Stabiliser Link Right	96639905	

CHEVROLET

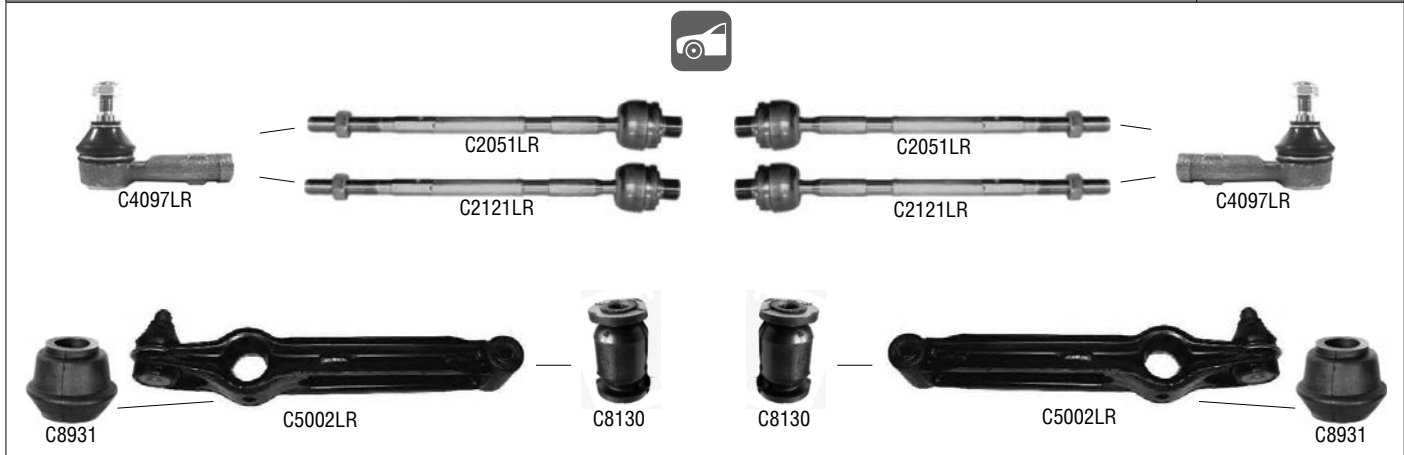


LACETTI / NUBIRA 03/2005>



LYNX	Description	Original Number	Specification
C2413LR	Tie Rod		
C4145L	Tie Rod End Left	96407485	FM14X1.5R
C4145R	Tie Rod End Right	96407486	FM14X1.5R
C5081L	Susp. Arm Left	96391850	
C5081R	Susp. Arm Right	96391851	
C1138LR	Ball Joint	96490218	
C7086L	Stabiliser Link Front	96403099	
C7086R	Stabiliser Link Front	96403100	
C7087LR	Stabiliser Link Rear	96561754	
C8132	Silentblock	96378346	
C8732	Silentblock	96391856	

MATIZ / SPARK 03/2005>



LYNX	Description	Original Number	Specification
C2051LR	Tie Rod	93741074	MM16X1.5R - PS
C2121LR	Tie Rod	93741092	MM16X1.5R + PS
C4097LR	Tie Rod End	48810-A78B00	FM12X1.5R
C5002LR	Susp. Arm Front	96316765	
C8130	Silentblock	96380613	ø 27.5
C8931	Silentblock	96380586	



TACUMA / REZZO

03/2005>

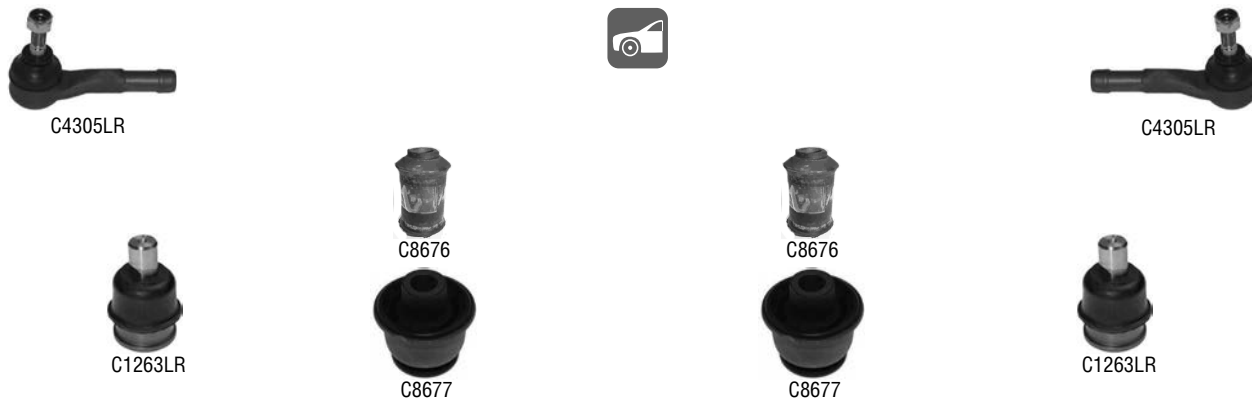


LYNX	Description	Original Number	Specification
C2122LR	Tie Rod	521564	MM16X1.5R
C4146L	Tie Rod End Left	96261378	FM14X1.5R
C4146R	Tie Rod End Right	96261379	FM14X1.5R
C5082L	Susp. Arm Left	96378347	
C5082R	Susp. Arm Right	96378348	
C1139LR	Ball Joint	96261108	
C7144LR	Stabiliser Link	96391875	
C8131	Silentblock	96261107	
C8132	Silentblock	96378346	

CHRYSLER

PT CRUISER

06/2000>

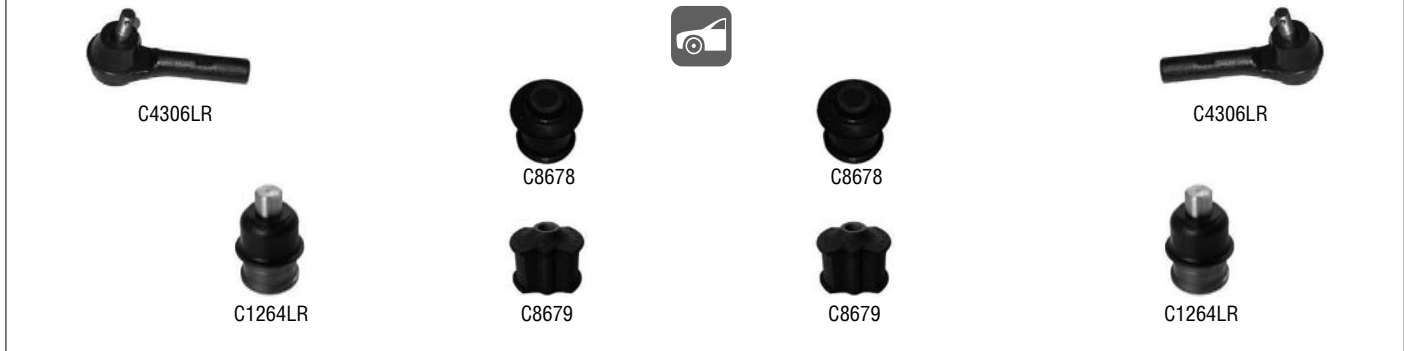


LYNX	Description	Original Number	Specification
C4305LR	Tie Rod End	4762861AA	FM14X1.5R
C1263LR	Ball Joint	4656010	
C8676	Silentblock		
C8677	Silentblock	4656012AC	

• CHRYSLER



VOYAGER (ES) 01/1984 - 01/1995



LYNX	Description	Original Number	Specification
C4306LR	Tie Rod End	5274470	MM14X1.5R
C1264LR	Ball Joint	4694747	
C8678	Silentblock	272084	∅ 39
C8679	Silentblock	5272098	∅ 58

VOYAGER (GS) 01/1995 - 03/2001



LYNX	Description	Original Number	Specification
C4307LR	Tie Rod End	4797706	FM14X1.5R
C1264LR	Ball Joint	4694747	
C7355LR	Stabiliser Link	4743669AA	
C8680	Silentblock		∅ 39.3
C8681	Silentblock		∅ 18.2

VOYAGER (RG) 02/2000>



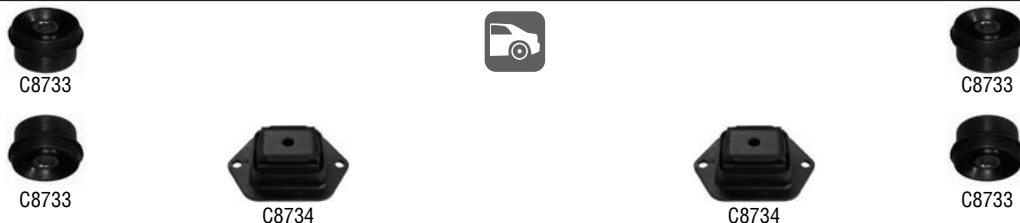
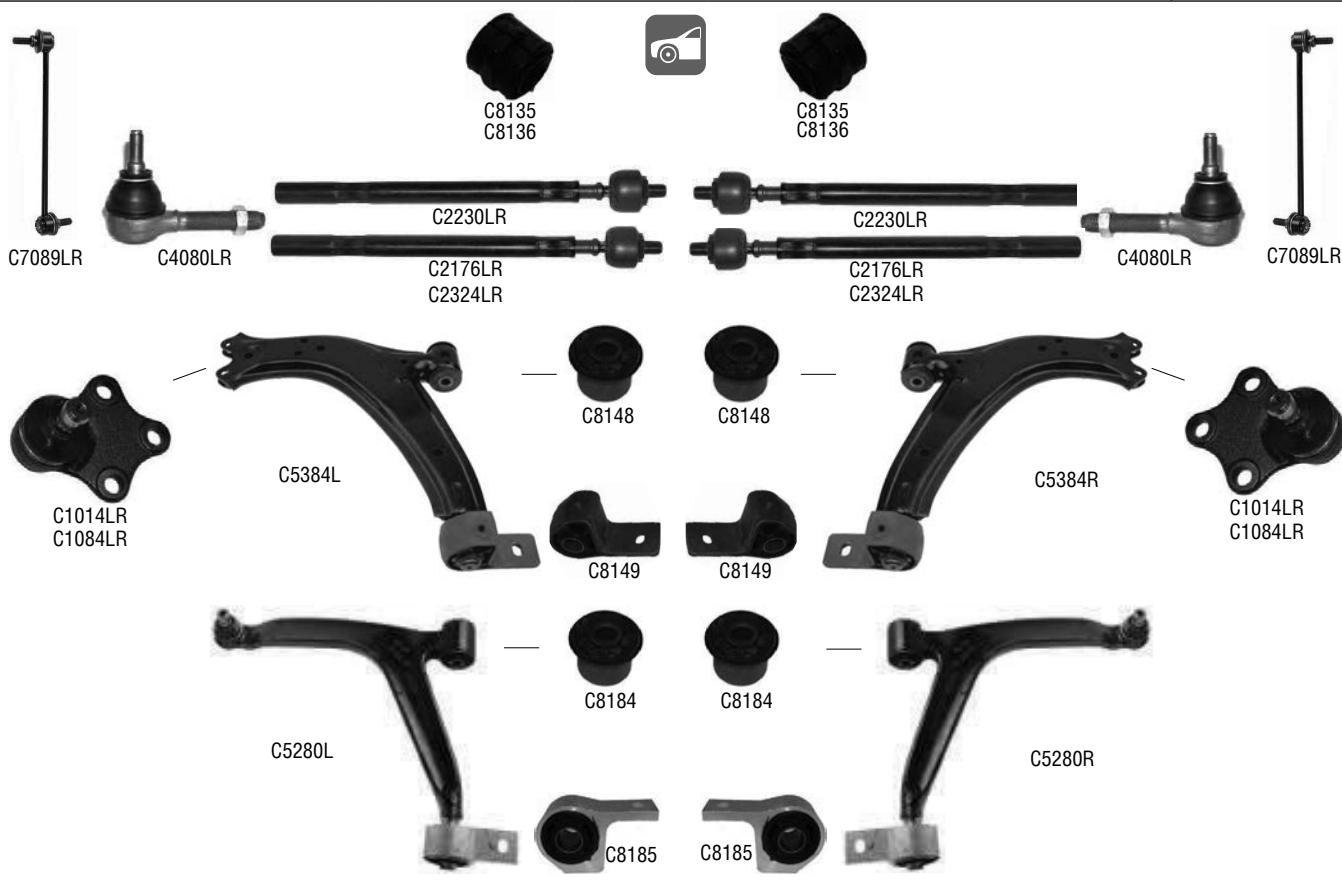
LYNX	Description	Original Number	Specification
C4308LR	Tie Rod End	5066373AA	FM14X1.5R
C1265LR	Bail Joint	4743376AA	
C7355LR	Stabiliser Link	4743669AA	
C8680	Silentblock		
C8683	Silentblock	4743095AA	
C8682	Silentblock	4743094AA	



CITROEN

BERLINGO

07/1996>

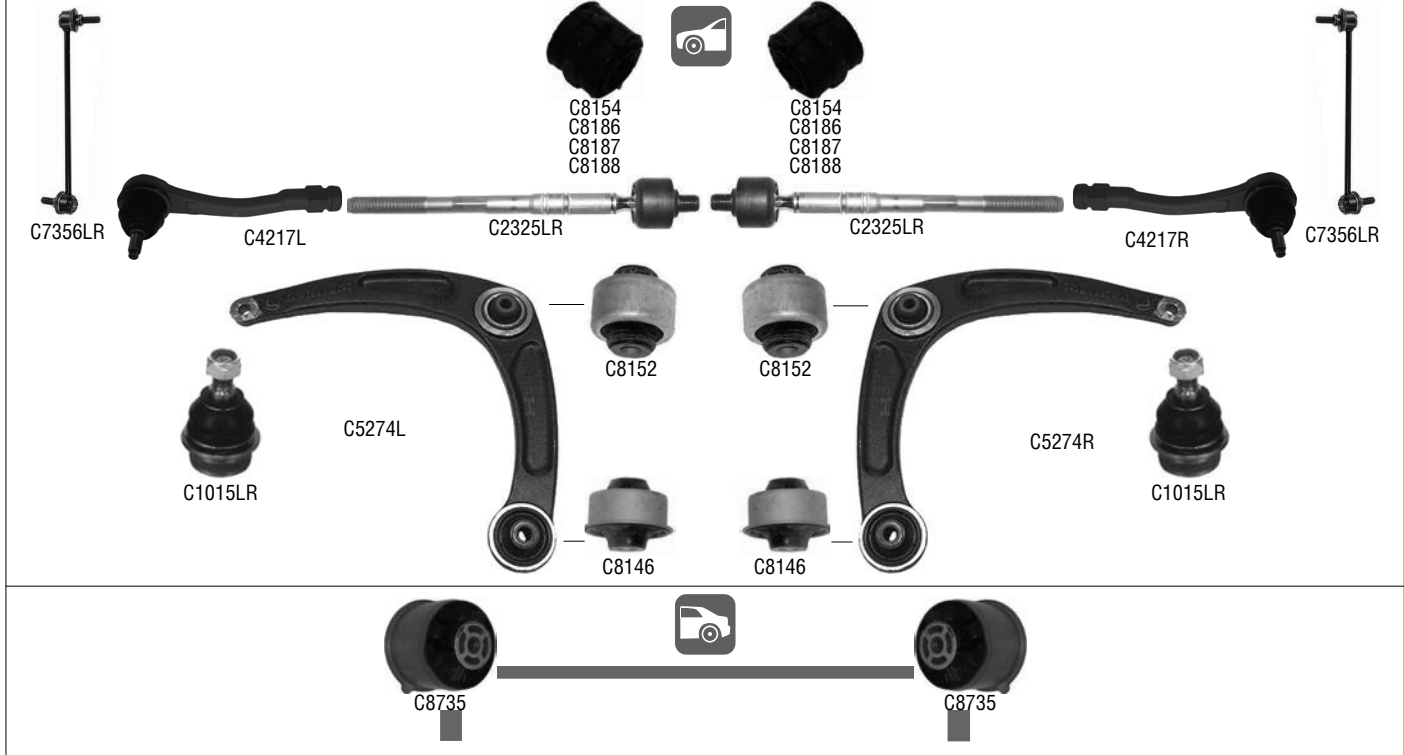


LYNX	Description	Original Number	Specification	
C2230LR	Tie Rod	3812 C0	MM12X1R	Exc. HDI
C2176LR	Tie Rod	3812 E4		HDI, Exc. 2.0 HDI Chassis № >10016
C2324LR	Tie Rod	3812 C6	MM12X1R	2.0 HDI Chassis № >10016
C4080LR	Tie Rod End	3817 50	MM14X1.5R	
C5384L	Susp. Arm Left	3520 H5		Exc. HDI
C5384R	Susp. Arm Right	3521 E5		Exc. HDI
C5280L	Susp. Arm Left	3520 H9		HDI
C5280R	Susp. Arm Right	3521 F3		HDI
C1084LR	Ball Joint	3640 42	ø 16	
C1014LR	Ball Joint	3640 50	ø 18	
C7089LR	Stabiliser Link Front	5087 39		
C8135	Stabiliser Mounting	5094 65	ø 21	
C8136	Stabiliser Mounting	5094 77	ø 22	
C8148	Silentblock	96110483	ø 33	
C8149	Silentblock	3523 75		
C8184	Silentblock	Comp. of C5280L/R	ø 33.5	
C8185	Silentblock	3523 83		
C8733	Silentblock	5131 47		
C8734	Silentblock	5152 62		

• CITROEN

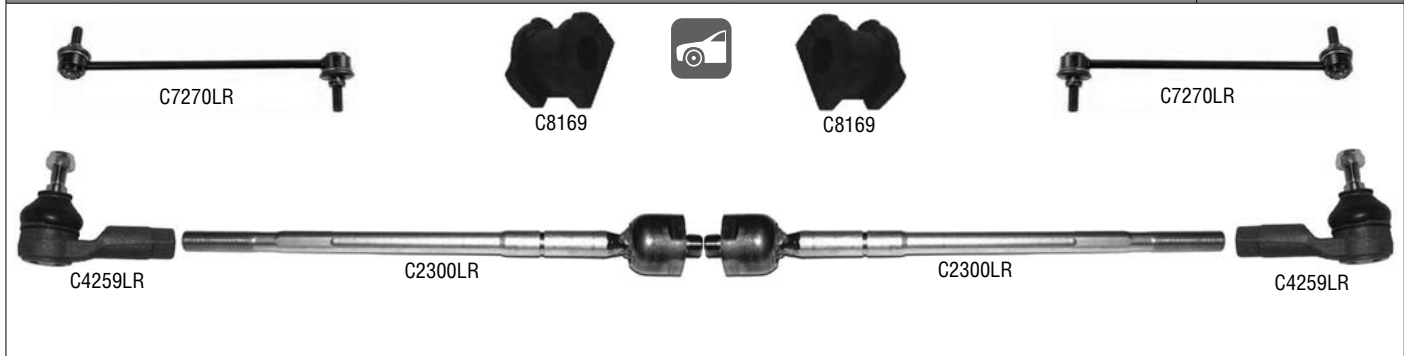


BERLINGO (B9) 04/2008>



LYNX	Description	Original Number	Specification
C2325LR	Tie Rod	3812 F4	MM14x1.5R
C4217L	Tie Rod End Left	3817 76	FM14x1.5R
C4217R	Tie Rod End Right	3817 75	FM14x1.5R
C5274L	Susp. Arm Left	3520 S2	
C5274R	Susp. Arm Right	3521 P3	
C1015LR	Ball Joint	3640 53	
C7356LR	Stabiliser Link Front	5087 57	
C8154	Stabiliser Mounting	5094 E3	∅ 22.5
C8186	Stabiliser Mounting	5094 E4	∅ 23
C8187	Stabiliser Mounting	5094 E6	∅ 23.5
C8188	Stabiliser Mounting	5094 E7	∅ 21
C8152	Silentblock	3523 91	∅ 55
C8146	Silentblock	3523 77	∅ 54
C8735	Silentblock	5131 H1	

C-CROSSER (EP_) 02/2007>



LYNX	Description	Original Number	Specification
C2300LR	Tie Rod	3812 F1	MM14X1.5R
C4259LR	Tie Rod End	3817 74	FM14x1.5R
C7270LR	Stabiliser Link Front	5087 58	
C8169	Stabilizer Mounting	5094 C6	∅ 22



LYNX	Description	Original Number	Specification
C5393L	Susp. Arm Left	3520 V0	
C5393R	Susp. Arm Right	3521 V0	
C1097LR	Ball Joint		ø 40.1
C7271L	Stabiliser Link Rear Left	5178 48	
C7271R	Stabiliser Link Rear Right	5178 49	
C8170	Stabilizer Mounting Rear	5172 58	ø 19
C8171	Silentblock	3523 CS	ø 60
C8172	Silentblock		ø 37

C1 06/2005>

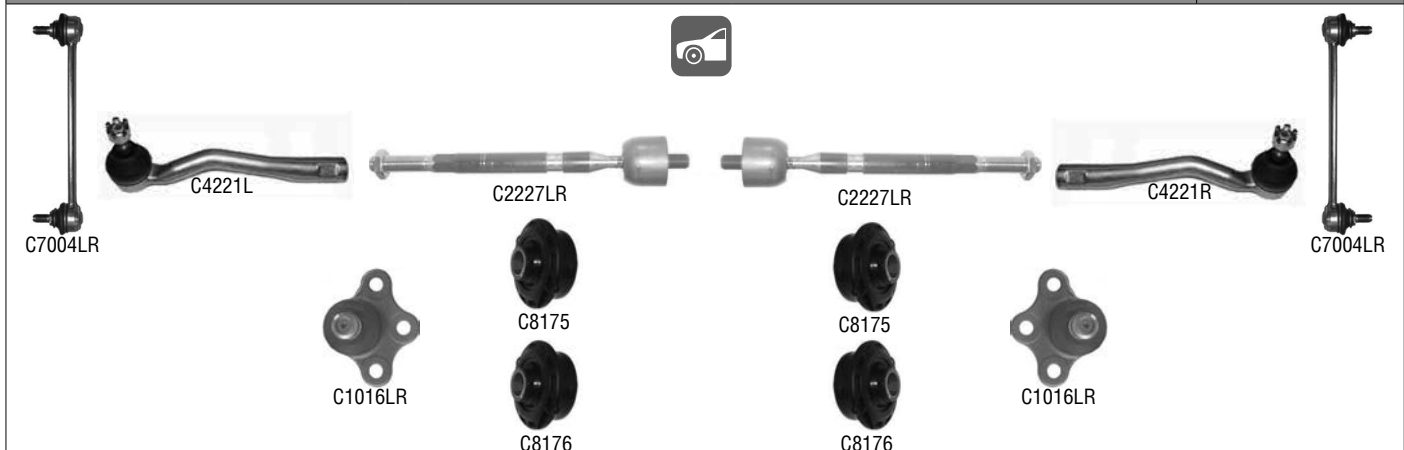


LYNX	Description	Original Number	Specification
C2217LR	Tie Rod		
C4215L	Tie Rod End Left	3817 63	
C4215R	Tie Rod End Right	3817 64	
C5308L	Susp. Arm Left	3520 Q2	
C5308R	Susp. Arm Right	3521 L3	
C1077LR	Ball Joint Lower	Comp. of C5308L/R	
C7262LR	Stabiliser Link	5091 10	
C8138	Stabiliser Mounting	5094 A8	
C8139	Silentblock	48654-0H010	ø 32.5
C8140	Silentblock	48655-0H010	
C8736	Silentblock	5131 C9	

• CITROEN

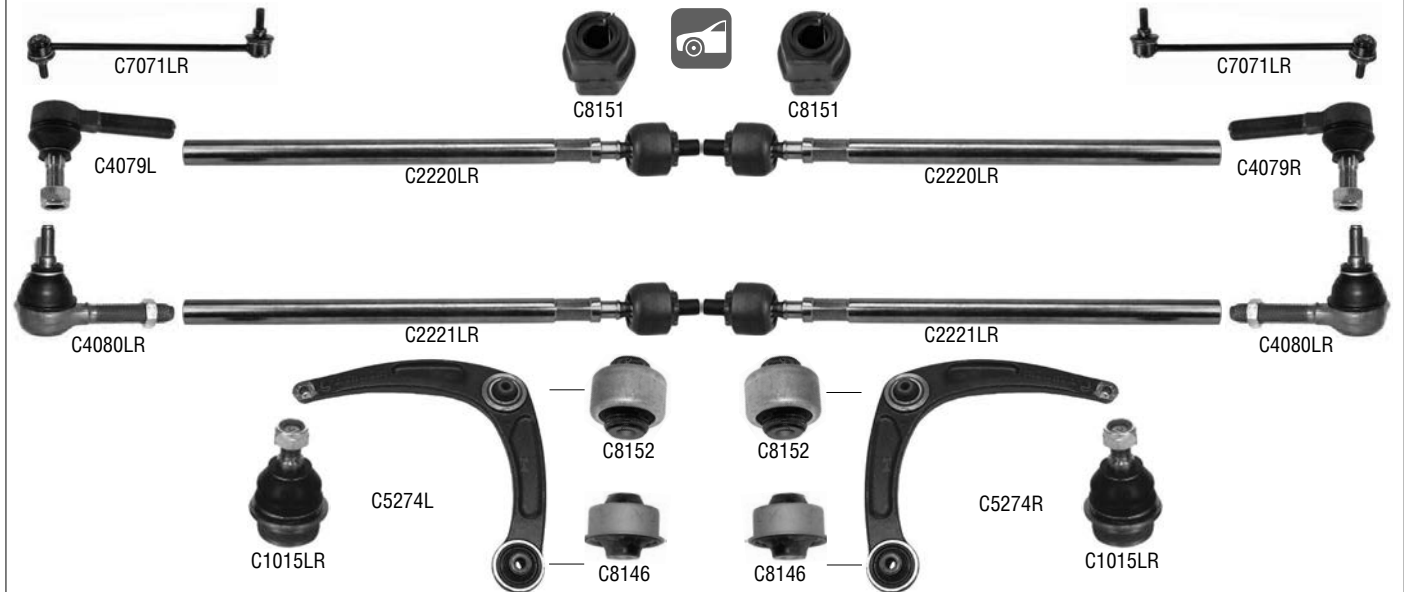


C2 09/2003>
C3 05/2002>



LYNX	Description	Original Number	Specification
C2227LR	Tie Rod	3812 E1	MM12X1R
C4221L	Tie Rod End Left	3817 55	FM14X1.5R
C4221R	Tie Rod End Right	3817 56	FM14X1.5R
C1016LR	Ball Joint	3640 56	
C7004LR	Stabiliser Link	5087 45	
C8175	Silentblock	3523 98	ø 56
C8176	Silentblock	3523 AA	ø 56

C4 11/2004>



LYNX	Description	Original Number	Specification
C2220LR	Tie Rod	3812 E0	MM14X1.5R Chassis № >10310
C4079L	Tie Rod End Left	3817 31	MM14X1.5R Chassis № >10310
C4079R	Tie Rod End Right	3817 30	MM14X1.5R Chassis № >10310
C2221LR	Tie Rod	3812 E5	MM14X1.5R Chassis № 10311>
C4080LR	Tie Rod End	3817 50	MM14X1.5R Chassis № 10311>
C5274L	Susp. Arm Left	3520 K8	
C5274R	Susp. Arm Right	3521 G8	
C1015LR	Ball Joint	3640 53	
C7071LR	Stabiliser Link	5087 50	
C8151	Stabiliser Mounting	5094 88	ø 22
C8152	Silentblock	3523 91	ø 55
C8146	Silentblock	3523 77	ø 54



**C4 (B7)
DS4**

11/2009>
04/2011>



LYNX	Description	Original Number	Specification
C2222LR	Tie Rod	3812 F2	MM14x1.5R
C4217L	Tie Rod End Left	3817 76	FM14x1.5R
C4217R	Tie Rod End Right	3817 75	FM14x1.5R
C5275L	Susp. Arm Left	3520 V2	
C5275R	Susp. Arm Right	3521 R3	
C1015LR	Ball Joint	3640 53	
C7265LR	Stabiliser Link	5087 64	
C8151	Stabiliser Mounting	5094 E0	ø 21
C8154	Stabiliser Mounting	5094 E3	ø 22.5
C8186	Stabiliser Mounting	5094 E4	ø 23
C8152	Silentblock	3523 91	ø 55
C8146	Silentblock	3523 77	ø 54

C4 PICASSO / C4 GRAND PICASSO

02/2007>



LYNX	Description	Original Number	Specification
C2326LR	Tie Rod	3812 E9	MM14X1.5R
C4309L	Tie Rod End Left	3817 71	FM16X1.5R
C4309R	Tie Rod End Right	3817 72	FM16X1.5R
C5274L	Susp. Arm Left	3520 S2	
C5274R	Susp. Arm Right	3521 P3	
C1015LR	Ball Joint	3640 53	
C7356LR	Stabiliser Link Front	5087 57	
C8151	Stabiliser Mounting	5094 88	ø 22
C8152	Silentblock	3523 91	ø 55
C8146	Silentblock	3523 77	ø 54

• CITROEN

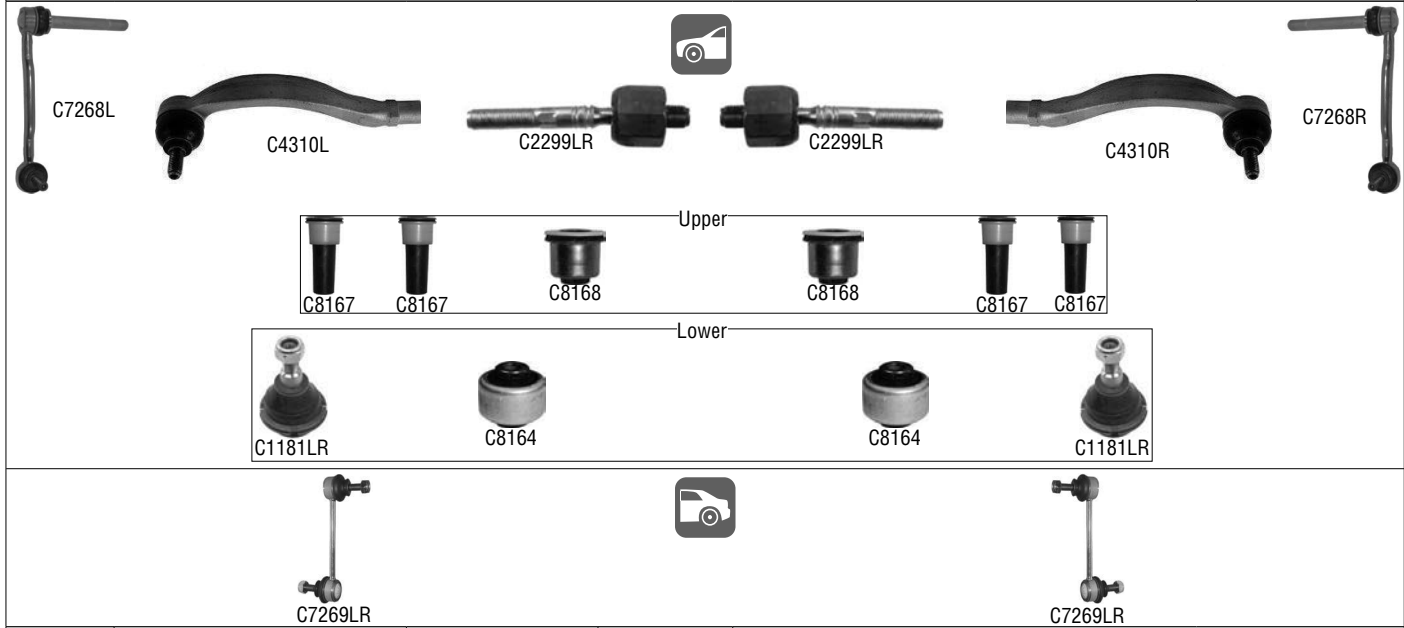


C5 03/2001 - 01/2008



LYNX	Description	Original Number	Specification
C2327LR	Tie Rod	3812 C8	MM16X1.5R
C4063L	Tie Rod End Left	3817 53	MM16X1.5
C4063R	Tie Rod End Right	3817 54	MM16X1.25
C5394L	Susp. Arm Left	3520 K3	
C5394R	Susp. Arm Right	3521 G3	
C1017LR	Ball Joint	3640 28	
C7072LR	Stabiliser Link	5087 48	
C8685	Stabiliser Mounting	5094 83	ø 23.5
C8686	Silentblock	3523 84	ø 40.3
C8687	Silentblock	3523 95	ø 45

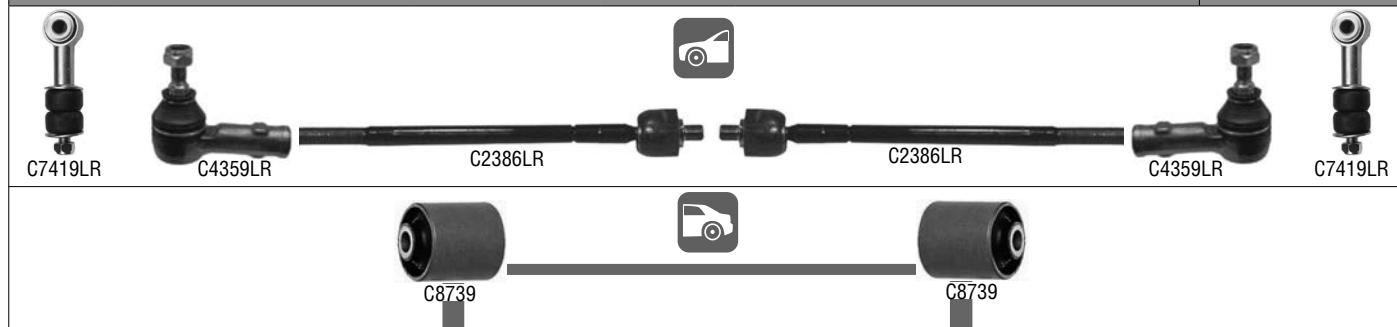
C5 (RD) / C5 BREAK (TD) 02/2008>



LYNX	Description	Original Number	Specification
C2299LR	Tie Rod	3812 F3	MM16x1.5R
C4310L	Tie Rod End Left	3817 80	FM14X1.5R
C4310R	Tie Rod End Right	3817 81	FM14X1.5R
C1181LR	Ball Joint	3640 57	
C7268L	Stabiliser Link Front Left	5087 52	
C7268R	Stabiliser Link Front Right	5087 53	
C7269LR	Stabiliser Link Rear	5178 46	
C8164	Silentblock	3523 AQ	
C8167	Silentblock	3523 AZ	
C8168	Silentblock	3523 CA	

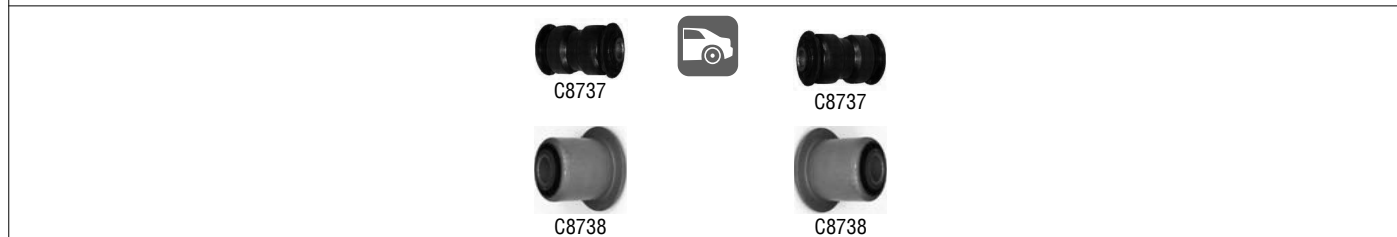
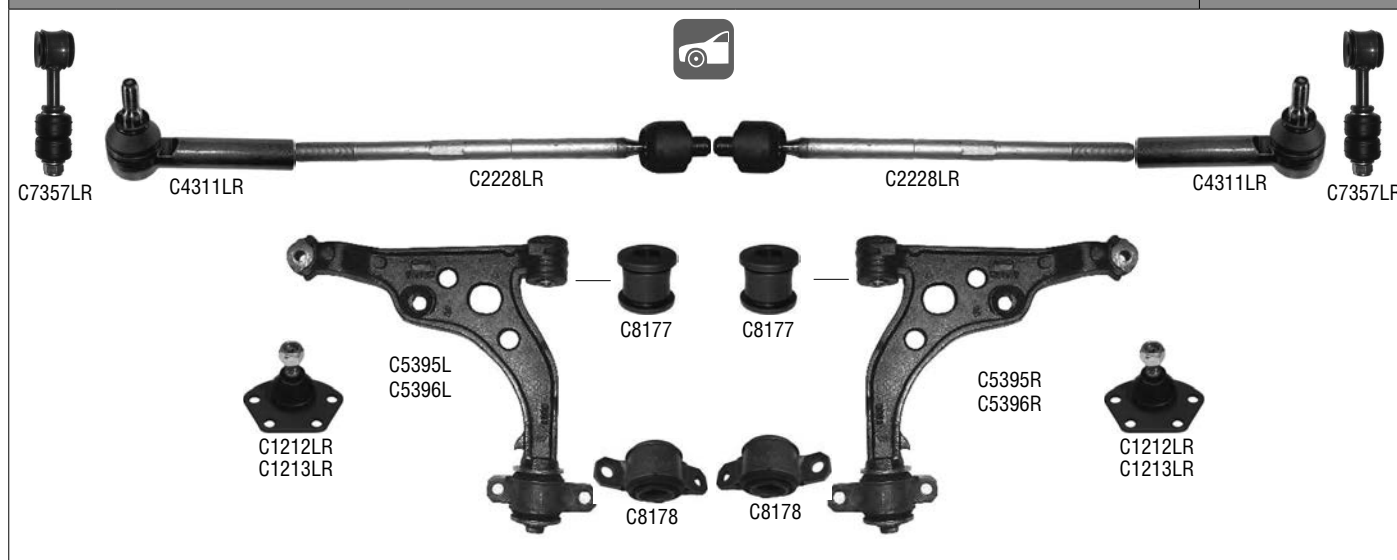


EVASION JUMPY	06/1994 - 07/2002 06/1994 - 01/2007
--------------------------	--



LYNX	Description	Original Number	Specification
C2386LR	Tie Rod	3812 A4	MM14X1.5R
C4359LR	Tie Rod End	4059 09	FM14x1.5R
C7419LR	Stabiliser Link Front	1308664080	
C8739	Silentblock	5152 61	

JUMPER	02/1994 - 04/2002
---------------	-------------------

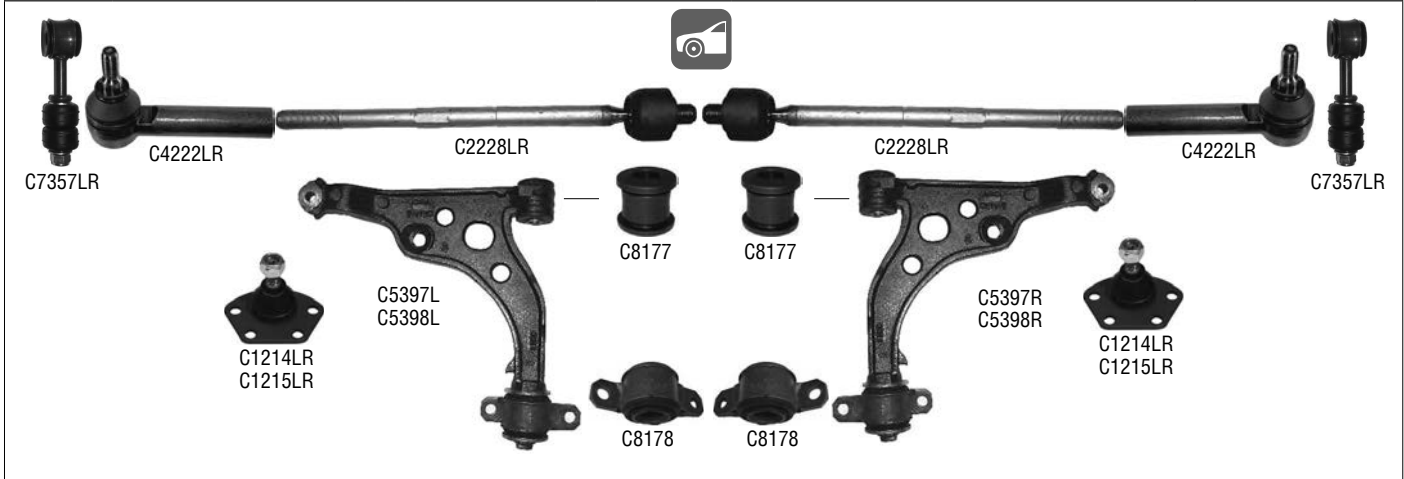


LYNX	Description	Original Number	Specification
C2228LR	Tie Rod	4018 A4	MM16X1.5R
C4311LR	Tie Rod End	4018 A3	FM16X1.5R
C5395L	Susp. Arm Left	3520 95	Load Capacity >1400kg
C5395R	Susp. Arm Right	3521 65	Load Capacity >1400kg
C5396L	Susp. Arm Left	3520 96	Load Capacity 1800kg
C5396R	Susp. Arm Right	3521 66	Load Capacity 1800kg
C1212LR	Ball Joint	3640 32	Load Capacity >1400kg
C1213LR	Ball Joint	3640 33	Load Capacity 1800kg
C7357LR	Stabiliser Link Front	5087 37	
C8177	Silentblock	3523 93	ø 44.5
C8178	Silentblock	3523 94	
C8737	Silentblock	5131 73	
C8738	Silentblock	5131 72	

• CITROEN

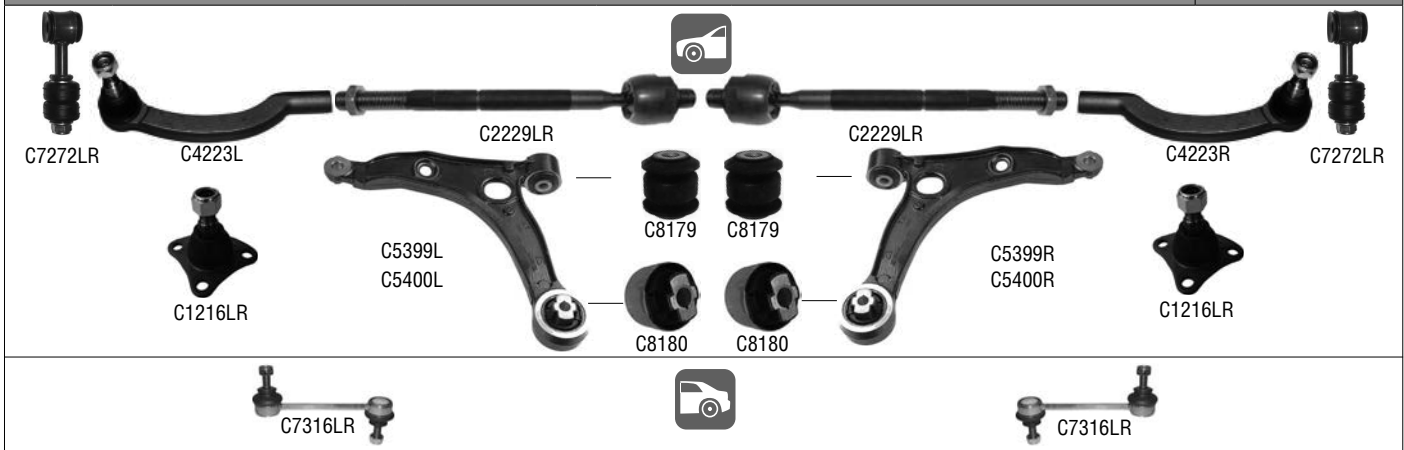


JUMPER 04/2002 - 06/2006

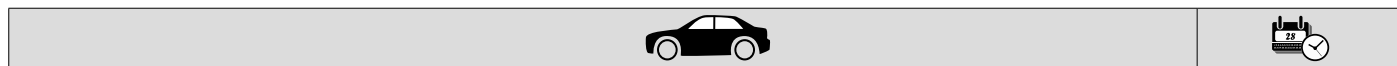


LYNX	Description	Original Number	Specification	
C2228LR	Tie Rod	4018 A4	MM16X1.5R	
C4222LR	Tie Rod End	4018 E0	FM16x1.5R	
C5397L	Susp. Arm Left	3520 N3		Load Capacity >1400kg
C5397R	Susp. Arm Right	3521 J3		Load Capacity >1400kg
C5398L	Susp. Arm Left	3520 N4		Load Capacity 1800kg
C5398R	Susp. Arm Right	3521 J4		Load Capacity 1800kg
C1214LR	Ball Joint	3640 55		Load Capacity >1400kg
C1215LR	Ball Joint	3640 54		Load Capacity 1800kg
C7357LR	Stabiliser Link Front	5087 37		
C8177	Silentblock	3523 93	ø 44.5	
C8178	Silentblock	3523 94		

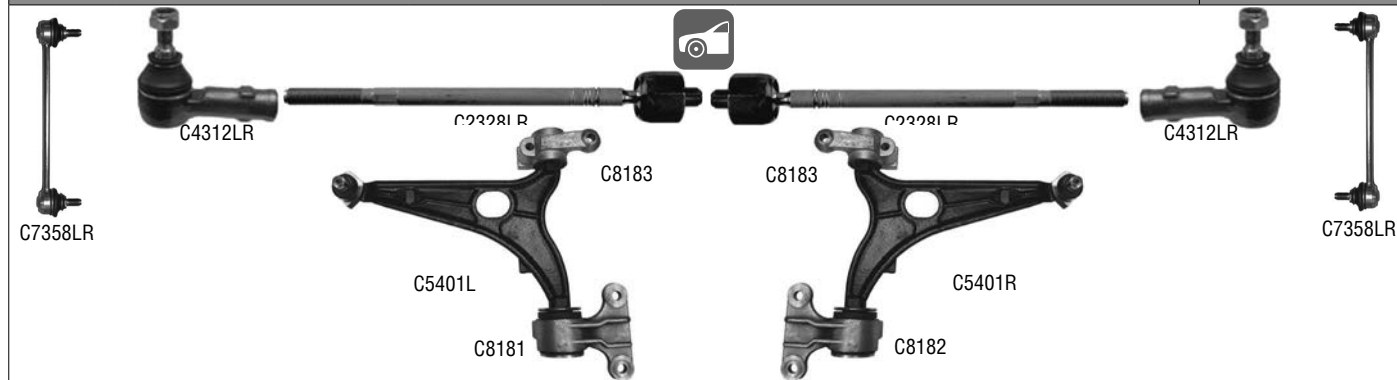
JUMPER 04/2006>



LYNX	Description	Original Number	Specification	
C2229LR	Tie Rod			
C4223L	Tie Rod End Left	3817 77		
C4223R	Tie Rod End Right	3817 70		
C5399L	Susp. Arm Left	3520 S0		11Q-17Q
C5399R	Susp. Arm Right	3521 P1		11Q-17Q
C5400L	Susp. Arm Left	3520 S1		17H-20Q
C5400R	Susp. Arm Right	3521 P2		17H-20Q
C1216LR	Ball Joint	3640 67		
C7272LR	Stabiliser Link			
C7316LR	Stabiliser Link			
C8179	Silentblock			
C8180	Silentblock			

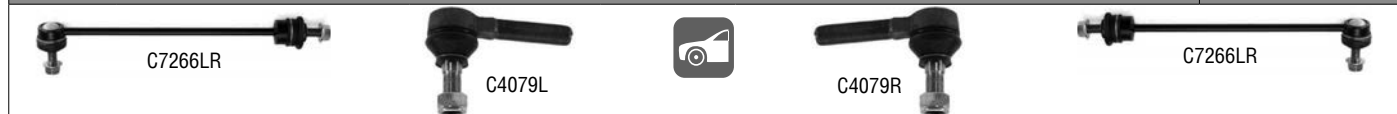


JUMPY 01/2007>



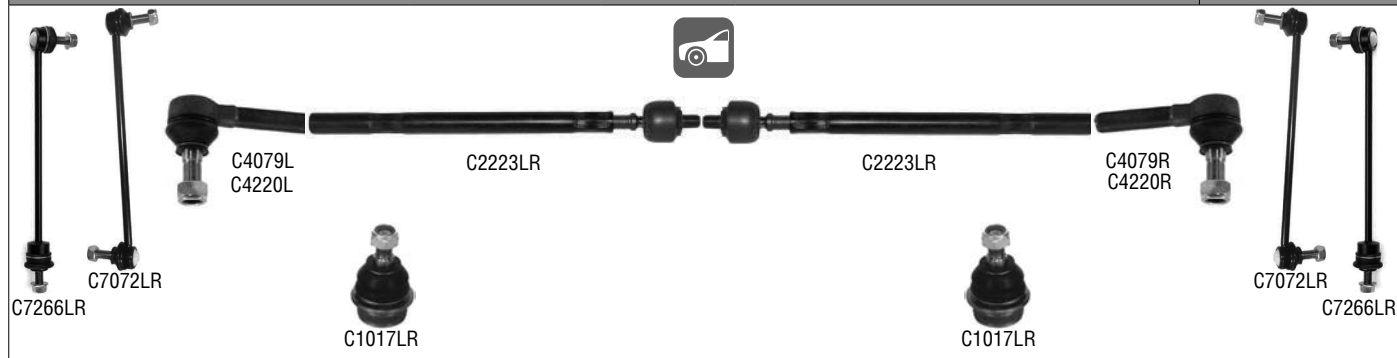
LYNX	Description	Original Number	Specification
C2328LR	Tie Rod	3812 F0	
C4312LR	Tie Rod End	3817 73	
C5401L	Susp. Arm Left	3520 R8	
C5401R	Susp. Arm Right	3521 N9	
C7358LR	Stabiliser Link Front	5087 56	
C8181	Silentblock		
C8182	Silentblock		
C8183	Silentblock		
C8739	Silentblock	5152 61	

SAXO 05/1996 - 10/2003



LYNX	Description	Original Number	Specification
C4079L	Tie Rod End Left	3817 31	MM14X1.5R
C4079R	Tie Rod End Right	3817 30	MM14X1.5R
C7266LR	Stabiliser Link	5087 40	

XANTIA 03/1993 - 04/2003

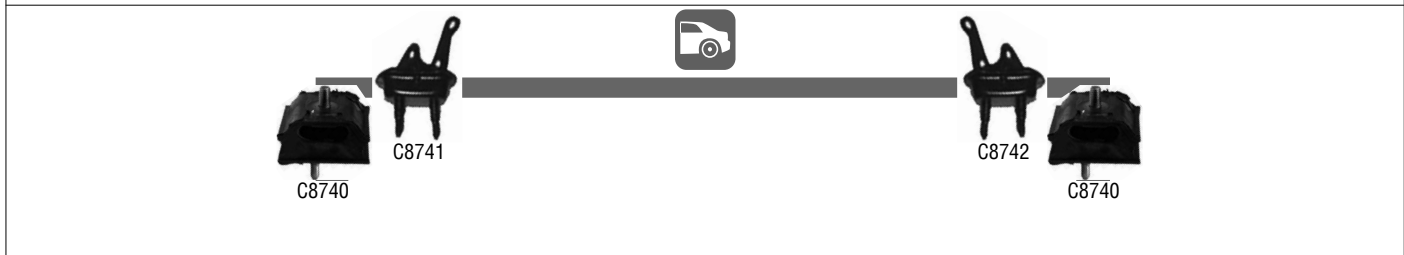
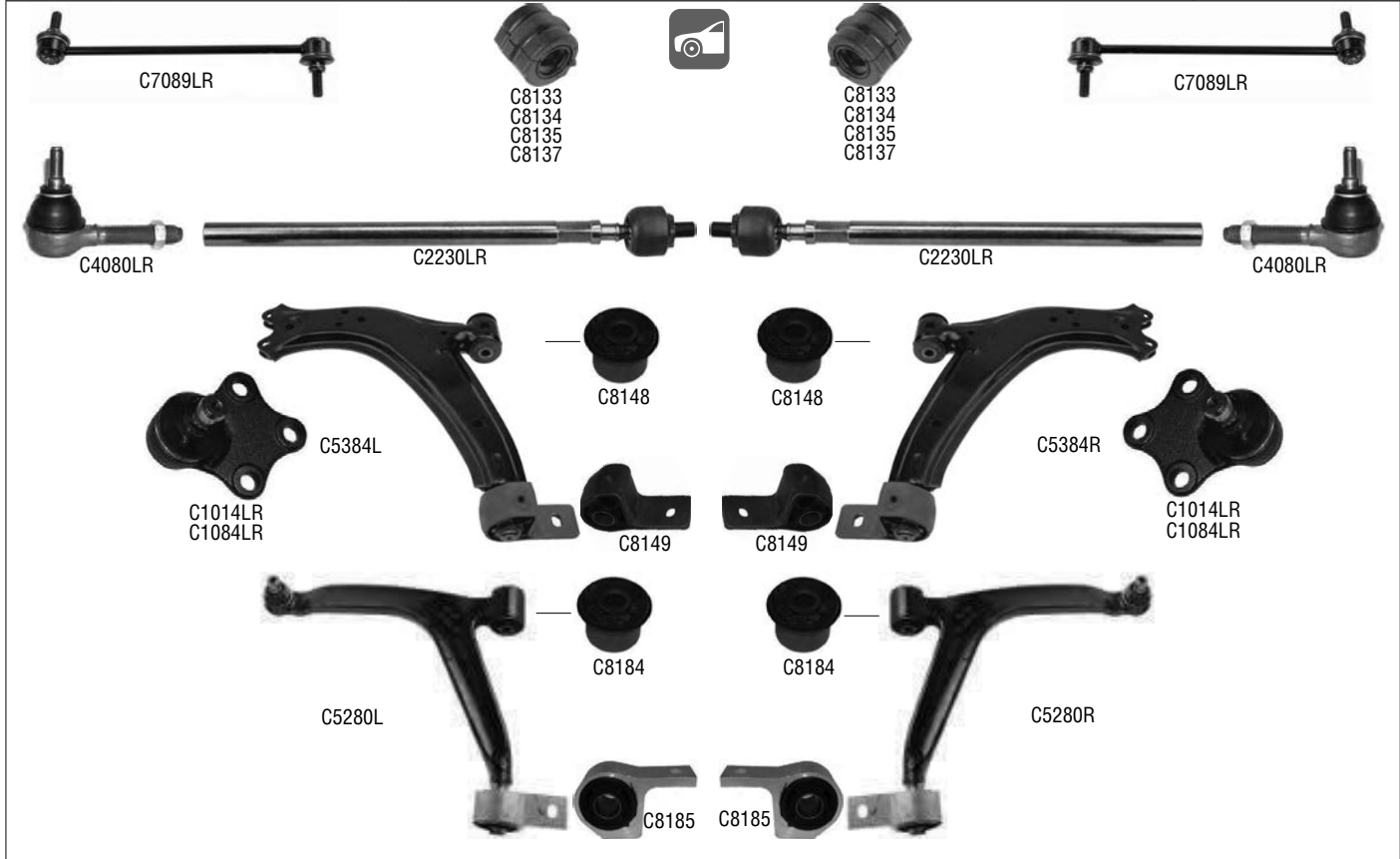


LYNX	Description	Original Number	Specification
C2223LR	Tie Rod	3812 A9	MM12X1R 2.0T, 2.0 HDI, 2.1 TD, 3.0 V6
C4079L	Tie Rod End Left	3817 31	MM14X1.5R 2.0T, 2.0 HDI, 2.1 TD, 3.0 V6
C4079R	Tie Rod End Right	3817 30	MM14X1.5R 2.0T, 2.0 HDI, 2.1 TD, 3.0 V6
C4220L	Tie Rod End Left	3817 43	MM16x1.5R Exc. 2.0T, 2.0 HDI, 2.1 TD, 3.0 V6
C4220R	Tie Rod End Right	3817 44	MM16x1.5R Exc. 2.0T, 2.0 HDI, 2.1 TD, 3.0 V6
C1017LR	Ball Joint	3640 28	
C7266LR	Stabiliser Link Front	5087 40	Chassis № 0 6615 - 0 8151
C7072LR	Stabiliser Link Front	5087 48	Chassis № 0 8152>

• CITROEN



XSARA / XSARA PICASSO 04/1997 - 08/2005



LYNX	Description	Original Number	Specification	
C2230LR	Tie Rod	3812 C0	MM12X1R	Exc. Picasso
C4080LR	Tie Rod End	3817 50	MM14X1.5R	
C5384L	Susp. Arm Left	3520 H5		Xsara / Picasso Chassis № 09064>, Exc. HDI
C5384R	Susp. Arm Right	3521 E5		Xsara / Picasso Chassis № 09064>, Exc. HDI
C5280L	Susp. Arm Left	3520 H9		Xsara HDI Chassis № 8365> / Picasso Chassis № >09063
C5280R	Susp. Arm Right	3521 F3		Xsara HDI Chassis № 8365> / Picasso Chassis № >09063
C1084LR	Ball Joint	3640 42	ø 16	Exc. Picasso
C1014LR	Ball Joint	3640 50	ø 18	
C7089LR	Stabiliser Link Front	5087 39		
C8137	Stabiliser Mounting	96158745	ø 18	
C8133	Stabiliser Mounting	5094 66	ø 19	
C8134	Stabiliser Mounting	5094 79	ø 20	
C8135	Stabiliser Mounting	5094 65	ø 21	
C8185	Silentblock	3523 83		HDI PR 8365>
C8184	Silentblock	Comp. of C5280L/R	ø 33.5	HDI PR 8365>
C8148	Silentblock	96110483	ø 33	
C8149	Silentblock	3523 75		
C8740	Silentblock	5131 71		Exc. Picasso
C8741	Silentblock	5131 69		Exc. Picasso
C8742	Silentblock	5131 70		Exc. Picasso



DAEWOO

KALOS (KLAS)

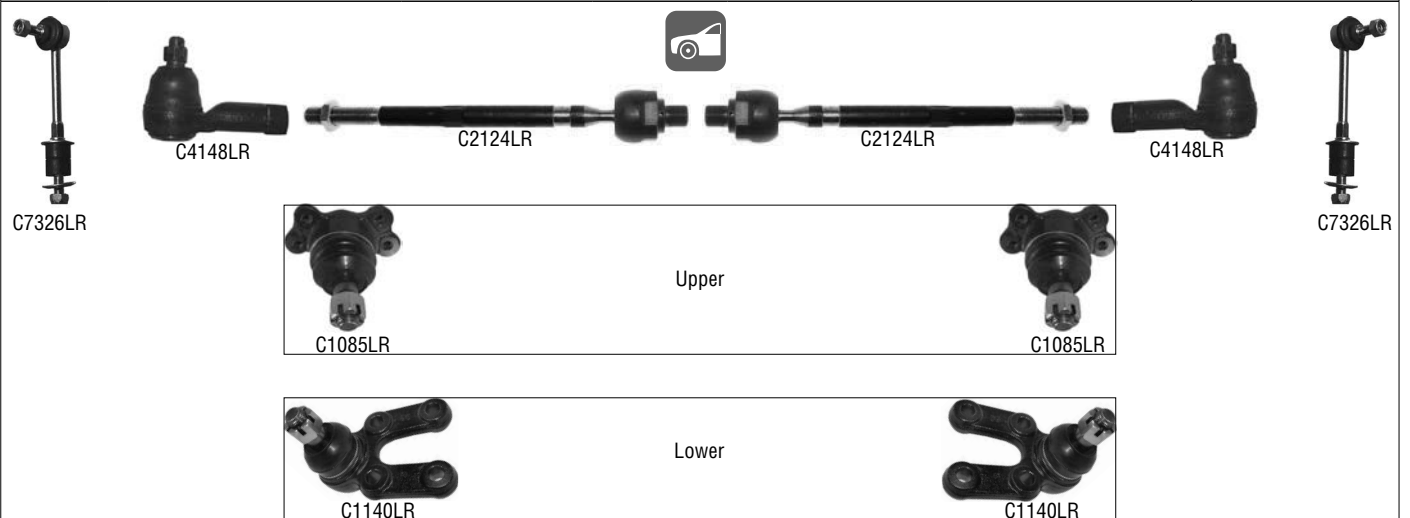
01/2003>



LYNX	Description	Original Number	Specification
C2120LR	Tie Rod		MM16X1.5R
C4144L	Tie Rod End Left	93740722	FM12X1.5R
C4144R	Tie Rod End Right	93740723	FM12X1.5R
C5080L	Susp. Arm Left	96535081	
C5080R	Susp. Arm Right	96535082	
C1137LR	Ball Joint	96535089	
C7144LR	Stabiliser Link	96391875	
C8128	Silentblock	96535087	ø 28
C8129	Silentblock	96535088	ø 60

KORANDO (K.J) / MUSSO (FJ)

01/1999>



LYNX	Description	Original Number	Specification
C2124LR	Tie Rod		Korando All / Musso Chassis № 960501>
C4148LR	Tie Rod End	46660-05501	FM14X1.5R
C1085LR	Ball Joint Upper	44430-03011	
C1140LR	Ball Joint Lower	44505-05001	
C7326LR	Stabiliser Link Front	44750-05001	



LANOS
NEXIA (KLETN)
ESPERO (KLEJ)

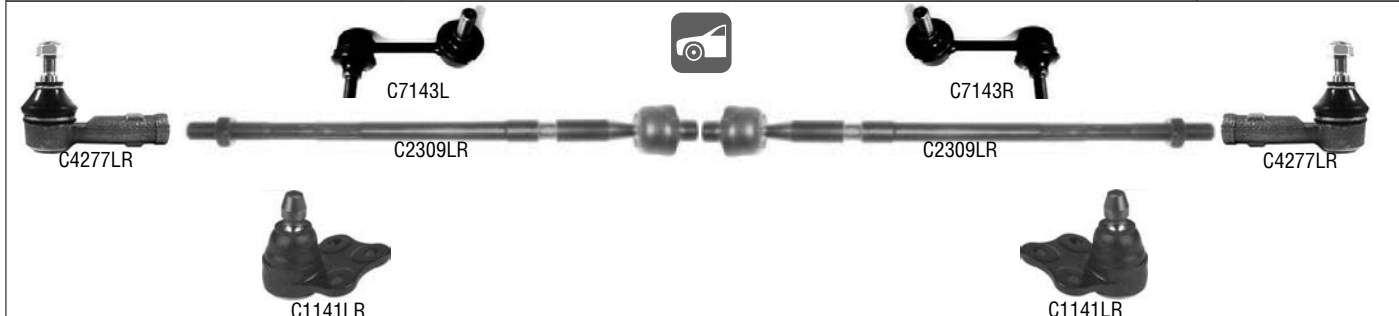
05/1997>
 02/1995 - 08/1997
 10/1991 - 09/1999



LYNX	Description	Original Number	Specification
C2125L	Tie Rod Left	26020916	
C2125R	Tie Rod Right	26020917	
C4064L	Tie Rod End Left	324039	FM16X1.5R
C4064R	Tie Rod End Right	324038	FM16x1.5L
C3007L	Side Rod Assy Left	322125	
C3007R	Side Rod Assy Right	322126	
C5084L	Susp. Arm Left	352123	
C5084R	Susp. Arm Right	352124	
C1018LR	Ball Joint Lower	94788122	
C7145LR	Stabiliser Link	96129839	
C8189	Silentblock	352349	ø 39.6
C8190	Silentblock	352335	ø 55.4
C8743	Silentblock	402645	

LEGANZA (KLAV)

06/1997 - 12/2002

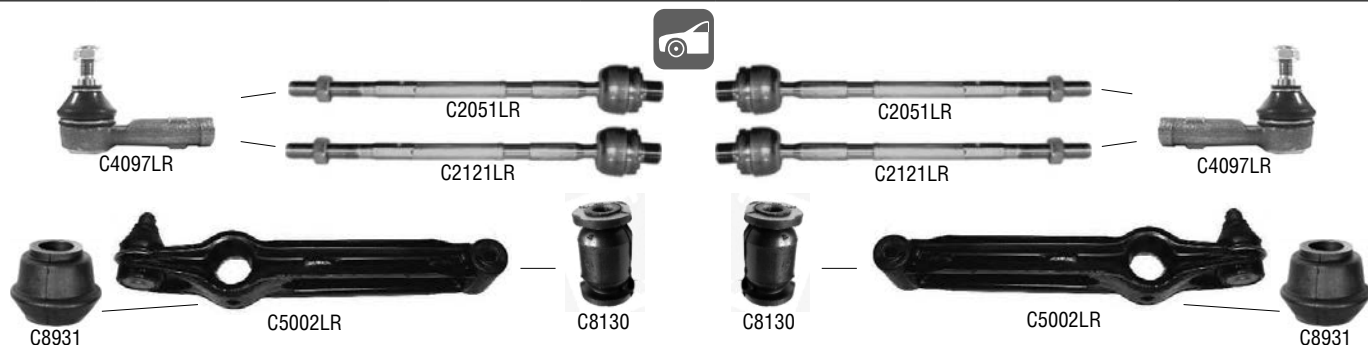


LYNX	Description	Original Number	Specification
C2309LR	Tie Rod	520898	MM16X1.5R
C4277LR	Tie Rod End	96205809	FM14x1.5R
C1141LR	Ball Joint	96213119	
C7143L	Stabiliser Link Front Left	96225859	
C7143R	Stabiliser Link Front Right	96225858	
C7146LR	Stabiliser Link Rear	96207628	



MATIZ (KLYA)

09/1998>



LYNX	Description	Original Number	Specification	
C2051LR	Tie Rod	93741074	MM16X1.5R	- PS
C2121LR	Tie Rod	93741092	MM16X1.5R	+ PS
C4097LR	Tie Rod End	48810-A78B00	FM12X1.5R	
C5002LR	Susp. Arm Front	96316765		
C8130	Silentblock	96380613	ø 27.5	
C8931	Silentblock	96380586		

NUBIRA (KLAJ)

05/1997 - 07/2003

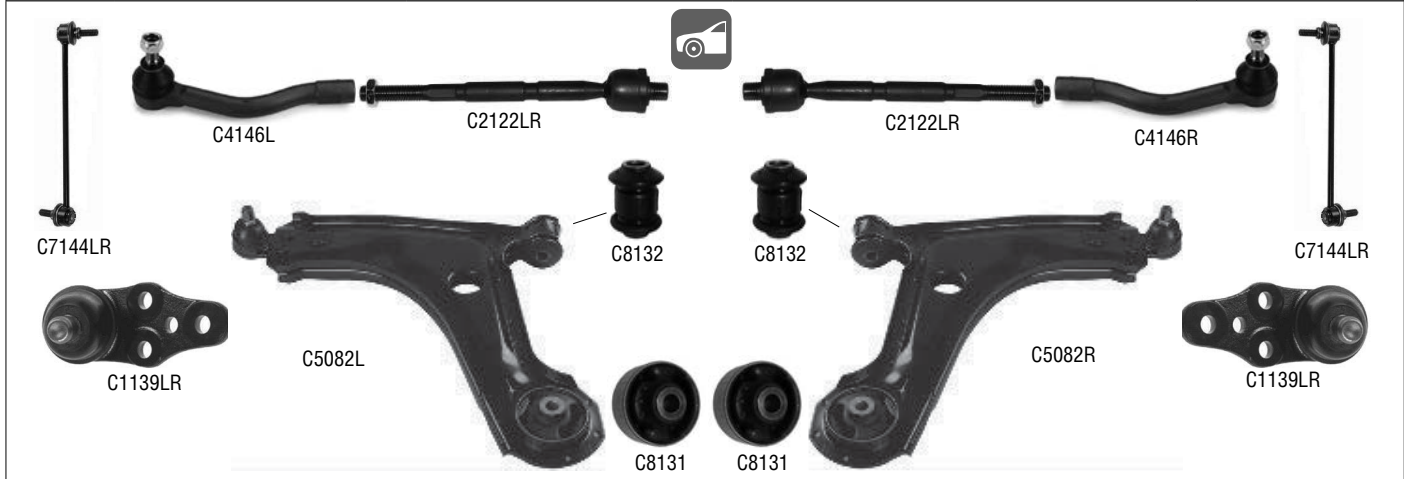


LYNX	Description	Original Number	Specification	
C2329LR	Tie Rod	520672	MM16X1.5R	
C4277LR	Tie Rod End	96205809	FM14x1.5R	
C5085L	Susp. Arm Left	96268439		>00
C5085R	Susp. Arm Right	96268440		>00
C5086L	Susp. Arm Left	96268454		00>
C5086R	Susp. Arm Right	96268455		00>
C1142LR	Ball Joint	96300648		
C7147LR	Stabiliser Link Front	96300627		>99
C7144LR	Stabiliser Link Front	96391875		99>
C7325LR	Stabiliser Link Rear	96300222		
C8191	Silentblock		ø 49.3	
C8192	Silentblock		ø 52.5	

• DAEWOO - DAIHATSU



TACUMA / REZZO (KLAU) 09/2000>



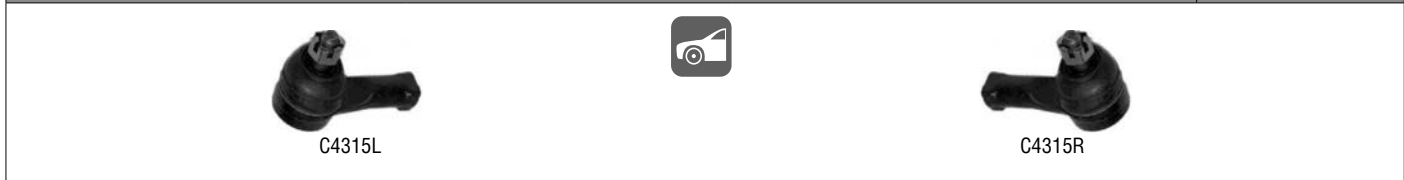
LYNX	Description	Original Number	Specification
C2122LR	Tie Rod	521564	MM16X1.5R
C4146L	Tie Rod End Left	96261378	FM14X1.5R
C4146R	Tie Rod End Right	96261379	FM14X1.5R
C5082L	Susp. Arm Left	96378347	
C5082R	Susp. Arm Right	96378348	
C1139LR	Ball Joint	96261108	
C7144LR	Stabiliser Link Front	96391875	
C8131	Silentblock	96261107	
C8132	Silentblock	96378346	

DAIHATSU 10/1996 - 07/2002



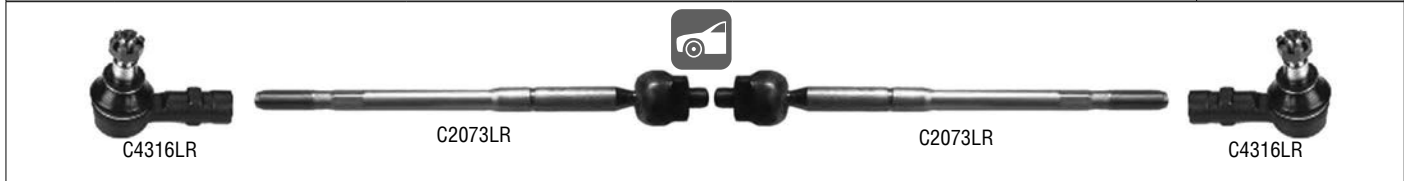
LYNX	Description	Original Number	Specification
C2330LR	Tie Rod	45503-87710	MM12X1.25R
C4314L	Tie Rod End Left	45047-87706	
C4314R	Tie Rod End Right	45046-87707	

HIJET 03/1982>



LYNX	Description	Original Number	Specification
C4315L	Tie Rod End Left	45047-87503	FM14X1.5L
C4315R	Tie Rod End Right	45046-87503	FM14x1.5R

TERIOS (J1) 10/1997 - 10/2005



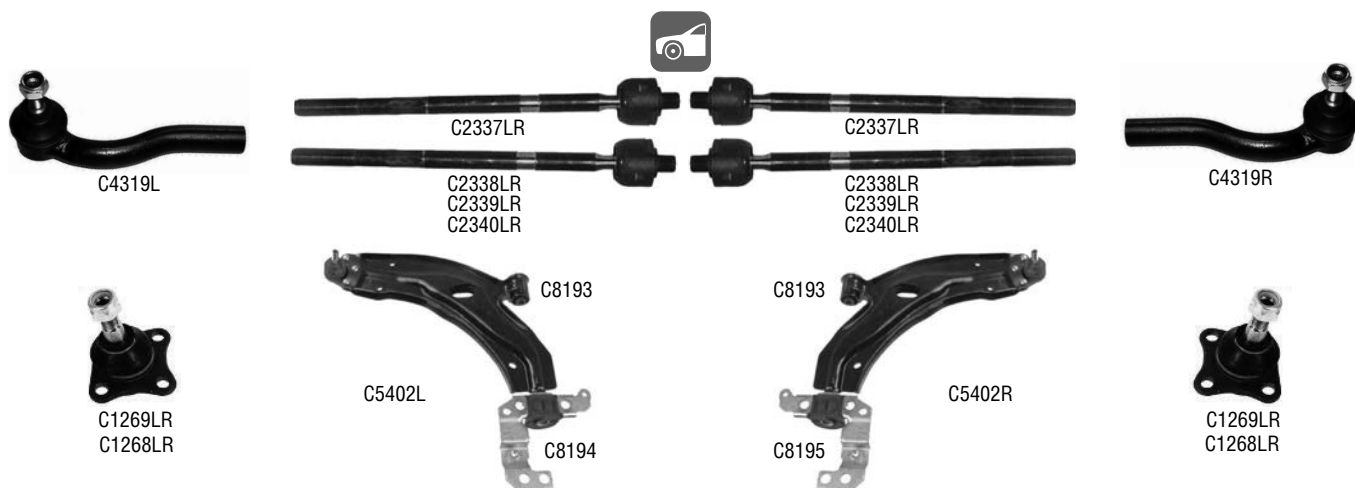
LYNX	Description	Original Number	Specification
C2073LR	Tie Rod	45460-87401	MM14X1.5R
C4316LR	Tie Rod End	45046-87401	



FIAT

ALBEA (178_) / PALIO (178BX, 178DX, 277)

04/1996>



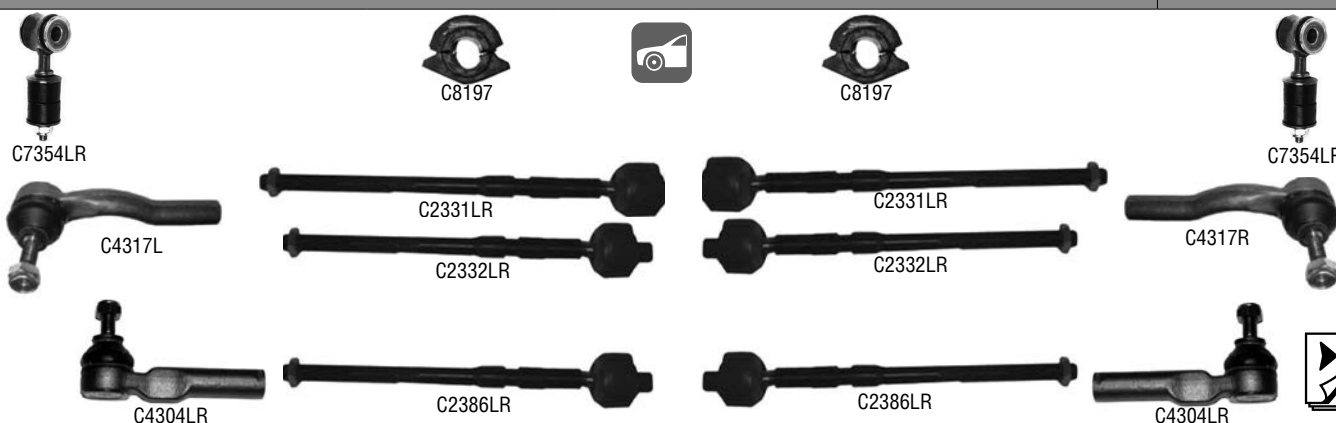
LYNX	Description	Original Number	Specification	
C2337LR	Tie Rod	7079388	MM14X1.5R	-PS, >08/02
C2338LR	Tie Rod	7079382	MM14X1.5R	+PS, >09/99
C2339LR	Tie Rod	9948292	MM16X1.5R	+PS, 10/99-02
C2340LR	Tie Rod	7081851	MM16X1.5R	+PS, 02>
C4319L	Tie Rod End Left	46456189	FM14X1.5R	
C4319R	Tie Rod End Right	46456660	FM14X1.5R	
C5402L	Susp. Arm Left	51712408		+PS, 02>
C5402R	Susp. Arm Right	51712407		+PS, 02>
C1269LR	Ball Joint	46437959		>02
C1268LR	Ball Joint	46842581		02>
C8193	Silentblock			
C8194	Silentblock		ø 17	+PS, 02>
C8195	Silentblock		ø 17	+PS, 02>

BRAVA (182) / BRAVO (182)

01/1995 - 01/2001

COUPE

11/1993 - 01/2000



LYNX	Description	Original Number	Specification	
C2331LR	Tie Rod	5958244	FM14X1.5R	Brava-Bravo -PS, Exc. 2.0 20V, Coupe
C2332LR	Tie Rod	9941625	MM14X1.5R	Brava-Bravo -PS, Exc. 2.0 20V, Coupe
C2386LR	Tie Rod	9947713	MM14X1.5R	Coupe 97>
C4317L	Tie Rod End Left	7591216	FM12X1.5R	Brava-Bravo Exc. 2.0 20V / Coupe >96, Exc. 2.0T
C4317R	Tie Rod End Right	7591215	FM12X1.5R	Brava-Bravo Exc. 2.0 20V / Coupe >96, Exc. 2.0T
C4304LR	Tie Rod End	9947714	FM14X1.5R	Coupe 97>, Exc. 2.0T
C7354LR	Stabiliser Link Front	60570627		
C8197	Stabiliser Mounting	7760425	ø 22	Exc. Coupe

• FIAT



**BRAVA (182) / BRAVO (182)
COUPE**

01/1995 - 01/2001
11/1993 - 01/2000



C8198
C8201



C8200
C8203



C8198
C8201



C8199
C8202

LYNX	Description	Original Number	Specification
C8198	Silentblock		∅ 20
C8199	Silentblock		∅ 20
C8200	Silentblock		∅ 20
C8201	Silentblock		∅ 21
C8202	Silentblock		∅ 21
C8203	Silentblock		∅ 21

BRAVO (198)

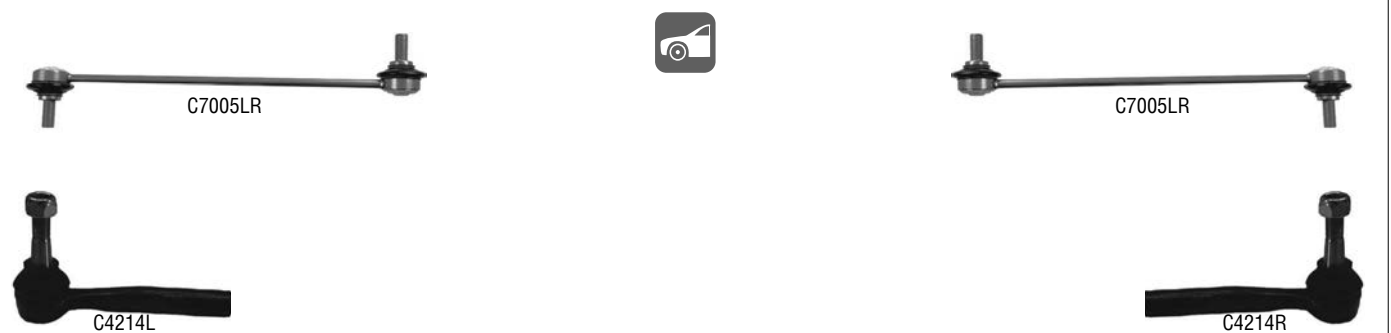
04/2007>



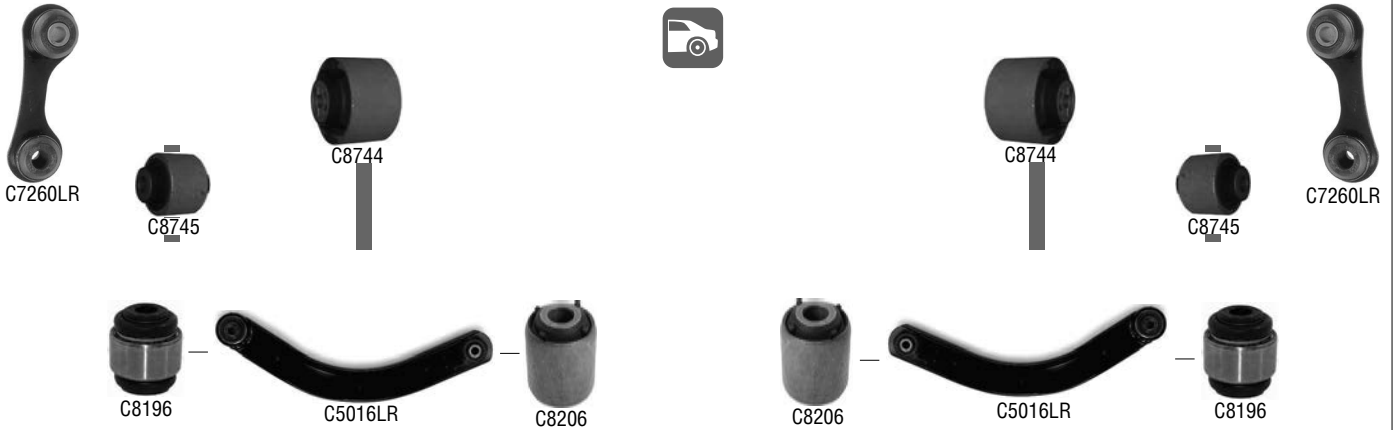
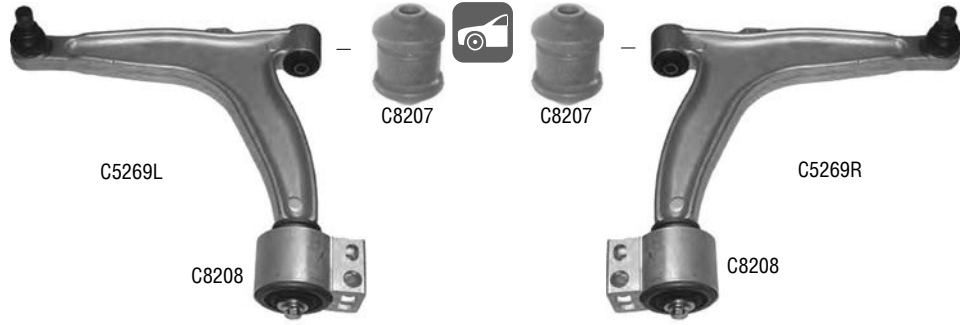
LYNX	Description	Original Number	Specification
C2333LR	Tie Rod	9949217	
C4318LR	Tie Rod End	9949218	FM14X1.5R
C1266LR	Ball Joint	50705463	
C7359LR	Stabiliser Link Front	50700464	
C8204	Silentblock		
C8205	Silentblock		

CROMA (194)

06/2005>



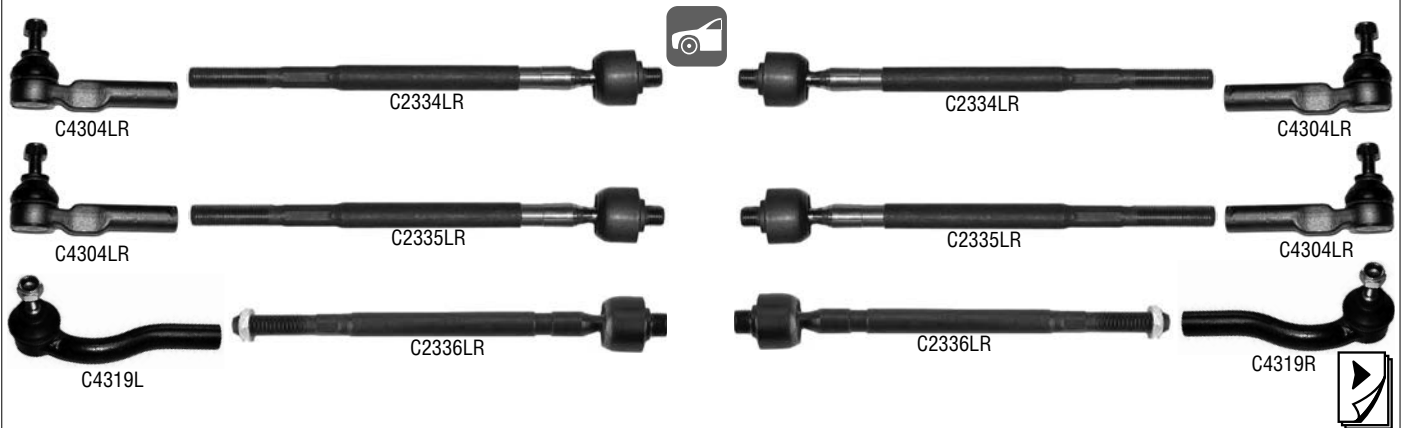
LYNX	Description	Original Number	Specification
C4214L	Tie Rod End Left	77363713	FM14X1.5R
C4214R	Tie Rod End Right	77363712	FM14X1.5R
C7005LR	Stabiliser Link Front	51741130	



LYNX	Description	Original Number	Specification
C5269L	Susp. Arm Front Left	51748653	
C5269R	Susp. Arm Front Right	51748652	
C5016LR	Susp. Arm Rear	51748740	
C7260LR	Stabiliser Link Rear	71740112	
C8207	Silentblock	Comp. of C5269L/R	ø 35.4
C8208	Silentblock	71740107	
C8196	Silentblock		
C8206	Silentblock		
C8744	Silentblock	12756394	
C8745	Silentblock	24469643	

DOBLO (119, 223)

03/2001>

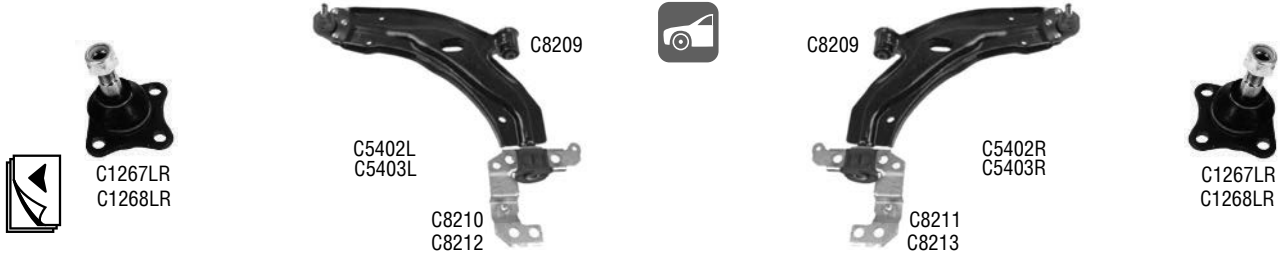


LYNX	Description	Original Number	Specification
C2334LR	Tie Rod	98845025	MM16X1.5R -PS
C2335LR	Tie Rod	98845024	MM16X1.5R +PS, Chassis N° >5120134
C2336LR	Tie Rod	98845026	MM16X1.5R +PS, Chassis N° 5120134>
C4304LR	Tie Rod End	98845030	FM14X1.5R -PS, +PS Chassis N° >5120134
C4319L	Tie Rod End Left	98845032	FM14X1.5R +PS, Chassis N° 5120134>
C4319R	Tie Rod End Right	98845031	FM14X1.5R +PS, Chassis N° 5120134>

• FIAT

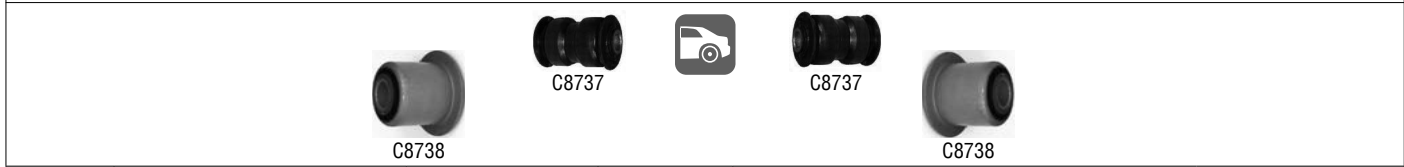
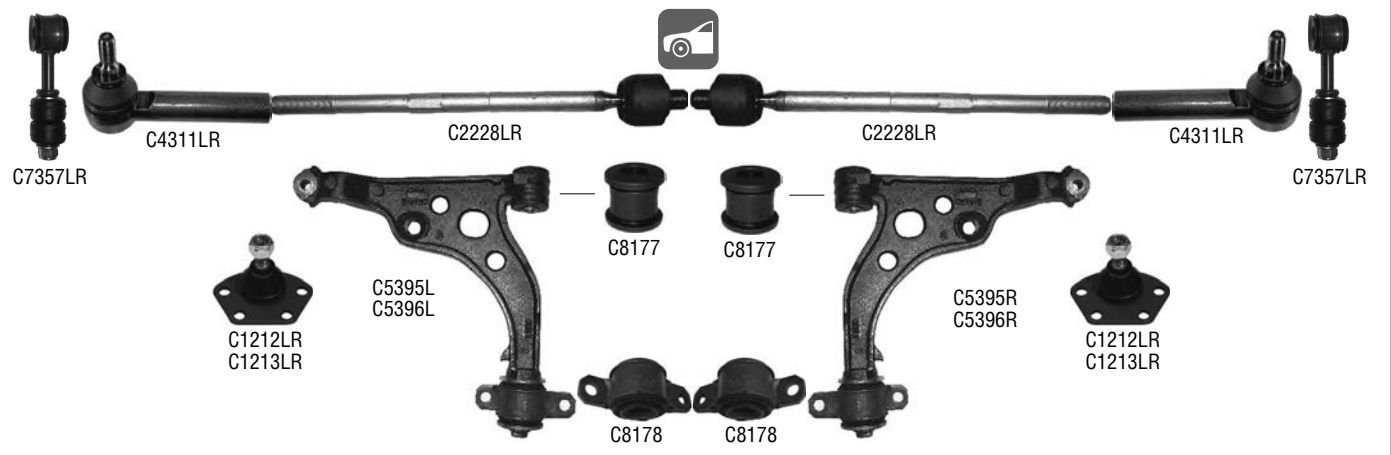


DOBLO (119, 223) 03/2001>



LYNX	Description	Original Number	Specification	
C5402L	Susp. Arm Left	46794066		>10/05
C5402R	Susp. Arm Right	46794065		>10/05
C5403L	Susp. Arm Left	51772992		11/05>
C5403R	Susp. Arm Right	51772988		11/05>
C1267LR	Ball Joint	46543045		Chassis № >5023343
C1268LR	Ball Joint	46779293		Chassis № 5023344>
C8209	Silentblock			
C8210	Silentblock	46748578		>10/05
C8211	Silentblock	46748579		>10/05
C8212	Silentblock			11/05>
C8213	Silentblock			11/05>

DUCATO (230, 231, 232, 234) 04/1994 - 04/2002

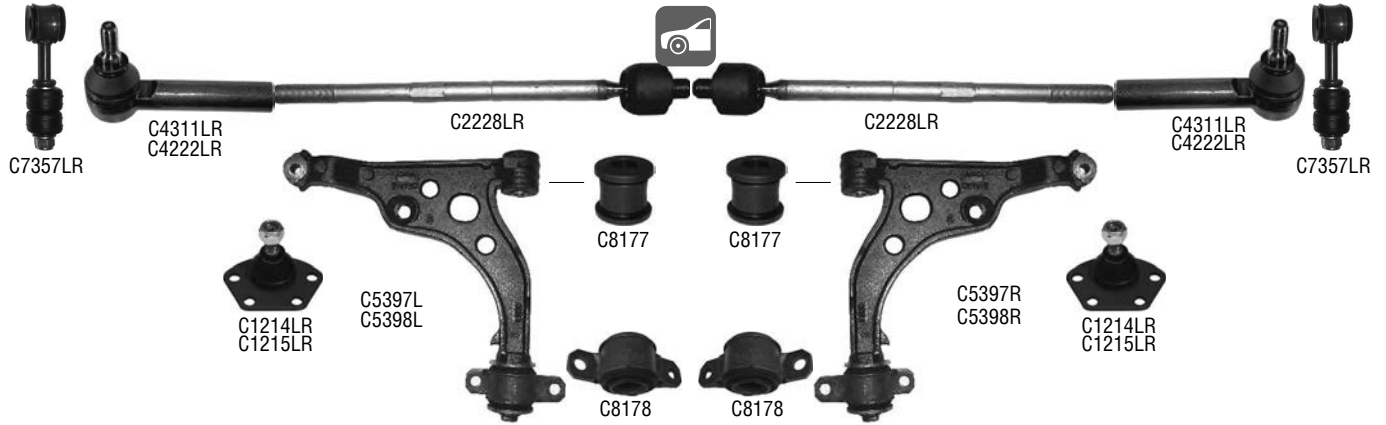


LYNX	Description	Original Number	Specification	
C2228LR	Tie Rod	1471654080	MM16X1.5R	
C4311LR	Tie Rod End	1306716080	FM16X1.5R	
C5395L	Susp. Arm Left	1308600080		Load Capacity >1400kg
C5395R	Susp. Arm Right	1308601080		Load Capacity >1400kg
C5396L	Susp. Arm Left	1308759080		Load Capacity 1800kg
C5396R	Susp. Arm Right	1308760080		Load Capacity 1800kg
C1212LR	Ball Joint	1302368080		Load Capacity >1400kg
C1213LR	Ball Joint	1300473080		Load Capacity 1800kg
C7357LR	Stabiliser Link Front	1300716080		
C8177	Silentblock	3523 93	ø 44.5	
C8178	Silentblock	3523 94		
C8737	Silentblock	1304641080		
C8738	Silentblock	1304640080		



DUCATO (243, 244, 245, 247)

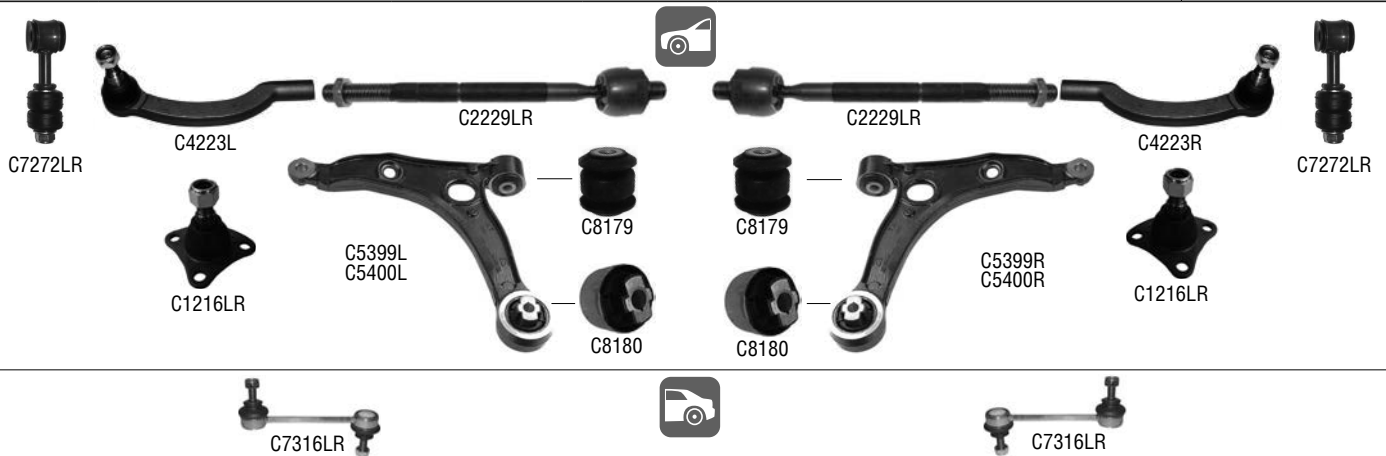
04/2002 - 06/2006



LYNX	Description	Original Number	Specification	
C2228LR	Tie Rod	1471654080	MM16X1.5R	
C4311LR	Tie Rod End	1306716080	FM16X1.5R	Chassis № >7175291
C4222LR	Tie Rod End	77362278	FM16x1.5R	Chassis № 7175292>
C5397L	Susp. Arm Left	1331938080		Load Capacity >1400kg
C5397R	Susp. Arm Right	1331940080		Load Capacity >1400kg
C5398L	Susp. Arm Left	1331937080		Load Capacity 1800kg
C5398R	Susp. Arm Right	1331939080		Load Capacity 1800kg
C1214LR	Ball Joint	1331640080		Load Capacity >1400kg
C1215LR	Ball Joint	1331641080		Load Capacity 1800kg
C7357LR	Stabiliser Link Front	1300716080		
C8177	Silentblock	3523 93	ø 44.5	
C8178	Silentblock	3523 94		

DUCATO (250, 251)

07/2006>



LYNX	Description	Original Number	Specification	
C2229LR	Tie Rod			
C4223L	Tie Rod End Left	77364253		
C4223R	Tie Rod End Right	77364009		
C5399L	Susp. Arm Left	1352227080		11Q-17Q
C5399R	Susp. Arm Right	1352225080		11Q-17Q
C5400L	Susp. Arm Left	1352228080		17H-20Q
C5400R	Susp. Arm Right	1352226080		17H-20Q
C1216LR	Ball Joint	50705629		
C7272LR	Stabiliser Link			
C7316LR	Stabiliser Link			
C8179	Silentblock			
C8180	Silentblock			

• FIAT



GRANDE PUNTO (199) 10/2005>



LYNX	Description	Original Number	Specification
C2205LR	Tie Rod	1603543	
C4291L	Tie Rod End Left	77363829	
C4291R	Tie Rod End Right	77363830	
C1208LR	Ball Joint		
C7258LR	Stabiliser Link Front	55700753	
C8214	Silentblock	55703232	
C8215	Silentblock	55700751	

PUNTO (176, 176C, 276) 03/1993 - 06/2000
BARCETTA (183) 03/1995 - 01/2005



LYNX	Description	Original Number	Specification
C2341LR	Tie Rod	7701491	FM14X1.5R -PS
C2342LR	Tie Rod	9945562	MM16x1.5R +PS
C4320LR	Tie Rod End	7752285	FM12X1.5R
C8217	Silentblock	7673581	
C8218	Silentblock	7775344	
C8219	Silentblock	7775343	



PUNTO (188, 188AX)

09/1999>



LYNX	Description	Original Number	Specification
C2343LR	Tie Rod	9948343	FM14X1.5R
C4320LR	Tie Rod End	7752285	FM12X1.5R
C8220	Silentblock		ø 33
C8221	Silentblock		ø 60.8

SCUDO (222)

02/1996 - 08/2002

ULYSSE (121)

06/1994 - 08/2002



LYNX	Description	Original Number	Specification
C2386LR	Tie Rod	9566950880	MM14X1.5R
C4359LR	Tie Rod End	1306003080	FM14x1.5R
C7419LR	Stabiliser Link	1308664080	
C8739	Silentblock	5152 61	

SCUDO (272)

01/2007>

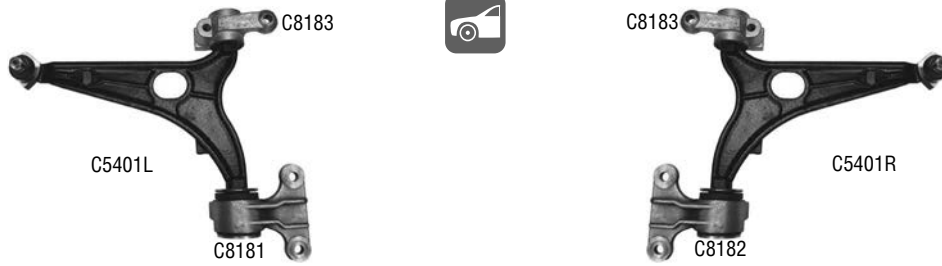


LYNX	Description	Original Number	Specification
C2328LR	Tie Rod	1401381380	
C4312LR	Tie Rod End	9403817738	
C7358LR	Stabiliser Link Front	1400099680	



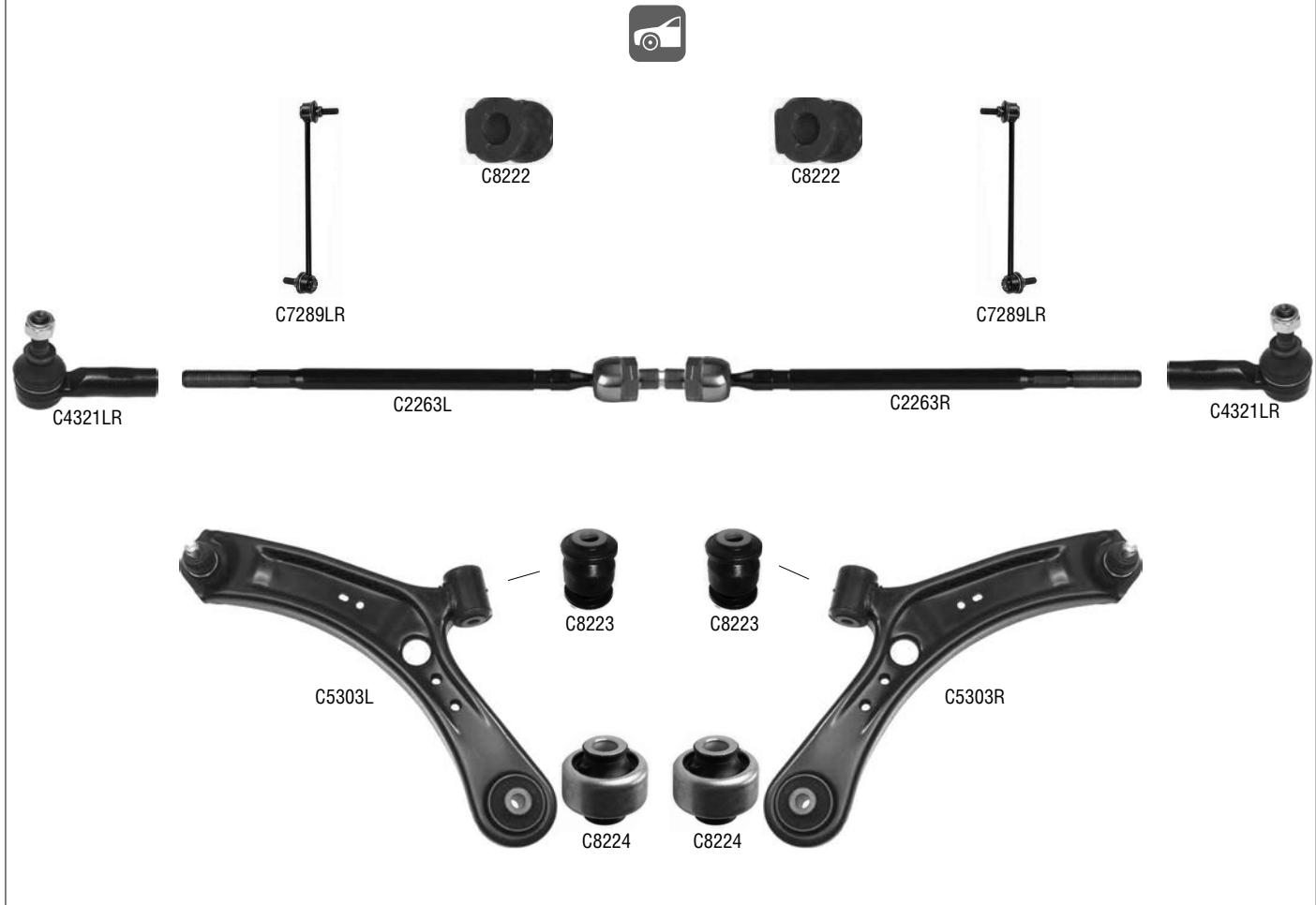


SCUDO (272) 01/2007>



LYNX	Description	Original Number	Specification
C5401L	Susp. Arm Left	1497408080	
C5401R	Susp. Arm Right	1497407080	
C8181	Silentblock		
C8182	Silentblock		
C8183	Silentblock		

SEDICI (189) 06/2006>



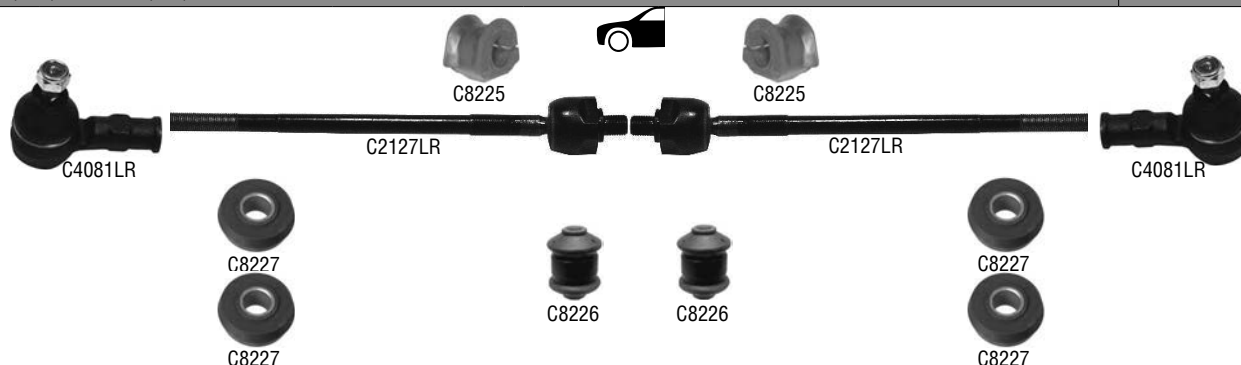
LYNX	Description	Original Number	Specification
C2263L	Tie Rod Left	48830-79J10	MM16X1R
C2263R	Tie Rod Right	48830-79J00	MM16X1R
C4321LR	Tie Rod End	71742770	
C5303L	Susp. Arm Left	71742732	
C5303R	Susp. Arm Right	71742731	
C7289LR	Stabiliser Link Front	71742688	
C8222	Stabiliser Mounting	71742689	
C8223	Silentblock	71742733	
C8224	Silentblock	Comp. of C5303L/R	



FORD

ESCORT III-IV (GAA, GAF, AWF, ABFT)
ORION I (AFD) / **ORION II** (AFF)

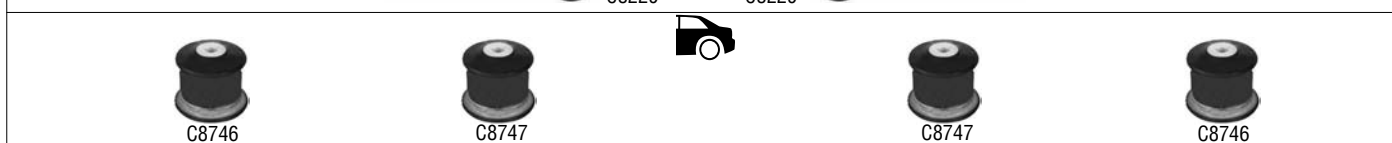
09/1980 - 04/1991
08/1983 - 09/1990



LYNX	Description	Original Number	Specification
C2127LR	Tie Rod	6127726	MM14X1.5R
C4081LR	Tie Rod End	6081391	
C8225	Stabiliser Mounting	1634900	ø 21
C8226	Silentblock	6087890	ø 33
C8227	Silentblock	6107025	01/86>

ESCORT V-VII
ORION III (GAL)

07/1990 - 02/1999
09/1990 - 08/1993



LYNX	Description	Original Number	Specification
C2128LR	Tie Rod	1024130	MM14X1.5R -PS, >92
C2129LR	Tie Rod	6197238	MM14X1.5R -PS, 92>, Exc. Orion
C2130LR	Tie Rod	6185338	MM14X1.5R +PS
C4082L	Tie Rod End Left	6555938	FM14X2R
C4082R	Tie Rod End Right	6555936	FM14X2R
C5087L	Susp. Arm Left	1058280	
C5087R	Susp. Arm Right	1058279	
C1086LR	Ball Joint	1047853	
C7148LR	Stabiliser Link Front	1004018	
C8228	Stabiliser Mounting	7102392	ø 16
C8229	Silentblock	1035929	ø 54
C8230	Silentblock	1000445	ø 46
C8746	Silentblock	7371059	>01/98, Exc Turnier
C8747	Silentblock	1041979	01/98>

• FORD

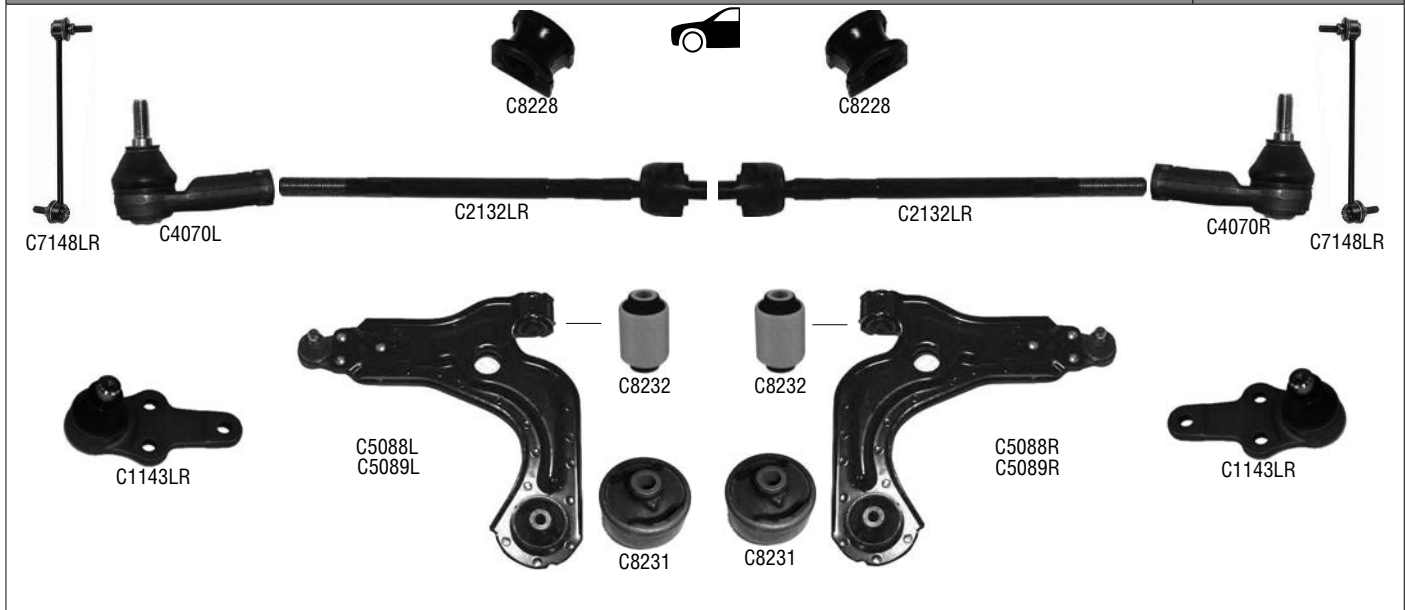


FIESTA III (GFJ, FVD) 01/1989 - 08/1996



LYNX	Description	Original Number	Specification	
C2131LR	Tie Rod	4048739	MM14X1.5R	
C4081LR	Tie Rod End	6081391		>12/93
C4149LR	Tie Rod End	6969518		01/94>
C1086LR	Ball Joint	1047853		>12/93
C1143LR	Ball Joint	1030025		01/94>
C7148LR	Stabiliser Link Front	1004018		
C8228	Stabiliser Mounting	7102392	ø 16	>12/93
C8229	Silentblock	1035929	ø 54	
C8230	Silentblock	1000445	ø 46	

FIESTA IV (JA, JB) / PUMA (ECJ) 09/1995 - 06/2002

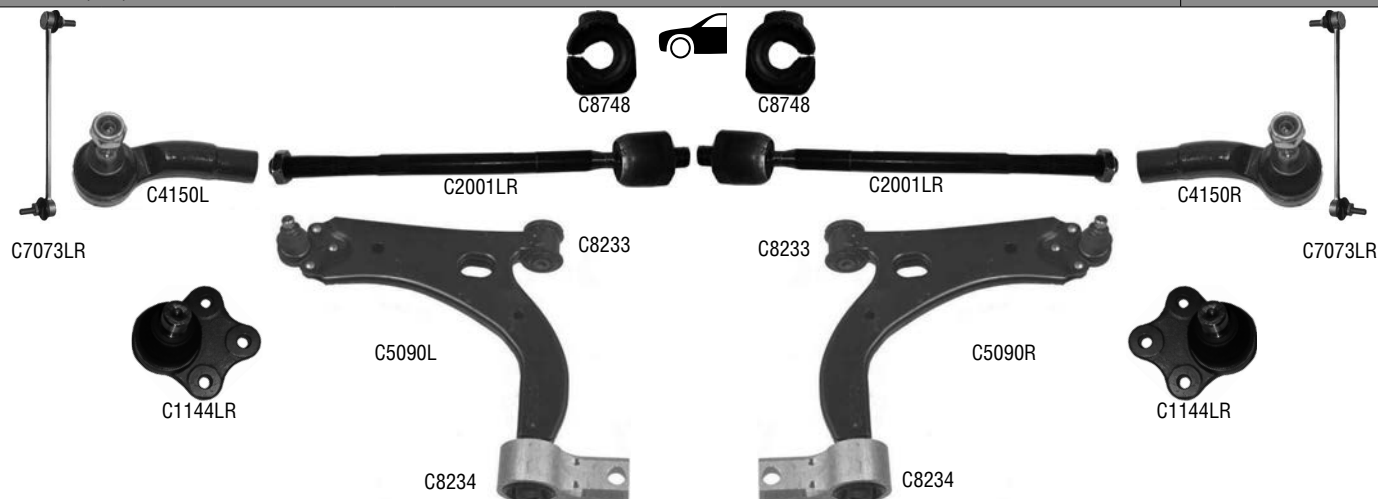


LYNX	Description	Original Number	Specification	
C2132LR	Tie Rod	1044014	MM14X1.5R	
C4070L	Tie Rod End Left	1020174	M14X2R	
C4070R	Tie Rod End Right	1011857	M14X2R	
C5088L	Susp. Arm Left	1020220		-PS, Exc. Puma
C5088R	Susp. Arm Right	1020214		-PS, Exc. Puma
C5089L	Susp. Arm Left	1063255		+PS
C5089R	Susp. Arm Right	1063236		+PS
C1143LR	Ball Joint	1030025		
C7148LR	Stabiliser Link Front	1004018		
C8228	Stabiliser Mounting	7102392	ø 16	
C8231	Silentblock	1014654	ø 66.1	
C8232	Silentblock	1010037	ø 37.3	



FIESTA V (JH_)

11/2001 - 09/2008



LYNX	Description	Original Number	Specification
C2001LR	Tie Rod	4342539	MM14x1.5R
C4150L	Tie Rod End Left	1202549	FM14x1.5R
C4150R	Tie Rod End Right	1202548	FM14x1.5R
C5090L	Susp. Arm Left	1146131	
C5090R	Susp. Arm Right	1146130	
C1144LR	Ball Joint	2S613395AB	
C7073LR	Stabiliser Link Front	1146150	
C8748	Stabiliser Mounting	1152852	
C8233	Silentblock	Comp. of C5090L/R	ø 40
C8234	Silentblock	Comp. of C5090L/R	

FOCUS I (DAW, DBW)

10/1998 - 11/2004

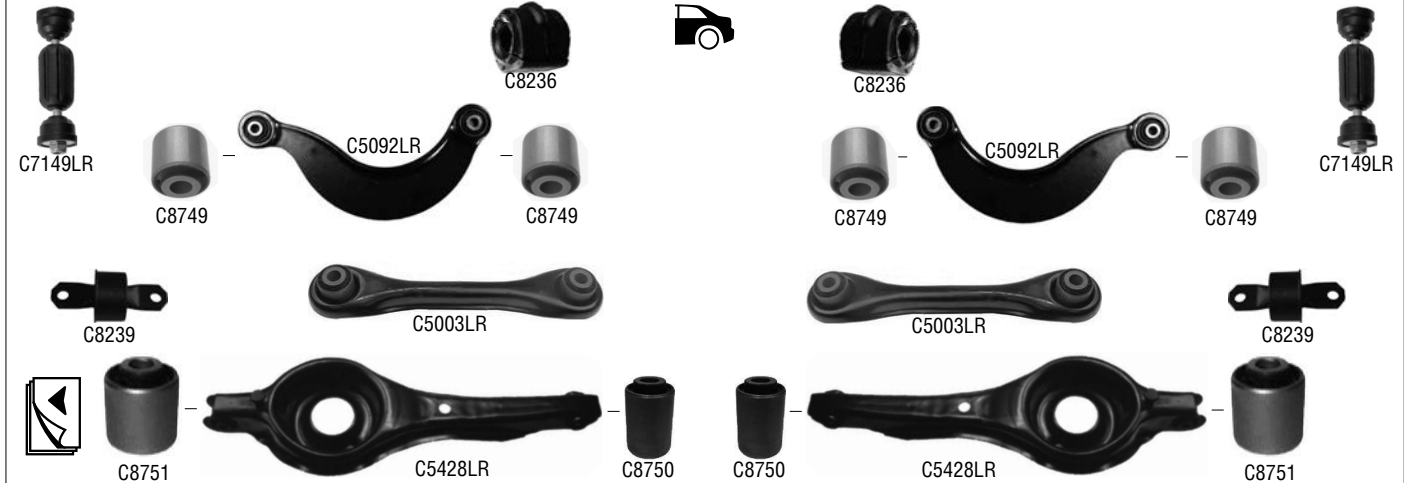


LYNX	Description	Original Number	Specification
C2072LR	Tie Rod	1085520	MM14X1.5R LHD
C2052LR	Tie Rod	3707333	MM14X1.5R RHD
C4093L	Tie Rod End Left	1107015	FM14X2R
C4093R	Tie Rod End Right	1107013	FM14X2R
C5091L	Susp. Arm Front Left	1073215	
C5091R	Susp. Arm Front Right	1073214	
C1145LR	Ball Joint	96FB3395AB	
C7148LR	Stabiliser Link Front	1004018	
C8235	Stabiliser Mounting Front	1073217	ø 18
C8237	Silentblock	1097918	
C8238	Silentblock	1061570	ø 40.3

• FORD

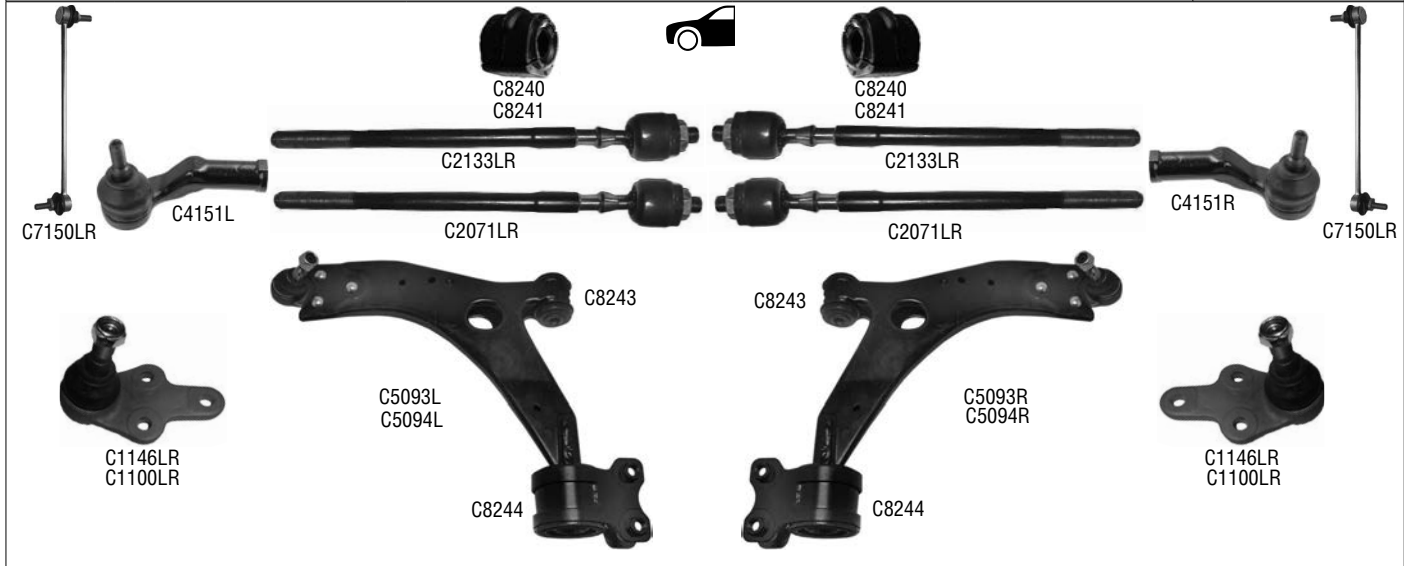


FOCUS I (DAW, DBW) 10/1998 - 11/2004

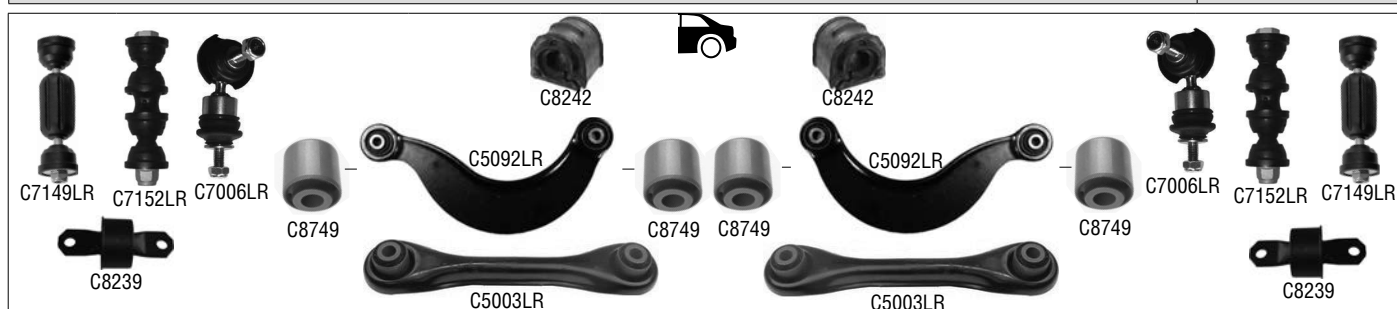


LYNX	Description	Original Number	Specification
C5003LR	Susp. Arm Rear	1061668	
C5092LR	Susp. Arm Rear	1061659	
C5428LR	Susp. Arm Rear	1064128	
C7149LR	Stabiliser Link Rear	1203093	
C8236	Stabiliser Mounting Rear	1073249	ø 16.5
C8239	Silentblock	30666821	
C8749	Silentblock	Comp. of C5092LR	
C8750	Silentblock	Comp. of C5428LR	
C8751	Silentblock	Comp. of C5428LR	

FOCUS II 11/2004>
FOCUS C-MAX 10/2003>
C-MAX (CB3) 02/2007>

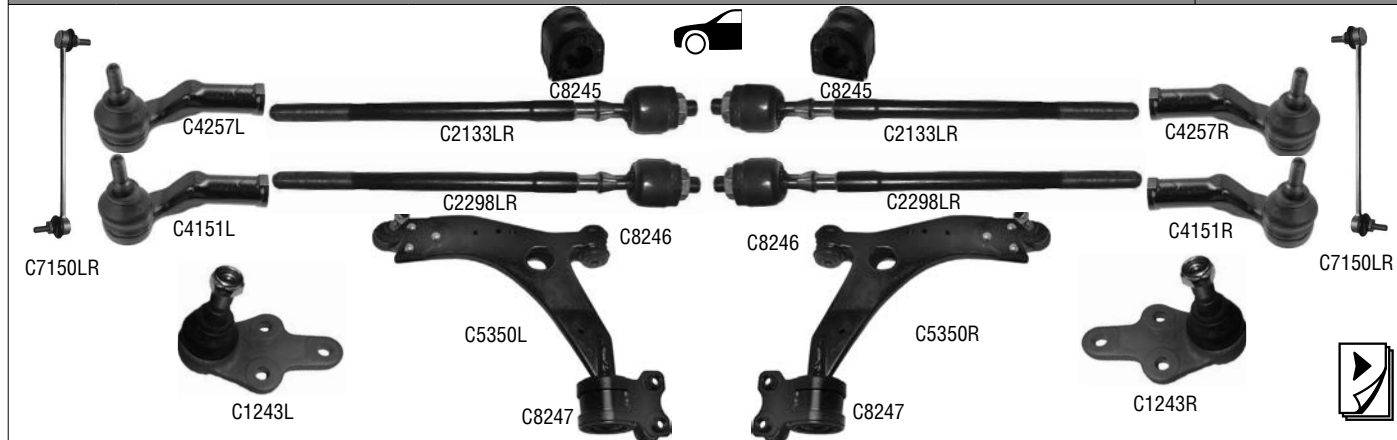


LYNX	Description	Original Number	Specification
C2133LR	Tie Rod	1251937	MM14X1.5R C-Max
C2071LR	Tie Rod	1317453	MM14X1.5R Focus
C4151L	Tie Rod End Left	1317447	FM16X1.5R
C4151R	Tie Rod End Right	1317446	FM16X1.5R
C7150LR	Stabiliser Link Front	1223792	
C8240	Stabiliser Mounting Front	1348231	ø 16 Focus Sedan
C8241	Stabiliser Mounting Front	1305960	ø 18 Focus Estate / C-Max
C5093L	Susp. Arm Front Left	1328381	ø 18 >05
C5093R	Susp. Arm Front Right	1328380	ø 18 >05



LYNX	Description	Original Number	Specification	
C5094L	Susp. Arm Front Left	1420858	ø 21	05>
C5094R	Susp. Arm Front Right	1420859	ø 21	05>
C5003LR	Susp. Arm Rear	1061668		
C5092LR	Susp. Arm Rear	1061659		
C1146LR	Ball Joint	1234382	ø 18	>05
C1100LR	Ball Joint	1470387	ø 21	05>
C7006LR	Stabiliser Link Rear	1335548		Exc. C-Max (CB3)
C7149LR	Stabiliser Link Rear	1061703		>03/07, Exc. C-Max (CB3)
C7152LR	Stabiliser Link Rear	1500682		04/07>
C8242	Stabiliser Mounting Rear	1337965		
C8243	Silentblock	30714128	ø 40.5	
C8244	Silentblock	30678440		
C8239	Silentblock	30666821		
C8749	Silentblock	Comp. of C5092LR		

FOCUS III (CB8) 04/2011>
C-MAX II (CB7) / GRAND C-MAX 12/2010>

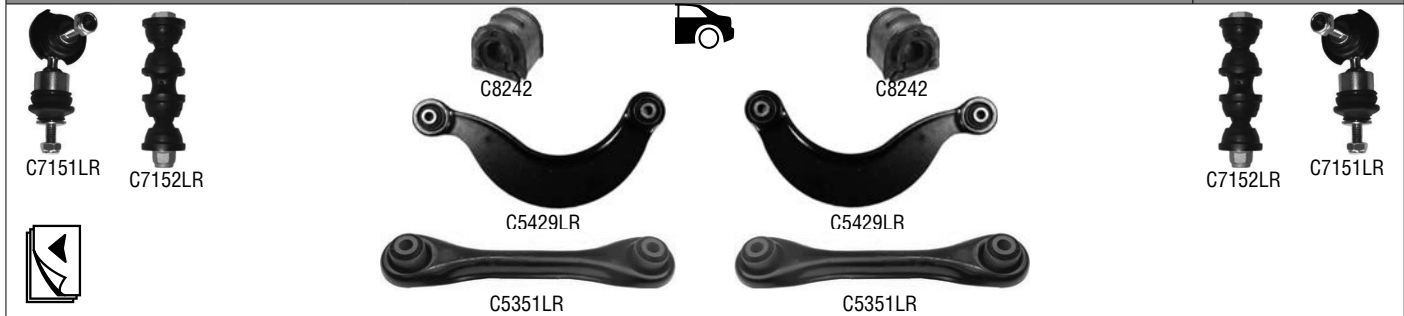


LYNX	Description	Original Number	Specification	
C2298LR	Tie Rod	1754076	MM14X1.5R	Focus Hydro PS
C4151L	Tie Rod End Left	1317447	FM16X1.5R	Focus Hydro PS
C4151R	Tie Rod End Right	1317446	FM16X1.5R	Focus Hydro PS
C2133LR	Tie Rod	1251937	MM14X1.5R	Focus Electro PS / C-Max
C4257L	Tie Rod End Left	1714700		Focus Electro PS / C-Max
C4257R	Tie Rod End Right	1714576		Focus Electro PS / C-Max
C5350L	Susp. Arm Front Left	1702983		
C5350R	Susp. Arm Front Right	1702970		
C7150LR	Stabiliser Link Front	1223792		
C1243L	Ball Joint Left			
C1243R	Ball Joint Right			
C8245	Stabiliser Mounting Front	1683481		
C8246	Silentblock			
C8247	Silentblock			

• FORD

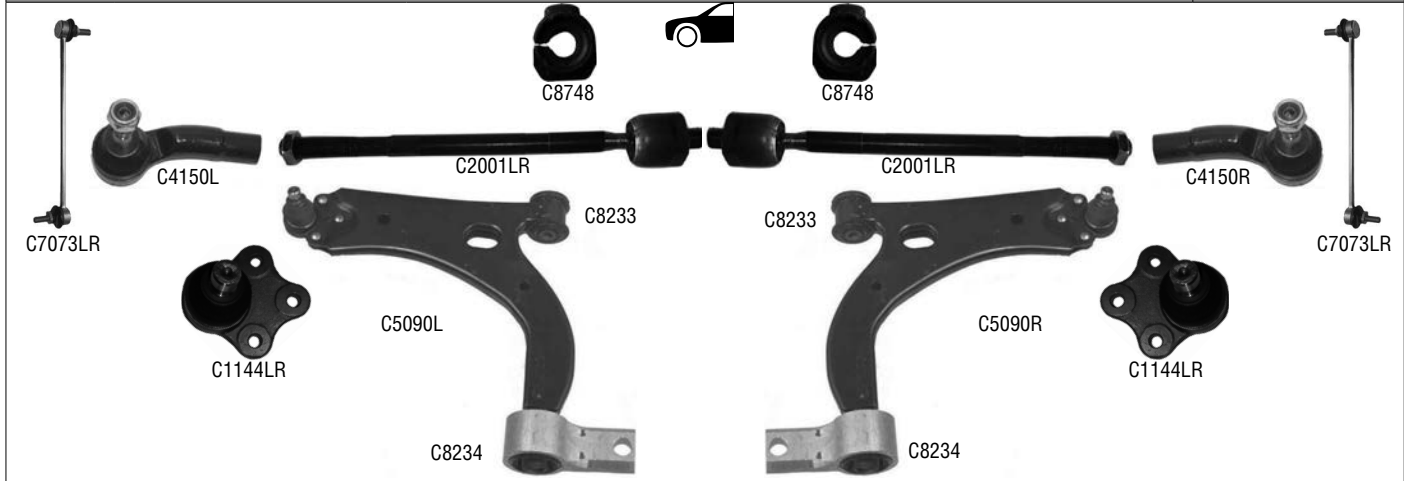


FOCUS III (CB8) / **C-MAX II (CB7) / GRAND C-MAX** 04/2011>
12/2010>



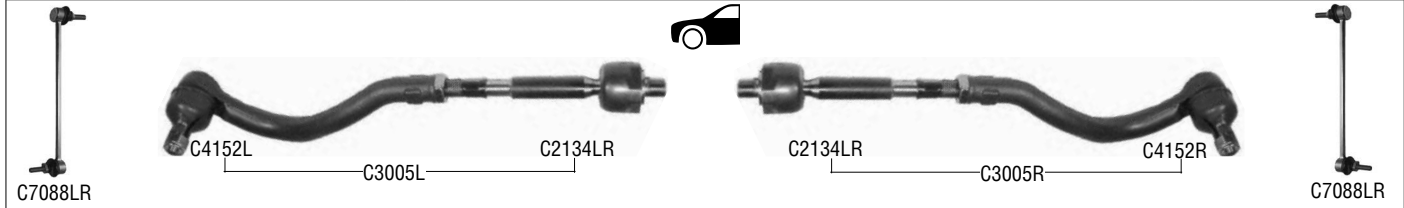
LYNX	Description	Original Number	Specification
C5351LR	Susp. Arm Rear	1712237	
C5429LR	Susp. Arm Rear	1683463	
C7151LR	Stabiliser Link Rear	1714891	
C7152LR	Stabiliser Link Rear	1500682	
C8242	Stabiliser Mounting Rear	1337965	

FUSION (JU_) 08/2002>

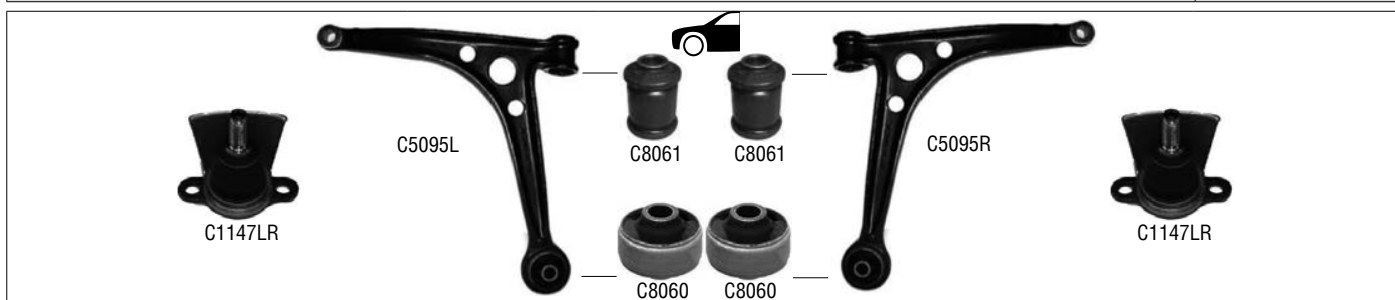


LYNX	Description	Original Number	Specification
C2001LR	Tie Rod	4342539	MM14x1.5R
C4150L	Tie Rod End Left	1202549	FM14x1.5R
C4150R	Tie Rod End Right	1202548	FM14x1.5R
C5090L	Susp. Arm Left	1146131	
C5090R	Susp. Arm Right	1146130	
C1144LR	Ball Joint	2S613395AB	
C7073LR	Stabiliser Link Front	1146150	
C8748	Stabiliser Mounting	1152852	
C8233	Silentblock	Comp. of C5090L/R	ø 40
C8234	Silentblock	Comp. of C5090L/R	

GALAXY (WGR) 05/1995 - 04/2006

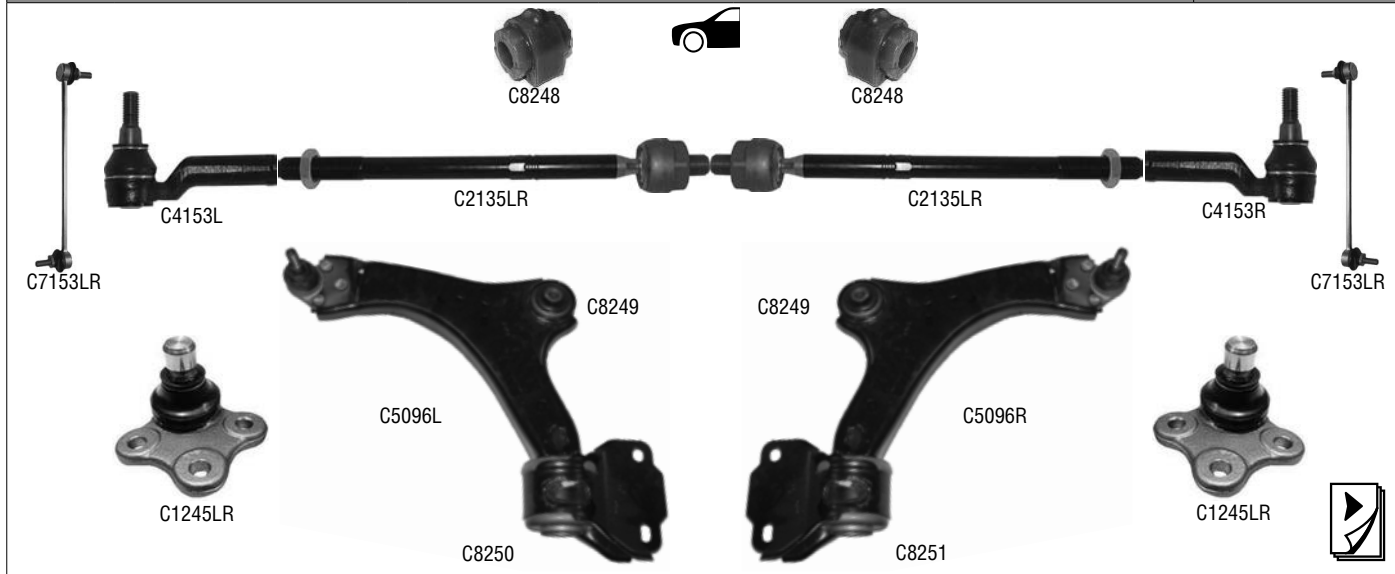


LYNX	Description	Original Number	Specification
C2134LR	Tie Rod	1001397	MM14X1.5R
C4152L	Tie Rod End Left	1058380	FM14x1.5R
C4152R	Tie Rod End Right	1092377	FM14x1.5R



LYNX	Description	Original Number	Specification	
C3005L	Side Rod Assy Left	1020497		
C3005R	Side Rod Assy Right	1020496		
C5095L	Susp. Arm Front Left	1007602		
C5095R	Susp. Arm Front Right	1012632		
C1147LR	Ball Joint	1111156		
C7088LR	Stabiliser Link	1009591		
C8060	Silentblock	1044571		
C8061	Silentblock	7201717	ø 34	
C8752	Silentblock	7403748		Exc. 4WD
C8753	Silentblock	7201723		

GALAXY / S-MAX 02/2006>



LYNX	Description	Original Number	Specification	
C2135LR	Tie Rod	1433271		
C4153L	Tie Rod End Left	1433274		
C4153R	Tie Rod End Right	1433273		
C5096L	Susp. Arm Left	1469026		
C5096R	Susp. Arm Right	1469024		
C1245LR	Ball Joint	Comp. of C5096L/R		
C7153LR	Stabiliser Link Front	1377849		
C8248	Stabiliser Mounting	1405532		
C8249	Silentblock	Comp. of C5096L/R		
C8250	Silentblock	Comp. of C5096L/R		
C8251	Silentblock	Comp. of C5096L/R		

• FORD



GALAXY / S-MAX 02/2006>



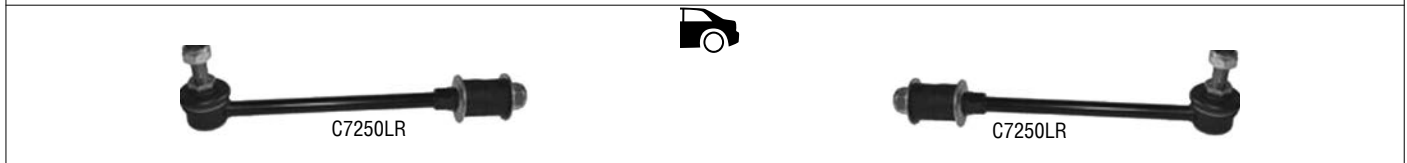
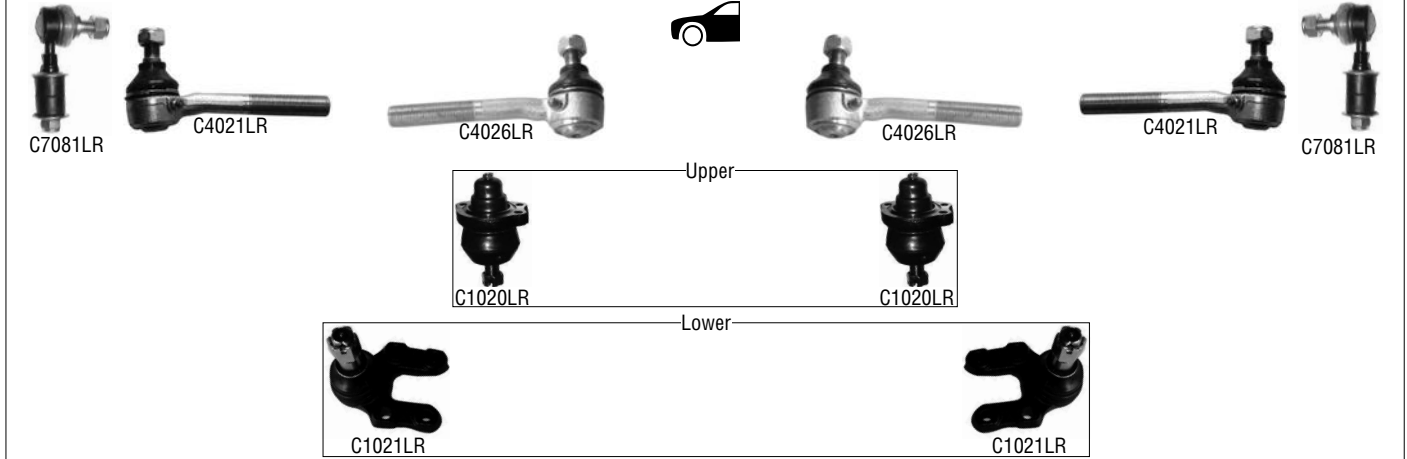
LYNX	Description	Original Number	Specification
C5104LR	Susp. Arm Rear	1426770	
C7154LR	Stabiliser Link Rear	1377416	

KA (RB_) 09/1996>



LYNX	Description	Original Number	Specification
C2131LR	Tie Rod	92FB3L519AA	MM14X1.5R 04/03, Exc. 1.6
C4149LR	Tie Rod End	1032689	
C1143LR	Ball Joint	1030025	
C7148LR	Stabiliser Link Front	1004018	
C8229	Silentblock	1035929	ø 54
C8230	Silentblock	1000445	ø 46

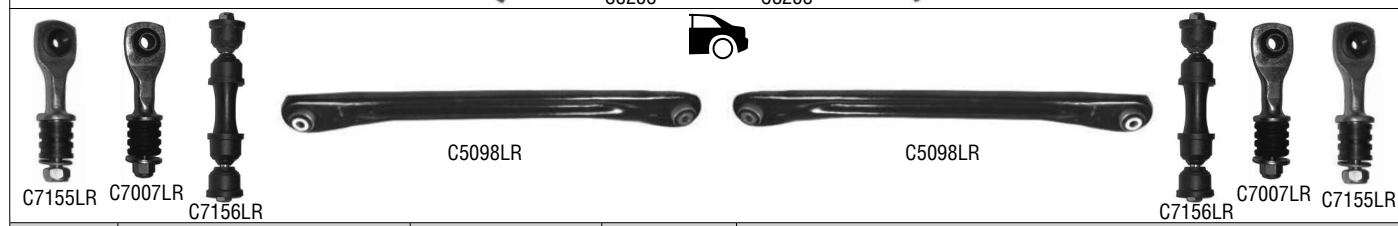
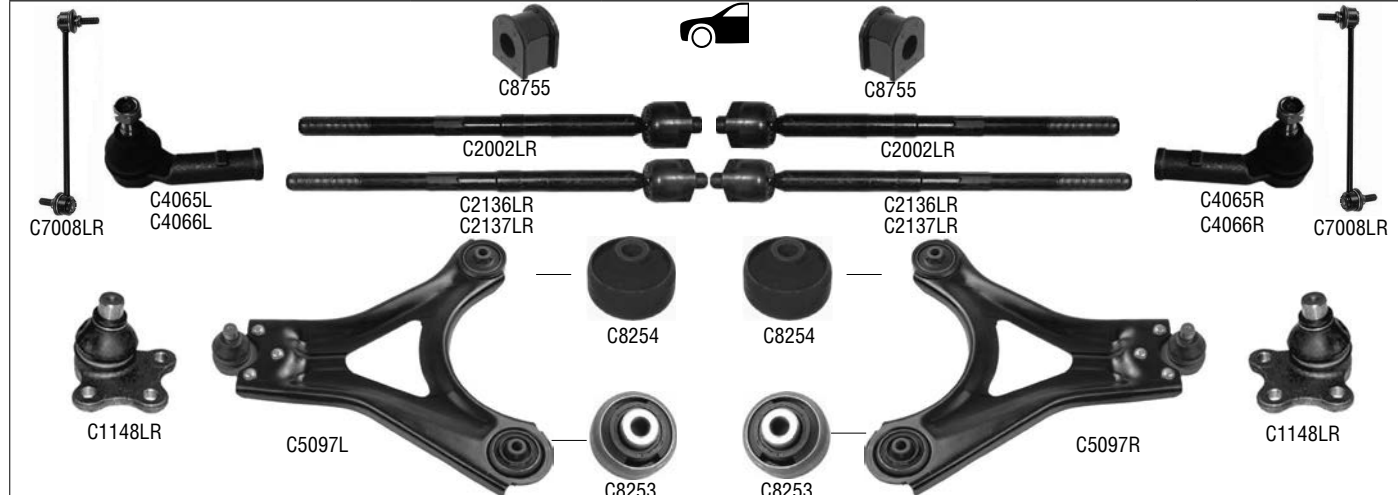
MAVERICK (UDS, UNS) 02/1993 - 04/1998



LYNX	Description	Original Number	Specification
C4021LR	Tie Rod End Outer	1961668	MM16X1.5R
C4026LR	Tie Rod End Inner	1961669	MM16X1.5L
C1020LR	Ball Joint Upper	40110-01G00	
C1021LR	Ball Joint Lower	40160-0F000	>05/96
C7081LR	Stabiliser Link	54618-0F000	
C7250LR	Stabiliser Link	56260-0F001	

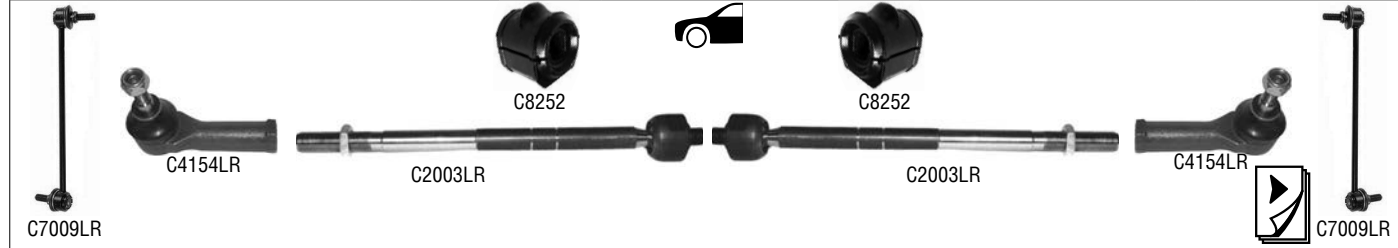


MONDEO I-II 02/1993 - 11/2000



LYNX	Description	Original Number	Specification	
C2002LR	Tie Rod	3903147	MM14X1.5R	14» Wheels
C2136LR	Tie Rod	6832049	MM14X1.5R	Mondeo I, 15» Wheels
C2137LR	Tie Rod	3903149	MM14X1.5R	Mondeo II, 15» Wheels
C4065L	Tie Rod End Left	5027451	FM16X1.5R	Mondeo I
C4065R	Tie Rod End Right	5027452	FM16X1.5R	Mondeo I
C4066L	Tie Rod End Left	1035690	FM16X1.5R	Mondeo II
C4066R	Tie Rod End Right	1097316	FM16X1.5R	Mondeo II
C5097L	Susp. Arm Left	1023028		Exc. 2.5 V6
C5097R	Susp. Arm Right	1023026		Exc. 2.5 V6
C5098LR	Susp. Arm Rear	6867577		
C1148LR	Ball Joint	93BB3395AC		
C7008LR	Stabiliser Link	1106269		
C7155LR	Stabiliser Link	7014210		>10/94
C7007LR	Stabiliser Link	1039511		10/94-07/98
C7156LR	Stabiliser Link	1072446		07/98>
C8755	Stabiliser Mounting	1128725		
C8253	Silentblock	1023058		
C8254	Silentblock	1102950		

MONDEO III (B5Y, B4Y, BWY) 10/2000 - 06/2007

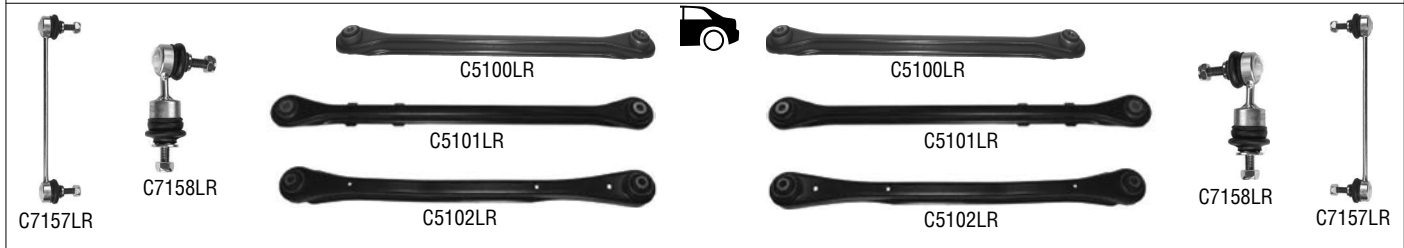
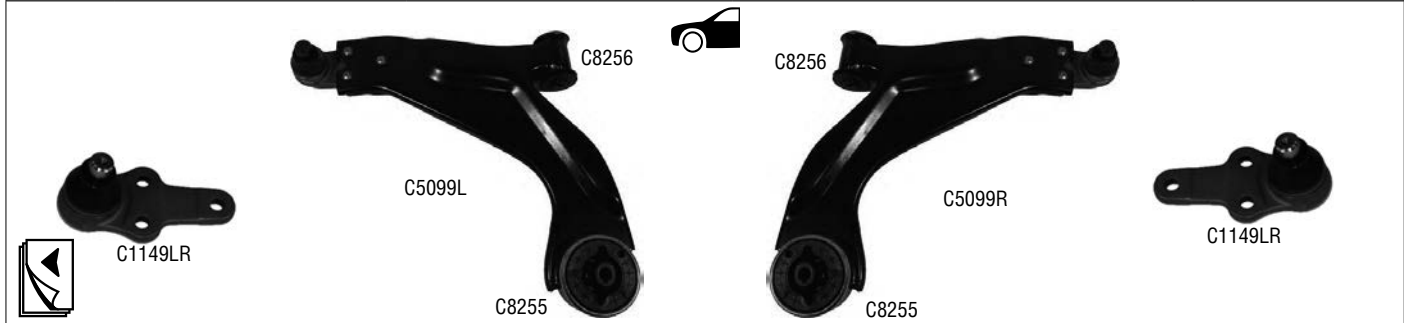


LYNX	Description	Original Number	Specification	
C2003LR	Tie Rod	4111327	MM14X1.5R	
C4154LR	Tie Rod End	1138313	FM16X1.5R	
C7009LR	Stabiliser Link	1127646		
C8252	Stabiliser Mounting	1116602		

• FORD

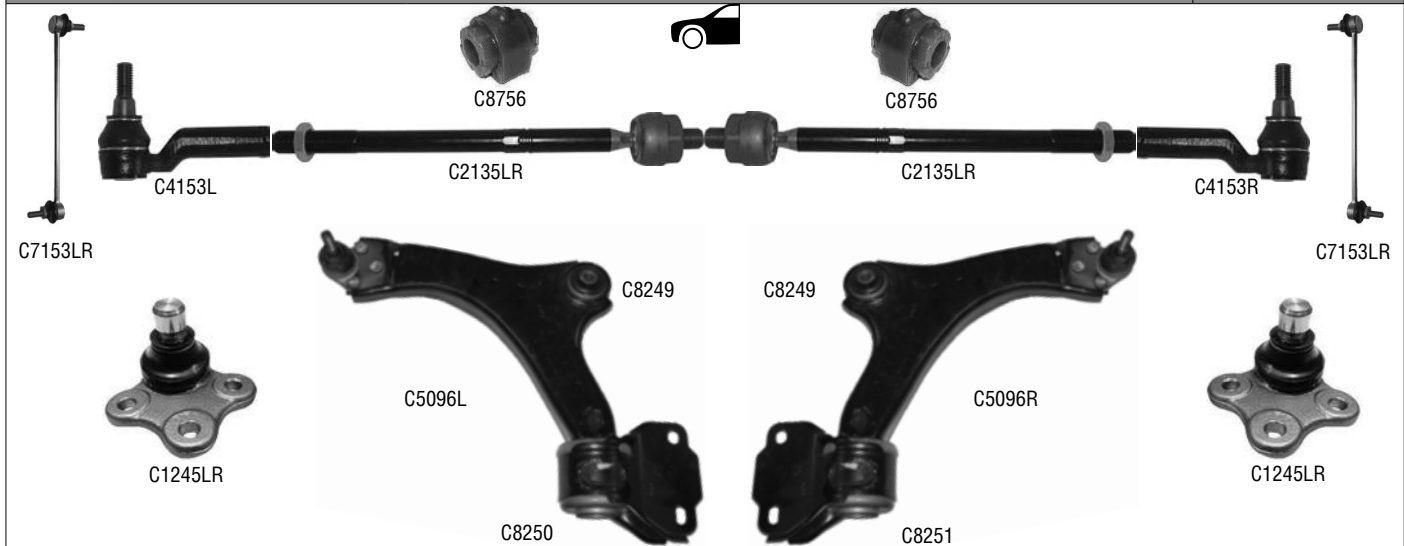


MONDEO III (B5Y, B4Y, BWY) 10/2000 - 06/2007

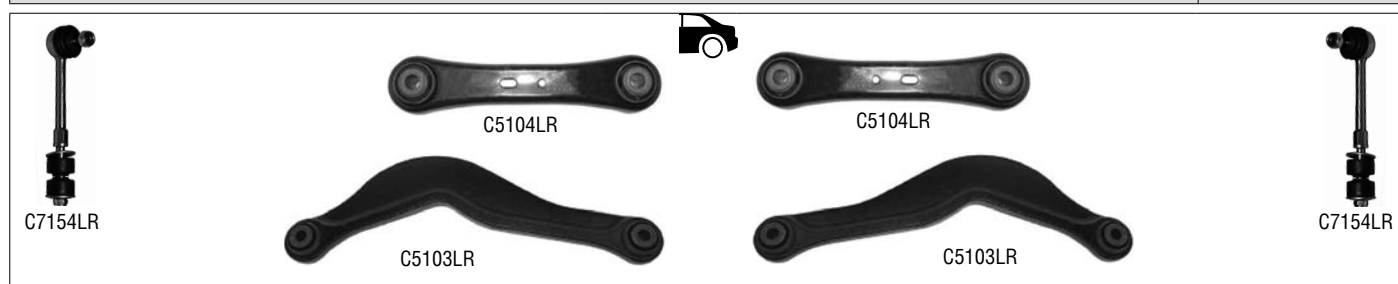


LYNX	Description	Original Number	Specification	
C5099L	Susp. Arm Left	1116579		
C5099R	Susp. Arm Right	1116578		
C5100LR	Susp. Arm Rear	1117859		
C5101LR	Susp. Arm Rear	1117857		
C5102LR	Susp. Arm Rear	1124242		
C1149LR	Ball Joint	Comp. of C5099L/R		
C7157LR	Stabiliser Link	1127648		Sedan
C7158LR	Stabiliser Link	1130452		Estate
C8255	Silentblock	1S71-3A262-A01	ø 77.3	
C8256	Silentblock	1S71-306S-A0	ø 35.3	

MONDEO IV (CA2) 01/2007>

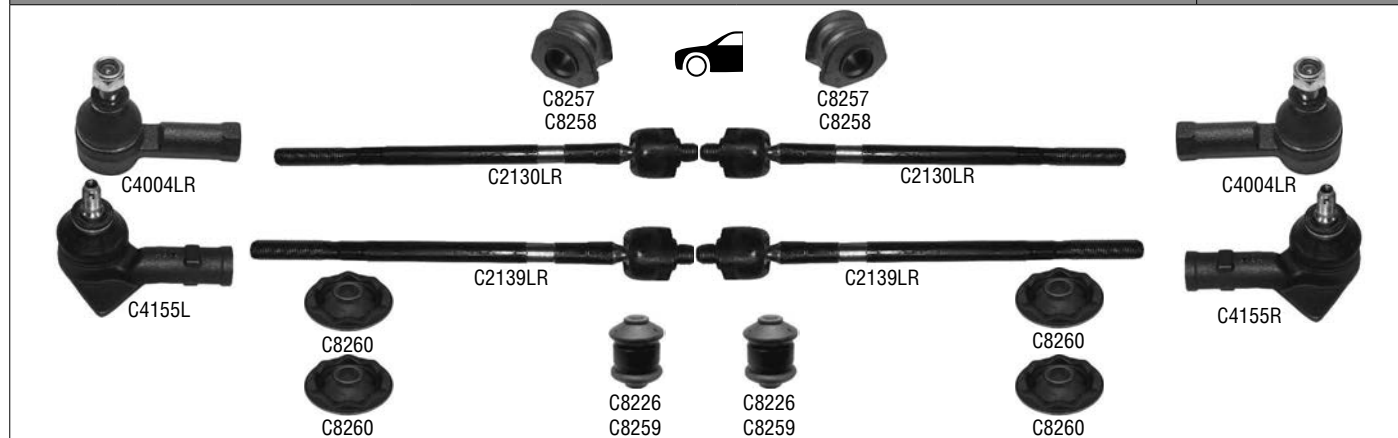


LYNX	Description	Original Number	Specification	
C2135LR	Tie Rod	1433271		
C4153L	Tie Rod End Left	1433274		
C4153R	Tie Rod End Right	1433273		
C5096L	Susp. Arm Left	1469026		
C5096R	Susp. Arm Right	1469024		
C1245LR	Ball Joint	Comp. of C5096L/R		
C7153LR	Stabiliser Link Front	1377849		
C8756	Stabiliser Mounting	1478582		



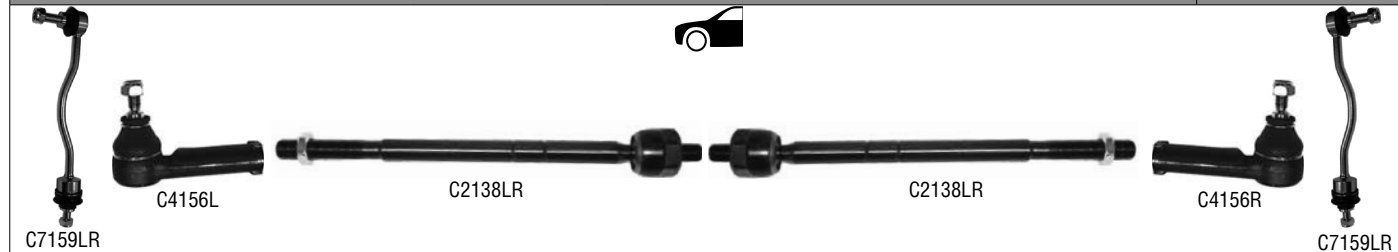
LYNX	Description	Original Number	Specification
C5104LR	Susp. Arm Rear	1426770	
C5103LR	Susp. Arm Rear	1457609	
C7154LR	Stabiliser Link Rear	1377416	
C8249	Silentblock	Comp. of C5096L/R	
C8250	Silentblock	Comp. of C5096L/R	
C8251	Silentblock	Comp. of C5096L/R	

SCORPIO I (GAE, GGE) 04/1985 - 12/1994
SIERRA 08/1982 - 02/1993



LYNX	Description	Original Number	Specification
C2130LR	Tie Rod	6185338	MM14X1.5R Scorpio
C2139LR	Tie Rod	6131083	MM14X1.5R Sierra
C4004LR	Tie Rod End	5021415	FM14X2R Scorpio, Exc. 4WD
C4155L	Tie Rod End Left	5021414	FM14x2R Sierra / Scorpio 4WD
C4155R	Tie Rod End Right	5021413	FM14X2R Sierra / Scorpio 4WD
C8257	Stabiliser Mounting	6143189	ø 26
C8258	Stabiliser Mounting	1630507	ø 27
C8259	Silentblock	6192705	ø 34.2 Scorpio
C8226	Silentblock	6087890	ø 33 Sierra
C8260	Silentblock	1656752	

SCORPIO II (GFR, GGR) 10/1994 - 08/1999

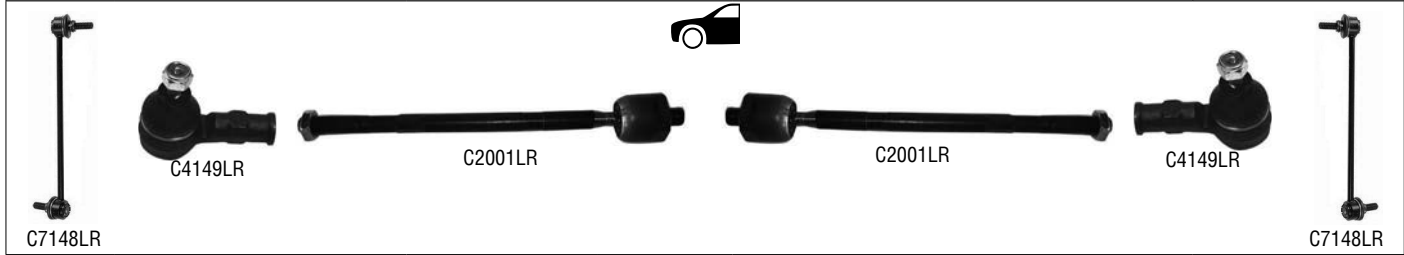


LYNX	Description	Original Number	Specification
C2138LR	Tie Rod	1029836	MM14X1.5R
C4156L	Tie Rod End Right	5030221	FM16X1.5R
C4156R	Tie Rod End Left	5030222	FM16X1.5R
C7159LR	Stabiliser Link	1217036	

• FORD

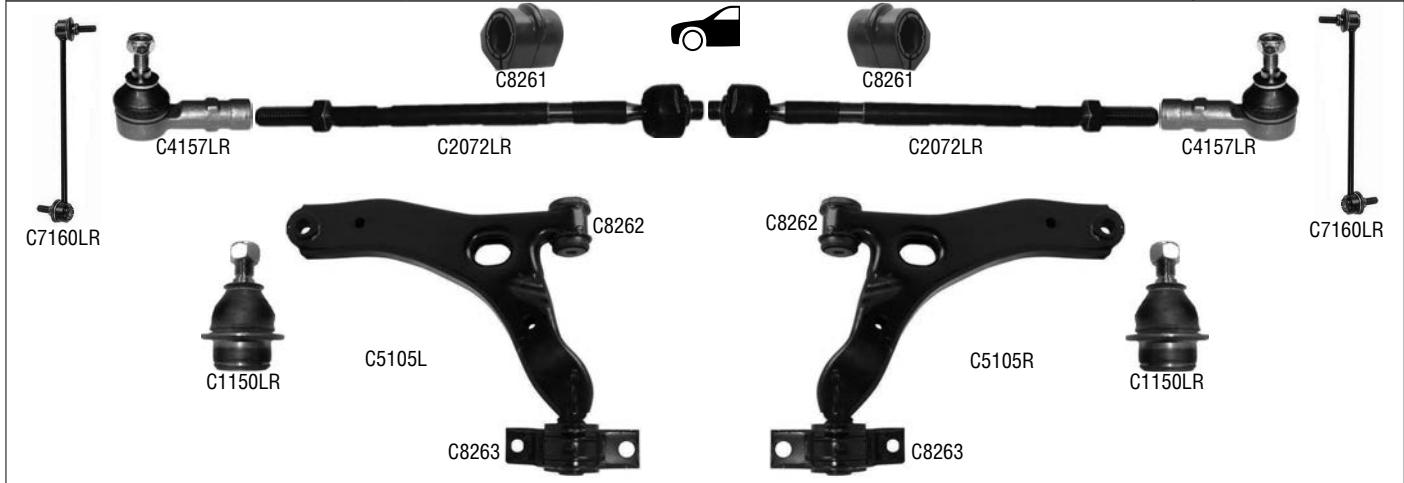


STREET KA 05/2003 - 07/2005



LYNX	Description	Original Number	Specification
C2001LR	Tie Rod	4342539	MM14x1.5R
C4149LR	Tie Rod End	1032689	
C7148LR	Stabiliser Link Front	1004018	

TOURNEO CONNECT
TRANSIT CONNECT 09/2002>

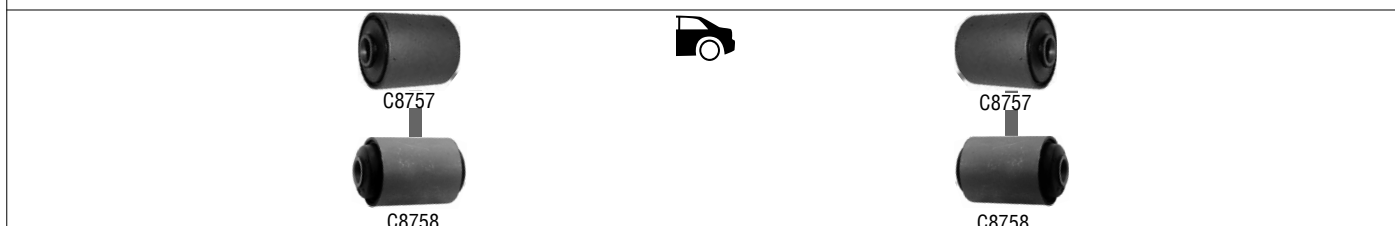


LYNX	Description	Original Number	Specification
C2072LR	Tie Rod	1085520	MM14X1.5R
C4157LR	Tie Rod End	4381840	FM14X2R
C5105L	Susp. Arm Left	4366974	
C5105R	Susp. Arm Right	4366973	
C1150LR	Ball Joint	4616978	
C7160LR	Stabiliser Link Front	4367012	
C7161LR	Stabiliser Link Rear	4436609	
C8261	Stabiliser Mounting	4385316	
C8262	Silentblock	4366976	ø 40
C8263	Silentblock	Comp. of C5105L/R	

TRANSIT IV (80, 100, 100L, 120, 130, 150, 190, 230) 09/1991 - 03/2000

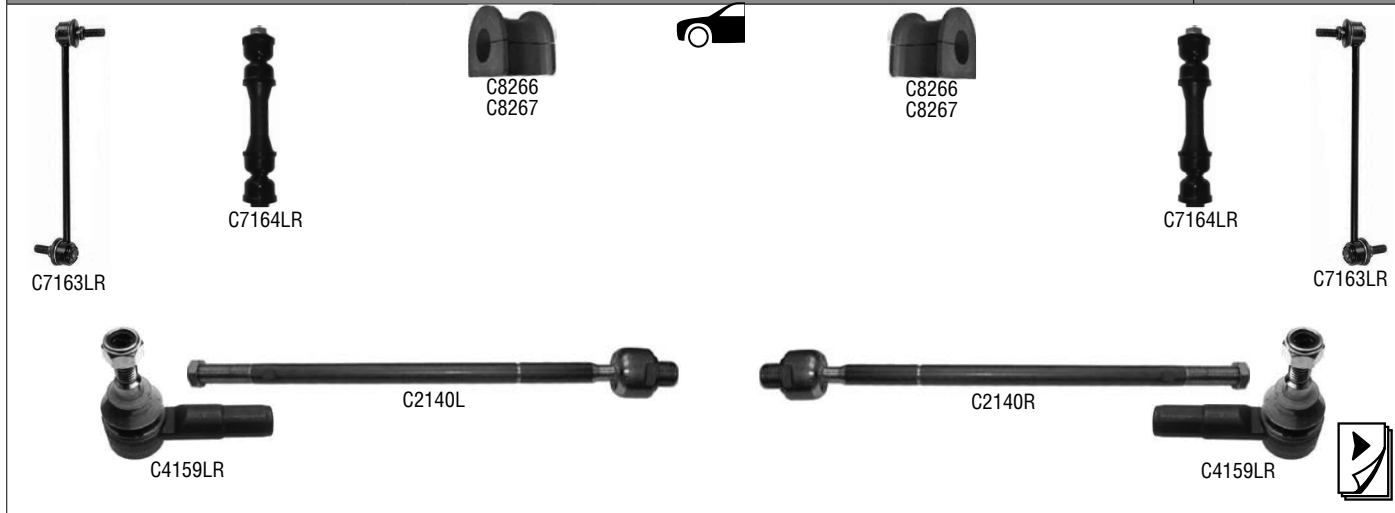


LYNX	Description	Original Number	Specification
C2070LR	Tie Rod	6869951	MM16X1.5R
C4158LR	Tie Rod End	6517364	FM16X1.5R



LYNX	Description	Original Number	Specification
C5106L	Susp. Arm Left	6608832	
C5106R	Susp. Arm Right	6608830	
C1151LR	Ball Joint Lower	1055194	
C7162L	Stabiliser Link Left	6150971	
C7162R	Stabiliser Link Right	6150970	
C8264	Silentblock	6608818	
C8265	Silentblock	6517356	
C8757	Silentblock	6197149	
C8758	Silentblock	6197146	

TRANSIT V (FY) 06/2000 - 12/2006
TRANSIT VI (TT9) 04/2006>

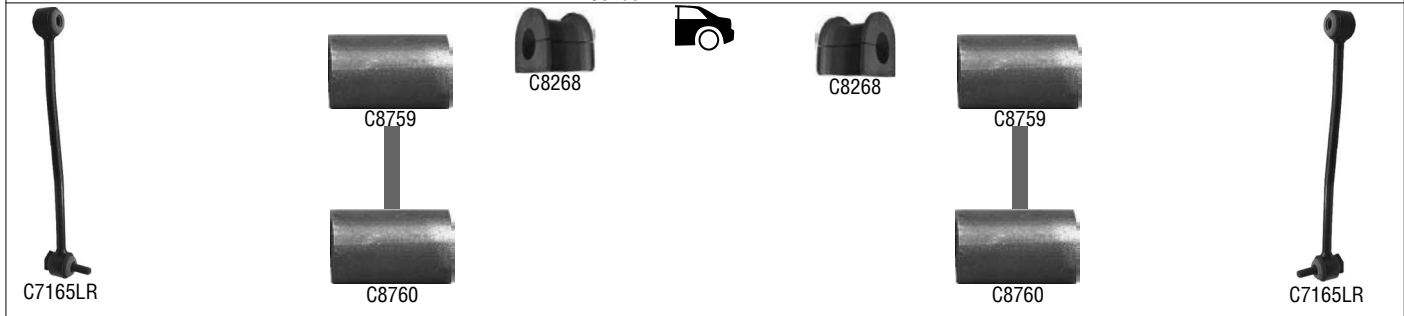
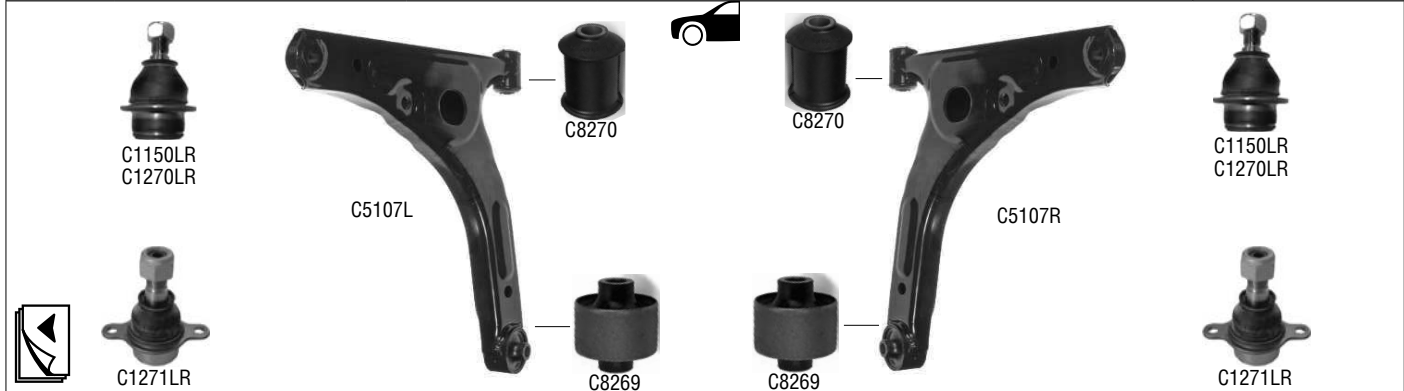


LYNX	Description	Original Number	Specification
C2140L	Tie Rod Left	4059923	MM16X1.5R
C2140R	Tie Rod Right	4059924	MM20X1.5R
C4159LR	Tie Rod End	4047091	FM16X1.5R
C7164LR	Stabiliser Link	3736028	260 / 280 / 300
C7163LR	Stabiliser Link	1495685	330 / 350
C8266	Stabiliser Mounting Front	4041489	∅ 23 260 / 280 / 300
C8267	Stabiliser Mounting Front	4671720	∅ 20 330 / 350

• **FORD - HONDA**

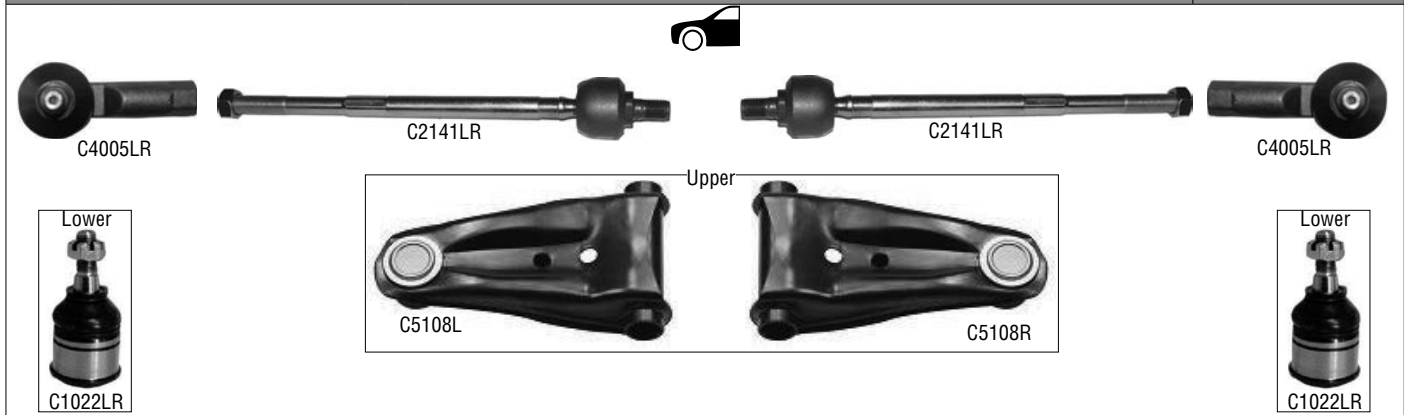


TRANSIT V (FY) 06/2000 - 12/2006
TRANSIT VI (TT9) 04/2006>



LYNX	Description	Original Number	Specification	
C5107L	Susp. Arm Left	4042023		Standart Chassis
C5107R	Susp. Arm Right	4042022		Standart Chassis
C1150LR	Ball Joint	4120734		V Standart Chassis
C1270LR	Ball Joint	1417352		VI Standart Chassis
C1271LR	Ball Joint	1417351		VI H/D Chassis, RWD
C7165LR	Stabiliser Link	4531299		
C8268	Stabiliser Mounting Rear	4041490	ø 29	
C8269	Silentblock	4042024	ø 65.7	Standart Chassis
C8270	Silentblock	4131788	ø 37	Standart Chassis
C8759	Silentblock	4055743		V
C8760	Silentblock	4041521		V

HONDA
ACCORD III (CA4-CA5) 11/1985 - 12/1989

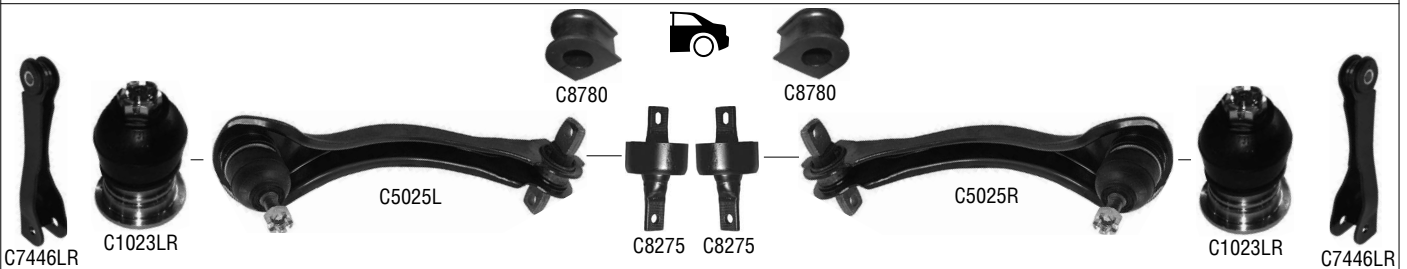
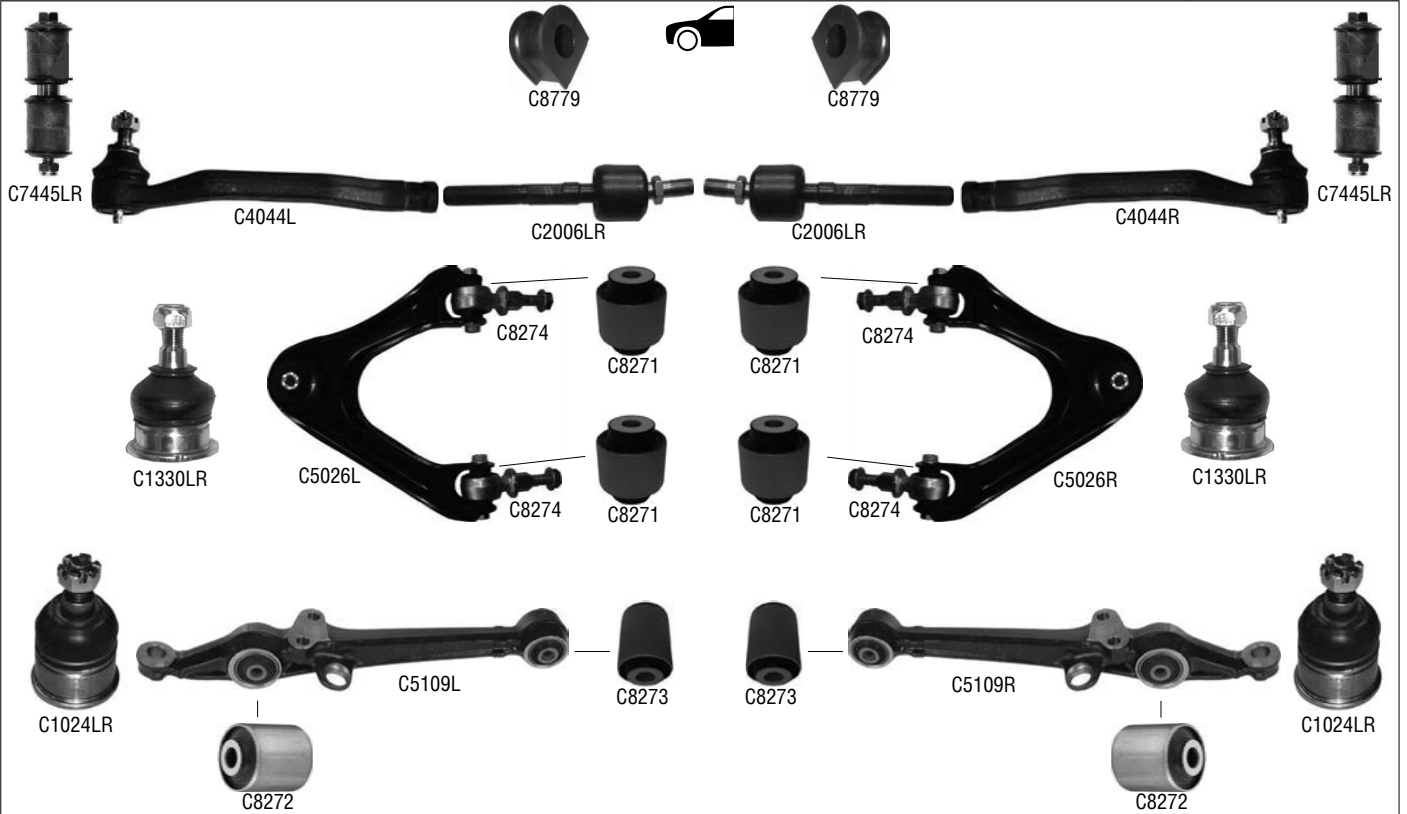


LYNX	Description	Original Number	Specification	
C2141LR	Tie Rod	53521-SA0-003		
C4005LR	Tie Rod End	53540-611-010	FM12X1.25R	
C5108L	Susp. Arm Upper Left	51469-SE0-000		
C5108R	Susp. Arm Upper Right	51459-SE0-000		
C1022LR	Ball Joint Lower	51220-SE0-000		



ACCORD IV (CB1-CB3-CB5-CB7)

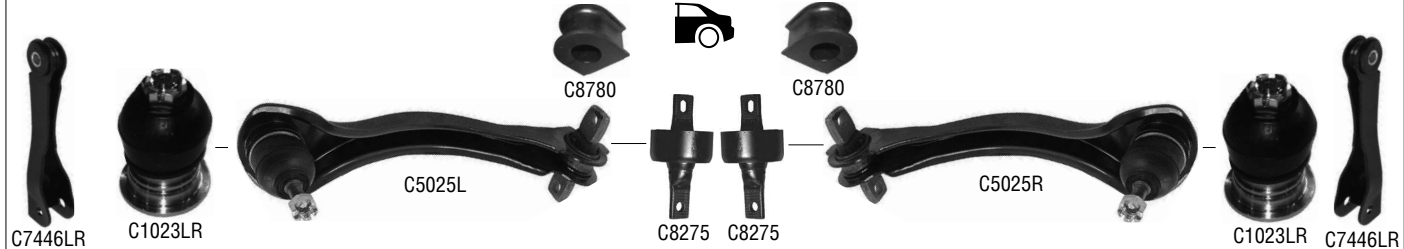
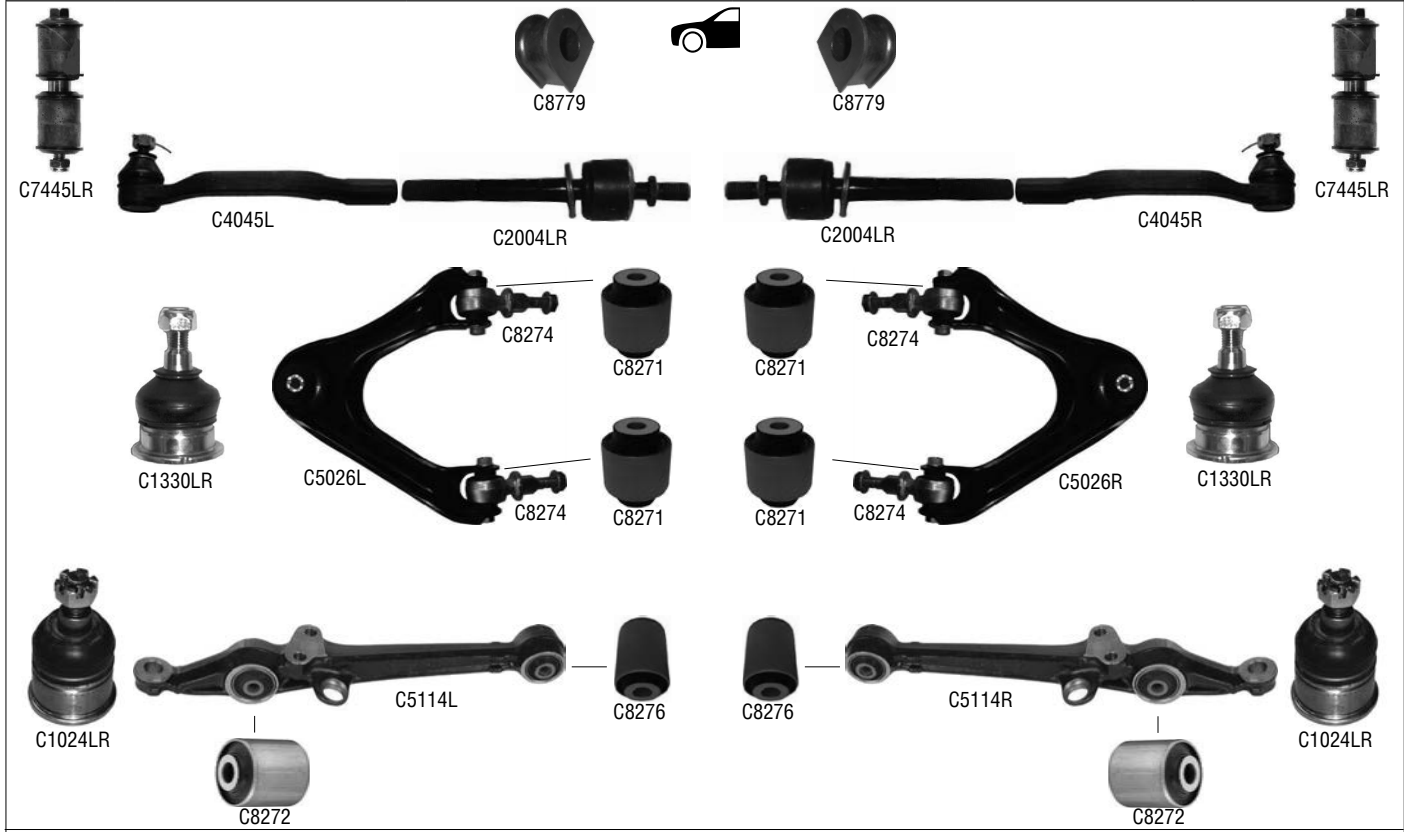
01/1990 - 03/1993



LYNX	Description	Original Number	Specification
C2006LR	Tie Rod	53521-SM4-013	MM12X1.25R
C4044L	Tie Rod End Left	53560-SM4-003	FM14x1.5R
C4044R	Tie Rod End Right	53540-SM4-003	FM14x1.5R
C5109L	Susp. Arm Lower Left	51365-SM4-040	
C5109R	Susp. Arm Lower Right	51355-SM4-040	
C5026L	Susp. Arm Upper Left	51460-SV4-000	
C5026R	Susp. Arm Upper Right	51450-SV4-000	
C5025L	Susp. Arm Rear Left	52400-SM1-A03	
C5025R	Susp. Arm Rear Right	52390-SM1-A03	
C1330LR	Ball Joint Upper	Comp. of C5026L/R	ø 33.4
C1024LR	Ball Joint Lower	51220-SM4-013	
C1023LR	Ball Joint Upper Rear	51270-SM4-A04	
C7445LR	Stabiliser Link Front	51312-SM4-000	
C7446LR	Stabiliser Link Rear	52306-SE0-A00	
C8779	Stabilizer Mounting	51306-SM4-010	
C8780	Stabilizer Mounting	52315-SJ4-000	
C8271	Silentblock	52365-SM4-005	ø 34
C8272	Silentblock	51810-SM4-004	ø 42
C8273	Silentblock	51393-SM4-013	ø 35
C8274	Silentblock	Comp. of C5026L/R	
C8275	Silentblock	52370-SR3-J00	ø 80



ACCORD V (CC7, CE, CF) / ACCORD V COUPE (CD7-CD9) 03/1993 - 10/1998

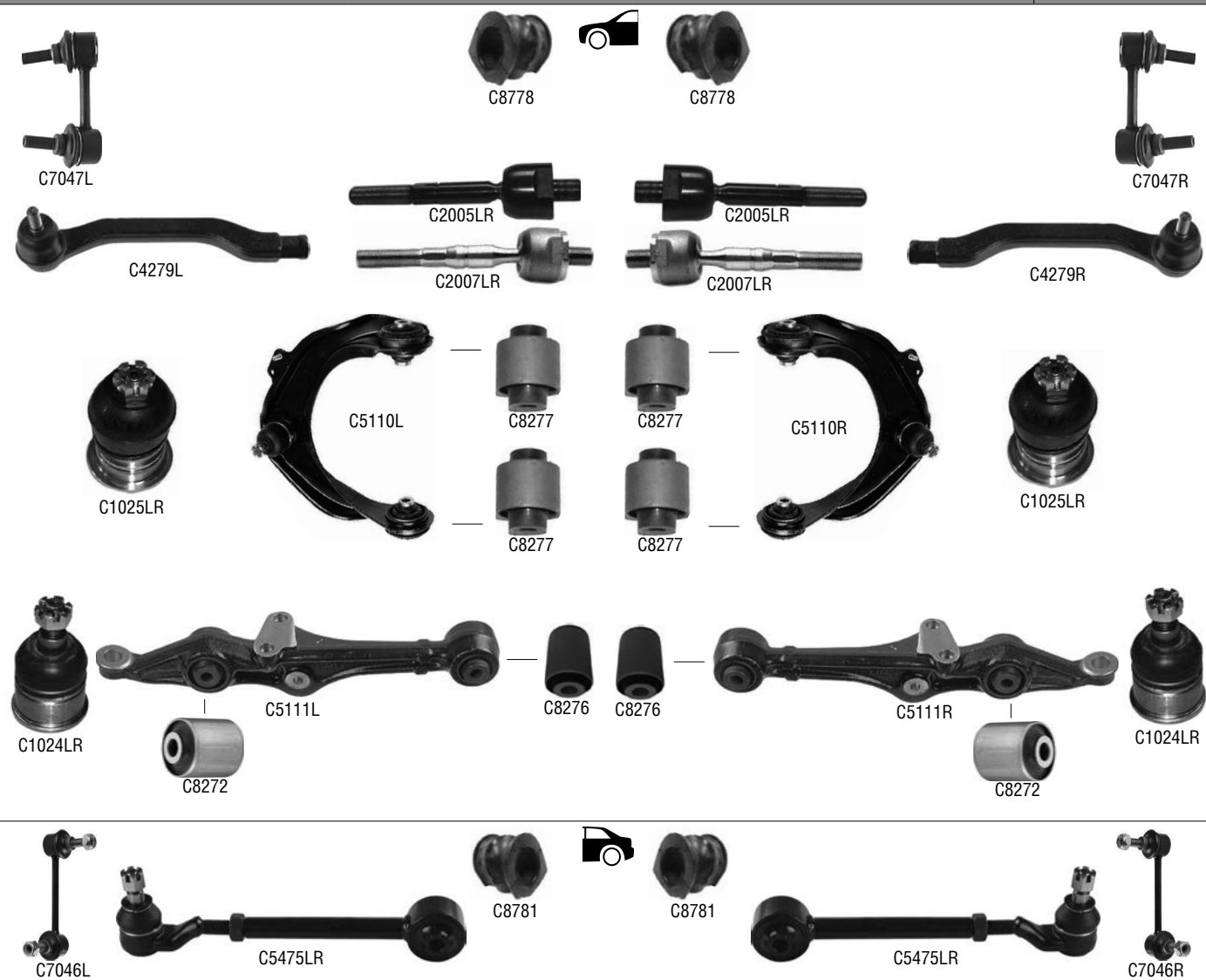


LYNX	Description	Original Number	Specification
C2004LR	Tie Rod	53010-SV4-000	MM12x1.25R
C4045L	Tie Rod End Left	53560-SV4-003	FM14x1.5R
C4045R	Tie Rod End Right	53540-SV4-003	FM14x1.5R
C5026L	Susp. Arm Upper Left	51460-SV4-000	
C5026R	Susp. Arm Upper Right	51450-SV4-000	
C5114L	Susp. Arm Lower Left	51365-SV7-A00	
C5114R	Susp. Arm Lower Right	51355-SV7-A00	
C5025L	Susp. Arm Rear Left	52400-SM1-A03	
C5025R	Susp. Arm Rear Right	52390-SM1-A03	
C1330LR	Ball Joint Upper	Comp. of C5026L/R	ø 33.4
C1024LR	Ball Joint Lower	51220-SM4-013	
C1023LR	Ball Joint Upper Rear	51270-SM4-A04	
C7445LR	Stabiliser Link Front	51312-SM4-000	
C7446LR	Stabiliser Link Rear	52306-SE0-A00	
C8779	Stabilizer Mounting	51306-SM4-010	
C8780	Stabilizer Mounting	52315-SJ4-000	
C8271	Silentblock	52365-SM4-005	ø 34
C8272	Silentblock	51810-SM4-004	ø 42
C8274	Silentblock	Comp. of C5026L/R	
C8276	Silentblock		
C8275	Silentblock	52370-SR3-J00	ø 80



ACCORD VI (CG, CH)

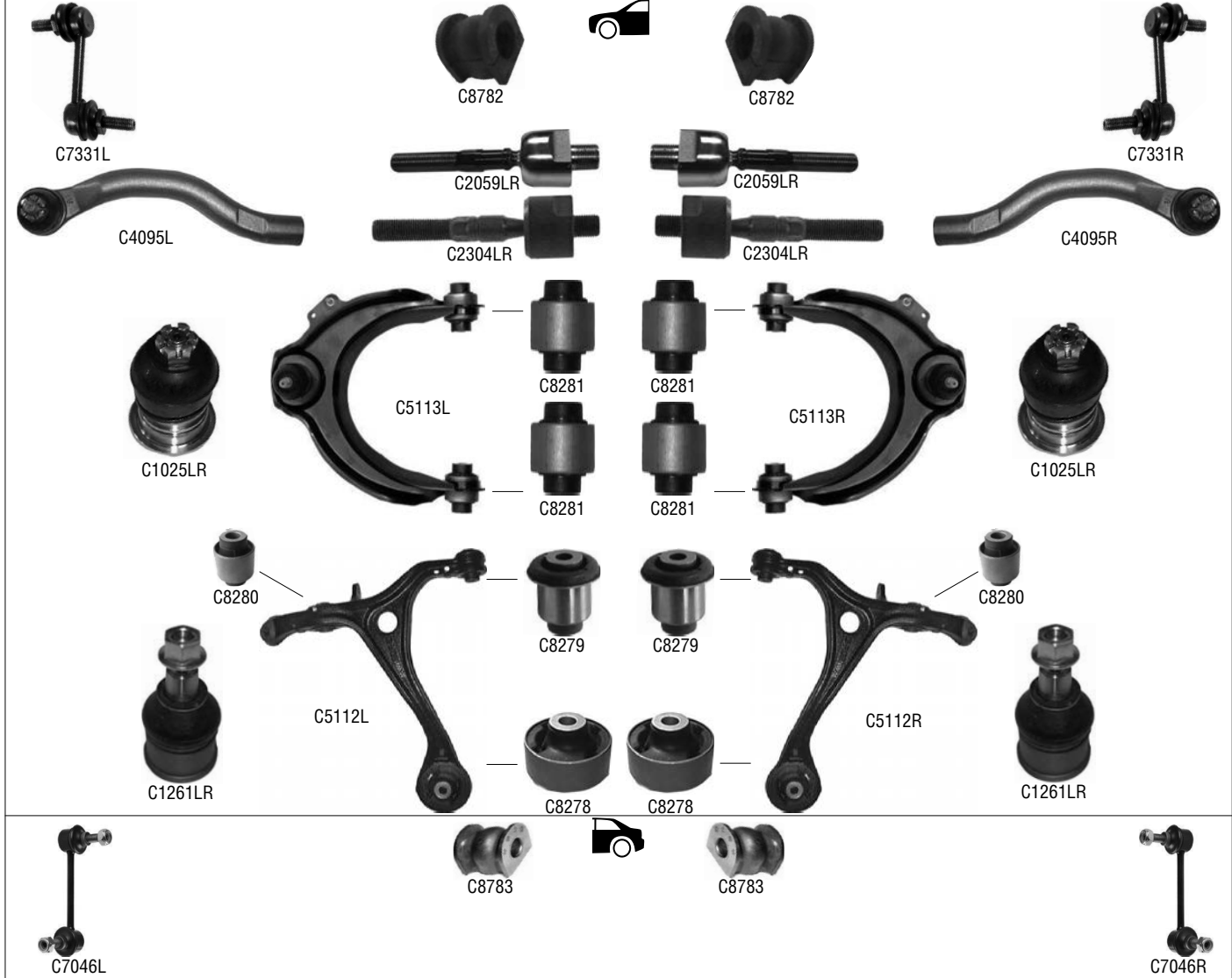
10/1998 - 12/2002



LYNX	Description	Original Number	Specification	
C2005LR	Tie Rod	53010-S84-A01	MM16X1.5R	Exc.3.0
C2007LR	Tie Rod	53010-S87-A01	MM14X1.5R	3.0
C4279L	Tie Rod End Left	53560-S1A-E01	MM14x1.5R	
C4279R	Tie Rod End Right	53540-S1A-E01	MM14x1.5R	
C5111L	Susp. Arm Lower Left	51365-S1A-E00		
C5111R	Susp. Arm Lower Right	51355-S1A-E00		
C5110L	Susp. Arm Upper Left	51460-S1A-E01		
C5110R	Susp. Arm Upper Right	51450-S1A-E01		
C5475LR	Susp. Arm Rear	52390-S84-A01		
C1025LR	Ball Joint Upper	Comp. of C5110L/R	ø 35.2	
C1024LR	Ball Joint Lower	51220-SM4-013		
C7047L	Stabiliser Link Left	51321-S84-A01		
C7047R	Stabiliser Link Right	51320-S84-A01		
C7046L	Stabiliser Link Left	52325-S84-A01		
C7046R	Stabiliser Link Right	52320-S84-A01		
C8778	Stabilizer Mounting	51306-SW3-003		
C8781	Stabilizer Mounting	52306-S0A-015		
C8272	Silentblock	51810-SM4-004	ø 42	
C8276	Silentblock			
C8277	Silentblock		ø 38.4	



ACCORD VII (CL, CM) 02/2003>

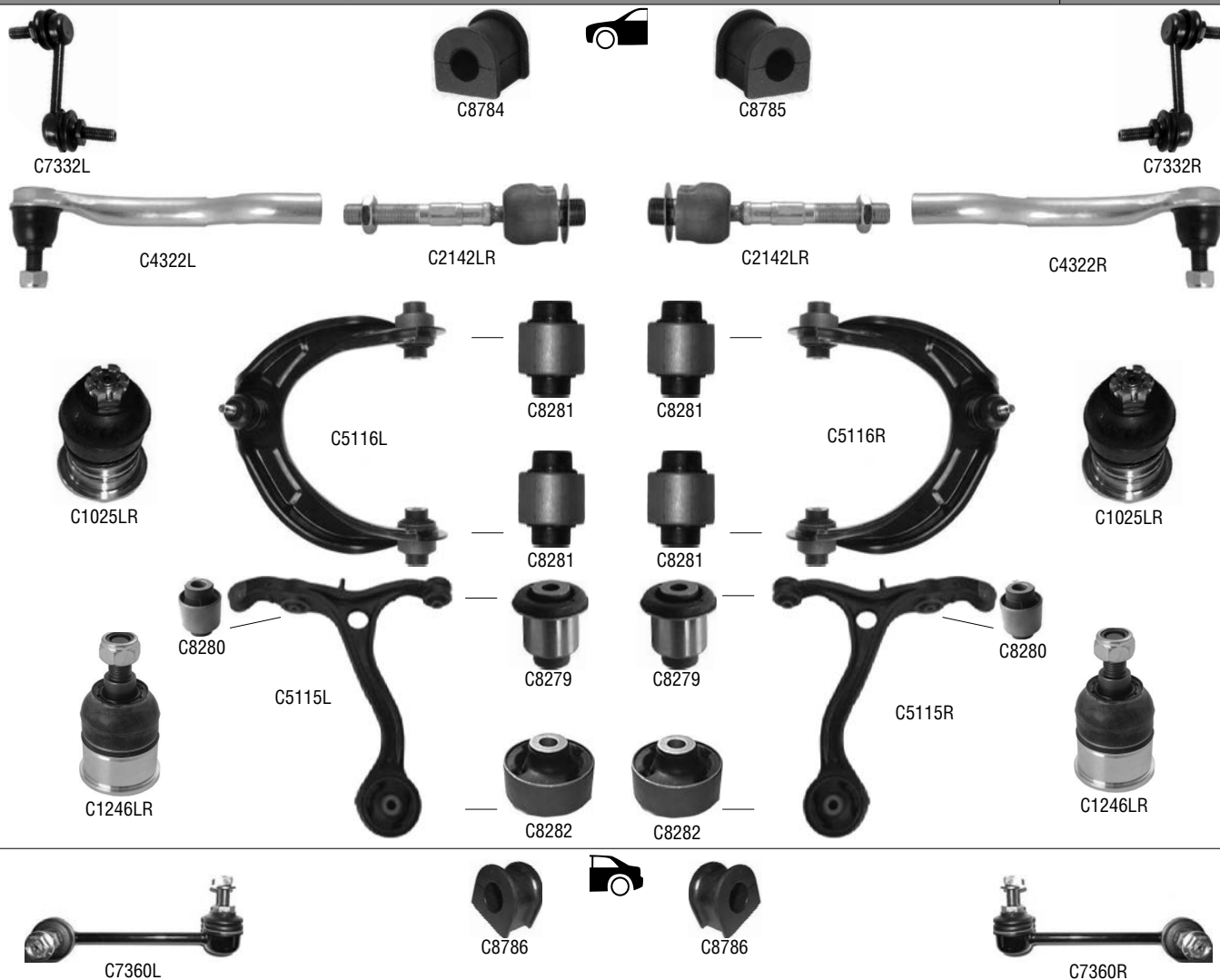


LYNX	Description	Original Number	Specification	
C2059LR	Tie Rod	53010-SDA-A01	MM18X1.5R	
C2304LR	Tie Rod	53010-SDB-A01		USA
C4095L	Tie Rod End Left	53560-SDA-A01		
C4095R	Tie Rod End Right	53540-SDA-A01		
C5112L	Susp. Arm Lower Left	51360-SEA-E01		Exc. Tourer
C5112R	Susp. Arm Lower Right	51350-SEA-E01		Exc. Tourer
C5113L	Susp. Arm Upper Left	51460-SDA-A01		
C5113R	Susp. Arm Upper Right	51450-SDA-A01		
C1261LR	Ball Joint Lower	Comp. of C5112L/R		Exc. Tourer
C1025LR	Ball Joint Upper	Comp. of C5113L/R		ø 35.2
C7331L	Stabiliser Link Front Left	51321-SEA-E01		
C7331R	Stabiliser Link Front Right	51320-SEA-E01		
C7046L	Stabiliser Link Left	52325-S84-A01		
C7046R	Stabiliser Link Right	52320-S84-A01		
C8782	Stabilizer Mounting	51306-SEA-E02		
C8783	Stabilizer Mounting	52306-SDA-A01		
C8281	Silentblock			
C8278	Silentblock	51391-SEA-004		Exc. Tourer
C8279	Silentblock	51393-SEA-004		Exc. Tourer
C8280	Silentblock	51810-SDA-A01		Exc. Tourer



ACCORD VIII

07/2008>



LYNX	Description	Original Number	Specification	
C2142LR	Tie Rod	53610-TL1-G01	MM18x1.5R	
C4322L	Tie Rod End Left	53560-TA0-A01	FM14x1.5R	
C4322R	Tie Rod End Right	53540-TA0-A01	FM14x1.5R	
C5116L	Susp. Arm Upper Left	51520-TA0-A03		
C5116R	Susp. Arm Upper Right	51510-TA0-A03		
C5115L	Susp. Arm Lower Left	51360-TA0-A00		
C5115R	Susp. Arm Lower Right	51350-TA0-A00		
C1025LR	Ball Joint Upper	Comp. of C5116L/R		ø 35.2
C1246LR	Ball Joint Lower	51220-TA0-A02	ø 48.6	
C7332L	Stabiliser Link Front Left	51325-TA0-A01		
C7332R	Stabiliser Link Front Right	51320-TA0-A01		
C7360L	Stabiliser Link Rear Left	52325-TA0-A01		
C7360R	Stabiliser Link Rear Right	52320-TA0-A01		
C8784	Stabilizer Mounting Left	51307-TL0-G01		
C8785	Stabilizer Mounting Right	51306-TL0-G01		
C8786	Stabilizer Mounting	52306-TA1-A02		
C8281	Silentblock	Comp. of C5116L/R		
C8280	Silentblock	51810-SDA-A01		
C8279	Silentblock	51393-SDA-A02		
C8282	Silentblock	51391-TA0-A01	ø 80	

• HONDA

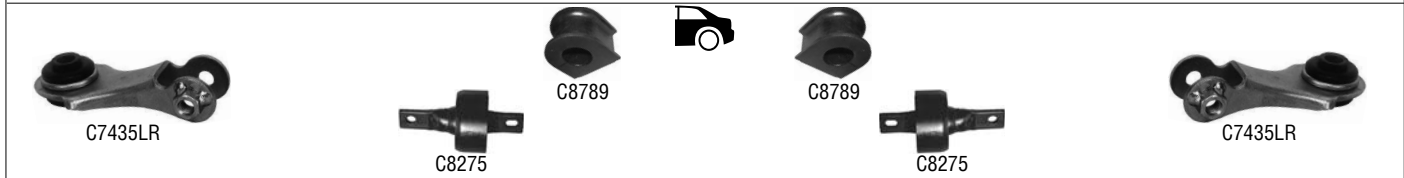


CIVIC III 09/1983 - 11/1987



LYNX	Description	Original Number	Specification
C2143LR	Tie Rod	53521-SB2-003	MM12X1.25R
C4005LR	Tie Rod End	53540-611-010	FM12X1.25R

CIVIC IV (EC-ED-EE) 09/1987 - 07/1991

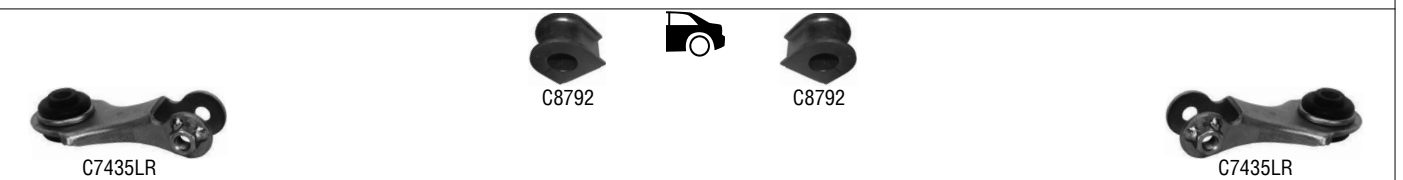
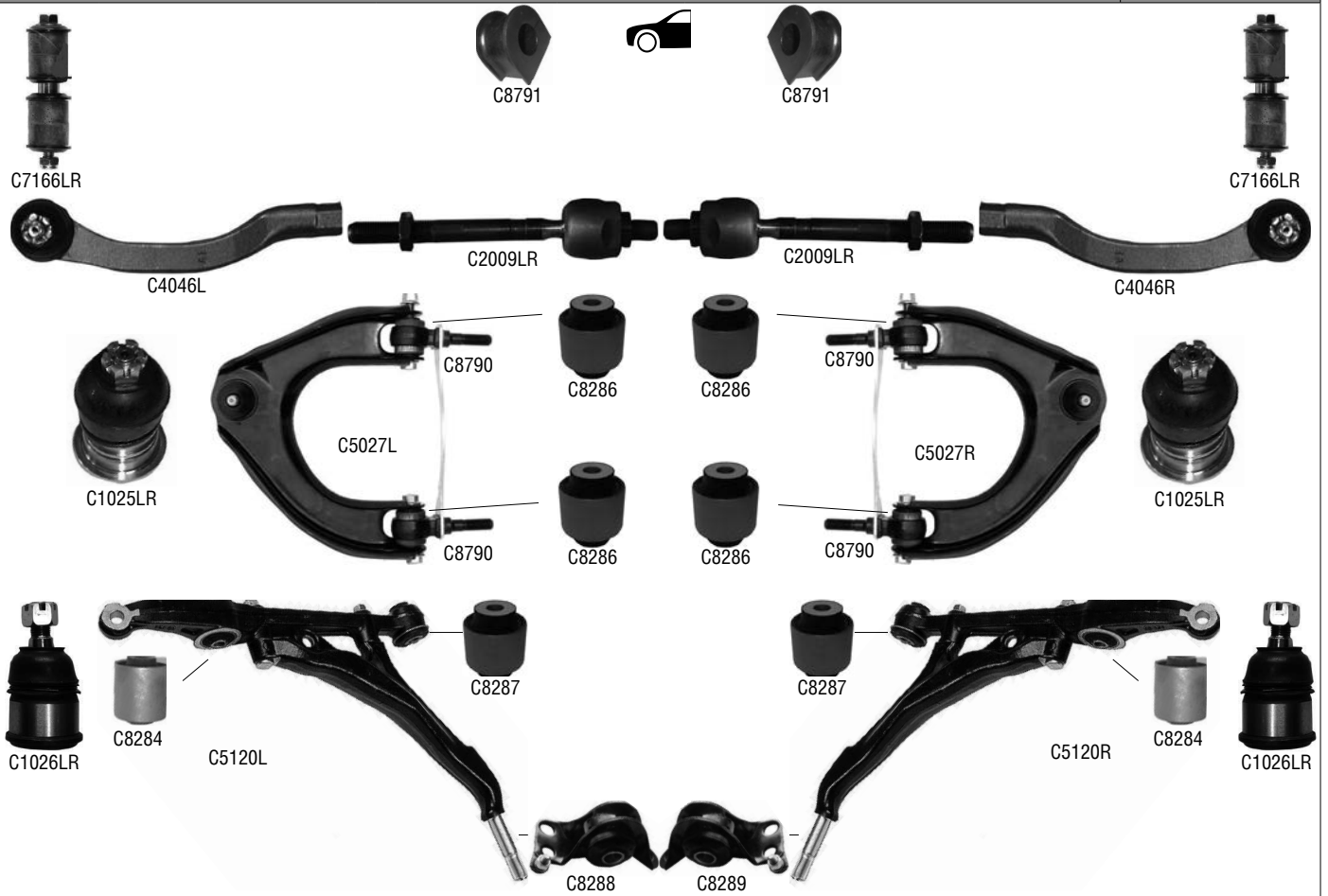


LYNX	Description	Original Number	Specification	
C2010LR	Tie Rod	53521-SH3-003	MM12x1.25R	
C4047L	Tie Rod End	53560-SH3-003	FM14x1.5R	
C4047R	Tie Rod End	53540-SH3-003	FM14x1.5R	
C5118L	Susp. Arm Upper Left	51460-SH3-000		
C5118R	Susp. Arm Upper Right	51450-SH3-000		
C5119L	Susp. Arm Lower Left	51365-SH3-020		
C5119R	Susp. Arm Lower Right	51355-SH3-020		
C1022LR	Ball Joint Lower	51220-SE0-000		
C7166LR	Stabiliser Link	90112-SE0-000		
C7435LR	Stabiliser Link	52303-SH3-020		1.6
C8787	Stabilizer Mounting	51316-SH3-J00		
C8789	Stabilizer Mounting	52315-SB0-000		1.6
C8283	Silentblock	Comp. of C5118L/R	ø 29	
C8284	Silentblock	51350-SR3-A02	ø 40	
C8285	Silentblock	51393-SH3-003	ø 32.1	
C8275	Silentblock	52370-SR3-J00	ø 80	
C8788	Silentblock			



CIVIC V (MA, MB, EG, EH, EJ)

08/1991 - 01/1997



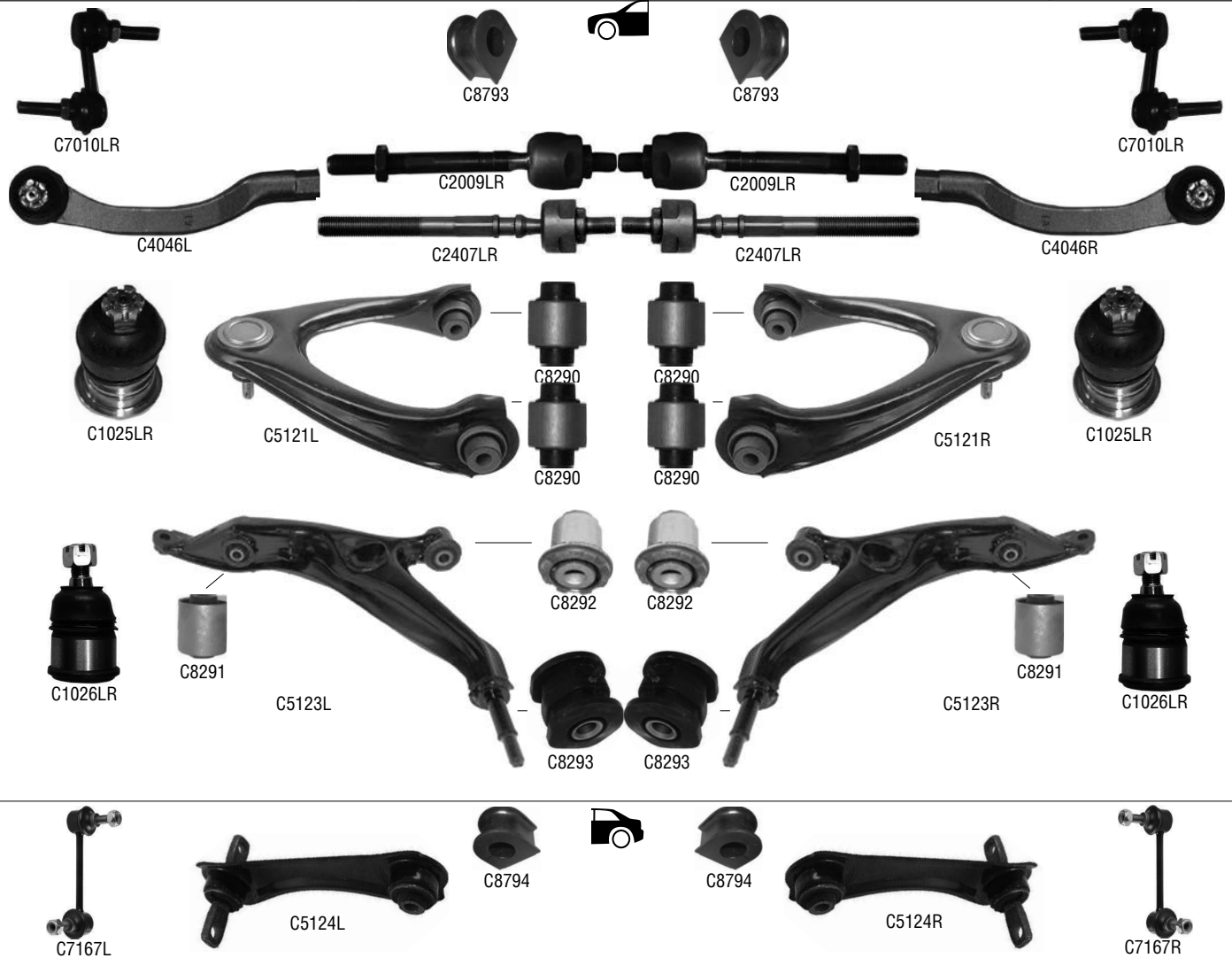
LYNX	Description	Original Number	Specification	
C2009LR	Tie Rod	53010-SR3-010	MM12X1.25R	
C4046L	Tie Rod End Left	53560-S04-003	FM14x1.5R	
C4046R	Tie Rod End Right	53540-S04-003	FM14x1.5R	
C5027L	Susp. Arm Upper Left	51460-SR3-023		
C5027R	Susp. Arm Upper Right	51450-SR3-023		
C5120L	Susp. Arm Lower Left	51360-SR3-020		
C5120R	Susp. Arm Lower Right	51350-SR3-020		
C1025LR	Ball Joint Upper			ø 35.2
C1026LR	Ball Joint Lower	51220-S04-003		
C7166LR	Stabiliser Link	90112-SE0-000		1.6
C7435LR	Stabiliser Link	52303-SH3-020		1.6
C8791	Stabilizer Mounting	51306-SR3-J00		
C8792	Stabilizer Mounting	52315-SR3-000		1.6
C8284	Silentblock	51350-SR3-A02	ø 40	
C8286	Silentblock	51455-SR3-003	ø 34	
C8287	Silentblock	51360-SR3-A02	ø 37	
C8288	Silentblock	51396-SR3-N02	ø 18	
C8289	Silentblock	51395-SR3-N02	ø 18	
C8790	Silentblock			

• HONDA



CIVIC VI (MB, MC, EJ, EM1, MA, EK)

11/1995 - 02/2001

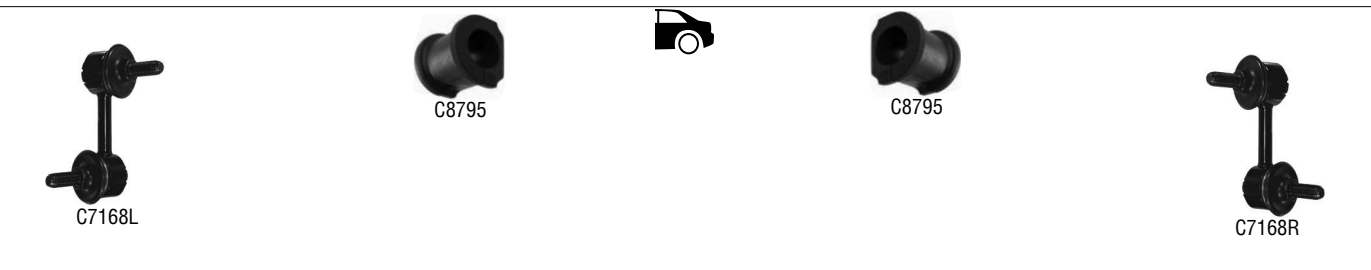
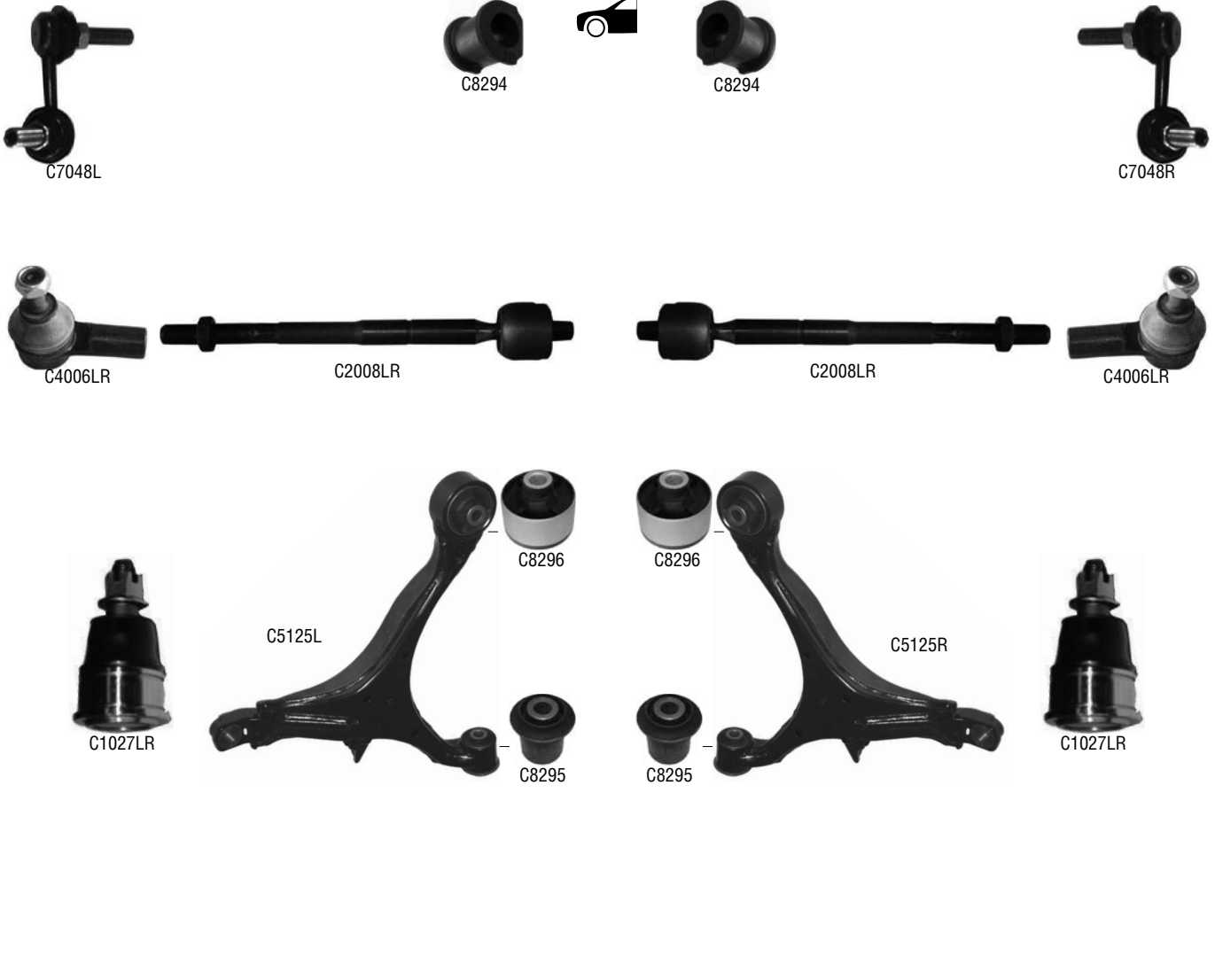


LYNX	Description	Original Number	Specification	
C2009LR	Tie Rod	53010-SR3-010	MM12X1.25R	
C2407LR	Tie Rod	53010-S04-000		EK2-5
C4046L	Tie Rod End Left	53560-S04-003	FM14x1.5R	
C4046R	Tie Rod End Right	53540-S04-003	FM14x1.5R	
C5121L	Susp. Arm Upper Left	51460-S01-023		
C5121R	Susp. Arm Upper Right	51450-S01-023		
C5123L	Susp. Arm Lower Left	51360-S04-G00		
C5123R	Susp. Arm Lower Right	51350-S04-G00		
C5124L	Susp. Arm Rear Left	52400-SR3-000		
C5124R	Susp. Arm Rear Right	52390-SR3-000		
C1025LR	Ball Joint Upper			ø 35.2
C1026LR	Ball Joint Lower	51220-S04-003		
C7010LR	Stabiliser Link	51320-S04-003		
C7167L	Stabiliser Link Left	52321-S04-003		
C7167R	Stabiliser Link Right	52320-S04-003		
C8793	Stabilizer Mounting	51306-S04-003		
C8794	Stabilizer Mounting	52315-S04-N00		
C8290	Silentblock	51450-S04-023	ø 34	
C8291	Silentblock	Comp. of C5123L/R	ø 40.1	
C8292	Silentblock	Comp. of C5123L/R	ø 37	
C8293	Silentblock	51391-S04-005	ø 59	



CIVIC VII (EU, EP, EV, EM2, ES)

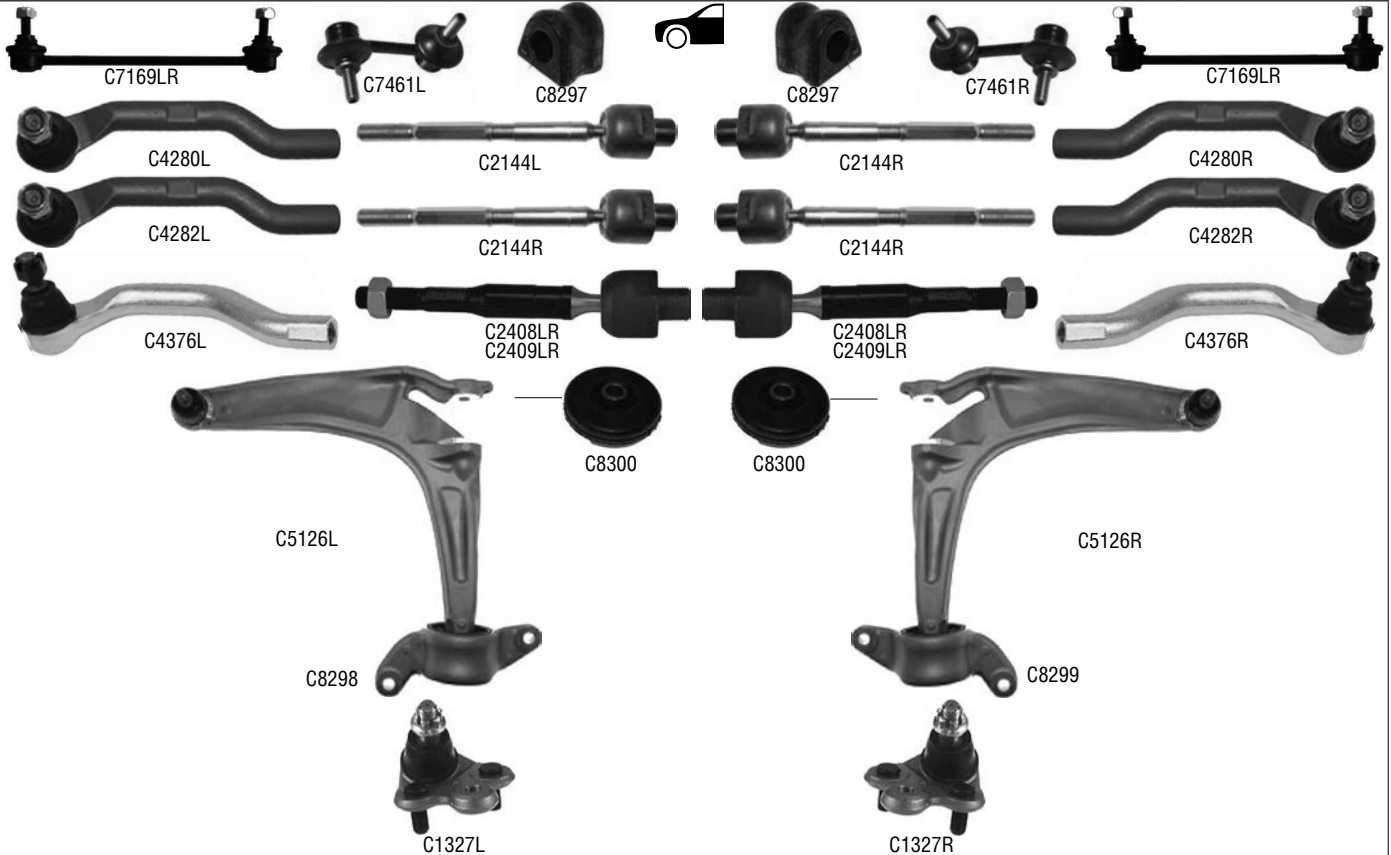
02/2001 - 12/2005



LYNX	Description	Original Number	Specification	
C2008LR	Tie Rod	53521-S5A-003	MM14X1.25R	
C4006LR	Tie Rod End	53541-S5A-003	FM14X1.5R	
C5125L	Susp. Arm Lower Left	51360-S6D-G00		
C5125R	Susp. Arm Lower Right	51350-S6D-G00		
C1027LR	Ball Joint Lower	51220-S5A-003		
C7048L	Stabiliser Link Front Left	51321-S5A-003		
C7048R	Stabiliser Link Front Right	51320-S5A-003		
C7168L	Stabiliser Link Rear Left	52321-S5A-013		
C7168R	Stabiliser Link Rear Right	52320-S5A-013		
C8294	Stabiliser Mounting	51306-S6D-005	ø 24.8	
C8795	Stabiliser Mounting	52306-S6D-005		
C8295	Silentblock	51392-S5A-004	ø 42.2	
C8296	Silentblock	51391-S5A-024	ø 65	



CIVIC VIII (FK, FD) 01/2006>

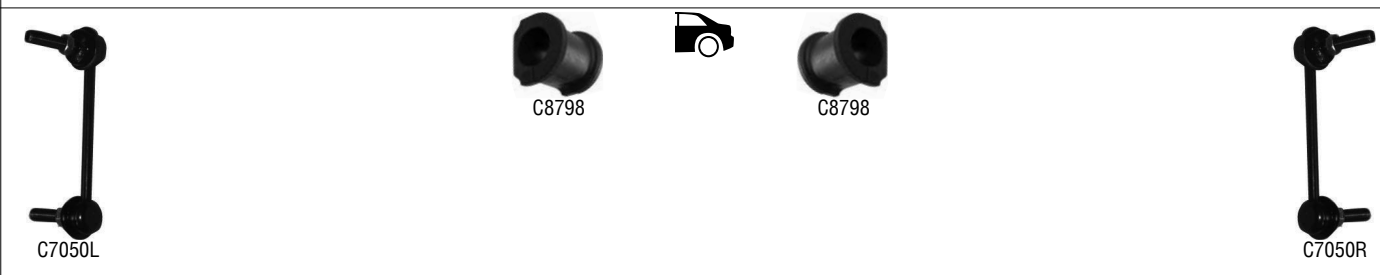
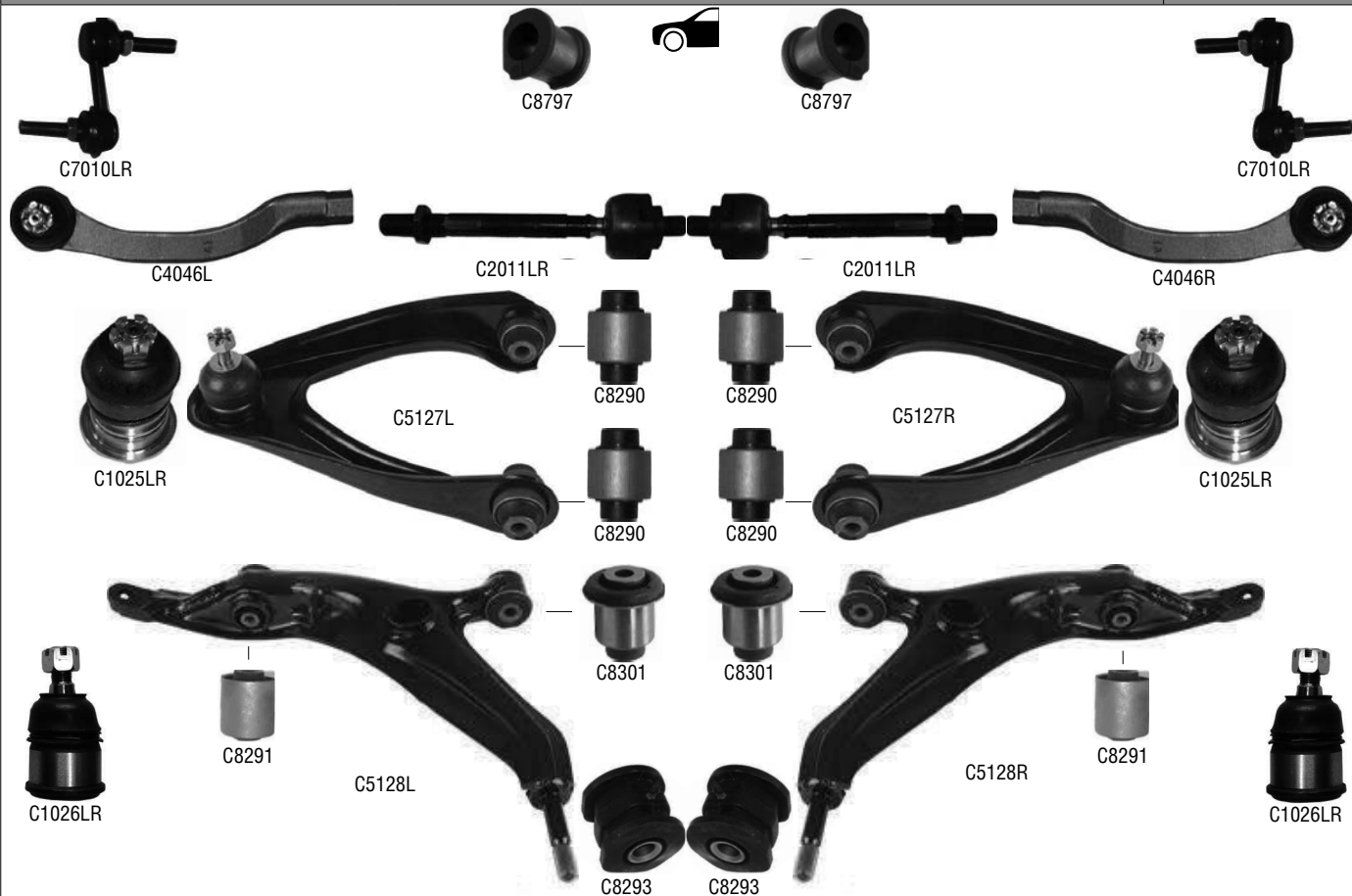


LYNX	Description	Original Number	Specification
C2144L	Tie Rod Left	53010-SMG-E01	FK Exc. 2.2D
C2144R	Tie Rod Right	53011-SMG-E01	FK 2.2D - Left=Right
C4280L	Tie Rod End Left	53560-SMG-003	FK 1.4 - 1.8
C4280R	Tie Rod End Right	53540-SMG-003	FK 1.4 - 1.8
C4282L	Tie Rod End Left	53560-SMJ-003	FK 2.2D
C4282R	Tie Rod End Right	53540-SMJ-003	FK 2.2D
C2408LR	Tie Rod	53610-SNB-J01	FD 1.8
C2409LR	Tie Rod	53010-SNA-A01	FD 2.0
C4376L	Tie Rod End Left	53560-SNA-A01	FD
C4376R	Tie Rod End Right	53540-SNA-A01	FD
C5126L	Susp. Arm Left	51360-SMG-E05	FK
C5126R	Susp. Arm Right	51350-SMG-E05	FK
C1327L	Ball Joint Left	51230-SNA-A03	FD
C1327R	Ball Joint Right	51220-SNA-A03	FD
C7169LR	Stabiliser Link	51320-SMG-E01	FK
C7461L	Stabiliser Link Left	51321-SNA-A02	FD
C7461R	Stabiliser Link Right	51320-SNA-A02	FD
C7170L	Stabiliser Link Left	52321-SNA-A01	
C7170R	Stabiliser Link Right	52320-SNA-A01	
C8297	Stabiliser Mounting	51306-SMG-E02	
C8796	Stabiliser Mounting	52306-SNG-J01	
C8298	Silentblock	51396-SMG-E03	FK
C8299	Silentblock	51395-SMG-E03	FK
C8300	Silentblock	51398-SMG-E01	FK



CR-V I (RD)

10/1995 - 06/2002

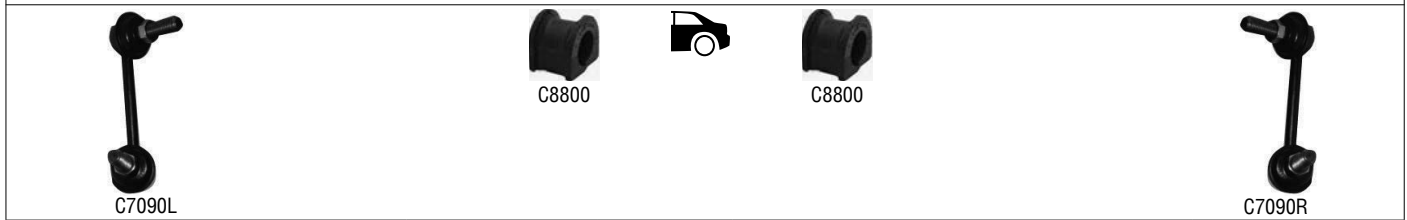
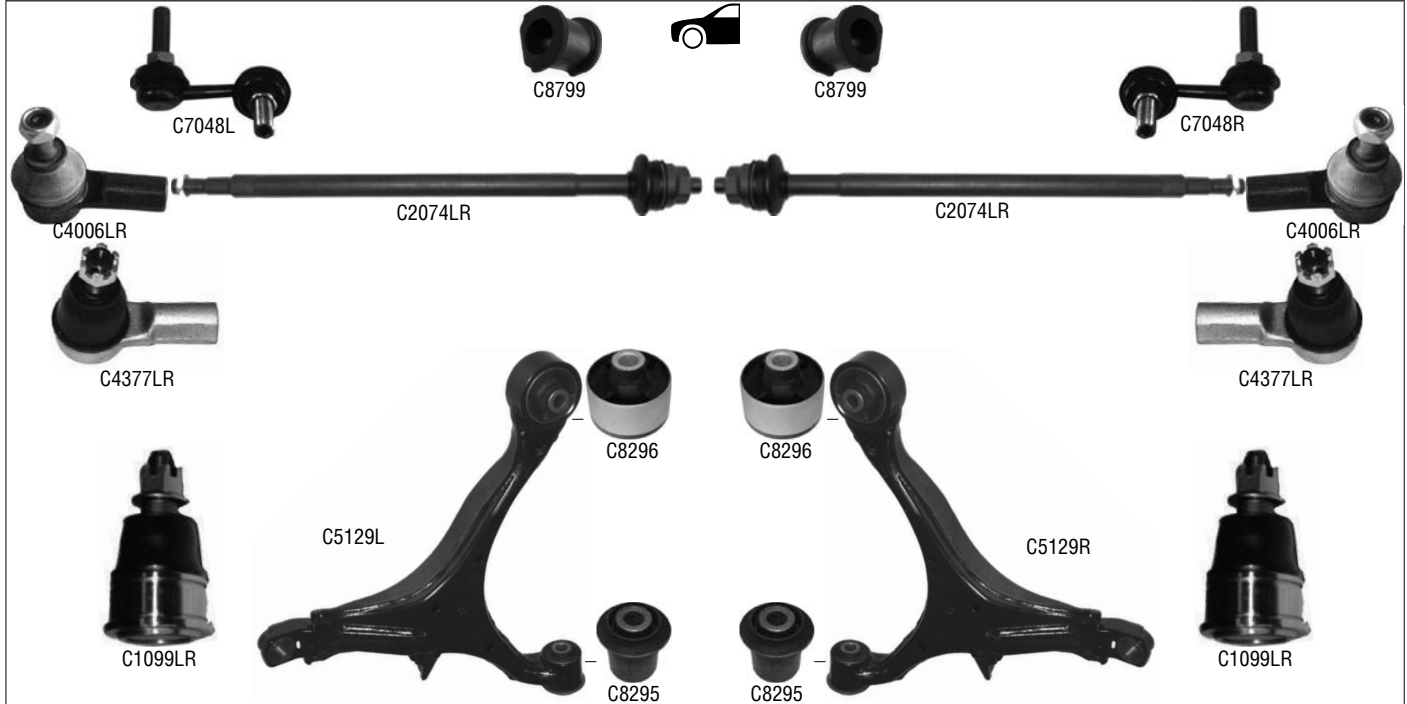


LYNX	Description	Original Number	Specification	
C2011LR	Tie Rod	53010-S10-000	MM12X1.25R	
C4046L	Tie Rod End Left	53560-S04-003	FM14X1.5R	
C4046R	Tie Rod End Right	53540-S04-003	FM14X1.5R	
C5127L	Susp. Arm Upper Left	51460-S10-020		
C5127R	Susp. Arm Upper Right	51450-S10-020		
C5128L	Susp. Arm Lower Left	51360-S10-G00		
C5128R	Susp. Arm Lower Right	51350-S10-G00		
C1025LR	Ball Joint Upper			ø 35.2
C1026LR	Ball Joint Lower	51220-S04-003		
C7010LR	Stabiliser Link	51320-S04-003		
C7050L	Stabiliser Link Left	52321-S10-003		
C7050R	Stabiliser Link Right	52320-S10-003		
C8797	Stabiliser Mounting	51306-S04-N01		
C8798	Stabiliser Mounting	52315-S10-A01		
C8301	Silentblock	Comp. of C5128L/R		
C8293	Silentblock	51391-S04-005	ø 59	
C8291	Silentblock	Comp. of C5128L/R	ø 40.1	
C8290	Silentblock	Comp. of C5128L/R	ø 34	

• HONDA

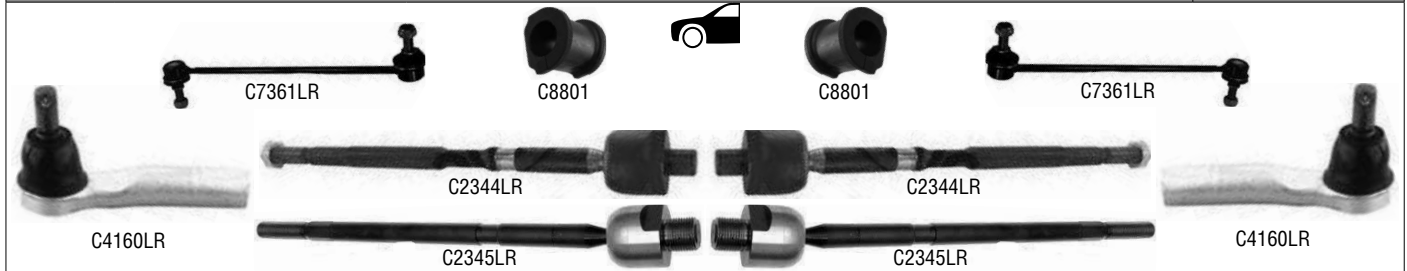


CR-V II 07/2002 - 09/2006



LYNX	Description	Original Number	Specification	
C2074LR	Tie Rod	53521-S9A-003	MM14X1.25R	
C4006LR	Tie Rod End	53541-S5A-003	FM14X1.5R	
C4377LR	Tie Rod End	53541-S7A-003		2.2 CDTI 05>
C5129L	Susp. Arm Left	51360-S9A-010		
C5129R	Susp. Arm Right	51350-S9A-010		
C1099LR	Ball Joint	51220-S9A-982	ø 40.3	
C7048L	Stabiliser Link Left	51321-S5A-003		
C7048R	Stabiliser Link Right	51320-S5A-003		
C7090L	Stabiliser Link Left	52321-S9A-003		
C7090R	Stabiliser Link Right	52320-S9A-003		
C8799	Stabilizer Mounting	51306-S7B-014		
C8800	Stabilizer Mounting	52306-S9A-005		
C8295	Silentblock	51392-S5A-004	ø 42.2	
C8296	Silentblock	51391-S5A-024	ø 65	

CR-V III 10/2006>



LYNX	Description	Original Number	Specification	
C2344LR	Tie Rod	53010-SWC-G01	MM16x1R	Exc. CDTI
C2345LR	Tie Rod	53010-SWA-A01	MM20x1.5R	CDTI



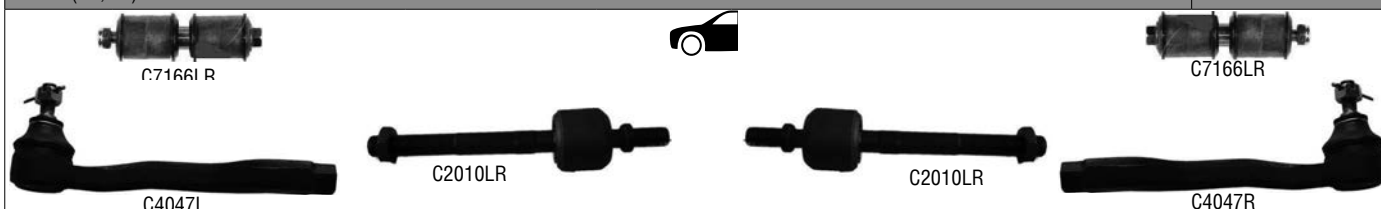
LYNX	Description	Original Number	Specification
C4160LR	Tie Rod End	53540-SWA-A01	FM14x1.5R
C5404L	Susp. Arm Left	51360-SWA-E01	
C5404R	Susp. Arm Right	51350-SWA-E01	
C1272LR	Ball Joint	51220-STK-A01	
C7361LR	Stabiliser Link Front	51320-STK-A01	
C7362L	Stabiliser Link Rear Left	52321-SWA-A01	
C7362R	Stabiliser Link Rear Right	52320-SWA-A01	
C8801	Stabilizer Mounting	52306-S9A-005	
C8781	Stabilizer Mounting	52306-S0A-015	
C8302	Silentblock	Comp. of C5404L/R	ø 14.3
C8303	Silentblock	51396-SWA-E01	
C8304	Silentblock	51395-SWA-E01	

CRX I (AF, AS) 07/1983 - 09/1987
INTEGRA (DA_) 10/1985 - 08/1989



LYNX	Description	Original Number	Specification
C2143LR	Tie Rod	53521-SB2-003	MM12X1.25R
C4005LR	Tie Rod End	53540-611-010	FM12X1.25R

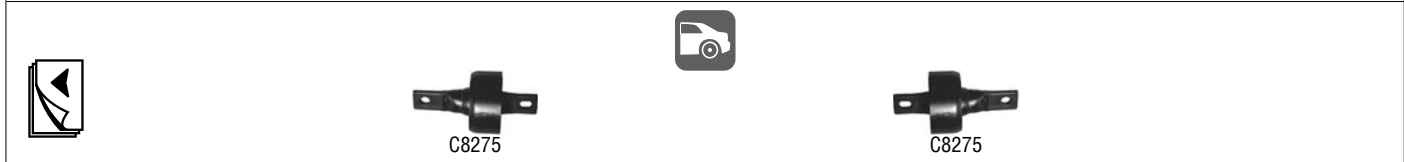
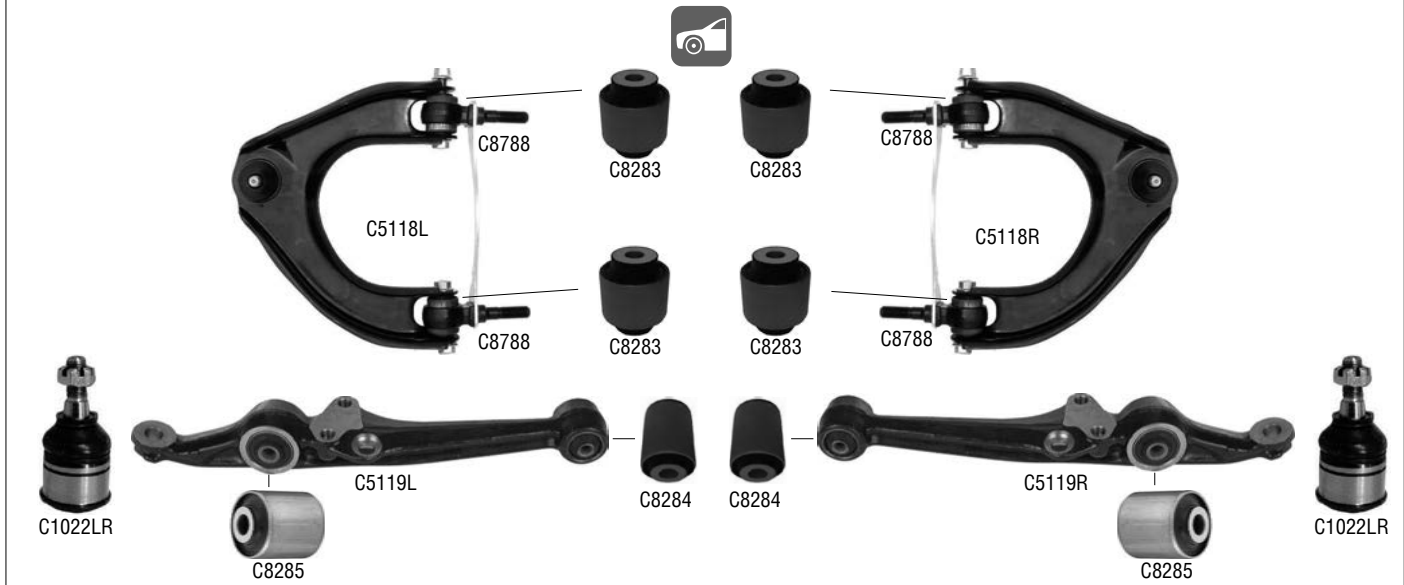
CRX II (ED, EE) 09/1987 - 02/1992



LYNX	Description	Original Number	Specification
C2010LR	Tie Rod	53521-SH3-003	MM12x1.25R
C4047L	Tie Rod End	53560-SH3-003	FM14x1.5R
C4047R	Tie Rod End	53540-SH3-003	FM14x1.5R
C7166LR	Stabiliser Link	90112-SE0-000	



CRX II (ED, EE) 09/1987 - 02/1992

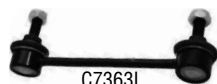


LYNX	Description	Original Number	Specification
C5118L	Susp. Arm Upper Left	51460-SH3-000	
C5118R	Susp. Arm Upper Right	51450-SH3-000	
C5119L	Susp. Arm Lower Left	51365-SH3-020	
C5119R	Susp. Arm Lower Right	51355-SH3-020	
C1022LR	Ball Joint Lower	51220-SE0-000	
C8283	Silentblock		ø 29
C8284	Silentblock	51350-SR3-A02	ø 40
C8285	Silentblock	51393-SH3-003	ø 32.1
C8275	Silentblock	52370-SR3-J00	ø 80
C8788	Silentblock		

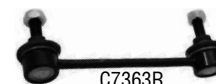
HR-V (GH) 03/1999 - 07/2006



LYNX	Description	Original Number	Specification
C2075LR	Tie Rod	53010-S2H-J02	MM14X1.5R
C4007LR	Tie Rod End	53540-SX8-T01	FM12X1.25



C7363L



C7363R

LYNX	Description	Original Number	Specification
C5130L	Susp. Arm Left	51450-SG0-020	
C5130R	Susp. Arm Right	51350-S2H-G01	
C7051L	Stabiliser Link Front Left	51321-S2H-003	
C7051R	Stabiliser Link Front Right	51320-S2H-003	
C7363L	Stabiliser Link Rear Left	52321-S2H-003	
C7363R	Stabiliser Link Rear Right	52320-S2H-003	

JAZZ I (AA)

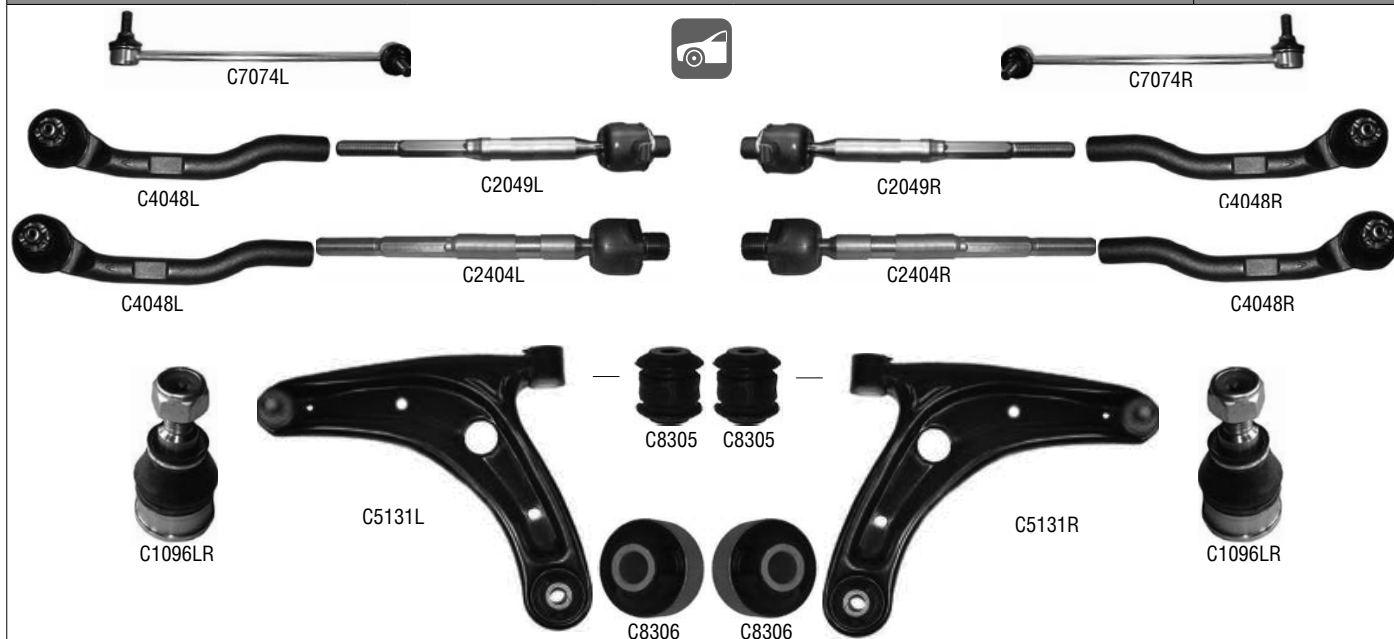
10/1983 - 10/1986



LYNX	Description	Original Number	Specification
C2143LR	Tie Rod	53521-SB2-003	MM12X1.25R
C4005LR	Tie Rod End	53540-611-010	FM12X1.25R

JAZZ II (GD)

03/2002>



LYNX	Description	Original Number	Specification
C2049L	Tie Rod	53011-SAA-J01	MM16X1R >01/05
C2049R	Tie Rod	53010-SAA-J01	MM16X1R >01/05
C2404L	Tie Rod	53011-SEL-003	01/05>
C2404R	Tie Rod	53010-SEL-003	01/05>
C4048L	Tie Rod End Left	53560-SAA-003	FM12X1.25
C4048R	Tie Rod End Right	53540-SAA-003	FM12X1.25
C5131L	Susp. Arm Left	51360-SAA-E01	
C5131R	Susp. Arm Right	51350-SAA-E01	
C1096LR	Ball Joint	Comp. of C5131L/R	
C7074L	Stabiliser Link Left	51321-SAA-003	
C7074R	Stabiliser Link Right	51320-SAA-003	
C8305	Silentblock	Comp. of C5131L/R	
C8306	Silentblock	Comp. of C5131L/R	



JAZZ III (GE) INSIGHT (ZE2)	07/2008> 04/2009>
--------------------------------	----------------------



LYNX	Description	Original Number	Specification
C2346LR	Tie Rod	53010-TF0-003	MM18x1.5R
C4323L	Tie Rod End Left	53560-TF0-003	FM14X1.5R
C4323R	Tie Rod End Right	53540-TF0-003	FM14X1.5R
C5117L	Susp. Arm Left	51360-TF0-030	
C5117R	Susp. Arm Right	51350-TF0-030	
C1273LR	Ball Joint		ø 36.25
C7364LR	Stabiliser Link	51320-TF0-003	
C8802	Silentblock		
C8307	Silentblock		ø 25.8
C8308	Silentblock		ø 25.8

LEGEND I (HS, KA) 01/1986 - 12/1990



LYNX	Description	Original Number	Specification
C2145LR	Tie Rod	53521-SD4-003	MM12X1.25R
C4161L	Tie Rod End	53560-SD4-003	FM12X1.25R
C4161R	Tie Rod End	53540-SD4-003	FM12X1.25R
C1262LR	Ball Joint Lower	51220-SD4-004	



LEGEND II (KA7)

01/1991 - 02/1996



LYNX	Description	Original Number	Specification	
C2146LR	Tie Rod	53521-SP0-004	MM16X1.25R	
C4162L	Tie Rod End	53560-SP0-013		
C4162R	Tie Rod End	53540-SP0-013		
C5132L	Susp. Arm Upper Left	51460-SP0-033		
C5132R	Susp. Arm Upper Right	51450-SP0-033		
C5133L	Susp. Arm Lower Left	52400-SP0-013		
C5133R	Susp. Arm Lower Right	51390-SP0-013		
C1262LR	Ball Joint Lower	51220-SD4-004		
C7171LR	Stabiliser Link	51320-SP0-003		

LEGEND III (KA9)

02/1996>



LYNX	Description	Original Number	Specification	
C2147LR	Tie Rod	53010-SW5-000	MM14X1.25R	Chassis № >WC002641
C2148LR	Tie Rod	53010-SW5-003	MM14X1.25R	Chassis № WC002642>
C4163L	Tie Rod End Left	53560-SZ3-003		
C4163R	Tie Rod End Right	53540-SZ3-003		
C5134L	Susp. Arm Upper Left	51450-SZ3-013		
C5134R	Susp. Arm Upper Right	51460-SZ3-901		

• HONDA

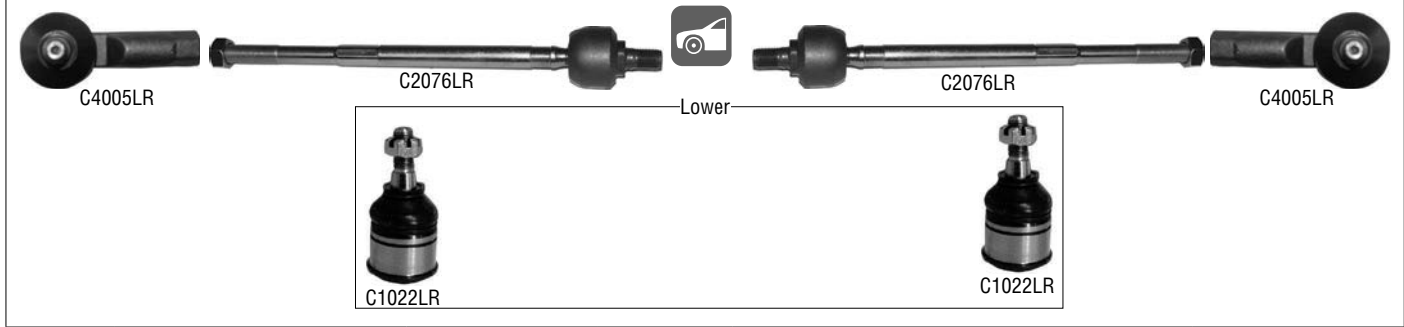


LOGO (GA3) 03/1999 - 03/2002



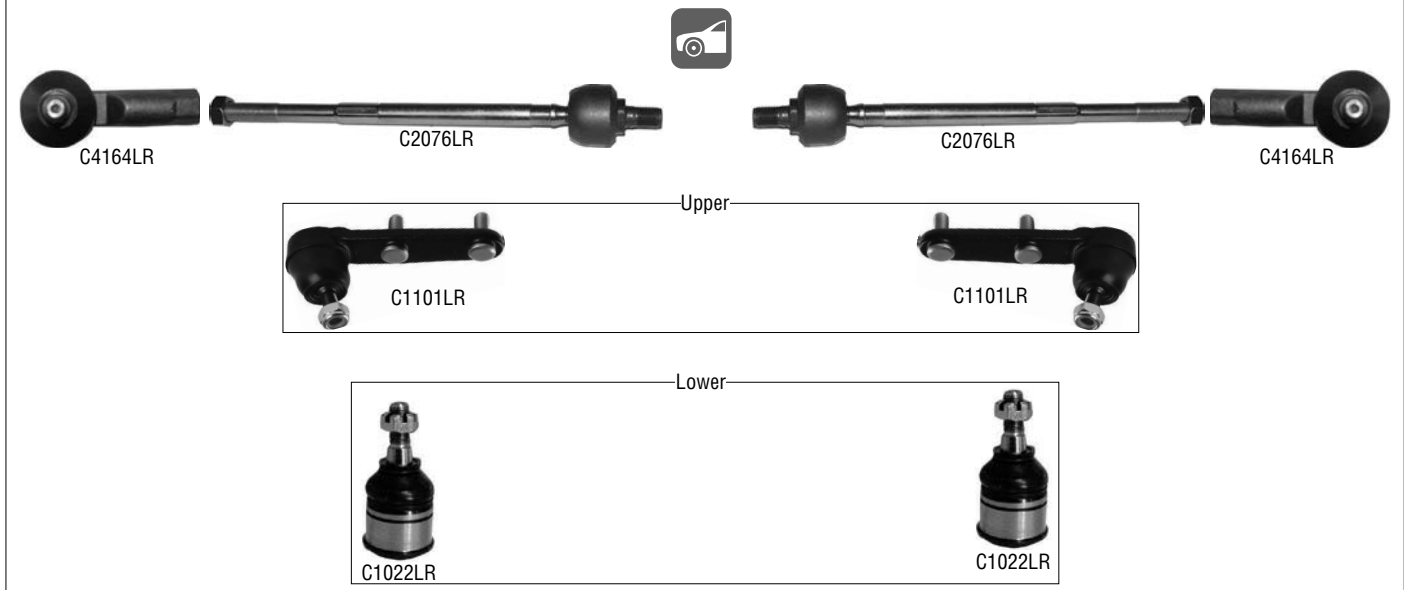
LYNX	Description	Original Number	Specification
C2149LR	Tie Rod	53010-S50-003	MM14X1.5R
C4007LR	Tie Rod End	53540-SX8-T01	FM12X1.25
C7172L	Stabiliser Link Left	51321-S2G-003	
C7172R	Stabiliser Link Right	51320-S2G-003	

PRELUDE II (AB) 11/1983 - 04/1987



LYNX	Description	Original Number	Specification
C2076LR	Tie Rod	53521-SF1-003	
C4005LR	Tie Rod End	53540-611-010	FM12X1.25R
C1022LR	Ball Joint Lower	51220-SE0-000	

PRELUDE III (BA) 04/1986 - 01/1992

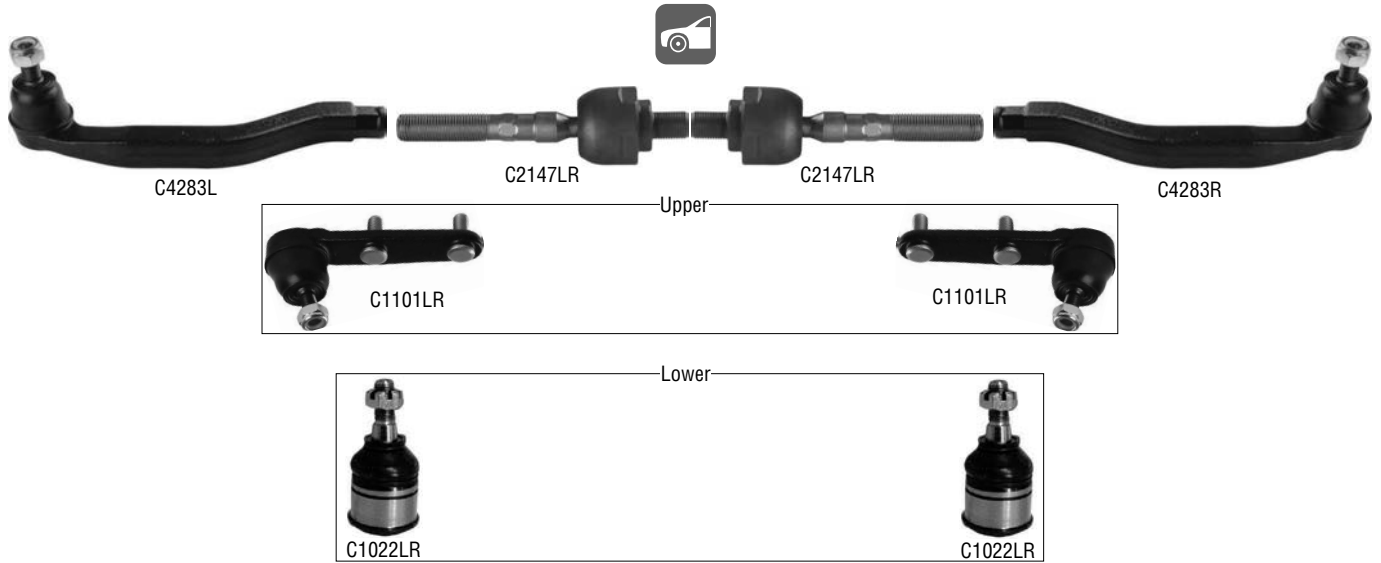


LYNX	Description	Original Number	Specification
C2076LR	Tie Rod	53521-SF1-003	
C4164LR	Tie Rod End	53540-SF1-004	FM12X1.25R
C1101LR	Ball Joint Upper	51270-SF1-003	
C1022LR	Ball Joint Lower	51220-SE0-000	



PRELUDE IV (BB)

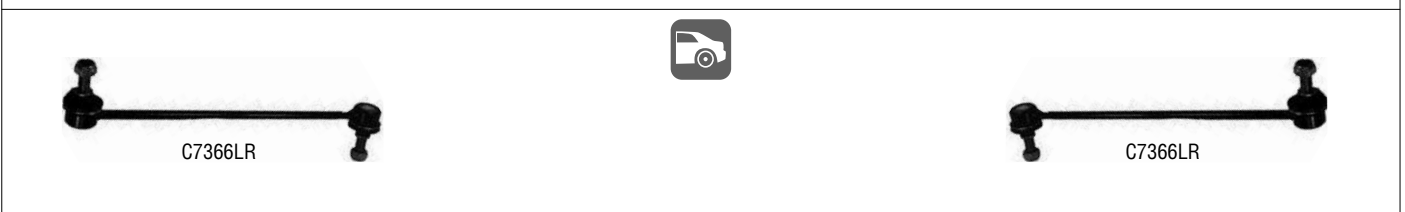
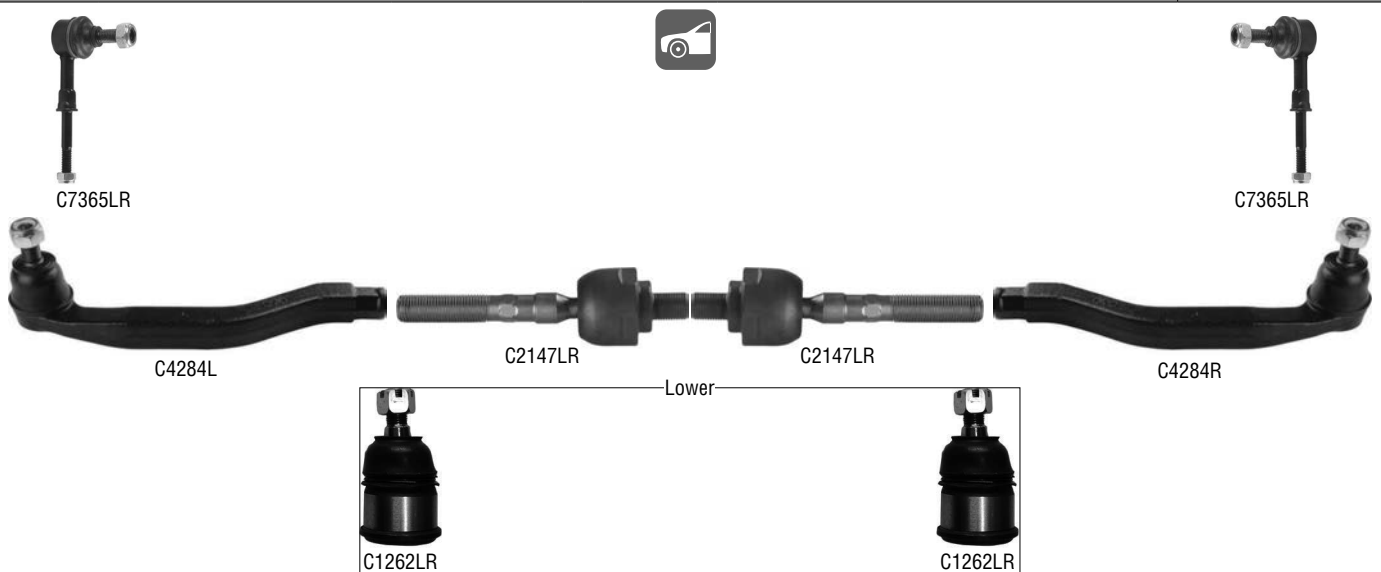
02/1992 - 09/1996



LYNX	Description	Original Number	Specification
C2147LR	Tie Rod	53010-SS0-000	
C4283L	Tie Rod End Left	53560-SS0-003	
C4283R	Tie Rod End Right	53540-SS0-003	
C1101LR	Ball Joint Upper	51270-SF1-003	
C1022LR	Ball Joint Lower	51220-SE0-000	

PRELUDE V (BB)

10/1996 - 10/2000



LYNX	Description	Original Number	Specification
C2147LR	Tie Rod	53010-SW5-000	
C4284L	Tie Rod End Left	53560-S30-005	
C4284R	Tie Rod End Right	53540-S30-005	
C1262LR	Ball Joint	51220-SL5-013	
C7365LR	Stabiliser Link Front	51320-S30-003	
C7366LR	Stabiliser Link Rear	52320-S30-003	

• HYUNDAI

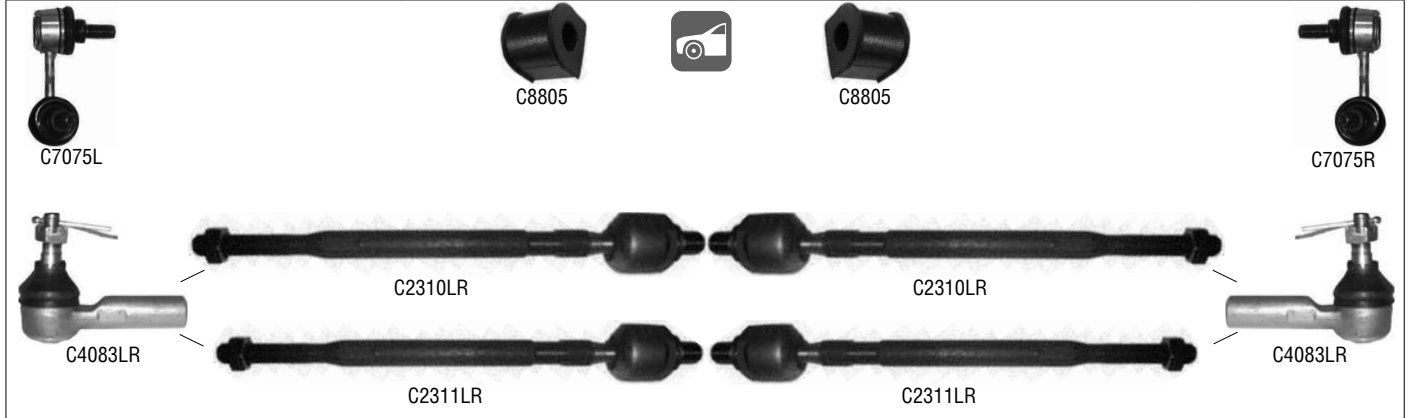


HYUNDAI
ACCENT / EXCEL / PONY (X-3) 07/1994 - 01/2000



LYNX	Description	Original Number	Specification	
C2150LR	Tie Rod	56540-22000	MM16x1.5R	-PS
C2053LR	Tie Rod	57755-22000	MM16x1.5R	+PS
C4083LR	Tie Rod End	56820-25000	FM14x1.5R	
C5135L	Susp. Arm Left	54500-22200		
C5135R	Susp. Arm Right	54501-22200		
C1152LR	Bail Joint	54520-31600		
C7173LR	Stabiliser Link	54825-22000		
C8803	Stabilizer Mounting	54813-22000		
C8804	Stabilizer Mounting	55513-22000		
C8309	Silentblock	54551-22100	ø 35	
C8310	Silentblock	54555-22100		
C8311	Silentblock	54556-22100		

ACCENT (LC) 01/2000>

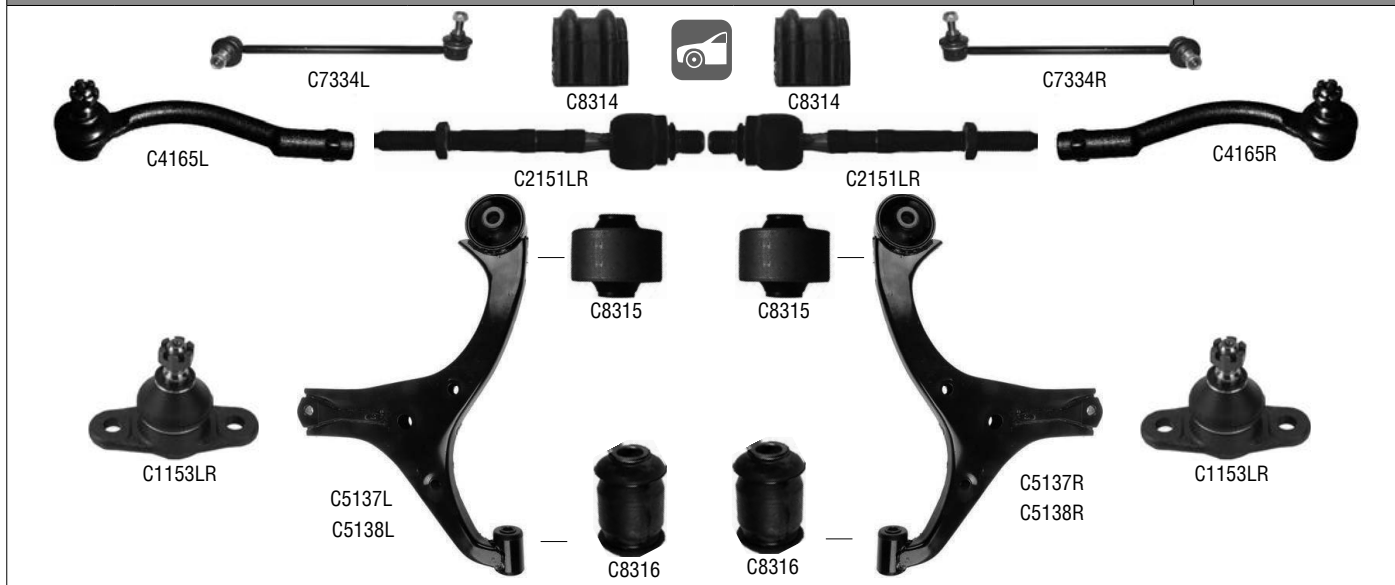


LYNX	Description	Original Number	Specification	
C2310LR	Tie Rod	56540-25000	MM16x1.5R	-PS
C2311LR	Tie Rod	57775-25000	MM16x1.5R	+PS
C4083LR	Tie Rod End	56820-25000	FM14x1.5R	
C7075L	Stabiliser Link Left	54830-25010		
C7075R	Stabiliser Link Right	54830-25020		
C8805	Stabilizer Mounting	54813-25000		



LYNX	Description	Original Number	Specification
C5136L	Susp. Arm Left	54500-25000	
C5136R	Susp. Arm Right	54501-25000	
C1152LR	Ball Joint	54503-25A00	
C7174LR	Stabiliser Link	55830-25000	
C8804	Stabilizer Mounting	55513-22500	
C8312	Silentblock	54551-25000	
C8313	Silentblock	54555-25000	

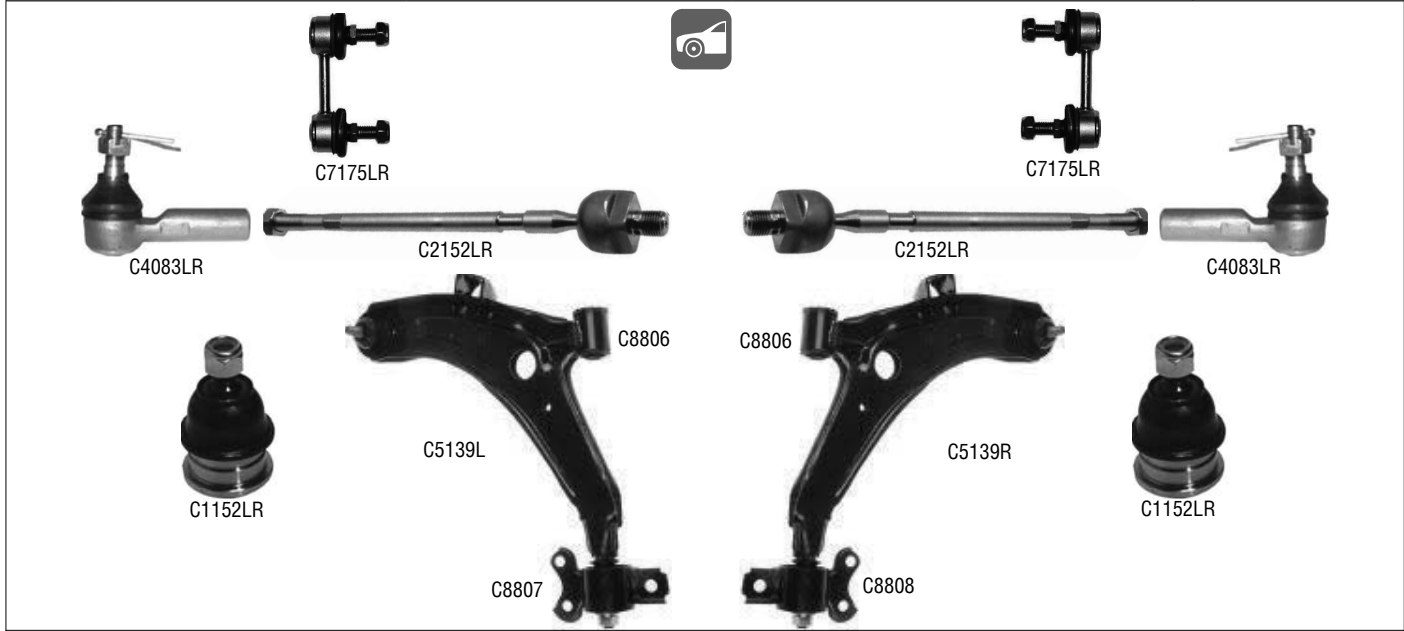
ACCENT (MC) 12/2005>



LYNX	Description	Original Number	Specification
C2151LR	Tie Rod	57724-1E000	MM16X1.5R
C4165L	Tie Rod End Left	56820-1E000	
C4165R	Tie Rod End Right	56820-1E900	
C5137L	Susp. Arm Left	54500-1E100	-PS
C5137R	Susp. Arm Right	54501-1E100	-PS
C5138L	Susp. Arm Left	54500-1E000	+PS
C5138R	Susp. Arm Right	54501-1E000	+PS
C1153LR	Ball Joint	51760-1G000	
C7334L	Stabiliser Link Front Left	54830-1G000	
C7334R	Stabiliser Link Front Right	54840-1G000	
C8314	Stabiliser Mounting	54812-1G100	
C8315	Silentblock	54584-1G000	
C8316	Silentblock	54551-1E000	

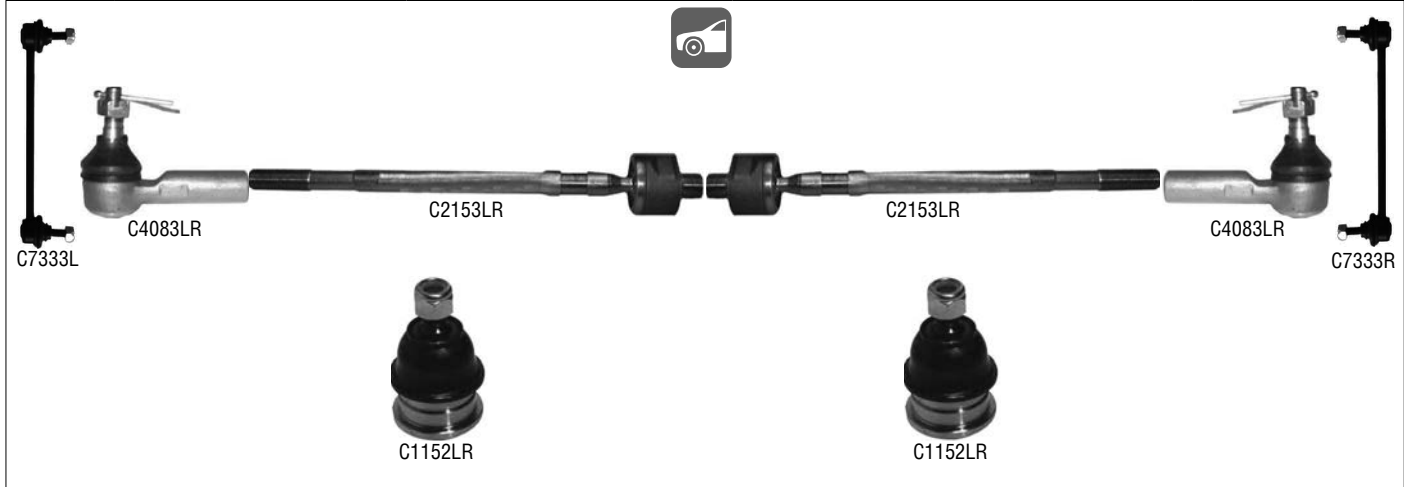


TIBURON / COUPE (RD) 08/1996 - 02/2002



LYNX	Description	Original Number	Specification
C2152LR	Tie Rod	57730-29000	MM16X1.5R
C4083LR	Tie Rod End	56820-25000	FM14x1.5R
C5139L	Susp. Arm Left	54500-29000	
C5139R	Susp. Arm Right	54501-29000	
C1152LR	Ball Joint	54520-31600	
C7175LR	Stabiliser Link	54830-29000	
C7176LR	Stabiliser Link	55530-29000	
C8806	Silentblock	54551-29010	
C8807	Silentblock	54583-29000	
C8808	Silentblock	54584-29000	

COUPE (GK) 03/2002>



LYNX	Description	Original Number	Specification
C2153LR	Tie Rod	57724-2D000	MM16X1.5R
C4083LR	Tie Rod End	56820-25000	FM14x1.5R
C1152LR	Ball Joint	54503-25A00	
C7333L	Stabiliser Link Front Left	54830-2C000	
C7333R	Stabiliser Link Front Right	54840-2C000	



ELANTRA (XD)

06/2000>



C7076LR



C8810



C8810



C7076LR



C4083LR

C2153LR

C2153LR

C4083LR



C1152LR



C5140L

C5140R

C8809

C8809

C8332

C8332



C1152LR



C7176LR



C8811



C8811

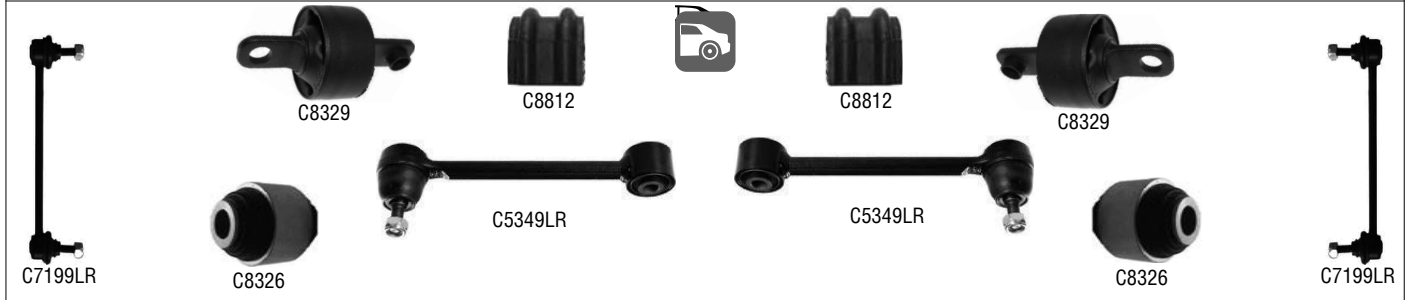
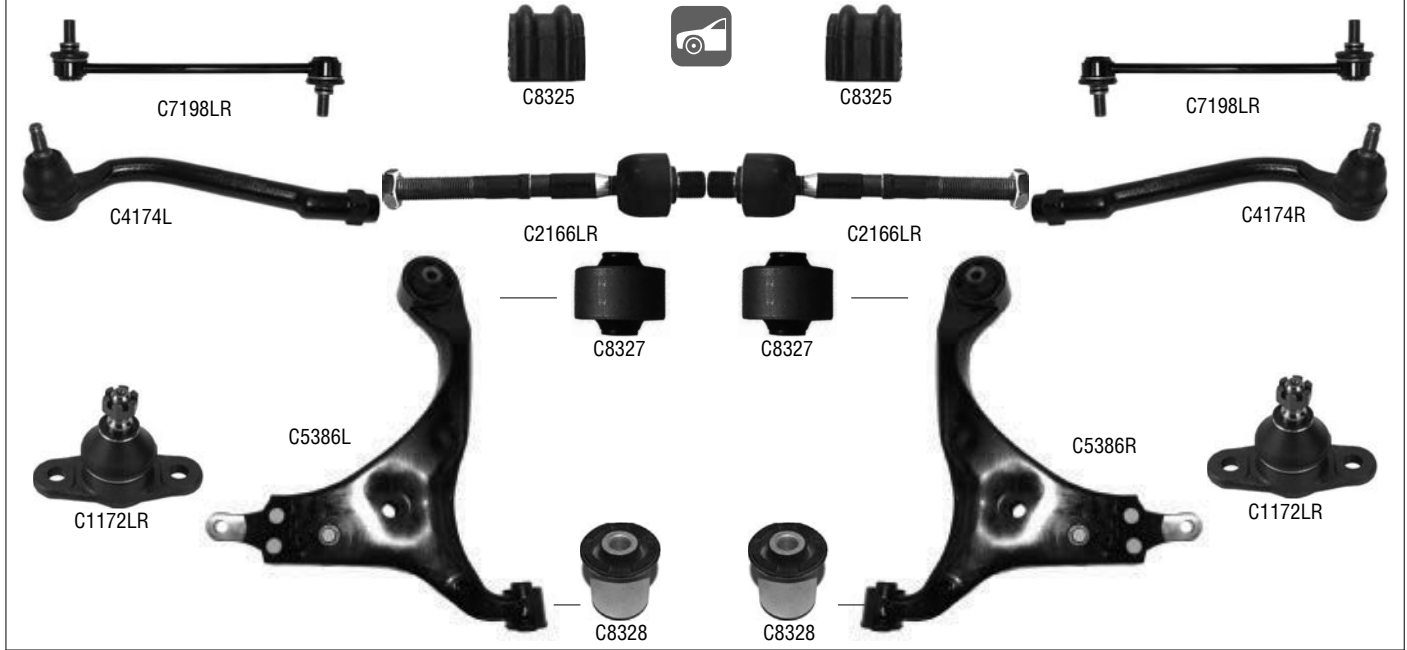


C7176LR

LYNX	Description	Original Number	Specification
C2153LR	Tie Rod	57724-2D000	MM16X1.5R
C4083LR	Tie Rod End	56820-25000	FM14x1.5R
C5140L	Susp. Arm	54500-2D000	
C5140R	Susp. Arm	54501-2D000	
C1152LR	Ball Joint	54503-25A00	
C7076LR	Stabiliser Link	54830-34500	
C7176LR	Stabiliser Link	55530-29000	
C8810	Stabilizer Mounting	54813-2D100	
C8811	Stabilizer Mounting	55513-2D100	
C8809	Silentblock	54551-2D000	
C8332	Silentblock	54584-17000	



ELANTRA 05/2006>

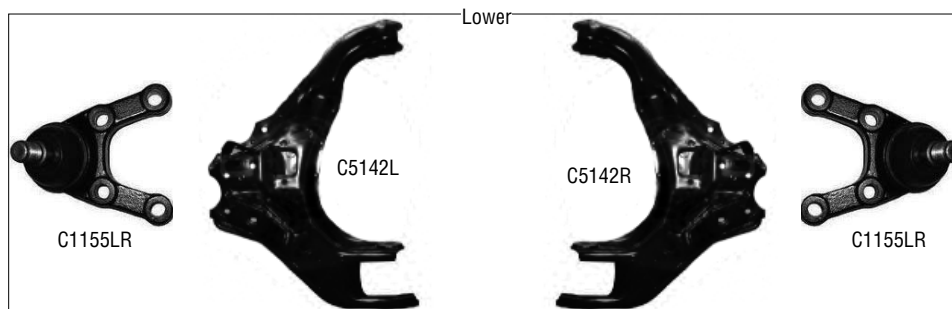
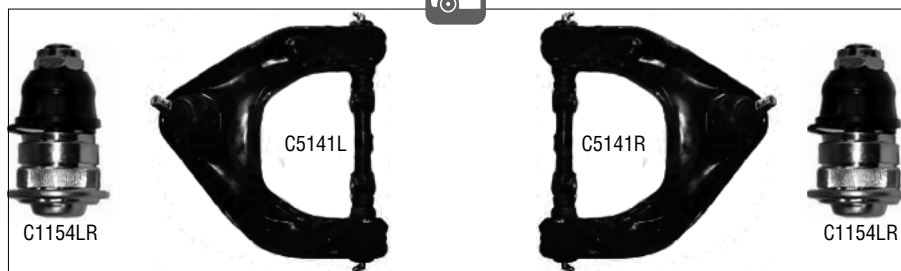


LYNX	Description	Original Number	Specification
C2166LR	Tie Rod	56540-2H000	MM16X1.5R
C4174L	Tie Rod End Left	56820-2H000	FM14X1.5R
C4174R	Tie Rod End Right	56820-2H090	FM14X1.5R
C5386L	Susp. Arm Front Left	54500-2H000	
C5386R	Susp. Arm Front Right	54501-2H000	
C5349LR	Susp. Arm Rear	55250-1H000	
C1172LR	Ball Joint	51760-2H000	
C7198LR	Stabiliser Link Front	54830-2H000	
C7199LR	Stabiliser Link Rear	55530-1H000	
C8325	Stabiliser Mounting	54813-1H100	ø 23.4
C8812	Stabiliser Mounting	55513-2G100	
C8326	Silentblock	55130-4D000	
C8327	Silentblock	54584-2H000	ø 14
C8328	Silentblock	54551-2H000	ø 12.4
C8329	Silentblock	55543-1H000	

GALLOPER II (JK-01) 08/1998>



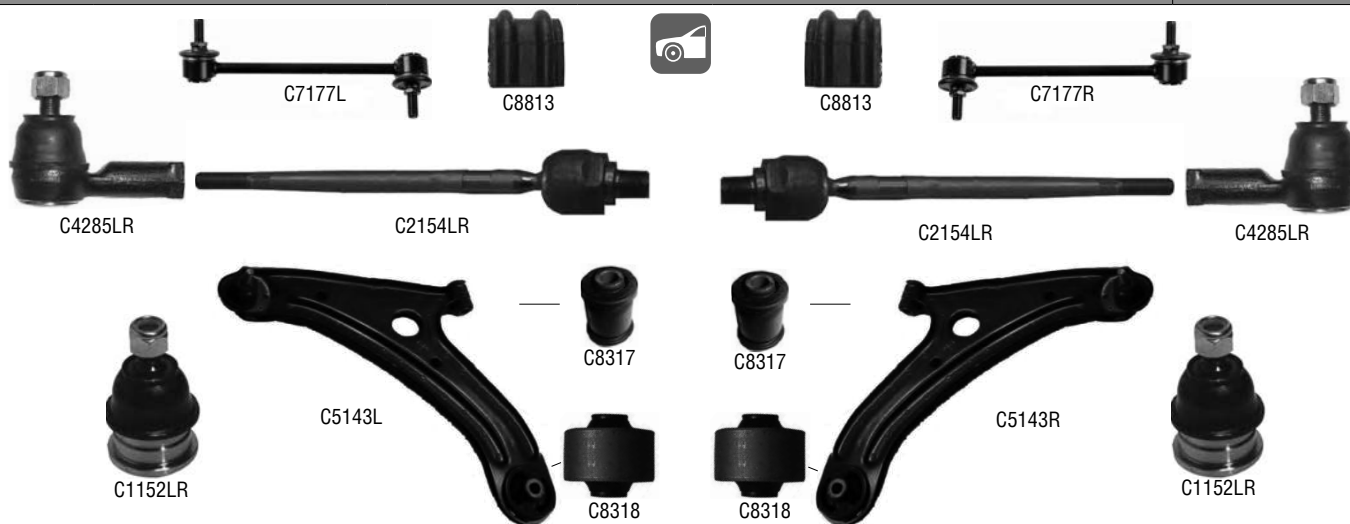
LYNX	Description	Original Number	Specification
C4195LR	Tie Rod End Outer	MB241171	MM16X1.5L
C4013LR	Tie Rod End Inner	MB241206	MM16x1.5R



LYNX	Description	Original Number	Specification
C5141L	Susp. Arm Upper Left	MB109630A	
C5141R	Susp. Arm Upper Right	MB109631A	
C5142L	Susp. Arm Lower Left	HB212-003	
C5142R	Susp. Arm Lower Right	HB212-004	
C1154LR	Ball Joint Upper	54417-44000	
C1155LR	Ball Joint Lower	HB212-100	

GETZ (TB)

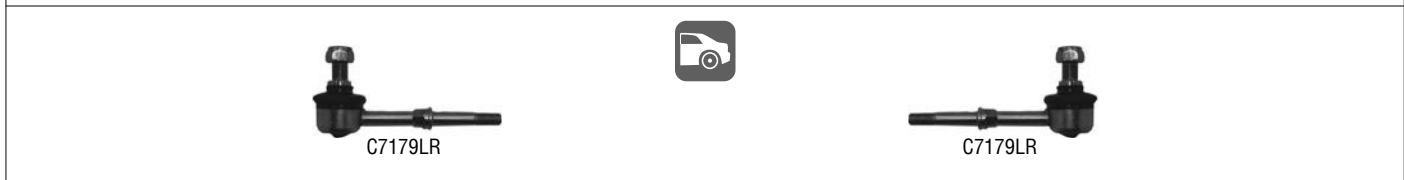
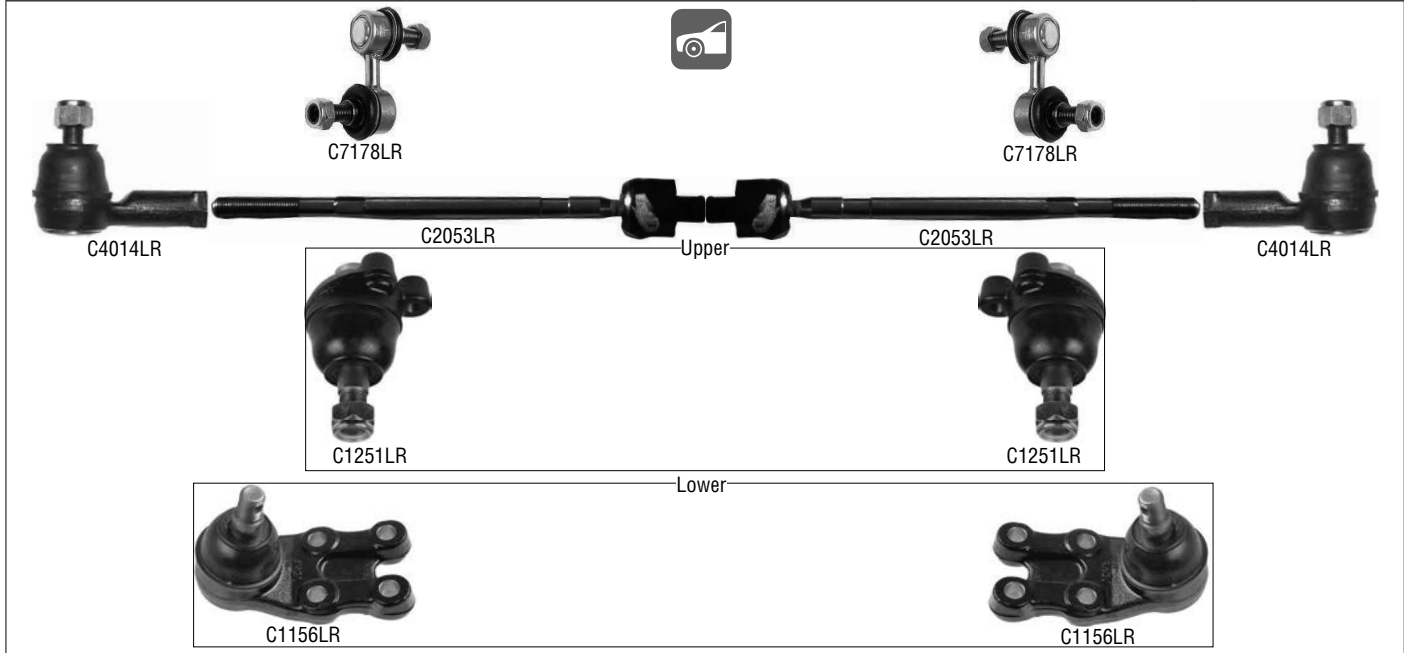
09/2002>



LYNX	Description	Original Number	Specification
C2154LR	Tie Rod	57755-1C000	MM16X1.5R
C4285LR	Tie Rod End	56820-3B000	FM14X1.5R
C5143L	Susp. Arm Left	54500-1C000	
C5143R	Susp. Arm Right	54501-1C000	
C1152LR	Ball Joint	54503-25A00	
C7177L	Stabiliser Link Left	54830-1C000	
C7177R	Stabiliser Link Right	54840-1C000	
C8813	Stabiliser Mounting	54812-1C000	
C8317	Silentblock	Comp. of C5143L/R	ø 32.8
C8318	Silentblock	Comp. of C5143L/R	ø 63.3

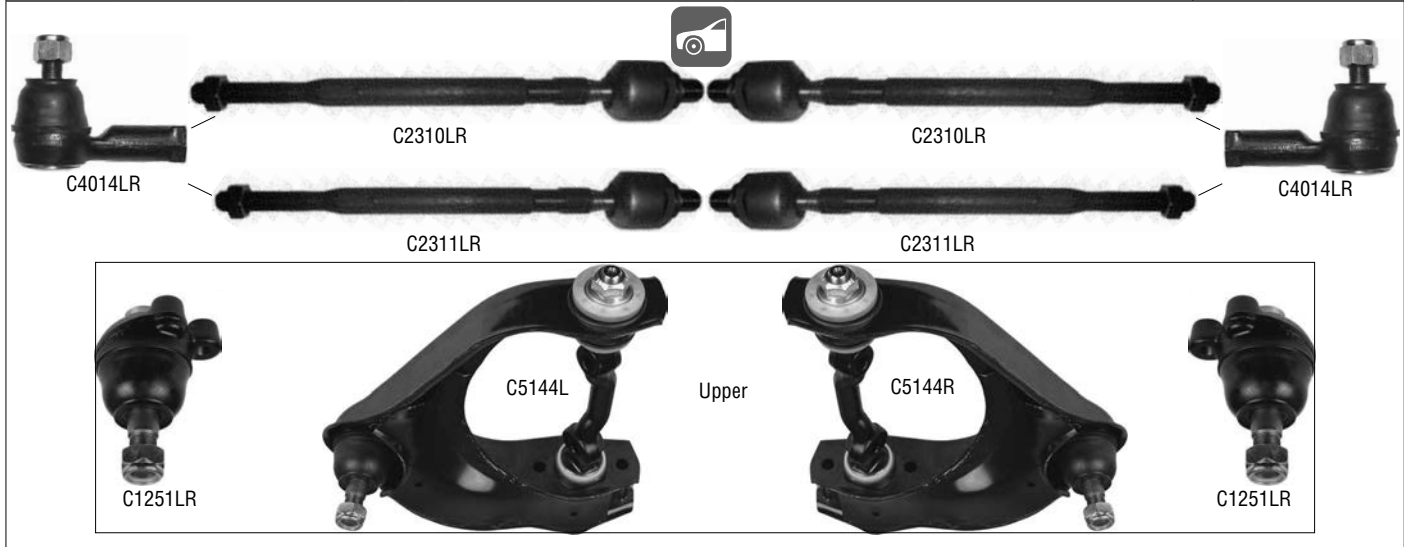


H1 / H200 / STAREX 01/1996 - 11/2002

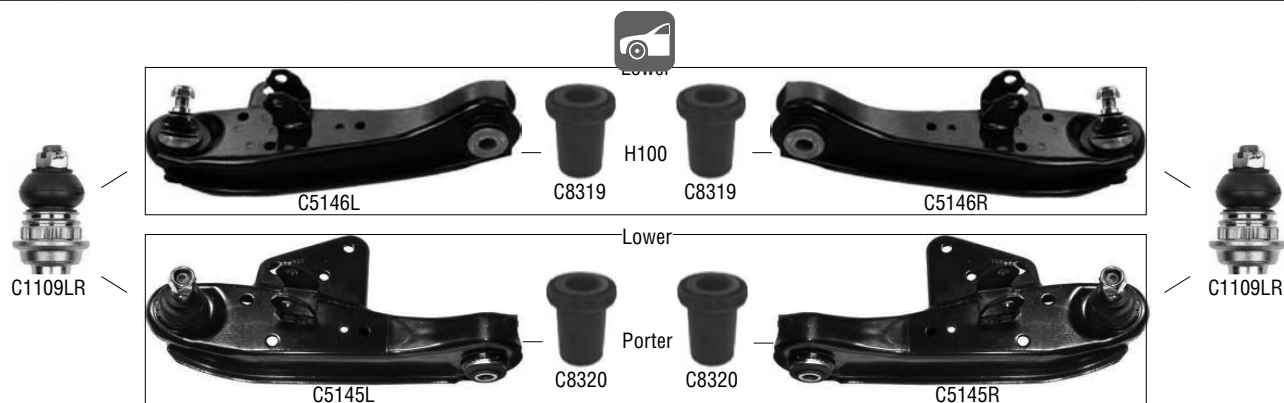


LYNX	Description	Original Number	Specification
C2053LR	Tie Rod	57729-4A000	MM16X1.5R
C4014LR	Tie Rod End	56872-43010	FM14X1.5R
C1251LR	Ball Joint Upper	54417-43A00	
C1156LR	Ball Joint Lower	54530-4AA00	
C7178LR	Stabiliser Link	54830-4A003	
C7179LR	Stabiliser Link	55530-4A001	

H100 / PORTER 07/1993 - 02/2004

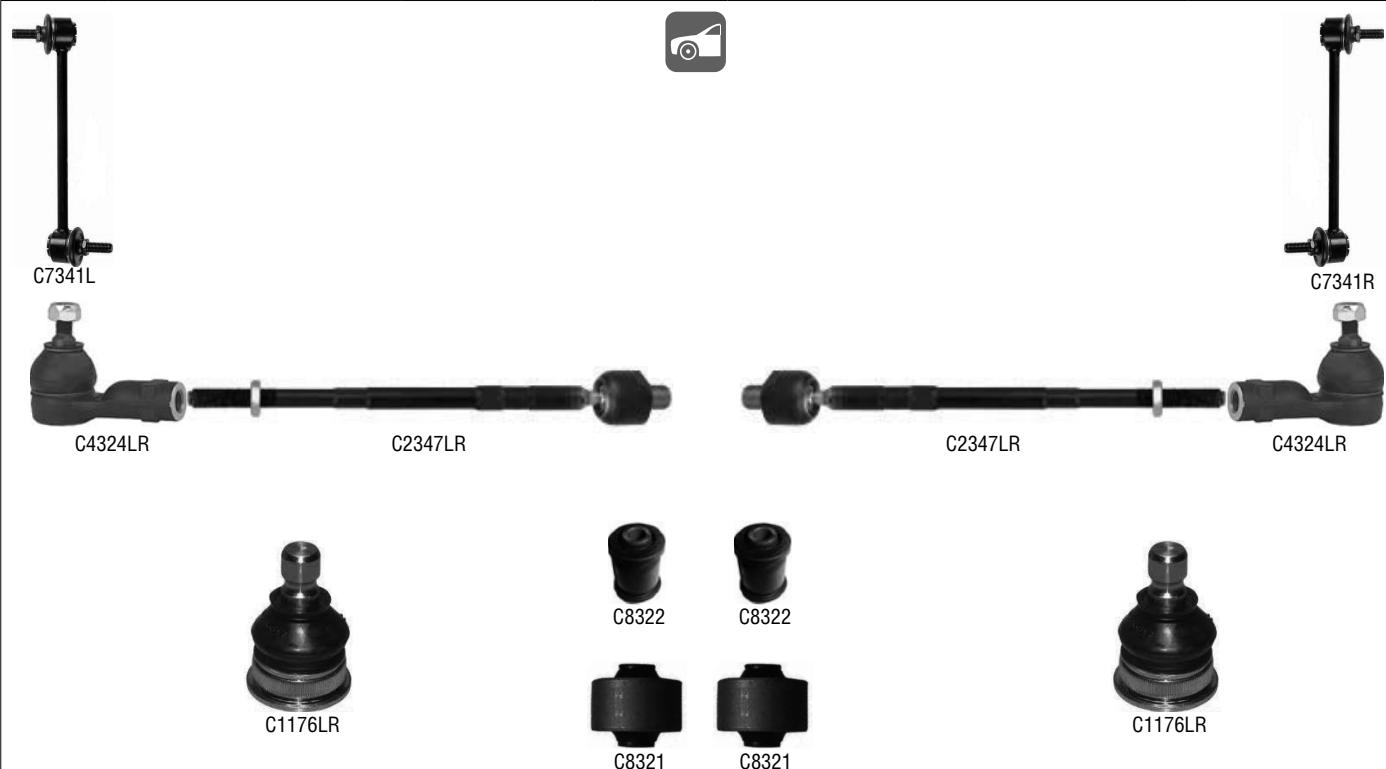


LYNX	Description	Original Number	Specification
C2310LR	Tie Rod	56540-25000	MM16x1.5R -PS
C2311LR	Tie Rod	57775-25000	MM16X1.5R +PS
C4014LR	Tie Rod End	56872-43010	FM14X1.5R
C5144L	Susp. Arm Upper Left	54410-43004	H100
C5144R	Susp. Arm Upper Right	54430-43004	H100



LYNX	Description	Original Number	Specification	
C5146L	Susp. Arm Lower Left	54510-43152		H100
C5146R	Susp. Arm Lower Right	54540-43152		H100
C5145L	Susp. Arm Lower Left	54510-4B001		Porter
C5145R	Susp. Arm Lower Right	54540-4B001		Porter
C1109LR	Ball Joint Lower			
C1251LR	Ball Joint Upper	54417-43A00		
C8319	Silentblock	Comp. of C5146L/R	ø 45.8	H100
C8320	Silentblock	Comp. of C5145L/R	ø 42.3	Porter

i10 12/2007>



LYNX	Description	Original Number	Specification	
C2347LR	Tie Rod	57724-0X010	MM16x1.5R	
C4324LR	Tie Rod End	56820-0X000	FM12x1.25R	
C1176LR	Ball Joint	54530-07000	ø 40	
C7341L	Stabiliser Link Front Left	54830-0X000		
C7341R	Stabiliser Link Front Right	54840-0X000		
C8321	Silentblock	54584-07000		
C8322	Silentblock	54551-07000		

• HYUNDAI

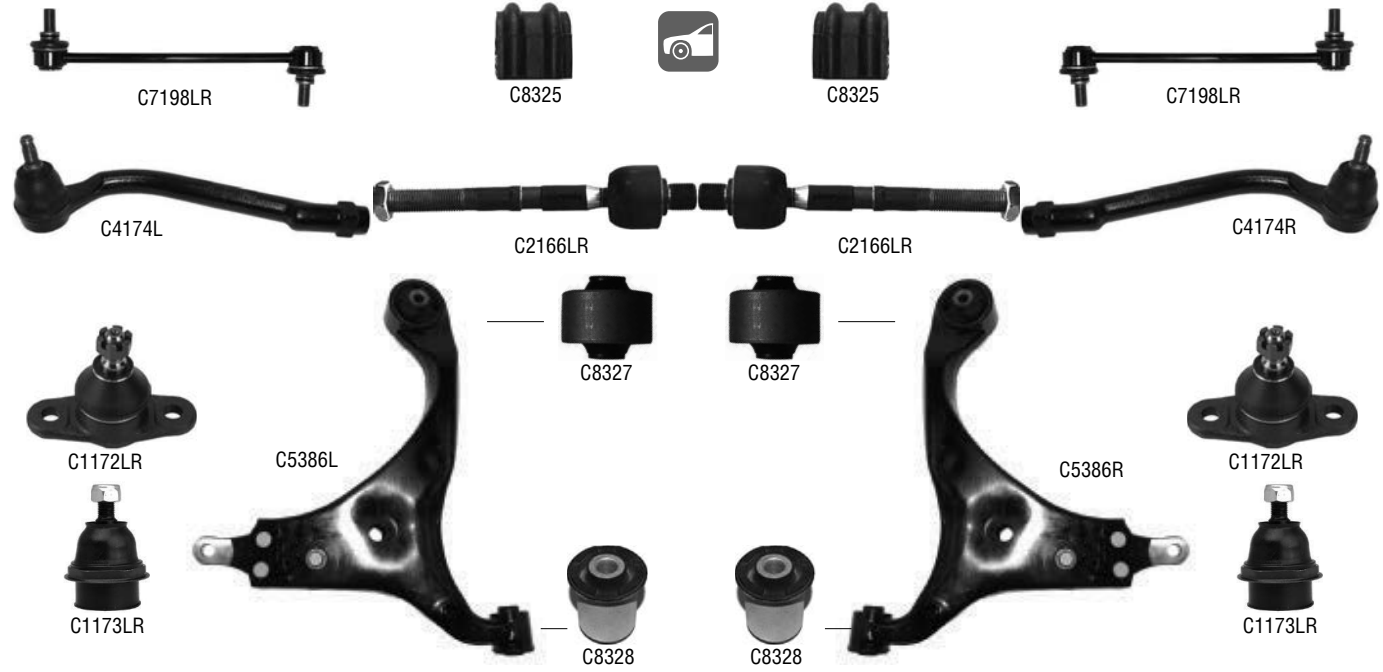


i20 09/2008>



LYNX	Description	Original Number	Specification
C2322LR	Tie Rod	57724-1J000	
C4299L	Tie Rod End Left	56820-2K000	
C4299R	Tie Rod End Right	56820-2K050	
C1152LR	Ball Joint	54520-31600	
C7346L	Stabiliser Link Front Left	54830-1J000	
C7346R	Stabiliser Link Front Right	54840-1J000	
C8323	Silentblock	54551-1J000	
C8324	Silentblock	54584-1J000	

i30 10/2007>

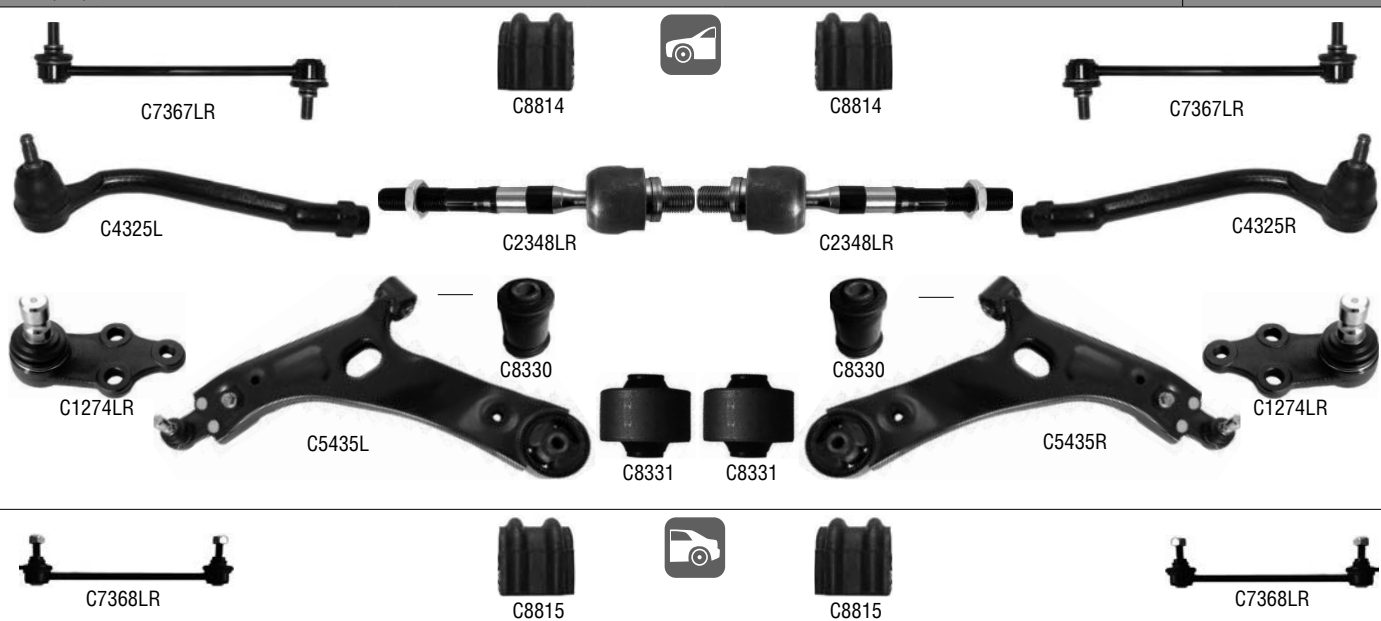


LYNX	Description	Original Number	Specification
C2166LR	Tie Rod	56540-2H000	MM16X1.5R
C4174L	Tie Rod End Left	56820-2H000	FM14X1.5R
C4174R	Tie Rod End Right	56820-2H090	FM14X1.5R



LYNX	Description	Original Number	Specification	
C5386L	Susp. Arm Front Left	54500-2H000		
C5386R	Susp. Arm Front Right	54501-2H000		
C5349LR	Susp. Arm Rear	55250-1H000		
C1172LR	Ball Joint	51760-0Q000		>03/09
C1173LR	Ball Joint	51760-2R000		03/09>
C7198LR	Stabiliser Link Front	54830-2H000		
C7199LR	Stabiliser Link Rear	55530-1H000		
C8325	Stabiliser Mounting	54813-1H100	ø 23.4	
C8812	Stabiliser Mounting	55513-2G100		
C8326	Silentblock	55130-4D000		
C8327	Silentblock	54584-2H000	ø 14	
C8328	Silentblock	54551-2H000	ø 12.4	
C8329	Silentblock	55543-1H000		

IX35 (LM) 01/2010>

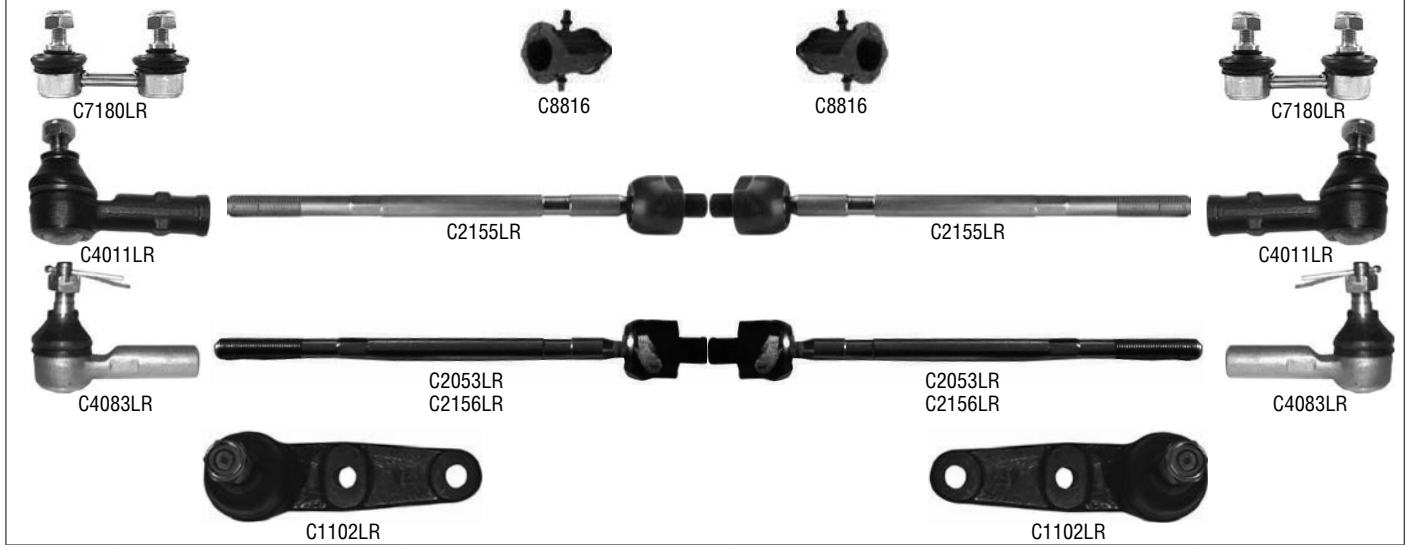


LYNX	Description	Original Number	Specification	
C2348LR	Tie Rod	57724-2S000	MM16X1.5R	
C4325L	Tie Rod End Left	56820-2S000	FM16X1.5R	
C4325R	Tie Rod End Right	56820-2S050	FM16X1.5R	
C5435L	Susp. Arm Front Left	54500-2Y000		
C5435R	Susp. Arm Front Right	54501-2Y000		
C1274LR	Ball Joint	54530-3S000		
C7367LR	Stabiliser Link Front	54830-2S000		
C7368LR	Stabiliser Link Rear	55530-2S100		
C8814	Stabiliser Mounting	54813-2S000		
C8815	Stabiliser Mounting	55513-2Y001		
C8330	Silentblock	54551-2S000	ø 38.1	
C8331	Silentblock	54584-2S000	ø 70	

• HYUNDAI

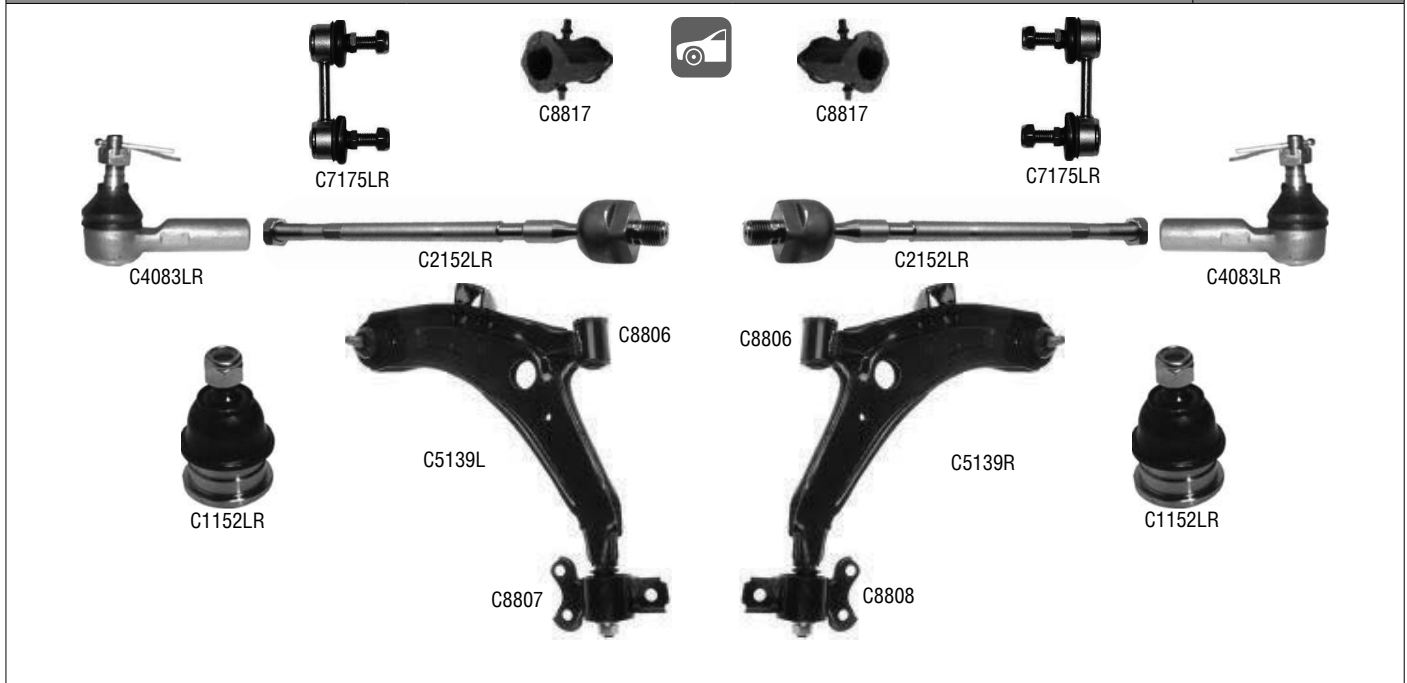


LANTRA I (J-1) 10/1990 - 11/1995



LYNX	Description	Original Number	Specification	
C2155LR	Tie Rod	57730-28000		>04/92
C4011LR	Tie Rod End	56820-28000	FM12X1.25	>04/92
C2053LR	Tie Rod	57730-28500	MM16x1.5R	+PS >05/93
C2156LR	Tie Rod	56540-28020	MM16x1.5R	+PS 06/93>
C4083LR	Tie Rod End	56820-28500	FM14x1.5R	05/92>
C1102LR	Ball Joint	54530-28000		
C7180LR	Stabiliser Link	54830-28000		
C8816	Stabiliser Mounting	54813-28000		

LANTRA II (J-2) 11/1995 - 06/2000



LYNX	Description	Original Number	Specification	
C2152LR	Tie Rod	57730-29000	MM16X1.5R	
C4083LR	Tie Rod End	56820-22000	FM14X1.5R	
C5139L	Susp. Arm Left	54500-29000		
C5139R	Susp. Arm Right	54501-29000		
C1152LR	Ball Joint	54520-31600		
C7175LR	Stabiliser Link	54830-29000		
C8817	Stabiliser Mounting	54813-29100		



C7176LR



C8811



C8811



C7176LR

LYNX	Description	Original Number	Specification
C7176LR	Stabiliser Link	55530-29000	
C8811	Stabilizer Mounting	55513-2D100	
C8806	Silentblock	54551-29010	
C8807	Silentblock	54583-29000	
C8808	Silentblock	54584-29000	

MATRIX (FC)

06/2001>



C7075L



C7075R



C4083LR



C2312LR

C2312LR



C4083LR



C1152LR



C5147L



C8312



C8312



C5147R



C8332



C8332



C1152LR



C7335LR



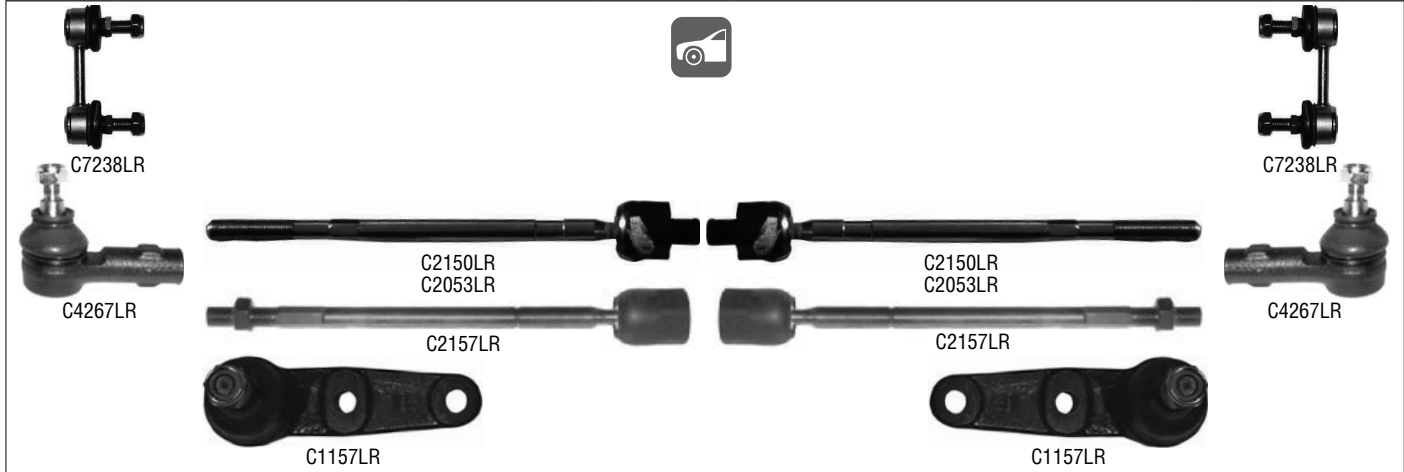
C7335LR

LYNX	Description	Original Number	Specification
C2312LR	Tie Rod	57755-17000	MM16X1.5R
C4083LR	Tie Rod End	56820-25000	FM14x1.5R
C5147L	Susp. Arm Left	54500-17000	
C5147R	Susp. Arm Right	54501-17000	
C1152LR	Ball Joint	54503-38A00	
C7075L	Stabiliser Link Left	54830-25010	
C7075R	Stabiliser Link Right	54830-25020	
C7335LR	Stabiliser Link Rear	55530-17000	
C8312	Silentblock	54551-25000	
C8332	Silentblock	54584-17000	

• HYUNDAI

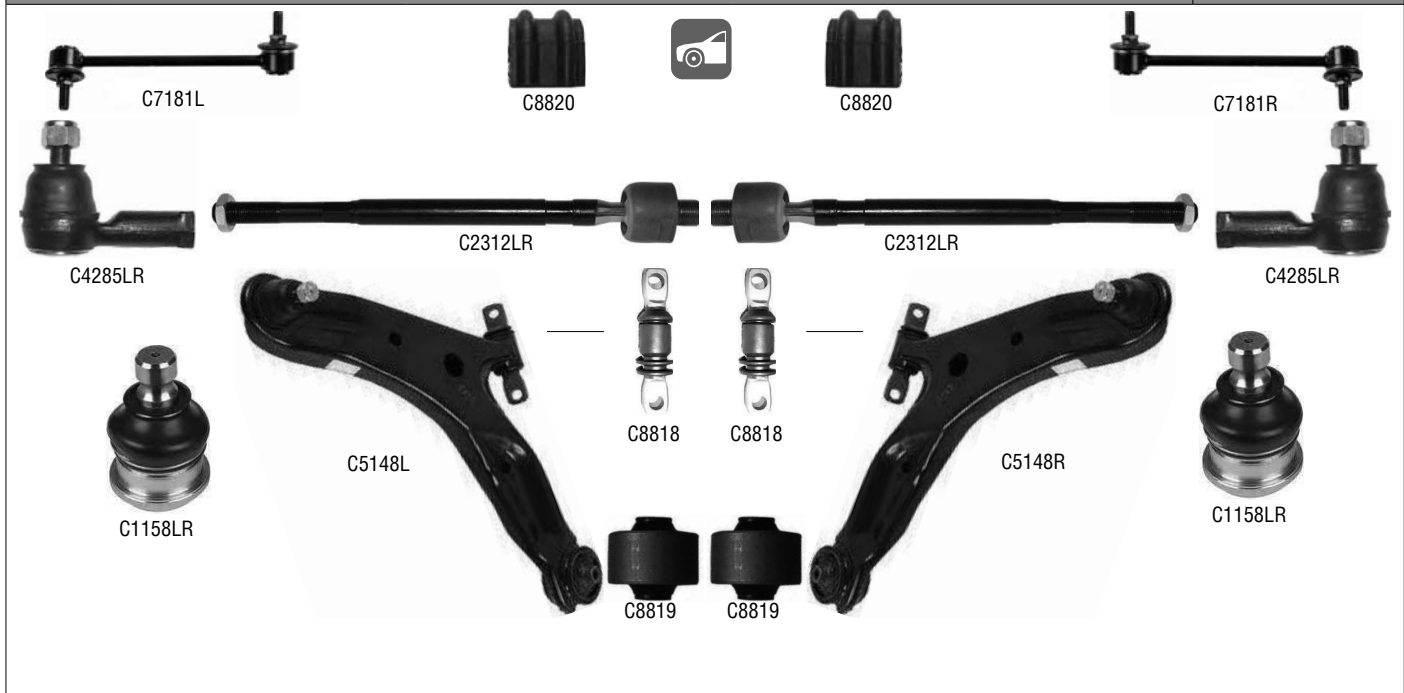


PONY (X-2) S COUPE (SLC)	10/1989 - 01/1995 02/1990 - 05/1996
---	--



LYNX	Description	Original Number	Specification	
C2150LR	Tie Rod	56540-22000	MM16x1.5R	-PS
C2053LR	Tie Rod	57755-22000	MM16x1.5R	+PS Exc. TRW
C2157LR	Tie Rod	57730-24100	FM14X1.5R	+PS TRW
C4267LR	Tie Rod End	56820-21110	FM14x1.5R	
C1157LR	Ball Joint	54530-24A00		
C7238LR	Stabiliser Link	MB518892		

SANTA FE (SM)	01/2002 - 02/2006
----------------------	-------------------



LYNX	Description	Original Number	Specification	
C2312LR	Tie Rod	57785-26200	MM16X1.5R	
C4285LR	Tie Rod End	56820-3B000	FM14X1.5R	
C5148L	Susp. Arm Left	54501-26000		
C5148R	Susp. Arm Right	54502-26000		
C1158LR	Ball Joint	54503-3BA00		
C7181L	Stabiliser Link Left	54830-26000		
C7181R	Stabiliser Link Right	54840-26000		
C8820	Stabiliser Mounting	54813-26000		
C8818	Silentblock	54551-26000		
C8819	Silentblock	54555-26000		



C7182L

C8821

C8821

C7182R

LYNX	Description	Original Number	Specification
C7182L	Stabiliser Link Left	55530-26600	
C7182R	Stabiliser Link Right	55540-26600	
C8821	Stabiliser Mounting	55577-26600	

SANTA FE (CM)

03/2006>



C7183L

C8333

C8333

C7183R



C4286L

C2158LR

C2158R

C4286R



C8334

C8334

C5149L

C5149R



C1158LR



C1158LR



C8335

C8335



C7184LR



C8822



C8822



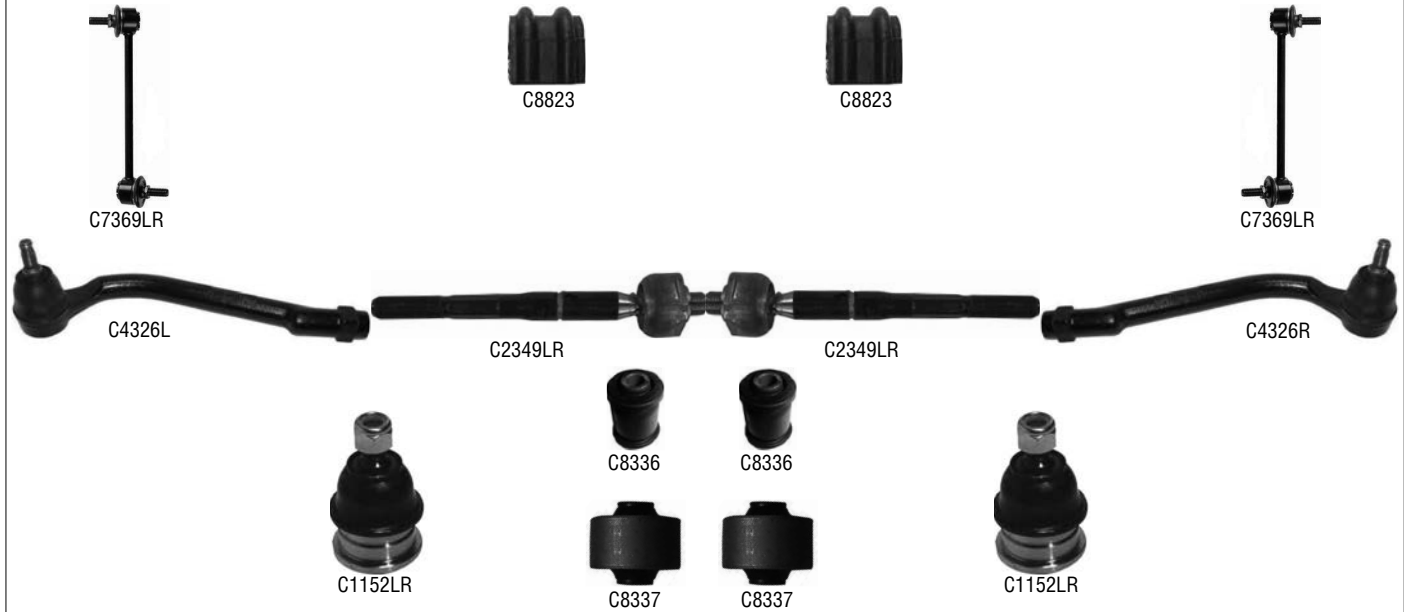
C7184LR

LYNX	Description	Original Number	Specification
C2158LR	Tie Rod	57724-2B000	
C4286L	Tie Rod End Left	56820-2B000	
C4286R	Tie Rod End Right	56820-2B900	
C5149L	Susp. Arm Left	54500-2B100	
C5149R	Susp. Arm Right	54501-2B100	
C1158LR	Ball Joint	54530-2B000	
C7183L	Stabiliser Link Left	54830-2B000	
C7183R	Stabiliser Link Right	54840-2B000	
C7184LR	Stabiliser Link	55530-2B000	
C8333	Stabiliser Mounting	54813-3K100	
C8822	Stabiliser Mounting	55513-2B200	
C8334	Silentblock	54584-2B000	
C8335	Silentblock	54551-2B000	

• HYUNDAI



SOLARIS (SB) 11/2010>



LYNX	Description	Original Number	Specification
C2349LR	Tie Rod	57724-4L000	
C4326L	Tie Rod End Left	56820-4L000	
C4326R	Tie Rod End Right	56820-4L090	
C1152LR	Ball Joint	54530-25000	
C7369LR	Stabiliser Link Front	54830-0U000	
C8823	Stabiliser Mounting	54813-3X000	
C8336	Silentblock	54551-4L000	
C8337	Silentblock	54584-4L000	

SONATA I (Y-2) 09/1988 - 10/1993



LYNX	Description	Original Number	Specification
C2156LR	Tie Rod	56540-28020	MM16x1.5R
C4083LR	Tie Rod End	56820-25000	FM14x1.5R
C1152LR	Ball Joint	54520-31600	
C7105LR	Stabiliser Link Front	54830-36000	



C7186LR



C7186LR



C1159LR



C1159LR

LYNX	Description	Original Number	Specification
C1159LR	Ball Joint Rear	55130-34A00	
C7186LR	Stabiliser Link Rear	55580-37020	

SONATA II (Y-3)

05/1993 - 06/1998



C7076LR



C7076LR



C4083LR



C2312LR

C2312LR



C4083LR



C1160LR



C1160LR



C7186LR



C7187LR



C7187LR



C7186LR



C1159LR

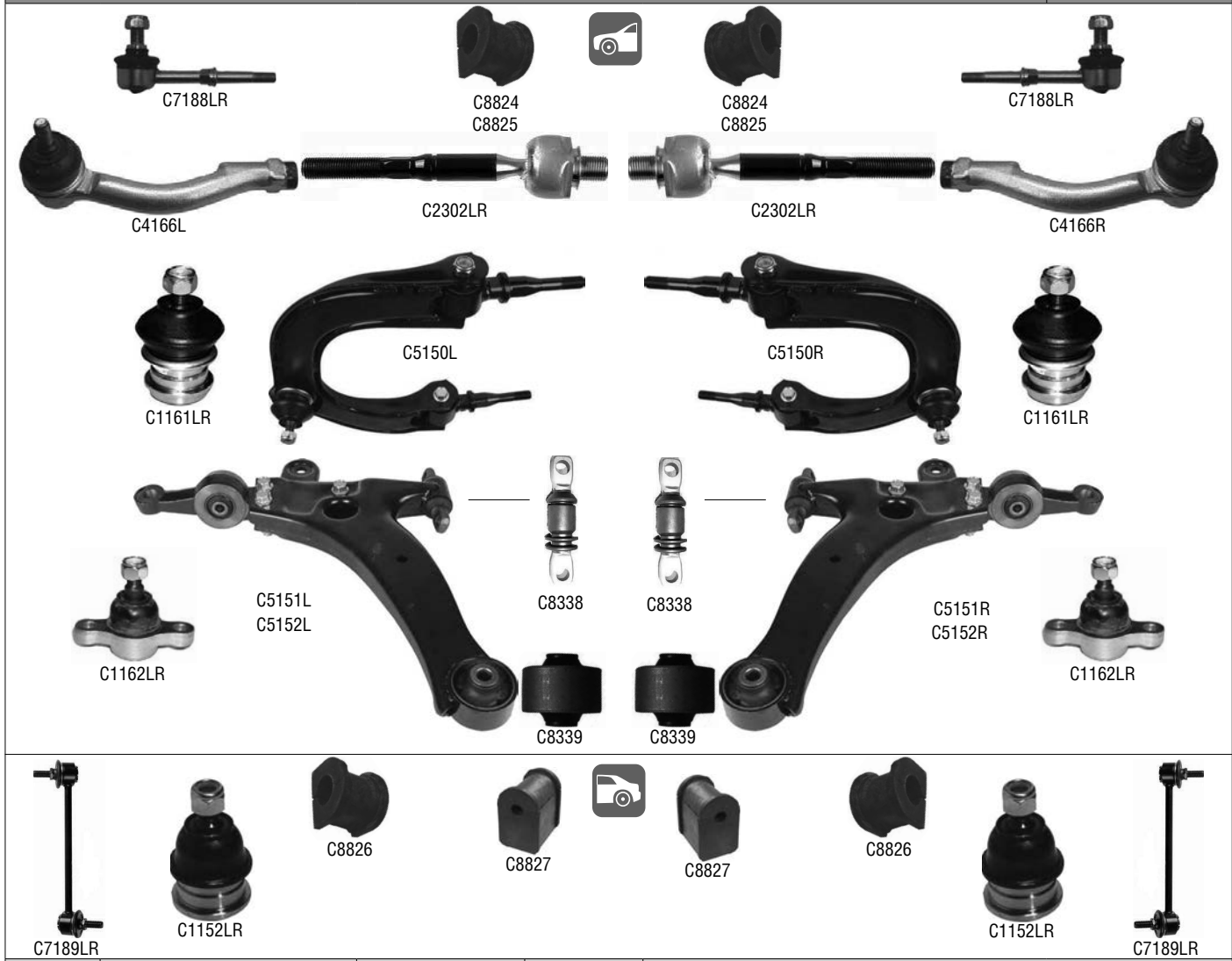


C1159LR

LYNX	Description	Original Number	Specification
C2312LR	Tie Rod	57716-34000	MM16X1.5R
C4083LR	Tie Rod End	56820-25000	FM14x1.5R
C1160LR	Ball Joint	54503-34A00	
C1159LR	Ball Joint Rear	55130-34A00	
C7076LR	Stabiliser Link Front	54830-34000	
C7187LR	Stabiliser Link Rear	55530-38000	97>
C7186LR	Stabiliser Link Rear	55580-37020	>97



SONATA III (EF) 03/1998 - 10/2001
SONATA IV (EF NEW, EU4) 10/2001 - 01/2005

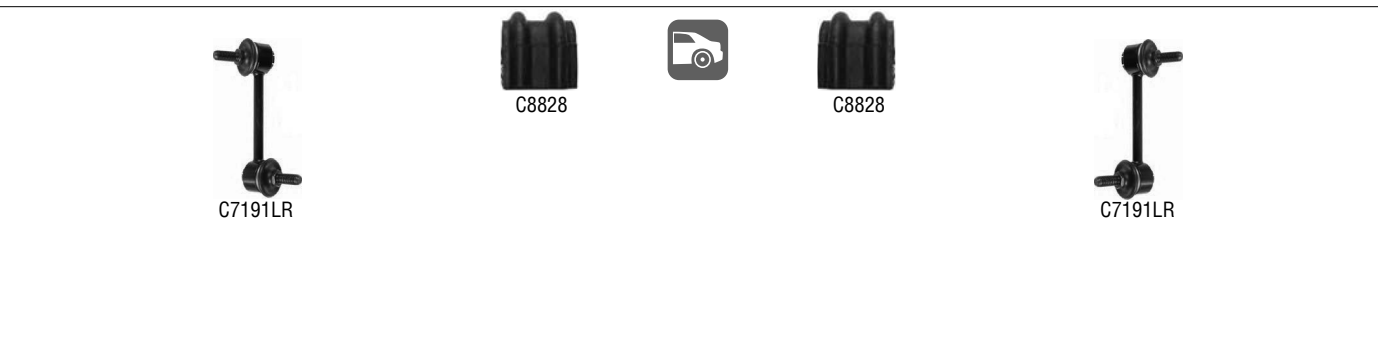
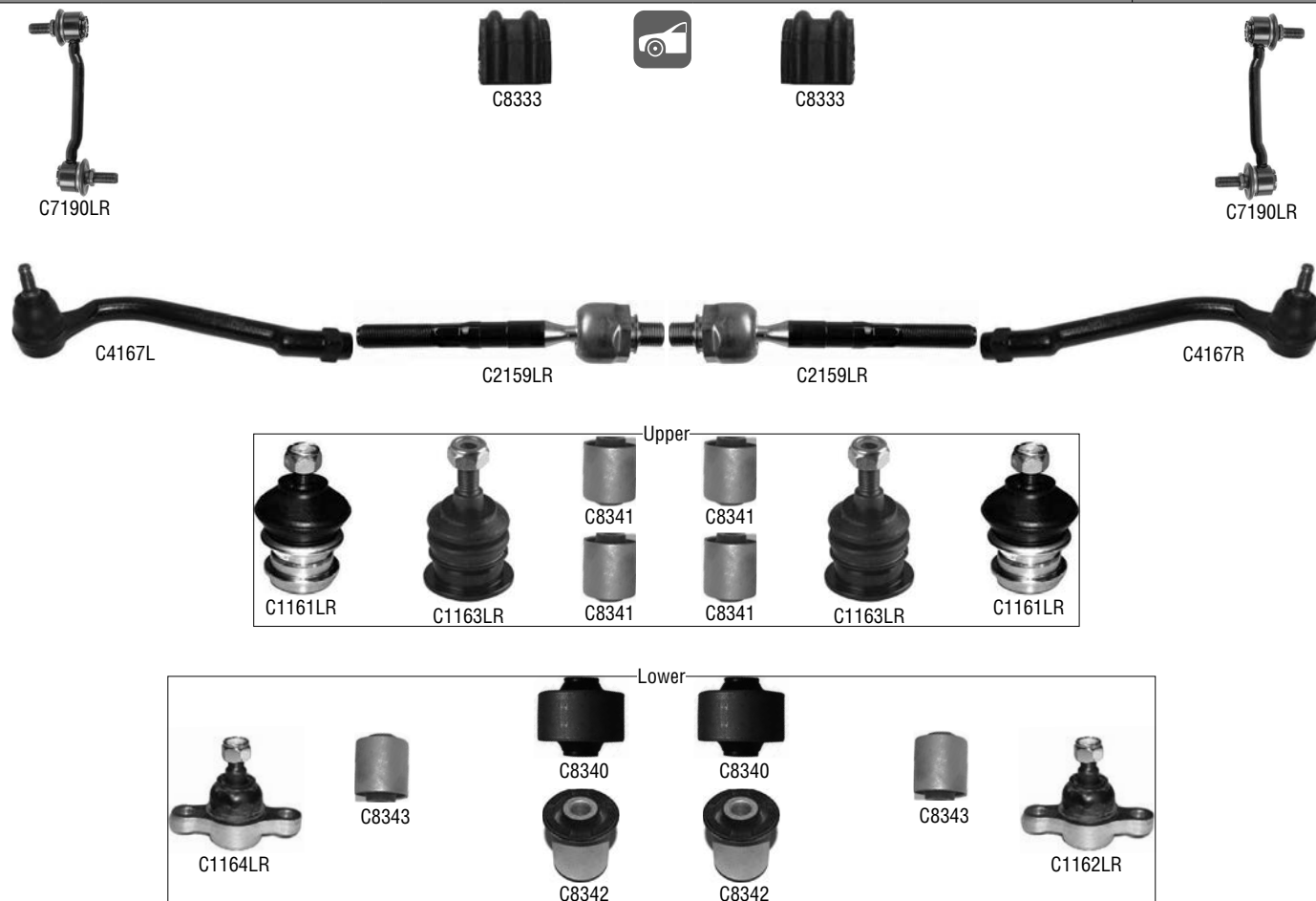


LYNX	Description	Original Number	Specification	
C2302LR	Tie Rod	57724-38000		
C4166L	Tie Rod End Left	56820-38000	FM14X1.5R	
C4166R	Tie Rod End Right	56820-38900	FM14X1.5R	
C5150L	Susp. Arm Upper Left	54410-38000		
C5150R	Susp. Arm Upper Right	54420-38000		
C5151L	Susp. Arm Lower Left	54500-38000		>01
C5151R	Susp. Arm Lower Right	54501-38000		>01
C5152L	Susp. Arm Lower Left	54500-38011		01>
C5152R	Susp. Arm Lower Right	54501-38011		01>
C1161LR	Ball Joint Upper	54403-38A00		
C1162LR	Ball Joint Lower	51760-38000		
C1152LR	Ball Joint Rear	54503-38A00		
C7189LR	Stabiliser Link	55530-38600		
C7188LR	Stabiliser Link	54830-38100		
C8824	Stabiliser Mounting	54813-38101		>01
C8825	Stabiliser Mounting	54813-39100		01>
C8826	Stabiliser Mounting	55577-38102		>01
C8827	Stabiliser Mounting	55577-38600		01>
C8338	Silentblock	54551-38000		
C8339	Silentblock	54584-38000		



SONATA V (NF)

01/2005>



LYNX	Description	Original Number	Specification	
C2159LR	Tie Rod	57724-3K000	MM16X1.5R	
C4167L	Tie Rod End Left	56820-3K000	MM16X1.5R	
C4167R	Tie Rod End Right	56820-3K010	MM16X1.5R	
C1161LR	Ball Joint Upper	54403-38A00		>07/06
C1163LR	Ball Joint Upper	54430-3F600		07/06>
C1164LR	Ball Joint Lower	51760-3K000		
C7190LR	Stabiliser Link	54830-3L000		
C7191LR	Stabiliser Link	55530-3K001		
C8333	Stabiliser Mounting	54813-3K100		
C8828	Stabiliser Mounting	55513-3K100		
C8340	Silentblock	54584-3K000		
C8341	Silentblock	54443-3K000		
C8342	Silentblock	54551-3K000		
C8343	Silentblock	54552-3K000		

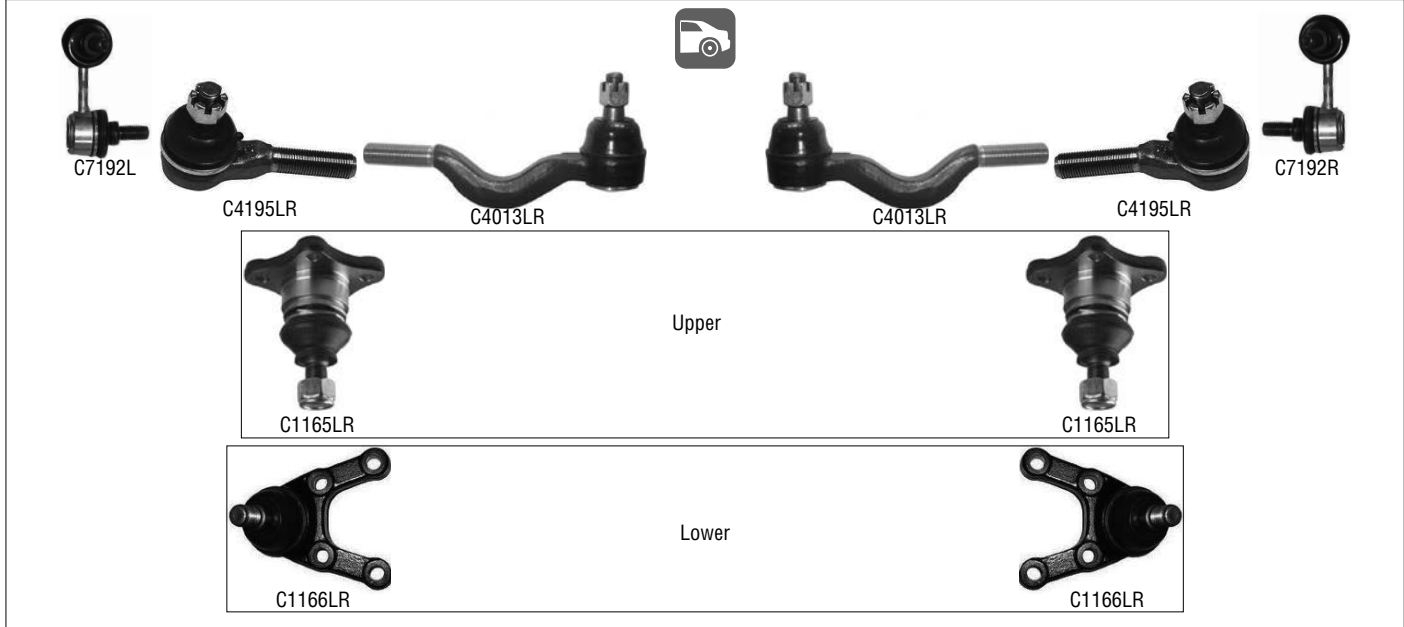


SONATA VI (YF) 11/2009>



LYNX	Description	Original Number	Specification
C2350LR	Tie Rod	57724-2T000	
C4327L	Tie Rod End Left	56820-2T000	
C4327R	Tie Rod End Right	56820-2T500	
C1275LR	Ball Joint	54530-3S100	
C7370L	Stabiliser Link Front Left	54830-2T000	
C7370R	Stabiliser Link Front Right	54840-2T000	
C8829	Stabiliser Mounting	54813-3S110	
C8344	Silentblock	54551-3R000	
C8345	Silentblock	54584-2T000	

TERRACAN (HP) 12/2001>

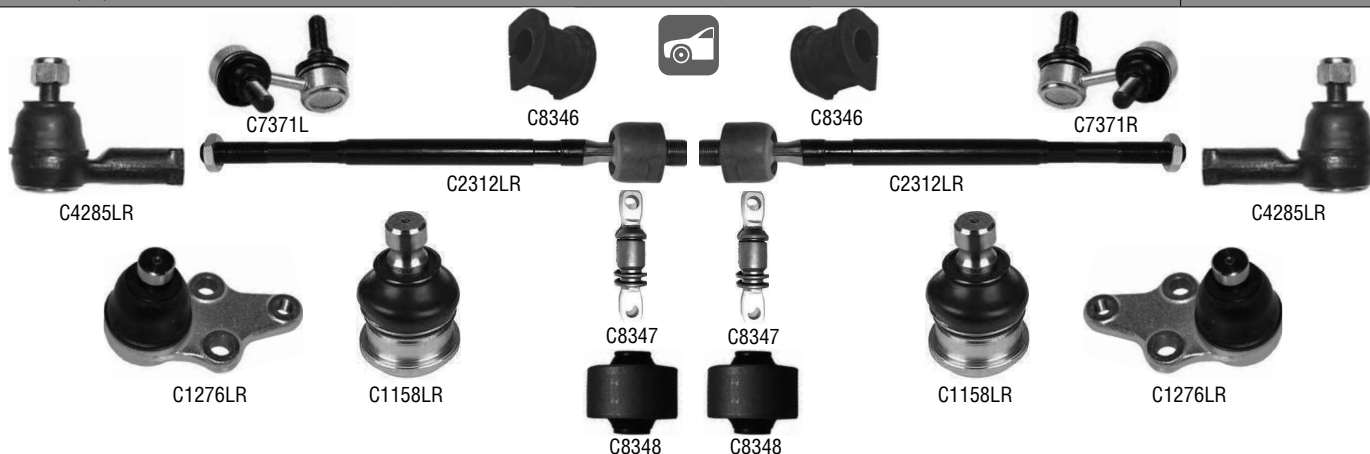


LYNX	Description	Original Number	Specification
C4195LR	Tie Rod End Outer	MB241171	MM16X1.5L
C4013LR	Tie Rod End Inner	MB241206	MM16x1.5R
C1165LR	Ball Joint Upper	54440-H1000	
C1166LR	Ball Joint Lower	54550-H1000	
C7192L	Stabiliser Link Front Left	54822-H1000	
C7192R	Stabiliser Link Front Right	54823-H1000	



TRAJET (FO)

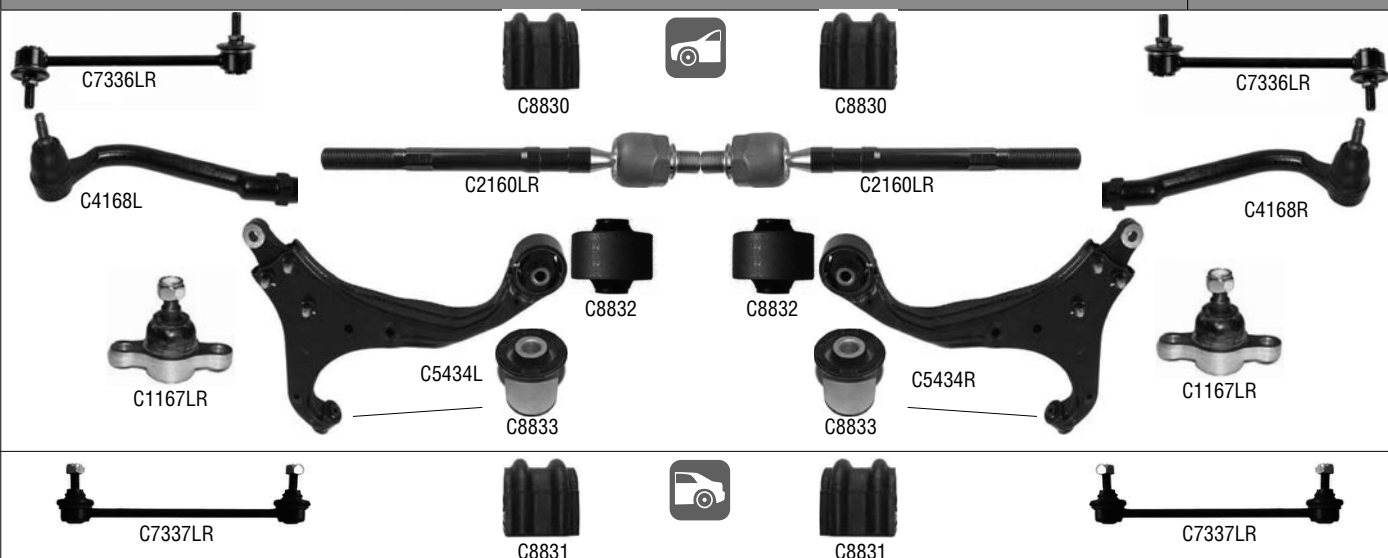
03/2000>



LYNX	Description	Original Number	Specification	
C2312LR	Tie Rod	57724-3A000	MM16x1.5R	
C4285LR	Tie Rod End	56820-3B000	FM14X1.5R	
C1158LR	Ball Joint	54530-3B000		>02/04
C1276LR	Ball Joint	54530-3A200		03/04>
C7371L	Stabiliser Link	54830-3A000		
C7371R	Stabiliser Link	54840-3A000		
C8346	Stabiliser Mounting	54813-3A000		
C8347	Silentblock	54551-3A000		
C8348	Silentblock	54555-3A100		

TUCSON

09/2004->

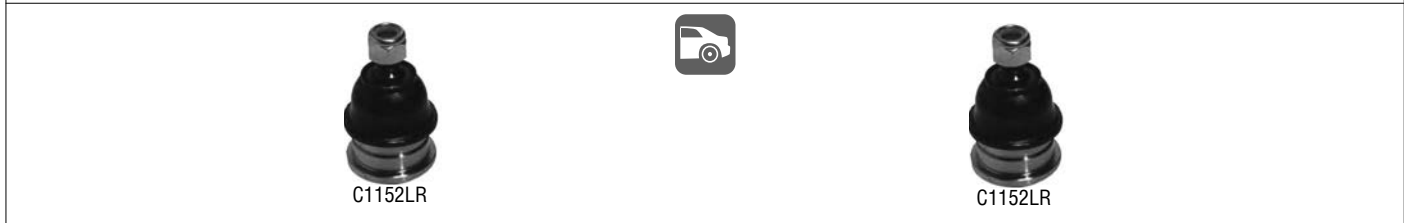


LYNX	Description	Original Number	Specification	
C2160LR	Tie Rod	57724-2E000	MM16X1.5R	
C4168L	Tie Rod End Left	56820-2E000	FM10X1.5R	
C4168R	Tie Rod End Right	56820-2E900	FM10X1.5R	
C5434L	Susp. Arm Left	54500-1F100		
C5434R	Susp. Arm Right	54501-1F100		
C1167LR	Ball Joint	51760-2E000		
C7336LR	Stabiliser Link Front	54830-2E000		
C7337LR	Stabiliser Link Rear	55530-2E000		
C8830	Stabiliser Mounting	54813-2E100		
C8831	Stabiliser Mounting	55513-2E100		
C8832	Silentblock	54584-2E000		
C8833	Silentblock	54551-2E000		

• HYUNDAI - ISUZU

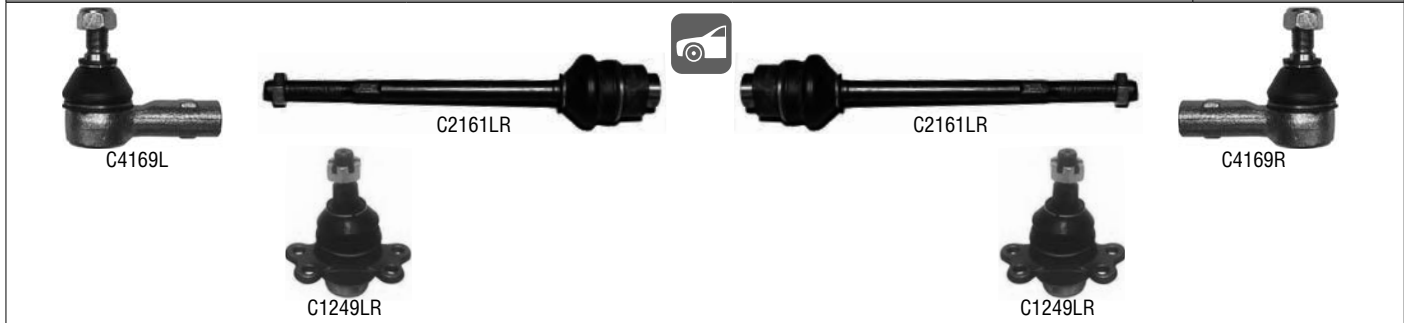


XG (25 - 30) 04/1999>



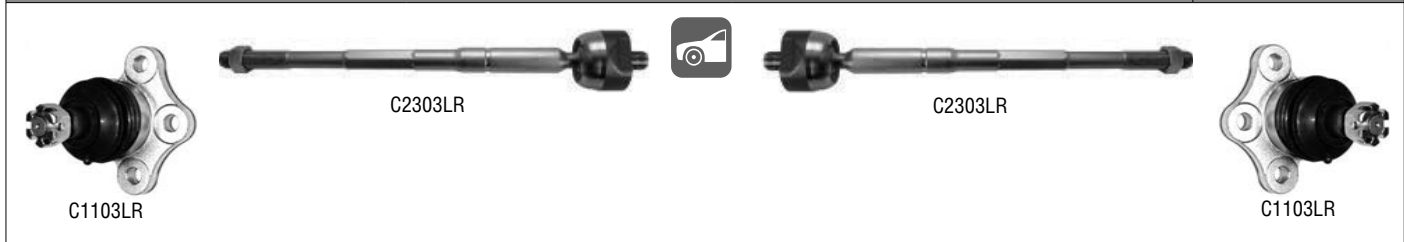
LYNX	Description	Original Number	Specification
C2302LR	Tie Rod	57724-38000	
C4166L	Tie Rod End Left	57780-38000	
C4166R	Tie Rod End Right	57780-38010	
C1161LR	Ball Joint	54403-38A00	
C1152LR	Ball Joint	54503-38A00	
C7188LR	Stabiliser Link	54830-39000	

ISUZU
CAMPO (KB) 01/1983 - 12/1990



LYNX	Description	Original Number	Specification
C2161LR	Tie Rod	8-94217-221-3	FM14X1.5R
C4169L	Tie Rod End Left	8-94419-409-0	FM14X1.5L
C4169R	Tie Rod End Right	8-94419-408-0	FM14x1.5R
C1249LR	Ball Joint Upper	8-94224-550-2	

D-MAX (8DH) 10/2006>

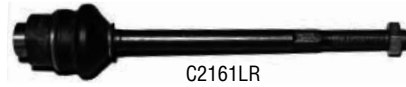


LYNX	Description	Original Number	Specification
C2303LR	Tie Rod	8-98055-744-0	2WD
C1103LR	Ball Joint Upper	8-98005-826-0	4WD



PICK-UP FASTER

06/1981 - 01/1988



Upper



Lower



LYNX	Description	Original Number	Specification	
C2161LR	Tie Rod	8-94217-221-3	FM14X1.5R	
C4170LR	Tie Rod End	8-94237-351-1	FM14x1.5R	
C1249LR	Ball Joint Upper	8-94224-550-2		
C1168LR	Ball Joint Lower	8-94224-552-2		2WD
C1169LR	Ball Joint Lower	8-94452-106-1		4WD

PICK-UP FASTER

05/1988 - 12/1990



Upper



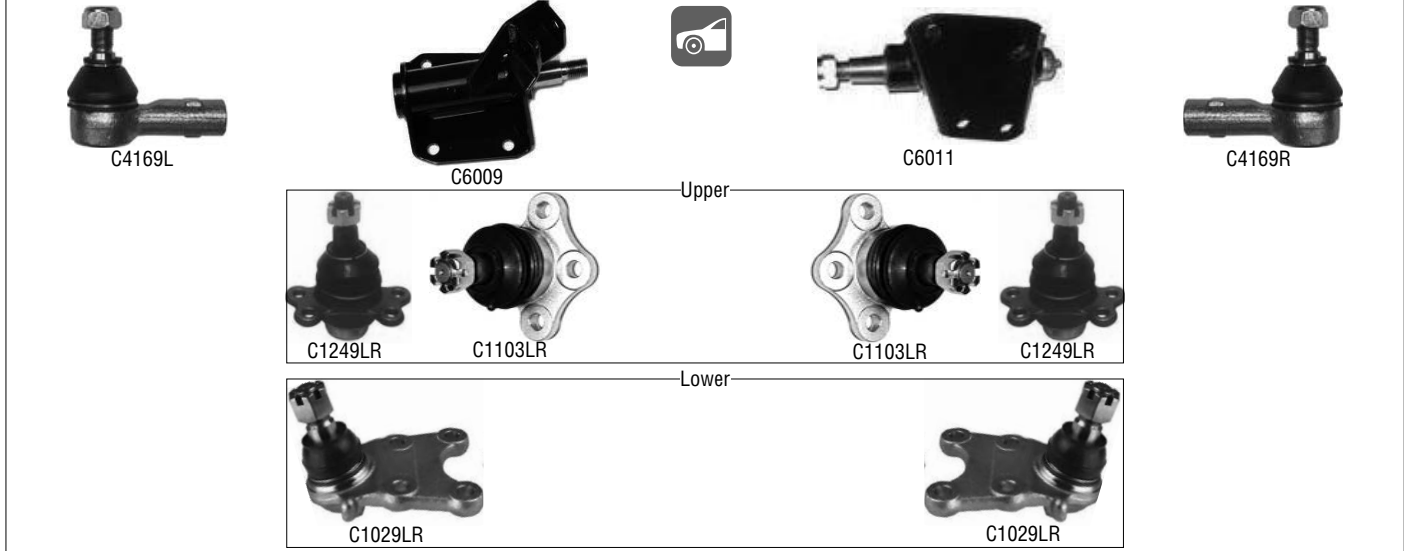
Lower



LYNX	Description	Original Number	Specification	
C4169L	Tie Rod End Left	8-94419-409-0	FM14X1.5L	
C4169R	Tie Rod End Right	8-94419-408-0	FM14x1.5R	
C1249LR	Ball Joint Upper	8-94224-550-2		
C1170LR	Ball Joint Lower	8-94459-464-1		

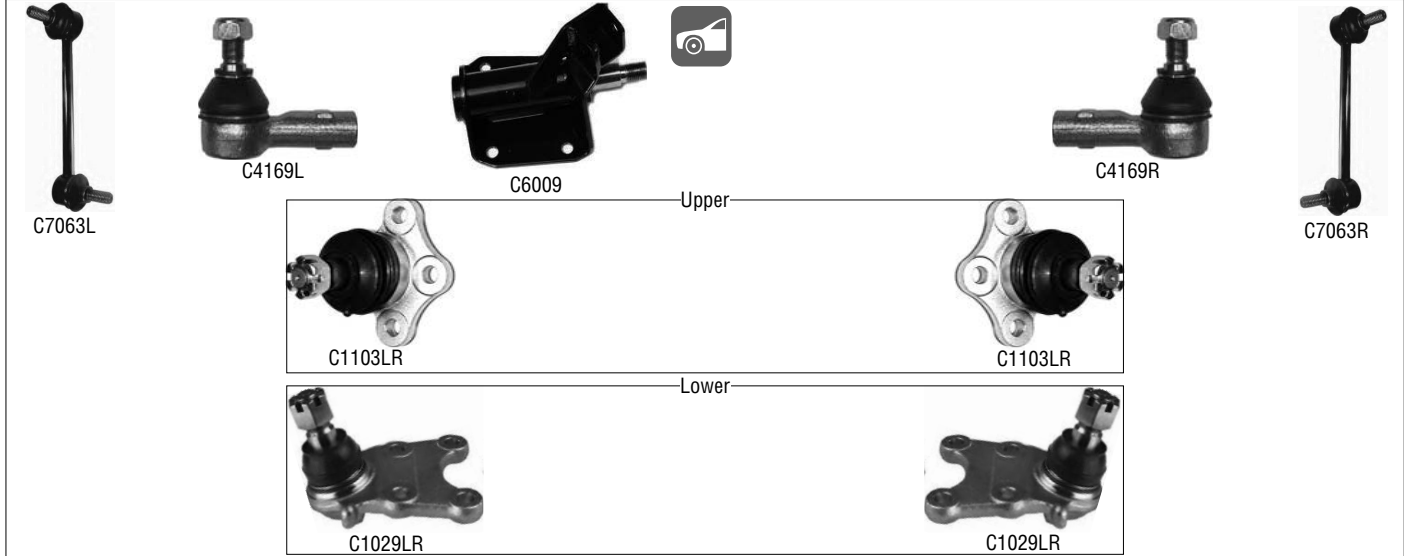


TROOPER (UBS) / BIGHORN 10/1987 - 12/1991



LYNX	Description	Original Number	Specification	
C4169L	Tie Rod End Left	8-94419-409-0	FM14X1.5L	
C4169R	Tie Rod End Right	8-94419-408-0	FM14x1.5R	
C6009	Pitman Arm	8-97102-823-0		
C6011	Housing For Bell Crank	8-94241-767-0		
C1249LR	Ball Joint Upper	8-94224-550-2		>11/91
C1103LR	Ball Joint Upper	8-94374-424-0		12/91>
C1029LR	Ball Joint Lower	8-94452-102-1		

TROOPER (UB) / BIGHORN 08/1991 - 07/1998



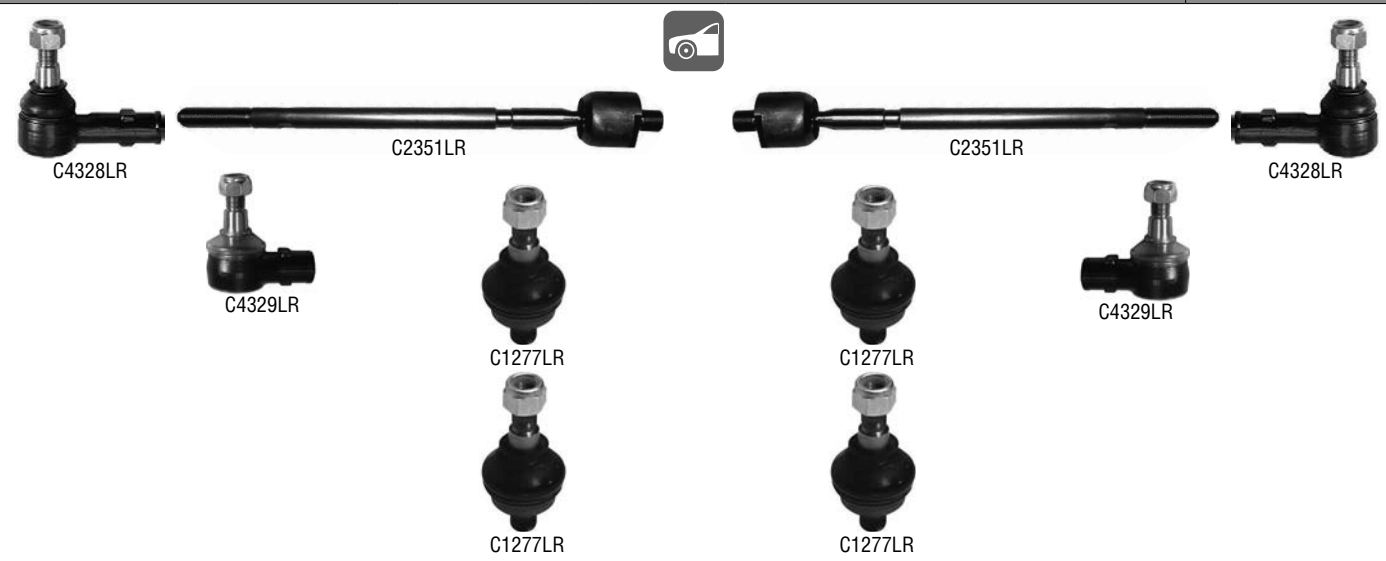
LYNX	Description	Original Number	Specification	
C4169L	Tie Rod End Left	8-94419-409-0	FM14X1.5L	
C4169R	Tie Rod End Right	8-94419-408-0	FM14x1.5R	
C6009	Pitman Arm	8-97102-823-0		
C1103LR	Ball Joint Upper	8-94374-424-0		
C1029LR	Ball Joint Lower	8-94452-102-1		
C7063L	Stabiliser Link Left	8-97018-228-2		
C7063R	Stabiliser Link Right	8-97018-227-2		
C7462LR	Stabiliser Link	8-97018-125-2		



IVECO

TURBO DAILY 4WD

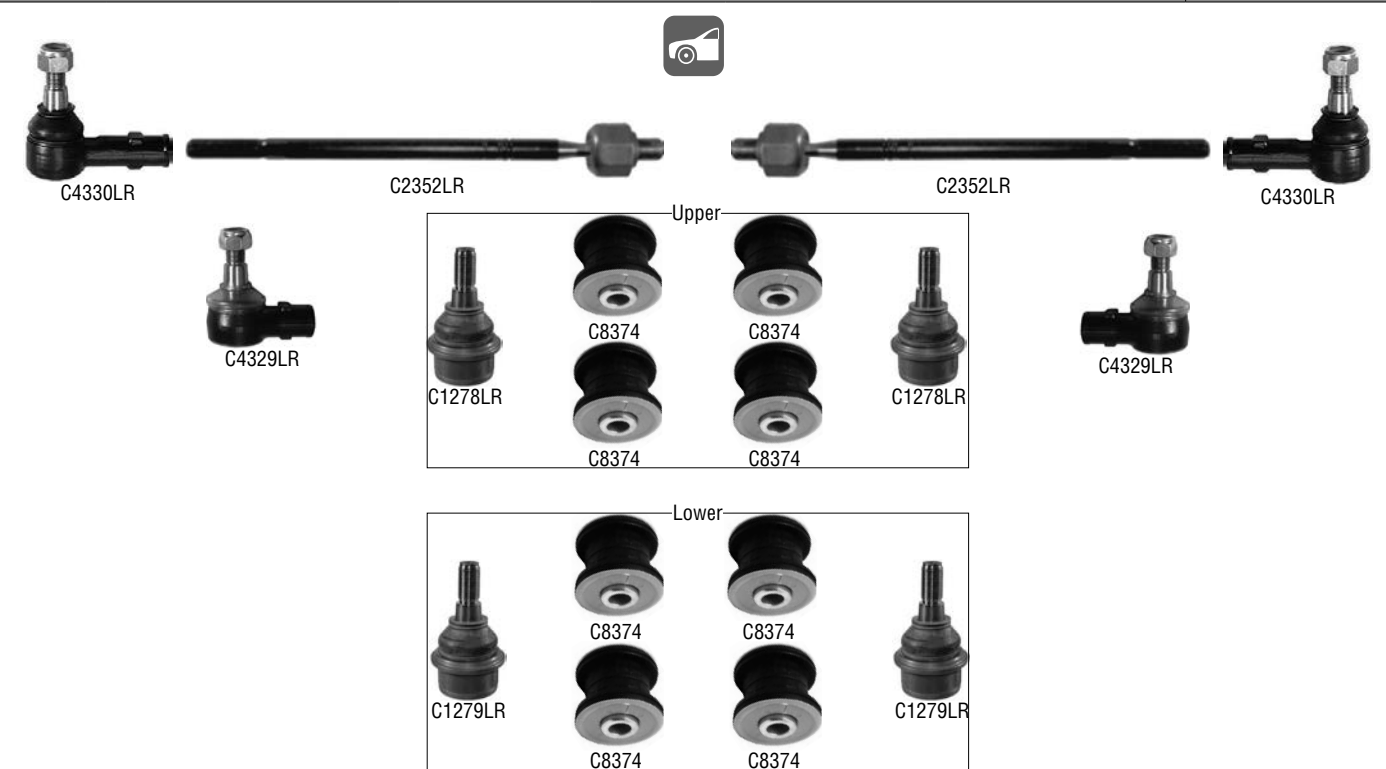
01/1987 - 04/1999



LYNX	Description	Original Number	Specification
C2351LR	Tie Rod	9983325	MM16X1.5R
C4328LR	Tie Rod End	93800662	For Tie Rod
C4329LR	Tie Rod End	93802209	
C1277LR	Ball Joint	93807545	

DAILY II
DAILY III

05/1999 - 04/2006
05/2006>



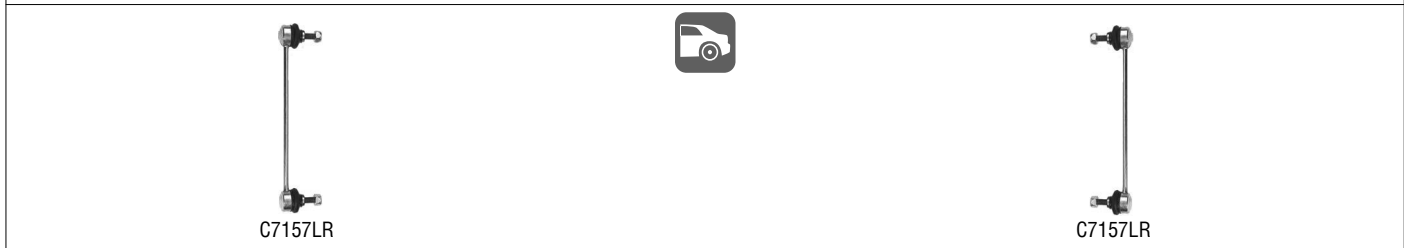
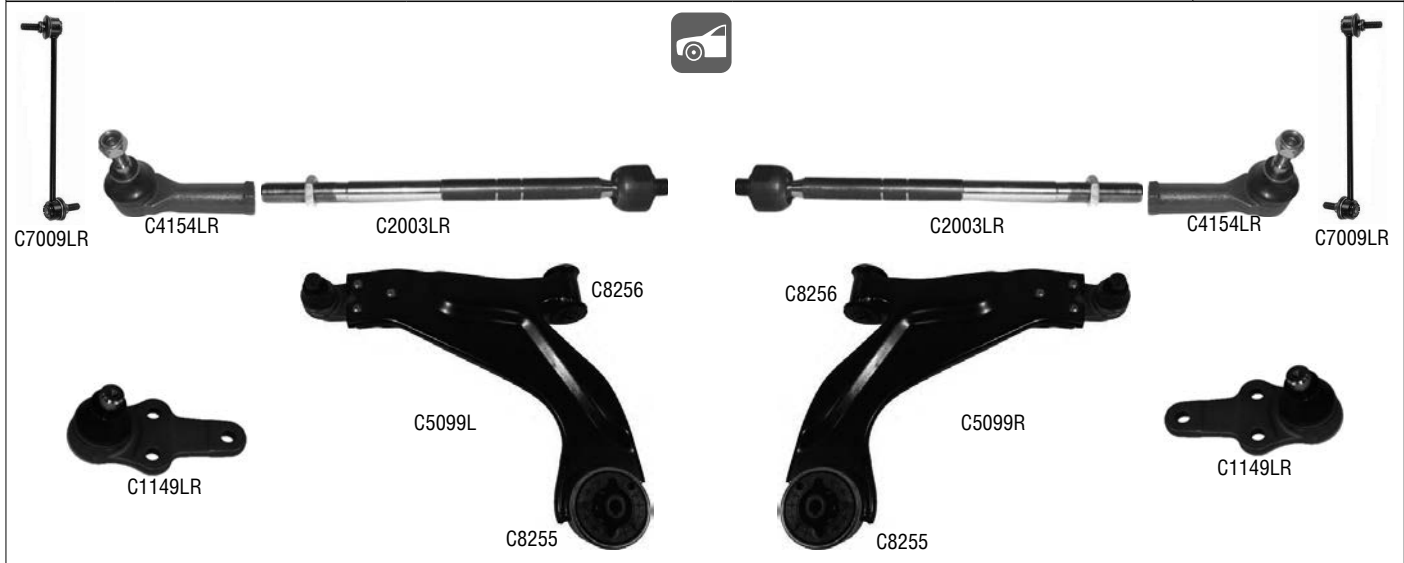
LYNX	Description	Original Number	Specification
C2352LR	Tie Rod	2992593	
C4330LR	Tie Rod End	42534911	For Tie Rod
C4329LR	Tie Rod End	93802209	
C1278LR	Ball Joint Upper		
C1279LR	Ball Joint Lower		
C8374	Silentblock	504039506	

• JAGUAR - JEEP



JAGUAR

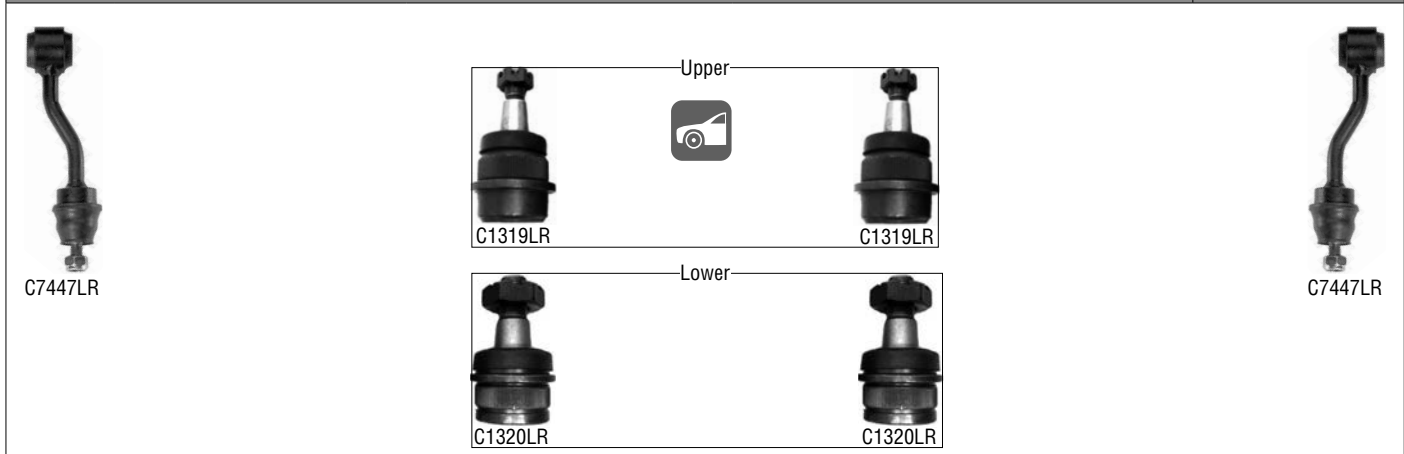
X-TYPE (CF1) 06/2001>



LYNX	Description	Original Number	Specification
C2003LR	Tie Rod	1S7-C328-0BB	MM14X1.5R
C4154LR	Tie Rod End	C2S 12013	FM16X1.5R
C5099L	Susp. Arm Left	1116579	
C5099R	Susp. Arm Right	1116578	
C1149LR	Ball Joint	Comp. of C5099L/R	
C7009LR	Stabiliser Link	1127646	
C7157LR	Stabiliser Link	1127648	
C8255	Silentblock	1S71-3A262-A01	ø 77.3
C8256	Silentblock	1S71-306S-A0	ø 35.3

JEEP

GRAND CHEROKEE I (ZJ, ZG) 01/1991 - 04/1999

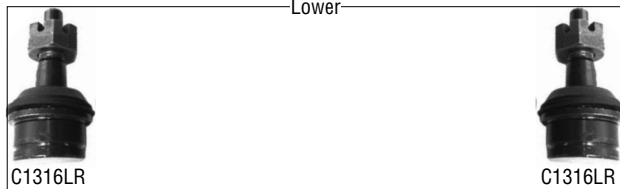
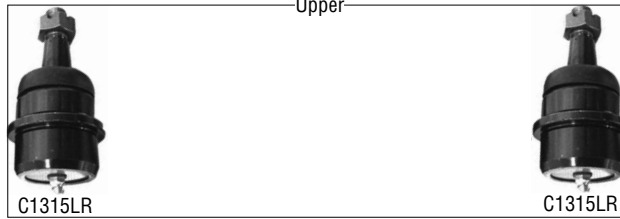
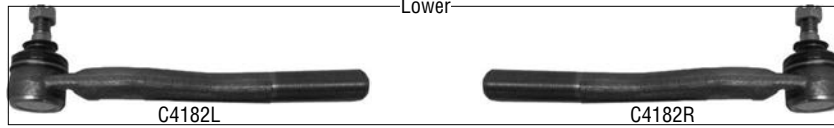
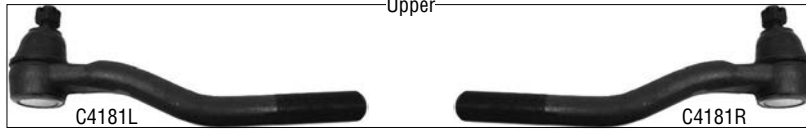


LYNX	Description	Original Number	Specification
C1319LR	Ball Joint Upper		
C1320LR	Ball Joint Lower		
C7447LR	Stabilizer Link	52088437	



GRAND CHEROKEE II (WJ, WG)

01/1999 - 06/2005



LYNX	Description	Original Number	Specification
C4181L	Tie Rod End Upper Left	52088511	MM24X1.5L
C4181R	Tie Rod End Upper Right	52088461	MM24X1.5R
C4182L	Tie Rod End Lower Left	5208869AA	MM24X1.5L
C4182R	Tie Rod End Lower Right	5208870AA	MM24X1.5R
C1315LR	Ball Joint Upper		
C1316LR	Ball Joint Lower		
C7442LR	Stabilizer Link	52088283	

GRAND CHEROKEE III (W2)

06/2005>



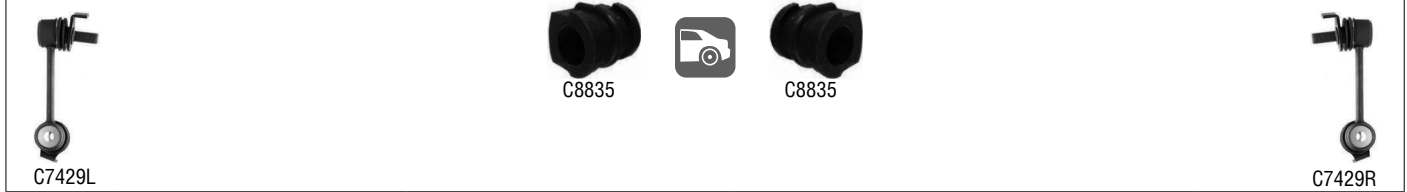
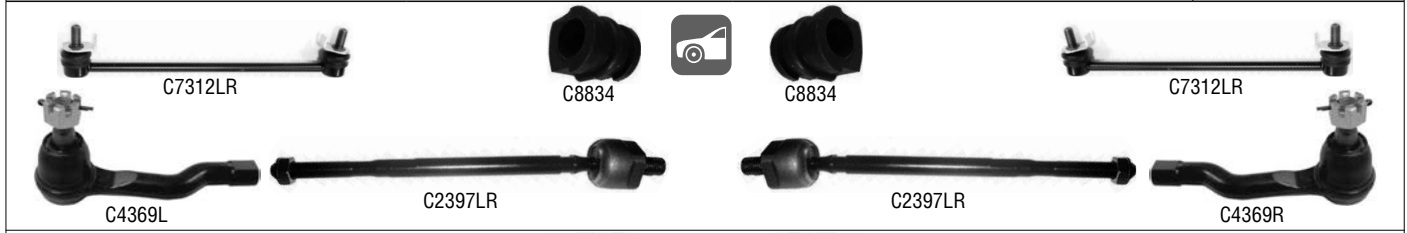
LYNX	Description	Original Number	Specification
C4370L	Tie Rod End Left	5143555AB	
C4370R	Tie Rod End Right	5143556AB	
C1317LR	Ball Joint Lower	5135651AB	
C7443LR	Stabilizer Link Front	52089467AB	
C7444LR	Stabilizer Link Rear	52089486AC	

• INFINITY - KIA



INFINITY

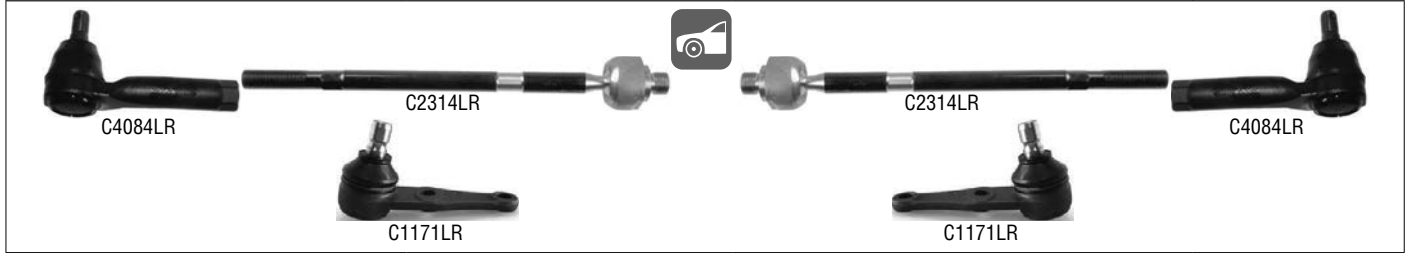
FX35/45 11/2002 - 03/2008



LYNX	Description	Original Number	Specification
C2397LR	Tie Rod	48521-CG025	
C4369L	Tie Rod End Left	48520-CG025	
C4369R	Tie Rod End Right	48640-CG085	
C7312LR	Stabilizer Link Front	54617-CG000	
C7429L	Stabilizer Link Rear Left	54668-WL010	
C7429R	Stabilizer Link Rear Right	54618-WL010	
C8834	Stabiliser Mounting	54613-CG006	
C8835	Stabiliser Mounting	54613-CG024	

KIA

CARENS I (FC) 11/2000 - 07/2002



LYNX	Description	Original Number	Specification
C2314LR	Tie Rod	0K2A1-32240	MM16X1.5R
C4084LR	Tie Rod End	0K201-32280	FM14X1.5R
C1171LR	Ball Joint	0K2A1-34550A	

CARENS II (FJ) 07/2002 - 09/2006



LYNX	Description	Original Number	Specification
C2162LR	Tie Rod	0K2FK-32240	MM16X1.5R
C4084LR	Tie Rod End	0K201-32280	FM14X1.5R



C7338LR



C8836



C8836

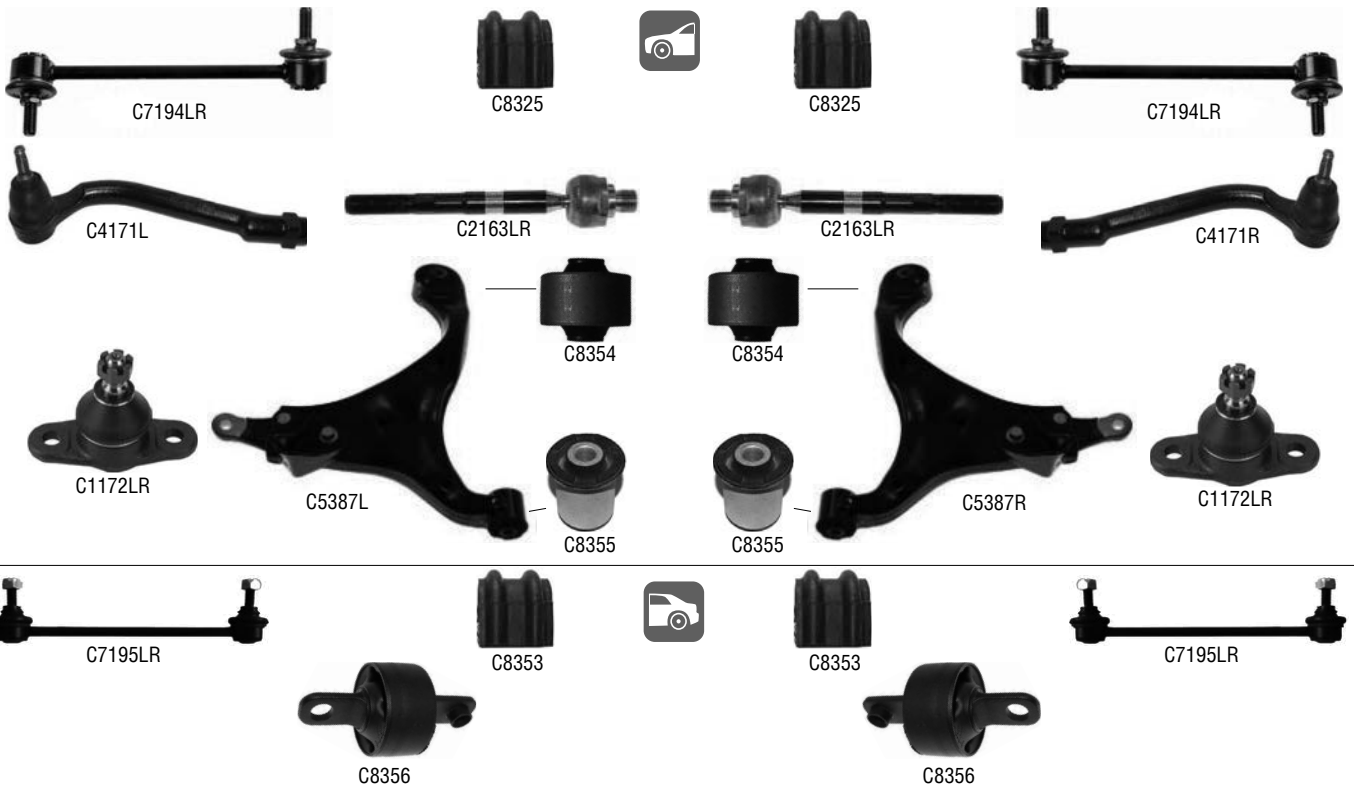


C7338LR

LYNX	Description	Original Number	Specification	
C5153L	Susp. Arm Left	OK2FA-34350		
C5153R	Susp. Arm Right	OK2FA-34300		
C1171LR	Ball Joint	OK2A1-34550A		
C7193L	Stabiliser Link Front Left	OK2FA-34170		
C7193R	Stabiliser Link Front Right	OK2FA-34150		
C7338LR	Stabiliser Link Rear	OK2A1-34150B		
C8349	Stabiliser Mounting	OK2KB-34156A	ø 20	
C8836	Stabiliser Mounting	OK24J-28156		
C8350	Silentblock	OK2C0-34460		
C8351	Silentblock	OK2A1-3446Y		
C8352	Silentblock	OK2A1-3446X		

CARENS III

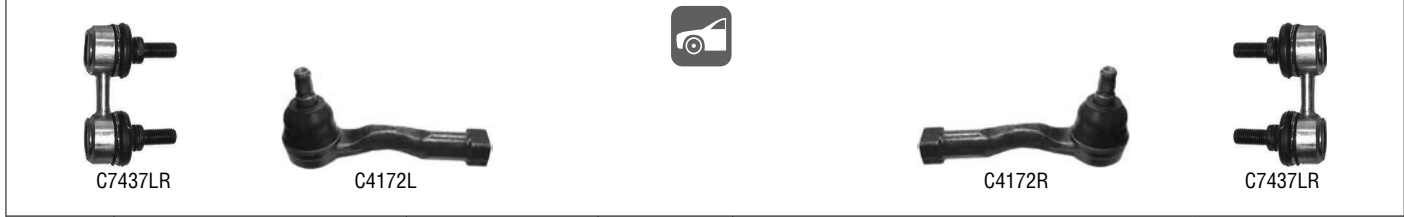
10/2006>



LYNX	Description	Original Number	Specification	
C2163LR	Tie Rod	57724-2G000	MM18X1.5R	Exc. 17» Wheel
C4171L	Tie Rod End Left	56820-2G000		
C4171R	Tie Rod End Right	56820-2G900		
C5387L	Susp. Arm Left	54500-1D000		
C5387R	Susp. Arm Right	54501-1D000		
C1172LR	Ball Joint	51760-2G000		
C7195LR	Stabiliser Link	55530-1D000		
C7194LR	Stabiliser Link	54830-2G000		
C8325	Stabiliser Mounting Front	54813-1H100	ø 23.4	
C8353	Stabiliser Mounting Rear	55513-2G000	ø 14	
C8354	Silentblock	54584-1D000	ø 14.3	
C8355	Silentblock	54551-1D000	ø 12.2	
C8356	Silentblock	55543-2G000		

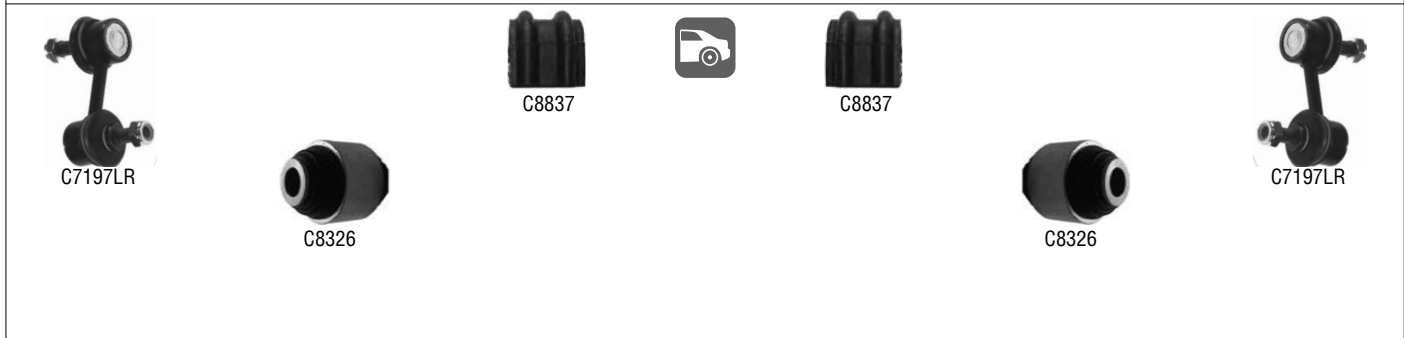


CARNIVAL / SEDONA (UP) 08/1999 - 11/2005



LYNX	Description	Original Number	Specification
C4172L	Tie Rod End Left	0K552-32240	
C4172R	Tie Rod End Right	0K552-32280	
C7437LR	Stabiliser Link	0K552-34151B	

CARNIVAL III 04/2006>

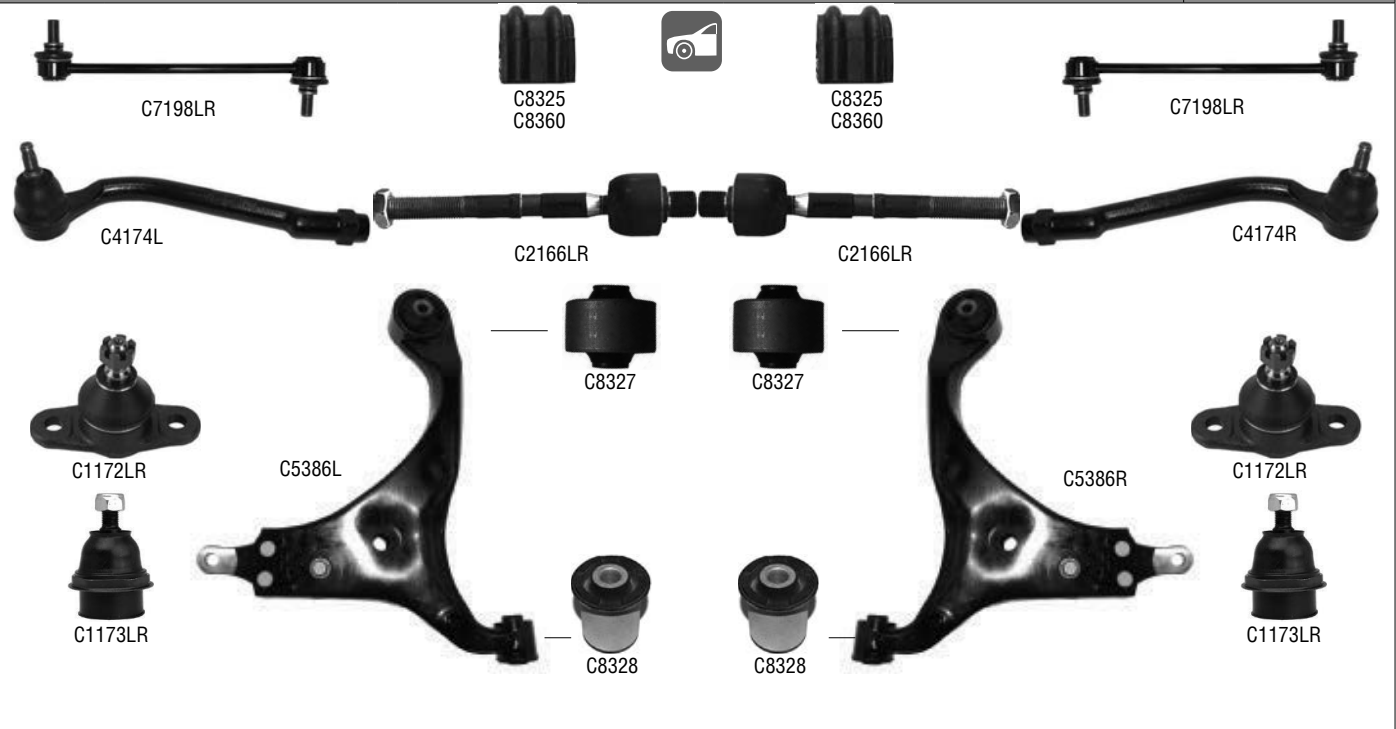


LYNX	Description	Original Number	Specification
C2165LR	Tie Rod	57724-4D000	MM16X1.5R
C4173L	Tie Rod End Left	56820-4D000	FM16X1.5R
C4173R	Tie Rod End Right	56820-4D100	FM16X1.5R
C5154L	Susp. Arm Left	54500-4D001	
C5154R	Susp. Arm Right	54501-4D001	
C1174LR	Ball Joint	54530-4D000	
C7197LR	Stabiliser Link	55530-4D000	
C7196L	Stabiliser Link Left	54830-4D000	
C7196R	Stabiliser Link Right	54840-4D000	
C8357	Stabiliser Mounting	54813-4D000	ø 26
C8837	Stabiliser Mounting	55513-4D000	
C8326	Silentblock	55130-4D000	
C8358	Silentblock	54584-4D000	ø 14.4
C8359	Silentblock	54551-4D000	ø 14.1



CEED / PRO CEED

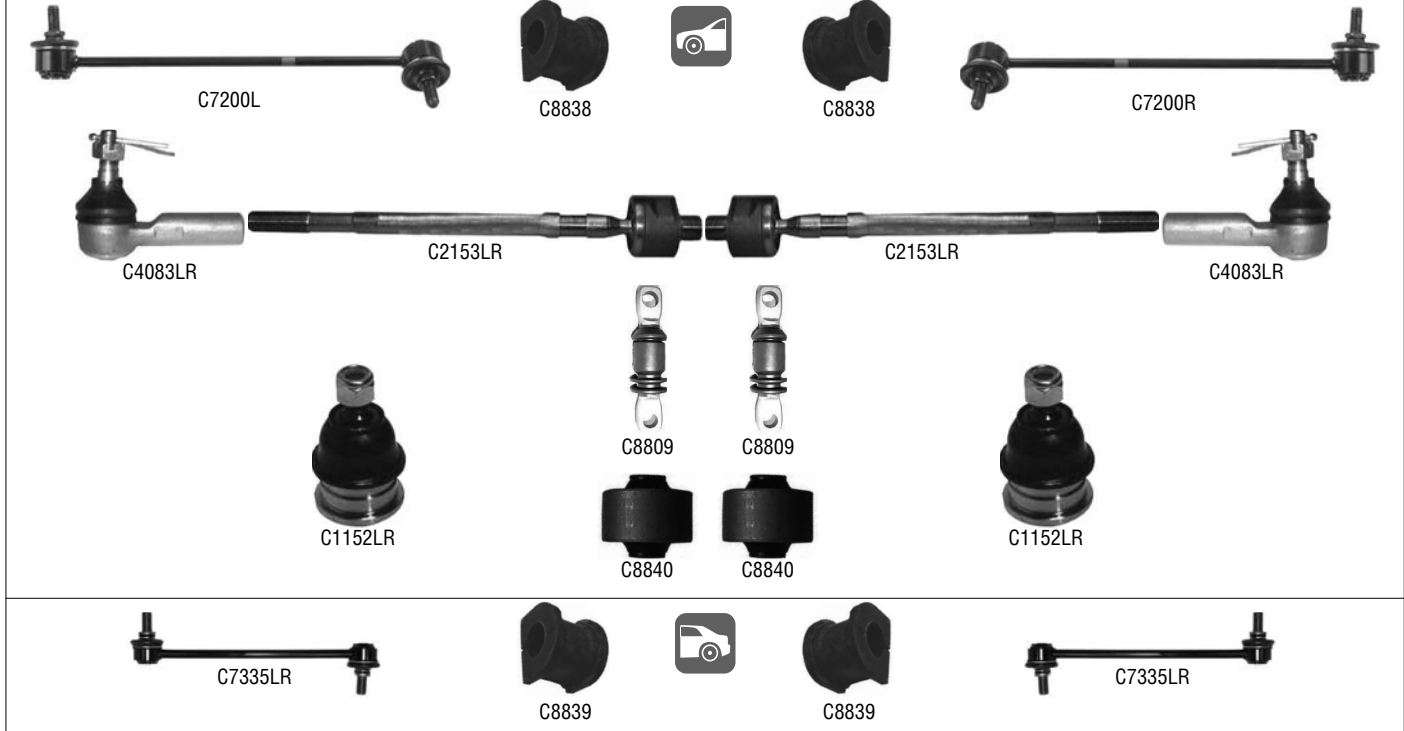
12/2006>



LYNX	Description	Original Number	Specification	
C2166LR	Tie Rod	56540-2H000	MM16X1.5R	
C4174L	Tie Rod End Left	56820-2H000	FM14X1.5R	
C4174R	Tie Rod End Right	56820-2H090	FM14X1.5R	
C5386L	Susp. Arm Front Left	54500-2H000		
C5386R	Susp. Arm Front Right	54501-2H000		
C5349LR	Susp. Arm Rear	55250-1H000		
C1172LR	Ball Joint	51760-2G000		>07/09
C1173LR	Ball Joint	51760-2R000		08/09>
C7198LR	Stabiliser Link Front	54830-2H000		
C7199LR	Stabiliser Link Rear	55530-1H000		
C8325	Stabiliser Mounting	54813-1H100	ø 23.4	
C8360	Stabiliser Mounting	54813-2H000	ø 22.3	
C8812	Stabiliser Mounting	55513-2G100		
C8326	Silentblock	55130-4D000		
C8327	Silentblock	54584-2H000	ø 14	
C8328	Silentblock	54551-2H000	ø 12.4	
C8329	Silentblock	55543-1H000		



CERATO (LD) 04/2004>



LYNX	Description	Original Number	Specification
C2153LR	Tie Rod	57724-2D000	MM16X1.5R
C4083LR	Tie Rod End	56820-25000	FM14x1.5R
C1152LR	Ball Joint	54520-31600	
C7200L	Stabiliser Link Front Left	54830-2F000	
C7200R	Stabiliser Link Front Right	54840-2F000	
C7335LR	Stabiliser Link Rear	55530-17000	
C8838	Stabiliser Mounting	54813-2F000	
C8839	Stabiliser Mounting	55513-2F100	
C8809	Silentblock	54551-2D000	
C8840	Silentblock	54584-2F000	

CERATO (TD) 10/2008>



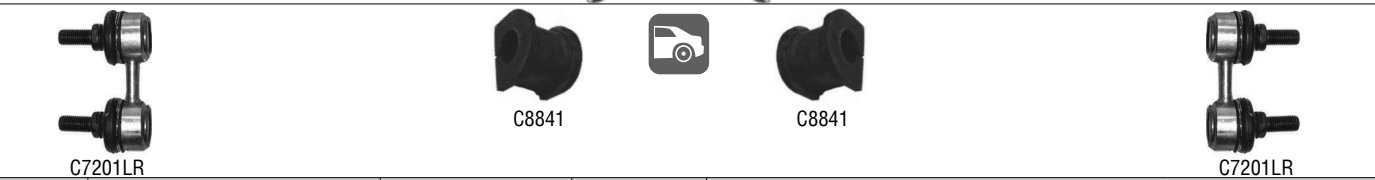
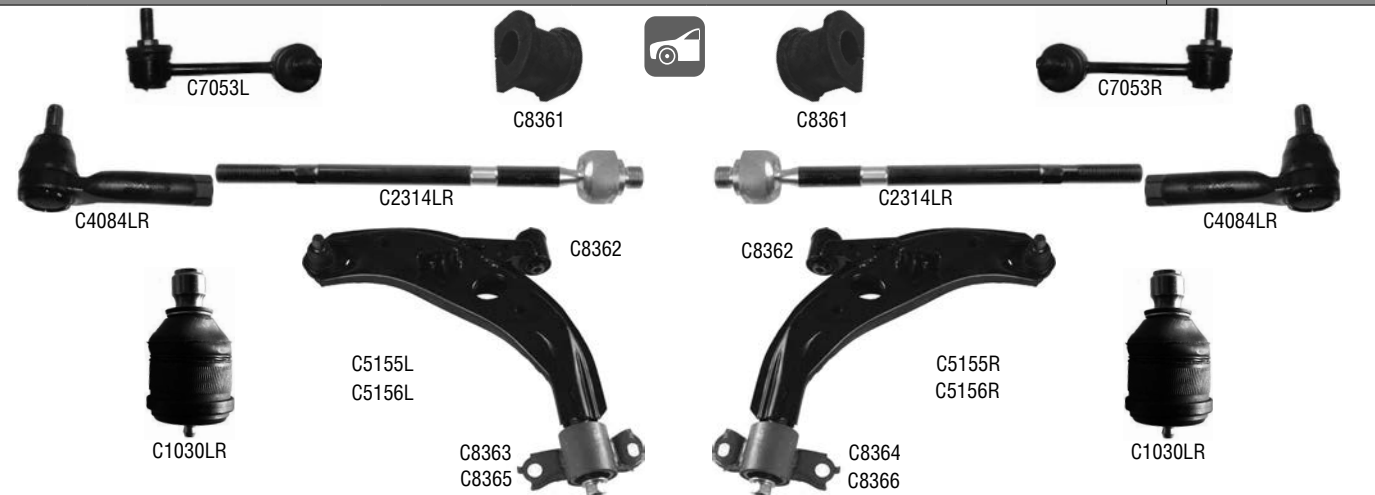
LYNX	Description	Original Number	Specification
C2166LR	Tie Rod	56540-2H000	MM16X1.5R
C4174L	Tie Rod End Left	56820-2H000	
C4174R	Tie Rod End Right	56820-2H090	
C7198LR	Stabiliser Link Front	54830-2H100	
C8325	Stabiliser Mounting	54813-1H100	ø 23.4



LYNX	Description	Original Number	Specification
C5386L	Susp. Arm Front Left	54500-2H000	
C5386R	Susp. Arm Front Right	54501-2H000	
C1172LR	Ball Joint	51760-2G000	
C8327	Silentblock	54584-2H000	ø 14
C8328	Silentblock	54551-2H000	ø 12.4

CLARUS (K9A)

07/1996 - 04/2000

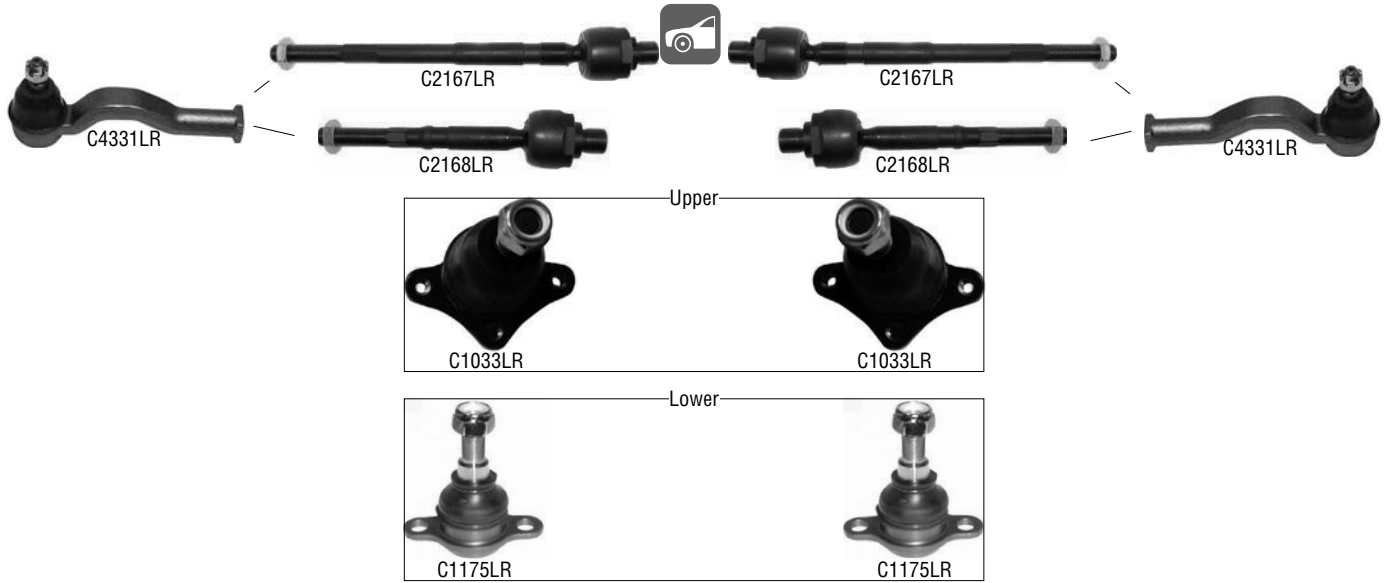


LYNX	Description	Original Number	Specification
C2314LR	Tie Rod	0K2A1-32240	MM16X1.5R
C4084LR	Tie Rod End	0K201-32280	FM14X1.5R
C5155L	Susp. Arm Left	0K9A2-34350	>04/98
C5155R	Susp. Arm Right	0K9A2-34300	>04/98
C5156L	Susp. Arm Left	0K9A6-34350	05/98>
C5156R	Susp. Arm Right	0K9A6-34300	05/98>
C1030LR	Ball Joint Lower	0G030-34550B	
C7201LR	Stabiliser Link	0K9A3-28170A	
C7053L	Stabiliser Link Front Left	KGA2A-34170A	
C7053R	Stabiliser Link Front Right	KGA2A-34150A	
C8361	Stabiliser Mounting	0K9A2-34156	
C8841	Stabiliser Mounting	0K9AA-28156	
C8362	Silentblock	0K9A2-34470	
C8363	Silentblock	0K9A2-34464	>04/98
C8364	Silentblock	0K9A2-3446X	>04/98
C8365	Silentblock	0K9A6-3446Y	05/98>
C8366	Silentblock	0K9A6-3446X	05/98>



K 2500 / 2700

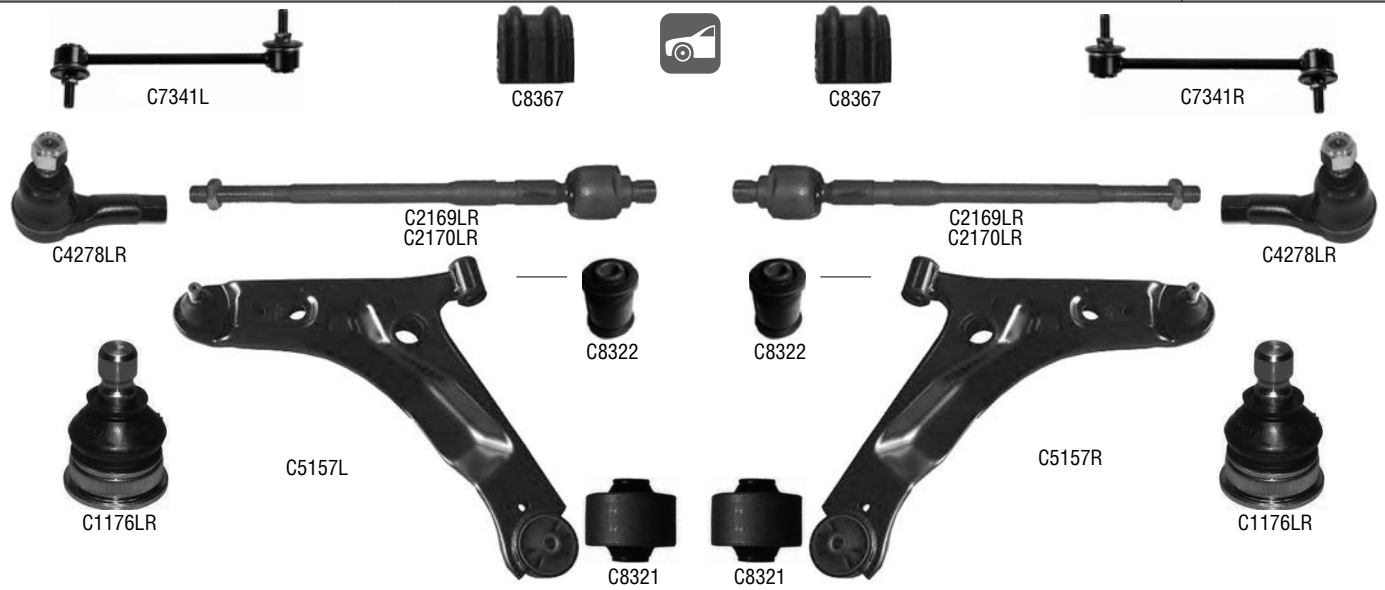
01/1997>



LYNX	Description	Original Number	Specification	
C2167LR	Tie Rod	0K72A-32270	MM17X1R	-PS
C2168LR	Tie Rod	0K60A-32270A	MM18X1.5R	+PS
C4331LR	Tie Rod End	0K710-32240	FM14X1.5R	
C1033LR	Ball Joint Upper	0K710-34540		
C1175LR	Ball Joint Lower	0K710-34510		

PICANTO

02/2004>

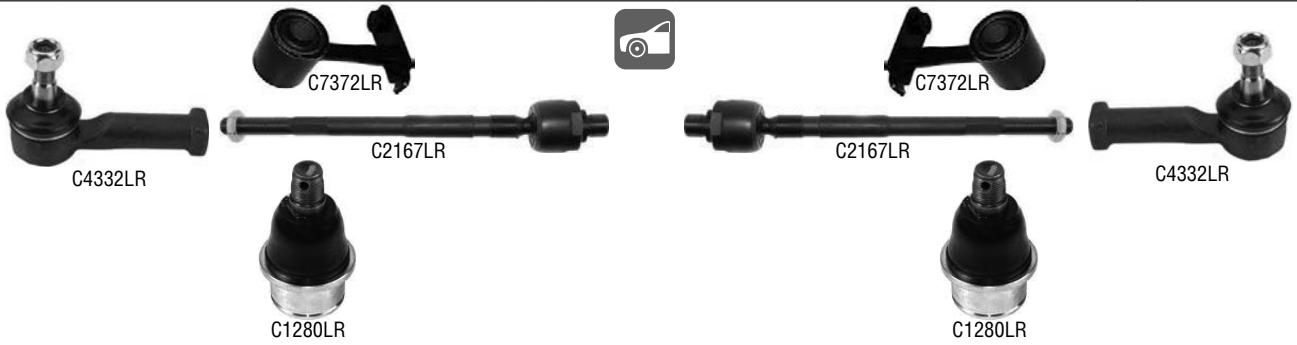


LYNX	Description	Original Number	Specification	
C2169LR	Tie Rod	57724-07100	MM16X1.5R	-PS
C2170LR	Tie Rod	57724-07000	MM16X1.5R	+PS
C4278LR	Tie Rod End	56820-07000	FM12X1.25	
C5157L	Susp. Arm Left	54500-07200		
C5157R	Susp. Arm Right	54501-07200		
C1176LR	Ball Joint	54530-07000	ø 40	
C7341L	Stabiliser Link Front Left	54830-07000		
C7341R	Stabiliser Link Front Right	54840-07000		
C8367	Stabiliser Mounting	54812-07100		
C8321	Silentblock	54584-07000		
C8322	Silentblock	54551-07000		



PREGIO (TB)

01/1997 - 01/2005



LYNX	Description	Original Number	Specification
C2167LR	Tie Rod	0K72A-32270	MM17X1R
C4332LR	Tie Rod End	0K72A-32240	
C1280LR	Ball Joint Lower	0K72A-34510A	
C7372LR	Stabiliser Link	0K72A-34150A	

PRIDE (DA)

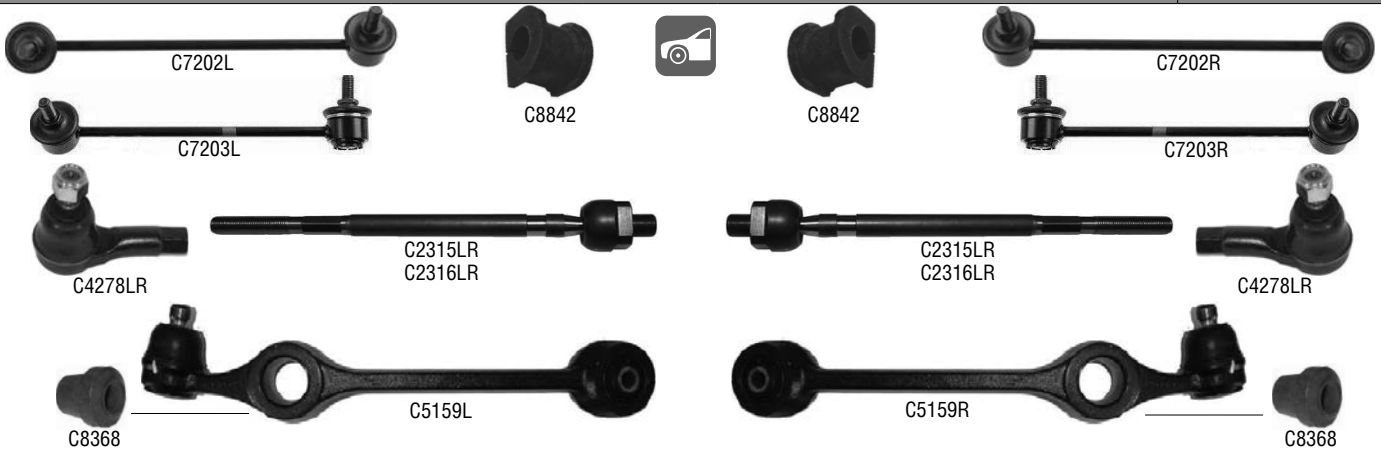
01/1990 - 05/2001



LYNX	Description	Original Number	Specification
C2171LR	Tie Rod	KK150-32-240	MM16X1.5R
C4101LR	Tie Rod End	8AB1-32-280	FM12X1.25
C5158LR	Susp. Arm	KKY01-34-310	

RIO

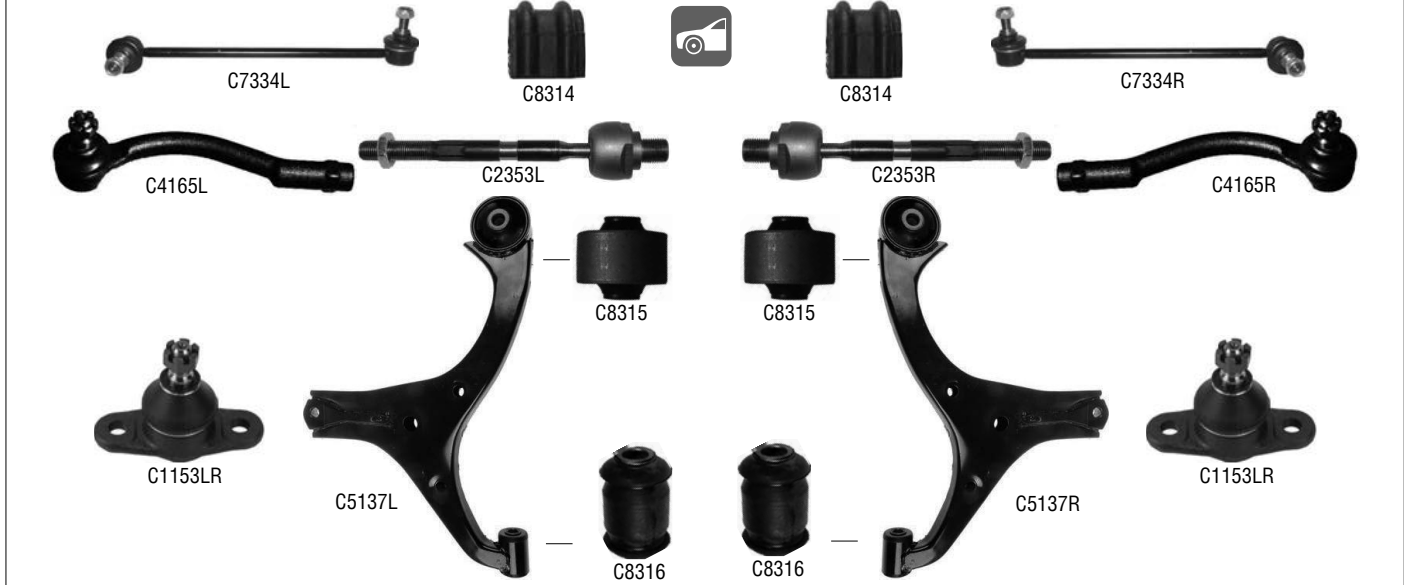
09/2000 - 02/2005



LYNX	Description	Original Number	Specification
C2315LR	Tie Rod	KDX50-32240B	-PS
C2316LR	Tie Rod	KDX53-32240B	MM16X1.5R +PS
C4278LR	Tie Rod End	MDX50-32280	FM12X1.25
C5159L	Susp. Arm Left	0K30B-34350B	>07/02
C5159R	Susp. Arm Right	0K30B-34300B	>07/02
C7202L	Stabiliser Link Front Left	0K33C-34160A	>07/02
C7202R	Stabiliser Link Front Right	0K33C-34150A	>07/02
C7203L	Stabiliser Link Front Left	54820-FD000	07/02>
C7203R	Stabiliser Link Front Right	54830-FD000	07/02>
C8842	Stabiliser Mounting	54813-FD000	
C8368	Silentblock	0K30A-34480C	



RIO II 02/2005>



LYNX	Description	Original Number	Specification	
C2353L	Tie Rod Left	57724-1G000	MM16x1.5R	+PS
C2353R	Tie Rod Right	57724-1G100	MM16x1.5R	+PS
C4165L	Tie Rod End Left	56820-1G900	FM14x1.5R	
C4165R	Tie Rod End Right	56820-1G000	FM14x1.5R	
C5137L	Susp. Arm Left	54500-1E100		
C5137R	Susp. Arm Right	54501-1E100		
C1153LR	Ball Joint	51760-1G000		
C7334L	Stabiliser Link Front Left	54830-1E000		
C7334R	Stabiliser Link Front Right	54840-1E100		
C8314	Stabiliser Mounting	54812-1G100		
C8315	Silentblock	54584-1G000		
C8316	Silentblock	54551-1E000		

RIO III 07/2011>

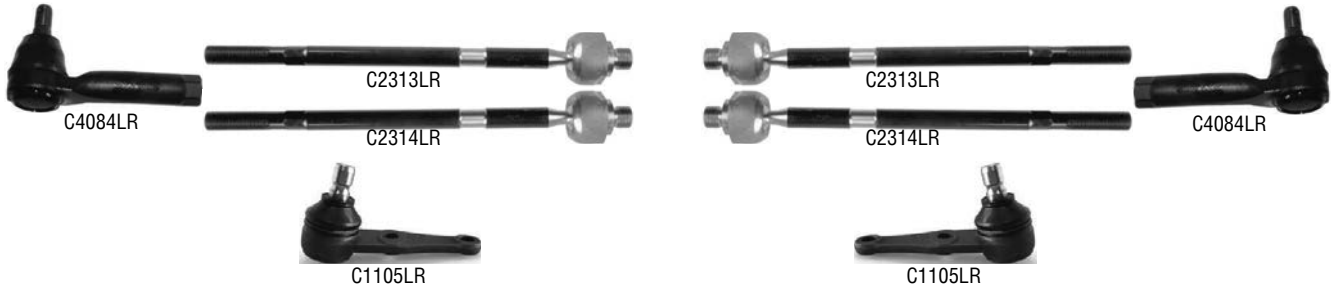


LYNX	Description	Original Number	Specification	
C2349LR	Tie Rod	57724-4L000		
C4326L	Tie Rod End Left	56820-4L000		
C4326R	Tie Rod End Right	56820-4L090		
C1152LR	Ball Joint	54530-25000		
C7369LR	Stabiliser Link Front	54830-0U000		
C8823	Stabiliser Mounting	54813-3X000		
C8336	Silentblock	54551-4L000		
C8337	Silentblock	54584-4L000		



SPECTRA I / SEPHIA I (FA)

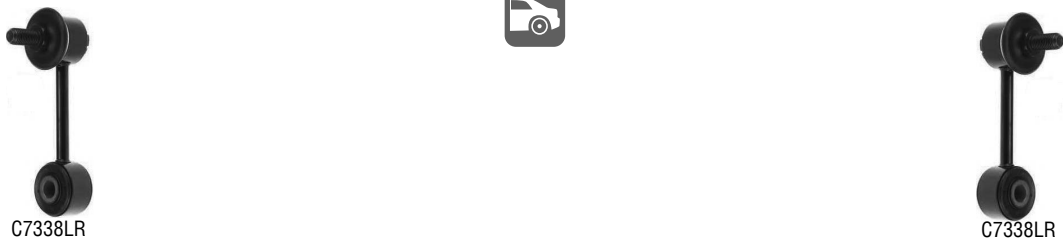
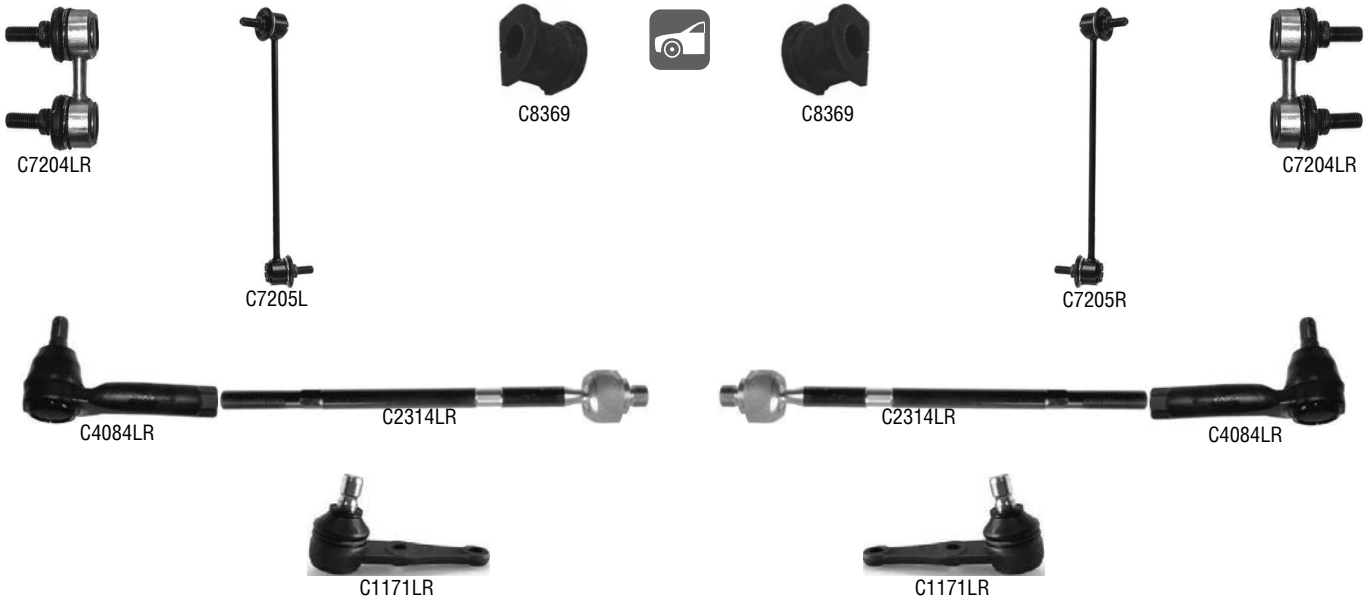
09/1993 - 05/1998



LYNX	Description	Original Number	Specification	
C2313LR	Tie Rod	0K201-32240		>10/97
C2314LR	Tie Rod	0K2A2-32240		10/97>
C4084LR	Tie Rod End	0K201-32280	FM14X1.5R	
C1105LR	Ball Joint Lower	0K201-34-550C		

SHUMA I (FB)

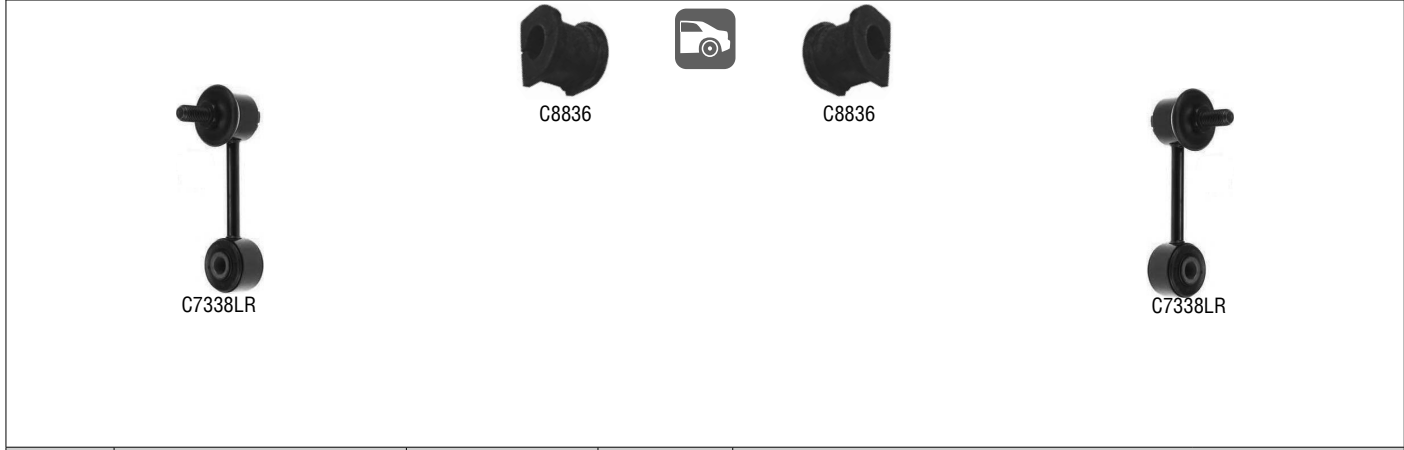
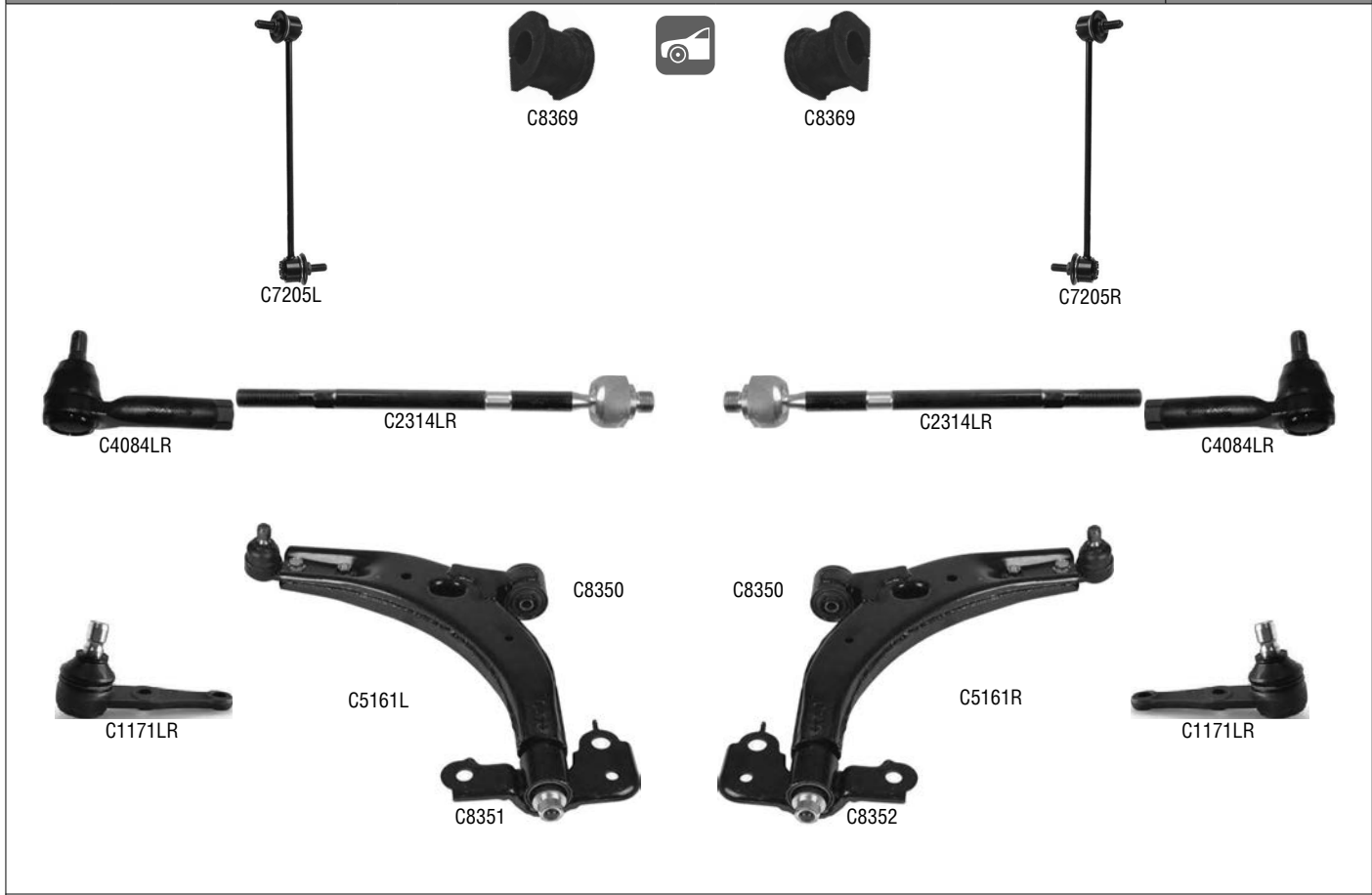
10/1997 - 03/2001



LYNX	Description	Original Number	Specification	
C2314LR	Tie Rod	0K2A1-32240	MM16X1.5R	
C4084LR	Tie Rod End	0K201-32280	FM14X1.5R	
C1171LR	Ball Joint	0K2A1-34550A		
C7204LR	Stabiliser Link	0K2A5-34150A		>01/99
C7205L	Stabiliser Link Left	0K2N1-34170A		02/99>
C7205R	Stabiliser Link Right	0K2N1-34150A		02/99>
C7338LR	Stabiliser Link Rear	0K2A1-34150B		
C8369	Stabiliser Mounting	0K201-34156A		



SEPHIA II
SPECTRA II / SHUMA II (FB) 03/1996 - 12/2001
06/2000 - 02/2004

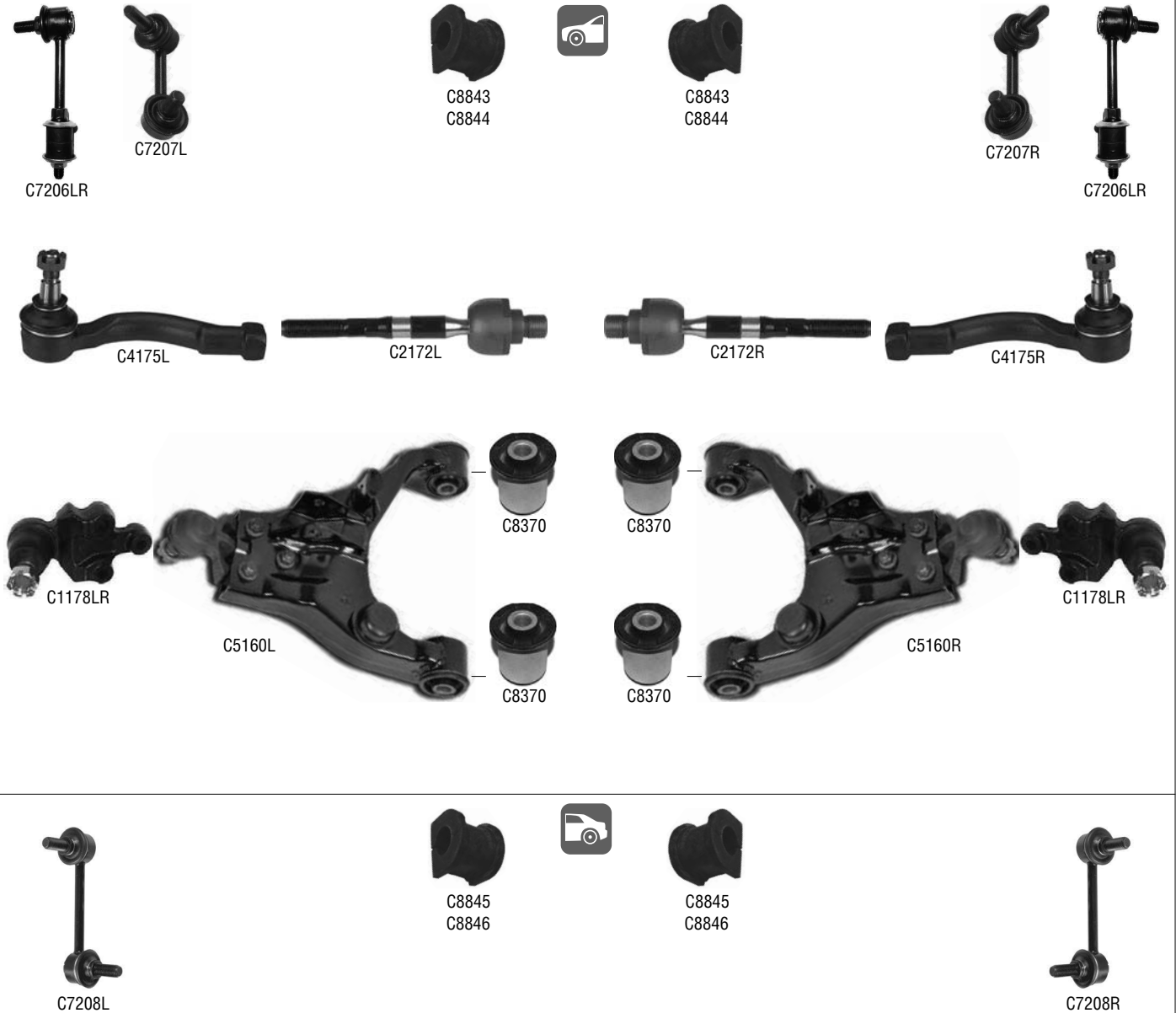


LYNX	Description	Original Number	Specification
C2314LR	Tie Rod	0K2A1-32240	MM16X1.5R
C4084LR	Tie Rod End	0K201-32280	FM14X1.5R
C5161L	Susp. Arm Left	0K2NA-34350B	
C5161R	Susp. Arm Right	0K2NA-34300B	
C1171LR	Ball Joint	0K2A1-34550A	
C7205L	Stabiliser Link Left	0K2N1-34170A	
C7205R	Stabiliser Link Right	0K2N1-34150A	
C7338LR	Stabiliser Link Rear	0K2A1-34150B	
C8369	Stabiliser Mounting	0K2NA-34156	
C8836	Stabiliser Mounting	0K24J-28156	
C8350	Silentblock	0K2C0-34460	
C8351	Silentblock	0K2A1-3446Y	
C8352	Silentblock	0K2A1-3446X	



SORENTO (JC)

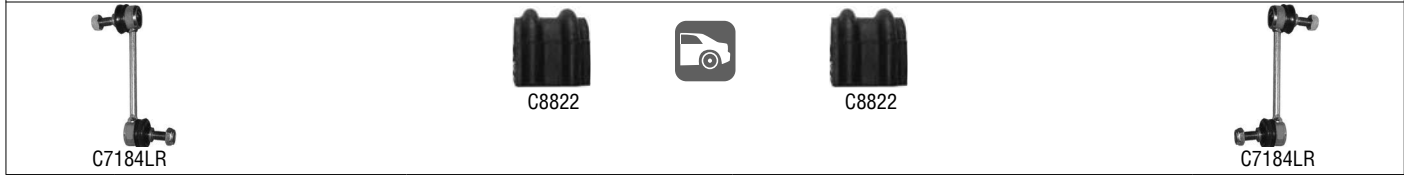
05/2002>



LYNX	Description	Original Number	Specification	
C2172L	Tie Rod	57732-3E010	MM18X1.5R	
C2172R	Tie Rod	57731-3E010	MM18X1.5R	
C4175L	Tie Rod End Left	56820-3E000		
C4175R	Tie Rod End Right	56820-3E900		
C5160L	Susp. Arm Lower Left	54510-3E001		>09/06
C5160R	Susp. Arm Lower Right	54520-3E001		>09/06
C1178LR	Ball Joint Lower	54570-3E000		>09/06
C7206LR	Stabiliser Link Front	54810-3E000		>02/04
C7207L	Stabiliser Link Front Left	54811-3E010		03/04-09/06
C7207R	Stabiliser Link Front Right	54811-3E060		03/04-09/06
C7208L	Stabiliser Link Rear Left	55580-3E000		02/04>
C7208R	Stabiliser Link Rear Right	55580-3E050		02/04>
C8843	Stabiliser Mounting	54830-3E000		>02/04
C8844	Stabiliser Mounting	54830-3E020		02/04>
C8845	Stabiliser Mounting	55530-3E010		>02/04
C8846	Stabiliser Mounting	55530-3E020		02/04>
C8370	Silentblock	54580-3E001		>09/06

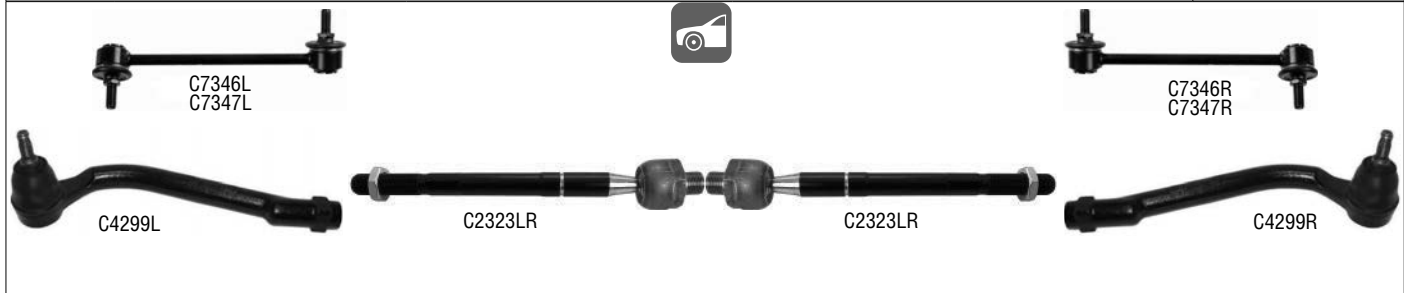


SORENTO (XM) 09/2009>



LYNX	Description	Original Number	Specification
C2354L	Tie Rod Left	57724-2P100	MM18X1.5R
C2354R	Tie Rod Right	57724-2P000	MM18X1.5R
C4286L	Tie Rod End Left	56820-2B000	
C4286R	Tie Rod End Right	56820-2B900	
C5348L	Susp. Arm Left	54500-2P000	
C5348R	Susp. Arm Right	54501-2P000	
C1158LR	Ball Joint	54503-3BA00	
C7183L	Stabiliser Link Front Left	54830-2B000	
C7183R	Stabiliser Link Front Right	54840-2B000	
C7184LR	Stabiliser Link Rear	55530-2B000	
C8333	Stabiliser Mounting	54813-3K100	
C8822	Stabiliser Mounting	55513-2B200	
C8334	Silentblock	54584-2B000	
C8335	Silentblock	54551-2B000	

SOUL / VENGA 02/2009>

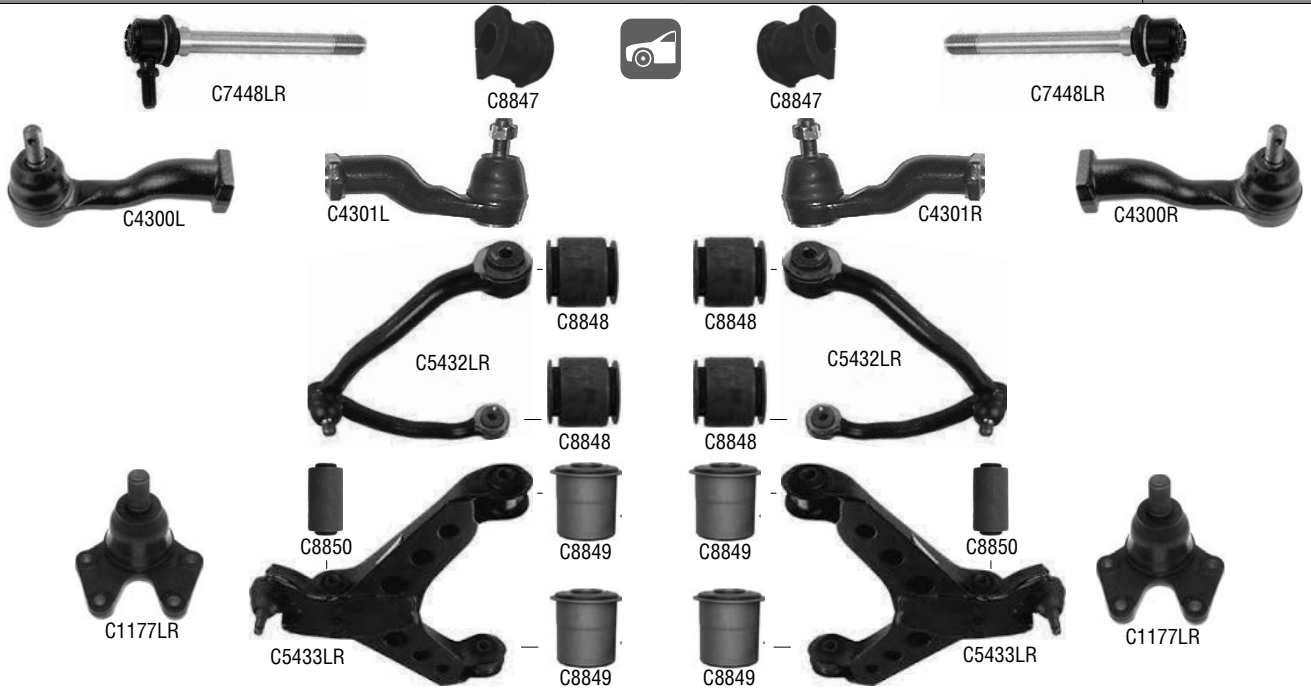


LYNX	Description	Original Number	Specification
C2323LR	Tie Rod	56540-2K000	
C4299L	Tie Rod End Left	56820-2K000	
C4299R	Tie Rod End Right	56820-2K050	



LYNX	Description	Original Number	Specification	
C1152LR	Ball Joint	54520-31600		Venga, Exc. Soul
C7346L	Stabiliser Link Front Left	54830-1J000		Venga
C7346R	Stabiliser Link Front Right	54840-1J000		Venga
C7347L	Stabiliser Link Front Left	54830-2K000		Soul
C7347R	Stabiliser Link Front Right	54840-2K000		Soul
C8316	Silentblock	54551-1E000		Venga
C8371	Silentblock	54584-1P000		Venga
C8372	Silentblock	54551-2K000		Soul
C8373	Silentblock	54584-2K000		Soul

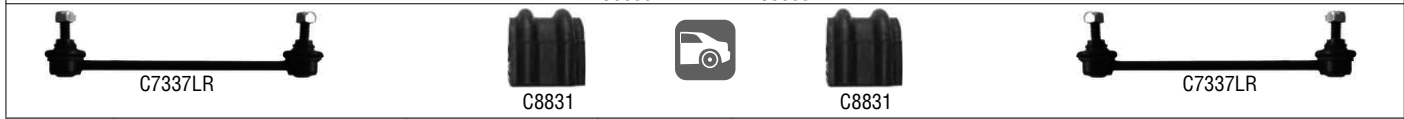
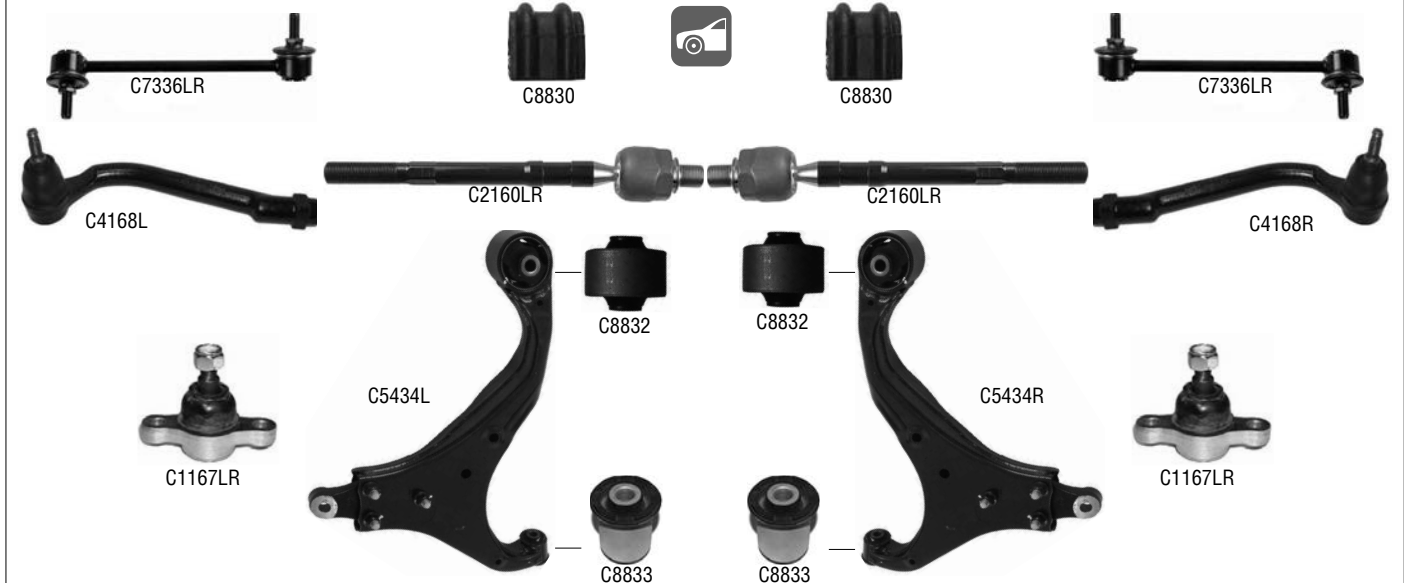
SPORTAGE (K00)	04/1994 - 08/2004
RETONA (CE)	06/1999 - 01/2003



LYNX	Description	Original Number	Specification	
C4300L	Tie Rod End Outer Left	0K011-32-240A	FM18X1.5L	
C4300R	Tie Rod End Outer Right	0K011-32-250A		
C4301L	Tie Rod End Inner Left	0K011-32-230	FM18X1.5R	
C4301R	Tie Rod End Inner Right	0K011-32-280	FM18X1.5L	
C5432LR	Susp. Arm Upper	0K011-34200		
C5433LR	Susp. Arm Lower	0K011-34300D		
C1177LR	Ball Joint Lower	0K011-34510B		
C7448LR	Stabiliser Link Front	0K011-34160A		
C8847	Stabiliser Mounting	0K01V-34156		
C8848	Silentblock	0K011-34830A		
C8849	Silentblock	0K011-34820A		
C8850	Silentblock	0K080-34840		



SPORTAGE (JE_) 09/2004>



LYNX	Description	Original Number	Specification
C2160LR	Tie Rod	57724-2E000	MM16X1.5R
C4168L	Tie Rod End Left	56820-2E000	FM10X1.5R
C4168R	Tie Rod End Right	56820-2E900	FM10X1.5R
C5434L	Susp. Arm Left	54500-1F100	
C5434R	Susp. Arm Right	54501-1F100	
C1167LR	Ball Joint	51760-2E000	
C7336LR	Stabiliser Link Front	54830-1F000	
C7337LR	Stabiliser Link Rear	55530-1F000	
C8830	Stabiliser Mounting	54813-2E100	
C8831	Stabiliser Mounting	55513-2E100	
C8832	Silentblock	54584-2E000	
C8833	Silentblock	54551-2E000	

SPORTAGE (SL) 07/2010>



LYNX	Description	Original Number	Specification
C2348LR	Tie Rod	57724-2S000	MM16X1.5R
C4325L	Tie Rod End Left	56820-2S000	FM16X1.5R
C4325R	Tie Rod End Right	56820-2S050	FM16X1.5R
C7367LR	Stabiliser Link	54830-2S000	
C8814	Stabiliser Mounting	54813-2S000	

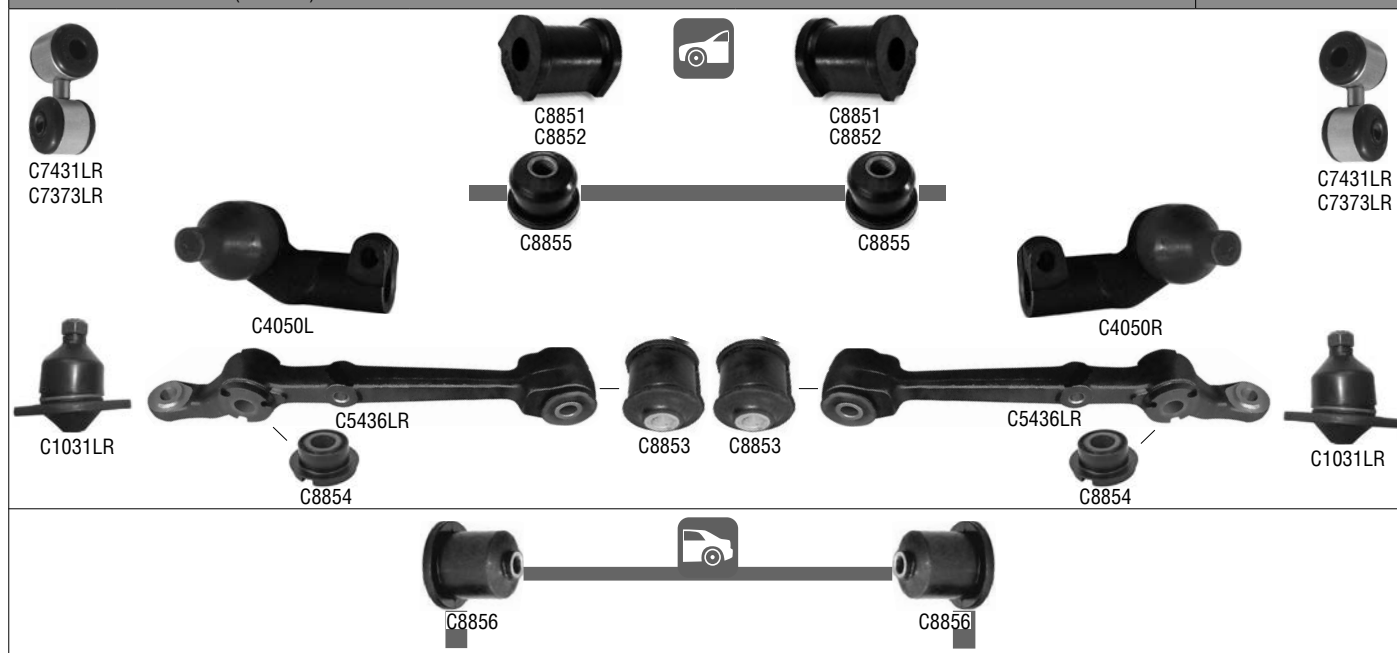


LYNX	Description	Original Number	Specification	
C5435L	Susp. Arm Front Left	54500-2Y000		
C5435R	Susp. Arm Front Right	54501-2Y000		
C1274LR	Ball Joint	54530-3S000		
C7368LR	Stabiliser Link	55530-2S100		
C8815	Stabiliser Mounting	55513-2Y001		
C8330	Silentblock	54551-2S000	ø 38.1	
C8331	Silentblock	54584-2S000	ø 70	

LADA

110 / 111 / 112 / PRIORA (2170-72)

01/1995>



LYNX	Description	Original Number	Specification	
C4050L	Tie Rod End Left	2110-3414057	FM18X1.5L	
C4050R	Tie Rod End Right	2110-3414056	FM18X1.5	
C5436LR	Susp. Arm	2108-2904020		
C1031LR	Ball Joint Lower	2108-2904185		
C7431LR	Stabiliser Link	2110-2906050		110-112
C7373LR	Stabiliser Link	1118-2906050	ø 52	Priora
C8851	Stabiliser Mounting	2110-2906040		110-112
C8852	Stabiliser Mounting	11180-2906040		Priora
C8853	Silentblock	2108-2904040		
C8854	Silentblock	2108-2904046		
C8855	Silentblock	2108-2904050		
C8856	Silentblock	2110-2914054		

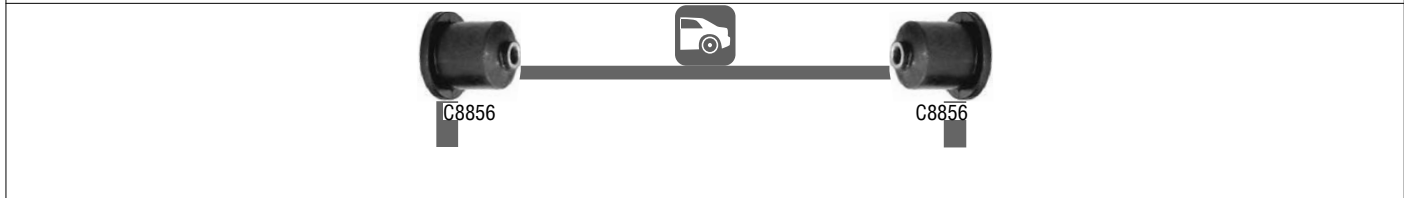
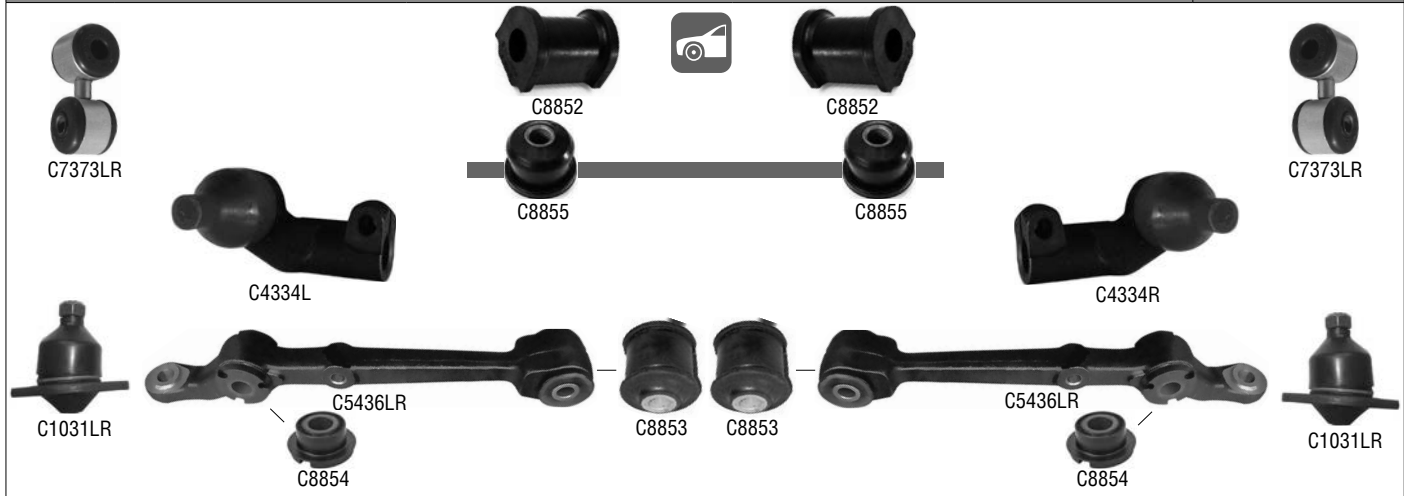


2101-07 01/1972 - 02/1993



LYNX	Description	Original Number	Specification
C4176LR	Tie Rod End Outer	2101-3003057	MM16X1R
C4177L	Tie Rod End Inner Left	2101-3003064	MM16X1L
C4177R	Tie Rod End Inner Right	2101-3003050	MM16X1L
C1179LR	Ball Joint Upper	2101-2904185	
C1180LR	Ball Joint Lower	2101-2904082	

KALINA (1117 - 1119) 10/2004>



LYNX	Description	Original Number	Specification
C4334L	Tie Rod End Left	1118-3414057	FM24X1.5L
C4334R	Tie Rod End Right	1118-3414056	FM24X1.5L
C5436LR	Susp. Arm	2108-2904020	
C1031LR	Ball Joint Lower	2108-2904185	
C7373LR	Stabiliser Link	1118-2906050	ø 52
C8852	Stabiliser Mounting	11180-2906040	
C8853	Silentblock	2108-2904040	
C8854	Silentblock	2108-2904046	
C8855	Silentblock	2108-2904050	
C8856	Silentblock	2110-2914054	



NIVA

12/1976>



C4176LR



C4178LR



C4178LR



C4176LR



C1179LR



C1179LR



C1180LR



C1180LR

LYNX	Description	Original Number	Specification
C4176LR	Tie Rod End Outer	2101-3003057	MM16X1R
C4178LR	Tie Rod End Inner	2121-3414116	MM16X1L
C1179LR	Ball Joint Upper	2101-2904185	
C1180LR	Ball Joint Lower	2101-2904082	

SAMARA (2108-99 / 2113-15)

01/1982>



C7449LR



C8857



C8857



C7449LR



C8855

C8855



C4049L



C4049R



C1031LR



C5436LR



C8853



C8853



C5436LR



C1031LR



C8854



C8854



C8856

C8856

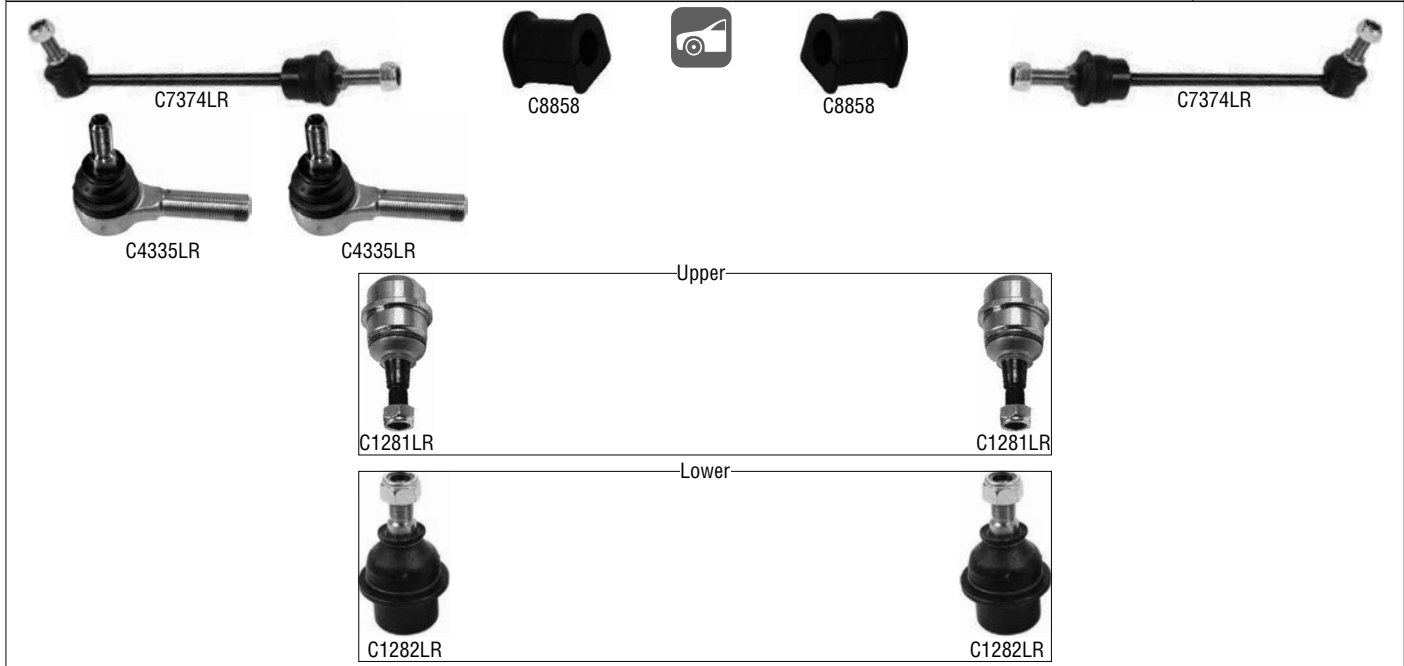
LYNX	Description	Original Number	Specification
C4049L	Tie Rod End Left	2108-3414057	MM18X1.5L
C4049R	Tie Rod End Right	2108-3414056	MM18X1.5L
C5436LR	Susp. Arm	2108-2904020	
C1031LR	Ball Joint Lower	2108-2904185	
C7449LR	Stabiliser Link	2108-2906050	
C8857	Stabiliser Mounting	2108-2906040	
C8853	Silentblock	2108-2904040	
C8854	Silentblock	2108-2904046	
C8855	Silentblock	2108-2904050	
C8856	Silentblock	2110-2914054	

• LANDROVER



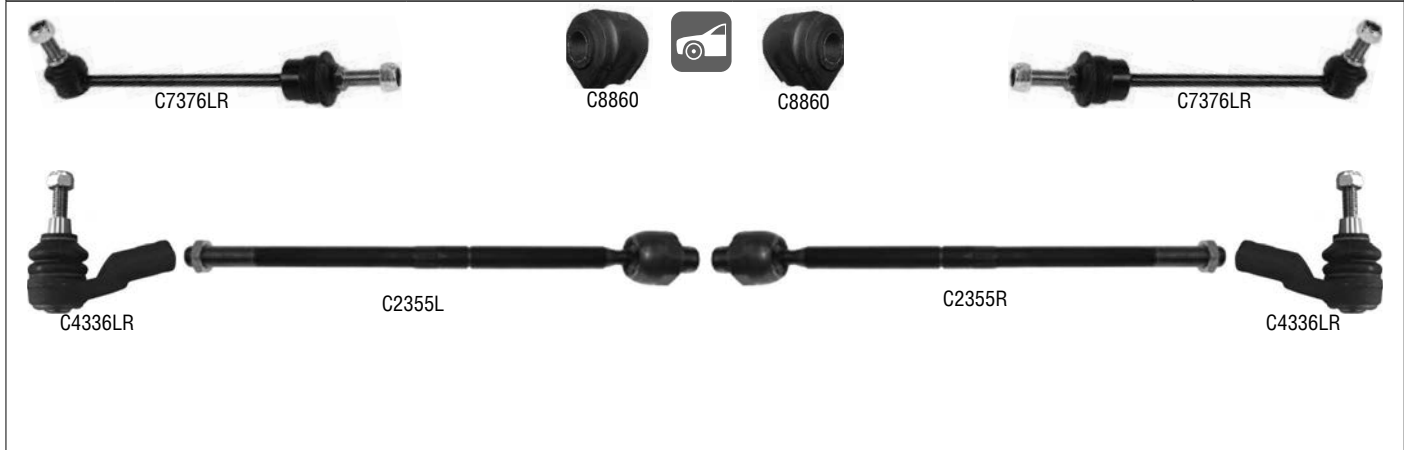
LANDROVER

DISCOVERY II (LJ, LT) 06/1994 - 09/2004



LYNX	Description	Original Number	Specification
C4335LR	Tie Rod End	QFS 000010	
C1281LR	Ball Joint Upper	FTC 3570	
C1282LR	Ball Joint Lower	FTC 3571	
C7374LR	Stabiliser Link Front	RBM 100223	
C7375LR	Stabiliser Link Rear	RDG 100682	
C8858	Stabiliser Mounting	RBX 101690	
C8859	Stabiliser Mounting	RBX 101710	

DISCOVERY III 10/2004>



LYNX	Description	Original Number	Specification
C2355L	Tie Rod Left	QFK 500020	
C2355R	Tie Rod Right	QFK 500010	
C4336LR	Tie Rod End	QJB 500010	
C1283LR	Ball Joint Upper	RBK 500030	
C1284LR	Ball Joint Lower	RBK 500040	
C7376LR	Stabiliser Link Front	RBM 500190	
C8860	Stabiliser Mounting	RBX 000571	



C1283LR



C1283LR



C1284LR



C1284LR

Lower



C7377LR



C8375



C8861



C8861



C8375



C7377LR



C8376



C8376



C3061LR

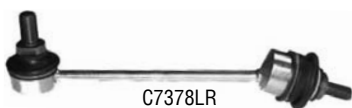


C3061LR

LYNX	Description	Original Number	Specification
C7377LR	Stabiliser Link Rear	RGD 000311	
C3061LR	Side Rod Assy Rear	RGD 500083	
C8861	Stabiliser Mounting	RGX 500060	
C8375	Silentblock	RHF 500031	
C8376	Silentblock	RBK 500012	

FREELANDER

07/1997 - 01/2006



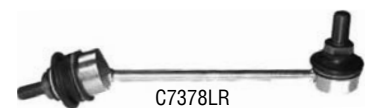
C7378LR



C8862



C8862



C7378LR



C4337L



C4337R



C1285LR



C8377



C8377



C8378



C8378



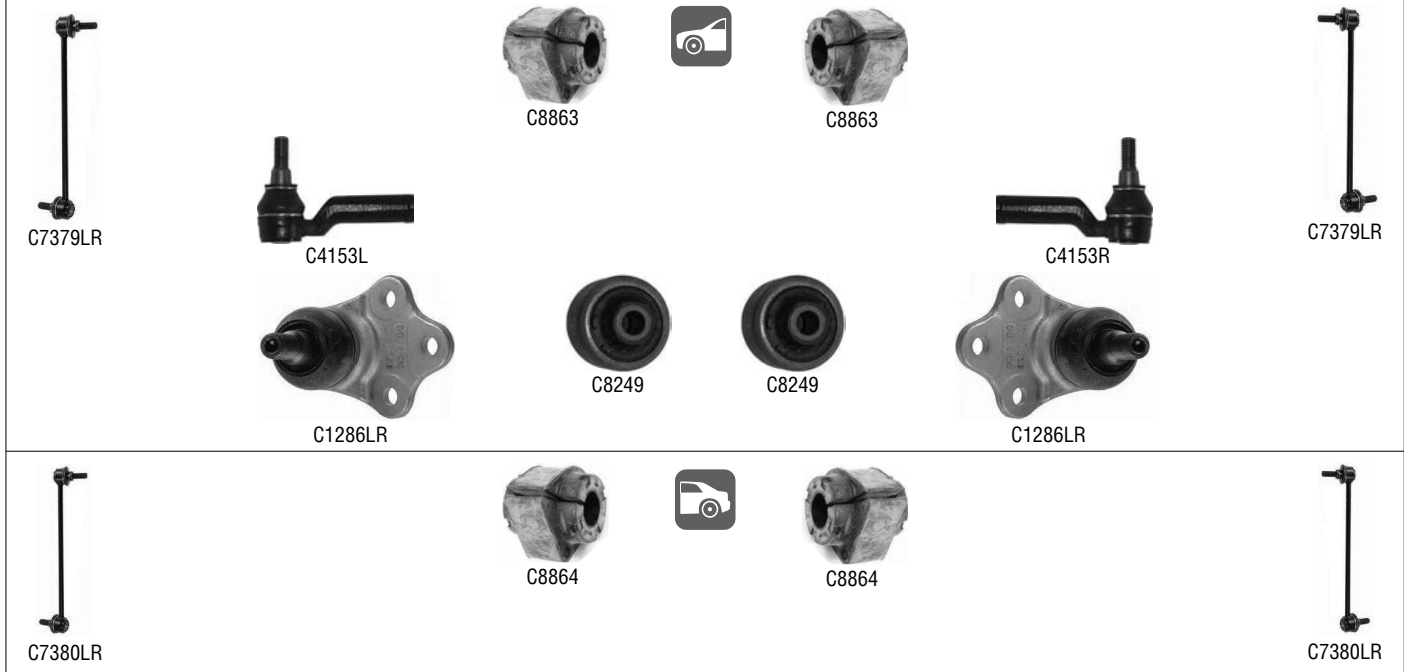
C1285LR

LYNX	Description	Original Number	Specification
C4337L	Tie Rod End Left	QJB 100230	FM16X1.5L
C4337R	Tie Rod End Right	QJB 100220	FM16X1.5R
C1285LR	Ball Joint Lower		
C7378LR	Stabiliser Link Front	RBM 100170	
C8862	Stabiliser Mounting	RBX 000010	
C8377	Silentblock	RBX 101160	
C8378	Silentblock	RBX 101780	

• LANDROVER

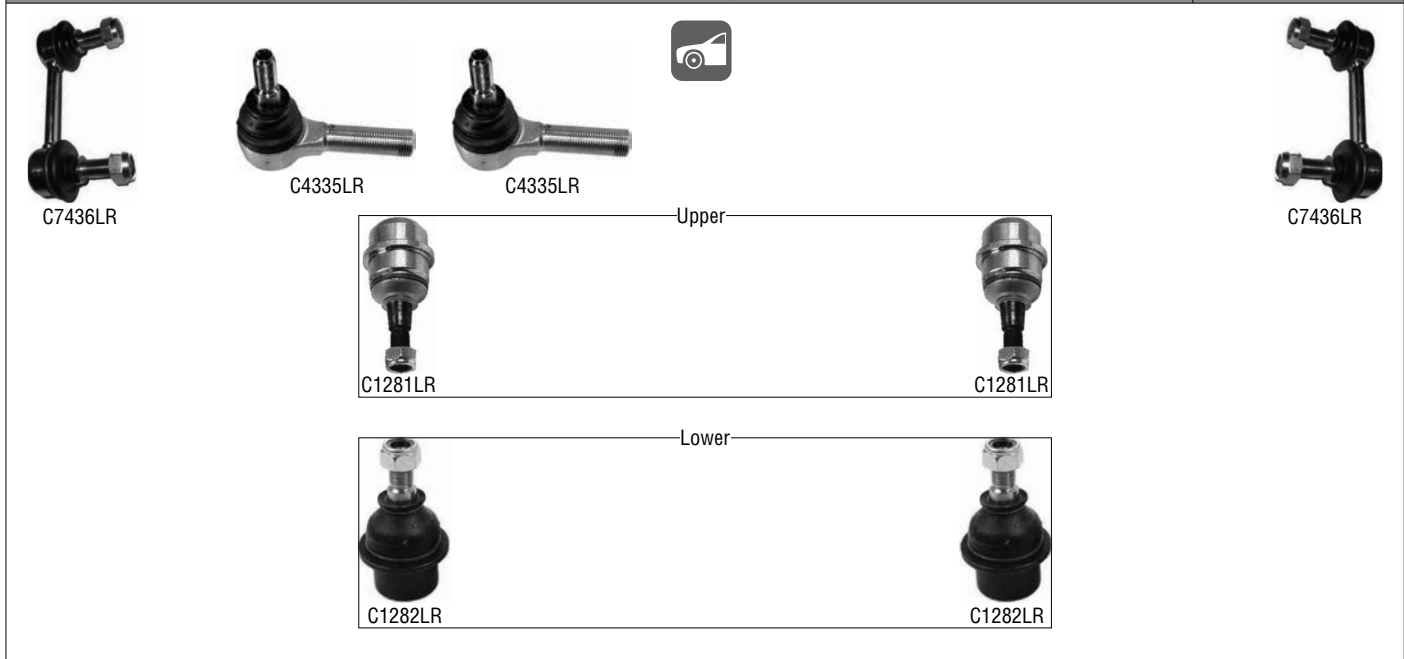


FREELANDER II 10/2006>



LYNX	Description	Original Number	Specification
C4153L	Tie Rod End Left	LR0 02610	
C4153R	Tie Rod End Right	LR0 02609	
C1286LR	Ball Joint Lower		
C7379LR	Stabiliser Link Front	LR0 02626	
C7380LR	Stabiliser Link Rear	LR0 02876	
C8863	Stabiliser Mounting	LR0 05649	
C8864	Stabiliser Mounting	LR0 05648	
C8249	Silentblock		

RANGE ROVER II (LP) 07/1994 - 03/2002

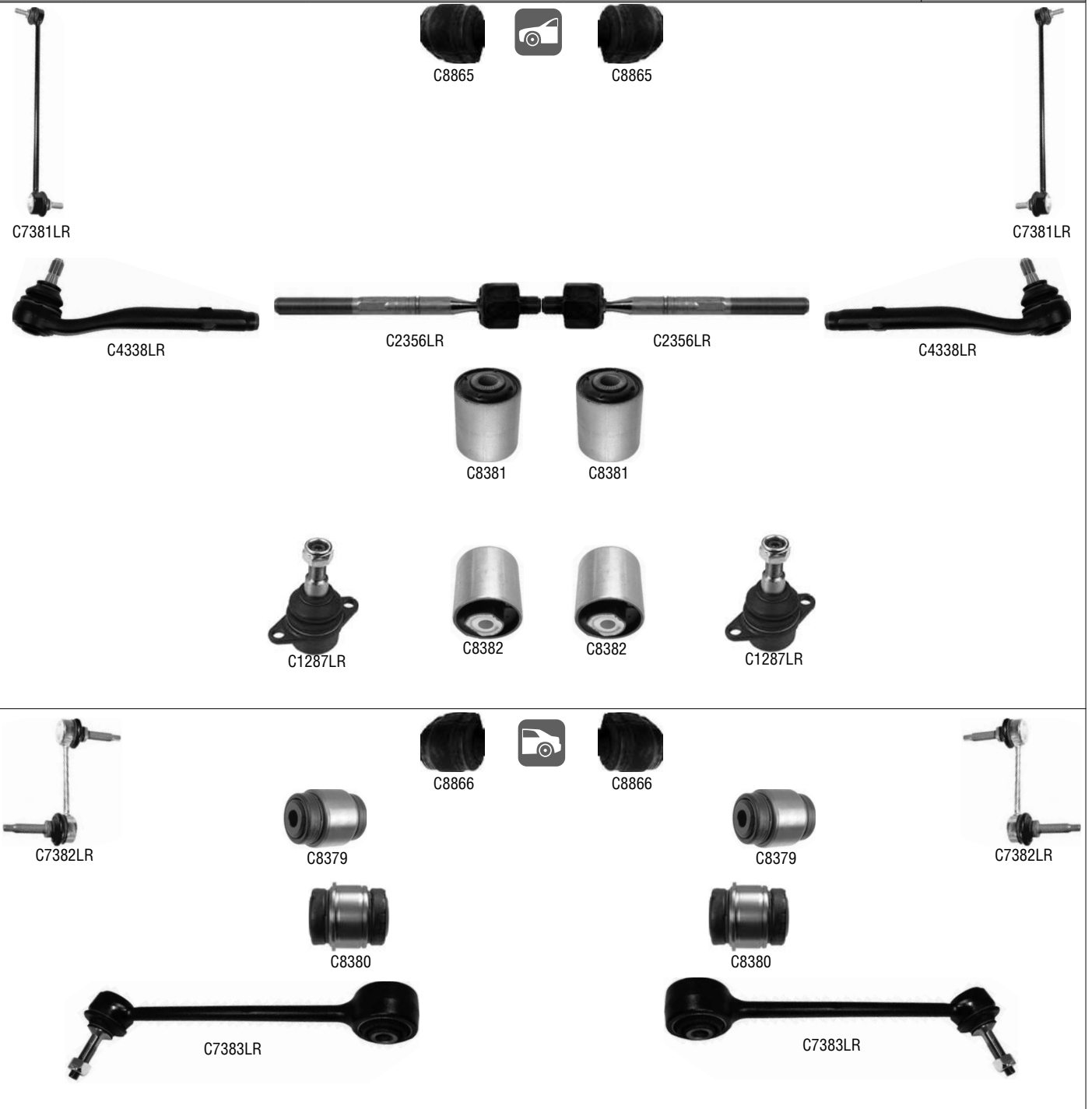


LYNX	Description	Original Number	Specification
C4335LR	Tie Rod End	STC 1871	MM18x1.5L
C1281LR	Ball Joint Upper	FTC 3570	
C1282LR	Ball Joint Lower	FTC 3571	
C7436LR	Stabiliser Link	ANR 3304	



RANGE ROVER III (LM)

03/2002>

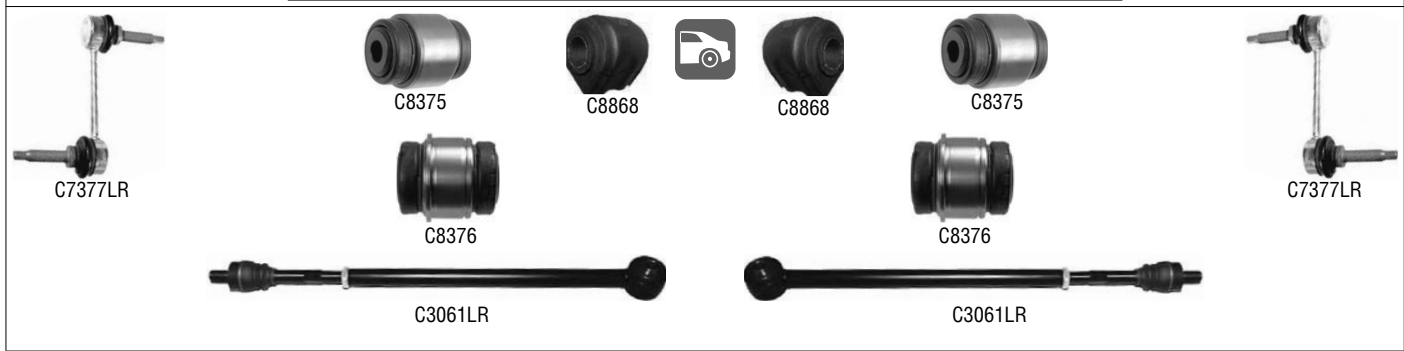
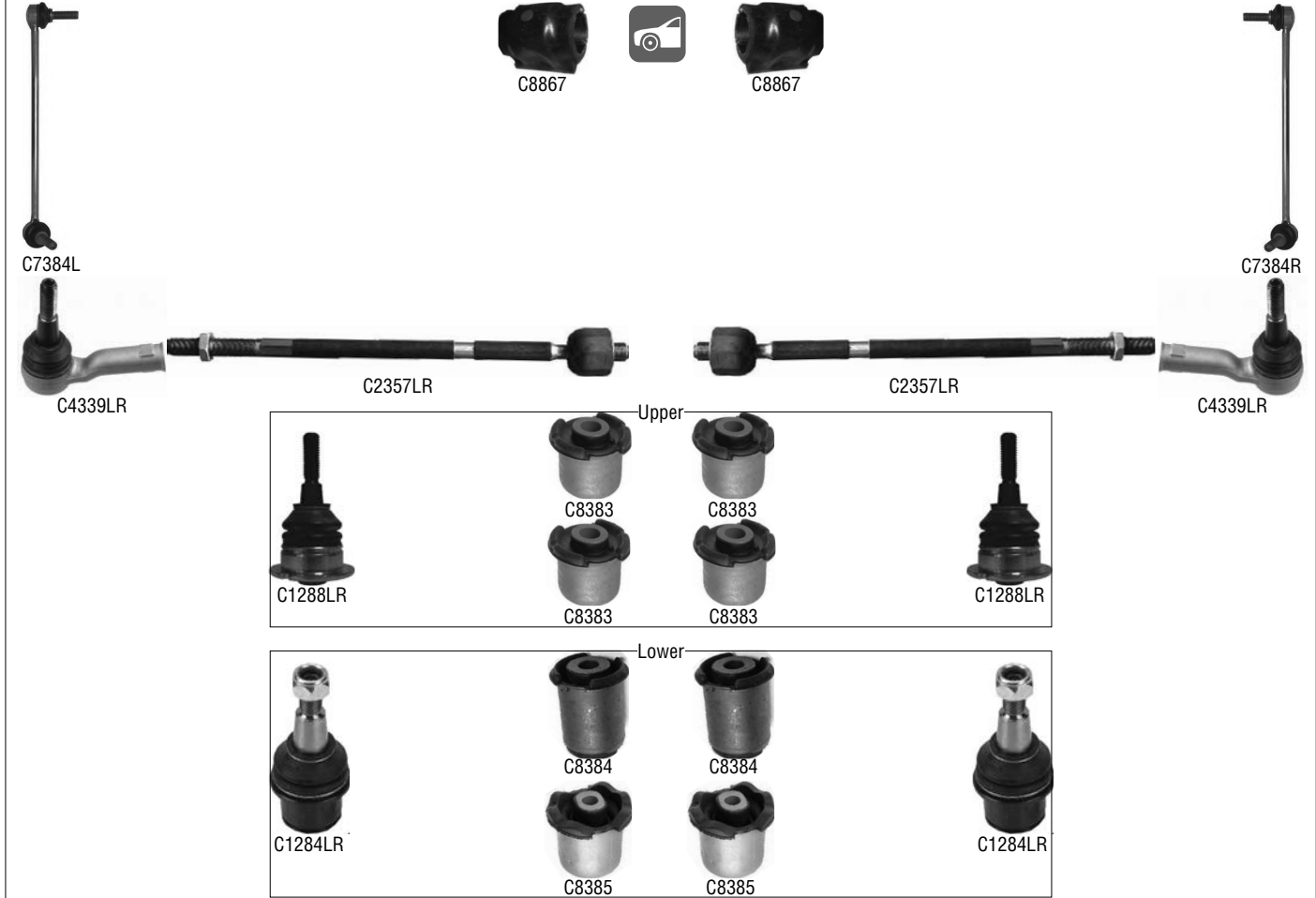


LYNX	Description	Original Number	Specification	
C2356LR	Tie Rod	TIQ 000040		
C4338LR	Tie Rod End	TIQ 000030		
C1287LR	Ball Joint	RBK 500150		
C7381LR	Stabiliser Link Front	RBM 000011		
C7382LR	Stabiliser Link Rear	RGD 000131		Stabilizer Bar
C7383LR	Stabiliser Link Rear	RGD 500180		Suspension Arm
C8865	Stabiliser Mounting	RBL 500722		
C8866	Stabiliser Mounting	RGB 000054		
C8379	Silentblock	RHF 000260		
C8380	Silentblock	RBK 000042		
C8381	Silentblock	RBX 000070		
C8382	Silentblock	RBX 000200		

• LANDROVER



RANGE ROVER SPORT 02/2005>



LYNX	Description	Original Number	Specification	
C2357LR	Tie Rod	QFK 500030	MM16X1.5R	
C4339LR	Tie Rod End	QJB 500040	FM16X1.5R	
C3061LR	Side Rod Assy Rear	RGD 500083		
C1288LR	Ball Joint Upper	RBK 500170		
C1284LR	Ball Joint Lower	RBK 500040		
C7384L	Stabiliser Link Front Left	RBM 500150		
C7384R	Stabiliser Link Front Right	RBM 500140		
C7377LR	Stabiliser Link Rear	RGD 000311		
C8867	Stabiliser Mounting Front	RBX 500280	ø 30	Exc. Stabilizer Control
C8868	Stabiliser Mounting Rear	RGX 500070	ø 23	Exc. Stabilizer Control
C8375	Silentblock	RHF 500031		
C8376	Silentblock	RBK 500012		
C8383	Silentblock	RBX 500443	ø 14.3	
C8384	Silentblock	RBX 500432		
C8385	Silentblock	RBX 500531		



LEXUS

ES300 (MCV30)

07/2001 - 02/2006

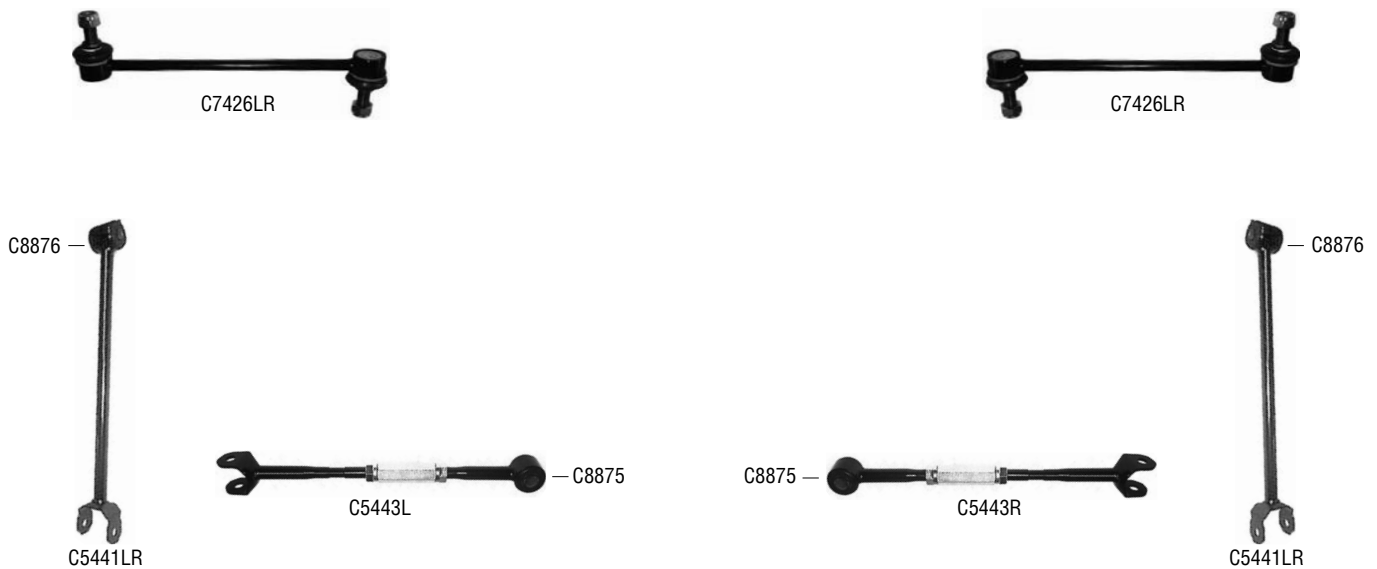
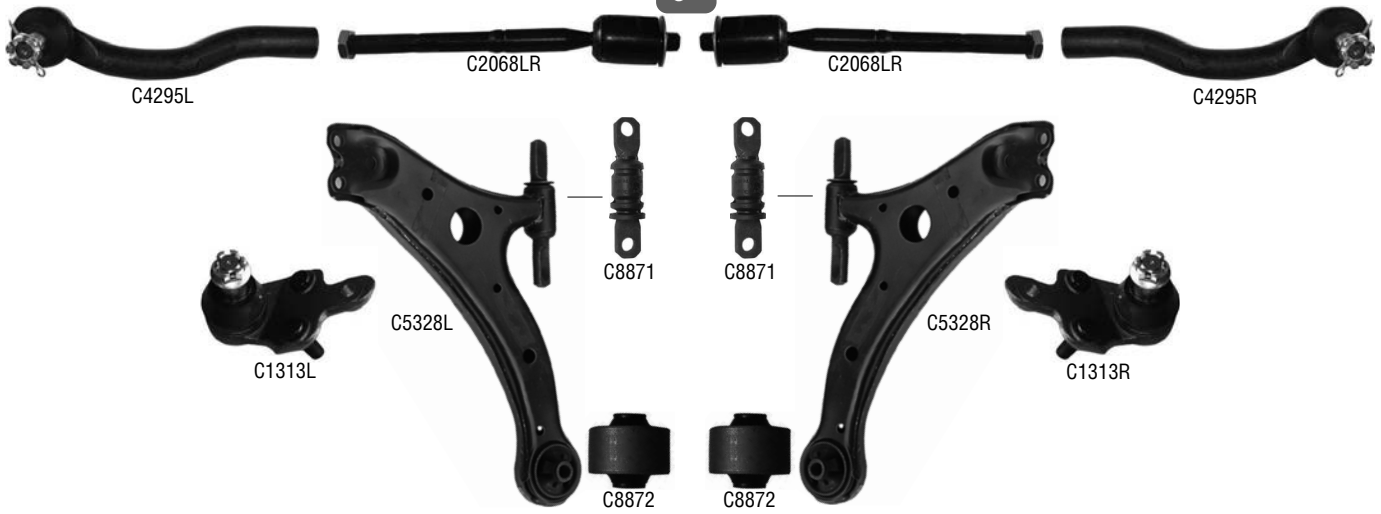


LYNX	Description	Original Number	Specification	
C2266LR	Tie Rod	45503-39225	MM14X1.5R	
C4294L	Tie Rod End Left	45470-39215	FM15X1.5R	>03
C4294R	Tie Rod End Right	45460-39615	FM15X1.5R	>03
C4295L	Tie Rod End Left	45470-39225	FM15X1.5R	03>
C4295R	Tie Rod End Right	45460-39635	FM15X1.5R	03>
C5328L	Susp. Arm Front Left	48069-33050		
C5328R	Susp. Arm Front Right	48068-33050		
C5437LR	Susp. Arm Rear	48710-33070		
C5438LR	Susp. Arm Rear	48740-33080		
C5440LR	Susp. Arm Rear	48780-48020		
C1098L	Ball Joint Left	43340-29175		
C1098R	Ball Joint Right	43330-29405		
C7092LR	Stabiliser Link Front	48820-28050		
C7091LR	Stabiliser Link Rear	48830-48010		
C8869	Stabiliser Mounting	48815-33100		
C8870	Stabiliser Mounting	48818-21030		
C8871	Silentblock			
C8872	Silentblock			
C8876	Silentblock			
C8874	Silentblock			
C8875	Silentblock			



ES240 / 350 (ACV40, GSV40)

05/2006>

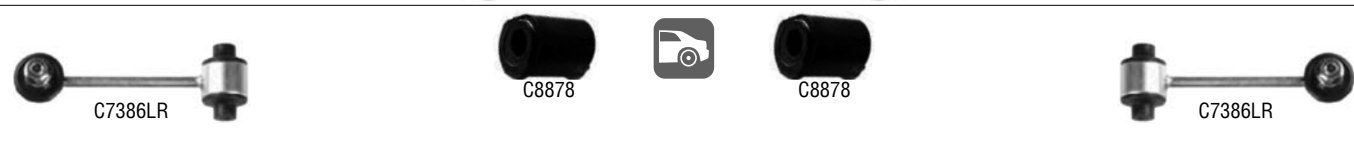
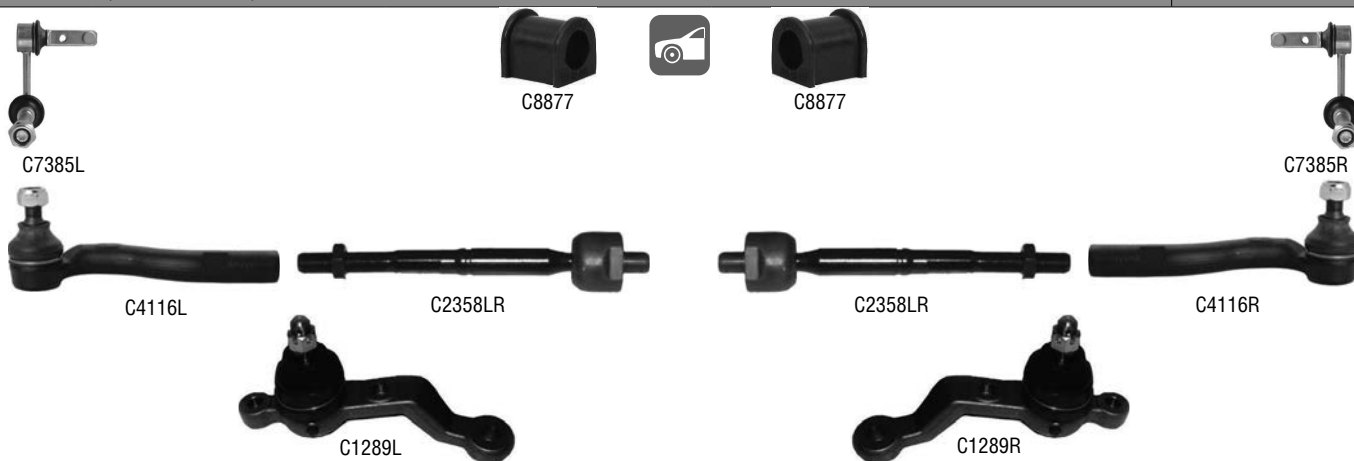


LYNX	Description	Original Number	Specification
C2068LR	Tie Rod	45503-39275	
C4295L	Tie Rod End Left	45470-39225	FM15X1.5R
C4295R	Tie Rod End Right	45460-39635	FM15X1.5R
C5328L	Susp. Arm Front Left	48069-33060	
C5328R	Susp. Arm Front Right	48068-33060	
C5441LR	Susp. Arm Rear	48780-33040	
C5443L	Susp. Arm Rear	48740-33100	
C5443R	Susp. Arm Rear	48730-33110	
C1313L	Ball Joint Left	43340-39545	
C1313R	Ball Joint Right	43330-39775	
C7426LR	Stabiliser Link	48830-33040	
C8871	Silentblock		
C8872	Silentblock		
C8875	Silentblock		
C8876	Silentblock		



GS300 / 430 (JZS160, UZS161)

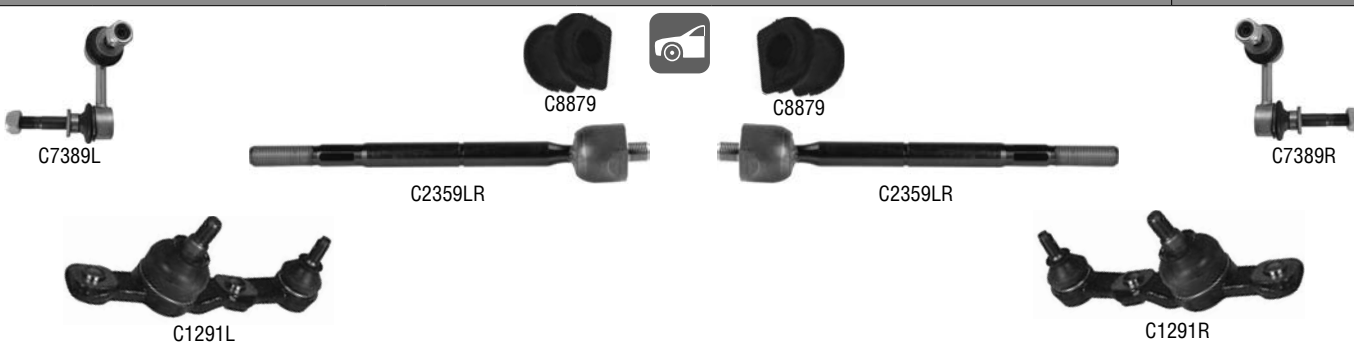
08/1997 - 01/2005



LYNX	Description	Original Number	Specification
C2358LR	Tie Rod	45503-39155	
C4116L	Tie Rod End Left	45470-59015	
C4116R	Tie Rod End Right	45460-59015	
C1289L	Ball Joint Left	43340-39345	
C1289R	Ball Joint Right	43330-39455	
C7385L	Stabiliser Link Front Left	48810-30010	
C7385R	Stabiliser Link Front Right	48820-30030	
C7386LR	Stabiliser Link Rear	48830-30070	
C8877	Stabiliser Mounting	48815-30480	
C8878	Stabiliser Mounting	48818-30110	

GS300 / 350 / 430 / 460 (GRS19_, URS190, UZS190)

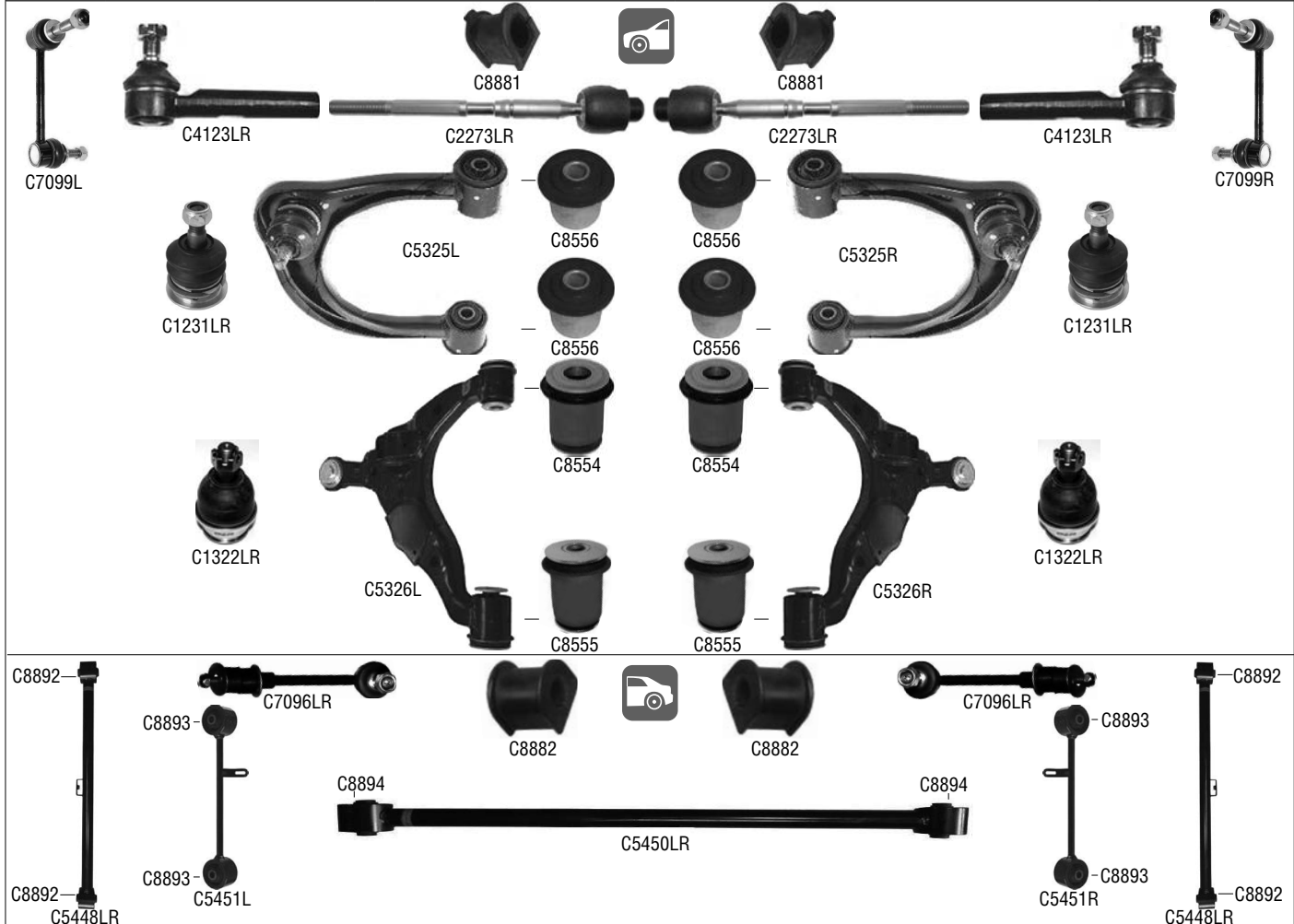
01/2005>



LYNX	Description	Original Number	Specification
C2359LR	Tie Rod	45503-30070	
C1291L	Ball Joint Left	43340-39505	
C1291R	Ball Joint Right	43330-39625	
C7389L	Stabiliser Link Front Left	48810-30070	
C7389R	Stabiliser Link Front Right	48820-30090	
C7390LR	Stabiliser Link Rear	48830-30090	
C8879	Stabiliser Mounting	48815-30570	
C8880	Stabiliser Mounting	48818-30160	



GX470 (UZJ120) 11/2002 - 07/2009



LYNX	Description	Original Number	Specification
C2273LR	Tie Rod	45503-39235	MM22X1.5R
C4123LR	Tie Rod End	45046-39505	
C5326L	Susp. Arm Front Lower Left	48069-60010	
C5326R	Susp. Arm Front Lower Right	48068-60010	
C5325L	Susp. Arm Front Upper Left	48630-60020	
C5325R	Susp. Arm Front Upper Right	48610-60050	
C5448LR	Susp. Arm Rear	48720-35060	
C5450LR	Susp. Arm Rear	48740-35040	
C5451L	Susp. Arm Rear Left	48710-35060	
C5451R	Susp. Arm Rear Right	48710-35070	
C1231LR	Ball Joint Upper		
C1322LR	Ball Joint Lower	43330-60010	
C7099L	Stabiliser Link Left	48810-60040	
C7099R	Stabiliser Link Right	48820-60050	
C7096LR	Stabiliser Link	48830-60030	
C8881	Stabiliser Mounting	48815-60190	
C8882	Stabiliser Mounting	48815-14140	
C8554	Silentblock	48654-60030	
C8555	Silentblock	48655-60030	
C8556	Silentblock	48632-60020	
C8892	Silentblock		
C8893	Silentblock		
C8894	Silentblock		



GX460 (URJ150)

11/2009>

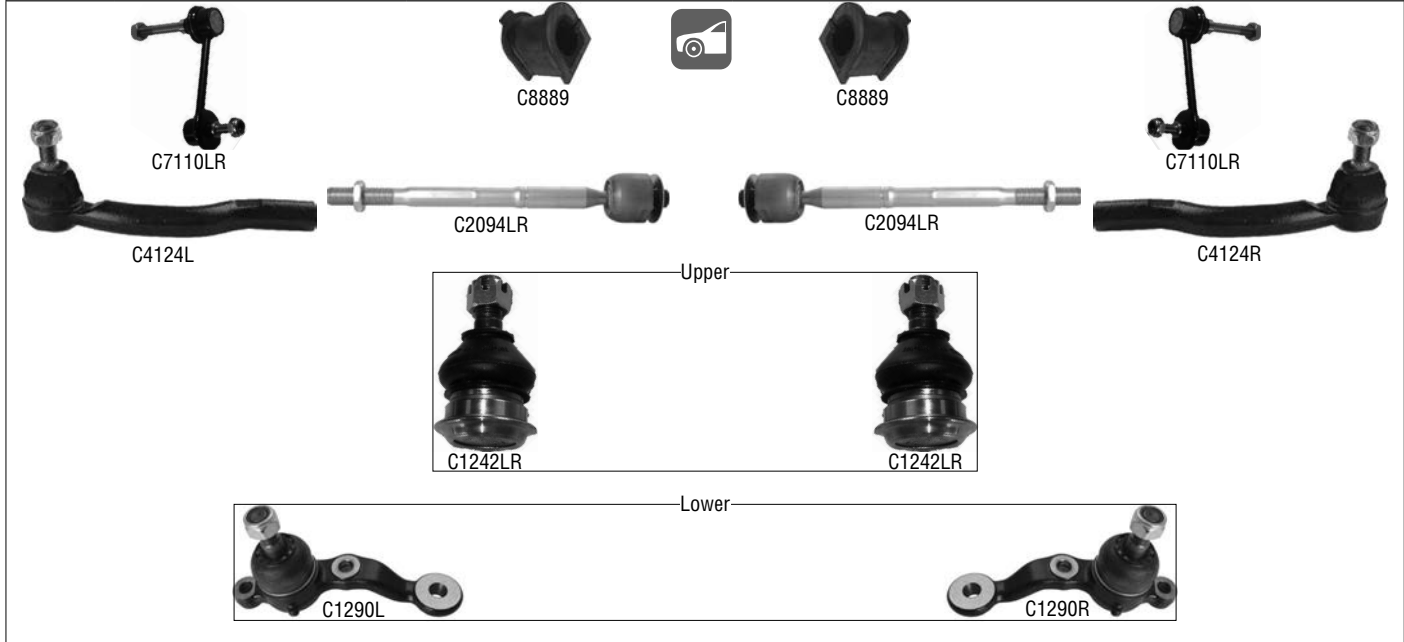


LYNX	Description	Original Number	Specification
C2396LR	Tie Rod	45503-60040	
C4367LR	Tie Rod End	45046-69245	
C5325L	Susp. Arm Front Upper Left	48630-60040	
C5325R	Susp. Arm Front Upper Right	48610-60070	
C5444L	Susp. Arm Front Lower Left	48069-60050	
C5444R	Susp. Arm Front Lower Right	48068-60050	
C5448LR	Susp. Arm Rear	48720-35061	
C5452LR	Susp. Arm Rear	48710-60160	
C5453LR	Susp. Arm Rear	48740-60160	
C1231LR	Ball Joint Upper		
C1323LR	Ball Joint Lower	43330-60040	
C8886	Stabiliser Mounting	48815-60320	
C8888	Stabiliser Mounting	48849-60040	
C8887	Stabiliser Mounting	48818-60020	
C8556	Silentblock	48632-60040	
C8884	Silentblock	48654-60050	
C8885	Silentblock	48655-60050	
C8892	Silentblock		
C8893	Silentblock		
C8894	Silentblock		

• LEXUS

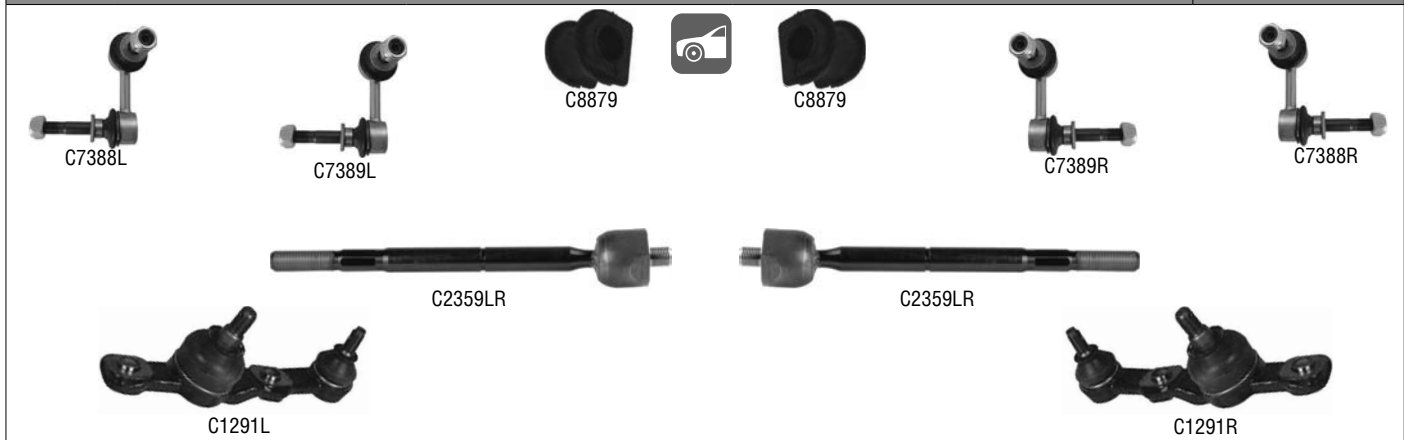


IS200 / 300 (GXE10, JCE10) 01/1999 - 07/2005



LYNX	Description	Original Number	Specification
C2094LR	Tie Rod	45503-29785	
C4124L	Tie Rod End Left	45470-39205	
C4124R	Tie Rod End Right	45460-39575	
C1242LR	Ball Joint Upper	43310-39045	
C1290L	Ball Joint Lower Left	43340-59065	
C1290R	Ball Joint Lower Right	43330-59065	
C7110LR	Stabiliser Link Front	48820-22041	
C7387LR	Stabiliser Link Rear	48830-51010	
C8889	Stabiliser Mounting	48815-53010	
C8878	Stabiliser Mounting	48818-30110	

IS250 / 220D (ALE20, GSE20) 08/2005>

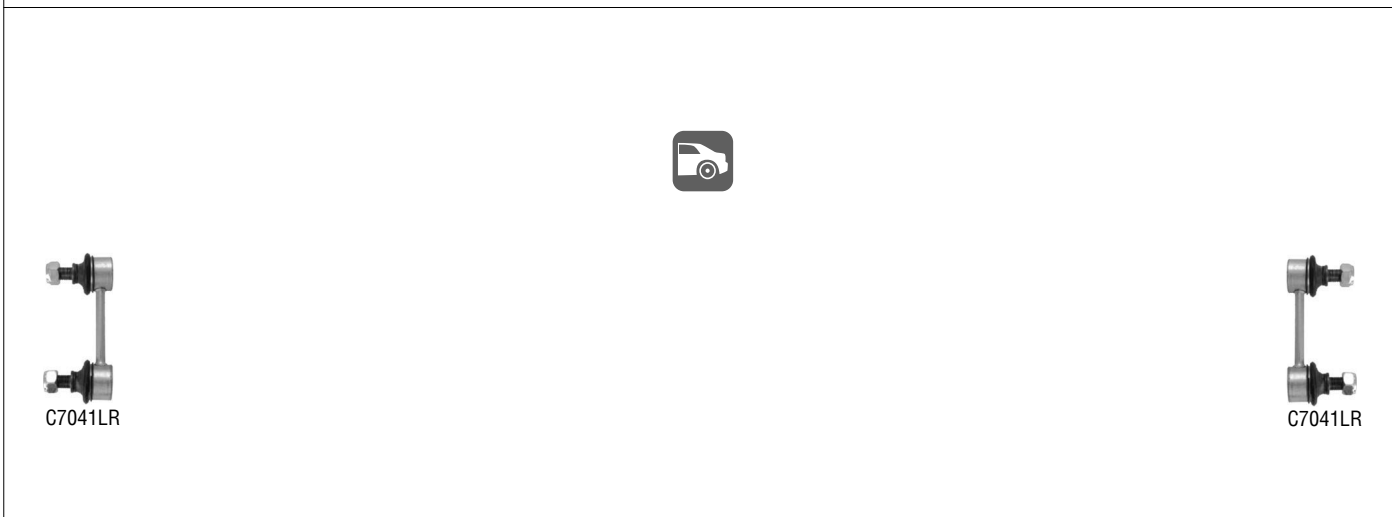
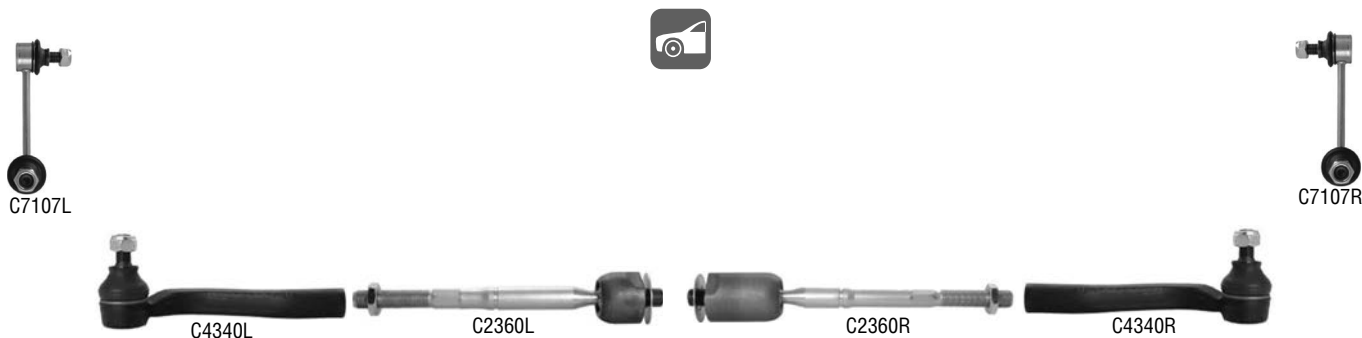


LYNX	Description	Original Number	Specification
C2359LR	Tie Rod	45503-30070	
C1291L	Ball Joint Left	43340-39505	
C1291R	Ball Joint Right	43330-39625	
C7388L	Stabiliser Link Front Left	48810-53010	>08/08
C7388R	Stabiliser Link Front Right	48820-53010	>08/08



LYNX	Description	Original Number	Specification	
C7389L	Stabiliser Link Front Left	48810-30070		08/08>
C7389R	Stabiliser Link Front Right	48820-30090		08/08>
C7390LR	Stabiliser Link Rear	48830-30090		
C8879	Stabiliser Mounting	48815-30570		
C8880	Stabiliser Mounting	48818-30210		

LS400 (UCF20) 10/1994 - 08/2000



LYNX	Description	Original Number	Specification	
C2360L	Tie Rod Left	45503-39095		
C2360R	Tie Rod Right	45504-59025		
C4340L	Tie Rod End Left	45470-49015		
C4340R	Tie Rod End Right	45460-49025		
C7107L	Stabiliser Link Left	48810-50010		
C7107R	Stabiliser Link Right	48820-50010		
C7041LR	Stabiliser Link	48830-22040		



LX470

01/1998 - 07/2007



C7450LR



C8890



C8890



C7450LR



C4096L



C2067LR



C2067LR



C4096R



C1231LR



C5323L



C8589



C8589



C5323R



C8589



C8589



C1231LR



C1232LR



C5324L



C8587



C8587



C8588



C8588



C5324R



C1232LR

LYNX	Description	Original Number	Specification
C2067LR	Tie Rod	45503-69025	
C4096L	Tie Rod End Left	45047-69115	
C4096R	Tie Rod End Right	45046-69205	
C5323L	Susp. Arm Front Upper Left	48630-60010	
C5323R	Susp. Arm Front Upper Right	48610-60030	
C5324L	Susp. Arm Front Lower Left	48640-60010	
C5324R	Susp. Arm Front Lower Right	48620-60010	
C1232LR	Ball Joint Lower	Comp. of C5324L/R	
C1231LR	Ball Joint Upper	Comp. of C5323L/R	
C7450LR	Stabiliser Link Front	48820-60032	
C8890	Stabiliser Mounting	48815-60111	



LYNX	Description	Original Number	Specification	
C5445LR	Susp. Arm Rear	48720-60040		
C5446L	Susp. Arm Rear Left	48710-60080		
C5446R	Susp. Arm Rear Right	48710-60070		
C5447LR	Susp. Arm Rear	48740-60080		
C7451LR	Stabiliser Link Rear	48802-60090		
C8891	Stabiliser Mounting	48815-26250		
C8587	Silentblock	48655-60010		
C8588	Silentblock	48654-60010	ø 48	
C8589	Silentblock	48632-60010	ø 52.1	
C8896	Silentblock			
C8897	Silentblock			
C8898	Silentblock			



LX570 11/2007>



LYNX	Description	Original Number	Specification
C2395LR	Tie Rod	45503-60030	
C4366L	Tie Rod End Left	45047-69145	
C4366R	Tie Rod End Right	45046-69235	
C5458L	Susp. Arm Front Lower Left	48069-60030	
C5458R	Susp. Arm Front Lower Right	48068-60030	
C5459L	Susp. Arm Front Upper Left	48630-60030	
C5459R	Susp. Arm Front Upper Right	48610-60060	
C1321LR	Ball Joint Lower		
C1324LR	Ball Joint Upper		
C8901	Stabiliser Mounting	48815-60270	
C8899	Silentblock	48654-60040	
C8900	Silentblock	48655-60040	
C8903	Silentblock	48632-60030	



C7452LR



C8902



C8902



C7452LR



C8904

C8904

C5460LR



C8905

C8905

C5461L



C8905

C8905

C5461R



C8904

C8904

C5460LR



C8906

C8906

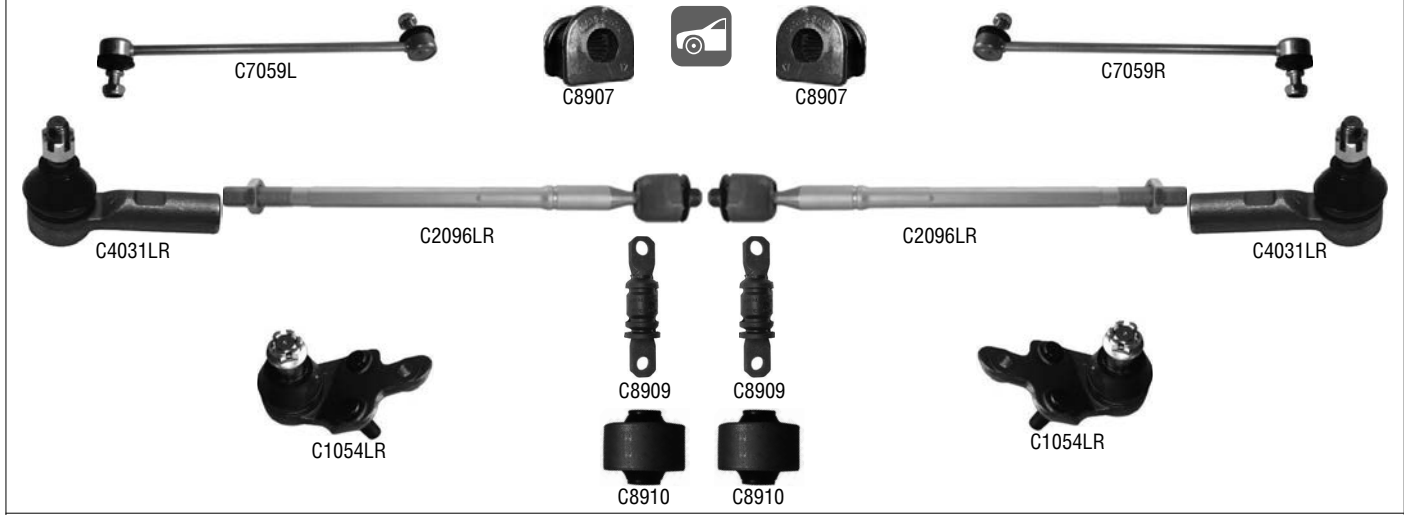
C5463LR

LYNX	Description	Original Number	Specification	
C5460LR	Susp. Arm Rear	48720-60070		
C5461L	Susp. Arm Rear Left	48710-60150		
C5461R	Susp. Arm Rear Right	48710-60140		
C5463LR	Susp. Arm Rear	48740-60150		
C7428L	Stabiliser Link Front Left	48810-60050		
C7428R	Stabiliser Link Front Right	48820-60070		
C7452LR	Stabiliser Link Rear	48802-60110		
C8902	Stabiliser Mounting	48815-60240		
C8904	Silentblock			
C8905	Silentblock			
C8906	Silentblock			

• LEXUS

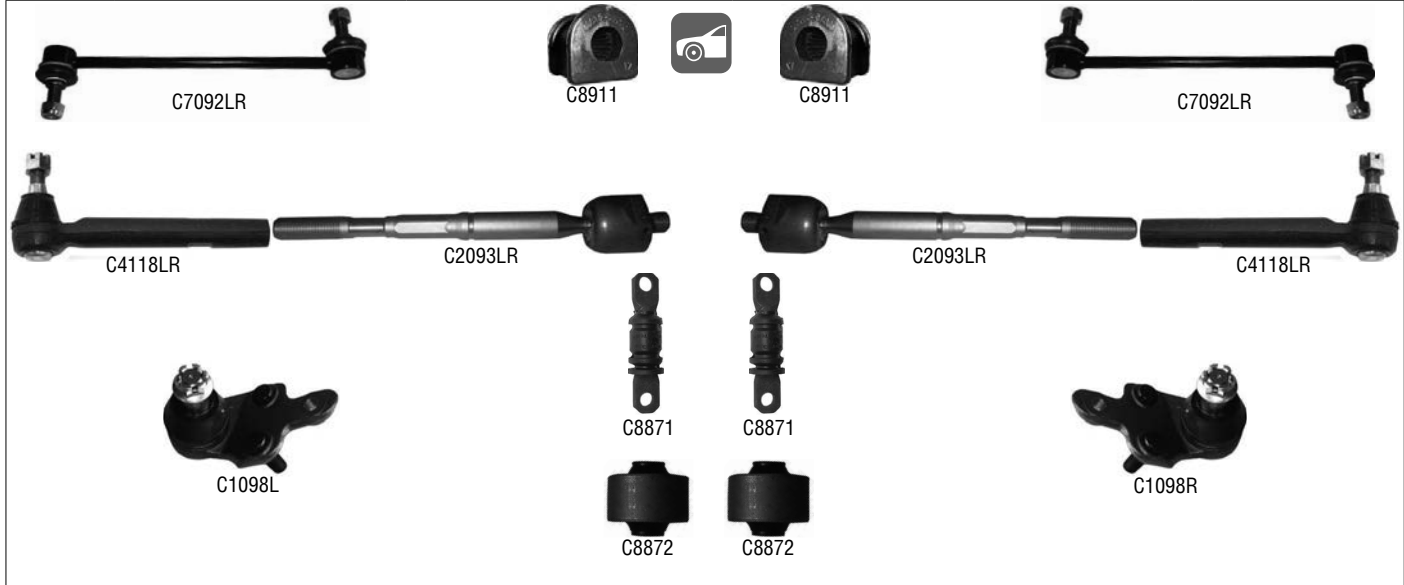


RX300 (MCU15) 07/2000 - 02/2003



LYNX	Description	Original Number	Specification
C2096LR	Tie Rod	45503-49025	
C4031LR	Tie Rod End	45046-29255	FM15X1.5R
C1054LR	Ball Joint	43330-39435	
C7059L	Stabiliser Link Left	48810-33010	
C7059R	Stabiliser Link Right	48820-33020	
C7036LR	Stabiliser Link	48830-32040	
C8907	Stabiliser Mounting	48815-33060	
C8908	Stabiliser Mounting	48818-21050	
C8909	Silentblock		
C8910	Silentblock		

RX300 / 330 / 350 (MCU3_, GSU35) 02/2003>



LYNX	Description	Original Number	Specification
C2093LR	Tie Rod	45503-49125	
C4118LR	Tie Rod End	45460-29435	
C1098L	Ball Joint Left	43340-29175	
C1098R	Ball Joint Right	43330-29405	
C7092LR	Stabiliser Link Front	48820-28050	



LYNX	Description	Original Number	Specification
C7091LR	Stabiliser Link Rear	48830-48010	
C8911	Stabiliser Mounting	48815-48040	
C8912	Stabiliser Mounting	48818-48020	
C8871	Silentblock		
C8872	Silentblock		

MAZDA

121 I (DA)

10/1987 - 10/1990



LYNX	Description	Original Number	Specification
C2171LR	Tie Rod	D001-32-24X	MM16X1.5R
C4101LR	Tie Rod End	8AB1-32-280	FM12X1.25
C5158LR	Susp. Arm	D031-34-320A	

121 II (DB)

10/1990 - 03/1996

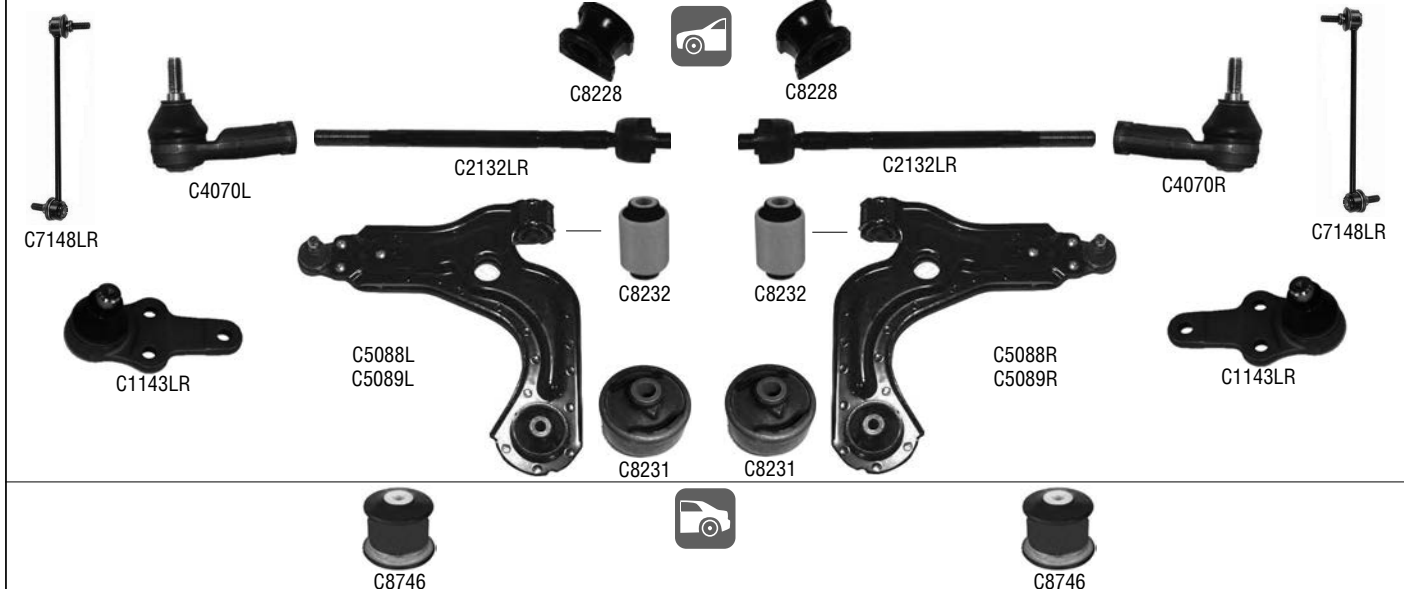


LYNX	Description	Original Number	Specification
C2173LR	Tie Rod	D061-32-24XA	MM17X1R
C4008LR	Tie Rod End	8AB2-32-280	FM12X1.25

• MAZDA



121 III (JASM, JBSM) 03/1996 - 10/2002



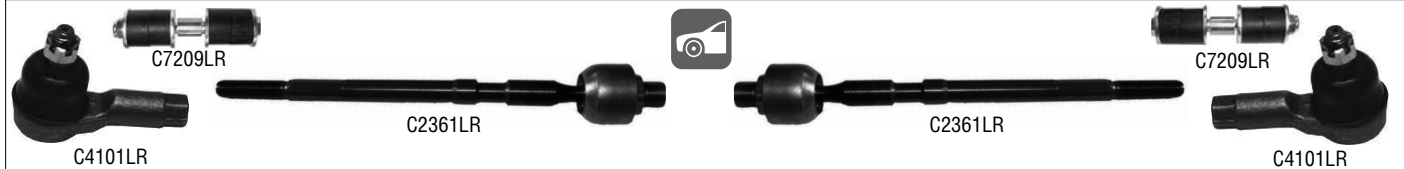
LYNX	Description	Original Number	Specification	
C2132LR	Tie Rod	1E00-32-240	MM14X1.5R	
C4070L	Tie Rod End Left	1E01-32-280A	M14X2R	
C4070R	Tie Rod End Right	1E00-32-280A	M14X2R	
C5088L	Susp. Arm Left	1E00-34-350A		-PS
C5088R	Susp. Arm Right	1E00-34-300A		-PS
C5089L	Susp. Arm Left	1E01-34-350A		+PS
C5089R	Susp. Arm Right	1E01-34-300A		+PS
C1143LR	Ball Joint	1030025		
C7148LR	Stabiliser Link	1E00-34-170		
C8228	Stabiliser Mounting	7102392	∅ 16	
C8231	Silentblock	1E01-34-153A	∅ 66.1	
C8232	Silentblock	1010037	∅ 37.3	
C8746	Silentblock	7371059		

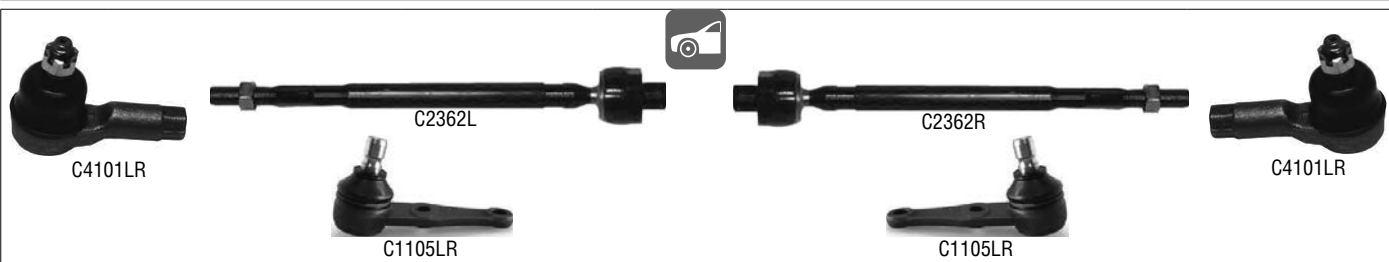
323 II (BD) 06/1980 - 04/1985



LYNX	Description	Original Number	Specification	
C2174LR	Tie Rod	B001-32-135		-PS
C2175LR	Tie Rod	B038-32-135	MM17X1R	+PS
C4288LR	Tie Rod End	B001-99-324 / 25	FM12X1.25	
C1105LR	Ball Joint Lower	B092-34-550		
C7209LR	Stabiliser Link	B029-34-159		

323 III (BF) 05/1985 - 05/1989
 323 III SW (BW) 05/1986 - 10/1995





LYNX	Description	Original Number	Specification	
C2361LR	Tie Rod	B092-32-240		-PS
C2362L	Tie Rod Left	B093-32-250		+PS
C2362R	Tie Rod Right	B093-32-240		+PS
C4101LR	Tie Rod End	8AB1-32-280	FM12X1.25	
C1105LR	Ball Joint Lower	B092-34-550		
C7209LR	Stabiliser Link	B029-34-159		

323 IV (BG) 06/1989 - 08/1994



LYNX	Description	Original Number	Specification	
C2081LR	Tie Rod	B455-32-24X	MM16X1R	-PS
C2080L	Tie Rod Left	B456-32-25X	MM16X1R	+PS
C2080R	Tie Rod Right	B456-32-24X	MM16X1R	+PS
C4008LR	Tie Rod End	8AB2-32-280	FM12X1.25	
C5164L	Susp. Arm Left	B455-34-350B		
C5164R	Susp. Arm Right	B455-34-300B		
C1106LR	Ball Joint	B455-34-550		>03/93
C1032LR	Ball Joint	B01A-34-550		03/93>
C7209LR	Stabiliser Link Front	B029-34-159		
C7342LR	Stabiliser Link Rear	G030-28-157		Chassis № >900901
C8386	Stabiliser Mounting	B459-34-156		OHC
C8913	Stabiliser Mounting	B461-28-156		DOHC
C8914	Stabiliser Mounting	B457-28-156		Exc. 4WD
C8387	Silentblock	B001-34-470		
C8388	Silentblock	B459-34-470		

• MAZDA



323 V (BA) 08/1994 - 09/1998



LYNX	Description	Original Number	Specification	
C2317LR	Tie Rod	E016-32-24X / 250		-PS / +PS >12/96
C2318LR	Tie Rod	B21H-32-24X / 25X	MM14X1.5R	+PS 12/96>
C4008LR	Tie Rod End	8AB2-32-280	FM12X1.25	
C5165L	Susp. Arm	B01A-34-350		
C5165R	Susp. Arm	B01A-34-300		
C1032LR	Ball Joint	B01A-34-550		
C7053L	Stabiliser Link Front Left	GA2A-34-170A		
C7053R	Stabiliser Link Front Right	GA2A-34-150A		
C7011LR	Stabiliser Link Rear	BC1D-28-170A		
C8915	Stabiliser Mounting	BC1D-34-156		
C8916	Stabiliser Mounting	G564-28-156A		
C8389	Silentblock	BC1D-34-470	ø 40.5	
C8917	Silentblock	BC1D-34-46Y		

323 VI (BJ) 09/1998 - 05/2004



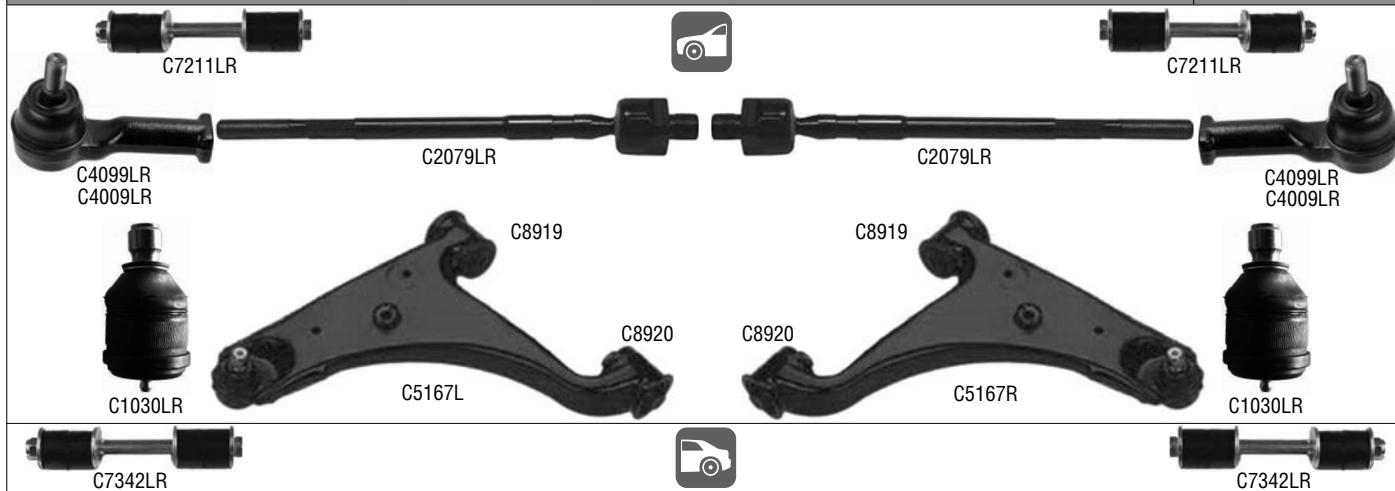
LYNX	Description	Original Number	Specification	
C2050L	Tie Rod	B25D-32-240	MM16X1R	
C2050R	Tie Rod	B25D-32-250	MM16X1R	
C4009LR	Tie Rod End	8AG3-32-280	FM14x1.5R	



LYNX	Description	Original Number	Specification
C5166L	Susp. Arm Front Left	B25D-34-350A	
C5166R	Susp. Arm Front Right	B25D-34-300A	
C5476L	Susp. Arm Rear Left	B30H-28-250A	
C5476R	Susp. Arm Rear Right	B30H-28-200A	
C5477LR	Susp. Arm Rear	C100-28-620B	
C5478LR	Susp. Arm Rear	C100-28-600B	
C1030LR	Ball Joint	Comp. of C5166L/R	
C7079LR	Stabiliser Link Front	B26R-34-170	>10/00
C7210LR	Stabiliser Link Front	LC62-34-170A	11/00>
C7077LR	Stabiliser Link Rear	B26R-28-170	>10/00
C7078LR	Stabiliser Link Rear	B30H-28-170B	11/00>
C8918	Stabiliser Mounting	B26R-34-156	
C8916	Stabiliser Mounting	G564-28-156A	
C8390	Silentblock	B25D-34-460	
C8391	Silentblock	B25D-34-470	

626 III (GD)

07/1987 - 05/1992

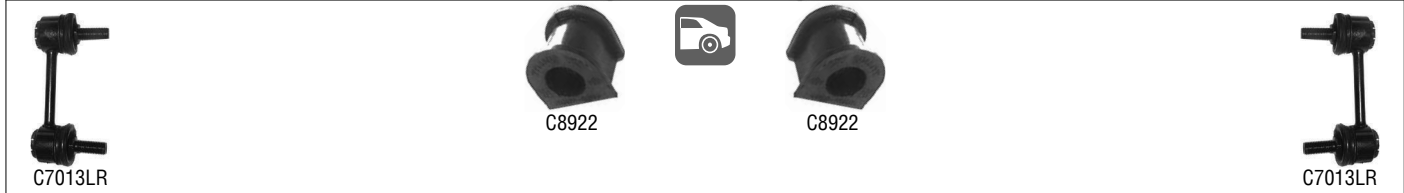
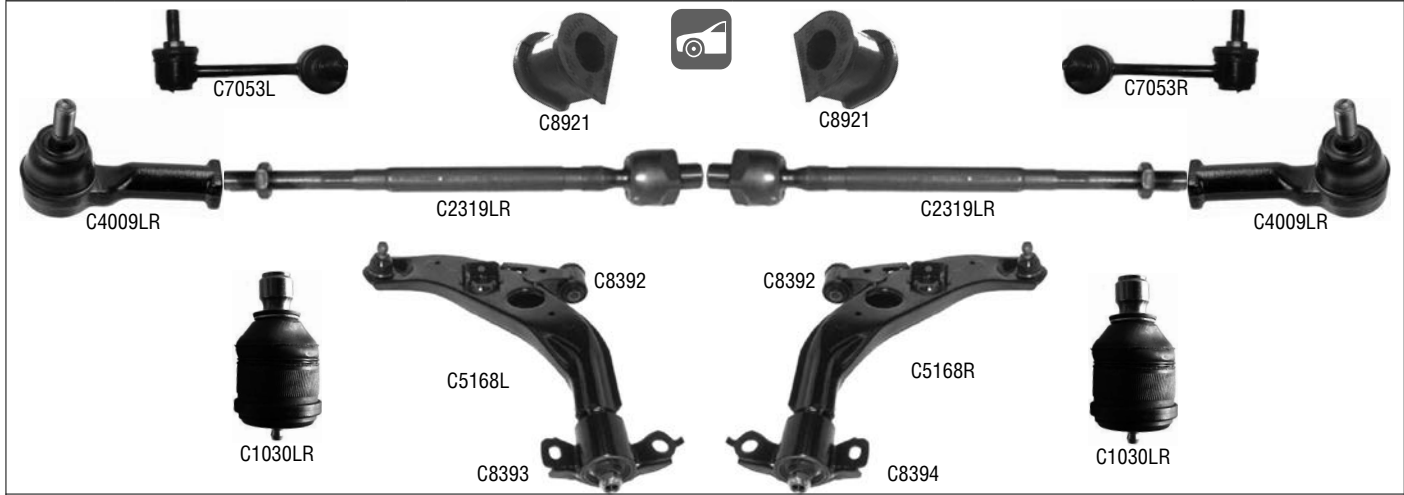


LYNX	Description	Original Number	Specification
C2079LR	Tie Rod	GJ22-32-240	MM18X1.5R +PS
C4099LR	Tie Rod End	H001-99-324	FM14x1.5R >07/89
C4009LR	Tie Rod End	8AG3-32-280	FM14x1.5R 08/89>
C5167L	Susp. Arm Left	GJ22-34-350A	
C5167R	Susp. Arm Right	GJ22-34-300A	
C1030LR	Ball Joint Lower	OG030-34-550B	
C7211LR	Stabiliser Link Front	8AG1-34-100	
C7342LR	Stabiliser Link Rear	G030-28-157	2WD
C8919	Silentblock	KA10-34-470A	
C8920	Silentblock	GJ21-34-460B	

• MAZDA

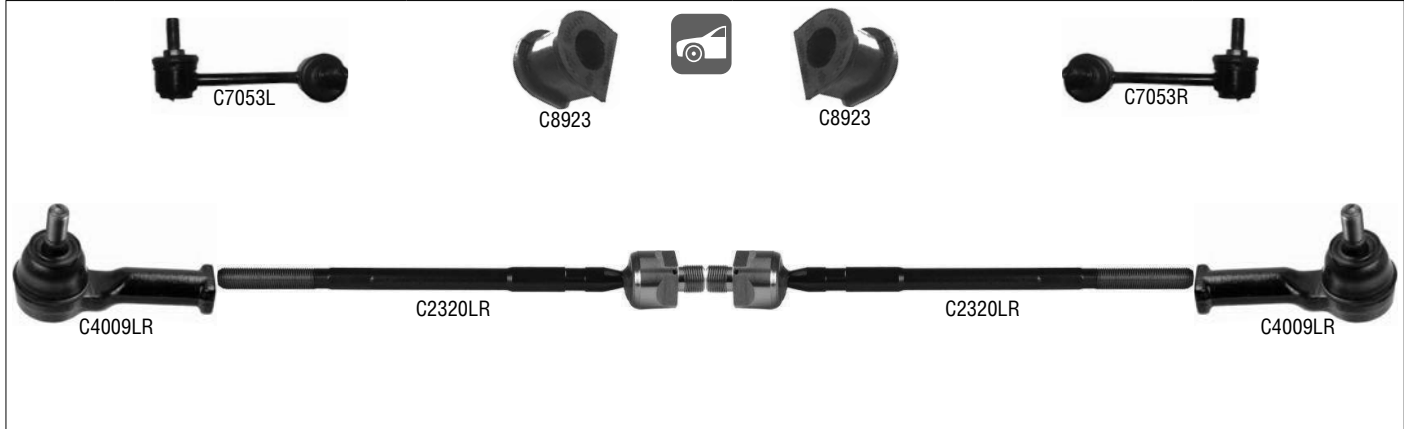


626 IV (GE) 08/1991 - 04/1997



LYNX	Description	Original Number	Specification
C2319LR	Tie Rod	GA2A-32-240 / 250	MM18X1R
C4009LR	Tie Rod End	8AG3-32-280	FM14x1.5R
C5168L	Susp. Arm	GA2A-34-350	
C5168R	Susp. Arm	GA2A-34-300	
C1030LR	Ball Joint Lower	0G030-34-550B	
C7053L	Stabiliser Link Front Left	GA2A-34-170A	
C7053R	Stabiliser Link Front Right	GA2A-34-150A	
C7013LR	Stabiliser Link Rear	GA2C-28-170B	
C8921	Stabiliser Mounting	GA2A-34-156	
C8922	Stabiliser Mounting	GA2A-28-156A	
C8392	Silentblock	GA2A-34-470	ø 38.5
C8393	Silentblock	GA2A-34-46YA	
C8394	Silentblock	GA2A-34-46XA	

626 V (GF) 05/1997 - 04/2002

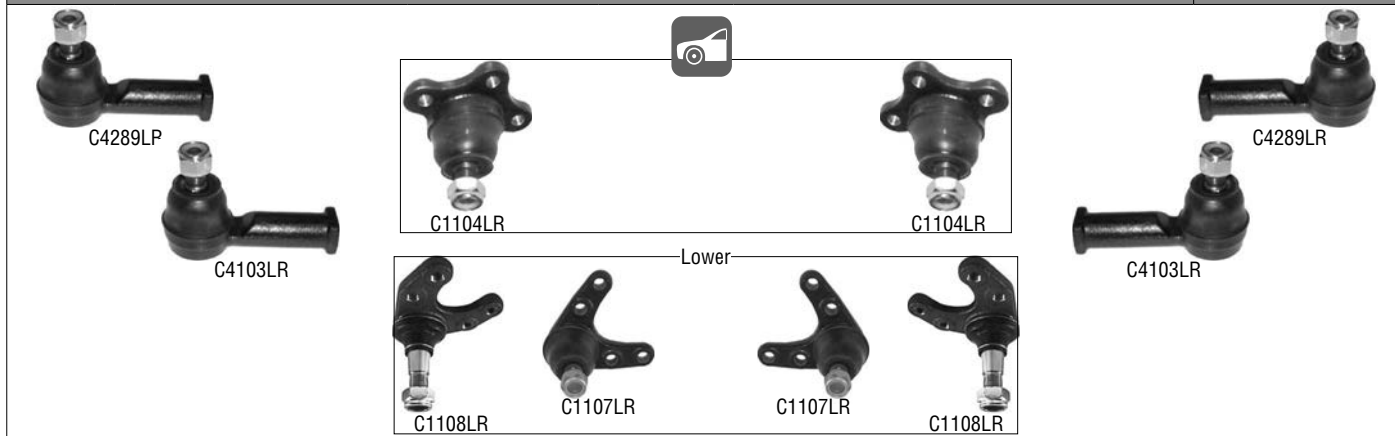


LYNX	Description	Original Number	Specification
C2320LR	Tie Rod	GE4T-32-240	MM18X1.5R
C4009LR	Tie Rod End	8AG3-32-280	FM14x1.5R
C7053L	Stabiliser Link Left	GA2A-34-170A	
C7053R	Stabiliser Link Right	GA2A-34-150A	
C8923	Stabiliser Mounting	GE4T-34-156	



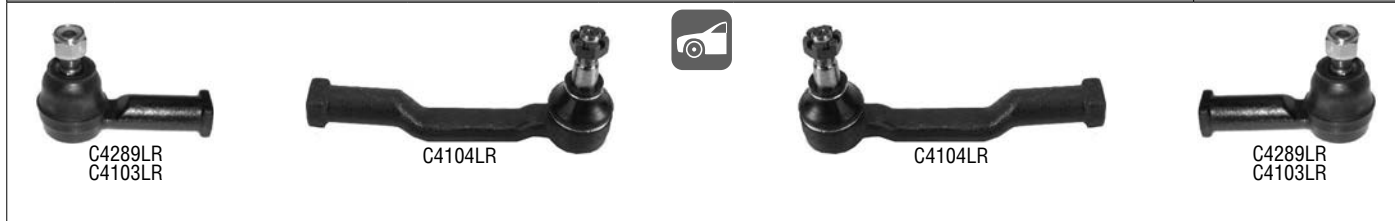
LYNX	Description	Original Number	Specification
C5169L	Susp. Arm	GE4T-34-350E	
C5169R	Susp. Arm	GE4T-34-300E	
C1030LR	Ball Joint Lower	0G030-34-550B	
C7212LR	Stabiliser Link	GE4T-28-170	
C8924	Stabiliser Mounting	GE4T-28-156	
C8392	Silentblock	GA2A-34-470	ø 38.5
C8395	Silentblock	GE4T-34-46YD	ø 18.5
C8396	Silentblock	GE4T-34-46XD	ø 18.5

B1600 / 1800 (UD, UF)
B2000 / 2200 / 2600 10/1981 - 12/1996



LYNX	Description	Original Number	Specification
C4289LR	Tie Rod End Outer	UB39-99-324	FM14X1.5L 2WD 87>
C4103LR	Tie Rod End Outer	8AU1-32-280	FM14X1.5L 4WD 87>
C1104LR	Ball Joint Upper	8AU1-34-540	
C1108LR	Ball Joint Lower	8AU2-34-510	Exc. 2600
C1107LR	Ball Joint Lower	8AU3-34-510	2600

B2200 / 2500 / 2600 (UN) 02/1999>

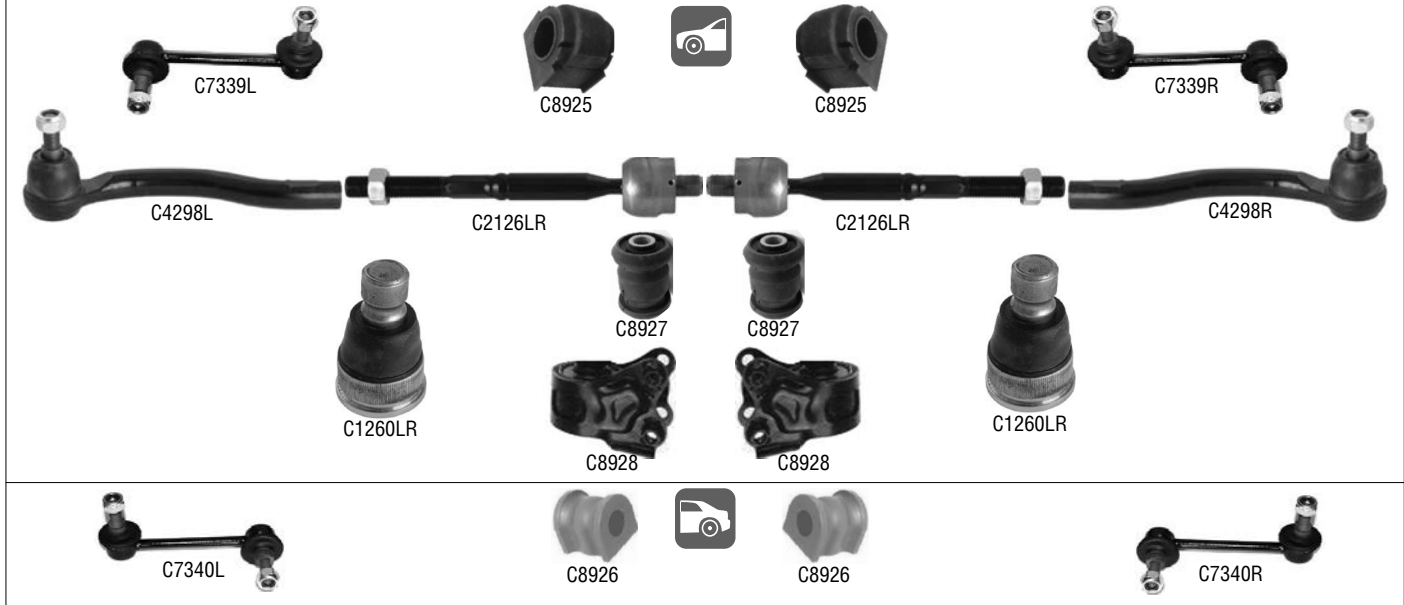


LYNX	Description	Original Number	Specification
C4289LR	Tie Rod End	UH71-32-280	FM14X15L 2WD
C4103LR	Tie Rod End	UH74-32-280	4WD
C4104LR	Tie Rod End Inner	UH74-32-250	

• MAZDA



CX-7 10/2007>



LYNX	Description	Original Number	Specification
C2126LR	Tie Rod	EG21-32-240	
C4298L	Tie Rod End Left	EG21-32-290A	
C4298R	Tie Rod End Right	EG21-32-280A	
C1260LR	Ball Joint Lower		
C7339L	Stabiliser Link Front Left	L206-34-170A	
C7339R	Stabiliser Link Front Right	L206-34-150A	
C7340L	Stabiliser Link Rear Left	F151-34-150	
C7340R	Stabiliser Link Rear Right	F151-34-170	
C8925	Stabiliser Mounting	EG21-34-156C	
C8926	Stabiliser Mounting	EG21-28-156A	
C8927	Silentblock		
C8928	Silentblock		

DEMIO (DW) 08/1998 - 04/2003

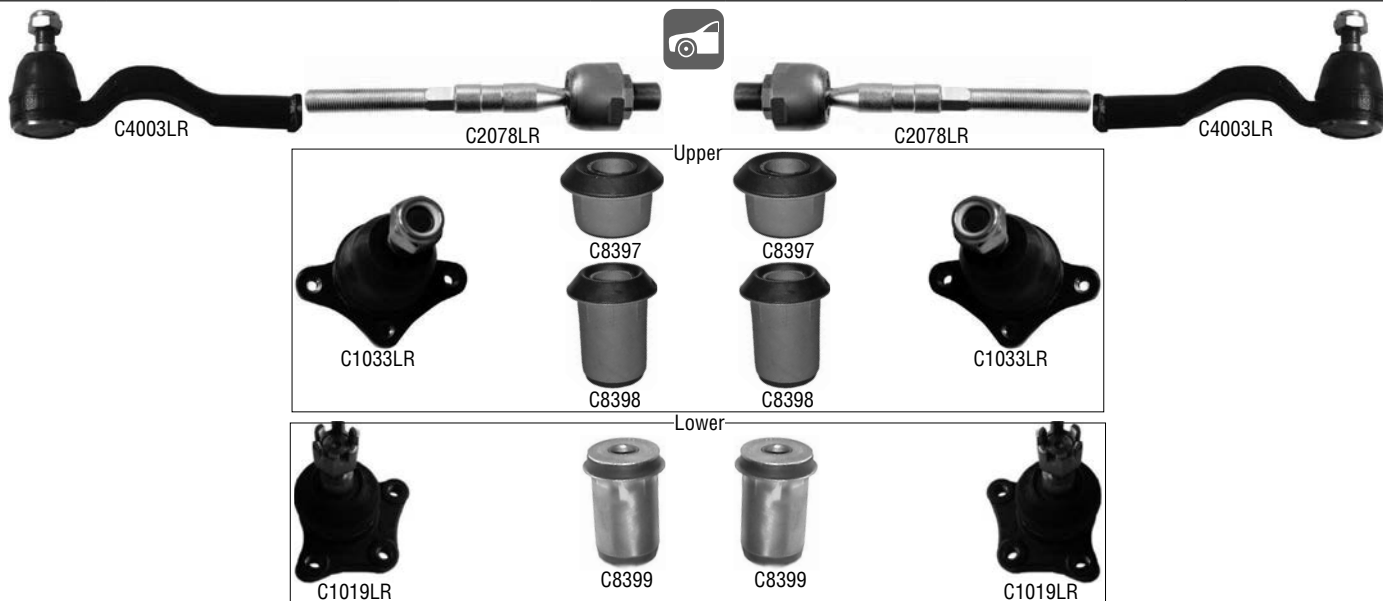


LYNX	Description	Original Number	Specification
C2177L	Tie Rod	D102-32-240	MM16X1.5R
C2177R	Tie Rod	D102-32-250	MM16X1.5R
C4008LR	Tie Rod End	8AB2-32-280	FM12X1.25
C5170L	Susp. Arm	D201-34-350A	
C5170R	Susp. Arm	D201-34-300E	
C7080LR	Stabiliser Link	EA03-34-170A	
C8929	Silentblock	D201-34-460C	
C8930	Silentblock		



E2000 / E2200 (SD, SR)

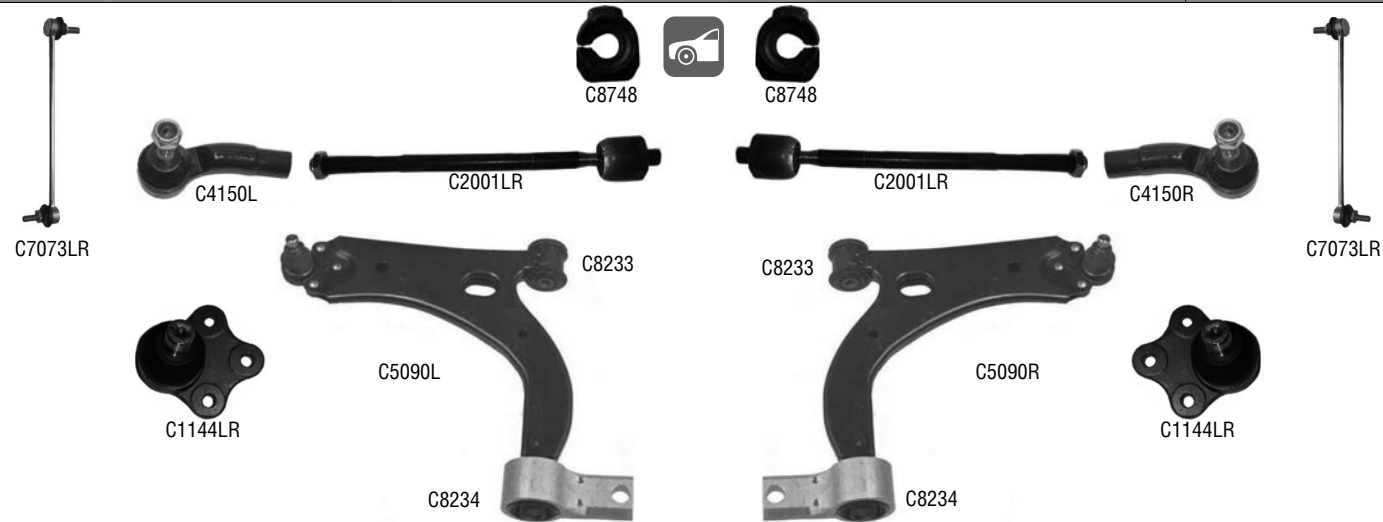
01/1984 - 07/1999



LYNX	Description	Original Number	Specification
C2078LR	Tie Rod	S083-32-115	MM17x1R
C4003LR	Tie Rod End	S083-99-324	FM14x1.5R
C1033LR	Ball Joint Upper	S083-99-354	
C1019LR	Ball Joint Lower	S083-99-356	
C8397	Silentblock	S083-34-840A	ø 45.3
C8398	Silentblock	S083-34-830A	ø 45.2
C8399	Silentblock	S083-34-460	ø 45

MAZDA 2

04/2003>



LYNX	Description	Original Number	Specification
C2001LR	Tie Rod	DE90-32-240	MM14x1.5R
C4150L	Tie Rod End Left	DE90-32-290	FM14x1.5R
C4150R	Tie Rod End Right	DE90-32-280	FM14x1.5R
C5090L	Susp. Arm Left	DD32-34-350	
C5090R	Susp. Arm Right	DD32-34-300	
C1144LR	Ball Joint	2S613395AB	
C7073LR	Stabiliser Link Front	DD32-34-170	
C8748	Stabiliser Mounting	1152852	
C8233	Silentblock	Comp. of C5090L/R	ø 40
C8234	Silentblock	Comp. of C5090L/R	

• MAZDA



MAZDA 3 (BK) 06/2003>
MAZDA 3 (BL) 12/2008>



LYNX	Description	Original Number	Specification	
C2015LR	Tie Rod	BP4L-32-240	MM14X1.5R	
C4100L	Tie Rod End Left	BP4L-32-290	FM17X1.5R	
C4100R	Tie Rod End Right	BP4L-32-280	FM17X1.5R	
C5171L	Susp. Arm Left	B32H-34-350		BK
C5171R	Susp. Arm Right	B32H-34-300		BK
C5464L	Susp. Arm Left	BBM2-34-350		BL
C5464R	Susp. Arm Right	BBM2-34-300		BL
C5003LR	Susp. Arm Rear	BP4K-28-500C		
C5092LR	Susp. Arm Rear	BP4K-28-C10B		
C5428LR	Susp. Arm Rear	1064128		
C1182LR	Ball Joint			
C7213LR	Stabiliser Link Front	BP4K-34-170C		
C7006LR	Stabiliser Link Rear	BP4K-28-170C		
C8932	Stabiliser Mounting	BP4K-34-156B		
C8933	Stabiliser Mounting	BP4K-28-156E		
C8239	Silentblock	30666821		
C8749	Silentblock	Comp. of C5092LR		
C8246	Silentblock	Comp. of C5171L/R		BK
C8244	Silentblock	Comp. of C5171L/R		BK
C8243	Silentblock	Comp. of C5464L/R		BL
C8247	Silentblock	Comp. of C5464L/R		BL
C8750	Silentblock	Comp. of C5428LR		
C8751	Silentblock	Comp. of C5428LR		



MAZDA 5

02/2005>



LYNX	Description	Original Number	Specification
C2015LR	Tie Rod	BP4L-32-240	MM14X1.5R
C4100L	Tie Rod End Left	BP4L-32-290	FM17X1.5R
C4100R	Tie Rod End Right	BP4L-32-280	FM17X1.5R
C5171L	Susp. Arm Left	B32H-34-350	
C5171R	Susp. Arm Right	B32H-34-300	
C1182LR	Ball Joint		
C7213LR	Stabiliser Link	BP4K-34-170C	
C8246	Silentblock	Comp. of C5171L/R	
C8244	Silentblock	Comp. of C5171L/R	

MAZDA 6 (GG, GY)

01/2002 - 07/2007

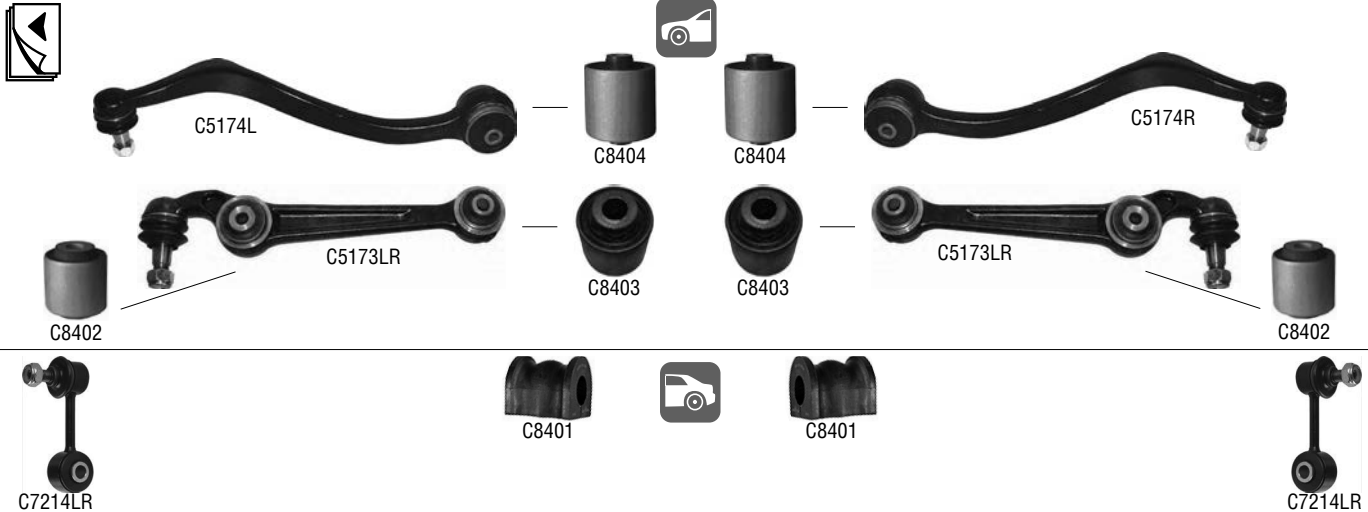


LYNX	Description	Original Number	Specification
C2077LR	Tie Rod	GJ6E-32-240	MM18X1.5R
C4098L	Tie Rod End Left	GJ6E-32-290	FM14X1.5R
C4098R	Tie Rod End Right	GJ6E-32-280	FM14X1.5R
C5172L	Susp. Arm Upper Left	GJ6A-34-250B	
C5172R	Susp. Arm Upper Right	GJ6A-34-200B	
C1183LR	Ball Joint Upper	GJ6A-34-540	
C7062L	Stabiliser Link Left	GJ6A-34-170A	
C7062R	Stabiliser Link Right	GJ6A-34-150A	
C8400	Stabilizer Mounting Front	GJ6A-34-156	ø 22
C8405	Silentblock		

• MAZDA



MAZDA 6 (GG, GY) 01/2002 - 07/2007

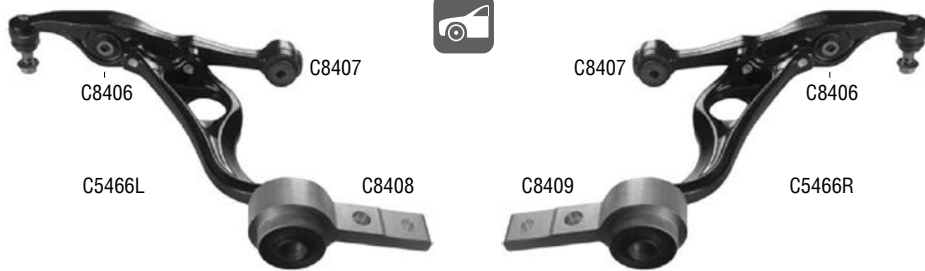


LYNX	Description	Original Number	Specification
C5174L	Susp. Arm Lower Left	GJ6A-34-J50B	
C5174R	Susp. Arm Lower Right	GJ6A-34-J00B	
C5173LR	Susp. Arm Lower	GA6A-34-300B	
C7214LR	Stabiliser Link	GJ6A-28-170A	
C8401	Stabilizer Mounting Rear	GJ6A-28-156	ø 18.6
C8402	Silentblock	GJ6A-34-710A	ø 44.2
C8403	Silentblock	GJ6A-34-470A	ø 40.2
C8404	Silentblock	GJ6A-34-460A	ø 62.3

MAZDA 6 (GH) 08/2007>



LYNX	Description	Original Number	Specification
C2178LR	Tie Rod	GS1D-32-240	MM18x1.5R
C4341L	Tie Rod End Left	GS1D-32-290	FM14x1.5R
C4341R	Tie Rod End Right	GS1D-32-280	FM14x1.5R
C5465L	Susp. Arm Upper Left	GS1D-34-250A	
C5465R	Susp. Arm Upper Right	GS1D-34-200A	
C1183LR	Ball Joint Upper	GJ6A-34-540	
C7391L	Stabiliser Link Front Left	GS1D-34-170	
C7391R	Stabiliser Link Front Right	GS1D-34-150	
C8935	Stabiliser Mounting	GS1D-34-15YA	
C8405	Silentblock		



LYNX	Description	Original Number	Specification
C5466L	Susp. Arm Lower Left	GS1D-34-350G	
C5466R	Susp. Arm Lower Right	GS1D-34-300G	
C7392LR	Stabiliser Link Rear	GS1D-28-170	
C8936	Stabiliser Mounting	GS1D-28-156	
C8406	Silentblock		
C8407	Silentblock		
C8408	Silentblock		
C8409	Silentblock		

MPV I (LV) 03/1995 - 09/1999



LYNX	Description	Original Number	Specification
C2082LR	Tie Rod	LA01-32-115	MM17X1R
C4102LR	Tie Rod End	8AL1-32-280	FM14x1.5R
C5175LR	Susp. Arm	LB82-34-300	
C8937	Silentblock	LB41-34-460	

MPV II (LW) 09/1999 - 07/2005

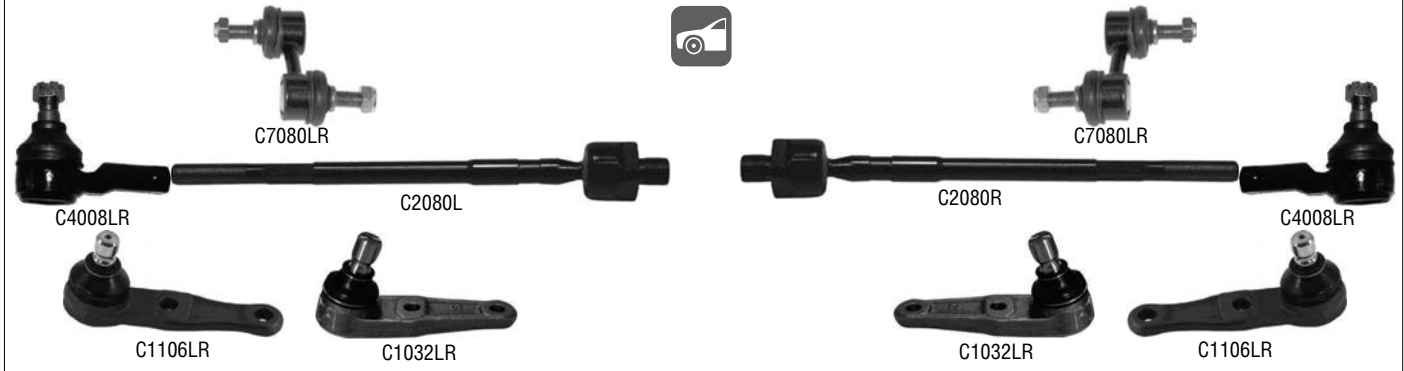


LYNX	Description	Original Number	Specification
C2179LR	Tie Rod	LC62-32-240B	MM16X1.5R
C4009LR	Tie Rod End	8AG4-32-280	FM14X1.5R
C5176L	Susp. Arm Left	LC62-34-350C	
C5176R	Susp. Arm Right	LC62-34-300C	
C1182LR	Ball Joint	Comp. of C5176L/R	
C8938	Silentblock		
C8939	Silentblock	LC62-34-460B	

• MAZDA



MX-3 (EC) 07/1991 - 09/1998



LYNX	Description	Original Number	Specification	
C2080L	Tie Rod	B456-32-25X	MM16X1R	
C2080R	Tie Rod	B456-32-24X	MM16X1R	
C4008LR	Tie Rod End	8AB2-32-280	FM12X1.25	
C1106LR	Ball Joint Lower	B455-34-550		>03/93
C1032LR	Ball Joint Lower	B01A-34-550		03/93>
C7080LR	Stabiliser Link	EA03-34-170A		

MX-6 (GE6) 07/1991 - 06/1998



LYNX	Description	Original Number	Specification	
C2319LR	Tie Rod	GA2A-32-240 / 250	MM18X1R	
C4009LR	Tie Rod End	8AG3-32-280	FM14x1.5R	

PREMACY (CP) 07/1999>



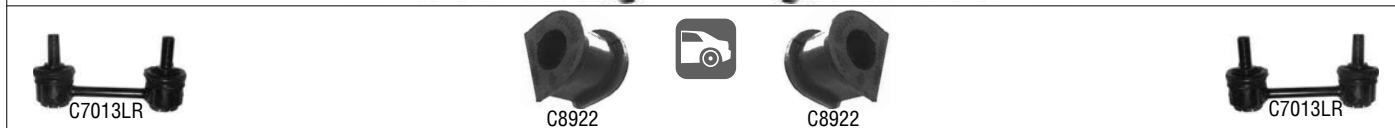
LYNX	Description	Original Number	Specification	
C2050L	Tie Rod	B25D-32-240	MM16X1R	
C2050R	Tie Rod	B25D-32-250	MM16X1R	
C4009LR	Tie Rod End	8AG4-32-280	FM14X1.5R	
C5177L	Susp. Arm	C100-34-350A		
C5177R	Susp. Arm	C100-34-300A		
C1030LR	Ball Joint	Comp. of C5177L/R		
C7079LR	Stabiliser Link	B26R-34-170		>08/00
C7210LR	Stabiliser Link	LC62-34-170A		08/00>



LYNX	Description	Original Number	Specification
C5476L	Susp. Arm Rear Left	B30H-28-250A	
C5476R	Susp. Arm Rear Right	B30H-28-200A	
C5477LR	Susp. Arm Rear	C100-28-620B	
C5478LR	Susp. Arm Rear	C100-28-600B	
C7077LR	Stabiliser Link	B26R-28-170	>10/00
C7078LR	Stabiliser Link	B30H-28-170B	11/00>
C8918	Stabiliser Mounting	B03E-34-156	
C8916	Stabiliser Mounting	G564-28-156A	
C8391	Silentblock	B25D-34-470	
C8390	Silentblock	B25D-34-460	

XEDOS 6 (CA)

07/1991 - 10/1999



LYNX	Description	Original Number	Specification
C2319LR	Tie Rod	GA2A-32-240 / 250	MM18X1R
C4009LR	Tie Rod End	8AG3-32-280	FM14x1.5R
C5169L	Susp. Arm	GE4T-34-350E	
C5169R	Susp. Arm	GE4T-34-300E	
C7053L	Stabiliser Link Left	GA2A-34-170A	
C7053R	Stabiliser Link Right	GA2A-34-150A	
C7013LR	Stabiliser Link Rear	GA2C-28-170B	
C8921	Stabiliser Mounting	GA2A-34-156	
C8922	Stabiliser Mounting	GA2A-28-156A	
C8392	Silentblock	GA2A-34-470	ø 38.5
C8395	Silentblock	GE4T-34-46YD	ø 18.5
C8396	Silentblock	GE4T-34-46XD	ø 18.5

• MERCEDES-BENZ

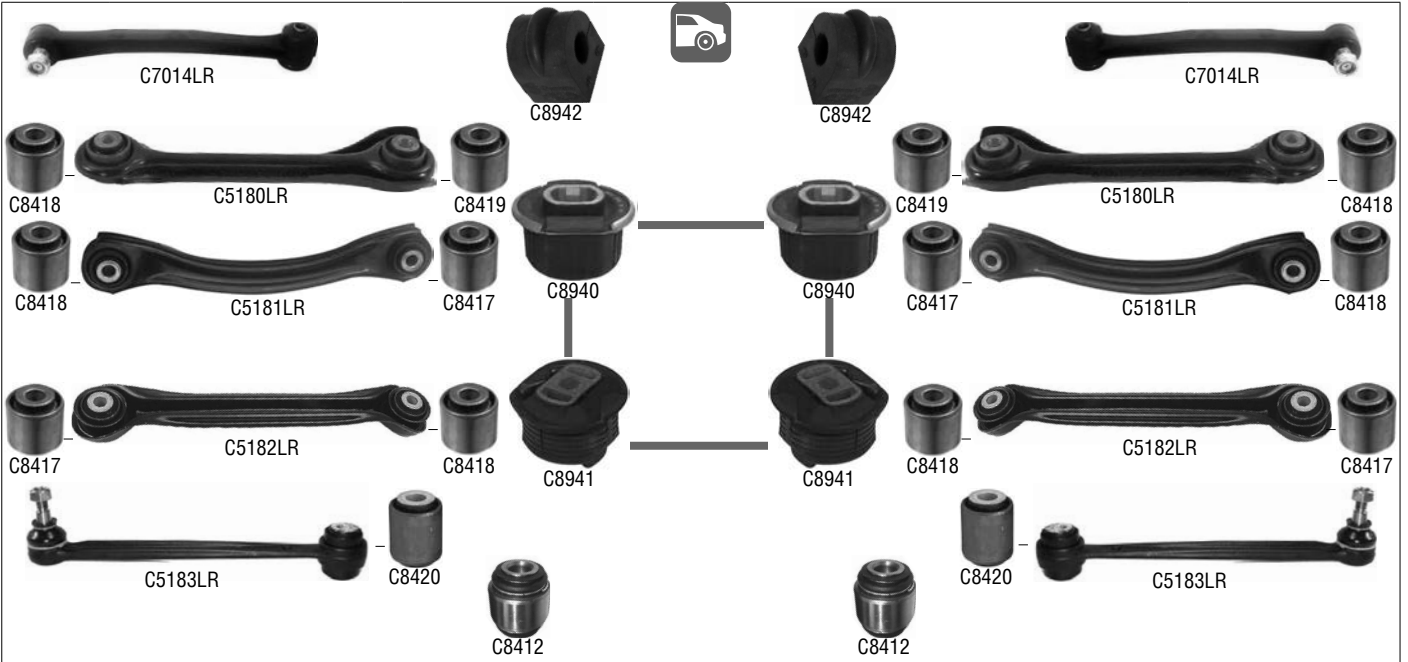


MERCEDES-BENZ

190 (W201) 11/1982 - 08/1993



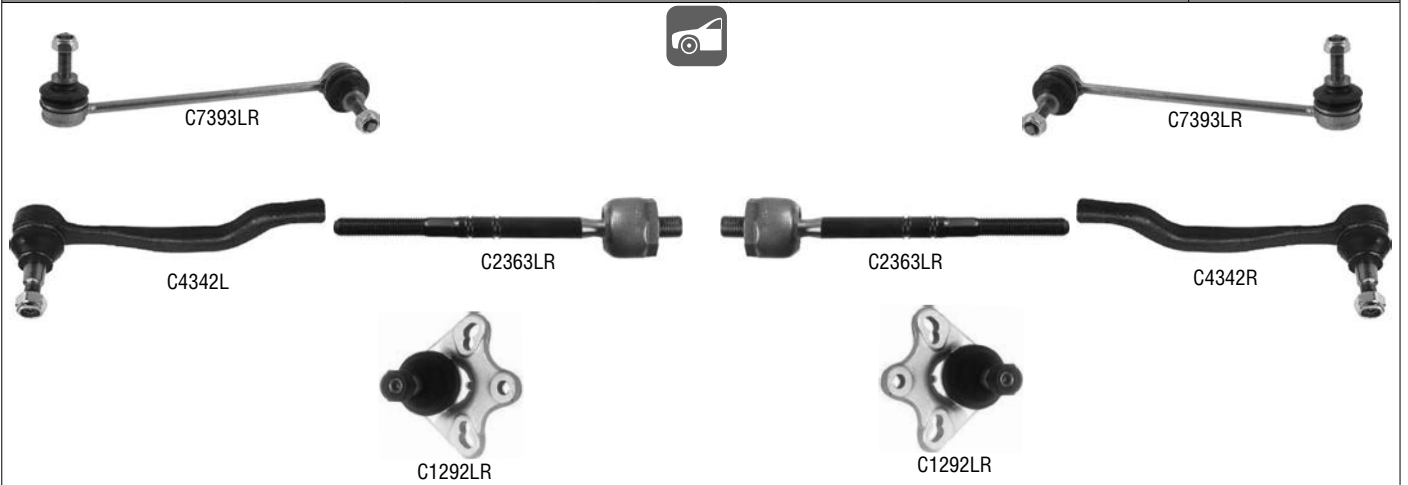
LYNX	Description	Original Number	Specification	
C4051LR	Tie Rod End Outer	000 338 43 10	MM12X1.5L	
C4374LR	Tie Rod End Inner	000 338 49 10	MM12X1.5R	
C3071LR	Side Rod Assy	201 330 12 03		
C5178L	Susp. Arm Left	124 330 38 07		1.8-2.0, 2.0D-2.5D Exc. Sportchassis
C5178R	Susp. Arm Right	124 330 39 07		1.8-2.0, 2.0D-2.5D Exc. Sportchassis
C5179L	Susp. Arm Left	124 330 18 07		2.3-2.6, 2.5TD Exc. Sportchassis
C5179R	Susp. Arm Right	124 330 19 07		2.3-2.6, 2.5TD Exc. Sportchassis
C1087LR	Ball Joint Lower	124 333 03 27		
C8410	Stabiliser Mounting	201 323 48 85	ø 23	
C8411	Stabiliser Mounting	124 323 17 85	ø 24	2.5D-2.5TD
C8414	Silentblock	201 333 45 14	ø 51.6	1.8-2.0, 2.0D-2.5D Exc. Sportchassis
C8415	Silentblock	201 333 51 14	ø 48.2	1.8-2.0, 2.0D-2.5D Exc. Sportchassis
C8413	Silentblock	124 333 38 14	ø 48	2.3-2.6, 2.5TD Exc. Sportchassis
C8416	Silentblock	124 333 37 14	ø 48.2	2.3-2.6, 2.5TD Exc. Sportchassis



LYNX	Description	Original Number	Specification
C5180LR	Susp. Arm Rear Upper	201 350 56 06	
C5181LR	Susp. Arm Rear Upper	210 350 16 06	
C5182LR	Susp. Arm Rear Lower	124 350 01 29	
C5183LR	Susp. Arm Rear Lower	210 350 06 53	
C7014LR	Stabiliser Link	124 320 02 89	
C8942	Stabiliser Mounting	201 326 10 81	
C8412	Silentblock	201 352 00 27	
C8417	Silentblock	124 352 35 65	ø 36.1
C8418	Silentblock	124 352 90 65	ø 36.2
C8419	Silentblock	Comp. of C5180LR	
C8420	Silentblock	201 352 88 65	ø 32.1
C8940	Silentblock	124 350 03 41	
C8941	Silentblock	201 351 28 42	

A-CLASS (W168)

06/1997 - 08/2004



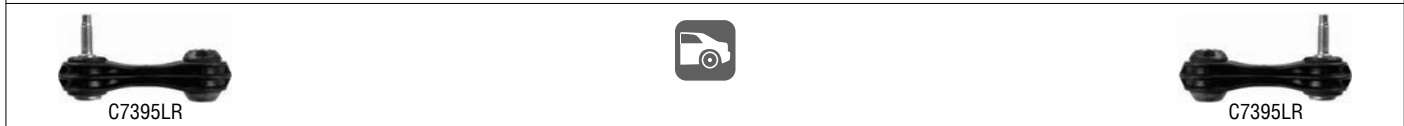
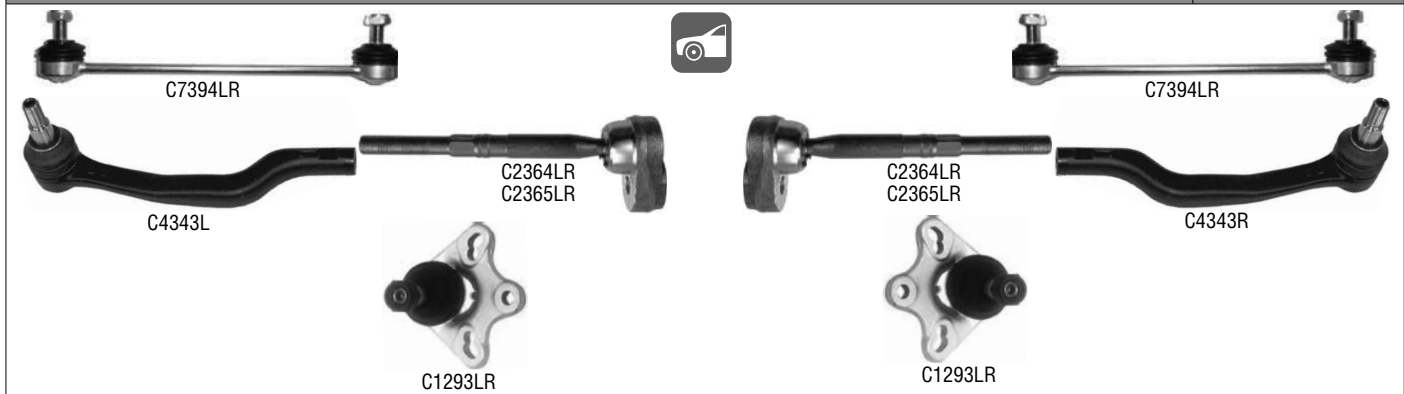
LYNX	Description	Original Number	Specification
C2363LR	Tie Rod	168 330 13 35	MM14X1.5R
C4342L	Tie Rod End Left	168 330 11 35	FM12X1.5R
C4342R	Tie Rod End Right	168 330 12 35	FM12X1.5R
C1292LR	Ball Joint	168 333 01 27	
C7393LR	Stabiliser Link Front	168 320 03 89	

• MERCEDES-BENZ



A-CLASS (W169)
B-CLASS (W245)

01/2004>
 03/2005>



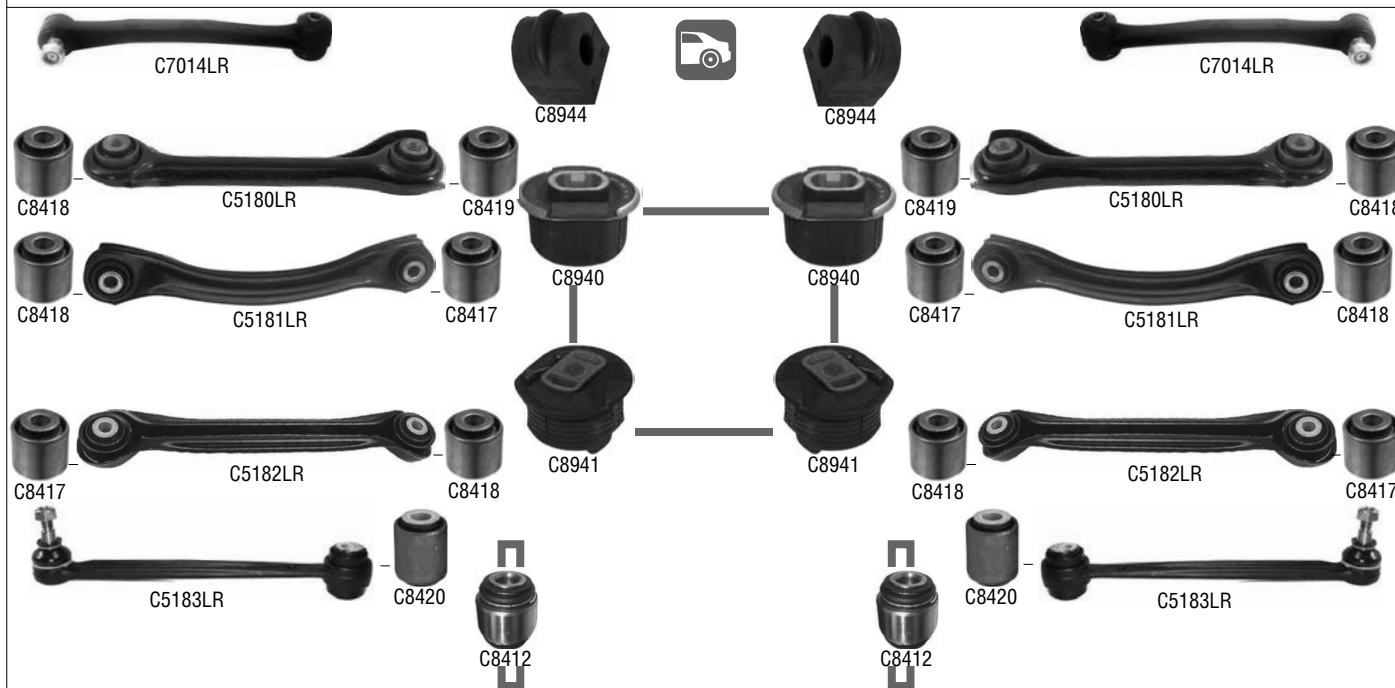
LYNX	Description	Original Number	Specification	
C2364LR	Tie Rod	169 330 04 03	ø 19.75	A-Class Chassis № >J126739, >03/05
C2365LR	Tie Rod	169 330 08 03	ø 17.7	A-Class Chassis № J126740>, 03/05> / B-Class
C4343L	Tie Rod End Left	169 330 05 03		
C4343R	Tie Rod End Right	169 330 06 03		
C1293LR	Ball Joint	169 333 01 27		
C7394LR	Stabiliser Link Front	169 320 09 89		
C7395LR	Stabiliser Link Rear	169 320 05 89		

C-CLASS (W202)
CLK-CLASS (C208)
SLK (R170)

03/1993 - 05/2000
 06/1997 - 06/2002
 04/1996 - 04/2004



LYNX	Description	Original Number	Specification	
C4010LR	Tie Rod End	001 330 77 35	FM12X1.25	
C3021LR	Side Rod Assy	202 460 04 05		Exc. 240 / 280 / 43AMG, Exc. SLK
C3022LR	Side Rod Assy	202 460 05 05		240 / 280 / 43AMG, Exc. SLK
C8421	Stabiliser Mounting	124 323 23 85	ø 18	Exc. SLK
C8422	Stabiliser Mounting	202 323 02 85	ø 23	Exc. Sport Chassis



LYNX	Description	Original Number	Specification	
C5186L	Susp. Arm Upper Left	202 330 30 07		
C5186R	Susp. Arm Upper Right	202 330 31 07		
C5187L	Susp. Arm Lower Left	202 330 26 07		Exc. CLK
C5187R	Susp. Arm Lower Right	202 330 27 07		Exc. CLK
C5180LR	Susp. Arm Rear Upper	201 350 56 06		
C5181LR	Susp. Arm Rear Upper	210 350 16 06		
C5182LR	Susp. Arm Rear Lower	124 350 01 29		
C5183LR	Susp. Arm Rear Lower	210 350 06 53		
C1035LR	Ball Joint	202 333 00 27		
C7014LR	Stabiliser Link	124 320 02 89		
C8944	Stabiliser Mounting	201 326 09 81		Exc. Sport Chassis
C8412	Silentblock	201 352 00 27		
C8424	Silentblock	202 333 64 14	ø 60	Exc. CLK
C8425	Silentblock	202 333 67 14	ø 50.2	Exc. CLK
C8417	Silentblock	124 352 35 65	ø 36.1	
C8418	Silentblock	124 352 90 65	ø 36.2	
C8419	Silentblock	Comp. of C5180LR		
C8420	Silentblock	201 352 88 65	ø 32.1	
C8940	Silentblock	124 350 03 41		Exc. CLK
C8941	Silentblock	201 351 28 42		Exc. CLK
C8943	Silentblock			

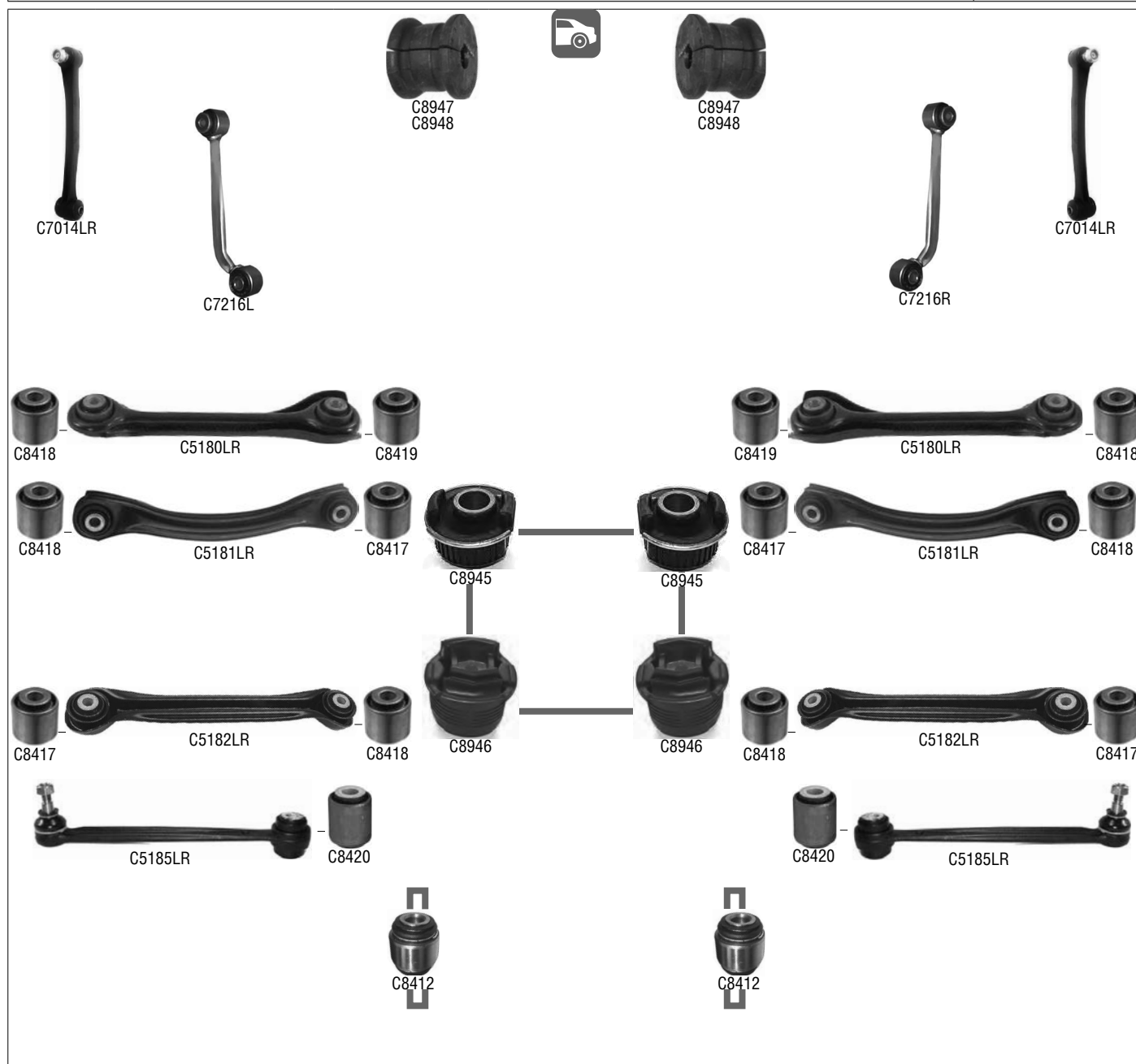
• MERCEDES-BENZ



C-CLASS (W203)	05/2000>
CLK-CLASS (C209)	06/2002>
SLK (R171)	03/2004>



LYNX	Description	Original Number	Specification	
C2054LR	Tie Rod	230 338 00 15	MM16X1.5R	Exc. 4Matic, SLK
C4179L	Tie Rod End Left	203 330 19 03	FM14x1.5R	Exc. 4Matic
C4179R	Tie Rod End Right	203 330 20 03	FM14x1.5R	Exc. 4Matic
C5184L	Susp. Arm Upper Left	203 330 01 11		
C5184R	Susp. Arm Upper Right	203 330 02 11		
C5009L	Susp. Arm Lower Left	203 330 19 11		
C5009R	Susp. Arm Lower Right	203 330 20 11		
C7015LR	Stabiliser Link Front	203 320 04 89		Exc. 4Matic, Sport Chassis, SLK
C7215LR	Stabiliser Link Front	203 320 26 89		Sport Chassis, Exc. SLK
C8440	Stabiliser Mounting	203 323 06 85		Chassis № F299494-F410041, Exc. SLK
C8441	Stabiliser Mounting	203 323 05 85		Chassis № >E014441, >A497760, >F410041, >R111833, Exc. SLK
C8442	Silentblock	203 333 09 14	ø 70.5	
C8443	Silentblock	203 333 02 14	ø 70.5	



LYNX	Description	Original Number	Specification	
C5180LR	Susp. Arm Rear Upper	201 350 56 06		
C5181LR	Susp. Arm Rear Upper	210 350 16 06		
C5182LR	Susp. Arm Rear Lower	124 350 01 29		
C5185LR	Susp. Arm Rear Lower	203 350 03 53		
C7216L	Stabiliser Link Rear Left	203 320 07 89		Exc. SLK
C7216R	Stabiliser Link Rear Right	203 320 08 89		Exc. SLK
C7014LR	Stabiliser Link Rear	124 320 02 89		SLK
C8947	Stabiliser Mounting	203 326 02 81		Chassis № E017571>, A555897>, F457375>, R131145>, Exc. SLK
C8948	Stabiliser Mounting	203 326 03 81		Chassis № >E019386, >A666024, >F593966, >R156265, Exc. CLK, SLK
C8412	Silentblock	201 352 00 27		
C8417	Silentblock	124 352 35 65	ø 36.1	
C8418	Silentblock	124 352 90 65	ø 36.2	
C8419	Silentblock	Comp. of C5180LR		
C8420	Silentblock	201 352 88 65	ø 32.1	
C8945	Silentblock	203 350 43 08		
C8946	Silentblock	203 350 45 08		

• MERCEDES-BENZ



C-CLASS (W204) 01/2007>



LYNX	Description	Original Number	Specification	
C2366LR	Tie Rod	204 338 00 15		Exc. 4Matic
C4344L	Tie Rod End Left	204 330 09 03		Exc. 4Matic
C4344R	Tie Rod End Right	204 330 10 03		Exc. 4Matic
C2367LR	Tie Rod	204 338 03 15		4Matic
C4345L	Tie Rod End Left	204 330 33 03		4Matic
C4345R	Tie Rod End Right	204 330 34 03		4Matic
C5184L	Susp. Arm Upper Left	204 330 43 11		Exc. 4Matic
C5184R	Susp. Arm Upper Right	204 330 44 11		Exc. 4Matic
C5405L	Susp. Arm Lower Left	204 330 31 11		Exc. 4Matic
C5405R	Susp. Arm Lower Right	204 330 32 11		Exc. 4Matic
C7396L	Stabiliser Link Front Left	204 320 17 89		Exc. 4Matic, Sport Suspension
C7396R	Stabiliser Link Front Right	204 320 18 89		Exc. 4Matic, Sport Suspension
C7397L	Stabiliser Link Front Left	204 320 07 89		4Matic, Sport Suspension
C7397R	Stabiliser Link Front Right	204 320 22 89		4Matic, Sport Suspension
C8443	Silentblock	203 333 02 14	ø 70.5	
C8459	Silentblock	204 333 04 14		



LYNX	Description	Original Number	Specification
C7398L	Stabiliser Link Rear Left	204 320 05 89	
C7398R	Stabiliser Link Rear Right	204 320 04 89	
C5406L	Susp. Arm Rear Left	204 350 21 06	
C5406R	Susp. Arm Rear Right	204 350 22 06	
C5407L	Susp. Arm Rear Left	204 350 15 06	
C5407R	Susp. Arm Rear Right	204 350 16 06	
C5408LR	Susp. Arm Rear	204 350 00 29	
C5409L	Susp. Arm Rear Left	204 350 05 53	
C5409R	Susp. Arm Rear Right	204 350 06 53	
C8460	Silentblock	204 352 03 65	
C8461	Silentblock	Comp. of C5407L/R	
C8462	Silentblock	Comp. of C5407L/R	
C8463	Silentblock	220 352 00 65	
C8464	Silentblock	Comp. of C5409L/R	
C8437	Silentblock	204 353 00 43	
C8412	Silentblock	201 352 00 27	
C8949	Silentblock	204 351 03 42	
C8950	Silentblock	204 351 04 42	
C8951	Silentblock	204 350 00 75	
C8952	Silentblock	204 352 10 65	

• MERCEDES-BENZ



E-CLASS (W124) 12/1984 - 06/1995



C8421
C8423



C8411
C8426
C8427



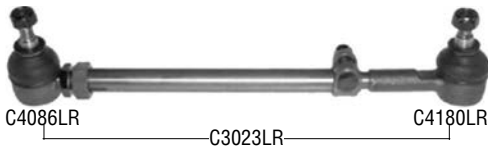
C8411
C8426
C8427



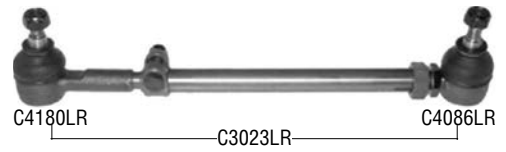
C8421
C8423



C3027LR
C3024LR



C4086LR C4180LR
C3023LR



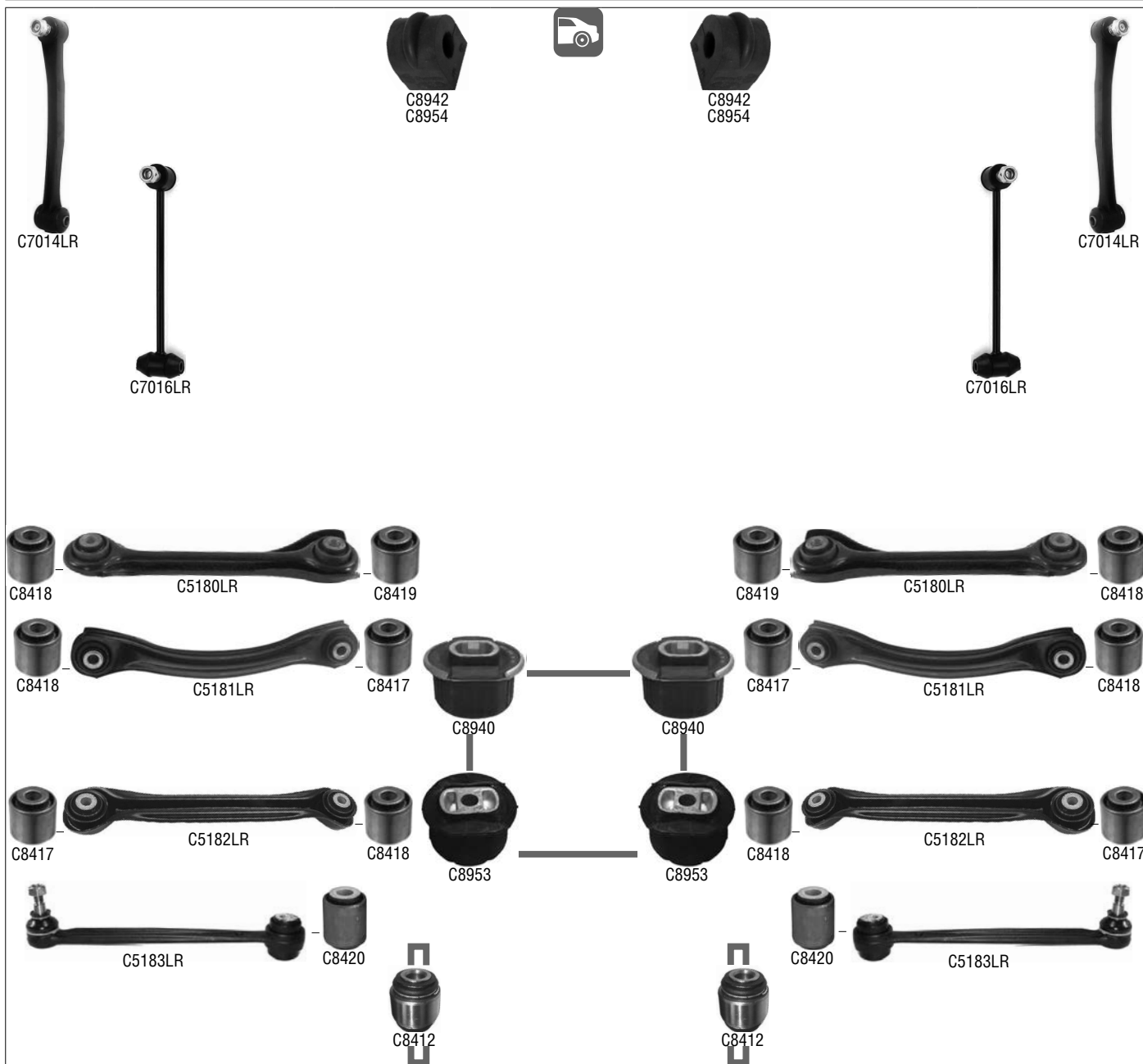
C4180LR C4086LR
C3023LR



C5188L

C5188R

LYNX	Description	Original Number	Specification	
C4086LR	Tie Rod End Outer	000 338 54 10	MM14X1.5R	Exc. 4Matic
C4180LR	Tie Rod End Inner	000 338 59 10	MM14X1.5L	Exc. 4Matic
C3023LR	Side Rod Assy	124 330 08 03		Exc. 4Matic
C3027LR	Side Rod Assy Center	124 460 08 05		Chassis № >1B022104, >2B051198, >1F114568, >2F120743, Exc. 4Matic
C3024LR	Side Rod Assy Center	124 460 12 05		Chassis № 1B022105>, 2B051199>, 1F114569>, 2F120744>, Exc. 4Matic
C5188L	Susp. Arm Lower Left	124 330 30 07		
C5188R	Susp. Arm Lower Right	124 330 31 07		
C1087LR	Ball Joint Lower	124 333 03 27		
C8421	Stabiliser Mounting	124 323 23 85	ø 18	Exc. 4Matic
C8423	Stabiliser Mounting	124 323 27 85	ø 22.5	Exc. 4Matic
C8411	Stabiliser Mounting	124 323 17 85	ø 24	
C8427	Stabiliser Mounting	124 323 24 85	ø 26.5	
C8426	Stabiliser Mounting	124 323 28 85	ø 28.5	
C8428	Silentblock	124 333 42 14	ø 48.2	
C8429	Silentblock	124 333 43 14	ø 48.2	

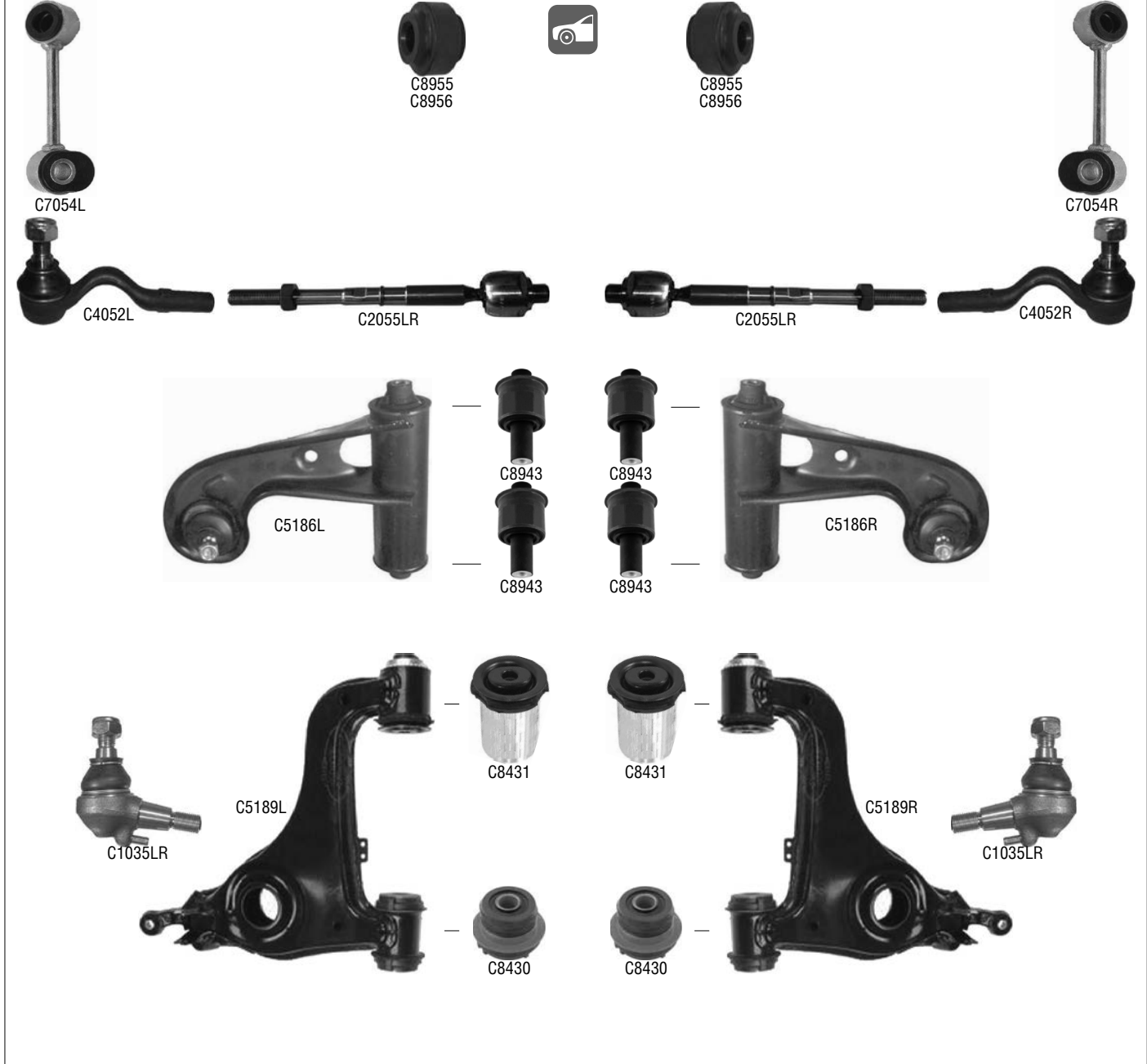


LYNX	Description	Original Number	Specification	
C5180LR	Susp. Arm Rear Upper	201 350 56 06		
C5181LR	Susp. Arm Rear Upper	210 350 16 06		
C5182LR	Susp. Arm Rear Lower	124 350 01 29		
C5183LR	Susp. Arm Rear Lower	210 350 06 53		
C7014LR	Stabiliser Link	124 320 02 89		Plastic
C7016LR	Stabiliser Link	124 320 04 89		Metall
C8942	Stabiliser Mounting	201 326 10 81		Chassis N° >F042993
C8954	Stabiliser Mounting	124 326 01 81		Chassis N° F042994>
C8412	Silentblock	201 352 00 27		
C8417	Silentblock	124 352 35 65	ø 36.1	
C8418	Silentblock	124 352 90 65	ø 36.2	
C8419	Silentblock	Comp. of C5180LR		
C8420	Silentblock	201 352 88 65	ø 32.1	
C8940	Silentblock	124 350 03 41		
C8953	Silentblock	124 351 02 42		

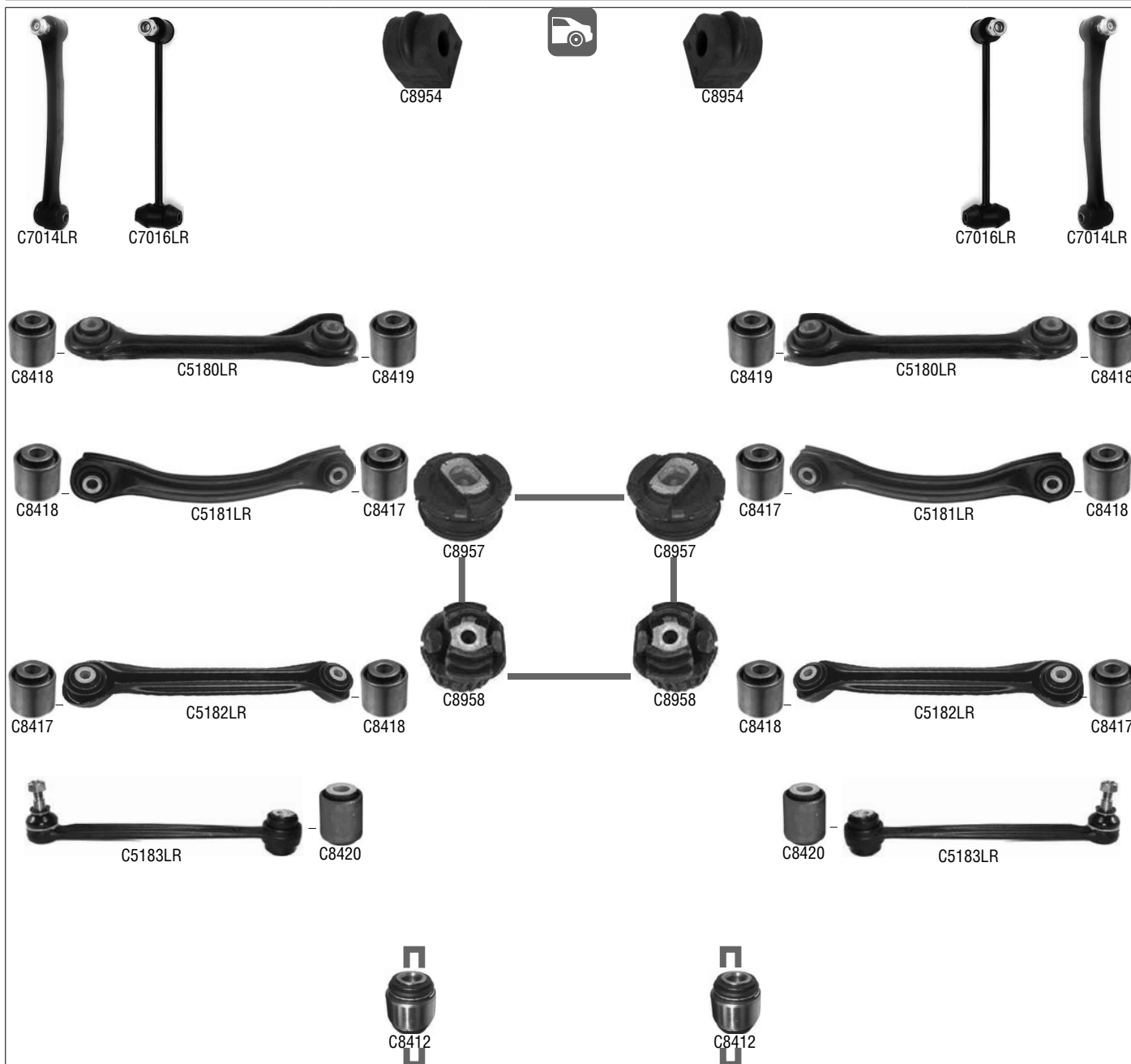
• MERCEDES-BENZ



E-CLASS (W210) 07/1995 - 01/2002



LYNX	Description	Original Number	Specification	
C2055LR	Tie Rod	210 338 04 15	MM16X1.5R	Exc. 4Matic
C4052L	Tie Rod End Left	210 338 05 15	FM14x1.5R	Exc. 4Matic
C4052R	Tie Rod End Right	210 338 06 15	FM14x1.5R	Exc. 4Matic
C5186L	Susp. Arm Upper Left	202 330 30 07		Exc. 4Matic
C5186R	Susp. Arm Upper Right	202 330 31 07		Exc. 4Matic
C5189L	Susp. Arm Lower Left	210 330 76 07		Exc. 4Matic
C5189R	Susp. Arm Lower Right	210 330 77 07		Exc. 4Matic
C1035LR	Ball Joint Lower	202 333 00 27		
C7054L	Stabiliser Link Left	210 320 36 89		Exc. 4Matic
C7054R	Stabiliser Link Right	210 320 37 89		Exc. 4Matic
C8955	Stabiliser Mounting	140 323 09 85		Chassis № >A394035
C8956	Stabiliser Mounting	210 323 14 85		Chassis № A394036>
C8943	Silentblock			
C8430	Silentblock	210 333 55 14		
C8431	Silentblock	210 333 60 14	ø 60	



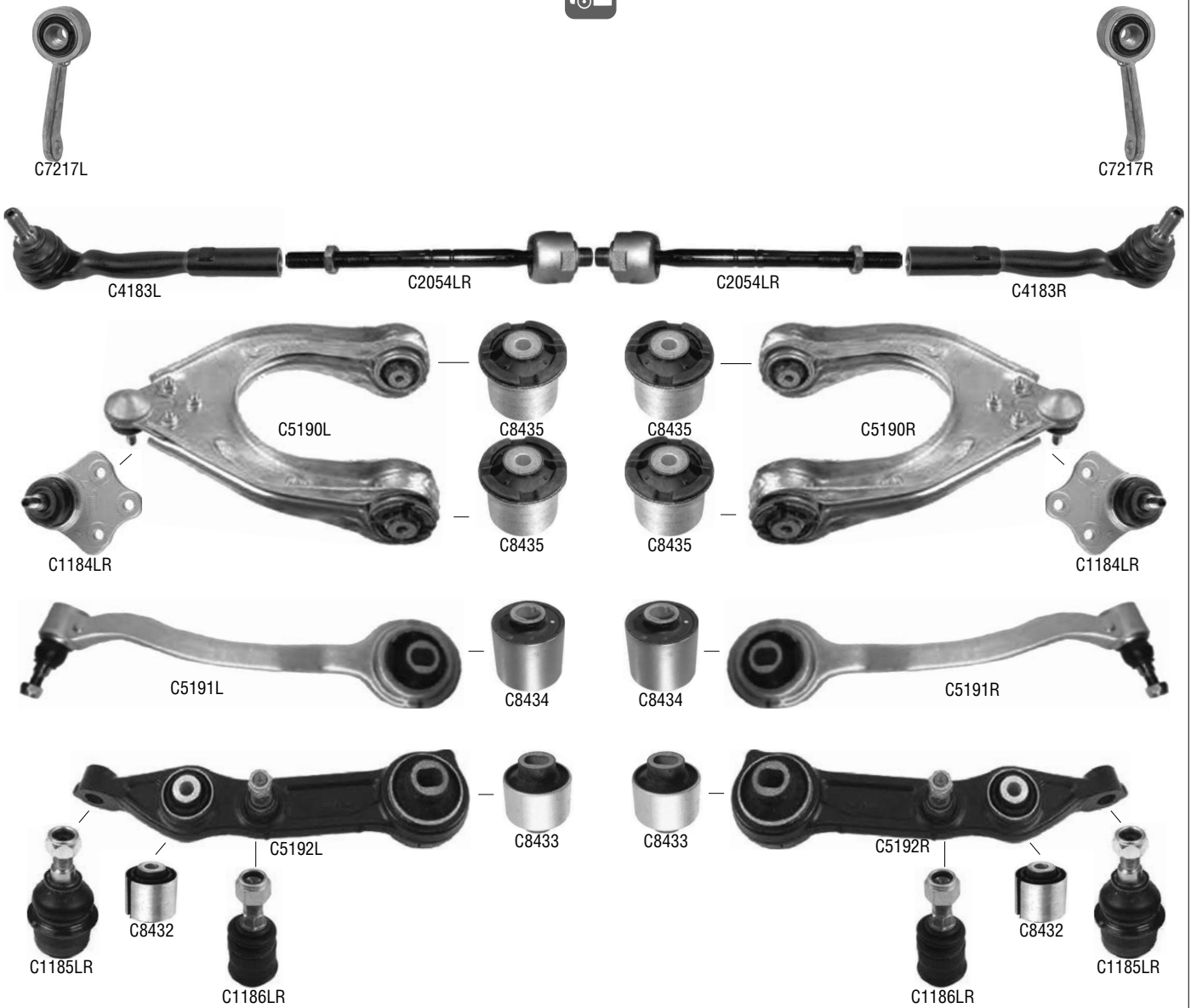
LYNX	Description	Original Number	Specification	
C5180LR	Susp. Arm Rear	201 350 56 06		
C5181LR	Susp. Arm Rear	210 350 16 06		
C5182LR	Susp. Arm Rear	124 350 01 29		
C5183LR	Susp. Arm Rear	210 350 06 53		
C7014LR	Stabiliser Link	124 320 02 89		Plastic
C7016LR	Stabiliser Link	124 320 04 89		Metall
C8954	Stabiliser Mounting	124 326 01 81		Exc. Sport Suspension
C8412	Silentblock	201 352 00 27		
C8417	Silentblock	124 352 35 65	ø 36.1	
C8418	Silentblock	124 352 90 65	ø 36.2	
C8419	Silentblock	Comp. of C5180LR		
C8420	Silentblock	201 352 88 65	ø 32.1	
C8957	Silentblock	210 350 58 08		
C8958	Silentblock	210 350 59 08		

• MERCEDES-BENZ



E-CLASS (W211)

03/2003>



LYNX	Description	Original Number	Specification	
C2054LR	Tie Rod	230 338 00 15	MM16X1.5R	Exc. 4Matic
C4183L	Tie Rod End Left	211 330 25 03	FM14X1.5R	Exc. 4Matic
C4183R	Tie Rod End Right	211 330 26 03	FM14X1.5R	Exc. 4Matic
C5190L	Susp. Arm Upper Left	211 330 43 07		Exc. 4Matic
C5190R	Susp. Arm Upper Right	211 330 44 07		Exc. 4Matic
C5192L	Susp. Arm Lower Left	211 330 81 07		Exc. 4Matic
C5192R	Susp. Arm Lower Right	211 330 82 07		Exc. 4Matic
C5191L	Susp. Arm Lower Left	211 330 11 11		Exc. 4Matic
C5191R	Susp. Arm Lower Right	211 330 12 11		Exc. 4Matic
C1184LR	Ball Joint Upper	000 330 10 07		Exc. 4Matic
C1186LR	Ball Joint Lower	211 323 00 68		Exc. 4Matic
C1185LR	Ball Joint Lower	211 330 02 35		Exc. 4Matic
C8432	Silentblock	211 333 19 14	ø 52.8	Exc. 4Matic
C8433	Silentblock	211 333 11 14	ø 70	Exc. 4Matic
C8434	Silentblock	211 333 29 14	ø 70.5	Exc. 4Matic
C8435	Silentblock	211 333 22 14	ø 51.5	Exc. 4Matic



C7218LR



C7218LR



C5194L



C5194R



C5195L



C5195R



C8959

C8959

C8960

C8960



C5196LR

C8437



C5196LR

C8437



C5197L



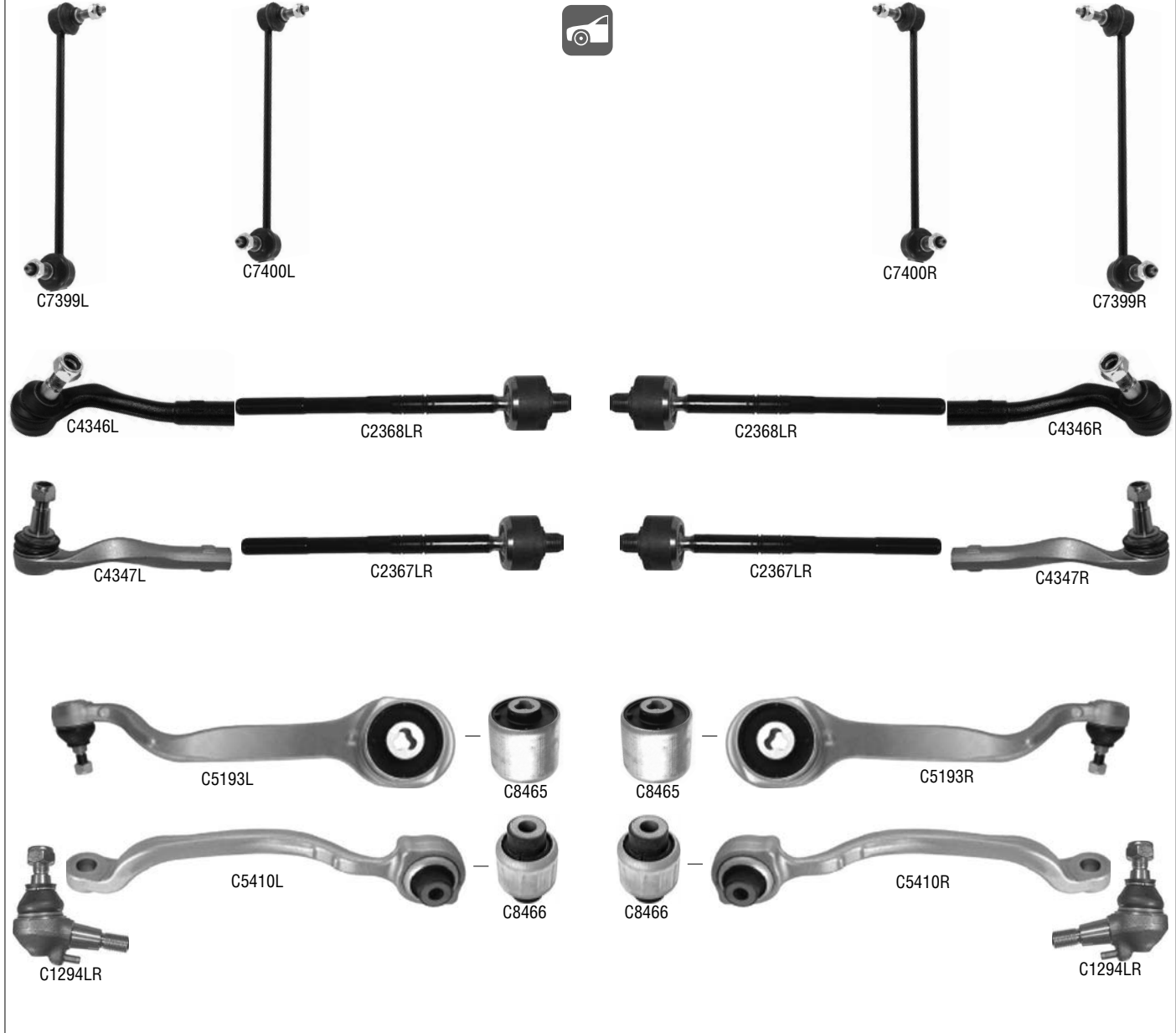
C5197R

LYNX	Description	Original Number	Specification	
C5196LR	Susp. Arm Rear	230 350 20 06		
C5194L	Susp. Arm Rear Left	230 350 35 06		
C5194R	Susp. Arm Rear Right	230 350 36 06		
C5195L	Susp. Arm Rear Left	230 350 27 06		
C5195R	Susp. Arm Rear Right	230 350 28 06		
C5197L	Susp. Arm Rear Left	230 350 03 29		
C5197R	Susp. Arm Rear Right	230 350 04 29		
C7217L	Stabiliser Link Front Left	211 320 09 89		
C7217R	Stabiliser Link Front Right	211 320 10 89		
C7218LR	Stabiliser Link Rear	211 320 33 89		
C8436	Silentblock	211 352 08 65	ø 41.5	
C8437	Silentblock	230 352 15 65	ø 38.5	
C8438	Silentblock	Comp. of C5194L/R	ø 38.5	
C8439	Silentblock	Comp. of C5195L/R	ø 41.5	
C8959	Silentblock	211 351 14 42		
C8960	Silentblock	230 351 02 42		

• MERCEDES-BENZ



E-CLASS (W212) 01/2009>



LYNX	Description	Original Number	Specification	
C2368LR	Tie Rod	212 330 21 03		Exc. 4Matic
C4346L	Tie Rod End Left	212 330 23 03		Exc. 4Matic
C4346R	Tie Rod End Right	212 330 22 03		Exc. 4Matic
C2367LR	Tie Rod	204 338 03 15		4Matic
C4347L	Tie Rod End Left	212 330 13 03		4Matic
C4347R	Tie Rod End Right	212 330 14 03		4Matic
C5193L	Susp. Arm Upper Left	212 330 27 11		Exc. 4Matic
C5193R	Susp. Arm Upper Right	212 330 28 11		Exc. 4Matic
C5410L	Susp. Arm Lower Left	212 330 29 11		Exc. 4Matic
C5410R	Susp. Arm Lower Right	212 330 30 11		Exc. 4Matic
C1294LR	Ball Joint Lower	212 330 01 35		Exc. 4Matic
C7399L	Stabiliser Link Front Left	212 320 11 89		Exc. 4Matic
C7399R	Stabiliser Link Front Right	212 320 12 89		Exc. 4Matic
C7400L	Stabiliser Link Front Left	212 320 25 89		4Matic
C7400R	Stabiliser Link Front Right	212 320 26 89		4Matic
C8465	Silentblock	212 333 00 14		Exc. 4Matic
C8466	Silentblock			Exc. 4Matic

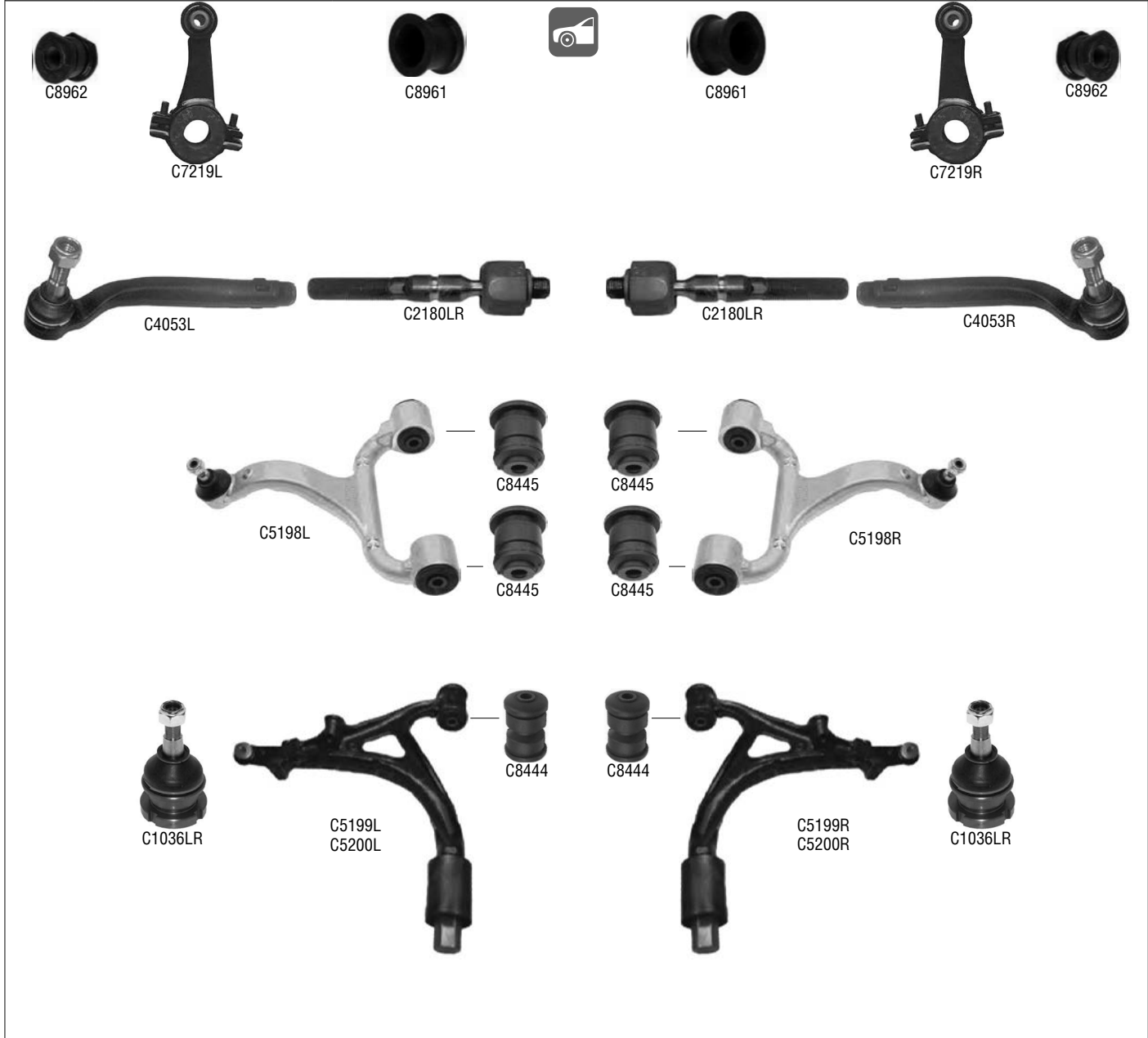


LYNX	Description	Original Number	Specification
C5406L	Susp. Arm Rear Left	204 350 21 06	
C5406R	Susp. Arm Rear Right	204 350 22 06	
C5407L	Susp. Arm Rear Left	204 350 15 06	
C5407R	Susp. Arm Rear Right	204 350 16 06	
C5408LR	Susp. Arm Rear	204 350 00 29	
C5409L	Susp. Arm Rear Left	204 350 05 53	
C5409R	Susp. Arm Rear Right	204 350 06 53	
C7398L	Stabiliser Link Rear Left	204 320 05 89	
C7398R	Stabiliser Link Rear Right	204 320 04 89	
C8460	Silentblock	204 352 03 65	
C8461	Silentblock	Comp. of C5407L/R	
C8462	Silentblock	Comp. of C5407L/R	
C8463	Silentblock	220 352 00 65	
C8464	Silentblock	Comp. of C5409L/R	
C8437	Silentblock	204 353 00 43	
C8412	Silentblock	201 352 00 27	
C8949	Silentblock	204 351 03 42	
C8950	Silentblock	204 351 04 42	
C8951	Silentblock	204 350 00 75	
C8952	Silentblock	204 352 10 65	

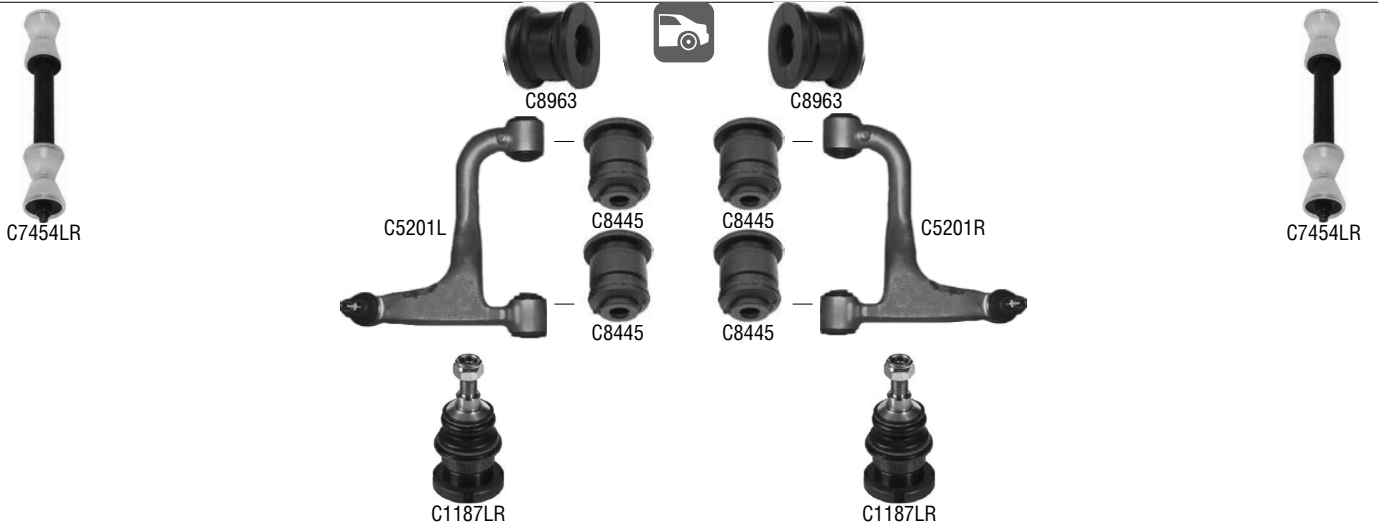
• MERCEDES-BENZ



ML-CLASS (W163) 02/1998 - 06/2005



LYNX	Description	Original Number	Specification	
C2180LR	Tie Rod	163 338 02 15	MM16X1.5R	
C4053L	Tie Rod End Left	163 330 01 03	FM16X1.5R	
C4053R	Tie Rod End Right	163 330 00 03	FM16X1.5R	
C5198L	Susp. Arm Upper Left	163 333 00 01		
C5198R	Susp. Arm Upper Right	163 333 01 01		
C5199L	Susp. Arm Lower Left	163 330 04 07		Chassis № >A145272
C5199R	Susp. Arm Lower Right	163 330 05 07		Chassis № >A145272
C5200L	Susp. Arm Lower Left	163 330 08 07		Chassis № A145273>
C5200R	Susp. Arm Lower Right	163 330 09 07		Chassis № A145273>
C1036LR	Ball Joint Lower	163 330 01 35		
C7219L	Stabiliser Link Left	163 320 00 90		
C7219R	Stabiliser Link Right	163 320 01 90		
C8961	Stabiliser Mounting	163 323 02 85		
C8962	Stabiliser Mounting	163 320 03 73		
C8444	Silentblock	163 330 00 75		
C8445	Silentblock	163 330 01 75	ø 37.9	



LYNX	Description	Original Number	Specification
C5201L	Susp. Arm Rear Upper Left	163 352 04 01	
C5201R	Susp. Arm Rear Upper Right	163 352 05 01	
C1187LR	Ball Joint Rear Lower	163 350 00 13	
C7454LR	Stabiliser Link Rear	163 320 00 32	
C8963	Stabiliser Mounting	163 320 00 11	

ML-CLASS (W164) / GL-CLASS (X164) / R-CLASS (W251)

07/2005>

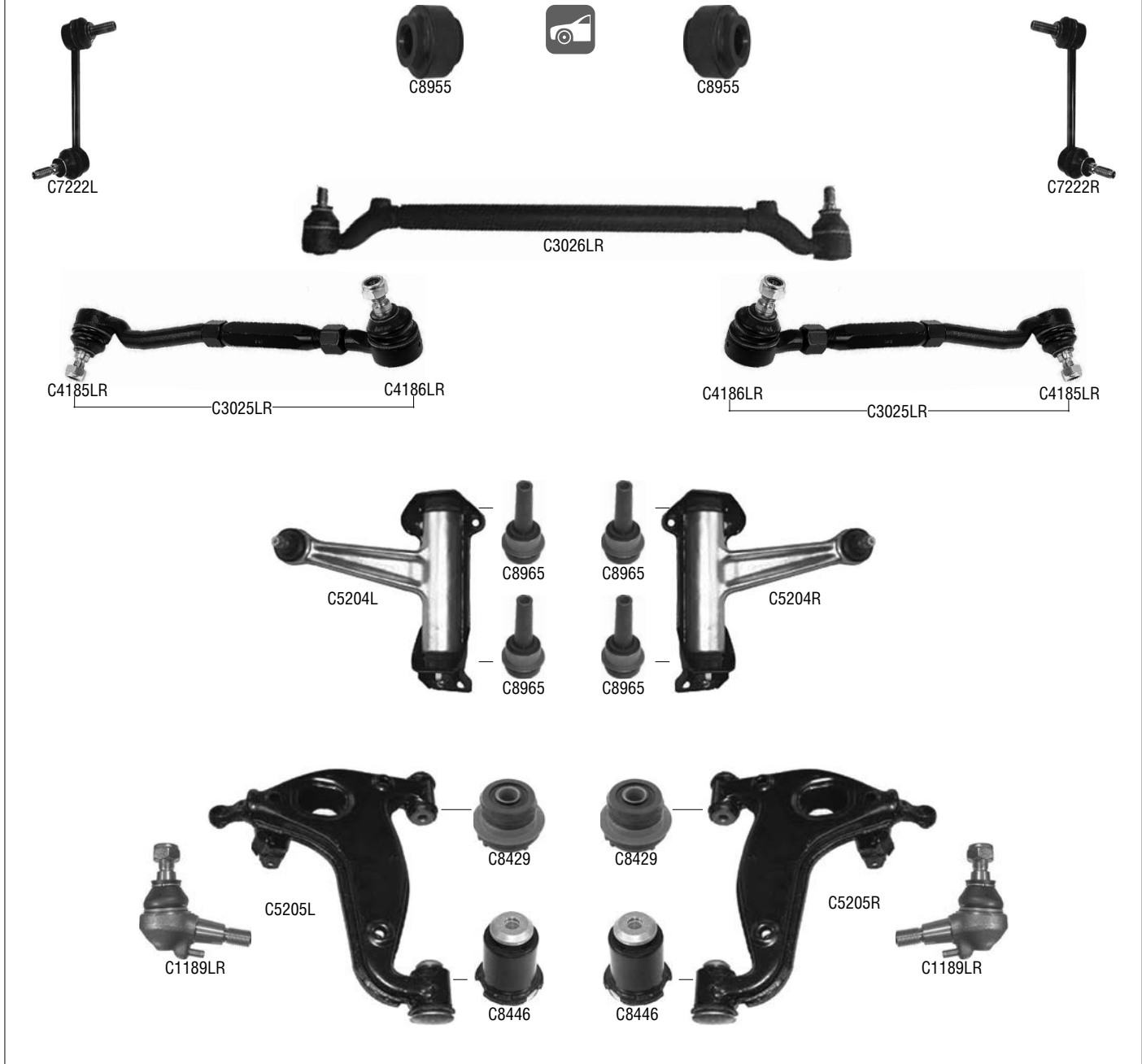


LYNX	Description	Original Number	Specification
C2181LR	Tie Rod	164 460 00 05	
C4184L	Tie Rod End Left	164 330 11 03	
C4184R	Tie Rod End Right	164 330 12 03	
C5202L	Susp. Arm Upper Left	251 330 07 07	
C5202R	Susp. Arm Upper Right	251 330 08 07	
C5203L	Susp. Arm Lower Left	164 330 17 07	Exc. R-Class
C5203R	Susp. Arm Lower Right	164 330 18 07	Exc. R-Class
C1188LR	Ball Joint Lower	164 330 09 35	
C7220LR	Stabiliser Link Front	164 320 13 32	Exc. R-Class
C7221LR	Stabiliser Link	164 320 12 32	

• MERCEDES-BENZ



S-CLASS (W140) 02/1991 -10/1998



LYNX	Description	Original Number	Specification
C4185LR	Tie Rod End Outer	001 330 62 35	MM16x1.5R
C4186LR	Tie Rod End Inner	001 330 63 35	MM16x1.5L
C3025LR	Side Rod Assy	140 330 00 03	
C3026LR	Side Rod Assy Center	140 460 08 05	
C5204L	Susp. Arm Upper Left	140 330 54 07	
C5204R	Susp. Arm Upper Right	140 330 55 07	
C5205L	Susp. Arm Lower Left	140 330 42 07	
C5205R	Susp. Arm Lower Right	140 330 43 07	
C1189LR	Ball Joint Lower	140 333 03 27	
C7222L	Stabiliser Link Left	140 320 11 89	
C7222R	Stabiliser Link Right	140 320 12 89	
C8955	Stabiliser Mounting	140 323 09 85	
C8446	Silentblock	140 333 18 14	ø 58.3
C8429	Silentblock	124 333 43 14	ø 48.2
C8965	Silentblock		



C7343LR



C8964



C8964



C7343LR



C8966



C5206LR



C8966



C8966



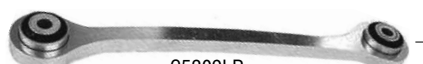
C5206LR



C8966



C8969



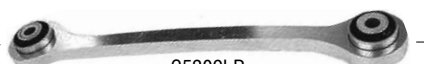
C5209LR



C8969



C8969



C5209LR



C8969



C5207LR



C8967



C8967

C5207LR



C8968



C5208LR



C8968



C8968



C5208LR



C8968

LYNX	Description	Original Number	Specification
C5206LR	Susp. Arm Rear	140 350 35 06	
C5207LR	Susp. Arm Rear	140 350 18 53	
C5208LR	Susp. Arm Rear	140 350 34 06	
C5209LR	Susp. Arm Rear	140 350 36 06	
C7343LR	Stabiliser Link Rear	140 320 08 89	
C8964	Stabiliser Mounting	140 326 17 81	
C8966	Silentblock		
C8967	Silentblock	140 352 84 65	
C8968	Silentblock		
C8969	Silentblock		

• MERCEDES-BENZ



S-CLASS (W220) 10/1998 - 09/2002



LYNX	Description	Original Number	Specification	
C2054LR	Tie Rod	230 338 00 15	MM16X1.5R	Exc. 4Matic
C4187LR	Tie Rod End	230 330 02 03	FM14x1.5R	
C5210L	Susp. Arm Upper Left	220 330 93 07		
C5210R	Susp. Arm Upper Right	220 330 94 07		
C5211L	Susp. Arm Lower Left	220 330 57 11		
C5211R	Susp. Arm Lower Right	220 330 58 11		
C5212L	Susp. Arm Lower Left	220 330 89 07		
C5212R	Susp. Arm Lower Right	220 330 90 07		
C1185LR	Ball Joint Lower	220 333 01 27		
C1186LR	Ball Joint Lower	220 323 03 68		
C7223L	Stabiliser Link Left	220 320 15 89		
C7223R	Stabiliser Link Right	220 320 16 89		
C8447	Silentblock	220 333 31 14	ø 70.3	
C8448	Silentblock	Comp. of C5211L/R	ø 67	
C8449	Silentblock	Comp. of C5210L/R	ø 49	



C7343LR



C7343LR



C5213LR



C5213LR



C5214LR



C5214LR



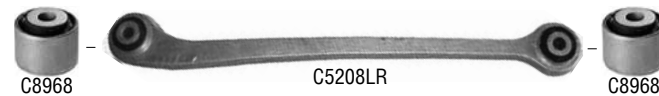
C5215LR



C5215LR



C5208LR



C5208LR

LYNX	Description	Original Number	Specification
C7343LR	Stabiliser Link Rear	220 320 36 89	
C5213LR	Susp. Arm Rear	220 350 22 06	
C5214LR	Susp. Arm Rear	220 350 24 06	
C5208LR	Susp. Arm Rear	140 350 34 06	
C5215LR	Susp. Arm Rear	220 350 04 53	
C8966	Silentblock		
C8968	Silentblock		
C8969	Silentblock		
C8463	Silentblock	220 352 00 65	

S-CLASS (W221)

10/2005>



C7401L



C7401R



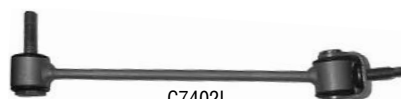
C4348LR

C2369LR

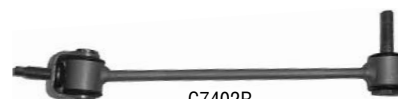


C2369LR

C4348LR



C7402L



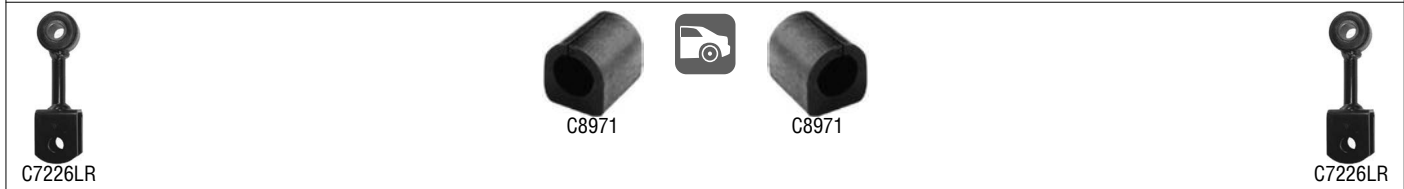
C7402R

LYNX	Description	Original Number	Specification
C2369LR	Tie Rod	221 330 16 03	
C4348LR	Tie Rod End	221 330 15 03	
C7401L	Stabiliser Link Front Left	221 320 01 89	
C7401R	Stabiliser Link Front Right	221 320 02 89	
C7402L	Stabiliser Link Rear Left	221 320 19 89	
C7402R	Stabiliser Link Rear Right	221 320 22 89	

• MERCEDES-BENZ

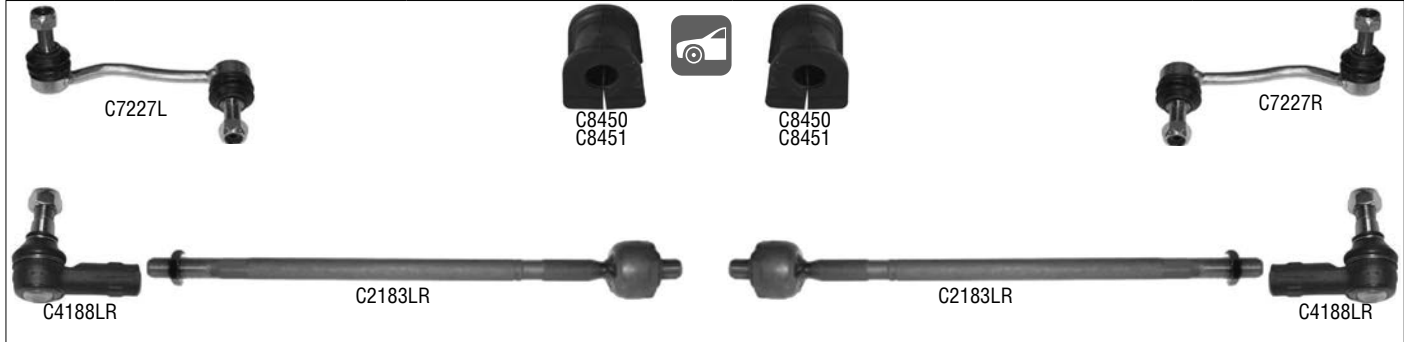


SPRINTER (901-905) 12/1994 - 05/2006



LYNX	Description	Original Number	Specification	
C2182LR	Tie Rod	901 460 01 55	MM16X1.5R	
C4087LR	Tie Rod End	901 460 01 48	FM16X1.5R	
C5216L	Susp. Arm Left	901 330 16 07		
C5216R	Susp. Arm Right	901 330 17 07		
C1190LR	Ball Joint	901 333 07 27		
C7224L	Stabiliser Link Front Left	901 320 02 89		Exc. 616CDI
C7224R	Stabiliser Link Front Right	901 320 03 89		Exc. 616CDI
C7225L	Stabiliser Link Front Left	905 320 04 89		616CDI
C7225R	Stabiliser Link Front Right	905 320 05 89		616CDI
C7226LR	Stabiliser Link Rear	901 320 00 89		
C8017	Stabiliser Mounting	904 323 00 85		
C8970	Stabiliser Mounting	901 323 01 85		
C8971	Stabiliser Mounting	901 326 00 81		
C8049	Silentblock	901 333 02 14	ø 43.2	

SPRINTER (906) 06/2006>



LYNX	Description	Original Number	Specification	
C2183LR	Tie Rod	906 460 00 55	MM18X1.5R	
C4188LR	Tie Rod End	906 460 00 48		



LYNX	Description	Original Number	Specification	
C5217L	Susp. Arm Left	906 330 40 07		Exc. 4WD
C5217R	Susp. Arm Right	906 330 41 07		Exc. 4WD
C1191LR	Ball Joint	Comp. of C5217L/R		Exc. 4WD
C7227L	Stabiliser Link Front Left	906 320 17 89		
C7227R	Stabiliser Link Front Right	906 320 18 89		
C7228LR	Stabiliser Link Rear	906 320 13 89		
C8450	Stabiliser Mounting Front	906 323 14 85	ø 20	
C8451	Stabiliser Mounting Front	906 323 16 85	ø 23	
C8452	Stabiliser Mounting Rear	601 321 03 50		
C8453	Silentblock	906 333 00 14		Exc. 4WD
C8454	Silentblock	906 333 01 14		Exc. 4WD

VANEO (414)

02/2002>

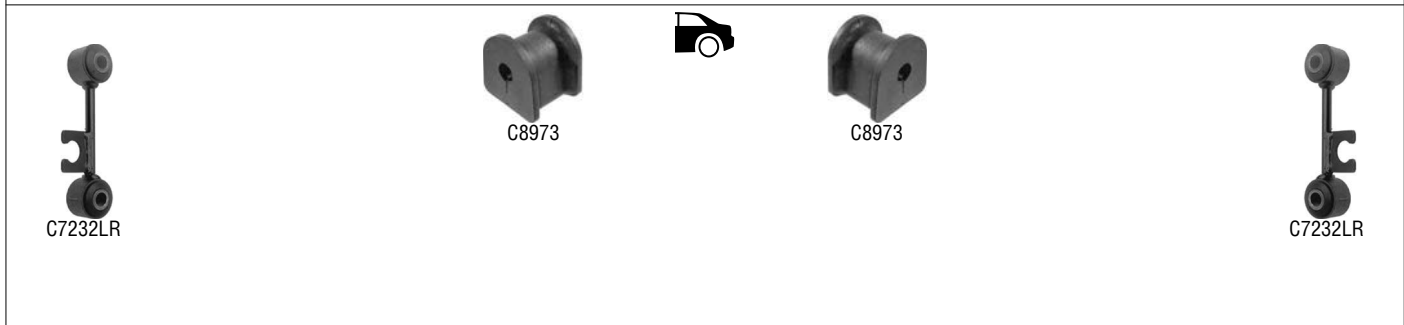


LYNX	Description	Original Number	Specification	
C2184LR	Tie Rod	414 460 02 05	MM14X1.5R	
C4189L	Tie Rod End Left	414 460 00 05	FM14X1.5R	
C4189R	Tie Rod End Right	414 460 01 05	FM14X1.5R	
C1192LR	Ball Joint	414 333 02 27		
C7229LR	Stabiliser Link	414 320 01 89		
C8455	Silentblock	414 333 00 14		
C8456	Silentblock	414 333 01 14		

• MERCEDES-BENZ



VITO (638) 02/1996>



LYNX	Description	Original Number	Specification	
C2185LR	Tie Rod	638 460 00 55	MM16X1.5R	
C4085LR	Tie Rod End	638 460 00 48	FM16X1.5R	
C5218L	Susp. Arm Left	638 330 00 10		
C5218R	Susp. Arm Right	638 330 01 10		
C1193LR	Ball Joint	638 333 00 27		
C7230L	Stabiliser Link Front Left	638 323 02 68		Exc. CDI
C7230R	Stabiliser Link Front Right	638 323 03 68		Exc. CDI
C7231L	Stabiliser Link Front Left	638 323 04 68		CDI
C7231R	Stabiliser Link Front Right	638 323 05 68		CDI
C7232LR	Stabiliser Link Rear	638 326 00 16		
C8972	Stabiliser Mounting	638 323 02 85		
C8973	Stabiliser Mounting	638 326 02 81		
C8457	Silentblock	638 333 08 14	ø 70.4	
C8458	Silentblock	638 333 00 14	ø 40	



VITO (W639) / VIANO (W639)

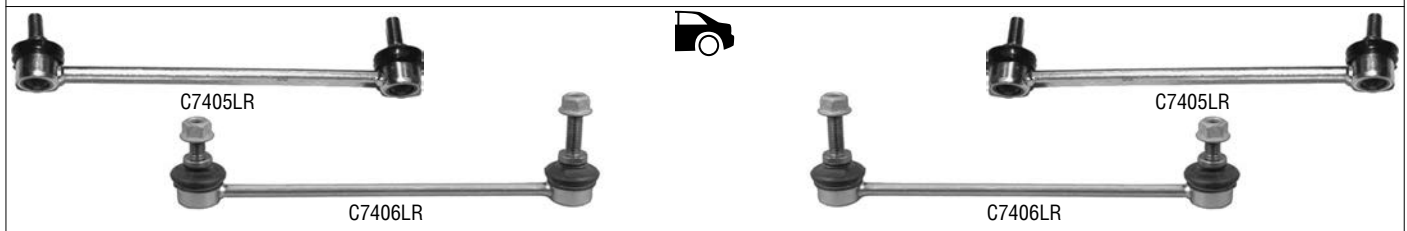
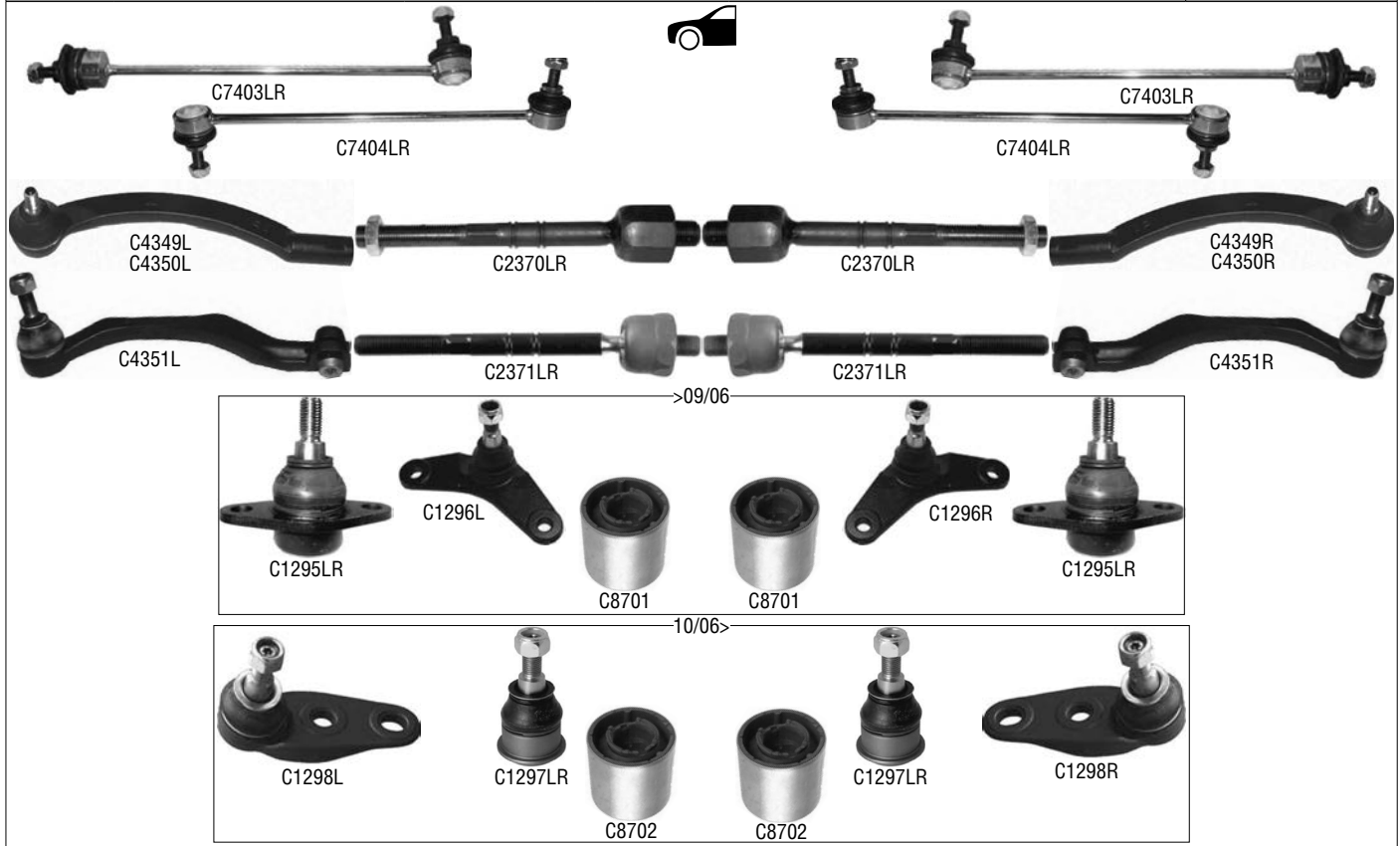
09/2003>



LYNX	Description	Original Number	Specification	
C2186LR	Tie Rod	639 460 00 55	MM16X1.5R	
C4190L	Tie Rod End Left	639 460 00 48		
C4190R	Tie Rod End Right	639 460 03 48		
C5219L	Susp. Arm Left	639 330 04 10		
C5219R	Susp. Arm Right	639 330 05 10		
C1194LR	Bail Joint	639 333 02 27		
C7233L	Stabiliser Link Front Left	639 320 00 89		
C7233R	Stabiliser Link Front Right	639 320 01 89		
C8972	Stabiliser Mounting	638 323 02 85		Chassis N° >007991
C8458	Silentblock	635 333 00 14	ø 40	



MINI 04/2001>



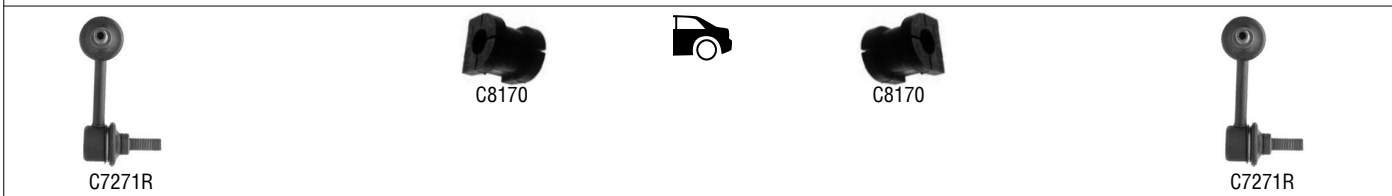
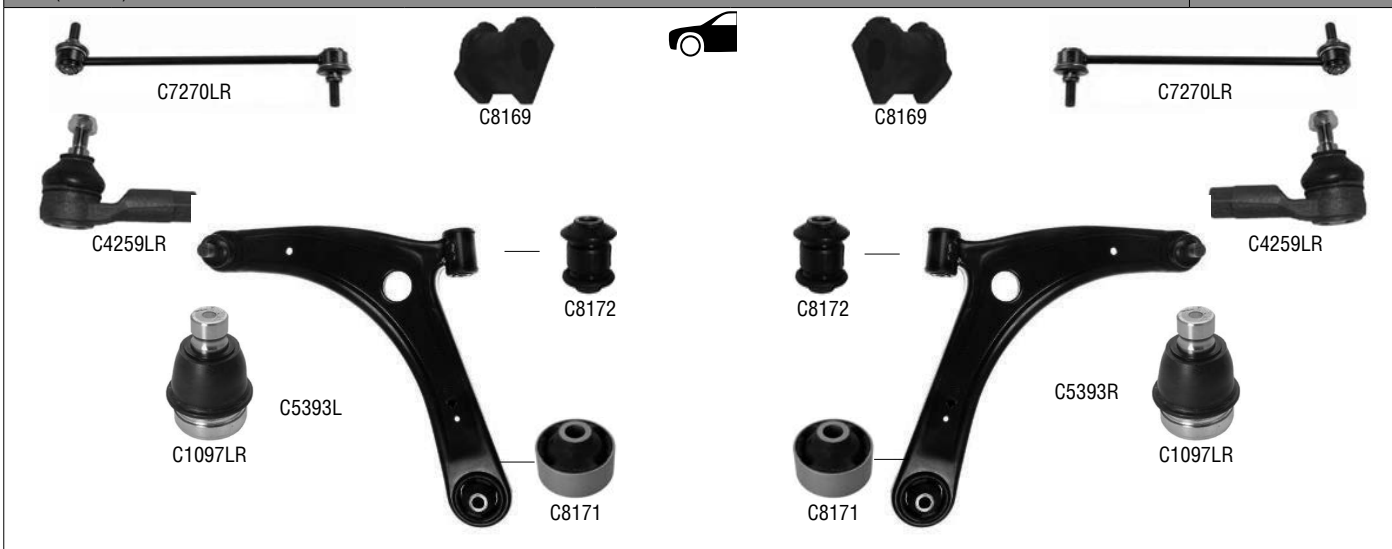
LYNX	Description	Original Number	Specification	
C2370LR	Tie Rod			>09/06
C2371LR	Tie Rod			10/06>
C4349L	Tie Rod End Left	32 21 6 754 565	FM14x1.5R	>04/03
C4349R	Tie Rod End Right	32 21 6 754 566	FM14x1.5R	>04/03
C4350L	Tie Rod End Left	32 13 6 761 559	FM14x1.5R	05/03-09/05
C4350R	Tie Rod End Right	32 11 6 761 560	FM14x1.5R	05/03-09/05
C4351L	Tie Rod End Left	32 10 6 778 437	FM14x1.5R	10/06>
C4351R	Tie Rod End Right	32 10 6 778 438	FM14x1.5R	10/06>
C1295LR	Ball Joint	31 12 6 756 309		>09/06
C1296L	Ball Joint Left	31 12 6 753 991		>09/06
C1296R	Ball Joint Right	31 12 6 753 992		>09/06
C1297LR	Ball Joint			10/06>
C1298L	Ball Joint Left	31 12 6 772 303		10/06>
C1298R	Ball Joint Right	31 12 6 772 304		10/06>
C7403LR	Stabiliser Link Front	31 35 1 507 989		>02/02
C7404LR	Stabiliser Link Front	31 35 6 759 537		03/02>
C7405LR	Stabiliser Link Rear	33 55 1 507 999		>11/07
C7406LR	Stabiliser Link Rear	33 50 6 772 789		09/06>
C8701	Silentblock	31 12 6 757 551		>09/06
C8702	Silentblock	31 12 6 767 530		10/06>



MITSUBISHI

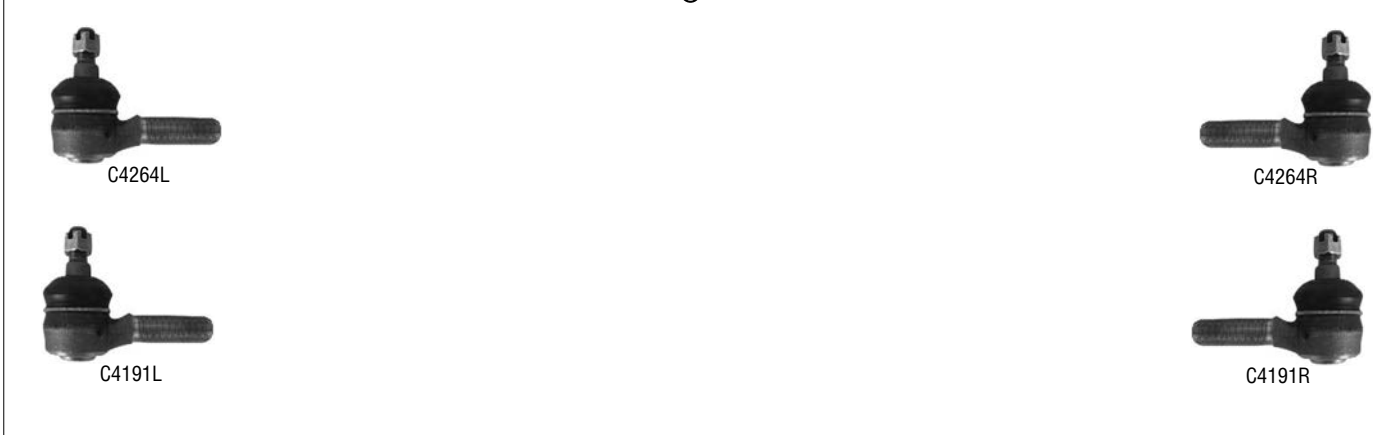
ASX (GA_W_)

05/2010>



LYNX	Description	Original Number	Specification
C4259LR	Tie Rod End	4422A052	FM14X1.5R
C5393L	Susp. Arm Left	4013A281	
C5393R	Susp. Arm Right	4013A282	
C1097LR	Ball Joint	Comp of.	ø 40.1
C7270LR	Stabiliser Link Front	MN101368	
C7271R	Stabiliser Link Rear	MN184194	
C8169	Stabilizer Mounting Front	4056A079	ø 22
C8170	Stabilizer Mounting Rear	4156A028	ø 19
C8171	Silentblock	MN184133	ø 60
C8172	Silentblock		ø 37

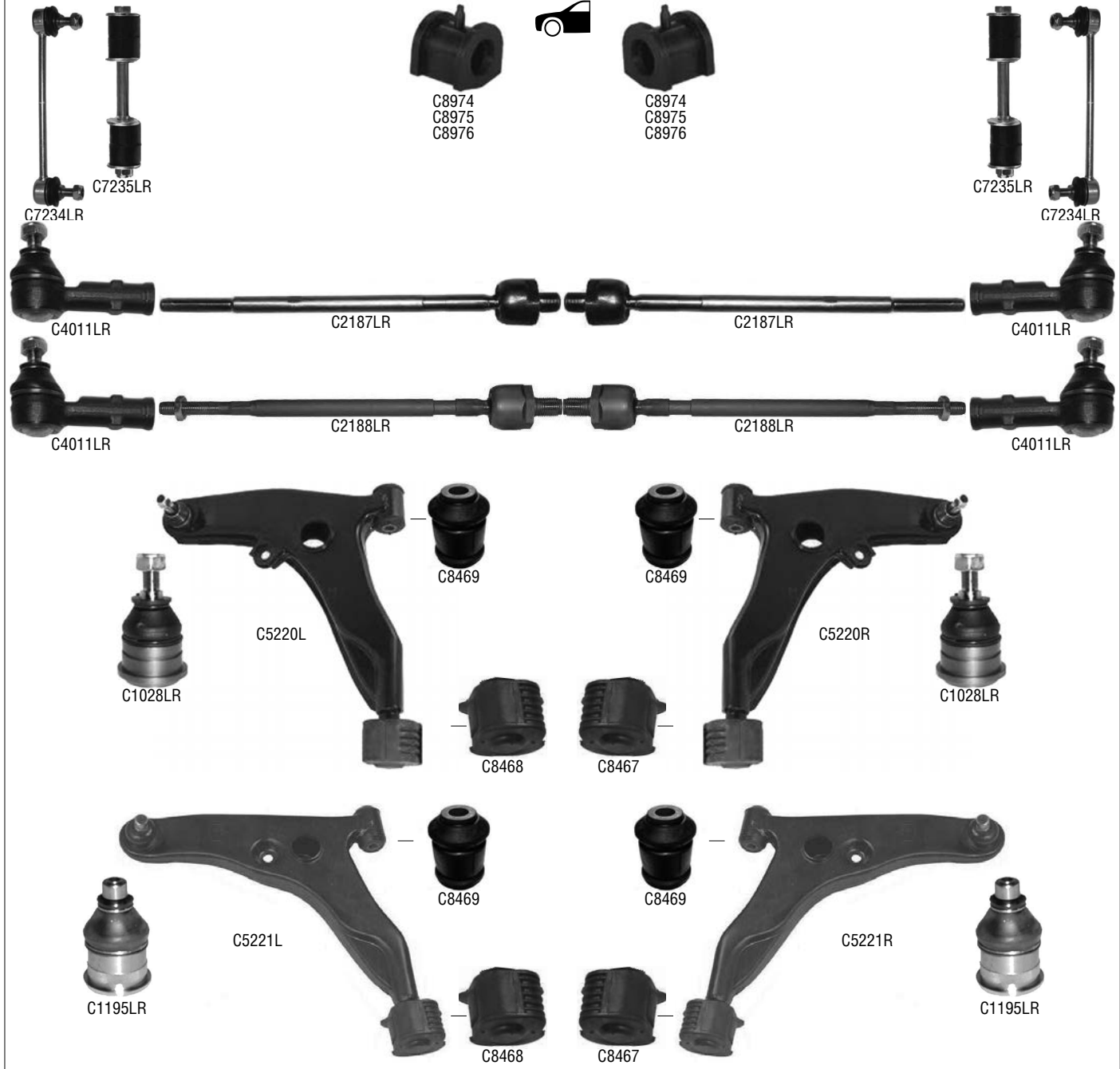
CANTER



LYNX	Description	Original Number	Specification
C4264L	Tie Rod End Left	MC891647	T210 , T220 , FE_ , FC_ , 73>
C4264R	Tie Rod End Right	MC891648	T210 , T220 , FE_ , FC_ , 73>
C4191L	Tie Rod End Left	MB162811	FB_ , 86>
C4191R	Tie Rod End Right	MB162810	FB_ , 86>



CARISMA (DA) 05/1995 - 06/2006

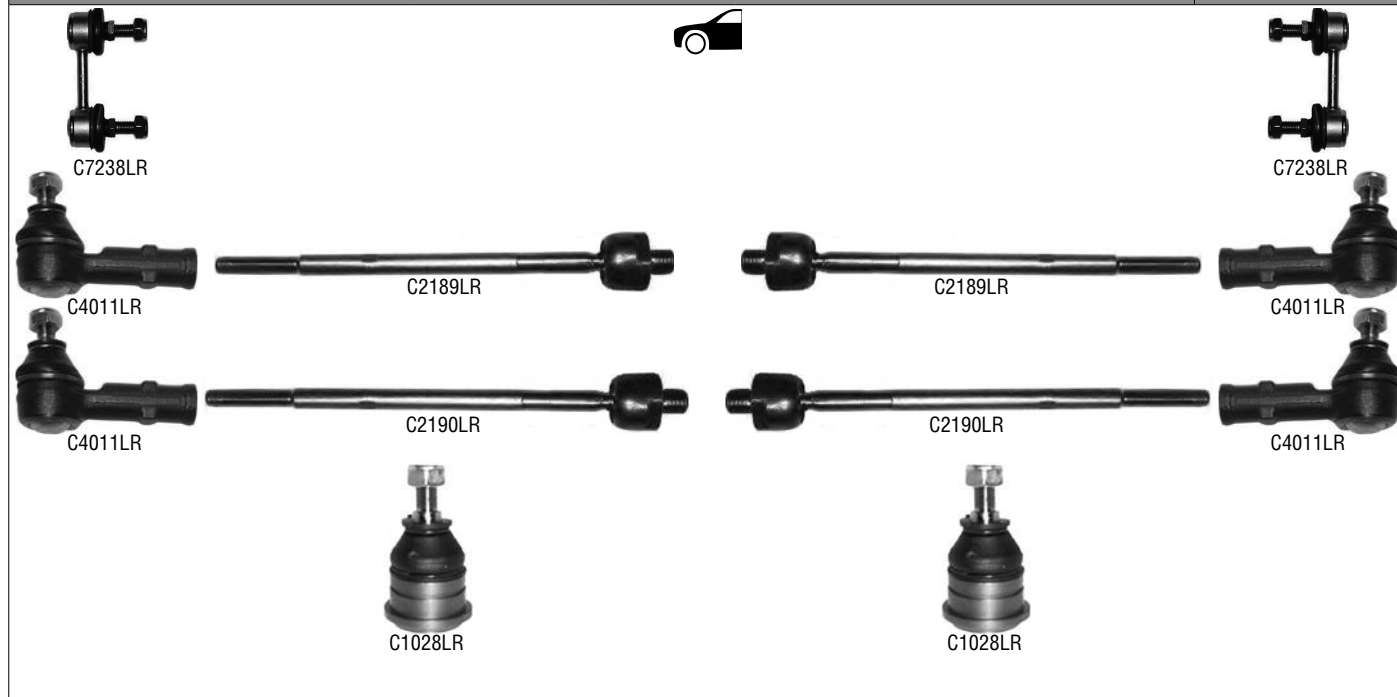


LYNX	Description	Original Number	Specification	
C2187LR	Tie Rod	MB244901	MM16x1.5R	>99
C2188LR	Tie Rod	MR403027	MM16X1.5R	99>
C4011LR	Tie Rod End	MB527169	FM12X1.25	
C5220L	Susp. Arm Front Left	MR179479		>99
C5220R	Susp. Arm Front Right	MR179480		>99
C5221L	Susp. Arm Front Left	MR911570		99>
C5221R	Susp. Arm Front Right	MR911569		99>
C1028LR	Ball Joint Lower	Comp. of C5220L/R		>99
C1195LR	Ball Joint Lower	Comp. of C5221L/R		99>
C7234LR	Stabiliser Link Front	MR272116		>99
C7235LR	Stabiliser Link Front	MR392730		99>
C8974	Stabiliser Mounting	MR911072		>02/99
C8975	Stabiliser Mounting	MR403965		03/99-06/00
C8976	Stabiliser Mounting	MR554269		07/00>



LYNX	Description	Original Number	Specification	
C5222L	Susp. Arm Rear Left	MR130479		
C5222R	Susp. Arm Rear Right	MR130480		
C7236LR	Stabiliser Link Rear	MR272117		>99
C7237LR	Stabiliser Link Rear	MR272118		99>
C8977	Stabiliser Mounting	MR911378		>02/99
C8978	Stabiliser Mounting	MR455019		03/99>
C8467	Silentblock	MB808910		
C8468	Silentblock	MB808909		
C8469	Silentblock			
C8979	Silentblock			
C8980	Silentblock			

COLT II (C1_A) 05/1984 - 04/1988

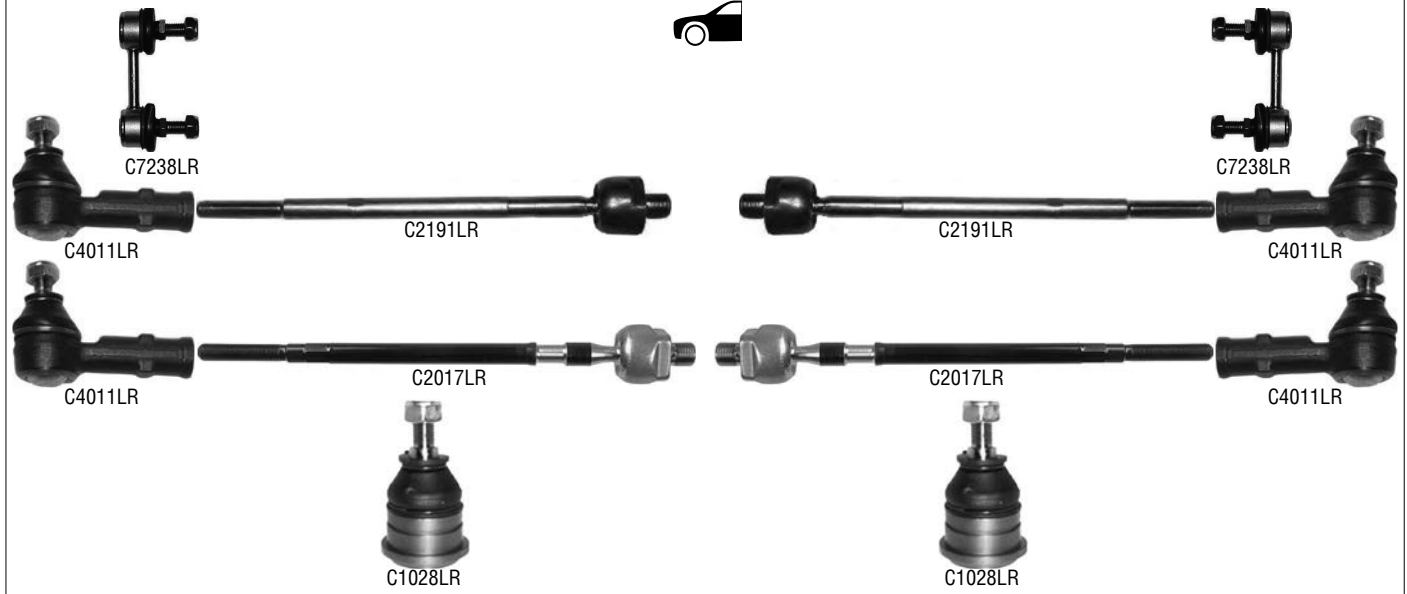


LYNX	Description	Original Number	Specification	
C2189LR	Tie Rod	MB347666	MM12X1.25R	-PS
C2190LR	Tie Rod	MB350718		+PS
C4011LR	Tie Rod End	MB241982	FM12X1.25	
C1028LR	Ball Joint Lower			
C7238LR	Stabiliser Link	MB518892		

• MITSUBISHI

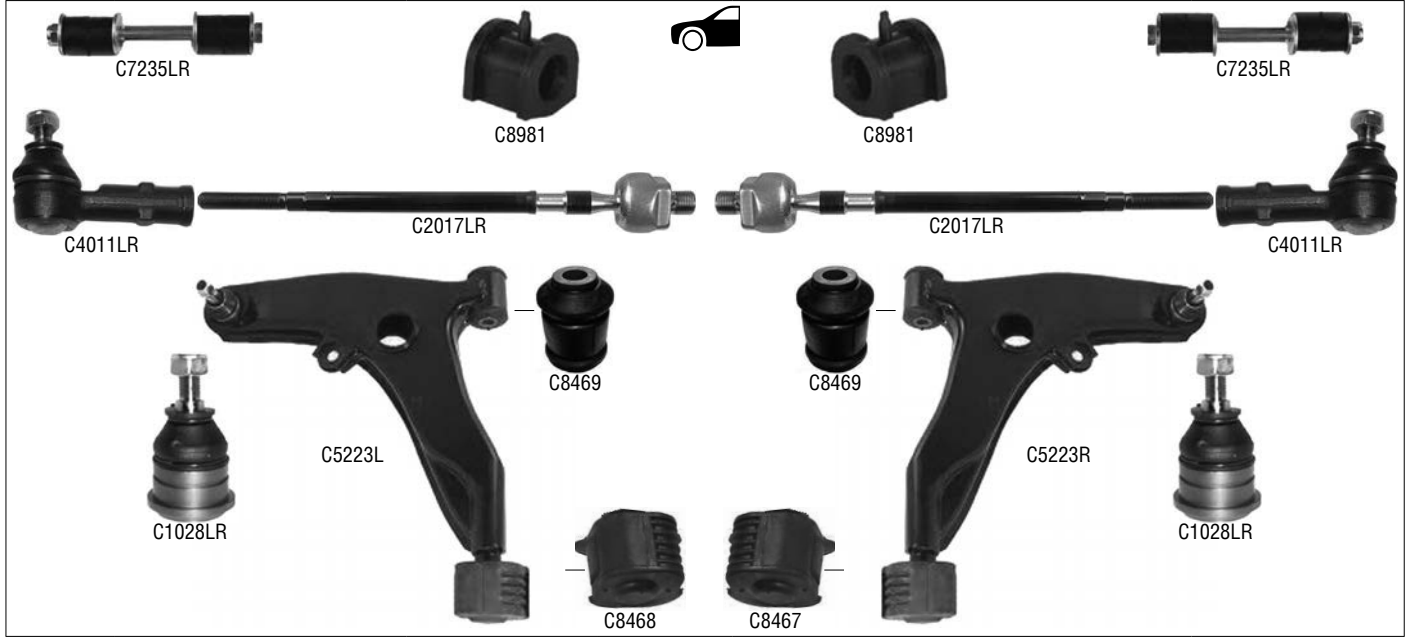


COLT III (C5_A) 04/1988 - 04/1992

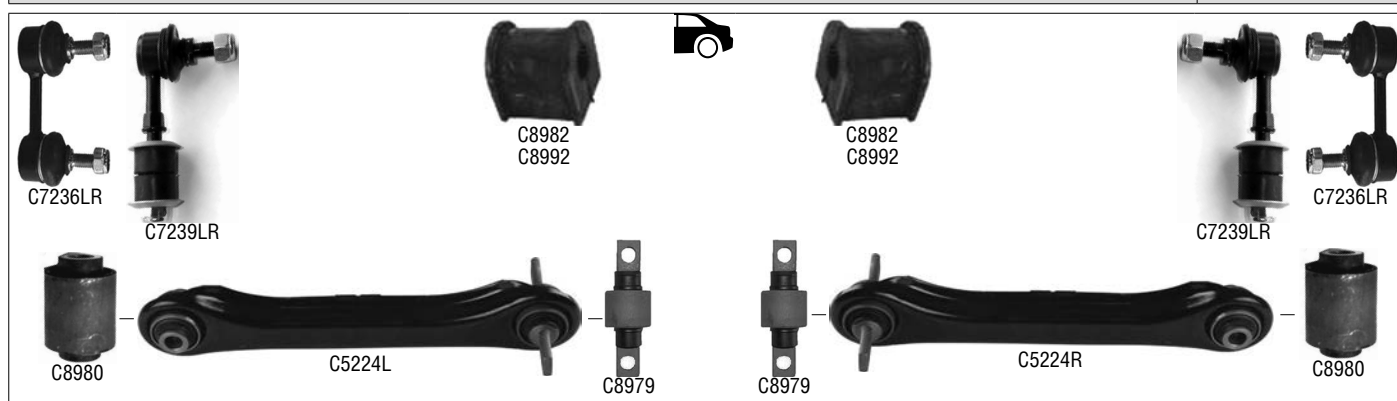


LYNX	Description	Original Number	Specification	
C2191LR	Tie Rod	MB553249	MM16X1.5R	-PS
C2017LR	Tie Rod	MB910934	MM16X1.5R	+PS
C4011LR	Tie Rod End	MB527169	FM12X1.25	
C1028LR	Ball Joint Lower			
C7238LR	Stabiliser Link	MB518892		

COLT IV (CA_A) 04/1992 - 08/1995

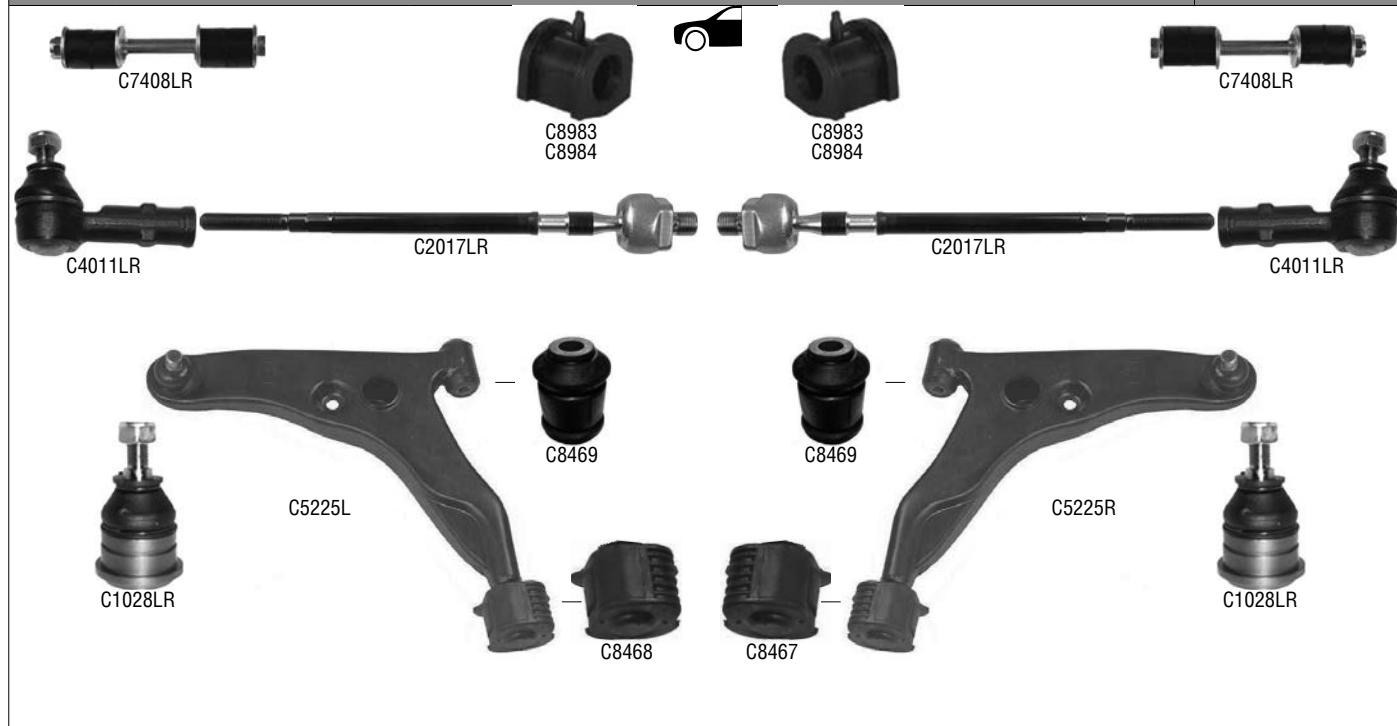


LYNX	Description	Original Number	Specification	
C2017LR	Tie Rod	MB910934	MM16X1.5R	
C4011LR	Tie Rod End	MB527169	FM12X1.25	
C5223L	Susp. Arm Front Left	MB912077		
C5223R	Susp. Arm Front Right	MB912078		
C1028LR	Ball Joint Lower			
C7235LR	Stabiliser Link Front	MR392730		
C8981	Stabiliser Mounting	MB844455		
C8467	Silentblock	MB808910		
C8468	Silentblock	MB808909		
C8469	Silentblock	Comp. of C5223L/R		



LYNX	Description	Original Number	Specification	
C5224L	Susp. Arm Rear Left	MB809220		
C5224R	Susp. Arm Rear Right	MB809221		
C7236LR	Stabiliser Link Rear	MB809354		Pillow Ball (Opc: A35)
C7239LR	Stabiliser Link Rear	MB809355		Rubber Bushing
C8982	Stabiliser Mounting	MB809357		>11/94
C8992	Stabiliser Mounting	MR197475		12/94>
C8979	Silentblock			
C8980	Silentblock			

COLT V (CJ_A) 09/1995 - 07/2005

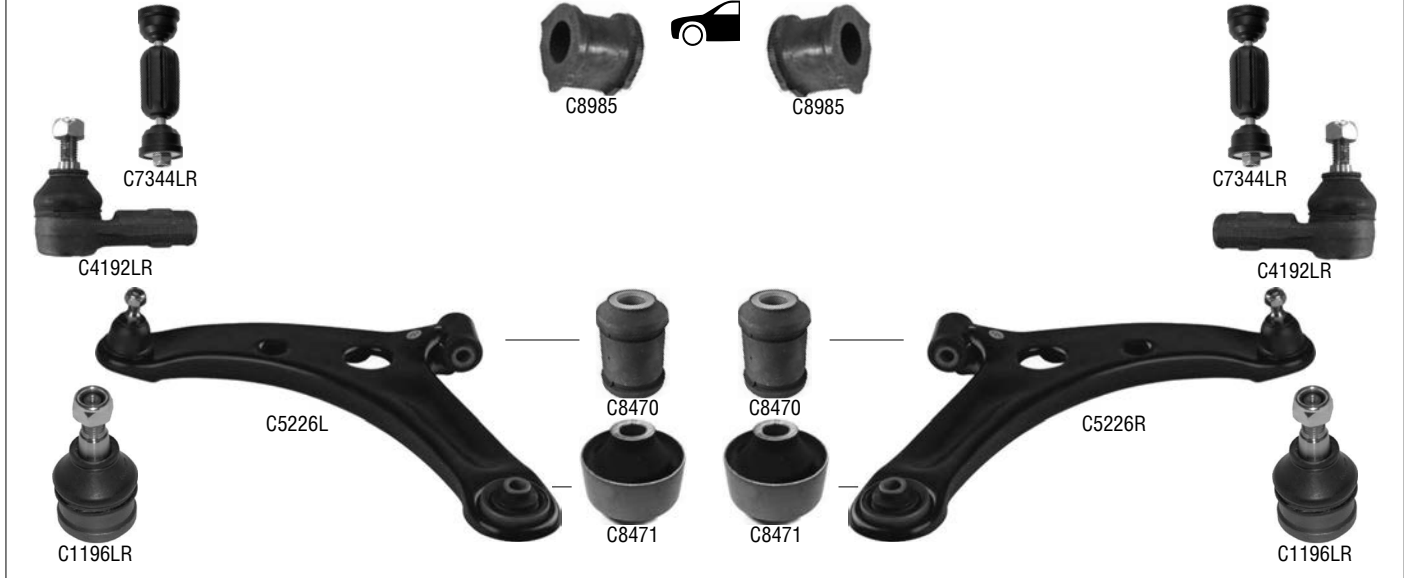


LYNX	Description	Original Number	Specification	
C2017LR	Tie Rod	MR297969	MM16X1.5R	
C4011LR	Tie Rod End	MR485672	FM12x1.25	
C5225L	Susp. Arm Left	MR439701		
C5225R	Susp. Arm Right	MR439702		
C1028LR	Ball Joint	MB241883		
C7408LR	Stabiliser Link Front	MR241349		
C8983	Stabiliser Mounting	MR171441		>10/97
C8984	Stabiliser Mounting	MR403082		11/97>
C8467	Silentblock	MB808910		
C8468	Silentblock	MB808909		
C8469	Silentblock			

• MITSUBISHI

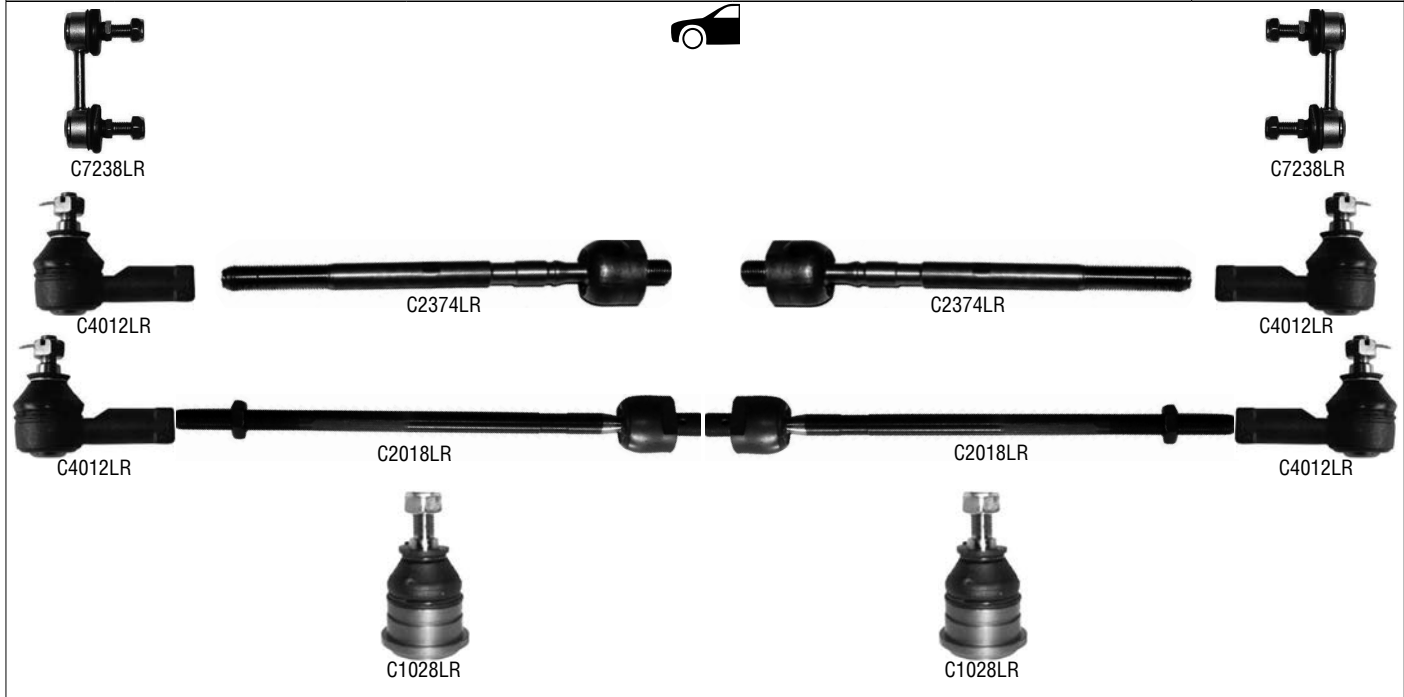


COLT VI (Z30) 04/2004>



LYNX	Description	Original Number	Specification
C4192LR	Tie Rod End	MR977606	
C5226L	Susp. Arm Left	MN186217	
C5226R	Susp. Arm Right	MN186218	
C1196LR	Ball Joint	Comp. of C5226L/R	
C7344LR	Stabiliser Link Front	4056-A052	
C8985	Stabiliser Mounting	MR539476	
C8470	Silentblock	Comp. of C5226L/R	
C8471	Silentblock	Comp. of C5226L/R	

GALANT III (E1_A) / SAPPORO III (E16A) 06/1984 - 12/1987
GALANT IV (E3_A) 11/1987 - 10/1992



LYNX	Description	Original Number	Specification
C2374LR	Tie Rod	MB350577	MM16X1.5R III +PS
C2018LR	Tie Rod	MB532281	MM16X1.R IV +PS, Exc. 4WD
C4012LR	Tie Rod End	MB192430	FM14X1.5
C1028LR	Ball Joint Lower		
C7238LR	Stabiliser Link	MB518892	IV

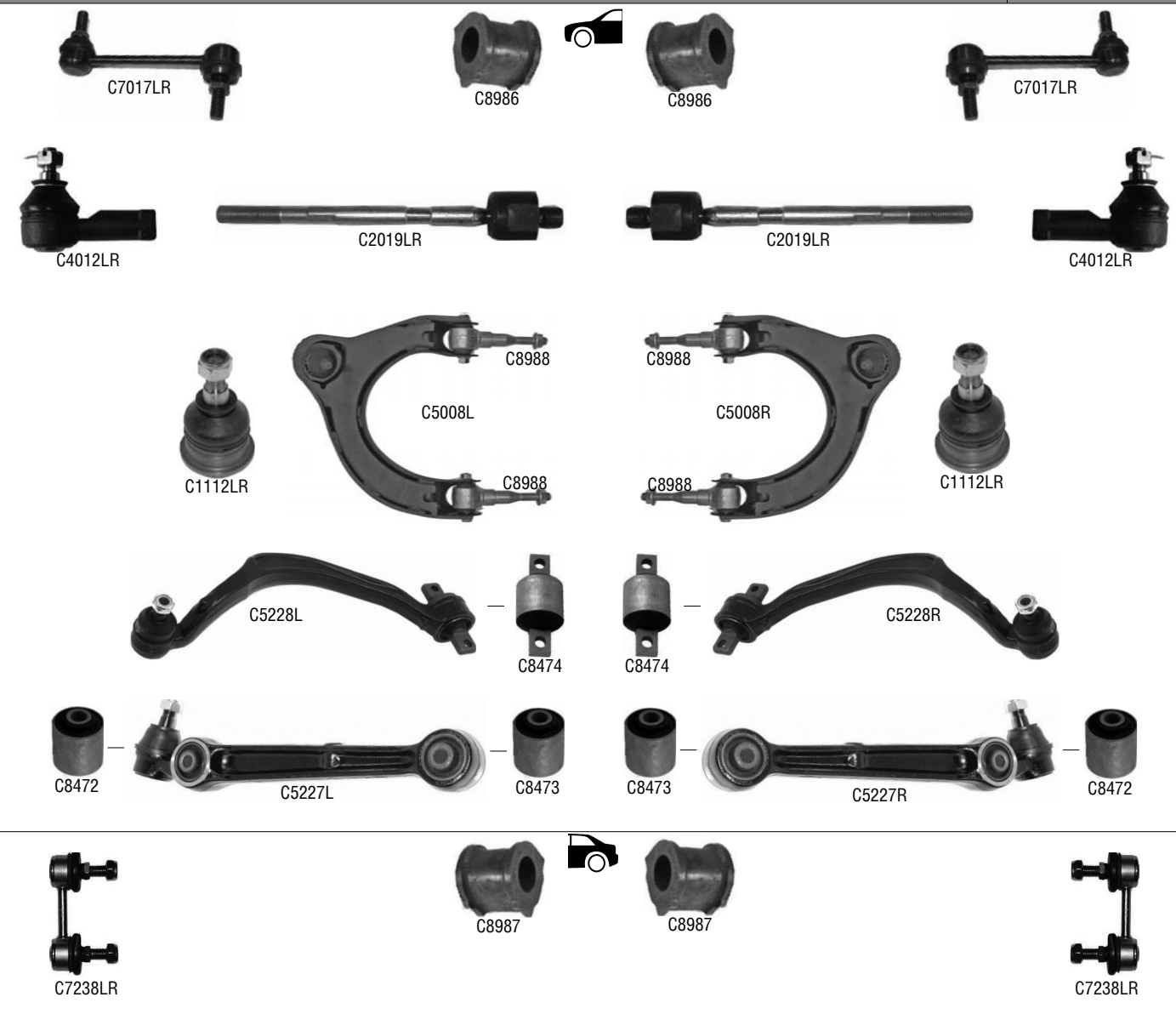


GALANT V (E5A, E7A, E8A)

11/1992 - 08/1996

ECLIPSE I (D2_A)

04/1991 - 12/1995

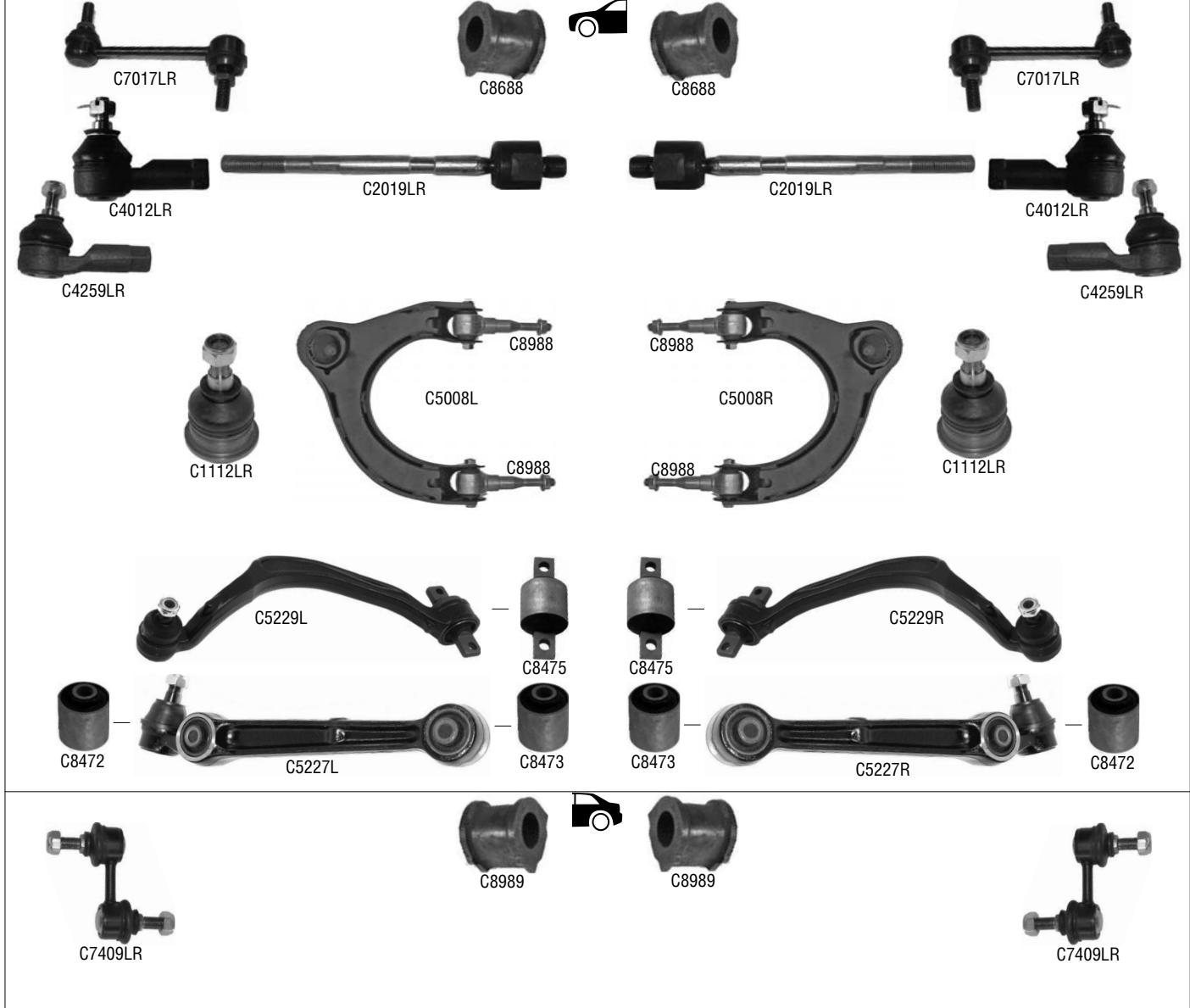


LYNX	Description	Original Number	Specification	
C2019LR	Tie Rod	MB949343	MM16X1.5R	
C4012LR	Tie Rod End	MB192430	FM14X1.5	
C5008L	Susp. Arm Upper Left	MB912505		
C5008R	Susp. Arm Upper Right	MB912506		
C5227L	Susp. Arm Lower Left	MB912509		
C5227R	Susp. Arm Lower Right	MB912510		
C5228L	Susp. Arm Lower Left	MB912511		
C5228R	Susp. Arm Lower Right	MB912512		
C1112LR	Ball Joint Upper	Comp. of C5008L/R		
C7017LR	Stabiliser Link Front	MB892981		
C7238LR	Stabiliser Link Rear	MB518892		
C8986	Stabiliser Mounting	MB864698		
C8987	Stabiliser Mounting	MB950543		
C8472	Silentblock	Comp. of C5227L/R	ø 40.2	
C8473	Silentblock	Comp. of C5227L/R	ø 40.2	
C8474	Silentblock	Comp. of C5228L/R		
C8988	Silentblock	MB892320		

• MITSUBISHI



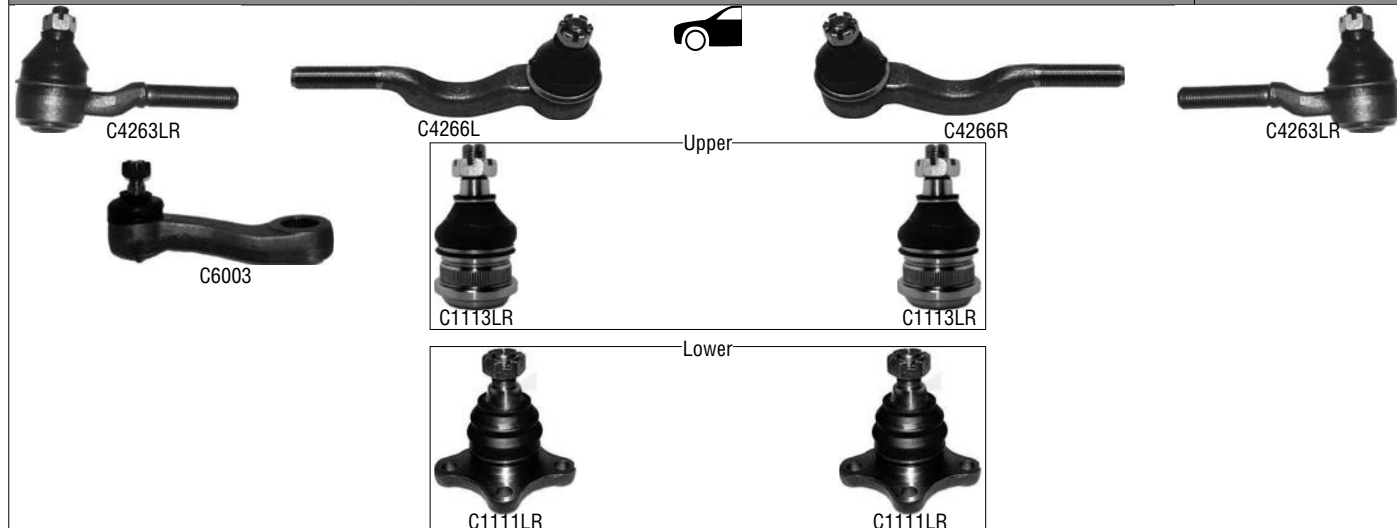
GALANT VI (EA_) 09/1996 - 10/2004



LYNX	Description	Original Number	Specification	
C2019LR	Tie Rod	MB949343	MM16X1.5R	
C4012LR	Tie Rod End	MB192430	FM14X1.5	
C4259LR	Tie Rod End	MR508650	FM14X1.5R	USA
C5008L	Susp. Arm Upper Left	MB912505		
C5008R	Susp. Arm Upper Right	MB912506		
C5227L	Susp. Arm Lower Left	MB912509		
C5227R	Susp. Arm Lower Right	MB912510		
C5229L	Susp. Arm Lower Left	MR296293		
C5229R	Susp. Arm Lower Right	MR296292		
C1112LR	Ball Joint Upper	Comp. of C5008L/R		
C7017LR	Stabiliser Link Front	MB892981		
C7409LR	Stabiliser Link Rear	MR131732		
C8688	Stabiliser Mounting	MR244116	ø 18	
C8989	Stabiliser Mounting	MR272717		
C8472	Silentblock	Comp. of C5227L/R	ø 40.2	
C8473	Silentblock	Comp. of C5227L/R	ø 40.2	
C8475	Silentblock	Comp. of C5229L/R		
C8988	Silentblock	MB892320		



L200 (L021P, L025P) 01/1979 - 12/1982



LYNX	Description	Original Number	Specification	
C4263LR	Tie Rod End Outer	MA159984	MM14x1.5L	
C4266L	Tie Rod End Inner Left	MB076003		
C4266R	Tie Rod End Inner Right	MB122011		
C6003	Pitman Arm	MB241166		08/80>
C1113LR	Ball Joint Upper	MB176309		08/80>
C1111LR	Ball Joint Lower	MB176283		08/80>

L200 (K_T) 2WD 11/1986 - 08/1996



LYNX	Description	Original Number	Specification	
C4263LR	Tie Rod End Outer	MA159984	MM14x1.5L	
C4266L	Tie Rod End Inner Left	MB076003	MM14x1.5R	
C4266R	Tie Rod End Inner Right	MB122011		
C6003	Pitman Arm	MB241166		
C6007	Idler Arm	MB527228		
C5230L	Susp. Arm Upper Left	MB527159		
C5230R	Susp. Arm Upper Right	MB860408		
C5231L	Susp. Arm Lower Left	MB109512		
C5231R	Susp. Arm Lower Right	MB109513		
C1111LR	Ball Joint Lower	MB176283		
C1197LR	Ball Joint Upper	Comp. of C5230L/R		

• MITSUBISHI



L200 (K_T) 4WD 11/1986 - 08/1996



C4195LR



C4013LR



C4013LR



C4195LR



C1197LR

Upper



C1197LR



C6008



C1114LR

Lower



C1114LR

LYNX	Description	Original Number	Specification
C4195LR	Tie Rod End Outer	MB241171	MM16X1.5L
C4013LR	Tie Rod End Inner	MB241206	MM16x1.5R
C6008	Pitman Arm	MB241423	
C1114LR	Ball Joint Lower	MB176308	
C1197LR	Ball Joint Upper		

L200 (K62T, K64T) 2WD 06/1996 - 12/2007



C4195LR



C4194LR



C4194LR



C4195LR



C6005



C6010



C1299LR



C5232L



C5232R



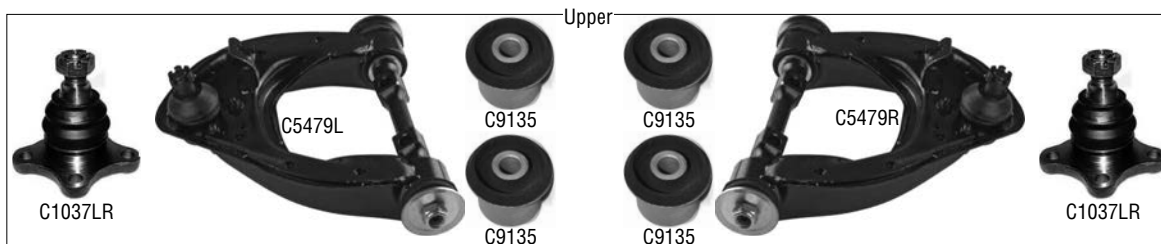
C1299LR

LYNX	Description	Original Number	Specification
C4195LR	Tie Rod End Outer	MR241032	MM16X1.5L
C4194LR	Tie Rod End Inner	MR241031	MM16X1.5R
C6010	Idler Arm	MR296271	
C6005	Pitman Arm	MR241029	
C5232L	Susp. Arm Upper Left	MR241023	
C5232R	Susp. Arm Upper Right	MR241024	
C1299LR	Ball Joint Upper	Comp. of C5232L/R	



LYNX	Description	Original Number	Specification
C5233L	Susp. Arm Lower Left	MR241025	
C5233R	Susp. Arm Lower Right	MR241026	
C1300LR	Ball Joint Lower	MR241027	
C8476	Silentblock	MR234247	

L200 (K74T, K75T) 4WD 06/1996 - 12/2007



LYNX	Description	Original Number	Specification
C4016LR	Tie Rod End Outer	MB831043	M16X1.5L
C4013LR	Tie Rod End Inner	MR296274	MM16X1.5R
C6012	Pitman Arm	MR376996	
C5479L	Susp. Arm Upper Left	MR296093	
C5479R	Susp. Arm Upper Right	MR296094	
C1037LR	Ball Joint Upper	MB860830	
C1006L	Ball Joint Lower Left	MB831037	
C1006R	Ball Joint Lower Right	MB831038	
C8477	Silentblock	MB109684	ø 40
C8478	Silentblock	MB109662	ø 40.4
C9135	Silentblock	MB633820	

• MITSUBISHI

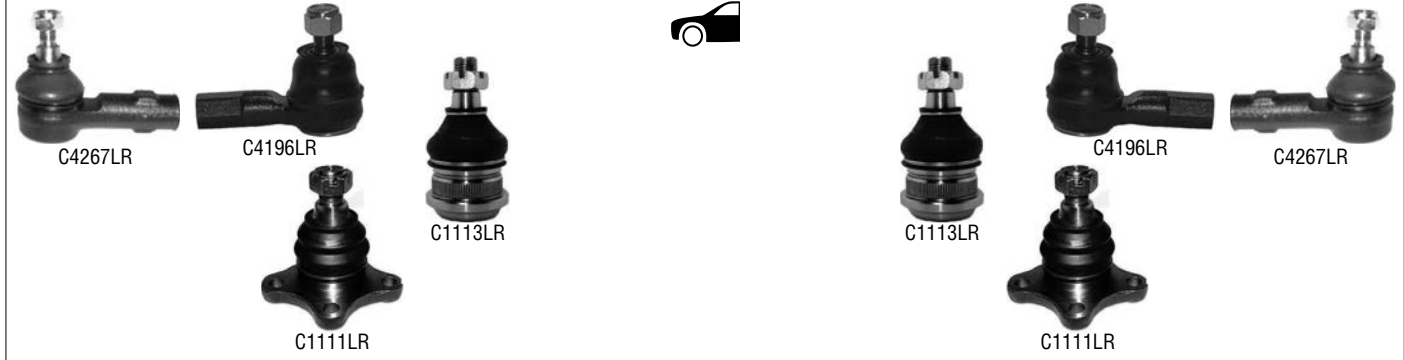


L200 (K4A4T, KB4T) 12/2005>



LYNX	Description	Original Number	Specification	
C2372LR	Tie Rod	4410A173		
C4105L	Tie Rod End Left	4422A009		4WD / 2WD High Rider
C4105R	Tie Rod End Right	4422A010		4WD / 2WD High Rider
C5454L	Susp. Arm Lower Left	4013A087		
C5454R	Susp. Arm Lower Right	4013A088		
C5455L	Susp. Arm Upper Left	4010A013		
C5455R	Susp. Arm Upper Right	4010A014		
C1041LR	Ball Joint Upper	MR496792		
C1301LR	Ball Joint Lower	4013A090		
C7407L	Stabiliser Link Front Left	MR992309		4WD / 2WD High Rider
C7407R	Stabiliser Link Front Right	MR992310		4WD / 2WD High Rider
C8479	Stabiliser Mounting	MR992317		4WD / 2WD High Rider
C8990	Silentblock			
C8991	Silentblock	MR992256		

L300 (L03, L06) 06/1979 - 04/1994

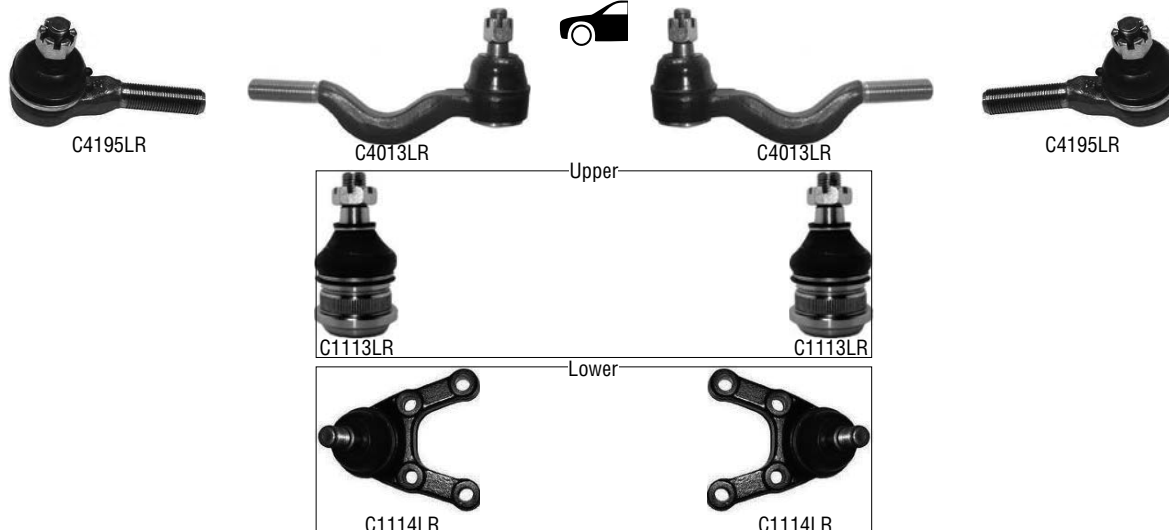


LYNX	Description	Original Number	Specification	
C4267LR	Tie Rod End Outer	56820-21000	FM14X1.5	
C4196LR	Tie Rod End Inner	MB288119	FM14X1.5L	09/82>
C1113LR	Ball Joint Upper	MB176309		10/83>
C1111LR	Ball Joint Lower	MB176283		10/83>



L300 (L035GV/W, L037GV/W, L038GV/W) 4WD

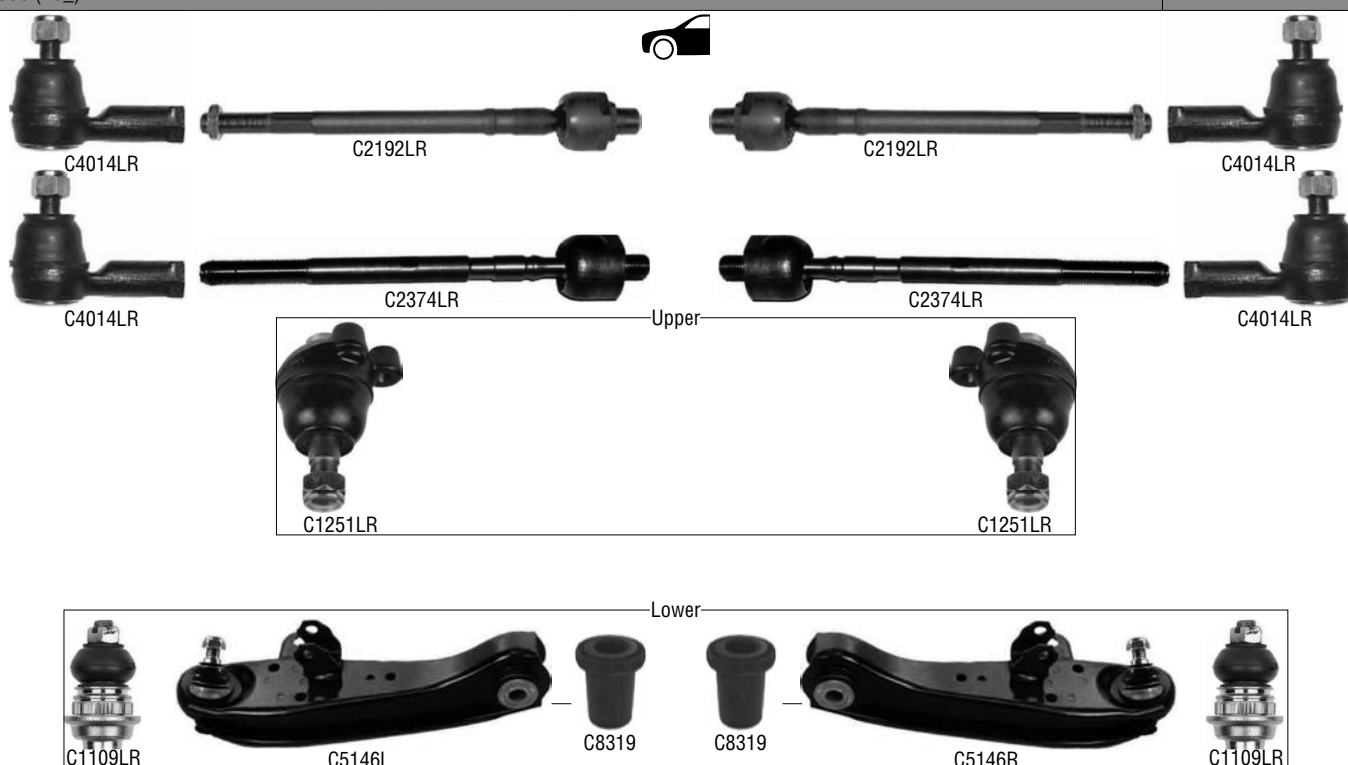
10/1982 - 06/1986



LYNX	Description	Original Number	Specification
C4195LR	Tie Rod End Outer	MB241171	MM16X1.5L
C4013LR	Tie Rod End Inner	MB241206	MM16x1.5R
C1113LR	Ball Joint Upper	MB176309	
C1114LR	Ball Joint Lower	MB176308	

L300 (P0_)

11/1986 - 05/1999

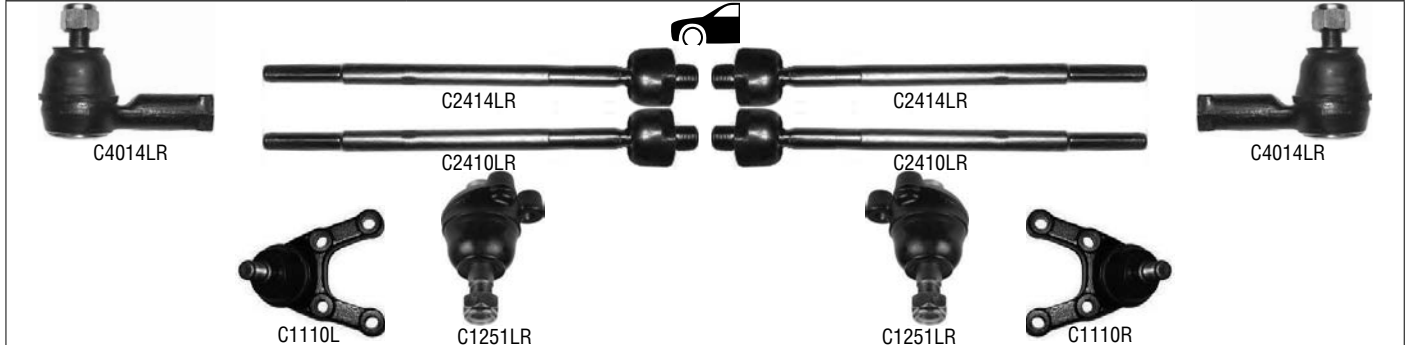


LYNX	Description	Original Number	Specification
C2192LR	Tie Rod	MB532971	MM17X1R -PS
C2374LR	Tie Rod	MB350577	MM16X1.5R +PS
C4014LR	Tie Rod End	MB527650	FM14X1.5R
C5146L	Susp. Arm Lower Left	MB598017	
C5146R	Susp. Arm Lower Right	MB598018	
C1251LR	Ball Joint Upper	MB527349	
C1109LR	Ball Joint Lower	MB527384-01	
C8319	Silentblock	Comp. of C5146L/R	ø 45.8

• MITSUBISHI

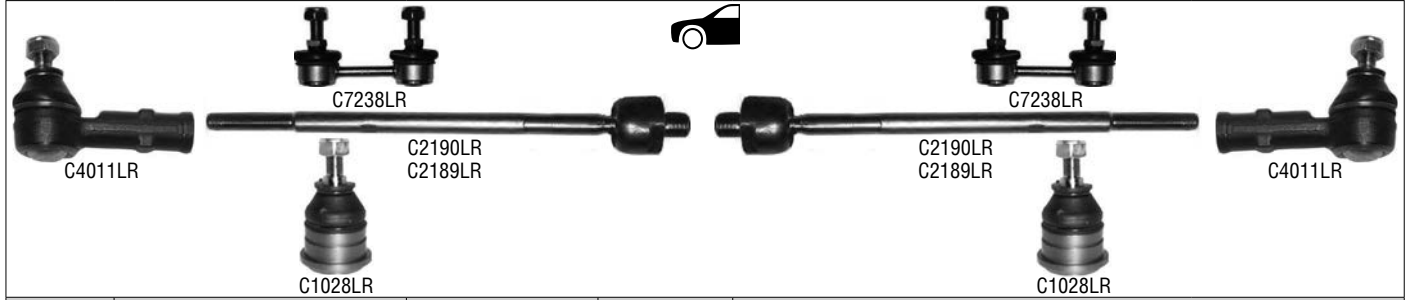


L300 (L2_V, P45V) 4WD 06/1986>



LYNX	Description	Original Number	Specification	
C2414LR	Tie Rod	MB532972		-PS
C2410LR	Tie Rod	MB501017		+PS
C4014LR	Tie Rod End	MB527650	FM14X1.5R	
C1251LR	Ball Joint Upper	MB527349		
C1110L	Ball Joint Lower Left	MB527351		
C1110R	Ball Joint Lower Right	MB527352		

LANCER III (C1_A, C6_A) / LANCER III SW (C1_V, C3_V) 02/1984 - 04/1989



LYNX	Description	Original Number	Specification	
C2190LR	Tie Rod	MB350718		-PS
C2189LR	Tie Rod	MB347666	MM12X1.25R	+PS
C4011LR	Tie Rod End	MB241982	FM12X1.25	
C1028LR	Ball Joint Lower			
C7238LR	Stabiliser Link Front	MB518892		

LANCER (C6_A, C7_A) 05/1988 - 05/1992



LYNX	Description	Original Number	Specification	
C2191LR	Tie Rod	MB553249	MM16X1.5R	-PS
C2017LR	Tie Rod	MB910934	MM16X1.5R	+PS
C4011LR	Tie Rod End	MB527169	FM12X1.25	
C7105LR	Stabiliser Link Front	MB518780		
C5234L	Susp. Arm Left	MB518806		
C5234R	Susp. Arm Right	MB518807		
C1028LR	Ball Joint Lower			

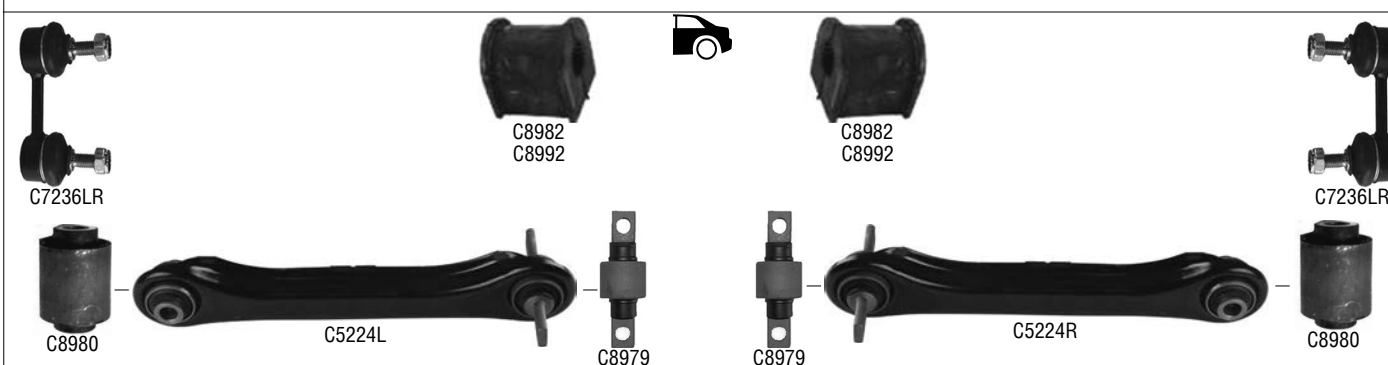


LANCER (CB/D_A)

06/1992 - 12/1995

LANCER (CK/P_A)

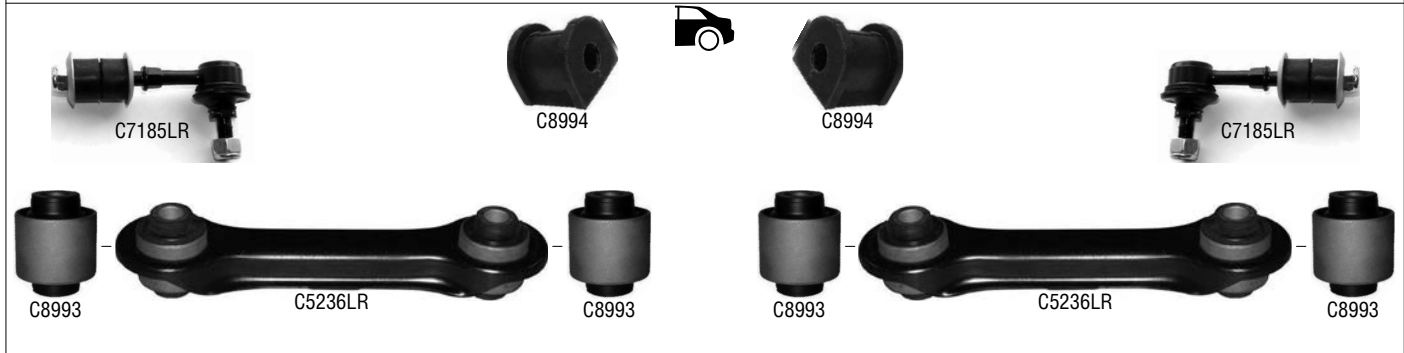
12/1995 - 08/2003



LYNX	Description	Original Number	Specification	
C2017LR	Tie Rod	MB910934	MM16X1.5R	
C4011LR	Tie Rod End	MB527169	FM12X1.25	
C5223L	Susp. Arm Front Left	MB912077		
C5223R	Susp. Arm Front Right	MB912078		
C5224L	Susp. Arm Rear Left	MB809220		
C5224R	Susp. Arm Rear Right	MB809221		
C1028LR	Ball Joint Lower			
C7235LR	Stabiliser Link Front	MB241974		Lancer V
C7236LR	Stabiliser Link Rear	MB809354		
C8981	Stabiliser Mounting	MB844455		Lancer V
C8983	Stabiliser Mounting	MR171441		Lancer VI >10/97
C8984	Stabiliser Mounting	MR403082		Lancer VI 11/97>
C8982	Stabiliser Mounting	MB809357		>11/94
C8992	Stabiliser Mounting	MR197475		12/94>
C8467	Silentblock	MB808910		
C8468	Silentblock	MB808909		
C8469	Silentblock	Comp. of C5223L/R		
C8979	Silentblock			
C8980	Silentblock			



LANCER (CS_) 09/2003 - 01/2008

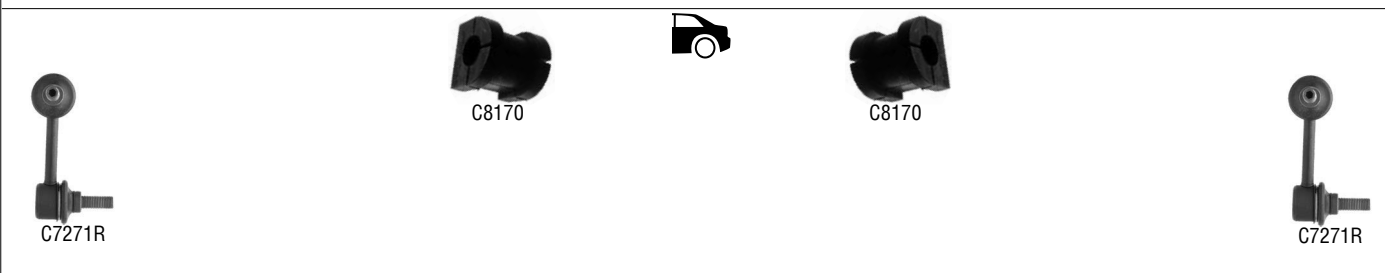
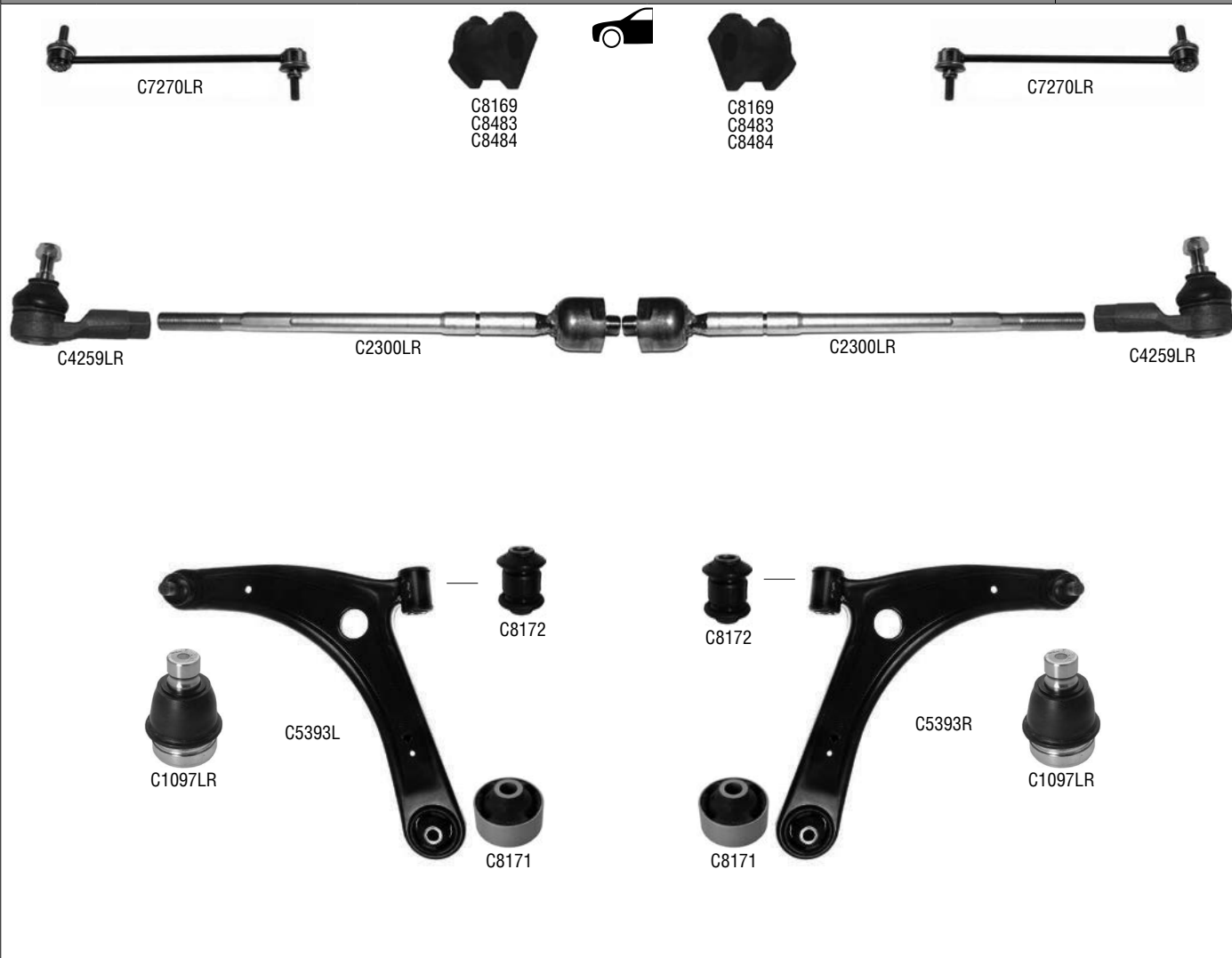


LYNX	Description	Original Number	Specification
C2083LR	Tie Rod	MR491358	MM16X1.5R
C4011LR	Tie Rod End	MB527169	FM12X1.25
C5235L	Susp. Arm Front Left	MR403419	
C5235R	Susp. Arm Front Right	MR403420	
C5236LR	Susp. Arm Rear	MR403485	
C1097LR	Ball Joint	Comp. of C5235L/R	
C7408LR	Stabiliser Link Front	MR954887	
C7185LR	Stabiliser Link Rear	MR403771	
C8480	Stabiliser Mounting	MN100250	ø 26
C8994	Stabiliser Mounting	MR589637	
C8481	Silentblock	Comp. of C5235L/R	
C8482	Silentblock	MR403441	
C8993	Silentblock		



LANCER (CY_A, CZ4A)
LANCER SPORTBACK (CX_A)

03/2007>
07/2008>

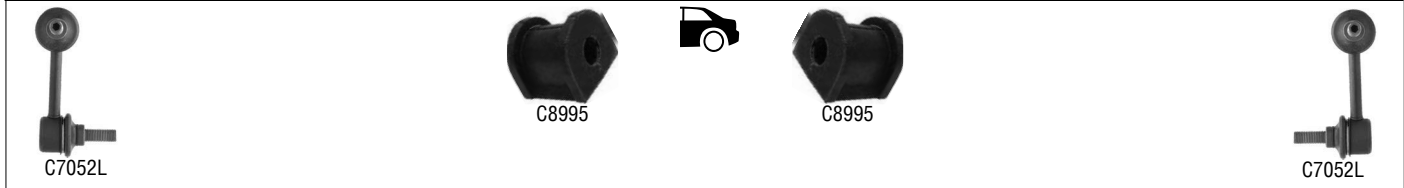
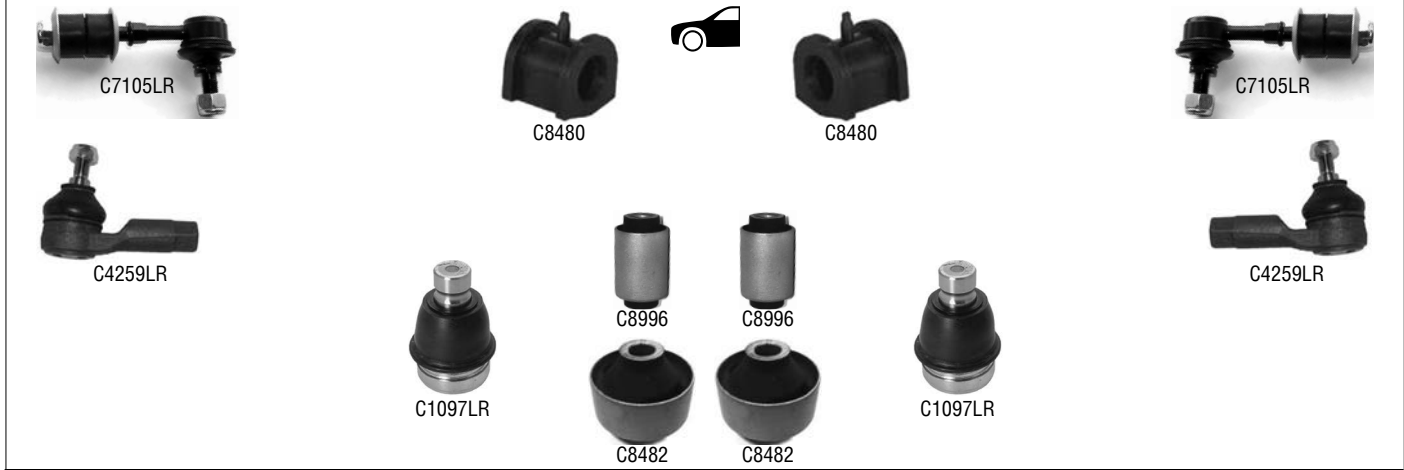


LYNX	Description	Original Number	Specification	
C2300LR	Tie Rod	4422A012	MM14X1.5R	Exc. CZ4A (4WD)
C4259LR	Tie Rod End	4422A052	FM14X1.5R	
C5393L	Susp. Arm Left	4013A281		
C5393R	Susp. Arm Right	4013A282		
C1097LR	Ball Joint	Comp of.	ø 40.1	
C7270LR	Stabiliser Link Front	MN101368		
C7271R	Stabiliser Link Rear	MN184194		
C8169	Stabilizer Mounting Front	4056A079	ø 22	
C8483	Stabilizer Mounting Front	4056A049	ø 20	
C8484	Stabilizer Mounting Front	4056A078	ø 21	
C8170	Stabilizer Mounting Rear	4156A028	ø 19	
C8171	Silentblock	MN184133	ø 60	
C8172	Silentblock		ø 37	

• MITSUBISHI

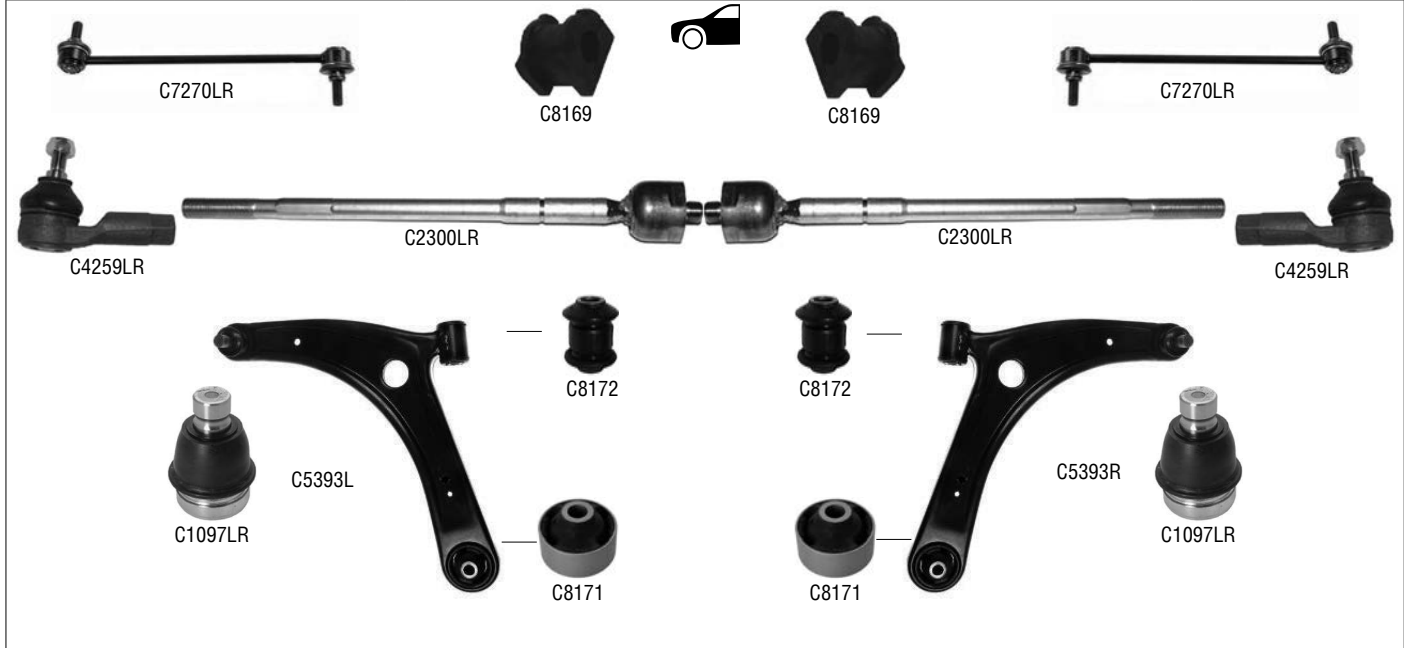


OUTLANDER I (CU_) 02/2003 - 12/2008



LYNX	Description	Original Number	Specification
C4259LR	Tie Rod End	4422A002	FM14x1.5R
C1097LR	Ball Joint		
C7105LR	Stabiliser Link Front	MR319147	
C7052L	Stabiliser Link Rear	MR316368	
C8480	Stabiliser Mounting	MN100250	
C8995	Stabiliser Mounting	MR403775	
C8482	Silentblock	MR403441	
C8996	Silentblock		

OUTLANDER II (CW_) 02/2007>

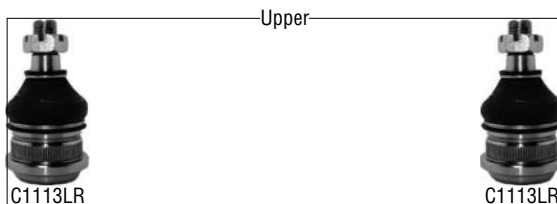
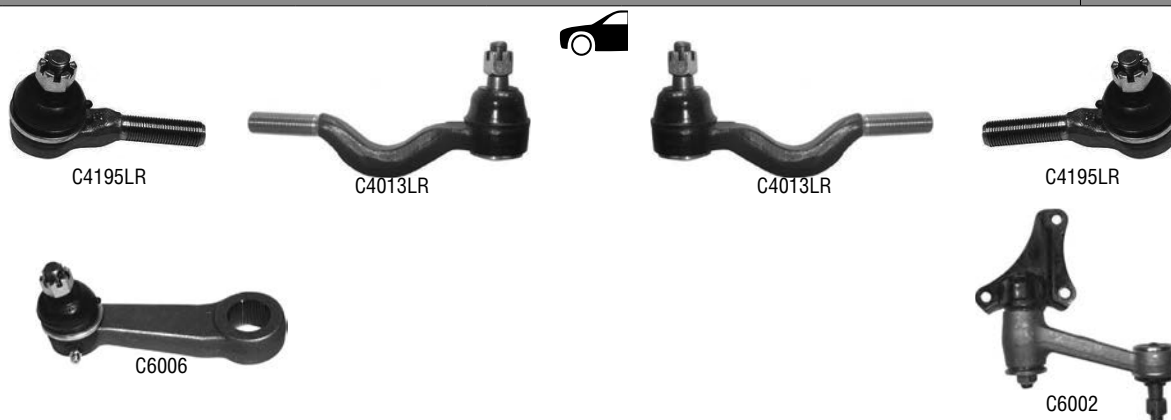


LYNX	Description	Original Number	Specification
C2300LR	Tie Rod	4422A012	MM14X1.5R
C4259LR	Tie Rod End	4422A018	FM14x1.5R
C5393L	Susp. Arm Left	4013A281	
C5393R	Susp. Arm Right	4013A282	
C1097LR	Ball Joint	Comp of.	ø 40.1



LYNX	Description	Original Number	Specification
C7270LR	Stabiliser Link Front	MN101368	
C7271L	Stabiliser Link Rear Left	4156A014	
C7271R	Stabiliser Link Rear Right	MN184194	
C8169	Stabilizer Mounting Front	4056A079	ø 22
C8170	Stabilizer Mounting Rear	4156A028	ø 19
C8171	Silentblock	MN184133	ø 60
C8172	Silentblock		ø 37

PAJERO I (L04_G, L14_G) 03/1983 - 02/1991



LYNX	Description	Original Number	Specification
C4195LR	Tie Rod End Outer	MB241171	MM16X1.5L
C4013LR	Tie Rod End Inner	MB241206	MM16x1.5R
C6002	Idler Arm	MB241830	>89
C6006	Pitman Arm	MB241973	
C1113LR	Ball Joint Upper	MB176309	
C1114LR	Ball Joint Lower	MB176308	
C8477	Silentblock	MB109684	ø 40
C8478	Silentblock	MB109662	ø 40.4

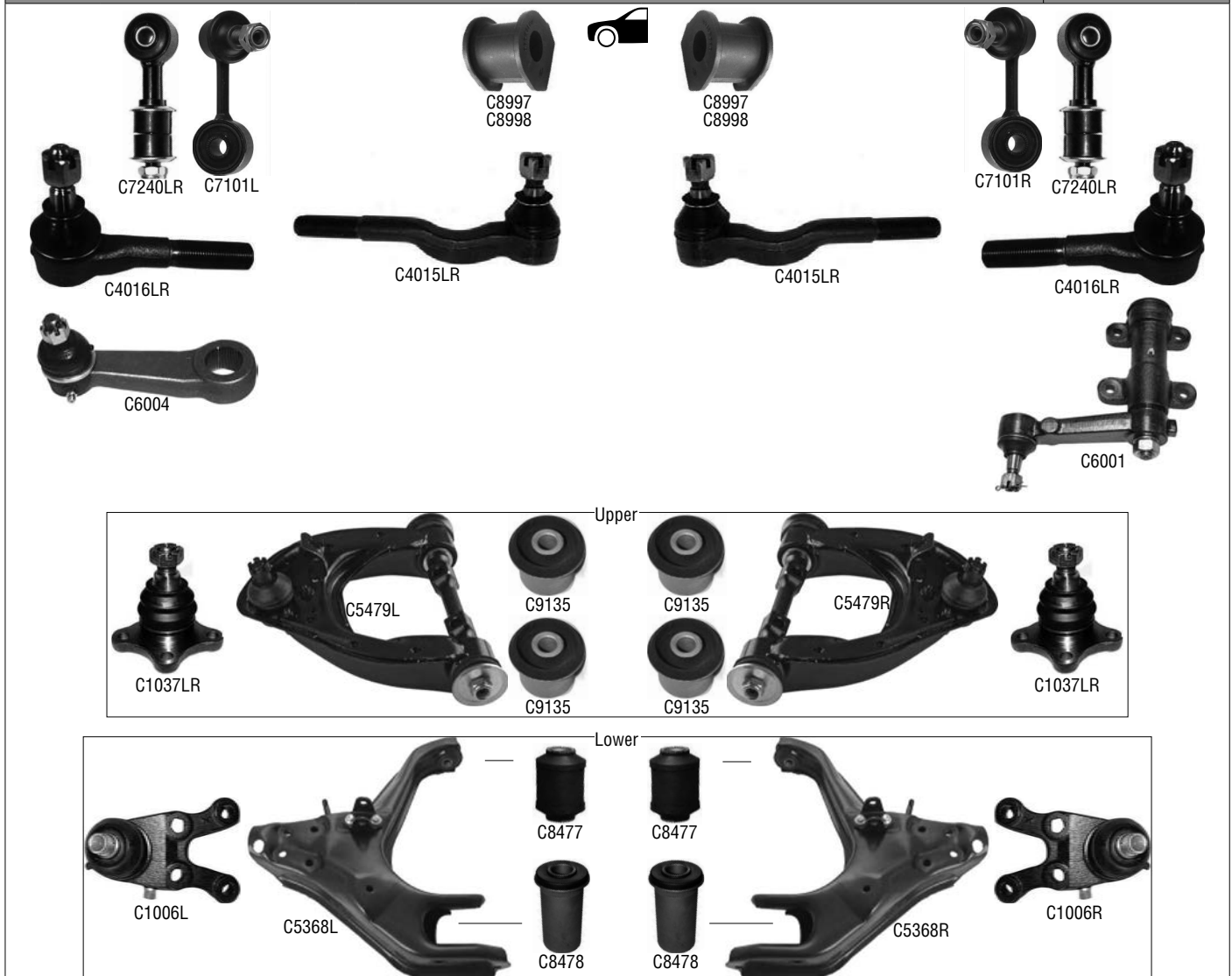


PAJERO II (V2_W, V_4W)

03/1991 - 04/2000

PAJERO CLASSIC (V2_W)

07/2002>



LYNX	Description	Original Number	Specification	
C4016LR	Tie Rod End Outer	MB831043	M16X1.5L	
C4015LR	Tie Rod End Inner	MB831044	M16x1.5R	
C6001	Idler Arm	MB831042		
C6004	Pitman Arm	MB831040		
C5479L	Susp. Arm Upper Left	MR296093		
C5479R	Susp. Arm Upper Right	MR296094		
C5368L	Susp. Arm Lower Left	MB860381		
C5368R	Susp. Arm Lower Right	MB860382		
C1037LR	Ball Joint Upper	MB860830		
C1006L	Ball Joint Lower Left	MB831037		
C1006R	Ball Joint Lower Right	MB831038		
C7240LR	Stabiliser Link Front	MB633926		Rubber Bushing
C7101L	Stabiliser Link Front Left	MR132551		Pillow Ball
C7101R	Stabiliser Link Front Right	MR132552		Pillow Ball
C8997	Stabiliser Mounting	MB633934		>93
C8998	Stabiliser Mounting	MR150090		93>
C8477	Silentblock	MB109684	ø 40	
C8478	Silentblock	MB109662	ø 40.4	
C9135	Silentblock	MB633820		



PAJERO III (V6_W, V7_W)

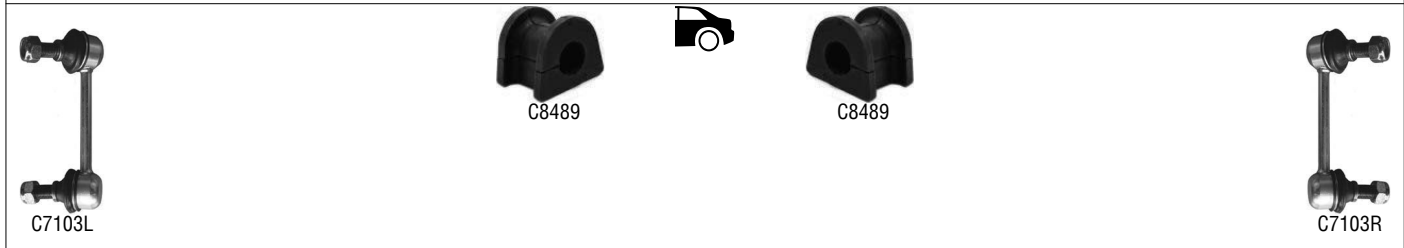
04/2000 - 10/2006



LYNX	Description	Original Number	Specification
C2084LR	Tie Rod	MR510267	
C4105L	Tie Rod End Left	MR508135	
C4105R	Tie Rod End Right	MR508136	
C5238L	Susp. Arm Lower Left	MR496795	
C5238R	Susp. Arm Lower Right	MR496796	
C5237L	Susp. Arm Upper Left	4010-A037	
C5237R	Susp. Arm Upper Right	4010-A038	
C1040LR	Ball Joint Lower	MR496799	
C1041LR	Ball Joint Upper	4010-A015	
C1115LR	Ball Joint Rear	MR508130	
C7102L	Stabiliser Link Front Left	MR374521	
C7102R	Stabiliser Link Front Right	MR374522	
C7103L	Stabiliser Link Rear Left	MR418052	
C7103R	Stabiliser Link Rear Right	MR418053	
C8488	Stabilizer Mounting	MR554271	
C8999	Stabiliser Mounting	MR418547	
C8485	Silentblock	Comp. of C5238L/R	
C8486	Silentblock	Comp. of C5238L/R	
C8487	Silentblock	Comp. of C5237L/R	



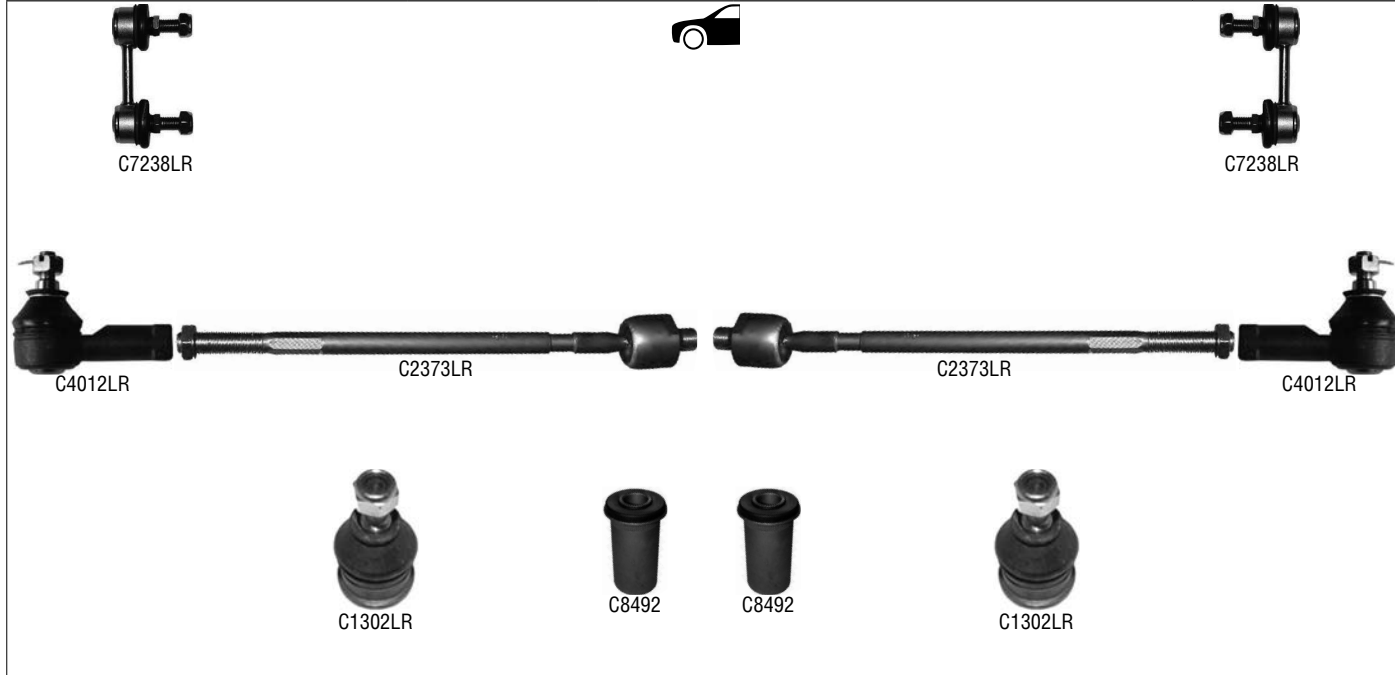
PAJERO IV 09/2006>



LYNX	Description	Original Number	Specification
C4197L	Tie Rod End Left	4422A037	
C4197R	Tie Rod End Right	4422A038	
C5237L	Susp. Arm Upper Left	4010-A037	
C5237R	Susp. Arm Upper Right	4010-A038	
C5239L	Susp. Arm Lower Left	4013-A209	
C5239R	Susp. Arm Lower Right	4013-A210	
C1041LR	Ball Joint Upper	MR496792	
C1040LR	Ball Joint Lower	MR496799	
C7241L	Stabiliser Link Left	MR992191	
C7241R	Stabiliser Link Right	MR992192	
C7103L	Stabiliser Link Left	MR418052	
C7103R	Stabiliser Link Right	MR418053	
C8488	Stabilizer Mounting	MR554271	
C8489	Stabilizer Mounting	4156A041	
C8490	Silentblock	Comp. of. C5239L/R	
C8491	Silentblock	Comp. of. C5239L/R	
C8487	Silentblock	Comp. of C5237L/R	

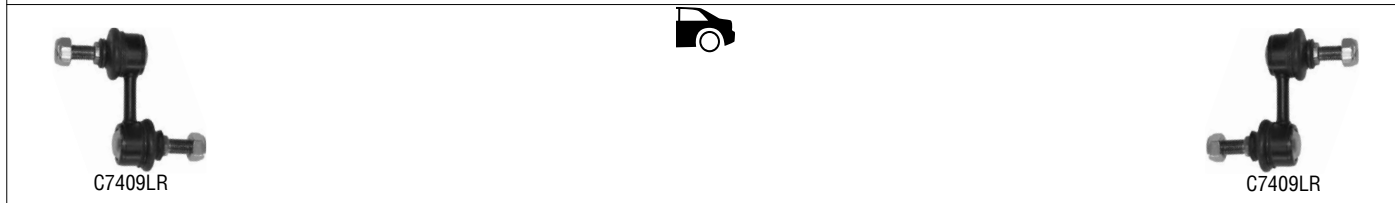


PAJERO PININ (H6_W, H7_W) 10/1999 - 03/2005



LYNX	Description	Original Number	Specification
C2373LR	Tie Rod	MR448255	
C4012LR	Tie Rod End	MB192430	FM14X1.5
C1302LR	Ball Joint		
C7238LR	Stabiliser Link Front	MB518892	
C8492	Silentblock	MR319067	

SIGMA (F16A) 12/1990 - 10/1996
SIGMA SW (F07W) 01/1993 - 07/1996



LYNX	Description	Original Number	Specification
C4012LR	Tie Rod End	MB192430	FM14X1.5
C1028LR	Ball Joint Lower		
C7238LR	Stabiliser Link Front	MB518892	
C7409LR	Stabiliser Link Rear	MR131732	

• MITSUBISHI



SPACE RUNNER (N1W, N2W) 10/1991 - 08/1999



C7082L



C7082R



C4012LR



C4012LR

LYNX	Description	Original Number	Specification
C4012LR	Tie Rod End	MB192430	FM14X1.5
C7082L	Stabiliser Link Front Left	MB672370	
C7082R	Stabiliser Link Front Right	MB808076	

SPACE STAR (DG0) 08/1998 - 03/2006



C7235LR



C8975
C8976



C8975
C8976



C7235LR



C4011LR



C4011LR



C1028LR



C1028LR

SPACE STAR (DG0) 08/1998 - 03/2006



C7237LR



C8978

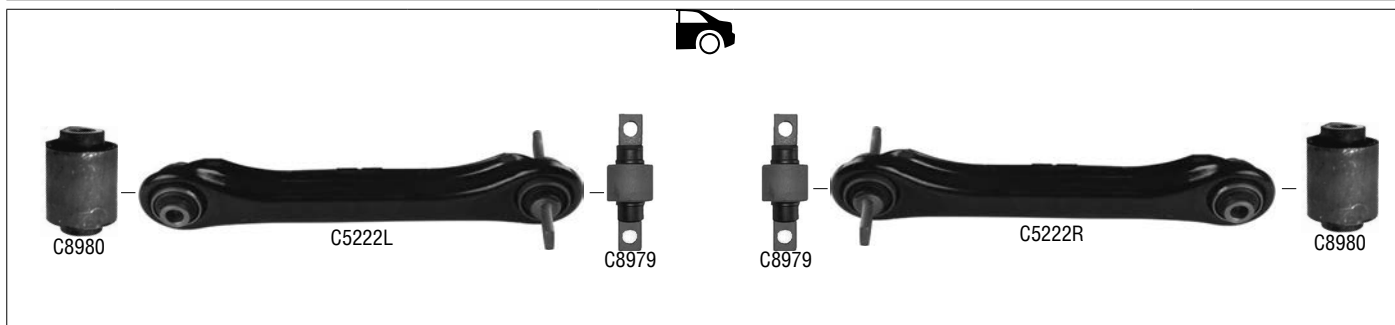


C8978



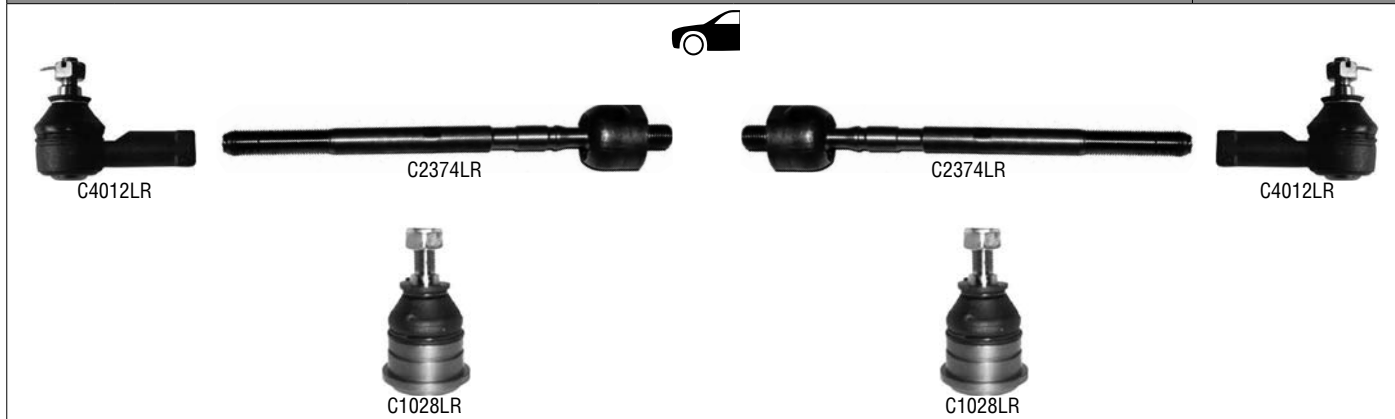
C7237LR

LYNX	Description	Original Number	Specification
C4011LR	Tie Rod End	MB527169	FM12X1.25
C1028LR	Ball Joint Lower		
C7235LR	Stabiliser Link Front	MR392730	
C7237LR	Stabiliser Link Rear	MR272118	
C8975	Stabiliser Mounting	MR403965	>05/00
C8976	Stabiliser Mounting	MR554269	06/00>
C8978	Stabiliser Mounting	MR455019	



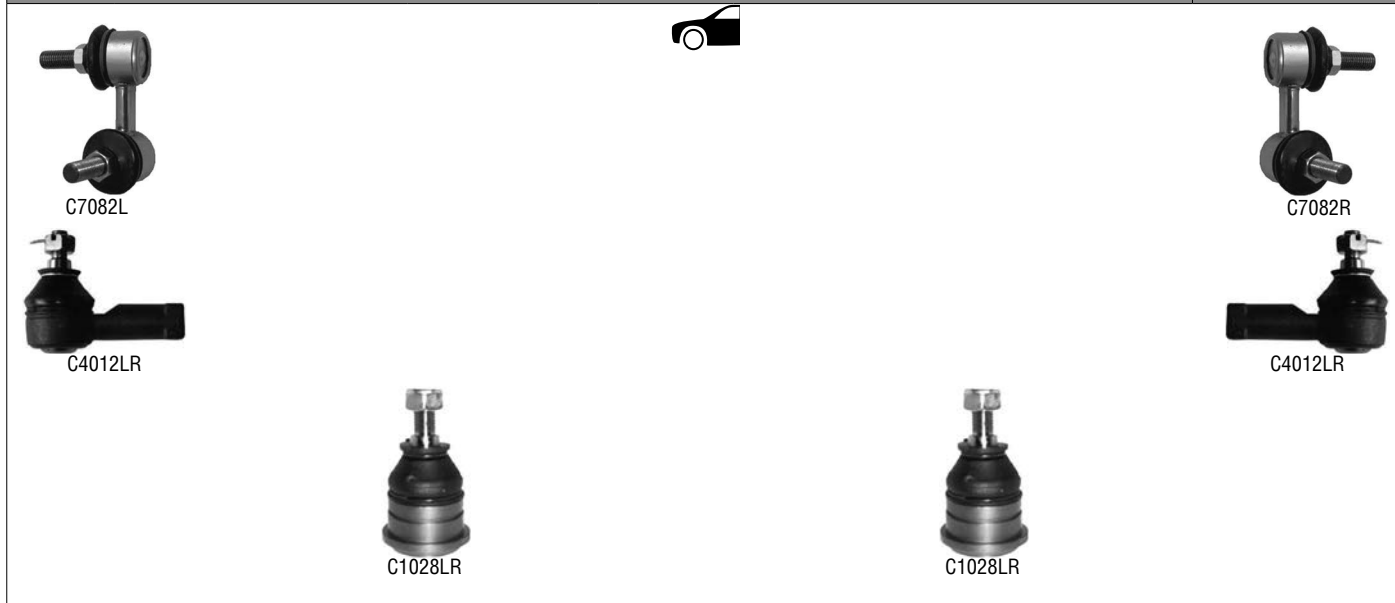
LYNX	Description	Original Number	Specification
C5222L	Susp. Arm Rear Left	MR130479	
C5222R	Susp. Arm Rear Right	MR130480	
C8979	Silentblock		
C8980	Silentblock		

SPACE WAGON (D0_V/W) 10/1983 - 04/1991



LYNX	Description	Original Number	Specification
C2374LR	Tie Rod	MB350577	MM16X1.5R +PS
C4012LR	Tie Rod End	MB192430	FM14X1.5
C1028LR	Ball Joint Lower		

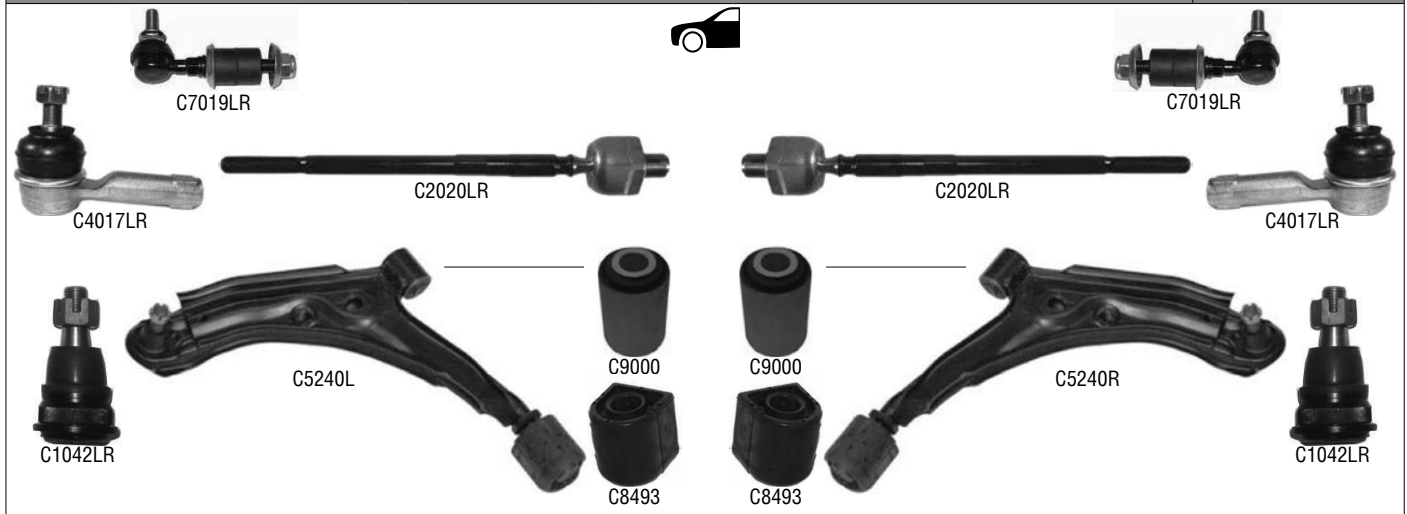
SPACE WAGON (N3_W, N4_W) 05/1991 - 11/1998



LYNX	Description	Original Number	Specification
C4012LR	Tie Rod End	MB192430	FM14X1.5
C1028LR	Ball Joint Lower		
C7082L	Stabiliser Link Front Left	MB672370	
C7082R	Stabiliser Link Front Right	MB808076	

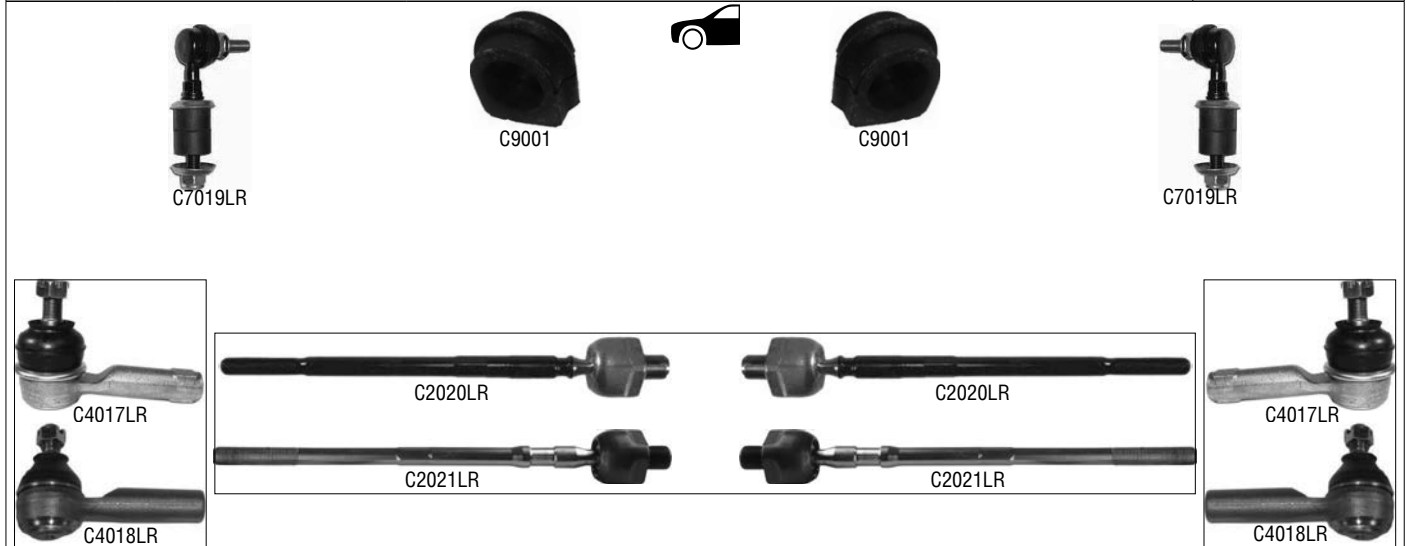


NISSAN
100 NX (B13) 08/1990 - 06/1995

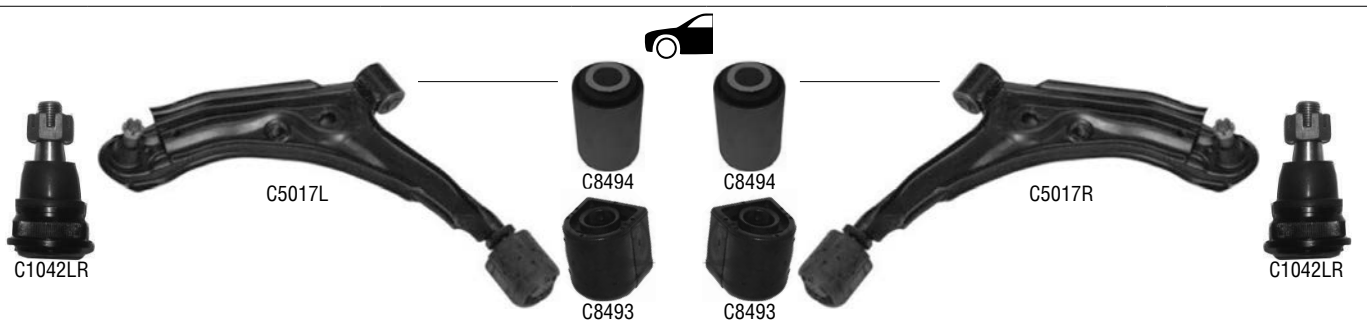


LYNX	Description	Original Number	Specification	
C2020LR	Tie Rod	48521-50400	MM16X1R	Exc. 2.0
C4017LR	Tie Rod End	48520-50Y25	FM12X1.25R	Exc. 2.0
C5240L	Susp. Arm Left	54501-52Y10		Exc. 2.0
C5240R	Susp. Arm Right	54500-52Y10		Exc. 2.0
C1042LR	Ball Joint	40160-50Y00		
C7019LR	Stabiliser Link Front	54618-50Y00		
C7018LR	Stabiliser Link Rear	54618-58Y10		
C8493	Silentblock	54570-69Y10		
C9000	Silentblock			

ALMERA I (N15) 07/1995 - 07/2000

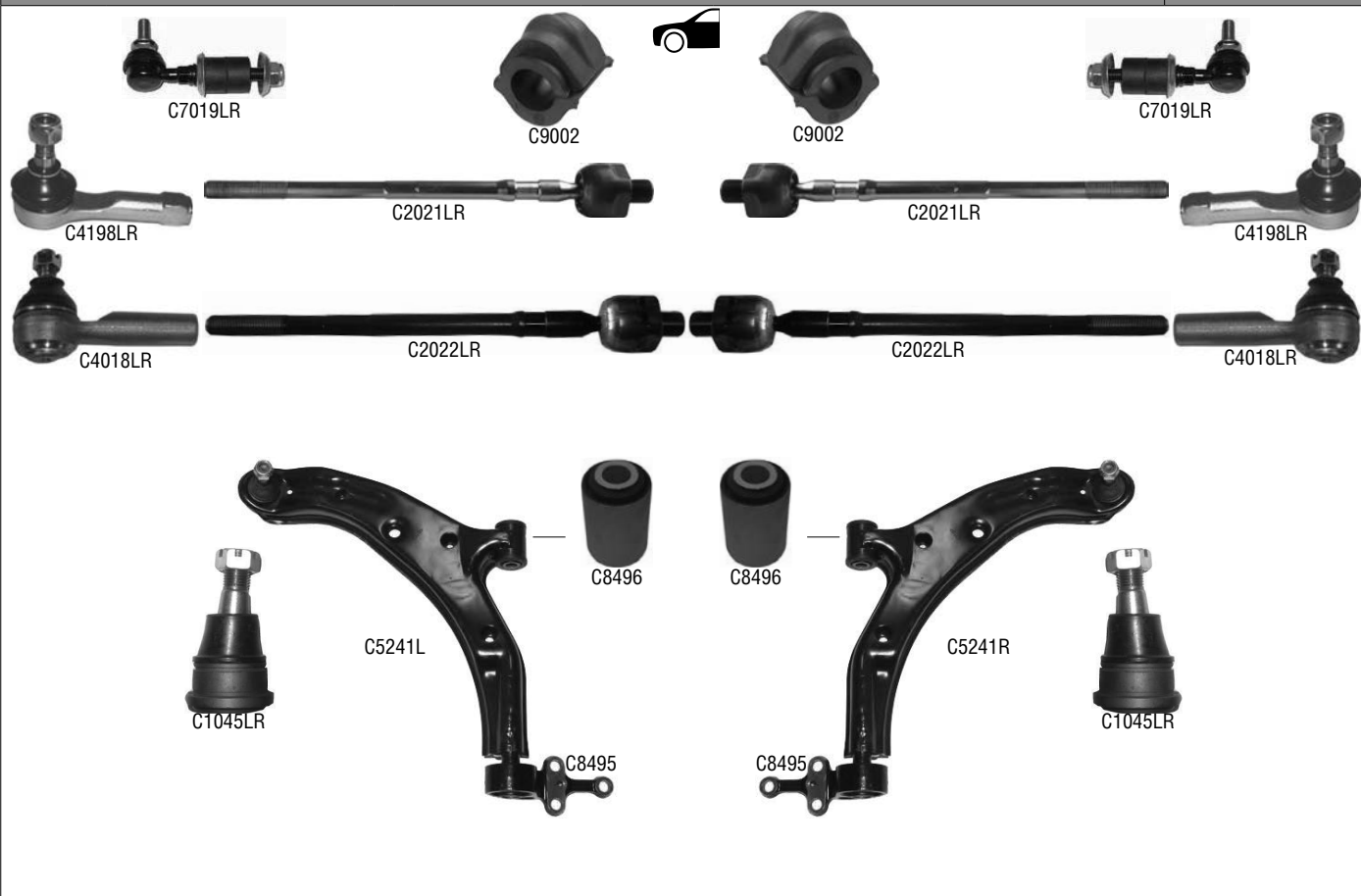


LYNX	Description	Original Number	Specification	
C2020LR	Tie Rod	48521-50400	MM16X1R	- PS
C2021LR	Tie Rod	48521-1M226	MM16X1R	+ PS
C4017LR	Tie Rod End	48520-50Y25	FM12X1.5R	Exc. DIESEL / GTI
C4018LR	Tie Rod End	48520-0M085	FM14x1.5	DIESEL / GTI
C7019LR	Stabiliser Link Front	54618-50Y00		
C9001	Stabiliser Mounting	54612-60Y00		



LYNX	Description	Original Number	Specification
C5017L	Susp. Arm Left	54501-0M010	
C5017R	Susp. Arm Right	54500-0M010	
C1042LR	Ball Joint	40160-50Y00	
C8493	Silentblock	54570-69Y10	
C8494	Silentblock	54560-50A00	ø 36.2

ALMERA II (N16/E) 08/2000 - 03/2007



LYNX	Description	Original Number	Specification	
C2021LR	Tie Rod	48521-1M226	MM16X1R	N16E
C4198LR	Tie Rod End	48520-BM425	FM12X1.25	N16E
C2022LR	Tie Rod	48521-4M527	MM16X1R	N16
C4018LR	Tie Rod End	48520-15U25	FM14X1.5R	N16
C5241L	Susp. Arm Left	54501-BM/4M410		
C5241R	Susp. Arm Right	54500-BM/4M410		
C1045LR	Ball Joint			
C7019LR	Stabiliser Link	54618-4M400		
C9002	Stabiliser Mounting	54613-4M420		
C8495	Silentblock	Comp. of C5241L/R		
C8496	Silentblock	Comp. of C5241L/R	ø 32.2	

• NISSAN

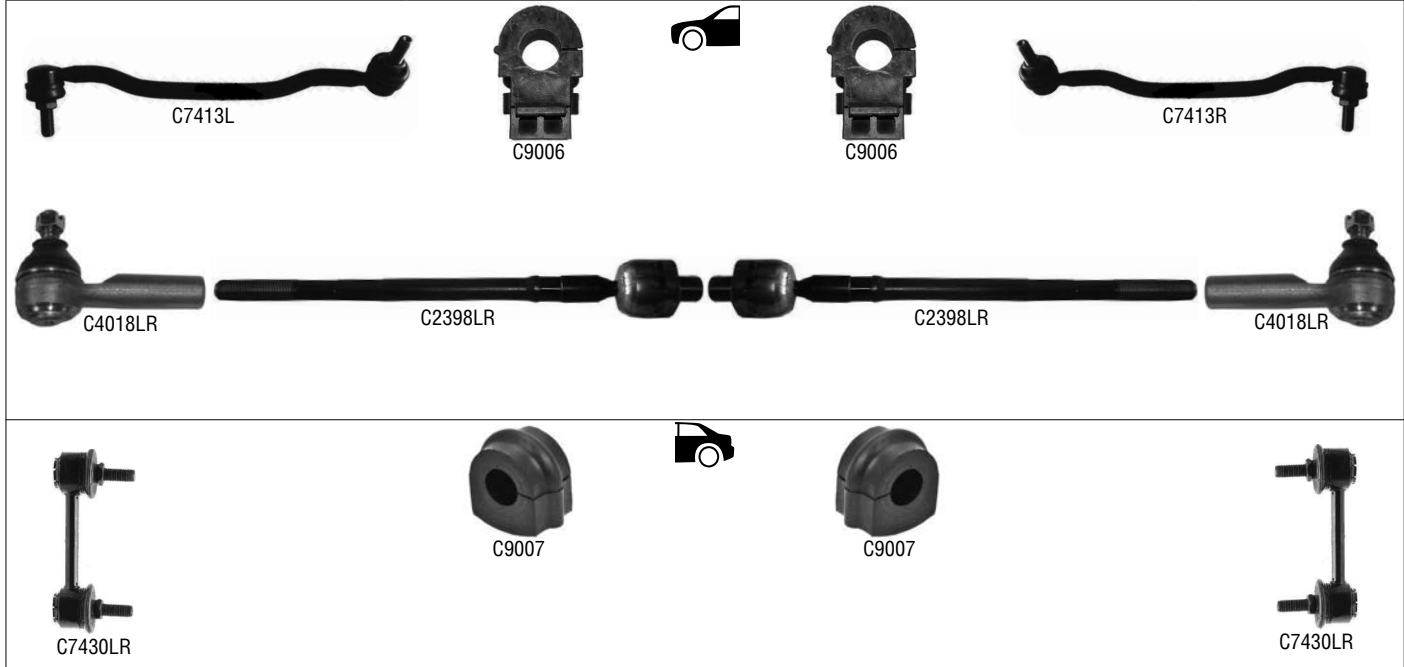


ALMERA TINO (V10) 08/2000 - 12/2006



LYNX	Description	Original Number	Specification
C2193LR	Tie Rod	48521-4U000	MM16X1R
C4018LR	Tie Rod End	48520-15U25	FM14X1.5R
C5242L	Susp. Arm Left	54501-5U300	
C5242R	Susp. Arm Right	54500-5U300	
C1258LR	Ball Joint	40160-2Y000	
C7242L	Stabiliser Link Left	54668-4U000	
C7242R	Stabiliser Link Right	54618-4U000	
C9003	Stabiliser Mounting	54613-4M420	

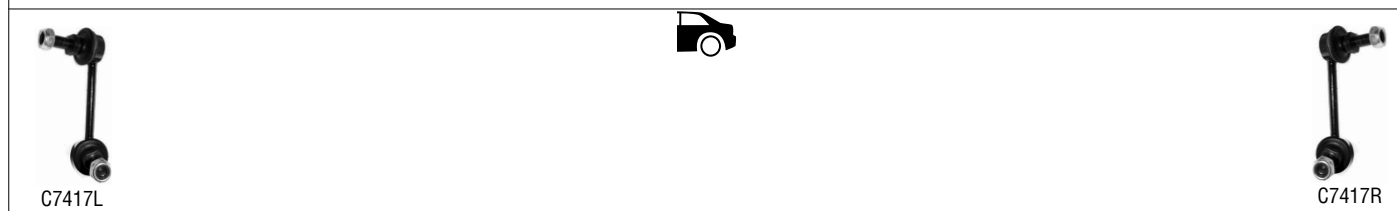
ALTIMA (L31) 08/2001 - 04/2007



LYNX	Description	Original Number	Specification
C2398LR	Tie Rod	48521-7Y000	
C4018LR	Tie Rod End	D8520-15U26	
C7413L	Stabiliser Link Front Left	54668-8J000	
C7413R	Stabiliser Link Front Right	54618-8J000	
C7430LR	Stabiliser Link Rear	56261-8J000	
C9006	Stabiliser Mounting	54613-8J002	
C9007	Stabiliser Mounting	54613-8J021	

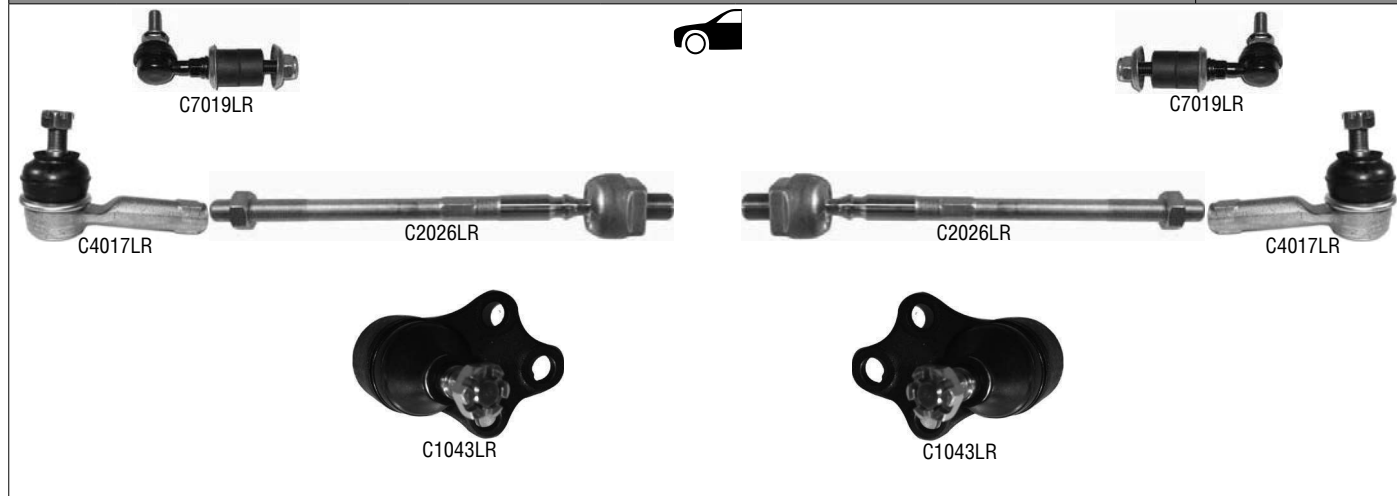


ALTIMA (L32) 10/2006>



LYNX	Description	Original Number	Specification
C2382LR	Tie Rod	48521-JA00A	
C4356L	Tie Rod End Left	D8640-JA00A	
C4356R	Tie Rod End Right	D8520-JA00A	
C1318LR	Ball Joint		
C7254L	Stabiliser Link Front Left	54668-JA000	
C7254R	Stabiliser Link Front Right	54618-JA000	
C7417L	Stabiliser Link Rear Left	56261-JA005	
C7417R	Stabiliser Link Rear Right	56261-JA000	
C9004	Silentblock		
C9008	Silentblock		

BLUEBIRD (U11, WU11, T72) 11/1983 - 05/1990



LYNX	Description	Original Number	Specification
C2026LR	Tie Rod	48521-D0100	MM16X1R
C4017LR	Tie Rod End	48520-01E25	FM12X1.25R
C1043LR	Ball Joint Lower	40160-01E00	
C7019LR	Stabiliser Link	54618-50Y00	

• NISSAN

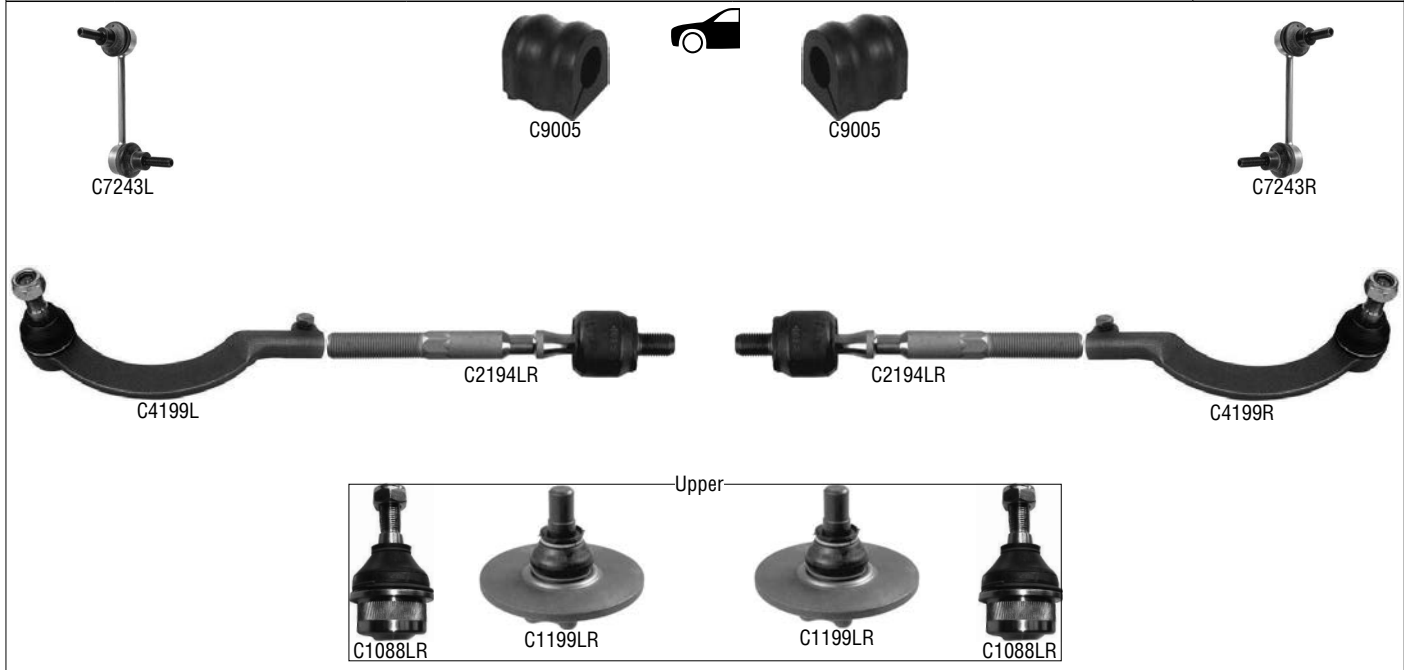


JUKE (F15E) 10/2009>



LYNX	Description	Original Number	Specification
C4268L	Tie Rod End Left	D8640-1KA0A	FM12X1.25R
C4268R	Tie Rod End Right	D8520-1KA0A	FM12X1.25R
C1303LR	Ball Joint		ø 38.5
C7410LR	Stabiliser Link Front	54618-CY00A	
C8497	Stabiliser Mounting	54613-JD03A	ø 22.7
C8498	Silentblock		ø 58
C9004	Silentblock		

INTERSTAR (X70) 07/2002>



LYNX	Description	Original Number	Specification
C2194LR	Tie Rod	48521-00QAF	MM14X1.5R
C4199L	Tie Rod End Left	48520-00QAH	FM16X1.5R
C4199R	Tie Rod End Right	48520-00QAJ	FM16X1.5R
C1088LR	Ball Joint Upper	40160-00QAB	
C1199LR	Ball Joint Upper	40110-00QAA	
C7243L	Stabiliser Link Left	54616-00QAB	
C7243R	Stabiliser Link Right	54618-00QAA	
C9005	Stabiliser Mounting	54613-00QAB	



LYNX	Description	Original Number	Specification	
C5243L	Susp. Arm Lower Left	54501-00QAC		>06/09
C5243R	Susp. Arm Lower Right	54500-00QAC		>06/09
C5411L	Susp. Arm Lower Left	82 00 750 273		07/09>
C5411R	Susp. Arm Lower Right	82 00 750 274		07/09>
C1198LR	Ball Joint Lower	40160-00QAC		>06/09
C1200LR	Ball Joint Lower	40160-00Q0B		07/09>
C8499	Silentblock	54570-00QAA	ø 55.2	
C8500	Silentblock	54423-00QAA	ø 55.2	

KUBISTAR (X76)

07/2003>

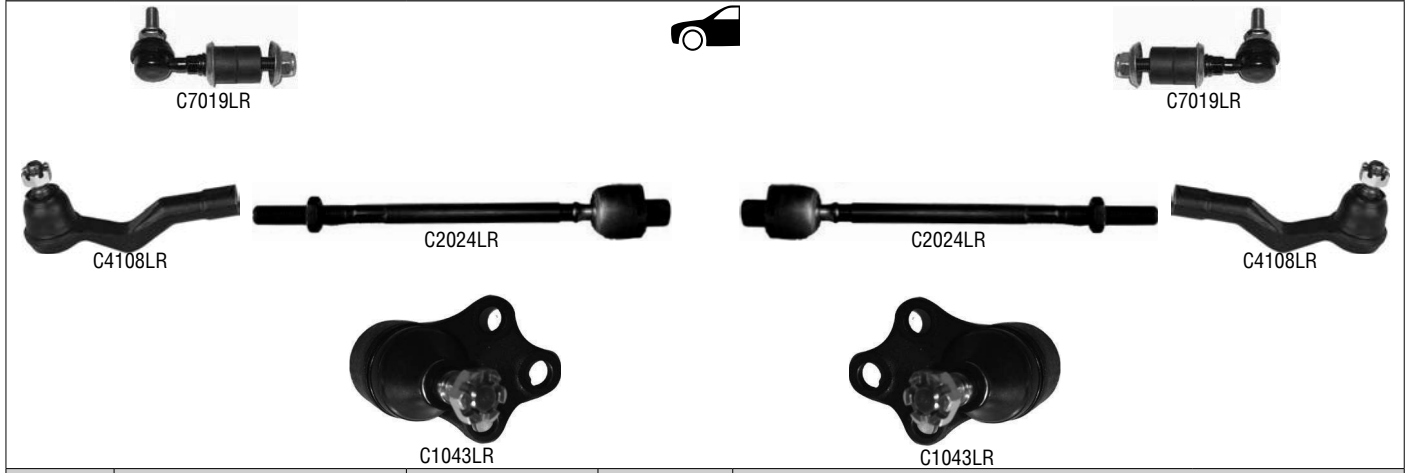


LYNX	Description	Original Number	Specification	
C2056LR	Tie Rod	48521-00QAG	MM12X1R	+ PS
C4200L	Tie Rod End	48520-00QAN		
C4200R	Tie Rod End	48520-00QAP		
C5244L	Susp. Arm Lower Left	54501-00QAH		
C5244R	Susp. Arm Lower Right	54500-00QAH		
C1091LR	Ball Joint Lower	77 01 472 038		
C7244LR	Stabiliser Link	54616-00QAA		
C8501	Stabiliser Mounting	54613-00QAD	ø 21	
C8502	Silentblock	54560-00QAB	ø 45.4	

• NISSAN

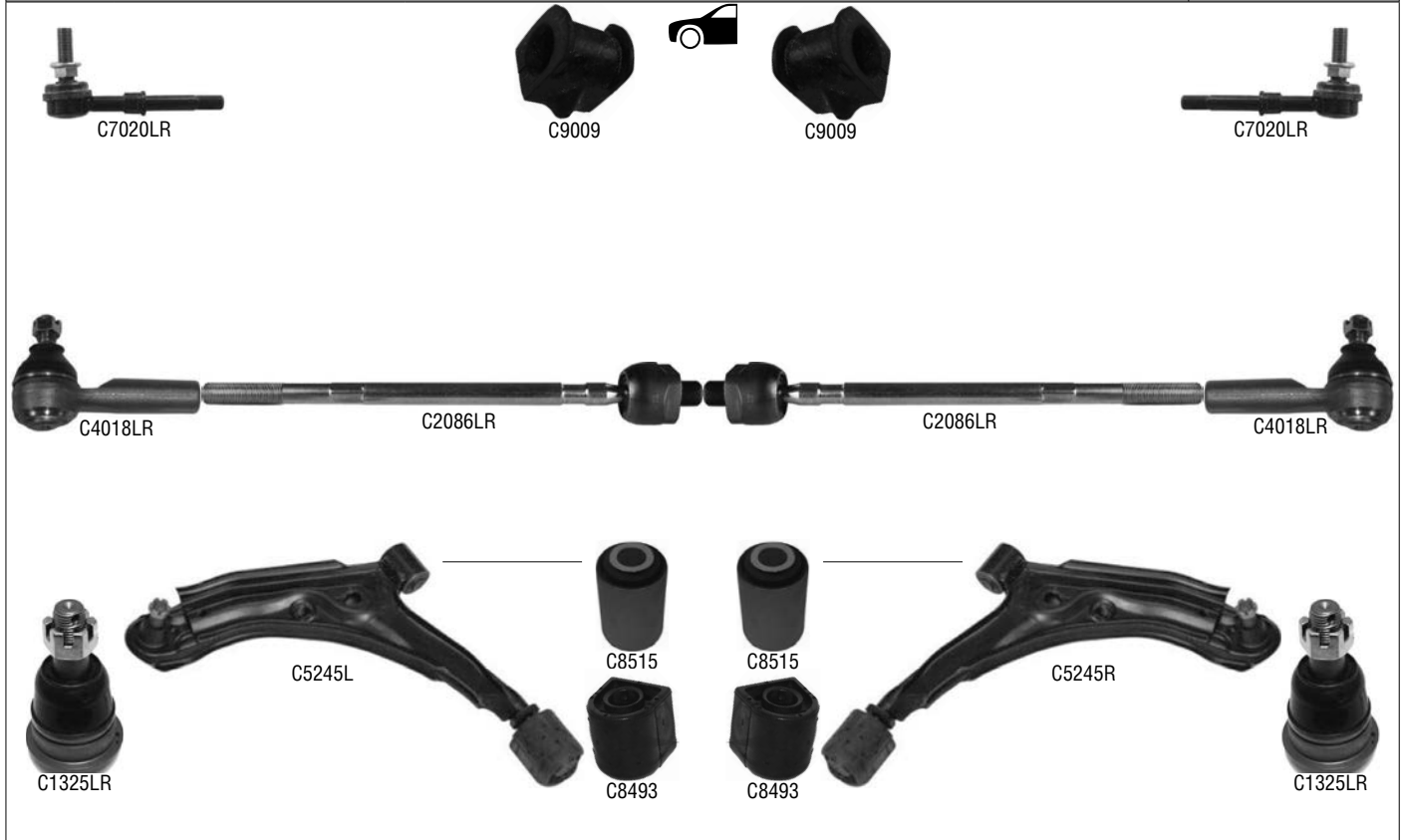


MAXIMA (J30) 10/1988 - 09/1994



LYNX	Description	Original Number	Specification
C2024LR	Tie Rod	48521-72E06	MM16X1R
C4108LR	Tie Rod End	48520-88E25	FM14X1.5R
C1043LR	Ball Joint Lower	40160-85E00	
C7019LR	Stabiliser Link	54618-D5010	

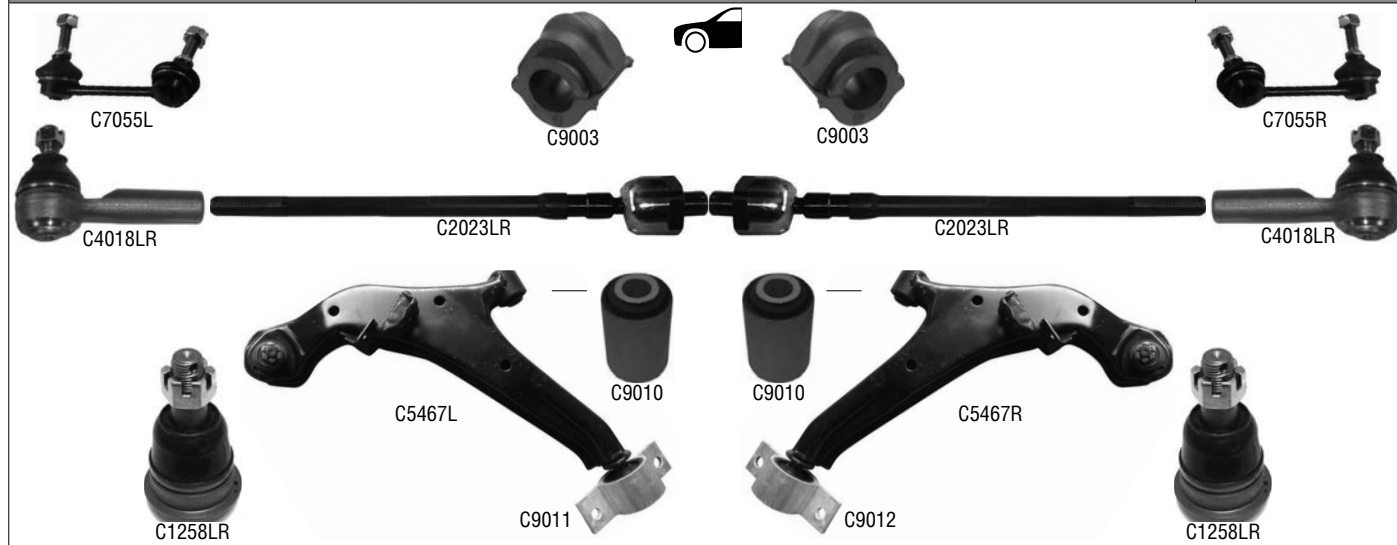
MAXIMA QX (A32) 10/1994 - 08/2000



LYNX	Description	Original Number	Specification
C2086LR	Tie Rod	48521-40U25	MM16X1R
C4018LR	Tie Rod End	48520-0M085	FM14X1.5R
C5245L	Susp. Arm Left	54501-41U00	
C5245R	Susp. Arm Right	54500-41U00	
C1325LR	Ball Joint Lower	40160-31U00	
C7020LR	Stabiliser Link	54618-0E000	
C9009	Stabiliser Mounting	54613-0E015	
C8515	Silentblock	54500-2F900	ø 38.1
C8493	Silentblock	54570-69Y10	

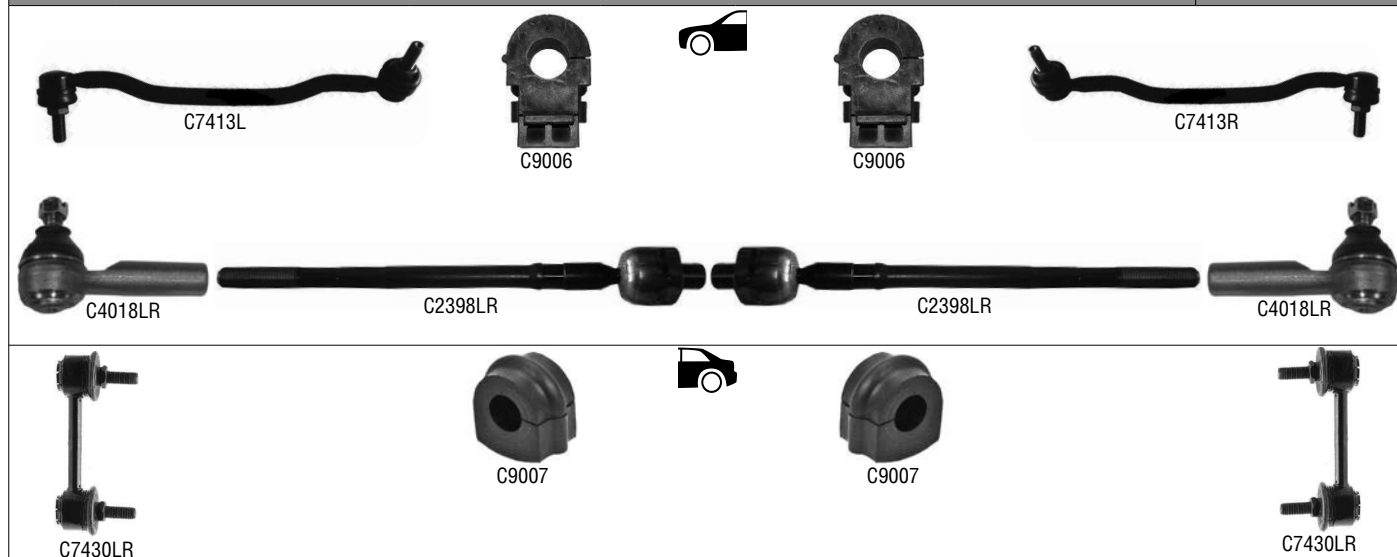


MAXIMA QX (A33) 01/2000>



LYNX	Description	Original Number	Specification
C2023LR	Tie Rod	48521-2Y425	
C4018LR	Tie Rod End	48520-0M085	FM14X1.5R
C5467L	Susp. Arm Left	54501-2Y411	
C5467R	Susp. Arm Right	54500-2Y411	
C1258LR	Ball Joint	40160-2Y411 / 12	
C7055L	Stabiliser Link Left	54668-2Y000	
C7055R	Stabiliser Link Right	54618-2Y000	
C9003	Stabiliser Mounting	54613-2Y003	
C9010	Silentblock		
C9011	Silentblock		
C9012	Silentblock		

MAXIMA (A34) 01/2003 - 05/2008

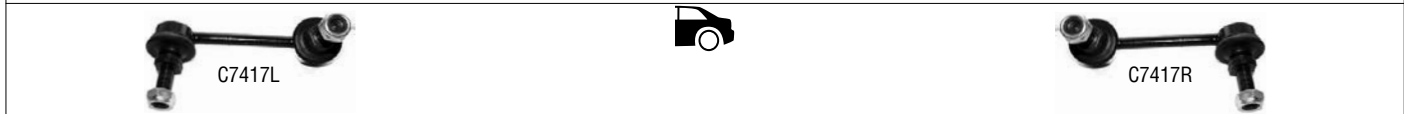


LYNX	Description	Original Number	Specification
C2398LR	Tie Rod	48521-7Y000	
C4018LR	Tie Rod End	D8520-15U26	
C7413L	Stabiliser Link Front Left	54668-8J000	
C7413R	Stabiliser Link Front Right	54618-8J000	
C7430LR	Stabiliser Link Rear	56261-8J000	
C9006	Stabiliser Mounting	54613-8J002	
C9007	Stabiliser Mounting	54613-8J021	

• NISSAN

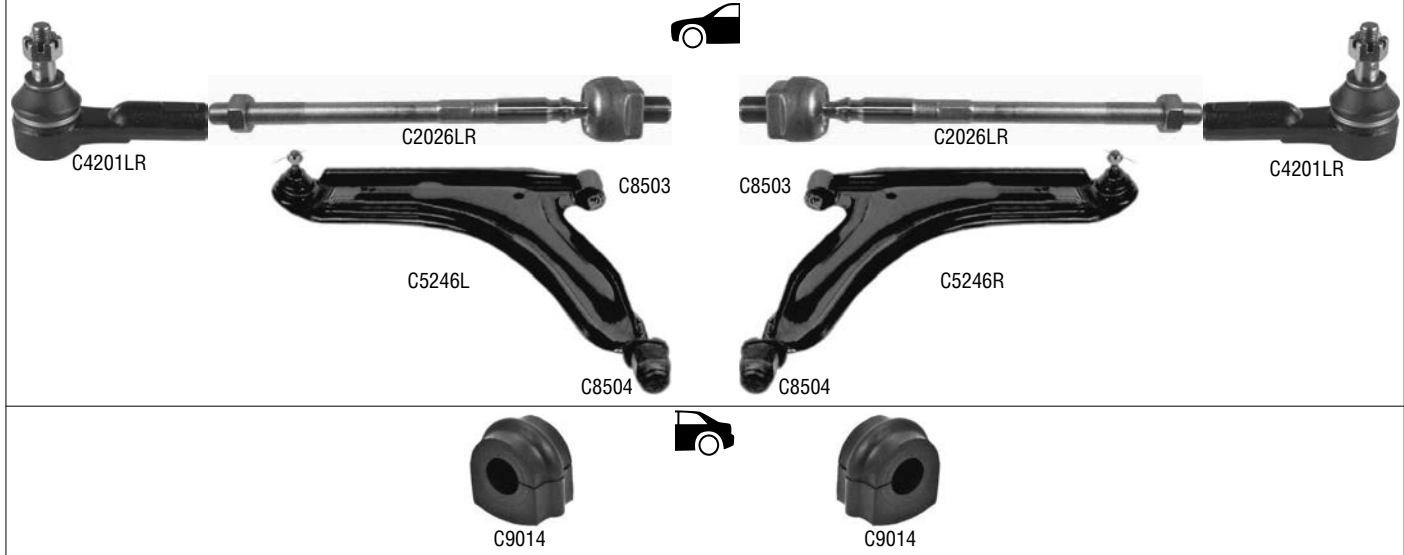


MAXIMA (A35) 05/2008>



LYNX	Description	Original Number	Specification	
C2382LR	Tie Rod	48521-JA00A		
C4356L	Tie Rod End Left	D8640-JA00A		
C4356R	Tie Rod End Right	D8520-JA00A		
C1318LR	Ball Joint			
C7254L	Stabiliser Link Front Left	54668-JA000		
C7254R	Stabiliser Link Front Right	54618-JA000		
C7417L	Stabiliser Link Rear Left	56261-JA005		
C7417R	Stabiliser Link Rear Right	56261-JA000		
C9004	Silentblock			
C9008	Silentblock			

MICRA (K10) 12/1982 - 11/1992

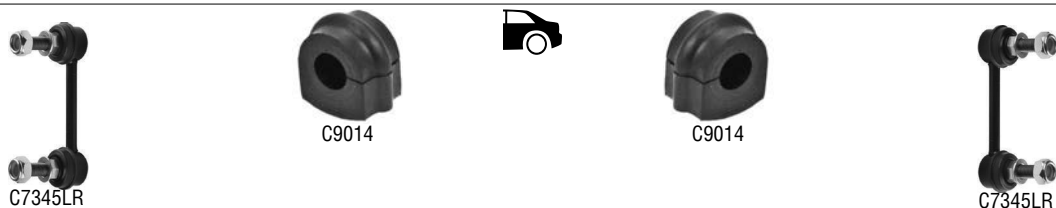


LYNX	Description	Original Number	Specification	
C2026LR	Tie Rod	48521-70A00	MM16X1R	03/85>
C4201LR	Tie Rod End	48520-01B25	FM12X1.25R	
C5246L	Susp. Arm Left	54501-21B00		
C5246R	Susp. Arm Right	54500-21B00		
C9014	Stabiliser Mounting	56243-4F101		
C8503	Silentblock	54535-01B00	ø 27.2	
C8504	Silentblock	54476-01B00		



MICRA (K11)

03/1993 - 08/2002



LYNX	Description	Original Number	Specification	
C2026LR	Tie Rod	48521-35F00	MM16X1R	
C4019LR	Tie Rod End	48520-4F125	FM12X1.25	
C5247L	Susp. Arm Left	54501-4F102		>02/98
C5247R	Susp. Arm Right	54500-4F102		>02/98
C5248L	Susp. Arm Left	54501-6F600		03/98>
C5248R	Susp. Arm Right	54500-6F600		03/98>
C1117LR	Ball Joint	40160-4F100		>02/98
C1201LR	Ball Joint	Comp. of C5248L/R		03/98>
C7345LR	Stabiliser Link Rear	56261-6F600		
C7022LR	Stabiliser Link Front	54618-47B01		
C9013	Stabiliser Mounting	54613-4F100		
C9014	Stabiliser Mounting	56243-4F101		
C8505	Silentblock		ø 28.3	
C8506	Silentblock	54476-41B02		



MICRA (K12/E) 11/2002>

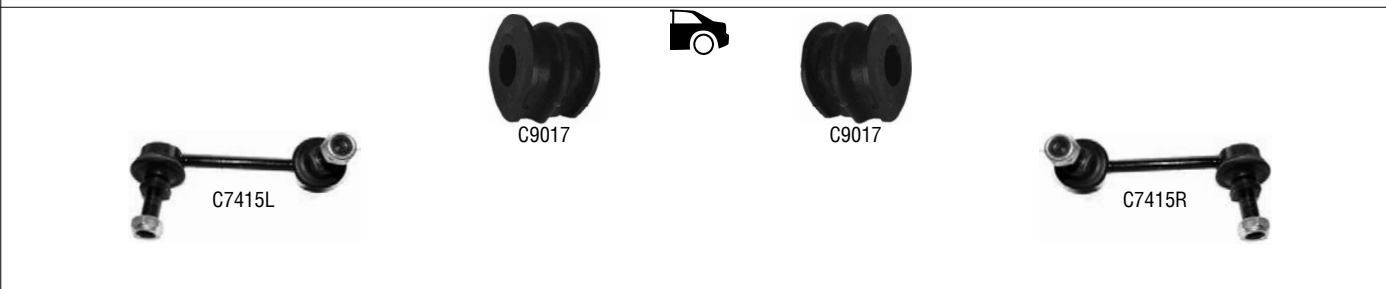
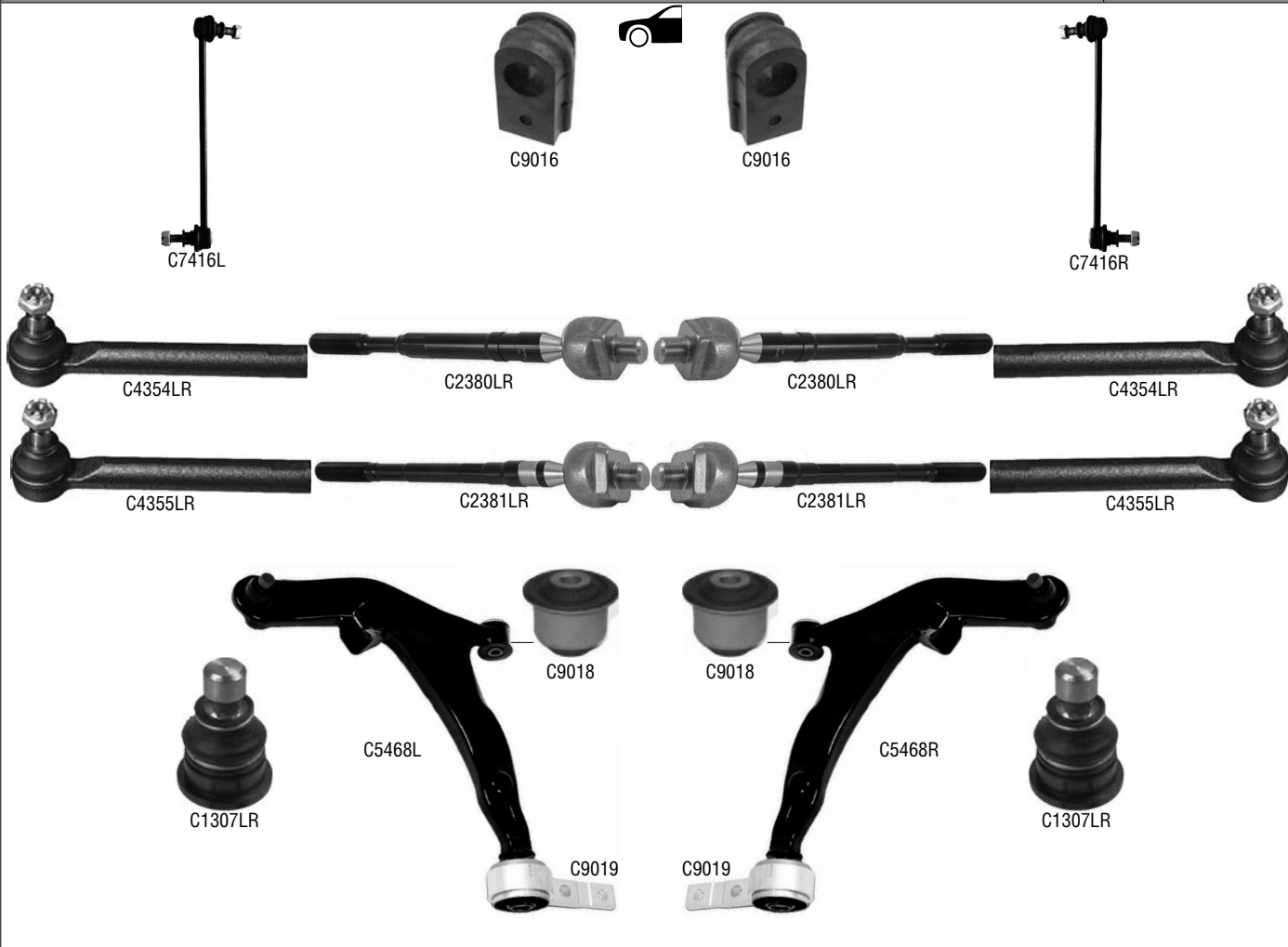


LYNX	Description	Original Number	Specification	
C2088LR	Tie Rod	48521-3U025	MM14x1.5R	
C4109L	Tie Rod End Left	48640-AX600	FM14X1.5R	>04/04
C4109R	Tie Rod End Right	48520-AX600	FM14X1.5R	>04/04
C4200L	Tie Rod End Left	48640-AX602	FM14X1.5R	04/04-08/07
C4200R	Tie Rod End Right	48520-AX602	FM14X1.5R	04/04-08/07
C4129L	Tie Rod End Left	48527-1U61A	FM12X1.25	09/07>
C4129R	Tie Rod End Right	48647-1U61A	FM12X1.25	09/07>
C5010L	Susp. Arm Left	54501-AX600		
C5010R	Susp. Arm Right	54500-AX600		
C1202LR	Ball Joint	40160-AX000		
C7245LR	Stabiliser Link	54618-AX600		
C9015	Stabiliser Mounting	54613-AX602		
C8507	Silentblock	54560-AX600	ø 36.1	
C8508	Silentblock	54570-AX600	ø 58.4	



MURANO (Z50)

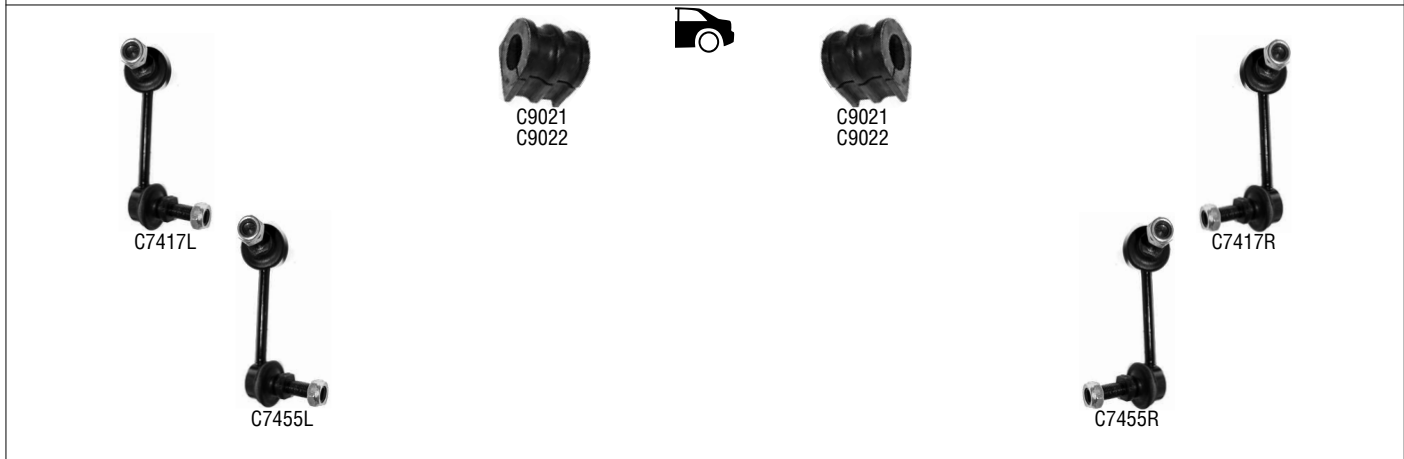
09/2002 - 06/2008



LYNX	Description	Original Number	Specification
C2380LR	Tie Rod	48521-CA025	>08/04
C4354LR	Tie Rod End	48520-CA025	>08/04
C2381LR	Tie Rod	48521-CB025	08/04>
C4355LR	Tie Rod End	48520-CB025	08/04>
C5468L	Susp. Arm Left	54501-CA010	
C5468R	Susp. Arm Right	54500-CA010	
C1307LR	Ball Joint	40160-9W200	
C7416L	Stabiliser Link Front Left	54668-CA000	
C7416R	Stabiliser Link Front Right	54618-CA000	
C7415L	Stabiliser Link Rear Left	54668-CA010	
C7415R	Stabiliser Link Rear Right	54618-CA010	
C9016	Stabiliser Mounting	54613-CA006	
C9017	Stabiliser Mounting	54613-CA000	
C9018	Silentblock		
C9019	Silentblock		



MURANO (Z51) 2007>



LYNX	Description	Original Number	Specification	
C2401LR	Tie Rod	D8521-1AA0A		
C4356L	Tie Rod End Left	D8640-1AA0A		
C4356R	Tie Rod End Right	D8520-1AA0A		
C5469L	Susp. Arm Left	54501-1AA1A		
C5469R	Susp. Arm Right	54500-1AA1A		
C1318LR	Ball Joint			
C7254L	Stabiliser Link Front Left	54668-1AA0A		
C7254R	Stabiliser Link Front Right	54618-1AA0A		
C7417L	Stabiliser Link Rear Left	56261-1AD0B		2WD
C7417R	Stabiliser Link Rear Right	56261-1AD0A		2WD
C7455L	Stabiliser Link Rear Left	56261-1AA0B		4WD
C7455R	Stabiliser Link Rear Right	56261-1AA0A		4WD
C9020	Stabiliser Mounting	54613-1AA0A		
C9021	Stabiliser Mounting	56243-1AD0A		2WD
C9022	Stabiliser Mounting	56243-1AA0A		4WD
C9004	Silentblock			
C9023	Silentblock			



NOTE (E11)

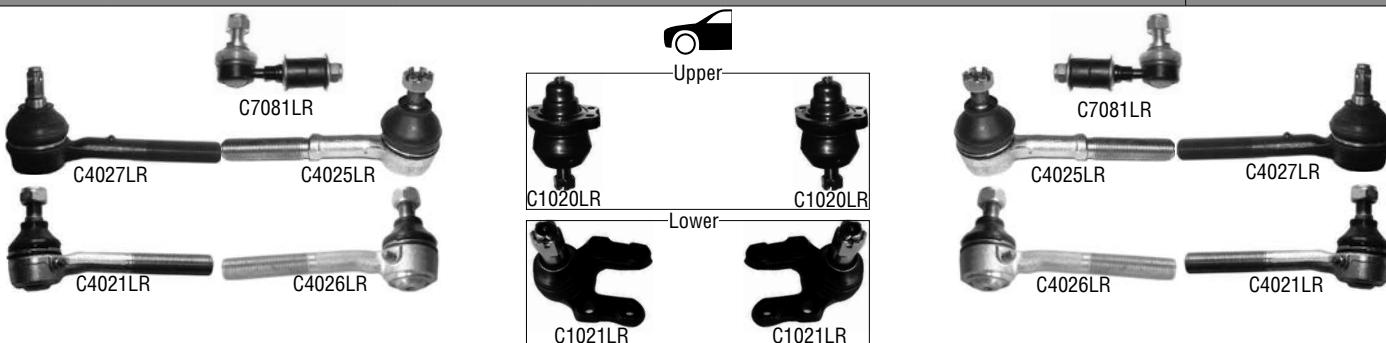
03/2006>



LYNX	Description	Original Number	Specification
C2088LR	Tie Rod	48521-3U025	MM14x1.5R
C4129L	Tie Rod End Left	48527-1U61A	FM12X1.25
C4129R	Tie Rod End Right	48647-1U61A	FM12X1.25
C5010L	Susp. Arm Left	54501-AX600	
C5010R	Susp. Arm Right	54500-AX600	
C1202LR	Ball Joint	40160-AX000	
C7246LR	Stabiliser Link	54618-9U00A	
C8509	Stabiliser Mounting	54613-9U000	ø 21
C8507	Silentblock	54560-AX600	ø 36.1
C8508	Silentblock	54570-AX600	ø 58.4

PATHFINDER (WD21, VD21) / TERRANO I
PATHFINDER (R20) / TERRANO II

07/1986 - 02/1996
02/1993 - 09/1997



LYNX	Description	Original Number	Specification
C4027LR	Tie Rod End Outer	48520-61G25	MM16x1.5R
C4025LR	Tie Rod End Inner	48570-61G25	MM16x1.5L
C4021LR	Tie Rod End Outer	48520-31G25	MM16X1.5R
C4026LR	Tie Rod End Inner	48570-31G25	MM16X1.5L
C1020LR	Ball Joint Upper	40110-01G00	
C1021LR	Ball Joint Lower	40160-0F000	
C7081LR	Stabiliser Link	54618-0F000	
C7250LR	Stabiliser Link	56260-0F001	

• NISSAN

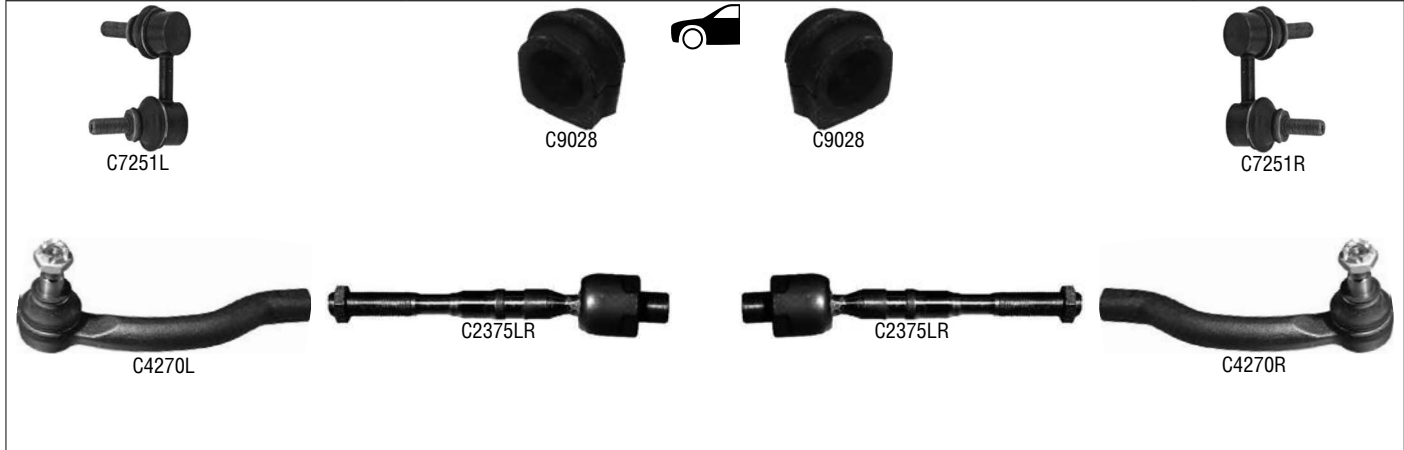


PATHFINDER (R50) / TERRANO III 01/1997 - 08/2003

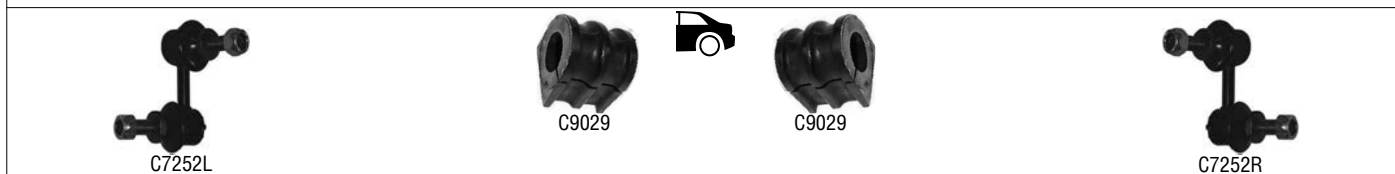


LYNX	Description	Original Number	Specification
C2025LR	Tie Rod	48521-0W025	MM20x1.5R
C4020LR	Tie Rod End	48520-0W025	FM14x1.5R
C5256L	Susp. Arm Left	54501-0W001	
C5256R	Susp. Arm Right	54500-0W001	
C1044LR	Ball Joint	40160-0W025	
C7023LR	Stabiliser Link	54618-0W001	
C7104LR	Stabiliser Link	56260-0W001	
C9024	Stabiliser Mounting	54613-4P007	
C9025	Stabiliser Mounting	56243-0E015	
C9026	Silentblock		
C9027	Silentblock		

PATHFINDER (R51M) / NAVARA (D40M) 01/2005>
07/2005>

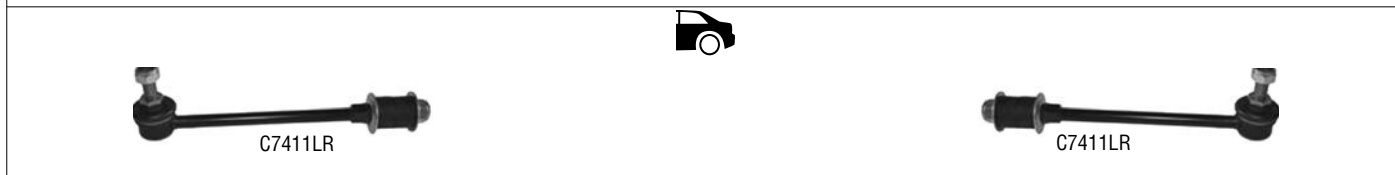
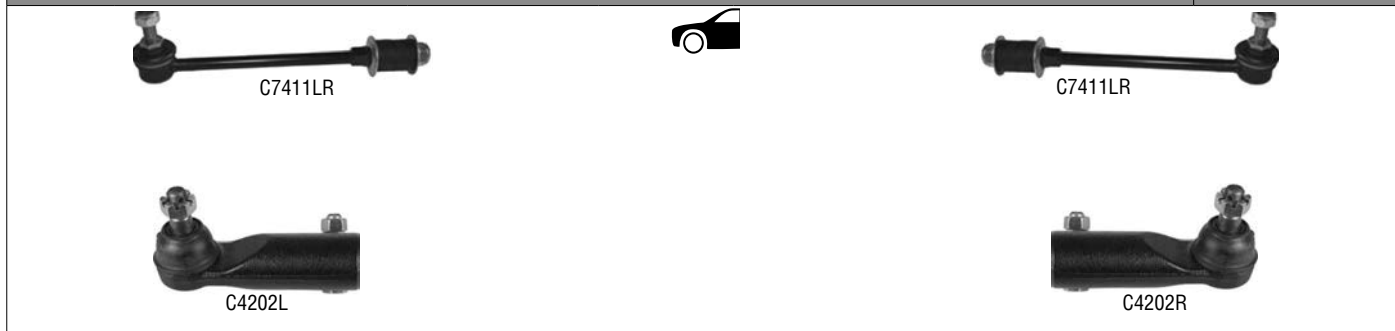


LYNX	Description	Original Number	Specification
C2375LR	Tie Rod	48521-EA000	
C4270L	Tie Rod End Left	48520-EA01J	09/06>
C4270R	Tie Rod End Right	48640-EA01J	09/06>
C7251L	Stabiliser Link Left	54668-EA010	
C7251R	Stabiliser Link Right	54618-EA010	
C9028	Stabiliser Mounting	54613-EA000	



LYNX	Description	Original Number	Specification	
C5257L	Susp. Arm Upper Left	54525-EB300		
C5257R	Susp. Arm Upper Right	54524-EB300		
C5258L	Susp. Arm Lower Left	54501-EB300		
C5258R	Susp. Arm Lower Right	54500-EB300		
C1304LR	Ball Joint Lower	Comp of. C5258L/R		
C1305LR	Ball Joint Upper	Comp of. C5257L/R		
C7252L	Stabiliser Link Left	56261-EA510		Exc. Navara
C7252R	Stabiliser Link Right	56261-EA500		Exc. Navara
C9029	Stabiliser Mounting	54613-EA520		
C8510	Silentblock	Comp of. C5257L/R		
C8511	Silentblock	Comp of. C5258L/R		

PATROL GR I (Y60) 08/1987 - 09/1997

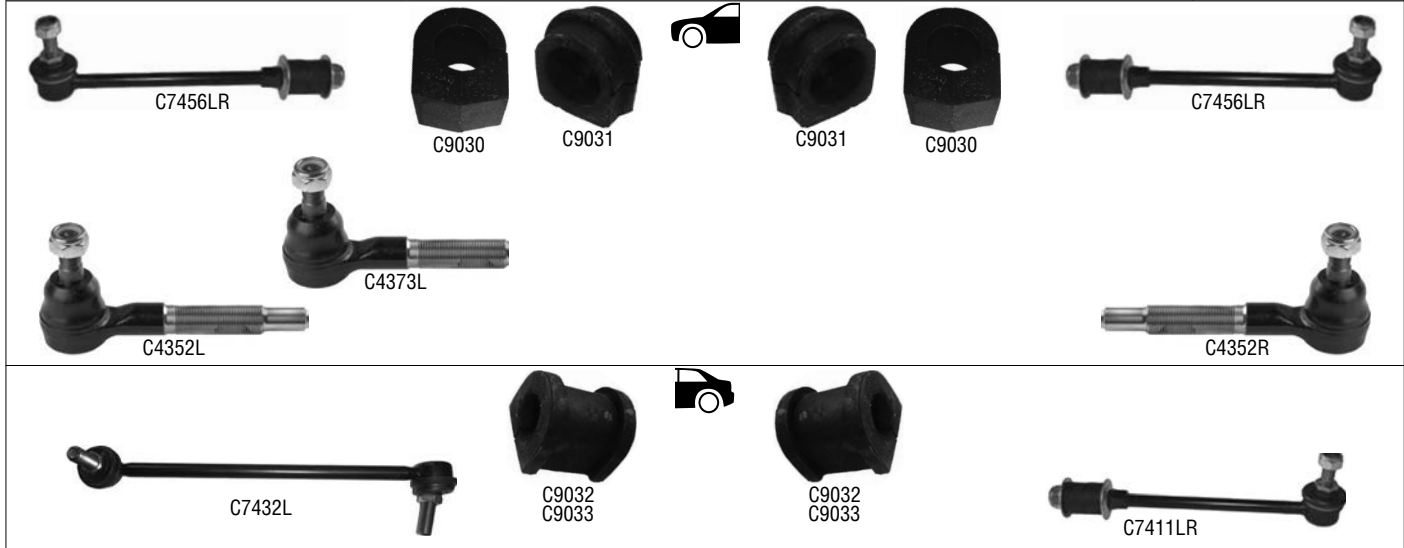


LYNX	Description	Original Number	Specification	
C4202L	Tie Rod End Left	48570-01J10		
C4202R	Tie Rod End Right	48520-01J10		
C7411LR	Stabiliser Link	56260-01J10		

• NISSAN

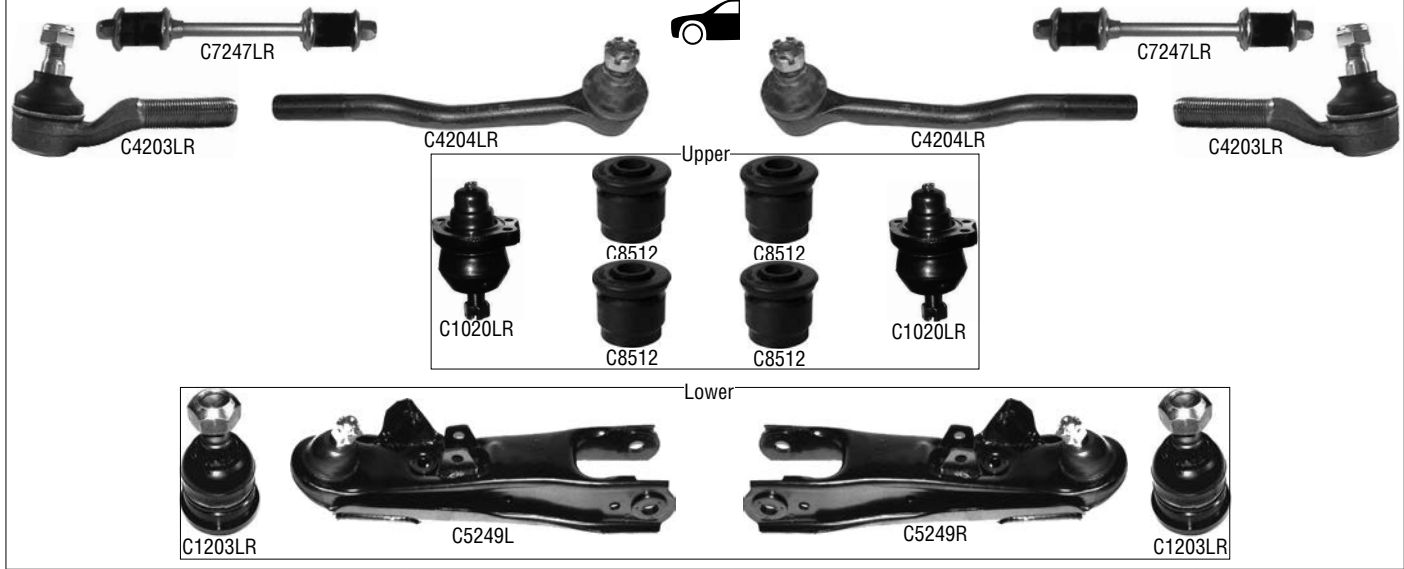


PATROL GR II (Y61) 10/1997 - 03/2010



LYNX	Description	Original Number	Specification
C4373L	Tie Rod End Left	48681-VB025	
C4352L	Tie Rod End Left	48570-VB025	
C4352R	Tie Rod End Right	48520-VB025	
C7456LR	Stabiliser Link Front	54618-VB000	
C7432L	Stabiliser Link Rear Left	56260-VB010	
C7411LR	Stabiliser Link Rear Right	56260-01J10	
C9030	Stabiliser Mounting	54613-VB002	>07/01
C9031	Stabiliser Mounting	54613-VC223	07/01>
C9032	Stabiliser Mounting	54613-VB010	>07/01
C9033	Stabiliser Mounting	56243-VC220	07/01>

PICK-UP (D21) 2WD 08/1985 - 02/1998



LYNX	Description	Original Number	Specification
C4203LR	Tie Rod End Outer	48520-01G25	MM18x1.5L
C4204LR	Tie Rod End Inner	48521-01G25	MM18x1.5R
C1020LR	Ball Joint Upper	40110-01G00	
C1203LR	Ball Joint Lower	40160-01G25	
C5249L	Susp. Arm Left	54503-01G90	
C5249R	Susp. Arm Right	54502-01G90	
C7247LR	Stabiliser Link	54618-01G00	
C8512	Silentblock	54506-B9500	ø 41.1



PICK-UP (D21) 4WD

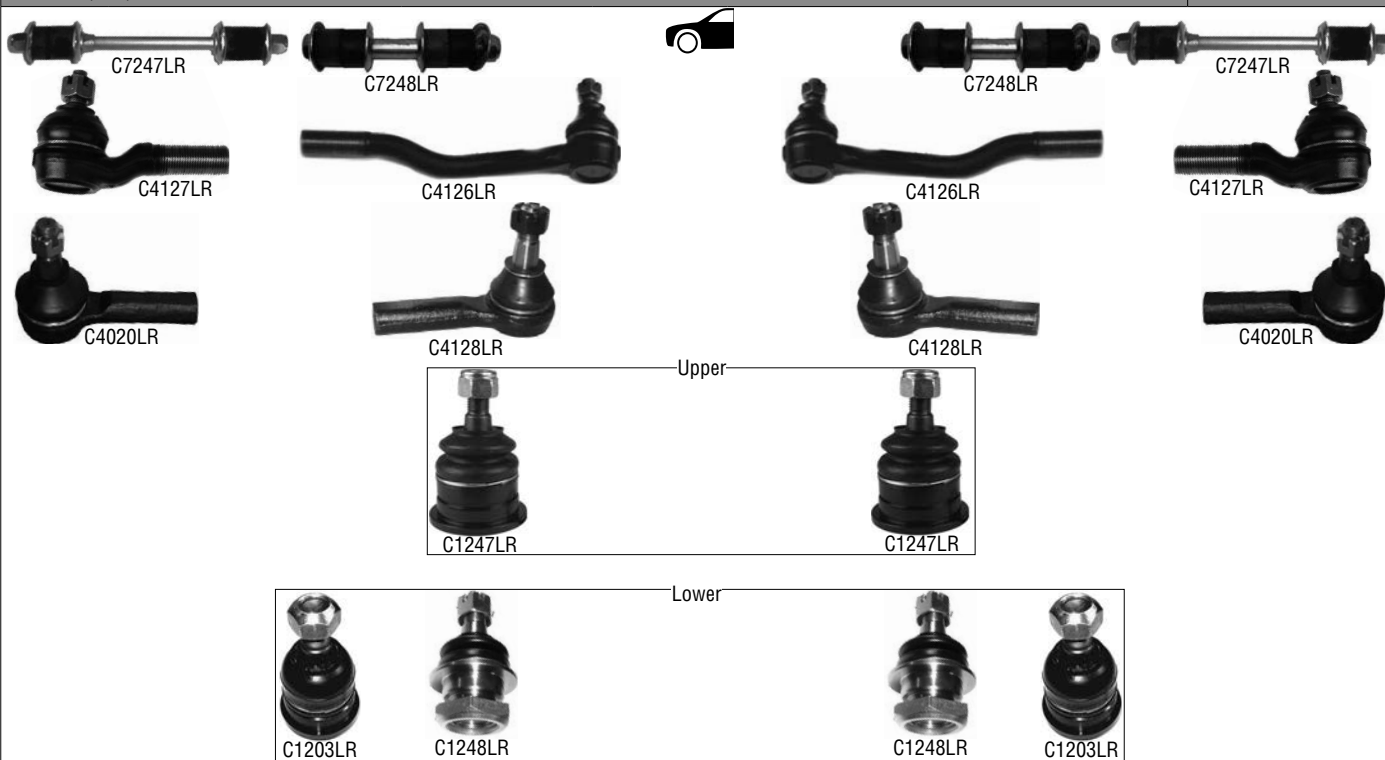
08/1985 - 02/1998



LYNX	Description	Original Number	Specification
C4021LR	Tie Rod End Outer	48520-31G25	MM16X1.5R
C4026LR	Tie Rod End Inner	48520-7F001	MM16X1.5L
C1021LR	Ball Joint Lower	40160-0F000	
C1020LR	Ball Joint Upper	40110-01G00	
C7248LR	Stabiliser Link	54618-02E00	
C8512	Silentblock	54506-B9500	ø 41.1

PICK-UP (D22) / KING CAB

09/1998>

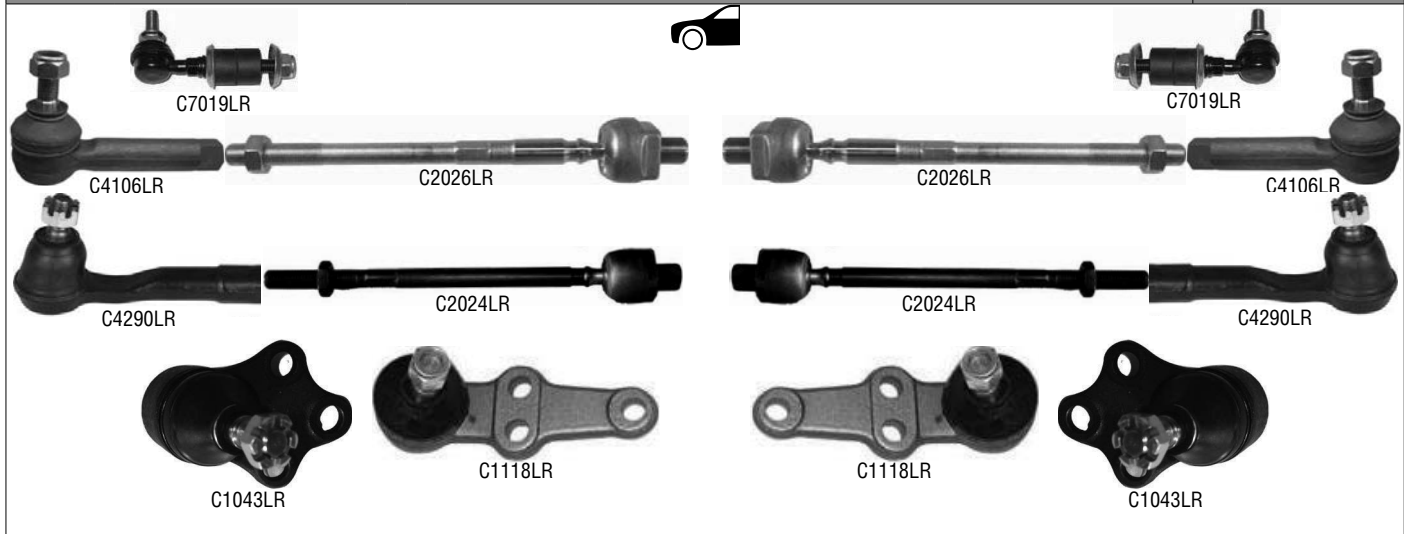


LYNX	Description	Original Number	Specification
C4126LR	Tie Rod End Inner	48521-2S425	2WD
C4127LR	Tie Rod End Outer	48520-2S425	2WD
C4020LR	Tie Rod End Outer	48520-0W025	FM14x1.5R 4WD
C4128LR	Tie Rod End Inner	48570-3S525	4WD
C1247LR	Ball Joint Upper	40110-2S485	
C1203LR	Ball Joint Lower	40160-2S485	
C1248LR	Ball Joint Lower	40160-2S601	
C7247LR	Stabiliser Link	54618-01G00	2WD
C7248LR	Stabiliser Link	54618-02E00	4WD

• NISSAN

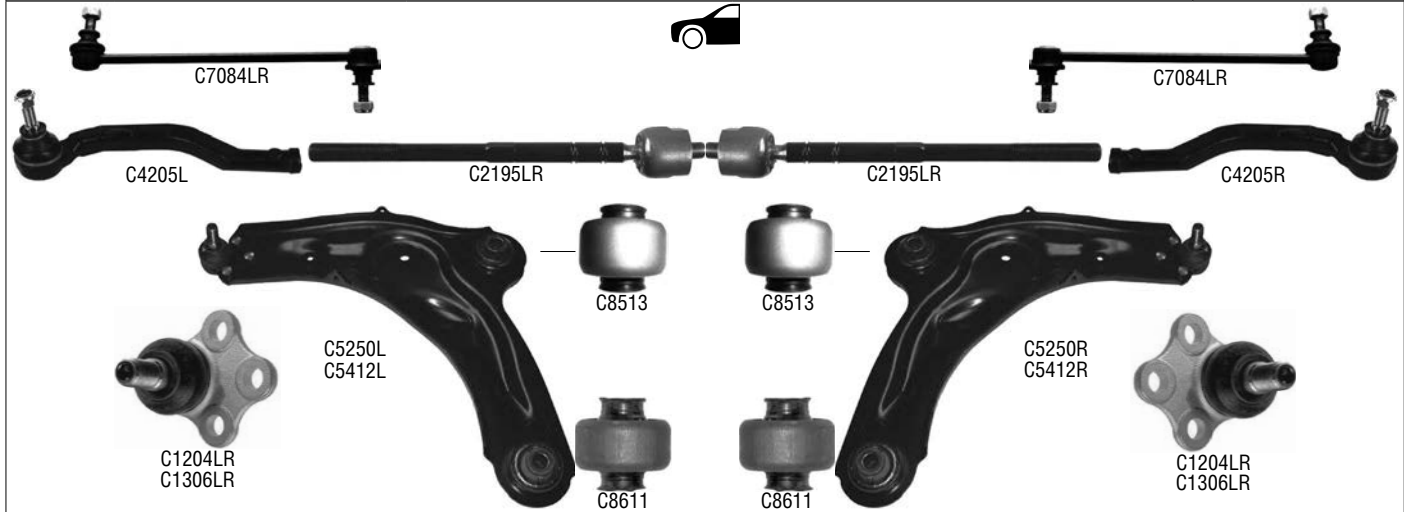


PRAIRIE (M10, NM10) PRAIRIE PRO (M11)	01/1983 - 10/1988 10/1988 - 07/1994
--	--



LYNX	Description	Original Number	Specification	
C2026LR	Tie Rod	48521-35F00	MM16X1R	2WD
C4106LR	Tie Rod End	48520-53E25	FM12X1.25R	2WD
C2024LR	Tie Rod	48521-72E06	MM16X1R	4WD
C4290LR	Tie Rod End	48520-72E25	FM14X1.5R	4WD
C1043LR	Ball Joint Lower	40160-01E00		10/88>
C1118LR	Ball Joint Lower	40160-01A25		>10/88
C7019LR	Stabiliser Link	54618-50Y00		

PRIMASTAR (X83)	03/2001>
------------------------	----------

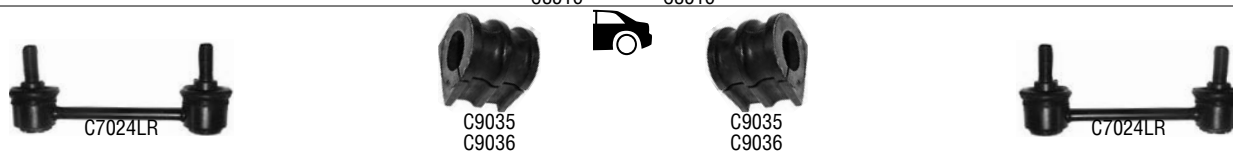
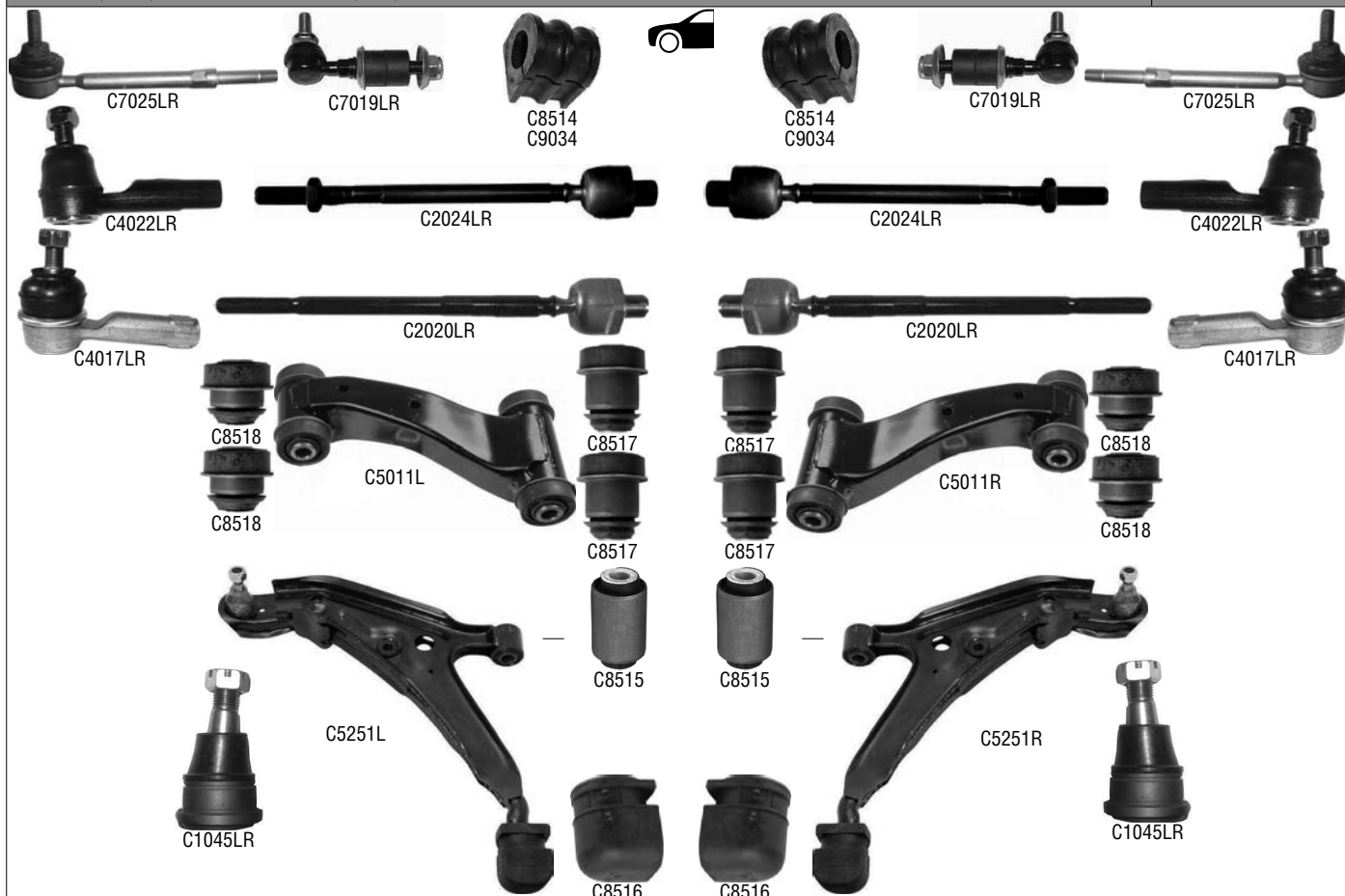


LYNX	Description	Original Number	Specification	
C2195LR	Tie Rod	48520-00QAM	MM12X1R	
C4205L	Tie Rod End Left	48520-00QAK	FM14X1.5R	
C4205R	Tie Rod End Right	48520-00QAL	FM14X1.5R	
C5250L	Susp. Arm Left	54503-00QAA		>10/06
C5250R	Susp. Arm Right	55502-00QAA		>10/06
C5412L	Susp. Arm Left	54503-00Q0C		11/06>
C5412R	Susp. Arm Right	54502-00Q0C		11/06>
C1204LR	Ball Joint Lower	Comp. of C5250L/R		>10/06
C1306LR	Ball Joint Lower	40160-00Q0A		11/06>
C7084LR	Stabiliser Link	54616-00QAC		
C8513	Silentblock	Comp. of C5250L/R	ø 54	
C8611	Silentblock	Comp. of C5250L/R	ø 58	



PRIMERA (P10/E) / PRIMERA TRAVELLER (W10)

06/1990 - 06/1996



LYNX	Description	Original Number	Specification	
C2024LR	Tie Rod	48521-72E00	MM16X1R	
C4022LR	Tie Rod End	48520-73J25	FM12X1.25R	
C2020LR	Tie Rod	48521-50Y00	MM16X1R	W10
C4017LR	Tie Rod End	48520-50Y25	FM12X1.25R	W10
C5251L	Susp. Arm Lower Left	54501-86J00		
C5251R	Susp. Arm Lower Right	54500-86J00		
C5011L	Susp. Arm Upper Left	54525-2F010		
C5011R	Susp. Arm Upper Right	54524-2F010		
C1045LR	Ball Joint Lower	40160-60Y60		
C7019LR	Stabiliser Link Front	54618-50Y00		1.6
C7025LR	Stabiliser Link Front	54618-86J25		2.0
C7024LR	Stabiliser Link Rear	56261-86J25		
C8514	Stabiliser Mounting	54612-90J10		1.6
C9034	Stabiliser Mounting	56243-92J00		2.0
C9035	Stabiliser Mounting	56243-90J10		1.6
C9036	Stabiliser Mounting	56243-91J00		2.0
C8515	Silentblock	54500-2F900	ø 38.1	
C8516	Silentblock	Comp. of C5251L/R	ø 20	
C8517	Silentblock	Comp. of C5011L/R		
C8518	Silentblock	Comp. of C5011L/R		



PRIMERA (P11/E) / PRIMERA TRAVELLER (WP11)

06/1996 - 12/2001

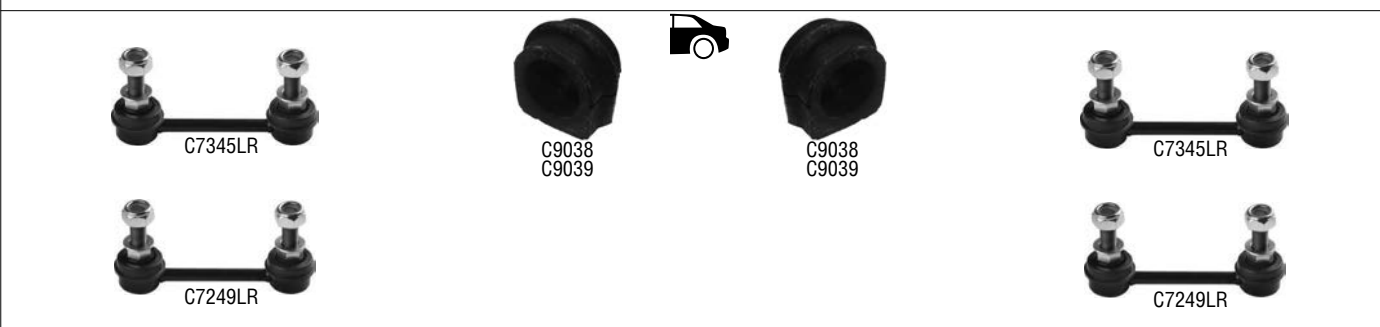
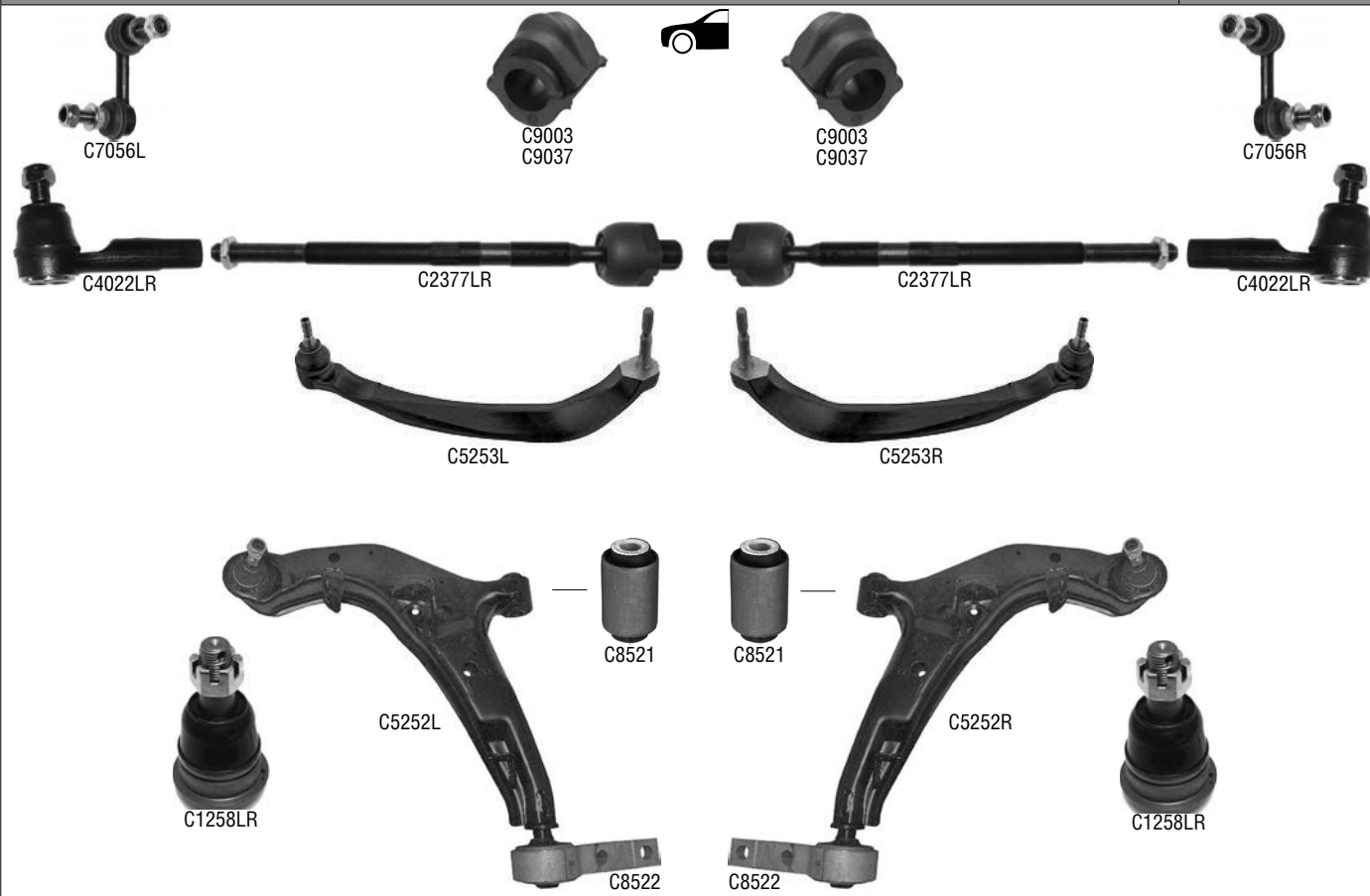


LYNX	Description	Original Number	Specification	
C2376LR	Tie Rod	48521-2F011		
C4022LR	Tie Rod End	48520-73J25	FM12X1.25R	
C5012L	Susp. Arm Lower Left	54501-2F500		
C5012R	Susp. Arm Lower Right	54500-2F500		
C5011L	Susp. Arm Upper Left	54525-2F010		
C5011R	Susp. Arm Upper Right	54524-2F010		
C1045LR	Ball Joint Lower	40160-60Y60		
C7018LR	Stabiliser Link Front	54618-58Y10		P11
C7025LR	Stabiliser Link Front	54618-2F010		P11E
C8514	Stabiliser Mounting	54612-90J10		P11 4WD
C9034	Stabiliser Mounting	56243-92J00		
C8515	Silentblock	54500-2F900	ø 38.1	
C8519	Silentblock	Comp. of C5012L		
C8520	Silentblock	Comp. of C5012R		
C8517	Silentblock	Comp. of C5011L/R		
C8518	Silentblock	Comp. of C5011L/R		



PRIMERA (P12/E) / PRIMERA TRAVELLER (WP12)

03/2002>



LYNX	Description	Original Number	Specification	
C2377LR	Tie Rod		MM18X1.5R	
C4022LR	Tie Rod End	48520-73J25	FM12X1.25	
C5252L	Susp. Arm Lower Left	54501-AV600		
C5252R	Susp. Arm Lower Right	54500-AV600		
C5253L	Susp. Arm Upper Left	54525-AV600		
C5253R	Susp. Arm Upper Right	54524-AV600		
C1258LR	Ball Joint Lower	Comp. of C5252L/R		
C7056L	Stabiliser Link Front Left	54668-AU000		
C7056R	Stabiliser Link Front Right	54618-AU000		
C7345LR	Stabiliser Link Rear	56261-0E000		>10/02
C7249LR	Stabiliser Link Rear	56261-AV610		11/02>
C9003	Stabiliser Mounting	54613-AU004		(S+5HB)
C9037	Stabiliser Mounting	54613-AU005		
C9038	Stabiliser Mounting	54613-AU102		(S+5HB)
C9039	Stabiliser Mounting	54613-AV620		
C8521	Silentblock	Comp. of C5252L/R		
C8522	Silentblock	Comp. of C5252L/R		

• NISSAN

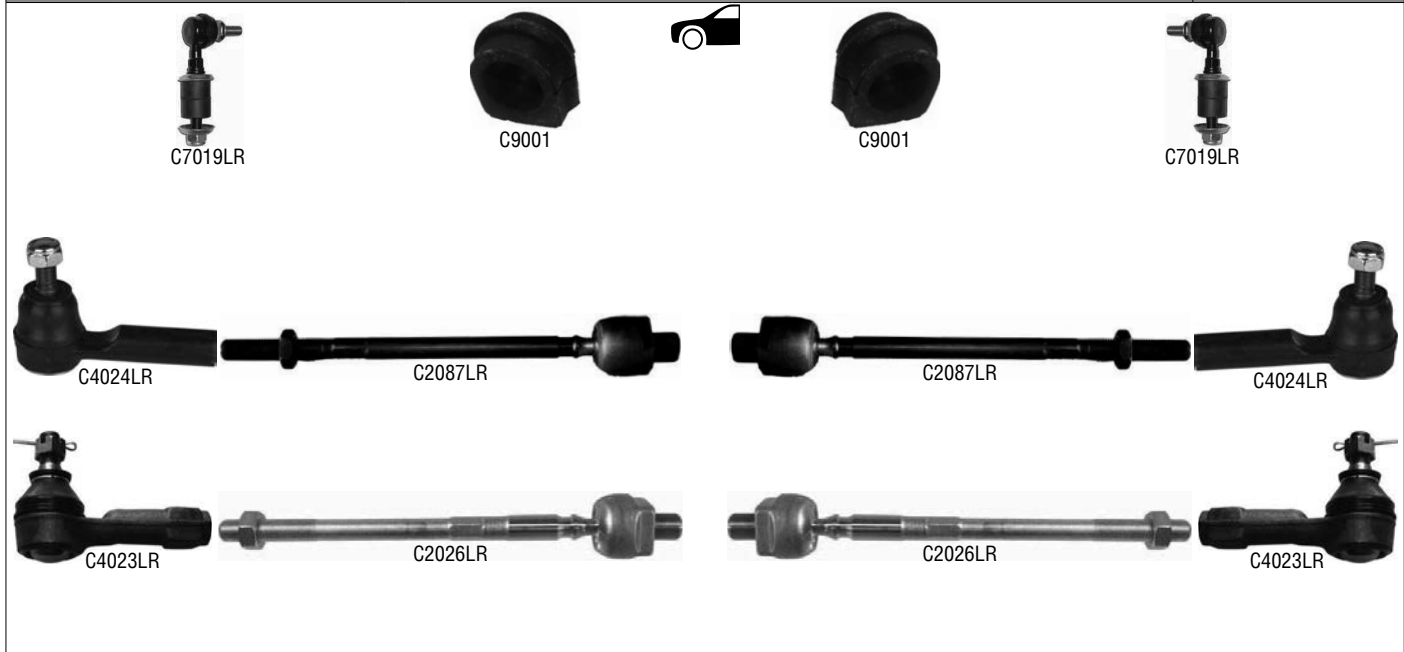


SERENA (C23M) 10/1992 - 06/2001
VANETTE CARGO (HC23) 01/1995 - 06/2001



LYNX	Description	Original Number	Specification
C2378LR	Tie Rod		MM14X1.5R
C4022LR	Tie Rod End	48520-73J25	FM12X1.25
C5254L	Susp. Arm Left	54501-7C350	
C5254R	Susp. Arm Right	54500-7C350	
C1205L	Ball Joint Left	40161-9C500	
C1205R	Ball Joint Right	40160-9C500	
C7412L	Stabiliser Link Left	54668-9C000	
C7412R	Stabiliser Link Right	54618-9C002	

SUNNY II (B12, N13) 06/1986 - 09/1990

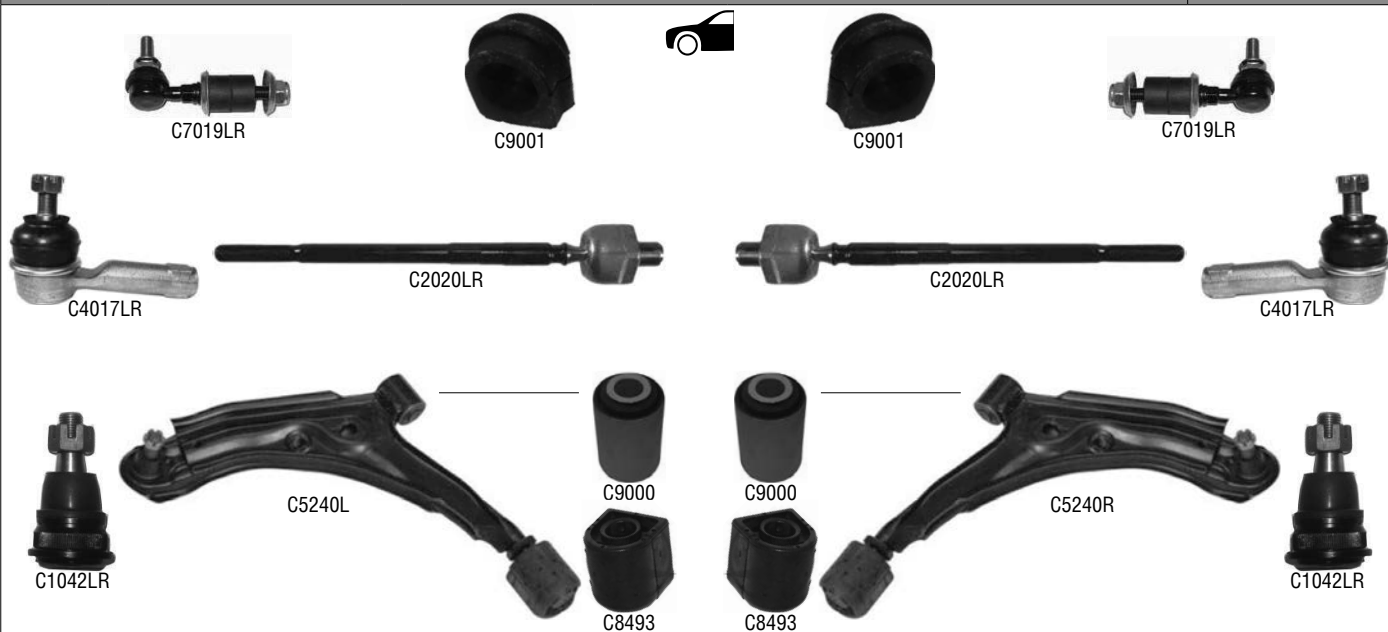


LYNX	Description	Original Number	Specification
C2087LR	Tie Rod	48521-35A00	2WD
C4024LR	Tie Rod End	48520-53M25	FM12X1.25R 2WD
C2026LR	Tie Rod	48521-70A06	MM16X1R 4WD
C4023LR	Tie Rod End	48520-D0100	FM12X1.25R 4WD
C7019LR	Stabiliser Link	54618-D5000	
C9001	Stabiliser Mounting	54612-60Y00	



LYNX	Description	Original Number	Specification
C5255L	Susp. Arm Left	54501-50A00	
C5255R	Susp. Arm Right	54500-50A00	
C1045LR	Ball Joint Lower	Comp. of C5255L/R	
C8494	Silentblock	54560-50A00	ø 36.2
C8523	Silentblock	54570-50A10	ø 54.2

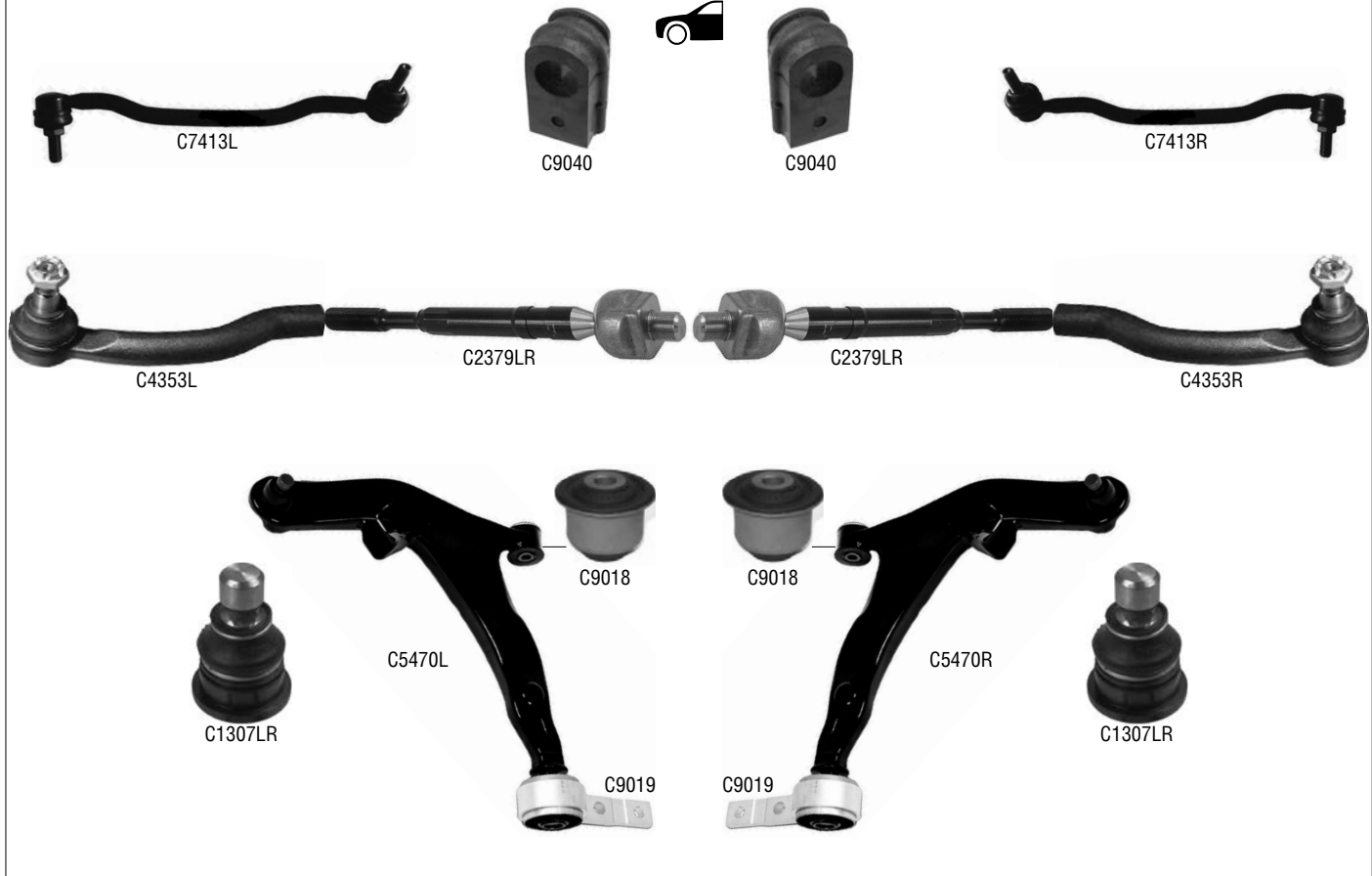
SUNNY III (N14) Exc. 2.0 GTi-R 10/1990 - 06/1995



LYNX	Description	Original Number	Specification
C2020LR	Tie Rod	48521-50400	MM16X1R
C4017LR	Tie Rod End	48520-50Y25	FM12X1.25R
C5240L	Susp. Arm Left	54501-52Y10	
C5240R	Susp. Arm Right	54500-52Y10	
C1042LR	Ball Joint	40160-50Y00	
C7019LR	Stabiliser Link Front	54618-50Y00	
C7018LR	Stabiliser Link Rear	54618-58Y10	
C9001	Stabiliser Mounting	54612-60Y00	
C8493	Silentblock	54570-69Y10	
C9000	Silentblock		



TEANA (J31) 10/2003 - 06/2008

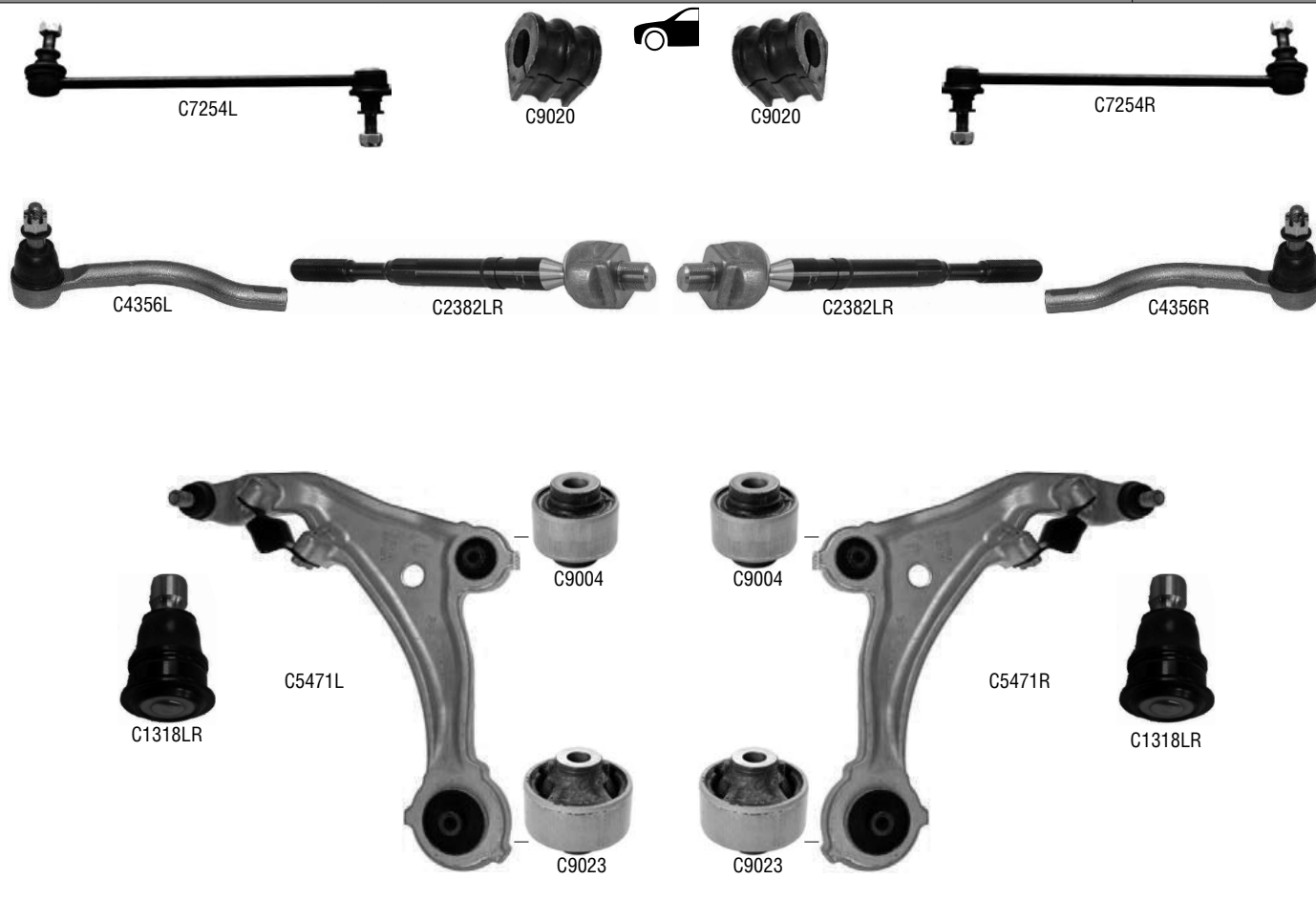


LYNX	Description	Original Number	Specification
C2379LR	Tie Rod	48521-9Y025	
C4353L	Tie Rod End Left	48640-9Y025	
C4353R	Tie Rod End Right	48520-9Y025	
C5470L	Susp. Arm Left	54501-9W50A	
C5470R	Susp. Arm Right	54500-9W200	
C1307LR	Ball Joint	40160-9W200	
C7413L	Stabiliser Link Front Left	54618-CN011	
C7413R	Stabiliser Link Front Right	54668-CN011	
C7414L	Stabiliser Link Rear Left	54668-9W200	>05/07
C7414R	Stabiliser Link Rear Right	54618-9W200	>05/07
C7415L	Stabiliser Link Rear Left	54668-CA010	05/07>
C7415R	Stabiliser Link Rear Right	54618-CA010	05/07>
C9040	Stabiliser Mounting	54613-9Y002	
C9041	Stabiliser Mounting	54613-9Y016	>05/07
C9017	Stabiliser Mounting	54613-CA000	05/07>
C9018	Silentblock		
C9019	Silentblock		



TEANA (J32, J32R)

06/2008>



LYNX	Description	Original Number	Specification
C2382LR	Tie Rod	D8521-JA00A	
C4356L	Tie Rod End Left	D8640-1AA0A	
C4356R	Tie Rod End Right	D8520-1AA0A	
C5471L	Susp. Arm Left	54501-JN00A	
C5471R	Susp. Arm Right	54500-JN00A	
C1318LR	Ball Joint		
C7254L	Stabiliser Link Front Left	54668-1AA0A	
C7254R	Stabiliser Link Front Right	54618-1AA0A	
C7417L	Stabiliser Link Rear Left	56261-1AD0B	
C7417R	Stabiliser Link Rear Right	56261-1AD0A	
C9020	Stabiliser Mounting	54613-JN20A	
C9021	Stabiliser Mounting	56243-1AD0A	VQ25/35DE
C9022	Stabiliser Mounting	56243-1AA0A	QR25DE
C9023	Silentblock		
C9004	Silentblock		

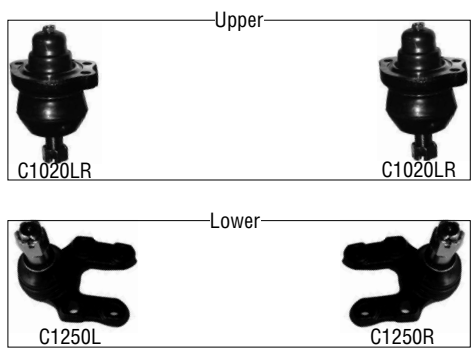


TIIDA (C11X, SC11X) 09/2007>



LYNX	Description	Original Number	Specification
C2088LR	Tie Rod	48521-3U025	MM14x1.5R
C4129L	Tie Rod End Left	48527-1U61A	FM12X1.25
C4129R	Tie Rod End Right	48647-1U61A	FM12X1.25
C5472L	Susp. Arm Left	54501-EL000	
C5472R	Susp. Arm Right	54500-EL000	
C1303LR	Ball Joint		
C7246LR	Stabiliser Link	54618-9U00A	
C9042	Stabiliser Mounting	54613-EL000	
C8507	Silentblock	54560-AX600	ø 36.1
C8508	Silentblock	54570-AX600	ø 58.4

URVAN (E23) 07/1980 - 05/1987

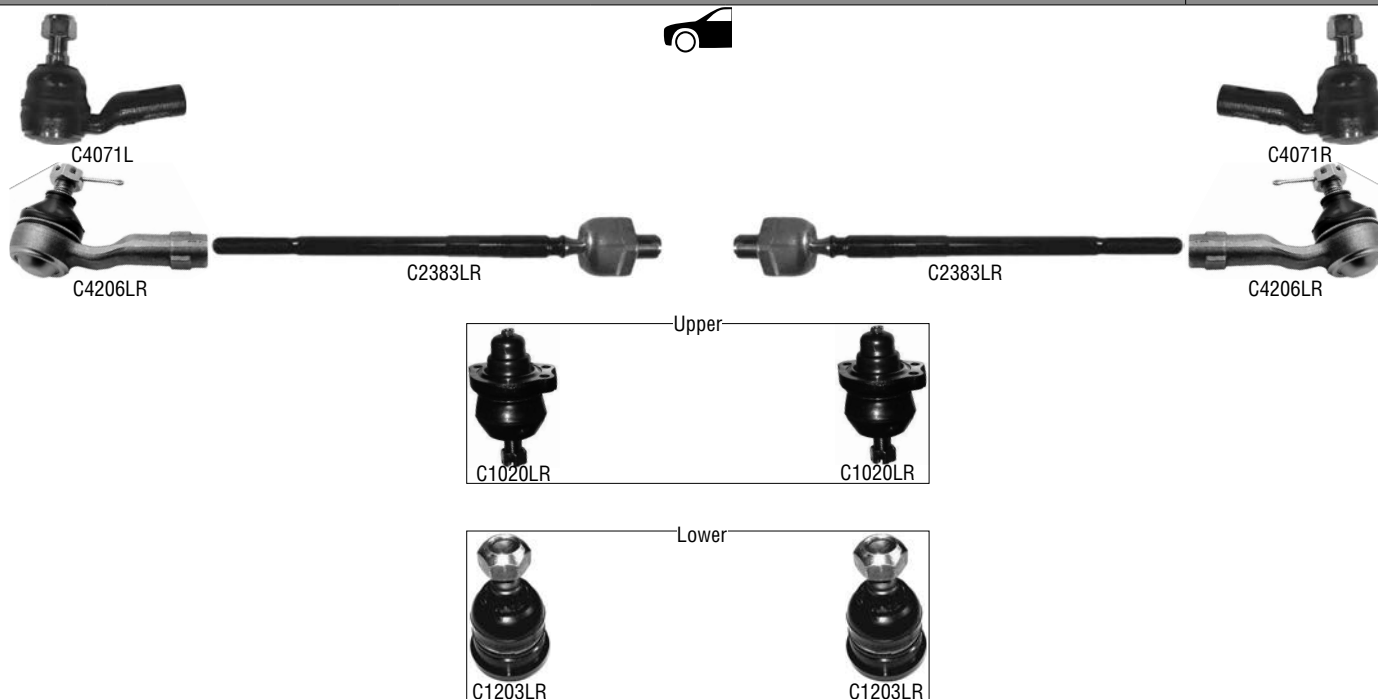


LYNX	Description	OE- number	Specification
C1020LR	Ball Joint Upper	40110-01G00	
C1250L	Ball Joint Lower Left	40161-48W00	
C1250R	Ball Joint Lower Right	40160-48W00	



URVAN (E24)

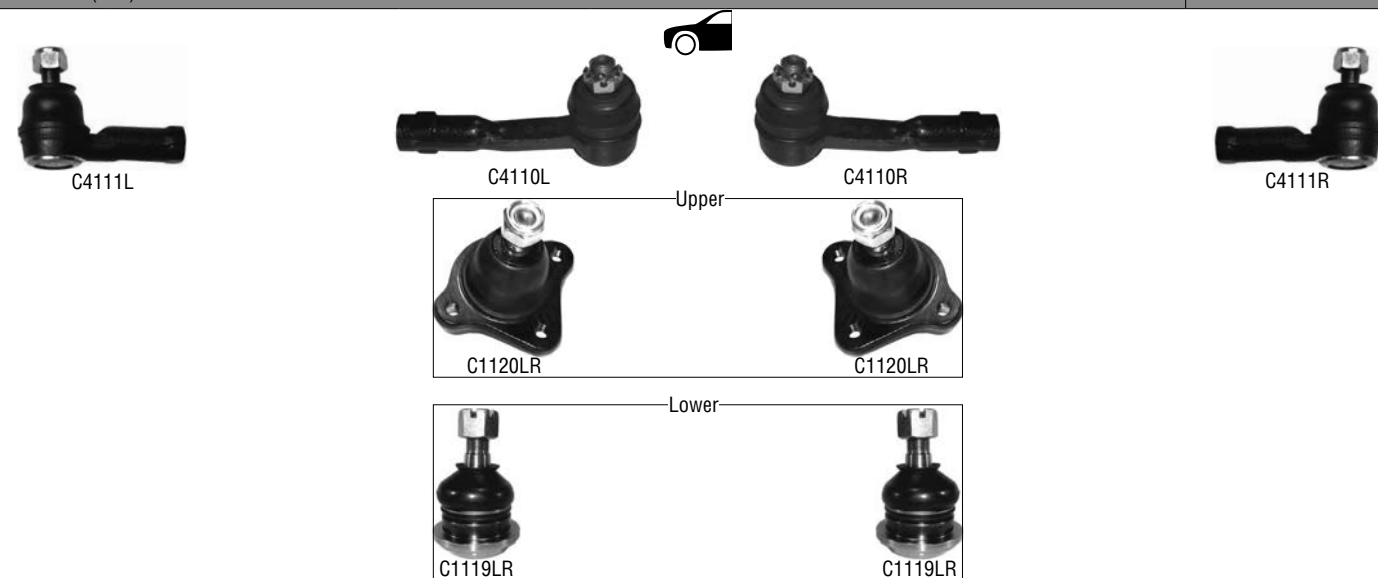
02/1987 - 05/1997



LYNX	Description	Original Number	Specification	
C4071L	Tie Rod End Outer	48640-01N25	FM16x1.5L	>09/88
C4071R	Tie Rod End Inner	48641-01N25	FM16X1.5R	>09/88
C2383LR	Tie Rod	48521-27N00	MM16X1R	10/88>
C4206LR	Tie Rod End	48520-27N25	FM14x1.5R	10/88>
C1203LR	Ball Joint Lower	40160-01G25		
C1020LR	Ball Joint Upper	40110-01G00		

VANETTE (C22)

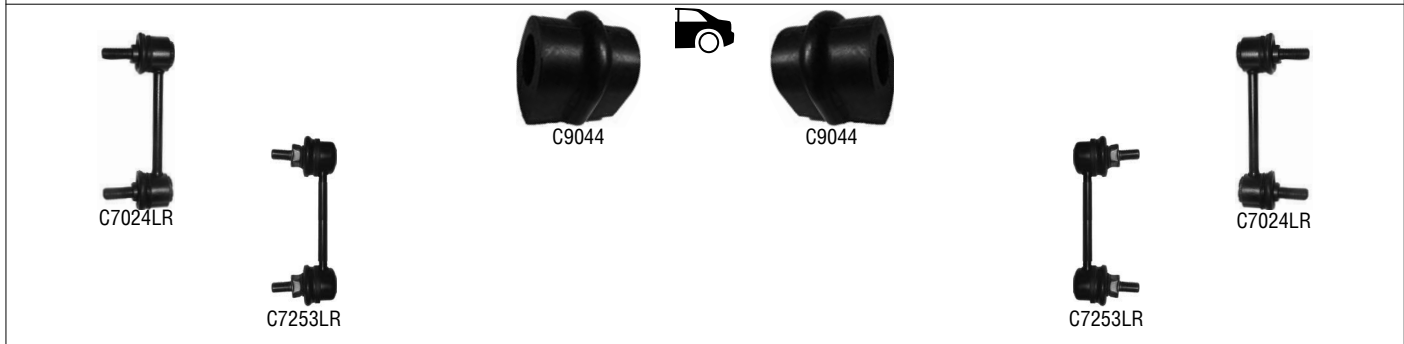
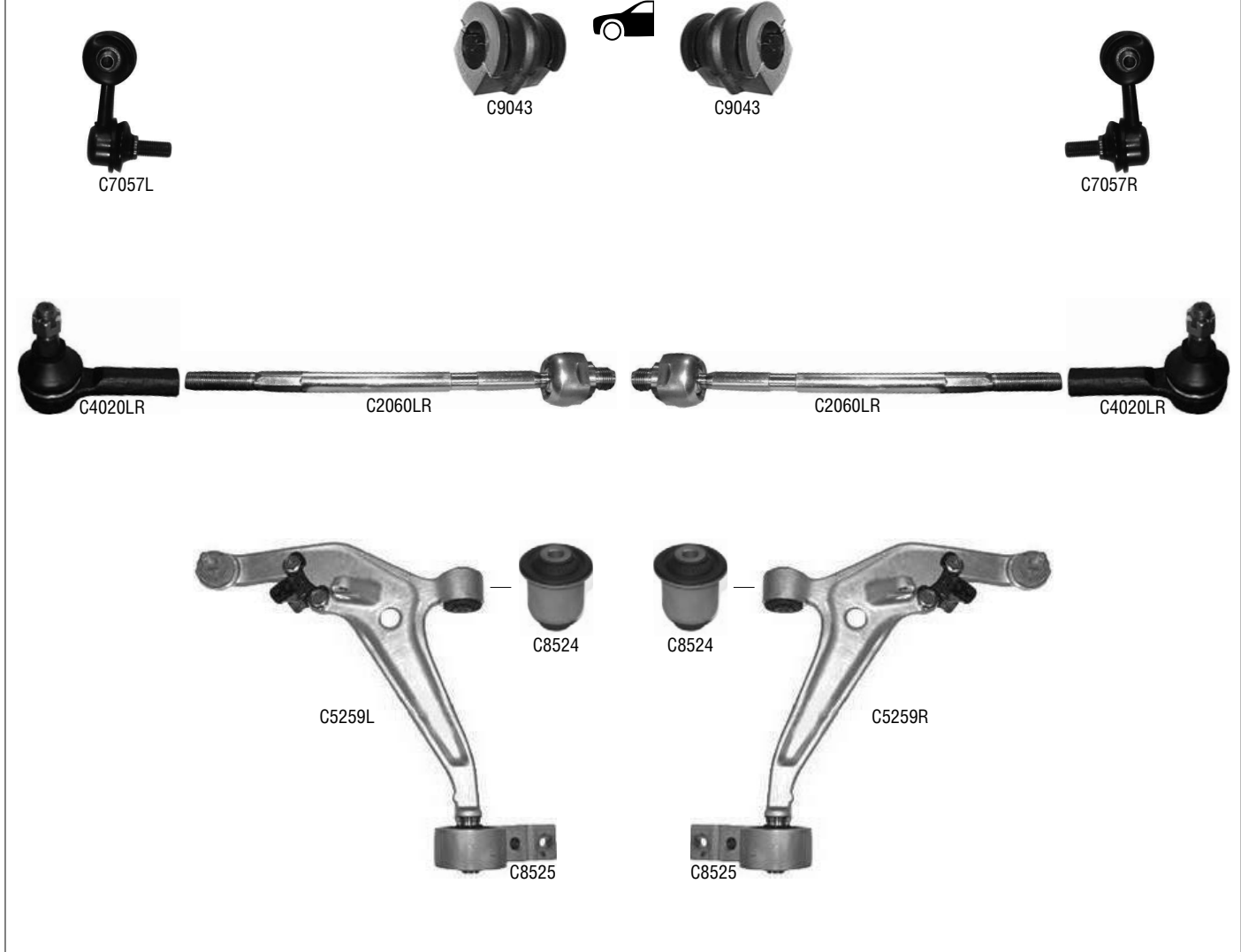
09/1985- 12/1995



LYNX	Description	Original Number	Specification	
C4111L	Tie Rod End Left	48640-G5101	FM14x1.5R	
C4111R	Tie Rod End Right	48520-G5101	FM14X1.5L	
C4110L	Tie Rod End Inner Left	48641-G5125	FM14X1.5L	
C4110R	Tie Rod End Inner Right	48521-G5101	FM14x1.5R	
C1120LR	Ball Joint Upper	40110-G3700		
C1119LR	Ball Joint Lower	40160-G2500		



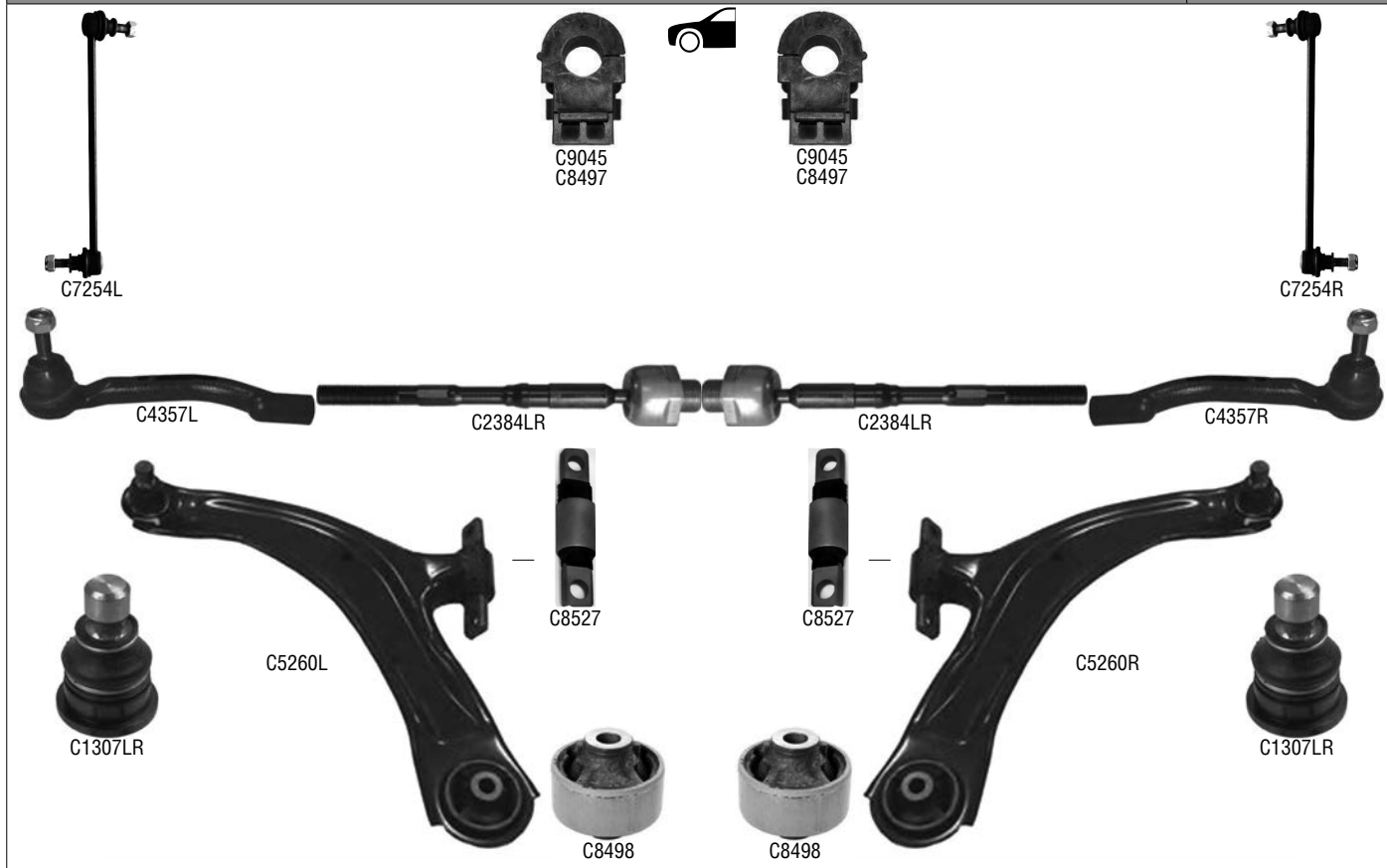
X-TRAIL (T30) 07/2001 - 05/2007



LYNX	Description	Original Number	Specification	
C2060LR	Tie Rod	48521-8H325	MM16X1R	
C4020LR	Tie Rod End	48520-0P725	FM14X1.5R	
C5259L	Susp. Arm Left	54501-8H310		
C5259R	Susp. Arm Right	54500-8H310		
C7057L	Stabiliser Link Left	54668-8H300		
C7057R	Stabiliser Link Right	54618-8H300		
C7024LR	Stabiliser Link	56261-50J00		>10/03
C7253LR	Stabiliser Link	56261-EQ000		10/03>
C9043	Stabiliser Mounting	54613-8H318		
C9044	Stabiliser Mounting	54613-8H518		
C8524	Silentblock	Comp. of C5259L/R		
C8525	Silentblock	Comp. of C5259L/R		



X-TRAIL (T31)
QASHQAI (J10E) / QASHQAI+2 (JJ10E) 06/2007>
02/2007>



LYNX	Description	Original Number	Specification	
C2384LR	Tie Rod	D8521-JG00A	MM22x1.5R	
C4357L	Tie Rod End Left	48647-JD01A	FM14x1.5R	
C4357R	Tie Rod End Right	48527-JD01A	FM14x1.5R	
C5260L	Susp. Arm Left	54501-JD000		
C5260R	Susp. Arm Right	54500-JD000		
C1307LR	Ball Joint	Comp. of C5260L/R		
C7254L	Stabiliser Link Front Left	54668-1AA0A		
C7254R	Stabiliser Link Front Right	54618-1AA0A		
C7255L	Stabiliser Link Left	55619-JD00A		
C7255R	Stabiliser Link Right	55618-JD00A		
C9045	Stabiliser Mounting	54613-JG02A	ø 21	
C8497	Stabiliser Mounting	54613-JD03A	ø 22.7	Exc. X-Trail
C9046	Stabiliser Mounting	54613-JG15C	ø 15	X-Trail
C8526	Stabiliser Mounting	54613-JD18C	ø 18	QASHQAI
C8527	Silentblock	Comp. of C5260L/R		
C8498	Silentblock	Comp. of C5260L/R	ø 58	

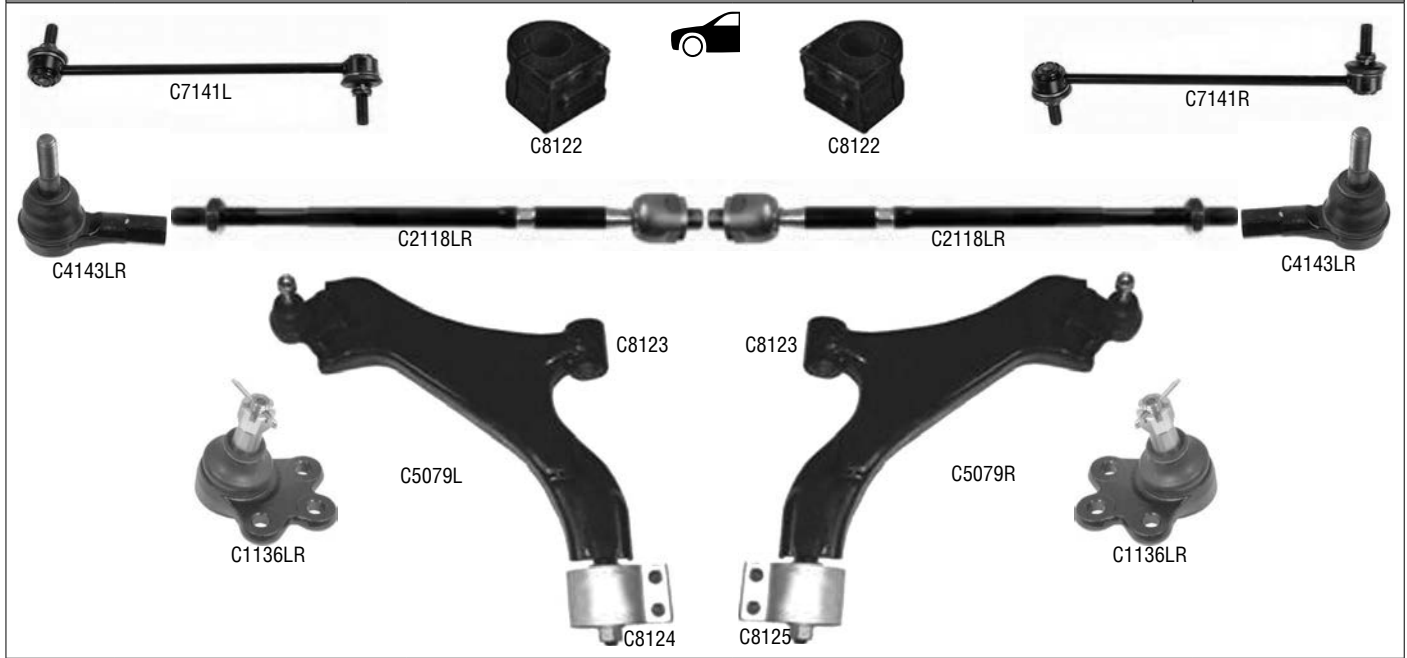


OPEL
AGILA (H00) 09/2000>



LYNX	Description	Original Number	Specification	
C2260LR	Tie Rod	4701745	MM14X1.5R	
C4231LR	Tie Rod End	4705716	FM12X1.25	Chassis № 1G075422>
C5304LR	Susp. Arm Front	4707280		Chassis № 1G075422>
C5390LR	Susp. Arm Front	4705172		Chassis № >1G075421
C8130	Silentblock	45261-77A10	ø 27.5	
C8528	Silentblock	4705409		

ANTARA (L07) 05/2006>



LYNX	Description	Original Number	Specification	
C2118LR	Tie Rod			
C4143LR	Tie Rod End	4803429	FM14X1.5R	
C5079L	Susp. Arm Left	4806300		
C5079R	Susp. Arm Right	4806301		
C1136LR	Ball Joint	15293924		
C7141L	Stabiliser Link Left	4806304		
C7141R	Stabiliser Link Right	4806305		
C8122	Stabiliser Mounting	4806447	ø 26	



C7142LR

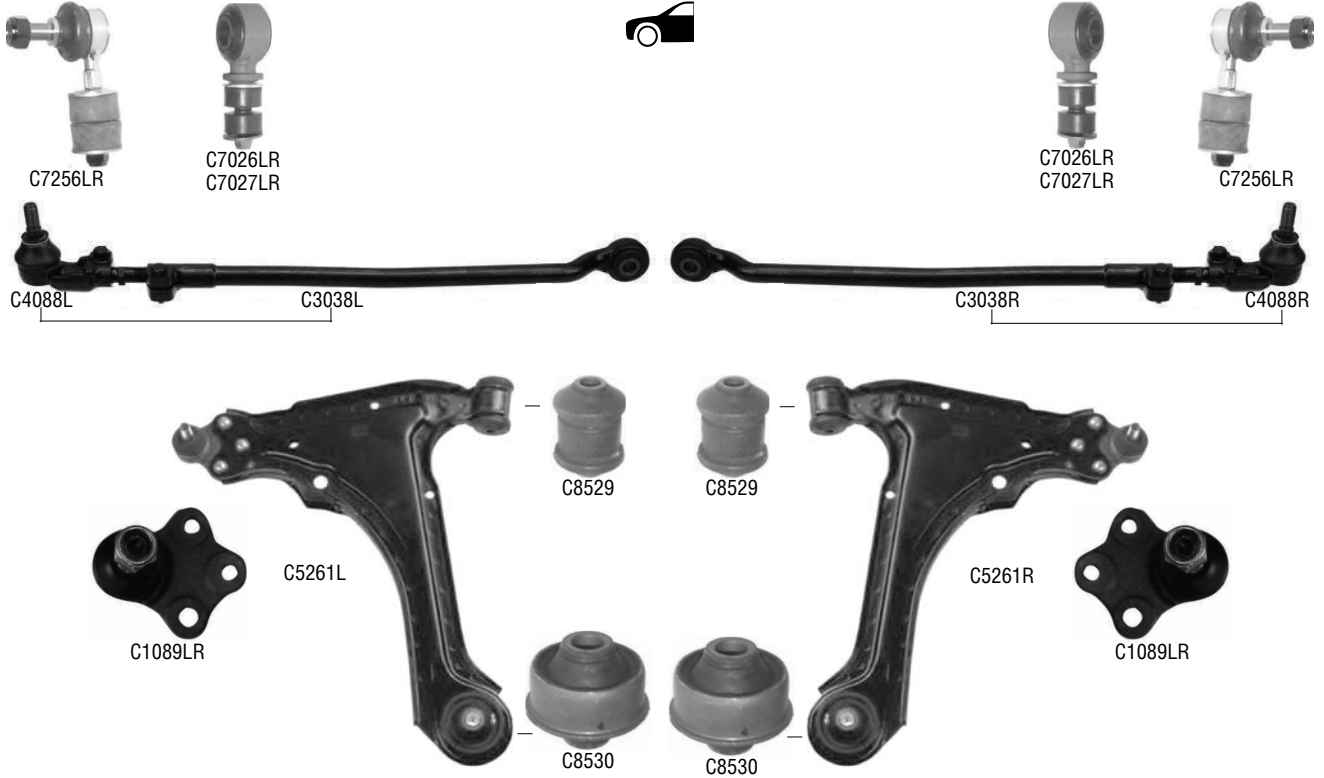


C7142LR

LYNX	Description	Original Number	Specification	
C7142LR	Stabiliser Link	4804642		
C8123	Silentblock	Comp. of C5079L/R	ø 14.2	
C8124	Silentblock	Comp. of C5079L	ø 14.2	
C8125	Silentblock	Comp. of C5079R	ø 14.2	

ASTRA F

09/1991 - 09/1998



C8743

C8743

LYNX	Description	Original Number	Specification	
C4088L	Tie Rod End Left	4242749	FM16X2R	
C4088R	Tie Rod End Right	4242756	FM16X2L	
C3038L	Side Rod Assy Left	90373225		
C3038R	Side Rod Assy Right	90373226		
C5261L	Susp. Arm Left	352077		
C5261R	Susp. Arm Right	352076		
C1089LR	Ball Joint Lower	1603121		
C7027LR	Stabiliser Link	350261		Stabilizer ø 18
C7256LR	Stabiliser Link	350263		Stabilizer ø 20
C7026LR	Stabiliser Link	350260		Stabilizer ø 22
C8529	Silentblock	352300	ø 38.7	
C8530	Silentblock	352347	ø 60	
C8743	Silentblock	402645		



ASTRA G 09/1998 - 01/2004



LYNX	Description	Original Number	Specification	
C2028LR	Tie Rod	1603213	MM18X1.5R	DELPHI
C2196LR	Tie Rod	1603216	MM18X1.5R	TRW
C4028LR	Tie Rod End	1603214	FM14x1.5R	
C5262L	Susp. Arm Left	5352016		
C5262R	Susp. Arm Right	5352017		
C1046LR	Ball Joint	352800		
C7028LR	Stabiliser Link	350611		
C8531	Stabiliser Mounting	350130	ø 16	Chassis № >X2999999, >X5999999, >X6999999, >X8999999
C8532	Stabiliser Mounting	350138	ø 18	Chassis № >Y2000001>, >Y5000001>, >Y6000001>, >Y8000001>
C8207	Silentblock	352364	ø 35.4	
C8533	Silentblock	352365	ø 47.2	
C9048	Silentblock	13157518		



ASTRA H

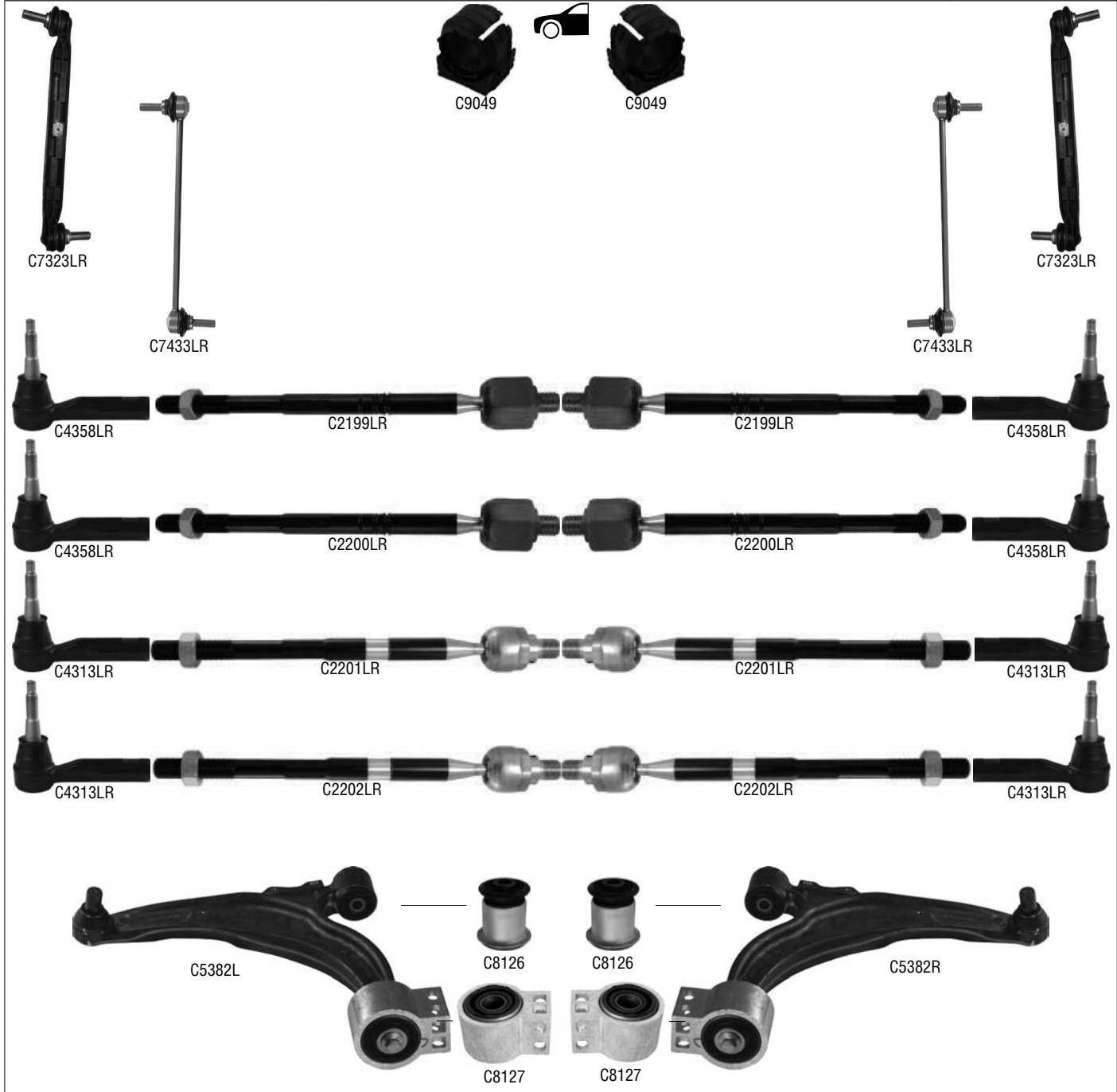
03/2004>



LYNX	Description	Original Number	Specification	
C2197LR	Tie Rod	1603256	MM18X1.5R	TRW
C2198LR	Tie Rod	1603264	MM16X1.5R	ZF
C4207L	Tie Rod End Left	1603289	FM14X1.5R	
C4207R	Tie Rod End Right	1603288	FM14X1.5R	
C5263L	Susp. Arm Left	5352029		
C5263R	Susp. Arm Right	5352030		
C1046LR	Ball Joint	352800		
C7028LR	Stabiliser Link	350614		Exc. IDS
C7257LR	Stabiliser Link	350613		IDS
C8538	Stabiliser Mounting	350161		
C8207	Silentblock	352364	ø 35.4	
C8534	Silentblock	352324	ø 46.1	



ASTRA J 12/2009>

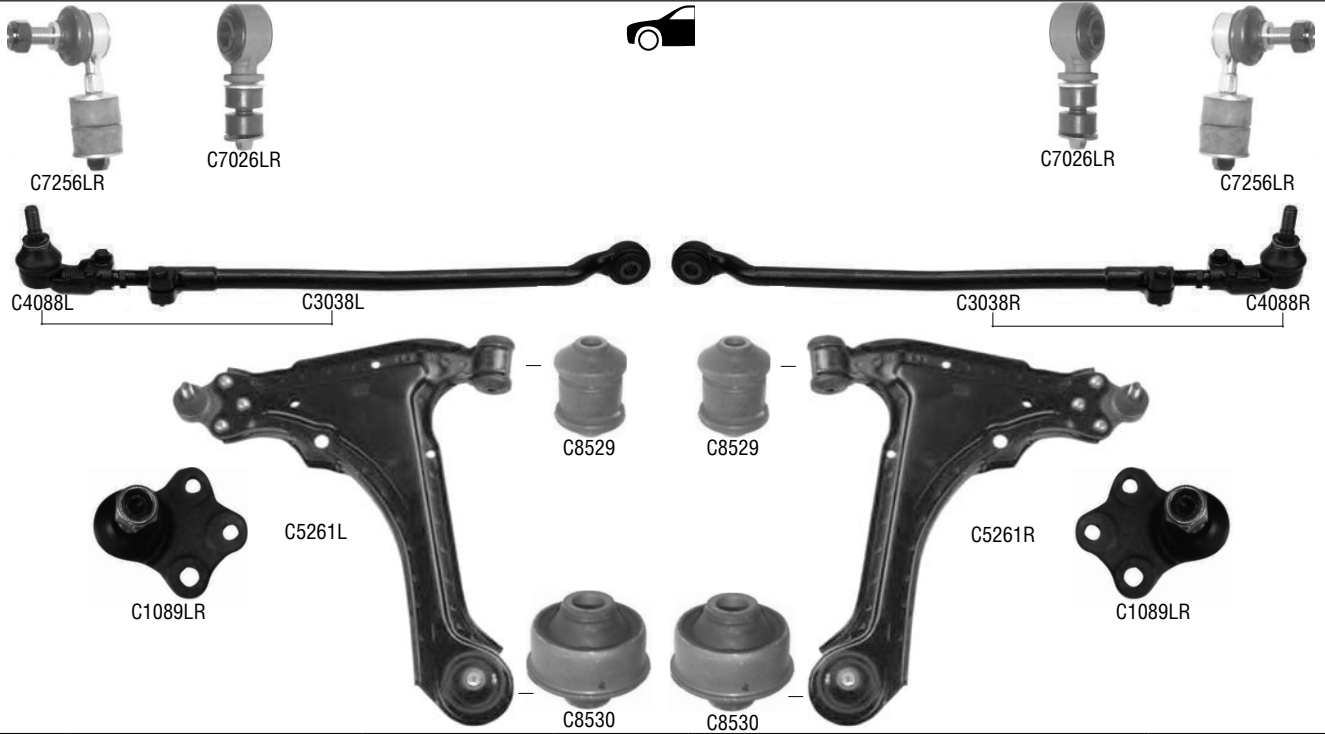


LYNX	Description	Original Number	Specification	
C2199LR	Tie Rod	1609027	MM16x1.5R	Electro PS, Standart Rack Travel (POC NJ1)
C2200LR	Tie Rod	1609029	MM16x1.5R	Electro PS, Reduced Rack Travel (POC NJ0)
C4358LR	Tie Rod End	1609026	FM16x1.5R	Electro PS
C2201LR	Tie Rod	920007	MM16x1.5R	Hydraulic PS, Standart Rack Travel (POC NV7)
C2202LR	Tie Rod	920005	MM16x1.5R	Hydraulic PS, Reduced Rack Travel (POC NXC)
C4313LR	Tie Rod End	920008	FM16x1.5R	Hydraulic PS
C5382L	Susp. Arm Left	352110		
C5382R	Susp. Arm Right	352115		
C7323LR	Stabiliser Link	350617		Exc. Flexride
C7433LR	Stabiliser Link	350618		Flexride
C9049	Stabiliser Mounting	350621	∅ 26	
C8126	Silentblock	13219090	∅ 40.4	
C8127	Silentblock	13230774	∅ 22.3	



CALIBRA A (85_)

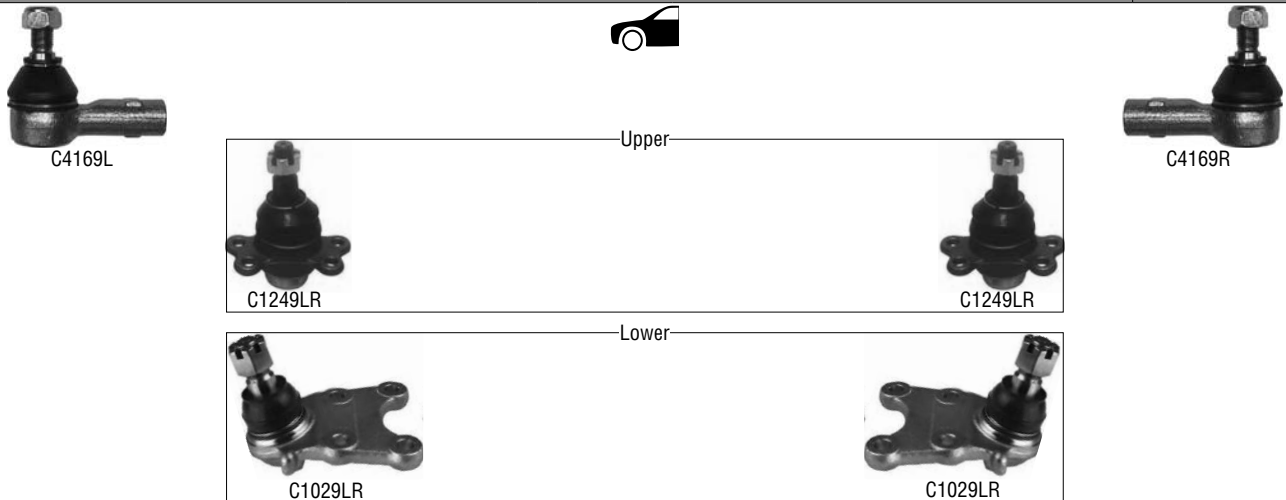
06/1990 - 07/1997



LYNX	Description	Original Number	Specification
C4088L	Tie Rod End Left	4242749	FM16X2R
C4088R	Tie Rod End Right	4242756	FM16X2L
C3038L	Side Rod Assy Left	90373225	
C3038R	Side Rod Assy Right	90373226	
C5261L	Susp. Arm Left	352077	
C5261R	Susp. Arm Right	352076	
C1089LR	Ball Joint Lower	1603121	
C7256LR	Stabiliser Link	350263	
C7026LR	Stabiliser Link	350260	
C8529	Silentblock	352300	ø 38.7
C8530	Silentblock	352347	ø 60

CAMPO (TF)

08/1991 - 09/1996



LYNX	Description	Original Number	Specification
C4169L	Tie Rod End Outer	324058	FM14X1.5L
C4169R	Tie Rod End Inner	324057	FM14x1.5R
C1249LR	Ball Joint Upper	310828	
C1029LR	Ball Joint Lower	352828	

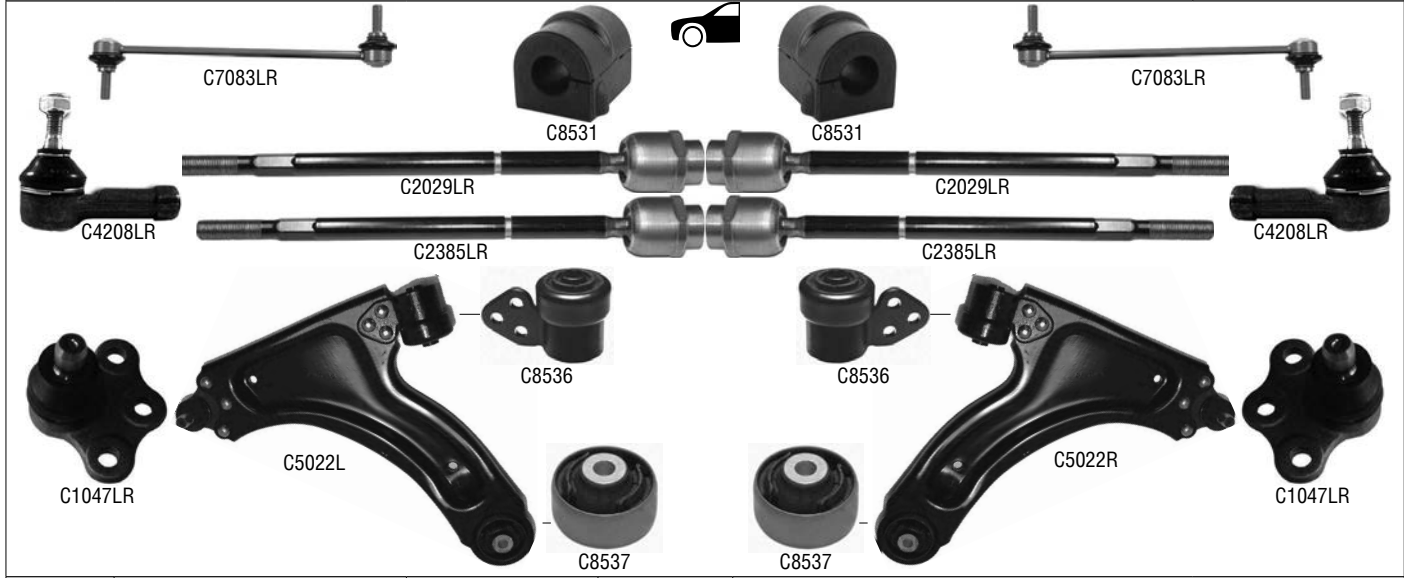


CORSA B (71, 73 ,78 ,79, F35) 03/1993 - 09/2000
TIGRA (95) 07/1994 - 12/2000



LYNX	Description	Original Number	Specification	
C2203LR	Tie Rod	322155	FM14X1.5R	-PS
C2204LR	Tie Rod	322158	MM14x1.5R	+PS
C4208LR	Tie Rod End	1603009	FM12X1.5R	Chassis № >V3023597, V4166925, V6066279
C4209LR	Tie Rod End	324066	FM12x1.5R	Chassis № V3023598, V4166926, V6066280>
C5264L	Susp. Arm Left	352003		Chassis № >V3023597, V4166925, V6066279
C5264R	Susp. Arm Right	352002		Chassis № >V3023597, V4166925, V6066279
C5265L	Susp. Arm Left	5352011		Chassis № V3023598, V4166926, V6066280>
C5265R	Susp. Arm Right	5352012		Chassis № V3023598, V4166926, V6066280>
C1206LR	Ball Joint Lower	1603128		Chassis № >V3023597, V4166925, V6066279
C1207LR	Ball Joint Lower	1603202		Chassis № V3023598, V4166926, V6066280>
C8535	Silentblock	352301	ø 36.3	

CORSA C (F08, F68) / **COMBO** 09/2000 - 09/2006

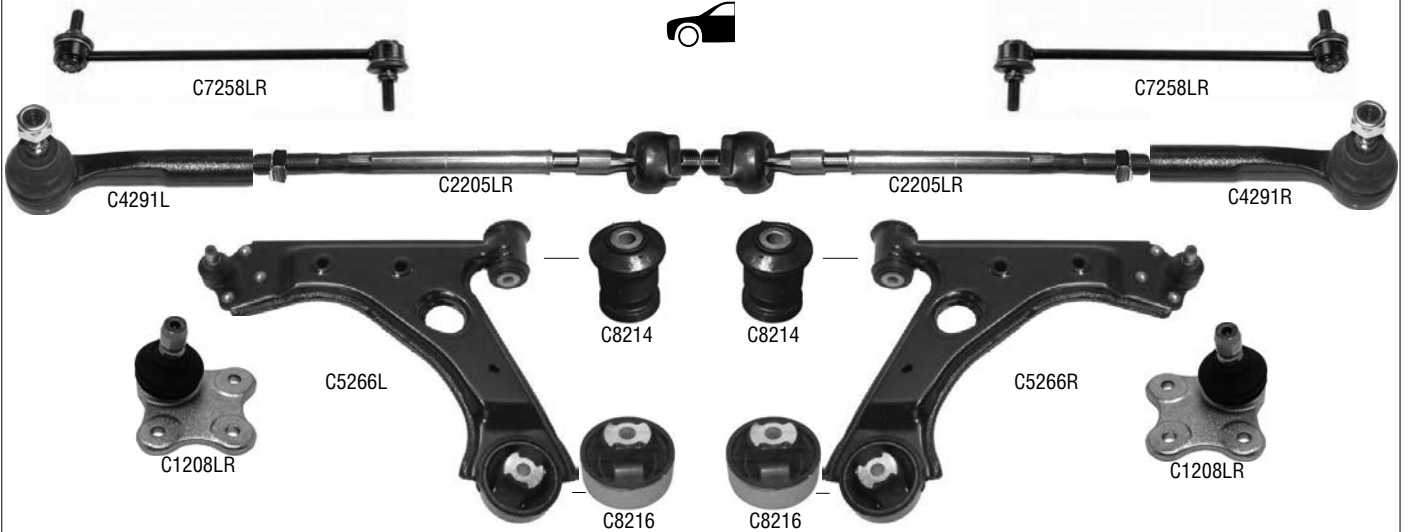


LYNX	Description	Original Number	Specification	
C2029LR	Tie Rod	1603008	FM14x1.5R	Chassis № >33999999, 34999999, 36999999
C2385LR	Tie Rod	1603017	FM14x1.5R	Chassis № 43000001, 44000001, 46000001>
C4208LR	Tie Rod End	1603009		
C5022L	Susp. Arm Left	352041		
C5022R	Susp. Arm Right	352042		
C1047LR	Ball Joint	352803		
C7083LR	Stabiliser Link Front	350610		
C8531	Stabiliser Mounting	350130	ø 16	
C8536	Silentblock	352309		
C8537	Silentblock	352310	ø 60.2	



CORSA D (S07)

07/2006>



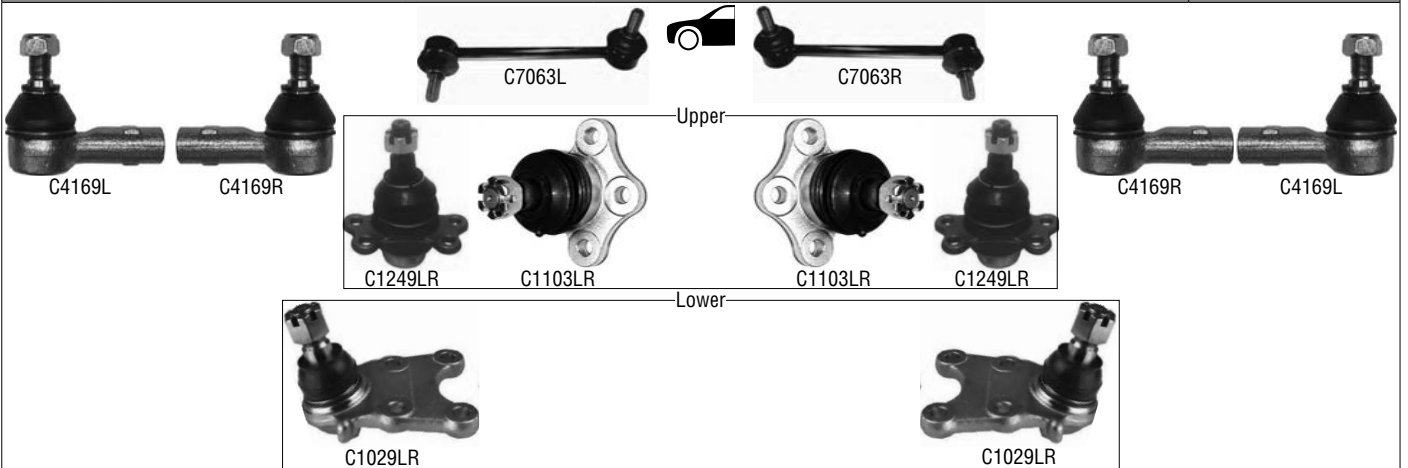
LYNX	Description	Original Number	Specification
C2205LR	Tie Rod	1603543	
C4291L	Tie Rod End Left	1603544	
C4291R	Tie Rod End Right	1603545	
C5266L	Susp. Arm Left	5352039	
C5266R	Susp. Arm Right	5352038	
C1208LR	Ball Joint	352067	
C7258LR	Stabiliser Link Front	350616	
C8216	Silentblock	352864	
C8214	Silentblock	352380	

FRONTERA A (5MWL4)

03/1992 - 10/1998

MONTEREY A (UBS_)

09/1991 - 07/1998



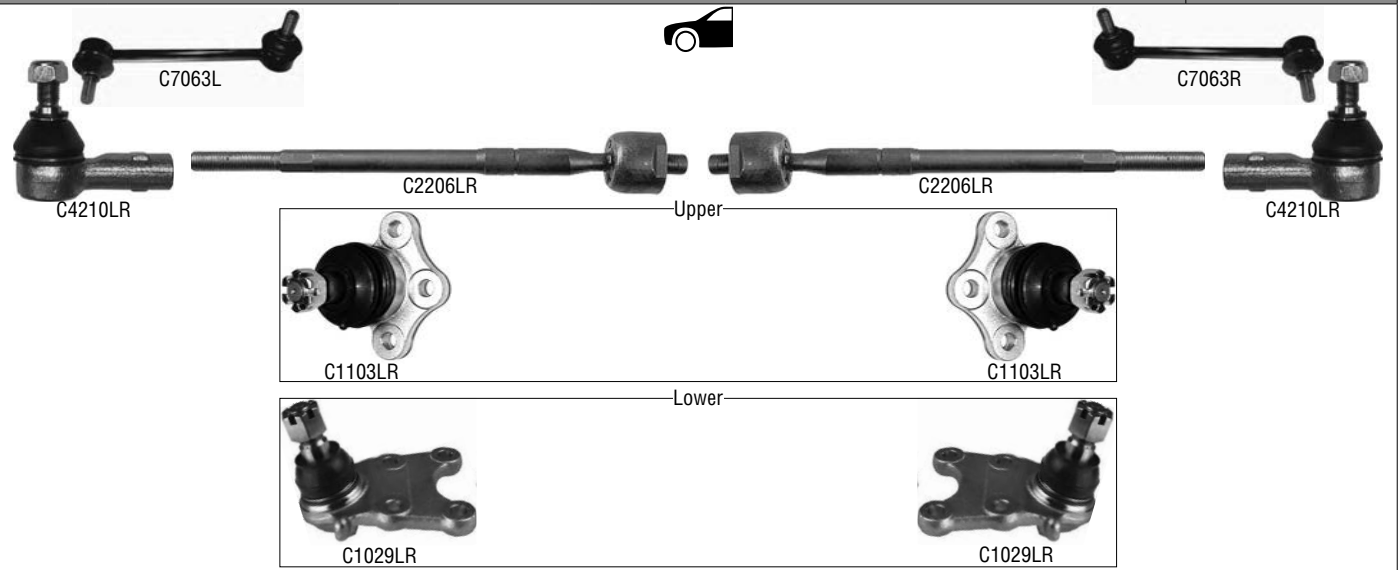
LYNX	Description	Original Number	Specification
C4169L	Tie Rod End Outer	324058	FM14X1.5L
C4169R	Tie Rod End Inner	324057	FM14x1.5R
C1249LR	Ball Joint Upper	310828	>07/95
C1103LR	Ball Joint Upper	310823	08/95>
C1029LR	Ball Joint Lower	352828	
C7063L	Stabiliser Link Left	350607	
C7063R	Stabiliser Link Right	350608	
C7462LR	Stabiliser Link	8-97018-125-2	

• OPEL



FRONTERA B (6B)
MONTEREY B

10/1998 - 09/2002
07/1998 - 09/1999

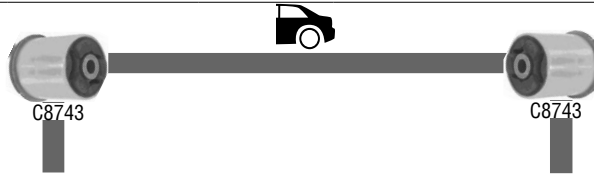


LYNX	Description	Original Number	Specification
C2206LR	Tie Rod	900905	MM14X1.5R
C4210LR	Tie Rod End	900907	FM14x1.5R
C1103LR	Ball Joint Upper	310823	
C1029LR	Ball Joint Lower	352828	
C7063L	Stabiliser Link Left	350607	
C7063R	Stabiliser Link Right	350608	

KADETT E / COMBO 09/1984 - 02/1993



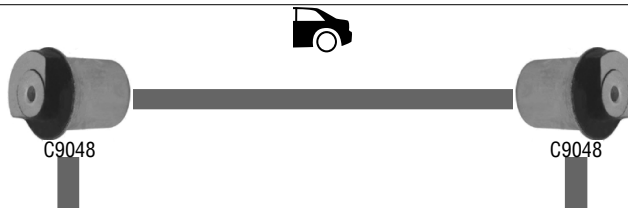
LYNX	Description	Original Number	Specification
C2125L	Tie Rod	07848281	
C2125R	Tie Rod	07848282	
C4064L	Tie Rod End Left	324039	FM16X1.5R
C4064R	Tie Rod End Right	324038	FM16x1.5L
C3007L	Side Rod Assy Left	322125	
C3007R	Side Rod Assy Right	322126	
C5084L	Susp. Arm Left	352123	
C5084R	Susp. Arm Right	352124	
C1018LR	Ball Joint Lower	1603120	
C7145LR	Stabiliser Link	1603148	



LYNX	Description	Original Number	Specification
C8189	Silentblock	352349	ø 39.6
C8190	Silentblock	352335	ø 55.4
C8743	Silentblock	352338	ø 56

MERIVA A

05/2003>



LYNX	Description	Original Number	Specification
C2207LR	Tie Rod	1603239	FM14X1.5R -PS
C2208LR	Tie Rod	1603016	FM14X1.5R +PS
C4211LR	Tie Rod End	1603240	FM14X1.5R
C5267L	Susp. Arm Left	5352027	
C5267R	Susp. Arm Right	5352028	
C1209L	Ball Joint Left	5352025	
C1209R	Ball Joint Right	5352026	
C7083LR	Stabiliser Link Front	350610	L:243
C8538	Stabiliser Mounting	350161	
C8536	Silentblock	352309	
C8537	Silentblock	352320	
C9048	Silentblock	13157518	

• OPEL

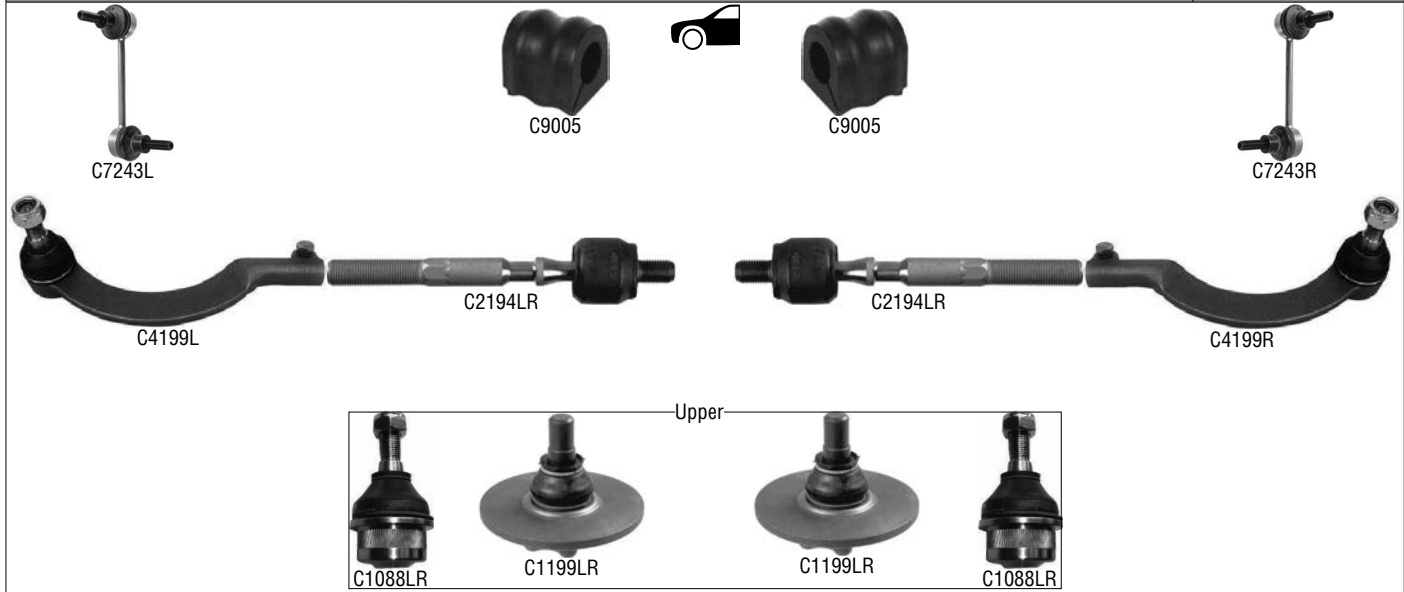


MERIVA B 06/2010>

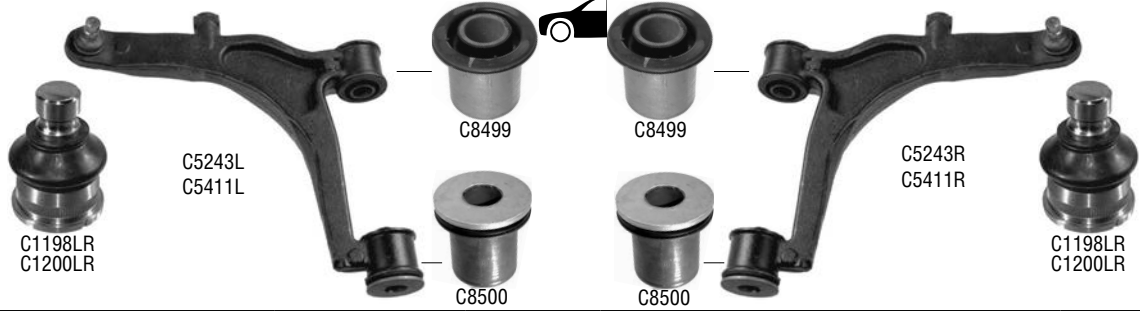


LYNX	Description	Original Number	Specification
C4207L	Tie Rod End Left	1603289	FM14X1.5R
C4207R	Tie Rod End Right	1603288	FM14X1.5R
C1046LR	Ball Joint	352800	
C7418LR	Stabiliser Link Front	350176	
C8207	Silentblock		ø 35.4
C8534	Silentblock	352324	ø 46.1

MOVANO (F9, J9) 07/1998>



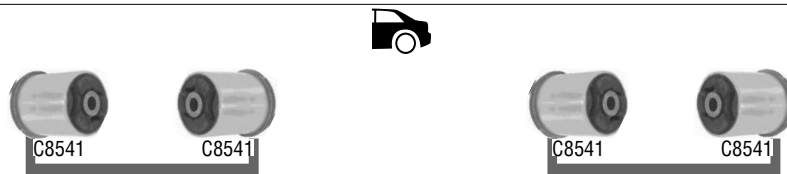
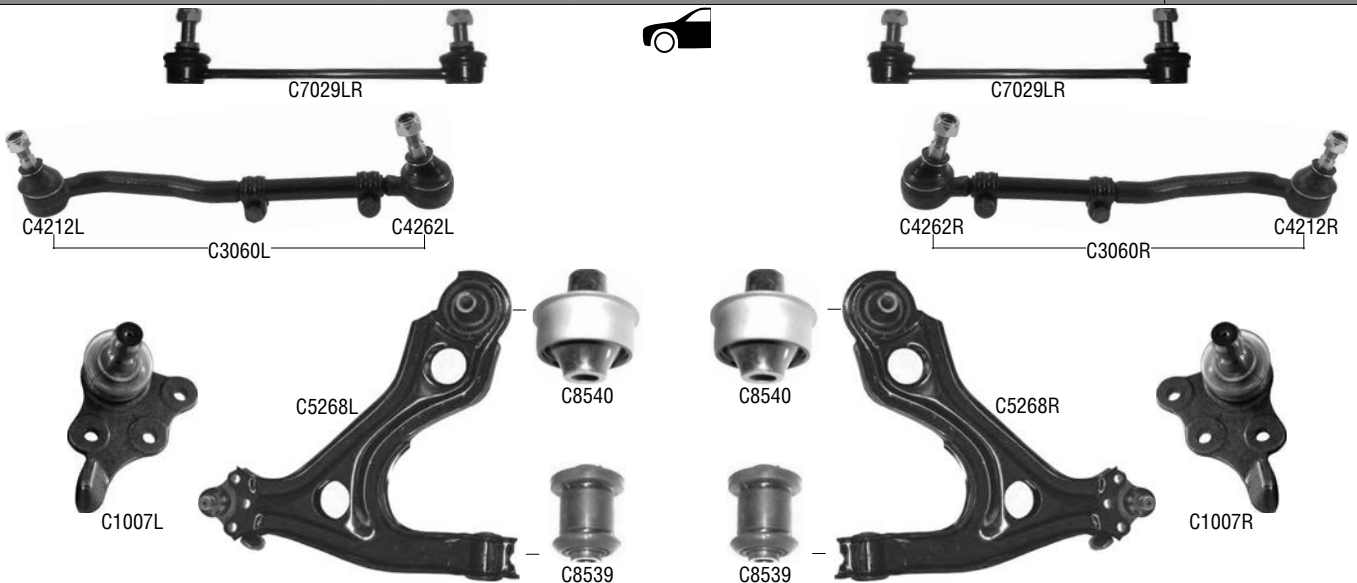
LYNX	Description	Original Number	Specification
C2194LR	Tie Rod	4501261	MM14X1.5R
C4199L	Tie Rod End Left	4501262	FM16X1.5R
C4199R	Tie Rod End Right	4501263	FM16X1.5R
C1088LR	Ball Joint Upper	4500254	
C1199LR	Ball Joint Upper	4401910	
C7243L	Stabiliser Link Left	4500198	
C7243R	Stabiliser Link Right	4500199	
C9005	Stabiliser Mounting	4500211	
C8499	Silentblock	77 00 302 122	ø 55.2
C8500	Silentblock	77 00 302 123	ø 55.2



LYNX	Description	Original Number	Specification	
C5243L	Susp. Arm Left	4404047		>09/07
C5243R	Susp. Arm Right	4404048		>09/07
C5411L	Susp. Arm Left	4418629		09/07>
C5411R	Susp. Arm Right	4418630		09/07>
C1200LR	Ball Joint Lower	4418631	ø 43.3	09/07>
C1198LR	Ball Joint Lower	4100255		>09/07

OMEGA A

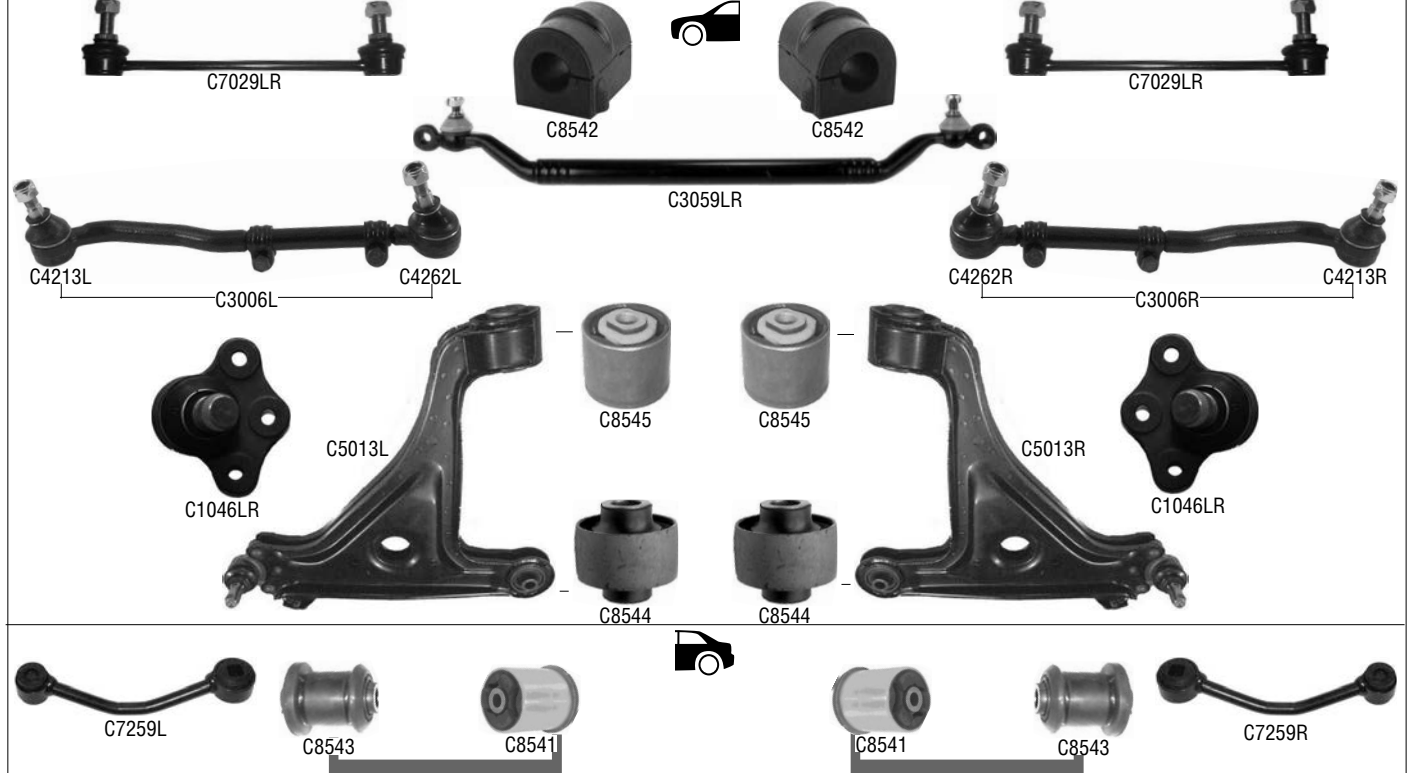
09/1986 - 05/1994



LYNX	Description	Original Number	Specification	
C4212L	Tie Rod End Outer Left	322150	MM14X1.5R	
C4212R	Tie Rod End Outer Right	322152	MM14X1.5L	
C4262L	Tie Rod End Inner Left	322177	MM14X1.5L	
C4262R	Tie Rod End Inner Right	322178	MM14X1.5R	
C3060L	Side Rod Assy Left	322142		
C3060R	Side Rod Assy Right	322143		
C5268L	Susp. Arm Left	352132		
C5268R	Susp. Arm Right	352134		
C1007L	Ball Joint Lower Left	352826		
C1007R	Ball Joint Lower Right	352827		
C7029LR	Stabiliser Link	350600		
C8539	Silentblock	352341	ø 33.8	
C8540	Silentblock	352342	ø 60	
C8541	Silentblock	423315	ø 42.9	09/90>



OMEGA B 03/1994 - 07/2003



LYNX	Description	Original Number	Specification
C4213L	Tie Rod End Outer Left	322004	MM14x1.5R
C4213R	Tie Rod End Outer Right	322005	MM14x1.5L
C4262L	Tie Rod End Inner Left	322177	MM14X1.5L
C4262R	Tie Rod End Inner Right	322178	MM14X1.5R
C3006L	Side Rod Assy Left	322169	
C3006R	Side Rod Assy Right	322168	
C3059LR	Side Rod Assy Center	322166	
C5013L	Susp. Arm Left	352029	
C5013R	Susp. Arm Right	352028	
C1046LR	Ball Joint	352800	
C7029LR	Stabiliser Link	350600	
C7259L	Stabiliser Link Left	444289	
C7259R	Stabiliser Link Right	444288	
C8542	Stabiliser Mounting	350147	ø 23
C8543	Silentblock	423313	ø 45
C8541	Silentblock	423315	ø 42.9
C8544	Silentblock	352303	ø 48.5
C8545	Silentblock	352302	ø 58

TIGRA TWIN TOP 06/2004>

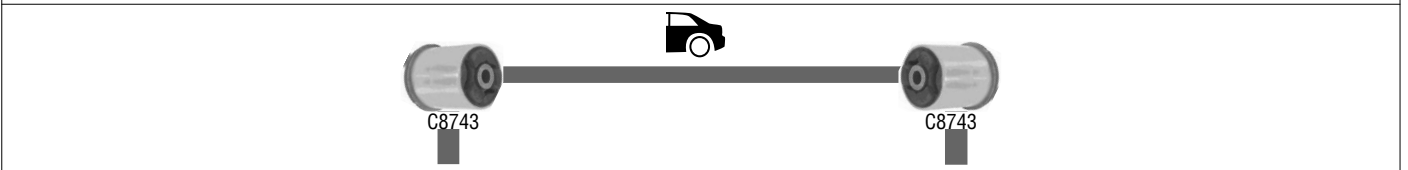
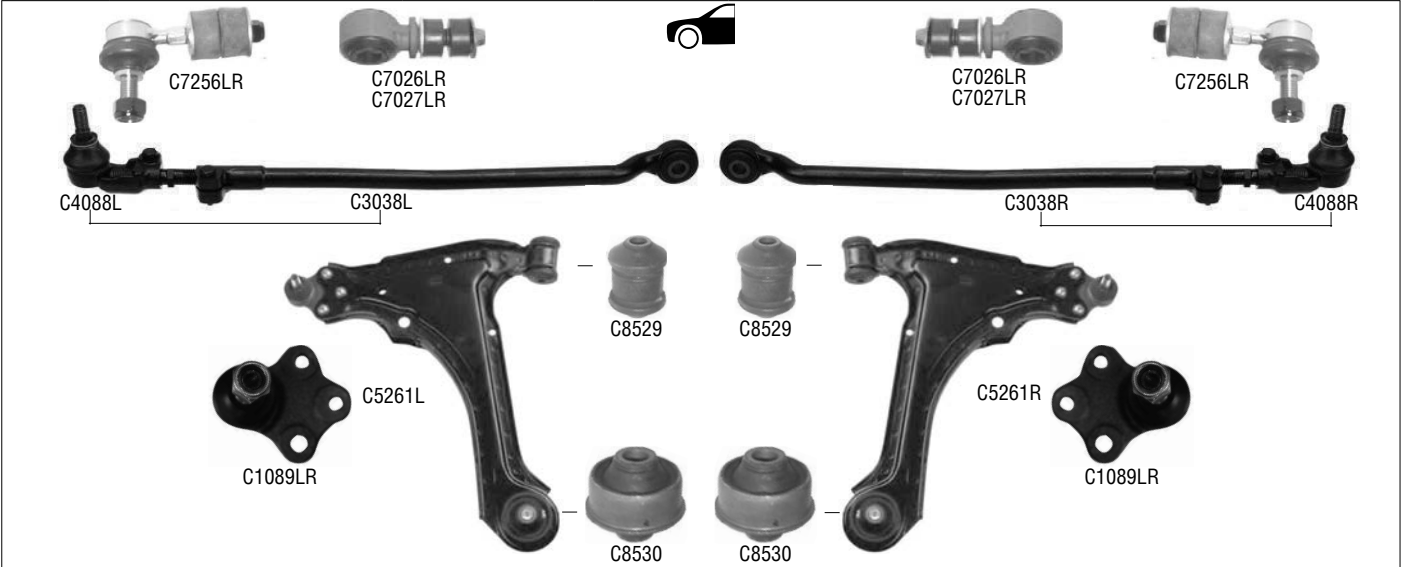


LYNX	Description	Original Number	Specification
C7083LR	Stabiliser Link Front	350610	
C8531	Stabiliser Mounting	350130	ø 16
C8532	Stabiliser Mounting	350138	ø 18 Rear Disk Brakes



LYNX	Description	Original Number	Specification
C2211LR	Tie Rod	1603018	FM14X1.5R
C4208LR	Tie Rod End	1603009	FM12X1.5R
C1047LR	Ball Joint	352803	
C8536	Silentblock	352309	
C8537	Silentblock	352310	ø 60.2

VECTRA A (88_, 89_, 86_, 87_) 09/1988 - 11/1995

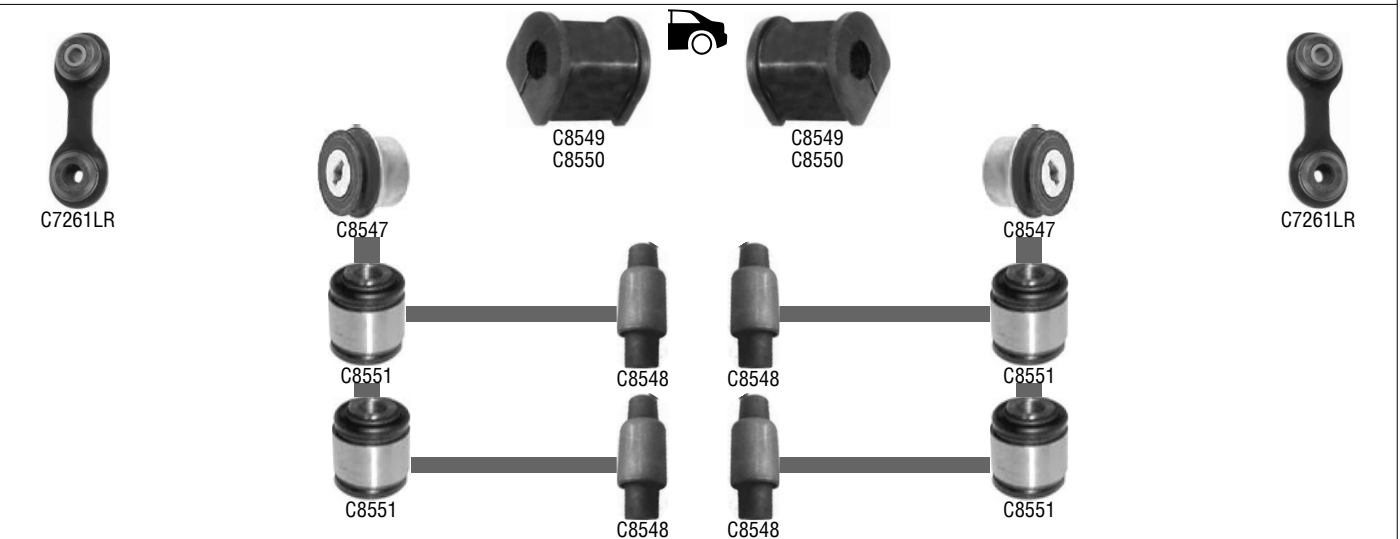


LYNX	Description	Original Number	Specification
C4088L	Tie Rod End Left	4242749	FM16X2R
C4088R	Tie Rod End Right	4242756	FM16X2L
C3038L	Side Rod Assy Left	90373225	
C3038R	Side Rod Assy Right	90373226	
C5261L	Susp. Arm Left	352077	
C5261R	Susp. Arm Right	352076	
C1089LR	Ball Joint Lower	1603121	
C7256LR	Stabiliser Link	350263	Stabilizer ø 20
C7027LR	Stabiliser Link	350261	Stabilizer ø 18
C7026LR	Stabiliser Link	350260	Stabilizer ø 22
C8529	Silentblock	352300	ø 38.7
C8530	Silentblock	352347	ø 60
C8743	Silentblock	402645	



VECTRA B (36_, 31_, 38_)

10/1995 - 04/2002

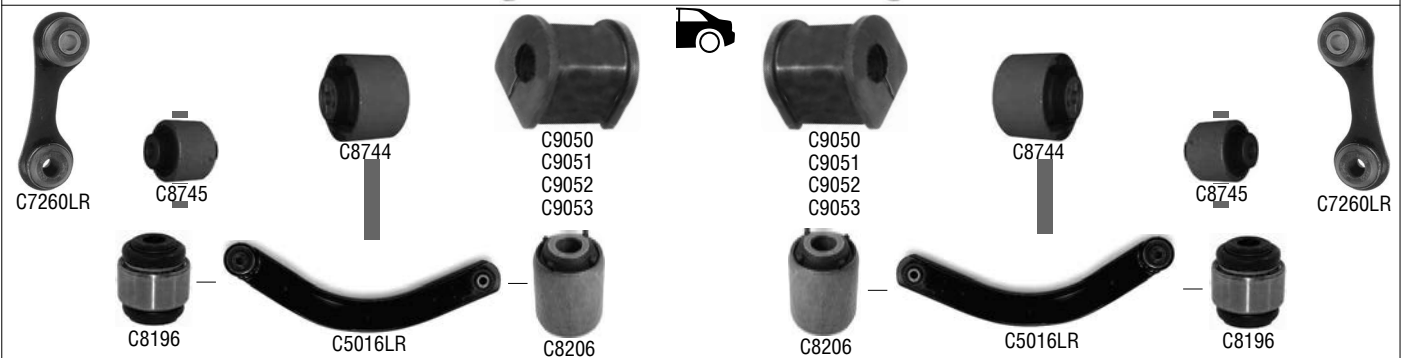
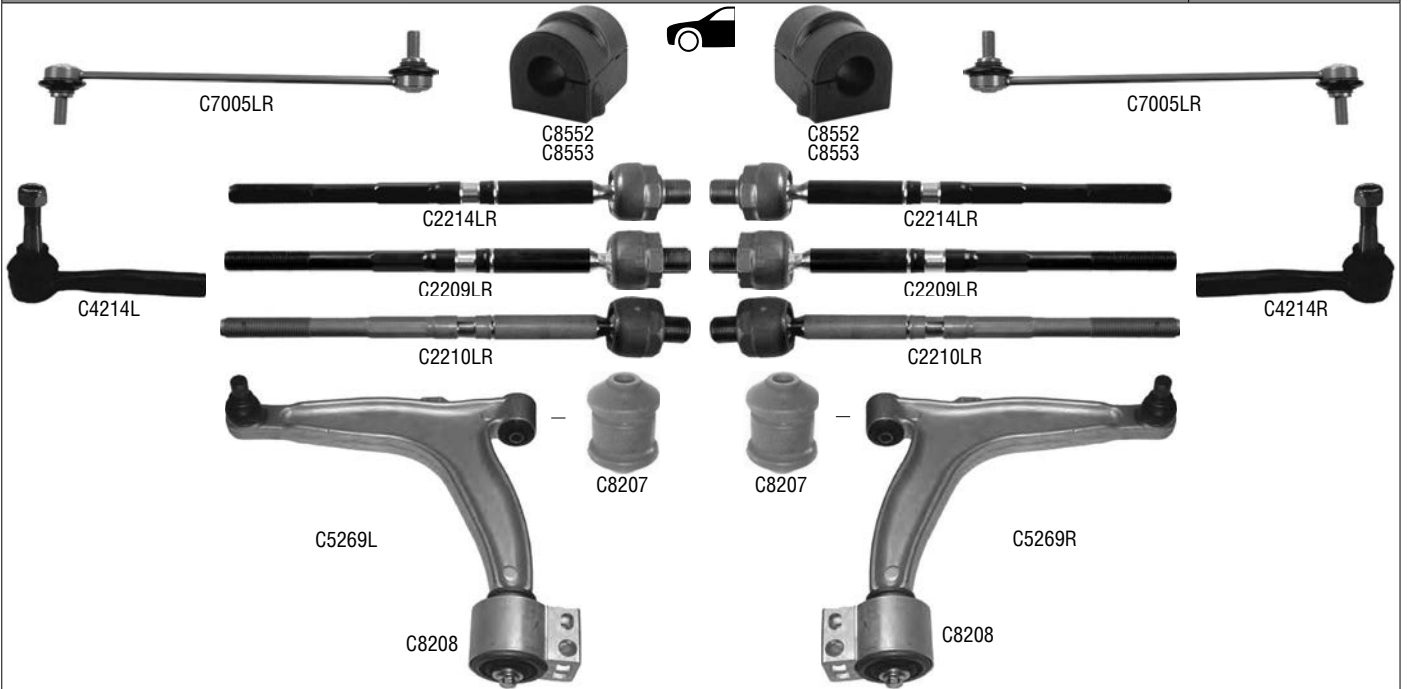


LYNX	Description	Original Number	Specification	
C2212LR	Tie Rod	1603199	MM16X1.5R	SAGINAW
C2213LR	Tie Rod	1603198	MM16X1.5R	ZF
C4029LR	Tie Rod End	324063	FM14x1.5R	
C5014L	Susp. Arm Left	5352005		
C5014R	Susp. Arm Right	5352004		
C1046LR	Ball Joint	352800		
C7083LR	Stabiliser Link Front	350610		
C7261LR	Stabiliser Link Rear	444291		
C8531	Stabiliser Mounting	350130	ø 16	Chassis № >W1999999, >W5999999, >W7999999, XL000001-XL999999
C8549	Stabiliser Mounting	444200	ø 16	Chassis № X1000001>, X7000001>
C8550	Stabiliser Mounting	444153	ø 14	Chassis № >W1999999, >W5999999, >W7999999
C8551	Silentblock	423121		
C8207	Silentblock	352357	ø 35.8	
C8546	Silentblock	352358	ø 47.7	
C8547	Silentblock	423302		
C8548	Silentblock	423316	ø 35	



VECTRA C

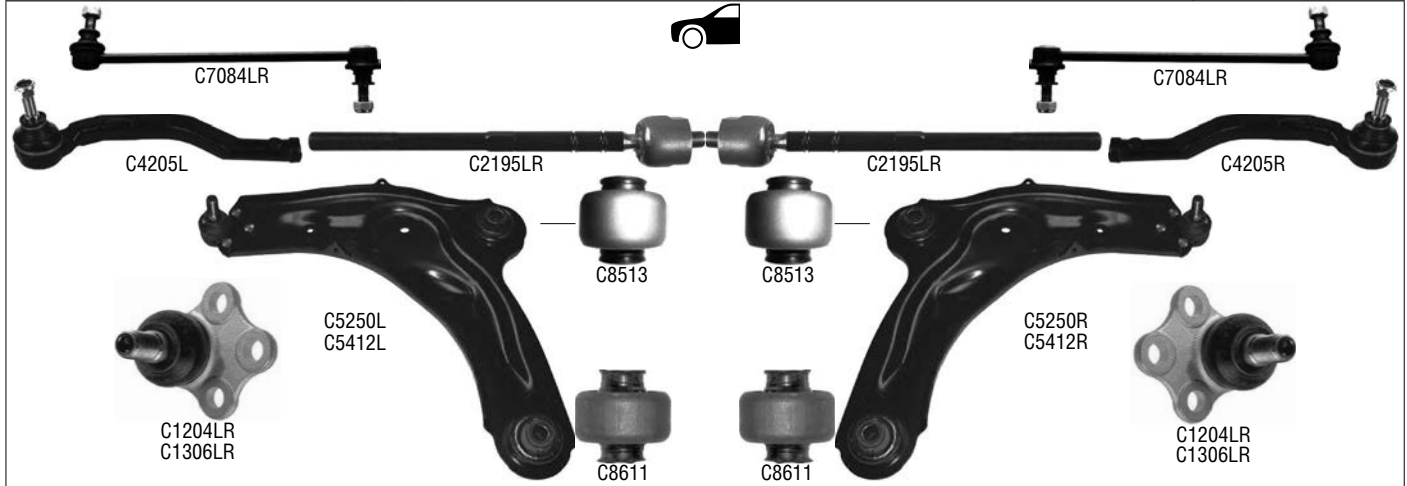
04/2002>



LYNX	Description	Original Number	Specification	
C2214LR	Tie Rod	1603229	MM18X1.5R	Chassis № >31032140, 38040655
C2209LR	Tie Rod	1603244	MM18X1.5R	Chassis № 31032141, 38040656>
C2210LR	Tie Rod	1603252	MM18X1.5R	18» Wheels
C4214L	Tie Rod End Left	1603227	FM14X1.5R	
C4214R	Tie Rod End Right	1603228	FM14X1.5R	
C5269L	Susp. Arm Front Left	352051		
C5269R	Susp. Arm Front Right	352052		
C5016LR	Susp. Arm Rear	423008		
C7005LR	Stabiliser Link Front	350603		
C7260LR	Stabiliser Link Rear	444275		
C8552	Stabiliser Mounting	350145	ø 23	Chassis № >58999999
C8553	Stabiliser Mounting	350146	ø 22	Chassis № >58999999
C9050	Stabiliser Mounting	444163	ø 16	
C9051	Stabiliser Mounting	444160	ø 17	
C9052	Stabiliser Mounting	444161	ø 18	
C9053	Stabiliser Mounting	444162	ø 19	
C8207	Silentblock	352364	ø 35.4	
C8208	Silentblock	352319		
C8196	Silentblock			
C8206	Silentblock			
C8744	Silentblock	423319		
C8745	Silentblock	24469643		



VIVARO 05/2000>



LYNX	Description	Original Number	Specification	
C2195LR	Tie Rod	4408474	MM12X1R	
C4205L	Tie Rod End Left	4408510	FM14X1.5R	
C4205R	Tie Rod End Right	4408511	FM14X1.5R	
C5250L	Susp. Arm Left	4408958		>10/06
C5250R	Susp. Arm Right	4408959		>10/06
C5412L	Susp. Arm Left	4417177		11/06>
C5412R	Susp. Arm Right	4417178		11/06>
C1204LR	Ball Joint Lower	Comp. of C5250L/R		>10/06
C1306LR	Ball Joint Lower	4431869		11/06>
C7084LR	Stabiliser Link	4408904		
C8513	Silentblock	Comp. of C5250L/R	ø 54	
C8611	Silentblock	Comp. of C5250L/R	ø 54.6	

ZAFIRA I (F75J) 04/1999 - 12/2005



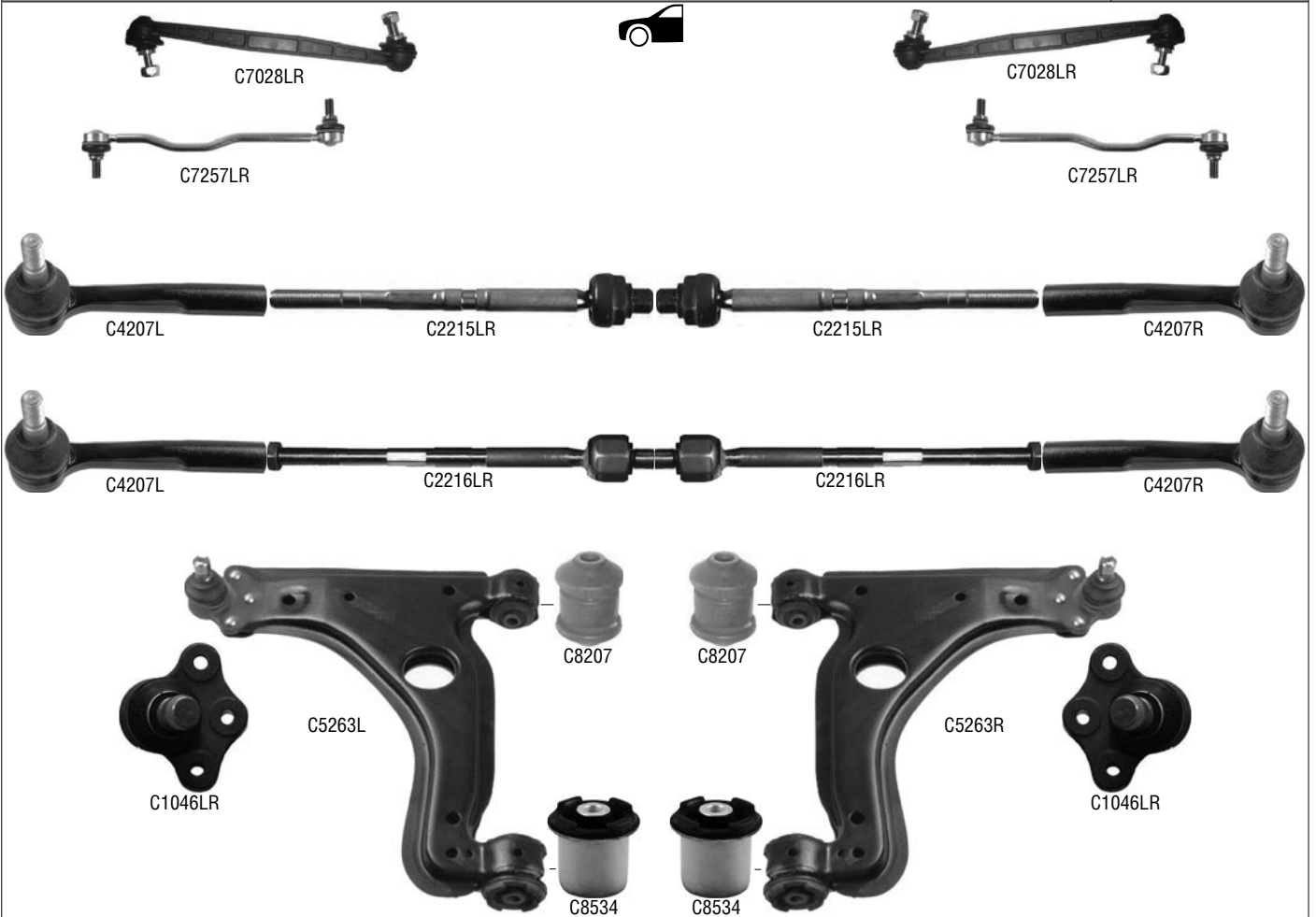
LYNX	Description	Original Number	Specification	
C2028LR	Tie Rod	1603213	MM18X1.5R	DELPHI
C2196LR	Tie Rod	1603216	MM18X1.5R	TRW
C4028LR	Tie Rod End	1603214	FM14x1.5R	
C5262L	Susp. Arm Left	5352016		
C5262R	Susp. Arm Right	5352017		
C1046LR	Ball Joint	352800		
C7028LR	Stabiliser Link	350611		



LYNX	Description	Original Number	Specification	
C9048	Silentblock	13157518		
C8207	Silentblock	352364	ø 35.4	
C8533	Silentblock	352365	ø 47.2	

ZAFIRA II (A05)

07/2005>



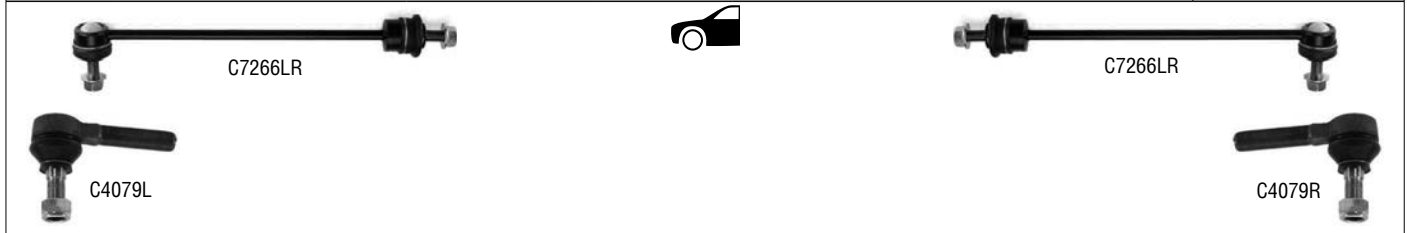
LYNX	Description	Original Number	Specification	
C2215LR	Tie Rod	1603287		TRW
C2216LR	Tie Rod	1603268		ZF
C4207L	Tie Rod End Left	1603289	FM14X1.5R	
C4207R	Tie Rod End Right	1603288	FM14X1.5R	
C5263L	Susp. Arm Left	5352029		
C5263R	Susp. Arm Right	5352030		
C1046LR	Ball Joint	352800		
C7028LR	Stabiliser Link	350614		Exc. IDS
C7257LR	Stabiliser Link	350613		IDS
C8207	Silentblock	352364	ø 35.4	
C8534	Silentblock	352324	ø 46.1	

• PEUGEOT



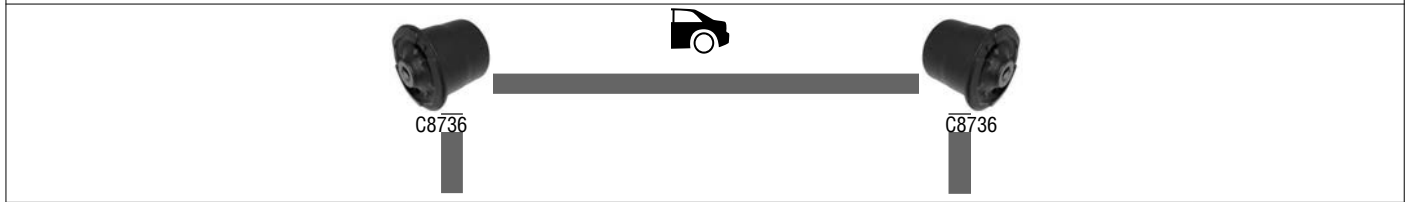
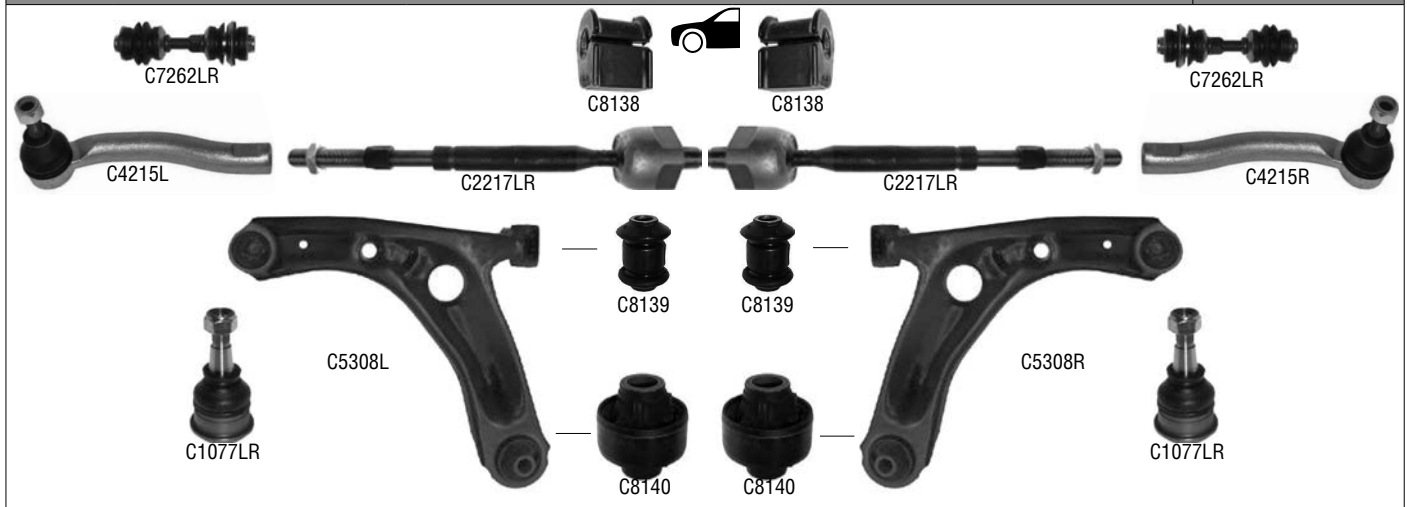
PEUGEOT

106 I-II (1A, 1C) 09/1991 - 02/2004



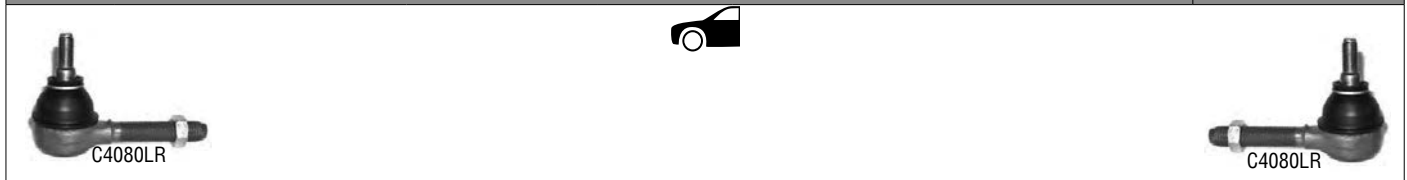
LYNX	Description	Original Number	Specification	
C4079L	Tie Rod End Left	3817 16	MM14X1.5R	
C4079R	Tie Rod End Right	3817 14	MM14X1.5R	
C7266LR	Stabiliser Link Front	5087 40		05/96>

107 06/2005>



LYNX	Description	Original Number	Specification	
C2217LR	Tie Rod			
C4215L	Tie Rod End Left	3817 63		
C4215R	Tie Rod End Right	3817 64		
C5308L	Susp. Arm Left	3520 Q2		
C5308R	Susp. Arm Right	3521 L3		
C1077LR	Ball Joint Lower	Comp. of C5308L/R		
C7262LR	Stabiliser Link	5091 10		
C8138	Stabiliser Mounting	5094 A8		
C8139	Silentblock	48654-0H010	ø 32.5	
C8140	Silentblock	48655-0H010		
C8736	Silentblock	5131 C9		

205 I (741A/C) / 205 II (20A/C) 02/1983 - 09/1998



LYNX	Description	Original Number	Specification	
C4080LR	Tie Rod End	3817 10	MM14X1.5R	



206 (2A/C) / 206 SW (2E/K) / 206 CC (2D)

09/1998>



LYNX	Description	Original Number	Specification	
C2030LR	Tie Rod	3812 C5	FM14X1.5R	
C4079L	Tie Rod End Left	3817 16	MM14X1.5R	
C4079R	Tie Rod End Right	3817 14	MM14X1.5R	
C5023L	Susp. Arm Left	3520 G8		Chassis № >0943981, >0944083, >0944088, Exc. 16V
C5023R	Susp. Arm Right	3521 C8		Chassis № >0943981, >0944083, >0944088, Exc. 16V
C5271L	Susp. Arm Left	3520 L7		Chassis № 0943981>, 0944083>, 0944088>, Exc. 16V
C5271R	Susp. Arm Right	3521 H9		Chassis № 0943981>, 0944083>, 0944088>, Exc. 16V
C5270L	Susp. Arm Left	3520 H7		16V, Chassis № >9504
C5270R	Susp. Arm Right	3521 E7		16V, Chassis № >9504
C5272L	Susp. Arm Left	3520 L8		16V, Chassis № 9505>
C5272R	Susp. Arm Right	3521 J0		16V, Chassis № 9505>
C7004LR	Stabiliser Link	5087 45	L:335	
C8141	Stabiliser Mounting	5094 81	ø 18	1.1-1.4, 1.9D, Chassis № >09275
C8142	Stabiliser Mounting	5094 80	ø 19	1.6, 2.0 HDI, Chassis № >09122
C8143	Stabiliser Mounting	5094 82	ø 20	Chassis № 09276>, 09123>
C8144	Silentblock	3523 76	ø 55.3	Chassis № >0943981, >0944083, >0944088 / 16V ALL
C8147	Silentblock	3523 AG	ø 55.3	Chassis № 0943981>, 0944083>, 0944088> / 16V, Chassis № 9505>
C8145	Silentblock	3523 79	ø 55.3	16V, Chassis № >9504
C8146	Silentblock	3523 77	ø 54	Exc. 16V

• PEUGEOT

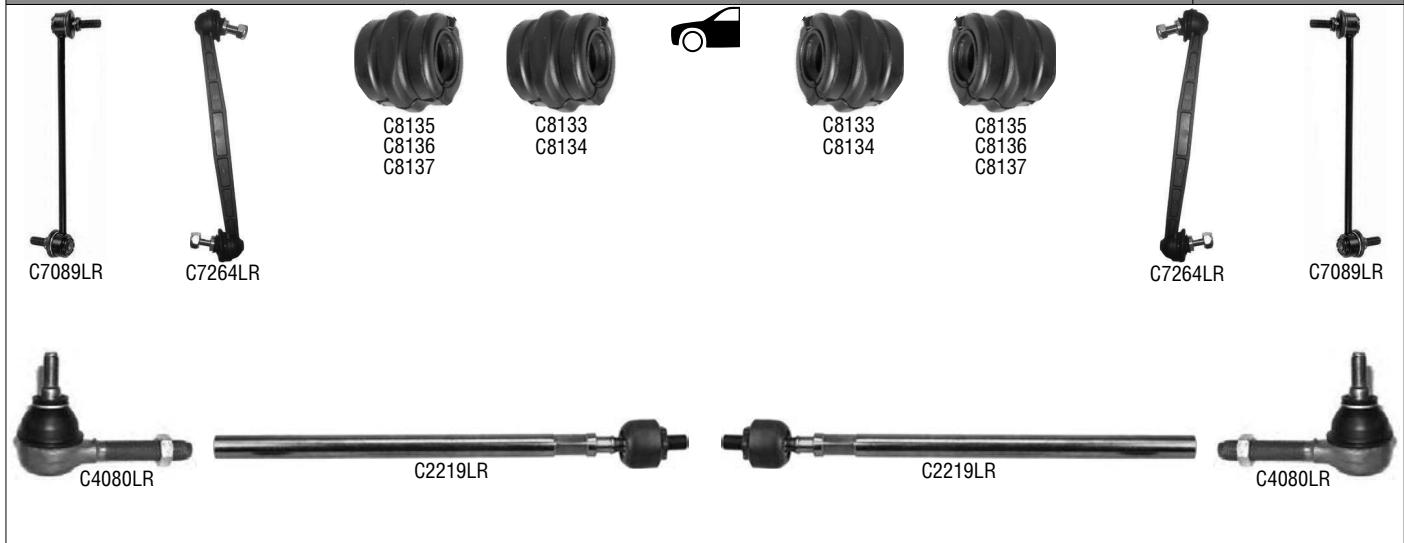


207 05/2006>

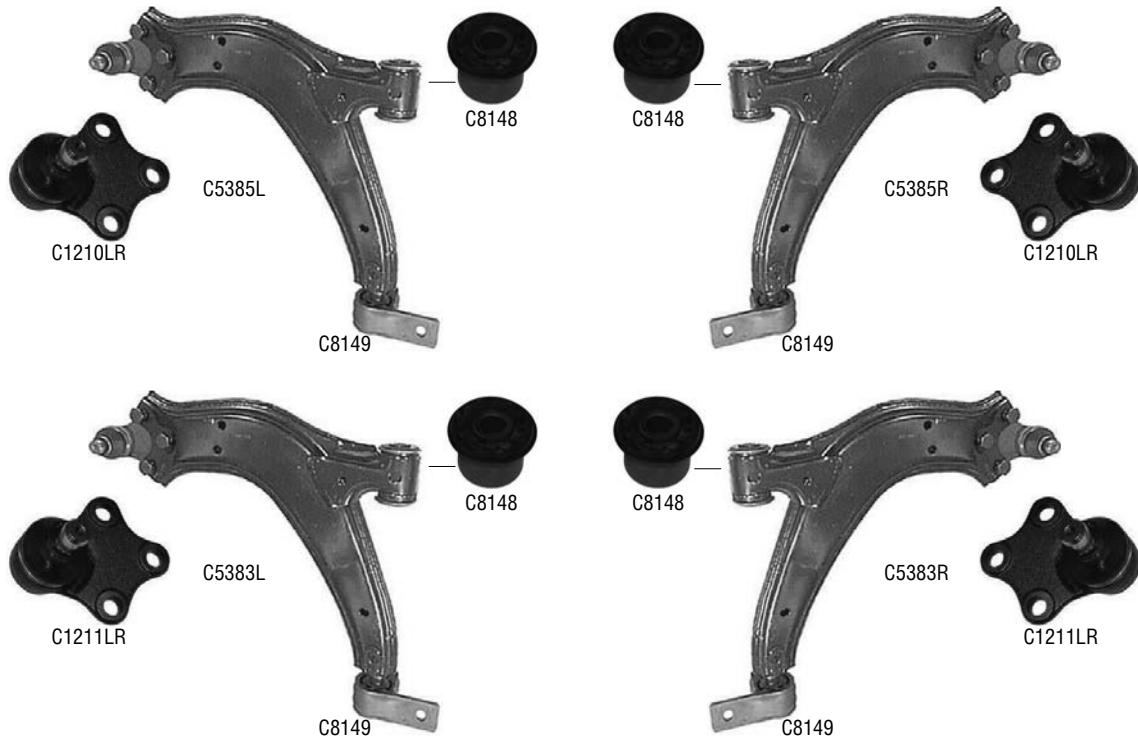


LYNX	Description	Original Number	Specification
C2218LR	Tie Rod	3812 E8	MM12X1R
C4216L	Tie Rod End Left	3817 67	
C4216R	Tie Rod End Right	3817 68	
C5273L	Susp. Arm Left	3520 R7	
C5273R	Susp. Arm Right	3521 N8	
C1016LR	Ball Joint	3640 65	
C7263L	Stabiliser Link Left	5087 54	
C7263R	Stabiliser Link Right	5087 55	
C9054	Stabiliser Mounting	5094 C1	
C9055	Stabiliser Mounting	5094 C2	
C8689	Silentblock	3523 CE	ø 56.5
C8690	Silentblock	3523 CC	ø 56.5

306 05/1993 - 12/2002



LYNX	Description	Original Number	Specification
C2219LR	Tie Rod	3812 92	MM12X1R
C4080LR	Tie Rod End	3817 10	MM14X1.5R
C7089LR	Stabiliser Link Front	5087 39	>06/94 / Steel
C7264LR	Stabiliser Link Front	5087 42	06/94> / Plastic

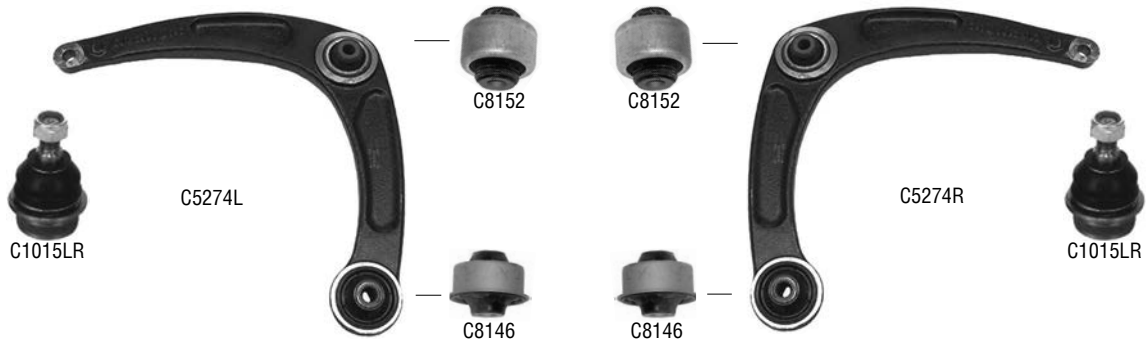


LYNX	Description	Original Number	Specification	
C5385L	Susp. Arm Left	3520 83	ø 16	>03/97
C5385R	Susp. Arm Right	3521 55	ø 16	>03/97
C5383L	Susp. Arm Left	3520 H3	ø 18	03/97>
C5383R	Susp. Arm Right	3521 E3	ø 18	03/97>
C1210LR	Ball Joint	3640 31		ø 16
C1211LR	Ball Joint	3640 48		ø 18
C8137	Stabiliser Mounting	5094 64	ø 18	
C8133	Stabiliser Mounting	5094 66	ø 19	
C8134	Stabiliser Mounting	5094 79	ø 20	
C8135	Stabiliser Mounting	5094 65	ø 21	
C8136	Stabiliser Mounting	5094 77	ø 22	
C8148	Silentblock	96110483	ø 33	
C8149	Silentblock	3523 75		
C8740	Silentblock	5131 71		
C8741	Silentblock	5131 69		
C8742	Silentblock	5131 70		

• PEUGEOT



307 09/2001>



LYNX	Description	Original Number	Specification	
C2220LR	Tie Rod	3812 E0	MM14X1.5R	Chassis № >10311
C4079L	Tie Rod End Left	3817 16	MM14X1.5R	Chassis № >10311
C4079R	Tie Rod End Right	3817 14	MM14X1.5R	Chassis № >10311
C2221LR	Tie Rod	3812 E5	MM14X1.5R	Chassis № 10311>
C4080LR	Tie Rod End	3817 50	MM14X1.5R	Chassis № 10311>
C5274L	Susp. Arm Left	3520 K8		
C5274R	Susp. Arm Right	3521 G8		
C1015LR	Ball Joint	3640 53		
C7071LR	Stabiliser Link	5087 50		
C8150	Stabiliser Mounting	5094 87	ø 20.5	1.4-1.6
C8151	Stabiliser Mounting	5094 88	ø 22	2.0-2.0 HDI / 1.4-1.6 SW
C8152	Silentblock	3523 91	ø 55	
C8146	Silentblock	3523 77	ø 54	



308
3008

09/2007>
06/2009>



LYNX	Description	Original Number	Specification	
C2222LR	Tie Rod	3812 F2	MM14x1.5R	
C4217L	Tie Rod End Left	3817 76	FM14x1.5R	
C4217R	Tie Rod End Right	3817 75	FM14x1.5R	
C5275L	Susp. Arm Left	3520 V2		
C5275R	Susp. Arm Right	3521 R3		
C1015LR	Ball Joint	3640 73		
C7265LR	Stabiliser Link	5087 64		
C8150	Stabiliser Mounting	5094 87	ø 20.5	Chassis N° >11433, Exc. 3008
C8151	Stabiliser Mounting	5094 88	ø 22	Chassis N° >11433, Exc. 3008
C8153	Stabiliser Mounting	5094 C4	ø 21.5	Exc. 3008
C8154	Stabiliser Mounting	5094 E3	ø 22.5	Exc. 3008
C8152	Silentblock	3523 91	ø 55	
C8146	Silentblock	3523 77	ø 54	

405

01/1987 - 10/1996



C1017LR



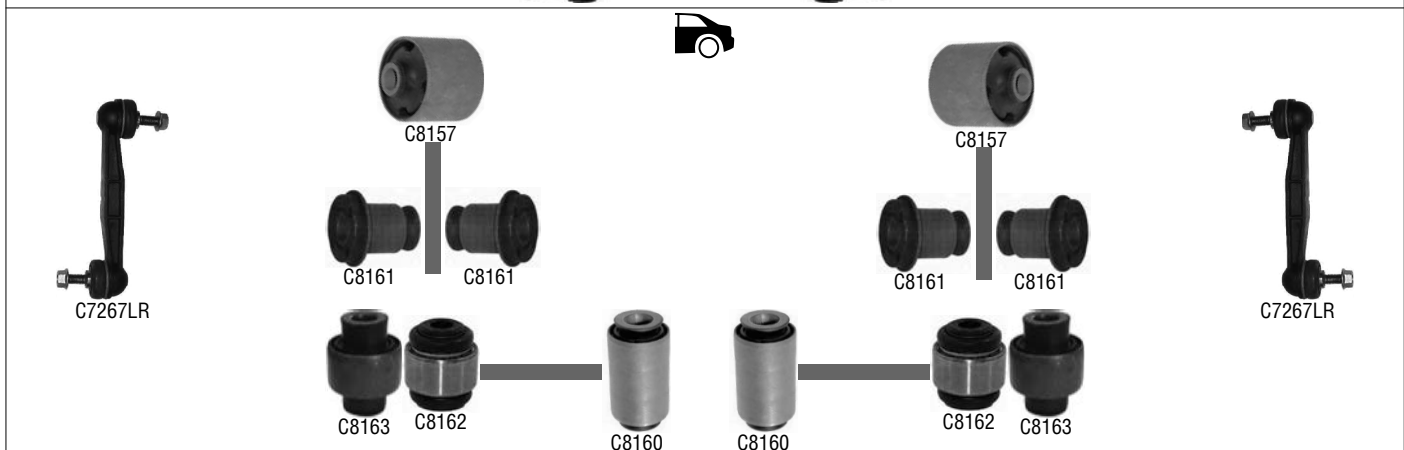
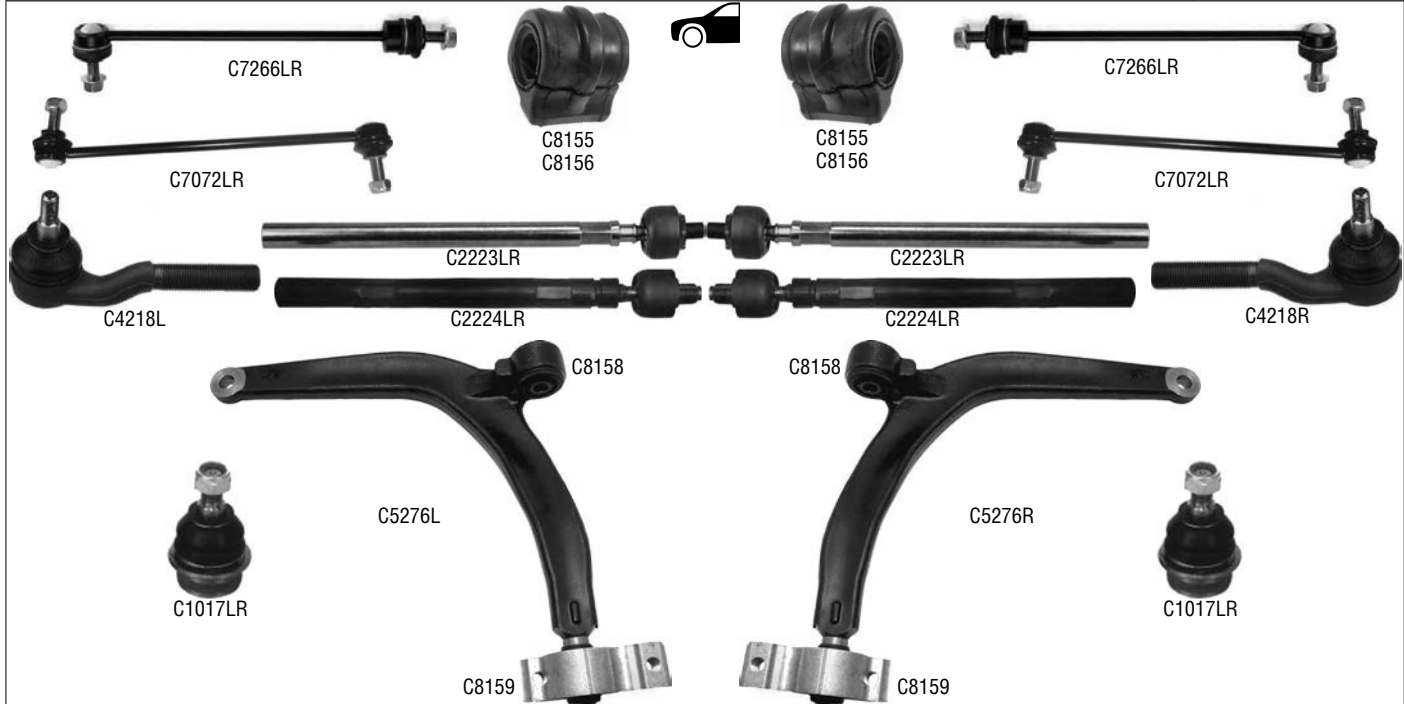
C1017LR

LYNX	Description	Original Number	Specification	
C1017LR	Ball Joint	3640 28		

• PEUGEOT



406 10/1995 - 10/2004



LYNX	Description	Original Number	Specification	
C2223LR	Tie Rod	3812 A9	MM12X1R	>10/98
C2224LR	Tie Rod	3812 C4	MM16X1.5R	11/98>
C4218L	Tie Rod End Left	3817 40	MM16X1.5R	
C4218R	Tie Rod End Right	3817 39	MM16X1.5R	
C5276L	Susp. Arm Left	3520 C0		
C5276R	Susp. Arm Right	3521 80		
C1017LR	Ball Joint	3640 28		
C7266LR	Stabiliser Link	5087 40		Chassis № 7664, >11/97
C7072LR	Stabiliser Link	5087 48		Chassis № 7665>, 12/97>
C7267LR	Stabiliser Link	5178 38		
C8155	Stabiliser Mounting	5094 74		>03/99
C8156	Stabiliser Mounting	5094 75		04/99>
C8157	Silentblock	5131 79	ø 56	
C8158	Silentblock	3523 60	ø 37	
C8159	Silentblock	3523 61		
C8160	Silentblock	5131 80		
C8161	Silentblock	5131 78		
C8162	Silentblock	3640 35		Chassis № >67664
C8163	Silentblock	3640 41		Chassis № 67665>



407

05/2004>

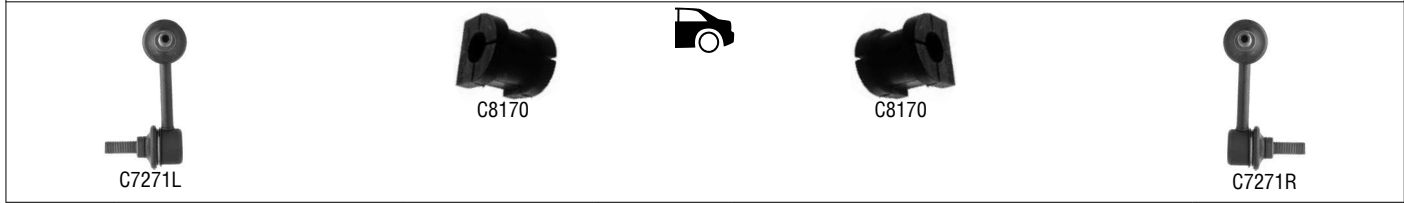
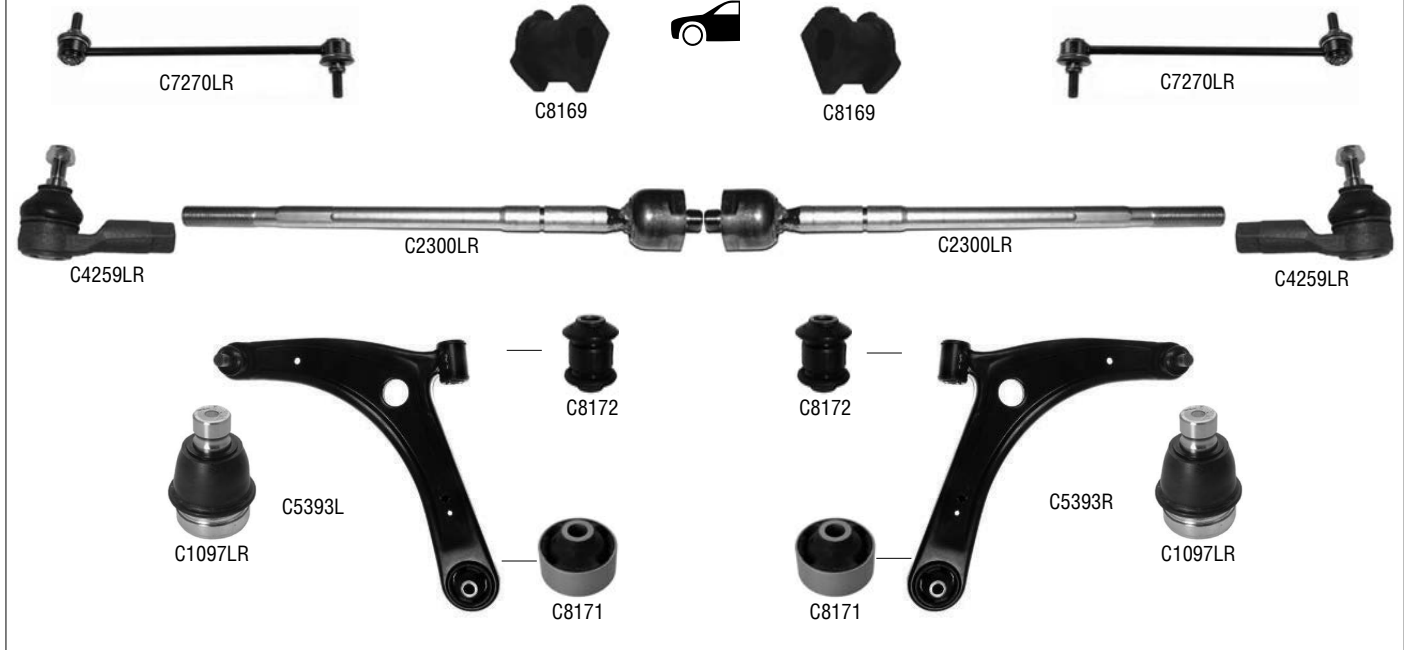


LYNX	Description	Original Number	Specification	
C2225LR	Tie Rod	3812 E3	MM16X1.5R	
C4219L	Tie Rod End Left	3817 58	MM14X1.5R	Chassis № >10597
C4219R	Tie Rod End Right	3817 57	MM14X1.5R	Chassis № >10597
C4258L	Tie Rod End Left	3817 65	MM14X1.5R	Chassis № 10598>
C4258R	Tie Rod End Right	3817 66	MM14X1.5R	Chassis № 10598>
C5277L	Susp. Arm Left	3520 N6		Chassis № >12046
C5277R	Susp. Arm Right	3521 J6		Chassis № >12046
C5278L	Susp. Arm Left	3520 X7		Chassis № 12047>
C5278R	Susp. Arm Right	3521 T8		Chassis № 12047>
C1181LR	Ball Joint	3640 57		
C7269LR	Stabiliser Link Rear	5178 46		
C7268L	Stabiliser Link Front Left	5087 52		
C7268R	Stabiliser Link Front Right	5087 53		
C9056	Stabiliser Mounting	5094 98	ø 23.5	
C9057	Stabiliser Mounting	5094 99	ø 24	
C9058	Stabiliser Mounting	5094 A0	ø 24.5	
C9059	Stabiliser Mounting	5094 A1	ø 25	
C8164	Silentblock	3523 AQ		
C8165	Silentblock	Comp. of C5277L/R		Chassis № >12046
C8166	Silentblock	Comp. of C5278L/R		Chassis № 12047>
C8167	Silentblock	3523 AZ		
C8168	Silentblock	3523 CA		

• PEUGEOT

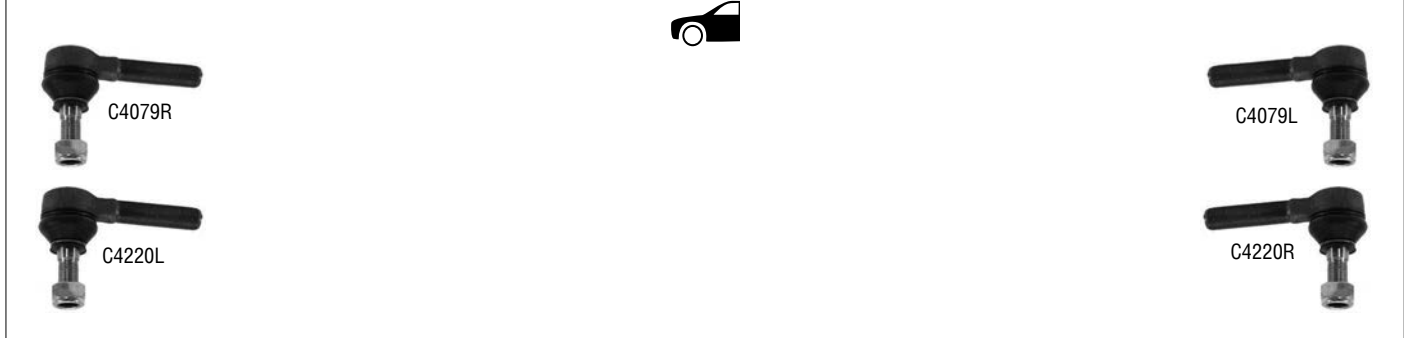


4007 (GP_) 02/2007>



LYNX	Description	Original Number	Specification
C2300LR	Tie Rod	3812 F1	MM14X1.5R
C4259LR	Tie Rod End	3817 74	FM14x1.5R
C5393L	Susp. Arm Left	3520 V0	
C5393R	Susp. Arm Right	3521 V0	
C1097LR	Ball Joint	Comp of.	ø 40.1
C7270LR	Stabiliser Link Front	5087 58	
C7271L	Stabiliser Link Rear Left	5178 48	
C7271R	Stabiliser Link Rear Right	5178 49	
C8169	Stabilizer Mounting Front	5094 C6	ø 22
C8170	Stabilizer Mounting Rear	5172 58	ø 19
C8171	Silentblock	3523 CS	ø 60
C8172	Silentblock		ø 37

605 06/1989 - 09/1999



LYNX	Description	Original Number	Specification
C4079R	Tie Rod End Left	3817 14	MM14X1.5R
C4079L	Tie Rod End Right	3817 16	MM14X1.5R
C4220L	Tie Rod End Left	3817 43	MM16x1.5R
C4220R	Tie Rod End Right	3817 44	MM16x1.5R



LYNX	Description	Original Number	Specification
C5279L	Susp. Arm Left	3520 70	
C5279R	Susp. Arm Right	3520 71	
C1017LR	Ball Joint	3640 28	
C8173	Silentblock	3523 44	
C8174	Silentblock	3523 43	

607

02/2000>



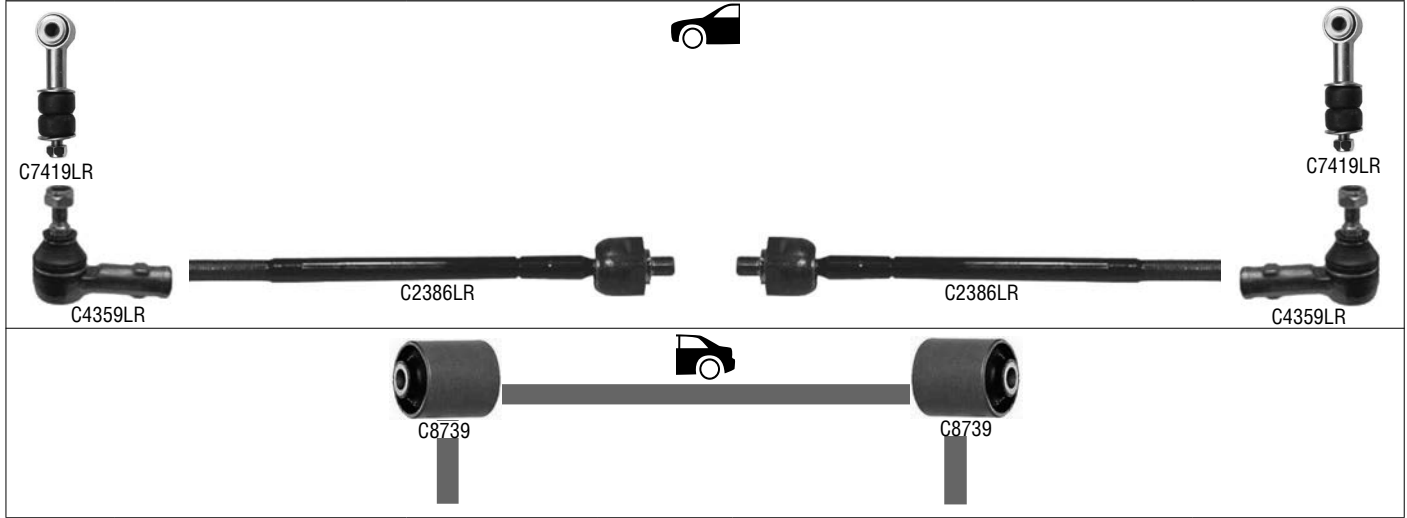
LYNX	Description	Original Number	Specification
C2226LR	Tie Rod	3812 C7	MM16x1.5R
C4220L	Tie Rod End Left	3817 43	MM16x1.5R
C4220R	Tie Rod End Right	3817 44	MM16x1.5R
C5279L	Susp. Arm Left	3520 70	
C5279R	Susp. Arm Right	3520 71	
C1017LR	Ball Joint	3640 28	
C7072LR	Stabiliser Link	5087 48	
C8173	Silentblock	3523 44	
C8174	Silentblock	3523 43	

• PEUGEOT



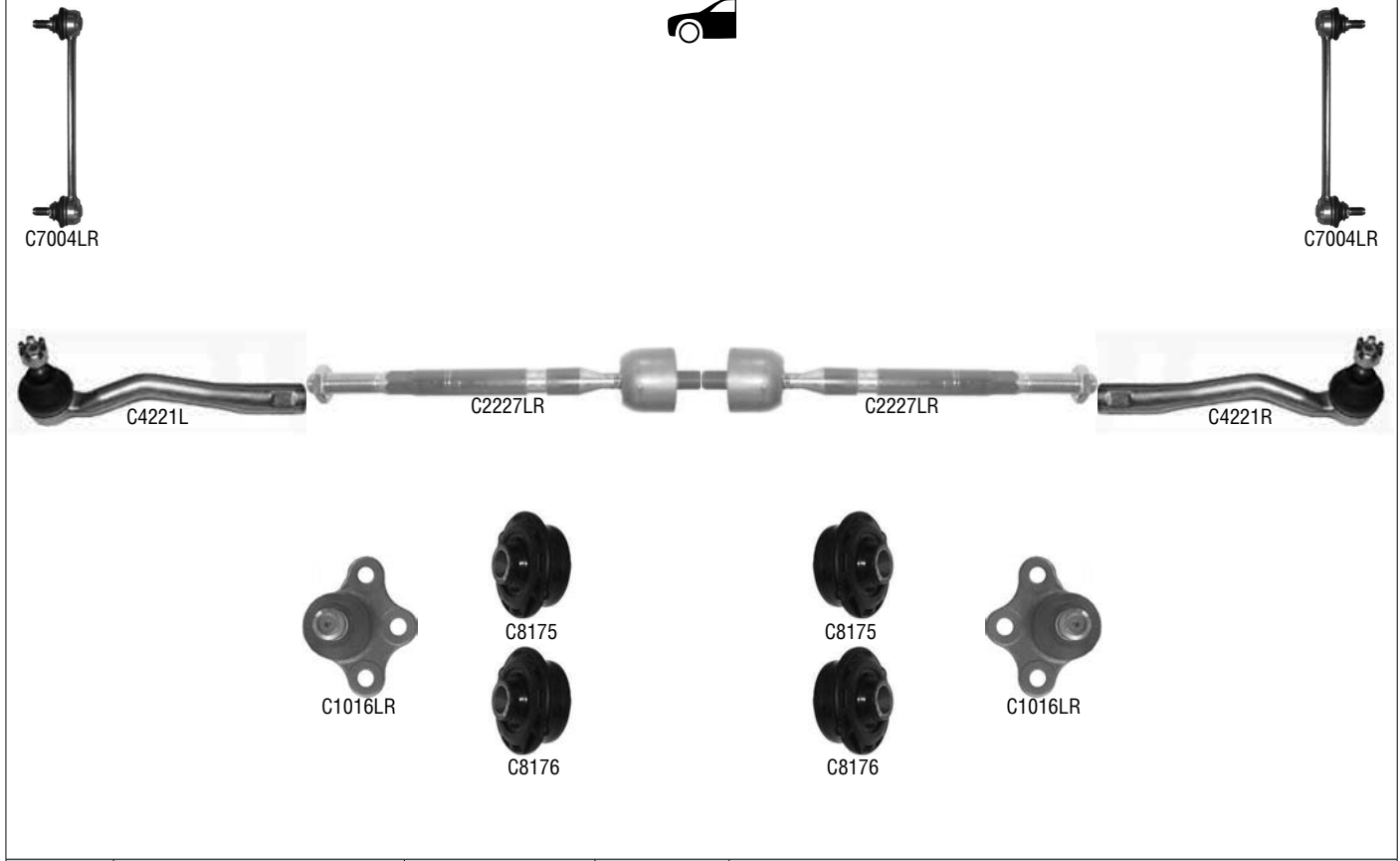
--	--

806	06/1994 - 08/2002
------------	-------------------



LYNX	Description	Original Number	Specification
C4359LR	Tie Rod End	4059 09	FM14x1.5R
C2386LR	Tie Rod	3812 A4	MM14X1.5R
C7419LR	Stabiliser Link	5087 35	
C8739	Silentblock	5152 61	

1007	04/2005>
-------------	----------

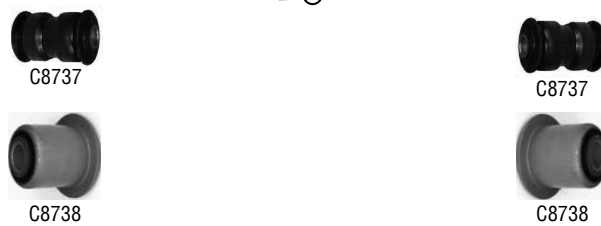
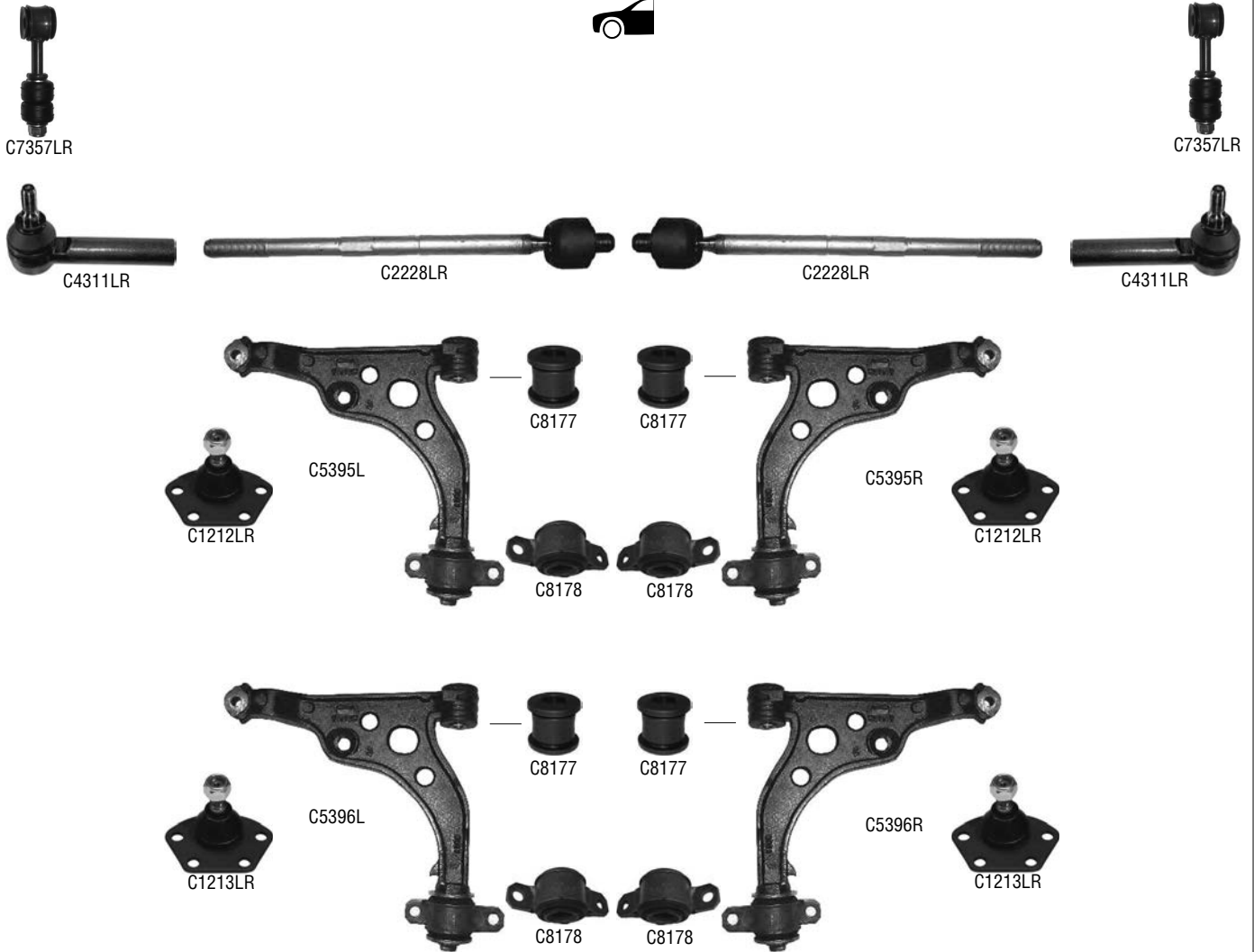


LYNX	Description	Original Number	Specification
C2227LR	Tie Rod	3812 E1	MM12X1R
C4221L	Tie Rod End Left	3817 55	FM14X1.5R
C4221R	Tie Rod End Right	3817 56	FM14X1.5R
C1016LR	Ball Joint	3640 56	
C7004LR	Stabiliser Link	5087 45	
C8175	Silentblock	3523 98	ø 56
C8176	Silentblock	3523 AA	ø 56



BOXER I

03/1994 - 04/2002

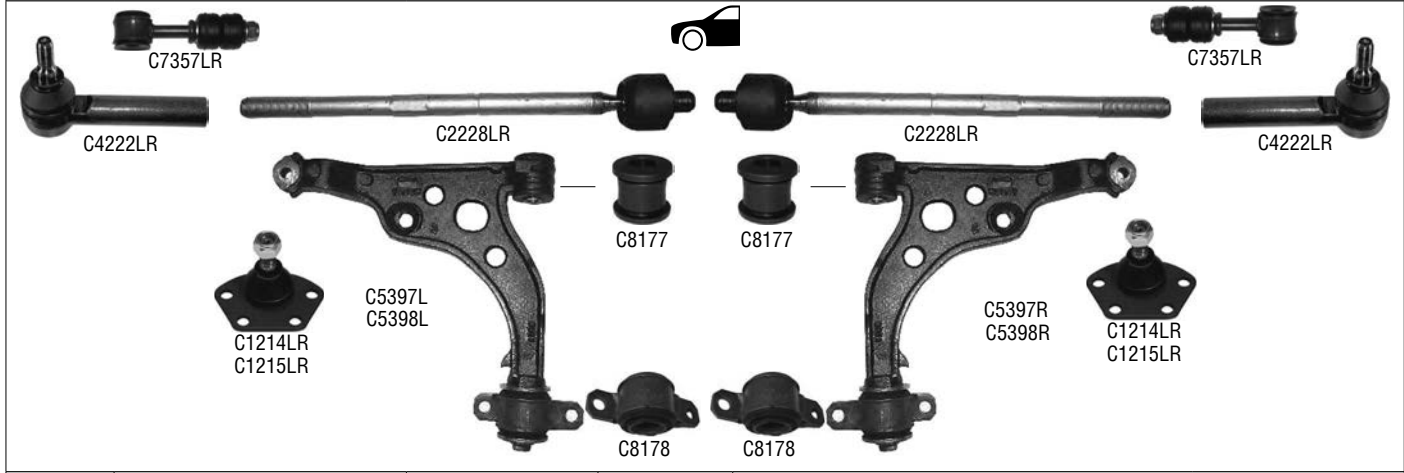


LYNX	Description	Original Number	Specification	
C2228LR	Tie Rod	4018 A4	MM16X1.5R	
C4311LR	Tie Rod End	4018 A3	FM16X1.5R	
C5395L	Susp. Arm Left	3520 95		Load Capacity >1400kg
C5395R	Susp. Arm Right	3521 65		Load Capacity >1400kg
C5396L	Susp. Arm Left	3520 96		Load Capacity 1800kg
C5396R	Susp. Arm Right	3521 66		Load Capacity 1800kg
C1212LR	Ball Joint	3640 32		Load Capacity >1400kg
C1213LR	Ball Joint	3640 33		Load Capacity 1800kg
C7357LR	Stabiliser Link Front	5087 37		
C8177	Silentblock	3523 93	ø 44.5	
C8178	Silentblock	3523 94		
C8737	Silentblock	5131 73		
C8738	Silentblock	5131 72		

• PEUGEOT



BOXER II 04/2002 - 06/2006



LYNX	Description	Original Number	Specification	
C2228LR	Tie Rod	4018 A4	MM16X1.5R	
C4222LR	Tie Rod End	4018 E0	FM16x1.5R	
C5397L	Susp. Arm Left	3520 N3		Load Capacity >1400kg
C5397R	Susp. Arm Right	3521 J3		Load Capacity >1400kg
C5398L	Susp. Arm Left	3520 N4		Load Capacity 1800kg
C5398R	Susp. Arm Right	3521 J4		Load Capacity 1800kg
C1214LR	Bail Joint	3640 55		Load Capacity >1400kg
C1215LR	Bail Joint	3640 54		Load Capacity 1800kg
C7357LR	Stabiliser Link Front	5087 37		
C8177	Silentblock	3523 93	ø 44.5	
C8178	Silentblock	3523 94		

BOXER III 04/2006>

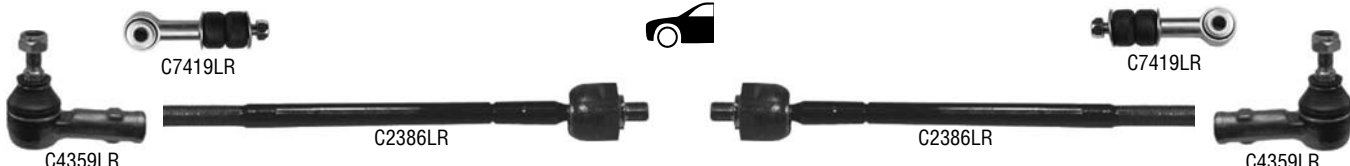


LYNX	Description	Original Number	Specification	
C2229LR	Tie Rod			
C4223L	Tie Rod End Left	3817 77		
C4223R	Tie Rod End Right	3817 70		
C5399L	Susp. Arm Left	3520 S0		11Q-17Q
C5399R	Susp. Arm Right	3521 P1		11Q-17Q
C5400L	Susp. Arm Left	3520 S1		17H-20Q
C5400R	Susp. Arm Right	3521 P2		17H-20Q
C1216LR	Ball Joint	3640 67		



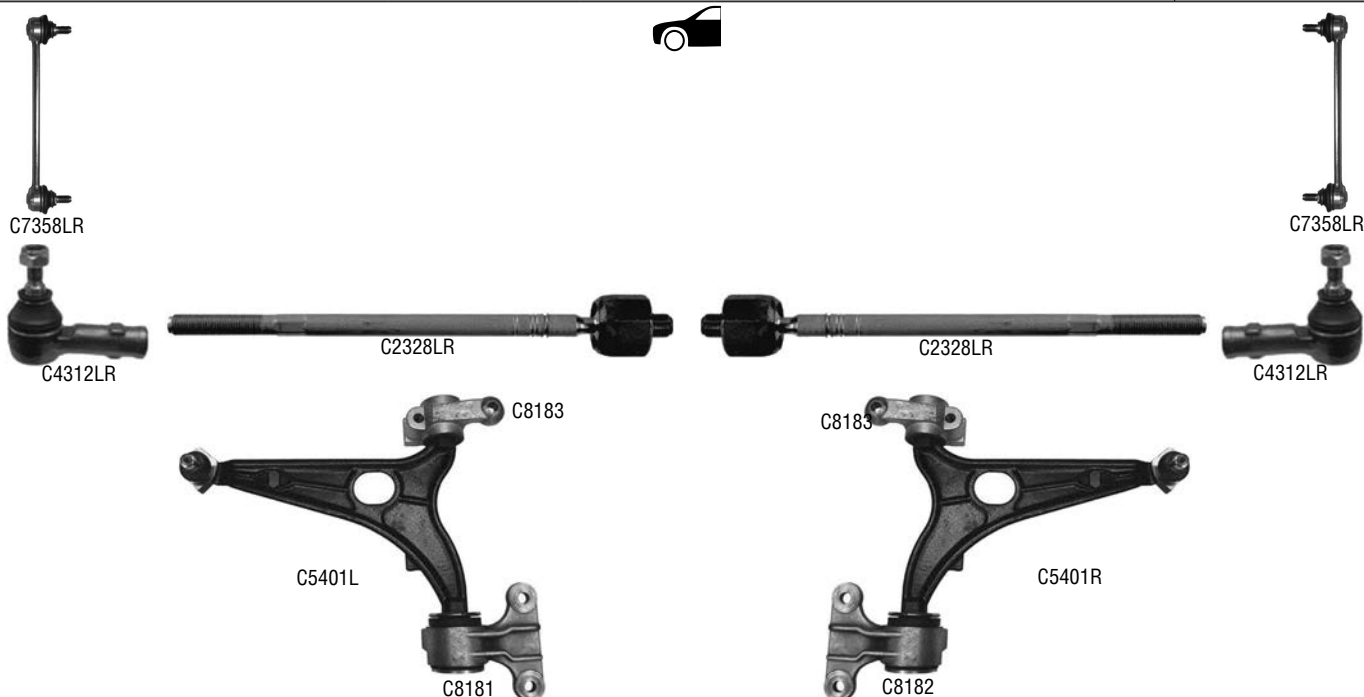
LYNX	Description	Original Number	Specification
C7272LR	Stabiliser Link		
C7316LR	Stabiliser Link		
C8179	Silentblock		
C8180	Silentblock		

EXPERT 07/1995- 12/2006



LYNX	Description	Original Number	Specification
C2386LR	Tie Rod	3812 A4	MM14X1.5R
C4359LR	Tie Rod End	4059 09	FM14x1.5R
C7419LR	Stabiliser Link	5087 35	
C8739	Silentblock	5152 61	

EXPERT 01/2007>

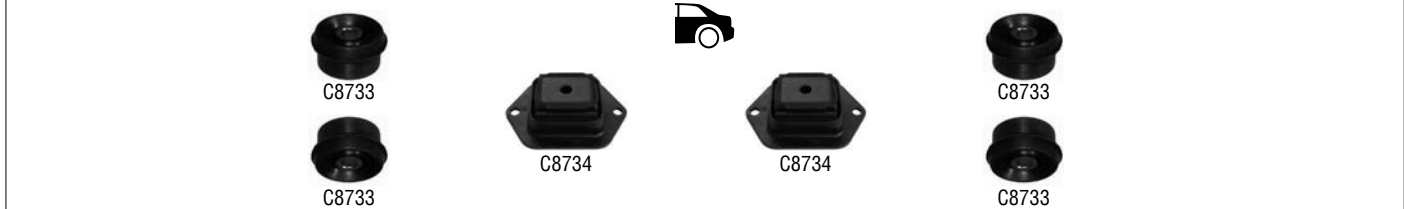
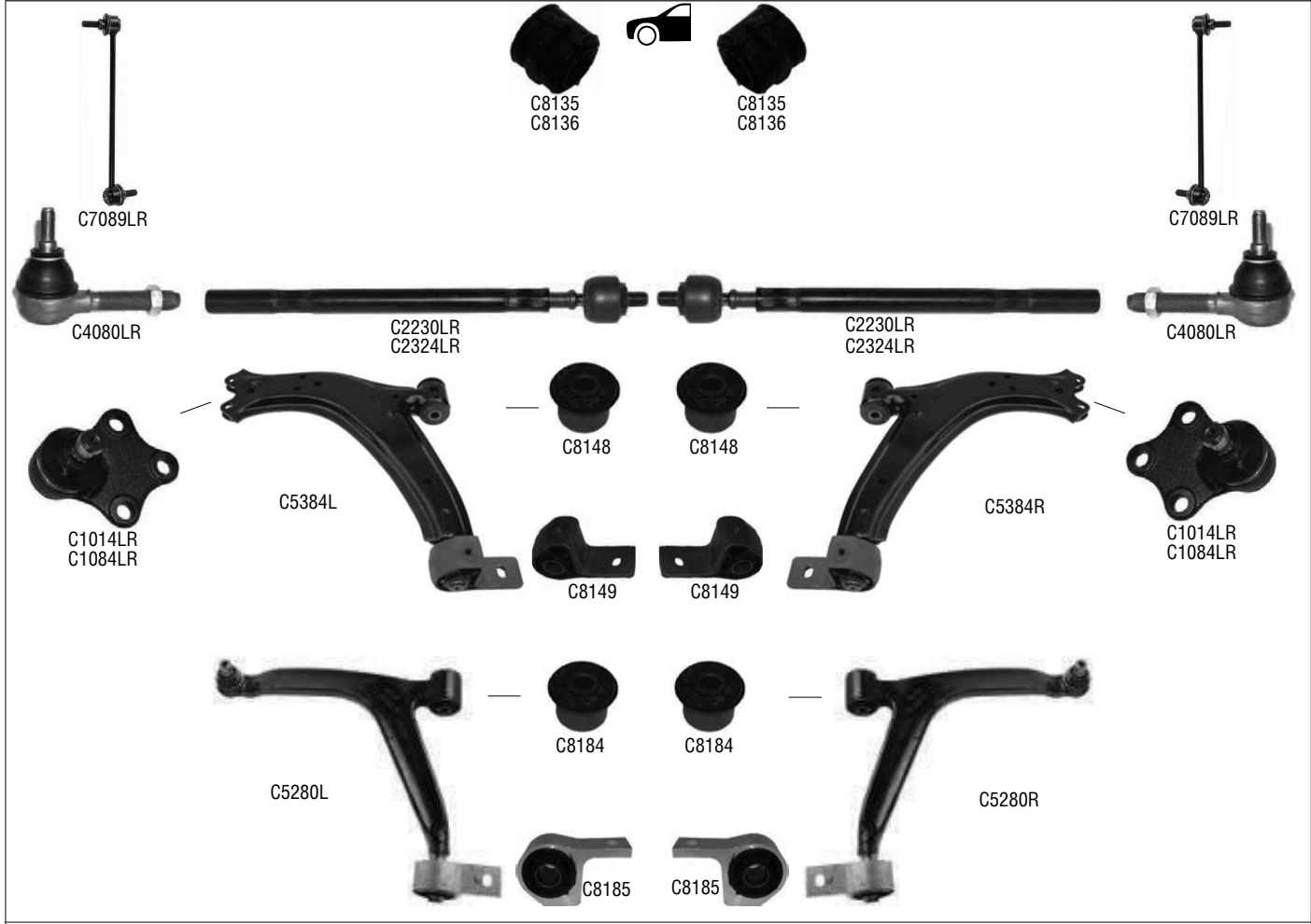


LYNX	Description	Original Number	Specification
C2328LR	Tie Rod	3812 F0	
C4312LR	Tie Rod End	3817 73	
C5401L	Susp. Arm Left	3520 R8	
C5401R	Susp. Arm Right	3521 N9	
C7358LR	Stabiliser Link Front	5087 56	
C8181	Silentblock		
C8182	Silentblock		
C8183	Silentblock		

• PEUGEOT



PARTNER 11/1996>



LYNX	Description	Original Number	Specification	
C2230LR	Tie Rod	3812 C0	MM12X1R	Exc. HDI
C2324LR	Tie Rod	3812 C6	MM12X1R	2.0 HDI, 05/04>
C4080LR	Tie Rod End	3817 10	MM14X1.5R	
C5280L	Susp. Arm Left	3520 H9		HDI
C5280R	Susp. Arm Right	3521 F3		HDI
C5384L	Susp. Arm Left	3520 H5		Exc. HDI
C5384R	Susp. Arm Right	3521 E5		Exc. HDI
C1014LR	Ball Joint	3640 50	ø 18	
C1084LR	Ball Joint	3640 42	ø 16	
C7089LR	Stabiliser Link Front	5087 39		
C8135	Stabiliser Mounting	5094 65	ø 21	
C8136	Stabiliser Mounting	5094 77	ø 22	
C8148	Silentblock	96110483	ø 33	
C8149	Silentblock	3523 75		
C8184	Silentblock	Comp. of C5280L/R	ø 33.5	
C8185	Silentblock	3523 83		
C8733	Silentblock	5131 47		
C8734	Silentblock	5152 62		



PARTNER (B9)

04/2008>



C7356LR



C8154
C8186
C8187
C8188



C8154
C8186
C8187
C8188



C7356LR

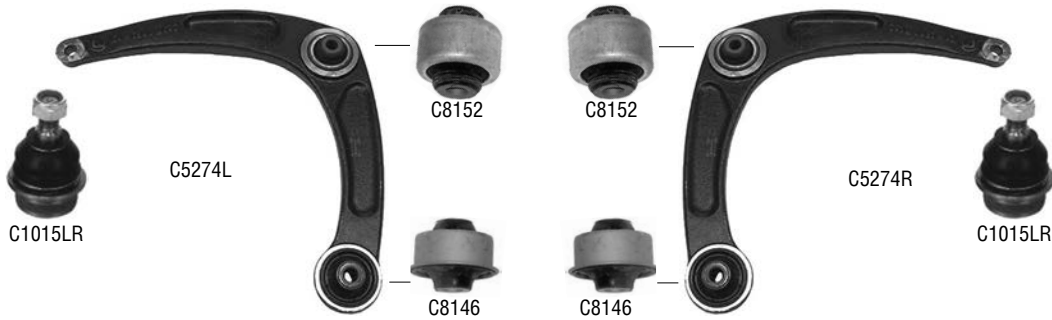


C4217L

C2325LR

C2325LR

C4217R



C5274L

C8152

C8152

C5274R

C1015LR

C8146

C8146

C1015LR



C8735

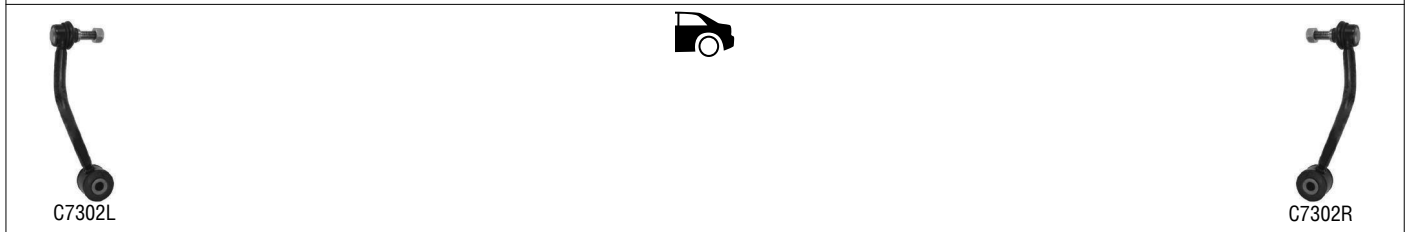
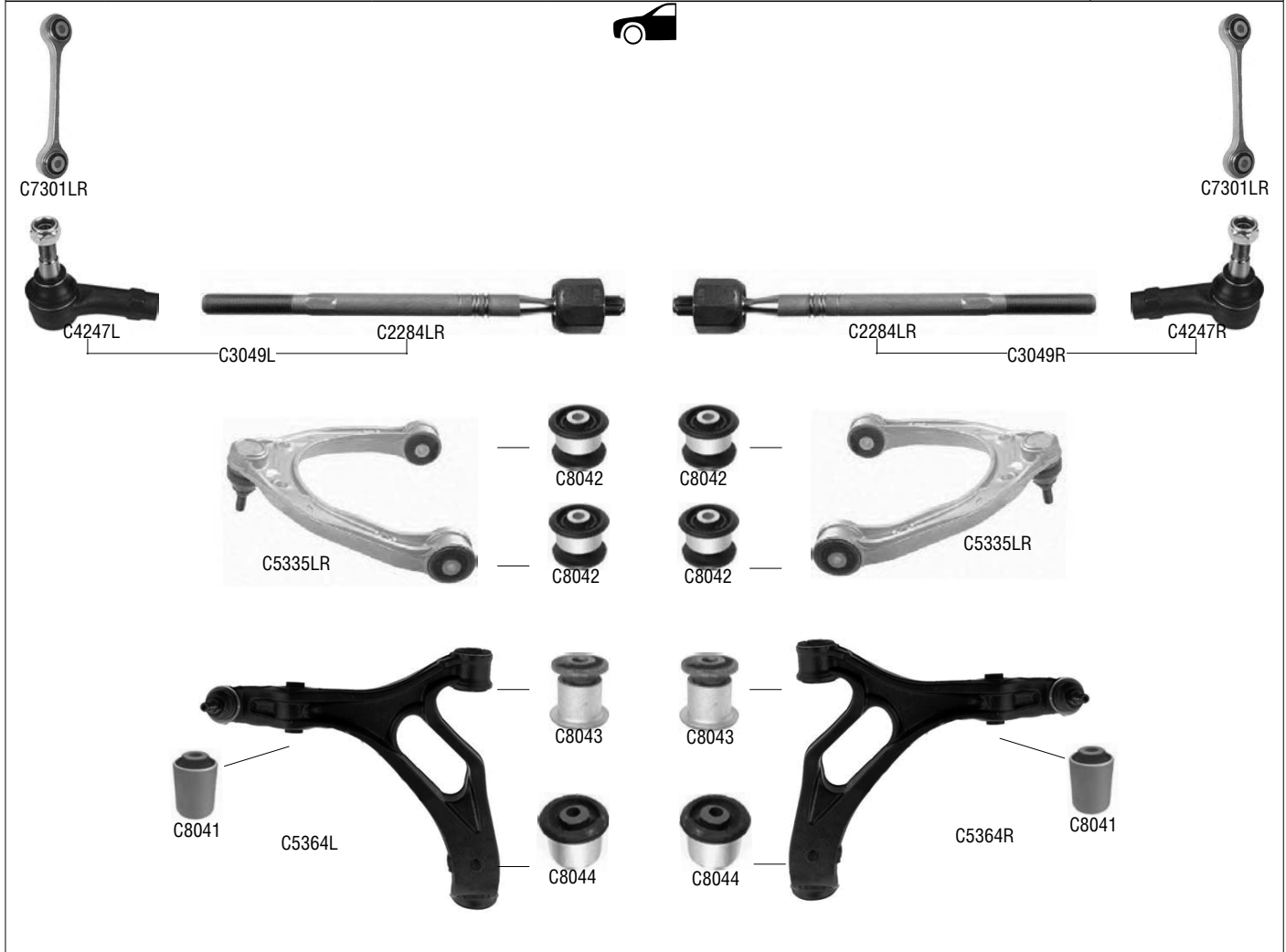


C8735

LYNX	Description	Original Number	Specification
C2325LR	Tie Rod	3812 F4	MM14x1.5R
C4217L	Tie Rod End Left	3817 76	FM14x1.5R
C4217R	Tie Rod End Right	3817 75	FM14x1.5R
C5274L	Susp. Arm Left	3520 S2	
C5274R	Susp. Arm Right	3521 P3	
C1015LR	Ball Joint	3640 53	
C7356LR	Stabiliser Link Front	5087 57	L:335
C8154	Stabiliser Mounting	5094 E3	ø 22.5
C8186	Stabiliser Mounting	5094 E4	ø 23
C8187	Stabiliser Mounting	5094 E6	ø 23.5
C8188	Stabiliser Mounting	5094 E7	ø 21
C8152	Silentblock	3523 91	ø 55
C8146	Silentblock	3523 77	ø 54
C8735	Silentblock	5131 H1	



PORSCHE
CAYENNE (955, 957) 09/2002>



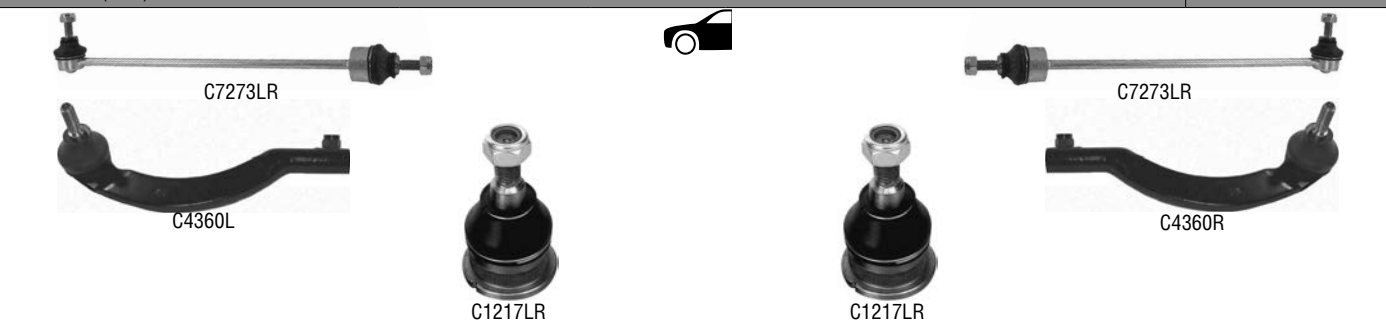
LYNX	Description	Original Number	Specification
C2284LR	Tie Rod	7L0 422 821	MM16X1.5R
C4247L	Tie Rod End Left	955 347 13120	FM16X1.5R
C4247R	Tie Rod End Right	955 347 13220	FM16X1.5R
C3049L	Side Rod Assy Left	955 347 03120	
C3049R	Side Rod Assy Right	955 347 03220	
C5364L	Susp. Arm Lower Left	955 341 01730	
C5364R	Susp. Arm Lower Right	955 341 01830	
C5335LR	Susp. Arm Upper Upper	955 341 02700	
C7301LR	Stabiliser Link	955 343 06900	
C7302L	Stabiliser Link Left	955 333 06910	
C7302R	Stabiliser Link Right	955 333 07010	
C8041	Silentblock	7L0 412 333 A	ø 48
C8042	Silentblock	7L0 407 077	
C8043	Silentblock	955 341 588 10	ø 40
C8044	Silentblock	955 341 242 04	ø 60.3



RENAULT

AVANTIME (DEO)

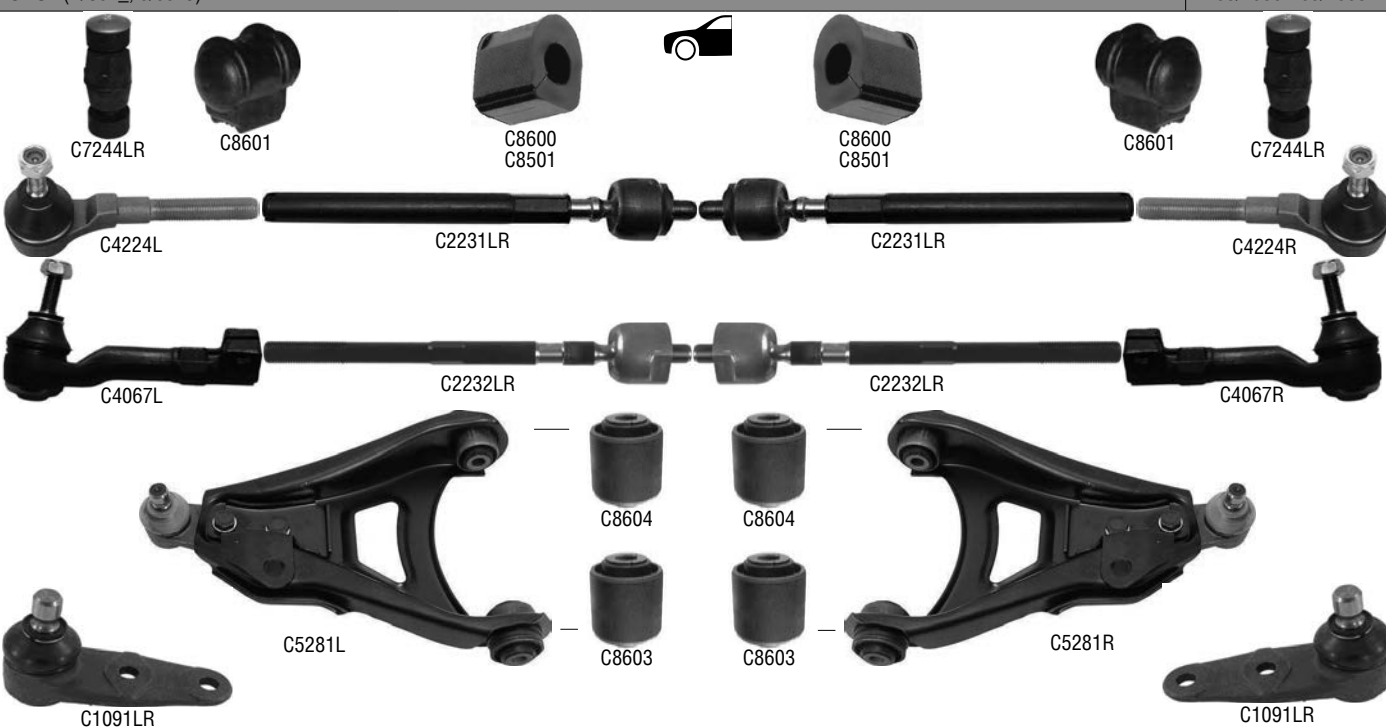
09/2001 - 05/2003



LYNX	Description	Original Number	Specification
C4360L	Tie Rod End Left	60 25 370 229	FM14x1.5R
C4360R	Tie Rod End Right	60 25 370 230	FM14x1.5R
C1217LR	Ball Joint	60 25 308 155	
C7273LR	Stabiliser Link	77 00 805 494	

CLIO I (B/C57_, 5/357J)

05/1990 - 09/1998



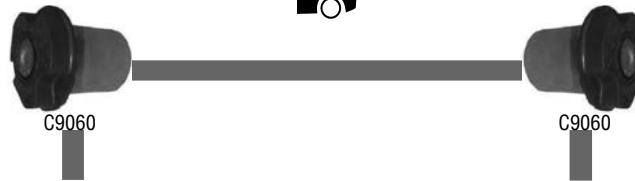
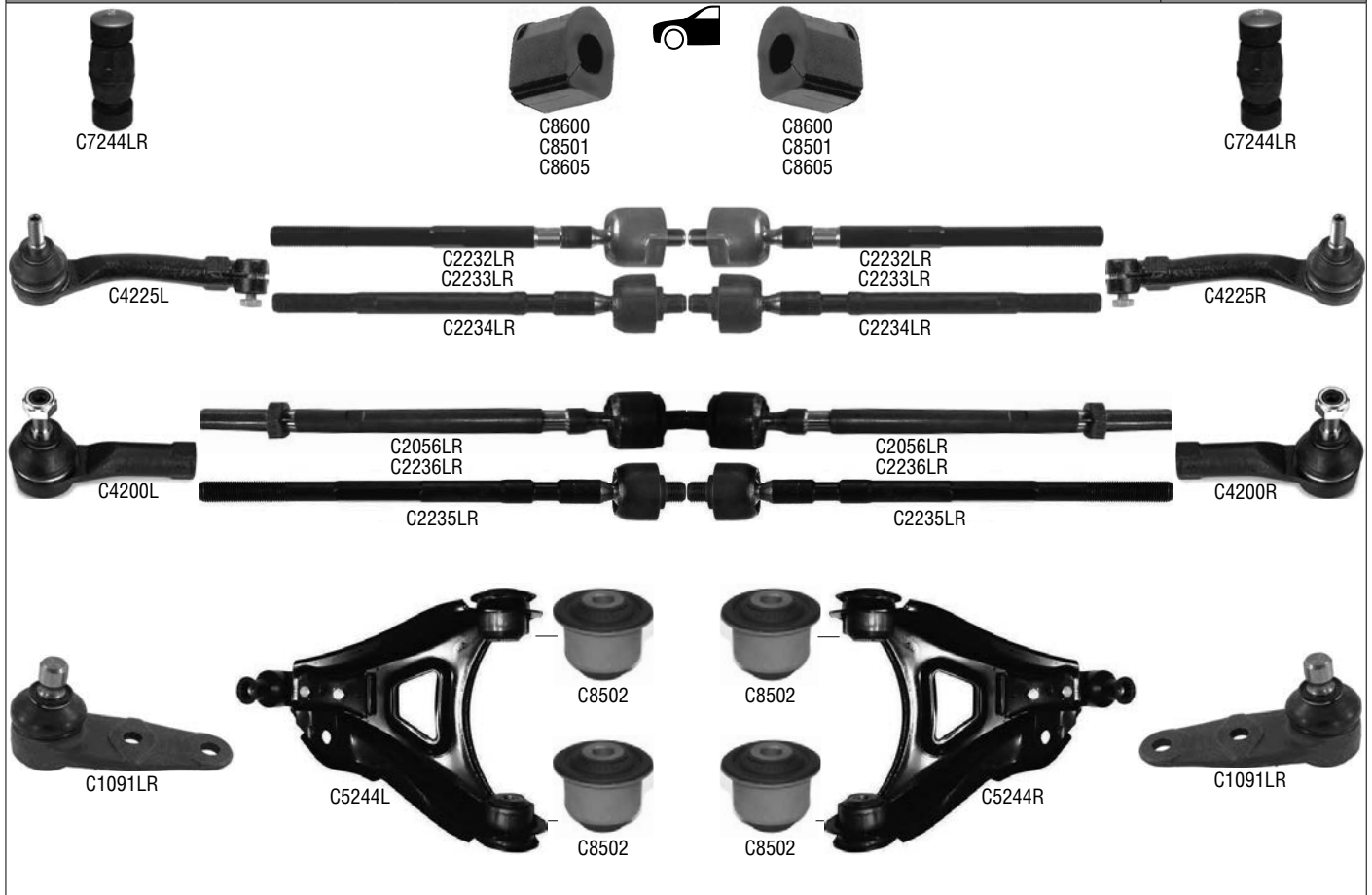
LYNX	Description	Original Number	Specification
C2231LR	Tie Rod	77 01 466 158	MM12X1R >07/94
C4224L	Tie Rod End Left	77 01 467 273	MM14x1.5R >07/94
C4224R	Tie Rod End Right	77 01 467 274	MM14x1.5R >07/94
C2232LR	Tie Rod	77 01 471 125	MM12X1R 08/94>
C4067L	Tie Rod End Left	60 00 022 752	FM14x1.5R 08/94>
C4067R	Tie Rod End Right	60 00 022 753	FM14x1.5R 08/94>
C5281L	Susp. Arm Left	77 00 794 386	
C5281R	Susp. Arm Right	77 00 794 387	
C1091LR	Ball Joint Lower	77 01 472 038	
C7244LR	Stabiliser Link	77 00 799 404	
C8600	Stabiliser Mounting	77 00 798 053	ø 22
C8501	Stabiliser Mounting	77 00 785 788	ø 21
C8601	Stabiliser Mounting	77 00 760 264	ø 19
C8603	Silentblock	77 00 799 064	ø 40
C8604	Silentblock	77 00 799 065	ø 40

• RENAULT



CLIO II (B/C/B0/1_, CB0/1/2J)

03/1998 - 05/2005



LYNX	Description	Original Number	Specification	
C2233LR	Tie Rod	77 01 471 124		-PS >12/99
C2232LR	Tie Rod	77 01 471 125	MM12X1R	SMI >12/99
C2234LR	Tie Rod	77 01 471 143	MM14X1.5R	TRW >12/99
C4225L	Tie Rod End Left	77 01 471 126	FM14x1.5R	>12/99
C4225R	Tie Rod End Right	77 01 471 127	FM14x1.5R	>12/99
C2236LR	Tie Rod	77 01 472 113	MM12X1R	-PS 01/00>
C2056LR	Tie Rod	77 01 473 655	MM12X1R	+PS SMI 01/00>
C2235LR	Tie Rod	77 01 472 734	MM14X1.5R	+PS TRW 01/00>
C4200L	Tie Rod End Left	77 01 047 415		01/00>
C4200R	Tie Rod End Right	77 01 047 416		01/00>
C5244L	Susp. Arm Left	77 00 425 227		
C5244R	Susp. Arm Right	77 00 425 228		
C1091LR	Ball Joint Lower	77 01 472 038		
C7244LR	Stabiliser Link	77 00 799 404		
C8600	Stabiliser Mounting	77 00 798 053	ø 22	1.2
C8501	Stabiliser Mounting	77 00 785 788	ø 21	1.2-1.9D
C8605	Stabiliser Mounting	77 00 835 929	ø 24	1.4-1.9DTi
C8502	Silentblock	77 00 424 399	ø 45.4	
C9060	Silentblock	77 00 839 316		

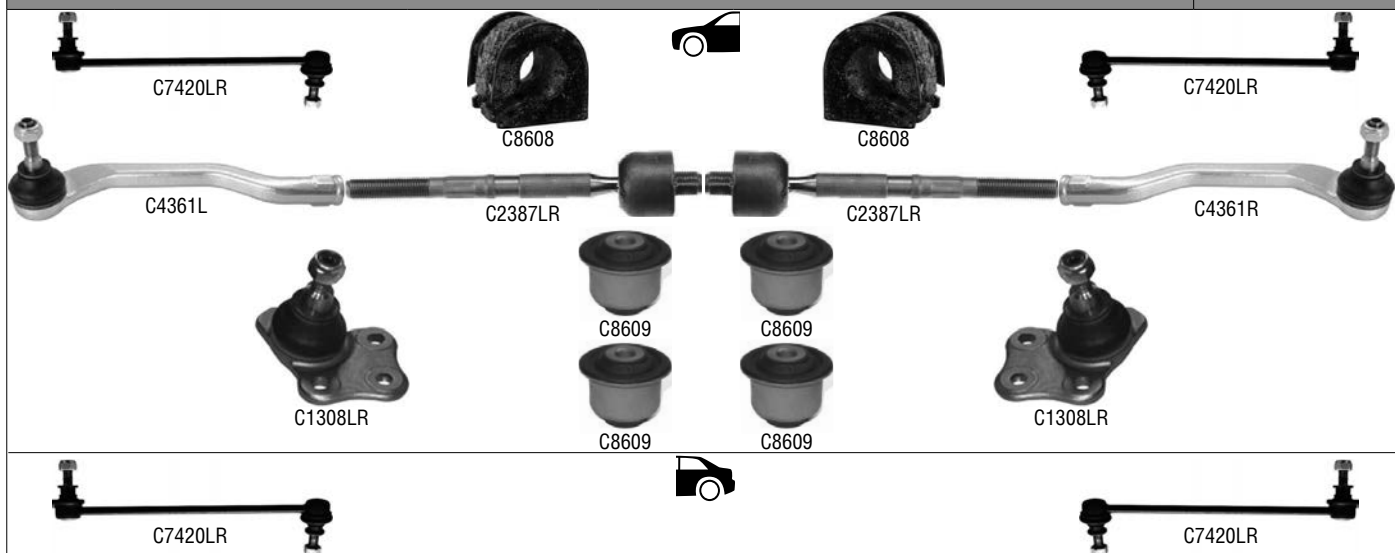


CLIO III (BR0/1, CR0/1) 06/2005>
MODUS (F/JP0_) 12/2004>



LYNX	Description	Original Number	Specification	
C2237LR	Tie Rod	77 01 475 841	MM14X1.5R	
C4200L	Tie Rod End	77 01 047 812	FM14X1.5R	
C4200R	Tie Rod End	77 01 047 813	FM14X1.5R	
C5282L	Susp. Arm Left	82 00 346 941		
C5282R	Susp. Arm Right	82 00 346 942		
C1218LR	Ball Joint			
C7245LR	Stabiliser Link	82 00 127 308		
C8606	Stabiliser Mounting	77 01 059 672	ø 21	
C8607	Stabiliser Mounting	77 01 056 678	ø 19.5	Exc. Modus
C8507	Silentblock	82 00 183 569	ø 36.1	
C8508	Silentblock	82 00 183 570	ø 58.4	

DUSTER 04/2010>



LYNX	Description	Original Number	Specification	
C2387LR	Tie Rod	82 01 108 350	MM16x1.5R	
C4361L	Tie Rod End Left	82 01 108 339	FM14x1.5R	
C4361R	Tie Rod End Right	82 01 108 332	FM14x1.5R	
C1308LR	Ball Joint	40 16 023 08R		
C7420LR	Stabiliser Link	82 00 814 411		Front / Rear
C8608	Stabiliser Mounting	82 00 852 550	ø 18,5	
C8609	Silentblock		ø 37,2	

• RENAULT

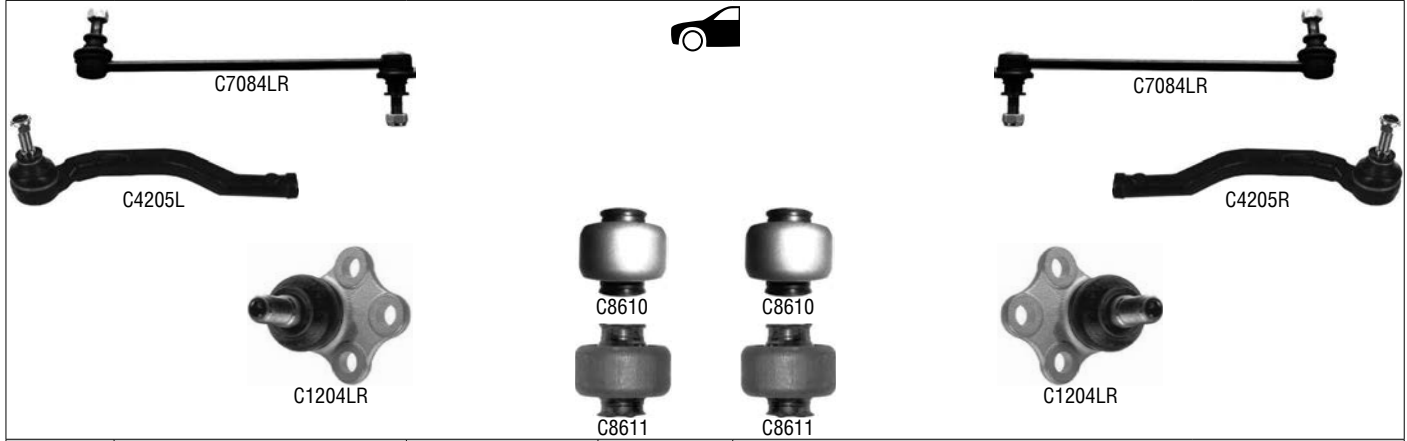


ESPACE III (JEJ) 11/1996 - 10/2002



LYNX	Description	Original Number	Specification
C4360L	Tie Rod End Left	60 25 370 229	FM14x1.5R
C4360R	Tie Rod End Right	60 25 370 230	FM14x1.5R
C1217LR	Ball Joint	60 25 308 155	
C7273LR	Stabiliser Link	77 00 805 494	

ESPACE IV (JKOJ) 11/2002>



LYNX	Description	OE- number	Specification
C4205L	Tie Rod End Left	77 01 049 282	FM14X1.5R
C4205R	Tie Rod End Right	77 01 049 283	FM14X1.5R
C1204LR	Ball Joint Lower		
C7084LR	Stabiliser Link	82 00 002 870	
C8610	Silentblock		ø 54.2
C8611	Silentblock		ø 58

KANGOO (KCO_, FCO_) 06/1997>



LYNX	Description	Original Number	Specification
C2057LR	Tie Rod	77 01 469 502	MM12X1R >02/99
C4067L	Tie Rod End Left	60 00 022 752	FM14x1.5R >02/99
C4067R	Tie Rod End Right	60 00 022 753	FM14x1.5R >02/99
C7244LR	Stabiliser Link	77 00 799 404	
C8501	Stabiliser Mounting	77 00 785 788	ø 21



LYNX	Description	Original Number	Specification	
C2056LR	Tie Rod	77 01 473 655	MM12X1R	03/99>
C4200L	Tie Rod End	77 01 047 812	FM14X1.5R	03/99>
C4200R	Tie Rod End	77 01 047 813	FM14X1.5R	03/99>
C5244L	Susp. Arm Left	77 00 425 227		
C5244R	Susp. Arm Right	77 00 425 228		
C1091LR	Ball Joint Lower	77 01 472 038		
C8502	Silentblock	77 00 424 399	ø 45.4	

KANGOO II

02/2008>

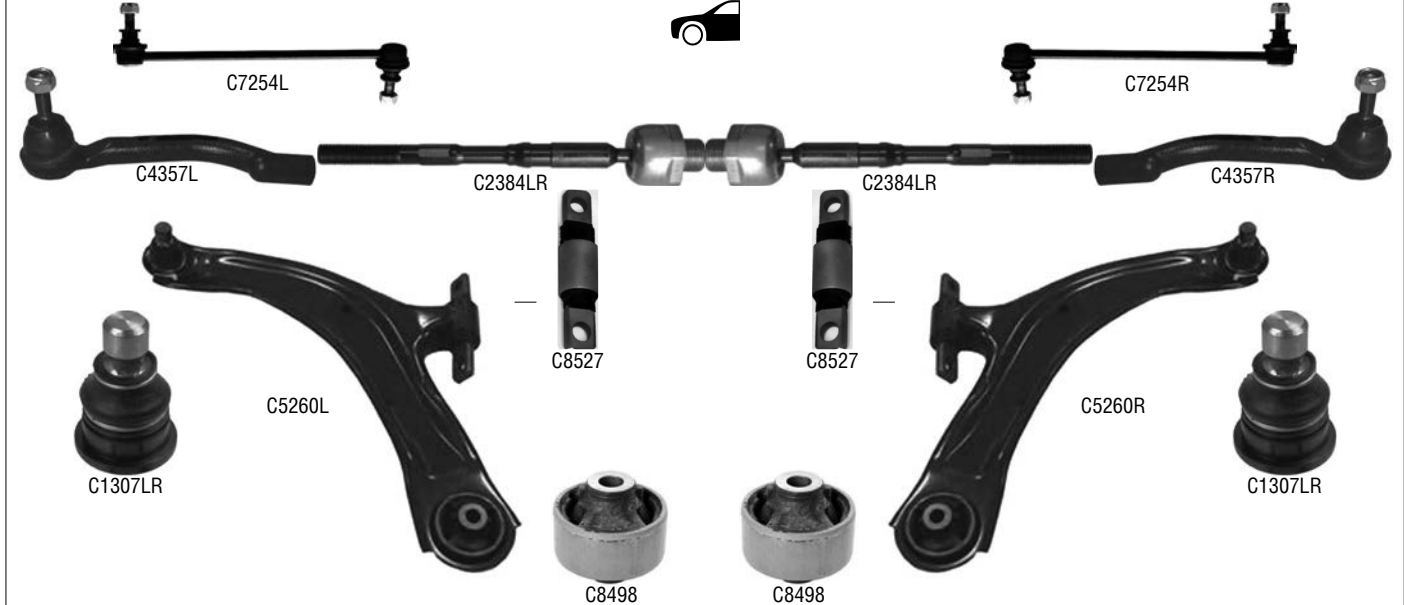


LYNX	Description	Original Number	Specification	
C2301LR	Tie Rod	77 01 478 406		
C4261L	Tie Rod End Left	77 01 478 407	FM14x1.5R	
C4261R	Tie Rod End Right	77 01 478 408	FM14x1.5R	
C5413L	Susp. Arm Left	82 00 586 561		
C5413R	Susp. Arm Right	82 00 586 567		
C1309L	Bail Joint Left			
C1309R	Bail Joint Right			
C7275LR	Stabiliser Link	82 00 166 159		
C8612	Stabiliser Mounting	77 01 069 131		
C8613	Silentblock		ø 33.2	
C8614	Silentblock		ø 58.2	

• RENAULT

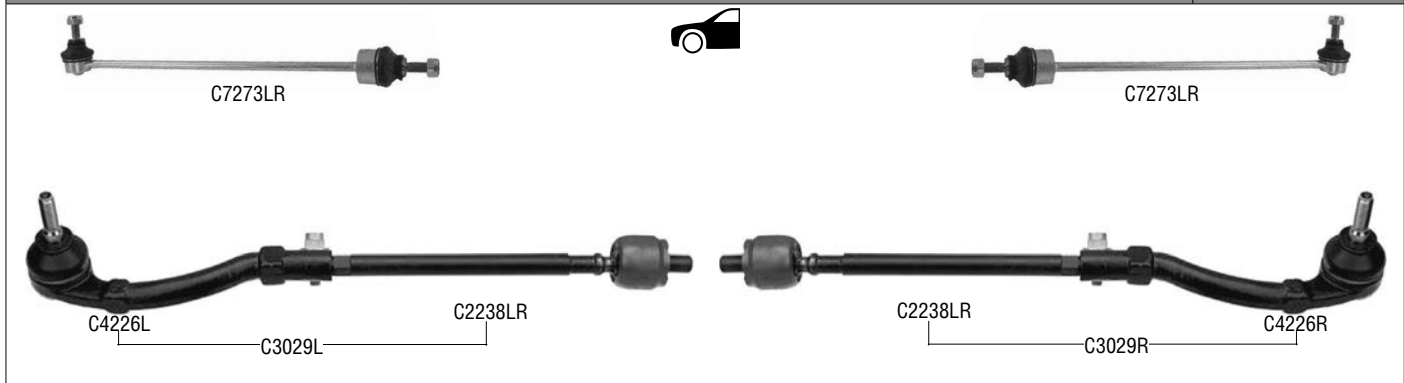


KOLEOS 09/2008>



LYNX	Description	Original Number	Specification
C2384LR	Tie Rod	D8521-JG00A	MM22x1.5R
C4357L	Tie Rod End Left	D8640-JY00A	FM14x1.5R
C4357R	Tie Rod End Right	D8520-JY00A	FM14x1.5R
C5260L	Susp. Arm Left	54501-JD000	
C5260R	Susp. Arm Right	54500-JD000	
C1307LR	Ball Joint	40160-9W200	
C7254L	Stabiliser Link Left	54668-JD00A	
C7254R	Stabiliser Link Right	54618-JD00A	
C7255L	Stabiliser Link Left	55619-JD00A	
C7255R	Stabiliser Link Right	55618-JD00A	
C8527	Silentblock	Comp. of C5260L/R	
C8498	Silentblock	Comp. of C5260L/R	ø 58

LAGUNA I (B56_, 556J) 11/1993 - 03/2001



LYNX	Description	Original Number	Specification
C2238LR	Tie Rod	77 01 469 665	MM12X1R
C4226L	Tie Rod End Left	60 00 022 737	FM14x1.5R
C4226R	Tie Rod End Right	60 00 022 736	FM14x1.5R
C3029L	Side Rod Assy Left	77 01 467 501	
C3029R	Side Rod Assy Right	77 01 467 502	
C7273LR	Stabiliser Link	77 00 805 494	



LYNX	Description	Original Number	Specification
C5283L	Susp. Arm Left	77 00 413 493	
C5283R	Susp. Arm Right	77 00 413 494	
C1219LR	Ball Joint Lower	77 00 418 693	
C8615	Silentblock	77 00 824 042	ø 58.6
C8599	Silentblock	60 25 307 746	ø 55

LAGUNA II (BG0_, BG1J) 03/2001 - 10/2007



LYNX	Description	Original Number	Specification
C2239LR	Tie Rod	77 01 472 766	MM12X1R
C4205L	Tie Rod End Left	77 01 049 282	FM14X1.5R
C4205R	Tie Rod End Right	77 01 049 283	FM14X1.5R
C5284L	Susp. Arm Left	82 00 389 134	
C5284R	Susp. Arm Right	82 00 389 135	
C1204LR	Ball Joint	82 00 389 134/5	
C7084LR	Stabiliser Link	82 00 002 870	
C9061	Stabiliser Mounting	82 00 272 594	
C8610	Silentblock	Comp. of C5284L/R	ø 54.2
C8611	Silentblock	Comp. of C5284L/R	ø 58

• RENAULT

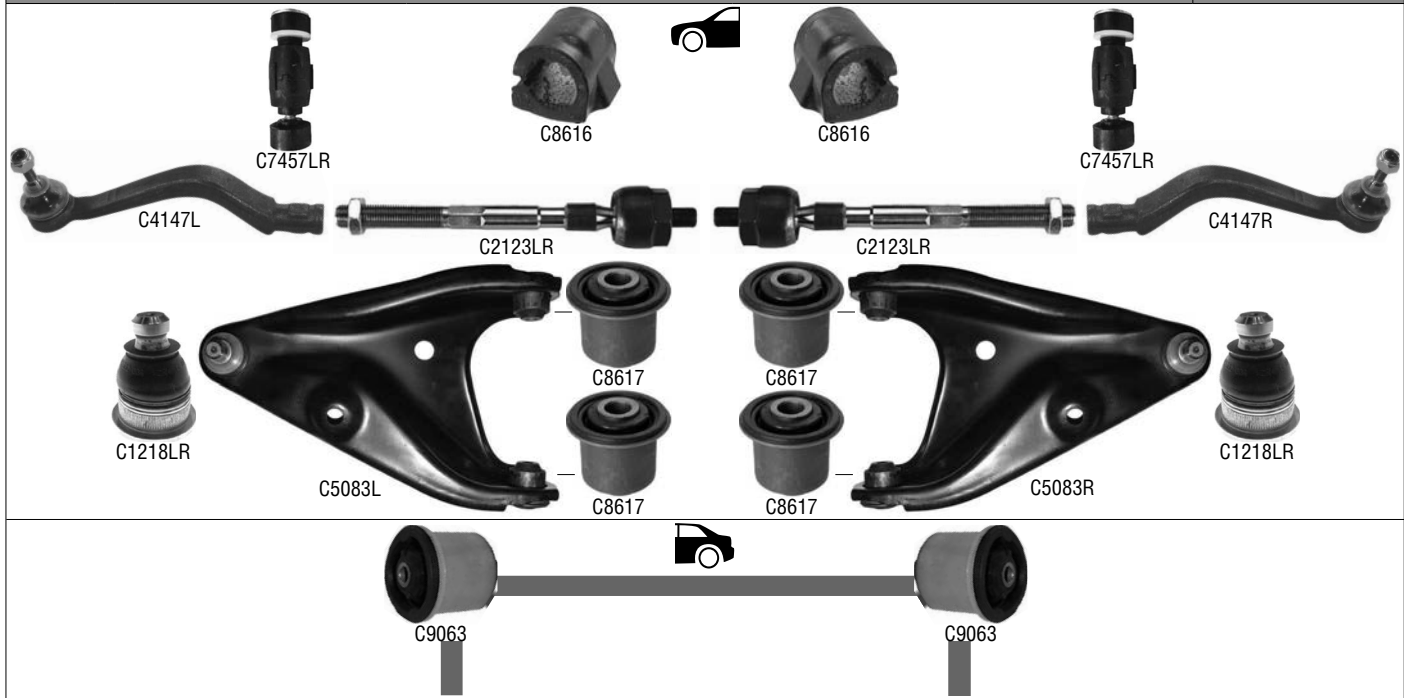


LAGUNA III 10/2007>



LYNX	Description	Original Number	Specification
C2388LR	Tie Rod	48 52 100 01R	
C4362L	Tie Rod End Left	48 52 000 01R	
C4362R	Tie Rod End Right	48 52 000 02R	
C1310LR	Ball Joint	40 16 000 04R	
C7420LR	Stabiliser Link	82 00 814 411	Front / Rear
C9062	Stabiliser Mounting	54 61 300 03R	

LOGAN SANDERO 09/2004>
06/2008>



LYNX	Description	Original Number	Specification
C2123LR	Tie Rod	60 01 547 606	MM12x1R
C4147L	Tie Rod End Left	60 01 547 610	FM14X1.5R
C4147R	Tie Rod End Right	60 01 547 611	FM14X1.5R
C5083L	Susp. Arm Left	60 01 547 520	Exc. Pick Up, Express
C5083R	Susp. Arm Right	60 01 547 519	Exc. Pick Up, Express
C1218LR	Ball Joint	401604793R	
C7457LR	Stabiliser Link	60 01 547 138	
C8616	Stabiliser Mounting	60 01 547 140	
C8617	Silentblock	Comp. of C5083L/R	ø 37.2
C9063	Silentblock	60 01 549 988	



MASTER I 08/1980 - 07/1998



C7243L



C7243R

LYNX	Description	Original Number	Specification
C7243L	Stabiliser Link Left	77 00 309 070	
C7243R	Stabiliser Link Right	77 00 309 071	

MASTER II 07/1998>

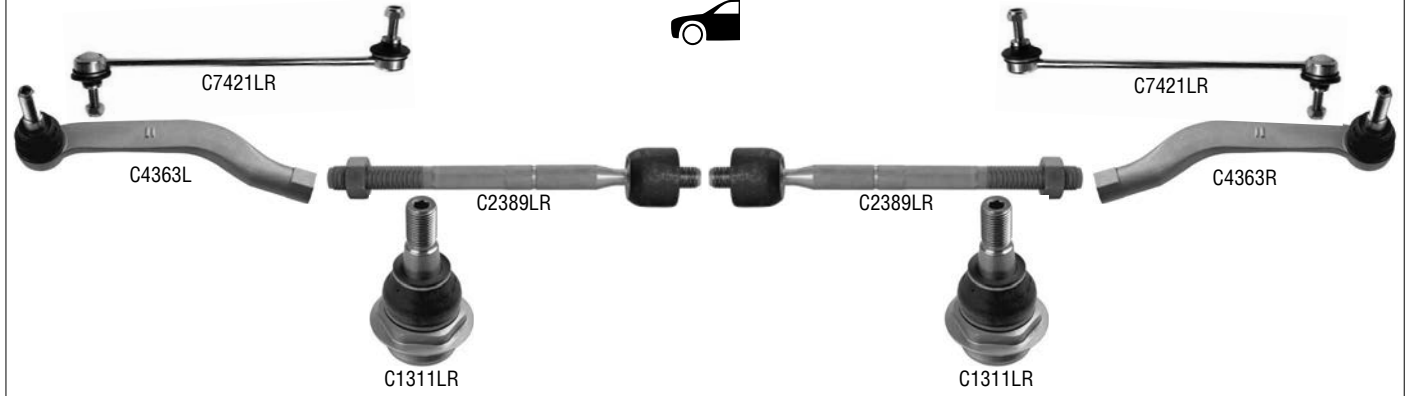


LYNX	Description	Original Number	Specification
C2194LR	Tie Rod	77 01 470 362	MM14X1.5R
C4199L	Tie Rod End Left	77 01 470 363	FM16X1.5R
C4199R	Tie Rod End Right	77 01 470 364	FM16X1.5R
C5243L	Susp. Arm Left	77 00 309 189	>09/07
C5243R	Susp. Arm Right	77 00 309 190	>09/07
C5411L	Susp. Arm Left	82 00 750 273	09/07>
C5411R	Susp. Arm Right	82 00 750 274	09/07>
C1088LR	Ball Joint Upper	77 00 312 851	
C1199LR	Ball Joint Upper	77 00 302 114	
C1200LR	Ball Joint Lower	77 01 070 154	ø 43.3 09/07>
C1198LR	Ball Joint Lower	77 00 312 852	>09/07
C7243L	Stabiliser Link Left	77 00 309 070	
C7243R	Stabiliser Link Right	77 00 309 071	
C9005	Stabiliser Mounting	77 00 309 154	
C8499	Silentblock	77 00 302 122	ø 55.2
C8500	Silentblock	77 00 302 123	ø 55.2

• RENAULT

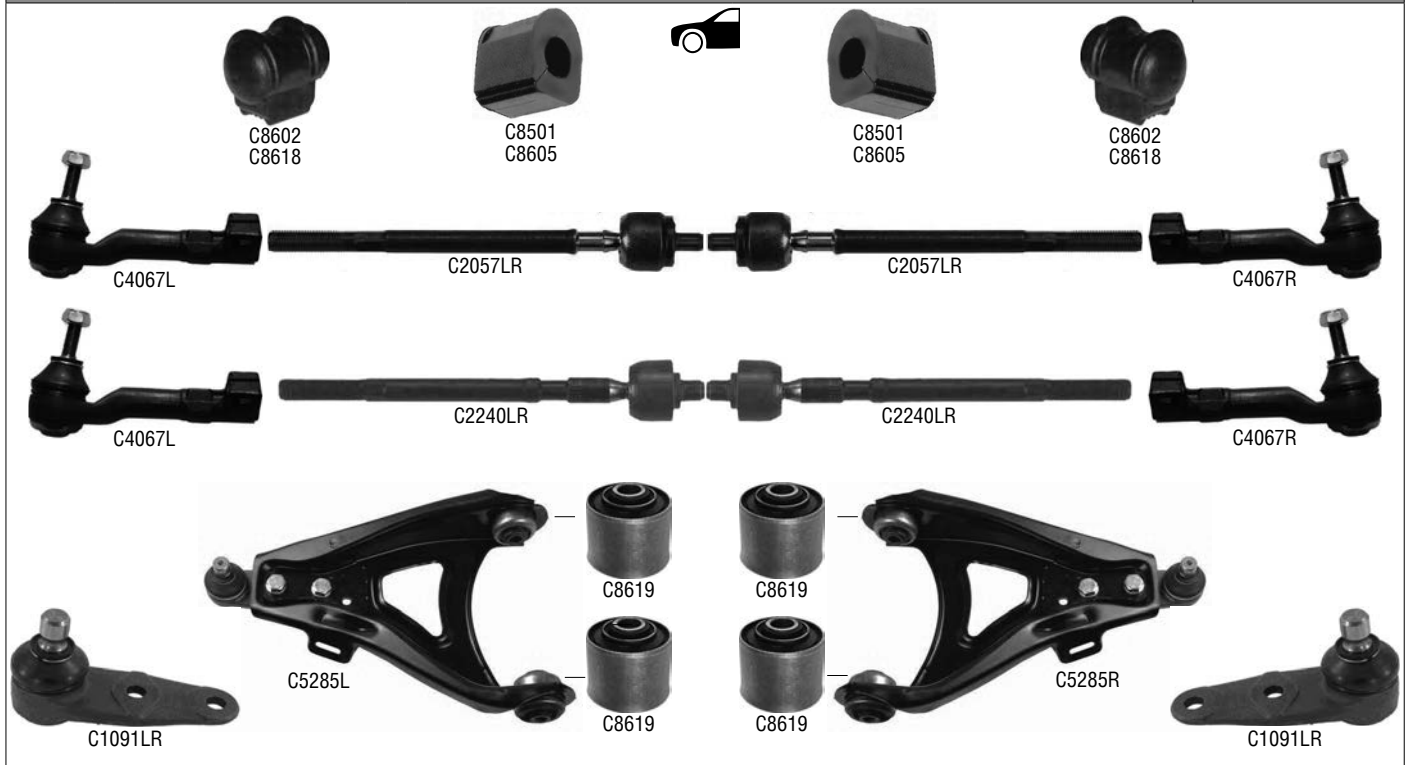


MASTER III 02/2010>

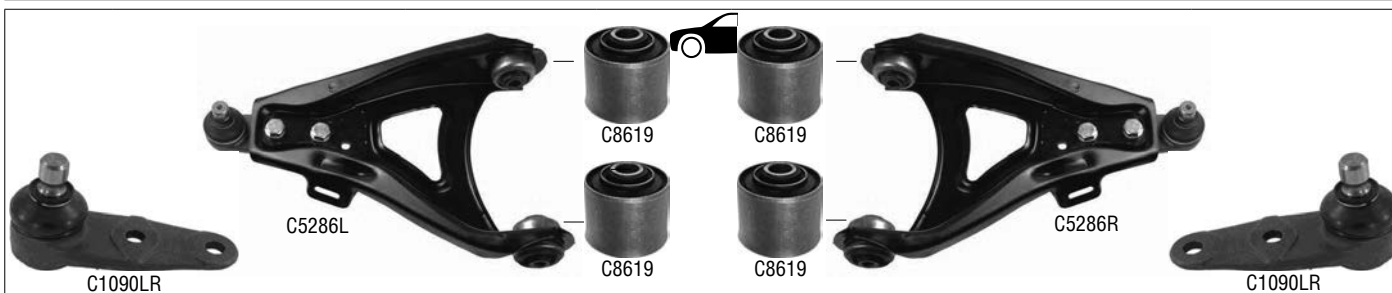


LYNX	Description	Original Number	Specification
C2389LR	Tie Rod	48 52 123 73R	MM16x1.5R
C4363L	Tie Rod End Left	48 52 067 30R	FM18x1.5R
C4363R	Tie Rod End Right	48 52 007 80R	FM18x1.5R
C1311LR	Ball Joint	82 00 688 877	
C7421LR	Stabiliser Link Front	54 61 800 04R	

MEGANE I 1.4E, 1.4 ECO, 1.6E, 1.6i, 1.9D ECO, 1.9 DT, 1.9 DTI(BA08, BA0N), 2.0 - 16V, 2.0i 01/1996 - 08/2003
MEGANE CLASSIC 1.4, 1.4 - 16V, 1.6E, 1.6i, 1.9DTI(LA, LA08, LA0N), 1.9D, 2.0i



LYNX	Description	Original Number	Specification
C2057LR	Tie Rod	77 01 469 502	MM12X1R SMI
C2240LR	Tie Rod	77 01 469 280	MM14X1.5R TRW
C4067L	Tie Rod End Left	60 00 022 752	FM14x1.5R
C4067R	Tie Rod End Right	60 00 022 753	FM14x1.5R
C5285L	Susp. Arm Left	77 00 436 302	1.4-2.0 16V
C5285R	Susp. Arm Right	77 00 436 303	1.4-2.0 16V
C1091LR	Ball Joint Lower	77 01 472 038	1.4-2.0 16V
C8501	Stabiliser Mounting	77 00 785 788	ø 21 1.4-2.0
C8605	Stabiliser Mounting	77 00 835 929	ø 24 1.9 DT / DTI, 2.0 16V
C8602	Stabiliser Mounting	77 00 784 170	ø 24 1.4-2.0
C8618	Stabiliser Mounting	77 00 784 171	ø 23 2.0 16V



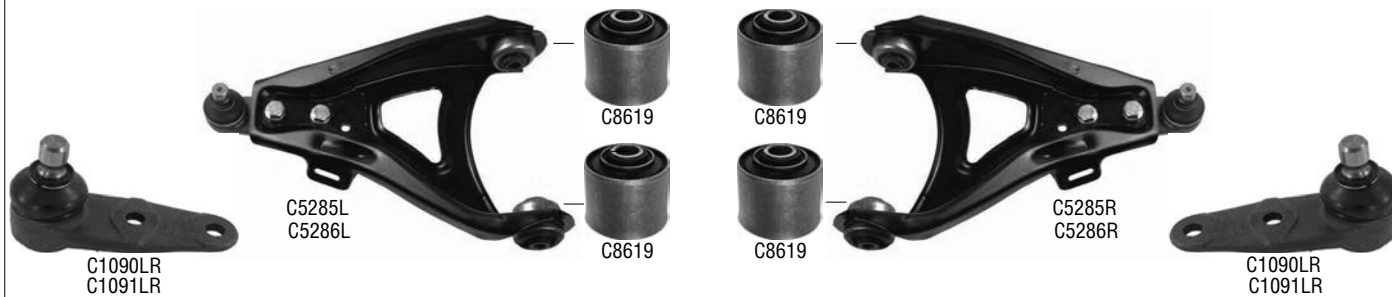
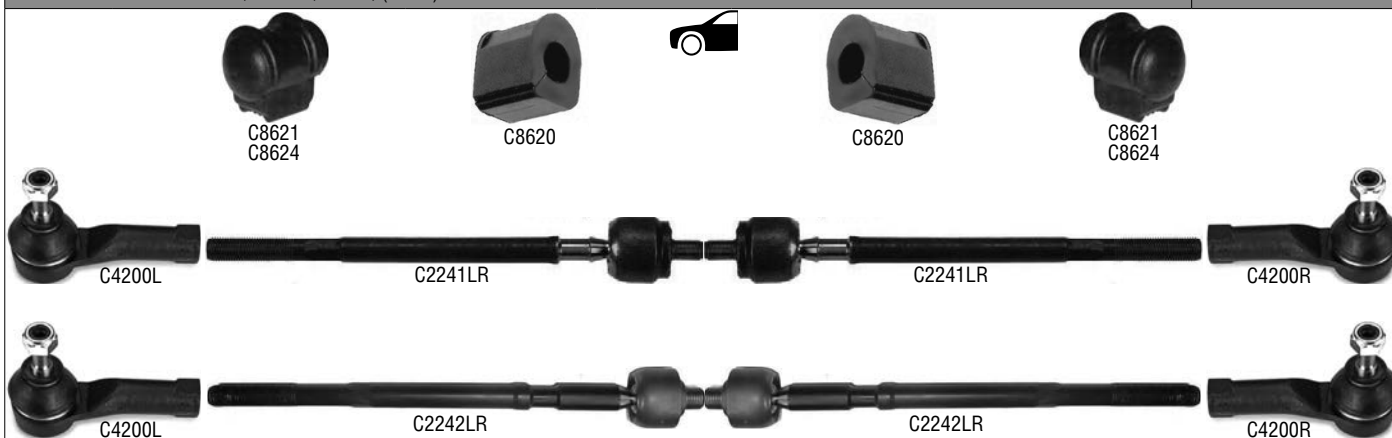
LYNX	Description	Original Number	Specification	
C5286L	Susp. Arm Left	77 00 430 765		1.9 DT / DTI
C5286R	Susp. Arm Right	77 00 430 766		1.9 DT / DTI
C1090LR	Ball Joint Lower	77 01 468 411		1.9 DT / DTI, 10/97>
C8619	Silentblock	77 00 789 477	ø 45	

MEGANE I 1.4 - 16V, 1.6 - 16V, 1.8 - 16V, 1.9 DCI, 1.9 DTI(BA1U)

03/1999 - 08/2003

MEGANE CLASSIC 1.8 - 16V, 1.9 DCI, 1.9DT, (LA1U) 1.9 DTI

02/2001 - 08/2003

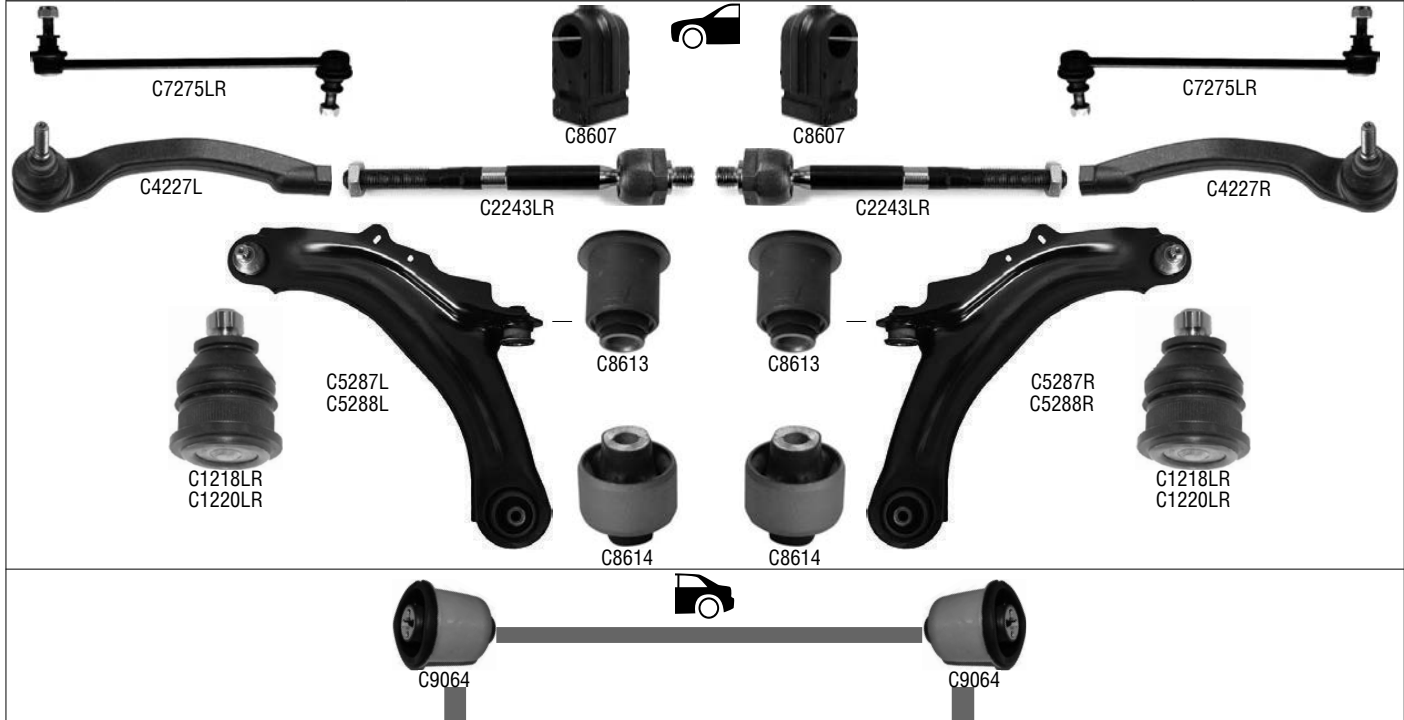


LYNX	Description	Original Number	Specification	
C2241LR	Tie Rod	77 01 471 844	MM12X1R	SMI
C2242LR	Tie Rod	77 01 472 087	MM14X1.5R	TRW
C4200L	Tie Rod End	77 01 047 812	FM14X1.5R	
C4200R	Tie Rod End	77 01 047 813	FM14X1.5R	
C5285L	Susp. Arm Left	77 00 436 302		1.4 -1.8 16V
C5285R	Susp. Arm Right	77 00 436 303		1.4 -1.8 16V
C5286L	Susp. Arm Left	77 00 430 765		1.9 DCI / DT / DTI
C5286R	Susp. Arm Right	77 00 430 766		1.9 DCI / DT / DTI
C1091LR	Ball Joint Lower	77 01 472 038		1.4 -1.8 16V
C1090LR	Ball Joint Lower	77 01 468 411		1.9 DCI / DT / DTI
C8620	Stabiliser Mounting	77 00 428 738		
C8621	Stabiliser Mounting	77 00 428 666	ø 24.5	
C8624	Stabiliser Mounting	77 00 428 739	ø 20	Classic
C8619	Silentblock	77 00 789 477	ø 45	

• RENAULT

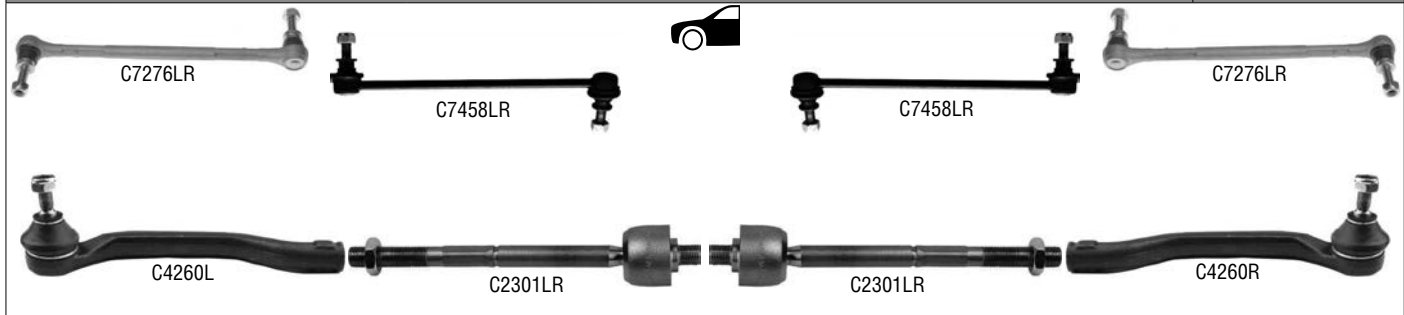


MEGANE II (BM, CM, EM, GM, KM, SM) 10/2003>



LYNX	Description	Original Number	Specification
C2243LR	Tie Rod	77 01 474 448	MM14X1.5R
C4227L	Tie Rod End Left	77 01 474 795	FM14X1.5R
C4227R	Tie Rod End Right	77 01 474 796	FM14X1.5R
C5287L	Susp. Arm Left	82 00 298 454	ø 18
C5287R	Susp. Arm Right	82 00 298 455	ø 18
C5288L	Susp. Arm Left	82 00 255 760	ø 16
C5288R	Susp. Arm Right	82 00 255 761	ø 16
C1218LR	Bail Joint		ø 18
C1220LR	Bail Joint		ø 16
C7275LR	Stabiliser Link	82 00 166 159	
C8607	Stabiliser Mounting	77 01 056 678	ø 19.5
C8613	Silentblock		ø 33.2
C8614	Silentblock		ø 58.2
C9064	Silentblock	77 01 479 190	

MEGANE III (BZ_, DZ_, KZ_) FLUENCE 11/2008>
02/2010>



LYNX	Description	Original Number	Specification
C2301LR	Tie Rod	77 01 478 406	
C4260L	Tie Rod End Left	48 52 027 10R	FM14x1.5R
C4260R	Tie Rod End Right	48 52 046 80R	FM14x1.5R
C7276LR	Stabiliser Link	54 61 800 02R	
C7458LR	Stabiliser Link	54 61 800 09R	Fluence L C-C 264



LYNX	Description	Original Number	Specification
C1244LR	Bail Joint	40 16 090 60R	
C8622	Silentblock		
C8623	Silentblock		

MEGANE SCENIC

01/1997 - 09/1999



LYNX	Description	Original Number	Specification
C2057LR	Tie Rod	77 01 469 502	MM12X1R
C2240LR	Tie Rod	77 01 469 280	MM14X1.5R
C4067L	Tie Rod End Left	60 00 022 752	FM14x1.5R
C4067R	Tie Rod End Right	60 00 022 753	FM14x1.5R
C5285L	Susp. Arm Left	77 00 436 302	
C5285R	Susp. Arm Right	77 00 436 303	
C1091LR	Ball Joint Lower	77 01 472 038	
C7274LR	Stabiliser Link	77 00 847 382	>09/97
C8501	Stabiliser Mounting	77 00 785 788	ø 21
C8626	Stabiliser Mounting	77 00 428 665	ø 23.5
C8605	Stabiliser Mounting	77 00 835 929	ø 24
C8625	Stabiliser Mounting	77 00 847 383	ø 25
C8618	Stabiliser Mounting	77 00 784 171	ø 23
C8602	Stabiliser Mounting	77 00 784 170	ø 24
C8621	Stabiliser Mounting	77 00 428 666	ø 24.5
C8619	Silentblock	77 00 789 477	ø 45

• RENAULT



R19 I-II (B/C53, L53_, D53_, S53_)

01/1988 - 06/1996



LYNX	Description	Original Number	Specification
C5285L	Susp. Arm Left	77 00 436 302	
C5285R	Susp. Arm Right	77 00 436 303	
C1091LR	Ball Joint Lower	77 01 472 038	
C8501	Stabiliser Mounting	77 00 785 788	ø 21
C8619	Silentblock	77 00 789 477	ø 45

SAFRANE (B54J)

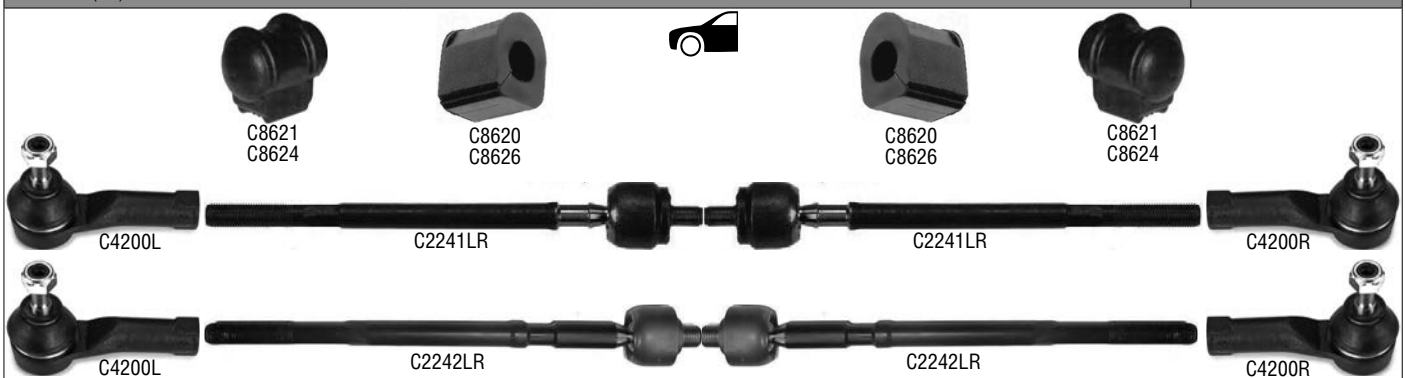
04/1992 - 04/2000



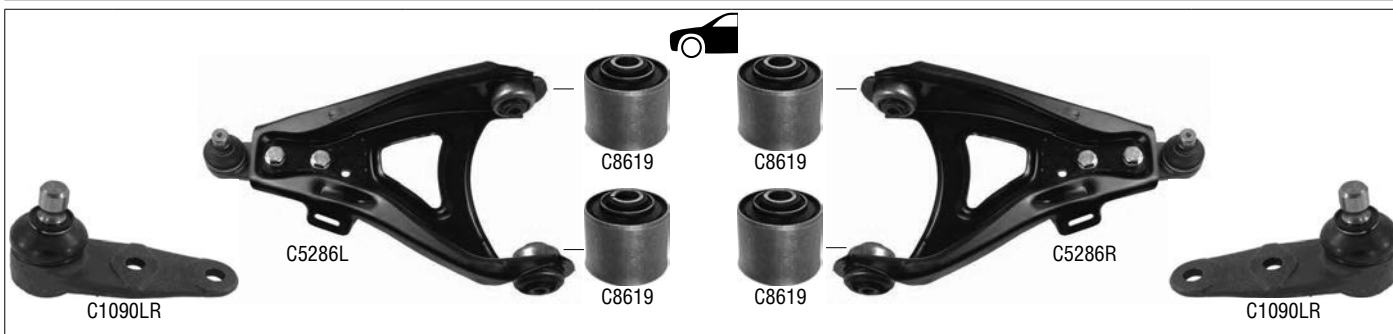
LYNX	Description	Original Number	Specification
C4364L	Tie Rod End Left	60 00 022 714	FM14x1.5R
C4364R	Tie Rod End Right	60 00 022 715	FM14x1.5R
C1219LR	Ball Joint Lower	77 00 418 693	
C7273LR	Stabiliser Link	77 00 805 494	
C8627	Silentblock	77 00 806 238	ø 58
C8628	Silentblock	77 00 806 239	ø 55.1

SCENIC I (JA) Exc. 4WD

09/1999 - 06/2003



LYNX	Description	Original Number	Specification
C2242LR	Tie Rod	77 01 472 087	MM14X1.5R TRW
C2241LR	Tie Rod	77 01 471 844	MM12X1R SMI
C4200L	Tie Rod End	77 01 047 812	FM14X1.5R
C4200R	Tie Rod End	77 01 047 813	FM14X1.5R



LYNX	Description	Original Number	Specification
C5286L	Susp. Arm Left	77 00 430 765	
C5286R	Susp. Arm Right	77 00 430 766	
C1090LR	Ball Joint Lower	77 01 468 411	
C8620	Stabiliser Mounting	77 00 428 738	
C8626	Stabiliser Mounting	77 00 428 665	ø 23.5
C8621	Stabiliser Mounting	77 00 428 666	ø 24.5
C8624	Stabiliser Mounting	77 00 428 739	ø 20
C8619	Silentblock	77 00 789 477	ø 45

SCENIC II (JM) 06/2003>

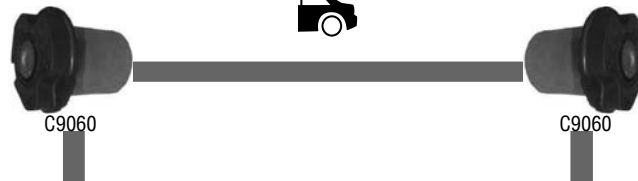
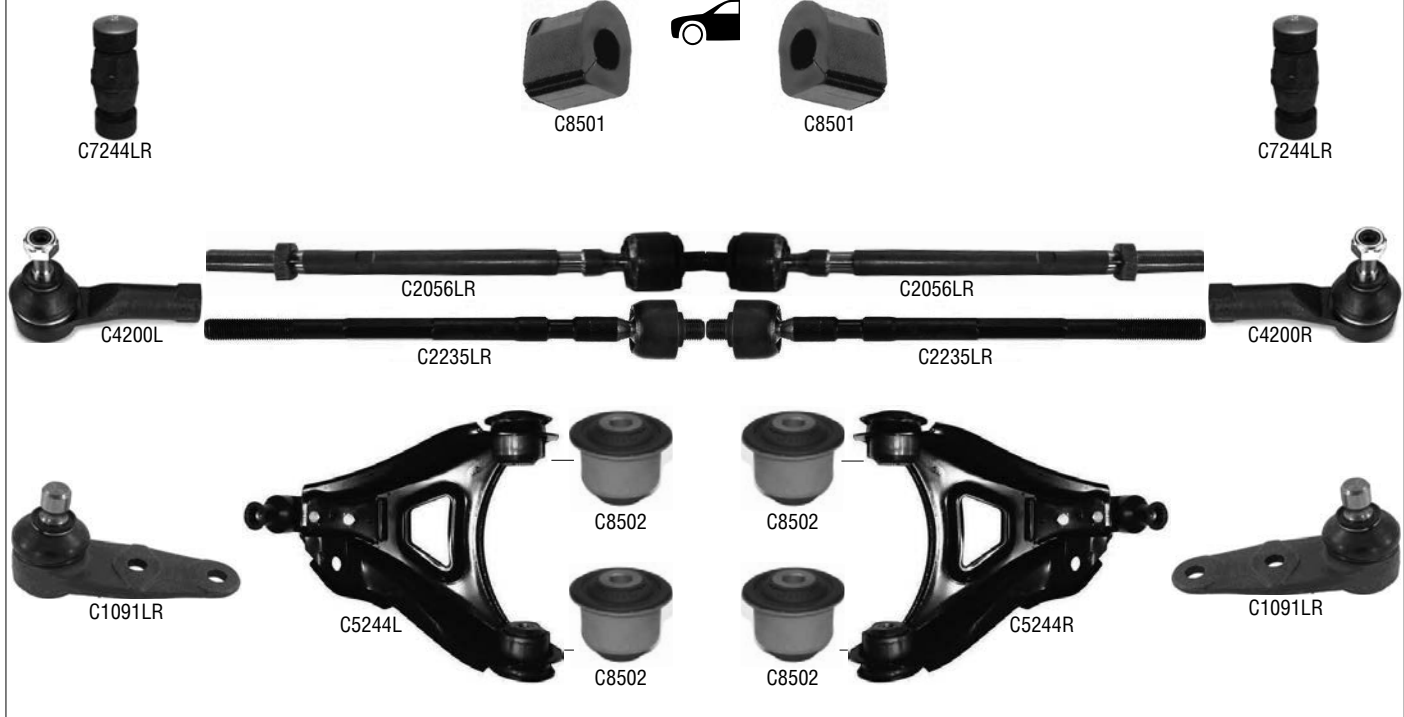


LYNX	Description	Original Number	Specification
C2243LR	Tie Rod	77 01 474 448	MM14X1.5R
C4227L	Tie Rod End Left	77 01 474 795	FM14X1.5R
C4227R	Tie Rod End Right	77 01 474 796	FM14X1.5R
C5287L	Susp. Arm Left	82 00 298 454	
C5287R	Susp. Arm Right	82 00 298 455	
C1218LR	Bail Joint		
C7275LR	Stabiliser Link	82 00 166 159	L:283
C8606	Stabiliser Mounting	77 01 059 672	ø 21
C8613	Silentblock		ø 33.2
C8614	Silentblock		ø 58.2

• RENAULT

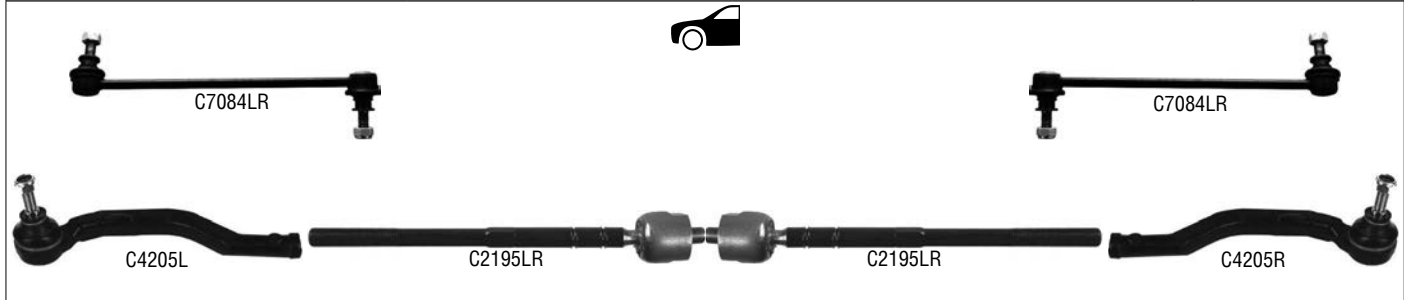


SYMBOL / THALIA (LBO/1/2) 08/2000>

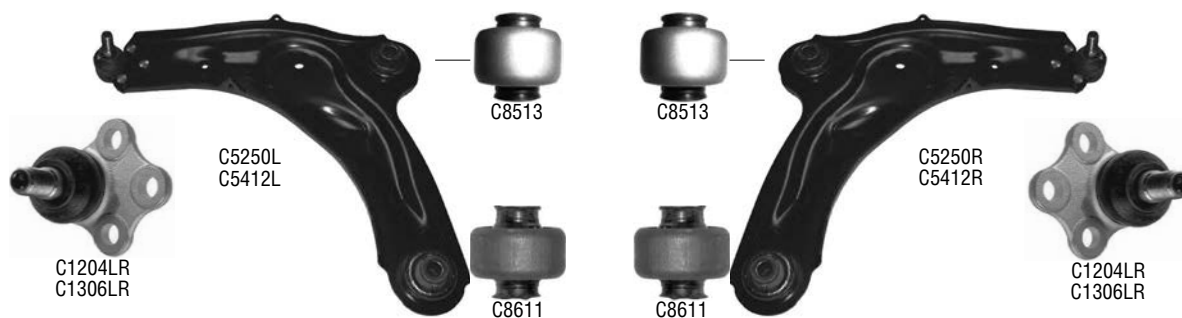


LYNX	Description	Original Number	Specification	
C2056LR	Tie Rod	77 01 473 655	MM12X1R	SMI
C2235LR	Tie Rod	77 01 472 734	MM14X1.5R	TRW
C4200L	Tie Rod End	77 01 047 415		
C4200R	Tie Rod End	77 01 047 416		
C5244L	Susp. Arm Left	77 00 425 227		
C5244R	Susp. Arm Right	77 00 425 228		
C1091LR	Ball Joint Lower	77 01 472 038		
C7244LR	Stabiliser Link	77 00 799 404		
C8501	Stabiliser Mounting	77 00 785 788	ø 21	
C8502	Silentblock	77 00 424 399	ø 45.4	
C9060	Silentblock	77 00 839 316		

TRAFIC II 04/2001>



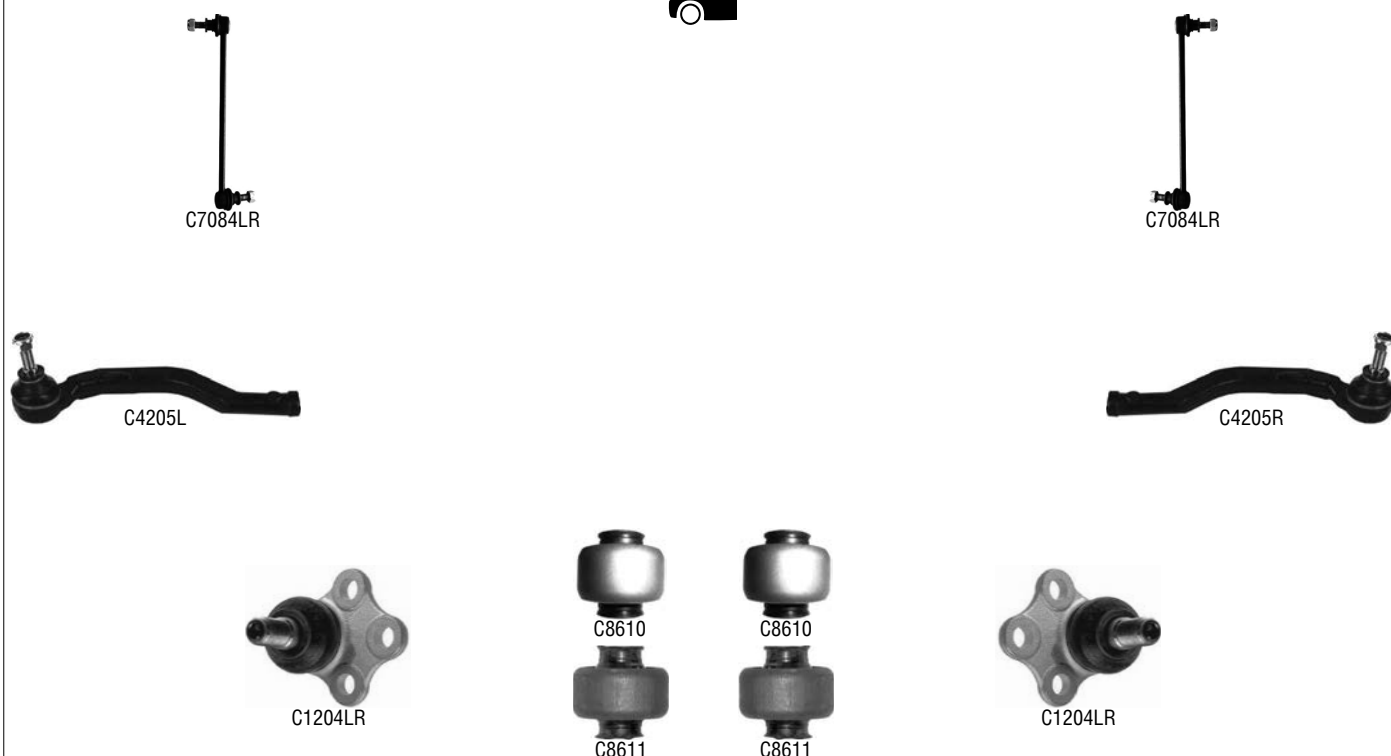
LYNX	Description	Original Number	Specification	
C2195LR	Tie Rod	77 01 473 333	MM12X1R	
C4205L	Tie Rod End Left	77 01 049 282	FM14X1.5R	
C4205R	Tie Rod End Right	77 01 049 283	FM14X1.5R	
C7084LR	Stabiliser Link	82 00 002 870		



LYNX	Description	Original Number	Specification	
C5250L	Susp. Arm Left	82 00 247 898		>10/06
C5250R	Susp. Arm Right	82 00 247 900		>10/06
C5412L	Susp. Arm Left	82 00 626 959		11/06>
C5412R	Susp. Arm Right	82 00 395 034		11/06>
C1204LR	Ball Joint Lower	Comp. of C5250L/R		>10/06
C1306LR	Ball Joint Lower	77 01 477 385		11/06>
C8513	Silentblock	82 00 049 624	ø 54	
C8611	Silentblock	82 00 002 869	ø 58	

VEL SATIS (BJO)

06/2002>



LYNX	Description	Original Number	Specification	
C4205L	Tie Rod End Left	77 01 049 282	FM14X1.5R	
C4205R	Tie Rod End Right	77 01 049 283	FM14X1.5R	
C1204LR	Ball Joint Lower			
C7084LR	Stabiliser Link	82 00 002 870		
C8610	Silentblock	Comp. of 5870/1	ø 54.2	
C8611	Silentblock	Comp. of 5870/1	ø 58	

• ROVER

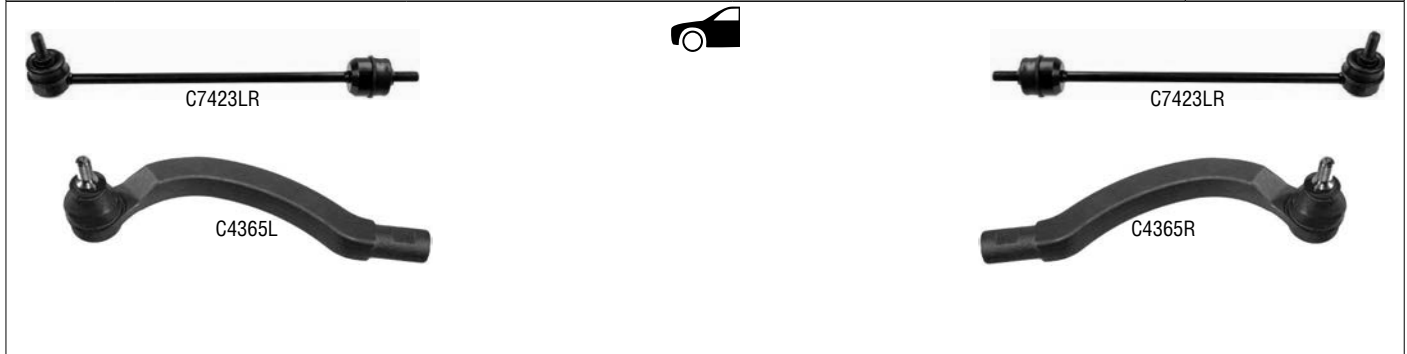


ROVER	
400 (RT) / 400 Tourer (XW) 45 (RT)	05/1995 - 06/1999 02/2000 - 01/2006



LYNX	Description	Original Number	Specification
C2009LR	Tie Rod	53010-SR3-010	MM12X1.25R
C4046L	Tie Rod End Left	GSJ 495	FM14x1.5R
C4046R	Tie Rod End Right	GSJ 496	FM14x1.5R
C5027L	Susp. Arm Upper Left	RBJ 102130	
C5027R	Susp. Arm Upper Right	RBJ 102120	
C5120L	Susp. Arm Lower Left	RBJ 102230	
C5120R	Susp. Arm Lower Right	RBJ 102220	
C1026LR	Ball Joint Lower	GSJ 499	
C8284	Silentblock	51350-SR3-A02	∅ 40
C8286	Silentblock	51455-SR3-003	∅ 34
C8287	Silentblock	51360-SR3-A02	∅ 37
C8288	Silentblock	51396-SR3-N02	∅ 18
C8289	Silentblock	51395-SR3-N02	∅ 18
C8790	Silentblock		

75 (RJ)	02/1999 - 11/2005
----------------	-------------------



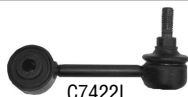
LYNX	Description	Original Number	Specification
C4365L	Tie Rod End Left	GSJ 877	FM14X1.5R
C4365R	Tie Rod End Right	GSJ 878	FM14X1.5R
C7423LR	Stabiliser Link Front	RBM 100240	



C5414L



C5414R



C7422L



C7422R

LYNX	Description	Original Number	Specification
C5414L	Susp. Arm Left	GSJ 1001	
C5414R	Susp. Arm Right	GSJ 1000	
C7422L	Stabiliser Link Rear Right	RGD 100571	
C7422R	Stabiliser Link Rear Left	RGD 100561	

600 (RH)

10/1993 - 02/1999



C4044L



C2006LR



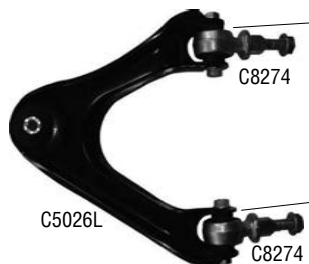
C2006LR



C4044R



C1330LR



C5026L



C8271



C8271



C5026R



C1330LR



C5109L



C8273



C8273



C5109R



C1024LR



C8272



C8272

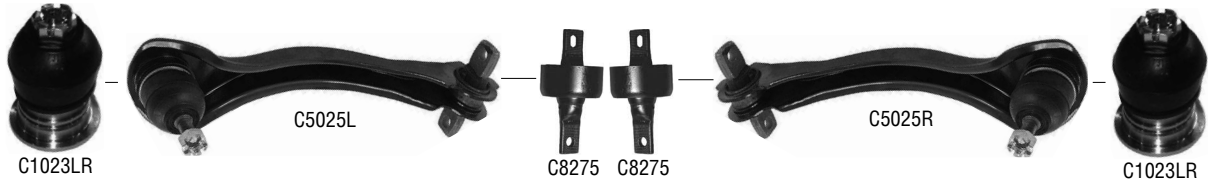


LYNX	Description	Original Number	Specification
C2006LR	Tie Rod	GSV 1211	MM12X1.25R
C4044L	Tie Rod End Left	GSJ 407	FM14x1.5R
C4044R	Tie Rod End Right	GSJ 408	FM14x1.5R
C5109L	Susp. Arm Lower Left	RBJ 100720	
C5109R	Susp. Arm Lower Right	RBJ 100690	
C5026L	Susp. Arm Upper Left	GSJ 423	
C5026R	Susp. Arm Upper Right	GSJ 424	
C1330LR	Ball Joint Upper	Comp. of C5026L/R	ø 33.4
C1024LR	Ball Joint Lower	GSJ 404	
C8271	Silentblock	52365-SM4-005	ø 34
C8272	Silentblock	RBX 100451	ø 42
C8273	Silentblock	RBX 100431	ø 35
C8274	Silentblock	Comp. of C5026L/R	

• ROVER - SAAB

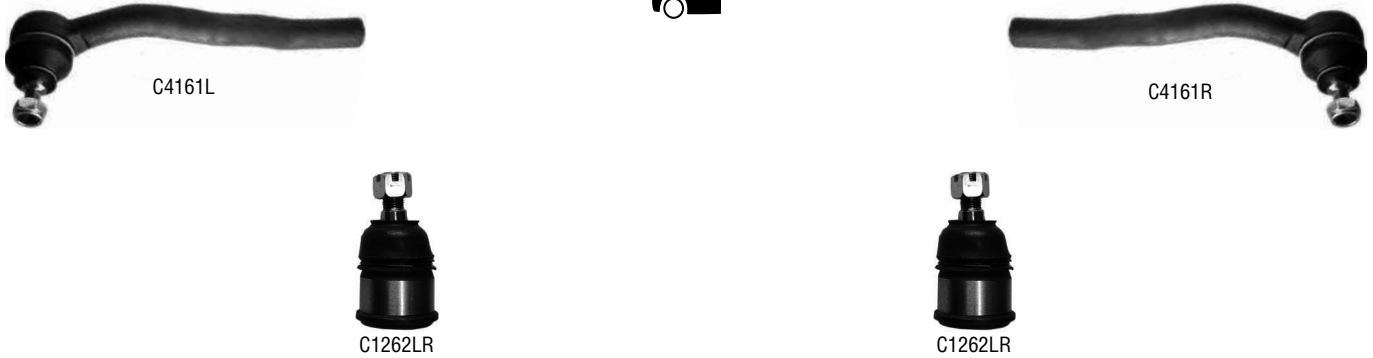


600 (RH) 10/1993 - 02/1999



LYNX	Description	Original Number	Specification
C5025L	Susp. Arm Left	RGG 102430	
C5025R	Susp. Arm Right	RGG 102390	
C1023LR	Ball Joint Upper Rear	51270-SM4-A04	
C8275	Silentblock	52370-SR3-J00	ø 80

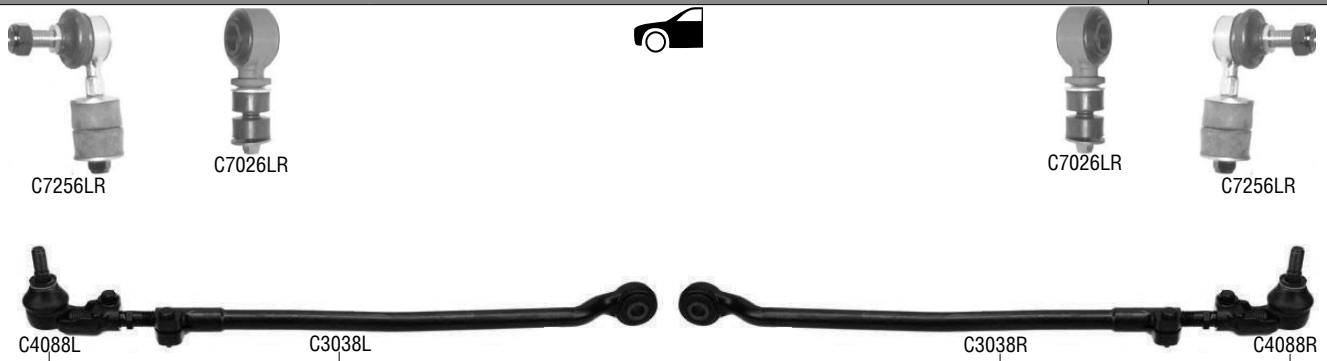
800 07/1986 - 10/1998



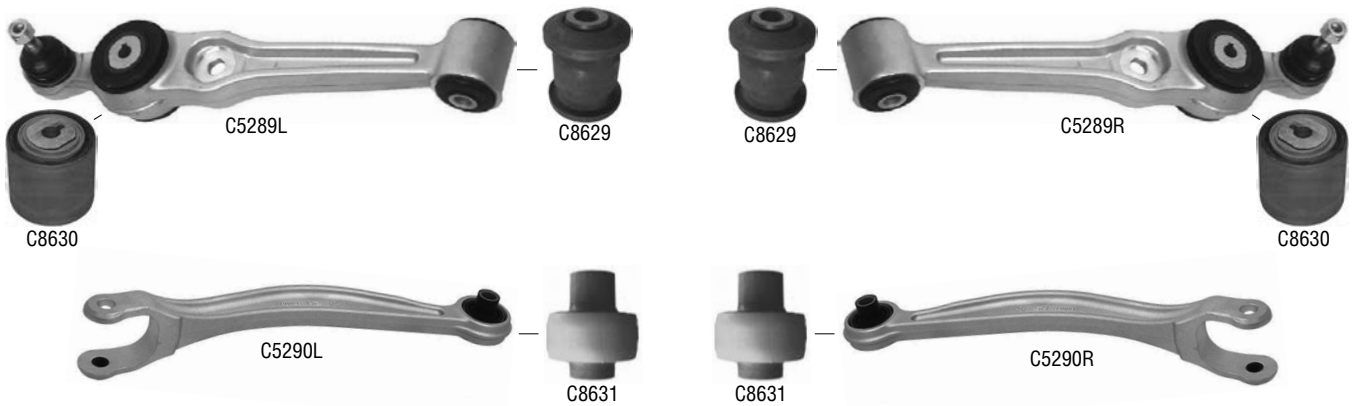
LYNX	Description	Original Number	Specification
C4161L	Tie Rod End	53560-SD4-003	FM12X1.25R
C4161R	Tie Rod End	53540-SD4-003	FM12X1.25R
C1262LR	Ball Joint Lower	GSJ 278	

SAAB

900 II 07/1993 - 02/1998



LYNX	Description	Original Number	Specification
C4088L	Tie Rod End Left	4242749	FM16X2R
C4088R	Tie Rod End Right	4242756	FM16X2L
C3038L	Side Rod Assy Left	90373225	
C3038R	Side Rod Assy Right	90373226	
C7256LR	Stabiliser Link	4544599	
C7026LR	Stabiliser Link	30540743	H/D



LYNX	Description	Original Number	Specification	
C5289L	Susp. Arm Left	4543450		Chassis № S2012272>, S7014773>
C5289R	Susp. Arm Right	4543468		Chassis № S2012272>, S7014773>
C5290L	Susp. Arm Left	4543476		Chassis № S2012272>, S7014773>
C5290R	Susp. Arm Right	4543484		Chassis № S2012272>, S7014773>
C8629	Silentblock	4545711	ø 58.4	Chassis № S2012272>, S7014773>
C8630	Silentblock	Comp. of C5289L/R	ø 36.7	Chassis № S2012272>, S7014773>
C8631	Silentblock	4482402		Chassis № S2012272>, S7014773>

9000

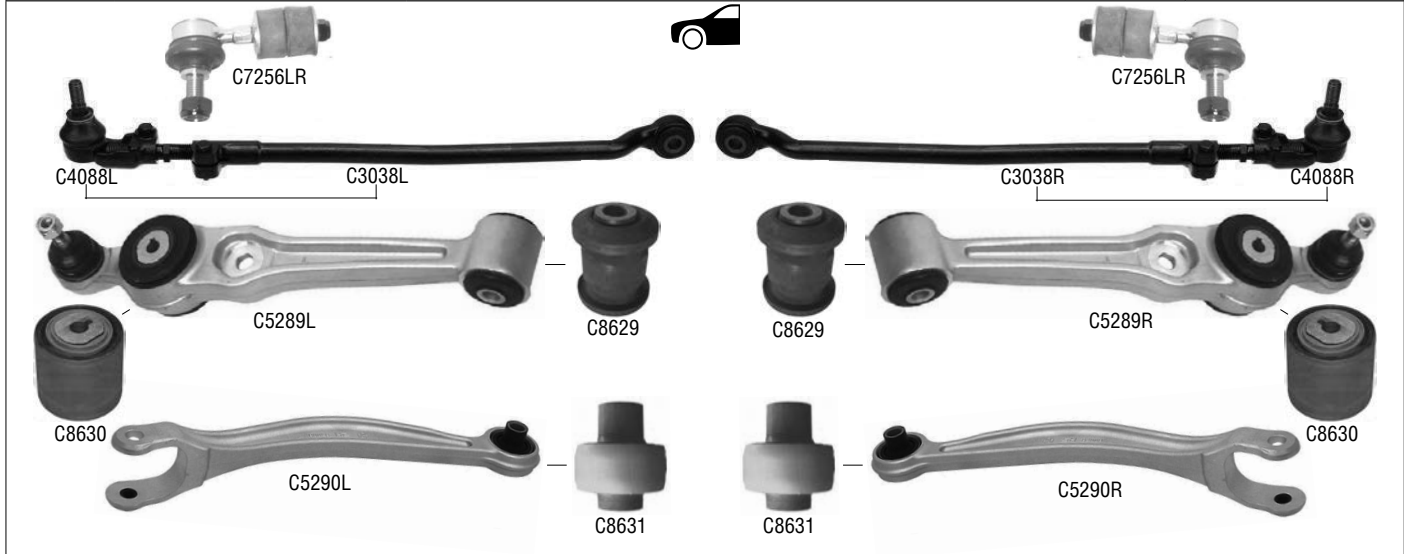
04/1985 - 12/1998



LYNX	Description	Original Number	Specification	
C2244LR	Tie Rod	8962250	FM14X1.5R	
C4228LR	Tie Rod End	8993453	FM14x1.5R	
C1221LR	Ball Joint	8994212		
C7277LR	Stabiliser Link	8958944		
C8632	Silentblock	8961476		
C8633	Silentblock	8965253		

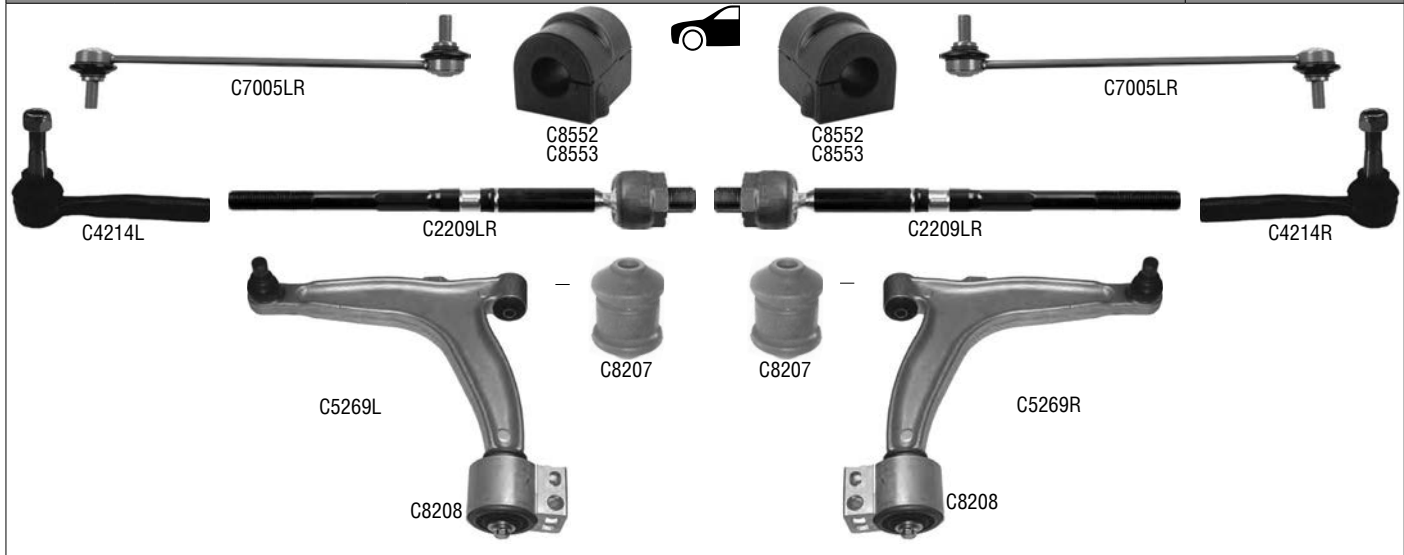


9-3 (YS3D) 02/1998 - 09/2002

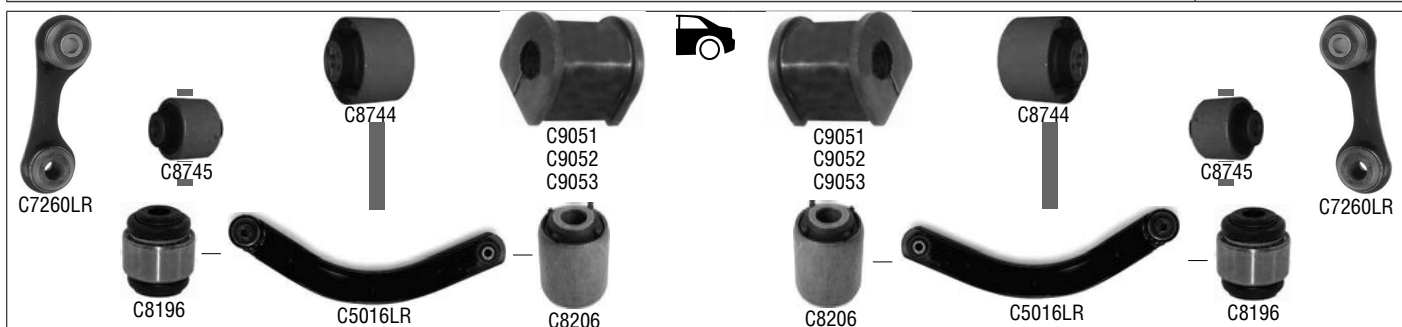


LYNX	Description	Original Number	Specification
C4088L	Tie Rod End Left	4242749	FM16X2R
C4088R	Tie Rod End Right	4242756	FM16X2L
C3038L	Side Rod Assy Left	90373225	
C3038R	Side Rod Assy Right	90373226	
C5289L	Susp. Arm Left	4543450	
C5289R	Susp. Arm Right	4543468	
C5290L	Susp. Arm Left	4543476	
C5290R	Susp. Arm Right	4543484	
C7256LR	Stabiliser Link	4544599	
C8629	Silentblock	4545711	∅ 58.4
C8630	Silentblock	Comp. of C5289L/R	∅ 36.7
C8631	Silentblock	4482402	

9-3 (YS3F) 10/2002>

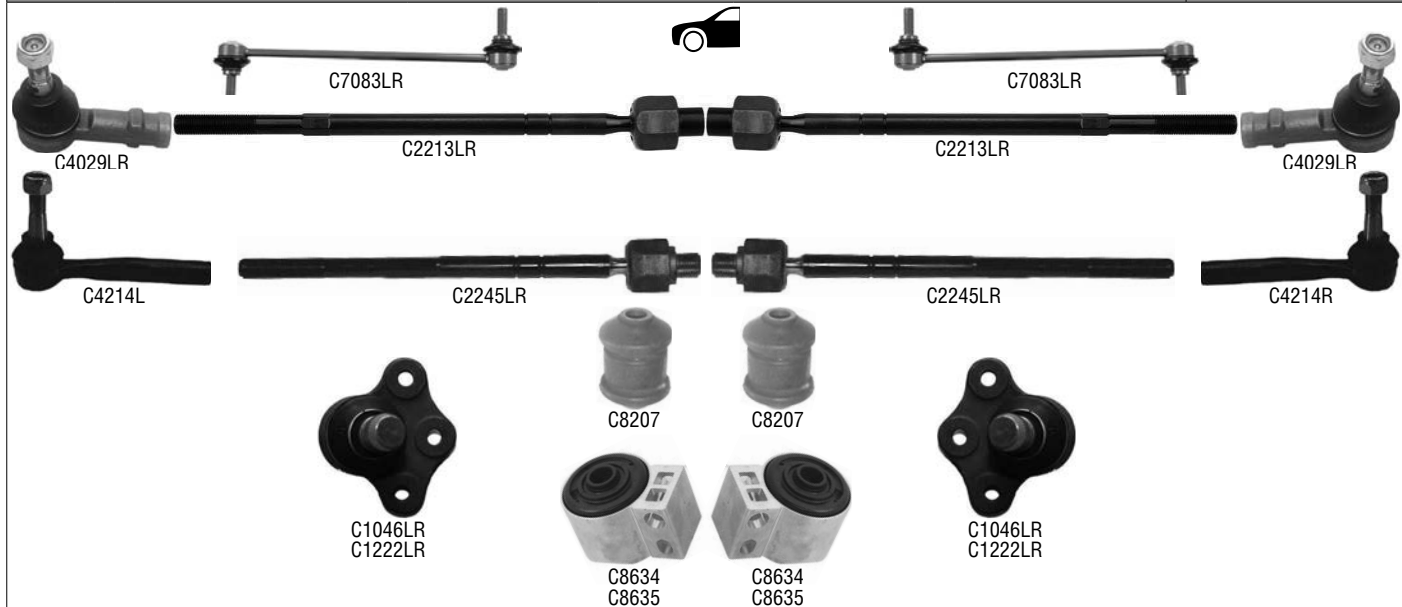


LYNX	Description	Original Number	Specification
C2209LR	Tie Rod	93187434	MM18X1.5R
C4214L	Tie Rod End Left	12787821	FM14X1.5R
C4214R	Tie Rod End Right	12787822	FM14X1.5R
C5269L	Susp. Arm Front Left	12796013	
C5269R	Susp. Arm Front Right	12796014	
C7005LR	Stabiliser Link Front	24417251	



LYNX	Description	Original Number	Specification
C5016LR	Susp. Arm Rear	51748740	
C7260LR	Stabiliser Link Rear	13104120	
C8552	Stabiliser Mounting	9191188	ø 23
C8553	Stabiliser Mounting	24428002	ø 22
C9051	Stabiliser Mounting	444160	ø 17
C9052	Stabiliser Mounting	444161	ø 18
C9053	Stabiliser Mounting	444162	ø 19
C8207	Silentblock	4566899	ø 35.4
C8208	Silentblock	12786412	
C8196	Silentblock		
C8206	Silentblock		
C8744	Silentblock	12756394	
C8745	Silentblock	24469643	

9-5 (YS3E) 09/1997>

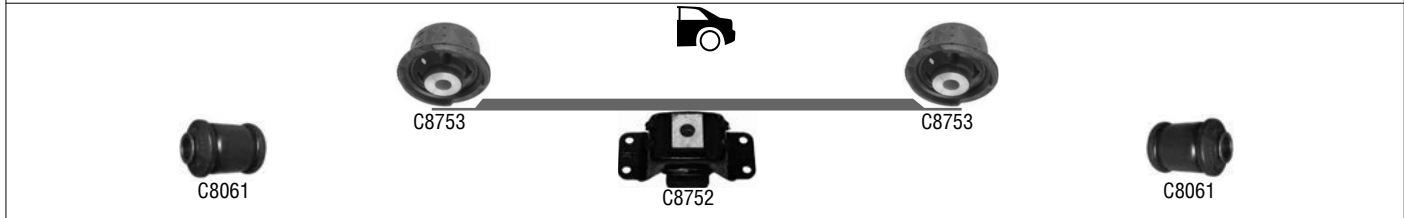


LYNX	Description	Original Number	Specification
C2213LR	Tie Rod	4836557	MM16X1.5R Chassis № >2303986
C4029LR	Tie Rod End	4836540	FM14X1.5R Chassis № >2303986
C2245LR	Tie Rod	5235585	MM16X1.5R Chassis № 23039862>
C4214L	Tie Rod End Left	12787821	FM14X1.5R Chassis № 23039862>
C4214R	Tie Rod End Right	12787822	FM14X1.5R Chassis № 23039862>
C1046LR	Ball Joint	4835740	>06/02
C1222LR	Ball Joint	5237516	07/02>
C7083LR	Stabiliser Link Front	4686606	
C8207	Silentblock	4566899	ø 35.4
C8634	Silentblock	4908109	>06/02
C8635	Silentblock	5233374	07/02>

• SEAT



SEAT
ALHAMBRA (7V8, 7V9) 04/1996>

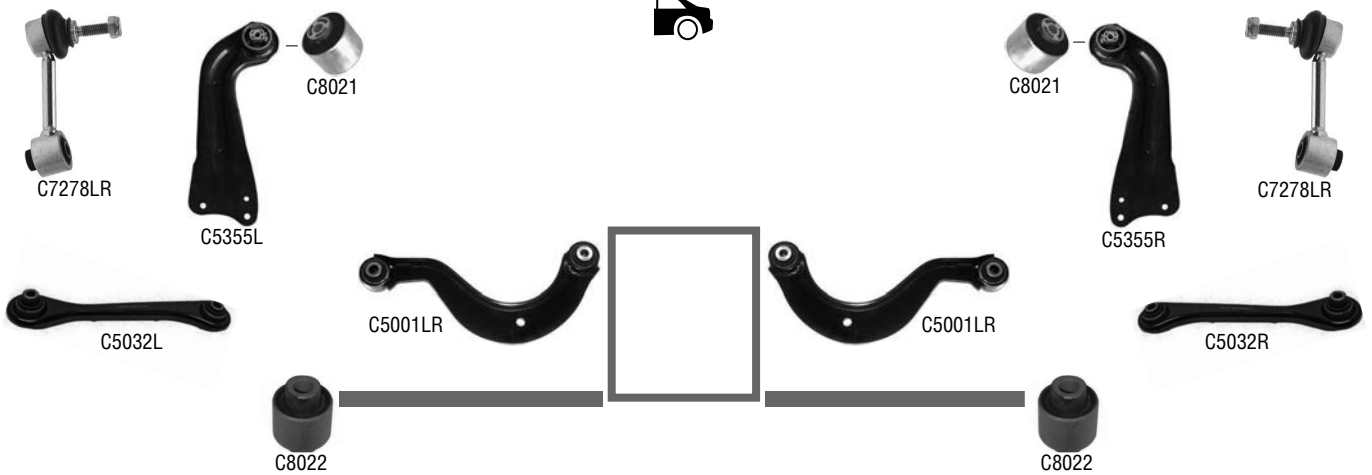


LYNX	Description	Original Number	Specification
C2134LR	Tie Rod	Comp. of C3005L/R	MM14X1.5R
C4152L	Tie Rod End Left	7M3 422 817	FM14x1.5R
C4152R	Tie Rod End Right	7M3 422 818	FM14x1.5R
C3005L	Side Rod Assy Left	7M3 422 803 A	
C3005R	Side Rod Assy Right	7M3 422 804 A	
C5095L	Susp. Arm Front Left	7M0 407 151 B	
C5095R	Susp. Arm Front Right	7M0 407 152 B	
C1147LR	Ball Joint	7M3 407 365 A	
C7088LR	Stabiliser Link	7M3 411 317 C	
C8060	Silentblock	7M0 407 181 A	
C8061	Silentblock	7M0 501 541	ø 34
C8752	Silentblock	7M0 505 221 C	
C8753	Silentblock	7M0 505 222 B	

ALTEA (5P1) 03/2004>
ALTEA XL (5P5) 10/2006>



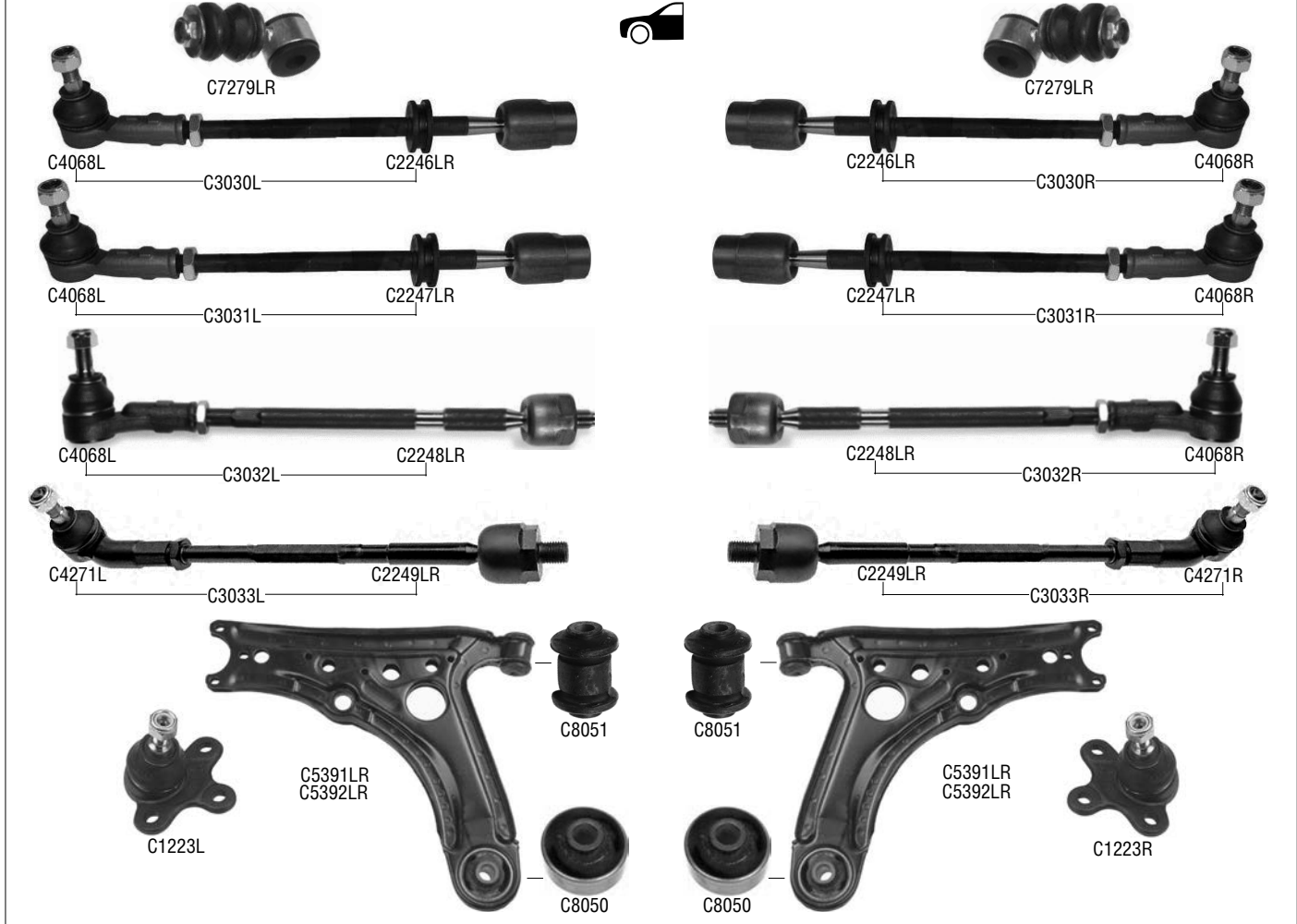
LYNX	Description	Original Number	Specification
C2102LR	Tie Rod	1K0 423 810 A	MM16X1.5R
C4273L	Tie Rod End Left	1K0 423 811 E/J	FM16x1.5R
C4273R	Tie Rod End Right	1K0 423 812 E/J	FM16x1.5R
C7116LR	Stabiliser Link Front	1K0 411 315 B	



LYNX	Description	Original Number	Specification	
C5031L	Susp. Arm Front Left	1K0 407 151 AC		Chassis № >5P-4-000500 / Cast Iron
C5031R	Susp. Arm Front Right	1K0 407 152 AC		Chassis № >5P-4-000500 / Cast Iron
C5291L	Susp. Arm Front Left	1K0 407 151 AA/BC		Chassis № 5P-4-000501> / Sheet Metal
C5291R	Susp. Arm Front Right	1K0 407 152 AA/BC		Chassis № 5P-4-000501> / Sheet Metal
C5032L	Susp. Arm Rear Left	1K0 501 529 F		
C5032R	Susp. Arm Rear Right	1K0 501 530 C		
C5001LR	Susp. Arm Rear Upper	1K0 505 323 H		
C5355L	Susp. Arm Rear Left	1K0 505 223 K		
C5355R	Susp. Arm Rear Right	1K0 505 224 K		
C1005L	Ball Joint Left	1K0 407 365 C		
C1005R	Ball Joint Right	1K0 407 366 C		
C7278LR	Stabiliser Link Rear	1K0 505 465 J		
C8018	Silentblock	1K0 407 182	ø 40.2	
C8019	Silentblock	1K0 199 231 J		
C8020	Silentblock	1K0 199 232 J		
C8021	Silentblock	1K0 505 541 D		
C8022	Silentblock	1K0 505 553 A		Steering Knuckle



AROSA (6H) 05/1997 - 02/2005



LYNX	Description	Original Number	Specification	
C2246LR	Tie Rod	6N0 419 821	FM22x1.5R	-PS, Chassis № >6H-W-055365
C3030L	Side Rod Assy Left	6N0 419 803		-PS, Chassis № >6H-W-055365
C3030R	Side Rod Assy Right	6N0 419 804		-PS, Chassis № >6H-W-055365
C2247LR	Tie Rod	Comp. of C3031L/R	FM22X1.5R	-PS, Chassis № 6H-W-055366>
C3031L	Side Rod Assy Left	6X0 419 803		-PS, Chassis № 6H-W-055366>
C3031R	Side Rod Assy Right	6X0 419 804		-PS, Chassis № 6H-W-055366>
C2248LR	Tie Rod	6N0 422 821 A	MM14X1.5R	+PS, Chassis № >6H-W-027753
C3032L	Side Rod Assy Left	6N0 422 803		+PS, Chassis № >6H-W-027753
C3032R	Side Rod Assy Right	6N0 422 804		+PS, Chassis № >6H-W-027753
C2249LR	Tie Rod	6N0 422 807 C	MM14X1.5R	+PS, Chassis № 6H-W-055366> 1.4 - 16V/1.4 TDI
C3033L	Side Rod Assy Left	6N0 422 803 C		+PS, Chassis № 6H-W-055366> 1.4 - 16V/1.4 TDI
C3033R	Side Rod Assy Right	6N0 422 804 C		+PS, Chassis № 6H-W-055366> 1.4 - 16V/1.4 TDI
C4068L	Tie Rod End Left	6N0 419 811	FM14x1.5R	-PS / +PS Chassis № >6H-W-027753
C4068R	Tie Rod End Right	6N0 419 812	FM14x1.5R	-PS / +PS Chassis № >6H-W-027753
C4271L	Tie Rod End Left	6K0 422 811	FM14X1.5	+PS, Chassis № 6H-W-055366> 1.4 - 16V/1.4 TDI
C4271R	Tie Rod End Right	6K0 422 812	FM14X1.5	+PS, Chassis № 6H-W-055366> 1.4 - 16V/1.4 TDI
C5391LR	Susp. Arm Front	6N0 407 151 B		Chassis № >6H-W-055365
C5392LR	Susp. Arm Front	6X0 407 151 A		Chassis № 6H-W-055366>
C1223L	Ball Joint Left	6N0 407 365		
C1223R	Ball Joint Right	6N0 407 365 A		
C7279LR	Stabiliser Link	6N0 411 315 A		Chassis № >6H-Y-028000
C8051	Silentblock	6N0 407 182	ø 27.4	
C8050	Silentblock	6N0 407 181	ø 60.2	

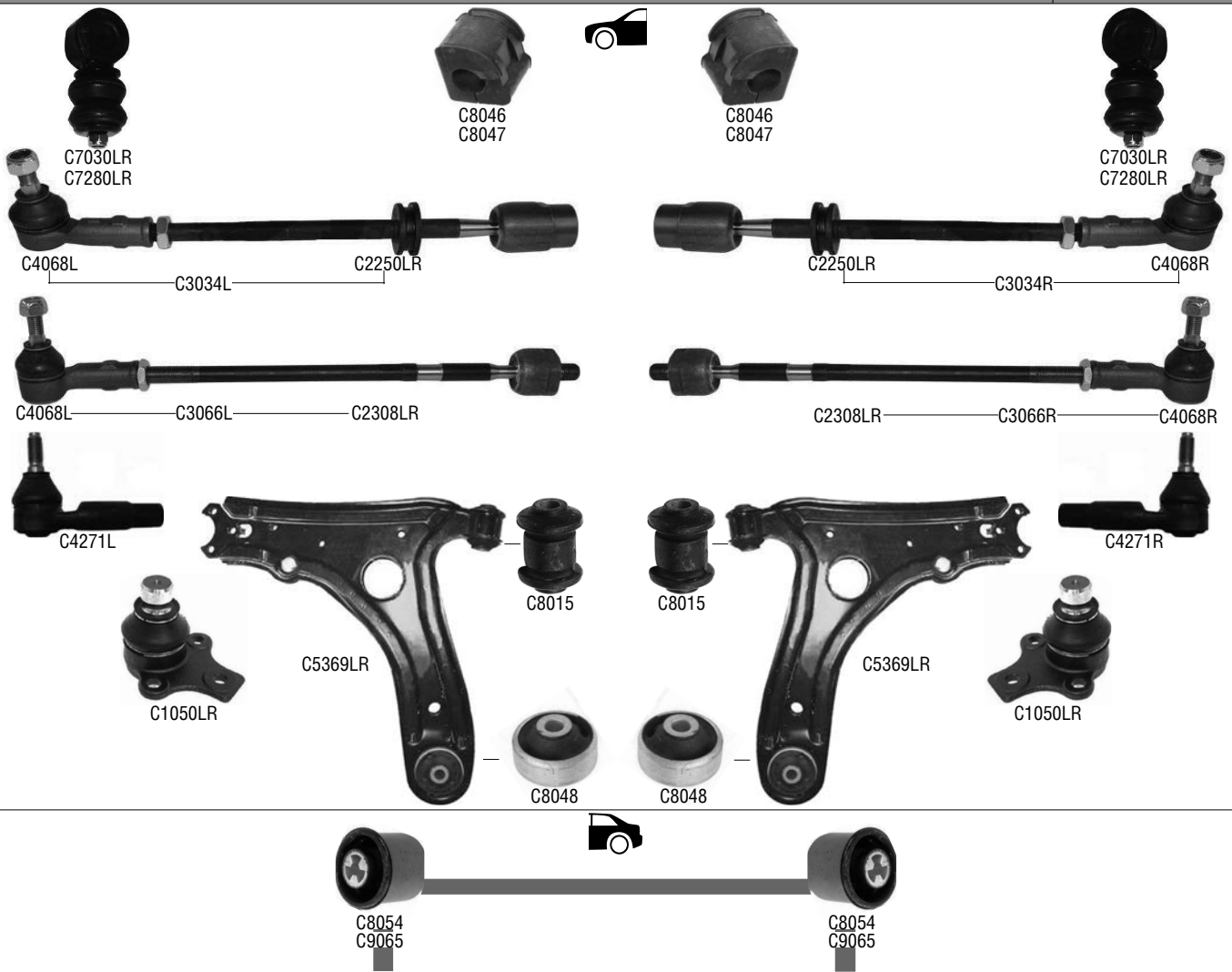


CORDOBA (6K2)

02/1993 - 10/2002

CORDOBA VARIO (6K5)

06/1999>

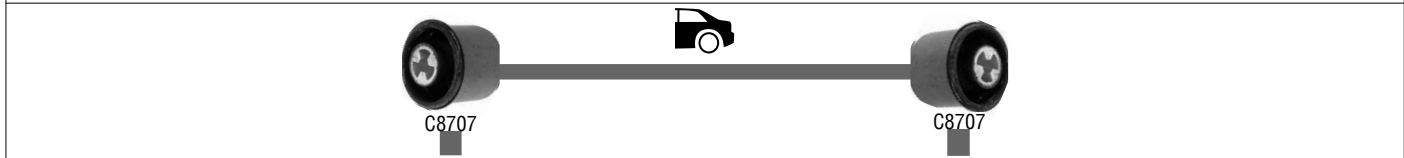


LYNX	Description	Original Number	Specification	
C2250LR	Tie Rod		FM22X1.5R	-PS
C3034L	Side Rod Assy Left	191 419 803		-PS
C3034R	Side Rod Assy Right	191 419 804		-PS
C2308LR	Tie Rod	Comp. of C3066L/R		SX, Chassis № 6K-TR130000>
C3066L	Side Rod Assy Left	6K0 422 803 E		SX, Chassis № 6K-TR130000>
C3066R	Side Rod Assy Right	6K0 422 804 E		SX, Chassis № 6K-TR130000>
C4068L	Tie Rod End Left	3A0 422 811		Chassis № >6K-TR081919
C4068R	Tie Rod End Right	3A0 422 812		Chassis № >6K-TR081919
C4271L	Tie Rod End Left	6K0 422 811	FM14X1.5	Chassis № 6K-TR081920>
C4271R	Tie Rod End Right	6K0 422 812	FM14X1.5	Chassis № 6K-TR081920>
C5369LR	Susp. Arm Front	191 407 151 B		
C1050LR	Ball Joint Lower	357 407 365		
C7030LR	Stabiliser Link	191 411 315	ø 17	
C7280LR	Stabiliser Link	6K0 411 315	ø 19	
C8046	Stabiliser Mounting	191 411 314	ø 17	
C8047	Stabiliser Mounting	1H0 411 314	ø 19	
C8015	Silentblock	357 407 182	ø 31.5	
C8048	Silentblock	191 407 181 D	ø 60.1	
C8054	Silentblock	6N0 501 541 D	ø 58	Chassis № >6K-X290000
C9065	Silentblock	6K0 501 541 A		Chassis № 6K-X290001>

• SEAT

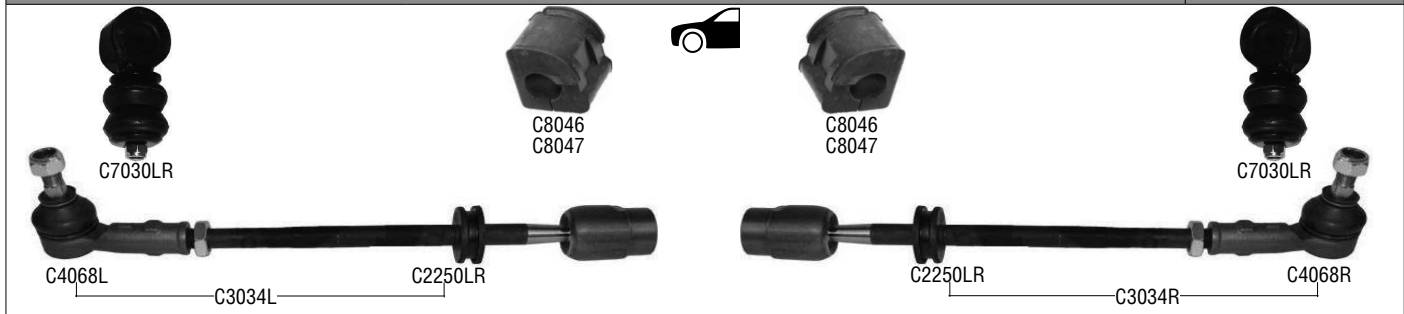


CORDOBA (6L2) 11/2002>

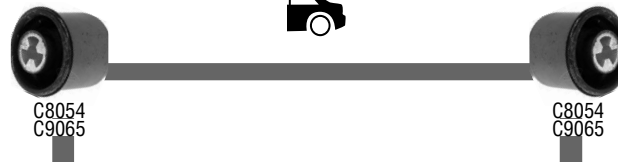


LYNX	Description	Original Number	Specification	
C2251LR	Tie Rod	Comp. of C3035L/R	MM14X1.5R	
C3035L	Side Rod Assy Left	6Q0 423 803 B		
C3035R	Side Rod Assy Right	6Q0 423 804 B		
C4272L	Tie Rod End Left	6Q0 423 811 C	FM14x1.5R	
C4272R	Tie Rod End Right	6Q0 423 812 C	FM14x1.5R	
C5370LR	Susp. Arm Front	6Q0 407 151 D		
C1092L	Ball Joint Left	6Q0 407 365 A		
C1092R	Ball Joint Right	6Q0 407 366 A		
C7001LR	Stabiliser Link Front	6Q0 411 315 G		
C8059	Stabiliser Mounting	6Q0 411 314 N	ø 18	Chassis № >6L-3-164392
C8057	Stabiliser Mounting	6Q0 411 314 L		Chassis № 6L-3-164393>
C8055	Silentblock	6Q0 407 182 A	ø 33	
C8056	Silentblock	6Q0 407 183 A	ø 64	
C8707	Silentblock	1J0 501 541 C		

IBIZA II-III (6K1) 03/1993 - 02/2002



LYNX	Description	Original Number	Specification	
C2250LR	Tie Rod	Comp. of C3034L/R	FM22X1.5R	-PS
C3034L	Side Rod Assy Left	191 419 803		-PS
C3034R	Side Rod Assy Right	191 419 804		-PS
C7030LR	Stabiliser Link	191 411 315	ø 17	
C8046	Stabiliser Mounting	191 411 314	ø 17	
C8047	Stabiliser Mounting	1H0 411 314	ø 19	

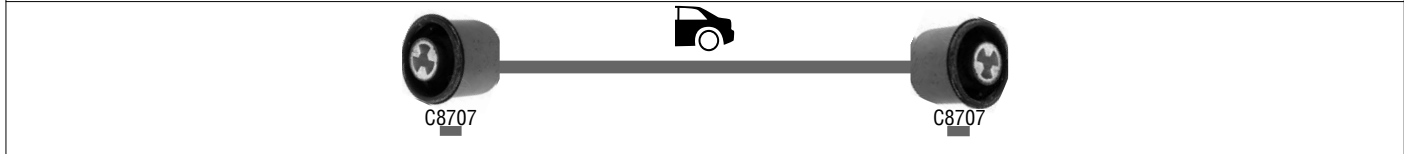


LYNX	Description	Original Number	Specification	
C2252LR	Tie Rod	Comp. of C3036L/R	MM14X1.5R	II +PS, Chassis № >6K-ZR036750
C3036L	Side Rod Assy Left	191 422 803 A		II +PS, Chassis № >6K-ZR036750
C3036R	Side Rod Assy Right	191 422 804 A		II +PS, Chassis № >6K-ZR036750
C2307LR	Tie Rod	6Q0 419 810 A		II +PS, Chassis № >6K-TR081920 - 6K-X-399999
C3065L	Side Rod Assy Left	6K0 422 803 D		II +PS, Chassis № >6K-TR081920 - 6K-X-399999
C3065R	Side Rod Assy Right	6K0 422 804 D		II +PS, Chassis № >6K-TR081920 - 6K-X-399999
C2308LR	Tie Rod	Comp. of C3066L/R		II GTI Chassis № 6K-TR130000> / III Exc. Sport Suspension
C3066L	Side Rod Assy Left	6K0 422 803 E		II GTI Chassis № 6K-TR130000> / III Exc. Sport Suspension
C3066R	Side Rod Assy Right	6K0 422 804 E		II GTI Chassis № 6K-TR130000> / III Exc. Sport Suspension
C4068L	Tie Rod End Left	3A0 422 811	FM14x1.5R	Chassis № >6K-1-180000
C4068R	Tie Rod End Right	3A0 422 812	FM14x1.5R	Chassis № >6K-1-180000
C4271L	Tie Rod End Left	6K0 422 811	FM14X1.5R	Chassis № 6K-1-180001>
C4271R	Tie Rod End Right	6K0 422 812	FM14X1.5R	Chassis № 6K-1-180001>
C5369LR	Susp. Arm Front	191 407 151 B		
C1050LR	Ball Joint Lower	357 407 365		
C8015	Silentblock	357 407 182	ø 31.5	
C8048	Silentblock	191 407 181 D	ø 60.1	
C8054	Silentblock	6N0 501 541 D	ø 58	Chassis № >6K-X290000
C9065	Silentblock	6K0 501 541 A		Chassis № 6K-X290001>

• SEAT



IBIZA IV (6L1) 03/2002>

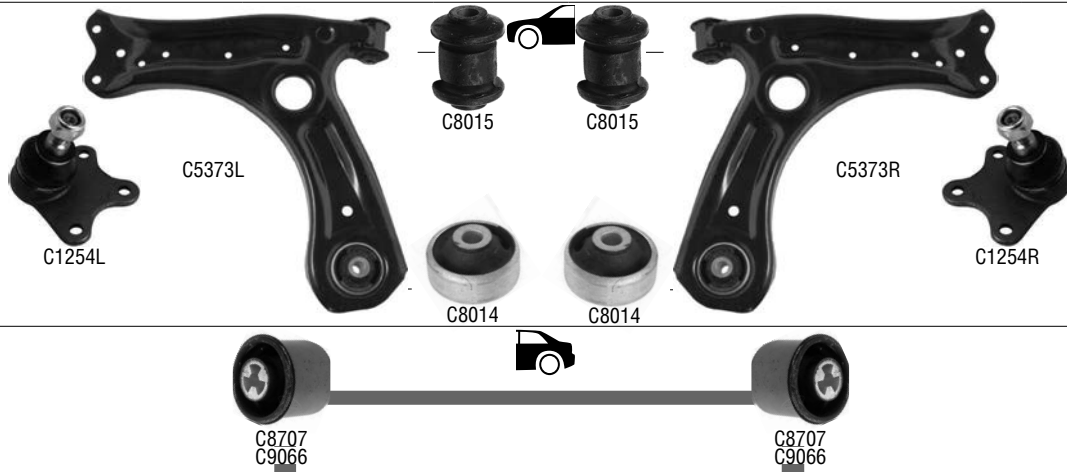


LYNX	Description	Original Number	Specification	
C2251LR	Tie Rod	Comp. of C3035L/R	MM14X1.5R	
C4272L	Tie Rod End Left	6Q0 423 811 C	FM14x1.5R	
C4272R	Tie Rod End Right	6Q0 423 812 C	FM14x1.5R	
C3035L	Side Rod Assy Left	6Q0 423 803 B		
C3035R	Side Rod Assy Right	6Q0 423 804 B		
C5370LR	Susp. Arm Front	6Q0 407 151 D		
C1092L	Ball Joint Left	6Q0 407 365 A		
C1092R	Ball Joint Right	6Q0 407 366 A		
C7001LR	Stabiliser Link Front	6Q0 411 315 G		
C8059	Stabiliser Mounting	6Q0 411 314 N	ø 18	Chassis № >6L-3-164392, 0AQ
C8057	Stabiliser Mounting	6Q0 411 314 L		Chassis № 6L-3-164393>, 0AQ
C8058	Stabiliser Mounting	6Q0 411 314 M	ø 17	0AR
C8055	Silentblock	6Q0 407 182 A	ø 33	
C8056	Silentblock	6Q0 407 183 A	ø 64	
C8707	Silentblock	1J0 501 541 C		

IBIZA V (6J5) 03/2008>



LYNX	Description	Original Number	Specification	
C2099LR	Tie Rod	Comp. of C3067L/R	MM14X1.5R	
C4272L	Tie Rod End Left	6Q0 423 811 C	FM14x1.5R	
C4272R	Tie Rod End Right	6Q0 423 812 C	FM14x1.5R	
C3067L	Side Rod Assy Left	6R0 423 803		
C3067R	Side Rod Assy Right	6R0 423 804		
C7001LR	Stabiliser Link Front	6Q0 411 315 G		



LYNX	Description	Original Number	Specification	
C5373L	Susp. Arm Left	6R0 407 151 / A		
C5373R	Susp. Arm Right	6R0 407 152 / A		
C1254L	Ball Joint Left	6R0 407 365		
C1254R	Ball Joint Right	6R0 407 366		
C8057	Stabiliser Mounting	6Q0 411 314 P		0AQ
C8059	Stabiliser Mounting	6Q0 411 314 R	ø 18	0AS
C8015	Silentblock	357 407 182	ø 31.5	
C8014	Silentblock	1J0 407 181	ø 60	
C8707	Silentblock	1J0 501 541 C		>20/04/09
C9066	Silentblock	6R0 501 541 A		20/04/09>

INCA (6K9)

11/1995 - 06/2003

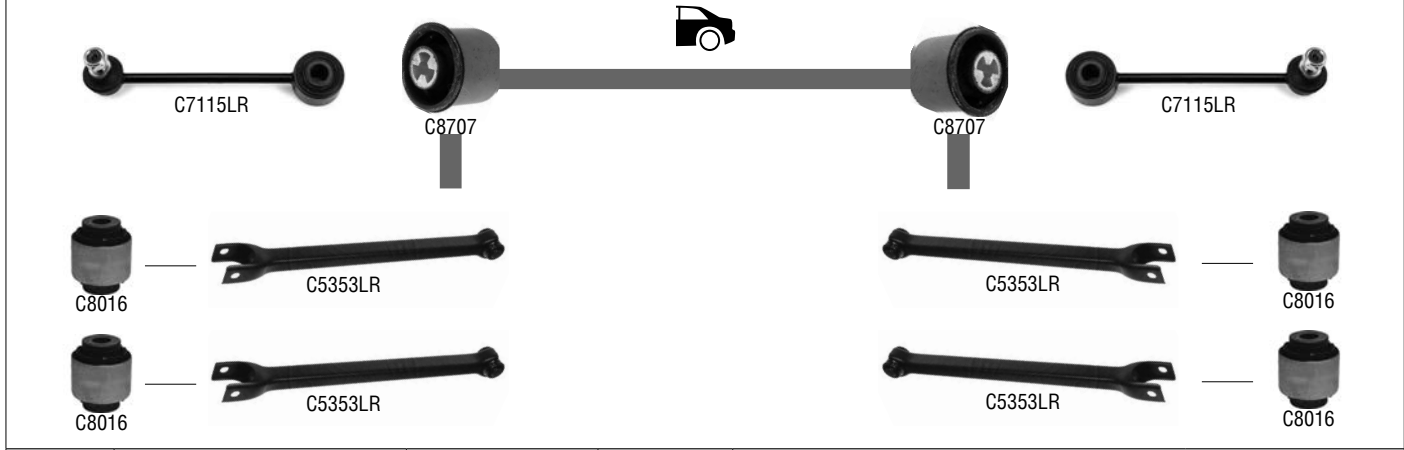
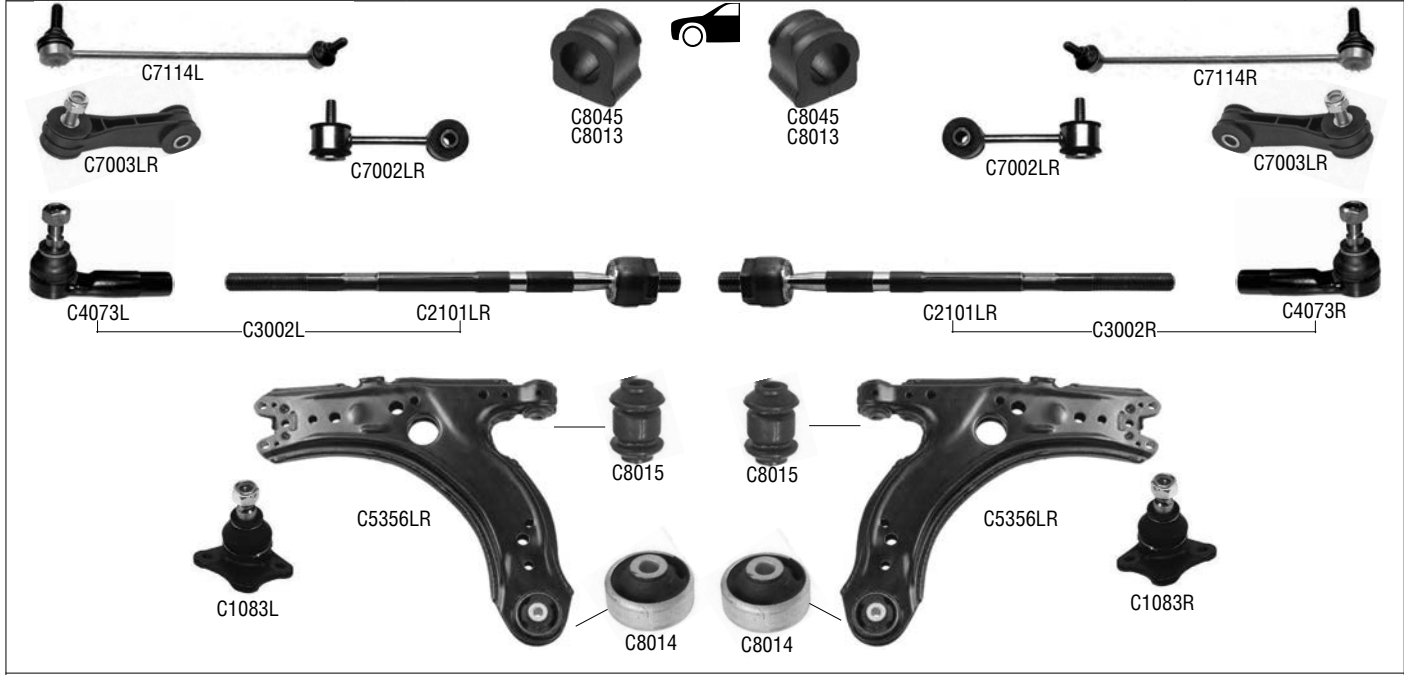


LYNX	Description	Original Number	Specification	
C2307LR	Tie Rod	6Q0 419 810 A		
C3065L	Side Rod Assy Left	6K0 422 803 D		
C3065R	Side Rod Assy Right	6K0 422 804 D		
C4068L	Tie Rod End Left	3A0 422 811	FM14x1.5R	
C4068R	Tie Rod End Right	3A0 422 812	FM14x1.5R	
C5369LR	Susp. Arm Front	191 407 151 B		
C1050LR	Ball Joint Lower	357 407 365		
C7030LR	Stabiliser Link	191 411 315	ø 17	Chassis No >9K-V-012500
C7280LR	Stabiliser Link	6K0 411 315	ø 19	Chassis No 9K-V-012501>
C8046	Stabiliser Mounting	191 411 314	ø 17	
C8015	Silentblock	357 407 182	ø 31.5	
C8048	Silentblock	191 407 181 D	ø 60.1	

• SEAT



LEON (1M1) Exc. 1.8 - 20V 11/1999 - 08/2005

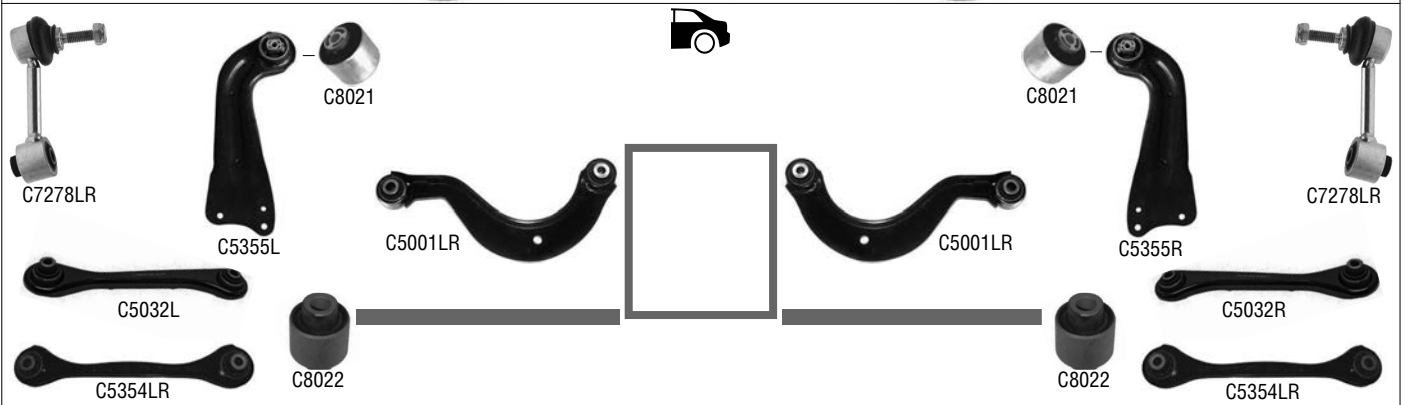
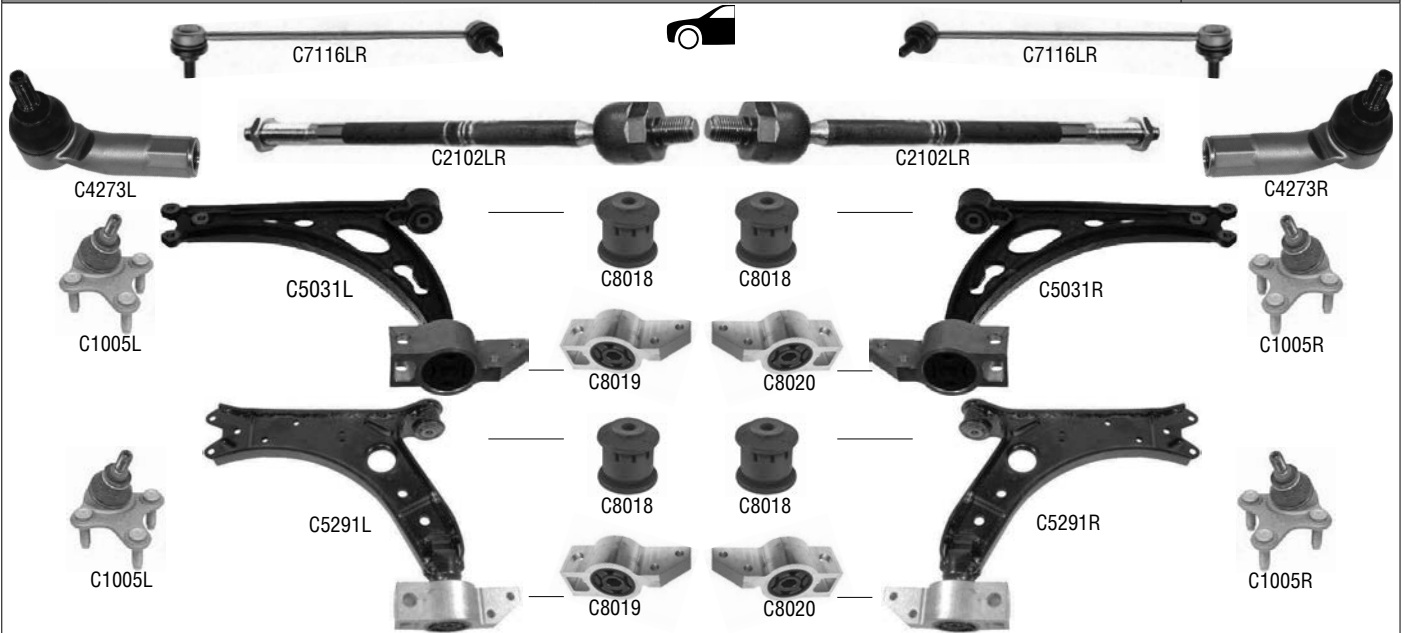


LYNX	Description	Original Number	Specification	
C2101LR	Tie Rod	1J0 422 807 B	MM16X1.5R	
C4073L	Tie Rod End Left	1J0 422 811 B	FM14x1.5R	
C4073R	Tie Rod End Right	1J0 422 812 B	FM14x1.5R	
C3002L	Side Rod Assy Left	1J0 422 803 B		
C3002R	Side Rod Assy Right	1J0 422 804 B		
C5356LR	Susp. Arm	1J0 407 151 C		
C5353LR	Susp. Arm Rear	1J0 505 323 L		4WD
C1083L	Ball Joint Left	1J0 407 365 A		
C1083R	Ball Joint Right	1J0 407 366 A		
C7114L	Stabiliser Link Front Left	1J0 411 315 D		
C7114R	Stabiliser Link Front Right	1J0 411 316 D		
C7002LR	Stabiliser Link Front	1J0 411 315 G		Metall
C7003LR	Stabiliser Link Front	1J0 411 315 C		Plastic
C7115LR	Stabiliser Link Rear	1J0 505 466 B		4WD
C8045	Stabiliser Mounting	1J0 411 314 T	ø 23	
C8013	Stabiliser Mounting	1J0 411 314 C	ø 21	
C8015	Silentblock	357 407 182	ø 31.5	
C8014	Silentblock	1J0 407 181	ø 60	
C8016	Silentblock	1J0 505 203	ø 43.6	4WD
C8707	Silentblock	1J0 501 541 C		



LEON (1P1)

09/2005>

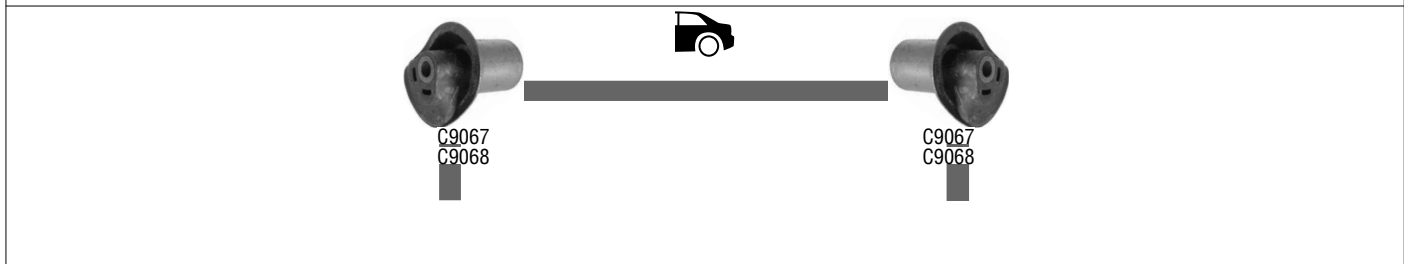


LYNX	Description	Original Number	Specification	
C2102LR	Tie Rod	1K0 423 810 A	MM16X1.5R	
C4273L	Tie Rod End Left	1K0 423 811 E/G/J/K	FM16x1.5R	
C4273R	Tie Rod End Right	1K0 423 812 E/G/J/K	FM16x1.5R	
C5031L	Susp. Arm Front Left	1K0 407 151 AC		Chassis № >1P-6-102599 Cast Iron
C5031R	Susp. Arm Front Right	1K0 407 152 AC		Chassis № >1P-6-102599 Cast Iron
C5291L	Susp. Arm Front Left	1K0 407 151 AA		Chassis № >1P-6-102599 Sheet Metal
C5291R	Susp. Arm Front Right	1K0 407 152 AA		Chassis № >1P-6-102599 Sheet Metal
C5032L	Susp. Arm Rear Left	1K0 501 529 F		
C5032R	Susp. Arm Rear Right	1K0 501 530 C		
C5354LR	Susp. Arm Rear	1K0 501 529 J		
C5001LR	Susp. Arm Rear Upper	1K0 505 323 H		
C5355L	Susp. Arm Rear Left	1K0 505 223 K		
C5355R	Susp. Arm Rear Right	1K0 505 224 K		
C1005L	Ball Joint Left	1K0 407 365 C		
C1005R	Ball Joint Right	1K0 407 366 C		
C7116LR	Stabiliser Link Front	1K0 411 315 B		
C7278LR	Stabiliser Link Rear	1K0 505 465 J		
C8018	Silentblock	1K0 407 182	ø 40.2	
C8019	Silentblock	1K0 199 231 J		
C8020	Silentblock	1K0 199 232 J		
C8021	Silentblock	1K0 505 541 D		
C8022	Silentblock	1K0 505 553 A		Steering Knuckle

• SEAT



TOLEDO I (1L) 01/1991 - 03/1999

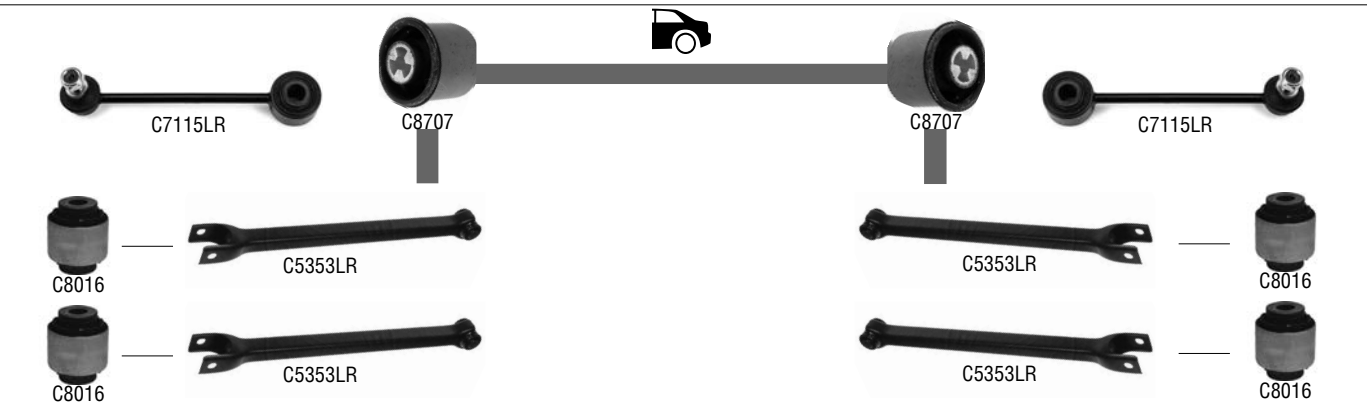


LYNX	Description	Original Number	Specification	
C2250LR	Tie Rod		FM22X1.5R	-PS
C3034L	Side Rod Assy Left	191 419 803		-PS
C3034R	Side Rod Assy Right	191 419 804		-PS
C2252LR	Tie Rod		MM14X1.5R	+PS TRW Chassis N ^o >1L-ZD-307000, Exc. 2.0 - 16V
C3036L	Side Rod Assy Left	191 422 803 A		+PS TRW Chassis N ^o >1L-ZD-307000, Exc. 2.0 - 16V
C3036R	Side Rod Assy Right	191 422 804 A		+PS TRW Chassis N ^o >1L-ZD-307000, Exc. 2.0 - 16V
C4068L	Tie Rod End Left	3A0 422 811	FM14x1.5R	
C4068R	Tie Rod End Right	3A0 422 812	FM14x1.5R	
C5369LR	Susp. Arm Front	191 407 151 B		
C1050LR	Ball Joint Lower	357 407 365		
C7281LR	Stabiliser Link Front	535 411 315		2.0 - 16V
C7030LR	Stabiliser Link Front	191 411 315 B	ø 17	
C8046	Stabiliser Mounting	191 411 314	ø 17	
C8047	Stabiliser Mounting	1H0 411 314	ø 19	
C8015	Silentblock	357 407 182	ø 31.5	
C8048	Silentblock	191 407 181 D	ø 60.1	
C9067	Silentblock	191 501 541		Exc. 2.0 - 16V
C9068	Silentblock	1H0 501 541 A		2.0 - 16V



TOLEDO II (1M2)

04/1999 - 09/2004

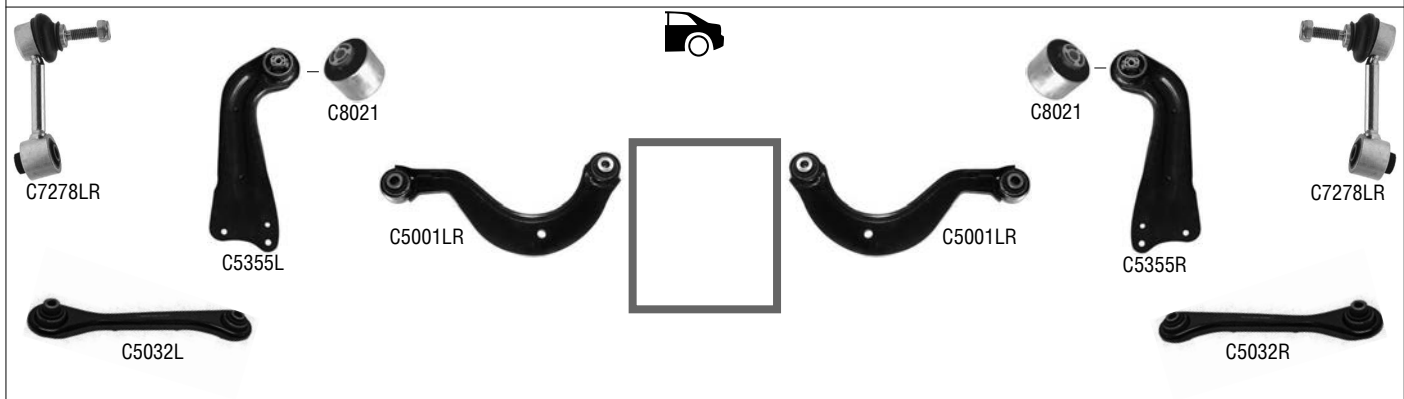
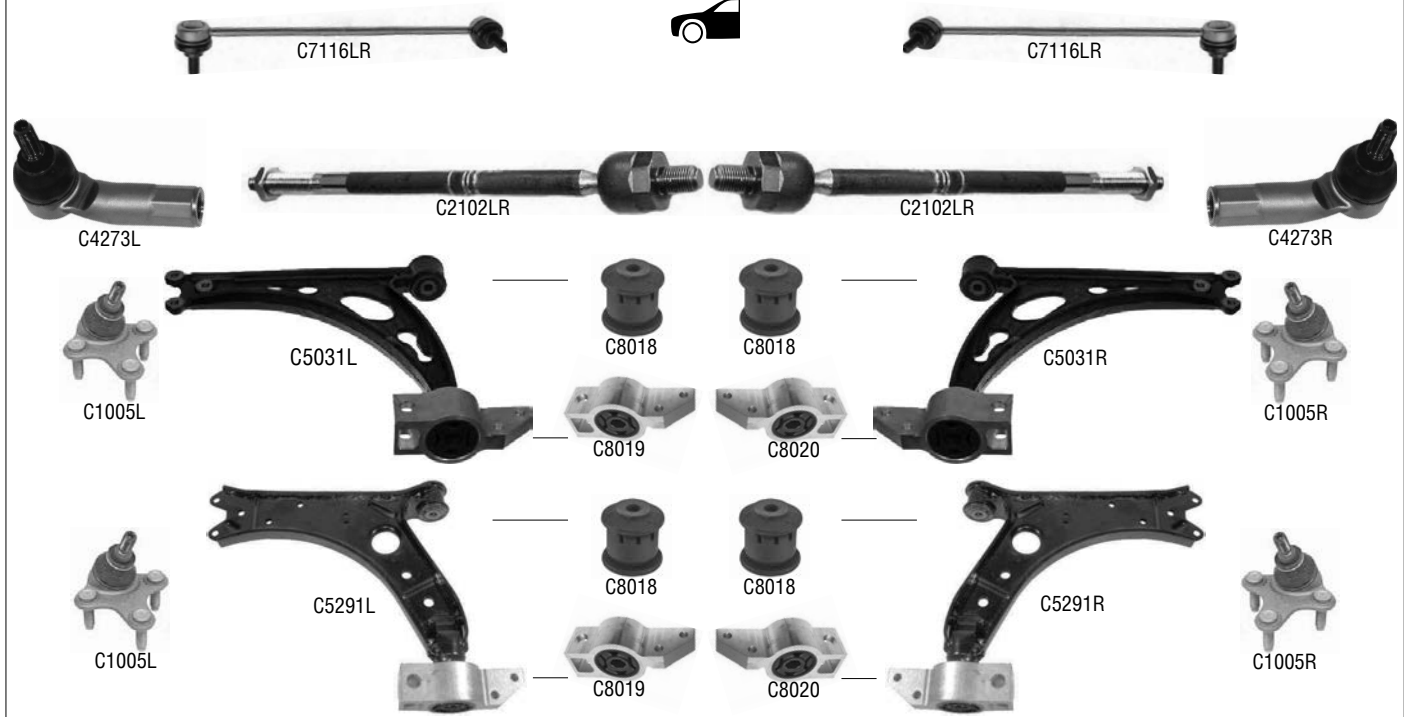


LYNX	Description	Original Number	Specification	
C2101LR	Tie Rod	1J0 422 807 B	MM16X1.5R	Exc. 1.8 20V
C4073L	Tie Rod End Left	1J0 422 811 B	FM14x1.5R	Exc. 1.8 20V
C4073R	Tie Rod End Right	1J0 422 812 B	FM14x1.5R	Exc. 1.8 20V
C3002L	Side Rod Assy Left	1J0 422 803 B		Exc. 1.8 20V
C3002R	Side Rod Assy Right	1J0 422 804 B		Exc. 1.8 20V
C5356LR	Susp. Arm Front	1J0 407 151 C		
C5353LR	Susp. Arm Rear	1J0 505 323 L		4WD
C1083L	Ball Joint Left	1J0 407 365 A		
C1083R	Ball Joint Right	1J0 407 366 A		
C7003LR	Stabiliser Link Front	1J0 411 315 C		Plastic
C7002LR	Stabiliser Link Front	1J0 411 315 G		Metall
C7114L	Stabiliser Link Front Left	1J0 411 315 D		
C7114R	Stabiliser Link Front Right	1J0 411 316 D		
C7115LR	Stabiliser Link Rear	1J0 505 466 B		4WD
C8013	Stabiliser Mounting	1J0 411 314 C	ø 21	
C8045	Stabiliser Mounting	1J0 411 314 T	ø 23	
C8014	Silentblock	1J0 407 181	ø 60	
C8015	Silentblock	357 407 182	ø 31.5	
C8016	Silentblock	1J0 505 203	ø 43,6	4WD
C8707	Silentblock	1J0 501 541 C		

• SEAT



TOLEDO III (5P2) 10/2004>



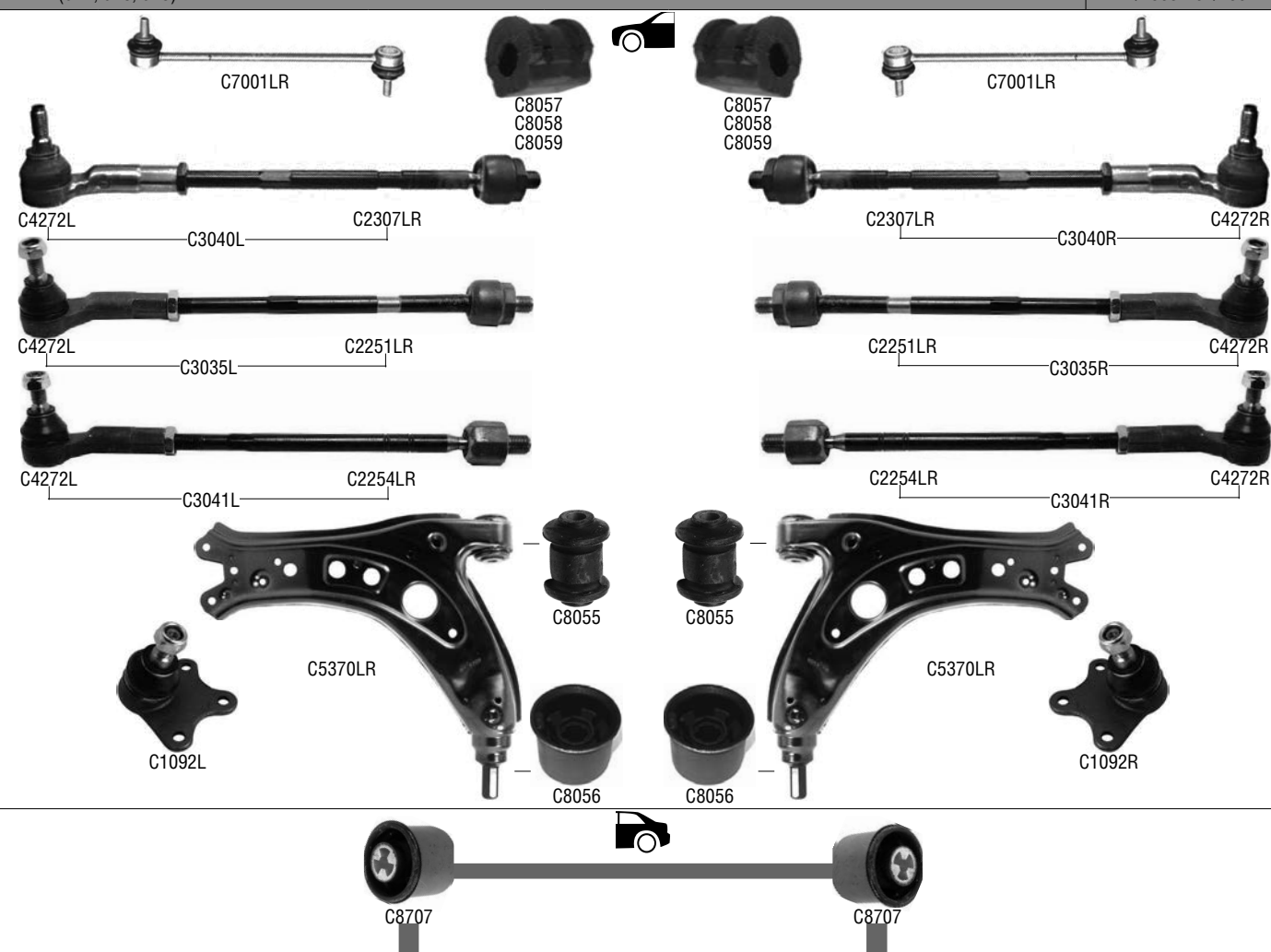
LYNX	Description	Original Number	Specification	
C2102LR	Tie Rod	1K0 423 810 A	MM16X1.5R	
C4273L	Tie Rod End Left	1K0 423 811 E	FM16x1.5R	
C4273R	Tie Rod End Right	1K0 423 812 E	FM16x1.5R	
C5031L	Susp. Arm Front Left	1K0 407 151 AC		Cast Iron
C5031R	Susp. Arm Front Right	1K0 407 152 AC		Cast Iron
C5291L	Susp. Arm Front Left	1K0 407 151 AA		Sheet Metal
C5291R	Susp. Arm Front Right	1K0 407 152 AA		Sheet Metal
C5032L	Susp. Arm Rear Left	1K0 501 529 F		
C5032R	Susp. Arm Rear Right	1K0 501 530 C		
C5001LR	Susp. Arm Rear Upper	1K0 505 323 H		
C5355L	Susp. Arm Rear Left	1K0 505 223 K		
C5355R	Susp. Arm Rear Right	1K0 505 224 K		
C1005L	Ball Joint Left	1K0 407 365 C		
C1005R	Ball Joint Right	1K0 407 366 C		
C7116LR	Stabiliser Link Front	1K0 411 315 B		
C7278LR	Stabiliser Link Rear	1K0 505 465 J		
C8018	Silentblock	1K0 407 182	ø 40.2	
C8019	Silentblock	1K0 199 231 J		
C8020	Silentblock	1K0 199 232 J		
C8021	Silentblock	1K0 505 541 D		



SKODA

FABIA (6Y2, 6Y3, 6Y5)

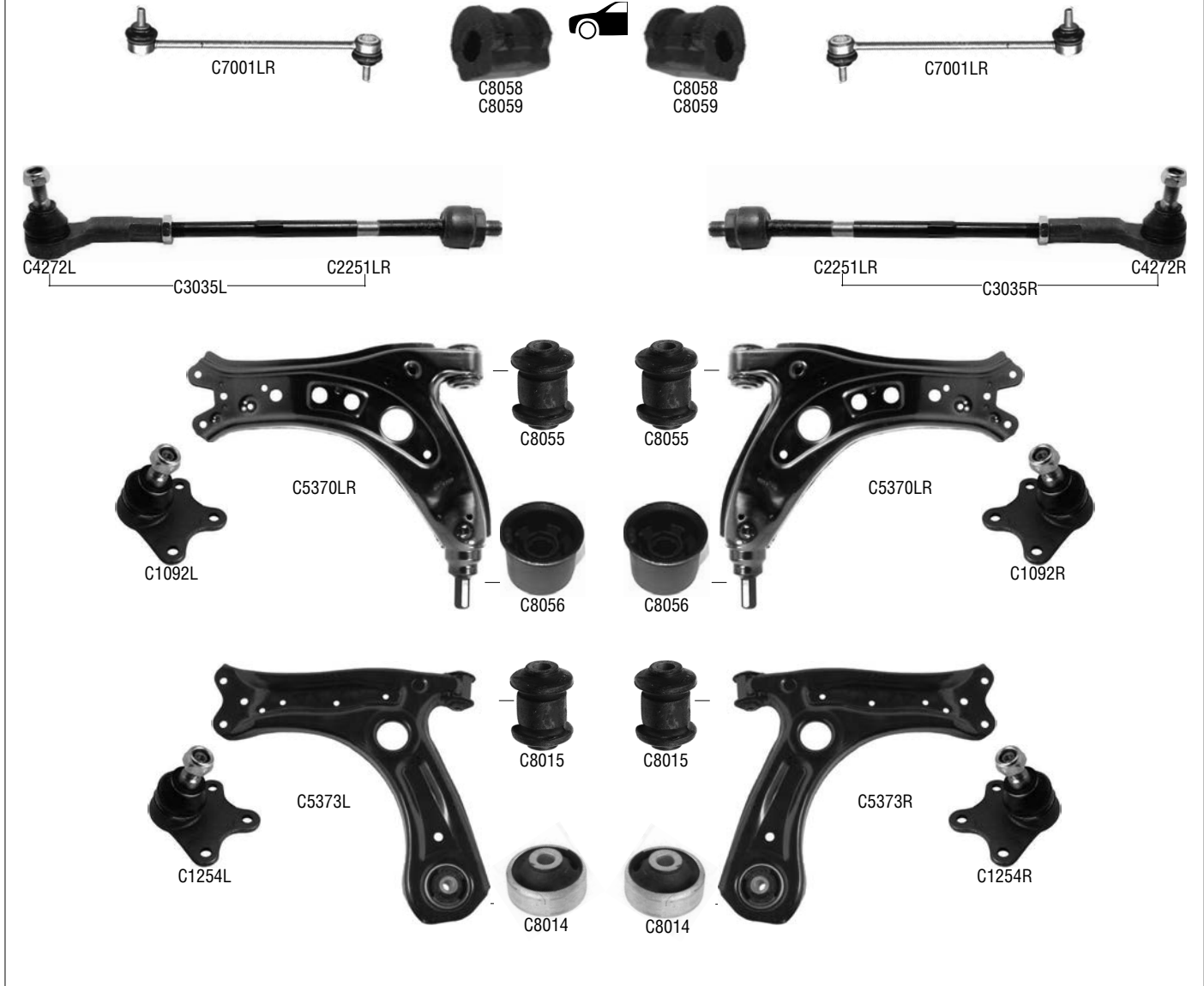
12/1999 - 04/2007



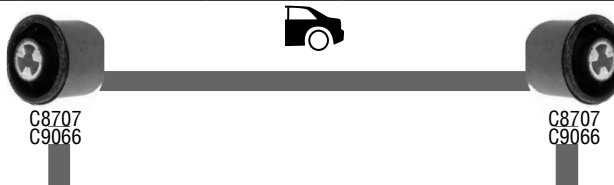
LYNX	Description	Original Number	Specification	
C2307LR	Tie Rod	6Q0 419 810 A		-PS
C3040L	Side Rod Assy Left	6Q0 419 803 B/F		-PS
C3040R	Side Rod Assy Right	6Q0 419 804 B/F		-PS
C2251LR	Tie Rod	Comp. of C3035L/R	MM14X1.5R	+PS TRW
C3035L	Side Rod Assy Left	6Q0 423 803 B/P		+PS TRW
C3035R	Side Rod Assy Right	6Q0 423 804 B/P		+PS TRW
C2254LR	Tie Rod	6Q0 423 810 C	MM16x1.5R	+PS SMI
C3041L	Side Rod Assy Left	6Q0 423 803 C/G		+PS SMI
C3041R	Side Rod Assy Right	6Q0 423 804 C/G		+PS SMI
C4272L	Tie Rod End Left	6Q0 423 811 C	FM14x1.5R	
C4272R	Tie Rod End Right	6Q0 423 812 C	FM14x1.5R	
C5370LR	Susp. Arm Front	6Q0 407 151 L		
C1092L	Ball Joint Left	6Q0 407 365 M		
C1092R	Ball Joint Right	6Q0 407 366 M		
C7001LR	Stabiliser Link Front	6Q0 411 315 N		
C8057	Stabiliser Mounting	6Q0 411 314 P	ø 16	0AQ
C8058	Stabiliser Mounting	6Q0 411 314 Q	ø 17	Chassis № 6Y-3-651671>, 0AR
C8059	Stabiliser Mounting	6Q0 411 314 N	ø 18	Chassis № 6Y-3-651671>, 0AS
C8055	Silentblock	6Q0 407 182 A	ø 33	
C8056	Silentblock	1K0 407 183 E	ø 64	
C8707	Silentblock	1J0 501 541 C		



FABIA (5J8) 04/2007>

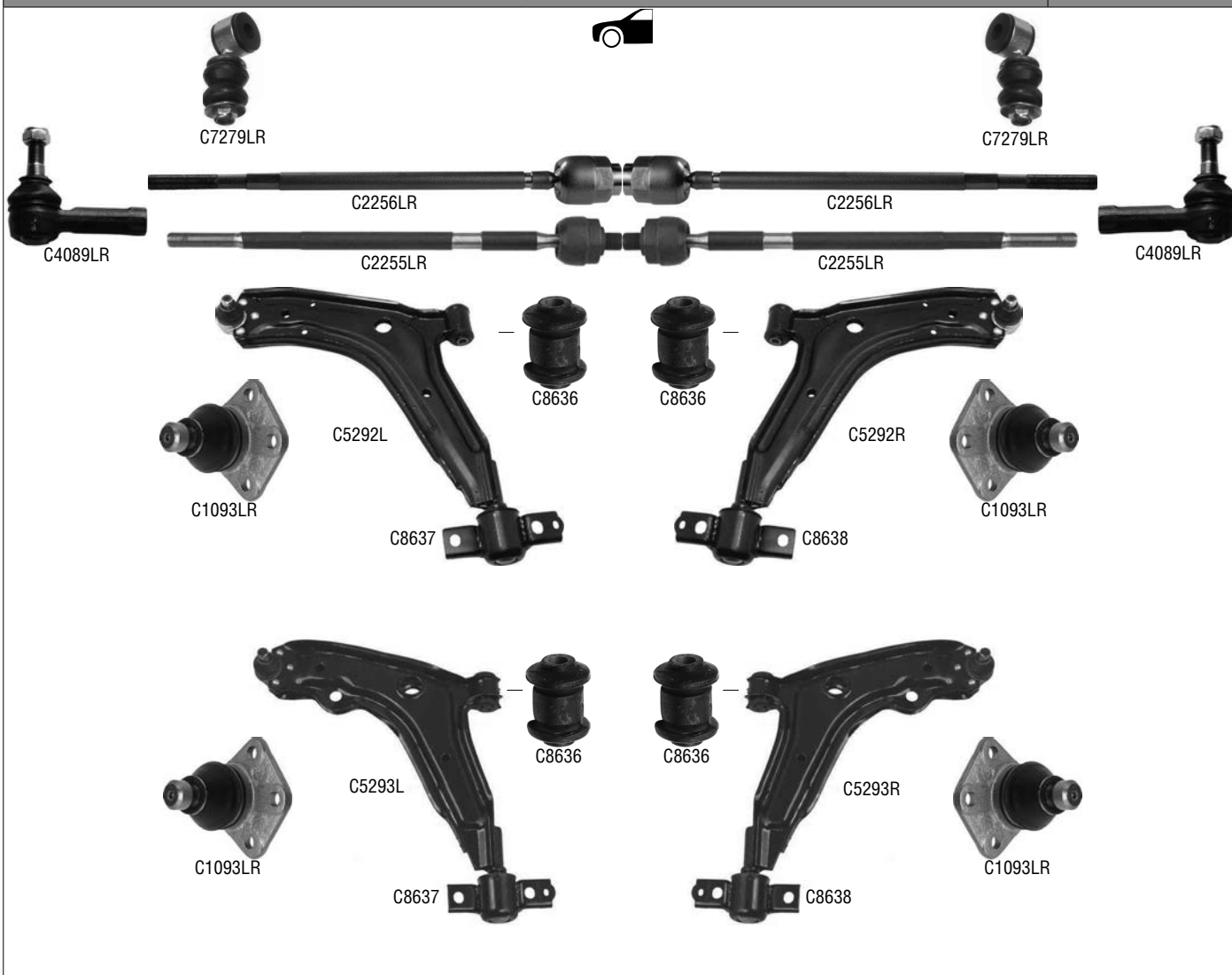


LYNX	Description	Original Number	Specification	
C2251LR	Tie Rod	Comp. of C3035L/R	MM14X1.5R	
C3035L	Side Rod Assy Left	6Q0 423 803 B/E/P		
C3035R	Side Rod Assy Right	6Q0 423 804 B/E/P		
C4272L	Tie Rod End Left	6Q0 423 811 C	FM14x1.5R	
C4272R	Tie Rod End Right	6Q0 423 812 C	FM14x1.5R	
C5370LR	Susp. Arm Front	6Q0 407 151 L		Chassis № >5J-8A502656, >5J-8B503031, >5J-8K450960, >5J-83172973
C5373L	Susp. Arm Front Left	6R0 407 151		Chassis № 5J-8A502657>, 5J-8B503032>, 5J-8K450961>, 5J-83172974>
C5373R	Susp. Arm Front Right	6R0 407 152		Chassis № 5J-8A502657>, 5J-8B503032>, 5J-8K450961>, 5J-83172974>
C1092L	Ball Joint Left	6Q0 407 365 M		Chassis № >5J-8A502656, >5J-8B503031, >5J-8K450960, >5J-83172973
C1092R	Ball Joint Right	6Q0 407 366 M		Chassis № >5J-8A502656, >5J-8B503031, >5J-8K450960, >5J-83172973
C1254L	Ball Joint Left	6R0 407 365		Chassis № 5J-8A502657>, 5J-8B503032>, 5J-8K450961>, 5J-83172974>
C1254R	Ball Joint Right	6R0 407 366		Chassis № 5J-8A502657>, 5J-8B503032>, 5J-8K450961>, 5J-83172974>
C7001LR	Stabiliser Link Front	6Q0 411 315 N		
C8058	Stabiliser Mounting	6Q0 411 314 Q	ø 17	
C8059	Stabiliser Mounting	6Q0 411 314 R	ø 18	
C8055	Silentblock	6Q0 407 182 A	ø 33	Chassis № >5J-8A502656, >5J-8B503031, >5J-8K450960, >5J-83172973
C8056	Silentblock	1K0 407 183 E	ø 64	Chassis № >5J-8A502656, >5J-8B503031, >5J-8K450960, >5J-83172973
C8015	Silentblock	357 407 182	ø 31.5	Chassis № 5J-8A502657>, 5J-8B503032>, 5J-8K450961>, 5J-83172974>
C8014	Silentblock	1J0 407 181	ø 60	Chassis № 5J-8A502657>, 5J-8B503032>, 5J-8K450961>, 5J-83172974>



LYNX	Description	Original Number	Specification	
C8707	Silentblock	1J0 501 541 C		>05/10
C9066	Silentblock	6R0 501 541 A		06/10>

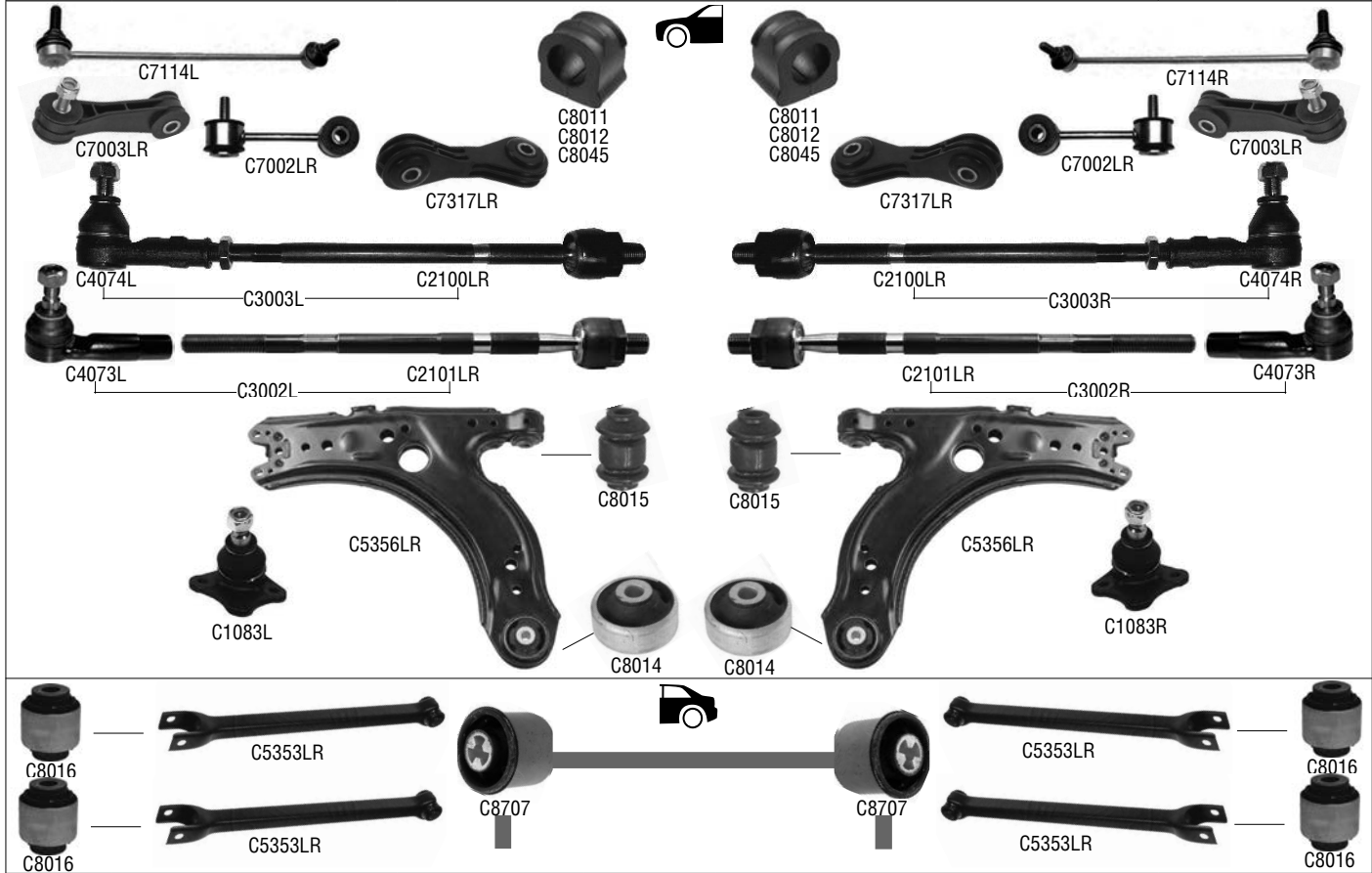
FELICIA 10/1994 - 06/2001



LYNX	Description	Original Number	Specification	
C2256LR	Tie Rod	007 350 278 N	FM12x1.5R	-PS
C2255LR	Tie Rod	6U0 422 807	MM14X1.5R	+PS
C4089LR	Tie Rod End	6U0 422 811	FM12x1R	
C5292L	Susp. Arm Left	6U0 407 151 B		>08/96
C5292R	Susp. Arm Right	6U0 407 152 B		>08/96
C5293L	Susp. Arm Left	6U0 407 151		09/96>
C5293R	Susp. Arm Right	6U0 407 152		09/96>
C1093LR	Ball Joint	6U0 407 365		
C7279LR	Stabiliser Link Front	6U0 411 315		
C8636	Silentblock	6U0 407 182	ø 31.5	
C8637	Silentblock	6U0 407 503		
C8638	Silentblock	6U0 407 504		



OCTAVIA (1U2, 1U5) 07/1996 - 06/2004

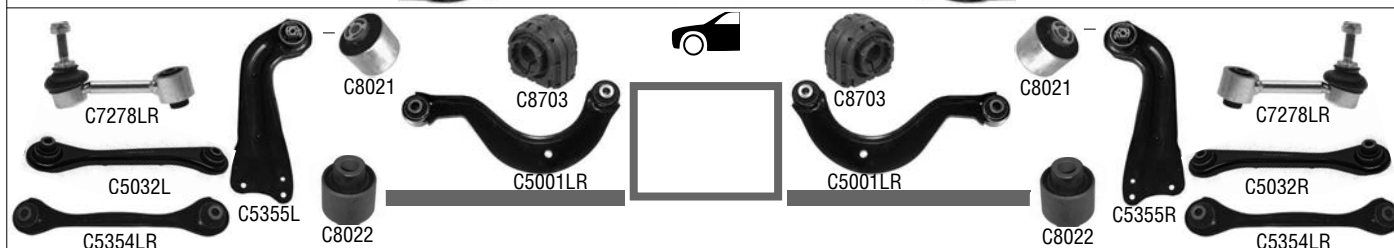
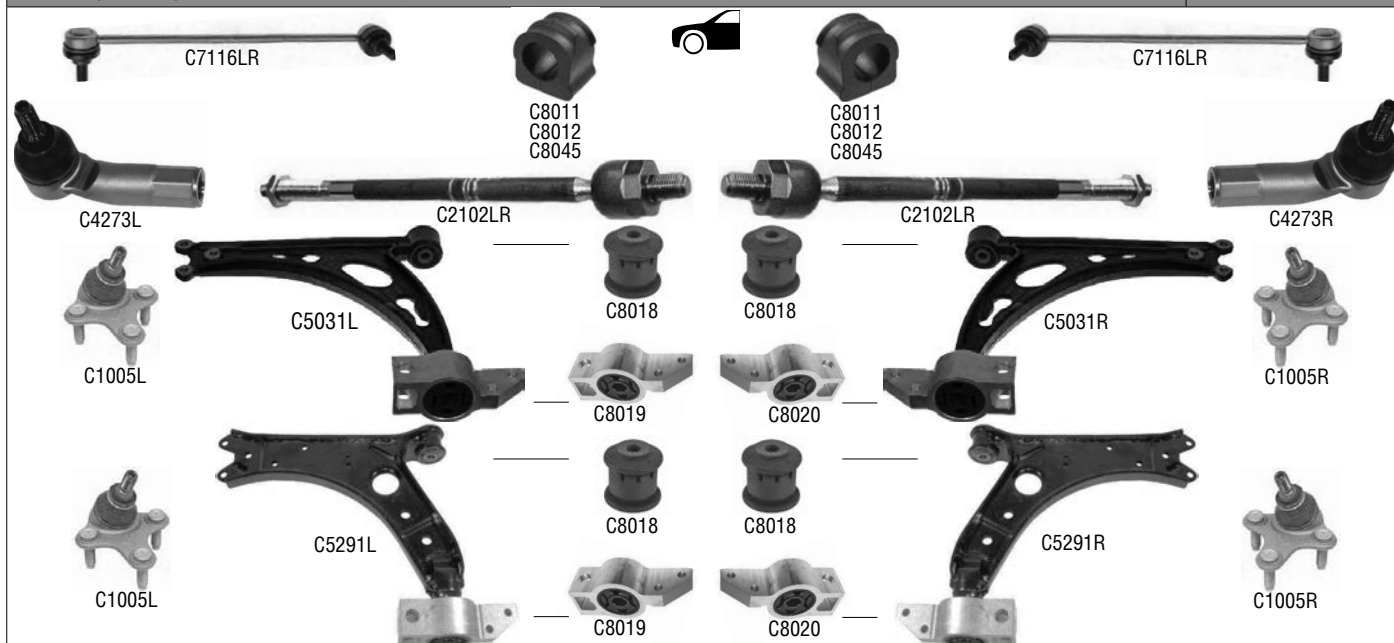


LYNX	Description	Original Number	Specification	
C2100LR	Tie Rod	1J0 422 807	MM16X1.5R	Chassis № >1U-W-061000
C4074L	Tie Rod End Left	1J0 422 811 A	FM14x1.5R	Chassis № >1U-W-061000
C4074R	Tie Rod End Right	1J0 422 812 A	FM14x1.5R	Chassis № >1U-W-061000
C3003L	Side Rod Assy Left	1J0 422 803 A		Chassis № >1U-W-061000
C3003R	Side Rod Assy Right	1J0 422 804 A		Chassis № >1U-W-061000
C2101LR	Tie Rod	1J0 422 807 B	MM16X1.5R	Chassis № 1U-W-061001>
C4073L	Tie Rod End Left	1J0 422 811 B	FM14x1.5R	Chassis № 1U-W-061001>
C4073R	Tie Rod End Right	1J0 422 812 B	FM14x1.5R	Chassis № 1U-W-061001>
C3002L	Side Rod Assy Left	1J0 422 803 H		Chassis № 1U-W-061001>
C3002R	Side Rod Assy Right	1J0 422 804 H		Chassis № 1U-W-061001>
C7002LR	Stabiliser Link Front	1J0 411 315 G		Chassis № >1U-18438500, 1- 471000, PR-0AE / Metal
C7003LR	Stabiliser Link Front	1J0 411 315 J		Chassis № >1U-18438500, 1- 471000, PR-0AL / Plastic
C7317LR	Stabiliser Link Front	1J0 411 315 K		Chassis № 1U-18438501>, 1- 471001>, PR-0AE / Plastic
C7114L	Stabiliser Link Front Left	1J0 411 315 D		4WD
C7114R	Stabiliser Link Front Right	1J0 411 316 D		4WD
C5356LR	Susp. Arm Front	1J0 407 151 C		
C5353LR	Susp. Arm Rear	1J0 505 323 L		4WD
C1083L	Ball Joint Left	1J0 407 365 C/H		
C1083R	Ball Joint Right	1J0 407 366 C/H		
C8011	Stabiliser Mounting	1J0 411 314 S	ø 17	Chassis № 1U-4A022800>, 1U-42948654>, 1U-48756166>, 1U-7B006167>,0AR
C8012	Stabiliser Mounting	1J0 411 314 P	ø 19	Chassis № >1U-4A022800, >1U-42948654, >1U-48756166, >1U-7B006167,0AR
C8045	Stabiliser Mounting	1J0 411 314 T	ø 23	0AE
C8014	Silentblock	1J0 407 181	ø 60	
C8015	Silentblock	357 407 182	ø 31.5	
C8016	Silentblock	1J0 505 203	ø 43.6	4WD
C8707	Silentblock	1J0 501 541 C		



OCTAVIA (1Z3, 1Z5)

06/2004>

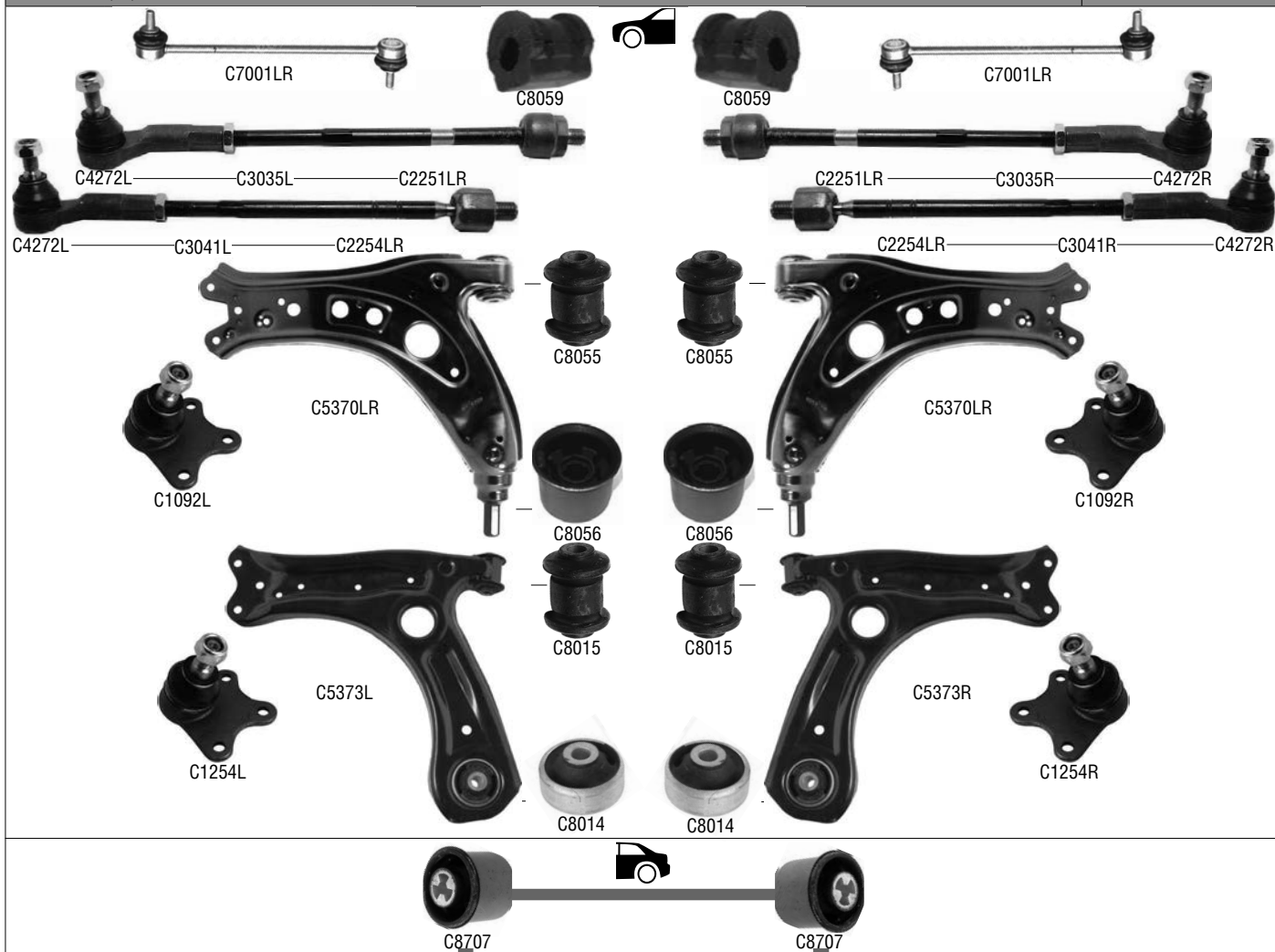


LYNX	Description	Original Number	Specification	
C2102LR	Tie Rod	1K0 423 810 A	MM16X1.5R	
C4273L	Tie Rod End Left	1K0 423 811 G/K	FM16x1.5R	
C4273R	Tie Rod End Right	1K0 423 812 G/K	FM16x1.5R	
C5031L	Susp. Arm Front Left	1K0 407 151 AC/T		>10/08 / Cast Iron
C5031R	Susp. Arm Front Right	1K0 407 152 AC/T		>10/08 / Cast Iron
C5291L	Susp. Arm Front Left	1K0 407 151 AA/BC		Sheet Metal
C5291R	Susp. Arm Front Right	1K0 407 152 AA/BC		Sheet Metal
C5001LR	Susp. Arm Rear Upper	1K0 505 323 N		
C5032L	Susp. Arm Rear Left	1K0 501 529 F		>24/05/09
C5032R	Susp. Arm Rear Right	1K0 501 530 C		>24/05/09
C5354LR	Susp. Arm Rear	1K0 501 529 J		25/05/09>
C5355L	Susp. Arm Rear Left	1K0 505 223 K		
C5355R	Susp. Arm Rear Right	1K0 505 224 K		
C1005L	Ball Joint Left	1K0 407 365 C		
C1005R	Ball Joint Right	1K0 407 366 C		
C7116LR	Stabiliser Link Front	1K0 411 315 K		
C7278LR	Stabiliser Link Rear	1K0 505 465 K		
C8011	Stabiliser Mounting	1J0 411 314 S	ø 17	
C8012	Stabiliser Mounting	1J0 411 314 P	ø 19	
C8045	Stabiliser Mounting	1J0 411 314 T	ø 23	
C8703	Stabiliser Mounting	1K0 511 327 AP		
C8018	Silentblock	1K0 407 182	ø 40.2	
C8019	Silentblock	1K0 199 231 J		
C8020	Silentblock	1K0 199 232 J		
C8021	Silentblock	1K0 505 541 D		
C8022	Silentblock	1K0 505 553 A		Steering Knuckle



ROOMSTER (5J)

09/2006>

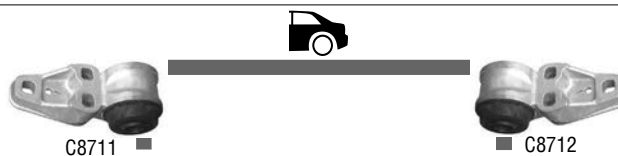
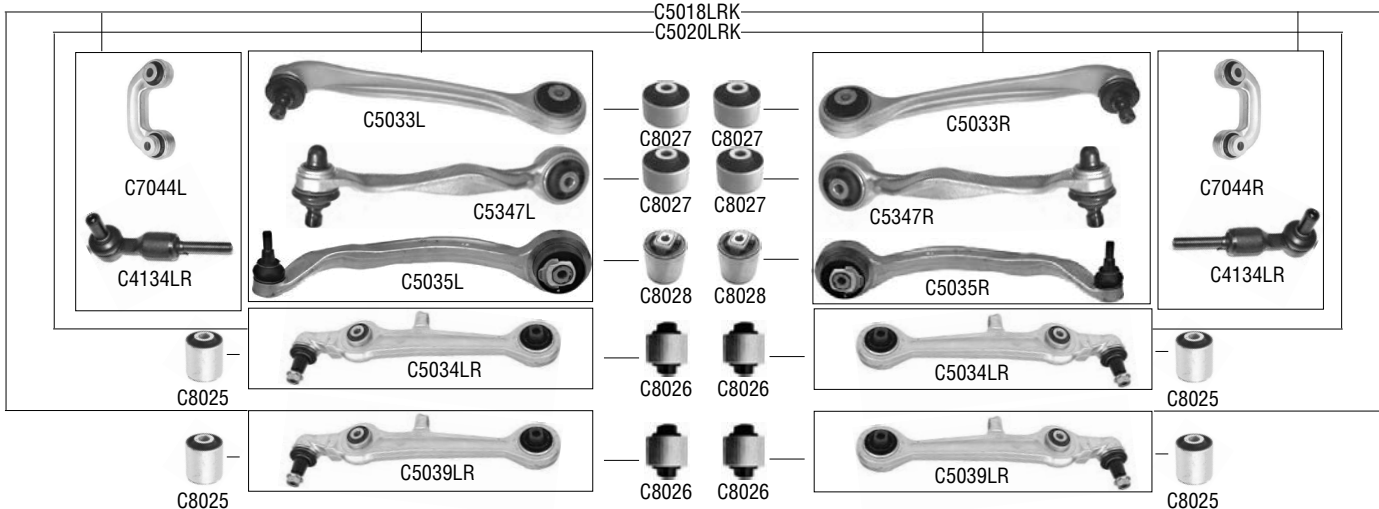
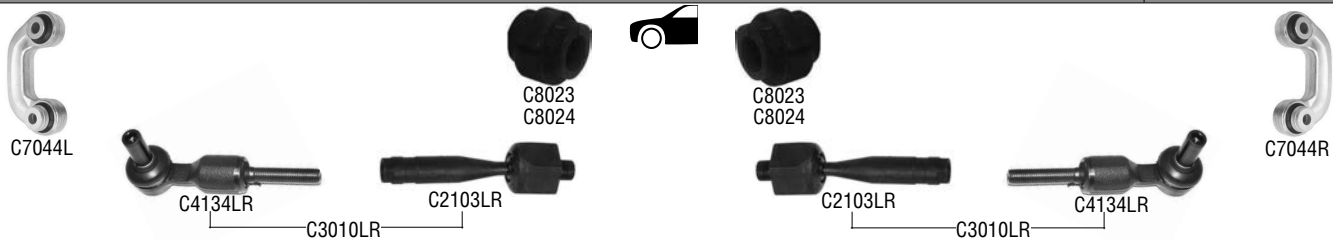


LYNX	Description	Original Number	Specification	
C2251LR	Tie Rod	Comp. of C3035L/R	MM14X1.5R	+PS TRW
C3035L	Side Rod Assy Left	6Q0 423 803 E/P		+PS TRW
C3035R	Side Rod Assy Right	6Q0 423 804 E/P		+PS TRW
C2254LR	Tie Rod	6Q0 423 810 C	MM16x1.5R	+PS SMI
C3041L	Side Rod Assy Left	6Q0 423 803 C/G		+PS SMI
C3041R	Side Rod Assy Right	6Q0 423 804 C/G		+PS SMI
C4272L	Tie Rod End Left	6Q0 423 811 / C	FM14x1.5R	
C4272R	Tie Rod End Right	6Q0 423 812 / C	FM14x1.5R	
C5370LR	Susp. Arm Front	6Q0 407 151 L		Chassis № >5J-8B600704, >5J-85069020
C5373L	Susp. Arm Front Left	6R0 407 151		Chassis № 5J-8B600704>, 5J-85069021>
C5373R	Susp. Arm Front Right	6R0 407 152		Chassis № 5J-8B600704>, 5J-85069021>
C1092L	Ball Joint Left	6Q0 407 365 M		Chassis № >5J-8B600704, >5J-85069020
C1092R	Ball Joint Right	6Q0 407 366 M		Chassis № >5J-8B600704, >5J-85069020
C1254L	Ball Joint Left	6R0 407 365		Chassis № 5J-8B600704>, 5J-85069021>
C1254R	Ball Joint Right	6R0 407 366		Chassis № 5J-8B600704>, 5J-85069021>
C7001LR	Stabiliser Link Front	6Q0 411 315 G		Chassis № >5J-9B600824, >5J-95032968
C8059	Stabiliser Mounting	6Q0 411 314 N	ø 18	OAS
C8055	Silentblock	6Q0 407 182 A	ø 33	Chassis № >5J-8B600704, >5J-85069020
C8056	Silentblock	1K0 407 183 E	ø 64	Chassis № >5J-8B600704, >5J-85069020
C8015	Silentblock	357 407 182	ø 31.5	Chassis № 5J-8B600704>, 5J-85069021>
C8014	Silentblock	1J0 407 181	ø 60	Chassis № 5J-8B600704>, 5J-85069021>
C8707	Silentblock	1J0 501 541 C		



SUPERB (3U4)

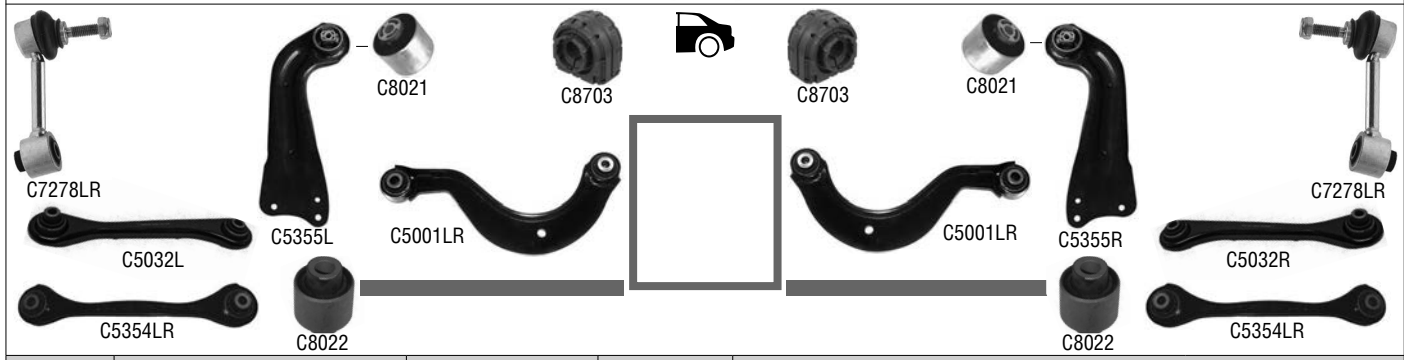
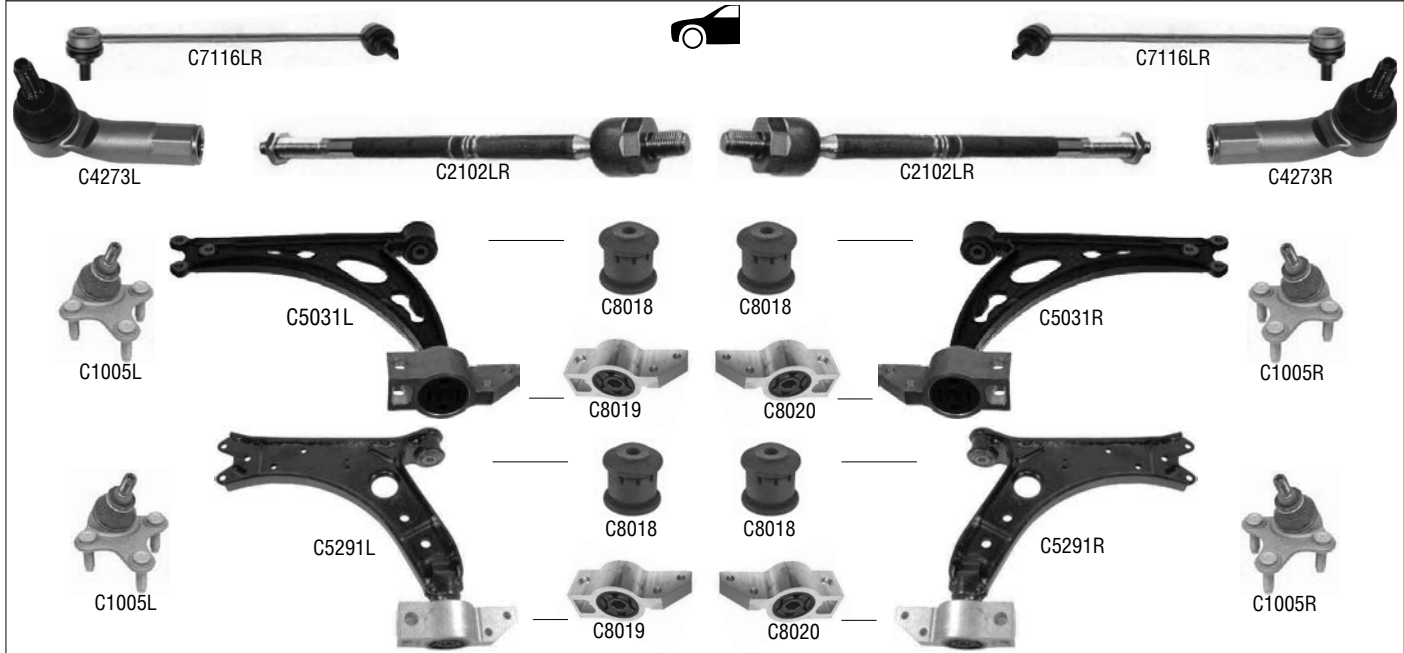
02/2002>



LYNX	Description	Original Number	Specification	
C2103LR	Tie Rod	8E0 422 821	MM16X1.5R	
C4134LR	Tie Rod End	8E0 419 811 B	MM14X1.5R	
C3010LR	Side Rod Assy	4B0 419 801 M		
C5033L	Susp. Arm Front Upper Left	8E0 407 505 A		
C5033R	Susp. Arm Front Upper Right	8E0 407 506 A		
C5347L	Susp. Arm Front Upper Left	8E0 407 509 A		
C5347R	Susp. Arm Front Upper Right	8E0 407 510 A		
C5034LR	Susp. Arm Front Lower	4D0 407 151 P		Chassis № >3U-3-021397
C5039LR	Susp. Arm Front Lower	4B3 407 151 K		Chassis № 3U-3-021398>
C5035L	Susp. Arm Front Lower Left	8E0 407 693 AG		
C5035R	Susp. Arm Front Lower Right	8E0 407 694 AG		
C5018LRK	Susp. Arm Kit			Chassis № 3U-3-021398>
C5020LRK	Susp. Arm Kit			Chassis № >3U-3-021397
C7044L	Stabiliser Link Front Left	8D0 411 317 D		
C7044R	Stabiliser Link Front Right	8D0 411 318 D		
C8023	Stabiliser Mounting	4D0 411 327 G	ø 24.8	1.8T - 2.0
C8024	Stabiliser Mounting	4D0 411 327 H	ø 27	2.0 TDI - 2.8
C8025	Silentblock	4D0 407 181 H	ø 40.2	
C8026	Silentblock	4D0 407 182 G	ø 50.4	
C8027	Silentblock	4B0 407 515	ø 46.5	
C8028	Silentblock	4D0 407 183 AC	ø 65	
C8711	Silentblock	4B0 501 521 D		
C8712	Silentblock	4B0 501 522 D		



SUPERB (3T4, 3T5) 07/2008>

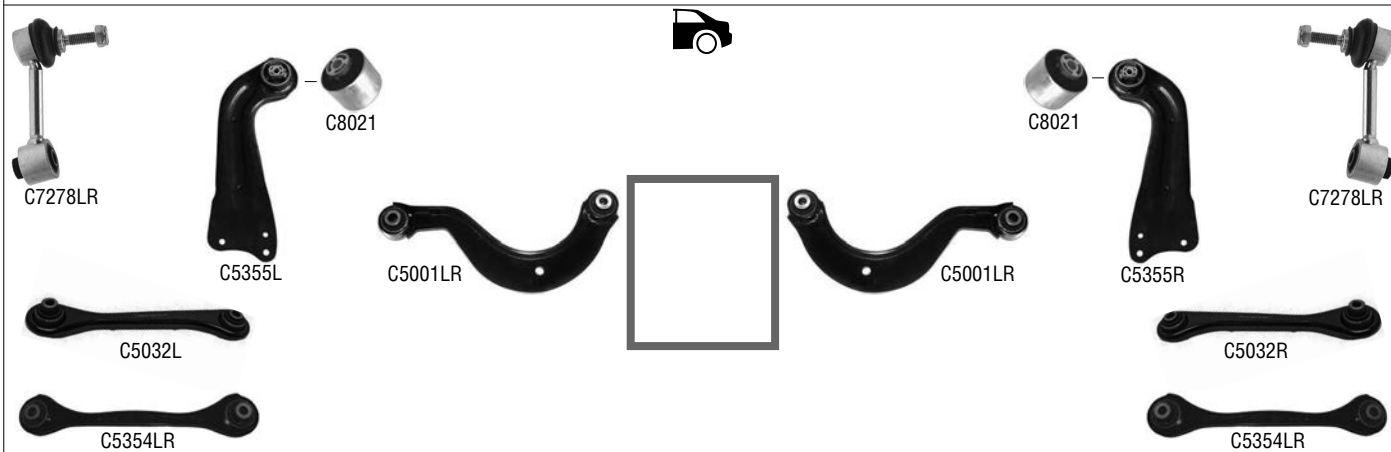


LYNX	Description	Original Number	Specification	
C2102LR	Tie Rod	1K0 423 810 A	MM16X1.5R	
C4273L	Tie Rod End Left	1K0 423 811 G/K	FM16x1.5R	
C4273R	Tie Rod End Right	1K0 423 812 G/K	FM16x1.5R	
C5031L	Susp. Arm Front Left	1K0 407 151 T		>30/04/09 / Cast Iron
C5031R	Susp. Arm Front Right	1K0 407 152 T		>30/04/09 / Cast Iron
C5291L	Susp. Arm Front Left	1K0 407 151 BC		05/09-08/10 / Sheet Metal
C5291R	Susp. Arm Front Right	1K0 407 152 BC		05/09-08/10 / Sheet Metal
C5001LR	Susp. Arm Rear Upper	1K0 505 323 N		
C5032L	Susp. Arm Rear Left	1K0 501 529 F		>24/05/09
C5032R	Susp. Arm Rear Right	1K0 501 530 C		>24/05/09
C5354LR	Susp. Arm Rear	1K0 501 529 J		25/05/09>
C5355L	Susp. Arm Rear Left	1K0 505 223 K		
C5355R	Susp. Arm Rear Right	1K0 505 224 K		
C1005L	Ball Joint Left	1K0 407 365 C		
C1005R	Ball Joint Right	1K0 407 366 C		
C7116LR	Stabiliser Link Front	1K0 411 315 K		
C7278LR	Stabiliser Link Rear	1K0 505 465 K		
C8703	Stabiliser Mounting	1K0 511 327 AP		
C8018	Silentblock	1K0 407 182	ø 40.2	
C8019	Silentblock	1K0 199 231 J		
C8020	Silentblock	1K0 199 232 J		
C8021	Silentblock	1K0 505 541 D		
C8022	Silentblock	1K0 505 553 A		Steering Knuckle



YETI

05/2009>

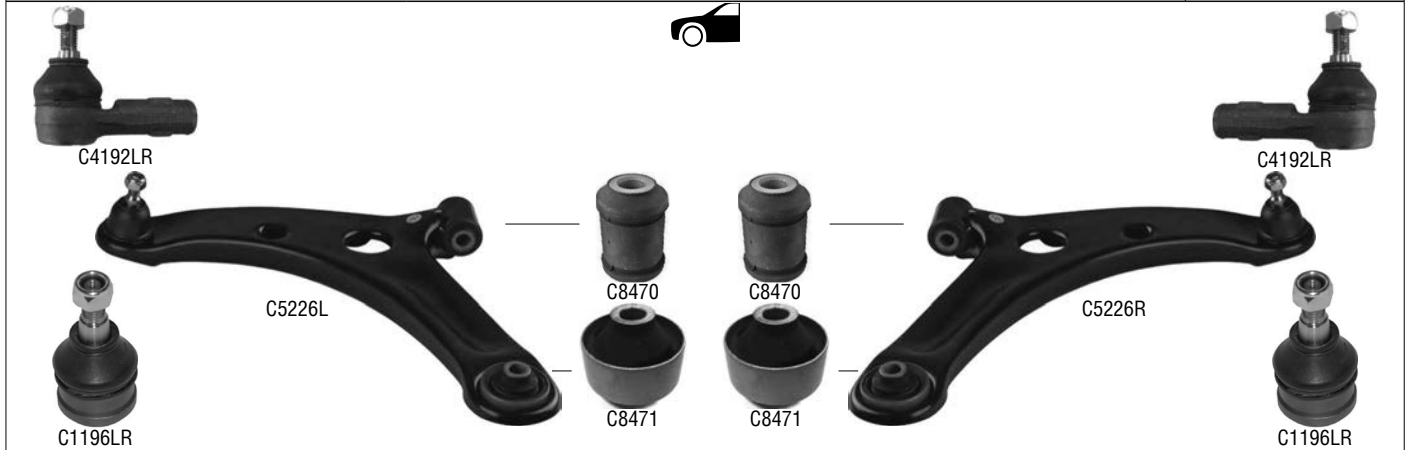


LYNX	Description	Original Number	Specification	
C2102LR	Tie Rod	1K0 423 810 A	MM16X1.5R	
C4273L	Tie Rod End Left	1K0 423 811 G/K	FM16x1.5R	
C4273R	Tie Rod End Right	1K0 423 812 G/K	FM16x1.5R	
C5291L	Susp. Arm Front Left	1K0 407 151 BC		>08/10 / Sheet Metal
C5291R	Susp. Arm Front Right	1K0 407 152 BC		>08/10 / Sheet Metal
C5001LR	Susp. Arm Rear Upper	1K0 505 323 N		
C5032L	Susp. Arm Rear Left	1K0 501 529 F		>24/05/09
C5032R	Susp. Arm Rear Right	1K0 501 530 C		>24/05/09
C5354LR	Susp. Arm Rear	1K0 501 529 J		25/05/09>
C5355L	Susp. Arm Rear Left	1K0 505 223 K		
C5355R	Susp. Arm Rear Right	1K0 505 224 K		
C1005L	Ball Joint Left	1K0 407 365 C		
C1005R	Ball Joint Right	1K0 407 366 C		
C7116LR	Stabiliser Link Front	1K0 411 315 K		
C7278LR	Stabiliser Link Rear	1K0 505 465 K		
C8018	Silentblock	1K0 407 182	ø 40.2	
C8019	Silentblock	1K0 199 231 J		
C8020	Silentblock	1K0 199 232 J		
C8021	Silentblock	1K0 505 541 D		

• SMART - SSANGYONG

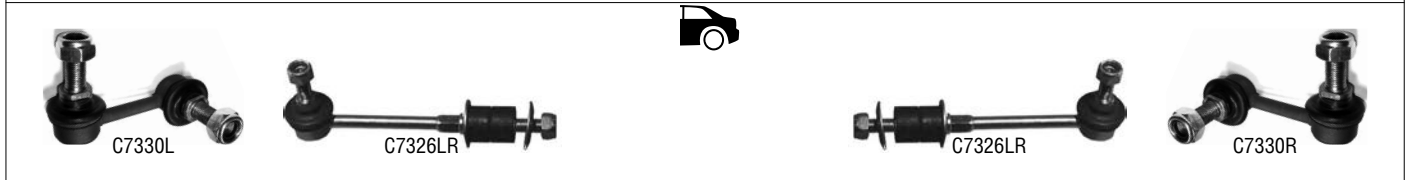
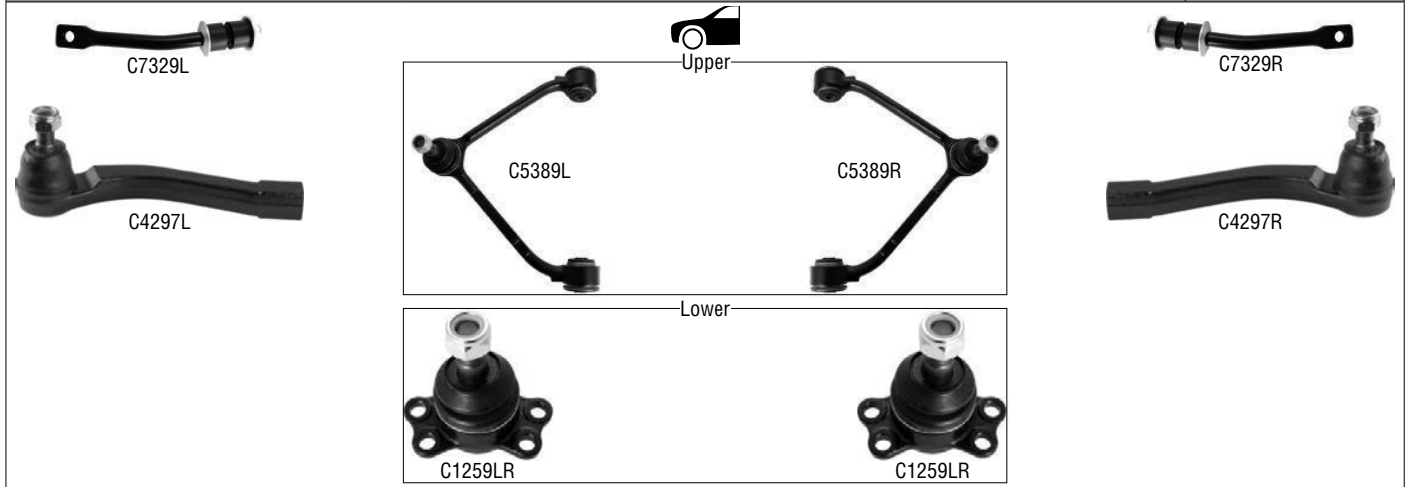


SMART
FORFOUR (454) 04/2004>



LYNX	Description	Original Number	Specification
C4192LR	Tie Rod End	4544600205	
C5226L	Susp. Arm Left	4543300707	
C5226R	Susp. Arm Right	4543300807	
C1196LR	Ball Joint	Comp. of C5226L/R	
C8470	Silentblock	Comp. of C5226L/R	
C8471	Silentblock	Comp. of C5226L/R	

SSANGYONG
ACTYON / KYRON 08/2005>

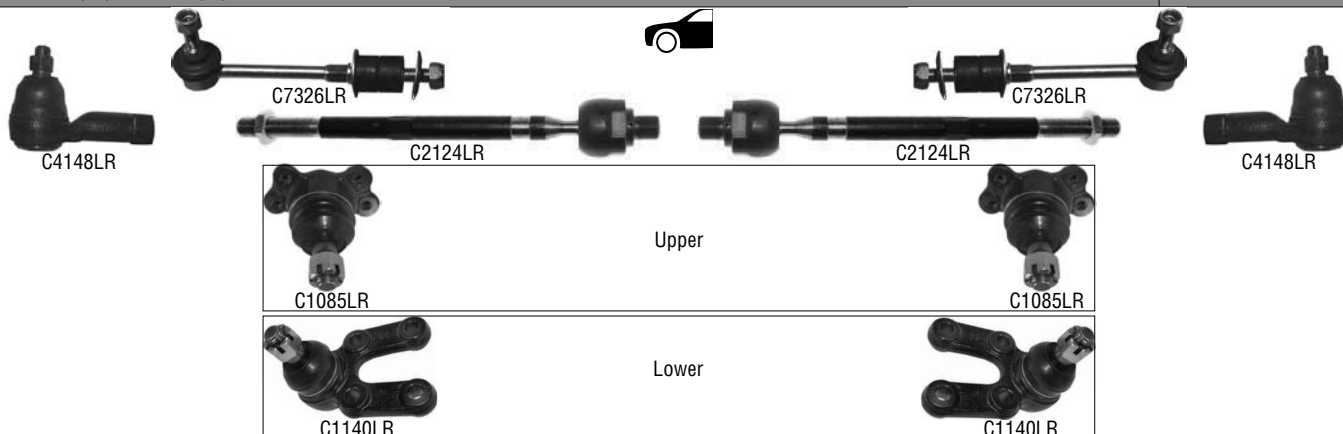


LYNX	Description	Original Number	Specification
C4297L	Tie Rod End Left	46660-08001	FM14X1.5R
C4297R	Tie Rod End Right	46660-08011	FM14X1.5R
C5389L	Susp. Arm Upper Left	44401-09010	
C5389R	Susp. Arm Upper Right	44402-09010	
C1259LR	Ball Joint Lower	44541-09004	
C7329L	Stabiliser Link Front Left	44751-09000	
C7329R	Stabiliser Link Front Right	44752-09000	
C7330L	Stabiliser Link Rear Left	45750-09001	2WD
C7330R	Stabiliser Link Rear Right	45751-09001	2WD
C7326LR	Stabiliser Link Rear	44750-05001	4WD



KORANDO (KJ) / MUSSO (FJ)

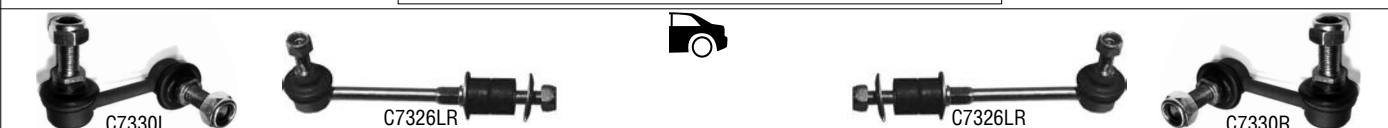
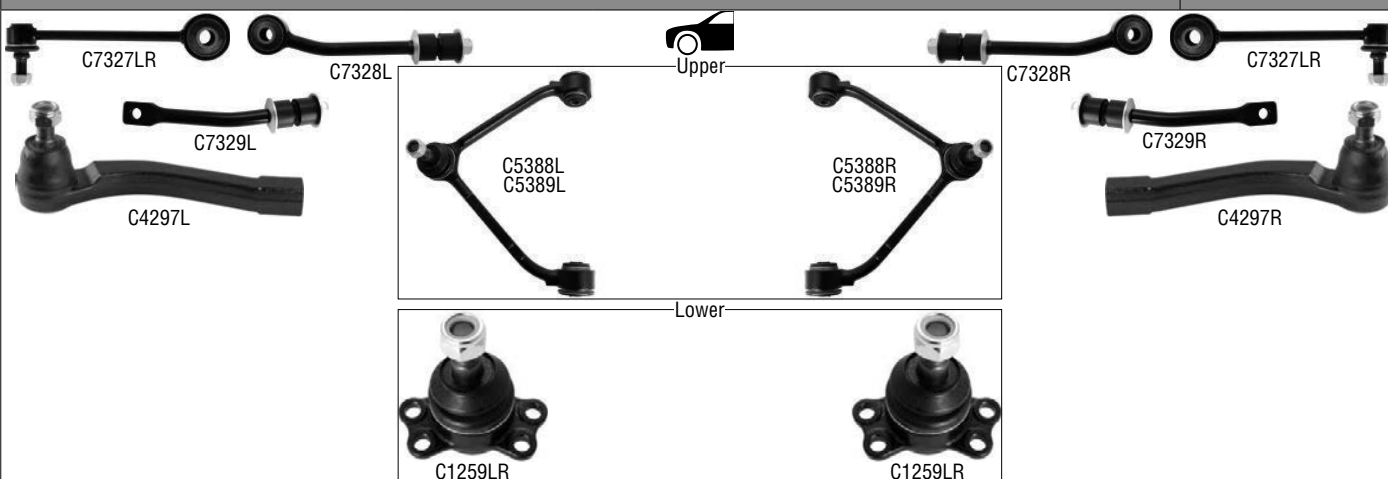
01/1999>



LYNX	Description	Original Number	Specification
C2124LR	Tie Rod	46660-05501	
C4148LR	Tie Rod End	46660-05501	FM14X1.5R
C1085LR	Ball Joint Upper	44430-03011	
C1140LR	Ball Joint Lower	44505-05001	
C7326LR	Stabiliser Link Front	44750-05001	

REXTON

04/2002>

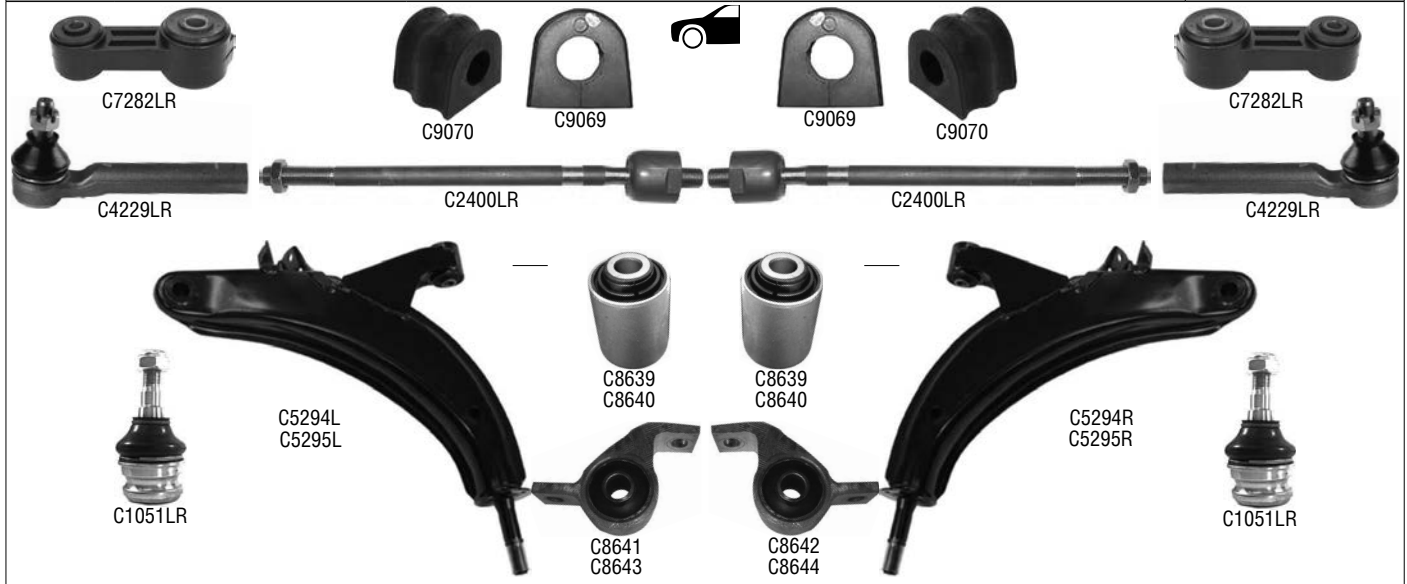


LYNX	Description	Original Number	Specification
C4297L	Tie Rod End Left	46660-08001	FM14X1.5R
C4297R	Tie Rod End Right	46660-08011	FM14X1.5R
C5388L	Susp. Arm Upper Left	44401-08100	>02/06
C5388R	Susp. Arm Upper Right	44402-08100	>02/06
C5389L	Susp. Arm Upper Left	44401-09010	02/06>
C5389R	Susp. Arm Upper Right	44402-09010	02/06>
C1259LR	Ball Joint Lower	44541-09004	02/06>
C7327LR	Stabiliser Link Front	44750-08000	>12/03
C7328L	Stabiliser Link Front Left	44750-08001	12/03-02/06
C7328R	Stabiliser Link Front Right	44755-08000	12/03-02/06
C7329L	Stabiliser Link Front Left	44751-09000	02/06>
C7329R	Stabiliser Link Front Right	44752-09000	02/06>
C7330L	Stabiliser Link Rear Left	45750-09001	2WD
C7330R	Stabiliser Link Rear Right	45751-09001	2WD
C7326LR	Stabiliser Link Rear	44750-05001	4WD



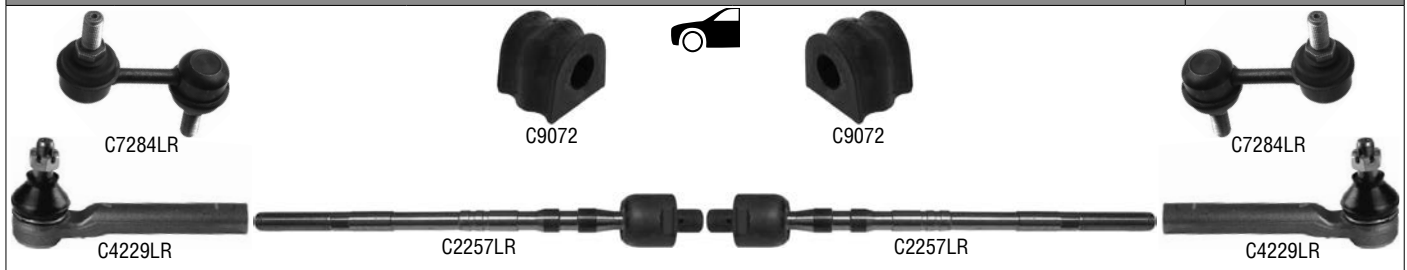
SUBARU

FORESTER (S10) 01/1997 - 05/2002

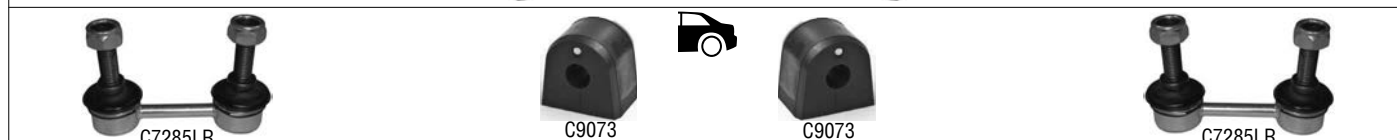


LYNX	Description	Original Number	Specification	
C2400LR	Tie Rod	34140-AA030	MM14X1.5R	
C4229LR	Tie Rod End	34141-AA041		
C5294L	Susp. Arm Left	20200-AA210		>11/99
C5294R	Susp. Arm Right	20200-AA200		>11/99
C5295L	Susp. Arm Left	20200-FC130		08/99>
C5295R	Susp. Arm Right	20200-FC120		08/99>
C1051LR	Ball Joint Lower	21067-GA050		
C7282LR	Stabilizer Link Front	20420-AA003		
C7283LR	Stabilizer Link Rear	20481-AA001		
C9069	Stabiliser Mounting	20401-FA021	ø 19	
C9070	Stabiliser Mounting	20401-AC011	ø 20	
C9071	Stabiliser Mounting	20401-FA000		
C8639	Silentblock	20201-AA000		>11/99
C8640	Silentblock	20201-FC020		08/99>
C8641	Silentblock	20201-AC110		>11/99
C8642	Silentblock	20201-AC100		>11/99
C8643	Silentblock	20201-FC110		08/99>
C8644	Silentblock	20201-FC100		08/99>

FORESTER (S11) 02/2002 - 11/2007

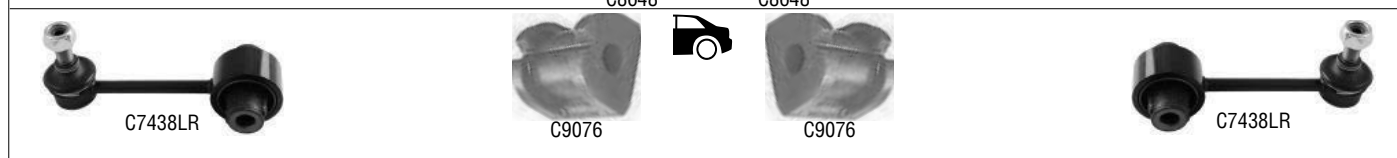


LYNX	Description	Original Number	Specification	
C2257LR	Tie Rod	34160-AE000	MM16X1.5R	
C4229LR	Tie Rod End	34141-AA041		



LYNX	Description	Original Number	Specification
C5296L	Susp. Arm Left	20202-SA010	>05/05
C5296R	Susp. Arm Right	20202-SA000	>05/05
C1051LR	Ball Joint Lower	21067-GA050	
C7284LR	Stabilizer Link Front	20470-SA000	
C7285LR	Stabilizer Link Rear	20470-SA010	
C9072	Stabiliser Mounting	20401-AC031	
C9073	Stabiliser Mounting	20401-AA020	
C8645	Silentblock	20201-FC130	
C8646	Silentblock	20201-FC120	
C9074	Silentblock		

FORESTER (S12) 01/2008>

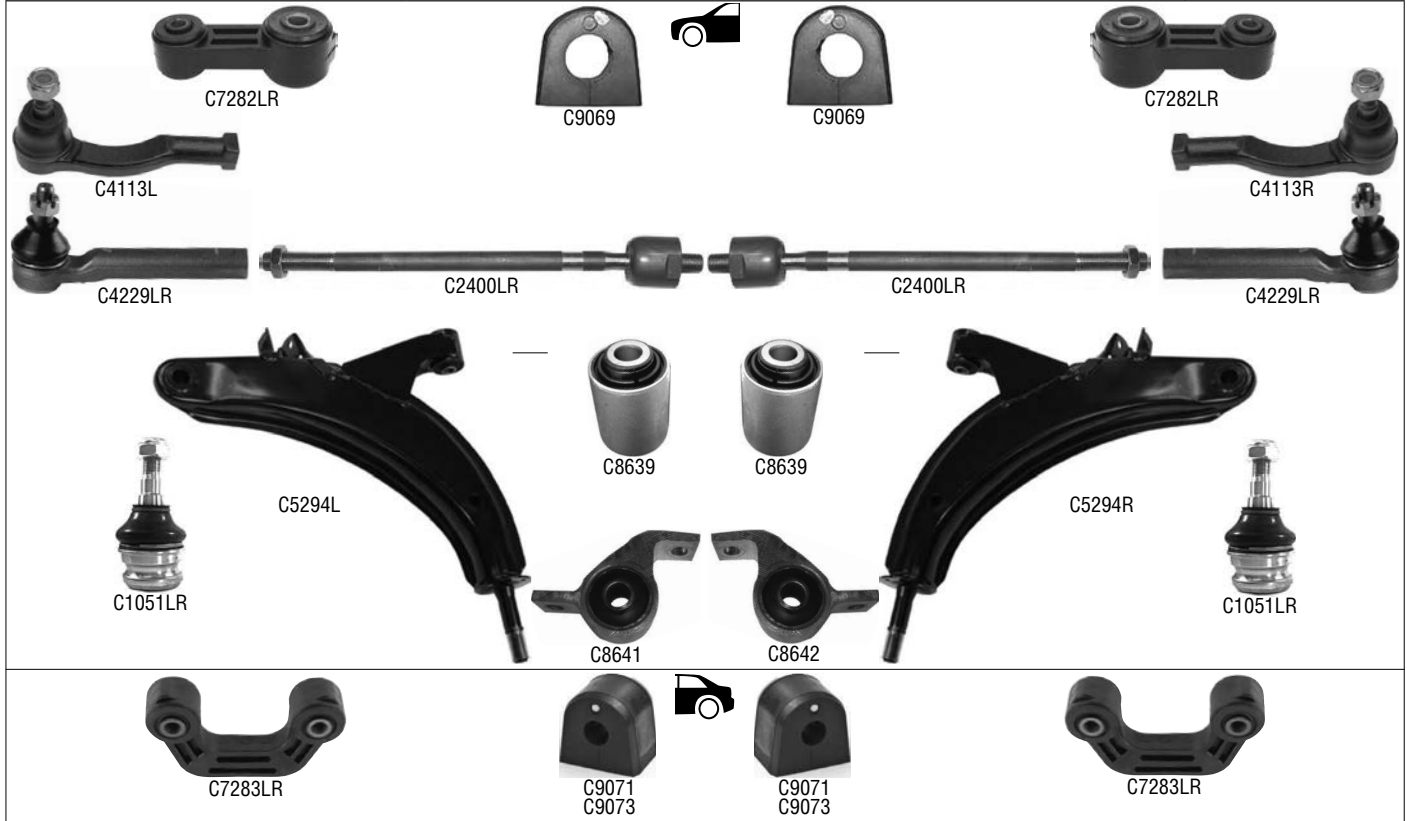


LYNX	Description	Original Number	Specification
C2164LR	Tie Rod	34160-XA010	MM16X1.5R
C4229LR	Tie Rod End	34141-AA041	
C1051LR	Ball Joint Lower	21067-GA050	
C7284LR	Stabilizer Link Front	20470-SA000	
C7438LR	Stabilizer Link Rear	20470-AJ010	
C9075	Stabiliser Mounting	20414-AG070	
C9076	Stabiliser Mounting	20464-SC010	
C8647	Silentblock	20204-AG040	
C8648	Silentblock	20204-AG011	

• SUBARU

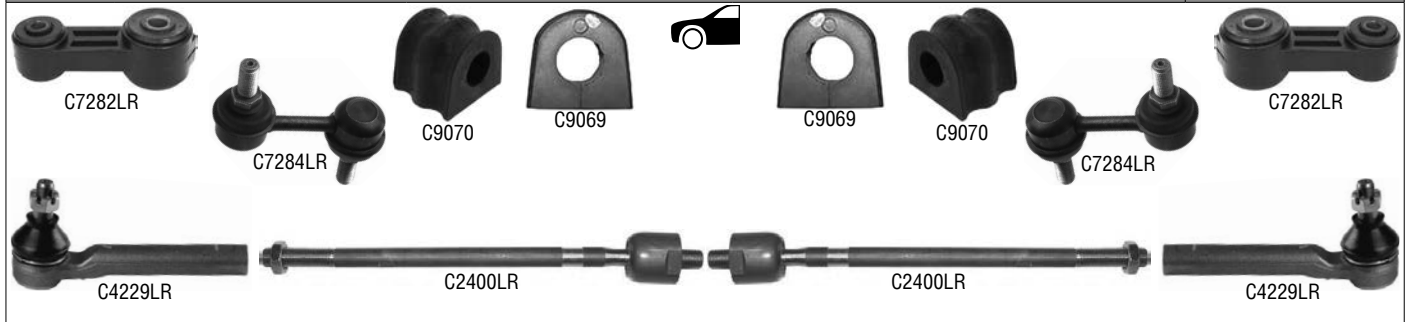


IMPREZA (GC-GF) 08/1992 - 12/2000



LYNX	Description	Original Number	Specification	
C4113L	Tie Rod End Left	31320-GA200		>12/93
C4113R	Tie Rod End Right	31320-GA190		>12/93
C2400LR	Tie Rod	34140-AA040	MM14X1.5R	12/93>
C4229LR	Tie Rod End	34141-AA041		12/93>
C5294L	Susp. Arm Left	20200-AA210		93-98
C5294R	Susp. Arm Right	20200-AA200		93-98
C1051LR	Ball Joint Lower	21067-GA050		
C7282LR	Stabilizer Link Front	20420-AA003		
C7283LR	Stabilizer Link Rear	20481-AA001		
C9069	Stabiliser Mounting	20401-FA021	ø 19	
C9071	Stabiliser Mounting	20401-FA000		
C9073	Stabiliser Mounting	20401-AA020		GT
C8639	Silentblock	20201-AA000		
C8641	Silentblock	20201-AC110		
C8642	Silentblock	20201-AC100		

IMPREZA (GD-GG) 12/2000>

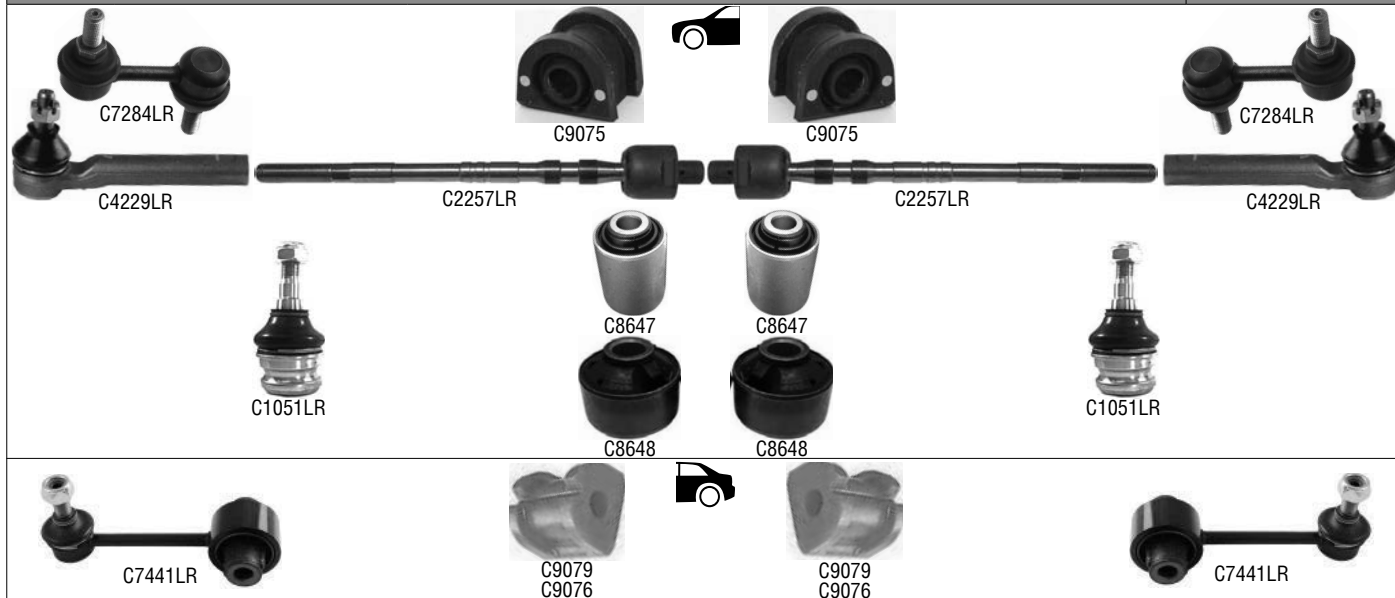


LYNX	Description	Original Number	Specification	
C2400LR	Tie Rod	34140-AA040	MM14X1.5R	
C4229LR	Tie Rod End	34141-AA041		



LYNX	Description	Original Number	Specification
C1051LR	Ball Joint Lower	21067-GA050	
C7282LR	Stabilizer Link Front	20420-AA004	
C7284LR	Stabilizer Link Front	20470-SA000	
C7283LR	Stabilizer Link Rear	20481-AA001	
C7285LR	Stabilizer Link Rear	20470-SA010	
C9069	Stabiliser Mounting	20401-FA021	ø 19
C9070	Stabiliser Mounting	20401-AC011	ø 20
C9071	Stabiliser Mounting	20401-FA000	ø 12
C9073	Stabiliser Mounting	20401-AA020	
C9074	Silentblock		
C9077	Silentblock	20201-FA060	
C9078	Silentblock	20201-FA050	

IMPREZA (GE-GV) 01/2008>

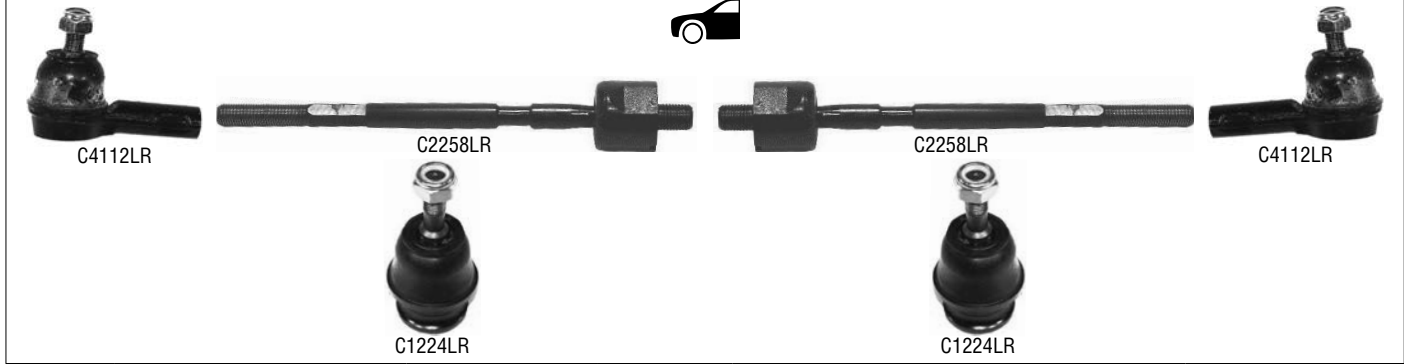


LYNX	Description	Original Number	Specification
C2257LR	Tie Rod	34160-AE000	MM16X1.5R
C4229LR	Tie Rod End	34141-AA041	
C1051LR	Ball Joint Lower	21067-GA050	
C7284LR	Stabilizer Link Front	20470-SA000	
C7441LR	Stabilizer Link Rear	20470-FG000	
C9075	Stabiliser Mounting	20414-AG070	
C9079	Stabiliser Mounting	20464-FG000	
C9076	Stabiliser Mounting	20464-SC010	WRX
C8647	Silentblock	20204-AG040	
C8648	Silentblock	20204-AG011	

• SUBARU

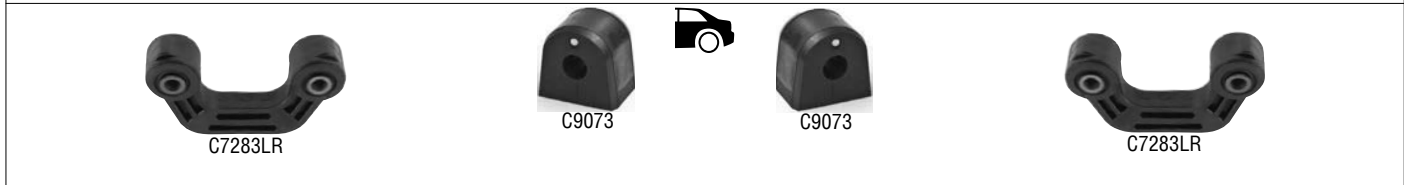
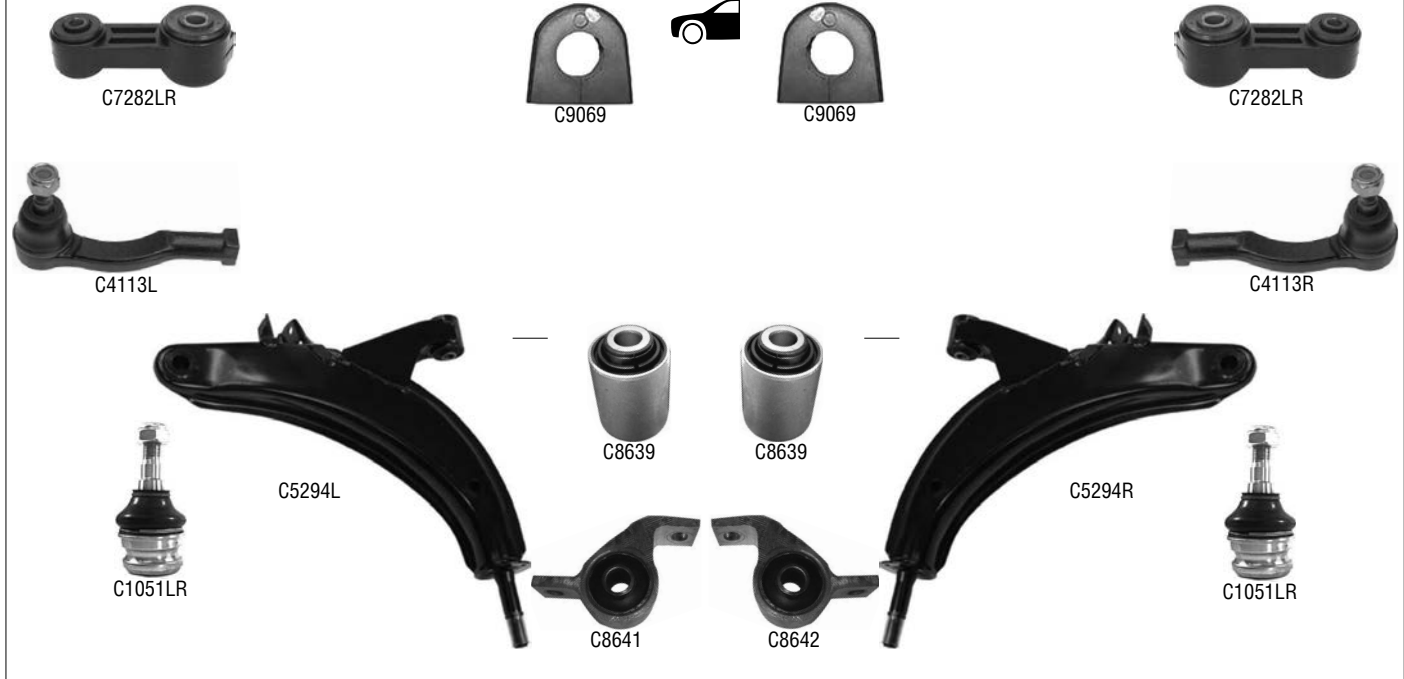


JUSTY (KAD-JMA) 11/1984 - 09/2003



LYNX	Description	Original Number	Specification
C2258LR	Tie Rod	7313-10140	MM14X1.5R
C4112LR	Tie Rod End	7313-20020	FM12X1.5R
C1224LR	Ball Joint	7210-67021	

LEGACY I (BC) 01/1989 - 08/1994



LYNX	Description	Original Number	Specification
C4113L	Tie Rod End Left	31320-GA200	
C4113R	Tie Rod End Right	31320-GA190	
C5294L	Susp. Arm Left	20200-AA210	
C5294R	Susp. Arm Right	20200-AA200	
C1051LR	Ball Joint Lower	21067-GA050	
C7282LR	Stabilizer Link Front	20420-AA003	
C7283LR	Stabilizer Link Rear	20481-AA001	
C9069	Stabiliser Mounting	20401-FA020	
C9073	Stabiliser Mounting	20401-AA020	
C8639	Silentblock	20201-AA000	
C8641	Silentblock	20201-AC110	
C8642	Silentblock	20201-AC100	



LEGACY II (BD-BG)

01/1994 - 03/1999

LEGACY III (BE-BH)

04/1999 - 08/2003



C7282LR



C9070
C9072



C9069



C9069



C9070
C9072



C7282LR



C4229LR



C2400LR

C2400LR



C4229LR



C5294L



C8639



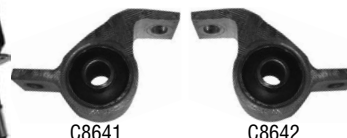
C8639



C5294R



C1051LR



C8641

C8642



C1051LR



C7283LR



C9081



C9080



C9080



C9081



C7440LR



C7440LR



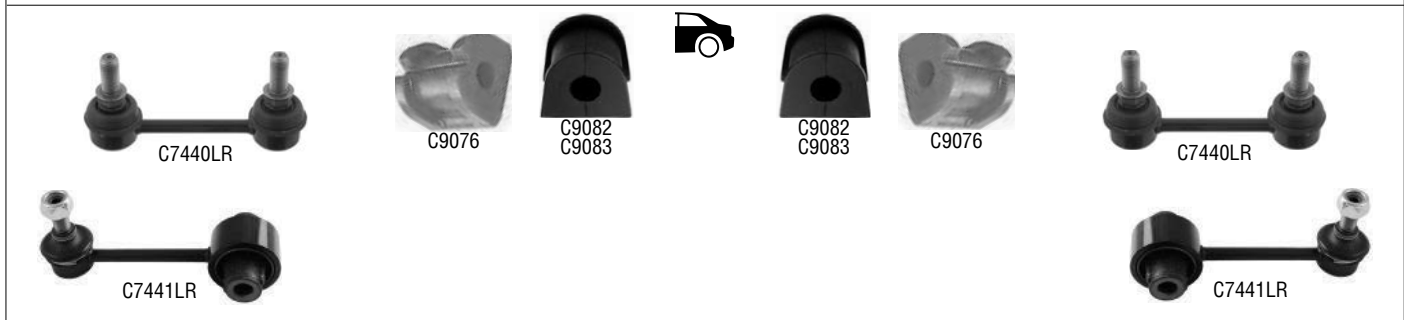
C7283LR

LYNX	Description	Original Number	Specification	
C2400LR	Tie Rod	34140-AA040	MM14X1.5R	
C4229LR	Tie Rod End	34141-AA041		
C5294L	Susp. Arm Left	20200-AA210		
C5294R	Susp. Arm Right	20200-AA200		
C1051LR	Ball Joint Lower	21067-GA050		
C7282LR	Stabilizer Link Front	20420-AA003		
C7283LR	Stabilizer Link Rear	20481-AA001		II
C7440LR	Stabilizer Link Rear	20470-AE000		III
C9069	Stabiliser Mounting	20401-FA020	ø 19	
C9070	Stabiliser Mounting	20401-AC010	ø 20	II
C9072	Stabiliser Mounting	20401-AC031	ø 21	III
C9080	Stabiliser Mounting	20401-FA010		II
C9081	Stabiliser Mounting	20464-AE060		III
C8639	Silentblock	20201-AA000		
C8641	Silentblock	20201-AC110		
C8642	Silentblock	20201-AC100		

• SUBARU



LEGACY IV (B13) 09/2003>
 LEGACY V (B14) 02/2009>



LYNX	Description	Original Number	Specification	
C2257LR	Tie Rod	34160-AE000	MM16X1.5R	
C4229LR	Tie Rod End	34141-AA041		
C1051LR	Ball Joint Lower	21067-GA050		
C7284LR	Stabilizer Link Front	20470-SA000		IV
C7439LR	Stabilizer Link Front	20420-AJ000		V
C7440LR	Stabilizer Link Rear	20470-AE000		IV
C7441LR	Stabilizer Link Rear	20470-AJ000		V
C9075	Stabiliser Mounting	20414-AG070		IV
C9082	Stabiliser Mounting	20464-AE020	ø 16	IV
C9083	Stabiliser Mounting	20464-AE040	ø 18	IV
C9076	Stabiliser Mounting	20464-SC010		V
C8647	Silentblock	20204-AG040		
C8648	Silentblock	20204-AG011		IV
C9084	Silentblock	20204-AJ010		V



SUZUKI

ALTO II (EC)
ALTO III (EF, SH410)

01/1986 - 11/1993
04/1994 - 06/2002



LYNX	Description	Original Number	Specification	
C2390LR	Tie Rod	48830-84000		
C2391LR	Tie Rod	48830-M70F00	FM14X1.5R	SH410
C4114LR	Tie Rod End	48810-84000	MM12X1.25	
C5002LR	Susp. Arm Front	45200-78002		
C8649	Stabiliser Mounting	42431-70B42	ø 21.5	
C8130	Silentblock	45261-77A10	ø 27.5	

ALTO IV (RF410)

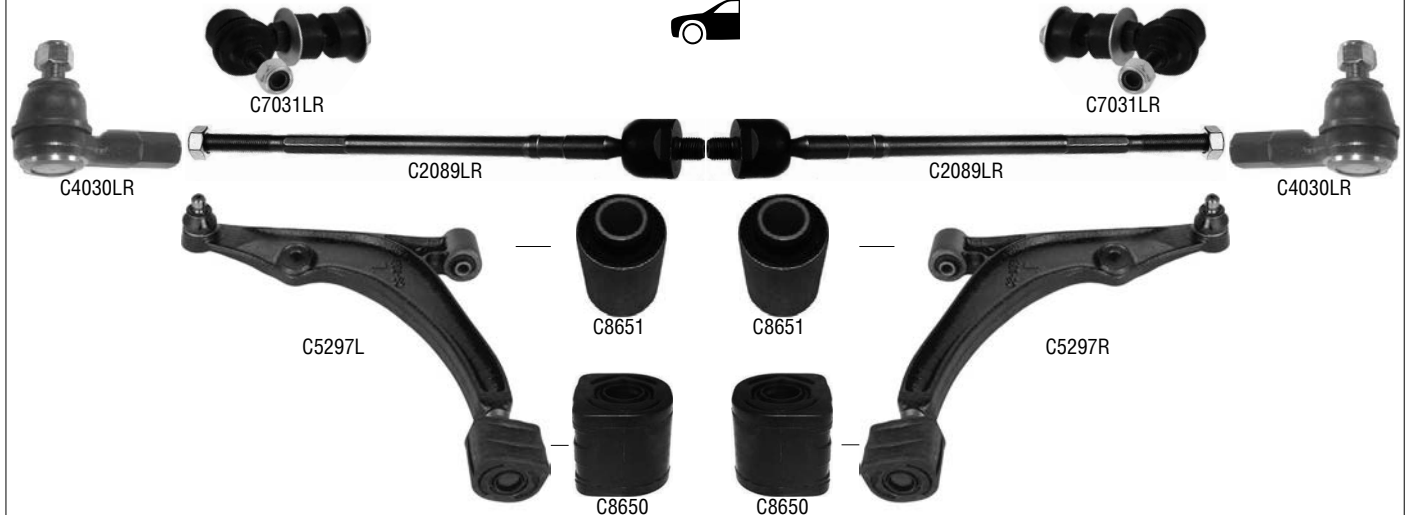
03/2002 - 02/2007



LYNX	Description	Original Number	Specification	
C2391LR	Tie Rod	48830-M70F00	FM14X1.5R	
C4114LR	Tie Rod End	48810-84000	MM12X1.25	
C5365LR	Susp. Arm Front	45200-M79F00		
C8130	Silentblock	45261-77A10	ø 27.5	
C8528	Silentblock	42451-M76G00		

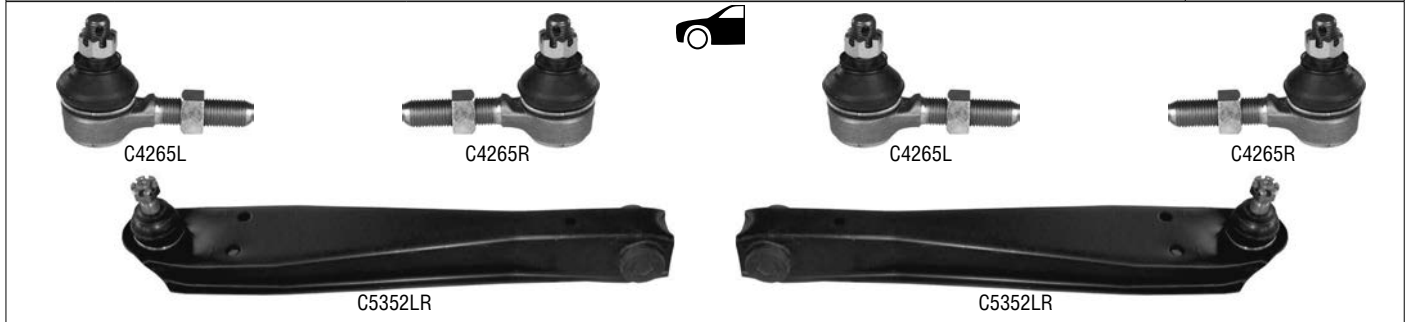


BALENO (SY) 07/1995 - 11/2002



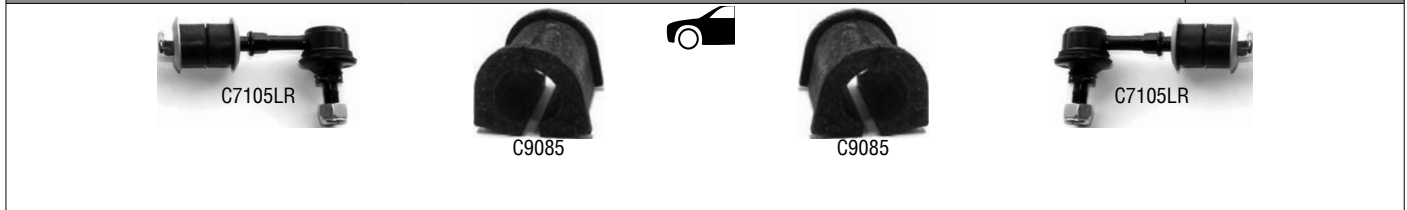
LYNX	Description	Original Number	Specification
C2089LR	Tie Rod	48830-60G00	MM14X1.5R
C4030LR	Tie Rod End	48810-76G00	FM12X1.25
C5297L	Susp. Arm Left	45202-63G01	
C5297R	Susp. Arm Right	45201-63G01	
C7031LR	Stabiliser Link Front	46630-60B01	
C7286L	Stabiliser Link Rear Left	46640-80F00	
C7286R	Stabiliser Link Rear Right	46630-80F00	
C8650	Silentblock	46420-60B02	
C8651	Silentblock	45500-50800	

CARRY 10/1985 - 03/1999

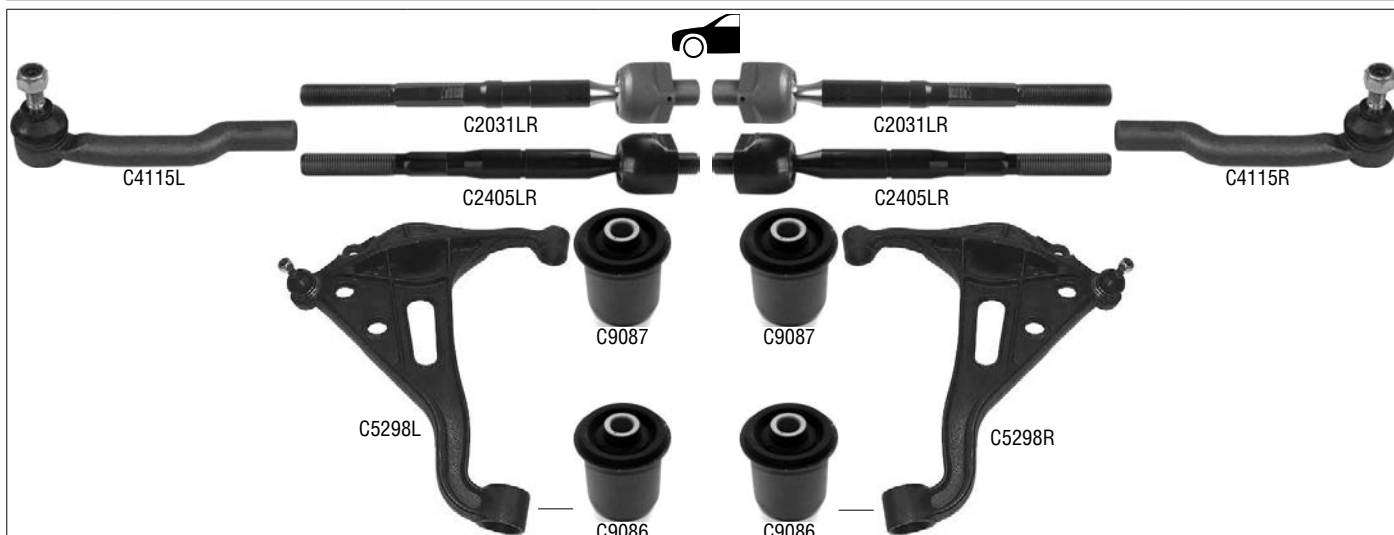


LYNX	Description	Original Number	Specification
C4265L	Tie Rod End	48820-79000	
C4265R	Tie Rod End	48810-79000	
C5352LR	Susp. Arm	45200-79001	91>

GRAND VITARA (FT, GT) / XL-7 03/1998 - 04/2005



LYNX	Description	Original Number	Specification
C7105LR	Stabiliser Link	42420-65D00	
C9085	Stabiliser Mounting	42412-65D00	



LYNX	Description	Original Number	Specification	
C2031LR	Tie Rod	48830-65D00	MM16X1R	
C2405LR	Tie Rod	48830-67D00		CAMI
C4115L	Tie Rod End Left	48820-65D00		
C4115R	Tie Rod End Right	48810-65D00		
C5298L	Susp. Arm Left	45202-65D01		
C5298R	Susp. Arm Right	45201-65D01		
C9086	Silentblock	45261-65D01		
C9087	Silentblock	45262-65D01		

GRAND VITARA (JB416-419-420) / XL-7

10/2005>



LYNX	Description	Original Number	Specification	
C2259LR	Tie Rod	48830-65J00	MM18X1.5R	
C4321LR	Tie Rod End	48810-65J00		
C5299L	Susp. Arm Left	45202-65J00		
C5299R	Susp. Arm Right	45201-65J00		
C7287LR	Stabiliser Link	42420-65J00		
C9088	Stabiliser Mounting	42412-65J00		
C8652	Silentblock	45261-65J00		
C8653	Silentblock	Comp. of C5299L/R		



IGNIS (FH-RG413-RG415) 10/2000 - 09/2003



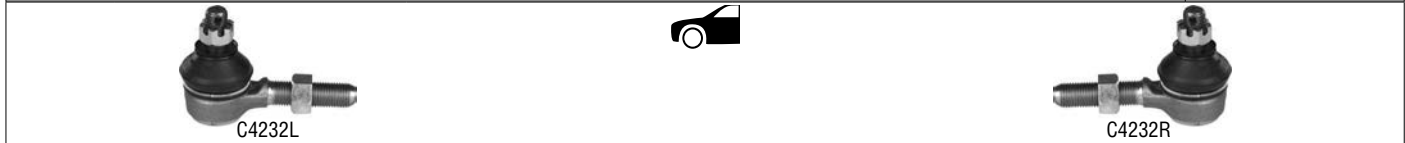
LYNX	Description	Original Number	Specification
C2085LR	Tie Rod	48830-75F00	FM14X1.5R
C4030LR	Tie Rod End	48810-76G00	FM12X1.25
C5390LR	Susp. Arm Front	45200-76G20	
C8649	Stabiliser Mounting	42431-70B42	ø 21.5
C8130	Silentblock	45261-77A10	ø 27.5
C8528	Silentblock	42451-M76G00	

IGNIS (RM413-415) 09/2003>



LYNX	Description	Original Number	Specification
C2260LR	Tie Rod	48830-86G00	MM14X1.5R
C4231LR	Tie Rod End	48810-83E02	FM12X1.25
C5304LR	Susp. Arm Front	45200-85E00	
C8130	Silentblock	45261-77A10	ø 27.5
C8528	Silentblock	42451-M76G00	

JIMNY (FJ) 09/1998>



LYNX	Description	Original Number	Specification
C4232L	Tie Rod End	48820-81A00	MM16X1.5L
C4232R	Tie Rod End	48810-81A00	MM16X1.5R

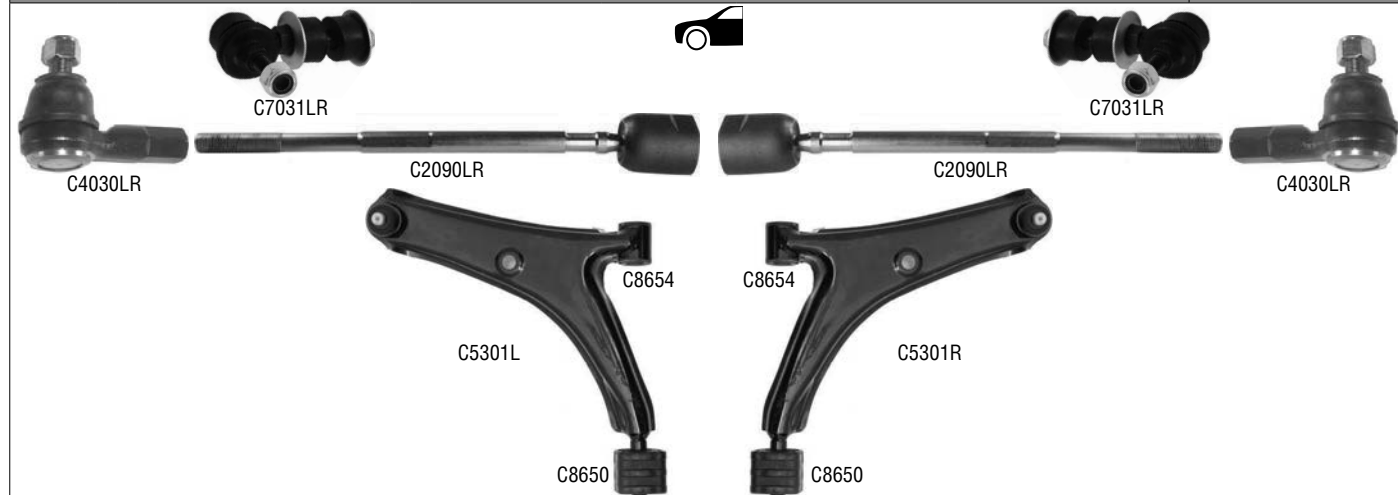
SWIFT I (AA) 10/1983 - 02/1989



LYNX	Description	Original Number	Specification
C2261LR	Tie Rod	48830-82000	FM14X1.5R
C4030LR	Tie Rod End	48810-60B00	FM12X1.25
C5300LR	Susp. Arm	45200-82000	

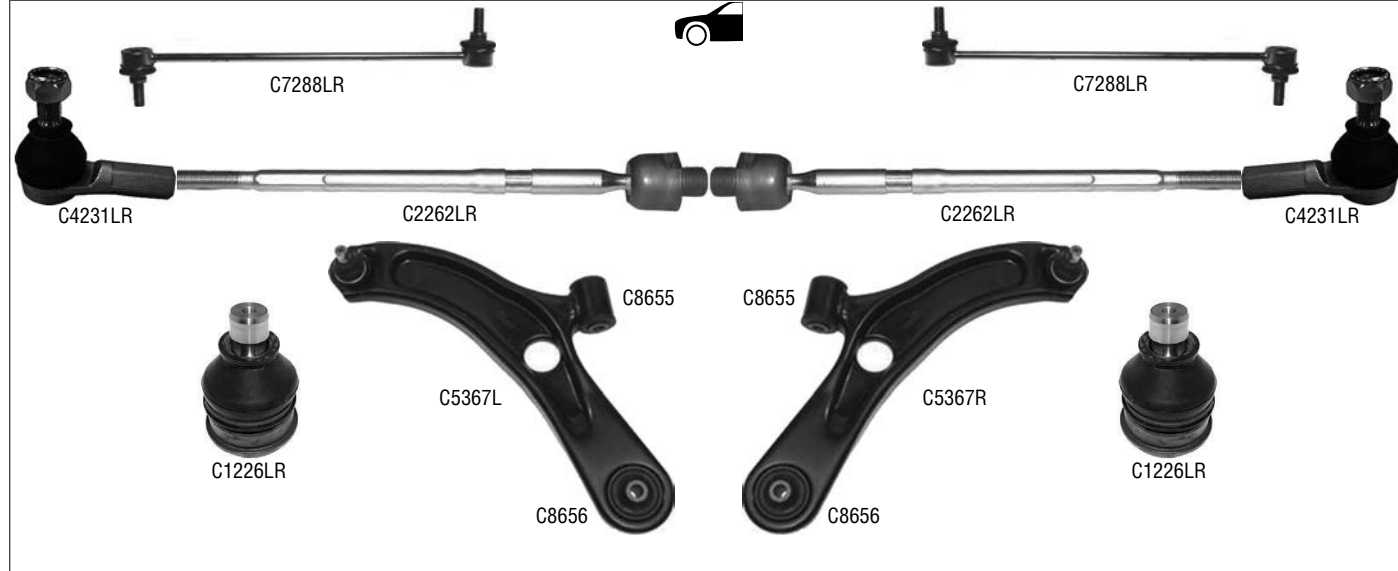


SWIFT II (AH, AJ) 03/1989 - 05/2001



LYNX	Description	Original Number	Specification
C2090LR	Tie Rod	48830-60B00	FM14X1.5R
C4030LR	Tie Rod End	48810-60B00	FM12X1.25
C5301L	Susp. Arm Front Left	45200-60820	
C5301R	Susp. Arm Front Right	45200-60810	
C5302LR	Susp. Arm Rear	46300-60B10	
C7031LR	Stabiliser Link	46630-60B01	
C8650	Silentblock	46420-60B02	
C8654	Silentblock	45530-70C00	ø 34

SWIFT III (RS413-415) 02/2005>



LYNX	Description	Original Number	Specification
C2262LR	Tie Rod	48830-63J00	MM18X1.5R
C4231LR	Tie Rod End	48810-63J00	FM12X1.25
C5367L	Susp. Arm Left	45202-62J00	
C5367R	Susp. Arm Right	45201-62J00	
C1226LR	Ball Joint	45700-63J00	
C7288LR	Stabiliser Link	42420-62J00	
C8655	Silentblock	45530-62J00	
C8656	Silentblock	Comp. of C5367L/R	

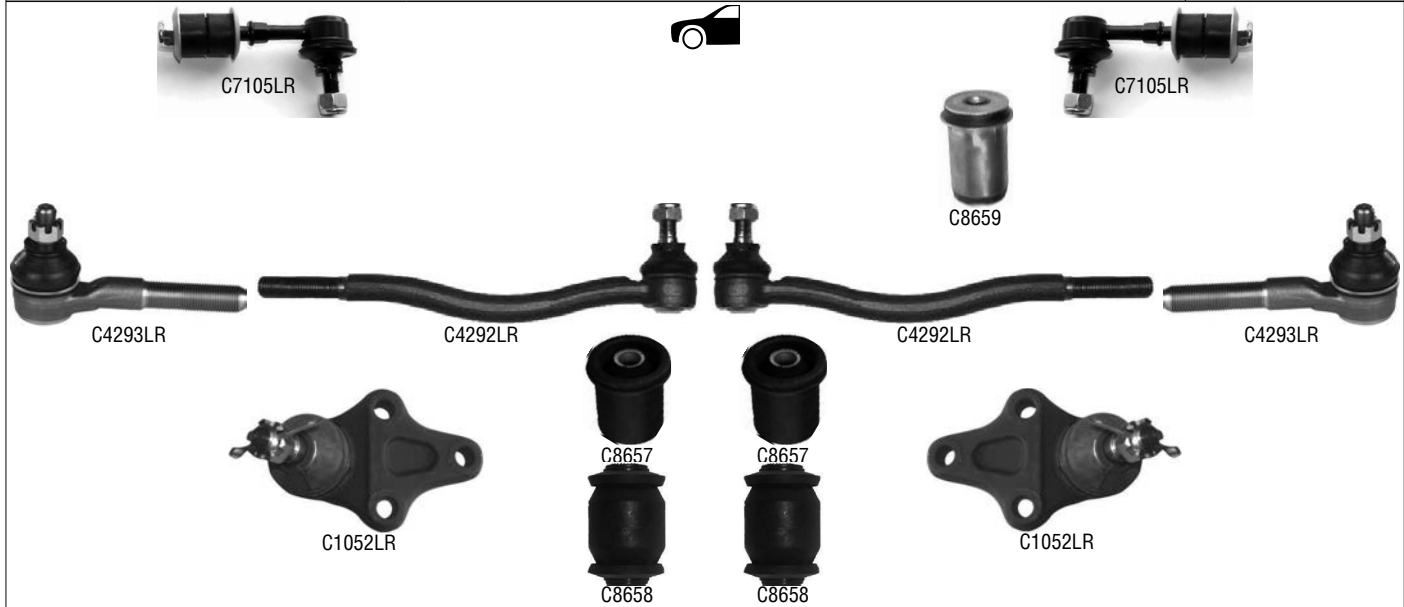


SX4 (RW415-416-419) 06/2006>



LYNX	Description	Original Number	Specification
C2263L	Tie Rod Left	48830-79J10	MM16X1R
C2263R	Tie Rod Right	48830-79J00	MM16X1R
C4321LR	Tie Rod End	48810-79J00	
C5303L	Susp. Arm Left	45202-79J00	
C5303R	Susp. Arm Right	45201-79J00	
C7289LR	Stabiliser Link Front	42420-80J00	
C8222	Stabiliser Mounting	42431-79J00	
C8223	Silentblock	45261-79J00	
C8224	Silentblock	Comp. of C5303L/R	

VITARA / ESCUDO (ET, TA) 05/1988 - 03/1998



LYNX	Description	Original Number	Specification
C4293LR	Tie Rod End Outer	48810-77E00	MM16x1.5R
C4292LR	Tie Rod End inner	48820-77E00	MM16x1.5L
C1052LR	Ball Joint Lower	45700-60A00	
C7105LR	Stabiliser Link	42420-60A00	
C8657	Silentblock	09319-12044	
C8658	Silentblock	09319-14007	
C8659	Silentblock	48750-60A00	Pitman Arm



WAGON R (CT21S, CV21S)

09/1993 - 02/1998



C4114LR



C4114LR

LYNX	Description	Original Number	Specification
C4114LR	Tie Rod End	48810-84000	MM12X1.25

WAGON R+ (EM)

02/1998 - 05/2000



C4233LR



C2085LR

C2085LR



C4233LR



C5390LR



C8130



C8130



C5390LR

LYNX	Description	Original Number	Specification
C2085LR	Tie Rod	48830-75F00	FM14X1.5R
C4233LR	Tie Rod End	48810-83E00	FM12X1.25
C5390LR	Susp. Arm Front	45200-75F00	
C8130	Silentblock	45261-77A10	ø 27.5

WAGON R+ (MM)

05/2000>



C4233LR



C2260LR



C2260LR



C4233LR



C5390LR



C8130



C8130



C5390LR



C5304LR



C8130



C8130



C5304LR

LYNX	Description	Original Number	Specification
C2260LR	Tie Rod	48830-83E00	MM14X1.5R
C4233LR	Tie Rod End	48810-83E00	FM12X1.25
C5390LR	Susp. Arm Front	45200-75F20	
C5304LR	Susp. Arm Front	45200-84E00	
C8130	Silentblock	45261-77A10	ø 27.5

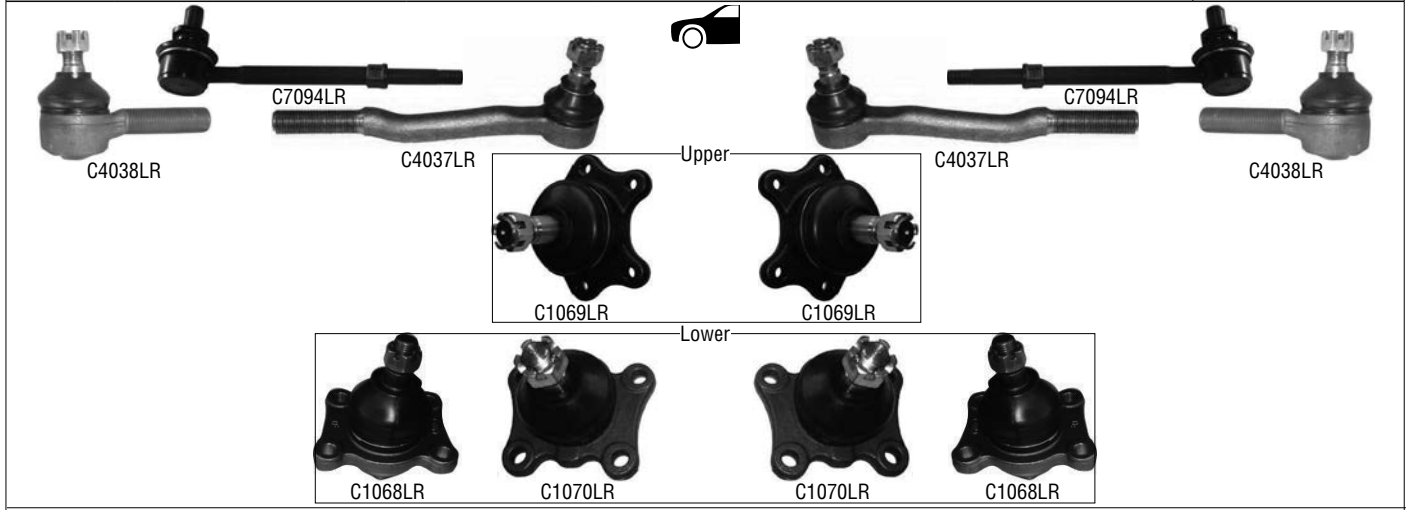
Chassis № >140196

Chassis № 140197>

• TOYOTA



TOYOTA
4RUNNER 08/1987 - 03/1996



LYNX	Description	Original Number	Specification	
C4038LR	Tie Rod End Outer	45046-29115	MM17X1.5L	
C4037LR	Tie Rod End Inner	45406-39165	FM17x1.5R	
C1068LR	Ball Joint Lower	43330-39195		>89
C1070LR	Ball Joint Lower	43330-39265		89>
C1069LR	Ball Joint Upper	43350-39045		
C7094LR	Stabiliser Link	48820-35010		
C7095LR	Stabiliser Link	48830-35010		

4RUNNER (RZN18_, VZN18_) 11/1995 - 10/2002



LYNX	Description	Original Number	Specification	
C2032LR	Tie Rod	45503-39075	MM18X1.5R	
C4059L	Tie Rod End Left	45047-39215	MM20x1.5R	
C4059R	Tie Rod End Right	45046-39335	MM20x1.5R	
C5322L	Susp. Arm Lower Left	48069-35080		
C5322R	Susp. Arm Lower Right	48068-35080		



C7093LR



C9090



C9090

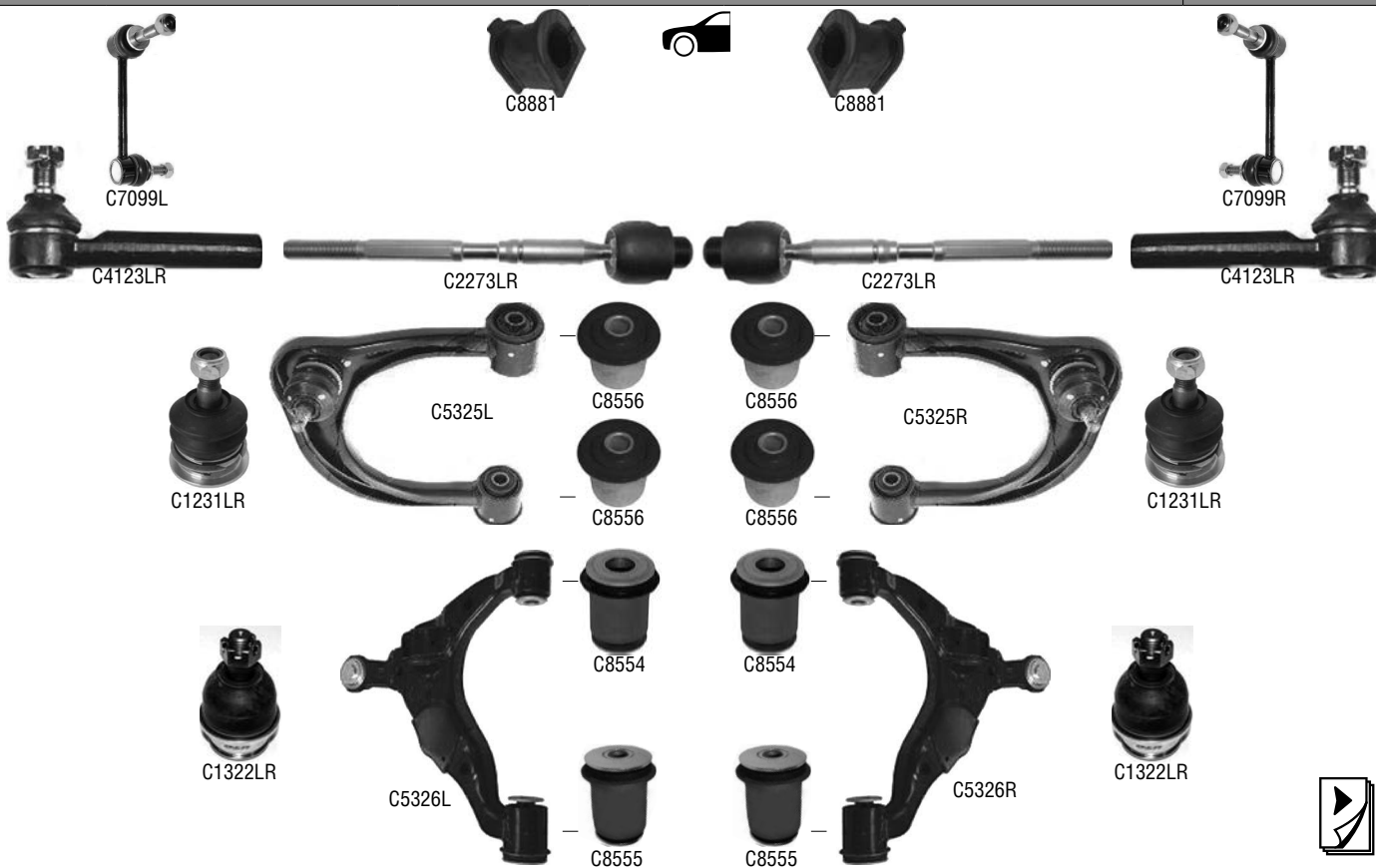


C7093LR

LYNX	Description	Original Number	Specification
C1071LR	Ball Joint Upper	43310-39016	
C1230L	Ball Joint Lower Left	43340-39325	
C1230R	Ball Joint Lower Right	43330-39415	
C7032LR	Stabiliser Link	48820-35030	
C7093LR	Stabiliser Link	48830-35020	
C9089	Stabiliser Mounting	48815-35100	
C9090	Stabiliser Mounting	48815-10090	
C9091	Silentblock	48061-35040	

4RUNNER (GRN21_, KZN215)

11/2002 - 07/2009

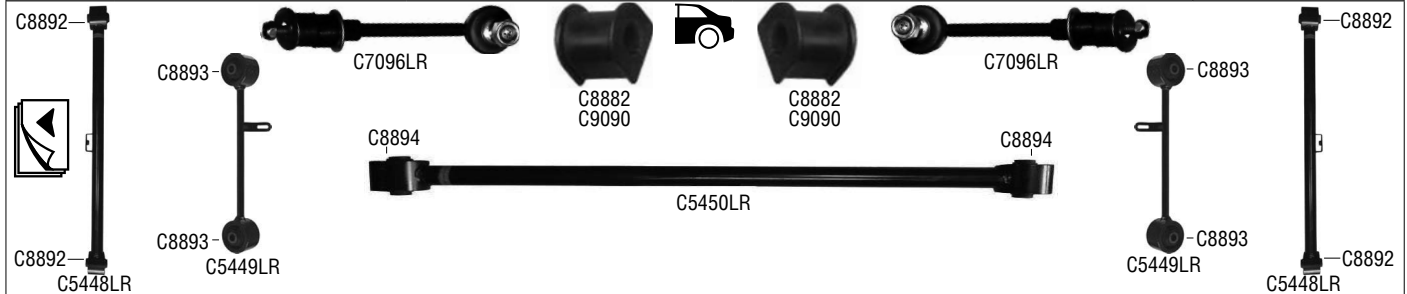


LYNX	Description	Original Number	Specification
C2273LR	Tie Rod	45503-39235	MM22X1.5R
C4123LR	Tie Rod End	45046-39505	
C5326L	Susp. Arm Lower Left	48069-60010	
C5326R	Susp. Arm Lower Right	48068-60010	
C5325L	Susp. Arm Upper Left	48630-60020	
C5325R	Susp. Arm Upper Right	48610-60050	
C1322LR	Ball Joint Lower	43330-60010	
C1231LR	Ball Joint Upper		
C7099L	Stabiliser Link Left	48810-60040	
C7099R	Stabiliser Link Right	48820-60050	
C8881	Stabiliser Mounting	48815-60190	
C8554	Silentblock	48654-60030	
C8555	Silentblock	48655-60030	
C8556	Silentblock	48632-60020	

• TOYOTA



4RUNNER (GRN21_, KZN215) 11/2002 - 07/2009

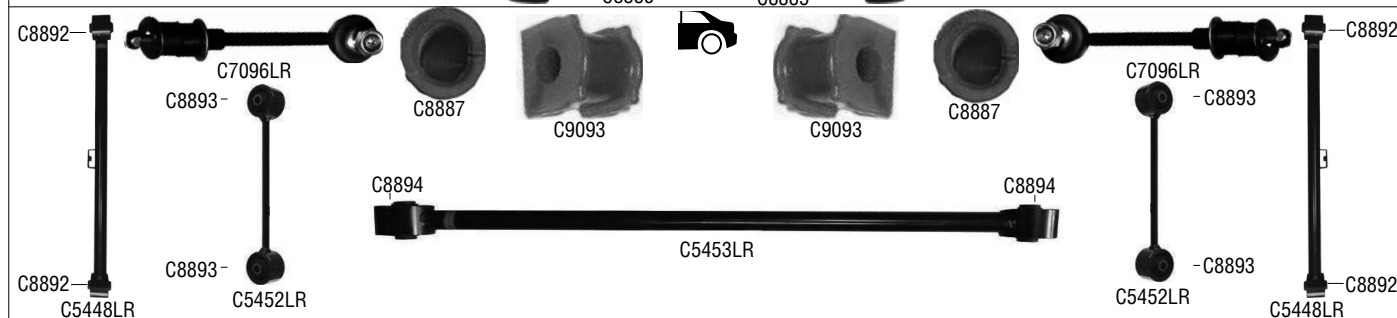
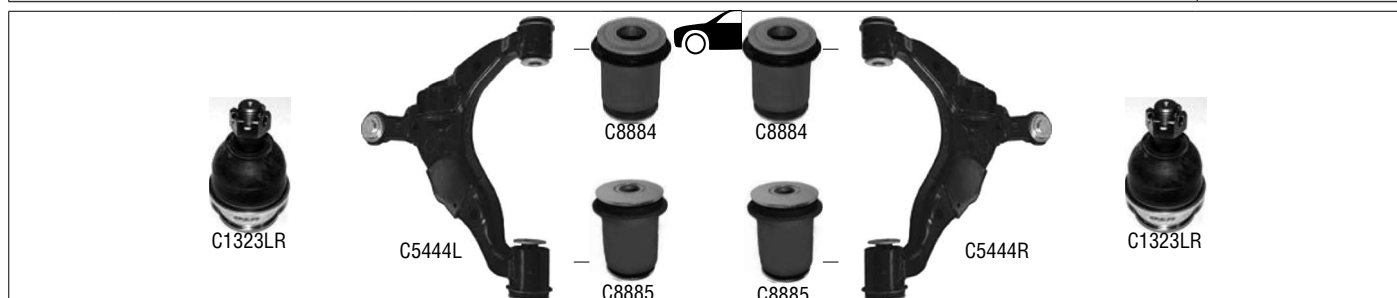


LYNX	Description	Original Number	Specification
C5448LR	Susp. Arm Rear	48720-35060	
C5449LR	Susp. Arm Rear	48710-35050	
C5450LR	Susp. Arm Rear	48740-35040	
C7096LR	Stabiliser Link	48830-60030	
C8882	Stabiliser Mounting	48815-14140	
C9090	Stabiliser Mounting	48815-10090	Differential Lock
C8892	Silentblock		
C8893	Silentblock		
C8894	Silentblock		

4RUNNER (GRN28_) 08/2009>

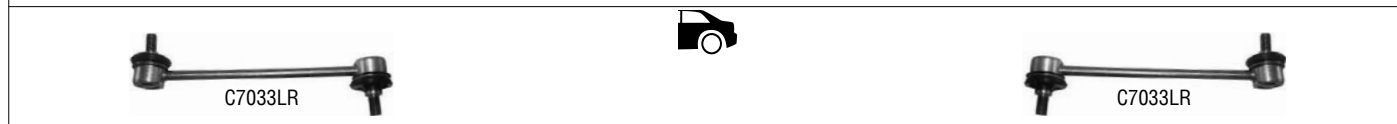
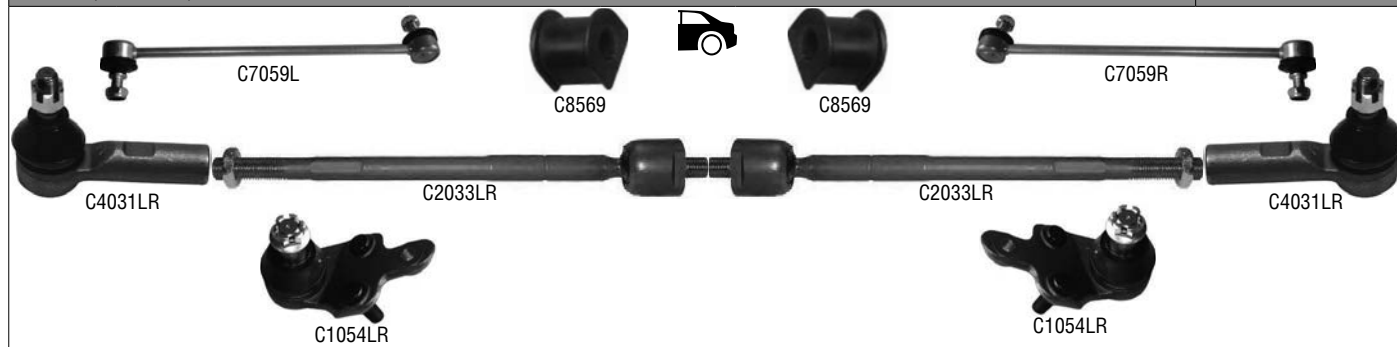


LYNX	Description	Original Number	Specification
C2396LR	Tie Rod	45503-60040	
C4367LR	Tie Rod End	45046-69245	
C5325L	Susp. Arm Upper Left	48630-60040	
C5325R	Susp. Arm Upper Right	48610-60070	
C1231LR	Ball Joint Upper		
C1231R	Ball Joint Lower	43330-60040	
C7099L	Stabiliser Link Front Left	48810-60040	Exc. KDSS
C7099R	Stabiliser Link Front Right	48820-60050	Exc. KDSS
C8886	Stabiliser Mounting	48815-60320	KDSS
C8888	Stabiliser Mounting	48849-60040	KDSS
C9092	Stabiliser Mounting	48815-60310	Exc. KDSS
C8556	Silentblock	48632-60020	



LYNX	Description	Original Number	Specification	
C5444L	Susp. Arm Lower Left	48069-60050		
C5444R	Susp. Arm Lower Right	48068-60050		
C5448LR	Susp. Arm Rear	48720-35061		
C5452LR	Susp. Arm Rear	48710-60160		
C5453LR	Susp. Arm Rear	48740-60160		
C7096LR	Stabiliser Link Rear	48830-60030		Exc. KDSS
C8887	Stabiliser Mounting	48818-60020		KDSS
C9093	Stabiliser Mounting	48818-60040		Exc. KDSS
C8884	Silentblock	48654-60050		
C8885	Silentblock	48655-60050		
C8892	Silentblock			
C8893	Silentblock			
C8894	Silentblock			

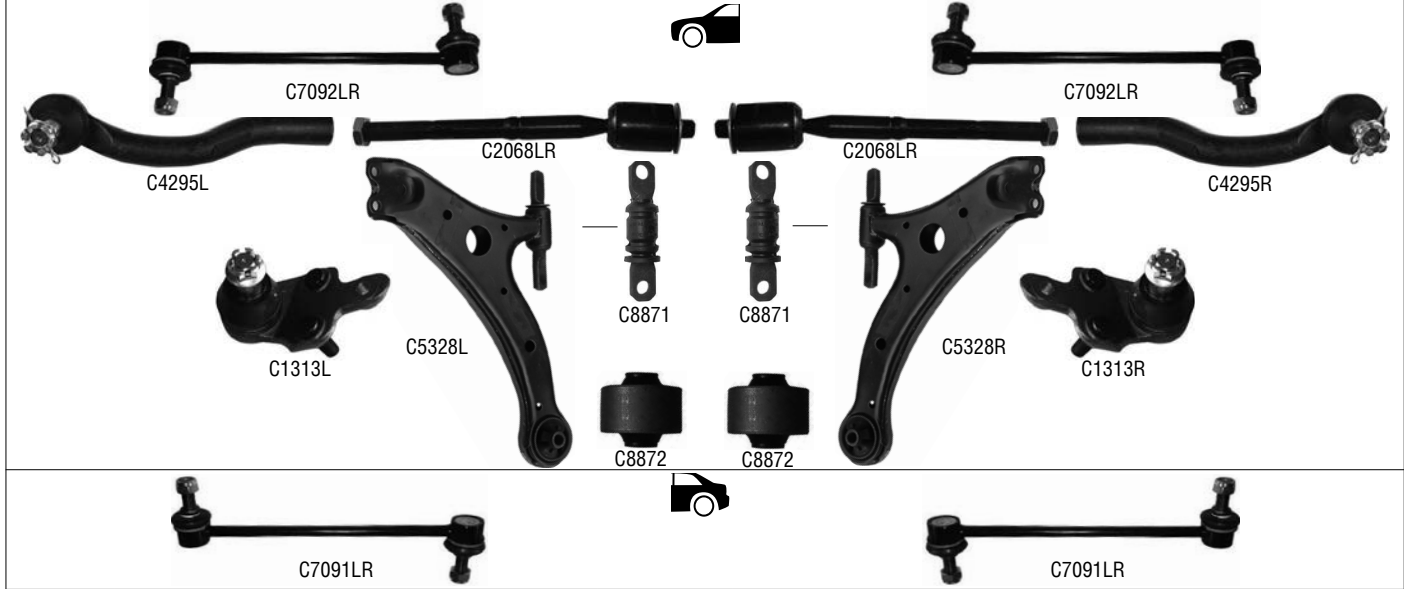
AVALON (MCX10, 20) 09/1994 - 05/2002



LYNX	Description	Original Number	Specification	
C2033LR	Tie Rod	45503-39135	MM14X1.5R	
C4031LR	Tie Rod End	45046-29255	FM15X1.5R	
C1054LR	Ball Joint	43330-09051		MCX20 08/99>
C7059L	Stabiliser Link Front Left	48810-06030		
C7059R	Stabiliser Link Front Right	48820-06030		
C7033LR	Stabiliser Link Rear	48830-33010		MCX10
C8569	Stabiliser Mounting	48815-06050		

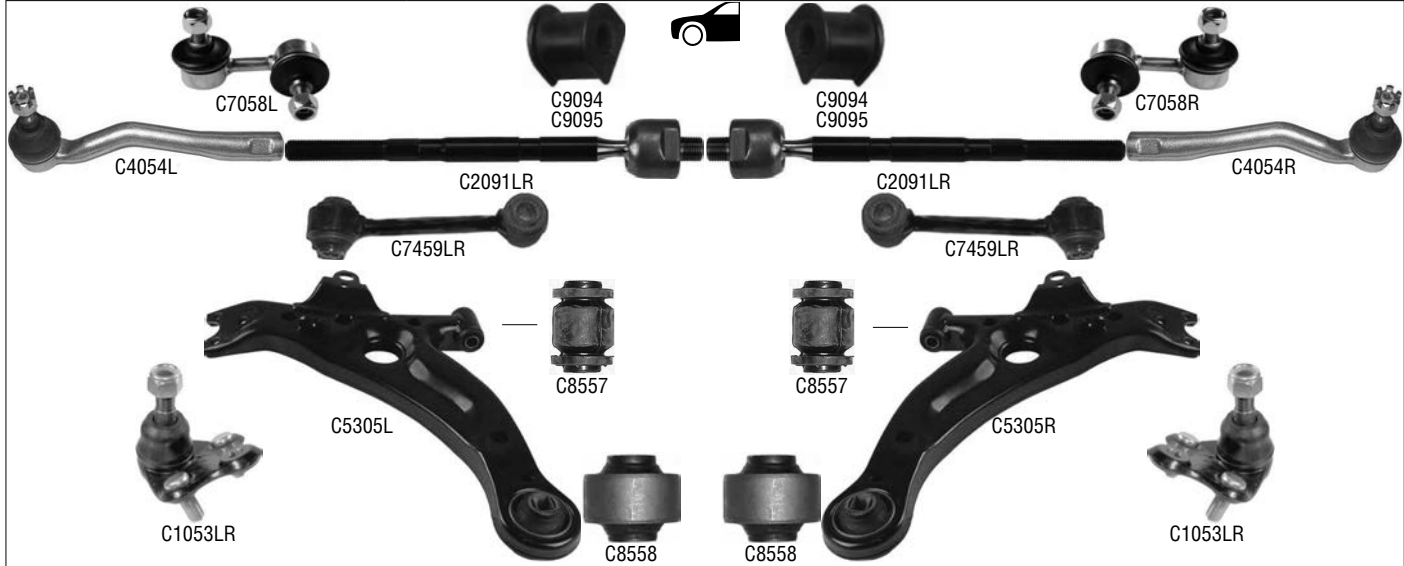


AVALON (GSX30) 01/2005>

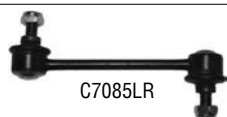


LYNX	Description	Original Number	Specification
C2068LR	Tie Rod	45503-39275	
C4295L	Tie Rod End Left	45470-09040	FM15X1.5R
C4295R	Tie Rod End Right	45460-09050	FM15X1.5R
C5328L	Susp. Arm Front Left	48069-33060	
C5328R	Susp. Arm Front Right	48068-33060	
C1313L	Ball Joint Left	43340-09040	
C1313R	Ball Joint Right	43330-09330	
C7092LR	Stabiliser Link Front	48820-06040	
C7091LR	Stabiliser Link Rear	48830-06030	
C8871	Silentblock		
C8872	Silentblock		

AVENSIS (_T22_) 09/1997 - 02/2003



LYNX	Description	Original Number	Specification
C2091LR	Tie Rod	45503-05020	MM16X1.5R
C4054L	Tie Rod End Left	45047-29125	FM14x1.5R
C4054R	Tie Rod End Right	45046-29365	FM14x1.5R
C5305L	Susp. Arm Left	48069-05050	
C5305R	Susp. Arm Right	48068-05050	
C1053LR	Ball Joint Lower	43330-09030	



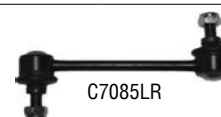
C7085LR



C9096
C9097



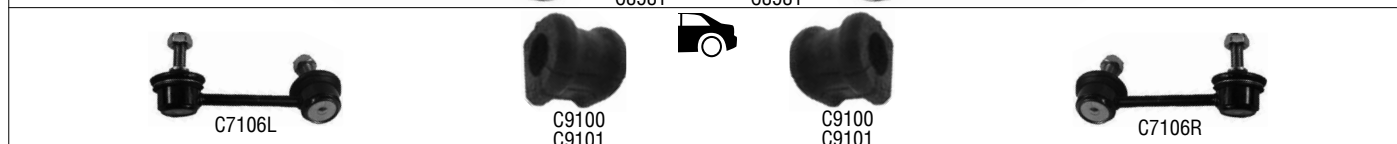
C9096
C9097



C7085LR

LYNX	Description	Original Number	Specification	
C7459LR	Stabiliser Link	48650-20020		
C7085LR	Stabiliser Link	48830-05020		
C7058L	Stabiliser Link Left	48810-05012		
C7058R	Stabiliser Link Right	48820-05012		
C9094	Stabiliser Mounting	48815-05050	ø 23	
C9095	Stabiliser Mounting	48815-05070	ø 24	AZT, ZTT
C9096	Stabiliser Mounting	48818-05041	ø 16	
C9097	Stabiliser Mounting	48818-05061	ø 15	
C8557	Silentblock	Comp. of C5305L/R	ø 38	
C8558	Silentblock	48061-05010	ø 60.2	

AVENSIS (_T25_) 03/2003>

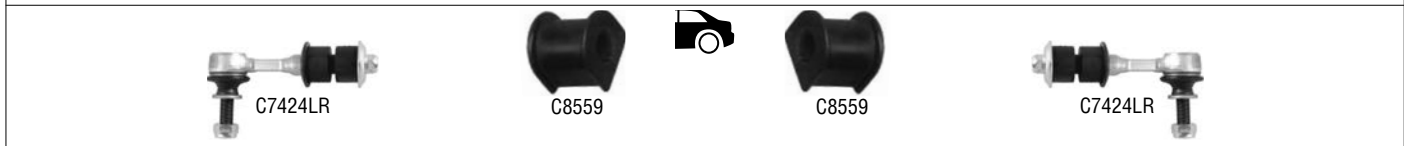


LYNX	Description	Original Number	Specification	
C2264LR	Tie Rod	45503-0F010		AZT, CDT
C4234LR	Tie Rod End	45046-29425		AZT, CDT
C2393LR	Tie Rod			ZTT LHD
C4031LR	Tie Rod End	45046-09230		ZTT
C5306L	Susp. Arm Left	48069-05070		
C5306R	Susp. Arm Right	48068-05070		
C1227LR	Ball Joint Lower	43330-09210		
C7034LR	Stabiliser Link Front	48820-47010		
C7106L	Stabiliser Link Rear Left	48840-21010		
C7106R	Stabiliser Link Rear Right	48830-21020		
C9098	Stabiliser Mounting	48815-02110	ø 22	
C9099	Stabiliser Mounting	48815-05110	ø 23	
C9100	Stabiliser Mounting	48818-05070	ø 19	
C9101	Stabiliser Mounting	48818-05080	ø 20	
C8580	Silentblock		ø 34.5	
C8581	Silentblock		ø 68.3	

• TOYOTA

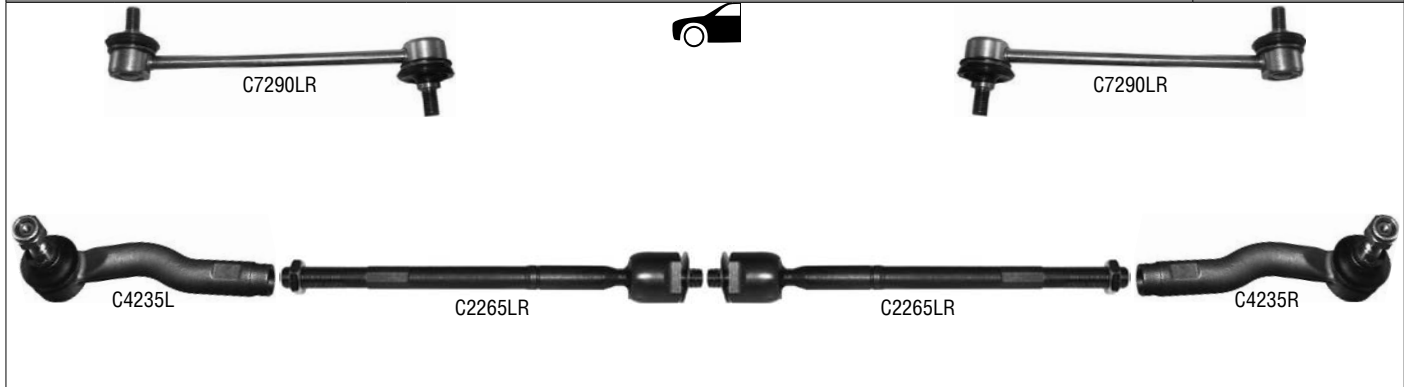


AVENSIS (_T27_) 11/2008>



LYNX	Description	Original Number	Specification
C4240L	Tie Rod End Left	45047-09320	FM16x1.5R
C4240R	Tie Rod End Right	45046-09660	FM16x1.5R
C5473L	Susp. Arm Left	48069-05080	
C5473R	Susp. Arm Right	48068-05080	
C1312LR	Ball Joint Lower	43330-09770	
C7293LR	Stabiliser Link Front	48820-02070	
C7424LR	Stabiliser Link Rear	48830-05030	
C8561	Stabiliser Mounting Left	48815-05130	ADT
C8562	Stabiliser Mounting Right	48815-05120	ADT
C8563	Stabiliser Mounting Left	48815-05170	ZRT
C8564	Stabiliser Mounting Right	48815-05160	ZRT
C8559	Stabiliser Mounting	48818-05120	
C8571	Silentblock		
C8572	Silentblock		

AVENSIS VERSO (ACM20, CLM20) 05/2001>

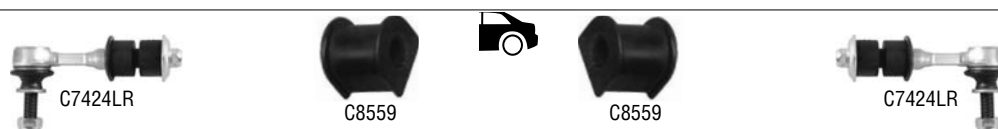
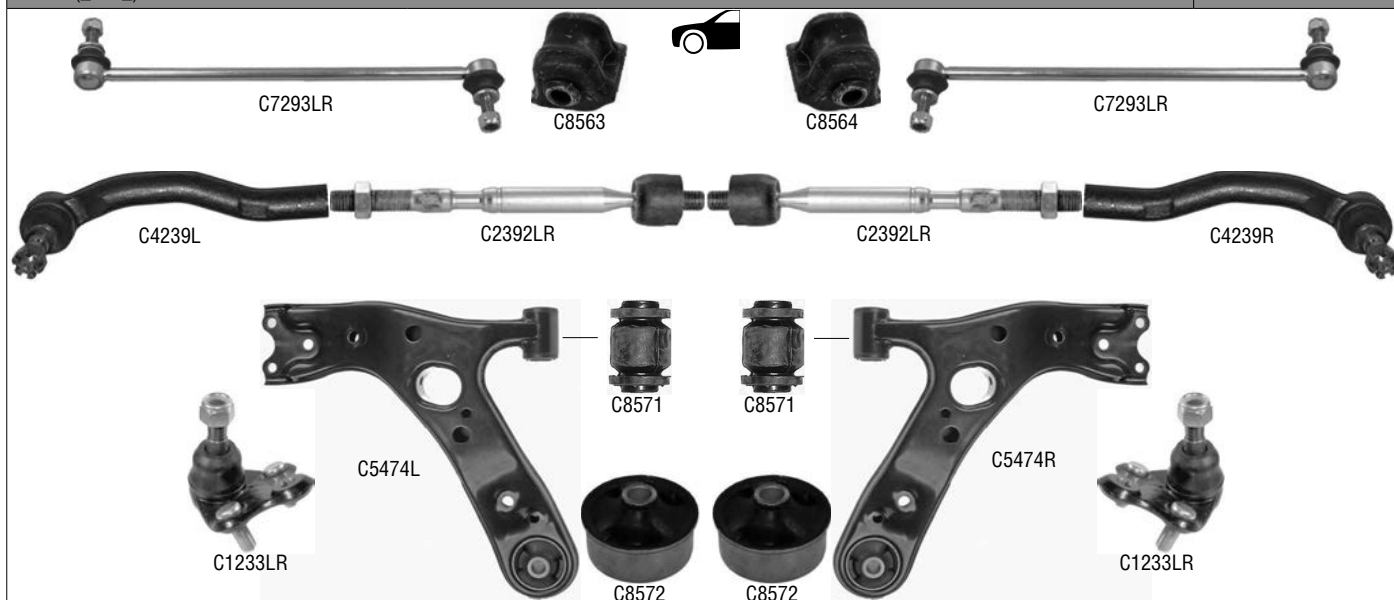


LYNX	Description	Original Number	Specification
C2265LR	Tie Rod	45503-49105	MM14X1.5R
C4235L	Tie Rod End Left	45046-49125	FM16X1.5R
C4235R	Tie Rod End Right	45047-49055	FM16X1.5R
C7290LR	Stabiliser Link	48820-44020	



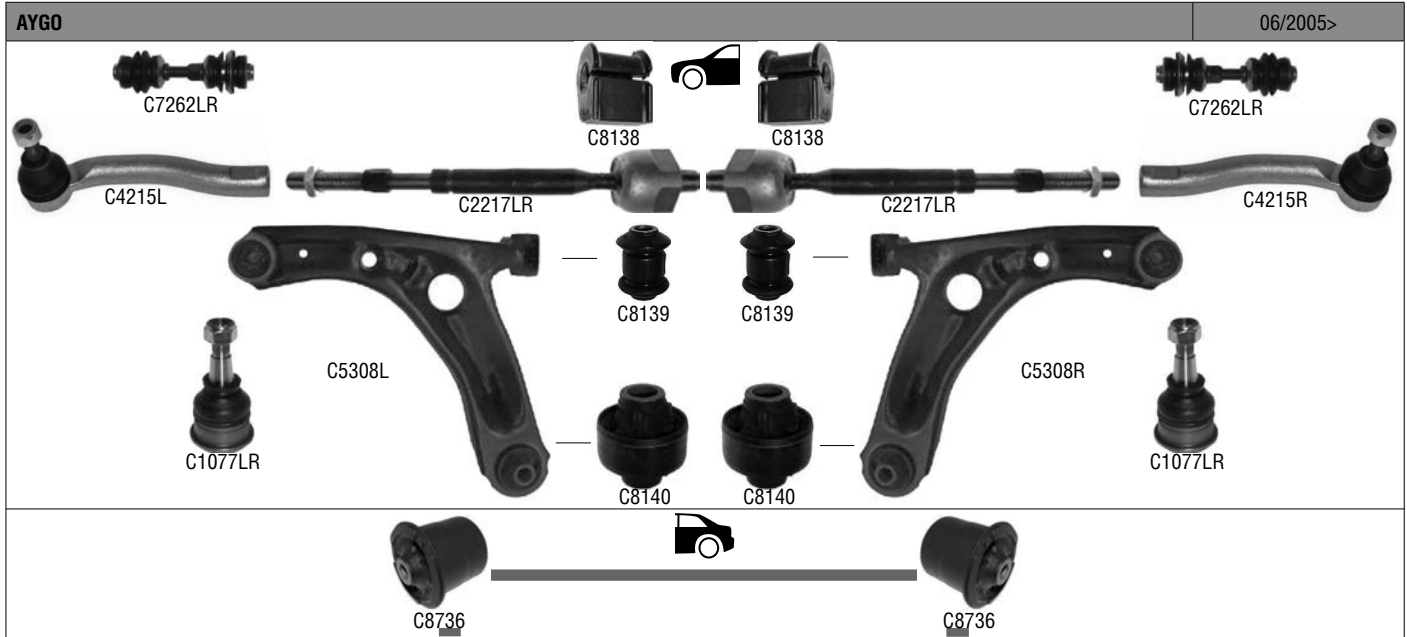
LYNX	Description	Original Number	Specification
C5307L	Susp. Arm Left	48069-49065	
C5307R	Susp. Arm Right	48068-49065	
C1228LR	Ball Joint	Comp. of C5307L/R	
C8567	Silentblock	Comp. of C5307L/R	
C8581	Silentblock	Comp. of C5307L/R	ø 68.3

AURIS (_E15_) 10/2006>

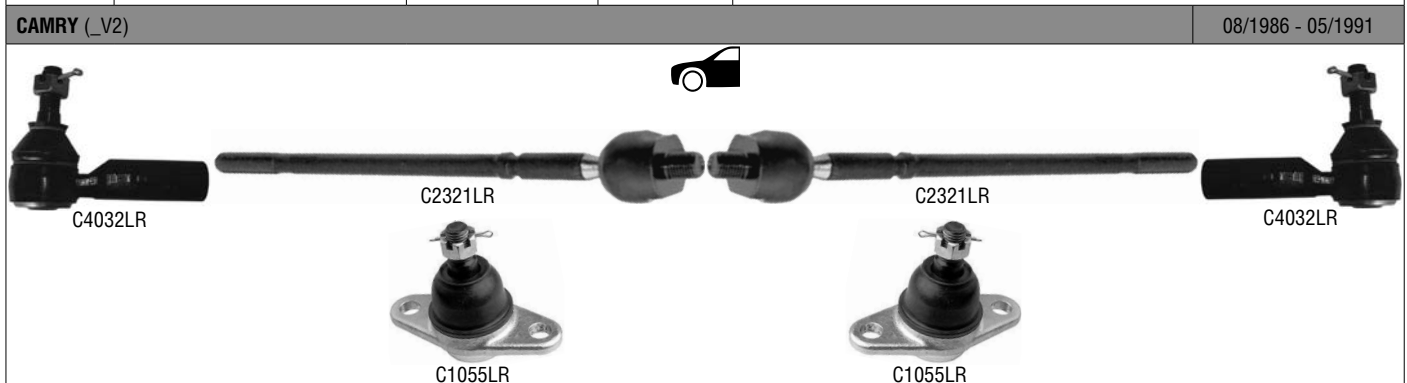
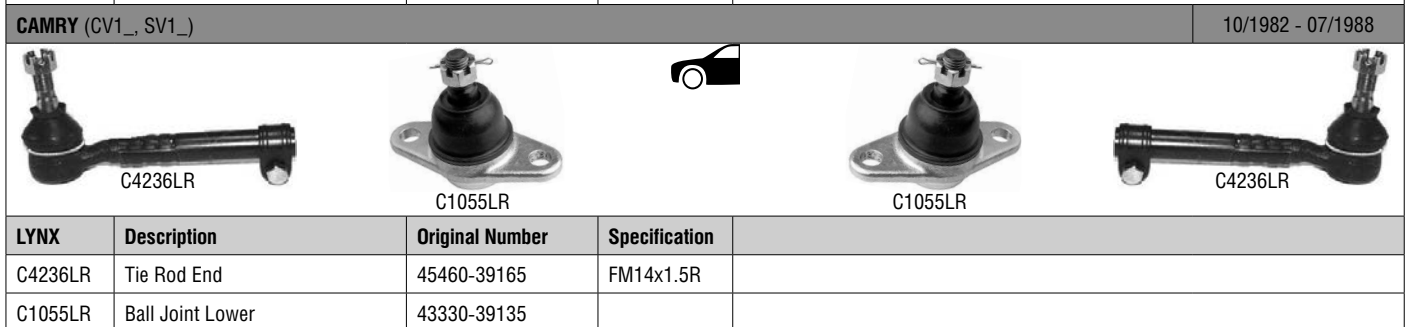


LYNX	Description	Original Number	Specification
C2392LR	Tie Rod		
C4239L	Tie Rod End Left	45047-09270	
C4239R	Tie Rod End Right	45046-09570	
C5474L	Susp. Arm Left	48069-12300	
C5474R	Susp. Arm Right	48068-12300	
C1233LR	Ball Joint	43330-49095	
C7293LR	Stabiliser Link Front	48820-42030	
C7424LR	Stabiliser Link Rear	48830-05030	
C8563	Stabiliser Mounting Left	48815-02140	
C8564	Stabiliser Mounting Right	48815-02150	
C8559	Stabiliser Mounting	48818-05120	
C8571	Silentblock		
C8572	Silentblock		

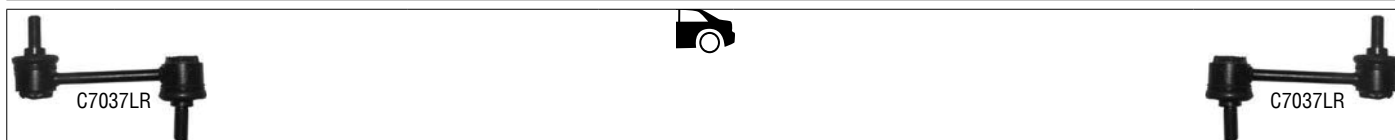
• TOYOTA



LYNX	Description	Original Number	Specification
C2217LR	Tie Rod		
C4215L	Tie Rod End Left	45047-09125	
C4215R	Tie Rod End Right	45046-09295	
C5308L	Susp. Arm Left	48069-0H010	
C5308R	Susp. Arm Right	48068-0H010	
C1077LR	Ball Joint Lower	43308-0H010	
C7262LR	Stabiliser Link	48819-70010	
C8138	Stabiliser Mounting	48815-0H010	
C8139	Silentblock	48654-0H010	ø 32.5
C8140	Silentblock	48655-0H010	
C8736	Silentblock	48725-0H010	

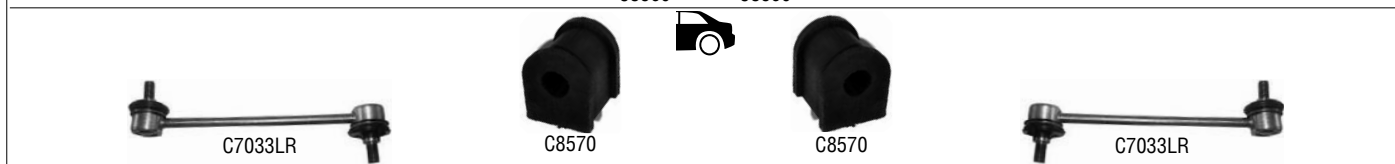
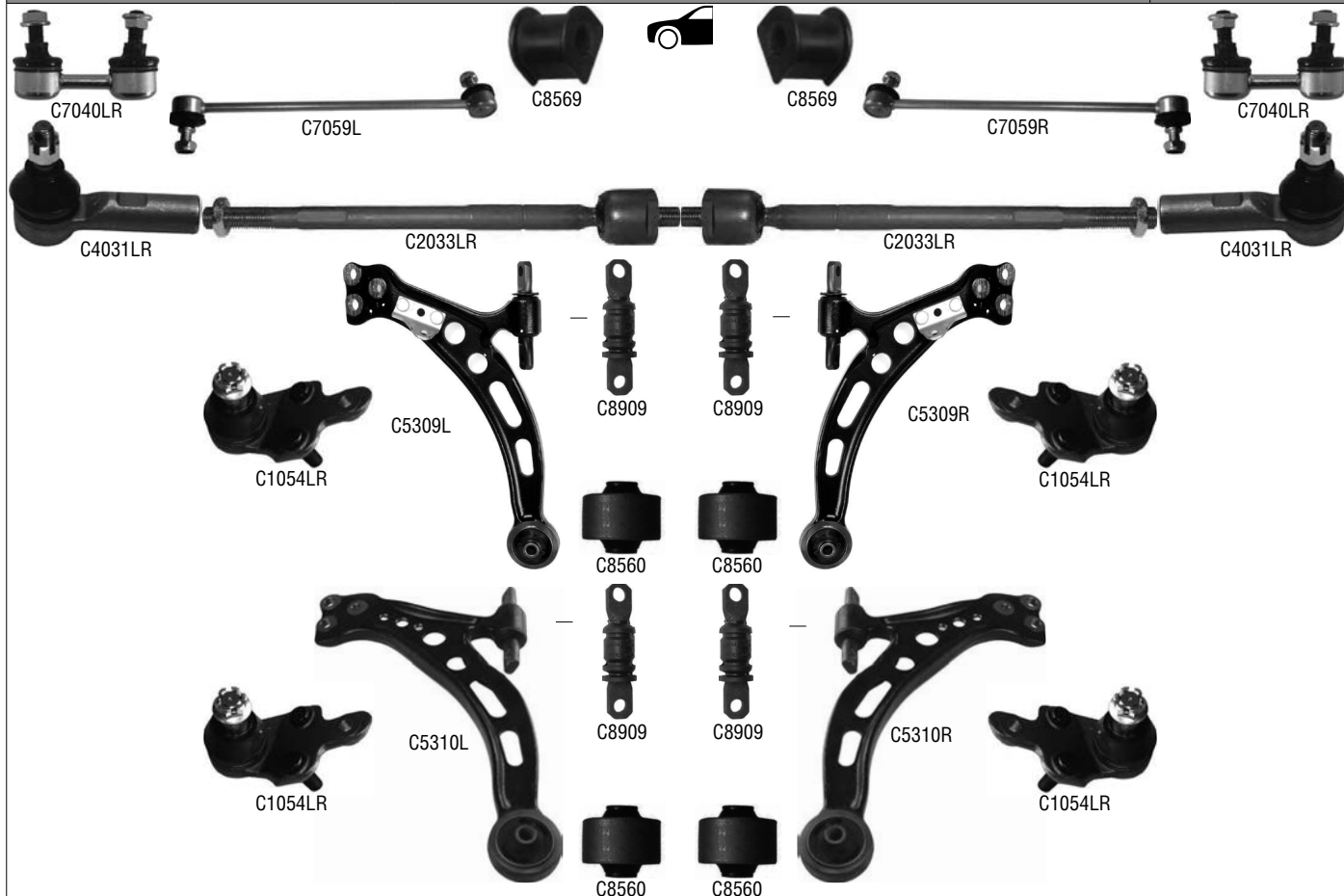


LYNX	Description	Original Number	Specification
C2321LR	Tie Rod	45503-29105	MM14X1.5R
C4032LR	Tie Rod End	45046-19175	FM14x1.5R
C1055LR	Ball Joint Lower	43330-29140	



LYNX	Description	Original Number	Specification
C7037LR	Stabiliser Link	48830-32010	

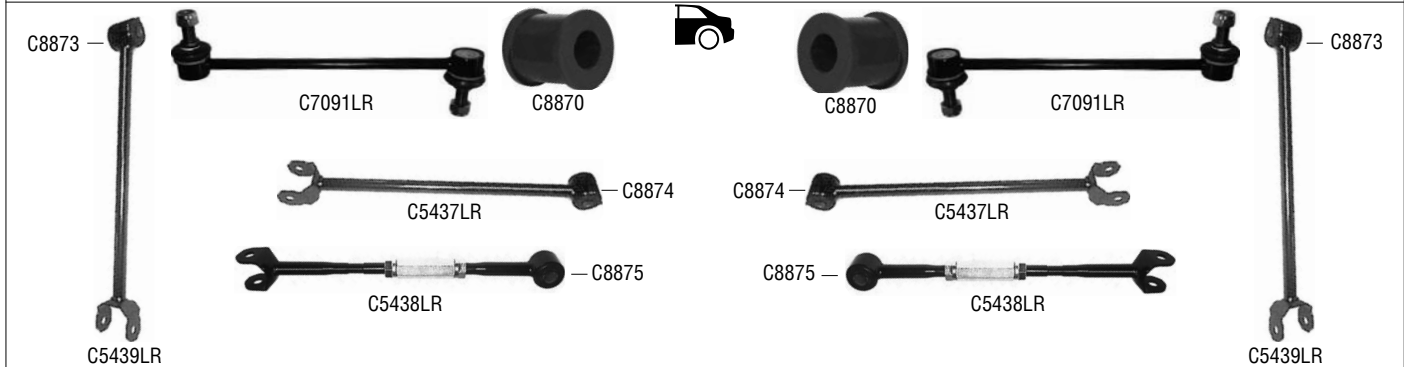
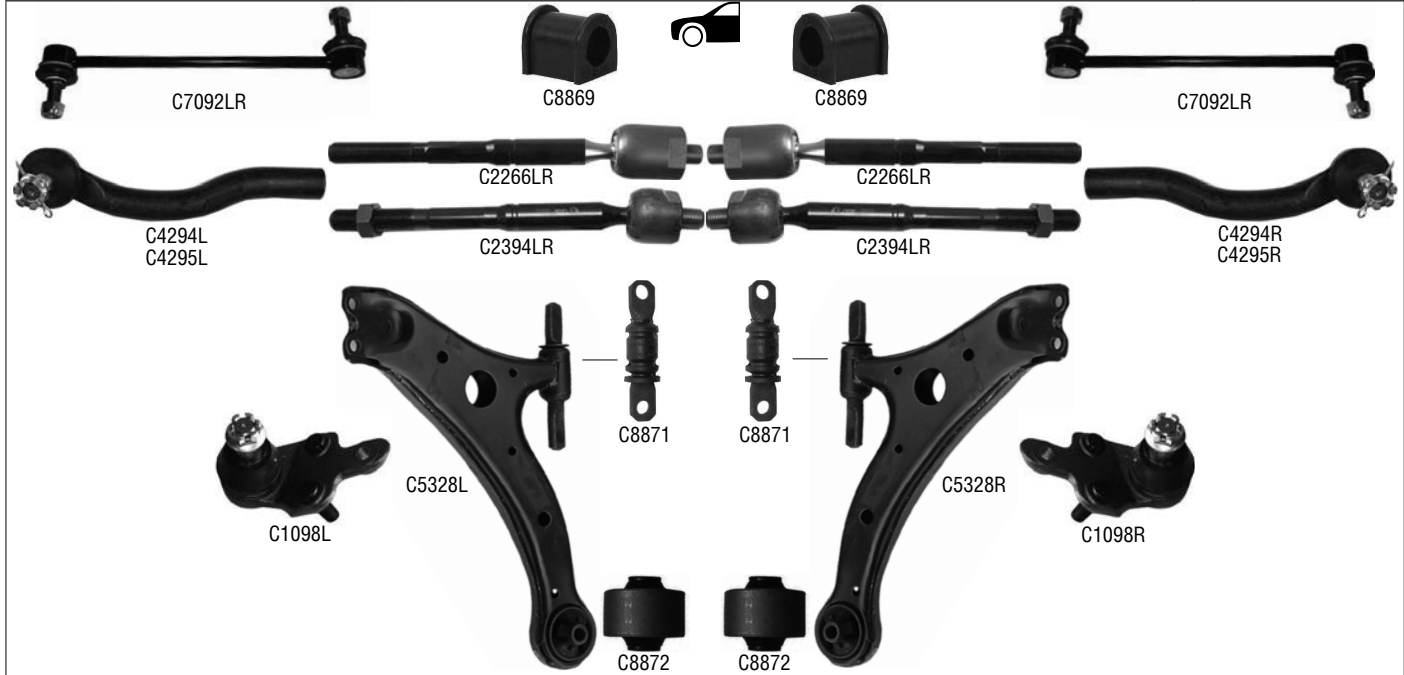
CAMRY (_V10, _V20) 06/1991 - 11/2001



LYNX	Description	Original Number	Specification
C2033LR	Tie Rod	45503-29355	MM14X1.5R
C4031LR	Tie Rod End	45046-29255	FM15X1.5R
C5309L	Susp. Arm Left	48069-33020	_V10
C5309R	Susp. Arm Right	48068-33020	_V10
C5310L	Susp. Arm Left	48069-33031	_V20
C5310R	Susp. Arm Right	48068-33031	_V20
C1054LR	Ball Joint	43330-39285	
C7040LR	Stabiliser Link	48820-33010	_V10
C7059L	Stabiliser Link Left	48810-33010	_V20
C7059R	Stabiliser Link Right	48820-33020	_V20
C7033LR	Stabiliser Link	48830-33010	
C8569	Stabiliser Mounting	48815-33050	_V20
C8570	Stabiliser Mounting	48818-33050	_V20
C8909	Silentblock		
C8560	Silentblock		



CAMRY (_V30) 11/2001 - 01/2006

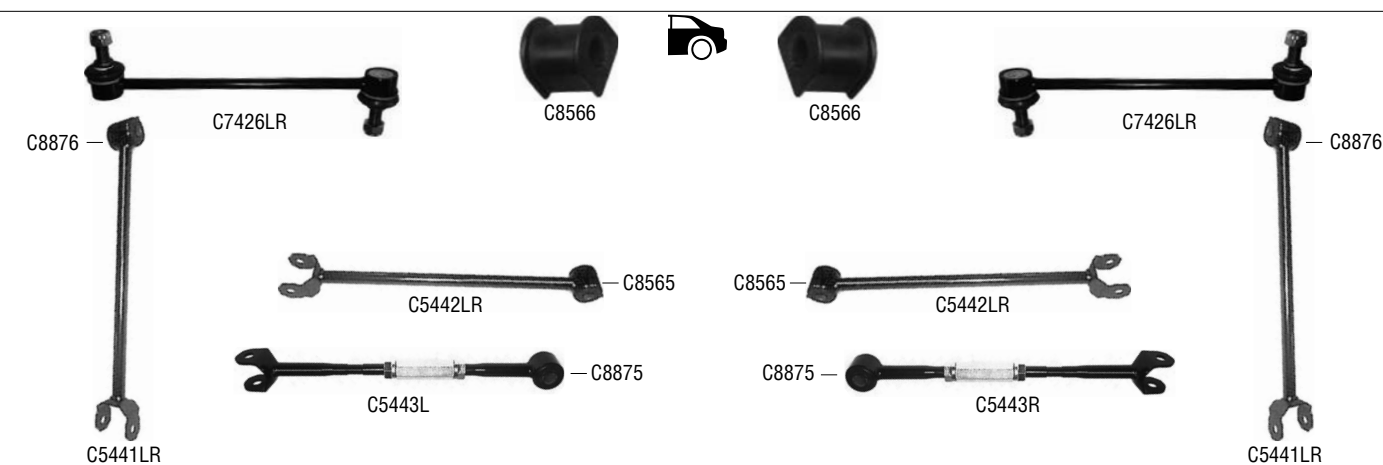
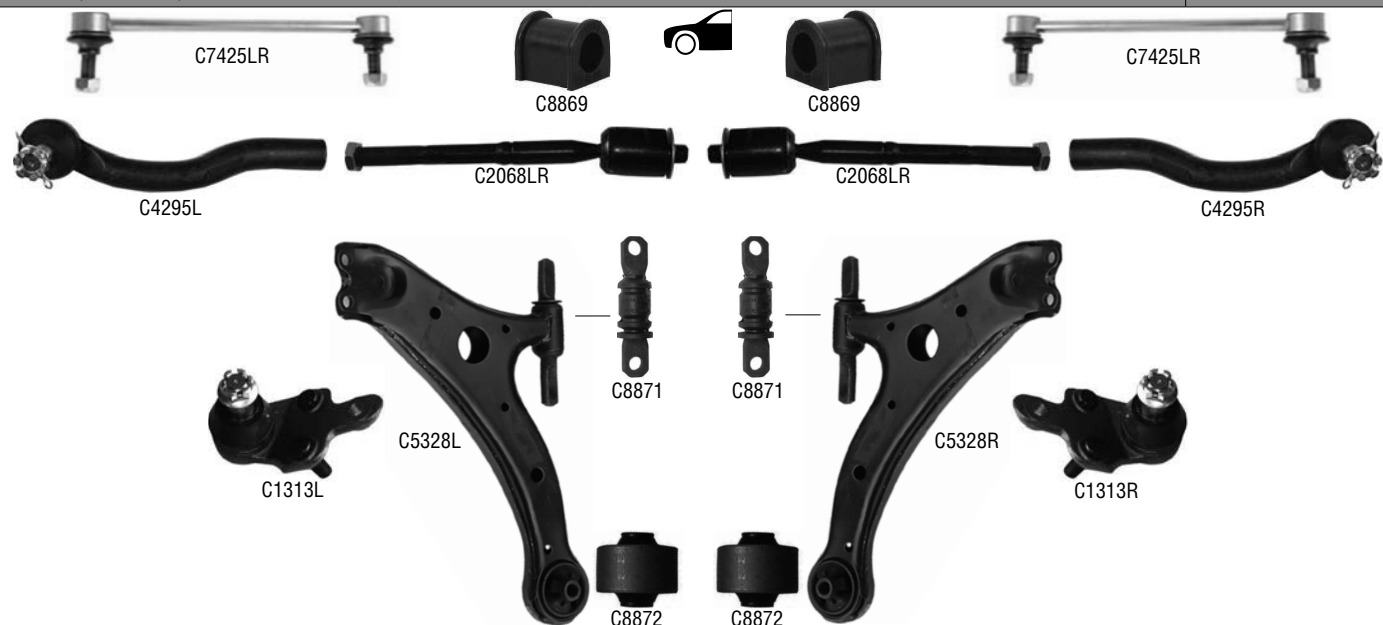


LYNX	Description	Original Number	Specification	
C2266LR	Tie Rod	45503-39225	MM14X1.5R	Exc. ACV35
C2394LR	Tie Rod	45503-49085		ACV35
C4294L	Tie Rod End Left	45470-39215	FM15X1.5R	>03
C4294R	Tie Rod End Right	45460-39615	FM15X1.5R	>03
C4295L	Tie Rod End Left	45470-39225	FM15X1.5R	03>
C4295R	Tie Rod End Right	45460-39635	FM15X1.5R	03>
C5328L	Susp. Arm Front Left	48069-33050		
C5328R	Susp. Arm Front Right	48068-33050		
C5437LR	Susp. Arm Rear	48710-33070		
C5438LR	Susp. Arm Rear	48740-48030		
C5439LR	Susp. Arm Rear	48780-12020		
C1098L	Ball Joint Left	43340-29175		
C1098R	Ball Joint Right	43330-29405		
C7092LR	Stabiliser Link Front	48820-28050		Exc. ACV35
C7091LR	Stabiliser Link Rear	48830-48010		Exc. ACV35
C8869	Stabiliser Mounting	48815-33100		
C8870	Stabiliser Mounting	48818-21030		
C8871	Silentblock			
C8872	Silentblock			
C8873	Silentblock			
C8874	Silentblock			
C8875	Silentblock			



CAMRY (_V40, _V50)

01/2006>

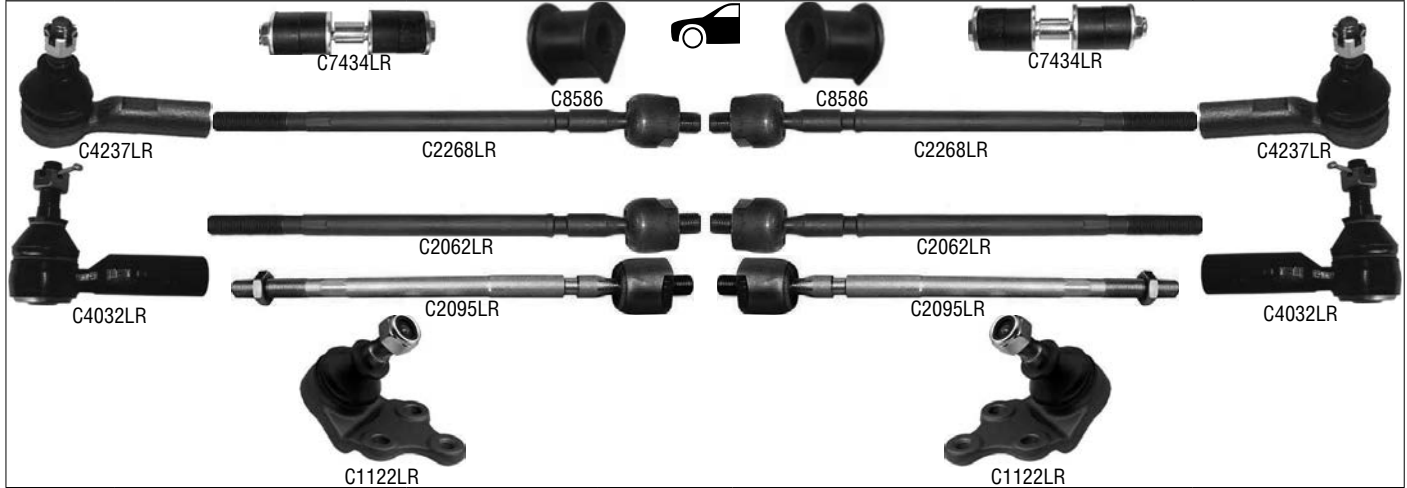


LYNX	Description	Original Number	Specification	
C2068LR	Tie Rod	45503-39275		_V40
C4295L	Tie Rod End Left	45470-39225	FM15X1.5R	_V40
C4295R	Tie Rod End Right	45460-39635	FM15X1.5R	_V40
C5328L	Susp. Arm Front Left	48069-33060		
C5328R	Susp. Arm Front Right	48068-33060		
C5441LR	Susp. Arm Rear	48780-33040		
C5442LR	Susp. Arm Rear	48710-33100		
C5443L	Susp. Arm Rear	48740-33100		
C5443R	Susp. Arm Rear	48730-33110		
C1313L	Ball Joint Left	43340-39545		
C1313R	Ball Joint Right	43330-39775		
C7425LR	Stabiliser Link Front	48820-33070		
C7426LR	Stabiliser Link Rear	48830-33040		
C8869	Stabiliser Mounting	48815-33100		
C8566	Stabiliser Mounting	48818-12170		
C8871	Silentblock			
C8872	Silentblock			
C8875	Silentblock			
C8876	Silentblock			
C8565	Silentblock			

• TOYOTA

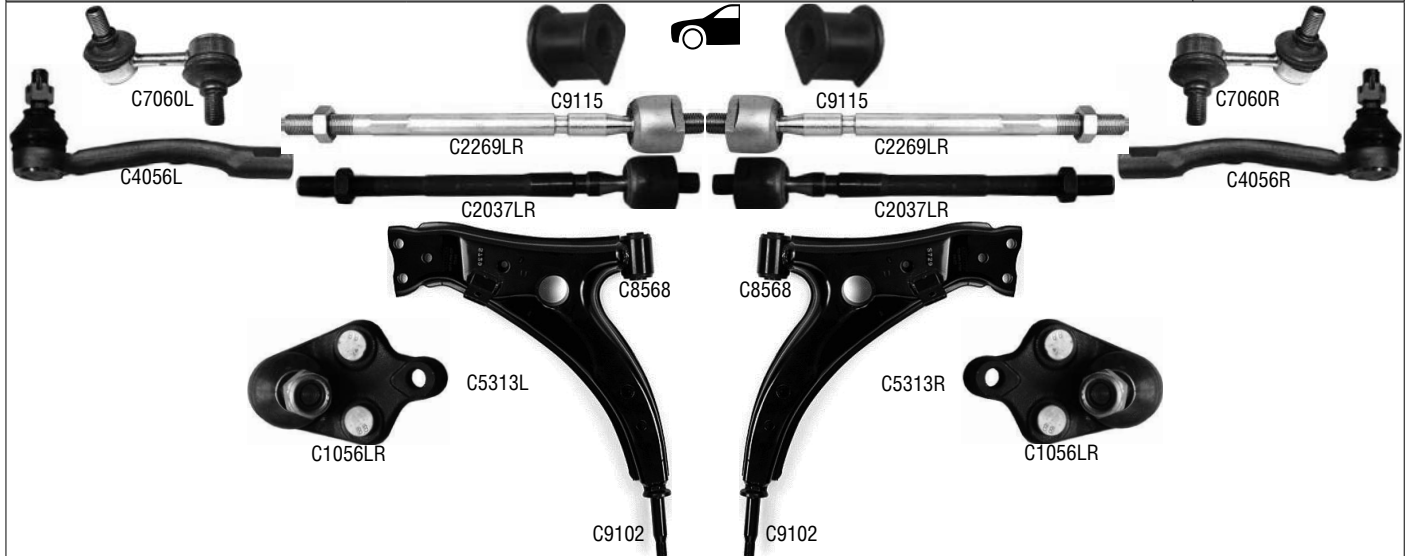


CARINA II (_T15_) 10/1983 - 05/1988



LYNX	Description	Original Number	Specification	
C2268LR	Tie Rod	45503-19035	MM14X1.5R	-PS, >08/84
C4237LR	Tie Rod End	45046-29135	FM12X1.25	-PS, >08/84
C2062LR	Tie Rod	45503-19036	MM14X1.5R	-PS 09/84>
C2095LR	Tie Rod	45503-19056	MM14X1.5R	+PS 09/84>
C4032LR	Tie Rod End	45046-19175	FM14x1.5R	09/84>
C1122LR	Ball Joint Lower	43330-29136		
C7434LR	Stabiliser Link	48819-20030		
C8586	Stabilizer Mounting	48815-14160	ø 25	

CARINA II (_T17_) 12/1987 - 06/1993

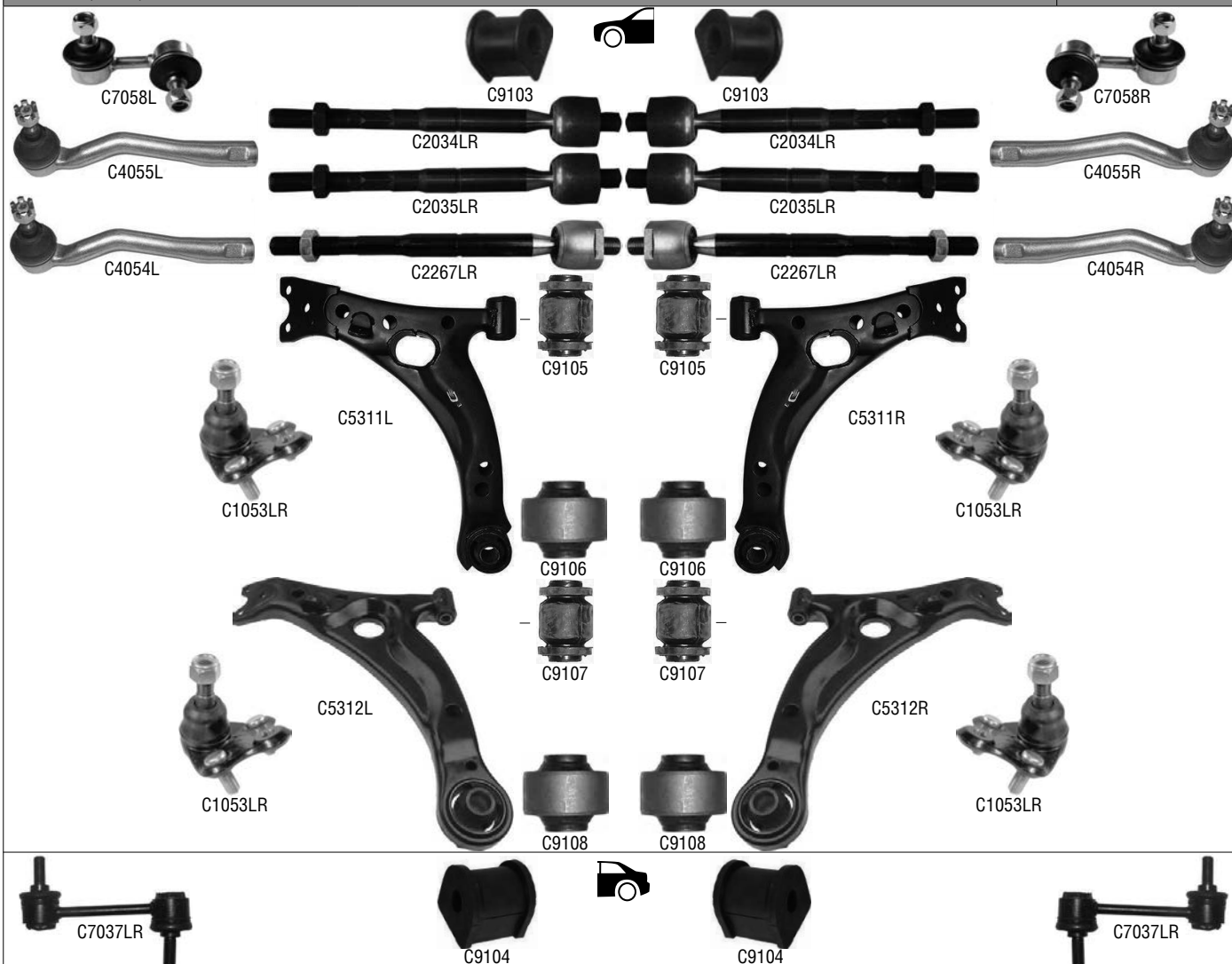


LYNX	Description	Original Number	Specification	
C2269LR	Tie Rod	45503-29155	MM14X1.5R	-PS
C2037LR	Tie Rod	45503-29165	MM14X1.5R	+PS
C4056L	Tie Rod End Left	45047-29045	FM15x1.5R	
C4056R	Tie Rod End Right	45046-29165	FM15x1.5R	
C5313L	Susp. Arm Left	48069-20200		
C5313R	Susp. Arm Right	48068-20200		
C1056LR	Ball Joint Lower	43330-29145		
C7060L	Stabiliser Link Left	48810-20010		
C7060R	Stabiliser Link Right	48820-20030		
C9115	Stabilizer Mounting	48815-30060		
C8568	Silentblock			
C9102	Silentblock			



CARINA E (_T19_)

04/1992 - 09/1997

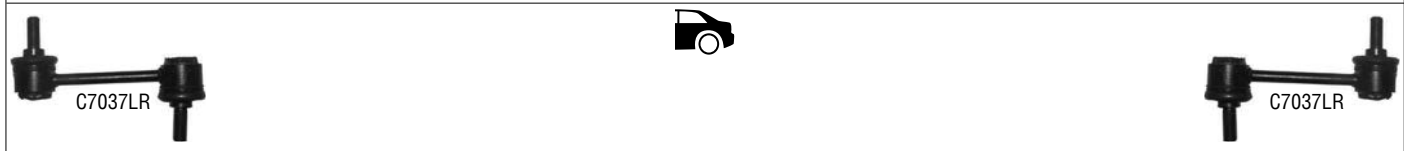
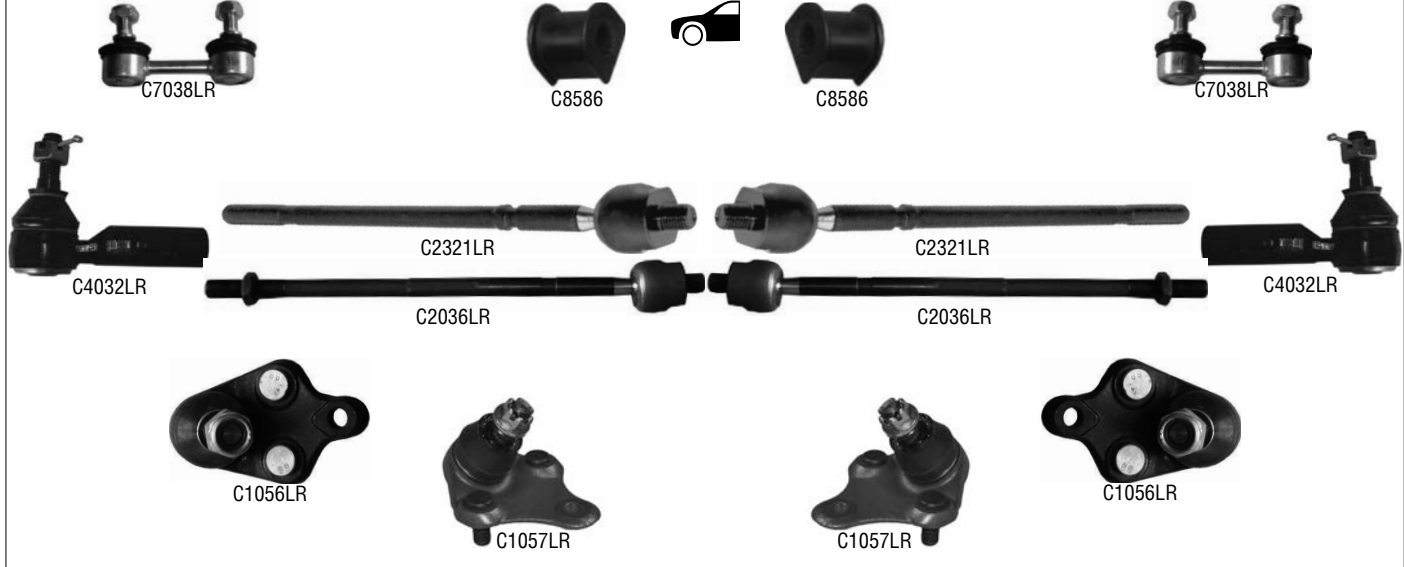


LYNX	Description	Original Number	Specification	
C2034LR	Tie Rod	45503-29475		-PS
C2035LR	Tie Rod	45503-29435	MM14X1.5R	-PS / +PS Toyota Koki >01/96
C4055L	Tie Rod End Left	45047-29075	FM15x1.5R	-PS / +PS Toyota Koki >01/96
C4055R	Tie Rod End Right	45046-29275	FM15x1.5R	-PS / +PS Toyota Koki >01/96
C2267LR	Tie Rod	45503-05010		+PS ZF
C4054L	Tie Rod End Left	45047-29125	FM14x1.5R	+PS ZF
C4054R	Tie Rod End Right	45046-29365	FM14x1.5R	+PS ZF
C5311L	Susp. Arm Left	48069-20260		Exposed housing
C5311R	Susp. Arm Right	48068-20260		Exposed housing
C5312L	Susp. Arm Left	48069-20221		Enclosed housing
C5312R	Susp. Arm Right	48068-20221		Enclosed housing
C1053LR	Ball Joint Lower	43330-09030		
C7058L	Stabiliser Link Left	48810-05012		
C7058R	Stabiliser Link Right	48820-05012		
C7037LR	Stabiliser Link	48830-20010		
C9103	Stabiliser Mounting	48815-30040		
C9104	Stabiliser Mounting	48818-20260		
C9105	Silentblock	48654-20150		
C9106	Silentblock	48655-20140		
C9107	Silentblock	48654-20190		
C9108	Silentblock	48655-20221		

• TOYOTA



CELICA (ST16_, ST18_, AT16_, AT180) 08/1985 - 11/1993



LYNX	Description	Original Number	Specification	
C2321LR	Tie Rod	45503-29105	MM14X1.5R	ST16_, AT16_
C2036LR	Tie Rod	45503-29245	MM14X1.5R	ST18_, AT180
C4032LR	Tie Rod End	45046-19175	FM14x1.5R	
C1056LR	Ball Joint Lower	43330-29145		ST16_, AT16_
C1057LR	Ball Joint Lower	43330-29225		ST18_, AT180
C7038LR	Stabiliser Link Front	48820-20010		
C7037LR	Stabiliser Link Rear	48830-20010		
C8586	Stabilizer Mounting	48815-14160	ø 25	

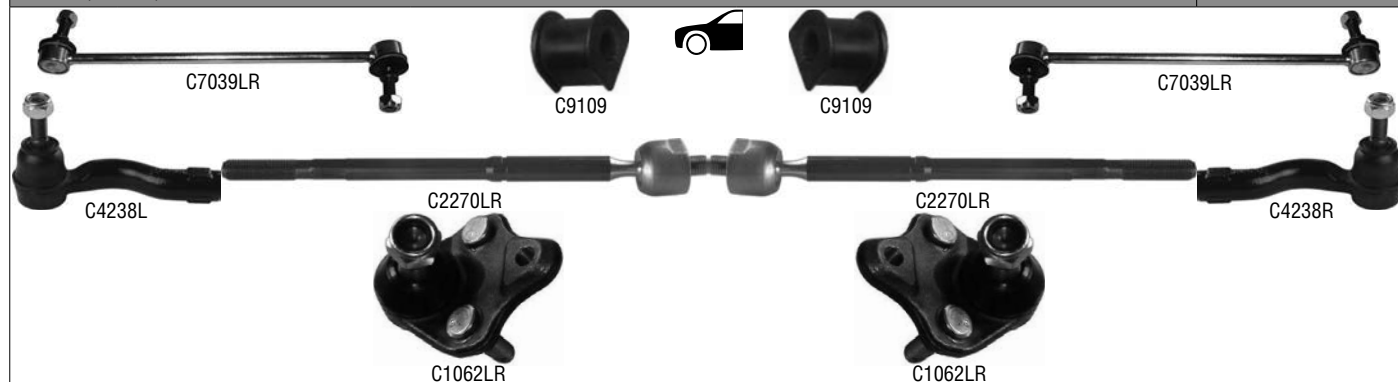
CELICA (_T20_) 11/1993 - 11/1999



LYNX	Description	Original Number	Specification	
C4032LR	Tie Rod End	45046-19175	FM14x1.5R	
C1053LR	Ball Joint Lower	43330-09030		
C7040LR	Stabiliser Link Front	48820-33010		
C7037LR	Stabiliser Link Rear	48830-20010		
C9103	Stabiliser Mounting	48815-30040		

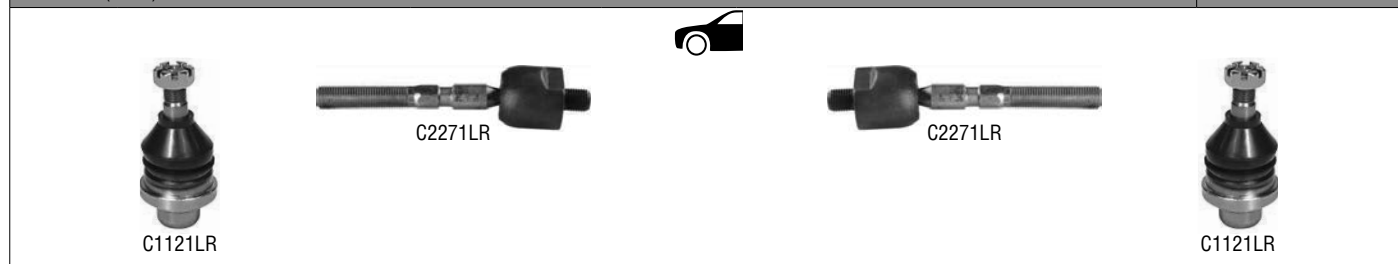


CELICA (ZZT23_) 11/1999 - 12/2005



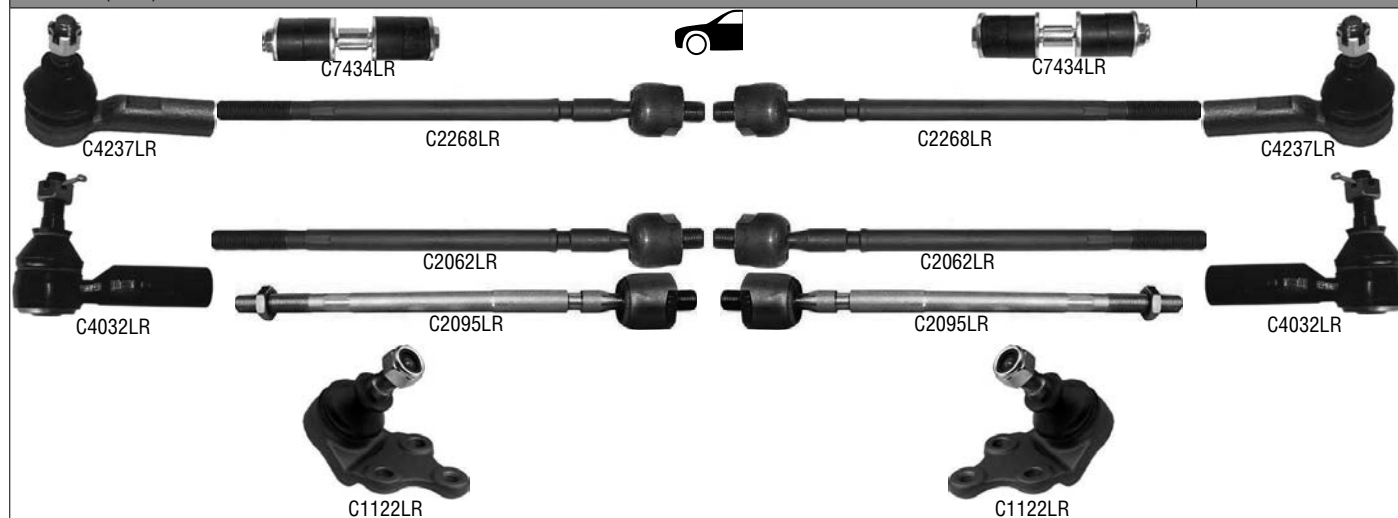
LYNX	Description	Original Number	Specification
C2270LR	Tie Rod	45503-49035	MM14X1.5R
C4238L	Tie Rod End Left	45047-49015	
C4238R	Tie Rod End Right	45046-49085	
C1062LR	Ball Joint	43330-19115	
C7039LR	Stabiliser Link	48820-32010	
C9109	Stabiliser Mounting	48815-20280	

COROLLA (_E7_) 09/1979 - 08/1987



LYNX	Description	Original Number	Specification
C2271LR	Tie Rod	45503-10020	MM14X1.5R
C1121LR	Ball Joint Lower	43308-12030	

COROLLA (_E8_) 06/1983 - 05/1988

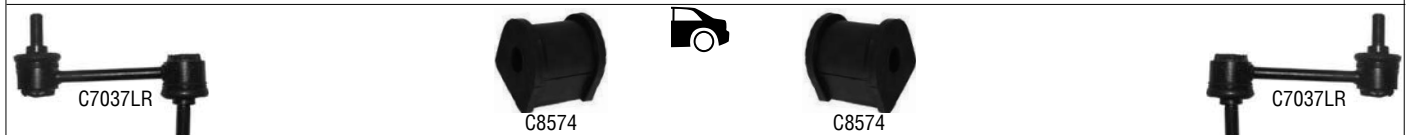


LYNX	Description	Original Number	Specification
C2268LR	Tie Rod	45503-19035	MM14X1.5R -PS, >09/84
C4237LR	Tie Rod End	45046-29135	FM12X1.25 -PS, >09/84
C2062LR	Tie Rod	45503-19036	MM14X1.5R -PS 10/84>
C2095LR	Tie Rod	45503-19056	MM14X1.5R +PS 10/84>
C4032LR	Tie Rod End	45046-19175	FM14x1.5R 10/84>
C1122LR	Ball Joint Lower	43330-29136	
C7434LR	Stabiliser Link	48819-20030	

• TOYOTA

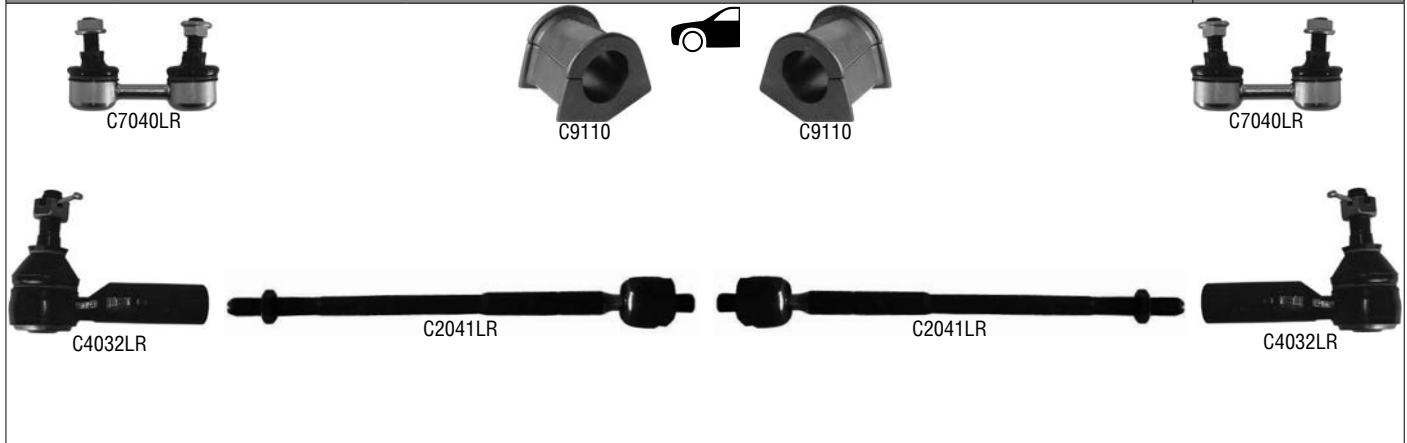


COROLLA (_E9_) 07/1987 - 06/1993



LYNX	Description	Original Number	Specification	
C2063LR	Tie Rod	45503-19125	MM14X1.5R	-PS
C2064LR	Tie Rod	45503-19135	MM14X1.5R	+PS
C4032LR	Tie Rod End	45046-19175	FM14x1.5R	
C5314L	Susp. Arm Left	48069-12110		
C5314R	Susp. Arm Right	48068-12110		
C1009L	Ball Joint Lower Left	43340-19015		
C1009R	Ball Joint Lower Right	43330-19065		
C7038LR	Stabiliser Link Front	48820-20010		
C7037LR	Stabiliser Link Rear	48830-20010		
C8573	Stabiliser Mounting	48815-12160	ø 22	
C8574	Stabiliser Mounting	48818-12050		
C8575	Silentblock	48655-12010	ø 43.0	
C8576	Silentblock	48654-12010	ø 12.5	

COROLLA (_E10_, _E11_) 07/1992 - 11/2001



LYNX	Description	Original Number	Specification	
C2041LR	Tie Rod	45503-29365	MM14X1.5R	-PS, _E10_
C4032LR	Tie Rod End	45046-19175	FM14x1.5R	
C7040LR	Stabiliser Link Front	48820-33010		
C9110	Stabiliser Mounting	48815-12230		



LYNX	Description	Original Number	Specification	
C2040LR	Tie Rod	45503-19205	MM14X1.5R	+PS
C4032LR	Tie Rod End	45046-19175	FM14x1.5R	
C5315L	Susp. Arm Left	48069-12130		>04/95, _E10_
C5315R	Susp. Arm Right	48068-12130		>04/95, _E10_
C5316L	Susp. Arm Left	48069-12171		_E11_
C5316R	Susp. Arm Right	48068-12171		_E11_
C1063LR	Ball Joint Lower	43330-19095		>04/95, _E10_
C1062LR	Ball Joint Lower	43330-19115		05/95>, _E10_/_E11_
C7037LR	Stabiliser Link Rear	48830-20010		
C7035LR	Stabiliser Link Rear	48830-12050		Wagon
C8566	Stabiliser Mounting	48818-12170		
C9111	Stabiliser Mounting	48818-12220		Wagon
C8577	Silentblock	48654-12070	ø 34.5	
C8578	Silentblock	48655-12050	ø 46	>04/95, _E10_
C8579	Silentblock			_E11_

• TOYOTA

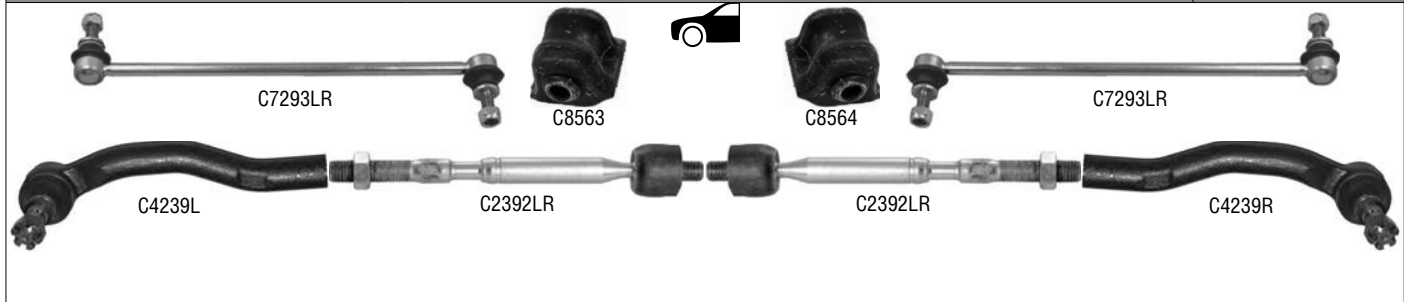


COROLLA (_E12_) COROLLA VERSO (_E12J_) 12/2001> 01/2002 - 05/2004

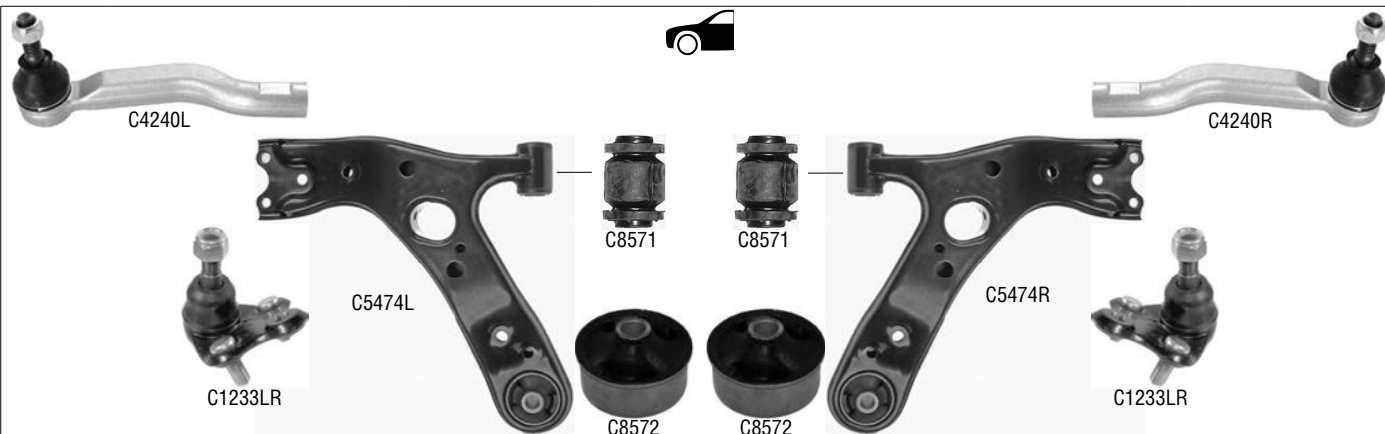


LYNX	Description	Original Number	Specification	
C2042LR	Tie Rod	45503-12130	MM14X1.5R	
C4057L	Tie Rod End Left	45047-19115	FM14x1.5R	
C4057R	Tie Rod End Right	45046-19265	FM14x1.5R	
C2069LR	Tie Rod	45503-02070		ZZE122 / ZZE130
C4371L	Tie Rod End Left	45047-09080		ZZE122 / ZZE130
C4371R	Tie Rod End Right	45046-09200		ZZE122 / ZZE130
C5317L	Susp. Arm Left	48069-12260		
C5317R	Susp. Arm Right	48068-12260		
C1062LR	Ball Joint	43330-19115		
C7039LR	Stabiliser Link	48820-32010		UK
C7034LR	Stabiliser Link	48820-47010		Japan / Verso
C9098	Stabiliser Mounting	48815-02110	ø 22	UK
C9112	Stabiliser Mounting	48815-13040	ø 22	Japan / Verso
C8580	Silentblock		ø 34.5	
C8581	Silentblock		ø 68.3	

COROLLA (_E15_) VERSO (AUR2_,ZGR2_) 01/2007> 04/2009>



LYNX	Description	Original Number	Specification	
C2392LR	Tie Rod			Exc. Verso
C4239L	Tie Rod End Left	45047-09270		Exc. Verso
C4239R	Tie Rod End Right	45046-09570		Exc. Verso



LYNX	Description	Original Number	Specification	
C4240L	Tie Rod End Left	45047-09320	FM16x1.5R	Verso
C4240R	Tie Rod End Right	45046-09660	FM16x1.5R	Verso
C5474L	Susp. Arm Left	48069-12300		
C5474R	Susp. Arm Right	48068-12300		
C1233LR	Ball Joint	43330-49095		
C7293LR	Stabiliser Link	48820-42030		
C8563	Stabiliser Mounting Left	48815-02140		Exc. Verso
C8564	Stabiliser Mounting Right	48815-02150		Exc. Verso
C8571	Silentblock			
C8572	Silentblock			

COROLLA VERSO (AUR10, CUR10, ZNR1J) 04/2004>



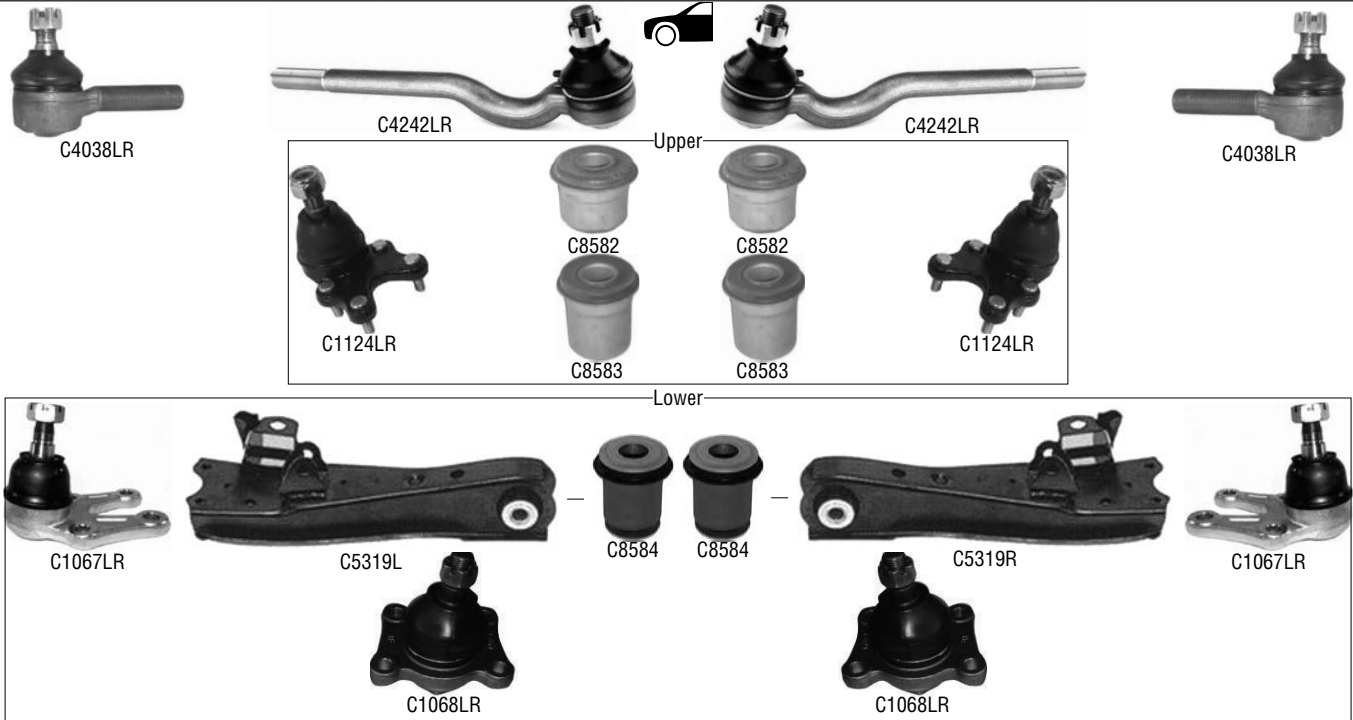
LYNX	Description	Original Number	Specification	
C2264LR	Tie Rod	45503-0F010		
C4241LR	Tie Rod End	45046-09430	FM16X1.5R	
C5318L	Susp. Arm Left	48069-0F010		
C5318R	Susp. Arm Right	48068-0F010		
C1229LR	Ball Joint	43330-09360		
C7034LR	Stabiliser Link	48820-47010		
C8580	Silentblock		ø 34.5	
C8581	Silentblock		ø 68.3	

• TOYOTA



HIACE II (_H5, _H6, _H7)

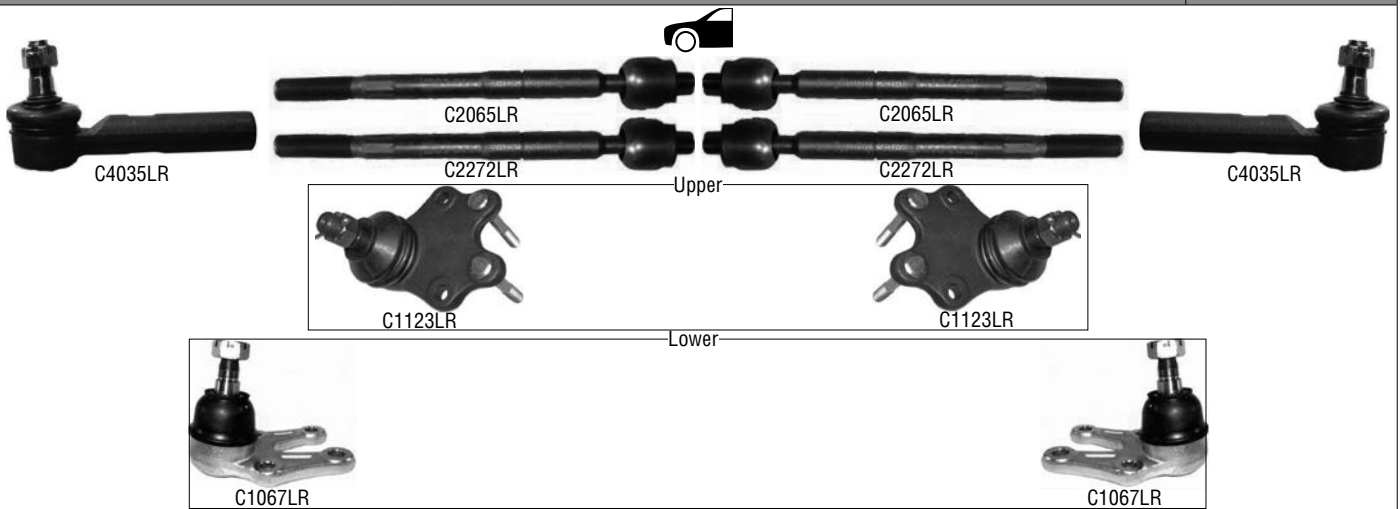
12/1982 - 07/1989



LYNX	Description	Original Number	Specification	
C4038LR	Tie Rod End Outer	45046-29115	MM17X1.5L	
C4242LR	Tie Rod End Inner	45406-29145	MM17x1.5R	
C5319L	Susp. Arm Left	48069-26020		
C5319R	Susp. Arm Right	48068-26020		
C1124LR	Ball Joint Upper	43350-29045		Exc. 4WD
C1067LR	Ball Joint Lower	43330-29125		Exc. 4WD
C1068LR	Ball Joint Lower	43330-39195		4WD
C8582	Silentblock	48632-26010	ø 46.2	
C8583	Silentblock	48635-26020		
C8584	Silentblock	48061-26010	ø 43.3	

HIACE III (_H10, _H11J)

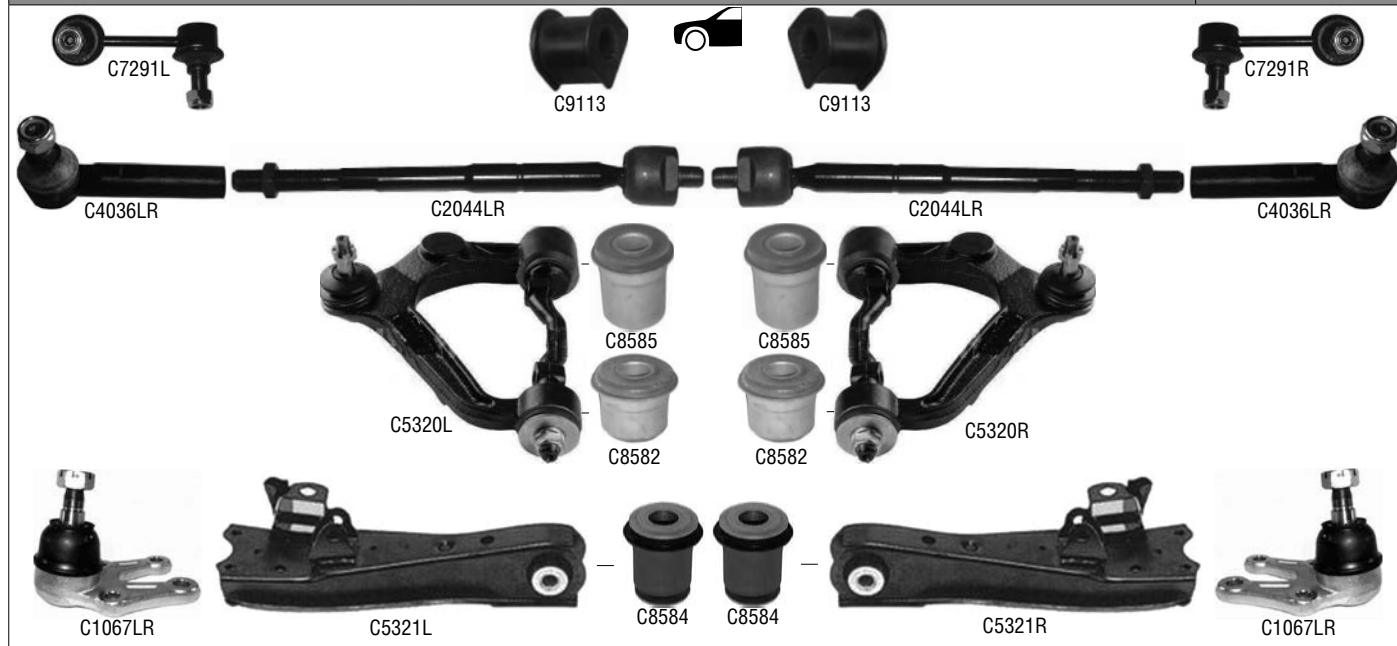
08/1989 - 07/1995



LYNX	Description	Original Number	Specification	
C2065LR	Tie Rod	45503-29265		
C2272LR	Tie Rod	45503-29255	MM14x1.5R	Front Disc Brakes
C4035LR	Tie Rod End	45046-29215	FM17X1.5R	
C1123LR	Ball Joint Upper	43350-29065		
C1067LR	Ball Joint Lower	43330-29125		

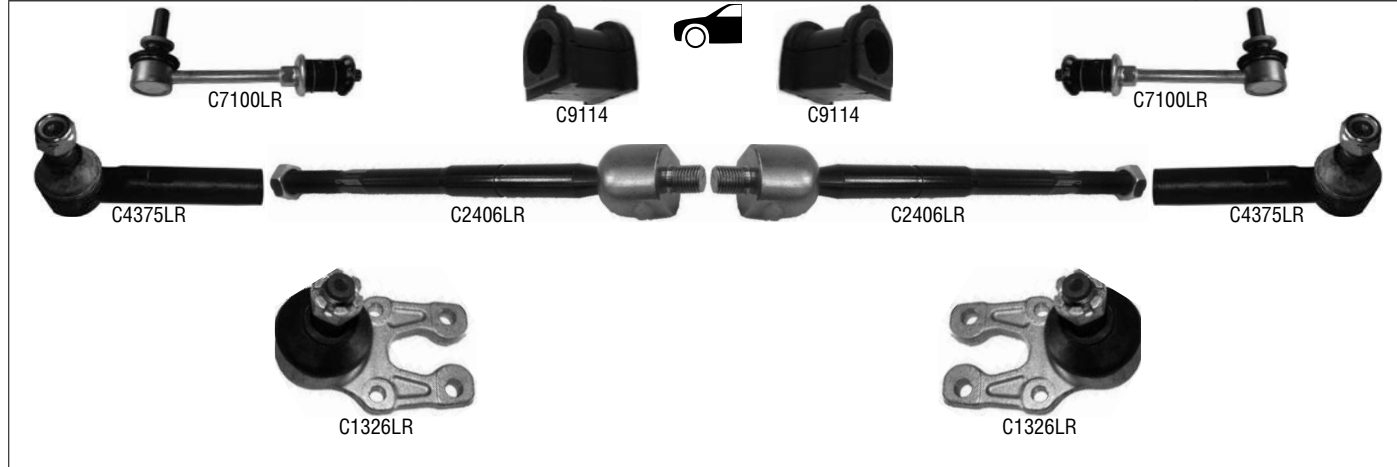


HIACE IV (_H1_,_H2_) 08/1995 - 01/2007



LYNX	Description	Original Number	Specification
C2044LR	Tie Rod	45503-29565	MM14X1.5R
C4036LR	Tie Rod End	45046-29325	
C5320L	Susp. Arm Upper Left	48067-29075	
C5320R	Susp. Arm Upper Right	48066-29075	
C5321L	Susp. Arm Lower Left	48069-26130	
C5321R	Susp. Arm Lower Right	48068-26130	
C1067LR	Ball Joint Lower	43330-29125	
C7291L	Stabiliser Link Left	48810-26020	
C7291R	Stabiliser Link Right	48820-26020	
C9113	Stabiliser Mounting	48815-26200	
C8585	Silentblock	48635-26010	
C8584	Silentblock	48061-26050	
C8582	Silentblock	48632-26010	ø 46.2

HIACE V (KDH2_, TRH2_) 08/2004>

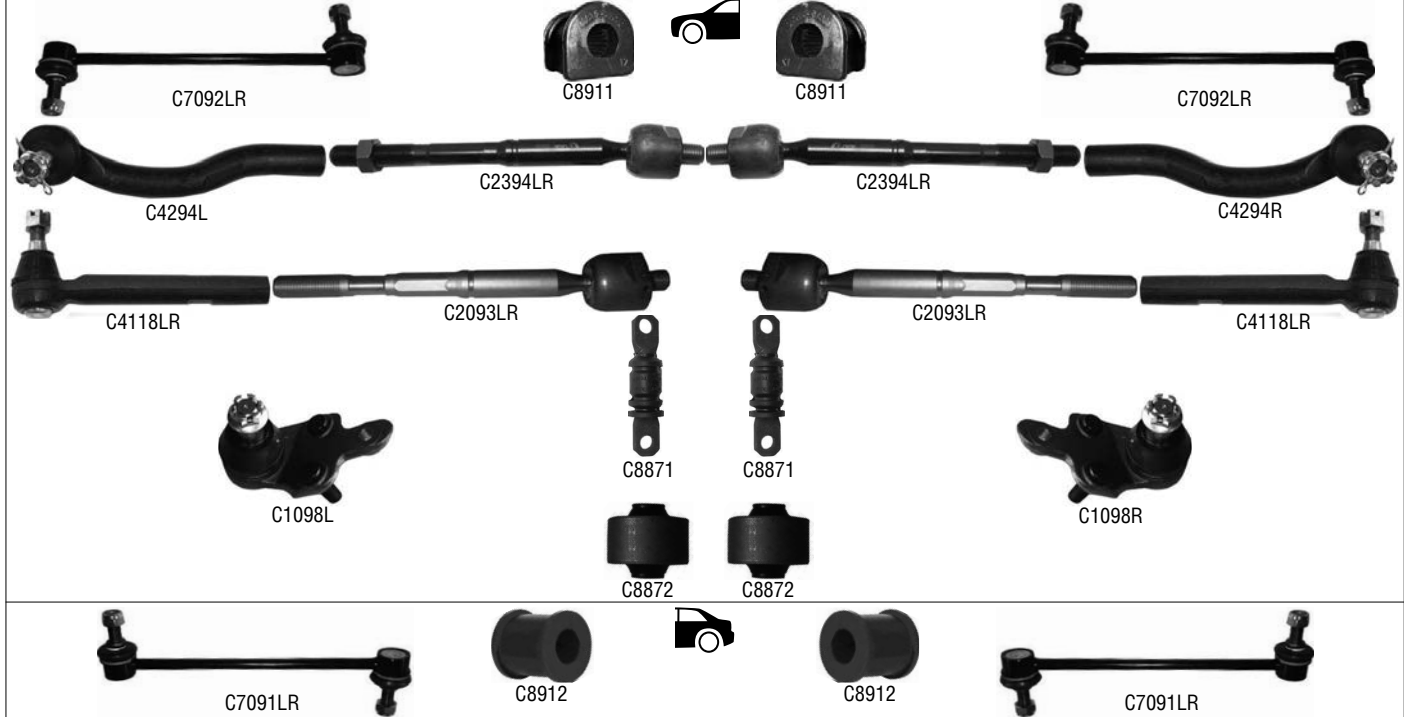


LYNX	Description	Original Number	Specification
C2406LR	Tie Rod	45503-29836	
C4375LR	Tie Rod End	45046-29456	
C1326LR	Ball Joint	43330-29565	
C7100LR	Stabiliser Link	48820-26050	
C9114	Stabiliser Mounting	48815-26370	

• TOYOTA

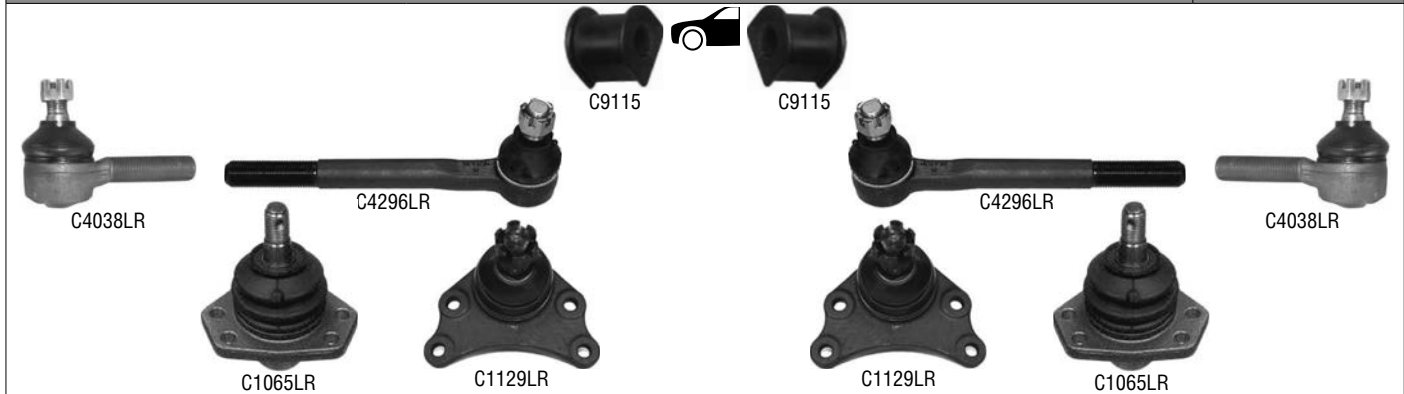


HIGHLANDER (_CU2_) 11/2000 - 04/2007



LYNX	Description	Original Number	Specification	
C2394LR	Tie Rod	45503-49085		>07/03
C4294L	Tie Rod End Left	45470-29185	FM15X1.5R	>07/03
C4294R	Tie Rod End Right	45460-29425	FM15X1.5R	>07/03
C2093LR	Tie Rod	45503-49125		08/03>
C4118LR	Tie Rod End	45460-29435		08/03>
C1098L	Ball Joint Left	43340-29175		
C1098R	Ball Joint Right	43330-29405		
C7092LR	Stabiliser Link Front	48820-28050		
C7091LR	Stabiliser Link Rear	48830-48010		
C8911	Stabiliser Mounting	48815-48040		
C8912	Stabiliser Mounting	48818-48020		
C8871	Silentblock			
C8872	Silentblock			

HILUX (_N3_ , _N4_ , _N5_) 2WD 08/1978 - 07/1988

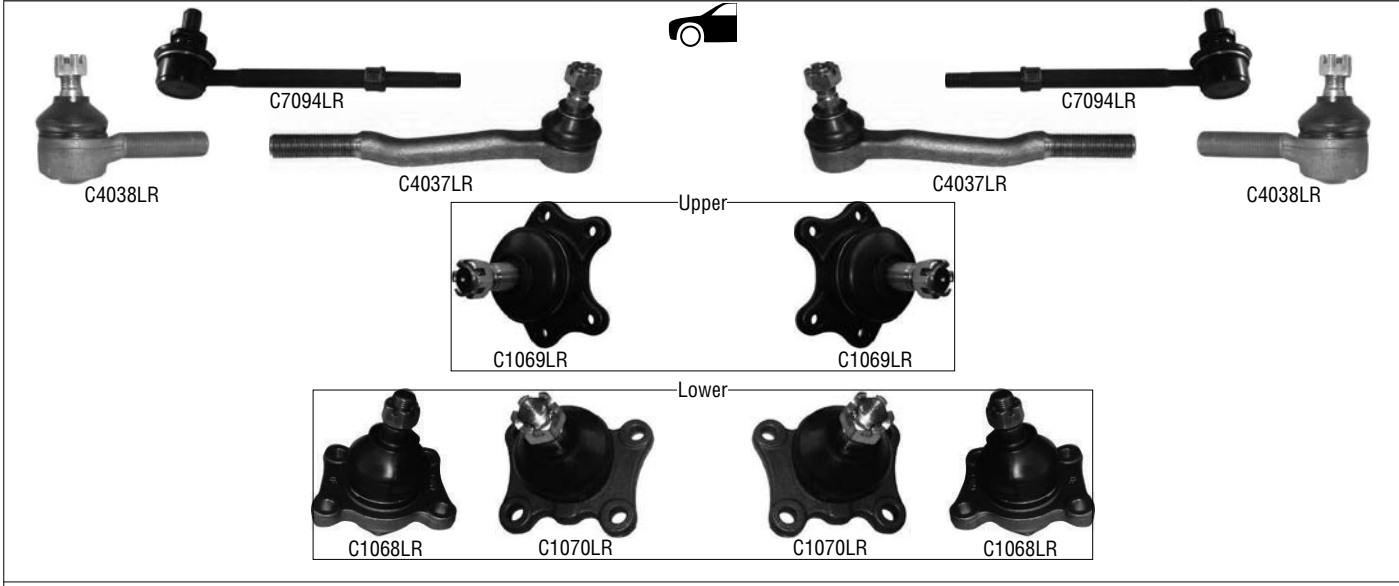


LYNX	Description	Original Number	Specification	
C4038LR	Tie Rod End Outer	45046-29115	MM17X1.5L	
C4296LR	Tie Rod End Inner	45406-29115	MM17X1.5R	
C1065LR	Ball Joint Upper	43360-39015		>06/83
C1129LR	Ball Joint Upper	43350-39035		08/83>
C9115	Stabilizer Mounting	48815-30060		_N5_



HILUX (_N6_, _N10_, _N11_, _N12_, _N13_) 4WD

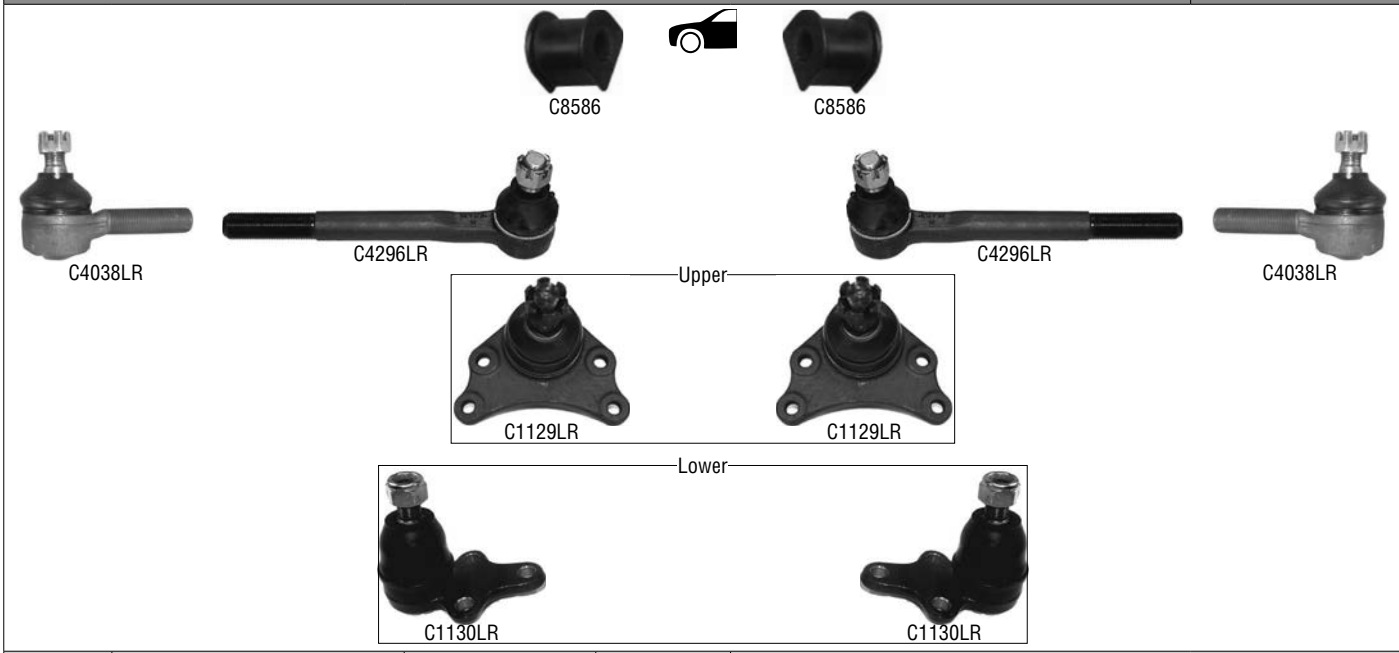
08/1988 - 07/1997



LYNX	Description	Original Number	Specification
C4038LR	Tie Rod End Outer	45046-29115	MM17X1.5L
C4037LR	Tie Rod End Inner	45406-39165	FM17x1.5R
C1069LR	Ball Joint Upper	43350-39045	
C1068LR	Ball Joint Lower	43330-39195	>03/89
C1070LR	Ball Joint Lower	43330-39265	04/89>
C7094LR	Stabiliser Link	48820-35010	
C7095LR	Stabiliser Link	48830-35010	

HILUX (_N8_, _N9_, _N11_) 2WD

08/1988 - 07/1997

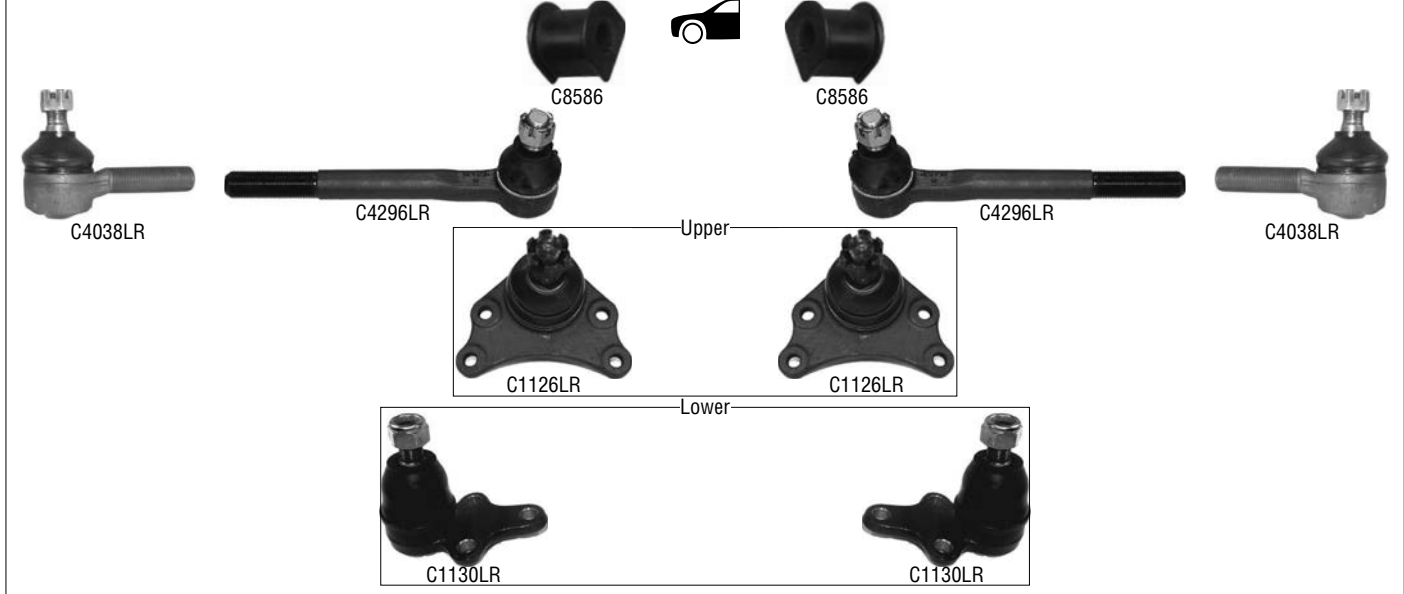


LYNX	Description	Original Number	Specification
C4038LR	Tie Rod End Outer	45046-29115	MM17X1.5L
C4296LR	Tie Rod End Inner	45406-29115	MM17X1.5R
C1129LR	Ball Joint Upper	43350-39075	
C1130LR	Ball Joint Lower	43330-39295	
C8586	Stabilizer Mounting	48815-14160	ø 25

• TOYOTA

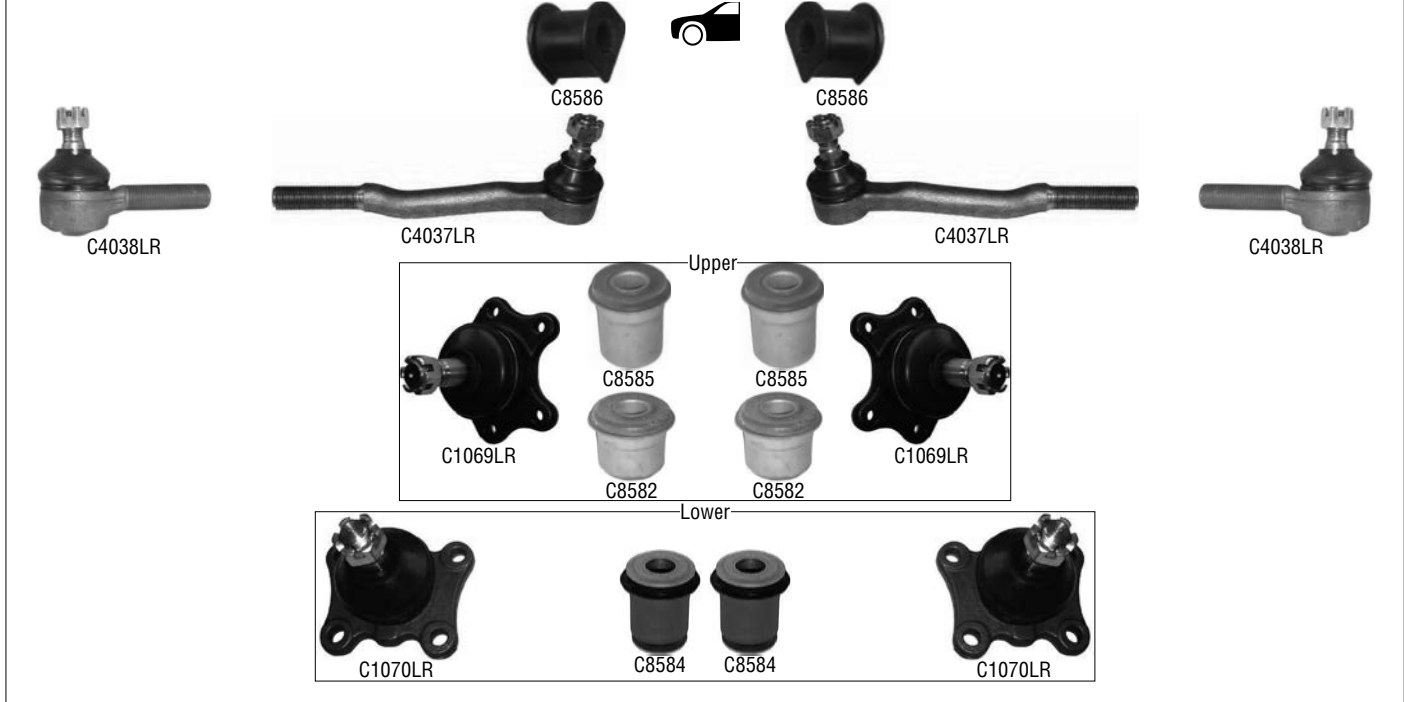


HILUX (KDN145/150, LN145/150) 2WD 08/1997 - 08/2005



LYNX	Description	Original Number	Specification
C4038LR	Tie Rod End Outer	45046-29115	MM17X1.5L
C4296LR	Tie Rod End Inner	45406-29115	MM17X1.5R
C1126LR	Ball Joint Upper	43350-39125	
C1130LR	Ball Joint Lower	43330-39445	
C8586	Stabilizer Mounting	48815-14160	ø 25

HILUX (KDN165/170/190, LN165/170/190, RZN168/173) 4WD 08/1997 - 08/2005



LYNX	Description	Original Number	Specification
C4038LR	Tie Rod End Outer	45046-29115	MM17X1.5L
C4037LR	Tie Rod End Inner	45406-39165	FM17x1.5R
C1070LR	Ball Joint Lower	43330-39265	
C1069LR	Ball Joint Upper	43350-39045	
C8586	Stabilizer Mounting	48815-14160	ø 25
C8582	Silentblock	48632-26010	ø 46.2
C8585	Silentblock	48635-26010	
C8584	Silentblock	48061-26010	ø 43.3



HILUX (KUN1_ , KUN2_)

09/2005>



LYNX	Description	Original Number	Specification	
C2092LR	Tie Rod	45503-09321	MM14x1.5R	
C4120LR	Tie Rod End	45046-09261	FM15x1.5R	2WD
C4119LR	Tie Rod End	45046-09281	FM15x1.5R	4WD
C5456L	Susp. Arm Lower Left	48068-0K040		4WD
C5456R	Susp. Arm Lower Right	48069-0K040		4WD
C5457L	Susp. Arm Upper Left	48630-0K040		4WD
C5457R	Susp. Arm Upper Right	48610-0K040		4WD
C1125LR	Ball Joint Upper	43310-09015		
C1127LR	Ball Joint Lower	43330-09510		
C7427LR	Stabilizer Link	48820-0K010		2WD
C7099L	Stabilizer Link Left	48810-0K010		4WD
C7099R	Stabilizer Link Right	48820-0K030		4WD
C9116	Stabiliser Mounting	48815-0K070		2WD
C9117	Stabiliser Mounting	48815-0K010		4WD
C9118	Silentblock	48654-0K040		4WD
C9119	Silentblock	48655-0K040		4WD
C9120	Silentblock	48632-0K040		4WD

• TOYOTA



LAND CRUISER 60 (BJ60 , HJ6_ , HJ45 , FJ62) 08/1980 - 01/1990



C4122L
C4243LR



C4132LR

LYNX	Description	Original Number	Specification
C4122L	Tie Rod End	45047-69066	MM23X1.5R
C4243LR	Tie Rod End	45047-69065	MM23X1.5R
C4132LR	Tie Rod End	45046-69115	MM23x1.5L

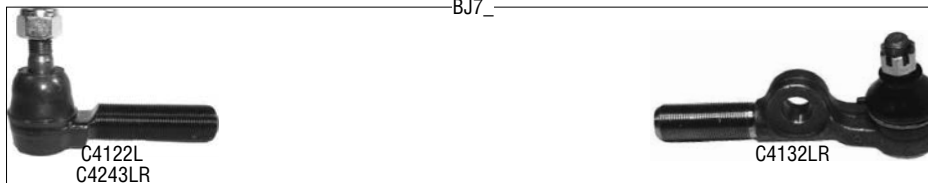
LAND CRUISER 70 (RJ7_ , LJ7_ , BJ7_) 11/1984 - 01/1990



C4131LR



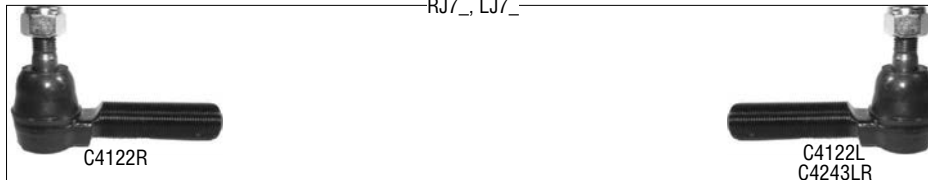
BJ7_ C4058R



C4122L
C4243LR

C4132LR

RJ7_ , LJ7_



C4122R

C4122L
C4243LR

LYNX	Description	Original Number	Specification	
C4058R	Tie Rod End	45045-69065	MM21X1.5R	Exc. BJ7_
C4131LR	Tie Rod End	45044-69105	MM21x1.5L	Exc. BJ7_
C4243LR	Tie Rod End	45047-69065	MM23X1.5R	BJ7_ >05/89 - Left / RJ7_ , LJ7_ >05/89 - Right
C4122L	Tie Rod End	45047-69085	MM23X1.5R	BJ7_ 05/89> - Left / RJ7_ , LJ7_ 05/89> - Right
C4122R	Tie Rod End	45046-69135	MM23X1.5L	RJ7_ , LJ7 - Left
C4132LR	Tie Rod End	45046-69115	MM23x1.5L	BJ7_ >05/89 - Right

LAND CRUISER 70 (KZJ7_ , LJ7_ , RJ7_) 01/1990 - 04/1996



C7109L



C7109R



C4122L



C4058R

LYNX	Description	Original Number	Specification
C4122L	Tie Rod End	45047-69085	MM23X1.5R
C4058R	Tie Rod End	45045-69065	MM21X1.5R
C7109L	Stabiliser Link Left	48810-60010	
C7109R	Stabiliser Link Right	48820-60010	



LAND CRUISER 80 (FJ80, FZJ80, HDJ80, HZJ80)

01/1990 - 01/1998



C4058R



C4130LR
C4131LR



C4122L

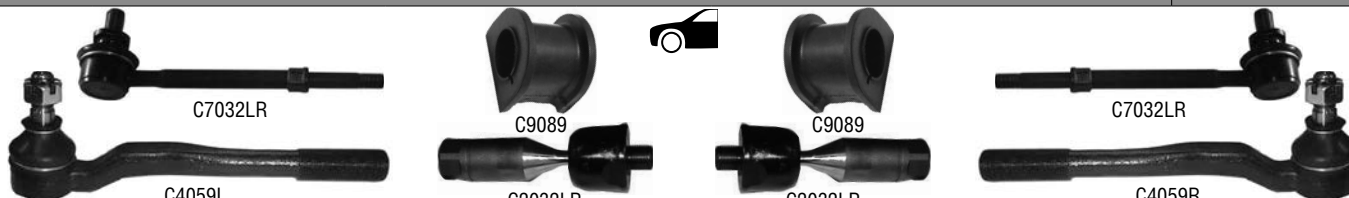


C4122R

LYNX	Description	Original Number	Specification	
C4122L	Tie Rod End Left	45047-69066	MM23X1.5R	LHD - Left / RHD - Right
C4122R	Tie Rod End Right	45046-69135	MM23X1.5L	LHD - Right / RHD - Left
C4058R	Tie Rod End	45045-69065	MM21X1.5R	
C4131LR	Tie Rod End	45044-69106	MM21x1.5L	LHD
C4130LR	Tie Rod End	45044-69115	MM21X1.5L	RHD

LAND CRUISER 90 PRADO (KDJ9_, KZJ9_, VZJ9_)

04/1996 - 09/2002



C7032LR

C9089

C9089

C7032LR

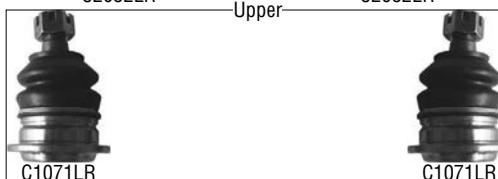
C4059L

C2032LR

Upper

C2032LR

C4059R



C1071LR

C1071LR



C1230L

C5322L

C9091

C9091

C5322R

C1230R

C9091

C9091



C7093LR



C9090



C9090

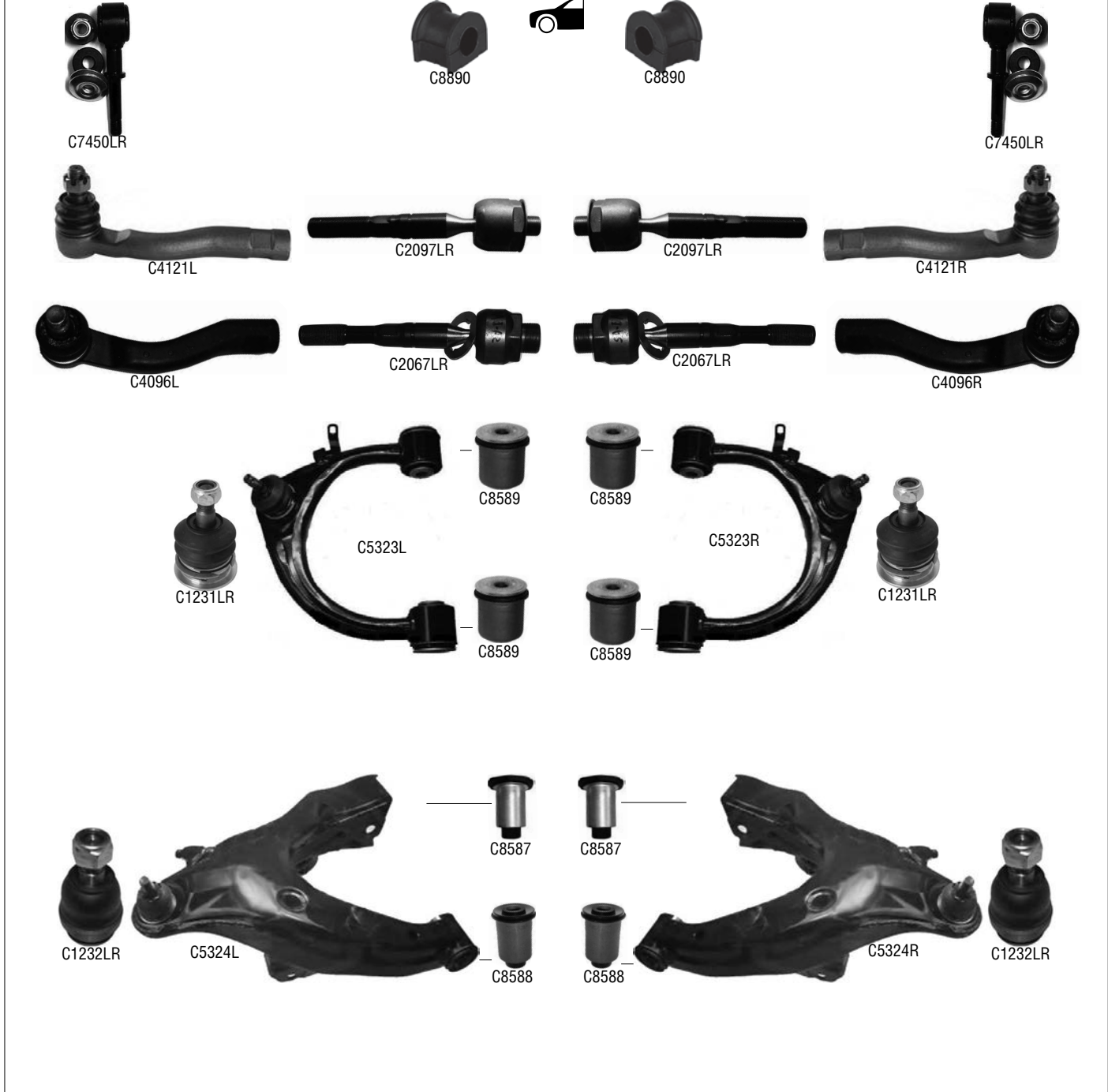


C7093LR

LYNX	Description	Original Number	Specification	
C2032LR	Tie Rod	45503-39075	MM18X1.5R	
C4059L	Tie Rod End Left	45047-39215	MM20x1.5R	
C4059R	Tie Rod End Right	45046-39335	MM20x1.5R	
C5322L	Susp. Arm Lower Left	48069-35080		
C5322R	Susp. Arm Lower Right	48068-35080		
C1230L	Ball Joint Lower Left	43340-39325		
C1230R	Ball Joint Lower Right	43330-39415		
C1071LR	Ball Joint Upper	43310-39016		
C7093LR	Stabiliser Link	48830-35020		
C7032LR	Stabiliser Link	48820-35030		
C9089	Stabiliser Mounting	48815-35100		
C9090	Stabiliser Mounting	48815-10090		
C9091	Silentblock	48061-35040		



LAND CRUISER 100 (HDJ100 , UZJ100) 01/1998>



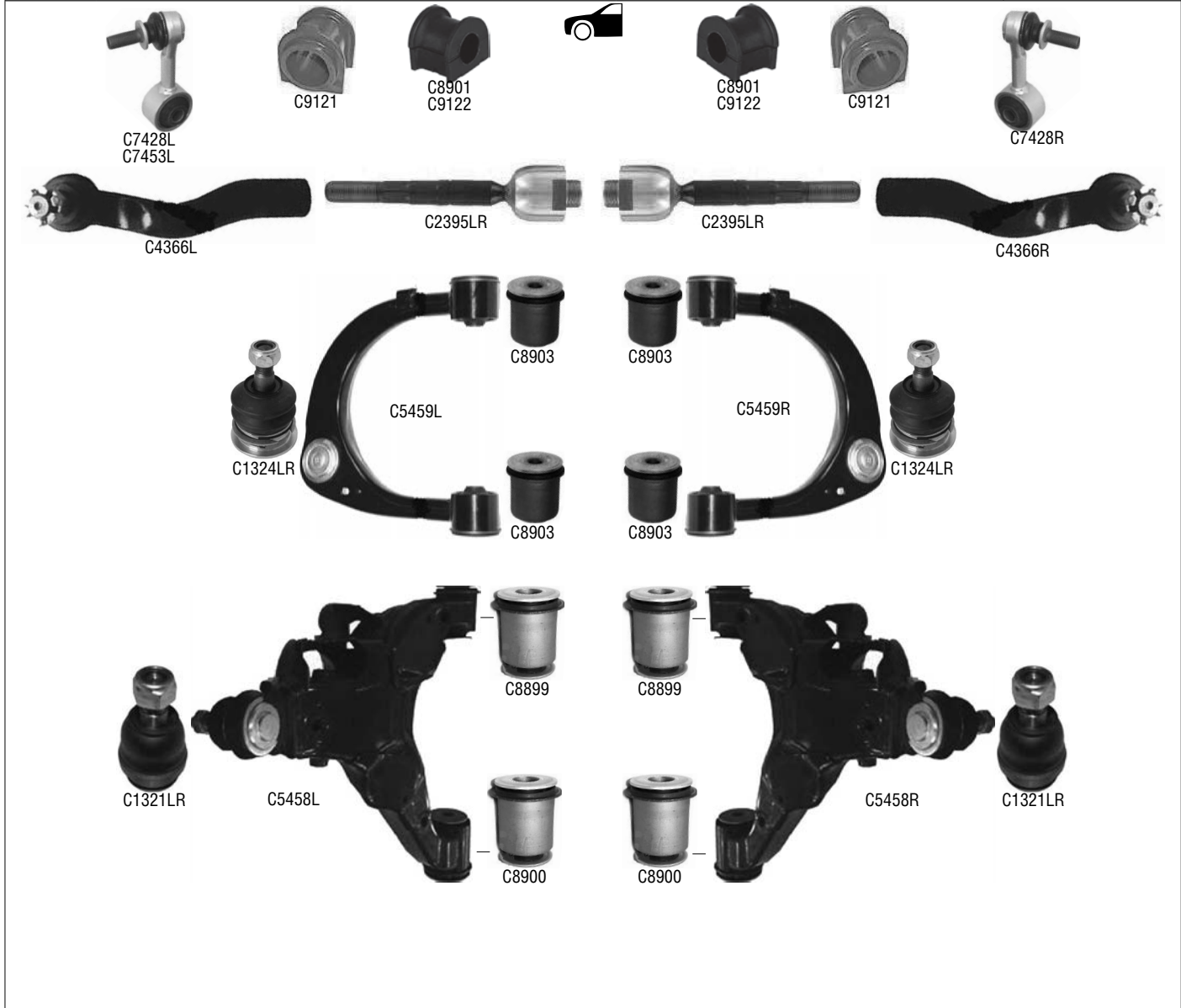
LYNX	Description	Original Number	Specification	
C2097LR	Tie Rod	45503-69015	MM18x1.5R	>08/02
C4121L	Tie Rod End Left	45047-69100	FM20X1.5R	>08/02
C4121R	Tie Rod End Right	45046-69195	FM20X1.5R	>08/02
C2067LR	Tie Rod	45503-69025		09/02>
C4096L	Tie Rod End Left	45047-69115		09/02>
C4096R	Tie Rod End Right	45046-69205		09/02>
C5323L	Susp. Arm Upper Left	48630-60010		
C5323R	Susp. Arm Upper Right	48610-60030		
C5324L	Susp. Arm Lower Left	48640-60010		
C5324R	Susp. Arm Lower Right	48620-60010		
C1232LR	Ball Joint Lower	Comp. of C5324L/R		
C1231LR	Ball Joint Upper	Comp. of C5323L/R		
C7450LR	Stabiliser Link Front	48820-60032		



LYNX	Description	Original Number	Specification	
C5445LR	Susp. Arm Rear	48720-60040		
C5446L	Susp. Arm Rear Left	48710-60080		
C5446R	Susp. Arm Rear Right	48710-60070		
C5447LR	Susp. Arm Rear	48740-60080		
C7451LR	Stabiliser Link Rear	48802-60090		
C8890	Stabiliser Mounting	48815-60111		
C8891	Stabiliser Mounting	48815-26250		
C8587	Silentblock	48655-60010		
C8588	Silentblock	48654-60010	ø 48	
C8589	Silentblock	48632-60010	ø 52.1	
C8896	Silentblock			
C8897	Silentblock			
C8898	Silentblock			



LAND CRUISER 200 (UZJ200, VDJ200) 08/2007>



LYNX	Description	Original Number	Specification
C2395LR	Tie Rod	45503-60030	
C4366L	Tie Rod End Left	45047-69145	
C4366R	Tie Rod End Right	45046-69235	
C5458L	Susp. Arm Lower Left	48069-60030	
C5458R	Susp. Arm Lower Right	48068-60030	
C5459L	Susp. Arm Upper Left	48630-60030	
C5459R	Susp. Arm Upper Right	48610-60060	
C1321LR	Ball Joint Lower		
C1324LR	Ball Joint Upper		
C7428L	Stabiliser Link Front Left	48810-60050	
C7428R	Stabiliser Link Front Right	48820-60070	
C7453L	Stabiliser Link Front Left	48810-60060	KDSS
C8901	Stabiliser Mounting	48815-60270	Active Height Control
C9121	Stabiliser Mounting	48815-60260	KDSS
C9122	Stabiliser Mounting	48815-60250	
C8899	Silentblock	48654-60040	
C8900	Silentblock	48655-60040	
C8903	Silentblock	48632-60030	

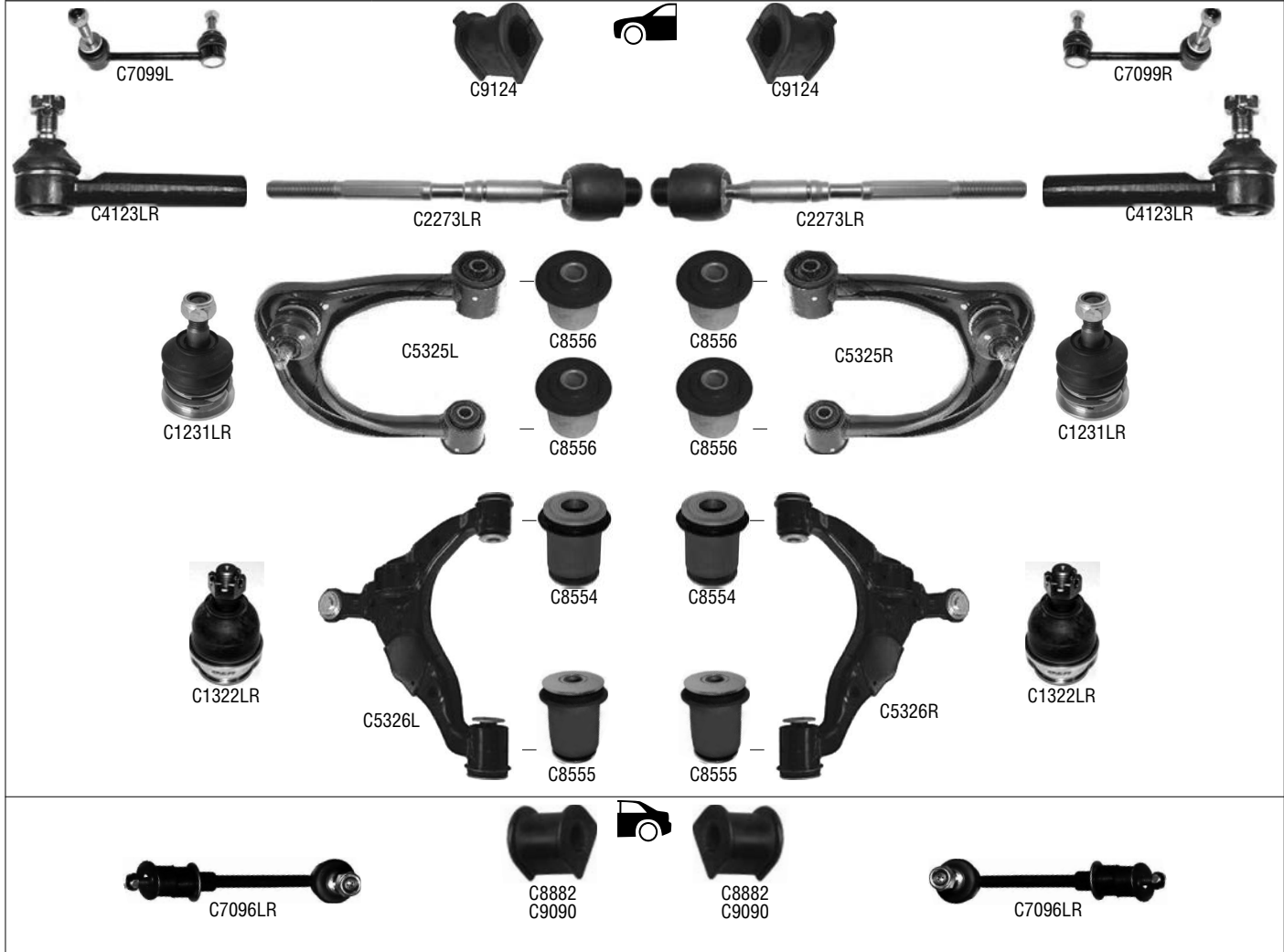


LYNX	Description	Original Number	Specification
C5460LR	Susp. Arm Rear	48720-60070	
C5461L	Susp. Arm Rear Left	48710-60130	Active Height Control
C5461R	Susp. Arm Rear Right	48710-60120	Active Height Control
C5462L	Susp. Arm Rear Left	48710-60150	
C5462R	Susp. Arm Rear Right	48710-60140	
C5463LR	Susp. Arm Rear	48740-60150	
C7452LR	Stabiliser Link Rear	48802-60110	
C8902	Stabiliser Mounting	48815-60240	
C9123	Stabiliser Mounting	48815-60220	KDSS
C8904	Silentblock		
C8905	Silentblock		
C8906	Silentblock		

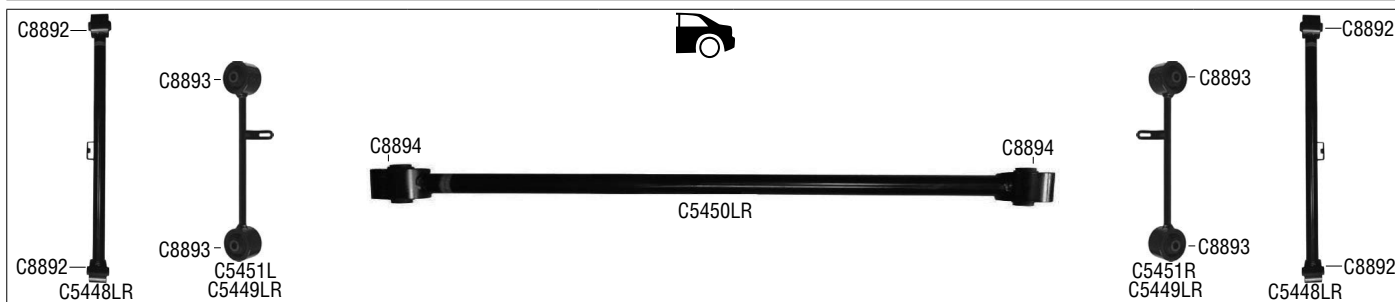
• TOYOTA



LAND CRUISER 120 PRADO (GRJ_ , KDJ_) 09/2002 - 02/2010



LYNX	Description	Original Number	Specification	
C2273LR	Tie Rod	45503-39235	MM22X1.5R	
C4123LR	Tie Rod End	45046-39505		
C5326L	Susp. Arm Lower Left	48069-60010		
C5326R	Susp. Arm Lower Right	48068-60010		
C5325L	Susp. Arm Upper Left	48630-60020		
C5325R	Susp. Arm Upper Right	48610-60050		
C5448LR	Susp. Arm Rear	48720-35060		
C5449LR	Susp. Arm Rear	48710-35050		Exc. Air Suspension
C5450LR	Susp. Arm Rear	48740-35040		
C5451L	Susp. Arm Rear Left	48710-35060		Air Suspension
C5451R	Susp. Arm Rear Right	48710-35070		Air Suspension
C1322LR	Ball Joint Lower	43330-60010		
C1231LR	Ball Joint Upper			
C7099L	Stabiliser Link Front Left	48810-60040		
C7099R	Stabiliser Link Front Right	48820-60050		
C7096LR	Stabiliser Link Rear	48830-60030		
C9124	Stabiliser Mounting	48815-60180		
C8882	Stabiliser Mounting	48815-14140		
C9090	Stabiliser Mounting	48815-10090		Differential Lock
C8554	Silentblock	48654-60030		
C8555	Silentblock	48655-60030		
C8556	Silentblock	48632-60020		



LYNX	Description	Original Number	Specification
C8892	Silentblock		
C8893	Silentblock		
C8894	Silentblock		

LAND CRUISER 150 PRADO (GRJ150, KDJ150) 08/2009>

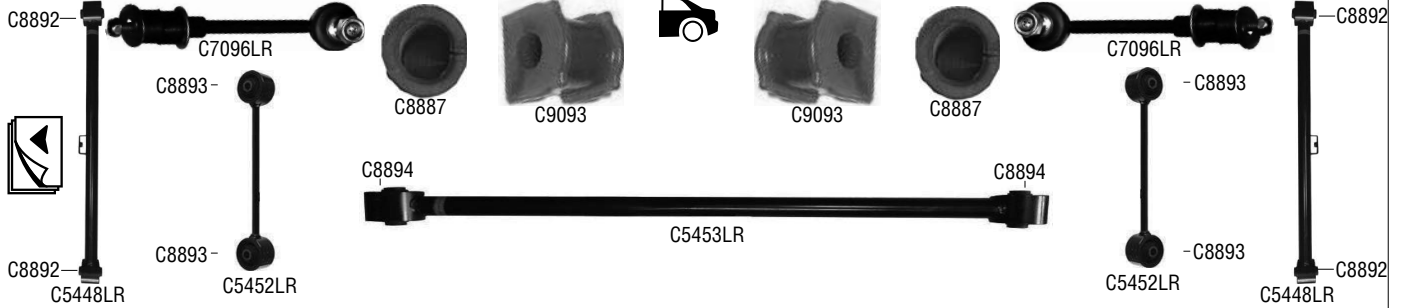


LYNX	Description	Original Number	Specification
C2396LR	Tie Rod	45503-60040	
C4367LR	Tie Rod End	45046-69245	
C5325L	Susp. Arm Upper Left	48630-60040	
C5325R	Susp. Arm Upper Right	48610-60070	
C5444L	Susp. Arm Lower Left	48069-60050	
C5444R	Susp. Arm Lower Right	48068-60050	
C1231LR	Ball Joint Upper		
C1323LR	Ball Joint Lower	43330-60040	
C7099L	Stabiliser Link Front Left	48810-60040	Exc. KDSS
C7099R	Stabiliser Link Front Right	48820-60050	Exc. KDSS
C8886	Stabiliser Mounting	48815-60320	KDSS
C8888	Stabiliser Mounting	48849-60040	KDSS
C9092	Stabiliser Mounting	48815-60310	Exc. KDSS
C8884	Silentblock	48654-60050	
C8885	Silentblock	48655-60050	
C8556	Silentblock	48632-60020	

• TOYOTA

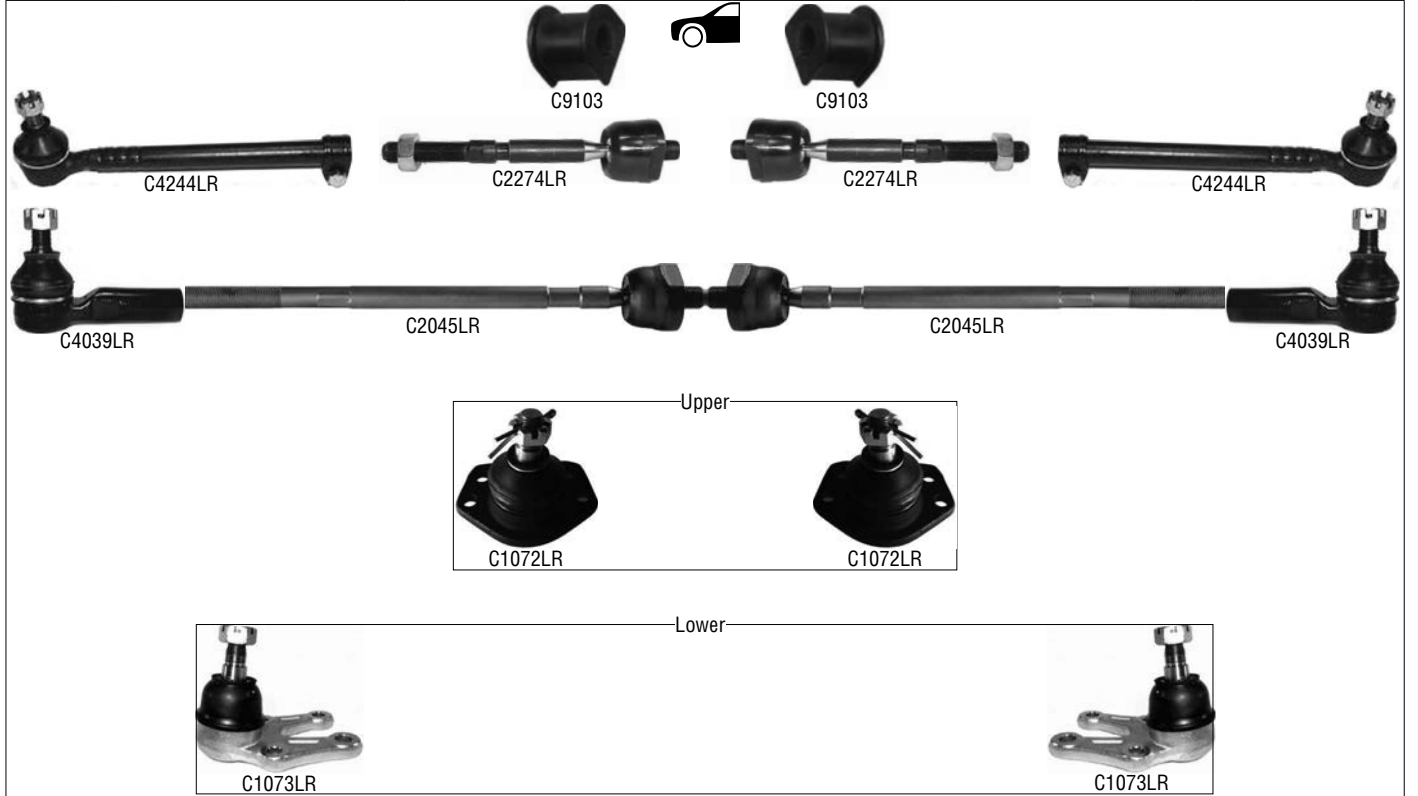


LAND CRUISER 150 PRADO (GRJ150, KDJ150) 08/2009>



LYNX	Description	Original Number	Specification	
C5448LR	Susp. Arm Rear	48720-35061		
C5452LR	Susp. Arm Rear	48710-60160		
C5453LR	Susp. Arm Rear	48740-60160		
C7096LR	Stabiliser Link Rear	48830-60030		Exc. KDSS
C8887	Stabiliser Mounting	48818-60020		KDSS
C9093	Stabiliser Mounting	48818-60040		Exc. KDSS
C8892	Silentblock			
C8893	Silentblock			
C8894	Silentblock			

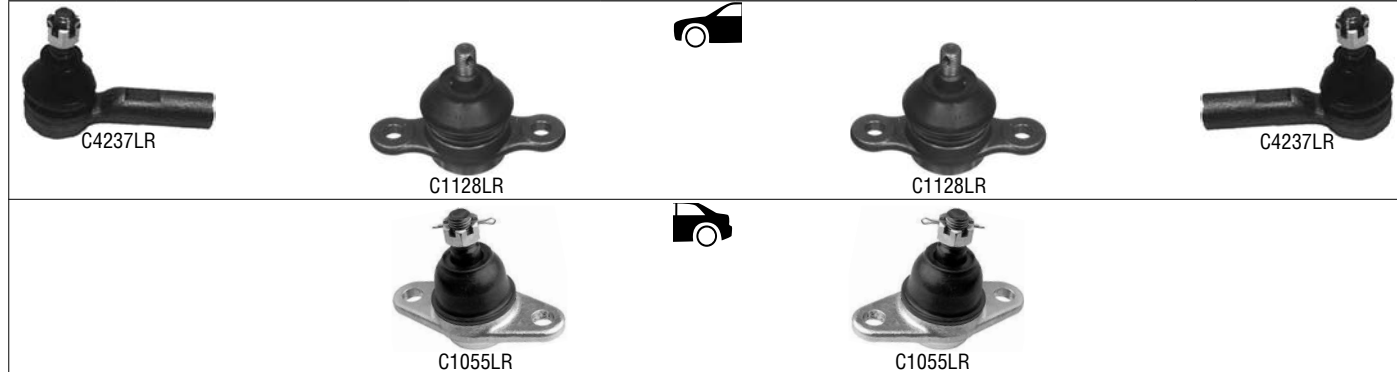
LITEACE (_M2_, _M3_) 10/1979 - 01/1992



LYNX	Description	Original Number	Specification	
C2274LR	Tie Rod	45503-29015	MM14x1.5R	_M3_ 09/85-07/88
C4244LR	Tie Rod End	45460-29315	FM14x1.5R	_M3_ 09/85-07/88
C2045LR	Tie Rod	45503-29215	MM14x1.5R	_M3_ 08/88>
C4039LR	Tie Rod End	45046-29185	MM14x1.5R	_M3_ 08/88>
C1072LR	Ball Joint Upper	43350-29076		
C1073LR	Ball Joint Lower	43340-29095		82>
C9103	Stabiliser Mounting	48815-30040		

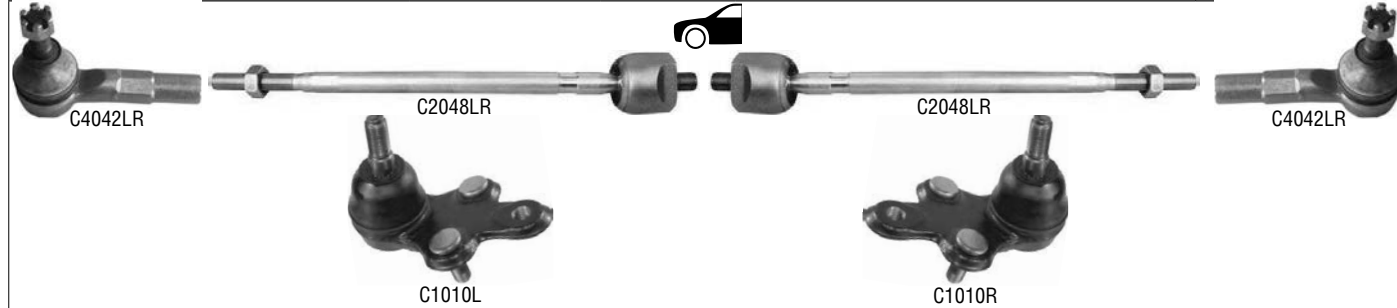


MR 2 (_W1_, _W2_) 06/1984 - 05/2000



LYNX	Description	Original Number	Specification	
C4237LR	Tie Rod End	45046-29135	FM12X1.25	_W1_
C1128LR	Ball Joint Lower	43330-19025		
C1055LR	Ball Joint Rear	43330-39135		

PASEO (EL54) 08/1995 - 07/1999



LYNX	Description	Original Number	Specification	
C2048LR	Tie Rod	45503-19155	MM12X1.25R	
C4042LR	Tie Rod End	45046-19205	FM12X1.25	
C1010L	Ball Joint Left	43340-19025		
C1010R	Ball Joint Right	43330-19085		

PICNIC (_XM10) 05/1996 - 04/2001



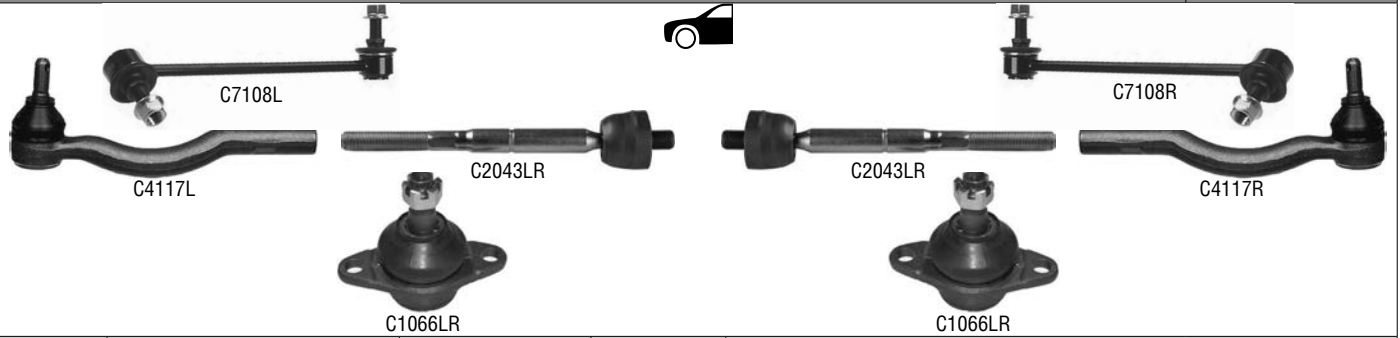
LYNX	Description	Original Number	Specification	
C2035LR	Tie Rod	45503-29435	MM14X1.5R	
C4055L	Tie Rod End Left	45047-29075	FM15x1.5R	
C4055R	Tie Rod End Right	45046-29275	FM15x1.5R	
C5327L	Susp. Arm Left	48069-44010		
C5327R	Susp. Arm Right	48068-44010		
C1053LR	Ball Joint Lower	43330-09030		
C9125	Silentblock			
C9126	Silentblock			

• TOYOTA



PREVIA / ESTIMA (TCR1_, 2_)

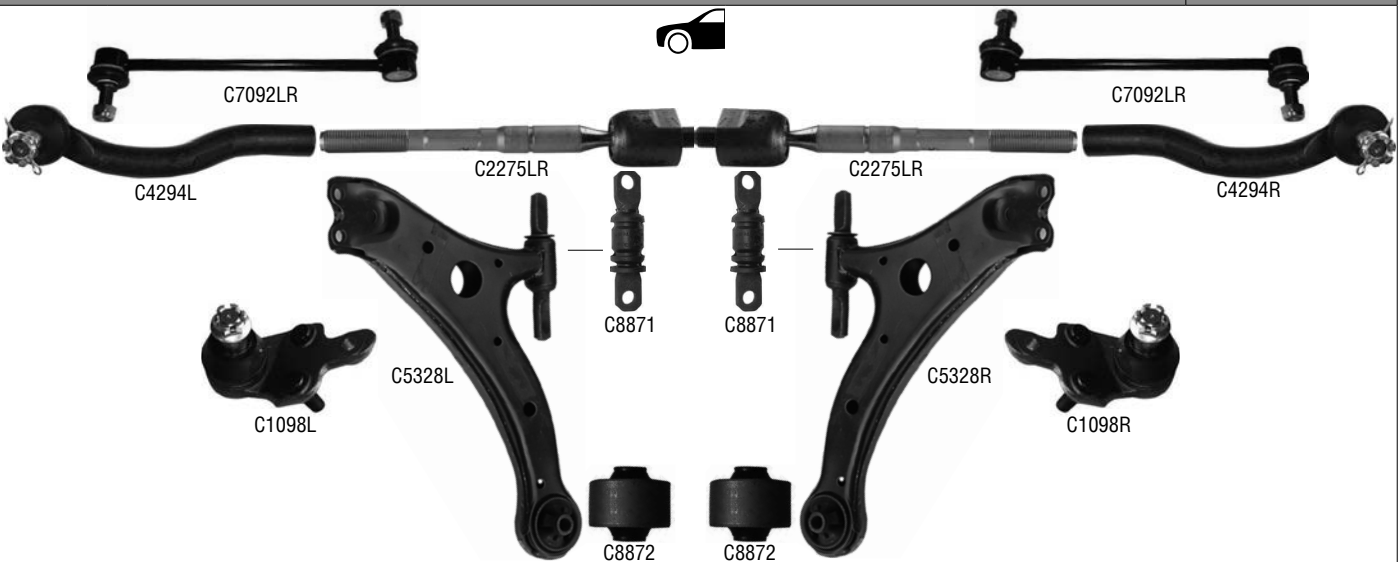
05/1990 - 08/2000



LYNX	Description	Original Number	Specification
C2043LR	Tie Rod	45503-29295	MM14x1.5R
C4117L	Tie Rod End	45047-29065	FM14X1.5R
C4117R	Tie Rod End	45046-29235	FM14X1.5R
C1066LR	Ball Joint	43330-29235	
C7108L	Stabiliser Link Left	48810-28020	
C7108R	Stabiliser Link Right	48820-28010	

PREVIA / ESTIMA (ACR3_)

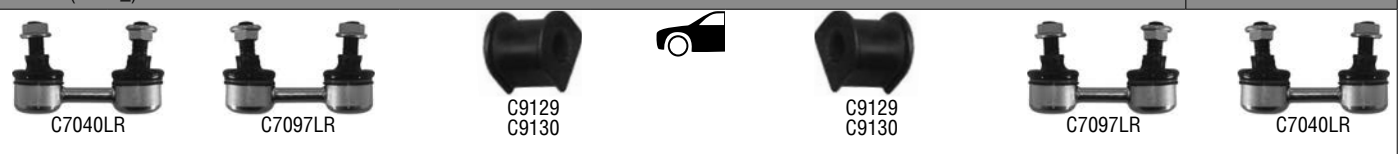
08/2000 - 04/2006



LYNX	Description	Original Number	Specification
C2275LR	Tie Rod	45504-28030	MM14X1.5R
C4294L	Tie Rod End Left	45470-29185	
C4294R	Tie Rod End Right	45460-29425	
C5328L	Susp. Arm Left	48069-28120	
C5328R	Susp. Arm Right	48068-28120	
C1098L	Ball Joint Left	43340-29175	
C1098R	Ball Joint Right	43330-29405	
C7092LR	Stabiliser Link Front	48820-28050	
C8871	Silentblock		
C8872	Silentblock		

RAV4 I (SXA1_)

04/1994 - 06/2000



LYNX	Description	Original Number	Specification
C7040LR	Stabiliser Link	48820-33010	SXA 10, 15
C7097LR	Stabiliser Link	48820-42010	SXA 11, 16



LYNX	Description	Original Number	Specification
C2041LR	Tie Rod	45503-29365	MM14X1.5R
C4032LR	Tie Rod End	45046-19175	FM14x1.5R
C5329L	Susp. Arm Left	48069-42012	
C5329R	Susp. Arm Right	48068-42012	
C1057LR	Ball Joint	43330-49025	
C9129	Stabiliser Mounting	48815-42010	SXA 10, 15
C9130	Stabiliser Mounting	48815-42020	SXA 11, 16
C9127	Silentblock		
C9128	Silentblock		

RAV4 II (ACA2_) 07/2000 - 03/2006



LYNX	Description	Original Number	Specification
C2066LR	Tie Rod	45503-49055	MM14X1.5R
C4125L	Tie Rod End Left	45047-49025	FM15X1.25
C4125R	Tie Rod End Right	45046-49095	FM15X1.5R
C5330L	Susp. Arm Left	48069-42040	
C5330R	Susp. Arm Right	48068-42040	
C1062LR	Bail Joint	43330-19115	
C7460LR	Stabiliser Link Front	48820-42020	
C7292L	Stabiliser Link Rear Left	48840-42010	
C7292R	Stabiliser Link Rear Right	48830-42010	
C9131	Stabiliser Mounting	48815-42050	
C9132	Stabiliser Mounting	48815-42030	
C8590	Silentblock	Comp. of C5330L/R	
C8591	Silentblock	Comp. of C5330L/R	

• TOYOTA

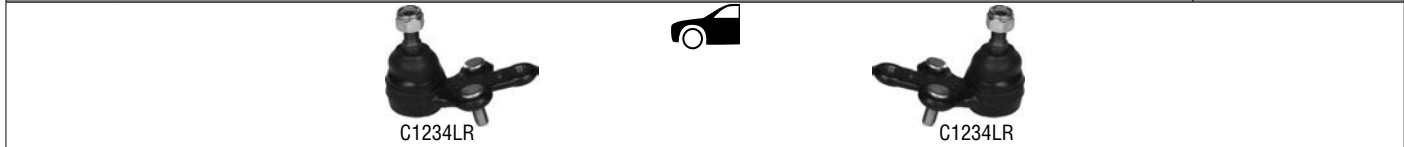


RAV4 III (ACA3_, ALA30, GSA33) 03/2006>



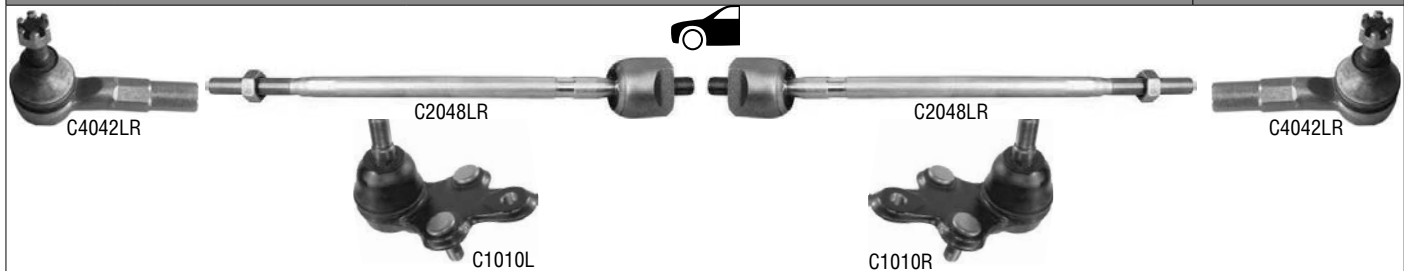
LYNX	Description	Original Number	Specification
C2276LR	Tie Rod		MM16X1.5R
C4245L	Tie Rod End Left	45047-49135	FM16x1.5R
C4245R	Tie Rod End Right	45046-49195	FM16x1.5R
C5331L	Susp. Arm Left	48069-42050	
C5331R	Susp. Arm Right	48068-42050	
C1233LR	Ball Joint	43330-49095	
C7293LR	Stabiliser Link Front	48820-42030	
C7294LR	Stabiliser Link Rear	48830-42020	
C8592	Stabiliser Mounting Left	48815-42090	ø 23
C8593	Stabiliser Mounting Right	48815-42100	ø 23
C9133	Stabiliser Mounting	48818-42010	
C8571	Silentblock	Comp. of C5331L/R	
C8594	Silentblock	Comp. of C5331L/R	

STARLET (_P7_) 10/1984 - 12/1989



LYNX	Description	Original Number	Specification
C1234LR	Ball Joint Lower	43330-19075	

STARLET (_P8_, EP91) 12/1989 - 03/1999



LYNX	Description	Original Number	Specification
C2048LR	Tie Rod	45503-19155	MM12X1.25R
C4042LR	Tie Rod End	45046-19205	FM12X1.25
C1010L	Ball Joint	43340-19025	
C1010R	Ball Joint	43330-19085	



YARIS (_CP10)

04/1999 - 12/2005

YARIS VERSO (NC/LP2_)

11/1999 - 12/2005



LYNX	Description	Original Number	Specification	
C2058LR	Tie Rod	45503-59045	MM14X1.5R	>02/03
C2277LR	Tie Rod	45503-0D030	MM14X1.5R	02/03>, Exc. 185/55/15 Tyre
C4060L	Tie Rod End Left	45047-59026	FM12x1.25	>02/03 / 02/03>, Exc. 185/55/15 Tyre
C4060R	Tie Rod End Right	45046-59026	M12x1.25R	>02/03 / 02/03>, Exc. 185/55/15 Tyre
C2278LR	Tie Rod	45503-59055	MM14X1.5R	02/03>, 185/55/15 Tyre
C4032LR	Tie Rod End	45046-19175	FM14x1.5R	02/03>, 185/55/15 Tyre
C5024L	Susp. Arm Left	48069-59035		
C5024R	Susp. Arm Right	48068-59035		
C1077LR	Ball Joint Lower	43308-59035		
C7295LR	Stabiliser Link	48819-52010		
C9133	Stabiliser Mounting	48815-52030		
C8139	Silentblock	48654-0H010	ø 32.5	
C8595	Silentblock		ø 55	

• TOYOTA



YARIS II (KSP90, NLP90, SCP90) 11/2005>



LYNX	Description	Original Number	Specification	
C2061LR	Tie Rod	45503-52070		
C4372L	Tie Rod End Left	45047-59135		Japan Make
C4372R	Tie Rod End Right	45046-59195		Japan Make
C4057L	Tie Rod End Left	45047-19115	FM14x1.5R	Japan Make, 165/70/R14
C4057R	Tie Rod End Right	45046-19265	FM14x1.5R	Japan Make, 165/70/R14
C4246L	Tie Rod End Left	45047-09220	FM14X1.5R	France Make
C4246R	Tie Rod End Right	45046-09480	FM14X1.5R	France Make
C5332L	Susp. Arm Left	48069-09040		
C5332R	Susp. Arm Right	48068-09040		
C1077LR	Ball Joint Lower	43308-59035		
C7296LR	Stabiliser Link	48820-0D010		
C8596	Stabiliser Mounting	48815-0D100	ø 24	
C8597	Silentblock	Comp. of C5332L/R		
C8598	Silentblock	Comp. of C5332L/R		

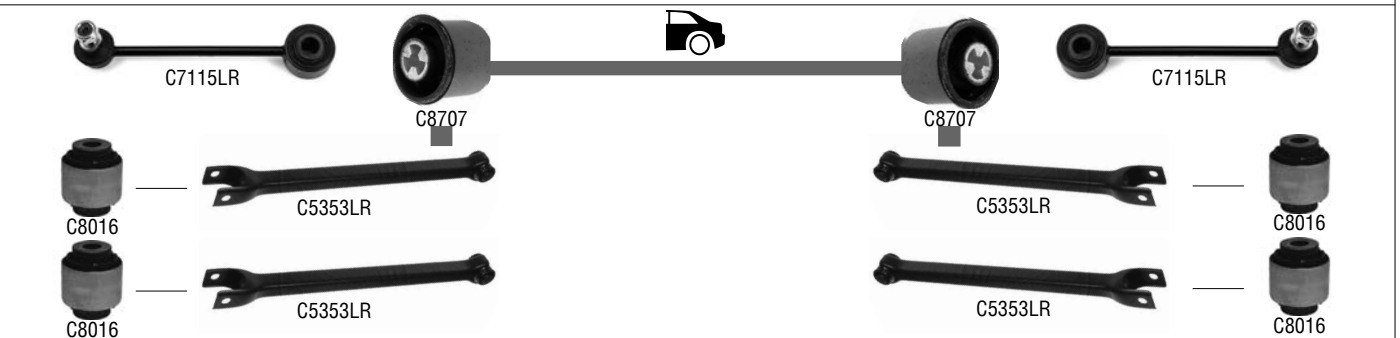


VOLKSWAGEN

BORA (1J2)

10/1998 - 09/2005

BORA Variant (1J6)

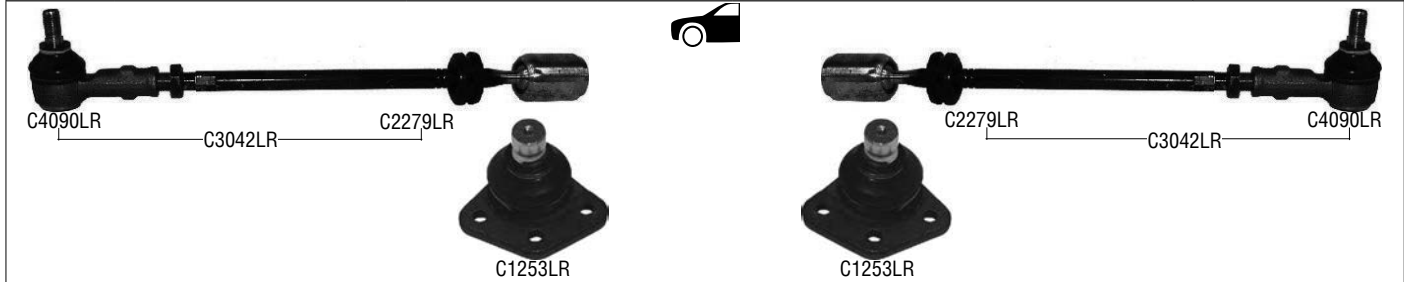


LYNX	Description	Original Number	Specification	
C2101LR	Tie Rod	1J0 422 807 B	MM16X1.5R	
C4073L	Tie Rod End Left	1J0 422 811 B	FM14x1.5R	
C4073R	Tie Rod End Right	1J0 422 812 B	FM14x1.5R	
C3002L	Side Rod Assy Left	1J0 422 803 H		
C3002R	Side Rod Assy Right	1J0 422 804 H		
C5356LR	Susp. Arm Front	1J0 407 151 C		
C5353LR	Susp. Arm Rear	1J0 505 323 L		4motion
C1083L	Ball Joint Left	1J0 407 365 C		
C1083R	Ball Joint Right	1J0 407 366 C		
C7003LR	Stabiliser Link Front	1J0 411 315 C		Chassis № >1J-X-999000, Exc. 4motion / Plastic
C7002LR	Stabiliser Link Front	1J0 411 315 G		Chassis № 1J-Y-000001 - 1J1-1-480000, Exc. 4motion / Metall
C7317LR	Stabiliser Link Front	1J0 411 315 H		Chassis № 1J1-1-480001> / 4motion Chassis № >1J-X-999000 / Plastic
C7114L	Stabiliser Link Front Left	1J0 411 315 D		4motion Chassis № 1J-Y-000001>
C7114R	Stabiliser Link Front Right	1J0 411 316 D		4motion Chassis № 1J-Y-000001>
C7115LR	Stabiliser Link Rear	1J0 505 466 B		4motion
C8045	Stabiliser Mounting	1J0 411 314 T	ø 23	OAE
C8013	Stabiliser Mounting	1J0 411 314 C	ø 21	OAL
C8015	Silentblock	357 407 182	ø 31.5	
C8014	Silentblock	1J0 407 181	ø 60	
C8016	Silentblock	1J0 505 203	ø 43.6	4motion
C8707	Silentblock	1J0 501 541 C		

• VOLKSWAGEN

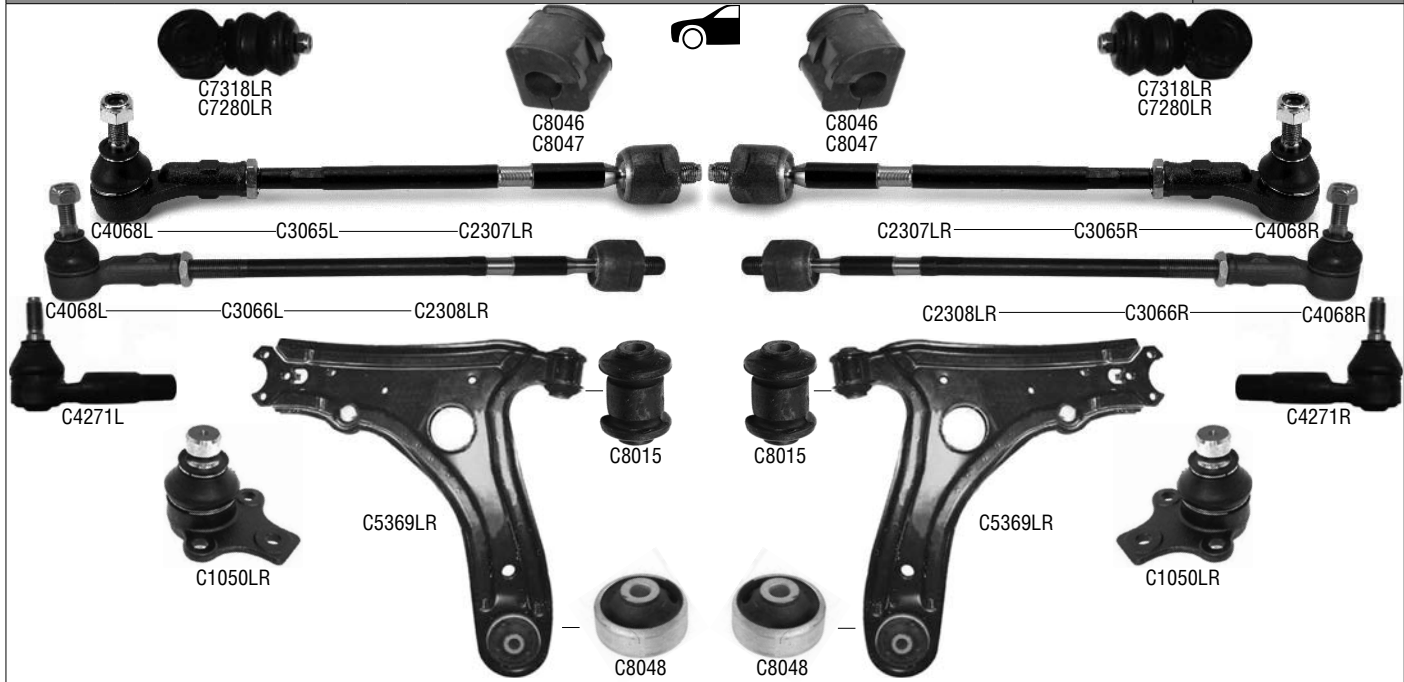


CADDY I (14) 08/1982 - 07/1992



LYNX	Description	OE - Number	Specification	
C2279LR	Tie Rod	171 419 821 A	FM22X1.5R	-PS
C4090LR	Tie Rod End	171 419 812	MM14x1.5R	
C3042LR	Side Rod Assy	171 419 804		-PS
C1253LR	Ball Joint Lower	171 407 365 F		

CADDY II (9K9) 11/1995 - 02/2004

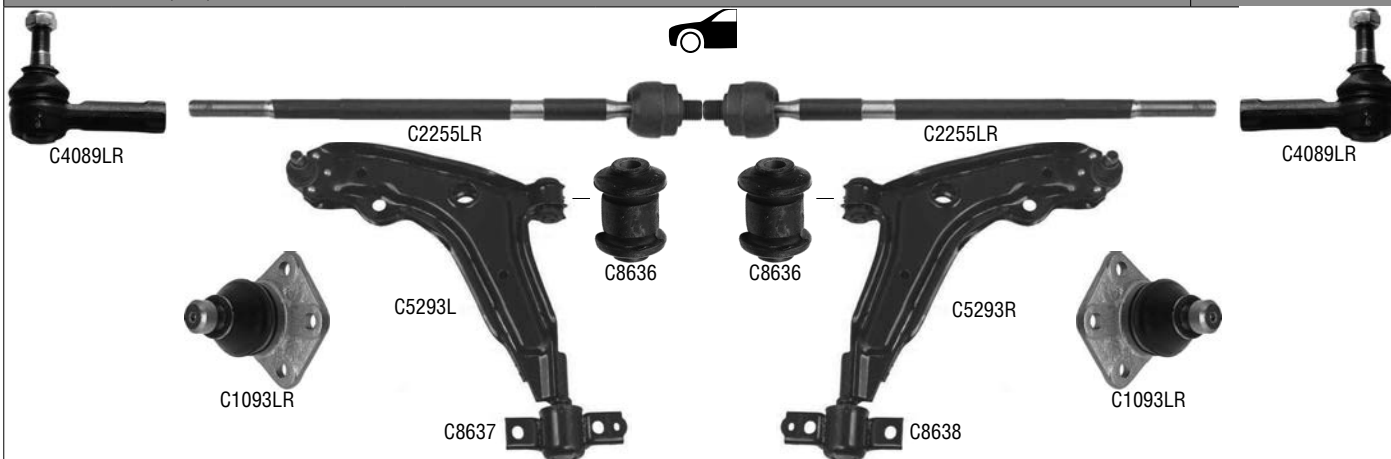


LYNX	Description	Original Number	Specification	
C2307LR	Tie Rod	6Q0 419 810 A		Exc. 185/60 R14
C3065L	Side Rod Assy Left	6K0 422 803 D		Exc. 185/60 R14
C3065R	Side Rod Assy Right	6K0 422 804 D		Exc. 185/60 R14
C2308LR	Tie Rod	Comp. of C3066L/R		185/60 R14
C3066L	Side Rod Assy Left	6K0 422 803 E		185/60 R14
C3066R	Side Rod Assy Right	6K0 422 804 E		185/60 R14
C4068L	Tie Rod End Left	3A0 422 811	FM14x1.5R	Chassis № >9K-1-523000
C4068R	Tie Rod End Right	3A0 422 812	FM14x1.5R	Chassis № >9K-1-523000
C4271L	Tie Rod End Left	6K0 422 811	FM14X1.5	Chassis № 9K-1-523001>
C4271R	Tie Rod End Right	6K0 422 812	FM14X1.5	Chassis № 9K-1-523001>
C5369LR	Susp. Arm Front	191 407 151 B		
C1050LR	Ball Joint Lower	357 407 365		
C7318LR	Stabiliser Link Front	191 411 315 A	ø 17	Chassis № >9K-V-525700
C7280LR	Stabiliser Link Front	6K0 411 315	ø 19	Chassis № 9K-V-525701>
C8046	Stabiliser Mounting	191 411 314	ø 17	Chassis № >9K-V-525700
C8047	Stabiliser Mounting	1H0 411 314	ø 19	Chassis № 9K-V-525701>
C8015	Silentblock	357 407 182	ø 31.5	
C8048	Silentblock	191 407 181 D	ø 60.1	



CADDY II Pick-Up (9U7)

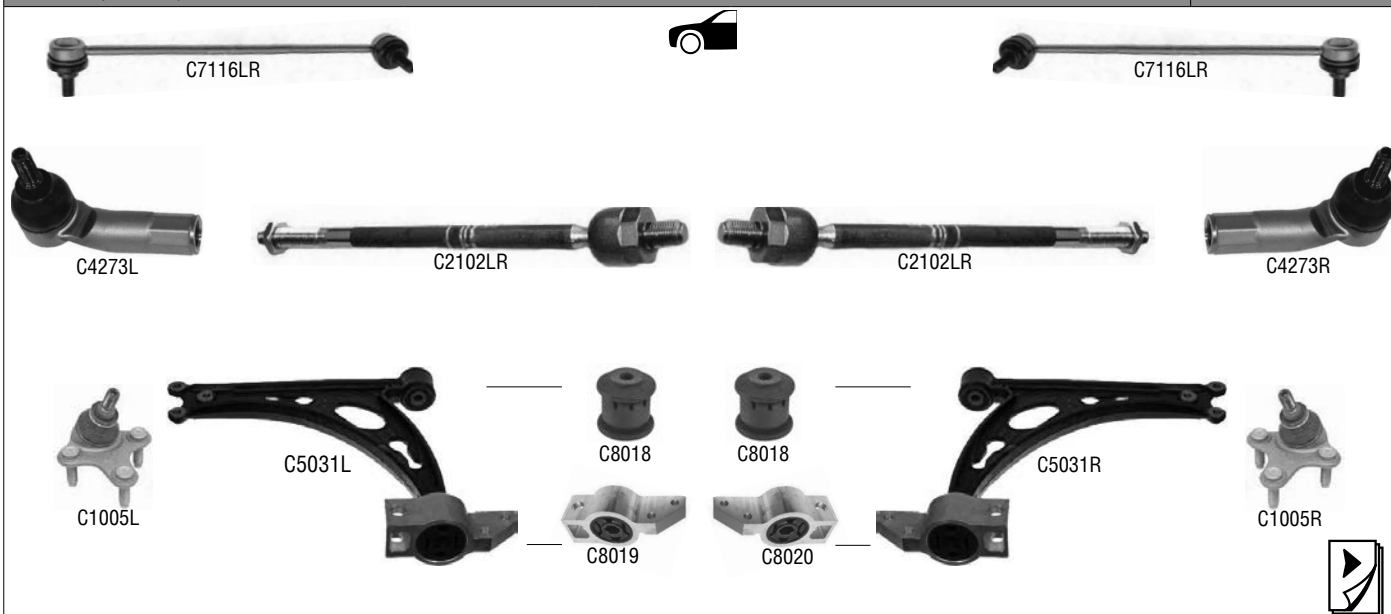
10/1996 - 12/2000



LYNX	Description	Original Number	Specification
C2255LR	Tie Rod	6U0 422 807	MM14X1.5R
C4089LR	Tie Rod End	6U0 422 811	FM12x1R
C5293L	Susp. Arm Left	6U0 407 151	
C5293R	Susp. Arm Right	6U0 407 152	
C1093LR	Ball Joint Lower	6U0 407 365	
C8636	Silentblock	6U0 407 182	ø 31.5
C8637	Silentblock	6U0 407 503	
C8638	Silentblock	6U0 407 504	

CADDY III (2KB/2KA)

02/2004>

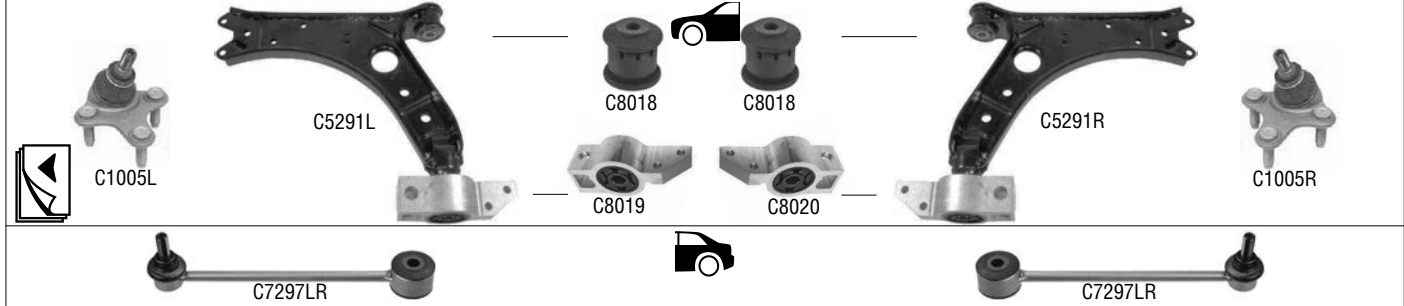


LYNX	Description	Original Number	Specification
C2102LR	Tie Rod	1K0 423 810 A	MM16X1.5R
C4273L	Tie Rod End Left	1K0 423 811 G	FM16x1.5R
C4273R	Tie Rod End Right	1K0 423 812 G	FM16x1.5R
C5031L	Susp. Arm Front Left	1K0 407 151 AC	Chassis № >2K-4-016000, Cast Iron
C5031R	Susp. Arm Front Right	1K0 407 152 AC	Chassis № >2K-4-016000, Cast Iron
C1005L	Ball Joint Left	1K0 407 365 C	
C1005R	Ball Joint Right	1K0 407 366 C	
C7116LR	Stabiliser Link Front	1K0 411 315 K	
C8018	Silentblock	1K0 407 182	ø 40.2
C8019	Silentblock	1K0 199 231 J	
C8020	Silentblock	1K0 199 232 J	

• VOLKSWAGEN

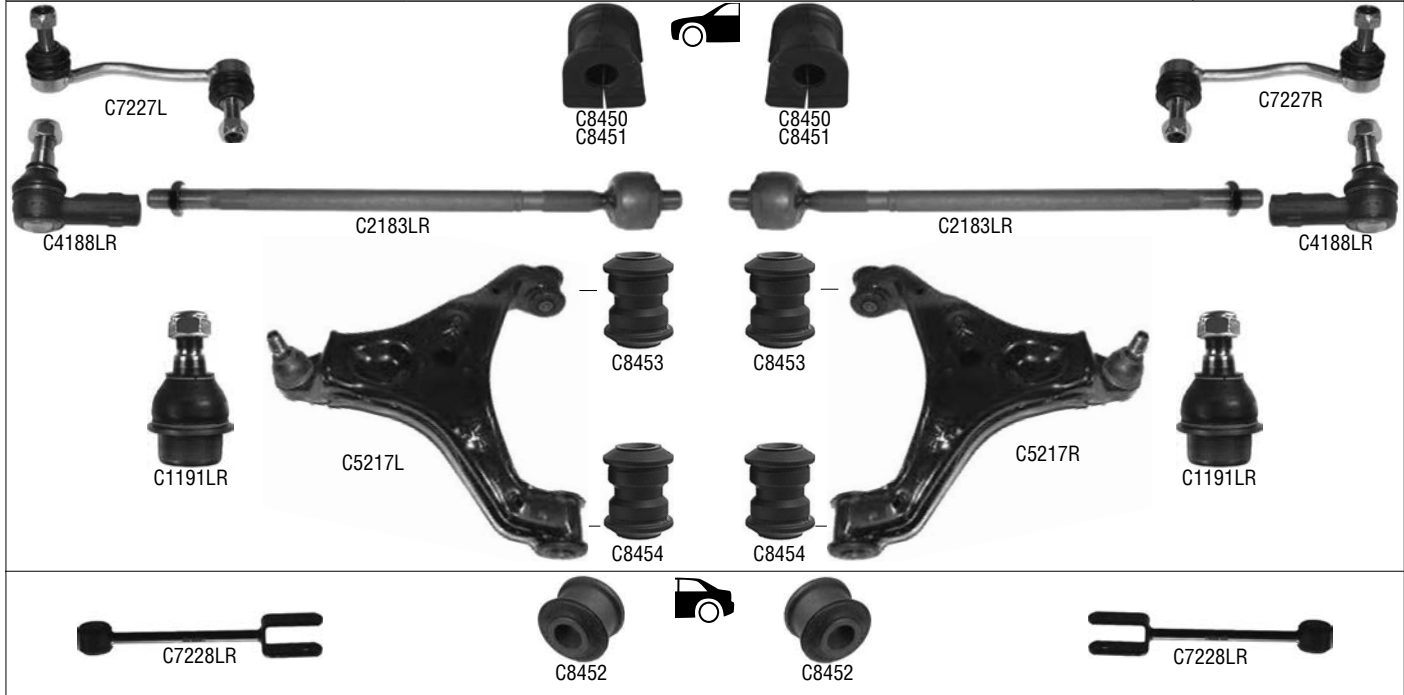


CADDY III (2KB/2KA) 02/2004>



LYNX	Description	Original Number	Specification	
C5291L	Susp. Arm Front Left	1K0 407 151 AA		Chassis № 2K-4-016001>, >06/09, Sheet Metal
C5291R	Susp. Arm Front Right	1K0 407 152 AA		Chassis № 2K-4-016001>, >06/09, Sheet Metal
C1005L	Ball Joint Left	1K0 407 365 C		
C1005R	Ball Joint Right	1K0 407 366 C		
C7297LR	Stabiliser Link Rear	2K0 505 465 B		
C8018	Silentblock	1K0 407 182	ø 40.2	
C8019	Silentblock	1K0 199 231 J		
C8020	Silentblock	1K0 199 232 J		

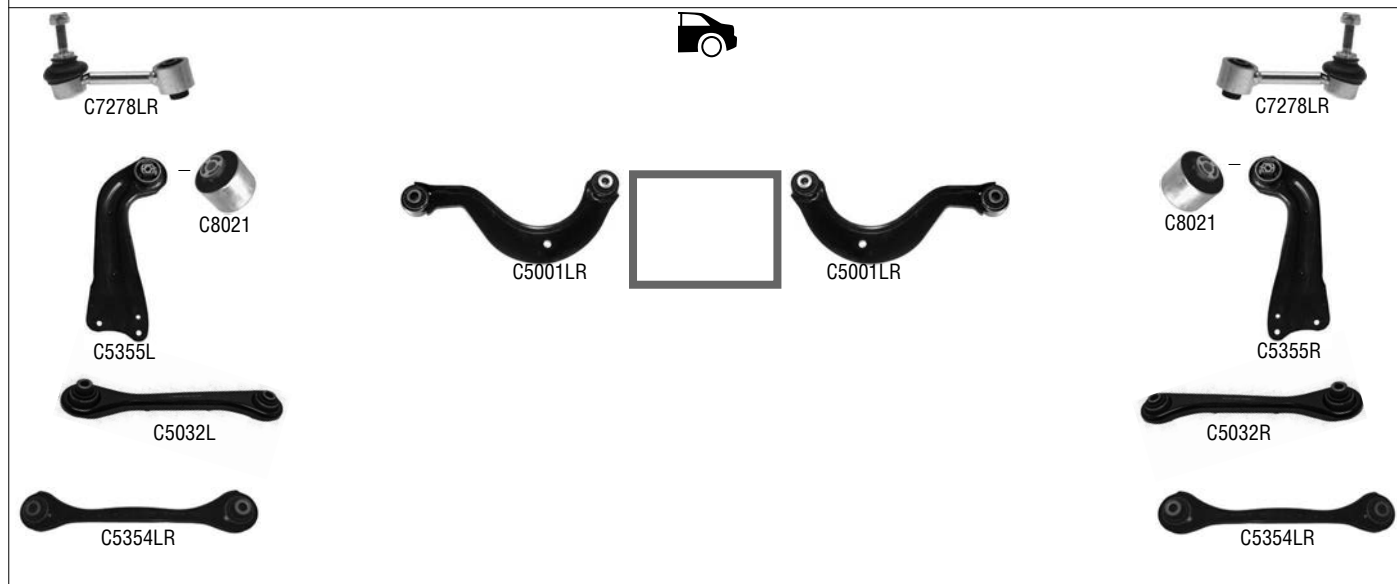
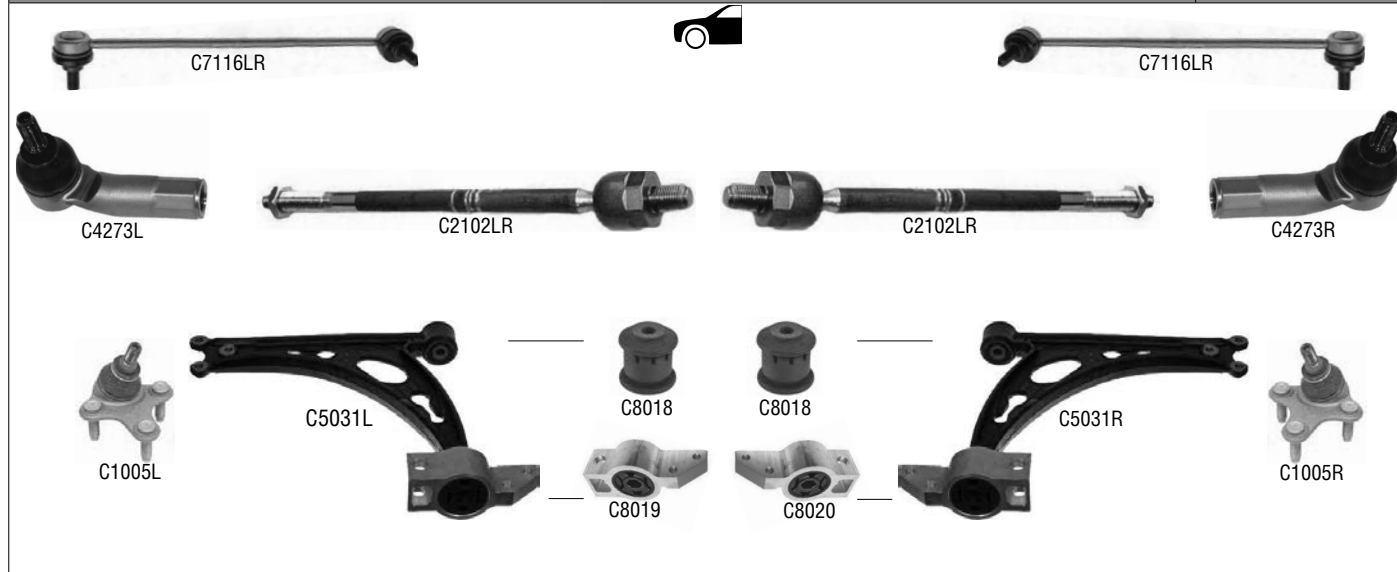
CRAFTER (2E) 04/2006>



LYNX	Description	Original Number	Specification	
C2183LR	Tie Rod	2E0 713 491	MM18X1.5R	
C4188LR	Tie Rod End	2E0 498 104		
C5217L	Susp. Arm Left	2E0 407 151 M		
C5217R	Susp. Arm Right	2E0 407 152 M		
C1191LR	Ball Joint	Comp. of C5217L/R		
C7227L	Stabiliser Link Front Left	2E0 411 317 C		
C7227R	Stabiliser Link Front Right	2E0 411 318 C		
C7228LR	Stabiliser Link Rear	2E0 511 051 F		Exc. Crafter 50
C8450	Stabiliser Mounting Front	2E0 411 041 C	ø 20	
C8451	Stabiliser Mounting Front	2E0 407 473 E	ø 23	
C8452	Stabiliser Mounting Rear	2D0 511 413		
C8453	Silentblock	2E0 407 253		
C8454	Silentblock	2E0 407 253 A		



EOS (1F7) 03/2006>

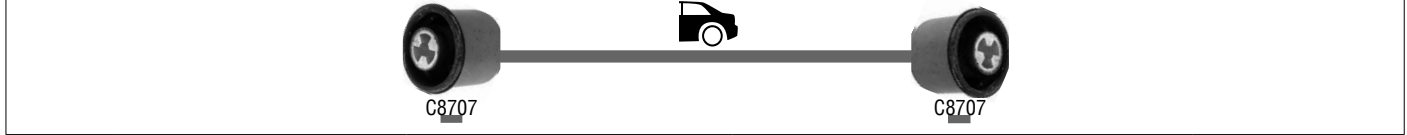
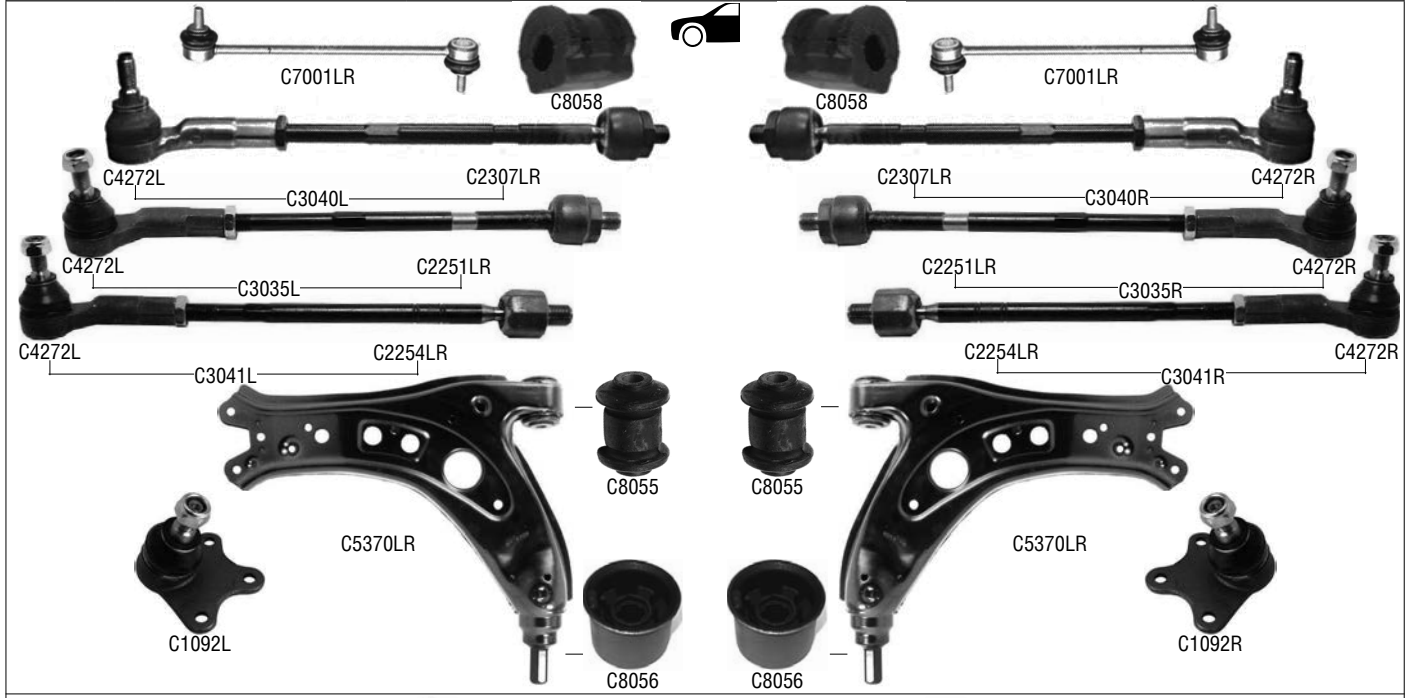


LYNX	Description	Original Number	Specification	
C2102LR	Tie Rod	1K0 423 810 A	MM16X1.5R	
C4273L	Tie Rod End Left	1K0 423 811 E	FM16x1.5R	
C4273R	Tie Rod End Right	1K0 423 812 E	FM16x1.5R	
C5031L	Susp. Arm Front Left	1K0 407 151 AC		Cast Iron
C5031R	Susp. Arm Front Right	1K0 407 152 AC		Cast Iron
C5001LR	Susp. Arm Rear Upper	1K0 505 323 N		
C5032L	Susp. Arm Rear Left	1K0 501 529 F		>03/11/08
C5032R	Susp. Arm Rear Right	1K0 501 530 C		>03/11/08
C5354LR	Susp. Arm Rear	1K0 501 529 J		03/11/08>
C5355L	Susp. Arm Rear Left	1K0 505 223 K		
C5355R	Susp. Arm Rear Right	1K0 505 224 K		
C1005L	Ball Joint Left	1K0 407 365 C		
C1005R	Ball Joint Right	1K0 407 366 C		
C7116LR	Stabiliser Link Front	1K0 411 315 K		
C7278LR	Stabiliser Link Rear	1K0 505 465 K		
C8018	Silentblock	1K0 407 182	ø 40.2	
C8019	Silentblock	1K0 199 231 J		
C8020	Silentblock	1K0 199 232 J		
C8021	Silentblock	1K0 505 541 D		

• VOLKSWAGEN

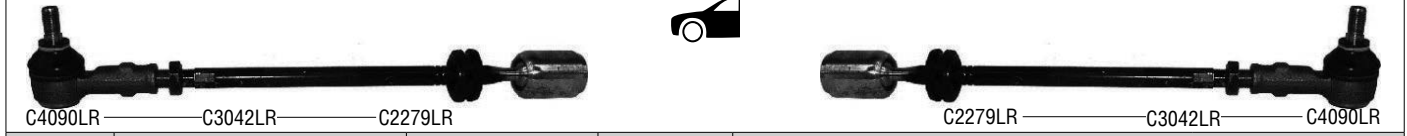


FOX (5Z1) 04/2005>



LYNX	Description	Original Number	Specification	
C2307LR	Tie Rod	6Q0 419 810 A		-PS
C3040L	Side Rod Assy Left	6Q0 419 803 F		-PS
C3040R	Side Rod Assy Right	6Q0 419 804 F		-PS
C2251LR	Tie Rod	Comp. of C3035L/R	MM14X1.5R	+PS TRW
C3035L	Side Rod Assy Left	6Q0 423 803 E/P		+PS TRW
C3035R	Side Rod Assy Right	6Q0 423 804 E/P		+PS TRW
C2254LR	Tie Rod	6Q0 423 810 C	MM16x1.5R	+PS SMI-KOYO
C3041L	Side Rod Assy Left	6Q0 423 803 G		+PS SMI-KOYO
C3041R	Side Rod Assy Right	6Q0 423 804 G		+PS SMI-KOYO
C4272L	Tie Rod End Left	6Q0 423 811	FM14x1.5R	
C4272R	Tie Rod End Right	6Q0 423 812	FM14x1.5R	
C5370LR	Susp. Arm Front	6Q0 407 151 E/L		
C1092L	Ball Joint Left	6Q0 407 365 A/M		
C1092R	Ball Joint Right	6Q0 407 366 A/M		
C7001LR	Stabiliser Link Front	6Q0 411 315 N		
C8058	Stabiliser Mounting	6Q0 411 314 M	ø 17	
C8055	Silentblock	6Q0 407 182 A	ø 33	
C8056	Silentblock	6Q0 407 183 A	ø 64	
C8707	Silentblock	1J0 501 541 C		

GOLF I (17) 08/1974 - 12/1985



LYNX	Description	Original Number	Specification	
C2279LR	Tie Rod	171 419 821 A	FM22X1.5R	-PS
C4090LR	Tie Rod End	171 419 812	FM14x1.5R	
C3042LR	Side Rod Assy	171 419 804		-PS



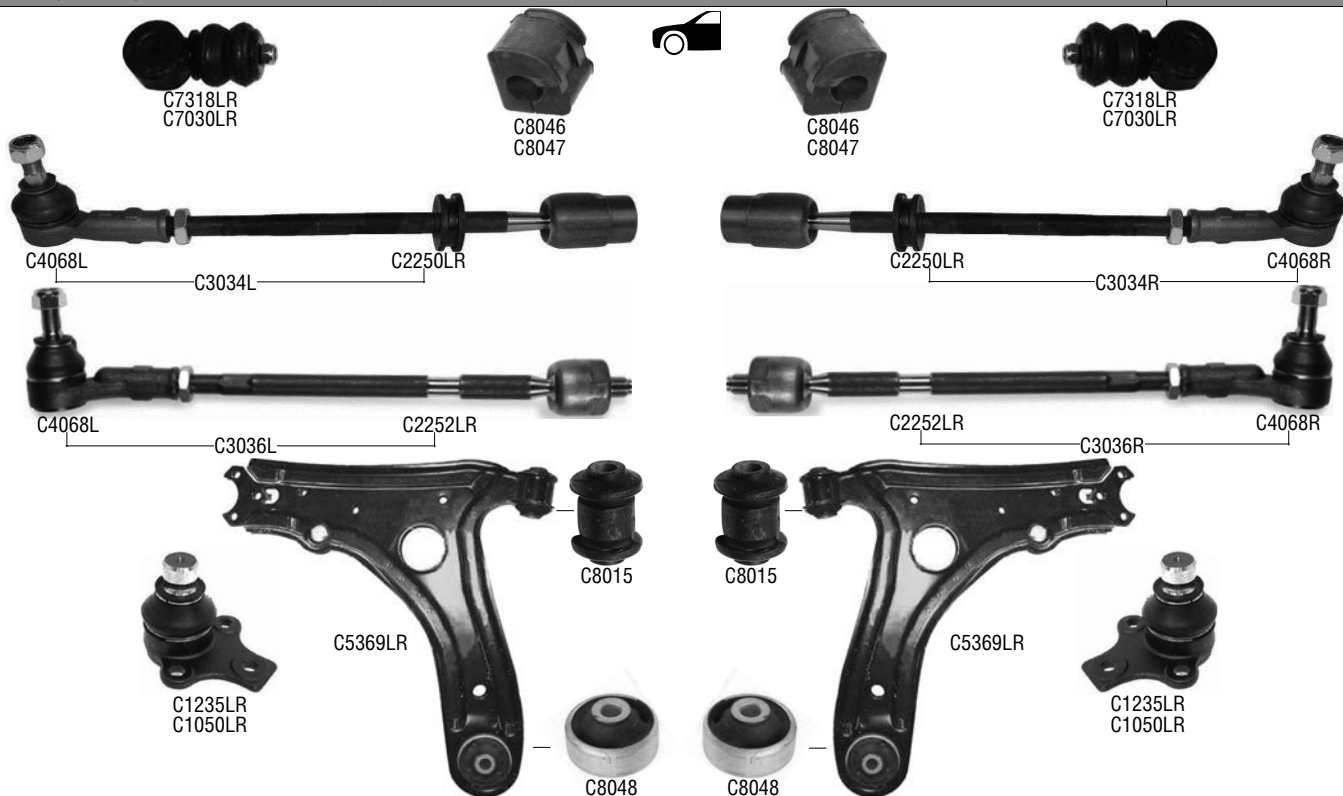
C1253LR



C1253LR

LYNX	Description	Original Number	Specification	
C1253LR	Ball Joint Lower	171 407 365 F		Chassis № 178-3173-584>

GOLF II (19E, 1G1) 08/1983 - 12/1992



C9067



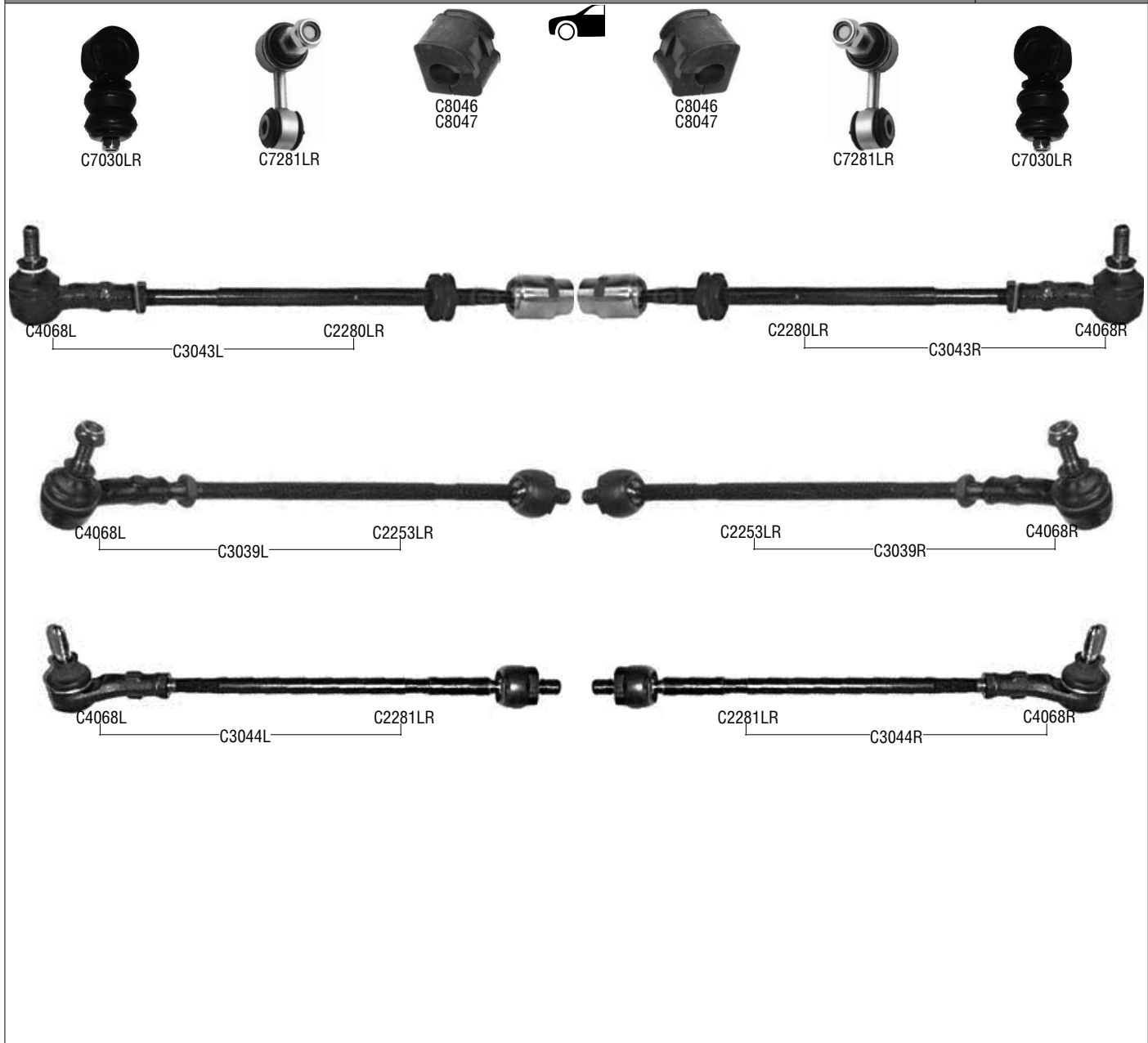
C9067

LYNX	Description	Original Number	Specification	
C2250LR	Tie Rod	Comp. of C3034L/R	FM22X1.5R	-PS
C3034L	Side Rod Assy Left	191 419 803/A		-PS
C3034R	Side Rod Assy Right	191 419 804/A		-PS
C2252LR	Tie Rod	Comp. of C3036L/R	MM14X1.5R	+PS
C3036L	Side Rod Assy Left	191 422 803 A		+PS TRW
C3036R	Side Rod Assy Right	191 422 804 A		+PS TRW
C4068L	Tie Rod End Left	191 419 811	FM14x1.5R	
C4068R	Tie Rod End Right	191 419 812	FM14x1.5R	
C5369LR	Susp. Arm Front	191 407 151 B		
C1235LR	Ball Joint Lower	191 407 365		Chassis № >19-HB-990000
C1050LR	Ball Joint Lower	357 407 365		Chassis № 19-JW-000001>
C7030LR	Stabiliser Link Front	191 411 315 B	ø 17	Exc. GTI, G60
C7318LR	Stabiliser Link Front	191 411 315 A	ø 17	GTI, G60
C8046	Stabiliser Mounting	191 411 314	ø 17	Exc. GTI, G60
C8047	Stabiliser Mounting	1H0 411 314	ø 19	GTI, G60 / Variant
C8015	Silentblock	357 407 182	ø 31.5	
C8048	Silentblock	191 407 181 D	ø 60.1	
C9067	Silentblock	191 501 541		

• VOLKSWAGEN



GOLF III (1H1)
GOLF III Variant (1H5) 08/1991 - 08/1997



LYNX	Description	Original Number	Specification	
C2280LR	Tie Rod	Comp. of C3043L/R	FM22X1.5R	-PS
C3043L	Side Rod Assy Left	1H0 419 803		-PS
C3043R	Side Rod Assy Right	1H0 419 804		-PS
C2253LR	Tie Rod	Comp. of C3039L/R	MM14X1.5R	+PS TRW XTR-USA
C3039L	Side Rod Assy Left	1H0 422 803		+PS TRW XTR-USA
C3039R	Side Rod Assy Right	1H0 422 804		+PS TRW XTR-USA
C2281LR	Tie Rod	Comp. of C3044L/R	MM14X1.5R	+PS ZF
C3044L	Side Rod Assy Left	1H0 422 803 B		+PS ZF
C3044R	Side Rod Assy Right	1H0 422 804 B		+PS ZF
C4068L	Tie Rod End Left	191 419 811	FM14x1.5R	
C4068R	Tie Rod End Right	191 419 812	FM14x1.5R	
C7281LR	Stabiliser Link Front	535 411 315		16V / GTI / VR6
C7030LR	Stabiliser Link Front	191 411 315 B	ø 17	Exc. 16V / GTI / VR6
C8046	Stabiliser Mounting	191 411 314	ø 17	
C8047	Stabiliser Mounting	1H0 411 314	ø 19	



LYNX	Description	Original Number	Specification	
C5371LR	Susp. Arm Front	1H0 407 151		1.4-1.9D
C5333L	Susp. Arm Front Left	1H0 407 151 A		1.9TDI-2.9
C5333R	Susp. Arm Front Right	1H0 407 152		1.9TDI-2.9
C1050LR	Ball Joint Lower	357 407 365		1.4-1.9D
C1236LR	Ball Joint Lower	1H0 407 365		1.9TDI-2.9
C8015	Silentblock	357 407 182	ø 31.5	
C8048	Silentblock	191 407 181 D	ø 60.1	
C9068	Silentblock	1H0 501 541 A		Exc. Variant

• VOLKSWAGEN



GOLF IV (1J1)
GOLF IV Variant (1J5) 08/1997 - 01/2003



LYNX	Description	Original Number	Specification	
C2100LR	Tie Rod	1J0 422 807	MM16X1.5R	Chassis № >1J-WP050832, >1J-WD039150, >1J-WB027484, >1JWW062359
C4074L	Tie Rod End Left	1J0 422 811 A	FM14x1.5R	Chassis № >1J-WP050832, >1J-WD039150, >1J-WB027484, >1J-WW062359
C4074R	Tie Rod End Right	1J0 422 812 A	FM14x1.5R	Chassis № >1J-WP050832, >1J-WD039150, >1J-WB027484, >1J-WW062359
C3003L	Side Rod Assy Left	1J0 422 803 A		Chassis № >1J-WP050832, >1J-WD039150, >1J-WB027484, >1J-WW062359
C3003R	Side Rod Assy Right	1J0 422 804 A		Chassis № >1J-WP050832, >1J-WD039150, >1J-WB027484, >1J-WW062359
C2101LR	Tie Rod	1J0 422 807 B	MM16X1.5R	Chassis № 1J-WP050833>, 1J-WD039151>, 1J-WB027485>, 1J-WW062360>
C4073L	Tie Rod End Left	1J0 422 811 B	FM14x1.5R	Chassis № 1J-WP050833>, 1J-WD039151>, 1J-WB027485>, 1J-WW062360>
C4073R	Tie Rod End Right	1J0 422 812 B	FM14x1.5R	Chassis № 1J-WP050833>, 1J-WD039151>, 1J-WB027485>, 1J-WW062360>
C3002L	Side Rod Assy Left	1J0 422 803 H		Chassis № 1J-WP050833>, 1J-WD039151>, 1J-WB027485>, 1J-WW062360>
C3002R	Side Rod Assy Right	1J0 422 804 H		Chassis № 1J-WP050833>, 1J-WD039151>, 1J-WB027485>, 1J-WW062360>
C7002LR	Stabiliser Link Front	1J0 411 315 G		Chasis № >1J-1-480000, 4Motion >1J-X-800000, OAE, OAL, OAM / Metal
C7003LR	Stabiliser Link Front	1J0 411 315 C		Chasis № >1J-1-480000, OAE, OAL, OAM / Plastic
C7317LR	Stabiliser Link Front	1J0 411 315 H		Chasis № 1J-1-480001>, Exc. 4Motion / Plastic
C7114L	Stabiliser Link Front Left	1J0 411 315 D		4Motion Chasis № 1J-Y-000001>
C7114R	Stabiliser Link Front Right	1J0 411 316 D		4Motion Chasis № 1J-Y-000001>
C8012	Stabiliser Mounting	1J0 411 314 P	ø 19	OAR
C8045	Stabiliser Mounting	1J0 411 314 T	ø 23	OAE
C8011	Stabiliser Mounting	1J0 411 314 S	ø 17	

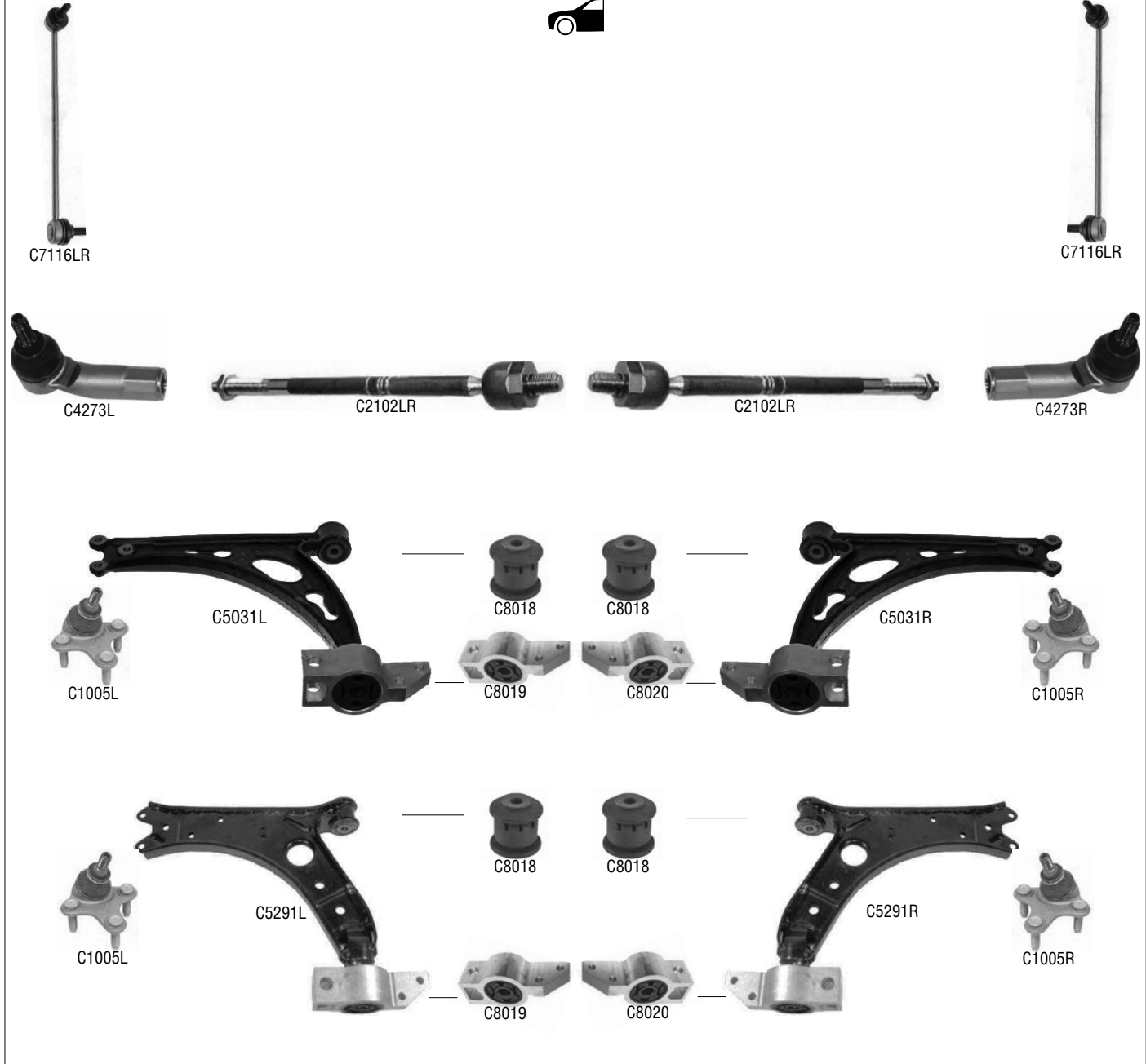


LYNX	Description	Original Number	Specification	
C5356LR	Susp. Arm Front	1J0 407 151 C		
C1083L	Ball Joint Left	1J0 407 365 C		
C1083R	Ball Joint Right	1J0 407 366 C		
C5353LR	Susp. Arm Rear	1J0 505 323 L		4Motion
C7115LR	Stabiliser Link Rear	1J0 505 466 B		4Motion
C8015	Silentblock	357 407 182	ø 31.5	
C8014	Silentblock	1J0 407 181	ø 60	
C8016	Silentblock	1J0 505 203	ø 43.6	4Motion
C8707	Silentblock	1J0 501 541 C		

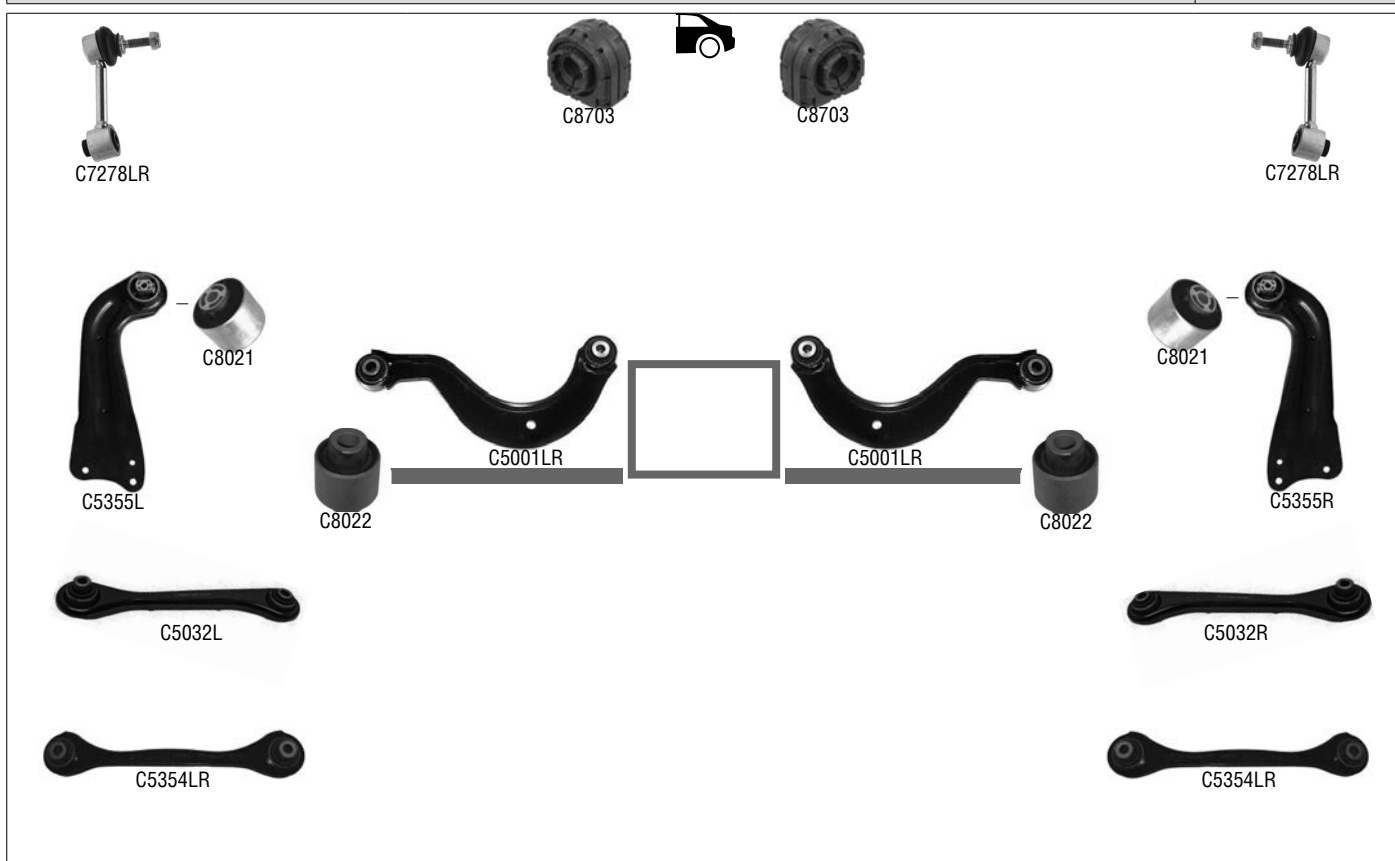
• VOLKSWAGEN



GOLF V-VI (1K1, 5K1) GOLF V-VI PLUS (5M1) GOLF V-VI VARIANT (1K5, AJ5)	10/2003> 01/2005> 06/2007 >
---	-----------------------------------

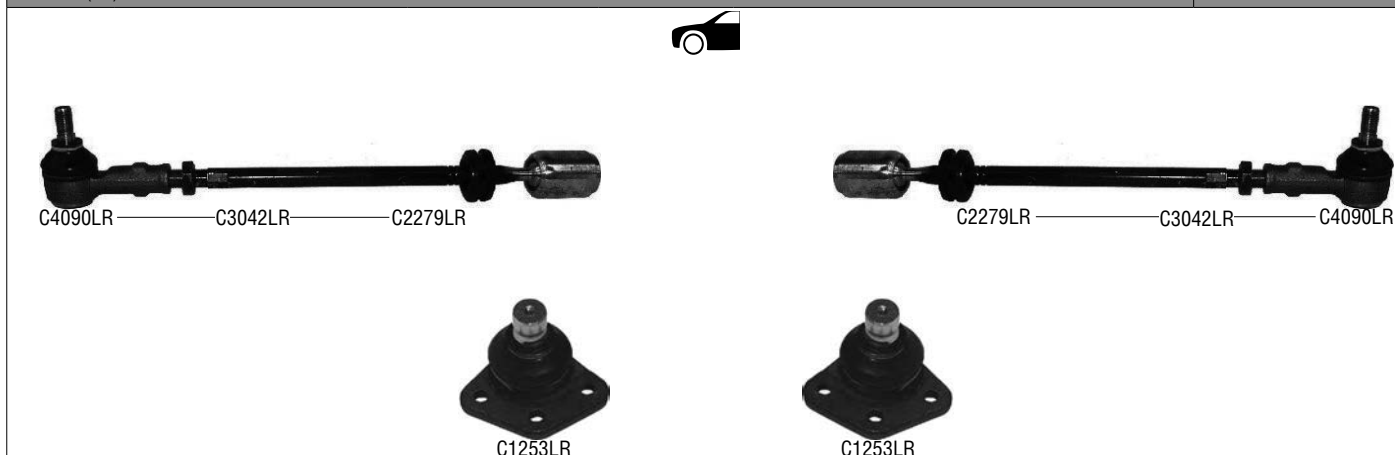


LYNX	Description	Original Number	Specification	
C2102LR	Tie Rod	1K0 423 810 A	MM16X1.5R	
C4273L	Tie Rod End Left	1K0 423 811 E	FM16x1.5R	
C4273R	Tie Rod End Right	1K0 423 812 E	FM16x1.5R	
C5031L	Susp. Arm Front Left	1K0 407 151 AC		V Chassis № >1K-6-061500 / VI, Cast Iron
C5031R	Susp. Arm Front Right	1K0 407 152 AC		V Chassis № >1K-6-061500 / VI, Cast Iron
C5291L	Susp. Arm Front Left	1K0 407 151 AA/BC		V Chassis № >1K-9-200000 / VI, Sheet Metal
C5291R	Susp. Arm Front Right	1K0 407 152 AA/BC		V Chassis № >1K-9-200000 / VI, Sheet Metal
C1005L	Ball Joint Left	1K0 407 365 C		
C1005R	Ball Joint Right	1K0 407 366 C		
C7116LR	Stabiliser Link Front	1K0 411 315 K		
C8018	Silentblock	1K0 407 182	ø 40.2	
C8019	Silentblock	1K0 199 231 J		
C8020	Silentblock	1K0 199 232 J		



LYNX	Description	Original Number	Specification	
C5032L	Susp. Arm Rear Left	1K0 501 529 F		Chassis № V >1K-9-295790 / VI >1K-9-425000
C5032R	Susp. Arm Rear Right	1K0 501 530 C		Chassis № V >1K-9-295790 / VI >1K-9-425000
C5354LR	Susp. Arm Rear	1K0 501 529 J		Chassis № V 1K-9-295791> / VI 1K-9-425001>
C5355L	Susp. Arm Rear Left	1K0 505 223 K		
C5355R	Susp. Arm Rear Right	1K0 505 224 K		
C5001LR	Susp. Arm Rear Upper	1K0 505 323 N		
C7278LR	Stabiliser Link Rear	1K0 505 465 K		
C8703	Stabiliser Mounting	1K0 511 327 AP		
C8021	Silentblock	1K0 505 541 D		
C8022	Silentblock	1K0 505 553 A		Steering Knuckle

JETTA I (16) 08/1979 - 01/1985



LYNX	Description	Original Number	Specification	
C2279LR	Tie Rod	171 419 821 A	FM22X1.5R	
C4090LR	Tie Rod End	171 419 812	FM14x1.5R	
C3042LR	Side Rod Assy	171 419 804		
C1253LR	Ball Joint Lower	171 407 365 F		

• VOLKSWAGEN



JETTA II (19E, 1G2)

01/1984 - 02/1992



LYNX	Description	Original Number	Specification	
C2250LR	Tie Rod	Comp. of C3034L/R	FM22X1.5R	-PS
C3034L	Side Rod Assy Left	191 419 803		-PS
C3034R	Side Rod Assy Right	191 419 804		-PS
C2252LR	Tie Rod	Comp. of C3036L/R	MM14X1.5R	+PS
C3036L	Side Rod Assy Left	191 422 803 A		+PS
C3036R	Side Rod Assy Right	191 422 804 A		+PS
C4068L	Tie Rod End Left	191 419 811	FM14x1.5R	
C4068R	Tie Rod End Right	191 419 812	FM14x1.5R	
C5369LR	Susp. Arm Front	191 407 151 B		
C1235LR	Ball Joint Lower	191 407 365		>87
C1050LR	Ball Joint Lower	357 407 365		87>
C7030LR	Stabiliser Link	191 411 315 B		
C8046	Stabiliser Mounting	191 411 314	ø 17	
C8015	Silentblock	357 407 182	ø 31.5	
C8048	Silentblock	191 407 181 D	ø 60.1	
C9067	Silentblock	191 501 541		

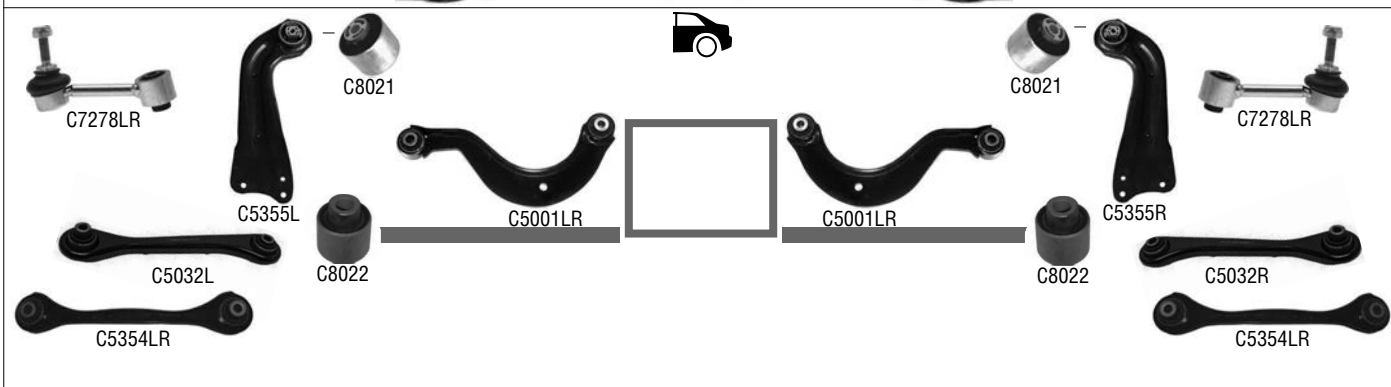
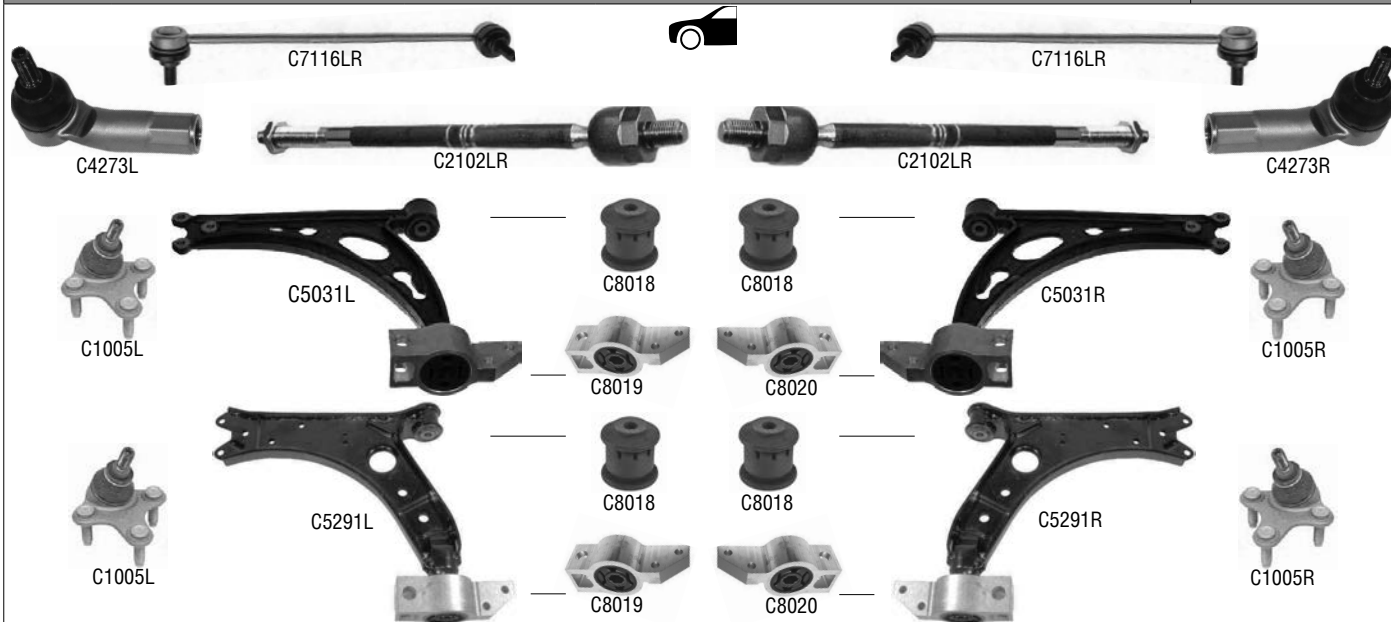


JETTA III (1K2)

09/2005>

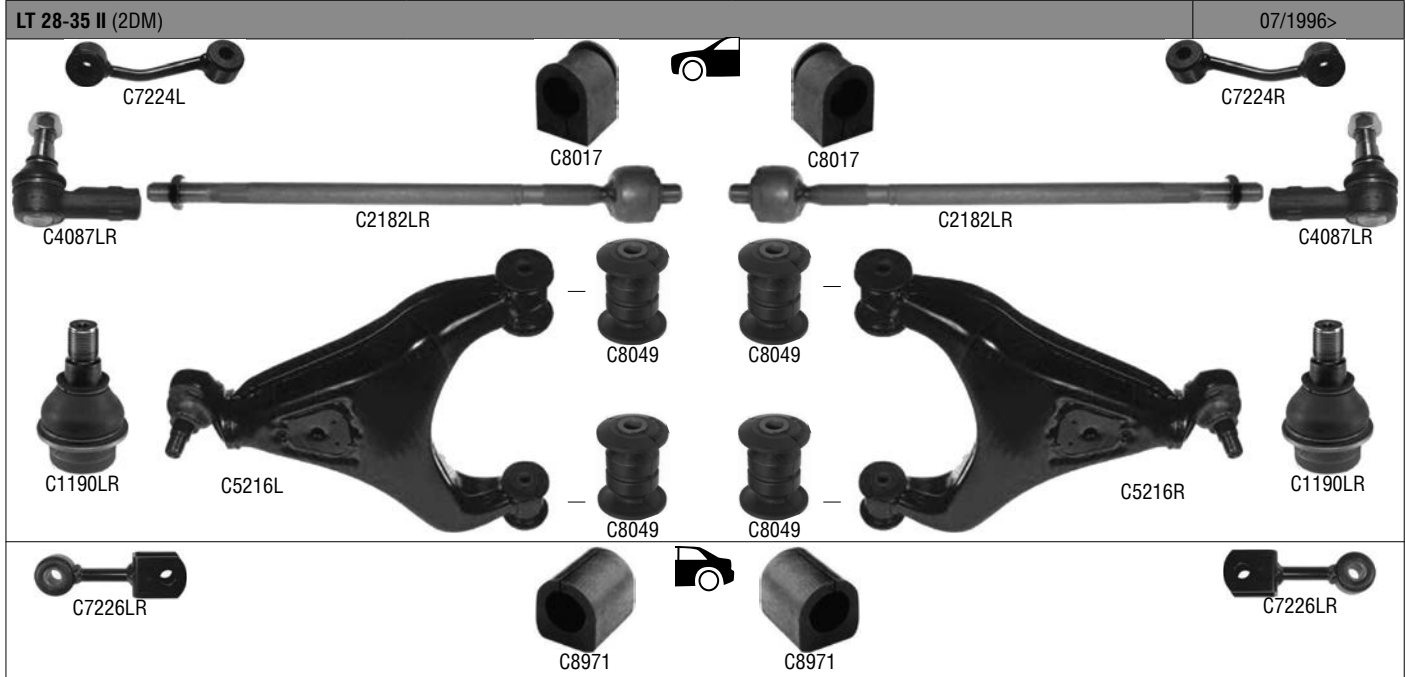
JETTA IV (162)

02/2011>

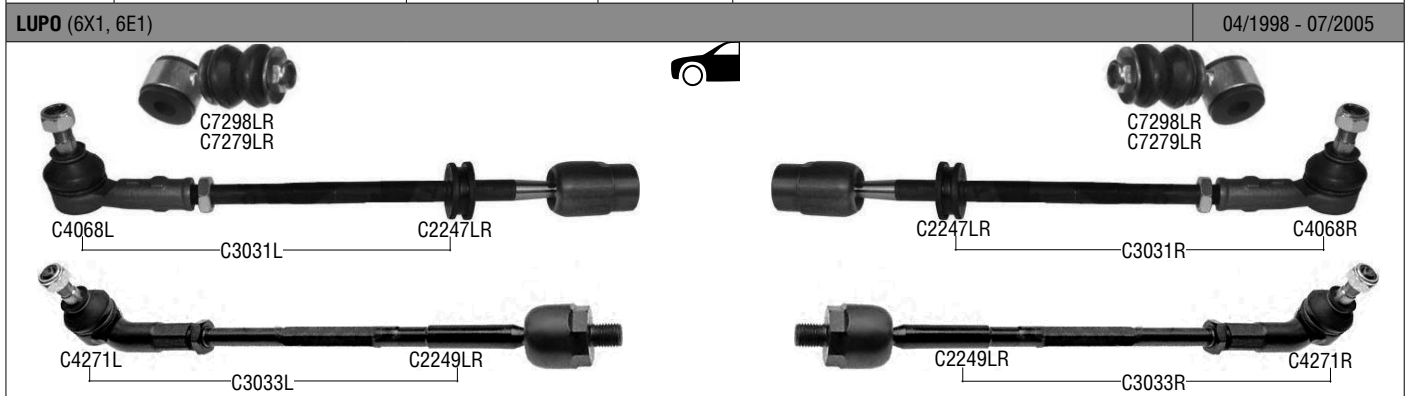


LYNX	Description	Original Number	Specification	
C2102LR	Tie Rod	1K0 423 810 A	MM16X1.5R	
C4273L	Tie Rod End Left	1K0 423 811 E	FM16x1.5R	
C4273R	Tie Rod End Right	1K0 423 812 E	FM16x1.5R	
C5031L	Susp. Arm Front Left	1K0 407 151 AC		>04/09 1K2 / Cast Iron
C5031R	Susp. Arm Front Right	1K0 407 152 AC		>04/09 1K2 / Cast Iron
C5291L	Susp. Arm Front Left	1K0 407 151 AA		>08/10 1K2 / Sheet Metal
C5291R	Susp. Arm Front Right	1K0 407 152 AA		>08/10 1K2 / Sheet Metal
C5001LR	Susp. Arm Rear Upper	1K0 505 323 N		
C5032L	Susp. Arm Rear Left	1K0 501 529 F		1K2
C5032R	Susp. Arm Rear Right	1K0 501 530 C		1K2
C5354LR	Susp. Arm Rear	1K0 501 529 J		162
C5355L	Susp. Arm Rear Left	1K0 505 223 K		
C5355R	Susp. Arm Rear Right	1K0 505 224 K		
C1005L	Ball Joint Left	1K0 407 365 C		1K2, 162
C1005R	Ball Joint Right	1K0 407 366 C		1K2, 162
C7116LR	Stabiliser Link Front	1K0 411 315 K		
C7278LR	Stabiliser Link Rear	1K0 505 465 K		
C8018	Silentblock	1K0 407 182	ø 40.2	
C8019	Silentblock	1K0 199 231 J		1K2
C8020	Silentblock	1K0 199 232 J		1K2
C8021	Silentblock	1K0 505 541 D		
C8022	Silentblock	1K0 505 553 A		Steering Knuckle

• VOLKSWAGEN



LYNX	Description	Original Number	Specification	
C2182LR	Tie Rod	2D0 422 803	MM16X1.5R	
C4087LR	Tie Rod End	2D0 422 811	FM16X1.5R	
C5216L	Susp. Arm Left	2D0 407 021 B		
C5216R	Susp. Arm Right	2D0 407 022 B		
C1190LR	Ball Joint	2D0 407 361 B		
C7224L	Stabiliser Link Left	2D0 411 051		
C7224R	Stabiliser Link Right	2D0 411 052		
C7226LR	Stabiliser Link Rear	2D0 511 329		Exc. LT 46
C8017	Stabiliser Mounting	2D0 411 041 B		
C8971	Stabiliser Mounting	901 326 00 81		
C8049	Silentblock	901 333 02 14	ø 43.2	



LYNX	Description	Original Number	Specification	
C2247LR	Tie Rod	Comp. of C3031L/R	FM22X1.5R	-PS
C4068L	Tie Rod End Left	6N0 419 811	FM14x1.5R	-PS
C4068R	Tie Rod End Right	6N0 419 812	FM14x1.5R	-PS
C3031L	Side Rod Assy Left	6X0 419 803 A		-PS
C3031R	Side Rod Assy Right	6X0 419 804 A		-PS
C2249LR	Tie Rod	6N0 422 807 C	MM14X1.5R	+PS
C4271L	Tie Rod End Left	6X0 422 811	FM14X1.5	+PS
C4271R	Tie Rod End Right	6X0 422 812	FM14X1.5	+PS
C3033L	Side Rod Assy Left	6N0 422 803 C		+PS
C3033R	Side Rod Assy Right	6N0 422 804 C		+PS



LYNX	Description	Original Number	Specification	
C5392LR	Susp. Arm Front	6X0 407 151 A		
C1223L	Ball Joint Left	6N0 407 365		
C1223R	Ball Joint Right	6N0 407 365 A		
C7298LR	Stabiliser Link Front	6N0 411 315 C		ø 18
C7279LR	Stabiliser Link Front	6N0 411 315 D		ø 20
C8051	Silentblock	6N0 407 182	ø 27.4	
C8050	Silentblock	6N0 407 181	ø 60.2	

NEW BEETLE (9C1, 1C1) / NEW BEETLE Cabriolet (1Y7)

01/1998>

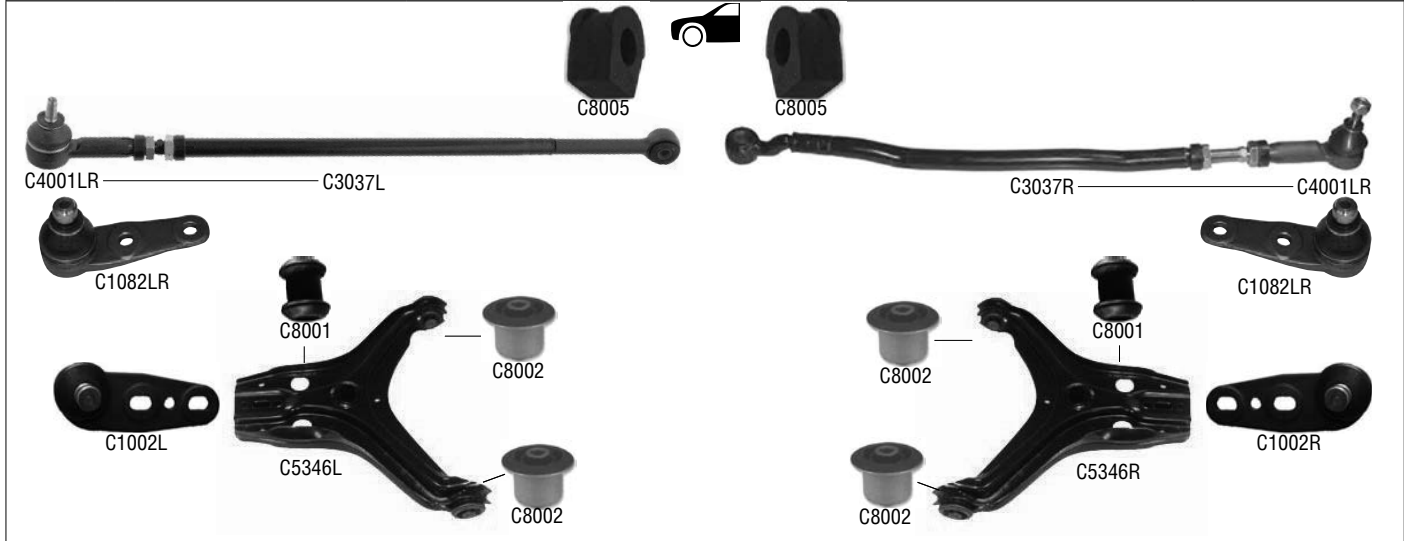


LYNX	Description	Original Number	Specification	
C2100LR	Tie Rod	1J0 422 807	MM16X1.5R	Chassis N ^o >1C-W-047124
C4074L	Tie Rod End Left	1J0 422 811 A	FM14x1.5R	Chassis N ^o >1C-W-047124
C4074R	Tie Rod End Right	1J0 422 812 A	FM14x1.5R	Chassis N ^o >1C-W-047124
C3003L	Side Rod Assy Left	1J0 422 803 A		Chassis N ^o >1C-W-047124
C3003R	Side Rod Assy Right	1J0 422 804 A		Chassis N ^o >1C-W-047124
C2101LR	Tie Rod	1J0 422 807 B	MM16X1.5R	Chassis N ^o 1C-W-047125> / ZF
C4073L	Tie Rod End Left	1J0 422 811 B	FM14x1.5R	Chassis N ^o 1C-W-047125> / ZF
C4073R	Tie Rod End Right	1J0 422 812 B	FM14x1.5R	Chassis N ^o 1C-W-047125> / ZF
C3002L	Side Rod Assy Left	1J0 422 803 H		Chassis N ^o 1C-W-047125> / ZF
C3002R	Side Rod Assy Right	1J0 422 804 H		Chassis N ^o 1C-W-047125> / ZF
C5356LR	Susp. Arm	1J0 407 151 C		
C1083L	Ball Joint Left	1J0 407 365 H		
C1083R	Ball Joint Right	1J0 407 366 H		
C7002LR	Stabiliser Link Front	1J0 411 315 G		Chassis N ^o >1C-Y-400001 - 1C-1-451000, 9C-Y-600001 - 9C-1-63600 / Metall
C7317LR	Stabiliser Link Front	1J0 411 315 K		Chassis N ^o 1C-1-451001>, 9C-1-636001> / Plastic
C8015	Silentblock	357 407 182	ø 31.5	
C8014	Silentblock	1J0 407 181	ø 60	

• VOLKSWAGEN



PASSAT II / PASSAT II Variant (32B) 08/1980 - 07/1990



LYNX	Description	Original Number	Specification	
C4001LR	Tie Rod End	811 419 812 A	FM14x1.5R	
C3037L	Side Rod Assy Left	811 419 801 E		
C3037R	Side Rod Assy Right	811 419 802 J		
C5346L	Susp. Arm Left	893 407 147 C		+PS, Chassis № 32-E-150001>, 32-D-099299>
C5346R	Susp. Arm Right	893 407 148 C		+PS, Chassis № 32-E-150001>, 32-D-099299>
C1082LR	Ball Joint Lower	823 407 365 E		-PS
C1002L	Ball Joint Lower Left	855 407 365 A		+PS, Chassis № 32-E-150001>, 32-D-099299>
C1002R	Ball Joint Lower Right	855 407 366 A		+PS, Chassis № 32-E-150001>, 32-D-099299>
C8005	Stabiliser Mounting	823 411 313 A	ø 14	
C8001	Silentblock	857407474		+PS, Chassis № 32-E-150001>, 32-D-099299>
C8002	Silentblock	8A0 407 181	ø 37.1	

PASSAT III (3A2, 35i) 02/1988 - 08/1996
PASSAT III Variant (3A5, 35i) 02/1988 - 05/1997



LYNX	Description	Original Number	Specification	
C2282LR	Tie Rod	Comp. of C3045L/R	FM22X1.5R	-PS, Chassis № 31-J-000001 - 31-N-080000, Exc. 2.0 - 16V / VR6
C3045L	Side Rod Assy Left	357 419 803		-PS, Chassis № 31-J-000001 - 31-N-080000, Exc. 2.0 - 16V / VR6
C3045R	Side Rod Assy Right	357 419 804		-PS, Chassis № 31-J-000001 - 31-N-080000, Exc. 2.0 - 16V / VR6
C2306LR	Tie Rod	Comp. of C3046L/R	MM14X1.5R	+PS TRW, Chassis № >3A-R-099264, Exc. 2.0 - 16V / VR6
C3046L	Side Rod Assy Left	357 422 803		+PS TRW, Chassis № >3A-R-099264, Exc. 2.0 - 16V / VR6
C3046R	Side Rod Assy Right	357 422 804		+PS TRW, Chassis № >3A-R-099264, Exc. 2.0 - 16V / VR6
C7299LR	Stabiliser Link	357 411 315 C	ø 18	
C7300LR	Stabiliser Link	357 411 315 A	ø 21	
C9136	Stabiliser Mounting Left	357 411 313 A	ø 22.7	
C9137	Stabiliser Mounting Right	357 411 314 A	ø 22.7	



LYNX	Description	Original Number	Specification	
C2283LR	Tie Rod	357 422 807 A	MM14X1.5R	+PS ZF, Chassis № >3A-R-099264, Exc. 2.0 - 16V / VR6
C3048L	Side Rod Assy Left	357 422 803 A		+PS ZF, Chassis № >3A-R-099264, Exc. 2.0 - 16V / VR6
C3048R	Side Rod Assy Right	357 422 804 A		+PS ZF, Chassis № >3A-R-099264, Exc. 2.0 - 16V / VR6
C2399LR	Tie Rod	Comp. of C3047L/R	MM14X1.5R	+PS TRW, Chassis № 3A-R-099265>, Exc. 2.0 - 16V / VR6
C3047L	Side Rod Assy Left	3A0 422 803 C		+PS TRW, Chassis № 3A-R-099265>, Exc. 2.0 - 16V / VR6
C3047R	Side Rod Assy Right	3A0 422 804 C		+PS TRW, Chassis № 3A-R-099265>, Exc. 2.0 - 16V / VR6
C4068L	Tie Rod End Left	191 419 811	FM14x1.5R	
C4068R	Tie Rod End Right	191 419 812	FM14x1.5R	
C5334LR	Susp. Arm	357 407 151		Exc. 1.9 TDI / 2.0 - 16V / VR6
C1050LR	Ball Joint Lower	357 407 365		Exc. 1.9 TDI / 2.0 - 16V / VR6
C1236LR	Ball Joint Lower	1H0 407 365		1.9 TDI / 2.0 - 16V / VR6
C8015	Silentblock	357 407 182	ø 31.5	
C8048	Silentblock	191 407 181 D	ø 60.1	
C9138	Silentblock	3A0 501 541		

• VOLKSWAGEN

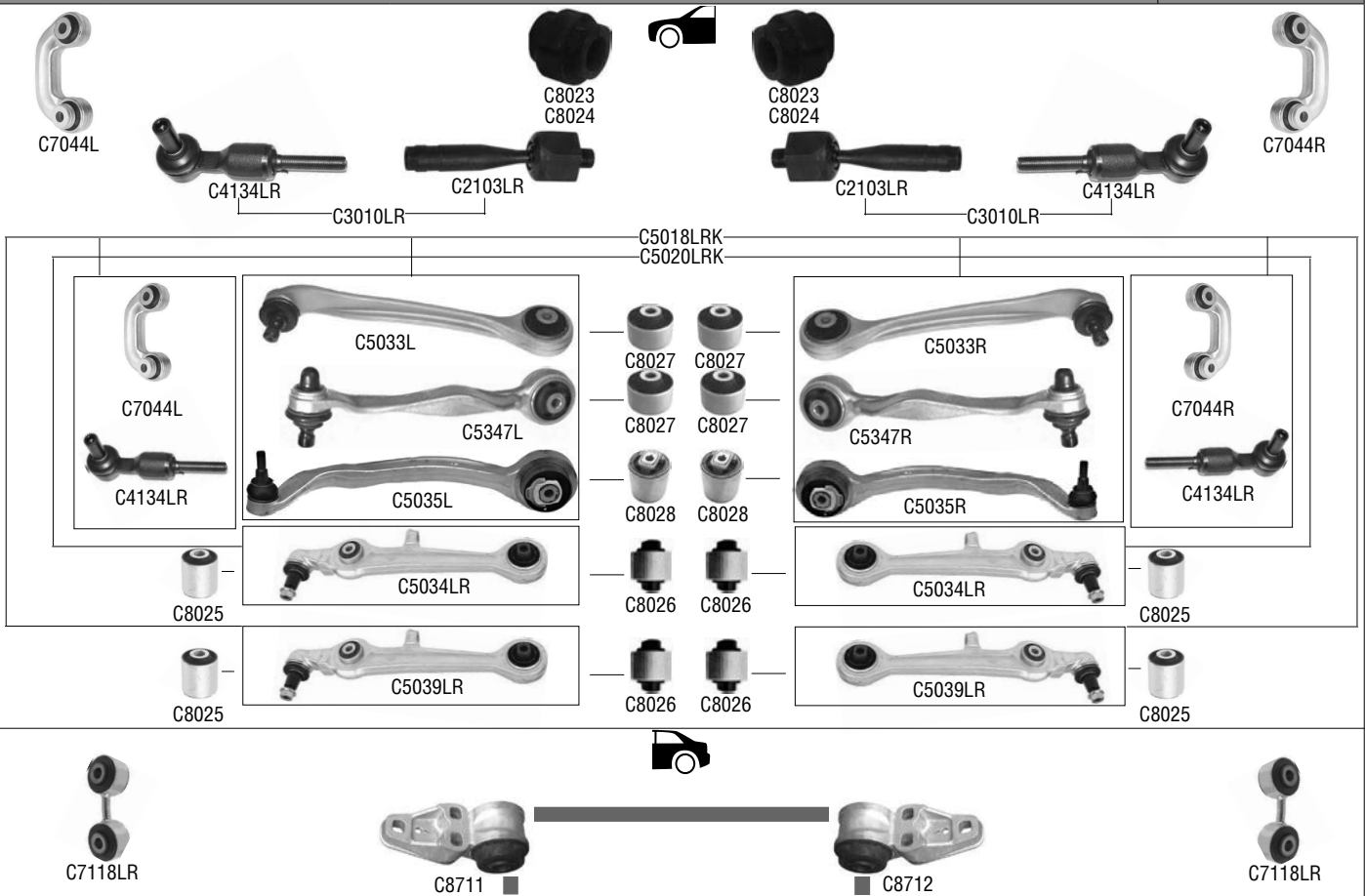


PASSAT IV / V (3B2, 3B3)

08/1996 - 02/2005

PASSAT IV / V Variant (3B5, 3B6)

06/1997 - 02/2005

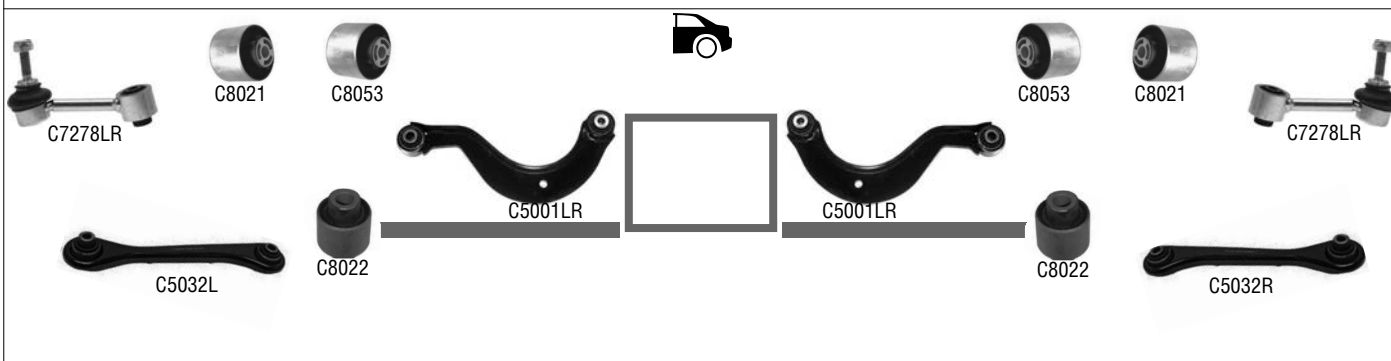
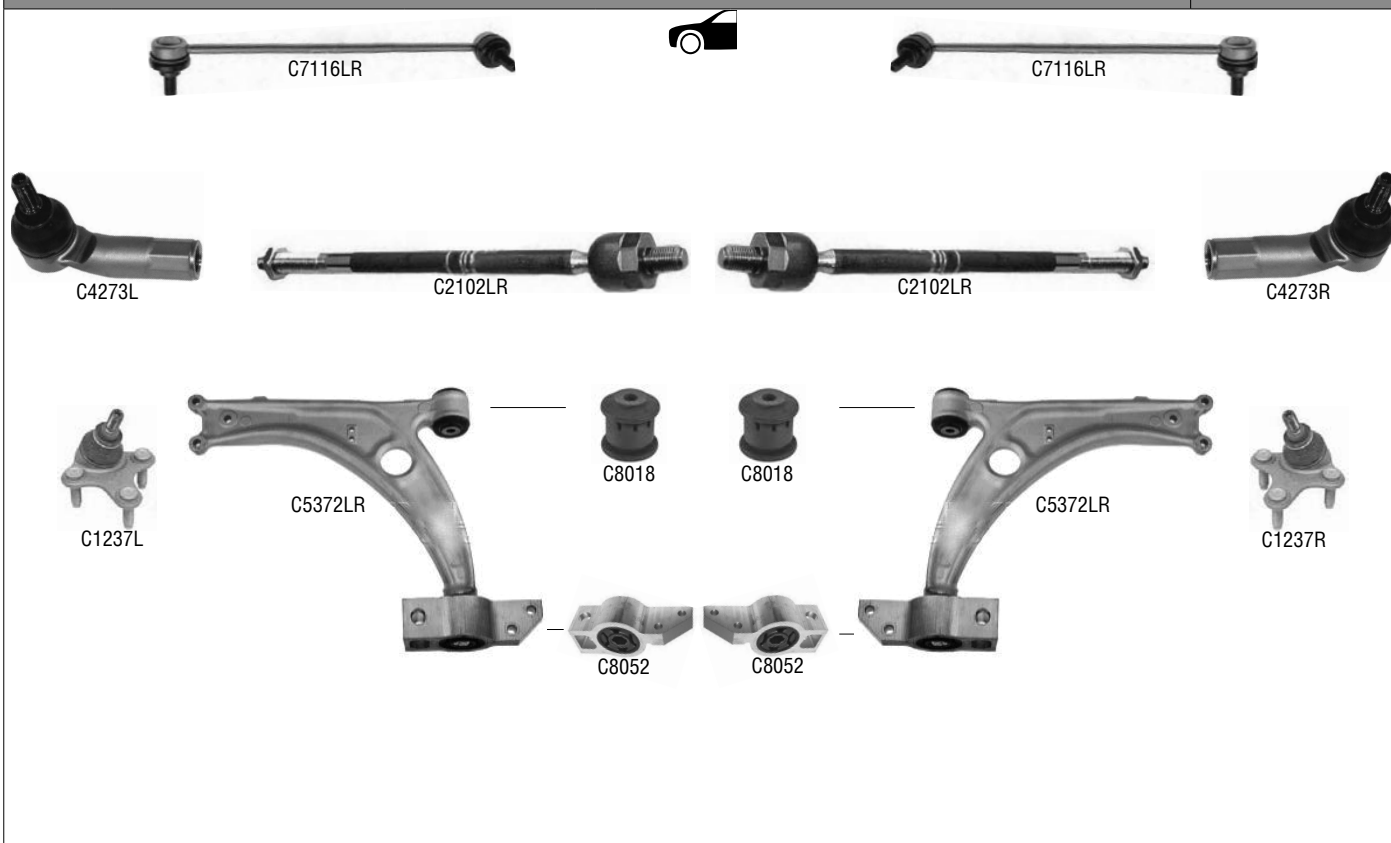


LYNX	Description	Original Number	Specification	
C2103LR	Tie Rod	4D0 422 821 A	MM16X1.5R	
C4134LR	Tie Rod End	4F0 498 811	MM14X1.5R	
C3010LR	Side Rod Assy	4B0 419 801 M		
C5033L	Susp. Arm Front Upper Left	8E0 407 505 A		
C5033R	Susp. Arm Front Upper Right	8E0 407 505 B		
C5347L	Susp. Arm Front Upper Left	4D0 407 509 J		
C5347R	Susp. Arm Front Upper Right	4D0 407 510 J		
C5035L	Susp. Arm Front Lower Left	8E0 407 693 Q / AG		
C5035R	Susp. Arm Front Lower Right	8E0 407 694 Q / AG		
C5034LR	Susp. Arm Front Lower	4D0 407 151 P		IV / V Chassis № >3B-3-072-000
C5039LR	Susp. Arm Front Lower	4B3 407 151 / C / K		V Chassis № 3B-3-072-001>
C5018LRK	Susp. Arm Kit			V Chassis № 3B-3-072-001>
C5020LRK	Susp. Arm Kit			IV / V Chassis № >3B-3-072-000
C7044L	Stabiliser Link Front Left	8D0 411 317 D		
C7044R	Stabiliser Link Front Right	8D0 411 318 D		
C7118LR	Stabiliser Link Rear	8E0 505 465 D		4Motion
C8023	Stabiliser Mounting	4D0 411 327 E	ø 24.8	Exc. Variant, Sport Suspension, 4motion
C8024	Stabiliser Mounting	4D0 411 327 H	ø 27	Variant / Sport Suspension / 4motion
C8025	Silentblock	4D0 407 181 H	ø 40.2	
C8026	Silentblock	4D0 407 182 E	ø 50.4	
C8027	Silentblock	4B0 407 515	ø 46.5	
C8028	Silentblock	4D0 407 183 AB / Q	ø 65	
C8711	Silentblock	4B0 501 521 D		
C8712	Silentblock	4B0 501 522 D		



PASSAT VI / VII (3C2, 362)
 PASSAT VI / VII Variant (3C5, 365)
 PASSAT VI CC

03/2005> / 08/2010>
 08/2005> / 08/2010>
 06/2008>



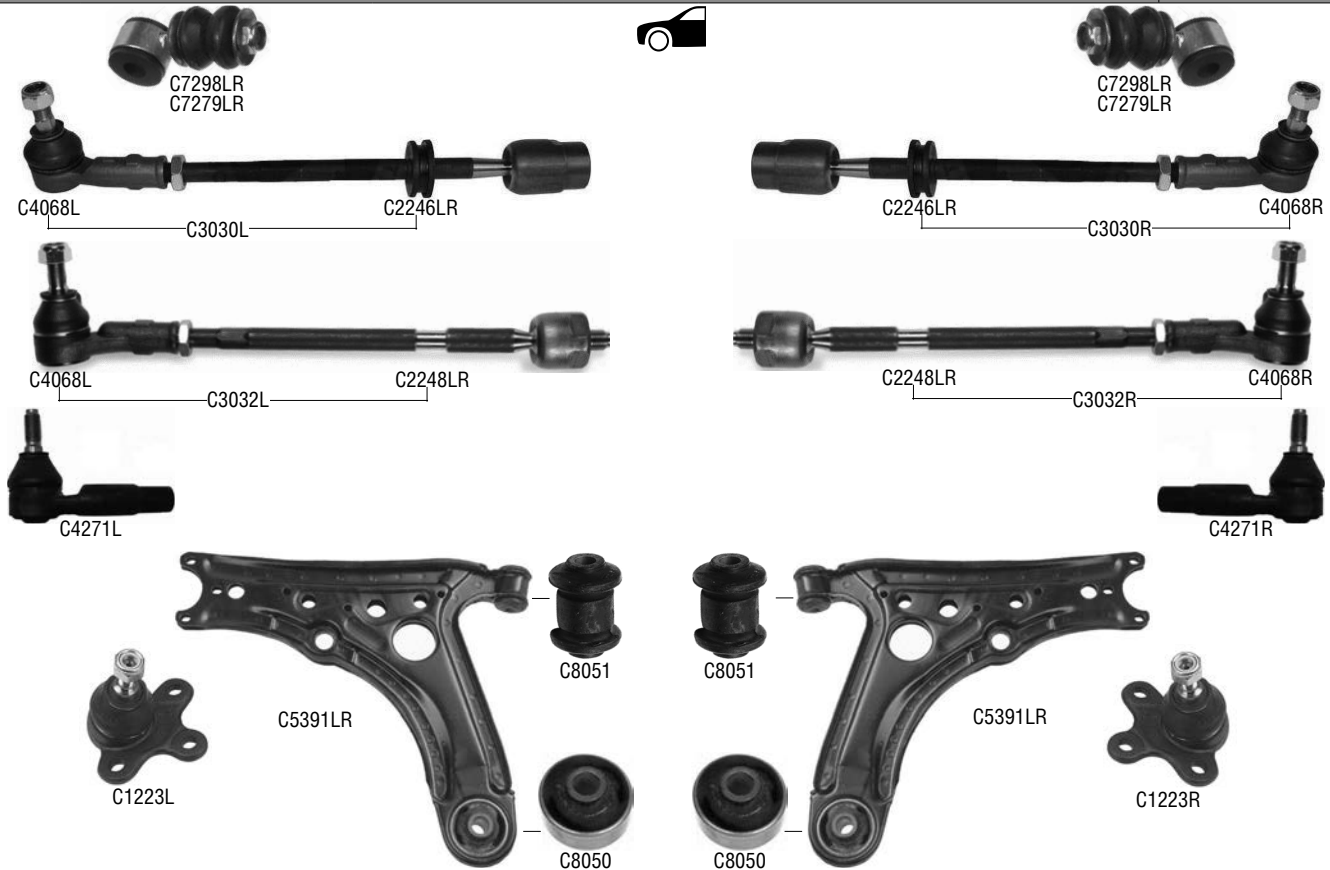
LYNX	Description	Original Number	Specification	
C2102LR	Tie Rod	1K0 423 810 A	MM16X1.5R	
C4273L	Tie Rod End Left	1K0 423 811 G	FM16x1.5R	
C4273R	Tie Rod End Right	1K0 423 812 G	FM16x1.5R	
C5372LR	Susp. Arm Front	3C0 407 151 A/B/E		
C5032L	Susp. Arm Rear Left	1K0 501 529 F		
C5032R	Susp. Arm Rear Right	1K0 501 530 C		
C5001LR	Susp. Arm Rear Upper	1K0 505 323 H/N		
C1237L	Ball Joint Left	3C0 407 365 A		
C1237R	Ball Joint Right	3C0 407 366 A		
C7116LR	Stabiliser Link Front	1K0 411 315 D/J/K		
C7278LR	Stabiliser Link Rear	1K0 505 465 K		
C8018	Silentblock	1K0 407 182	ø 40.2	
C8052	Silentblock	3C0 199 231 D		
C8021	Silentblock	1K0 505 541 D		Chassis № >3C-8-240000
C8053	Silentblock	3C0 505 541		Chassis № 3C-8-240000>
C8022	Silentblock	1K0 505 553 A		Steering Knuckle

• VOLKSWAGEN



POLO (6N1)

10/1994 - 10/1999



LYNX	Description	Original Number	Specification	
C2246LR	Tie Rod	6N0 419 821	FM22x1.5R	-PS
C3030L	Side Rod Assy Left	6N0 419 803		-PS
C3030R	Side Rod Assy Right	6N0 419 804		-PS
C2248LR	Tie Rod	6N0 422 821 A	MM14X1.5R	+PS Chassis № >6N-W-078256
C3032L	Side Rod Assy Left	6N0 422 803 A		+PS Chassis № >6N-W-078256
C3032R	Side Rod Assy Right	6N0 422 804 A		+PS Chassis № >6N-W-078256
C4068L	Tie Rod End Left	6N0 419 811	FM14x1.5R	-PS / +PS Chassis № >6N-W-078256
C4068R	Tie Rod End Right	6N0 419 812	FM14x1.5R	-PS / +PS Chassis № >6N-W-078256
C4271L	Tie Rod End Left	6K0 422 811	FM14X1.5	+PS Chassis № 6N-W-078257>
C4271R	Tie Rod End Right	6K0 422 812	FM14X1.5	+PS Chassis № 6N-W-078257>
C5391LR	Susp. Arm Front	6N0 407 151 B		
C1223L	Ball Joint Left	6N0 407 365		
C1223R	Ball Joint Right	6N0 407 365 A		
C7298LR	Stabiliser Link	6N0 411 315 C	ø 18	
C7279LR	Stabiliser Link	6N0 411 315 A/B/D	ø 20	
C8051	Silentblock	6N0 407 182	ø 27.4	
C8050	Silentblock	6N0 407 181	ø 60.2	
C8054	Silentblock	6N0 501 541 D	ø 58	



POLO CLASSIC (6KV2)

05/1997 - 09/2001

POLO Variant (6KV5)

11/1995 - 09/2001



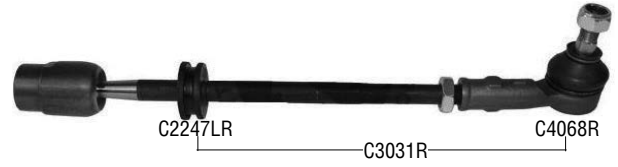
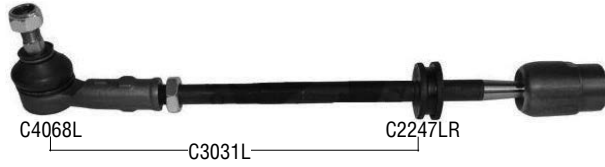
LYNX	Description	Original Number	Specification	
C2308LR	Tie Rod	Comp. of C3066L/R		Chassis № >6K-1-536000
C4068L	Tie Rod End Left	3A0 422 811		Chassis № >6K-1-536000
C4068R	Tie Rod End Right	3A0 422 812		Chassis № >6K-1-536000
C3066L	Side Rod Assy Left	6K0 422 803 E		Chassis № >6K-1-536000
C3066R	Side Rod Assy Right	6K0 422 804 E		Chassis № >6K-1-536000
C4271L	Tie Rod End Left	6K0 422 811	FM14X1.5	Chassis № 6K-1-536001>
C4271R	Tie Rod End Right	6K0 422 812	FM14X1.5	Chassis № 6K-1-536001>
C5369LR	Susp. Arm Front	191 407 151 B		
C1050LR	Ball Joint Lower	357 407 365		
C7298LR	Stabiliser Link	6N0 411 315		
C8046	Stabiliser Mounting	191 411 314	ø 17	
C8015	Silentblock	357 407 182	ø 31.5	
C8048	Silentblock	191 407 181 D	ø 60.1	
C8054	Silentblock	6N0 501 541 D	ø 58	
C9065	Silentblock	6K0 501 541 A		Variant

• VOLKSWAGEN



POLO (6N2)

10/1999 - 09/2001

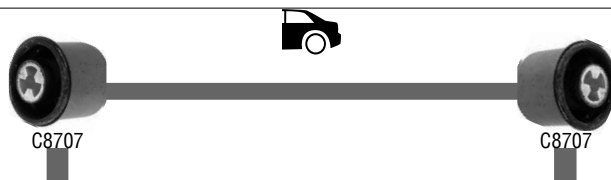


LYNX	Description	Original Number	Specification	
C2247LR	Tie Rod	Comp. of C3031L/R	FM22X1.5R	-PS
C4068L	Tie Rod End Left	6N0 419 811	FM14x1.5R	-PS
C4068R	Tie Rod End Right	6N0 419 812	FM14x1.5R	-PS
C3031L	Side Rod Assy Left	6X0 419 803 A		-PS
C3031R	Side Rod Assy Right	6X0 419 804 A		-PS
C2249LR	Tie Rod	6N0 422 807 C	MM14X1.5R	+PS
C4271L	Tie Rod End Left	6X0 422 811	FM14X1.5	+PS
C4271R	Tie Rod End Right	6X0 422 812	FM14X1.5	+PS
C3033L	Side Rod Assy Left	6N0 422 803 C		+PS
C3033R	Side Rod Assy Right	6N0 422 804 C		+PS
C5392LR	Susp. Arm Front	6N0 407 151 A		
C1223L	Ball Joint Left	6N0 407 365		
C1223R	Ball Joint Right	6N0 407 365 A		
C8051	Silentblock	6N0 407 182	ø 27.4	
C8050	Silentblock	6N0 407 181	ø 60.2	
C9065	Silentblock	6K0 501 541 A		



POLO (9N_)

10/2001>



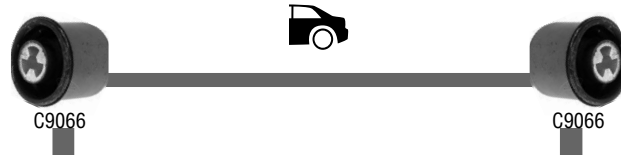
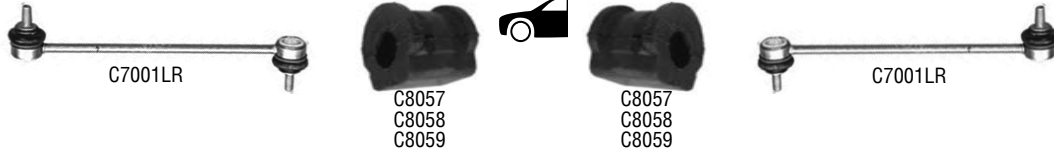
LYNX	Description	Original Number	Specification	
C2307LR	Tie Rod	6Q0 419 810 A		-PS
C3040L	Side Rod Assy Left	6Q0 419 803 B/F		-PS
C3040R	Side Rod Assy Right	6Q0 419 804 B/F		-PS
C2251LR	Tie Rod	Comp. of C3035L/R	MM14X1.5R	+PS TRW
C3035L	Side Rod Assy Left	6Q0 423 803 B/E		+PS TRW
C3035R	Side Rod Assy Right	6Q0 423 804 B/E		+PS TRW
C2254LR	Tie Rod	6Q0 423 810 C	MM16x1.5R	+PS SMI-KOYO
C3041L	Side Rod Assy Left	6Q0 423 803 G		+PS SMI-KOYO
C3041R	Side Rod Assy Right	6Q0 423 804 G		+PS SMI-KOYO
C4272L	Tie Rod End Left	6Q0 423 811 / C	FM14x1.5R	
C4272R	Tie Rod End Right	6Q0 423 812 / C	FM14x1.5R	
C5370LR	Susp. Arm Front	6Q0 407 151 E/L		
C1092L	Ball Joint Left	6Q0 407 365 A/M		
C1092R	Ball Joint Right	6Q0 407 366 A/M		
C7001LR	Stabiliser Link Front	6Q0 411 315 F/G/N		
C8055	Silentblock	6Q0 407 182 A	ø 33	
C8056	Silentblock	6Q0 407 183 A	ø 64	
C8707	Silentblock	1J0 501 541 C		

• VOLKSWAGEN



POLO (6R_) / POLO SEDAN

06/2009>

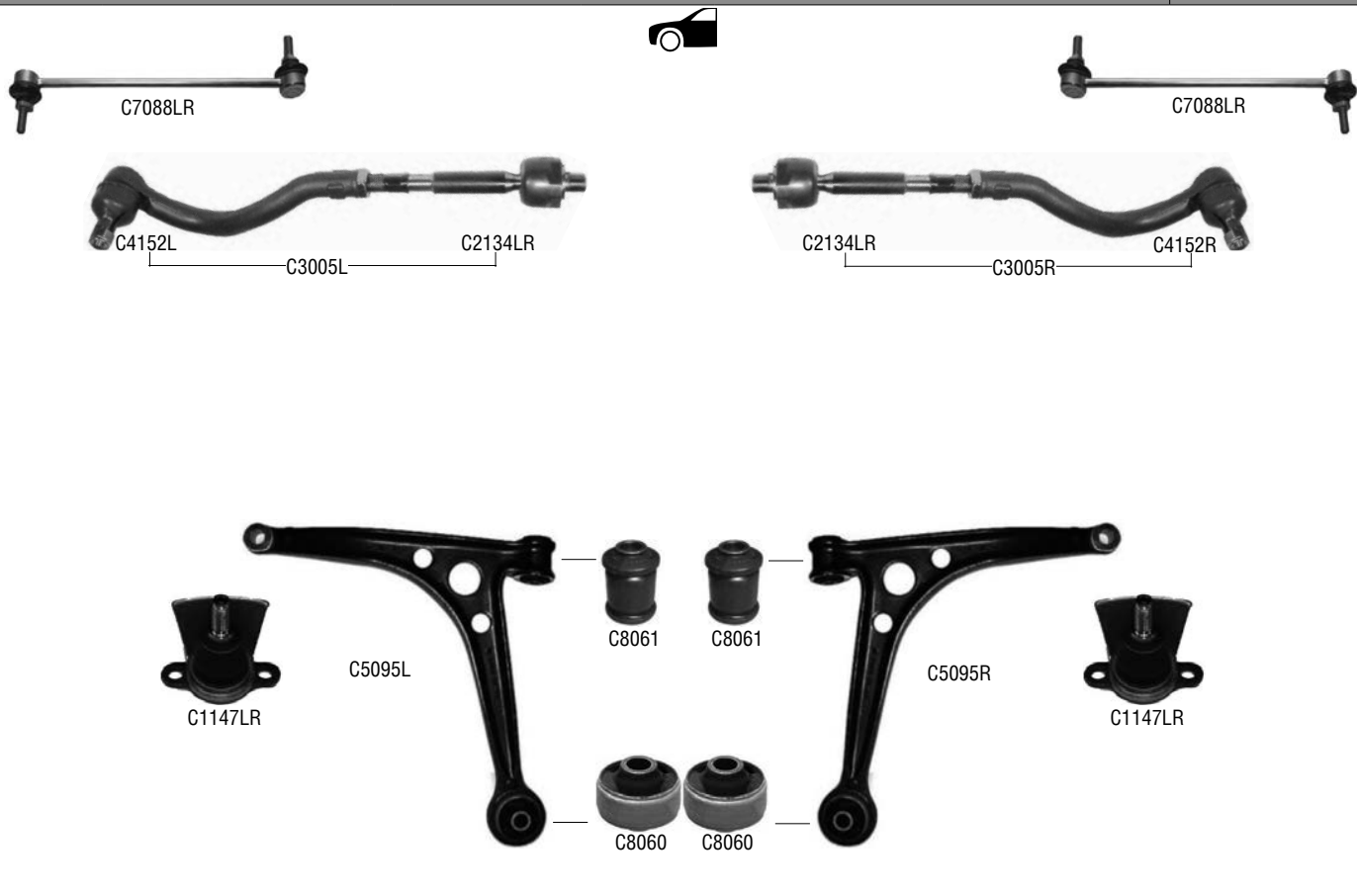


LYNX	Description	Original Number	Specification	
C2099LR	Tie Rod	Comp. of C3067L/R		
C4272L	Tie Rod End Left	6R0 423 811	FM14x1.5R	
C4272R	Tie Rod End Right	6R0 423 812	FM14x1.5R	
C3067L	Side Rod Assy Left	6R0 423 803 A		
C3067R	Side Rod Assy Right	6R0 423 804 A		
C5373L	Susp. Arm Left	6R0 407 151 / A/F		
C5373R	Susp. Arm Right	6R0 407 152 / A/F		
C1254L	Ball Joint Left	6R0 407 365		
C1254R	Ball Joint Right	6R0 407 366		
C7001LR	Stabiliser Link Front	6Q0 411 315 N		
C8057	Stabiliser Mounting	6Q0 411 314 P	ø 16	0AQ
C8058	Stabiliser Mounting	6Q0 411 314 Q	ø 17	0AR
C8059	Stabiliser Mounting	6Q0 411 314 R	ø 18	0AS
C8015	Silentblock	357 407 182	ø 31.5	
C8014	Silentblock	1J0 407 181	ø 60	
C9066	Silentblock	6R0 501 541 A		



SHARAN (7M8, 7M9, 7M6)

05/1995 - 04/2000

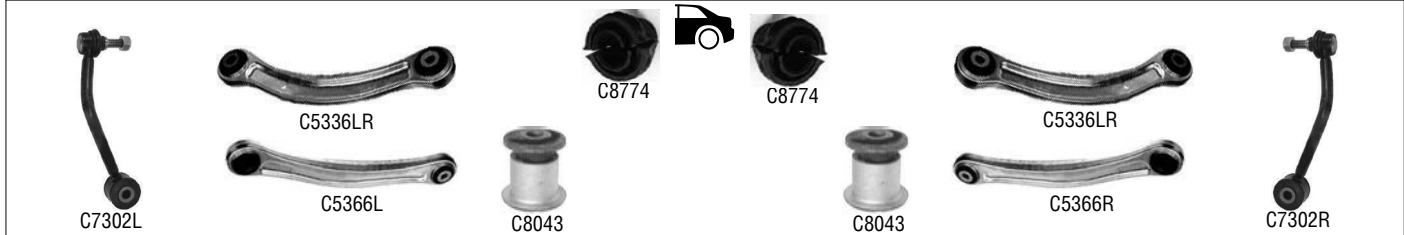
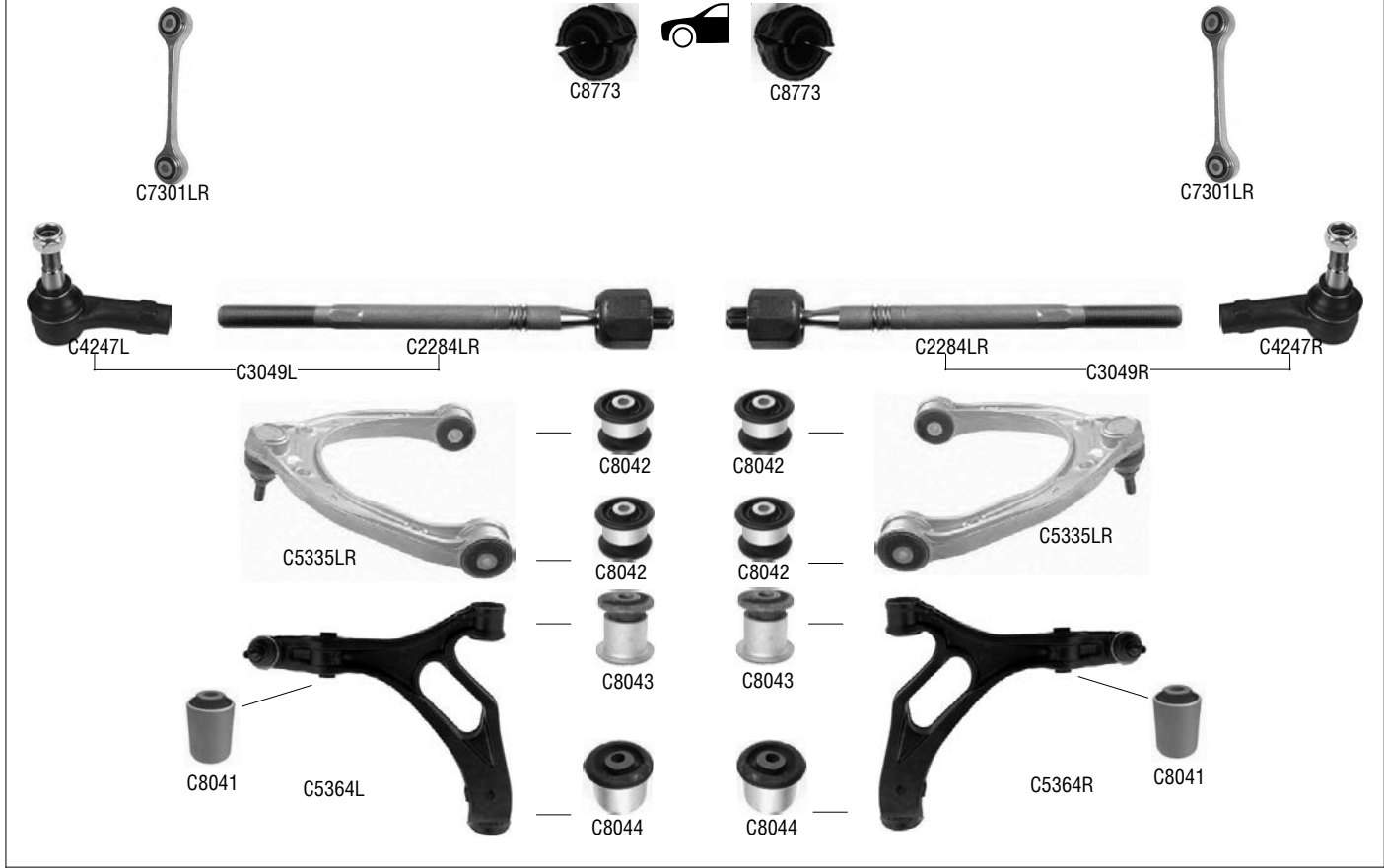


LYNX	Description	Original Number	Specification
C2134LR	Tie Rod	Comp. of C3005L/R	MM14X1.5R
C4152L	Tie Rod End Left	7M3 422 817	FM14x1.5R
C4152R	Tie Rod End Right	7M3 422 818	FM14x1.5R
C3005L	Side Rod Assy Left	7M3 422 803 A	
C3005R	Side Rod Assy Right	7M3 422 804 A	
C5095L	Susp. Arm Front Left	7M0 407 151 B	
C5095R	Susp. Arm Front Right	7M0 407 152 B	
C1147LR	Ball Joint	7M3 407 365 A	
C7088LR	Stabiliser Link	7M0 411 317 C	
C8060	Silentblock	7M0 407 181 A	
C8061	Silentblock	7M0 501 541	ø 34
C8752	Silentblock	7M0 505 221 C	
C8753	Silentblock	7M0 505 222 B	

• VOLKSWAGEN



TOUAREG (7LA) 10/2002>

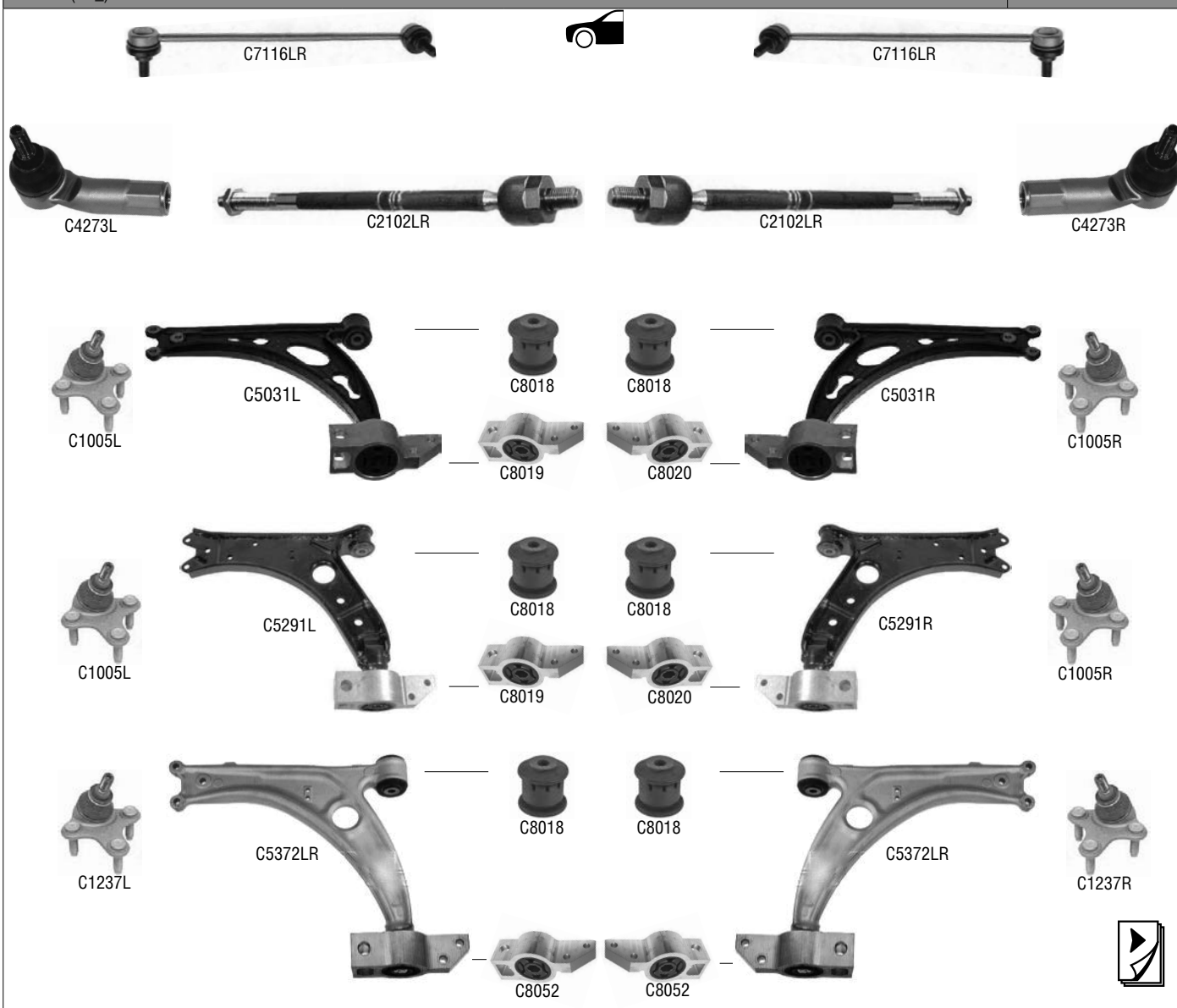


LYNX	Description	Original Number	Specification
C2284LR	Tie Rod	7L0 422 821	MM16X1.5R
C4247L	Tie Rod End Left	7L0 422 817 B/C/D	FM16X1.5R
C4247R	Tie Rod End Right	7L0 422 818 B/C/D	FM16X1.5R
C3049L	Side Rod Assy Left	7L0 422 803 B/C/D	
C3049R	Side Rod Assy Right	7L0 422 804 B/C/D	
C5335LR	Susp. Arm Front Upper	7L0 407 021 / A/B	
C5364L	Susp. Arm Front Lower Left	7L0 407 151 C/E/H	
C5364R	Susp. Arm Front Lower Right	7L0 407 152 C/E/H	
C5336LR	Susp. Arm Rear Upper	7L0 505 323 A	
C5366L	Susp. Arm Rear Upper Left	7L0 505 397	
C5366R	Susp. Arm Rear Upper Right	7L0 505 398	
C7301LR	Stabiliser Link Front	7L0 411 317	
C7302L	Stabiliser Link Rear Left	7L0 505 465 A/B/C	
C7302R	Stabiliser Link Rear Right	7L0 505 466 A/B/C	
C8773	Stabiliser Mounting	7L8 411 313 B	
C8774	Stabiliser Mounting	7L0 511 413 E	
C8041	Silentblock	7L0 412 333 A	ø 48
C8042	Silentblock	7L0 407 077	
C8043	Silentblock	7L0 407 183 A	ø 40
C8044	Silentblock	7L0 407 182 E	ø 60.3



TOURAN (1T1, 1T2, 1T3)
TIGUAN (5N_)

03/2003>
09/2007>

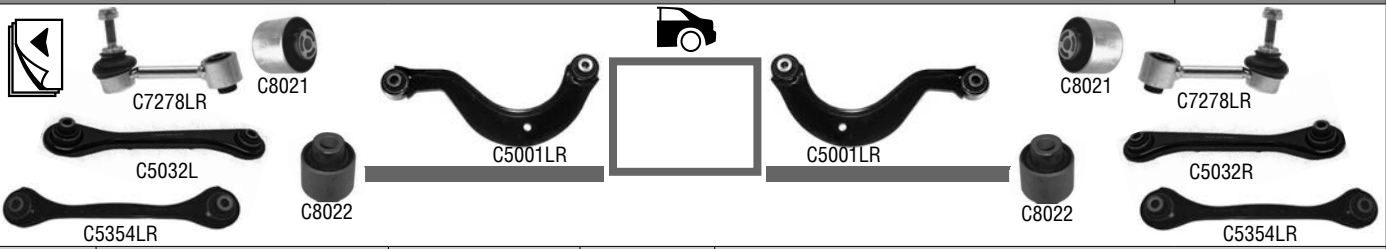


LYNX	Description	Original Number	Specification	
C2102LR	Tie Rod	1K0 423 810 A	MM16X1.5R	
C4273L	Tie Rod End Left	1K0 423 811 C/G/K	FM16x1.5R	
C4273R	Tie Rod End Right	1K0 423 812 C/G/K	FM16x1.5R	
C5031L	Susp. Arm Front Left	1K0 407 151 M/AC		Touran >24/05/09, Cast Iron
C5031R	Susp. Arm Front Right	1K0 407 152 M/AC		Touran >24/05/09, Cast Iron
C5291L	Susp. Arm Front Left	1K0 407 151 BC		Touran 25/05/09>, Sheet Metal
C5291R	Susp. Arm Front Right	1K0 407 152 BC		Touran 25/05/09>, Sheet Metal
C5372LR	Susp. Arm Front	3C0 407 151 E		Tiguan >02/11/09, Alu
C1005L	Ball Joint Left	1K0 407 365 E/B/C		Touran
C1005R	Ball Joint Right	1K0 407 366 E/B/C		Touran
C1237L	Ball Joint Left	3C0 407 365 A		Tiguan
C1237R	Ball Joint Right	3C0 407 366 A		Tiguan
C7116LR	Stabiliser Link Front	1K0 411 315 J/K		
C8018	Silentblock	1K0 407 182	ø 40.2	Touran
C8019	Silentblock	1K0 199 231 J		Touran
C8020	Silentblock	1K0 199 232 J		
C8052	Silentblock	3C0 199 231 D		Tiguan

• VOLKSWAGEN

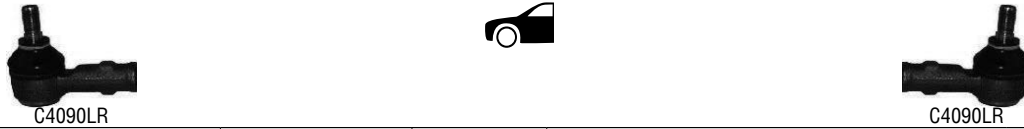


TOURAN (1T1, 1T2, 1T3) 03/2003>
TIGUAN (5N_) 09/2007>



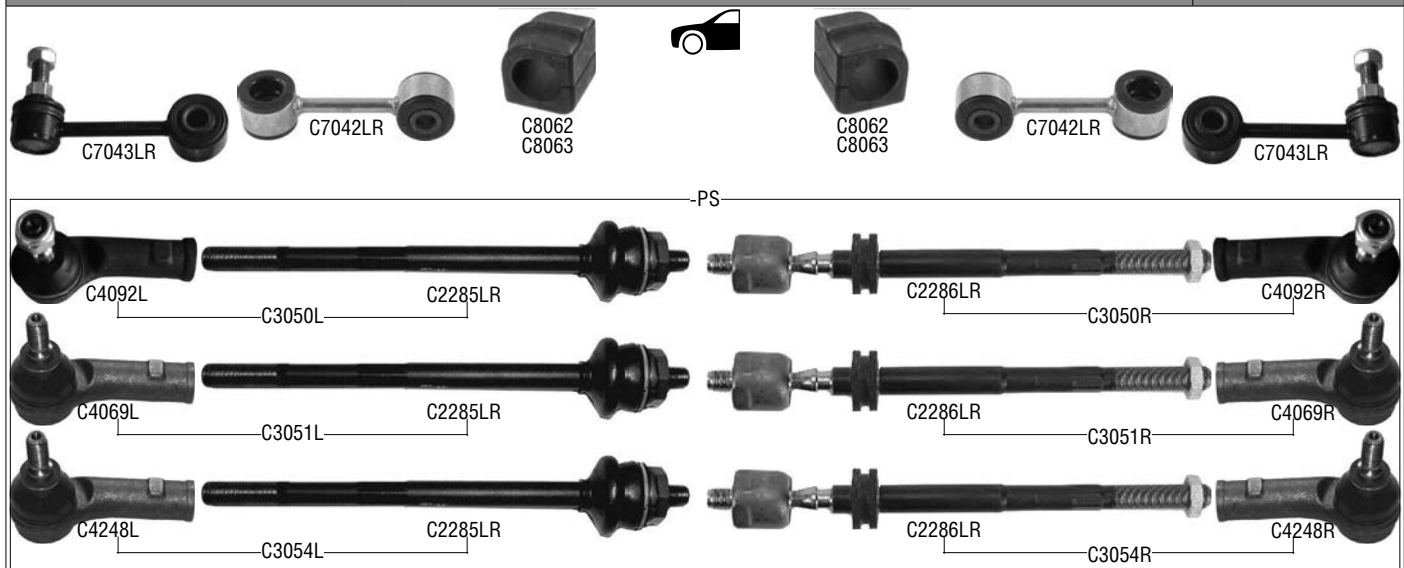
LYNX	Description	Original Number	Specification	
C5032L	Susp. Arm Rear Left	1K0 501 529 E/F		Touran >02/11/08 / Tiguan >03/11/08, 08/09/09>
C5032R	Susp. Arm Rear Right	1K0 501 530 B/C		Touran >02/11/08 / Tiguan >03/11/08, 08/09/09>
C5354LR	Susp. Arm Rear	1K0 501 529 J		Touran 03/11/08> / Tiguan 04/11/08 - 07/09/09
C5001LR	Susp. Arm Rear Upper	1K0 505 323 H/N		
C7278LR	Stabiliser Link Rear	1K0 505 465 J/K		
C8021	Silentblock	1K0 505 541 D		
C8022	Silentblock	1K0 505 553 A		Steering Knuckle

TRANSPORTER III 05/1979 - 08/1992



LYNX	Description	Original Number	Specification	
C4090LR	Tie Rod End	171 419 811	MM14x1.5R	

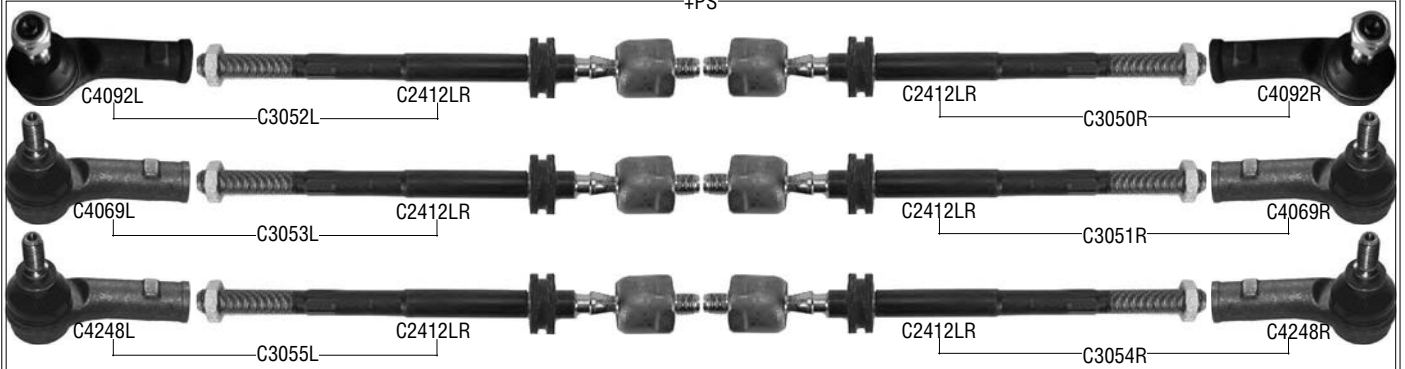
TRANSPORTER IV (Chassis N^o >70-T-199999) 09/1990 - 12/1995



LYNX	Description	Original Number	Specification	
C2285LR	Tie Rod Left	701 419 810	MM14X1.5R	-PS Left
C2286LR	Tie Rod	701 419 810 A	MM14X1.5R	-PS Right / +PS Left=Right
C4092L	Tie Rod End Left	701 419 811 A	FM16X1.5R	Chassis N ^o >70-M-096448
C4092R	Tie Rod End Right	701 419 812	FM16X1.5R	Chassis N ^o >70-M-096448
C4069L	Tie Rod End Left	701 419 811 B	FM16X1.5R	Chassis N ^o 70-M096449 - 70-S-002791
C4069R	Tie Rod End Right	701 419 812 A	FM16X1.5R	Chassis N ^o 70-M096449 - 70-S-002791
C4248L	Tie Rod End Left	701 419 811 C	FM16X1.5R	Chassis N ^o 70-S-002792>
C4248R	Tie Rod End Right	701 419 812 B	FM16X1.5R	Chassis N ^o 70-S-002792>
C3050L	Side Rod Assy Left	701 419 803 C		-PS, Chassis N ^o >70-M-096448
C3052L	Side Rod Assy Left	702 419 803 A		+PS, Chassis N ^o >70-M-096448
C3050R	Side Rod Assy Right	701 419 804 C		-PS, +PS Chassis N ^o >70-M-096448



+PS



LYNX	Description	Original Number	Specification	
C3051L	Side Rod Assy Left	701 419 803 D		-PS, Chassis № 70-M096449 - 70-S-002791
C3053L	Side Rod Assy Left	702 419 803 B		+PS, Chassis № 70-M096449 - 70-S-002791
C3051R	Side Rod Assy Right	701 419 804 D		-PS, +PS Chassis № 70-M096449 - 70-S-002791
C3054L	Side Rod Assy Left	701 419 803 E		-PS, Chassis № 70-S-002792>
C3055L	Side Rod Assy Left	702 419 803 C		+PS, Chassis № 70-S-002792>
C3054R	Side Rod Assy Right	701 419 804 E		-PS, +PS Chassis № 70-S-002792>
C5375L	Susp. Arm Left	701 407 151 A		Chassis № 70-M-083343>
C5375R	Susp. Arm Right	701 407 152 A		Chassis № 70-M-083343>
C1079LR	Ball Joint Upper	701 407 187 A/B		
C1095LR	Ball Joint Lower	701 407 361 B		
C7042LR	Stabiliser Link	7D0 411 049	ø 23	0AB
C7043LR	Stabiliser Link	701 411 049 B	ø 27	0AC
C8062	Stabiliser Mounting	701 411 041	ø 22	0AB
C8063	Stabiliser Mounting	701 411 041 D	ø 27	0AC
C8065	Silentblock	701 407 077 A	ø 38	
C8066	Silentblock	701 407 087	ø 35	
C8067	Silentblock	7D0 407 140	ø 45.5	Chassis № 70-M-083 343>
C8068	Silentblock	701 407 183	ø 35	

• VOLKSWAGEN



TRANSPORTER IV (Chassis N^o 70-T-200000>) 01/1996 - 04/2003



LYNX	Description	Original Number	Specification	
C2412LR	Tie Rod	701 419 810 B	MM14X1.5R	
C4091L	Tie Rod End Left	701 419 811 E	FM16x1.5R	
C4091R	Tie Rod End Right	701 419 812 D	FM16X1.5R	
C3056L	Side Rod Assy Left	702 419 803 D		
C3056R	Side Rod Assy Right	701 419 804 F		
C5376L	Susp. Arm Left	7D0 407 151 A		
C5376R	Susp. Arm Right	7D0 407 152 A		
C1079LR	Ball Joint Upper	701 407 187 A/B		
C1080LR	Ball Joint Lower	7D0 407 361		
C7042LR	Stabiliser Link	7D0 411 049	ø 23	0AB
C7043LR	Stabiliser Link	701 411 049 B	ø 27	0AC
C8062	Stabiliser Mounting	701 411 041	ø 22	0AB
C8063	Stabiliser Mounting	701 411 041 D	ø 27	0AC
C8065	Silentblock	701 407 077 A	ø 38	
C8066	Silentblock	701 407 087	ø 35	
C8067	Silentblock	701 407 140 A	ø 45.5	
C8069	Silentblock	701 407 183 C	ø 40.1	



TRANSPORTER V / MULTIVAN V (7HM)

04/2003>

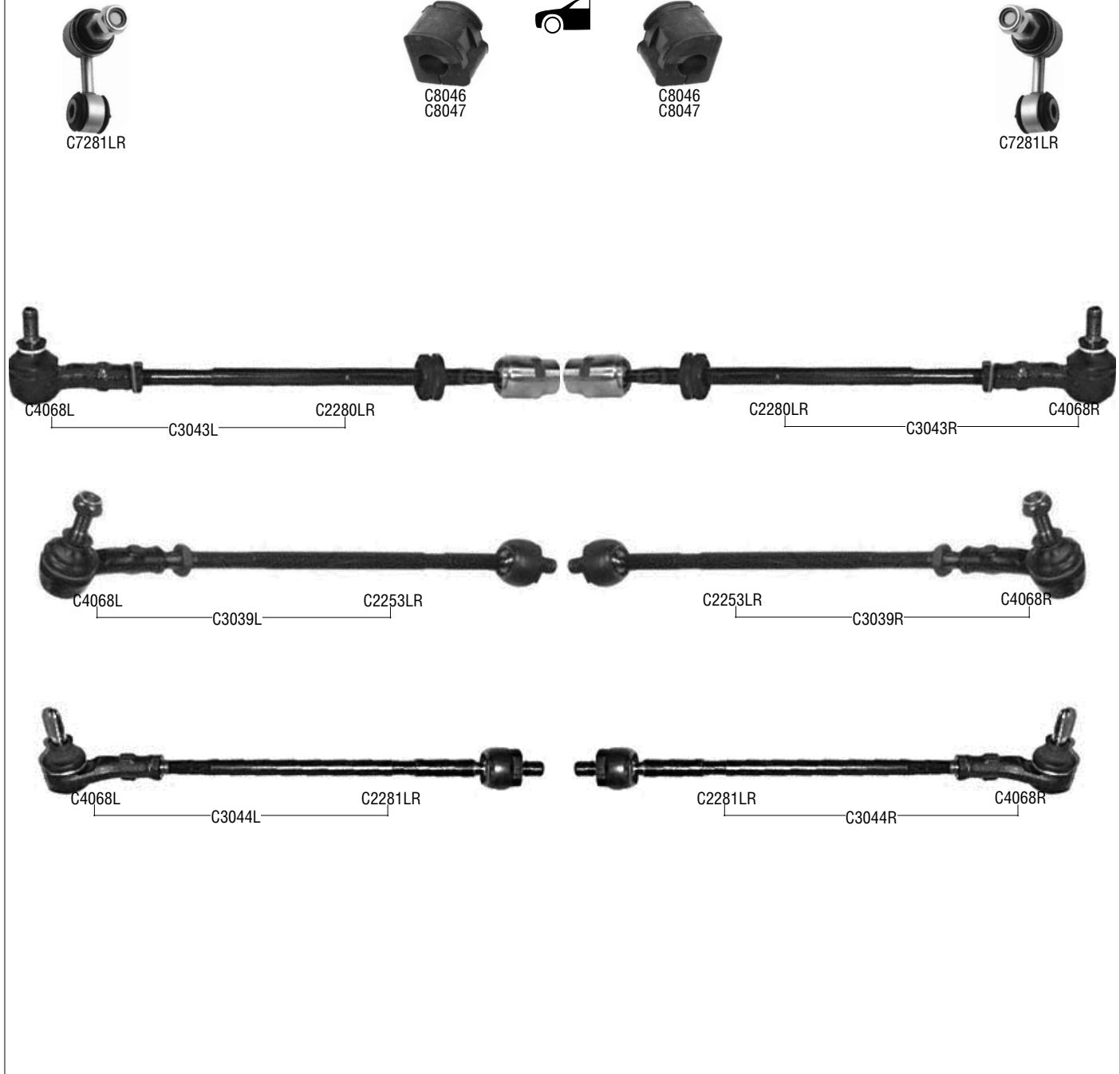


LYNX	Description	Original Number	Specification	
C2287LR	Tie Rod	Comp of. C3057L/R	MM16x1.5R	
C4249L	Tie Rod End Left	7H0 422 817 D	FM16x1.5R	
C4249R	Tie Rod End Right	7H0 422 818 D	FM16x1.5	
C3057L	Side Rod Assy Left	7H0 419 803 F		
C3057R	Side Rod Assy Right	7H0 419 804 F		
C5337L	Susp. Arm Left	7H0 407 151 F		Exc. Load Capacity 3200kg
C5337R	Susp. Arm Right	7H0 407 152 F		Exc. Load Capacity 3200kg
C1237LR	Ball Joint Lower	7H0 407 361 / A		Exc. Load Capacity 3200kg
C1238LR	Ball Joint Lower	7H8 407 361 / A		Load Capacity 3200kg
C7303LR	Stabiliser Link	7H5 411 317 A/B		
C8070	Stabiliser Mounting	7H0 411 313	ø 21	
C8071	Silentblock	7H0 407 183		Exc. Load Capacity 3200kg
C8072	Silentblock	7H0 407 182	ø 60.2	Exc. Load Capacity 3200kg

• VOLKSWAGEN



VENTO (1H2) 11/1991 - 09/1998



LYNX	Description	Original Number	Specification	
C2280LR	Tie Rod	1H0 419 821	FM22X1.5R	-PS
C3043L	Side Rod Assy Left	1H0 419 803		-PS
C3043R	Side Rod Assy Right	1H0 419 804		-PS
C2253LR	Tie Rod		MM14X1.5R	+PS TRW
C3039L	Side Rod Assy Left	1H0 422 803		+PS TRW
C3039R	Side Rod Assy Right	1H0 422 804		+PS TRW
C2281LR	Tie Rod		MM14X1.5R	+PS ZF
C3044L	Side Rod Assy Left	1H0 422 803 B		+PS ZF
C3044R	Side Rod Assy Right	1H0 422 804 B		+PS ZF
C4068L	Tie Rod End Left	191 419 811	FM14x1.5R	
C4068R	Tie Rod End Right	191 419 812	FM14x1.5R	
C7281LR	Stabiliser Link Front	535 411 315		
C8046	Stabiliser Mounting	191 411 314	ø 17	
C8047	Stabiliser Mounting	1H0 411 314	ø 19	



LYNX	Description	Original Number	Specification	
C5371LR	Susp. Arm Front	1H0 407 151		Exc. 2.0 GT / VR6
C5333L	Susp. Arm Front Left	1H0 407 151 A		2.0 GT / VR6
C5333R	Susp. Arm Front Right	1H0 407 152		2.0 GT / VR6
C1050LR	Ball Joint Lower	357 407 365		Exc. 2.0 GT / VR6
C1236LR	Ball Joint Lower	1H0 407 365		2.0 GT / VR6
C8015	Silentblock	357 407 182	ø 31.5	
C8048	Silentblock	191 407 181 D	ø 60.1	
C9068	Silentblock	1H0 501 541 A		

• VOLVO



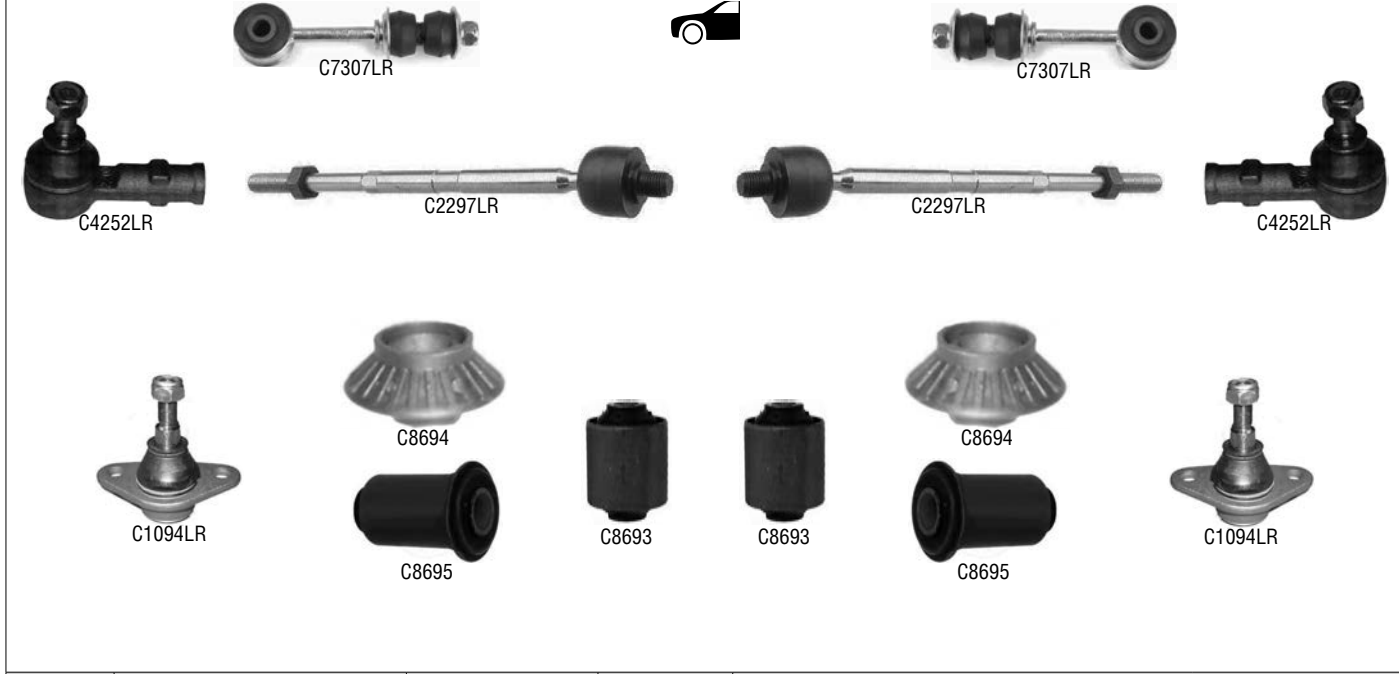
VOLVO

440 K (445) / 460 L (464) 08/1988 - 12/1996
 480 E 03/1986 - 07/1996



LYNX	Description	Original Number	Specification	
C2288LR	Tie Rod	3410369	FM14X1.5R	-PS
C2289LR	Tie Rod	3410412	MM14X1.5R	+PS
C4250LR	Tie Rod End	3410364	FM12X1.25	
C1239LR	Ball Joint Lower	3410519		
C7304L	Stabiliser Link	3416129		
C7304R	Stabiliser Link	3416130		
C7305LR	Stabiliser Link	3434868		

740 / 760 / 780 08/1981 - 09/1992

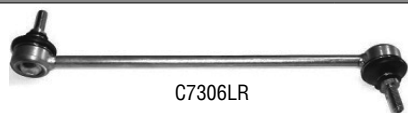


LYNX	Description	Original Number	Specification	
C2297LR	Tie Rod	1387463	MM14X1.5R	CAM 01/88>
C4252LR	Tie Rod End	1205658	FM14X2R	
C1094LR	Ball Joint Lower	1270477		
C7307LR	Stabiliser Link	3530230		
C8693	Silentblock	1329655	ø 47	
C8694	Silentblock	1359599		
C8695	Silentblock	1273235	ø 37.1	



850

09/1991 - 10/1996



C7306LR



C7306LR



C4251L



C2290LR



C2290LR



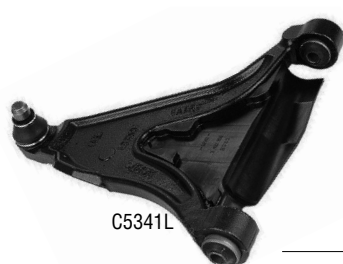
C4251R



C1240LR



C1240LR



C5341L



C8691



C8691



C5341R



C8691



C8691



C5342L



C8692



C8692



C5342R



C8692



C8692

LYNX	Description	Original Number	Specification	
C2290LR	Tie Rod	3546266	MM14X1.5R	
C4251L	Tie Rod End Left	271598	F M14X2R	
C4251R	Tie Rod End Right	271599	FM14X2R	
C5341L	Susp. Arm Left	271901		93>, Exc. Diesel
C5341R	Susp. Arm Right	271902		93>, Exc. Diesel
C5342L	Susp. Arm Left	272336		93>, Diesel
C5342R	Susp. Arm Right	272337		93>, Diesel
C1240LR	Ball Joint	271591		>93
C7306LR	Stabiliser Link	1387860		
C8691	Silentblock	271631		93>, Exc. Diesel
C8692	Silentblock	Comp. of C5342L/R	ø 32.3	93>, Diesel



940 / 960 08/1990 -10/1998



LYNX	Description	Original Number	Specification	
C2297LR	Tie Rod	1387463	MM14X1.5R	CAM / TRW >94
C4252LR	Tie Rod End	1205658	FM14X2R	CAM / TRW >94
C2296LR	Tie Rod	9140788	MM14X1.5R	TRW 95>
C4251L	Tie Rod End Left	271598	F M14X2R	TRW 95>
C4251R	Tie Rod End Right	271599	FM14X2R	TRW 95>
C1094LR	Ball Joint Lower	1270477		
C7307LR	Stabiliser Link	3530230		940 ALL, 960 >95
C7308LR	Stabiliser Link	272991		960 95>
C8693	Silentblock	1329655	∅ 47	
C8694	Silentblock	1359599		
C8695	Silentblock	1273235	∅ 37.1	

C30 10/2006>

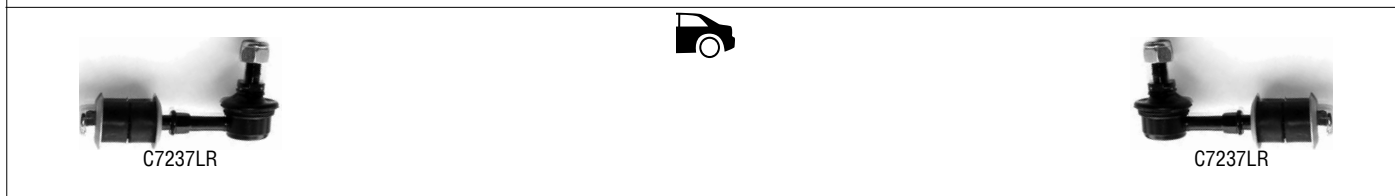


LYNX	Description	Original Number	Specification	
C2133LR	Tie Rod	31201817	MM14X1.5R	
C4151L	Tie Rod End Left	30723103	FM16X1.5R	
C4151R	Tie Rod End Right	30723104	FM16X1.5R	
C5094L	Susp. Arm Front Left	1420858		
C5094R	Susp. Arm Front Right	1420859		
C7150LR	Stabiliser Link Front	8623576		
C8243	Silentblock	30714128	∅ 40.5	
C8244	Silentblock	30678440		



LYNX	Description	Original Number	Specification
C5003LR	Susp. Arm Rear	30683067	
C5092LR	Susp. Arm Rear	8671921	
C1100LR	Ball Joint	1470387	ø 21
C7152LR	Stabiliser Link Rear	30760236	
C8239	Silentblock	30666821	
C8749	Silentblock	Comp. of C5092LR	

S40 / V40 01/1997 - 01/2001



LYNX	Description	Original Number	Specification
C2187LR	Tie Rod	3345797	MM16X1.5R
C4011LR	Tie Rod End	30870695	FM12X1.25
C5220L	Susp. Arm Left	30863988	
C5220R	Susp. Arm Right	30863989	
C1028LR	Ball Joint Lower	Comp. of C5220L/R	
C7234LR	Stabiliser Link Front	30871770	
C7237LR	Stabiliser Link Rear	30852103	
C8467	Silentblock	30872511	
C8468	Silentblock	30872510	
C8469	Silentblock	30818467	ø 37

• VOLVO



S40 / V40 01/2001 - 01/2004

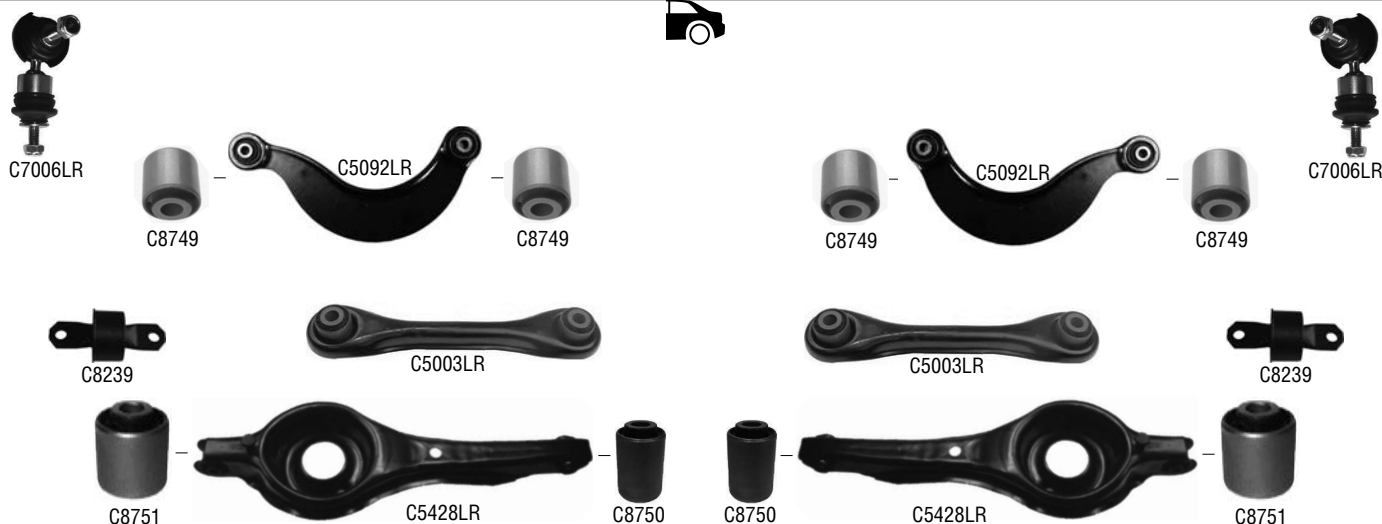


LYNX	Description	Original Number	Specification
C2291LR	Tie Rod	274224	MM16X1.5R
C4253L	Tie Rod End Left	274225	FM14X1.5R
C4253R	Tie Rod End Right	274226	FM14X1.5R
C5338L	Susp. Arm Left	30887653	
C5338R	Susp. Arm Right	30887654	
C1028LR	Ball Joint Lower		
C7237LR	Stabiliser Link Rear	30852103	
C7309LR	Stabiliser Link Front	30884179	
C8467	Silentblock	30872511	
C8468	Silentblock	30872510	
C8469	Silentblock	30818467	ø 37

S40 / V50 01/2004>



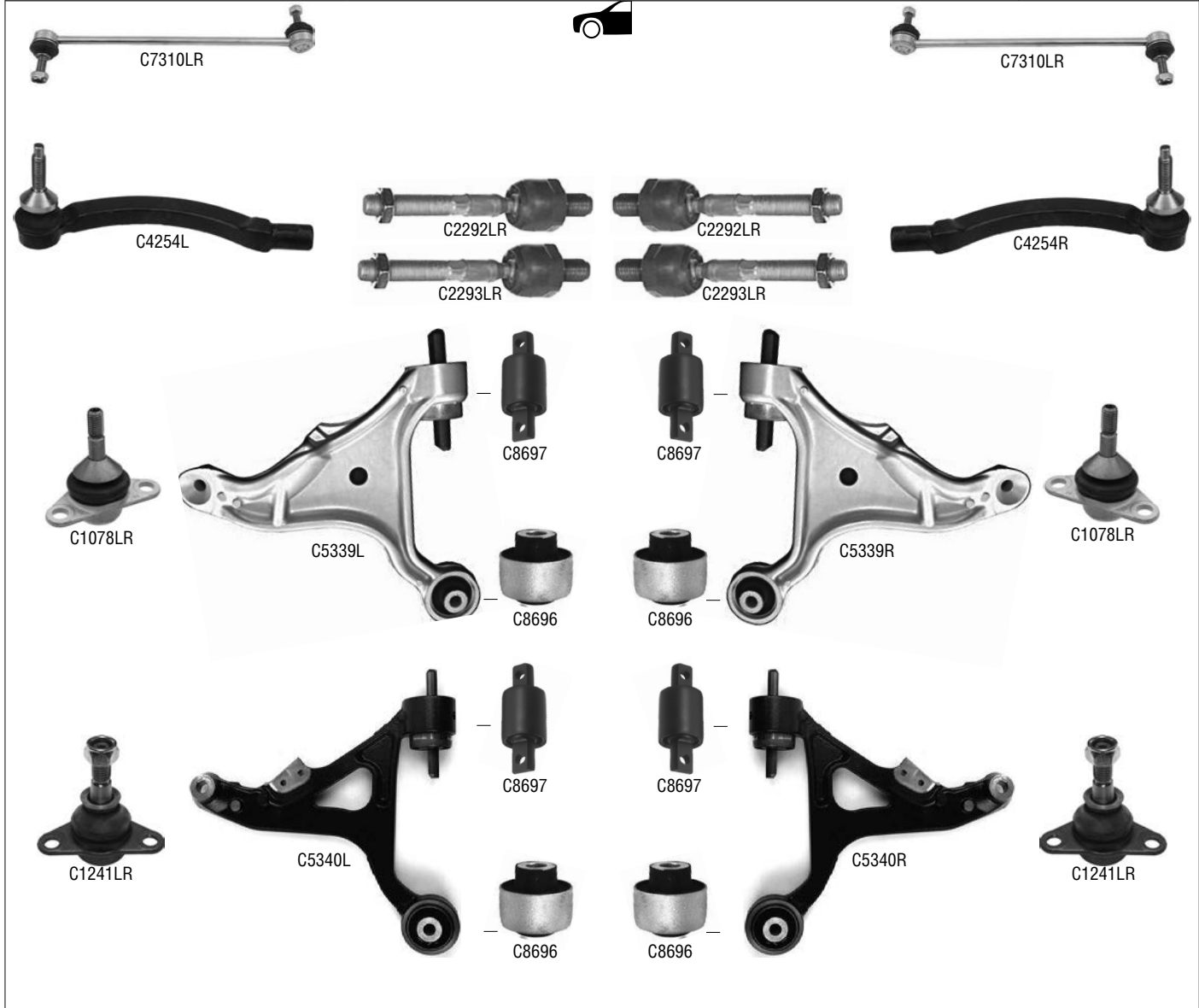
LYNX	Description	Original Number	Specification
C2133LR	Tie Rod	31201817	MM14X1.5R
C4151L	Tie Rod End Left	30723103	FM16X1.5R
C4151R	Tie Rod End Right	30723104	FM16X1.5R
C7150LR	Stabiliser Link Front	8623576	



LYNX	Description	Original Number	Specification	
C5093L	Susp. Arm Front Left	30730829	ø 18	
C5093R	Susp. Arm Front Right	30748230	ø 18	
C5094L	Susp. Arm Front Left	31201181	ø 21	
C5094R	Susp. Arm Front Right	31201180	ø 21	
C5003LR	Susp. Arm Rear	30683067		
C5092LR	Susp. Arm Rear	8671921		
C5428LR	Susp. Arm Rear	1064128		
C1146LR	Ball Joint	1234382	ø 18	
C1100LR	Ball Joint	1470387	ø 21	
C7006LR	Stabiliser Link Rear	30714466		
C8239	Silentblock	30666821		
C8243	Silentblock	30714128	ø 40.5	
C8244	Silentblock	30678440		
C8749	Silentblock	Comp. of C5092LR		
C8750	Silentblock	Comp. of C5428LR		
C8751	Silentblock	Comp. of C5428LR		



S60 / V70 II 01/2000 - 01/2005



C7311LR



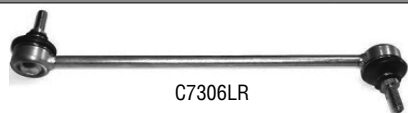
C7311LR

LYNX	Description	Original Number	Specification	
C2292LR	Tie Rod	274179	MM16X1.5R	SMI
C2293LR	Tie Rod	274353	MM16x1.5R	ZF
C4254L	Tie Rod End Left	274175	FM14X1.5R	
C4254R	Tie Rod End Right	274176	FM14X1.5R	
C5339L	Susp. Arm Left	30635229		Chassis № S60 >626501 / V70 FC1 >647148, FC2 >645617
C5339R	Susp. Arm Right	30635230		Chassis № S60 >626501 / V70 FC1 >647148, FC2 >645617
C5340L	Susp. Arm Left	30760586		Chassis № S60 626502> / V70 FC1 647149>, FC2 645618>
C5340R	Susp. Arm Right	30760587		Chassis № S60 626502> / V70 FC1 647149>, FC2 645618>
C1078LR	Ball Joint	274193		Chassis № S60 >626501 / V70 FC1 >647148, FC2 >645617
C1241LR	Ball Joint	274377		Chassis № S60 626502> / V70 FC1 647149>, FC2 >645618>
C7311LR	Stabiliser Link	30647920		
C7310LR	Stabiliser Link	274303		
C8696	Silentblock	8630604	ø 53	
C8697	Silentblock	9443882	ø 48.3	



S70 / V70 / C70

01/1996- 10/2005



C7306LR



C7306LR



C4251L



C2290LR



C2290LR



C4251R



C4251L



C2294LR



C2294LR



C4251R



C5341L



C8691

C8691



C5341R



C8691

C8691



C5342L



C8692

C8692



C5342R



C8692

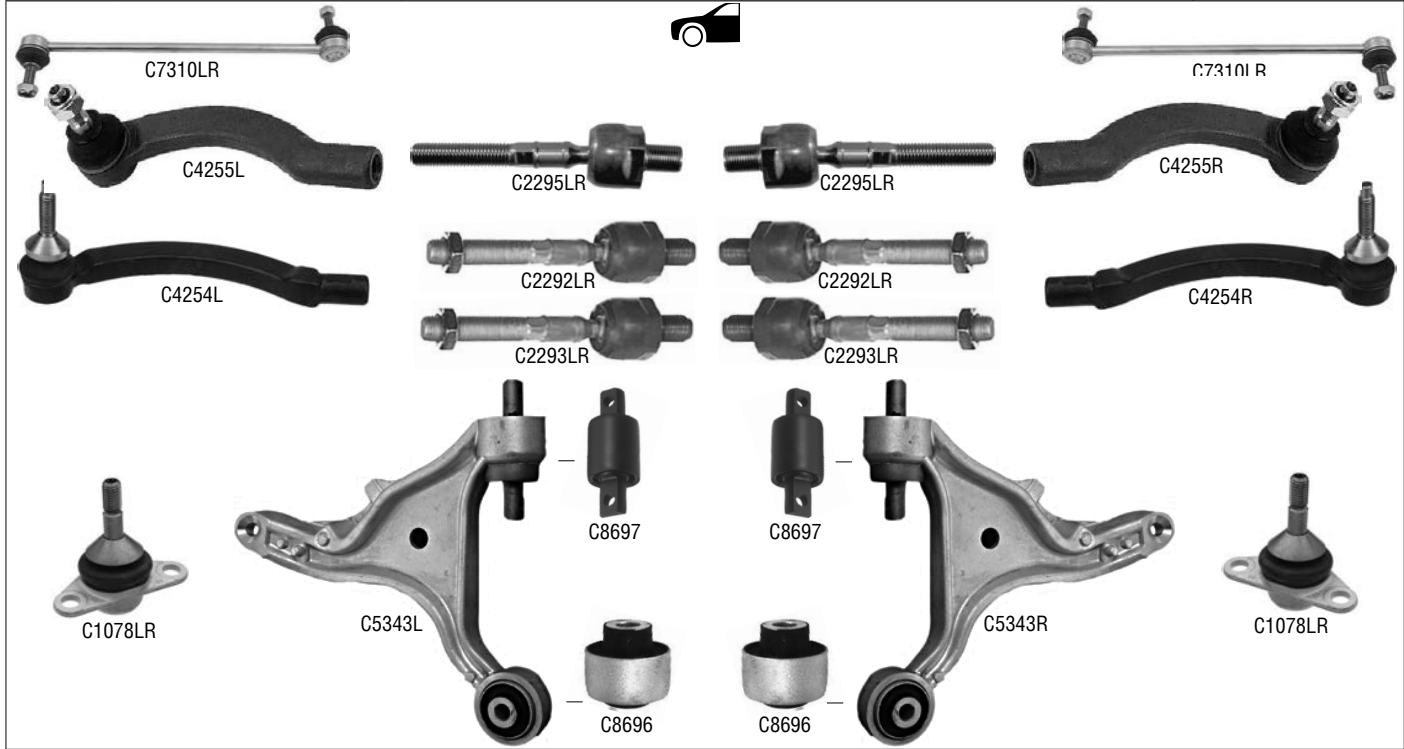
C8692

LYNX	Description	Original Number	Specification	
C2290LR	Tie Rod	3546266	MM14X1.5R	TRW
C2294LR	Tie Rod	9191410	MM16X1.5R	SMI
C4251L	Tie Rod End Left	271598	F M14X2R	
C4251R	Tie Rod End Right	271599	FM14X2R	
C5341L	Susp. Arm Left	271901		Exc. Turbo / Turbo Diesel
C5341R	Susp. Arm Right	271902		Exc. Turbo / Turbo Diesel
C5342L	Susp. Arm Left	272336		Turbo / Turbo Diesel
C5342R	Susp. Arm Right	272337		Turbo / Turbo Diesel
C7306LR	Stabiliser Link	30647995		
C8691	Silentblock	271631		Exc. Turbo / Turbo Diesel
C8692	Silentblock	Comp. of C5342L/R	ø 32.3	Turbo / Turbo Diesel

• VOLVO

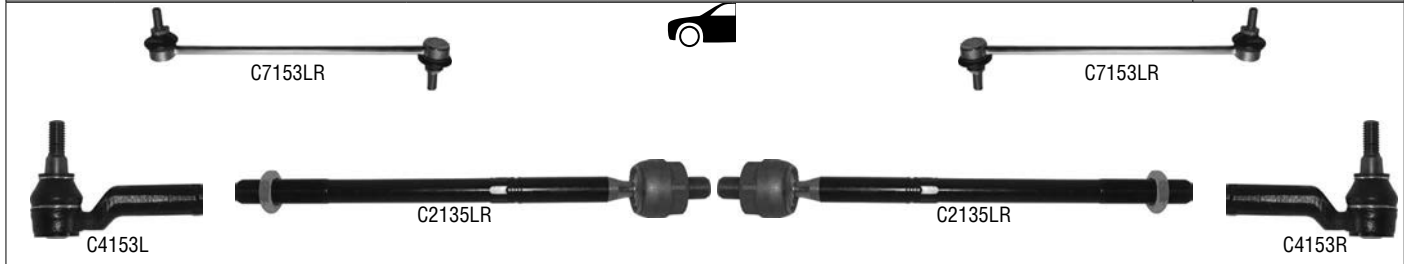


S80 01/1998 - 01/2005

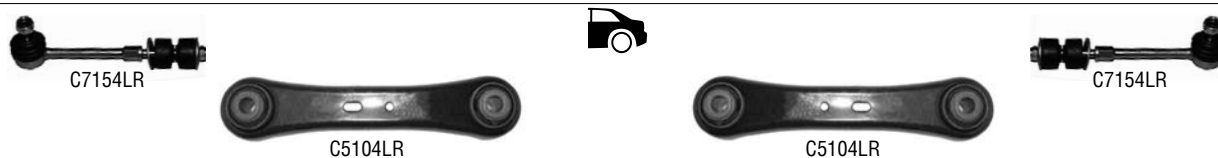
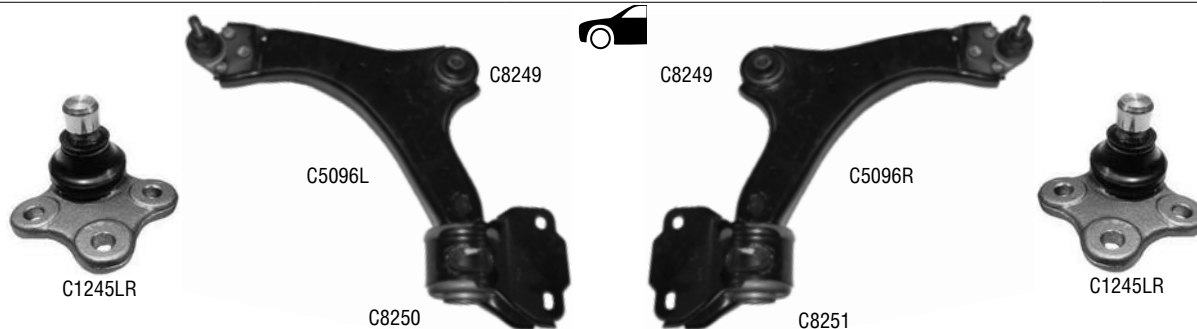


LYNX	Description	Original Number	Specification	
C2295LR	Tie Rod	272428	MM16X1.5R	>1999
C4255L	Tie Rod End Left	272416	FM14X2R	>1999
C4255R	Tie Rod End Right	272417	FM14X2R	>1999
C2292LR	Tie Rod	274179	MM16X1.5R	SMI 2000>
C2293LR	Tie Rod	274353	MM16x1.5R	ZF 2000>
C4254L	Tie Rod End Left	274175	FM14X1.5R	SMI / ZF 2000>
C4254R	Tie Rod End Right	274176	FM14X1.5R	SMI / ZF 2000>
C5343L	Susp. Arm Left	30635227		
C5343R	Susp. Arm Right	30635228		
C1078LR	Ball Joint	274193		
C7311LR	Stabiliser Link	30647920		
C7310LR	Stabiliser Link	274303		
C8696	Silentblock	8630604	ø 53	
C8697	Silentblock	9443882	ø 48.3	

S80 II / V70 III 03/2006>

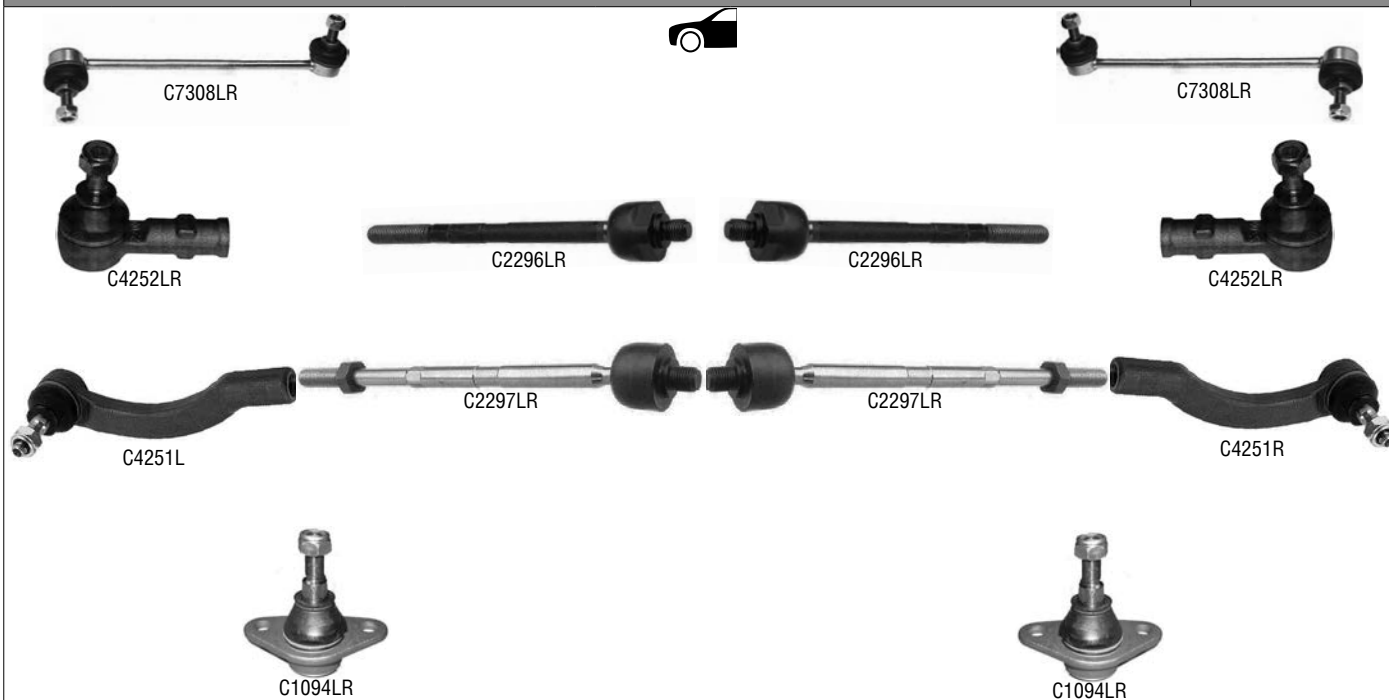


LYNX	Description	Original Number	Specification	
C2135LR	Tie Rod	31280658		Exc. ECPS
C4153L	Tie Rod End Left	30776249		
C4153R	Tie Rod End Right	30776248		
C7153LR	Stabiliser Link Front	30648461		



LYNX	Description	Original Number	Specification	
C5096L	Susp. Arm Left	1469026		
C5096R	Susp. Arm Right	1469024		
C5104LR	Susp. Arm Rear	1426770		
C1245LR	Ball Joint	Comp. of C5096L/R		
C7154LR	Stabiliser Link Rear	30760678		
C8249	Silentblock	Comp. of C5096L/R		
C8250	Silentblock	Comp. of C5096L/R		
C8251	Silentblock	Comp. of C5096L/R		

S90 / V90 01/1997 - 12/1998

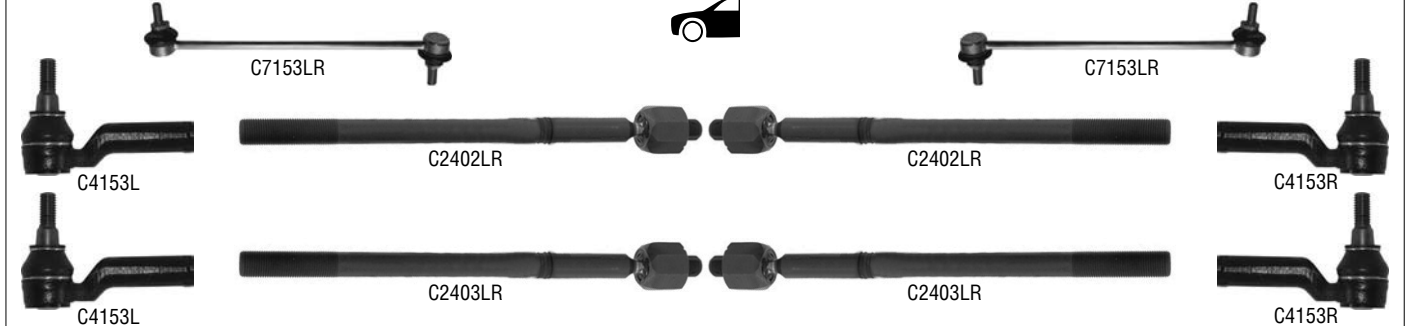


LYNX	Description	Original Number	Specification	
C2296LR	Tie Rod	9140788	MM14X1.5R	TRW
C4252LR	Tie Rod End	1205658	FM14X2R	TRW
C2297LR	Tie Rod	1387463	MM14X1.5R	CAM
C4251L	Tie Rod End Left	271598	FM14X2R	CAM
C4251R	Tie Rod End Right	271599	FM14X2R	CAM
C1094LR	Ball Joint Lower	1270477		
C7308LR	Stabiliser Link	272991		

• VOLVO

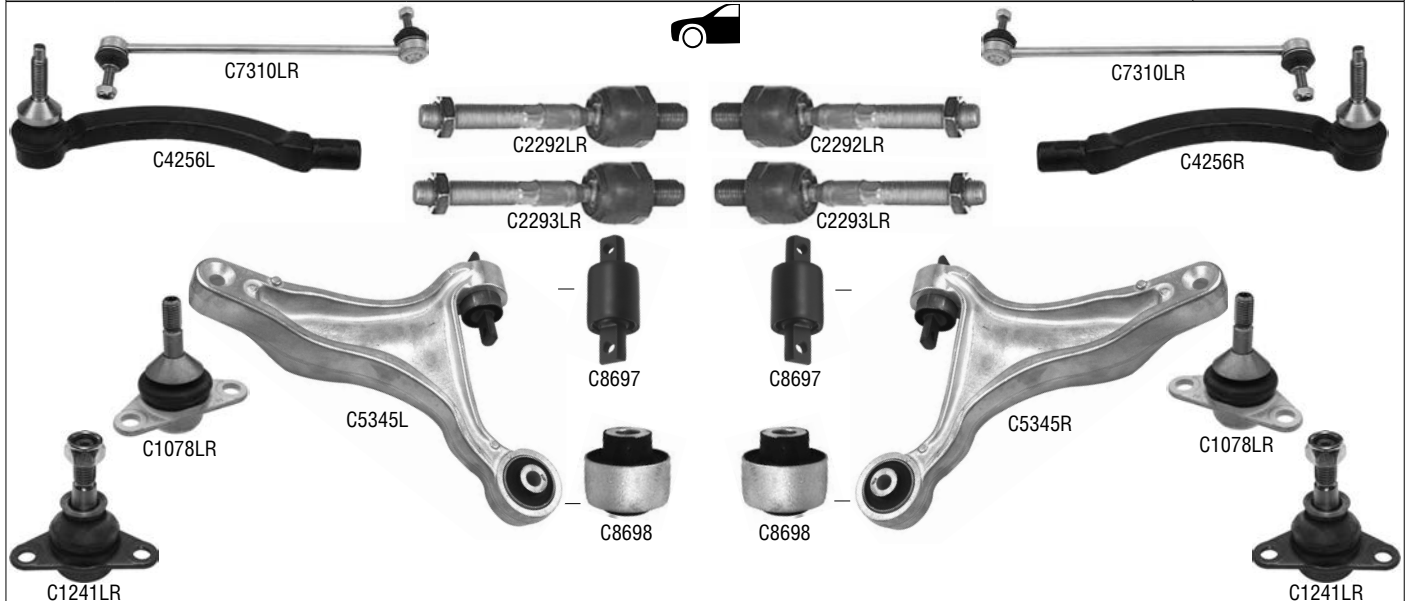


XC60 05/2008>



LYNX	Description	Original Number	Specification	
C2402LR	Tie Rod	31280409	MM16x1.5R	Exc. ECPS
C2403LR	Tie Rod	31280408		ECPS
C4153L	Tie Rod End Left	30776249		
C4153R	Tie Rod End Right	30776248		
C7153LR	Stabiliser Link Front	30648461		
C7154LR	Stabiliser Link Rear	30760678		

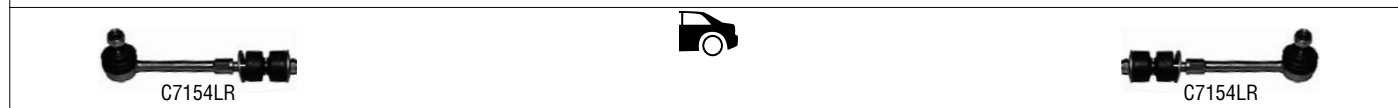
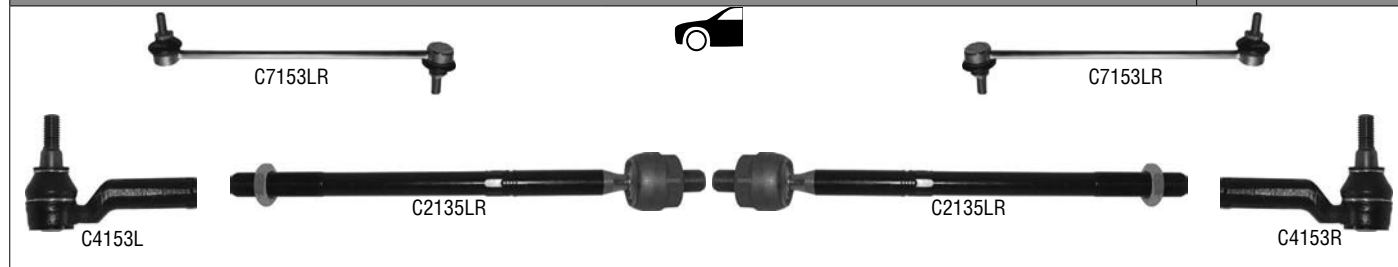
XC70 03/2000 - 07/2007



LYNX	Description	Original Number	Specification	
C2292LR	Tie Rod	274179	MM16X1.5R	SMI
C2293LR	Tie Rod	274353	MM16x1.5R	ZF
C4256L	Tie Rod End Left	274498	FM14X1.5R	
C4256R	Tie Rod End Right	274499	FM14X1.5R	
C5345L	Susp. Arm Left	30635231		
C5345R	Susp. Arm Right	30635232		
C1078LR	Ball Joint	274193		Chassis № >269745
C1241LR	Ball Joint	274377		Chassis № 269746>
C7310LR	Stabiliser Link Front	274303		
C7311LR	Stabiliser Link Rear	30647920		
C8698	Silentblock	8630605	ø 53.4	
C8697	Silentblock	9443882	ø 48.3	

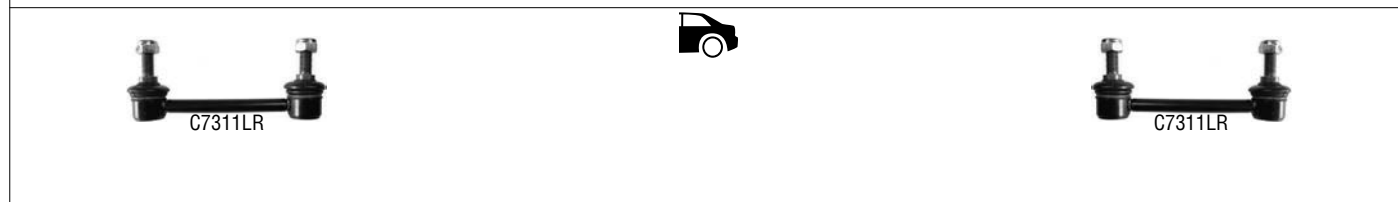
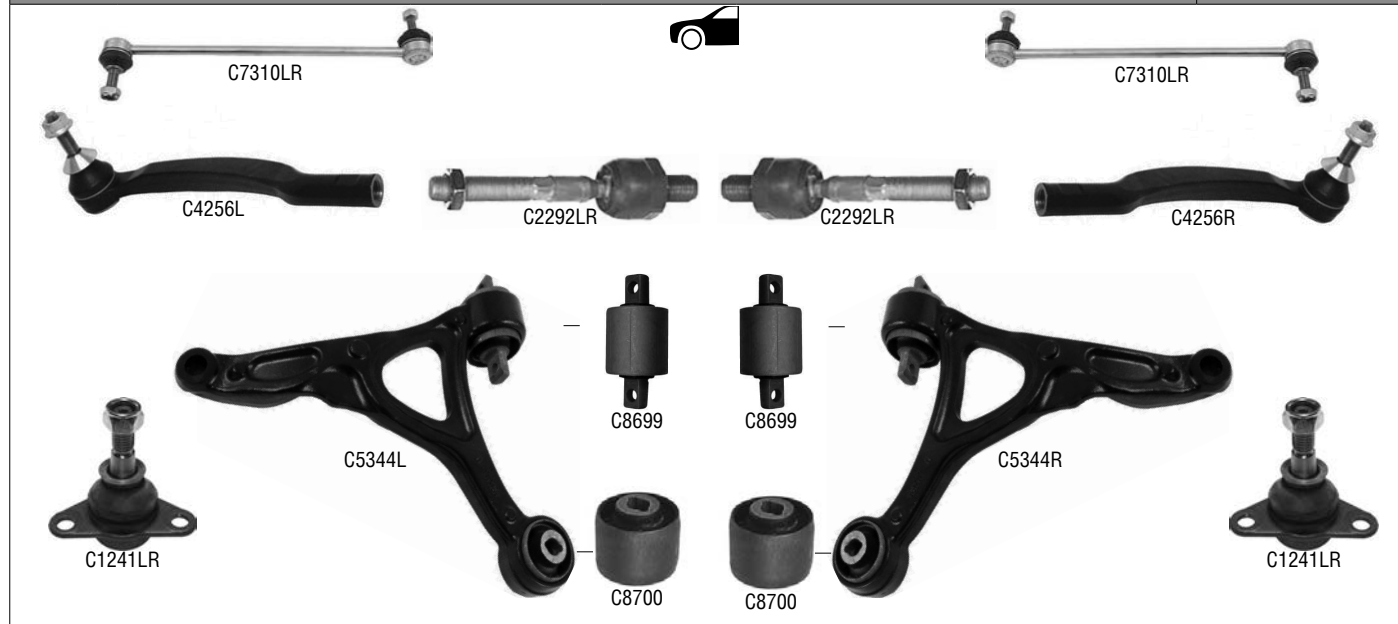


XC70
XC60 08/2007>
05/2008>



LYNX	Description	Original Number	Specification	
C2135LR	Tie Rod	31280658		Exc. ECPS
C4153L	Tie Rod End Left	30776249		
C4153R	Tie Rod End Right	30776248		
C7153LR	Stabiliser Link Front	30648461		
C7154LR	Stabiliser Link Rear	30760678		

XC90 10/2002>



LYNX	Description	Original Number	Specification	
C2292LR	Tie Rod	274179	MM16X1.5R	
C4256L	Tie Rod End Left	274498	FM14X1.5R	
C4256R	Tie Rod End Right	274499	FM14X1.5R	
C5344L	Susp. Arm Left	30639780		
C5344R	Susp. Arm Right	30639781		
C1241LR	Ball Joint	274377		
C7311LR	Stabiliser Link Rear	30647920		
C7310LR	Stabiliser Link Front	274303		
C8699	Silentblock	30639368		
C8700	Silentblock	30645847		

• **Cross Reference SIDEM-LYNXauto**

SIDEM	LYNXauto	SIDEM	LYNXauto	SIDEM	LYNXauto	SIDEM	LYNXauto
3117	C2135LR	3413	C2298LR	5030	C4363L	5777	C5286R
3118	C2132LR	3470	C5096L	5031	C4363R	5778	C5083L
3119	C2001LR	3471	C5096R	5060	C7458LR	5779	C5083R
3130	C4081LR	3472	C5103LR	5062	C7421LR	5810	C2240LR
3133	C2131LR	3473	C5104LR	5081	C1311LR	5811	C2239LR
3134	C4082L	3488	C1086LR	5160	C7420LR	5812	C2237LR
3135	C4082R	3489	C1143LR	5161	C7276LR	5813	C2236LR
3136	C2128LR	3572	C5428LR	5182	C1244LR	5814	C2235LR
3137	C4149LR	3574	C5003LR	5183	C1308LR	5818	C2301LR
3138	C4070L	3575	C5092LR	5230	C4260L	5830	C4200L
3139	C4070R	3576	C5098LR	5231	C4260R	5831	C4200R
3160	C7148LR	3577	C5100LR	5232	C4361L	5834	C4227L
3161	C7073LR	3578	C5101LR	5233	C4361R	5835	C4227R
3162	C7153LR	3579	C5102LR	5286	C1309L	5870	C5284L
3170	C5088L	3582	C5087L	5287	C1309R	5871	C5284R
3171	C5088R	3583	C5087R	5288	C1218LR	5872	C5282L
3172	C5089L	3630	C4153L	5289	C1220LR	5873	C5282R
3173	C5089R	3631	C4153R	5535	C4224L	5874	C5413L
3230	C4155L	3636	C4257L	5536	C4224R	5875	C5413R
3231	C4155R	3637	C4257R	5574	C5287L	6111	C2194LR
3234	C4065L	3676	C5350L	5575	C5287R	6112	C2195LR
3235	C4065R	3677	C5350R	5576	C5288L	6170	C5244L
3236	C2002LR	3678	C5429LR	5577	C5288R	6171	C5244R
3237	C2136LR	3679	C5351LR	5580	C1091LR	6172	C5243L
3238	C4066L	3730	C4004LR	5581	C1090LR	6173	C5243R
3239	C4066R	3732	C4156L	5610	C2057LR	6174	C5250L
3260	C7008LR	3733	C4156R	5611	C2123LR	6175	C5250R
3261	C7007LR	3734	C4093L	5615	C2387LR	6176	C5412L
3262	C7157LR	3735	C4093R	5616	C2389LR	6177	C5412R
3263	C7159LR	3738	C4154LR	5620	C3029L	6178	C5411L
3264	C7155LR	3784	C1145LR	5621	C3029R	6179	C5411R
3265	C7344LR	3785	C1149LR	5630	C4147L	6280	C1306LR
3266	C7006LR	3786	C1144LR	5631	C4147R	6284	C1204LR
3267	C7158LR	3830	C4150L	5632	C4364L	6285	C1088LR
3269	C7149LR	3831	C4150R	5633	C4364R	6383	C1198LR
3270	C5097L	3880	C1243L	5634	C4226L	6384	C1200LR
3271	C5097R	3881	C1243R	5635	C4226R	6385	C1199LR
3274	C5091L	4160	C7162L	5636	C4360L	6532	C4199L
3275	C5091R	4161	C7162R	5637	C4360R	6533	C4199R
3285	C1148LR	4162	C7160LR	5638	C4067L	6534	C4205L
3310	C2134LR	4163	C7161LR	5639	C4067R	6535	C4205R
3312	C2129LR	4210	C2140L	5660	C7273LR	7711	C2230LR
3314	C2052LR	4211	C2140R	5661	C7084LR	7713	C2325LR
3316	C2130LR	4213	C2072LR	5664	C7243L	7737	C2324LR
3317	C2137LR	4237	C2070LR	5665	C7243R	7761	C7089LR
3318	C2138LR	4240	C4159LR	5666	C7275LR	7762	C7419LR
3319	C2003LR	4260	C7165LR	5669	C7274LR	7783	C1084LR
3336	C4152L	4261	C7163LR	5674	C5283L	7886	C1016LR
3337	C4152R	4262	C7164LR	5675	C5283R	7910	C2227LR
3360	C7088LR	4270	C5107L	5682	C1219LR	7911	C2327LR
3362	C7009LR	4271	C5107R	5686	C1217LR	7936	C4221L
3363	C7151LR	4272	C5105L	5710	C2232LR	7937	C4221R
3370	C5095L	4273	C5105R	5712	C2233LR	7938	C4063L
3371	C5095R	4274	C5106L	5713	C2242LR	7939	C4063R
3376	C5090L	4275	C5106R	5714	C2241LR	7974	C5394L
3377	C5090R	4281	C1151LR	5716	C2234LR	7975	C5394R
3378	C5099L	4283	C1150LR	5718	C2243LR	7989	C1017LR
3379	C5099R	4284	C1270LR	5719	C2056LR	9010	C2214LR
3380	C1147LR	4285	C1271LR	5734	C4225L	9011	C2207LR
3410	C2133LR	4332	C4158LR	5735	C4225R	9012	C2197LR
3411	C2071LR	4934	C4157LR	5776	C5286L	9013	C2198LR

• Cross Reference **SIDEM-LYNXauto**

SIDEM	LYNXauto	SIDEM	LYNXauto	SIDEM	LYNXauto	SIDEM	LYNXauto
9014	C2209LR	9660	C7083LR	19063	C7354LR	21136	C4077LR
9015	C2208LR	9661	C7028LR	19064	C7359LR	21138	C3001LR
9016	C2215LR	9662	C7063L	19068	C7258LR	21160	C7127LR
9017	C2216LR	9663	C7063R	19081	C1266LR	21161	C7135LR
9018	C2210LR	9664	C7261LR	19110	C2333LR	21162	C7136LR
9019	C2118LR	9670	C5014L	19111	C2334LR	21163	C7068LR
9030	C4211LR	9671	C5014R	19114	C2205LR	21164	C7129LR
9031	C4231LR	9680	C1007L	19140	C4319L	21165	C7070LR
9032	C4207L	9681	C1007R	19141	C4319R	21166	C7069L
9033	C4207R	9710	C2028LR	19170	C5402L	21167	C7069R
9037	C4358LR	9711	C2196LR	19171	C5402R	21168	C5077L
9038	C4313LR	9712	C2260LR	19186	C1267LR	21169	C5077R
9048	C4214L	9713	C2211LR	19189	C1268LR	21172	C5054L
9049	C4214R	9714	C2385LR	19210	C2342LR	21173	C5054R
9060	C7260LR	9715	C2029LR	19232	C4176LR	21176	C5068L
9062	C7028LR	9730	C4028LR	19237	C4320LR	21177	C5068R
9063	C7257LR	9770	C5268L	19238	C4291L	21178	C5069L
9064	C7259L	9771	C5268R	19239	C4291R	21179	C5069R
9065	C7259R	9772	C5013L	19338	C4334L	21184	C5058L
9066	C7141L	9773	C5013R	19339	C4334R	21185	C5058R
9067	C7141R	9785	C1046LR	19737	C2332LR	21210	C2113LR
9068	C7142LR	9834	C4064L	19783	C1269LR	21214	C2112LR
9069	C7418LR	9835	C4064R	19784	C1208LR	21218	C2117LR
9070	C5263L	9836	C4088L	19816	C2338LR	21219	C2370LR
9071	C5263R	9837	C4088R	19817	C2337LR	21220	C3004L
9078	C5382L	9861	C7256LR	19818	C2343LR	21221	C3004R
9079	C5382R	9863	C7005LR	19835	C4317L	21222	C3015L
9080	C1209L	9864	C7027LR	19836	C4317R	21223	C3015R
9081	C1209R	9866	C7026LR	19837	C2331LR	21226	C3018LR
9082	C8551	9869	C7145LR	19930	C4177L	21232	C4043L
9112	C2199LR	9870	C5261L	19931	C4177R	21233	C4043R
9113	C2200LR	9871	C5261R	19932	C4178LR	21234	C4142LR
9114	C2201LR	9874	C5262L	19938	C4049L	21235	C4137L
9115	C2202LR	9875	C5262R	19939	C4049R	21236	C4137R
9160	C7323LR	9876	C5022L	19980	C1179LR	21260	C7045L
9161	C7433LR	9877	C5022R	19981	C1180LR	21261	C7045R
9272	C5269L	9878	C5266L	19989	C1031LR	21262	C7067LR
9273	C5269R	9879	C5266R	20610	C2352LR	21263	C7403LR
9274	C5267L	9882	C1018LR	20632	C4330LR	21264	C7133L
9275	C5267R	9884	C1089LR	20637	C4328LR	21265	C7133R
9276	C5016LR	9888	C5084L	20638	C2351LR	21266	C7137L
9278	C5079L	9889	C5084R	20682	C1277LR	21267	C7137R
9279	C5079R	9930	C4208LR	20683	C4329LR	21268	C7130LR
9384	C1136LR	9932	C2203LR	20684	C1278LR	21269	C7132LR
9520	C3059LR	9933	C2204LR	20685	C1279LR	21270	C5059LR
9526	C3006L	9934	C4209LR	21010	C2106LR	21272	C5006L
9527	C3006R	9936	C4210LR	21011	C2116LR	21273	C5006R
9536	C4213L	9970	C5264L	21013	C2107LR	21274	C5061L
9537	C4213R	9971	C5264R	21070	C5051LR	21275	C5061R
9560	C7029LR	9972	C5265L	21071	C5052LR	21276	C5005L
9610	C2212LR	9973	C5265R	21072	C5053LR	21277	C5005R
9611	C2213LR	9980	C1206LR	21073	C5049L	21278	C5056L
9612	C2206LR	9983	C1207LR	21074	C5049R	21279	C5056R
9627	C3007R	9989	C1047LR	21075	C5050L	21288	C5057L
9628	C3007L	19010	C2336LR	21076	C5050R	21289	C5057R
9630	C4212L	19011	C2335LR	21077	C5075L	21310	C2114LR
9631	C4262L	19012	C2339LR	21078	C5075R	21311	C2115LR
9635	C4212R	19013	C2340LR	21079	C5060LR	21312	C2371LR
9636	C4262R	19032	C4318LR	21126	C4141L	21320	C3011LR
9637	C4029LR	19040	C4050L	21127	C4141R	21321	C3012R
9638	C4143LR	19041	C4050R	21134	C4076LR	21322	C3016LR

• **Cross Reference SIDEM-LYNXauto**

SIDEM	LYNXauto	SIDEM	LYNXauto	SIDEM	LYNXauto	SIDEM	LYNXauto
21323	C3017LR	21483	C8114	37067	C7315LR	37374	C5039LR
21324	C3070LR	21484	C1013LR	37070	C5358L	37377	C5042L
21330	C4002LR	21485	C1295LR	37071	C5358R	37378	C5042R
21331	C2108LR	21486	C1296L	37072	C5038L	37379	C5043LR
21332	C2109R	21487	C1296R	37073	C5038R	37382	C5028L
21334	C4078L	21488	C1135LR	37074	C5361L	37383	C5028R
21335	C4078R	21489	C7131LR	37075	C5361R	37384	C5015L
21336	C3013L	21530	C4140LR	37076	C5362L	37385	C5015R
21337	C3013R	21532	C4350L	37077	C5362R	37410	C2100LR
21338	C3014R	21533	C4350R	37078	C5357L	37420	C3003L
21339	C2110LR	21534	C4351L	37079	C5357R	37421	C3003R
21360	C7404LR	21535	C4351R	37081	C1252LR	37422	C3002L
21361	C7405LR	21536	C4274LR	37083	C1314LR	37423	C3002R
21362	C7126LR	21565	C7406LR	37132	C4271L	37432	C4074L
21363	C7125L	21570	C5072L	37133	C4271R	37433	C4074R
21364	C7125R	21571	C5072R	37138	C4135LR	37434	C4073L
21365	C7140LR	21574	C5063L	37170	C5359L	37435	C4073R
21366	C7139L	21575	C5063R	37171	C5359R	37436	C4133L
21367	C7139R	21576	C5062L	37172	C5360L	37437	C4133R
21368	C5377LR	21577	C5062R	37173	C5360R	37472	C5416L
21369	C7134LR	21580	C8074	37176	C5363L	37473	C5416R
21370	C5004L	21581	C1297LR	37177	C5363R	37485	C1131LR
21371	C5004R	21582	C1298L	37178	C5427L	37486	C1083L
21372	C5070L	21583	C1298R	37179	C5427R	37487	C1083R
21373	C5070R	21585	C1255LR	37231	C3064R	37580	C1001L
21374	C5007L	21632	C4139L	37234	C4269L	37581	C1001R
21375	C5007R	21633	C4139R	37235	C4269R	37582	C1081L
21376	C5076L	21672	C5073L	37236	C4368L	37583	C1081R
21377	C5076R	21673	C5073R	37237	C4368R	37584	C1003L
21378	C5078LR	21678	C5379L	37260	C7112L	37585	C1003R
21379	C5055LR	21679	C5379R	37261	C7112R	37588	C7111LR
21380	C1133LR	21772	C5381L	37262	C7113LR	37610	C2103LR
21381	C1011LR	21773	C5381R	37265	C7122LR	37611	C2101LR
21382	C7066LR	21774	C5380L	37266	C7123L	37613	C2305LR
21383	C7065LR	21775	C5380R	37267	C7123R	37614	C2099LR
21384	C1134LR	35060	C7348LR	37268	C7044L	37615	C2098LR
21385	C1012LR	35061	C7349LR	37269	C7044R	37620	C3010LR
21388	C5066L	35062	C7352LR	37270	C5415L	37621	C5036LR
21389	C5066R	35064	C7353L	37271	C5415R	37630	C4134LR
21421	C3019LR	35065	C7353R	37272	C5046LR	37631	C4136LR
21432	C4138L	35066	C5419LR	37273	C5353LR	37672	C5033L
21433	C4138R	35067	C5418LR	37274	C5426L	37673	C5033R
21434	C4075LR	35136	C4302L	37275	C5426R	37674	C5044LR
21435	C4275LR	35137	C4302R	37330	C4061L	37675	C5034LR
21436	C4349L	35138	C4304LR	37331	C4061R	37676	C5035L
21437	C4349R	35160	C7350L	37332	C4072L	37677	C5035R
21439	C2111R	35161	C7350R	37333	C4072R	37680	C1004L
21460	C7138LR	35162	C7351L	37336	C4062L	37681	C1004R
21461	C7322LR	35163	C7351R	37337	C4062R	37770	C5047L
21462	C7320L	35172	C5425L	37338	C3063L	37771	C5047R
21463	C7320R	35230	C4303L	37339	C3063R	37772	C5041L
21464	C7321L	35231	C4303R	37360	C7313LR	37773	C5041R
21465	C7321R	35272	C5423L	37361	C5045LR	37774	C5040L
21468	C7319LR	37010	C2104LR	37362	C7120LR	37775	C5040R
21472	C5064L	37011	C2105LR	37363	C7124LR	37972	C5347L
21473	C5064R	37060	C7119LR	37367	C7064LR	37973	C5347R
21474	C5065L	37061	C7115LR	37368	C7118LR	37976	C5037LR
21475	C5065R	37062	C7117L	37370	C5029L	41032	C4020LR
21476	C5071L	37063	C7117R	37371	C5029R	41033	C4022LR
21477	C5071R	37064	C5048LR	37372	C5030L	41035	C4198LR
21481	C1132LR	37066	C7314LR	37373	C5030R	41036	C4268L

• Cross Reference **SIDEM-LYNXauto**

SIDEM	LYNXauto	SIDEM	LYNXauto	SIDEM	LYNXauto	SIDEM	LYNXauto
41037	C4268R	41433	C4201LR	42084	C1119LR	45091	C1229LR
41070	C5247L	41435	C4019LR	42088	C1205L	45094	C1054LR
41071	C5247R	41461	C7024LR	42089	C1205R	45095	C1062LR
41072	C5251L	41462	C7019LR	42136	C4111L	45110	C2048LR
41073	C5251R	41463	C7020LR	42137	C4111R	45114	C2094LR
41074	C5012L	41464	C7022LR	42138	C4110L	45115	C2359LR
41075	C5012R	41465	C7025LR	42139	C4110R	45116	C2392LR
41076	C5017L	41466	C7253LR	42180	C1021LR	45134	C4055L
41077	C5017R	41467	C7410LR	42188	C1250L	45135	C4055R
41078	C5010L	41469	C7018LR	42189	C1250R	45136	C4042LR
41079	C5010R	41470	C5257L	42310	C2383LR	45140	C4239L
41132	C4109L	41471	C5257R	42330	C4071L	45141	C4239R
41133	C4109R	41472	C5258L	42331	C4071R	45142	C4118LR
41134	C4129R	41473	C5258R	42332	C4203LR	45144	C4340L
41135	C4129L	41485	C1117LR	42333	C4204LR	45145	C4340R
41138	C4270L	41488	C1020LR	42335	C4206LR	45146	C4116L
41170	C5252L	41489	C1201LR	42338	C4202L	45147	C4116R
41171	C5252R	41561	C7247LR	42339	C4202R	45148	C4124L
41172	C5241L	41562	C7248LR	42430	C4126LR	45149	C4124R
41173	C5241R	41563	C7411LR	42435	C4021LR	45162	C7108L
41174	C5259L	41564	C7057L	42436	C4026LR	45163	C7108R
41175	C5259R	41565	C7057R	42437	C4027LR	45164	C7434LR
41176	C5253L	41566	C7056L	42438	C4025LR	45167	C7097LR
41177	C5253R	41567	C7056R	42439	C4127LR	45168	C7295LR
41178	C5260L	41583	C1042LR	44779	C1063LR	45169	C7085LR
41179	C5260R	41588	C1118LR	45010	C2042LR	45183	C1127LR
41211	C2375LR	41589	C1045LR	45012	C2265LR	45185	C1232LR
41212	C2384LR	41632	C4023LR	45013	C2092LR	45187	C1231LR
41213	C2088LR	41639	C4106LR	45014	C2096LR	45192	C1230L
41236	C4357L	41660	C7245LR	45015	C2093LR	45193	C1230R
41237	C4357R	41661	C7242L	45017	C2360L	45194	C1071LR
41270	C5245L	41662	C7242R	45018	C2360R	45195	C1066LR
41271	C5245R	41663	C7250LR	45019	C2358LR	45199	C1057LR
41272	C5011L	41665	C7249LR	45040	C4054R	45242	C4125L
41273	C5011R	41666	C7246LR	45041	C4054L	45243	C4125R
41274	C5248L	41668	C7251L	45042	C4234LR	45244	C4240L
41275	C5248R	41669	C7251R	45044	C4245L	45245	C4240R
41276	C5472L	41682	C5246L	45045	C4245R	45261	C7033LR
41277	C5472R	41683	C5246R	45046	C4246L	45262	C7106L
41283	C1307LR	41685	C1305LR	45047	C4246R	45263	C7106R
41286	C1043LR	41688	C1202LR	45060	C7058L	45264	C7059L
41310	C2024LR	41689	C1303LR	45061	C7058R	45265	C7059R
41312	C2377LR	41738	C4107LR	45062	C7060L	45266	C7091LR
41313	C2022LR	41780	C1116LR	45063	C7060R	45267	C7096LR
41314	C2021LR	41831	C4017LR	45064	C7038LR	45268	C7291L
41316	C2086LR	41880	C1304LR	45065	C7040LR	45269	C7291R
41317	C2193LR	42010	C2025LR	45066	C7099L	45270	C5314L
41319	C2060LR	42011	C2378LR	45067	C7099R	45271	C5314R
41333	C4108LR	42031	C4128LR	45068	C7092LR	45272	C5315L
41360	C7252L	42060	C7023LR	45069	C7037LR	45273	C5315R
41361	C7252R	42061	C7104LR	45072	C5309L	45274	C5316L
41362	C7255L	42062	C7412L	45073	C5309R	45275	C5316R
41363	C7255R	42063	C7412R	45074	C5310L	45276	C5317L
41364	C7254L	42070	C5256L	45075	C5310R	45277	C5317R
41365	C7254R	42071	C5256R	45076	C5313L	45278	C5312L
41372	C5255L	42072	C5254L	45077	C5313R	45279	C5312R
41373	C5255R	42073	C5254R	45078	C5311L	45282	C1233LR
41374	C5240L	42074	C5249L	45079	C5311R	45286	C1289L
41375	C5240R	42075	C5249R	45088	C1126LR	45287	C1289R
41376	C5242L	42080	C1044LR	45089	C1125LR	45288	C1290L
41377	C5242R	42083	C1120LR	45090	C1057LR	45289	C1290R

• **Cross Reference SIDEM-LYNXauto**

SIDEM	LYNXauto	SIDEM	LYNXauto	SIDEM	LYNXauto	SIDEM	LYNXauto
45335	C4236LR	45565	C7290LR	45836	C4032LR	47076	C5131L
45336	C4237LR	45566	C7099L	45837	C2062LR	47077	C5131R
45338	C2268LR	45567	C7099R	45838	C2095LR	47078	C5404L
45360	C7093LR	45568	C7388L	45870	C5307L	47079	C5404R
45361	C7032LR	45569	C7388R	45871	C5307R	47081	C1273LR
45362	C7292L	45570	C5322L	45880	C1129LR	47110	C2004LR
45363	C7292R	45571	C5322R	45882	C1124LR	47111	C2346LR
45364	C7109L	45574	C5323L	45883	C1067LR	47130	C4044L
45365	C7109R	45575	C5323R	45884	C1073LR	47131	C4044R
45366	C7459LR	45576	C5324L	45887	C1234LR	47132	C4045L
45367	C7293LR	45577	C5324R	45888	C1053LR	47133	C4045R
45368	C7294LR	45578	C5326L	45889	C1227LR	47134	C4280L
45369	C7296LR	45579	C5326R	45910	C2036LR	47135	C4280R
45370	C5305L	45586	C1072LR	45911	C2278LR	47136	C4282L
45371	C5305R	45611	C2040LR	45912	C2277LR	47137	C4282R
45372	C5330L	45612	C2097LR	45913	C2044LR	47138	C4160LR
45373	C5330R	45613	C2067LR	45914	C2275LR	47160	C7365LR
45374	C5306L	45614	C2032LR	45916	C2058LR	47161	C7366LR
45375	C5306R	45615	C2043LR	45917	C2271LR	47162	C7051L
45376	C5318L	45616	C2273LR	45918	C2066LR	47163	C7051R
45377	C5318R	45617	C2276LR	45919	C2266LR	47164	C7172L
45380	C1055LR	45618	C2061LR	45930	C2063LR	47165	C7172R
45381	C1122LR	45644	C4096L	45931	C2064LR	47166	C7048L
45383	C1128LR	45645	C4096R	45935	C4056L	47167	C7048R
45384	C1312LR	45647	C4123LR	45936	C4056R	47170	C5115L
45434	C4244LR	45648	C4121L	45937	C2037LR	47171	C5115R
45435	C4035LR	45649	C4121R	45942	C4057L	47172	C5116L
45440	C4122L	45660	C7389L	45943	C4057R	47173	C5116R
45441	C4122R	45661	C7389R	45946	C4235L	47180	C1024LR
45442	C4058R	45663	C7426LR	45947	C4235R	47210	C2009LR
45443	C4131LR	45670	C5319L	45948	C4241LR	47211	C2008LR
45444	C4130LR	45671	C5319R	45980	C1009L	47212	C2059LR
45446	C4059L	45672	C5325L	45981	C1009R	47213	C2005LR
45447	C4059R	45673	C5325R	45983	C1056LR	47214	C2144L
45460	C7036LR	45674	C5320L	45986	C1077LR	47215	C2144R
45461	C7041LR	45675	C5320R	45988	C1228LR	47216	C2142LR
45462	C7107L	45676	C5321L	46010	C2274LR	47260	C7074L
45463	C7107R	45677	C5321R	46011	C2045LR	47261	C7074R
45464	C7385L	45678	C5331L	46030	C4037LR	47262	C7050L
45465	C7385R	45679	C5331R	46031	C4039LR	47263	C7050R
45466	C7386LR	45731	C4242LR	46080	C1068LR	47264	C7168L
45467	C7110LR	45736	C4036LR	46081	C1130LR	47265	C7168R
45468	C7387LR	45737	C4120LR	46082	C1069LR	47266	C7090L
45469	C7390LR	45738	C4119LR	46084	C1070LR	47267	C7090R
45470	C5327L	45742	C4117L	47032	C4323L	47281	C1022LR
45471	C5327R	45743	C4117R	47033	C4323R	47282	C5118L
45474	C5328L	45744	C4060L	47034	C4005LR	47283	C5118R
45475	C5328R	45745	C4060R	47060	C7047L	47284	C1026LR
45476	C5024L	45770	C5332L	47061	C7047R	47285	C1261LR
45477	C5024R	45771	C5332R	47062	C7046L	47286	C1096LR
45480	C1121LR	45772	C5329L	47063	C7046R	47287	C1027LR
45489	C1123LR	45773	C5329R	47064	C7166LR	47289	C1246LR
45538	C4243LR	45810	C2041LR	47065	C7169LR	47310	C2146LR
45539	C4132LR	45812	C2091LR	47066	C7435LR	47312	C2148LR
45542	C4031LR	45813	C2264LR	47067	C7010LR	47315	C2147LR
45548	C4238L	45814	C2393LR	47068	C7167L	47316	C2075LR
45549	C4238R	45815	C2033LR	47069	C7167R	47317	C2149LR
45560	C7427LR	45816	C2269LR	47070	C5127L	47319	C2074LR
45561	C7425LR	45817	C2267LR	47071	C5127R	47330	C4047L
45562	C7039LR	45818	C2270LR	47074	C5129L	47331	C4047R
45564	C7034LR	45830	C4038LR	47075	C5129R	47360	C7171LR

• Cross Reference **SIDEM-LYNXauto**

SIDEM	LYNXauto	SIDEM	LYNXauto	SIDEM	LYNXauto	SIDEM	LYNXauto
47361	C7361LR	47733	C4048R	49166	C7402L	49439	C4052R
47362	C7170L	47734	C4046L	49167	C7402R	49460	C5181LR
47363	C7170R	47735	C4046R	49168	C7396L	49462	C7014LR
47364	C7363L	47736	C4322L	49169	C7396R	49463	C7016LR
47365	C7363R	47737	C4322R	49172	C5211L	49464	C5182LR
47366	C7362L	47770	C5119L	49173	C5211R	49466	C7222L
47367	C7362R	47771	C5119R	49174	C5210L	49467	C7222R
47368	C7360L	47772	C5027L	49175	C5210R	49468	C7015LR
47369	C7360R	47773	C5027R	49176	C5212L	49470	C5188L
47384	C5108L	47774	C5120L	49177	C5212R	49471	C5188R
47385	C5108R	47775	C5120R	49178	C5213LR	49472	C5204L
47410	C2344LR	47776	C5121L	49179	C5214LR	49473	C5204R
47411	C2345LR	47777	C5121R	49185	C1292LR	49474	C5205L
47412	C2049L	47870	C5124L	49186	C1293LR	49475	C5205R
47413	C2049R	47871	C5124R	49187	C1188LR	49476	C5189L
47414	C2011LR	47874	C5134L	49260	C7397L	49477	C5189R
47460	C7364LR	47875	C5134R	49261	C7397R	49478	C5215LR
47472	C5112L	47878	C5125L	49262	C7398L	49480	C1189LR
47473	C5112R	47879	C5125R	49263	C7398R	49481	C1193LR
47474	C5113L	47972	C5132L	49266	C7399L	49536	C4179L
47475	C5113R	47973	C5132R	49267	C7399R	49537	C4179R
47476	C5126L	47974	C5133L	49268	C7400L	49538	C4344L
47477	C5126R	47975	C5133R	49269	C7400R	49539	C4344R
47530	C4161L	47976	C5123L	49270	C5208LR	49560	C7054L
47531	C4161R	47977	C5123R	49271	C5196LR	49561	C7054R
47532	C4164LR	49011	C2369LR	49272	C5194L	49564	C7217L
47534	C4162L	49012	C2054LR	49273	C5194R	49565	C7217R
47535	C4162R	49013	C2366LR	49274	C5195L	49566	C7215LR
47536	C4163L	49014	C2367LR	49275	C5195R	49567	C7216L
47537	C4163R	49015	C2368LR	49276	C5197L	49568	C7216R
47538	C4283L	49022	C3027LR	49277	C5197R	49570	C5218L
47539	C4283R	49031	C4187LR	49330	C3071LR	49571	C5218R
47572	C5130L	49035	C4094LR	49334	C4051LR	49572	C5203L
47573	C5130R	49036	C4345L	49335	C4374LR	49573	C5203R
47574	C5025L	49037	C4345R	49336	C4010LR	49574	C5202L
47575	C5025R	49060	C7223L	49337	C3021LR	49575	C5202R
47576	C5128L	49061	C7223R	49338	C3022LR	49576	C5405L
47577	C5128R	49062	C7218LR	49370	C5178L	49577	C5405R
47584	C1101LR	49063	C7219R	49371	C5178R	49578	C5185LR
47630	C4095L	49065	C7220LR	49372	C5179L	49579	C5209LR
47631	C4095R	49066	C7221LR	49373	C5179R	49630	C4347L
47632	C4284L	49067	C7219L	49374	C5187L	49631	C4347R
47633	C4284R	49068	C7401L	49375	C5187R	49632	C4346L
47634	C4007LR	49069	C7401R	49378	C5186L	49633	C4346R
47636	C4279L	49072	C5190L	49379	C5186R	49670	C5409L
47637	C4279R	49073	C5190R	49380	C1087LR	49671	C5409R
47638	C4006LR	49078	C5201L	49381	C5183LR	49672	C5406L
47670	C5109L	49079	C5201R	49382	C8412	49673	C5406R
47671	C5109R	49080	C1186LR	49383	C1035LR	49674	C5407L
47672	C5026L	49081	C1184LR	49410	C2055LR	49675	C5407R
47673	C5026R	49082	C1294LR	49420	C5180LR	49676	C5408LR
47674	C5114L	49110	C2363LR	49421	C3025LR	49678	C5193L
47675	C5114R	49112	C2364LR	49422	C5207LR	49679	C5193R
47676	C5111L	49114	C2365LR	49423	C3026LR	49770	C5410L
47677	C5111R	49130	C4342L	49430	C3023LR	49771	C5410R
47678	C5110L	49131	C4342R	49432	C3024LR	49910	C2180LR
47679	C5110R	49138	C4343L	49433	C4086LR	49911	C2181LR
47681	C1026LR	49139	C4343R	49434	C4180LR	49930	C4053L
47683	C1025LR	49160	C7393LR	49435	C4185LR	49931	C4053R
47685	C1272LR	49162	C5206LR	49436	C4186LR	49932	C4183L
47732	C4048L	49164	C7395LR	49438	C4052L	49933	C4183R

• **Cross Reference SIDEM-LYNXauto**

SIDEM	LYNXauto	SIDEM	LYNXauto	SIDEM	LYNXauto	SIDEM	LYNXauto
49934	C4184L	51072	C5169L	51714	C2050L	53278	C5275L
49935	C4184R	51073	C5169R	51715	C2050R	53279	C5275R
49970	C5198L	51074	C5176L	51716	C2177L	53330	C4217R
49971	C5198R	51075	C5176R	51717	C2177R	53331	C4217L
49972	C5199L	51077	C5175LR	51718	C2077LR	53336	C4310L
49973	C5199R	51161	C7080LR	51719	C2318LR	53337	C4310R
49974	C5200L	51162	C7209LR	51932	C4098L	53385	C8162
49975	C5200R	51165	C7342LR	51933	C4098R	53434	C4079R
49976	C5184L	51166	C7214LR	51988	C1183LR	53435	C4079L
49977	C5184R	51167	C7212LR	52084	C1104LR	53438	C4309L
49978	C5009L	51168	C7062L	52085	C1108LR	53439	C4309R
49979	C5009R	51169	C7062R	52086	C1107LR	53534	C4218L
49980	C1036LR	51170	C5177L	52110	C2078LR	53535	C4218R
49981	C1185LR	51171	C5177R	52130	C4003LR	53537	C2219LR
49982	C1187LR	51174	C5171L	52131	C4104LR	53540	C2223LR
50038	C4087LR	51175	C5171R	52133	C4103LR	53541	C2224LR
50039	C4085LR	51176	C5164L	52180	C1033LR	53561	C7264LR
50070	C5216L	51177	C5164R	52181	C1019LR	53562	C7266LR
50071	C5216R	51178	C5165L	53010	C2030LR	53563	C7267LR
50072	C5219L	51179	C5165R	53011	C2220LR	53567	C7072LR
50073	C5219R	51183	C1030LR	53013	C2225LR	53569	C7071LR
50080	C1190LR	51184	C1105LR	53014	C2217LR	53570	C5385L
50081	C1192LR	51210	C2082LR	53015	C2299LR	53571	C5385R
50082	C1194LR	51212	C2178LR	53016	C2226LR	53576	C5280L
50083	C1191LR	51232	C4102LR	53018	C2218LR	53577	C5280R
50110	C2182LR	51265	C7392LR	53019	C2221LR	53580	C1210LR
50111	C2185LR	51266	C7391L	53030	C4312LR	53584	C1014LR
50115	C2186LR	51267	C7391R	53060	C7004LR	53585	C1015LR
50116	C2183LR	51272	C5167L	53061	C7269LR	53630	C4359LR
50148	C4189L	51273	C5167R	53062	C7268L	53631	C2386LR
50149	C4189R	51274	C5168L	53063	C7268R	53634	C4215L
50160	C7230L	51275	C5168R	53064	C7262LR	53635	C4215R
50161	C7230R	51330	C4101LR	53065	C7358LR	53636	C4220L
50163	C7226LR	51332	C2361LR	53066	C7263L	53637	C4220R
50164	C7232LR	51376	C5170L	53067	C7263R	53663	C7356LR
50165	C7228LR	51377	C5170R	53068	C7265LR	53670	C5276L
50166	C7231L	51430	C4341L	53071	C5023L	53671	C5276R
50167	C7231R	51431	C4341R	53072	C5023R	53672	C5279L
50168	C7229LR	51470	C5174L	53073	C5270L	53673	C5279R
50170	C5217L	51471	C5174R	53074	C5270R	53682	C1211LR
50171	C5217R	51472	C5172L	53081	C1181LR	54011	C2229LR
50260	C7233L	51473	C5172R	53110	C2328LR	54060	C7357LR
50261	C7233R	51474	C5173LR	53111	C2326LR	54061	C7272LR
50262	C7227L	51476	C5166L	53112	C2222LR	54083	C1214LR
50263	C7227R	51477	C5166R	53132	C4219L	54085	C1215LR
50264	C7225L	51533	C4099LR	53133	C4219R	54086	C1216LR
50265	C7225R	51610	C2081LR	53136	C4216L	54132	C4311LR
50737	C4188LR	51611	C2080L	53137	C4216R	54133	C2228LR
50738	C4190L	51612	C2080R	53172	C5277L	54134	C4222LR
50739	C4190R	51613	C2173LR	53173	C5277R	54136	C4223L
50912	C2184LR	51615	C2319LR	53174	C5271L	54137	C4223R
51060	C7053L	51617	C2320LR	53175	C5271R	54170	C5395L
51061	C7053R	51618	C2179LR	53176	C5272L	54171	C5395R
51062	C7013LR	51632	C4009LR	53177	C5272R	54172	C5396L
51063	C7011LR	51634	C4008LR	53178	C5308L	54173	C5396R
51064	C7079LR	51636	C4100L	53179	C5308R	54174	C5397L
51065	C7211LR	51637	C4100R	53234	C4080LR	54175	C5397R
51066	C7077LR	51680	C1106LR	53274	C5273L	54176	C5398L
51067	C7210LR	51681	C1032LR	53275	C5273R	54177	C5398R
51068	C7078LR	51683	C1182LR	53276	C5401L	54178	C5399L
51069	C7213LR	51713	C2015LR	53277	C5401R	54179	C5399R

• Cross Reference **SIDEM-LYNXauto**

SIDEM	LYNXauto	SIDEM	LYNXauto	SIDEM	LYNXauto	SIDEM	LYNXauto
54182	C1212LR	63432	C4068L	63626	C3049L	65065	C7436LR
54183	C1213LR	63433	C4068R	63627	C3049R	65066	C7422L
54270	C5400L	63434	C3036L	63638	C4249L	65067	C7422R
54271	C5400R	63435	C3036R	63639	C4249R	65068	C7381LR
57010	C2255LR	63436	C3043L	63660	C7278LR	65069	C7383LR
57011	C2256LR	63437	C3043R	63661	C7003LR	65070	C5414L
57012	C2251LR	63460	C7281LR	63662	C7297LR	65071	C5414R
57013	C2254LR	63461	C7002LR	63664	C7302L	65081	C1281LR
57020	C3035L	63462	C7114L	63665	C7302R	65082	C1283LR
57021	C3035R	63463	C7114R	63678	C5337L	65089	C1284LR
57022	C3040L	63466	C7298LR	63679	C5337R	65131	C4338LR
57023	C3040R	63467	C7279LR	63710	C2102LR	65134	C4337L
57024	C3041L	63468	C7317LR	63730	C4273L	65135	C4337R
57025	C3041R	63472	C5430L	63731	C4273R	65136	C4336LR
57026	C3067L	63473	C5430R	63732	C4247L	65137	C4339LR
57027	C3067R	63480	C1002L	63733	C4247R	65161	C7377LR
57039	C4089LR	63481	C1002R	63770	C5031L	65162	C7376LR
57060	C7001LR	63482	C1235LR	63771	C5031R	65163	C7379LR
57074	C5292L	63483	C1050LR	63772	C5364L	65164	C7384L
57075	C5292R	63485	C1236LR	63773	C5364R	65165	C7384R
57078	C5293L	63510	C2246LR	63774	C5335LR	65167	C7382LR
57079	C5293R	63511	C2248LR	63775	C5001LR	65180	C1288LR
57080	C1093LR	63512	C2399LR	63874	C5376L	65634	C4365L
57082	C1092L	63514	C2247LR	63875	C5376R	65635	C4365R
57083	C1092R	63515	C2249LR	63878	C5366L	65682	C1282LR
57084	C1254L	63520	C3030L	63879	C5366R	65683	C1285LR
57085	C1254R	63521	C3030R	63970	C5336LR	65684	C1287LR
57132	C4272L	63522	C3032L	64070	C5375L	65685	C8379
57133	C4272R	63523	C3032R	64071	C5375R	65686	C8380
61036	C4228LR	63524	C3047L	64220	C3050L	65687	C8375
61037	C2244LR	63525	C3047R	64221	C3050R	65688	C8376
61060	C7277LR	63530	C3044L	64222	C3052L	65938	C4335LR
61070	C5289L	63531	C3044R	64224	C3051L	67030	C4256L
61071	C5289R	63534	C3048L	64225	C3051R	67031	C4256R
61074	C5290L	63535	C3048R	64226	C3053L	67034	C4151L
61075	C5290R	63560	C7299LR	64228	C3054L	67035	C4151R
61084	C1221LR	63561	C7042LR	64229	C3054R	67061	C7311LR
61132	C2245LR	63562	C7303LR	64230	C4092L	67063	C7307LR
61181	C1222LR	63563	C7116LR	64231	C4092R	67066	C7308LR
63181	C1238LR	63565	C7301LR	64232	C4069L	67069	C7309LR
63188	C1253LR	63566	C7224L	64233	C4069R	67070	C5341L
63231	C3042LR	63567	C7224R	64234	C4248L	67071	C5341R
63234	C4090LR	63568	C5032L	64235	C4248R	67072	C5342L
63237	C4001LR	63569	C5032R	64236	C4091L	67073	C5342R
63238	C3037L	63581	C1237LR	64237	C4091R	67074	C5339L
63239	C3037R	63582	C1223L	64280	C1095LR	67075	C5339R
63336	C3045L	63583	C1223R	64282	C1079LR	67078	C5343L
63337	C3045R	63584	C5333L	64284	C1080LR	67079	C5343R
63338	C3046L	63585	C5333R	64320	C3055L	67080	C1146LR
63339	C3046R	63586	C1005L	64322	C3056L	67081	C1241LR
63360	C7300LR	63587	C1005R	64323	C3056R	67082	C1100LR
63376	C5354LR	63588	C1237L	64468	C7043LR	67132	C4252LR
63382	C1082LR	63589	C1237R	65011	C2356LR	67136	C4254L
63422	C3057L	63610	C2308LR	65014	C2355L	67137	C4254R
63423	C3057R	63611	C2307LR	65015	C2355R	67138	C4255L
63424	C3031L	63612	C2287LR	65016	C2357LR	67139	C4255R
63425	C3031R	63613	C2284LR	65020	C3061LR	67160	C7152LR
63426	C3033L	63620	C3066L	65061	C7423LR	67172	C5338L
63427	C3033R	63621	C3066R	65062	C7378LR	67173	C5338R
63430	C3034L	63622	C3065L	65063	C7374LR	67174	C5093L
63431	C3034R	63623	C3065R	65064	C7375LR	67175	C5093R

• **Cross Reference SIDEM-LYNXauto**

SIDEM	LYNXauto	SIDEM	LYNXauto	SIDEM	LYNXauto	SIDEM	LYNXauto
67176	C5344L	71083	C1115LR	71432	C4197L	77062	C7287LR
67177	C5344R	71105	C6002	71433	C4197R	77063	C7289LR
67184	C1094LR	71136	C4267LR	71472	C5393L	77064	C7286L
67232	C4253L	71160	C7236LR	71473	C5393R	77065	C7286R
67233	C4253R	71161	C7240LR	71474	C5239L	77066	C7105LR
67270	C5094L	71162	C7102L	71475	C5239R	77070	C5301L
67271	C5094R	71163	C7102R	72010	C2372LR	77071	C5301R
67272	C5345L	71164	C7103L	72031	C4196LR	77074	C5297L
67273	C5345R	71165	C7103R	72033	C4013LR	77075	C5297R
67274	C5340L	71166	C7409LR	72060	C7101L	77080	C1226LR
67275	C5340R	71167	C7239LR	72061	C7101R	77081	C5352LR
67611	C2292LR	71168	C7408LR	72062	C7407L	77083	C5300LR
67612	C2293LR	71169	C7185LR	72063	C7407R	77084	C1052LR
67613	C2295LR	71170	C5223L	72080	C1301LR	77110	C2391LR
67614	C2291LR	71171	C5223R	72134	C4014LR	77112	C2263L
67615	C2296LR	71172	C5226L	72135	C2192LR	77113	C2263R
67630	C4250LR	71173	C5226R	72136	C4016LR	77130	C4265L
67631	C2288LR	71174	C5008L	72137	C4015LR	77131	C4265R
67632	C2289LR	71175	C5008R	72183	C1251LR	77170	C5298L
67634	C4251L	71176	C5227L	72184	C1109LR	77171	C5298R
67635	C4251R	71177	C5227R	72185	C1037LR	77175	C5302LR
67636	C2290LR	71178	C5228L	72186	C1006L	77176	C5367L
67661	C7305LR	71179	C5228R	72187	C1006R	77177	C5367R
67666	C7306LR	71201	C6004	72188	C1110L	77178	C5299L
67667	C7310LR	71233	C4192LR	72189	C1110R	77179	C5299R
67668	C7234LR	71236	C2189LR	72232	C4191R	77230	C4114LR
67669	C7237LR	71237	C2190LR	72233	C4191L	77231	C2390LR
67680	C1239LR	71238	C4011LR	72270	C5233L	77232	C4030LR
67682	C7304L	71239	C2191LR	72271	C5233R	77236	C4232L
67683	C7304R	71260	C7235LR	72272	C5232L	77237	C4232R
67684	C1240LR	71261	C7270LR	72273	C5232R	77238	C4233LR
67685	C1078LR	71262	C7271L	72274	C5230L	77239	C4321LR
67730	C2294LR	71263	C7271R	72275	C5230R	77270	C5303L
67760	C7150LR	71264	C7241L	72276	C5231L	77271	C5303R
71002	C6008	71265	C7241R	72277	C5231R	77281	C5365LR
71007	C6001	71270	C5225L	72280	C1113LR	77330	C4115L
71012	C2019LR	71271	C5225R	72281	C1111LR	77331	C4115R
71014	C2300LR	71274	C5222L	72282	C1114LR	77333	C4321LR
71015	C2188LR	71275	C5222R	72283	C1299LR	81010	C2171LR
71017	C2373LR	71278	C5238L	72284	C1197LR	81016	C2315LR
71018	C2084LR	71279	C5238R	72285	C1300LR	81017	C2316LR
71019	C2083LR	71280	C1028LR	72470	C5146L	81018	C2167LR
71030	C4263LR	71284	C1196LR	72471	C5146R	81019	C2168LR
71032	C4266L	71285	C1302LR	73234	C4315L	81032	C4172L
71034	C4012LR	71286	C1040LR	73235	C4315R	81033	C4172R
71036	C2018LR	71287	C1041LR	73414	C2330LR	81035	C4084LR
71038	C4259LR	71288	C1112LR	73416	C2073LR	81036	C4174L
71060	C7017LR	71332	C4105L	73534	C4314L	81037	C4174R
71065	C7105LR	71333	C4105R	73535	C4314R	81039	C4165R
71066	C7238LR	71335	C4194LR	73536	C4316LR	81060	C7338LR
71067	C7082L	71336	C4259LR	77010	C2261LR	81061	C7204LR
71068	C7082R	71339	C2017LR	77011	C2090LR	81062	C7201LR
71069	C7081LR	71370	C5237L	77012	C2089LR	81063	C7206LR
71070	C5220L	71371	C5237R	77015	C2031LR	81064	C7341L
71071	C5220R	71372	C5368L	77016	C2085LR	81065	C7341R
71072	C5221L	71373	C5368R	77018	C2262LR	81066	C7207L
71073	C5221R	71374	C5235L	77019	C2259LR	81067	C7207R
71076	C5234L	71375	C5235R	77035	C4292LR	81070	C5160L
71077	C5234R	71376	C5236LR	77036	C4030LR	81071	C5160R
71078	C5224L	71378	C5229L	77060	C7031LR	81072	C5161L
71079	C5224R	71379	C5229R	77061	C7288LR	81073	C5161R

• Cross Reference **SIDEM-LYNXauto**

SIDEM	LYNXauto	SIDEM	LYNXauto	SIDEM	LYNXauto	SIDEM	LYNXauto
81074	C5157L	81237	C4325R	87060	C7075L	87273	C5139R
81075	C5157R	81260	C7193L	87061	C7075R	87274	C5143L
81076	C5155L	81261	C7193R	87063	C7175LR	87275	C5143R
81077	C5155R	81262	C7198LR	87064	C7177L	87276	C5147L
81078	C5156L	81263	C7199LR	87065	C7177R	87277	C5147R
81079	C5156R	81264	C7196L	87066	C7176LR	87281	C1156LR
81080	C5158LR	81265	C7196R	87067	C7333L	87282	C1161LR
81082	C1172LR	81266	C7194LR	87068	C7076LR	87288	C5142L
81083	C1176LR	81268	C7208L	87069	C7178LR	87289	C5142R
81084	C1178LR	81269	C7208R	87070	C5136L	87310	C2322LR
81085	C8326	81270	C5387L	87071	C5136R	87335	C4168L
81086	C1174LR	81271	C5387R	87076	C5141L	87336	C4168R
81087	C1171LR	81272	C5349LR	87077	C5141R	87338	C4165L
81088	C1177LR	81360	C7367LR	87078	C5145L	87339	C4165R
81089	C1280LR	81361	C7368LR	87079	C5145R	87360	C7335LR
81110	C2169LR	81362	C7347L	87081	C1102LR	87361	C7180LR
81111	C2170LR	81363	C7347R	87082	C1157LR	87362	C7200L
81112	C2172L	81376	C5348L	87087	C1160LR	87363	C7200R
81113	C2172R	81377	C5348R	87088	C1159LR	87364	C7334L
81115	C2162LR	83010	C2400LR	87110	C2311LR	87365	C7334R
81116	C2166LR	83014	C2257LR	87111	C2153LR	87366	C7183L
81117	C2165LR	83015	C2164LR	87113	C2160LR	87367	C7183R
81118	C2163LR	83060	C7282LR	87118	C2154LR	87368	C7184LR
81133	C4332LR	83061	C7283LR	87160	C7181L	87369	C7173LR
81135	C4331LR	83062	C7284LR	87161	C7181R	87370	C5148L
81136	C4175L	83063	C7285LR	87163	C7179LR	87371	C5148R
81137	C4175R	83065	C7438LR	87164	C7336LR	87372	C5152L
81138	C4173L	83070	C5294L	87165	C7337LR	87373	C5152R
81139	C4173R	83071	C5294R	87166	C7192L	87376	C5137L
81160	C7205L	83074	C5295L	87167	C7192R	87377	C5137R
81161	C7205R	83075	C5295R	87168	C7371L	87378	C5138L
81162	C7203L	83076	C5296L	87169	C7371R	87379	C5138R
81163	C7203R	83077	C5296R	87170	C5140L	87380	C1158LR
81164	C7372LR	83082	C1225LR	87171	C5140R	87381	C1162LR
81165	C7197LR	83084	C1051LR	87172	C5150L	87382	C1165LR
81166	C7202L	83130	C4112LR	87173	C5150R	87383	C1166LR
81167	C7202R	83131	C2258LR	87174	C5151L	87385	C1164LR
81168	C7437LR	83132	C4113L	87175	C5151R	87386	C1163LR
81169	C7195LR	83133	C4113R	87178	C5149L	87430	C4167L
81170	C5153L	83136	C4229LR	87179	C5149R	87431	C4167R
81171	C5153R	83180	C1224LR	87180	C1154LR	87432	C4299L
81172	C5159L	85010	C2303LR	87186	C1167LR	87433	C4299R
81173	C5159R	85132	C4170LR	87187	C1153LR	87460	C7105LR
81176	C5386L	85134	C4169L	87189	C1155LR	87461	C7190LR
81177	C5386R	85135	C4169R	87213	C2151LR	87462	C7191LR
81178	C5154L	85180	C1249LR	87214	C2158LR	87464	C7346L
81179	C5154R	85181	C1168LR	87216	C2159LR	87465	C7346R
81181	C1175LR	85184	C1169LR	87217	C2347LR	87470	C5144L
81182	C1173LR	85185	C1170LR	87234	C4166L	87471	C5144R
81183	C1274LR	85186	C1029LR	87235	C4166R	87473	C5434R
81211	C2348LR	85188	C1103LR	87238	C4285LR	89010	C2329LR
81212	C2323LR	87010	C2155LR	87260	C7187LR	89011	C2309LR
81214	C2354L	87012	C2156LR	87263	C7189LR	89012	C2051LR
81215	C2354R	87013	C2150LR	87264	C7188LR	89014	C2121LR
81230	C4300L	87014	C2157LR	87265	C7174LR	89015	C2122LR
81231	C4300R	87016	C2310LR	87267	C7333R	89016	C2120LR
81232	C4301L	87019	C2152LR	87268	C7182L	89017	C2119LR
81233	C4301R	87033	C4083LR	87269	C7182R	89018	C2124LR
81234	C4171L	87036	C4324LR	87270	C5135L	89030	C4277LR
81235	C4171R	87038	C4286L	87271	C5135R	89032	C4097LR
81236	C4325L	87039	C4286R	87272	C5139L	89034	C4148LR

• **Cross Reference SIDEM-LYNXauto**

SIDEM	LYNXauto	SIDEM	LYNXauto	SIDEM	LYNXauto	SIDEM	LYNXauto
89036	C4146L	93061	C7443LR	805616	C8599	809638	C8216
89037	C4146R	93062	C7444LR	805617	C8627	809639	C8123
89038	C4144L	93065	C7442LR	805618	C8628	809640	C8124
89039	C4144R	93080	C1319LR	805622	C8619	809641	C8125
89060	C7147LR	93081	C1320LR	805624	C8611	809642	C8126
89061	C7144LR	93082	C1317LR	805625	C8617	809646	C8127
89064	C7143L	93083	C1315LR	805627	C8513	809705	C8547
89065	C7143R	93084	C1316LR	805630	C8613	809707	C8548
89066	C7146LR	801602	C8226	805631	C8614	809800	C8122
89068	C7086L	801604	C8259	805637	C8622	809801	C8538
89069	C7086R	801606	C8229	805638	C8623	809802	C8542
89070	C5002LR	801607	C8230	805640	C8609	809803	C8552
89071	C5085R	801608	C8231	805805	C8600	809804	C8553
89072	C5085L	801609	C8232	805808	C8601	809805	C8531
89074	C5086L	801611	C8253	805810	C8501	809806	C8532
89075	C5086R	801617	C8237	805816	C7244LR	809815	C9049
89076	C5080L	801618	C8238	805817	C8602	809900	C8550
89077	C5080R	801620	C8255	805818	C8605	809901	C8549
89078	C5081L	801621	C8256	805819	C8625	819604	C8217
89079	C5081R	801622	C8269	805827	C8620	819606	C8218
89080	C1142LR	801623	C8270	805828	C8618	819607	C8219
89081	C1141LR	801624	C8233	805829	C8621	819608	C8193
89083	C1137LR	801625	C8234	805830	C8624	819616	C8198
89084	C1085LR	801626	C8249	805832	C8606	819617	C8199
89085	C1140LR	801628	C8250	805834	C8616	819618	C8200
89086	C1139LR	801629	C8251	805839	C8626	819619	C8201
89087	C1138LR	801704	C8757	805842	C9061	819620	C8202
89088	C1259LR	801705	C8758	805843	C8612	819621	C8203
89130	C4276LR	801706	C8759	805845	C8608	819631	C8177
89132	C4145L	801707	C8760	807609	C8175	819632	C8178
89133	C4145R	801801	C8225	807610	C8176	819635	C8209
89134	C4297L	801802	C8257	807611	C8686	819636	C8210
89135	C4297R	801803	C8258	807612	C8687	819637	C8211
89160	C7329L	801804	C8228	807801	C8133	819638	C8220
89161	C7329R	801805	C8248	807802	C8134	819639	C8221
89162	C7330L	803601	C8246	807803	C8135	819644	C8194
89163	C7330R	803602	C8247	807804	C8136	819645	C8195
89165	C7327LR	803700	C8750	807805	C8137	819648	C8181
89168	C7328L	803701	C8751	807808	C8685	819649	C8182
89169	C7328R	803702	C8749	807810	C8186	819652	C8214
89170	C5082L	803800	C8235	807811	C8187	819653	C8215
89171	C5082R	803805	C8241	807812	C8188	819654	C8204
89172	C5389L	803806	C8240	809303	C9048	819655	C8205
89173	C5389R	803810	C8245	809603	C8529	820600	C8374
89272	C5388L	803900	C8239	809604	C8530	821305	C8723
89273	C5388R	803905	C8236	809605	C8207	821306	C8718
91030	C4306LR	803906	C8242	809606	C8533	821307	C8719
91031	C4307LR	804601	C8262	809609	C8535	821606	C8077
91032	C4308LR	804602	C8263	809616	C8189	821608	C8080
91033	C4305LR	804603	C8264	809617	C8190	821613	C8090
91062	C7355LR	804604	C8265	809620	C8539	821616	C8091
91080	C1264LR	804801	C8261	809621	C8540	821618	C8093
91081	C1265LR	804804	C8266	809622	C8543	821625	C8087
91082	C1263LR	804805	C8267	809624	C8541	821627	C8094
93032	C4181L	804900	C8268	809625	C8544	821628	C8086
93033	C4181R	805301	C9060	809626	C8545	821629	C8095
93036	C4370L	805600	C8610	809628	C8546	821631	C8111
93037	C4370R	805612	C8603	809631	C8536	821632	C8092
93038	C4182L	805613	C8604	809632	C8537	821633	C8075
93039	C4182R	805614	C8502	809633	C8208	821635	C8076
93060	C7447LR	805615	C8615	809637	C8534	821638	C8702

• Cross Reference **SIDEM-LYNXauto**

SIDEM	LYNXauto	SIDEM	LYNXauto	SIDEM	LYNXauto	SIDEM	LYNXauto
821640	C8118	837616	C8038	845624	C8567	847801	C8294
821641	C8121	837617	C8034	845626	C8587	847802	C8297
821642	C8120	837618	C8032	845627	C8588	849302	C8953
821643	C8119	837621	C8035	845628	C8589	849316	C8949
821701	C8078	837622	C8036	845629	C8554	849603	C8424
821702	C7128LR	837624	C8033	845630	C8555	849604	C8425
821708	C8097	837702	C8704	845631	C8556	849605	C8446
821709	C8116	837703	C8003	845632	C8139	849606	C8430
821710	C8117	837709	C8010	845633	C8595	849610	C8428
821711	C8115	837721	C8031	845634	C8557	849611	C8429
821712	C8701	837803	C8057	845635	C8558	849612	C8413
821713	C8099	837804	C8029	845638	C8571	849613	C8414
821714	C8098	837806	C8024	845639	C8594	849614	C8415
821716	C8081	837807	C8011	845640	C8597	849615	C8416
821717	C8082	837808	C8023	845641	C8598	849619	C8432
821718	C8083	837810	C8007	845642	C8572	849620	C8433
821719	C8084	837812	C8039	845647	C8579	849622	C8442
821720	C8085	837813	C8012	845802	C8573	849623	C8435
821721	C8105	841601	C8515	845816	C8592	849624	C8444
821722	C8103	841602	C8516	845817	C8593	849625	C8445
821723	C8104	841608	C8494	845818	C8596	849626	C8443
821724	C8722	841609	C8523	845826	C8561	849628	C8447
821725	C8107	841611	C8493	845827	C8562	849629	C8431
821803	C8101	841612	C8507	845828	C8563	849630	C8448
821804	C8102	841613	C8508	845829	C8564	849631	C8449
821805	C8108	841614	C8521	847601	C8271	849632	C8459
821806	C8109	841615	C8522	847603	C8272	849633	C8465
821807	C8110	841616	C8495	847604	C8273	849634	C8466
821808	C8073	841617	C8496	847605	C8274	849637	C8943
821809	C8112	841618	C8524	847606	C8276	849701	C8417
821810	C8089	841619	C8525	847607	C8277	849702	C8418
821811	C8088	841620	C8519	847608	C8283	849703	C8419
821902	C8100	841621	C8520	847610	C8284	849704	C8420
821903	C8113	841622	C8499	847611	C8285	849705	C8463
821904	C8079	841623	C8500	847612	C8286	849706	C8436
831634	C8511	841624	C8503	847613	C8790	849707	C8437
835608	C8660	841625	C8504	847614	C8287	849708	C8438
835609	C8661	841626	C8505	847615	C8290	849709	C8439
835610	C8662	841627	C8506	847616	C8291	849710	C8464
835611	C8663	841628	C8498	847617	C8292	849711	C8460
835612	C8664	841629	C8527	847618	C8293	849713	C8461
835613	C8665	841630	C8510	847620	C8295	849714	C8462
835614	C8672	841631	C8518	847621	C8296	849802	C8421
835615	C8673	841632	C8517	847622	C8301	849803	C8422
835616	C8674	841633	C9004	847627	C8280	849805	C8426
835617	C8675	841805	C8509	847628	C8298	849806	C8423
835621	C8666	841806	C8497	847629	C8299	849807	C8410
835622	C8667	841900	C8526	847630	C8300	849808	C8411
835623	C8668	842603	C8512	847631	C8305	849809	C8427
835624	C8669	845603	C8575	847632	C8306	849812	C8955
835625	C8670	845604	C8576	847633	C8281	849813	C8956
835626	C8671	845605	C8577	847636	C8288	850601	C8457
835805	C8197	845606	C8578	847637	C8289	850602	C8458
837602	C8004	845609	C8582	847638	C8303	850603	C8455
837603	C8008	845610	C8583	847639	C8304	850604	C8456
837605	C8006	845611	C8584	847640	C8302	850605	C8049
837607	C8005	845616	C8590	847641	C8282	850606	C8453
837608	C8040	845617	C8591	847642	C8307	850607	C8454
837609	C8009	845618	C8585	847643	C8308	850801	C8452
837614	C8030	845620	C8580	847644	C8802	850803	C8450
837615	C8037	845621	C8581	847719	C8275	850804	C8451

• **Cross Reference SIDEM-LYNXauto**

SIDEM	LYNXauto	SIDEM	LYNXauto	SIDEM	LYNXauto	SIDEM	LYNXauto
850805	C8017	857605	C8637	865802	C8868	881603	C8322
850807	C8970	857606	C8055	867605	C8467	881604	C8362
850900	C8971	857607	C8056	867606	C8468	881605	C8363
851601	C8387	857608	C8638	867607	C8469	881606	C8364
851604	C8397	861601	C8632	867608	C8693	881607	C8365
851605	C8398	861602	C8633	867609	C8694	881608	C8366
851606	C8399	861606	C8629	867610	C8695	881609	C8370
851607	C8388	861607	C8630	867611	C8691	881611	C8368
851610	C8402	861608	C8631	867612	C8692	881612	C8358
851611	C8403	861609	C8634	867613	C8698	881613	C8359
851612	C8404	861610	C8635	867615	C8696	881614	C8354
851613	C8390	863601	C8015	867616	C8697	881615	C8355
851614	C8391	863602	C8014	867617	C8243	881616	C8330
851615	C8393	863604	C8048	867619	C8699	881617	C8371
851616	C8394	863610	C8051	867620	C8700	881618	C8373
851617	C8392	863611	C8050	871613	C8470	881619	C8372
851618	C8389	863612	C8001	871614	C8471	881701	C8351
851620	C8395	863614	C8002	871615	C8472	881702	C8352
851621	C8396	863616	C8025	871616	C8473	881703	C8327
851624	C8405	863617	C8026	871617	C8474	881704	C8328
851626	C8408	863618	C8027	871618	C8492	881705	C8329
851627	C8409	863619	C8028	871619	C8485	881706	C8356
851628	C8407	863621	C8060	871620	C8486	881707	C8331
851629	C8406	863622	C8061	871621	C8487	881801	C8369
851804	C8400	863625	C8071	871622	C8481	881802	C8367
851900	C8401	863626	C8072	871623	C8482	881803	C8361
853610	C8144	863627	C8041	871624	C8475	881804	C8349
853616	C8148	863629	C8067	871627	C8171	881805	C8325
853617	C8149	863631	C8018	871628	C8172	881806	C8360
853620	C8158	863632	C8019	871630	C8490	881807	C8357
853621	C8159	863633	C8020	871631	C8491	881901	C8353
853622	C8157	863636	C8042	871801	C8480	883601	C8639
853623	C8173	863637	C8052	871802	C8688	883602	C8640
853624	C8174	863640	C8043	871803	C8169	883603	C8647
853625	C8145	863641	C8044	871804	C8483	883604	C8641
853627	C8147	863706	C8054	871805	C8484	883605	C8642
853628	C8184	863712	C8021	871806	C8488	883606	C8643
853629	C8185	863714	C8022	871900	C8170	883607	C8644
853630	C8152	863719	C8053	871901	C8489	883608	C8645
853631	C8146	863721	C8016	872601	C8477	883609	C8646
853632	C8164	863801	C8070	872602	C8478	883610	C8648
853633	C8165	863802	C8045	872603	C8476	887601	C8309
853635	C8140	863803	C8013	872801	C8479	887602	C8310
853636	C8689	863804	C8046	877601	C8657	887603	C8311
853637	C8690	863806	C8058	877602	C8658	887604	C8313
853638	C8183	863808	C8059	877603	C8659	887605	C8312
853701	C8160	863901	C8703	877604	C8655	887606	C8332
853702	C8163	864608	C8065	877607	C8650	887607	C8347
853703	C8161	864609	C8066	877608	C8130	887608	C8348
853814	C8155	864610	C8068	877609	C8656	887609	C8319
853815	C8156	864611	C8069	877610	C8652	887610	C8340
853816	C8141	864804	C8062	877611	C8653	887611	C8320
853817	C8142	864805	C8063	877612	C8528	887612	C8317
853818	C8143	865600	C8381	877613	C8223	887613	C8318
853819	C8138	865601	C8382	877614	C8224	887614	C8315
853820	C8150	865602	C8377	877615	C8654	887615	C8316
853822	C8153	865603	C8378	877616	C8651	887616	C8334
853823	C8154	865604	C8383	877801	C8222	887617	C8335
854601	C8179	865605	C8384	877802	C8649	887618	C8341
854602	C8180	865606	C8385	881601	C8350	887619	C8342
857601	C8636	865801	C8867	881602	C8321	887620	C8343

• Cross Reference **SIDEM-LYNXauto**

SIDEM	LYNXauto	SIDEM	LYNXauto	SIDEM	LYNXauto	SIDEM	LYNXauto
887621	C8338	47035 B	C2143LR	7714	C2176LR	849811	C8441
887622	C8339	47130 A	C2006LR	801615	C8254	85063	C7462LR
887623	C8818	47174	C5117L	801806	C8756	850806	C8972
887624	C8819	47175	C5117R	803304	C8746	850901	C8973
887627	C8323	47331 A	C2010LR	803306	C8747	85133 A	C2161LR
887628	C8324	47530 A	C2145LR	803801	C8252	853301	C8736
887801	C8346	47532 A	C2076LR	803802	C8755	853303	C8739
887802	C8314	47682	C1330LR	803811	C8748	853307	C8740
887803	C8333	49032	C4348LR	805836	C7457LR	853308	C8741
889601	C8191	49264	C7454LR	805837	C9062	853309	C8742
889602	C8192	51030	C4298L	805846	C8607	853312	C8733
889603	C8128	51031	C4298R	806803	C9005	853313	C8734
889604	C8129	51080	C1260LR	807301	C8735	853644	C8167
889605	C8131	51213	C2126LR	809701	C8743	853645	C8168
889606	C8132	51370	C5465L	809712	C8745	853646	C8166
891601	C8678	51371	C5465R	809713	C8206	853824	C9056
891602	C8679	51374	C5466L	809714	C8744	853825	C9057
891603	C8680	51375	C5466R	809903	C9051	853826	C9058
891604	C8681	51533 D	C2079LR	809904	C9052	853827	C9059
891606	C8683	51534 A	C2174LR	809906	C9050	854701	C8737
891608	C8676	51534 B	C2175LR	81038	C4165L	854702	C8738
891609	C8677	5181	C1310LR	81276	C5435L	863301	C9068
19169	C7373LR	53338	C4258L	81277	C5435R	863302	C9138
19237 A	C2341LR	53339	C4258R	819658	C8212	863304	C8753
19370	C5403L	53472	C5278L	819659	C8213	863307	C9065
19371	C5403R	53473	C5278R	821103	C8717	863704	C8707
3130 A	C2127LR	54062	C7316LR	821301	C8725	863707	C8752
3163	C7154LR	5535 A	C2231LR	821302	C8728	863708	C9067
3230 A	C2139LR	5586A	C5285L	821303	C8729	863710	C8711
3268	C7156LR	5586B	C5285R	821304	C8724	863711	C8712
3282CAKIT	C8260	5587A	C5281L	821617	C8106	863718	C9066
3388CAKIT	C8227	5587B	C5281R	821703	C8726	863807	C8047
35173	C5425R	5634 A	C2238LR	821704	C8727	87184	C1152LR
35174	C5417L	5738	C4362L	821727	C8730	872604	C8991
35175	C5417R	5739	C4362R	821812	C8731	87387	C1276LR
35270	C5424L	5816	C2388LR	821814	C8720	87472	C5434L
35273	C5423R	5838	C4261L	821816	C8721	877606	C9047
35278	C5422L	5839	C4261R	83064	C7440LR	887625	C8833
35279	C5422R	61180	C1046LR	83066	C7441LR	887626	C8832
35370	C5420L	63234 A	C2279LR	83067	C7439LR	889607	C8732
35371	C5420R	63336 A	C2282LR	837300	C8713	89062	C7326LR
35372	C5421L	63338 A	C2306LR	837301	C8705	891612	C8682
35373	C5421R	63430 A	C2250LR	837302	C8709	89166	C7324L
37278	C5355L	63434 A	C2252LR	837303	C8710	89167	C7324R
37279	C5355R	63436 A	C2280LR	837304	C8714	89180	C1256LR
37366	C7121LR	63474	C5431LR	837305	C8715	89181	C1257LR
41048	C4290LR	63530 A	C2281LR	837306	C8708	9084	C8196
41139	C4270R	63534 A	C2283LR	837625	C8716	9630 ASSY	C3060L
41731 A	C2026LR	64230 A	C2285LR	837722	C8772	9635 ASSY	C3060R
41831 A	C2087LR	64231 A	C2286LR	837811	C8771	9834 A	C2125L
41832 A	C2020LR	65166	C7380LR	845824	C8586	9834 B	C2125R
41938	C4018LR	65181	C1286LR	847609	C8788	9836 ASSY	C3038L
45134 A	C2035LR	67138 A	C2297LR	849303	C8940	9837 ASSY	C3038R
45378	C5473L	67610	C2187LR	849308	C8941	9872	C5390LR
45379	C5473R	67616	C2402LR	849314 KIT	C8957	9873	C5304LR
45435 A	C2272LR	67617	C2403LR	849315 KIT	C8958		
45662	C7424LR	71282	C1195LR	849317	C8951		
45831	C4296LR	72070	C5454L	849318	C8950		
45872	C5474L	72071	C5454R	849319	C8952		
45873	C5474R	72278	C5455L	849635	C8434		
47035 A	C2141LR	72279	C5455R	849810	C8440		

• **Cross Reference TRW-LYNXauto**

TRW	LYNXauto	TRW	LYNXauto	TRW	LYNXauto	TRW	LYNXauto
JAR1002	C2105LR	JAR644	C2333LR	JBJ224	C1010L	JBJ815	C1254L
JAR1012	C2221LR	JAR645	C2343LR	JBJ235	C1253LR	JBJ816	C1254R
JAR1015	C2107LR	JAR647	C2327LR	JBJ236	C1235LR	JBJ817	C1311LR
JAR1022	C2133LR	JAR648	C2324LR	JBJ237	C1236LR	JBJ818	C1310LR
JAR1024	C2071LR	JAR650	C2220LR	JBJ243	C1223L	JBJ827	C1255LR
JAR1036	C2355R	JAR654	C2240LR	JBJ244	C1223R	JBU100	C8028
JAR1037	C2355L	JAR7506	C2313LR	JBJ245	C1095LR	JBU108	C8253
JAR104	C2329LR	JAR7544	C2015LR	JBJ249	C1002R	JBU109	C8540
JAR1050	C2367LR	JAR7591	C2372LR	JBJ268	C1079LR	JBU112	C8040
JAR1054	C2334LR	JAR7601	C2314LR	JBJ277	C1212LR	JBU113	C8619
JAR1056	C2369LR	JAR915	C2255LR	JBJ278	C1213LR	JBU116	C8149
JAR1061	C2251LR	JAR916	C2256LR	JBJ281	C1269LR	JBU118	C8218
JAR1062	C2305LR	JAR918	C2115LR	JBJ368	C1190LR	JBU119	C8219
JAR1065	C2366LR	JAR919	C2117LR	JBJ377	C1083L	JBU126	C8229
JAR1067	C2356LR	JAR922	C2110LR	JBJ459	C1063LR	JBU127	C8230
JAR107	C2182LR	JAR924	C2103LR	JBJ649	C1003R	JBU129	C8014
JAR1077	C2328LR	JAR928	C2101LR	JBJ656	C1145LR	JBU131	C8546
JAR1079	C2387LR	JAR930	C2129LR	JBJ658	C1001R	JBU133	C8529
JAR108	C2341LR	JAR937	C2280LR	JBJ659	C1001L	JBU135	C8232
JAR1080	C2364LR	JAR939	C2102LR	JBJ661	C1080LR	JBU137	C8207
JAR1082	C2365LR	JAR940	C2337LR	JBJ663	C1003L	JBU138	C8027
JAR1084	C2116LR	JAR946	C2370LR	JBJ682	C1053LR	JBU150	C8603
JAR1088	C2326LR	JAR954	C2282LR	JBJ702	C1092L	JBU151	C8604
JAR1089	C2222LR	JAR955	C2283LR	JBJ703	C1092R	JBU152	C8148
JAR109	C2342LR	JAR963	C2249LR	JBJ707	C1014LR	JBU153	C8535
JAR113	C2332LR	JAR965	C2106LR	JBJ708	C1267LR	JBU159	C8217
JAR114	C2132LR	JAR966	C2307LR	JBJ711	C1144LR	JBU161	C8015
JAR116	C2072LR	JAR967	C2253LR	JBJ712	C8100	JBU167	C8412
JAR128	C2212LR	JAR969	C2281LR	JBJ713	C1013LR	JBU203	C8260
JAR129	C2213LR	JAR970	C2336LR	JBJ717	C1215LR	JBU204	C8146
JAR137	C2363LR	JAR974	C2112LR	JBJ718	C1214LR	JBU205	C8144
JAR144	C2026LR	JAR978	C2001LR	JBJ722	C1146LR	JBU218	C8091
JAR153	C2134LR	JAR981	C2287LR	JBJ725	C1088LR	JBU219	C8090
JAR161	C2331LR	JAR982	C2113LR	JBJ729	C1268LR	JBU221	C8051
JAR162	C2070LR	JAR985	C2412LR	JBJ738	C1016LR	JBU224	C8050
JAR164	C2128LR	JAR988	C2104LR	JBJ739	C1258LR	JBU227	C8539
JAR189	C2064LR	JAR992	C2205LR	JBJ740	C1100LR	JBU232	C8259
JAR192	C2279LR	JAR994	C2284LR	JBJ741	C1216LR	JBU235	C8008
JAR212	C2390LR	JAR996	C2254LR	JBJ745	C1295LR	JBU236	C8006
JAR219	C2108LR	JBJ100	C1046LR	JBJ746	C1296L	JBU237	C8004
JAR220	C2109R	JBJ113	C1083R	JBJ747	C1296R	JBU254	C8544
JAR229	C2252LR	JBJ114	C1002L	JBJ748	C1181LR	JBU257	C8551
JAR231	C2100LR	JBJ119	C1133LR	JBJ749	C1237LR	JBU365	C8009
JAR337	C2145LR	JBJ120	C1011LR	JBJ750	C1238LR	JBU380	C8545
JAR359	C2362L	JBJ121	C1134LR	JBJ751	C1005L	JBU387	C8078
JAR360	C2362R	JBJ122	C1012LR	JBJ752	C1005R	JBU389	C8083
JAR364	C2317LR	JBJ127	C1084LR	JBJ7524	C1057LR	JBU392	C8085
JAR367	C2062LR	JBJ134	C1142LR	JBJ7544	C1138LR	JBU413	C8077
JAR390	C2374LR	JBJ135	C1277LR	JBJ755	C1222LR	JBU415	C8094
JAR428	C2011LR	JBJ142	C1147LR	JBJ7561	C1137LR	JBU420	C8414
JAR499	C2228LR	JBJ145	C1143LR	JBJ768	C1135LR	JBU428	C8065
JAR501	C2386LR	JBJ146	C1018LR	JBJ779	C1245LR	JBU453	C8178
JAR506	C2246LR	JBJ153	C1026LR	JBJ786	C1293LR	JBU454	C8177
JAR507	C2248LR	JBJ163	C1030LR	JBJ789	C1252LR	JBU467	C8159
JAR510	C2250LR	JBJ167	C1292LR	JBJ790	C8145	JBU472	C8615
JAR511	C2230LR	JBJ210	C1050LR	JBJ794	C1237L	JBU474	C8628
JAR545	C2247LR	JBJ211	C1093LR	JBJ795	C1237R	JBU475	C8627
JAR547	C2131LR	JBJ215	C1056LR	JBJ807	C1266LR	JBU476	C8237
JAR550	C2285LR	JBJ219	C1009R	JBJ808	C1208LR	JBU477	C8238
JAR555	C2034LR	JBJ220	C1010R	JBJ813	C1309L	JBU480	C8060
JAR558	C2286LR	JBJ223	C1009L	JBJ814	C1309R	JBU481	C8061

• Cross Reference TRW-LYNXauto

TRW	LYNXauto	TRW	LYNXauto	TRW	LYNXauto	TRW	LYNXauto
JBU484	C8272	JBU704	C8176	JRA253	C3046L	JTC1030	C5050L
JBU488	C8286	JBU705	C8175	JRA254	C3046R	JTC1031	C5050R
JBU490	C8285	JBU707	C8690	JRA263	C3037L	JTC1036	C5046LR
JBU494	C8291	JBU708	C8689	JRA264	C3037R	JTC1039	C5047L
JBU497	C8504	JBU709	C8164	JRA266	C3055L	JTC1040	C5047R
JBU498	C8503	JBU719	C8413	JRA272	C3043R	JTC1054	C5383R
JBU503	C8055	JBU720	C8416	JRA292	C3005R	JTC1055	C5383L
JBU504	C8537	JBU726	C8295	JRA293	C3034R	JTC1058	C5364R
JBU505	C8536	JBU727	C8508	JRA298	C3032L	JTC1059	C5335LR
JBU506	C8636	JBU728	C8507	JRA330	C3015L	JTC1060	C5364L
JBU515	C8082	JBU729	C8499	JRA331	C3015R	JTC1066	C5060LR
JBU516	C8031	JBU730	C8500	JRA364	C3005L	JTC1067	C5072L
JBU517	C8231	JBU733	C8534	JRA366	C3045L	JTC1068	C5072R
JBU522	C8096	JBU734	C8216	JRA368	C3043L	JTC1071	C5377LR
JBU523	C8446	JBU737	C8211	JRA372	C3039L	JTC1072	C5078LR
JBU525	C8430	JBU738	C8210	JRA500	C3010LR	JTC1073	C5065L
JBU526	C8431	JBU742	C8577	JRA503	C3041L	JTC1074	C5065R
JBU527	C8424	JBU748	C8181	JRA504	C3041R	JTC108	C5029L
JBU528	C8691	JBU749	C8067	JRA507	C3031L	JTC1089	C5043LR
JBU531	C8629	JBU750	C8547	JRA508	C3031R	JTC109	C5029R
JBU537	C8002	JBU756	C8375	JRA511	C3002L	JTC1090	C5042L
JBU544	C8080	JBU775	C8165	JRA512	C3002R	JTC1091	C5042R
JBU546	C8543	JBU784	C8081	JRA518	C3018LR	JTC1117	C5191R
JBU601	C8458	JPA7500	C6005	JRA525	C3033L	JTC1118	C5191L
JBU602	C8056	JRA129	C3003L	JRA526	C3033R	JTC1121	C5073R
JBU603	C8495	JRA130	C3003R	JRA529	C3068L	JTC1122	C5073L
JBU605	C8182	JRA131	C3063L	JRA530	C3068R	JTC1126	C5075L
JBU606	C8428	JRA132	C3063R	JRA542	C3017LR	JTC1127	C5075R
JBU607	C8429	JRA137	C3004L	JRA545	C3057R	JTC1128	C5378L
JBU608	C8418	JRA138	C3004R	JRA546	C3057L	JTC1129	C5378R
JBU609	C8415	JRA141	C3012R	JRA547	C3056R	JTC1136	C5040L
JBU611	C8965	JRA142	C3014R	JRA548	C3056L	JTC1137	C5040R
JBU612	C8425	JRA156	C3013R	JRA552	C3019LR	JTC1138	C5041L
JBU616	C8966	JRA157	C3001LR	JRA566	C3049L	JTC1139	C5041R
JBU617	C8969	JRA158	C3011LR	JRA567	C3049R	JTC1143	C5064L
JBU618	C8968	JRA159	C3013L	JRA572	C3070LR	JTC1144	C5064R
JBU619	C8443	JRA169	C3071LR	JRA577	C3067L	JTC1149	C5402R
JBU620	C8442	JRA215	C3034L	JRA578	C3067R	JTC1150	C5402L
JBU621	C8030	JRA218	C3064R	JRA588	C3035R	JTC1151	C5007R
JBU622	C8092	JRA219	C3036L	JRA589	C3035L	JTC1152	C5007L
JBU623	C8457	JRA220	C3036R	JRA592	C3016LR	JTC1153	C5076R
JBU627	C8111	JRA222	C3044L	JRA595	C3069LR	JTC1154	C5076L
JBU629	C8038	JRA224	C3039R	JTC1000	C5269R	JTC1157	C5192R
JBU631	C8434	JRA226	C3044R	JTC1001	C5269L	JTC1158	C5192L
JBU642	C8026	JRA230	C3047L	JTC1004	C5063R	JTC117	C5415L
JBU643	C8032	JRA231	C3047R	JTC1005	C5063L	JTC1171	C5399R
JBU654	C8420	JRA232	C3065L	JTC1010	C5071L	JTC1172	C5399L
JBU656	C8086	JRA233	C3066L	JTC1011	C5071R	JTC1173	C5400R
JBU658	C8432	JRA234	C3065R	JTC1012	C5397R	JTC1174	C5400L
JBU659	C8433	JRA235	C3066R	JTC1013	C5397L	JTC1179	C5357L
JBU660	C8243	JRA236	C3030L	JTC1014	C5398R	JTC118	C5415R
JBU661	C8244	JRA237	C3030R	JTC1015	C5398L	JTC1180	C5357R
JBU662	C8140	JRA238	C3032R	JTC1018	C5062R	JTC1181	C5358L
JBU663	C8139	JRA240	C3050L	JTC1019	C5062L	JTC1182	C5358R
JBU679	C8034	JRA241	C3051L	JTC1022	C5055LR	JTC119	C5033R
JBU688	C8084	JRA242	C3054L	JTC1023	C5030R	JTC1203	C5057L
JBU690	C8020	JRA244	C3050R	JTC1024	C5030L	JTC1204	C5057R
JBU691	C8019	JRA245	C3051R	JTC1026	C5070L	JTC1207	C5379L
JBU701	C8185	JRA246	C3054R	JTC1027	C5070R	JTC1208	C5379R
JBU702	C8687	JRA247	C3053L	JTC1028	C5049L	JTC1209	C5051LR
JBU703	C8686	JRA252	C3045R	JTC1029	C5049R	JTC1210	C5053LR

• **Cross Reference TRW-LYNXauto**

TRW	LYNXauto	TRW	LYNXauto	TRW	LYNXauto	TRW	LYNXauto
JTC1211	C5052LR	JTC398	C5396R	JTE1087	C4291R	JTE189	C4070R
JTC1228	C5308L	JTC421	C5033L	JTE1090	C4247L	JTE190	C4070L
JTC1229	C5308R	JTC678	C8290	JTE1091	C4247R	JTE194	C4093R
JTC1244	C5093R	JTC7573	C5241R	JTE1092	C4350R	JTE195	C4093L
JTC1245	C5093L	JTC7574	C5241L	JTE1095	C4136LR	JTE219	C4064R
JTC1248	C5031R	JTC898	C5091R	JTE1096	C4350L	JTE220	C4064L
JTC1249	C5031L	JTC899	C5091L	JTE1099	C4349L	JTE229	C4083LR
JTC1250	C5291L	JTC913	C5334LR	JTE1100	C4349R	JTE246	C4342L
JTC1251	C5291R	JTC924	C5005R	JTE1106	C4151R	JTE247	C4342R
JTC126	C5069L	JTC925	C5005L	JTE1107	C4151L	JTE255	C4374LR
JTC1266	C5414R	JTC936	C5037LR	JTE1117	C4275LR	JTE260	C4011LR
JTC1267	C5414L	JTC938	C5416L	JTE1122	C4337L	JTE261	C4195LR
JTC127	C5069R	JTC939	C5416R	JTE1123	C4337R	JTE266	C4017LR
JTC128	C5068L	JTC940	C5370LR	JTE1139	C4330LR	JTE266	C4024LR
JTC1286	C5359L	JTC942	C5095L	JTE1144	C4269L	JTE268	C4022LR
JTC1287	C5359R	JTC943	C5095R	JTE1145	C4269R	JTE279	C4364L
JTC1288	C5360L	JTC944	C5392LR	JTE1154	C4362L	JTE280	C4364R
JTC1289	C5360R	JTC945	C5293L	JTE1155	C4362R	JTE314	C4089LR
JTC129	C5068R	JTC946	C5293R	JTE1160	C4153L	JTE317	C4030LR
JTC1290	C5003LR	JTC947	C5333L	JTE1161	C4153R	JTE343	C4090LR
JTC130	C5006L	JTC948	C5333R	JTE1168	C4344L	JTE346	C4092R
JTC131	C5006R	JTC957	C5394L	JTE1169	C4344R	JTE349	C4074L
JTC1313	C5038L	JTC958	C5394R	JTE1170	C4345L	JTE350	C4074R
JTC1314	C5038R	JTC959	C5280L	JTE1171	C4345R	JTE358	C4092L
JTC1342	C5401R	JTC960	C5280R	JTE1172	C4338LR	JTE359	C4069L
JTC1343	C5401L	JTC961	C5056L	JTE1193	C4312LR	JTE360	C4248L
JTC138	C5054L	JTC962	C5056R	JTE1194	C4361L	JTE361	C4069R
JTC139	C5054R	JTC963	C5059LR	JTE1195	C4361R	JTE362	C4248R
JTC1392	C5077L	JTC964	C5061L	JTE1196	C4343L	JTE365	C4152L
JTC1393	C5077R	JTC965	C5061R	JTE1197	C4343R	JTE366	C4152R
JTC1398	C5372LR	JTC968	C5184L	JTE1198	C4215L	JTE390	C4026LR
JTC142	C5067L	JTC969	C5184R	JTE1199	C4215R	JTE450	C4359LR
JTC143	C5067R	JTC974	C5274L	JTE1208	C4309L	JTE457	C4073L
JTC144	C5004L	JTC975	C5274R	JTE1209	C4309R	JTE458	C4073R
JTC1449	C5074R	JTC980	C5039LR	JTE1213	C4257R	JTE463	C4311LR
JTC145	C5004R	JTC988	C5090R	JTE1214	C4257L	JTE502	C4267LR
JTC1450	C5074L	JTC989	C5090L	JTE132	C4051LR	JTE517	C4014LR
JTC1451	C5405R	JTC996	C5044LR	JTE134	C4302R	JTE562	C4302L
JTC1452	C5405L	JTE1006	C4075LR	JTE137	C4062L	JTE572	C4018LR
JTC250	C5028L	JTE1007	C4150L	JTE138	C4062R	JTE626	C4290LR
JTC251	C5028R	JTE1008	C4150R	JTE141	C4072L	JTE643	C4288LR
JTC254	C5015L	JTE1009	C4214L	JTE143	C4134LR	JTE648	C4289LR
JTC255	C5015R	JTE101	C4077LR	JTE144	C4001LR	JTE671	C4296LR
JTC258	C5058L	JTE1010	C4214R	JTE145	C4141L	JTE7590	C4145L
JTC259	C5058R	JTE1023	C4135LR	JTE146	C4141R	JTE7591	C4145R
JTC261	C5384R	JTE1034	C4222LR	JTE147	C4043L	JTE7606	C4285LR
JTC268	C5384L	JTE1042	C4360R	JTE148	C4043R	JTE761	C4318LR
JTC340	C5371LR	JTE1043	C4360L	JTE150	C4002LR	JTE7614	C4144L
JTC342	C5356LR	JTE1046	C4365L	JTE151	C4078L	JTE7615	C4144R
JTC343	C5034LR	JTE1047	C4365R	JTE152	C4078R	JTE766	C4138L
JTC345	C5347L	JTE1048	C4133R	JTE153	C4139L	JTE767	C4138R
JTC347	C5347R	JTE1049	C4133L	JTE154	C4139R	JTE769	C4179L
JTC348	C5035L	JTE1050	C4137L	JTE156	C4076LR	JTE770	C4179R
JTC350	C5035R	JTE1051	C4137R	JTE161	C4080LR	JTE830	C4021LR
JTC352	C5391LR	JTE1062	C4188LR	JTE162	C4079R	JTE852	C4292LR
JTC357	C5346L	JTE1063	C4140LR	JTE163	C4079L	JTE925	C4277LR
JTC359	C5346R	JTE1064	C4142LR	JTE169	C4087LR	JTE999	C4329LR
JTC369	C5369LR	JTE1075	C4249L	JTE170	C4320LR	JTF199	C4272L
JTC395	C5395L	JTE1076	C4249R	JTE182	C4317L	JTF201	C4272R
JTC396	C5395R	JTE1077	C4274LR	JTE184	C4328LR	JTF207	C4304LR
JTC397	C5396L	JTE1086	C4291L	JTE187	C4317R	JTF210	C4091R

• Cross Reference TRW-LYNXauto

TRW	LYNXauto	TRW	LYNXauto	TRW	LYNXauto	TRW	LYNXauto
JTF211	C4091L	JTS415	C7404LR	JTS7513	C7057R		
JTS104	C7348LR	JTS419	C7137L	JTS7527	C7282LR		
JTS105	C7112L	JTS420	C7137R	JTS7564	C7099L		
JTS109	C7135LR	JTS421	C7117R	JTS7565	C7099R		
JTS111	C7045L	JTS422	C7117L	JTS7566	C7427LR		
JTS112	C7045R	JTS424	C7215LR	JTS7578	C7086L		
JTS113	C7067LR	JTS426	C7132LR	JTS7579	C7086R		
JTS121	C7306LR	JTS428	C7073LR	JTS7580	C7087LR		
JTS122	C7122LR	JTS435	C7303LR	JTS7618	C7144LR		
JTS124	C7066LR	JTS437	C7069L				
JTS137	C7266LR	JTS451	C7070LR				
JTS143	C7065LR	JTS454	C7343LR				
JTS147	C7111LR	JTS462	C7005LR				
JTS195	C7013LR	JTS464	C7069R				
JTS205	C7018LR	JTS467	C7269LR				
JTS222	C7235LR	JTS468	C7268R				
JTS227	C7082L	JTS469	C7268L				
JTS228	C7082R	JTS477	C7350R				
JTS259	C7148LR	JTS478	C7350L				
JTS260	C7281LR	JTS479	C7138LR				
JTS279	C7129LR	JTS480	C7133L				
JTS280	C7313LR	JTS481	C7133R				
JTS283	C7004LR	JTS483	C7116LR				
JTS284	C5036LR	JTS484	C7278LR				
JTS286	C7131LR	JTS486	C7140LR				
JTS288	C7043LR	JTS490	C7150LR				
JTS296	C7105LR	JTS497	C7224L				
JTS353	C7136LR	JTS498	C7224R				
JTS358	C7123L	JTS499	C7226LR				
JTS359	C7123R	JTS502	C7227L				
JTS360	C7030LR	JTS503	C7227R				
JTS361	C7044L	JTS506	C7115LR				
JTS362	C7044R	JTS508	C7139L				
JTS364	C7088LR	JTS509	C7139R				
JTS365	C7068LR	JTS510	C7126LR				
JTS370	C7028LR	JTS512	C7319LR				
JTS380	C5045LR	JTS513	C7134LR				
JTS381	C7393LR	JTS514	C7297LR				
JTS382	C7354LR	JTS516	C7042LR				
JTS383	C7352LR	JTS521	C7302L				
JTS384	C7353R	JTS522	C7302R				
JTS385	C7353L	JTS525	C7124LR				
JTS386	C7349LR	JTS536	C7153LR				
JTS387	C7002LR	JTS543	C7301LR				
JTS388	C7064LR	JTS544	C7401L				
JTS390	C7113LR	JTS545	C7401R				
JTS391	C7318LR	JTS547	C7258LR				
JTS392	C7280LR	JTS552	C7351R				
JTS393	C7001LR	JTS553	C7351L				
JTS394	C7114L	JTS569	C7338LR				
JTS395	C7114R	JTS581	C7149LR				
JTS396	C7317LR	JTS583	C7165LR				
JTS397	C7298LR	JTS598	C7381LR				
JTS398	C7118LR	JTS603	C7265LR				
JTS401	C7359LR	JTS606	C7119LR				
JTS402	C7128LR	JTS607	C7120LR				
JTS403	C7072LR	JTS609	C7378LR				
JTS404	C7130LR	JTS616	C7358LR				
JTS408	C7071LR	JTS618	C7394LR				
JTS413	C7403LR	JTS620	C7395LR				
JTS414	C7405LR	JTS625	C7406LR				

• **Cross Reference MOOG-LYNXauto**

MOOG	LYNXauto	MOOG	LYNXauto	MOOG	LYNXauto	MOOG	LYNXauto
AL-ES-5417	C4303L	AU-LS-4934	C7119LR	BM-DS-4304	C3012R	BM-LS-4322	C7065LR
AL-ES-5418	C4303R	AU-LS-5066	C7124LR	BM-DS-4329	C7127LR	BM-LS-5609	C7406LR
AL-LS-1754	C7352LR	AU-LS-5421	C7120LR	BM-DS-4332	C5057L	BM-SB-0054	C8081
AL-LS-5093	C7350L	AU-LS-5475	C7121LR	BM-DS-4333	C5057R	BM-SB-0353	C8087
AL-LS-5094	C7350R	AU-LS-7179	C7111LR	BM-DS-4339	C3013L	BM-SB-1128	C8080
AL-SB-1720	C8660	AU-LS-8241	C7123L	BM-DS-4340	C3013R	BM-SB-1135	C8077
AL-SB-1721	C8665	AU-LS-8242	C7123R	BM-DS-4343	C3014R	BM-SB-2200	C8097
AL-SB-2396	C8672	AU-LS-8295	C7112L	BM-DS-4354	C3004R	BM-SB-2201	C8099
AL-SB-2397	C8673	AU-LS-8296	C7112R	BM-DS-4355	C3004L	BM-SB-2202	C8086
AL-SB-2398	C8674	AU-SB-1037	C8008	BM-DS-4358	C7045R	BM-SB-2212	C8093
AL-SB-2399	C8675	AU-SB-1097	C8009	BM-DS-4359	C7045L	BM-SB-2427	C8116
AL-SB-3170	C8198	AU-SB-1120	C8006	BM-DS-4364	C7135LR	BM-SB-2428	C8117
AL-SB-5101	C8671	AU-SB-1126	C8004	BM-ES-0490	C4138R	BM-SB-3678	C8102
AL-SB-5102	C8670	AU-SB-1149	C8003	BM-ES-0491	C4138L	BM-SB-3689	C8103
AL-SB-5103	C8666	AU-SB-1602	C8005	BM-ES-1871	C4349R	BM-SB-3695	C8098
AL-SB-5104	C8667	AU-SB-4484	C8010	BM-ES-1874	C4349L	BM-SB-3734	C8075
AL-SB-5105	C8668	AU-SB-4847	C8013	BM-ES-2113	C4075LR	BM-SB-3737	C8076
AL-SB-5106	C8669	AU-TC-0723	C5039LR	BM-ES-2439	C4140LR	BM-SB-5344	C8078
AL-SB-7338	C8663	AU-TC-3910	C5028L	BM-ES-3728	C4137L	BM-SB-5608	C8702
AL-SB-7339	C8664	AU-TC-3911	C5028R	BM-ES-3729	C4137R	BM-SB-5625	C8074
AL-SB-7340	C8661	AU-TC-4696	C5038L	BM-ES-3857	C4142LR	BM-SB-6709	C8088
AL-SB-7341	C8662	AU-TC-4697	C5038R	BM-ES-4215	C4076LR	BM-SB-6758	C8089
AL-TC-3623	C5419LR	AU-TC-4937	C5043LR	BM-ES-4216	C4077LR	BM-SB-8046	C8114
AL-TC-3624	C5418LR	AU-TC-4945	C5042L	BM-ES-4270	C4043L	BM-TC-0448	C5061R
AMGES3008RL	C4306LR	AU-TC-4946	C5042R	BM-ES-4279	C4043R	BM-TC-0449	C5061L
AMGES3401RLNC	C4307LR	AU-TC-5062	C5046LR	BM-ES-4302	C4002LR	BM-TC-0476	C5005R
AMGES3474	C4181R	AU-TC-5063	C5047L	BM-ES-4341	C4078L	BM-TC-0477	C5005L
AMGES3475	C4181L	AU-TC-5064	C5047R	BM-ES-4344	C4078R	BM-TC-0486	C5059LR
AMGK3201	C7442LR	AU-TC-7163	C5029L	BM-ES-4350	C4141L	BM-TC-0897	C5007R
AMGK7147	C1263LR	AU-TC-7164	C5029R	BM-ES-4351	C4141R	BM-TC-0898	C5007L
AMGK7399NC	C1265LR	AU-TC-7207	C5030L	BM-ES-4374	C4139R	BM-TC-0918	C5076R
AMGK80468	C7444LR	AU-TC-7219	C5030R	BM-ES-4375	C4139L	BM-TC-0920	C5076L
AMGK80861	C7443LR	AU-TC-8200	C5015L	BM-ES-4876	C4274LR	BM-TC-0923	C5063R
AMGK90675	C7385L	AU-TC-8201	C5015R	BM-ES-5601	C4351L	BM-TC-0924	C5063L
AMGK90679	C7385R	AU-TC-8239	C5044LR	BM-ES-5602	C4351R	BM-TC-0928	C5377LR
AU-AX-4428	C2105LR	AU-WP-3141	C5416L	BM-ES-6983	C4350L	BM-TC-1752	C5070L
AU-AX-4712	C2104LR	AU-WP-3142	C5416R	BM-ES-6986	C4350R	BM-TC-2118	C5078LR
AU-BJ-3914	C1131LR	BM-AX-0359	C2111R	BM-LS-0420	C7132LR	BM-TC-2122	C5077L
AU-BJ-7168	C1003L	BM-AX-1843	C2113LR	BM-LS-0433	C7130LR	BM-TC-2125	C5077R
AU-BJ-7170	C1081L	BM-AX-1877	C2370LR	BM-LS-0434	C7068LR	BM-TC-3152	C5070R
AU-BJ-7172	C1003R	BM-AX-2436	C2115LR	BM-LS-0485	C7067LR	BM-TC-3684	C5064L
AU-BJ-7174	C1081R	BM-AX-3683	C2114LR	BM-LS-1151	C7128LR	BM-TC-3685	C5064R
AU-BJ-7175	C1004L	BM-AX-3730	C2106LR	BM-LS-1787	C7129LR	BM-TC-3686	C5065L
AU-BJ-7177	C1004R	BM-AX-4303	C2108LR	BM-LS-1886	C7403LR	BM-TC-3687	C5065R
AU-BJ-7440	C1252LR	BM-AX-4305	C2109R	BM-LS-1887	C7404LR	BM-TC-3691	C5060LR
AU-DS-7197	C3064R	BM-BJ-0899	C1013LR	BM-LS-1890	C7405LR	BM-TC-3732	C5049L
AU-DS-8231	C3063L	BM-BJ-1880	C1296R	BM-LS-2115	C7069L	BM-TC-3733	C5049R
AU-DS-8232	C3063R	BM-BJ-1881	C1296L	BM-LS-2116	C7069R	BM-TC-3738	C5050L
AU-DS-8294	C5036LR	BM-BJ-1882	C1295LR	BM-LS-2117	C7070LR	BM-TC-3739	C5050R
AU-ES-3839	C4135LR	BM-BJ-3861	C1135LR	BM-LS-2434	C7137R	BM-TC-3740	C5051LR
AU-ES-3890	C7118LR	BM-BJ-4306	C1133LR	BM-LS-2435	C7137L	BM-TC-3741	C5052LR
AU-ES-3916	C4001LR	BM-BJ-4307	C1011LR	BM-LS-3675	C7133L	BM-TC-3742	C5053LR
AU-ES-4918	C4136LR	BM-BJ-4328	C1132LR	BM-LS-3676	C7133R	BM-TC-3855	C5075L
AU-ES-7146	C4061L	BM-BJ-4345	C1134LR	BM-LS-3690	C7134LR	BM-TC-3856	C5075R
AU-ES-7148	C4061R	BM-BJ-4346	C1012LR	BM-LS-3725	C7125L	BM-TC-3862	C5074L
AU-ES-7149	C4072L	BM-BJ-5604	C1298L	BM-LS-3727	C7125R	BM-TC-3863	C5074R
AU-ES-7150	C4072R	BM-BJ-5605	C1298R	BM-LS-3743	C7126LR	BM-TC-3864	C5073L
AU-ES-8206	C4062L	BM-DS-2114	C3018LR	BM-LS-3858	C7140LR	BM-TC-3865	C5073R
AU-ES-8207	C4062R	BM-DS-4214	C3001LR	BM-LS-3859	C7139L	BM-TC-3936	C5055LR
AU-LS-3717	C7117L	BM-DS-4225	C7131LR	BM-LS-3860	C7139R	BM-TC-4217	C5058L
AU-LS-3718	C7117R	BM-DS-4301	C3011LR	BM-LS-4311	C7066LR	BM-TC-4218	C5058R

• Cross Reference MOOG-LYNXauto

MOOG	LYNXauto	MOOG	LYNXauto	MOOG	LYNXauto	MOOG	LYNXauto
BM-TC-4317	C5066L	CI-SB-6776	C8685	FD-ES-3369	C4155R	FD-SB-4509	C8265
BM-TC-4318	C5066R	CI-SB-7317	C8183	FD-ES-3379	C4004LR	FD-SB-4862	C8257
BM-TC-4356	C5006R	CI-TC-2055	C5394R	FD-ES-3665	C4151L	FD-SB-5116	C8251
BM-TC-4357	C5006L	CI-TC-2056	C5394L	FD-ES-3891	C4151R	FD-SB-5644	C8263
BM-TC-4360	C5068R	CI-TC-5121	C5399L	FD-ES-4105	C4082R	FD-SB-6787	C8261
BM-TC-4361	C5068L	CI-TC-5122	C5399R	FD-ES-4106	C4082L	FD-SB-6812	C8241
BM-TC-4362	C5069R	CI-TC-5123	C5400L	FD-ES-4107	C4158LR	FD-TC-0951	C5092LR
BM-TC-4363	C5069L	CI-TC-5124	C5400R	FD-ES-4112	C4065R	FD-TC-0952	C5003LR
BM-TC-4366	C5054R	CI-WP-0713	C5280L	FD-ES-4113	C4065L	FD-TC-0954	C5098LR
BM-TC-4367	C5054L	CI-WP-0714	C5280R	FD-ES-4125	C4149LR	FD-WP-0403	C5091R
BM-TC-4368	C5004R	CI-WP-3876	C5398L	FD-ES-4147	C4070L	FD-WP-0404	C5091L
BM-TC-4369	C5004L	CI-WP-3877	C5398R	FD-ES-4148	C4070R	FD-WP-0557	C5168L
BM-TC-4370	C5067R	DE-AX-0447	C2121LR	FD-ES-4155	C4066L	FD-WP-0558	C5168R
BM-TC-4371	C5067L	DE-AX-2474	C2120LR	FD-ES-4156	C4066R	FD-WP-0715	C5099L
BM-WP-2430	C5062L	DE-AX-2479	C2309LR	FD-LS-0090	C7148LR	FD-WP-0716	C5099R
BM-WP-2431	C5062R	DE-AX-5752	C2124LR	FD-LS-0122	C7149LR	FD-WP-0738	C5090R
BM-WP-2437	C5071L	DE-SB-4848	C8191	FD-LS-0469	C7157LR	FD-WP-0739	C5090L
BM-WP-2438	C5071R	DE-SB-4849	C8192	FD-LS-0808	C7009LR	FD-WP-2047	C5105R
BM-WP-2443	C5072L	DE-SB-5775	C8132	FD-LS-0962	C7162R	FD-WP-2048	C5105L
BM-WP-2444	C5072R	DE-TC-0125	C5002LR	FD-LS-0963	C7162L	FD-WP-2524	C5107R
BM-WP-4738	C5056L	DI-ES-2495	C4314L	FD-LS-2016	C7007LR	FD-WP-2525	C5107L
BM-WP-4739	C5056R	DI-ES-2496	C4314R	FD-LS-2049	C7160LR	FD-WP-3313	C5106R
CH-BJ-0315	C1264LR	DI-ES-2502	C4316LR	FD-LS-2051	C7161LR	FD-WP-3314	C5106L
CH-SB-2446	C8681	FD-AX-0007	C2128LR	FD-LS-2259	C7073LR	FD-WP-4126	C5087R
CH-SB-2448	C8680	FD-AX-0026	C2129LR	FD-LS-2269	C7155LR	FD-WP-4127	C5087L
CH-SB-2452	C8683	FD-AX-0470	C2003LR	FD-LS-2368	C7159LR	FD-WP-4141	C5088R
CH-SB-2454	C8678	FD-AX-2197	C2137LR	FD-LS-3274	C7158LR	FD-WP-4142	C5088L
CH-SB-2455	C8679	FD-AX-2258	C2001LR	FD-LS-3662	C7006LR	FD-WP-5112	C5096L
CH-SB-2456	C8676	FD-AX-2382	C2138LR	FD-LS-3667	C7150LR	FD-WP-5113	C5096R
CH-SB-2457	C8677	FD-AX-2526	C2140R	FD-LS-4064	C7250LR	FI-AX-0086	C2342LR
CI-AX-3361	C2230LR	FD-AX-2527	C2140L	FD-LS-4114	C7008LR	FI-AX-0087	C2341LR
CI-AX-3991	C2221LR	FD-AX-3140	C2139LR	FD-LS-5111	C7153LR	FI-AX-1232	C2332LR
CI-AX-5060	C2217LR	FD-AX-3957	C2133LR	FD-LS-5444	C5101LR	FI-AX-1751	C2338LR
CI-AX-5169	C2328LR	FD-AX-4138	C2127LR	FD-LS-5445	C5102LR	FI-AX-1839	C2343LR
CI-AX-7320	C2229LR	FD-AX-4145	C2002LR	FD-LS-5446	C5100LR	FI-AX-2503	C2333LR
CI-BJ-0523	C1014LR	FD-AX-4146	C2136LR	FD-LS-5699	C7154LR	FI-AX-2504	C2335LR
CI-BJ-0868	C1016LR	FD-AX-4153	C2132LR	FD-LS-7924	C7163LR	FI-AX-2518	C2337LR
CI-BJ-3355	C1084LR	FD-AX-4154	C2130LR	FD-SB-0190	C8235	FI-AX-3120	C2331LR
CI-ES-0864	C4221R	FD-AX-4851	C2071LR	FD-SB-0191	C8239	FI-AX-3974	C2336LR
CI-ES-0865	C4221L	FD-AX-5110	C2135LR	FD-SB-0492	C8255	FI-AX-4198	C2340LR
CI-ES-0930	C4063R	FD-BJ-0425	C1145LR	FD-SB-0497	C8256	FI-AX-4431	C2339LR
CI-ES-0931	C4063L	FD-BJ-0474	C1149LR	FD-SB-1113	C8260	FI-AX-4971	C2352LR
CI-ES-2460	C4222LR	FD-BJ-0814	C1150LR	FD-SB-1130	C8227	FI-AX-7528	C2228LR
CI-ES-5119	C4223L	FD-BJ-2260	C1144LR	FD-SB-1134	C8226	FI-BJ-0049	C1269LR
CI-ES-5120	C4223R	FD-BJ-4115	C1148LR	FD-SB-1344	C8229	FI-BJ-0512	C1214LR
CI-ES-7237	C4309L	FD-BJ-4122	C1086LR	FD-SB-1345	C8230	FI-BJ-0513	C1215LR
CI-ES-7238	C4309R	FD-BJ-4130	C1151LR	FD-SB-1347	C8253	FI-BJ-0936	C1267LR
CI-ES-7316	C4312LR	FD-BJ-4134	C1143LR	FD-SB-1349	C8231	FI-BJ-4174	C1268LR
CI-LS-3267	C7357LR	FD-BJ-7296	C1245LR	FD-SB-1350	C8232	FI-BJ-4958	C1216LR
CI-LS-4959	C7262LR	FD-BJ-8083	C1270LR	FD-SB-1352	C8237	FI-BJ-4964	C1278LR
CI-LS-7236	C7356LR	FD-ES-0331	C4081LR	FD-SB-1353	C8238	FI-BJ-4965	C1279LR
CI-LS-7321	C7272LR	FD-ES-0604	C4156L	FD-SB-2263	C8233	FI-BJ-5414	C1266LR
CI-SB-2209	C8686	FD-ES-0605	C4156R	FD-SB-2264	C8234	FI-BJ-7530	C1212LR
CI-SB-2210	C8687	FD-ES-0841	C4154LR	FD-SB-2378	C8259	FI-BJ-7531	C1213LR
CI-SB-4736	C8136	FD-ES-0957	C4159LR	FD-SB-2528	C8269	FI-ES-0261	C4176LR
CI-SB-4737	C8135	FD-ES-1535	C4093R	FD-SB-2529	C8270	FI-ES-0937	C4318LR
CI-SB-4960	C8139	FD-ES-1536	C4093L	FD-SB-3160	C8225	FI-ES-3308	C4319L
CI-SB-5125	C8179	FD-ES-2050	C4157LR	FD-SB-3161	C8228	FI-ES-3309	C4319R
CI-SB-5126	C8180	FD-ES-2261	C4150L	FD-SB-3625	C8258	FI-ES-4070	C4328LR
CI-SB-5633	C8181	FD-ES-2262	C4150R	FD-SB-3659	C8236	FI-ES-4675	C4317L
CI-SB-5634	C8182	FD-ES-3368	C4155L	FD-SB-4507	C8264	FI-ES-4676	C4317R

• **Cross Reference MOOG-LYNXauto**

MOOG	LYNXauto	MOOG	LYNXauto	MOOG	LYNXauto	MOOG	LYNXauto
FI-ES-4684	C4320LR	HO-TC-5072	C5112R	LR-AX-5021	C2355R	MD-WP-2357	C5174R
FI-ES-4970	C4330LR	HO-WP-0596	C5118R	LR-BJ-4057	C1287LR	MD-WP-2358	C5172L
FI-LS-2371	C7359LR	HO-WP-0597	C5118L	LR-BJ-4838	C1283LR	MD-WP-2359	C5172R
FI-LS-4548	C7258LR	HO-WP-0823	C5110L	LR-BJ-4839	C1284LR	MD-WP-2360	C5173LR
FI-SB-1324	C8217	HO-WP-0824	C5110R	LR-BJ-7928	C1288LR	MD-WP-2690	C5170L
FI-SB-1391	C8199	HO-WP-0965	C5123R	LR-ES-1921	C4337L	MD-WP-2691	C5170R
FI-SB-1396	C8200	HO-WP-0966	C5123L	LR-ES-1923	C4337R	MD-WP-2708	C5176L
FI-SB-1579	C8202	HO-WP-1805	C8290	LR-ES-3528	C4338LR	MD-WP-2709	C5176R
FI-SB-1586	C8201	HO-WP-2536	C5124L	LR-ES-5018	C4336LR	MD-WP-4426	C5171L
FI-SB-1587	C8203	HO-WP-2537	C5124R	LR-ES-7043	C4339LR	MD-WP-4427	C5171R
FI-SB-1589	C8219	HO-WP-2548	C5125L	LR-LS-1866	C7378LR	ME-AX-0979	C2180LR
FI-SB-1590	C8218	HO-WP-2549	C5125R	LR-LS-2682	C7374LR	ME-AX-1530	C2363LR
FI-SB-2207	C8220	HO-WP-2556	C5111L	LR-LS-3310	C7436LR	ME-AX-2071	C2364LR
FI-SB-2208	C8221	HO-WP-2557	C5111R	LR-LS-4013	C7381LR	ME-AX-2266	C2054LR
FI-SB-2505	C8193	HO-WP-2564	C5114L	LR-LS-4045	C7377LR	ME-AX-2754	C2184LR
FI-SB-2513	C8209	HO-WP-2565	C5114R	LR-LS-4189	C7376LR	ME-AX-4190	C2186LR
FI-SB-2514	C8210	HO-WP-2566	C5127L	LR-LS-7011	C7384L	ME-AX-4874	C2183LR
FI-SB-2515	C8211	HO-WP-2567	C5127R	LR-LS-7042	C7384R	ME-AX-5173	C2369LR
FI-SB-5435	C8214	HO-WP-2570	C5128L	LR-LS-8087	C7380LR	ME-AX-5596	C2181LR
FI-WP-0108	C5395R	HO-WP-2571	C5128R	LR-LS-8088	C7379LR	ME-AX-5674	C2366LR
FI-WP-0109	C5395L	HO-WP-5069	C5113L	LR-SB-5031	C8377	ME-AX-5684	C2365LR
FI-WP-0110	C5396R	HO-WP-5070	C5113R	LR-SB-5059	C8379	ME-AX-6338	C2055LR
FI-WP-0111	C5396L	HO-WP-8097	C5404L	LR-SB-6578	C8381	ME-AX-6341	C2185LR
FI-WP-0118	C5397R	HO-WP-8098	C5404R	LR-SB-7930	C8384	ME-AX-6343	C2182LR
FI-WP-3840	C5397L	HY-ES-1906	C4285LR	LR-SB-7931	C8385	ME-AX-7769	C2367LR
FI-WP-4172	C5402L	HY-LS-4690	C7333L	MD-AX-2216	C2050L	ME-BJ-0366	C1193LR
FI-WP-4173	C5402R	HY-LS-4691	C7333R	MD-AX-2218	C2050R	ME-BJ-0980	C1036LR
HO-AX-2569	C2011LR	HY-LS-7068	C7173LR	MD-AX-2685	C2177R	ME-BJ-0981	C1187LR
HO-AX-3844	C2008LR	HY-LS-7081	C7334L	MD-AX-2692	C2177L	ME-BJ-1531	C1292LR
HO-AX-3885	C2146LR	HY-LS-7082	C7334R	MD-AX-3888	C2015LR	ME-BJ-2075	C1293LR
HO-AX-4002	C2148LR	HY-SB-2635	C8312	MD-BJ-2291	C1183LR	ME-BJ-2725	C1186LR
HO-BJ-0167	C1026LR	HY-SB-2636	C8332	MD-BJ-4869	C1182LR	ME-BJ-2749	C1192LR
HO-BJ-4919	C1096LR	HY-SB-2643	C8347	MD-ES-0786	C4084LR	ME-BJ-3697	C1185LR
HO-ES-2554	C4279L	HY-SB-2644	C8348	MD-ES-2401	C4288LR	ME-BJ-4392	C1194LR
HO-ES-2555	C4279R	HY-SB-5646	C8317	MD-LS-0575	C7209LR	ME-BJ-4952	C1191LR
HO-ES-5728	C4282L	HY-SB-5647	C8318	MD-LS-0972	C7011LR	ME-BJ-5150	C1196LR
HO-ES-5729	C4282R	HY-SB-7087	C8315	MD-LS-2017	C7013LR	ME-BJ-5597	C1188LR
HO-ES-7048	C4280L	HY-SB-7088	C8316	MD-LS-2689	C7080LR	ME-BJ-6301	C1087LR
HO-ES-7049	C4280R	HY-SB-7323	C8313	MD-LS-4026	C7062L	ME-BJ-6313	C8412
HO-LS-1605	C7166LR	HY-WP-7083	C5137L	MD-LS-4300	C7211LR	ME-BJ-6327	C1189LR
HO-LS-2544	C7048L	HY-WP-7084	C5137R	MD-LS-4396	C7062R	ME-BJ-6331	C1035LR
HO-LS-2545	C7048R	HY-WP-7085	C5138L	MD-SB-0582	C8388	ME-BJ-6345	C1190LR
HO-LS-2587	C7051L	HY-WP-7086	C5138R	MD-SB-2363	C8402	ME-BJ-8111	C1184LR
HO-LS-2588	C7051R	KI-AX-2330	C2315LR	MD-SB-2364	C8403	ME-DS-0803	C7014LR
HO-LS-2602	C7365LR	KI-AX-2331	C2316LR	MD-SB-2365	C8404	ME-DS-4178	C3022LR
HO-SB-1370	C8271	KI-AX-5145	C2169LR	MD-SB-4846	C8392	ME-DS-6300	C5183LR
HO-SB-1371	C8272	KI-ES-4200	C4278LR	MD-SB-4859	C8391	ME-DS-6308	C3023LR
HO-SB-2552	C8295	KI-SB-5148	C8321	MD-SB-4917	C8390	ME-DS-6317	C3024LR
HO-SB-2553	C8296	KI-SB-5149	C8322	MD-TC-0813	C5158LR	ME-DS-6318	C7222L
HO-SB-2560	C8276	KI-SB-7098	C8328	MD-TC-4866	C5175LR	ME-DS-6319	C7222R
HO-SB-2561	C8277	LA-BJ-0063	C1031LR	MD-WP-0453	C5164R	ME-DS-6320	C3025LR
HO-SB-2573	C8293	LA-BJ-0391	C1180LR	MD-WP-0454	C5164L	ME-DS-6321	C3026LR
HO-SB-3979	C8273	LA-BJ-0392	C1179LR	MD-WP-0973	C5165R	ME-DS-6329	C3021LR
HO-SB-4043	C8275	LA-ES-0060	C4049R	MD-WP-0974	C5165L	ME-ES-0213	C4094LR
HO-SB-4413	C8285	LA-ES-0061	C4049L	MD-WP-0975	C5169R	ME-ES-0977	C4053R
HO-SB-7945	C8294	LA-ES-0386	C4178LR	MD-WP-0976	C5169L	ME-ES-0978	C4053L
HO-TC-1225	C5119L	LA-ES-0649	C4050R	MD-WP-1666	C5167L	ME-ES-1528	C4342R
HO-TC-1801	C5109L	LA-ES-0650	C4050L	MD-WP-1667	C5167R	ME-ES-1529	C4342L
HO-TC-1803	C5109R	LR-AX-3661	C2357LR	MD-WP-2324	C5166L	ME-ES-2072	C4343L
HO-TC-1991	C5119R	LR-AX-4212	C2356LR	MD-WP-2325	C5166R	ME-ES-2074	C4343R
HO-TC-5071	C5112L	LR-AX-5020	C2355L	MD-WP-2356	C5174L	ME-ES-2728	C4183L

• **Cross Reference MOOG-LYNXauto**

MOOG	LYNXauto	MOOG	LYNXauto	MOOG	LYNXauto	MOOG	LYNXauto
ME-ES-2729	C4183R	ME-LS-7252	C7219L	ME-TC-3871	C5211R	NI-AX-2797	C2377LR
ME-ES-2744	C4185LR	ME-LS-7253	C7219R	ME-TC-3872	C5210L	NI-AX-7248	C2378LR
ME-ES-2745	C4186LR	ME-SB-1194	C8413	ME-TC-3873	C5210R	NI-BJ-2792	C1202LR
ME-ES-2750	C4189L	ME-SB-1209	C8418	ME-TC-3874	C5212L	NI-BJ-5199	C1205L
ME-ES-2751	C4189R	ME-SB-1277	C8431	ME-TC-3875	C5212R	NI-BJ-5200	C1205R
ME-ES-3096	C4051LR	ME-SB-1294	C8417	ME-TC-3994	C5201L	NI-BJ-6591	C1201LR
ME-ES-3098	C4374LR	ME-SB-1354	C8414	ME-TC-3995	C5201R	NI-DS-1253	C7024LR
ME-ES-4181	C4187LR	ME-SB-1355	C8416	ME-TC-4182	C5213LR	NI-ES-1254	C4022LR
ME-ES-4393	C4190L	ME-SB-1356	C8425	ME-TC-4183	C5214LR	NI-ES-2777	C4198LR
ME-ES-4394	C4190R	ME-SB-1357	C8430	ME-TC-4184	C5208LR	NI-ES-7225	C4357L
ME-ES-4953	C4188LR	ME-SB-1593	C8424	ME-TC-4185	C5215LR	NI-ES-7226	C4357R
ME-ES-5172	C4348LR	ME-SB-1645	C8420	ME-TC-5774	C5185LR	NI-LS-1169	C7025LR
ME-ES-5599	C4184L	ME-SB-1661	C8415	ME-TC-6336	C5204L	NI-LS-1674	C7020LR
ME-ES-5600	C4184R	ME-SB-1749	C8428	ME-TC-6337	C5204R	NI-LS-1755	C7022LR
ME-ES-5648	C4344L	ME-SB-2255	C8458	ME-WP-0606	C5187L	NI-LS-4282	C7247LR
ME-ES-5649	C4344R	ME-SB-2256	C8457	ME-WP-0607	C5187R	NI-LS-4714	C7411LR
ME-ES-6129	C4086LR	ME-SB-2323	C8429	ME-WP-0684	C5189R	NI-LS-4887	C7251R
ME-ES-6310	C4180LR	ME-SB-2377	C8446	ME-WP-0685	C5189L	NI-LS-4888	C7251L
ME-ES-6330	C4010LR	ME-SB-2730	C8432	ME-WP-0733	C5178L	NI-SB-0776	C8506
ME-ES-6339	C4052L	ME-SB-2732	C8433	ME-WP-0734	C5178R	NI-SB-1372	C8515
ME-ES-6340	C4052R	ME-SB-3216	C8419	ME-WP-0735	C5188L	NI-SB-1373	C8504
ME-ES-6342	C4085LR	ME-SB-3714	C8435	ME-WP-0736	C5188R	NI-SB-1374	C8503
ME-ES-6344	C4087LR	ME-SB-3716	C8437	ME-WP-1712	C5179L	NI-SB-1639	C8523
ME-LS-0435	C7230R	ME-SB-3996	C8445	ME-WP-1713	C5179R	NI-SB-1826	C8494
ME-LS-0436	C7230L	ME-SB-4186	C8463	ME-WP-2250	C5218L	NI-SB-1948	C8519
ME-LS-0489	C7393LR	ME-SB-4188	C8447	ME-WP-2251	C5218R	NI-SB-1950	C8520
ME-LS-0725	C7054R	ME-SB-4414	C8436	ME-WP-2332	C5216L	NI-SB-2303	C8516
ME-LS-0726	C7054L	ME-SB-5626	C8442	ME-WP-2333	C5216R	NI-SB-2794	C8508
ME-LS-1654	C7016LR	ME-SB-5627	C8443	ME-WP-2715	C5198L	NI-SB-2799	C8521
ME-LS-1759	C7015LR	ME-SB-5677	C8459	ME-WP-2716	C5198R	NI-SB-2800	C8522
ME-LS-1977	C7224L	ME-SB-6653	C8410	ME-WP-2717	C5199L	NI-SB-2807	C8524
ME-LS-1978	C7224R	ME-SB-6657	C8427	ME-WP-2718	C5199R	NI-SB-3212	C8512
ME-LS-1979	C7226LR	ME-SB-6658	C8421	ME-WP-2719	C5200L	NI-TC-0566	C5011R
ME-LS-2060	C7394LR	ME-SB-6742	C8411	ME-WP-2720	C5200R	NI-TC-0567	C5011L
ME-LS-2062	C7395LR	ME-SB-6825	C8423	ME-WP-2741	C5205L	NI-TC-4035	C5249L
ME-LS-2248	C7232LR	ME-SB-7202	C8440	ME-WP-2742	C5205R	NI-TC-4037	C5249R
ME-LS-2252	C7231L	ME-SB-7203	C8441	ME-WP-4390	C5219L	NI-TC-5205	C5253L
ME-LS-2254	C7231R	ME-TC-0129	C5186L	ME-WP-4391	C5219R	NI-TC-5206	C5253R
ME-LS-2726	C7217L	ME-TC-0130	C5186R	ME-WP-5151	C5226L	NI-WP-0180	C5251R
ME-LS-2727	C7217R	ME-TC-0640	C5180LR	ME-WP-5152	C5226R	NI-WP-0181	C5251L
ME-LS-3316	C7218LR	ME-TC-0731	C5182LR	MI-AX-2771	C2188LR	NI-WP-0326	C5247R
ME-LS-3542	C7233L	ME-TC-0732	C5181LR	MI-LS-2385	C7082L	NI-WP-0327	C5247L
ME-LS-3819	C7233R	ME-TC-0987	C5009L	MI-LS-2765	C7082R	NI-WP-0554	C5246L
ME-LS-4179	C7223L	ME-TC-0988	C5009R	MI-LS-2776	C7081LR	NI-WP-0555	C5246R
ME-LS-4180	C7223R	ME-TC-1959	C5184L	MI-LS-7309	C7408LR	NI-WP-0559	C5240R
ME-LS-4698	C7220LR	ME-TC-1960	C5184R	MI-WP-0407	C5223R	NI-WP-0560	C5240L
ME-LS-4699	C7221LR	ME-TC-1961	C5190L	MI-WP-0408	C5223L	NI-WP-0989	C5012R
ME-LS-4700	C7401L	ME-TC-1962	C5190R	MI-WP-1261	C5008R	NI-WP-0990	C5012L
ME-LS-4701	C7401R	ME-TC-1968	C5192L	MI-WP-1269	C5008L	NI-WP-1206	C5255R
ME-LS-4890	C7227L	ME-TC-1969	C5192R	MI-WP-1766	C5234L	NI-WP-1207	C5255L
ME-LS-4891	C7227R	ME-TC-1970	C5191L	MI-WP-1767	C5234R	NI-WP-2224	C5250L
ME-LS-5144	C7229LR	ME-TC-1971	C5191R	MI-WP-2763	C5227L	NI-WP-2226	C5250R
ME-LS-5170	C7402L	ME-TC-1972	C5195L	MI-WP-2764	C5227R	NI-WP-2244	C5017L
ME-LS-5171	C7402R	ME-TC-1973	C5195R	MI-WP-2766	C5228L	NI-WP-2245	C5017R
ME-LS-5618	C7228LR	ME-TC-1974	C5194L	MI-WP-2767	C5228R	NI-WP-2781	C5241L
ME-LS-5628	C7216L	ME-TC-1975	C5194R	MI-WP-2769	C5224L	NI-WP-2788	C5010L
ME-LS-5629	C7216R	ME-TC-1976	C5196LR	MI-WP-2770	C5224R	NI-WP-2789	C5010R
ME-LS-5678	C7396L	ME-TC-2746	C5207LR	MI-WP-2772	C5221L	NI-WP-2795	C5252L
ME-LS-5679	C7396R	ME-TC-3699	C5197R	MI-WP-2775	C5221R	NI-WP-2796	C5252R
ME-LS-5682	C7398L	ME-TC-3704	C5197L	NI-AX-2219	C2195LR	NI-WP-2802	C5259L
ME-LS-5683	C7398R	ME-TC-3870	C5211L	NI-AX-2304	C2193LR	NI-WP-2803	C5259R

• **Cross Reference MOOG-LYNXauto**

MOOG	LYNXauto	MOOG	LYNXauto	MOOG	LYNXauto	MOOG	LYNXauto
NI-WP-3229	C5241R	OP-ES-5562	C4088L	OP-WP-1902	C5267R	PE-SB-2826	C8174
NI-WP-6589	C5248L	OP-ES-5565	C4088R	OP-WP-1903	C5267L	PE-SB-3513	C8165
NI-WP-6590	C5248R	OP-ES-5569	C4208LR	OP-WP-2822	C5263L	PE-SB-4743	C8689
NI-WP-7249	C5254L	OP-ES-5579	C4029LR	OP-WP-2823	C5263R	PE-SB-4744	C8690
NI-WP-7250	C5254R	OP-ES-5588	C4213R	OP-WP-3960	C5266R	PE-SB-6703	C8155
OP-AX-0432	C2029LR	OP-ES-5589	C4213L	OP-WP-3961	C5266L	PE-SB-6704	C8156
OP-AX-1230	C2196LR	OP-LS-0515	C7028LR	OP-WP-7222	C5079L	PE-SB-6750	C8141
OP-AX-1245	C2028LR	OP-LS-0993	C7027LR	OP-WP-7223	C5079R	PE-SB-6773	C8137
OP-AX-1893	C2207LR	OP-LS-1786	C7063R	PE-AX-0645	C2223LR	PE-SB-6779	C8142
OP-AX-1894	C2208LR	OP-LS-1994	C7026LR	PE-AX-0847	C2224LR	PE-SB-6780	C8150
OP-AX-2083	C2214LR	OP-LS-2018	C7145LR	PE-AX-0860	C2220LR	PE-SB-6781	C8151
OP-AX-2194	C2260LR	OP-LS-2080	C7005LR	PE-AX-0862	C2226LR	PE-SB-7962	C8160
OP-AX-2816	C2197LR	OP-LS-2328	C7259L	PE-AX-1570	C2030LR	PE-TC-0218	C5276L
OP-AX-2817	C2198LR	OP-LS-2329	C7259R	PE-AX-2059	C2227LR	PE-TC-0219	C5276R
OP-AX-3537	C2206LR	OP-LS-2811	C7063L	PE-AX-3327	C2225LR	PE-TC-0999	C5274R
OP-AX-3814	C2209LR	OP-LS-2821	C7257LR	PE-AX-4740	C2218LR	PE-TC-1032	C5274L
OP-AX-4160	C2205LR	OP-LS-3815	C7260LR	PE-AX-5047	C2386LR	PE-TC-1033	C5270L
OP-AX-4162	C2215LR	OP-LS-5575	C7029LR	PE-AX-6907	C2219LR	PE-TC-1034	C5270R
OP-AX-5163	C2216LR	OP-LS-5582	C7083LR	PE-AX-7067	C2222LR	PE-TC-1035	C5279L
OP-AX-5576	C2203LR	OP-LS-7446	C7433LR	PE-AX-7426	C2300LR	PE-TC-1036	C5279R
OP-AX-5577	C2204LR	OP-SB-0203	C8536	PE-BJ-0409	C1211LR	PE-TC-1571	C5023R
OP-AX-5689	C2210LR	OP-SB-0443	C8537	PE-BJ-0837	C1015LR	PE-TC-1572	C5023L
OP-AX-7221	C2118LR	OP-SB-1376	C8529	PE-BJ-3323	C1181LR	PE-TC-3538	C5271L
OP-AX-7452	C2211LR	OP-SB-1377	C8530	PE-BJ-3347	C1017LR	PE-TC-3539	C5271R
OP-BJ-0312	C1207LR	OP-SB-1378	C8535	PE-BJ-6909	C1210LR	PE-TC-3882	C5272L
OP-BJ-0812	C1047LR	OP-SB-1379	C8540	PE-DS-5041	C7266LR	PE-TC-3883	C5272R
OP-BJ-1895	C1209R	OP-SB-1381	C8539	PE-DS-5043	C7267LR	PE-TC-7381	C5275R
OP-BJ-1899	C1209L	OP-SB-1383	C8546	PE-DS-6970	C7264LR	PE-TC-7382	C5275L
OP-BJ-4745	C1136LR	OP-SB-1384	C8207	PE-ES-0088	C4218R	PE-WP-3320	C5277L
OP-BJ-4870	C1208LR	OP-SB-1385	C8533	PE-ES-0089	C4218L	PE-WP-3321	C5277R
OP-BJ-5375	C1018LR	OP-SB-1386	C8130	PE-ES-1656	C4220R	PE-WP-4027	C5308L
OP-BJ-5393	C1206LR	OP-SB-1644	C8190	PE-ES-1668	C4220L	PE-WP-4028	C5308R
OP-BJ-5559	C1007L	OP-SB-2812	C8208	PE-ES-3330	C4219R	PE-WP-4741	C5273L
OP-BJ-5560	C1007R	OP-SB-2824	C8534	PE-ES-3331	C4219L	PE-WP-4742	C5273R
OP-BJ-5567	C1089LR	OP-SB-3779	C8543	PE-ES-4163	C4216L	RE-AX-0589	C2056LR
OP-BJ-5583	C1046LR	OP-SB-3813	C8541	PE-ES-4164	C4216R	RE-AX-0602	C2232LR
OP-DS-3812	C3007R	OP-SB-3816	C8547	PE-ES-5042	C4359LR	RE-AX-0676	C2240LR
OP-DS-5376	C3007L	OP-SB-3822	C8552	PE-ES-5703	C4080LR	RE-AX-0854	C2233LR
OP-DS-5402	C3060L	OP-SB-3823	C8553	PE-ES-5723	C4079R	RE-AX-0855	C2234LR
OP-DS-5406	C3060R	OP-SB-4089	C8549	PE-ES-5724	C4079L	RE-AX-0858	C2242LR
OP-DS-5561	C3038L	OP-SB-4094	C8550	PE-ES-7065	C4217L	RE-AX-0859	C2241LR
OP-DS-5564	C3038R	OP-TC-0084	C5264R	PE-ES-7066	C4217R	RE-AX-1060	C2239LR
OP-DS-5574	C7256LR	OP-TC-0085	C5264L	PE-ES-8473	C4258L	RE-AX-1616	C2057LR
OP-DS-5584	C3059LR	OP-TC-0488	C5265R	PE-ES-8474	C4258R	RE-AX-2091	C2243LR
OP-DS-5586	C3006R	OP-TC-0489	C5265L	PE-LS-0592	C7072LR	RE-AX-2097	C2194LR
OP-DS-5587	C3006L	OP-TC-1955	C5269L	PE-LS-0799	C7071LR	RE-AX-2103	C2237LR
OP-ES-0480	C4209LR	OP-TC-1956	C5269R	PE-LS-1048	C7419LR	RE-AX-3760	C2123LR
OP-ES-0514	C4028LR	OP-TC-3619	C5304LR	PE-LS-1573	C7004LR	RE-AX-3851	C2236LR
OP-ES-1892	C4211LR	OP-TC-4081	C5016LR	PE-LS-3324	C7268L	RE-AX-4014	C2235LR
OP-ES-2081	C4214L	OP-WP-0068	C5261R	PE-LS-3325	C7268R	RE-AX-7001	C2231LR
OP-ES-2082	C4214R	OP-WP-0069	C5261L	PE-LS-3326	C7269LR	RE-AX-7056	C2238LR
OP-ES-2814	C4210LR	OP-WP-0210	C5014L	PE-LS-3817	C7265LR	RE-AX-7300	C2301LR
OP-ES-2818	C4207L	OP-WP-0211	C5014R	PE-LS-3989	C7263R	RE-AX-7303	C2388LR
OP-ES-2819	C4207R	OP-WP-0342	C5268R	PE-LS-3990	C7263L	RE-BJ-0471	C1217LR
OP-ES-4746	C4143LR	OP-WP-0343	C5268L	PE-LS-5046	C7089LR	RE-BJ-0811	C1090LR
OP-ES-4921	C4291L	OP-WP-0568	C5013R	PE-SB-0225	C8152	RE-BJ-1040	C1198LR
OP-ES-4922	C4291R	OP-WP-0569	C5013L	PE-SB-0998	C8163	RE-BJ-2094	C1220LR
OP-ES-5554	C4212L	OP-WP-0670	C5262L	PE-SB-1303	C8184	RE-BJ-2098	C1088LR
OP-ES-5555	C4262L	OP-WP-0671	C5262R	PE-SB-1319	C8158	RE-BJ-2302	C1204LR
OP-ES-5556	C4212R	OP-WP-0995	C5022R	PE-SB-2229	C8157	RE-BJ-2832	C1218LR
OP-ES-5557	C4262R	OP-WP-0996	C5022L	PE-SB-2825	C8173	RE-BJ-4264	C1091LR

• Cross Reference MOOG-LYNXauto

MOOG	LYNXauto	MOOG	LYNXauto	MOOG	LYNXauto	MOOG	LYNXauto
RE-BJ-7025	C1219LR	RE-SB-8017	C8623	SK-WP-0663	C5292R	TO-WP-1951	C5320L
RE-BJ-7905	C1200LR	RE-WP-0226	C5283L	SU-LS-4118	C7283LR	TO-WP-1952	C5320R
RE-BJ-7906	C1199LR	RE-WP-0227	C5283R	SY-LS-2862	C7326LR	TO-WP-2230	C5305L
RE-BJ-8336	C1244LR	RE-WP-0338	C5244R	SZ-BJ-5080	C1226LR	TO-WP-2231	C5305R
RE-DS-7057	C7273LR	RE-WP-0339	C5244L	SZ-ES-2610	C4030LR	TO-WP-2234	C5317L
RE-DS-7058	C3029R	RE-WP-1052	C5243L	SZ-ES-2884	C4232L	TO-WP-2235	C5317R
RE-DS-7059	C3029L	RE-WP-1053	C5243R	SZ-ES-2885	C4232R	TO-WP-2973	C5327L
RE-ES-0672	C4200L	RE-WP-2037	C5286L	SZ-LS-1832	C7031LR	TO-WP-2974	C5327R
RE-ES-0673	C4200R	RE-WP-2038	C5286R	SZ-LS-5081	C7288LR	TO-WP-2984	C5307L
RE-ES-0809	C4199L	RE-WP-2089	C5287L	SZ-LS-5614	C7286L	TO-WP-2985	C5307R
RE-ES-0810	C4199R	RE-WP-2090	C5287R	SZ-LS-5615	C7286R	TO-WP-3004	C5328L
RE-ES-0852	C4205R	RE-WP-2101	C5282L	SZ-SB-5085	C8655	TO-WP-3005	C5328R
RE-ES-0853	C4205L	RE-WP-2102	C5282R	SZ-SB-5086	C8656	TO-WP-3867	C5316L
RE-ES-1562	C4225R	RE-WP-2300	C5284R	SZ-SB-7346	C8654	TO-WP-4313	C5309L
RE-ES-1563	C4225L	RE-WP-2301	C5284L	SZ-TC-1156	C5300LR	TO-WP-4314	C5309R
RE-ES-2092	C4227L	RE-WP-3489	C5288L	SZ-TC-1188	C5301R	TO-WP-4320	C5314L
RE-ES-2093	C4227R	RE-WP-3490	C5288R	SZ-TC-1238	C5301L	TO-WP-4330	C5314R
RE-ES-3755	C4147L	RE-WP-3744	C5083L	SZ-TC-4440	C5302LR	TO-WP-4975	C5306L
RE-ES-3756	C4147R	RE-WP-3745	C5083R	SZ-WP-2896	C5297L	TO-WP-4976	C5306R
RE-ES-4287	C4224L	RE-WP-7030	C5281L	SZ-WP-2897	C5297R	TO-WP-7450	C5332R
RE-ES-4288	C4224R	RE-WP-7031	C5281R	SZ-WP-2898	C5298L	TO-WP-7451	C5332L
RE-ES-7023	C4364L	RE-WP-7032	C5285R	SZ-WP-2899	C5298R	VO-AX-0358	C2134LR
RE-ES-7024	C4364R	RE-WP-7033	C5285L	SZ-WP-5083	C5367L	VO-AX-1282	C2246LR
RE-ES-7053	C4067L	RO-BJ-0773	C1281LR	SZ-WP-5084	C5367R	VO-AX-1715	C2249LR
RE-ES-7054	C4067R	RO-BJ-0779	C1282LR	TO-AX-1740	C2058LR	VO-AX-1812	C2247LR
RE-ES-7060	C4226L	RO-ES-0777	C4335LR	TO-AX-2383	C2062LR	VO-AX-1867	C2102LR
RE-ES-7061	C4226R	RO-ES-1982	C4365L	TO-AX-2977	C2064LR	VO-AX-2313	C2287LR
RE-ES-7301	C4362L	RO-ES-1983	C4365R	TO-AX-2982	C2265LR	VO-AX-3225	C2279LR
RE-ES-7302	C4362R	RO-LS-1984	C7422L	TO-AX-3008	C2275LR	VO-AX-3576	C2101LR
RE-ES-7306	C4261L	RO-LS-1985	C7422R	TO-AX-4972	C2393LR	VO-AX-7138	C2252LR
RE-ES-7307	C4261R	RO-LS-1986	C7423LR	TO-BJ-0352	C1053LR	VO-AX-7157	C2282LR
RE-ES-7856	C4260R	RO-SB-4251	C8274	TO-BJ-0352	C1063LR	VO-AX-7181	C2280LR
RE-ES-7861	C4260L	RO-WP-0504	C5120R	TO-BJ-3009	C1230L	VO-AX-8275	C2248LR
RE-LS-1058	C7243L	RO-WP-0505	C5120L	TO-BJ-3010	C1230R	VO-AX-8286	C2100LR
RE-LS-1059	C7243R	RO-WP-1980	C5414L	TO-BJ-4992	C1232LR	VO-AX-8291	C2103LR
RE-LS-2088	C7275LR	RO-WP-1981	C5414R	TO-ES-2986	C4235L	VO-BJ-0319	C1147LR
RE-LS-2095	C7084LR	SA-AX-1810	C2244LR	TO-ES-2987	C4235R	VO-BJ-0370	C1080LR
RE-LS-4008	C7274LR	SA-AX-7091	C2245LR	TO-LS-2976	C7039LR	VO-BJ-1859	C1005R
RE-LS-7999	C7276LR	SA-BJ-4903	C1221LR	TO-LS-2980	C7034LR	VO-BJ-1860	C1005L
RE-SB-0540	C8601	SA-ES-4904	C4228LR	TO-LS-3367	C7085LR	VO-BJ-1990	C1237LR
RE-SB-1166	C8501	SA-LS-2846	C7277LR	TO-LS-4733	C7295LR	VO-BJ-3030	C1082LR
RE-SB-1167	C7244LR	SA-SB-2849	C8633	TO-LS-6581	C7294LR	VO-BJ-3254	C1253LR
RE-SB-1335	C8603	SA-SB-4533	C8632	TO-SB-1936	C8577	VO-BJ-3917	C1002L
RE-SB-1336	C8604	SA-WP-2844	C5289L	TO-SB-1938	C8493	VO-BJ-3918	C1002R
RE-SB-1339	C8615	SA-WP-2845	C5289R	TO-SB-3213	C8575	VO-BJ-5011	C1237L
RE-SB-1341	C8627	SE-AX-0091	C2251LR	TO-SB-4993	C8589	VO-BJ-5012	C1237R
RE-SB-1342	C8628	SE-LS-2850	C7318LR	TO-SB-4994	C8588	VO-BJ-7050	C1238LR
RE-SB-1694	C8600	SK-AX-0064	C2256LR	TO-SB-4995	C8587	VO-BJ-7108	C1235LR
RE-SB-1719	C8602	SK-AX-2851	C2255LR	TO-SB-7368	C8578	VO-BJ-7154	C1050LR
RE-SB-2211	C8620	SK-BJ-0413	C1092L	TO-SB-7380	C8595	VO-BJ-7184	C1236LR
RE-SB-2238	C8625	SK-BJ-0414	C1092R	TO-TC-4734	C5319L	VO-BJ-7192	C1079LR
RE-SB-2830	C8610	SK-BJ-8223	C1093LR	TO-TC-4735	C5319R	VO-BJ-7193	C1095LR
RE-SB-2834	C8605	SK-DS-0415	C3035L	TO-WP-0804	C5024R	VO-BJ-7926	C1254R
RE-SB-2835	C8618	SK-DS-0416	C3035R	TO-WP-0807	C5024L	VO-BJ-7927	C1254L
RE-SB-2836	C8611	SK-DS-3992	C3041L	TO-WP-1074	C5329L	VO-BJ-8248	C1223R
RE-SB-3746	C8616	SK-DS-3993	C3041R	TO-WP-1075	C5329R	VO-BJ-8249	C1223L
RE-SB-3820	C8613	SK-ES-8222	C4089LR	TO-WP-1683	C5315R	VO-BJ-8287	C1083L
RE-SB-3821	C8614	SK-SB-2852	C8638	TO-WP-1709	C5316R	VO-BJ-8288	C1083R
RE-SB-3845	C8500	SK-SB-4031	C8636	TO-WP-1729	C5315L	VO-DS-0719	C3056R
RE-SB-3846	C8499	SK-SB-4034	C8637	TO-WP-1797	C5313L	VO-DS-0720	C3056L
RE-SB-8013	C8622	SK-WP-0662	C5292L	TO-WP-1799	C5313R	VO-DS-1511	C3065R

• **Cross Reference MOOG-LYNXauto**

MOOG	LYNXauto	MOOG	LYNXauto	MOOG	LYNXauto	MOOG	LYNXauto
VO-DS-1512	C3065L	VO-LS-0475	C7002LR	VO-TC-5118	C5375R	VV-SB-2351	C8693
VO-DS-1548	C3002R	VO-LS-0494	C7001LR	VO-TC-8228	C5034LR	VV-SB-2352	C8694
VO-DS-1549	C3002L	VO-LS-0584	C5032L	VO-TC-8229	C5035L	VV-SB-3630	C8467
VO-DS-1622	C3051R	VO-LS-1087	C7042LR	VO-TC-8230	C5035R	VV-SB-3632	C8468
VO-DS-2183	C3051L	VO-LS-1088	C7299LR	VO-WP-0131	C5346R	VV-SB-3647	C8243
VO-DS-3224	C3042LR	VO-LS-1089	C7043LR	VO-WP-0132	C5346L	VV-SB-3648	C8244
VO-DS-3535	C3032L	VO-LS-1165	C7300LR	VO-WP-0232	C5334LR	VV-SB-4415	C8700
VO-DS-3536	C3032R	VO-LS-1516	C7030LR	VO-WP-0450	C5095R	VV-SB-4416	C8699
VO-DS-3924	C3037L	VO-LS-1870	C7116LR	VO-WP-0451	C5095L	VV-TC-4400	C5344L
VO-DS-3925	C3037R	VO-LS-2205	C5032R	VO-WP-0529	C5333R	VV-TC-4401	C5344R
VO-DS-7105	C3034R	VO-LS-2271	C7064LR	VO-WP-0530	C5333L	VV-WP-0360	C5339L
VO-DS-7137	C3036L	VO-LS-2311	C7303LR	VO-WP-1861	C5291R	VV-WP-0379	C5339R
VO-DS-7140	C3036R	VO-LS-2406	C7114L	VO-WP-1862	C5291L	VV-WP-1093	C5220L
VO-DS-7142	C3034L	VO-LS-2419	C5045LR	VO-WP-1864	C5031R	VV-WP-1094	C5220R
VO-DS-7155	C3045L	VO-LS-2421	C7113LR	VO-WP-1865	C5031L	VV-WP-1525	C5341R
VO-DS-7156	C3045R	VO-LS-3053	C7301LR	VO-WP-2316	C5337L	VV-WP-1526	C5341L
VO-DS-7180	C3043L	VO-LS-3353	C7279LR	VO-WP-2317	C5337R	VV-WP-3638	C5338L
VO-DS-7182	C3043R	VO-LS-3680	C7115LR	VO-WP-3060	C5364L	VV-WP-3639	C5338R
VO-DS-7187	C7281LR	VO-LS-3980	C7297LR	VO-WP-3061	C5364R	VV-WP-3640	C5093L
VO-DS-7333	C3066L	VO-LS-4397	C7302L	VO-WP-3071	C5335LR	VV-WP-3645	C5093R
VO-DS-7334	C3066R	VO-LS-4398	C7302R	VO-WP-8210	C5369LR	VV-WP-3657	C5342L
VO-DS-8204	C3044L	VO-LS-4916	C7003LR	VV-AX-0398	C2293LR	VV-WP-3658	C5342R
VO-DS-8205	C3044R	VO-LS-6994	C7280LR	VV-AX-2241	C2291LR	VV-WP-3950	C5343L
VO-DS-8211	C3050L	VO-LS-7327	C7317LR	VV-AX-3147	C2295LR	VV-WP-3951	C5343R
VO-DS-8212	C3052L	VO-LS-8240	C7122LR	VV-AX-3518	C2294LR	VV-WP-4871	C5094L
VO-DS-8213	C3050R	VO-SB-0428	C8018	VV-AX-5511	C2288LR	VV-WP-4872	C5094R
VO-DS-8226	C3010LR	VO-SB-0430	C8019	VV-AX-5539	C2297LR		
VO-DS-8244	C3030R	VO-SB-1329	C8015	VV-AX-5551	C2290LR		
VO-DS-8245	C3030L	VO-SB-1360	C8001	VV-AX-5556	C2289LR		
VO-DS-8250	C3054R	VO-SB-1361	C8002	VV-AX-7868	C2292LR		
VO-DS-8251	C3054L	VO-SB-1363	C8040	VV-AX-9950	C2296LR		
VO-DS-8253	C3055L	VO-SB-1365	C8026	VV-BJ-0893	C1078LR		
VO-DS-8256	C3005R	VO-SB-1366	C8025	VV-BJ-3284	C1094LR		
VO-DS-8257	C3005L	VO-SB-1369	C8014	VV-BJ-3653	C1146LR		
VO-DS-8264	C3048L	VO-SB-2318	C8071	VV-BJ-4399	C1241LR		
VO-DS-8265	C3048R	VO-SB-2337	C8020	VV-BJ-5513	C1239LR		
VO-DS-8281	C3003L	VO-SB-4452	C8069	VV-BJ-5554	C1240LR		
VO-DS-8284	C3003R	VO-SB-4463	C8068	VV-ES-0367	C4250LR		
VO-ES-0368	C4091L	VO-SB-4482	C8054	VV-ES-1090	C4254L		
VO-ES-0369	C4091R	VO-SB-4492	C8066	VV-ES-1091	C4254R		
VO-ES-1506	C4073R	VO-SB-4930	C8021	VV-ES-2239	C4253L		
VO-ES-1507	C4073L	VO-SB-5010	C8052	VV-ES-2240	C4253R		
VO-ES-2314	C4249L	VO-SB-5623	C8043	VV-ES-2858	C4255L		
VO-ES-2315	C4249R	VO-SB-6725	C8046	VV-ES-3146	C4255R		
VO-ES-3058	C4247L	VO-SB-6748	C8023	VV-ES-3283	C4252LR		
VO-ES-3059	C4247R	VO-SB-6749	C8024	VV-ES-4019	C4256R		
VO-ES-3226	C4090LR	VO-SB-6818	C8011	VV-ES-4021	C4256L		
VO-ES-8000	C4248R	VO-SB-7167	C8703	VV-ES-5548	C4251R		
VO-ES-8215	C4092L	VO-SB-7419	C8059	VV-ES-5549	C4251L		
VO-ES-8216	C4069L	VO-SB-7880	C8022	VV-LS-0482	C7308LR		
VO-ES-8217	C4092R	VO-SB-7895	C8058	VV-LS-1096	C7311LR		
VO-ES-8218	C4069R	VO-SB-7896	C8057	VV-LS-1099	C7307LR		
VO-ES-8255	C4248L	VO-TC-0586	C5001LR	VV-LS-1119	C7310LR		
VO-ES-8258	C4152R	VO-TC-0892	C5037LR	VV-LS-1432	C7237LR		
VO-ES-8259	C4152L	VO-TC-4000	C5033L	VV-LS-2112	C7309LR		
VO-ES-8283	C4074L	VO-TC-4001	C5033R	VV-LS-4170	C7305LR		
VO-ES-8285	C4074R	VO-TC-4932	C5040L	VV-LS-5514	C7304L		
VO-LS-0157	C7313LR	VO-TC-4933	C5040R	VV-LS-5515	C7304R		
VO-LS-0318	C7088LR	VO-TC-4935	C5041L	VV-SB-0423	C8696		
VO-LS-0456	C7114R	VO-TC-4936	C5041R	VV-SB-0424	C8697		
VO-LS-0463	C7298LR	VO-TC-5117	C5375L	VV-SB-2321	C8691		

• Cross Reference FEBI-LYNXauto

FEBI	LYNXauto	FEBI	LYNXauto	FEBI	LYNXauto	FEBI	LYNXauto
01022	C8082	12150	C8600	22141	C8436	27484	C8034
01071	C5067R	12372	C8605	22153	C8269	27530	C5370LR
01078	C5067L	12373	C8501	22155	C8270	27638	C8057
01523	C8007	12472	C8633	22239	C8696	27640	C8058
01671	C8775	12576	C8096	22384	C5274R	27642	C8059
01673	C8089	12700	C8084	22385	C5274L	27925	C2373LR
01674	C8088	12840	C7357LR	22438	C8701	27969	C2330LR
01706	C8079	12933	C1053LR	22635	C8175	27987	C7407L
01800	C5371LR	12937	C4030LR	22636	C8176	27988	C7407R
01880	C5391LR	14527	C8225	22654	C8435	28045	C7325LR
02395	C8065	14558	C7028LR	22657	C8049	28121	C7336LR
02682	C8090	14716	C8013	22714	C8150	28282	C8607
03141	C8189	14718	C8045	22715	C8151	28439	C7440LR
03142	C8190	14739	C8264	22794	C8012	28469	C7436LR
03461	C8005	14952	C8423	22825	C8513	28477	C2385LR
03610	C1001L	15421	C7411LR	22939	C8695	28488	C8447
03612	C1001R	15678	C5392LR	22988	C8061	28512	C7186LR
04402	C8541	17006	C4271L	23003	C8208	28582	C8037
04443	C8550	17008	C4271R	23046	C8029	28712	C8130
04913	C8068	17039	C8632	23047	C5092LR	28733	C8215
05027	C8066	17318	C5417L	23107	C1010L	28734	C7334R
05290	C8069	17319	C5417R	23109	C1010R	28735	C7334L
06043	C8091	17473	C8422	23125	C8236	29280	C8216
06170	C8227	17505	C1142LR	23143	C5419LR	29346	C8032
06795	C8085	17681	C8426	23145	C5418LR	29406	C8482
07059	C8050	17729	C8531	23161	C5425L	29419	C4303L
07179	C8769	17730	C8532	23163	C5425R	29420	C4303R
07180	C8767	17781	C8149	23244	C1009L	29450	C8038
07182	C8768	17807	C8440	23245	C1009R	29452	C8459
07200	C8452	17817	C8135	23361	C8103	29694	C7398R
07622	C8010	18177	C8144	23364	C8067	29695	C7398L
07847	C8048	18179	C8146	23405	C8185	29696	C7402L
07984	C3046L	18343	C8162	23424	C8063	29697	C7402R
07990	C3046R	18876	C8228	23724	C7025LR	29855	C7394LR
08053	C3039R	19009	C8148	23902	C8441	29938	C8022
08054	C3039L	19050	C8047	24240	C8075	29944	C8035
08943	C8427	19387	C1026LR	24242	C8697	29985	C8634
08944	C8421	19452	C8235	24390	C8018	30054	C8635
09047	C8054	19457	C8200	24753	C8549	30151	C1191LR
09060	C8051	19501	C5390LR	24912	C7333R	30218	C8036
09209	C8226	19673	C5220L	24913	C7333L	30295	C8453
09519	C8046	19674	C5220R	26344	C8011	30299	C8266
10018	C8025	21124	C8542	26381	C8072	30398	C7271L
10021	C8060	21194	C8028	26409	C8083	30399	C7271R
10022	C8023	21490	C1015LR	26540	C8070	30401	C7270LR
10023	C8024	21517	C8115	26573	C8071	30427	C8296
10115	C8770	21611	C8178	26643	C8074	30588	C7344LR
10277	C8137	21613	C8177	26644	C8114	30623	C8538
10289	C8163	21814	C8141	26862	C8468	30643	C8460
10290	C8161	21816	C8142	26863	C8467	30653	C1306LR
10291	C8157	21820	C8133	26932	C8168	30687	C8031
10292	C8160	21821	C8155	26933	C8167	30691	C8052
10878	C3052L	21822	C8156	27015	C8164	30818	C4351L
11091	C5356LR	21850	C8152	27158	C4137L	30819	C4351R
11500	C8265	21904	C5347L	27159	C4137R	30830	C7154LR
11663	C8533	21906	C5347R	27212	C5074L	30919	C8702
11755	C8159	21940	C8062	27213	C5074R	31007	C8602
11759	C8158	21968	C8437	27299	C7006LR	31008	C8618
11996	C3005R	22046	C8030	27446	C8616	31009	C8621
11997	C3005L	22136	C8256	27462	C7432L	31106	C8558
12017	C8601	22137	C8255	27477	C7337LR	31166	C7020LR

• **Cross Reference FEBI-LYNXauto**

FEBI	LYNXauto	FEBI	LYNXauto	FEBI	LYNXauto	FEBI	LYNXauto
31225	C3069LR	34877	C7384L				
31253	C8056	34878	C7384R				
31266	C8699	36047	C5354LR				
31267	C8700	36098	C8055				
31472	C2391LR	36143	C1297LR				
31479	C8454	36286	C8171				
31556	C7408LR	36301	C7396L				
31557	C7424LR	36302	C7396R				
31561	C7433LR						
31731	C5405L						
31732	C5405R						
31788	C3057R						
31789	C3057L						
31845	C5094L						
31846	C5094R						
31971	C4217L						
31972	C4217R						
32023	C4198LR						
32326	C5372LR						
32492	C8132						
32634	C8016						
32759	C7386LR						
33049	C8239						
33129	C2015LR						
33381	C8073						
33382	C8101						
33383	C8109						
33446	C2358LR						
33449	C2353L						
33450	C2353R						
33453	C2375LR						
33763	C7392LR						
33764	C7391L						
33765	C7391R						
33872	C2402LR						
33917	C7340R						
33918	C7340L						
34160	C2403LR						
34175	C8121						
34176	C8120						
34182	C2344LR						
34183	C2345LR						
34201	C8471						
34202	C8470						
34203	C8280						
34245	C8278						
34284	C8660						
34299	C2371LR						
34384	C2135LR						
34614	C2384LR						
34692	C8100						
34755	C4357R						
34756	C4357L						
34774	C2346LR						
34776	C7339L						
34777	C7339R						
34794	C8053						
34801	C8143						
34803	C2325LR						
34821	C5362R						
34822	C5362L						

• Cross Reference CTR-LYNXauto

CTR	LYNXauto	CTR	LYNXauto	CTR	LYNXauto	CTR	LYNXauto
CAM-10	C6008	CBM-15L	C1110L	CBT-34	C1123LR	CEIS-22	C4333R
CAM-14	C6007	CBM-15R	C1110R	CBT-35	C1130LR	CEIS-23	C4333L
CAM-15	C6001	CBM-20	C1197LR	CBT-38L	C1010L	CEIS-4	C4170LR
CAM-8	C6002	CBM-22	C1037LR	CBT-38R	C1010R	CEKD-10	C4277LR
CBHO-13	C1262LR	CBM-23L	C1006L	CBT-39	C1054LR	CEKD-12L	C4146L
CBHO-16	C1026LR	CBM-23R	C1006R	CBT-40	C1063LR	CEKD-12R	C4146R
CBHO-19	C1101LR	CBM-27	C1112LR	CBT-41	C1057LR	CEKD-13L	C4144L
CBHO-27	C1023LR	CBM-32	C1041LR	CBT-42	C1070LR	CEKD-13R	C4144R
CBHO-28	C1025LR	CBM-33	C1040LR	CBT-43	C1053LR	CEKD-16L	C4145L
CBHO-30	C1027LR	CBM-34	C1115LR	CBT-44L	C1008L	CEKD-16R	C4145R
CBHO-32	C1099LR	CBM-36	C1097LR	CBT-44R	C1008R	CEKD-1L	C4064L
CBHO-33	C1261LR	CBM-7	C1114LR	CBT-45	C1066LR	CEKD-1R	C4064R
CBHO-37	C1327R	CBM-8	C1113LR	CBT-46	C1062LR	CEKD-5	C4097LR
CBHO-38	C1327L	CBM-9	C1111LR	CBT-48	C1071LR	CEKH-28	C4166R
CBHO-4	C1022LR	CBMZ-13	C1033LR	CBT-51	C1126LR	CEKH-29	C4166L
CBHO-41	C1246LR	CBMZ-14	C1019LR	CBT-56	C1077LR	CEKH-3	C4267LR
CBHO-44	C1272LR	CBMZ-17	C1030LR	CBT-57L	C1098L	CEKH-34L	C4167L
CBHO-6	C1024LR	CBMZ-20	C1104LR	CBT-57R	C1098R	CEKH-34R	C4167R
CBIS-13	C1029LR	CBMZ-21	C1108LR	CBT-60	C1227LR	CEKH-35L	C4168L
CBIS-15	C1170LR	CBMZ-24	C1107LR	CBT-63	C1125LR	CEKH-35R	C4168R
CBIS-17	C1103LR	CBMZ-26	C1106LR	CBT-64	C1127LR	CEKH-36L	C4165L
CBIS-5	C1249LR	CBMZ-27	C1032LR	CBT-68	C1326LR	CEKH-36R	C4165R
CBIS-6	C1168LR	CBMZ-35	C1106LR	CBT-69	C1290R	CEKH-38L	C4174L
CBIS-8	C1169LR	CBMZ-38	C1034LR	CBT-70	C1290L	CEKH-38R	C4174R
CBKD-10	C1137LR	CBMZ-8	C1105LR	CBT-74	C1233LR	CEKH-7	C4083LR
CBKD-11	C1138LR	CBN-10	C1118LR	CBT-75	C1289R	CEKK-12	C4278LR
CBKD-12	C1257LR	CBN-11	C1020LR	CBT-76	C1289L	CEKK-16L	C4301L
CBKD-4	C1142LR	CBN-21	C1021LR	CBT-82	C1313R	CEKK-16R	C4301R
CBKD-5	C1141LR	CBN-23	C1120LR	CBT-83	C1313L	CEKK-17L	C4300L
CBKD-7	C1256LR	CBN-24	C1043LR	CBT-84	C1242LR	CEKK-17R	C4300R
CBKD-9	C1139LR	CBN-30	C1045LR	CBT-9	C1121LR	CEKK-18	C4332LR
CBKH-11	C1154LR	CBN-31	C1203LR	CED-7L	C4315L	CEKK-20L	C4172L
CBKH-13	C1155LR	CBN-32	C1116LR	CED-7R	C4315R	CEKK-20R	C4172R
CBKH-14	C1160LR	CBN-36	C1042LR	CEHO-1	C4005LR	CEKK-27L	C4175L
CBKH-15	C1159LR	CBN-46	C1117LR	CEHO-12	C4007LR	CEKK-27R	C4175R
CBKH-16	C1156LR	CBN-54	C1325LR	CEHO-13	C4006LR	CEKK-31L	C4165L
CBKH-20	C1162LR	CBN-62	C1247LR	CEHO-17	C4048R	CEKK-31R	C4165R
CBKH-22	C1158LR	CBN-63	C1248LR	CEHO-18	C4048L	CEKK-32L	C4171L
CBKH-24	C1166LR	CBN-64	C1044LR	CEHO-19	C4163R	CEKK-32R	C4171R
CBKH-25	C1165LR	CBN-65	C1258LR	CEHO-20	C4163L	CEKK-33L	C4173L
CBKH-26	C1164LR	CBN-7L	C1250L	CEHO-25	C4376R	CEKK-33R	C4173R
CBKH-27	C1167LR	CBN-7R	C1250R	CEHO-26	C4376L	CEKK-35	C4324LR
CBKH-28	C1161LR	CBN-9	C1119LR	CEHO-27	C4377LR	CEKK-36L	C4299L
CBKH-3	C1157LR	CBS-7	C1052LR	CEHO-2L	C4162L	CEKK-36R	C4299R
CBKH-30	C1172LR	CBSU-2	C1225LR	CEHO-2R	C4162R	CEKK-4	C4331LR
CBKH-33	C1163LR	CBSU-3	C1051LR	CEHO-32	C4322R	CEKS-1	C4148LR
CBKH-4	C1102LR	CBSU-4	C1224LR	CEHO-33	C4322L	CEM-1	C4263LR
CBKH-7	C1152LR	CBT-10	C1064LR	CEHO-3L	C4047L	CEM-10	C4013LR
CBKK-10	C1171LR	CBT-12	C1074LR	CEHO-3R	C4047R	CEM-12	C4012LR
CBKK-12	C1280LR	CBT-13	C1122LR	CEHO-41	C4160LR	CEM-13	C4196LR
CBKK-14	C1178LR	CBT-14	C1129LR	CEHO-4L	C4044L	CEM-14	C4011LR
CBKK-16	C1176LR	CBT-16	C1055LR	CEHO-4R	C4044R	CEM-15	C4014LR
CBKK-20	C1153LR	CBT-19	C1234LR	CEHO-5L	C4161L	CEM-18L	C4191L
CBKK-21	C1172LR	CBT-20	C1124LR	CEHO-5R	C4161R	CEM-18R	C4191R
CBKK-22	C1174LR	CBT-21	C1067LR	CEHO-6L	C4046L	CEM-26	C4194LR
CBKK-6	C1175LR	CBT-24	C1128LR	CEHO-6R	C4046R	CEM-27	C4016LR
CBKK-8	C1177LR	CBT-25	C1073LR	CEHO-7L	C4045L	CEM-28	C4015LR
CBKS-1	C1085LR	CBT-27	C1069LR	CEHO-7R	C4045R	CEM-39	C4195LR
CBKS-2	C1140LR	CBT-28	C1068LR	CEHO-9	C4164LR	CEM-3R	C4267LR
CBM-12	C1028LR	CBT-29	C1072LR	CEIS-20	C4169R	CEM-49	C4259LR
CBM-14	C1109LR	CBT-30	C1065LR	CEIS-21	C4169L	CEM-5	C4266L

• **Cross Reference CTR-LYNXauto**

CTR	LYNXauto	CTR	LYNXauto	CTR	LYNXauto	CTR	LYNXauto
CEM-51L	C4105L	CEN-82	C4025LR	CET-173	C4239L	CLHO-52	C7360L
CEM-51R	C4105R	CEN-9	C4023LR	CET-25	C4237LR	CLHO-53	C7362R
CEM-59	C4259LR	CEN-94	C4126LR	CET-26	C4038LR	CLHO-55	C7366LR
CEM-6	C4266R	CEN-95	C4127LR	CET-27	C4296LR	CLHO-6	C7047R
CEM-7L	C4264L	CEN-98	C4020LR	CET-32	C4242LR	CLHO-62	C7169LR
CEM-7R	C4264R	CEN-99	C4128LR	CET-47	C4132LR	CLHO-63	C7362L
CEM-9	C4195LR	CES-12	C4114LR	CET-48	C4243LR	CLHO-64	C7361LR
CEMZ-11	C4003LR	CES-13	C4292LR	CET-59	C4032LR	CLHO-7	C7047L
CEMZ-18	C4288LR	CES-14	C4293LR	CET-65	C4041LR	CLHO-70	C7364LR
CEMZ-25	C4101LR	CES-16L	C4115L	CET-68	C4034LR	CLHO-8	C7046R
CEMZ-26	C4289LR	CES-16R	C4115R	CET-69	C4033LR	CLHO-9	C7046L
CEMZ-28	C4104LR	CES-17	C4321LR	CET-70	C4035LR	CLIS-3	C7462LR
CEMZ-29	C4103LR	CES-22	C4231LR	CET-71	C4244LR	CLKD-1	C7325LR
CEMZ-32	C4009LR	CES-3L	C4265L	CET-75	C4037LR	CLKD-10	C7086L
CEMZ-34	C4008LR	CES-3R	C4265R	CET-77	C4058R	CLKD-11	C7087LR
CEMZ-35	C4102LR	CES-5	C4030LR	CET-78	C4130LR	CLKD-13L	C7324L
CEMZ-41	C4098R	CESU-4L	C4113L	CET-79	C4131LR	CLKD-13R	C7324R
CEMZ-42	C4098L	CESU-4R	C4113R	CET-82	C4236LR	CLKD-15L	C7141L
CEMZ-45	C4100R	CESU-5	C4112LR	CET-83	C4031LR	CLKD-15R	C7141R
CEMZ-46	C4100L	CESU-6	C4229LR	CET-84	C4042LR	CLKD-16	C7142LR
CEMZ-53	C4298L	CET-100	C4054R	CET-86	C4122L	CLKD-2	C7147LR
CEMZ-54	C4298R	CET-101	C4054L	CET-87	C4122R	CLKD-3	C7143R
CEMZ-9	C4099LR	CET-103	C4059R	CET-88	C4056R	CLKD-4	C7143L
CEN-100	C4198LR	CET-104	C4059L	CET-89	C4056L	CLKD-5	C7146LR
CEN-101	C4354LR	CET-112L	C4371L	CET-90	C4055R	CLKD-8	C7144LR
CEN-105	C4355LR	CET-112R	C4371R	CET-91	C4055L	CLKD-9	C7086R
CEN-106	C4352R	CET-114	C4036LR	CET-92	C4040LR	CLKH-1	C7180LR
CEN-107	C4352L	CET-115L	C4057L	CET-93	C4039LR	CLKH-10	C7371R
CEN-110	C4270L	CET-115R	C4057R	CET-94	C4117R	CLKH-12	C7371L
CEN-111	C4270R	CET-116L	C4125L	CET-95	C4117L	CLKH-13	C7188LR
CEN-113	C4353R	CET-116R	C4125R	CET-98	C4060L	CLKH-14	C7187LR
CEN-114	C4353L	CET-117L	C4294L	CET-99	C4060R	CLKH-15L	C7181L
CEN-115	C4129R	CET-117R	C4294R	CLHO-10	C7048R	CLKH-15R	C7181R
CEN-116	C4129L	CET-118	C4123LR	CLHO-11	C7048L	CLKH-16L	C7192L
CEN-120	C4356R	CET-119	C4121R	CLHO-12	C7050R	CLKH-16R	C7192R
CEN-121	C4356L	CET-120	C4121L	CLHO-13	C7050L	CLKH-17L	C7182L
CEN-122	C4369R	CET-121	C4295R	CLHO-14	C7167R	CLKH-17R	C7182R
CEN-123	C4369L	CET-122	C4295L	CLHO-15	C7167L	CLKH-18L	C7075L
CEN-130	C4109R	CET-123	C4118LR	CLHO-16	C7168R	CLKH-18R	C7075R
CEN-131	C4109L	CET-126L	C4238L	CLHO-17	C7168L	CLKH-2	C7105LR
CEN-40	C4203LR	CET-126R	C4238R	CLHO-18	C7090R	CLKH-20L	C7177L
CEN-41	C4204LR	CET-127L	C4116L	CLHO-19	C7090L	CLKH-20R	C7177R
CEN-42	C4021LR	CET-127R	C4116R	CLHO-2	C7010LR	CLKH-21	C7190LR
CEN-43	C4026LR	CET-131	C4340R	CLHO-21	C7051R	CLKH-22	C7191LR
CEN-47	C4017LR	CET-132	C4340L	CLHO-22	C7051L	CLKH-27	C7174LR
CEN-47	C4024LR	CET-139	C4058L	CLHO-25	C7074R	CLKH-3	C7076LR
CEN-48	C4107LR	CET-142	C4245R	CLHO-26	C7074L	CLKH-30	C7198LR
CEN-55L	C4111L	CET-143	C4245L	CLHO-27	C7331R	CLKH-31	C7199LR
CEN-55R	C4111R	CET-146	C4120LR	CLHO-28	C7331L	CLKH-32L	C7183L
CEN-56L	C4110L	CET-147	C4119LR	CLHO-3	C7171LR	CLKH-32R	C7183R
CEN-56R	C4110R	CET-149	C4234LR	CLHO-34	C7172R	CLKH-33	C7184LR
CEN-66	C4106LR	CET-150	C4375LR	CLHO-35	C7172L	CLKH-34	C7189LR
CEN-70	C4290LR	CET-151	C4124R	CLHO-36	C7170R	CLKH-4	C7186LR
CEN-72	C4071R	CET-152	C4124L	CLHO-37	C7170L	CLKH-43L	C7346L
CEN-73	C4071L	CET-164	C4215R	CLHO-43	C7363R	CLKH-43R	C7346R
CEN-74	C4108LR	CET-165	C4215L	CLHO-44	C7363L	CLKH-5	C7176LR
CEN-75	C4206LR	CET-166	C4372R	CLHO-47	C7461R	CLKH-6	C7175LR
CEN-78	C4201LR	CET-167	C4372L	CLHO-48	C7461L	CLKH-8	C7178LR
CEN-79	C4019LR	CET-168	C4366R	CLHO-49	C7332R	CLKH-9	C7179LR
CEN-80	C4018LR	CET-169	C4366L	CLHO-50	C7332L	CLKK-10	C7205R
CEN-81	C4027LR	CET-172	C4239R	CLHO-51	C7360R	CLKK-11	C7205L

• Cross Reference CTR-LYNXauto

CTR	LYNXauto	CTR	LYNXauto	CTR	LYNXauto	CTR	LYNXauto
CLKK-14L	C7202L	CLN-1	C7019LR	CLT-43	C7096LR	CQKH-31	C5349LR
CLKK-14R	C7202R	CLN-10	C7413L	CLT-45	C7099R	CQKH-34L	C5140L
CLKK-15	C7206LR	CLN-11	C7413R	CLT-46	C7099L	CQKH-34R	C5140R
CLKK-18L	C7203L	CLN-12	C7430LR	CLT-48	C7094LR	CQKH-4L	C5135L
CLKK-18R	C7203R	CLN-13	C7055R	CLT-49	C7097LR	CQKH-4R	C5135R
CLKK-19L	C7200L	CLN-14	C7055L	CLT-5	C7060R	CQKH-5L	C5139L
CLKK-19R	C7200R	CLN-15	C7020LR	CLT-50	C7460LR	CQKH-5R	C5139R
CLKK-20	C7335LR	CLN-16	C7023LR	CLT-51	C7100LR	CQKH-61L	C5141L
CLKK-22L	C7193L	CLN-17	C7104LR	CLT-53	C7427LR	CQKH-61R	C5141R
CLKK-22R	C7193R	CLN-22	C7057R	CLT-56	C7290LR	CQKH-62L	C5142L
CLKK-23L	C7207L	CLN-23	C7057L	CLT-57	C7426LR	CQKH-62R	C5142R
CLKK-23R	C7207R	CLN-24	C7414R	CLT-58	C7389L	CQKH-76L	C5147L
CLKK-24L	C7208L	CLN-25	C7414L	CLT-59	C7389R	CQKH-76R	C5147R
CLKK-24R	C7208R	CLN-26	C7415R	CLT-6	C7060L	CQKH-9L	C5146L
CLKK-29	C7194LR	CLN-33	C7252R	CLT-62	C7293LR	CQKH-9R	C5146R
CLKK-3	C7201LR	CLN-34	C7252L	CLT-64	C7106R	CQKK 6	C5433LR
CLKK-30	C7195LR	CLN-35	C7254R	CLT-65	C7106L	CQKK-11L	C5159L
CLKK-32L	C7196L	CLN-36	C7254L	CLT-69	C7296LR	CQKK-11R	C5159R
CLKK-32R	C7196R	CLN-4	C7018LR	CLT-7	C7058L	CQKK-18L	C5160L
CLKK-33	C7197LR	CLN-40	C7056R	CLT-70	C7292R	CQKK-18R	C5160R
CLKK-37L	C7347L	CLN-41	C7056L	CLT-71	C7292L	CQKK-19L	C5161L
CLKK-37R	C7347R	CLN-50	C7253LR	CLT-72	C7098LR	CQKK-19R	C5161R
CLKK-5	C7204LR	CLN-51	C7245LR	CLT-76	C7388R	CQKK-20L	C5153L
CLKK-9	C7448LR	CLN-52	C7242R	CLT-77	C7388L	CQKK-20R	C5153R
CLKS-5	C7327LR	CLN-53	C7242L	CLT-8	C7058R	CQKK-22L	C5157L
CLKS-6L	C7328L	CLN-54	C7246LR	COIS-2	C6011	CQKK-22R	C5157R
CLKS-6R	C7328R	CLN-55	C7415L	CPM-10	C6006	CQKK-35L	C5154L
CLKS-8L	C7330L	CLN-56	C7416R	CPM-12	C6004	CQKK-35R	C5154R
CLKS-8R	C7330R	CLN-57	C7416L	CPM-9	C6003	CQKK-4L	C5155L
CLM-1	C7238LR	CLN-59	C7412R	CQHO-17L	C5025L	CQKK-4R	C5155R
CLM-10	C7052L	CLN-6	C7345LR	CQHO-17R	C5025R	CQKK-7	C5432LR
CLM-11	C7102R	CLN-7	C7412L	CQHO-7L	C5108L	CQN-40	C5245R
CLM-12	C7102L	CLS-1	C7105LR	CQHO-7R	C5108R	CQN-41	C5245L
CLM-13	C7103R	CLS-3	C7289LR	CQKD-10L	C5086L	CRD-10	C2330LR
CLM-14	C7103L	CLS-4	C7465LR	CQKD-10R	C5086R	CRD-9	C2073LR
CLM-15	C7101R	CLS-9	C7287LR	CQKD-11L	C5082L	CRHO-10	C2006LR
CLM-16	C7101L	CLSU-1	C7284LR	CQKD-11R	C5082R	CRHO-11	C2009LR
CLM-17	C7463LR	CLSU-2	C7285LR	CQKD-12L	C5080L	CRHO-13	C2004LR
CLM-18	C7185LR	CLT-1	C7038LR	CQKD-12R	C5080R	CRHO-14	C2147LR
CLM-19	C7464LR	CLT-13	C7093LR	CQKD-13L	C5081L	CRHO-15	C2407LR
CLM-2	C7239LR	CLT-14	C7059L	CQKD-13R	C5081R	CRHO-17	C2011LR
CLM-24	C7407R	CLT-15	C7059R	CQKD-2L	C5084L	CRHO-18	C2007LR
CLM-25	C7407L	CLT-16	C7033LR	CQKD-2R	C5084R	CRHO-20	C2005LR
CLM-28	C7270LR	CLT-17	C7091LR	CQKD-7L	C5085L	CRHO-23	C2014LR
CLM-29	C7234LR	CLT-18	C7035LR	CQKD-7R	C5085R	CRHO-24	C2059LR
CLM-3	C7236LR	CLT-19	C7092LR	CQKH-14L	C5145L	CRHO-25	C2304LR
CLM-32	C7409LR	CLT-2	C7037LR	CQKH-14R	C5145R	CRHO-28	C2013LR
CLM-33	C7271R	CLT-24	C7291R	CQKH-15L	C5144L	CRHO-3	C2141LR
CLM-34	C7271L	CLT-25	C7291L	CQKH-15R	C5144R	CRHO-30	C2404R
CLM-4	C7105LR	CLT-26	C7109R	CQKH-22L	C5151L	CRHO-31	C2404L
CLM-6	C7017LR	CLT-27	C7109L	CQKH-22R	C5151R	CRHO-32	C2049R
CLMZ-1	C7013LR	CLT-29	C7034LR	CQKH-23L	C5152L	CRHO-33	C2049L
CLMZ-11	C7214LR	CLT-30	C7095LR	CQKH-23R	C5152R	CRHO-34	C2075LR
CLMZ-12	C7213LR	CLT-31	C7108R	CQKH-24L	C5136L	CRHO-35	C2149LR
CLMZ-15	C7078LR	CLT-32	C7108L	CQKH-24R	C5136R	CRHO-37	C2409LR
CLMZ-19	C7210LR	CLT-33	C7107R	CQKH-25L	C5148L	CRHO-41	C2408LR
CLMZ-2	C7053R	CLT-34	C7107L	CQKH-25R	C5148R	CRHO-5	C2143LR
CLMZ-20	C7079LR	CLT-4	C7040LR	CQKH-26L	C5143L	CRHO-6	C2076LR
CLMZ-21	C7077LR	CLT-40	C7032LR	CQKH-26R	C5143R	CRHO-9	C2010LR
CLMZ-22	C7212LR	CLT-41	C7110LR	CQKH-27L	C5150L	CRIS-3	C2161LR
CLMZ-3	C7053L	CLT-42	C7036LR	CQKH-27R	C5150R	CRIS-7	C2303LR

• **Cross Reference CTR-LYNXauto**

CTR	LYNXauto	CTR	LYNXauto	CTR	LYNXauto	CTR	LYNXauto
CRKD-11	C2413LR	CRMZ-4	C2078LR	CRT-36	C2046LR		
CRKD-2	C2329LR	CRMZ-44	C2015LR	CRT-37	C2036LR		
CRKD-3	C2119LR	CRMZ-5	C2175LR	CRT-43	C2047LR		
CRKD-4	C2051LR	CRMZ-51	C2126LR	CRT-44	C2043LR		
CRKD-6	C2125R	CRMZ-9L	C2362L	CRT-45	C2034LR		
CRKD-7	C2125L	CRMZ-9R	C2362R	CRT-46	C2091LR		
CRKD-9	C2122LR	CRN-1	C2026LR	CRT-50	C2032LR		
CRKH-10	C2312LR	CRN-12	C2086LR	CRT-53	C2069LR		
CRKH-13	C2152LR	CRN-16	C2021LR	CRT-54	C2042LR		
CRKH-17	C2302LR	CRN-21	C2025LR	CRT-56	C2044LR		
CRKH-23	C2153LR	CRN-22	C2027LR	CRT-59	C2066LR		
CRKH-24	C2154LR	CRN-24	C2022LR	CRT-6	C2062LR		
CRKH-25	C2159LR	CRN-25	C2023LR	CRT-61	C2266LR		
CRKH-26	C2160LR	CRN-28	C2380LR	CRT-66	C2360L		
CRKH-29	C2151LR	CRN-32	C2060LR	CRT-71	C2270LR		
CRKH-3	C2150LR	CRN-33	C2379LR	CRT-73	C2096LR		
CRKH-30	C2166LR	CRN-35	C2381LR	CRT-77	C2273LR		
CRKH-32	C2158LR	CRN-39	C2375LR	CRT-78	C2394LR		
CRKH-4	C2053LR	CRN-40	C2398LR	CRT-80	C2278LR		
CRKH-5	C2155LR	CRN-41	C2088LR	CRT-82	C2360R		
CRKH-6	C2156LR	CRN-46	C2382LR	CRT-83	C2358LR		
CRKH-8	C2157LR	CRN-48	C2397LR	CRT-84	C2094LR		
CRKK-10	C2167LR	CRN-5	C2087LR	CRT-85	C2068LR		
CRKK-18	C2314LR	CRN-51	C2384LR	CRT-89	C2092LR		
CRKK-20L	C2172L	CRN-6	C2024LR	CRT-93	C2359LR		
CRKK-20R	C2172R	CRN-8	C2020LR	CRT-95	C2061LR		
CRKK-25	C2170LR	CRN-9	C2383LR	CRT-96	C2093LR		
CRKK-28L	C2353L	CRS-12	C2405LR	CSN-2L	C3028L		
CRKK-28R	C2353R	CRS-14	C2262LR	CSN-2R	C3028R		
CRKK-29	C2165LR	CRS-15	C2263L				
CRKK-3	C2171LR	CRS-16	C2263R				
CRKK-32	C2168LR	CRS-2	C2261LR				
CRKK-34	C2163LR	CRS-3	C2390LR				
CRKK-40L	C2354L	CRS-4	C2090LR				
CRKK-40R	C2354R	CRS-5	C2089LR				
CRKK-41	C2323LR	CRS-6	C2031LR				
CRKK-8	C2313LR	CRS-8	C2085LR				
CRM-10	C2192LR	CRS-9	C2259LR				
CRM-13	C2017LR	CRSU-10	C2257LR				
CRM-15	C2019LR	CRSU-16	C2164LR				
CRM-16	C2414LR	CRSU-7	C2258LR				
CRM-17	C2410LR	CRSU-9	C2400LR				
CRM-2	C2189LR	CRT-1	C2271LR				
CRM-20	C2084LR	CRT-10	C2095LR				
CRM-22	C2083LR	CRT-13	C2063LR				
CRM-29	C2373LR	CRT-14	C2064LR				
CRM-31	C2187LR	CRT-16	C2321LR				
CRM-4	C2190LR	CRT-17	C2272LR				
CRM-6	C2374LR	CRT-18	C2065LR				
CRM-8	C2191LR	CRT-2	C2268LR				
CRM-9	C2018LR	CRT-21	C2269LR				
CRMZ-1	C2174LR	CRT-22	C2037LR				
CRMZ-10	C2361LR	CRT-23	C2045LR				
CRMZ-21	C2081LR	CRT-24	C2267LR				
CRMZ-22L	C2080L	CRT-25	C2033LR				
CRMZ-22R	C2080R	CRT-26	C2048LR				
CRMZ-23	C2082LR	CRT-27	C2040LR				
CRMZ-26	C2319LR	CRT-28	C2041LR				
CRMZ-28	C2317LR	CRT-3	C2274LR				
CRMZ-32	C2077LR	CRT-34	C2035LR				
CRMZ-39	C2179LR	CRT-35	C2038LR				

• **Cross Reference 555-LYNXauto**

555	LYNXauto	555	LYNXauto	555	LYNXauto	555	LYNXauto
SA-4791L	C5011L	SB-5322	C1329LR	SE-3971	C4375LR	SI-7720	C6001
SA-4791R	C5011R	SB-6102	C1022LR	SE-4481	C4023LR	SL-1610L	C7053L
SA-6191L	C5027L	SB-6182	C1024LR	SE-4581	C4017LR	SL-1610R	C7053R
SA-6191R	C5027R	SB-6185	C1023LR	SE-4681	C4021LR	SL-1615	C7013LR
SA-6211L	C5026L	SB-6191	C1025LR	SE-4682	C4026LR	SL-2800	C7038LR
SA-6211R	C5026R	SB-6192	C1026LR	SE-4751	C4027LR	SL-2805	C7037LR
SA-7452	C5352LR	SB-6202	C1262LR	SE-4752	C4025LR	SL-2820L	C7060L
SB-1392	C1030LR	SB-6242	C1027LR	SE-4771	C4024LR	SL-2820R	C7060R
SB-1411	C1033LR	SB-6312	C1261LR	SE-4811	C4019LR	SL-2880	C7094LR
SB-1412	C1019LR	SB-6382L	C1327L	SE-4831	C4020LR	SL-2885	C7095LR
SB-1464	C1034LR	SB-6382R	C1327R	SE-4871	C4018LR	SL-2935	C7033LR
SB-1572	C1032LR	SB-6642	C1051LR	SE-4891L	C4352L	SL-2960	C7040LR
SB-1631	C1183LR	SB-7232	C1028LR	SE-4891R	C4352R	SL-2965	C7035LR
SB-2292	C1074LR	SB-7542	C1052LR	SE-4941L	C4353L	SL-2990L	C7058L
SB-2381	C1072LR	SB-7562	C1226LR	SE-4941R	C4353R	SL-2990R	C7058R
SB-2482	C1067LR	SB-7721	C1037LR	SE-5321L	C4333L	SL-3545	C7098LR
SB-2502	C1073LR	SB-7722L	C1006L	SE-5321R	C4333R	SL-3560	C7032LR
SB-2582	C1064LR	SB-7722R	C1006R	SE-6021	C4005LR	SL-3640	C7034LR
SB-2642	C1056LR	SB-7841	C1041LR	SE-6171L	C4047L	SL-3690L	C7059L
SB-2721	C1069LR	SB-7842	C1040LR	SE-6171R	C4047R	SL-3690R	C7059R
SB-2722	C1068LR	SB-7872	C1097LR	SE-6181L	C4044L	SL-3835	C7041LR
SB-2802L	C1009L	SB-T172L	C1313L	SE-6181R	C4044R	SL-3845	C7096LR
SB-2802R	C1009R	SB-T172R	C1313R	SE-6191L	C4046L	SL-3890L	C7099L
SB-2811	C1065LR	SB-T402	C1323LR	SE-6191R	C4046R	SL-3890R	C7099R
SB-2852	C1070LR	SE-1411	C4003LR	SE-6211L	C4045L	SL-3920	C7460LR
SB-2932	C1054LR	SE-1551	C4008LR	SE-6211R	C4045R	SL-3955	C7036LR
SB-2942L	C1010L	SE-1561	C4009LR	SE-6231	C4007LR	SL-3970	C7100LR
SB-2942R	C1010R	SE-2471	C4038LR	SE-6241	C4006LR	SL-4740	C7019LR
SB-2962	C1063LR	SE-2651	C4032LR	SE-6301L	C4048L	SL-4745	C7018LR
SB-2972	C1057LR	SE-2671	C4041LR	SE-6301R	C4048R	SL-4840	C7023LR
SB-2992	C1053LR	SE-2811	C4034LR	SE-6311L	C4095L	SL-4870	C7020LR
SB-3522	C1066LR	SE-2812	C4033LR	SE-6311R	C4095R	SL-4880L	C7055L
SB-3542	C1055LR	SE-2821L	C4056L	SE-6381L	C4376L	SL-4880R	C7055R
SB-3561	C1071LR	SE-2821R	C4056R	SE-6381R	C4376R	SL-4895L	C7432L
SB-3602	C1077LR	SE-2852	C4037LR	SE-7071	C4265R	SL-4910L	C7057L
SB-3642	C1062LR	SE-2871	C4035LR	SE-7112L	C4266L	SL-4910R	C7057R
SB-3752L	C1098L	SE-2921	C4039LR	SE-7152R	C4266R	SL-6225L	C7050L
SB-3752R	C1098R	SE-2931	C4031LR	SE-7161	C4267LR	SL-6225R	C7050R
SB-3831	C1242LR	SE-2941	C4042LR	SE-7221L	C4264L	SL-6260	C7010LR
SB-3834L	C1008L	SE-2953L	C4058L	SE-7221R	C4264R	SL-6270L	C7048L
SB-3834R	C1008R	SE-2953R	C4058R	SE-7251	C4195LR	SL-6270R	C7048R
SB-3842	C1322LR	SE-2991L	C4055L	SE-7252	C4013LR	SL-6280L	C7047L
SB-3962	C1227LR	SE-2991R	C4055R	SE-7261	C4012LR	SL-6280R	C7047R
SB-3972	C1326LR	SE-3511	C4040LR	SE-7301	C4011LR	SL-6285L	C7046L
SB-3984L	C1290R	SE-3561L	C4059L	SE-7311	C4014LR	SL-6285R	C7046R
SB-3984R	C1290L	SE-3561R	C4059R	SE-7451L	C4265L	SL-6310L	C7331L
SB-4391	C1020LR	SE-3581L	C4054L	SE-7461	C4030LR	SL-6310R	C7331R
SB-4562	C1021LR	SE-3581R	C4054R	SE-7571	C4293LR	SL-6320L	C7051L
SB-4592	C1045LR	SE-3601L	C4060L	SE-7721	C4016LR	SL-6320R	C7051R
SB-4672	C1203LR	SE-3601R	C4060R	SE-7722	C4015LR	SL-6325L	C7363L
SB-4692	C1043LR	SE-3641L	C4057L	SE-N151L	C4356L	SL-6325R	C7363R
SB-4742	C1042LR	SE-3641R	C4057R	SE-N151R	C4356R	SL-6380L	C7461L
SB-4821	C1247LR	SE-3681	C4036LR	SE-T021L	C4372L	SL-6380R	C7461R
SB-4832	C1248LR	SE-3751L	C4294L	SE-T021R	C4372R	SL-7635	C7465LR
SB-4842	C1044LR	SE-3751R	C4294R	SE-T121L	C4366L	SL-7750	C7017LR
SB-4872	C1325LR	SE-3753L	C4295L	SE-T121R	C4366R	SL-7760	C7463LR
SB-4882	C1258LR	SE-3753R	C4295R	SE-T401	C4367LR	SL-7765	C7464LR
SB-4942	C1307LR	SE-3813L	C4096L	SI-5145	C6011	SL-7820L	C7052L
SB-4952	C1303LR	SE-3813R	C4096R	SI-5315	C6009	SL-H070L	C7332L
SB-5302	C1029LR	SE-3931L	C4371L	SI-7152	C6007	SL-H070R	C7332R
SB-5321	C1328LR	SE-3931R	C4371R	SI-7255	C6008	SL-N020L	C7056L

• **Cross Reference 555-LYNXauto**

555	LYNXauto	555	LYNXauto	555	LYNXauto	555	LYNXauto
SL-N020R	C7056R	SR-6230	C2013LR				
SL-N155L	C7417L	SR-6240	C2008LR				
SL-N155R	C7417R	SR-6250	C2005LR				
SL-T010	C7097LR	SR-6260	C2407LR				
SP-7150	C6003	SR-6270	C2074LR				
SP-7351	C6006	SR-6280	C2014LR				
SP-7720	C6004	SR-6290	C2007LR				
SP-7770	C6005	SR-6300L	C2404L				
SP-7790	C6012	SR-6300R	C2404R				
SR-1442L	C2362L	SR-6340L	C2049L				
SR-1442R	C2362R	SR-6340R	C2049R				
SR-1501	C2079LR	SR-6350	C2059LR				
SR-1650	C2015LR	SR-6351	C2304LR				
SR-1810	C2126LR	SR-6380	C2408LR				
SR-2641	C2321LR	SR-7231	C2374LR				
SR-2650	C2062LR	SR-7320	C2414LR				
SR-2800	C2063LR	SR-7321	C2410LR				
SR-2801	C2064LR	SR-7380	C2018LR				
SR-2821	C2037LR	SR-7590	C2031LR				
SR-2871	C2065LR	SR-7620	C2405LR				
SR-2920	C2045LR	SR-7700	C2017LR				
SR-2930	C2033LR	SR-7750	C2019LR				
SR-2940	C2048LR	SR-H030	C2409LR				
SR-2960	C2040LR	SR-N120	C2381LR				
SR-2961	C2041LR	SR-N150	C2382LR				
SR-2970	C2036LR	SR-T020	C2061LR				
SR-2990	C2035LR	SR-T050	C2264LR				
SR-2991	C2034LR	SR-T120	C2395LR				
SR-3500	C2038LR	SR-T170	C2068LR				
SR-3510	C2046LR	SR-T220	C2276LR				
SR-3520	C2043LR	SR-T400	C2396LR				
SR-3560	C2032LR	SS-4431L	C3028L				
SR-3570	C2047LR	SS-4431R	C3028R				
SR-3640	C2042LR						
SR-3680	C2044LR						
SR-3810	C2097LR						
SR-3811	C2067LR						
SR-3900	C2394LR						
SR-3920	C2066LR						
SR-3930	C2069LR						
SR-3970	C2406LR						
SR-4480	C2026LR						
SR-4730	C2383LR						
SR-4740	C2020LR						
SR-4760	C2024LR						
SR-4780	C2021LR						
SR-4840	C2025LR						
SR-4850	C2027LR						
SR-4860	C2022LR						
SR-4880	C2023LR						
SR-4910	C2060LR						
SR-4920	C2411LR						
SR-4940	C2379LR						
SR-4950	C2088LR						
SR-4960	C2398LR						
SR-4990	C2376LR						
SR-6170	C2010LR						
SR-6180	C2006LR						
SR-6190	C2009LR						
SR-6210	C2004LR						
SR-6220	C2011LR						

• Cross Reference OE-LYNXauto

OE	LYNXauto	OE	LYNXauto	OE	LYNXauto	OE	LYNXauto
3812E0	C2220LR	322169	C3006L	352071	C5279R	352800	C1046LR
4018E0	C4222LR	322171	C4262L	352076	C5261R	352803	C1047LR
5094E0	C8151	322172	C4262R	352077	C5261L	352826	C1007L
3521E1	C5276R	322173	C3060L	352083	C5385L	352827	C1007R
3812E1	C2227LR	322174	C3060R	352087	C1208LR	352829	C1046LR
52080	C2119LR	322175	C4212L	352095	C5395L	352830	C1046LR
270477	C1094LR	322176	C4212R	352096	C5396L	352864	C8216
271591	C1240LR	322177	C4262L	352108	C8127	352866	C8126
271598	C4251L	322178	C4262R	352110	C5382L	364031	C1210LR
271599	C4251R	322179	C4213L	352115	C5382R	364032	C1212LR
271628	C5341L	322180	C4213R	352123	C5084L	364033	C1213LR
271629	C5341R	324038	C4064R	352124	C5084R	364034	C1017LR
271631	C8691	324039	C4064L	352132	C5268L	364035	C8162
271901	C5341L	324046	C4262L	352134	C5268R	364039	C1084LR
271902	C5341R	324047	C4262R	352135	C5268L	364041	C8163
272084	C8678	324048	C4212L	352136	C5268R	364043	C1084LR
272227	C5342R	324049	C4212R	352155	C5385R	364044	C1210LR
272273	C5342L	324050	C4208LR	352165	C5395R	364048	C1211LR
272336	C5342L	324057	C4169R	352166	C5396R	364051	C1014LR
272337	C5342R	324058	C4169L	352169	C5084L	364053	C1015LR
272416	C4255L	324059	C4213L	352171	C5384R	364054	C1215LR
272417	C4255R	324060	C4213R	352172	C5084R	364055	C1214LR
272428	C2295LR	324061	C4262L	352180	C5276R	364056	C1016LR
272991	C7308LR	324062	C4262R	352192	C5261R	364057	C1181LR
274175	C4254L	324063	C4029LR	352193	C5261L	364060	C1015LR
274176	C4254R	324066	C4209LR	352300	C8529	364061	C1016LR
274179	C2292LR	324186	C2213LR	352301	C8535	364062	C1016LR
274224	C2291LR	350130	C8531	352302	C8545	364065	C1016LR
274225	C4253L	350138	C8532	352303	C8544	364067	C1216LR
274226	C4253R	350145	C8552	352309	C8536	364068	C1015LR
274303	C7310LR	350146	C8553	352310	C8537	364073	C1015LR
274351	C4256L	350147	C8542	352319	C8208	364074	C1181LR
274352	C4256R	350161	C8538	352320	C8537	364076	C1216LR
274353	C2293LR	350176	C7418LR	352323	C8207	381292	C2219LR
274377	C1241LR	350260	C7026LR	352324	C8534	381709	C4080LR
274456	C7310LR	350261	C7027LR	352335	C8190	381710	C4080LR
274496	C4254L	350263	C7256LR	352341	C8539	381714	C4079R
274497	C4254R	350600	C7029LR	352342	C8540	381716	C4079L
274498	C4256L	350603	C7005LR	352343	C8174	381718	C4080LR
274499	C4256R	350607	C7063L	352344	C8173	381730	C4079R
274502	C2133LR	350608	C7063R	352347	C8530	381731	C4079L
274523	C1241LR	350609	C7029LR	352349	C8189	381737	C4220L
274548	C1078LR	350610	C7083LR	352357	C8207	381738	C4220R
274573	C1241LR	350611	C7028LR	352358	C8546	381739	C4218R
310821	C1249LR	350613	C7257LR	352360	C8158	381740	C4218L
310823	C1103LR	350614	C7028LR	352361	C8159	381741	C4079R
310828	C1249LR	350615	C7005LR	352364	C8207	381742	C4079L
322004	C4213L	350616	C7258LR	352365	C8533	381743	C4220L
322005	C4213R	350617	C7323LR	352375	C8149	381744	C4220R
322125	C3007L	350618	C7433LR	352376	C8144	381750	C4080LR
322126	C3007R	350621	C9049	352377	C8146	381753	C4063L
322142	C3060L	352002	C5264R	352379	C8145	381754	C4063R
322143	C3060R	352003	C5264L	352380	C8214	381755	C4221L
322150	C4212L	352028	C5013R	352383	C8185	381756	C4221R
322151	C4262L	352029	C5013L	352384	C8686	381757	C4219R
322152	C4212R	352041	C5022L	352391	C8152	381758	C4219L
322154	C4262R	352042	C5022R	352393	C8177	381763	C4215L
322155	C2203LR	352051	C5269L	352394	C8178	381764	C4215R
322158	C2204LR	352052	C5269R	352395	C8687	381765	C4258L
322166	C3059LR	352067	C1208LR	352398	C8175	381766	C4258R
322168	C3006R	352070	C5279L	352494	C8127	381767	C4216L

• **Cross Reference OE-LYNXauto**

OE	LYNXauto	OE	LYNXauto	OE	LYNXauto	OE	LYNXauto
381768	C4216R	508777	C7071LR	1020175	C4070L	1102950	C8254
381770	C4223R	509110	C7262LR	1020214	C5088R	1105524	C5003LR
381771	C4309L	5094E2	C8153	1020220	C5088L	1106269	C7008LR
381772	C4309R	509464	C8137	1020496	C3005R	1107013	C4093R
381773	C4312LR	509465	C8135	1020497	C3005L	1107015	C4093L
381774	C4259LR	509466	C8133	1023026	C5097R	1111156	C1147LR
381775	C4217R	509474	C8155	1023028	C5097L	1116578	C5099R
381776	C4217L	509475	C8156	1023058	C8253	1116579	C5099L
381777	C4223L	509477	C8136	1024130	C2128LR	1116602	C8252
381780	C4310L	509479	C8134	1029836	C2138LR	1117698	C7009LR
381781	C4310R	509480	C8142	1030025	C1143LR	1117800	C7157LR
381788	C4217R	509481	C8141	1030277	C5097R	1117801	C7158LR
381789	C4217L	509482	C8143	1030278	C5097L	1117857	C5101LR
400624	C2228LR	509483	C8685	1032689	C4149LR	1117859	C5100LR
402644	C9048	509487	C8150	1034417	C4149LR	1118695	C8252
402645	C8743	509488	C8151	1035929	C8229	1118920	C5101LR
405909	C4359LR	509498	C9056	1039511	C7007LR	1118921	C5100LR
423008	C5016LR	509499	C9057	1041979	C8747	1121508	C2134LR
423033	C5016LR	513147	C8733	1043158	C5097L	1121509	C2134LR
423035	C5016LR	513169	C8741	1043159	C5097R	1124242	C5102LR
423121	C8551	513170	C8742	1044014	C2132LR	1127646	C7009LR
423302	C8547	513171	C8740	1044571	C8060	1127648	C7157LR
423313	C8543	513172	C8738	1045413	C7159LR	1128725	C8755
423315	C8541	513173	C8737	1047145	C4158LR	1130273	C7148LR
423316	C8548	513178	C8161	1047797	C1143LR	1130452	C7158LR
423319	C8744	513179	C8157	1047853	C1086LR	1136072	C5092LR
423320	C8745	513180	C8160	1054209	C7007LR	1138160	C5091R
444153	C8550	513199	C8157	1055194	C1151LR	1138161	C5091L
444160	C9051	515261	C8739	1058279	C5087R	1138275	C4159LR
444161	C9052	515262	C8734	1058280	C5087L	1138313	C4154LR
444162	C9053	517258	C8170	1058378	C4152R	1138314	C4154LR
444163	C9050	517838	C7267LR	1058380	C4152L	1139926	C5099R
444200	C8549	517846	C7269LR	1061570	C8238	1139928	C5099L
444275	C7260LR	517848	C7271L	1061631	C7148LR	1141774	C7088LR
444288	C7259R	517849	C7271R	1061659	C5092LR	1144424	C7159LR
444289	C7259L	517852	C7269LR	1061668	C5003LR	1146130	C5090R
444291	C7261LR	520672	C2329LR	1061703	C7149LR	1146131	C5090L
508734	C7089LR	520838	C2329LR	1063236	C5089R	1146150	C7073LR
508735	C7419LR	520898	C2309LR	1063255	C5089L	1149802	C5099R
508737	C7357LR	521136	C4097LR	1064128	C5428LR	1149803	C5099L
508738	C7264LR	521255	C2051LR	1067818	C7148LR	1149932	C5090R
508739	C7089LR	521410	C2119LR	1072435	C7156LR	1149933	C5090L
508740	C7266LR	521564	C2122LR	1072446	C7156LR	1150353	C5428LR
508742	C7264LR	900905	C2206LR	1072447	C7156LR	1152852	C8748
508745	C7004LR	900907	C4210LR	1073214	C5091R	1202213	C5090R
508746	C7089LR	920005	C2202LR	1073215	C5091L	1202214	C5090L
508748	C7072LR	920007	C2201LR	1073217	C8235	1202548	C4150R
508750	C7071LR	920008	C4313LR	1073249	C8236	1202549	C4150L
508752	C7268L	920373	C4169R	1074305	C4093R	1203093	C7149LR
508753	C7268R	920374	C4169L	1074306	C4093L	1203923	C5099R
508754	C7263L	1000445	C8230	1085520	C2072LR	1203924	C5099L
508755	C7263R	1001396	C3005R	1090730	C5091R	1205658	C4252LR
508756	C7358LR	1004018	C7148LR	1090738	C5091L	1206474	C5102LR
508757	C7356LR	1007602	C5095L	1092376	C3005R	1207447	C5090R
508758	C7270LR	1009591	C7088LR	1092377	C4152R	1207448	C5090L
508759	C7004LR	1010037	C8232	1092380	C4152L	1207973	C5091R
508761	C7089LR	1011857	C4070R	1092382	C3005L	1207974	C5091L
508762	C7071LR	1011858	C4070L	1097316	C4066R	1208511	C5090R
508764	C7265LR	1012632	C5095R	1097323	C4066L	1208512	C5090L
508768	C7263R	1014654	C8231	1097918	C8237	1209076	C5090R
508769	C7263L	1020174	C4070R	1100983	C5003LR	1209077	C5090L

• Cross Reference OE-LYNXauto

OE	LYNXauto	OE	LYNXauto	OE	LYNXauto	OE	LYNXauto
1211756	C5090R	1355048	C5105R	1603161	C1206LR	1709424	C5350R
1211757	C5090L	1355050	C5105L	1603164	C1018LR	1709466	C5350L
1212807	C5090R	1355149	C5093R	1603187	C1206LR	1709468	C5350L
1212808	C5090L	1355151	C5093L	1603198	C2213LR	1712237	C5351LR
1212809	C5091R	1359599	C8694	1603199	C2212LR	1714576	C4257R
1212810	C5091L	1361653	C7088LR	1603202	C1207LR	1714700	C4257L
1214681	C5090R	1362650	C5093R	1603213	C2028LR	1714891	C7151LR
1214682	C5090L	1362651	C5093L	1603214	C4028LR	1715440	C8245
1214911	C5090R	1377416	C7154LR	1603216	C2196LR	1718026	C8245
1214912	C5090L	1377655	C2071LR	1603227	C4214L	1719542	C7152LR
1217036	C7159LR	1377849	C7153LR	1603228	C4214R	1742265	C5350R
1219697	C7009LR	1387463	C2297LR	1603229	C2214LR	1742266	C5350L
1223792	C7150LR	1387860	C7306LR	1603239	C2207LR	1749991	C5350R
1230909	C7150LR	1388549	C4151R	1603240	C4211LR	1749992	C5350L
1233552	C3005L	1404785	C4151L	1603244	C2209LR	1754076	C2298LR
1233553	C3005R	1405532	C8248	1603252	C2210LR	1961668	C4021LR
1234258	C4152R	1417351	C1271LR	1603256	C2197LR	1961669	C4026LR
1234259	C4152L	1417352	C1270LR	1603257	C4207R	2992593	C2352LR
1234371	C5093R	1420858	C5094L	1603258	C4207L	0003301007	C1184LR
1234375	C5093L	1420859	C5094R	1603264	C2198LR	3342824	C2289LR
1234382	C1146LR	1425853	C7154LR	1603266	C4207L	3345797	C2187LR
1251937	C2133LR	1426770	C5104LR	1603267	C4207R	3380810	C4094LR
1254310	C5093R	1433271	C2135LR	1603268	C2216LR	0003382010	C4094LR
1254311	C5093L	1433273	C4153R	1603287	C2215LR	3384310	C4051LR
1273235	C8695	1433274	C4153L	1603288	C4207R	3384510	C4051LR
1305341	C5093R	1436095	C5090L	1603289	C4207L	0003385410	C4086LR
1305342	C5093L	1436097	C5090R	1603290	C2210LR	3385610	C4180LR
1305960	C8241	1436169	C5090R	1603303	C2215LR	0003385910	C4180LR
1307891	C8252	1436170	C5090L	1603351	C2214LR	3386010	C4051LR
1309148	C5093R	1438315	C5107R	1603357	C2198LR	0003386210	C4051LR
1309149	C5093L	1438350	C5107L	1603359	C2216LR	0003386310	C4374LR
1309644	C5093R	1451914	C1270LR	1603384	C2209LR	3410364	C4250LR
1309645	C5093L	1451917	C1271LR	1603415	C2214LR	3410369	C2288LR
1310333	C7006LR	1457609	C5103LR	1603428	C2207LR	3410412	C2289LR
1315074	C4151R	1469024	C5096R	1603429	C2208LR	3410519	C1239LR
1315083	C4151L	1469026	C5096L	1603456	C2205LR	3416129	C7304L
1317446	C4151R	1469208	C7006LR	1603543	C2205LR	3416130	C7304R
1317447	C4151L	1470387	C1100LR	1603544	C4291L	3434868	C7305LR
1317453	C2071LR	1477858	C5093R	1603545	C4291R	3448334	C4250LR
1328380	C5093R	1477860	C5093L	1603642	C2215LR	3465482	C1239LR
1328381	C5093L	1478582	C8756	1603643	C2197LR	3467713	C7304L
1328670	C5093R	1487402	C7149LR	1603645	C4208LR	3467714	C7304R
1328671	C5093L	1495685	C7163LR	1603844	C2385LR	3480012	C4250LR
1328877	C4151R	1500682	C7152LR	1609026	C4358LR	3516944	C4252LR
1328881	C4151L	1507181	C5096R	1609027	C2199LR	3521E3	C5383R
1329655	C8693	1507182	C5096L	1609029	C2200LR	3530230	C7307LR
1329730	C5092LR	1510270	C2133LR	1630507	C8258	3546266	C2290LR
1332074	C5093R	1541652	C4151R	1634900	C8225	3546267	C4251L
1332075	C5093L	1541811	C4151L	1652910	C8227	3546268	C4251R
1332453	C7160LR	1570284	C5094R	1656752	C8260	3546524	C1240LR
1332454	C5105R	1570285	C5094L	1661237	C7148LR	3707333	C2052LR
1332455	C5105L	1570750	C5093R	1679384	C1146LR	3736028	C7164LR
1332463	C7161LR	1603008	C2029LR	1679388	C1100LR	3812E3	C2225LR
1334004	C8748	1603009	C4208LR	1683463	C5429LR	3903147	C2136LR
1335548	C7006LR	1603016	C2208LR	1683481	C8245	3903149	C2137LR
1337965	C8242	1603017	C2385LR	1686183	C8245	3933468	C7164LR
1344966	C5091R	1603018	C2211LR	1686587	C5351LR	4041489	C8266
1344968	C5091L	1603120	C1018LR	1702970	C5350R	4041490	C8268
1348191	C5093R	1603121	C1089LR	1702983	C5350L	4041494	C7164LR
1348192	C5093L	1603128	C1206LR	1703145	C5351LR	4041521	C8760
1348231	C8240	1603148	C7145LR	1709423	C5350R	4042022	C5107R

• **Cross Reference OE-LYNXauto**

OE	LYNXauto	OE	LYNXauto	OE	LYNXauto	OE	LYNXauto
4042023	C5107L	4501261	C2194LR	5239330	C2245LR	7079382	C2338LR
4042024	C8269	4501262	C4199L	5272098	C8679	7079383	C2337LR
4047091	C4159LR	4501263	C4199R	5274470	C4306LR	7079388	C2337LR
4048739	C2131LR	4519467	C7163LR	5352004	C5014R	7081835	C1267LR
4055743	C8759	4531299	C7165LR	5352005	C5014L	7081851	C2340LR
4059923	C2140L	4540774	C5107R	5352011	C5265L	7082812	C1268LR
4059924	C2140R	4540775	C5107L	5352012	C5265R	7102392	C8228
4100255	C1198LR	4543450	C5289L	5352016	C5262L	7102644	C5087R
4118933	C4154LR	4543468	C5289R	5352017	C5262R	7102645	C5087L
4118934	C4154LR	4543476	C5290L	5352025	C1209L	7200946	C1147LR
4120734	C1150LR	4543484	C5290R	5352026	C1209R	7201717	C8061
4131788	C8270	4544599	C7256LR	5352027	C5267L	7201723	C8753
4140393	C5107R	4545711	C8629	5352028	C5267R	7260111	C7159LR
4140394	C5107L	4566899	C8207	5352029	C5263L	7294415	C2002LR
4164518	C5107R	4616978	C1150LR	5352030	C5263R	7294416	C2136LR
4164521	C5107L	4630551	C1150LR	5352038	C5266R	007304447	C5292L
4168857	C4176LR	4647004	C5290L	5352039	C5266L	007304448	C5292R
4173761	C1150LR	4647012	C5290R	5402634	C9048	7351747	C5087R
4183728	C4177L	4656010	C1263LR	5402638	C9048	7351748	C5087L
4183729	C4177R	4671720	C8267	5958244	C2331LR	7371059	C8746
4242749	C4088L	4694747	C1264LR	6087890	C8226	7398676	C3005L
4242756	C4088R	4701745	C2260LR	6107025	C8227	7403748	C8752
4342539	C2001LR	4703866	C9047	6120231	C4155R	7591215	C4317R
4346344	C7165LR	4705172	C5390LR	6120232	C4155L	7591216	C4317L
4366973	C5105R	4705409	C8528	6127726	C2127LR	7601647	C7354LR
4366974	C5105L	4705716	C4231LR	6128814	C4081LR	7633721	C2331LR
4366976	C8262	4705742	C5304LR	6131083	C2139LR	7673581	C8217
4367012	C7160LR	4706664	C8130	6143189	C8257	7678717	C4317R
4367076	C7161LR	4706665	C5304LR	6150970	C7162R	7678718	C4317L
4372130	C5107R	4707280	C5304LR	6150971	C7162L	7701491	C2341LR
4372131	C5107L	4708233	C5390LR	6156463	C2070LR	7752285	C4320LR
4381840	C4157LR	4709702	C7288LR	6180350	C2128LR	7760425	C8197
4381927	C1150LR	4797706	C4307LR	6185336	C2139LR	7775343	C8219
4385316	C8261	4803429	C4143LR	6185338	C2130LR	7775344	C8218
4401910	C1199LR	4804642	C7142LR	6192705	C8259	7846485	C4064R
4404047	C5243L	4806300	C5079L	6197146	C8758	7846495	C4064L
4404048	C5243R	4806301	C5079R	6197149	C8757	07848281	C2125L
4408474	C2195LR	4806304	C7141L	6197238	C2129LR	07848282	C2125R
4408510	C4205L	4806305	C7141R	6517356	C8265	8623576	C7150LR
4408511	C4205R	4806447	C8122	6517364	C4158LR	8623955	C5343L
4408904	C7084LR	4814268	C8122	6525843	C5087R	8623956	C5343R
4408958	C5250L	4835740	C1046LR	6525844	C5087L	8623957	C5339L
4408959	C5250R	4836540	C4029LR	6555936	C4082R	8623958	C5339R
4410145	C2331LR	4836557	C2213LR	6555938	C4082L	8626031	C7306LR
4414780	C7161LR	4908109	C8634	6608818	C8264	8628495	C5341L
4417177	C5412L	5021413	C4155R	6608830	C5106R	8628496	C5341R
4417178	C5412R	5021414	C4155L	6608832	C5106L	8628703	C7306LR
4418629	C5411L	5021415	C4004LR	6615742	C5087R	8628726	C7306LR
4418630	C5411R	5021661	C8227	6615743	C5087L	8630604	C8696
4418631	C1200LR	5025676	C1151LR	6650261	C1151LR	8630605	C8698
4418780	C2194LR	5027451	C4065L	6687191	C4158LR	8634736	C7310LR
4420546	C7161LR	5027452	C4065R	6714195	C8755	8634869	C7311LR
4431869	C1306LR	5030221	C4156L	6770224	C5087R	8649541	C5343L
4436609	C7161LR	5030222	C4156R	6770225	C5087L	8649542	C5343R
4449553	C1264LR	5094E3	C8154	6790700	C2131LR	8649543	C5339L
4472940	C2001LR	5231683	C1046LR	6819253	C7308LR	8649544	C5339R
4482402	C8631	5233374	C8635	6832049	C2136LR	8649545	C5345L
4500198	C7243L	5235585	C2245LR	6867577	C5098LR	8649546	C5345R
4500199	C7243R	5237516	C1222LR	6960036	C7008LR	8671921	C5092LR
4500211	C9005	5239314	C4214L	6969518	C4149LR	8672446	C7311LR
4500254	C1088LR	5239322	C4214R	7014210	C7155LR	8957045	C1221LR

• Cross Reference OE-LYNXauto

OE	LYNXauto	OE	LYNXauto	OE	LYNXauto	OE	LYNXauto
8957839	C4228LR	13230774	C8127	30760237	C7152LR	42534911	C4330LR
8958944	C7277LR	13237130	C7005LR	30760238	C7152LR	46437959	C1269LR
8961476	C8632	13272605	C5382L	30760586	C5340L	46454599	C1269LR
8962250	C2244LR	13272606	C5382R	30760587	C5340R	46456189	C4319L
8965253	C8633	13278358	C2201LR	30760678	C7154LR	46456660	C4319R
8972135	C1221LR	13278359	C4313LR	30760806	C4256L	46539000	C5402R
8993453	C4228LR	13281782	C9049	30760807	C4256R	46539001	C5402L
8994212	C1221LR	13286686	C4358LR	30761718	C4254R	46543045	C1267LR
9140504	C2297LR	13286687	C2199LR	30761719	C4254L	46555183	C8762
9140767	C7306LR	0013306235	C4185LR	30776248	C4153R	46745364	C4319R
9140788	C2296LR	0013306335	C4186LR	30776249	C4153L	46745365	C4319L
9140995	C7307LR	0013307735	C4010LR	30776250	C2135LR	46748578	C8210
9156379	C9048	13314168	C2202LR	30776323	C4256L	46748579	C8211
9156735	C9048	13314465	C2200LR	30776324	C4256R	46777741	C5402R
9157725	C7307LR	13321338	C5382L	30818467	C8469	46777742	C5402L
9160511	C9005	13321339	C5382R	30852103	C7237LR	46779293	C1268LR
9169080	C7311LR	13327928	C7418LR	30863988	C5220L	46794065	C5402R
9191410	C2294LR	15293924	C1136LR	30863989	C5220R	46794066	C5402L
9192917	C5342R	24417251	C7005LR	30870695	C4011LR	46813841	C5402R
9208989	C9047	24452034	C8744	30871770	C7234LR	46813842	C5402L
9443882	C8697	24457385	C9051	30872510	C8468	46842581	C1268LR
9492105	C5343L	24457386	C9052	30872511	C8467	46843389	C7348LR
9492106	C5343R	24457843	C9053	30873100	C7234LR	50509339	C5417R
9492804	C7306LR	24469643	C8745	30873101	C7237LR	50509340	C5417L
9492837	C7308LR	26001806	C4064R	30875012	C4011LR	50700464	C7359LR
9492914	C5341L	26001807	C4064L	30884179	C7309LR	50700941	C7359LR
9492915	C5341R	26020916	C2125L	30884358	C7234LR	50704306	C5422L
9492916	C5342L	26020917	C2125R	30884359	C7237LR	50704307	C5422R
9941625	C2332LR	26023685	C4064L	30887653	C5338L	50704361	C7350L
9944594	C2228LR	26110430	C2385LR	30887654	C5338R	50704362	C7350R
9945562	C2342LR	30635227	C5343L	30889962	C5220L	50704867	C8763
9946948	C2341LR	30635228	C5343R	30889963	C5220R	50704947	C5420L
9946949	C4320LR	30635229	C5339L	31200775	C5096R	50704948	C5420R
9947437	C4317L	30635230	C5339R	31200776	C5096L	50705311	C7351L
9947438	C4317R	30635231	C5345L	31201180	C5094R	50705463	C1266LR
9947713	C2386LR	30635232	C5345R	31201181	C5094L	50705629	C1216LR
9947714	C4304LR	30639368	C8699	31201228	C4256L	50705702	C7351L
9947719	C4304LR	30639780	C5344L	31201229	C4256R	50706595	C7351R
9947919	C4302L	30639781	C5344R	31201602	C7310LR	50706598	C7351R
9947920	C4302R	30645845	C5344L	31201817	C2133LR	50706990	C7350L
9948292	C2339LR	30645846	C5344R	31201817	C7006LR	50706991	C7350R
9948343	C2343LR	30645847	C8700	31212548	C5096R	50707316	C5422L
9949217	C2333LR	30647920	C7311LR	31212781	C5096L	50707317	C5422R
9949218	C4318LR	30647921	C7306LR	31212782	C5093L	50707480	C5420R
9950671	C4317L	30647995	C7306LR	31212979	C5093R	50707481	C5420L
9950672	C4317R	30648461	C7153LR	31212980	C5093R	50707481	C5420L
9951288	C4302L	30666105	C5428LR	31277463	C5094L	5094E4	C8186
9951289	C4302R	30666821	C8239	31277464	C5093L	51712407	C5402R
9983325	C2351LR	30678440	C8244	31277465	C5093R	51712408	C5402L
12756394	C8744	30683067	C5003LR	31280000	C4153L	51741130	C7005LR
12786412	C8208	30714128	C8243	31280001	C4153R	51747323	C5402R
12787821	C4214L	30714422	C5093L	31280408	C2403LR	51747324	C5402L
12787822	C4214R	30714466	C7006LR	31280409	C2402LR	51748652	C5269R
12795024	C8744	30714678	C7311LR	31280658	C2135LR	51748653	C5269L
12796013	C5269L	30714686	C7306LR	31302344	C4153L	51748740	C5016LR
12796014	C5269R	30723103	C4151L	31302345	C4153R	51749713	C5419LR
13104120	C7260LR	30723104	C4151R	31304045	C5344L	51754198	C8761
13131963	C9050	30730829	C5093L	31304046	C5344R	51764470	C5402R
13157518	C9048	30730830	C5093R	3,52E+07	C5383R	51764471	C5402L
13219090	C8126	30748230	C5093R	36025748	C4302L	51769073	C5402R
13219141	C7323LR	30760236	C7152LR	36025749	C4302R	51769074	C5402L
				3812E4	C2176LR	51772988	C5403R

• **Cross Reference OE-LYNXauto**

OE	LYNXauto	OE	LYNXauto	OE	LYNXauto	OE	LYNXauto
51772992	C5403L	60678135	C5417R	96129839	C7145LR	96653381	C8129
51776326	C5425R	60686891	C5417L	96185969	C5084L	96810751	C8122
51776327	C5425L	60686892	C5417R	96185973	C8189	98845024	C2335LR
51783009	C5016LR	60695895	C5424L	96205808	C4277LR	98845025	C2334LR
51787336	C5420R	60695896	C5424R	96205809	C4277LR	98845026	C2336LR
51787337	C5420L	60807583	C7354LR	96207628	C7146LR	98845030	C4304LR
51795269	C7359LR	60809242	C7354LR	96213119	C1141LR	98845031	C4319R
51795446	C5422R	71740107	C8208	96218398	C5084R	98845032	C4319L
51795447	C5422L	71740112	C7260LR	96225858	C7143R	115420240	C1093LR
51795454	C7350L	71740113	C9052	96225859	C7143L	115422290	C8636
51795455	C7350R	71742688	C7289LR	96261107	C8131	115500440	C4089LR
51795519	C8764	71742689	C8222	96261108	C1139LR	171419804	C3042LR
51795703	C7351L	71742731	C5303R	96261378	C4146L	171419811	C4090LR
51795704	C7351R	71742732	C5303L	96261379	C4146R	171419812	C4090LR
51795705	C7351L	71742733	C8223	96268439	C5085L	171419821	C2279LR
51795706	C7351R	71742770	C4321LR	96268440	C5085R	191407182	C8015
51801136	C7359LR	77362278	C4222LR	96268454	C5086L	191407365	C1235LR
51803183	C7005LR	77363706	C4303L	96268455	C5086R	191411314	C8046
51817623	C5421L	77363707	C4303R	96275018	C4064L	191411315	C7030LR
51817624	C5421R	77363712	C4214R	96275019	C4064R	191419803	C3034L
51828660	C5421R	77363713	C4214L	96275798	C7144LR	191419804	C3034R
51828661	C5421L	77363829	C4291L	96300222	C7325LR	191419811	C4068L
51834093	C5425L	77363830	C4291R	96300627	C7147LR	191419812	C4068R
51834094	C5425R	77364009	C4223R	96300648	C1142LR	191501541	C9067
51835397	C5421L	77364253	C4223L	96305974	C5085L	251419811	C4090LR
51835398	C5421R	90009367	C7145LR	96305975	C5085R	333501541	C9138
52088283	C7442LR	90140006	C4064R	96316765	C5002LR	3521E5	C5384R
52088437	C7447LR	90235040	C8190	96328437	C1256LR	357407151	C5334LR
52088461	C4181R	90305431	C8743	96335966	C8189	357407181	C8048
52088511	C4181L	90373225	C3038L	96378346	C8132	357407182	C8015
55700751	C8215	90373226	C3038R	96378347	C5082L	357407365	C1050LR
55700753	C7258LR	90510647	C3059LR	96378348	C5082R	357419803	C3045L
55703232	C8214	90512775	C4029LR	96380586	C8931	357419804	C3045R
60570627	C7354LR	93178160	C2210LR	96380613	C8130	357422803	C3046L
60613575	C7349LR	93187434	C2209LR	96391850	C5081L	357422804	C3046R
60614514	C7289LR	93187435	C2210LR	96391851	C5081R	357501541	C9138
60625029	C7348LR	93188808	C1208LR	96391856	C8732	3812E5	C2221LR
60627290	C5424L	93192420	C2385LR	96391875	C7144LR	431407182	C8006
60627291	C5424R	93740618	C2119LR	96391876	C7325LR	431505172	C8003
60628255	C7353R	93740621	C2122LR	96403099	C7086L	441407155	C5029L
60628284	C7353L	93740701	C2119LR	96403100	C7086R	441407156	C5029R
60629903	C5418LR	93740710	C4276LR	96407485	C4145L	477419811	C4090LR
60630757	C7352LR	93740722	C4144L	96407486	C4145R	477419815	C4090LR
60651939	C5425L	93740723	C4144R	96431044	C8131	504039506	C8374
60651940	C5425R	93741074	C2051LR	96446586	C4277LR	535411315	C7281LR
60652167	C5419LR	93741077	C4097LR	96490218	C1138LR	701407077	C8065
60652465	C5417L	93741092	C2121LR	96535081	C5080L	701407087	C8066
60652466	C5417R	93800662	C4328LR	96535082	C5080R	701407183	C8068
60653551	C5423L	93802209	C4329LR	96535087	C8128	701407361	C1095LR
60653552	C5423R	93802242	C1277LR	96535088	C8129	701411041	C8062
60657245	C5425L	93807545	C1277LR	96535089	C1137LR	701411049	C7042LR
60657246	C5425R	94224552	C1168LR	96561754	C7087LR	701419810	C2285LR
60659291	C8766	94224701	C4170LR	96611265	C5002LR	701419812	C4092R
60662567	C8765	94246475	C1168LR	96626150	C7142LR	811511247	C8704
60665804	C5424L	94459465	C1029LR	96626247	C7141L	855407365	C1001L
60665805	C5424R	94459480	C4169R	96626248	C7141R	855407366	C1001R
60666020	C5423R	94459481	C4169L	96626251	C8122	857407181	C8002
60666021	C5423L	94788122	C1018LR	96626667	C4143LR	857407474	C8001
60666787	C5425L	95479763	C8129	96639904	C7324L	857505365	C1131LR
60666789	C5425R	96052292	C2261LR	96639905	C7324R	893199415	C8767
60678134	C5417L	96110483	C8148	96639918	C1257LR	893199419	C8768

• Cross Reference OE-LYNXauto

OE	LYNXauto	OE	LYNXauto	OE	LYNXauto	OE	LYNXauto
893407465	C7111LR	1352227080	C5399L	1633500113	C1187LR	2023336714	C8425
893419802	C3064R	1352228080	C5400L	1633520401	C5201L	2023503408	C8941
1243200289	C7014LR	1355449080	C7316LR	1633520501	C5201R	2024600405	C3021LR
1243200489	C7016LR	1357572080	C7272LR	1643201232	C7221LR	2024600505	C3022LR
1243231785	C8411	1400099680	C7358LR	1643201332	C7220LR	2033200789	C7216L
1243232385	C8421	1401381380	C2328LR	1643300935	C1188LR	2033200889	C7216R
1243232485	C8427	1403200889	C7343LR	1643301103	C4184L	2033202189	C7215LR
1243232785	C8423	1403201189	C7222L	1643301203	C4184R	2033202589	C7015LR
1243232885	C8426	1403201289	C7222R	1643301707	C5203L	2033202689	C7215LR
1243260181	C8954	1403203589	C7343LR	1643301807	C5203R	2033202889	C7015LR
1243300803	C3023LR	1403230985	C8955	1644600005	C2181LR	2033202989	C7215LR
1243301807	C5179L	1403261781	C8964	1683200389	C7393LR	2033230585	C8441
1243301907	C5179R	1403300003	C3025LR	1683200589	C7393LR	2033230685	C8440
1243303007	C5188L	1403304207	C5205L	1683200789	C7393LR	2033260281	C8947
1243303107	C5188R	1403304307	C5205R	1683201089	C7393LR	2033260381	C8948
1243303807	C5178L	1403305407	C5204L	1683201189	C7393LR	2033300111	C5184L
1243303907	C5178R	1403305507	C5204R	1683301135	C4342L	2033300211	C5184R
1243330327	C1087LR	1403305807	C5204L	1683301235	C4342R	2033301611	C5184L
1243333714	C8416	1403305907	C5204R	1683301335	C2363LR	2033301711	C5184R
1243333814	C8415	1403306407	C5205L	1683301535	C4342L	2033301903	C4179L
1243334214	C8428	1403306507	C5205R	1683301635	C4342R	2033302003	C4179R
1243334314	C8429	1403307007	C5205L	1683330127	C1292LR	2033302303	C4179L
1243500129	C5182LR	1403307107	C5205R	1683330227	C1292LR	2033302403	C4179R
1243500341	C8940	1403307607	C5204L	1693200589	C7395LR	2033303311	C5009L
1243506408	C8940	1403307707	C5204R	1693200989	C7394LR	2033303411	C5009R
1243507606	C5181LR	1403330327	C1189LR	1693201389	C7394LR	2033303903	C4179L
1243507706	C5181LR	1403331814	C8446	1693300403	C2364LR	2033304003	C4179R
1243510242	C8953	1403501853	C5207LR	1693300503	C4343L	2033304011	C5184R
1243523565	C8417	1403503053	C5207LR	1693300603	C4343R	2033330214	C8443
1243529065	C8418	1403503406	C5208LR	1693300703	C2364LR	2033330914	C8442
1244600805	C3027LR	1403503453	C5207LR	1693300803	C2365LR	2033500353	C5185LR
1244601205	C3024LR	1403503506	C5206LR	1693300903	C2364LR	2033500753	C5185LR
1293500406	C5181LR	1403503606	C5209LR	1693330027	C1293LR	2033504308	C8945
1300473080	C1213LR	1403528465	C8967	1693330127	C1293LR	2033504508	C8946
1300716080	C7357LR	1404600805	C3026LR	1703300107	C5187L	2043200489	C7398R
1302368080	C1212LR	1471654080	C2228LR	1703300207	C5187R	2043200589	C7398L
1304640080	C8738	1479759080	C8739	2013234885	C8410	2043200789	C7397L
1304641080	C8737	1497407080	C5401R	2013260981	C8944	2043201789	C7396L
1306003080	C4359LR	1497408080	C5401L	2013261081	C8942	2043201889	C7396R
1306716080	C4311LR	1497550080	C2328LR	2013301203	C3071LR	2043202289	C7397R
1308600080	C5395L	1633200011	C8963	2013301603	C3071LR	2043203789	C7396L
1308601080	C5395R	1633200032	C7454LR	2013303807	C5178L	2043203889	C7396R
1308664080	C7419LR	1633200090	C7219L	2013303907	C5178R	2043300903	C4344L
1308759080	C5396L	1633200190	C7219R	2013334514	C8413	2043301003	C4344R
1308760080	C5396R	1633200373	C8962	2013335114	C8414	2043303111	C5405L
1314240080	C5395L	1633230095	C7219L	2013501953	C5183LR	2043303211	C5405R
1317238080	C5396L	1633230195	C7219R	2013502753	C5183LR	2043303303	C4345L
1317239080	C5396R	1633230285	C8961	2013503253	C5183LR	2043303311	C5184L
1317241080	C5395R	1633300075	C8444	2013504706	C5180LR	2043303403	C4345R
1331640080	C1214LR	1633300103	C4053L	2013505606	C5180LR	2043304311	C5184L
1331641080	C1215LR	1633300135	C1036LR	2013512842	C8941	2043306711	C5405L
1331937080	C5398L	1633300175	C8445	2013520027	C8412	2043306811	C5405R
1331938080	C5397L	1633300203	C4053R	2013528865	C8420	2043330414	C8459
1331939080	C5398R	1633300407	C5199L	2023230285	C8422	2043380015	C2366LR
1331940080	C5397R	1633300507	C5199R	2023302607	C5187L	2043380315	C2367LR
1339464080	C5398L	1633300807	C5200L	2023302707	C5187R	2043380415	C2366LR
1339465080	C5397L	1633300907	C5200R	2023303007	C5186L	2043380515	C2367LR
1339466080	C5398R	1633330001	C5198L	2023303107	C5186R	2043500029	C5408LR
1339467080	C5397R	1633330101	C5198R	2023304807	C5186L	2043500075	C8951
1352225080	C5399R	1633380215	C2180LR	2023304907	C5186R	2043500175	C8951
1352226080	C5400R	1633500013	C1187LR	2023336414	C8424	2043500275	C8951

• **Cross Reference OE-LYNXauto**

OE	LYNXauto	OE	LYNXauto	OE	LYNXauto	OE	LYNXauto
2043500553	C5409L	2113203889	C7217R	2203305711	C5211L	6000022714	C4364L
2043500653	C5409R	2113203989	C7217L	2203305811	C5211R	6000022715	C4364R
2043501506	C5407L	2113230068	C1186LR	2203308307	C5210L	6000022736	C4226R
2043501606	C5407R	2113300103	C4183L	2203308407	C5210R	6000022737	C4226L
2043502106	C5406L	2113300203	C4183R	2203308907	C5212L	6000022761	C4360R
2043502206	C5406R	2113300235	C1185LR	2203309007	C5212R	6000022762	C4360L
2043502706	C5408LR	2113301111	C5191L	2203309307	C5210L	6000022819	C2238LR
2043503006	C5407L	2113301211	C5191R	2203309407	C5210R	6000030064	C4224R
2043503106	C5407R	2113301511	C5191L	2203330127	C1185LR	6000030065	C4224L
2043503306	C5406L	2113301611	C5191R	2203330227	C1185LR	6001547138	C7457LR
2043503406	C5406R	2113302303	C4183L	2203330327	C1185LR	6001547140	C8616
2043510342	C8949	2113302403	C4183R	2203330727	C1185LR	6001547519	C5083R
2043510442	C8950	2113302503	C4183L	2203333114	C8447	6001547520	C5083L
2043510842	C8949	2113302603	C4183R	2203380515	C4187LR	6001547606	C2123LR
2043520365	C8460	2113302703	C4183L	2203381015	C4187LR	6001547610	C4147L
2043521065	C8952	2113302803	C4183R	2203500453	C5215LR	6001547611	C4147R
2083301307	C5186L	2113302911	C5191L	2203502206	C5213LR	6001549988	C9063
2083301407	C5186R	2113303011	C5191R	2203502406	C5214LR	6001549989	C9063
2103202189	C7054L	2113304307	C5190L	2203502606	C5208LR	6001550441	C2123LR
2103202289	C7054R	2113304311	C5191L	2203520065	C8463	6001550442	C4147L
2103203689	C7054L	2113304407	C5190R	2213200189	C7401L	6001550443	C4147R
2103203789	C7054R	2113304411	C5191R	2213200289	C7401R	6001550446	C5083L
2103231485	C8956	2113306707	C5190L	2213201989	C7402L	6001550447	C5083R
2103300035	C1035LR	2113306807	C5190R	2213202289	C7402R	6001550909	C5083L
2103302207	C5186L	2113308107	C5192L	2213301503	C4348LR	6001550910	C5083R
2103302307	C5186R	2113308207	C5192R	2213301603	C2369LR	6013210350	C8452
2103302507	C5186L	2113308907	C5190L	2213303903	C4348LR	6025307746	C8599
2103302607	C5186R	2113309007	C5190R	2303300203	C4187LR	6025308155	C1217LR
2103303407	C5189L	2113309107	C5192L	2303300403	C4187LR	6025370229	C4360L
2103303507	C5189R	2113309207	C5192R	2303303911	C5184L	6025370230	C4360R
2103305007	C5186L	2113309907	C1184LR	2303330227	C1184LR	6383230268	C7230L
2103306107	C5189L	2113330427	C1184LR	2303380015	C2054LR	6383230285	C8972
2103306207	C5189R	2113331114	C8433	2303380115	C4187LR	6383230368	C7230R
2103307607	C5189L	2113331914	C8432	2303500329	C5197L	6383230468	C7231L
2103307707	C5189R	2113332214	C8435	2303500429	C5197R	6383230568	C7231R
2103308707	C5186L	2113332914	C8434	2303502006	C5196LR	6383260016	C7232LR
2103308807	C5186R	2113511442	C8959	2303502706	C5195L	6383260116	C7232LR
2103309007	C5189L	2113520865	C8436	2303502806	C5195R	6383260281	C8973
2103309107	C5189R	2123201189	C7399L	2303503506	C5194L	6383300010	C5218L
2103335514	C8430	2123201289	C7399R	2303503606	C5194R	6383300110	C5218R
2103336014	C8431	2123202589	C7400L	2303510242	C8960	6383330014	C8458
2103380415	C2055LR	2123202689	C7400R	2303521565	C8437	6383330027	C1193LR
2103380515	C4052L	2123300135	C1294LR	2513300707	C5202L	6383330814	C8457
2103380615	C4052R	2123301303	C4347L	2513300807	C5202R	6384600048	C4085LR
2103500029	C5182LR	2123301403	C4347R	3521E6	C5384R	6384600055	C2185LR
2103500653	C5183LR	2123302103	C2368LR	4143200189	C7229LR	6384600255	C2185LR
2103501453	C5183LR	2123302203	C4346R	4143200289	C7229LR	6393200089	C7233L
2103501606	C5181LR	2123302303	C4346L	4143200389	C7229LR	6393200189	C7233R
2103501706	C5181LR	2123302711	C5193L	4143300035	C2184LR	6393200289	C7233L
2103501853	C5183LR	2123302811	C5193R	4143330014	C8455	6393200389	C7233R
2103502153	C5183LR	2123302911	C5410L	4143330027	C1192LR	6393200489	C7233L
2103502506	C5181LR	2123303011	C5410R	4143330114	C8456	6393200589	C7233R
2103503306	C5180LR	2123330014	C8465	4143330127	C1192LR	6393300410	C5219L
2103503406	C5181LR	2203201589	C7223L	4143330135	C4189R	6393300510	C5219R
2103503806	C5182LR	2203201689	C7223R	4143330227	C1192LR	6393330227	C1194LR
2103505808	C8957	2203203689	C7343LR	4143330235	C4189L	6394600048	C4190L
2103505908	C8958	2203230368	C1186LR	4144600005	C4189L	6394600055	C2186LR
2113200889	C7218LR	2203301407	C5210L	4144600105	C4189R	6394600348	C4190R
2113200989	C7217L	2203301507	C5210R	4144600205	C2184LR	7700302114	C1199LR
2113201089	C7217R	2203304311	C5211L	4881079000	C4265R	7700302118	C5243L
2113203389	C7218LR	2203304411	C5211R	5094E6	C8187	7700302119	C5243R

• Cross Reference OE-LYNXauto

OE	LYNXauto	OE	LYNXauto	OE	LYNXauto	OE	LYNXauto
7700302165	C7243L	7701070154	C1200LR	8200298455	C5287R	21082904185	C1031LR
7700307343	C7243R	7701467273	C4224L	8200346941	C5282L	31100363477	C5378L
7700309070	C7243L	7701467274	C4224R	8200346942	C5282R	31100363478	C5378R
7700309071	C7243R	7701467501	C3029L	8200389134	C5284L	31103412135	C5075L
7700309154	C9005	7701467502	C3029R	8200389135	C5284R	31103412136	C5075R
7700309189	C5243L	7701468411	C1090LR	8200395034	C5412R	31103412137	C5074L
7700309190	C5243R	7701469280	C2240LR	8200452715	C5284L	31103412138	C5074R
7700312851	C1088LR	7701469502	C2057LR	8200452716	C5284R	31103412726	C1135LR
7700312852	C1198LR	7701469665	C2238LR	8200586561	C5413L	31103415027	C5075L
7700413493	C5283L	7701470362	C2194LR	8200586567	C5413R	31103415028	C5075R
7700413494	C5283R	7701470363	C4199L	8200602612	C5284L	31103418337	C5075L
7700418693	C1219LR	7701470364	C4199R	8200602613	C5284R	31103418338	C5075R
7700421804	C1219LR	7701470764	C2057LR	8200605381	C7245LR	31103418341	C1135LR
7700425227	C5244L	7701471124	C2233LR	8200626959	C5412L	31103426433	C5075L
7700425228	C5244R	7701471126	C4225L	8200661217	C7084LR	31103426434	C5075R
7700428665	C8626	7701471127	C4225R	8200669065	C7275LR	31103438623	C1255LR
7700428666	C8621	7701471143	C2234LR	8200688877	C1311LR	31103443127	C5378L
7700428738	C8620	7701471144	C2234LR	8200737132	C5286L	31103443128	C5378R
7700428739	C8624	7701471145	C4225L	8200737133	C5286R	31103451881	C5075L
7700430765	C5286L	7701471146	C4225R	8200737134	C5285L	31103451882	C5075R
7700430766	C5286R	7701471844	C2241LR	8200737135	C5285R	31104026719	C5065L
7700436302	C5285L	7701472038	C1091LR	8200750273	C5411L	31104026720	C5065R
7700436303	C5285R	7701472087	C2242LR	8200750274	C5411R	31106771194	C8121
7700760264	C8601	7701472113	C2236LR	8200814411	C7420LR	31106771897	C8120
7700784170	C8602	7701472120	C2056LR	8200820918	C5083R	31106778015	C8119
7700784171	C8618	7701472734	C2235LR	8200820930	C5083L	31120006482	C8096
7700785788	C8501	7701472766	C2239LR	8200852550	C8608	31120302754	C8111
7700789477	C8619	7701473333	C2195LR	8201108332	C4361R	31120304308	C8111
7700794386	C5281L	7701474448	C2243LR	8201108339	C4361L	31120305612	C8103
7700794387	C5281R	7701474492	C4200L	8201108350	C2387LR	31120393540	C8075
7700798053	C8600	7701474493	C4200R	9013200089	C7226LR	31120398350	C8075
7700799064	C8603	7701474795	C4227L	9013200289	C7224L	31121092019	C8093
7700799065	C8604	7701474796	C4227R	9013200389	C7224R	31121092023	C5005L
7700799404	C7244LR	7701475841	C2237LR	9013230185	C8970	31121092024	C5005R
7700805494	C7273LR	7701477385	C1306LR	9013260081	C8971	31121092609	C5062L
7700806238	C8627	7701478406	C2301LR	9013301607	C5216L	31121092610	C5062R
7700806239	C8628	7701478407	C4261L	9013301707	C5216R	31121092819	C5062L
7700807194	C1219LR	7701478408	C4261R	9013301807	C5216L	31121092820	C5062R
7700818051	C5285L	7701478762	C2194LR	9013301907	C5216R	31121093449	C5006L
7700818052	C5285R	7701479190	C9064	9013330214	C8049	31121093450	C5006R
7700823097	C5283L	8000273728	C5284L	9013330727	C1190LR	31121094233	C5006L
7700823098	C5283R	8200002870	C7084LR	9014600148	C4087LR	31121094234	C5006R
7700824042	C8615	8200026654	C5284L	9014600155	C2182LR	31121094235	C8093
7700829322	C1219LR	8200026655	C5284R	9014600255	C2182LR	31121094275	C5004L
7700831368	C5285L	8200038243	C9064	9043230085	C8017	31121094276	C5004R
7700831369	C5285R	8200042594	C9060	9053200489	C7225L	31121094465	C5056L
7700835929	C8605	8200049624	C8513	9053200589	C7225R	31121094466	C5056R
7700839316	C9060	8200127308	C7245LR	9063201389	C7228LR	31121096169	C5076L
7700847382	C7274LR	8200166159	C7275LR	9063201789	C7227L	31121096170	C5076R
7700847383	C8625	8200183569	C8507	9063201889	C7227R	31121096315	C5007L
7701041311	C4067L	8200183570	C8508	9063231485	C8450	31121096316	C5007R
7701041312	C4067R	8200197179	C5244L	9063231685	C8451	31121096372	C8115
7701047415	C4200L	8200197187	C5244R	9063304007	C5217L	31121096425	C1013LR
7701047416	C4200R	8200247898	C5250L	9063304107	C5217R	31121096685	C1012LR
7701047812	C4200L	8200247900	C5250R	9063330014	C8453	31121124401	C5058L
7701047813	C4200R	8200255760	C5288L	9063330114	C8454	31121124402	C5058R
7701049282	C4205L	8200255761	C5288R	9064600048	C4188LR	31121124622	C8090
7701049283	C4205R	8200272594	C9061	9064600055	C2183LR	31121126253	C1133LR
7701056678	C8607	8200273729	C5284R	9403817738	C4312LR	31121126254	C1011LR
7701059672	C8606	8200287912	C9063	9404059080	C4359LR	31121127725	C5054L
7701069131	C8612	8200298454	C5287L	9566950880	C2386LR	31121127726	C5054R

• **Cross Reference OE-LYNXauto**

OE	LYNXauto	OE	LYNXauto	OE	LYNXauto	OE	LYNXauto
31121130089	C5066L	31126752717	C5056L	31126773949	C5380L	31351507989	C7403LR
31121130090	C5066R	31126752718	C5056R	31126773950	C5380R	31351701066	C7127LR
31121130123	C8077	31126753059	C8086	31126774819	C5056L	31354014531	C7133L
31121131587	C5058L	31126753060	C8086	31126774820	C5056R	31354014532	C7133R
31121131588	C5058R	31126753991	C1296L	31126774825	C5065L	31356750703	C7069L
31121132159	C5057L	31126753992	C1296R	31126774826	C5065R	31356750704	C7069R
31121132160	C5057R	31126754899	C8086	31126774831	C5072L	31356753767	C7137L
31121133236	C8092	31126754900	C8086	31126774832	C5072R	31356753768	C7137R
31121133237	C5067L	31126755835	C5071L	31126776417	C5379L	31356753913	C8110
31121133238	C5067R	31126755836	C5071R	31126776418	C5379R	31356753928	C8108
31121133711	C5057L	31126756101	C5072L	31126777850	C8086	31356759537	C7404LR
31121133712	C5057R	31126756309	C1295LR	31126777851	C5056L	31356761591	C8101
31121135079	C8080	31126756491	C1013LR	31126777852	C5056R	31356763267	C8109
31121135351	C8080	31126757551	C8701	31126777939	C5071L	31356764113	C8102
31121136526	C5004L	31126757623	C8086	31126777940	C5071R	31356765574	C8073
31121136529	C5004L	31126758220	C5056L	31126783376	C8086	31356765933	C7125L
31121136530	C5004R	31126758510	C1012LR	31127756102	C5072R	31356765934	C7125R
31121136605	C8091	31126758513	C5004L	31129058931	C8077	31356769499	C7133L
31121136606	C8091	31126758514	C5004R	31129059288	C8080	31356769500	C7133R
31121136607	C8106	31126758515	C5004L	31129068734	C8096	31356773023	C7320L
31121139131	C1134LR	31126758516	C5004R	31129068753	C8094	31356773024	C7320R
31121139456	C8091	31126758519	C5056L	31129069829	C8096	31356778069	C7137L
31121139826	C8092	31126758520	C5056R	31129071085	C8096	31356778070	C7137R
31121139987	C5067L	31126760181	C5064L	31211096898	C3015R	31356780847	C7068LR
31121139988	C5067R	31126760182	C5064R	31216774223	C3015R	31356781545	C7137L
31121139991	C5058L	31126760183	C5065L	31303404065	C8112	31356781546	C7137R
31121139992	C5058R	31126760184	C5065R	31303413201	C7139L	32103412798	C3069LR
31121139999	C5066L	31126760275	C5007L	31303413202	C7139R	32103444999	C3069R
31121140000	C5066R	31126760276	C5007R	31303414299	C7139L	32106765089	C4137L
31121140398	C1012LR	31126763699	C5050L	31303414300	C7139R	32106765090	C4137R
31121140399	C5004L	31126763700	C5050R	31306781545	C7137L	32106767781	C4137L
31121140400	C5004R	31126763703	C5049L	31306781546	C7137R	32106767782	C4137R
31121140957	C5004L	31126763704	C5049R	31306781547	C7133L	32106774220	C4138L
31121140958	C5004R	31126763707	C5049L	31306781548	C7133R	32106774221	C4138R
31121141097	C5057L	31126763708	C5049R	31351090186	C9139	32106774335	C4274LR
31121141098	C5057R	31126765993	C5072L	31351090263	C9140	32106774336	C3019LR
31121141717	C5005L	31126765994	C5072R	31351091496	C7135LR	32106774347	C3016LR
31121141718	C5005R	31126765995	C5065L	31351091764	C7066LR	32106774360	C3017LR
31121141721	C5069L	31126765996	C5065R	31351091855	C7045L	32106774361	C4140LR
31121141722	C5069R	31126767530	C8702	31351091856	C7045R	32106776946	C4140LR
31121141723	C5069L	31126768297	C5064L	31351092304	C7132LR	32106777268	C3017LR
31121141724	C5069R	31126768298	C5064R	31351093108	C9141	32106777479	C3016LR
31121141752	C8096	31126769715	C8115	31351093263	C9142	32106777503	C3015L
31121141961	C5063L	31126769717	C5076L	31351094555	C8721	32106777504	C3015R
31121141962	C5063R	31126769718	C5076R	31351095271	C8720	32106777522	C2370LR
31121142087	C5068L	31126769797	C5049L	31351095661	C7045L	32106778437	C4351L
31121142088	C5068R	31126769798	C5049R	31351095662	C7045R	32106778438	C4351R
31121701077	C1132LR	31126769801	C5049L	31351095664	C7132LR	32106778547	C2371LR
31122226528	C8091	31126769802	C5049R	31351095694	C7068LR	32106778548	C2371LR
31124026453	C5072L	31126770247	C5056L	31351095695	C7135LR	32106780984	C4275LR
31124026454	C5072R	31126770248	C5056R	31351097021	C8731	32106780985	C3070LR
31124028607	C5064L	31126770771	C5071L	31351124380	C7065LR	32106793496	C3070LR
31124028608	C5064R	31126770772	C5071R	31351127194	C7065LR	32106793497	C4275LR
31124036269	C5049L	31126770849	C5050L	31351127414	C8775	32111091767	C3004L
31124036270	C5049R	31126770850	C5050R	31351127689	C7066LR	32111091768	C3004R
31124046437	C5065L	31126771893	C5381L	31351128050	C7065LR	32111091769	C4043L
31124046438	C5065R	31126771894	C5381R	31351128737	C7066LR	32111091770	C4043R
31124046441	C5072L	31126772301	C1297LR	31351130075	C7065LR	32111093769	C3004L
31124046442	C5072R	31126772302	C1297LR	31351133738	C8089	32111093770	C3004R
31126751317	C5056L	31126772303	C1298L	31351134582	C7065LR	32111094673	C3004L
31126751318	C5056R	31126772304	C1298R	31351135805	C8088	32111094674	C3004R

• Cross Reference OE-LYNXauto

OE	LYNXauto	OE	LYNXauto	OE	LYNXauto	OE	LYNXauto
32111096897	C3015L	33171131904	C8727	33326767831	C5061L	3521E7	C5270R
32111125186	C3011LR	33171136321	C8727	33326767832	C5061R	37116771929	C7321L
32111125187	C3012R	33171140308	C8727	33326768268	C5060LR	37116771930	C7321R
32111126757	C4002LR	33176770768	C8723	33326768269	C5078LR	3812E7	C2225LR
32111127124	C2108LR	33303411651	C5055LR	33326768791	C5059LR	5094E7	C8188
32111130449	C2108LR	33306772241	C5073L	33326769971	C5073L	95533306910	C7302L
32111130451	C2109R	33306772242	C5073R	33326769972	C5073R	95533306911	C7302L
32111139313	C4078L	33311091422	C8728	33326770059	C5070L	95533306921	C7302L
32111139314	C4078R	33311092516	C8722	33326770060	C5070R	95533307010	C7302R
32111139315	C3013L	33311092517	C8724	33326770273	C5077L	95533307011	C7302R
32111139316	C3013R	33311094036	C8729	33326770274	C5077R	95533307021	C7302R
32111139318	C3014R	33311128670	C8725	33326770742	C5078LR	95534101730	C5364L
32116754563	C2370LR	33311129144	C8717	33326770747	C5077L	95534101731	C5364L
32116754564	C2370LR	33311129760	C8725	33326770748	C5077R	95534101732	C5364L
32116761557	C2370LR	33313418342	C8114	33326770749	C5377LR	95534101830	C5364R
32116761558	C2370LR	33316757394	C8722	33326770753	C5060LR	95534101831	C5364R
32116761560	C4350R	33316770781	C8724	33326770775	C5073L	95534101832	C5364R
32116774222	C3015L	33319059300	C8718	33326770776	C5073R	95534102700	C5335LR
32116777521	C2370LR	33319059301	C8719	33326770786	C8081	95534102701	C5335LR
32116780785	C2370LR	33321090030	C5377LR	33326770813	C5055LR	95534102702	C5335LR
32116780786	C2370LR	33321090102	C8097	33326770824	C8082	95534124203	C8044
32136761559	C4350L	33321090504	C8100	33326770859	C5077L	95534124204	C8044
32211091723	C4139L	33321090745	C5059LR	33326770860	C5077R	95534158810	C8043
32211091724	C4139R	33321090815	C5061L	33326771828	C8083	95534306900	C7301LR
32211095957	C4138L	33321090816	C5061R	33326774793	C5073L	95534703120	C3049L
32211095958	C4138R	33321090905	C5070L	33326774794	C5073R	95534703121	C3049L
32211096327	C4075LR	33321090906	C5070R	33326774796	C5078LR	95534703220	C3049R
32211096897	C3015L	33321091620	C5377LR	33326775551	C8084	95534703221	C3049R
32211096898	C3015R	33321092237	C5055LR	33326775552	C8074	95534713120	C4247L
32211124231	C3001LR	33321092247	C8085	33326777424	C5060LR	95534713121	C4247L
32211127917	C4076LR	33321092248	C8082	33326777980	C5052LR	95534713122	C4247L
32211127918	C4077LR	33321094209	C5061L	33329058821	C8078	95534713220	C4247R
32211129020	C3001LR	33321094210	C5061R	33329061945	C8078	95534713221	C4247R
32211130001	C4077LR	33321095411	C5077L	33503413197	C7140LR	95534713222	C4247R
32211130004	C4076LR	33321095412	C5077R	33503414297	C7140LR	3520E8	C5384R
32211135666	C3001LR	33321095414	C5078LR	33506768493	C7319LR	3812E8	C2218LR
32211135819	C4077LR	33321095631	C8100	33506772789	C7406LR	3812E9	C2326LR
32211135820	C4076LR	33321096797	C5060LR	33506781537	C7319LR	007350278N	C2256LR
32211141345	C4141L	33321097009	C8081	33506781538	C7138LR	09319-10030	C8130
32211141346	C4141R	33321097264	C5059LR	33506781540	C7134LR	09319-12044	C8657
32216751277	C3018LR	33321110115	C8078	33536765584	C8777	09319-14007	C8658
32216754565	C4349L	33321117259	C8078	33551091497	C7136LR	0G03034550B	C1030LR
32216754566	C4349R	33321123463	C7131LR	33551092292	C7067LR	0K011-32-230	C4301L
32216756368	C3017LR	33321123774	C8078	33551093663	C9143	0K011-32-240A	C4300L
32216756369	C4140LR	33321125665	C7131LR	33551094619	C7130LR	0K011-32-250A	C4300R
32216760354	C4274LR	33321126476	C7131LR	33551095532	C7067LR	0K011-32-280	C4301R
32216760470	C3019LR	33321136311	C8083	33551095696	C7136LR	0K011-34-150A	C7448LR
32216762243	C3068L	33321137564	C8078	33551096735	C7070LR	0K011-34-160A	C7448LR
32216762244	C3068R	33321137571	C8085	33551124375	C7128LR	0K011-34-200	C5432LR
32216762403	C3016LR	33321137806	C8081	33551126932	C7128LR	0K011-34-200A	C5432LR
32216773739	C4275LR	33321138380	C5055LR	33551131131	C7129LR	0K011-34-300D	C5433LR
32216773740	C2107LR	33321138383	C8082	33551131155	C8079	0K011-34-300F	C5433LR
32216773741	C3070LR	33321138722	C8084	33551131290	C8776	0K011-34510B	C1177LR
32303418202	C4142LR	33321140345	C8084	33551135307	C7129LR	0K011-34820A	C8849
32303418204	C3069LR	33322282065	C5060LR	33551507999	C7405LR	0K011-34830A	C8848
32413413476	C4142LR	33326750371	C8100	33556757460	C7138LR	0K01V-34156	C8847
33171093008	C8730	33326756249	C8074	33556761000	C7134LR	0K080-34840	C8850
33171093175	C8723	33326763471	C5053LR	33556761492	C7319LR	0K20132240	C2313LR
33171130874	C8726	33326763473	C5052LR	33556764428	C7126LR	0K20132240A	C2313LR
33171131245	C8727	33326765425	C5051LR	33556771937	C7322LR	0K201-34156A	C8369
33171131903	C8726	33326767748	C8100	34526778469	C5052LR	0K201-34-550C	C1105LR

• Cross Reference OE-LYNXauto

OE	LYNXauto	OE	LYNXauto	OE	LYNXauto	OE	LYNXauto
OK201-34-550D	C1105LR	OK9AA-28156	C8841	1J0407366B	C1083R	1K0407152R	C5031R
OK201-34-550E	C1105LR	OS083-32240	C4331LR	1J0407366C	C1083R	1K0407152T	C5031R
OK20332240	C2313LR	11180-2906040	C8852	1J0407366D	C1083R	1K0407182	C8018
OK20332240A	C2313LR	1118-2906050	C7373LR	1J0407366H	C1083R	1K0407183E	C8056
OK24J-28156	C8836	1118-3414056	C4334R	1J0411314C	C8013	1K0407365B	C1005L
OK2A132240	C2314LR	1118-3414057	C4334L	1J0411314G	C8045	1K0407365C	C1005L
OK2A134150A	C7338LR	1391-99-322	C4099LR	1J0411314P	C8012	1K0407365E	C1005L
OK2A134150B	C7338LR	171407365F	C1253LR	1J0411314S	C8011	1K0407366B	C1005R
OK2A1-3446X	C8352	171407365G	C1253LR	1J0411314T	C8045	1K0407366C	C1005R
OK2A1-3446Y	C8351	171419804A	C3042LR	1J0411315	C7003LR	1K0407366E	C1005R
OK2A1-34550A	C1171LR	171419821A	C2279LR	1J0411315B	C7003LR	1K0411315B	C7116LR
OK2A232240	C2314LR	191407151B	C5369LR	1J0411315C	C7003LR	1K0411315D	C7116LR
OK2A5-34-150	C7204LR	191407153A	C5369LR	1J0411315D	C7114L	1K0411315J	C7116LR
OK2A5-34150A	C7204LR	191407181D	C8048	1J0411315E	C7002LR	1K0411315K	C7116LR
OK2A5-34-150B	C7204LR	191407181E	C8048	1J0411315G	C7002LR	1K0423810A	C2102LR
OK2A5-34-150C	C7204LR	191407365A	C1235LR	1J0411315H	C7317LR	1K0423811A	C4273L
OK2C0-34460	C8350	191407365B	C1235LR	1J0411315J	C7003LR	1K0423811B	C4273L
OK2FA-34150	C7193R	191411315A	C7318LR	1J0411315K	C7317LR	1K0423811C	C4273L
OK2FA-34170	C7193L	191411315B	C7030LR	1J0411316D	C7114R	1K0423811D	C4273L
OK2FA-34300	C5153R	191419803A	C3034L	1J0422803	C3003L	1K0423811E	C4273L
OK2FA-34350	C5153L	191419804A	C3034R	1J0422803A	C3003L	1K0423811F	C4273L
OK2FA-34550	C1171LR	191422803A	C3036L	1J0422803B	C3002L	1K0423811G	C4273L
OK2FK-32240	C2162LR	191422804A	C3036R	1J0422803C	C3003L	1K0423811H	C4273L
OK2KB-34156A	C8349	1E0028460B	C8746	1J0422803H	C3002L	1K0423811J	C4273L
OK2M228150	C7338LR	1E0028460C	C8746	1J0422804	C3003R	1K0423811K	C4273L
OK2N1-34150A	C7205R	1E00-32-240	C2132LR	1J0422804A	C3003R	1K0423812A	C4273R
OK2N1-34170A	C7205L	1E0032280A	C4070R	1J0422804B	C3002R	1K0423812B	C4273R
OK2NA-34156	C8369	1E00-34-170	C7148LR	1J0422804C	C3003R	1K0423812C	C4273R
OK2NA-34300B	C5161R	1E00-34-300A	C5088R	1J0422804H	C3002R	1K0423812D	C4273R
OK2NA-34350B	C5161L	1E00-34-350A	C5088L	1J0422807	C2100LR	1K0423812E	C4273R
OK30A-34480C	C8368	1E0132280A	C4070L	1J0422807A	C2100LR	1K0423812F	C4273R
OK30B-34300B	C5159R	1E01-34-300A	C5089R	1J0422807B	C2101LR	1K0423812G	C4273R
OK30B-34350B	C5159L	1E01-34-350A	C5089L	1J0422811	C4074L	1K0423812H	C4273R
OK33C-34150A	C7202R	1H0407151	C5371LR	1J0422811A	C4074L	1K0423812J	C4273R
OK33C-34160A	C7202L	1H0407151A	C5333L	1J0422811B	C4073L	1K0423812K	C4273R
OK552-32240	C4172L	1H0407152	C5333R	1J0422812	C4074R	1K0501529E	C5032L
OK552-32280	C4172R	1H0407365	C1236LR	1J0422812A	C4074R	1K0501529F	C5032L
OK552-34151B	C7437LR	1H0411314	C8047	1J0422812B	C4073R	1K0501529J	C5354LR
OK60A-32270A	C2168LR	1H0419803	C3043L	1J0501541C	C8707	1K0501530B	C5032R
OK710-32240	C4331LR	1H0419803A	C3043L	1J0505203	C8016	1K0501530C	C5032R
OK710-34510	C1175LR	1H0419804	C3043R	1J0505323L	C5353LR	1K0505223K	C5355L
OK710-34-540	C1033LR	1H0419804A	C3043R	1J0505323M	C5353LR	1K0505224K	C5355R
OK72A-32240	C4332LR	1H0419821	C2280LR	1J0505466B	C7115LR	1K0505323H	C5001LR
OK72A-32240A	C4332LR	1H0419821A	C2280LR	1K0199231G	C8019	1K0505323N	C5001LR
OK72A-32270	C2167LR	1H0422803	C3039L	1K0199231J	C8019	1K0505323P	C5001LR
OK72A-34150A	C7372LR	1H0422803B	C3044L	1K0199232G	C8020	1K0505465C	C7278LR
OK72A-34510A	C1280LR	1H0422803C	C3044L	1K0199232J	C8020	1K0505465J	C7278LR
OK9A232240	C2313LR	1H0422804	C3039R	1K0407151AA	C5291L	1K0505465K	C7278LR
OK9A232280	C4084LR	1H0422804B	C3044R	1K0407151AC	C5031L	1K0505541C	C8021
OK9A2-34156	C8361	1H0422804C	C3044R	1K0407151AH	C5291L	1K0505541D	C8021
OK9A2-34300	C5155R	1H0501541A	C9068	1K0407151BC	C5291L	1K0505553	C8022
OK9A2-34350	C5155L	1J0407151A	C5356LR	1K0407151M	C5031L	1K0505553A	C8022
OK9A2-3446A	C8363	1J0407151B	C5356LR	1K0407151P	C5291L	1K0511327AP	C8703
OK9A2-3446X	C8364	1J0407151C	C5356LR	1K0407151R	C5031L	1S71-306S-A0	C8256
OK9A2-34470	C8362	1J0407181	C8014	1K0407151T	C5031L	1S71-3A262-A01	C8255
OK9A3-28170A	C7201LR	1J0407365A	C1083L	1K0407152AA	C5291R	1S7C3280BB	C2003LR
OK9A3-28-170B	C7201LR	1J0407365B	C1083L	1K0407152AC	C5031R	20200-AA200	C5294R
OK9A6-34300	C5156R	1J0407365C	C1083L	1K0407152AH	C5291R	20200-AA210	C5294L
OK9A6-34350	C5156L	1J0407365D	C1083L	1K0407152BC	C5291R	20200-AC200F	C5294R
OK9A6-3446X	C8366	1J0407365H	C1083L	1K0407152M	C5031R	20200-AC210	C5294L
OK9A6-3446Y	C8365	1J0407366A	C1083R	1K0407152P	C5291R	20200-AC210F	C5294L

• Cross Reference OE-LYNXauto

OE	LYNXauto	OE	LYNXauto	OE	LYNXauto	OE	LYNXauto
20200-FC120	C5295R	2110-2906040	C8851	3520N3	C5397L	357411313A	C9136
20200-FC130	C5295L	2110-2906050	C7431LR	3520N4	C5398L	357411314A	C9137
20201-AA000	C8639	2110-2914054	C8856	3520N6	C5277L	357411315A	C7300LR
20201-AC100	C8642	2110-3414056	C4050R	3520P2	C5270L	357411315C	C7299LR
20201-AC110	C8641	2110-3414057	C4050L	3520P3	C5274L	357411315D	C7300LR
20201-FA050	C9078	2121-3414116	C4178LR	3520Q2	C5308L	357419803A	C3045L
20201-FA060	C9077	2D0407021	C5216L	3520Q3	C5280L	357419804A	C3045R
20201-FC020	C8640	2D0407021B	C5216L	3520Q4	C5280L	357422803A	C3048L
20201-FC100	C8644	2D0407022	C5216R	3520Q5	C5280L	357422804A	C3048R
20201-FC110	C8643	2D0407140	C8049	3520R7	C5273L	357422807A	C2283LR
20201-FC120	C8646	2D0407361A	C1190LR	3520R8	C5401L	357501541A	C9138
20201-FC130	C8645	2D0407361B	C1190LR	3520S0	C5399L	3812A4	C2386LR
20202-SA000	C5296R	2D0411041B	C8017	3520S1	C5400L	3812A9	C2223LR
20202-SA010	C5296L	2D0411051	C7224L	3520S2	C5274L	3812C0	C2230LR
20204-AG011	C8648	2D0411052	C7224R	3520V0	C5393L	3812C1	C2224LR
20204-AG040	C8647	2D0422803	C2182LR	3520V2	C5275L	3812C3	C2224LR
20204-AJ000	C8647	2D0422811	C4087LR	3520V3	C5280L	3812C4	C2224LR
20204-AJ010	C9084	2D0511329	C7226LR	3520V6	C5270L	3812C5	C2030LR
20401-AA020	C9073	2E0407151M	C5217L	3520V7	C5272L	3812C6	C2324LR
20401-AC010	C9070	2E0407152M	C5217R	3520W0	C5271L	3812C7	C2226LR
20401-AC011	C9070	2E0407473E	C8451	3520X7	C5278L	3812C8	C2327LR
20401-AC031	C9072	2E0411041C	C8450	3520X9	C5393L	3812F0	C2328LR
20401-FA000	C9071	2E0411041E	C8450	3521A7	C5384R	3812F1	C2300LR
20401-FA010	C9080	2E0411041F	C8451	3521C8	C5023R	3812F2	C2222LR
20401-FA020	C9069	2E0411317C	C7227L	3521F3	C5280R	3812F3	C2299LR
20401-FA021	C9069	2E0411318C	C7227R	3521G3	C5394R	3812F4	C2325LR
20414-AG020	C9075	2E0498104	C4188LR	3521G6	C5279R	3A0422803C	C3047L
20414-AG030	C9075	2E0511051F	C7228LR	3521G8	C5274R	3A0422804C	C3047R
20414-AG070	C9075	2E0713491	C2183LR	3521H9	C5271R	3A0422811	C4068L
20414-SA000	C9072	2E0713501	C4188LR	3521J0	C5272R	3A0422812	C4068R
20420-AA003	C7282LR	2K0505465B	C7297LR	3521J3	C5397R	3A0501541	C9138
20420-AA004	C7282LR	2K0505465C	C7297LR	3521J4	C5398R	3C0199231A	C8052
20420-AJ000	C7439LR	2K0505465E	C7297LR	3521J6	C5277R	3C0199231B	C8052
20464-AE020	C9082	2S613395AB	C1144LR	3521K2	C5270R	3C0199231D	C8052
20464-AE040	C9083	31320-GA190	C4113R	3521K3	C5274R	3C0407151A	C5372LR
20464-AE060	C9081	31320-GA200	C4113L	3521L3	C5308R	3C0407151B	C5372LR
20464-FG000	C9079	34140-AA030	C2400LR	3521L4	C5280R	3C0407151E	C5372LR
20464-SC010	C9076	34140-AA040	C2400LR	3521L5	C5280R	3C0407365A	C1237L
20470-AE000	C7440LR	34141-AA041	C4229LR	3521L6	C5280R	3C0407366A	C1237R
20470-AJ000	C7441LR	34141-AA042	C4229LR	3521N8	C5273R	3C0505541	C8053
20470-AJ010	C7438LR	34141-AC010	C4229LR	3521N9	C5401R	3M513K209BA	C1100LR
20470-FG000	C7441LR	34160-AE000	C2257LR	3521P1	C5399R	3M513L519AA	C2133LR
20470-SA000	C7284LR	34160-AE001	C2257LR	3521P2	C5400R	4010A013	C5455L
20470-SA010	C7285LR	34160-XA010	C2164LR	3521P3	C5274R	4010A014	C5455R
20470-SA011	C7285LR	34161-SA000	C4229LR	3521R1	C5393R	4010-A037	C5237L
20470-SC000	C7438LR	3520A1	C5384L	3521R3	C5275R	4010-A038	C5237R
20481-AA001	C7283LR	3520C0	C5276L	3521R4	C5280R	4011000QAA	C1199LR
2101-2904082	C1180LR	3520G8	C5023L	3521R7	C5270R	40110-01G00	C1020LR
2101-2904185	C1179LR	3520H1	C5276L	3521R9	C5272R	40110-01G25	C1020LR
2101-3003050	C4177R	3520H3	C5383L	3521S1	C5271R	40110-01G26	C1020LR
2101-3003057	C4176LR	3520H4	C5383L	3521T8	C5278R	40110-2S485	C1247LR
2101-3003064	C4177L	3520H5	C5384L	3521V0	C5393R	40110-2S486	C1247LR
21067-GA050	C1051LR	3520H6	C5384L	3523AA	C8176	40110-2S685	C1247LR
2108-2904020	C5436LR	3520H7	C5270L	3523AG	C8147	40110-2S686	C1247LR
2108-2904040	C8853	3520H8	C5384L	3523AQ	C8164	40110-3S600	C1247LR
2108-2904046	C8854	3520H9	C5280L	3523AZ	C8167	40110-8B425	C1247LR
2108-2904050	C8855	3520K3	C5394L	3523CA	C8168	40110-8B525	C1247LR
2108-2906040	C8857	3520K6	C5279L	3523CC	C8690	40110-8B550	C1247LR
2108-2906050	C7449LR	3520K8	C5274L	3523CE	C8689	40110-9Z050	C1247LR
2108-3414056	C4049R	3520L7	C5271L	3523CS	C8171	40110-B9500	C1020LR
2108-3414057	C4049L	3520L8	C5272L	357407365A	C1050LR	40110-G3700	C1120LR

• **Cross Reference OE-LYNXauto**

OE	LYNXauto	OE	LYNXauto	OE	LYNXauto	OE	LYNXauto
40110-G5100	C1120LR	40160-5Y720	C1258LR	42420-60A00	C7105LR	43330-29137	C1122LR
40110-T3060	C1020LR	40160-60Y00	C1042LR	42420-62J00	C7288LR	43330-29138	C1122LR
40110-T6000	C1020LR	40160-60Y10	C1042LR	42420-65D00	C7105LR	43330-29139	C1122LR
40110-T6025	C1020LR	40160-60Y20	C1042LR	42420-65J00	C7287LR	43330-29145	C1056LR
40110-V0100	C1020LR	40160-60Y60	C1045LR	42420-80J00	C7289LR	43330-29146	C1056LR
40110-VJ200	C1247LR	40160-67L00	C1116LR	42431-70B42	C8649	43330-29155	C1067LR
4013A009	C5393L	40160-69C00	C1045LR	42431-79J00	C8222	43330-29175	C1073LR
4013A010	C5393R	40160-6M000	C1045LR	42451-M76G00	C8528	43330-29185	C1056LR
4013A087	C5454L	40160-85E00	C1043LR	43140-7181F	C8006	43330-29205	C1122LR
4013A088	C5454R	40160-86M00	C1045LR	43140-7183A	C8004	43330-29225	C1057LR
4013A090	C1301LR	40160-9060R	C1244LR	43140-7201C	C8006	43330-29235	C1066LR
4013-A209	C5239L	40160-93G25	C1021LR	43308-09010	C1077LR	43330-29245	C1073LR
4013-A210	C5239R	40160-93G26	C1021LR	43308-09070	C1077LR	43330-29265	C1053LR
4013A281	C5393L	40160-9C500	C1205R	43308-09080	C1077LR	43330-29275	C1008R
4013A282	C5393R	40160-9W200	C1307LR	43308-0H010	C1077LR	43330-29295	C1067LR
401600004R	C1310LR	40160-9Z510	C1248LR	43308-12030	C1121LR	43330-29315	C1053LR
40160-00Q0A	C1306LR	40160-A03G0	C1118LR	43308-19035	C1121LR	43330-29325	C1057LR
4016000Q0B	C1200LR	40160-A06G0	C1118LR	43308-19176	C1077LR	43330-29326	C1057LR
4016000QAB	C1088LR	40160-AX000	C1202LR	43308-29015	C1074LR	43330-29355	C1008R
4016000QAC	C1198LR	40160-B9500	C1250R	43308-29115	C1074LR	43330-29356	C1008R
40160-01A00	C1118LR	40160-ED00A	C1303LR	43308-59035	C1077LR	43330-29375	C1053LR
40160-01A25	C1118LR	40160-F1700	C1250R	43308-59065	C1077LR	43330-29385	C1008R
40160-01E00	C1043LR	40160-F4200	C1042LR	43308-59095	C1077LR	43330-29405	C1098R
40160-01G00	C1203LR	40160-G2500	C1119LR	43310-09015	C1125LR	43330-29415	C1008R
40160-01G25	C1203LR	40160-G2525	C1119LR	43310-09030	C1125LR	43330-39055	C1064LR
40160-01G26	C1203LR	40160-G4010	C1119LR	43310-0K010	C1125LR	43330-39065	C1064LR
40160-01G50	C1203LR	40160-G5100	C1119LR	43310-0K040	C1125LR	43330-39095	C1064LR
40160-01G90	C1203LR	40160-G5400	C1119LR	43310-29065	C1242LR	43330-39105	C1064LR
40160-01N25	C1203LR	40160-T3060	C1250R	43310-39016	C1071LR	43330-39135	C1055LR
40160-0F000	C1021LR	40161-2Y411	C1258LR	43310-39025	C1242LR	43330-39145	C1064LR
40160-0M020	C1042LR	40161-2Y412	C1258LR	43310-39045	C1242LR	43330-39155	C1064LR
40160-0W025	C1044LR	40161-48W00	C1250L	43310-59025	C1242LR	43330-39195	C1068LR
401602308R	C1308LR	40161-48W25	C1250L	43330-02020	C1063LR	43330-39225	C1064LR
40160-27N25	C1203LR	40161-5Y720	C1258LR	43330-06020	C1054LR	43330-39235	C1064LR
40160-2S485	C1203LR	40161-9C500	C1205L	43330-06021	C1054LR	43330-39245	C1130LR
40160-2S601	C1248LR	40161-B9500	C1250L	43330-09070	C1062LR	43330-39255	C1068LR
40160-2S685	C1248LR	40161-F1700	C1250L	43330-09140	C1054LR	43330-39265	C1070LR
40160-2S686	C1248LR	40161-T3060	C1250L	43330-09160	C1098R	43330-39275	C1055LR
401602Y000	C1258LR	4018A3	C4311LR	43330-09210	C1227LR	43330-39285	C1054LR
401602Y411	C1258LR	4018A4	C2228LR	43330-09295	C1127LR	43330-39295	C1130LR
401602Y412	C1258LR	4018H4	C4311LR	43330-09330	C1313R	43330-39315	C1070LR
40160-41L00	C1116LR	4056-A014	C7238LR	43330-09360	C1229LR	43330-39345	C1055LR
401604793R	C1218LR	4056A015	C7052L	43330-09490	C1127LR	43330-39415	C1230R
40160-48W00	C1250R	4056A019	C7409LR	43330-09510	C1127LR	43330-39435	C1054LR
40160-48W25	C1250R	4056A021	C7236LR	43330-09580	C1313R	43330-39445	C1130LR
40160-4F100	C1117LR	4056A026	C7017LR	43330-09590	C1313R	43330-39455	C1289R
40160-4F105	C1117LR	4056A031	C7234LR	43330-09630	C1233LR	43330-39466	C1230R
40160-4M400	C1045LR	4056A037	C7185LR	43330-09770	C1312LR	43330-39535	C1289L
40160-4M410	C1045LR	4056A040	C7105LR	43330-0B020	C1073LR	43330-39585	C1230R
40160-4M411	C1045LR	4056A049	C8483	43330-19025	C1128LR	43330-39625	C1291R
40160-50A00	C1045LR	4056-A052	C7344LR	43330-19045	C1234LR	43330-39775	C1313R
40160-50J25	C1045LR	4056A078	C8484	43330-19065	C1009R	43330-49025	C1057LR
40160-50W00	C1021LR	4056A079	C8169	43330-19066	C1009R	43330-49095	C1233LR
40160-50W01	C1021LR	4056A111	C7103L	43330-19075	C1234LR	43330-59065	C1290R
40160-50W25	C1021LR	4056A112	C7103R	43330-19085	C1010R	43330-59066	C1290R
40160-50Y00	C1042LR	4156A014	C7271L	43330-19095	C1063LR	43330-59085	C1008R
40160-50Y10	C1042LR	4156A028	C8170	43330-19115	C1062LR	43330-59105	C1008R
40160-51E00	C1043LR	4156A041	C8489	43330-29115	C1073LR	43330-59135	C1290R
40160-52Y00	C1042LR	42412-65D00	C9085	43330-29125	C1067LR	43340-09010	C1098L
40160-52Y10	C1042LR	42412-65J00	C9088	43330-29135	C1122LR	43340-09040	C1313L
40160-52Y60	C1042LR	42420-59J00	C7289LR	43330-29136	C1122LR	43340-09100	C1313L

• Cross Reference OE-LYNXauto

OE	LYNXauto	OE	LYNXauto	OE	LYNXauto	OE	LYNXauto
43340-09110	C1313L	4410A173	C2372LR	45046-09360	C4057R	45046-69155	C4132LR
43340-19015	C1009L	441407151A	C5029L	45046-09430	C4241LR	45046-69195	C4121R
43340-19016	C1009L	441407151C	C5029L	45046-09480	C4246R	45046-69205	C4096R
43340-19025	C1010L	441407152A	C5029R	45046-09540	C4031LR	45046-69235	C4366R
43340-29085	C1008L	441407152C	C5029R	45046-09570	C4239R	45046-69245	C4367LR
43340-29095	C1073LR	4422A002	C4259LR	45046-09660	C4240R	45046-87401	C4316LR
43340-29105	C1067LR	4422A009	C4105L	45046-19175	C4032LR	45046-87402	C4316LR
43340-29145	C1008L	4422A010	C4105R	45046-19205	C4042LR	45046-87503	C4315R
43340-29146	C1008L	4422A012	C2300LR	45046-19206	C4042LR	45046-87504	C4315R
43340-29165	C1008L	4422A018	C4259LR	45046-19215	C4042LR	45046-87580	C4315R
43340-29175	C1098L	4422A037	C4197L	45046-19216	C4042LR	45046-87707	C4314R
43340-29185	C1008L	4422A038	C4197R	45046-19265	C4057R	45046-97204	C4314R
43340-39175	C1068LR	4422A052	C4259LR	45046-19415	C4239R	45047-02030	C4371L
43340-39225	C1130LR	4422A056	C2083LR	45046-29115	C4038LR	45047-05060	C4240L
43340-39235	C1068LR	443419811B	C4072L	45046-29125	C4038LR	45047-09080	C4371L
43340-39245	C1070LR	443419811C	C4061L	45046-29135	C4237LR	45047-09125	C4215L
43340-39325	C1230L	443419811D	C4072L	45046-29145	C4041LR	45047-09150	C4057L
43340-39345	C1289L	443419812C	C4061R	45046-29165	C4056R	45047-09220	C4246L
43340-39356	C1230L	443419812D	C4072R	45046-29185	C4039LR	45047-09270	C4239L
43340-39415	C1289R	443505351P	C5030L	45046-29186	C4039LR	45047-09320	C4240L
43340-39465	C1230L	443505352P	C5030R	45046-29205	C4041LR	45047-19115	C4057L
43340-39505	C1291L	44401-08000	C5388L	45046-29215	C4035LR	45047-19215	C4239L
43340-39545	C1313L	44401-08100	C5388L	45046-29235	C4117R	45047-29045	C4056L
43340-59015	C1290L	44401-09010	C5389L	45046-29255	C4031LR	45047-29065	C4117L
43340-59065	C1290L	44401-09011	C5389L	45046-29265	C4032LR	45047-29075	C4055L
43340-59066	C1290L	44402-08000	C5388R	45046-29275	C4055R	45047-29105	C4055L
43340-59085	C1008L	44402-08100	C5388R	45046-29285	C4040LR	45047-29125	C4054L
43340-59105	C1008L	44402-09010	C5389R	45046-29305	C4032LR	45047-39215	C4059L
43350-29035	C1072LR	44402-09011	C5389R	45046-29325	C4036LR	45047-49015	C4238L
43350-29036	C1072LR	44430-03011	C1085LR	45046-29335	C4055R	45047-49025	C4125L
43350-29045	C1124LR	44505-05000	C1140LR	45046-29365	C4054R	45047-49045	C4057L
43350-29055	C1124LR	44505-05001	C1140LR	45046-29375	C4036LR	45047-49055	C4235R
43350-29056	C1124LR	44541-09004	C1259LR	45046-29385	C4036LR	45047-49135	C4245L
43350-29065	C1123LR	44750-05000	C7326LR	45046-29425	C4234LR	45047-59025	C4060L
43350-29076	C1072LR	44750-05001	C7326LR	45046-29456	C4375LR	45047-59026	C4060L
43350-29085	C1072LR	44750-08000	C7327LR	45046-29555	C4041LR	45047-59035	C4060L
43350-29095	C1123LR	44750-08001	C7328L	45046-39105	C4038LR	45047-59135	C4372L
43350-39015	C1065LR	44751-09000	C7329L	45046-39106	C4038LR	45047-59155	C4372L
43350-39016	C1065LR	44752-09000	C7329R	45046-39125	C4038LR	45047-60H01	C4243LR
43350-39025	C1065LR	44755-08000	C7328R	45046-39165	C4038LR	45047-69035	C4243LR
43350-39035	C1129LR	45044-60H04	C4130LR	45046-39175	C4038LR	45047-69065	C4243LR
43350-39045	C1069LR	45044-60H05	C4131LR	45046-39195	C4034LR	45047-69066	C4122L
43350-39055	C1065LR	45044-69097	C4058L	45046-39215	C4038LR	45047-69067	C4122L
43350-39065	C1065LR	45044-69105	C4131LR	45046-39235	C4038LR	45047-69085	C4122L
43350-39075	C1129LR	45044-69115	C4130LR	45046-39335	C4059R	45047-69100	C4121L
43350-39085	C1069LR	45044-69125	C4131LR	45046-39375	C4038LR	45047-69115	C4096L
43350-39115	C1129LR	45045-69065	C4058R	45046-39505	C4123LR	45047-69145	C4366L
43350-39125	C1126LR	45046-02070	C4371R	45046-49085	C4238R	45047-87503	C4315L
43360-29055	C1072LR	45046-05070	C4240R	45046-49095	C4125R	45047-87504	C4315L
43360-29056	C1072LR	45046-09090	C4032LR	45046-49115	C4057R	45047-87580	C4315L
43360-29065	C1124LR	45046-09190	C4031LR	45046-49125	C4235L	45047-87706	C4314L
43360-29075	C1124LR	45046-09200	C4371R	45046-49195	C4245R	45047-97204	C4314L
43360-29076	C1124LR	45046-09230	C4031LR	45046-59025	C4060R	45200-60810	C5301R
43360-39015	C1065LR	45046-09250	C4120LR	45046-59026	C4060R	45200-60812	C5301R
43360-39016	C1065LR	45046-09251	C4120LR	45046-59045	C4060R	45200-60820	C5301L
43360-39075	C1069LR	45046-09260	C4120LR	45046-59115	C4031LR	45200-60822	C5301L
43360-39085	C1069LR	45046-09261	C4120LR	45046-59195	C4372R	45200-69DV1	C5002LR
43740-7151A	C5028L	45046-09280	C4119LR	45046-59225	C4372R	45200-75F00	C5390LR
43740-7152A	C5028R	45046-09281	C4119LR	45046-69116	C4132LR	45200-75F20	C5390LR
43740-7155A	C5028L	45046-09295	C4215R	45046-69126	C4122R	45200-75F21	C5390LR
43740-7156A	C5028R	45046-09310	C4119LR	45046-69135	C4122R	45200-76G20	C5390LR

• **Cross Reference OE-LYNXauto**

OE	LYNXauto	OE	LYNXauto	OE	LYNXauto	OE	LYNXauto
45200-76G21	C5390LR	45460-39575	C4124R	45503-29155	C2269LR	45750-09001	C7330L
45200-78002	C5002LR	45460-39615	C4294R	45503-29165	C2037LR	45751-09000	C7330R
45200-79001	C5352LR	45460-39635	C4295R	45503-29185	C2038LR	45751-09001	C7330R
45200-82000	C5300LR	45460-49025	C4340R	45503-29215	C2045LR	46300-60B00	C5302LR
45200-83E00	C5304LR	45460-49075	C4118LR	45503-29245	C2036LR	46300-60B10	C5302LR
45200-84000	C5002LR	45460-59015	C4116R	45503-29255	C2272LR	46420-60B02	C8650
45200-84E00	C5304LR	45460-59025	C4340R	45503-29265	C2065LR	4656012AC	C8677
45200-85E00	C5304LR	45460-59035	C4124R	45503-29295	C2043LR	46630-59J00	C7465LR
45200-M79F00	C5365LR	45460-87401	C2073LR	45503-29305	C2038LR	46630-60B01	C7031LR
45200-M79F10	C5365LR	45470-09010	C4294L	45503-29355	C2033LR	46630-80F00	C7286R
45201-50G10	C5301R	45470-09040	C4295L	45503-29365	C2041LR	46640-80F00	C7286L
45201-60B01	C5301R	45470-09080	C4295L	45503-29385	C2040LR	46660-05500	C4148LR
45201-60E01	C5301R	45470-09090	C4295L	45503-29435	C2035LR	46660-05501	C4148LR
45201-62J00	C5367R	45470-29085	C4244LR	45503-29475	C2034LR	46660-05502	C4148LR
45201-63G01	C5297R	45470-29185	C4294L	45503-29485	C2046LR	46660-08001	C4297L
45201-63J00	C5367R	45470-39205	C4124L	45503-29565	C2044LR	46660-08011	C4297R
45201-65D01	C5298R	45470-39215	C4294L	45503-29605	C2321LR	4743094AA	C8682
45201-65J00	C5299R	45470-39225	C4295L	45503-29615	C2035LR	4743095AA	C8683
45201-67D01	C5298R	45470-49015	C4340L	45503-29785	C2094LR	4743376AA	C1265LR
45201-79J00	C5303R	45470-59015	C4116L	45503-29795	C2358LR	4743669AA	C7355LR
45202-50G10	C5301L	45470-59025	C4340L	45503-29836	C2406LR	4743669AB	C7355LR
45202-60B01	C5301L	45470-59035	C4124L	45503-30070	C2359LR	4762861AA	C4305LR
45202-60E01	C5301L	45500-05030	C2393LR	45503-39025	C2321LR	48061-05010	C8558
45202-62J00	C5367L	45500-50800	C8651	45503-39055	C2033LR	48061-26010	C8584
45202-63G01	C5297L	45503-02060	C2069LR	45503-39075	C2032LR	48061-35040	C9091
45202-63J00	C5367L	45503-02070	C2069LR	45503-39095	C2360L	48061-35050	C9091
45202-65D01	C5298L	45503-05010	C2267LR	45503-39105	C2094LR	48066-29075	C5320R
45202-65J00	C5299L	45503-05020	C2091LR	45503-39135	C2033LR	48067-29075	C5320L
45202-67D01	C5298L	45503-09230	C2266LR	45503-39155	C2358LR	48068-05050	C5305R
45202-79J00	C5303L	45503-09270	C2093LR	45503-39225	C2266LR	48068-05070	C5306R
45261-65D01	C9086	45503-09320	C2092LR	45503-39235	C2273LR	48068-05080	C5473R
45261-65J00	C8652	45503-09321	C2092LR	45503-39265	C2273LR	48068-09040	C5332R
45261-77A10	C8130	45503-09330	C2092LR	45503-39275	C2068LR	48068-0F010	C5318R
45261-79J00	C8223	45503-09331	C2092LR	45503-39275	C2096LR	48068-0F030	C5474R
45262-65D01	C9087	45503-09340	C2092LR	45503-49025	C2270LR	48068-0H010	C5308R
45406-29115	C4296LR	45503-09400	C2069LR	45503-49035	C2270LR	48068-0H010	C5308R
45406-29145	C4242LR	45503-09420	C2068LR	45503-49055	C2066LR	48068-0K040	C5456L
45406-39085	C4296LR	45503-09420	C2068LR	45503-49055	C2394LR	48068-12110	C5314R
45406-39085	C4296LR	45503-09500	C2068LR	45503-49085	C2096LR	48068-12130	C5315R
45406-39086	C4296LR	45503-09500	C2068LR	45503-49095	C2096LR	48068-12140	C5315R
45406-39095	C4296LR	45503-0D030	C2277LR	45503-49105	C2265LR	48068-12140	C5315R
45406-39095	C4296LR	45503-0D080	C2061LR	45503-49105	C2093LR	48068-12160	C5316R
45406-39105	C4033LR	45503-0F010	C2264LR	45503-49125	C2093LR	48068-12160	C5316R
45406-39115	C4296LR	45503-0F010	C2264LR	45503-52010	C2058LR	48068-12170	C5316R
45406-39115	C4296LR	45503-10020	C2271LR	45503-52030	C2278LR	48068-12171	C5316R
45406-39125	C4296LR	45503-12130	C2042LR	45503-52070	C2061LR	48068-12190	C5316R
45406-39135	C4037LR	45503-12130	C2271LR	45503-52140	C2061LR	48068-12191	C5316R
45406-39145	C4033LR	45503-19015	C2271LR	45503-52140	C2061LR	48068-12191	C5316R
45406-39155	C4296LR	45503-19035	C2268LR	45503-59015	C2360L	48068-12260	C5317R
45406-39155	C4296LR	45503-19036	C2062LR	45503-59055	C2278LR	48068-12300	C5474R
45406-39165	C4037LR	45503-19045	C2271LR	45503-59055	C2278LR	48068-12300	C5474R
45406-39175	C4037LR	45503-19045	C2271LR	45503-60030	C2395LR	48068-20200	C5313R
45406-39185	C4037LR	45503-19056	C2095LR	45503-60040	C2396LR	48068-20221	C5312R
45433-00707	C5226L	45503-19125	C2063LR	45503-69015	C2097LR	48068-20260	C5311R
45433-00807	C5226R	45503-19135	C2064LR	45503-69025	C2067LR	48068-20260	C5319R
45446-00205	C4192LR	45503-19155	C2048LR	45503-87401	C2073LR	48068-26020	C5319R
45460-09010	C4294R	45503-19185	C2047LR	45503-87710	C2073LR	48068-26130	C5321R
45460-09050	C4295R	45503-19185	C2047LR	45503-87710	C2330LR	48068-26131	C5321R
45460-09060	C4118LR	45503-19195	C2048LR	45503-990DL	C2267LR	48068-26132	C5321R
45460-09110	C4295R	45503-19215	C2041LR	45503-990DL	C2267LR	48068-26132	C5321R
45460-09140	C4295R	45503-19215	C2041LR	45504-28030	C2275LR	48068-26H00	C5319R
45460-29315	C4244LR	45503-19255	C2042LR	45504-59025	C2360R	48068-28120	C5328R
45460-29315	C4295R	45503-22010	C2274LR	45530-62J00	C8655	48068-29095	C1074LR
45460-29425	C4294R	45503-29015	C2274LR	45530-70C00	C8654	48068-29115	C1074LR
45460-29435	C4118LR	45503-29016	C2274LR	45700-60A00	C1052LR	48068-33010	C5309R
45460-39165	C4236LR	45503-29075	C2321LR	45700-60A01	C1052LR	48068-33020	C5309R
		45503-29105	C2321LR	45700-63J00	C1226LR	48068-33030	C5310R
		45503-29125	C2274LR	45750-09000	C7330L	48068-33031	C5310R

• Cross Reference OE-LYNXauto

OE	LYNXauto	OE	LYNXauto	OE	LYNXauto	OE	LYNXauto
48068-33050	C5328R	48069-49065	C5307L	48520-6730R	C4363L	48521-4M485	C2027LR
48068-33060	C5328R	48069-59035	C5024L	48520-6F625	C4019LR	48521-4M500	C2022LR
48068-33070	C5328R	48069-60010	C5326L	48520-71L25	C4018LR	48521-4M527	C2022LR
48068-35080	C5322R	48069-60030	C5458L	48520-72E25	C4290LR	48521-4M587	C2022LR
48068-35081	C5322R	48069-60050	C5444L	48520-73J25	C4022LR	48521-4M588	C2022LR
48068-42012	C5329R	48510-2T025	C3028R	48520-73J35	C4022LR	48521-4U000	C2193LR
48068-42022	C5329R	48510-T3060	C3028R	48520-7F000	C4021LR	48521-4U085	C2193LR
48068-42040	C5330R	48520-0001R	C4362L	48520-7F001	C4026LR	48521-50Y00	C2020LR
48068-42050	C5331R	48520-0002R	C4362R	48520-88E25	C4108LR	48521-50Y25	C2020LR
48068-44010	C5327R	48520-00QAH	C4199L	48520-88E26	C4108LR	48521-50Y26	C2020LR
48068-49045	C5307R	48520-00QAJ	C4199R	48520-9C000	C4022LR	48521-50Y27	C2020LR
48068-49065	C5307R	48520-00QAK	C4205L	48520-9C025	C4022LR	48521-5612R	C2301LR
48068-59035	C5024R	48520-00QAL	C4205R	48520-9Y025	C4353R	48521-5Y025	C2023LR
48068-60010	C5326R	48520-00QAM	C2195LR	48520-AX600	C4109R	48521-70A00	C2026LR
48068-60030	C5458R	48520-00QAN	C4200L	48520-AX602	C4200R	48521-70A06	C2026LR
48068-60050	C5444R	48520-00QAP	C4200R	48520-BM400	C4198LR	48521-71L00	C2024LR
48069-05050	C5305L	48520-01B25	C4201LR	48520-BM425	C4198LR	48521-72E00	C2024LR
48069-05070	C5306L	48520-01E00	C4017LR	48520-CA025	C4354LR	48521-72E06	C2024LR
48069-05080	C5473L	48520-01E25	C4017LR	48520-CB025	C4355LR	48521-7J100	C2411LR
48069-09040	C5332L	48520-01E26	C4017LR	48520-CG025	C4369L	48521-7Y000	C2398LR
48069-0F010	C5318L	48520-01G25	C4203LR	48520-D0100	C4023LR	48521-8H300	C2060LR
48069-0F030	C5474L	48520-01J10	C4202R	48520-D0125	C4023LR	48521-8H325	C2060LR
48069-0H010	C5308L	48520-01N25	C4071R	48520-EA01J	C4270L	48521-8H385	C2060LR
48069-0K040	C5456R	48520-01W00	C4203LR	48520-G5101	C4111R	48521-8H386	C2060LR
48069-12110	C5314L	48520-02E00	C4017LR	48520-G5125	C4111R	48521-8J000	C2398LR
48069-12130	C5315L	48520-02E25	C4017LR	48520-JA00A	C4356R	48521-9Y025	C2379LR
48069-12140	C5315L	48520-0780R	C4363R	48520-T3060	C3028L	48521-CA025	C2380LR
48069-12160	C5316L	48520-0C025	C4018LR	48520-VB025	C4352R	48521-CB025	C2381LR
48069-12170	C5316L	48520-0E025	C4290LR	48520-VH025	C4206LR	48521-CG025	C2397LR
48069-12171	C5316L	48520-0M025	C4017LR	48521-0001R	C2388LR	48521-D0100	C2026LR
48069-12190	C5316L	48520-0M085	C4018LR	48521-00Q0B	C2194LR	48521-EA000	C2375LR
48069-12191	C5316L	48520-0P725	C4020LR	48521-00QAF	C2194LR	48521-G5125	C4110R
48069-12260	C5317L	48520-0P726	C4020LR	48521-01G25	C4204LR	48521-G5200	C2024LR
48069-12300	C5474L	48520-0W025	C4020LR	48521-01N25	C4071L	48521-JA00A	C2382LR
48069-20200	C5313L	48520-15U25	C4018LR	48521-06R05	C2024LR	48521-WA025	C2022LR
48069-20221	C5312L	48520-15U26	C4018LR	48521-06R06	C2024LR	48527-1U61A	C4129L
48069-20260	C5311L	48520-17B25	C4201LR	48521-0C005	C2086LR	48527-JD01A	C4357R
48069-26020	C5319L	48520-2710R	C4260L	48521-0C025	C2086LR	48570-01J10	C4202L
48069-26130	C5321L	48520-27N25	C4206LR	48521-0E000	C2411LR	48570-31G25	C4026LR
48069-26131	C5321L	48520-2S485	C4127LR	48521-0P701	C2411LR	48570-3S525	C4128LR
48069-26132	C5321L	48520-31C00	C4111L	48521-0W025	C2025LR	48570-61G25	C4025LR
48069-26H00	C5319L	48520-31G25	C4021LR	48521-1M210	C2021LR	48570-VB025	C4352L
48069-28120	C5328L	48520-35F25	C4024LR	48521-1M225	C2021LR	48610-0K040	C5457R
48069-29095	C1074LR	48520-3S525	C4020LR	48521-1M226	C2021LR	48610-60030	C5323R
48069-29115	C1074LR	48520-3U025	C4129R	48521-2373R	C2389LR	48610-60050	C5325R
48069-33010	C5309L	48520-41L00	C4107LR	48521-27N00	C2383LR	48610-60060	C5459R
48069-33020	C5309L	48520-41L25	C4107LR	48521-27N25	C2383LR	48620-60010	C5324R
48069-33030	C5310L	48520-41L26	C4107LR	48521-2F011	C2376LR	48621-G5101	C4110R
48069-33031	C5310L	48520-41L27	C4107LR	48521-2S485	C4126LR	48630-0K040	C5457L
48069-33050	C5328L	48520-41W00	C4203LR	48521-2Y405	C2023LR	48630-2T025	C3028L
48069-33060	C5328L	48520-4680R	C4260R	48521-2Y425	C2023LR	48630-60010	C5323L
48069-33070	C5328L	48520-4B000	C4024LR	48521-35A00	C2087LR	48630-60020	C5325L
48069-35080	C5322L	48520-4F125	C4019LR	48521-35A06	C2087LR	48630-60030	C5459L
48069-35081	C5322L	48520-50A00	C4024LR	48521-35F00	C2026LR	48632-0K040	C9120
48069-42012	C5329L	48520-50A25	C4024LR	48521-3U025	C2088LR	48632-26010	C8582
48069-42022	C5329L	48520-50A26	C4024LR	48521-40D25	C2086LR	48632-60010	C8589
48069-42040	C5330L	48520-50Y25	C4017LR	48521-40U01	C2086LR	48632-60020	C8556
48069-42050	C5331L	48520-53E25	C4106LR	48521-40U25	C2086LR	48632-60030	C8903
48069-44010	C5327L	48520-53M25	C4024LR	48521-4M401	C2027LR	48635-26010	C8585
48069-49036	C1074LR	48520-60Y25	C4018LR	48521-4M425	C2027LR	48635-26020	C8583
48069-49045	C5307L	48520-61G25	C4027LR	48521-4M426	C2027LR	48640-01N25	C4071L

• **Cross Reference OE-LYNXauto**

OE	LYNXauto	OE	LYNXauto	OE	LYNXauto	OE	LYNXauto
48640-31C00	C4111R	48740-48030	C5438LR	48815-0K010	C9117	48820-02040	C7034LR
48640-3U025	C4129L	48740-60080	C5447LR	48815-0K070	C9116	48820-02050	C7034LR
48640-60010	C5324L	48740-60150	C5463LR	48815-10090	C9090	48820-02070	C7293LR
48640-9Y025	C4353L	48740-60160	C5453LR	48815-12160	C8573	48820-05012	C7058R
48640-AX600	C4109L	48750-60A00	C8659	48815-12230	C9110	48820-06030	C7059R
48640-AX602	C4200L	48780-12020	C5439LR	48815-13040	C9112	48820-06040	C7092LR
48640-CG085	C4369R	48780-33040	C5441LR	48815-14140	C8882	48820-0D010	C7296LR
48640-EA01J	C4270R	48780-48020	C5440LR	48815-14160	C8586	48820-0D020	C7296LR
48640-G5101	C4111L	48802-60090	C7451LR	48815-20280	C9109	48820-0D080	C7296LR
48640-G5125	C4111L	48802-60110	C7452LR	48815-26200	C9113	48820-0K010	C7427LR
48640-JA00A	C4356L	48810-05010	C7058L	48815-26250	C8891	48820-0K030	C7099R
48641-01N25	C4071R	48810-05011	C7058L	48815-26370	C9114	48820-20010	C7038LR
48641-G5101	C4110L	48810-05012	C7058L	48815-30040	C9103	48820-20030	C7060R
48641-G5125	C4110L	48810-06030	C7059L	48815-30060	C9115	48820-20040	C7058R
48647-1U61A	C4129R	48810-0K010	C7099L	48815-30480	C8877	48820-22041	C7110LR
48647-JD01A	C4357L	48810-20010	C7060L	48815-30570	C8879	48820-26020	C7291R
48650-20020	C7459LR	48810-20020	C7058L	48815-33050	C8569	48820-26030	C7291R
48654-0H010	C8139	48810-26020	C7291L	48815-33060	C8907	48820-26050	C7100LR
48654-0K040	C9118	48810-26030	C7291L	48815-33100	C8869	48820-28010	C7108R
48654-12010	C8576	48810-28010	C7108L	48815-35100	C9089	48820-28030	C7108R
48654-12070	C8577	48810-28020	C7108L	48815-42010	C9129	48820-28050	C7092LR
48654-20150	C9105	48810-30010	C7385L	48815-42020	C9130	48820-30030	C7385R
48654-20190	C9107	48810-30070	C7389L	48815-42030	C9132	48820-30090	C7389R
48654-60010	C8588	48810-33010	C7059L	48815-42050	C9131	48820-32010	C7039LR
48654-60030	C8554	48810-44010	C7058L	48815-42090	C8592	48820-33010	C7040LR
48654-60040	C8899	48810-50010	C7107L	48815-42100	C8593	48820-33020	C7059R
48654-60050	C8884	48810-50011	C7107L	48815-48040	C8911	48820-33070	C7425LR
48655-0H010	C8140	48810-53010	C7388L	48815-53010	C8889	48820-35010	C7094LR
48655-0K040	C9119	48810-60010	C7109L	48815-60111	C8890	48820-35030	C7032LR
48655-12010	C8575	48810-60040	C7099L	48815-60180	C9124	48820-42010	C7097LR
48655-12050	C8578	48810-60050	C7428L	48815-60190	C8881	48820-42020	C7460LR
48655-20140	C9106	48810-60060	C7453L	48815-60220	C9123	48820-42030	C7293LR
48655-20221	C9108	48810-60B00	C4030LR	48815-60240	C8902	48820-44010	C7058R
48655-60010	C8587	48810-63J00	C4231LR	48815-60250	C9122	48820-44020	C7290LR
48655-60030	C8555	48810-65D00	C4115R	48815-60260	C9121	48820-47010	C7034LR
48655-60040	C8900	48810-65J00	C4321LR	48815-60270	C8901	48820-47020	C7293LR
48655-60050	C8885	48810-67D00	C4115R	48815-60310	C9092	48820-50010	C7107R
48681-VB025	C4373L	48810-76G00	C4030LR	48815-60320	C8886	48820-50011	C7107R
48710-33070	C5437LR	48810-77E00	C4293LR	48818-05041	C9096	48820-52030	C7296LR
48710-33100	C5442LR	48810-79J00	C4321LR	48818-05061	C9097	48820-52070	C7296LR
48710-35050	C5449LR	48810-81A00	C4232R	48818-05070	C9100	48820-53010	C7388R
48710-35060	C5451L	48810-82000	C4030LR	48818-05080	C9101	48820-60010	C7109R
48710-35070	C5451R	48810-83E00	C4233LR	48818-05120	C8559	48820-60032	C7450LR
48710-60070	C5446R	48810-83E02	C4231LR	48818-06260	C8566	48820-60050	C7099R
48710-60080	C5446L	48810-84000	C4114LR	48818-12050	C8574	48820-60070	C7428R
48710-60120	C5461R	48810-84001	C4114LR	48818-12170	C8566	48820-60A00	C4292LR
48710-60130	C5461L	48810-A78B00	C4097LR	48818-12220	C9111	48820-65D00	C4115L
48710-60140	C5462R	48815-02110	C9098	48818-20260	C9104	48820-67D00	C4115L
48710-60150	C5462L	48815-02140	C8563	48818-21030	C8870	48820-77E00	C4292LR
48710-60160	C5452LR	48815-02150	C8564	48818-21050	C8908	48820-79000	C4265L
48720-35060	C5448LR	48815-05050	C9094	48818-30110	C8878	48820-81A00	C4232L
48720-35061	C5448LR	48815-05070	C9095	48818-30210	C8880	48830-05020	C7085LR
48720-60040	C5445LR	48815-05110	C9099	48818-33050	C8570	48830-05030	C7424LR
48720-60070	C5460LR	48815-05120	C8562	48818-42010	C9133	48830-06020	C7033LR
48725-0H010	C8736	48815-05130	C8561	48818-48020	C8912	48830-06030	C7091LR
48730-33090	C5438LR	48815-05160	C8564	48818-60020	C8887	48830-06060	C7426LR
48730-33110	C5443R	48815-05170	C8563	48818-60040	C9093	48830-12050	C7035LR
48730-48070	C5438LR	48815-06050	C8569	48819-20030	C7434LR	48830-12060	C7037LR
48740-33080	C5438LR	48815-06170	C8869	48819-52010	C7295LR	48830-20010	C7037LR
48740-33100	C5443L	48815-0D100	C8596	48819-70010	C7262LR	48830-21020	C7106R
48740-35040	C5450LR	48815-0H010	C8138	48820-02030	C7034LR	48830-22041	C7041LR

• Cross Reference OE-LYNXauto

OE	LYNXauto	OE	LYNXauto	OE	LYNXauto	OE	LYNXauto
48830-30070	C7386LR	4B0511327	C8771	4D0411327G	C8023	4F0407693	C5042L
48830-30080	C7386LR	4B3407151A	C5039LR	4D0411327H	C8024	4F0407693B	C5042L
48830-30090	C7390LR	4B3407151C	C5039LR	4D0411327J	C8029	4F0407693C	C5042L
48830-32010	C7037LR	4B3407151E	C5039LR	4D0419801B	C3010LR	4F0407693G	C5042L
48830-32030	C7098LR	4B3407151K	C5039LR	4D0419801C	C3010LR	4F0407693H	C5042L
48830-32040	C7036LR	4B3498998S1	C5018LRK	4D0419801E	C3010LR	4F0407694	C5042R
48830-33010	C7033LR	4D0407151A	C5034LR	4D0419801L	C3010LR	4F0407694B	C5042R
48830-33040	C7426LR	4D0407151B	C5034LR	4D0419811A	C4134LR	4F0407694C	C5042R
48830-35010	C7095LR	4D0407151C	C5034LR	4D0419811B	C4134LR	4F0407694G	C5042R
48830-35020	C7093LR	4D0407151E	C5034LR	4D0419811G	C4134LR	4F0407694H	C5042R
48830-42010	C7292R	4D0407151G	C5034LR	4D0422821	C2103LR	4F0419811C	C4135LR
48830-42020	C7294LR	4D0407151H	C5034LR	4D0422821A	C2103LR	4F0419811E	C4134LR
48830-42021	C7294LR	4D0407151J	C5034LR	4D0501529A	C5045LR	4F0422821	C2104LR
48830-48010	C7091LR	4D0407151P	C5034LR	4D0501529E	C5045LR	4F0422821D	C2104LR
48830-51010	C7387LR	4D0407181F	C8025	4D0501529F	C5045LR	4F0498811	C4134LR
48830-60030	C7096LR	4D0407181H	C8025	4D0505465D	C7122LR	4F0498811A	C4135LR
48830-60B00	C2090LR	4D0407182E	C8026	4D0505547C	C7123L	4F0505145	C8714
48830-60G00	C2089LR	4D0407182G	C8026	4D0505548C	C7123R	4F0505145A	C8715
48830-63J00	C2262LR	4D0407183AB	C8028	4E0407151G	C5046LR	4F0505465N	C7120LR
48830-65D00	C2031LR	4D0407183AC	C8028	4E0407151L	C5046LR	4F0505465P	C7121LR
48830-65J00	C2259LR	4D0407183P	C8028	4E0407181B	C8034	4F0505465Q	C7120LR
48830-67D00	C2405LR	4D0407183Q	C8028	4E0407182C	C8038	4G0407183	C8716
48830-75F00	C2085LR	4D0407505B	C5044LR	4E0407505B	C5040L	4G0407689A	C1314LR
48830-75F01	C2085LR	4D0407505D	C5044LR	4E0407505E	C5040L	4G0407693D	C5427L
48830-79J00	C2263R	4D0407505F	C5044LR	4E0407506B	C5040R	4G0407694D	C5427R
48830-79J10	C2263L	4D0407505G	C5044LR	4E0407506E	C5040R	4G0423810A	C2098LR
48830-82000	C2261LR	4D0407505H	C5044LR	4E0407509B	C5041L	4G0423811A	C4368L
48830-83E00	C2260LR	4D0407509B	C5347L	4E0407509E	C5041L	4G0423812A	C4368R
48830-84000	C2390LR	4D0407509D	C5347L	4E0407509G	C5041L	5066373AA	C4308LR
48830-86G00	C2260LR	4D0407509F	C5347L	4E0407509K	C5041L	5066373AB	C4308LR
48830-M70F00	C2391LR	4D0407509G	C5347L	4E0407510B	C5041R	5094A0	C9058
48840-21010	C7106L	4D0407509H	C5347L	4E0407510E	C5041R	5094A1	C9059
48840-42010	C7292L	4D0407509J	C5347L	4E0407510G	C5041R	5094A8	C8138
48849-60040	C8888	4D0407509K	C5347L	4E0407510K	C5041R	5094C1	C9054
49001-2F011	C2376LR	4D0407510B	C5347R	4E0407693C	C5047L	5094C2	C9055
4A0407151	C5015L	4D0407510D	C5347R	4E0407693F	C5047L	5094C4	C8153
4A0407152	C5015R	4D0407510F	C5347R	4E0407693M	C5047L	5094C6	C8169
4A0407181A	C8008	4D0407510G	C5347R	4E0407693N	C5047L	51220-S04-003	C1026LR
4A0407183D	C8009	4D0407510H	C5347R	4E0407694C	C5047R	51220-S0A-J01	C1024LR
4A0411327A	C8007	4D0407510J	C5347R	4E0407694F	C5047R	51220-S4K-A00	C1024LR
4A0419801A	C3063L	4D0407510K	C5347R	4E0407694M	C5047R	51220-S5A-003	C1027LR
4A0419802A	C3063R	4D0407515C	C8027	4E0407694N	C5047R	51220-S84-A01	C1024LR
4A0419811A	C4062L	4D0407693AC	C5035L	4E0411317C	C7119LR	51220-S9A-982	C1099LR
4A0419812A	C4062R	4D0407693E	C5035L	4E0411317E	C7119LR	51220-SAA-013	C1096LR
4A0505389	C7113LR	4D0407693H	C5035L	4E0419811B	C4136LR	51220-SB0-003	C1022LR
4A0511247	C8010	4D0407693K	C5035L	4E0419811C	C4136LR	51220-SD4-004	C1262LR
4B0407151	C5039LR	4D0407693M	C5035L	4E0419811D	C4136LR	51220-SD4-013	C1262LR
4B0407515	C8027	4D0407693N	C5035L	4E0419811E	C4136LR	51220-SD4-023	C1262LR
4B0419801B	C3010LR	4D0407694AC	C5035R	4E0419821	C2105LR	51220-SDA-A02	C1261LR
4B0419801E	C3010LR	4D0407694E	C5035R	4E0419821A	C2105LR	51220-SE0-000	C1022LR
4B0419801M	C3010LR	4D0407694H	C5035R	4E0501529C	C5048LR	51220-SE0-003	C1022LR
4B0419811	C4134LR	4D0407694K	C5035R	4E0501529D	C5048LR	51220-SF1-000	C1022LR
4B0419811B	C4134LR	4D0407694M	C5035R	4E0501529G	C5048LR	51220-SF1-004	C1022LR
4B0419811C	C4134LR	4D0407694N	C5035R	4E0505465E	C7124LR	51220-SH3-003	C1022LR
4B0419811E	C4134LR	4D0411317G	C7044L	4E0505465G	C7124LR	51220-SK7-013	C1022LR
4B0419811F	C4134LR	4D0411317J	C7044L	4F0407151	C5043LR	51220-SL5-003	C1262LR
4B0419811G	C4135LR	4D0411317K	C7313LR	4F0407151A	C5043LR	51220-SL5-013	C1262LR
4B0501521D	C8711	4D0411318G	C7044R	4F0407183A	C8037	51220-SM1-A01	C1024LR
4B0501521E	C8711	4D0411318J	C7044R	4F0407183B	C8037	51220-SM1-A02	C1024LR
4B0501522D	C8712	4D0411327E	C8023	4F0407183C	C8032	51220-SM4-003	C1024LR
4B0501522E	C8712	4D0411327F	C8024	4F0407183E	C8037	51220-SM4-013	C1024LR

• Cross Reference OE-LYNXauto

OE	LYNXauto	OE	LYNXauto	OE	LYNXauto	OE	LYNXauto
51220-SR0-A01	C1026LR	51350-S04-G00	C5123R	51450-S01-023	C5121R	52306-SE0-A00	C7446LR
51220-SR3-003	C1026LR	51350-S10-G00	C5128R	51450-S04-023	C8290	52306-SNG-J01	C8796
51220-SS0-010	C1262LR	51350-S2H-G01	C5130R	51450-S10-020	C5127R	52306-TA1-A02	C8786
51220-SS0-901	C1262LR	51350-S5A-A03	C5125R	51450-S1A-E01	C5110R	52315-S04-N00	C8794
51220-STK-A01	C1272LR	51350-S5A-A30	C5125R	51450-S84-A01	C5110R	52315-S10-A01	C8798
51220-TA0-A02	C1246LR	51350-S6D-G00	C5125R	51450-SDA-A01	C5113R	52315-SB0-000	C8789
51270-S01-013	C1025LR	51350-S9A-010	C5129R	51450-SG0-020	C5130L	52315-SJ4-000	C8780
51270-S01-023	C1025LR	51350-SAA-E01	C5131R	51450-SH3-000	C5118R	52315-SR3-000	C8792
51270-S04-013	C1025LR	51350-SEA-E01	C5112R	51450-SH3-010	C5118R	52320-S04-003	C7167R
51270-S04-023	C1025LR	51350-SMG-E05	C5126R	51450-SH3-020	C5118R	52320-S10-003	C7050R
51270-S84-A01	C1025LR	51350-SR3-020	C5120R	51450-SH3-023	C5118R	52320-S2H-003	C7363R
51270-SF1-003	C1101LR	51350-SR3-A02	C8284	51450-SP0-033	C5132R	52320-S30-003	C7366LR
51270-SM4-A04	C1023LR	51350-SWA-E01	C5404R	51450-SR3-003	C5027R	52320-S5A-013	C7168R
51270-SR3-013	C1025LR	51350-TA0-A00	C5115R	51450-SR3-013	C5027R	52320-S84-A01	C7046R
51270-SR3-023	C1025LR	51350-TF0-030	C5117R	51450-SR3-023	C5027R	52320-S9A-003	C7090R
51306-S04-003	C8793	51355-S1A-E00	C5111R	51450-SV4-000	C5026R	52320-SNA-A01	C7170R
51306-S04-N01	C8797	51355-S84-A00	C5111R	51450-SV4-A00	C5026R	52320-SWA-A01	C7362R
51306-S6D-005	C8294	51355-SH3-020	C5119R	51450-SZ3-013	C5134L	52320-TA0-A01	C7360R
51306-S7B-014	C8799	51355-SM4-030	C5109R	51455-SR3-003	C8286	52321-S04-003	C7167L
51306-SEA-E02	C8782	51355-SM4-040	C5109R	51459-SE0-000	C5108R	52321-S10-003	C7050L
51306-SM4-010	C8779	51355-SV7-A00	C5114R	51460-S01-023	C5121L	52321-S2H-003	C7363L
51306-SMG-E02	C8297	51360-S04-000	C5123L	51460-S10-020	C5127L	52321-S5A-013	C7168L
51306-SR3-J00	C8791	51360-S04-G00	C5123L	51460-S1A-E01	C5110L	52321-S9A-003	C7090L
51306-SW3-003	C8778	51360-S10-G00	C5128L	51460-S84-A01	C5110L	52321-SNA-A01	C7170L
51306-SWA-A01	C8801	51360-S5A-A03	C5125L	51460-SDA-A01	C5113L	52321-SWA-A01	C7362L
51306-TL0-G01	C8785	51360-S5A-A30	C5125L	51460-SH3-000	C5118L	52325-S84-A01	C7046L
51307-TL0-G01	C8784	51360-S6D-G00	C5125L	51460-SH3-010	C5118L	52325-TA0-A01	C7360L
51312-SM4-000	C7445LR	51360-S9A-010	C5129L	51460-SH3-020	C5118L	52365-SM4-005	C8271
51312-SR3-000	C7435LR	51360-SAA-E01	C5131L	51460-SH3-023	C5118L	52370-SR3-J00	C8275
51316-SH3-J00	C8787	51360-SEA-E01	C5112L	51460-SP0-033	C5132L	52390-S84-A01	C5475LR
5131C9	C8736	51360-SMG-E05	C5126L	51460-SR3-003	C5027L	52390-SM1-A03	C5025R
5131H1	C8735	51360-SR3-020	C5120L	51460-SR3-013	C5027L	52390-SM1-A04	C5025R
51320-S04-003	C7010LR	51360-SR3-A02	C8287	51460-SR3-023	C5027L	52390-SM4-033	C5025R
51320-S2G-003	C7172R	51360-SWA-E01	C5404L	51460-SV4-000	C5026L	52390-SM4-043	C5025R
51320-S2H-003	C7051R	51360-TA0-A00	C5115L	51460-SV4-A00	C5026L	52390-SM4-A04	C5025R
51320-S30-003	C7365LR	51360-TF0-030	C5117L	51460-SZ3-901	C5134R	52390-SR3-000	C5124R
51320-S5A-003	C7048R	51365-S1A-E00	C5111L	51469-SE0-000	C5108L	52400-SM1-A03	C5025L
51320-S84-A01	C7047R	51365-S84-A00	C5111L	51510-TA0-A03	C5116R	52400-SM1-A04	C5025L
51320-S84-A02	C7047R	51365-SH3-020	C5119L	51520-TA0-A03	C5116L	52400-SM4-033	C5025L
51320-SAA-003	C7074R	51365-SM4-030	C5109L	5170F5	C7316LR	52400-SM4-043	C5025L
51320-SDA-A04	C7331R	51365-SM4-040	C5109L	5170F6	C7316LR	52400-SM4-A04	C5025L
51320-SEA-E01	C7331R	51365-SV7-A00	C5114L	51760-0Q000	C1172LR	52400-SP0-013	C5133L
51320-SEL-T01	C7074R	51390-SP0-013	C5133R	51760-1G000	C1153LR	52400-SR3-000	C5124L
51320-SMG-E01	C7169LR	51391-S04-005	C8293	51760-2E000	C1167LR	53010-S04-000	C2407LR
51320-SNA-A02	C7461R	51391-S5A-024	C8296	51760-2G000	C1172LR	53010-S0A-900	C2014LR
51320-SP0-003	C7171LR	51391-SEA-004	C8278	51760-2H000	C1172LR	53010-S0A-910	C2014LR
51320-STK-A01	C7361LR	51391-TA0-A01	C8282	51760-2R000	C1173LR	53010-S10-000	C2011LR
51320-TA0-A01	C7332R	51392-S5A-004	C8295	51760-38000	C1162LR	53010-S10-003	C2011LR
51320-TF0-003	C7364LR	51393-SDA-A02	C8279	51760-3K000	C1164LR	53010-S2H-J02	C2075LR
51321-S2G-003	C7172L	51393-SEA-004	C8279	51810-SDA-A01	C8280	53010-S50-003	C2149LR
51321-S2H-003	C7051L	51393-SH3-003	C8285	51810-SM4-004	C8272	53010-S84-A01	C2005LR
51321-S5A-003	C7048L	51393-SM4-013	C8273	52088869AA	C4182L	53010-S87-A01	C2007LR
51321-S84-A01	C7047L	51395-SMG-E03	C8299	52088870AA	C4182R	53010-SAA-J01	C2049R
51321-S84-A02	C7047L	51395-SR3-N02	C8289	52089467AB	C7443LR	53010-SDA-A01	C2059LR
51321-SAA-003	C7074L	51395-SWA-E01	C8304	52089486AC	C7444LR	53010-SDB-A01	C2304LR
51321-SDA-A04	C7331L	51396-SMG-E03	C8298	52220-SF1-003	C1024LR	53010-SEL-003	C2404R
51321-SEA-E01	C7331L	51396-SR3-N02	C8288	52303-SH3-020	C7435LR	53010-SMG-E01	C2144L
51321-SEL-T01	C7074L	51396-SWA-E01	C8303	52306-S0A-015	C8781	53010-SNA-A01	C2409LR
51321-SNA-A02	C7461L	51398-SMG-E01	C8300	52306-S6D-005	C8795	53010-SNE-A01	C2409LR
51325-TA0-A01	C7332L	5143555AB	C4370L	52306-S9A-005	C8800	53010-SR3-010	C2009LR
51350-S04-000	C5123R	5143556AB	C4370R	52306-SDA-A01	C8783	53010-SS0-000	C2147LR

• Cross Reference OE-LYNXauto

OE	LYNXauto	OE	LYNXauto	OE	LYNXauto	OE	LYNXauto
53010-ST0-000	C2009LR	53540-SX8-T01	C4007LR	54500-0W000	C5256R	54500-JY00A	C5260R
53010-ST7-J61	C2009LR	53540-SZ3-003	C4163R	54500-0W001	C5256R	54501-00QAC	C5243L
53010-SV4-000	C2004LR	53540-TA0-A01	C4322R	54500-17000	C5147L	54501-00QAD	C5243L
53010-SW5-000	C2147LR	53540-TF0-003	C4323R	54500-1AA1A	C5469R	54501-00QAH	C5244L
53010-SW5-003	C2148LR	53541-S5A-003	C4006LR	54500-1C000	C5143L	54501-07100	C5157R
53010-SWA-A01	C2345LR	53541-S7A-003	C4377LR	54500-1C010	C5143L	54501-07200	C5157R
53010-SWC-G01	C2344LR	53560-S04-003	C4046L	54500-1D000	C5387L	54501-0M060	C5017L
53010-SWC-G02	C2344LR	53560-S04-013	C4046L	54500-1E000	C5138L	54501-0W000	C5256L
53010-SX8-T00	C2013LR	53560-S1A-E01	C4279L	54500-1E100	C5137L	54501-0W001	C5256L
53010-TF0-003	C2346LR	53560-S30-005	C4284L	54500-1F100	C5434L	54501-17000	C5147R
53011-SAA-J01	C2049L	53560-S84-A01	C4045L	54500-1KA0B	C1303LR	54501-1AA1A	C5469L
53011-SEL-003	C2404L	53560-SAA-003	C4048L	54500-21B00	C5246R	54501-1C000	C5143R
53011-SMG-E01	C2144R	53560-SD4-003	C4161L	54500-22000	C5135L	54501-1C010	C5143R
53521-692-003	C2141LR	53560-SDA-A01	C4095L	54500-22100	C5135L	54501-1D000	C5387R
53521-S5A-003	C2008LR	53560-SH3-003	C4047L	54500-22200	C5135L	54501-1E000	C5138R
53521-S9A-003	C2074LR	53560-SH3-013	C4047L	54500-25000	C5136L	54501-1E100	C5137R
53521-SA0-003	C2141LR	53560-SM4-003	C4044L	54500-29000	C5139L	54501-1F100	C5434R
53521-SB0-000	C2076LR	53560-SM4-004	C4044L	54500-29500	C5139L	54501-1KA0B	C1303LR
53521-SB0-003	C2076LR	53560-SMG-003	C4280L	54500-2B100	C5149L	54501-21B00	C5246L
53521-SB2-003	C2143LR	53560-SMJ-003	C4282L	54500-2D000	C5140L	54501-22000	C5135R
53521-SB2-013	C2143LR	53560-SNA-A01	C4376L	54500-2D002	C5140L	54501-22100	C5135R
53521-SD4-003	C2145LR	53560-SP0-013	C4162L	54500-2E000	C5434L	54501-22200	C5135R
53521-SD4-013	C2145LR	53560-SP0-023	C4162L	54500-2E001	C5434L	54501-25000	C5136R
53521-SD4-023	C2145LR	53560-SR0-A01	C4046L	545002F500	C5012R	54501-26000	C5148L
53521-SE0-003	C2141LR	53560-SR3-003	C4046L	54500-2F900	C8515	54501-29000	C5139R
53521-SE0-013	C2141LR	53560-SS0-003	C4283L	54500-2H000	C5386L	54501-29500	C5139R
53521-SE0-95	C2141LR	53560-SS0-004	C4283L	54500-2P000	C5348L	54501-2B100	C5149R
53521-SF1-003	C2076LR	53560-ST7-003	C4046L	54500-2Y000	C5435L	54501-2D000	C5140R
53521-SH3-003	C2010LR	53560-SV4-003	C4045L	54500-2Y411	C5467R	54501-2D002	C5140R
53521-SM4-013	C2006LR	53560-SV4-013	C4045L	54500-38000	C5151L	54501-2E000	C5434R
53521-SP0-004	C2146LR	53560-SV7-003	C4045L	54500-38011	C5152L	54501-2E001	C5434R
53540-S04-003	C4046R	53560-SX0-003	C4045L	54500-41U00	C5245R	54501-2F500	C5012L
53540-S04-013	C4046R	53560-SZ3-003	C4163L	54500-41U01	C5245R	54501-2H000	C5386R
53540-S1A-E01	C4279R	53560-TA0-A01	C4322L	54500-41U02	C5245R	54501-2P000	C5348R
53540-S30-005	C4284R	53560-TF0-003	C4323L	54500-4D001	C5154L	54501-2Y000	C5435R
53540-S84-A01	C4045R	53610-SNB-J01	C2408LR	54500-4F102	C5247R	54501-2Y411	C5467L
53540-SA0-003	C4005LR	53610-SNR-A01	C2408LR	54500-4F105	C5247R	54501-38000	C5151R
53540-SAA-003	C4048R	53610-TL1-G01	C2142LR	54500-4M410	C5241R	54501-38011	C5152R
53540-SD4-003	C4161R	54403-38A00	C1161LR	54500-50A00	C5255R	54501-41U00	C5245L
53540-SDA-A01	C4095R	54410-38000	C5150L	54500-52Y10	C5240R	54501-41U01	C5245L
53540-SF1-004	C4164LR	54410-43004	C5144L	54500-52Y15	C5240R	54501-41U02	C5245L
53540-SH3-003	C4047R	54417-43000	C1251LR	54500-52Y60	C5240R	54501-4D001	C5154R
53540-SH3-013	C4047R	54417-43A00	C1251LR	54500-52Y70	C5240R	54501-4F102	C5247L
53540-SM4-003	C4044R	54417-44000	C1154LR	54500-5U300	C5242R	54501-4F105	C5247L
53540-SM4-004	C4044R	54420-38000	C5150R	54500-69Y10	C5240R	54501-4M410	C5241L
53540-SMG-003	C4280R	54423-00QAA	C8500	54500-6F600	C5248R	54501-50A00	C5255L
53540-SMJ-003	C4282R	54430-3F600	C1163LR	54500-7C350	C5254R	54501-52Y10	C5240L
53540-SNA-A01	C4376R	54430-3K000	C1161LR	54500-86J00	C5251R	54501-52Y15	C5240L
53540-SP0-013	C4162R	54430-43004	C5144R	54500-8H310	C5259R	54501-52Y60	C5240L
53540-SP0-023	C4162R	54431-44000	C1154LR	54500-9W200	C5470R	54501-52Y70	C5240L
53540-SR0-A01	C4046R	54440-H1000	C1165LR	54500-AV600	C5252R	54501-5U300	C5242L
53540-SR3-003	C4046R	54443-3K000	C8341	54500-AX600	C5010R	54501-69Y10	C5240L
53540-SS0-003	C4283R	54476-01B00	C8504	54500-BM400	C5241R	54501-6F600	C5248L
53540-SS0-004	C4283R	54476-41B02	C8506	54500-BM410	C5241R	54501-7C350	C5254L
53540-ST7-003	C4046R	54479-41B02	C8506	54500-CA010	C5468R	54501-86J00	C5251L
53540-SV4-003	C4045R	54500-00QAC	C5243R	54500-EB300	C5258R	54501-8H310	C5259L
53540-SV4-013	C4045R	54500-00QAD	C5243R	54500-EB31A	C1304LR	54501-9W50A	C5470L
53540-SV7-003	C4045R	54500-00QAH	C5244R	54500-EL000	C5472R	54501-AV600	C5252L
53540-SWA-A01	C4160LR	54500-07100	C5157L	54500-JD000	C5260R	54501AX600	C5010L
53540-SX0-003	C4045R	54500-07200	C5157L	54500-JG000	C5260R	54501-BM400	C5241L
53540-SX8-N00	C4007LR	54500-0M060	C5017R	54500-JN00A	C5471R	54501-BM410	C5241L

• **Cross Reference OE-LYNXauto**

OE	LYNXauto	OE	LYNXauto	OE	LYNXauto	OE	LYNXauto
54501-CA010	C5468L	54530-37000	C1160LR	54584-2B000	C8334	54617-CG000	C7312LR
54501-EB300	C5258L	54530-37010	C1160LR	54584-2E000	C8832	54618-0002R	C7276LR
54501-EB31A	C1304LR	54530-3A200	C1276LR	54584-2F000	C8840	54618-0004R	C7421LR
54501-EL000	C5472L	54530-3B000	C1158LR	54584-2H000	C8327	54618-0009R	C7458LR
54501-JD000	C5260L	54530-3BA00	C1158LR	54584-2K000	C8373	54618-00Q0C	C7243R
54501-JG000	C5260L	54530-3S000	C1274LR	54584-2S000	C8331	54618-00QAA	C7243R
54501-JN00A	C5471L	54530-3S100	C1275LR	54584-2T000	C8345	54618-01G00	C7247LR
54501-JY00A	C5260L	54530-4AA00	C1156LR	54584-38000	C8339	54618-01G0A	C7247LR
54502-00Q0C	C5412R	54530-4D000	C1174LR	54584-3K000	C8340	54618-02E00	C7248LR
54502-00QAB	C5250R	54535-01B00	C8503	54584-4D000	C8358	54618-0E000	C7020LR
54502-01G90	C5249R	54540-43150	C5146R	54584-4L000	C8337	546180-F000	C7081LR
54502-26000	C5148R	54540-43151	C5146R	54612-51E00	C8514	54618-0W000	C7023LR
54503-00Q0C	C5412L	54540-43152	C5146R	54612-60Y00	C9001	54618-0W001	C7023LR
54503-00QAA	C5250L	54540-4B001	C5145R	54612-90J10	C8514	54618-1AA0A	C7254R
54503-00QAB	C5250L	54550-H1000	C1166LR	54613-0003R	C9062	54618-2F010	C7025LR
54503-01G90	C5249L	54550-H1010	C1166LR	54613-00QAB	C9005	54618-2Y000	C7055R
54503-22A00	C1152LR	54551-07000	C8322	54613-00QAD	C8501	54618-3W400	C7023LR
54503-25A00	C1152LR	54551-1D000	C8355	54613-0E015	C9009	54618-47B00	C7022LR
54503-34A00	C1160LR	54551-1E000	C8316	54613-1AA0A	C9020	54618-47B01	C7022LR
54503-34A01	C1160LR	54551-1J000	C8323	54613-1AA0B	C9020	54618-4M400	C7019LR
54503-38A00	C1152LR	54551-22100	C8309	54613-2Y003	C9003	54618-4U000	C7242R
54503-3BA00	C1158LR	54551-22200	C8309	54613-4F100	C9013	54618-50Y00	C7019LR
54506-B9500	C8512	54551-25000	C8312	54613-4M420	C9002	54618-58Y10	C7018LR
54510-3E001	C5160L	54551-26000	C8818	54613-4P007	C9024	54618-58Y20	C7018LR
54510-3E002	C5160L	54551-29010	C8806	54613-4U006	C9003	54618-58Y21	C7018LR
54510-43150	C5146L	54551-2B000	C8335	54613-8H316	C8834	54618-58Y60	C7018LR
54510-43151	C5146L	54551-2D000	C8809	54613-8H318	C9043	54618-86J00	C7025LR
54510-43152	C5146L	54551-2E000	C8833	54613-8H518	C9044	54618-86J25	C7025LR
54510-4B001	C5145L	54551-2H000	C8328	54613-8J002	C9006	54618-8H300	C7057R
54520-31600	C1152LR	54551-2K000	C8372	54613-8J021	C9007	54618-8J000	C7413L
54520-3E001	C5160R	54551-2S000	C8330	54613-9U000	C8509	54618-90J11	C7025LR
54520-3E002	C5160R	54551-38000	C8338	54613-9Y002	C9040	54618-9C002	C7412R
54524-2F010	C5011R	54551-3A000	C8347	54613-9Y016	C9041	54618-9U00A	C7246LR
54524-3J201	C5011R	54551-3K000	C8342	54613-AU004	C9003	54618-9W200	C7414R
54524-50J00	C5011R	54551-3R000	C8344	54613-AU005	C9037	54618-AU000	C7056R
54524-65J00	C5011R	54551-4D000	C8359	54613-AU102	C9038	54618-AX600	C7245LR
54524-90J00	C5011R	54551-4L000	C8336	54613-AV620	C9039	54618-BC40A	C7245LR
54524-AV600	C5253R	54552-3K000	C8343	54613-AX602	C9015	54618-CA000	C7416R
54524-AV601	C5253R	54555-22100	C8310	54613-BA000	C9003	54618-CA010	C7415R
54524-EB300	C5257R	54555-25000	C8313	54613-CA000	C9017	54618-CN011	C7413L
54524-EB30A	C1305LR	54555-26000	C8819	54613-CA006	C9016	54618-CY00A	C7410LR
54525-2F010	C5011L	54555-3A100	C8348	54613-CG006	C8834	54618-D5000	C7019LR
54525-3F010	C5011L	54556-22100	C8311	54613-CG024	C8835	54618-D5010	C7019LR
54525-3J201	C5011L	54560-00QAB	C8502	54613-EA000	C9028	54618-EA010	C7251R
54525-50J00	C5011L	54560-50A00	C8494	54613-EA520	C9029	54618-JA000	C7254R
54525-65J00	C5011L	54560-AX600	C8507	54613-EL000	C9042	54618-JD00A	C7254R
54525-90J00	C5011L	54570-00QAA	C8499	54613-JD03A	C8497	54618-VB000	C7456LR
54525-AV600	C5253L	54570-3E000	C1178LR	54613-JD18C	C8526	54618-VC300	C7456LR
54525-AV601	C5253L	54570-3E001	C1178LR	54613-JG02A	C9045	54618-WL010	C7429R
54525-EB300	C5257L	54570-50A10	C8523	54613-JG15C	C9046	54660-9C000	C7412L
54525-EB30A	C1305LR	54570-69Y10	C8493	54613-JN20A	C9020	54668-1AA0A	C7254L
54530-07000	C1176LR	54570-AX600	C8508	54613-VB002	C9030	54668-1C100	C7412L
54530-24000	C1157LR	54580-3E001	C8370	54613-VB010	C9032	54668-2Y000	C7055L
54530-24A00	C1157LR	54583-29000	C8807	54613-VC223	C9031	54668-4U000	C7242L
54530-25000	C1152LR	54584-07000	C8321	54613-ZL10A	C9028	54668-8H300	C7057L
54530-25A00	C1152LR	54584-17000	C8332	54613-ZS20A	C9028	54668-8J000	C7413R
54530-28000	C1102LR	54584-1D000	C8354	54616-00Q0A	C7084LR	54668-9C000	C7412L
54530-28020	C1102LR	54584-1G000	C8315	54616-00Q0C	C7243L	54668-9W200	C7414L
54530-28A00	C1102LR	54584-1J000	C8324	54616-00QAA	C7244LR	54668-AU000	C7056L
54530-2B000	C1158LR	54584-1P000	C8371	54616-00QAB	C7243L	54668-CA000	C7416L
54530-31600	C1152LR	54584-29000	C8808	54616-00QAC	C7084LR	54668-CA010	C7415L

• Cross Reference OE-LYNXauto

OE	LYNXauto	OE	LYNXauto	OE	LYNXauto	OE	LYNXauto
54668-CN011	C7413R	54830-2G000	C7194LR	55513-2D100	C8811	56243-VC220	C9033
54668-EA010	C7251L	54830-2H000	C7198LR	55513-2E100	C8831	56260-01J10	C7411LR
54668-JA000	C7254L	54830-2H100	C7198LR	55513-2F100	C8839	56260-0F001	C7250LR
54668-JD00A	C7254L	54830-2K000	C7347L	55513-2G000	C8353	56260-0W001	C7104LR
54668-WL010	C7429L	54830-2S000	C7367LR	55513-2G100	C8812	56260-41G11	C7104LR
54810-3E000	C7206LR	54830-2S200	C7367LR	55513-2Y001	C8815	56260-VB010	C7432L
54811-3E010	C7207L	54830-2T000	C7370L	55513-3K100	C8828	56261-0E000	C7345LR
54811-3E060	C7207R	54830-34000	C7076LR	55513-4D000	C8837	56261-1AA0A	C7455R
54811-3E110	C7207L	54830-34500	C7076LR	55530-17000	C7335LR	56261-1AA0B	C7455L
54811-3E160	C7207R	54830-36000	C7105LR	55530-1D000	C7195LR	56261-1AD0A	C7417R
54812-07100	C8367	54830-36010	C7076LR	55530-1F000	C7337LR	56261-1AD0B	C7417L
54812-1C000	C8813	54830-36100	C7105LR	55530-1H000	C7199LR	56261-4F701	C7345LR
54812-1G100	C8314	54830-36101	C7105LR	55530-1H100	C7199LR	56261-4F702	C7345LR
54813-1H100	C8325	54830-37010	C7180LR	55530-26600	C7182L	56261-4F710	C7345LR
54813-22000	C8803	54830-37020	C7180LR	55530-26700	C7182L	56261-4F725	C7345LR
54813-25000	C8805	54830-38100	C7188LR	55530-29000	C7176LR	56261-50J00	C7024LR
54813-26000	C8820	54830-38110	C7188LR	55530-29500	C7176LR	56261-6F600	C7345LR
54813-28000	C8816	54830-39000	C7188LR	55530-2B000	C7184LR	56261-86J00	C7024LR
54813-29100	C8817	54830-3A000	C7371L	55530-2B200	C7184LR	56261-86J25	C7024LR
54813-2D100	C8810	54830-3E000	C8843	55530-2E000	C7337LR	56261-8J000	C7430LR
54813-2E100	C8830	54830-3E020	C8844	55530-2G000	C7195LR	56261-90J01	C7024LR
54813-2F000	C8838	54830-3K000	C7190LR	55530-2S100	C7368LR	56261-AV610	C7249LR
54813-2H000	C8360	54830-3L000	C7190LR	55530-2S200	C7368LR	56261-AV611	C7249LR
54813-2S000	C8814	54830-4A000	C7178LR	55530-38000	C7187LR	56261-AW000	C7249LR
54813-38101	C8824	54830-4A002	C7178LR	55530-38010	C7187LR	56261-EA500	C7252R
54813-39100	C8825	54830-4A003	C7178LR	55530-38600	C7189LR	56261-EA510	C7252L
54813-3A000	C8346	54830-4A600	C7178LR	55530-3E010	C8845	56261-EQ000	C7253LR
54813-3K100	C8333	54830-4A800	C7178LR	55530-3E020	C8846	56261-JA000	C7417R
54813-3S110	C8829	54830-4A802	C7178LR	55530-3K000	C7191LR	56261-JA005	C7417L
54813-3X000	C8823	54830-4A803	C7178LR	55530-3K001	C7191LR	56540-22000	C2150LR
54813-4D000	C8357	54830-4A850	C7178LR	55530-4A000	C7179LR	56540-24000	C2150LR
54813-FD000	C8842	54830-4D000	C7196L	55530-4A001	C7179LR	56540-24001	C2150LR
54820-FD000	C7203L	54830-FD000	C7203R	55530-4A800	C7179LR	56540-25000	C2310LR
54822-H1000	C7192L	54840-07000	C7341R	55530-4A801	C7179LR	56540-28020	C2156LR
54823-H1000	C7192R	54840-0X000	C7341R	55530-4D000	C7197LR	56540-2H000	C2166LR
54825-22000	C7173LR	54840-1C000	C7177R	55540-26600	C7182R	56540-2K000	C2323LR
54830-07000	C7341L	54840-1E100	C7334R	55540-26700	C7182R	56542-4B000	C2053LR
54830-0U000	C7369LR	54840-1G000	C7334R	55543-1H000	C8329	56810-11000	C4263LR
54830-0X000	C7341L	54840-1J000	C7346R	55543-2G000	C8356	56820-02500	C4011LR
54830-17010	C7075L	54840-26000	C7181R	55577-26600	C8821	56820-07000	C4278LR
54830-17020	C7075R	54840-26100	C7181R	55577-38102	C8826	56820-0X000	C4324LR
54830-1C000	C7177L	54840-2B000	C7183R	55577-38600	C8827	56820-1E000	C4165L
54830-1E000	C7334L	54840-2B200	C7183R	55580-37020	C7186LR	56820-1E900	C4165R
54830-1F000	C7336LR	54840-2C000	C7333R	55580-37030	C7186LR	56820-1G000	C4165R
54830-1G000	C7334L	54840-2F000	C7200R	55580-3E000	C7208L	56820-1G900	C4165L
54830-1H000	C7198LR	54840-2K000	C7347R	55580-3E050	C7208R	56820-21000	C4267LR
54830-1J000	C7346L	54840-2T000	C7370R	55618-JD00A	C7255R	56820-21100	C4267LR
54830-25010	C7075L	54840-3A000	C7371R	55618-JE20A	C7255R	56820-21110	C4267LR
54830-25020	C7075R	54840-4D000	C7196R	55618-JY00B	C7255R	56820-22000	C4083LR
54830-26000	C7181L	54850-36010	C7076LR	55619-JD00A	C7255L	56820-25000	C4083LR
54830-26100	C7181L	54850-37000	C7186LR	55619-JE20A	C7255L	56820-28000	C4011LR
54830-28000	C7180LR	55130-34A00	C1159LR	55619-JY00B	C7255L	56820-28500	C4083LR
54830-29000	C7175LR	55130-34A01	C1159LR	55830-25000	C7174LR	56820-2B000	C4286L
54830-29500	C7175LR	55130-37000	C1159LR	56243-0E015	C9025	56820-2B900	C4286R
54830-2B000	C7183L	55130-4D000	C8326	56243-1AA0A	C9022	56820-2E000	C4168L
54830-2B200	C7183L	55250-1H000	C5349LR	56243-1AD0A	C9021	56820-2E900	C4168R
54830-2C000	C7333L	55250-2H00	C5349LR	56243-30R10	C9034	56820-2G000	C4171L
54830-2D000	C7076LR	55502-00QAA	C5250R	56243-4F101	C9014	56820-2G900	C4171R
54830-2E000	C7336LR	55513-22000	C8804	56243-90J10	C9035	56820-2H000	C4174L
54830-2E100	C7336LR	55513-22500	C8804	56243-91J00	C9036	56820-2H090	C4174R
54830-2F000	C7200L	55513-2B200	C8822	56243-92J00	C9034	56820-2K000	C4299L

• Cross Reference OE-LYNXauto

OE	LYNXauto	OE	LYNXauto	OE	LYNXauto	OE	LYNXauto
56820-2K050	C4299R	57730-43010	C2053LR	6Q0407183A	C8056	6R0407366	C1254R
56820-2P000	C4286R	57730-4A000	C2053LR	6Q0407365A	C1092L	6R0423803	C3067L
56820-2P900	C4286L	57730-4B000	C2053LR	6Q0407365E	C1092L	6R0423803A	C3067L
56820-2S000	C4325L	57731-3E010	C2172R	6Q0407365M	C1092L	6R0423803C	C3067L
56820-2S050	C4325R	57732-3E010	C2172L	6Q0407366A	C1092R	6R0423804	C3067R
56820-2T000	C4327L	57755-17000	C2312LR	6Q0407366E	C1092R	6R0423804A	C3067R
56820-2T500	C4327R	57755-1C000	C2154LR	6Q0407366M	C1092R	6R0423804C	C3067R
56820-37000	C4083LR	57755-22000	C2053LR	6Q0411314E	C8059	6R0423811	C4272L
56820-37010	C4083LR	57775-25000	C2311LR	6Q0411314J	C8057	6R0423812	C4272R
56820-38000	C4166L	57780-38000	C4166L	6Q0411314L	C8057	6R0501541A	C9066
56820-38900	C4166R	57780-38010	C4166R	6Q0411314M	C8058	6U0407151	C5293L
56820-3B000	C4285LR	57785-26200	C2312LR	6Q0411314N	C8059	6U0407151B	C5292L
56820-3E000	C4175L	5U0407365A	C1254L	6Q0411314P	C8057	6U0407152	C5293R
56820-3E900	C4175R	5U0407366A	C1254R	6Q0411314Q	C8058	6U0407152B	C5292R
56820-3K000	C4167L	5Z0423811	C4272L	6Q0411314R	C8059	6U0407182	C8636
56820-3K010	C4167R	5Z0423812	C4272R	6Q0411315A	C7001LR	6U0407365	C1093LR
56820-4D000	C4173L	6K0411315	C7280LR	6Q0411315B	C7001LR	6U0407503	C8637
56820-4D001	C4173L	6K0422803A	C3065L	6Q0411315C	C7001LR	6U0407504	C8638
56820-4D100	C4173R	6K0422803B	C3066L	6Q0411315D	C7001LR	6U0411315	C7279LR
56820-4D101	C4173R	6K0422803D	C3065L	6Q0411315F	C7001LR	6U0422807	C2255LR
56820-4L000	C4326L	6K0422803E	C3066L	6Q0411315G	C7001LR	6U0422811	C4089LR
56820-4L090	C4326R	6K0422804A	C3065R	6Q0411315N	C7001LR	6X0407151	C5392LR
56872-43000	C4014LR	6K0422804B	C3066R	6Q0419803	C3040L	6X0407151A	C5392LR
56872-43010	C4014LR	6K0422804D	C3065R	6Q0419803B	C3040L	6X0419803	C3031L
57716-34000	C2312LR	6K0422804E	C3066R	6Q0419803D	C3040L	6X0419803A	C3031L
57724-07000	C2170LR	6K0422811	C4271L	6Q0419803F	C3040L	6X0419804	C3031R
57724-07001	C2170LR	6K0422812	C4271R	6Q0419804	C3040R	6X0419804A	C3031R
57724-07100	C2169LR	6K0501541A	C9065	6Q0419804B	C3040R	6X0422811	C4271L
57724-0X010	C2347LR	6N0407151	C5391LR	6Q0419804D	C3040R	6X0422812	C4271R
57724-1E000	C2151LR	6N0407151A	C5392LR	6Q0419804F	C3040R	701407077A	C8065
57724-1G000	C2353L	6N0407151B	C5391LR	6Q0419810A	C2307LR	701407140B	C8067
57724-1G100	C2353R	6N0407181	C8050	6Q0419811A	C4272L	701407140C	C8067
57724-1J000	C2322LR	6N0407182	C8051	6Q0419811C	C4272L	701407151A	C5375L
57724-2B000	C2158LR	6N0407365	C1223L	6Q0423803B	C3035L	701407152A	C5375R
57724-2D000	C2153LR	6N0407365A	C1223R	6Q0423803C	C3041L	701407183C	C8069
57724-2D020	C2153LR	6N0411315	C7298LR	6Q0423803E	C3035L	701407187A	C1079LR
57724-2E000	C2160LR	6N0411315A	C7279LR	6Q0423803G	C3041L	701407187B	C1079LR
57724-2G000	C2163LR	6N0411315B	C7279LR	6Q0423803P	C3035L	701407361B	C1095LR
57724-2G010	C2163LR	6N0411315C	C7298LR	6Q0423804B	C3035R	701411041D	C8063
57724-2G100	C2163LR	6N0411315D	C7279LR	6Q0423804C	C3041R	701411049B	C7043LR
57724-2G110	C2163LR	6N0419803	C3030L	6Q0423804E	C3035R	701419803C	C3050L
57724-2P000	C2354R	6N0419804	C3030R	6Q0423804G	C3041R	701419803D	C3051L
57724-2P100	C2354L	6N0419811	C4068L	6Q0423804P	C3035R	701419803E	C3054L
57724-2S000	C2348LR	6N0419812	C4068R	6Q0423810C	C2254LR	701419804C	C3050R
57724-2T000	C2350LR	6N0419821	C2246LR	6Q0423810E	C2251LR	701419804D	C3051R
57724-38000	C2302LR	6N0422803	C3032L	6Q0423810G	C2254LR	701419804E	C3054R
57724-38010	C2302LR	6N0422803A	C3032L	6Q0423811	C4272L	701419804F	C3056R
57724-3A000	C2312LR	6N0422803C	C3033L	6Q0423811A	C4272L	701419810A	C2286LR
57724-3K000	C2159LR	6N0422804	C3032R	6Q0423811C	C4272L	701419810B	C2412LR
57724-3K500	C2159LR	6N0422804A	C3032R	6Q0423811D	C4272L	701419811A	C4092L
57724-4D000	C2165LR	6N0422804C	C3033R	6Q0423812	C4272R	701419811B	C4069L
57724-4L000	C2349LR	6N0422807C	C2249LR	6Q0423812A	C4272R	701419811C	C4248L
57729-4A000	C2053LR	6N0422811	C4068L	6Q0423812C	C4272R	701419811E	C4091L
57730-24000	C2053LR	6N0422812	C4068R	6Q0423812D	C4272R	701419812A	C4069R
57730-24100	C2157LR	6N0422821A	C2248LR	6R0407151	C5373L	701419812B	C4248R
57730-28000	C2155LR	6N0501541D	C8054	6R0407151A	C5373L	701419812D	C4091R
57730-28500	C2053LR	6Q0407151D	C5370LR	6R0407151F	C5373L	702419803A	C3052L
57730-29000	C2152LR	6Q0407151E	C5370LR	6R0407152	C5373R	702419803B	C3053L
57730-29001	C2152LR	6Q0407151L	C5370LR	6R0407152A	C5373R	702419803C	C3055L
57730-33100	C2156LR	6Q0407182A	C8055	6R0407152F	C5373R	702419803D	C3056L
57730-43000	C2053LR	6Q0407183	C8056	6R0407365	C1254L	7210-67000	C1225LR

• Cross Reference OE-LYNXauto

OE	LYNXauto	OE	LYNXauto	OE	LYNXauto	OE	LYNXauto
7210-67001	C1225LR	7L0412333A	C8041	7M3422804A	C3005R	895407147A	C5415L
7210-67002	C1225LR	7L0422803B	C3049L	7M3422817	C4152L	895407148A	C5415R
7210-67003	C1225LR	7L0422803C	C3049L	7M3422818	C4152R	8-97018-125-2	C7462LR
7210-67020	C1224LR	7L0422803D	C3049L	811411327B	C8005	8-97018-227-2	C7063R
7210-67021	C1224LR	7L0422804B	C3049R	811419801E	C3037L	8-97018-228-2	C7063L
7313-10140	C2258LR	7L0422804C	C3049R	811419802J	C3037R	8-97020-953-1	C4169R
7313-20020	C4112LR	7L0422804D	C3049R	811419812A	C4001LR	8-97020-954-0	C4169L
7D0407140	C8067	7L0422817B	C4247L	823407365E	C1082LR	8-97020-954-1	C4169L
7D0407140A	C8067	7L0422817C	C4247L	823411313A	C8005	8-97020-954-2	C4169L
7D0407151A	C5376L	7L0422817D	C4247L	83BB3L519EA	C2139LR	8-97028-970-0	C6009
7D0407152A	C5376R	7L0422818B	C4247R	855407365A	C1002L	8-97028-970-1	C6009
7D0407361	C1080LR	7L0422818C	C4247R	855407365B	C1002L	8-97028-970-2	C6009
7D0411049	C7042LR	7L0422818D	C4247R	855407366A	C1002R	8-97102-823-0	C6009
7E0407361	C1237LR	7L0422821	C2284LR	855407366B	C1002R	8-97107-348-0	C4333R
7H0407151E	C5337L	7L0505323A	C5336LR	857407147A	C5346L	8-97107-349-0	C4333L
7H0407151F	C5337L	7L0505397	C5366L	857407148A	C5346R	8-97235-776-0	C1029LR
7H0407151G	C5337L	7L0505398	C5366R	87BB3L519EA	C2139LR	8-97304-851-0	C2303LR
7H0407152E	C5337R	7L0505465A	C7302L	87GB3L519BA	C2130LR	8-97940-612-0	C1170LR
7H0407152F	C5337R	7L0505465B	C7302L	893407147C	C5346L	8-97940-616-0	C4169R
7H0407152G	C5337R	7L0505465C	C7302L	893407147E	C5416L	8-97956-902-A	C4169R
7H0407182	C8072	7L0505465D	C7302L	893407148C	C5346R	8-98005-826-0	C1103LR
7H0407183	C8071	7L0505466A	C7302R	893407148E	C5416R	8-98055-744-0	C2303LR
7H0407361	C1237LR	7L0505466B	C7302R	893407365A	C1003L	8A0199415B	C8769
7H0407361A	C1237LR	7L0505466C	C7302R	893407366A	C1003R	8A0199419	C8770
7H0411313	C8070	7L0505466D	C7302R	893407465A	C7111LR	8A0407181	C8002
7H0411317	C7303LR	7L0511413E	C8774	8-94217-221-1	C2161LR	8A0407365	C1004L
7H0419803C	C3057L	7L8407151B	C5364L	8-94217-221-2	C2161LR	8A0407366	C1004R
7H0419803D	C3057L	7L8407152B	C5364R	8-94217-221-3	C2161LR	8A0407465	C7111LR
7H0419803E	C3057L	7L8407183	C8043	8-94224-550-2	C1249LR	8A0407465B	C7111LR
7H0419803F	C3057L	7L8411313B	C8773	8-94224-550-3	C1249LR	8A0407465C	C7111LR
7H0419804C	C3057R	7M0407151B	C5095L	8-94224-552-1	C1168LR	8A0419812	C4001LR
7H0419804D	C3057R	7M0407152B	C5095R	8-94224-552-2	C1168LR	8A0501541	C8705
7H0419804E	C3057R	7M0407181A	C8060	8-94237-351-0	C4170LR	8A0505465C	C7112L
7H0419804F	C3057R	7M0407365A	C1147LR	8-94237-351-1	C4170LR	8A0505466C	C7112R
7H0422817A	C4249L	7M0411317C	C7088LR	8-94241-767-0	C6011	8AB1-32-280	C4101LR
7H0422817B	C4249L	7M0422803E	C3005L	8-94243-236-0	C1169LR	8AB2-32-280	C4008LR
7H0422817C	C4249L	7M0422803F	C3005L	8-94246-475-0	C1168LR	8AG1-34-100	C7211LR
7H0422817D	C4249L	7M0422803G	C3005L	8-94246-475-1	C1168LR	8AG3-32-280	C4009LR
7H0422818A	C4249R	7M0422804E	C3005R	8-94374-424-0	C1103LR	8AG4-32-280	C4009LR
7H0422818B	C4249R	7M0422804F	C3005R	8-94374-424-4	C1103LR	8AH1-32-280	C4099LR
7H0422818C	C4249R	7M0422804G	C3005R	8-94419-408-0	C4169R	8AL1-32-280	C4102LR
7H0422818D	C4249R	7M0422807G	C2134LR	8-94419-409-0	C4169L	8AS2-34-510	C1034LR
7H5411317	C7303LR	7M0422817	C4152L	8-94452-102-0	C1029LR	8AS2-34-510A	C1034LR
7H5411317A	C7303LR	7M0422817A	C4152L	8-94452-102-1	C1029LR	8AU1-32-270	C4103LR
7H5411317B	C7303LR	7M0422817B	C4152L	8-94452-104-0	C1168LR	8AU1-34-540	C1104LR
7H8407361	C1238LR	7M0422818	C4152R	8-94452-104-1	C1168LR	8AU2-32-270	C4104LR
7H8407361A	C1238LR	7M0422818A	C4152R	8-94452-106-0	C1169LR	8AU2-34-510	C1108LR
7L0407021	C5335LR	7M0422818B	C4152R	8-94452-106-1	C1169LR	8AU3-34-510	C1107LR
7L0407021A	C5335LR	7M0501541	C8061	8-94459-453-2	C1249LR	8D0407151E	C5034LR
7L0407021B	C5335LR	7M0505221C	C8752	8-94459-453-3	C1249LR	8D0407505B	C5033L
7L0407077	C8042	7M0505222B	C8753	8-94459-464-1	C1170LR	8D0407505F	C5033L
7L0407151C	C5364L	7M3407365A	C1147LR	8-94459-464-2	C1170LR	8D0407505H	C5033L
7L0407151E	C5364L	7M3407365C	C1147LR	8-94459-464-3	C1170LR	8D0407505K	C5033L
7L0407151H	C5364L	7M3411317	C7088LR	8-94459-465-1	C1029LR	8D0407506B	C5033R
7L0407152C	C5364R	7M3411317B	C7088LR	8-94459-465-2	C1029LR	8D0407506F	C5033R
7L0407152E	C5364R	7M3411317C	C7088LR	8-94459-480-0	C4169R	8D0407506H	C5033R
7L0407152H	C5364R	7M3411317D	C7088LR	8-94459-480-1	C4169R	8D0407506K	C5033R
7L0407182C	C8044	7M3411317E	C7088LR	8-94459-480-2	C4169R	8D0407509A	C5347L
7L0407182E	C8044	7M3422803	C3005L	8-94459-481-0	C4169L	8D0407509E	C5347L
7L0407183A	C8043	7M3422803A	C3005L	8-94459-481-1	C4169L	8D0407509F	C5347L
7L0411317	C7301LR	7M3422804	C3005R	8-94459-481-2	C4169L	8D0407509G	C5347L

• Cross Reference OE-LYNXauto

OE	LYNXauto	OE	LYNXauto	OE	LYNXauto	OE	LYNXauto
8D0407510A	C5347R	8E0501522N	C8712	8Z0423804F	C2099LR	B26R-34-156	C8918
8D0407510E	C5347R	8E0501529K	C5431LR	8Z0423810D	C2099LR	B26R-34-170	C7079LR
8D0407510F	C5347R	8E0501529P	C5431LR	8Z0423811A	C4133L	B30H-28-170B	C7078LR
8D0407510G	C5347R	8E0501541S	C8772	8Z0423812A	C4133R	B30H-28-200A	C5476R
8D0407515A	C8027	8E0505145AP	C8710	8Z0501541	C8706	B30H-28-250A	C5476L
8D0407515B	C8027	8E0505145AR	C8709	90112-SE0-000	C7166LR	B32H-34-300	C5171R
8D0407515C	C8027	8E0505203D	C8031	91AB3L519BA	C2128LR	B32H-34-350	C5171L
8D0411317D	C7044L	8E0505323M	C5430L	91AB3L519CB	C2129LR	B37F-34-170A	C7213LR
8D0411318D	C7044R	8E0505324M	C5430R	92FB3L519AA	C2131LR	B455-32-24X	C2081LR
8D0498998S1	C5020LRK	8E0505465AC	C7064LR	93BB3395AC	C1148LR	B455-32-280	C4008LR
8D0501530	C5036LR	8E0505465AF	C7064LR	94FB3395A2B	C1143LR	B455-34-300B	C5164R
8D0501541D	C8708	8E0505465C	C7118LR	95AB5K653CA	C8746	B455-34-350B	C5164L
8D0505465	C7112L	8E0505465D	C7118LR	95VW3078AC	C5095R	B455-34-550	C1106LR
8D0505466	C7112R	8E0505465K	C7064LR	95VW3079AC	C5095L	B456-32-24X	C2080R
8E0407151E	C5037LR	8E0505465T	C7064LR	95VW3280AF	C3005R	B456-32-25X	C2080L
8E0407151K	C5037LR	8E0599257K	C8713	95VW3280AH	C3005R	B457-28-156	C8914
8E0407151L	C5037LR	8F0498998S1	C5021LRK	95VW3281AG	C3005L	B459-34-156	C8386
8E0407151M	C5037LR	8J0423810	C2305LR	95VW3281AH	C3005L	B459-34-470	C8388
8E0407151N	C5037LR	8K0407151B	C5361L	95VW5A638CA	C8061	B461-28-156	C8913
8E0407151R	C5037LR	8K0407151C	C5361L	96FB3395AB	C1145LR	BA29-32-135	C2175LR
8E0407181B	C8030	8K0407151F	C5426L	96FB3L519BA	C2132LR	BBM2-34-300	C5464R
8E0407181C	C8030	8K0407152B	C5361R	97AG5K653AA	C8747	BBM2-34-350	C5464L
8E0407505A	C5033L	8K0407152C	C5361R	98AG3042AJ	C5091R	BC1D-28-170A	C7011LR
8E0407505C	C5033L	8K0407152F	C5426R	98AG3042AK	C5091R	BC1D-34-156	C8915
8E0407505P	C5033L	8K0407182A	C8035	98AG3051AJ	C5091L	BC1D-34-46Y	C8917
8E0407506A	C5033R	8K0407182B	C8035	98AG3051AK	C5091L	BC1D-34-470	C8389
8E0407506C	C5033R	8K0407183A	C8036	98AG3L519AA	C2072LR	BP4K-28-156E	C8933
8E0407506P	C5033R	8K0407505A	C5357L	98AG5K652AK	C5428LR	BP4K-28-170C	C7006LR
8E0407509A	C5347L	8K0407505B	C5359L	ANR3304	C7436LR	BP4K-28-170D	C7006LR
8E0407509C	C5347L	8K0407506A	C5357R	B001-32-135	C2174LR	BP4K-28-300C	C5428LR
8E0407509P	C5347L	8K0407506B	C5359R	B001-34-470	C8387	BP4K-28-300D	C5428LR
8E0407510A	C5347R	8K0407509A	C5358L	B001-34-550	C1105LR	BP4K-28-300E	C5428LR
8E0407510C	C5347R	8K0407509B	C5360L	B001-99-324	C4288LR	BP4K-28-500C	C5003LR
8E0407510P	C5347R	8K0407510A	C5358R	B001-99-325	C4288LR	BP4K-28-500D	C5003LR
8E0407693	C5035L	8K0407510B	C5360R	B01A-34-300	C5165R	BP4K-28-500E	C5003LR
8E0407693AG	C5035L	8K0407689D	C1252LR	B01A-34-350	C5165L	BP4K-28-C10B	C5092LR
8E0407693AK	C5038L	8K0407689E	C1252LR	B01A-34-550	C1032LR	BP4K-34-156B	C8932
8E0407693AL	C5038L	8K0407689F	C1252LR	B01A-34-550A	C1032LR	BP4K-34-170C	C7213LR
8E0407693E	C5035L	8K0407689G	C1252LR	B029-34-159	C7209LR	BP4K-34-170D	C7213LR
8E0407693K	C5035L	8K0407693F	C5362L	B038-32-135	C2175LR	BP4L-32-240	C2015LR
8E0407693P	C5035L	8K0407693H	C5362L	B03E-34-156	C8918	BP4L-32-280	C4100R
8E0407693Q	C5035L	8K0407693K	C5362L	B092-32-240	C2361LR	BP4L-32-290	C4100L
8E0407693T	C5038L	8K0407693N	C5362L	B092-34-550	C1105LR	BTDA-34-550	C1032LR
8E0407694	C5035R	8K0407693T	C5363L	B093-32-240	C2362R	C100-28-600A	C5478LR
8E0407694AG	C5035R	8K0407694F	C5362R	B093-32-250	C2362L	C100-28-600B	C5478LR
8E0407694AK	C5038R	8K0407694H	C5362R	B210-32-240	C2174LR	C100-28-620	C5477LR
8E0407694AL	C5038R	8K0407694K	C5362R	B21H-32-24X	C2318LR	C100-28-620A	C5477LR
8E0407694E	C5035R	8K0407694N	C5362R	B21H-32-25X	C2318LR	C100-28-620B	C5477LR
8E0407694K	C5035R	8K0407694T	C5363R	B25D-32-240	C2050L	C100-34-300A	C5177R
8E0407694P	C5035R	8K0411317C	C7315LR	B25D-32-250	C2050R	C100-34-300B	C5177R
8E0407694Q	C5035R	8K0411317D	C7315LR	B25D-34-300A	C5166R	C100-34-350A	C5177L
8E0407694T	C5038R	8K0411327A	C8039	B25D-34-300B	C5166R	C100-34-350B	C5177L
8E0411317	C7117L	8K0422817A	C4269L	B25D-34-300C	C5166R	C2S12013	C4154LR
8E0411318	C7117R	8K0422817B	C4269L	B25D-34-300D	C5166R	C2S47357	C4154LR
8E0419801B	C3010LR	8K0422818A	C4269R	B25D-34-350A	C5166L	D001-32-24X	C2171LR
8E0419811	C4135LR	8K0422818B	C4269R	B25D-34-350B	C5166L	D031-34-320A	C5158LR
8E0419811B	C4134LR	8K0505465E	C7314LR	B25D-34-350C	C5166L	D061-32-24XA	C2173LR
8E0422821	C2103LR	8R0407515	C8033	B25D-34-350D	C5166L	D102-32-240	C2177L
8E0422821C	C2103LR	8Z0407365A	C1092L	B25D-34-460	C8390	D102-32-240A	C2177L
8E0498998S1	C5019LRK	8Z0407366A	C1092R	B25D-34-470	C8391	D102-32-250	C2177R
8E0501521N	C8711	8Z0423803F	C2099LR	B26R-28-170	C7077LR	D102-32-250A	C2177R

• Cross Reference OE-LYNXauto

OE	LYNXauto	OE	LYNXauto	OE	LYNXauto	OE	LYNXauto
D201-34-300E	C5170R	GA2A-32-250	C2319LR	GJ6A-34-J50C	C5174L	LR005648	C8864
D201-34-350A	C5170L	GA2A-32-250A	C2319LR	GJ6E-32-240	C2077LR	LR005649	C8863
D201-34-460C	C8929	GA2A-32-280	C4009LR	GJ6E-32-24X	C2077LR	LR007205	C1286LR
D8520-1AA0A	C4356R	GA2A-34-150A	C7053R	GJ6E-32-280	C4098R	LR007206	C1286LR
D8520-1KA0A	C4268R	GA2A-34-156	C8921	GJ6E-32-280A	C4098R	M001-99-356A	C1030LR
D8520-9Y025	C4353R	GA2A-34-170A	C7053L	GJ6E-32-290	C4098L	MA159984	C4263LR
D8520-CB025	C4355LR	GA2A-34-300	C5168R	GJ6E-32-290A	C4098L	MA169614	C4263LR
D8520-EW00A	C4129R	GA2A-34-350	C5168L	GK2A-34-150A	C7062R	MB006314	C4267LR
D8520-JA00A	C4356R	GA2A-34-46XA	C8394	GK2A-34-170	C7062L	MB006358	C4267LR
D8520-JG00A	C4357R	GA2A-34-46YA	C8393	GS1D-28-156	C8936	MB076003	C4266L
D8521-1AA0A	C2401LR	GA2A-34-470	C8392	GS1D-28-170	C7392LR	MB076531	C4267LR
D8521-JA00A	C2382LR	GA2B-28-170A	C7013LR	GS1D-32-240	C2178LR	MB076663	C4266L
D8521-JD00B	C2384LR	GA2C-28-170B	C7013LR	GS1D-32-280	C4341R	MB092-32-280	C4101LR
D8521-JG00A	C2384LR	GA6A-34-300B	C5173LR	GS1D-32-290	C4341L	MB109512	C5231L
D8640-1AA0A	C4356L	GA6A-99-356	C1030LR	GS1D-34-150	C7391R	MB109513	C5231R
D8640-1KA0A	C4268L	GA6B-34-300E	C5168R	GS1D-34-15YA	C8935	MB109630A	C5141L
D8640-9Y025	C4353L	GA6B-34-350E	C5168L	GS1D-34-170	C7391L	MB109631A	C5141R
D8640-EW00A	C4129L	GA6B-99-300E	C1030LR	GS1D-34-200A	C5465R	MB109662	C8478
D8640-JA00A	C4356L	GA6B-99-350E	C1030LR	GS1D-34-250A	C5465L	MB109684	C8477
D8640-JG00A	C4357L	GA6B-99-356	C1030LR	GS1D-34-300G	C5466R	MB122011	C4266R
D8E20-JG00A	C4357R	GA6B-99-356A	C1030LR	GS1D-34-300H	C5466R	MB122779	C4266L
D8F40-JG00A	C4357L	GD1E-34-150	C7053R	GS1D-34-300J	C5466R	MB122781	C4263LR
DD32-34-170	C7073LR	GD1E-34-170	C7053L	GS1D-34-350G	C5466L	MB122782	C4263LR
DD32-34-300	C5090R	GD1J-28-170	C7013LR	GS1D-34-350H	C5466L	MB162810	C4191R
DD32-34-300A	C5090R	GE4T-28-156	C8924	GS1D-34-350J	C5466L	MB162811	C4191L
DD32-34-350	C5090L	GE4T-28-170	C7212LR	GSJ1000	C5414R	MB166281	C6003
DD32-34-350A	C5090L	GE4T-32-240	C2320LR	GSJ1001	C5414L	MB166426	C4267LR
DE90-32-240	C2001LR	GE4T-32-240A	C2320LR	GSJ877	C4365L	MB166980	C4266L
DE90-32-280	C4150R	GE4T-34-156	C8923	GSJ878	C4365R	MB166982	C4263LR
DE90-32-290	C4150L	GE4T-34-300E	C5169R	H001-99-324	C4099LR	MB175812	C1111LR
E016-32-24X	C2317LR	GE4T-34-350E	C5169L	HB212-003	C5142L	MB176283	C1111LR
E016-32-250	C2317LR	GE4T-34-46XD	C8396	HB212-004	C5142R	MB176308	C1114LR
E112-99-300C	C1030LR	GE4T-34-46YD	C8395	HB212-100	C1155LR	MB176309	C1113LR
EA03-34-170	C7080LR	GF22-34-300A	C5167R	KA10-34-470A	C8919	MB185441	C4267LR
EA03-34-170A	C7080LR	GF22-34-350A	C5167L	KB092-32-280	C4101LR	MB192430	C4012LR
EG21-28-156A	C8926	GG3P-34-200	C1183LR	KDX50-32240B	C2315LR	MB192499	C4012LR
EG21-32-240	C2126LR	GG3P-34-200A	C1183LR	KDX53-32240B	C2316LR	MB241166	C6003
EG21-32-280	C4298R	GG3P-34-200B	C1183LR	KGA2A-34150A	C7053R	MB241171	C4195LR
EG21-32-280A	C4298R	GG3P-34-250A	C1183LR	KGA2A-34170A	C7053L	MB241206	C4013LR
EG21-32-290	C4298L	GG3P-34-250B	C1183LR	KK150-32-240	C2171LR	MB241423	C6008
EG21-32-290A	C4298L	GJ21-32-240	C2079LR	KKY01-34-310	C5158LR	MB241818	C1111LR
EG21-34-156C	C8925	GJ21-34-460B	C8920	L206-34-150A	C7339R	MB241830	C6002
EG21-34-300D	C1260LR	GJ22-32-240	C2079LR	L206-34-170A	C7339L	MB241883	C1028LR
EG21-34-350D	C1260LR	GJ22-34-300A	C5167R	LA01-32-115	C2082LR	MB241973	C6006
EH44-34-300	C1260LR	GJ22-34-300B	C5167R	LA01-32-280	C4102LR	MB241974	C7235LR
EH44-34-350	C1260LR	GJ22-34-350A	C5167L	LB41-34-460	C8937	MB241982	C4011LR
F02Z-3A-130A	C4009LR	GJ22-34-350B	C5167L	LB82-34-300	C5175LR	MB244901	C2187LR
F151-34-150	C7340L	GJ6A-28-156	C8401	LC62-32-240B	C2179LR	MB288119	C4196LR
F151-34-170	C7340R	GJ6A-28-170A	C7214LR	LC62-34-170	C7210LR	MB296296	C5227R
F1CZ-32-80A	C2081LR	GJ6A-34-150A	C7062R	LC62-34-170A	C7210LR	MB315629	C4267LR
FTC3570	C1281LR	GJ6A-34-156	C8400	LC62-34-170B	C7210LR	MB315775	C4195LR
FTC3571	C1282LR	GJ6A-34-170A	C7062L	LC62-34-300C	C5176R	MB315776	C4013LR
G030-28-157	C7342LR	GJ6A-34-200B	C5172R	LC62-34-350C	C5176L	MB347666	C2189LR
G030-28-158	C7342LR	GJ6A-34-250B	C5172L	LC62-34-460B	C8939	MB349963	C1028LR
G030-99-356	C1030LR	GJ6A-34-460A	C8404	LC62-99-300C	C1030LR	MB349964	C1028LR
G26A-32-280	C4098R	GJ6A-34-470A	C8403	LR002609	C4153R	MB350577	C2374LR
G26A-32-290	C4098L	GJ6A-34-540	C1183LR	LR002610	C4153L	MB350718	C2190LR
G564-28-156A	C8916	GJ6A-34-710A	C8402	LR002624	C1286LR	MB378701	C4266L
GA2A-28-156A	C8922	GJ6A-34-J00B	C5174R	LR002625	C1286LR	MB378704	C4263LR
GA2A-32-240	C2319LR	GJ6A-34-J00C	C5174R	LR002626	C7379LR	MB489434	C4012LR
GA2A-32-240A	C2319LR	GJ6A-34-J50B	C5174L	LR002876	C7380LR	MB501017	C2410LR

• Cross Reference OE-LYNXauto

OE	LYNXauto	OE	LYNXauto	OE	LYNXauto	OE	LYNXauto
MB501530	C2190LR	MB860817	C1028LR	MR241623	C1251LR	MR508135	C4105L
MB501721	C2018LR	MB860829	C1037LR	MR244116	C8688	MR508136	C4105R
MB518041	C1028LR	MB860830	C1037LR	MR244901	C2187LR	MR508650	C4259LR
MB518042	C1028LR	MB864164	C4014LR	MR267873	C7463LR	MR510267	C2084LR
MB518205	C1028LR	MB864698	C8986	MR267875	C7464LR	MR539476	C8985
MB518712	C1028LR	MB879354	C7236LR	MR267876	C7101L	MR548285	C4259LR
MB518713	C1028LR	MB891788	C1028LR	MR267877	C7101R	MR554269	C8976
MB518780	C7105LR	MB892320	C8988	MR272116	C7234LR	MR554271	C8488
MB518806	C5234L	MB892981	C7017LR	MR272117	C7236LR	MR589637	C8994
MB518807	C5234R	MB892982	C7238LR	MR272118	C7237LR	MR594674	C2019LR
MB518892	C7238LR	MB910934	C2017LR	MR272717	C8989	MR911072	C8974
MB518961	C1028LR	MB910961	C2017LR	MR296093	C5479L	MR911378	C8977
MB527159	C5230L	MB912076	C4011LR	MR296094	C5479R	MR911569	C5221R
MB527169	C4011LR	MB912077	C5223L	MR296096	C5479R	MR911570	C5221L
MB527228	C6007	MB912078	C5223R	MR296269	C1006L	MR912505-01	C1112LR
MB527349	C1251LR	MB912505	C5008L	MR296270	C1006R	MR916133	C5221L
MB527350	C1251LR	MB912506	C5008R	MR296271	C6010	MR916134	C5221R
MB527351	C1110L	MB912506-01	C1112LR	MR296274	C4013LR	MR954887	C7408LR
MB527352	C1110R	MB912509	C5227L	MR296275	C4016LR	MR954888	C7235LR
MB527383-01	C1109LR	MB912510	C5227R	MR296292	C5229R	MR977606	C4192LR
MB527384-01	C1109LR	MB912511	C5228L	MR296293	C5229L	MR992191	C7241L
MB527650	C4014LR	MB912512	C5228R	MR296295	C5227L	MR992192	C7241R
MB532046	C2189LR	MB912519	C4012LR	MR297969	C2017LR	MR992256	C8991
MB532281	C2018LR	MB949343	C2019LR	MR316368	C7052L	MR992261	C5455L
MB532971	C2192LR	MB950543	C8987	MR319067	C8492	MR992262	C5455R
MB532972	C2414LR	MC891647	C4264L	MR319147	C7105LR	MR992309	C7407L
MB553249	C2191LR	MC891648	C4264R	MR325576	C5227R	MR992310	C7407R
MB564853	C4194LR	MDX50-32280	C4278LR	MR325577	C5227L	MR992317	C8479
MB564991	C4012LR	MN100250	C8480	MR333166	C2019LR	MT142181	C4267LR
MB573043	C7238LR	MN101368	C7270LR	MR374521	C7102L	MW033300	C4264L
MB573093	C1028LR	MN184133	C8171	MR374522	C7102R	MW033301	C4264R
MB573540	C7105LR	MN184194	C7271R	MR376996	C6012	QFK500010	C2355R
MB573885	C4012LR	MN186217	C5226L	MR392730	C7235LR	QFK500020	C2355L
MB597605	C4011LR	MN186218	C5226R	MR403027	C2188LR	QFK500030	C2357LR
MB598017	C5146L	MR102653	C8468	MR403082	C8984	QFS000010	C4335LR
MB598018	C5146R	MR102654	C8467	MR403419	C5235L	QFS100060	C4335LR
MB598023	C4011LR	MR124879	C5479L	MR403420	C5235R	QJB100180	C4365R
MB616286	C4012LR	MR130479	C5222L	MR403441	C8482	QJB100190	C4365L
MB633820	C9135	MR130480	C5222R	MR403485	C5236LR	QJB100220	C4337R
MB633926	C7240LR	MR130807	C2017LR	MR403771	C7185LR	QJB100230	C4337L
MB633934	C8997	MR131680	C7234LR	MR403775	C8995	QJB500010	C4336LR
MB672370	C7082L	MR131732	C7409LR	MR403872	C2019LR	QJB500040	C4339LR
MB698532	C6002	MR132551	C7101L	MR403965	C8975	QJB500050	C4338LR
MB808076	C7082R	MR132552	C7101R	MR414939	C1302LR	RBJ100690	C5109R
MB808909	C8468	MR150090	C8998	MR414940	C1302LR	RBJ100720	C5109L
MB808910	C8467	MR162803-01	C1112LR	MR418052	C7103L	RBJ102220	C5120R
MB809220	C5224L	MR162804-01	C1112LR	MR418053	C7103R	RBJ102230	C5120L
MB809221	C5224R	MR171441	C8983	MR418547	C8999	RBJ102500	C5414R
MB809354	C7236LR	MR179479	C5220L	MR439701	C5225L	RBJ102510	C5414L
MB809355	C7239LR	MR179480	C5220R	MR439702	C5225R	RBJ102920	C1285LR
MB809357	C8982	MR197475	C8992	MR448255	C2373LR	RBJ102930	C1285LR
MB831037	C1006L	MR234247	C8476	MR455019	C8978	RBK000042	C8380
MB831038	C1006R	MR241023	C5232L	MR485672	C4011LR	RBK500012	C8376
MB831040	C6004	MR241024	C5232R	MR491358	C2083LR	RBK500030	C1283LR
MB831042	C6001	MR241025	C5233L	MR496792	C1041LR	RBK500040	C1284LR
MB831043	C4016LR	MR241026	C5233R	MR496793	C5237L	RBK500150	C1287LR
MB831044	C4015LR	MR241027	C1300LR	MR496794	C5237R	RBK500170	C1288LR
MB844455	C8981	MR241029	C6005	MR496795	C5238L	RBL500722	C8865
MB860381	C5368L	MR241031	C4194LR	MR496796	C5238R	RBM000011	C7381LR
MB860382	C5368R	MR241032	C4195LR	MR496799	C1040LR	RBM100170	C7378LR
MB860408	C5230R	MR241349	C7408LR	MR508130	C1115LR	RBM100223	C7374LR

• Cross Reference OE-LYNXauto

OE	LYNXauto	OE	LYNXauto	OE	LYNXauto	OE	LYNXauto
RBM100240	C7423LR						
RBM500140	C7384R						
RBM500150	C7384L						
RBM500190	C7376LR						
RBX000010	C8862						
RBX000070	C8381						
RBX000200	C8382						
RBX000571	C8860						
RBX101160	C8377						
RBX101690	C8858						
RBX101710	C8859						
RBX101780	C8378						
RBX500280	C8867						
RBX500432	C8384						
RBX500443	C8383						
RBX500531	C8385						
RDG100682	C7375LR						
RGB000054	C8866						
RGD000131	C7382LR						
RGD000311	C7377LR						
RGD100561	C7422R						
RGD100571	C7422L						
RGD500083	C3061LR						
RGD500180	C7383LR						
RGX500060	C8861						
RGX500070	C8868						
RHF000260	C8379						
RHF500031	C8375						
S038-32-115	C2078LR						
S083-34-460	C8399						
S083-34-830A	C8398						
S083-34-840A	C8397						
S083-99-324	C4003LR						
S083-99-354	C1033LR						
S083-99-356	C1019LR						
S247-34-510A	C1034LR						
SA39-32-115	C2078LR						
STC1871	C4335LR						
TIQ000030	C4338LR						
TIQ000040	C2356LR						
UB3999324	C4289LR						
UB39-99-354	C1104LR						
UH7132280	C4289LR						
UH71-34-540	C1104LR						
UH74-32-250	C4104LR						
UH74-32-280	C4103LR						
UH74-34-550	C1107LR						
XS5C3L519AA	C2131LR						
YM213280AB	C3005R						
YM213281AB	C3005L						
YM213395BA	C1147LR						
ZZC1-34-320	C1030LR						

REPLACE № • Замена устаревших и снятых с производства позиций

OLD	NEW	OLD	NEW	OLD	NEW	OLD	NEW
SA-1200	C5015R	SB-1401	C1011LR	SB-5708	C1325LR	SB-7547	C1290R
SA-1201	C5015L	SB-1402	C1012LR	SB-5709	C1258LR	SB-7548	C1290L
SA-1202	C5001LR	SB-2200	C1084LR	SB-5710	C1116LR	SB-7549	C1074LR
SA-1403	C5005L	SB-2201	C1014LR	SB-5711	C1117LR	SB-7550	C1227LR
SA-1404	C5005R	SB-2202	C1015LR	SB-5714	C1247LR	SB-7551	C1128LR
SA-1405	C5004L	SB-2203	C1017LR	SB-5715	C1248LR	SB-7552	C1054LR
SA-1406	C5004R	SB-2204	C1016LR	SB-5721	C1045LR	SB-7554	C1010L
SA-1408	C5006L	SB-2300	C1018LR	SB-5722	C1042LR	SB-7555	C1010R
SA-1409	C5006R	SB-2301	C1085LR	SB-5723	C1118LR	SB-7560	C1077LR
SA-1414	C5007L	SB-3000	C1086LR	SB-5726	C1020LR	SB-7561	C1129LR
SA-1415	C5007R	SB-3401	C1023LR	SB-5727	C1021LR	SB-7562	C1130LR
SA-2300	C5002LR	SB-3402	C1024LR	SB-5728	C1044LR	SB-7565	C1230L
SA-3001	C5003LR	SB-3406	C1022LR	SB-5730	C1119LR	SB-7566	C1230R
SA-3401	C5025L	SB-3407	C1026LR	SB-5731	C1120LR	SB-7569	C1008L
SA-3402	C5025R	SB-3408	C1027LR	SB-5900	C1089LR	SB-7570	C1008R
SA-3405	C5026R	SB-3409	C1025LR	SB-5901	C1046LR	SB-7800	C1094LR
SA-3406	C5026L	SB-3410	C1099LR	SB-5902	C1047LR	SB-7801	C1078LR
SA-3407	C5108L	SB-3412	C1096LR	SB-5903	C1007L	SB-8000	C1050LR
SA-3408	C5027L	SB-3413	C1262LR	SB-5904	C1007R	SB-8001	C1095LR
SA-3409	C5027R	SB-3414	C1101LR	SB-6300	C1090LR	SB-8002	C1079LR
SA-5309	C5009L	SB-3416	C1262LR	SB-6302	C1091LR	SB-8003	C1080LR
SA-5310	C5009R	SB-3602	C1102LR	SB-6800	C1092R	SD-1200	C3002L
SA-5502	C5227L	SB-3800	C1328LR	SB-6801	C1092L	SD-1204	C3002R
SA-5503	C5227R	SB-3801	C1249LR	SB-6900	C1093LR	SD-1205	C3003L
SA-5506	C5008L	SB-3802	C1029LR	SB-7100	C1051LR	SD-1206	C3003R
SA-5507	C5008R	SB-3804	C1103LR	SB-7101	C1225LR	SD-1401	C3001LR
SA-5701	C5017R	SB-4602	C1031LR	SB-7300	C1052LR	SD-1403	C3004L
SA-5702	C5017L	SB-5104	C1104LR	SB-7500	C1121LR	SD-1404	C3004R
SA-5707	C5010L	SB-5105	C1034LR	SB-7501	C1290L	SD-3005	C3005L
SA-5708	C5010R	SB-5107	C1033LR	SB-7502	C1290R	SD-3006	C3005R
SA-5711	C5011L	SB-5110	C1019LR	SB-7503	C1098L	SD-5700	C3028R
SA-5712	C5011R	SB-5111	C1030LR	SB-7504	C1098R	SD-5701	C3028L
SA-5715	C5012L	SB-5112	C1105LR	SB-7505	C1055LR	SD-5901	C3006L
SA-5716	C5012R	SB-5113	C1106LR	SB-7506	C1056LR	SD-5902	C3006R
SA-5910	C5022L	SB-5114	C1032LR	SB-7507	C1053LR	SE-3000	C4070L
SA-5911	C5022R	SB-5117	C1107LR	SB-7511	C1062LR	SI-3800	C6009
SA-5912	C5013L	SB-5118	C1108LR	SB-7512	C1009L	SI-5500	C6001
SA-5913	C5013R	SB-5301	C1036LR	SB-7513	C1009R	SI-5501	C6002
SA-5914	C5016LR	SB-5303	C1087LR	SB-7514	C1063LR	SK-1200	C5018LRK
SA-5915	C5014L	SB-5305	C1035LR	SB-7515	C1122LR	SK-1201	C5019LRK
SA-5916	C5014R	SB-5502	C1109LR	SB-7516	C1064LR	SK-1202	C5020LRK
SA-6100	C5023R	SB-5503	C1110L	SB-7517	C1065LR	SK-1203	C5021LRK
SA-6101	C5023L	SB-5504	C1110R	SB-7518	C1057LR	SL-5501	C6004
SA-7502	C5024L	SB-5505	C1111LR	SB-7519	C1066LR	SR-2301	C2051LR
SA-7503	C5024R	SB-5506	C1028LR	SB-7520	C1123LR	SR-2400	C2073LR
SB-1200	C1005L	SB-5507	C1112LR	SB-7521	C1067LR	SR-3001	C2001LR
SB-1201	C1001R	SB-5508	C1097LR	SB-7522	C1124LR	SR-3002	C2052LR
SB-1202	C1003L	SB-5510	C1037LR	SB-7523	C1326LR	SR-3006	C2003LR
SB-1203	C1001L	SB-5511	C1006L	SB-7525	C1125LR	SR-3009	C2002LR
SB-1204	C1082LR	SB-5512	C1006R	SB-7526	C1069LR	SR-3400	C2007LR
SB-1205	C1081L	SB-5513	C1113LR	SB-7527	C1070LR	SR-3401	C2006LR
SB-1206	C1002L	SB-5514	C1114LR	SB-7528	C1068LR	SR-3402	C2004LR
SB-1207	C1002R	SB-5515	C1040LR	SB-7529	C1126LR	SR-3403	C2014LR
SB-1208	C1004R	SB-5516	C1115LR	SB-7530	C1127LR	SR-3404	C2059LR
SB-1209	C1083L	SB-5517	C1041LR	SB-7531	C1232LR	SR-3405	C2304LR
SB-1210	C1083R	SB-5518	C1251LR	SB-7532	C1071LR	SR-3406	C2013LR
SB-1212	C1003R	SB-5700	C1088LR	SB-7533	C1322LR	SR-3408	C2009LR
SB-1215	C1081R	SB-5703	C1043LR	SB-7536	C1231LR	SR-3409	C2008LR
SB-1218	C1004L	SB-5704	C1203LR	SB-7538	C1072LR	SR-3411	C2074LR
SB-1220	C1005R	SB-5706	C1250R	SB-7539	C1073LR	SR-3412	C2011LR
SB-1400	C1013LR	SB-5707	C1250L	SB-7540	C1242LR	SR-3413	C2010LR

REPLACE № • Замена устаревших и снятых с производства позиций

OLD	NEW	OLD	NEW	OLD	NEW	OLD	NEW
SR-3414	C2404R	SR-7508	C2037LR	SS-3414	C7168R	SS-5721	C7104LR
SR-3415	C2404L	SR-7509	C2036LR	SS-3415	C7168L	SS-5722	C7023LR
SR-3416	C2049R	SR-7510	C2043LR	SS-3416	C7010LR	SS-5724	C7057L
SR-3417	C2049L	SR-7511	C2272LR	SS-3417	C7048L	SS-5725	C7057R
SR-3419	C2075LR	SR-7512	C2044LR	SS-3418	C7048R	SS-5901	C7026LR
SR-3420	C2005LR	SR-7513	C2092LR	SS-3419	C7090L	SS-5902	C7027LR
SR-3424	C2076LR	SR-7514	C2093LR	SS-3420	C7090R	SS-5904	C7028LR
SR-3600	C2053LR	SR-7515	C2394LR	SS-3421	C7050L	SS-5905	C7063R
SR-5101	C2015LR	SR-7516	C2045LR	SS-3422	C7050R	SS-5907	C7029LR
SR-5102	C2050R	SR-7517	C2094LR	SS-3427	C7051L	SS-5909	C7005LR
SR-5104	C2077LR	SR-7518	C2038LR	SS-3428	C7051R	SS-5910	C7083LR
SR-5105	C2078LR	SR-7519	C2046LR	SS-3429	C7363R	SS-5915	C7063L
SR-5106	C2079LR	SR-7520	C2032LR	SS-3430	C7363L	SS-6100	C7089LR
SR-5111	C2080L	SR-7521	C2066LR	SS-3433	C7074R	SS-6303	C7084LR
SR-5112	C2080R	SR-7522	C2033LR	SS-3434	C7074L	SS-6800	C7030LR
SR-5114	C2362L	SR-7523	C2048LR	SS-3600	C7075L	SS-7300	C7465LR
SR-5115	C2362R	SR-7524	C2047LR	SS-3601	C7076LR	SS-7301	C7289LR
SR-5116	C2081LR	SR-7526	C2058LR	SS-3604	C7075R	SS-7302	C7031LR
SR-5117	C2082LR	SR-7529	C2266LR	SS-5101	C7077LR	SS-7303	C7105LR
SR-5119	C2050L	SR-7530	C2321LR	SS-5102	C7078LR	SS-7500	C7085LR
SR-5302	C2054LR	SR-7533	C2360L	SS-5103	C7079LR	SS-7501	C7106L
SR-5303	C2055LR	SR-7535	C2040LR	SS-5104	C7011LR	SS-7502	C7106R
SR-5506	C2018LR	SR-7538	C2095LR	SS-5106	C7062L	SS-7503	C7296LR
SR-5507	C2019LR	SR-7539	C2034LR	SS-5109	C7214LR	SS-7504	C7091LR
SR-5508	C2374LR	SR-7540	C2096LR	SS-5112	C7053L	SS-7505	C7092LR
SR-5510	C2083LR	SR-7541	C2406LR	SS-5113	C7053R	SS-7506	C7059L
SR-5511	C2191LR	SR-7544	C2097LR	SS-5114	C7013LR	SS-7507	C7059R
SR-5512	C2017LR	SS-1200	C7064LR	SS-5115	C7080LR	SS-7508	C7033LR
SR-5513	C2084LR	SS-1202	C7001LR	SS-5126	C7062R	SS-7510	C7107L
SR-5514	C2085LR	SS-1203	C7003LR	SS-5300	C7016LR	SS-7511	C7107R
SR-5700	C2381LR	SS-1205	C7002LR	SS-5302	C7014LR	SS-7513	C7034LR
SR-5703	C2398LR	SS-1207	C7044L	SS-5304	C7015LR	SS-7515	C7035LR
SR-5705	C2026LR	SS-1208	C7044R	SS-5305	C7054R	SS-7516	C7038LR
SR-5706	C2411LR	SS-1403	C7065LR	SS-5306	C7054L	SS-7517	C7040LR
SR-5707	C2383LR	SS-1404	C7066LR	SS-5502	C7081LR	SS-7518	C7058L
SR-5709	C2086LR	SS-1406	C7067LR	SS-5503	C7082R	SS-7519	C7058R
SR-5710	C2023LR	SS-1407	C7045R	SS-5504	C7082L	SS-7520	C7037LR
SR-5713	C2024LR	SS-1408	C7068LR	SS-5505	C7017LR	SS-7521	C7060L
SR-5717	C2022LR	SS-1409	C7069L	SS-5508	C7236LR	SS-7522	C7060R
SR-5718	C2027LR	SS-1410	C7069R	SS-5509	C7185LR	SS-7525	C7108L
SR-5722	C2020LR	SS-1411	C7070LR	SS-5510	C7052L	SS-7526	C7108R
SR-5723	C2021LR	SS-1417	C7045L	SS-5511	C7052R	SS-7527	C7036LR
SR-5724	C2087LR	SS-1800	C7086L	SS-5512	C7101R	SS-7529	C7094LR
SR-5725	C2379LR	SS-1801	C7086R	SS-5513	C7101L	SS-7532	C7095LR
SR-5726	C2025LR	SS-1802	C7087LR	SS-5514	C7102L	SS-7534	C7093LR
SR-5727	C2088LR	SS-2200	C7004LR	SS-5515	C7102R	SS-7535	C7032LR
SR-5729	C2060LR	SS-2201	C7071LR	SS-5516	C7103R	SS-7536	C7096LR
SR-5902	C2028LR	SS-2202	C7072LR	SS-5517	C7103L	SS-7538	C7109L
SR-5903	C2029LR	SS-3001	C7073LR	SS-5518	C7463LR	SS-7539	C7109R
SR-6100	C2030LR	SS-3005	C7006LR	SS-5519	C7464LR	SS-7540	C7041LR
SR-6301	C2056LR	SS-3009	C7009LR	SS-5700	C7020LR	SS-7545	C7110LR
SR-6302	C2057LR	SS-3010	C7007LR	SS-5701	C7055R	SS-7549	C7097LR
SR-7301	C2089LR	SS-3011	C7008LR	SS-5702	C7055L	SS-7554	C7039LR
SR-7302	C2090LR	SS-3400	C7047L	SS-5706	C7022LR	SS-8000	C7042LR
SR-7303	C2405LR	SS-3401	C7047R	SS-5708	C7056R	SS-8001	C7043LR
SR-7304	C2031LR	SS-3402	C7046R	SS-5709	C7056L	ST-1200	C4062R
SR-7500	C2091LR	SS-3403	C7046L	SS-5710	C7024LR	ST-1201	C4061L
SR-7502	C2042LR	SS-3404	C7331R	SS-5711	C7025LR	ST-1202	C4072L
SR-7505	C2041LR	SS-3405	C7331L	SS-5714	C7345LR	ST-1203	C4072R
SR-7506	C2035LR	SS-3412	C7167L	SS-5719	C7019LR	ST-1204	C4001LR
SR-7507	C2269LR	SS-3413	C7167R	SS-5720	C7018LR	ST-1205	C4073L

REPLACE № • Замена устаревших и снятых с производства позиций

OLD	NEW	OLD	NEW	OLD	NEW	OLD	NEW
ST-1206	C4073R	ST-5107	C4009LR	ST-5747	C4022LR	ST-7569	C4124L
ST-1207	C4074L	ST-5109	C4008LR	ST-5902	C4088L	ST-7572	C4059R
ST-1208	C4074R	ST-5110	C4101LR	ST-5903	C4088R	ST-7573	C4059L
ST-1210	C4062L	ST-5111	C4102LR	ST-5904	C4028LR	ST-7574	C4125L
ST-1211	C4061R	ST-5113	C4103LR	ST-5913	C4029LR	ST-7575	C4125R
ST-1400	C4075LR	ST-5114	C4104LR	ST-6310	C4067L	ST-7576	C4042LR
ST-1402	C4076LR	ST-5300	C4085LR	ST-6313	C4068L	ST-7579	C4371L
ST-1403	C4077LR	ST-5301	C4086LR	ST-6314	C4068R	ST-7580	C4371R
ST-1404	C4002LR	ST-5302	C4087LR	ST-6320	C4067R	ST-7581	C4372L
ST-1405	C4078L	ST-5303	C4053L	ST-6900	C4089LR	ST-7582	C4372R
ST-1406	C4078R	ST-5304	C4053R	ST-7100	C4112LR	ST-7583	C4031LR
ST-1407	C4043L	ST-5305	C4051LR	ST-7101	C4113R	ST-7584	C4060L
ST-1408	C4043R	ST-5306	C4374LR	ST-7102	C4113L	ST-7585	C4060R
ST-2200	C4079L	ST-5307	C4010LR	ST-7300	C4030LR	ST-8000	C4090LR
ST-2201	C4079R	ST-5308	C4052L	ST-7301	C4292LR	ST-8001	C4091L
ST-2202	C4080LR	ST-5309	C4052R	ST-7302	C4292LR	ST-8002	C4091R
ST-2203	C4063L	ST-5311	C4094LR	ST-7303	C4293LR	ST-8003	C4092L
ST-2213	C4063R	ST-5501	C4264L	ST-7304	C4114LR	ST-8004	C4069L
ST-2300	C4064L	ST-5502	C4264R	ST-7305	C4115L	ST-8005	C4069R
ST-2301	C4064R	ST-5503	C4191L	ST-7306	C4115R	ST-8006	C4092R
ST-3000	C4081LR	ST-5504	C4191R	ST-7503	C4054R		
ST-3001	C4082L	ST-5509	C4014LR	ST-7504	C4054L		
ST-3002	C4082R	ST-5512	C4012LR	ST-7507	C4294L		
ST-3010	C4066L	ST-5513	C4011LR	ST-7508	C4294R		
ST-3011	C4065L	ST-5514	C4013LR	ST-7510	C4032LR		
ST-3012	C4066R	ST-5515	C4195LR	ST-7511	C4116R		
ST-3013	C4004LR	ST-5516	C4015LR	ST-7512	C4116L		
ST-3020	C4070L	ST-5517	C4016LR	ST-7516	C4057R		
ST-3021	C4065R	ST-5518	C4105R	ST-7517	C4057L		
ST-3022	C4070R	ST-5519	C4105L	ST-7518	C4056R		
ST-3400	C4045R	ST-5701	C4353L	ST-7519	C4056L		
ST-3401	C4045L	ST-5702	C4353R	ST-7520	C4055R		
ST-3403	C4044L	ST-5704	C4017LR	ST-7521	C4055L		
ST-3404	C4044R	ST-5709	C4023LR	ST-7522	C4033LR		
ST-3405	C4095R	ST-5711	C4106LR	ST-7523	C4034LR		
ST-3406	C4095L	ST-5712	C4290LR	ST-7528	C4117L		
ST-3407	C4007LR	ST-5714	C4071R	ST-7529	C4117R		
ST-3408	C4046R	ST-5715	C4071L	ST-7530	C4041LR		
ST-3409	C4046L	ST-5717	C4018LR	ST-7531	C4035LR		
ST-3411	C4006LR	ST-5718	C4107LR	ST-7532	C4036LR		
ST-3412	C4047R	ST-5719	C4019LR	ST-7533	C4375LR		
ST-3413	C4047L	ST-5720	C4108LR	ST-7534	C4242LR		
ST-3416	C4005LR	ST-5723	C4109R	ST-7535	C4118LR		
ST-3417	C4048L	ST-5724	C4126LR	ST-7542	C4296LR		
ST-3420	C4048R	ST-5725	C4127LR	ST-7543	C4119LR		
ST-3600	C4083LR	ST-5726	C4128LR	ST-7544	C4120LR		
ST-3800	C4169R	ST-5729	C4352L	ST-7545	C4037LR		
ST-3801	C4169L	ST-5730	C4352R	ST-7546	C4038LR		
ST-3804	C4333L	ST-5731	C4024LR	ST-7547	C4121R		
ST-3805	C4333R	ST-5732	C4017LR	ST-7548	C4121L		
ST-4400	C4084LR	ST-5733	C4026LR	ST-7551	C4058R		
ST-4603	C4050L	ST-5734	C4025LR	ST-7552	C4058L		
ST-4604	C4050R	ST-5735	C4021LR	ST-7556	C4122L		
ST-4605	C4049L	ST-5736	C4027LR	ST-7557	C4122R		
ST-4606	C4049R	ST-5737	C4020LR	ST-7558	C4130LR		
ST--5100	C4098L	ST-5738	C4129R	ST-7559	C4131LR		
ST--5101	C4098R	ST-5739	C4129L	ST-7560	C4123LR		
ST--5102	C4099LR	ST-5740	C4110L	ST-7563	C4132LR		
ST--5103	C4100L	ST-5741	C4110R	ST-7566	C4039LR		
ST--5104	C4100R	ST-5743	C4111L	ST-7567	C4040LR		
ST-5105	C4003LR	ST-5744	C4111R	ST-7568	C4124R		

REPLACE № • Замена устаревших и снятых с производства позиций

OLD	NEW	OLD	NEW	OLD	NEW	OLD	NEW