

# AMPERSAND PD22332

## PENDANTS

PROJECT



PD22332-BG  
Brushed Gold



PD22332-BN  
Brushed Nickel



PD22332-BK  
Black



PD22332-WH  
White

### SPECIFICATION DETAILS

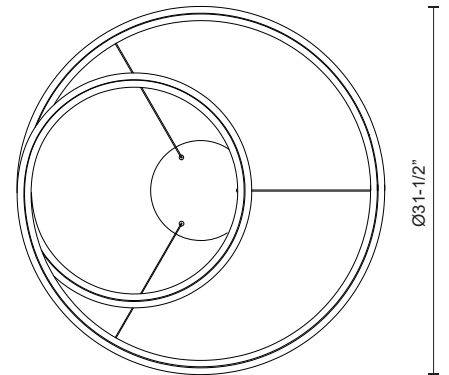
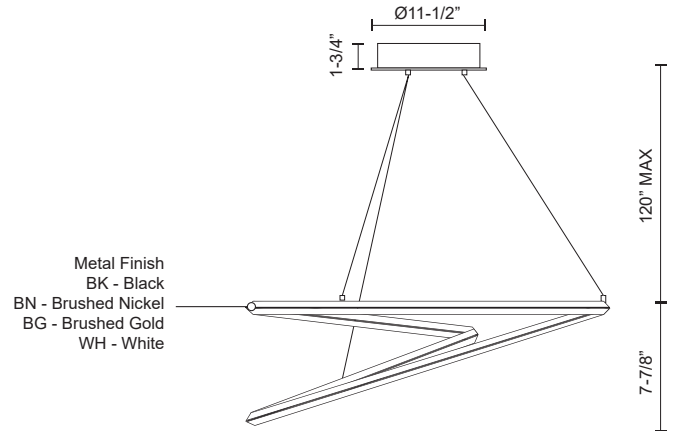
<b>Fixture Dimensions</b>	D31-1/2" x H7-7/8"
<b>Light Source</b>	LED with DC Driver
<b>Wattage</b>	67W
<b>Total Lumens</b>	4550lm
<b>Delivered Lumens</b>	BN-3344lm
<b>Voltage</b>	120V
<b>Color Temperature</b>	3000K
<b>CRI (Ra)</b>	90CRI
<b>Optional Color Temps</b>	2700K - 5000K Available, Minimum Order Quantities Apply
<b>LED Rated Life</b>	50,000 hours
<b>Dimming</b>	100% - 10%, TRIAC or ELV Dimmer (Not Included)
<b>Diffuser Details</b>	White Acrylic Diffuser
<b>Adjustable</b>	Yes
<b>Wire Length</b>	120" Max
<b>Wire Type</b>	BG, BN, WH - Clear Wire; BK - Black Wire;
<b>Minimum Hang Height</b>	21"
<b>Sloped Ceiling Adaptable</b>	Yes
<b>Location</b>	Dry
<b>CEC Title 24 JA8</b>	Yes, JA8-2022
<b>Canopy Dimensions</b>	D11-1/2" x H1-3/4"
<b>Paint Finish</b>	BG01; BK02; BN01; WH02;

\* For custom options, consult factory for details.

\* For warranty information, please visit [www.kuzcolighting.com/warranty](http://www.kuzcolighting.com/warranty)

### DESCRIPTION

Triangular in section the interior arcing surface of the lamp structure emanates light while the profile tapers into a razor thin edge. Available in two sizes the gestural Ampersand chandelier provides a reductive aesthetic focus but accomplished with a poetic flair.



# KUZCO

CANADA: 19054 28TH AVENUE - SURREY, BC V3Z 6M3

USA: 3035 E. LONE MOUNTAIN ROAD - LAS VEGAS, NV 89081

[WWW.KUZCOLIGHTING.COM](http://WWW.KUZCOLIGHTING.COM)

© 2019 KUZCO LIGHTING. ALL RIGHTS RESERVED.

### COMMENT

