

- 2016 PHOTOGRAPHY
BACHELORETTE KITCHEN
- SHEPPARTON CHERRY AND MAPLE
DRPD DRAWER HEAD
BAL TIC CHERRY
*LINEN MAPLE
- HARDWARE:
MODE COLLECTION BRUSHED BRONZE
16- 7169.BB KNOB - DOORS
5- 7170.BB 4" PULL - DRAWERS
3- 7171.BB 8" PULLS - DRAWERS
6- 7172.BB 12" PULLS - DRAWERS
- TOP MOLDING:
3- S3S3
- BOTTOM MOLDING:
2- S3S3
- TOE KICK MOLDING:
5- WMTK6
- MISCELLANEOUS:
3- SM8
1- TUK
1- *TUK
2- *SM8
3- *GSK30
2- *WPL4848
2- *V9608T
1- LED.PCK3.KIT
1- LED.PCK1
2- LED.TPL.KIT

© 2011
MASCO Cabinetry, LLC
All Rights Reserved



Designed: 1/7/2016
Printed: 5/19/2017

BACHELORETTE

All

Drawing #: 1

Scale : 0 1/4" = 1'



LED.PCK3.KIT
TWO PUCK LIGHTS PER GLASS CABINET

LED.TPL.KIT
RUN LIGHT TAPE ALONG BOTH BOTTOM
AND TOP OF WALL CABINETS.

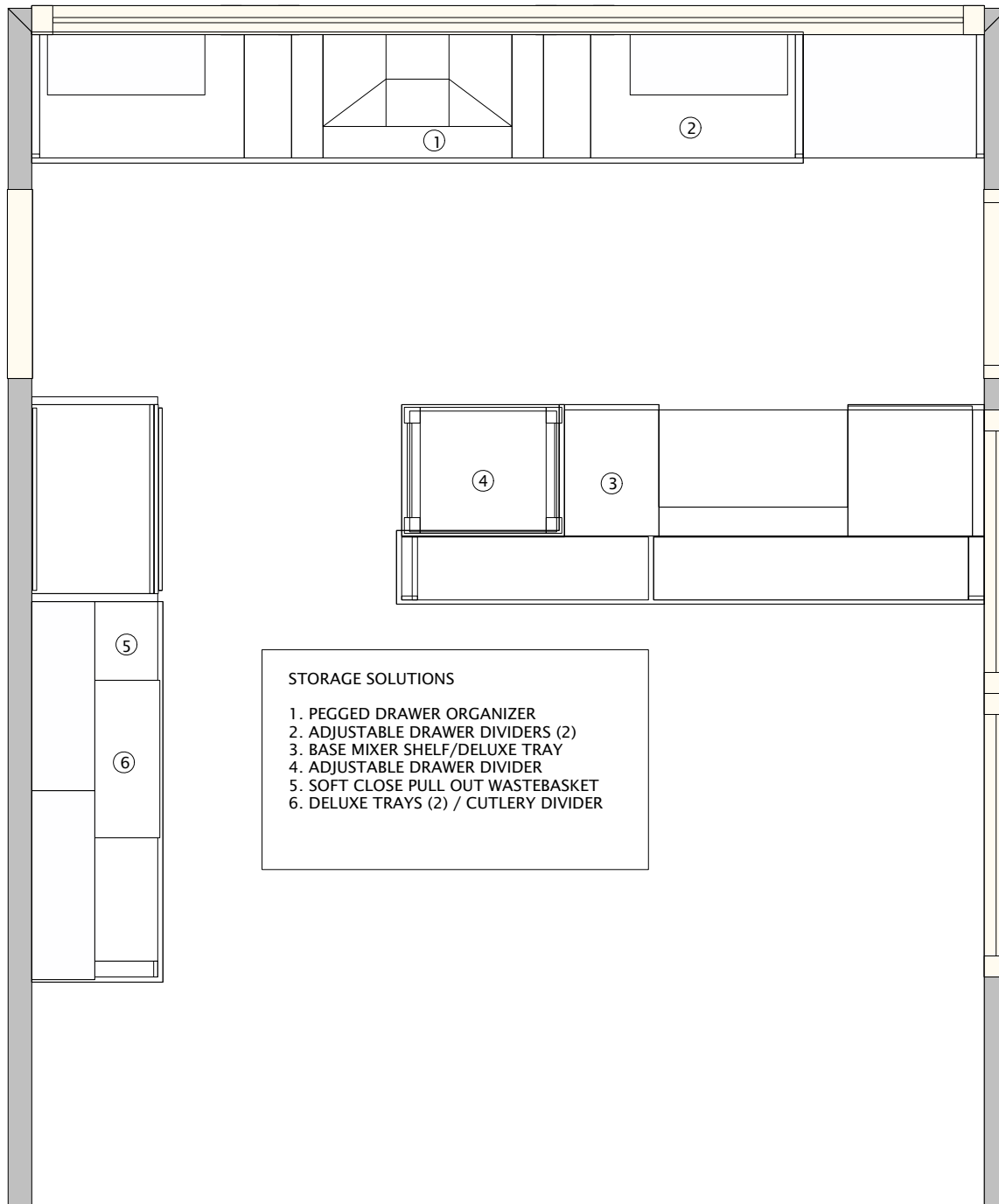
LIGHTING DETAILS

All dimensions _size designations given are subject to verification on job site and adjustment to fit job conditions.



This is an original design and must not be released or copied unless applicable fee has been paid or job order placed.

Designed: 11/5/2015
Printed: 11/5/2015



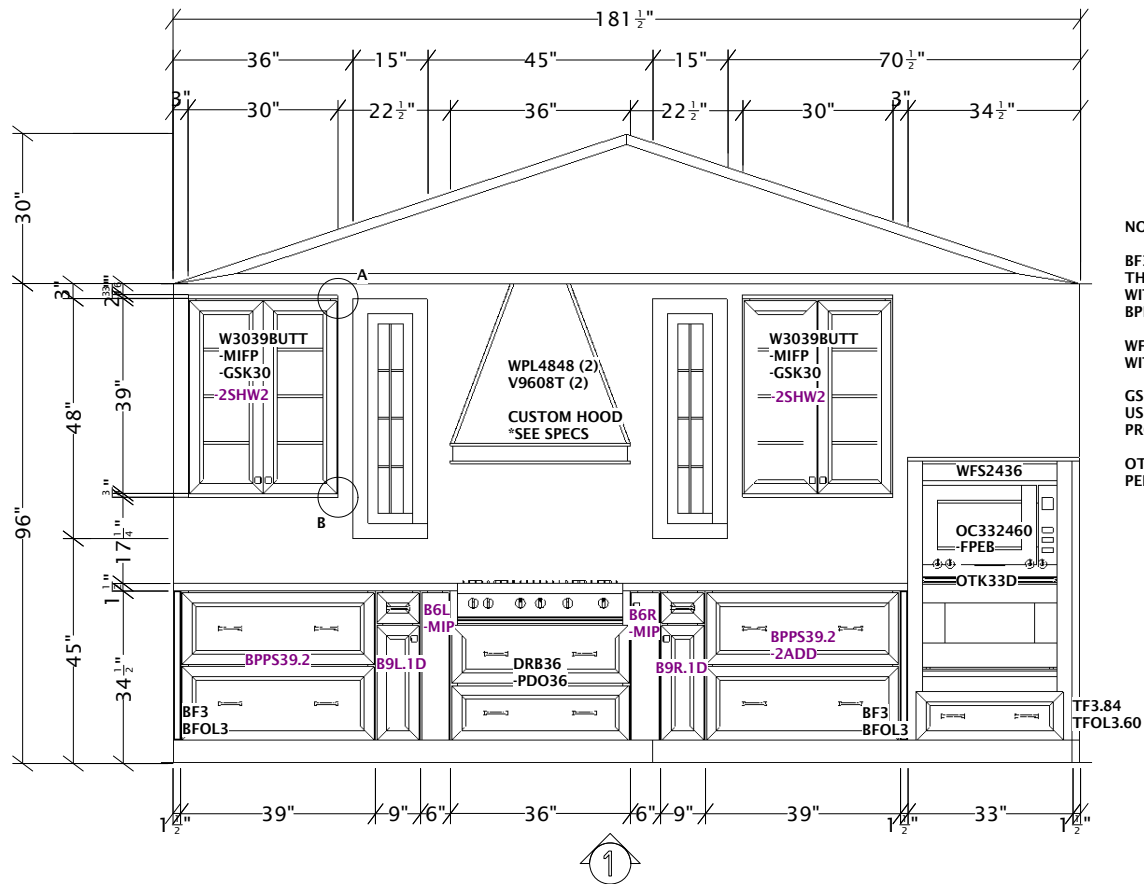
STORAGE SOLUTIONS

1. PEGGED DRAWER ORGANIZER
2. ADJUSTABLE DRAWER DIVIDERS (2)
3. BASE MIXER SHELF/DELUXE TRAY
4. ADJUSTABLE DRAWER DIVIDER
5. SOFT CLOSE PULL OUT WASTEBASKET
6. DELUXE TRAYS (2) / CUTLERY DIVIDER

© 2015 MASCO Cabinetry, LLC
All Rights Reserved



Designed: 1/7/2016
Printed: 1/7/2016



NOTES:

BF3/BFOL3: TRIM BF3 TO FIT. TRIM BFOL3 3/16" SMALLER THAN FILLER. ATTACH OVERLAY TO FILLER FROM BEHIND WITH CUT EDGE TOWARDS LEFT. INSTALL TO LEFT OF BPPS36.2 WITH FILLER FLUSH WITH FACE FRAME.

WFS2436: TRIM TO 33" WIDE. ATTACH TO TOP OF OC332460 WITH CUT EDGE TO TOWARDS RIGHT, FACING WALL.

GSK30: INSTALL 3 SHELVES INSIDE THE W3039BUTT USING SHELF RESTS PROVIDED. DISCARD SHELVES PROVIDED WITH CABINET.

OTK33D: CUT TO FIT AROUND OVEN/MICROWAVE COMBO PER MANUFACTURER'S SPECIFICATIONS. (IF NEEDED)

© 2011
MASCO Cabinetry, LLC
All Rights Reserved

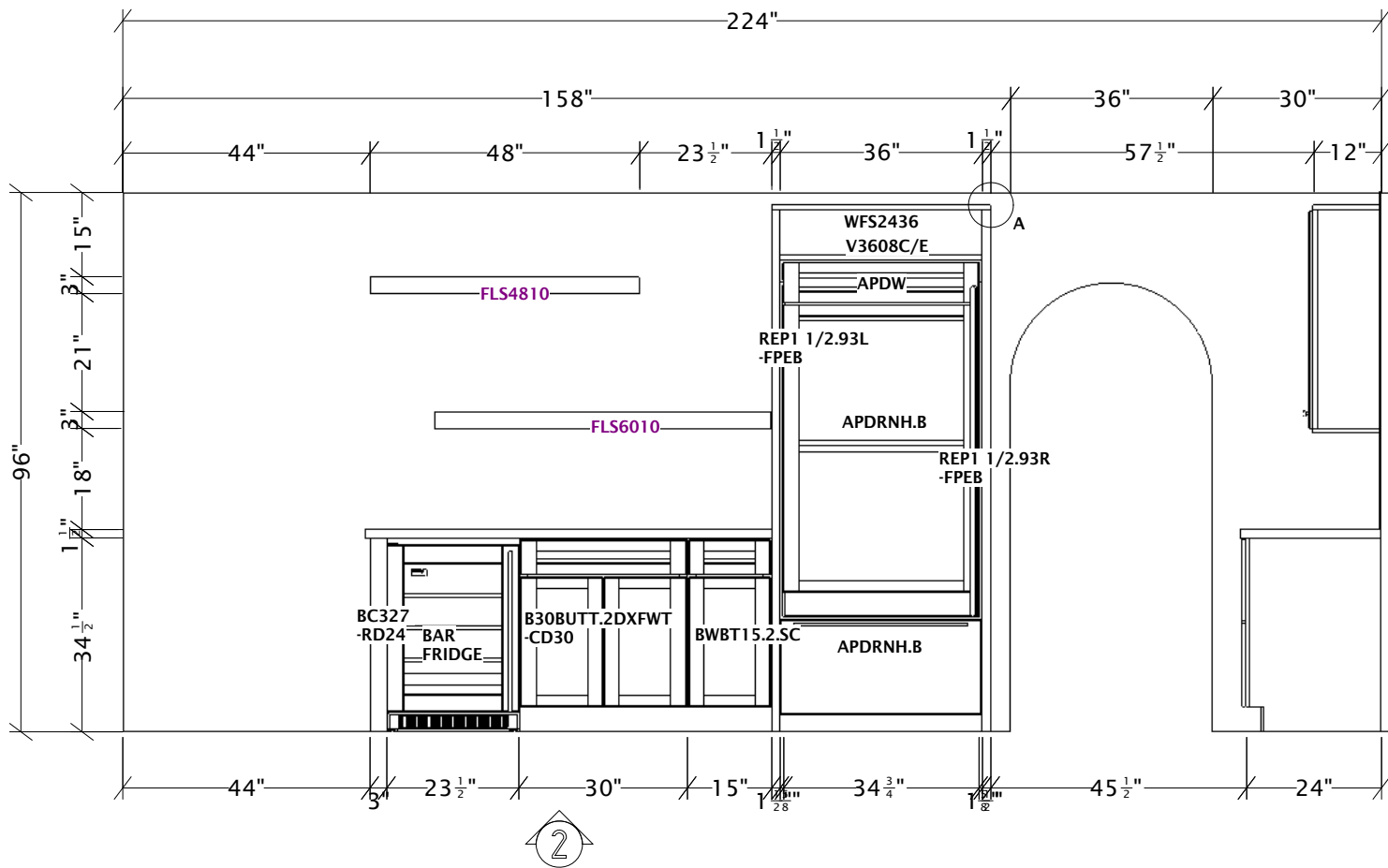
KraftMaid
KITCHENS FOR THE REAL LIVING ROOM

Designed: 1/7/2016
Printed: 5/19/2017

BACHELORETTE EV1

Drawing #: 1

Scale : 0 5/16" = 1'



NOTES:

WFS2436: CUT TO 23 1/4" DEEP AND ATTACH BEHIND V3608 BETWEEN REP PANELS.

© 2011
MASCO Cabinetry, LLC
All Rights Reserved

Designed: 1/7/2016
Printed: 5/19/2017

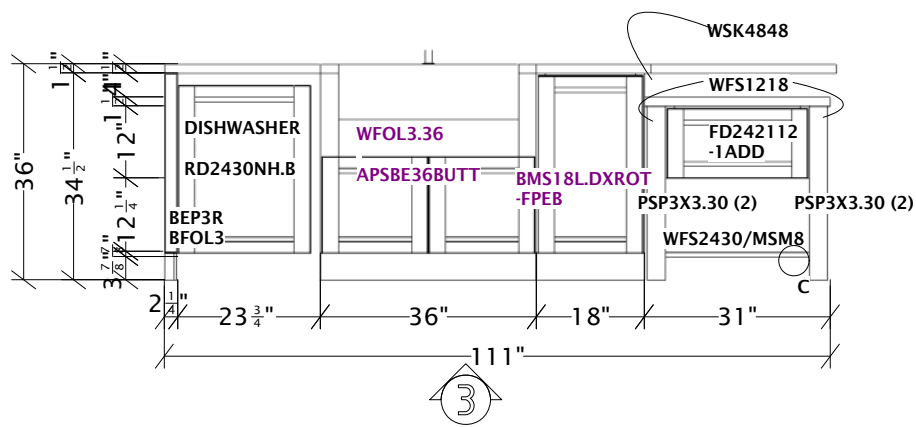
KraftMaid
KITCHENS FOR THE REAL LIVING ROOM

BACHELORETTE

EV2

Drawing #: 1

Scale : 0 3/8" = 1'



NOTES:

BEP3R/BFOL3: TRIM TO FIT. TRIM BFOL3 3/16" SMALLER THAN FILLER. ATTACH OVERLAY FROM BEHIND WITH CUT EDGE TOWARDS LEFT. INSTALL TO LEFT OF DISHWASHER WITH FILLER FLUSH WITH FACE OF DISHWASHER.

WFS1218/PSP3X3.30/WFS2430/FD242112: SEE SPECIAL INSTRUCTIONS.

WSK4848: CUT TO FIT. APPLY TO BACK OF B4512.FH TO CREATE FINISHED BACK FOR PULL OUT WORK STATION.

RD2430NH.B: APPLY TO FRONT OF DISHWASHER. SEE MANUFACTURERS SPECIFICATIONS.

WFOL3.36: CUT TO FIT UNDER SINK BASE TO FILL ANY GAPS LEFT BY SINK HEIGHT.

© 2011
MASCO Cabinetry, LLC
All Rights Reserved

KraftMaid
KITCHENS FOR THE REAL LIVING ROOM

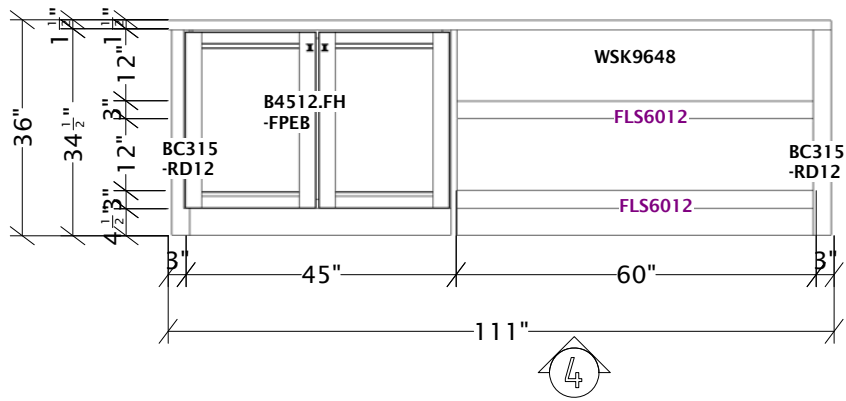
Designed: 1/7/2016
Printed: 5/19/2017

BACHELORETTE

EV3

Drawing #: 1

Scale : 0 3/8" = 1'



WSK9648: TRIM SKIN TO 60" W x 30" H.
 APPLY SO FINISHED SIDE IS FACING OUT,
 CREATING OPEN 60" WIDE FINISHED BOX.

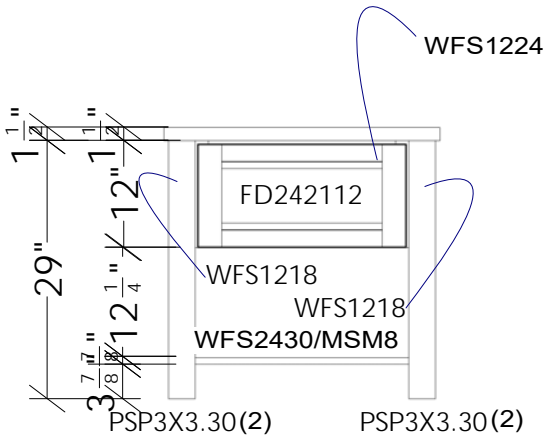


All dimensions & size designations given are subject to verification on job site and adjustment to fit job conditions.



This is an original design and must not be released or copied unless applicable fee has been paid or job order placed.

Designed: 11/6/2015
 Printed: 11/6/2015



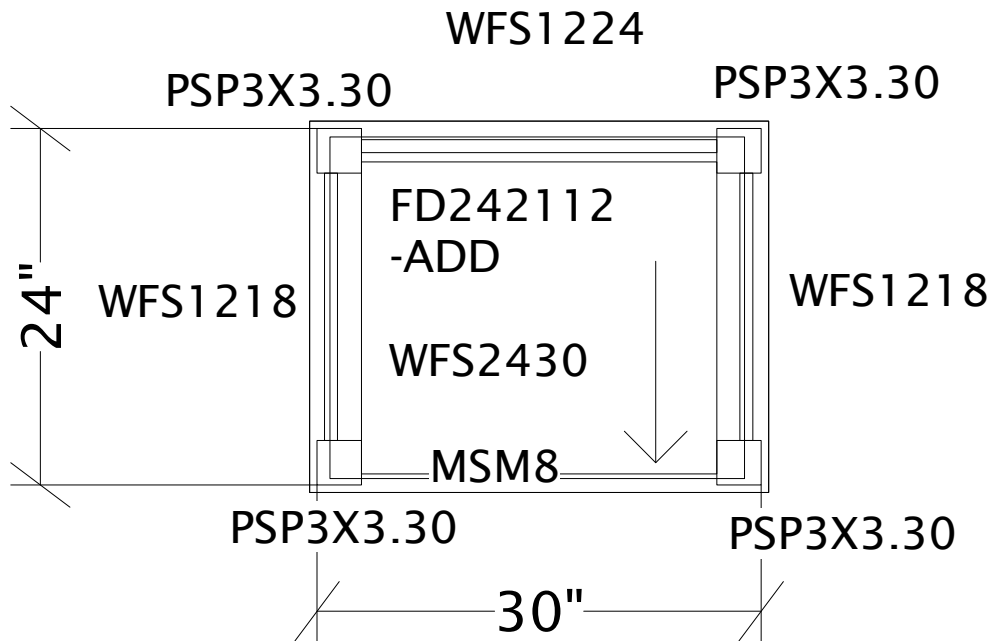
NOTES:

PSP3X3.30: CUT TO 29" HIGH.

WFS1218: ATTACH BETWEEN PSP3X3.30 POSTS ON SIDE OF CART. SET BACK 3/4" FROM FACE OF POSTS.

WFS2430: CUT NOTCHES IN CORNERS TO FIT SNUG AROUND EACH PSP3X3.30 POST. FINISH EDGES WITH MSM8.

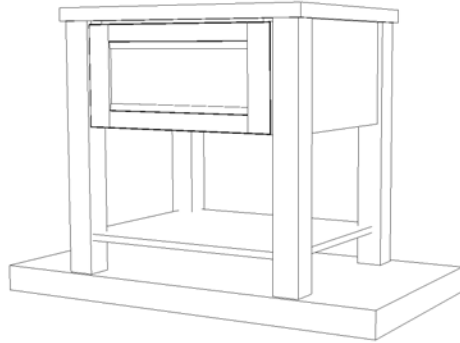
WFS1224: ATTACH BETWEEN PSP3X3.30 POSTS ON BACK OF CART. SET BACK 3/4" FROM FACE OF POSTS.



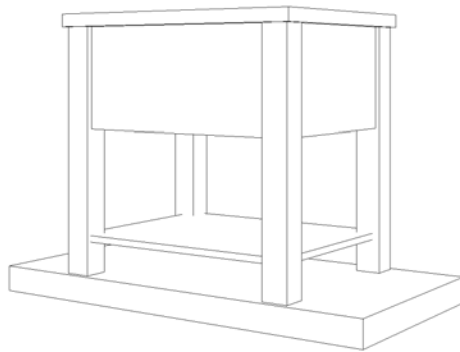
PULL-OUT TABLE DETAIL

Note: This drawing is an artistic interpretation of the general appearance of the design. It is not meant to be an exact rendition.

Designed :11/6/2015
Printed: 5/19/2017



FRONT VIEW

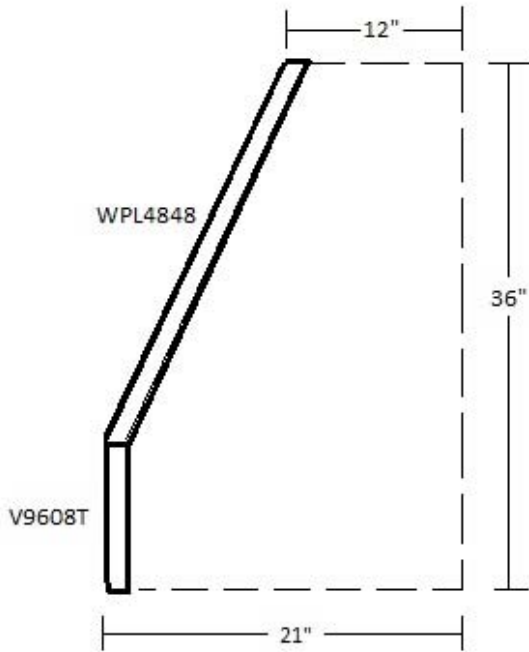


BACK VIEW

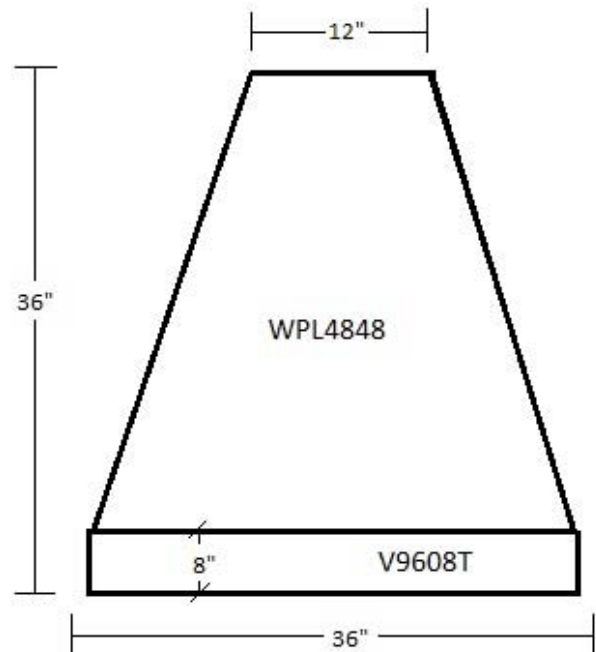
PULL-OUT TABLE DETAIL

Note: This drawing is an artistic interpretation of the general appearance of the design. It is not meant to be an exact rendition.

Designed :11/6/2015
Printed: 5/19/2017



SIDE VIEW/SPLIT SECTION



FRONT VIEW



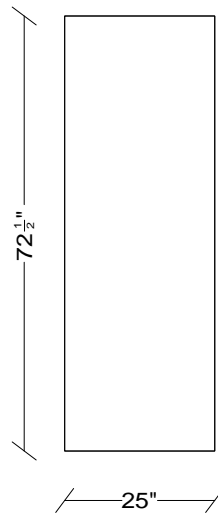
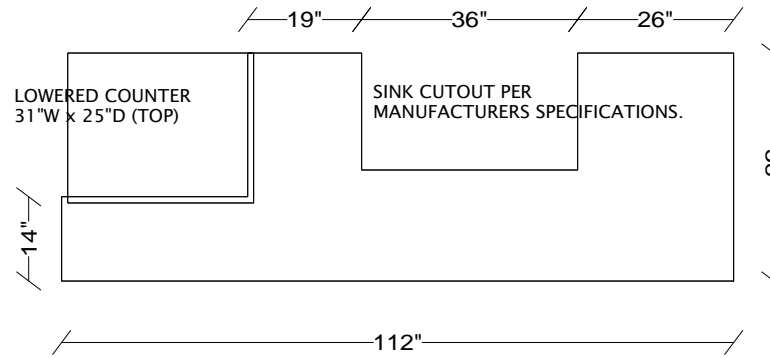
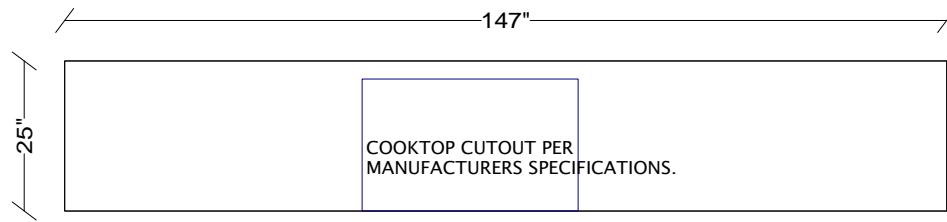
INSPIRATION IMAGE

HOOD DETAILS


Note: This drawing is an artistic interpretation of the general appearance of the design. It is not meant to be an exact rendition.

KraftMaid
Cabinetry

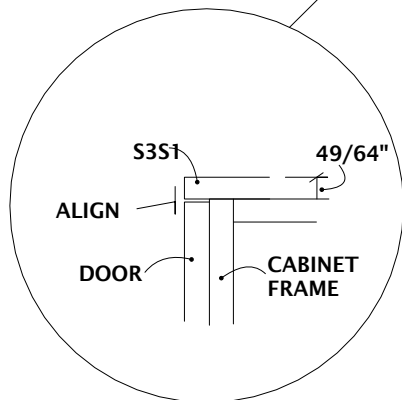
Designed :11/5/2015
Printed: 11/5/2015



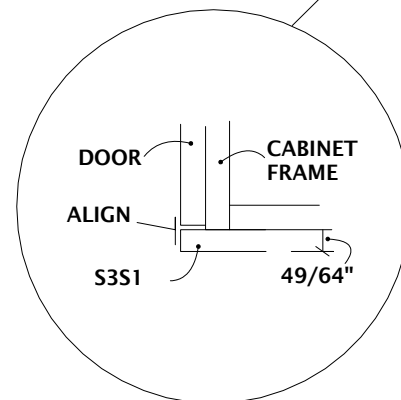
THIS DRAWING IS FOR CONCEPT USE ONLY.
ALL DIMENSIONS NEED TO BE FIELD VERIFIED
FROM THE INSTALLED CABINERY. IT IS THE
RESPONSIBILITY OF THE COUNTERTOP
FABRICATOR TO FIELD VERIFY ALL DIMENSIONS
BASED ON MATERIAL TYPE AND SPECIFICATIONS.

<p>All dimensions & size designations given are subject to verification on job site and adjustment to fit job conditions.</p>		<p>This is an original design and must not be released or copied unless applicable fee has been paid or job order placed.</p>	<p>Designed: 11/6/2015 Printed: 11/6/2015</p>	
<p>BACHELORETTE FINAL.kit</p>		<p>Countertops</p>	<p>Drawing #: 1</p>	<p>Scale : 0 3/8" = 1'</p>

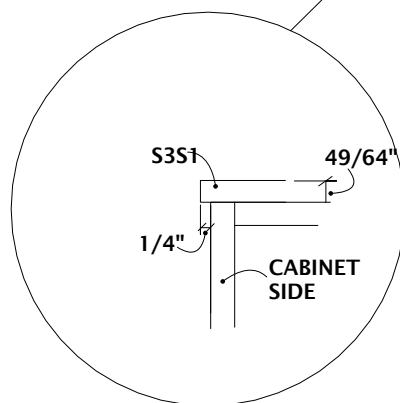
TOP MOLDING DETAIL A
FRONT WITH DOORS



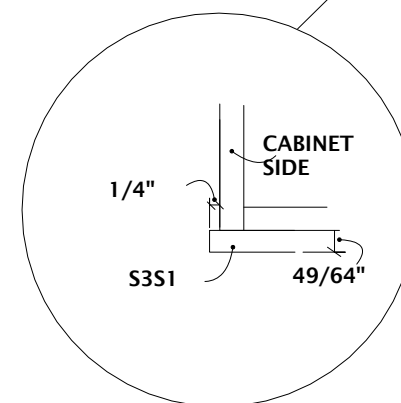
BOTTOM MOLDING DETAIL B
FRONT WITH DOORS



TOP MOLDING DETAIL A
SIDE NO DOORS

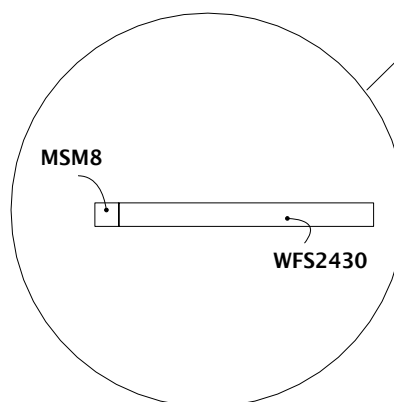


BOTTOM MOLDING DETAIL B
SIDE NO DOORS



MOLDING DETAIL C

ROLLING CART
BOTTOM SHELF MOLDING



MOLDING DETAILS

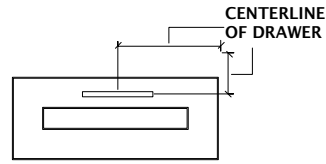
All dimensions & size designations given are subject to verification on job site and adjustment to fit job conditions.



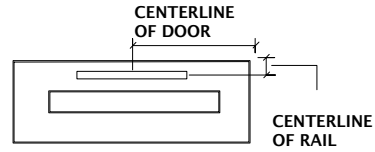
This is an original design and must not be released or copied unless applicable fee has been paid or job order placed.

Designed: 11/6/2015
Printed: 11/6/2015

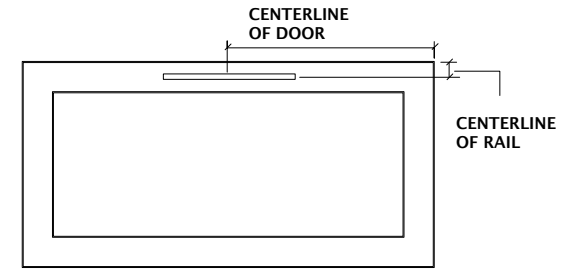
MODE HARDWARE COLLECTION BRUSHED BRONZE



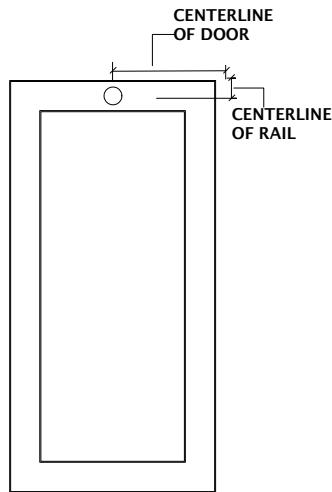
9"-15" DRAWERS
7170.BB 4" PULL



18" - 33" DRAWERS
7171.BB 8" PULL

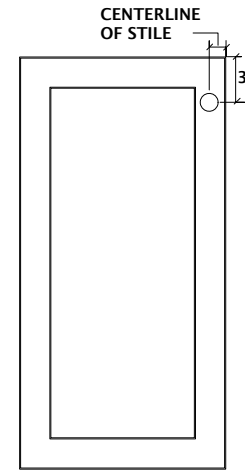
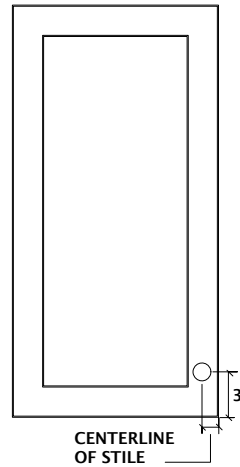


36 - 39" WIDE DRAWERS
7172.BB 12" PULL



BWBT15.2.SC (DOOR)
BMS18L.DXROT
7169.BB KNOB

WALL CABINETS
7169.BB KNOBS



BASE CABINETS
7169.BB KNOBS

HARDWARE DETAILS

NOT TO SCALE

© 2015 MASCO Cabinetry, LLC
All Rights Reserved

KraftMaid
ETCHING FOR THE REAL LIVING ROOM®

Designed: 1/7/2016
Printed: 1/7/2016

BACHELORETTE

HARDWARE

Drawing #: 1

No Scale.



Note: This drawing is an artistic interpretation of the general appearance of the design. It is not meant to be an exact rendition.

KraftMaid
KITCHENS FOR THE REAL LIVING ROOM

Designed: 1/7/2016
Printed: 5/19/2017



Note: This drawing is an artistic interpretation of the general appearance of the design. It is not meant to be an exact rendition.

KraftMaid
KITCHENS FOR THE REAL LIVING ROOM

Designed: 1/7/2016
Printed: 5/19/2017



Note: This drawing is an artistic interpretation of the general appearance of the design. It is not meant to be an exact rendition.



Designed: 1/7/2016
Printed: 5/19/2017



Note: This drawing is an artistic interpretation of the general appearance of the design. It is not meant to be an exact rendition.

KraftMaid
KITCHENS FOR THE REAL LIVING ROOM

Designed: 1/7/2016
Printed: 5/19/2017