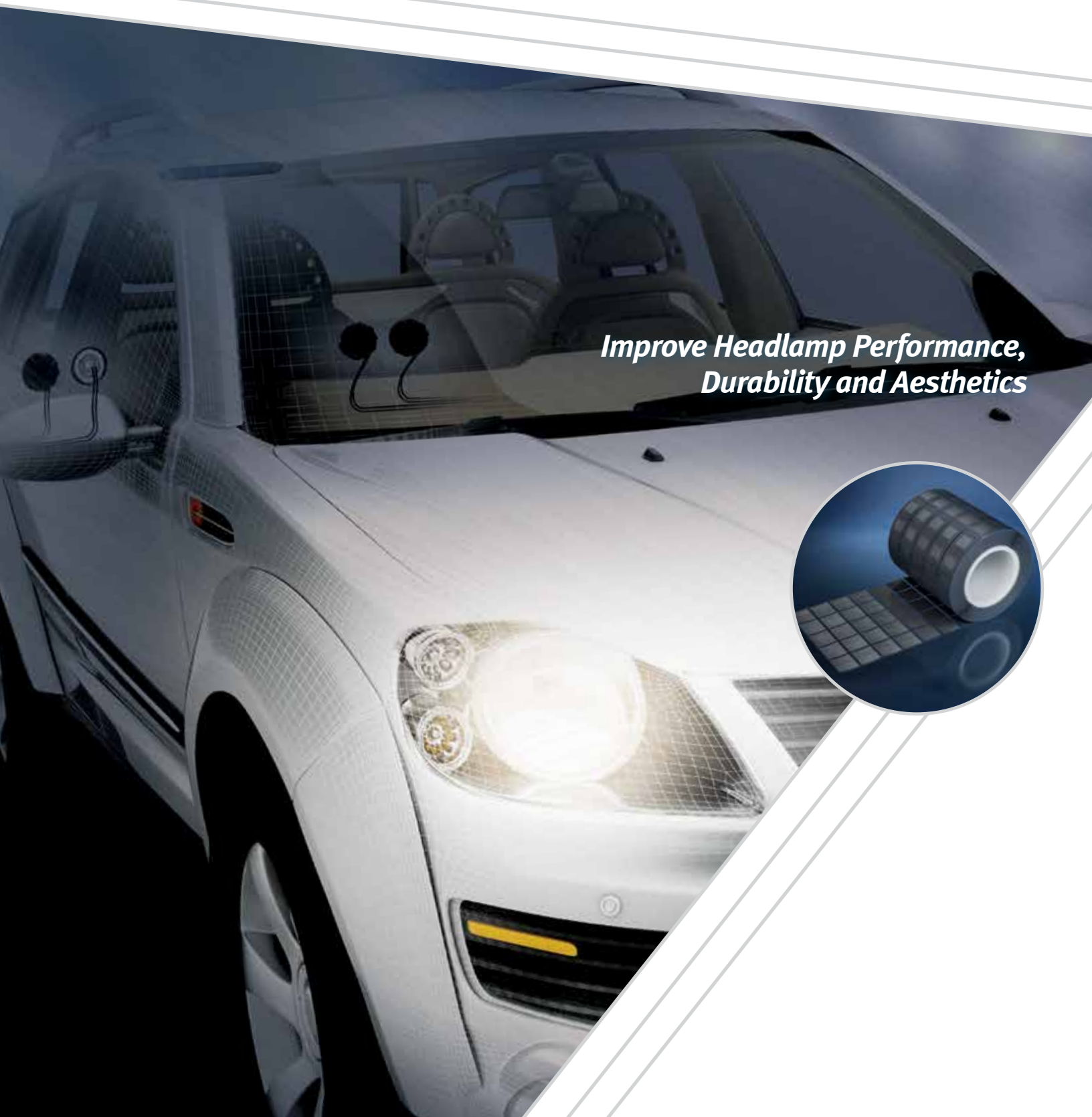


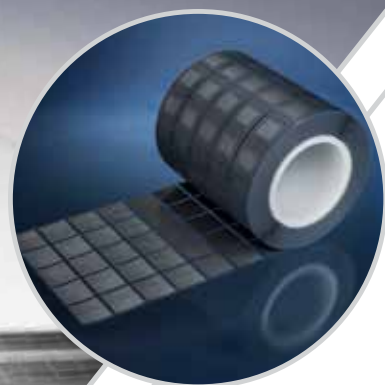


Automotive Vents

FOR AUTOMOTIVE LIGHTING — SERIES: AVS 100



*Improve Headlamp Performance,
Durability and Aesthetics*





Automotive Vents

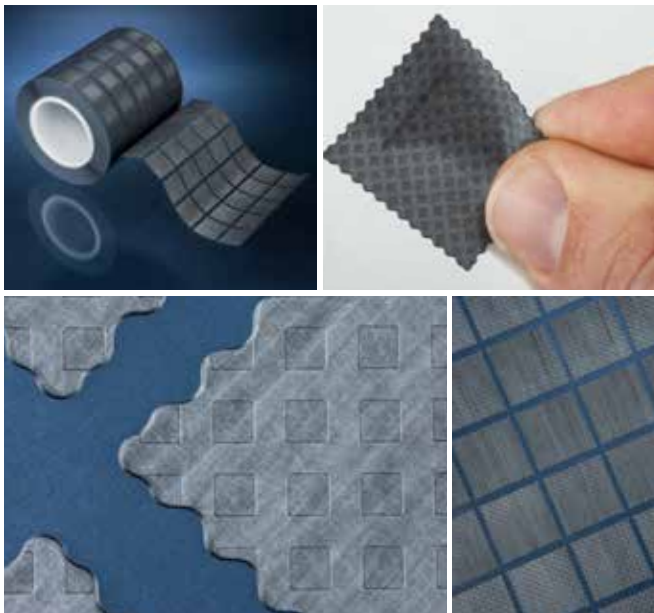
FOR AUTOMOTIVE LIGHTING — SERIES: AVS 100

IMPROVE PERFORMANCE AND SIMPLIFY INSTALLATION WITH GORE'S PROVEN SOLUTION

Automotive headlamps are exposed to a range of climate, road and environmental challenges such as dust, debris, fluids and condensation. The rear lamps are also prone to condensation from solar loading. These hazards can ultimately compromise lighting performance, aesthetics and safety.

GORE® Automotive Vent Series: AVS 100 enables advanced headlamp performance that can be trusted for the life of the vehicle. Uniquely engineered for Tier-1 lighting suppliers, this durable, cost-effective solution reduces condensation, resists high-pressure water spray and is designed for easy installation anywhere on the lamp's housing.

With more than 20 years of successful installations, Gore's experienced engineering team can work with you from initial design through integration, testing and commercialization. We offer more than a venting product — we deliver a full-service solution.



REALIZE THE BENEFITS OF GORE® AUTOMOTIVE VENTS IN YOUR HEADLAMP COMPONENTS



EASY INTEGRATION AND INSTALLATION

The low-profile design of the Series: AVS 100 vents maximizes design flexibility and freedom because the vents can be installed anywhere on the lamp housing and do not interfere with other lamp components. These vents are easy to place, align and secure manually or with automated installation systems, thus reducing warranty concerns.



PROTECTION AGAINST WATER, DUST AND OTHER CONTAMINANTS

Unlike other solutions that only equalize pressure and reduce condensation, Series: AVS 100 vents are also engineered to deliver advanced protection against high-pressure water spray, automotive fluids, dirt, dust and other contaminants.



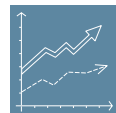
REDUCED CONDENSATION

The highly breathable ePTFE membrane incorporated into Series: AVS 100 vents allows moisture vapor to escape from the lamp housing, reducing condensation that can compromise both the appearance of the lamp and the performance of the electronic components inside.



REDUCED COSTS

Series: AVS 100 vents can be easily installed without a raised target frame — enhancing operational efficiency, reducing placement errors and potential leaks, and saving assembly time and operating costs.



PROVEN RELIABILITY

Series: AVS 100 vents withstand high-pressure sprays such as car washes and driving rain, giving you added confidence that the vent prevents water from entering the lamp housing and affecting performance. Also, the vent's chemically-resistant ePTFE membrane enables the vent to operate reliably even after exposure to harsh under-the-hood fluids.



COMPLIANCE WITH INDUSTRY STANDARDS

Like the entire family of GORE® Automotive Vents, the Series: AVS 100 provides added peace of mind with quality that is certified to ISO 9001, ISO 140001, VDA6.1 and TS16959. These vents are compliant with global industry standards and are tested both in the lab and in the field for long-term reliability.

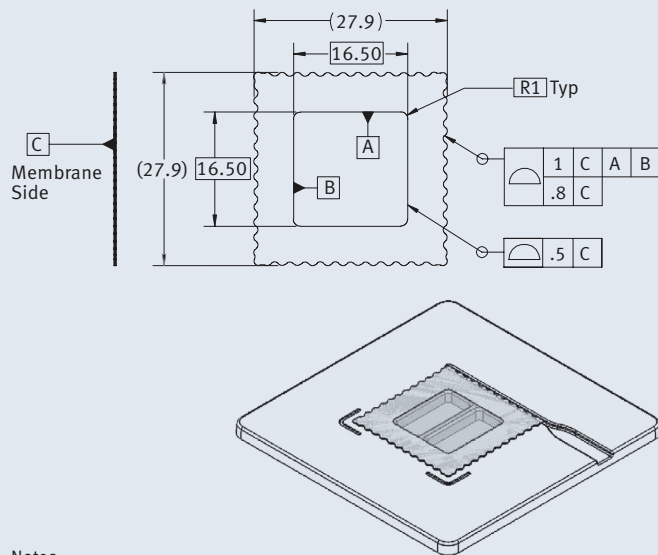


Automotive Vents

FOR AUTOMOTIVE LIGHTING — SERIES: AVS 100

PRODUCT INFORMATION

Series: AVS 100 Vent Bottom (Adhesive) View



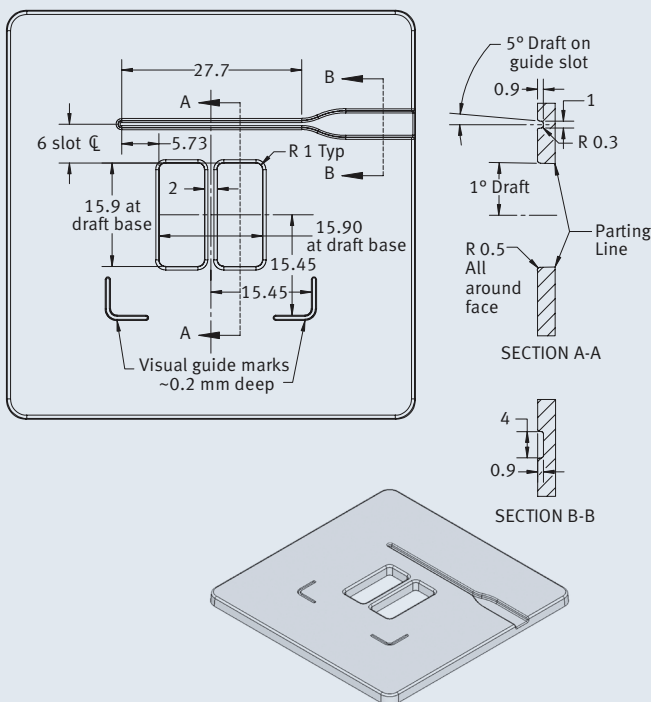
Notes:

1. Dimensions and tolerances on this drawing shall be interpreted per ASME Y14.5-2004.
2. Deboss pattern is present on vent membrane top surface.

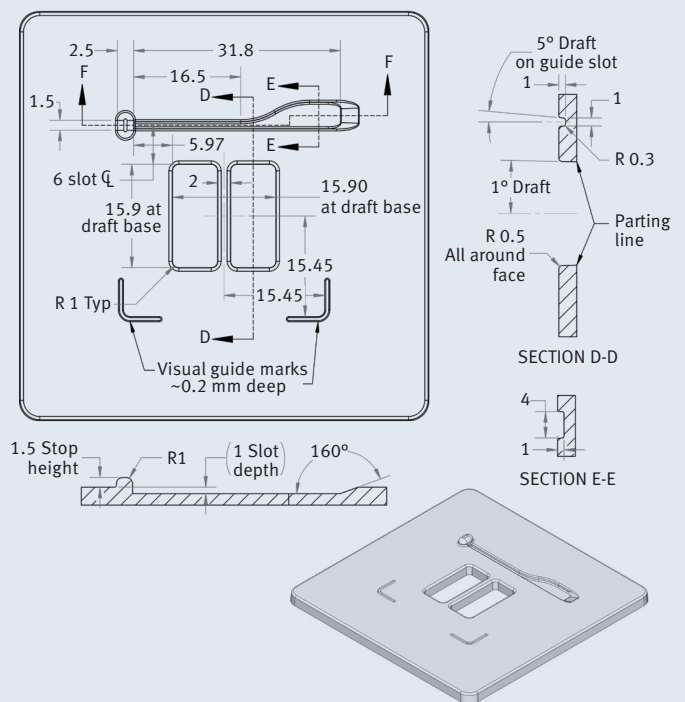
Characteristics/Performance*	Series: AVS 100 Value
Color	Gray
Membrane	ePTFE
Membrane type	AM2XX
Adhesive	Pressure-sensitive silicone
Adhesive type	AD103
Membrane characteristics	Hydrophobic and oleophobic
Operating temperature	-40°C to 125°C
Water entry pressure (assembly)	> 345 mbar (> 5 psi) for 60 seconds
Minimum airflow	19.9 L/hr at 70 mbar (1 psi)
Typical airflow	40.8 L/hr at 70 mbar (1 psi)
Outer dimensions	27.9 mm x 27.9 mm
Quantity	5,000 per roll

* Performance depends on incorporation into final product.

Suggested Lamp Hole for Series: AVS 100 Vent with Slide Slot Vent Location



Suggested Lamp Hole for Series: AVS 100 Vent with Slide Slot Vent Location and Stop Features



ABOUT W. L. GORE & ASSOCIATES, INC.

Gore is a technology-driven company focused on discovery and product innovation. Well known for waterproof, breathable GORE-TEX® fabric, the company's portfolio includes everything from high-performance fabrics and implantable medical devices to industrial manufacturing components and aerospace electronics. Gore products have remained at the forefront of creative solutions because they are engineered specifically for challenging applications requiring durable performance where other products fail.

For almost thirty years, Gore has delivered venting solutions for a variety of applications installed in rugged environments throughout the world — applications such as automotive and heavy-duty vehicles; solar, lighting, security, telecommunication and portable electronic systems; and chemical and agricultural packaging. Engineered with the latest materials and technology, Gore's vents are backed by years of research and testing to help

extend product life and enhance reliable performance — all to ensure that these venting products can meet the challenging environments and application demands of today's technology.

GORE® Automotive Vents are trusted to perform reliably in real-world conditions, reducing condensation and preventing dirt, dust, debris, water and other automotive fluids from damaging sensitive automobile components. With strong relationships with leading OEMs, Tier 1 and Tier 2 suppliers, our global technical staff provides design and integration assistance unmatched in the automotive industry.

Headquartered in the United States, Gore employs approximately 10,000 associates in 30 countries worldwide. In Europe, Gore started its first business operations only a few years after the Enterprise's founding in 1958. Learn more at gore.com.



PLEASE CONTACT GORE TO LEARN ABOUT THE RIGHT GORE® AUTOMOTIVE VENT FOR YOUR UNIQUE APPLICATION

INTERNATIONAL CONTACTS

Australia	+61 2 9473 6800	Mexico	+52 81 8288 1281
Benelux	+49 89 4612 2211	Scandinavia	+46 31 706 7800
China	+86 21 5172 8299	Singapore	+65 6733 2882
France	+33 1 5695 6565	South America	+55 11 5502 7800
Germany	+49 89 4612 2211	Spain	+34 93 480 6900
India	+91 22 6768 7000	Taiwan	+886 2 2173 7799
Italy	+39 045 6209 240	United Kingdom	+44 1506 460123
Japan	+81 3 6746 2572	USA	+1 410 506 7812
Korea	+82 2 393 3411		

FOR INDUSTRIAL USE ONLY. Not for use in food, drug, cosmetic or medical device manufacturing, processing, or packaging operations.

All technical information and recommendations given here is based on Gore's previous experiences and/or test results. Gore gives this information to the best of its knowledge, but assumes no legal responsibility. Customers should check the suitability and usability in the specific application, since the performance of the product can only be judged when all necessary operating data are available. The above information is subject to change and is not to be used for specification purposes. Gore's terms and conditions of sale apply to the sale of the products by Gore.

GORE, GORE-TEX and designs are trademarks of W. L. Gore & Associates.
© 2013 W. L. Gore & Associates, Inc.

W. L. GORE & ASSOCIATES, INC.

401 Airport Road • Elkton, MD 21921 • USA
Phone: +1 410 506 7812 (USA) • Toll-free: +1 800 523 4673 (USA)
Fax: +1 410 506 8749 • Email: automotive.us@wlgore.com

gore.com/autovents

