

# FRONT MOUNT

for iPad



## Secure Enclosure for iPad for Room Scheduling

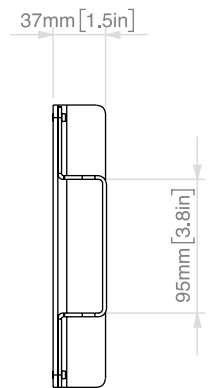
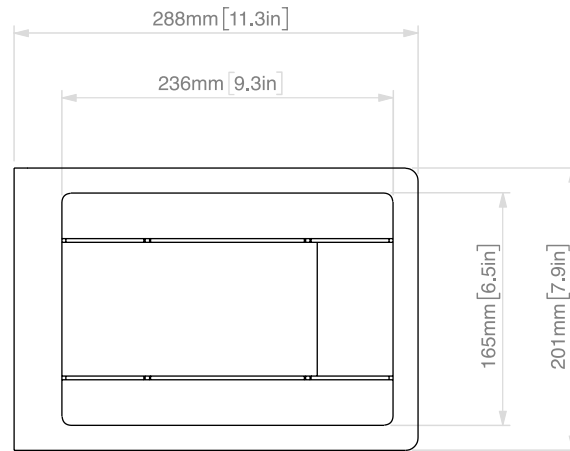
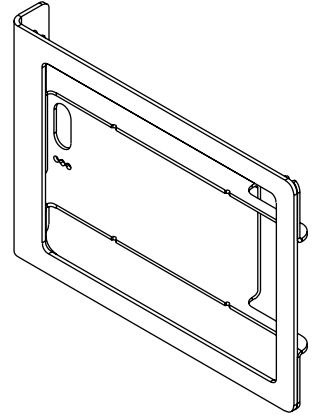
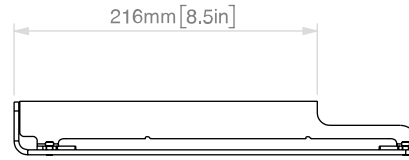
Easily mount an iPad outside your glass conference rooms and meeting rooms to create beautiful scheduling displays. WindFall Front Mount installs to the front of your mullions, features a large, hidden pocket to hide PoE power adapters, networking adapters, and external power banks (all sold separately)—all while maintaining a slim profile. Pair with a PoE Splitter (sold separately) to keep your iPad powered throughout the day.

# FRONT MOUNT

H516

for iPad

## Dimensions

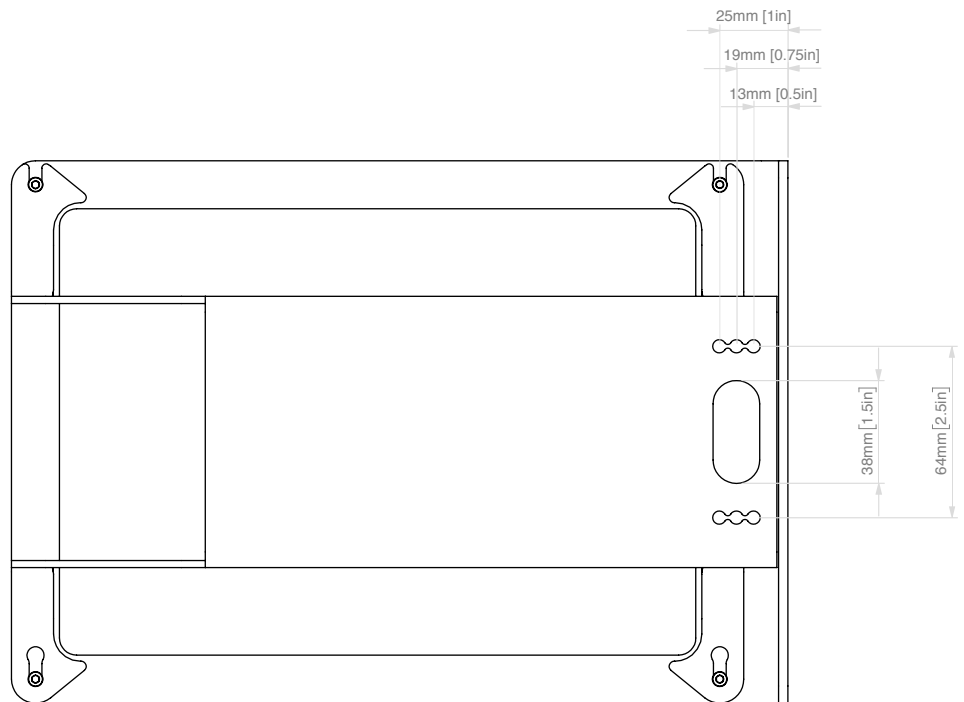


# FRONT MOUNT

H516

for iPad

## Mounting Hole Pattern



# FRONT MOUNT

H516

for iPad

---

## Specifications

<b>Price</b>	\$249
<b>SKU</b>	H516
<b>Height</b>	7.9 inches
<b>Width</b>	11.33 inches
<b>Depth</b>	1.5 inches
<b>Weight</b>	3 pounds
<b>Warranty</b>	2 years

---

## Colors

<b>Name</b>	<b>SKU</b>
Black Grey	H516-BG
Grey White	H516-GW

---

## Compatible Devices

iPad Air 1  
iPad Air 2  
iPad Pro 9.7-inch  
iPad (5th Gen)

---

## In the Box

WindFall Front Mount  
Self-tapping screws for mullion installation  
Assembly tool

---

## Accessories

T267 - Redpark Gigabit + PoE Adapter for iPad  
T255 - PoE Texas PoE Splitter with Lightning Cable (Encased Power + Data)