

An aerial photograph of a rugged coastline with steep, rocky cliffs meeting the ocean. The scene is captured during the golden hour, with warm sunlight illuminating the cliffs and creating a shimmering effect on the water's surface. A small boat is visible in the distance on the right side of the frame.

DAHER

KODIAK
100



INTRODUCING
THE ADVANCED
SERIES III

SERIES III

KODIAK *100*

SIMPLY PUT, THE KODIAK 100
SERIES III IS THE MOST MODERN,
RUGGED, AND RELIABLE AIRPLANE
IN ITS CLASS.

A smart aircraft designed for the 21st century.

Built tough and safe for extreme missions.

Comfort, capacity and economy for business or personal use.

Only one pilot needed. A dream to fly.

Many missions. One aircraft.

THE KODIAK'S RUGGED ALUMINUM CONSTRUCTION
COMBINES SUPERIOR STOL PERFORMANCE AND HIGH
USEFUL LOAD. IT OFFERS PROVEN RELIABILITY WITH THE
PRATT & WHITNEY PT6A TURBINE ENGINE, HAS THE
ABILITY TO LAND AND TAKE OFF FROM UNIMPROVED
SURFACES AND IS CAPABLE OF WORKING OFF FLOATS
WITHOUT STRUCTURAL UPGRADES.



WHY THE

KODIAK
100



Because the Kodiak is backed by the resources and experience of the Daher family.

Because the Kodiak is an amazingly safe airplane exceeding the latest aviation standards and is resistant to stalls.

Because the Kodiak is tough, designed for rugged, backcountry operations and is able to take off and land in less than 980 feet.

Because the Kodiak can be easily converted from passenger to cargo operations.

Because the Kodiak was designed from the beginning for floats.

Because the Kodiak has the lowest operating costs in its class.

ABOVE INDUSTRY STANDARDS: THE STATE-OF-THE-ART KODIAK 100 SERIES III

The Next Generation In Continuous Improvement



THE KODIAK CAN TAKE OFF IN UNDER 1,000 FEET AT FULL GROSS WEIGHT OF 7,255 LBS AND CLIMB AT OVER 1,300 FEET PER MINUTE.

The Kodiak 100 began life in 2007 as the most advanced and safest aircraft its class. With each year and marking each new series, the Kodiak has been further refined and updated to maintain its 'most modern' title.

In 2018, we debuted the second generation of the Kodiak 100, the Series II. That series included a smarter, pilot-friendly cockpit, improved situational awareness and safety, and more comfort for all passengers.

- Major Avionics upgrade to the Garmin G1000 NXi Suite
- Safety Upgrades, like GTX-345 ADS-B and Angle of Attack Indexer
- Major Cockpit Refinement, like added storage, LEMO plugs, and more.
- Improved Cabin upgrades, like upgraded environmentals and sound proofing

With the Series III, we build on our tradition of continuous improvement and deliver a standard equipped plane that is light years ahead of the competition.

ENHANCED SAFETY

Safety is always standard with a Kodiak. With each generation, the Kodiak 100 has been continually upgraded. New technology and engineering features, along with modern certification requirements, have further enhanced safety and ease of operation.

Standard features, like the Garmin G1000 NXi, AOA, SurfaceWatch, Chartview, Synthetic Vision, GFC700 Autopilot with full envelope protection and level mode, provide enhanced situational awareness and an increased margin of safety. Add to this the reliable and powerful PT6-A turboprop, our unique discontinuous leading edge wing design that makes the plane resistant to stalls, and our high, sturdy landing gear built for the most demanding backcountry operations.

New to Series III is the optional GWX™-75 Weather Radar. Displaying more color intervals than traditional four-color radars, the Doppler-enabled GWX-75 radar helps take the guesswork out of real-time weather tracking and analysis.

FLOAT READY

The Kodiak 100 was designed from the outset for float operations with no need for structural or aerodynamic upgrades. New to Series III, all Kodiaks will be equipped with pitch-latch propellers and lower fuselage skin gap fillet sealant, standard.

- The pitch latch propeller allows operators to easily maneuver around the dock by enabling the propeller to stay in a fine pitch when shutting down. This gives the operator greater control and safety during float operations.
- The lower fuselage skin-gap sealant adds a 5th step to our industry leading anti-corrosion process. This anti-corrosion sealant is added to prepare Kodiaks for high salinity environments.
- A nearly eliminated zero-fuel weight increases operational effectivity allowing more useful load for shorter missions.

Every Kodiak 100 is now operationally float ready. It is the new standard.

CABIN COMFORT & UTILITY

Every new Kodiak 100 Series III comes with a beautifully designed and rugged interior with all of the amenities our customers expect. Our standard Timberline interior offers

refined comfort and utility. Removable carpeted floors with nonstick flooring and easily removable Timberline seats make the Kodiak 100 the most versatile and luxurious standard interior in its class.

Each passenger station has its own window ideally placed for optimal views, PSU vents, an LED reading light, storage pockets, headset jacks, cup holders, and more. The large capacity 10-place oxygen system is now standard equipment allowing oxygen connections at each seat location. The dual zone environmental system with air conditioning is now standard with Series III.

Our largest 29" tires, higher landing weight of 7,255 lbs and lowered zero-fuel weight are now standard for Series III. This increases versatility.

KODIAK CARE MAINTENANCE*

The Kodiak 100 Series III comes with an industry leading program in the utility turboprop category. This program covers scheduled maintenance up to the 4th annual inspection or up to 1,000 flight hours total time, whichever comes first.

In addition to the maintenance package, each new Series III comes with 400 hours of Pratt & Whitney ESP coverage, a year of CAMP maintenance tracking, and one year of Garmin NavData subscriptions.

The Kodiak 100 is designed to fly to the most remote regions of the planet, which is why all new Kodiaks come with a reservation in our factory-taught maintenance training course. Customers can elect to send a trusted mechanic through the course to become a factory authorized Kodiak technician. This ensures that all Kodiaks are within easy reach of service.

* The program is for non-commercial operators and assigned to the original first retail customer.

**YOU WON'T FIND THESE
FEATURES ON ANY OF OUR
COMPETITORS DESIGNED
IN THE LAST CENTURY**

The Kodiak 100 is certified to modern 21st century FAA standards. The part 23-55 amendments, applied in 2002, are the product of decades of accident investigations, which increases safety.

There are over 1000 additional safety enhancements the Kodiak has, which our competition does not have. This is due to our modern 2007 certification vs. their decades old certification.

The Kodiak's seats were dynamically sled tested to 26g's. Older regulations only required seats to be drop tested to 9g's. This old testing method was found unrealistic for measuring survivability and changed in 1988.

Flammability requirements were increased to include the entire airframe (firewall to cargo), not just in passenger areas. The Kodiak meets and exceeds the latest flammability regulations.

The Kodiak had to be tested to withstand the often harmful effects of a lightning strike. If lightning is nearby, you can rest assured knowing the Kodiak won't lose power to those all important avionics systems.

Amendment 55 standards require a demonstration of a 50 ft. post-takeoff engine failure, which the Kodiak passed with flying colors. Older regulations did not require this for a type certificate.

These items and more make the Kodiak one of the safest airplanes manufactured today.



**BEFORE YOU TAKE OFF,
LET'S HAVE A FRANK TALK
ABOUT SAFETY.**

**INNOVATIVE WING DESIGN PROVIDES
EXTRA MARGIN OF SAFETY**

The Kodiak's unique "discontinuous leading edge" wing design yields performance at all flight envelopes. When most airplanes would stall, the Kodiak continues to fly. When most airplanes would spin, the Kodiak allows the pilot full aileron control, providing an unprecedented level of safety in an airplane of this size.

**ENGINE AND POWER TO GET YOU UP
AND OUT QUICKLY**

The Pratt & Whitney PT6A is synonymous with reliability. The -34 variant is the most proven & most economical of the bunch. The Kodiak has a power to weight ratio of 9.67lbs/horsepower. 20% better than the closest competition.

TOUGH GEAR FOR ROUGH SITUATIONS

Robust, class-leading fixed landing gear with large tires gives peace of mind even on the roughest terrain. The Kodiak's landing gear was also designed with muddy conditions in mind, certified with a lower tire PSI to "float" on the surface and not get bogged down.

ENGINEERED AND BUILT STRONG

They don't make them like they used to? Well, the Kodiak Series III breaks that mold. It's built like they used to be — with modern improvements. Built to withstand rigorous abuse and keep flying, the Kodiak is the modern airplane that will still be flying in 50 years - built to the quality standards of another time.

FLY SAFER IN ALL-WEATHER CONDITIONS

A larger coefficient of lift (CL) and modern TKS anti-ice gives the Kodiak an unbelievable margin of safety and performance in even the worst weather conditions.

**GARMIN GFC™ 700 AUTOPILOT:
REDUCES WORKLOAD, ENHANCES
SITUATIONAL AWARENESS**

Fully integrated into the G1000 NXi flight deck, the GFC 700 is a three-axis, attitude based autopilot. A fully digital, dual-channel flight control system with unprecedented levels of sophistication and safety in this class of airplane.



**BUSINESS:
GETTING DOWN TO BUSINESS
OFTEN MEANS GETTING THERE FASTER.**

The Dependable All-Weather Business Aviation Solution.



The Kodiak 100 Series III fills the gap between long-haul jets and a long grueling drive. Outfitted for comfort and focused on safe, affordable trips, the Kodiak makes it possible to fly frequent trips to remote worksites or even eliminate field offices. Unlike most of the executive aviation options, the Kodiak 100 does not need a paved runway, and it can be flown by a single pilot.

INCREASE PRODUCTIVITY AND PROFIT

With direct operating costs that are less than most piston twins, the Kodiak allows you to spend more time flying and generating income. Modern avionics and turbine reliability bring comfort and reassurance to your passengers while reducing downtime for maintenance and lost productivity.

EXECUTIVE AMENITIES WITH THE EXECUTIVE PACKAGE

The Kodiak 100 Series III comes with a comprehensive package of equipment and technology to ensure performance, efficiency and safety. This package includes a full avionics package anchored by the Garmin G1000 NXi, an external cargo compartment, TKS ice protection, the Summit interior and a 4-year Kodiak Care maintenance program. The Summit interior includes beautiful leather and wood appointments, and the cabin is fully air conditioned with individual USBs, headset ports, LED lights and air control.



WITH ITS COMFORTABLE INTERIOR,
AMPLE STORAGE AND ECONOMY,
THE KODIAK FILLS THE GAPS IN YOUR
CORPORATE FLEET, FREIGHT OPERATION
OR CHARTER SERVICE.

IMPRESSIVE RANGE, ECONOMY AND PERFORMANCE

FOR JUST ABOUT ANY DESTINATION IN THE WORLD, THE KODIAK CAN GET YOU THERE. CRUISING AT 12,000 FEET AT 174 KTAS, IT HAS A RANGE OF OVER 1000 NM, SIPPING 48 GPH OF JET-A.





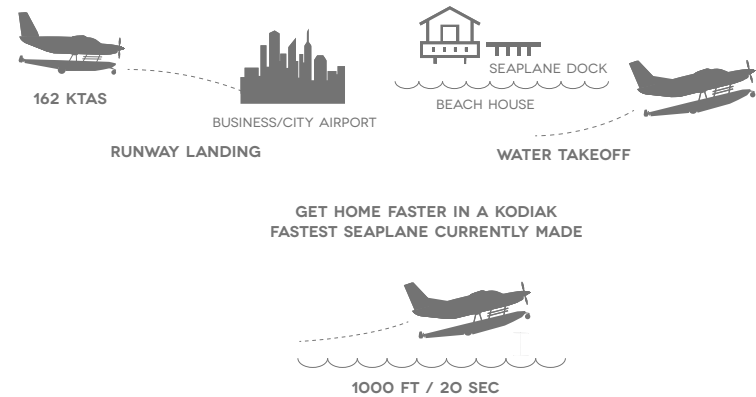
**THE SEAPLANE:
KODIAK 100 SERIES III WITH
CARBON FIBER FLOATS.**

No Other Aircraft In The World Today Matches
The Kodiak's Seaplane Performance, Efficiency,
Safety And Cost.

The Kodiak was designed from the outset for float operations. This seaplane can take off from water or a runway while preserving unprecedented water operation performance. There is no need for structural upgrades.

The possibilities are endless: Travel to all those out-of-the way lakes and rivers you've always longed to visit; haul hunters, fishermen or supplies to those locations that can't be reached any other way; deliver guests to seaside resorts; or, take business partners to that lakeside meeting.

Every Kodiak seaplane is corrosion-proofed both externally and internally to provide the owner with the best protection and least maintenance cost for their investment, making operations in saltwater environments no problem.



TALK TO YOUR DEALER ABOUT SEAPLANE CONVERSIONS.

THE KODIAK 100 SERIES III WAS ENGINEERED
FROM THE START TO ACCEPT FLOATS.
IT MAKES FOR ONE OF THE SAFEST,
MOST EFFICIENT SEAPLANES ON THE MARKET.



**INTERIOR:
DETAILS AND OPTIONS.**

SUMMIT™
OUR PREFERRED INTERIOR OPTION

The top-of-the-line Summit interior offers club seating, optional tables and cabinets, and carpet that allows you to conduct a business meeting in comfort on the way to a conference or a project site. This interior also makes the Kodiak great for family trips. A true example of rugged refinement, Summit features individual headset jacks, oxygen, LED lighting, AC control, and charging ports for your portable electronic devices.



SUMMIT INTERIOR

SUMMIT SEATS

- Six all-leather fully adjustable seats
- Seats are available in warm brown or cool gray
- Recline function so you can stretch out and relax
- Individual tracking systems for additional leg room at each seat
- Adjustable headrests
- Fold down arm rest
- Comfortable car-like safety harness
- Easy access to microphone/headphone jacks and oxygen

OTHER AMENITIES

- Individual storage pockets in the sidewall at each seat
- Cup holders in both the cabin and cockpit
- Overhead PSU air and LED lighting units at each seat
- Club seating with two optional fold-out tables (one on each side)
- Two optional cabinets with a combined 2.5 cubic feet of space
- Cabinet features include removable ice bins, thermos provisions and storage for the POH, maps, etc.
- Dual zone cabin and cockpit ventilation

TIMBERLINE™

The Timberline interior is lightweight, yet it can withstand the heavy use typically seen in charter operations that carry a combination of passengers and freight. The leather seats are easily removed (about 30 seconds) for effortless conversion between passengers and freight. The Timberline interior includes a carpeted interior, faux leather accent panels, seat storage pockets, and cup holders. You'll be flying in style. Timberline seats have additional bolstering for added comfort, and the removable carpet provides extra comfort, warmth, and soundproofing. If you're looking for the ruggedness of the Kodiak, but aren't willing to sacrifice comfort, Timberline is the interior for you.



TIMBERLINE INTERIOR

The seats are offered in warm brown or cool gray.

The standard Timberline interior comes with:

- 6 pax seats
- Slip-resistant flooring
- Removable carpet
- 8 Passenger headset jacks
- 8 Passenger PSU vents and LED reading lights
- Storage pockets in the sidewall beside each seat
- Cup holders in both the cabin and cockpit
- Decorative arm ledge
- Individually controlled pilot and passenger space AC
- 2-place oxygen system for crew

THE TIMBERLINE INTERIOR IS STANDARD EQUIPMENT WITH THE KODIAK 100 SERIES III, WHILE THE SUMMIT INTERIOR, SHOWN HERE, COMES WITH THE EXECUTIVE PACKAGE.



THE GARMIN G1000 NXi SUITE,
A VISION OF SAFETY AND INTEGRATED AVIONICS.



**TECHNOLOGY:
THE INTEGRATED FLIGHT DECK ANCHORED BY THE GARMIN G1000 NXi.
THE BRAINS BEHIND THE BRAWN.**

Newly integrated into the Kodiak Series III cockpit is the next-generation G1000® NXi avionics suite. The G1000 NXi offers a combination of new standard and optional features that ease pilot workload and increase the margin of safety.

PROCESSOR SPEED
Garmin has improved the system's speed by upgrading to dual-core processors making the G1000 NXi lightning quick during start up, zooming, and panning.

FLIGHT STREAM 510
One of the most important new standard features of the G1000 NXi is the Flight Stream 510. Designed to reduce pilot workload, Flight Stream 510 allows pilots to configure flight plans on their mobile device using the Kodiak flight planning application, then automatically transfer their flight plan to the G1000 NXi through a Bluetooth connection. This connection can also facilitate loading databases straight from a mobile device, allowing the plane to get airborne sooner. Kodiak will supply a two-year subscription to the Kodiak application, powered by Garmin Pilot™. This app allows full utilization of all new features available with Series III Kodiaks.

PRIMARY FLIGHT DISPLAY FEATURES
The PFD has multiple new features to help maintain situational awareness so you can stay safe even in high workload environments.

With the ability to inset a moving map into the HSI, it gives the pilot the ability to maintain an instrument scan while being able to view crucial information such as traffic, terrain, weather, nav aids, and obstacles. HSI mapping and Synthetic Vision Technology are standard equipment on every Kodiak.

A simple, but effective, new display on the PFD is the frequency decoder. The name of the facility that the Radios/Nav aids are actively tuned into is displayed below the traditional frequency display.

Kodiak's equipped with optional SurfaceWatch will have help in avoiding runway incursions and operating safely in the airport environment. Warnings will appear when taking off or landing on the wrong runway or on a runway that is too short.

MULTI-FUNCTION DISPLAY FEATURES
A helpful new feature on the navigational map page is the Vertical Situation Display. Once a flight plan has been loaded into the system, the pilot will be able to see a graphical representation of the Kodiak's altitude in relation to the terrain for the entire flight.

The weight and balance page on the MFD has the ability to fully execute a weight and balance report right in the cockpit. The aircraft's weight, seat stations and cargo stations will be pre-loaded into the system. Once the weights of the crew, passengers, fuel and cargo are input, the screen will display the weight and balance report to ensure the loading parameters have been met.

The moving map can now be selected to display the traditional terrain map, sectional, IFR Low and High charts on the MFD. In addition to the new map selections, the pilot has the ability to overlay visual reporting points right on the moving map.

The G1000 NXi gives the pilot the ability to select a Visual Approach. This means the system can generate a three-degree autopilot coupled vertical flight path down pilot designated minimums at most airports.

When optioned with the GDL® 69A, the G1000 NXi is capable of displaying full animation of NEXRAD weather.

GARMIN GWX™-75 WEATHER RADAR
Displaying more color intervals than traditional four-color radars, the Doppler-enabled GWX 75 radar helps take the guesswork out of the real-time weather tracking and analysis. The additional colors provide a far more nuanced interpretation of storm cell dynamics. Plus, this high-definition target contouring combines with exceptional range and adjustable scanning profiles – both horizontal and vertical – to allow you to more accurately assess a storm threat via the multifunction display.

CHARTVIEW™ ENABLE CARD (JEPPESEN SUBSCRIPTION NOT INCLUDED.)
ChartView brings an electronic version of Jeppesen's extensive library of charts and airport diagrams directly to the

G1000's Multi-Function Display. ChartView displays approach charts, geographical features, airspace, airways and airport diagrams in full color and high resolution. In addition, the pilot sees the aircraft's present position on the chart. These electronic charts greatly reduce the amount of paper in the cockpit and help reduce pilot workload.

SURFACEWATCH™
The SurfaceWatch feature provides aural and visual annunciations to help the flight crew maintain situational awareness and avoid potential runway incursions/excursions during ground and air operations in the airport environment.

GARMIN GTX™ 345R TRANSPONDER w/ ADS-B
The Garmin GTX 345R transponder has ADS-B out to satisfy Next-Gen requirements, while providing all the weather and traffic benefits of ADS-B In. Included as standard equipment with all Series III aircraft, the transponder has the ability to track and display 45 targets at once. You can wirelessly stream weather, traffic, GPS position and backup attitude via the Flight Stream 510 connection to the Kodiak application on a mobile device.

L3 ESI-500 STANDBY INSTRUMENT
The L3 ESI-500 is an advanced standby instrument designed for turboprop aircraft like the Kodiak. It displays attitude, altitude, airspeed, vertical speed, and slip data on its easy-to-read multicolor display. Should the system lose aircraft power, the built in back-up battery will provide power without interruption.

ANGLE OF ATTACK INDEXER
The Kodiak 100 is equipped with an angle of attack indicator allowing the pilot to visually target a desired angle of attack for different phases of flight. Providing instantaneous AoA trend information, the ARINC 429 also alerts to impending stalls.

OTHER FLIGHT DECK FEATURES
Garmin GFC™ 700 Autopilot, Garmin GDL™-69A Weather, News & Entertainment Option, Garmin GTS™ 800 Traffic Avoidance System Option, Stormscope® WX-500, Jeppesen® Enabled Chart View, ELT 406 MHZ with GPS, Garmin Search & Rescue Enable Cards.



**MANY MISSIONS:
SERVING HUMANITARIAN NEEDS
IN THE MOST REMOTE LOCATIONS
AROUND THE WORLD.**

What The Kodiak Was Designed For.



The Kodiak is a highly versatile aircraft with amazing STOL characteristics. It is used by business, owner-operators and government for many duties, but the mission we are most proud of is providing assistance to people in need.

Many of the first Kodiak aircraft were deployed to humanitarian groups in Southeast Asia, Africa and South America. The ability of the Kodiak to get into and out of some of the most difficult terrain in the world, enabled these humanitarian groups to deliver doctors, medicine, food and building supplies to villages deep in the backcountry. On the return flights, the Kodiaks were often turned in air ambulances or school buses delivering patients and students to the city.

In more recent years, the Kodiak has been used in a number of major disasters. Relief missions serving victims of the tsunami in Indonesia, the Ecuador and Haiti earthquakes, and the major hurricanes in the Bahamas and the Caribbean have all used Kodiaks for emergency deliveries and medical evacuations.

Our mission: to do good, to be better.



PERSONNEL: 1000 LBS GEAR: 1325 LBS FUEL

USEFUL LOAD = 3530 LBS
FUEL NEEDED FOR 450 NM ROUND TRIP
(W/ IFR RESERVES): 1210 LBS / 180 GAL
PAYLOAD AVAILABLE: 2,325 LBS

THE KODIAK CARRIES 3,530 LBS OF USEFUL LOAD AND CAN TAKE OFF AND LAND IN LESS THEN 1,000 FT. THIS PLUS ITS GENEROUS CRUISE SPEED MAKES IT THE IDEAL PLATFORM FOR AIRLIFT AND MEDIVAC OPERATIONS.



KODIAK 100



[MANY MISSIONS]

SKYDIVING BOITUVA BRAZIL

Three enterprising Brazilians launch a parachute school and jump club with the versatile Kodiak.

At home in Brazil's National Skydiving Center is the Queda Livre Paraquedismo parachuting school. Their airplane of choice is the ultra-modern Kodiak able to deliver jumpers to 12,000 feet in minutes. This increases turn-around speed, safety and profits.



12,000 FT IN 9 1/2 MIN
4 SKYDIVER LOADS PER HOUR =
INCREASED FUN & REVENUE



[MANY MISSIONS]

THE AIR SERVICE AUSTRALIA

Hotel and tour operators in Australia appreciate the Kodiak's ability to deliver clients from major airports to remote lodges and sightseeing spots.

Luxury resort customers often complain about the "last mile" — the trip from the airport to the resort. That problem is solved with a Kodiak that can deliver people just about anywhere. The Kodiak can serve double duty as a sightseeing platform.



USEFUL LOAD = 3530 LBS
PILOT = 170 LBS COUPLES & BAGS = 1350 LBS
PAYLOAD = 1520 LBS FUEL = 2010 LBS / 300 GAL
RANGE@174 KTAS = 900 NM (W/RESERVES)

[MANY MISSIONS]

WILDERNESS LIVING WYOMING

Living with nature does not mean isolation. Airparks fitted out with landing strips, hangars and luxury homes allow Kodiak owners to live just about anywhere and still get back to civilization whenever they choose.

With its impressive useful load, the Kodiak can carry it all — groceries, furniture, building materials — even a portable generator or a dirt bike.



[MANY MISSIONS]

A WEEKEND GETAWAY WITH ALL THE TOYS UTAH SALT FLATS

A group of buddies went on a spur-of-the-moment trip around the canyons and deserts of Utah.

That's the beauty of the Kodiak 100. With a 1000 mile range and the ability to land and take off from unimproved fields, the opportunity for adventure is only limited by one's imagination.



PILOT + 3 PAX = 700 LBS
2 MOTORCYCLES = 550 LBS
GEAR = 285 LBS
FUEL FOR 5+ HOURS



USEFUL LOAD = 3500 LBS
FUEL NEEDED = 800 LBS
ABLE TO CARRY = 2,700 LBS OF SUPPLIES



**MANY MISSIONS:
EXPANDING LIFESTYLE CHOICES,
MAKING POSSIBILITIES POSSIBLE.**

The Kodiak 100 Series III Opens A World Of New Adventures And New Experiences.

Automakers have known for decades that buyers of SUVs and light trucks are attracted to their vehicles for both heavy duty and pleasure. What works for the contractor who uses his truck during the week to haul supplies to the job site also works for the family trekking gear to a lakeside fishing spot.

That is the beauty of the Kodiak. It is as strong and reliable as a pickup truck yet versatile enough to take the entire family and their gear to their vacation home or off to some new spot they've dreamed of visiting. Want to drop into a remote camping site. No problem. The Kodiak can land on gravel or grass while hauling all the toys. It is tough, forgiving, and as safe as they come. The ability to fly in and out of remote, distant locations is enabling lifestyle choices only dreamed of before.



RANGE: 1005 NM TIME: 5.8 HRS



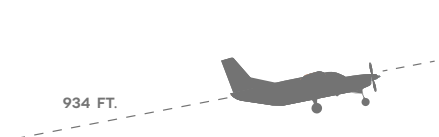


[MANY MISSIONS]

TOURISM'S MULTI-TOOL CONTADORA ISLAND PANAMA

Getting from destination to destination separated by miles of jungle requires a magic carpet.

For Panama, the magic carpet is the Kodiak 100. Able to deliver guests with all their luggage, supplies and equipment to widely separated destinations is contributing to a growing tourism industry throughout Central America.



TAKEOFF DISTANCE WITH
10 PEOPLE & FUEL = 934 FT.

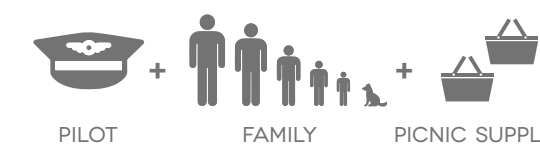


[MANY MISSIONS]

THE URBAN ESCAPE POD COPALIS BEACH

For those short on time but high on adventure, the Kodiak is the perfect getaway vehicle.

Washington State is one of those special states blessed with thousands of beautiful places to escape the city. Located right on the Pacific Coast is one of the only certified beach runways in the US usually reserved for smaller aircraft. Not a problem for the Kodiak.



USEFUL LOAD 3,530 LBS
FAMILY + PICNIC = 1000 LBS
RANGE AVAILABLE = 1005+ NM

[MANY MISSIONS]

THE WORKHORSE CANYONLANDS UTAH

A perfect vantage point for wilderness adventures and sightseeing tours.

RedTail Air Adventures, out of Moab, Utah, uses their fleet of Kodiaks to treat guests to amazing aerial views of the Utah backcountry. They also shuttle groups for river trips and drop backpackers off at special remote locations.



[MANY MISSIONS]

THE EYE IN THE SKY BOTSWANA AFRICA

Advanced ISR on the Kodiak platform can protect wildlife and the tourism economy.

With its long loiter time, the Kodiak is perfect for conducting aerial surveillance. The Botswana Ministry of Environment, Wildlife and Tourism is using their Kodiak to monitor wildlife, conduct search and rescue, deliver equipment and deter poaching of their precious elephants and rhinos.



PILOT + 7 PASSENGERS + BACKPACKS

USEFUL LOAD = 3,530 LBS
FULL FOR 360 NM TRIP + RESERVE = 780 LBS
8 PEOPLE = 1400 LBS
BAGS & GEAR = 1,350 LBS

CAMERA + CREW + EQUIPMENT + FUEL

USEFUL LOAD = 3530 LBS
FULL FUEL = 2144 LBS
PAYLOAD WITH FULL FUEL = 1,386
LOITER = 9.9 HRS



THE PRATT & WHITNEY PT6A TURBOPROP ENGINE OFFERS UNMATCHED PERFORMANCE, RELIABILITY AND VALUE WITH 750 SHAFT HORSEPOWER.

THE EXECUTIVE PACKAGE

A COMPREHENSIVE PACKAGE ENSURING PERFORMANCE, EFFICIENCY AND SAFETY.

The Kodiak 100 Executive Package includes:

AVIONICS PACKAGE ONE

XM Satellite Weather data provides information for avoiding hazardous weather. Having XM WX on board boosts pilots' situational awareness through interactive graphical weather updates displayed on the G1000 NXi. If the peace of mind XM WX provides isn't enough, XM offers over 170 channels of music, news, talk and sports enjoyment. The GTS 800 Traffic Avoidance System actively interrogates other transponder-equipped aircraft. The system displays the position of nearby aircraft on the G1000 NXi and provides aural warnings when there is potential conflict. The WX 500 Stormscope enables pilots to make informed in-flight decisions about thunderstorm avoidance by mapping real time electrical discharges created by storms on the G1000 NXi.



EXTERNAL CARGO COMPARTMENT

The External Cargo Compartment (ECC) installation is of composite construction and mounts onto the bottom of the fuselage to provide additional cargo and baggage space. It has a maximum load-carrying weight of 750 pounds and a maximum floor loading of 65 pounds per square foot to allow a wide variety of loading scenarios. The ECC is divided



into three compartments separated by composite bulkheads and each compartment has an individual loading door and internal skid ramp to facilitate loading and unloading. With its clean aerodynamic design, there is very little reduction in performance (only 1-2 knots reduction in cruise speed).

TKS® ICE PROTECTION

The TKS Ice Protection System makes the airplane Certified for Flight Into Known Ice (FIKI). It incorporates porous titanium panels attached to the leading edge of the wings, wing struts, main landing gear legs, and empennage. The system includes a 16-gallon tank, which yields an endurance of 2-1/2 hours of continuous operation in normal icing conditions. The tank may be mounted in the cockpit area as a center console or in the forward bay of the optional cargo pod, if installed.



SUMMIT INTERIOR PACKAGE

The top-of-the-line Summit interior offers 6 club seats, optional tables and cabinets, and carpet that allows you to conduct a business meeting in comfort on the way to a conference or a project site. This interior also makes the Kodiak great for family trips. A true example of rugged refinement, Summit features individual headset jacks, oxygen, LED lighting, dual zone touch screen ECS control, and charging ports for your portable electronic devices.



SINGLE-POINT REFUELING SYSTEM

Located at the left wing root, this system gives the operator a convenient way to quickly refuel both wing tanks utilizing one port. This system will be standard equipment.



4 YEAR KODIAK CARE MAINTENANCE PROGRAM

The Kodiak Care 4-year Maintenance Program includes all scheduled maintenance for 4 years from the date of the retail buyer's acceptance of the aircraft. It includes all scheduled maintenance of the aircraft for part 91 operators, up to 1,000 total flight hours, or through the 4th annual inspection. More information is available on request.



Disclaimer: Options and standard equipment may change. This list is not comprehensive and may not be up-to-date. Consult your sales representative.

FLOAT READY STANDARD EQUIPMENT: EVERY NEW KODIAK 100 COMES EQUIPPED WITH AN EXTENSIVE SET OF FEATURES AND EQUIPMENT.

A partial list of equipment included in all Kodiak 100 aircraft.

AVIONICS:

- GARMIN G1000 NXI INTEGRATED AVIONICS SUITE
- GFC 700 AUTOPILOT WITH ELECTRONIC STABILITY PROTECTION, LEVEL MODE, UNDER-SPEED PROTECTION, COUPLED GO-AROUND AND YAW DAMPER
- DUAL GPS, AHRS, ADC
- DUAL GARMIN GMA 1360 AUDIO PANELS
- GTX 345R MODE-S TRANSPONDER WITH ADS-B IN/OUT
- CLASS-B TERRAIN AWARENESS SYSTEM
- GARMIN SYNTHETIC VISION
- 406 MHZ ELT W/ REMOTE SWITCH AND GPS ENABLED
- (2) COCKPIT USB PORTS
- SURFACEWATCH ENABLE CARD
- CHARTVIEW ENABLE CARD
- GARMIN NAVDATA SUBSCRIPTION (1 YEAR INCLUDED)

FLIGHT INSTRUMENTS:

- FULLY INTEGRATED FLIGHT INSTRUMENTS IN THE G1000 NXI
- 4-IN-1 ELECTRONIC STANDBY
- DUAL PITOT/STATIC SYSTEMS
- DUAL PITOT HEAT
- ANGLE OF ATTACK (AOA) INDEXER

ENVIRONMENTAL:

- FULLY AUTOMATED TOUCH SCREEN ECS CONTROLLER
- BLEED AIR HEATING SYSTEM WITH SILENCER
- FORWARD AND AFT BLOWERS
- BRUSHED METAL VENTILATORS THROUGHOUT COCKPIT & CABIN
- STATE-OF-THE-ART SOUND PROOFING
- 10-PLACE OXYGEN WITH LARGE BOTTLE



LIGHTS:

- HID LANDING LIGHTS
- TAXI LIGHTS WITH PULSE, LED
- NAVIGATION LIGHTS (2), LED
- STROBES (2), WINGTIP MOUNTED, LED
- BEACON (LED)
- PASSENGER READING LIGHTS (8)
- CENTER AISLE AMBIENT LED LIGHTS

POWERPLANT:

- ENGINE PWC PT6A-34, 750 SHP, 4000 HR TBO
- ENGINE WASH RING (INTEGRAL)
- OIL COOLER, HIGH CAPACITY
- INTAKE INERTIAL SEPARATOR (ELECTRIC) W/ BACKUP
- PROP, 4-BLADE ALUMINUM, CONSTANT SPEED FULL FEATHERING, 96 INCH: HARTZELL PITCH LATCH
- PRATT & WHITNEY ESP COMPLIMENTARY SUBSCRIPTION, 400 HOURS INCLUDED

ELECTRICAL POWER:

- (2) BATTERIES, 24V SEALED LEAD ACID
- STARTER/GENERATOR, 300 AMP
- MASTER CONTROL UNIT W/ HIGH START FUNCTIONALITY
- ALTERNATOR, STANDBY 40 AMP

FUEL SYSTEM:

- SINGLE-POINT REFUELING SYSTEM
- FUEL TANKS (2) 320 GALLONS TOTAL
- FLOAT-TYPE FUEL LEVEL SENSORS, INDUSTRY LEADING ACCURACY
- FUEL TEMPERATURE INDICATION

INTERIOR:

- SUMMIT INTERIOR PACKAGE W/ 6 PAX SEATS
- AIR CONDITIONING
- CORROSION PROOFING, NON-SLIP FLOORING & QUICK RELEASE CARPETING
- SEATS, PILOT AND CO-PILOT, ARTICULATING, TIMBERLINE TRIM
- INFLATABLE CREW DOOR SEALS
- FIRE EXTINGUISHERS (3)
- FOUR (4) CABIN USB PORTS
- CREW DOOR STAYS
- CUP HOLDERS

EXTERIOR:

- 5-STEP INDUSTRY LEADING CORROSION PROOFING WITH LOWER FUSELAGE SKIN GAP FILLET SEALANT
- 29" LARGE LOW-PRESSURE TIRES WITH 7,255 LANDING WEIGHT
- CONTROL SURFACE BONDING STRAPS
- (2) CREW DOORS, 180° OPENING WITH CREW DOOR STAY
- LARGE CARGO DOOR

LOOSE EQUIPMENT:

- (2) BOSE A20 PILOT HEADSETS
- CUSTOM COVER KIT
- CREW AND PASSENGER OXYGEN MASKS; (2) A5 BOOM CANNULAS
- (4) CARGO STRAPS AND (8) ATTACH FITTINGS

INCLUDED COURSES:

- PILOT TRAINING (1 COURSE)
- MAINTENANCE TRAINING (1 COURSE)

OPTIONS: CUSTOMIZABLE TO FIT YOUR NEEDS.

The Kodiak offers a wide range of options, some of which are listed below:

AVIONICS:



GARMIN GWX 75 WEATHER RADAR

Displaying more color intervals than traditional four-color radars, the Doppler-enabled GWX 75 radar helps take the guesswork out of real-time weather tracking and analysis. The additional colors provide a far more nuanced interpretation of storm cell dynamics. Plus, this high-definition target contouring combines with exceptional range and adjustable scanning profiles — both horizontal and vertical — to allow you to more accurately assess a storm threat via your compatible flight deck or multifunction display.

GARMIN SEARCH & RESCUE ENHANCED ENABLE CARD

The Garmin Search and Rescue Enable feature allows for easy entry of search and rescue patterns into a flight plan. The standard enable card has three basic search patterns (Parallel, Sector, and Expanding Square) to provide step by step tracking procedures right in the G1000 NXi. All the patterns have customizable parameters that can be adjusted based on the object being searched, weather, and terrain. This is fully integrated into the G1000 NXi so all the normal functions of a flight plan are incorporated (time, speed, distance, fuel remaining, etc.). The search and rescue flight plan can also be coupled to the GFC 700 autopilot allowing the pilot to be an extra set of eyes. The Enhanced Enable Card includes all the standard features plus adds a circular search pattern.

EXTERIOR:

TKS® ICE PROTECTION

The TKS Ice Protection System makes the airplane Certified for Flight Into Known Ice (FIKI). It incorporates porous titanium panels attached to the leading edge of the wings, wing struts, main landing gear legs, and empennage. The system includes a 16-gallon tank, which yields an endurance of 2-1/2 hours of continuous operation in normal icing conditions. The tank may be mounted in the cockpit area as a center console or in the forward bay of the optional cargo pod, if installed.



EXTERNAL CARGO COMPARTMENT (CARGO POD)

The External Cargo Compartment (ECC) installation is of composite construction and mounts onto the bottom of the fuselage to provide additional cargo and baggage space. It has a maximum load-carrying weight of 750 pounds and a maximum floor loading of 65 pounds per square foot to allow a wide variety of loading scenarios. The ECC is divided into three compartments separated by composite bulkheads and each compartment has an individual loading door and internal skid ramp to facilitate loading and unloading. With its clean aerodynamic design, there is very little reduction in performance (only 1-2 knots reduction in cruise speed).



AEROCET FLOATS

Every Kodiak 100 comes off the factory line as Float Ready. Each Kodiak goes through a rigorous 5 step anti-corrosion process, ending with Fillet Skin Gap Sealant which adds an additional layer of corrosion proofing to the lower fuselage area. The Pitch Latch Propeller allows the propeller to stay in a fine-pitch position when the engine is shut down. When the engine is started with the propeller blades in fine-pitch, it takes much less time to produce forward thrust and begin taxiing.

ADDITIONAL OPTIONS INCLUDE:

INTERIORS

- UPGRADE WITH TABLES AND CABINETS
- UPGRADE WITH CABINETS ONLY
- UPGRADE WITH TABLES ONLY

SERVICES

- PILOT TRAINING COURSE
- MAINTENANCE TRAINING COURSE

MISCELLANEOUS

- X3 OXYGEN DEMAND CONSERVER
- BOSE A20 HEADSET

Disclaimer: Options and standard equipment may change. This list is not comprehensive and may not be up-to-date. Consult your sales representative.

YOUR KODIAK IS OUR #1 PRIORITY.

Kodiak Care is an insurance policy — a personal security blanket. Our customers know that their Kodiak adventures and experiences are backed by a worldwide team of professionals ready to assist in any way, at any time.

The foundation of the program is the Kodiak Care package.

COMPREHENSIVE FOUR-YEAR AIRFRAME WARRANTY

Each new Kodiak comes with an industry leading warranty. The Kodiak warranty is designed to be seamless, worry-free, and fast with online access to keep you flying.

24/7 ONLINE ACCESS TO THE TECHNICAL PUBLICATIONS PORTAL

The Kodiak technical publications portal is provided with your new aircraft for two years from the date of purchase. The portal provides access to the technical information you need to operate and maintain your Kodiak anytime, anywhere.

24/7 AOG RESPONSE

Our number one commitment is serving the worldwide community of Kodiak owners with world-class service and support. AOG support is available 24 hours a day, 365 days a year by calling or emailing your team of dedicated, knowledgeable Kodiak technicians.

24/7 TECHNICAL SUPPORT

Support is at your fingertips. Your team is always available via email or phone to answer questions and help with troubleshooting.

SECOND DAY FREIGHT ON WARRANTY PARTS

All warranty parts ship via UPS 2-day air in order to get you back in the air ASAP.

KODIAK POH/AFM REVISION SERVICE

With the Kodiak Pilot's Operating Handbook and Aircraft Flight Manual revision service, updates are automatically shipped to you whenever a revision to either manual is released during the first two years you own your Kodiak.

ONE-YEAR ENROLLMENT TO CAMP

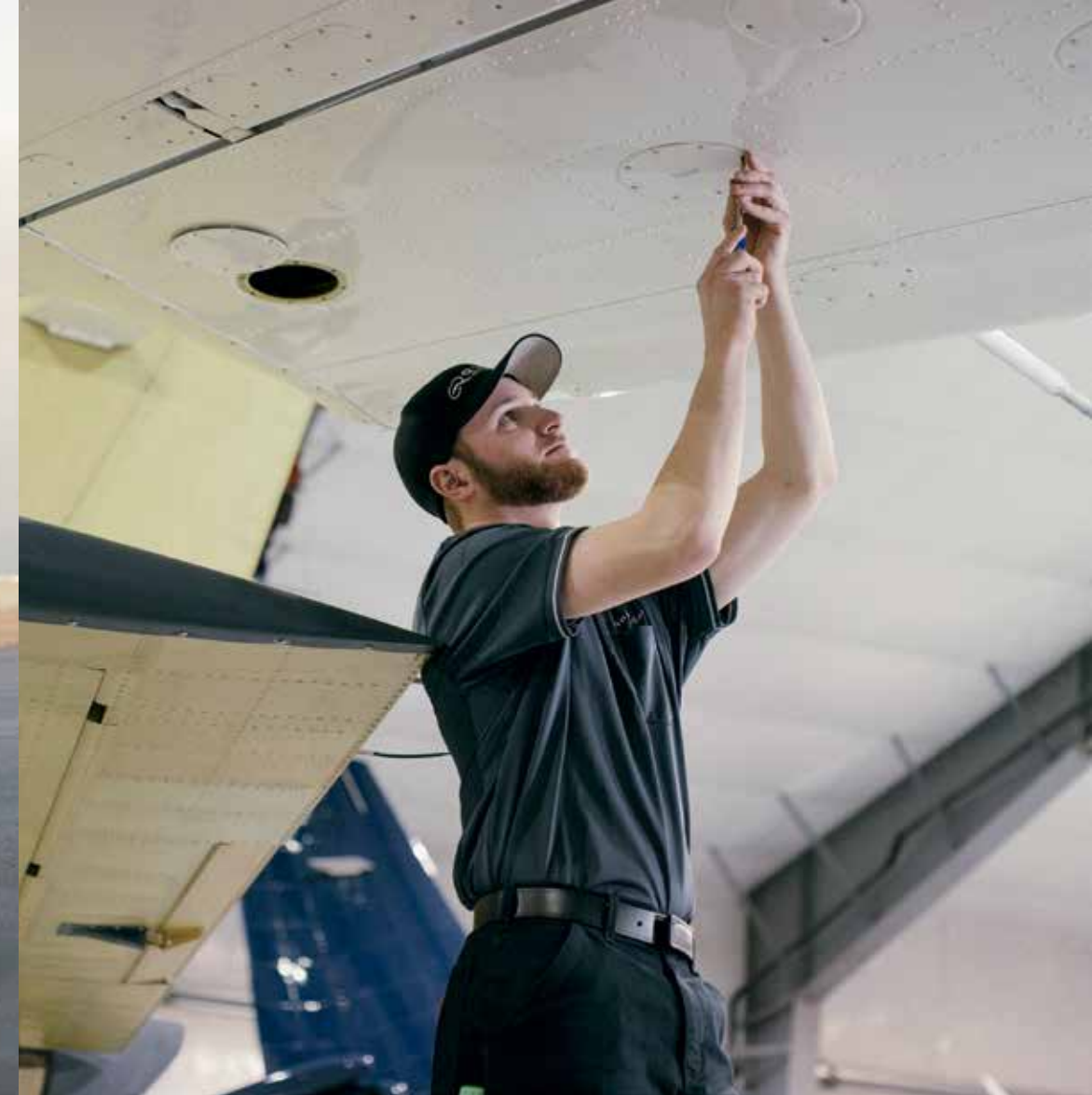
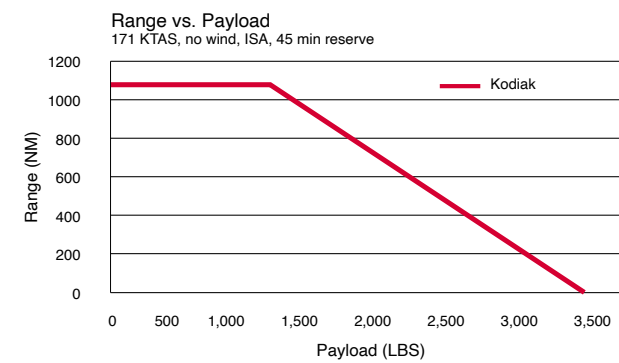
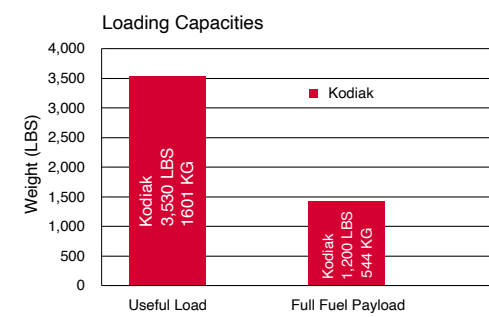
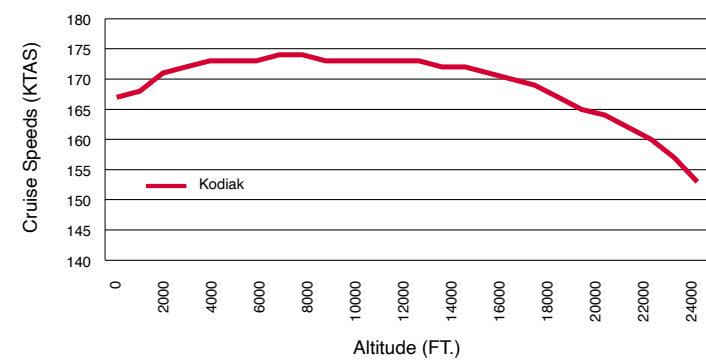
By providing enrollment in the CAMP Engine Health Monitoring (EHM) and Maintenance Tracking (MTX) service programs at no charge, Kodiak empowers you with the tools to control your operational costs and maintain the aircraft's resale value.

TWO-YEAR OR 400 HOURS* ENROLLMENT IN ESP

To protect the value of your investment and help defer engine depreciation, the ESP (Eagle Service Plan) Gold Lite program is provided at no charge – a value of up to \$50,000 towards covered engine maintenance. (*Up to 400 hours Total Time Since New or two years from date of aircraft delivery, whichever occurs first, for engines enrolling when new.)

Email: kodiakcare@daher.com Technical publications available through the Kodiak Aircraft website at www.kodiak.aero

MAINTAIN OPTIMAL PERFORMANCE



SPECIFICATIONS:

THE KODIAK 100 SERIES III IS A SMART AIRCRAFT DESIGNED AND BUILT IN THE 21ST CENTURY.

The specifications shown below are for Series III aircraft. Specifications for previous aircraft may be different.

WEIGHTS & LOADINGS

| | | |
|----------------------------|----------------|--------------|
| Max. Ramp Weight | 7,305 lbs | 3,313 kg |
| Max. Takeoff Weight | 7,255 lbs | 3,290 kg |
| Base Aircraft Empty Weight | 3,775 lbs | 1,712 kg |
| Base Aircraft Useful Load | 3,530 lbs | 1,601 kg |
| Fuel Capacity | 320 gal | 1,211 L |
| Max. Wing Loading | 30.2 lbs/sq ft | 147.45 kg/sm |
| Max. Power Loading | 9.67 lbs/hp | 4.39 kg/hp |

PERFORMANCE (WITHOUT CARGO POD)

| | | |
|----------------------------------|------------|-----------|
| Stall Speed Vs1 (flaps up) | 77 kcas | 143 kph |
| Stall Speed Vs0 (flaps down) | 60 kcas | 111 kph |
| Rate of Climb (max. cont. at SL) | 1,340 fpm | 408 mpm |
| Rate of Climb (10,000 ft) | 867 ft/min | 264 m/min |
| Takeoff Ground Roll | 934 ft | 285 m |
| Landing Ground Roll | 765 ft | 233 m |
| Certified Ceiling | 25,000 ft | 7,620 m |

CRUISE PERFORMANCE 183 KTAS 339 KPH

RANGE & ENDURANCE

WITH 45 MIN. RESERVE (WITHOUT CARGO POD)

| | | |
|-------------------------------|----------|----------|
| Max Cruise | | |
| 174 ktas, 12,000 ft (3,700 m) | 1,005 nm | 1,861 km |
| Cruise Fuel: | 271 gal | 5.8 hrs |
| Assumes consumption rate of: | 48 gph | 182 L/hr |

| | | |
|-------------------------------|----------|----------|
| Max Range Cruise | | |
| 135 ktas, 12,000 ft (3,700 m) | 1,132 nm | 2,096 km |
| Cruise Fuel: | 271 gal | 8.4 hrs |
| Assumes consumption rate of: | 33 gph | 125 L/hr |
| Max Endurance | | |
| 95 ktas, 12,000 ft (3,700m) | 944 nm | 1,748 km |
| Cruise Fuel: | 271 gal | 9.9 hrs |
| Assumes consumption rate of: | 28 gph | 106 L/hr |

POWERPLANT

| | |
|--------------------------|-------------|
| | P&W PT6A-34 |
| Takeoff Power @ 2200 RPM | 750 hp |
| Max Continuous Power | 700 hp |

Propeller (Constant speed, feathering, reversible)

| | |
|---------------|--------------|
| Diameter | 96 in 2.44 m |
| Tip Clearance | 19 in 48 cm |

FUSELAGE

| | | |
|-----------------------------|-----------|-----------|
| Cabin Width | 4'6" | 1.37 m |
| Cabin Height | 4'9" | 1.45 m |
| Cabin Length | 15'10" | 4.83 m |
| Cargo Volume (exc. cockpit) | 248 cu ft | 7.02 cu m |
| Overall Length | 33.8 ft | 10.3 m |
| Overall Height | 14.7 ft | 4.48 m |
| Seats | 1-10 | |
| Doors | 3 | |

| | | |
|----------------------------|------------|------------|
| Door Sill Height | 38 in | 0.97 m |
| Cargo Door (LH side) | | |
| Opening Width | 49.25 in | 1.25 m |
| Opening Height | 49.25 in | 1.25 m |
| Cockpit Doors (both sides) | 31 x 51 in | 31 x 51 in |
| Opening Width | 31 in | 0.79 m |
| Opening Height | 51 in | 1.30 m |

FLIGHT SURFACES

| | | |
|-----------------|------------------------|-----------|
| Wing Area | 240 sq ft | 22.3 sq m |
| Span | 45' | 13.72 m |
| Dihedral | 3° | |
| Flap Type | Fowler, single-slotted | |
| Horizontal Span | 20'4" | 6.21 m |
| Overall Height | 14.7 ft | 4.48 m |

LANDING GEAR (FIXED, FAIRED LEG, NO PANTS)

| | |
|-----------|------------------------------------|
| Main Gear | 8.5 x 10 Cleveland, spring steel |
| Nose Gear | 6.5 x 8 Cleveland, air-oleo, steel |

CERTIFICATION

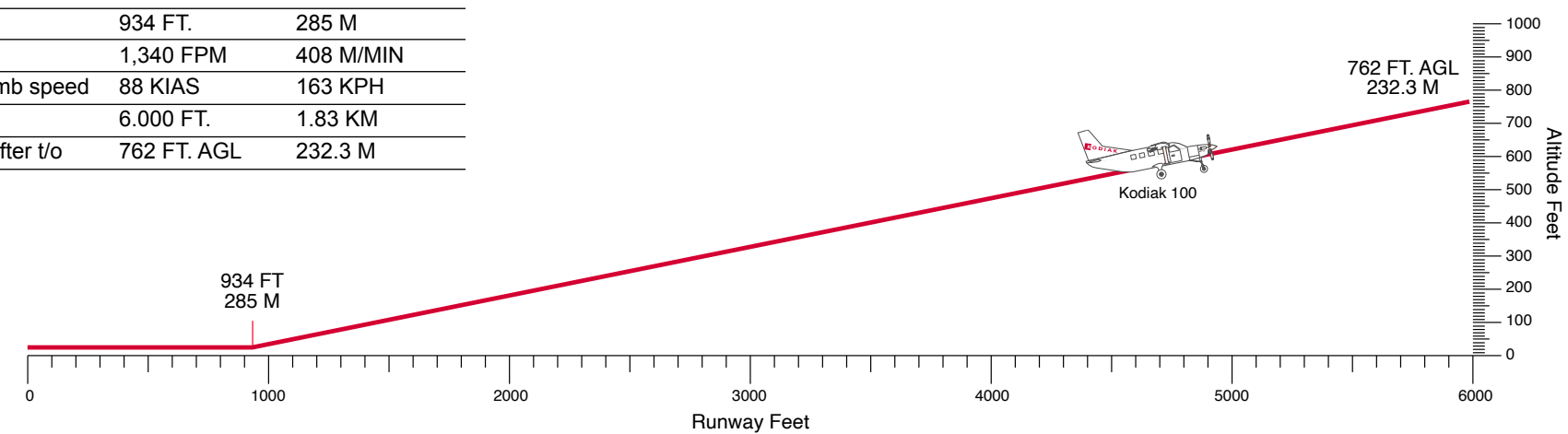
The Kodiak is certified under Part 23 of the Federal Aviation Regulations in the Normal Category for day, night, VFR, and IFR flight operations, and certified for flight into known icing when equipped with optional TKS Ice Protection System.

TAKEOFF DISTANCE & CLIMB RATE

KODIAK

| | | |
|---|-------------|-----------|
| Takeoff ground roll | 934 FT. | 285 M |
| Climb rate | 1,340 FPM | 408 M/MIN |
| Manufacturers recommended climb speed | 88 KIAS | 163 KPH |
| Runway length | 6,000 FT. | 1.83 KM |
| Height above runway threshold after t/o | 762 FT. AGL | 232.3 M |

Source: OEM Pilots Op. Handbooks



CAPACITY



7,255 LBS 3,290 KG

MAX. TAKEOFF WEIGHT



SUMMIT INTERIOR



8 PASSENGERS, 2 CREW, LUGGAGE



6 PASSENGERS, 2 CREW, BULK LUGGAGE



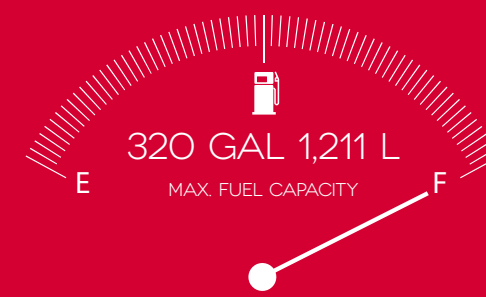
4 PASSENGERS, 2 CREW, BULK LUGGAGE & CARGO OR SPECIAL OPERATIONS



2 PASSENGERS, 2 CREW, CARGO OR SPECIAL OPERATIONS

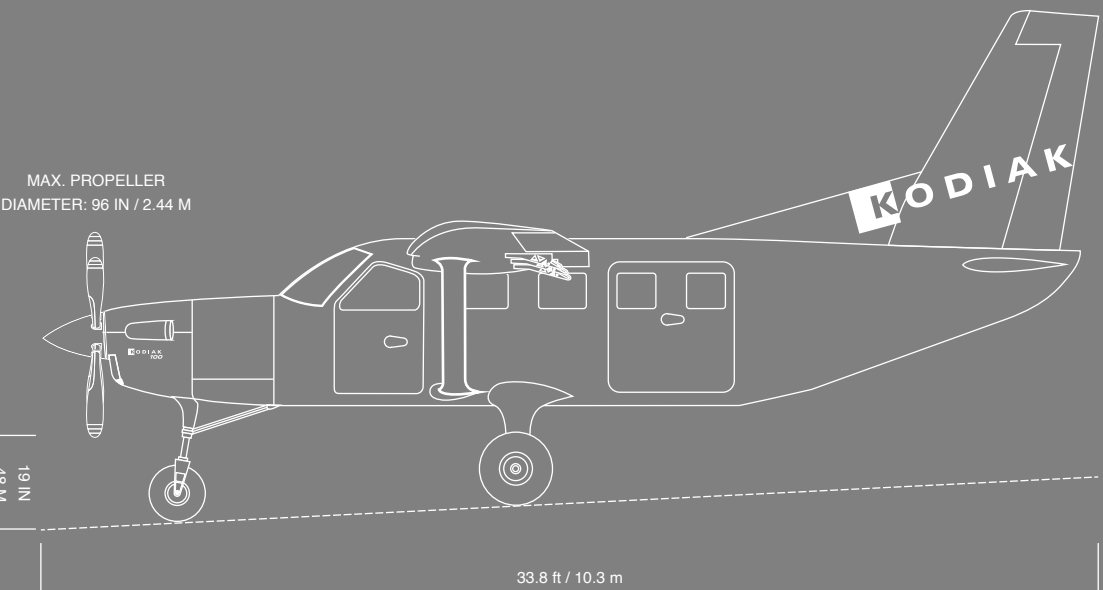
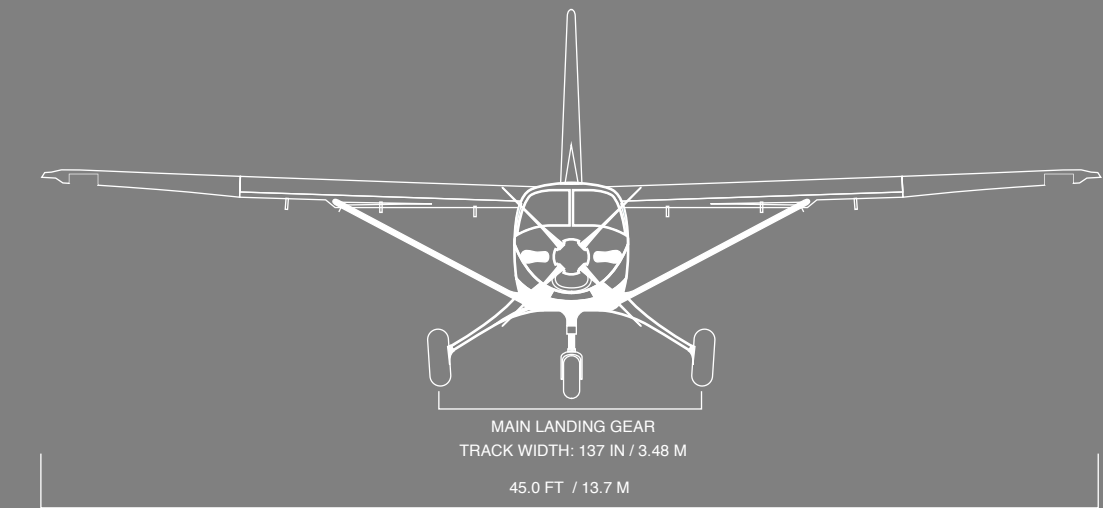
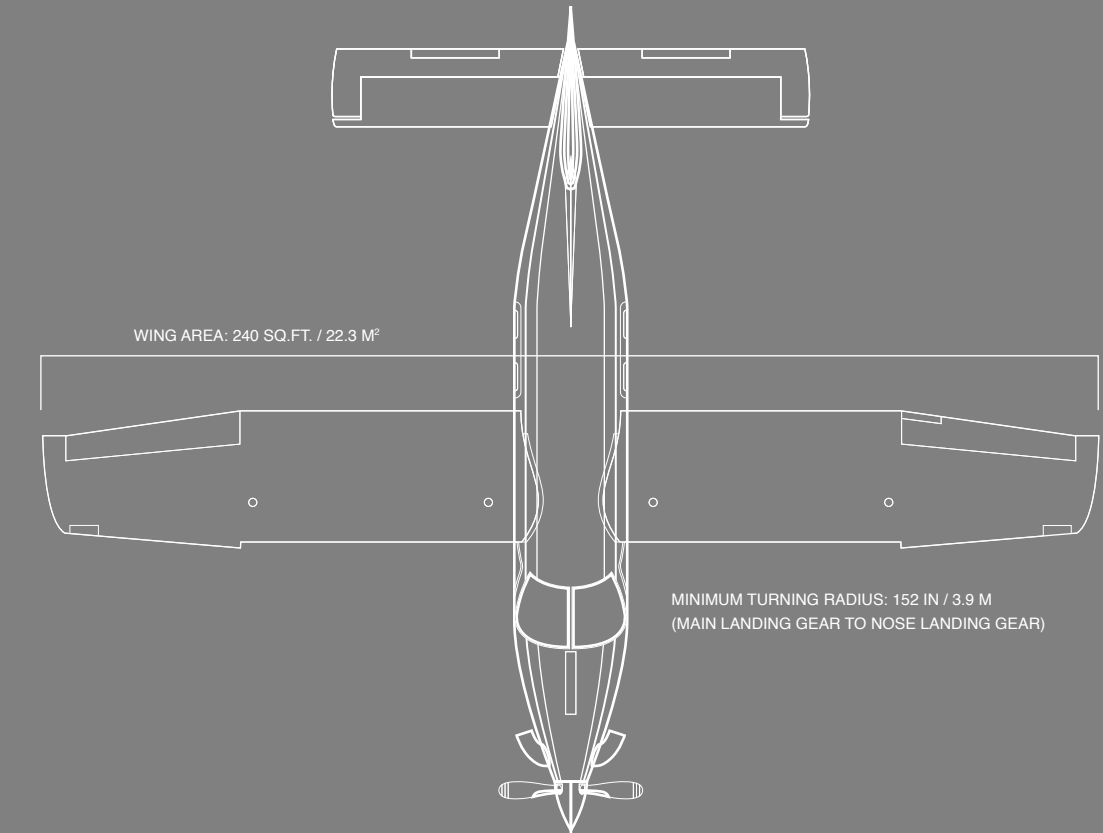


2 CREW, CARGO OR SPECIAL OPERATIONS



45 GPH 170.3 L/HOUR

DIMENSIONS



**OUR MISSION:
THE DAHER FAMILY OF AIRCRAFT.
ONE GOES FAST. ONE GOES ANYWHERE.**

The Kodiak 100 was born in the backcountry and is now the most respected multi-mission STOL in its class. Today, the Kodiak is part of the international Daher family of aircraft that includes the TBM, made in Tarbes, France and our Kodiak, made in Sandpoint, Idaho.

Both aircraft share the deep aviation roots of Daher that was founded more than one hundred years ago in 1886. Both aircraft leverage the advantages of a worldwide organization with expertise in aviation manufacturing, logistics, technology and service.

THE DESIRE TO DO GOOD, TO BE BETTER

The desire to do good and be better was at the heart of the founding of the Kodiak Aircraft Company. It was the mission of providing the humanitarian community with a long overdue alternative to the world's fleet of aging STOL airplanes that eventually lead to the creation of the Kodiak, certified in 2007 — a modern, heavy-duty plane that could deliver aid and rescue to the most remote reaches of the earth.

MISSION ACCOMPLISHED? WELL, NOT QUITE.

Another mission, shared by corporate parent Daher, is to provide employment, education and skills to local communities. The scenic, mountain-side communities of Sandpoint, Idaho and Tarbes, France have become the home to dedicated creators of the world's most advanced turboprops.

Today, the Kodiak Aircraft Company is prospering. Orders are increasing, the factory floor is expanding; and, the introduction of the Series III marks 14 years of continuous Kodiak improvement.

CRAFTED FOR AVIATORS

So, we asked our team to tell us what they think about the job they do and the product they build. Here are a few of their responses: "Daher is a company of passionate aviators who believe in changing the status quo of OEM's by making the best hand built, rugged, high payload plane of its class in the world," "We take an uncompromising approach to safety and quality. We make our airplane simple to use, robust, and beautiful," "We are loyal to our roots, and we are loyal to our customers," and "We go where others can't." These are the words of maker's pride that you can feel in each Kodiak that comes out of the hangar doors.



"THE KODIAK IS LIKE A FLYING PICKUP TRUCK WITH A MUSCLE CAR ENGINE AND A LUXURY SUV INTERIOR."



SERIES III

KODIAK *100*



DAHER

KODIAK AIRCRAFT COMPANY INC
MANUFACTURER OF THE KODIAK 10-SEAT STOL TURBOPROP
1200 TURBINE DRIVE SANDPOINT, IDAHO 83864 USA
866.230.7417 KODIAKSALES@DAHER.COM WWW.KODIAK.AERO #FLYKODIAK