



PERFORMANCE FILTRATION
PRODUCT CATALOG

2020



HIGH-FLOW TECHNOLOGY

PERFORMANCE & PROTECTION SINCE 1969

AUTOMOTIVE PERFORMANCE



- Performance Air Intake Systems
- High-Flow Air Filters™
- Washable Cabin Air Filters
- Performance Gold® Wrench-Off® Oil Filters

RACING PRODUCTS



- The Original Performance Filter of NASCAR®
- The Official Filter and Air Intake of NHRA®
- Filtration Products for Vehicles in Most Forms of Racing

POWERSPORTS FILTRATION



- Available for most On-Road/Off-Road Motorcycles, ATV, UTV, Side by Side, Watercraft, and Snowmobiles
- OE Replacement High-Flow Air Filters™, Premium Oil Filters, Performance Intake Systems and Filtration Accessories
- Designed to Increase Performance and Provide Excellent Filtration

HEAVY DUTY DIESEL FILTRATION



- Applications for Many Popular Applications
- Air filters are Easy to Clean and Use no Oil
- Heavy Duty Oil Filters feature a Welded Nut for Easy Removal

MOBILE AND AUXILIARY POWER EQUIPMENT



- Available for Many Outdoor and Industrial Applications
- Easy to Clean - Most Feature an Oil-Free Synthetic Filter Media

**HIGH-FLOW
AIR FILTERS™**



PAGE
2

**WASHABLE CABIN
AIR FILTERS**



PAGE
4

**PERFORMANCE
INTAKE SYSTEMS**



PAGE
6

SOME INTAKES ARE NOT LEGAL FOR SALE OR USE ON ANY POLLUTION CONTROLLED MOTOR VEHICLE IN CALIFORNIA.

See knfilters.com for CARB status on each part for a specific vehicle

**PERFORMANCE
OIL FILTERS**



PAGE
12



INDEX

SECTIONS

PAGES

Engine Air Filters, OE Replacements

Benefits 2-3
 Product Listings 97-352
 Light Duty Turbo Diesel Truck 9
 Motorcycle and ATV 11
 Agricultural and Heavy Duty 18-19
 Mobile & Auxiliary Power Equipment 20

Intake Systems

Benefits 6-9
 Product Listings 370-472
 Light Duty Turbo Diesel Truck 9
 Spare Filters and Wraps 473-477

Oil Filters

Benefits 12-13
 Product Listings 97-352
 Agricultural and Heavy Duty 13, 15

Cabin Air Filters, OE Replacements

Benefits 4-5
 Product Listings 353-369

Exhaust Systems

..... 14

Fuel Filters and Fuel Pumps

Benefits 10
 Product Listings 84-96

Home Air Filters

..... 16-17

Tuning Products

..... 15

Universal/Clamp-On Air Filters

Benefits 22
 Listings by Size 50-83

Vent Filters and Breathers

..... 24-25

Racing, Hot Rod, and Custom Products

..... 26-41

Air Filter Accessories

..... 42

Filter Wraps

..... 43-48

Filter by Dimension

..... 69-83

Cleaning Products and Instructions

..... 479-481

The following are trademarks and/or registered trademarks of K&N Engineering, Inc.: 57i, 57i Gen 2, 57s Performance Box Logo, Aircharger, Blackhawk Induction Logo, Custom 66 Series, Custom 66 Series Logo, Drycharger, Dryflow, Dryflow Air Filter Technology Logo, Filtercharger, FIPK, Hybrid Air Filter K&N Technology Logo, K&N, K&N Logo, K&N Diesel logos, K&N Hand Made Logo, K&N High-Flow Air Filter, K&N High-Flow Air Filter Logo, K&N Inventor Logo, K&N Million Mile Languages Logo, K&N 10-Year/Million Mile Limited Warranty, K&N 10-Year/Million Mile Limited Warranty Logo, K&N Off Road & Racing Logo, K&N Off Road Tire Logo, K&N Refresher, K&N Superior Airflow, Superior Performance, K&N Washable Cabin Air Filter, K&N World's Best Air Filter Logo, knfilters.com, knpowersports.com, Make Your Move, Performance Gold, Performance Silver, Power Kleen, Powerlid, Precharger, Recharger, Snowcharger, Stubstack, Typhoon, Washable Reusable Performance Logo, Wrench-Off, Wrench-Off Performance Oil Filters Logo, Wrench-Off Welded Nut on Canister Logo, Xstream, Xstream logos, Up To 50% More Airflow Than Traditional Paper Air Filters Logo, K&N Pro Series, and K&N Pro Series Oil Filter. K&N protects its marks and other legal rights against infringers.

Parts Updated Daily at KNFILTERS.COM

or Call 800-858-3333

Mon-Thur 8AM-5PM & Fri 8AM-4:30PM PDT

HIGH-FLOW OE REPLACEMENT AIR FILTERS

The World's Best Air Filter™

K&N® air filters are the pinnacle of automotive filtration. We combine precision engineering, uncompromising design, and extreme testing to give you the unbeatable lifetime protection of The World's Best Air Filter™.



10 Year / Million Mile Warranty

limitations apply, visit knfilters.com/warranty



More Power and Acceleration



World-Class Engine Protection



User-Friendly Installation



Proudly Made in America

WASHABLE FILTER MEDIA

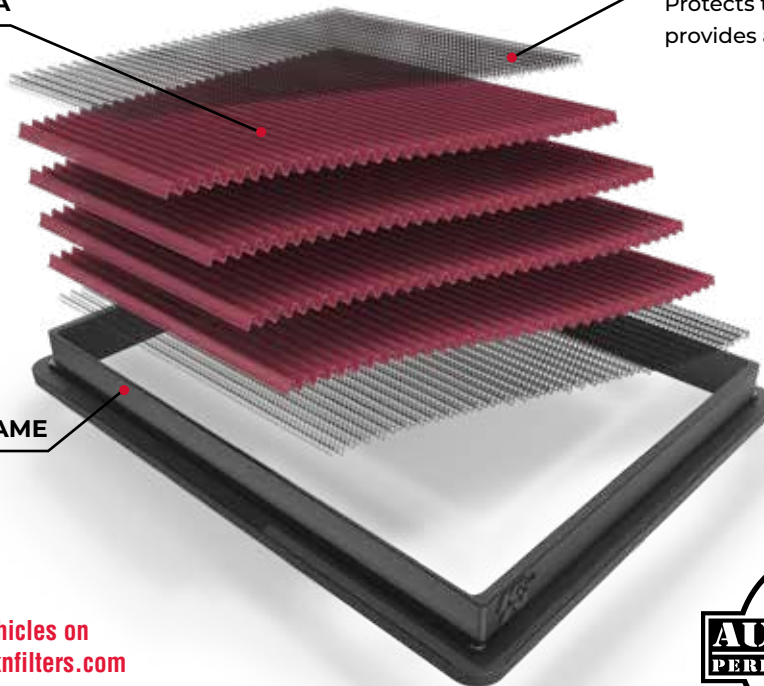
High-flow cotton media captures dirt and particles

DURABLE URETHANE FRAME

Rugged enough to last for a million miles of use

EPOXY-COATED SCREEN MESH

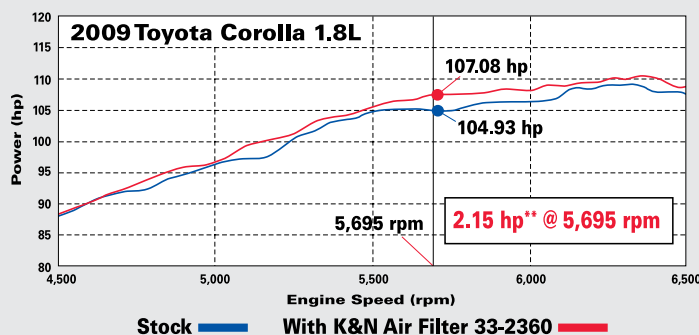
Protects the filter media and provides a rigid structure



Find parts for vehicles on pages 97-352 or at knfilters.com



ESTIMATED HORSEPOWER, K&N® vs. OE



** Horsepower estimate is the result of one dynamometer test comparing horsepower at the wheels when changing from an OEM air filter to a K&N® air filter for the vehicle listed. It is not meant to be representative of all our part numbers. Results will vary.

Thousands of microscopic cotton gauze fibers naturally hold specially designed oil in suspension to create a powerful filtering medium



Cotton breathes easier increasing airflow to help your car run better.

Filter media is shown before K&N® filter oil is applied.



HIGH-FLOW OE REPLACEMENT AIR FILTERS

What Makes The World's Best Air Filter™?

70,000,000+

Filters Sold

10,000+

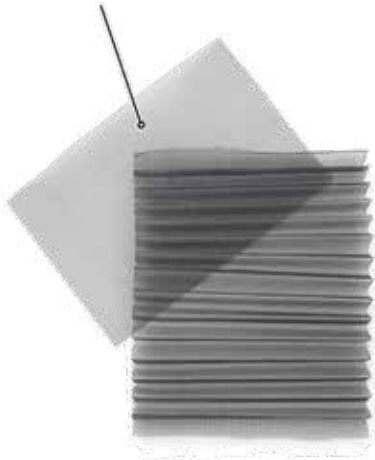
Part Numbers Available

ONLY 1

World's Best Air Filter

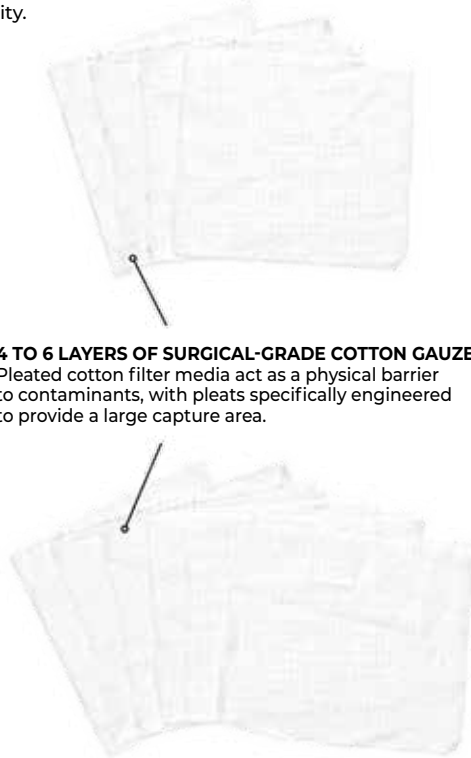
EPOXY-COATED AIRCRAFT-GRADE ALUMINUM MESH

Pleated on both sides of the cotton filter media for protection and long-lasting durability.



4 TO 6 LAYERS OF SURGICAL-GRADE COTTON GAUZE

Pleated cotton filter media act as a physical barrier to contaminants, with pleats specifically engineered to provide a large capture area.



CNC BILLET ALUMINUM FILTER MOLDS

Designed using advanced software and precision milled from billet aluminum for a repeatable level of premium quality.



DURABLE TEAR-RESISTANT URETHANE FRAME

Liquid urethane is custom-poured and cured for a guaranteed fit, and engineered to last for a million miles of use.



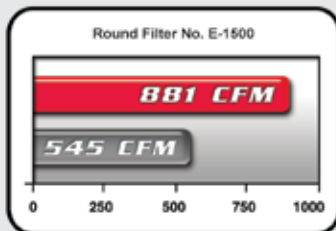
THE SECRET SAUCE - RED 201 FILTER OIL

The original red filter oil is what separates K&N from the pack. The tacky oil helps trap and hold dirt and contaminants, keeping them in the filter and out of your engine.

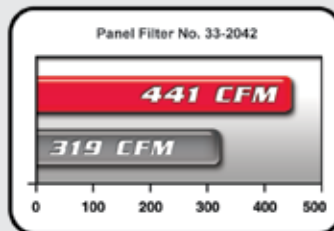


AIRFLOW COMPARISON CHARTS†

These charts are examples of individual filters. Results will vary depending on part number and vehicle. Complete test protocol and results available at knfilters.com.



Average Disposable Aftermarket Air Filter



K&N Washable Reusable Air Filter

† Dust-free airflow tests performed on laboratory equipment. These tests measure airflow of clean air filters in cubic feet per minute (CFM) at 1 1/2" of water pressure drop. Actual airflow rates will vary for these or other part numbers.

To help ensure we continue to deliver a quality product, we perform thousands of tests, including the following:

- Airflow and restriction test measurements
- Filtration efficiency in accordance with the ISO 5011 test protocol
- Vehicle horsepower testing on inertial dynamometers
- Vibration and heat cycling durability testing to simulate actual driving conditions

**WASHABLE
REUSABLE
PERFORMANCE®**

Parts Updated Daily at KNFILTERS.COM or Call 800-858-3333

WASHABLE CABIN AIR FILTERS

Never Replace Your Cabin Air Filter

High-flow synthetic material acts as a physical barrier, trapping dust, pollen, mold, bacteria, fungi, and other pollutants that can enter your vehicle's cabin.



**10 Year /
Million Mile Warranty**

limitations apply, visit knfilters.com/warranty



**Helps Control
Odors and Pollutants**



**Protect the Air
Your Family Breathes**



**User-Friendly
Installation**



**Proudly Made
in America**



DURABLE URETHANE FRAME

Rugged enough to last for a million miles of use



WASHABLE FILTER MEDIA

Simple to clean and reinstall

REDUCES ODORS

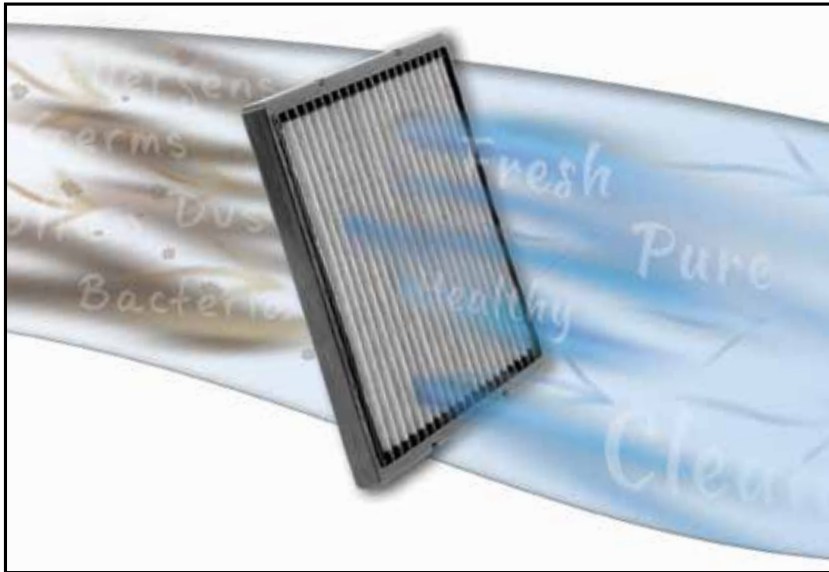
Specially treated to capture odor-causing particles



Over time, a K&N® cabin air filter will pay for itself when compared to purchasing disposable filters time and again. We are so confident in our cabin air filters that they are covered by a 10-year / 1,000,000 mile warranty.

Look up the washable cabin air filter for your car on pages 353-369 or at knfilters.com

Breathe Cleaner Air!



K&N® cabin air filters use a single layer of thermally bonded nonwoven synthetic material as a physical barrier to trap dust, pollen, leaves and other debris. With the aid of the K&N® Refresher™ spray, an electrostatic charge is able to help capture many types of mold, mildew, spores, fungus, bacteria and germs while helping to control odors. K&N® cabin air filters are designed to meet factory filtration requirements and typically flow more air than the average disposable paper cabin air filter. K&N® cabin air filters are built with molded urethane and wire screen ensuring long life, and the ability to be cleaned repeatedly.

99-6000

K&N® Refresher™ Kit
See page 481 for details

Cleans the Air, then Cleans up Easily

The ability to wash and reuse a filter is perhaps the most important feature offered by the new line of K&N® cabin air filters. This is excellent news for allergy sufferers, those with breathing difficulties, or vehicles operated in dirtier than normal environments. K&N® recommends servicing its cabin air filters at least every 12,000 miles. They can be cleaned in a few simple steps with the new K&N® Refresher™

Kit #99-6000. **The 99-6000 Refresher™ kit is not to be confused with K&N's traditional Recharger® kit used for our high-flow engine air filters.** Because the technology in our cabin air filters is different, the two cleaning kits cannot be substituted for one another. Each 99-6000 Refresher™ cabin air filter cleaning kit includes cleaning instructions.



1- Spray Cleaner



2- Rinse Filter



3- Apply Refresher™



PERFORMANCE AIR INTAKE SYSTEMS

The Ultimate Power Upgrade

Advanced computer-aided design software available is used to create custom-fit, lightweight kits for specific applications, offering a radical increase in airflow and performance, with a variety of styles and finishes available.



**10 Year /
Million Mile Warranty**

limitations apply, visit knfilters.com/warranty



**Guaranteed Power
and Acceleration**



**World-Class
Engine Protection**



**User-Friendly
Installation**



**Proudly Made
in America**

VEHICLE-SPECIFIC HEAT SHIELD

Helps keep inlet air cool
and oxygen-dense

CUSTOM HEAT-RESISTANT INTAKE TUBE

Roto-molded, lightweight tube
increases airflow

K&N® ORIGINAL HIGH-FLOW AIR FILTER

Increases airflow by up to 50%
for more power

VEHICLE-SPECIFIC ENCLOSED AIR BOX

Helps keep inlet air cool and
oxygen-dense and adds an additional
level of filter protection

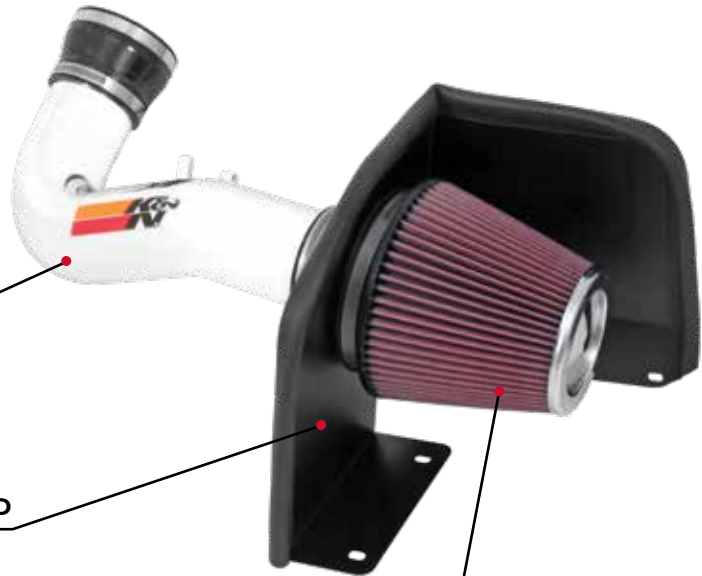
SOME INTAKES ARE NOT LEGAL FOR SALE OR USE ON ANY
POLLUTION CONTROLLED MOTOR VEHICLE IN CALIFORNIA.

See knfilters.com for CARB status on each part for a specific vehicle

PERFORMANCE AIR INTAKE SYSTEMS

The Ultimate Power Upgrade

Guaranteed to Increase Horsepower



CUSTOM ALUMINUM INTAKE TUBE

Heat-resistant, durable tube increases airflow

VEHICLE-SPECIFIC HEAT SHIELD

Helps keep inlet air cool and oxygen-dense

K&N® ORIGINAL HIGH-FLOW AIR FILTER

Increases airflow by up to 50% for more power



Look up the estimated horsepower gain available for your car on pages 370-472 or at knfilters.com

TUBES AND FINISHES AVAILABLE

HDPE



Part numbers start with: 57, 63†

CARBON FIBER



Some part numbers starting with: 63†

SILVER



Part numbers end with: TS, KS

WRINKLE RED



Part numbers end with: TWR

BRIGHT



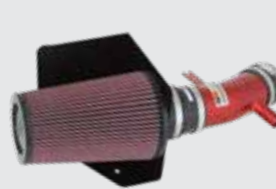
Part numbers end with: KP, TP, P

TEXTURED BLACK



Part numbers end with: TTK, KTK, TFK, TWK and part numbers that start with: 71

RED



Part numbers end with: TR

BLUE



Part numbers end with: TB

† Intake systems starting with 57 or 63 usually incorporate molded High Density Polyethylene Tubes.

Parts Updated Daily at KNFILTERS.COM or Call 800-858-3333

BLACKHAWK INDUCTION™ INTAKE SYSTEMS

Blacked-Out Performance

Blackhawk Induction™ intake systems provide a stylish, blacked-out appearance in your engine bay and a radical increase in airflow with a specially-designed oil-free synthetic air filter.



**10 Year /
Million Mile Warranty**

limitations apply, visit knfilters.com/warranty



**Guaranteed Power
and Acceleration**



**Oil-Free
Filtration**



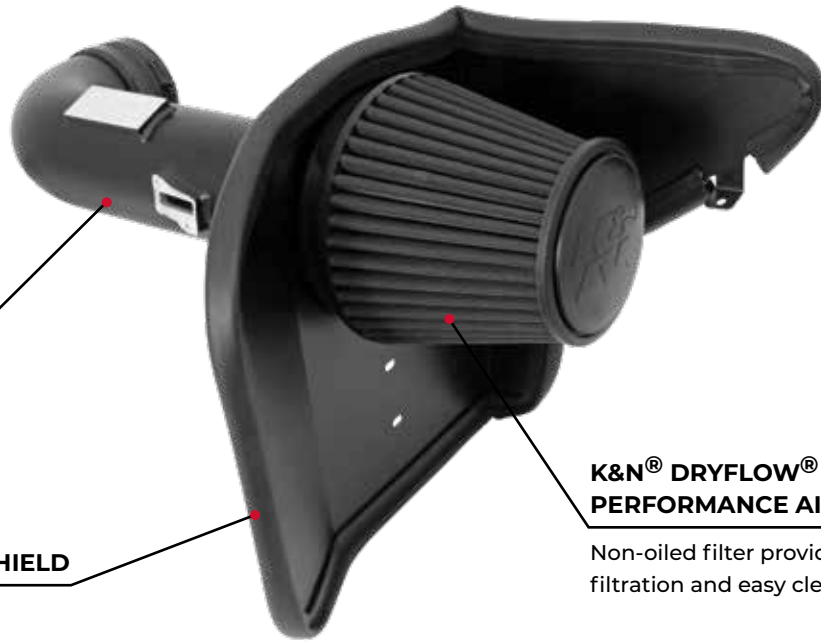
**World-Class
Engine Protection**



**User-Friendly
Installation**



**Proudly Made
in America**



**POWDER-COATED
ALUMINUM TUBE**

Heat-resistant, durable tube
increases airflow

VEHICLE-SPECIFIC HEAT SHIELD

Helps keep inlet air cool
and oxygen-dense

**K&N® DRYFLOW®
PERFORMANCE AIR FILTER**

Non-oiled filter provides exceptional
filtration and easy cleaning

Part numbers start with 71-
*Find air intake systems for
your vehicle on pages 370-472*

**SOME INTAKES ARE NOT LEGAL FOR SALE OR USE ON ANY
POLLUTION CONTROLLED MOTOR VEHICLE IN CALIFORNIA.**
See knfilters.com for CARB status on each part for a specific vehicle



Diesel Air Filters and Performance Intake Systems

Filtration for Demanding Vehicles and Drivers

Light Duty Turbo Diesel Truck Filtration

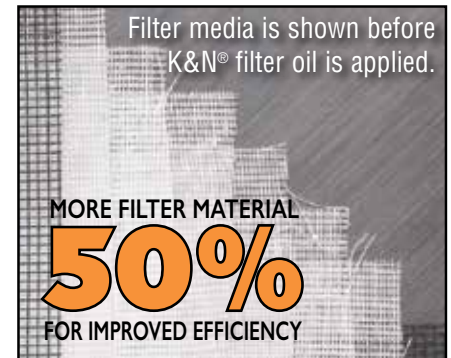
A diesel engine is a tough environment, that's why we build diesel air filters to even higher specifications. They typically use deeper pleats in larger sizes to increase surface area for more capacity and airflow. They contain more cotton in different grades and configurations to achieve higher levels of efficiency. When you put a K&N® diesel air filter to work, you can feel confident that you've got a product specially designed and tested for your diesel's specific engine demands.

High-Flow Diesel Intake Systems

- Guaranteed to Increase Horsepower
- Better Engine Sound
- 6 Layers of Extra Fine Weave Cotton
- Up to 100,000 Miles Between Cleanings†

+12 Estimated Horsepower Gain*
+23 Estimated Torque Gain*

Intake System 63-2600
2017-19 Ford Super Duty 6.7L V8



K&N® high-flow diesel air filters are made with more layers of cotton filter media than our standard OE replacement air filters.

High-Flow Diesel Air Filters

- Designed to Increase Horsepower
- Washable and Reusable
- 6 Layers of Extra Fine Weave Cotton
- Up to 50,000 Miles Between Cleanings†
- 50-State Street Legal



+10 Estimated Horsepower Gain**
Air Filter E-0776
2003-09 Dodge Ram 2500/3500
5.9L Diesel



* Estimated horsepower gain based on specific or similar vehicle dynamometer tests. Results will vary. For more information see page 478 or look up vehicle and/or testing protocols at knfilters.com.

** Horsepower estimate is the result of one dynamometer test comparing horsepower at the wheels when changing from an OEM air filter to a K&N® air filter for the vehicle listed. It is not meant to be representative of all our part numbers. Results will vary. For more information see page 478 or look up vehicle and/or testing protocols at knfilters.com.

† Under normal highway driving conditions.

SOME INTAKES ARE NOT LEGAL FOR SALE OR USE ON ANY POLLUTION CONTROLLED MOTOR VEHICLE IN CALIFORNIA.
See knfilters.com for CARB status on each part for a specific vehicle

PERFORMANCE FUEL FILTERS AND FUEL PUMPS

High Flow Rates and Superior Construction

Ensure a consistent, clean flow of fuel to your engine—available for cars, trucks, motorcycles, off-road vehicles, and watercraft.



High Fuel Flow Rates



World-Class Engine Protection



Direct Factory Replacement



Heavy-Duty Construction

OE FITMENT

Direct replacement for your factory filter



Find fuel filters and fuel pumps on pages 84-96 or at knfilters.com

HIGH EFFICIENCY AND FLOW RATES

Traps contaminants and keeps fuel cleaner for both gas and diesel applications

CARBON STEEL HOUSING*

High-strength, heavy-duty construction
*where applicable

Fuel Pumps

- Compatible with Diesel, Biodiesel, Gasoline, E85, Methanol, Ethanol, Alcohol and Other Fuels
- Universal Design Fits Most Applications
- Pumps 15 Gallons Per Hour Between 1 and 2 psi
- Self-priming Design Provides a Quiet Running Volume
- Helps Eliminate Vapor Lock and Flooding
- Fuel Filter and Installation Hardware is Included

K&N® inline fuel pumps provide premium quality fuel system hardware with a universal design that fits a wide variety of applications. Compatible with most fuels, this self-regulating 12-volt pump helps prevent vapor lock and flooding. Engineered to pump 15 gallons per hour between 1 and 2 psi, this product comes with a fuel filter and includes all necessary installation hardware.

For Cars, Trucks, RVs, Generators, Marine, Agricultural and Industrial



81-0402

DESCRIPTION

DESCRIPTION	PART#
1.0 - 2.0 PSI / 15 GPH, Gas Fuel	81-0400
1.5 - 4.0 PSI / 25 GPH, Gas Fuel	81-0401
4.0 - 7.0 PSI / 32 GPH, Gas Fuel	81-0402
9.0 - 11.5 PSI / 34 GPH, Diesel Fuel	81-0403

CAUTION: Not intended for aircraft use or fuel injection.

MOTORCYCLE AND ATV AIR AND OIL FILTERS

Upgrades for Powersports

Providing Increased Performance, Long Life, and Ease of Maintenance

We have been manufacturing performance motorcycle air filters since the late 1960's. Designed to drop into your factory airbox, we offer over 600 stock replacement high-flow air filters, including products for cruisers, sportbikes, and ATVs. We also produce specialty air filters and performance air intake systems for select cruisers, and ATVs/side by sides.

Outside of air filtration, we manufacture premium oil filters that are built with synthetic media designed to be compatible with both synthetic and petroleum based oils. The special synthetic media is designed to withstand the high concentrates of synthetic racing oils while providing both high flow rates and outstanding filtration. K&N® oil filters deliver performance and confidence!

Powersports air and oil filters are included in this catalog. For the complete Powersports line see knfilters.com or request a K&N® Powersports catalog at 1-800-858-3333.

Motorcycle and ATV air filters and oil filters are listed on pages 97-352



Other Specialty Powersports Performance Products



Performance Intake Systems*

For American V-Twin Motorcycles

- Better Engine Sound and Power You Can Feel
- Guaranteed to Increase Horsepower
- Replaces OE Air Filter Assembly
- Multiple Styles Available



Race-Spec High-Flow Air Filters™**

For Performance Track Bikes

- Purpose-Built for Racing
- Two-Ply Cotton Race Filter Media
- Specially Pleated for Low-Restriction

Note: Requires fuel-management modifications



Xstream® Series High-Flow Air Filters™

For Off-Road/Motocross Bikes

- Low Restriction Improves Throttle Response
- Excellent Filtration in Dusty Conditions
- Deep Pleats Provides High-Capacity
- Two-Piece Design Eases Installation



Aircharger® Intake Systems**

For ATV/UTV/Side by Sides

- Guaranteed to Increase Horsepower
- Completely Replaces OE Air Box Assembly
- Oversized Filter Provides High-Capacity
- Custom High-Flow Intake Tube



* SOME INTAKES ARE NOT LEGAL FOR SALE OR USE ON ANY POLLUTION CONTROLLED MOTOR VEHICLE IN CALIFORNIA.
See knfilters.com for CARB status on each part for a specific vehicle

** LEGAL IN CALIFORNIA ONLY FOR RACING VEHICLES WHICH MAY NEVER BE USED, REGISTERED, OR LICENSED FOR USE UPON A HIGHWAY.

PERFORMANCE GOLD® OIL FILTERS

High-Flow Performance Made Easy

K&N Wrench-Off® oil filters offer unparalleled protection for performance-minded drivers, and are rigorously tested to our highest standard of efficiency and capacity.



**High Oil
Flow Rates**



**World-Class
Engine Protection**



**Remove in
Seconds**



**Heavy-Duty
Construction**

HEAVY-DUTY CANISTER & BASE PLATE

Outstanding durability and long-life performance



OIL COMPATIBLE

Compatible with synthetic, conventional, and blended motor oils

WRENCH-OFF NUT

Welded to the top of the canister for fast and easy filter removal

Find parts for vehicles on
pages 97-352 or at knfilters.com



High-Flow Rates

Our oil filters use resin impregnated cellulose filter media. This allows for higher flow rates while providing outstanding filtration. High filter flow rates are important in racing vehicles where heavier grade oil is used and the oil is pumped much faster than in a standard vehicle. When the engine is circulating oil at high GPM rates, the high-flow oil filter helps reduce the loss of pressure through the filtering process.



PERFORMANCE OIL FILTERS

For Cars, Trucks, Diesel, and Motorcycles

Delivering Performance and Confidence

PERFORMANCE SILVER®

For Professional Service Providers

- Designed for Better Engine Performance by Reducing Oil Filter Restriction
- Engineered to Handle All Grades of Synthetic and Conventional Motor Oils
- Pleated Filtration Media for Increased Capacity and Outstanding Filtration

Part numbers starting with: PS



CARTRIDGE-STYLE OIL FILTERS

- High-Flow, Pleated Filter Media Provides Increased Capacity and Outstanding Filtration
- Engineered to Handle All Grades of Synthetic and Conventional Motor Oils, Including Blends
- Available for Powersports or Automotive Applications



POWERSPORTS

- 17mm Nut for Easy Wrench-Off®
- High-Flow Filtration Media Designed for Use with Today's Synthetic and Synthetic Blended Oils
- Heavy Duty Canister Construction for High Burst Strength



HEAVY DUTY DIESEL

- Sturdy 1-Inch Nut for Easy Wrench-Off®
- High Dirt Holding Capacity and Filtration Efficiency
- Heavy Gauge Canister for Increased Burst and Pulsation Fatigue Strength
- Excellent Cold Flow Characteristics for Engine Protection During Cold Start-Up



WASHABLE PERFORMANCE

The Last Oil Filter Your Car Will Need

- Never Needs To Be Replaced
- Cleans Easily with Soapy Water or in a Parts Washer
- Provides a Substantial Increase in Oil Flow When Compared To Standard Disposable Oil Filters
- K&N Million Mile Limited Warranty®
- Made in the USA with Premium Materials

Part numbers starting with: SS



REPLACEMENT O-RING KITS

- For use with K&N® reusable billet oil filters

DESCRIPTION	PART#
Small	SS-001
Medium	SS-002
Large	SS-003

NASCAR® is a registered trademark of the National Association for Stock Car Auto Racing, Inc.

Parts Updated Daily at KNFILTERS.COM or Call 800-858-3333

13

PERFORMANCE EXHAUST SYSTEMS

Robust Sound and Easy Installation

K&N® exhaust systems are engineered to increase performance, deliver robust sound, and install quickly and easily. Enjoy industry-leading quality paired with a simple and clean appearance.



Guaranteed Power and Acceleration



Agressive Engine Sound



User-Friendly Installation



Proudly Made in America

DURABLE ATTACHMENT POINTS

Ultra-strong welds and OE style brackets provide easy bolt-on installation

304 STAINLESS STEEL TUBING

High-quality, durable construction for long life durability

POLISHED STAINLESS STEEL EXHAUST TIP

Precision-engineered and laser etched for long-lasting good looks

Each exhaust system maintains clearance to critical systems, and typically installs in less than 30 minutes using factory mounting points (no cutting or welding necessary). The system pairs with most aftermarket modifications, including intake systems, throttle control modules, and more.

AVAILABLE FOR:

2019 Chevrolet Silverado 1500 4.3L V6	#67-3109
2014-19 GMC Sierra 1500 5.3L V8	#67-3026
2014-19 Chevrolet Silverado 1500 5.3L V8	#67-3026
2018-19 Jeep Wrangler JL 3.6L V6	#67-1515
2018-19 Jeep Wrangler JL 2.0L L4	#67-1516
2017-19 Ford F150 5.0L V8	#67-2523
2017-19 Ford F150 3.5L V6	#67-2523

PARTS FOR VEHICLES LISTED
ARE 50 STATE LEGAL.



PERFORMANCE TUNING PRODUCTS

New Levels of Performance from K&N®

We're pioneering exceptional automotive performance in all its forms—including tuning products that allow you to discover new levels of driving performance.



Increase Acceleration and Responsiveness



Improve Towing Performance



Easy Plug-and-Play Installation



In-Cab Adjustability



Compatible with Other Upgrades

THROTTLE CONTROL MODULE

Improve throttle response and acceleration, adjustable on-the-go

BOOST CONTROL MODULE

Increase horsepower and boost—no software required



ADJUSTABLE DIAL*

An easy to install dial allows for in-cab adjustability
**where applicable*

Electronic Carburetor Injection



- Combines the advantages of both a carburetor and electronic fuel injection (EFI)
- Injector automatically activates when ECU senses an air fuel ratio (AFR) leaner than user inputted value
- Utilizes a 1" billet aluminum plate and a single injector
- Stand-alone ECU that can be mounted anywhere
- Injector activates on start-up for 20 seconds to help cold start and idle
- Fully adjustable and programmable

AVAILABLE FOR:

Holley 4150 Carbs	#20-0001
Quadrajets Carbs	#20-0002
Holley 4500 Dominator Carbs	#20-0003

NOT LEGAL FOR SALE OR USE ON ANY POLLUTION CONTROLLED MOTOR VEHICLE IN CALIFORNIA.

Parts Updated Daily at KNFILTERS.COM or Call 800-858-3333

15

LIFETIME WASHABLE HOME AIR FILTERS

Sometimes, it's What you Don't See

K&N's lifetime washable home air filters are specially designed to reduce contaminants in the air you breathe—and because our filters are washable and reusable, they not only help the earth, but they help save you money.



Save \$500 over the life of your filter



Lifetime limited warranty



Large surface area is designed to stop contaminants



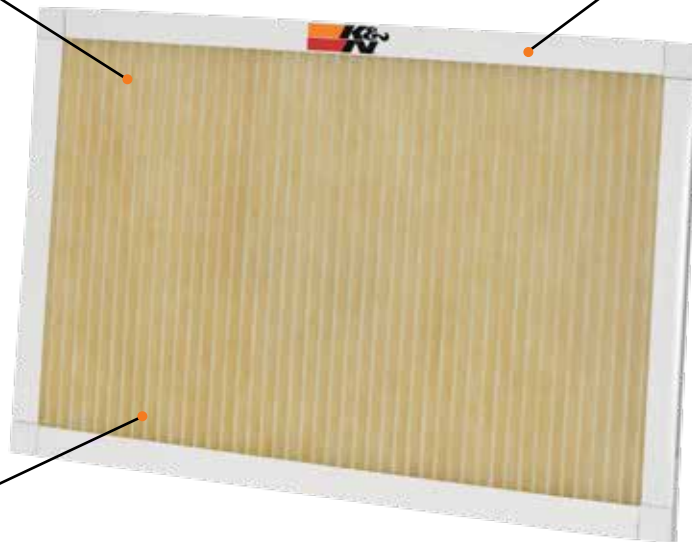
Reduce landfill by 200ft² per home



Achieve the highest washable filter efficiency rating, Merv 11

WASHABLE FILTER MEDIA

Simple to clean and reinstall



ADVANCED PROTECTION

Helps remove bacteria, viruses, pollen, pet dander, smoke, dust, and mold from the air you breathe

SAVE MONEY

Save \$500* over the life of your HVAC unit

*based on a \$10 air filter purchase every 3 months for 15 years.

Breathe Easy. You're Home.



LIFETIME WASHABLE HOME AIR FILTERS

Breathe Easy in Your Home



Fewer pollutants in your air.
More money in your pocket.



Our filters are built to
last a lifetime



Helps remove bacteria, viruses,
pollen, pet dander, smoke,
dust, and mold from the
air you breathe.



Protect the planet by
reducing landfill waste.



COMMERCIAL GRADE HEAVY DUTY TRUCK AIR FILTERS

Tough demands on diesel trucks require an equally tough filter. Featuring deeper pleats and larger sizes to increase contaminant-catching surface area, K&N air filters for diesel trucks offer increased performance, protection, and durability.



**3 Year / 300,000 Mile
Warranty**

limitations apply, visit knfilters.com/warranty



**World-Class
Engine Protection**



**Heavy-Duty
Construction**



**Proudly Made
in America**

POWDER-COATED ALUMINUM TOP AND BASE PLATES

Provides a rigid and durable
frame for long life performance

EPOXY-COATED SCREEN MESH

Protects the filter media and
provides a rigid structure

K&N® DRYFLOW® FILTER MEDIA

Non-oiled filter provides
exceptional filtration
and easy cleaning



Robust Construction – Easy To Clean

These filters are very robust, which means they are nearly indestructible and can be cleaned over and over again. To clean, simply apply our special degreaser, part number 99-0638, and use a pressure washer, power sprayer or water hose nozzle to clean the dirt and grime out of the filter. Since they don't use any oil, you can be ready to get back on the road in minutes. The filter does not even have to be completely dry to be re-installed.

Heavy Duty

- Motorhomes and Recreational Vehicles
- Class 6-8 Trucks and Diesel Equipment
- Bus/Fire/Transport Vehicles

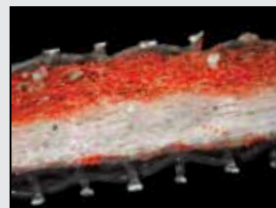
DRYFLOW®
AIR FILTER TECHNOLOGY



Spray on degreaser



Spray off dirt



Our robust hybrid filtration media is comprised of lofted non-woven synthetic fibers to create a three-dimensional media capable of providing high airflow and dirt capacity.

HEAVY DUTY AIR AND OIL FILTERS

Built Tough for Demanding Conditions

Custom Engineered for Class 6-8 Diesel Trucks

K&N® HEAVY DUTY AIR FILTER CROSS REFERENCE									
K&N®	BALDWIN	CARQUEST	DONALDSON	FARR / RACOR	FLEETGUARD	FRAM	LUBER-FINER	NAPA	WIX
38-2000S*	PA4653	87818	•	400820014	•	•	•	2818	42818
38-2001S/R*	PA2721	88891	P537447	062891001	AH1104	CA7229	LAF1828	6891	46891
38-2002S/R*	PA2722	88893	P537448	062891002	AH1105	CA7230	LAF1848	6893	46893
38-2003R*	PA2723	88895	P537449	062891003	AH8505	CA7231	LAF1844	6895	46895
38-2006S*	PA3493	88748	P537454	114880003	AH1197	CA8130	LAF1934	6748	46748
38-2007S*	PA3556	88755	P537453	114500003	AH1193	CA6855	LAF2521	6755	46755
38-2008S*	PA2839	88623	P522874	•	AF25668	CA7113	LAF1839	6623	46623
38-2009R*	PA30073	83600	•	094973007	•	•	•	9660	49660
38-2011S*	RS3517	88744	P532966	•	AF25223	CA8193	LAF4498	6744	46744
38-2012S*	RS3518	88556	P527682	•	AF25139M	CA7140	LAF1849	6556	46556
38-2013S*	RS3548	88664	P533930	•	AF25355	CA8466	LAF3930	6664	46664
38-2014S*	PA3555	88759	P537452	114500002	AH1192	CA8129	LAF22026	6759	46759
38-2015R*	RS3539	88843	P534816	•	AF25247	CA8081	LAF4816	6843	46843
38-2016S*	RS4993	83708	P613333	•	AF25708M	CA11519	LAF5962	9708	49708
38-2017S*	PA2761	88506	R804759	•	AF4697	CA6696	LAF1947	6506	46506
38-2018S*	RS3750	87455	P549644	•	AF25598	CA9009	LAF5873	2455	42455
38-2019S*	RS3530	88745	P533235	•	AF25033	CA7466	LAF1953	6745	46745
38-2020S*	RS4859	88907	P614563	•	AF26667	CA9663	LAF2032	6907	46907
38-2021R*	RS3534	88863	P534925	•	AF25248	CA8231	LAF3302	6863	46863
38-2022S*	RS3516	88842	P534096	•	AF25219	CA7727	LAF2536	6842	46842
38-2023S*	RS4634	87808	P616691	•	AF26363	CA9869	LAF5114MXM	2808	42808
38-2024S*	RS3740	88772	P540388	•	AF25435	CA8598	LAF5722	6772	46772
38-2025S*	RS4642	83126	P606720	•	AF26163M	CA9901	LAF9201	9126	49126
38-2026S*	RS4636	88870	P606503	•	AF25707	CA9346	LAF9099	6870	46870
38-2027S*	RS4862	83088	P613336	•	AF26103	CA10305	LAF6663	9088	49088
38-2028S*	PA2456	87546	P181049	•	AF891	CA3273	LAF6453	2546	42546
38-2029S*	PA2705	88883	P153551	•	AF1968	CA3990	LAF3551	6883	46883
38-2030R*	PA2608	88868	P181186	•	AF996M	CA6918	LAF2608	6868	46868
38-2031S*	RS2863	88433	P527484	•	AF4878	CA7139	LAF1878	6433	46433
38-2032S*	PA2680	88882	P150695	•	AF1969	CA6512	LAF695	6882	46882
38-2033S*	PA3499	88904	P776157	•	AF25549	CA8003	LAF7472	6904	46904
38-2034R*	RS4572	87798	P544243	•	AF25955	CA9758	LAF6243	2798	42798
38-2035S*	RS5434	88932	P543614	•	AF27693	CA9856	LAF5633	6932	46932
38-2036R*	RS5287XP	93603XP	P614556	•	AF25144	•	LAF4556	500149	WA10149
38-2037R*	PA2317	87961	P181008	•	AF852	CA595	LAF6918	2961	42961
38-2038R*	PA2357	87661	P181009	•	AF865	CA596	LAF6880	2661	42661
38-2039R*	PA2493	87941	P181016	•	AF1616	CA2588	LAF8494	2941	42941
38-2040R*	PA2312	87966	P181007	•	AF853	CA1581	LAF7797	2966	42966
38-2042R*	PA2732	87610	P522293	•	AF4588M	CA3517A	LAF1770	2610	42610
38-2043R*	RS5288XP	93009	P614986	•	AF27948	•	LAF6986	500009	WA10009
38-2050S*	PA30040	83801	•	71338010	•	•	•	9801	49801

*S = standard flow. R = reverse flow. Some air filters are available in both variations.

K&N® HEAVY DUTY WRENCH-OFF® OIL FILTER CROSS REFERENCE																
K&N®	BALDWIN		CARQUEST		DONALDSON		FLEETGUARD		FRAM		LUBER-FINER		NAPA		WIX	
HP-8000	B495	B495-MPG	85971	85971XD	P552100	ELF3998	LF3620	LF3671	PH7405A	PH7405	LFP2160	LFP2160XL	1971	1971XD	51971	51971XD
	B495-SS					LF9620										
HP-8001	B76	B76-MPG	85791	85791XD	P553191	P554004	LF667	LF3379	PH8842	PH49A	LFP3191	LFP3191SC	1791	1791XD	51791	51791XD
	B76-SS	B7600	85791XE		ELF7483	ELF7739	LF9667		HPH49A		LFP3191XL		1791XE		51791XE	
	B7600-SS															
HP-8002	B99	B99-MPG	85792	85792XD	P554005	P554105	LF691	LF691A	PH3335	HPH3335	LFP4005	LFP4005RN	1792P	1792XD	51792	51792XD
	B99-SS		85792XE		ELF7405		LF3374	LF3566	PH3426		LFP4005SC	LFP4005XL	1792XE		51792XE	51801
							LF9691	LF9691A								
HP-8006	BD7154		84745XD	84746XD	P559000	ELF7900	LF9031	LF9080	•	•	LFP9001		7745XD	7746XD	57745XD	57746XD
HP-8021	BT237		85459		P554407		LF699	LF787	PH977A		LFP2292		1459		51459	
HP-8025	BD7250		84744XD		P550656	P552025	LF9025		PH9971	PH9971A	LFP9025		7744XD		57744XD	
HP-8028	P7230		84213		P550769	ELF7690	LF16046		CH9558		LP5048		7213		57213	

Cross references should be used for comparison of filters with similar dimensions. The user assumes all responsibility for verifying that filters are compatible with their vehicle before using these products. Damage may result if the user fails to ensure that the filter is compatible and seals properly before installing the product or operating the engine. Please call K&N's Customer Service Department at 1-877-AIR-FILTER for assistance when choosing the appropriate replacement oil filter.

MOBILE AND AUXILIARY POWER EQUIPMENT AIR FILTERS

K&N® Goes Beyond Your Automotive Needs

Most Featuring Dryflow® Filter Media – No Oil Required

Washable and Reusable Air Filters for Generators, Landscape Equipment, Refrigeration Units and More

K&N® offers air filters for many types of mobile and auxiliary power equipment using our Dryflow® air filtration medium. Most of these filters are made from a non-woven synthetic material designed to be used dry with no oil required. This material makes these air filters very easy to clean using power washers, pressure sprayers or hose nozzles. Our Dryflow® filter has a lofted three-dimensional feature which adds depth loading and large dust holding capacities.

Go to knfilters.com to find more K&N® air filters by product listing, cross reference, or dimensions



33-2238



E-4551



Popular Light Industrial Equipment Air Filters - Cross Reference

K&N	DESCRIPTION	OE	BALDWIN	DONALDSON	FLEETGUARD	FRAM	LUBER-FINER	WIX
E-4551	Onan 140-2897 Replacement	1402897	•	•	•	•	•	49697
E-4552	Onan 140-3071 Replacement	1403071	PA4632	P812440	AF25550	CA9248	LAF8388	46449
		•	RS3715	P822686	AF25745	•	•	•
		•	•	•	AH19082	•	•	•
E-4961	Round, Radial Seal, 4-1/8" OD, 10-3/4" HT, 5" HSG	•	RS3704	G057512	AF25551	CA9550	LAF22029	46438
		•	RS3716	P821575	AF25555	•	LAF8195	46439
		•	•	P831424	AF25575	•	•	46439FR
		•	•	•	AH19083	•	•	•
		•	•	•	AH19085	•	•	•

Popular Landscape Equipment Air Filters - Cross Reference

K&N	DESCRIPTION	OE	CRAFTSMAN	HONDA	JOHN DEERE	LOWES	TORO
33-2238	Briggs & Stratton 3-5 HP Horizontal Engine	399959	33055	17211ZL8000	LG491588JD	42868	1191909
		4101	3364	17211ZL8003	PT15853	•	•
		491588	33644	17211ZL8023	•	•	•
		5043B,D,H,K	•	•	•	•	•
		•	•	•	•	•	•
33-2240	Briggs & Stratton 18-22 HP Intek V-Twin	4209	33926	•	GY20575	188023	•
		4223	•	•	GY21056	•	•
		499486	•	•	MIU11286	•	•
		5063B,D,H	•	•	•	•	•
		5069H,K	•	•	•	•	•
		695667	•	•	•	•	•
		698754	•	•	•	•	•
33-2301	Honda GX610K1, GX620K1, GX670, GXV610K1, GXV670, & EB11000K1	17210ZJ1841	•	•	•	•	•
		17210ZJ1842	•	•	•	•	•
		17218ZJ1840	•	•	•	•	•
33-2421	SV470-620, 15-22 HP	2008302	•	•	•	249504	98018
		2008306	•	•	•	•	•
E-4518	Kohler CH18, CH25, & CV25 Models	2408303	•	•	•	•	•
E-4665	Briggs & Stratton 351400	392642	24150	•	LG394018JD	43612	394018S
		394018	•	•	•	•	•
		4135	•	•	•	•	•
		5050B,H,K	•	•	•	•	•
		•	•	•	•	•	•
E-4963	SV710, 20-27 HP	3208303	33180	•	MIU11943	249507	•
E-4965	Kawasaki FS481V-730V & FR651-FR691V, 22-26HP	110137047	•	•	•	•	•
		110137049	•	•	•	•	•
		490200M022	•	•	•	•	•
•	•	•	•	•	•	•	

Cross references should be used for comparison of filters with similar dimensions. The user assumes all responsibility for verifying that filters are compatible with their vehicle before using these products. Damage may result if the user fails to ensure that the filter is compatible and seals properly before installing the product or operating the engine. Please call K&N's Customer Service Department at 1-800-858-3333 for assistance when choosing the appropriate replacement air filter.

DEDICATED TO RACING

NASCAR
OFFICIAL PERFORMANCE FILTER

Official Filter and Air Intake of



**From NASCAR®
to Your Car**

Now you can use the same air filter technology used in top forms of motorsports to improve the performance of your car. K&N® high flow air filters are specially designed to reduce airflow restriction and improve horsepower by using layers of cotton instead of paper media. Cotton breathes easier and is washable. One K&N® high flow replacement air filter can last for the life of your car and only needs to be cleaned every 50,000 miles under normal driving conditions. Better performance and longer life from K&N®, the original performance air filter of NASCAR®.



NASCAR® is a registered trademark of the National Association for Stock Car Auto Racing, Inc.



Parts Updated Daily at KNFILTERS.COM or Call 800-858-3333

UNIVERSAL/CLAMP-ON AIR FILTERS

Universal Air Filter Specifications

K&N® universal air filters are designed and manufactured for a wide variety of applications. Regardless of the angle, offset, or diameter of the air intake, there is probably a K&N® universal air filter available for your equipment. All filters are constructed with ultra-strong molded pliable rubber flanges which absorb vibration and allow for secure attachment, and can also be stretched up to 1/16" (1.5 mm) to fit in-between sizes. K&N® universal air filters are available in round, tapered and oval designs, for just about any special application.



OVER 800 SIZES AVAILABLE
See pages 50-83 for complete dimensions

POPULAR SPECIALTY AIR FILTERS

ROUND TAPERED	FLANGE INSIDE DIA.	HEIGHT	OVAL STRAIGHT	FLANGE INSIDE DIA.	HEIGHT	ROUND STRAIGHT	FLANGE INSIDE DIA.	HEIGHT	OVAL TAPERED	FLANGE INSIDE DIA.	HEIGHT
RU-4960	2 3/4"	5 1/2"	RU-1820	2"	2 3/4"	RU-0210	1 11/16"	5"	RU-2780	2 7/16"	2 3/4"
RE-0930	3"	6"	RU-1390	2 7/16"	7"	RU-0800	2 7/16"	4"	RC-5040	3 1/2"	5 1/2"
RE-0870	4"	9"	RA-0770	2 9/16"	3"	RB-0910	3"	5"	RF-1040	4"	7 1/2"
RU-2800	5"	7"	RU-3620	3 1/2"	7"	RU-2820	3"	6 1/2"	RC-5102	4"	8 15/16"
RF-1041	6"	7 1/2"									

Black Universal Air Filters

K&N® black universal air filters are made from Dryflow® oil-free synthetic media. These low restriction clamp-on air filters are designed and manufactured for a wide variety of applications. When dirty they can be easily washed using K&N® synthetic air filter cleaner.



See page 481 for synthetic air filter cleaner

PART#	FLANGE INSIDE DIAMETER	HEIGHT	BASE OUTSIDE DIAMETER	TOP OUTSIDE DIAMETER
RU-5171HBK	4"	8"	8"	6 5/8"
RU-5283HBK	4 1/2"	8"	8"	6 5/8"
RU-3102HBK	6"	6"	7 1/2"	5 1/4"
RU-5177HBK	6"	7 1/2"	9"	6 5/8"
RU-3101HBK	6"	8"	7 1/2"	5 1/4"



These products are not street legal on vehicles with regulated emission control systems unless used as a direct replacement air filter for a street legal intake system.

UNIVERSAL/CUSTOM END CAP CLAMP-ON FILTERS

Composite

With advanced composite technology, carbon fiber provides incredible strength with minimal weight. Carbon fiber provides 1/3 less weight than a conventional filter top. Smooth, glass like appearance provides the ultimate in finish, fit, and function.



FLANGE DIAMETER		BASE OUTSIDE DIAMETER		TOP OUTSIDE DIAMETER		HEIGHT		FLANGE LENGTH		DESCRIPTION	AIR FILTER #	NOTE	FILTER WRAP PART #
INCH	MM	INCH	MM	INCH	MM	INCH	MM	INCH	MM				
1 15/16	49	3	76	3	76	3	76	5/8	16	Round Straight	RP-5164		22-8008PK
1 15/16	49	3	76	3	76	4	102	5/8	16	Round Straight	RP-5119		22-8009PK
3	76	6	152	5	127	6	152	1	25	Round Tapered	RP-5044		•
3	76	6	152	5	127	6	152	1 3/4	44	Round Tapered	RF-1047		25-3900
3 3/8	86	6	152	4 1/2	114	9	229	1/2	13	Round Tapered	RP-5118		RC-3690DK
3 1/2	89	5 1/2	140	4 1/2	114	6 1/2	165	1 1/4	32	Round Tapered	RP-4630		RC-4630DK
3 1/2	89	12 x 6	305 x 152	9 15/16 x 3 15/16	252 x 100	6	152	15/16	24	Oval Tapered	RF-1038	1	•
3 7/8	98	12 x 6	305 x 152	9 15/16 x 3 15/16	253 x 100	6	152	15/16	24	Oval Tapered	RP-5070	1	•
3 7/8	98	12 x 6	305 x 152	9 15/16 x 3 15/16	254 x 100	6	152	15/16	24	Oval Tapered	RP-5115		•
3 7/8	98	12 x 6	305 x 152	9 15/16 x 3 15/16	255 x 100	7	178	15/16	24	Oval Tapered	RP-5103		RP-5103DK
4	102	5 3/8	137	4	102	5 1/16	129	5/8	16	Round Tapered	RP-4930		RP-4660DK
4	102	5 3/8	137	4	102	5 1/2	140	5/8	16	Round Tapered	RP-4660		RP-4660DK
4	102	5 3/8	137	4	102	6 1/2	165	5/8	16	Round Tapered	RP-4980		RC-5149DK
4	102	5 3/8	137	4	102	7	178	5/8	16	Round Tapered	RP-4970		22-8032PK
4 1/8	105	18 3/4 x 5	476 x 127	16 3/4 x 3	425 x 76	4 13/16	122	2	51	Oval Tapered	RP-5135		RP-5135DK
4 1/4	108	5 7/8	149	4 1/2	114	6 3/4	171	5/8	16	Round Tapered	RP-5167		RF-1037DK
4 1/2	114	5 7/8	149	4	102	6	152	5/8	16	Round Tapered	RP-5101		RU-5168DK
4 1/2	114	5 7/8	149	4 1/2	114	6	152	5/8	16	Round Tapered	RP-4740		RF-1023DK
5	127	6 1/2	165	4 1/2	114	5 5/8	143	1	25	Round Tapered	RP-5113		RU-5147DK
6	152	7 1/2	191	4 1/2	114	4	102	1	25	Round Tapered	RP-4600		22-8036PK
6	152	7 1/2	191	5	127	6	152	1	25	Round Tapered	RP-5168		•
8 3/4 in x 3 1/4	222 x 83	18 3/4 x 5	476 x 127	16 3/4 x 3	425 x 76	4 13/16	122	2	51	Oval Tapered	RP-5161		RP-5135DK

Inverted

This unique approach to filter design and concept utilizes a filtering top that actually inverts, dropping into the cylinder of the filter! Surface area is greatly increased and designed to provide more filtration than other comparably sized products.



FLANGE INSIDE DIAMETER		BASE OUTSIDE DIAMETER		TOP OUTSIDE DIAMETER		DIAMETER		HEIGHT		DESCRIPTION	COLOR	AIR FILTER #
INCH	MM	INCH	MM	INCH	MM	INCH	MM	INCH	MM			
2 3/4	70	5 7/8	149	5 1/4	133	5	127	3/4	19	Round Tapered	Red	RR-2801
2 3/4	70	5 7/8	149	5 1/4	133	5	127	3/4	19	Round Tapered	Blue	RR-2802
2 3/4	70	5 7/8	149	5 1/4	133	5	127	3/4	19	Round Tapered	Polished	RR-2803
3	76	6	152	5 1/4	133	5	127	1 3/4	44	Round Tapered	Red	RR-3001
3	76	6	152	5 1/4	133	5	127	1 3/4	44	Round Tapered	Blue	RR-3002
3	76	6	152	5 1/4	133	5	127	1 3/4	44	Round Tapered	Polished	RR-3003
4, 3 1/2, 3	102/89/76	6	152	4 3/4	121	5 1/2	140	1 1/8	29	Adjustable Flange	Chrome/Blue	RG-1001BL
4, 3 1/2, 3	102/89/76	6	152	4 3/4	121	5 1/2	140	1 1/8	29	Adjustable Flange	Chrome/Red	RG-1001RD
4, 3 1/2, 3	102/89/76	6	152	4 3/4	121	5 1/2	140	1 1/8	29	Adjustable Flange	Chrome/White	RG-1001WT
4, 3 1/2, 3	102/89/76	6	152	4 3/4	121	9 1/2	241	1 1/8	29	Adjustable Flange	Chrome/Red	RG-1002RD

Titanium

When it comes to exotic race materials, titanium is well known for its lightweight and increased strength to weight ratio. Offering lighter weights than conventional filter tops and more rigidity, K&N® titanium top filters are the next generation in filter design.



FLANGE INSIDE DIAMETER		BASE OUTSIDE DIAMETER		TOP OUTSIDE DIAMETER		HEIGHT		FLANGE LENGTH		DESCRIPTION	AIR FILTER #	FILTER WRAP PART #
INCH	MM	INCH	MM	INCH	MM	INCH	MM	INCH	MM			
4 1/2	114	5 7/8	149	4 1/2	114	5	127	5/8	16	Round Tapered	RT-4610	25-3900
6	152	7 1/2	191	4 1/2	114	4	102	1	25	Round Tapered	RT-4600	22-8036PK
6	152	7 1/2	191	4 1/2	114	5	127	1	25	Round Tapered	RT-4590	22-8049DK

Notes: 1) Filter top has a 1 1/8" vent hole.

These products are not street legal on vehicles with regulated emission control systems unless used as a direct replacement air filter for a street legal intake system.

Parts Updated Daily at KNFILTERS.COM or Call 800-858-3333

23

VENT FILTERS AND BREATHERS



K&N crankcase vent breather filters are perfect for racing vehicles, vintage cars, or any application with a classic carbureted engine, and are designed for efficiency and protection even under the demands of racing. Select from either rubber, chrome, or powder-coated air filter tops, with or without heat shields, and a variety of mounting types.

Steel Base Crankcase Vent Filters

One Piece Design For Competition Use

Steel base crankcase vent filters have vent tubes added to their base. Filters consist of a one piece design with a rubber or chrome top. Filters with mounting studs can be mounted remotely, but require vent hoses and clamps. Filters mounted direct can be pressed into rubber grommets in valve covers. All baseplates are chrome plated and tubes are zinc.

VENT DIAMETER	2" O.D.; 1 1/2" H RUBBER TOP	3" O.D.; 2" H RUBBER TOP	2" O.D.; 1 1/2" H CHROME TOP W/STUD	3" O.D.; 2" H CHROME TOP	3" O.D.; 2 1/2" H CHROME TOP
3/8" O.D.	62-1000	•	62-1090	•	•
1/2" O.D.	62-1010	62-1050	62-1100	62-1140	•
1/2" O.D.	62-1015 ²	•	•	•	•
1/2" O.D.	62-1250 ¹	•	62-1300 ¹	•	•
5/8" O.D.	62-1020	62-1060	62-1110	62-1150	•
3/4" O.D.	62-1030	62-1070	62-1120	62-1160	•
1" O.D.	62-1040	62-1080	62-1130	62-1170	62-1590WT ³

Notes: 1) Special 3" H Filter; 2) 2" Chrome Top.; 3) White media. Includes 1 1/4" grommet.

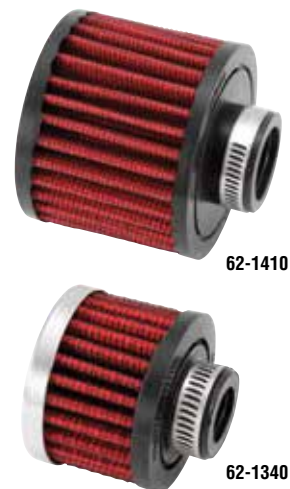


Rubber Base Crankcase Vent Filters

Designed to clamp directly to metal or plastic tubing. Ideal for engines, transmissions, oil and gas tanks on racing vehicles.

FLANGE I.D.	FILTER O.D.	FILTER HEIGHT	RUBBER TOP	CHROME TOP	CUSTOM TOP
5/16"	1 3/8"	1 1/8"	•	62-2470	•
3/8"	2"	1 1/2"	•	62-1320	62-1570
3/8" or 1/2"	2"	1 3/4"	•	62-1600 ¹	•
1/2"	2"	1 1/2"	•	62-1330	•
9/16"	1 3/8"	1 1/8"	•	62-2480	•
5/8"	2"	1 1/2"	•	62-1340	•
3/4"	1 3/8"	1 1/8"	62-1560	•	•
3/4"	2"	1 1/2"	•	62-1360	•
3/4"	2"	2 1/2"	RU-3630	•	•
1"	2"	1 1/2"	•	62-1370	•
1"	3"	2 1/4"	62-1410	62-1420	•
1 1/4"	3"	2 1/2"	62-1380	62-1390	62-1580
1 3/8"	3"	2 1/2"	62-1430	62-1440	•
1 1/2"	3"	2 1/2"	62-1450	62-1460	•
1 3/4"	3"	2 1/2"	62-1470	62-1480	•

Notes: 1) Available in three colors. Add BL to end for blue, RD for red, or WT for white.



Rubber Mounting Flange Covered Air Filters

Designed for round intake flanges. Easy to install. Rubber flange design grips securely. The flange can be stretched to fit in between sizes. Aluminum cover is anodized for durability.

FLANGE I.D.	BONNET O.D.	ELEMENT SIZE	AIR FILTER ONLY	ASSEMBLY#
1"	4"	3 1/2" OD x 3 1/2" H	RE-0200	54-1010
1 1/4"	4"	3 1/2" OD x 3 1/2" H	RE-0220	54-1020
1 1/2"	4"	3 1/2" OD x 3 1/2" H	RE-0240	54-1030
1 3/4"	4"	3 1/2" OD x 3 1/2" H	RE-0260	54-1040
2"	4"	3 1/2" OD x 3 1/2" H	RE-0280	54-1050
2 1/2"	5"	5" OD x 2 3/4" H	RE-0380	54-1110



Legal in California only for racing vehicles which may never be used, registered or licensed for use upon a highway. See knfilters.com for CARB status on each part for a specific vehicle. These filters are not applicable, nor intended for use on aircraft.

NASCAR® is a registered trademark of the National Association for Stock Car Auto Racing, Inc.

VENT FILTERS AND BREATHERS

Crankcase Vent Filters With and Without Deflector Shield

Universal mounting, for a wide variety of valve covers. All shields and top plates are chrome-plated for beauty and durability.



Style 1

Universal "push-in" filter for all valve covers. Note: Not recommended to be used as an oil filter plug, as repeated removal will damage the filter.

VENT FILTER SIZE	PART#
3" OD; 2 1/2" H; 1 1/4" hole, w/shield	62-1516
3" OD; 2 1/2" H; 1 1/4" hole, w/o shield	62-1490
2" OD; 2 1/4" H; 1 1/4" hole, w/o shield	62-1485
1 1/8" FLG-OD, 9/16" FLG ID, 2" OD, 2 1/8" H	62-1230

Style 4

Nylon reinforced adapter plus a 3" O.D. x 2 1/2" tall filter, with or without deflector shield. 3" tall universal mount, requires a 1 1/4" I.D. hole, and a 2" square, flat surface. Comes complete with mounting hardware.

DESCRIPTION	PART#
Without deflector shield	85-1221
With deflector shield	85-1222

Style 2

Universal "clamp-on" for valve covers with existing vent tubes. All filters are 3" O.D. with deflector shields and 2 1/2" tall.

VENT FLANGE DIAMETER	PART#
1" I.D.	62-1511
1 1/4" I.D.	62-1512
1 3/8" I.D.	62-1513
1 1/2" I.D.	62-1514
1 3/4" I.D.	62-1515

Ford Screw in Breather

This filter is designed to screw directly into threaded Ford valve covers with 1 1/4-7 thread pitch. Filter dimensions: 3" O.D. Chrome top 1 3/4" height. Flange dimension: 1 1/4" O.D., 3/4" L.

DESCRIPTION	PART#
Ford screw in breather	62-1495

Style 3

Zinc plated steel base plate with attached vent tube. Designed to push in to existing rubber breather grommets. All filters are 3" O.D. with deflector shields and 2 1/2" tall.

GROMMET SIZE	PART#
1/2" I.D.	62-1517
5/8" I.D.	62-1518
3/4" I.D.	62-1519
1" I.D.	62-1520

Nylon Reinforced 3" Tall Valve Cover Adapters

Requires a 1 1/2" I.D. flanged filter (purchased separately).

DESCRIPTION	PART#
Screws into Ford valve covers	85-1200
Screws into late GM valve covers	85-1210
Universal mount (see style 4)	85-1220

Tower Base Covered Crankcase Vent Filter with Multi-Hose Vents

Designed for VW and other like-size engines needing maximum crankcase breathing filtration. Saves blow-by oil while relieving crankcase pressure. K&N® air filter stops dirt from reaching oil supply. Bottom fitting should connect to engine's lowest pressure point (such as a rocker cover). Top side fitting should connect to engine's highest pressure point (such as the crankcase).

Cast Aluminum Tower: Universal mount, internal oil baffles, three 3/8" NPT outlets for braided hose fittings.

Chromed Steel Tower: No inner baffles. Adjustable steel mounting bracket and three 1/2" vent tubes for use with rubber slip-on hose.



TOWER STYLE	TOWER DIMENSIONS	NUMBER OF OUTLETS	COVER DIAMETER & HEIGHT	ELEMENT DIAMETER & HEIGHT	REPLACEMENT ELEMENT PART#	COMPLETE ASSEMBLY PART#
Cast Aluminum	2 1/8" D x 4 3/4" H	3 - 3/8" NPT	4" OD x 3 1/2" H	3 1/2" x 3 1/2"	RE-0280	62-1400
Chromed Steel	2" D x 4" H	3 - 1/2" hose	4" OD x 3 1/2" H	3 1/2" x 3 1/2"	RE-0280	62-1210

Flat Base Covered Crankcase Vent Filters Remote Mount

Remote mount allows use of 1/2" or 3/8" ID vent hoses. Comes with satin anodized aluminum cover 4" in diameter and 3 1/2" high. Air filter is removable for easy servicing. Includes universal type mounting bracket for bolt-on or weld-on.

NUMBER OF OUTLETS	COVER DIAMETER & HEIGHT	ELEMENT DIAMETER & HEIGHT	REPLACEMENT ELEMENT PART#	COMPLETE ASSEMBLY PART#
2 - 1/2" hose	4" OD x 3 1/2" H	3 1/2" x 3 1/2"	E-3050	62-1180
3 - 1/2" hose	4" OD x 3 1/2" H	3 1/2" x 3 1/2"	E-3050	62-1190
3 - 3/8" hose	4" OD x 3 1/2" H	3 1/2" x 3 1/2"	E-3050	62-1200

Legal in California only for racing vehicles which may never be used, registered or licensed for use upon a highway. See knfilters.com for CARB status on each part for a specific vehicle. These filters are not applicable, nor intended for use on aircraft.

RACING, HOT ROD & CUSTOM PRODUCTS



XSTREAM® Air Filters Designed For Serious Racers

Xstream® air filters take performance to the next level with innovative K&N® airflow technology. They provide awesome airflow and outstanding filtration. In any form of racing, racers need all the protection and airflow they can get. Two styles of Xstream® air filters are available: standard tapered or reverse tapered (top is larger diameter).

RX-3770

FLANGE INSIDE DIAMETER		BASE OUTSIDE DIAMETER		TOP OUTSIDE DIAMETER		HEIGHT		FLANGE LENGTH		FLANGE TYPE	DESCRIPTION	AIR FILTER #	NOTE	FILTER WRAP PART #
INCH	MM	INCH	MM	INCH	MM	INCH	MM	INCH	MM					
2 13/32	61	4 23/32	120	3 31/32	101	3 3/4	95	3 11/32	85	Centered	Round Tapered	RX-5179		•
2 7/16	62	4	102	4	102	4 3/4	121	3/4	19	Centered	Round Straight	RX-4040-1	1	•
2 7/16	62	4 1/2	114	4	102	6 1/8	156	3	76	Angled - 20°	Round Tapered	RX-3800		RX-3820PK
2 7/16	62	4 1/2	114	6	152	6 1/8	156	3	76	Angled - 20°	Reverse Tapered	RX-3770	1	RX-3810DK
2 7/16	62	4 1/2	114	6	152	6 1/8	156	7/8	22	Centered	Reverse Tapered	RX-3810XD	2	RX-3810DK
2 1/2	64	4 1/2	114	4	102	3 13/16	97	3/4	19	Centered	Round Tapered	RX-4010		•
2 1/2	64	6	152	5	127	5 1/2	140	2	51	Centered	Round Tapered	RX-4950	1	RX-4990DK
2 1/2	64	6	152	5	127	6 1/2	165	2	51	Centered	Round Tapered	RX-4860	1	RX-4730DK
2 3/4	70	6	152	5	127	5 1/2	140	2	51	Centered	Round Tapered	RX-4960	1	RX-4990DK
2 3/4	70	6	152	5	127	6 1/2	165	2	51	Centered	Round Tapered	RX-4870		RX-4730DK
2 7/8	73	4 1/4	108	4	102	4 3/4	121	15/16	24	Centered	Round Tapered	RX-4020-1	1	•
3	76	4 1/2	114	6	152	4 5/8	117	7/8	22	Centered	Reverse Tapered	RX-3900-1	1	•
3	76	5	127	5	127	7	178	5/8	16	Centered	Round Straight	RX-2820	1, 3	22-8044PK
3	76	6	152	4	102	8 11/16	221	15/16	24	Centered	Round Tapered	RX-3990-1	1	•
3	76	6	152	5	127	5 9/16	141	1 7/8	48	Centered	Round Tapered	RX-4990	1	RX-4990DK
3	76	6	152	5	127	6 1/2	165	1 7/8	48	Centered	Round Tapered	RX-4730	1	RX-4730DK
3	76	6	152	5	127	6 1/2	165	1 7/8	48	Centered	Round Tapered	RX-4730XD	2	RX-4730DK
3	76	8 x 6	203 x 152	5	127	6 1/2	165	1 7/8	48	Centered	Oval Tapered	RX-4750	1	RF-1042DK
3 1/2	89	4	102	4	101.6	5 3/4	146	3/4	19	Centered	Round Straight	RX-4140		RU-1470PK
3 13/16	97	6 13/16	173	6	152	2 1/8	54	3/4	19	Centered	Round Tapered	RX-4130-1	1	•

Notes: 1) Filter has molded-in velocity stack. 2) Extreme duty off-road filter. 3) Open style top.

For Racing Vehicles Using VW Engines

Universal air filter designed for 2 1/16" VW Solex and 2 9/16" Zenith-Holley carburetors. One piece construction with a strong rubber base and flange that clamps directly to the carburetor. Some units have 1/2" vent kits included, for easy installation of vent hoses. Choice of show quality chrome or rubber top. Chrome adds a touch of class, rubber is great for rugged off-road use. Three shapes or styles and numerous heights available - see listings below.



VW Solex Carb With 2 1/16" Flange

FLANGE I.D.	FILTER DIMENSIONS	FILTER HEIGHT	RUBBER PART#	CHROME PART#
ROUND CENTER MOUNT				
2 1/16"	3 1/2"	4"	RA-0500	RA-050V
2 1/16"	3 1/2"	5"	RA-0510	N/A
2 1/16"	3 1/2"	6"	RA-0520	N/A
2 1/16"	4 1/2"	4"	RA-0530	N/A
2 1/16"	4 1/2"	5"	RA-0540	N/A
2 1/16"	5 1/2"	2"	RA-0550*	RA-055V*
2 1/16"	5 1/2"	3"	RA-0560*	RA-056V*
2 1/16"	5 1/2"	4"	RA-0570*	RA-057V*
2 1/16"	5 1/2"	5"	RA-0580*	RA-058V*
ROUND OFFSET MOUNT				
2 1/16"	6"	2"	RA-0450*	RA-045V*
2 1/16"	6"	3"	RA-0460*	RA-046V*
2 1/16"	6"	4"	RA-0470*	RA-047V*
OVAL OFFSET MOUNT				
2 1/16"	4 1/2" x 7"	1 1/2"	RA-0700*	RA-070V*
2 1/16"	4 1/2" x 7"	2"	RA-0710*	RA-071V*
2 1/16"	4 1/2" x 7"	3"	RA-0720*	RA-072V*

*1/2" vent comes as standard equipment.

Zenith-Holley Carb With 2 9/16" Flange

FLANGE I.D.	FILTER DIMENSIONS	FILTER HEIGHT	RUBBER PART#	CHROME PART#
ROUND CENTER MOUNT				
2 9/16"	4 1/2"	4"	RA-0600	N/A
2 9/16"	4 1/2"	5"	RA-0610	N/A
2 9/16"	5 1/2"	2"	RA-0620*	RA-062V*
2 9/16"	5 1/2"	3"	RA-0630*	RA-063V*
2 9/16"	5 1/2"	4"	RA-0640*	N/A
2 9/16"	5 1/2"	5"	RA-0650*	N/A
ROUND OFFSET MOUNT				
2 9/16"	6"	2"	RA-0660*	RA-066V*
2 9/16"	6"	3"	RA-0670*	RA-067V*
2 9/16"	6"	4"	RA-0680*	RA-068V*
OVAL OFFSET MOUNT				
2 9/16"	4 1/2" x 7"	1 1/2"	RA-0750*	RA-075V*
2 9/16"	4 1/2" x 7"	2"	RA-0760*	RA-076V*
2 9/16"	4 1/2" x 7"	3"	RA-0770*	RA-077V*

Carburetor Adapters

For remote mounting of air filter using smooth bore 3" I.D. hose. Do not use accordion flex hose as it restricts airflow and is difficult to seal properly.

CARBURETOR	FLANGE SIZE	ADAPTER O.D.	PART#
VW Solex	2 1/32"	3"	85-1010

Legal in California only for racing vehicles which may never be used, registered or licensed for use upon a highway. See knfilters.com for CARB status on each part for a specific vehicle. These filters are not applicable, nor intended for use on aircraft.

RACING, HOT ROD & CUSTOM PRODUCTS

Individual Round Style Stacks

"Early Type" Fuel Injectors (Single Stacks) for Chevrolet, etc.

Filters designed to fit with cut velocity stacks, or straight pieces of exhaust tubing. Rubber filter bases come with molded in velocity stack type radius and step, for smooth bore down from element to tube. Each filter has a rubber top with a K&N® logo.

AIR FILTER MOUNTING FLANGE INSIDE DIA.	INJECTOR BORE SIZE INSIDE DIA.	AIR FILTER DIA. X LENGTH IN INCHES	STRAIGHT NECK MOUNTING FLANGE PART#	5° ANGLE NECK MOUNTING FLANGE PART#
1 7/8" (47.5mm)	1 13/16" (46mm)	3 1/2 x 4	RD-0450	N/A
		3 1/2 x 5	RD-0460	N/A
		3 1/2 x 6	RD-0470	N/A
2 1/8" (54mm)	2 1/16" (52.5mm)	3 1/2 x 4	RD-0500	RB-0500
		3 1/2 x 5	RD-0510	RB-0510
		3 1/2 x 6	RD-0520	RB-0520
2 1/4" (57mm)	2 3/16" (55.5mm)	3 1/2 x 4	RD-0600	RB-0600
		3 1/2 x 5	RD-0610	RB-0610
		3 1/2 x 6	RD-0620	RB-0620
2 1/2" (63.5mm)	2 7/16" (62mm)	3 1/2 x 4	RD-0700	RB-0700
		3 1/2 x 5	RD-0710	RB-0710
		3 1/2 x 6	RD-0720	RB-0720
2 5/8" (66.5mm)	2 9/16" (65mm)	4 x 4	N/A	RB-0800
		4 x 5	N/A	RB-0810
3" (76mm)	2 15/16" (74.5mm)	4 1/2 x 4	N/A	RB-0900
		4 1/2 x 5	N/A	RB-0910



RD-0620

Each filter sold individually.

Kinsler Non-Siamesed Fuel Injector Stacks

Round filters fit uncut ram tube bells and clamp securely to the lip. Will fit any injection setup that has a minimum of 4 1/4" center to center, and parallel ram tubes. Each filter has a rubber top with a K&N® logo.

RAM TUBE	FILTER SIZE	INJECTOR MODEL#	PART# SINGLE
3 7/8"	4 1/4" B, 4" T, 6" H	N/A	RD-6000
3 5/8"	4" B, 3 3/4" T, 6" H	"351-F-8"	RD-6010
3 7/8"	4 1/4" B, 3 1/2" T, 4 1/4" H	N/A	RD-6020



RD-6000

Each filter sold individually.

Hilborn 4, Injectors Fitted to Honda & Kawasaki Engines in T.Q. Midgets

Air filters designed to fit over stock, uncut ram tubes. Filters come complete with rubber mounting adapters. To install, fit rubber adapters around ram tube bases and fit filters over ram tubes and clamp onto adapters in desired position. Air filters come with chrome end caps. Fits #45-K-4A and #45-H-4B Hilborn injectors and are packaged in sets of four. Filters measure 3" O.D. x 6" L and fit 1 1/2" Ram Tubes. Part# RD-1004



Hilborn Injectors for Blowers & Turbos

Air filters designed to fit over stock, uncut ram tubes. Filters come complete with rubber mounting adapters. To install, fit rubber adapter around ram tube base. On early screw-on ram tube type, cut adapter with razor blade and wrap around tube. Fit filter over ram tube and clamp onto adapter in desired position. Air filters come with chrome end caps.

DESCRIPTION	PART#
Hilborn Injector #525, for Magnuson Super Chargers. Used on American V-Twin and V.W. blown engines. Filter fits 2 1/8" ram tube. Measures 6" dia. top, 5 1/2" dia. base, 6" long	RD-1100
Hilborn Injector #523, for 60 c.i. Magnuson Blower Head. Filter fits 2 1/2" ram tube. Measures 7" dia. top, 7" dia. base, 6" long	RD-1200
Hilborn Injector #524, for 80 c.i. Magnuson Blower Head. Filter fits 3" ram tube. Measures 7" dia., 6" long	RD-1300
Hilborn Injector #F414A, for Turbocharged tractor, air filter clamps over 4" lip on cast ram tube. Air filter measures 7" dia., 6" long	RD-1400
Hilborn Injector #F414A, for Turbocharged tractor, air filter clamps over 4" lip on cast ram tube. Air filter measures 7" dia., 8" long	RD-1410



RD-1400

Note: 1) Rubber mounting adapter not required. Filter mounts directly to injector.

Legal in California only for racing vehicles which may never be used, registered or licensed for use upon a highway. See knfilters.com for CARB status on each part for a specific vehicle. These filters are not applicable, nor intended for use on aircraft.

RACING, HOT ROD & CUSTOM PRODUCTS

Dual Oval Style Stacks

"Late Type" Hilborn Siamese Stacks

Filters are designed to be used with stock, uncut, siamesed ram tubes. Comes with removable aluminum top plate. To install, push Ram Tubes through rubber base and clamp at desired height. Oval top plate measures 9"L x 5 1/2"W, total height is 6 3/4".

INJECTOR TUBE OUTSIDE DIAMETER	INJECTOR INSIDE DIAMETER	INJECTOR MODEL#	CENTER TO CENTER MEASUREMENT OF BORES	PART#
2 1/8" (54mm)	2 1/16" (52.5mm)	"R"	2.44"	RD-4200
2 1/4" (57mm)	2 3/16" (55.5mm)	"Q"	2.44"	RD-4400
2 1/2" (63.5mm)	2 7/16" (62mm)	"P"	2.70"	RD-4600**
2 5/8" (66.5mm)	2 1/2" (63.5mm)	"327-C-84"	2.70"	RD-4650
2 3/4" (70mm)	2 5/8" (66.5mm)	"327-C-8"	2.87"	RD-4669***
3" (76mm)	2 15/16" (74.5mm)	"F"	3.20"	RD-4800
3 1/8" (79.4mm)	3" (76mm)	"396-C-8M"	3.20"	RD-4850

**Adapter kit needed to convert air cleaner when equipped with 2 1/4" restrictor stacks
(Part# 85-4600, kit includes 8 adapters).

***Packaged four per box. When ordering singles specify Part# RD-4660 right side or
Part# RD-4670 left side.



RD-4600*

Kinsler-Siamese Stacks

Air filters are designed for use with the Kinsler fuel injection system for Pontiac and Chevrolet small block V8. Air filters come with removable top plate, to install, push injector tubes through rubber base and clamp at desired height. Oval top plate is 9"L x 5 1/2"W. Total height of air filter is 6 3/4".

INJECTOR TUBE OUTSIDE DIAMETER	INJECTOR INSIDE DIAMETER	INJECTOR MODEL#	CENTER TO CENTER MEASUREMENT OF BORES	PART#
2 3/8" (58mm)	2 1/4" (57mm)	N/A	2.80"	RD-5000
2 9/16" (65mm)	2 7/16" (62mm)	N/A	2.80"	RD-5010
2 5/8" (66.5mm)	2 1/2" (63.5mm)	N/A	2.80"	RD-5020



RD-5020*

"Late Type" Hilborn and Other Injectors for VW Air-Cooled Engines

Air filters designed to fit over stock, uncut ram tubes. Comes with removable aluminum top plate. To install, push ram tubes through rubber base and clamp at desired height. Oval top plate measures 9"L x 5 1/2"W, total height is 6 3/4".

AIR CLEANER MOUNTING FLANGE INSIDE DIAMETER	INJECTOR BORE SIZE INSIDE DIAMETER	HILBORN MODEL#	CENTER TO CENTER MEASUREMENT OF BORES	PART#
1 3/4" (44.5mm)	1 11/16" (43mm)	#1600 V-4	3.312"	RD-3400
1 7/8" (48mm)	1 13/16" (46mm)	31600 V-4B	3.312"	RD-3500
2 1/8" (54mm)	2 1/16" (52.5mm)	#2000 V-4	3.375"	RD-3600
1 3/4" (44.5mm)	1 11/16" (43mm)	ARPM Rotary F/I	2.700"	RD-4900



RD-3400*

"Early Type" Hilborn and Other Injectors for VW Air-Cooled Engines

Air filters designed to fit over stock, uncut ram tubes. Fits early type tubes with right angle mounting flange, held on with four screws. Cleaners come complete with rubber mounting adapters. To install, cut adapter with a razor blade and wrap around ram tube. Drop one-piece filter over ram tubes and clamp onto adapters in desired position. Oval top plate measures 9"L x 5 1/2"W, total filter height is 6 3/4".

AIR CLEANER MOUNTING FLANGE INSIDE DIAMETER	INJECTOR BORE SIZE INSIDE DIAMETER	HILBORN MODEL#	CENTER TO CENTER MEASUREMENT OF BORES	PART#
1 3/4" (44.5mm)	1 11/16" (43mm)	(Early) 1600 V-4	3.312"	RD-3200



*Each filter sold individually.

Legal in California only for racing vehicles which may never be used, registered or licensed for use upon a highway. See knfilters.com for CARB status on each part for a specific vehicle. These filters are not applicable, nor intended for use on aircraft.

RACING, HOT ROD & CUSTOM PRODUCTS

Carbon Fiber Air Boxes

If airflow is what you are looking for, a carbon fiber airbox is your ticket. This allows you to do away with clamping a filter on to each individual ram tube. Once the base has been put in place, simply slip the main filter assembly over the stacks. This airbox will allow your vehicle's engine to breathe all the clean air it needs to help you win. As with all K&N® filters, this is a washable and reusable air filter. Simply use our K&N® oil and cleaner to service your filter.



100-8570



Driver: Jason Johnson

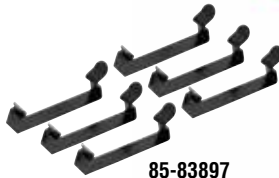
Photo: John Lee/High Fly'N Photos



100-8562



100-8580



85-83897

SPRINT CAR AIR BOX
GENERATION II



088056

2.75" Air Horn Seal

100-8559

Complete Sprint Car Air Box with 2.75" Air Horn Seals



088040

2.5" Air Horn Seal

DESCRIPTION	NOTE	PART#
AIR BOXES		
Small, 9 1/8" L x 6 3/4" W x 6 1/2" H	1, 4, 6, 8	100-8569
Medium, 19" L x 7" W x 6" H	1, 4, 6, 8	100-8570
Medium, 18 7/8" L x 6 1/4" W x 6 1/4" H	2, 4, 6, 9	100-8575
Medium, 19" L x 7" W x 4 3/8" H	1, 4, 6, 9	100-8578
Medium, 19" L x 7" W x 4 3/4" H	1, 4, 6, 9	100-8576
Gen 2, Large, 19" L x 14" W x 6 1/2" H	1, 3, 5, 8	100-8558
Gen 2, Large, 19" L x 14" W x 6 1/2" H	1, 3, 5, 8	100-8559
Large, 19" L x 14" W x 6 1/2" H	2, 3, 6, 7, 10	100-8562
Large with Solid Carbon Top, 19" L x 14" W x 6 1/2" H	1, 4, 6, 8, 10	100-8563
Large, 18 7/8" L x 13 3/4" W x 6 1/4" H	2, 4, 6, 9	100-8564
Large with Solid Carbon Top, 8 7/8" L x 13 3/4" W x 6 1/4" H	2, 4, 6, 9	100-8566
Large, 19" L x 14" W x 6 1/2" H	1, 4, 6, 8	100-8567
Large, 18 13/16" L x 13 3/4" W x 4 1/8" H	1, 4, 6, 8	100-8592
Large, 19" L x 14" W x 6 1/2" H	1, 4, 6, 7, 10	100-8568
Large, 18 13/16" L x 13 3/4" W x 4 1/8" H	2, 4, 6, 9	100-8591
Extra Large, 27 3/16" L x 16 1/8" W x 6" H	1, 4, 6, 9	100-8591
BASE ONLY		
Medium Solid Base with Rubber Insert, 19" L x 7" W x 1" H	8	100-8573
Medium Solid Base, 19" L x 7" W x 1" H	8	100-8577
Large Hilborn Rotary Injection Base Plate, 19" L x 14" W x 4 1/2" H	3	100-8574
Large Solid Base, 18 7/8" L x 13 3/4" W x 6 1/4" H	8	100-8565
Large Solid Base with Rubber Insert, 17" L x 14" W x 1" H	8	100-8571
Large Solid Base Without Rubber Insert 19" L x 14" W x 1" H	8	100-8590

Notes: 1) Includes spring clips; 2) No spring clips included; 3) Includes hardware; 4) No hardware included; 5) Includes air horn seals; 6) No air horn seals included; 7) Baseplate with holes; 8) Baseplate with no holes; 9) No base plate; 10) Baseplate has 6 3/4" center spread

Air Horn Seals

SIZE	PART#
2 1/2"	088040
2 3/4"	088056

Spring Clips

SIZE	PART#
4 Pack, .75" x 5.99"	85-83891
6 Pack, .75" x 5.99"	85-83893
4 Pack, .75" x 4.45"	85-83895
6 Pack, .75" x 4.45"	85-83897

PRECHARGERS®

BOX SIZE	BLACK	RED	BLUE	YELLOW
Small	100-8569PK	100-8569PR	•	100-8569PY
Medium	100-8570PK	100-8570PR	•	100-8570PY
Large	100-8562PK	100-8562PR	100-8562PL	100-8562PY

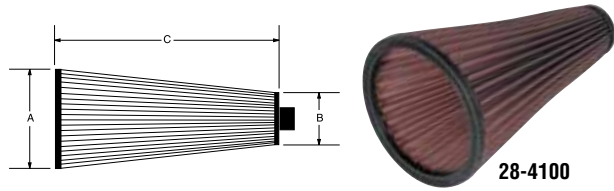
Legal in California only for racing vehicles which may never be used, registered or licensed for use upon a highway. See knfilters.com for CARB status on each part for a specific vehicle. These filters are not applicable, nor intended for use on aircraft.

RACING, HOT ROD & CUSTOM PRODUCTS

Racing Cone Filters

Designed for Formula Atlantic and Super Vee style cars, these filters fit into the air scoops and allow plenty of fresh clean air to enter the engine, but keep racetrack debris from demolishing the engine. A hole at the small end of the filter allows debris to exit the air scoop. Designed for the vehicles listed below, but can probably be adapted to a wide variety of applications.

APPLICATION	A	B	C	PART#
Lola Sports 2000	5 7/8"	2"	10"	28-4100
Vestal Racing Cars	5 7/8"	2"	8"	28-4105
Tiga Sport 2000	5 1/2"	2"	16"	28-4115
83-85 Tiga Sport 2000	6 1/8"	3"	16"	28-4120
Ralt Formula Atlantic, Super Vee	4 7/8"	2"	16"	28-4125
Swift Sport 2000	5 3/4"	2"	16"	28-4130
Extension for 28-4130	8"	4 7/8"	11 5/8"	28-4131



Drag Racing Scoop Filters

Engineered with two filter elements to provide maximum airflow and protection. Designed to fit specific scoop designs. Mounts inside the front lip of the scoop with Dzus fasteners.

DESCRIPTION	PART#
Harwood 3158 Scoop Filter	28-4215
Harwood 3153 Scoop Filter	28-4135
Harwood 3160, 3161, 3164, 3166 Scoop Filter	28-4145
Harwood 3160, 3161, 3164, 3166 SHORT Scoop Filter	28-4150
Harwood 3152 Scoop Filter	28-4155
Harwood 3182 Scoop Filter	28-4180
Quarter-Max RJF1 Scoop Filter	28-4140
Quarter-Max RJF1 SHORT Scoop Filter	28-4185
Don Davis Scoop Filter 10" depth	28-4195
Don Davis Scoop Filter 6" depth	28-4200
K&N Hood Scoop Filter, Fits 100-8505/100-8512	28-4215
K&N Hood Scoops Filter, 100-8506 and 100-8508	28-4210



Doorslammer Composite Hood Scoop

Created through CFD (computational fluid dynamics) and SolidWorks (CAD software) for a low drag design which resulted in 18-lb decrease in drag. Each hood scoop is made of carbon fiber and was designed to fit Pro Stock, Super Stock, Super Gas, Top Sportsman and Pro Mod cars.

DESCRIPTION	PART#
50 sq. inch, D-Shaped Opening, 10" Height	100-8506
50 sq. inch, D-Shaped Opening, 11" Height	100-8508
Gen 2, 50 sq. inch, D-Shaped Opening, 11" height	100-8515
Gen 2, 54 sq. inch, D-Shaped Opening, 11" height	100-8516
Gen 2, 58 sq. inch, D-Shaped Opening, 11" height	100-8517
Inner Hood Scoop Pan: 7.25" Dominator Carb	100-8509
Inner Hood Scoop Pan: 8.00" Braswell Carb	100-8510
Inner Hood Scoop Pan: 5.5" Braswell Carb	100-8520
Inner Hood Scoop Pan, No Holes	100-8514
Carbon Fiber Inner Scoop Liner Set	100-8511
Carbon Fiber Hood Scoop Plug for 50 sq. inch hood scoops	100-8519
Carbon Fiber Hood Scoop Plug for 58 sq. inch hood scoops	100-8518



Composite Dragster Scoop

Our intake scoops have been designed with the latest technology available by taking the air principles and the cosmetic appeal of carbon fiber to produce an attractive air scoop.

DESCRIPTION	PART#
Scoop and Pan, 25 sq. inch opening	100-8503
Standard Holley® 4 BBL Filter Assembly, Scoop and Base	100-8504
Holley® Dominator Air Filter Assembly, Scoop and Base	100-8505
Gen 2 Scoop and Pan, 50 sq. inch opening	100-8512

Legal in California only for racing vehicles which may never be used, registered or licensed for use upon a highway. See knfilters.com for CARB status on each part for a specific vehicle. These filters are not applicable, nor intended for use on aircraft.

RACING, HOT ROD & CUSTOM PRODUCTS

Panel Air Filter for IRL Spec Lola Cars

K&N's high flow air filter for IRL spec Lola cars is 16 inches wide and almost 21 inches in length. Besides being used as a race car air filter, it is also a great filter for special projects that need a large panel air filter. **Part# 33-2495**



Assembly for Ford Focus Midget Series

This high-flow, washable and reusable assembly comes with instructions, mounting plate and all needed hardware.



DESCRIPTION	ASSEMBLY#	FILTER WRAP#
Ford Focus Midget Assembly	55-1040	55-1040DK

Drag Racing Base Mount Scoop Filters

Protect the engine in your drag car with these base mount scoop filters. Built with 2-ply cotton in the patented



66-3320R

Xstream® airflow top and 1-ply cotton in the filter for minimal airflow restriction. Each assembly includes a base plate and mounting hardware. They are designed to fit K&N® composite dragster scoops, as well as other popular scoops on the market.

DESCRIPTION	TOTAL HEIGHT**	BASE O.D.	TOP O.D.	FLANGE	PART#
Dominator Drag Race Assembly 11" O.D.	7 1/2"	11"	9"	7 5/16"	66-3300R
Dominator Drag Race Assembly 11" O.D., Harwood/Goza/Spitzer Bases	8 7/8"	11"	9"	7 5/16"	66-3310R
Dominator Drag Race Assembly 9" O.D. X 5" H	6 1/4"	9"	9"	7 5/16"	66-3320R
Dominator Drag Race Assembly 9" O.D. X 3" H	4 1/4"	9"	9"	7 5/16"	66-3330R
Drag Race Assembly with Std Holley Base	7 1/2"	11"	9"	5 1/8"	66-3340R
Xstream® Race Flow Top Only 9"	1"	9"	9"	•	66-0900R
Replacement Drag Race Filter; 11" O.D.	6 3/8"	11"	9"	•	28-4235
Replacement Drag Race Filter; 9" O.D. X 5" H	5"	9"	9"	•	28-4240
Replacement Drag Race Filter; 9" O.D. X 3" H	3"	9"	9"	•	28-4245
Base Plate; 11" Dia. x 7 5/16" Flange; TB/PC for 66-3300R	•	•	•	•	00301
Base Plate; 11" Dia. CR 5 1/8" Flange for 66-3040R	•	•	•	•	01988
Base Plate; 9" Dia., 7 5/16" Flange, TB/PC for 66-3320R, 66-3330R	•	•	•	•	03361
Adaptor; 11" O.D. x 7 5/16" Flange x 2" H for 66-3310R	•	•	•	•	21500

Xstream® Air Flow Tops

K&N® Xstream® air flow tops are innovative round filters designed to replace a metal air filter top. These filter lids add more filter area and are designed to increase horsepower and dirt capacity. Xstream® top adds approximately 1" to total height of assembly.



Assemblies come with black ring top. Blue, red, and polished tops sold separately.

Other colors available in 14" size only.

16" AIR-FLOW TOP
66-1601

- Increases High-Flow Filter Area
- Washable and Reusable
- Wide Range of Sizes and Applications



14" ASSEMBLY
66-3060

Xstream® Air-Flow Top Only

DESCRIPTION	DIA.	FLANGE	HEIGHT	PART#	COLOR
Top Only	9"	N/A	N/A	66-0901	Black
Top Only	11"	N/A	N/A	66-1101	Black
Top Only	14"	N/A	N/A	66-1401	Black
Top Only	14"	N/A	N/A	66-1401XB	Blue
Top Only	14"	N/A	N/A	66-1401XP	Polished
Top Only	14"	N/A	N/A	66-1401XR	Red
Top Only	16"	N/A	N/A	66-1601	Black

11" Assemblies

NECK FLANGE	ELEMENT HEIGHT	ELEMENT PART#	COMPLETE ASSEMBLY	TOTAL HEIGHT**	COLOR
5 1/8"	2 3/16"	E-1200	66-3110	3 1/2"	Black
5 1/8"	3 1/2"	E-1250	66-3120	4 3/4"	Black
5 1/8"	5"	E-3680	66-3130	6 1/4"	Black
7 5/16"	3 1/2"	E-1250	66-3140	4 1/2"	Black

9" Assemblies

NECK FLANGE	ELEMENT HEIGHT	ELEMENT PART#	COMPLETE ASSEMBLY	TOTAL HEIGHT**	COLOR
5 1/8"	2 7/8"	E-3530	66-3150	4 1/2"	Black
5 1/8"	2 7/8"	E-3530	66-3160	8 1/4"	Black

* Velocity stack. ** Total Height= minimum clearance required above carburetor flange.

14" Assemblies

NECK FLANGE	ELEMENT HEIGHT	ELEMENT PART#	COMPLETE ASSEMBLY	TOTAL HEIGHT**	COLOR
STANDARD 9/16" RAISED BASE					
5 1/8"	2 5/16"	E-3740	66-3000	3 7/8"	Black
5 1/8"	3"	E-1650	66-3010	4 5/8"	Black
5 1/8"	4"	E-3750	66-3020	5 7/8"	Black
5 1/8"	5"	E-3760	66-3030	6 7/8"	Black
1 1/4" DROP BASE					
5 1/8"	3"	E-1650	66-3040	2 3/4"	Black
5 1/8"	4"	E-3750	66-3060	3 3/4"	Black
5 1/8"	5"	E-3760	66-3070	4 3/4"	Black
7/8" DROP BASE					
5 1/8"	3"	E-1650	66-3050	3 1/8"	Black
DOMINATOR					
7 5/16"	4"	E-3750	66-3080	5 1/2"	Black
7 5/16"	5"	E-3760	66-3090	6 1/2"	Black
7 5/16"	6"	E-3770	66-3100	7 1/2"	Black

Legal in California only for racing vehicles which may never be used, registered or licensed for use upon a highway. See knfilters.com for CARB status on each part for a specific vehicle. These filters are not applicable, nor intended for use on aircraft.

Parts Updated Daily at KNFILTERS.COM or Call 800-858-3333

31

RACING, HOT ROD & CUSTOM PRODUCTS



FLAMED



SCALLOPED



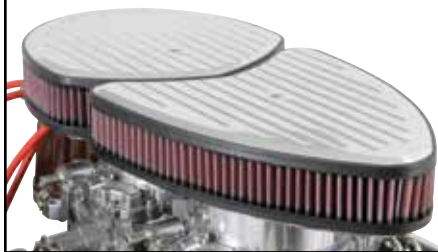
ELECTRIC

Complete Assemblies

Fits single 5 1/8" flange carburetors.

DESCRIPTION	DIMENSIONS*	FLAMED DESIGN	SCALLOPED DESIGN	ELECTRIC DESIGN	REPLACEMENT FILTER
Large Oval	15" x 8 1/4" x 3"h	66-1470	66-1490	66-1510	E-3515
	15" x 8 1/4" x 5"h	66-1460	66-1480	66-1500	E-3514
Small Oval	11 7/8" x 8 3/8" x 3"h	66-1530	66-1550	66-1570	E-3505
	11 7/8" x 8 3/8" x 5"h	66-1520	66-1540	66-1560	E-3504

*Complete Assembly Dimensions



Dual Quad

Designed to fit 4-barrel carburetors with a 5 1/8" neck flange. The minimum center-to-center spacing required is 7 13/16". The filter is 2 1/2" tall and entire assembly height is 4 1/8". Total length depends on the distance between carburetors.

COMPLETE ASSEMBLY	FRONT ARROW	ARROW FILTER	REAR OVAL	OVAL FILTER
66-5080	66-5080F	E-3612	66-5080R	E-3614

Nostalgia Air Filter Kits

These custom air cleaner filter kits are designed for use on nostalgia engines. They incorporate our famous K&N® air filters and are designed to provide more airflow than other air filter kits of this type. Available in four different styles.

Four-Inch Chrome Top Sides Open

Round open style air filter kits fit nearly all early model carburetor's with 2 3/16" or 2 5/8" flange diameter. Assemblies are 4" in diameter and measure 3" from base to the top of the wing nut.



3 COMPLETE ASSEMBLIES	SINGLE ASSEMBLY	SINGLE FILTER
60-0403	60-0400	E-3120

Four-Inch Louvered Chrome Bonnet

Louvered bonnet air filter kits have a 4" O.D. base with a 2 5/8" flange and 2 3/16" flange adapter. The 4 5/8" O.D. Bonnet measures 3" total height**.



3 COMPLETE ASSEMBLIES	SINGLE ASSEMBLY	SINGLE FILTER
60-0503	60-0500	E-3120

**Total Height= minimum clearance required above carburetor flange

Four-Inch Finned Aluminum Top Filters

Round one-piece filters are molded into the aluminum base and finned top with an "as cast" finish that can be painted, polished or left as is. They fit carburetors with a 2 5/8" flange diameter and are held in place with a setscrew. These filters are 4" in diameter and measure 2 3/4" from base of flange to top.



DESCRIPTION	3 COMPLETE ASSEMBLIES	SINGLE ASSEMBLY
Four-Inch Finned Filter	60-0413	60-0410

Pontiac Tri-Power Air Cleaners - Chrome

Designed for Pontiac 389, 400, 421 and 428 engines equipped with Tri-Power. Available in two flange sizes 2 5/8" and 3 1/16". Some mounting flange sizes vary by model year. Make sure to measure before ordering.



DESCRIPTION	PART#
Single Assembly- 2 5/8"	60-1331
Single Assembly - 3 1/16"	60-1340
3 Complete Assemblies 2 5/8"	60-1333
One 2 5/8" + Two 3 1/16" Assemblies	60-1350
Single Replacement Element for all air filter kits	E-3200

Legal in California only for racing vehicles which may never be used, registered or licensed for use upon a highway. See knfilters.com for CARB status on each part for a specific vehicle. These filters are not applicable, nor intended for use on aircraft.

RACING, HOT ROD & CUSTOM PRODUCTS

Custom Air Filter Kits For Weber Carburetors

K&N® custom air filter kits are designed to allow the maximum performance from your carburetors, yet keep the dirt on the outside where it belongs. Show quality to fit racing vehicles with VW, Pinto or any other engine equipped with these performance carburetors. All air filter kits come with custom chrome top and base plates (except IDA Triple) and the famous K&N® high-flow washable air filter. All air filter kits are convenient to clean and service.



56-1210

CARBURETOR	FILTER STYLE	OUTSIDE DIMENSION	HEIGHT	ELEMENT PART#	NOTE	ASSEMBLY PART#	CARBURETOR	FILTER STYLE	OUTSIDE DIMENSION	HEIGHT	ELEMENT PART#	NOTE	ASSEMBLY PART#
DAR, DIR, DIF 32/36	DDO	5 1/2" x 9"	1 3/4"	E-3441	2	56-1010	DFT	DDO	5 1/2" x 9"	3 1/4"	E-3461	•	56-1730
	DDO	5 1/2" x 9"	3 1/4"	E-3461	1, 2	56-1020	DG, DGV5A, DGAV, DGEV, DPS 32/36	DDO	3 1/4" x 4 3/8" top 4 1/2" x 7" base	4"	E-9141	10	56-9290
DCD, DAS, DCLD, DCS 28/36	DDO	4 1/2" x 7"	2 3/4"	E-3325	2	56-1640		DDO	4 1/2" x 7"	1 3/4"	E-3321	•	56-1030
DCN 40-14	DDO	4 1/2" x 7"	3 1/4"	E-3341	•	56-1080		DDO	4 1/2" x 7"	3 1/4"	E-3341	•	56-1040
DCNF 36, 40, 42, 44	DDO	4 1/2" x 7"	1 3/4"	E-3321	7	56-1110		DDO	5 1/2" x 9"	1 3/4"	E-3441	2	56-1070
	DDO	4 1/2" x 7"	3 1/4"	E-3341	7	56-1120		DDO	5 1/2" x 9"	3 1/4"	E-3461	2	56-1060
	DDO	5 1/2" x 9"	3 1/4"	E-3461	7	56-1130	IDA 48	DDO	5 1/2" x 9"	3 1/4"	E-3461	•	56-1210
DCOE 40, 42	SDO	4 1/2" x 7"	1 3/4"	E-3321	5	56-1270		DDO	5 1/2" x 9"	4 1/2"	E-3471	•	56-1220
	SDO	4 1/2" x 7"	3 1/4"	E-3341	6	56-1350		DDO	5 1/2" x 9"	5 1/2"	E-3481	•	56-1230
	SDO	5 1/2" x 9"	3 1/4"	E-3461	6	56-1360	IDA Triple 40, 46-Porsche F6 Eng.	DDO	5 1/2" x 12"	3 1/4"	E-3671	4	56-1770-2
DCOE 45, 48	SDO	4 1/2" x 7"	1 3/4"	E-3321	5	56-1310	IDF 40, 44, 48, 44MX	DDO	4 1/2" x 7"	1 3/4"	E-3321	•	56-1160
	SDO	5 1/2" x 9"	1 3/4"	E-3441	5	56-1330		DDO	4 1/2" x 7"	3 1/4"	E-3341	•	56-1170
	SDO	4 1/2" x 7"	3 1/4"	E-3341	6	56-1350		DDO	5 1/2" x 9"	3 1/4"	E-3461	•	56-1190
	SDO	5 1/2" x 9"	3 1/4"	E-3461	6	56-1360		DDO	5 1/2" x 9"	6"	E-3491	8, 9	56-1200
DCOE 50, DCOE SP48, 55	SDO	4 1/2" x 7"	3 1/4"	E-3341	6	56-1710							
DFB, DFD, DFE, DFV 32/36	DDO	5 1/2" x 9"	1 3/4"	E-3441	2	56-1010							
	DDO	5 1/2" x 9"	3 1/4"	E-3461	1, 2	56-1020							

Filter Styles: DDO= down draft oval; DDR= down draft round; SDO= side draft oval; SDR= side draft round; REC= rectangle.

Notes: 1) includes cast aluminum velocity stack; 2) 1/2" vent elbow included; 3) oval filter air filter kit is turned 90 degrees to the base of carburetor flange (4 stud base); 4) cast aluminum top and base powder coated black; 5) must remove Weber airhorns; 6) works with Weber airhorns; 7) mounting bolt kit included; 8) must use separate velocity stacks to mount filter; 9) new improved racing version has stronger center tree and 4 springs to hold top plate; 10) filter is turned 90 degrees to centerlines of carburetor bore; 11) filter is mounted centered to carburetor bores.

Custom Air Filter Kits For Single or Two-Barrel Carburetors

Designed to allow the maximum performance from your carburetors, K&N® custom air filter kits keep the dirt on the outside where it belongs. Show quality and ideal for racing vehicles, these air filter kits come with custom chrome top and base plates and a famous K&N® high-flow air filter. All air filter kits are convenient to clean and service.



56-1390

CARBURETOR	FILTER STYLE	OUTSIDE DIMENSION	HEIGHT	ELEMENT PART#	NOTE	ASSEMBLY PART#	CARBURETOR	FILTER STYLE	OUTSIDE DIMENSION	HEIGHT	ELEMENT PART#	NOTE	ASSEMBLY PART#
Autolite 32/36 (2bbl.)	DDO	5 1/2" x 9"	1 3/4"	E-3441	3	56-1010	Motorcraft 32/36 (2bbl.)	DDO	5 1/2" x 9"	1 3/4"	E-3441	3	56-1010
	DDO	5 1/2" x 9"	3 1/4"	E-3461	2, 3	56-1020		DDO	5 1/2" x 9"	3 1/4"	E-3461	2, 3	56-1020
Dellorto DHLA - 40, 45, 48	SDO	4 1/2" x 7"	1 3/4"	E-3321	12	56-1310	SK Racing	SDO	4 1/2" x 7"	3 1/4"	E-3341	3	56-1010
	SDO	4 1/2" x 7"	3 1/4"	E-3341	•	56-1320		SDO	5 1/2" x 9"	3 1/4"	E-3461	2, 3	56-1020
	SDO	5 1/2" x 9"	1 3/4"	E-3441	12	56-1330	Solex 40 P11 (Porsche 912)	DDO	5 1/2" x 9"	3 1/4"	E-3461	15, 17	56-1255
Dellorto DRLA - 36, 40, 45, 48	DDO	4 1/2" x 7"	3 1/4"	E-3341	•	56-1691	Solex 34/34 Progressive	DDO	4 1/2" x 7"	1 3/4"	E-3321	3, 21	56-1701
	DDO	5 1/2" x 9"	3 1/4"	E-3461	•	56-1693		DDO	4 1/2" x 7"	3 1/4"	E-3341	3, 21	56-1703
Fomoco 32/36 (2bbl.)	DDO	5 1/2" x 9"	1 3/4"	E-3441	3	56-1010		DDO	5 1/2" x 9"	1 3/4"	E-3441	3, 20	56-1651
	DDO	5 1/2" x 9"	3 1/4"	E-3461	2, 3	56-1020	Stromberg 150	SDR	5 7/8"	1 3/4"	E-3211	•	56-1610
Hitachi (73-74 Datsun 240, 260Z)	SDR	5 7/8"	3 1/4"	E-3190	1, 11	56-1430	Stromberg 175	SDR	5 7/8"	1 3/4"	E-3211	•	56-1620
Hitachi	SDR	5 7/8"	2 1/4"	E-9143	•	56-9138		SDR	5 7/8"	3 1/4"	E-3213	•	56-1622
Holley 5200 w/EFC	DDO	4 1/2" x 7"	1 3/4"	E-3315	•	•	SU 1 1/4 Bore	SDR	5 7/8"	1 13/16"	E-3212	10, 17	56-1630
	DDO	4 1/2" x 7"	3 1/4"	E-3317	•	•	SU 1 1/2 Bore	SDR	5 7/8"	1 3/4"	E-3180	10	56-1390
ISO (70-72 Datsun 240Z)	SDR	5 7/8"	3 1/4"	E-3190	6, 10	56-1410	SU 1 1/2 Bore HIF4, HIF6, HIF38	SDR	5 7/8" b, 3 1/2" t	2 11/16"	E-9156	•	56-9320
Kadron-Solex H40 E/S (Brazil)	DDR	7"	4"	E-2510	13, 16	56-1490	SU 1 3/4 Bore (Not HIF6)	SDR	5 7/8"	1 3/4"	E-3180	10	56-1400
Mikuni - Solex 36 PHH	SDO	4 1/2" x 7"	1 3/4"	E-3321	•	56-1370	SU 1 3/4 Bore HIF6	SDR	5 7/8" b, 3 1/2" t	2 11/16"	E-9156	•	56-9330
Mikuni - Solex 40, 44, 48 PHH	SDO	4 1/2" x 7"	1 3/4"	E-3321	12	56-1310	SU 1 3/4 Bore HS6	SDR	5 7/8" b, 3 1/2" t	2 11/16"	E-9156	•	56-9327
	SDO	4 1/2" x 7"	3 1/4"	E-3341	•	56-1350	SU (70-72 Datsun 240Z)	SDR	5 7/8"	3 1/4"	E-3190	•	56-1430
	SDO	5 1/2" x 9"	1 3/4"	E-3441	12	56-1330	SU (73-74 Datsun 240, 260Z)	SDR	5 7/8"	3 1/4"	E-3190	1, 11	56-1430
SDO	5 1/2" x 9"	3 1/4"	E-3461	1	56-1360								

Filter Styles: DDO= down draft oval; DDR= down draft round; SDO= side draft oval; SDR= side draft round; REC= rectangle.

Notes: 1) 1 15/16" x 19/16" rectangle opening in baseplate; 2) includes cast aluminum velocity stack; 3) 1/2" vent elbow included; 6) 1 3/4" opening in baseplate; 10) 2 bolt mount; 11) 3 bolt mount; 12) will not work with velocity stacks; 13) 2 5/8" flange, will not fit VW engine with large fan shrouds; 14) special offset base allows use of larger fan shrouds on VW engines; 15) mounting bolt kit included; 16) E-2410 fits original Kadron filter case; 17) includes optional vent; 20) filter is turned 90 degrees to centerlines of carburetor bore; 21) filter is mounted centered to carburetor bores.

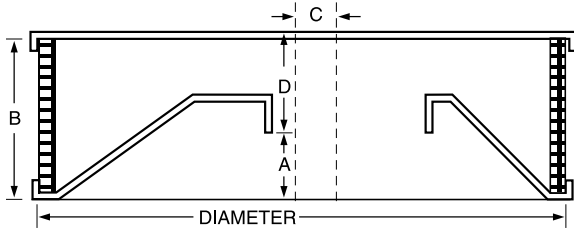
Legal in California only for racing vehicles which may never be used, registered or licensed for use upon a highway. See knfilters.com for CARB status on each part for a specific vehicle. These filters are not applicable, nor intended for use on aircraft.

RACING, HOT ROD & CUSTOM PRODUCTS

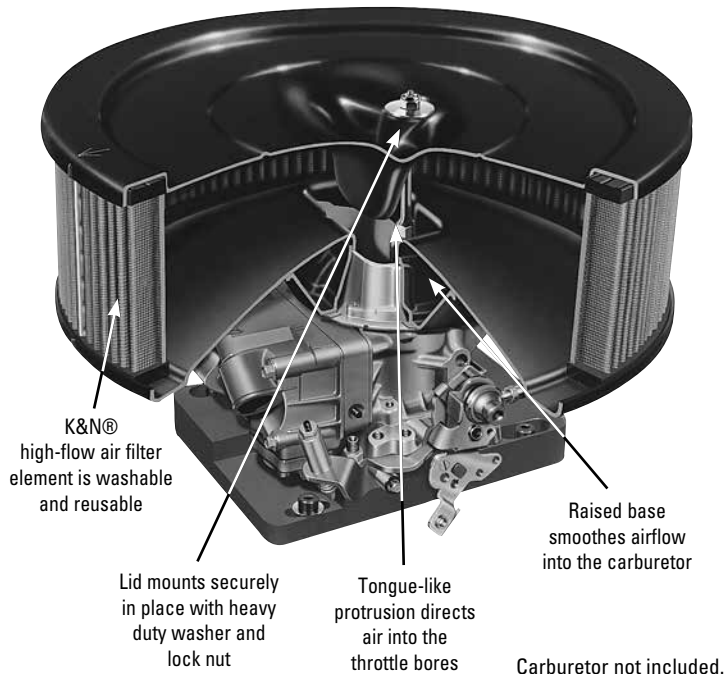
Flow Control Air Filter Kits

The flow control air filter kit utilizes a custom designed base in combination with a unique lid, featuring a tongue or protrusion, that is designed to reduce intake turbulence. The resulting smooth, laminar flow, enhances cylinder filling, horsepower, and torque. The filter element is the world famous K&N® high-flow air filter for the ultimate in airflow and filtration. This powerful combination is designed to increase horsepower.

FLOW CONTROL DIMENSIONS



PART#	DIAMETER	DROP "A"	ELE. HT. "B"	OFF SET "C"	HT. ABOVE CARB FLG. "D"
61-2000	14"	.343	4.0	1.0	3.75
61-2010	14"	.343	4.5	1.0	4.25
61-2020	14"	1.37	4.0	1.0	2.75
61-2030	14"	1.37	4.5	1.0	3.25
61-2040	14"	.625	4.5	0	4.18
61-4000	14"	.125	4.0	0	4.25
61-4010	14"	.125	4.5	0	4.75
61-4020	14"	.156	4.0	0	4.37
61-4030	14"	.156	4.5	0	4.87
61-4040	14"	.437	4.0	0	4.00
61-4050	14"	.437	4.5	0	4.50
61-6000	14"	.500	4.5	0	4.62
61-4500	16"	1.93	3.5	0	2.12
61-4520	16"	1.93	4.0	0	2.62



Replacement Filter Elements

Hundreds of sizes available. See pages 50-83.

DIMENSIONS	PART#	DIMENSIONS	PART#
14" x 2.5"	E-3735	14" x 5"	E-3760 ¹
14" x 3"	E-3737	14" x 6"	E-3770 ¹
14" x 3.5"	E-3745 ¹	16" x 3.5"	E-3804
14" x 4"	E-3730	16" x 4"	E-3806
14" x 4.5"	E-3732	16" x 4.5"	E-3808

1) Inner Support Wire

Flow Control Filter Clips

Filter clips are designed for added support around the outside of the complete air filter kit. Made of spring steel and black powder coated, these clips come in sets of four and are available for the flow control air filter kits listed.



Comes in sets of four.

FOR 14" ASSEMBLY PART#

14" x 4.0" 85-83890

14" x 4.5" 85-83892

FOR 16" ASSEMBLY

16" x 3.5" 85-83894

16" x 4.0" 85-83896

Deflector Shields for Flow Control Air Filter Kits

Designed to control heat and help direct airflow.

DESCRIPTION	PART#
14" x 4.0" Deflector Shield	85-54400
14" x 4.5" Deflector Shield	85-54450
16" x 3.5" Deflector Shield	85-56351
16" x 4.0" Deflector Shield	85-56401



85-54450



Legal in California only for racing vehicles which may never be used, registered or licensed for use upon a highway. See knfilters.com for CARB status on each part for a specific vehicle. These filters are not applicable, nor intended for use on aircraft. Unless specifically noted, these will not fit "HP" series carb.

RACING, HOT ROD & CUSTOM PRODUCTS

Flow Control: 4-Barrel Holley® Dominator

Designed for all Holley® HP Dominator carburetors. This flow control air filter kit takes full advantage of the 360° air delivery system by using K&N's 4 1/2" air filter. This air filter kit is designed to produce a whopping 1200 cfm at 1 1/2 inches of water pressure drop which should be more than enough air for any motorsports application!

DESCRIPTION	SIZE	PART#
Fits Holley Dominator and HP Series Carbs	14" x 4.5"	61-6000



Xstream® Flow Control Air Filter Kits

DESCRIPTION	FLANGE	COLOR	PART#
Flow Control for 4BI Holley®	No Choke	Black	66-3200
Flow Control for 4BI Holley®	With Choke	Black	66-3210
Flow Control for Holley® Dominator	All	Black	66-3220



61-6000

Flow Control: 4-Barrel Holley®

With and Without Choke Tower

The inspiration for this particular air cleaner was the 390 cfm Holley®. Many tracks and racing organizations use this carburetor as a restrictor. Flows plenty on the 390 and you can pass it all the way up to the mighty 850 and it keeps on making horsepower. Available in two sizes. Comes complete with all necessary parts.

WITH CHOKE TOWER: For unmodified choke towers.

DESCRIPTION	14" x 4.0"	14" x 4.5"
With choke tower, Fits 390-800	61-4020	61-4030
With choke tower, Fits 830-850	61-4040	61-4050

WITHOUT CHOKE TOWER:

DESCRIPTION	14" x 4.0"	14" x 4.5"
Without choke tower	61-4000	61-4010

Flow Control: 4-Barrel Holley® Low Profile Without Choke Tower

This air cleaner is designed for installations with the carburetor mounted high against the hood. An engine requiring 700 cfm or more to develop a certain level of power will not work with hood clearance that will only allow 450 cfm. There are race cars with less than 1/2" between the hood and the vent tubes of the carb. This model of flow control is as low as is recommended to assure maximum airflow. It was necessary to enlarge the diameter to 16" to maintain airflow. Fits 390-850 Holley.

DESCRIPTION	16" x 3.5"	16" x 4.0"
Low Profile Without Choke Tower	61-4500	61-4520

Note: This model only works without the choke tower and works great with restrictor plate engines. If you're working with these engines, call K&N's customer service and get all the info. Available in two sizes. Comes with all necessary parts.

Flow Control: 2-Barrel Rochester

DESCRIPTION	SIZE	PART#
Flow Control Air Filter Kit	14" x 4.5"	61-2040

The choice of quite a few racing associations, this carburetor is used in an attempt to equalize competition. If you have to use this carburetor, you should use this air cleaner. Clears the HEI distributor on the cast iron manifold. Only one size offered because only one size works.

Flow Control: 2-Barrel Holley®

With and Without Choke Tower

Fits the very popular 4412 Holley® 2-barrel by removing the choke assembly and leaving the choke tower untouched. The result is an increase in airflow. Two sizes available.

WITH CHOKE TOWER: For unmodified choke towers.

DESCRIPTION	14" x 4.0"	14" x 4.5"
With choke tower	61-2000	61-2010

WITHOUT CHOKE TOWER:

DESCRIPTION	14" x 4.0"	14" x 4.5"
Without choke tower	61-2020	61-2030

Legal in California only for racing vehicles which may never be used, registered or licensed for use upon a highway. See knfilters.com for CARB status on each part for a specific vehicle. These filters are not applicable, nor intended for use on aircraft. Unless specifically noted, these will not fit "HP" series carb.

Holley is a trademark of Holley Performance Products, Inc.

Parts Updated Daily at KNFILTERS.COM or Call 800-858-3333

35

RACING, HOT ROD & CUSTOM PRODUCTS

14-Inch Drop Base Air Filter Kits - Chrome

Low profile air cleaner drops filter 7/8" or 1 1/4" below carburetor flange. 5 1/8" flange fits most 4-barrel carburetors and four element heights fit a wide variety of applications. Note: 7/8" drop will fit carburetors with electric choke mechanisms.

NECK FLANGE	ELEMENT HEIGHT	ELEMENT	COMPLETE ASSEMBLY	TOTAL HEIGHT**
1 1/4" DROP BASE				
5 1/8"	3"	E-1650	60-1280 ^{*.2}	2.75"
5 1/8"	4"	E-3750	60-1290 ^{*.2}	3.75"
5 1/8"	5"	E-3760	60-1300 ^{*.2}	4.75"
5 1/8"	6"	E-3770	60-1310 ³	5.75"
7/8" DROP BASE				
5 1/8"	3"	E-1650	60-1430 ²	3.12"
5 1/8"	4"	E-3750	60-1440 ³	4.12"
5 1/8"	5"	E-3760	60-1450 ²	5.12"
5 1/8"	6"	E-3770	60-1460 ²	6.12"



14-Inch Air Filter kits - Chrome

Popular 14" chrome racing style filter kit. Raises element 9/16" above carburetor flange. 5 1/8" flange fits most 4-barrel carburetors. Four element heights to fit a wide variety of applications. Will clear HEI distributors.

NECK FLANGE	ELEMENT HEIGHT	ELEMENT	COMPLETE ASSEMBLY	TOTAL HEIGHT**
5 1/8"	2 5/16"	E-3740	60-1263 ¹	3.87"
5 1/8"	3"	E-1650	60-1264 ¹	4.62"
5 1/8"	4"	E-3750	60-1260 ¹	5.62"
5 1/8"	5"	E-3760	60-1270 ¹	6.62"



11, 14 and 16-Inch Dominator Air Filter Kits - Chrome

These K&N® 11", 14" and 16" outer diameter race-ready air cleaners can flow the amount of air required for the Holley® Dominator carburetors. 11" and 14" kits have 7 5/16" flange base and a 3/4" rise velocity stack. 16" has 1" drop base.

NECK FLANGE	ELEMENT HEIGHT	ELEMENT	COMPLETE ASSEMBLY	TOTAL HEIGHT**
11" OD AIR FILTER				
7 5/16"	3 1/2"	E-1250	60-1230	4.50"
7 5/16"	5"	E-3680	60-1240	6.00"
7 5/16"	6"	E-3690	60-1250	7.00"
14" OD AIR FILTER				
7 5/16"	4"	E-3750	60-1235 ⁵	5.50"
7 5/16"	5"	E-3760	60-1245 ⁵	6.50"
7 5/16"	6"	E-3770	60-1255 ⁵	7.50"
16" OD AIR FILTER				
7 5/16"	3 1/2"	E-3804 ⁷	60-1640 ⁷	3.25"



11-Inch Air Filter Kits - Chrome

The perfect application for when space is a premium, yet high performance is required. Base is available in three (3) flange sizes and various heights to fit a wide variety of applications.

NECK FLANGE	ELEMENT HEIGHT	ELEMENT	COMPLETE ASSEMBLY	TOTAL HEIGHT**
2 5/8"	2 1/8"	E-1200	60-1130 ^{3,6}	3.12"
2 5/8"	3 1/2"	E-1250	60-1140 ^{3,6}	4.50"
5 1/8"	2 1/8"	E-1200	60-1170 ^{4,6}	3.12"
5 1/8"	2 3/16"	E-1200	60-1150 ⁶	3.37"
5 1/8"	3 1/2"	E-1250	60-1180 ⁴	4.75"
5 1/8"	5"	E-3680	60-1190 ⁶	6.00"
5 1/8"	5"	E-3680	60-1200 ^{4,6}	6.00"
5 1/8"	6"	E-3690	60-1210 ^{4,6}	7.00"
5 1/8"	6"	E-3690	60-1220 ⁶	7.00"



Notes: *Will not fit Edelbrock carbs with electric choke. ** Total Height= minimum clearance required above carburetor flange. 1) Includes vent kit; 2) Vent kit available, Part# 85-1190; 3) 1/2" vent tube on base; 4) 3/4" vent tube on base; 5) Top is chrome and base is Hi-Temp nylon; 6) Stainless steel top and chrome base; 7) 16" diameter.

Legal in California only for racing vehicles which may never be used, registered or licensed for use upon a highway. See knfilters.com for CARB status on each part for a specific vehicle. These filters are not applicable, nor intended for use on aircraft. Will not fit "HP" series carb.

RACING, HOT ROD, & CUSTOM PRODUCTS

9-Inch Air Filter Kits - Chrome

The ideal K&N® air filter kit when space is a problem. Five flange sizes and various heights assure a wide number of applications. Can be mounted on most dual carb setups. Polished stainless steel construction for top and base plates.

NECK FLANGE	ELEMENT HEIGHT	ELEMENT	COMPLETE ASSEMBLY	TOTAL HEIGHT**
2 5/8"	2"	E-3527	60-1070 ⁴	3.37"
2 5/8"	2 7/8"	E-3530	60-1080 ⁴	4.12"
3 1/16"	2 7/8"	E-3530	60-1090 ⁴	4.12"
4 7/32"	2 7/8"	E-3530	60-1100 ⁴	4.12"
5 1/8"	2"	E-3527	60-1110 ⁴	3.37"
5 1/8"	2 7/8"	E-3530	60-1120 ⁴	4.12"
5 1/8"	5"	E-3650	60-1365 ⁴	6.37"
7 5/16"	2 7/8"	E-3530	60-1370	4.12"
7 5/16"	5"	E-3650	60-1366	6.37"



7-Inch Air Filter Kits - Chrome

Ideal for that quality show car image. Four flange sizes to fit nearly all carburetors, even 5 1/8" flange 4 barrels.

NECK FLANGE	ELEMENT HEIGHT	ELEMENT	COMPLETE ASSEMBLY	TOTAL HEIGHT**
2 5/16"	2"	E-3360	60-1010 ³	3.06"
2 5/16"	3"	E-3380	60-1020 ³	4.06"
2 5/8"	2"	E-3360	60-1030 ³	3.12"
2 5/8"	3"	E-3380	60-1040 ³	4.12"
3 1/16"	2"	E-3360	60-1050 ³	3.12"
5 1/8"	2"	E-3402	60-1320	2.93"
5 1/8"	3"	E-3403	60-1330	3.93"



9-Inch Velocity Stack Air Filter Kits - Stainless Steel

Open 360° free breathing 9" air filter element on top of a 5" high stainless steel velocity stack base. Draws in cooler air away from engine heat. Engines equipped with the K&N® tall velocity stack air filter can produce more horsepower than those with no filter at all. All stainless steel tops and bases, highly polished to a mirror finish. Available with 5 1/8" flange to fit Holley®, Carter, or Rochester carburetors. Also available with 7 5/16" flange to fit Holley® Dominator carburetors. Choice of two element heights assures proper airflow for virtually any engine. Note: These K&N® assemblies are not U.S. Coast Guard approved for use as a flame arrestor.

NECK FLANGE	ELEMENT HEIGHT	ELEMENT	COMPLETE ASSEMBLY	TOTAL HEIGHT**
5 1/8"	2 7/8"	E-3530	58-1190	8.25"
5 1/8"	5"	E-3650	58-1191	10.50"
7 5/16"	2 7/8"	E-3530	58-1200	8.25"
7 5/16"	5"	E-3650	58-1210	10.50"



14-Inch Triangle Air Filter Kit - Chrome

K&N's custom chrome triangle filter kit is designed to make any engine compartment come to life. This triangle filter kit comes with a 3" high K&N® air filter, has smooth radius corners and fits most carburetors with 5 1/8" flange.

NECK FLANGE	ELEMENT HEIGHT	ELEMENT	COMPLETE ASSEMBLY	TOTAL HEIGHT**
5 1/8"	3"	E-3737	60-1470	3.62"



Notes: ** Total Height = minimum clearance required above carburetor flange. 1) Includes vent kit; 2) Vent kit available, Part# 85-1190; 3) 1/2 vent tube on base; 4) 3/4" vent tube on base; 5) Top is chrome and base is Hi-Temp nylon; 6) Stainless steel top and chrome base; 7) 16" diameter.

Legal in California only for racing vehicles which may never be used, registered or licensed for use upon a highway. See knfilters.com for CARB status on each part for a specific vehicle. These filters are not applicable, nor intended for use on aircraft. Will not fit "HP" series carb.

Holley is a trademark of Holley Performance Products, Inc.

RACING, HOT ROD, & CUSTOM PRODUCTS

Spun Aluminum Air Cleaner Lids with Bases

Works with Most 14- and 16-Inch Round Air Filters

These drop base spun aluminum air cleaner lids and bases use radius airflow to smooth the transition into the throat of the carburetor. Both lids and bases are raw while retaining the high tech spun aluminum look. Each lid features embossed K&N® logos. Made in the USA.



85-6851



85-6852

DESCRIPTION

14" outside diameter

PART#

85-6851

16" outside diameter

85-6852

Custom Lids

Xstream® Chevy & GMC Replacement Lids

Improve airflow and appearance on your late model Chevrolet-GMC truck and 1968 to 1995 GM vehicles with one of our new Xstream® air cleaner lids. Each lid comes in deep luster chrome with our Xstream® air flow top built in! These direct replacement lids are an inexpensive way to dress up your engine compartment and increase your airflow. **Part# 66-1201, 66-1202 (Black)**



66-1201



85-6840

Carbon Fiber Lid

Combines all the necessary features for racing with the good looks only carbon fiber can provide. Easy to install. This top lid fits K&N® air filter part numbers E-3740, E-1650, E-3743, E-3745, E-3730, E-3750, E-3732, E-3760, E-3770 or any round air filter with a 14" outside diameter. At 4.6 oz, this lid weighs 1/4 as much as our standard chrome top plate. Center

Chrome Lid

This chrome plated steel top lid is stamped with the K&N® logo and is easy to install. It fits K&N® air filter part numbers E-3740, E-1650, E-3743, E-3745, E-3730, E-3750, E-3732, E-3760, E-3770 or any round air filter with a 14" outside diameter. Center rises 1". **Part# 85-6842**



85-6842

Custom Air Filter Base Plates

K&N's 14" air filter plates are available separately for replacement or special applications. Base plates fit carburetors with 5 1/8" or 7 5/16" air horn flange. Drop base will clear most electric choke mechanisms, it may be necessary to space up baseplate with a locally available air cleaner spacer.

DESCRIPTION

14" O.D. drop base, Chrome plated steel, 5 1/8" flange (drops filter 7/8" below carb flange)

PART#

85-3545

14" O.D. drop base Chrome plated steel, 5 1/8" flange (drops filter 1 1/4" below carb flange)

85-3549

14" O.D. flat base Chrome plated steel, 5 1/8" flange (raises filter 9/16" above carb flange)

85-1541

14" O.D. flat base Nylon reinforced plastic, 7 5/16" flange (raises filter 3/4" above carb flange)

85-3552

14" O.D. offset flat base, Chrome plated steel, 5 1/8" flange (sets filter 1 1/2" off carb flange)

85-3540

Offset stud for use with 85-3540

08006



85-3545



85-1541



85-3552



85-3549

Legal in California only for racing vehicles which may never be used, registered or licensed for use upon a highway. See knfilters.com for CARB status on each part for a specific vehicle. These filters are not applicable, nor intended for use on aircraft.

RACING, HOT ROD, & CUSTOM PRODUCTS

In-Line Fuel/Oil Filters



K&N® in-line fuel/oil filters can be used with a variety of oils and fuels including methanol. The filter material is made from stainless steel and the housing is anodized aluminum. These inline filters can be used in all forms of racing including, NASCAR®, drag racing, sprint car, and marine applications.

NASCAR® is a registered trademark of the National Association for Stock Car Auto Racing, Inc.

In-Line Fuel/Oil Filter

FITTING TYPE	FILTER SIZE	PART#
6AN	25 MICRON	81-1000
8AN	25 MICRON	81-1001
10AN	25 MICRON	81-1002
10AN	74 MICRON	81-1003
10 WIGGINS	25 MICRON	81-1004
12AN	25 MICRON	81-1005
12 WIGGINS	40 MICRON	81-1006
12 WIGGINS	25 MICRON	81-1007
16AN	74 MICRON	81-1012

1) Fuel filter only. Replacement element not sold separately.

Replacement In-Line Filter Elements

FILTER SIZE	PART#
25 MICRON	81-1008
40 MICRON	81-1009
74 MICRON	81-1010
100 MICRON	81-1011

Off-Road Filters

These off-road filters are designed to provide an outstanding combination of filtration and performance. Designed to achieve high, virtually unrestricted airflow while maintaining filtration levels critical to your engine.



DESCRIPTION	PART#
Covered Round Assembly with 3" outlet. Aluminum cover allows extra protection for filter element. Filter size 9" Dia. by 3" tall.	55-1120
Replacement Element	E-3600

Mini Plenum

Cast aluminum plenum designed to fit Weber DGV carburetors. Single or dual snorkel accepts 2 1/2" I.D. hose or 2 1/2" flanged K&N® universal air filter. Plenum diameter is 5 3/4" and the snout sticks out 4" from the center. 2 1/2" clearance needed above carburetor flange. Includes adaptor part# 85-1061.



85-8927

DESCRIPTION	PART#
Single Snout for Weber DGV series	85-8921
Dual Snout for Weber DGV series	85-8927

Custom Plenum

Cast aluminum plenum, finished with black powder coating and natural highlights. Designed to fit most 4 barrel carbs with a 5 1/8" flange. The plenum has a single snorkel outlet that can be fitted with a 4" I.D. hose running to a remote air filter. Or a K&N® universal filter with a 4" flange can be clamped directly on the snorkel. The outside diameter of the plenum is 9" and the snorkel sticks out 6" from the center of the plenum. Minimum clearance required above the carburetor flange is 3 1/8". Customer must provide 1/4"-20 hold down stud. **Part# 85-1060**

Note: The custom plenum is recommended for small displacement engines (less than 200 C.I.) or low revving V6-V8 engines. If the engine requires more than 45 sq. in. of filter area then the plenum should not be used because the carburetor would have to be re-jetted, resulting in a loss of high R.P.M. power.



Filter Minder®

The Filter Minder® monitors air filter restriction and indicates when an air filter should be serviced. As the air filter gets dirty, the yellow position indicator moves in the clear window of the Filter Minder® and locks at the highest point. It can even be read after the engine is turned off. The air filter should not be cleaned until the position indicator reaches the red zone. Reset the indicator to zero by pushing the yellow reset at the end of the Filter Minder®.

IMPORTANT NOTES:

Initial filter restriction may not occur until 50,000 miles or more depending on operating conditions. Diesel and off-road use requires more frequent cleanings. K&N® air filters become more efficient at stopping dirt as they build a dust film. The air filter should not be cleaned until the indicator reaches the red zone. Sometimes the position indicator can move in the window with a new air filter. This could be from high airflow engine requirements, high humidity, or rain. Do not be alarmed. The air filter should not be cleaned until the indicator reaches the red zone.



85-2445

85-2444

DESCRIPTION	PART#
1/8" pipe threaded Filter Minder®	85-2444
Grommet Mount Filter Minder®	85-2445

Filter Minder® is a registered trademark of Engineered Products Company.

Legal in California only for racing vehicles which may never be used, registered or licensed for use upon a highway. See knfilters.com for CARB status on each part for a specific vehicle. These filters are not applicable, nor intended for use on aircraft.

RACING, HOT ROD, & CUSTOM PRODUCTS

K&N® Stubstacks®

K&N® Stubstacks® are designed to reduce turbulence, improve metering accuracy, and increase the airflow by reducing restriction.

Stubstack® for Holley® 2300

Fits most Holley® 2300 Series carburetors. The Stubstack® is designed to fit 2-barrel popular models within this series. Holley carburetor list numbers are stamped on the choke horn. **Part# 85-0210**



MODEL	LIST NO./CFM	LIST NO./CFM	LIST NO./CFM
2300	0-7448/350	0-4412/500	0-6425/650

Stubstack® for Holley® Square Bore with Milled Choke Horn

This Stubstack® is designed to be used with Holley® 390-850cfm square bore carbs (4150/4160), that have had the choke horn milled off and still use an air cleaner. Eliminates the need for hand polishing and radius work. Will work with all K&N® custom chrome racing air cleaners, including tall velocity stack air cleaners. **Part# 85-0400**



Stubstack® for Holley® Square Bore with Milled Choke Horn

This Stubstack® is designed to be used on Holley® 390-850cfm square bore carbs (4150/4160), that have had the choke horn milled off, but do not use an air cleaner. The full radius design helps to increase the airflow for drag racing. Will also hold down the base plate of a cold air scoop. Will not work with K&N® custom chrome racing air cleaners. **Part# 85-0500**



Stubstack® for Holley® Dominator

This Stubstack® is designed to be used on Holley® 1050 & 1150 cfm Dominator carbs. Will not allow use of a standard air cleaner housing, but it will hold down the base plate of a cold air scoop. Designed to straighten airflow and helps even out the flow to all four venturies. Decreases the restriction around the throttle bores. **Part# 85-0600**



AIR FILTER APPLICATION: The Stubstack® is designed to only work effectively with K&N® air filter elements and 360° custom air cleaner assemblies. If the Stubstack® is installed in an improper housing, the performance may actually drop! The minimum height above the stack needs to be at least 2 1/2" for proper operation. Will not fit "HP" series carb. Check the K&N custom assemblies that will work properly.

Stubstack® for Edelbrock Square-Bore Carburetors

Fits most Edelbrock Square-Bore carburetors. The Stubstack® is designed to fit almost every model within this series. This Stubstack® straightens and speeds up airflow, reduces turbulence, improves metering accuracy and increases airflow by reducing restriction. Available for the Edelbrock part numbers. Will also fit some Carter AFB models. **Part# 85-0700**



MODEL#	CFM RATING	CHOKE TYPE	MODEL#	CFM RATING	CHOKE TYPE
1400	600 cfm	electric choke	1406	600 cfm	electric choke
1404	500 cfm	manual choke	1407	750 cfm	manual choke
1405	600 cfm	manual choke	1411	750 cfm	electric choke

Stubstack® for Demon 4150-Style Carburetors

This Stubstack® is designed to be used on Holley® 4150-style Race Demon Carburetors from 650 to 1000 CFM. Will also fit King Demon Carburetors from 1000 to 1190 CFM. This Stubstack® straightens and speeds up airflow, reduces turbulence, improves metering accuracy and increases airflow by reducing restriction. **Part# 85-0800A**



K&N® Custom Chrome Assemblies Compatible with Stubstack® 85-0200, 85-0210 and 85-0700 Only!

PART#	DIAMETER	TOTAL HEIGHT
60-1180 (w/vent)	11" O.D.	4 1/2"
60-1190	11" O.D.	6"
60-1200 (w/vent)	11" O.D.	6"
60-1210 (w/vent)	11" O.D.	7"
60-1220	11" O.D.	7"
60-1260	14" O.D.	5 5/8"
60-1270	14" O.D.	6 5/8"
60-1300*	14" O.D.	4 3/4"
60-1310*	14" O.D.	5 3/4"



60-1180

Stubstack® for Holley® 4150/4160

Fits most Holley® 4150 and some 4160 Series carburetors with high and low choke horns. The 85-0200 is designed to fit 4-barrel popular models in this series. Holley carburetor list numbers are stamped on the choke horn. See the below chart for carburetor list numbers. **Part# 85-0200**



CARBURETOR LIST#	MODEL#	CFM RATING	CARBURETOR LIST#	MODEL#	CFM RATING	CARBURETOR LIST#	MODEL#	CFM RATING	CARBURETOR LIST#	MODEL#	CFM RATING	CARBURETOR LIST#	MODEL#	CFM RATING
0-1848-1	4160	465	0-4548	4160	450	0-4780-1**	4150	800	0-6919	4150	800	0-8006	4160	600
0-1849	4160	550	0-4776**	4150	600	0-4780-2**	4150	800	0-6979	4160	600	0-8007	4160	390
0-1850	4160	600	0-4776-1**	4150	600	0-4780-3**	4150	800	0-6979-1	4160	600	0-8156**	4150	750
0-1850-1	4160	600	0-4776-2**	4150	600	0-4781**	4150	850	0-6989	4160	600	0-8162**	4150	850
0-1850-2	4160	600	0-4777**	4150	650	0-4781-1**	4150	850	0-7009	4160	600	0-8181	4160	600
0-1850-3	4160	600	0-4777-1**	4150	650	0-4781-2**	4150	850	0-7009-1	4160	600	0-8804**	4150	830
0-1850-4	4160	600	0-4777-2**	4150	650	0-4788**	4150	830	0-7154	4160	600	0-9002	4182	600
0-2818	4150	600	0-4778**	4150	700	0-4788-1**	4150	830	0-7410	4150	340	0-9040	4160	600
0-2818-1	4150	600	0-4778-1**	4150	700	0-6109	4150	750	0-7411	4150	370	0-9210	4160	600
0-3310*	4150	780	0-4778-2**	4150	700	0-6299	4150	390	0-7448	2300	350	0-9219	4160	600
0-3310-1*	4150	780	0-4779**	4150	750	0-6299-1	4160	390	0-7985	4160	600	0-9254	4160	600
0-3310-2*	4160	750	0-4779-1**	4150	750	0-6619	4160	600	0-7986	4160	600	0-9379**	4150	750
0-4118*	4150	725	0-4779-2**	4150	750	0-6619-1	4160	600	0-7987	4160	600	0-9380**	4150	850
0-4452-1	4160	600	0-4779-5**	4150	750	0-6895	4150	390	0-8004	4160	600	0-9381**	4150	830
0-4452-2	4160	600	0-4780**	4150	800	0-6909	4160	600	0-8005	4160	600	0-9626	4160	600

Notes: *Indicates dual feed fuel bowls. **Indicates dual accel. pump & dual feed bowls.

Holley is a trademark of Holley Performance Products, Inc.

Legal in California only for racing vehicles which may never be used, registered or licensed for use upon a highway. See knfilters.com for CARB status on each part for a specific vehicle. These filters are not applicable, nor intended for use on aircraft.

Air Filter Adapters

- CAD Designed
- Made of High Quality Materials Such as Aluminum, Silicone or Reinforced Nylon
- One Year Limited Warranty

K&N® air filter adapters are perfect for the person looking to build their own intake system. Each component is designed with the latest CAD software to ensure exact tolerances and a perfect fit. Each adapter is configured to work in conjunction with K&N® high-flow air filters to ensure smooth non-turbulent air flow.



088010



08781

DESCRIPTION	ADAPTERS	PART#	GASKETS	PART#
TACOMA; 1995-99 L4-2.4L, 2.7L, 5" filter flange to mass air sensor	#230	08781	for #230 Adapter	09040
GM Truck/Corvette; 1999-04, 6" filter flange to mass air sensor	#240	08783	for #240 Adapter	09033
Ford Car/Truck V8, 1996-04, 6" flange filter to mass air sensor	#250	08785	for #250 Adapter	09984
Ford Car/Truck V6, 1997-04, 6" flange filter to mass air sensor	#290	21504	for #290 Adapter	09330
Ford/Mazda I4/V6, 1995-04, 5" flange filter to mass air sensor	#350	21510	for #350 Adapter	09202
Nissan 3.3L V6, 2001-04, 5" flange filter to mass air sensor	#360	21511	•	•
Mitsubishi I4, 2003-04, 6" flange filter to mass air sensor	#390	088010	•	•
Ford Super Charged V8, 2003-04, 6" flange filter to mass air sensor	#400	21513	for #400 Adapter	09067

Silicone Hose Couplers

- Made of the Highest Grade Silicone
- Standard Temperature Range of -65° F to 350° F



08761

08050

K&N® silicone hose couplers are made of the highest grade silicone for uniformity. They have a standard temperature range of -65° F to 350° F, and are available in an assortment of sizes ranging from 2 1/8" - 5". Hump hoses also available. One year limited warranty.

DESCRIPTION	PART#	DESCRIPTION	PART#
2.125" Dia. x 2" L	85-1170	2.5" to 3.25" Step	084050
2.25" Dia. x 2" L	85-1160	2.75" to 2.38" Step	088003
2.5" Dia. x 2" L	08284	2.75" to 3" Step	08096
2.63" Dia. x 1.75" L	08108	3.25" to 3" Step	08186
2.75" Dia. x 1.50" L	08179	3.5" to 3" Step	08724
2.75" Dia. x 2" L	08756	3.5" to 3.25" Step	08051
3" Dia. x 1.75" L	08190	3.75" x 1.75" L	08536
3" Dia. x 2.5" L	08192	3.75" x 2.25" L	08760
3.25" Dia. x 2" L	08690	4" x 1.25" L	08712
3.5" Dia. x 2" L	08698	4" x 1.5" L	08755
3.63" Dia. x 2.5" L	08456	4" x 2" L	08761
3" Dia. to 2.5" Step	08713	4" x 3.5" Step	08050
2.375" to 3" Step	08188	4.5" x 1.75" L	08540

90 Degree Angled Silicone Hose Couplers

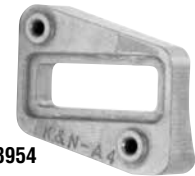
084088



DESCRIPTION	PART#
4" ID to 3.5" ID, Reinforced, Wrapped	08498
2 3/4" ID, Reinforced	084027
3" to 2 3/4" ID, Reinforced	084012
4" to 3 1/2" ID, Molded	084086
3 1/2" ID, Molded	084088
5 1/2" x 3" ID Oval to 3 1/2" ID, Round Tapered, Molded	084094
3 1/4" ID, Molded	084095
2 3/4" ID, Reinforced	08480
3 1/2" ID, Reinforced	08502
3 1/4" to 3" ID, Molded	08629
2 3/4" ID, Transition, with 3" Offset, Reinforced	084082

Weld-On MAF Sensor Adapters

- Precision CNC Machined from 6061 Aluminum
- CAD Design for Accurate Mass Air Flow Sensor Readings
- One Year Limited Warranty



08954

DESCRIPTION	PART#
A2; 2005-06 Toyota Tundra V6, 2003-08 Mazda RX8	08951
A3; Toyota, Mazda, Subaru	08952
A4; Ford, GMC, Pontiac, Chevy, Isuzu, Nissan, Infiniti, Audi, VW, Toyota	08954
A5; Ford, GM, Toyota	08955
A7; Toyota	08978

Custom Air Filter Accessories

FOR 9" CUSTOM AIR FILTER KITS	PART#
5 1/8" Flange, Base Plate	03351
5 1/8" Flange, Velocity Stack 5" High	03418
7 5/16" Flange, Base Plate	03365
7 5/16" Flange, Velocity Stack 5" High	00283
7 5/16" Flange, Top Plate	06883

FOR 11" CUSTOM AIR FILTER KITS	PART#
5 1/8" Flange, Base Plate	01988
7 5/16" Flange, Base Plate	01518

16" CUSTOM AIR FILTER KITS	PART#
7 5/16" Flange, Base Plate, 1" Drop	08984
7 5/16" Flange, Top Plate	07377

DELLORTO	PART#	DELLORTO	PART#
RAM PIPE DSS 40/20	85-5029A	RAM PIPE 45/20	85-5032A
RAM PIPE DSS 40/30	85-5030A	RAM PIPE DSS 45/40	85-5034A
RAM PIPE DSS 40/40	85-5031A		

WEBER	PART#	WEBER	PART#
RAM PIPE	85-5042A	RAM PIPE WSS 45/16	85-5045A
RAM PIPE WSS 40/26	85-5043A	RAM PIPE WSS 45/26	85-5046A
RAM PIPE WSS 40/39	85-5044A	RAM PIPE WSS 45/39	85-5047A

Legal in California only for racing vehicles which may never be used, registered or licensed for use upon a highway. See knfilters.com for CARB status on each part for a specific vehicle. These filters are not applicable, nor intended for use on aircraft.

ACCESSORIES

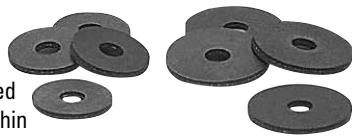
Valve Cover and Filter Vent Tubes



Universal adapters for smog tubes, crankcase and valve cover vents. Requires drilling hole in air filter base or valve cover. All come with mounting hardware and gasket.

DESCRIPTION	PART#
Steel 1/2" flange, 3/4" long, requires 5/8" hole	85-1050
Plastic straight adapter fits 5/8" to 3/4" hose	85-1130
Plastic 90° elbow fits 5/8" hose, requires 7/8" hole	85-1190
Plastic 90° elbow fits 1/2" hose, requires 9/16" hole	85-1120
Plastic 90° elbow fits 3/8" hose, uses rubber grommet	85-1140
Plastic 90° elbow fits 1/2" hose, uses rubber grommet	85-1150
Plastic screw-in for Ford valve covers, for mounting 1 1/2" I.D. CV filter	85-1200
Plastic screw-in for late GM valve covers, for mounting 1 1/2" I.D. CV filter	85-1210
Plastic universal mount, for any flat surface. Use 1 1/2" I.D. CV filter	85-1210

Reinforced Rubber



Made of 1/8" thick reinforced neoprene rubber. Ideal for thin panels, fenders, number plates, air cleaner lids and other items that need to be rubber mounted.

DESCRIPTION	PART#
1) 1" O.D., 1/4" hole (12-10 packs per card)	81-0150
1) 1" O.D., 1/4" hole (single 10 pack)	81-0151
2) 1 1/4" O.D., 5/16" hole (12-8 packs per card)	81-0160
2) 1 1/4" O.D., 5/16" hole (single 8 pack)	81-0161

K&N® Air Filter Gaskets

Gaskets used between air filter base and mounting flange of carburetor. All gaskets are full sets and packed on display card.



DESCRIPTION	PART#
2 and 4-barrel with 5 1/8" neck (1/8" thick)	85-9988*
Dellorto DHLA 40-48	85-9635
Dellorto DRLA 45, 48	85-9783
Holley 5200 with EFC solenoid	85-9424
Solex 40 PII	85-9494
SU 1 1/2"	85-9715
Weber DCNF 36,40,42,44	85-9447
Weber DCOE 40-48 without air horns	85-9635
Weber DCOE 45-48 with air horns	85-9681
Weber DFB,DFD,DFE,DFV,DIF,DIR,DAR 32/36; Autolite 32/36;	
Holley 5200,5210 32/36; Motorcraft 32/36	85-9424
Weber DGV,DGV5A,DGAV,DGEV,DPS 32/36	85-9541
Weber IDA 48 (2-barrel)	85-9471
Weber IDF 40,44,48,48MX	85-9776

*85-9988 gaskets are made of reinforced neoprene rubber. All other gaskets listed are AN890 Armstrong paper gasket material.

Carburetor Covers

K&N® carburetor covers for 5 1/8" standard and 7 5/16" dominator carburetors.



DESCRIPTION	BLACK	RED	ORANGE
5 1/8"	85-8913CK	85-8913CR	85-8913CO
7 5/16"	85-8932CK	85-8932CR	85-8932CO

Carburetor

Adapter Flanges

Quick convenient way to adapt K&N® universal filter to carburetor with flat flange.



CARBURETOR FLANGE SIZE	BOLT CIRCLE	ADAPTER O.D.	ADAPTER WIDTH	ADAPTER PART#
1 1/8" bore, 2-bolt	1 3/8"	2 3/4"	7/8"	85-1070
1" bore, 2-bolt	45mm	2 7/16"	5/8"	85-1090
1" bore, 2-bolt	40mm	2"	5/8"	85-1180



Marine Style Vent Hose Adapters

These vents mount in between the top and bottom plates of custom chrome air filter assemblies. Vent tube accommodates breather hose without drilling filter base.

HOSE SIZE	2 3/4" FILTER HT	4" FILTER HT	6" FILTER HT
1/4"	85-1325	85-1425	85-1625
3/8"	85-1337	85-1437	85-1637
1/2"	85-1350	85-1450	85-1650
5/8"	85-1362	85-1462	85-1662
3/4"	85-1375	85-1475	85-1675

Fuel Line "T" Fitting

Maximum flow, durable, light weight, easy to use. One size fits 1/4" to 3/8" I.D. hose.



DESCRIPTION	PART#
Packed 12 per card	81-0270
Packed 1 per card	81-0271

Air Filter Hardware Kits

All kits are packaged on attractive display card.



DESCRIPTION	PART#
5mm x 12mm Hex head bolts, 5mm wafer washers (6 each)	85-7855
6mm x 12mm Hex head bolts, 6mm locknuts, 6mm wafer washers (4 each)	85-7863
1/4-20 Clip nuts, 1/4-20 x 3/4" Phillips head (2 each)	85-8362
Washers: Stalen, 6mm wave, 5mm wave (6 each)	85-8221
O-ring for Weber IDA (2 each)	85-7728
O-ring for Weber DCOE (2 each)	85-7752
10-24 Acorn nuts, 10-24 wave washers (6 each)	85-7493
5mm x 10mm Socket head bolts, 5mm wave washers (4 each)	85-7848

Legal in California only for racing vehicles which may never be used, registered or licensed for use upon a highway. See knfilters.com for CARB status on each part for a specific vehicle. These filters are not applicable, nor intended for use on aircraft.

PRECHARGER®

The K&N® Precharger® is a specially designed filter wrap made to extend the service interval of your K&N® air filter when used in very dusty conditions. They are made from durable polyester material containing uniform micron openings. The Precharger will stop small dirt particles; yet add little restriction to the airflow of the filter. The Precharger is designed to be run dry and can be cleaned with K&N filter cleaner. The Precharger is custom made to fit each application. Double stitched elastic openings assure that the Precharger will stay in place. The Prechargers are available in a variety of colors.



DRYCHARGER®

K&N® Drychargers® are manufactured from a durable polyester material and are pre-treated with a proprietary hydrophobic process designed to prevent splashes of water or mud from saturating your K&N® air filter. The Drycharger will also stop small dirt particles; yet add little restriction to the airflow of the filter. Please be aware the Drycharger is water repellent, not water proof. Depending on conditions and usage the water repellent treatment is good for 1 to 2 years.

FILTER WRAPS – ROUND STRAIGHT

I.D.	HEIGHT	DESCRIPTION	PART#
2" (51mm)	3" (76mm)	Dry-Black	62-1300DK
2.5" (64mm)	10.75" (273mm)	Dry-Black	PL-5008DK
2.75" (70mm)	2.813" (71mm)	Dry-Black	E-4142DK
3" (76mm)	12.5" (318mm)	Dry-Black	E-3810DK
3" (76mm)	2.5" (64mm)	Pre-Black	RU-0150PK
3" (76mm)	3" (76mm)	Pre-Black	22-8008PK
3" (76mm)	4" (102mm)	Pre-Black	22-8009PK
3" (76mm)	5" (127mm)	Pre-Black	RU-0210PK
3" (76mm)	6" (152mm)	Pre-Black	22-8010PK
3" (76mm)	11.125" (283mm)	Dry-Black	PL-1014-1DK
3.25" (83mm)	7.063" (179mm)	Dry-Black	E-4510DK
3.25" (83mm)	2.5" (64mm)	Pre-Black	22-8007PK
3.25" (83mm)	3.5" (89mm)	Pre-Black	AC-3098PK
3.313" (84mm)	5.5" (140mm)	Pre-Black	YA-2597PK
3.5" (89mm)	1.5" (38mm)	Dry-Black	RC-0170DK
3.5" (89mm)	4" (102mm)	Pre-Black	RU-0500PK
3.5" (89mm)	5" (127mm)	Pre-Black	RU-0510PK
3.5" (89mm)	5" (127mm)	Pre-Blue	RU-0510PL
3.5" (89mm)	5" (127mm)	Pre-Red	RU-0510PR
3.5" (89mm)	5" (127mm)	Pre-Yellow	RU-0510PY
3.5" (89mm)	6" (152mm)	Pre-Black	RU-0520PK
3.625" (92mm)	9" (229mm)	Pre-Black	YA-4350PK
3.875" (98mm)	4.25" (108mm)	Pre-Red	HA-3098PR
3.875" (98mm)	4.313" (110mm)	Pre-Red	HA-2090PR
3.875" (98mm)	5.875" (149mm)	Pre-Black	YA-3504PK
3.938" (100mm)	5.625" (143mm)	Pre-Black	YA-4001PK
4" (102mm)	7" (178mm)	Dry-Black	PL-5006DK
4" (102mm)	4" (102mm)	Pre-Black	22-8011PK
4" (102mm)	4.25" (108mm)	Pre-Black	PL-1004PK
4" (102mm)	5" (127mm)	Pre-Black	RU-1460PK
4" (102mm)	6" (152mm)	Pre-Black	RU-1470PK
4" (102mm)	7" (178mm)	Pre-Black	PL-1003PK
4" (102mm)	7" (178mm)	Pre-Black	RU-1480PK
4.5" (114mm)	4" (102mm)	Dry-Black	RB-0900DK
4.5" (114mm)	3.563" (90mm)	Pre-Blue	KA-2288PL
4.5" (114mm)	3.625" (92mm)	Pre-Blue	KA-4093PL
4.5" (114mm)	4" (102mm)	Pre-Black	22-8012PK
4.5" (114mm)	5" (127mm)	Pre-Black	22-8013PK
4.5" (114mm)	6" (152mm)	Pre-Red	HA-4504PR
4.625" (117mm)	5" (127mm)	Pre-Red	HA-3094PR
4.75" (121mm)	4.625" (117mm)	Pre-Black	HA-5000PK
5" (127mm)	5" (127mm)	Dry-Black	RC-5182DK
5" (127mm)	5.5" (140mm)	Dry-Black	CM-4508DK
5" (127mm)	6.625" (168mm)	Dry-Black	KA-4508DK
5" (127mm)	7.25" (184mm)	Dry-Black	PL-8007DK
5" (127mm)	3.688" (94mm)	Pre-Yellow	SU-4250PY
5" (127mm)	4" (102mm)	Pre-Black	22-8014PK
5" (127mm)	5" (127mm)	Pre-Black	RU-2430PK

I.D.	HEIGHT	DESCRIPTION	PART#
5" (127mm)	6" (152mm)	Pre-Black	YA-4504PK
5" (127mm)	7" (178mm)	Pre-Black	22-8044PK
5.25" (133mm)	4.75" (121mm)	Dry-Black	SU-7005DK
5.25" (133mm)	6.25" (159mm)	Dry-Black	AC-1012DK
5.5" (140mm)	2.25" (57mm)	Dry-Black	E-4665DK
5.5" (140mm)	5.5" (140mm)	Dry-Black	KA-7508DK
5.5" (140mm)	3" (76mm)	Pre-Black	22-8015PK
5.5" (140mm)	5" (127mm)	Pre-Black	22-8016PK
5.563" (141mm)	6" (152mm)	Dry-Black	PL-3214DK
6" (152mm)	6" (152mm)	Dry-Black	22-8045DK
6" (152mm)	1.75" (44mm)	Pre-Black	E-3211PK
6" (152mm)	1.75" (44mm)	Pre-Blue	E-3211PL
6" (152mm)	1.75" (44mm)	Pre-Red	E-3211PR
6" (152mm)	2" (51mm)	Pre-Black	22-8017PK
6" (152mm)	3.25" (83mm)	Pre-Black	E-3190PK
6" (152mm)	3.25" (83mm)	Pre-Blue	E-3190PL
6" (152mm)	3.25" (83mm)	Pre-Red	E-3190PR
6" (152mm)	3.25" (83mm)	Pre-Yellow	E-3190PY
6" (152mm)	3.5" (89mm)	Pre-Black	22-8018PK
6.188" (157mm)	7.563" (192mm)	Dry-Black	E-4710DK
6.25" (159mm)	1.5" (38mm)	Dry-Black	RC-3028DK
6.25" (159mm)	1.5" (38mm)	Dry-Blue	RC-3028DL
6.25" (159mm)	1.5" (38mm)	Dry-Red	RC-3028DR
6.25" (159mm)	1.5" (38mm)	Dry-Yellow	RC-3028DY
7" (178mm)	2" (51mm)	Dry-Black	E-4521DK
7" (178mm)	2.25" (57mm)	Dry-Black	E-4518DK
7" (178mm)	2" (51mm)	Pre-Black	E-3360PK
7" (178mm)	2" (51mm)	Pre-Red	E-3360PR
7" (178mm)	3" (76mm)	Pre-Black	E-3380PK
7" (178mm)	3" (76mm)	Pre-Blue	E-3380PL
7" (178mm)	3" (76mm)	Pre-Red	E-3380PR
7" (178mm)	3" (76mm)	Pre-Black	RU-0980PK
7" (178mm)	4" (102mm)	Pre-Black	22-8019PK
7" (178mm)	4" (102mm)	Pre-Black	E-2510PK
7" (178mm)	4" (102mm)	Pre-Blue	E-2510PL
7" (178mm)	4" (102mm)	Pre-Red	E-2510PR
7" (178mm)	4" (102mm)	Pre-Yellow	E-2510PY
7" (178mm)	5" (127mm)	Pre-Black	22-8020PK
7" (178mm)	6" (152mm)	Pre-Black	22-8021PK
7" (178mm)	9" (229mm)	Pre-Black	22-8022PK
7.5" (191mm)	2.25" (57mm)	Pre-Black	RK-3901PK
7.625" (194mm)	10" (254mm)	Dry-Red	RU-3270DR
9" (229mm)	2" (51mm)	Pre-Black	E-3527PK
9" (229mm)	2" (51mm)	Pre-Blue	E-3527PL
9" (229mm)	2" (51mm)	Pre-Red	E-3527PR
9" (229mm)	2" (51mm)	Pre-Yellow	E-3527PY
9" (229mm)	3" (76mm)	Pre-Black	E-3530PK
9" (229mm)	3" (76mm)	Pre-Blue	E-3530PL

FILTER WRAPS

FILTER WRAPS – ROUND STRAIGHT CONTINUED

I.D.	HEIGHT	DESCRIPTION	PART#
9" (229mm)	3" (76mm)	Pre-Red	E-3530PR
9" (229mm)	3" (76mm)	Pre-Yellow	E-3530PY
9" (229mm)	5" (127mm)	Pre-Black	E-3650PK
9" (229mm)	5" (127mm)	Pre-Blue	E-3650PL
9" (229mm)	5" (127mm)	Pre-Red	E-3650PR
9" (229mm)	5" (127mm)	Pre-Yellow	E-3650PY
11" (279mm)	2" (51mm)	Pre-Black	22-8000PK
11" (279mm)	3.5" (89mm)	Pre-Black	E-1250PK
11" (279mm)	3.5" (89mm)	Pre-Blue	E-1250PL
11" (279mm)	3.5" (89mm)	Pre-Red	E-1250PR
11" (279mm)	3.5" (89mm)	Pre-Yellow	E-1250PY
11" (279mm)	4" (102mm)	Pre-Black	22-8001PK
11" (279mm)	5" (127mm)	Pre-Black	E-3680PK
11" (279mm)	5" (127mm)	Pre-Blue	E-3680PL
11" (279mm)	5" (127mm)	Pre-Red	E-3680PR
11" (279mm)	6" (152mm)	Pre-Black	E-3690PK
11" (279mm)	6" (152mm)	Pre-Blue	E-3690PL
11" (279mm)	6" (152mm)	Pre-Red	E-3690PR
11" (279mm)	6" (152mm)	Pre-Yellow	E-3690PY
11.75" (298mm)	2.5" (64mm)	Dry-Black	E-3016DK
14" (356mm)	2.25" (57mm)	Pre-Black	22-1422PK
14" (356mm)	2.25" (57mm)	Pre-Blue	22-1422PL
14" (356mm)	2.25" (57mm)	Pre-Red	22-1422PR
14" (356mm)	2.25" (57mm)	Pre-Yellow	22-1422PY
14" (356mm)	2.25" (57mm)	Pre-Black	E-3740PK
14" (356mm)	2.25" (57mm)	Pre-Blue	E-3740PL
14" (356mm)	2.25" (57mm)	Pre-Red	E-3740PR
14" (356mm)	2.25" (57mm)	Pre-Yellow	E-3740PY
14" (356mm)	3" (76mm)	Pre-Black	22-1430PK
14" (356mm)	3" (76mm)	Pre-Blue	22-1430PL

I.D.	HEIGHT	DESCRIPTION	PART#
14" (356mm)	3" (76mm)	Pre-Blue	22-1430PL
14" (356mm)	3" (76mm)	Pre-Red	22-1430PR
14" (356mm)	3" (76mm)	Pre-Yellow	22-1430PY
14" (356mm)	3" (76mm)	Pre-Black	E-1650PK
14" (356mm)	3" (76mm)	Pre-Blue	E-1650PL
14" (356mm)	3" (76mm)	Pre-Red	E-1650PR
14" (356mm)	3" (76mm)	Pre-Yellow	E-1650PY
14" (356mm)	4" (102mm)	Pre-Black	22-1440PK
14" (356mm)	4" (102mm)	Pre-Blue	22-1440PL
14" (356mm)	4" (102mm)	Pre-Red	22-1440PR
14" (356mm)	4" (102mm)	Pre-Yellow	22-1440PY
14" (356mm)	4" (102mm)	Pre-Black	E-3750PK
14" (356mm)	4" (102mm)	Pre-Blue	E-3750PL
14" (356mm)	4" (102mm)	Pre-Red	E-3750PR
14" (356mm)	4" (102mm)	Pre-Yellow	E-3750PY
14" (356mm)	5" (127mm)	Pre-Black	22-1450PK
14" (356mm)	5" (127mm)	Pre-Blue	22-1450PL
14" (356mm)	5" (127mm)	Pre-Red	22-1450PR
14" (356mm)	5" (127mm)	Pre-Yellow	22-1450PY
14" (356mm)	5" (127mm)	Pre-Black	E-3760PK
14" (356mm)	5" (127mm)	Pre-Blue	E-3760PL
14" (356mm)	5" (127mm)	Pre-Red	E-3760PR
14" (356mm)	5" (127mm)	Pre-Yellow	E-3760PY
14" (356mm)	6" (152mm)	Pre-Black	E-3770PK
14" (356mm)	6" (152mm)	Pre-Blue	E-3770PL
14" (356mm)	6" (152mm)	Pre-Red	E-3770PR
14" (356mm)	6" (152mm)	Pre-Yellow	E-3770PY
16" (406mm)	2" (51mm)	Pre-Black	22-8002PK
16" (406mm)	4" (102mm)	Pre-Black	22-8004PK

FILTER WRAPS – ROUND TAPERED

BASE I.D.	TOP I.D.	HEIGHT	DESC.	PART#
2.25" (57mm)	2" (51mm)	2.5" (64mm)	Pre-Black	RC-2540PK
2.5" (64mm)	2" (51mm)	2.25" (57mm)	Pre-Black	RC-0790PK
3" (76mm)	2" (51mm)	3" (76mm)	Pre-Black	22-8028PK
3" (76mm)	2" (51mm)	4" (102mm)	Pre-Black	22-8048PK
3.5" (89mm)	2" (51mm)	4" (102mm)	Pre-Black	RC-1200PK
3.75" (95mm)	2" (51mm)	5" (127mm)	Pre-Black	22-8029PK
3.875" (98mm)	3.5" (89mm)	3.813" (97mm)	Pre-Red	HA-3500PR
4" (102mm)	3.75" (95mm)	1.5" (38mm)	Dry-Black	59-2045DK
4" (102mm)	2" (51mm)	6" (152mm)	Dry-Black	22-8030DK
4.313" (110mm)	4.25" (108mm)	5.313" (135mm)	Pre-Black	KA-3603PK
4.375" (111mm)	4.5" (114mm)	4.5" (114mm)	Pre-Red	HA-2504PR
4.5" (114mm)	3.5" (89mm)	2.5" (64mm)	Dry-Red	22-2042PR
4.5" (114mm)	3" (76mm)	4" (102mm)	Dry-Blue	22-2040PL
4.5" (114mm)	3" (76mm)	4" (102mm)	Dry-Red	22-2040PR
4.5" (114mm)	3.5" (89mm)	4" (102mm)	Pre-Black	AC-4096PK
4.5" (114mm)	3.5" (89mm)	5.375" (137mm)	Pre-Black	SU-4002PK
4.5" (114mm)	4" (102mm)	6.125" (156mm)	Pre-Black	RX-3820PK
4.5" (114mm)	4" (102mm)	6.125" (156mm)	Pre-Red	RX-3820PR
4.5" (114mm)	4" (102mm)	6.5" (165mm)	Pre-Black	22-8031PK
4.625" (117mm)	3.75" (95mm)	3.438" (87mm)	Pre-Black	22-8088PK
4.625" (117mm)	3.5" (89mm)	6.75" (171mm)	Dry-Black	YA-3502DK
4.625" (117mm)	3.5" (89mm)	6.75" (171mm)	Pre-Black	YA-3502PK
4.688" (119mm)	3.5" (89mm)	4.875" (124mm)	Dry-Black	RC-9350DK
4.688" (119mm)	3.5" (89mm)	4.875" (124mm)	Dry-Blue	RC-9350DL
4.688" (119mm)	3.5" (89mm)	4.875" (124mm)	Dry-Red	RC-9350DR
4.688" (119mm)	3.5" (89mm)	4.875" (124mm)	Dry-Yellow	RC-9350DY
4.75" (121mm)	4.5" (114mm)	4.75" (121mm)	Dry-Black	HA-6806DK
4.75" (121mm)	3.5" (89mm)	5.875" (149mm)	Dry-Black	RC-9310DK
4.75" (121mm)	3.5" (89mm)	7" (178mm)	Dry-Black	RU-3130DK
4.75" (121mm)	3.5" (89mm)	6" (152mm)	Pre-Red	HA-4250PR
5" (127mm)	4" (102mm)	6" (152mm)	Dry-Black	PL-5207DK

BASE I.D.	TOP I.D.	HEIGHT	DESC.	PART#
5" (127mm)	4" (102mm)	6" (152mm)	Dry-Black	RC-4650DK
5" (127mm)	4" (102mm)	6" (152mm)	Dry-Blue	RC-4650DL
5" (127mm)	4" (102mm)	6" (152mm)	Dry-Red	RC-4650DR
5" (127mm)	4" (102mm)	6" (152mm)	Dry-Yellow	RC-4650DY
5" (127mm)	4" (102mm)	7.875" (200mm)	Dry-Black	RC-4690DK
5" (127mm)	4" (102mm)	7.875" (200mm)	Dry-Blue	RC-4690DL
5" (127mm)	4" (102mm)	7.875" (200mm)	Dry-Red	RC-4690DR
5" (127mm)	4" (102mm)	7.875" (200mm)	Dry-Yellow	RC-4690DY
5" (127mm)	4.5" (114mm)	4.5" (114mm)	Pre-Red	HA-4400PR
5" (127mm)	4" (102mm)	7" (178mm)	Pre-Black	22-8032PK
5" (127mm)	4.75" (121mm)	8" (203mm)	Pre-Black	RE-0910PK
5.125" (130mm)	3.5" (89mm)	6" (152mm)	Dry-Black	RC-4160DK
5.125" (130mm)	4.5" (114mm)	4.188" (106mm)	Pre-Red	HA-3093PR
5.25" (133mm)	3" (76mm)	6" (152mm)	Dry-Blue	22-2030PL
5.25" (133mm)	3" (76mm)	6" (152mm)	Dry-Red	22-2030PR
5.375" (137mm)	4" (102mm)	5.5" (140mm)	Dry-Black	RP-4660DK
5.375" (137mm)	4" (102mm)	5.5" (140mm)	Dry-Blue	RP-4660DL
5.375" (137mm)	4" (102mm)	5.5" (140mm)	Dry-Red	RP-4660DR
5.375" (137mm)	4" (102mm)	5.5" (140mm)	Dry-Yellow	RP-4660DY
5.375" (137mm)	4" (102mm)	6.5" (165mm)	Dry-Black	RC-5149DK
5.375" (137mm)	4.375" (111mm)	7" (178mm)	Dry-Black	RU-2590DK
5.375" (137mm)	4.375" (111mm)	3.5" (89mm)	Pre-Red	HA-2440PR
5.5" (140mm)	4.5" (114mm)	6.5" (165mm)	Dry-Black	RC-4630DK
5.5" (140mm)	4.5" (114mm)	6.5" (165mm)	Dry-Blue	RC-4630DL
5.5" (140mm)	4.5" (114mm)	6.5" (165mm)	Dry-Red	RC-4630DR
5.5" (140mm)	4.5" (114mm)	6.5" (165mm)	Dry-Yellow	RC-4630DY
5.5" (140mm)	4" (102mm)	8" (203mm)	Dry-Black	RF-1045DK
5.5" (140mm)	4" (102mm)	8" (203mm)	Dry-Blue	RF-1045DL
5.5" (140mm)	4" (102mm)	8" (203mm)	Dry-Red	RF-1045DR
5.5" (140mm)	4" (102mm)	8" (203mm)	Dry-Yellow	RF-1045DY
5.75" (146mm)	4.5" (114mm)	6" (152mm)	Dry-Black	RF-1023DK

FILTER WRAPS – ROUND TAPERED CONTINUED

BASE I.D.	TOP I.D.	HEIGHT	DESC.	PART#	BASE I.D.	TOP I.D.	HEIGHT	DESC.	PART#
5.75" (146mm)	4.5" (114mm)	6" (152mm)	Dry-Blue	RF-1023DL	6.75" (171mm)	5.875" (149mm)	9.5" (241mm)	Dry-Black	RU-5045DK
5.75" (146mm)	4.5" (114mm)	6" (152mm)	Dry-Red	RF-1023DR	7" (178mm)	3.75" (95mm)	1" (25mm)	Dry-Black	E-2435DK
5.75" (146mm)	3.5" (89mm)	6" (152mm)	Dry-Black	RF-1035DK	7.375" (187mm)	6.625" (168mm)	7.875" (200mm)	Dry-Black	RC-4900DK
5.75" (146mm)	3.5" (89mm)	6" (152mm)	Dry-Blue	RF-1035DL	7.375" (187mm)	6.625" (168mm)	7.875" (200mm)	Dry-Blue	RC-4900DL
5.75" (146mm)	3.5" (89mm)	6" (152mm)	Dry-Red	RF-1035DR	7.375" (187mm)	6.625" (168mm)	7.875" (200mm)	Dry-Red	RC-4900DR
5.75" (146mm)	3.5" (89mm)	6" (152mm)	Dry-Yellow	RF-1035DY	7.375" (187mm)	6.625" (168mm)	7.875" (200mm)	Dry-Yellow	RC-4900DY
5.813" (148mm)	4" (102mm)	6" (152mm)	Dry-Black	RU-5168DK	7.5" (191mm)	7" (178mm)	11" (279mm)	Dry-Black	RF-1026DK
5.875" (149mm)	4.938" (125mm)	4" (102mm)	Pre-Yellow	SU-5098PY	7.5" (191mm)	7" (178mm)	11" (279mm)	Dry-Blue	RF-1026DL
5.875" (149mm)	5" (127mm)	6" (152mm)	Pre-Black	RU-3480PK	7.5" (191mm)	7" (178mm)	11" (279mm)	Dry-Red	RF-1026DR
6" (152mm)	5" (127mm)	5.563" (141mm)	Dry-Black	RX-4990DK	7.5" (191mm)	7" (178mm)	18" (457mm)	Dry-Black	RC-3070DK
6" (152mm)	5" (127mm)	5.563" (141mm)	Dry-Blue	RX-4990DL	7.5" (191mm)	5.875" (149mm)	3" (76mm)	Dry-Black	RF-1028DK
6" (152mm)	5" (127mm)	5.563" (141mm)	Dry-Red	RX-4990DR	7.5" (191mm)	5.875" (149mm)	3" (76mm)	Dry-Blue	RF-1028DL
6" (152mm)	5" (127mm)	5.563" (141mm)	Dry-Yellow	RX-4990DY	7.5" (191mm)	5.875" (149mm)	3" (76mm)	Dry-Red	RF-1028DR
6" (152mm)	5" (127mm)	6.5" (165mm)	Dry-Black	RX-4730DK	7.5" (191mm)	5.875" (149mm)	3" (76mm)	Dry-Yellow	RF-1028DY
6" (152mm)	5" (127mm)	6.5" (165mm)	Dry-Blue	RX-4730DL	7.5" (191mm)	5" (127mm)	4" (102mm)	Dry-Black	RF-1009DK
6" (152mm)	5" (127mm)	6.5" (165mm)	Dry-Red	RX-4730DR	7.5" (191mm)	5" (127mm)	4" (102mm)	Dry-Blue	RF-1009DL
6" (152mm)	5" (127mm)	6.5" (165mm)	Dry-Yellow	RX-4730DY	7.5" (191mm)	5" (127mm)	4" (102mm)	Dry-Red	RF-1009DR
6" (152mm)	4" (102mm)	6.75" (171mm)	Dry-Black	RC-4700DK	7.5" (191mm)	5" (127mm)	4" (102mm)	Dry-Yellow	RF-1009DY
6" (152mm)	4" (102mm)	6.75" (171mm)	Dry-Blue	RC-4700DL	7.5" (191mm)	5" (127mm)	5" (127mm)	Dry-Black	22-8049DK
6" (152mm)	4" (102mm)	6.75" (171mm)	Dry-Red	RC-4700DR	7.5" (191mm)	5.875" (149mm)	6" (152mm)	Dry-Black	RC-5173DK
6" (152mm)	4" (102mm)	6.75" (171mm)	Dry-Yellow	RC-4700DY	7.5" (191mm)	5" (127mm)	6" (152mm)	Dry-Black	RF-1036DK
6" (152mm)	5" (127mm)	7" (178mm)	Dry-Black	RC-5100DK	7.5" (191mm)	5" (127mm)	6" (152mm)	Dry-Blue	RF-1036DL
6" (152mm)	5" (127mm)	7" (178mm)	Dry-Blue	RC-5100DL	7.5" (191mm)	5" (127mm)	6" (152mm)	Dry-Yellow	RF-1036DY
6" (152mm)	5" (127mm)	7" (178mm)	Dry-Red	RC-5100DR	7.5" (191mm)	4.5" (114mm)	6" (152mm)	Dry-Black	RF-1048DK
6" (152mm)	5" (127mm)	7" (178mm)	Dry-Yellow	RC-5100DY	7.5" (191mm)	4.5" (114mm)	6" (152mm)	Dry-Blue	RF-1048DL
6" (152mm)	4.5" (114mm)	7" (178mm)	Dry-Black	RF-1015DK	7.5" (191mm)	4.5" (114mm)	6" (152mm)	Dry-Red	RF-1048DR
6" (152mm)	4.5" (114mm)	7" (178mm)	Dry-Blue	RF-1015DL	7.5" (191mm)	4.5" (114mm)	6" (152mm)	Dry-Yellow	RF-1048DY
6" (152mm)	4.5" (114mm)	7" (178mm)	Dry-Red	RF-1015DR	7.5" (191mm)	4.5" (114mm)	6.5" (165mm)	Dry-Black	RC-5107DK
6" (152mm)	4.5" (114mm)	7" (178mm)	Dry-Yellow	RF-1015DY	7.5" (191mm)	4.5" (114mm)	6.5" (165mm)	Dry-Blue	RC-5107DL
6" (152mm)	4.5" (114mm)	8" (203mm)	Dry-Black	RC-5106DK	7.5" (191mm)	4.5" (114mm)	6.5" (165mm)	Dry-Red	RC-5107DR
6" (152mm)	4.5" (114mm)	8" (203mm)	Dry-Blue	RC-5106DL	7.5" (191mm)	4.5" (114mm)	6.5" (165mm)	Dry-Yellow	RC-5107DY
6" (152mm)	4.5" (114mm)	8" (203mm)	Dry-Red	RC-5106DR	7.5" (191mm)	5.875" (149mm)	6.5" (165mm)	Dry-Black	RF-1014DK
6" (152mm)	4.5" (114mm)	8" (203mm)	Dry-Yellow	RC-5106DY	7.5" (191mm)	5.875" (149mm)	6.5" (165mm)	Dry-Blue	RF-1014DL
6" (152mm)	4.5" (114mm)	9" (229mm)	Dry-Black	RC-3690DK	7.5" (191mm)	5.875" (149mm)	6.5" (165mm)	Dry-Red	RF-1014DR
6" (152mm)	4.5" (114mm)	9" (229mm)	Dry-Blue	RC-3690DL	7.5" (191mm)	5.875" (149mm)	6.5" (165mm)	Dry-Yellow	RF-1014DY
6" (152mm)	4.5" (114mm)	9" (229mm)	Dry-Red	RC-3690DR	7.5" (191mm)	5" (127mm)	6.5" (165mm)	Dry-Black	RF-1042DK
6" (152mm)	4.5" (114mm)	9" (229mm)	Dry-Yellow	RC-3690DY	7.5" (191mm)	5" (127mm)	6.5" (165mm)	Dry-Blue	RF-1042DL
6" (152mm)	4.625" (117mm)	12" (305mm)	Pre-Black	22-8034PK	7.5" (191mm)	5" (127mm)	6.5" (165mm)	Dry-Red	RF-1042DR
6" (152mm)	4.625" (117mm)	14" (356mm)	Pre-Black	22-8035PK	7.5" (191mm)	5" (127mm)	6.5" (165mm)	Dry-Yellow	RF-1042DY
6" (152mm)	4.625" (117mm)	6" (152mm)	Pre-Black	22-8033PK	7.5" (191mm)	5.125" (130mm)	7" (178mm)	Dry-Black	RF-1029DK
6" (152mm)	4.625" (117mm)	9" (229mm)	Pre-Black	RE-0810PK	7.5" (191mm)	5.125" (130mm)	7" (178mm)	Dry-Blue	RF-1029DL
6.125" (156mm)	5.125" (130mm)	3.938" (100mm)	Dry-Black	SU-4506DK	7.5" (191mm)	5.125" (130mm)	7" (178mm)	Dry-Red	RF-1029DR
6.25" (159mm)	5.5" (140mm)	2.125" (54mm)	Dry-Black	HD-0800DK	7.5" (191mm)	5.125" (130mm)	7" (178mm)	Dry-Yellow	RF-1029DY
6.25" (159mm)	4.375" (111mm)	4.125" (105mm)	Dry-Black	RU-5163DK	7.5" (191mm)	5" (127mm)	7.5" (191mm)	Dry-Black	RF-1041DK
6.313" (160mm)	5.438" (138mm)	3" (76mm)	Pre-Black	SU-4000PK	7.5" (191mm)	5" (127mm)	7.5" (191mm)	Dry-Blue	RF-1041DL
6.5" (165mm)	4.5" (114mm)	5.5" (140mm)	Dry-Black	RU-5147DK	7.5" (191mm)	5" (127mm)	7.5" (191mm)	Dry-Red	RF-1041DR
6.5" (165mm)	4.5" (114mm)	6" (152mm)	Dry-Black	RC-5060DK	7.5" (191mm)	5" (127mm)	7.5" (191mm)	Dry-Yellow	RF-1041DY
6.5" (165mm)	4.5" (114mm)	6" (152mm)	Dry-Blue	RC-5060DL	7.5" (191mm)	5" (127mm)	8" (203mm)	Dry-Black	22-8038DK
6.5" (165mm)	4.5" (114mm)	6" (152mm)	Dry-Red	RC-5060DR	7.5" (191mm)	7" (178mm)	8" (203mm)	Dry-Black	RF-1017DK
6.5" (165mm)	4.5" (114mm)	6" (152mm)	Dry-Yellow	RC-5060DY	7.5" (191mm)	7" (178mm)	8" (203mm)	Dry-Blue	RF-1017DL
6.5" (165mm)	5" (127mm)	6.5" (165mm)	Dry-Black	RF-1037DK	7.5" (191mm)	7" (178mm)	8" (203mm)	Dry-Red	RF-1017DR
6.5" (165mm)	5" (127mm)	6.5" (165mm)	Dry-Blue	RF-1037DL	7.5" (191mm)	7" (178mm)	8" (203mm)	Dry-Yellow	RF-1017DY
6.5" (165mm)	5" (127mm)	6.5" (165mm)	Dry-Red	RF-1037DR	7.5" (191mm)	5" (127mm)	8" (203mm)	Dry-Black	RF-1020DK
6.5" (165mm)	5" (127mm)	6.5" (165mm)	Dry-Yellow	RF-1037DY	7.5" (191mm)	5" (127mm)	8" (203mm)	Dry-Red	RF-1020DR
6.5" (165mm)	4.5" (114mm)	7" (178mm)	Dry-Black	RF-1032DK	7.5" (191mm)	5.875" (149mm)	8.5" (216mm)	Dry-Blue	RF-1020DL
6.5" (165mm)	4.5" (114mm)	7" (178mm)	Dry-Blue	RF-1032DL	7.5" (191mm)	5.875" (149mm)	8.5" (216mm)	Dry-Yellow	RF-1020DY
6.5" (165mm)	4.5" (114mm)	7" (178mm)	Dry-Red	RF-1032DR	7.5" (191mm)	4.5" (114mm)	9" (229mm)	Dry-Black	RC-5046DK
6.5" (165mm)	4.5" (114mm)	7" (178mm)	Dry-Yellow	RF-1032DY	7.5" (191mm)	4.5" (114mm)	9" (229mm)	Dry-Blue	RC-5046DL
6.5" (165mm)	4.5" (114mm)	8" (203mm)	Dry-Black	RF-1027DK	7.5" (191mm)	4.5" (114mm)	9" (229mm)	Dry-Red	RC-5046DR
6.5" (165mm)	4.5" (114mm)	8" (203mm)	Dry-Blue	RF-1027DL	7.5" (191mm)	4.5" (114mm)	9" (229mm)	Dry-Yellow	RC-5046DY
6.5" (165mm)	4.5" (114mm)	8" (203mm)	Dry-Red	RF-1027DR	7.5" (191mm)	5" (127mm)	4" (102mm)	Pre-Black	22-8036PK
6.5" (165mm)	4.5" (114mm)	8" (203mm)	Dry-Yellow	RF-1027DY	7.5" (191mm)	7" (178mm)	8" (203mm)	Pre-Black	22-8050PK
6.625" (168mm)	5.25" (133mm)	9.5" (241mm)	Dry-Black	RC-4780DK	8" (203mm)	6.625" (168mm)	10.5" (267mm)	Dry-Black	RC-5166DK
6.625" (168mm)	6.25" (159mm)	9.5" (241mm)	Dry-Blue	RC-4780DL	8" (203mm)	7" (178mm)	13" (330mm)	Dry-Black	RC-5165DK
6.625" (168mm)	5.25" (133mm)	9.5" (241mm)	Dry-Red	RC-4780DR	8" (203mm)	6.625" (168mm)	8" (203mm)	Dry-Black	RC-5112DK
6.625" (168mm)	5.25" (133mm)	9.5" (241mm)	Dry-Yellow	RC-4780DY	9" (229mm)	6.625" (168mm)	7.5" (191mm)	Dry-Black	RC-5139DK

FILTER WRAPS

FILTER WRAPS – OVAL TAPERED

BASE" SIDE LENGTH	BASE" SIDE WIDTH	TOP" SIDE LENGTH	TOP" SIDE WIDTH	HEIGHT	DESC.	PART#
3" (76mm)	3.75" (95mm)	3" (76mm)	2" (51mm)	6" (152mm)	Dry-Black	RC-3680DK
4" (102mm)	3" (76mm)	3" (76mm)	2" (51mm)	2.75" (70mm)	Dry-Black	RC-1820DK
4" (102mm)	3" (76mm)	3.5" (89mm)	2.5" (64mm)	2.75" (70mm)	Dry-Black	RU-0981DK
4" (102mm)	3" (76mm)	3" (76mm)	2" (51mm)	4" (102mm)	Dry-Black	RC-2890DK
4" (102mm)	3.25" (83mm)	3.5" (89mm)	2.5" (64mm)	7" (178mm)	Dry-Black	SN-2560DK
4.5" (114mm)	3.75" (95mm)	3.5" (89mm)	2.5" (64mm)	2.75" (70mm)	Dry-Black	RU-2780DK
5.625" (143mm)	4.125" (105mm)	4.5" (114mm)	3.25" (83mm)	2.5" (64mm)	Pre-Blue	KA-6589PL
6" (152mm)	3.75" (95mm)	4.25" (108mm)	3.25" (83mm)	5" (127mm)	Pre-Black	RU-4720PK
6.25" (159mm)	3.75" (95mm)	4.5" (114mm)	3.5" (89mm)	6.75" (171mm)	Pre-Black	RU-4710PK
6.375" (162mm)	4.75" (121mm)	4.5" (114mm)	3.25" (83mm)	2.75" (70mm)	Pre-Black	YA-2088PK
6.5" (165mm)	4.5" (114mm)	9" (229mm)	5.5" (140mm)	6.25" (159mm)	Pre-Black	RD-4200PK
6.5" (165mm)	4.5" (114mm)	9" (229mm)	5.5" (140mm)	6.25" (159mm)	Pre-Blue	RD-4200PL
6.5" (165mm)	4.5" (114mm)	9" (229mm)	5.5" (140mm)	6.25" (159mm)	Pre-Red	RD-4200PR
6.5" (165mm)	4.5" (114mm)	9" (229mm)	5.5" (140mm)	6.25" (159mm)	Pre-Yellow	RD-4200PY
7" (178mm)	4.5" (114mm)	6.25" (159mm)	4" (102mm)	3" (76mm)	Dry-Blue	22-2015PL
7" (178mm)	4.5" (114mm)	6.25" (159mm)	4" (102mm)	3" (76mm)	Dry-Red	22-2015PR
7" (178mm)	5.5" (140mm)	5.25" (133mm)	4.25" (108mm)	5" (127mm)	Dry-Black	RC-70031DK
7.75" (197mm)	5.5" (140mm)	6.25" (159mm)	4" (102mm)	5" (127mm)	Dry-Black	RF-1001DK
7.75" (197mm)	5.5" (140mm)	6.25" (159mm)	4" (102mm)	5" (127mm)	Dry-Blue	RF-1001DL
7.75" (197mm)	5.5" (140mm)	6.25" (159mm)	4" (102mm)	5" (127mm)	Dry-Red	RF-1001DR
7.75" (197mm)	5.5" (140mm)	6.25" (159mm)	4" (102mm)	5" (127mm)	Dry-Yellow	RF-1001DY
8.5" (216mm)	5.25" (133mm)	6.25" (159mm)	4" (102mm)	5.5" (140mm)	Dry-Black	RC-5040DK
8.5" (216mm)	5.25" (133mm)	6.25" (159mm)	4" (102mm)	5.5" (140mm)	Dry-Blue	RC-5040DL
8.5" (216mm)	5.25" (133mm)	6.25" (159mm)	4" (102mm)	5.5" (140mm)	Dry-Red	RC-5040DR
8.5" (216mm)	5.25" (133mm)	6.25" (159mm)	4" (102mm)	5.5" (140mm)	Dry-Yellow	RC-5040DY
8.75" (222mm)	5" (127mm)	6.25" (159mm)	4" (102mm)	9" (229mm)	Dry-Black	RF-1012DK
8.75" (222mm)	5" (127mm)	6.25" (159mm)	4" (102mm)	9" (229mm)	Dry-Blue	RF-1012DL
8.75" (222mm)	5" (127mm)	6.25" (159mm)	4" (102mm)	9" (229mm)	Dry-Red	RF-1012DR
8.75" (222mm)	5" (127mm)	6.25" (159mm)	4" (102mm)	9" (229mm)	Dry-Yellow	RF-1012DY
9" (229mm)	5.75" (146mm)	7" (178mm)	4.5" (114mm)	7.5" (191mm)	Dry-Black	RF-1034DK
9" (229mm)	5.75" (146mm)	7" (178mm)	4.5" (114mm)	7.5" (191mm)	Dry-Blue	RF-1034DL
9" (229mm)	5.75" (146mm)	7" (178mm)	4.5" (114mm)	7.5" (191mm)	Dry-Red	RF-1034DR
9" (229mm)	5.75" (146mm)	7" (178mm)	4.5" (114mm)	7.5" (191mm)	Dry-Yellow	RF-1034DY
9.25" (235mm)	6.25" (159mm)	7" (178mm)	4.5" (114mm)	10" (254mm)	Dry-Black	RF-1024DK
9.25" (235mm)	6.25" (159mm)	7" (178mm)	4.5" (114mm)	10" (254mm)	Dry-Blue	RF-1024DL
9.25" (235mm)	6.25" (159mm)	7" (178mm)	4.5" (114mm)	10" (254mm)	Dry-Red	RF-1024DR
9.25" (235mm)	6.25" (159mm)	7" (178mm)	4.5" (114mm)	10" (254mm)	Dry-Yellow	RF-1024DY
9.5" (241mm)	6.75" (171mm)	9" (229mm)	5.5" (140mm)	8.938" (227mm)	Dry-Black	RC-5102DK
9.5" (241mm)	6.75" (171mm)	9" (229mm)	5.5" (140mm)	8.938" (227mm)	Dry-Blue	RC-5102DL
9.5" (241mm)	6.75" (171mm)	9" (229mm)	5.5" (140mm)	8.938" (227mm)	Dry-Red	RC-5102DR
9.5" (241mm)	6.75" (171mm)	9" (229mm)	5.5" (140mm)	8.938" (227mm)	Dry-Yellow	RC-5102DY
12" (305mm)	6" (152mm)	9.938" (252mm)	3.938" (100mm)	7" (178mm)	Dry-Black	RP-5103DK
12" (305mm)	6" (152mm)	9.938" (252mm)	3.938" (100mm)	7" (178mm)	Dry-Blue	RP-5103DL
12" (305mm)	6" (152mm)	9.938" (252mm)	3.938" (100mm)	7" (178mm)	Dry-Red	RP-5103DR
12" (305mm)	6" (152mm)	9.938" (252mm)	3.938" (100mm)	7" (178mm)	Dry-Yellow	RP-5103DY
18.75" (476mm)	5" (127mm)	16.75" (425mm)	3" (76mm)	4.813" (122mm)	Dry-Black	RP-5135DK

FILTER WRAPS – RECTANGLE STRAIGHT

LENGTH	WIDTH	HEIGHT	DESC.	PART#	LENGTH	WIDTH	HEIGHT	DESC.	PART#
6.75" (171mm)	4.5" (114mm)	1.5" (38mm)	Pre-Black	22-8039PK	9.125" (232mm)	6.75" (171mm)	6.5" (165mm)	Pre-Yellow	100-8569PY
6.75" (171mm)	4.5" (114mm)	2.5" (64mm)	Pre-Black	22-8040PK	19" (483mm)	14" (356mm)	4.5" (114mm)	Dry-Black	100-8592DK
6.75" (171mm)	4.5" (114mm)	3" (76mm)	Pre-Black	22-8041PK	19" (483mm)	7" (178mm)	5.375" (137mm)	Pre-Black	100-8576PK
6.75" (171mm)	4.5" (114mm)	4" (102mm)	Pre-Black	22-8042PK	19" (483mm)	14" (356mm)	6.5" (165mm)	Pre-Black	100-8562PK
7.5" (191mm)	6.125" (156mm)	1.75" (44mm)	Pre-Black	E-3960PK	19" (483mm)	7" (178mm)	7.5" (191mm)	Pre-Black	100-8570PK
7.5" (191mm)	6.125" (156mm)	1.75" (44mm)	Pre-Blue	E-3960PL	19" (483mm)	7" (178mm)	7.5" (191mm)	Pre-Red	100-8570PR
7.5" (191mm)	6.125" (156mm)	1.75" (44mm)	Pre-Red	E-3960PR	19" (483mm)	7" (178mm)	7.5" (191mm)	Pre-Yellow	100-8570PY
7.5" (191mm)	6.125" (156mm)	1.75" (44mm)	Pre-Yellow	E-3960PY	24" (610mm)	18" (457mm)	10" (254mm)	Pre-Blue	100-8562PL
9.125" (232mm)	6.75" (171mm)	6.5" (165mm)	Pre-Black	100-8569PK	24" (610mm)	18" (457mm)	10" (254mm)	Pre-Red	100-8562PR
9.125" (232mm)	6.75" (171mm)	6.5" (165mm)	Pre-Red	100-8569PK	24" (610mm)	18" (457mm)	10" (254mm)	Pre-Yellow	100-8562PY

FILTER WRAPS – OVAL STRAIGHT

INSIDE LENGTH	INSIDE WIDTH	HEIGHT	DESC.	PART#	INSIDE LENGTH	INSIDE WIDTH	HEIGHT	DESC.	PART#
4" (102mm)	3" (76mm)	2" (51mm)	Dry-Black	E-4515DK	7.5" (191mm)	5.5" (140mm)	4.75" (121mm)	Dry-Black	KA-7408DK
4" (102mm)	3" (76mm)	2.75" (70mm)	Dry-Black	E-4516DK	7.75" (197mm)	4.75" (121mm)	2.5" (64mm)	Pre-Red	HA-6592PR
4.5" (114mm)	3.75" (95mm)	6" (152mm)	Pre-Black	RU-1230PK	7.75" (197mm)	5.875" (149mm)	5.063" (129mm)	Pre-Black	KA-7504PK
4.5" (114mm)	3.75" (95mm)	7" (178mm)	Pre-Black	RU-1240PK	9" (229mm)	5.5" (140mm)	2.5" (64mm)	Dry-Blue	22-2840PL
4.5" (114mm)	3.75" (95mm)	9" (229mm)	Pre-Black	RU-1260PK	9" (229mm)	5.5" (140mm)	2.5" (64mm)	Dry-Red	22-2840PR
6.5" (165mm)	4.625" (117mm)	7.875" (200mm)	Dry-Black	YA-7008DK	9" (229mm)	5.5" (140mm)	2" (51mm)	Pre-Black	E-3441PK
6.625" (168mm)	4.625" (117mm)	2.875" (73mm)	Pre-Yellow	SU-6590PY	9" (229mm)	5.5" (140mm)	2" (51mm)	Pre-Blue	E-3441PL
6.625" (168mm)	3.813" (97mm)	3.438" (87mm)	Pre-Black	PL-1002PK	9" (229mm)	5.5" (140mm)	2" (51mm)	Pre-Yellow	E-3441PY
7" (178mm)	4.5" (114mm)	2" (51mm)	Dry-Blue	22-2000PL	9" (229mm)	5.5" (140mm)	3.5" (89mm)	Pre-Black	E-3461PK
7" (178mm)	4.5" (114mm)	2" (51mm)	Dry-Red	22-2000PR	9" (229mm)	5.5" (140mm)	3.5" (89mm)	Pre-Red	E-3461PR
7" (178mm)	4.5" (114mm)	3" (76mm)	Dry-Blue	22-2020PL	9" (229mm)	5.5" (140mm)	3.5" (89mm)	Pre-Yellow	E-3461PY
7" (178mm)	4.5" (114mm)	3" (76mm)	Dry-Red	22-2020PR	9" (229mm)	5.5" (140mm)	6" (152mm)	Pre-Black	E-3491PK
7" (178mm)	4.5" (114mm)	2" (51mm)	Pre-Black	E-3321PK	9" (229mm)	5.5" (140mm)	6" (152mm)	Pre-Blue	E-3491PL
7" (178mm)	4.5" (114mm)	2" (51mm)	Pre-Blue	E-3321PL	9" (229mm)	5.5" (140mm)	6" (152mm)	Pre-Red	E-3491PR
7" (178mm)	4.5" (114mm)	2" (51mm)	Pre-Red	E-3321PR	9" (229mm)	5.5" (140mm)	6" (152mm)	Pre-Yellow	E-3491PY
7" (178mm)	4.5" (114mm)	2" (51mm)	Pre-Yellow	E-3321PY	9" (229mm)	5.5" (140mm)	6.5" (165mm)	Pre-Black	RD-5000PK
7" (178mm)	4.5" (114mm)	2.25" (57mm)	Pre-Black	RK-3902PK	9" (229mm)	5.5" (140mm)	6.5" (165mm)	Pre-Blue	RD-5000PL
7" (178mm)	4.5" (114mm)	3.5" (89mm)	Pre-Black	E-3341PK	9" (229mm)	5.5" (140mm)	6.5" (165mm)	Pre-Red	RD-5000PR
7" (178mm)	4.5" (114mm)	3.5" (89mm)	Pre-Blue	E-3341PL	9.5" (241mm)	8.375" (213mm)	2.125" (54mm)	Dry-Black	E-3495PK
7" (178mm)	4.5" (114mm)	3.5" (89mm)	Pre-Red	E-3341PR	12" (305mm)	5.5" (140mm)	3.5" (89mm)	Pre-Black	E-3671PK
7" (178mm)	4.5" (114mm)	3.5" (89mm)	Pre-Yellow	E-3341PY	12" (305mm)	5.5" (140mm)	3.5" (89mm)	Pre-Red	E-3671PR
7.375" (187mm)	4" (102mm)	2.063" (52mm)	Pre-Red	HA-1312PR	12" (305mm)	5.5" (140mm)	6" (152mm)	Pre-Black	22-8027PK
7.375" (187mm)	4" (102mm)	2.563" (65mm)	Pre-Red	HA-1315PR					

FILTER WRAPS – ROUND REVERSE TAPERED

BASE I.D.	TOP I.D.	HEIGHT	DESC.	PART#	BASE I.D.	TOP I.D.	HEIGHT	DESC.	PART#
3.375" (86mm)	3.5" (89mm)	4.125" (105mm)	Pre-Black	SU-2504PK	4.5" (114mm)	6" (152mm)	6.125" (156mm)	Dry-Black	RX-3810DK
3.813" (97mm)	3.875" (98mm)	8.125" (206mm)	Pre-Black	YA-6504PK	4.5" (114mm)	6" (152mm)	6.125" (156mm)	Dry-Red	RX-3810DR
4.5" (114mm)	6" (152mm)	6.125" (156mm)	Dry-Black	RX-3810DK	6.25" (159mm)	7" (178mm)	3.625" (92mm)	Dry-Black	HD-0700DK

FILTER WRAPS – UNIQUE

DESCRIPTION	PART#	DESCRIPTION	PART#
Dry-Black	KT-4511DK	Dry-Black	KA-4408DK
Dry-Black	YA-4510DK	Pre-Black	KA-6503PK
Dry-Black	YA-4514DK	Dry-Black	KT-5201DK
Dry-Black	E-4967DK	Dry-Black	RC-5052DK
Dry-Black	SU-6596DK	Dry-Black	YA-4098-1DK
Dry-Black	HA-2591DK	Dry-Black	YA-4503DK
Dry-Black	HA-4503DK	Dry-Black	YA-6601DK

FILTER WRAPS – UNIVERSAL

LENGTH	WIDTH	DESC.	PART#	LENGTH	WIDTH	DESC.	PART#
7" (178mm)	7" (178mm)	Dry-Black	SU-4002-TDK	9.75" (248mm)	5.75" (146mm)	Dry-Black	YA-3502-TDK
7.125" (181mm)	7.125" (181mm)	Dry-Black	YA-4504-TDK	9.875" (251mm)	7.125" (181mm)	Dry-Black	HA-4504-TDK
8.25" (210mm)	6.75" (171mm)	Dry-Black	HA-4099-TDK	10.25" (260mm)	6.875" (175mm)	Dry-Black	YA-6601-TDK
8.25" (210mm)	6.75" (171mm)	Pre-Black	HA-4099-TPK	58" (1473mm)	36" (914mm)	Dry-Black	25-3901

PRE-CLEANER WRAPS



Developed for only the dustiest of conditions, the K&N® pre-cleaner is a specially designed foam filter wrap made to extend the service interval of your K&N® air filter. Made from large, open cell foam, the pre-cleaner will trap dust and dirt, yet add only a small amount of restriction to the airflow of your filter.

- Custom made to fit specific applications
- Also sold in universal cut-to-fit sizes
- Red pre-cleaners are designed to be used with foam filter oil (purchased locally), pre-cleaners must be cleaned with K&N® cleaner or soap and water

Round Straight

DESCRIPTION	I.D.	HEIGHT	PART#
Pre-Cleaner-Red	4.5" (114 mm)	1.5" (38 mm)	25-0330
Pre-Cleaner-Red	3" (76 mm)	2.5" (64 mm)	25-1480
Pre-Cleaner-Red	3.75" (95 mm)	6" (152 mm)	25-1770
Pre-Cleaner-Red	14" (356 mm)	4" (102 mm)	25-3750
Pre-Cleaner-Red	14" (356 mm)	5" (127 mm)	25-3760
Pre-Cleaner-Red	14" (356 mm)	6" (152 mm)	25-3770
Pre-Cleaner-Charcoal-Dry	14" (356 mm)	4" (102 mm)	25-5500
Pre-Cleaner-Charcoal-Dry	14" (356 mm)	5" (127 mm)	25-5600
Pre-Cleaner-Charcoal-Dry	14" (356 mm)	6" (152 mm)	25-5700
Pre-Cleaner-Charcoal-Dry	16" (406 mm)	3" (76 mm)	25-5200
Pre-Cleaner-Charcoal-Dry	16" (406 mm)	4" (102 mm)	25-5300
Pre-Cleaner-Charcoal-Dry	16" (406 mm)	5" (127 mm)	25-5400



25-3770

Round Tapered

DESCRIPTION	BASE I.D.	TOP I.D.	HEIGHT	PART#
Pre-Cleaner-Yellow	3.125" (79 mm)	3" (76 mm)	3.375" (86 mm)	25-2588
Pre-Cleaner-Red	6" (152 mm)	5" (127 mm)	14" (356 mm)	25-0880
Pre-Cleaner-Red	6" (152 mm)	5" (127 mm)	9" (229 mm)	25-0810
Pre-Cleaner-Red	7" (178 mm)	4.5" (114 mm)	4.875" (124 mm)	25-6601
Pre-Cleaner-Charcoal-Dry	8" (203 mm)	6.625" (168 mm)	12" (305 mm)	25-5166
Pre-Cleaner-Charcoal-Dry	7.5" (191 mm)	5.125" (130 mm)	11.625" (295 mm)	25-5167
Pre-Cleaner-Charcoal-Dry	6.5" (165 mm)	6.5" (165 mm)	11.5" (292 mm)	25-5168



25-5166

Oval Straight

DESCRIPTION	INSIDE LENGTH	INSIDE WIDTH	HEIGHT	PART#
Pre-Cleaner-Red	4.5" (114 mm)	3.25" (83 mm)	1.5" (38 mm)	25-4250
Pre-Cleaner-Red	5.5" (140 mm)	4.25" (108 mm)	2" (51 mm)	25-1691
Pre-Cleaner-Red	7" (178 mm)	4.5" (114 mm)	3.25" (83 mm)	25-3340
Pre-Cleaner-Red	7" (178 mm)	4.5" (114 mm)	6" (152 mm)	25-3346
Pre-Cleaner-Red	9" (229 mm)	5.5" (140 mm)	3.25" (83 mm)	25-3460
Pre-Cleaner-Red	9" (229 mm)	5.5" (140 mm)	6" (152 mm)	25-3490
Pre-Cleaner-Red	20" (508 mm)	9" (229 mm)	3" (76 mm)	25-1963
Pre-Cleaner-Red	20" (508 mm)	9" (229 mm)	4.5" (114 mm)	25-1964
Pre-Cleaner-Red	20" (508 mm)	9" (229 mm)	6" (152 mm)	25-1966



25-1966

Universal

DESCRIPTION	WIDTH	LENGTH	PART#
Pre-Cleaner-Red	7" (178 mm)	48" (1219 mm)	25-3900
Pre-Cleaner-Red	18" (457 mm)	48" (1219 mm)	25-3918
Pre-Cleaner-Red	24" (610 mm)	48" (1219 mm)	25-3924
Pre-Cleaner-Red	30" (762 mm)	48" (1219 mm)	25-3930



UNIQUE AIR FILTERS



SPECIAL FILTERS TO CLAMP DIRECTLY ON GM TPI THROTTLE BODIES USING 1990-92 STOCK GM OR DIGITAL FUEL INJECTION COMPUTER. WILL NOT WORK ON ENGINES THAT USE A MASS-AIR SENSOR.

2 15/16" x 4 3/4" oval mounting flange	4 3/4" x 6 1/2" oval base	3 1/4" x 4 1/2" stainless steel oval top	5 5/8" filter height, 7/8" flange length	RC-5000
2 15/16" x 4 3/4" oval mounting flange	4 3/4" x 6 1/2" oval base	3 1/4" x 4 1/2" rubber oval top	3 1/2" filter height, 7/8" flange length	RU-5004
2 15/16" x 4 3/4" oval mounting flange	4 3/4" x 6 1/2" oval base	3 1/4" x 4 1/2" stainless steel oval top	3 1/2" filter height, 7/8" flange length	RC-5004
2 15/16" x 4 3/4" oval mounting flange	4 1/2" x 7" oval base	4 1/2" x 7" chrome oval top	2" filter height, 3/4" flange length	RC-5010
2 15/16" x 4 3/4" oval mounting flange	5 1/4" x 8 5/8" oval base	4" x 6 1/4" stainless steel oval top	5 1/2" filter height, 7/8" flange length	RC-5050
3 15/16" x 6 1/4" oval mounting flange	5 1/2" x 7 3/4" oval base	4" x 6 1/4" stainless steel oval top	5" filter height, 7/8" flange length	RF-1001



SPECIAL FILTERS WITH METAL BASE AND FLANGES, TO ALLOW MOUNTING THE FILTER WITH A HOSE, IDEAL FOR HIGH TEMPERATURE APPLICATIONS SUCH AS TURBOCHARGERS.

3" Outside diameter round mounting flange, 7" filter diameter, 7" chrome top w/1" hole, 6" filter height, 1 5/8" flange length	RM-3001
3 1/2" Outside diameter round mounting flange, 4 1/2" x 7" oval base, 4 1/2" x 7" stainless steel top, 3 1/2" filter height, 5/8" flange length	RM-3501



1 1/4" round mounting flange, 3 1/2" filter diameter, rubber top, 1/4-20 threads, 3 1/2" filter height, 5/8" flange length	RE-0220
1 3/4" round mounting flange, 3 1/2" filter diameter, rubber top, 1/4-20 threads, 3 1/2" filter height, 5/8" flange length	RE-0260
2" round mounting flange, 3" base diameter, 3 1/2" rubber top, 1/4-20 threads, 3 1/2" filter height, 5/8" flange length	RE-0280
2 1/2" round mounting flange, 5" base diameter, 5 1/2" metal top, 1/4-20 threads, 2 3/4" filter height, 5/8" flange length	RE-0380



SPECIAL FILTERS WITH DUAL OVAL MOUNTING FLANGES, SOLD IN TWO-PACKS ONLY.

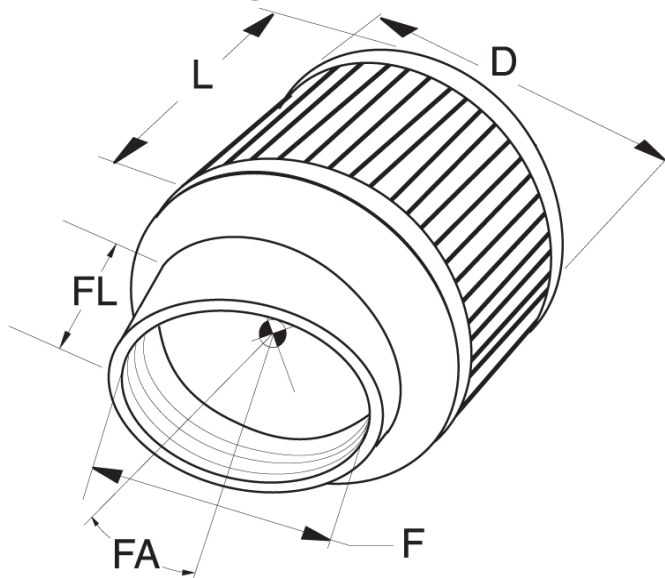
2 3/16" x 2 7/8" flanges, 5" x 6" rectangle base, 3 1/4" x 4 1/4" rubber oval top, 4" filter height, 11/16" flange length, 3 1/8 c-c spacing	RU-2952
--	----------------



OTHER	
1 1/2" x 2 1/4" Oval mounting offset flange, 3 3/4" x 3 7/16" rect. base, 3 3/8" x 2 3/4" rectangle top, 2 1/4" filter height, 3/4" flange length	RU-3450
1 15/16" Outside dia. round mounting offset flange, 3 7/8" x 3 7/16" rect. base, 3 3/8" x 2 3/4" rectangle top, 2 1/4" filter height, 1/2" flange length	RU-3460
1 1/4" Inside diameter round centered flange, 3 7/8" x 3 7/16" rectangle base, tapered, 2 1/4" filter height, 1/2" flange length	RU-3410
3 3/16" Outside diameter flange, 4 1/2" x 6 1/4" base, chrome top, 11 3/8" filter height, 3/4" flange length	RF-1011

Legal in California only for racing vehicles which may never be used, registered or licensed for use upon a highway. See knfilters.com for CARB status on each part for a specific vehicle. These filters are not applicable, nor intended for use on aircraft.

Round Straight



When selecting one of K&N's universal round straight air filters, you should consider the following dimensions as they relate to the specification chart:

(F) Mounting Flange Inside Diameter - This is the most critical dimension and should be very close to the diameter of the application's inlet flange. The flange will stretch up to 1/16" for those in-between sizes.

(D) Filter Diameter - This is the overall diameter of the filter. Always use the largest diameter practical for maximum filtration.

(L) Filter Length - This dimension is the length of the filter body only, it does not include the flange length. Always use the longest filter practical for maximum filtration.

(FA/FL) Flange Angle and/or Length - If no angle is listed in the specifications table, then the flange is straight. Any angle listed is in degrees and can be utilized when space is a problem.

(FO) Flange Offset - In some cases the center of the flange is offset from the center of the filter base in order to provide a better fit.

(F) Mounting Flange Inside Diameter		(D) Filter Diameter		(L) Filter Length		(FL) Flange Length		(FA) Flange Style		(FO) Flange Offset		Rubber End Cap Part #	Chrome End Cap Part #	Custom End Cap Part #	Filter Wraps Part #
Inch	mm	Inch	mm	Inch	mm	Inch	mm	Type	Angle	Inch	mm				
5/16	8	1-3/8	35	1-1/8	29	7/16	11	Centered						62-2470	
3/8	10	2	51	1-1/2	38	3/8	10	Centered						62-1570	
		2	51	1-1/2	38	7/16	11	Centered				62-1320			
		2	51	1-3/4	44	1/2	13	Centered					62-1600WT-		
		2	51	1-3/4	44	5	127	Centered					62-1600RD-		
1/2	13	1-3/8	35	1-1/8	29	219/500	11	Centered					62-2480		
		2	51	1-1/2	38	7/16	11	Centered					62-1330		
9/16	14	2	51	2-1/8	54	1	25	Centered					62-1230		
5/8	16	1-3/8	35	1-1/8	29	3/8	10	Centered				RU-3230			
		2	51	1-1/2	38	7/16	11	Centered					62-1340		
3/4	19	1-3/8	35	1-1/8	29	7/16	11	Centered				62-1560			
		2	51	1-1/2	38	7/16	11	Centered						62-1360	
		2	51	2-1/2	64	5/8	16	Centered				RU-3630			
1	25	2	51	1-1/2	38	5/8	16	Centered					62-1370		
		3	76	2-1/4	57	5/8	16	Centered					62-1420		RU-0150PK
		3	76	2-3/8	60	7/16	11	Centered			62-1410				RU-0150PK
1-1/16	27	3	76	3	76	5/8	16	Centered			R-1040				22-8008PK
1-1/4	32	3	76	2-1/2	64	5/8	16	Centered						62-1580	
		3	76	2-1/2	64	5/8	16	Centered			62-1380				RU-0150PK
		3	76	2-1/2	64	7/8	22	Centered					62-1390		RU-0150PK
		3	76	3	76	5/8	16	Centered			RU-0060				22-8008PK
		3	76	4	102	5/8	16	Centered			RU-0070				22-8009PK
		3	76	4	102	3/4	19	Angled	20°		RU-0100				
1-3/8	35	3	76	5	127	5/8	16	Centered				RU-0080			RU-0210PK
		3	76	5	127	3/4	19	Angled	20°		RU-0110				RU-0210PK
		3	76	2-1/2	64	7/16	11	Centered					62-1440		RU-0150PK

1) 1/4-20 Jack Nut Into Top 2) Base Has (2) 7/8" Vents 3) Base Has 1/2" Vent 4) Base Has 1/32" Vent 5) Base Has 1/4" Vent 6) Base Has 11/16" Vent 7) Base Has 1-1/8" Vent 8) Base Has 13/16" Vent 9) Base Has 13/32" Vent 10) Base Has 13/64" Vent 11) Base Has 2-3/16" Square Inlet 12) Base Has 15/64" Vent 13) Base Has 19/32" Vent 14) Base Has 21/32" Vent 15) Base Has 25/64" Vent 16) Base Has 29/32" Vent 17) Base Has 3/16" Vent 18) Base Has 3/4" Vent 19) Base Has 3/8" Vent 20) Base Has 31/64" Vent 21) Base Has 35/64" Vent 22) Base Has 45/64" Vent 23) Base Has 5/16" Vent 24) Base Has 5/8" Vent 25) Base Has 55/64" Vent 26) Base Has 7/16" Vent 27) Base Has 7/8" Vent 28) Base Has 9/16" Vent 29) Base Has Opt. 1/2" Vent 30) Base Has 23/32" Vent 31) Base Has 25/32" Vent 32) Filter Has Molded-in Velocity Stack 33) Filter Is Reverse Tapered 34) Fits Legend/Dwarf Race Cars w/FJ1200 Motors 35) Base Has 15/32" Vent 36) Top Plate Has 1/4-20 Stud 37) Top-Plate Has 6MM Stud 39) Offset Is Vertical 41) Offset Is Vertical And To The Right 42) Top Has 1/2" Vent 43) Top Has 1-1/16" Center Hole 44) Top Has 21/32" Center Hole 45) Top Has 23/32" Center Hole 46) Top Has 5/32" Center Hole 47) Top Has 7/16" Center Hole 48) Base Has 11/32" Vent 49) Top Has 1/4" Center Hole 50) Top Has 1-7/16" Center Hole 51) 2-1/2" Adapter Included 52) Top Has 5/8" Vent 53) Tapered Insert Included 5" to 4-3/8" 54) Filter has Thru Hole 2-3/4" x 1-5/8" 55) Top Has 7/16" Hole

Round Straight



(F) Mounting Flange Inside Diameter		(D) Filter Diameter		(L) Filter Length		(FL) Flange Length		(FA) Flange Style		(FO) Flange Offset		Rubber End Cap Part #	Chrome End Cap Part #	Custom End Cap Part #	Filter Wraps Part #	
Inch	mm	Inch	mm	Inch	mm	Inch	mm	Type	Angle	Inch	mm					
1-3/8	35	3	76	2-1/2	64	5/8	16	Centered				62-1430				RU-0150PK
1-1/2	38	3	76	2-1/2	64	7/16	11	Centered					62-1460			RU-0150PK
		3	76	2-1/2	64	5/8	16	Centered				62-1450				RU-0150PK
		3	76	3	76	5/8	16	Centered				RU-0155				
		3	76	4	102	5/8	16	Centered				RU-0160				22-8009PK
		3	76	6	152	5/8	16	Centered				RU-0175				
1-9/16	40	3	76	2	51	5/8	16	Centered					RC-0840			RC-0844
		3	76	2-1/4	57	5/8	16	Centered					RC-0880			RU-0150PK
		3	76	2-1/2	64	5/8	16	Centered					RC-0160			RU-0150PK
		3	76	3	76	5/8	16	Centered					RC-0870			22-8008PK
		3-1/2	89	1-1/2	38	5/8	16	Centered					RC-0170			RC-0170DK
1-11/16	43	3	76	2-1/2	64	5/8	16	Centered				RU-1130				RU-0150PK
		3	76	3	76	5/8	16	Centered					RC-1120			22-8008PK
		3	76	4	102	5/8	16	Centered				RU-0200				22-8009PK
		3	76	5	127	5/8	16	Centered				RU-0210				RU-0210PK
		3	76	6	152	1-1/2	38	Angled	40°			R-1030				22-8010PK
		3-1/2	89	2	51	5/8	16	Centered					RC-0190			
		3-1/2	89	10	254	5/8	16	Centered				RU-3850				25-3918
		4	102	2	51	5/8	16	Centered				RU-0260				
		5-1/4	133	2	51	5/8	16	Offset		3/4	19	RU-0310				
1-3/4	44	3	76	2	51	5/8	16	Centered				RU-2570				RU-0150PK
		3	76	2-1/2	64	5/8	16	Centered				62-1470		62-1480		62-1480
		3	76	3	76	5/8	16	Centered				RU-2685				
		3	76	6	152	5/8	16	Centered				RU-2575				
		3-1/2	89	1-1/2	38	5/8	16	Centered					RC-2870			RC-0170DK
		3-1/2	89	4	102	5/8	16	Centered				KA-2712				
		3-1/2	89	4-1/2	114	1	25	Angled	10°			RU-1030				RU-0510PK
		3-1/2	89	5	127	5/8	16	Centered				RU-0360				25-1770
		3-1/2	89	5	127	3/4	19	Angled	10°			RU-1040				25-1770
		3-1/2	89	6	152	5/8	16	Centered				R-1050				25-1770
		3-1/2	89	6	152	3/4	19	Angled	10°			RU-1050				RU-0520PK
		4-1/2	114	1-1/2	38	5/8	16	Offset		9/16	14		RC-0330			25-0330
		4-1/2	114	1-1/2	38	5/8	16	Centered					RC-0340			25-0330
		4-1/2	114	2	51	5/8	16	Centered				RU-0370				
1-13/16	46	3	76	2-1/4	57	5/8	16	Centered					RC-0910			RU-0150PK
		3	76	2-1/4	57	1	25	Centered					RC-2620			RU-0150PK
		3	76	3	76	5/8	16	Centered					RC-0890			22-8008PK
		5-1/2	140	3	76	5/8	16	Offset		15/16	24	RU-0350				22-8015PK
1-7/8	48	3	76	1-1/2	38	5/8	16	Centered				RU-2560				
		3	76	2	51	5/8	16	Centered				RU-3350				RU-0150PK
		3	76	4	102	5/8	16	Centered				RU-0400				22-8009PK
		3	76	4	102	1	25	Angled	10°			RU-1280	RC-1280			22-8009PK
		3	76	5	127	5/8	16	Centered				RU-0410	RC-0410			RU-0210PK
		3	76	6	152	5/8	16	Centered				RU-0420				22-8010PK
		3-1/2	89	4	102	5/8	16	Centered				RD-0450				RU-0500PK

1) 1/4-20 Jack Nut Into Top 2) Base Has (2) 7/8" Vents 3) Base Has 1/2" Vent 4) Base Has 1/32" Vent 5) Base Has 1/4" Vent 6) Base Has 11/16" Vent 7) Base Has 1-1/8" Vent 8) Base Has 13/16" Vent 9) Base Has 13/32" Vent 10) Base Has 13/64" Vent 11) Base Has 2-3/16" Square Inlet 12) Base Has 15/64" Vent 13) Base Has 19/32" Vent 14) Base Has 21/32" Vent 15) Base Has 25/64" Vent 16) Base Has 29/32" Vent 17) Base Has 3/16" Vent 18) Base Has 3/4" Vent 19) Base Has 3/8" Vent 20) Base Has 31/64" Vent 21) Base Has 35/64" Vent 22) Base Has 45/64" Vent 23) Base Has 5/16" Vent 24) Base Has 5/8" Vent 25) Base Has 55/64" Vent 26) Base Has 7/16" Vent 27) Base Has 7/8" Vent 28) Base Has 9/16" Vent 29) Base Has Opt. 1/2" Vent 30) Base Has 23/32" Vent 31) Base Has 25/32" Vent 32) Filter Has Molded-in Velocity Stack 33) Filter Is Reverse Tapered 34) Fits Legend/Dwarf Race Cars w/FJ1200 Motors 35) Base Has 15/32" Vent 36) Top Plate Has 1/4-20 Stud 37) Top-Plate Has 6MM Stud 39) Offset Is Vertical 41) Offset Is Vertical And To The Right 42) Top Has 1/2" Vent 43) Top Has 1-1/16" Center Hole 44) Top Has 21/32" Center Hole 45) Top Has 23/32" Center Hole 46) Top Has 5/32" Center Hole 47) Top Has 7/16" Center Hole 48) Base Has 11/32" Vent 49) Top Has 1/4" Center Hole 50) Top Has 1-7/16" Center Hole 51) 2-1/2" Adapter Included 52) Top Has 5/8" Vent 53) Tapered Insert Included 5" to 4-3/8" 54) Filter Has Thru Hole 2-3/4" x 1-5/8" 55) Top Has 7/16" Hole



Round Straight

(F) Mounting Flange Inside Diameter		(D) Filter Diameter		(L) Filter Length		(FL) Flange Length		(FA) Flange Style		(FO) Flange Offset		Rubber End Cap Part #	Chrome End Cap Part #	Custom End Cap Part #	Filter Wraps Part #	
Inch	mm	Inch	mm	Inch	mm	Inch	mm	Type	Angle	Inch	mm					
1-7/8	48	3-1/2	89	5	127	5/8	16	Centered				RD-0460			25-1770	
1-15/16	49	3	76	2	51	5/8	16	Centered				RU-2700			RU-0150PK	
		3	76	2-1/2	64	5/8	16	Centered				RU-2760			RU-0150PK	
		3	76	3	76	5/8	16	Centered				RP-5164			22-8008PK	
		3-1/2	89	4	102	2	51	Angled	20°				RU-1400			RU-0500PK
		3-1/2	89	5	127	2	51	Angled	20°				RU-1410			25-1770
2	51	3-1/2	89	6	152	2	51	Angled	20°			RU-1420			25-1770	
		5-1/8	130	2	51	11/16	17	Offset		1	25		RC-2400			
2-1/16	52	5-3/8	137	2	51	5/8	16	Centered					RC-2440			
		7	178	9	229	5/8	16	Centered					41-1000 ²		22-8022PK	
		3	76	2-1/2	64	5/8	16	Centered					RU-1880	RC-1880		RU-0150PK
2-1/8	54	3	76	3	76	5/8	16	Centered					RC-1890		22-8008PK	
		3-1/2	89	3	76	5/8	16	Centered					RC-1150			
		3-1/2	89	4	102	5/8	16	Centered					RU-0500		RU-0500PK	
		3-1/2	89	4	102	7/8	22	Centered					RA-0500		RU-0500PK	
		3-1/2	89	5	127	3/4	19	Angled	10°				RU-1060		25-1770	
		3-1/2	89	5	127	7/8	22	Centered					RA-0510		25-1770	
		3-1/2	89	5	127	2-1/2	64	Angled	17°				RU-1780		25-1770	
		3-1/2	89	6	152	3/4	19	Angled	10°				RU-1070		25-1770	
		3-1/2	89	6	152	7/8	22	Centered					RA-0520		25-1770	
		4-1/2	114	4	102	7/8	22	Centered					RA-0530		22-8012PK	
		4-1/2	114	5	127	7/8	22	Centered					RA-0540		22-8013PK	
		5-1/2	140	2	51	5/8	16	Offset		5/16	8	RU-0570				
		5-1/2	140	2	51	7/8	22	Centered						RA-055V ⁵		
		5-1/2	140	3	76	7/8	22	Centered						RA-0560 ⁵		22-8015PK
5-1/2	140	4	102	7/8	22	Centered						RA-0570 ⁵	RA-057V ⁵			
5-1/2	140	5	127	7/8	22	Centered						RA-0580 ⁵		22-8016PK		
5-7/8	149	2	51	7/8	22	Offset		1-1/8	29	RA-0450 ⁵	RA-045V ⁵			22-8017PK		
5-7/8	149	3	76	7/8	22	Offset		1-1/8	29	RA-0460 ⁵				22-8018PK		
5-7/8	149	4	102	7/8	22	Offset		1-1/8	29	RA-0470 ⁵						
2-5/32	55	3-9/16	90	5-9/16	141	7/16	11	Centered						DU-8015		
		3-1/2	89	1-1/4	32	5/8	16	Centered					RC-2880		RC-0170DK	
		3-1/2	89	2	51	5/8	16	Centered					RC-1900			
		3-1/2	89	4	102	5/8	16	Centered					RU-0600		RU-0500PK	
		3-1/2	89	4	102	1	25	Angled	5°				RB-0600		RU-0500PK	
2-1/4	57	3-1/2	89	4	102	1	25	Angled	5°			RU-1700			RU-0500PK	
		3-1/2	89	4	102	1	25	Angled	20°				RU-0610		25-1770	
		3-1/2	89	5	127	5/8	16	Centered					RU-0610		25-1770	
		3-1/2	89	5	127	3/4	19	Angled	10°				RU-1080		25-1770	

1) 1/4-20 Jack Nut Into Top 2) Base Has (2) 7/8" Vents 3) Base Has 1/2" Vent 4) Base Has 1/32" Vent 5) Base Has 1/4" Vent 6) Base Has 11/16" Vent 7) Base Has 1-1/8" Vent 8) Base Has 13/16" Vent 9) Base Has 13/32" Vent 10) Base Has 13/64" Vent 11) Base Has 2-3/16" Square Inlet 12) Base Has 15/64" Vent 13) Base Has 19/32" Vent 14) Base Has 21/32" Vent 15) Base Has 25/64" Vent 16) Base Has 29/32" Vent 17) Base Has 3/16" Vent 18) Base Has 3/4" Vent 19) Base Has 3/8" Vent 20) Base Has 31/64" Vent 21) Base Has 35/64" Vent 22) Base Has 45/64" Vent 23) Base Has 5/16" Vent 24) Base Has 5/8" Vent 25) Base Has 55/64" Vent 26) Base Has 7/16" Vent 27) Base Has 7/8" Vent 28) Base Has 9/16" Vent 29) Base Has Opt. 1/2" Vent 30) Base Has 23/32" Vent 31) Base Has 25/32" Vent 32) Filter Has Molded-in Velocity Stack 33) Filter Is Reverse Tapered 34) Fits Legend/Dwarf Race Cars w/FJ1200 Motors 35) Base Has 15/32" Vent 36) Top Plate Has 1/4-20 Stud 37) Top-Plate Has 6MM Stud 39) Offset Is Vertical 41) Offset Is Vertical And To The Right 42) Top Has 1/2" Vent 43) Top Has 1-1/16" Center Hole 44) Top Has 21/32" Center Hole 45) Top Has 23/32" Center Hole 46) Top Has 5/32" Center Hole 47) Top Has 7/16" Center Hole 48) Base Has 11/32" Vent 49) Top Has 1/4" Center Hole 50) Top Has 1-7/16" Center Hole 51) 2-1/2" Adapter Included 52) Top Has 5/8" Vent 53) Tapered Insert Included 5" to 4-3/8" 54) Filter Has Thru Hole 2-3/4" x 1-5/8" 55) Top Has 7/16" Hole



(F) Mounting Flange Inside Diameter		(D) Filter Diameter		(L) Filter Length		(FL) Flange Length		(FA) Flange Style		(FO) Flange Offset		Rubber End Cap Part #	Chrome End Cap Part #	Custom End Cap Part #	Filter Wraps Part #
Inch	mm	Inch	mm	Inch	mm	Inch	mm	Type	Angle	Inch	mm				
2-1/4	57	3-1/2	89	5	127	7/8	22	Centered				RD-0610			25-1770
		3-1/2	89	5	127	1	25	Angled	5°			RB-0610			25-1770
		3-1/2	89	5	127	1	25	Angled	20°			RU-1710			25-1770
		3-1/2	89	6	152	5/8	16	Centered				RU-0620			25-1770
		3-1/2	89	6	152	3/4	19	Angled	10°			RU-1090			25-1770
		3-1/2	89	6	152	1	25	Angled	5°			RB-0620			25-1770
		3-1/2	89	6	152	1	25	Angled	20°			RU-1720			25-1770
		3-1/2	89	10	254	5/8	16	Centered				RU-3840			25-3918
		4-1/2	114	2	51	5/8	16	Offset		5/16	8		RC-1950		
		4-1/2	114	4	102	5/8	16	Centered				RU-0630			22-8012PK
		4-1/2	114	5	127	5/8	16	Centered				RU-0640			22-8013PK
		5-1/2	140	2-1/2	64	5/8	16	Offset		13/16	21	RU-0650	RC-0650		
		5-1/2	140	3	76	5/8	16	Offset		13/16	21	RU-0660			22-8015PK
		5-1/2	140	3-1/2	89	5/8	16	Centered				RU-0690			
		5-1/2	140	5	127	5/8	16	Offset		13/16	21	RU-0680			22-8016PK
		7	178	9	229	5/8	16	Centered					41-1100 ²		22-8022PK
2-3/8	60	4-7/16	113	6-1/16	154	3/4	19	Centered				CM-8012			
2-7/16	62	3-1/2	89	4	102	5/8	16	Centered				RU-0800			RU-0500PK
		3-1/2	89	5	127	5/8	16	Centered				RU-0810			25-1770
		3-1/2	89	6	152	5/8	16	Centered				RU-0820 ⁴			25-1770
		3-1/2	89	6	152	1-1/8	29	Centered				RU-3030			25-1770
		3-3/4	95	2	51	2	51	Angled	20°			RU-1730			
		3-3/4	95	4	102	2	51	Angled	20°			RU-1750			22-8011PK
		3-3/4	95	5	127	2	51	Angled	20°			RU-1760			RU-1460PK
		3-3/4	95	6	152	2	51	Angled	20°			RU-1770			RU-1470PK
		4	102	4-3/4	121	3/4	19	Centered						RX-4040-1 ¹	
		4-1/2	114	4	102	5/8	16	Centered				RU-0830			22-8012PK
		4-1/2	114	5	127	5/8	16	Centered				RU-0840			22-8013PK
		5-1/8	130	2	51	5/8	16	Centered					RC-0850		
		5-1/8	130	3	76	5/8	16	Centered					RC-0860		22-8015PK
		5-1/2	140	3	76	5/8	16	Offset		1/2	13	RU-0870			22-8015PK
		5-1/2	140	4	102	5/8	16	Offset		1/2	13	RU-0880			
		5-1/2	140	6	152	5/8	16	Offset		1/2	13	RU-1000			22-8045DK
2-1/2	64	3-1/2	89	4	102	5/8	16	Centered				RD-0700			RU-0500PK
		3-1/2	89	4	102	1	25	Angled	5°			RB-0700			RU-0500PK
		3-1/2	89	5	127	5/8	16	Centered				RD-0710			25-1770
		3-1/2	89	5	127	1	25	Angled	5°			RB-0710			25-1770
		3-1/2	89	6	152	5/8	16	Centered				RD-0720			25-1770
		3-1/2	89	6	152	1	25	Angled	5°			RB-0720			25-1770
		5-9/16	141	6	152	3/4	19	Centered				PL-3214			PL-3214DK
		7	178	9	229	5/8	16	Centered					41-1200 ²		22-8022PK
2-9/16	65	4-1/2	114	4	102	3/4	19	Centered				RA-0600			22-8012PK
		4-1/2	114	5	127	3/4	19	Centered				RA-0610			22-8013PK
		5-1/2	140	2	51	3/4	19	Centered				RA-0620 ⁵	RA-062V ⁵		
		5-1/2	140	3	76	3/4	19	Centered				RA-0630 ⁵	RA-063V ⁵		22-8015PK

1) 1/4-20 Jack Nut Into Top 2) Base Has (2) 7/8" Vents 3) Base Has 1/2" Vent 4) Base Has 1/32" Vent 5) Base Has 1/4" Vent 6) Base Has 11/16" Vent 7) Base Has 1-1/8" Vent 8) Base Has 13/16" Vent 9) Base Has 13/32" Vent 10) Base Has 13/64" Vent 11) Base Has 2-3/16" Square Inlet 12) Base Has 15/64" Vent 13) Base Has 19/32" Vent 14) Base Has 21/32" Vent 15) Base Has 25/64" Vent 16) Base Has 29/32" Vent 17) Base Has 3/16" Vent 18) Base Has 3/4" Vent 19) Base Has 3/8" Vent 20) Base Has 31/64" Vent 21) Base Has 35/64" Vent 22) Base Has 45/64" Vent 23) Base Has 5/16" Vent 24) Base Has 5/8" Vent 25) Base Has 55/64" Vent 26) Base Has 7/16" Vent 27) Base Has 7/8" Vent 28) Base Has 9/16" Vent 29) Base Has Opt. 11/2" Vent 30) Base Has 23/32" Vent 31) Base Has 25/32" Vent 32) Filter Has Molded-in Velocity Stack 33) Filter Is Reverse Tapered 34) Fits Legend/Dwarf Race Cars w/FJ1200 Motors 35) Base Has 15/32" Vent 36) Top Plate Has 1/4-20 Stud 37) Top-Plate Has 6MM Stud 39) Offset Is Vertical 41) Offset Is Vertical And To The Right 42) Top Has 1/2" Vent 43) Top Has 1-1/16" Center Hole 44) Top Has 21/32" Center Hole 45) Top Has 23/32" Center Hole 46) Top Has 5/32" Center Hole 47) Top Has 7/16" Center Hole 48) Base Has 11/32" Vent 49) Top Has 1/4" Center Hole 50) Top Has 1-7/16" Center Hole 51) 2-1/2" Adapter Included 52) Top Has 5/8" Vent 53) Tapered Insert Included 5" to 4-3/8" 54) Filter Has Thru Hole 2-3/4" x 1-5/8" 55) Top Has 7/16" Hole



Round Straight

(F) Mounting Flange Inside Diameter		(D) Filter Diameter		(L) Filter Length		(FL) Flange Length		(FA) Flange Style		(FO) Flange Offset		Rubber End Cap Part #	Chrome End Cap Part #	Custom End Cap Part #	Filter Wraps Part #	
Inch	mm	Inch	mm	Inch	mm	Inch	mm	Type	Angle	Inch	mm					
2-9/16	65	5-1/2	140	4	102	3/4	19	Centered				RA-0640 ⁵				
		5-1/2	140	5	127	3/4	19	Centered				RA-0650 ⁵			22-8016PK	
		5-7/8	149	3	76	7/8	22	Offset		13/16	21		RA-067V ⁵			
		5-7/8	149	4	102	7/8	22	Offset		13/16	21	RA-0680 ⁵				
		6	152	2	51	7/8	22	Offset		13/16	21	RA-0660 ⁵	RA-066V ⁵			22-8017PK
		6	152	3	76	7/8	22	Offset		13/16	21	RA-0670 ⁵				
6	152	4	102	7/8	22	Offset		13/16	21		RA-068V ⁵					
2-5/8	67	4	102	4	102	1	25	Angled	5°			RB-0800			22-8011PK	
		4	102	5	127	1	25	Angled	5°			RB-0810			RU-1460PK	
		4-1/2	114	2	51	5/8	16	Centered				RU-2630				
		4-1/2	114	3	76	5/8	16	Centered				RU-2640				
		4-1/2	114	4	102	5/8	16	Centered				RU-2650			22-8012PK	
2-11/16	68	4-1/16	103	7	178	3/4	19	Centered				RX-5032				
		4-1/2	114	4	102	5/8	16	Centered				RU-0900			22-8012PK	
		4-1/2	114	5	127	5/8	16	Centered				RU-0910			22-8013PK	
2-3/4	70	4	102	5	127	1	25	Angled	10°			RU-1460			RU-1460PK	
		4	102	6	152	1	25	Angled	10°			RU-1470			25-1770	
		4	102	6	152	2	51	Angled	20°			RU-3190			25-1770	
		4	102	7	178	1	25	Angled	10°			RU-1480			RU-1480PK	
		5-1/8	130	2	51	5/8	16	Centered					RC-0920			
		5-1/8	130	3	76	5/8	16	Centered					RC-0930		22-8015PK	
		5-1/2	140	3	76	5/8	16	Offset		7/16	11	RU-0940			22-8015PK	
		5-1/2	140	4	102	5/8	16	Offset		7/16	11	RU-0950				
		5-1/2	140	5	127	5/8	16	Offset		7/16	11	RU-0960			22-8016PK	
		7	178	3	76	5/8	16	Offset		11/16	17	RU-0980			RU-0980PK	
7	178	7	178	5/8	16	Offset		11/16	17	RU-2940			25-3900			
2-7/8	73	4	102	5-3/8	137	5/8	16	Centered				RU-2410			25-3900	
		4	102	6	152	5/8	16	Centered				RU-1620			25-1770	
		4-1/2	114	5	127	5/8	16	Centered				RU-3710	RC-3710		HA-3094PR	
		4-1/2	114	6-1/8	156	5/8	16	Centered				E-1989			RX-3820PK	
		4-7/8	124	7-1/4	184	11/16	17	Centered				E-1988				
3	76	4-5/16	110	4	102	1	25	Angled	5°			RB-0900			22-8012PK	
		4-5/16	110	5	127	1	25	Angled	5°			RB-0910			22-8013PK	
		5	127	3	76	5/8	16	Centered				RU-2420			22-8015PK	
		5	127	5	127	5/8	16	Centered				RU-2430		RC-5182XD	RU-2430PK	
		5	127	6-1/2	165	5/8	16	Centered				RU-2820			22-8044PK	
		5	127	7	178	5/8	16	Centered						RX-2820	22-8044PK	
		5	127	9	229	5/8	16	Centered					RC-2530		25-3918	
		7	178	2	51	5/8	16	Offset		7/8	22	RA-0970 ⁴	RA-097V ⁴			
		7	178	3	76	5/8	16	Offset		7/8	22	RA-0980 ⁴	RA-098V ⁴		RA-098V ⁴	
		7	178	3	76	1-1/8	29	Offset		1-1/16	27		RC-3140		RU-0980PK	
7	178	4	102	5/8	16	Offset		7/8	22	RA-0990 ⁴	RA-099V ⁴		22-8019PK			
7	178	6	152	1	25	Centered					RD-1300		22-8020PK			
3-1/16	78	6-7/8	175	5-15/16	151	9/16	14	Centered				RU-9040				
		7	178	3	76	5/8	16	Centered				RA-0950 ⁴	RA-095V ⁴		RA-095V ⁴	

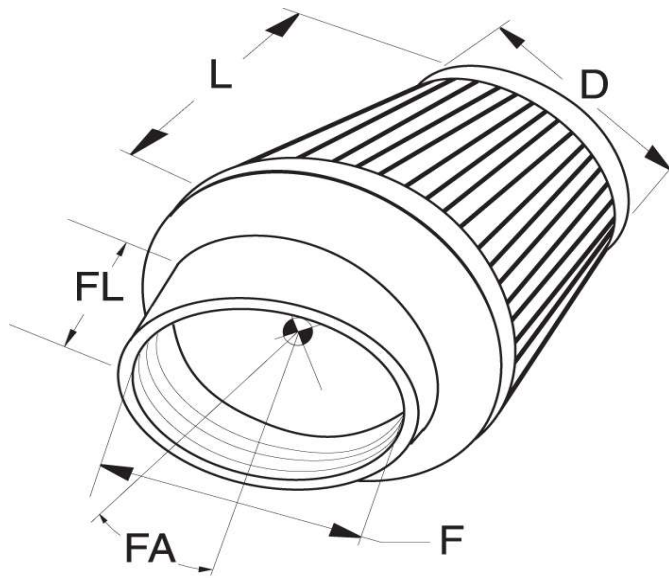
1) 1/4-20 Jack Nut Into Top 2) Base Has (2) 7/8" Vents 3) Base Has 1/2" Vent 4) Base Has 1/32" Vent 5) Base Has 1/4" Vent 6) Base Has 11/16" Vent 7) Base Has 1-1/8" Vent 8) Base Has 13/16" Vent 9) Base Has 13/32" Vent 10) Base Has 13/64" Vent 11) Base Has 2-3/16" Square Inlet 12) Base Has 15/64" Vent 13) Base Has 19/32" Vent 14) Base Has 21/32" Vent 15) Base Has 25/64" Vent 16) Base Has 29/32" Vent 17) Base Has 3/16" Vent 18) Base Has 3/4" Vent 19) Base Has 3/8" Vent 20) Base Has 31/64" Vent 21) Base Has 35/64" Vent 22) Base Has 45/64" Vent 23) Base Has 5/16" Vent 24) Base Has 5/8" Vent 25) Base Has 55/64" Vent 26) Base Has 7/16" Vent 27) Base Has 7/8" Vent 28) Base Has 9/16" Vent 29) Base Has Opt. 1/2" Vent 30) Base Has 23/32" Vent 31) Base Has 25/32" Vent 32) Filter Has Molded-in Velocity Stack 33) Filter Is Reverse Tapered 34) Fits Legend/Dwarf Race Cars w/FJ1200 Motors 35) Base Has 15/32" Vent 36) Top Plate Has 1/4-20 Stud 37) Top-Plate Has 6MM Stud 39) Offset Is Vertical 41) Offset Is Vertical And To The Right 42) Top Has 1/2" Vent 43) Top Has 1-1/16" Center Hole 44) Top Has 21/32" Center Hole 45) Top Has 23/32" Center Hole 46) Top Has 5/32" Center Hole 47) Top Has 7/16" Center Hole 48) Base Has 11/32" Vent 49) Top Has 1/4" Center Hole 50) Top Has 1-7/16" Center Hole 51) 2-1/2" Adapter Included 52) Top Has 5/8" Vent 53) Tapered Insert Included 5" to 4-3/8" 54) Filter has Thru Hole 2-3/4" x 1-5/8" 55) Top Has 7/16" Hole



(F) Mounting Flange Inside Diameter		(D) Filter Diameter		(L) Filter Length		(FL) Flange Length		(FA) Flange Style		(FO) Flange Offset		Rubber End Cap Part #	Chrome End Cap Part #	Custom End Cap Part #	Filter Wraps Part #		
Inch	mm	Inch	mm	Inch	mm	Inch	mm	Type	Angle	Inch	mm						
3-1/16	78	7	178	4	102	5/8	16	Centered				RA-0960 ⁴	RA-096V ⁴		22-8019PK		
		7	178	6	152	5/8	16	Centered				RU-9004			22-8021PK		
3-1/8	79	5	127	1-7/8	48	3/4	19	Offset		1	25	YA-6598					
		6	152	4-1/4	108	5/8	16	Centered				E-2996					
3-5/16	84	5-3/8	137	6-3/16	157	5/8	16	Centered				E-1998					
		5-13/16	148	7-1/4	184	3/4	19	Centered				E-0774					
3-3/8	86	4-7/8	124	12-1/4	311	0	0	Centered				CM-9715					
		5-13/16	148	7-1/4	184	5/8	16	Centered				E-1009					
		5-123/12!	152	5-63/64	152	5/8	16	Centered				PSA-1009					
3-1/2	89	5	127	3	76	5/8	16	Centered				RU-1790	RC-1790		22-8015PK		
		5	127	5-5/8	143	5/8	16	Centered				RU-5114			CM-4508DK		
		5	127	8-1/2	216	5/8	16	Centered				RU-1785					
3-17/32	90	4	102	5-31/32	152	23/32	18	Centered						RX-4140 ¹⁵	RU-1470PK		
3-5/8	92	5-13/16	148	7-1/4	184	3/4	19	Centered				E-0773					
4	102	6-1/4	159	6	152	13/16	21	Centered				E-1996					
		6-1/4	159	7-3/4	197	13/16	21	Centered				E-2999					
		7	178	6	152	5/8	16	Centered					RD-1400 ⁵¹		22-8020PK		
		7	178	6	152	1	25	Centered				RD-1450			22-8020PK		
		7	178	8	203	5/8	16	Centered					RD-1410				
		7	178	9	229	1	25	Centered				RD-1460			22-8022PK		
5	127	7	178	18	457	5/8	16	Centered					41-1400 ²		25-3918		
		6-1/2	165	9	229	1	25	Centered				RU-3020			22-8022PK		
		6-1/2	165	10	254	1	25	Centered				RU-3220					
		5-1/2	140	7	178	9	229	1	25	Centered				RC-3150 ²		22-8022PK	
		6	152	7-1/2	191	4-1/2	114	1	25	Centered				RU-1850			
				7-1/2	191	6	152	1	25	Centered				RU-3060			25-3900
7-1/2	191			8	203	1	25	Centered				RU-3260					
7-1/2	191			10	254	1	25	Centered				RU-3270			RU-3270DR		
7-1/2	191	12	305	1	25	Centered				RU-3040			25-3918				

1) 1/4-20 Jack Nut Into Top 2) Base Has (2) 7/8" Vents 3) Base Has 1/2" Vent 4) Base Has 1/32" Vent 5) Base Has 1/4" Vent 6) Base Has 11/16" Vent 7) Base Has 1-1/8" Vent 8) Base Has 13/16" Vent 9) Base Has 13/32" Vent 10) Base Has 13/64" Vent 11) Base Has 2-3/16" Square Inlet 12) Base Has 15/64" Vent 13) Base Has 19/32" Vent 14) Base Has 21/32" Vent 15) Base Has 25/64" Vent 16) Base Has 29/32" Vent 17) Base Has 3/16" Vent 18) Base Has 3/4" Vent 19) Base Has 3/8" Vent 20) Base Has 31/64" Vent 21) Base Has 35/64" Vent 22) Base Has 45/64" Vent 23) Base Has 5/16" Vent 24) Base Has 5/8" Vent 25) Base Has 55/64" Vent 26) Base Has 7/16" Vent 27) Base Has 7/8" Vent 28) Base Has 9/16" Vent 29) Base Has Opt. 1/2" Vent 30) Base Has 23/32" Vent 31) Base Has 25/32" Vent 32) Filter Has Molded-in Velocity Stack 33) Filter Is Reverse Tapered 34) Fits Legend/Dwarf Race Cars w/FJ1200 Motors 35) Base Has 15/32" Vent 36) Top Plate Has 1/4-20 Stud 37) Top-Plate Has 6MM Stud 39) Offset Is Vertical 41) Offset Is Vertical And To The Right 42) Top Has 1/2" Vent 43) Top Has 1-1/16" Center Hole 44) Top Has 21/32" Center Hole 45) Top Has 23/32" Center Hole 46) Top Has 5/32" Center Hole 47) Top Has 7/16" Center Hole 48) Base Has 11/32" Vent 49) Top Has 1/4" Center Hole 50) Top Has 1-7/16" Center Hole 51) 2-1/2" Adapter Included 52) Top Has 5/8" Vent 53) Tapered Insert Included 5" to 4-3/8" 54) Filter Has Thru Hole 2-3/4" x 1-5/8" 55) Top Has 7/16" Hole

Round Tapered



When selecting one of K&N's universal round tapered air filters, you should consider the following dimensions as they relate to the specification chart:

(F) Mounting Flange Inside Diameter - This is the most critical dimension and should be very close to the diameter of the application's inlet flange. The flange will stretch up to 1/16" for those in-between sizes.

(D) Filter Diameter - This is the outside diameter of the filter. Always use the largest diameter practical for maximum filtration.

(L) Filter Length - This dimension is the length of the filter body only, it does not include the flange length. Always use the longest filter practical for maximum filtration.

(FA/FL) Flange Angle and/or Length - If no angle is listed in the specifications table, then the flange is straight. Any angle listed is in degrees and can be utilized when space is a problem.

(FO) Flange Offset - In some cases the center of the flange is offset from the center of the filter base in order to provide a better fit.

(F) Mounting Flange Inside Diameter		(D) Filter Base Diameter		(D) Filter Top Diameter		(L) Filter Length		(FL) Flange Length		(FA) Flange Style		(FO) Flange Offset		Rubber End Cap Part #	Chrome End Cap Part #	Custom End Cap Part #	Filter Wraps Part #
Inch	mm	Inch	mm	Inch	mm	Inch	mm	Inch	mm	Type	Angle	Inch	mm				
																RU-5284	
5/16	8	1-3/8	35	1	25	1	25	5/8	16	Centered				RU-3490			
		1-3/8	35	1	25	1-3/8	35	3/8	10	Centered				RU-3170			
1	25	2-7/8	73	3-1/2	89	3-1/2	89	5/8	16	Centered				RE-0200 ²⁰			
1-1/8	29	2-1/4	57	2	51	2-1/2	64	5/8	16	Centered					RC-2540		RC-2540PK
1-1/4	32	2-7/8	73	3-1/2	89	3-1/2	89	5/8	16	Centered				RE-0220 ²⁰			
		2-15/16	75	3-1/2	89	2-7/16	62	5/8	16	Centered				RE-0230 ²⁰			
1-3/8	35	2-1/2	64	2	51	2-1/4	57	5/8	16	Centered					RC-0790		RC-0790PK
1-1/2	38	3	76	3-1/2	89	3-1/2	89	5/8	16	Centered				RE-0240 ²⁰			
1-9/16	40	2-5/8	67	2	51	3	76	5/8	16	Centered					RC-2290		22-8028PK
		3	76	2	51	3	76	5/8	16	Centered					RC-2310		22-8028PK
1-11/16	43	3	76	2	51	2-3/8	60	5/8	16	Centered					RC-2490		
		3	76	2	51	2-3/4	70	5/8	16	Centered					RC-1070		22-8028PK
		3	76	2	51	4	102	1-1/2	38	Angled	40°			R-1100			22-8048PK
		3-1/2	89	2	51	4	102	5/8	16	Centered				R-1080			22-8029PK
1-3/4	44	3	76	2	51	2-1/2	64	5/8	16	Centered					RU-2690		
		3	76	3-1/2	89	3-1/2	89	5/8	16	Centered					RE-0260 ¹		
		4-3/8	111	3	76	2-1/2	64	5/8	16	Centered					RU-2680		
		4-1/2	114	3	76	2-1/2	64	5/8	16	Offset		9/16	14		RU-2740		
1-13/16	46	3	76	2	51	2-1/2	64	5/8	16	Centered					RU-2930		22-8028PK
		3	76	2	51	3	76	5/8	16	Centered					RC-2320		22-8028PK
1-7/8	48	3	76	2	51	2	51	5/8	16	Centered					RC-2550		
		3	76	2	51	3	76	5/8	16	Centered					RC-1090		22-8028PK
		3	76	2	51	3-11/16	94	1	25	Angled	10°				RC-1290		22-8048PK
1-15/16	49	3	76	2	51	2-1/2	64	5/8	16	Centered					RC-2500		22-8028PK

1) 1/4-20 Jack Nut Into Top 2) Base Has (2) 7/8" Vents 3) Base Has 1/2" Vent 4) Base Has 1/32" Vent 5) Base Has 1/4" Vent 6) Base Has 11/16" Vent 7) Base Has 1-1/8" Vent 8) Base Has 13/16" Vent 9) Base Has 13/32" Vent 10) Base Has 13/64" Vent 11) Base Has 2-3/16" Square Inlet 12) Base Has 15/64" Vent 13) Base Has 19/32" Vent 14) Base Has 21/32" Vent 15) Base Has 25/64" Vent 16) Base Has 29/32" Vent 17) Base Has 3/16" Vent 18) Base Has 3/4" Vent 19) Base Has 3/8" Vent 20) Base Has 31/64" Vent 21) Base Has 35/64" Vent 22) Base Has 45/64" Vent 23) Base Has 5/16" Vent 24) Base Has 5/8" Vent 25) Base Has 55/64" Vent 26) Base Has 7/16" Vent 27) Base Has 7/8" Vent 28) Base Has 9/16" Vent 29) Base Has Opt. 1/2" Vent 30) Base Has 23/32" Vent 31) Base Has 25/32" Vent 32) Filter Has Molded-in Velocity Stack 33) Filter Is Reverse Tapered 34) Fits Legend/Dwarf Race Cars w/F1J1200 Motors 35) Base Has 15/32" Vent 36) Top Plate Has 1/4-20 Stud 37) Top Plate Has 6MM Stud 39) Offset Is Vertical 41) Offset Is Vertical And To The Right 42) Top Has 1/2" Vent 43) Top Has 1-1/16" Center Hole 44) Top Has 21/32" Center Hole 45) Top Has 23/32" Center Hole 46) Top Has 5/32" Center Hole 47) Top Has 7/16" Center Hole 48) Base Has 11/32" Vent 49) Top Has 1/4" Center Hole 50) Top Has 1-7/16" Center Hole 51) 2-1/2" Adapter Included 52) Top Has 5/8" Vent 53) Tapered Insert Included 5" to 4-3/8" 54) Filter Has Thru Hole 2-3/4" x 1-5/8" 55) Top Has 7/16" Hole 56) Flange Length for RC 0890 5/8" 57) Flange Length for RC 2610 1"

(F) Mounting Flange Inside Diameter		(D) Filter Base Diameter		(D) Filter Top Diameter		(L) Filter Length		(FL) Flange Length		(FA) Flange Style		(FO) Flange Offset		Rubber End Cap Part #	Chrome End Cap Part #	Custom End Cap Part #	Filter Wraps Part #		
Inch	mm	Inch	mm	Inch	mm	Inch	mm	Inch	mm	Type	Angle	Inch	mm						
1-15/16	49	3	76	2	51	3	76	5/8	16	Centered				R-1060	RC-1060		22-8028PK		
2	51	3	76	3-1/2	89	3-1/2	89	5/8	16	Centered				RE-0280 ²⁰					
		3-1/8	79	2	51	3	76	5/8	16	Centered				RU-2580	RC-2580				
		5-3/16	132	3-1/2	89	3-7/16	87	1-3/8	35	Offset			21/32	17			RC-8350 ³⁷		
		5-3/16	132	3-1/2	89	3-11/16	94	1-3/8	35	Offset			21/32	17		RC-9920 ^{34,19}			
2-1/16	52	6-7/8	175	5-7/8	149	2-9/16	65	1-3/4	44	Offset					RC-70018 ^{3,19,5}				
		3-1/2	89	2	51	4	102	5/8	16	Centered					RU-1200	RC-1200		RC-1200PK	
		3-1/2	89	3	76	4	102	7/8	22	Centered					RA-050V				
2-1/8	54	3-9/16	90	3-1/2	89	4-7/8	124	5/8	16	Centered					RC-8170				
		3	76	2	51	2-3/4	70	5/8	16	Centered					RC-2340		22-8028PK		
		3	76	2	51	3	76	5/8	16	Centered					RC-2330		22-8028PK		
		3-1/2	89	2	51	4	102	5/8	16	Centered					RC-1920		RC-1200PK		
2-3/16	56	4-1/2	114	3-1/2	89	4-3/4	121	13/16	21	Centered					RC-4890				
		6-13/16	173	5-7/8	149	2-9/16	65	1-3/4	44	Offset			27/32	21		RC-5154 ³			
		2-1/4	57	3-1/2	89	2	51	4	102	5/8	16	Centered				R-1260	RC-1250		RC-1200PK
		5	127	3-1/2	89	3-9/16	90	11/16	17	Centered						RC-9220 ¹¹			
2-1/4	57	5-1/8	130	4-5/8	117	6	152	5/8	16	Centered				RU-3560			25-3900		
		6-13/16	173	5-7/8	149	2-9/16	65	1-3/4	44	Centered						RC-70021 ²⁸			
		2-9/32	58	4-17/32	115	3-1/2	89	4-15/16	125	2-13/32	61	Centered					RC-5157		
		2-3/8	60	3-15/16	100	3-7/16	87	5-1/8	130	1/2	13	Centered					YA-4003		KA-3603PK
2-3/8	60	4-5/8	117	3-1/2	89	4-13/16	122	13/16	21	Centered					RC-9380				
		5-3/16	132	3-1/2	89	3-3/4	95	23/32	18	Offset			17/32	13		RC-1624			
		5-3/16	132	3-1/2	89	4-3/16	106	5/8	16	Offset			19/32	15		RC-9830 ⁶			
		5-3/16	132	3-1/2	89	4-11/32	110	3/4	19	Offset			19/32	15		RC-8490 ¹⁸			
		5-3/16	132	3-1/2	89	4-5/16	110	3/4	19	Offset			21/32	17		RC-9390			
		2-13/32	61	4-23/32	120	3-31/32	101	5-63/100	143	3-11/32	85	Centered						RX-5179	
2-7/16	62	3-1/2	89	2	51	5	127	5/8	16	Centered				SN-2570			SN-2570PK		
		3-3/4	95	3	76	4	102	2	51	Angled	20°				SN-2530		SN-2530PK		
		3-3/4	95	3	76	5	127	2	51	Angled	20°				SN-2520		SN-2520PK		
		3-3/4	95	3	76	6	152	2	51	Angled	20°				SN-2510		SN-2510PK		
		4-7/16	113	4	102	3-3/4	95	7/8	22	Centered							RX-4010		
		4-1/2	114	4	102	6-1/8	156	7/8	22	Centered							RX-3820-1 ^{1,15}	RX-3820PK	
		4-1/2	114	4	102	6-9/16	167	2-15/16	75	Angled	20°						RX-3800 ¹⁵	RX-3820PK	
		4-1/2	114	6	152	6-1/8	156	7/8	22	Centered							RX-3810XD ^{1,15}	RX-3810DK	
		4-1/2	114	6	152	6-9/16	167	2-7/8	73	Angled	20°						RX-3770	RX-3810DK	
		5-1/8	130	3-1/2	89	6	152	5/8	16	Centered						RC-4160		RC-4160DK	
		5-1/2	140	4-1/2	114	4	102	5/8	16	Offset			1/2	13	R-1380				
2-1/2	64	4-1/2	114	3-1/2	89	3-3/16	81	3/4	19	Centered					RC-8100				
		4-1/2	114	3-1/2	89	5	127	3/4	19	Centered					RU-9630	RC-9630		RC-9350DK	
		4-1/2	114	3-1/2	89	6	152	3/4	19	Centered					RU-5062XD			RC-5060DL	
		4-21/32	118	3-1/2	89	3-7/8	98	13/16	21	Centered						RC-9080			
		4-21/32	118	3-1/2	89	4-7/8	124	13/16	21	Centered						RC-9800			
		4-21/32	118	3-1/2	89	5-15/16	151	13/16	21	Centered						RC-9360			
5	127	5-1/2	140	2-3/4	70	5/8	16	Centered							RE-0380				

1) 1/4-20 Jack Nut Into Top 2) Base Has (2) 7/8" Vents 3) Base Has 1/2" Vent 4) Base Has 1/32" Vent 5) Base Has 1/4" Vent 6) Base Has 11/16" Vent 7) Base Has 1-1/8" Vent 8) Base Has 13/16" Vent 9) Base Has 13/32" Vent 10) Base Has 13/64" Vent 11) Base Has 2-3/16" Square Inlet 12) Base Has 15/64" Vent 13) Base Has 19/32" Vent 14) Base Has 21/32" Vent 15) Base Has 25/64" Vent 16) Base Has 29/32" Vent 17) Base Has 3/16" Vent 18) Base Has 3/4" Vent 19) Base Has 3/8" Vent 20) Base Has 31/64" Vent 21) Base Has 35/64" Vent 22) Base Has 45/64" Vent 23) Base Has 5/16" Vent 24) Base Has 5/8" Vent 25) Base Has 55/64" Vent 26) Base Has 7/16" Vent 27) Base Has 7/8" Vent 28) Base Has 9/16" Vent 29) Base Has Opt. 1/2" Vent 30) Base Has 23/32" Vent 31) Base Has 25/32" Vent 32) Filter Has Molded-in Velocity Stack 33) Filter Is Reverse Tapered 34) Fits Legend/Dwarf Race Cars w/F1J1200 Motors 35) Base Has 15/32" Vent 36) Top Plate Has 1/4-20 Stud 37) Top-Plate Has 6MM Stud 39) Offset Is Vertical 41) Offset Is Vertical And To The Right 42) Top Has 1/2" Vent 43) Top Has 1-1/16" Center Hole 44) Top Has 21/32" Center Hole 45) Top Has 23/32" Center Hole 46) Top Has 5/32" Center Hole 47) Top Has 7/16" Center Hole 48) Base Has 11/32" Vent 49) Top Has 1/4" Center Hole 50) Top Has 1-7/16" Center Hole 51) 2-1/2" Adapter Included 52) Top Has 5/8" Vent 53) Tapered Insert Included 5" to 4-3/8" 54) Filter has Thru Hole 2-3/4" x 1-5/8" 55) Top Has 7/16" Hole 56) Flange Length for RC 980 6/8" 57) Flange Length for RC 2610 1"



Round Tapered

(F) Mounting Flange Inside Diameter		(D) Filter Base Diameter		(D) Filter Top Diameter		(L) Filter Length		(FL) Flange Length		(FA) Flange Style		(FO) Flange Offset		Rubber End Cap Part #	Chrome End Cap Part #	Custom End Cap Part #	Filter Wraps Part #	
Inch	mm	Inch	mm	Inch	mm	Inch	mm	Inch	mm	Type	Angle	Inch	mm					
2-1/2	64	5-3/16	132	3-1/2	89	3-3/4	95	11/16	17	Offset		19/32	15		RC-9700			
		5-3/16	132	3-1/2	89	4-9/16	116	3/4	19	Offset		11/16	17		RC-9780			
		5-3/16	132	3-1/2	89	4-9/16	116	3/4	19	Offset		19/32	15		RC-9490 ^{9,12}	RC-8320 ³⁷		
		5-3/16	132	3-1/2	89	4-11/16	119	3/4	19	Offset		19/32	15		RC-9690 ²¹			
		5-3/16	132	3-1/2	89	5-15/16	151	3/4	19	Offset		19/32	15		RC-9510 ²¹			
		5-1/4	133	2-1/2	64	5-3/4	146	1-1/2	38	Angled	20°				RU-5006			
		5-1/4	133	2-1/2	64	5-3/4	146	1-1/2	38	Centered					RU-5005			
		5-1/4	133	3-1/2	89	4-1/2	114	11/16	17	Offset		5/8	16			RC-9420 ⁶		
		5-1/4	133	5-1/2	140	1-7/8	48	5/8	16	Centered							ML-0850	
		5-3/8	137	5-1/2	140	5-7/8	149	3/4	19	Centered					E-1006			
		5-1/2	140	4-1/2	114	6	152	3/4	19	Centered						RC-4670		RF-1023DK
		6	152	5	127	5	127	2	51	Centered					RU-5174			RX-4990DK
6	152	5	127	5-1/2	140	2	51	Centered					RU-4950		RX-4950 ¹	RX-4990DK		
6	152	5	127	6-1/2	165	2	51	Centered					RU-4860		RX-4860 ¹	RX-4730DK		
6-11/16	170	3-1/2	89	7-1/16	179	13/16	21	Offset		1	25			RC-9300 ^{31,3}				
6-27/32	174	5-27/32	148	2-9/16	65	1-25/32	45	Angled	30°					RC-5049				
2-9/16	65	6-7/8	175	5-7/8	149	2-1/2	64	1-11/16	43	Offset		7/8	22		RC-4620 ⁴			
2-5/8	67	5-3/16	132	3-1/2	89	4-1/2	114	3/4	19	Offset		21/32	17		RC-9250			
		5-3/16	132	3-1/2	89	6	152	3/4	19	Offset		1-1/2	38		RC-9340			
2-11/16	68	4-1/2	114	3	76	5	127	5/8	16	Centered					RC-4340			
		5-3/16	132	3-1/2	89	4-5/16	110	3/4	19	Offset		9/16	14		RC-8070 ²³			
		5-3/16	132	3-1/2	89	4-7/16	113	3/4	19	Offset		9/16	14		RC-9650			
		5-3/16	132	3-1/2	89	4-1/2	114	3/4	19	Offset		9/16	14		RC-9580 ²⁵			
		5-3/16	132	3-1/2	89	4-9/16	116	3/4	19	Offset		9/16	14		RC-9440 ²¹			
		5-3/16	132	3-1/2	89	4-9/16	116	5/8	16	Offset		19/32	15		RC-9560			
		5-3/16	132	3-1/2	89	6	152	3/4	19	Offset		19/32	15		RC-9680 ¹⁷			
		5-3/16	132	3-1/2	89	6	152	3/4	19	Offset		9/16	14		RC-9590 ¹⁷			
		5-3/16	132	4	102	3-7/16	87	3/4	19	Offset		19/32	15	RU-9160				
		5-3/4	146	3-1/2	89	4-1/2	114	3/4	19	Offset		1/2	13			RC-9940 ^{8,30}		
		5-3/4	146	3-1/2	89	6-5/8	168	3/4	19	Offset		1-1/2	38			RC-1586 ²⁶		
		5-25/32	147	3-1/2	89	4-9/16	116	5/8	16	Offset		1/2	13			RC-9730 ^{35,3}		
2-3/4	70	3-3/4	95	4	102	5-9/16	141	13/16	21	Centered				RU-5090			RC-9310DK	
		4	102	2	51	6	152	1	25	Angled	10°			RU-3120			22-8030DK	
		4	102	2	51	7	178	1	25	Angled	10°			RU-3590				
		4	102	3	76	5	127	1	25	Angled	10°			SN-2590			SN-2590PK	
		4	102	3	76	6	152	1	25	Angled	10°			SN-2600			SN-2600PK	
		4	102	3	76	6	152	2	51	Angled	20°			SN-2620			SN-2620PK	
		4-1/2	114	3	76	4	102	5/8	16	Centered					SN-2580			SN-2580PK
		4-11/16	119	3-1/2	89	4-1/16	103	3/4	19	Centered						RC-9870		
		4-11/16	119	3-1/2	89	4-7/8	124	13/16	21	Centered				RU-9350	RC-9350			RC-9350DK
		4-11/16	119	3-1/2	89	5-5/16	135	13/16	21	Centered						RC-8340		
		4-11/16	119	3-1/2	89	6	152	3/4	19	Centered						RC-5159		
		4-3/4	121	3-1/2	89	5-7/8	149	13/16	21	Centered				RU-9310	RC-9310			RC-9310DK
4-3/4	121	4	102	7-7/8	200	13/16	21	Centered						RC-5144			69-2005TTK	
5-1/16	129	3-1/2	89	3-3/16	81	3/4	19	Centered						RC-5127				

1) 1/4-20 Jack Nut Into Top 2) Base Has (2) 7/8" Vents 3) Base Has 1/2" Vent 4) Base Has 1/32" Vent 5) Base Has 1/4" Vent 6) Base Has 11/16" Vent 7) Base Has 1-1/8" Vent 8) Base Has 13/16" Vent 9) Base Has 13/32" Vent 10) Base Has 13/64" Vent 11) Base Has 2-3/16" Square Inlet 12) Base Has 15/64" Vent 13) Base Has 19/32" Vent 14) Base Has 21/32" Vent 15) Base Has 25/64" Vent 16) Base Has 29/32" Vent 17) Base Has 3/16" Vent 18) Base Has 3/4" Vent 19) Base Has 3/8" Vent 20) Base Has 31/64" Vent 21) Base Has 35/64" Vent 22) Base Has 45/64" Vent 23) Base Has 5/16" Vent 24) Base Has 5/8" Vent 25) Base Has 55/64" Vent 26) Base Has 7/16" Vent 27) Base Has 7/8" Vent 28) Base Has 9/16" Vent 29) Base Has Opt. 1/2" Vent 30) Base Has 23/32" Vent 31) Base Has 25/32" Vent 32) Filter Has Molded-in Velocity Stack 33) Filter Is Reverse Tapered 34) Fits Legend/Dwarf Race Cars w/F1J200 Motors 35) Base Has 15/32" Vent 36) Top Plate Has 1/4-20 Stud 37) Top-Plate Has 6MM Stud 39) Offset Is Vertical 41) Offset Is Vertical And To The Right 42) Top Has 1/2" Vent 43) Top Has 1-1/16" Center Hole 44) Top Has 21/32" Center Hole 45) Top Has 23/32" Center Hole 46) Top Has 5/32" Center Hole 47) Top Has 7/16" Center Hole 48) Base Has 11/32" Vent 49) Top Has 1/4" Center Hole 50) Top Has 1-7/16" Center Hole 51) 2-1/2" Adapter Included 52) Top Has 5/8" Vent 53) Tapered Insert Included 5" to 4-3/8" 54) Filter Has Thru Hole 2-3/4" x 1-5/8" 55) Top Has 7/16" Hole 56) Flange Length for RC 9890 6/8" 57) Flange Length for RC 2610 4"

(F) Mounting Flange Inside Diameter		(D) Filter Base Diameter		(D) Filter Top Diameter		(L) Filter Length		(FL) Flange Length		(FA) Flange Style		(FO) Flange Offset		Rubber End Cap Part #	Chrome End Cap Part #	Custom End Cap Part #	Filter Wraps Part #
Inch	mm	Inch	mm	Inch	mm	Inch	mm	Inch	mm	Type	Angle	Inch	mm				
2-3/4	70	5-1/16	129	3-1/2	89	4	102	3/4	19	Centered				RU-5128			
		5-1/16	129	3-1/2	89	4-3/8	111	3/4	19	Centered					RC-5135		
		5-1/16	129	3-1/2	89	5-1/2	140	3/4	19	Centered					RC-5131		
		5-3/16	132	3-1/2	89	4-11/32	110	3/4	19	Offset		19/32	15		RC-8410 ¹⁷		
		5-3/16	132	3-1/2	89	4-5/16	110	3/4	19	Offset		1/2	13		RC-4490 ^{6,23}		
		5-3/16	132	3-1/2	89	4-3/8	111	3/4	19	Offset		17/32	13		RC-9980 ^{21,22}		
		5-3/16	132	3-1/2	89	4-31/32	126	5/8	16	Offset		19/32	15		RC-8470 ^{38,40}		
		5-3/16	132	3-1/2	89	5-1/8	130	3/4	19	Offset		11/16	17		RC-4500 ²		25-3900
		5-1/2	140	4-1/2	114	7	178	2-1/2	64	Angled	30°				RC-4790		25-3900
		5-3/4	146	5-15/16	151	7-11/16	195	7/16	11	Centered						RR-3004	
		5-7/8	149	4-1/2	114	5	127	3/4	19	Centered					RC-5284		
		5-7/8	149	4-3/4	121	2-5/8	67	3/4	19	Centered				RU-3390			
		5-7/8	149	4-3/4	121	5	127	3/4	19	Centered				RU-4450			25-3900
		5-7/8	149	4-3/4	121	7	178	3/4	19	Centered				RU-3610			25-3900
		5-7/8	149	5-1/4	133	5	127	3/4	19	Centered						RR-2803	
		6	152	5	127	5-1/2	140	2	51	Centered				RU-4960XD		RX-4960 ¹	RX-4990DK
		6	152	5	127	6-1/2	165	2	51	Centered				RU-4870		RX-4870	RX-4730DK
		6	152	5-1/4	133	5-1/4	133	1-1/2	38	Centered				RU-3103HB			
		6-3/4	171	5-7/8	149	3-1/4	83	3/4	19	Centered					RC-4850 ¹	E-2232	
		6-7/8	175	5-7/8	149	2-5/8	67	3/4	19	Centered					RC-9880		
2-13/16	71	4-7/16	113	3-1/2	89	5	127	3-9/16	90	Centered					RC-4510 ⁶		25-3900
		6-7/8	175	5-7/8	149	3-1/8	79	3/4	19	Offset		3/4	19		RC-4640 ⁴		
2-27/32	72	5-3/16	132	3-3/4	95	3-3/4	95	3/4	19	Offset		9/16	14	RU-5146			
2-7/8	73	4	102	3	76	5	127	5/8	16	Centered					RC-2600		25-3900
		4-1/4	108	4	102	4-3/4	121	15/16	24	Centered						RX-4020-1 ¹	
		4-1/2	114	3-1/2	89	5-7/8	149	3/4	19	Centered					RC-5136		25-3900
		5-3/16	132	3-1/2	89	4-7/16	113	3/4	19	Offset		15/32	12		RC-4570 ⁶		
2-15/16	75	6-3/4	171	5-7/8	149	3-1/8	79	3/4	19	Offset		13/16	21		RC-4770 ⁴		
3	76	4-7/16	113	3-1/2	89	5-2187/10	133	23/32	18	Centered						RE-5287	
		4-7/16	113	3-1/2	89	5-7/32	133	23/32	18	Centered						RE-5286	RE-5286DK
		4-1/2	114	3-1/2	89	4-5/16	110	3/4	19	Centered					RC-9410		
		4-1/2	114	3-1/2	89	5-3/4	146	3/4	19	Centered				RU-5111			25-3900
		4-1/2	114	6	152	4-5/8	117	7/8	22	Centered						RX-3900-1 ¹	
		5	127	3-1/2	89	4-5/8	117	3/4	19	Centered					RC-9480		
		5	127	3-1/2	89	5-15/16	151	3/4	19	Centered					RC-9640		
		5	127	3-1/2	89	6	152	1-3/4	44	Centered					RF-1039		RC-4160DK
		5	127	4	102	6	152	1-3/4	44	Centered					RC-4650		57-3024
		5	127	4	102	7-7/8	200	1-1/4	32	Centered				RU-4690	RC-4690		RC-4690DK
		5	127	4-1/2	114	5	127	1-3/4	44	Centered				RU-3870	RC-3870		25-3900
		5	127	4-1/2	114	6-1/2	165	1-13/16	46	Centered					RF-1030		RC-4630DK
		5	127	4-5/8	117	4	102	1-3/4	44	Centered				RU-3700			22-8014PK
		5	127	4-5/8	117	8	203	1-3/4	44	Centered				RE-0910			RE-0910PK
		5-1/8	130	5-3/8	137	4-1/2	114	1-1/2	38	Centered						HA-4099	22-8016PK
		6	152	3-1/2	89	6	152	1-3/4	44	Centered					RC-4290		
		6	152	4	102	5	127	1-3/4	44	Centered				RU-3580			25-3900

1) 1/4-20 Jack Nut Into Top 2) Base Has (2) 7/8" Vents 3) Base Has 1/2" Vent 4) Base Has 1/32" Vent 5) Base Has 1/4" Vent 6) Base Has 11/16" Vent 7) Base Has 1-1/8" Vent 8) Base Has 13/16" Vent 9) Base Has 13/32" Vent 10) Base Has 13/64" Vent 11) Base Has 2-3/16" Square Inlet 12) Base Has 15/64" Vent 13) Base Has 19/32" Vent 14) Base Has 21/32" Vent 15) Base Has 25/64" Vent 16) Base Has 29/32" Vent 17) Base Has 3/16" Vent 18) Base Has 3/4" Vent 19) Base Has 3/8" Vent 20) Base Has 31/64" Vent 21) Base Has 35/64" Vent 22) Base Has 45/64" Vent 23) Base Has 5/16" Vent 24) Base Has 5/8" Vent 25) Base Has 55/64" Vent 26) Base Has 7/16" Vent 27) Base Has 7/8" Vent 28) Base Has 9/16" Vent 29) Base Has Opt. 1/2" Vent 30) Base Has 23/32" Vent 31) Base Has 25/32" Vent 32) Filter Has Molded-in Velocity Stack 33) Filter Is Reverse Tapered 34) Fits Legend/Dwarf Race Cars w/F1200 Motors 35) Base Has 15/32" Vent 36) Top Plate Has 1/4-20 Stud 37) Top-Plate Has GMM Stud 38) Offset Is Vertical 41) Offset Is Vertical And To The Right 42) Top Has 1/2" Vent 43) Top Has 1-1/16" Center Hole 44) Top Has 21/32" Center Hole 45) Top Has 23/32" Center Hole 46) Top Has 5/32" Center Hole 47) Top Has 7/16" Center Hole 48) Base Has 11/32" Vent 49) Top Has 1/4" Center Hole 50) Top Has 1-7/16" Center Hole 51) 2-1/2" Adapter Included 52) Top Has 5/8" Vent 53) Tapered Insert Included 5" to 4-3/8" 54) Filter Has Thru Hole 2-3/4" x 1-5/8" 55) Top Has 7/16" Hole 56) Flange Length for RC 0890 6/8" 57) Flange Length for RC 2610 1"



Round Tapered

(F) Mounting Flange Inside Diameter		(D) Filter Base Diameter		(D) Filter Top Diameter		(L) Filter Length		(FL) Flange Length		(FA) Flange Style		(FO) Flange Offset		Rubber End Cap Part #	Chrome End Cap Part #	Custom End Cap Part #	Filter Wraps Part #	
Inch	mm	Inch	mm	Inch	mm	Inch	mm	Inch	mm	Type	Angle	Inch	mm					
3	76	6	152	4	102	6-3/4	171	1-3/4	44	Centered				RU-4700			RC-4700DK	
		6	152	4	102	8-11/16	221	15/16	24	Centered							RX-3990-1 ¹	
		6	152	4-1/2	114	6	152	1-3/4	44	Centered				RU-4180			22-8033PK	
		6	152	4-1/2	114	8	203	1-3/4	44	Centered					RC-5106			77-1529KP
		6	152	4-5/8	117	3	76	1	25	Centered				RU-5288				
		6	152	4-5/8	117	6	152	1-3/4	44	Centered				RE-0930-L				22-8033PK
		6	152	4-5/8	117	9	229	1-3/4	44	Centered				RE-0810				25-0810
		6	152	4-5/8	117	12	305	1-3/4	44	Centered				RE-0800				22-8034PK
		6	152	4-5/8	117	14	356	1-3/4	44	Centered				RE-0820				22-8035PK
		6	152	5	127	5	127	1-3/4	44	Centered				RU-5176				RX-4990DK
		6	152	5	127	5-9/16	141	1-3/4	44	Centered				RU-4990			RX-4990 ¹	RX-4990DK
		6	152	5	127	6	152	1-3/4	44	Centered							RF-1047	25-3900
		6	152	5	127	6-1/2	165	1-3/4	44	Centered				RU-4730			RX-4730XD ¹	RX-4730DK
		6	152	5-1/4	133	5	127	1-3/4	44	Centered							RR-3003	
6	152	5-7/8	149	6	152	1-3/4	44	Centered							RD-1100			
3-1/8	79	4-7/8	124	3-1/2	89	5-7/16	138	23/32	18	Centered							RC-9240	
		4-15/16	125	3-1/2	89	3-15/16	100	3/4	19	Centered				RU-9270	RC-9270			
		4-15/16	125	3-1/2	89	4-3/8	111	15/16	24	Centered							RC-9160	
		4-15/16	125	3-1/2	89	4-5/8	117	3/4	19	Centered							RC-8220	
		4-15/16	125	3-1/2	89	6	152	15/16	24	Centered							RC-8250	
		5	127	3-1/2	89	6	152	3/4	19	Centered				RU-3250	RC-9320			RC-4160DK
		6	152	4-5/8	117	14	356	1-3/4	44	Centered				RE-0940				
		6	152	5	127	7	178	1-3/4	44	Centered				RU-5100	RC-5100			RC-5100DK
3-5/32	80	5-3/4	146	3-1/2	89	4-7/16	113	3/4	19	Offset		1/2	13				RC-9110 ⁴	
		5-25/32	147	3-1/2	89	4-17/32	115	25/32	20	Offset		15/32	12				RC-9670 ¹⁶	
		5-25/32	147	3-1/2	89	4-17/32	115	3/4	19	Offset		1/2	13				RC-9910	
		5-25/32	147	3-1/2	89	5-15/32	139	3/4	19	Offset		1/2	13				RC-8370 ⁴⁰	
		5-25/32	147	3-1/2	89	7-23/32	196	5/8	16	Centered							RC-9950 ^{38,18,1}	
		6-15/16	176	3-1/2	89	7	178	3/4	19	Offset		25/32	20				RC-8450	
3-1/4	83	4-15/16	125	3-1/2	89	4-7/8	124	15/16	24	Centered							RC-9610	
		5-1/2	140	4-1/2	114	8	203	5/8	16	Centered							RF-1025 ¹⁹	RC-5106DK
		5-1/2	140	4-11/16	119	8	203	1-5/8	41	Centered				RU-5122				RC-5106DK
		5-3/4	146	3-1/2	89	4-25/32	121	3/4	19	Offset		9/16	14				RC-9660 ⁴	
		5-3/4	146	3-1/2	89	5-7/16	138	25/32	20	Offset		7/16	11	RU-1637	RC-1637			
		5-3/4	146	3-1/2	89	6-5/8	168	3/4	19	Offset		1/2	13				RC-4560 ²	25-3900
		5-3/4	146	3-1/2	89	6-11/16	170	3/4	19	Offset		1/2	13				RC-4470	25-3900
3-5/16	84	4-3/4	121	3-1/2	89	4-3/8	111	3/4	19	Centered							RC-9770	
		4-3/4	121	3-1/2	89	6	152	3/4	19	Centered							RC-4540	25-3900
		4-3/4	121	3-1/2	89	6-1/2	165	5/8	16	Centered				RU-2710	RC-2710			25-3900
		4-7/8	124	4	102	4-1/4	108	15/16	24	Centered							RX-4120-1 ¹	
		5-3/4	146	3-1/2	89	5-7/16	138	25/32	20	Offset		7/16	11				RC-8110 ²⁸	
3-3/8	86	4-15/16	125	3-1/2	89	3-7/8	98	15/16	24	Centered							RC-9790	
		5-3/4	146	3-1/2	89	4-1/4	108	3/4	19	Offset		9/16	14				RC-8200 ^{3,4}	
		5-3/4	146	3-1/2	89	4-7/16	113	3/4	19	Offset		9/16	14				RC-9970 ⁴	
		5-3/4	146	3-1/2	89	4-7/8	124	3/4	19	Offset		9/16	14				RC-8000 ¹⁸	

1) 1/4-20 Jack Nut Into Top 2) Base Has (2) 7/8" Vents 3) Base Has 1/2" Vent 4) Base Has 1/32" Vent 5) Base Has 1/4" Vent 6) Base Has 11/16" Vent 7) Base Has 1-1/8" Vent 8) Base Has 13/16" Vent 9) Base Has 13/32" Vent 10) Base Has 13/64" Vent 11) Base Has 2-3/16" Square Inlet 12) Base Has 15/64" Vent 13) Base Has 19/32" Vent 14) Base Has 21/32" Vent 15) Base Has 25/64" Vent 16) Base Has 29/32" Vent 17) Base Has 3/16" Vent 18) Base Has 3/4" Vent 19) Base Has 3/8" Vent 20) Base Has 31/64" Vent 21) Base Has 35/64" Vent 22) Base Has 45/64" Vent 23) Base Has 5/16" Vent 24) Base Has 5/8" Vent 25) Base Has 55/64" Vent 26) Base Has 7/16" Vent 27) Base Has 7/8" Vent 28) Base Has 9/16" Vent 29) Base Has Opt. 1/2" Vent 30) Base Has 23/32" Vent 31) Base Has 25/32" Vent 32) Filter Has Molded-in Velocity Stack 33) Filter Is Reverse Tapered 34) Fits Legend/Dwarf Race Cars w/F1J200 Motors 35) Base Has 15/32" Vent 36) Top Plate Has 1/4-20 Stud 37) Top-Plate Has 6MM Stud 38) Offset Is Vertical 41) Offset Is Vertical And To The Right 42) Top Has 1/2" Vent 43) Top Has 1-1/16" Center Hole 44) Top Has 21/32" Center Hole 45) Top Has 23/32" Center Hole 46) Top Has 5/32" Center Hole 47) Top Has 7/16" Center Hole 48) Base Has 11/32" Vent 49) Top Has 1/4" Center Hole 50) Top Has 1-7/16" Center Hole 51) 2-1/2" Adapter Included 52) Top Has 5/8" Vent 53) Tapered Insert Included 5" to 4-3/8" 54) Filter Has Thru Hole 2-3/4" x 1-5/8" 55) Top Has 7/16" Hole 56) Flange Length for RC 0890 6/8" 57) Flange Length for RC 2810 4"

(F) Mounting Flange Inside Diameter		(D) Filter Base Diameter		(D) Filter Top Diameter		(L) Filter Length		(FL) Flange Length		(FA) Flange Style		(FO) Flange Offset		Rubber End Cap Part #	Chrome End Cap Part #	Custom End Cap Part #	Filter Wraps Part #	
Inch	mm	Inch	mm	Inch	mm	Inch	mm	Inch	mm	Type	Angle	Inch	mm					
3-3/8	86	5-3/4	146	3-1/2	89	5-7/16	138	3/4	19	Offset		5/8	16		RC-9120 ³⁵			
		5-3/4	146	3-1/2	89	6-15/16	176	3/4	19	Offset		9/16	14		RC-8150			
		5-13/16	148	4	102	6	152	5/8	16	Centered					RU-5168		RU-5168DK	
		6	152	4-1/2	114	9	229	3/4	19	Centered						RP-5118	69-9502TB	
3-1/2	89	4-5/8	117	3-1/2	89	3	76	5/8	16	Centered				RU-4410				
		4-5/8	117	3-1/2	89	4-1/2	114	5/8	16	Centered					RU-2790			
		4-5/8	117	3-1/2	89	5-1/2	140	5/8	16	Centered					RU-3550		25-3900	
		4-5/8	117	3-1/2	89	7	178	5/8	16	Centered					RU-3130-L			
		4-5/8	117	3-1/2	89	7	178	7/8	22	Centered					RU-3130		RU-3130DK	
		5	127	3-1/2	89	4	102	5/8	16	Centered					RU-2990			
		5	127	5-1/8	130	2	51	5/8	16	Centered						RC-4230 ¹⁶		
		5-1/2	140	4	102	8	203	1-1/4	32	Centered					RU-1045	RF-1045		RF-1045DK
		5-1/2	140	4-1/2	114	6-1/2	165	1-1/4	32	Centered					RU-4630	RC-4630XD	RP-4630	RC-4630DK
		5-1/2	140	4-1/2	114	6-1/2	165	1-3/4	44	Centered					RU-4630XD			RC-4630DK
		5-1/2	140	4-1/2	114	8	203	1-1/4	32	Centered						RC-4760		57-3515
		5-3/4	146	3-1/2	89	6	152	1-3/4	44	Angled	10°				RU-1035	RF-1035		RF-1032DK
		5-3/4	146	3-3/4	95	6	152	1-3/4	44	Angled	10°				RF-1031			RU-5168DK
		5-3/4	146	4-1/2	114	6	152	1-3/4	44	Angled	10°					RF-1023		22-8033PK
		5-3/4	146	5	127	7	178	1-3/4	44	Angled	10°					RF-1016 ²		25-3900
		5-3/4	146	5	127	8	203	1-3/4	44	Angled	10°					RF-1003 ²		
		5-3/4	146	5	127	12-1/8	308	1-3/4	44	Angled	10°					RF-1004 ²		
		6	152	4-1/2	114	9	229	1-3/4	44	Centered						RU-3690	RC-3690	
6	152	4-5/8	117	6	152	1-3/4	44	Centered						RE-0950			22-8033PK	
6	152	4-5/8	117	9	229	1-3/4	44	Centered						RE-0920			25-0810	
6	152	5-1/4	133	8-3/4	222	1-1/2	38	Centered						RU-3105HB				
8	203	6-5/8	168	8	203	1-1/2	38	Centered						RC-5112			77-3034KP	
8	203	7	178	12-1/2	318	1-1/2	38	Centered							RC-5165		RC-5165DK	
3-5/8	92	4	102	3-3/4	95	6	152	5/8	16	Centered				RD-6010				
3-3/4	95	5-3/8	137	4-3/8	111	5	127	5/8	16	Centered				RU-4250			25-3900	
		5-3/8	137	4-3/8	111	7	178	5/8	16	Centered				RU-3530			RU-2590DK	
		5-3/4	146	3-1/2	89	6-3/4	171	3/4	19	Offset		1/2	13		RC-8480		25-3900	
3-13/16	97	6-13/16	173	6	152	2-1/8	54	3/4	19	Centered						RX-4130-1 ¹		
3-7/8	98	4-1/4	108	3-1/2	89	4-1/4	108	7/16	11	Centered				RD-6020				
		4-1/4	108	4	102	6	152	7/16	11	Centered				RD-6000			22-8031PK	
		6-3/4	171	5-7/8	149	2-3/4	70	3/4	19	Offset		3/8	10		RC-4840 ⁴			
3-27/32	98	6-7/8	175	5-7/8	149	2-25/32	71	3/4	19	Offset		7/16	11		RC-9600			
		6-7/8	175	5-7/8	149	3-3/16	81	3/4	19	Offset		13/32	10		RC-9990 ²⁴			
3-7/8	98	6-15/16	176	3-1/2	89	7-23/32	196	5/8	16	Offset		3/8	10		RC-9540			
3-27/32	98	6-15/16	176	5-13/16	148	3-1/16	78	3/4	19	Offset		197/5	10		RC-9860 ¹⁴			
		6-15/16	176	5-7/8	149	2-5/8	67	3/4	19	Offset		7/16	11		RC-9520 ²⁸			
3-7/8	98	7-1/2	191	5	127	7	178	1-1/2	38	Centered				RU-1029			RF-1029DK	
		7-1/2	191	5-1/8	130	7	178	1-1/2	38	Centered					RF-1029 ¹⁹		57-9013	
3-15/16	100	5-15/32	139	4-21/32	118	7	178	3/4	19	Centered				RF-6102				
		5-1/2	140	4-1/2	114	5-15/16	151	3/4	19	Centered					RC-5053			

1) 1/4-20 Jack Nut Into Top 2) Base Has (2) 7/8" Vents 3) Base Has 1/2" Vent 4) Base Has 1/32" Vent 5) Base Has 1/4" Vent 6) Base Has 11/16" Vent 7) Base Has 1-1/8" Vent 8) Base Has 13/16" Vent 9) Base Has 13/32" Vent 10) Base Has 13/64" Vent 11) Base Has 2-3/16" Square Inlet 12) Base Has 15/64" Vent 13) Base Has 19/32" Vent 14) Base Has 21/32" Vent 15) Base Has 25/64" Vent 16) Base Has 29/32" Vent 17) Base Has 3/16" Vent 18) Base Has 3/4" Vent 19) Base Has 3/8" Vent 20) Base Has 31/64" Vent 21) Base Has 35/64" Vent 22) Base Has 45/64" Vent 23) Base Has 5/16" Vent 24) Base Has 5/8" Vent 25) Base Has 55/64" Vent 26) Base Has 7/16" Vent 27) Base Has 7/8" Vent 28) Base Has 9/16" Vent 29) Base Has Opt. 1/2" Vent 30) Base Has 23/32" Vent 31) Base Has 25/32" Vent 32) Filter Has Molded-in Velocity Stack 33) Filter Is Reverse Tapered 34) Fits Legend/Dwarf Race Cars w/F1200 Motors 35) Base Has 15/32" Vent 36) Top Plate Has 1/4-20 Stud 37) Top-Plate Has 6MM Stud 38) Offset Is Vertical 41) Offset Is Vertical And To The Right 42) Top Has 1/2" Vent 43) Top Has 1-1/16" Center Hole 44) Top Has 21/32" Center Hole 45) Top Has 23/32" Center Hole 46) Top Has 5/32" Center Hole 47) Top Has 7/16" Center Hole 48) Base Has 11/32" Vent 49) Top Has 1/4" Center Hole 50) Top Has 1-7/16" Center Hole 51) 2-1/2" Adapter Included 52) Top Has 5/8" Vent 53) Tapered Insert Included 5" to 4-3/8" 54) Filter Has Thru Hole 2-3/4" x 1-5/8" 55) Top Has 7/16" Hole 56) Flange Length for RC 980 6/8" 57) Flange Length for RC 980 4"



Round Tapered

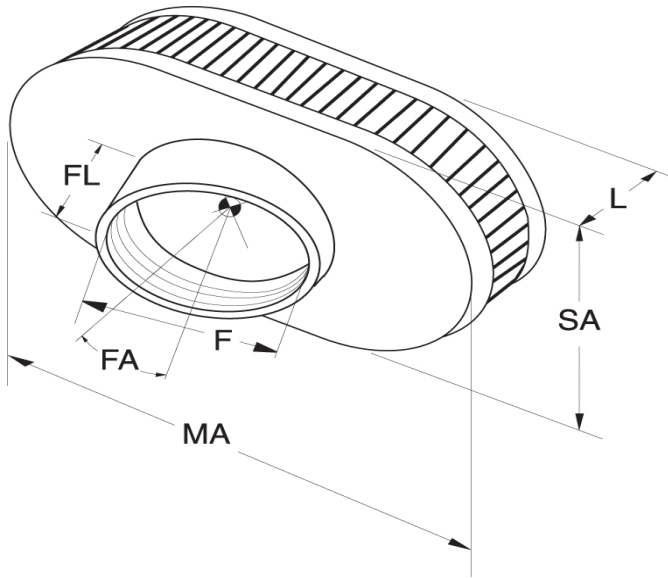
(F) Mounting Flange Inside Diameter		(D) Filter Base Diameter		(D) Filter Top Diameter		(L) Filter Length		(FL) Flange Length		(FA) Flange Style		(FO) Flange Offset		Rubber End Cap Part #	Chrome End Cap Part #	Custom End Cap Part #	Filter Wraps Part #
Inch	mm	Inch	mm	Inch	mm	Inch	mm	Inch	mm	Type	Angle	Inch	mm				
4	102	5-3/8	137	3-1/2	89	6	152	5/8	16	Centered				RU-5141 ³⁵			RP-4660DK
		5-3/8	137	4	102	5-1/16	129	5/8	16	Centered						RP-4930	RP-4660DK
		5-3/8	137	4	102	5-1/2	140	5/8	16	Centered						RP-4660	57-1515-1
		5-3/8	137	4	102	6-1/2	165	5/8	16	Centered					RC-5149	RP-4980	57-3514
		5-3/8	137	4	102	7	178	5/8	16	Centered						RP-4970	22-8032PK
		5-3/8	137	4-3/8	111	5	127	5/8	16	Centered				RU-2520			25-3900
		5-3/8	137	4-1/2	114	3-1/2	89	5/8	16	Centered				RU-2510			
		5-3/8	137	4-1/2	114	5	127	5/8	16	Centered				RU-3600	RC-3600		25-3900
		5-3/8	137	4-1/2	114	6	152	5/8	16	Centered				RU-4550	RF-1049 ³		RF-1023DK
		5-3/8	137	4-1/2	114	7	178	5/8	16	Centered				RU-2590			RU-2590DK
		5-3/8	137	4-1/2	114	7-1/2	191	5/8	16	Centered					RF-1007 ²		
		5-3/8	137	4-1/2	114	8	203	5/8	16	Centered					RC-4580		
		5-3/8	137	5	127	6-1/2	165	5/8	16	Centered					RF-1018 ⁴²		25-3900
		5-1/2	140	7	178	6	152	3/4	19	Centered					RD-1200 ⁵¹		
		6	152	4	102	7	178	1-3/4	44	Centered				RU-4680	RC-4680		RF-1032DK
		6	152	4	102	8	203	1-3/4	44	Centered					RF-1046		
		6	152	4-1/2	114	7	178	5/8	16	Centered				RF-1015			RF-1015DK
		6	152	4-5/8	117	9	229	1-3/4	44	Centered				RE-0870-L			25-0810
		6	152	4-5/8	117	12	305	1-3/4	44	Centered				RE-0860			22-8034PK
		6	152	4-5/8	117	14	356	1-3/4	44	Centered				RE-0880			22-8035PK
		6	152	4-3/4	121	5-1/2	140	1-1/8	29	Centered					RG-1001WT		
		6	152	4-3/4	121	8-5/8	219	1	25	Centered				E-1997			
		6	152	4-3/4	121	9-1/2	241	1-1/8	29	Centered					RG-1002RD-		
		6-1/2	165	4-1/2	114	6	152	1-3/4	44	Centered				RU-5060			RC-5060DK
		6-1/2	165	4-1/2	114	7	178	1-3/4	44	Centered				RU-1032			RF-1032DK
		6-1/2	165	4-1/2	114	8	203	1-3/4	44	Centered				RU-1027			RF-1027DK
		6-5/8	168	5-1/4	133	9-1/2	241	1-11/16	43	Centered						RC-4780 ⁴⁵	57-1525
		6-3/4	171	5-7/8	149	9-1/2	241	1-3/4	44	Centered				RU-5045			RU-5045DK
		6-7/8	175	5-7/8	149	2-3/4	70	3/4	19	Offset		1/2	13		RC-9500 ¹⁹		
		8	203	6-5/8	168	8	203	1-1/2	38	Centered				RU-5171HB			25-5166
		8	203	6-5/8	168	12	305	1-1/2	38	Centered						RC-5171	25-5166
4-1/16	103	6-7/8	175	5-7/8	149	2-3/16	56	3/4	19	Offset		15/32	12		RC-4480 ⁴		
		6-7/8	175	5-7/8	149	3-1/8	79	3/4	19	Offset		9/32	7		RC-9470 ⁴⁸		
4-1/8	105	7-3/8	187	6-5/8	168	7-7/8	200	1-1/8	29	Centered						RC-4900 ²⁹	57-3034
		7-3/8	187	7	178	11-1/2	292	1-1/8	29	Centered						RC-5181	77-3064KTK
4-1/4	108	5-1/2	140	5-11/32	136	6	152	27/32	21	Centered						RC-1645	
		5-7/8	149	4-1/2	114	6-3/4	171	5/8	16	Centered						RP-5167	57-7001
4-3/8	111	5-1/2	140	3-1/2	89	2-3/4	70	7/8	22	Centered						RC-9460	
		5-1/2	140	3-1/2	89	3-5/16	84	7/8	22	Centered						RC-9890	
		5-1/2	140	3-1/2	89	5-3/16	132	15/16	24	Centered						RC-9210	
		6	152	4-5/8	117	6-1/2	165	1-1/4	32	Angled	10°			RU-5061			RX-4990DK
4-1/2	114	5-7/8	149	4	102	6	152	5/8	16	Centered						RP-5101	57-2547
		5-7/8	149	4-1/2	114	4-1/2	114	5/8	16	Centered				RU-1005	RF-1005		
		5-7/8	149	4-1/2	114	5	127	5/8	16	Centered						RT-4610	25-3900
		5-7/8	149	4-1/2	114	6	152	5/8	16	Centered				RU-4740		RP-4740	RF-1023DK

1) 1/4-20 Jack Nut Into Top 2) Base Has (2) 7/8" Vents 3) Base Has 1/2" Vent 4) Base Has 1/32" Vent 5) Base Has 1/4" Vent 6) Base Has 11/16" Vent 7) Base Has 1-1/8" Vent 8) Base Has 13/16" Vent 9) Base Has 13/32" Vent 10) Base Has 13/64" Vent 11) Base Has 2-3/16" Square Inlet 12) Base Has 15/64" Vent 13) Base Has 19/32" Vent 14) Base Has 21/32" Vent 15) Base Has 25/64" Vent 16) Base Has 29/32" Vent 17) Base Has 3/16" Vent 18) Base Has 3/4" Vent 19) Base Has 3/8" Vent 20) Base Has 31/64" Vent 21) Base Has 35/64" Vent 22) Base Has 45/64" Vent 23) Base Has 5/16" Vent 24) Base Has 5/8" Vent 25) Base Has 55/64" Vent 26) Base Has 7/16" Vent 27) Base Has 7/8" Vent 28) Base Has 9/16" Vent 29) Base Has Opt. 1/2" Vent 30) Base Has 23/32" Vent 31) Base Has 25/32" Vent 32) Filter Has Molded-in Velocity Stack 33) Filter Is Reverse Tapered 34) Fits Legend/Dwarf Race Cars w/F1200 Motors 35) Base Has 15/32" Vent 36) Top Plate Has 1/4-20 Stud 37) Top-Plate Has 6MM Stud 39) Offset Is Vertical 41) Offset Is Vertical And To The Right 42) Top Has 1/2" Vent 43) Top Has 1-1/16" Center Hole 44) Top Has 21/32" Center Hole 45) Top Has 23/32" Center Hole 46) Top Has 5/32" Center Hole 47) Top Has 7/16" Center Hole 48) Base Has 11/32" Vent 49) Top Has 1/4" Center Hole 50) Top Has 1-7/16" Center Hole 51) 2-1/2" Adapter Included 52) Top Has 5/8" Vent 53) Tapered Insert Included 5" to 4-3/8" 54) Filter Has Thru Hole 2-3/4" x 1-5/8" 55) Top Has 7/16" Hole 56) Flange Length for RC 080 6/8" 57) Flange Length for RC 2610 1"

(F) Mounting Flange Inside Diameter		(D) Filter Base Diameter		(D) Filter Top Diameter		(L) Filter Length		(FL) Flange Length		(FA) Flange Style		(FO) Flange Offset		Rubber End Cap Part #	Chrome End Cap Part #	Custom End Cap Part #	Filter Wraps Part #
Inch	mm	Inch	mm	Inch	mm	Inch	mm	Inch	mm	Type	Angle	Inch	mm				
4-1/2	114	5-7/8	149	4-1/2	114	8-3/8	213	5/8	16	Centered				RU-1008			RC-5106DK
		5-7/8	149	5	127	3-1/4	83	5/8	16	Centered				RU-3110			
		5-7/8	149	5	127	6	152	5/8	16	Centered				RU-3480			RU-3480PK
		5-7/8	149	5-1/8	130	5	127	5/8	16	Centered				RU-4260			25-3900
		8	203	6-5/8	168	8	203	1-1/2	38	Centered				RU-5283HB			RC-5112DK
		8	203	6-5/8	168	8	203	1-3/8	35	Centered						RC-5283 ²⁹	RC-5112DK
		8	203	6-5/8	168	12	305	1-3/8	35	Centered						RC-5166	25-5166
4-7/8	124	9	229	6-5/8	168	7-15/16	202	1-1/4	32	Centered				RU-5172			RC-5139DK
5	127	6-1/2	165	4-3/8	111	7	178	1	25	Centered				RU-2800			25-3900
		6-1/2	165	4-3/8	111	8-3/4	222	1	25	Centered				RU-2815			RU-2815DK
		6-1/2	165	4-1/2	114	4-1/8	105	1	25	Centered				RU-5163			RU-5163DK
		6-1/2	165	4-1/2	114	5-1/2	140	1	25	Centered				RU-5147			RU-5147DK
		6-1/2	165	4-1/2	114	5-5/8	143	1	25	Centered						RP-5113	69-2001TS
		6-1/2	165	4-3/4	121	8-3/4	222	1	25	Centered				RU-3107HB			
		6-1/2	165	5	127	6-1/2	165	1	25	Centered				RU-1037			RF-1037DK
		6-1/2	165	6-3/4	171	5	127	1	25	Centered				RU-5109			25-3900
5-19/32	142	7-1/4	184	5-5/16	135	7-15/16	202	1	25	Centered				E-0649			
5-5/8	143	7-1/2	191	5-3/4	146	8	203	1-1/8	29	Centered				E-1993			
6	152	7-1/2	191	4-1/2	114	4	102	1	25	Centered				RU-4600		RU-46000	22-8036PK
		7-1/2	191	4-1/2	114	5	127	1	25	Centered						RT-4590	22-8049DK
		7-1/2	191	4-1/2	114	5	127	5/8	16	Centered				RU-5138		RC-51380	22-8049DK
		7-1/2	191	4-1/2	114	6	152	5/8	16	Centered				RU-1048	RF-1048	RF-10480	RF-1048DK
		7-1/2	191	4-1/2	114	6-1/2	165	5/8	16	Centered				RU-5107	RC-5107	RC-51070	RC-5107DK
		7-1/2	191	4-1/2	114	9	229	5/8	16	Centered				RU-5046	RC-5046	RC-50460	RC-5046DK
		7-1/2	191	5	127	4	102	1	25	Centered				RU-1009			22-8036PK
		7-1/2	191	5	127	5	127	1	25	Centered				RU-2960XD		RC-29600XI	22-8049DK
		7-1/2	191	5	127	5	127	1	25	Centered				RU-2960			22-8049DK
		7-1/2	191	5	127	6	152	1	25	Centered				RU-3100	RF-1013	RP-5168	RF-1036DK
		7-1/2	191	5	127	6	152	5/8	16	Centered					RF-1043	RC-43810	22-8037PK
		7-1/2	191	5	127	6-1/2	165	1	25	Centered				RU-1042XD	RF-1042XD	RF-10420XI	RF-1042DK
		7-1/2	191	5	127	7-1/2	191	1	25	Centered				RU-1041	RF-1041	RF-10410	RF-1041DK
		7-1/2	191	5	127	8	203	1	25	Centered				RU-3050	RF-1020	RF-10440XI	RF-1020DK
		7-1/2	191	5	127	8	203	5/8	16	Centered				RU-1044XD	RF-1044XD	RF-10440	RF-1020DK
		7-1/2	191	5	127	10	254	1	25	Centered				RU-3280			
		7-1/2	191	5-1/4	133	6	152	1	25	Centered				RU-3102HB			RF-1042DK
		7-1/2	191	5-1/4	133	7-1/2	191	1	25	Centered				RU-3101HB			
		7-1/2	191	5-7/8	149	3	76	1	25	Centered					RF-1028		RF-1028DK
		7-1/2	191	5-7/8	149	6	152	1	25	Centered					RC-4940		57-2532
		7-1/2	191	5-7/8	149	6	152	5/8	16	Centered				RU-5173	RC-5173		RC-5173DK
		7-1/2	191	5-7/8	149	6-1/2	165	1	25	Centered				RU-1014			RF-1014DK
		7-1/2	191	7	178	4	102	1	25	Centered					RF-1010 ²		
		7-1/2	191	7	178	8	203	1	25	Centered					RF-1017		22-8050PK
		7-1/2	191	7	178	11	279	1	25	Centered					RF-1026		RF-1026DK
		7-1/2	191	7	178	18	457	1	25	Centered					RC-3070		RC-3070DK
		9	229	6-5/8	168	7-1/2	191	1-1/8	29	Centered				RU-5179		RC-5282 ⁴⁴	RC-5139DK

1) 1/4-20 Jack Nut Into Top 2) Base Has (2) 7/8" Vents 3) Base Has 1/2" Vent 4) Base Has 1/32" Vent 5) Base Has 1/4" Vent 6) Base Has 11/16" Vent 7) Base Has 1-1/8" Vent 8) Base Has 13/16" Vent 9) Base Has 13/32" Vent 10) Base Has 13/64" Vent 11) Base Has 2-3/16" Square Inlet 12) Base Has 15/64" Vent 13) Base Has 19/32" Vent 14) Base Has 21/32" Vent 15) Base Has 25/64" Vent 16) Base Has 29/32" Vent 17) Base Has 3/16" Vent 18) Base Has 3/4" Vent 19) Base Has 3/8" Vent 20) Base Has 31/64" Vent 21) Base Has 35/64" Vent 22) Base Has 45/64" Vent 23) Base Has 5/16" Vent 24) Base Has 5/8" Vent 25) Base Has 55/64" Vent 26) Base Has 7/16" Vent 27) Base Has 7/8" Vent 28) Base Has 9/16" Vent 29) Base Has Opt. 1/2" Vent 30) Base Has 23/32" Vent 31) Base Has 25/32" Vent 32) Filter Has Molded-in Velocity Stack 33) Filter Is Reverse Tapered 34) Fits Legend/Dwarf Race Cars w/F1J200 Motors 35) Base Has 15/32" Vent 36) Top Plate Has 1/4-20 Stud 37) Top-Plate Has 6MM Stud 39) Offset Is Vertical 41) Offset Is Vertical And To The Right 42) Top Has 1/2" Vent 43) Top Has 1-1/16" Center Hole 44) Top Has 21/32" Center Hole 45) Top Has 23/32" Center Hole 46) Top Has 5/32" Center Hole 47) Top Has 7/16" Center Hole 48) Base Has 11/32" Vent 49) Top Has 1/4" Center Hole 50) Top Has 1-7/16" Center Hole 51) 2-1/2" Adapter Included 52) Top Has 5/8" Vent 53) Tapered Insert Included 5" to 4-3/8" 54) Filter Has Thru Hole 2-3/4" x 1-5/8" 55) Top Has 7/16" Hole 56) Flange Length for RC 080 6/8" 57) Flange Length for RC 26 1/4"

Oval Straight



When selecting one of K&N's universal oval air filters, you should consider the following dimensions as they relate to the specification chart:

(F) Mounting Flange Inside Diameter - This is the most critical dimension and should be very close to the diameter of the application's inlet flange. The flange will stretch up to 1/16" for those in-between sizes.

(MA / SA) Filter Oval Dimensions - This is the length and width of the filter. Always use the largest filter practical to fit the application.

(L) Filter Length - This dimension is the length of the filter body only, it does not include the flange length. Always use the longest filter practical for maximum filtration.

(FA / FL) Flange Angle and/or Length - If no angle is listed in the specifications table, then the flange is straight. Any angle listed is in degrees and can be utilized when space is a problem.

(FO) Flange Offset - In some cases the center of the flange is offset from the center of the filter base in order to provide a better fit.

(F) Mounting Flange Inside Diameter		(MA/SA) Filter Dimensions		(L) Filter Length		(FL) Flange Length		(FA) Flange Style		(FO) Flange Offset		Rubber End Cap Part #	Chrome End Cap Part #	Filter Wraps ¹⁴ Part #
Inch	mm	Inch	mm	Inch	mm	Inch	mm	Type	Angle	Inch	mm			
1-1/2	38	3-3/4x4-1/2	95x114	2-3/4	70	1	25	Angled	30°			R-0640		
2-1/16	52	4-1/2x7	114x178	1-1/2	38	7/8	22	Offset		1/2	13	RA-0700 ⁵	RA-070V ⁵	22-2000PL
		4-1/2x7	114x178	2	51	7/8	22	Offset		1/2	13	RA-0710 ⁵	RA-071V ⁵	22-2000PL
		4-1/2x7	114x178	3	76	7/8	22	Offset		1/2	13	RA-0720 ⁵	RA-072V ⁵	E-3341PK
2-1/4	57	4x6-1/4	102x159	4-1/2	114	1	25	Angled	10°			RU-1320		
		4x6-1/4	102x159	6	152	1	25	Angled	10°			RU-1330		
		3-3/4x4-1/2	95x114	4	102	5/8	16	Centered				RU-0990		
		3-3/4x4-1/2	95x114	5	127	5/8	16	Centered				RU-1100		
		3-3/4x4-1/2	95x114	5	127	1	25	Angled	10°			RU-1140		
		3-3/4x4-1/2	95x114	6	152	1	25	Angled	10°			RU-1150		RU-1230PK
		3-3/4x4-1/2	95x114	2	51	5/8	16	Centered				R-1390		22-8023PK
2-7/16	62	4x6-1/4	102x159	4-1/2	114	1	25	Angled	10°			RU-1340		
		4x6-1/4	102x159	5	127	1	25	Angled	10°			RU-1350		
		4x6-1/4	102x159	6	152	1	25	Angled	10°			RU-1360		
		4-1/2x7	114x178	2	51	5/8	16	Centered					RC-1980	22-2000PL
		3-1/4x4-3/8	83x111	6-3/4	171	1-1/8	29	Centered				AT-6091		
		3-3/4x4-1/2	95x114	5	127	5/8	16	Centered				RU-1180		
		3-3/4x4-1/2	95x114	5	127	1	25	Angled	10°			RU-1220		
		3-3/4x4-1/2	95x114	5	127	1-1/4	32	Angled	20°			RU-1371 ²¹		
		3-3/4x4-1/2	95x114	6	152	1	25	Angled	10°			RU-1230		RU-1230PK
		3-3/4x4-1/2	95x114	6	152	1-1/4	32	Angled	20°			RU-1380		RU-1230PK
		3-3/4x4-1/2	95x114	7	178	5/8	16	Centered				RU-1810		RU-1240PK
		3-3/4x4-1/2	95x114	7	178	1	25	Angled	10°			RU-1240		RU-1240PK
		3-3/4x4-1/2	95x114	7	178	1-1/4	32	Angled	20°			RU-1390		RU-1240PK
3-3/4x4-1/2	95x114	9	229	1	25	Angled	10°			RU-1260		RU-1260PK		
2-1/2	64	3-3/4x4-1/2	95x114	7	178	2-1/8	54	Angled	10°			RU-1830		RU-1240PK

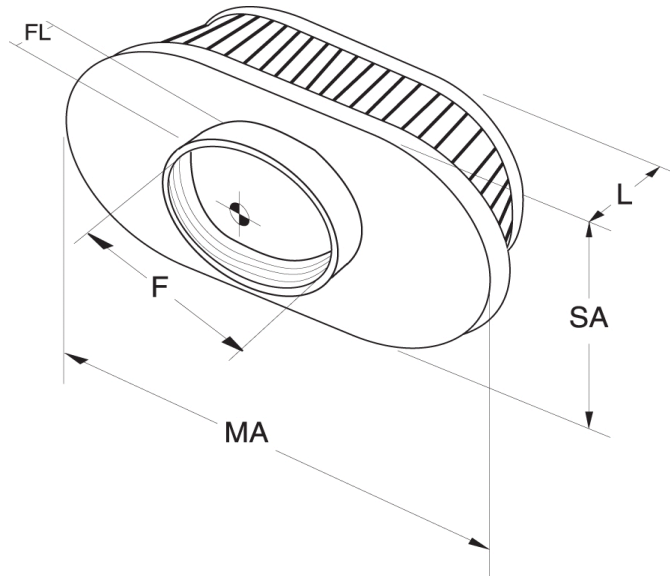
1) 1/4-20 Jack Nut Into Top 2) Base Has (2) 7/8" Vents 3) Base Has 1/2" Vent 4) Base Has 1/32" Vent 5) Base Has 1/4" Vent 6) Base Has 11/16" Vent 7) Base Has 1-1/8" Vent 8) Base Has 13/16" Vent 9) Base Has 13/32" Vent 10) Base Has 13/64" Vent 11) Base Has 2-3/16" Square Inlet 12) Base Has 15/64" Vent 13) Base Has 19/32" Vent 14) Base Has 21/32" Vent 15) Base Has 25/64" Vent 16) Base Has 29/32" Vent 17) Base Has 3/16" Vent 18) Base Has 3/4" Vent 19) Base Has 3/8" Vent 20) Base Has 31/64" Vent 21) Base Has 35/64" Vent 22) Base Has 45/64" Vent 23) Base Has 5/16" Vent 24) Base Has 5/8" Vent 25) Base Has 55/64" Vent 26) Base Has 7/16" Vent 27) Base Has 7/8" Vent 28) Base Has 9/16" Vent 29) Base Has Opt. 1/2" Vent 30) Base Has 23/32" Vent 31) Base Has 25/32" Vent 32) Filter Has Molded-in Velocity Stack 33) Filter Is Reverse Tapered 34) Fits Legend/Dwarf Race Cars w/FJ1200 Motors 35) Base Has 15/32" Vent 36) Top Plate Has 1/4-20 Stud 37) Top-Plate Has 6MM Stud 39) Offset Is Vertical 41) Offset Is Vertical And To The Right 42) Top Has 1/2" Vent 43) Top Has 1-1/16" Center Hole 44) Top Has 21/32" Center Hole 45) Top Has 23/32" Center Hole 46) Top Has 5/32" Center Hole 47) Top Has 7/16" Center Hole 48) Base Has 11/32" Vent 49) Top Has 1/4" Center Hole 50) Top Has 1-7/16" Center Hole 51) 2-1/2" Adapter Included 52) Top Has 5/8" Vent 53) Tapered Insert Included 5" to 4-3/8" 54) Filter Has Thru Hole 2-3/4" x 1-5/8" 55) Top Has 7/16" Hole 56) Flange Length for RC 0890 5/8" 57) Flange Length for RC 2610 1"



(F) Mounting Flange Inside Diameter		(MA/SA) Filter Dimensions		(L) Filter Length		(FL) Flange Length		(FA) Flange Style		(FO) Flange Offset		Rubber End Cap Part #	Chrome End Cap Part #	Filter Wraps ¹⁴ Part #
Inch	mm	Inch	mm	Inch	mm	Inch	mm	Type	Angle	Inch	mm			
2-1/2	64	3-3/4x4-1/2	95x114	9	229	2-1/8	54	Angled	10°			RU-1840		RU-1260PK
2-9/16	65	4-1/2x7	114x178	1-1/2	38	7/8	22	Offset		1/2	13	RA-0750	RA-075V	22-2000PL
		4-1/2x7	114x178	2	51	7/8	22	Offset		1/2	13	RA-0760	RA-076V	22-2000PL
		4-1/2x7	114x178	3	76	7/8	22	Offset		1/2	13	RA-0770	RA-077V	E-3341PK
2-3/4	70	4x6-1/4	102x159	5	127	5/8	16	Centered				RU-1500	RC-1500	
		4x6-1/4	102x159	5	127	1	25	Angled	10°			RU-1530		
		4x6-1/4	102x159	6	152	1	25	Angled	10°			RU-1540	RC-1540	
		4x6-1/4	102x159	7	178	5/8	16	Centered				RU-1520	RC-1520	
		4x6-1/4	102x159	7	178	1	25	Angled	10°			RU-1550		
		4-1/2x7	114x178	2	51	5/8	16	Centered					RC-2000	22-2000PL
		4-1/2x7	114x178	3	76	5/8	16	Centered					RC-2860	E-3341PK
3-1/2	89	4-1/2x7	114x178	7	178	5/8	16	Centered				RU-3620		

1) 1/4-20 Jack Nut Into Top 2) Base Has (2) 7/8" Vents 3) Base Has 1/2" Vent 4) Base Has 1/32" Vent 5) Base Has 1/4" Vent 6) Base Has 11/16" Vent 7) Base Has 1-1/8" Vent 8) Base Has 13/16" Vent 9) Base Has 13/32" Vent 10) Base Has 13/64" Vent 11) Base Has 2-3/16" Square Inlet 12) Base Has 15/64" Vent 13) Base Has 19/32" Vent 14) Base Has 21/32" Vent 15) Base Has 25/64" Vent 16) Base Has 29/32" Vent 17) Base Has 3/16" Vent 18) Base Has 3/4" Vent 19) Base Has 3/8" Vent 20) Base Has 31/64" Vent 21) Base Has 35/64" Vent 22) Base Has 45/64" Vent 23) Base Has 5/16" Vent 24) Base Has 5/8" Vent 25) Base Has 55/64" Vent 26) Base Has 7/16" Vent 27) Base Has 7/8" Vent 28) Base Has 9/16" Vent 29) Base Has Opt. 1/2" Vent 30) Base Has 23/32" Vent 31) Base Has 25/32" Vent 32) Filter Has Molded-in Velocity Stack 33) Filter Is Reverse Tapered 34) Fits Legend/Dwarf Race Cars w/FJ1200 Motors 35) Base Has 15/32" Vent 36) Top Plate Has 1/4-20 Stud 37) Top-Plate Has 6MM Stud 39) Offset Is Vertical 41) Offset Is Vertical And To The Right 42) Top Has 1/2" Vent 43) Top Has 1-1/16" Center Hole 44) Top Has 21/32" Center Hole 45) Top Has 23/32" Center Hole 46) Top Has 5/32" Center Hole 47) Top Has 7/16" Center Hole 48) Base Has 11/32" Vent 49) Top Has 1/4" Center Hole 50) Top Has 1-7/16" Center Hole 51) 2-1/2" Adapter Included 52) Top Has 5/8" Vent 53) Tapered Insert Included 5" to 4-3/8" 54) Filter has Thru Hole 2-3/4" x 1-5/8" 55) Top Has 7/16" Hole 56) Flange Length for RC 0890 5/8" 57) Flange Length for RC 2610 1"

Oval Tapered



When selecting one of K&N's universal oval air filters, you should consider the following dimensions as they relate to the specification chart:

(F) Mounting Flange Inside Diameter - This is the most critical dimension and should be very close to the diameter of the application's inlet flange. The flange will stretch up to 1/16" for those in-between sizes.

(MA / SA) Filter Oval Dimensions - This is the length and width of the filter. Always use the largest filter practical to fit the application.

(L) Filter Length - This dimension is the length of the filter body only, it does not include the flange length. Always use the longest filter practical for maximum filtration.

(FA / FL) Flange Angle and/or Length - If no angle is listed in the specifications table, then the flange is straight. Any angle listed is in degrees and can be utilized when space is a problem.

(FO) Flange Offset - In some cases the center of the flange is offset from the center of the filter base in order to provide a better fit.

(F) Mounting Flange Inside Diameter	(MA/SA) Filter Base Dimensions		(MA/SA) Filter Top Dimensions		(L) Filter Length		(FL) Flange Length		(FA) Flange Style	(FO) Flange Offset		Rubber End Cap Part #	Chrome End Cap Part #	Custom End Cap Part #	Filter Wraps Part #	
	Inch	mm	Inch	mm	Inch	mm	Inch	mm	Type	Inch	mm					
															RU-70031	
1-3/4	44	2-7/8x4	73x102	2x3	51x76	2-3/4	70	5/8	16	Offset	1/2	13			RC-2450 ⁷	RC-1820DK
		3x4	76x102	2-1/2x3-1/2	64x89	2-3/4	70	5/8	16	Offset	1/2	13	RU-2450 ⁷			RU-0981DK
2	51	2-23/32x4	69x102	2x3	51x76	2-3/4	70	5/8	16	Offset	1/2	13			RC-1820 ⁷	RC-1820DK
		3x4	76x102	2x3	51x76	5	127	5/8	16	Offset	1/2	13			RC-2770	
		3x4	76x102	2-1/2x3-1/2	64x89	2-3/4	70	5/8	16	Offset	1/2	13	RU-1820 ⁷			RU-0981DK
2-1/8	54	2-7/8x4	73x102	2-1/2x3-1/2	64x89	4	102	5/8	16	Offset	7/16	11	RU-2980 ⁵⁵			
		3x4	76x102	2x3	51x76	2-3/4	70	5/8	16	Offset	7/16	11			RC-0981	RC-0982
		3x4	76x102	2x3	51x76	4	102	5/8	16	Offset	7/16	11			RC-2900 ⁷	RC-2890DK
		3x4	76x102	2-1/2x3-1/2	64x89	2-3/4	70	5/8	16	Offset	7/16	11	RU-3010 ⁷			RU-0981DK
		3x4	76x102	2-1/2x3-1/2	64x89	4	102	5/8	16	Offset	7/16	11	RU-2810 ⁷			
		3x4	76x102	2-1/2x3-1/2	64x89	5	127	5/8	16	Offset	7/16	11	RU-2750 ⁷			
2-3/8	60	3-1/2x4-7/8	89x124	2x3	51x76	5-1/2	140	7/8	22	Centered					RC-70040	
		4-1/2x5-3/16	114x132	3-5/16x3-1/2	84x89	4-13/32	112	3/4	19	Offset	5/8	16			RC-70032 ⁴	
2-7/16	62	3-3/4x4-1/2	95x114	2x3	51x76	4	102	5/8	16	Centered					RE-0961	RE-0961DK
		3-3/4x4-1/2	95x114	2x3	51x76	6	152	5/8	16	Centered					RC-3680	22-8051PK
		3-3/4x4-1/2	95x114	2-1/2x3-1/2	64x89	2-3/4	70	5/8	16	Centered			RU-2780			RU-2780DK
		3-3/4x4-1/2	95x114	2-1/2x3-1/2	64x89	3-1/2	89	5/8	16	Centered			RU-3780			
		3-3/4x4-1/2	95x114	2-1/2x3-1/2	64x89	5	127	1-1/4	32	Angled 20°			SN-2540			SN-2540PK
		3-3/4x4-1/2	95x114	2-1/2x3-1/2	64x89	6	152	1-1/4	32	Angled 20°			SN-2550			SN-2550PK
		3-3/4x4-1/2	95x114	2-1/2x3-1/2	64x89	6	152	5/8	16	Centered					RE-0960	RC-3680DK
		3-3/4x4-1/2	95x114	2-1/2x3-1/2	64x89	7	178	1-1/4	32	Angled 20°			SN-2560			SN-2560DK
2-1/2	64	4-7/32x4-17/32	107x115	3-5/16x4-7/16	84x113	5-1/2	140	2-7/16	62	Angled 9°					RC-70050	
2-3/4	70	3-3/4x4-3/4	95x121	4x4	102x102	5-9/16	141	13/16	21	Centered					RX-5090 ¹	
3	76	6x8	152x203	5x5	127x127	6-1/2	165	1-7/8	48	Centered					RX-4750 ^{1,26}	RF-1042DK

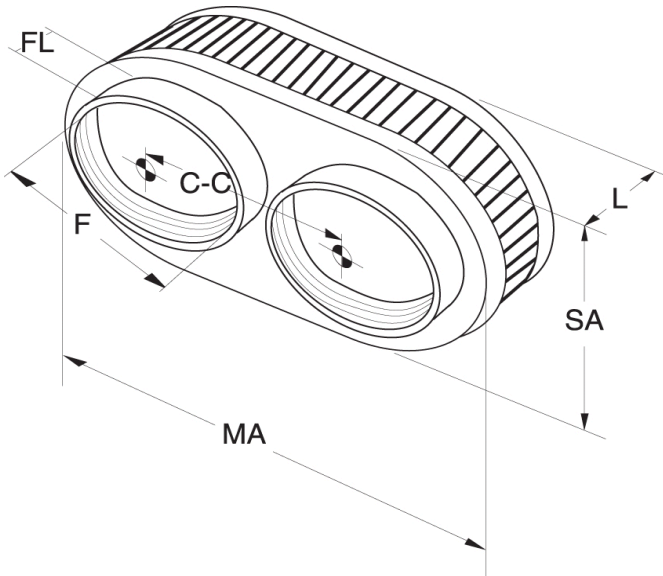
1) 1/4-20 Jack Nut Into Top 2) Base Has (2) 7/8" Vents 3) Base Has 1/2" Vent 4) Base Has 1/32" Vent 5) Base Has 1/4" Vent 6) Base Has 11/16" Vent 7) Base Has 1-1/8" Vent 8) Base Has 13/16" Vent 9) Base Has 13/32" Vent 10) Base Has 13/64" Vent 11) Base Has 2-3/16" Square Inlet 12) Base Has 15/64" Vent 13) Base Has 19/32" Vent 14) Base Has 21/32" Vent 15) Base Has 25/64" Vent 16) Base Has 29/32" Vent 17) Base Has 3/16" Vent 18) Base Has 3/4" Vent 19) Base Has 3/8" Vent 20) Base Has 31/64" Vent 21) Base Has 35/64" Vent 22) Base Has 45/64" Vent 23) Base Has 5/16" Vent 24) Base Has 5/8" Vent 25) Base Has 55/64" Vent 26) Base Has 7/16" Vent 27) Base Has 7/8" Vent 28) Base Has 9/16" Vent 29) Base Has Opt. 1/2" Vent 30) Base Has 23/32" Vent 31) Base Has 25/32" Vent 32) Filter Has Molded-in Velocity Stack 33) Filter Is Reverse Tapered 34) Fits Legend/Dwarf Race Cars w/FJ1200 Motors 35) Base Has 15/32" Vent 36) Top Plate Has 1/4-20 Stud 37) Top-Plate Has 6MM Stud 39) Offset Is Vertical 41) Offset Is Vertical And To The Right 42) Top Has 1/2" Vent 43) Top Has 1-1/16" Center Hole 44) Top Has 21/32" Center Hole 45) Top Has 23/32" Center Hole 46) Top Has 5/32" Center Hole 47) Top Has 7/16" Center Hole 48) Base Has 11/32" Vent 49) Top Has 1/4" Center Hole 50) Top Has 1-7/16" Center Hole 51) 2-1/2" Adapter Included 52) Top Has 5/8" Vent 53) Tapered Insert Included 5" to 4-3/8" 54) Filter Has Thru Hole 2-3/4" x 1-5/8" 55) Top Has 7/16" Hole



(F) Mounting Flange Inside Diameter		(MA/SA) Filter Base Dimensions		(MA/SA) Filter Top Dimensions		(L) Filter Length		(FL) Flange Length		(FA) Flange Style	(FO) Flange Offset		Rubber End Cap Part #	Chrome End Cap Part #	Custom End Cap Part #	Filter Wraps Part #
Inch	mm	Inch	mm	Inch	mm	Inch	mm	Inch	mm	Type Angle	Inch	mm				
3-1/2	89	5-1/4x8-1/2	133x216	4x6-1/4	102x159	5-1/2	140	3/4	19	Centered				RC-5040		57-1516
		5-3/4x5-3/4	146x146	3-1/4x4-1/2	83x114	6	152	1-3/4	44	Angled 10°				RC-4400		
		5-3/4x5-3/4	146x146	3-1/4x4-1/2	83x114	7	178	1-3/4	44	Angled 10°					RF-1033	
		6x6	152x152	3-3/4x4-1/2	95x114	5	127	1-3/4	44	Centered		RU-4190				
3-9/17	199	5-3/8x7-1/2	137x191	3-5/16x4-7/16	84x113	6-1/2	165	1-3/8	35	Centered					RC-5152	
3-29/32	99	5-1/2x7-1/2	140x191	3-5/16x4-1/2	84x114	6-1/2	165	1-1/2	38	Centered					RC-5132	
3-15/16	100	5-1/4x6-15/16	133x176	3-1/4x4-1/2	83x114	4-15/16	125	1-15/32	37	Centered				RC-1681 ²⁶		
		5-5/16x6-7/8	135x175	3-1/4x4-1/2	83x114	5	127	1-1/2	38	Centered				RC-70031		57-0515
		5-5/16x6-11/16	135x170	3-1/4x4-1/2	83x114	5	127	1-15/32	37	Centered				RC-1605 ⁵		
		5-5/16x7-1/8	135x181	3-1/4x4-1/2	83x114	5	127	1-7/16	37	Centered				RC-5129 ³		
		5-5/16x7-1/8	135x181	3-1/2x3-1/2	89x89	5	127	1-15/16	49	Centered				RC-5056 ^{37,3}		
		5-3/8x7-1/2	137x191	3-5/16x4-7/16	84x113	4-3/4	121	1-7/16	37	Centered				RC-1680 ^{5,18}		
		5-7/16x7-7/16	138x189	3-1/4x4-7/16	83x113	4-13/16	122	1-7/16	37	Centered				RC-70002 ²⁴		
		5-7/16x7-7/16	138x189	3-1/4x4-7/16	83x113	6-3/4	171	1-7/16	37	Centered				RC-1677 ^{18,3}		
		5-7/16x7-7/16	138x189	4-1/2x4-1/2	114x114	6-13/16	173	1-7/16	37	Centered				RC-70030 ³		
		4	102	5-3/4x9	146x229	4-1/2x7	114x178	4	102	1-1/2	38	Centered				
5-3/4x9	146x229			4-1/2x7	114x178	7-1/2	191	1-1/2	38	Centered		RE-1040			RF-1040	RF-1034DK
5-3/4x9	146x229			4-1/2x7	114x178	7-1/2	191	5/8	16	Centered					RF-1034	RF-1034DK
6-3/4x9-1/2	171x241			5-1/2x9	140x229	8-15/16	227	1-7/8	48	Offset		1-1/2 38			RC-5102 ^{2,29}	RC-5102DK
4-1/2	114	5-7/8x5-7/8	149x149	3-1/4x4-1/2	83x114	8	203	5/8	16	Centered					RF-1021	
		6-1/4x9-1/4	159x235	4-1/2x7	114x178	10	254	5/8	16	Centered		RU-1024			RF-1024 ³	RF-1024DK
6	152	6-1/4x8-1/4	159x210	4x6-1/4	102x159	5	127	1	25	Centered				RC-3160		
		6-1/4x8-1/4	159x210	4-1/2x7	114x178	3-1/4	83	1	25	Centered					RF-1002	

1) 1/4-20 Jack Nut Into Top 2) Base Has (2) 7/8" Vents 3) Base Has 1/2" Vent 4) Base Has 1/32" Vent 5) Base Has 1/4" Vent 6) Base Has 11/16" Vent 7) Base Has 1-1/8" Vent 8) Base Has 13/16" Vent 9) Base Has 13/32" Vent 10) Base Has 13/64" Vent 11) Base Has 2-3/16" Square Inlet 12) Base Has 15/64" Vent 13) Base Has 19/32" Vent 14) Base Has 21/32" Vent 15) Base Has 25/64" Vent 16) Base Has 29/32" Vent 17) Base Has 3/16" Vent 18) Base Has 3/4" Vent 19) Base Has 3/8" Vent 20) Base Has 31/64" Vent 21) Base Has 35/64" Vent 22) Base Has 45/64" Vent 23) Base Has 5/16" Vent 24) Base Has 5/8" Vent 25) Base Has 55/64" Vent 26) Base Has 7/16" Vent 27) Base Has 7/8" Vent 28) Base Has 9/16" Vent 29) Base Has Opt. 1/2" Vent 30) Base Has 23/32" Vent 31) Base Has 25/32" Vent 32) Filter Has Molded-in Velocity Stack 33) Filter Is Reverse Tapered 34) Fits Legend/Dwarf Race Cars w/FJ1200 Motors 35) Base Has 15/32" Vent 36) Top Plate Has 1/4-20 Stud 37) Top-Plate Has 6MM Stud 39) Offset Is Vertical 41) Offset Is Vertical And To The Right 42) Top Has 1/2" Vent 43) Top Has 1-1/16" Center Hole 44) Top Has 21/32" Center Hole 45) Top Has 23/32" Center Hole 46) Top Has 5/32" Center Hole 47) Top Has 7/16" Center Hole 48) Base Has 11/32" Vent 49) Top Has 1/4" Center Hole 50) Top Has 1-7/16" Center Hole 51) 2-1/2" Adapter Included 52) Top Has 5/8" Vent 53) Tapered Insert Included 5" to 4-3/8" 54) Filter has Thru Hole 2-3/4" x 1-5/8" 55) Top Has 7/16" Hole

Dual Flange Oval



When selecting one of K&N's universal dual flange air filters, you should consider the following dimensions as they relate to the specification chart:

(F) Mounting Flange Inside Diameter - This is the most critical dimension and should be very close to the diameter of the application's inlet flange. The flange will stretch up to 1/16" for those in-between sizes.

(MA / SA) Filter Oval Dimensions - This is the length and width of the filter. Always use the largest filter practical to fit the application.

(L) Filter Length - This dimension is the length of the filter body only, it does not include the flange length. Always use the longest filter practical for maximum filtration.

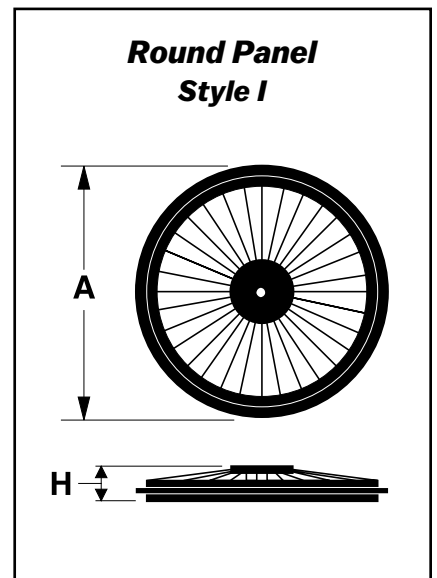
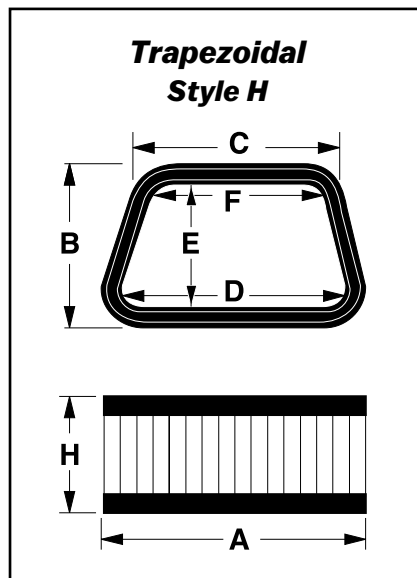
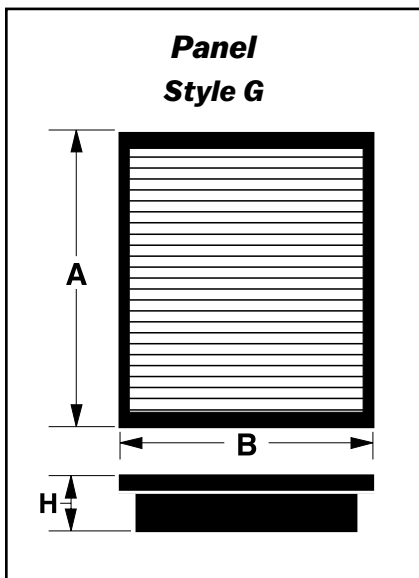
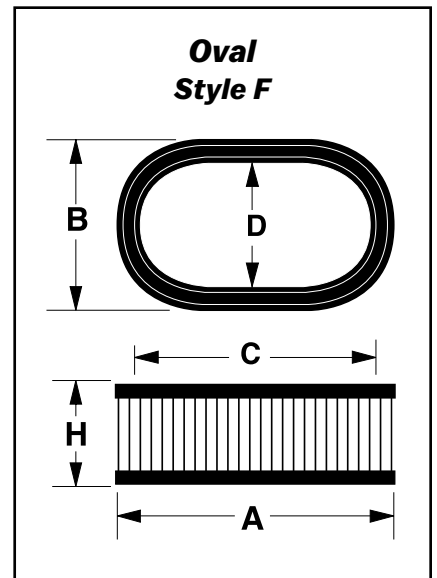
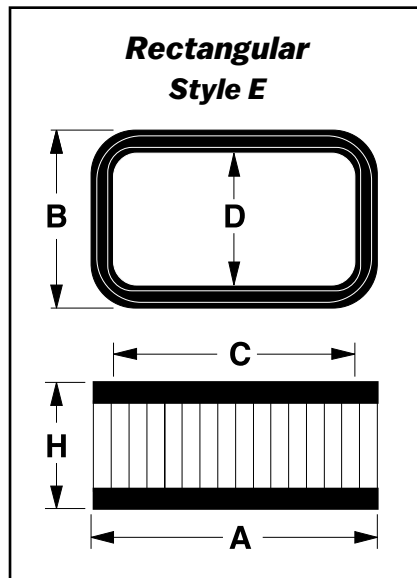
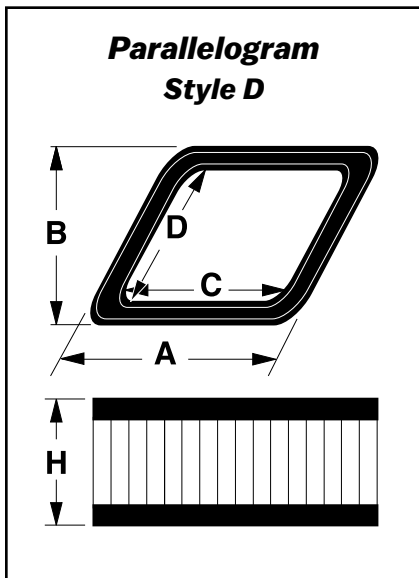
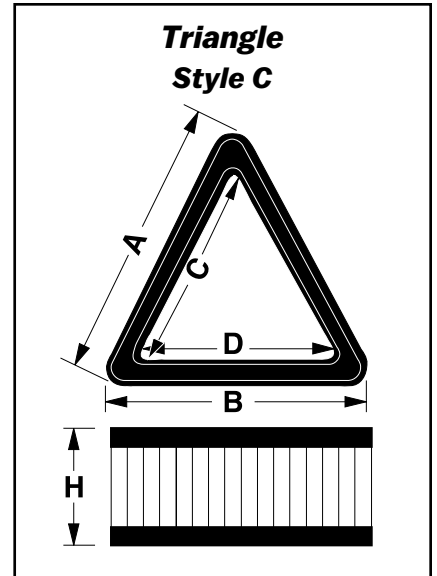
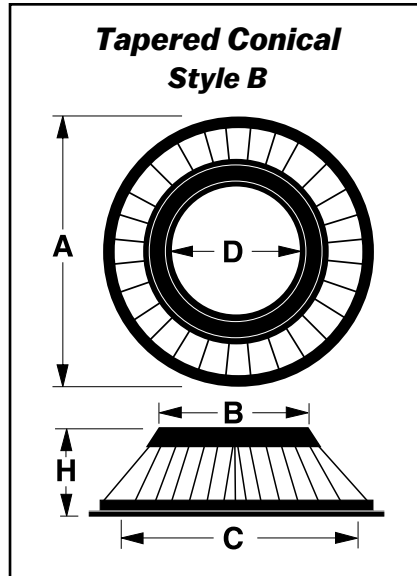
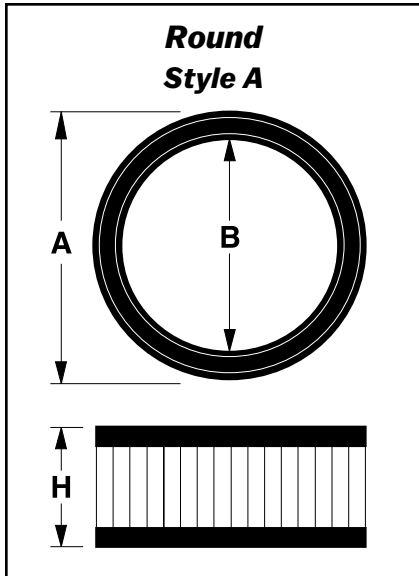
(FA / FL) Flange Angle and/or Length - If no angle is listed in the specifications table, then the flange is straight. Any angle listed is in degrees and can be utilized when space is a problem.

(FO) Flange Offset - In some cases the center of the flange is offset from the center of the filter base in order to provide a better fit.

(C-C) Flange Center to Center - For dual flange filters, this is the flange spacing. This dimension should be within 2mm for proper fit on the application.

(F) Mounting Flange Inside Diameter	(MA/SA) Filter Base Dimensions		(MA/SA) Filter Top Dimensions		(L) Filter Length		(FL) Flange Length		(FA) Flange Style	(FO) Flange Offset	(C-C) Flange Ctr to Ctr		Rubber End Cap Part #	Chrome End Cap Part #	Filter Wraps Part #
	Inch	mm	Inch	mm	Inch	mm	Inch	mm	Type	Angle	Inch	mm			
1-9/16 40	4-1/2x7	114x178	4-1/2x7	114x178	2	51	5/8	16	Offset	1-1/8 29	3	76		RC-2240	
1-7/8 48	3-7/8x6-1/8	98x156	3-7/8x6-1/8	98x156	3	76	5/8	16	Offset 10°	3/8 10	2-5/8	67	R-0990 ¹⁰		
2 51	4x6-1/4	102x159	4x6-1/4	102x159	2	51	5/8	16	Offset	1/4 6	2-5/8	67		RC-2370	
	4x6-1/4	102x159	4x6-1/4	102x159	3-1/4	83	5/8	16	Offset	1/4 6	2-5/8	67		RC-4350	
2-1/16 52	3-3/4x8-1/2	95x216	3-3/4x8-1/2	95x216	1-3/4	44	5/8	16	Centered		5	127		RC-3240	
	3-3/4x8-1/2	95x216	3-3/4x8-1/2	95x216	2-3/8	60	5/8	16	Centered		3-3/4	95		RC-2820	
	3-3/4x8-1/2	95x216	3-3/4x8-1/2	95x216	2-3/8	60	5/8	16	Centered		5	127		RC-2720	
	3-3/4x6-1/4	95x159	3-3/4x6-1/4	95x159	3	76	5/8	16	Centered		3-1/16	78	R-2300		
2-1/8 54	4x6	102x152	3-3/4x4-1/2	95x114	4	102	5/8	16	Centered		2-15/16	75	RU-2850		
	4x6-1/4	102x159	4x6-1/4	102x159	1-3/4	44	5/8	16	Centered		2-15/16	75		RC-2380	
	4x6-1/4	102x159	4x6-1/4	102x159	2	51	3/4	19	Centered		2-5/8	67		RC-2360	
	4x6-1/4	102x159	4x6-1/4	102x159	3	76	3/8	10	Centered		3-1/8	79		RC-3510 ³²	
2-3/8 60	3-5/8x7-3/8	92x187	3-5/8x7-3/8	92x187	3	76	5/8	16	Centered		4-3/16	106	RU-2970		
	3-3/4x6-1/4	95x159	3-7/16x4-7/16	87x113	6-3/4	171	3/8	10	Centered		3	76	RU-4710		RU-4710PK
	3-3/4x6-1/4	95x159	3-3/4x6-1/4	95x159	3	76	3/8	10	Centered		3	76	RU-2920		
	3-3/4x6-1/4	95x159	4-7/16x3-7/16	113x87	5	127	3/8	10	Centered		3	76	RU-4720		RU-4720PK
2-3/4 70	5-1/2x9	140x229	5-1/2x9	140x229	2	51	3/4	19	Centered		4-1/16	103		RC-2830	22-2840PL
	5-1/2x9	140x229	5-1/2x9	140x229	2-1/2	64	3/4	19	Centered		4-1/16	103		RC-2840	22-2840PL

1) 1/4-20 Jack Nut Into Top 2) Base Has (2) 7/8" Vents 3) Base Has 1/2" Vent 4) Base Has 1/32" Vent 5) Base Has 1/4" Vent 6) Base Has 11/16" Vent 7) Base Has 1-1/8" Vent 8) Base Has 13/16" Vent 9) Base Has 13/32" Vent 10) Base Has 13/64" Vent 11) Base Has 2-3/16" Square Inlet 12) Base Has 15/64" Vent 13) Base Has 19/32" Vent 14) Base Has 21/32" Vent 15) Base Has 25/64" Vent 16) Base Has 29/32" Vent 17) Base Has 3/16" Vent 18) Base Has 3/4" Vent 19) Base Has 3/8" Vent 20) Base Has 31/64" Vent 21) Base Has 35/64" Vent 22) Base Has 45/64" Vent 23) Base Has 5/16" Vent 24) Base Has 5/8" Vent 25) Base Has 55/64" Vent 26) Base Has 7/16" Vent 27) Base Has 7/8" Vent 28) Base Has 9/16" Vent 29) Base Has Opt. 1/2" Vent 30) Base Has 23/32" Vent 31) Base Has 25/32" Vent 32) Filter Has Molded-in Velocity Stack 33) Filter Is Reverse Tapered 34) Fits Legend/Dwarf Race Cars w/FJ1200 Motors 35) Base Has 15/32" Vent 36) Top Plate Has 1/4-20 Stud 37) Top-Plate Has 6MM Stud 38) Offset Is Vertical 41) Offset Is Vertical And To The Right 42) Top Has 1/2" Vent 43) Top Has 1-1/16" Center Hole 44) Top Has 21/32" Center Hole 45) Top Has 23/32" Center Hole 46) Top Has 5/32" Center Hole 47) Top Has 7/16" Center Hole 48) Base Has 11/32" Vent 49) Top Has 1/4" Center Hole 50) Top Has 1-7/16" Center Hole 51) 2-1/2" Adapter Included 52) Top Has 5/8" Vent 53) Tapered Insert Included 5" to 4-3/8" 54) Filter Has Thru Hole 2-3/4" x 1-5/8" 55) Top Has 7/16" Hole 60) Flange Length for DP 0890 E/B 67) Flange Length for DP 0630 4"



Filter Dimensions by Size



Part #	Style	A	B	C	D	E	F	H	Part #	Style	A	B	C	D	E	F	H	
Round Filters									Round Filters									
E-3009	A	2.000	1.063					1.063	DU-0202	A	4.125	2.875						2.438
E-4142	A	2.750	1.438					2.813	E-4961 ³	A	4.125	2.625						10.750
E-9234 ³	A	2.813	1.250					2.688	E-9245	A	4.125	2.750						5.945
E-2010	A	3.000	1.750					2.500	HA-0301 ¹	A	4.125	1.750						3.625
E-4188 ³	A	3.000	2.000					1.438	YA-2588 ³	A	4.125	2.750						2.250
HA-1088 ³	A	3.000	1.688					3.000	E-4450	A	4.188	2.875						4.875
HD-2492	A	3.000	2.000					5.000	HA-6089 ³	A	4.188	2.875						3.875
KA-5090 ³	A	3.000	2.000					3.438	KA-6085 ³	A	4.188	2.875						1.625
E-4284	A	3.250	2.250					2.000	PL-5008 ³	A	4.188	2.500						10.750
E-4510	A	3.250	1.625					7.063	SU-8087 ³	A	4.188	2.125						3.000
YA-2597 ³	A	3.313	1.875					5.500	AL-6502	A	4.250	3.000						3.125
E-4495 ³	A	3.375	1.938					7.250	E-2876	A	4.250	2.875						9.313
CG-0100	A	3.500	2.500					4.563	E-4370	A	4.250	2.000						3.750
DU-1006	A	3.500	2.000					5.500	HA-0300	A	4.250	3.125						2.125
DU-6908	A	3.500	2.000					5.500	HA-0850 ³	A	4.250	3.000						5.313
E-2040	A	3.500	2.438					6.625	KA-4010	A	4.250	3.000						4.375
E-3050	A	3.500	2.438					3.500	PL-2417 ³	A	4.250	2.688						8.313
E-4552 ³	A	3.500	1.875					7.125	SU-1284 ³	A	4.250	2.938						5.094
E-9257	A	3.500	2.000					5.500	YA-6608 ³	A	4.250	2.813						4.000
HA-0510 ³	A	3.500	2.062					5.000	BD-6502 ³	A	4.313	2.750						5.000
HA-4020 ³	A	3.500	2.250					5.188	E-2864	A	4.313	2.563						9.938
KA-1200	A	3.500	2.500					5.375	E-9242	A	4.313	2.438						5.938
KA-6201 ³	A	3.500	1.813					7.188	KA-3603 ³	A	4.313	2.938						5.313
KA-7583	A	3.500	2.438					4.813	BM-0400	A	4.375	3.000						3.375
YA-0587 ³	A	3.500	2.375					3.250	BM-1298	A	4.375	3.000						3.188
KA-0018 ¹	A	3.543	2.165					6.457	E-2190	A	4.375	2.875						5.750
BM-0100	A	3.563	2.438					2.813	E-2862	A	4.375	2.625						10.500
E-4527 ³	A	3.563	2.375					4.250	E-4400	A	4.375	3.000						2.313
HA-3010	A	3.563	2.125					5.313	E-4420	A	4.375	3.000						3.313
E-2401	A	3.625	2.375					7.875	E-4430	A	4.375	3.000						4.875
E-4513 ³	A	3.625	1.625					2.875	E-9238	A	4.375	3.000						7.000
HA-2501 ³	A	3.625	1.438					4.125	YA-6092	A	4.375	2.563						4.688
KA-0750	A	3.625	2.375					7.438	E-2230	A	4.438	3.000						3.688
KA-7500	A	3.625	2.375					6.813	E-4490	A	4.438	3.000						7.000
KA-7580	A	3.625	2.375					4.625	E-4517 ¹	A	4.438	2.500						3.625
YA-4350 ³	A	3.625	2.625					9.000	E-9000	A	4.438	3.063						9.438
YA-1308 ³	A	3.688	2.094					5.875	E-9104	A	4.438	2.625						6.750
HA-5094 ³	A	3.750	2.500					5.313	E-9256	A	4.438	2.625						8.625
SU-7503	A	3.750	2.750					4.500	KA-1408	A	4.438	3.188						3.563
E-9025	A	3.781	2.844					2.781	E-2240	A	4.500	3.313						4.813
E-3120	A	3.875	2.875					2.000	E-2658	A	4.500	2.688						9.875
E-3130	A	3.875	2.875					3.250	E-9060	A	4.500	2.750						11.313
E-9260	A	3.875	2.125					11.875	HA-1000 ³	A	4.500	2.250						2.250
HA-1326	A	3.875	2.500					4.125	HA-4400 ³	A	4.500	3.125						4.500
HA-2090 ³	A	3.875	1.688					4.313	HA-5083 ³	A	4.500	2.750						3.750
HA-2597 ³	A	3.875	1.500					4.000	KA-2288 ³	A	4.500	2.000						3.563
HA-3098 ³	A	3.875	1.875					4.250	KA-4093 ³	A	4.500	2.813						3.875
HA-5100 ³	A	3.875	2.375					4.438	PL-1001	A	4.500	3.250						4.375
YA-3504 ³	A	3.875	2.500					5.875	YA-6089	A	4.500	2.500						4.125
YA-4001 ³	A	3.938	1.938					5.875	YA-7585	A	4.500	2.500						4.875
E-4310	A	4.000	2.375					2.750	E-9123	A	4.625	2.750						16.031
E-4550 ²	A	4.000	2.750					3.188	E-9131	A	4.625	3.375						9.563
HA-2410 ³	A	4.000	2.875					5.250	RO-5010	A	4.687	3.687						3.125
HA-4435 ³	A	4.000	2.625					6.000	HA-5000 ³	A	4.750	3.125						4.625
HA-9002 ³	A	4.000	2.750					5.375	TB-0100	A	4.750	3.250						1.625
KA-1199	A	4.000	2.875					4.688	BM-0200	A	4.813	3.125						4.500
KA-1203 ³	A	4.000	3.000					2.000	E-9001	A	4.813	2.125						1.750
PL-1003 ³	A	4.000	2.500					7.000	E-0650 ³	A	4.875	3.000						5.375
PL-1004 ³	A	4.000	2.500					4.250	E-1007 ³	A	4.875	3.313						5.938
PL-1710 ³	A	4.000	2.500					4.188	HA-0001	A	4.875	3.625						3.188
YA-2598 ³	A	4.000	1.875					3.750	E-0771	A	4.938	3.125						6.813
YA-4085	A	4.000	2.063					4.125	E-2244	A	4.938	3.500						8.625
YA-7086	A	4.000	2.063					5.875	E-2429	A	4.938	3.188						6.750

1) Inner Support Wire 2) Outer Support Wire 3) Closed Top



Filter Dimensions by Size

Part #	Style	A	B	C	D	E	F	H	Part #	Style	A	B	C	D	E	F	H
Round Filters									Round Filters								
AL-1001 ³	A	5.000	3.750			4.312			E-0890	A	5.625	3.625					5.938
E-0653 ³	A	5.000	3.125			5.250			E-0930	A	5.625	3.625					3.938
E-0850	A	5.000	3.750			4.938			E-2220	A	5.625	3.000					4.938
E-0870	A	5.000	3.750			5.250			E-2447	A	5.625	3.875					7.250
E-2231 ³	A	5.000	3.625			9.000			E-2997 ³	A	5.625	3.000					5.063
E-2290 ³	A	5.000	2.750			3.875			E-3220	A	5.625	4.500					2.000
E-2291 ³	A	5.000	2.750			3.875			E-3221	A	5.625	4.625					2.000
E-3140	A	5.000	3.750			3.563			E-3230	A	5.625	4.500					4.375
E-4962 ³	A	5.000	3.375			12.375			KA-1596 ³	A	5.625	4.500					2.000
E-9183	A	5.000	3.625			6.438			YA-8502 ³	A	5.625	3.875					3.000
HA-2420 ³	A	5.000	3.000			3.500			E-9228	A	5.709	4.094					9.250
HA-4350	A	5.000	3.000			5.000			E-0775	A	5.750	4.000					7.250
KA-4508 ³	A	5.000	3.438			7.375			E-2020	A	5.750	0					9.063
PL-8715 ³	A	5.000	2.500			11.063			E-2416 ^{1,3}	A	5.750	4.000					10.000
SU-4250	A	5.000	3.625			3.563			E-2995 ³	A	5.750	3.750					10.188
AL-1098 ³	A	5.063	3.875			4.750			E-9240	A	5.750	4.000					8.500
E-2310	A	5.063	3.250			6.688			E-2986 ³	A	5.813	3.438					8.125
E-2400	A	5.063	3.625			3.688			E-2991 ³	A	5.813	3.438					8.625
E-2984 ²	A	5.063	2.563			11.375			E-9282 ³	A	5.827	3.071					6.614
CM-8016 ³	A	5.125	3.313			9.688			E-2410	A	5.875	4.375					3.000
E-2021 ³	A	5.125	3.156			4.500			E-2415	A	5.875	3.250					6.125
E-2402 ^{1,2}	A	5.125	3.625			12.188			E-2417 ³	A	5.875	3.250					7.625
E-9002	A	5.125	3.750			4.938			E-3180	A	5.875	4.500					1.750
E-9053	A	5.125	3.750			9.938			E-3190	A	5.875	4.500					3.250
E-9139	A	5.125	3.750			7.063			E-3210	A	5.875	4.500					3.500
E-9235	A	5.125	3.750			10.375			E-3211	A	5.875	4.875					1.750
E-0777 ³	A	5.250	3.313			7.125			E-3212	A	5.875	4.875					1.813
E-1008 ¹	A	5.250	3.375			13.125			E-3213	A	5.875	4.875					2.063
E-2012 ³	A	5.250	3.625			10.000			E-3214	A	5.875	4.875					6.125
E-4800 ^{1,3}	A	5.250	2.563			11.375			E-3218	A	5.875	4.875					3.250
E-4810 ^{1,3}	A	5.250	2.625			11.313			E-3956 ³	A	5.875	3.250					6.000
HD-0300	A	5.250	4.000			2.000			E-4530	A	5.875	3.250					3.125
E-9231-1	A	5.281	3.375			11.219			E-9029	A	5.875	4.500					5.875
E-1986	A	5.313	3.313			13.250			E-9143	A	5.875	4.875					2.125
E-2345	A	5.313	3.500			6.375			E-9144	A	5.875	4.875					2.500
E-2350	A	5.313	3.500			6.500			E-9145	A	5.875	4.875					3.219
E-2380	A	5.313	3.500			8.750			HA-1185	A	5.875	4.500					2.875
E-3506	A	5.313	4.063			2.375			E-1990 ³	A	5.938	3.125					9.938
E-0900	A	5.375	3.750			3.188			E-0645 ³	A	6.000	3.500					10.313
E-2320	A	5.375	3.500			2.375			E-1983	A	6.000	3.625					7.375
E-2321	A	5.375	3.500			2.250			E-2420	A	6.000	4.250					3.875
E-2330	A	5.375	3.500			2.563			E-2430	A	6.000	4.250					3.250
E-2340	A	5.375	3.500			4.250			E-3002	A	6.000	4.250					5.750
E-2351	A	5.375	3.500			6.500			E-3224	A	6.000	4.625					2.063
E-2360	A	5.375	3.500			6.313			E-3225	A	6.000	4.625					2.188
E-2381	A	5.375	3.500			8.625			E-3226	A	6.000	4.625					2.500
E-2450	A	5.375	3.625			5.875			E-3971	A	6.000	4.625					2.750
E-2457	A	5.375	3.625			9.125			HD-0500	A	6.000	4.750					2.250
E-3200	A	5.375	4.000			2.000			HD-0918 ³	A	6.000	5.063					2.813
E-3205	A	5.375	4.000			2.250			HU-0600 ¹	A	6.000	4.000					2.125
E-9108	A	5.375	3.500			4.875			E-9283	A	6.031	3.469					11.969
E-9130	A	5.375	3.500			4.938			E-1796 ^{1,3}	A	6.063	3.750					9.500
E-9251	A	5.375	3.500			9.000			E-2470	A	6.063	4.688					1.875
E-1992	A	5.438	3.438			6.063			E-2473	A	6.063	4.688					2.250
E-9244 ³	A	5.438	3.600			9.500			E-2860 ^{1,3}	A	6.063	3.500					12.875
DU-0100	A	5.500	3.625			2.875			E-3350	A	6.063	4.688					2.250
E-2210 ³	A	5.500	2.750			6.500			E-4583	A	6.063	4.688					3.000
E-2455	A	5.500	3.750			5.438			E-4964	A	6.063	4.688					1.875
E-9268 ³	A	5.500	3.750			9.875			E-9280 ³	A	6.063	3.438					9.750
KA-1100	A	5.500	4.375			3.000			E-0664 ³	A	6.125	3.938					7.313
PL-1014 ³	A	5.563	3.000			11.125			E-2370	A	6.125	4.250					2.188
E-0655	A	5.625	3.000			6.063			E-2987 ³	A	6.125	3.125					4.813
E-0661 ³	A	5.625	3.063			6.750			E-2988 ³	A	6.125	3.000					7.813

1) Inner Support Wire 2) Outer Support Wire 3) Closed Top

Filter Dimensions by Size



Part #	Style	A	B	C	D	E	F	H	Part #	Style	A	B	C	D	E	F	H
Round Filters									Round Filters								
E-3330	A	6.125	5.125					2.063	E-4665	A	7.000	5.500					2.250
E-4710	A	6.188	4.438					7.563	HD-0600 ³	A	7.000	5.000					1.938
E-2993 ³	A	6.250	2.750					8.250	KA-8095	A	7.000	6.000					2.500
E-3290	A	6.250	5.250					1.500	E-2553	A	7.250	4.625					4.375
E-3300	A	6.250	5.250					2.750	E-4680 ¹	A	7.250	4.750					8.000
E-3310	A	6.250	5.250					3.000	E-4690	A	7.250	5.250					5.500
E-3320	A	6.250	5.250					1.750	AC-1012 ³	A	7.313	5.875					6.438
E-3322	A	6.250	5.250					2.500	AC-7014 ³	A	7.313	5.313					5.750
E-3323	A	6.250	5.250					2.750	E-2601	A	7.375	6.125					2.188
E-3340	A	6.250	5.250					3.250	E-2444 ^{1,3}	A	7.500	4.125					5.500
E-3344	A	6.250	5.250					4.000	E-2536	A	7.500	5.000					4.344
E-3346	A	6.250	5.250					6.000	E-2560	A	7.500	5.500					4.250
E-9267 ¹	A	6.250	3.625					5.688	E-2566	A	7.500	5.625					2.063
E-9187	A	6.313	3.625					9.313	E-3336	A	7.500	6.125					2.250
E-0656 ³	A	6.375	4.688					12.188	HU-1200 ¹	A	7.563	6.250					2.875
E-3237	A	6.375	5.000					1.500	E-1000	A	7.750	6.375					3.000
E-3240	A	6.375	5.000					1.750	E-3410	A	7.750	6.750					2.063
E-3243	A	6.375	5.000					2.063	E-3440	A	7.750	6.250					1.750
E-3250	A	6.375	5.000					2.250	E-3450	A	7.750	6.250					2.500
E-3260	A	6.375	5.000					2.500	E-3460	A	7.750	6.375					3.250
E-3270	A	6.375	5.000					3.250	E-3470	A	7.750	6.375					4.500
E-3280	A	6.375	5.000					3.625	E-3480	A	7.750	6.375					5.500
E-3282	A	6.375	5.000					3.750	E-3490	A	7.750	6.250					6.000
E-3284	A	6.375	5.000					4.000	E-4425	A	7.750	6.375					2.188
E-9184	A	6.375	4.750					4.875	E-9050	A	7.750	6.750					2.500
E-2017 ¹	A	6.500	4.750					9.313	E-9052	A	7.750	6.750					3.250
E-2023	A	6.500	3.250					5.750	E-9054	A	7.750	6.750					1.750
E-2475	A	6.500	4.000					4.000	E-1015	A	8.000	6.750					2.438
E-4595 ¹	A	6.500	4.000					1.625	E-1023 ^{1,3}	A	8.000	4.500					9.250
E-4600 ¹	A	6.500	4.000					5.750	E-2015 ³	A	8.000	4.500					4.625
E-4610 ¹	A	6.500	4.000					7.063	E-2615 ^{1,3}	A	8.000	4.500					8.000
E-4969 ^{1,3}	A	6.500	3.625					13.813	E-4720	A	8.000	5.500					2.125
E-4974 ^{1,3}	A	6.500	4.938					12.125	E-4730 ¹	A	8.000	6.000					8.000
E-9033 ¹	A	6.500	4.000					6.938	NO-0100	A	8.125	6.875					2.875
E-9270	A	6.563	4.750					5.938	E-2570	A	8.188	6.250					1.875
E-0647 ³	A	6.625	2.625					4.500	E-2600	A	8.188	6.250					2.188
E-2485	A	6.750	4.250					3.563	E-0662 ³	A	8.250	5.250					4.250
E-2487	A	6.750	4.250					5.500	E-1025	A	8.250	6.875					2.500
E-2488	A	6.750	4.250					2.750	E-1040	A	8.313	6.313					3.250
E-4640	A	6.750	5.000					2.250	E-3492	A	8.500	6.625					2.375
E-4650	A	6.750	5.000					6.625	E-1010	A	9.000	7.000					2.875
E-2443	A	6.813	4.313					5.813	E-1050	A	9.000	7.000					2.000
E-2440	A	6.875	4.375					5.625	E-1700 ^{1,3}	A	9.000	5.250					12.938
E-2022 ³	A	6.906	6.811					5.331	E-2585	A	9.000	7.000					1.813
E-0990	A	7.000	5.188					4.625	E-2620	A	9.000	7.125					1.875
E-2490	A	7.000	5.188					2.375	E-2630	A	9.000	7.125					2.000
E-2500	A	7.000	5.188					2.563	E-2640	A	9.000	7.125					2.250
E-2510	A	7.000	5.188					2.750	E-2660	A	9.000	7.125					2.500
E-2520	A	7.000	5.188					3.188	E-2670	A	9.000	7.125					2.375
E-2530	A	7.000	5.188					5.063	E-2710	A	9.000	7.500					2.000
E-2540	A	7.000	5.188					2.188	E-2720	A	9.000	7.500					2.500
E-2550	A	7.000	5.188					3.125	E-3500	A	9.000	7.000					3.000
E-3360	A	7.000	5.188					2.000	E-3510	A	9.000	7.500					2.000
E-3380	A	7.000	5.188					3.000	E-3527	A	9.000	8.000					2.000
E-3390	A	7.000	5.188					3.750	E-3530	A	9.000	8.000					2.875
E-3400	A	7.000	5.188					4.000	E-3532	A	9.000	8.000					3.750
E-3402	A	7.000	5.500					2.000	E-3534	A	9.000	8.000					3.313
E-3403	A	7.000	5.500					3.000	E-3550 ¹	A	9.000	7.500					2.750
E-4518	A	7.000	5.500					2.938	E-3551	A	9.000	8.000					3.500
E-4521	A	7.000	5.500					2.500	E-3600	A	9.000	7.000					3.500
E-4522	A	7.000	5.500					1.750	E-3640	A	9.000	7.500					4.000
E-4655	A	7.000	5.500					1.750	E-3650 ¹	A	9.000	7.500					5.000
E-4660	A	7.000	5.500					2.000	E-3657 ¹	A	9.000	7.500					7.000

1) Inner Support Wire 2) Outer Support Wire 3) Closed Top



Filter Dimensions by Size

Part #	Style	A	B	C	D	E	F	H	Part #	Style	A	B	C	D	E	F	H
Round Filters									Round Filters								
E-3659 ¹	A	9.000	7.500					9.000	E-1290	A	11.000	9.000					2.750
E-3660 ¹	A	9.000	7.500					10.000	E-1300	A	11.000	9.000					2.625
E-4780	A	9.000	7.000					6.625	E-1325	A	11.000	9.000					1.938
E-3620	A	9.125	7.875					2.000	E-1460	A	11.000	8.375					4.938
E-3630	A	9.125	7.875					3.500	E-1461	A	11.000	8.375					4.438
E-9092	A	9.125	7.375					1.938	E-2830	A	11.000	9.250					2.375
E-9135	A	9.188	7.313					2.438	E-2840	A	11.000	9.250					3.125
E-1100	A	9.250	7.500					2.750	E-3680	A	11.000	9.250					5.000
E-1110	A	9.250	7.500					2.625	E-3681 ¹	A	11.000	9.000					5.000
E-1112	A	9.250	7.500					2.375	E-3690	A	11.000	9.250					6.000
E-2700	A	9.250	7.250					2.750	E-3691 ¹	A	11.000	9.000					6.000
E-2723	A	9.250	6.750					3.125	E-3692	A	11.000	9.250					4.000
E-2725	A	9.250	6.750					3.375	E-3693 ¹	A	11.000	9.000					8.000
E-2750	A	9.250	7.500					1.938	E-4830	A	11.000	8.500					3.375
E-2755	A	9.250	7.500					2.438	E-1280	A	11.250	9.375					1.750
E-1117	A	9.313	7.500					1.688	E-1350	A	11.250	9.500					2.125
E-9122	A	9.500	7.677					1.969	E-1360	A	11.250	9.375					2.375
E-1065	A	9.625	8.375					2.813	E-2690	A	11.250	8.750					1.563
E-3670	A	9.625	8.375					3.250	E-2850	A	11.250	9.500					1.875
E-3674	A	9.625	8.375					6.000	E-2870	A	11.250	8.875					4.250
E-2610	A	9.750	7.875					2.250	E-1320	A	11.375	8.875					5.563
E-2680	A	9.750	7.875					2.750	E-1991	A	11.375	9.375					3.125
E-2730	A	9.750	7.875					1.688	E-2820	A	11.500	9.500					2.000
E-2734	A	9.750	7.875					1.750	E-3695	A	11.500	9.500					2.375
E-2740	A	9.750	7.875					2.000	E-1420	A	11.875	9.813					5.500
E-2760	A	9.750	7.875					2.375	E-1447	A	11.875	9.813					2.125
E-2810	A	9.750	8.000					2.563	E-1450	A	11.875	9.813					2.500
E-2813	A	9.750	8.000					2.875	E-1500	A	11.875	9.813					3.438
E-3675	A	9.875	8.875					2.500	E-1520	A	11.875	9.813					3.000
E-1035	A	10.000	8.625					2.438	E-1410	A	12.000	9.813					3.125
E-1068	A	10.000	8.375					2.000	E-1430	A	12.375	10.875					2.938
E-1070	A	10.000	8.000					2.000	E-1440	A	12.500	10.000					5.500
E-1080	A	10.000	8.000					2.250	E-1510	A	12.500	10.750					2.625
E-1088	A	10.000	8.000					2.063	E-1515	A	12.500	10.750					2.000
E-1090	A	10.000	8.000					2.313	E-1530	A	12.500	11.000					2.750
E-1095	A	10.000	8.000					2.563	E-1535	A	12.500	11.000					2.875
E-1120	A	10.000	8.000					3.000	E-1540	A	12.500	11.000					3.500
E-1150	A	10.000	8.000					3.500	E-2855	A	12.500	10.000					2.000
E-1170	A	10.000	8.000					6.000	E-3021 ¹	A	12.500	11.000					2.125
E-2764	A	10.000	8.000					2.500	E-2865	A	13.000	11.125					2.313
E-2861	A	10.000	8.375					3.000	E-3036	A	13.000	11.125					6.000
E-3678	A	10.000	8.250					2.750	E-1590	A	13.125	11.625					2.563
E-3679	A	10.000	8.000					3.750	E-3698	A	13.125	11.438					2.750
E-4790	A	10.000	7.375					2.750	E-3699	A	13.125	11.438					4.000
E-4820	A	10.000	7.375					5.500	E-3705	A	13.125	11.625					3.250
E-9031	A	10.000	7.375					3.688	E-1550	A	13.250	11.250					1.875
E-9080	A	10.000	8.000					2.750	E-1560	A	13.250	11.250					2.188
E-2650	A	10.125	8.375					3.438	E-1570	A	13.250	11.500					2.875
E-9103	A	10.236	8.268					2.094	E-1577	A	13.250	11.500					2.750
E-1030	A	10.375	8.500					2.250	E-1580	A	13.250	11.250					2.500
E-2770	A	10.500	8.500					1.750	E-2872	A	13.250	11.500					3.125
E-2780	A	10.500	8.500					2.000	E-3700	A	13.250	11.250					4.000
E-2790	A	10.500	8.500					2.188	E-2859	A	13.500	11.750					1.500
E-2800	A	10.500	8.500					3.250	E-3710	A	13.500	11.750					2.000
HA-1191	A	10.563	8.813					2.875	E-3717	A	13.500	11.750					2.500
E-1211	A	10.630	8.740					2.480	E-3720	A	13.500	11.750					2.750
E-1180	A	11.000	9.250					1.750	E-3723	A	13.500	11.750					3.000
E-1200	A	11.000	9.000					2.188	E-1690	A	13.750	11.750					4.031
E-1210	A	11.000	9.250					2.313	E-1695	A	13.750	11.750					5.500
E-1220	A	11.000	9.250					2.500	E-1650	A	14.000	12.000					3.063
E-1230	A	11.000	9.250					3.000	E-3027R	A	14.000	12.250					3.000
E-1240	A	11.000	9.250					2.750	E-3028R	A	14.000	12.250					3.250
E-1250	A	11.000	9.250					3.500	E-3029R	A	14.000	12.250					3.500

1) Inner Support Wire 2) Outer Support Wire 3) Closed Top

Filter Dimensions by Size



Part #	Style	A	B	C	D	E	F	H	Part #	Style	A	B	C	D	E	F	H
Round Filters									Tapered Conical Filters								
E-3030R	A	14.000	12.250					3.750	YA-8096 ³	B	4.625	3.750	0	0			3.438
E-3031R	A	14.000	12.250					4.000	RC-5291 ³	B	4.656	3.500	2.750				8.250
E-3032R	A	14.000	12.250					2.000	E-2985 ³	B	4.750	3.625	3.125				7.875
E-3728R	A	14.000	12.500					3.500	E-4505	B	4.750	3.500	3.500	2.250			2.500
E-3730	A	14.000	12.000					4.000	HA-0900 ³	B	4.750	5.000	3.750				3.875
E-3732	A	14.000	12.000					4.500	HA-2504 ³	B	4.750	4.500	0	0			4.500
E-3735	A	14.000	12.688					2.500	HA-3350 ³	B	4.750	4.500	0	0			5.000
E-3737	A	14.000	12.688					3.000	HA-4250 ³	B	4.750	3.500	0				6.000
E-3740	A	14.000	12.000					2.313	SU-8086 ³	B	4.750	3.750	3.500				3.250
E-3742	A	14.000	12.000					2.813	KA-7512 ³	B	4.813	4.625	3.375				7.688
E-3743 ¹	A	14.000	12.000					3.063	28-4125	B	4.875	2.000	3.875	0.500			16.000
E-3745 ¹	A	14.000	12.000					3.500	HA-7580 ³	B	5.000	4.250	3.000				3.625
E-3750 ¹	A	14.000	12.000					4.000	SU-7588 ³	B	5.000	3.500	0				4.000
E-3760 ¹	A	14.000	12.000					5.000	SU-7592 ³	B	5.000	3.500	0				4.000
E-3770 ¹	A	14.000	12.000					6.000	KA-7513 ³	B	5.031	4.625	3.000				7.563
E-3978XD ²	A	14.000	11.500					5.000	HA-3093 ³	B	5.125	4.500	0	0			4.188
E-3979XD ²	A	14.000	11.500					4.000	ML-0920 ³	B	5.250	5.500	0	0			1.875
E-2866	A	14.750	13.000					2.500	HA-2440 ³	B	5.375	4.375	0				3.500
E-2867	A	14.750	13.000					3.250	28-4115 ³	B	5.500	2.000	4.500				16.000
E-3022R	A	16.000	14.250					3.000	28-4130	B	5.750	2.000	4.750	0.500			16.000
E-3023R	A	16.000	14.250					3.250	E-9156	B	5.750	3.500	4.687	2.062			2.000
E-3024R	A	16.000	14.250					3.500	HA-1100	B	5.750	5.375	0				2.250
E-3025R	A	16.000	14.250					3.750	KA-1000 ³	B	5.750	3.938	4.125				3.563
E-3026R	A	16.000	14.250					4.000	28-4100	B	5.875	2.000	4.875	0.500			10.000
E-3976XD ²	A	16.000	13.000					5.000	28-4105	B	5.875	2.000	4.875	0.500			8.000
E-3977XD ²	A	16.000	13.000					4.000	SU-5098	B	5.875	4.938	4.000	3.188			4.000
E-3802R	A	16.125	14.375					3.000	RE-0850 ³	B	6.000	4.625	4.000				6.000
E-3804R	A	16.125	14.375					3.500	28-4120	B	6.125	3.000	5.125	1.000			16.000
E-3806R	A	16.125	14.375					4.000	E-3007 ³	B	6.250	7.000	5.375				2.750
E-1910	A	16.188	13.375					3.000	E-3010 ³	B	6.250	7.000	5.375				3.250
E-3780	A	16.188	13.375					2.250	E-3227 ³	B	6.250	7.000	5.375				2.750
E-3786	A	16.188	13.375					3.500	E-3228 ³	B	6.250	7.000	5.375				3.250
E-3800	A	16.188	13.375					4.000	SU-4000 ³	B	6.313	5.438	5.125				3.000
E-3804	A	16.250	14.500					3.500	E-0940 ³	B	6.500	3.000	3.250	0			7.375
E-3804NO	A	16.250	14.500					3.500	E-0998 ³	B	6.500	3.000	3.250	0			7.625
E-3806	A	16.250	14.500					4.063	KA-1287	B	6.500	4.750	5.313	3.625			2.750
E-3806NO	A	16.250	14.500					4.063	RU-2805XD ³	B	6.500	4.250	5.000				8.000
E-3808	A	16.250	14.500					4.500	RU-5065XD ³	B	6.500	5.094	5.000				11.875
E-3973	A	16.250	14.500					10.000	RU-5163XD ³	B	6.500	4.500	5.000				4.125
E-3813 ¹	A	17.000	14.500					3.500	E-3020	B	6.625	5.125	5.250	0			6.000
E-3814 ¹	A	17.000	14.500					4.000	E-4910 ³	B	6.625	5.125	5.250				10.000
E-3815 ¹	A	17.000	14.500					5.000	E-0996 ³	B	6.906	4.000	3.375				5.000
E-3816 ¹	A	17.000	14.500					6.000	E-0995 ³	B	6.938	3.000	3.375	0			6.750
E-1920 ¹	A	18.250	15.625					2.750	E-9132 ³	B	7.047	3.563	4.685				2.244
E-3018	A	20.000	17.500					2.125	E-2315	B	7.188	5.313	3.938	3.313			3.438
E-3820 ¹	A	20.000	17.500					4.000	E-3521	B	7.375	5.375	6.375	4.375			3.375
E-3825 ¹	A	20.000	17.500					6.000	RP-2960 ³	B	7.500	5.125	6.000				5.000
									RP-3280 ³	B	7.500	5.000	6.000				10.000
									RU-3106HB† ³	B	7.500	5.250	6.000				4.875
									RU-5064 ³	B	7.500	5.125	6.000				11.625
									28-4131	B	8.000	4.875	6.750	3.813			11.625
SU-2588 ³	B	3.125	3.000	0	0			3.375	E-0945 ³	B	8.000	3.875	4.438				8.000
SU-1250 ³	B	3.500	3.000	2.250	0			5.625	E-2875 ³	B	8.000	5.000	5.500				6.000
HA-6098	B	3.813	3.500	2.313				5.438	RF-1022 ³	B	8.000	4.500	5.500				6.000
HA-3500 ³	B	3.875	3.500	1.875				3.875	KA-2504	B	8.500	6.000	0				3.250
HA-1004 ³	B	4.000	3.750	2.750				5.000	E-2605-1 ³	B	8.813	5.000	7.125				3.125
HA-1004R ³	B	4.000	3.750	4.000				5.000	E-3012 ³	B	9.000	4.000	7.500				10.000
HA-0700 ³	B	4.125	3.750	2.375				5.250	E-3520	B	9.000	7.000	7.250	5.250			3.500
RG-1003RD. ³	B	4.500	3.500	2.750				4.500	E-2606 ³	B	10.125	6.000	7.313				3.000
RK-3800 ³	B	4.500	5.500	5.625				2.000	28-4215 ³	B	11.000	5.875	9.000				8.875
RK-380E ³	B	4.500	5.500	2.625				2.000	E-9233 ³	B	12.750	9.438	10.438				2.500
SU-4002 ³	B	4.500	3.500	2.875	0			5.375									
SU-5002 ³	B	4.500	3.500	2.875	3.500			5.500									
KA-8088	B	4.625	3.438	3.813	2.438			3.438									
YA-3502 ³	B	4.625	3.500	0				6.750									

1) Inner Support Wire 2) Outer Support Wire 3) Closed Top



Filter Dimensions by Size

Part #	Style	A	B	C	D	E	F	H	Part #	Style	A	B	C	D	E	F	H
Triangle Filters									Oval Filters								
YA-4074	C	3.000		2.000				4.875	HA-7500 ³	F	6.000	3.500	4.250	1.750			2.875
TB-0410 ³	C	7.500		6.250				1.625	YA-1089	F	6.125	4.813	3.875	2.625			4.250
E-1970	C	16.250		14.000				1.750	YA-6094	F	6.125	4.813	3.875	2.625			4.000
Rectangular Filters																	
YA-1201	E	3.750	3.688	2.125	1.172			2.000	TB-2204	F	6.188	4.000	4.563	2.188			6.813
YA-0700	E	4.000	2.625	0	0			3.500	KA-1150 ³	F	6.250	4.000	5.000	2.750			3.688
YA-1100	E	4.250	4.250	0	0			3.000	YA-1550 ³	F	6.250	4.000	5.000	2.750			2.500
YA-5001	E	4.250	0	0	4.000			3.000	YA-6098 ^{1,3}	F	6.250	4.938	4.250	3.000			3.000
YA-1050 ³	E	4.563	4.000	0	0			3.000	HA-1210 ³	F	6.375	4.375	5.125	3.125			2.313
KA-1600 ³	E	4.750	4.375	3.750	3.375			3.375	YA-2088	F	6.375	4.750	5.375	3.750			2.750
YA-1892 ³	E	5.250	2.875	0	0			2.625	HA-8080 ³	F	6.500	4.625	5.250	3.375			3.688
E-3900	E	6.625	4.250	5.875	3.375			1.688	SU-0007-A ³	F	6.500	4.250	0	0			4.000
E-3910	E	6.625	4.250	5.875	3.375			1.875	E-1004	F	6.625	4.625	5.250	3.250			8.375
E-3920	E	6.625	4.250	5.875	3.375			3.000	E-2292	F	6.625	2.750	5.625	1.750			2.375
E-3930	E	6.625	4.250	5.875	3.375			3.500	E-2873	F	6.625	5.625	5.375	4.375			7.000
E-3951	E	6.750	4.500	5.750	3.500			1.875	PL-1002	F	6.625	3.813	5.375	2.625			3.438
E-3952	E	6.750	4.500	5.750	3.500			2.500	SU-3590	F	6.625	3.750	5.625	2.750			2.500
E-3953	E	6.750	4.500	5.750	3.500			3.000	SU-6590 ³	F	6.625	4.625	5.250	3.250			2.875
E-3954	E	6.750	4.500	5.750	3.500			4.125	TB-9002	F	6.688	4.688	5.438	3.438			4.250
KA-4091	E	7.000	3.875	0	0			3.188	E-4511 ³	F	6.750	2.375	5.500	1.125			1.938
E-9038-1	E	7.441	6.260	6.102	4.921			2.283	E-4551 ²	F	6.813	4.188	5.188	2.563			4.000
E-3960	E	7.500	6.125	6.125	4.750			1.750	E-4965 ³	F	6.813	2.750	1.500	0.875			3.000
HD-1388 ³	E	8.438	5.250	0	0			1.750	E-9269	F	6.875	5.250	4.344	2.875			9.313
HD-8834	E	8.438	5.250	0	0			1.500	HD-2084	F	6.875	5.875	5.625	4.500			2.375
E-9138	E	8.469	6.625	6.844	4.688			3.719	E-3321	F	7.000	4.500	6.125	3.625			1.750
E-9165	E	8.781	5.438	6.969	3.625			4.656	E-3324	F	7.000	4.500	6.125	3.625			2.250
SU-1200 ³	E	10.250	2.875	9.500	1.750			1.875	E-3325	F	7.000	4.500	6.125	3.625			2.750
KA-0883 ³	E	11.250	3.500	0	0			2.188	E-3341	F	7.000	4.500	6.125	3.625			3.313
E-2925	E	11.500	8.500	9.500	6.500			2.750	HA-0800	F	7.000	4.500	5.750	3.250			4.650
E-9071	E	12.000	9.000	10.750	7.750			1.688	HA-8084 ³	F	7.000	4.500	5.750	3.250			3.813
KA-9084 ³	E	12.000	2.750	10.969	1.188			2.563	HA-8085 ³	F	7.000	4.500	5.750	3.250			3.813
E-9030	E	13.000	7.625	11.250	5.875			2.000	HA-2584	F	7.125	5.000	5.875	3.750			2.750
E-2930	E	14.750	12.000	13.375	10.625			2.250	HA-1312 ³	F	7.375	4.000	6.125	2.750			2.063
E-9017	E	17.188	6.063	15.750	4.625			2.125	HA-1314 ³	F	7.375	4.000	6.125	2.750			2.313
E-9079	E	17.188	6.063	15.750	4.625			1.688	HA-1315 ³	F	7.375	4.000	6.125	2.750			2.500
E-9082	E	17.188	6.063	15.750	4.625			2.625	E-9281 ³	F	7.438	5.500	4.500	2.563			9.656
E-9083	E	17.188	6.063	15.750	4.625			3.625	YA-1300	F	7.500	1.625	6.500	0.750			2.875
Oval Filters																	
HA-4098 ³	F	3.750	2.938	2.375	1.500			5.688	YA-1285 ³	F	7.625	3.250	5.188	1.344			4.563
E-3019	F	4.000	2.875	1.313	1.250			2.813	HA-1302	F	7.750	3.313	3.438	2.031			4.563
E-4516	F	4.000	2.875	1.375	1.250			2.813	HA-6592 ³	F	7.750	4.750	6.875	2.938			2.500
HA-0201 ³	F	4.000	2.875	1.313	1.250			2.875	E-1931	F	7.875	5.063	6.625	3.813			4.250
E-4250	F	4.063	3.063	2.813	1.813			1.625	SU-7596 ³	F	8.000	5.375	0	0			3.250
TB-8002	F	4.250	3.313	0	0			5.500	HA-1079 ³	F	8.500	3.750	6.750	2.000			2.500
TB-9004	F	4.250	3.313	0	0			6.750	HA-1250 ³	F	8.500	3.750	6.500	1.750			3.188
YA-0075 ³	F	4.250	3.000	3.250	2.000			3.500	YA-6914 ^{1,3}	F	8.750	4.344	6.844	2.938			9.000
TB-1610 ³	F	4.375	3.438	3.313	2.438			5.125	E-3014 ³	F	8.813	6.188	0	0			1.625
SU-2391 ³	F	4.500	3.250	3.063	2.250			4.000	E-1935	F	8.875	4.375	6.875	2.375			5.875
SU-4230	F	4.500	3.250	0	0			4.125	E-2890	F	8.875	4.375	6.875	2.375			3.750
KA-7587	F	4.625	2.250	3.625	1.313			4.469	E-3441	F	8.875	5.250	7.375	3.750			1.750
HA-0750 ³	F	4.750	3.500	3.500	2.250			4.125	E-3442	F	8.875	5.250	7.375	3.750			2.000
YA-1078 ³	F	4.750	3.125	3.750	2.125			2.375	E-3461	F	8.875	5.250	7.500	3.986			3.250
KA-1192	F	5.000	4.125	3.000	2.125			6.313	E-3471	F	8.875	5.250	7.375	3.750			4.500
YA-4092 ³	F	5.000	4.875	4.000	2.750			2.688	E-3481	F	8.875	5.250	7.375	3.750			5.500
YA-1399 ³	F	5.375	3.750	3.313	1.656			3.750	E-3491	F	8.875	5.250	7.375	3.750			6.000
HA-0008	F	5.500	3.375	4.438	2.250			2.625	AC-1009 ³	F	8.938	5.875	7.563	4.500			2.000
KA-0800 ³	F	5.500	4.000	4.250	2.750			2.875	E-2871	F	9.000	5.375	6.500	2.875			5.750
SU-1691 ³	F	5.500	4.250	4.500	3.250			2.000	E-3445	F	9.000	5.500	8.000	4.500			1.750
KA-6589	F	5.625	4.125	4.125	2.625			2.500	E-3446	F	9.000	5.500	8.000	4.500			2.750
E-9241	F	5.750	4.063	4.625	3.000			6.250	E-0644 ³	F	9.250	6.500	0	0			8.938
HA-1187 ³	F	6.000	3.500	4.750	2.250			5.000	E-3017	F	9.250	8.750	7.469	6.969			3.000

1) Inner Support Wire 2) Outer Support Wire 3) Closed Top

Filter Dimensions by Size



Part #	Style	A	B	C	D	E	F	H	Part #	Style	A	B	C	D	E	F	H
Oval Filters									Panel Filters								
HD-0200	F	9.750	5.500	8.375	4.250			2.063	YA-1306	G	5.438	4.625					1.125
HD-2075	F	9.750	5.500	8.375	4.250			2.438	YA-1602-U	G	5.438	4.313					0.688
HD-2076	F	9.750	5.500	8.375	4.250			3.000	KT-1211	G	5.563	4.313					1.563
HD-2078	F	9.750	5.625	8.375	4.375			3.000	BM-1199	G	5.625	4.313					1.313
MG-0100	F	10.000	6.250	8.500	4.750			2.250	KA-0009	G	5.750	5.250					0.688
E-1940	F	10.438	8.438	8.875	6.875			1.875	PL-1219	G	5.844	6.656					1.000
E-1950	F	10.625	9.250	9.125	7.750			2.125	BM-1204	G	5.875	3.500					1.250
E-1955	F	10.625	9.250	9.125	7.750			4.000	KT-1217	G	5.875	4.281					1.344
E-2980	F	10.750	8.500	9.000	6.625			1.750	YA-5008	G	5.875	4.375					1.000
E-2983	F	10.750	8.500	9.000	6.625			2.438	YA-3215	G	5.938	4.438					1.500
E-9236	F	11.031	9.594	7.323	5.906			2.441	BM-8006	G	6.000	3.625					1.438
E-1957	F	11.063	6.500	9.625	5.000			3.500	MG-0001	G	6.000	4.438					1.219
E-2920	F	11.125	9.250	9.188	7.313			1.844	BA-1801	G	6.250	5.500					0.688
E-1959	F	11.250	6.750	9.500	5.000			2.250	BA-2201	G	6.281	5.625					0.938
E-2863	F	11.250	10.250	9.500	8.500			2.500	33-2633	G	6.375	4.625					0.938
E-2877 ³	F	11.250	7.875	8.250	4.875			3.750	HA-2511	G	6.438	4.438					0.938
E-9172	F	11.406	7.188	9.500	5.438			1.500	YA-2002	G	6.438	4.500					0.500
E-9136	F	11.438	7.875	9.625	6.125			2.375	YA-1515	G	6.563	6.344					1.344
E-3504	F	11.500	8.125	9.750	6.375			4.000	33-2008-1	G	6.625	6.625					1.625
E-3505	F	11.500	8.125	9.750	6.375			2.000	33-2060	G	6.625	6.188					1.063
E-0785 ³	F	11.750	5.875	0	0			9.000	HA-1215	G	6.625	4.688					1.000
E-3671	F	12.000	5.250	10.750	4.000			3.250	33-2359	G	6.750	5.813					1.250
E-3672	F	12.000	5.250	10.750	4.000			2.250	33-2459	G	6.750	6.000					1.063
E-3676	F	12.000	5.250	10.750	4.000			5.625	BM-1113	G	6.750	4.500					1.500
E-9166	F	12.219	7.219	10.433	5.512			3.071	33-2422	G	6.813	6.688					1.000
E-1946	F	12.250	5.500	9.688	3.000			6.000	33-2544	G	6.938	3.500					0.875
TB-0300	F	12.250	4.750	10.750	3.250			1.500	33-5006	G	6.938	5.625					1.000
E-2874	F	12.375	8.500	9.875	6.000			2.250	AL-6505	G	6.938	3.500					1.500
E-3122	F	12.625	5.000	10.875	3.250			2.375	BA-3717	G	6.938	6.313					1.031
E-9110	F	12.625	9.000	10.875	7.250			1.750	BM-8518	G	6.938	5.125					1.313
E-2940	F	12.750	8.500	10.500	5.875			2.500	33-2159	G	7.063	5.438					1.188
E-2990	F	12.875	4.875	11.250	3.000			3.188	33-2485	G	7.063	4.688					1.125
E-9090 ³	F	13.000	8.375	11.750	7.125			1.813	MG-8506	G	7.094	5.000					1.094
E-1958	F	14.250	7.750	12.500	6.000			1.938	33-2399	G	7.125	6.625					1.000
E-9201	F	14.500	8.000	11.750	5.250			2.875	33-2433	G	7.125	6.000					1.250
E-2970	F	14.625	6.500	12.375	4.250			1.844	CM-9910	G	7.125	4.938					1.500
E-3514	F	14.625	7.750	13.000	6.188			4.000	TB-1216	G	7.156	5.469					1.500
E-3515	F	14.625	7.750	13.000	6.188			2.000	AL-4506	G	7.188	5.125					1.000
E-2880	F	15.750	4.625	14.000	2.875			1.938	33-2860	G	7.250	3.000					1.188
E-2910	F	16.125	5.500	14.500	3.625			2.375	PL-1608	G	7.250	4.250					1.000
E-2900	F	16.250	5.500	14.500	3.625			2.000	DU-1112	G	7.281	6.875					1.000
E-9178	F	17.500	9.875	15.750	8.125			2.250	DU-1112R	G	7.281	6.875					1.000
E-1980	F	19.750	15.750	17.750	13.750			2.000	AL-1111	G	7.313	5.625					1.188
E-3840	F	19.750	15.750	17.750	13.750			3.000	KT-1113	G	7.313	5.500					1.625
E-1960 ¹	F	20.813	9.500	18.313	7.000			1.813	MG-1315	G	7.313	5.125					1.531
E-1963 ¹	F	20.813	9.500	18.313	7.000			3.000	33-2307	G	7.375	4.313					0.938
E-1966 ¹	F	20.813	9.500	18.313	7.000			6.000	33-2348	G	7.375	7.000					0.938
E-3035 ¹	F	20.813	9.500	18.313	7.000			4.000	AL-1004	G	7.375	5.188					0.813
E-3001	F	22.000	11.125	20.125	9.250			6.000	HD-1208	G	7.375	3.750					0.875
E-2950 ¹	F	24.125	5.625	22.750	4.250			2.438	KA-7589	G	7.375	5.688					0.625
E-2960 ¹	F	24.125	5.625	22.750	4.250			2.125	PL-1115	G	7.375	7.500					1.313
									33-3085	G	7.438	4.719					1.063
									KA-9915	G	7.438	4.875					1.313
									33-2880	G	7.500	6.500					1.063
BM-3117	G	4.000	3.344					1.531	SU-9094	G	7.500	7.250					0.625
BM-6507	G	4.875	3.125					1.563	33-2022	G	7.563	5.938					1.563
MG-8516	G	4.906	3.156					1.500	33-2162	G	7.563	6.125					0.875
BM-6012	G	5.063	3.625					1.563	33-2464	G	7.563	7.125					1.188
HA-0502	G	5.125	4.375					1.000	33-2836	G	7.563	6.875					1.000
33-2238	G	5.188	4.438					0.625	YA-1208	G	7.563	5.063					1.000
HA-9916	G	5.250	4.250					0.844	33-2790	G	7.594	6.219					0.969
YA-5317	G	5.313	4.875					1.063	33-5087	G	7.594	5.875					1.031
HA-2819	G	5.406	4.406					1.438	33-2491	G	7.625	7.438					1.625
TB-9016	G	5.406	4.156					1.500									

1) Inner Support Wire 2) Outer Support Wire 3) Closed Top



Filter Dimensions by Size

Part #	Style	A	B	C	D	E	F	H	Part #	Style	A	B	C	D	E	F	H
Panel Filters									Panel Filters								
SU-2513	G	7.625	4.031					1.000	33-3046	G	8.500	4.938					0.875
SU-6000	G	7.625	5.313					0.813	33-3117	G	8.500	6.281					1.625
SU-6505	G	7.625	5.250					0.875	33-5074	G	8.500	7.875					1.500
TB-6000	G	7.625	3.938					0.813	BA-2012	G	8.500	3.938					1.125
33-2143	G	7.688	6.063					1.125	DU-0900	G	8.500	8.375					0.750
SU-1014	G	7.688	4.625					1.125	KT-6912	G	8.500	4.500					1.625
YA-4518XD	G	7.688	7.438					1.438	PL-5003	G	8.500	8.438					1.063
33-2564	G	7.750	5.813					1.125	YA-1113	G	8.500	4.000					0.875
33-5033	G	7.750	6.563					2.063	33-5086	G	8.563	7.813					1.625
33-2736	G	7.781	5.938					1.188	33-3057	G	8.594	7.625					1.594
33-2092	G	7.813	3.625					1.125	33-2074	G	8.625	8.000					1.688
33-3124	G	7.813	7.375					1.438	KT-6907	G	8.625	4.625					1.000
33-5072	G	7.813	6.563					1.500	33-3063	G	8.656	6.188					1.281
KT-6908	G	7.813	4.750					1.625	33-2435	G	8.688	7.344					1.125
33-5027	G	7.844	5.594					1.031	BM-2605	G	8.688	7.688					0.938
33-2044	G	7.875	7.000					1.125	33-2036	G	8.750	6.500					1.000
33-2104	G	7.875	7.563					0.938	33-2304	G	8.750	8.563					0.938
33-2440	G	7.875	7.063					1.438	33-2954	G	8.750	4.750					1.125
33-2955	G	7.875	6.375					1.063	33-3029	G	8.750	8.375					1.188
KA-2414	G	7.938	6.219					0.656	CG-9002	G	8.750	5.250					1.000
KT-7918	G	7.938	5.938					1.438	SU-1517	G	8.750	6.656					0.656
33-2827	G	7.952	7.520					1.188	SU-6303	G	8.750	4.500					1.250
TB-1213	G	7.969	3.875					1.063	33-2073	G	8.813	8.188					0.938
33-2006	G	8.000	5.125					1.563	33-2120	G	8.813	6.500					1.125
33-2380	G	8.000	7.500					1.000	33-2301	G	8.813	6.500					1.063
33-2788	G	8.000	9.313					1.188	33-2409	G	8.813	6.625					1.000
33-2935	G	8.000	8.313					1.000	33-2702	G	8.813	8.563					1.063
33-3060	G	8.000	7.500					1.000	33-3082	G	8.813	5.094					1.313
33-5034	G	8.000	7.313					0.938	YA-8596	G	8.813	4.500					0.875
33-5043	G	8.000	6.000					1.125	33-2045	G	8.875	8.875					0.875
BM-0300	G	8.000	6.375					1.688	33-2067	G	8.875	7.375					1.000
33-2098	G	8.063	6.375					1.000	33-2400	G	8.875	8.625					1.000
33-2222	G	8.063	5.875					1.125	33-2671	G	8.875	6.500					0.938
33-2234	G	8.063	7.125					1.000	33-2682	G	8.875	5.250					1.063
33-5002	G	8.063	6.063					1.125	33-2972	G	8.875	8.250					1.625
33-2421	G	8.125	7.625					1.375	BM-1611	G	8.875	4.000					1.625
33-2813	G	8.125	6.688					1.125	33-2288	G	8.938	8.625					1.000
33-2971	G	8.125	7.875					1.625	33-2338	G	8.938	6.063					0.938
CM-9908	G	8.125	5.250					0.875	33-2990	G	8.938	8.000					1.250
33-2740	G	8.156	6.688					1.250	33-2027	G	9.000	7.750					1.500
33-2866	G	8.188	6.500					1.250	33-2106-1	G	9.000	7.688					1.188
33-3040	G	8.188	7.750					1.188	33-2224	G	9.000	7.438					1.125
33-2003	G	8.250	8.125					1.563	33-2237	G	9.000	7.500					1.188
33-2340	G	8.250	6.250					1.125	33-2533	G	9.000	6.438					0.813
33-2436	G	8.250	9.813					1.125	33-2993	G	9.000	4.625					1.625
33-3011	G	8.250	7.875					1.000	33-3030	G	9.000	5.313					1.031
AL-1002	G	8.250	5.375					1.000	33-5007	G	9.000	6.313					1.188
DU-9098	G	8.250	8.250					1.188	33-5038	G	9.000	6.813					1.063
HA-2517	G	8.250	6.656					1.688	33-5042	G	9.000	8.438					1.031
KA-2508	G	8.250	5.375					0.625	TB-9097	G	9.000	3.938					1.063
33-2105	G	8.313	8.063					2.000	33-3110	G	9.031	8.281					0.938
33-2795	G	8.313	8.000					1.000	33-5014	G	9.031	5.313					1.000
33-3000	G	8.313	5.125					1.000	33-2155	G	9.063	7.938					1.000
33-3056	G	8.313	5.250					1.500	33-2455	G	9.063	8.625					1.063
33-3031	G	8.375	6.375					1.500	33-2944	G	9.063	6.438					1.125
33-3043	G	8.375	5.250					1.250	33-3084	G	9.063	6.500					1.000
SU-7593	G	8.375	7.375					0.688	33-3093	G	9.063	4.500					1.125
33-2239	G	8.438	6.375					0.875	33-5015	G	9.063	5.438					1.000
HA-1010	G	8.438	3.000					1.125	33-5037	G	9.063	8.563					1.000
YA-1709	G	8.438	5.563					1.000	33-5092	G	9.063	8.406					1.563
33-2037	G	8.500	5.875					0.875	33-3088	G	9.094	6.750					1.406
33-2853	G	8.500	6.500					0.938	33-2076	G	9.125	9.188					1.250
33-2914	G	8.500	6.688					0.938	33-2117	G	9.125	7.750					1.188

1) Inner Support Wire 2) Outer Support Wire 3) Closed Top

Filter Dimensions by Size



Part #	Style	A	B	C	D	E	F	H	Part #	Style	A	B	C	D	E	F	H
Panel Filters									Panel Filters								
33-2156	G	9.125	7.063					1.063	33-2476	G	9.500	6.750					1.125
33-2375	G	9.125	5.250					0.875	33-2548-A	G	9.500	8.250					1.063
33-2479	G	9.125	4.000					1.031	33-2957	G	9.500	7.188					1.625
33-2586	G	9.125	3.563					0.938	33-3019	G	9.500	6.625					1.438
33-2679	G	9.125	6.125					0.938	33-3116	G	9.500	7.438					1.000
33-2824	G	9.125	5.750					1.063	33-5050	G	9.500	6.438					1.000
33-5064	G	9.125	8.656					1.563	33-5070	G	9.500	6.625					1.500
BM-1010	G	9.125	6.156					1.125	33-2890	G	9.528	8.937					1.250
BM-1010R	G	9.125	6.156					1.125	33-2054	G	9.563	8.125					1.313
33-2285	G	9.188	8.563					0.813	33-2136	G	9.563	7.125					1.000
33-2452	G	9.188	9.000					1.000	33-2199	G	9.563	7.625					0.938
33-2470	G	9.188	9.000					1.125	33-2282	G	9.563	6.375					0.938
33-2547	G	9.188	5.125					1.188	33-2429	G	9.563	7.875					0.875
33-2873	G	9.188	8.063					1.000	33-2510	G	9.563	6.688					1.250
33-3003	G	9.188	8.375					1.063	33-2918	G	9.563	9.563					0.938
33-2070	G	9.250	6.875					1.000	33-2134	G	9.625	6.188					0.875
33-2227	G	9.250	7.500					1.125	33-2241	G	9.625	8.125					1.375
33-2334	G	9.250	8.750					1.188	33-2360	G	9.625	6.938					1.000
33-2398	G	9.250	8.875					1.000	33-2443	G	9.625	8.750					1.125
33-2418	G	9.250	8.125					1.250	33-2457	G	9.625	8.875					1.250
33-2430	G	9.250	8.125					1.250	33-2802	G	9.625	8.000					1.000
33-2733	G	9.250	9.000					1.188	33-2849	G	9.625	7.500					1.250
33-2767	G	9.250	7.750					1.125	33-2881	G	9.625	4.563					1.125
33-2887	G	9.250	7.500					1.188	33-2952	G	9.625	4.750					1.500
33-2927	G	9.250	5.500					1.125	33-2968	G	9.625	5.750					1.625
33-2933	G	9.250	8.000					1.000	33-3038	G	9.625	6.563					1.969
33-2978	G	9.250	7.000					1.063	33-5000	G	9.625	7.813					1.563
33-5032	G	9.250	7.375					1.125	33-5095	G	9.625	9.000					1.375
33-5080	G	9.250	5.625					1.469	33-2793	G	9.645	7.717					0.938
33-3112	G	9.281	4.688					1.375	33-3127	G	9.656	9.500					1.625
33-5045	G	9.281	7.219					1.063	33-2170	G	9.688	8.188					1.313
33-2072	G	9.313	7.438					1.000	33-2182	G	9.688	6.563					1.125
33-2188	G	9.313	7.375					1.125	33-2265	G	9.688	8.250					1.375
33-2206	G	9.313	8.375					1.063	33-2833	G	9.688	8.313					1.063
33-2996	G	9.313	8.688					1.563	33-3087	G	9.688	6.969					1.156
33-3138	G	9.313	6.344					1.125	BM-1019	G	9.688	5.328					1.000
33-2119	G	9.375	8.000					1.188	33-3103	G	9.719	9.125					1.031
33-2231	G	9.375	6.875					1.063	33-2034	G	9.750	5.938					1.000
33-2245	G	9.375	6.500					1.125	33-2077	G	9.750	9.625					1.063
33-2305	G	9.375	7.063					0.938	33-2093	G	9.750	6.250					1.125
33-2310	G	9.375	7.125					1.125	33-2161	G	9.750	6.188					1.063
33-2419	G	9.375	8.375					1.250	33-2204	G	9.750	8.250					1.063
33-2423	G	9.375	8.375					1.125	33-2211	G	9.750	4.688					0.813
33-2468	G	9.375	7.250					1.063	33-2445	G	9.750	6.313					1.000
33-2639	G	9.375	6.875					1.188	33-2748-1	G	9.750	6.750					0.938
33-2771	G	9.375	7.375					1.125	33-2949	G	9.750	5.875					1.000
33-2826	G	9.375	5.500					0.938	33-2960	G	9.750	5.125					1.000
33-2951	G	9.375	9.375					1.375	33-2979	G	9.750	3.625					1.250
33-2992	G	9.375	7.688					1.625	33-3010	G	9.750	6.313					1.000
33-3006	G	9.375	4.875					1.125	33-3091	G	9.750	7.031					0.906
33-3014	G	9.375	6.750					1.188	33-3106	G	9.750	5.813					1.438
33-3113	G	9.375	5.875					0.938	33-3102	G	9.781	9.156					1.000
33-5094	G	9.375	9.031					1.469	33-2112	G	9.813	8.813					1.188
33-3104	G	9.406	7.000					0.938	33-2149	G	9.813	8.188					1.125
33-2113	G	9.438	5.688					0.875	33-2500	G	9.813	6.000					1.188
33-2318	G	9.438	7.125					1.125	33-2525	G	9.813	6.500					0.875
33-2658	G	9.438	8.594					1.188	33-3009	G	9.813	5.125					1.000
33-3058	G	9.438	7.500					1.188	33-3105	G	9.813	5.125					1.031
33-3094	G	9.438	6.250					1.063	33-5066	G	9.813	9.688					1.344
YA-1414	G	9.438	4.438					0.875	33-5067	G	9.813	7.656					1.063
33-2063-1	G	9.500	7.188					1.063	33-5068	G	9.813	7.656					1.063
33-2242	G	9.500	6.063					1.125	AL-1015	G	9.813	4.750					0.625
33-2373	G	9.500	8.500					1.250	33-3052	G	9.844	5.813					1.063

1) Inner Support Wire 2) Outer Support Wire 3) Closed Top



Filter Dimensions by Size

Part #	Style	A	B	C	D	E	F	H	Part #	Style	A	B	C	D	E	F	H	
Panel Filters									Panel Filters									
33-2013	G	9.875	8.250					1.625	33-2729	G	10.125	4.125						0.875
33-2041-1	G	9.875	6.188					0.938	33-2800	G	10.125	8.750						1.000
33-2125	G	9.875	8.250					0.750	33-2973	G	10.125	7.250						1.125
33-2147	G	9.875	8.000					0.875	33-3015	G	10.125	8.188						1.500
33-2151	G	9.875	8.375					1.938	33-3050	G	10.125	7.438						1.063
33-2167	G	9.875	7.875					0.938	33-3054	G	10.125	8.250						1.500
33-2680	G	9.875	5.938					1.188	33-3126	G	10.125	6.469						1.000
33-2929	G	9.875	5.250					1.125	33-2727	G	10.156	4.938						1.250
33-3016	G	9.875	4.875					1.125	33-2009	G	10.188	6.625						1.250
33-3024	G	9.875	7.938					1.375	33-2016	G	10.188	8.750						1.625
33-3053	G	9.875	8.063					1.500	33-2298	G	10.188	9.500						1.000
33-3118	G	9.875	5.875					1.500	33-2473	G	10.188	6.375						1.063
33-5044	G	9.875	5.438					1.500	33-2753	G	10.188	7.000						1.063
33-5061	G	9.875	9.438					1.250	33-3027	G	10.188	3.688						1.438
TB-6713	G	9.875	5.063					0.875	33-3092	G	10.188	9.063						1.000
33-2033	G	9.938	9.938					0.875	33-5020	G	10.188	10.000						0.875
33-2050-1	G	9.938	6.750					1.063	33-5096	G	10.203	7.250						1.469
33-2095	G	9.938	8.875					1.063	33-2477	G	10.219	7.875						1.125
33-2137	G	9.938	8.500					1.063	33-2157	G	10.250	6.500						1.125
33-2142	G	9.938	8.250					1.188	33-2403	G	10.250	8.000						1.000
33-2150	G	9.938	7.063					0.875	33-2415	G	10.250	6.500						0.938
33-2153	G	9.938	7.438					1.125	33-2417	G	10.250	4.313						1.250
33-2675	G	9.938	8.250					1.125	33-2734	G	10.250	9.625						1.188
33-2744	G	9.938	8.938					1.188	33-2934	G	10.250	8.000						1.125
33-2794	G	9.938	8.000					0.906	33-2961	G	10.250	6.688						1.250
33-2804	G	9.938	6.875					1.188	33-2986	G	10.250	3.750						1.500
33-3002	G	9.938	9.250					1.375	33-2995	G	10.250	6.875						1.500
33-5073	G	9.938	9.813					1.438	TB-1011	G	10.250	5.375						1.063
33-5078	G	9.938	7.125					1.531	33-2168	G	10.313	7.063						1.125
33-2059	G	10.000	5.750					1.063	33-2209	G	10.313	8.250						1.125
33-2081	G	10.000	7.625					1.250	33-2312	G	10.313	7.500						0.938
33-2094	G	10.000	4.813					1.125	33-2737	G	10.313	7.938						1.125
33-2107	G	10.000	7.250					1.188	33-2874	G	10.313	6.844						1.188
33-2187	G	10.000	7.188					0.813	33-3095	G	10.313	5.625						1.500
33-2201	G	10.000	6.813					1.188	33-3096	G	10.313	7.938						0.938
33-2627	G	10.000	7.125					1.063	33-5053	G	10.313	7.375						1.438
33-2862	G	10.000	8.500					1.125	33-5054	G	10.313	7.375						1.438
33-2930	G	10.000	4.625					1.000	HA-6414	G	10.313	5.313						1.313
33-2964	G	10.000	9.750					1.625	33-2069	G	10.375	8.938						0.938
33-3018	G	10.000	4.813					1.563	33-2196	G	10.375	5.625						1.188
33-3132	G	10.000	7.313					1.500	33-2437	G	10.375	7.500						1.500
33-5016	G	10.000	6.813					0.875	33-2444	G	10.375	10.250						1.188
33-5081	G	10.000	5.750					1.438	33-2667	G	10.375	6.625						1.188
SU-3917	G	10.000	5.625					1.313	33-2819	G	10.375	5.625						1.063
SU-6509	G	10.000	9.938					1.000	33-3128	G	10.375	8.500						1.188
33-3074	G	10.031	7.563					1.625	33-5079	G	10.406	7.391						1.453
33-3075	G	10.031	7.563					1.625	33-2185	G	10.438	4.500						1.188
33-3081	G	10.031	5.750					1.438	33-2357	G	10.438	6.250						1.063
33-2026	G	10.063	6.813					1.188	33-2453	G	10.438	9.000						1.000
33-2055	G	10.063	5.500					0.875	33-2647	G	10.438	4.125						1.125
33-2205	G	10.063	9.125					1.125	33-3004	G	10.438	7.375						1.000
33-2351	G	10.063	6.313					1.188	33-2049	G	10.500	6.625						1.000
33-2676	G	10.063	6.375					0.938	33-2141-1	G	10.500	7.875						0.938
33-2977	G	10.063	4.063					0.875	33-2381	G	10.500	7.188						1.125
33-3059	G	10.063	7.938					1.156	33-2385	G	10.500	9.875						1.000
33-5021	G	10.063	10.000					0.875	33-2414	G	10.500	7.063						1.250
33-5059	G	10.063	10.063					1.438	33-2424	G	10.500	6.250						1.188
YA-1009	G	10.063	5.813					0.813	33-2761	G	10.500	4.563						1.188
YA-1009R	G	10.063	5.813					0.813	33-2762	G	10.500	4.188						1.188
33-2131	G	10.125	4.563					0.813	33-2958	G	10.500	8.750						1.000
33-2198	G	10.125	6.938					0.875	33-2966	G	10.500	10.281						1.250
33-2451	G	10.125	6.500					0.875	33-2974	G	10.500	6.563						1.125
33-2700	G	10.125	8.125					0.875	33-2980	G	10.500	7.438						1.438

1) Inner Support Wire 2) Outer Support Wire 3) Closed Top

Filter Dimensions by Size



Part #	Style	A	B	C	D	E	F	H	Part #	Style	A	B	C	D	E	F	H
Panel Filters									Panel Filters								
33-2997	G	10.500	8.563					1.250	33-2998	G	10.875	6.563					1.625
33-3008	G	10.500	5.688					1.438	33-2999	G	10.875	6.438					1.063
33-3051	G	10.500	10.250					1.250	33-5024	G	10.875	9.375					2.375
33-5069	G	10.531	7.938					1.313	33-5063	G	10.875	7.188					1.500
33-2290	G	10.563	4.563					1.250	33-5089	G	10.875	7.000					1.563
33-2672	G	10.563	6.750					0.813	33-2091-1	G	10.938	7.125					0.938
33-3037	G	10.563	8.500					0.875	33-2166	G	10.938	6.188					1.125
33-3080	G	10.563	6.000					1.125	33-2253	G	10.938	9.750					0.938
33-3099	G	10.563	6.563					1.000	33-2325	G	10.938	9.750					0.938
33-3109	G	10.563	8.250					0.938	33-2877	G	10.938	7.438					1.125
33-3131	G	10.563	8.063					1.625	33-2921	G	10.938	6.375					0.813
33-5009	G	10.563	7.313					1.125	33-3061	G	10.938	8.000					1.000
33-2002	G	10.625	5.000					1.625	33-5031	G	10.938	7.500					1.000
33-2010	G	10.625	6.125					1.375	KA-6512	G	10.938	4.625					1.938
33-2268	G	10.625	7.375					1.250	33-2031-2	G	11.000	6.563					1.125
33-2354	G	10.625	5.313					1.000	33-2110	G	11.000	7.313					1.125
33-2378	G	10.625	6.875					1.000	33-2232	G	11.000	6.563					1.063
33-2392	G	10.625	7.438					1.438	33-2249	G	11.000	9.063					0.938
33-2472	G	10.625	5.750					1.000	33-2297	G	11.000	9.875					1.625
33-2521	G	10.625	7.375					0.875	33-2343	G	11.000	6.250					0.875
33-2953	G	10.625	9.250					1.125	33-2439	G	11.000	8.875					1.250
33-2963	G	10.625	10.000					0.875	33-2448	G	11.000	9.000					1.000
33-3007	G	10.625	4.875					1.563	33-2454	G	11.000	7.000					1.000
33-3134	G	10.625	8.406					1.625	33-2969	G	11.000	7.875					1.000
33-5060	G	10.625	5.938					1.563	33-5005	G	11.000	10.031					2.250
33-2053	G	10.688	8.125					1.313	33-5011	G	11.000	8.000					1.063
33-2086	G	10.688	8.000					1.125	DU-9001	G	11.000	8.563					0.938
33-2087	G	10.688	5.188					1.313	KA-6005	G	11.000	4.563					1.500
33-2270	G	10.688	6.375					1.063	33-5065	G	11.031	10.938					2.250
33-2316	G	10.688	7.938					1.063	33-2080	G	11.063	7.063					1.063
33-2649	G	10.688	7.125					1.125	33-2296	G	11.063	9.125					0.938
33-2846	G	10.688	6.750					1.250	33-2526	G	11.063	8.188					1.188
33-2981	G	10.688	5.438					1.063	33-2870	G	11.063	4.813					1.125
33-3062	G	10.688	8.625					1.500	33-3023	G	11.063	8.000					1.625
33-3073	G	10.688	6.625					1.625	33-3065	G	11.063	9.188					1.625
33-3079	G	10.688	8.625					1.125	33-5018	G	11.063	3.813					0.813
33-3101	G	10.688	7.313					0.938	33-5036	G	11.063	9.250					0.875
33-3136	G	10.688	9.156					1.625	33-5057	G	11.063	8.625					1.438
33-2124	G	10.750	6.563					0.813	33-5077	G	11.063	9.625					1.625
33-2180	G	10.750	5.563					0.938	DU-6202	G	11.063	8.563					0.875
33-2246	G	10.750	9.750					0.875	33-2075	G	11.094	6.563					1.188
33-2428	G	10.750	10.250					1.250	33-2221	G	11.125	7.375					1.125
33-2480	G	10.750	7.125					1.188	33-2458	G	11.125	10.500					1.000
33-2759	G	10.750	8.625					1.188	33-2494	G	11.125	7.625					1.313
33-2839	G	10.750	7.188					1.188	33-2532	G	11.125	10.438					1.188
33-3111	G	10.750	6.656					1.125	33-2841	G	11.125	6.313					1.000
33-3133	G	10.750	7.313					1.500	33-2931	G	11.125	3.875					1.000
33-5030	G	10.750	10.000					1.063	33-5026	G	11.125	7.813					1.438
33-5084	G	10.750	6.656					1.813	33-5046	G	11.125	7.875					1.438
33-3034	G	10.781	6.813					1.000	33-2746	G	11.156	10.313					1.188
33-2068	G	10.813	6.563					1.063	33-3035	G	11.156	9.125					1.219
33-2293	G	10.813	7.313					1.125	33-2024	G	11.188	6.125					1.125
33-2484	G	10.813	7.625					1.063	33-2255	G	11.188	5.813					1.125
33-2861	G	10.813	7.000					1.188	33-2336	G	11.188	6.625					0.938
33-3098	G	10.813	7.750					1.375	33-2779	G	11.188	9.938					1.125
33-3119	G	10.813	9.688					1.000	33-3089	G	11.188	9.219					0.938
33-5082	G	10.813	8.500					1.438	33-2012	G	11.250	7.500					1.500
33-2017	G	10.875	10.250					1.188	33-2015	G	11.250	8.875					1.063
33-2126	G	10.875	5.250					0.750	33-2127	G	11.250	6.500					1.813
33-2229	G	10.875	7.313					1.125	33-2212	G	11.250	8.000					1.125
33-2397	G	10.875	7.125					1.000	33-2223	G	11.250	6.563					0.875
33-2663	G	10.875	6.250					1.125	33-2272	G	11.250	7.563					1.125
33-2886	G	10.875	6.750					1.250	33-2371	G	11.250	5.375					1.000

1) Inner Support Wire 2) Outer Support Wire 3) Closed Top



Filter Dimensions by Size

Part #	Style	A	B	C	D	E	F	H	Part #	Style	A	B	C	D	E	F	H
Panel Filters									Panel Filters								
33-2483	G	11.250	10.000					1.250	33-3078	G	11.563	11.125					1.625
33-2497	G	11.250	9.875					1.250	33-5051	G	11.563	8.875					1.000
33-2513	G	11.250	6.563					1.188	33-5041	G	11.594	6.594					1.000
33-2543	G	11.250	8.188					1.188	33-2038	G	11.625	7.125					0.875
33-2708	G	11.250	7.250					0.813	33-2228	G	11.625	6.375					1.125
33-2956	G	11.250	9.000					1.438	33-2315	G	11.625	7.125					1.313
33-3125	G	11.250	6.813					1.500	33-2434	G	11.625	9.125					1.625
PL-5712	G	11.250	8.188					1.438	33-2447	G	11.625	8.313					1.000
33-3072	G	11.281	5.063					1.719	33-2699	G	11.625	3.313					1.125
33-2289	G	11.313	9.000					1.000	33-2850	G	11.625	6.000					1.188
33-2976	G	11.313	10.375					1.688	33-3129	G	11.625	7.844					1.438
33-3090	G	11.313	7.625					1.938	33-5013	G	11.625	6.875					1.000
33-5035	G	11.313	9.563					1.063	33-5023	G	11.625	8.313					1.500
PL-9011	G	11.313	9.875					1.500	BU-1108	G	11.625	7.375					0.750
33-3108	G	11.344	5.844					1.000	33-2065	G	11.688	5.313					0.875
33-5029	G	11.344	10.375					1.500	33-2271	G	11.688	9.250					0.938
33-2048	G	11.375	9.625					1.063	33-2308	G	11.688	5.438					1.000
33-2116	G	11.375	9.000					0.938	33-2333	G	11.688	8.813					1.125
33-2139	G	11.375	9.688					0.875	33-2337	G	11.688	9.188					1.000
33-2235	G	11.375	9.000					0.938	33-2475	G	11.688	7.125					1.250
33-2252	G	11.375	5.875					1.000	33-2481	G	11.688	7.813					1.063
33-2286	G	11.375	9.625					1.000	33-2982	G	11.688	7.813					1.063
33-2287	G	11.375	8.500					0.938	33-2994	G	11.688	11.063					1.219
33-2300	G	11.375	5.875					1.063	33-2057	G	11.750	8.250					0.938
33-2442	G	11.375	10.125					1.000	33-2096	G	11.750	6.563					1.000
33-2469	G	11.375	6.500					1.000	33-2370	G	11.750	7.813					1.000
33-2962	G	11.375	10.125					1.625	33-2493	G	11.750	9.000					1.188
33-2970	G	11.375	8.000					0.875	33-2632	G	11.750	6.250					1.000
33-2991	G	11.375	7.000					1.688	33-2705	G	11.750	6.625					1.250
33-3025	G	11.375	8.156					0.938	33-5022	G	11.750	5.875					1.031
33-5058	G	11.375	11.000					1.438	33-2207	G	11.813	7.438					1.000
HA-1017	G	11.375	5.313					1.438	33-2463	G	11.813	5.875					1.063
HA-1017R	G	11.375	5.313					1.438	33-3069	G	11.813	10.813					1.000
HA-1313	G	11.375	6.813					0.875	33-3086	G	11.813	9.344					1.594
KA-9017	G	11.375	7.141					1.406	33-3135	G	11.813	9.375					1.563
TB-1016	G	11.375	4.313					1.063	33-5017	G	11.813	10.313					1.625
33-3067	G	11.406	7.906					1.594	33-5090	G	11.813	5.750					0.969
33-2195	G	11.438	7.875					0.938	33-2056	G	11.875	10.750					1.750
33-2225	G	11.438	5.813					1.125	33-2203	G	11.875	8.250					1.063
33-2233	G	11.438	8.500					1.125	33-2275	G	11.875	8.438					0.938
33-2295	G	11.438	8.313					1.063	33-2366	G	11.875	7.000					1.125
33-2314	G	11.438	9.063					1.063	33-2427	G	11.875	9.000					1.000
33-2725	G	11.438	3.375					1.125	33-2461	G	11.875	6.688					1.063
33-2787	G	11.438	9.125					1.188	33-2852	G	11.875	9.313					1.063
33-3122	G	11.438	6.375					1.500	33-2926	G	11.875	5.625					1.500
33-2040	G	11.500	9.188					0.875	33-5047	G	11.875	10.250					1.625
33-2042	G	11.500	6.000					1.125	33-2085	G	11.938	5.188					1.125
33-2213	G	11.500	8.688					1.188	33-2218	G	11.938	5.250					1.250
33-2254	G	11.500	7.313					1.125	33-2335	G	11.938	6.313					1.063
33-2363	G	11.500	9.000					1.125	33-2482	G	11.938	6.500					1.063
33-2410	G	11.500	7.156					1.875	33-2772	G	11.938	4.375					1.125
33-2420	G	11.500	8.500					1.625	33-2858	G	11.938	6.750					1.188
33-2492	G	11.500	6.188					1.188	33-2988	G	11.938	5.438					1.625
33-2589	G	11.500	6.406					1.188	33-5025	G	11.938	7.250					1.000
33-2673	G	11.500	3.938					1.188	33-2079	G	12.000	7.125					1.125
33-2703	G	11.500	8.813					1.000	33-2165	G	12.000	5.750					1.125
33-3048	G	11.500	3.563					1.500	33-2309	G	12.000	6.813					0.938
33-3120	G	11.500	9.625					1.625	33-2358	G	12.000	7.625					0.938
33-3139	G	11.500	8.625					1.500	33-2368	G	12.000	6.500					0.875
33-5062	G	11.531	10.000					1.000	33-2383	G	12.000	6.875					1.000
33-2273	G	11.563	6.750					1.125	33-2395	G	12.000	6.750					0.938
33-3005	G	11.563	7.000					1.250	33-2425	G	12.000	5.625					1.250
33-3066	G	11.563	5.594					1.000	33-2487	G	12.000	4.500					1.000

1) Inner Support Wire 2) Outer Support Wire 3) Closed Top

Filter Dimensions by Size



Part #	Style	A	B	C	D	E	F	H	Part #	Style	A	B	C	D	E	F	H	
Panel Filters									Panel Filters									
33-2489	G	12.000	7.875					1.313	33-2749	G	12.500	8.375					1.125	
33-2653-2	G	12.000	8.938					1.063	33-2816	G	12.500	7.500						0.875
33-2768	G	12.000	7.188					1.125	33-2847	G	12.500	4.438						1.125
33-2867	G	12.000	7.375					1.188	KA-6009	G	12.500	6.500						0.875
33-2950	G	12.000	9.500					1.125	KA-6009R	G	12.500	6.500						0.875
33-2029	G	12.063	7.125					1.125	33-2115-1	G	12.563	5.813						1.063
33-2144	G	12.063	9.188					0.875	33-2260	G	12.563	7.563						0.938
33-2190	G	12.063	7.063					1.063	33-2474	G	12.563	5.250						1.625
33-2215	G	12.063	3.875					1.125	33-5048	G	12.563	8.500						1.500
33-2256	G	12.063	4.625					1.125	33-3083	G	12.594	10.156						1.500
33-2462	G	12.063	9.750					1.188	33-2177-1	G	12.625	6.813						0.938
33-2831	G	12.063	7.688					1.250	33-2197	G	12.625	5.250						1.125
33-3130	G	12.063	8.344					1.000	33-2278	G	12.625	6.875						1.000
33-5039	G	12.063	8.188					1.625	33-2910	G	12.625	6.000						0.875
33-5076	G	12.063	7.063					1.625	33-2945	G	12.625	5.000						1.563
33-2145-1	G	12.125	7.250					1.125	33-2959	G	12.625	10.000						1.750
33-2184	G	12.125	7.375					1.125	33-2178	G	12.688	6.125						0.938
33-2405	G	12.125	6.125					1.000	33-2539	G	12.688	6.000						1.188
33-2498	G	12.125	7.625					1.125	33-2743	G	12.688	3.813						1.125
33-2739	G	12.125	5.813					1.125	33-2848	G	12.688	9.750						1.188
HA-0513	G	12.125	4.813					1.063	33-3045	G	12.688	9.438						1.500
33-2163	G	12.188	6.188					0.875	33-2078	G	12.750	5.750						1.063
33-2279	G	12.188	6.875					1.000	33-2176	G	12.750	8.313						1.125
33-2426	G	12.188	10.500					1.438	33-2306	G	12.750	9.500						1.063
33-2499	G	12.188	7.500					1.000	33-2387	G	12.750	12.000						1.375
33-2843	G	12.188	6.125					0.938	33-5083	G	12.750	9.844						1.594
33-2064	G	12.250	7.938					1.000	33-2023	G	12.813	5.750						1.188
33-2374	G	12.250	5.250					1.125	33-2121-1	G	12.813	7.688						1.000
33-2431	G	12.250	9.625					1.250	33-2140-1	G	12.813	7.688						0.875
33-2924	G	12.250	7.953					0.875	33-2490	G	12.813	6.250						1.375
33-2967	G	12.250	10.063					1.000	33-2766	G	12.813	10.438						1.063
33-2099	G	12.313	5.875					1.125	33-2449	G	12.875	4.250						2.250
33-2108	G	12.313	7.938					1.188	33-2842	G	12.875	6.063						0.938
33-2146	G	12.313	9.188					0.875	33-2928	G	12.875	6.000						1.125
33-2160	G	12.313	9.188					0.875	33-2939	G	12.875	6.938						1.500
33-2226	G	12.313	6.188					1.125	33-2277	G	12.938	5.625						0.938
33-2496	G	12.313	10.313					1.188	33-2317	G	12.938	7.625						0.938
33-2728	G	12.313	4.813					1.000	33-2683	G	12.938	6.188						1.125
33-2943	G	12.313	10.750					1.625	33-2546	G	12.969	8.858						0.875
33-3121	G	12.313	11.125					1.125	33-2299	G	13.000	5.625						0.875
33-2408	G	12.344	9.813					0.813	33-2347	G	13.000	5.563						0.938
33-2030	G	12.375	6.313					0.875	33-2362	G	13.000	6.750						1.000
33-2032	G	12.375	7.250					1.063	33-2678	G	13.000	6.000						1.125
33-2052	G	12.375	7.500					1.000	33-2844	G	13.000	4.000						1.125
33-2266	G	12.375	6.563					1.000	CM-8011	G	13.000	10.500						1.063
33-2319	G	12.375	10.875					1.500	33-2043	G	13.063	9.438						1.063
33-2465	G	12.375	10.125					1.188	33-2183	G	13.063	7.375						1.125
33-2922	G	12.375	4.938					1.000	33-2210	G	13.063	5.563						1.125
33-2965	G	12.375	4.500					1.250	33-2486	G	13.063	5.375						0.750
33-2983	G	12.375	10.250					1.625	33-2747	G	13.063	7.375						1.125
33-5071	G	12.375	6.625					1.469	33-2001	G	13.125	5.000						1.563
33-2129	G	12.438	9.813					1.188	33-2046	G	13.125	5.250						1.063
33-2764	G	12.438	10.813					1.063	33-2466	G	13.125	9.438						2.063
33-2835	G	12.438	6.313					0.875	33-2538	G	13.125	6.313						1.188
33-3115	G	12.438	9.500					0.938	33-2248	G	13.188	7.250						1.500
HY-6510	G	12.438	10.000					1.188	33-2446	G	13.188	6.375						1.000
33-3107	G	12.469	5.875					1.000	33-2750	G	13.188	8.063						1.188
33-2005	G	12.500	7.063					1.313	33-2763	G	13.188	6.500						1.188
33-2066-1	G	12.500	6.938					1.063	33-2989	G	13.188	9.063						1.250
33-2135	G	12.500	9.875					1.625	33-5093	G	13.188	6.375						1.000
33-2321	G	12.500	6.750					0.938	33-2456	G	13.250	12.438						1.000
33-2438	G	12.500	9.188					1.750	TB-9091	G	13.250	4.938						0.438
33-2441	G	12.500	8.125					1.000	33-2169	G	13.313	6.688						1.188

1) Inner Support Wire 2) Outer Support Wire 3) Closed Top



Filter Dimensions by Size

Part #	Style	A	B	C	D	E	F	H	Part #	Style	A	B	C	D	E	F	H
Panel Filters									Panel Filters								
33-2382	G	13.313	6.563					1.125	33-3001	G	14.250	6.188					0.938
33-2677	G	13.313	3.875					0.875	33-3071	G	14.250	5.313					0.875
33-3026	G	13.313	11.813					1.625	33-2172	G	14.375	5.250					1.063
33-5019	G	13.313	9.313					1.500	33-2386	G	14.375	5.125					1.125
33-5052	G	13.313	6.375					1.063	33-2697	G	14.375	5.813					1.125
HA-2513	G	13.313	9.313					1.500	33-2834	G	14.375	6.750					1.250
33-2018	G	13.375	6.563					1.563	KT-9504	G	14.375	6.188					1.500
33-2251	G	13.375	11.125					1.000	33-2460	G	14.438	9.125					1.750
33-2645	G	13.375	9.188					1.063	33-2559	G	14.438	10.063					0.875
33-2648	G	13.375	6.875					1.188	KT-9907	G	14.438	6.188					1.500
33-2084	G	13.438	6.625					1.125	33-2154	G	14.500	6.500					0.938
33-2114	G	13.438	6.250					1.125	33-2349	G	14.563	9.375					0.813
33-2175	G	13.438	6.625					1.063	33-3036	G	14.594	8.406					1.344
33-2865	G	13.438	5.313					1.188	YA-1215	G	14.594	6.750					1.344
33-5091	G	13.438	9.438					1.313	33-2344	G	14.625	6.250					1.000
33-2123	G	13.500	7.125					1.563	PL-2415	G	14.625	9.438					0.750
33-2384	G	13.500	8.750					1.125	33-2864	G	14.688	3.250					1.188
33-3042	G	13.500	4.500					1.125	KY-2911	G	14.688	6.563					0.875
33-2122	G	13.563	6.688					1.125	33-2284	G	14.750	8.875					0.938
33-3047	G	13.563	3.625					1.625	33-2369	G	14.750	9.500					0.875
33-3077	G	13.563	10.188					0.625	33-2432	G	14.750	9.000					1.125
33-5040	G	13.563	5.625					1.125	33-2932	G	14.750	5.750					1.625
33-2670	G	13.625	7.125					1.500	33-2549	G	14.813	6.625					1.125
33-2975	G	13.625	8.000					1.563	33-2264	G	14.875	6.125					1.188
33-3070	G	13.625	5.313					1.063	33-2471	G	14.875	5.313					1.125
33-3100	G	13.625	5.250					1.125	33-2573	G	14.875	5.813					1.125
HA-7008	G	13.625	8.250					1.438	33-2730	G	14.875	5.563					0.875
33-2181	G	13.688	5.188					1.250	33-2915	G	15.063	7.000					1.063
33-3044	G	13.688	8.063					1.063	HA-2714	G	15.063	5.500					0.875
33-3123	G	13.719	6.219					0.938	33-2324	G	15.125	7.188					0.938
33-2051	G	13.750	4.125					1.063	33-2570	G	15.250	6.063					0.875
33-2058	G	13.750	5.125					1.125	33-2745	G	15.250	6.375					1.063
33-2152	G	13.750	8.375					1.188	33-2857	G	15.250	7.313					1.188
33-2247	G	13.750	9.313					1.563	33-2313	G	15.313	7.250					1.000
33-2339	G	13.750	4.813					1.188	33-2353	G	15.313	8.188					1.000
33-3039	G	13.750	5.313					1.188	33-2132	G	15.563	5.813					1.125
33-5085	G	13.750	9.625					1.531	33-2545	G	15.625	8.719					0.875
HA-1213	G	13.750	6.125					1.000	33-2004	G	15.750	7.000					1.688
33-2626	G	13.781	5.906					1.188	33-5008	G	15.750	7.063					0.750
33-2269	G	13.875	8.375					1.188	33-2062-1	G	15.938	7.813					1.500
33-2391	G	13.875	10.313					1.625	33-2014	G	16.000	7.750					1.063
33-2406	G	13.875	9.375					1.125	33-2118	G	16.000	8.000					1.000
33-2916	G	13.875	4.125					1.125	33-2322	G	16.000	7.875					1.125
33-2577	G	13.938	9.567					1.250	33-5088	G	16.031	6.313					1.563
33-3021	G	13.938	9.063					1.688	33-2111	G	16.063	8.000					1.125
33-3022	G	13.938	9.063					1.688	33-3068	G	16.063	7.875					1.000
33-3097	G	13.938	6.563					1.500	33-3033	G	16.188	8.563					1.375
33-2128	G	14.000	7.188					1.250	33-2912	G	16.313	8.875					1.125
33-2394	G	14.000	11.750					1.000	YA-2406	G	16.438	5.313					0.875
33-2530	G	14.000	8.000					0.875	33-2011	G	16.500	5.750					0.719
33-2891	G	14.000	10.344					1.344	33-2985	G	16.688	7.875					1.000
33-2925	G	14.000	3.250					1.125	33-2937	G	16.750	3.750					1.063
33-3028	G	14.000	5.813					2.688	33-2331	G	16.813	5.000					1.188
33-3049	G	14.000	4.344					1.063	33-2035	G	17.563	10.625					1.063
33-5010	G	14.000	6.750					2.375	33-2193	G	18.250	3.250					1.125
33-2130	G	14.063	6.000					1.125	33-2640	G	18.813	5.688					1.188
33-3076	G	14.063	6.188					0.969	33-2591	G	20.250	6.188					0.938
33-3114	G	14.063	6.813					1.000	33-2807	G	20.344	4.531					0.969
33-2164	G	14.125	9.313					0.938	33-2189	G	20.500	6.938					1.063
33-5056	G	14.125	10.156					1.219	33-2244	G	20.563	3.313					1.125
33-2987	G	14.188	8.250					1.688	33-2706	G	22.313	6.375					1.000
33-5055	G	14.188	7.000					1.063									
33-2936	G	14.250	5.750					0.875									

1) Inner Support Wire 2) Outer Support Wire 3) Closed Top

PERFORMANCE FUEL FILTERS



ACURA	Year(s)	Part#	CADILLAC	Year(s)	Part#	CHEVROLET	Year(s)	Part#
CL			Allante			Avalanche 2500		
2.2L F/I L4	1997	PF-1200	4.1L F/I V8	87-88	PF-1000	5.3L F/I V8	2005	PF-1000
2.3L F/I L4	98-99	PF-1200	4.5L F/I V8	89-92	PF-1000	5.3L F/I V8 - w/4-9/32 Length	02-04	PF-1000
3.0L F/I V6	97-99	PF-1200	4.6L F/I V8	1993	PF-2400	5.3L F/I V8 - w/5-7/16 Length	02-04	PF-2500
Integra			Catera			8.1L F/I V8	02-03	PF-1000
1.8L F/I L4	88-01	PF-1200	3.0L F/I V6	97-01	PF-2100	Beretta		
Integra GS-R			Cimarron			2.0L F/I L4	87-89	PF-1000
1.8L F/I L4	94-01	PF-1200	2.0L F/I L4	83-86	PF-1000	2.2L F/I L4	1992	PF-2400
Integra Type R			2.8L F/I V6	85-88	PF-1000		93-96	PF-2100
1.8L F/I L4	97-01	PF-1200	CTS			2.3L F/I L4	1992	PF-2400
TL			3.2L F/I V6	03-04	PF-2100		93-94	PF-2100
2.5L F/I L5	95-98	PF-1200	DeVille			2.8L F/I V6	87-89	PF-1000
3.2L F/I V6	96-98	PF-1200	4.1L F/I V8	86-87	PF-1000	3.1L F/I V6	1992	PF-2400
BUICK	Year(s)	Part#	4.5L F/I V8	88-90	PF-1000		93-96	PF-2100
Allure			4.6L F/I V8	1996	PF-2400	Blazer		
3.6L F/I V6	2005	PF-2100				4.2L F/I V6	02-04	PF-2500
3.8L F/I V6	2005	PF-2100	4.9L F/I V8	91-95	PF-2400	4.3L F/I V6	91-94	PF-2500
Century			Eldorado				95-96	PF-1000
2.2L F/I L4	93-94	PF-2400	4.1L F/I V8	86-87	PF-1000		99-05	PF-2500
2.5L F/I L4	84-88	PF-1000	4.5L F/I V8	88-89	PF-1000	4.3L F/I V6 - Mexico	97-98	PF-2500
	1992	PF-2400	4.6L F/I V8	93-96	PF-2400	4.3L F/I V6 - US	97-98	PF-1000
2.8L CARB V6	1985	PF-1000	4.9L F/I V8	1993	PF-2400	5.0L F/I V8	1987	PF-1000
2.8L F/I V6	87-88	PF-1000	Escalade			5.7L F/I V8	87-94	PF-1000
3.1L F/I V6	1994	PF-2400	5.3L F/I V8	01-05	PF-1000	Bonneville		
	97-05	PF-2100	5.7L F/I V8	99-00	PF-1000	3.8L F/I V6 - Mexico	92-00	PF-2100
3.3L F/I V6	92-93	PF-2400	6.0L F/I V8	02-03	PF-1000	C1500		
3.8L F/I V6	86-88	PF-1000	6.0L F/I V8 - Mexico	2002	PF-2100	4.1L F/I L6	95-98	PF-1000
LeSabre				04-06	PF-2100	4.3L F/I V6	1988	PF-1000
3.0L F/I V6	1986	PF-1000	Escalade ESV				90-98	PF-1000
3.8L F/I V6	86-91	PF-1000	6.0L F/I V8	2003	PF-1000		00-01	PF-1000
	92-93	PF-2400	6.0L F/I V8 - Mexico	04-06	PF-2100		2002	PF-2400
	94-05	PF-2100	Escalade EXT			5.0L F/I V8	88-99	PF-1000
Park Avenue			6.0L F/I V8	2003	PF-1000	5.7L F/I V8	88-00	PF-1000
3.8L F/I V6	91-93	PF-2400	6.0L F/I V8 - Mexico	04-06	PF-2100	7.4L F/I V8	90-93	PF-1000
	94-05	PF-2100	Fleetwood			C1500 Suburban		
Regal			4.1L F/I V8	86-87	PF-1000	5.7L F/I V8	92-99	PF-1000
2.8L F/I V6	88-89	PF-1000	4.5L F/I V8	88-90	PF-1000	C2500		
3.1L F/I V6	89-91	PF-1000	4.9L F/I V8	91-92	PF-2400	4.3L F/I V6	1988	PF-1000
3.8L F/I V6	84-87	PF-1000	Seville				90-95	PF-1000
	90-91	PF-1000	4.1L F/I V8	86-87	PF-1000	5.0L F/I V8	88-99	PF-1000
	92-04	PF-2100	4.5L F/I V8	88-89	PF-1000	5.7L F/I V8	88-01	PF-1000
Riviera			4.6L F/I V8	93-96	PF-2400	7.4L F/I V8	91-00	PF-1000
3.8L F/I V6	84-89	PF-1000		98-05	PF-2100	C2500 Suburban		
	1993	PF-2400	4.9L F/I V8	1993	PF-2400	5.7L F/I V8	92-99	PF-1000
	95-99	PF-2100	XLR			7.4L F/I V8	92-99	PF-1000
Roadmaster			4.6L F/I V8	04-05	PF-2100	C3500		
5.7L F/I V8	92-96	PF-2400	CHEVROLET	Year(s)	Part#	5.7L F/I V8	88-96	PF-1000
Skylark			Astro				2001	PF-2400
2.3L F/I L4	88-91	PF-1000	2.5L F/I L4	85-91	PF-1000	5.7L F/I V8 - Mexico	97-00	PF-2400
	92-95	PF-2100	4.3L CPI V6	92-94	PF-1000	5.7L F/I V8 - US, Canada	97-00	PF-1000
2.4L F/I L4	96-98	PF-2100	4.3L F/I V6	86-91	PF-1000	6.5L DSL V8 - Mexico	97-00	PF-2100
2.5L F/I L4	85-91	PF-1000		95-05	PF-1000	7.4L F/I V8	88-00	PF-1000
2.8L F/I V6	1985	PF-1000	4.3L TBI V6	92-94	PF-1000	C3500HD		
3.0L F/I V6	86-88	PF-1000	Avalanche 1500			5.7L F/I V8	91-95	PF-1000
3.1L F/I V6	94-98	PF-2100	5.3L F/I V8	2004	PF-2500	7.4L F/I V8	91-00	PF-1000
3.3L F/I V6	89-91	PF-1000	5.3L F/I V8 - Mexico	2005	PF-1000			
	92-93	PF-2100	5.3L F/I V8 - US	02-03	PF-1000			



PERFORMANCE FUEL FILTERS

CHEVROLET	Year(s)	Part#	CHEVROLET	Year(s)	Part#	CHEVROLET	Year(s)	Part#
C3500HD			Cheyenne 400 SS			Express 2500		
8.1L F/I V8	01-02	PF-1000	5.7L F/I V8	99-01	PF-1000	6.0L F/I V8 - Threaded One End	2003	PF-2100
Camaro			Citation			Express 3500		
2.5L F/I L4	84-86	PF-1000	2.8L CARB V6	83-85	PF-1300	4.8L F/I V8 - Threaded Both Ends	2003	PF-1000
2.8L F/I V6	85-89	PF-1000	Colorado			4.8L F/I V8 - Threaded One End	2003	PF-2100
3.1L F/I V6	90-92	PF-1000	2.8L F/I L4	04-05	PF-2400	5.3L F/I V8 - Threaded Both Ends	2003	PF-1000
3.4L F/I V6	93-95	PF-2100	3.5L F/I L5	04-05	PF-2400	5.3L F/I V8 - Threaded One End	2003	PF-2100
3.8L F/I V6	95-02	PF-2100	Corsica			5.7L F/I V8	1998	PF-2400
5.0L F/I V8	85-87	PF-1000	2.0L F/I L4	87-89	PF-1000		03-04	PF-2400
5.0L MFI V8	88-89	PF-1000	2.2L F/I L4	1992	PF-2400	5.7L F/I V8 - In-line Filter	96-97	PF-2400
5.0L TBI V8	88-92	PF-1000		93-96	PF-2100		99-02	PF-2400
5.0L TPI V8	90-92	PF-1000	2.8L F/I V6	87-89	PF-1000			
5.7L F/I V8	87-90	PF-1000	3.1L F/I V6	1992	PF-2400			
	93-02	PF-2100		93-96	PF-2100			
5.7L TPI V8	91-92	PF-1000	Corvette			6.0L F/I V8 - Mexico	05-12	PF-2100
Caprice			5.7L F/I V8	85-96	PF-1000	6.0L F/I V8 - Threaded Both Ends	2003	PF-1000
4.3L F/I V6	85-89	PF-1000	5.7L F/I V8 - Mexico	99-05	PF-2100	6.0L F/I V8 - Threaded One End	2003	PF-2100
	92-93	PF-2400	Corvette ZR1			7.4L F/I V8 - In-line Filter	97-00	PF-2400
4.3L F/I V8	95-96	PF-2400	5.7L F/I V8	90-95	PF-1000	7.4L MFI V8 - In-line Filter	1996	PF-2400
4.3L F/I V8 - Existing Bracket May Be Required	1994	PF-2400	Cutlass			8.1L F/I V8	2002	PF-2400
5.0L F/I V8	1989	PF-1000	3.1L F/I V6	88-91	PF-2100	8.1L F/I V8 - In-line Filter	2001	PF-2400
	91-93	PF-2400	Express 1500					
5.7L F/I V8	1989	PF-1000	4.3L F/I V6	96-02	PF-2400	Express Cargo		
	92-96	PF-2400	4.3L F/I V6 - Mexico	04-10	PF-1000	4.3L F/I V6	2009	PF-1000
			4.3L F/I V6 - Threaded Both Ends	2003	PF-1000	Express Pasajeros		
			4.3L F/I V6 - Threaded One End	2003	PF-2100	6.0L F/I V8	2009	PF-2100
Cavalier			5.0L F/I V8	96-02	PF-2400	G10		
2.0L F/I L4	83-89	PF-1000	5.3L F/I V8 - Threaded Both Ends	2003	PF-1000	4.3L F/I V6	87-95	PF-1000
2.2L F/I L4	90-91	PF-1000	5.3L F/I V8 - Threaded One End	2003	PF-2100	5.0L F/I V8	87-95	PF-1000
	92-05	PF-2100	5.7L F/I V8	1999	PF-2400	5.7L F/I V8	87-93	PF-1000
2.3L F/I L4	1995	PF-2100		03-04	PF-2400	G20		
2.4L F/I L4	96-02	PF-2100	5.7L F/I V8 - In-line Filter	96-98	PF-2400	4.3L F/I V6	87-95	PF-1000
2.8L F/I V6	85-94	PF-1000		00-02	PF-2400	5.0L F/I V8	87-95	PF-1000
3.0L F/I V6	90-94	PF-1000	Express 2500			5.7L F/I V8	87-95	PF-1000
3.1L F/I V6	90-91	PF-1000	4.3L F/I V6	96-02	PF-2400	G30		
	92-94	PF-2100	4.3L F/I V6 - Threaded Both Ends	2003	PF-1000	4.3L F/I V6	87-96	PF-1000
Cavalier Z24			4.3L F/I V6 - Threaded One End	2003	PF-2100	5.7L F/I V8	87-96	PF-1000
2.8L F/I V6	87-89	PF-1000	4.8L F/I V8 - Threaded Both Ends	2003	PF-1000		99-00	PF-2400
3.1L F/I V6	90-91	PF-1000	4.8L F/I V8 - Threaded One End	2003	PF-2100	7.4L F/I V8	88-91	PF-1000
	92-94	PF-2100	5.0L F/I V8	96-02	PF-2400		1996	PF-1000
Celebrity			5.3L F/I V8 - Threaded Both Ends	2003	PF-1000	7.4L F/I V8 - In-line Filter	92-95	PF-1000
2.5L F/I L4	84-88	PF-1000	5.3L F/I V8 - Threaded One End	2003	PF-2100	G3500		
2.8L CARB V6	1986	PF-1300	5.7L F/I V8	1996	PF-2400	5.7L F/I V8	2001	PF-2400
2.8L CARB V6 - Mexico	82-85	PF-1300		03-04	PF-2400	Impala		
2.8L CARB V6 - US	82-85	PF-2100	5.7L F/I V8 - In-line Filter	97-02	PF-2400	3.4L F/I V6	00-05	PF-2100
2.8L F/I V6	1985	PF-2100	6.0L F/I V8 - Mexico	05-12	PF-2100	3.5L F/I V6 - Mexico	06-11	PF-2100
	86-88	PF-1000	6.0L F/I V8 - Threaded Both Ends	2003	PF-1000	3.8L F/I V6	00-05	PF-2100
Century						Impala SS		
2.3L F/I V6	90-96	PF-1000				5.7L F/I V8	94-96	PF-2400
2.8L CARB V6	82-85	PF-1000				Jimmy		
2.8L F/I V6	86-89	PF-1000				2.2L F/I L4	94-96	PF-1000
Chevy						4.3L F/I V6	93-00	PF-1000
4.1L F/I L6	95-96	PF-1000						
Cheyenne								
5.3L F/I V8	03-07	PF-1000						
	2010	PF-1000						

PERFORMANCE FUEL FILTERS



CHEVROLET	Year(s)	Part#	CHEVROLET	Year(s)	Part#	CHEVROLET	Year(s)	Part#
K1500			S10 Blazer			Silverado 2500		
4.3L F/I V6	1988	PF-1000	2.5L F/I L4	85-89	PF-1000	6.0L F/I V8	99-01	PF-1000
	90-98	PF-1000	2.8L F/I V6 - Mexico	86-93	PF-1000		2004	PF-1000
5.0L F/I V8	88-99	PF-1000	4.3L CPI V6	92-94	PF-1000	6.0L F/I V8 - Exc. CNG	2002	PF-1000
5.7L F/I V8	88-99	PF-1000	4.3L F/I V6	88-91	PF-1000	6.0L F/I V8 - Mexico	02-03	PF-1000
K1500 Suburban			4.3L F/I V6 - Mexico	97-98	PF-1000	Silverado 2500 HD		
5.7L F/I V8	92-99	PF-1000	4.3L TBI V6	93-94	PF-1000	6.0L F/I V8	2001	PF-1000
							2004	PF-1000
K2500			S10 Pickup			6.0L F/I V8 - Exc. CNG	2002	PF-1000
4.3L F/I V6	1988	PF-1000	2.2L F/I L4	99-01	PF-2500	6.6L DSL V8	01-15	PF-3000
	90-95	PF-1000	2.2L F/I L4 - Mexico	94-96	PF-2500	8.1L F/I V8	01-04	PF-1000
5.0L F/I V8	88-95	PF-1000	2.2L F/I L4 - Mexico, w/4-9/32 Length	97-98	PF-1000	8.1L F/I V8 - Mexico	05-06	PF-1000
	97-99	PF-1000	2.2L F/I L4 - Mexico, w/5-7/16 Length	97-98	PF-2500	Silverado 2500 HD Classic		
5.7L F/I V8	88-00	PF-1000	2.2L F/I L4 - US	94-96	PF-1000	6.6L DSL V8	2007	PF-3000
7.4L F/I V8	91-00	PF-1000		97-98	PF-2500	Silverado 3500		
K2500 Suburban			2.5L F/I L4	85-93	PF-1000	5.3L F/I V8 - Mexico	2002	PF-2500
5.7L F/I V8	92-99	PF-1000	2.8L F/I V6	92-93	PF-1000	5.3L F/I V8 - US	2002	PF-1000
7.4L F/I V8	92-99	PF-1000	4.3L CPI V6	93-95	PF-1000	5.3L F/I V8 - w/4-9/32 Length	03-04	PF-1000
K3500			4.3L F/I V6	88-91	PF-1000	5.3L F/I V8 - w/5-7/16 Length	03-04	PF-2500
5.7L F/I V8	88-00	PF-1000		1996	PF-1000	5.7L F/I V8	04-05	PF-2400
6.5L DSL V8 - Mexico	97-00	PF-2100	4.3L TBI V6	92-95	PF-1000	6.0L F/I V8	01-02	PF-1000
7.4L F/I V8	88-00	PF-1000	Silverado				2004	PF-1000
Lumina			5.7L F/I V8	95-99	PF-1000	6.0L F/I V8 - Mexico	2003	PF-1000
2.2L F/I L4	1993	PF-2100	Silverado 1500			6.6L DSL V8	01-06	PF-3000
2.5L F/I L4	1992	PF-2100	4.3L F/I V6	99-02	PF-1000	8.1L F/I V8	01-04	PF-1000
2.5L F/I L4 - Mexico	90-91	PF-2100		2004	PF-1000	8.1L F/I V8 - Mexico	05-06	PF-1000
2.5L F/I L4 - US, Canada	90-91	PF-1000	4.3L F/I V6 - Mexico	2003	PF-1000	Silverado 3500 Classic		
3.1L F/I V6	90-91	PF-1000		05-13	PF-1000	6.6L DSL V8	2007	PF-3000
	92-01	PF-2100	4.8L F/I V8	99-02	PF-1000	Silverado 3500 HD		
3.4L F/I V6	1991	PF-1000		2004	PF-1000	5.7L F/I V8	2003	PF-2400
	92-93	PF-2100	5.3L F/I V8	99-01	PF-1000	6.6L DSL V8	07-15	PF-3000
3.4L F/I V6 - Mexico	94-97	PF-1000	5.3L F/I V8 - Mexico	2002	PF-2500	Silverado SS		
3.4L F/I V6 - US	94-97	PF-2100		2004	PF-2500	6.0L F/I V8	2004	PF-1000
3.8L F/I V6	98-99	PF-2100	5.3L F/I V8 - Mexico, w/4-9/32 Length	2005	PF-1000	Sonora		
Lumina APV			5.3L F/I V8 - Mexico, w/5-7/16 Length	2005	PF-2500	5.3L F/I V8	03-06	PF-1000
3.1L F/I V6	90-91	PF-1000	5.3L F/I V8 - US	2002	PF-1000	5.7L F/I V8	2001	PF-1000
	92-95	PF-2100	5.3L F/I V8 - w/4-9/32 Length	2003	PF-1000	Suburban 1500		
3.4L F/I V6 - Mexico	1996	PF-1000	5.3L F/I V8 - w/5-7/16 Length	2003	PF-2500	5.3L F/I V8	00-01	PF-1000
3.4L F/I V6 - US	1996	PF-2400	6.0L F/I V8	2004	PF-1000	5.3L F/I V8 - Mexico	02-03	PF-2500
3.8L F/I V6	92-95	PF-2400	Silverado 1500 Classic			5.3L F/I V8 - Mexico, w/5-7/16 Length	2004	PF-2500
Luv			4.3L F/I V6	2008	PF-1000	5.3L F/I V8 - US	02-03	PF-1000
1.8L CARB L4	81-82	PF-1300	Silverado 1500 HD			5.7L F/I V8	95-02	PF-1000
111 CARB L4	75-80	PF-1300	6.0L F/I V8	01-02	PF-1000	Suburban 2500		
Malibu			Silverado 2500			5.3L F/I V8	2000	PF-1000
2.2L F/I L4	04-05	PF-2100	4.8L F/I V8	03-05	PF-1000	6.0L F/I V8	00-03	PF-1000
2.4L F/I L4	97-99	PF-2100	5.3L F/I V8	99-01	PF-1000	8.1L F/I V8	01-03	PF-1000
3.1L F/I V6	97-03	PF-2100		2002	PF-2500	Tahoe		
Monte Carlo			5.3L F/I V8 - w/4-9/32 Length	03-04	PF-1000	4.8L F/I V8	00-03	PF-1000
3.1L F/I V6	95-99	PF-2100	5.3L F/I V8 - w/5-7/16 Length	03-04	PF-2500	5.3L F/I V8	00-01	PF-1000
3.4L F/I V6	95-97	PF-2100	6.0L F/I V8	2000	PF-1000	5.3L F/I V8 - Mexico	02-03	PF-2500
	00-05	PF-2100	Silverado 1500 Classic			5.3L F/I V8 - US	02-03	PF-1000
3.8L F/I V6	98-05	PF-2100	4.3L F/I V6	2008	PF-1000	5.7L F/I V8	95-02	PF-1000
4.3L F/I V6	85-88	PF-1000	Silverado 1500 HD			Suburban 2500		
Oldsmobile 88th			6.0L F/I V8	01-02	PF-1000	5.3L F/I V8	2000	PF-1000
3.8L F/I V6	92-96	PF-2400	Silverado 2500			6.0L F/I V8	00-03	PF-1000
Royale			4.8L F/I V8	03-05	PF-1000	8.1L F/I V8	01-03	PF-1000
3.8L F/I V6 - Mexico	94-00	PF-2100	5.3L F/I V8	99-01	PF-1000	Tahoe		
				2002	PF-2500	4.8L F/I V8	00-03	PF-1000
			5.3L F/I V8 - w/4-9/32 Length	03-04	PF-1000	5.3L F/I V8	00-01	PF-1000
			5.3L F/I V8 - w/5-7/16 Length	03-04	PF-2500	5.3L F/I V8 - Mexico	02-03	PF-2500
			5.7L F/I V8	2000	PF-1000	5.3L F/I V8 - US	02-03	PF-1000
						5.7L F/I V8	95-00	PF-1000



PERFORMANCE FUEL FILTERS

CHEVROLET	Year(s)	Part#	DODGE	Year(s)	Part#	DODGE	Year(s)	Part#
Tracker			B100 Van			B300		
2.0L F/I L4	2007	PF-1000	318 CARB V8	1978	PF-1300	360 CARB V8 - In-line Filter	76-77	PF-1300
CHRYSLER	Year(s)	Part#	318 CARB V8 - Exc. Calif	1980	PF-1300	400 CARB V8	1978	PF-1300
Cordoba			318 CARB V8 - In-line Filter	76-77	PF-1300	400 CARB V8 - In-line Filter	76-77	PF-1300
318 2 BBL. V8 - Exc. Calif	1978	PF-1300	360 CARB V8	1978	PF-1300	440 CARB V8	1978	PF-1300
318 4 BBL. V8 - Exc. Calif	1978	PF-1300	360 CARB V8 - In-line Filter	76-77	PF-1300	440 CARB V8 - In-line Filter	76-77	PF-1300
318 CARB V8 - Exc. Calif	75-77	PF-1300	B150 Van			Charger		
360 2 BBL. V8 - Exc. Calif	1978	PF-1300	3.7L CARB L6 - Exc. Calif	1981	PF-1300	225 CARB L6 - Exc. Calif	1976	PF-1300
360 4 BBL. V8 - Exc. Calif	1978	PF-1300	5.2L CARB V8 - Exc. Calif	1981	PF-1300	318 2 BBL. V8 - Exc. Calif	1978	PF-1300
360 CARB V8 - Exc. Calif	75-77	PF-1300	B200 Van			318 4 BBL. V8 - Exc. Calif	1978	PF-1300
400 CARB V8 - Exc. Calif	75-78	PF-1300	225 CARB L6	78-79	PF-1300	318 CARB V8 - Exc. Calif	75-77	PF-1300
Dart			225 CARB L6 - Exc. Calif	1980	PF-1300	360 CARB V8 - Exc. Calif	75-78	PF-1300
2.8L DSL V6	78-82	PF-1300	225 CARB L6 - In-line Filter	74-77	PF-1300	400 CARB V8	1977	PF-1300
LeBaron			318 2 BBL. V8	1979	PF-1300	400 CARB V8 - Exc. Calif	75-76	PF-1300
225 1 BBL. L6	1979	PF-1300	318 4 BBL. V8	1979	PF-1300		1978	PF-1300
225 1 BBL. L6 - Exc. Calif	1978	PF-1300	318 CARB V8	1978	PF-1300	Coronet		
225 2 BBL. L6 - Exc. Calif	78-79	PF-1300	318 CARB V8 - Exc. Calif	1980	PF-1300	225 CARB L6 - Exc. Calif	75-76	PF-1300
318 2 BBL. V8 - Exc. Calif	1978	PF-1300	318 CARB V8 - In-line Filter	76-77	PF-1300	318 CARB V8 - Exc. Calif	75-76	PF-1300
318 4 BBL. V8 - Exc. Calif	1978	PF-1300	360 2 BBL. V8	1979	PF-1300	360 CARB V8 - Exc. Calif	1976	PF-1300
318 CARB V8 - Exc. Calif	1977	PF-1300	360 4 BBL. V8	1979	PF-1300	400 CARB V8 - Exc. Calif	75-76	PF-1300
360 2 BBL. V8 - Exc. Calif	1978	PF-1300	360 CARB V8	1978	PF-1300	440 CARB V8	1976	PF-1300
360 4 BBL. V8 - Exc. Calif	1978	PF-1300	360 CARB V8 - Exc. Calif	1980	PF-1300	D100		
New Yorker			360 CARB V8 - In-line Filter	76-77	PF-1300	225 CARB L6	78-79	PF-1300
360 CARB V8 - Exc. Calif	77-78	PF-1300	440 CARB V8	1978	PF-1300	225 CARB L6 - In-line Filter	75-77	PF-1300
400 CARB V8 - Exc. Calif	75-78	PF-1300	440 CARB V8 - In-line Filter	76-77	PF-1300	318 2 BBL. V8	1979	PF-1300
440 CARB V8 - Exc. Calif	75-78	PF-1300	B250 Van			318 4 BBL. V8	1979	PF-1300
Newport			3.7L CARB L6 - Exc. Calif	1981	PF-1300	318 CARB V8	1978	PF-1300
225 CARB L6 - Exc. Calif	1979	PF-1300	5.2L CARB V8 - Exc. Calif	1981	PF-1300	318 CARB V8 - In-line Filter	75-77	PF-1300
360 CARB V8 - Exc. Calif	75-78	PF-1300	5.9L CARB V8 - Exc. Calif	1981	PF-1300	360 CARB V8	78-79	PF-1300
400 CARB V8	1977	PF-1300	B300			360 CARB V8 - In-line Filter	75-77	PF-1300
400 CARB V8 - Exc. Calif	75-76	PF-1300	225 CARB L6	78-79	PF-1300	400 CARB V8 - In-line Filter	1977	PF-1300
	1978	PF-1300	225 CARB L6 - Exc. Calif	1980	PF-1300	440 CARB V8	1978	PF-1300
440 CARB V8 - Exc. Calif	76-78	PF-1300	225 CARB L6 - In-line Filter	75-77	PF-1300	440 CARB V8 - In-line Filter	75-77	PF-1300
DODGE	Year(s)	Part#	318 2 BBL. V8	1979	PF-1300	5.2L CARB V8	84-87	PF-1300
1500			318 4 BBL. V8	1979	PF-1300	5.2L F/I V8	88-89	PF-1300
3.0L DSL V6	14-17	PF-4500	318 CARB V8	1978	PF-1300	5.9L CARB V8	84-88	PF-1300
B100 Van			318 CARB V8 - Exc. Calif	1980	PF-1300	D150		
225 CARB L6	78-79	PF-1300	318 CARB V8 - In-line Filter	76-77	PF-1300	225 CARB L6	78-79	PF-1300
225 CARB L6 - Exc. Calif	1980	PF-1300	360 2 BBL. V8	1979	PF-1300	225 CARB L6 - Exc. Calif	1980	PF-1300
225 CARB L6 - In-line Filter	74-77	PF-1300	360 4 BBL. V8	1979	PF-1300	225 CARB L6 - In-line Filter	1977	PF-1300
318 2 BBL. V8	1979	PF-1300	360 CARB V8	1978	PF-1300	3.7L CARB L6 - Exc. Calif	1981	PF-1300
318 4 BBL. V8	1979	PF-1300	360 CARB V8 - Exc. Calif	1980	PF-1300	318 2 BBL. V8	1979	PF-1300

PERFORMANCE FUEL FILTERS



DODGE	Year(s)	Part#	DODGE	Year(s)	Part#	DODGE	Year(s)	Part#
D150			D250			Ramcharger		
318 4 BBL. V8	1979	PF-1300	5.9L CARB V8 - Exc. Calif	1981	PF-1300	225 CARB L6 - In-line Filter	74-77	PF-1300
318 CARB V8	1978	PF-1300	5.9L F/I V8	89-91	PF-1300	318 2 BBL. V8	1979	PF-1300
318 CARB V8 - Exc. Calif	1980	PF-1300	D300			318 4 BBL. V8	1979	PF-1300
318 CARB V8 - In-line Filter	1977	PF-1300	225 1 BBL. L6 - In-line Filter	1977	PF-1300	318 CARB V8	1978	PF-1300
360 2 BBL. V8	79-80	PF-1300	225 2 BBL. L6 - In-line Filter	1977	PF-1300	318 CARB V8 - Exc. Calif	1980	PF-1300
360 4 BBL. V8	1979	PF-1300	225 CARB L6	78-79	PF-1300	318 CARB V8 - In-line Filter	74-77	PF-1300
360 4 BBL. V8 - Exc. Calif	1980	PF-1300	225 CARB L6 - In-line Filter	75-76	PF-1300	360 2 BBL. V8	1979	PF-1300
360 CARB V8	1978	PF-1300	318 2 BBL. V8 - Exc. Calif	1980	PF-1300	360 4 BBL. V8	1979	PF-1300
360 CARB V8 - In-line Filter	1977	PF-1300	318 4 BBL. V8 - Exc. Calif	1980	PF-1300	360 CARB V8	1978	PF-1300
400 CARB V8	1978	PF-1300	318 CARB V8	78-79	PF-1300	360 CARB V8 - Exc. Calif	1980	PF-1300
400 CARB V8 - In-line Filter	1977	PF-1300	318 CARB V8 - In-line Filter	75-77	PF-1300	360 CARB V8 - In-line Filter	75-77	PF-1300
440 CARB V8	1978	PF-1300	360 2 BBL. V8	1979	PF-1300	400 CARB V8	1978	PF-1300
5.2L CARB V8	82-87	PF-1300	360 2 BBL. V8 - Exc. Calif	1980	PF-1300	400 CARB V8 - In-line Filter	1977	PF-1300
5.2L CARB V8 - Exc. Calif	1981	PF-1300	360 4 BBL. V8	1979	PF-1300	440 CARB V8	1978	PF-1300
5.2L F/I V8	88-91	PF-1300	360 4 BBL. V8 - Exc. Calif	1980	PF-1300	440 CARB V8 - In-line Filter	74-77	PF-1300
5.9L CARB V8	82-89	PF-1300	360 CARB V8	1978	PF-1300	5.2L CARB V8 - Exc. Calif	1981	PF-1300
5.9L CARB V8 - Exc. Calif	1981	PF-1300	360 CARB V8 - In-line Filter	75-77	PF-1300	5.9L CARB V8 - Exc. Calif	1981	PF-1300
5.9L F/I V8	89-91	PF-1300	400 CARB V8	1978	PF-1300	W100		
D200			400 CARB V8 - In-line Filter	1977	PF-1300	225 CARB L6 - In-line Filter	75-77	PF-1300
225 CARB L6	78-79	PF-1300	440 CARB V8	1978	PF-1300	318 CARB V8 - In-line Filter	75-77	PF-1300
225 CARB L6 - Exc. Calif	1980	PF-1300	440 CARB V8 - In-line Filter	75-77	PF-1300	360 CARB V8 - In-line Filter	75-77	PF-1300
225 CARB L6 - In-line Filter	75-77	PF-1300	Dart			400 CARB V8 - In-line Filter	1977	PF-1300
318 2 BBL. V8	1979	PF-1300	225 CARB L6 - Exc. Calif	75-76	PF-1300	440 CARB V8 - In-line Filter	75-77	PF-1300
318 4 BBL. V8	1979	PF-1300	318 CARB V8 - Exc. Calif	75-76	PF-1300	5.2L CARB V8	84-85	PF-1300
318 CARB V8	1978	PF-1300	360 CARB V8 - Exc. Calif	75-76	PF-1300	5.9L CARB V8	84-85	PF-1300
318 CARB V8 - Exc. Calif	1980	PF-1300	Monaco			W150		
318 CARB V8 - In-line Filter	75-77	PF-1300	225 1 BBL. L6 - Exc. Calif	77-78	PF-1300	225 CARB L6	78-79	PF-1300
360 2 BBL. V8	1979	PF-1300	225 2 BBL. L6 - Exc. Calif	77-78	PF-1300	225 CARB L6 - Exc. Calif	1980	PF-1300
360 2 BBL. V8 - Exc. Calif	1980	PF-1300	318 2 BBL. V8 - Exc. Calif	1978	PF-1300	3.7L CARB L6 - Exc. Calif	1981	PF-1300
360 4 BBL. V8	1979	PF-1300	318 4 BBL. V8 - Exc. Calif	1978	PF-1300	318 2 BBL. V8	1979	PF-1300
360 4 BBL. V8 - Exc. Calif	1980	PF-1300	318 CARB V8 - Exc. Calif	75-77	PF-1300	318 4 BBL. V8	1979	PF-1300
360 CARB V8	1978	PF-1300	360 CARB V8 - Exc. Calif	75-78	PF-1300	318 CARB V8	1978	PF-1300
360 CARB V8 - In-line Filter	75-77	PF-1300	400 CARB V8 - Exc. Calif	75-78	PF-1300	318 CARB V8 - Exc. Calif	1980	PF-1300
400 CARB V8	1978	PF-1300	440 CARB V8 - Exc. Calif	75-78	PF-1300	318 CARB V8 - In-line Filter	1977	PF-1300
400 CARB V8 - In-line Filter	1977	PF-1300	Ram 2500			360 2 BBL. V8	1979	PF-1300
440 CARB V8	1978	PF-1300	5.9L DSL L6	03-09	PF-4200	360 4 BBL. V8	1979	PF-1300
440 CARB V8 - In-line Filter	75-77	PF-1300	Ram 3500			360 CARB V8	1978	PF-1300
D250			5.9L DSL L6	03-09	PF-4200	360 CARB V8 - Exc. Calif	1980	PF-1300
3.7L CARB L6 - Exc. Calif	1981	PF-1300	Ramcharger			360 CARB V8 - In-line Filter	1977	PF-1300
5.2L CARB V8	82-87	PF-1300	225 CARB L6	78-79	PF-1300	400 CARB V8	1978	PF-1300
5.2L CARB V8 - Exc. Calif	1981	PF-1300	225 CARB L6 - Exc. Calif	1980	PF-1300	400 CARB V8 - In-line Filter	1977	PF-1300
5.2L F/I V8	88-91	PF-1300				440 CARB V8	1978	PF-1300
5.9L CARB V8	82-88	PF-1300						
	1990	PF-1300						



PERFORMANCE FUEL FILTERS

DODGE	Year(s)	Part#	FORD	Year(s)	Part#	FORD	Year(s)	Part#
W150			Bronco			E150 Econoline		
5.2L CARB V8 - Exc. Calif	1981	PF-1300	4.9L F/I L6	87-89	PF-2200	4.2L F/I V6 - w/3 inch OD	01-02	PF-2300
5.9L CARB V8 - Exc. Calif	1981	PF-1300	4.9L F/I L6 - Mexico	90-91	PF-2300	4.6L F/I V8	97-00	PF-2300
W200			4.9L F/I L6 - US	90-91	PF-2200	4.6L F/I V8 - w/2 inch OD	01-02	PF-2000
225 CARB L6	78-79	PF-1300	4.9L F/I V8	1993	PF-2300	4.6L F/I V8 - w/3 inch OD	01-02	PF-2300
225 CARB L6 - Exc. Calif	1980	PF-1300	5.0L F/I V8	87-89	PF-2200	4.9L F/I L6	87-91	PF-2200
225 CARB L6 - In-line Filter	75-77	PF-1300	5.0L F/I V8 - In-line Filter	1986	PF-2200		92-96	PF-2300
318 2 BBL. V8	1979	PF-1300	5.0L F/I V8 - Mexico	90-91	PF-2300	5.0L F/I V8	87-91	PF-2200
318 4 BBL. V8	1979	PF-1300	5.0L F/I V8 - US	90-91	PF-2200		92-96	PF-2300
318 CARB V8	1978	PF-1300	5.8L F/I V8	88-89	PF-2200	5.0L F/I V8 - In-line Filter	1986	PF-2200
318 CARB V8 - Exc. Calif	1980	PF-1300	5.8L F/I V8 - Mexico	90-91	PF-2300	5.4L F/I V8	2000	PF-2300
318 CARB V8 - In-line Filter	75-77	PF-1300	5.8L F/I V8 - US	90-91	PF-2200		07-08	PF-2000
360 2 BBL. V8	1979	PF-1300	Bronco II			5.4L F/I V8 - Mexico	97-99	PF-2000
360 4 BBL. V8	1979	PF-1300	2.9L F/I V6	88-90	PF-2200	5.4L F/I V8 - US	97-99	PF-2300
360 CARB V8	1978	PF-1300	2.9L F/I V6 - In-line Filter	86-87	PF-2200		2002	PF-2300
360 CARB V8 - Exc. Calif	1980	PF-1300	4.0L F/I V6	1990	PF-2200	5.4L F/I V8 - w/2 inch OD	2001	PF-2000
360 CARB V8 - In-line Filter	75-77	PF-1300	Contour			5.4L F/I V8 - w/3 inch OD	2001	PF-2300
400 CARB V8	1978	PF-1300	2.0L F/I L4	95-00	PF-2200	5.8L F/I V8	88-91	PF-2200
400 CARB V8 - In-line Filter	1977	PF-1300	2.5L F/I V6	95-00	PF-2200		92-96	PF-2300
440 CARB V8	1978	PF-1300	Contour SVT			6.8L F/I V10 - Mexico	1997	PF-2000
440 CARB V8 - In-line Filter	75-77	PF-1300	2.5L F/I V6	98-00	PF-2200	6.8L F/I V10 - w/2 inch OD	98-02	PF-2000
W250			Courier			6.8L F/I V10 - w/3 inch OD	98-02	PF-2300
5.2L CARB V8 - Exc. Calif	1981	PF-1300	1.6L F/I L4	01-07	PF-2300	7.5L F/I V8	88-91	PF-2200
5.9L CARB V8 - Exc. Calif	1981	PF-1300	110 CARB L4	72-79	PF-1300		92-97	PF-2300
W300			122 CARB L4	1980	PF-1300	E150 Econoline Club Wagon		
225 CARB L6	1978	PF-1300	140 CARB L4	77-80	PF-1300	4.2L F/I V6	97-00	PF-2300
225 CARB L6 - In-line Filter	75-77	PF-1300	2.0L CARB L4	1981	PF-1300	4.2L F/I V6 - w/2 inch OD	01-02	PF-2000
318 CARB V8	1978	PF-1300	2.3L CARB L4	1981	PF-1300	4.2L F/I V6 - w/3 inch OD	01-02	PF-2300
318 CARB V8 - Exc. Calif	1980	PF-1300	Crown Victoria			4.6L F/I V8	97-00	PF-2300
318 CARB V8 - In-line Filter	75-77	PF-1300	4.6L F/I V8	92-96	PF-2200	4.6L F/I V8	97-00	PF-2300
360 CARB V8	78-79	PF-1300		98-11	PF-2000	4.6L F/I V8 - w/2 inch OD	01-02	PF-2000
360 CARB V8 - Exc. Calif	1980	PF-1300	4.6L F/I V8 - Mexico	1997	PF-2000	4.6L F/I V8 - w/3 inch OD	01-02	PF-2300
360 CARB V8 - In-line Filter	75-77	PF-1300	4.6L F/I V8 - US	1997	PF-2200	4.9L F/I L6	87-91	PF-2200
400 CARB V8	1978	PF-1300	Crown Victoria Police Interceptor				92-96	PF-2300
400 CARB V8 - In-line Filter	1977	PF-1300	4.6L F/I V8	04-08	PF-2000	5.0L F/I V8	87-91	PF-2200
440 CARB V8	1978	PF-1300	E150				92-96	PF-2300
440 CARB V8 - In-line Filter	75-77	PF-1300	4.2L F/I V6	03-05	PF-2000	5.0L F/I V8 - In-line Filter	1986	PF-2200
FORD	Year(s)	Part#	4.2L F/I V6 - w/2 inch OD	2002	PF-2000	5.4L F/I V8	2000	PF-2300
Aerostar			4.2L F/I V6 - w/3 inch OD	2002	PF-2300	5.4L F/I V8	2000	PF-2300
2.3L F/I L4	86-87	PF-2200	4.6L F/I V8	03-12	PF-2000	5.4L F/I V8 - Mexico	97-99	PF-2000
3.0L F/I V6	86-97	PF-2200	5.4L F/I V8	03-12	PF-2000		2002	PF-2000
4.0L F/I V6	93-97	PF-2200	E150 Econoline			5.4L F/I V8 - US	97-99	PF-2300
4.0L F/I V6 - Mexico	90-92	PF-2300	4.2L F/I V6	97-00	PF-2300		2002	PF-2300
4.0L F/I V6 - US	90-92	PF-2200	4.2L F/I V6 - w/2 inch OD	01-02	PF-2000	5.4L F/I V8 - w/2 inch OD	2001	PF-2000
						5.4L F/I V8 - w/3 inch OD	2001	PF-2300
						5.8L F/I V8	88-91	PF-2200
							92-96	PF-2300
						E250		
						4.2L F/I V6	03-05	PF-2000

PERFORMANCE FUEL FILTERS



FORD	Year(s)	Part#	FORD	Year(s)	Part#	FORD	Year(s)	Part#
E250			E350 Econoline			E450 Econoline Super Duty		
4.6L F/I V8	03-12	PF-2000	5.4L F/I V8	1997	PF-2300	5.4L F/I V8 - w/2 inch OD	01-02	PF-2000
5.4L F/I V8	03-12	PF-2000		2000	PF-2300	5.4L F/I V8 - w/3 inch OD	01-02	PF-2300
6.8L F/I V10	04-11	PF-2000		07-08	PF-2000	6.8L F/I V10	97-00	PF-2300
6.8L F/I V10 - Mexico	1997	PF-2000	5.4L F/I V8 - Mexico	1998	PF-2000	6.8L F/I V10 - w/2 inch OD	01-02	PF-2000
	2003	PF-2000	5.4L F/I V8 - US	98-99	PF-2300	6.8L F/I V10 - w/3 inch OD	01-02	PF-2300
6.8L F/I V10 - w/2 inch OD	98-02	PF-2000	5.8L F/I V8	88-91	PF-2200	7.3L DSL V8 - w/Attached Cap	99-02	PF-4000
6.8L F/I V10 - w/3 inch OD	98-02	PF-2300		92-96	PF-2300	E450 Econoline Super Duty Stripped		
E250 Club Wagon			6.8L F/I V10 - Mexico	97-98	PF-2000	5.4L F/I V8	2000	PF-2300
5.4L F/I V8	2005	PF-2000	6.8L F/I V10 - US	97-98	PF-2300	5.4L F/I V8 - w/2 inch OD	01-02	PF-2000
E250 Econoline			7.5L F/I V8	87-91	PF-2200	5.4L F/I V8 - w/3 inch OD	01-02	PF-2300
4.2L F/I V6	97-00	PF-2300		92-97	PF-2300	6.8L F/I V10	2000	PF-2300
4.2L F/I V6 - w/2 inch OD	01-02	PF-2000	E350 Econoline Club Wagon			6.8L F/I V10 - w/2 inch OD	01-02	PF-2000
4.2L F/I V6 - w/3 inch OD	01-02	PF-2300	4.9L F/I L6	87-91	PF-2200	6.8L F/I V10 - w/3 inch OD	01-02	PF-2300
4.6L F/I V8	97-02	PF-2300		92-96	PF-2300	7.3L DSL V8 - w/Attached Cap	00-02	PF-4000
4.9L F/I L6	87-91	PF-2200	5.4L F/I V8	1997	PF-2300	E450 Super Duty		
	92-96	PF-2300		2000	PF-2300	5.4L F/I V8	03-04	PF-2000
5.0L F/I V8	87-91	PF-2200	5.4L F/I V8 - Mexico	98-99	PF-2000		06-09	PF-2000
	92-96	PF-2300	5.4L F/I V8 - US	98-99	PF-2300		2011	PF-2000
5.0L F/I V8 - In-line Filter	1986	PF-2200		2002	PF-2300		2016	PF-2100
5.4L F/I V8	2000	PF-2300	5.4L F/I V8 - w/2 inch OD	2001	PF-2000	6.8L F/I V10	03-12	PF-2000
5.4L F/I V8 - Mexico	97-99	PF-2000	5.4L F/I V8 - w/3 inch OD	2001	PF-2300		2016	PF-2100
	2002	PF-2000	5.8L F/I V8	88-91	PF-2200	7.3L DSL V8 - w/Attached Cap	2003	PF-4000
5.4L F/I V8 - US	97-99	PF-2300		92-96	PF-2300	E450 Super Duty Stripped Chassis		
	2002	PF-2300	6.8L F/I V10 - Mexico	97-01	PF-2000	7.3L DSL V8 - w/Attached Cap	2003	PF-4000
5.4L F/I V8 - w/2 inch OD	2001	PF-2000	6.8L F/I V10 - US	97-01	PF-2300	E550 Econoline Super Duty		
5.4L F/I V8 - w/3 inch OD	2001	PF-2300	6.8L F/I V10 - w/2 inch OD	2002	PF-2000	6.8L F/I V10	97-99	PF-2300
5.8L F/I V8	88-91	PF-2200	6.8L F/I V10 - w/3 inch OD	2002	PF-2300	6.8L F/I V10 - w/2 inch OD	2002	PF-2000
	92-96	PF-2300	7.3L DSL V8 - w/Attached Cap	99-02	PF-4000	6.8L F/I V10 - w/3 inch OD	2002	PF-2300
7.5L F/I V8	92-97	PF-2300	7.5L F/I V8	88-91	PF-2200	7.3L DSL V8 - w/Attached Cap	2002	PF-4000
E250 Econoline Club Wagon				92-96	PF-2300	E550 Super Duty		
4.9L F/I L6	87-91	PF-2200	E350 Super Duty			6.8L F/I V10	2003	PF-2000
5.8L F/I V8	88-91	PF-2200	5.4L F/I V8	2000	PF-2300	6.8L F/I V10 - w/2 inch OD	2002	PF-2000
7.5L F/I V8	88-91	PF-2200		03-12	PF-2000	6.8L F/I V10 - w/3 inch OD	2002	PF-2300
E250 Super Duty				2016	PF-2100	7.3L DSL V8 - w/Attached Cap	2002	PF-4000
6.8L F/I V10	2012	PF-2000	5.4L F/I V8 - Mexico	1999	PF-2000	E550 Super Duty		
E350				2002	PF-2000	6.8L F/I V10	2003	PF-2000
4.2L F/I V6	03-05	PF-2000	5.4L F/I V8 - US	1999	PF-2300	7.3L DSL V8 - w/Attached Cap	2003	PF-4000
4.6L F/I V8	03-12	PF-2000		2002	PF-2300	Econoline		
5.0L F/I V8	92-96	PF-2300	5.4L F/I V8 - w/2 inch OD	2001	PF-2000	4.2L F/I V6	2003	PF-2000
E350 Club Wagon			5.4L F/I V8 - w/3 inch OD	2001	PF-2300	4.6L F/I V8	04-06	PF-2000
5.4L F/I V8	03-05	PF-2000	6.8L F/I V10	03-12	PF-2000		10-12	PF-2000
5.4L F/I V8 - Mexico	2002	PF-2000		2016	PF-2100	5.4L F/I V8	03-06	PF-2000
6.8L F/I V10	2003	PF-2000	6.8L F/I V10 - Mexico	99-01	PF-2000	Econoline Super Duty		
	2005	PF-2000	6.8L F/I V10 - US	99-01	PF-2300	5.4L F/I V8	97-99	PF-2300
7.3L DSL V8 - w/Attached Cap	2003	PF-4000	6.8L F/I V10 - w/2 inch OD	2002	PF-2000	5.8L F/I V8	1996	PF-2300
E350 Econoline			6.8L F/I V10 - w/3 inch OD	2002	PF-2300	6.8L F/I V10	1998	PF-2300
4.2L F/I V6	97-02	PF-2300	7.3L DSL V8 - w/Attached Cap	99-03	PF-4000	7.3L DSL V8	1998	PF-4000
4.6L F/I V8	97-02	PF-2300	E450 Econoline Super Duty			7.3L DSL V8 - w/Attached Cap	1999	PF-4000
4.9L F/I L6	87-91	PF-2200	5.4L F/I V8	2000	PF-2300	7.5L F/I V8	1996	PF-2300
	92-96	PF-2300						
5.0L F/I V8	87-91	PF-2200						



PERFORMANCE FUEL FILTERS

FORD	Year(s)	Part#	FORD	Year(s)	Part#	FORD	Year(s)	Part#
EcoSport			F150			F250 Harley Davidson Super Duty		
2.0L F/I L4	03-11	PF-2000	4.2L F/I V6	99-05	PF-2000	6.0L DSL V8	04-07	PF-4100
Escape			4.2L F/I V6 - Before 12/5/05	2006	PF-2000	6.8L F/I V10	2005	PF-2000
2.0L F/I L4	01-05	PF-2200	4.6L F/I V8	97-98	PF-2300	6.8L F/I V10 - Mexico	2004	PF-2000
2.3L F/I L4	05-07	PF-2200		99-05	PF-2000	6.8L F/I V10 - US	2004	PF-2300
	2008	PF-2300	4.6L F/I V8 - Before 12/5/05	2006	PF-2000	F250 Super Duty		
2.5L F/I L4	09-13	PF-2300	4.9L F/I L6	87-91	PF-2200	5.4L F/I V8	00-01	PF-2300
3.0L F/I V6	01-07	PF-2200		92-96	PF-2300		2005	PF-2000
	08-12	PF-2300	5.0L CARB V8	87-90	PF-2200	5.4L F/I V8 - Before 12/5/05	2006	PF-2000
Escape Hybrid			5.0L F/I V8	87-91	PF-2200	5.4L F/I V8 - Mexico	1999	PF-2000
2.3L F/I L4	05-07	PF-2200		92-96	PF-2300		2002	PF-2000
	2008	PF-2300	5.0L F/I V8 - In-line Filter	1986	PF-2200		2004	PF-2000
2.5L F/I L4	09-12	PF-2300	5.4L F/I V8	99-05	PF-2000	5.4L F/I V8 - US	1999	PF-2300
Escort				07-08	PF-2000		2002	PF-2300
1.6L F/I L4	83-85	PF-2200	5.4L F/I V8 - Before 12/5/05	2006	PF-2000		2004	PF-2300
1.8L F/I L4	92-93	PF-2200	5.4L F/I V8 - Mexico	97-98	PF-2000	5.4L F/I V8 - w/2 inch OD	2003	PF-2000
	1996	PF-2200	5.4L F/I V8 - US	97-98	PF-2300	5.4L F/I V8 - w/3 inch OD	2003	PF-2300
1.9L F/I L4	86-96	PF-2200	5.8L F/I V8	88-91	PF-2200	6.0L DSL V8	03-07	PF-4100
Escort GT				92-97	PF-2300	6.8L F/I V10	99-01	PF-2300
1.8L F/I L4	91-95	PF-2200	6.8L F/I V10	98-01	PF-2300		05-08	PF-2000
1.9L F/I L4	1989	PF-2200	6.8L F/I V10 - w/2 inch OD	02-04	PF-2000	6.8L F/I V10 - Mexico	02-04	PF-2000
Excursion			6.8L F/I V10 - w/3 inch OD	02-04	PF-2300	6.8L F/I V10 - US	02-04	PF-2300
5.4L F/I V8	1999	PF-2000	7.5L F/I V8	88-91	PF-2200	7.3L DSL V8 - w/Attached Cap	99-03	PF-4000
	01-05	PF-2300		92-97	PF-2300	F350		
5.4L F/I V8 - Mexico	2000	PF-2000	F150 Harley Davidson			4.2L F/I V6	97-98	PF-2300
5.4L F/I V8 - US	2000	PF-2300	5.4L F/I V8	00-03	PF-2000	4.2L F/I V8	99-06	PF-2000
6.0L DSL V8	03-05	PF-4100	F150 Heritage			4.6L F/I V8	97-98	PF-2300
6.8L F/I V10	00-05	PF-2300	4.2L F/I V6	2004	PF-2000		99-06	PF-2000
7.3L DSL V8 - w/Attached Cap	00-03	PF-4000	4.6L F/I V8	2004	PF-2000	4.9L F/I L6	87-91	PF-2200
Expedition			5.4L F/I V8	2004	PF-2000		92-96	PF-2300
4.6L F/I V8	97-98	PF-2300	F150 Lightning			5.0L CARB V8	87-90	PF-2200
	00-02	PF-2000	5.4L F/I V8	99-04	PF-2000	5.0L F/I V8	1991	PF-2200
	2004	PF-2000	5.8L F/I V8	93-95	PF-2300		1992	PF-2300
5.4L F/I V8	97-98	PF-2300	F250				1996	PF-2300
	00-02	PF-2000	4.2L F/I V6	97-98	PF-2300	5.4L F/I V8	1997	PF-2000
	2004	PF-2000	4.2L F/I V8	99-06	PF-2000		1998	PF-2300
	97-98	PF-2300	4.6L F/I V8	97-98	PF-2300		2001	PF-2000
	00-02	PF-2000		99-06	PF-2000		2005	PF-2000
	05-06	PF-2000	4.9L F/I L6	87-91	PF-2200	5.4L F/I V8 - Before 12/5/05	2006	PF-2000
Explorer				92-96	PF-2300	5.4L F/I V8 - Mexico	03-04	PF-2000
4.0L F/I V6	91-98	PF-2300	4.9L F/I V8	1995	PF-2300	5.4L F/I V8 - w/2 inch OD	2002	PF-2000
	02-03	PF-2000	5.0L F/I V8	87-91	PF-2200	5.4L F/I V8 - w/3 inch OD	2002	PF-2300
	2005	PF-2000	5.0L F/I V8 - In-line Filter	92-96	PF-2300	5.8L F/I V8	88-91	PF-2200
4.0L F/I V6 - Exc. Postal	2001	PF-2000	5.4L F/I V8 - Mexico	97-98	PF-2000		92-97	PF-2300
4.0L F/I V6 - Mexico	99-00	PF-2300	5.4L F/I V8 - US	97-99	PF-2300	6.8L F/I V10	1998	PF-2300
4.0L F/I V6 - US	1999	PF-2000	5.8L F/I V8	88-91	PF-2200	7.5L F/I V8	88-91	PF-2200
4.0L F/I V6 - US, Exc. Postal	2000	PF-2000		92-97	PF-2300		92-97	PF-2300
4.6L F/I V8	2001	PF-2000	6.8L F/I V10	1998	PF-2300	F350 Harley Davidson Super Duty		
5.0L F/I V8	96-98	PF-2300	7.5L F/I V8	88-91	PF-2200	6.0L DSL V8	04-07	PF-4100
	99-01	PF-2000		92-97	PF-2300	6.8L F/I V10	2005	PF-2000
Explorer Sport								
4.0L F/I V6	03-04	PF-2000						
4.0L F/I V6 - Exc. Flex Fuel	2001	PF-2000						
4.0L F/I V6 - Mexico	2000	PF-2300						
4.0L F/I V6 - US, Exc. Postal	2000	PF-2000						
F150								
4.2L F/I V6	97-98	PF-2300						

PERFORMANCE FUEL FILTERS



FORD	Year(s)	Part#	FORD	Year(s)	Part#	FORD	Year(s)	Part#
F350 Harley Davidson Super Duty			F550 Super Duty			Mustang GT		
6.8L F/I V10 - Mexico	2004	PF-2000	7.3L DSL V8 - w/Attached Cap	99-03	PF-4000	4.6L F/I V8	96-97	PF-2200
6.8L F/I V10 - US	2004	PF-2300	Fiesta				98-04	PF-2000
F350 Super Duty			1.6L F/I L4	04-07	PF-2000	5.0L F/I V8	1994	PF-2200
5.4L F/I V8	00-01	PF-2300	1.6L F/I L4 - Sedan	2008	PF-2000	Mustang GT Bullitt		
	2005	PF-2000	1.6L F/I L4 - w/Hatchback	2003	PF-2000	4.6L F/I V8	2001	PF-2000
	07-08	PF-2000	Five Hundred			Mustang Mach 1		
5.4L F/I V8 - Before 12/5/05	2006	PF-2000	2.0L F/I L4	2007	PF-2000	4.6L F/I V8	03-04	PF-2000
5.4L F/I V8 - Mexico	1999	PF-2000	3.0L F/I V6	05-07	PF-2000	Mustang SVT Cobra		
	03-04	PF-2000	3.5L F/I V6	2008	PF-2000	4.6L F/I V8	96-97	PF-2200
5.4L F/I V8 - US	1999	PF-2300	Focus				98-01	PF-2000
	03-04	PF-2300	2.0L F/I L4	00-08	PF-2000		03-04	PF-2000
5.4L F/I V8 - w/2 inch OD	2002	PF-2000	2.3L F/I L4	03-07	PF-2000	5.0L F/I V8	94-95	PF-2200
5.4L F/I V8 - w/3 inch OD	2002	PF-2300	Focus II			Mustang SVT Cobra R		
6.0L DSL V8	03-07	PF-4100	2.5L F/I L5	2008	PF-2000	5.4L F/I V8	2000	PF-2000
6.8L F/I V10	99-01	PF-2300	Focus SVT			Mystique		
	05-07	PF-2000	2.0L F/I L4	03-04	PF-2000	2.0L F/I L4	95-00	PF-2200
6.8L F/I V10 - Mexico	03-04	PF-2000	Freestar			2.5L F/I V6	95-00	PF-2200
6.8L F/I V10 - US	03-04	PF-2300	3.8L F/I V6	2007	PF-2000	Ranger		
6.8L F/I V10 - w/2 inch OD	2002	PF-2000	3.9L F/I V6	04-05	PF-2000	2.3L F/I L4	1987	PF-2200
6.8L F/I V10 - w/3 inch OD	2002	PF-2300	4.2L F/I V6	04-05	PF-2000		90-94	PF-2200
7.3L DSL V8 - w/Attached Cap	99-03	PF-4000	Freestyle				95-98	PF-2300
F450			3.0L F/I V6	05-07	PF-2000	2.3L F/I L4 - In-line Filter	85-86	PF-2200
5.4L F/I V8	2001	PF-2000	Ghia				88-89	PF-2200
	2003	PF-2000	2.3L F/I L4	90-92	PF-2200	2.5L F/I L4 - Mexico	98-99	PF-2300
5.4L F/I V8 - w/2 inch OD	2002	PF-2000	3.0L F/I V6	93-94	PF-2200	2.5L F/I L4 - US	98-99	PF-2000
5.4L F/I V8 - w/3 inch OD	2002	PF-2300	Grand Marquis			2.9L F/I V6	91-92	PF-2300
6.8L F/I V10	1998	PF-2300	4.6L F/I V8	92-98	PF-2200	2.9L F/I V6 - In-line Filter	86-87	PF-2200
7.5L F/I V8	90-91	PF-2200		04-09	PF-2000	2.9L F/I V6 - Mexico	88-90	PF-2300
	92-97	PF-2300	Ka			2.9L F/I V6 - US	1988	PF-2200
F450 Super Duty			1.6L F/I L4	01-07	PF-2000		1990	PF-2200
6.0L DSL V8	03-07	PF-4100	Lobo			2.9L F/I V6 - US, In-line Filter	1989	PF-2200
6.8L F/I V10	00-04	PF-2300	4.6L F/I V8	97-98	PF-2300	3.0L F/I V6	91-94	PF-2200
6.8L F/I V10 - Mexico	1999	PF-2000		99-07	PF-2000		95-97	PF-2300
6.8L F/I V10 - US	1999	PF-2300	5.4L F/I V8	00-04	PF-2000	3.0L F/I V6 - Mexico	98-99	PF-2300
7.3L DSL V8 - w/Attached Cap	99-03	PF-4000	LTD			3.0L F/I V6 - US	98-99	PF-2000
7.5L F/I V8	88-89	PF-2200	3.8L F/I V6	84-86	PF-2200	4.0L F/I V6	1990	PF-2200
F53			5.0L CARB V8	1985	PF-2200		91-92	PF-2300
7.5L F/I V8	88-91	PF-2200	5.0L F/I V8	83-86	PF-2200		93-94	PF-2200
	92-97	PF-2300	LTD Crown Victoria				95-97	PF-2300
F550			5.0L F/I V8	87-91	PF-2200	4.0L F/I V6 - Mexico	98-99	PF-2300
5.4L F/I V8	2001	PF-2000	Mountaineer			4.0L F/I V6 - US	98-99	PF-2000
	2003	PF-2000	4.0L F/I V6	98-01	PF-2000	Sable		
5.4L F/I V8 - w/2 inch OD	2002	PF-2000	5.0L F/I V8	97-01	PF-2000	3.0L F/I V6	90-00	PF-2200
5.4L F/I V8 - w/3 inch OD	2002	PF-2300	Mustang			3.5L F/I V6	08-09	PF-2000
F550 Super Duty			2.3L F/I L4	83-93	PF-2200	3.8L F/I V6	90-95	PF-2200
6.0L DSL V8	03-07	PF-4100	3.8L F/I V6	84-86	PF-2200	Taurus		
6.8L F/I V10	00-04	PF-2300		94-97	PF-2200	2.5L F/I L4	86-91	PF-2200
6.8L F/I V10 - Mexico	1999	PF-2000	3.9L F/I V6	98-04	PF-2000	3.0L F/I V6	86-00	PF-2200
6.8L F/I V10 - US	1999	PF-2300	4.6L F/I V8	2004	PF-2000	3.4L F/I V8	96-99	PF-2200
				96-97	PF-2200	3.8L F/I V6	88-95	PF-2200
				98-03	PF-2000	Taurus LX		
				98-03	PF-2000	3.0L F/I V6	96-97	PF-2200
				99-05	PF-2200			



PERFORMANCE FUEL FILTERS

FORD	Year(s)	Part#	GMC	Year(s)	Part#	GMC	Year(s)	Part#
Taurus SHO			G2500			S15 Pickup		
3.0L F/I V6	89-95	PF-2200	4.3L F/I V6	87-95	PF-1000	2.5L F/I L4	85-90	PF-1000
3.2L F/I V6	93-95	PF-2200	5.0L F/I V8	87-95	PF-1000	4.3L F/I V6	1988	PF-1000
Tempo			5.7L F/I V8	87-89	PF-1000	4.3L TBI V6	89-90	PF-1000
2.3L F/I L4	85-94	PF-2200		91-95	PF-1000	Safari		
3.0L F/I V6	92-94	PF-2200	G3500			2.5L F/I L4	85-89	PF-1000
Thunderbird			4.3L F/I V6	87-95	PF-1000	4.3L CPI V6	92-94	PF-1000
2.3L F/I L4	83-88	PF-2200	5.7L F/I V8	87-96	PF-1000	4.3L F/I V6	86-91	PF-1000
3.8L F/I V6	84-88	PF-2200	7.4L F/I V8	88-91	PF-1000		95-00	PF-1000
3.9L F/I V8	2002	PF-2000	7.4L F/I V8 - In-line Filter	92-96	PF-1000	4.3L TBI V6	92-94	PF-1000
5.0L F/I V8	83-88	PF-2200	Jimmy			Savana 1500		
Topaz			4.3L CPI V6	92-94	PF-1000	4.3L F/I V6	96-02	PF-2400
2.3L F/I L4	90-94	PF-2200	4.3L F/I V6	95-96	PF-1000	4.3L F/I V6 - Threaded Both Ends	03-04	PF-1000
Windstar				97-05	PF-2500	4.3L F/I V6 - Threaded One End	03-04	PF-2100
3.0L F/I V6	95-98	PF-2300	4.3L TBI V6	1992	PF-1000	5.0L F/I V8	96-02	PF-2400
	99-03	PF-2000		1994	PF-1000	5.3L F/I V8 - Threaded Both Ends	2003	PF-1000
3.8L F/I V6	95-98	PF-2300	5.0L F/I V8	1987	PF-1000	5.3L F/I V8 - Threaded One End	2003	PF-2100
	99-03	PF-2000	5.7L F/I V8	87-91	PF-1000	5.7L F/I V8 - In-line Filter	1996	PF-2400
GMC	Year(s)	Part#	K1500			Savana 2500		
C1500			4.3L F/I V6	89-98	PF-1000	4.3L F/I V6	96-02	PF-2400
4.3L F/I V6	89-98	PF-1000	5.0L F/I V8	88-99	PF-1000	4.3L F/I V6 - Threaded Both Ends	03-04	PF-1000
5.0L F/I V8	88-99	PF-1000	5.7L F/I V8	88-99	PF-1000	4.3L F/I V6 - Threaded One End	03-04	PF-2100
5.7L F/I V8	88-99	PF-1000	K1500 Suburban			4.8L F/I V8 - Threaded Both Ends	2003	PF-1000
C1500 Suburban			5.7L F/I V8	92-99	PF-1000	4.8L F/I V8 - Threaded One End	2003	PF-2100
5.7L F/I V8	92-99	PF-1000	K2500			5.0L F/I V8	96-02	PF-2400
C2500			4.3L F/I V6	89-95	PF-1000	5.3L F/I V8 - Threaded Both Ends	2003	PF-1000
4.3L F/I V6	89-95	PF-1000	5.0L F/I V8	88-99	PF-1000	5.3L F/I V8 - Threaded One End	2003	PF-2100
5.0L F/I V8	88-99	PF-1000	5.7L F/I V8	88-00	PF-1000	5.7L F/I V8 - In-line Filter	1996	PF-2400
5.7L F/I V8	88-96	PF-1000	7.4L F/I V8	91-93	PF-1000	6.0L F/I V8 - Threaded Both Ends	2003	PF-1000
	98-00	PF-1000		95-00	PF-1000	6.0L F/I V8 - Threaded One End	2003	PF-2100
7.4L F/I V8	91-93	PF-1000	K2500 Suburban			Savana 3500		
	95-00	PF-1000	5.7L F/I V8	92-99	PF-1000	4.3L F/I V6	97-98	PF-1000
C2500 Suburban			7.4L F/I V8	92-93	PF-1000		00-02	PF-2400
5.7L F/I V8	92-96	PF-1000		95-99	PF-1000	4.8L F/I V8 - Threaded Both Ends	2003	PF-1000
	98-99	PF-1000	K3500			4.8L F/I V8 - Threaded One End	2003	PF-2100
7.4L F/I V8	92-93	PF-1000	5.7L F/I V8	88-00	PF-1000	5.7L F/I V8 - In-line Filter	1996	PF-2400
	95-99	PF-1000	7.4L F/I V8	88-93	PF-1000	6.0L F/I V8 - Threaded One End	2003	PF-1000
C3500				95-00	PF-1000	Savana 3500		
5.7L F/I V8	88-00	PF-1000	P2500			4.3L F/I V6	97-98	PF-1000
7.4L F/I V8	88-93	PF-1000	5.7L F/I V8	88-89	PF-1000		00-02	PF-2400
	95-00	PF-1000	P3500			4.8L F/I V8 - Threaded Both Ends	2003	PF-1000
C3500HD			4.3L F/I V6	90-99	PF-1000	4.8L F/I V8 - Threaded One End	2003	PF-2100
7.4L F/I V8	2000	PF-1000	5.7L F/I V8	87-95	PF-1000	5.7L F/I V8 - In-line Filter	1996	PF-2400
8.1L F/I V8	01-02	PF-1000		97-99	PF-1000	6.0L F/I V8 - Threaded Both Ends	2003	PF-1000
Caballero			5.7L F/I V8 - VIN K	1996	PF-1000	6.0L F/I V8 - Threaded One End	2003	PF-2100
4.3L F/I V6	85-87	PF-1000	5.7L F/I V8 - VIN R	1996	PF-2400	7.4L F/I V8 - In-line Filter	1996	PF-2400
Canyon			7.4L F/I V8	90-95	PF-1000	7.4L F/I V8 - In-line Filter, VIN J	1996	PF-2400
2.8L F/I L4	04-05	PF-2400		97-99	PF-1000	7.4L F/I V8 - In-line Filter, VIN N	1996	PF-1000
3.5L F/I L5	04-05	PF-2400		1996	PF-2400	Sierra 1500		
3.5L F/I L5 - Mexico	2006	PF-2400				4.3L F/I V6	99-04	PF-1000
Colorado						4.8L F/I V8	99-03	PF-1000
3.5L F/I L5	04-05	PF-2400				5.3L F/I V8	99-03	PF-1000
G1500						6.0L F/I V8	2001	PF-1000
4.3L F/I V6	87-95	PF-1000	S15 Jimmy					
5.0L F/I V8	87-95	PF-1000	2.5L F/I L4	85-88	PF-1000			
5.7L F/I V8	87-93	PF-1000	4.3L F/I V6	1988	PF-1000			
				1991	PF-1000			
			4.3L TBI V6	89-90	PF-1000			

PERFORMANCE FUEL FILTERS



GMC	Year(s)	Part#	HONDA	Year(s)	Part#	JAGUAR	Year(s)	Part#
Sierra 1500 HD			Accord EX			S-Type		
6.0L F/I V8	01-03	PF-1000	2.2L F/I L4	1994	PF-1200	3.0L F/I V6	00-08	PF-2000
Sierra 2500			Accord V			4.0L F/I V8	00-02	PF-2000
5.3L F/I V8	99-00	PF-1000	2.2L F/I L4 - EX-R	1998	PF-1200	4.2L F/I V8	03-08	PF-2000
6.0L F/I V8	99-01	PF-1000	Accord VI			Super V8		
	2003	PF-1000	2.2L F/I L4 - EX-R	1998	PF-1200	4.2L F/I V8	06-09	PF-1000
6.0L F/I V8 - Exc. CNG	2002	PF-1000	Accord VII			Vanden Plas		
Sierra 2500 HD			2.2L F/I L4 - EX-R	98-01	PF-1200	4.0L F/I L6	92-97	PF-1000
6.0L F/I V8	2001	PF-1000	Civic CX			4.0L F/I V8	98-03	PF-1000
	2003	PF-1000	1.5L F/I L4	1995	PF-1200	4.2L F/I V8	04-09	PF-1000
6.0L F/I V8 - Exc. CNG	2002	PF-1000	1.6L F/I L4	96-00	PF-1200	XF		
6.6L DSL V8	01-15	PF-3000	Civic del Sol			4.2L F/I V8	09-10	PF-2000
8.1L F/I V8	01-03	PF-1000	1.5L F/I L4	1995	PF-1200	5.0L F/I V8	2010	PF-2000
Sierra 2500 HD Classic			1.6L F/I L4	95-97	PF-1200	XFR		
6.6L DSL V8	2007	PF-3000	Civic DX			5.0L F/I V8	2010	PF-2000
Sierra 3500			1.5L F/I L4	1995	PF-1200	XJ		
6.0L F/I V8	01-03	PF-1000	1.6L F/I L4	96-00	PF-1200	3.0L F/I V6	2016	PF-2100
6.6L DSL V8	01-06	PF-3000	Civic DX Hatchback			XJ12		
8.1L F/I V8	01-03	PF-1000	1.5L F/I L4	1995	PF-1200	6.0L F/I V12	94-96	PF-1000
Sierra 3500 Classic			Civic EX			XJ6		
6.6L DSL V8	2007	PF-3000	1.6L F/I L4	95-00	PF-1200	4.0L F/I L6	91-97	PF-1000
Sierra 3500 HD			Civic HX			XJ8		
6.6L DSL V8	07-15	PF-3000	1.6L F/I L4	96-00	PF-1200	4.0L F/I V8	98-03	PF-1000
Sonoma			Civic LX			4.2L F/I V8	04-09	PF-1000
2.2L F/I L4	94-96	PF-1000	1.5L F/I L4	1995	PF-1200	XJR		
	97-00	PF-2500	1.6L F/I L4	96-00	PF-1200	4.0L F/I L6	95-97	PF-1000
2.5L F/I L4	91-93	PF-1000	Civic Si			4.0L F/I V8	98-03	PF-1000
2.8L F/I V6	92-93	PF-1000	1.6L F/I L4	95-97	PF-1200	4.2L F/I V8	04-09	PF-1000
4.3L CPI V6	92-95	PF-1000	Civic VX			5.0L F/I V8	2016	PF-2100
4.3L F/I V6	1991	PF-1000	1.5L F/I L4	1995	PF-1200	XJS		
	1996	PF-1000	CR-V			4.0L F/I L6	93-96	PF-1000
	97-04	PF-2500	2.0L F/I L4	97-01	PF-1200	6.0L F/I V12	94-95	PF-1000
4.3L TBI V6	92-95	PF-1000	Odyssey			XK8		
Syclone			2.2L F/I L4	95-97	PF-1200	4.0L F/I V8	97-02	PF-1000
4.3L F/I V6	1991	PF-1000	2.3L F/I L4	1998	PF-1200	4.2L F/I V8	03-04	PF-1000
Typhoon			Prelude				2006	PF-1000
4.3L F/I V6	92-93	PF-1000	2.2L F/I L4	98-01	PF-1200	XKR		
Yukon			INFINITI	Year(s)	Part#	4.0L F/I V8	00-02	PF-1000
4.8L F/I V8	00-03	PF-1000	G20			4.2L F/I V8	03-04	PF-1000
5.3L F/I V8	00-03	PF-1000	2.0L F/I L4	91-96	PF-1100		2006	PF-1000
5.7L F/I V8	92-99	PF-1000	I30			JEEP	Year(s)	Part#
Yukon Denali			3.0L F/I V6	1999	PF-1100	Grand Cherokee		
5.7L F/I V8	99-00	PF-1000	3.0L F/I V6 - Mexico	96-98	PF-1100	3.0L DSL V6	14-15	PF-4600
6.0L F/I V8	01-03	PF-1000		2000	PF-1100	LINCOLN	Year(s)	Part#
Yukon Denali XL			M30			Continental		
6.0L F/I V8	01-03	PF-1000	3.0L F/I V6	90-92	PF-1100	3.8L F/I V6	88-94	PF-2200
Yukon XL 1500			M45			4.6L F/I V8	95-02	PF-2200
5.3L F/I V8	00-03	PF-1000	4.5L F/I V8 - Mexico	03-04	PF-1100	5.0L F/I V8	83-87	PF-2200
Yukon XL 2500			Q45			LS		
6.0L F/I V8	00-03	PF-1000	4.1L F/I V8	97-99	PF-1100	3.0L F/I V6	00-02	PF-2000
8.1L F/I V8	01-03	PF-1000	4.1L F/I V8 - Mexico	00-01	PF-1100	3.9L F/I V8	00-02	PF-2000
HONDA	Year(s)	Part#	4.5L F/I V8	90-96	PF-1100	Mark VI		
Accord			QX4			5.0L F/I V8	1983	PF-2200
1.8L CARB L4	80-81	PF-1300	3.3L F/I V6	97-00	PF-1100	Mark VII		
2.2L F/I L4	94-97	PF-1200	3.5L F/I V6	01-03	PF-1100	5.0L F/I V8	84-92	PF-2200
2.3L F/I L4 - Mexico	99-02	PF-1200	Navigator			5.4L F/I V8	1998	PF-2300
2.7L F/I V6	95-97	PF-1200						



PERFORMANCE FUEL FILTERS

LINCOLN	Year(s)	Part#	MAZDA	Year(s)	Part#	MERCURY	Year(s)	Part#
Navigator			Tribute			Milan		
5.4L F/I V8	01-02	PF-2000	2.3L F/I L4	05-07	PF-2200	3.0L F/I V6	06-09	PF-2000
	05-06	PF-2000		2009	PF-2200	Montego		
5.4L F/I V8 - DOHC	2000	PF-2000	2.3L F/I L4 - Mexico	2008	PF-2200	3.0L F/I V6	05-07	PF-2000
5.4L F/I V8 - Mexico	1999	PF-2300	2.3L F/I L4 - US	2008	PF-2300	Monterey Van		
5.4L F/I V8 - US	1999	PF-2000	2.5L F/I L4	09-11	PF-2300	4.2L F/I V6	04-05	PF-2000
Town Car			3.0L F/I V6	01-07	PF-2200	Mountaineer		
4.6L F/I V8	91-97	PF-2200		09-11	PF-2300	4.0L F/I V6	1998	PF-2300
	98-05	PF-2000	3.0L F/I V6 - Mexico	2008	PF-2200		99-01	PF-2000
5.0L F/I V8	83-90	PF-2200	3.0L F/I V6 - US	2008	PF-2300	5.0L F/I V8	97-98	PF-2300
							99-01	PF-2000
MAZDA	Year(s)	Part#	Tribute Hybrid			Mystique		
808			2.3L F/I L4 - Mexico	2008	PF-2200	2.0L F/I L4	95-00	PF-2200
1.6L CARB L4	75-77	PF-1300	2.3L F/I L4 - US	2008	PF-2300	2.5L F/I V6	95-00	PF-2200
B1600			2.5L F/I L4	09-10	PF-2300	Sable		
1.6L CARB L4	75-76	PF-1300				2.5L F/I L4	1986	PF-2200
B1800			MERCURY	Year(s)	Part#	3.0L F/I V6	86-00	PF-2200
110 CARB L4	77-78	PF-1300	Cougar			3.8L F/I V6	88-95	PF-2200
B2000			2.0L F/I L4	99-02	PF-2200	Topaz		
2.0L CARB L4	79-81	PF-1300	2.3L F/I L4	84-86	PF-2200	2.3L F/I L4	85-94	PF-2200
B2300			2.5L F/I V6	99-02	PF-2200	3.0L F/I V6	92-94	PF-2200
2.3L F/I L4	1994	PF-2200	3.8L F/I V6	84-86	PF-2200	Tracer		
2.3L F/I L4 - Mexico	95-97	PF-2200		1988	PF-2200	1.8L F/I L4	91-96	PF-2200
2.3L F/I L4 - US	95-97	PF-2300	3.8L MFI V6	1987	PF-2200	1.9L F/I L4	91-96	PF-2200
B2500			3.8L TBI V6	1987	PF-2200	Villager		
2.5L F/I L4	98-99	PF-2000	5.0L F/I V8	83-90	PF-2200	3.3L F/I V6	99-02	PF-1100
B3000			5.0L F/I V8 - Mexico	91-93	PF-2200	NISSAN	Year(s)	Part#
3.0L F/I V6	1994	PF-2200	Grand Marquis			200SX		
	98-99	PF-2000	3.0L F/I V6	05-08	PF-2200	1.6L F/I L4	95-98	PF-1100
3.0L F/I V6 - Canada	96-97	PF-2300	4.6L F/I V8	92-97	PF-2200	2.0L F/I L4	95-98	PF-1100
3.0L F/I V6 - Mexico	95-97	PF-2200		99-11	PF-2000	240SX		
3.0L F/I V6 - US	1995	PF-2300	4.6L F/I V8 - Mexico	1998	PF-2200	2.4L F/I L4	89-98	PF-1100
B4000			4.6L F/I V8 - US	1998	PF-2000	300ZX		
4.0L F/I V6	1994	PF-2200	5.0L F/I V8	83-91	PF-2200	3.0L F/I V6	84-89	PF-1100
	98-99	PF-2000	5.8L CARB V8	82-85	PF-1300	720		
4.0L F/I V6 - Mexico	95-97	PF-2200	Lynx			2.0L CARB L4	85-86	PF-1100
4.0L F/I V6 - US	95-97	PF-2300	1.6L F/I L4	1983	PF-2200	2.4L CARB L4	1985	PF-1100
Cosmo			1.6L F/I L4 - Exc.	1984	PF-2200	2.4L F/I L4	1986	PF-1100
1.3L CARB R2	76-78	PF-1300	Turbo			Axxess		
GLC			1.9L F/I L4	86-87	PF-2200	2.4L F/I L4	90-95	PF-1100
1.3L CARB L4	77-78	PF-1300	Marauder			Fairlady		
1.4L CARB L4	1980	PF-1300	4.6L F/I V8	03-04	PF-2000	3.0L F/I V6	86-89	PF-1100
1.5L CARB L4	1981	PF-1300	Mariner			Frontier		
86 CARB L4	1979	PF-1300	2.3L F/I L4	05-07	PF-2200	2.4L F/I L4	98-04	PF-1100
Mizer			2.3L F/I L4 - Mexico	2008	PF-2200	3.3L F/I V6	99-04	PF-1100
1.3L CARB L4	76-77	PF-1300	2.3L F/I L4 - US	2008	PF-2300	Hikari		
Navajo			2.5L F/I L4	09-11	PF-2300	1.6L F/I L4	90-92	PF-1100
4.0L F/I V6	91-94	PF-2300	3.0L F/I V6	05-07	PF-2200	Lucino		
Rotary Pickup				08-11	PF-2300	1.6L F/I L4	96-99	PF-1100
1.3L CARB R2	74-77	PF-1300	Mariner Hybrid			2.0L F/I L4	96-99	PF-1100
RX-3			2.3L F/I L4	06-07	PF-2200	Maxima		
1.1L CARB R2	72-78	PF-1300	2.3L F/I L4 - Mexico	2008	PF-2200	3.0L F/I V6	85-99	PF-1100
RX-4			2.3L F/I L4 - US	2008	PF-2300	Multi		
1.3L CARB R2	74-78	PF-1300	2.5L F/I L4	09-11	PF-2300	2.0L F/I L4	86-88	PF-1100
RX-7			Marquis			NX		
1.1L CARB R2	79-81	PF-1300	3.8L F/I V6	84-86	PF-2200	1.6L F/I L4	91-93	PF-1100
Tribute			5.0L F/I V8	1985	PF-2200	2.0L F/I L4	91-93	PF-1100
2.0L F/I L4	01-04	PF-2200	Milan					
			2.3L F/I L4 - Mexico	06-09	PF-2200			

PERFORMANCE FUEL FILTERS



NISSAN	Year(s)	Part#	PLYMOUTH	Year(s)	Part#	PLYMOUTH	Year(s)	Part#
Pathfinder			PB100			Trailduster		
3.3L F/I V6	96-00	PF-1100	318 4 BBL. V8	1979	PF-1300	318 CARB V8	1978	PF-1300
3.5L F/I V6	01-04	PF-1100	318 CARB V8	1978	PF-1300		1980	PF-1300
Pulsar NX				1980	PF-1300	318 CARB V8 - In-line	74-77	PF-1300
1.5L F/I L4	83-84	PF-1100	318 CARB V8 - In-line	76-77	PF-1300	Filter		
1.6L F/I L4	87-90	PF-1100	Filter			360 2 BBL. V8	1979	PF-1300
1.8L F/I L4	88-89	PF-1100	360 CARB V8	1978	PF-1300	360 4 BBL. V8	1979	PF-1300
Quest			360 CARB V8 - In-line	76-77	PF-1300	360 CARB V8	1978	PF-1300
3.3L F/I V6	99-03	PF-1100	Filter				1980	PF-1300
Sentra			PB200			360 CARB V8 - In-line	74-77	PF-1300
1.6L F/I L4	87-99	PF-1100	225 CARB L6	1978	PF-1300	Filter		
2.0L F/I L4	91-94	PF-1100	225 CARB L6 - In-line	76-77	PF-1300	400 CARB V8	1978	PF-1300
	98-99	PF-1100	Filter			400 CARB V8 - In-line	76-77	PF-1300
				1980	PF-1300	Filter		
Stanza			318 2 BBL. V8	79-80	PF-1300	440 CARB V8	1978	PF-1300
2.0L F/I L4	84-89	PF-1100	318 4 BBL. V8	79-80	PF-1300	440 CARB V8 - In-line	74-77	PF-1300
Tsubame			318 CARB V8	1978	PF-1300	Filter		
1.6L F/I L4	93-04	PF-1100	318 CARB V8 - In-line	76-77	PF-1300	5.2L CARB V8	1981	PF-1300
Tsuru			Filter			5.9L CARB V8	1981	PF-1300
1.6L F/I L4	93-94	PF-1100	360 CARB V8	78-80	PF-1300			
2.0L F/I L4	93-98	PF-1100	360 CARB V8 - In-line	76-77	PF-1300	Valiant		
Urvan			400 CARB V8	1978	PF-1300	225 CARB L6 - Exc.	1976	PF-1300
2.4L F/I L4	00-01	PF-1100	400 CARB V8 - In-line	76-77	PF-1300	Calif		
Xterra			Filter			318 CARB V8 - Exc.	75-76	PF-1300
2.4L F/I L4	00-04	PF-1100	440 CARB V8	1978	PF-1300	Calif		
3.3L F/I V6	00-04	PF-1100	440 CARB V8 - In-line	76-77	PF-1300	360 CARB V8 - Exc.	1976	PF-1300
			Filter			Calif		
PLYMOUTH	Year(s)	Part#				Volare		
Duster			PB250 Van			225 1 BBL. L6 - Exc.	77-78	PF-1300
225 CARB L6 - Exc.	1976	PF-1300	3.7L CARB L6 - In-line	1981	PF-1300	Calif		
Calif			Filter			225 2 BBL. L6 - Exc.	77-78	PF-1300
318 CARB V8 - Exc.	75-76	PF-1300	5.2L CARB V8	1981	PF-1300	Calif		
Calif			5.9L CARB V8	1981	PF-1300	225 CARB L6 - Exc.	1976	PF-1300
360 CARB V8 - Exc.	75-76	PF-1300	PB300			Calif		
Calif			318 CARB V8	78-80	PF-1300		1979	PF-1300
Fury			318 CARB V8 - In-line	76-77	PF-1300	318 2 BBL. V8 - Exc.	1978	PF-1300
225 1 BBL. L6 - Exc.	77-78	PF-1300	Filter			Calif		
Calif			360 CARB V8	78-80	PF-1300	318 4 BBL. V8 - Exc.	1978	PF-1300
225 2 BBL. L6 - Exc.	77-78	PF-1300	360 CARB V8 - In-line	76-77	PF-1300	Calif		
Calif			Filter			318 CARB V8 - Exc.	76-77	PF-1300
225 CARB L6 - Exc.	1976	PF-1300	400 CARB V8	1978	PF-1300	Calif		
Calif			400 CARB V8 - In-line	76-77	PF-1300	360 2 BBL. V8 - Exc.	77-78	PF-1300
318 2 BBL. V8 - Exc.	1978	PF-1300	Filter			Calif		
Calif			440 CARB V8	1978	PF-1300	360 4 BBL. V8 - Exc.	77-78	PF-1300
318 4 BBL. V8 - Exc.	1978	PF-1300	440 CARB V8 - In-line	76-77	PF-1300	Calif		
Calif			Filter			360 CARB V8 - Exc.	1976	PF-1300
318 CARB V8 - Exc.	75-77	PF-1300	440 CARB V8 - In-line	76-77	PF-1300	Calif		
Calif			Filter			RAM	Year(s)	Part#
360 2 BBL. V8 - Exc.	77-78	PF-1300	PB350 Van			1500		
Calif			5.2L CARB V8	1981	PF-1300	3.0L DSL V6	14-17	PF-4500
360 4 BBL. V8 - Exc.	77-78	PF-1300	5.9L CARB V8	1981	PF-1300	ProMaster 1500		
Calif			Scamp			3.0L DSL L4	14-15	PF-4400
360 CARB V8 - Exc.	1976	PF-1300	225 CARB L6 - Exc.	1976	PF-1300			
Calif			Calif					
400 CARB V8 - Exc.	75-78	PF-1300	318 CARB V8 - Exc.	75-76	PF-1300			
Calif			Calif					
440 CARB V8 - Exc.	77-78	PF-1300	Trailduster					
Calif			225 CARB L6	1978	PF-1300			
PB100			225 CARB L6 - In-line	74-77	PF-1300			
225 CARB L6	1978	PF-1300	Filter					
225 CARB L6 - In-line	76-77	PF-1300		79-80	PF-1300			
Filter			318 2 BBL. V8	1979	PF-1300			
	79-80	PF-1300	318 4 BBL. V8	1979	PF-1300			
318 2 BBL. V8	1979	PF-1300						

High-Flow Air Filters™ – Pages 91-352

K&N® air filters are the pinnacle of automotive filtration. We combine precision engineering, uncompromising design, and extreme testing to give you the unbeatable lifetime protection of The World's Best Air Filter™.



**10 Year /
Million Mile Warranty**

limitations apply, visit knfilters.com/warranty



**More Power and
Acceleration**



**World-Class
Engine Protection**



**User-Friendly
Installation**



**Proudly Made
in America**

WASHABLE FILTER MEDIA

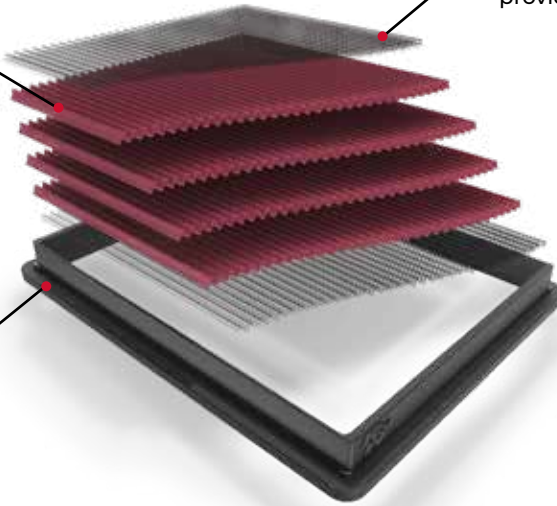
High-flow cotton media captures dirt and particles

EPOXY-COATED SCREEN MESH

Protects the filter media and provides a rigid structure

DURABLE URETHANE FRAME

Rugged enough to last for a million miles of use



Performance Oil Filters – Pages 91-352

K&N Wrench-Off® oil filters offer unparalleled protection for performance-minded drivers, and are rigorously tested to our highest standard of efficiency and capacity.



**High Oil
Flow Rates**



**World-Class
Engine Protection**



**Remove in
Seconds**



**Heavy-Duty
Construction**

HEAVY-DUTY CANISTER & BASE PLATE

Outstanding durability and long-life performance



OIL COMPATIBLE

Compatible with synthetic, conventional, and blended motor oils

WRENCH-OFF® NUT

Welded to the top of the canister for fast and easy filter removal





AIR & OIL FILTERS

ACURA

Vehicle	Engine Type	Air Filter	Oil Filter
2020 ACURA			
ILX	2.4L L4 F/I	33-5035+	HP-1010 ¹
MDX	3.0L V6 F/I		HP-1010 ¹
MDX	3.5L V6 F/I	33-5041+	HP-1010 ¹
NSX	3.5L V6 F/I	33-2473*	
RDX	2.0L L4 F/I	33-3096	HP-1010 ¹
RLX	3.5L V6 F/I	33-5011	HP-1010 ¹
TLX	2.4L L4 F/I	33-2498+	HP-1010 ¹
TLX	3.5L V6 F/I	33-2499+	HP-1010 ¹
2019 ACURA			
ILX	2.4L L4 F/I	33-5035+	HP-1010 ¹
MDX	3.5L V6 F/I	33-5041+	HP-1010 ¹
RDX	2.0L L4 F/I	33-3096+	HP-1010 ¹
RLX	3.5L V6 F/I	33-5011	HP-1010 ¹
TLX	2.4L L4 F/I	33-2498+	HP-1010 ¹
TLX	3.5L V6 F/I	33-2499+	HP-1010 ¹
2018 ACURA			
ILX	2.4L L4 F/I	33-5035+	HP-1010 ¹
MDX	3.0L V6 F/I		HP-1010 ¹
MDX	3.5L V6 F/I	33-5041+	HP-1010 ¹
NSX	3.5L V6 F/I	33-2473*	
RDX	3.5L V6 F/I	33-2489+	HP-1010 ¹
RLX	3.5L V6 F/I	33-5011+	HP-1010 ¹
TLX	2.4L L4 F/I	33-2498+	HP-1010 ¹
TLX	3.5L V6 F/I	33-2499+	HP-1010 ¹
2017 ACURA			
ILX	2.4L L4 F/I	33-5035 ♦+	HP-1010 ¹
MDX	3.0L V6 F/I		HP-1010 ¹
MDX	3.5L V6 F/I	33-5041+	HP-1010 ¹
NSX	3.5L V6 F/I	33-2473*	
RDX	3.5L V6 F/I	33-2489+	HP-1010 ¹
RLX	3.5L V6 F/I	33-5011+	HP-1010 ¹
TLX	2.4L L4 F/I	33-2498+	HP-1010 ¹
TLX	3.5L V6 F/I	33-2499+	HP-1010 ¹
2016 ACURA			
ILX	2.4L L4 F/I	33-5035 ♦+	HP-1010 ¹
MDX	3.5L V6 F/I	33-5041+	HP-1010 ¹
RDX	3.5L V6 F/I	33-2489+	HP-1010 ¹
RLX	3.5L V6 F/I	33-5011+	HP-1010 ¹
TLX	2.4L L4 F/I	33-2498+	HP-1010 ¹
TLX	3.5L V6 F/I	33-2499+	HP-1010 ¹
2015 ACURA			
ILX	1.5L L4 F/I		HP-1010 ¹
ILX	2.0L L4 F/I	33-2468+	HP-1010 ¹
ILX	2.4L L4 F/I	33-2473 ♦+	HP-1010 ¹
MDX	3.5L V6 F/I	33-5013+	HP-1010 ¹
RDX	3.5L V6 F/I	33-2489+	HP-1010 ¹
RLX	3.5L V6 F/I	33-5011+	HP-1010 ¹
TL	3.5L V6 F/I		HP-1010 ¹
TLX	2.4L L4 F/I	33-2498+	HP-1010 ¹
TLX	3.5L V6 F/I	33-2499 ♦+	HP-1010 ¹
2014 ACURA			
ILX	1.5L L4 F/I		HP-1010 ¹
ILX	2.0L L4 F/I	33-2468+	HP-1010 ¹
ILX	2.4L L4 F/I	33-2473 ♦+	HP-1010 ¹
MDX	3.5L V6 F/I	33-5013+	HP-1010 ¹
RDX	3.5L V6 F/I	33-2489+	HP-1010 ¹
RLX	3.5L V6 F/I	33-5011+	HP-1010 ¹
TL	3.5L V6 F/I	33-2403 ♦+	HP-1010 ¹
TL	3.7L V6 F/I	33-2403+	HP-1010 ¹
TSX	2.4L L4 F/I	33-2430 ♦+	HP-1010 ¹

Vehicle	Engine Type	Air Filter	Oil Filter
2014 ACURA			
TSX	3.5L V6 F/I	33-2403+	
2013 ACURA			
ILX	1.5L L4 F/I	33-2348+	HP-1010 ¹
ILX	2.0L L4 F/I	33-2468+	HP-1010 ¹
ILX	2.4L L4 F/I	33-2473 ♦+	HP-1010 ¹
MDX	3.7L V6 F/I	33-2454+	HP-1010 ¹
RDX	3.5L V6 F/I	33-2489+	HP-1010 ¹
TL	3.5L V6 F/I	33-2403 ♦+	HP-1010 ¹
TL	3.7L V6 F/I	33-2403+	HP-1010 ¹
TSX	2.4L L4 F/I	33-2430 ♦+	HP-1010 ¹
TSX	3.5L V6 F/I	33-2403+	HP-1010 ¹
ZDX	3.7L V6 F/I	33-2454+	HP-1010 ¹
2012 ACURA			
MDX	3.7L V6 F/I	33-2454+	HP-1010 ¹
RDX	2.3L L4 F/I	33-2382+	HP-1010 ¹
RL	3.7L V6 F/I	33-2425+	HP-1010 ¹
TL	3.5L V6 F/I	33-2403 ♦+	HP-1010 ¹
TL	3.7L V6 F/I	33-2403+	HP-1010 ¹
TSX	2.4L L4 F/I	33-2430 ♦+	HP-1010 ¹
TSX	3.5L V6 F/I	33-2403+	HP-1010 ¹
2011 ACURA			
CSX	2.0L L4 F/I		HP-1010 ¹
MDX	3.7L V6 F/I	33-2454+	HP-1010 ¹
RDX	2.3L L4 F/I	33-2382 ♦+	HP-1010 ¹
RL	3.7L V6 F/I	33-2425+	HP-1010 ¹
TL	3.5L V6 F/I	33-2403 ♦+	HP-1010 ¹
TL	3.7L V6 F/I	33-2403+	HP-1010 ¹
TSX	2.4L L4 F/I	33-2430 ♦+	HP-1010 ¹
TSX	3.5L V6 F/I	33-2403+	HP-1010 ¹
2010 ACURA			
CSX	2.0L L4 F/I		HP-1010 ¹
MDX	3.7L V6 F/I	33-2454+	HP-1010 ¹
RDX	2.3L L4 F/I	33-2382 ♦+	HP-1010 ¹
RL	3.7L V6 F/I	33-2425+	HP-1010 ¹
TL	3.5L V6 F/I	33-2403 ♦+	HP-1010 ¹
TL	3.7L V6 F/I	33-2403 ♦+	HP-1010 ¹
TSX	2.4L L4 F/I	33-2430 ♦+	HP-1010 ¹
TSX	3.5L V6 F/I	33-2403+	HP-1010 ¹
ZDX	3.7L V6 F/I	33-2454+	HP-1010 ¹
2009 ACURA			
CSX	2.0L L4 F/I		HP-1010 ¹
MDX	3.7L V6 F/I	33-2383+	HP-1010 ¹
RDX	2.3L L4 F/I	33-2382 ♦+	HP-1010 ¹
RL	3.7L V6 F/I	33-2425+	HP-1010 ¹
TL	3.5L V6 F/I	33-2403 ♦+	HP-1010 ¹
TL	3.7L V6 F/I	33-2403 ♦+	HP-1010 ¹
TSX	2.4L L4 F/I	33-2430 ♦+	HP-1010 ¹
2008 ACURA			
CSX	2.0L L4 F/I		HP-1010 ¹
MDX	3.7L V6 F/I	33-2383+	HP-1010 ¹
RDX	2.3L L4 F/I	33-2382 ♦+	HP-1010 ¹
RL	3.5L V6 F/I	33-2299+	HP-1010 ¹
TL	3.2L V6 F/I	33-2379 ♦+	HP-1010 ¹
TL	3.5L V6 F/I	33-2379 ♦+	HP-1010 ¹
TSX	2.4L L4 F/I	33-2276 ♦+	HP-1010 ¹
2007 ACURA			
CSX	2.0L L4 F/I		HP-1010 ¹
MDX	3.7L V6 F/I	33-2383+	HP-1010 ¹
RDX	2.3L L4 F/I	33-2382 ♦+	HP-1010 ¹

* 2 filters required ♦ Intake System Available - see page 370 +Cabin Air Filter Available - see page 353 1- Performance Silver Oil Filter Also Available

Partial Listing: Complete Listing of Vehicles and Parts at KNFILTERS.COM or call 1-800-858-3333



Vehicle	Engine Type	Air Filter	Oil Filter
2007 ACURA			
RL	3.5L V6 F/I	33-2299+	HP-1010 ¹
RSX	2.0L L4 F/I	E-2429	
TL	3.2L V6 F/I	33-2379 ♦♦	HP-1010 ¹
TL	3.5L V6 F/I	33-2379 ♦♦	HP-1010 ¹
TSX	2.4L L4 F/I	33-2276 ♦♦	HP-1010 ¹
2006 ACURA			
CSX	2.0L L4 F/I		HP-1010 ¹
MDX	3.5L V6 F/I	33-2200+	HP-1010 ¹
RL	3.5L V6 F/I	33-2299+	HP-1010 ¹
RSX	2.0L L4 F/I	E-2429 ♦+	HP-1010 ¹
RSX Type-S	2.0L L4 F/I	E-2429 ♦+	HP-1010 ¹
TL	3.2L V6 F/I	33-2299 ♦♦	HP-1010 ¹
TSX	2.4L L4 F/I	33-2276 ♦♦	HP-1010 ¹
2005 ACURA			
EL	1.7L L4 F/I		HP-1010 ¹
MDX	3.5L V6 F/I	33-2200+	HP-1010 ¹
NSX	3.0L V6 F/I	33-2713	
NSX	3.2L V6 F/I	33-2713	
RL	3.5L V6 F/I	33-2299+	HP-1010 ¹
RSX	2.0L L4 F/I	E-2429 ♦+	HP-1010 ¹
RSX Type-S	2.0L L4 F/I	E-2429 ♦+	HP-1010 ¹
TL	3.2L V6 F/I	33-2299 ♦♦	HP-1010 ¹
TSX	2.4L L4 F/I	33-2276 ♦♦	HP-1010 ¹
2004 ACURA			
EL	1.7L L4 F/I		HP-1010 ¹
MDX	3.5L V6 F/I	33-2200+	HP-1010 ¹
RL	3.5L V6 F/I	33-2179	HP-1004 ¹
RSX	2.0L L4 F/I	E-2429 ♦+	HP-1010 ¹
RSX Type-S	2.0L L4 F/I	E-2429 ♦+	HP-1010 ¹
TL	3.2L V6 F/I	33-2299 ♦♦	HP-1010 ¹
TSX	2.4L L4 F/I	33-2276 ♦♦	HP-1010 ¹
2003 ACURA			
CL	3.2L V6 F/I	33-2133+	HP-1004 ¹
CL Type-S	3.2L V6 F/I	33-2178+	HP-1004 ¹
MDX	3.5L V6 F/I	33-2200+	HP-1010 ¹
RSX	2.0L L4 F/I	E-2429 ♦+	HP-1010 ¹
RSX Type-S	2.0L L4 F/I	E-2429 ♦+	HP-1010 ¹
TL	3.2L V6 F/I	33-2133+	HP-1004 ¹
TL Type-S	3.2L V6 F/I	33-2178+	HP-1004 ¹
2002 ACURA			
CL	3.2L V6 F/I	33-2133+	HP-1004 ¹
CL Type-S	3.2L V6 F/I	33-2178+	HP-1004 ¹
EL	1.7L L4 F/I	33-2192 ♦♦	HP-1004 ¹
MDX	3.5L V6 F/I	33-2200+	HP-1004 ¹
NSX	3.2L V6 F/I	33-2713	
RL	3.5L V6 F/I	33-2179	HP-1004 ¹
RSX	2.0L L4 F/I	E-2429 ♦+	HP-1010 ¹
RSX Type-S	2.0L L4 F/I	E-2429 ♦+	HP-1010 ¹
TL	3.2L V6 F/I	33-2133+	HP-1004 ¹
TL Type-S	3.2L V6 F/I	33-2178+	HP-1004 ¹
2001 ACURA			
CL	3.2L V6 F/I	33-2133+	HP-1004 ¹
CL Type-S	3.2L V6 F/I	33-2178+	HP-1004 ¹
EL	1.7L L4 F/I	33-2192 ♦	HP-1004 ¹
Integra	1.8L L4 F/I	E-2427	HP-1004 ¹
Integra GS-R	1.8L L4 F/I	E-2427 ♦	HP-1004 ¹
Integra Type R	1.8L L4 F/I	E-2427	HP-1004 ¹
MDX	3.5L V6 F/I	33-2200+	HP-1004 ¹
TL	3.2L V6 F/I	33-2133+	HP-1004 ¹

Vehicle	Engine Type	Air Filter	Oil Filter
2000 ACURA			
EL	1.6L L4 F/I		HP-1004 ¹
Integra	1.8L L4 F/I	E-2427	HP-1004 ¹
Integra GS-R	1.8L L4 F/I	E-2427 ♦	HP-1004 ¹
Integra Type R	1.8L L4 F/I	E-2427	HP-1004 ¹
NSX	3.2L V6 F/I	33-2713	
RL	3.5L V6 F/I	33-2179	HP-1004 ¹
TL	3.2L V6 F/I	33-2133+	HP-1004 ¹
1999 ACURA			
CL	2.3L L4 F/I		HP-1004 ¹
CL	3.0L V6 F/I	33-2100	HP-1004 ¹
Integra	1.8L L4 F/I	E-2427	HP-1004 ¹
Integra GS-R	1.8L L4 F/I	E-2427 ♦	HP-1004 ¹
Integra Type R	1.8L L4 F/I	E-2427	HP-1004 ¹
RL	3.5L V6 F/I	33-2179	HP-1004 ¹
TL	3.2L V6 F/I	33-2133+	HP-1004 ¹
1998 ACURA			
CL	2.3L L4 F/I	33-2071	HP-1004 ¹
CL	3.0L V6 F/I	33-2100	HP-1004 ¹
Integra	1.8L L4 F/I	E-2427	HP-1004 ¹
Integra GS-R	1.8L L4 F/I	E-2427 ♦	HP-1004 ¹
Integra Type R	1.8L L4 F/I	E-2427	HP-1004 ¹
NSX	3.0L V6 F/I	33-2713	
RL	3.5L V6 F/I	33-2179	HP-1004 ¹
SLX	3.5L V6 F/I	33-2064	HP-1004 ¹
TL	3.2L V6 F/I	33-2089	
1997 ACURA			
CL	2.2L L4 F/I	33-2071	HP-1004 ¹
CL	3.0L V6 F/I	33-2100	HP-1004 ¹
EL	1.6L L4 F/I		HP-1004 ¹
Integra	1.8L L4 F/I	E-2427	HP-1004 ¹
Integra GS-R	1.8L L4 F/I	E-2427 ♦	HP-1004 ¹
Integra Type R	1.8L L4 F/I	E-2427	HP-1004 ¹
NSX	3.0L V6 F/I	33-2713	
NSX	3.2L V6 F/I	33-2713	
RL	3.5L V6 F/I	33-2179	HP-1004 ¹
TL	2.5L L5 F/I	33-2267	
TL	3.2L V6 F/I	33-2089	
2020 ALFA ROMEO			
4C	1.7L L4 F/I		HP-1010 ¹
Giulia	2.0L L4 F/I		HP-1017 ¹
Stelvio	2.0L L4 F/I		HP-1017 ¹
2019 ALFA ROMEO			
4C	1.7L L4 F/I	E-2995	HP-1010 ¹
Giulia	2.0L L4 F/I	33-3071	HP-1017 ¹
Giulia	2.2L L4 DSL	33-3071	
Stelvio	2.0L L4 F/I	33-3071	HP-1017 ¹
Stelvio	2.2L L4 DSL	33-3071	
2018 ALFA ROMEO			
4C	1.7L L4 F/I	E-2995	HP-1010 ¹
Giulia	2.0L L4 F/I	33-3071	HP-1017 ¹
Giulia	2.2L L4 DSL	33-3071	
Giulia	2.9L V6 F/I	33-5085	
Stelvio	2.0L L4 F/I	33-3071	HP-1017 ¹
Stelvio	2.2L L4 DSL	33-3071	
Stelvio	2.9L V6 F/I	33-5085	
2017 ALFA ROMEO			
Giulia	2.0L L4 F/I	33-3071	HP-1017 ¹
Giulia	2.2L L4 DSL	33-3071	
Giulia	2.9L V6 F/I	33-5085	

* 2 filters required ♦ Intake System Available - see page 370 +Cabin Air Filter Available - see page 353 1- Performance Silver Oil Filter Also Available



AIR & OIL FILTERS

ALFA ROMEO

Vehicle	Engine Type	Air Filter	Oil Filter
2017 ALFA ROMEO			
Mito	1.4L L4 F/I - Turbo	33-2935 ♦	
2016 ALFA ROMEO			
4C	1.7L L4 F/I	E-2995	HP-1010'
Giulietta	1.7L L4 F/I	E-2986	
2015 ALFA ROMEO			
4C	1.7L L4 F/I	E-2995	
Giulietta	1.4L L4 F/I	E-2991	
Giulietta	2.0L L4 DSL	E-2991	
2013 ALFA ROMEO			
4C	1.7L L4 F/I	E-2995	
2012 ALFA ROMEO			
Giulietta	1.8L L4 F/I	E-2986	
2011 ALFA ROMEO			
Giulietta	1.4L L4 F/I	E-2991	
Giulietta	1.8L L4 F/I	E-2986	
Giulietta	2.0L L4 DSL	E-2991	
2009 ALFA ROMEO			
GT	3.2L V6 F/I	E-9281	
Spider	3.2L V6 F/I	E-9281	
2006 ALFA ROMEO			
156	1.6L L4 F/I	E-9244 ♦	
2002 ALFA ROMEO			
147	1.9L L4 DSL	33-2228	
147	2.0L L4 F/I	33-2218 ♦	
2001 ALFA ROMEO			
147	1.6L L4 F/I	33-2218 ♦	
2000 AM GENERAL			
Hummer	6.5L V8 DSL	E-1700	
1997 AM GENERAL			
Hummer	6.5L V8 DSL	E-1700	
2019 APRILIA			
RSV4 RR	1000	AL-1015	
2018 APRILIA			
RSV4 RF	1000	AL-1015	KN-138
RSV4 RR	1000	AL-1015	
2017 APRILIA			
RS4 125	124		KN-563
RSV4 RF	1000	AL-1015	KN-138
RSV4 RR	1000	AL-1015	KN-138
Tuono V4 1100	1077		KN-138
Factory ABS			
Tuono V4 1100RR	1077		KN-138
ABS			
2016 APRILIA			
Caponord 1200 ABS	1197	AL-1111	
Rally			
RSV4 Factory	1000	AL-1015	
RSV4 RF	1000		KN-138
RSV4 RF LE	1000	AL-1015	KN-138
RSV4 RR	1000	AL-1015	KN-138
Tuono V4 1100	1077	AL-1010	KN-138
Factory ABS			
Tuono V4 1100	1077 - Race Specific	AL-1010R	KN-138
Factory ABS			
Tuono V4 1100RR	1077	AL-1010	KN-138
ABS			

Vehicle	Engine Type	Air Filter	Oil Filter
2016 APRILIA			
Tuono V4 1100RR	1077 - Race Specific	AL-1010R	KN-138
ABS			
2015 APRILIA			
Caponord 1200 ABS	1197	AL-1111	
Rally			
Caponord 1200 ABS	1197	AL-1111	
Travel Pack			
RSV4 ABS	1000	AL-1015	
RSV4 Factory	1000	AL-1015	
RSV4 RF	1000		KN-138
RSV4 RF LE	1000	AL-1015	
RSV4 RR	1000	AL-1015	KN-138
Tuono V4 1100	1077	AL-1010	KN-138
Factory ABS			
Tuono V4 R APRC	1000	AL-1010	
ABS			
2014 APRILIA			
Caponord 1200	1197	AL-1111	
RSV4 Factory	1000		KN-138
RXV 550 Enduro	549		KN-563
Tuono V4 R	1000		KN-138
Tuono V4 R APRC	1000	AL-1010	
ABS			
Tuono V4 R APRC	1000 - Race Specific	AL-1010R	
ABS			
2013 APRILIA			
Dorsoduro 1200	1197	AL-1111	
RSV 1000 R	998	AL-1004	
RSV 1000 R Factory	998	AL-1004	KN-138
RSV4 Factory	1000		KN-138
RSV4 Factory APRC	1000	AL-1010	
ABS			
RSV4 Factory APRC	1000 - Race Specific	AL-1010R	
ABS			
RSV4 R APRC ABS	1000	AL-1010	
RSV4 R APRC ABS	1000 - Race Specific	AL-1010R	
Tuono V4 R	1000	AL-1010	KN-138
Tuono V4 R	1000 - Race Specific	AL-1010R	KN-138
Tuono V4 R APRC	1000	AL-1010	
Tuono V4 R APRC	1000 - Race Specific	AL-1010R	
2012 APRILIA			
RSV 1000 R	998	AL-1004	
RSV 1000 R Factory	998	AL-1004	
RSV4 Factory	1000		KN-138
RSV4 Factory SE	1000	AL-1010	
RSV4 Factory SE	1000 - Race Specific	AL-1010R	
RSV4 R	1000	AL-1010	
RSV4 R	1000 - Race Specific	AL-1010R	
Tuono V4 R	1000	AL-1010	KN-138
Tuono V4 R APRC	1000	AL-1010	
Tuono V4 R APRC	1000 - Race Specific	AL-1010R	
2011 APRILIA			
Dorsoduro 1200	1197	AL-1111	
2010 APRILIA			
RSV4 Factory	1000	AL-1010	
RSV4 Factory	1000 - Race Specific	AL-1010R	
RSV4 R	1000	AL-1010	
RSV4 R	1000 - Race Specific	AL-1010R	
RXV 550 Enduro	549		KN-563
2009 APRILIA			
Mana 850 GT ABS	839	MG-0001	

* 2 filters required ♦ Intake System Available - see page 370 +Cabin Air Filter Available - see page 353 1- Performance Silver Oil Filter Also Available

Partial Listing: Complete Listing of Vehicles and Parts at KNFILTERS.COM or call 1-800-858-3333



Vehicle	Engine Type	Air Filter	Oil Filter
2009 APRILIA			
RSV 1000 R Factory	998	AL-1004	KN-152
Scarabeo i.e. Light	250		KN-183
Scarabeo i.e. Light Special	300		KN-183
Sport City Cube i.e.	250		KN-183
Tuono 1000 R Factory	998	AL-1004	KN-152

2008 APRILIA			
RSV 1000 R	998	AL-1004	KN-152
RSV 1000 R Factory	998	AL-1004	KN-152
Tuono 1000 R	998	AL-1004	KN-152
Tuono 1000 R Factory	998	AL-1004	KN-152

2007 APRILIA			
RSV 1000 R	998	AL-1004	KN-152
RSV 1000 R Factory	998	AL-1004	KN-152
SXV 550	549	AL-4506	KN-563
Tuono 1000 R	998	AL-1004	KN-152
Tuono 1000 R Factory	998		KN-152

2006 APRILIA			
Tuono 1000 R	998	AL-1004	KN-152
Tuono 1000 R Factory	998	AL-1004	KN-152

2004 APRILIA			
Atlantic 500	460		KN-184
RSV 1000 R Factory	998		KN-152
RSV Mille R	998		KN-152
RSV Mille R Nera	998		KN-152
Tuono 1000 R	998		KN-152

2003 APRILIA			
Atlantic 500	460		KN-184
Tuono Fighter	998	AL-1001	KN-152

2001 APRILIA			
RSV Mille R	998		KN-152
RSV Mille SP	998	AL-1098	
SL1000 Falco	998	AL-1098	

2000 APRILIA			
RSV Mille	998	AL-1098	KN-152
RSV Mille R	998	AL-1001	KN-152
RSV Mille SL	998		KN-152
RSV Mille SP	998		KN-152

2018 ARCTIC CAT			
Alterra 500	443		KN-621
Alterra 700	695		KN-621
Alterra 700XT	695		KN-621
Prowler 500	443		KN-621
Wildcat 4X	951		KN-621
Wildcat Sport LTD	700		KN-621
Wildcat Sport XT	700		KN-621
Wildcat Trail	700		KN-621
Wildcat Trail LTD	700		KN-621
Wildcat Trail SE	700		KN-621
Wildcat Trail XT	700		KN-621
Wildcat X	951		KN-621
Wildcat X LTD	951		KN-621

2017 ARCTIC CAT			
Alterra 400	366		KN-621
Alterra 500	443		KN-621

Vehicle	Engine Type	Air Filter	Oil Filter
2017 ARCTIC CAT			
Alterra 700	695		KN-621
Alterra 700XT	695		KN-621
Prowler 500	443		KN-621
Wildcat Trail	700	AC-7014	KN-621
Wildcat Trail LTD	700	AC-7014	KN-621
Wildcat Trail SE	700	AC-7014	KN-621
Wildcat Trail XT	700	AC-7014	KN-621

2016 ARCTIC CAT			
500	443		KN-621
1000 XT	951		KN-621
Alterra 400	366		KN-621
Alterra 500XT	443		KN-621
MudPro 1000 SE	951		KN-621
Wildcat Sport LTD	700	AC-7014	KN-621
Wildcat Trail	700	AC-7014	KN-621
Wildcat Trail LTD	700	AC-7014	KN-621
Wildcat Trail SE	700	AC-7014	KN-621
Wildcat Trail XT	700	AC-7014	KN-621
Wildcat X	951	AC-1012	KN-621
Wildcat X LTD	951	AC-1012	KN-621
Wildcat X SE	951	AC-1012	KN-621
Wildcat X Special Edition	951	AC-1012	KN-621

2015 ARCTIC CAT			
450	443		KN-621
500	443		KN-621
700 XT	695	AC-7009	KN-621
1000 XT	951		KN-621
MudPro 700 LTD	695		KN-621
MudPro 1000 LTD	951		KN-621
TRV500	443		KN-621
Wildcat Sport	700	AC-7014	
Wildcat Sport LTD	700	AC-7014	KN-621
Wildcat Sport XT	700	AC-7014	KN-621
Wildcat Trail	700	AC-7014	KN-621
Wildcat Trail LTD	700	AC-7014	KN-621
Wildcat Trail XT	700	AC-7014	KN-621
Wildcat X 1000	951	AC-1012	
XR550 XT	545		KN-621
XR700 LTD	695		KN-621
XR700 XT	695		KN-621

2014 ARCTIC CAT			
500	443		KN-621
550 LTD	545	AC-7009	KN-621
700 XT	695	AC-7009	KN-621
Prowler HDX 700 Limited	695		KN-621
TRV700 LTD	695	AC-7009	KN-621
Wildcat 1000	1000	AC-1012	
Wildcat 1000 LTD	1000	AC-1012	KN-621
Wildcat Trail	700	AC-7014	
Wildcat Trail XT	700	AC-7014	
Wildcat X 1000	951	AC-1012	KN-621

2013 ARCTIC CAT			
500 Core	443		KN-621
MudPro 700 LTD	695	AC-7009	KN-621
Wildcat 1000	1000	AC-1012	KN-621
Wildcat 1000 LTD	1000	AC-1012	KN-621

2012 ARCTIC CAT			
425i	443		KN-621

* 2 filters required ♦ Intake System Available - see page 370 +Cabin Air Filter Available - see page 353 1- Performance Silver Oil Filter Also Available



AIR & OIL FILTERS

ARCTIC CAT

Vehicle	Engine Type	Air Filter	Oil Filter
2012 ARCTIC CAT			
425i SE	443		KN-621
550i LTD	545	AC-7009	KN-621
1000i GT	951	AC-1009	KN-621
Wildcat 1000	1000	AC-1012	
XTX700i Prowler 4X4	700	AC-7009	KN-621
XTX700i Prowler 4X4 HDX	700	AC-7009	KN-621
2011 ARCTIC CAT			
350	366		KN-621
450 TRV	443		KN-621
1000 LTD	951	AC-1009	
Prowler HDX 700	695	AC-7009	KN-621
XC450i	450		KN-621
2010 ARCTIC CAT			
400 4x4 Auto TRV	376	AC-4004	
700 H1 EFI Mudpro	695	AC-7009	KN-621
2009 ARCTIC CAT			
500 4x4 Auto	500		KN-621
550 H1 EFI	545	AC-7009	
700 H1 EFI	695	AC-7009	KN-621
700 H1 EFI LE	695	AC-7009	KN-621
700 H1 EFI Mudpro	695	AC-7009	KN-621
700 H1 EFI SE	695	AC-7009	KN-621
Prowler XTX 700 H1 EFI	700		KN-621
Prowler XTX 700 H1 EFI LE	700		KN-621
Prowler XTZ 1000 H2 EFI	951	AC-7009	KN-621
2008 ARCTIC CAT			
366 4x4 Auto	366		KN-621
400 4x4 Auto	376	AC-4004	KN-138
400 4x4 Auto TRV	376	AC-4004	KN-138
500 4x4 Auto	500		KN-621
500 4x4 Auto M4	500		KN-621
500 4x4 Auto TRV	500	AC-4004	KN-621
650 H1 4x4 Auto	641	AC-7009	KN-621
650 H1 4x4 Auto TRV	641	AC-7009	KN-621
700 EFI 4x4 Auto	700		KN-621
700 EFI 4x4 Auto M4	700		KN-621
700 EFI 4x4 Auto TRV LE	700		KN-621
700 H1 EFI	695	AC-7009	KN-621
700 H1 EFI 4x4 Auto SE	695		KN-621
Thundercat 1000 4x4 Auto	1000	AC-1009	
2007 ARCTIC CAT			
400 4x4	376		KN-138
400 4x4 Auto	376	AC-4004	KN-138
400 4x4 Auto LE	376	AC-4004	KN-138
400 4x4 Auto TRV	376	AC-4004	KN-138
400 4x4 Auto TRV Plus	376	AC-4004	KN-138
500 4x4	493		KN-138
500 4x4 Auto	493	AC-4004	KN-138
650 H1 4x4 Auto	641	AC-4004	KN-621
650 H1 4x4 Auto LE	641	AC-4004	KN-621
650 H1 4x4 Auto TBX	641	AC-4004	KN-621
650 H1 4x4 Auto TRV Plus	641	AC-4004	KN-621
700 EFI 4x4 Auto	700		KN-621

Vehicle	Engine Type	Air Filter	Oil Filter
2007 ARCTIC CAT			
700 EFI 4x4 Auto LE	700		KN-621
DVX400	400	SU-4002	KN-139
DVX400 TS	400	SU-4002	KN-139
2006 ARCTIC CAT			
400 4x4	376		KN-138
400 4x4 Auto	376	AC-4004	KN-138
400 4x4 Auto LE	376	AC-4004	KN-138
400 4x4 Auto TBX	376	AC-4004	KN-138
400 4x4 Auto TRV	376	AC-4004	KN-138
400 4x4 Auto VP	376	AC-4096-1	KN-138
400 4x4 VP	376	AC-4096-1	KN-138
500 4x4	493		KN-138
500 4x4 Auto	493	AC-4004	KN-138
500 4x4 Auto LE	493	AC-4004	KN-138
500 4x4 Auto TBX	493	AC-4004	KN-138
500 4x4 Auto TRV	493	AC-4004	KN-138
650 H1 4x4 Auto	650	AC-6504	KN-621
650 V2 4x4	650		KN-204-1
650 V2 4x4 LE TS	650		KN-204-1
DVX400	400	SU-4002	KN-139
DVX400 TS	400	SU-4002	KN-139
2005 ARCTIC CAT			
400 4x4	376		KN-138
400 4x4 Auto	376	AC-4096-1	KN-138
400 4x4 Auto LE	376	AC-4096-1	KN-138
400 4x4 Auto TBX	376	AC-4096-1	KN-138
400 4x4 Auto VP	376	AC-4096-1	KN-138
400 4x4 VP	376	AC-4096-1	KN-138
500 4x4	493	AC-4004	KN-138
500 4x4 Auto	493	AC-4004	KN-138
500 4x4 Auto LE	493	AC-4004	KN-138
500 4x4 Auto TBX	493	AC-4004	KN-138
500 4x4 Auto TRV	493		KN-138
650 V2 4x4 Auto	650	AC-6504	KN-204-1
650 V2 4x4 Auto LE	650	AC-6504	KN-204-1
2004 ARCTIC CAT			
400 2x4	376		KN-138
400 2x4 Auto	376	AC-4096-1	KN-138
400 4x4	376		KN-138
400 4x4 ACT	376	AC-4096-1	KN-138
400 4x4 Auto	376	AC-4096-1	KN-138
400 4x4 Auto ACT	376	AC-4096-1	KN-138
400 4x4 Auto MRP	376	AC-4096-1	KN-138
400 4x4 Auto TBX	376	AC-4096-1	KN-138
400 4x4 MRP	376	AC-4096-1	KN-138
500 4x4	493		KN-138
500 4x4 Auto	493		KN-138
500 4x4 Auto TBX	493		KN-138
500 4x4 Auto TRV	493		KN-138
500 Arctic Cat	493		KN-138
650 4x4 Auto	650	AC-6504	KN-204-1
650 4x4 Auto LE	650	AC-6504	KN-204-1
650 V2 4x4 Auto	650		KN-204-1
650 V2 4x4 Auto LE	650		KN-204-1
DVX400	400	SU-4002	KN-139
2003 ARCTIC CAT			
250 2x4	249		KN-132
300 4x4	280		KN-132
400 4x4	376	AC-4096-1	
400 4x4 ACT	376	AC-4096-1	
400 4x4 Auto	376	AC-4096-1	

* 2 filters required ♦ Intake System Available - see page 370 +Cabin Air Filter Available - see page 353 1- Performance Silver Oil Filter Also Available

Partial Listing: Complete Listing of Vehicles and Parts at KNFILTERS.COM or call 1-800-858-3333

ARCTIC CAT

AIR & OIL FILTERS



Vehicle	Engine Type	Air Filter	Oil Filter
2003 ARCTIC CAT			
400 4x4 Auto ACT	376	AC-4096-1	
400 4x4 Auto MRP	376	AC-4096-1	
400 4x4 MRP	376	AC-4096-1	
500 Arctic Cat	493		KN-138
2002 ARCTIC CAT			
500 4x4 Auto	493	AC-4096-1	
500 4x4 Auto TBX	493	AC-4096-1	
2001 ARCTIC CAT			
250 2x4	249		KN-132
300 4x4	280		KN-132
400 4x4	376	AC-4096-1	
500 4x4 Auto	493	AC-4096-1	
500 Arctic Cat	493		KN-138
2000 ARCTIC CAT			
300 4x4	280		KN-132
400 Arctic Cat	376	AC-4096-1	KN-138
500 4x4	493	AC-4096-1	
500 4x4 Auto	493	AC-4096-1	
500 Arctic Cat	493		KN-138
1999 ARCTIC CAT			
250 2x4	249		KN-132
500 4x4	493	AC-4096-1	
500 Arctic Cat	493		KN-138
1998 ARCTIC CAT			
454 4x4	454		KN-138
500 Arctic Cat	493		KN-138
1997 ARCTIC CAT			
454 4x4	454		KN-138
2019 AUDI			
A8	3.0L V6 DSL	E-0643	
A8	3.0L V6 F/I	E-0643	
A8 Quattro	3.0L V6 F/I	E-0643	
2018 AUDI			
A1	1.0L L3 F/I	33-3037	
A1	1.4L L4 F/I	33-3004 ♦	
A1	1.8L L4 F/I	33-3035	
A3	1.4L L4 F/I	33-3004 ♦♦	
A3	1.6L L4 DSL	33-3005+	
A3	2.0L L4 DSL	33-3005+	
A3	2.0L L4 F/I	33-3005 ♦♦	HP-7038 ¹
A3 Quattro	1.4L L4 F/I	33-3004 ♦♦	HP-1002 ¹
A3 Quattro	2.0L L4 F/I	33-3005+	HP-7038 ¹
A3 Sportback e-tron	1.4L L4 F/I	33-3004 ♦♦	
A4	1.4L L4 F/I	E-0646	
A4	2.0L L4 DSL	E-0648	
A4	2.0L L4 F/I		HP-7038 ¹
A4	2.0L L4 F/I - 170/190BHP, Ultra	E-0647	HP-7038
A4	2.0L L4 F/I - 249BHP, 252BHP, Exc. Ultra	E-0646	HP-7038
A4	3.0L V6 DSL	E-0646	
A4 allroad	2.0L L4 F/I		HP-7038 ¹
A4 Quattro	2.0L L4 DSL	E-0648	
A4 Quattro	2.0L L4 F/I		HP-7038 ¹
A4 Quattro	2.0L L4 F/I - Non-US, 249BHP, 252BHP	E-0646	HP-7038
A4 Quattro	2.0L L4 F/I - US	E-0646	HP-7038
A5	2.0L L4 DSL	E-0648	
A5	2.0L L4 F/I - 190BHP	E-0647	

Vehicle	Engine Type	Air Filter	Oil Filter
2018 AUDI			
A5	2.0L L4 F/I - 249BHP, 252BHP	E-0646	
A5 Quattro	2.0L L4 DSL	E-0648	
A5 Quattro	2.0L L4 F/I	E-0646	HP-7038 ¹
A5 Sportback	2.0L L4 DSL	E-0648	
A5 Sportback	2.0L L4 F/I		HP-7038 ¹
A5 Sportback	2.0L L4 F/I - 190BHP	E-0647	HP-7038
A5 Sportback	2.0L L4 F/I - 252BHP	E-0646	HP-7038
A6	2.0L L4 DSL	E-2987	
A6	2.0L L4 F/I	E-2987	HP-7038 ¹
A6	3.0L V6 DSL	E-1983	
A6 Quattro	2.0L L4 F/I	E-2987	HP-7038 ¹
A6 Quattro	3.0L V6 F/I	E-1983	
A7	3.0L V6 DSL - Exc. 4K Model	E-1983	
A7 Quattro	3.0L V6 F/I	E-1983	
Q2	1.0L L3 F/I	33-3037+	
Q3	2.0L L4 DSL	33-2865+	
Q3	2.0L L4 F/I	33-2865+	
Q3 Quattro	2.0L L4 DSL	33-2865+	
Q3 Quattro	2.0L L4 F/I	33-2865+	PS-3004
Q5 II	2.0L L4 DSL	E-0648	
Q5 II	2.0L L4 F/I	E-0646	HP-7038 ¹
R8	5.2L V10 F/I	E-0658	
RS3	2.5L L5 F/I	33-3036+	HP-7010 ¹
RS5	2.9L V6 F/I	E-0646	
RS7	4.0L V8 F/I	E-0664	
S1	2.0L L4 F/I	33-3035	
S3	2.0L L4 F/I	33-3005 ♦♦	HP-7038 ¹
S4	3.0L V6 F/I	E-0646	
S5	3.0L V6 F/I	E-0646	
S6	4.0L V8 F/I	E-1983	
S7	4.0L V8 F/I	E-1983	
TT	2.0L L4 DSL	33-3005	
TT	2.0L L4 F/I	33-3005 ♦♦	
TT Quattro	2.0L L4 F/I	33-3005+	HP-7038 ¹
TT RS Quattro	2.5L L5 F/I	33-3036+	
TTS Quattro	2.0L L4 F/I	33-3005 ♦♦	
2017 AUDI			
A1	1.0L L3 F/I	33-3037	
A3	1.0L L3 F/I	33-3037+	
A3	1.4L L4 F/I	33-3004 ♦♦	HP-1002 ¹
A3	2.0L L4 DSL	33-3005+	
A3	2.0L L4 F/I	33-3005 ♦♦	HP-7038 ¹
A3 Quattro	2.0L L4 F/I		HP-7038 ¹
A3 Sportback e-tron	1.4L L4 F/I	33-3004 ♦♦	HP-1002 ¹
A4	1.4L L4 F/I	E-0646	
A4	2.0L L4 DSL	E-0648	
A4	2.0L L4 F/I		HP-7038 ¹
A4	2.0L L4 F/I - 170/190BHP, Ultra	E-0647	HP-7038
A4	2.0L L4 F/I - 249/252BHP, Exc. Ultra	E-0646	HP-7038
A4	2.0L L4 F/I - 249BHP, 252BHP, Exc. Ultra	E-0646	HP-7038
A4	3.0L V6 DSL	E-0646	
A4 allroad	2.0L L4 F/I		HP-7038 ¹
A4 allroad	2.0L L4 F/I - Non-US, 249/252BHP	E-0646	HP-7038
A4 allroad	2.0L L4 F/I - US	E-0646	HP-7038
A4 Quattro	2.0L L4 DSL	E-0648	
A4 Quattro	2.0L L4 F/I		HP-7038 ¹
A4 Quattro	2.0L L4 F/I - Non-US, 249/252BHP	E-0646	HP-7038
A4 Quattro	2.0L L4 F/I - US	E-0646	HP-7038

* 2 filters required ♦ Intake System Available - see page 370 +Cabin Air Filter Available - see page 353 1- Performance Silver Oil Filter Also Available



AIR & OIL FILTERS

AUDI

Vehicle	Engine Type	Air Filter	Oil Filter	Vehicle	Engine Type	Air Filter	Oil Filter
2017 AUDI				2016 AUDI			
A5	2.0L L4 F/I - Non-US, F5, 190BHP	E-0647		A4 Quattro	2.0L L4 F/I - US	33-2945+	PS-3004
A5 Quattro	2.0L L4 DSL		PS-3004	A5	2.0L L4 DSL - 8T/8F Model, w/Panel Filter	33-2945+	
A5 Quattro	2.0L L4 DSL - F5	E-0648	PS-3004	A5	2.0L L4 F/I - Non-US, F5, 190BHP	E-0647	
A5 Quattro	2.0L L4 F/I	33-2945		A5	2.0L L4 F/I - Non-US, F5, 249/252BHP	E-0646	
A5 Sportback	2.0L L4 DSL - F5	E-0648		A5	2.0L L4 F/I - US	33-2945	
A5 Sportback	2.0L L4 F/I - F5, 190BHP	E-0647		A5 Quattro	2.0L L4 DSL - 8T/8F Model, w/Panel Filter	33-2945	
A6	2.0L L4 DSL	E-2987		A5 Quattro	2.0L L4 DSL - 8T/8F Model, w/Round Filter	E-0653	
A6	2.0L L4 F/I	E-2987	HP-7038 ¹	A5 Quattro	2.0L L4 DSL - F5	E-0648	
A6 Quattro	2.0L L4 F/I	E-2987	HP-7038 ¹	A5 Quattro	2.0L L4 F/I	33-2945+	PS-3004
A6 Quattro	3.0L V6 F/I	E-1983		A5 Quattro	3.0L V6 DSL	E-1987	
A7 Quattro	3.0L V6 F/I	E-1983		A5 Quattro	3.0L V6 F/I	E-1987	
A8 Quattro	4.0L V8 F/I	E-2999		A6	2.0L L4 DSL	E-2987	HP-7038 ¹
Q3 Quattro	2.0L L4 DSL	33-2865+	PS-3004	A6	2.0L L4 F/I	E-2987	HP-7038 ¹
Q3 Quattro	2.0L L4 F/I	33-2865+		A6	3.0L V6 DSL	E-1983	
Q5	2.0L L4 F/I	33-2945+	HP-7015 ¹	A6	3.0L V6 F/I	E-1983	
Q5	3.0L V6 DSL		HP-7015 ¹	A6 Quattro	2.0L L4 F/I	E-2987	HP-7038 ¹
Q5	3.0L V6 F/I	E-1987+	HP-7015 ¹	A6 Quattro	3.0L V6 DSL	E-1983	
Q5 II	2.0L L4 DSL - FY Model	E-0648		A6 Quattro	3.0L V6 F/I	E-1983	
Q5 II	2.0L L4 F/I	E-0646+		A7	3.0L V6 DSL	E-1983	
R8	5.2L V10 F/I	E-0658		A7 Quattro	3.0L V6 F/I	E-1983	
RS3	2.5L L5 F/I		PS-7010	A7 Quattro	3.0L V6 F/I	E-1983	
RS7	4.0L V8 F/I	E-0664		A8 Quattro	4.0L V8 F/I	E-2999	
S1	2.0L L4 F/I	33-3035		A8 Quattro	4.2L V8 DSL	E-2999*	
S3	2.0L L4 F/I	33-3005 ♦+	HP-7038 ¹	allroad	2.0L L4 F/I	33-2945+	
S4	3.0L V6 F/I - 8W/B9 Model	E-0646		Q3	2.0L L4 DSL	33-2865+	
S5	3.0L V6 F/I		HP-7015 ¹	Q3	2.0L L4 F/I	33-2865+	PS-3004
S5	3.0L V6 F/I - F5	E-0646	HP-7015	Q3 Quattro	2.0L L4 F/I	33-2865+	PS-3004
S5	3.0L V6 F/I - US, 8T/8F Model	E-1987	HP-7015	Q5	2.0L L4 DSL - 8R Model, w/Panel Filter	33-2945	
S6	4.0L V8 F/I	E-1983		Q5	2.0L L4 DSL - 8R Model, w/Round Filter	E-0653	
S7	4.0L V8 F/I	E-1983		Q5	2.0L L4 F/I	33-2945+	PS-3004
SQ5	3.0L V6 F/I	E-1987+	HP-7015 ¹	Q5	3.0L V6 DSL	E-1987+	
TT Quattro	2.0L L4 F/I	33-3005+		Q5	3.0L V6 F/I	E-1987+	HP-7015 ¹
TTS Quattro	2.0L L4 F/I	33-3005 ♦+		Q5 II	2.0L L4 DSL - FY Model	E-0648	
2016 AUDI				2015 AUDI			
A3	1.0L L3 F/I	33-3037+		A1	1.0L L3 F/I	33-3037	
A3	1.8L L4 F/I	33-3005 ♦+	HP-7038 ¹				
A3	2.0L L4 DSL	33-3005+					
A3	2.0L L4 F/I	33-3005 ♦+	HP-7038 ¹				
A3 Quattro	2.0L L4 F/I	33-3005+	HP-7038 ¹				
A3 Sportback e-tron	1.4L L4 F/I	33-3004 ♦+	HP-1002 ¹				
A4	2.0L L4 DSL - 8W/B9 Model	E-0648+					
A4	2.0L L4 F/I - Non-US, 8K/B8 Model	33-2945+	PS-3004				
A4	2.0L L4 F/I - Non-US, 8W/B9 Model, 170/190BHP	E-0647+					
A4	2.0L L4 F/I - Non-US, 8W/B9 Model, 249/252BHP	E-0646+					
A4	2.0L L4 F/I - US	33-2945+	PS-3004				
A4 allroad	2.0L L4 F/I - 8K/B8 Model	33-2945+	PS-3004				
A4 allroad	2.0L L4 F/I - Non-US, 8W/B9 Model, 249/252BHP	E-0646+					
A4 Quattro	2.0L L4 DSL - 8W/B9 Model	E-0648					
A4 Quattro	2.0L L4 F/I - Non-US, 8K/B8 Model	33-2945+	PS-3004				
A4 Quattro	2.0L L4 F/I - Non-US, 8W/B9 Model, 249/252BHP	E-0646+					

* 2 filters required ♦ Intake System Available - see page 370 +Cabin Air Filter Available - see page 353 1- Performance Silver Oil Filter Also Available



Vehicle	Engine Type	Air Filter	Oil Filter	Vehicle	Engine Type	Air Filter	Oil Filter
2015 AUDI				2015 AUDI			
A1	1.4L L4 F/I - 122/185BHP	E-2997 ♦		Q5	2.0L L4 DSL - w/Panel Filter	33-2945	
A1	1.4L L4 F/I - 125/140/150BHP	33-3004 ♦		Q5	2.0L L4 DSL - w/Round Filter	E-0653	
A3	1.4L L4 F/I	33-3004 ♦♦		Q5	2.0L L4 F/I	33-2945+	PS-3004
A3	1.8L L4 F/I	33-3005 ♦♦	HP-7038 ¹	Q5	3.0L V6 DSL	E-1987+	
A3	2.0L L4 DSL	33-3005+		Q5	3.0L V6 F/I	E-1987+	HP-7015 ¹
A3	2.0L L4 F/I	33-3005 ♦♦	HP-7038 ¹	Q7	3.0L V6 DSL	33-2857	
A3 Quattro	2.0L L4 F/I	33-3005+	HP-7038 ¹	Q7	3.0L V6 F/I	33-2857	HP-7015 ¹
A4	2.0L L4 DSL - Non-US, 8K/B8 Model, w/Panel Filter	33-2945+		Q7	3.6L V6 F/I	33-2857	
A4	2.0L L4 DSL - Non-US, 8K/B8 Model, w/Round Filter	E-0653+		R8	4.2L V8 F/I - w/Manual Trans.	E-0668	
A4	2.0L L4 DSL - Non-US, 8W/B9 Model	E-0648+		R8	5.2L V10 F/I - w/Auto Trans.	E-0658	
A4	2.0L L4 DSL - Non-US, 8W/B9 Model	E-0648+		R8	5.2L V10 F/I - w/Manual Trans.	E-0669	
A4	2.0L L4 F/I - Non-US, 8K/B8 Model	33-2945+	PS-3004	RS5	4.2L V8 F/I - Left Side Airbox	33-3031+	
A4	2.0L L4 F/I - Non-US, 8W/B9 Model, 170/190BHP	E-0647+		RS5	4.2L V8 F/I - Right Side Airbox	33-3032+	
A4	2.0L L4 F/I - Non-US, 8W/B9 Model, 249/252BHP	E-0646+		RS6	4.0L V8 F/I	E-0664	
A4	2.0L L4 F/I - US	33-2945 ♦♦	PS-3004	RS7	4.0L V8 F/I	E-0664	
A4 allroad	2.0L L4 F/I - 8K/B8 Model	33-2945+	PS-3004	S1	2.0L L4 F/I	33-3035	
A4 allroad	2.0L L4 F/I - Non-US, 8W/B9 Model, 249/252BHP	E-0646+		S3	2.0L L4 F/I	33-3005 ♦	HP-7038 ¹
A4 Quattro	2.0L L4 DSL - Non-US, 8K/B8 Model, w/Panel Filter	33-2945		S4	3.0L V6 F/I	E-1987+	HP-7015 ¹
A4 Quattro	2.0L L4 DSL - Non-US, 8K/B8 Model, w/Round Filter	E-0653		S5	3.0L V6 F/I	E-1987+	HP-7015 ¹
A4 Quattro	2.0L L4 DSL - Non-US, 8W/B9 Model	E-0648		S6	4.0L V8 F/I	E-1983	
A4 Quattro	2.0L L4 F/I - Non-US, 8K/B8 Model	33-2945+	PS-3004	SQ5	3.0L V6 DSL	E-1987+	
A4 Quattro	2.0L L4 F/I - Non-US, 8W/B9 Model, 249/252BHP	E-0646+		SQ5	3.0L V6 F/I	E-1987+	HP-7015 ¹
A4 Quattro	2.0L L4 F/I - US	33-2945+	PS-3004	TT	2.0L L4 DSL	33-3005+	
A5	2.0L L4 DSL - w/Panel Filter	33-2945+		TT	2.0L L4 F/I	33-3005 ♦♦	
A5	2.0L L4 DSL - w/Round Filter	E-0653+		TT Quattro	2.0L L4 F/I	33-3005+	PS-3004
A5	2.0L L4 F/I	33-2945 ♦	PS-3004	TT RS	2.5L L5 F/I		PS-7010
A5 Quattro	2.0L L4 DSL - w/Panel Filter	33-2945		TTS Quattro	2.0L L4 F/I		HP-7010 ¹
A5 Quattro	2.0L L4 DSL - w/Round Filter	E-0653		2014 AUDI			
A5 Quattro	2.0L L4 F/I	33-2945+	PS-3004	A1	1.4L L4 F/I - 122/185BHP	E-2997 ♦	
A6	2.0L L4 DSL	E-2987		A1	1.4L L4 F/I - 125/140/150BHP	33-3004 ♦	
A6	2.0L L4 F/I	E-2987 ♦	PS-3004	A3	1.4L L4 F/I	33-3004 ♦♦	
A6 Quattro	2.0L L4 F/I	E-2987	PS-3004	A3	1.8L L4 F/I	33-3005 ♦♦	
A6 Quattro	3.0L V6 DSL	E-1983		A3	2.0L L4 DSL	33-3005+	
A6 Quattro	3.0L V6 F/I	E-1983	HP-7015 ¹	A4	1.8L L4 F/I	33-2945+	
A7	3.0L V6 DSL	E-1983		A4	2.0L L4 DSL - w/Panel Filter	33-2945+	
A7	3.0L V6 F/I	E-1983		A4	2.0L L4 DSL - w/Round Filter	E-0653+	
A7 Quattro	3.0L V6 DSL	E-1983		A4	2.0L L4 F/I	33-2945 ♦♦	PS-3004
A7 Quattro	3.0L V6 F/I	E-1983	HP-7015 ¹	A4 allroad	2.0L L4 F/I	33-2945+	PS-3004
A8 Quattro	3.0L V6 DSL	E-2999		A4 Quattro	2.0L L4 F/I	33-2945+	PS-3004
A8 Quattro	3.0L V6 F/I	E-2999	HP-7015 ¹	A4 Quattro	3.0L V6 DSL	E-1987	
A8 Quattro	4.0L V8 F/I	E-2999		A4 Quattro	3.0L V6 F/I	E-1987	
allroad	2.0L L4 F/I	33-2945+		A5	2.0L L4 DSL - w/Panel Filter	33-2945+	
Q3	2.0L L4 DSL	33-2865+		A5	2.0L L4 DSL - w/Round Filter	E-0653+	
Q3	2.0L L4 F/I	33-2865+		A5	2.0L L4 F/I	33-2945 ♦♦	PS-3004
Q3 Quattro	2.0L L4 F/I	33-2865+	PS-3004	A5	3.0L V6 DSL	E-1987+	
				A5	3.0L V6 F/I	E-1987+	
				A5 Quattro	2.0L L4 DSL - w/Panel Filter	33-2945	
				A5 Quattro	2.0L L4 DSL - w/Round Filter	E-0653	
				A5 Quattro	2.0L L4 F/I	33-2945+	PS-3004
				A5 Quattro	3.0L V6 DSL	E-1987	
				A5 Quattro	3.0L V6 F/I	E-1987	
				A6	2.0L L4 DSL	E-2987	
				A6	2.0L L4 F/I	E-2987 ♦	PS-3004

* 2 filters required ♦ Intake System Available - see page 370 +Cabin Air Filter Available - see page 353 1- Performance Silver Oil Filter Also Available



AIR & OIL FILTERS

AUDI

Vehicle	Engine Type	Air Filter	Oil Filter	Vehicle	Engine Type	Air Filter	Oil Filter
2014 AUDI				2013 AUDI			
A6	3.0L V6 DSL	E-1983		A5	2.0L L4 DSL - w/Panel Filter	33-2945+	
A6	3.0L V6 F/I	E-1983	HP-7015 ¹	A5	2.0L L4 DSL - w/Round Filter	E-0653+	
A6 Quattro	2.0L L4 F/I		PS-3004	A5	2.0L L4 F/I	33-2945+	PS-3004
A6 Quattro	3.0L V6 F/I		HP-7015 ¹	A5 Quattro	2.0L L4 DSL - w/Panel Filter	33-2945	
A6 Quattro RS6	3.0L V6 DSL	E-1983		A5 Quattro	2.0L L4 DSL - w/Round Filter	E-0653	
A7	3.0L V6 DSL	E-1983		A5 Quattro	2.0L L4 F/I	33-2945+	PS-3004
A7	3.0L V6 F/I	E-1983	HP-7015 ¹	A5 Quattro	3.0L V6 DSL	E-1987	
A7 Quattro	3.0L V6 DSL	E-1983		A5 Quattro	3.0L V6 F/I	E-1987	
A7 Quattro	3.0L V6 F/I	E-1983	HP-7015 ¹	A6	2.0L L4 DSL	E-2987	
A8 Quattro	3.0L V6 DSL	E-2999		A6	2.0L L4 F/I	E-2987	PS-3004
A8 Quattro	3.0L V6 F/I	E-2999	HP-7015 ¹	A6	3.0L V6 DSL	E-1983	
A8 Quattro	4.0L V8 F/I	E-2999		A6	3.0L V6 F/I	E-1983	HP-7015 ¹
A8 Quattro	4.2L V8 DSL	E-2999*		A6 Quattro	2.0L L4 F/I	E-2987	PS-3004
Q5	2.0L L4 DSL - w/Panel Filter	33-2945		A6 Quattro	3.0L V6 DSL	E-1983	
Q5	2.0L L4 DSL - w/Round Filter	E-0653		A6 Quattro	3.0L V6 F/I	E-1983	HP-7015 ¹
Q5	2.0L L4 F/I	33-2945+	PS-3004	A7 Quattro	3.0L V6 DSL	E-1983	
Q5	3.0L V6 DSL	E-1987+		A7 Quattro	3.0L V6 F/I	E-1983	HP-7015 ¹
Q5	3.0L V6 F/I	E-1987+	HP-7015 ¹	A8 Quattro	3.0L V6 DSL	E-2999	
Q7	3.0L V6 DSL	33-2857		A8 Quattro	3.0L V6 F/I	E-2999	HP-7015 ¹
Q7	3.0L V6 F/I	33-2857	HP-7015 ¹	A8 Quattro	4.0L V8 F/I	E-2999	
Q7	3.6L V6 F/I	33-2857		A8 Quattro	4.2L V8 F/I	E-1996*	
R8	4.2L V8 F/I - w/Manual Trans.	E-0668		A8 Quattro allroad	2.0L L4 F/I	33-2945+	PS-3004
R8	5.2L V10 F/I - w/Manual Trans.	E-0658		Q3	2.0L L4 DSL	33-2865+	
R8	5.2L V10 F/I - w/Manual Trans.	E-0669		Q3	2.0L L4 F/I	33-2865+	
RS5	4.2L V8 F/I - Left Side Airbox	33-3031+		Q5	2.0L L4 DSL	33-2945	
RS5	4.2L V8 F/I - Right Side Airbox	33-3032+		Q5	2.0L L4 F/I	33-2945+	PS-3004
RS6	4.0L V8 F/I	E-0664		Q5	3.0L V6 DSL	E-1987	
RS7	4.0L V8 F/I	E-0664		Q5	3.0L V6 F/I	E-1987+	HP-7015 ¹
S1	2.0L L4 F/I	33-3035		Q5	3.2L V6 F/I	E-1987	
S3	2.0L V4 F/I	33-3005 ♦+		Q7	3.0L V6 DSL	33-2857	
S4	3.0L V6 F/I	E-1987+	HP-7015 ¹	Q7	3.0L V6 F/I	33-2857	HP-7015 ¹
S5	3.0L V6 F/I	E-1987+	HP-7015 ¹	Q7	3.6L V6 F/I	33-2857	
S6	4.0L V8 F/I	E-1983		Q7	4.2L V8 DSL	33-2857*	
S7	4.0L V8 F/I	E-1983		R8	4.2L V8 F/I	E-0668	
SQ5	3.0L V6 DSL	E-1987+		R8	5.2L V10 F/I	E-0669	
SQ5	3.0L V6 F/I	E-1987+	HP-7015 ¹	RS5	4.2L V8 F/I - Left Side Airbox	33-3031+	
TT Quattro	2.0L L4 F/I	33-2865+	HP-7010 ¹	RS5	4.2L V8 F/I - Right Side Airbox	33-3032+	
TTS Quattro	2.0L L4 F/I	33-2384	PS-7010	RS6	4.0L V8 F/I	E-0664	
2013 AUDI				RS7	4.0L V8 F/I	E-0664	
A1	1.4L L4 F/I - 122/185BHP	E-2997 ♦		S3	2.0L L4 F/I	33-3005 ♦+	
A1	1.4L L4 F/I - 125/140/150BHP	33-3004 ♦		S4	3.0L V6 F/I	E-1987+	HP-7015 ¹
A3	2.0L L4 DSL - Non-US	33-3005+		S5	3.0L V6 F/I	E-1987+	HP-7015 ¹
A3	2.0L L4 DSL - US	33-2865+		S6	4.0L V8 F/I	E-1983	
A3	2.0L L4 F/I		PS-3004	S7	4.0L V8 F/I	E-1983	
A3	2.0L L4 F/I - Non-US	33-3005 ♦+	PS-3004	SQ5	3.0L V6 DSL	E-1987+	
A3	2.0L L4 F/I - US	33-2865 ♦+	PS-3004	SQ5	3.0L V6 F/I	E-1987+	
A3 Quattro	2.0L L4 F/I		PS-3004	TT	2.0L L4 F/I	33-2865 ♦	PS-3004
A3 Quattro	2.0L L4 F/I - US	33-2865+	PS-3004	TT Quattro	2.0L L4 F/I		HP-7010 ¹
A4	1.8L L4 F/I	33-2945+		TT Quattro	2.0L L4 F/I - Non-US	33-2865+	HP-7010
A4	2.0L L4 DSL - w/Panel Filter	33-2945+		TT RS Quattro	2.5L L5 F/I	33-2384	HP-7010 ¹
A4	2.0L L4 DSL - w/Round Filter	E-0653+		TTS Quattro	2.0L L4 F/I	33-2384	HP-7010 ¹
A4	2.0L L4 F/I	33-2945 ♦+	PS-3004	2012 AUDI			
A4 allroad	2.0L L4 F/I	33-2945+	PS-3004	A1	1.2L L4 F/I	E-2997 ♦	
A4 Quattro	2.0L L4 F/I	33-2945+	PS-3004	A1	1.4L L4 F/I - 122/185BHP	E-2997 ♦	
A5	1.8L L4 F/I	33-2945+		A1	1.6L L4 DSL	E-2997 ♦	
				A3	2.0L L4 DSL - Non-US, 8P Model	33-2865 ♦+	
				A3	2.0L L4 DSL - US	33-2865+	

* 2 filters required ♦ Intake System Available - see page 370 +Cabin Air Filter Available - see page 353 1- Performance Silver Oil Filter Also Available

Partial Listing: Complete Listing of Vehicles and Parts at KNFILTERS.COM or call 1-800-858-3333



Vehicle	Engine Type	Air Filter	Oil Filter	Vehicle	Engine Type	Air Filter	Oil Filter
2012 AUDI				2011 AUDI			
A3	2.0L L4 F/I		PS-3004	A6	3.0L V6 DSL - From 9/11	E-1983	
A3	2.0L L4 F/I - Non-US, 8P Model	33-2865 ♦♦	PS-3004	A6 Quattro	3.0L V6 DSL - From 9/11	E-1983	
A3	2.0L L4 F/I - US	33-2865 ♦♦	PS-3004	A6 Quattro	3.0L V6 F/I		HP-7015 ¹
A3 Quattro	2.0L L4 F/I		PS-3004	A6 Quattro	3.0L V6 F/I - From 9/11	E-1983	HP-7015
A3 Quattro	2.0L L4 F/I - US	33-2865+	PS-3004	A8 Quattro	4.2L V8 DSL	E-2999*	
A4	1.8L L4 F/I	33-2945+		A8 Quattro	4.2L V8 F/I	E-1996*	
A4	2.0L L4 DSL	33-2945+		Q5	2.0L L4 DSL	33-2945	
A4	2.0L L4 F/I	33-2945 ♦♦	PS-3004	Q5	2.0L L4 F/I	33-2945+	PS-3004
A4 Quattro	2.0L L4 F/I	33-2945+	PS-3004	Q5	3.2L V6 F/I	E-1987+	HP-7015 ¹
A4 Quattro	3.0L V6 DSL	E-1987		Q7	3.0L V6 DSL	33-2857	
A4 Quattro	3.0L V6 F/I	E-1987		Q7	3.0L V6 F/I	33-2857	HP-7015 ¹
A5	2.0L L4 DSL	33-2945+		Q7	3.6L V6 F/I	33-2857	
A5	2.0L L4 F/I	33-2945+	PS-3004	Q7	4.2L V8 DSL	33-2857*	
A5 Quattro	2.0L L4 F/I	33-2945+	PS-3004	R8	4.2L V8 F/I	E-0668	
A5 Quattro	3.0L V6 DSL	E-1987		R8	5.2L V10 F/I	E-0669	
A5 Quattro	3.0L V6 F/I	E-1987		RS5	4.2L V8 F/I - Left Side Airbox	33-3031+	
A6	2.0L L4 DSL	E-2987		RS5	4.2L V8 F/I - Right Side Airbox	33-3032+	
A6	2.0L L4 F/I	E-2987	PS-3004	S4	3.0L V6 F/I	E-1987+	HP-7015 ¹
A6	3.0L V6 DSL	E-1983		S5	3.0L V6 F/I	E-1987+	HP-7015 ¹
A6	3.0L V6 F/I	E-1983	HP-7015 ¹	S5	4.2L V8 F/I	E-1987+	
A6 Quattro	2.8L V6 F/I	E-1983		S6	5.2L V10 F/I	E-2996*	
A6 Quattro	3.0L V6 DSL	E-1983		TT Quattro	2.0L L4 F/I	33-2865 ♦♦	
A6 Quattro	3.0L V6 F/I	E-1983	HP-7015 ¹	TTS Quattro	2.0L L4 F/I	33-2384	PS-3004
A7	3.0L V6 DSL	E-1983		2010 AUDI			
A7 Quattro	3.0L V6 DSL	E-1983		A1	1.2L L4 F/I	E-2997 ♦	
A7 Quattro	3.0L V6 F/I	E-1983	HP-7015 ¹	A1	1.4L L4 F/I	E-2997 ♦	
A8 Quattro	4.2L V8 DSL	E-2999*		A1	1.6L L4 DSL	E-2997 ♦	
A8 Quattro	4.2L V8 F/I	E-1996*		A3	1.8L L4 F/I	33-2865 ♦♦	
Q5	2.0L L4 DSL	33-2945		A3	2.0L L4 DSL	33-2865 ♦♦	HP-7031 ¹
Q5	2.0L L4 F/I	33-2945+	PS-3004	A3	2.0L L4 F/I	33-2865 ♦♦	
Q5	3.2L V6 F/I	E-1987+	HP-7015 ¹	A3		33-2865 ♦♦	
Q7	3.0L V6 DSL	33-2857		A3	2.0L L4 F/I - Turbo	33-2865	PS-3004
Q7	3.0L V6 F/I	33-2857	HP-7015 ¹	A3 Quattro	2.0L L4 F/I	33-2865+	PS-3004
Q7	3.6L V6 F/I	33-2857		A4	2.0L L4 DSL	33-2945+	
Q7	4.2L V8 DSL	33-2857*		A4	2.0L L4 F/I	33-2945 ♦♦	PS-3004
R8	5.2L V10 F/I	E-0669		A4 Cabriolet	2.0L L4 F/I	33-2209 ♦♦	PS-3004
RS5	4.2L V8 F/I - Left Side Airbox	33-3031+		A4 Quattro	2.0L L4 F/I	33-2945 ♦♦	PS-3004
RS5	4.2L V8 F/I - Right Side Airbox	33-3032+		A4 Quattro Cabriolet	2.0L L4 F/I	33-2945 ♦♦	PS-3004
S4	3.0L V6 F/I	E-1987+	HP-7015 ¹	A5	2.0L L4 DSL	33-2945+	
S5	4.2L V8 F/I	E-1987+		A5	2.0L L4 F/I		PS-3004
TT	1.8L L4 F/I	33-2865 ♦♦		A5	2.0L L4 F/I - Non-US	33-2945+	PS-3004
TT	2.0L L4 DSL	33-2865 ♦		A5 Quattro	2.0L L4 F/I	33-2945+	PS-3004
TT	2.0L L4 F/I	33-2865 ♦♦		A5 Quattro	3.2L V6 F/I	E-1987+	HP-7015 ¹
TT Quattro	2.0L L4 F/I	33-2865+		A6 Quattro	3.0L V6 F/I		HP-7015 ¹
TT RS Quattro	2.5L L5 F/I	33-2384	HP-7010 ¹	A8 Quattro	4.2L V8 F/I - 371BHP	E-1996*	
TTS Quattro	2.0L L4 F/I	33-2384	HP-7010 ¹	Q5	2.0L L4 DSL	33-2945	
2011 AUDI				Q5	2.0L L4 F/I	33-2945	
A1	1.4L L4 F/I	E-2997 ♦		Q5	3.2L V6 F/I	E-1987+	HP-7015 ¹
A3	2.0L L4 DSL	33-2865 ♦♦	HP-7031 ¹	Q7	3.0L V6 DSL	33-2857	
A3	2.0L L4 F/I	33-2865 ♦♦	PS-3004	Q7	3.0L V6 F/I	33-2857	
		33-2865 ♦♦	PS-3004	Q7	3.6L V6 F/I	33-2857	PS-7005
A3 Quattro	2.0L L4 F/I	33-2865+	PS-3004	Q7	4.2L V8 DSL	33-2857*	
A4	1.8L L4 F/I	33-2945+		Q7	4.2L V8 F/I	33-2857*	
A4	2.0L L4 DSL	33-2945+		R8	4.2L V8 F/I	E-0668	
A4	2.0L L4 F/I	33-2945 ♦♦	PS-3004	R8	5.2L V10 F/I	E-0669	
A4 Quattro	2.0L L4 F/I	33-2945+	PS-3004	S4	3.0L V6 F/I	E-1987+	HP-7015 ¹
A5	2.0L L4 DSL	33-2945+		S4	3.2L V6 F/I	E-1987+	
A5	2.0L L4 F/I	33-2945+	PS-3004	S5	4.2L V8 F/I	E-1987+	
A5 Quattro	2.0L L4 F/I	33-2945+	PS-3004	S6	5.2L V10 F/I	E-2996*	
A5 Quattro	3.2L V6 F/I	E-1987+		TT Quattro	2.0L L4 F/I	33-2865+	

* 2 filters required ♦ Intake System Available - see page 370 ♦ Cabin Air Filter Available - see page 353 1- Performance Silver Oil Filter Also Available



AIR & OIL FILTERS

AUDI

Vehicle	Engine Type	Air Filter	Oil Filter
2010 AUDI			
TTS Quattro	2.0L L4 F/I	33-2384	PS-3004
2009 AUDI			
A3	2.0L L4 DSL	33-2865 ♦+	
A3	2.0L L4 F/I	33-2865 ♦+	
		33-2865 ♦+	
A3	2.0L L4 F/I - Turbo	33-2865	PS-3004
A3 Quattro	2.0L L4 F/I	33-2865+	PS-3004
A4	1.8L L4 F/I	33-2945+	
A4	2.0L L4 DSL	33-2945+	
A4	2.0L L4 F/I	33-2945 ♦+	PS-3004
A4	3.0L V6 DSL	E-1987+	
A4	3.0L V6 F/I	E-1987+	
A4	3.2L V6 F/I	E-1987+	
A4 Cabriolet	2.0L L4 F/I	33-2209 ♦	PS-3004
A4 Quattro	2.0L L4 F/I	33-2945 ♦+	PS-3004
A4 Quattro	3.2L V6 F/I	E-1987+	HP-7015 ¹
A4 Quattro Cabriolet	2.0L L4 F/I	33-2209 ♦	PS-3004
A4 Quattro Cabriolet	3.2L V6 F/I	33-2209+	HP-7015 ¹
A5 Quattro	3.2L V6 F/I	E-1987+	HP-7015 ¹
A6 Quattro	3.0L V6 F/I		HP-7015 ¹
A8 Quattro	4.2L V8 DSL	E-0775*	
A8 Quattro	4.2L V8 F/I	E-0775	
Q5	3.2L V6 F/I	E-1987+	HP-7015 ¹
Q7	3.0L V6 DSL	33-2857	
Q7	3.6L V6 F/I	33-2857	HP-7005 ¹
Q7	4.2L V8 DSL	33-2857*	
Q7	4.2L V8 F/I	33-2857*	
R8	4.2L V8 F/I	E-0668	
S5	4.2L V8 F/I	E-1987+	
S6	5.2L V10 F/I	E-2996*	
S8	5.2L V10 F/I	E-1992*	
TT	2.0L L4 DSL	33-2865 ♦	
TT	2.0L L4 F/I	33-2888+	PS-3004
TT	2.5L L5 F/I	33-2384	
TT Quattro	2.0L L4 F/I	33-2865+	
TT Quattro	3.2L V6 F/I	33-2384+	HP-7031 ¹
TTS Quattro	2.0L L4 F/I		PS-3004

2008 AUDI			
A3	2.0L L4 DSL	33-2865 ♦+	
A3	2.0L L4 F/I - Non-US, Exc. Turbo	E-2014 ♦+	
A3	2.0L L4 F/I - Non-US, Turbo	33-2888 ♦+	
A3	2.0L L4 F/I - Turbo		PS-3004
A3	2.0L L4 F/I - US	33-2888 ♦+	
A3	2.0L L4 F/I - US, Turbo		PS-3004
A3 Quattro	2.0L L4 F/I - Exc. Turbo	E-2014 ♦	
A3 Quattro	2.0L L4 F/I - Turbo	33-2888 ♦	PS-3004
A3 Quattro	3.2L V6 F/I	33-2384* ♦+	PS-7031
A4	1.8L L4 F/I	33-2945+	
A4	2.0L L4 DSL	33-2945+	
A4	2.0L L4 F/I		HP-7010 ¹
A4	2.0L L4 F/I - Non-US	33-2945+	HP-7010
A4	2.0L L4 F/I - US	33-2209+	HP-7010
A4 Quattro	2.0L L4 F/I		HP-7010 ¹
A4 Quattro	2.0L L4 F/I - US	33-2209	HP-7010
A4 Quattro	3.2L V6 F/I		HP-7015 ¹
A4 Quattro	3.2L V6 F/I - Non-US	E-1987	HP-7015
A4 Quattro	3.2L V6 F/I - US	33-2209	HP-7015
A5	2.7L V6 DSL	E-1987+	
A5 Quattro	3.2L V6 F/I		HP-7015 ¹
A5 Quattro	3.2L V6 F/I - Non-US	E-1987+	HP-7015

Vehicle	Engine Type	Air Filter	Oil Filter
2008 AUDI			
A6 Quattro	3.2L V6 F/I		HP-7015 ¹
A8 Quattro	4.2L V8 DSL	E-0775*	
A8 Quattro	4.2L V8 F/I	E-0775	
Q7	3.6L V6 F/I	33-2857	HP-7005 ¹
Q7	4.2L V8 DSL	33-2857*	
Q7	4.2L V8 F/I	33-2857*	
R8	4.2L V8 F/I	E-0668	
RS4	4.2L V8 F/I	33-2209	
S3	2.0L L4 F/I		HP-7010 ¹
S4	4.2L V8 F/I	33-2209	
S5	4.2L V8 F/I	E-1987+	
S6	5.2L V10 F/I	E-2996*	
S8	5.2L V10 F/I - Non-US	E-1992*	
S8	5.2L V10 F/I - US	E-0775*	
TT	2.0L L4 DSL	33-2865 ♦	
TT	2.0L L4 F/I	33-2888+	PS-3004
		33-2888 ♦+	PS-3004
TT Quattro	3.2L V6 F/I		HP-7031 ¹
TT Quattro	3.2L V6 F/I - Non-US	33-2384+	HP-7031
TT Quattro	3.2L V6 F/I - US	33-2384+	HP-7031

2007 AUDI			
A3	2.0L L4 DSL	33-2865 ♦+	
A3	2.0L L4 F/I		HP-7010 ¹
A3	2.0L L4 F/I - Exc. Turbo	E-2014 ♦+	HP-7010
A3	2.0L L4 F/I - Turbo	33-2888 ♦+	HP-7010
		33-2888 ♦+	HP-7010
A3 Quattro	2.0L L4 F/I		HP-7010 ¹
A3 Quattro	2.0L L4 F/I - Exc. Turbo	E-2014 ♦	HP-7010
A3 Quattro	2.0L L4 F/I - Turbo	33-2888 ♦	HP-7010
A3 Quattro	3.2L V6 F/I		HP-7031 ¹
A3 Quattro	3.2L V6 F/I - US	33-2384 ♦+	HP-7031
A4	1.8L L4 F/I - 163BHP	33-2209	
A4	1.8L L4 F/I - Exc. 163BHP	33-2945	
A4	2.0L L4 DSL	33-2209	
A4	2.0L L4 F/I	33-2209	HP-7010 ¹
A4	3.2L V6 F/I	33-2209	
A4 Quattro	2.0L L4 F/I	33-2209	HP-7010 ¹
A4 Quattro	3.2L V6 F/I	33-2209	HP-7015 ¹
A6	2.0L L4 DSL	E-9282	
A6	2.0L L4 F/I	E-9282	PS-7010
A6	3.2L V6 F/I		HP-7015 ¹
A6	5.2L V8 F/I	E-2996*	
A6 Quattro	3.2L V6 F/I		HP-7015 ¹
A8 Quattro	4.2L V8 DSL	E-0775*	
A8 Quattro	4.2L V8 F/I	E-0775	
Q7	3.6L V6 F/I	33-2857	HP-7005 ¹
Q7	4.2L V8 DSL	33-2857*	
Q7	4.2L V8 F/I	33-2857*	
RS4	4.2L V8 F/I	33-2209	
S4	4.2L V8 F/I	33-2209	
S6	5.2L V10 F/I	E-2996*	
S8	5.2L V10 F/I	E-1992*	
TT	1.8L L4 F/I	33-2128	
TT	2.0L L4 F/I	33-2888 ♦	PS-7010
TT Quattro	3.2L V6 F/I - Non-US	33-2384+	
TT Quattro	3.2L V6 F/I - US	33-2857+	

2006 AUDI			
A3	2.0L L4 DSL	33-2865 ♦+	
A3	2.0L L4 F/I		HP-7010 ¹
A3	2.0L L4 F/I - Exc. Turbo	E-2014 ♦+	HP-7010
A3	2.0L L4 F/I - Turbo	33-2888 ♦+	HP-7010

* 2 filters required ♦ Intake System Available - see page 370 +Cabin Air Filter Available - see page 353 1- Performance Silver Oil Filter Also Available



Vehicle	Engine Type	Air Filter	Oil Filter
2006 AUDI			
A3	2.0L L4 F/I - Turbo	33-2888 ♦+	HP-7010
A3 Quattro	2.0L L4 F/I		HP-7010 ¹
A3 Quattro	2.0L L4 F/I - Exc. Turbo	E-2014 ♦	HP-7010
A3 Quattro	2.0L L4 F/I - Turbo	33-2888 ♦	HP-7010
A3 Quattro	3.2L V6 F/I		HP-7031 ¹
A3 Quattro	3.2L V6 F/I - US	33-2384 ♦+	HP-7031
A4	1.8L L4 F/I	33-2209	HP-3001 ¹
A4	2.0L L4 DSL	33-2209	
A4	2.0L L4 F/I	33-2209	HP-7010 ¹
A4	3.2L V6 F/I	33-2209	
A4 Quattro	2.0L L4 F/I	33-2209	HP-7010 ¹
A4 Quattro	3.0L V6 F/I	33-2209	
A4 Quattro	3.2L V6 F/I	33-2209	HP-7015 ¹
A6	3.2L V6 F/I		HP-7015 ¹
A6	5.2L V8 F/I	E-2996*	
A6 Quattro	3.2L V6 F/I		HP-7015 ¹
A8	6.0L W12 F/I	E-1992*	
A8 Quattro	4.2L V8 DSL	E-0775*	
A8 Quattro	4.2L V8 F/I	E-0775	
A8 Quattro	6.0L W12 F/I - Non-US	E-1992*	
S4	4.2L V8 F/I	33-2209	
TT Quattro	1.8L L4 F/I	33-2128 ♦	
		33-2128 ♦+	
TT Quattro	3.2L V6 F/I		HP-7031 ¹
TT Quattro	3.2L V6 F/I - Non-US, BHE Eng.	33-2128	HP-7031
TT Quattro	3.2L V6 F/I - Non-US, BUB Eng.	33-2384	HP-7031
TT Quattro	3.2L V6 F/I - US	33-2857+	HP-7031

Vehicle	Engine Type	Air Filter	Oil Filter
2005 AUDI			
A3	2.0L L4 DSL	33-2865 ♦+	
A3	2.0L L4 F/I		HP-7010 ¹
A3	2.0L L4 F/I - Exc. Turbo	E-2014 ♦+	HP-7010
A3	2.0L L4 F/I - Turbo	33-2888 ♦+	HP-7010
A3 Quattro	2.0L L4 F/I		HP-7010 ¹
A3 Quattro	2.0L L4 F/I - Exc. Turbo	E-2014 ♦+	HP-7010
A3 Quattro	2.0L L4 F/I - Turbo	33-2888 ♦+	HP-7010
A4	1.8L L4 F/I	33-2209	HP-3001 ¹
A4	2.0L L4 DSL	33-2209	
A4	2.0L L4 F/I	33-2209	HP-7010 ¹
A4 Quattro	1.8L L4 F/I	33-2209	HP-3001 ¹
A4 Quattro	2.0L L4 F/I	33-2209	HP-7010 ¹
A4 Quattro	3.0L V6 F/I	33-2209	
A4 Quattro	3.2L V6 F/I	33-2209	HP-7015 ¹
A6	5.2L V8 F/I	E-2996*	
A6 Quattro	3.2L V6 F/I		HP-7015 ¹
A8	4.0L V8 DSL	E-0775*	
A8	6.0L W12 F/I	E-1992*	
A8 Quattro	4.2L V8 DSL	E-0775*	
A8 Quattro	4.2L V8 F/I	E-0775	
A8 Quattro	6.0L W12 F/I - Non-US	E-1992*	
Allroad Quattro	2.7L V6 F/I	33-2125	
Allroad Quattro	4.2L V8 F/I	33-2125	
S4	4.2L V8 F/I	33-2209	
TT	1.8L L4 F/I	33-2128 ♦	HP-2005 ¹
		33-2128 ♦+	HP-2005 ¹
TT Quattro	1.8L L4 F/I	33-2128 ♦	HP-2005 ¹
		33-2128 ♦+	HP-2005 ¹
TT Quattro	3.2L V6 F/I		HP-7031 ¹
TT Quattro	3.2L V6 F/I - Non-US	33-2128	HP-7031
TT Quattro	3.2L V6 F/I - US	33-2857+	HP-7031

Vehicle	Engine Type	Air Filter	Oil Filter
2004 AUDI			
A3	2.0L L4 DSL	33-2865 ♦+	
A3	2.0L L4 F/I		PS-7010
A3 Quattro	2.0L L4 F/I		PS-7010
A3 Quattro	2.0L L4 F/I - Exc. Turbo	E-2014 ♦+	PS-7010
A3 Quattro	2.0L L4 F/I - Turbo	33-2888 ♦+	PS-7010
A4	1.8L L4 F/I	33-2209 ♦	HP-3001 ¹
A4	3.0L V6 DSL	33-2209	
A4	3.0L V6 F/I	33-2209	
A4 Quattro	1.8L L4 F/I	33-2209	HP-3001 ¹
A4 Quattro	3.0L V6 F/I	33-2209	
A6 Quattro	2.7L V6 F/I	33-2125	
A6 Quattro	3.0L V6 F/I	33-2125	
A6 Quattro	4.2L V8 F/I - Non-US	33-2125	
A6 Quattro	4.2L V8 F/I - US	33-2125	
A6 Quattro RS6	4.2L V8 F/I	33-2866*	
A8 Quattro	4.2L V8 F/I	E-0775	
Allroad Quattro	2.7L V6 F/I	33-2125	
Allroad Quattro	4.2L V8 F/I	33-2125	
Cabriolet	3.0L V6 F/I	33-2209	
S4	4.2L V8 F/I	33-2209	
TT	1.8L L4 F/I	33-2128 ♦	HP-2005 ¹
		33-2128 ♦+	HP-2005 ¹
TT Quattro	1.8L L4 F/I	33-2128 ♦+	HP-2005 ¹
		33-2128 ♦	HP-2005 ¹
TT Quattro	3.2L V6 F/I	33-2128+	HP-7031 ¹

Vehicle	Engine Type	Air Filter	Oil Filter
2003 AUDI			
A3	1.8L L4 F/I	33-2128 ♦+	
A4	1.8L L4 F/I	33-2209 ♦	HP-3001 ¹
A4	2.0L L4 F/I	33-2209	
A4	2.7L V6 F/I	33-2125	
A4 Quattro	1.8L L4 F/I	33-2209	HP-3001 ¹
A4 Quattro	3.0L V6 F/I	33-2209	
A6	3.0L V6 F/I	33-2125	
A6 Quattro	3.0L V6 F/I	33-2125	
A6 Quattro RS6	4.2L V8 F/I - Non-US	33-2866*	
RS6	4.2L V8 F/I	33-2866*	HP-2005 ¹
TT	1.8L L4 F/I	33-2128 ♦	HP-2005 ¹
		33-2128 ♦+	HP-2005 ¹
TT Quattro	1.8L L4 F/I	33-2128 ♦+	HP-2005 ¹
		33-2128 ♦	HP-2005 ¹

Vehicle	Engine Type	Air Filter	Oil Filter
2002 AUDI			
A3	1.8L L4 F/I	33-2128 ♦+	
A4	1.8L L4 F/I	33-2209 ♦	HP-3001 ¹
A4	2.4L V6 F/I	33-2209	
A4	2.7L V6 F/I	33-2125	
A4 Quattro	1.8L L4 F/I	33-2209	HP-3001 ¹
A4 Quattro	3.0L V6 F/I	33-2209	
A6 Quattro	2.7L V6 F/I	33-2125	
A6 Quattro	3.0L V6 F/I	33-2125	
A6 Quattro	4.2L V8 F/I - Non-US	33-2125	
A6 Quattro	4.2L V8 F/I - US	33-2125	
A6 Quattro RS6	4.2L V8 F/I - Non-US	33-2866*	
Allroad Quattro	2.7L V6 F/I	33-2125	
S4	2.7L V6 F/I	33-2125+	
S6	4.2L V8 F/I	33-2125	
TT	1.8L L4 F/I	33-2128 ♦+	HP-2005 ¹
		33-2128 ♦	HP-2005 ¹
TT Quattro	1.8L L4 F/I	33-2128 ♦+	HP-2005 ¹
		33-2128 ♦	HP-2005 ¹

Vehicle	Engine Type	Air Filter	Oil Filter
2001 AUDI			
A3	1.8L L4 F/I	33-2128 ♦+	

* 2 filters required ♦ Intake System Available - see page 370 +Cabin Air Filter Available - see page 353 1- Performance Silver Oil Filter Also Available



AIR & OIL FILTERS

AUDI

Vehicle	Engine Type	Air Filter	Oil Filter	Vehicle	Engine Type	Air Filter	Oil Filter
2001 AUDI				2020 BMW			
A4	1.8L L4 F/I	33-2125 ♦+	HP-3001 ¹	X6	3.0L L6 F/I		HP-7014 ¹
A4	2.5L V6 DSL - 155/163/180BHP	33-2209 ♦		Z4	3.0L L6 F/I	33-3136	
A4 Quattro	1.8L L4 F/I	33-2125+	HP-3001 ¹	2019 BMW			
A4 Quattro	2.8L V6 F/I	33-2125+		118d	2.0L L4 DSL - F20/F21	33-2990	
A6	2.8L V6 F/I	33-2125 ♦		118d	2.0L L4 DSL - F40	33-3025	
A6 Quattro	2.7L V6 F/I	33-2125		125d	2.0L L4 DSL	33-2990	
A6 Quattro	2.8L V6 F/I	33-2125 ♦		230i xDrive	2.0L L4 F/I	33-3051	
A6 Quattro	4.2L V8 F/I	33-2125		320D	2.0L L4 DSL - G20	33-3136	
A8 Quattro	4.2L V8 F/I	33-2779		320i	2.0L L4 F/I - G20	33-3136	
S4	2.7L V6 F/I	33-2125 ♦+		330e	2.0L L4 F/I - G20	33-3136	
S8	4.2L V8 F/I	33-2779		330i xDrive	2.0L L4 F/I - F30/F31	33-3051	
TT	1.8L L4 F/I	33-2128 ♦	HP-2005 ¹	330i xDrive	2.0L L4 F/I - G20	33-3136	
		33-2128 ♦+	HP-2005 ¹	340i	3.0L L6 F/I - F30/F31	33-3051	
TT Quattro	1.8L L4 F/I	33-2128 ♦+	HP-2005 ¹	430i	2.0L L4 F/I	33-3051	
2000 AUDI				430i Gran Coupe	2.0L L4 F/I	33-3051	
A4	1.8L L4 F/I	33-2125 ♦+	HP-3001 ¹	430i xDrive	2.0L L4 F/I	33-3051	
A4 Quattro	1.8L L4 F/I	33-2125+	HP-3001 ¹	430i xDrive Gran Coupe	2.0L L4 F/I	33-3051	
A4 Quattro	2.8L V6 F/I	33-2125		440i	3.0L L6 F/I	33-3051	
A6 Quattro	2.7L V6 F/I	33-2125		440i Gran Coupe	3.0L L6 F/I	33-3051	
A6 Quattro	2.8L V6 F/I	33-2125 ♦		440i xDrive	3.0L L6 F/I	33-3051	
A6 Quattro	4.2L V8 F/I	33-2125		440i xDrive Gran Coupe	3.0L L6 F/I	33-3051	
S4	2.7L V6 F/I	33-2125 ♦+		530e	2.0L L4 F/I	33-3079	
TT	1.8L L4 F/I	33-2128 ♦+	HP-2005 ¹	530e xDrive	2.0L L4 F/I	33-3079	
		33-2128 ♦	HP-2005 ¹	530i xDrive	2.0L L4 F/I	33-3079	
TT Quattro	1.8L L4 F/I	33-2128 ♦+	HP-2005 ¹	540i	3.0L L6 F/I	33-3079	
1999 AUDI				540i xDrive	3.0L L6 F/I	33-3079	
A4	1.8L L4 F/I	33-2125 ♦+	HP-3001 ¹	640i GT	3.0L L6 F/I	33-3079	
A4 Quattro	1.8L L4 F/I	33-2125 ♦+	HP-3001 ¹	740i xDrive	3.0L L6 F/I	33-3079	
A4 Quattro	2.8L V6 F/I	33-2125 ♦+		750i	4.4L V8 F/I	33-5086	
A6 Quattro	2.8L V6 F/I	33-2125 ♦		750i xDrive	4.4L V8 F/I	33-5086	
1998 AUDI				F750GS	853	BM-8518	KN-160
A4	1.8L L4 F/I	33-2125 ♦+	HP-3001 ¹	F850GS	853	BM-8518	KN-160
A4	2.4L V6 F/I	33-2125 ♦		F850GS Adventure	853	BM-8518	KN-160
A4	2.8L V6 F/I	33-2125 ♦+	HP-3001 ¹	G310GS	313	BM-3117	
A4 Quattro	1.8L L4 F/I	33-2125 ♦+	HP-3001 ¹	G310R	313	BM-3117	
A4 Quattro	2.8L V6 F/I	33-2125 ♦+	HP-3001 ¹	K1600B	1649	BM-1611	KN-164
TT	1.8L L4 F/I	33-2128		K1600GT	1649		KN-164
1997 AUDI				K1600GTL	1649		KN-164
A3	1.8L L4 F/I	33-2128 ♦		M2	3.0L L6 F/I	33-2997	PS-7014
A4 Quattro	1.8L L4 F/I	33-2125 ♦+	HP-3001 ¹	M2 Competition Coupe	3.0L V6 F/I	33-2488	
2020 BMW				M3	3.0L L6 F/I	33-2488	
230i	2.0L L4 F/I	33-3051		M4	3.0L L6 F/I	33-2488	HP-7014 ¹
230i xDrive	2.0L L4 F/I	33-3051		M5	4.4L V8 F/I	33-3128	
430i	2.0L L4 F/I	33-3051		M6	4.4L V8 F/I	33-2488	
430i Gran Coupe	2.0L L4 F/I	33-3051		M6 Gran Coupe	4.4L V8 F/I	33-2488	
430i xDrive	2.0L L4 F/I	33-3051		M240i	3.0L L6 F/I	33-3051	
430i xDrive Gran Coupe	2.0L L4 F/I	33-3051		M240i xDrive	3.0L L6 F/I	33-3051	
440i	3.0L L6 F/I	33-3051		M340i	3.0L L6 F/I - G20	33-3136	
440i Gran Coupe	3.0L L6 F/I	33-3051		M550i xDrive	4.4L V8 F/I	33-5086	
440i xDrive	3.0L L6 F/I	33-3051		R nine T	1170	BM-1204	KN-164
440i xDrive Gran Coupe	3.0L L6 F/I	33-3051		R nine T Pure	1170	BM-1204	KN-164
740i	3.0L L6 F/I	33-3079		R nine T Racer	1170		KN-164
740i xDrive	3.0L L6 F/I	33-3079		R nine T Scrambler	1170	BM-1204	KN-164
M2	3.0L L6 F/I		HP-7014 ¹	R nine T Urban GS	1170		KN-164
M4	3.0L L6 F/I	33-2488	HP-7014 ¹	R1250GS	1254	BM-1113	KN-160
M340i	3.0L L6 F/I	33-3136		R1250GS Adventure	1254	BM-1113	KN-160
M340i xDrive	3.0L L6 F/I	33-3136		R1250RT	1254	BM-1113	KN-160
S1000RR	999	BM-1019		X1	2.0L L4 F/I	33-3025 ♦	
				X1 18d	2.0L L4 DSL	33-3025	
				X1 20d	2.0L L4 DSL	33-3025	

* 2 filters required ♦ Intake System Available - see page 370 +Cabin Air Filter Available - see page 353 1- Performance Silver Oil Filter Also Available

Partial Listing: Complete Listing of Vehicles and Parts at KNFILTERS.COM or call 1-800-858-3333



Vehicle	Engine Type	Air Filter	Oil Filter	Vehicle	Engine Type	Air Filter	Oil Filter
2019 BMW				2018 BMW			
X1 25d	2.0L L4 DSL	33-3025		740i xDrive	3.0L L6 F/I	33-3079	
X2 20i	2.0L L4 F/I	33-3025		750i	4.4L V8 F/I	33-5086	
X2 25i	2.0L L4 F/I	33-3025		750i xDrive	4.4L V8 F/I	33-5086	
X3	2.0L L4 F/I	33-3079		C650 Sport	647	BM-6012	KN-164
X3 18d	2.0L L4 DSL	33-3079		C650GT	647	BM-6012	KN-164
X3 20d	2.0L L4 DSL	33-3079		F700GS	798		KN-160
X3 20i	2.0L L4 F/I	33-3079		F750GS	853	BM-8518	KN-160
X3 25d	2.0L L4 DSL	33-3079		F800GS Adventure	798	BM-8006	KN-160
X3 30i	2.0L L4 F/I	33-3079		F800R	798	BM-8006	
X3 M40i	3.0L L6 F/I	33-3079		F850GS	853	BM-8518	KN-160
X4 30i	2.0L L4 F/I	33-3079		G310GS	313	BM-3117	
X4 M40i	3.0L L6 F/I	33-3079		G310R	313	BM-3117	
X5	3.0L L6 F/I	33-3079		K1600 Bagger	1649		KN-164
X5 30d	3.0L L6 DSL - G05	33-3079		K1600B	1649	BM-1611	KN-164
X6	3.0L L6 DSL	33-3028		K1600GA	1649	BM-1611	
X6	3.0L L6 F/I	33-2428	HP-7014 ¹	K1600GT	1649	BM-1611	KN-164
X6 M50d	3.0L L6 DSL	33-3028		K1600GTL	1649	BM-1611	KN-164
2018 BMW				M2	3.0L L6 F/I	33-2997	HP-7014 ¹
116d	1.5L L3 DSL	33-2990		M2 Competition	3.0L V6 F/I	33-2488	
116i	1.5L L3 F/I	33-2990		Coupe			
120d	2.0L L4 DSL	33-2990		M3	3.0L L6 F/I	33-2488	HP-7014 ¹
220i	2.0L L4 F/I	33-3051		M4	3.0L L6 F/I	33-2488	HP-7014 ¹
220i Active Tourer	2.0L L4 F/I	33-3025 ♦		M5	4.4L V8 F/I	33-3128	
220i Gran Tourer	2.0L L4 F/I	33-3025 ♦		M6	4.4L V8 F/I	33-2488	
230i	2.0L L4 F/I	33-3051		M6 Gran Coupe	4.4L V8 F/I	33-2488	
230i xDrive	2.0L L4 F/I	33-3051		M240i	3.0L L6 F/I	33-3051	
320D	2.0L L4 DSL	33-2990		M240i xDrive	3.0L L6 F/I	33-3051	
320d GT	2.0L L4 DSL	33-2990		M550i xDrive	4.4L V8 F/I	33-5086	
320i	2.0L L4 F/I		HP-7014 ¹	R nine T	1170	BM-1204	KN-164
320i	2.0L L4 F/I - US	33-2990	HP-7014	R nine T Pure	1170	BM-1204	KN-164
320i GT	2.0L L4 F/I	33-3051		R nine T Racer	1170	BM-1204	KN-164
320i xDrive	2.0L L4 F/I		HP-7014 ¹	R nine T Scrambler	1170	BM-1204	KN-164
320i xDrive	2.0L L4 F/I - US	33-2990	HP-7014	R nine T Urban GS	1170	BM-1204	KN-164
330i	2.0L L4 F/I	33-3051		R1200GS	1170	BM-1113	KN-160
330i GT xDrive	2.0L L4 F/I	33-3051		R1200GS Adventure	1170	BM-1113	KN-160
330i xDrive	2.0L L4 F/I	33-3051		R1200R	1170	BM-1113	KN-160
340i	3.0L L6 F/I	33-3051		R1200RS	1170	BM-1113	KN-160
340i GT xDrive	3.0L L6 F/I	33-3051		R1200RT	1170	BM-1113	KN-160
340i xDrive	3.0L L6 F/I	33-3051		S1000R	999	BM-1010	KN-160
430i	2.0L L4 F/I	33-3051		S1000R	999 - Race Specific	BM-1010R	KN-160
430i Gran Coupe	2.0L L4 F/I	33-3051		S1000RR	999	BM-1010	KN-160
430i xDrive	2.0L L4 F/I	33-3051		S1000RR	999 - Race Specific	BM-1010R	KN-160
430i xDrive Gran Coupe	2.0L L4 F/I	33-3051		S1000XR	999	BM-1010	KN-160
440i	3.0L L6 F/I	33-3051		S1000XR	999 - Race Specific	BM-1010R	KN-160
440i Gran Coupe	3.0L L6 F/I	33-3051		X1	2.0L L4 F/I	33-3025 ♦+	HP-7039 ¹
440i xDrive	3.0L L6 F/I	33-3051		X1 18d	2.0L L4 DSL	33-3025	
440i xDrive Gran Coupe	3.0L L6 F/I	33-3051		X1 18i	2.0L L4 F/I		HP-7039 ¹
520i	2.0L L4 F/I	33-3079		X1 20d	2.0L L4 DSL	33-3025	
530e	2.0L L4 F/I	33-3079		X1 20i	2.0L L4 F/I	33-3025 ♦+	HP-7039 ¹
530e xDrive	2.0L L4 F/I	33-3079		X1 25d	2.0L L4 DSL	33-3025	
530i	2.0L L4 F/I	33-3079		X1 25i	2.0L L4 F/I	33-3025 ♦+	HP-7039 ¹
530i xDrive	2.0L L4 F/I	33-3079		X2	2.0L L4 DSL	33-3025	
540i	3.0L L6 F/I	33-3079		X2	2.0L L4 F/I	33-3025 ♦+	HP-7039 ¹
540i xDrive	3.0L L6 F/I	33-3079		X2 18d	2.0L L4 DSL	33-3025	
620d GT	2.0L L4 DSL	33-3079		X2 18i	2.0L L4 F/I		HP-7039 ¹
640i GT	3.0L L6 F/I	33-3079		X2 20d	2.0L L4 DSL	33-3025	
640i xDrive Gran Coupe	3.0L L6 F/I	33-2428		X2 20i	2.0L L4 F/I		HP-7039 ¹
640i xDrive Gran Turismo	3.0L L6 F/I	33-2428	PS-7014	X3	2.0L L4 DSL	33-3079	
730i	2.0L L4 F/I	33-3079		X3	2.0L L4 F/I	33-3079	
				X3 18d	2.0L L4 DSL	33-3079	
				X3 20d	2.0L L4 DSL	33-3079	
				X3 20i	2.0L L4 F/I	33-3079	
				X3 30i	2.0L L4 F/I	33-3079	

* 2 filters required ♦ Intake System Available - see page 370 +Cabin Air Filter Available - see page 353 1- Performance Silver Oil Filter Also Available



AIR & OIL FILTERS

BMW

Vehicle	Engine Type	Air Filter	Oil Filter	Vehicle	Engine Type	Air Filter	Oil Filter
2018 BMW				2017 BMW			
X3 M40i	3.0L L6 F/I	33-3079		M550d	3.0L L6 DSL - G30/G31	33-3134	
X4	3.0L L6 DSL - G02 Model	33-3079		R nine T	1170	BM-1204	KN-164
X4	3.0L L6 F/I - F26	33-2428+		R nine T Pure	1170	BM-1204	KN-164
X4	3.0L L6 F/I - G02 Model	33-3079+		R nine T Racer	1170	BM-1204	KN-164
X5	3.0L L6 DSL	33-3028		R nine T Scrambler	1170	BM-1204	KN-164
X5	3.0L L6 F/I	33-2428+	HP-7014 ¹	R nine T Urban GS	1170	BM-1204	KN-164
X5 M50d	3.0L L6 DSL - F15/85	33-3028		R1200GS	1170	BM-1113	KN-160
X5 xDrive30d	3.0L L6 DSL	33-3028		R1200GS Adventure	1170	BM-1113	KN-160
X5 xDrive40d	3.0L L6 DSL	33-3028		R1200RS	1170	BM-1113	KN-160
X6	3.0L L6 DSL	33-3028		R1200RT	1170	BM-1113	KN-160
X6	3.0L L6 F/I	33-2428+	HP-7014 ¹	S1000R	999	BM-1010	KN-160
X6 M50d	3.0L L6 DSL	33-3028		S1000R	999 - Race Specific	BM-1010R	KN-160
X6 xDrive 30d	3.0L L6 DSL	33-3028		S1000RR	999	BM-1010	KN-160
X6 xDrive 40d	3.0L L6 DSL	33-3028		S1000RR	999 - Race Specific	BM-1010R	KN-160
2017 BMW				2016 BMW			
114d	1.5L L3 DSL	33-2990		S1000XR	999 - Race Specific	BM-1010R	KN-160
116d	1.5L L3 DSL	33-2990		X1	2.0L L4 F/I	33-3025 ♦+	HP-7039 ¹
118i	1.5L L3 F/I	33-2990		X1 18d	2.0L L4 DSL	33-3025	
125i	2.0L L4 F/I	33-3051		X1 20d	2.0L L4 DSL	33-3025	
218d	2.0L L4 DSL	33-2990		X1 25d	2.0L L4 DSL	33-3025	
230i	2.0L L4 F/I	33-3051		X3	2.0L L4 DSL		PS-7014
230i xDrive	2.0L L4 F/I	33-3051		X3	2.0L L4 F/I	33-2465+	PS-7014
320D	2.0L L4 DSL	33-2990		X3	3.0L L6 F/I	33-2428+	HP-7014 ¹
320d GT	2.0L L4 DSL	33-2990		X3 sDrive 18d	2.0L L4 DSL	33-3042	
320i	2.0L L4 F/I		HP-7014 ¹	X3 sDrive20i	2.0L L4 F/I	33-2465	
320i	2.0L L4 F/I - Non-US	33-3051	HP-7014	X3 xDrive 20d	2.0L L4 DSL	33-3042	
320i	2.0L L4 F/I - US	33-2990	HP-7014	X3 xDrive 30d	3.0L L6 DSL	33-3028	
320i GT	2.0L L4 F/I	33-3051	HP-7014 ¹	X3 xDrive 35d	3.0L L6 DSL	33-3028	
320i xDrive	2.0L L4 F/I	33-2990	HP-7014 ¹	X3 xDrive20i	2.0L L4 F/I	33-2465	
330i	2.0L L4 F/I	33-3051		X3 xDrive28i	2.0L L4 F/I	33-2465	
330i GT	2.0L L4 F/I	33-3051		X4	2.0L L4 DSL	33-3042	
330i GT xDrive	2.0L L4 F/I	33-3051		X4	2.0L L4 F/I	33-2465+	
330i xDrive	2.0L L4 F/I	33-3051		X4	3.0L L6 DSL	33-3028	
340i	3.0L L6 F/I	33-3051		X4	3.0L L6 F/I	33-2428+	PS-7014
340i GT xDrive	3.0L L6 F/I	33-3051		X5	3.0L L6 F/I	33-2428+	HP-7014 ¹
340i xDrive	3.0L L6 F/I	33-3051		X5	4.0L V8 F/I	E-0659*	
430i Gran Coupe	2.0L L4 F/I	33-3051		X5	4.4L V8 F/I - Exc. M	E-0659*+	
440i Gran Coupe	3.0L L6 F/I	33-3051		X5 M50d	3.0L L6 DSL	33-3028	
440i xDrive	3.0L L6 F/I	33-3051		X5 xDrive30d	3.0L L6 DSL	33-3028	
440i xDrive Gran Coupe	3.0L L6 F/I	33-3051		X5 xDrive40d	3.0L L6 DSL	33-3028	
530e	2.0L L4 F/I	33-3079		2016 BMW			
530i xDrive	2.0L L4 F/I	33-3079		116d	1.5L L3 DSL	33-2990	
540i	3.0L L6 F/I	33-3079		120i	1.6L L4 F/I - To 5/16	33-2990	
540i xDrive	3.0L L6 F/I	33-3079		228i	2.0L L4 F/I	33-2990 ♦	HP-7014 ¹
640i xDrive Gran Coupe	3.0L L6 F/I	33-2428		228i xDrive	2.0L L4 F/I	33-2990	HP-7014 ¹
750i xDrive	4.4L V8 F/I	33-5086		320D	2.0L L4 DSL	33-2990	
C650 Sport	647	BM-6012	KN-164	320d GT	2.0L L4 DSL	33-2990	
F700GS	798	BM-8006	KN-160	320i	2.0L L4 F/I		HP-7014 ¹
F800GS	798	BM-8006	KN-160	320i	2.0L L4 F/I - Non-US	33-3051	HP-7014
F800GS Adventure	798	BM-8006	KN-160	320i	2.0L L4 F/I - US	33-2990	HP-7014
F800R	798	BM-8006	KN-160	320i GT	2.0L L4 F/I		HP-7014 ¹
G310R	313	BM-3117		320i GT	2.0L L4 F/I - From 6/16	33-3051	HP-7014
HP4 Race	999	BM-1010		320i GT	2.0L L4 F/I - To 5/16	33-2990	HP-7014
K1600GT	1649	BM-1611	KN-164	320i xDrive	2.0L L4 F/I		HP-7014 ¹
K1600GTL	1649	BM-1611	KN-164	320i xDrive	2.0L L4 F/I - US	33-2990	HP-7014
M2	3.0L L6 F/I	33-2997	HP-7014 ¹	325d	2.0L L4 DSL	33-2990	
M3	3.0L L6 F/I	33-2488	HP-7014 ¹	325d GT	2.0L L4 DSL	33-2990	
M4	3.0L L6 F/I	33-2488	HP-7014 ¹	328i	2.0L L4 F/I	33-2990	HP-7014 ¹
M240i	3.0L L6 F/I	33-3051		328i GT	2.0L L4 F/I	33-2990	HP-7014 ¹
M240i xDrive	3.0L L6 F/I	33-3051		328i GT xDrive	2.0L L4 F/I	33-2990	HP-7014 ¹
				328i xDrive	2.0L L4 F/I	33-2990	HP-7014 ¹
				330i	2.0L L4 F/I	33-3051	

* 2 filters required ♦ Intake System Available - see page 370 +Cabin Air Filter Available - see page 353 1- Performance Silver Oil Filter Also Available



Vehicle	Engine Type	Air Filter	Oil Filter	Vehicle	Engine Type	Air Filter	Oil Filter
2016 BMW				2016 BMW			
330i GT	2.0L L4 F/I	33-3051		S1000RR	999	BM-1010	KN-160
335i GT xDrive	3.0L L6 F/I	33-2997	HP-7014 ¹	S1000RR	999 - Race Specific	BM-1010R	KN-160
340i	3.0L L6 F/I	33-3051		S1000XR	999	BM-1010	KN-160
340i xDrive	3.0L L6 F/I	33-3051		S1000XR	999 - Race Specific	BM-1010R	KN-160
428i	2.0L L4 F/I	33-2990 ♦	HP-7014 ¹	X1	2.0L L4 F/I	33-3025 ♦+	HP-7039 ¹
428i Gran Coupe	2.0L L4 F/I	33-2990	HP-7014 ¹	X1 18d	2.0L L4 DSL	33-3025	
428i xDrive	2.0L L4 F/I	33-2990	HP-7014 ¹	X1 20d	2.0L L4 DSL	33-3025	
428i xDrive Gran Coupe	2.0L L4 F/I	33-2990	HP-7014 ¹	X1 20i	2.0L L4 F/I	33-3025 ♦+	HP-7039 ¹
435i	3.0L L6 F/I	33-2997 ♦	HP-7014 ¹	X1 25d	2.0L L4 DSL	33-3025	
435i Gran Coupe	3.0L L6 F/I	33-2997	HP-7014 ¹	X1 25i	2.0L L4 F/I	33-3025 ♦+	HP-7039 ¹
435i xDrive	3.0L L6 F/I	33-2997	HP-7014 ¹	X1 28i	2.0L L4 F/I	33-3025 ♦+	HP-7039 ¹
435i xDrive Gran Coupe	3.0L L6 F/I	33-2997	HP-7014 ¹	X3	2.0L L4 F/I	33-2465+	
528i	2.0L L4 F/I	33-2963 ♦	HP-7014 ¹	X3	3.0L L6 F/I	33-2428+	HP-7014 ¹
528i xDrive	2.0L L4 F/I	33-2963 ♦	HP-7014 ¹	X3 sDrive 18d	2.0L L4 DSL	33-3042	
530i	2.0L L4 F/I	33-3079		X3 sDrive20i	2.0L L4 F/I	33-2465	PS-7014
535i	3.0L L6 F/I	33-2428 ♦	HP-7014 ¹	X3 xDrive 20d	2.0L L4 DSL	33-3042	
535i GT	3.0L L6 F/I	33-2428 ♦	HP-7014 ¹	X3 xDrive 30d	3.0L L6 DSL	33-3028	
535i GT xDrive	3.0L L6 F/I	33-2428 ♦	HP-7014 ¹	X3 xDrive 35d	3.0L L6 DSL	33-3028	
535i xDrive	3.0L L6 F/I	33-2428 ♦	HP-7014 ¹	X3 xDrive20i	2.0L L4 F/I	33-2465	HP-7014 ¹
540i	3.0L L6 F/I	33-3079		X3 xDrive28i	2.0L L4 F/I	33-2465	HP-7014 ¹
640i	3.0L L6 F/I	33-2428		X4	2.0L L4 F/I	33-2465+	
640i Gran Coupe	3.0L L6 F/I	33-2428	HP-7014 ¹	X4	3.0L L6 DSL	33-3028	
640i xDrive	3.0L L6 F/I	33-2428		X4	3.0L L6 F/I	33-2428+	
640i xDrive Gran Coupe	3.0L L6 F/I	33-2428	HP-7014 ¹	X5	3.0L L6 DSL	33-3028	
740i	3.0L L6 F/I	33-3079		X5	3.0L L6 F/I	33-2428+	HP-7014 ¹
750i	4.4L V8 F/I	33-5086		X5	4.0L V8 F/I	E-0659*	
750i xDrive	4.4L V8 F/I	33-5086		X5	4.4L V8 F/I - Exc. M	E-0659*+	
C650 Sport	647	BM-6012	KN-164	X5 M50d	3.0L L6 DSL	33-3028	
C650GT	647	BM-6012	KN-164	X5 xDrive30d	3.0L L6 DSL	33-3028	
F700GS	798	BM-8006	KN-160	X5 xDrive40d	3.0L L6 DSL	33-3028	
F800GS	798	BM-8006	KN-160	X6	3.0L L6 F/I	33-2428+	HP-7014 ¹
F800GS Adventure	798	BM-8006	KN-160	X6	4.4L V8 F/I - Exc. M	E-0659*+	
F800GT	798	BM-8006	KN-160	X6 M50d	3.0L L6 DSL	33-3028	
F800R	798	BM-8006	KN-160	X6 xDrive 30d	3.0L L6 DSL	33-3028	
i8	1.5L L3 F/I	33-2997		X6 xDrive 40d	3.0L L6 DSL	33-3028	
K1300S	1300	BM-1205*	KN-160	Z4 sDrive 35i	3.0L L6 F/I	33-2367	HP-7014 ¹
K1600GT	1649	BM-1611	KN-164	2015 BMW			
K1600GTL	1649	BM-1611	KN-164	114i	1.6L L4 F/I	33-2990	
K1600GTL Exclusive	1649	BM-1611	KN-164	218d	2.0L L4 DSL	33-2990	
M2	3.0L L6 F/I	33-2997	HP-7014 ¹	218d Active Tourer	2.0L L4 DSL	33-3025	
M3	3.0L L6 F/I	33-2488	HP-7014 ¹	218d Gran Tourer	2.0L L4 DSL	33-3025	
M4	3.0L L6 F/I	33-2488	HP-7014 ¹	218i	1.5L L3 F/I	33-2990	
M5	4.4L V8 F/I	33-2488		228i	2.0L L4 F/I	33-2990 ♦	HP-7014 ¹
M6	4.4L V8 F/I	33-2488		228i xDrive	2.0L L4 F/I	33-2990	HP-7014 ¹
M6 Gran Coupe	4.4L V8 F/I	33-2488		316i	1.6L L4 F/I	33-2990	
M235i	3.0L L6 F/I	33-2997	HP-7014 ¹	320D	2.0L L4 DSL	33-2990	
M235i xDrive	3.0L L6 F/I	33-2997	HP-7014 ¹	320d GT	2.0L L4 DSL	33-2990	
M240i	3.0L L6 F/I	33-3051		320i	1.6L L4 F/I	33-2990	PS-7014
R nine T	1170	BM-1204	KN-164	320i	2.0L L4 F/I	33-2990	HP-7014 ¹
R nine T Pure	1170	BM-1204	KN-164	320i	2.0L L4 F/I - Non-US, From 8/15	33-3051 ♦	HP-7014
R nine T Racer	1170	BM-1204	KN-164	320i	2.0L L4 F/I - Non-US, To 7/15	33-2990 ♦	HP-7014
R nine T Scrambler	1170	BM-1204	KN-164	320i	2.0L L4 F/I - US	33-2990 ♦	HP-7014
R nine T Urban GS	1170	BM-1204	KN-164	320i GT	2.0L L4 F/I	33-2990	HP-7014 ¹
R1200GS	1170	BM-1113	KN-160	320i xDrive	2.0L L4 F/I	33-2990	HP-7014 ¹
R1200GS Adventure	1170	BM-1113	KN-160	325d	2.0L L4 DSL	33-2990	
R1200R	1170	BM-1113	KN-160	325d GT	2.0L L4 DSL	33-2990	
R1200RS	1170	BM-1113	KN-160	328i	2.0L L4 F/I	33-2990 ♦	HP-7014 ¹
R1200RT	1170	BM-1113	KN-160	328i GT	2.0L L4 F/I	33-2990	HP-7014 ¹
S1000R	999	BM-1010	KN-160	328i GT xDrive	2.0L L4 F/I	33-2990	HP-7014 ¹
S1000R	999 - Race Specific	BM-1010R	KN-160	328i xDrive	2.0L L4 F/I	33-2990	HP-7014 ¹
				330D	3.0L L6 DSL	33-3028	

* 2 filters required ♦ Intake System Available - see page 370 +Cabin Air Filter Available - see page 353 1- Performance Silver Oil Filter Also Available



AIR & OIL FILTERS

BMW

Vehicle	Engine Type	Air Filter	Oil Filter	Vehicle	Engine Type	Air Filter	Oil Filter
2015 BMW				2015 BMW			
330d GT	3.0L L6 DSL	33-3028		S1000R	999 - Race Specific	BM-1010R	KN-160
335i	3.0L L6 F/I	33-2997 ♦	HP-7014 ¹	S1000RR	999	BM-1010	KN-160
335i GT	3.0L L6 F/I	33-2997	HP-7014 ¹	S1000RR	999 - Race Specific	BM-1010R	KN-160
335i GT xDrive	3.0L L6 F/I	33-2997	HP-7014 ¹	S1000XR	999	BM-1010	KN-160
335i xDrive	3.0L L6 F/I	33-2997	HP-7014 ¹	S1000XR	999 - Race Specific	BM-1010R	KN-160
428i	2.0L L4 F/I	33-2990 ♦	HP-7014 ¹	X1	2.0L L4 F/I	33-2963 ♦	HP-7014 ¹
428i Gran Coupe	2.0L L4 F/I	33-2990	HP-7014 ¹	X1	3.0L L6 F/I	33-2458	HP-7014 ¹
428i xDrive	2.0L L4 F/I	33-2990	HP-7014 ¹	X1 16d	2.0L L4 DSL	33-2942	
428i xDrive Gran Coupe	2.0L L4 F/I	33-2990	HP-7014 ¹	X1 18d	2.0L L4 DSL - E84	33-2942	
435i	3.0L L6 F/I	33-2997 ♦	HP-7014 ¹	X1 18d	2.0L L4 DSL - F48	33-3025	
435i Gran Coupe	3.0L L6 F/I	33-2997	HP-7014 ¹	X1 20d	2.0L L4 DSL - E84	33-2942	
435i xDrive	3.0L L6 F/I	33-2997	HP-7014 ¹	X1 20d	2.0L L4 DSL - F48	33-3025	
435i xDrive Gran Coupe	3.0L L6 F/I	33-2997	HP-7014 ¹	X1 20i	2.0L L4 F/I		HP-7014 ¹
520d	2.0L L4 DSL	33-3042		X1 20i	2.0L L4 F/I - E84	33-2963 ♦	HP-7014
528i	2.0L L4 F/I	33-2963 ♦	HP-7014 ¹	X1 20i	2.0L L4 F/I - F48	33-3025 ♦	HP-7014
528i xDrive	2.0L L4 F/I	33-2963 ♦	HP-7014 ¹	X1 25d	2.0L L4 DSL - E84	33-2942	
530d GT	3.0L L6 DSL	33-3028		X1 25d	2.0L L4 DSL - F48	33-3025	
535d xDrive	3.0L L6 DSL	33-3028		X1 25i	2.0L L4 F/I	33-3025 ♦	
535i	3.0L L6 F/I	33-2428 ♦	HP-7014 ¹	X1 28i	2.0L L4 F/I		HP-7014 ¹
535i GT	3.0L L6 F/I	33-2428 ♦	HP-7014 ¹	X1 28i	2.0L L4 F/I - E84	33-2963 ♦	HP-7014
535i GT xDrive	3.0L L6 F/I	33-2428 ♦	HP-7014 ¹	X1 28i	2.0L L4 F/I - F48	33-3025 ♦	HP-7014
535i xDrive	3.0L L6 F/I	33-2428 ♦	HP-7014 ¹	X3	3.0L L6 F/I	33-2428+	HP-7014 ¹
640i Gran Coupe	3.0L L6 F/I	33-2428		X3 sDrive20i	2.0L L4 F/I	33-2465	HP-7014 ¹
640i xDrive Gran Coupe	3.0L L6 F/I	33-2428	HP-7014 ¹	X3 xDrive 20d	2.0L L4 DSL	33-3042	
740Li	3.0L L6 F/I	33-2428		X3 xDrive 30d	3.0L L6 DSL	33-3028	
740Li xDrive	3.0L L6 F/I	33-2428	PS-7014	X3 xDrive 35d	3.0L L6 DSL	33-3028	
C650GT	647	BM-6012	KN-164	X3 xDrive20i	2.0L L4 F/I	33-2465	
F700GS	798	BM-8006	KN-160	X3 xDrive28i	2.0L L4 F/I	33-2465	HP-7014 ¹
F800GS	798	BM-8006	KN-160	X4	2.0L L4 DSL	33-3042	
F800GS Adventure	798	BM-8006	KN-160	X4	2.0L L4 F/I	33-2465+	
F800GT	798	BM-8006	KN-160	X5	3.0L L6 F/I	33-2428+	HP-7014 ¹
F800R	798		KN-160	X5	4.0L V8 F/I	E-0659*	
G650GS	650	BM-6501	KN-151	X5	4.4L V8 F/I - Exc. M	E-0659**	
G650GS Sertao	650	BM-6501		X5 M50d	3.0L L6 DSL	33-3028	
i8	1.5L L3 F/I	33-2997		X5 xDrive30d	3.0L L6 DSL	33-3028	
K1300S	1300	BM-1205*	KN-160	X5 xDrive35d	3.0L L6 DSL	33-3028	
K1600GT	1649	BM-1611	KN-164	X5 xDrive40d	3.0L L6 DSL	33-3028	
K1600GTL	1649	BM-1611	KN-164	X6	3.0L L6 F/I	33-2428+	HP-7014 ¹
K1600GTL Exclusive	1649	BM-1611	KN-164	X6	4.4L V8 F/I - Exc. M	E-0659**	
M3	3.0L L6 F/I	33-2488	HP-7014 ¹	X6 M50d	3.0L L6 DSL	33-3028	
M4	3.0L L6 F/I	33-2488	HP-7014 ¹	X6 xDrive 30d	3.0L L6 DSL	33-3028	
M5	4.4L V8 F/I	33-2488		Z4 sDrive 28i	2.0L L4 F/I	33-2963	
M6	4.4L V8 F/I	33-2488		Z4 sDrive 35i	3.0L L6 F/I	33-2367	HP-7014 ¹
M6 Gran Coupe	4.4L V8 F/I	33-2488		2014 BMW			
M135i	3.0L L6 F/I	33-2997		116i	1.6L L4 F/I	33-2990	
M235i	3.0L L6 F/I	33-2997	HP-7014 ¹	128i	3.0L L6 F/I	33-2332	PS-7014
M235i xDrive	3.0L L6 F/I	33-2997	HP-7014 ¹	228i	2.0L L4 F/I	33-2990 ♦	HP-7014 ¹
M550d	3.0L L6 DSL	33-3028		320D	2.0L L4 DSL	33-2990	
R nine T	1170	BM-1204	KN-164	320d GT	2.0L L4 DSL	33-2990	
R1200GS	1170	BM-1113	KN-160	320i	1.6L L4 F/I	33-2990	
R1200GS Adventure	1170	BM-1113	KN-160	320i	2.0L L4 F/I	33-2990 ♦	HP-7014 ¹
R1200R	1170		KN-160	320i GT	2.0L L4 F/I	33-2990	HP-7014 ¹
R1200R	1170 - Air Cooled Eng.	BM-1204	KN-160	320i xDrive	2.0L L4 F/I	33-2990	HP-7014 ¹
R1200R	1170 - Liquid Cooled Eng.	BM-1113	KN-160	325d	2.0L L4 DSL	33-2990	
R1200RS	1170		KN-160	325d GT	2.0L L4 DSL	33-2990	
R1200RS	1170 - Air Cooled Eng.	BM-1204	KN-160	328i	2.0L L4 F/I	33-2990 ♦	HP-7014 ¹
R1200RS	1170 - Liquid Cooled Eng.	BM-1113	KN-160	328i GT	2.0L L4 F/I	33-2990	HP-7014 ¹
R1200RT	1170	BM-1113	KN-160	328i GT xDrive	2.0L L4 F/I	33-2990	HP-7014 ¹
S1000R	999	BM-1010	KN-160	328i xDrive	2.0L L4 F/I	33-2990	HP-7014 ¹
				330d GT	3.0L L6 DSL	33-3028	
				335d	3.0L L6 DSL	33-3028	
				335d GT	3.0L L6 DSL	33-3028	

* 2 filters required ♦ Intake System Available - see page 370 +Cabin Air Filter Available - see page 353 1- Performance Silver Oil Filter Also Available

Partial Listing: Complete Listing of Vehicles and Parts at KNFILTERS.COM or call 1-800-858-3333



Vehicle	Engine Type	Air Filter	Oil Filter	Vehicle	Engine Type	Air Filter	Oil Filter
2014 BMW				2014 BMW			
335i	3.0L L6 F/I	33-2997 ♦	HP-7014 ¹	X1 25d	2.0L L4 DSL	33-2942	
335i GT	3.0L L6 F/I	33-2997	HP-7014 ¹	X1 xDrive35i	3.0L L6 F/I	33-2458	HP-7014 ¹
335i GT xDrive	3.0L L6 F/I	33-2997	HP-7014 ¹	X3	2.0L L4 F/I	33-2465+	HP-7014 ¹
335i xDrive	3.0L L6 F/I	33-2997	HP-7014 ¹	X3 sDrive 18d	2.0L L4 DSL - From 4/14	33-3042	
335is	3.0L L6 F/I	33-2367	HP-7014 ¹	X3 sDrive18i	2.0L L4 F/I	33-2465	HP-7014 ¹
428i	2.0L L4 F/I	33-2990 ♦	HP-7014 ¹	X3 sDrive20i	2.0L L4 F/I	33-2465	HP-7014 ¹
428i xDrive	2.0L L4 F/I	33-2990	HP-7014 ¹	X3 xDrive 20d	2.0L L4 DSL - From 4/14	33-3042	
435i	3.0L L6 F/I	33-2997 ♦	HP-7014 ¹	X3 xDrive20i	2.0L L4 F/I	33-2465	HP-7014 ¹
435i xDrive	3.0L L6 F/I	33-2997	HP-7014 ¹	X3 xDrive28i	3.0L L6 F/I		HP-7014 ¹
520i	2.0L L4 F/I	33-2963		X3 xDrive35i	3.0L L6 F/I	33-2428+	HP-7014 ¹
528i	2.0L L4 F/I	33-2963 ♦	HP-7014 ¹	X5	3.0L L6 F/I	33-2428+	HP-7014 ¹
528i xDrive	2.0L L4 F/I	33-2963 ♦	HP-7014 ¹	X5	4.0L V8 F/I - F15	E-0659*	
535d	3.0L L6 DSL	33-3028		X5	4.4L V8 F/I - F15	E-0659*+	
535d GT	3.0L L6 DSL	33-3028		X5 M	4.4L V8 F/I	33-2449+	
535d xDrive	3.0L L6 DSL	33-3028		X5 M50d	3.0L L6 DSL	33-3028	
535i	3.0L L6 F/I	33-2428 ♦	HP-7014 ¹	X5 xDrive30d	3.0L L6 DSL	33-3028	
535i GT	3.0L L6 F/I	33-2428 ♦	HP-7014 ¹	X5 xDrive35d	3.0L L6 DSL	33-3028	
535i GT xDrive	3.0L L6 F/I	33-2428 ♦	HP-7014 ¹	X5 xDrive40d	3.0L L6 DSL	33-3028	
535i xDrive	3.0L L6 F/I	33-2428 ♦	HP-7014 ¹	X6	3.0L L6 F/I	33-2428+	PS-7014
640i	3.0L L6 F/I	33-2428		X6	4.4L V8 F/I - F16	E-0659*+	
640i Gran Coupe	3.0L L6 F/I	33-2428	PS-7014	X6 M	4.4L V8 F/I	33-2449+	
640i xDrive	3.0L L6 F/I	33-2428	HP-7014 ¹	X6 M50d	3.0L L6 DSL	33-3028	
640i xDrive Gran Coupe	3.0L L6 F/I	33-2428	HP-7014 ¹	X6 xDrive 30d	3.0L L6 DSL	33-3028	
740Li	3.0L L6 F/I	33-2428		Z4	2.0L L4 F/I	33-2963	
740Li xDrive	3.0L L6 F/I	33-2428	HP-7014 ¹	Z4 3.5 sDrive i	2.0L L4 F/I	33-2367	
750d	3.0L L6 DSL	33-3028		Z4 sDrive 35i	3.0L L6 F/I	33-2367	HP-7014 ¹
235i	3.0L L6 F/I	33-2997		2013 BMW			
C650GT	647	BM-6012	KN-164	116i	1.6L L4 F/I	33-2990	
F700GS	798	BM-8006	KN-160	118d	2.0L L4 DSL	33-2990	
F800GS	798	BM-8006		118i	1.6L L4 F/I	33-2990	
F800GS Adventure	798	BM-8006		120d	2.0L L4 DSL	33-2990	
F800GT	798	BM-8006	KN-160	128i	3.0L L6 F/I	33-2332	HP-7014 ¹
F800R	798		KN-160	135i	3.0L L6 F/I	33-2458	HP-7014 ¹
G650GS Sertao	650	BM-6501	KN-151	135is	3.0L L6 F/I	33-2458	HP-7014 ¹
HP4	999	BM-1010	KN-160	316i	1.6L L4 F/I	33-2990	
HP4 Competition	999	BM-1010	KN-160	320D	2.0L L4 DSL	33-2990	
HP4 Competition	999 - Race Specific	BM-1010R	KN-160	320d GT	2.0L L4 DSL	33-2990	
K1300S	1300	BM-1205*	KN-160	320i	2.0L L4 F/I	33-2990 ♦	HP-7014 ¹
K1600GT	1649	BM-1611	KN-164	320i GT	2.0L L4 F/I	33-2990	HP-7014 ¹
K1600GT Sport	1649	BM-1611	KN-164	320i xDrive	2.0L L4 F/I	33-2990	HP-7014 ¹
K1600GTL	1649	BM-1611	KN-164	328i	2.0L L4 F/I	33-2990 ♦	HP-7014 ¹
K1600GTL Exclusive	1649	BM-1611	KN-164	328i	3.0L L6 F/I	33-2332	HP-7014 ¹
M3	3.0L L6 F/I	33-2488		328i GT	2.0L L4 F/I	33-2990	HP-7014 ¹
M5	4.4L V8 F/I	33-2488		328i xDrive	2.0L L4 F/I	33-2990	HP-7014 ¹
M6	4.4L V8 F/I	33-2488		328i xDrive	3.0L L6 F/I	33-2332	HP-7014 ¹
M6 Gran Coupe	4.4L V8 F/I	33-2488		335i	3.0L L6 F/I	33-2997 ♦	HP-7014 ¹
M235i	3.0L L6 F/I	33-2997	HP-7014 ¹	335i Coupe	3.0L L6 F/I	33-2458 ♦	HP-7014 ¹
R nine T	1170	BM-1204	KN-164	335i GT	3.0L L6 F/I	33-2997	HP-7014 ¹
R1200GS	1170	BM-1113	KN-160	335i xDrive	3.0L L6 F/I	33-2997	HP-7014 ¹
R1200GS Adventure	1170	BM-1113	KN-160	335i xDrive Coupe	3.0L L6 F/I	33-2458	HP-7014 ¹
R1200R	1170		KN-164	335is	3.0L L6 F/I	33-2367	HP-7014 ¹
R1200RS	1170		KN-160	428i	2.0L L4 F/I	33-2990 ♦	
R1200RT	1170	BM-1113	KN-164	520i	2.0L L4 F/I	33-2963 ♦	
S1000R	999	BM-1010	KN-160	528i	2.0L L4 F/I	33-2963 ♦	HP-7014 ¹
S1000R	999 - Race Specific	BM-1010R	KN-160	528i xDrive	2.0L L4 F/I	33-2963 ♦	HP-7014 ¹
S1000RR	999	BM-1010	KN-160	530i	3.0L L6 F/I	33-2970	
S1000RR	999 - Race Specific	BM-1010R	KN-160	535i	3.0L L6 F/I	33-2428 ♦	HP-7014 ¹
S1000XR	999	BM-1010		535i GT	3.0L L6 F/I	33-2428 ♦	HP-7014 ¹
X1	2.0L L4 F/I	33-2963	HP-7014 ¹	535i GT xDrive	3.0L L6 F/I	33-2428 ♦	HP-7014 ¹
X1 16d	2.0L L4 DSL	33-2942		535i xDrive	3.0L L6 F/I	33-2428 ♦	HP-7014 ¹
X1 18d	2.0L L4 DSL	33-2942		640i	3.0L L6 F/I	33-2428	
X1 20d	2.0L L4 DSL	33-2942					

* 2 filters required ♦ Intake System Available - see page 370 +Cabin Air Filter Available - see page 353 1- Performance Silver Oil Filter Also Available



AIR & OIL FILTERS

BMW

Vehicle	Engine Type	Air Filter	Oil Filter	Vehicle	Engine Type	Air Filter	Oil Filter
2013 BMW				2012 BMW			
640i Gran Coupe	3.0L L6 F/I	33-2428	HP-7014 ¹	325i	3.0L L6 F/I - E90/91/92/93	33-2332	
740i	3.0L L6 F/I	33-2428	HP-7014 ¹	328i	2.0L L4 F/I - Non-US	33-2990 ♦	
740Li	3.0L L6 F/I	33-2428		328i	2.0L L4 F/I - US, F30	33-2990	
740Li xDrive	3.0L L6 F/I	33-2428	HP-7014 ¹	328i	3.0L L6 F/I	33-2332	HP-7014 ¹
750d	3.0L L6 DSL	33-3028		328i xDrive	3.0L L6 F/I	33-2332	HP-7014 ¹
ActiveHybrid 3	3.0L L6 F/I	33-2997	HP-7014 ¹	330D	3.0L L6 DSL - E90/91/92/93	33-2942	
C650GT	647	BM-6012	KN-164	335i	3.0L L6 F/I		HP-7014 ¹
F700GS	798	BM-8006	KN-160	335i	3.0L L6 F/I - Exc. F30	33-2458	HP-7014
F800GS	798	BM-8006				33-2458 ♦	HP-7014
F800GT	798	BM-8006	KN-160				
F800R	798	BM-8006	KN-160	335i	3.0L L6 F/I - Non-US, F30/F31	33-2997	HP-7014
G650GS	650	BM-6501	KN-151			33-2997 ♦	HP-7014
G650GS Sertao	650	BM-6501	KN-151				
HP4	999	BM-1010	KN-160	335i	3.0L L6 F/I - US, F30 Sedan	33-2997 ♦	HP-7014
K1300S	1300		KN-160				
K1300S 30 Jahre	1300		KN-160	335i xDrive	3.0L L6 F/I	33-2458	HP-7014 ¹
K-Modelle				335is	3.0L L6 F/I	33-2367	HP-7014 ¹
K1600GT	1600	BM-1611	KN-164	520i	2.0L L4 F/I	33-2963 ♦	
K1600GTL	1649	BM-1611	KN-164	528i	2.0L L4 F/I	33-2963 ♦	HP-7014 ¹
K1600GTL Exclusive	1649	BM-1611	KN-164	528i xDrive	2.0L L4 F/I	33-2963 ♦	HP-7014 ¹
M3	4.0L V8 F/I	E-2994 ♦		530d GT	3.0L L6 DSL - 258BHP	33-3028	
M5	4.4L V8 F/I	33-2488		535i	3.0L L6 F/I	33-2428 ♦	HP-7014 ¹
M6	4.4L V8 F/I	33-2488		535i GT	3.0L L6 F/I	33-2428 ♦	HP-7014 ¹
R1200GS	1170		KN-160	535i GT xDrive	3.0L L6 F/I	33-2428 ♦	HP-7014 ¹
R1200GS	1170 - Air Cooled Eng.	BM-1204	KN-160	535i xDrive	3.0L L6 F/I	33-2428 ♦	HP-7014 ¹
R1200GS	1170 - Water Cooled Eng.	BM-1113	KN-160	640i	3.0L L6 F/I	33-2428	HP-7014 ¹
R1200GS Adventure	1170	BM-1204	KN-164	740i	3.0L L6 F/I	33-2428	HP-7014 ¹
R1200R	1170	BM-1204	KN-164	740Li	3.0L L6 F/I	33-2428	HP-7014 ¹
R1200RT	1170	BM-1204	KN-160	750d	3.0L L6 DSL	33-3028	
S1000R	999		KN-160	ActiveHybrid 7	3.0L L6 F/I	33-2428	
S1000RR	990	BM-1010	KN-160	F650GS	798	BM-8006	KN-160
S1000RR	990 - Race Specific	BM-1010R	KN-160	F800GS	798	BM-8006	KN-160
X1	2.0L L4 F/I	33-2963	HP-7014 ¹	F800R	798	BM-8006	KN-160
X1 16d	2.0L L4 DSL	33-2942		F800ST	798	BM-8006	
X1 18d	2.0L L4 DSL	33-2942		G650GS	650	BM-6501	KN-151
X1 20d	2.0L L4 DSL	33-2942		G650GS Sertao	650	BM-6501	KN-151
X1 25d	2.0L L4 DSL	33-2942		K1300S	1300	BM-1205*	KN-160
X1 35i	3.0L L6 F/I	33-2458	HP-7014 ¹	K1600GT	1649	BM-1611	KN-164
X3 xDrive28i	2.0L L4 F/I	33-2465+	HP-7014 ¹	K1600GTL	1649	BM-1611	KN-164
X3 xDrive35i	3.0L L6 F/I	33-2428+	HP-7014 ¹	M3	4.0L V8 F/I	E-2994 ♦	
X5	3.0L L6 F/I	33-2428+	HP-7014 ¹	M5	4.4L V8 F/I	33-2488	
X5	4.4L V8 F/I - F15	E-0659*+		M6	4.4L V8 F/I	33-2488	
X5 M	4.4L V8 F/I	33-2449+		R1200GS	1170	BM-1204	KN-164
X5 M50d	3.0L L6 DSL	33-3028		R1200GS Adventure	1170	BM-1204	KN-164
X5 xDrive30d	3.0L L6 DSL - F15	33-3028		R1200R	1170	BM-1204	KN-164
X5 xDrive35d	3.0L L6 DSL	33-2959		R1200RT	1170	BM-1204	KN-164
X5 xDrive40d	3.0L L6 DSL - F15	33-3028		S1000RR	990	BM-1010	KN-160
X6	3.0L L6 F/I	33-2428+	HP-7014 ¹	S1000RR	990 - Race Specific	BM-1010R	KN-160
X6 M	4.4L V8 F/I	33-2449+		X1	2.0L L4 F/I	33-2963	HP-7014 ¹
X6 M50d	3.0L L6 DSL	33-3028		X1 16d	2.0L L4 DSL	33-2942	
Z4	2.0L L4 F/I	33-2963		X1 18d	2.0L L4 DSL	33-2942 ♦	
Z4 3.5 sDrive i	2.0L L4 F/I	33-2367		X1 20d	2.0L L4 DSL	33-2942 ♦	
2012 BMW				X1 23d	2.0L L4 DSL	33-2942 ♦	
118d	2.0L L4 DSL	33-2990		X1 25d	2.0L L4 DSL	33-2942	
118i	1.6L L4 F/I	33-2990		X3 35i	3.0L L6 F/I	33-2428	
128i	3.0L L6 F/I	33-2332	HP-7014 ¹	X3 xDrive28i	2.0L L4 F/I	33-2465	
135i	3.0L L6 F/I	33-2458	HP-7014 ¹	X5	3.0L L6 F/I	33-2428+	HP-7014 ¹
320i	2.0L L4 F/I		HP-7014 ¹	X5 M	4.4L V8 F/I	33-2449+	
320i	2.0L L4 F/I - Exc. F30/F31	E-2021 ♦	HP-7014	X5 M50d	3.0L L6 DSL	33-3028	
320i	2.0L L4 F/I - F30/F31	33-2990 ♦	HP-7014	X5 xDrive35d	3.0L L6 DSL - US	33-2959	
320i	2.0L L4 F/I - US	33-2990 ♦	HP-7014	X6	3.0L L6 F/I	33-2428+	
				X6 M	4.4L V8 F/I	33-2449+	

* 2 filters required ♦ Intake System Available - see page 370 +Cabin Air Filter Available - see page 353 1- Performance Silver Oil Filter Also Available



Vehicle	Engine Type	Air Filter	Oil Filter	Vehicle	Engine Type	Air Filter	Oil Filter
2012 BMW				2011 BMW			
X6 M50d	3.0L L6 DSL	33-3028		X6 M	4.4L V8 F/I	33-2449+	
Z4	3.0L L6 F/I	33-2367	PS-7014	Z4	3.0L L6 F/I		HP-7014 ¹
2011 BMW				2010 BMW			
118i	2.0L L4 F/I	E-2021 ♦		118i	2.0L L4 F/I	E-2021 ♦	
120i	2.0L L4 F/I	E-2021 ♦		128i	3.0L L6 F/I	33-2332	HP-7014 ¹
128i	3.0L L6 F/I	33-2332	HP-7014 ¹	135i	3.0L L6 F/I		HP-7014 ¹
135i	3.0L L6 F/I	33-2458	HP-7014 ¹	135i	3.0L L6 F/I - N54 Eng.	33-2367	HP-7014
318i	2.0L L4 F/I	E-2021 ♦		135i	3.0L L6 F/I - N55 Eng.	33-2458	HP-7014
320D	2.0L L4 DSL	33-2942 ♦		135i	3.0L L6 F/I - US	33-2367	HP-7014
320i	2.0L L4 F/I	E-2021 ♦		320D	2.0L L4 DSL	33-2942 ♦	
323i	2.5L L6 F/I		HP-7014 ¹	320i	2.0L L4 F/I	E-2021 ♦	
325i	3.0L L6 F/I	33-2332		323i	2.5L L6 F/I		HP-7014 ¹
328i	3.0L L6 F/I	33-2332	HP-7014 ¹	325i	2.5L L6 F/I		HP-7014 ¹
328i xDrive	3.0L L6 F/I	33-2332	HP-7014 ¹	328i	3.0L L6 F/I	33-2332	HP-7014 ¹
330D	3.0L L6 DSL	33-2942		328i xDrive	3.0L L6 F/I	33-2332	HP-7014 ¹
330i	3.0L L6 F/I	33-2332		330i	3.0L L6 F/I - w/Panel Filter	33-2332	
335d	3.0L L6 DSL	33-2942		330i	3.0L L6 F/I - w/Round Filter	E-2022	
335i	3.0L L6 F/I	33-2458	HP-7014 ¹	335d	3.0L L6 DSL	33-2942	
335i xDrive	3.0L L6 F/I	33-2458	HP-7014 ¹	335i	3.0L L6 F/I		HP-7014 ¹
335is	3.0L L6 F/I	33-2367	HP-7014 ¹	335i	3.0L L6 F/I - Non-US, N54 Eng.	33-2367	HP-7014
520i	2.0L L4 F/I - China	33-2970 ♦		335i	3.0L L6 F/I - US	33-2367	HP-7014
520i	2.0L L4 F/I - From 9/11	33-2963 ♦		335i xDrive	3.0L L6 F/I		HP-7014 ¹
523i	3.0L L6 F/I	33-2970		335i xDrive	3.0L L6 F/I - US	33-2367	HP-7014
528i	3.0L L6 F/I	33-2970	HP-7014 ¹	520d	2.0L L4 DSL - E60, E61	33-2943+	
528i xDrive	3.0L L6 F/I		HP-7014 ¹	528i	3.0L L6 F/I		HP-7014 ¹
528i xDrive	3.0L L6 F/I - Non-US, F10	33-2970	HP-7014	528i	3.0L L6 F/I - Non-US, E60, E61	33-2292	HP-7014
530i	3.0L L6 F/I	33-2970		528i	3.0L L6 F/I - Non-US, F10, F11	33-2970	HP-7014
535i	3.0L L6 F/I	33-2428 ♦	HP-7014 ¹	528i	3.0L L6 F/I - US	33-2292	HP-7014
535i GT	3.0L L6 F/I	33-2428 ♦	HP-7014 ¹	528i xDrive	3.0L L6 F/I		HP-7014 ¹
535i GT xDrive	3.0L L6 F/I	33-2428 ♦	HP-7014 ¹	528i xDrive	3.0L L6 F/I - Non-US, E60, E61	33-2292	HP-7014
535i xDrive	3.0L L6 F/I	33-2428 ♦	HP-7014 ¹	528i xDrive	3.0L L6 F/I - Non-US, F10	33-2970	HP-7014
650i	4.8L V8 F/I - E63/E64	33-2294+		528i xDrive	3.0L L6 F/I - US	33-2292	HP-7014
740i	3.0L L6 F/I	33-2428	HP-7014 ¹	530i	3.0L L6 F/I	33-2292+	
740Li	3.0L L6 F/I	33-2428	HP-7014 ¹	535i	3.0L L6 F/I	33-2367+	HP-7014 ¹
F650GS	798	BM-8006	KN-160	535i GT	3.0L L6 F/I	33-2428+	HP-7014 ¹
F800GS	798	BM-8006	KN-160	535i xDrive	3.0L L6 F/I	33-2367+	HP-7014 ¹
F800R	798	BM-8006	KN-160	550i	4.8L V8 F/I	33-2294+	
F800S	798	BM-8006		650i	4.8L V8 F/I	33-2294+	
F800ST	798	BM-8006		740i	3.0L L6 F/I	33-2428	
G650GS	650	BM-6501	KN-151	F650GS	798	BM-8006	KN-160
G650GS Sertao	650		KN-151	F800GS	798	BM-8006	KN-160
K1300S	1300	BM-1205*	KN-160	F800R	798	BM-8006	KN-160
K1600GTL	1649	BM-1611	KN-164	F800ST	798	BM-8006	
M3	4.0L V8 F/I	E-2994 ♦		G450X	450		KN-611
M5	4.4L V8 F/I	33-2488		G650GS	650	BM-6501	KN-151
M6	5.0L V10 F/I - Left Side Airbox	33-2352+		K1300GT	1300	BM-1205	KN-160
M6	5.0L V10 F/I - Right Side Airbox	33-2350+		K1300GT SE	1300	BM-1205	KN-160
R1200GS	1170	BM-1204	KN-164	K1300R	1300		KN-160
R1200GS Adventure	1170	BM-1204	KN-164	K1300S	1300	BM-1205*	KN-160
R1200R	1170	BM-1204	KN-164	M3	4.0L V8 F/I	E-2994 ♦	
R1200R Classic	1170	BM-1204	KN-164	M5	5.0L V10 F/I		HP-7032 ¹
R1200RT	1170	BM-1204	KN-164	M5	5.0L V10 F/I - Left Side Airbox	33-2352+	HP-7032
S1000RR	990	BM-1010	KN-160	M5	5.0L V10 F/I - Right Side Airbox	33-2350+	HP-7032
S1000RR	990 - Race Specific	BM-1010R	KN-160	M6	5.0L V10 F/I - Left Side Airbox	33-2352+	
X3 xDrive28i	3.0L L6 F/I		HP-7014 ¹				
X3 xDrive28i	3.0L L6 F/I - Exc. Turbo	33-2465+	HP-7014				
X5	3.0L L6 F/I	33-2428+	HP-7014 ¹				
X5 M	4.4L V8 F/I	33-2449+					
X5 xDrive35d	3.0L L6 DSL	33-2959					
X6	3.0L L6 F/I	33-2428+	HP-7014 ¹				

* 2 filters required ♦ Intake System Available - see page 370 +Cabin Air Filter Available - see page 353 1- Performance Silver Oil Filter Also Available



AIR & OIL FILTERS

BMW

Vehicle	Engine Type	Air Filter	Oil Filter	Vehicle	Engine Type	Air Filter	Oil Filter
2010 BMW				2009 BMW			
M6	5.0L V10 F/I - Right Side Airbox	33-2350+		F800GS	798	BM-8006	KN-160
R1200GS	1170	BM-1204	KN-164	F800ST	798	BM-8006	
R1200GS Adventure	1170	BM-1204	KN-164	G650 Xcountry	650	BM-6507	
R1200R	1170		KN-164	G650GS	650	BM-6501	KN-151
R1200RT	1170	BM-1204	KN-164	K1200LT	1170	BM-1299	
S1000RR	990	BM-1010	KN-160	K1300GT	1300	BM-1205	KN-160
S1000RR	990 - Race Specific	BM-1010R	KN-160	K1300S	1300	BM-1205*	KN-160
X3	3.0L L6 F/I		HP-7014 ¹	M3	4.0L V8 F/I - Non-US	E-2994 ♦	
X3	3.0L L6 F/I - Non-US, E83	33-2372	HP-7014	M3	4.0L V8 F/I - US	E-1994 ♦	
X3	3.0L L6 F/I - Non-US, F25	33-2428	HP-7014	M5	5.0L V10 F/I		HP-7032 ¹
X3	3.0L L6 F/I - US	33-2372	HP-7014	M5	5.0L V10 F/I - Left Side Airbox	33-2352+	HP-7032
X5	3.0L L6 F/I		HP-7014 ¹	M5	5.0L V10 F/I - Right Side Airbox	33-2350+	HP-7032
X5	3.0L L6 F/I - US	33-2406+	HP-7014	R1200GS	1170	BM-1204	KN-164
X5	4.8L V8 F/I	33-2407+		R1200GS Adventure	1170	BM-1204	KN-164
X5 M	4.4L V8 F/I	33-2449+		R1200R	1170	BM-1204	KN-164
X5 xDrive30d	3.0L L6 DSL - To 3/10	E-2657		R1200RT	1170	BM-1204	KN-164
X5 xDrive35d	3.0L L6 DSL	33-2959		S1000RR	990	BM-1010	
X5 xDrive35i	3.0L L6 F/I		HP-7014 ¹	X3	3.0L L6 F/I	33-2372	
X5 xDrive35i	3.0L L6 F/I - Non-US	33-2428	HP-7014	X5	3.0L L6 F/I	33-2406+	HP-7014 ¹
X6	3.0L L6 F/I	33-2428+	PS-7014	X5	4.8L V8 F/I	33-2407+	
X6 M	4.4L V8 F/I	33-2449+		X5 M	4.4L V8 F/I	33-2449	
X6 xDrive 30d	3.0L L6 DSL - To 3/10	E-2657		X5 xDrive30d	3.0L L6 DSL	E-2657	
X6 xDrive 35d	3.0L L6 DSL	33-2959		X5 xDrive35d	3.0L L6 DSL	33-2959	
Z4	2.5L L6 F/I	33-2963		X6	3.0L L6 F/I	33-2428+	
Z4	3.0L L6 F/I		HP-7014 ¹	X6 M	4.4L V8 F/I	33-2449+	
Z4	3.0L L6 F/I - Exc. Turbo	33-2963	HP-7014	Z4	3.0L L6 F/I	33-2372	HP-7014 ¹
Z4	3.0L L6 F/I - Non-US, 23i, 30i	33-2963	HP-7014	Z4	3.0L L6 F/I - Non-US, 23i, 30i	33-2963	HP-7014
Z4	3.0L L6 F/I - Non-US, 35i	33-2367	HP-7014	Z4	3.0L L6 F/I - Non-US, 35i	33-2367	HP-7014
Z4	3.0L L6 F/I - Turbo	33-2367	HP-7014	Z4	3.2L L6 F/I	33-2292	
2009 BMW				2008 BMW			
116i	1.6L L4 F/I	E-2021		120d	2.0L L4 DSL	33-2942 ♦	
118i	2.0L L4 F/I	E-2021 ♦		120i	2.0L L4 F/I	E-2021 ♦	
128i	3.0L L6 F/I	33-2332	HP-7014 ¹	128i	3.0L L6 F/I	33-2332	HP-7014 ¹
130i	3.0L L6 F/I	E-2022		135i	3.0L L6 F/I	33-2367	HP-7014 ¹
135i	3.0L L6 F/I		HP-7014 ¹	318i	2.0L L4 F/I	E-2021 ♦	
135i	3.0L L6 F/I - Non-US, N54 Eng.	33-2367	HP-7014	320D	2.0L L4 DSL	33-2942 ♦	
135i	3.0L L6 F/I - US	33-2367	HP-7014	320i	2.0L L4 F/I	E-2021 ♦	
320D	2.0L L4 DSL	33-2942 ♦		323i	2.5L L6 F/I - Non-US	E-2022	
320i	2.0L L4 F/I	E-2021 ♦		325i	2.5L L6 F/I	E-2022	HP-7007 ¹
325i	2.5L L6 F/I		HP-7007 ¹	328i	3.0L L6 F/I	33-2332	HP-7014 ¹
325i	3.0L L6 F/I	E-2022		328xi	3.0L L6 F/I	33-2332	HP-7014 ¹
328i	3.0L L6 F/I	33-2332	HP-7014 ¹	335d	3.0L L6 DSL	33-2942	
328i xDrive	3.0L L6 F/I	33-2332	HP-7014 ¹	335i	3.0L L6 F/I	33-2367	HP-7014 ¹
328xi	3.0L L6 F/I	33-2332		335i xDrive	3.0L L6 F/I	33-2367	HP-7014 ¹
335d	3.0L L6 DSL	33-2942		528i	3.0L L6 F/I	33-2292	
335i	3.0L L6 F/I	33-2367	HP-7014 ¹	528xi	3.0L L6 F/I	33-2292	HP-7014 ¹
335i xDrive	3.0L L6 F/I	33-2367	HP-7014 ¹	530i	3.0L L6 F/I	33-2292+	
528i	3.0L L6 F/I	33-2292		530xi	3.0L L6 F/I	33-2292	
528i xDrive	3.0L L6 F/I	33-2292	HP-7014 ¹	535i	3.0L L6 F/I	33-2367+	HP-7014 ¹
528xi	3.0L L6 F/I	33-2292		535xi	3.0L L6 F/I	33-2367	HP-7014 ¹
535i	3.0L L6 F/I	33-2367+	HP-7014 ¹	550i	4.8L V8 F/I	33-2294+	
535i GT	3.0L L6 F/I	33-2428+		630i	3.0L L6 F/I	33-2292+	
535i xDrive	3.0L L6 F/I	33-2367	HP-7014 ¹	650i	4.8L V8 F/I	33-2294+	
550i	4.8L V8 F/I	33-2294+		750i	4.8L V8 F/I - Non-US	33-2254*	
650i	4.8L V8 F/I	33-2294+		750i	4.8L V8 F/I - US	33-2410	
740i	3.0L L6 F/I	33-2428		750iL	4.8L V8 F/I - Non-US	33-2254*	
740iL	3.0L L6 F/I	33-2428		750Li	4.8L V8 F/I - US	33-2410	
F650GS	652	BM-8006	KN-160	F650GS	652	BM-8006	KN-160

* 2 filters required ♦ Intake System Available - see page 370 +Cabin Air Filter Available - see page 353 1- Performance Silver Oil Filter Also Available

Partial Listing: Complete Listing of Vehicles and Parts at KNFILTERS.COM or call 1-800-858-3333



Vehicle	Engine Type	Air Filter	Oil Filter	Vehicle	Engine Type	Air Filter	Oil Filter
2008 BMW				2007 BMW			
F800GS	798	BM-8006	KN-160	550i	4.8L V8 F/I	33-2294+	
F800S	798	BM-8006		650i	4.8L V8 F/I	33-2294+	
F800ST	798	BM-8006		750i	4.8L V8 F/I - Non-US	33-2254*	
K1200GT	1157	BM-1205	KN-160	750i	4.8L V8 F/I - US	33-2410	
K1200LT	1170		KN-163	750iL	4.8L V8 F/I - Non-US	33-2254*	
K1200R	1171	BM-1205	KN-160	750Li	4.8L V8 F/I - US	33-2410	
K1200R Sport	1171	BM-1205	KN-160	760Li	6.0L V12 F/I - US	33-2410	
K1200S	1157	BM-1205*	KN-160	F650GS	652	BM-6501	KN-151
M3	4.0L V8 F/I - Non-US	E-2994 ♦		F650GS Dakar	652	BM-6501	KN-151
M3	4.0L V8 F/I - US	E-1994 ♦		F800GS	798	BM-8006	KN-160
M5	5.0L V10 F/I		HP-7032 ¹	F800S	798	BM-8006	
M5	5.0L V10 F/I - Left Side Airbox	33-2352 ♦+	HP-7032	F800ST	798	BM-8006	
M5	5.0L V10 F/I - Right Side Airbox	33-2350 ♦+	HP-7032	G650 Xchallenge	650	BM-6507	KN-151
M6	5.0L V10 F/I		HP-7032 ¹	G650 Xcountry	650	BM-6507	
M6	5.0L V10 F/I - Left Side Airbox	33-2352 ♦+	HP-7032	K1200GT	1157	BM-1205	KN-160
M6	5.0L V10 F/I - Right Side Airbox	33-2350 ♦+	HP-7032	K1200LT	1170	BM-1299	KN-163
R1200GS	1170	BM-1204	KN-164	K1200S	1157	BM-1205*	KN-160
R1200GS Adventure	1170	BM-1204	KN-164	M3	3.2L L6 F/I	33-2231	
R1200GS HP2	1170	BM-1204	KN-164	M5	5.0L V10 F/I		HP-7032 ¹
R1200R	1170	BM-1204	KN-164	M5	5.0L V10 F/I - Left Side Airbox	33-2352 ♦+	HP-7032
R1200RT	1170	BM-1204	KN-164	M5	5.0L V10 F/I - Right Side Airbox	33-2350 ♦+	HP-7032
X3	3.0L L6 DSL - Exc. SD	E-2657		M6	5.0L V10 F/I		HP-7032 ¹
X3	3.0L L6 F/I	33-2372	HP-7014 ¹	M6	5.0L V10 F/I - Left Side Airbox	33-2352 ♦+	HP-7032
X3 Si	3.0L L6 F/I	33-2372	HP-7014 ¹	M6	5.0L V10 F/I - Right Side Airbox	33-2350 ♦+	HP-7032
X5	3.0L L6 F/I	33-2406+	HP-7014 ¹	R1200GS	1170	BM-1204	KN-164
X5	4.8L V8 F/I	33-2407+		R1200GS Adventure	1170	BM-1204	KN-164
X5 xDrive30d	3.0L L6 DSL	E-2657		R1200GS HP2	1172	BM-1204	KN-164
X5 xDrive35d	3.0L L6 DSL	33-2959		R1200R	1170	BM-1204	KN-164
X6 xDrive 35d	3.0L L6 DSL	33-2959		R1200RT	1170	BM-1204	KN-164
Z4	3.0L L6 F/I	33-2372	HP-7014 ¹	R1200S	1172	BM-1204	KN-164
Z4	3.2L L6 F/I	33-2292		R1200ST	1172	BM-1204	KN-164
2007 BMW				2006 BMW			
118d	2.0L L4 DSL - 143BHP, From 3/07	33-2942 ♦		X3	3.0L L6 DSL - Exc. SD	E-2657	
118i	2.0L L4 F/I	E-2021 ♦		X3	3.0L L6 F/I	33-2372	HP-7014 ¹
120d	2.0L L4 DSL - 143BHP, From 3/07	33-2942 ♦		X3 Si	3.0L L6 F/I	33-2372	HP-7014 ¹
130i	3.0L L6 F/I	E-2022		X5	3.0L L6 DSL	E-2657	
135i	3.0L L6 F/I	33-2367		X5	3.0L L6 F/I	33-2406+	HP-7014 ¹
320D	2.0L L4 DSL - 163BHP, To 8/07	E-2653 ♦		X5	4.8L V8 F/I	33-2407+	
320D	2.0L L4 DSL - 177BHP, From 3/07	33-2942 ♦		X5 xDrive35d	3.0L L6 DSL	33-2959	
320i	2.0L L4 F/I	E-2021 ♦		Z4	2.5L L6 F/I		PS-7007
323i	2.5L L6 F/I - Non-US	E-2022		Z4	3.0L L6 F/I	33-2372	HP-7014 ¹
325Ci	2.5L L6 F/I	33-2231	HP-7007 ¹	Z4	3.2L L6 F/I	33-2292	
325d	3.0L L6 DSL	E-2657		2006 BMW			
325i	2.5L L6 F/I	E-2022	HP-7007 ¹	130i	3.0L L6 F/I	E-2022	
328i	3.0L L6 F/I	33-2332	HP-7014 ¹	318i	2.0L L4 F/I	E-2021 ♦	
328xi	3.0L L6 F/I	33-2332	HP-7014 ¹	320i	2.0L L4 F/I	E-2021 ♦	
330D	3.0L L6 DSL	E-2657 ♦		323i	2.5L L6 F/I - Non-US	E-2022	
330i	3.0L L6 F/I	E-2022		325Ci	2.5L L6 F/I	33-2231	HP-7007 ¹
335i	3.0L L6 F/I	33-2367	HP-7014 ¹	325i	2.5L L6 F/I		HP-7007 ¹
335xi	3.0L L6 F/I	33-2367	HP-7014 ¹	325i	3.0L L6 F/I		HP-7014 ¹
520d	2.0L L4 DSL - From 9/07	33-2943+		325i	3.0L L6 F/I - Non-US	E-2022	HP-7014
525i	2.5L L6 F/I	33-2292+	PS-7007	325i	3.0L L6 F/I - US	33-2332	HP-7014
525i	3.0L L6 F/I	33-2292+	HP-7014 ¹	325Xi	3.0L L6 F/I	33-2332	HP-7014 ¹
525xi	3.0L L6 F/I	33-2292	HP-7014 ¹	330Ci	3.0L L6 F/I	33-2231	HP-7014 ¹
530i	3.0L L6 F/I	33-2292+	HP-7014 ¹	330i	3.0L L6 F/I		HP-7014 ¹
530xi	3.0L L6 F/I	33-2292	HP-7014 ¹	330i	3.0L L6 F/I - N52 Eng.		HP-7007 ¹
				330i	3.0L L6 F/I - N53 Eng.		HP-7007 ¹
				330i	3.0L L6 F/I - Non-US	E-2022	HP-7014
				330i	3.0L L6 F/I - US	33-2332	HP-7014
				330Xi	3.0L L6 F/I		HP-7014 ¹

* 2 filters required ♦ Intake System Available - see page 370 +Cabin Air Filter Available - see page 353 1- Performance Silver Oil Filter Also Available



AIR & OIL FILTERS

BMW

Vehicle	Engine Type	Air Filter	Oil Filter	Vehicle	Engine Type	Air Filter	Oil Filter
2006 BMW				2005 BMW			
330Xi	3.0L L6 F/I - Non-US	E-2022	HP-7014	325Ci	2.5L L6 F/I	33-2231 ♦	HP-7007 ¹
330Xi	3.0L L6 F/I - US	33-2332	HP-7014	325i	2.5L L6 F/I		HP-7007 ¹
335i	3.0L L6 F/I	33-2367		325i	2.5L L6 F/I - 192BHP	33-2231 ♦	HP-7007
520d	2.0L L4 DSL	E-2653+		325i	2.5L L6 F/I - 218BHP	E-2022 ♦	HP-7007
525i	2.5L L6 F/I	33-2292+	HP-7007 ¹	325i	2.5L L6 F/I - US	33-2231 ♦	HP-7007
525i	3.0L L6 F/I	33-2292+		325Xi	2.5L L6 F/I	33-2231 ♦	HP-7007 ¹
525i	3.0L L6 F/I - w/Heat Exchanger	33-2292	HP-7014 ¹	330Ci	3.0L L6 F/I		HP-7007 ¹
525i	3.0L L6 F/I - w/o Heat Exchanger	33-2292	HP-7007 ¹	330Ci	3.0L L6 F/I - Non-US	E-2022 ♦	HP-7007
525xi	3.0L L6 F/I	33-2292		330Ci	3.0L L6 F/I - US	33-2231 ♦	HP-7007
525xi	3.0L L6 F/I - w/o Heat Exchanger	33-2292	PS-7007	330i	3.0L L6 F/I		HP-7007 ¹
530i	3.0L L6 F/I	33-2292+		330i	3.0L L6 F/I - N53 Eng.		PS-7007
530i	3.0L L6 F/I - w/Heat Exchanger	33-2292	HP-7014 ¹	330i	3.0L L6 F/I - Non-US	E-2022 ♦	HP-7007
530i	3.0L L6 F/I - w/o Heat Exchanger	33-2292	HP-7007 ¹	330i	3.0L L6 F/I - US	33-2231 ♦	HP-7007
530xi	3.0L L6 F/I	33-2292		330Xi	3.0L L6 F/I - Non-US	E-2022 ♦	HP-7007
530xi	3.0L L6 F/I - w/Heat Exchanger	33-2292	HP-7014 ¹	330Xi	3.0L L6 F/I - US	33-2231 ♦	HP-7007
530xi	3.0L L6 F/I - w/o Heat Exchanger	33-2292	HP-7007 ¹	525i	2.5L L6 F/I	33-2292+	HP-7007 ¹
550i	4.8L V8 F/I	33-2294+		530i	3.0L L6 F/I	33-2292+	HP-7007 ¹
650i	4.8L V8 F/I	33-2294+		535d	3.0L L6 DSL	33-2943+	
750i	4.8L V8 F/I	33-2254*		545i	4.4L V8 F/I	33-2294+	
750iL	4.8L V8 F/I	33-2254*		645Ci	4.4L V8 F/I	33-2294+	
750Li	4.8L V8 F/I	33-2254*		745Li	4.4L V8 F/I	33-2254	
F650GS	652	BM-6501	KN-151	F650GS	652	BM-6501	KN-151
F650GS Dakar	652	BM-6501	KN-151	F650GS Dakar	652	BM-6501	KN-151
F800ST	798	BM-8006		F650GS Dakar ABS	652	BM-6501	
K1200GT	1157	BM-1205	KN-160	K1200LT SE	1200	BM-1299	KN-163
K1200LT	1170	BM-1299	KN-163	K1200R	1200		KN-160
K1200R	1200	BM-1205	KN-160	K1200RS	1200		KN-160
K1200S	1157	BM-1205*	KN-160	K1200RS SE	1200		KN-160
M3	3.2L L6 F/I	33-2231		K1200S	1157	BM-1205*	KN-160
M5	5.0L V10 F/I		HP-7032 ¹	M3	3.2L L6 F/I	33-2231 ♦	
M5	5.0L V10 F/I - Left Side Airbox	33-2352 ♦+	HP-7032	M5	5.0L V10 F/I - Left Side Airbox	33-2352 ♦+	
M5	5.0L V10 F/I - Right Side Airbox	33-2350 ♦+	HP-7032	M5	5.0L V10 F/I - Right Side Airbox	33-2350 ♦+	
R1200GS	1170	BM-1204	KN-164	R1150R Rockster	1150		KN-163
R1200GS Adventure	1170	BM-1204	KN-164	R1150RT	1150	BM-0400	KN-163
R1200GS HP2	1172	BM-1204	KN-164	R1200GS	1170	BM-1204	KN-164
R1200RT	1170	BM-1204	KN-164	R1200GS Adventure	1170	BM-1204	KN-164
R1200S	1172		KN-164	R1200GS HP2	1172	BM-1204	KN-164
R1200ST	1172	BM-1204	KN-164	R1200RT	1170	BM-1204	KN-164
X3	2.5L L6 F/I		HP-7007 ¹	R1200ST	1172		KN-164
X3	2.5L L6 F/I - Non-US, To 8/06	33-2070	HP-7007	X3	2.5L L6 F/I		HP-7007 ¹
X3	3.0L L6 DSL - Exc. SD	E-2657		X3	2.5L L6 F/I - Non-US	33-2070	HP-7007
X3	3.0L L6 F/I	33-2231	HP-7007 ¹	X3	2.5L L6 F/I - US	33-2231	HP-7007
X3 Si	2.5L L6 F/I		HP-7007 ¹	X3	3.0L L6 DSL	E-2657	
X3 Si	2.5L L6 F/I - Non-US, From 6/06	33-2372	HP-7007	X3	3.0L L6 F/I	33-2231	HP-7007 ¹
X3 Si	3.0L L6 F/I		HP-7007 ¹	X5	3.0L L6 DSL	E-2657	
X3 Si	3.0L L6 F/I - Non-US, From 9/06	33-2372	HP-7007	X5	3.0L L6 F/I	33-2255	HP-7007 ¹
X5	3.0L L6 DSL	E-2657		X5	4.4L V8 F/I	33-2149	
X5	3.0L L6 F/I	33-2255	HP-7007 ¹	Z4	2.5L L6 F/I	33-2070	HP-7007 ¹
X5	4.4L V8 F/I	33-2149		Z4	3.0L L6 F/I	33-2070	HP-7007 ¹
X5	4.8L V8 F/I	33-2149					
Z4	3.0L L6 F/I	33-2372	HP-7014 ¹	2004 BMW			
Z4	3.2L L6 F/I - Non-US	33-2292		116i	1.6L L4 F/I	E-2021 ♦	
2005 BMW				316i	1.8L L4 F/I	E-2232 ♦	
320D	2.0L L4 DSL	E-2653		318Ci	2.0L L4 F/I	E-2232	
320i	2.0L L4 F/I	E-2021 ♦		318ti	2.0L L4 F/I	E-2232	
				320i	2.2L L6 F/I	33-2231 ♦	HP-7007 ¹
				325Ci	2.5L L6 F/I	33-2231 ♦	HP-7007 ¹
				325i	2.5L L6 F/I	33-2231 ♦	HP-7007 ¹
				325Xi	2.5L L6 F/I	33-2231 ♦	HP-7007 ¹
				330Ci	3.0L L6 F/I	33-2231 ♦	HP-7007 ¹
				330i	3.0L L6 F/I	33-2231 ♦	HP-7007 ¹

* 2 filters required ♦ Intake System Available - see page 370 +Cabin Air Filter Available - see page 353 1- Performance Silver Oil Filter Also Available

Partial Listing: Complete Listing of Vehicles and Parts at KNFILTERS.COM or call 1-800-858-3333



Vehicle	Engine Type	Air Filter	Oil Filter	Vehicle	Engine Type	Air Filter	Oil Filter
2004 BMW				2003 BMW			
330Xi	3.0L L6 F/I	33-2231 ♦	HP-7007 ¹	530i	3.0L L6 F/I		HP-7007 ¹
525i	2.5L L6 F/I		HP-7007 ¹	530i	3.0L L6 F/I - E39	33-2070+	HP-7007
525i	2.5L L6 F/I - E39	33-2070 ♦♦	HP-7007	530i	3.0L L6 F/I - E60	33-2292+	HP-7007
525i	2.5L L6 F/I - E60, E61	33-2292 ♦♦	HP-7007	530i	3.0L L6 F/I - US	33-2070	HP-7007
525i	2.5L L6 F/I - US	33-2292	HP-7007	540i	4.4L V8 F/I	33-2142	HP-7006 ¹
530i	3.0L L6 F/I		HP-7007 ¹	745i	4.4L V8 F/I	33-2254	
530i	3.0L L6 F/I - E39	33-2070+	HP-7007	745Li	4.4L V8 F/I	33-2254	
530i	3.0L L6 F/I - E60, E61	33-2292+	HP-7007	F650CS	652	BM-6507	KN-151
530i	3.0L L6 F/I - US	33-2292	HP-7007	F650CS ABS	652	BM-6507	
545i	4.4L V8 F/I	33-2294+		F650GS	650	BM-6501	KN-151
645Ci	4.4L V8 F/I	33-2294+		F650GS ABS	650	BM-6501	KN-151
745Li	4.4L V8 F/I	33-2254		F650GS Dakar	650	BM-6501	KN-151
F650GS Dakar	652	BM-6501	KN-151	F650GS Dakar ABS	650	BM-6501	
F650GS Dakar ABS	652	BM-6501		K1200GT	1157	BM-1299	
K1200GT	1157	BM-1299	KN-163	K1200LT	1200	BM-1299	KN-163
M3	3.2L L6 F/I	33-2231 ♦		K1200LT Exodus	1200	BM-1299	KN-163
R1100S	1100	BM-1199	KN-163	K1200LT SE	1200		KN-163
R1100S ABS	1100	BM-1199	KN-163	K1200RS	1200	BM-1299	KN-163
R1100S Boxer Cup Replica	1100	BM-1199	KN-163	K1200RS SE	1200		KN-163
R1100S Prep	1100		KN-163	M3	3.2L L6 F/I	33-2231 ♦	
R1150GS	1150		KN-163	M5	5.0L V8 F/I	33-2142*	
R1150GS Adventure	1150	BM-0400	KN-163	R1150GS	1150	BM-0400	KN-163
R1150R	1150	BM-0400	KN-163	R1150GS Adventure	1150	BM-0400	KN-163
R1150R Rockster	1150	BM-0400	KN-163	R1150GS Sport	1150	BM-0400	
R1150R Rockster Edition 80	1150	BM-0400	KN-163	R1150R	1150	BM-0400	KN-163
R1150RS	1150	BM-0400	KN-163	R1150RS	1150	BM-0400	KN-163
R1150RS SE	1150	BM-0400	KN-163	R1150RS SE	1150	BM-0400	KN-163
R1150RT	1150	BM-0400	KN-163	R1150RT	1150	BM-0400	KN-163
R1200C Classic	1200		KN-163	X5	3.0L L6 DSL	E-2657	
R1200C Independent	1200		KN-163	X5	3.0L L6 F/I	33-2255	HP-7007 ¹
R1200C Montauk	1200	BM-1298	KN-163	X5	4.4L V8 F/I	33-2149	HP-7006 ¹
R1200C Phoenix	1200		KN-163	Z4	2.5L L6 F/I	33-2070	HP-7007 ¹
R1200CL	1172		KN-163	Z4	3.0L L6 F/I	33-2070	HP-7007 ¹
R1200GS	1170	BM-1204	KN-164	2002 BMW			
X3	2.5L L6 F/I		HP-7007 ¹	316i	1.8L L4 F/I	E-2232 ♦	
X3	2.5L L6 F/I - Non-US	33-2070	HP-7007	318Ci	2.0L L4 F/I	E-2232	
X3	2.5L L6 F/I - US	33-2231	HP-7007	318i	2.0L L4 F/I	E-2232	
X3	3.0L L6 DSL	E-2657		320i	2.2L L6 F/I	33-2231 ♦	HP-7007 ¹
X3	3.0L L6 F/I	33-2231	PS-7007	325Ci	2.5L L6 F/I	33-2231 ♦	HP-7007 ¹
X5	3.0L L6 DSL	E-2657		325i	2.5L L6 F/I	33-2231 ♦	HP-7007 ¹
X5	3.0L L6 F/I	33-2255	HP-7007 ¹	325Ti	2.5L L6 F/I	33-2231 ♦	PS-7007
X5	4.4L V8 F/I	33-2149		325Xi	2.5L L6 F/I	33-2231 ♦	HP-7007 ¹
X5	4.8L V8 F/I	33-2149		330Ci	3.0L L6 F/I	33-2231 ♦	HP-7007 ¹
Z4	2.5L L6 F/I	33-2070	HP-7007 ¹	330D	3.0L L6 DSL	E-2657	
Z4	3.0L L6 F/I	33-2070	HP-7007 ¹	330i	3.0L L6 F/I	33-2231 ♦	HP-7007 ¹
2003 BMW				330Xi	3.0L L6 F/I	33-2231 ♦	HP-7007 ¹
318Ci	2.0L L4 F/I	E-2232		525i	2.5L L6 F/I	33-2070 ♦	HP-7007 ¹
318i	2.0L L4 F/I	E-2232		530i	3.0L L6 F/I	33-2070	HP-7007 ¹
320D	2.0L L4 DSL	E-2653		540i	4.4L V8 F/I	33-2142	HP-7006 ¹
320i	2.2L L6 F/I	33-2231 ♦	HP-7007 ¹	F650GS	650	BM-6501	KN-151
325Ci	2.5L L6 F/I	33-2231 ♦	HP-7007 ¹	F650GS ABS	650	BM-6501	KN-151
325i	2.5L L6 F/I	33-2231 ♦	HP-7007 ¹	F650GS Dakar	650	BM-6501	KN-151
325Xi	2.5L L6 F/I	33-2231 ♦	HP-7007 ¹	F650GS Dakar ABS	650	BM-6501	
330Ci	3.0L L6 F/I	33-2231 ♦	HP-7007 ¹	K1200LT	1200	BM-1299	KN-163
330i	3.0L L6 F/I	33-2231 ♦	HP-7007 ¹	K1200LT ABS	1200	BM-1299	KN-163
330Xi	3.0L L6 F/I	33-2231 ♦	HP-7007 ¹	K1200LT Lux	1200	BM-1299	KN-163
525i	2.5L L6 F/I		HP-7007 ¹	K1200LT SE	1200	BM-1299	KN-163
525i	2.5L L6 F/I - E39	33-2070 ♦♦	HP-7007	K1200LTC	1200	BM-1299	
525i	2.5L L6 F/I - E60, E61	33-2292 ♦♦	HP-7007	K1200RS	1200	BM-1299	KN-163
525i	2.5L L6 F/I - US	33-2070	HP-7007 ¹	K1200RS SE	1200		KN-163
				M3	3.2L L6 F/I	33-2231 ♦	
				M5	4.9L V8 F/I		HP-7006 ¹

* 2 filters required ♦ Intake System Available - see page 370 +Cabin Air Filter Available - see page 353 1- Performance Silver Oil Filter Also Available



AIR & OIL FILTERS

BMW

Vehicle	Engine Type	Air Filter	Oil Filter	Vehicle	Engine Type	Air Filter	Oil Filter
2002 BMW				2001 BMW			
M5	5.0L V8 F/I	33-2142*	HP-7006 ¹	X5	3.0L L6 F/I	33-2255	HP-7007 ¹
R1100S	1100		KN-163	X5	4.4L V8 F/I	33-2149	HP-7006 ¹
R1100S ABS	1100		KN-163	Z3	2.5L L6 F/I	33-2070	HP-7007 ¹
R1100S Sport	1100		KN-163	Z3	3.0L L6 F/I	33-2070 ♦	HP-7007 ¹
R1150GS	1150	BM-0400	KN-163	Z3	3.2L L6 F/I	33-2070 ♦	
R1150GS Adventure	1150	BM-0400	KN-163	2000 BMW			
R1150R	1150	BM-0400	KN-163	318Ci	1.9L L4 F/I	33-2231 ♦	
R1150RS	1150	BM-0400	KN-163	320i	2.0L L6 F/I	33-2231 ♦	
R1150RS SE	1150		KN-163	323Ci	2.5L L6 F/I	33-2231 ♦	HP-7007 ¹
R1150RT	1150	BM-0400	KN-163	323i	2.5L L6 F/I	33-2231 ♦	HP-7007 ¹
R1200C Avantgarde	1200	BM-1298	KN-163	323Ti	2.5L L6 F/I	33-2070 ♦	HP-7007 ¹
R1200C Classic	1200	BM-1298	KN-163	328Ci	2.8L L6 F/I	33-2231 ♦	HP-7007 ¹
R1200C Independent	1200	BM-1298	KN-163	328i	2.8L L6 F/I	33-2231 ♦	HP-7007 ¹
X5	3.0L L6 DSL	E-2657		330i	3.0L L6 F/I	33-2231 ♦	PS-7007
X5	3.0L L6 F/I	33-2255	HP-7007 ¹	523i	2.5L L6 F/I		PS-7007
X5	4.4L V8 F/I	33-2149	HP-7006 ¹	528i	2.8L L6 F/I	33-2070 ♦	HP-7007 ¹
X5	4.6L V8 F/I	33-2149		530i	3.0L L6 F/I	33-2070	HP-7007 ¹
Z3	2.5L L6 F/I	33-2070	HP-7007 ¹	540i	4.4L V8 F/I	33-2142	HP-7006 ¹
Z3	3.0L L6 F/I	33-2070 ♦	HP-7007 ¹	740i	4.4L V8 F/I		HP-7006 ¹
2001 BMW				740i	4.4L V8 F/I - Non-US	33-2675	HP-7006
318i	2.0L L4 F/I	E-2232		740i	4.4L V8 F/I - US	33-2142	HP-7006
318ti	2.0L L4 F/I	E-2232		740iL	4.4L V8 F/I		HP-7006 ¹
320Ci	2.2L L6 F/I	33-2231 ♦	HP-7007 ¹	740iL	4.4L V8 F/I - Non-US	33-2675	HP-7006
320Ci	2.5L L6 F/I		PS-7007	740iL	4.4L V8 F/I - US	33-2142	HP-7006
320i	2.2L L6 F/I	33-2231 ♦	PS-7007	750iL	5.4L V12 F/I	33-2255*	PS-7006
325Ci	2.5L L6 F/I	33-2231 ♦	HP-7007 ¹	F650 Funduro	650		KN-151
325i	2.5L L6 F/I	33-2231 ♦	HP-7007 ¹	K1200LT	1200		KN-163
325Xi	2.5L L6 F/I	33-2231 ♦	HP-7007 ¹	K1200LTS	1200	BM-1299	
330Ci	3.0L L6 F/I	33-2231 ♦	HP-7007 ¹	M5	4.9L V8 F/I		HP-7006 ¹
330i	3.0L L6 F/I	33-2231 ♦	HP-7007 ¹	M5	5.0L V8 F/I	33-2142*	HP-7006 ¹
330Xi	3.0L L6 F/I	33-2231 ♦	HP-7007 ¹	R1100R	1100		KN-163
525i	2.5L L6 F/I	33-2070 ♦	HP-7007 ¹	R1100R ABS	1100	BM-0400	KN-163
530i	3.0L L6 F/I	33-2070	HP-7007 ¹	R1100RS ABS	1100	BM-0400	KN-163
540i	4.4L V8 F/I	33-2142	HP-7006 ¹	R1100RS Special Edition	1100	BM-0400	KN-163
730d	3.0L L6 DSL	E-2657		R1100RT	1100	BM-0400	KN-163
740i	4.4L V8 F/I		HP-7006 ¹	R1100RT SE	1100	BM-0400	KN-163
740i	4.4L V8 F/I - Non-US	33-2675	HP-7006	R1150GS	1150	BM-0400	KN-163
740i	4.4L V8 F/I - US	33-2142	HP-7006	R1200C Avantgarde	1200		KN-163
740iL	4.0L V8 F/I		HP-7006 ¹	R1200C Classic	1170	BM-1298	
740iL	4.0L V8 F/I - Non-US	33-2675	HP-7006	X5	4.4L V8 F/I	33-2149	
740iL	4.4L V8 F/I		HP-7006 ¹	Z3	2.2L L6 F/I	33-2070 ♦	HP-7007 ¹
740iL	4.4L V8 F/I - Non-US	33-2675	HP-7006	Z3	2.5L L6 F/I	33-2070	HP-7007 ¹
740iL	4.4L V8 F/I - US	33-2142	HP-7006	Z3	2.8L L6 F/I	33-2070 ♦	HP-7007 ¹
745i	4.4L V8 F/I	33-2254		Z3	3.0L L6 F/I		PS-7007
750iL	5.4L V12 F/I	33-2255*	HP-7006 ¹	Z3	3.2L L6 F/I	33-2070 ♦	
F650GS	650	BM-6501	KN-151	1999 BMW			
F650GS ABS	650	BM-6501	KN-151	316i	1.9L L4 F/I	33-2231 ♦	
F650GS Dakar	650	BM-6501	KN-151	320i	2.0L L6 F/I - E46	33-2231 ♦	
K1200LT	1200		KN-163	323i	2.5L L6 F/I		HP-7007 ¹
K1200LTC	1200	BM-1299		323i	2.5L L6 F/I - E36	33-2070 ♦	HP-7007
K1200LTI Icon	1200	BM-1299		323i	2.5L L6 F/I - E46	33-2231 ♦	HP-7007
K1200RS	1200	BM-1299	KN-163	323iS	2.5L L6 F/I	33-2070 ♦	HP-7007 ¹
M3	3.2L L6 F/I	33-2231 ♦		325i	2.5L L6 F/I		PS-7007
M5	4.9L V8 F/I		HP-7006 ¹	328Ci	2.8L L6 F/I	33-2231 ♦	PS-7007
M5	5.0L V8 F/I	33-2142*	HP-7006 ¹	328i	2.8L L6 F/I		HP-7007 ¹
R1100RT	1100		KN-163	328i	2.8L L6 F/I - Non-US, E36	33-2070 ♦	HP-7007
R1100S	1100		KN-163	328i	2.8L L6 F/I - Non-US, E46	33-2231 ♦	HP-7007
R1100SA	1100	BM-1199		328i	2.8L L6 F/I - US	33-2070 ♦	HP-7007
R1150GS	1150	BM-0400	KN-163	328i	2.8L L6 F/I - US, E36	33-2070 ♦	HP-7007
R1150RT	1150	BM-0400		328ic	2.8L L6 F/I		HP-7007 ¹
R1200C Independent	1200		KN-163	328ic	2.8L L6 F/I - US, E36	33-2070 ♦	HP-7007
X5	3.0L L6 DSL	E-2657					

* 2 filters required ♦ Intake System Available - see page 370 +Cabin Air Filter Available - see page 353 1- Performance Silver Oil Filter Also Available

Partial Listing: Complete Listing of Vehicles and Parts at KNFILTERS.COM or call 1-800-858-3333



Vehicle	Engine Type	Air Filter	Oil Filter
1999 BMW			
328iS	2.8L L6 F/I		HP-7007 ¹
328iS	2.8L L6 F/I - US	33-2070 ♦	HP-7007
523i	2.5L L6 F/I		PS-7007
528i	2.8L L6 F/I	33-2070 ♦	HP-7007 ¹
540i	4.4L V8 F/I	33-2142	HP-7006 ¹
740i	4.4L V8 F/I - US	33-2142	
740iL	4.4L V8 F/I - Non-US	33-2675	
740iL	4.4L V8 F/I - US	33-2142	
F650 Funduro	650		KN-151
K1200LT	1200		KN-163
K1200LTS	1200	BM-1299	
M3	3.2L L6 F/I	33-2070 ♦	
R1100R	1100		KN-163
R1100R SE	1100	BM-0400	
R1100RS ABS	1100	BM-0400	KN-163
R1100RT	1100	BM-0400	KN-163
R1100S	1100	BM-1199	KN-163
R1100S ABS	1100	BM-1199	KN-163
R1200C	1170		KN-163
Z3	2.5L L6 F/I	33-2070	HP-7007 ¹
Z3	2.8L L6 F/I	33-2070 ♦	HP-7007 ¹

Vehicle	Engine Type	Air Filter	Oil Filter
1998 BMW			
318i	1.9L L4 F/I - Non-US	33-2231 ♦	
318i	1.9L L4 F/I - US	33-2733 ♦	
318iS	1.9L L4 F/I	33-2733 ♦	
320i	2.0L L6 F/I - E46	33-2231 ♦	
323i	2.5L L6 F/I		HP-7007 ¹
323i	2.5L L6 F/I - E36	33-2070 ♦	HP-7007
323i	2.5L L6 F/I - E46	33-2231 ♦	HP-7007
323i	2.5L L6 F/I - US	33-2070	HP-7007
323iS	2.5L L6 F/I	33-2070 ♦	HP-7007 ¹
328i	2.8L L6 F/I		HP-7007 ¹
328i	2.8L L6 F/I - Non-US, E36	33-2070 ♦	HP-7007
328i	2.8L L6 F/I - Non-US, E46	33-2231 ♦	HP-7007
328i	2.8L L6 F/I - US	33-2070 ♦	HP-7007
328ic	2.8L L6 F/I - US	33-2070 ♦	HP-7007 ¹
328iS	2.8L L6 F/I	33-2070 ♦	HP-7007 ¹
528i	2.8L L6 F/I	33-2070 ♦	HP-7007 ¹
540i	4.4L V8 F/I	33-2142	HP-7006 ¹
740i	4.4L V8 F/I	33-2675	PS-7006
740iL	4.4L V8 F/I	33-2675	HP-7006 ¹
K1200RS	1200	BM-1299	KN-163
M3	3.0L L6 F/I	33-2070 ♦	
M3	3.2L L6 F/I	33-2070 ♦	
R1100RT	1100	BM-0400	
R1200C	1170	BM-1298	
R1200C Classic	1170	BM-1298	
R1200C Cruiser	1170	BM-1298	
R1200C Euro	1170	BM-1298	
Z3	1.9L L4 F/I	33-2733 ♦	
Z3	2.8L L6 F/I	33-2070 ♦	HP-7007 ¹
Z3	3.2L L6 F/I	33-2070 ♦	

Vehicle	Engine Type	Air Filter	Oil Filter
1997 BMW			
316i	1.6L L4 F/I	33-2733 ♦	
318i	1.9L L4 F/I - Non-US	33-2231	
318i	1.9L L4 F/I - US	33-2733	
318iC	1.9L L4 F/I - US	33-2733	
318iS	1.9L L4 F/I	33-2733 ♦	
318ti	1.9L L4 F/I	33-2733 ♦	
320i	2.0L L6 F/I	33-2070 ♦	

Vehicle	Engine Type	Air Filter	Oil Filter
1997 BMW			
323i	2.5L L6 F/I		PS-7007
323iS	2.5L L6 F/I		PS-7007
328i	2.8L L6 F/I	33-2070 ♦	HP-7007 ¹
328iS	2.8L L6 F/I	33-2070 ♦	HP-7007 ¹
528i	2.8L L6 F/I	33-2070	HP-7007 ¹
540i	4.4L V8 F/I	33-2142	PS-7006
740i	4.4L V8 F/I	33-2675	
740iL	4.4L V8 F/I	33-2675	HP-7006 ¹
F650 Funduro	650		KN-151
F650ST Strada	650		KN-151
M3	3.0L L6 F/I	33-2070 ♦	
M3	3.2L L6 F/I	33-2070 ♦	
R1100RS ABS	1100		KN-163
R1100RT	1100	BM-0400	
R1100RTL	1100	BM-0400	
Z3	1.9L L4 F/I	33-2733 ♦	
Z3	2.8L L6 F/I	33-2070 ♦	HP-7007 ¹

Vehicle	Engine Type	Air Filter	Oil Filter
2006 BOMBARDIER			
Outlander 400 HO 4x4	400	BD-3303	KN-152
Outlander 400 HO 4x4 XT	400	BD-3303	KN-152
Outlander 800 HO 4x4 EFI	800	BD-6506	KN-152
Outlander 800 HO 4x4 EFI XT	800	BD-6506	KN-152
Outlander Max 400 HO XT	400	BD-3303	KN-152
Outlander Max 800 HO EFI 4x4	800	BD-6506	KN-152
Outlander Max 800 HO EFI 4x4 XT	800	BD-6506	KN-152

Vehicle	Engine Type	Air Filter	Oil Filter
2005 BOMBARDIER			
DS650	650	BD-6500	
Outlander 400 HO 4x4	400	BD-3303	KN-152
Outlander 400 HO 4x4 XT	400	BD-3303	KN-152
Outlander Max 400 HO XT	400	BD-3303	KN-152
Traxter 500 Auto CVT	498		KN-556
Traxter 500 XL	500	BD-6502	
Traxter 650 Auto CVT	650		KN-556
Traxter 650 Auto CVT XT	650	BD-6502	KN-556

Vehicle	Engine Type	Air Filter	Oil Filter
2004 BOMBARDIER			
DS650 Baja	650	BD-6500	KN-152
DS650 Baja X	650	BD-6500	KN-152
Outlander 400 HO 4x4	400	BD-3303	KN-152
Outlander 400 HO 4x4 XT	400	BD-3303	KN-152
Outlander Max 400 HO XT	400	BD-3303	KN-152
Quest 500	495		KN-556
Quest 650 Max	650	BD-6502	KN-556
Traxter 500 Auto XT	500	BD-6502	

Vehicle	Engine Type	Air Filter	Oil Filter
2003 BOMBARDIER			
DS650 Baja	644	BD-6500	KN-152
Outlander 400 HO 4x4	400	BD-3303	
Outlander 400 HO 4x4 XT	400	BD-3303	

* 2 filters required ♦ Intake System Available - see page 370 +Cabin Air Filter Available - see page 353 1- Performance Silver Oil Filter Also Available



AIR & OIL FILTERS

BOMBARDIER

Vehicle	Engine Type	Air Filter	Oil Filter	Vehicle	Engine Type	Air Filter	Oil Filter
2003 BOMBARDIER				2006 BUELL			
Quest 500	495		KN-556	Lightning Long XB12SS	1200	BU-9003	KN-177
Quest 650	644		KN-556	Lightning XB12SCG	1200	BU-9003	
Quest 650 XT	650		KN-556	Ulysses XB12X	1168	BU-9003	KN-177
Traxter 500 Autoshift XT	500	BD-6502		2005 BUELL			
Traxter Max 500	498	BD-6502		Blast	480	BU-5000	KN-177
2002 BOMBARDIER				Firebolt XB12R	1168	BU-9003	KN-177
DS650 Baja	644	BD-6500		Lightning CityX XB9SX	900	BU-9003	KN-177
Quest 650	644		KN-556	Lightning XB12S	1200	BU-9003	KN-177
Quest 650 XT	650		KN-556	Lightning XB12SCG	1200	BU-9003	KN-177
Traxter 500 XT	500	BD-6502		2004 BUELL			
2001 BOMBARDIER				Blast	480	BU-5000	KN-177
DS650	644	BD-6500	KN-152	Firebolt XB12R	1168	BU-9003	KN-177
DS650 Racer	644	BD-6500		2003 BUELL			
Traxter 500 Autoshift	500	BD-6502		Blast	480	BU-5000	KN-177
Traxter 500 XT	500	BD-6502		Firebolt XB9R	961	BU-9003	KN-177
2000 BOMBARDIER				Lightning XB9S	900	BU-9003	KN-177
DS650	644	BD-6500	KN-151	2002 BUELL			
DS650 Racer	644	BD-6500	KN-151	Blast	480	BU-5000	KN-177
2010 BUELL				Firebolt XB9R	1131	BU-9003	
Lightning City XB12SX	1200		KN-177	M2 Cyclone	1168		KN-171C
Lightning Long XB12SS	1200	BU-9003	KN-177	M2 Cyclone Low	1168		KN-171C
Ulysses XB12XT	1200	BU-9003		2001 BUELL			
2009 BUELL				Blast	480	BU-5000	
1125CR	1125	BU-1108	KN-564	2000 BUELL			
1125R	1125	BU-1108	KN-564	Blast	480	BU-5000	
Blast	500	BU-5000	KN-177	M2 Cyclone	1168		KN-171C
Firebolt XB12R	1168	BU-9003	KN-177	X1 Lightning	1200		KN-171C
Lightning CityX XB9SX	900	BU-9003	KN-177	1999 BUELL			
Lightning Long XB12SS	1200	BU-9003	KN-177	M2 Cyclone	1168		KN-171C
Lightning XB12SCG	1200	BU-9003	KN-177	S3T Thunderbolt	1168		KN-171C
Ulysses XB12XT	1168	BU-9003	KN-177	X1 Lightning	1200		KN-171C
2008 BUELL				1997 BUELL			
1125R	1125	BU-1108		S1 Lightning	1168		KN-171C
Blast	480	BU-5000	KN-177	S2 Thunderbolt	1200		KN-171C
Lightning XB12S	1200	BU-9003	KN-177	S3 Thunderbolt	1168		KN-171C
Lightning XB12SCG	1200	BU-9003	KN-177	2020 BUICK			
Lightning XB12STT	1200	BU-9003	KN-177	Enclave	3.6L V6 F/I	33-5056	HP-2011'
Ulysses XB12X	1168	BU-9003	KN-177	Encore	1.4L L4 F/I	33-5007	
Ulysses XB12XT	1168	BU-9003		Encore	1.4L L4 F/I - w/o Oil filter housing & cap marked Hengst	33-5007	HP-1017'
2007 BUELL				Encore	1.4L L4 F/I - w/Oil filter housing & cap marked Hengst	33-5007	HP-7027'
Blast	480	BU-5000	KN-177	Envision	2.0L L4 F/I		HP-1017'
Firebolt XB9R	961	BU-9003		Envision	2.5L L4 F/I		HP-1017'
Firebolt XB12R	1168	BU-9003	KN-177	Regal Sportback	2.0L L4 F/I		HP-1017'
Lightning Long XB12SS	1200	BU-9003	KN-177	Regal Sportback	3.6L V6 F/I		HP-2011'
Lightning XB12S	1200	BU-9003	KN-177	Regal TourX	2.0L L4 F/I		HP-1017'
Lightning XB12SCG	1200	BU-9003	KN-177	2019 BUICK			
Lightning XB12STT	1200	BU-9003		Enclave	3.6L V6 F/I	33-5056+	HP-2011'
Ulysses XB12X	1168	BU-9003	KN-177	Encore	1.4L L4 F/I	33-5007+	
2006 BUELL				Encore	1.4L L4 F/I - w/o Oil filter housing & cap marked Hengst	33-5007	HP-1017'
Blast	480	BU-5000	KN-177	Encore	1.4L L4 F/I - w/Oil filter housing & cap marked Hengst	33-5007	HP-7027'
Firebolt XB9R	961	BU-9003					
Lightning CityX XB9SX	900	BU-9003	KN-177				

* 2 filters required ♦ Intake System Available - see page 370 +Cabin Air Filter Available - see page 353 1- Performance Silver Oil Filter Also Available

Partial Listing: Complete Listing of Vehicles and Parts at KNFILTERS.COM or call 1-800-858-3333



Vehicle	Engine Type	Air Filter	Oil Filter
2019 BUICK			
Envision	2.0L L4 F/I	33-5066+	HP-1017 ¹
Envision	2.5L L4 F/I	33-5066+	HP-1017 ¹
LaCrosse	3.6L V6 F/I	33-5049	HP-2011 ¹
Regal	3.6L V6 F/I		HP-2011 ¹
Regal Sportback	2.0L L4 F/I	33-5049+	HP-1017 ¹
Regal Sportback	3.6L V6 F/I	33-5049+	HP-2011 ¹
Regal TourX	2.0L L4 F/I	33-5049+	HP-1017 ¹

Vehicle	Engine Type	Air Filter	Oil Filter
2018 BUICK			
Cascada	1.6L L4 F/I		HP-7027 ¹
Enclave	3.6L V6 F/I	33-5056+	HP-2011 ¹
Encore	1.4L L4 F/I	33-5007+	
Encore	1.4L L4 F/I - w/o Oil filter housing & cap marked Hengst	33-5007	HP-1017 ¹
Encore	1.4L L4 F/I - w/Oil filter housing & cap marked Hengst	33-5007	HP-7027 ¹
Envision	2.0L L4 F/I	33-5066+	HP-1017 ¹
Envision	2.5L L4 F/I	33-5066+	HP-1017 ¹
LaCrosse	3.6L V6 F/I	33-5049+	HP-2011 ¹
Regal Sportback	2.0L L4 F/I	33-5049+	HP-1017 ¹
Regal Sportback	3.6L V6 F/I		HP-2011 ¹
Regal TourX	2.0L L4 F/I	33-5049+	HP-1017 ¹

Vehicle	Engine Type	Air Filter	Oil Filter
2017 BUICK			
Cascada	1.6L L4 F/I	33-2966	HP-7027 ¹
Enclave	3.6L V6 F/I	33-2394	HP-2011 ¹
Encore	1.4L L4 F/I	33-5007+	
Encore	1.4L L4 F/I - LE2 Eng., w/o Oil filter housing & cap marked Hengst	33-5007	HP-1017 ¹
Encore	1.4L L4 F/I - LUV Eng., w/Oil filter housing & cap marked Hengst	33-5007	HP-7027 ¹
Envision	2.0L L4 F/I	33-5066+	HP-1017 ¹
Envision	2.5L L4 F/I	33-5066+	HP-1017 ¹
LaCrosse	3.6L V6 F/I	33-5049+	HP-2011 ¹
Regal	2.0L L4 F/I	33-2497+	HP-1017 ¹
Regal	2.4L L4 F/I	33-2442+	HP-7000 ¹
Verano	2.4L L4 F/I	33-2966	HP-7000 ¹

Vehicle	Engine Type	Air Filter	Oil Filter
2016 BUICK			
Cascada	1.6L L4 F/I		HP-7027 ¹
Enclave	3.6L V6 F/I	33-2394+	HP-2011 ¹
Encore	1.4L L4 F/I	33-5007+	
Encore	1.4L L4 F/I - w/Oil filter housing & cap marked Hengst	33-5007	HP-7027 ¹
Envision	2.0L L4 F/I	33-5066+	HP-2011 ¹
LaCrosse	2.4L L4 F/I		PS-7000
LaCrosse	3.6L V6 F/I	33-2442+	HP-2011 ¹
Regal	2.0L L4 F/I	33-2497+	HP-1017 ¹
Regal	2.4L L4 F/I	33-2442+	HP-7000 ¹
Verano	1.5L L4 F/I	E-0650	
Verano	2.0L L4 F/I	33-2964 ♦	HP-7000 ¹
Verano	2.4L L4 F/I	33-2966	HP-7000 ¹

Vehicle	Engine Type	Air Filter	Oil Filter
2015 BUICK			
Enclave	3.6L V6 F/I	33-2394+	HP-2011 ¹
Encore	1.4L L4 F/I	33-5007+	
Encore	1.4L L4 F/I - w/Oil filter housing & cap marked Hengst	33-5007	HP-7027 ¹
LaCrosse	2.4L L4 F/I		PS-7000
LaCrosse	3.6L V6 F/I	33-2442+	HP-2011 ¹
Regal	2.0L L4 F/I	33-2497+	HP-1017 ¹
Regal	2.4L L4 F/I	33-2442+	PS-7000

Vehicle	Engine Type	Air Filter	Oil Filter
2015 BUICK			
Verano	1.5L L4 F/I - From 5/15, 118BHP, w/Panel Filter	33-2964	
Verano	1.5L L4 F/I - From 6/15, 169BHP, w/Panel Filter	33-2966	
Verano	1.5L L4 F/I - w/Round Filter	E-0650	
Verano	2.0L L4 F/I	33-2964 ♦+	HP-7000 ¹
Verano	2.4L L4 F/I	33-2966+	HP-7000 ¹

Vehicle	Engine Type	Air Filter	Oil Filter
2014 BUICK			
Enclave	3.6L V6 F/I	33-2394+	HP-2011 ¹
Encore	1.4L L4 F/I	33-5007+	
Encore	1.4L L4 F/I - w/Oil filter housing & cap marked Hengst	33-5007	HP-7027 ¹
Excele GT/XT	1.5L L4 F/I - From 3/15	33-2966	
LaCrosse	3.6L V6 F/I	33-2442+	HP-2011 ¹
Regal	2.0L L4 F/I	33-2497+	HP-1017 ¹
Regal	2.4L L4 F/I	33-2442+	HP-7000 ¹
Verano	2.0L L4 F/I	33-2964 ♦+	HP-7000 ¹
Verano	2.4L L4 F/I	33-2966+	HP-7000 ¹

Vehicle	Engine Type	Air Filter	Oil Filter
2013 BUICK			
Enclave	3.6L V6 F/I	33-2394+	HP-2011 ¹
Encore	1.4L L4 F/I	33-5007+	
Encore	1.4L L4 F/I - w/Oil filter housing & cap marked Hengst	33-5007	HP-7027 ¹
GL8 III	2.4L L4 DSL	33-2063-1	
LaCrosse	2.4L L4 F/I	33-2442+	PS-7000
LaCrosse	3.6L V6 F/I	33-2442+	HP-2011 ¹
Regal	2.0L L4 F/I	33-2442 ♦+	HP-7000 ¹
Regal	2.4L L4 F/I	33-2442+	HP-7000 ¹
Regal II	1.6L L4 F/I	33-2442	
Regal II	2.0L L4 F/I	33-2442	
Verano	2.0L L4 F/I	33-2964+	HP-7000 ¹
Verano	2.4L L4 F/I	33-2966+	HP-7000 ¹

Vehicle	Engine Type	Air Filter	Oil Filter
2012 BUICK			
Enclave	3.6L V6 F/I	33-2394+	HP-2011 ¹
LaCrosse	2.4L L4 F/I	33-2442+	HP-7000 ¹
LaCrosse	3.6L V6 F/I	33-2442+	HP-2011 ¹
LaCrosse III	2.0L L4 F/I	33-2442	
Regal	2.0L L4 F/I	33-2442 ♦+	HP-7000 ¹
Regal	2.4L L4 F/I	33-2442+	HP-7000 ¹
Verano	2.4L L4 F/I	33-2966+	HP-7000 ¹

Vehicle	Engine Type	Air Filter	Oil Filter
2011 BUICK			
Enclave	3.6L V6 F/I	33-2394+	HP-2011 ¹
LaCrosse	2.4L L4 F/I	33-2442+	PS-7000
LaCrosse	3.6L V6 F/I	33-2442+	HP-2011 ¹
LaCrosse III	2.4L L4 F/I	33-2442	
Lucerne	3.9L V6 F/I	33-2296+	HP-2006 ¹
Regal	2.0L L4 F/I	33-2442 ♦+	HP-7000 ¹
Regal	2.4L L4 F/I	33-2442+	HP-7000 ¹
Regal II	2.4L L4 F/I	33-2442	

Vehicle	Engine Type	Air Filter	Oil Filter
2010 BUICK			
Enclave	3.6L V6 F/I	33-2394+	HP-1017 ¹
LaCrosse	3.0L V6 F/I	33-2442+	HP-1017 ¹
LaCrosse	3.6L V6 F/I	33-2442+	HP-1017 ¹
LaCrosse II	3.0L V6 F/I	33-2442	
Lucerne	3.9L V6 F/I	33-2296+	HP-2006 ¹

Vehicle	Engine Type	Air Filter	Oil Filter
2009 BUICK			
Allure	3.8L V6 F/I		HP-1001 ¹
Enclave	3.6L V6 F/I	33-2394+	HP-1017 ¹
LaCrosse	3.8L V6 F/I	33-2316+	HP-1001 ¹

* 2 filters required ♦ Intake System Available - see page 370 +Cabin Air Filter Available - see page 353 1- Performance Silver Oil Filter Also Available



AIR & OIL FILTERS

BUICK

Vehicle	Engine Type	Air Filter	Oil Filter
2009 BUICK			
Lucerne	3.9L V6 F/I	33-2296+	HP-2006 ¹
Lucerne	4.6L V8 F/I		HP-2006 ¹
2008 BUICK			
Allure	3.8L V6 F/I	33-2316+	HP-1001 ¹
Enclave	3.6L V6 F/I	33-2394+	HP-1017 ¹
LaCrosse	3.8L V6 F/I	33-2316+	HP-1001 ¹
LaCrosse	5.3L V8 F/I	33-2334+	HP-1017 ¹
Lucerne	3.8L V6 F/I	33-2296+	HP-1001 ¹
Lucerne	4.6L V8 F/I	33-2296+	HP-2006 ¹
2007 BUICK			
LaCrosse	3.8L V6 F/I	33-2316+	HP-1001 ¹
Lucerne	3.8L V6 F/I	33-2296+	HP-1001 ¹
Lucerne	4.6L V8 F/I	33-2296+	HP-2006 ¹
Rendezvous	3.5L V6 F/I	33-2318+	HP-1001 ¹
2006 BUICK			
Allure	3.8L V6 F/I		HP-1001 ¹
LaCrosse	3.6L V6 F/I	33-2316+	HP-2006 ¹
LaCrosse	3.8L V6 F/I	33-2316+	HP-1001 ¹
Lucerne	3.8L V6 F/I	33-2296+	HP-1001 ¹
Lucerne	4.6L V8 F/I	33-2296+	HP-2006 ¹
Rainier	4.2L L6 F/I	E-1009	HP-2006 ¹
Rendezvous	3.5L V6 F/I	33-2318+	HP-1001 ¹
2005 BUICK			
Allure	3.8L V6 F/I		HP-1001 ¹
Century	3.1L V6 F/I	33-2141-1+	HP-1001 ¹
LaCrosse	3.6L V6 F/I	33-2316+	HP-2006 ¹
LaCrosse	3.8L V6 F/I	33-2316+	HP-1001 ¹
LeSabre	3.8L V6 F/I	33-2141-1+	HP-1001 ¹
Rainier	4.2L L6 F/I	E-1009	HP-2006 ¹
Rainier	5.3L V8 F/I		HP-1007 ¹
Rendezvous	3.4L V6 F/I	33-2156+	HP-1001 ¹
Terraza	3.5L V6 F/I	33-2318+	HP-1001 ¹
2004 BUICK			
Century	3.1L V6 F/I	33-2141-1+	HP-1001 ¹
LeSabre	3.8L V6 F/I	33-2141-1+	HP-1001 ¹
Park Avenue	3.8L V6 F/I	33-2086	HP-1001 ¹
Rainier	4.2L L6 F/I	E-1009	HP-2006 ¹
Rainier	5.3L V8 F/I	E-1009	HP-1007 ¹
Regal	3.8L V6 F/I	33-2141-1+	HP-1001 ¹
Regal I	3.0L V6 F/I	33-2141-1	
Rendezvous	3.6L V6 F/I		HP-2006 ¹
2003 BUICK			
Century	3.1L V6 F/I	33-2141-1+	HP-1001 ¹
LeSabre	3.8L V6 F/I	33-2141-1+	HP-1001 ¹
Park Avenue	3.8L V6 F/I	33-2086	HP-1001 ¹
Regal	3.8L V6 F/I	33-2141-1+	HP-1001 ¹
Rendezvous	3.4L V6 F/I	33-2156+	HP-1001 ¹
2002 BUICK			
Century	3.1L V6 F/I	33-2141-1+	HP-1001 ¹
LeSabre	3.8L V6 F/I	33-2141-1+	HP-1001 ¹
Park Avenue	3.8L V6 F/I	33-2086	HP-1001 ¹
Regal	3.8L V6 F/I	33-2141-1+	HP-1001 ¹
2001 BUICK			
Century	3.0L V6 F/I	33-2141-1	
Century	3.1L V6 F/I	33-2141-1+	HP-1001 ¹
LeSabre	3.8L V6 F/I	33-2141-1+	HP-1001 ¹
Park Avenue	3.8L V6 F/I	33-2086	HP-1001 ¹
Regal	3.8L V6 F/I	33-2141-1+	HP-1001 ¹

Vehicle	Engine Type	Air Filter	Oil Filter
2000 BUICK			
Century	3.1L V6 F/I	33-2141-1+	HP-1001 ¹
LeSabre	3.8L V6 F/I	33-2141-1+	HP-1001 ¹
Park Avenue	3.8L V6 F/I	33-2086	HP-1001 ¹
Regal	3.8L V6 F/I	33-2141-1+	HP-1001 ¹
1999 BUICK			
Century	3.1L V6 F/I	33-2141-1+	HP-1001 ¹
LeSabre	3.8L V6 F/I	33-2086	HP-1001 ¹
Park Avenue	3.8L V6 F/I	33-2086	HP-1001 ¹
Regal	3.8L V6 F/I	33-2141-1+	HP-1001 ¹
1998 BUICK			
Century	3.1L V6 F/I	33-2063-1+	HP-1001 ¹
LeSabre	3.8L V6 F/I	33-2086	HP-1001 ¹
Park Avenue	3.8L V6 F/I	33-2086	HP-1001 ¹
Regal	3.8L V6 F/I	33-2063-1+	HP-1001 ¹
1997 BUICK			
Century	3.1L V6 F/I		HP-1001 ¹
LeSabre	3.8L V6 F/I	33-2086	HP-1001 ¹
Park Avenue	3.8L V6 F/I	33-2086	HP-1001 ¹
Regal	3.8L V6 F/I	33-2063-1+	HP-1001 ¹
Riviera	3.8L V6 F/I	33-2086	HP-1001 ¹
2020 CADILLAC			
CT5	3.6L V6 F/I		HP-2011 ¹
CT6	3.6L V6 F/I	33-5055	HP-2011 ¹
CT6	4.2L V8 F/I		HP-2011 ¹
Escalade	6.2L V8 F/I	33-2135 ♦	HP-2011 ¹
Escalade ESV	6.2L V8 F/I	33-2135 ♦	HP-2011 ¹
XT4	2.0L L4 F/I	33-5049	
XT5	3.6L V6 F/I	33-5056 ♦	HP-2011 ¹
XT6	3.6L V6 F/I		HP-2011 ¹
2019 CADILLAC			
ATS	2.0L L4 F/I	33-2496 ♦	HP-1017 ¹
ATS	3.6L V6 F/I	33-2496	
ATS-V	3.6L V6 F/I	E-0650*	HP-2011 ¹
CT6	3.0L V6 F/I		HP-2011 ¹
CT6	3.0L V6 F/I - Left Side Airbox	33-5053	HP-2011
CT6	3.0L V6 F/I - Right Side Airbox	33-5054	HP-2011
CT6	3.6L V6 F/I	33-5055	HP-2011 ¹
CTS	2.0L L4 F/I	33-2496+	HP-1017 ¹
CTS	3.6L V6 F/I	33-2496 ♦+	HP-2011 ¹
CTS V-Sport	3.6L V6 F/I	33-5028 ♦+	HP-2011 ¹
CTS-V	6.2L V8 F/I	33-5059 ♦+	HP-1017 ¹
Escalade	6.2L V8 F/I	33-2135 ♦+	HP-2011 ¹
Escalade ESV	6.2L V8 F/I	33-2135 ♦+	HP-2011 ¹
XT4	2.0L L4 F/I	33-5049	
XT5	3.6L V6 F/I	33-5056 ♦+	HP-2011 ¹
XTS	3.6L V6 F/I	33-2483	
2018 CADILLAC			
ATS	2.0L L4 F/I	33-2496 ♦	HP-1017 ¹
ATS	3.6L V6 F/I	33-2496	HP-2011 ¹
ATS-V	3.6L V6 F/I	E-0650*	HP-2011 ¹
CT6	2.0L L4 F/I	33-5052	HP-1017 ¹
CT6	3.0L V6 F/I		HP-2011 ¹
CT6	3.0L V6 F/I - Left Side Airbox	33-5053	HP-2011
CT6	3.0L V6 F/I - Right Side Airbox	33-5054	HP-2011
CT6	3.6L V6 F/I	33-5055	HP-2011 ¹
CTS	2.0L L4 F/I	33-2496+	HP-1017 ¹
CTS	3.6L V6 F/I	33-2496 ♦+	HP-2011 ¹

* 2 filters required ♦ Intake System Available - see page 370 +Cabin Air Filter Available - see page 353 1- Performance Silver Oil Filter Also Available



Vehicle	Engine Type	Air Filter	Oil Filter
2018 CADILLAC			
CTS V-Sport	3.6L V6 F/I	33-5028+	HP-2011 ¹
CTS-V	6.2L V8 F/I	33-5059♦♦	HP-1017 ¹
Escalade	6.2L V8 F/I	33-2135♦♦	HP-2011 ¹
Escalade ESV	6.2L V8 F/I	33-2135♦♦	HP-2011 ¹
XT5	3.6L V6 F/I	33-5056♦♦	HP-2011 ¹
XTS	3.6L V6 F/I	33-2483	HP-2011 ¹

Vehicle	Engine Type	Air Filter	Oil Filter
2017 CADILLAC			
ATS	2.0L L4 F/I	33-2496♦	HP-1017 ¹
ATS	3.6L V6 F/I	33-2496	HP-2011 ¹
ATS-V	3.6L V6 F/I	E-0650*♦	HP-2011 ¹
CT6	3.0L V6 F/I - Left Side Airbox	33-5053	
CT6	3.0L V6 F/I - Right Side Airbox	33-5054	
CT6	3.6L V6 F/I	33-5055	HP-2011 ¹
CTS	2.0L L4 F/I	33-2496+	HP-1017 ¹
CTS	3.6L V6 F/I	33-2496♦♦	HP-2011 ¹
CTS V-Sport	3.6L V6 F/I	33-5028+	HP-2011 ¹
CTS-V	6.2L V8 F/I	33-5059♦♦	HP-1017 ¹
Escalade	6.2L V8 F/I	33-2135♦♦	HP-2011 ¹
Escalade ESV	6.2L V8 F/I	33-2135♦♦	HP-2011 ¹
XT5	3.6L V6 F/I	33-5056♦♦	HP-2011 ¹
XTS	3.6L V6 F/I	33-2483	HP-2011 ¹

Vehicle	Engine Type	Air Filter	Oil Filter
2016 CADILLAC			
ATS	2.0L L4 F/I	33-2496♦	HP-1017 ¹
ATS	2.5L L4 F/I	33-2496♦	HP-1017 ¹
ATS	3.6L V6 F/I	33-2496	HP-2011 ¹
ATS-V	3.6L V6 F/I	E-0650*♦	HP-2011 ¹
CT6	2.0L L4 F/I	33-5052	HP-1017 ¹
CT6	3.0L V6 F/I		HP-2011 ¹
CT6	3.0L V6 F/I - Left Side Airbox	33-5053	HP-2011
CT6	3.0L V6 F/I - Right Side Airbox	33-5054	HP-2011
CT6	3.6L V6 F/I	33-5055	HP-2011 ¹
CTS	2.0L L4 F/I	33-2496+	HP-1017 ¹
CTS	3.6L V6 F/I	33-2496♦♦	HP-2011 ¹
CTS V-Sport	3.6L V6 F/I	33-5028+	HP-2011 ¹
CTS-V	6.2L V8 F/I	33-5059♦♦	HP-1017 ¹
Escalade	6.2L V8 F/I	33-2135♦♦	HP-2011 ¹
Escalade ESV	6.2L V8 F/I	33-2135♦♦	HP-2011 ¹
SRX	3.6L V6 F/I	33-2444+	HP-2011 ¹
XTS	3.6L V6 F/I	33-2483	HP-2011 ¹

Vehicle	Engine Type	Air Filter	Oil Filter
2015 CADILLAC			
ATS	2.0L L4 F/I	33-2496	HP-1017 ¹
ATS	2.5L L4 F/I	33-2496♦	HP-1017 ¹
ATS	3.6L V6 F/I	33-2496♦	HP-7003 ¹
CTS	2.0L L4 F/I	33-2496+	HP-1017 ¹
CTS	3.6L V6 F/I	33-2496♦♦	HP-7003 ¹
CTS V-Sport	3.6L V6 F/I	33-5028+	HP-2011 ¹
CTS-V	6.2L V8 F/I	33-2411♦♦	HP-1017 ¹
ELR	1.4L L4 F/I	33-2464+	
Escalade	6.0L V8 F/I		HP-1017 ¹
Escalade	6.2L V8 F/I	33-2135♦♦	HP-1017 ¹
Escalade ESV	6.2L V8 F/I	33-2135♦♦	HP-1017 ¹
SRX	3.6L V6 F/I	33-2444+	HP-2011 ¹
XTS	3.6L V6 F/I	33-2483	HP-2011 ¹

Vehicle	Engine Type	Air Filter	Oil Filter
2014 CADILLAC			
ATS	2.0L L4 F/I	33-2496	HP-1017 ¹
ATS	2.5L L4 F/I	33-2496♦	HP-1017 ¹
ATS	3.6L V6 F/I	33-2496♦	HP-7003 ¹
CTS	2.0L L4 F/I	33-2496+	HP-1017 ¹

Vehicle	Engine Type	Air Filter	Oil Filter
2014 CADILLAC			
CTS	3.0L V6 F/I - Exc. Sedan	33-2411+	
CTS	3.6L V6 F/I		HP-7003 ¹
CTS	3.6L V6 F/I - Exc. Coupe & Wagon	33-2496♦♦	HP-7003
CTS	3.6L V6 F/I - Exc. Sedan	33-2411♦♦	HP-7003
CTS II	2.0L L4 F/I - From 4/14	33-2496	
CTS V-Sport	3.6L V6 F/I	33-5028+	HP-2011 ¹
CTS-V	6.2L V8 F/I	33-2411♦♦	HP-1017 ¹
Escalade	6.2L V8 F/I	33-2135♦	HP-1017 ¹
Escalade ESV	6.2L V8 F/I	33-2135♦	HP-1017 ¹
SRX	3.6L V6 F/I	33-2444+	HP-2011 ¹
XTS	3.6L V6 F/I	33-2483	HP-2011 ¹

Vehicle	Engine Type	Air Filter	Oil Filter
2013 CADILLAC			
ATS	2.0L L4 F/I	33-2496	HP-1017 ¹
ATS	2.5L L4 F/I	33-2496♦	HP-1017 ¹
ATS	3.6L V6 F/I	33-2496♦	HP-7003 ¹
CTS	3.0L V6 F/I	33-2411♦♦	HP-7003 ¹
CTS	3.6L V6 F/I	33-2411♦♦	HP-7003 ¹
CTS-V	6.2L V8 F/I	33-2411♦♦	HP-1017 ¹
Escalade	6.0L V8 F/I	33-2135	HP-1017 ¹
Escalade	6.2L V8 F/I	33-2135♦	HP-1017 ¹
Escalade ESV	6.2L V8 F/I	33-2135♦	HP-1017 ¹
Escalade EXT	6.2L V8 F/I	33-2135♦	HP-1017 ¹
SRX	3.6L V6 F/I	33-2444+	HP-2011 ¹
XTS	3.6L V6 F/I	33-2483	HP-2011 ¹

Vehicle	Engine Type	Air Filter	Oil Filter
2012 CADILLAC			
CTS	3.0L V6 F/I	33-2411♦♦	HP-7003 ¹
CTS	3.6L V6 F/I	33-2411♦♦	HP-7003 ¹
CTS-V	6.2L V8 F/I	33-2411♦♦	HP-1017 ¹
Escalade	6.0L V8 F/I	33-2135	HP-1017 ¹
Escalade	6.2L V8 F/I	33-2135♦	HP-1017 ¹
Escalade ESV	6.2L V8 F/I	33-2135♦	HP-1017 ¹
Escalade EXT	6.2L V8 F/I	33-2135♦	HP-1017 ¹
SRX	3.6L V6 F/I	33-2444+	HP-2011 ¹
SRX II	3.6L V6 F/I - From 10/12	33-2444	

Vehicle	Engine Type	Air Filter	Oil Filter
2011 CADILLAC			
CTS	3.0L V6 F/I	33-2411+	HP-7003 ¹
CTS	3.6L V6 F/I	33-2411♦♦	HP-7003 ¹
CTS-V	6.2L V8 F/I	33-2411♦♦	HP-1017 ¹
DTS	4.6L V8 F/I	33-2296+	HP-2006 ¹
Escalade	6.0L V8 F/I	33-2135	HP-1017 ¹
Escalade	6.2L V8 F/I	33-2135♦	HP-1017 ¹
Escalade ESV	6.2L V8 F/I	33-2135♦	HP-1017 ¹
Escalade EXT	6.2L V8 F/I	33-2135♦	HP-1017 ¹
SRX	2.8L V6 F/I		HP-7003 ¹
SRX	3.0L V6 F/I	33-2444+	HP-2011 ¹
STS	3.6L V6 F/I	33-2356+	PS-7003

Vehicle	Engine Type	Air Filter	Oil Filter
2010 CADILLAC			
CTS	3.0L V6 F/I	33-2411+	HP-7003 ¹
CTS	3.6L V6 F/I	33-2411♦♦	HP-7003 ¹
CTS-V	6.2L V8 F/I	33-2411♦	HP-1017 ¹
DTS	4.6L V8 F/I	33-2296+	HP-2006 ¹
Escalade	6.2L V8 F/I	33-2135♦	HP-1017 ¹
Escalade ESV	6.2L V8 F/I	33-2135♦	HP-1017 ¹
Escalade EXT	6.2L V8 F/I	33-2135♦	HP-1017 ¹
SRX	2.8L V6 F/I	33-2444+	HP-7003 ¹
SRX	3.0L V6 F/I	33-2444+	HP-1017 ¹
STS	3.6L V6 F/I	33-2356+	HP-7003 ¹
STS	4.6L V8 F/I		HP-2006 ¹

* 2 filters required ♦ Intake System Available - see page 370 +Cabin Air Filter Available - see page 353 1- Performance Silver Oil Filter Also Available



AIR & OIL FILTERS

CADILLAC

Vehicle	Engine Type	Air Filter	Oil Filter
2009 CADILLAC			
CTS	3.6L V6 F/I	33-2411 ♦+	HP-7003 ¹
CTS-V	6.2L V8 F/I	33-2411 ♦+	HP-1017 ¹
DTS	4.6L V8 F/I	33-2296+	HP-2006 ¹
Escalade	6.0L V8 F/I	33-2135	HP-1017 ¹
Escalade	6.2L V8 F/I	33-2135 ♦	HP-1017 ¹
Escalade ESV	6.2L V8 F/I	33-2135 ♦	HP-1017 ¹
Escalade EXT	6.2L V8 F/I	33-2135 ♦	HP-1017 ¹
SRX	3.6L V6 F/I	33-2356+	HP-7003 ¹
STS	3.6L V6 F/I	33-2356+	HP-7003 ¹
STS	4.6L V8 F/I	33-2356+	HP-2006 ¹
STS-V	4.4L V8 F/I		HP-2010 ¹
XLR	4.6L V8 F/I		HP-2006 ¹

Vehicle	Engine Type	Air Filter	Oil Filter
2008 CADILLAC			
CTS	2.8L V6 F/I	33-2411	
CTS	3.6L V6 F/I	33-2411 ♦+	HP-7003 ¹
DTS	4.6L V8 F/I	33-2296+	HP-2006 ¹
Escalade	6.2L V8 F/I	33-2135 ♦	HP-1017 ¹
Escalade ESV	6.2L V8 F/I	33-2135 ♦	HP-1017 ¹
Escalade EXT	6.2L V8 F/I	33-2135 ♦	HP-1017 ¹
SRX	3.6L V6 F/I	33-2356+	HP-7003 ¹
SRX	4.6L V8 F/I	33-2356+	HP-2006 ¹
STS	3.6L V6 F/I	33-2356+	HP-7003 ¹
STS	4.6L V8 F/I	33-2356+	HP-2006 ¹
STS-V	4.4L V8 F/I	E-1995+	
XLR	4.4L V8 F/I	33-2305*+	
XLR	4.6L V8 F/I	33-2305*+	HP-2006 ¹

Vehicle	Engine Type	Air Filter	Oil Filter
2007 CADILLAC			
CTS	2.8L V6 F/I	33-2251+	HP-7003 ¹
CTS	3.6L V6 F/I	33-2251+	HP-7003 ¹
CTS-V	6.0L V8 F/I	33-2649 ♦+	HP-1017 ¹
DTS	4.6L V8 F/I	33-2296+	HP-2006 ¹
Escalade	6.2L V8 F/I	33-2135 ♦	HP-1017 ¹
Escalade ESV	6.2L V8 F/I	33-2135 ♦	HP-1017 ¹
Escalade EXT	6.2L V8 F/I	33-2135 ♦	HP-1017 ¹
SRX	3.6L V6 F/I	33-2356+	HP-7003 ¹
SRX	4.6L V8 F/I	33-2356+	HP-2006 ¹
STS	3.6L V6 F/I	33-2356+	HP-7003 ¹
STS	4.6L V8 F/I	33-2356+	HP-2006 ¹
STS-V	4.4L V8 F/I	E-1995+	

Vehicle	Engine Type	Air Filter	Oil Filter
2006 CADILLAC			
CTS	2.8L V6 F/I	33-2251 ♦+	HP-7003 ¹
CTS	3.6L V6 F/I	33-2251 ♦+	HP-7003 ¹
CTS-V	6.0L V8 F/I	33-2649 ♦+	HP-1007 ¹
DTS	4.6L V8 F/I	33-2296+	HP-2006 ¹
Escalade	6.0L V8 F/I	33-2135 ♦	HP-1007 ¹
Escalade ESV	6.0L V8 F/I	33-2135 ♦	HP-1007 ¹
Escalade EXT	6.0L V8 F/I	33-2135 ♦	HP-1007 ¹
SRX	3.6L V6 F/I	33-2356+	HP-7003 ¹
SRX	4.6L V8 F/I	33-2356+	HP-2006 ¹
STS	3.6L V6 F/I	33-2356+	HP-7003 ¹
STS	4.6L V8 F/I	33-2356+	HP-2006 ¹
STS-V	4.4L V8 F/I	E-1995+	
XLR	4.6L V8 F/I	33-2305*+	HP-2006 ¹

Vehicle	Engine Type	Air Filter	Oil Filter
2005 CADILLAC			
CTS	2.8L V6 F/I	33-2251 ♦+	PS-7003
CTS	3.6L V6 F/I	33-2251 ♦+	HP-7003 ¹
CTS-V	5.7L V8 F/I	33-2649 ♦+	HP-1007 ¹
DeVille	4.6L V8 F/I	33-2063-1+	HP-2006 ¹
Escalade	5.3L V8 F/I	33-2129 ♦	HP-1007 ¹
Escalade	6.0L V8 F/I	33-2135 ♦	HP-1007 ¹
Escalade ESV	6.0L V8 F/I	33-2135 ♦	HP-1007 ¹

Vehicle	Engine Type	Air Filter	Oil Filter
2005 CADILLAC			
Escalade EXT	6.0L V8 F/I	33-2135 ♦	HP-1007 ¹
SRX	3.6L V6 F/I	33-2356+	HP-7003 ¹
SRX	4.6L V8 F/I	33-2356+	HP-2006 ¹
STS	3.6L V6 F/I	33-2356+	HP-7003 ¹
STS	4.6L V8 F/I	33-2356+	HP-2006 ¹
XLR	4.6L V8 F/I	33-2305*+	HP-2006 ¹

Vehicle	Engine Type	Air Filter	Oil Filter
2004 CADILLAC			
CTS	3.2L V6 F/I	33-2251 ♦+	
CTS	3.6L V6 F/I	33-2251 ♦+	HP-7003 ¹
CTS-V	5.7L V8 F/I	33-2649 ♦+	HP-1007 ¹
DeVille	4.6L V8 F/I	33-2063-1+	HP-2006 ¹
Escalade	5.3L V8 F/I	33-2129 ♦	HP-1007 ¹
Escalade	6.0L V8 F/I	33-2135 ♦	HP-1007 ¹
Escalade ESV	6.0L V8 F/I	33-2135 ♦	HP-1007 ¹
Escalade EXT	6.0L V8 F/I	33-2135 ♦	HP-1007 ¹
Seville	4.6L V8 F/I	33-2063-1	HP-2006 ¹
SRX	4.6L V8 F/I	33-2356+	HP-2006 ¹
XLR	4.6L V8 F/I		HP-2006 ¹

Vehicle	Engine Type	Air Filter	Oil Filter
2003 CADILLAC			
CTS	3.2L V6 F/I	33-2251 ♦+	
DeVille	4.6L V8 F/I	33-2063-1+	HP-2006 ¹
Escalade	5.3L V8 F/I	33-2129 ♦	HP-1007 ¹
Escalade	6.0L V8 F/I	33-2135 ♦	HP-1007 ¹
Escalade ESV	6.0L V8 F/I	33-2135 ♦	HP-1007 ¹
Escalade EXT	6.0L V8 F/I	33-2135 ♦	HP-1007 ¹
Seville	4.6L V8 F/I	33-2063-1	HP-2006 ¹

Vehicle	Engine Type	Air Filter	Oil Filter
2002 CADILLAC			
DeVille	4.6L V8 F/I	33-2063-1+	HP-2006 ¹
Eldorado	4.6L V8 F/I		HP-2006 ¹
Escalade	5.3L V8 F/I	33-2129 ♦+	HP-2006 ¹
Escalade	6.0L V8 F/I	33-2135 ♦+	HP-2006 ¹
Seville	4.6L V8 F/I	33-2063-1	HP-2006 ¹

Vehicle	Engine Type	Air Filter	Oil Filter
2001 CADILLAC			
DeVille	4.6L V8 F/I	33-2063-1+	HP-2006 ¹
Eldorado	4.6L V8 F/I		HP-2006 ¹
Seville	4.6L V8 F/I	33-2063-1	HP-2006 ¹

Vehicle	Engine Type	Air Filter	Oil Filter
2000 CADILLAC			
DeVille	4.6L V8 F/I	33-2063-1+	HP-2006 ¹
Eldorado	4.6L V8 F/I		HP-2006 ¹
Escalade	5.7L V8 F/I	E-1796	HP-2001 ¹
Seville	4.6L V8 F/I	33-2063-1	HP-2006 ¹

Vehicle	Engine Type	Air Filter	Oil Filter
1999 CADILLAC			
Catera	3.0L V6 F/I	33-2734	HP-7001 ¹
DeVille	4.6L V8 F/I		HP-2006 ¹
Eldorado	4.6L V8 F/I		HP-2006 ¹
Escalade	5.7L V8 F/I	E-1796	HP-2001 ¹
Seville	4.6L V8 F/I	33-2063-1	HP-2006 ¹

Vehicle	Engine Type	Air Filter	Oil Filter
1998 CADILLAC			
DeVille	4.6L V8 F/I		HP-2006 ¹
Eldorado	4.6L V8 F/I		HP-2006 ¹
Seville	4.6L V8 F/I	33-2063-1	HP-2006 ¹

Vehicle	Engine Type	Air Filter	Oil Filter
1997 CADILLAC			
DeVille	4.6L V8 F/I		HP-2006 ¹
Eldorado	4.6L V8 F/I		HP-2006 ¹
Seville	4.6L V8 F/I		HP-2006 ¹

Vehicle	Engine Type	Air Filter	Oil Filter
2020 CAN-AM			
Commander 800R	800		CM-8011

* 2 filters required ♦ Intake System Available - see page 370 +Cabin Air Filter Available - see page 353 1- Performance Silver Oil Filter Also Available

Partial Listing: Complete Listing of Vehicles and Parts at KNFILTERS.COM or call 1-800-858-3333



Vehicle	Engine Type	Air Filter	Oil Filter	Vehicle	Engine Type	Air Filter	Oil Filter
2020 CAN-AM				2020 CAN-AM			
Commander 800R DPS	800	CM-8011		Outlander 650 X mr	650	CM-8012	
Commander 800R XT	800	CM-8011		Outlander 650 XT	650	CM-8012	
Commander 1000R DPS	976	CM-8011		Outlander 850	854	CM-8012	
Commander 1000R LTD	976	CM-8011		Outlander 850 DPS	854	CM-8012	
Commander 1000R XT	976	CM-8011		Outlander 850 North Edition	854	CM-8012	
Commander Max 800R DPS	800	CM-8011		Outlander 850 X mr	854	CM-8012	
Commander Max 1000R LTD	976	CM-8011		Outlander 850 XT	854	CM-8012	
Commander Max 1000R XT	976	CM-8011		Outlander 850 XT-P	854	CM-8012	
Defender DPS HD5	427	CM-8016		Outlander 1000 X mr	976	CM-8012	
Defender DPS HD8	800	CM-8016		Outlander 1000 X xc	976	CM-8012	
Defender DPS HD10	976	CM-8016		Outlander 1000 XT	976	CM-8012	
Defender HD5	427	CM-8016		Outlander 1000 XT-P	976	CM-8012	
Defender HD8	800	CM-8016		Outlander Max 450	427	CM-8012	
Defender HD10 6X6 DPS	976	CM-8016		Outlander Max 450 6x6 DPS	427	CM-8012	
Defender HD10 Mossy Oak Hunting Ed.	976	CM-8016		Outlander Max 450 DPS	427	CM-8012	
Defender HD10 XT-P	976	CM-8016		Outlander Max 570	570	CM-8012	
Defender HD10 X mr	976	CM-8016		Outlander Max 570 DPS	570	CM-8012	
Defender Max HD8	800	CM-8016		Outlander Max 570 XT	570	CM-8012	
Defender Max HD8 DPS	800	CM-8016		Outlander Max 570 XT	570	CM-8012	
Defender Max HD8 XT	800	CM-8016		Outlander Max 650	650	CM-8012	
Defender Max HD10 DPS	976	CM-8016		Outlander Max 650 DPS	650	CM-8012	
Defender Max HD10 Lone Star	976	CM-8016		Outlander Max 650 XT	650	CM-8012	
Defender MAX HD10 X mr	976	CM-8016		Outlander Max 850	854	CM-8012	
Defender Max HD10 XT	976	CM-8016		Outlander Max 850 North Edition	854	CM-8012	
Defender Max HD10 XT Cab	976	CM-8016		Outlander Max 850 XT	854	CM-8012	
Defender XT Cab HD10	976	CM-8016		Outlander Max 850 XT-P	854	CM-8012	
Defender XT HD8	800	CM-8016		Outlander Max 1000	976	CM-8012	
Defender XT HD10	976	CM-8016		Outlander Max 1000 6X6 XT	976	CM-8012	
Maverick Trail 800	800	CM-8016		Outlander Max 1000 Limited	976	CM-8012	
Maverick Trail 800 DPS	800	CM-8016		Outlander Max 1000 XT	976	CM-8012	
Maverick Trail 1000	976	CM-8016		Outlander Max 1000 XT-P	976	CM-8012	
Maverick Trail 1000 DPS	976	CM-8016		Renegade 570	570	CM-8012	
Outlander 450	427	CM-8012		Renegade 570 X mr	570	CM-8012	
Outlander 450 DPS	427	CM-8012		Renegade 850	854	CM-8012	
Outlander 450 Mossy Oak Hunting Edition	427	CM-8012		Renegade 850 X xc	854	CM-8012	
Outlander 570	570	CM-8012		Renegade 1000 X mr	976	CM-8012	
Outlander 570 DPS	570	CM-8012		Renegade 1000 X xc	976	CM-8012	
Outlander 570 Mossy Oak Hunting Ed.	570	CM-8012		2019 CAN-AM			
Outlander 570 X mr	570	CM-8012		Commander 800R	800	CM-8011	KN-152
Outlander 570 XT	570	CM-8012		Commander 800R DPS	800	CM-8011	KN-152
Outlander 650	650	CM-8012		Commander 800R XT	800	CM-8011	KN-152
Outlander 650 DPS	650	CM-8012		Defender HD8	800	CM-8016	
Outlander 650 Mossy Oak Hunting Edition	650	CM-8012		Defender HD10 X mr	976	CM-8016	KN-152
				Defender Max HD8 DPS	800	CM-8016	KN-152
				Defender Max HD8 XT	800	CM-8016	
				Defender Max HD10 DPS	976	CM-8016	
				Defender XT HD8	800	CM-8016	
				Maverick Sport 1000	976	CM-8016	

* 2 filters required ♦ Intake System Available - see page 370 +Cabin Air Filter Available - see page 353 1- Performance Silver Oil Filter Also Available



AIR & OIL FILTERS

CAN-AM

Vehicle	Engine Type	Air Filter	Oil Filter	Vehicle	Engine Type	Air Filter	Oil Filter
2019 CAN-AM				2019 CAN-AM			
Maverick Sport 1000 DPS	976	CM-8016	KN-152	Spyder RT SE6	1330	CM-1314	
Maverick X3 Max Turbo	900	CM-9017		2018 CAN-AM			
Maverick X3 Max Turbo R	900	CM-9017		Commander 800R	800	CM-8011	KN-152
Maverick X3 Max X rs Turbo R	900	CM-9017		Commander 800R DPS	800	CM-8011	KN-152
Maverick X3 Turbo	900	CM-9017 ♦		Commander 800R XT	800	CM-8011	KN-152
Maverick X3 Turbo R	900	CM-9017		Commander 1000	976		KN-152
Maverick X3 X MR Turbo R	900	CM-9017		Commander 1000 LTD	976		KN-152
Maverick X3 X RC Turbo R	900	CM-9017		Commander 1000 XT	976		KN-152
Maverick X3 X rs Turbo R	900	CM-9017		Commander 1000R	976	CM-8011	KN-152
Outlander 450	427	CM-8012	KN-152	Commander 1000R DPS	976	CM-8011	KN-152
Outlander 450 DPS	427	CM-8012	KN-152	Commander 1000R XT	976	CM-8011	KN-152
Outlander 450 Mossy Oak Hunting Edition	427	CM-8012	KN-152	Commander Max 1000 DPS	976	CM-8011	KN-152
Outlander 570	570	CM-8012	KN-152	Commander Max 1000 XT	976	CM-8011	KN-152
Outlander 570 DPS	570	CM-8012	KN-152	Defender DPS HD8	800	CM-8016	KN-152
Outlander 570 Mossy Oak Hunting Ed.	570	CM-8012	KN-152	Defender HD8	800	CM-8016	
Outlander 570 X mr	570	CM-8012	KN-152	Defender HD10	976	CM-8016	
Outlander 570 XT	570	CM-8012	KN-152	Defender HD10 Mossy Oak Hunting Ed.	976	CM-8016	
Outlander 650	650	CM-8012		Defender HD10 XT-P	976	CM-8016	KN-152
Outlander 650 DPS	650	CM-8012	KN-152	Defender HD10 X mr	976	CM-8016	
Outlander 650 North Edition	650	CM-8012	KN-152	Defender Max HD8	800	CM-8016	KN-152
Outlander 650 X mr	650	CM-8012	KN-152	Defender Max HD10	976	CM-8016	KN-152
Outlander 650 XT	650	CM-8012	KN-152	XT Cab			
Outlander 850	854	CM-8012		Defender XT Cab	976	CM-8016	
Outlander 850 DPS	854	CM-8012	KN-152	HD10			
Outlander 850 North Edition	854	CM-8012	KN-152	Maverick 1000R DPS	976	CM-8011	KN-152
Outlander 850 X mr	854	CM-8012	KN-152	Maverick 1000R X mr	976	CM-8011	KN-152
Outlander 850 XT	854	CM-8012	KN-152	Maverick 1000R X xc	976	CM-8011	KN-152
Outlander 850 XT-P	854	CM-8012	KN-152	Maverick 1000R XC	976	CM-8011	KN-152
Outlander 1000 DPS	976	CM-8012	KN-152	Maverick 1000R xc	976	CM-8011	KN-152
Outlander 1000 X mr	976	CM-8012	KN-152	DPS			
Outlander 1000 X xc	976	CM-8012	KN-152	Maverick Max 1000R	976	CM-8011	KN-152
Outlander 1000 XT	976	CM-8012	KN-152	DPS			
Outlander 1000 XT-P	976	CM-8012	KN-152	Maverick Max 1000R X mr	976	CM-8011	KN-152
Outlander Max 850 North Edition	854	CM-8012	KN-152	Maverick Trail 800R	800	CM-8016	
Outlander Max 850 XT	854	CM-8012	KN-152	Maverick Trail 800R DPS	800	CM-8016	KN-152
Outlander Max 850 XT-P	854	CM-8012	KN-152	Maverick Trail 1000	976	CM-8016	KN-152
Renegade 570 X mr	570	CM-8012		DPS			
Renegade 850 X xc	854	CM-8012	KN-152	Maverick X3 HO	900	CM-9017	
Renegade 1000	976	CM-8012	KN-152	Maverick X3 Max Turbo	900	CM-9017	
Renegade 1000 X mr	976	CM-8012	KN-152	Maverick X3 Max Turbo R	900	CM-9017	
Renegade 1000 X xc	976	CM-8012	KN-152	Maverick X3 Max X ds Turbo R	900	CM-9017	
Ryker 600 ACE	600	CM-9910		Maverick X3 Max X rs Turbo R	900	CM-9017	
Ryker 900 ACE	900	CM-9910		Maverick X3 Turbo	900	CM-9017 ♦	
Ryker Rally Edition	900	CM-9910		Maverick X3 Turbo R	900	CM-9017 ♦	
Spyder F3 Limited SE6	1330	CM-1314		Maverick X3 X ds Turbo R	900	CM-9017	
Spyder F3 SE6	1330	CM-1314		Maverick X3 X MR Turbo	900	CM-9017	
Spyder F3-S SE6	1330	CM-1314		Maverick X3 X MR Turbo R	900	CM-9017	
Spyder F3-S Special Series SE6	1330	CM-1314					
Spyder F3-T SE6	1330	CM-1314					

* 2 filters required ♦ Intake System Available - see page 370 +Cabin Air Filter Available - see page 353 1- Performance Silver Oil Filter Also Available



Vehicle	Engine Type	Air Filter	Oil Filter	Vehicle	Engine Type	Air Filter	Oil Filter
2018 CAN-AM				2017 CAN-AM			
Maverick X3 X RC Turbo	900	CM-9017		Commander 800R XT	800	CM-8011	KN-152
Maverick X3 X RC Turbo R	900	CM-9017		Commander 1000 XT	976	CM-8011	KN-152
Maverick X3 X rs Turbo R	900	CM-9017		Commander 1000 XT-P	976	CM-8011	KN-152
Outlander 450	427	CM-8012		Defender DPS HD8	800	CM-8016	KN-152
Outlander 450 DPS	427	CM-8012		Defender DPS HD10	976	CM-8016	KN-152
Outlander 450 Mossy Oak Hunting Edition	427	CM-8012		Defender HD5	427	CM-8016	KN-152
Outlander 570	570	CM-8012	KN-152	Defender HD8	800	CM-8016	
Outlander 570 DPS	570	CM-8012	KN-152	Defender HD10	976	CM-8016	KN-152
Outlander 570 Mossy Oak Hunting Ed.	570	CM-8012	KN-152	Defender HD10 Mossy Oak Hunting Ed.	976	CM-8016	KN-152
Outlander 570 X mr	570	CM-8012	KN-152	Defender Max HD10 XT	976	CM-8016	
Outlander 570 XT	570	CM-8012	KN-152	Defender XT Cab HD10	976	CM-8016	
Outlander 650	650	CM-8012	KN-152	Defender XT HD8	800	CM-8016	
Outlander 650 6x6 DPS	650	CM-8012	KN-152	Defender XT HD10	976	CM-8016	
Outlander 650 DPS	650	CM-8012	KN-152	Defender XT HD100	976	CM-8016	
Outlander 650 North Edition	650	CM-8012	KN-152	Maverick 1000R DPS	976	CM-8011	KN-152
Outlander 650 X mr	650	CM-8012	KN-152	Maverick 1000R Turbo	976	CM-9715	KN-152
Outlander 650 XT	650	CM-8012	KN-152	Maverick 1000R Turbo X ds	976	CM-9715	KN-152
Outlander 850 DPS	854	CM-8012		Maverick 1000R Turbo X rs	976	CM-9715	KN-152
Outlander 850 North Edition	854	CM-8012		Maverick 1000R X xc	976	CM-8011	KN-152
Outlander 850 XT-P	854	CM-8012		Maverick 1000R XC	976	CM-8011	KN-152
Outlander 1000 DPS	976	CM-8012		Maverick Max 1000R Turbo X ds	976	CM-9715	KN-152
Outlander 1000 Mossy Oak Hunting Ed.	976	CM-8012	KN-152	Maverick Max 1000R Turbo X rs	976	CM-9715	KN-152
Outlander 1000 X mr	976	CM-8012	KN-152	Maverick X3	900	CM-9017	
Outlander 1000 X xc	976	CM-8012	KN-152	Maverick X3 Turbo	900	CM-9017 ♦	
Outlander 1000 XT	976	CM-8012	KN-152	Maverick X3 X ds	900	CM-9017	
Outlander 1000 XT-P	976	CM-8012	KN-152	Maverick X3 X rs	900	CM-9017	
Outlander Max 450 DPS	427	CM-8012		Outlander 450	427	CM-8012	
Outlander Max 570 DPS	570	CM-8012	KN-152	Outlander 450 DPS	427	CM-8012	
Outlander Max 570 XT	570	CM-8012	KN-152	Outlander 570	570	CM-8012	KN-152
Outlander Max 650 XT	650	CM-8012	KN-152	Outlander 570 DPS	570	CM-8012	KN-152
Outlander Max 850 North Edition	854	CM-8012	KN-152	Outlander 570 EFI X mr	570	CM-8012	KN-152
Outlander Max 1000 XT	976	CM-8012	KN-152	Outlander 570 Mossy Oak Hunting Ed.	570	CM-8012	KN-152
Outlander Max 1000 XT-P	976	CM-8012	KN-152	Outlander 570 XT	570	CM-8012	KN-152
Renegade 570	570	CM-8012	KN-152	Outlander 650 X mr	650	CM-8012	KN-152
Renegade 570 X mr	570	CM-8012		Outlander 650 XT	650	CM-8012	
Renegade 850 X xc	854	CM-8012	KN-152	Outlander 850 XT	854	CM-8012	KN-152
Renegade 1000 X mr	976	CM-8012	KN-152	Outlander 850 XT-P	854	CM-8012	KN-152
Renegade 1000 X xc	976	CM-8012	KN-152	Outlander 1000 XT	976	CM-8012	KN-152
Spyder F3 Limited SE6	1330	CM-1314		Outlander 1000 XT-P	976	CM-8012	KN-152
Spyder F3 SE6	1330	CM-1314		Outlander Max 850 XT	854	CM-8012	KN-152
Spyder F3-S SE6	1330	CM-1314		Outlander Max 850 XT-P	854	CM-8012	KN-152
Spyder F3-S SM6	1330	CM-1314		Outlander Max 1000 XT	976	CM-8012	KN-152
Spyder F3-T SE6	1330	CM-1314		Outlander Max 1000 XT-P	976	CM-8012	KN-152
Spyder RT Limited SE6	1330	CM-1314		Outlander Max 850 XT	854	CM-8012	KN-152
Spyder RT SE6	1330	CM-1314		Outlander Max 850 XT-P	854	CM-8012	KN-152
Spyder RT SM6	1330	CM-1314		Outlander Max 1000 XT-P	976	CM-8012	
				Renegade 1000 X mr	976	CM-8012	KN-152
				Renegade 1000 X xc	976	CM-8012	KN-152
				Spyder F3 Limited SE6	1330	CM-1314	
				Spyder F3 SE6	1330	CM-1314	
				Spyder F3 SM6	1330	CM-1314	
				Spyder F3-S SE6	1330	CM-1314	
				Spyder F3-S SM6	1330	CM-1314	

* 2 filters required ♦ Intake System Available - see page 370 +Cabin Air Filter Available - see page 353 1- Performance Silver Oil Filter Also Available



AIR & OIL FILTERS

CAN-AM

Vehicle	Engine Type	Air Filter	Oil Filter	Vehicle	Engine Type	Air Filter	Oil Filter
2017 CAN-AM				2016 CAN-AM			
Spyder F3-T SE6	1330	CM-1314		Spyder F3-T SE6	1330	CM-1314	
Spyder F3-T SM6	1330	CM-1314		Spyder F3-T SM6	1330	CM-1314	
Spyder RT Limited SE6	1330	CM-1314		Spyder RT Limited SE6	1330	CM-1314	
Spyder RT SE6	1330	CM-1314		Spyder RT SE6	1330	CM-1314	
Spyder RT-S SE6	1330	CM-1314		Spyder RT-S SE6	1330	CM-1314	
2016 CAN-AM				2015 CAN-AM			
Commander 800R DPS	800	CM-8011	KN-152	Commander 800R DPS	800	CM-8011	KN-152
Commander 800R XT	800	CM-8011	KN-152	Commander 800R XT	800	CM-8011	KN-152
Commander 1000 DPS	976	CM-8011	KN-152	Commander 1000 LTD	976	CM-8011	KN-152
Commander 1000 XT	976	CM-8011	KN-152	Commander 1000 XT	976	CM-8011	KN-152
Commander 1000 XT-P	976	CM-8011	KN-152	Commander 1000 XT-P	976	CM-8011	KN-152
Defender DPS HD8	800	CM-8016		DS450 X mx	450	CM-4508	
Defender DPS HD10	976	CM-8016	KN-152	Maverick 1000R	976	CM-8011	KN-152
Defender HD8	800	CM-8016	KN-152	Maverick 1000R Turbo X ds	976	CM-9715	KN-152
Defender HD10	976	CM-8016		Maverick 1000R X ds	976		KN-152
Defender XT HD8	800	CM-8016		Maverick 1000R X ds - Exc. Turbo	976	CM-8011	KN-152
Defender XT HD10	976	CM-8016		Maverick 1000R X mr	976	CM-8011	KN-152
Maverick 1000R DPS	976	CM-8011	KN-152	DPS			
Maverick 1000R Turbo	976	CM-9715	KN-152	Maverick 1000R X rs	976	CM-8011	KN-152
Maverick 1000R Turbo X ds	976	CM-9715	KN-152	DPS			
Maverick 1000R Turbo X rs	976	CM-9715	KN-152	Maverick 1000R X xc	976	CM-8011	KN-152
Maverick 1000R X ds	976	CM-8011	KN-152	DPS			
Maverick 1000R X mr	976	CM-8011	KN-152	Maverick Max 1000R Turbo X ds	976	CM-9715	
DPS				Maverick Max 1000R X ds	976	CM-8011	
Maverick 1000R X xc	976	CM-8011	KN-152	Maverick Max 1000R X rs	976	CM-8011	
DPS				DPS			
Maverick 1000R XC	976	CM-8011	KN-152	Maverick Max 1000R X ds	976	CM-8011	
Maverick Max 1000R Turbo	976	CM-9715		Maverick Max 1000R X rs	976	CM-8011	
Maverick Max 1000R Turbo X ds	976	CM-9715	KN-152	DPS			
Maverick Max 1000R Turbo X rs	976	CM-9715	KN-152	Outlander 650 EFI	650	CM-8012	
Outlander 650 EFI XT	650	CM-8012	KN-152	DPS			
Outlander 850 XT	854	CM-8012	KN-152	Outlander 650 EFI XT	650	CM-8012	KN-152
Outlander 850 XT-P	854	CM-8012	KN-152	Outlander 800R EFI	800	CM-8012	KN-152
Outlander 1000 X mr	1000		KN-152	Outlander 800R EFI X mr	800	CM-8012	KN-152
Outlander L 450 DPS	450	CM-8012		Outlander 800R EFI XT	800	CM-8012	KN-152
Outlander L 570	570	CM-8012	KN-152	Outlander 800R EFI XT-P	800	CM-8012	KN-152
Outlander L 570 LE	570	CM-8012	KN-152	Outlander 1000 EFI	1000	CM-8012	KN-152
Outlander L 570 Mossy Oak Hunting Edition	570	CM-8012	KN-152	Outlander 1000 EFI XT	1000	CM-8012	KN-152
Outlander L 570 X mr	570	CM-8012	KN-152	Outlander 1000 X mr	1000	CM-8012	KN-152
Outlander L 570 DPS	570	CM-8012	KN-152	Outlander L 450	450	CM-8012	KN-152
Outlander Max 650 EFI XT	650	CM-8012		Outlander L 450 DPS	450	CM-8012	
Renegade 570	570	CM-8012	KN-152	Outlander L 500	500	CM-8012	
Renegade 850 X xc	850	CM-8012	KN-152	Outlander L 500 DPS	500	CM-8012	
Renegade 1000 X mr	976	CM-8012		Outlander L Max 450	450	CM-8012	
Renegade 1000 X xc	976	CM-8012	KN-152	DPS			
Spyder F3 Limited SE6	1330	CM-1314		Outlander Max 650 EFI DPS	650	CM-8012	
Spyder F3 SE6	1330	CM-1314		Outlander Max 650 EFI XT	650	CM-8012	
Spyder F3 SM6	1330	CM-1314		Outlander Max 800R EFI XT	800	CM-8012	KN-152
Spyder F3-S Limited Special Series SE6	1330	CM-1314					
Spyder F3-S SE6	1330	CM-1314					

* 2 filters required ♦ Intake System Available - see page 370 +Cabin Air Filter Available - see page 353 1- Performance Silver Oil Filter Also Available

Partial Listing: Complete Listing of Vehicles and Parts at KNFILTERS.COM or call 1-800-858-3333



Vehicle	Engine Type	Air Filter	Oil Filter	Vehicle	Engine Type	Air Filter	Oil Filter
2015 CAN-AM				2014 CAN-AM			
Outlander Max 800R EFI XT-P	800	CM-8012	KN-152	Spyder RS SM5	998	CM-9910	
Outlander Max 1000 EFI X mr	1000	CM-8012	KN-152	Spyder RS-S SE5	998	CM-9910	
Renegade 800R	800	CM-8012		Spyder RS-S SM5	998	CM-9910	
Renegade 800R X xc	800	CM-8012		Spyder RT Limited SE6	1330	CM-1314	
Renegade 1000	976	CM-8012	KN-152	Spyder RT SE6	1330	CM-1314	
Renegade 1000 X xc	976	CM-8012	KN-152	Spyder RT SM6	1330	CM-1314	
Spyder F3 SE6	1330	CM-1314		Spyder RT-S SE6	1330	CM-1314	
Spyder F3 SM6	1330	CM-1314		Spyder RT-S SM6	1330	CM-1314	
Spyder F3-S SE6	1330	CM-1314		Spyder ST Limited SE5	998	CM-9910	
Spyder F3-S SM6	1330	CM-1314		Spyder ST SE5	998	CM-9910	
Spyder RS	998	CM-9910		Spyder ST SM5	998	CM-9910	
Spyder RS SM5	998	CM-9910		Spyder ST-S SE5	998	CM-9910	
Spyder RS-S SE5	998	CM-9910		Spyder ST-S SM5	998	CM-9910	
Spyder RS-S SM5	998	CM-9910		2013 CAN-AM			
Spyder RT Limited SE6	1330	CM-1314		Commander 800R	800	CM-8011	KN-152
Spyder RT SE6	1330	CM-1314		Commander 800R XT	800	CM-8011	KN-152
Spyder RT SM6	1330	CM-1314		Commander 1000	976	CM-8011	KN-152
Spyder RT-S SE6	1330	CM-1314		Commander 1000 X	976	CM-8011	KN-152
Spyder RT-S SM6	1330	CM-1314		Commander 1000 XT	976	CM-8011	KN-152
Spyder ST	998	CM-9910		Maverick 1000R	976	CM-8011	
Spyder ST Limited SE5	998	CM-9910		Maverick X rs 1000R	976	CM-8011	
Spyder ST SM5	998	CM-9910		Outlander 500 EFI DPS	500	CM-8012	KN-152
Spyder ST-S SE5	998	CM-9910		Outlander 500 EFI XT	500	CM-8012	KN-152
Spyder ST-S SM5	998	CM-9910		Outlander 650 EFI DPS	650	CM-8012	KN-152
2014 CAN-AM				Outlander 650 EFI XT	650	CM-8012	KN-152
Commander 800R	800	CM-8011	KN-152	Outlander 650 X mr	650	CM-8012	
Commander 800R DPS	800	CM-8011	KN-152	Outlander 800R EFI	800	CM-8012	KN-152
Commander 800R XT	800	CM-8011	KN-152	Outlander 800R EFI DPS	800	CM-8012	KN-152
Commander 1000	976	CM-8011	KN-152	Outlander 800R EFI X mr	800	CM-8012	KN-152
Commander 1000 DPS	976	CM-8011	KN-152	Outlander 800R EFI XT	800	CM-8012	KN-152
Commander 1000 LTD	976	CM-8011	KN-152	Outlander 800R EFI XT-P	800	CM-8012	KN-152
Commander 1000 XT	976	CM-8011	KN-152	Outlander 1000 EFI DPS	1000	CM-8012	KN-152
Commander 1000 XT-P	976	CM-8011	KN-152	Outlander 1000 EFI XT	1000	CM-8012	KN-152
DS450 X xc	450	CM-4508		Outlander 1000 EFI XT-P	1000	CM-8012	KN-152
Maverick 1000R	976	CM-8011	KN-152	Outlander Max 650 EFI XT	650	CM-8012	KN-152
Maverick Max X rs DPS 1000R	976	CM-8011		Outlander Max 800R EFI XT	800	CM-8012	KN-152
Maverick X mr 1000R	976	CM-8011	KN-152	Outlander Max 800R EFI XT-P	800	CM-8012	KN-152
Maverick X rs DPS 1000R	976	CM-8011	KN-152	Renegade 500	500	CM-8012	KN-152
Outlander 500 EFI DPS	500	CM-8012	KN-152	Renegade 1000	976	CM-8012	KN-152
Outlander 650 EFI XT	650	CM-8012	KN-152	Renegade 1000 X xc	976	CM-8012	KN-152
Outlander 650 X mr	650	CM-8012	KN-152	Spyder RS SE5	998	CM-9910	
Outlander 800R EFI XT-P	800	CM-8012	KN-152	Spyder RS SM5	998	CM-9910	
Outlander 1000 EFI XT-P	1000	CM-8012	KN-152	Spyder RS-S SE5	998	CM-9910	
Outlander Max 500 EFI DPS	500	CM-8012		Spyder RS-S SM5	998	CM-9910	
Outlander Max 650 EFI XT	650	CM-8012		Spyder RT Limited SE5	998	CM-9910	
Outlander Max 800R EFI XT-P	800	CM-8012	KN-152	Spyder RT SE5	998	CM-9910	
Renegade 800R X xc	800	CM-8012	KN-152	Spyder RT SM5	998	CM-9910	
Renegade 1000 X xc	976	CM-8012	KN-152	Spyder RT-S SE5	998	CM-9910	
Spyder RS SE5	998	CM-9910		Spyder RT-S SM5	998	CM-9910	
				Spyder ST Limited SE5	998	CM-9910	

* 2 filters required ♦ Intake System Available - see page 370 +Cabin Air Filter Available - see page 353 1- Performance Silver Oil Filter Also Available



AIR & OIL FILTERS

CAN-AM

Vehicle	Engine Type	Air Filter	Oil Filter	Vehicle	Engine Type	Air Filter	Oil Filter
2013 CAN-AM				2010 CAN-AM			
Spyder ST SE5	998	CM-9910		Outlander 800R EFI	800		KN-152
Spyder ST SM5	998	CM-9910		XT			
Spyder ST-S SE5	998	CM-9910		Outlander Max 650	650		KN-152
2012 CAN-AM				2010 CAN-AM			
Commander 800R XT	800	CM-8011	KN-152	EFI XT			
Commander 1000	976	CM-8011	KN-152	Outlander Max 800R	800		KN-152
Commander 1000 LTD	976	CM-8011	KN-152	EFI XT			
Commander 1000 X	976	CM-8011	KN-152	Renegade 800 X	800		KN-152
Commander 1000 XT	976	CM-8011	KN-152	Renegade 800R	800		KN-152
DS450 EFI X mx	450	CM-4508	KN-560	Spyder RS SE5	998	CM-9908	KN-564
DS450 EFI X xc	450	CM-4508	KN-560	Spyder RS SM5	998	CM-9908	KN-564
Outlander 400 EFI XT	400		KN-152	Spyder RS-S SE5	998	CM-9908	KN-564
Outlander 500 EFI XT	500	BD-6506	KN-152	Spyder RT SE5	998	CM-9910	KN-564
Outlander 650 EFI	650		KN-152	Spyder RT SE5 A/C	998	CM-9910	KN-564
Outlander 650 EFI XT	650		KN-152	Spyder RT SM5	998	CM-9910	KN-564
Outlander 800R EFI	800		KN-152	Spyder RT SM5 A/C	998	CM-9910	KN-564
X mr				2009 CAN-AM			
Outlander 800R EFI	800	CM-8012	KN-152	DS450 EFI X mx	450	CM-4508	KN-560
XT				Outlander 400 HO	400		KN-152
Outlander 1000 EFI	1000	CM-8012	KN-152	EFI XT			
XT				Outlander 800R EFI	800		KN-152
Renegade 1000 EFI	976	CM-8012	KN-152	Outlander 800R EFI	800		KN-152
X xc				XT			
Spyder RS SE5	998		KN-564	Outlander Max 650	650	BD-6506	KN-152
Spyder RS SM5	998	CM-9908	KN-564	EFI XT			
Spyder RS-S SE5	998	CM-9908	KN-564	Outlander Max 800R	800		KN-152
Spyder RS-S SM5	998	CM-9908	KN-564	EFI LTD			
Spyder RT Limited	998	CM-9910	KN-564	Outlander Max 800R	800		KN-152
SE5				EFI XT			
Spyder RT SE5 A/C	998	CM-9910	KN-564	Renegade 800	800		KN-152
Spyder RT SM5	998	CM-9910	KN-564	Renegade 800 X	800		KN-152
Spyder RT SM5 A/C	998	CM-9910	KN-564	Spyder GS - SM5	998	CM-9908	KN-564
Spyder RT-S SE5	998	CM-9910	KN-564	Spyder RS SE5	998	CM-9908	KN-564
Spyder RT-S SM5	998	CM-9910	KN-564	Spyder RS SM5	998	CM-9908	KN-564
2011 CAN-AM				2008 CAN-AM			
Commander 1000 X	976	CM-8011	KN-152	DS450	450	CM-4508	KN-560
Commander 1000 XT	976	CM-8011	KN-152	DS450X	450	CM-4508	KN-560
Outlander 650 EFI XT	650		KN-152	Outlander 400 HO	400		KN-152
Outlander 650 EFI	650		KN-152	EFI			
XT-P				Outlander 400 HO	400		KN-152
Outlander 800R EFI	800		KN-152	EFI XT			
Outlander 800R EFI	800		KN-152	Outlander 400 HO XT	400	BD-3303	KN-152
XT				Outlander 500 HO	500	BD-6506	KN-152
Outlander 800R EFI	800		KN-152	4x4 EFI			
XT-P				Outlander 500 HO	500	BD-6506	KN-152
Outlander Max 800R	800		KN-152	4x4 EFI XT			
EFI XT				Outlander 650 HO	650	BD-6506	KN-152
Outlander Max 800R	800		KN-152	4x4 EFI XT			
EFI XT-P				Outlander 650 HO	650	BD-6506	KN-152
Renegade 800R	800		KN-152	EFI 4x4			
Renegade 800R X xc	800		KN-152	Outlander 800 HO	800	BD-6506	KN-152
Spyder RS SE5	998	CM-9908		4x4 EFI			
Spyder RS SM5	998	CM-9908	KN-564	Outlander 800 HO	800	BD-6506	KN-152
Spyder RS-S SE5	998	CM-9908		4x4 EFI XT			
Spyder RS-S SM5	998	CM-9908	KN-564	Outlander Max 500	500	BD-6506	KN-152
Spyder RT SE5	998	CM-9910	KN-564	HO EFI XT			
Spyder RT SE5 A/C	998	CM-9910	KN-564	Outlander Max 650	650	BD-6506	KN-152
2010 CAN-AM				2010 CAN-AM			
Outlander 400 HO	400		KN-152	HO EFI XT			
EFI XT				Outlander Max 800	800	BD-6506	KN-152
Outlander 500 EFI XT	500	BD-6506	KN-152	HO EFI LTD			
Outlander 800R EFI	800		KN-152	Outlander Max 800	800	BD-6506	KN-152
				HO EFI XT			
				Renegade 800	800	BD-6506	KN-152
				Renegade 800 X	800	BD-6506	KN-152
				Spyder GS - SE5	990	CM-9908	KN-564
				Spyder GS - SM5	990	CM-9908	KN-564

* 2 filters required ♦ Intake System Available - see page 370 +Cabin Air Filter Available - see page 353 1- Performance Silver Oil Filter Also Available

Partial Listing: Complete Listing of Vehicles and Parts at KNFILTERS.COM or call 1-800-858-3333



Vehicle	Engine Type	Air Filter	Oil Filter	Vehicle	Engine Type	Air Filter	Oil Filter
2007 CAN-AM				2020 CHEVROLET			
Outlander 400 HO	400	BD-3303	KN-152	Malibu	1.5L L4 F/I	33-5049 ♦	HP-1017 ¹
Outlander 400 HO XT	400	BD-3303	KN-152	Malibu	1.8L L4 F/I - w/Oil filter housing & cap marked Hengst		HP-7027 ¹
Outlander 500 HO 4x4 EFI	500	BD-6506	KN-152	Malibu	2.0L L4 F/I	33-5049 ♦	HP-1017 ¹
Outlander 500 HO 4x4 EFI XT	500	BD-6506	KN-152	Onix	1.0L L4 F/I	33-2476	
Outlander 650 HO 4x4 EFI XT	650	BD-6506	KN-152	Silverado 1500	2.7L L4 F/I	33-5083	
Outlander 650 HO EFI 4x4	650	BD-6506		Silverado 1500	3.0L L6 DSL	33-5083	
Outlander 800 HO 4x4 EFI	800	BD-6506	KN-152	Silverado 1500	4.3L V6 F/I	33-5083 ♦	HP-2011 ¹
Outlander 800 HO 4x4 EFI XT	800	BD-6506	KN-152	Silverado 1500	5.3L V8 F/I	33-5083 ♦	HP-2011 ¹
Outlander Max 400 HO XT	400	BD-3303	KN-152	Silverado 1500	6.2L V8 F/I	33-5083 ♦	HP-2011 ¹
Outlander Max 500 HO EFI XT	500	BD-6506	KN-152	Silverado 2500 HD	6.6L V8 DSL		HP-2010 ¹
Outlander Max 650 HO EFI XT	650	BD-6506	KN-152	Silverado 2500 HD	6.6L V8 F/I		HP-2011 ¹
Outlander Max 800 HO EFI LTD	800	BD-6506	KN-152	Silverado 3500 HD	6.6L V8 DSL		HP-2010 ¹
Outlander Max 800 HO EFI XT	800	BD-6506	KN-152	Silverado 3500 HD	6.6L V8 F/I		HP-2011 ¹
Renegade 800	800	BD-6506		Sonic	1.4L L4 F/I - w/Oil filter housing & cap marked Hengst		HP-7027 ¹
2017 CHERY				2019 CHEVROLET			
Arrizo 5	1.5L L4 F/I	33-30101		Blazer	2.5L L4 F/I	33-5056+	HP-1017 ¹
2016 CHERY				Blazer	3.6L V6 F/I	33-5056 ♦+	HP-2011 ¹
Arrizo 5	1.5L L4 F/I	33-30101		Camaro	2.0L L4 F/I	33-2496 ♦+	HP-1017 ¹
2008 CHERY				Camaro	3.6L V6 F/I	33-2496 ♦+	HP-2011 ¹
Qijun	1.6L L4 F/I - To 7/08	33-2705		Camaro SS	6.2L V8 F/I	33-5047 ♦+	HP-1017 ¹
2007 CHERY				Camaro ZL1	6.2L V8 F/I	33-5047 ♦+	HP-1017 ¹
Qijun	1.6L L4 F/I	33-2705		Colorado	2.5L L4 F/I	33-5030 ♦+	HP-1017 ¹
2006 CHERY				Colorado	2.8L L4 DSL	33-5030 ♦+	
Qijun	1.6L L4 F/I	33-2705		Colorado	3.6L V6 F/I	33-5030 ♦+	HP-7027 ¹
2005 CHERY				Corvette	6.2L V8 F/I	E-0665 ♦	HP-1017 ¹
Qijun	1.6L L4 F/I	33-2705		Corvette Z06	6.2L V8 F/I	E-0665	HP-1017 ¹
2004 CHERY				Corvette ZR1	6.2L V8 F/I	E-0665 ♦	HP-1017 ¹
Qijun	1.6L L4 F/I	33-2705		Cruze	1.4L L4 F/I	E-0650 ♦+	HP-1017 ¹
2003 CHERY				Cruze	1.6L L4 DSL	E-0650+	HP-7027 ¹
Qijun	1.6L L4 F/I - From 8/03	33-2705		Equinox	1.5L L4 F/I	33-5069	HP-1017 ¹
2020 CHEVROLET				Equinox	1.6L L4 DSL	33-5069	HP-7027 ¹
Blazer	2.5L L4 F/I	33-5056	HP-1017 ¹	Equinox	2.0L L4 F/I	33-5069	HP-1017 ¹
Blazer	3.6L V6 F/I	33-5056 ♦	HP-2011 ¹	Express 2500	4.3L V6 F/I		HP-2011 ¹
Camaro	2.0L L4 F/I		HP-1017 ¹	Express 2500	6.0L V8 F/I	E-1986	HP-1017 ¹
Camaro	3.6L V6 F/I	33-2496 ♦	HP-2011 ¹	Express 3500	6.0L V8 F/I	E-1986	HP-1017 ¹
Camaro	6.2L V8 F/I	33-5047	HP-1017 ¹	Impala	2.5L L4 F/I	33-2497	
Camaro SS	6.2L V8 F/I	33-5047 ♦	HP-1017 ¹	Impala	3.6L V6 F/I	33-2483	HP-2011 ¹
Colorado	2.5L L4 F/I	33-5030 ♦+	HP-1017 ¹	Malibu	1.5L L4 F/I	33-5049 ♦+	HP-1017 ¹
Colorado	2.8L L4 DSL	33-5030+		Malibu	1.8L L4 F/I	33-5049+	
Colorado	3.6L V6 F/I	33-5030 ♦+	HP-7027 ¹	Malibu	1.8L L4 F/I - w/Oil filter housing & cap marked Hengst	33-5049	HP-7027 ¹
Equinox	1.5L L4 F/I	33-5069	HP-1017 ¹	Malibu	2.0L L4 F/I	33-5049 ♦+	HP-1017 ¹
Equinox	1.6L L4 DSL		HP-7027 ¹	Silverado 1500	4.3L V6 F/I	33-5083 ♦+	HP-2011 ¹
Equinox	2.0L L4 F/I	33-5069	HP-1017 ¹	Silverado 1500	5.3L V8 F/I	33-5083 ♦+	HP-2011 ¹
Express 2500	4.3L V6 F/I		HP-2011 ¹	Silverado 1500	6.2L V8 F/I	33-5083 ♦+	HP-2011 ¹
Express 2500	6.0L V8 F/I	E-1986	HP-1017 ¹	Silverado 1500 LD	5.3L V8 F/I	33-2129 ♦	HP-2011 ¹
Express 3500	4.3L V6 F/I		HP-2011 ¹				
Express 3500	6.0L V8 F/I	E-1986	HP-1017 ¹				
Impala	2.5L L4 F/I		HP-1017 ¹				
Impala	3.6L V6 F/I		HP-2011 ¹				

* 2 filters required ♦ Intake System Available - see page 370 +Cabin Air Filter Available - see page 353 1- Performance Silver Oil Filter Also Available



AIR & OIL FILTERS

CHEVROLET

Vehicle	Engine Type	Air Filter	Oil Filter
2019 CHEVROLET			
Silverado 2500 HD	6.0L V8 F/I	33-2135 ♦♦	HP-1017 ¹
Silverado 2500 HD	6.6L V8 DSL	33-5065 ♦♦	HP-3003 ¹
Silverado 3500 HD	6.0L V8 F/I	33-2135 ♦♦	HP-1017 ¹
Silverado 3500 HD	6.6L V8 DSL	33-5065 ♦♦	HP-3003 ¹
Sonic	1.4L L4 F/I	33-2476 ♦♦	
Sonic	1.4L L4 F/I - w/Oil filter housing & cap marked Hengst	33-2476	HP-7027 ¹
Spark	1.4L L4 F/I	33-5043+	HP-1017 ¹
Suburban	5.3L V8 F/I	33-2129 ♦♦	HP-2011 ¹
Suburban	6.2L V8 F/I	33-2135 ♦♦	HP-2011 ¹
Suburban 3500 HD	6.0L V8 F/I	33-2135+	HP-1017 ¹
Tahoe	5.3L V8 F/I	33-2129 ♦♦	HP-2011 ¹
Tahoe	6.2L V8 F/I	33-2135 ♦♦	HP-2011 ¹
Traverse	2.0L L4 F/I	33-5056+	HP-1017 ¹
Traverse	3.6L V6 F/I	33-5056+	HP-2011 ¹
Trax	1.4L L4 F/I	33-5007+	
Trax	1.4L L4 F/I - w/Oil filter housing & cap marked Hengst	33-5007	HP-7027 ¹
Volt	1.5L L4 F/I	33-5051+	HP-1017 ¹

Vehicle	Engine Type	Air Filter	Oil Filter
2018 CHEVROLET			
Camaro	2.0L L4 F/I	33-2496 ♦♦	HP-1017 ¹
Camaro	3.6L V6 F/I	33-2496 ♦♦	HP-2011 ¹
Camaro SS	6.2L V8 F/I	33-5047 ♦♦	HP-1017 ¹
Camaro ZL1	6.2L V8 F/I	33-5047 ♦♦	HP-1017 ¹
City Express	2.0L L4 F/I		HP-1008 ¹
Colorado	2.5L L4 F/I	33-5030 ♦♦	HP-1017 ¹
Colorado	2.8L L4 DSL	33-5030 ♦♦	
Colorado	3.6L V6 F/I	33-5030 ♦♦	HP-7027 ¹
Corvette	6.2L V8 F/I	E-0665 ♦♦	HP-1017 ¹
Corvette Z06	6.2L V8 F/I	E-0665 ♦	HP-1017 ¹
Cruze	1.4L L4 F/I	E-0650 ♦♦	HP-1017 ¹
Cruze	1.6L L4 DSL	E-0650+	HP-7027 ¹
Equinox	1.5L L4 F/I	33-5069	HP-1017 ¹
Equinox	1.6L L4 DSL	33-5069	HP-7027 ¹
Equinox	2.0L L4 F/I	33-5069	HP-1017 ¹
Express 2500	4.3L V6 F/I		HP-2011 ¹
Express 2500	6.0L V8 F/I	E-1986	HP-1017 ¹
Express 3500	6.0L V8 F/I	E-1986	HP-1017 ¹
Impala	2.5L L4 F/I	33-2497	HP-1017 ¹
Impala	3.6L V6 F/I	33-2483	HP-2011 ¹
Malibu	1.5L L4 F/I	33-5049 ♦♦	HP-1017 ¹
Malibu	1.8L L4 F/I	33-5049+	HP-7027 ¹
Malibu	2.0L L4 F/I	33-5049 ♦♦	HP-1017 ¹
Malibu XL	1.5L L4 F/I		HP-1017 ¹
Silverado 1500	4.3L V6 F/I	33-2129 ♦♦	HP-2011 ¹
Silverado 1500	5.3L V8 F/I	33-2129+	HP-2011 ¹
Silverado 1500	6.2L V8 F/I	33-2135 ♦♦	HP-2011 ¹
Silverado 2500	5.3L V8 F/I		HP-2011 ¹
Silverado 2500 HD	6.0L V8 F/I	33-2135 ♦♦	HP-1017 ¹
Silverado 2500 HD	6.6L V8 DSL	33-5065 ♦♦	HP-3003 ¹
Silverado 3500 HD	6.0L V8 F/I	33-2135 ♦♦	HP-1017 ¹
Silverado 3500 HD	6.6L V8 DSL	33-5065 ♦♦	HP-3003 ¹
Sonic	1.4L L4 F/I	33-2476 ♦♦	
Sonic	1.4L L4 F/I - w/Oil filter housing & cap marked Hengst	33-2476	HP-7027 ¹
Sonic	1.8L L4 F/I	33-2476+	
Sonic	1.8L L4 F/I - w/Oil filter housing & cap marked Hengst	33-2476	HP-7027 ¹
Spark	1.4L L4 F/I	33-5043+	HP-1017 ¹

Vehicle	Engine Type	Air Filter	Oil Filter
2018 CHEVROLET			
Suburban	5.3L V8 F/I	33-2129 ♦♦	HP-2011 ¹
Suburban 3500 HD	6.0L V8 F/I	33-2135+	HP-1017 ¹
Tahoe	5.3L V8 F/I	33-2129 ♦♦	HP-2011 ¹
Tahoe	6.2L V8 F/I	33-2135 ♦♦	HP-2011 ¹
Traverse	2.0L L4 F/I	33-5056+	HP-1017 ¹
Traverse	3.6L V6 F/I	33-5056+	HP-2011 ¹
Trax	1.4L L4 F/I	33-5007+	
Trax	1.4L L4 F/I - w/Oil filter housing & cap marked Hengst	33-5007	HP-7027 ¹
Volt	1.5L L4 F/I	33-5051+	HP-1017 ¹

Vehicle	Engine Type	Air Filter	Oil Filter
2017 CHEVROLET			
Camaro	2.0L L4 F/I	33-2496 ♦♦	HP-1017 ¹
Camaro	3.6L V6 F/I	33-2496 ♦♦	HP-2011 ¹
Camaro SS	6.2L V8 F/I	33-5047 ♦♦	HP-1017 ¹
Camaro ZL1	6.2L V8 F/I	33-5047 ♦♦	HP-1017 ¹
Colorado	2.5L L4 DSL	E-0645	
Colorado	2.5L L4 F/I	33-5030 ♦♦	HP-1017 ¹
Colorado	2.8L L4 DSL	33-5030 ♦♦	
Colorado	3.6L V6 F/I	33-5030 ♦♦	HP-7027 ¹
Corvette	6.2L V8 F/I	E-0665 ♦♦	HP-1017 ¹
Corvette Z06	6.2L V8 F/I	E-0665 ♦	HP-1017 ¹
Cruze	1.4L L4 F/I	E-0650 ♦♦	HP-1017 ¹
Cruze	1.6L L4 DSL	E-0650+	HP-7027 ¹
Equinox	2.4L L4 F/I	33-2439 ♦♦	HP-7000 ¹
Equinox	3.6L V6 F/I	33-2439+	HP-2011 ¹
Express 2500	4.8L V8 F/I	E-1986	HP-1017 ¹
Express 2500	6.0L V8 F/I	E-1986	HP-1017 ¹
Express 3500	4.8L V8 F/I	E-1986	
Express 3500	6.0L V8 F/I	E-1986	HP-1017 ¹
Express Cargo	6.0L V8 F/I		HP-1017 ¹
Impala	2.5L L4 F/I	33-2497	HP-1017 ¹
Impala	3.6L V6 F/I	33-2483	HP-1017 ¹
Malibu	1.5L L4 F/I	33-5049 ♦♦	HP-1017 ¹
Malibu	1.8L L4 F/I	33-5049+	HP-7027 ¹
Malibu	2.0L L4 F/I	33-5049 ♦♦	HP-1017 ¹
S10	2.5L L4 F/I	E-0645	
Silverado 1500	4.3L V6 F/I	33-2129 ♦♦	HP-2011 ¹
Silverado 1500	5.3L V8 F/I	33-2129+	HP-2011 ¹
Silverado 1500	6.2L V8 F/I	33-2129 ♦♦	HP-2011 ¹
Silverado 1500	6.2L V8 F/I	33-2135 ♦♦	HP-2011 ¹
Silverado 2500 HD	6.0L V8 F/I	33-2135 ♦♦	HP-1017 ¹
Silverado 2500 HD	6.2L V8 F/I		HP-1017 ¹
Silverado 2500 HD	6.6L V8 DSL	33-5065 ♦♦	HP-3003 ¹
Silverado 3500	6.0L V8 F/I	33-2135+	HP-1017 ¹
Silverado 3500 HD	6.0L V8 F/I	33-2135 ♦♦	HP-1017 ¹
Silverado 3500 HD	6.6L V8 DSL	33-5065 ♦♦	HP-3003 ¹
Sonic	1.4L L4 F/I	33-2476 ♦♦	
Sonic	1.4L L4 F/I - w/Oil filter housing & cap marked Hengst	33-2476	HP-7027 ¹
Sonic	1.8L L4 F/I	33-2476 ♦♦	
Sonic	1.8L L4 F/I - w/Oil filter housing & cap marked Hengst	33-2476	HP-7027 ¹
Spark	1.4L L4 F/I	33-5043+	HP-1017 ¹
SS	6.2L V8 F/I	33-2919 ♦♦	HP-1017 ¹
Suburban	5.3L V8 F/I	33-2129 ♦♦	HP-2011 ¹
Suburban	6.0L V8 F/I	33-2135	HP-1017 ¹
Suburban 3500 HD	6.0L V8 F/I	33-2135+	HP-1017 ¹
Tahoe	5.3L V8 F/I	33-2129 ♦♦	HP-2011 ¹
Traverse	3.6L V6 F/I	33-2394	HP-2011 ¹
Trax	1.4L L4 F/I	33-5007+	

* 2 filters required ♦ Intake System Available - see page 370 +Cabin Air Filter Available - see page 353 1- Performance Silver Oil Filter Also Available



Vehicle	Engine Type	Air Filter	Oil Filter
2017 CHEVROLET			
Trax	1.4L L4 F/I - w/Oil filter housing & cap marked Hengst	33-5007	HP-7027 ¹
Volt	1.5L L4 F/I	33-5051+	HP-1017 ¹
2016 CHEVROLET			
Camaro	2.0L L4 F/I	33-2496 ♦+	HP-1017 ¹
Camaro	3.6L V6 F/I	33-2496 ♦+	HP-2011 ¹
Camaro SS	6.2L V8 F/I	33-5047 ♦+	HP-1017 ¹
Caprice	6.0L V8 F/I		HP-1017 ¹
City Express	2.0L L4 F/I	33-2375	HP-1008 ¹
Colorado	2.5L L4 DSL	E-0645	
Colorado	2.5L L4 F/I	33-5030 ♦+	HP-1017 ¹
Colorado	2.8L L4 DSL	33-5030 ♦+	
Colorado	3.6L V6 F/I	33-5030 ♦+	HP-7003 ¹
Corvette	6.2L V8 F/I	E-0665 ♦+	HP-1017 ¹
Corvette Z06	6.2L V8 F/I	E-0665 ♦	HP-1017 ¹
Cruze	1.4L L4 F/I	E-0650+	HP-1017 ¹
Cruze	1.8L L4 F/I - w/Oil filter housing & cap marked Hengst		HP-7027 ¹
Cruze Limited	1.4L L4 F/I	33-2966 ♦+	
Cruze Limited	1.4L L4 F/I - w/Oil filter housing & cap marked Hengst	33-2966	HP-7027 ¹
Cruze Limited	1.8L L4 F/I		HP-7027 ¹
Equinox	2.4L L4 F/I	33-2439 ♦+	HP-7000 ¹
Equinox	3.6L V6 F/I	33-2439+	HP-2011 ¹
Express 2500	4.8L V8 F/I	E-1986	HP-1017 ¹
Express 2500	6.0L V8 F/I	E-1986	HP-1017 ¹
Express 2500	6.6L V8 DSL		HP-3003 ¹
Express 3500	4.8L V8 F/I	E-1986	
Express 3500	6.0L V8 F/I	E-1986	HP-1017 ¹
Impala	2.5L L4 F/I	33-2497	HP-1017 ¹
Impala	3.6L V6 F/I	33-2483	HP-2011 ¹
Impala Limited	3.6L V6 F/I	33-2475	
Impala Limited	3.6L V6 F/I - Exc. Police	33-2475	HP-2011 ¹
Impala Limited Police	3.6L V6 F/I	33-2475	
Impala Limited Police	3.6L V6 F/I - Police	33-2475	HP-1017 ¹
Malibu	1.5L L4 F/I	33-5049 ♦+	HP-1017 ¹
Malibu	1.8L L4 F/I	33-5049+	HP-7027 ¹
Malibu	2.0L L4 F/I	33-5049 ♦+	HP-1017 ¹
Malibu	2.5L L4 F/I	33-2497 ♦	HP-1017 ¹
S10	2.8L L4 DSL	E-0645	
Silverado 1500	4.3L V6 F/I	33-2129 ♦+	HP-2011 ¹
Silverado 1500	5.3L V8 F/I	33-2129 ♦+	HP-2011 ¹
Silverado 1500	6.2L V8 F/I	33-2135 ♦+	HP-2011 ¹
Silverado 2500 HD	6.0L V8 F/I	33-2135 ♦+	HP-1017 ¹
Silverado 2500 HD	6.6L V8 DSL	33-2466 ♦+	HP-3003 ¹
Silverado 3500	6.0L V8 F/I		HP-1017 ¹
Silverado 3500 HD	6.0L V8 F/I	33-2135 ♦+	HP-1017 ¹
Silverado 3500 HD	6.6L V8 DSL	33-2466 ♦+	HP-3003 ¹
Sonic	1.4L L4 F/I	33-2476 ♦+	
Sonic	1.4L L4 F/I - w/Oil filter housing & cap marked Hengst	33-2476	HP-7027 ¹
Sonic	1.8L L4 F/I	33-2476 ♦+	
Sonic	1.8L L4 F/I - w/Oil filter housing & cap marked Hengst	33-2476	HP-7027 ¹
Spark	1.4L L4 F/I	33-5043+	HP-1017 ¹
SS	6.2L V8 F/I	33-2919 ♦+	HP-1017 ¹
Suburban	5.3L V8 F/I	33-2129 ♦+	HP-2011 ¹
Suburban	6.0L V8 F/I	33-2135	HP-1017 ¹
Suburban 3500 HD	6.0L V8 F/I	33-2135+	HP-1017 ¹

Vehicle	Engine Type	Air Filter	Oil Filter
2016 CHEVROLET			
Tahoe	5.3L V8 F/I	33-2129 ♦+	HP-2011 ¹
TrailBlazer	2.5L L4 DSL	E-0645	
TrailBlazer	2.8L L4 DSL	E-0645	
TrailBlazer	3.6L V6 F/I	E-0645	
Traverse	3.6L V6 F/I	33-2394+	HP-2011 ¹
Trax	1.4L L4 F/I	33-5007+	
Trax	1.4L L4 F/I - w/Oil filter housing & cap marked Hengst	33-5007	HP-7027 ¹
Volt	1.5L L4 F/I	33-5051+	HP-1017 ¹
2015 CHEVROLET			
Camaro	3.6L V6 F/I	33-2434 ♦+	HP-7003 ¹
Camaro	7.0L V8 F/I		HP-1017 ¹
Camaro SS	6.2L V8 F/I	33-2434 ♦+	HP-1017 ¹
Camaro ZL1	6.2L V8 F/I	33-2434 ♦+	HP-1017 ¹
Caprice	3.6L V6 F/I		HP-7003 ¹
Caprice	6.0L V8 F/I		HP-1017 ¹
Captiva Sport	2.4L L4 F/I		HP-7000 ¹
Captiva Sport	2.4L L4 F/I - US	33-2404+	HP-7000
City Express	2.0L L4 F/I	33-2375	HP-1008 ¹
Colorado	2.5L L4 DSL	E-0645	
Colorado	2.5L L4 F/I	33-5030 ♦+	HP-1017 ¹
Colorado	2.8L L4 DSL	E-0645	
Colorado	3.6L V6 F/I	33-5030 ♦+	HP-7003 ¹
Corvette	6.2L V8 F/I	E-0665 ♦+	HP-1017 ¹
Corvette Z06	6.2L V8 F/I	E-0665 ♦	HP-1017 ¹
Cruze	1.4L L4 F/I	33-2966 ♦+	HP-7027 ¹
Cruze	1.4L L4 F/I - China	E-0650 ♦+	HP-7027
Cruze	1.8L L4 F/I	33-2964+	
Cruze	1.8L L4 F/I - w/Oil filter housing & cap marked Hengst	33-2964	HP-7027 ¹
Cruze	2.0L L4 DSL	33-2966 ♦+	
Equinox	2.4L L4 F/I	33-2439 ♦+	HP-7000 ¹
Equinox	3.6L V6 F/I	33-2439+	HP-2011 ¹
Express 1500	5.3L V8 F/I		HP-1017 ¹
Express 2500	4.8L V8 F/I	E-1986	HP-1017 ¹
Express 2500	6.0L V8 F/I	E-1986	HP-1017 ¹
Express 2500	6.6L V8 DSL		HP-3003 ¹
Express 3500	4.8L V8 F/I	E-1986	HP-1017 ¹
Express 3500	6.0L V8 F/I	E-1986	HP-1017 ¹
Impala	2.4L L4 F/I		HP-7000 ¹
Impala	2.5L L4 F/I	33-2497	HP-1017 ¹
Impala	3.6L V6 F/I	33-2483	HP-2011 ¹
Impala Limited	3.6L V6 F/I	33-2475	HP-2011 ¹
Impala Limited Police	3.6L V6 F/I	33-2475	HP-1017 ¹
Malibu	2.0L L4 F/I	33-2497 ♦+	HP-1017 ¹
Malibu	2.4L L4 F/I		HP-7000 ¹
Malibu	2.5L L4 F/I	33-2497 ♦+	HP-1017 ¹
S10	2.8L L4 DSL	E-0645	
Silverado 1500	4.3L V6 F/I	33-2129 ♦+	HP-2011 ¹
Silverado 1500	5.3L V8 F/I	33-2129 ♦+	HP-2011 ¹
Silverado 1500	6.2L V8 F/I	33-2135 ♦+	HP-2011 ¹
Silverado 2500	5.3L V8 F/I		HP-2011 ¹
Silverado 2500 HD	6.0L V8 F/I	33-2135 ♦+	HP-1017 ¹
Silverado 2500 HD	6.6L V8 DSL	33-2466 ♦+	HP-3003 ¹
Silverado 3500 HD	6.0L V8 F/I	33-2135 ♦+	HP-1017 ¹
Silverado 3500 HD	6.6L V8 DSL	33-2466 ♦+	HP-3003 ¹
Sonic	1.4L L4 F/I	33-2476 ♦+	
Sonic	1.4L L4 F/I - w/Oil filter housing & cap marked Hengst	33-2476	HP-7027 ¹
Sonic	1.8L L4 F/I	33-2476 ♦+	
Sonic	1.8L L4 F/I - w/Oil filter housing & cap marked Hengst	33-2476	HP-7027 ¹

* 2 filters required ♦ Intake System Available - see page 370 +Cabin Air Filter Available - see page 353 1- Performance Silver Oil Filter Also Available



AIR & OIL FILTERS

CHEVROLET

Vehicle	Engine Type	Air Filter	Oil Filter
2015 CHEVROLET			
Sonic	1.8L L4 F/I - w/Oil filter housing & cap marked Hengst	33-2476	HP-7027 ¹
Spark	1.2L L4 F/I	33-2492 ⁺	
SS	6.2L V8 F/I	33-2919 ♦♦	HP-1017 ¹
Suburban	5.3L V8 F/I	33-2129 ♦♦	HP-1017 ¹
Tahoe	5.3L V8 F/I	33-2129 ♦♦	HP-1017 ¹
TrailBlazer	2.8L L4 DSL	E-0645	
TrailBlazer	3.6L V6 F/I	E-0645	
Traverse	3.6L V6 F/I	33-2394 ⁺	HP-2011 ¹
Trax	1.4L L4 F/I	33-5007 ⁺	
Trax	1.4L L4 F/I - w/Oil filter housing & cap marked Hengst	33-5007	HP-7027 ¹
Volt	1.4L L4 F/I	33-2464 ⁺	

Vehicle	Engine Type	Air Filter	Oil Filter
2014 CHEVROLET			
Beat	1.0L L3 DSL	33-3019	
Camaro	3.6L V6 F/I	33-2434 ♦♦	HP-7003 ¹
Camaro	7.0L V8 F/I		HP-1017 ¹
Camaro SS	6.2L V8 F/I	33-2434 ♦♦	HP-1017 ¹
Camaro ZL1	6.2L V8 F/I	33-2434 ♦♦	HP-1017 ¹
Caprice	6.0L V8 F/I		HP-1017 ¹
Captiva Sport	2.2L L4 DSL	33-2956	
Captiva Sport	2.4L L4 F/I		HP-7000 ¹
Captiva Sport	2.4L L4 F/I - Non-US	33-2956 ⁺	HP-7000
Captiva Sport	2.4L L4 F/I - US	33-2404 ⁺	HP-7000
Captiva Sport	3.0L V6 F/I	33-2404	
Cheyenne	5.3L V8 F/I		HP-1017 ¹
Colorado	2.5L L4 DSL	E-0645	
Colorado	2.8L L4 DSL	E-0645	
Corvette	6.2L V8 F/I	E-0665 ♦♦	HP-1017 ¹
Cruze	1.4L L4 F/I	33-2966 ♦♦	HP-7027 ¹
Cruze	1.6L L4 F/I	33-2964	
Cruze	1.7L L4 DSL	33-2966	
Cruze	1.8L L4 F/I	33-2964 ♦♦	HP-7027 ¹
Cruze	2.0L L4 DSL	33-2966 ♦♦	
Equinox	2.4L L4 F/I	33-2439 ♦♦	HP-7000 ¹
Equinox	3.6L V6 F/I	33-2439 ⁺	HP-2011 ¹
Express 1500	4.3L V6 F/I	E-1986	HP-1001 ¹
Express 1500	5.3L V8 F/I		HP-1017 ¹
Express 2500	4.8L V8 F/I	E-1986	HP-1017 ¹
Express 2500	6.0L V8 F/I	E-1986	
Express 3500	4.8L V8 F/I	E-1986	
Express 3500	6.0L V8 F/I	E-1986	HP-1017 ¹
Impala	2.4L L4 F/I		HP-7000 ¹
Impala	2.5L L4 F/I	33-2497	HP-1017 ¹
Impala	3.6L V6 F/I	33-2483	HP-1017 ¹
Impala Limited	3.6L V6 F/I	33-2475 ♦	HP-1017 ¹
Malibu	2.0L L4 F/I	33-2497 ♦♦	HP-1017 ¹
Malibu	2.4L L4 F/I	33-2442 ⁺	HP-7000 ¹
Malibu	2.5L L4 F/I	33-2497 ♦♦	HP-1017 ¹
S10	2.4L L4 F/I	E-0645	
S10	2.8L L4 DSL	E-0645	
Silverado 1500	4.3L V6 F/I	33-2129 ♦♦	HP-2011 ¹
Silverado 1500	5.3L V8 F/I	33-2129 ♦♦	HP-2011 ¹
Silverado 1500	6.2L V8 F/I	33-2135 ♦♦	HP-2011 ¹
Silverado 2500	5.3L V8 F/I		HP-1017 ¹
Silverado 2500 HD	6.0L V8 F/I	33-2135 ♦	HP-1017 ¹
Silverado 2500 HD	6.6L V8 DSL	33-2466 ♦	HP-3003 ¹
Silverado 3500 HD	6.0L V8 F/I	33-2135 ♦	HP-1017 ¹
Silverado 3500 HD	6.6L V8 DSL	33-2466 ♦	HP-3003 ¹
Sonic	1.4L L4 F/I	33-2476 ♦♦	

Vehicle	Engine Type	Air Filter	Oil Filter
2014 CHEVROLET			
Sonic	1.4L L4 F/I - w/Oil filter housing & cap marked Hengst	33-2476	HP-7027 ¹
Sonic	1.8L L4 F/I	33-2476 ♦♦	
Sonic	1.8L L4 F/I - w/Oil filter housing & cap marked Hengst	33-2476	HP-7027 ¹
Spark	1.0L L4 F/I	33-3001	
Spark	1.2L L4 F/I - Non-US	33-3001 ⁺	
Spark	1.2L L4 F/I - US	33-2492 ⁺	
SS	6.2L V8 F/I	33-2919 ♦♦	HP-1017 ¹
Suburban 1500	5.3L V8 F/I	33-2129 ♦	HP-1017 ¹
Tahoe	5.3L V8 F/I	33-2129 ♦	HP-1017 ¹
Tahoe Hybrid	6.0L V8 F/I	33-2135	HP-1017 ¹
Traverse	3.6L V6 F/I	33-2394 ⁺	HP-2011 ¹
Trax	1.4L L4 F/I	33-5007	
Trax	1.4L L4 F/I - w/Oil filter housing & cap marked Hengst	33-5007	HP-7027 ¹
Volt	1.4L L4 F/I	33-2464 ⁺	

Vehicle	Engine Type	Air Filter	Oil Filter
2013 CHEVROLET			
Avalanche	5.3L V8 F/I	33-2129 ♦	HP-1017 ¹
Aveo	1.6L L4 F/I	33-2476	HP-1001 ¹
Camaro	3.6L V6 F/I	33-2434 ♦♦	HP-7003 ¹
Camaro SS	6.2L V8 F/I	33-2434 ♦♦	HP-1017 ¹
Camaro ZL1	6.2L V8 F/I	33-2434 ♦♦	HP-1017 ¹
Caprice	3.6L V6 F/I		HP-7003 ¹
Caprice	6.0L V8 F/I		HP-1017 ¹
Captiva Sport	2.2L L4 DSL	33-2956	
Captiva Sport	2.4L L4 F/I		HP-7000 ¹
Captiva Sport	2.4L L4 F/I - Non-US	33-2956 ⁺	HP-7000
Captiva Sport	2.4L L4 F/I - US	33-2404 ⁺	HP-7000
Colorado	2.5L L4 DSL	E-0645	
Colorado	2.8L L4 DSL	E-0645	
Corvette	6.2L V8 F/I	E-0782 ♦♦	HP-1017 ¹
Corvette Z06	7.0L V8 F/I	E-0782 ⁺	HP-1017 ¹
Corvette ZR1	6.2L V8 F/I	E-0786 ♦♦	HP-1017 ¹
Cruze	1.4L L4 F/I	33-2966 ♦♦	HP-7027 ¹
Cruze	1.6L L4 F/I	33-2964	
Cruze	1.7L L4 DSL	33-2966	
Cruze	1.8L L4 F/I	33-2964 ♦♦	HP-7027 ¹
Cruze	2.0L L4 DSL	33-2966	
Equinox	2.4L L4 F/I	33-2439 ♦♦	HP-7000 ¹
Equinox	3.6L V6 F/I	33-2439 ⁺	HP-2011 ¹
Express 1500	4.3L V6 F/I	E-1986	HP-1001 ¹
Express 1500	5.3L V8 F/I	E-1986	HP-1017 ¹
Express 2500	4.8L V8 F/I	E-1986	
Express 2500	6.0L V8 F/I	E-1986	HP-1017 ¹
Express 3500	4.8L V8 F/I	E-1986	
Express 3500	6.0L V8 F/I	E-1986	HP-1017 ¹
Impala	3.6L V6 F/I	33-2475 ♦♦	HP-2011 ¹
Malibu	2.0L L4 F/I	33-2497 ♦♦	HP-1017 ¹
Malibu	2.4L L4 F/I	33-2442 ⁺	HP-7000 ¹
Malibu	2.5L L4 F/I	33-2497 ♦♦	HP-1017 ¹
Silverado 1500	4.3L V6 F/I	33-2129	HP-1001 ¹
Silverado 1500	4.8L V8 F/I	33-2129 ♦	HP-1017 ¹
Silverado 1500	5.3L V8 F/I	33-2129 ♦	HP-1017 ¹
Silverado 1500	6.2L V8 F/I	33-2135 ♦	HP-1017 ¹
Silverado 1500 Hybrid	6.0L V8 F/I	33-2135	HP-1017 ¹
Silverado 2500 HD	6.0L V8 F/I	33-2135 ♦	HP-1017 ¹
Silverado 2500 HD	6.6L V8 DSL	33-2466 ♦	HP-3003 ¹
Silverado 3500 HD	6.0L V8 F/I	33-2135 ♦	HP-1017 ¹
Silverado 3500 HD	6.6L V8 DSL	33-2466 ♦	HP-3003 ¹
Sonic	1.4L L4 F/I	33-2476 ♦♦	

* 2 filters required ♦ Intake System Available - see page 370 +Cabin Air Filter Available - see page 353 1- Performance Silver Oil Filter Also Available



Vehicle	Engine Type	Air Filter	Oil Filter
2013 CHEVROLET			
Sonic	1.4L L4 F/I - w/Oil filter housing & cap marked Hengst	33-2476	HP-7027 ¹
Sonic	1.8L L4 F/I	33-2476 ♦+	
Sonic	1.8L L4 F/I - w/Oil filter housing & cap marked Hengst	33-2476	HP-7027 ¹
Spark	1.0L L4 F/I	33-3001	
Spark	1.2L L4 F/I - Non-US	33-3001	
Spark	1.2L L4 F/I - US	33-2492+	
Suburban 1500	5.3L V8 F/I	33-2129 ♦	HP-1017 ¹
Suburban 2500	6.0L V8 F/I	33-2135	HP-1017 ¹
Tahoe	5.3L V8 F/I	33-2129 ♦	HP-1017 ¹
Tahoe Hybrid	6.0L V8 F/I	33-2135	HP-1017 ¹
TrailBlazer	2.8L L4 DSL	E-0645	
Traverse	3.6L V6 F/I	33-2394+	HP-2011 ¹
Volt	1.4L L4 F/I	33-2464+	

Vehicle	Engine Type	Air Filter	Oil Filter
2012 CHEVROLET			
Avalanche	5.3L V8 F/I	33-2129 ♦	HP-1017 ¹
Aveo	1.2L L4 F/I	33-2476	
Aveo	1.4L L4 F/I	33-2476	
Camaro	3.6L V6 F/I	33-2434 ♦+	HP-7003 ¹
Camaro SS	6.2L V8 F/I	33-2434 ♦+	HP-1017 ¹
Camaro ZL1	6.2L V8 F/I	33-2434 ♦+	HP-1017 ¹
Caprice	3.6L V6 F/I		HP-7003 ¹
Caprice	6.0L V8 F/I		HP-1017 ¹
Captiva	2.2L L4 DSL	33-2956	
Captiva Sport	2.4L L4 F/I		HP-7000 ¹
Captiva Sport	2.4L L4 F/I - Non-US	33-2956+	HP-7000
Captiva Sport	2.4L L4 F/I - US	33-2404+	HP-7000
Captiva Sport	3.0L V6 F/I	33-2404+	HP-2011 ¹
Chevy	1.6L L4 F/I		HP-1001 ¹
Colorado	2.5L L4 DSL	E-0645	
Colorado	2.8L L4 DSL	E-0645	
Colorado	2.9L L4 F/I	33-2408 ♦	HP-1007 ¹
Colorado	3.7L L5 F/I	33-2408 ♦	HP-2006 ¹
Colorado	5.3L V8 F/I	33-2408	HP-1017 ¹
Corvette	6.2L V8 F/I	E-0782 ♦+	HP-1017 ¹
Corvette Z06	7.0L V8 F/I	E-0782+	HP-1017 ¹
Corvette ZR1	6.2L V8 F/I	E-0786 ♦+	HP-1017 ¹
Cruze	1.4L L4 F/I	33-2966 ♦+	HP-7027 ¹
Cruze	1.6L L4 F/I	33-2964	
Cruze	1.7L L4 DSL	33-2966	
Cruze	1.8L L4 F/I	33-2964 ♦+	HP-7027 ¹
Cruze	2.0L L4 DSL	33-2966	
Equinox	2.4L L4 F/I	33-2439 ♦+	HP-7000 ¹
Equinox	3.0L V6 F/I	33-2439 ♦+	HP-2011 ¹
Express 1500	4.3L V6 F/I	E-1986	
Express 1500	5.3L V8 F/I	E-1986	HP-1017 ¹
Express 2500	4.8L V8 F/I	E-1986	HP-1017 ¹
Express 2500	6.0L V8 F/I	E-1986	
Express 2500	6.6L V8 DSL		HP-3003 ¹
Express 3500	4.8L V8 F/I	E-1986	
Express 3500	6.0L V8 F/I	E-1986	
Impala	3.6L V6 F/I	33-2475+	HP-1017 ¹
Malibu	1.6L L4 F/I	33-2442	
Malibu	2.0L L4 F/I	33-2442	
Malibu	2.4L L4 F/I	33-2296	HP-7000 ¹
Malibu	2.4L L4 F/I - China, 186BHP	33-2442	HP-7000
Malibu	3.6L V6 F/I	33-2296	HP-1017 ¹
Orlando	1.8L L4 F/I	33-2964	
Orlando	2.4L L4 F/I		HP-7000 ¹
S10	2.4L L4 F/I	E-0645	

Vehicle	Engine Type	Air Filter	Oil Filter
2012 CHEVROLET			
Silverado 1500	4.3L V6 F/I	33-2129	HP-1001 ¹
Silverado 1500	4.8L V8 F/I	33-2129 ♦	HP-1017 ¹
Silverado 1500	5.3L V8 F/I	33-2129 ♦	HP-1017 ¹
Silverado 1500	6.2L V8 F/I	33-2135 ♦	HP-1017 ¹
Silverado 1500 Hybrid	6.0L V8 F/I	33-2135	HP-1017 ¹
Silverado 2500 HD	6.0L V8 F/I	33-2135 ♦	HP-1017 ¹
Silverado 2500 HD	6.6L V8 DSL	33-2466 ♦	HP-3003 ¹
Silverado 3500 HD	6.0L V8 F/I	33-2135 ♦	HP-1017 ¹
Silverado 3500 HD	6.6L V8 DSL	33-2466 ♦	HP-3003 ¹
Sonic	1.4L L4 F/I	33-2476 ♦+	HP-7027 ¹
Sonic	1.8L L4 F/I	33-2476 ♦+	HP-7027 ¹
Spark	1.0L L4 F/I	33-3001	
Spark	1.2L L4 F/I	33-3001	
Suburban 1500	5.3L V8 F/I	33-2129 ♦	HP-1017 ¹
Suburban 2500	6.0L V8 F/I	33-2135	HP-1017 ¹
Tahoe	5.3L V8 F/I	33-2129 ♦	HP-1017 ¹
Tahoe Hybrid	6.0L V8 F/I	33-2135	HP-1017 ¹
Tornado	1.8L L4 F/I		HP-1001 ¹
Traverse	3.6L V6 F/I	33-2394+	HP-2011 ¹
Volt	1.4L L4 F/I	33-2464+	

Vehicle	Engine Type	Air Filter	Oil Filter
2011 CHEVROLET			
Avalanche	5.3L V8 F/I	33-2129 ♦	HP-1017 ¹
Aveo	1.2L L4 F/I	33-2476	
Aveo	1.3L L4 DSL	33-2476	
Aveo	1.4L L4 F/I	33-2476	
Aveo	1.6L L4 F/I		HP-7027 ¹
Aveo	1.6L L4 F/I - Non-US	33-2476	HP-7027
Aveo	1.6L L4 F/I - US	33-2320	HP-7027
Aveo5	1.6L L4 F/I	33-2320	HP-7027 ¹
Camaro	3.6L V6 F/I	33-2434 ♦+	HP-7003 ¹
Camaro SS	6.2L V8 F/I	33-2434 ♦+	HP-1017 ¹
		33-2434 ♦	HP-1017 ¹
Caprice	6.0L V8 F/I		HP-1017 ¹
Captiva Sport	3.0L V6 F/I	33-2404+	
Chevy	1.6L L4 F/I		HP-1001 ¹
Colorado	2.9L L4 F/I	33-2408 ♦	HP-1007 ¹
Colorado	3.7L L5 F/I	33-2408 ♦	HP-2006 ¹
Colorado	5.3L V8 F/I	33-2408	HP-1017 ¹
Corvette	6.2L V8 F/I	E-0782 ♦+	HP-1017 ¹
Corvette Z06	7.0L V8 F/I	E-0782+	HP-1017 ¹
Corvette ZR1	6.2L V8 F/I	E-0786 ♦+	HP-1017 ¹
Cruze	1.4L L4 F/I	33-2966 ♦+	HP-7027 ¹
Cruze	1.6L L4 F/I	33-2964	
Cruze	1.8L L4 F/I	33-2964 ♦+	HP-7027 ¹
Cruze	2.0L L4 DSL	33-2966	
Equinox	2.4L L4 F/I	33-2439 ♦+	HP-7000 ¹
Equinox	3.0L V6 F/I	33-2439 ♦+	HP-2011 ¹
Express 2500	4.8L V8 F/I	E-1986	HP-1017 ¹
Express 2500	6.0L V8 F/I	E-1986	HP-1017 ¹
Express 2500	6.6L V8 DSL		HP-3003 ¹
Express 3500	6.0L V8 F/I	E-1986	HP-1017 ¹
HHR	2.2L L4 F/I	33-2339 ♦+	HP-7000 ¹
HHR	2.4L L4 F/I	33-2339+	HP-7000 ¹
Impala	3.5L V6 F/I	33-2334+	HP-2006 ¹
Impala	3.9L V6 F/I	33-2334+	HP-2006 ¹
Malibu	2.4L L4 F/I	33-2296	HP-7000 ¹
Malibu	3.6L V6 F/I	33-2296	HP-1017 ¹
Silverado 1500	4.3L V6 F/I	33-2129	HP-1001 ¹
Silverado 1500	4.8L V8 F/I	33-2129 ♦	HP-1017 ¹
Silverado 1500	5.3L V8 F/I	33-2129 ♦	HP-1017 ¹
Silverado 1500	6.2L V8 F/I	33-2135 ♦	HP-1017 ¹
Silverado 1500 Hybrid	6.0L V8 F/I	33-2135	HP-1017 ¹

* 2 filters required ♦ Intake System Available - see page 370 +Cabin Air Filter Available - see page 353 1- Performance Silver Oil Filter Also Available



AIR & OIL FILTERS

CHEVROLET

Vehicle	Engine Type	Air Filter	Oil Filter
2011 CHEVROLET			
Silverado 2500 HD	6.0L V8 F/I	33-2135 ♦	HP-1017 ¹
Silverado 2500 HD	6.6L V8 DSL	33-2466 ♦	HP-3003 ¹
Silverado 3500 HD	6.0L V8 F/I	33-2135 ♦	HP-1017 ¹
Silverado 3500 HD	6.6L V8 DSL	33-2466 ♦	HP-3003 ¹
Spark	1.0L L4 F/I	33-3001	
Suburban 1500	5.3L V8 F/I	33-2129 ♦	HP-1017 ¹
Suburban 2500	6.0L V8 F/I	33-2135	HP-1017 ¹
Tahoe	5.3L V8 F/I	33-2129 ♦	HP-1017 ¹
Tahoe Hybrid	6.0L V8 F/I	33-2135	HP-1017 ¹
Traverse	3.6L V6 F/I	33-2394+	HP-2011 ¹
Volt	1.4L L4 F/I	33-2464+	

Vehicle	Engine Type	Air Filter	Oil Filter
2010 CHEVROLET			
Avalanche	5.3L V8 F/I	33-2129 ♦	HP-1017 ¹
Aveo	1.2L L4 F/I	33-2320	
Aveo	1.6L L4 F/I	33-2320	HP-7027 ¹
Aveo5	1.6L L4 F/I	33-2320	HP-7027 ¹
Camaro	3.6L V6 F/I	33-2434 ♦+	HP-7003 ¹
Camaro SS	6.2L V8 F/I	33-2434 ♦+	HP-1017 ¹
Chevy	1.6L L4 F/I		HP-1001 ¹
Cobalt	2.0L L4 F/I	33-2311 ♦+	HP-7000 ¹
Cobalt	2.2L L4 F/I	33-2311 ♦+	HP-7000 ¹
Colorado	2.9L L4 F/I	33-2408 ♦	HP-1007 ¹
Colorado	3.7L L5 F/I	33-2408 ♦	HP-2006 ¹
Colorado	5.3L V8 F/I	33-2408	HP-1017 ¹
Corvette	6.2L V8 F/I	E-0782 ♦+	HP-1017 ¹
Corvette Z06	7.0L V8 F/I	E-0782+	HP-1017 ¹
Corvette ZR1	6.2L V8 F/I	E-0786 ♦+	HP-1017 ¹
Cruze	1.6L L4 F/I	33-2964	
Cruze	1.8L L4 F/I	33-2964	HP-7027 ¹
Cruze	2.0L L4 DSL	33-2966	
Equinox	2.4L L4 F/I	33-2439 ♦+	HP-7000 ¹
Equinox	3.0L V6 F/I	33-2439 ♦+	HP-1017 ¹
Express 1500	4.3L V6 F/I	E-1986	HP-1001 ¹
Express 1500	5.3L V8 F/I	E-1986	HP-1017 ¹
Express 3500	6.0L V8 F/I	E-1986	HP-1017 ¹
HHR	2.0L L4 F/I	E-1989 ♦+	HP-7000 ¹
HHR	2.2L L4 F/I	33-2339 ♦+	HP-7000 ¹
HHR	2.4L L4 F/I	33-2339 ♦+	HP-7000 ¹
Impala	3.5L V6 F/I	33-2334+	HP-2006 ¹
Impala	3.9L V6 F/I	33-2334+	HP-2006 ¹
Malibu	2.4L L4 F/I	33-2296	HP-7000 ¹
Malibu	3.5L V6 F/I	33-2334	HP-2006 ¹
Malibu	3.6L V6 F/I	33-2296	HP-1017 ¹
Silverado 1500	4.3L V6 F/I	33-2129	HP-1001 ¹
Silverado 1500	4.8L V8 F/I	33-2129 ♦	HP-1017 ¹
Silverado 1500	5.3L V8 F/I	33-2129 ♦	HP-1017 ¹
Silverado 1500	6.2L V8 F/I	33-2135 ♦	HP-1017 ¹
Silverado 1500 Hybrid	6.0L V8 F/I	33-2135	HP-1017 ¹
Silverado 2500 HD	6.0L V8 F/I	33-2135	HP-1017 ¹
Silverado 2500 HD	6.6L V8 DSL	E-0781 ♦	HP-3003 ¹
Silverado 3500 HD	6.0L V8 F/I	33-2135	HP-1017 ¹
Silverado 3500 HD	6.6L V8 DSL	E-0781 ♦	HP-3003 ¹
Suburban 1500	5.3L V8 F/I	33-2129 ♦	HP-1017 ¹
Suburban 2500	6.0L V8 F/I	33-2135	HP-1017 ¹
Tahoe	5.3L V8 F/I	33-2129 ♦	HP-1017 ¹
Tahoe Hybrid	6.0L V8 F/I	33-2135	HP-1017 ¹
Traverse	3.6L V6 F/I	33-2394+	HP-1017 ¹

Vehicle	Engine Type	Air Filter	Oil Filter
2009 CHEVROLET			
Avalanche	5.3L V8 F/I	33-2129 ♦	HP-1017 ¹
Avalanche	6.0L V8 F/I	33-2135 ♦	HP-1017 ¹
Aveo	1.4L L4 F/I	33-2320	
Aveo	1.6L L4 F/I	33-2320	HP-7027 ¹

Vehicle	Engine Type	Air Filter	Oil Filter
2009 CHEVROLET			
Aveo5	1.6L L4 F/I	33-2320	HP-7027 ¹
C5500 Kodiak	6.6L V8 DSL		HP-3003 ¹
Captiva Sport	2.4L L4 F/I	33-2956	PS-7000
Chevy	1.6L L4 F/I		HP-1001 ¹
Cheyenne 2500	5.3L V8 F/I		HP-1017 ¹
Cobalt	2.0L L4 F/I	33-2311 ♦+	HP-7000 ¹
Cobalt	2.2L L4 F/I	33-2311 ♦+	HP-7000 ¹
Colorado	2.9L L4 F/I	33-2408 ♦	HP-1007 ¹
Colorado	3.7L L5 F/I	33-2408 ♦	HP-2006 ¹
Colorado	5.3L V8 F/I	33-2408	HP-1017 ¹
Corvette	6.2L V8 F/I	E-0782 ♦+	HP-1017 ¹
Corvette Z06	7.0L V8 F/I	E-0782 ♦+	HP-1017 ¹
Corvette ZR1	6.2L V8 F/I	E-0786 ♦+	HP-1017 ¹
Cruze	1.6L L4 F/I	33-2964	
Cruze	1.8L L4 F/I	33-2964	
Equinox	3.4L V6 F/I	33-2296	HP-1001 ¹
Equinox	3.6L V6 F/I	33-2296	HP-1017 ¹
Express 1500	5.3L V8 F/I	E-1986	
Express 2500	4.8L V8 F/I	E-1986	
Express 2500	6.0L V8 F/I	E-1986	
Express 3500	6.0L V8 F/I	E-1986	
HHR	2.0L L4 F/I	E-1989 ♦+	HP-7000 ¹
HHR	2.2L L4 F/I	33-2339+	HP-7000 ¹
HHR	2.4L L4 F/I	33-2339 ♦+	HP-7000 ¹
Impala	3.5L V6 F/I	33-2334+	HP-2006 ¹
Impala	3.9L V6 F/I	33-2334+	HP-2006 ¹
Impala	5.3L V8 F/I	33-2334 ♦+	HP-1017 ¹
Malibu	2.4L L4 F/I	33-2296	HP-7000 ¹
Malibu	3.5L V6 F/I	33-2296	HP-2006 ¹
Malibu	3.6L V6 F/I	33-2296	HP-1017 ¹
Optra	2.0L L4 F/I		HP-1001 ¹
Silverado 1500	4.3L V6 F/I	33-2129	HP-1001 ¹
Silverado 1500	4.8L V8 F/I	33-2129 ♦	HP-1017 ¹
Silverado 1500	5.3L V8 F/I	33-2129 ♦	HP-1017 ¹
Silverado 1500	6.0L V8 F/I	33-2135 ♦	HP-1017 ¹
Silverado 1500	6.2L V8 F/I	33-2135 ♦	HP-1017 ¹
Silverado 1500 Hybrid	6.0L V8 F/I	33-2135	HP-1017 ¹
Silverado 2500	5.3L V8 F/I		HP-1017 ¹
Silverado 2500 HD	6.0L V8 F/I	33-2135	HP-1017 ¹
Silverado 2500 HD	6.6L V8 DSL	E-0781 ♦	HP-3003 ¹
Silverado 3500 HD	6.0L V8 F/I	33-2135	HP-1017 ¹
Silverado 3500 HD	6.6L V8 DSL	E-0781 ♦	HP-3003 ¹
Suburban 1500	5.3L V8 F/I	33-2129 ♦	HP-1017 ¹
Suburban 1500	6.0L V8 F/I	33-2135 ♦	HP-1017 ¹
Suburban 2500	6.0L V8 F/I	33-2135	HP-1017 ¹
Tahoe	4.8L V8 F/I	33-2129 ♦	HP-1017 ¹
Tahoe	5.3L V8 F/I	33-2129 ♦	HP-1017 ¹
Tahoe	6.2L V8 F/I	33-2135 ♦	HP-1017 ¹
Tahoe Hybrid	6.0L V8 F/I	33-2135	HP-1017 ¹
TrailBlazer	4.2L L6 F/I	E-1009 ♦	HP-2006 ¹
TrailBlazer	5.3L V8 F/I	E-1009	
TrailBlazer	6.0L V8 F/I	E-1009	HP-1017 ¹
Traverse	3.6L V6 F/I	33-2394+	HP-1017 ¹
Uplander	3.9L V6 F/I		HP-2006 ¹

Vehicle	Engine Type	Air Filter	Oil Filter
2008 CHEVROLET			
Avalanche	5.3L V8 F/I	33-2129 ♦	HP-1017 ¹
Avalanche	6.0L V8 F/I	33-2135 ♦	HP-1017 ¹
Aveo	1.6L L4 F/I	33-2320	HP-1001 ¹
Aveo5	1.6L L4 F/I		HP-1001 ¹
C4500 Kodiak	6.6L V8 DSL		HP-3003 ¹
C5500 Kodiak	6.6L V8 DSL		HP-3003 ¹
Chevy	1.6L L4 F/I		HP-1001 ¹

* 2 filters required ♦ Intake System Available - see page 370 +Cabin Air Filter Available - see page 353 1- Performance Silver Oil Filter Also Available

Partial Listing: Complete Listing of Vehicles and Parts at KNFILTERS.COM or call 1-800-858-3333



Vehicle	Engine Type	Air Filter	Oil Filter	Vehicle	Engine Type	Air Filter	Oil Filter
2008 CHEVROLET				2007 CHEVROLET			
Cheyenne 2500	5.3L V8 F/I		HP-1007 ¹	Cobalt	2.4L L4 F/I	33-2311 ♦+	HP-7000 ¹
Cobalt	2.0L L4 F/I	33-2311 ♦+	HP-7000 ¹	Colorado	2.9L L4 F/I	E-0773 ♦	HP-1007 ¹
Cobalt	2.2L L4 F/I	33-2311 ♦+	HP-7000 ¹	Colorado	3.7L L5 F/I	E-0773 ♦	HP-2006 ¹
Cobalt	2.4L L4 F/I	33-2311 ♦+	HP-7000 ¹	Corsa	1.8L L4 F/I		HP-1001 ¹
Colorado	2.9L L4 F/I	33-2408 ♦	HP-1007 ¹	Corvette	6.0L V8 F/I	33-2305* ♦+	HP-1017 ¹
Colorado	3.7L L5 F/I	33-2408 ♦	HP-2006 ¹	Corvette Z06	7.0L V8 F/I	E-0782 ♦+	HP-1017 ¹
Corvette	6.2L V8 F/I	E-0782 ♦+	HP-1017 ¹	Equinox	3.4L V6 F/I	33-2296	HP-1001 ¹
Corvette Z06	7.0L V8 F/I	E-0782 ♦+	HP-1017 ¹	Express 1500	4.3L V6 F/I	E-1008	HP-1001 ¹
Equinox	3.4L V6 F/I	33-2296	HP-1001 ¹	Express 1500	5.3L V8 F/I	E-1008	HP-1017 ¹
Equinox	3.6L V6 F/I	33-2296	HP-1017 ¹	Express 2500	4.8L V8 F/I	E-1008	HP-1017 ¹
Express 1500	5.3L V8 F/I	E-1986	HP-1017 ¹	Express 2500	6.0L V8 F/I	E-1008	
Express 2500	4.8L V8 F/I	E-1986		Express 2500	6.6L V8 DSL		HP-3003 ¹
Express 2500	6.0L V8 F/I	E-1986	HP-1017 ¹	Express 3500	6.0L V8 F/I	E-1008	HP-1017 ¹
Express 3500	6.0L V8 F/I	E-1986	HP-1017 ¹	HHR	2.2L L4 F/I	33-2339+	HP-7000 ¹
HHR	2.0L L4 F/I	E-1989 ♦+	HP-7000 ¹	HHR	2.4L L4 F/I	33-2339 ♦+	HP-7000 ¹
HHR	2.2L L4 F/I	33-2339+	HP-7000 ¹	Impala	3.5L V6 F/I	33-2334+	HP-2006 ¹
HHR	2.4L L4 F/I	33-2339 ♦+	HP-7000 ¹	Impala	3.9L V6 F/I	33-2334+	HP-2006 ¹
Impala	3.5L V6 F/I	33-2334+	HP-2006 ¹	Impala	5.3L V8 F/I	33-2334 ♦+	HP-1017 ¹
Impala	3.9L V6 F/I	33-2334+	HP-2006 ¹	Malibu	2.2L L4 F/I	33-2310	HP-7000 ¹
Impala	5.3L V8 F/I	33-2334 ♦+	HP-1017 ¹	Malibu	3.5L V6 F/I	33-2315	HP-2006 ¹
Malibu	2.2L L4 F/I		HP-7000 ¹	Malibu	3.9L V6 F/I	33-2315	HP-2006 ¹
Malibu	2.4L L4 F/I	33-2296	HP-7000 ¹	Monte Carlo	3.5L V6 F/I	33-2334+	HP-2006 ¹
Malibu	3.5L V6 F/I	33-2315	HP-2006 ¹	Monte Carlo	5.3L V8 F/I	33-2334 ♦+	HP-1017 ¹
Malibu	3.6L V6 F/I	33-2296	HP-1017 ¹	Optra	2.0L L4 F/I		HP-1001 ¹
Optra	2.0L L4 F/I		HP-1001 ¹	Silverado 1500	4.3L V6 F/I	33-2129	HP-1001 ¹
Silverado 1500	4.3L V6 F/I	33-2129	HP-1001 ¹	Silverado 1500	4.8L V8 F/I	33-2129 ♦	HP-1017 ¹
Silverado 1500	4.8L V8 F/I	33-2129 ♦	HP-1017 ¹	Silverado 1500	5.3L V8 F/I	33-2129 ♦	HP-1017 ¹
Silverado 1500	5.3L V8 F/I	33-2129 ♦	HP-1017 ¹	Silverado 1500	6.0L V8 F/I	33-2135 ♦	HP-1017 ¹
Silverado 1500	6.0L V8 F/I	33-2135 ♦	HP-1017 ¹	Silverado 1500	4.3L V6 F/I	33-2129 ♦	HP-1001 ¹
Silverado 2500	5.3L V8 F/I		HP-1017 ¹	Classic			
Silverado 2500 HD	6.0L V8 F/I	33-2135 ♦	HP-1017 ¹	Silverado 1500	4.8L V8 F/I	33-2129 ♦	HP-1017 ¹
Silverado 2500 HD	6.6L V8 DSL	E-0781 ♦	HP-3003 ¹	Classic			
Silverado 3500 HD	6.0L V8 F/I	33-2135 ♦	HP-1017 ¹	Silverado 1500	5.3L V8 F/I	33-2129 ♦	HP-1017 ¹
Silverado 3500 HD	6.6L V8 DSL	E-0781 ♦	HP-3003 ¹	Classic			
Suburban 1500	5.3L V8 F/I	33-2129 ♦	HP-1017 ¹	Silverado 1500	6.0L V8 F/I	33-2135 ♦	HP-1017 ¹
Suburban 1500	6.0L V8 F/I	33-2135 ♦	HP-1017 ¹	Classic			
Suburban 1500	6.0L V8 F/I	33-2135 ♦	HP-1017 ¹	Silverado 1500 HD	6.0L V8 F/I	33-2135 ♦	HP-1017 ¹
Suburban 2500	6.0L V8 F/I	33-2135	HP-1017 ¹	Classic			
Tahoe	4.8L V8 F/I	33-2129 ♦	HP-1017 ¹	Silverado 2500 HD	6.0L V8 F/I	33-2135 ♦	HP-1017 ¹
Tahoe	5.3L V8 F/I	33-2129 ♦	HP-1017 ¹	Silverado 2500 HD	6.6L V8 DSL	E-0781 ♦	HP-3003 ¹
Tahoe Hybrid	6.0L V8 F/I	33-2135	HP-1017 ¹	Silverado 2500 HD	6.0L V8 F/I	33-2135 ♦	HP-1017 ¹
TrailBlazer	4.2L L6 F/I	E-1009 ♦	HP-2006 ¹	Classic			
TrailBlazer	5.3L V8 F/I	E-1009	HP-1017 ¹	Silverado 2500 HD	6.6L V8 DSL	E-0781 ♦	HP-3003 ¹
TrailBlazer	6.0L V8 F/I	E-1009 ♦	HP-1017 ¹	Classic			
Uplander	3.9L V6 F/I	33-2318+	HP-2006 ¹	Silverado 2500 HD	8.1L V8 F/I	33-2135 ♦	HP-1011 ¹
Vectra	2.8L V6 F/I		PS-7003	Classic			
2007 CHEVROLET				Silverado 3500	6.0L V8 F/I	33-2135 ♦	HP-1017 ¹
Avalanche	5.3L V8 F/I	33-2129 ♦	HP-1017 ¹	Classic			
Avalanche	6.0L V8 F/I	33-2135 ♦	HP-1017 ¹	Silverado 3500	6.6L V8 DSL	E-0781 ♦	HP-3003 ¹
Aveo	1.4L L4 F/I	33-2320		Classic			
Aveo	1.6L L4 F/I	33-2320	HP-1001 ¹	Silverado 3500 HD	6.0L V8 F/I	33-2135 ♦	HP-1017 ¹
Aveo5	1.6L L4 F/I		HP-1001 ¹	Silverado 3500 HD	6.6L V8 DSL	E-0781 ♦	HP-3003 ¹
Blazer	4.3L V6 F/I	33-2042		Silverado SS	6.0L V8 F/I	33-2135	HP-1017 ¹
Blazer	4.3L V6 F/I - 2WD	33-2042	HP-1001 ¹	Silverado SS Classic	6.0L V8 F/I	33-2135 ♦	HP-1017 ¹
Blazer	4.3L V6 F/I - 4WD	33-2042	HP-2001 ¹	Suburban 1500	5.3L V8 F/I	33-2129 ♦	HP-1017 ¹
C4500 Kodiak	6.6L V8 DSL		HP-3003 ¹	Suburban 1500	6.0L V8 F/I	33-2135 ♦	HP-1017 ¹
C5500 Kodiak	6.6L V8 DSL		HP-3003 ¹	Suburban 2500	6.0L V8 F/I	33-2135 ♦	HP-1017 ¹
Camaro	5.7L V8 F/I	33-2118	HP-1007 ¹	Tahoe	4.8L V8 F/I	33-2129 ♦	HP-1017 ¹
Captiva	2.0L L4 DSL	33-2956		Tahoe	5.3L V8 F/I	33-2129 ♦	HP-1017 ¹
Captiva Sport	2.4L L4 F/I	33-2956		TrailBlazer	4.2L L6 F/I	E-1009 ♦	HP-2006 ¹
Cheyenne 2500	5.3L V8 F/I		HP-1007 ¹	TrailBlazer	5.3L V8 F/I	E-1009	HP-1017 ¹
Cobalt	2.0L L4 F/I	E-0777+	HP-7000 ¹	TrailBlazer	6.0L V8 F/I	E-1009 ♦	HP-1017 ¹
Cobalt	2.2L L4 F/I	33-2311 ♦+	HP-7000 ¹	Uplander	3.9L V6 F/I	33-2318+	HP-2006 ¹

* 2 filters required ♦ Intake System Available - see page 370 +Cabin Air Filter Available - see page 353 1- Performance Silver Oil Filter Also Available



AIR & OIL FILTERS

CHEVROLET

Vehicle	Engine Type	Air Filter	Oil Filter
2006 CHEVROLET			
Avalanche 1500	5.3L V8 F/I	33-2129 ♦	HP-1007 ¹
Avalanche 2500	8.1L V8 F/I	33-2135 ♦	HP-1011 ¹
Aveo	1.6L L4 F/I	33-2320	HP-1001 ¹
Aveo5	1.6L L4 F/I		HP-1001 ¹
Blazer	4.3L V6 F/I	33-2042	
Blazer	4.3L V6 F/I - 2WD	33-2042	HP-1001 ¹
Blazer	4.3L V6 F/I - 4WD	33-2042	HP-2001 ¹
Camaro	3.8L V6 F/I	33-2118	HP-1001 ¹
Camaro	5.7L V8 F/I	33-2118	HP-1007 ¹
Captiva Sport	2.4L L4 F/I	33-2956+	
Chevy	1.6L L4 F/I		HP-1001 ¹
Cheyenne	5.3L V8 F/I		HP-1007 ¹
Cobalt	2.0L L4 F/I	E-0777 ♦+	HP-7000 ¹
Cobalt	2.2L L4 F/I	33-2311 ♦+	HP-7000 ¹
Cobalt	2.4L L4 F/I	33-2311 ♦+	HP-7000 ¹
Colorado	2.8L L4 F/I	E-0773 ♦	HP-1007 ¹
Colorado	3.5L L5 F/I	E-0773 ♦	HP-2006 ¹
Corvette	6.0L V8 F/I	33-2305* ♦+	HP-1007 ¹
Corvette Z06	7.0L V8 F/I	E-0782 ♦+	HP-1017 ¹
Equinox	3.4L V6 F/I	33-2296	HP-1001 ¹
Express 1500	5.3L V8 F/I	E-1008	HP-1007 ¹
Express 2500	4.3L V6 F/I	E-1008	
Express 2500	4.8L V8 F/I	E-1008	HP-1007 ¹
Express 2500	6.0L V8 F/I	E-1008	HP-1007 ¹
Express 2500	6.6L V8 DSL		HP-3003 ¹
Express 3500	4.8L V8 F/I	E-1008	
Express 3500	6.0L V8 F/I	E-1008	HP-1007 ¹
Express 3500	6.6L V8 DSL		HP-3003 ¹
HHR	2.2L L4 F/I	33-2339+	HP-7000 ¹
HHR	2.4L L4 F/I	33-2339 ♦+	HP-7000 ¹
Impala	3.5L V6 F/I	33-2334+	HP-2006 ¹
Impala	3.9L V6 F/I	33-2334+	HP-2006 ¹
Impala	5.3L V8 F/I	33-2334 ♦+	HP-1007 ¹
Malibu	2.2L L4 F/I	33-2310	HP-7000 ¹
Malibu	3.5L V6 F/I	33-2310	HP-1001 ¹
Malibu	3.9L V6 F/I	33-2315	HP-2006 ¹
Monte Carlo	3.5L V6 F/I	33-2334+	HP-2006 ¹
Monte Carlo	3.9L V6 F/I	33-2334+	HP-2006 ¹
Monte Carlo	5.3L V8 F/I	33-2334 ♦+	HP-1007 ¹
Optra	2.0L L4 F/I		HP-1001 ¹
Silverado 1500	4.3L V6 F/I	33-2129 ♦	HP-1001 ¹
Silverado 1500	4.8L V8 F/I	33-2129 ♦	HP-1007 ¹
Silverado 1500	5.3L V8 F/I	33-2129 ♦	HP-1007 ¹
Silverado 1500	6.0L V8 F/I	33-2135 ♦	HP-1007 ¹
Silverado 1500 HD	6.0L V8 F/I	33-2135 ♦	HP-1007 ¹
Silverado 2500 HD	6.0L V8 F/I	33-2135 ♦	HP-1007 ¹
Silverado 2500 HD	6.6L V8 DSL	E-0781 ♦	HP-3003 ¹
Silverado 2500 HD	8.1L V8 F/I	33-2135 ♦	HP-1011 ¹
Silverado 3500	6.0L V8 F/I	33-2135 ♦	HP-1007 ¹
Silverado 3500	6.6L V8 DSL	E-0781 ♦	HP-3003 ¹
Silverado 3500	8.1L V8 F/I	33-2135 ♦	HP-1011 ¹
Silverado SS	6.0L V8 F/I	33-2135 ♦	HP-1007 ¹
SSR	6.0L V8 F/I	33-2322 ♦	HP-1007 ¹
Suburban 1500	5.3L V8 F/I	33-2129 ♦	HP-1007 ¹
Suburban 1500	6.0L V8 F/I	33-2135 ♦	HP-1007 ¹
Suburban 2500	6.0L V8 F/I	33-2135 ♦	HP-1007 ¹
Suburban 2500	8.1L V8 F/I	33-2135 ♦	HP-1011 ¹
Tahoe	4.8L V8 F/I	33-2129 ♦	HP-1007 ¹
Tahoe	5.3L V8 F/I	33-2129 ♦	HP-1007 ¹
TrailBlazer	4.2L L6 F/I	E-1009 ♦	HP-2006 ¹
TrailBlazer	5.3L V8 F/I	E-1009	HP-1007 ¹
TrailBlazer	6.0L V8 F/I	E-1009 ♦	HP-1007 ¹

Vehicle	Engine Type	Air Filter	Oil Filter
2006 CHEVROLET			
Uplander	3.5L V6 F/I	33-2318+	HP-1001 ¹
2005 CHEVROLET			
Astro	4.3L V6 F/I	33-2225	HP-1001 ¹
Avalanche 1500	5.3L V8 F/I	33-2129 ♦	HP-1007 ¹
Aveo	1.4L L4 F/I	33-2320	
Aveo	1.6L L4 F/I	33-2320	HP-1001 ¹
Blazer	4.3L V6 F/I	33-2042 ♦	
Blazer	4.3L V6 F/I - 2WD	33-2042	HP-1001 ¹
Blazer	4.3L V6 F/I - 4WD	33-2042	HP-2001 ¹
Camaro	5.7L V8 F/I	33-2118	HP-1007 ¹
Cavalier	2.2L L4 F/I	33-2143 ♦	HP-7000 ¹
Chevy	1.6L L4 F/I		HP-1001 ¹
Cheyenne	5.3L V8 F/I		HP-1007 ¹
CK4500 Kodiak	6.6L V8 DSL		HP-3003 ¹
Classic	2.2L L4 F/I	33-2121-1	HP-7000 ¹
Cobalt	2.0L L4 F/I	E-0777 ♦+	HP-7000 ¹
Cobalt	2.2L L4 F/I	33-2311 ♦+	HP-7000 ¹
Cobalt	2.4L L4 F/I	33-2311	
Colorado	2.8L L4 F/I	E-0773 ♦	HP-1007 ¹
Colorado	3.5L L5 F/I	E-0773 ♦	HP-2006 ¹
Corvette	6.0L V8 F/I	33-2305* ♦+	HP-1007 ¹
Equinox	3.4L V6 F/I	33-2296	HP-1001 ¹
Express 1500	4.3L V6 F/I	E-1008	HP-1001 ¹
Express 1500	5.3L V8 F/I	E-1008	HP-1007 ¹
Express 2500	4.8L V8 F/I	E-1008	HP-1007 ¹
Express 2500	5.3L V8 F/I	E-1008	HP-1007 ¹
Express 2500	6.0L V8 F/I	E-1008	HP-1007 ¹
Express 3500	6.0L V8 F/I	E-1008	HP-1007 ¹
Impala	3.4L V6 F/I	33-2141-1+	HP-1001 ¹
Impala	3.8L V6 F/I	33-2141-1 ♦+	HP-1001 ¹
Malibu	2.2L L4 F/I	33-2310	HP-7000 ¹
Malibu	3.5L V6 F/I	33-2310	HP-1001 ¹
Monte Carlo	3.4L V6 F/I	33-2141-1+	HP-1001 ¹
Monte Carlo	3.8L V6 F/I	33-2141-1 ♦+	HP-1001 ¹
Silverado 1500	4.3L V6 F/I	33-2129 ♦	HP-1001 ¹
Silverado 1500	4.8L V8 F/I	33-2129 ♦	HP-1007 ¹
Silverado 1500	5.3L V8 F/I	33-2129 ♦	HP-1007 ¹
Silverado 1500 HD	6.0L V8 F/I	33-2135 ♦	HP-1007 ¹
Silverado 2500 HD	6.0L V8 F/I	33-2135 ♦	HP-1007 ¹
Silverado 2500 HD	6.6L V8 DSL		HP-3003 ¹
Silverado 2500 HD	6.6L V8 DSL - w/Panel Filter	33-2135 ♦	HP-3003
Silverado 2500 HD	6.6L V8 DSL - w/Round Filter	E-0781 ♦	HP-3003
Silverado 2500 HD	8.1L V8 F/I	33-2135 ♦	HP-1011 ¹
Silverado 3500	6.0L V8 F/I	33-2135 ♦	HP-1007 ¹
Silverado 3500	6.6L V8 DSL		HP-3003 ¹
Silverado 3500	6.6L V8 DSL - w/Panel Filter	33-2135 ♦	HP-3003
Silverado 3500	6.6L V8 DSL - w/Round Filter	E-0781 ♦	HP-3003
Silverado 3500	8.1L V8 F/I	33-2135 ♦	HP-1011 ¹
Silverado SS	6.0L V8 F/I	33-2135 ♦	HP-1007 ¹
SSR	6.0L V8 F/I	33-2322 ♦	HP-1007 ¹
Suburban 1500	5.3L V8 F/I	33-2129 ♦	HP-1007 ¹
Suburban 2500	6.0L V8 F/I	33-2135 ♦	HP-1007 ¹
Suburban 2500	8.1L V8 F/I	33-2135 ♦	HP-1011 ¹
Tahoe	4.8L V8 F/I	33-2129 ♦	HP-1007 ¹
Tahoe	5.3L V8 F/I	33-2129 ♦	HP-1007 ¹
TrailBlazer	4.2L L6 F/I	E-1009 ♦	HP-2006 ¹
TrailBlazer	5.3L V8 F/I	E-1009	HP-1007 ¹
Uplander	3.5L V6 F/I	33-2318+	HP-1001 ¹

* 2 filters required ♦ Intake System Available - see page 370 +Cabin Air Filter Available - see page 353 1- Performance Silver Oil Filter Also Available



Vehicle	Engine Type	Air Filter	Oil Filter	Vehicle	Engine Type	Air Filter	Oil Filter
2004 CHEVROLET				2003 CHEVROLET			
Astro	4.3L V6 F/I	33-2225	HP-1001 ¹	Cavalier	2.2L L4 F/I	33-2143 ♦	HP-7000 ¹
Avalanche 1500	5.3L V8 F/I	33-2129 ♦	HP-1007 ¹	Chevy Pickup	1.6L L4 F/I		HP-1001 ¹
Avalanche 2500	8.1L V8 F/I	33-2135 ♦	HP-1011 ¹	Cheyenne	5.3L V8 F/I		HP-1007 ¹
Aveo	1.6L L4 F/I	33-2320	HP-1001 ¹	Corvette	5.7L V8 F/I	33-2111 ♦	HP-1007 ¹
Blazer	4.3L V6 F/I	33-2042 ♦		Corvette Z06	5.7L V8 F/I	33-2111 ♦	HP-1007 ¹
Blazer	4.3L V6 F/I - 2WD	33-2042	HP-1001 ¹	Express 1500	5.3L V8 F/I	E-1008	HP-1007 ¹
Blazer	4.3L V6 F/I - 4WD	33-2042	HP-2001 ¹	Express 2500	4.8L V8 F/I	E-1008	HP-1007 ¹
Camaro	3.8L V6 F/I	33-2118	HP-1001 ¹	Express 3500	6.0L V8 F/I	E-1008	HP-1007 ¹
Camaro	5.7L V8 F/I	33-2118	HP-1007 ¹	Impala	3.4L V6 F/I	33-2141-1+	HP-1001 ¹
Cavalier	2.2L L4 F/I	33-2143 ♦	HP-7000 ¹	Impala	3.8L V6 F/I	33-2141-1 ♦+	HP-1001 ¹
Chevy	1.6L L4 F/I		HP-1001 ¹	Malibu	3.1L V6 F/I	33-2121-1	HP-1001 ¹
Classic	2.2L L4 F/I	33-2121-1	HP-7000 ¹	Monte Carlo	3.4L V6 F/I	33-2141-1+	HP-1001 ¹
Colorado	2.8L L4 F/I	E-0773 ♦	HP-1007 ¹	Monte Carlo	3.8L V6 F/I	33-2141-1 ♦+	HP-1001 ¹
Colorado	3.5L L5 F/I	E-0773 ♦	HP-2006 ¹	S10 Pickup	2.2L L4 F/I	33-2042 ♦	HP-1001 ¹
Corsa	1.8L L4 F/I - SOHC		HP-1001 ¹	S10 Pickup	4.3L V6 F/I	33-2042 ♦	
Corvette	5.7L V8 F/I	33-2111 ♦	HP-1007 ¹	S10 Pickup	4.3L V6 F/I - 2WD	33-2042	HP-1001 ¹
Corvette Z06	5.7L V8 F/I	33-2111 ♦	HP-1007 ¹	S10 Pickup	4.3L V6 F/I - 4WD	33-2042	HP-2001 ¹
Express 1500	5.3L V8 F/I	E-1008	HP-1007 ¹	Silverado 1500	4.3L V6 F/I	33-2129 ♦	HP-1001 ¹
Express 2500	4.8L V8 F/I	E-1008	HP-1007 ¹	Silverado 1500	4.8L V8 F/I	33-2129 ♦	HP-1007 ¹
Express 2500	6.0L V8 F/I	E-1008	HP-1007 ¹	Silverado 1500	5.3L V8 F/I	33-2129 ♦	HP-1007 ¹
Express 3500	6.0L V8 F/I	E-1008	HP-1007 ¹	Silverado 1500 HD	6.0L V8 F/I	33-2135 ♦	HP-1007 ¹
Impala	3.4L V6 F/I	33-2141-1+	HP-1001 ¹	Silverado 2500	6.0L V8 F/I	33-2135 ♦	HP-1007 ¹
Impala	3.8L V6 F/I	33-2141-1 ♦+	HP-1001 ¹	Silverado 2500 HD	6.0L V8 F/I	33-2135 ♦	HP-1007 ¹
Luv	2.2L L4 F/I		HP-1004 ¹	Silverado 2500 HD	6.6L V8 DSL	33-2135 ♦	HP-3003 ¹
Malibu	2.2L L4 F/I	33-2310	HP-7000 ¹	Silverado 2500 HD	8.1L V8 F/I	33-2135 ♦	HP-1011 ¹
Malibu	3.5L V6 F/I	33-2310	HP-1001 ¹	Silverado 3500	6.0L V8 F/I	33-2135 ♦	HP-1007 ¹
Monte Carlo	3.4L V6 F/I	33-2141-1+	HP-1001 ¹	Silverado 3500	6.6L V8 DSL	33-2135 ♦	HP-3003 ¹
Monte Carlo	3.8L V6 F/I	33-2141-1 ♦+	HP-1001 ¹	Silverado 3500	8.1L V8 F/I	33-2135 ♦	HP-1011 ¹
S10 Pickup	4.3L V6 F/I	33-2042 ♦	HP-1001 ¹	Silverado SS	6.0L V8 F/I	33-2135 ♦	HP-1007 ¹
Silverado 1500	4.3L V6 F/I	33-2129 ♦	HP-1001 ¹	SSR	5.3L V8 F/I		HP-1007 ¹
Silverado 1500	4.8L V8 F/I	33-2129 ♦	HP-1007 ¹	Suburban 1500	5.3L V8 F/I	33-2129 ♦	HP-1007 ¹
Silverado 1500	5.3L V8 F/I	33-2129 ♦	HP-1007 ¹	Suburban 2500	6.0L V8 F/I	33-2135 ♦	HP-1007 ¹
Silverado 1500	6.0L V8 F/I	33-2135 ♦	HP-1007 ¹	Suburban 2500	8.1L V8 F/I	33-2135 ♦	HP-1011 ¹
Silverado 2500	5.3L V8 F/I		HP-1007 ¹	Tahoe	4.8L V8 F/I	33-2129 ♦	HP-1007 ¹
Silverado 2500	6.0L V8 F/I	33-2135 ♦	HP-1007 ¹	Tahoe	5.3L V8 F/I	33-2129 ♦	HP-1007 ¹
Silverado 2500 HD	6.0L V8 F/I	33-2135 ♦	HP-1007 ¹	Tracker	2.0L L4 F/I	33-2155	HP-1003 ¹
Silverado 2500 HD	6.6L V8 DSL	33-2135 ♦	HP-3003 ¹	Tracker	2.5L V6 F/I	33-2155	HP-1002 ¹
Silverado 2500 HD	8.1L V8 F/I	33-2135 ♦	HP-1011 ¹	TrailBlazer	4.2L L6 F/I	E-1009 ♦	HP-2006 ¹
Silverado 3500	6.0L V8 F/I	33-2135 ♦	HP-1007 ¹	TrailBlazer	5.3L V8 F/I	E-1009 ♦	HP-1007 ¹
Silverado 3500	6.6L V8 DSL	33-2135 ♦	HP-3003 ¹	Venture	3.4L V6 F/I	33-2156+	HP-1001 ¹
Silverado 3500	6.6L V8 DSL - LB7	33-2135	HP-3003 ¹	2002 CHEVROLET			
Silverado 3500	8.1L V8 F/I	33-2135 ♦	HP-1011 ¹	Astro	4.3L V6 F/I	33-2225	HP-1001 ¹
Silverado SS	6.0L V8 F/I	33-2135 ♦	HP-1007 ¹	Avalanche 1500	5.3L V8 F/I	33-2129 ♦+	HP-2006 ¹
SSR	5.3L V8 F/I	33-2322 ♦	HP-1007 ¹	Avalanche 2500	8.1L V8 F/I	33-2135 ♦+	HP-1011 ¹
Suburban 1500	5.3L V8 F/I	33-2129 ♦	HP-1007 ¹	Blazer	4.3L V6 F/I	33-2042 ♦	
Suburban 2500	6.0L V8 F/I	33-2135 ♦	HP-1007 ¹	Blazer	4.3L V6 F/I - 2WD	33-2042	HP-1001 ¹
Suburban 2500	8.1L V8 F/I	33-2135 ♦	HP-1011 ¹	Blazer	4.3L V6 F/I - 4WD	33-2042	HP-2001 ¹
Tahoe	4.8L V8 F/I	33-2129 ♦	HP-1007 ¹	C3500HD	8.1L V8 F/I	33-2135	HP-1011 ¹
Tahoe	5.3L V8 F/I	33-2129 ♦	HP-1007 ¹	Camaro	3.8L V6 F/I	33-2118 ♦	HP-1001 ¹
Tracker	2.5L V6 F/I	33-2155	HP-1002 ¹	Camaro	5.7L V8 F/I	33-2118 ♦	HP-1007 ¹
TrailBlazer	4.2L L6 F/I	E-1009 ♦	HP-2006 ¹	Cavalier	2.2L L4 F/I	33-2143	HP-7000 ¹
TrailBlazer	5.3L V8 F/I	E-1009 ♦	HP-1007 ¹			33-2143 ♦	HP-7000 ¹
Venture	3.4L V6 F/I	33-2156+	HP-1001 ¹	Cavalier	2.4L L4 F/I	33-2143	HP-1007 ¹
2003 CHEVROLET				Chevy Pickup	1.6L L4 F/I		HP-1001 ¹
Astro	4.3L V6 F/I	33-2225	HP-1001 ¹	Cheyenne	5.3L V8 F/I		HP-1007 ¹
Avalanche 1500	5.3L V8 F/I	33-2129 ♦	HP-1007 ¹	Corvette	5.7L V8 F/I	33-2111 ♦	HP-1007 ¹
Avalanche 2500	8.1L V8 F/I	33-2135 ♦	HP-1011 ¹	Corvette Z06	5.7L V8 F/I	33-2111 ♦	HP-1007 ¹
Blazer	3.0L V6 F/I - China	E-2017		Evanda	2.0L L4 F/I	33-2253	
Blazer	4.3L V6 F/I	33-2042 ♦		Express 1500	5.0L V8 F/I	E-1008	
Blazer	4.3L V6 F/I - 2WD	33-2042	HP-1001 ¹	Express 1500	5.7L V8 F/I	E-1008	HP-3002 ¹
Blazer	4.3L V6 F/I - 4WD	33-2042	HP-2001 ¹	Express 2500	4.3L V6 F/I	E-1008	HP-1001 ¹
Camaro	5.7L V8 F/I	33-2118	HP-1007 ¹	Express 2500	5.7L V8 F/I	E-1008	HP-3002 ¹

* 2 filters required ♦ Intake System Available - see page 370 +Cabin Air Filter Available - see page 353 1- Performance Silver Oil Filter Also Available



AIR & OIL FILTERS

CHEVROLET

Vehicle	Engine Type	Air Filter	Oil Filter	Vehicle	Engine Type	Air Filter	Oil Filter
2002 CHEVROLET				2001 CHEVROLET			
Express 3500	5.7L V8 F/I	E-1008	HP-3002 ¹	S10 Pickup	2.2L L4 F/I	33-2042 ♦	HP-1001 ¹
Express 3500	6.5L V8 DSL		HP-3002 ¹	S10 Pickup	4.3L V6 F/I	33-2042 ♦	
Express 3500	8.1L V8 F/I	E-1008		S10 Pickup	4.3L V6 F/I - 2WD	33-2042	HP-1001 ¹
Impala	3.4L V6 F/I	33-2141-1+	HP-1001 ¹	S10 Pickup	4.3L V6 F/I - 4WD	33-2042	HP-2001 ¹
Impala	3.8L V6 F/I	33-2141-1 ♦+	HP-1001 ¹	Silverado 1500	4.3L V6 F/I	33-2129 ♦+	HP-1001 ¹
Malibu	3.1L V6 F/I	33-2121-1	HP-1001 ¹	Silverado 1500	4.8L V8 F/I	33-2129 ♦+	HP-2006 ¹
Monte Carlo	3.4L V6 F/I	33-2141-1+	HP-1001 ¹	Silverado 1500	5.3L V8 F/I	33-2129 ♦+	HP-2006 ¹
Monte Carlo	3.8L V6 F/I	33-2141-1 ♦+	HP-1001 ¹	Silverado 1500 HD	6.0L V8 F/I	33-2135 ♦+	HP-2006 ¹
Prizm	1.8L L4 F/I		HP-1003 ¹	Silverado 2500	5.7L V8 F/I - 2WD		HP-3002 ¹
S10 Pickup	2.2L L4 F/I	33-2042 ♦	HP-1001 ¹	Silverado 2500	5.7L V8 F/I - 4WD		HP-2001 ¹
S10 Pickup	4.3L V6 F/I	33-2042 ♦		Silverado 2500	6.0L V8 F/I	33-2135 ♦+	HP-2006 ¹
S10 Pickup	4.3L V6 F/I - 2WD	33-2042	HP-1001 ¹	Silverado 2500 HD	6.0L V8 F/I	33-2135 ♦+	HP-2006 ¹
S10 Pickup	4.3L V6 F/I - 4WD	33-2042	HP-2001 ¹	Silverado 2500 HD	6.6L V8 DSL	33-2135 ♦+	HP-3003 ¹
Silverado 1500	4.3L V6 F/I	33-2129 ♦+	HP-1001 ¹	Silverado 2500 HD	8.1L V8 F/I	33-2135 ♦+	HP-1011 ¹
Silverado 1500	4.8L V8 F/I	33-2129 ♦+	HP-2006 ¹	Silverado 3500	6.0L V8 F/I	33-2135 ♦+	HP-2006 ¹
Silverado 1500	5.3L V8 F/I	33-2129 ♦+	HP-2006 ¹	Silverado 3500	6.6L V8 DSL	33-2135 ♦+	HP-3003 ¹
Silverado 1500 HD	6.0L V8 F/I	33-2135 ♦+	HP-2006 ¹	Silverado 3500	8.1L V8 F/I	33-2135 ♦+	HP-1011 ¹
Silverado 2500	5.3L V8 F/I	33-2129 ♦+	HP-2006 ¹	Suburban 1500	5.3L V8 F/I	33-2129 ♦+	HP-2006 ¹
Silverado 2500	6.0L V8 F/I	33-2135 ♦+	HP-2006 ¹	Suburban 2500	6.0L V8 F/I	33-2135 ♦+	HP-2006 ¹
Silverado 2500 HD	6.0L V8 F/I	33-2135 ♦+	HP-2006 ¹	Suburban 2500	8.1L V8 F/I	33-2135 ♦+	HP-1011 ¹
Silverado 2500 HD	6.6L V8 DSL	33-2135 ♦+	HP-3003 ¹	Tahoe	4.8L V8 F/I	33-2129 ♦+	HP-2006 ¹
Silverado 2500 HD	8.1L V8 F/I	33-2135 ♦+	HP-1011 ¹	Tahoe	5.3L V8 F/I	33-2129 ♦+	HP-2006 ¹
Silverado 3500	6.0L V8 F/I	33-2135 ♦+	HP-2006 ¹	Tracker	2.5L V6 F/I	33-2155	HP-1002 ¹
Silverado 3500	6.6L V8 DSL	33-2135 ♦+	HP-3003 ¹	Venture	3.4L V6 F/I		HP-1001 ¹
Silverado 3500	8.1L V8 F/I	33-2135 ♦+	HP-1011 ¹				
Suburban 1500	5.3L V8 F/I	33-2129 ♦+	HP-2006 ¹	2000 CHEVROLET			
Suburban 1500	5.7L V8 F/I		HP-2006 ¹	Astro	4.3L V6 F/I	33-2225	HP-1001 ¹
Suburban 2500	6.0L V8 F/I	33-2135 ♦+	HP-2006 ¹	Avalanche 2500	8.1L V8 F/I	33-2135	HP-1011 ¹
Suburban 2500	8.1L V8 F/I	33-2135 ♦+	HP-1011 ¹	Blazer	4.3L V6 F/I	33-2042 ♦	
Tahoe	4.8L V8 F/I	33-2129 ♦+	HP-2006 ¹	Blazer	4.3L V6 F/I - 2WD	33-2042	HP-1001 ¹
Tahoe	5.3L V8 F/I	33-2129 ♦+	HP-2006 ¹	Blazer	4.3L V6 F/I - 4WD	33-2042	HP-2001 ¹
Tracker	2.0L L4 F/I	33-2155	HP-1003 ¹	C1500	5.7L V8 F/I		HP-3002 ¹
Tracker	2.5L V6 F/I	33-2155	HP-1002 ¹	C2500	5.7L V8 F/I	E-1796 ♦	HP-3002 ¹
TrailBlazer	4.2L L6 F/I	E-1009 ♦	HP-2006 ¹	C2500	7.4L V8 F/I	E-1796 ♦	HP-3002 ¹
Venture	3.4L V6 F/I	33-2156+	HP-1001 ¹	C3500	5.7L V8 F/I	E-1796 ♦	HP-3002 ¹
				C3500	6.5L V8 DSL	E-1796	
				C3500	7.4L V8 F/I	E-1796 ♦	HP-3002 ¹
				C3500HD	6.5L V8 DSL	E-1796	HP-3002 ¹
				C3500HD	7.4L V8 F/I	E-1796	HP-3002 ¹
				Camaro	3.8L V6 F/I	33-2118 ♦	HP-1001 ¹
				Camaro	5.7L V8 F/I	33-2118 ♦	HP-1007 ¹
				Cavalier	2.2L L4 F/I	33-2143	HP-1001 ¹
				Cavalier	2.4L L4 F/I	33-2143	HP-1007 ¹
				Chevy Pickup	1.6L L4 F/I		HP-1001 ¹
				Corvette	5.7L V8 F/I	33-2111 ♦	HP-1007 ¹
				Express 1500	4.3L V6 F/I		HP-1001 ¹
				Express 1500	5.7L V8 F/I	33-2111	HP-3002 ¹
				Express 2500	5.7L V8 F/I		HP-3002 ¹
				Impala	3.4L V6 F/I	33-2141-1+	HP-1001 ¹
				Impala	3.8L V6 F/I	33-2141-1 ♦+	HP-1001 ¹
				K2500	5.7L V8 F/I	E-1796 ♦	HP-2001 ¹
				K2500	7.4L V8 F/I	E-1796 ♦	HP-1011 ¹
				K3500	6.5L V8 DSL	E-1796	
				K3500	7.4L V8 F/I	E-1796 ♦	HP-1011 ¹
				Malibu	2.4L L4 F/I		HP-1007 ¹
				Malibu	3.1L V6 F/I	33-2121-1	HP-1001 ¹
				Metro	1.0L L3 F/I		HP-1002 ¹
				Metro	1.3L L4 F/I		HP-1002 ¹
				Monte Carlo	3.4L V6 F/I	33-2141-1+	HP-1001 ¹
				Monte Carlo	3.8L V6 F/I	33-2141-1 ♦+	HP-1001 ¹
				S10 Pickup	2.2L L4 F/I	33-2042 ♦	HP-1001 ¹
				S10 Pickup	4.3L V6 F/I	33-2042 ♦	
				S10 Pickup	4.3L V6 F/I - 2WD	33-2042	HP-1001 ¹

* 2 filters required ♦ Intake System Available - see page 370 +Cabin Air Filter Available - see page 353 1- Performance Silver Oil Filter Also Available



Vehicle	Engine Type	Air Filter	Oil Filter	Vehicle	Engine Type	Air Filter	Oil Filter
2000 CHEVROLET				1999 CHEVROLET			
S10 Pickup	4.3L V6 F/I - 4WD	33-2042	HP-2001 ¹	Silverado 1500	4.3L V6 F/I	33-2129 ♦♦	HP-2001 ¹
Silverado 1500	4.3L V6 F/I	33-2129 ♦♦	HP-2001 ¹	Silverado 1500	4.8L V8 F/I	33-2129 ♦♦	HP-2006 ¹
Silverado 1500	4.8L V8 F/I	33-2129 ♦♦	HP-2006 ¹	Silverado 1500	5.3L V8 F/I	33-2129 ♦♦	HP-2006 ¹
Silverado 1500	5.3L V8 F/I	33-2129 ♦♦	HP-2006 ¹	Silverado 2500	5.3L V8 F/I	33-2129 ♦♦	HP-2006 ¹
Silverado 2500	5.3L V8 F/I	33-2129 ♦♦	HP-2006 ¹	Silverado 2500	6.0L V8 F/I	33-2135 ♦♦	HP-2006 ¹
Silverado 2500	6.0L V8 F/I	33-2135 ♦♦	HP-2006 ¹	Tahoe	5.7L V8 F/I	E-1796 ♦	
Suburban 1500	5.3L V8 F/I	33-2129 ♦♦	HP-2006 ¹	Tahoe	5.7L V8 F/I - 2WD	E-1796	HP-3002 ¹
Suburban 1500	5.7L V8 F/I	E-1796 ♦	HP-3002 ¹	Tahoe	5.7L V8 F/I - 4WD	E-1796	HP-2001 ¹
Suburban 2500	6.0L V8 F/I	33-2135 ♦♦	HP-2006 ¹	Tahoe	6.5L V8 DSL	E-1796	HP-3002 ¹
Tahoe	4.8L V8 F/I	33-2129 ♦♦	HP-2006 ¹	Tracker	2.0L L4 F/I	33-2155	HP-1003 ¹
Tahoe	5.3L V8 F/I	33-2129 ♦♦	HP-2006 ¹	Venture	3.4L V6 F/I	33-2156	HP-1001 ¹
Tahoe	5.7L V8 F/I	E-1796 ♦		1998 CHEVROLET			
Tahoe	5.7L V8 F/I - 2WD	E-1796	HP-3002 ¹	Astro	4.3L V6 F/I	33-2225	HP-2001 ¹
Tahoe	5.7L V8 F/I - 4WD	E-1796	HP-2001 ¹	Blazer	4.3L V6 F/I	33-2042 ♦	HP-2001 ¹
Tracker	2.0L L4 F/I	33-2155	HP-1003 ¹	C1500	4.3L V6 F/I	E-1796 ♦	HP-2001 ¹
1999 CHEVROLET				C1500	5.0L V8 F/I	E-1796 ♦	HP-3002 ¹
Astro	4.3L V6 F/I	33-2225	HP-2001 ¹	C1500	5.7L V8 F/I	E-1796 ♦	HP-3002 ¹
Blazer	4.3L V6 F/I	33-2042 ♦	HP-2001 ¹	C1500	6.5L V8 DSL	E-1796	HP-3002 ¹
C1500	4.3L V6 F/I		HP-2001 ¹	C1500 Suburban	5.7L V8 F/I	E-1796 ♦	HP-3002 ¹
C1500	5.0L V8 F/I	E-1796 ♦	HP-3002 ¹	C1500 Suburban	6.5L V8 DSL	E-1796	HP-3002 ¹
C1500	5.7L V8 F/I	E-1796 ♦	HP-3002 ¹	C2500	5.0L V8 F/I	E-1796 ♦	HP-3002 ¹
C1500 Suburban	5.7L V8 F/I	E-1796 ♦	HP-3002 ¹	C2500	5.7L V8 F/I	E-1796 ♦	HP-3002 ¹
C2500	5.0L V8 F/I	E-1796 ♦		C2500	6.5L V8 DSL	E-1796	HP-3002 ¹
C2500	5.7L V8 F/I	E-1796 ♦	HP-3002 ¹	C2500	7.4L V8 F/I	E-1796 ♦	HP-3002 ¹
C2500	6.5L V8 DSL	E-1796	HP-3002 ¹	C2500 Suburban	5.7L V8 F/I	E-1796 ♦	HP-3002 ¹
C2500 Suburban	5.7L V8 F/I	E-1796 ♦	HP-3002 ¹	C2500 Suburban	6.5L V8 DSL	E-1796	HP-3002 ¹
C2500 Suburban	6.5L V8 DSL	E-1796	HP-3002 ¹	C2500 Suburban	7.4L V8 F/I	E-1796 ♦	HP-3002 ¹
C2500 Suburban	7.4L V8 F/I	E-1796 ♦	HP-3002 ¹	C3500	5.7L V8 F/I	E-1796 ♦	HP-3002 ¹
C3500	5.7L V8 F/I	E-1796 ♦	HP-3002 ¹	C3500	6.5L V8 DSL	E-1796	HP-3002 ¹
C3500	6.5L V8 DSL	E-1796	HP-3002 ¹	C3500	7.4L V8 F/I	E-1796 ♦	HP-3002 ¹
C3500	7.4L V8 F/I	E-1796 ♦	HP-3002 ¹	C3500HD	6.5L V8 DSL	E-1796	HP-3002 ¹
C3500HD	6.5L V8 DSL	E-1796	HP-3002 ¹	C3500HD	7.4L V8 F/I	E-1796	HP-3002 ¹
C3500HD	7.4L V8 F/I	E-1796	HP-3002 ¹	Camaro	3.8L V6 F/I	33-2118	HP-1001 ¹
Camaro	3.8L V6 F/I	33-2118 ♦	HP-1001 ¹	Camaro	5.7L V8 F/I	33-2118 ♦	HP-1007 ¹
Camaro	5.7L V8 F/I	33-2118 ♦	HP-1007 ¹	Cavalier	2.2L L4 F/I	33-2143	HP-1001 ¹
Cavalier	2.2L L4 F/I	33-2143	HP-1001 ¹	Chevyenne	5.7L V8 F/I		HP-3002 ¹
Cavalier	2.4L L4 F/I	33-2143	HP-1007 ¹	Corvette	5.7L V8 F/I	33-2111 ♦	HP-1007 ¹
Chevy Pickup	1.6L L4 F/I		HP-1001 ¹	Express 1500	5.7L V8 F/I	33-2111	HP-3002 ¹
Corvette	5.7L V8 F/I	33-2111 ♦	HP-1007 ¹	Express 2500	5.7L V8 F/I		HP-3002 ¹
Express 1500	5.7L V8 F/I	33-2111	HP-3002 ¹	Express 3500	5.7L V8 F/I		HP-3002 ¹
Express 3500	5.7L V8 F/I	33-2111	HP-3002 ¹	K1500	4.3L V6 F/I	E-1796	HP-2001 ¹
K1500	5.7L V8 F/I	E-1796 ♦	HP-2001 ¹	K1500	5.0L V8 F/I	E-1796 ♦	HP-2001 ¹
K1500 Suburban	5.7L V8 F/I	E-1796 ♦	HP-2001 ¹	K1500	5.7L V8 F/I	E-1796 ♦	HP-2001 ¹
K2500	5.7L V8 F/I	E-1796 ♦	HP-2001 ¹	K1500	6.5L V8 DSL	E-1796	HP-3002 ¹
K2500	6.5L V8 DSL	E-1796	HP-3002 ¹	K1500 Suburban	5.7L V8 F/I	E-1796 ♦	HP-2001 ¹
K2500	7.4L V8 F/I	E-1796 ♦	HP-1011 ¹	K1500 Suburban	6.5L V8 DSL	E-1796	HP-3002 ¹
K2500 Suburban	5.7L V8 F/I	E-1796 ♦	HP-2001 ¹	K2500	5.0L V8 F/I	E-1796 ♦	
K2500 Suburban	6.5L V8 DSL	E-1796	HP-3002 ¹	K2500	5.7L V8 F/I	E-1796 ♦	HP-2001 ¹
K2500 Suburban	7.4L V8 F/I	E-1796 ♦	HP-1011 ¹	K2500	6.5L V8 DSL	E-1796	HP-3002 ¹
K3500	5.7L V8 F/I	E-1796 ♦		K2500	7.4L V8 F/I	E-1796 ♦	HP-3002 ¹
K3500	6.5L V8 DSL	E-1796	HP-3002 ¹	K2500 Suburban	5.7L V8 F/I	E-1796 ♦	HP-2001 ¹
K3500	7.4L V8 F/I	E-1796 ♦	HP-1011 ¹	K2500 Suburban	6.5L V8 DSL	E-1796	HP-3002 ¹
Malibu	2.4L L4 F/I	33-2121-1	HP-1007 ¹	K2500 Suburban	7.4L V8 F/I	E-1796 ♦	HP-3002 ¹
Malibu	3.1L V6 F/I	33-2121-1	HP-1001 ¹	K3500	5.7L V8 F/I	E-1796 ♦	HP-2001 ¹
Metro	1.0L L3 F/I		HP-1002 ¹	K3500	6.5L V8 DSL	E-1796	HP-3002 ¹
Metro	1.3L L4 F/I	E-9132	HP-1002 ¹	K3500	7.4L V8 F/I	E-1796 ♦	HP-3002 ¹
Monte Carlo	3.1L V6 F/I	33-2063-1+	HP-1001 ¹	Lumina	3.1L V6 F/I	33-2063-1	HP-1001 ¹
Monte Carlo	3.8L V6 F/I	33-2063-1+	HP-1001 ¹	Malibu	3.1L V6 F/I	33-2121-1	HP-1001 ¹
S10 Pickup	2.2L L4 F/I	33-2042 ♦	HP-1001 ¹	Monte Carlo	3.8L V6 F/I	33-2063-1+	HP-1001 ¹
S10 Pickup	4.3L V6 F/I	33-2042 ♦	HP-2001 ¹	P30	7.4L V8 F/I	33-2111	HP-3002 ¹
Silverado	5.7L V8 F/I - 2WD		HP-3002 ¹	Prizm	1.8L L4 F/I	33-2672	HP-1003 ¹
Silverado	5.7L V8 F/I - 4WD		HP-2001 ¹	S10 Pickup	2.2L L4 F/I	33-2042 ♦	HP-1001 ¹

* 2 filters required ♦ Intake System Available - see page 370 +Cabin Air Filter Available - see page 353 1- Performance Silver Oil Filter Also Available



AIR & OIL FILTERS

CHEVROLET

Vehicle	Engine Type	Air Filter	Oil Filter
1998 CHEVROLET			
S10 Pickup	4.3L V6 F/I	33-2042 ♦	HP-2001 ¹
Tahoe	5.7L V8 F/I	E-1796 ♦	
Tahoe	5.7L V8 F/I - 2WD	E-1796	HP-3002 ¹
Tahoe	5.7L V8 F/I - 4WD	E-1796	HP-2001 ¹
Tahoe	6.5L V8 DSL	E-1796	HP-3002 ¹
Tracker	1.6L L4 F/I		HP-1002 ¹
1997 CHEVROLET			
Astro	4.3L V6 F/I	33-2225	HP-2001 ¹
Blazer	4.3L V6 F/I	33-2042 ♦	HP-2001 ¹
C1500	4.3L V6 F/I	E-1796 ♦	HP-2001 ¹
C1500	5.0L V8 F/I	E-1796 ♦	HP-3002 ¹
C1500	5.7L V8 F/I	E-1796 ♦	HP-3002 ¹
C1500 Suburban	5.7L V8 F/I	E-1796 ♦	HP-3002 ¹
C2500	5.7L V8 F/I	E-1796 ♦	HP-3002 ¹
C2500	7.4L V8 F/I	E-1796 ♦	
C2500 Suburban	5.7L V8 F/I	E-1796 ♦	HP-3002 ¹
C2500 Suburban	6.5L V8 DSL	E-1796	
C2500 Suburban	7.4L V8 F/I	E-1796 ♦	HP-3002 ¹
C3500	5.7L V8 F/I	E-1796 ♦	HP-3002 ¹
C3500	6.5L V8 DSL	E-1796	HP-3002 ¹
C3500	7.4L V8 F/I	E-1796 ♦	HP-3002 ¹
C3500HD	6.5L V8 DSL	E-1796	HP-3002 ¹
C3500HD	7.4L V8 F/I	E-1796	HP-3002 ¹
Camaro	3.8L V6 F/I	33-2042	HP-1001 ¹
Camaro	5.7L V8 F/I		HP-2002
Camaro	5.7L V8 F/I - w/o Ram Air	33-2042 ♦	HP-2002
Camaro	5.7L V8 F/I - w/Ram Air	33-2084 ♦	HP-2002
Cavalier	2.2L L4 F/I	33-2143	HP-1001 ¹
Cavalier	2.4L L4 F/I	33-2143	HP-1007 ¹
Cheyenne	5.7L V8 F/I		HP-3002 ¹
Corvette	5.7L V8 F/I	33-2111 ♦	HP-1007 ¹
Express 1500	5.7L V8 F/I	33-2111	HP-3002 ¹
K1500	4.3L V6 F/I	E-1796 ♦	HP-2001 ¹
K1500	5.0L V8 F/I	E-1796 ♦	HP-2001 ¹
K1500	5.7L V8 F/I	E-1796 ♦	HP-2001 ¹
K1500	6.5L V8 DSL	E-1796	HP-3002 ¹
K1500 Suburban	5.7L V8 F/I	E-1796 ♦	HP-2001 ¹
K1500 Suburban	6.5L V8 DSL	E-1796	HP-3002 ¹
K2500	5.7L V8 F/I	E-1796 ♦	HP-2001 ¹
K2500	6.5L V8 DSL	E-1796	HP-3002 ¹
K2500	7.4L V8 F/I	E-1796 ♦	HP-3002 ¹
K2500 Suburban	5.7L V8 F/I	E-1796 ♦	HP-2001 ¹
K2500 Suburban	6.5L V8 DSL	E-1796	HP-3002 ¹
K2500 Suburban	7.4L V8 F/I	E-1796 ♦	HP-3002 ¹
K3500	5.7L V8 F/I	E-1796 ♦	
K3500	6.5L V8 DSL	E-1796	HP-3002 ¹
K3500	7.4L V8 F/I	E-1796 ♦	HP-3002 ¹
Lumina	3.1L V6 F/I	33-2063-1	HP-1001 ¹
S10 Pickup	2.2L L4 F/I	33-2042 ♦	HP-1001 ¹
S10 Pickup	4.3L V6 F/I	33-2042 ♦	HP-2001 ¹
Silverado	5.7L V8 F/I		HP-3002 ¹
Tahoe	5.7L V8 F/I	E-1796 ♦	
Tahoe	5.7L V8 F/I - 2WD	E-1796	HP-3002 ¹
Tahoe	5.7L V8 F/I - 4WD	E-1796	HP-2001 ¹
Tahoe	6.5L V8 DSL	E-1796	HP-3002 ¹

2020 CHRYSLER			
Pacifica	3.6L V6 F/I		HP-7026 ¹
Pacifica Hybrid	3.6L V6 F/I	33-5078	HP-7026 ¹
Voyager	3.6L V6 F/I		HP-7026 ¹

Vehicle	Engine Type	Air Filter	Oil Filter
2019 CHRYSLER			
300	3.6L V6 F/I	33-2460 ♦	HP-7026 ¹
300	5.7L V8 F/I	33-2460 ♦	HP-1017 ¹
300C	5.7L V8 F/I	33-2460 ♦	HP-1017 ¹
Pacifica	3.6L V6 F/I		HP-7026 ¹
Pacifica	3.6L V6 F/I - Exc. Hybrid	33-5061	HP-7026
Pacifica Hybrid	3.6L V6 F/I	33-5078	HP-7026 ¹

2018 CHRYSLER			
300	3.6L V6 F/I	33-2460 ♦	HP-7026 ¹
300	5.7L V8 F/I	33-2460 ♦	HP-1017 ¹
300C	5.7L V8 F/I	33-2460 ♦	HP-1017 ¹
Pacifica	3.6L V6 F/I		HP-7026 ¹
Pacifica	3.6L V6 F/I - Exc. Hybrid	33-5061	HP-7026
Pacifica Hybrid	3.6L V6 F/I	33-5078	HP-7026 ¹

2017 CHRYSLER			
200	2.4L L4 F/I	33-5025 ♦	HP-1017 ¹
200	3.6L V6 F/I	33-5025	HP-7026 ¹
300	3.0L V6 F/I		PS-7026
300	3.6L V6 F/I	33-2460 ♦+	HP-7026 ¹
300	5.7L V8 F/I	33-2460 ♦+	HP-1017 ¹
300C	5.7L V8 F/I	33-2460 ♦+	HP-1017 ¹
Pacifica	3.6L V6 F/I		HP-7026 ¹
Pacifica	3.6L V6 F/I - Exc. Hybrid	33-5061	HP-7026
Pacifica Hybrid	3.6L V6 F/I	33-5078	HP-7026 ¹

2016 CHRYSLER			
200	2.4L L4 F/I	33-5025 ♦	HP-1017 ¹
200	3.6L V6 F/I	33-5025 ♦	HP-7026 ¹
300	3.6L V6 F/I	33-2460 ♦+	HP-7026 ¹
300	6.4L V8 F/I	33-2460	
300C	5.7L V8 F/I	33-2460 ♦+	HP-2010 ¹
300S	5.7L V8 F/I	33-2460+	HP-2010 ¹
Town & Country Van	3.6L V6 F/I	33-2462+	HP-7026 ¹

2015 CHRYSLER			
200	2.4L L4 F/I	33-5025 ♦	HP-1017 ¹
200	3.6L V6 F/I	33-5025 ♦	HP-7026 ¹
300	3.6L V6 F/I	33-2460 ♦+	HP-7026 ¹
300C	3.0L V6 DSL	33-3029	
300C	3.6L V6 F/I	33-2460 ♦+	HP-7026 ¹
300C	5.7L V8 F/I	33-2460 ♦+	HP-2010 ¹
300S	5.7L V8 F/I	33-2460 ♦+	HP-2010 ¹
Town & Country Van	3.6L V6 F/I	33-2462+	HP-7026 ¹

2014 CHRYSLER			
200	2.4L L4 F/I	33-2373 ♦+	HP-1017 ¹
200	3.6L V6 F/I	33-2470+	HP-7026 ¹
300	3.6L V6 F/I	33-2460 ♦+	HP-7026 ¹
300	6.4L V8 F/I	33-2460 ♦+	HP-2010 ¹
300C	3.0L V6 DSL	33-3029	
300C	3.6L V6 F/I	33-2460 ♦+	HP-7026 ¹
300C	5.7L V8 F/I	33-2460 ♦+	HP-2010 ¹
300S	5.7L V8 F/I	33-2460+	HP-2010 ¹
Town & Country Van	3.6L V6 F/I	33-2462+	HP-7026 ¹

2013 CHRYSLER			
200	2.4L L4 F/I	33-2373 ♦+	HP-1017 ¹
200	3.6L V6 F/I	33-2470+	HP-7025 ¹
300	3.6L V6 F/I	33-2460 ♦+	HP-7025 ¹
300	6.4L V8 F/I	33-2460 ♦+	HP-2010 ¹
300C	3.0L V6 DSL	33-3029	
300C	5.7L V8 F/I	33-2460 ♦+	HP-2010 ¹
300S	5.7L V8 F/I	33-2460+	HP-2010 ¹

* 2 filters required ♦ Intake System Available - see page 370 +Cabin Air Filter Available - see page 353 1- Performance Silver Oil Filter Also Available

Partial Listing: Complete Listing of Vehicles and Parts at KNFILTERS.COM or call 1-800-858-3333



Vehicle	Engine Type	Air Filter	Oil Filter
2013 CHRYSLER			
Town & Country Van	3.6L V6 F/I	33-2462+	HP-7025 ¹
2012 CHRYSLER			
200	2.4L L4 F/I	33-2373 ♦+	HP-1017 ¹
200	3.6L V6 F/I	33-2470 ♦+	HP-7025 ¹
300	3.6L V6 F/I	33-2460 ♦+	HP-7025 ¹
300	6.4L V8 F/I	33-2460 ♦+	HP-2010 ¹
300C	3.0L V6 DSL	33-3029	
300C	5.7L V8 F/I	33-2460 ♦+	HP-2010 ¹
300S	5.7L V8 F/I	33-2460+	HP-2010 ¹
Town & Country Van	3.6L V6 F/I	33-2462+	HP-7025 ¹
2011 CHRYSLER			
200	2.4L L4 F/I	33-2373+	HP-1017 ¹
200	3.6L V6 F/I	33-2470+	HP-7025 ¹
300	3.6L V6 F/I	33-2460 ♦+	HP-7025 ¹
300C	5.7L V8 F/I	33-2460 ♦+	HP-2010 ¹
Town & Country Van	3.6L V6 F/I	33-2462+	HP-7025 ¹
Voyager IV	2.8L V6 DSL	33-2419	
2010 CHRYSLER			
300	2.7L V6 F/I	33-2295 ♦+	HP-1017 ¹
300	3.5L V6 F/I	33-2295 ♦+	HP-1017 ¹
300C	3.0L V6 DSL	33-3029	
300C	5.7L V8 F/I	33-2295 ♦+	HP-2010 ¹
300C	6.1L V8 F/I	33-2295 ♦+	HP-2010 ¹
PT Cruiser	2.4L L4 F/I	33-2351 ♦	HP-1002 ¹
Sebring	2.4L L4 F/I	33-2373+	HP-1017 ¹
Sebring	2.7L V6 F/I	33-2373+	HP-1017 ¹
Sebring	3.5L V6 F/I	33-2373+	HP-1017 ¹
Town & Country Van	3.3L V6 F/I	33-2419+	
Town & Country Van	3.8L V6 F/I	33-2419+	HP-1002 ¹
Town & Country Van	4.0L V6 F/I	33-2419+	HP-1017 ¹
2009 CHRYSLER			
300	2.7L V6 F/I	33-2295 ♦+	HP-1017 ¹
300	3.5L V6 F/I	33-2295 ♦+	HP-2010 ¹
300C	5.7L V8 F/I	33-2295 ♦+	HP-2010 ¹
Aspen	4.7L V8 F/I	33-2288	HP-2010 ¹
Aspen	5.7L V8 F/I	33-2288	HP-2010 ¹
PT Cruiser	2.4L L4 F/I	33-2351	
		33-2351 ♦	
PT Cruiser	2.4L L4 F/I - Exc. Turbo	33-2351	HP-1002 ¹
PT Cruiser	2.4L L4 F/I - Turbo	33-2351	HP-2009 ¹
Town & Country Van	3.8L V6 F/I	33-2419+	HP-1002 ¹
Town & Country Van	4.0L V6 F/I	33-2419+	HP-1017 ¹
2008 CHRYSLER			
300	2.7L V6 F/I	33-2295 ♦+	HP-2010 ¹
300	3.5L V6 F/I	33-2295 ♦+	HP-2010 ¹
300C	2.7L V6 F/I	33-2295	HP-2010 ¹
300C	3.0L V6 DSL	33-3029	
300C	3.5L V6 F/I	33-2295	HP-2010 ¹
300C	5.7L V8 F/I	33-2295 ♦+	HP-2010 ¹
300C	6.1L V8 F/I	33-2295 ♦+	HP-2010 ¹
Aspen	4.7L V8 F/I	33-2288	HP-2010 ¹
Aspen	5.7L V8 F/I	33-2288	HP-2010 ¹
Crossfire	3.2L V6 F/I	33-2290*	
Pacifica	4.0L V6 F/I	33-2283+	HP-2004 ¹
PT Cruiser	2.4L L4 F/I	33-2351 ♦	
		33-2351 ♦	
PT Cruiser	2.4L L4 F/I - Exc. Turbo	33-2351	HP-1002 ¹
PT Cruiser	2.4L L4 F/I - Turbo	33-2351	HP-2009 ¹
Sebring	2.4L L4 F/I	33-2373+	HP-1017 ¹
Sebring	2.7L V6 F/I	33-2373+	HP-2010 ¹

Vehicle	Engine Type	Air Filter	Oil Filter
2008 CHRYSLER			
Sebring	3.5L V6 F/I	33-2373+	
Sebring	3.5L V6 F/I - 22mm Thread	33-2373	HP-2010 ¹
Sebring	3.5L V6 F/I - 3/4 thread	33-2373	HP-2004 ¹
Town & Country Van	3.3L V6 F/I	33-2419+	HP-1002 ¹
Town & Country Van	3.8L V6 F/I	33-2419+	HP-1002 ¹
Town & Country Van	4.0L V6 F/I	33-2419+	HP-2004 ¹
2007 CHRYSLER			
300	2.7L V6 F/I	33-2295 ♦+	HP-2004 ¹
300	3.5L V6 F/I	33-2295 ♦+	HP-2004 ¹
300C	2.7L V6 F/I	33-2295	HP-2004 ¹
300C	3.0L V6 DSL	33-3029	
300C	3.5L V6 F/I	33-2295	HP-2004 ¹
300C	5.7L V8 F/I	33-2295 ♦+	HP-2004 ¹
300C	6.1L V8 F/I	33-2295 ♦+	HP-2004 ¹
Aspen	4.7L V8 F/I	33-2288	HP-2004 ¹
Aspen	5.7L V8 F/I	33-2288 ♦	HP-2004 ¹
Crossfire	3.2L V6 F/I	33-2290*	HP-7004 ¹
Crossfire SRT-6	3.2L V6 F/I	33-2256*	HP-7004 ¹
Pacifica	3.8L V6 F/I		HP-2004 ¹
Pacifica	4.0L V6 F/I	33-2283+	HP-2004 ¹
PT Cruiser	1.6L L4 F/I	33-2351	
PT Cruiser	2.4L L4 F/I	33-2351 ♦	
		33-2351 ♦	
PT Cruiser	2.4L L4 F/I - Exc. Turbo	33-2351	HP-1002 ¹
PT Cruiser	2.4L L4 F/I - Turbo	33-2351	HP-2009 ¹
Sebring	2.4L L4 F/I	33-2373+	HP-1017 ¹
Sebring	3.5L V6 F/I		HP-2004 ¹
Town & Country Van	3.3L V6 F/I	33-2206+	HP-1002 ¹
Town & Country Van	3.8L V6 F/I	33-2206+	HP-1002 ¹
2006 CHRYSLER			
300	2.7L V6 F/I	33-2295 ♦+	HP-2004 ¹
300	3.5L V6 F/I	33-2295 ♦+	HP-2004 ¹
300C	3.0L V6 DSL	33-3029	
300C	3.5L V6 F/I	33-2295	HP-2004 ¹
300C	5.7L V8 F/I	33-2295 ♦+	HP-2004 ¹
300C	6.1L V8 F/I	33-2295 ♦+	HP-2004 ¹
Crossfire	3.2L V6 F/I	33-2290*	HP-7004 ¹
Crossfire SRT-6	3.2L V6 F/I	33-2256*	HP-7004 ¹
Pacifica	3.5L V6 F/I	33-2283+	HP-2004 ¹
PT Cruiser	1.6L L4 F/I	33-2351	
PT Cruiser	2.4L L4 F/I	33-2351 ♦	
		33-2351 ♦	
PT Cruiser	2.4L L4 F/I - Exc. Turbo	33-2351	HP-1002 ¹
PT Cruiser	2.4L L4 F/I - Turbo	33-2351	HP-2009 ¹
Sebring	2.4L L4 F/I	E-1007	HP-1002 ¹
Sebring	2.7L V6 F/I	E-1007	HP-2004 ¹
Town & Country Van	3.3L V6 F/I	33-2206+	HP-2004 ¹
Town & Country Van	3.8L V6 F/I	33-2206+	HP-2004 ¹
2005 CHRYSLER			
300	2.7L V6 F/I	33-2295 ♦+	HP-2004 ¹
300	3.5L V6 F/I	33-2295 ♦+	HP-2004 ¹
300C	3.5L V6 F/I	33-2295+	HP-2004 ¹
300C	5.7L V8 F/I	33-2295 ♦+	HP-2004 ¹
300C	6.1L V8 F/I	33-2295 ♦+	HP-2004 ¹
Crossfire	3.2L V6 F/I	33-2290*	HP-7004 ¹
Crossfire SRT-6	3.2L V6 F/I	33-2256*	HP-7004 ¹
Pacifica	3.5L V6 F/I	33-2283+	HP-2004 ¹
PT Cruiser	1.6L L4 F/I - From 11/01	33-2351	
PT Cruiser	1.6L L4 F/I - To 8/05	33-2153	
PT Cruiser	2.4L L4 F/I	33-2153 ♦	

* 2 filters required ♦ Intake System Available - see page 370 +Cabin Air Filter Available - see page 353 1- Performance Silver Oil Filter Also Available



AIR & OIL FILTERS

CHRYSLER

Vehicle	Engine Type	Air Filter	Oil Filter
2005 CHRYSLER			
PT Cruiser	2.4L L4 F/I	33-2153 ♦	
PT Cruiser	2.4L L4 F/I - Exc. Turbo	33-2153	HP-1002 ¹
PT Cruiser	2.4L L4 F/I - Turbo	33-2153	HP-2009 ¹
Sebring	2.4L L4 F/I - DOHC	E-1007	HP-1002 ¹
Sebring	2.4L L4 F/I - Non-US	E-1007	
Sebring	2.4L L4 F/I - SOHC	33-2072	HP-1010 ¹
Sebring	2.7L V6 F/I	E-1007	HP-2004 ¹
Town & Country Van	3.3L V6 F/I	33-2206+	HP-2004 ¹
Town & Country Van	3.8L V6 F/I	33-2206+	HP-2004 ¹
2004 CHRYSLER			
300C	5.7L V8 F/I	33-2295	HP-2004 ¹
300M	3.5L V6 F/I	33-2136 ♦	HP-2004 ¹
Concorde	3.5L V6 F/I	33-2136	HP-2004 ¹
Crossfire	3.2L V6 F/I	33-2290*	HP-7004 ¹
Pacifica	3.5L V6 F/I	33-2283+	HP-2004 ¹
PT Cruiser	2.0L L4 F/I	33-2153	
PT Cruiser	2.4L L4 F/I	33-2153 ♦	
PT Cruiser	2.4L L4 F/I - Exc. Turbo	33-2153	HP-1002 ¹
PT Cruiser	2.4L L4 F/I - Turbo	33-2153	HP-2009 ¹
Sebring	2.4L L4 F/I	E-1007	
Sebring	2.4L L4 F/I - DOHC	E-1007	HP-1002 ¹
Sebring	2.4L L4 F/I - SOHC	E-1007	HP-1010 ¹
Sebring	2.7L V6 F/I	E-1007	HP-2004 ¹
Town & Country Van	3.3L V6 F/I	33-2206+	HP-2004 ¹
2003 CHRYSLER			
300M	3.5L V6 F/I	33-2136 ♦	HP-2004 ¹
Concorde	3.5L V6 F/I	33-2136	HP-2004 ¹
PT Cruiser	2.4L L4 F/I	33-2153 ♦	
PT Cruiser	2.4L L4 F/I - Exc. Turbo	33-2153 ♦	
PT Cruiser	2.4L L4 F/I - Turbo	33-2153	HP-1002 ¹
PT Cruiser	2.4L L4 F/I - Turbo	33-2153	HP-2009 ¹
Sebring	2.4L L4 F/I - DOHC		HP-1002 ¹
Sebring	2.4L L4 F/I - Non-US	E-1007	
Sebring	2.4L L4 F/I - SOHC		HP-1010 ¹
Town & Country Van	3.8L V6 F/I	33-2206+	HP-2004 ¹
2002 CHRYSLER			
300M	3.5L V6 F/I	33-2136 ♦	HP-2004 ¹
Concorde	3.5L V6 F/I		HP-2004 ¹
Neon	2.0L L4 F/I	E-1006 ♦	HP-1002 ¹
Neon II	2.0L L4 F/I	E-1006 ♦	HP-1002 ¹
PT Cruiser	2.0L L4 F/I	33-2153	
PT Cruiser	2.4L L4 F/I	33-2153 ♦	HP-1002 ¹
Sebring	2.7L V6 F/I	E-1007	HP-2004 ¹
Town & Country Van	3.8L V6 F/I	33-2206+	HP-2004 ¹
2001 CHRYSLER			
300M	3.5L V6 F/I	33-2136 ♦	HP-2004 ¹
Prowler	3.5L V6 F/I		HP-2004 ¹
PT Cruiser	1.6L L4 F/I - From 11/01	33-2153	
PT Cruiser	2.4L L4 F/I	33-2153 ♦	HP-1002 ¹
Sebring	2.7L V6 F/I	E-1007	HP-2004 ¹
Town & Country Van	3.3L V6 F/I	33-2206+	HP-2004 ¹
Town & Country Van	3.8L V6 F/I	33-2206+	HP-2004 ¹
2000 CHRYSLER			
300M	3.5L V6 F/I	33-2136 ♦	HP-2004 ¹
Sebring	2.5L V6 F/I - VIN H	33-2067	HP-2004 ¹
Sebring	2.5L V6 F/I - VIN N	33-2072	HP-2004 ¹
1999 CHRYSLER			
300M	3.5L V6 F/I	33-2136	HP-2004 ¹

Vehicle	Engine Type	Air Filter	Oil Filter
1998 CHRYSLER			
Sebring	2.5L V6 F/I - VIN H	33-2067	HP-2004 ¹
Sebring	2.5L V6 F/I - VIN N	33-2072	HP-2004 ¹
1997 CHRYSLER			
Town & Country Van	3.8L V6 F/I	33-2087	HP-2004 ¹
2019 CITROEN			
Spacetourer	2.0L L4 DSL	33-3122	
2018 CITROEN			
Spacetourer	2.0L L4 DSL	33-3122	
2017 CITROEN			
C4 Picasso	2.0L L4 DSL	33-3122	
2015 CITROEN			
C4 Picasso	2.0L L4 DSL - BlueHDi	33-3122	
2014 CITROEN			
Jumper	2.2L L4 DSL	E-9283	
2013 CITROEN			
DS3	1.6L L4 DSL	33-2975+	
DS3	1.6L L4 F/I - Turbo	33-2936+	
2012 CITROEN			
DS3	1.6L L4 DSL	33-2975+	
2011 CITROEN			
DS3	1.6L L4 DSL	33-2975+	
DS3	1.6L L4 F/I - Exc. Turbo	33-2941+	
DS3	1.6L L4 F/I - Turbo	33-2936+	
2010 CITROEN			
C5	2.0L L4 DSL	33-2928	
C5	2.0L L4 F/I	33-2911	
2008 CITROEN			
C4	1.6L L4 F/I - To 9/08	33-2937 ♦	
2006 CITROEN			
C2	1.6L L4 F/I	33-2844 ♦+	
Xsara Picasso	1.6L L4 F/I	33-2937 ♦	
2005 CITROEN			
C4	2.0L L4 DSL - Auto Gearbox	33-2998	
C4	2.0L L4 F/I - 136/177BHP	33-2245 ♦	
2002 CITROEN			
Xsara	2.0L L4 DSL	33-2813	
Xsara	2.0L L4 F/I - 136BHP	33-2813	
Xsara Picasso	2.0L L4 DSL	33-2813	
2000 CITROEN			
Saxo	1.6L L4 F/I - 8v	33-2772 ♦	
2004 DAEWOO			
Kalos	1.4L L4 F/I	33-2320	
2002 DAEWOO			
Lanos	1.6L L4 F/I		HP-1001 ¹
2001 DAEWOO			
Leganza	2.2L L4 F/I	33-2800	HP-1001 ¹
2016 DAIHATSU			
Terios	1.3L L4 F/I	33-2967	
2015 DAIHATSU			
Ayla	1.0L L3 F/I	33-3066	
Mebius	1.8L L3 F/I - w/Hybrid	33-2435	

* 2 filters required ♦ Intake System Available - see page 370 +Cabin Air Filter Available - see page 353 1- Performance Silver Oil Filter Also Available

Partial Listing: Complete Listing of Vehicles and Parts at KNFILTERS.COM or call 1-800-858-3333



Vehicle	Engine Type	Air Filter	Oil Filter
2012 DAIHATSU			
Materia	1.3L L4 F/I	33-2967+	
2009 DAIHATSU			
Atrai	0.7L L3 F/I	33-2525	
Xenia	1.5L L4 F/I	33-2989	
2002 DAIHATSU			
Move	1.0L L3 F/I	33-2790	
2001 DAIHATSU			
Move	0.7L L3 F/I - DOHC	33-2790	
Move	1.0L L3 F/I	33-2790	
1998 DAIHATSU			
Move	0.7L L3 F/I - DOHC	33-2790	
Move	0.8L L3 F/I	33-2790	
Opti	0.7L L3 F/I - DOHC	33-2790	
2020 DODGE			
Challenger	3.6L V6 F/I	33-2460 ♦	
Durango	3.6L V6 F/I	33-2457 ♦	HP-7026 ¹
Durango	5.7L V8 F/I	33-2457 ♦	HP-1017 ¹
Durango	6.4L V8 F/I	33-2457	HP-2010 ¹
2019 DODGE			
1500	3.6L V6 F/I	33-2247+	HP-7026 ¹
1500	5.7L V8 F/I	33-2247 ♦+	HP-1017 ¹
1500 Classic	3.6L V6 F/I	33-2247 ♦+	HP-7026 ¹
1500 Classic	5.7L V8 F/I	33-2247 ♦+	HP-1017 ¹
2500	5.7L V8 F/I		HP-1017 ¹
3500	5.7L V8 F/I		HP-1017 ¹
Challenger	3.6L V6 F/I	33-2460 ♦	HP-7026 ¹
Challenger	5.7L V8 F/I	33-2460 ♦	HP-1017 ¹
Challenger	6.2L V8 F/I		HP-2010 ¹
Challenger	6.4L V8 F/I	33-2460 ♦	HP-2010 ¹
Challenger Redeye	6.2L V8 F/I		HP-2010 ¹
Charger	3.6L V6 F/I	33-2460 ♦	HP-7026 ¹
Charger	5.7L V8 F/I	33-2460 ♦	HP-1017 ¹
Charger	6.2L V8 F/I	33-2460 ♦	HP-2010 ¹
Charger	6.4L V8 F/I	33-2460 ♦	HP-2010 ¹
Durango	3.6L V6 F/I	33-2457 ♦	HP-7026 ¹
Durango	5.7L V8 F/I	33-2457 ♦	HP-1017 ¹
Durango	6.4L V8 F/I	33-2457	HP-2010 ¹
Grand Caravan	3.6L V6 F/I	33-2462	HP-7026 ¹
Journey	2.4L L4 F/I	33-2423	HP-1017 ¹
Journey	3.6L V6 F/I	33-2470	HP-7026 ¹
2018 DODGE			
1500	3.0L V6 DSL	33-2247 ♦+	HP-7042 ¹
1500	3.6L V6 F/I	33-2247 ♦+	HP-7026 ¹
1500	5.7L V8 F/I	33-2247 ♦+	HP-1017 ¹
2500	5.7L V8 F/I	33-2247 ♦+	HP-1017 ¹
2500	6.4L V8 F/I	33-2247 ♦+	HP-1017 ¹
2500	6.7L L6 DSL	33-5005 ♦+	HP-4003 ¹
3500	5.7L V8 F/I	33-2247 ♦+	HP-1017 ¹
3500	6.4L V8 F/I	33-2247 ♦+	HP-1017 ¹
3500	6.7L L6 DSL	33-5005 ♦+	HP-4003 ¹
4500	6.7L L6 DSL	33-5005+	
5500	6.7L L6 DSL	33-5005+	HP-4003 ¹
Challenger	3.6L V6 F/I	33-2460 ♦+	HP-7026 ¹
Challenger	5.7L V8 F/I	33-2460 ♦+	HP-1017 ¹
Challenger	6.2L V8 F/I	33-2460 ♦+	HP-2010 ¹
Challenger	6.4L V8 F/I	33-2460 ♦+	HP-2010 ¹
Challenger Demon	6.2L V8 F/I	33-2460 ♦+	HP-2010 ¹
Charger	3.6L V6 F/I	33-2460 ♦+	HP-7026 ¹
Charger	5.7L V8 F/I	33-2460 ♦+	HP-1017 ¹

Vehicle	Engine Type	Air Filter	Oil Filter
2018 DODGE			
Charger	6.2L V8 F/I	33-2460 ♦+	HP-2010 ¹
Charger	6.4L V8 F/I	33-2460 ♦+	HP-2010 ¹
Durango	3.6L V6 F/I	33-2457 ♦	HP-7026 ¹
Durango	5.7L V8 F/I	33-2457 ♦	HP-1017 ¹
Durango	6.4L V8 F/I	33-2457 ♦	HP-2010 ¹
Grand Caravan	3.6L V6 F/I	33-2462+	HP-7026 ¹
Journey	2.4L L4 F/I	33-2423+	HP-1017 ¹
Journey	3.6L V6 F/I	33-2470+	HP-7026 ¹
ProMaster 1500	3.6L V6 F/I	E-0656	HP-7026 ¹
ProMaster 2500	3.6L V6 F/I		HP-7026 ¹
ProMaster 3500	3.6L V6 F/I	E-0656	
ProMaster City	2.4L L4 F/I	33-5034	HP-1017 ¹
2017 DODGE			
1500	3.0L V6 DSL	33-2247 ♦+	HP-7042 ¹
1500	3.6L V6 F/I	33-2247 ♦+	HP-7026 ¹
1500	5.7L V8 F/I	33-2247 ♦+	HP-1017 ¹
2500	5.7L V8 F/I	33-2247 ♦+	HP-1017 ¹
2500	6.4L V8 F/I	33-2247 ♦+	HP-1017 ¹
2500	6.7L L6 DSL	33-5005 ♦+	HP-4003 ¹
3500	6.4L V8 F/I	33-2247 ♦+	
3500	6.7L L6 DSL	33-5005 ♦+	HP-4003 ¹
5500	6.7L L6 DSL	33-5005+	
Challenger	3.6L V6 F/I	33-2460 ♦+	HP-7026 ¹
Challenger	5.7L V8 F/I	33-2460 ♦+	HP-1017 ¹
Challenger	6.2L V8 F/I	33-2460 ♦+	HP-2010 ¹
Challenger	6.4L V8 F/I	33-2460 ♦+	HP-2010 ¹
Charger	3.6L V6 F/I	33-2460 ♦+	HP-7026 ¹
Charger	5.7L V8 F/I	33-2460 ♦+	HP-1017 ¹
Charger	6.2L V8 F/I	33-2460 ♦+	HP-2010 ¹
Charger	6.4L V8 F/I	33-2460 ♦+	HP-2010 ¹
Durango	3.6L V6 F/I	33-2457 ♦	HP-7026 ¹
Durango	5.7L V8 F/I	33-2457 ♦	HP-1017 ¹
Grand Caravan	3.6L V6 F/I	33-2462+	HP-7026 ¹
Journey	2.4L L4 F/I	33-2423+	HP-1017 ¹
Journey	3.6L V6 F/I	33-2470+	HP-7026 ¹
ProMaster 1500	3.0L L4 DSL	E-9283	
ProMaster 1500	3.6L V6 F/I	E-0656	PS-7026
ProMaster 2500	3.6L V6 F/I	E-0656	PS-7026
ProMaster City	2.4L L4 F/I	33-5034	
Viper	8.4L V10 F/I	33-2432	HP-2010 ¹
2016 DODGE			
1500	3.0L V6 DSL	33-2247 ♦+	HP-7042 ¹
1500	3.6L V6 F/I	33-2247 ♦+	HP-7026 ¹
1500	5.7L V8 F/I	33-2247 ♦+	HP-1017 ¹
2500	5.7L V8 F/I	33-2247 ♦+	HP-1017 ¹
2500	6.4L V8 F/I	33-2247 ♦+	HP-1017 ¹
2500	6.7L L6 DSL	33-5005 ♦+	HP-4003 ¹
3500	6.4L V8 F/I	33-2247 ♦+	HP-1017 ¹
3500	6.7L L6 DSL	33-5005 ♦+	HP-4003 ¹
4500	6.7L L6 DSL	33-5005+	
5500	6.4L V8 F/I	33-2247+	
5500	6.7L L6 DSL	33-5005+	HP-4003 ¹
Challenger	3.6L V6 F/I	33-2460 ♦+	HP-7026 ¹
Challenger	5.7L V8 F/I	33-2460 ♦+	HP-2010 ¹
Challenger	6.2L V8 F/I	33-2460 ♦+	HP-2010 ¹
Challenger	6.4L V8 F/I	33-2460 ♦+	HP-2010 ¹
Charger	3.6L V6 F/I	33-2460 ♦+	HP-7026 ¹
Charger	5.7L V8 F/I	33-2460 ♦+	HP-2010 ¹
Charger	6.2L V8 F/I	33-2460 ♦+	HP-2010 ¹
Charger	6.4L V8 F/I	33-2460 ♦+	HP-2010 ¹
Dart	1.4L L4 F/I	33-2491 ♦	HP-7041 ¹

* 2 filters required ♦ Intake System Available - see page 370 +Cabin Air Filter Available - see page 353 1- Performance Silver Oil Filter Also Available



AIR & OIL FILTERS

DODGE

Vehicle	Engine Type	Air Filter	Oil Filter
2016 DODGE			
Dart	2.0L L4 F/I	33-2491 ♦	HP-1017 ¹
Dart	2.4L L4 F/I	33-2491	HP-1017 ¹
Durango	3.6L V6 F/I	33-2457 ♦+	HP-7026 ¹
Durango	5.7L V8 F/I	33-2457 ♦+	HP-1017 ¹
Grand Caravan	3.6L V6 F/I	33-2462+	HP-7026 ¹
Journey	2.4L L4 F/I	33-2423+	HP-1017 ¹
Journey	3.6L V6 F/I	33-2470+	HP-7026 ¹
ProMaster 2500	3.6L V6 F/I	E-0656	
ProMaster City	2.4L L4 F/I	33-5034	HP-1017 ¹
Viper	8.4L V10 F/I	33-2432 ♦	HP-2010 ¹

Vehicle	Engine Type	Air Filter	Oil Filter
2015 DODGE			
1500	3.0L V6 DSL	33-2247 ♦	HP-7042 ¹
1500	3.6L V6 F/I	33-2247 ♦	HP-7026 ¹
1500	5.7L V8 F/I	33-2247 ♦	HP-1017 ¹
2500	5.7L V8 F/I	33-2247 ♦	HP-1017 ¹
2500	6.4L V8 F/I	33-2247 ♦	HP-1017 ¹
2500	6.7L L6 DSL	33-5005 ♦	HP-4003 ¹
3500	6.4L V8 F/I	33-2247 ♦	HP-1017 ¹
3500	6.7L L6 DSL	33-5005 ♦	HP-4003 ¹
4500	6.7L L6 DSL	33-5005	
5500	6.4L V8 F/I	33-2247	
5500	6.7L L6 DSL	33-5005	HP-4003 ¹
Avenger	2.4L L4 F/I		HP-1017 ¹
Challenger	3.6L V6 F/I	33-2460 ♦+	HP-7026 ¹
Challenger	5.7L V8 F/I	33-2460 ♦+	HP-2010 ¹
Challenger	6.2L V8 F/I	33-2460 ♦+	HP-2010 ¹
Challenger	6.4L V8 F/I	33-2460 ♦+	HP-2010 ¹
Charger	3.6L V6 F/I	33-2460 ♦+	HP-7026 ¹
Charger	5.7L V8 F/I	33-2460 ♦+	HP-2010 ¹
Charger	6.2L V8 F/I	33-2460 ♦+	HP-2010 ¹
Charger	6.4L V8 F/I	33-2460 ♦+	HP-2010 ¹
Dart	1.4L L4 F/I	33-2491 ♦	HP-7041 ¹
Dart	2.0L L4 F/I	33-2491 ♦	HP-1017 ¹
Dart	2.4L L4 F/I	33-2491	HP-1017 ¹
Durango	3.6L V6 F/I	33-2457 ♦+	HP-7026 ¹
Durango	5.7L V8 F/I	33-2457 ♦+	HP-2010 ¹
Grand Caravan	3.6L V6 F/I	33-2462+	HP-7026 ¹
Journey	2.4L L4 F/I	33-2423+	HP-1017 ¹
Journey	3.6L V6 F/I	33-2470+	HP-7026 ¹
Viper	8.4L V10 F/I	33-2432 ♦	HP-2010 ¹

Vehicle	Engine Type	Air Filter	Oil Filter
2014 DODGE			
1500	3.6L V6 F/I	33-2247 ♦	HP-7026 ¹
2500	6.4L V8 F/I	33-2247 ♦	HP-1017 ¹
3500	6.4L V8 F/I	33-2247 ♦	HP-1017 ¹
4500	6.4L V8 F/I	33-2247	HP-1017 ¹
5500	6.4L V8 F/I	33-2247	
Avenger	2.4L L4 F/I	33-2373 ♦+	HP-1017 ¹
Avenger	3.6L V6 F/I	33-2470 ♦+	HP-7026 ¹
Challenger	3.6L V6 F/I	33-2460 ♦+	HP-7026 ¹
Challenger	5.7L V8 F/I	33-2460 ♦+	HP-2010 ¹
Challenger	6.4L V8 F/I	33-2460 ♦+	HP-2010 ¹
Charger	3.6L V6 F/I	33-2460 ♦+	HP-7026 ¹
Charger	5.7L V8 F/I	33-2460 ♦+	HP-2010 ¹
Charger	6.4L V8 F/I	33-2460 ♦+	HP-2010 ¹
Dart	1.4L L4 F/I	33-2491 ♦	HP-7041 ¹
Dart	2.0L L4 F/I	33-2491 ♦	HP-1017 ¹
Dart	2.4L L4 F/I	33-2491	HP-1017 ¹
Durango	3.6L V6 F/I	33-2457 ♦+	HP-7026 ¹
Durango	5.7L V8 F/I	33-2457 ♦+	HP-2010 ¹
Grand Caravan	3.6L V6 F/I	33-2462+	HP-7026 ¹
Journey	2.4L L4 F/I	33-2423+	HP-1017 ¹
Journey	3.6L V6 F/I	33-2470+	HP-7026 ¹

Vehicle	Engine Type	Air Filter	Oil Filter
2014 DODGE			
Ram 2500	5.7L V8 F/I	33-2247 ♦	HP-1017 ¹
Ram 2500	6.7L L6 DSL	33-5005 ♦	HP-4003 ¹
Ram 3500	5.7L V8 F/I	33-2247 ♦	HP-1017 ¹
Ram 3500	6.7L L6 DSL	33-5005 ♦	HP-4003 ¹
Ram 4500	6.7L L6 DSL	33-5005	
Ram 5500	6.7L L6 DSL	33-5005	
Viper	8.4L V10 F/I	33-2432 ♦	

Vehicle	Engine Type	Air Filter	Oil Filter
2013 DODGE			
1500	3.6L V6 F/I	33-2247 ♦	HP-7025 ¹
Avenger	2.4L L4 F/I	33-2373 ♦+	HP-1017 ¹
Avenger	3.6L V6 F/I	33-2470 ♦+	HP-7025 ¹
Cargo Van	3.6L V6 F/I	33-2462	
Challenger	3.6L V6 F/I	33-2460 ♦+	HP-7025 ¹
Challenger	5.7L V8 F/I	33-2460 ♦+	HP-2010 ¹
Challenger	6.4L V8 F/I	33-2460 ♦+	HP-2010 ¹
Charger	3.6L V6 F/I	33-2460 ♦+	HP-7025 ¹
Charger	5.7L V8 F/I	33-2460 ♦+	HP-2010 ¹
Charger	6.4L V8 F/I	33-2460 ♦+	HP-2010 ¹
Dart	1.4L L4 F/I	33-2491 ♦	HP-7041 ¹
Dart	2.0L L4 F/I	33-2491 ♦	HP-1017 ¹
Dart	2.4L L4 F/I	33-2491	HP-1017 ¹
Durango	3.6L V6 F/I	33-2457 ♦+	HP-7025 ¹
Durango	5.7L V8 F/I	33-2457 ♦+	HP-2010 ¹
Grand Caravan	3.6L V6 F/I	33-2462+	HP-7025 ¹
Journey	2.4L L4 F/I	33-2423+	HP-1017 ¹
Journey	3.6L V6 F/I	33-2470+	HP-7025 ¹
Ram 1500	4.7L V8 F/I	33-2247 ♦	HP-2010 ¹
Ram 2500	5.7L V8 F/I	33-2247 ♦	HP-1017 ¹
Ram 2500	6.7L L6 DSL	33-5005 ♦	HP-4003 ¹
Ram 3500	5.7L V8 F/I	33-2247 ♦	HP-1017 ¹
Ram 3500	6.7L L6 DSL	33-5005 ♦	HP-4003 ¹
Ram 5500	6.7L L6 DSL	33-5005	HP-4003 ¹

Vehicle	Engine Type	Air Filter	Oil Filter
2012 DODGE			
Avenger	2.4L L4 F/I	33-2373 ♦+	HP-1017 ¹
Avenger	3.6L V6 F/I	33-2470 ♦+	HP-7025 ¹
Caliber	2.0L L4 F/I	E-1998+	HP-1017 ¹
Caliber	2.4L L4 F/I		HP-1017 ¹
Cargo Van	3.6L V6 F/I	33-2462+	
Challenger	3.6L V6 F/I	33-2460 ♦+	HP-7025 ¹
Challenger	5.7L V8 F/I	33-2460 ♦+	HP-2010 ¹
Challenger	6.4L V8 F/I	33-2460 ♦+	HP-2010 ¹
Charger	3.6L V6 F/I	33-2460 ♦+	HP-7025 ¹
Charger	5.7L V8 F/I	33-2460 ♦+	HP-2010 ¹
Charger	6.4L V8 F/I	33-2460 ♦+	HP-2010 ¹
Dakota	3.7L V6 F/I		HP-2011 ¹
Durango	3.6L V6 F/I	33-2457 ♦+	HP-7025 ¹
Durango	5.7L V8 F/I	33-2457 ♦+	HP-2010 ¹
Grand Caravan	3.6L V6 F/I	33-2462+	HP-7025 ¹
Journey	2.4L L4 F/I	33-2423+	HP-1017 ¹
Journey	3.6L V6 F/I	33-2470+	HP-7025 ¹
Ram 1500	3.7L V6 F/I	33-2247	HP-2011 ¹
Ram 1500	4.7L V8 F/I	33-2247 ♦	HP-2010 ¹
Ram 2500	5.7L V8 F/I	33-2247	HP-2010 ¹
Ram 2500	6.7L L6 DSL	E-0787 ♦	HP-4003 ¹
Ram 3500	5.7L V8 F/I	33-2247	
Ram 3500	6.7L L6 DSL	E-0787 ♦	HP-4003 ¹
Ram 4500	6.7L L6 DSL	E-0787	HP-4003 ¹
Ram 5500	6.7L L6 DSL	E-0787	HP-4003 ¹

Vehicle	Engine Type	Air Filter	Oil Filter
2011 DODGE			
Avenger	2.4L L4 F/I	33-2373+	HP-1017 ¹
Avenger	3.6L V6 F/I	33-2470 ♦+	HP-7025 ¹

* 2 filters required ♦ Intake System Available - see page 370 +Cabin Air Filter Available - see page 353 1- Performance Silver Oil Filter Also Available



Vehicle	Engine Type	Air Filter	Oil Filter
2011 DODGE			
Caliber	2.0L L4 DSL	33-2362	
Caliber	2.0L L4 F/I	E-1998+	HP-1017 ¹
Caliber	2.0L L4 F/I - China	33-2362	HP-1017
Caliber	2.4L L4 F/I	E-1998+	HP-1017 ¹
Challenger	3.6L V6 F/I	33-2460 ♦♦	HP-7025 ¹
Challenger	5.7L V8 F/I	33-2460 ♦♦	HP-2010 ¹
Challenger	6.4L V8 F/I	33-2460 ♦♦	HP-2010 ¹
Charger	3.6L V6 F/I	33-2460 ♦♦	HP-7025 ¹
Charger	5.7L V8 F/I	33-2460 ♦♦	HP-2010 ¹
Dakota	3.7L V6 F/I	33-2175	HP-2011 ¹
Dakota	4.7L V8 F/I	33-2175	HP-2010 ¹
Durango	3.6L V6 F/I	33-2457 ♦♦	HP-7025 ¹
Durango	5.7L V8 F/I	33-2457 ♦♦	HP-2010 ¹
Grand Caravan	3.6L V6 F/I	33-2462+	HP-7025 ¹
Journey	2.4L L4 F/I	33-2423+	HP-1017 ¹
Journey	2.7L V6 F/I	33-2423	
Journey	3.6L V6 F/I	33-2470+	HP-7025 ¹
Nitro	3.7L V6 F/I	33-2363 ♦♦	HP-2011 ¹
Nitro	4.0L V6 F/I	33-2363 ♦♦	HP-1017 ¹
Ram 1500	3.7L V6 F/I	33-2247 ♦	HP-2011 ¹
Ram 1500	4.7L V8 F/I	33-2247 ♦	HP-2010 ¹
Ram 2500	5.7L V8 F/I	33-2247	HP-2010 ¹
Ram 2500	6.7L L6 DSL	E-0787 ♦	HP-4003 ¹
Ram 3500	5.7L V8 F/I	33-2247	
Ram 3500	6.7L L6 DSL	E-0787 ♦	HP-4003 ¹
Ram 5500	6.7L L6 DSL	E-0787	HP-4003 ¹

2010 DODGE			
Avenger	2.4L L4 F/I	33-2373 ♦♦	HP-1017 ¹
Avenger	3.5L V6 F/I	33-2373 ♦♦	HP-1017 ¹
Caliber	2.0L L4 DSL	33-2362	
Caliber	2.0L L4 F/I	33-2362 ♦♦	HP-1017 ¹
Caliber	2.4L L4 F/I	33-2362 ♦♦	HP-1017 ¹
Challenger	3.5L V6 F/I	33-2295 ♦♦	HP-1017 ¹
Challenger	5.7L V8 F/I	33-2295 ♦♦	HP-2010 ¹
Challenger	6.1L V8 F/I	33-2295 ♦♦	HP-2010 ¹
Charger	2.7L V6 F/I	33-2295 ♦♦	HP-1017 ¹
Charger	3.5L V6 F/I	33-2295 ♦♦	HP-1017 ¹
Charger	5.7L V8 F/I	33-2295 ♦♦	HP-2010 ¹
Charger	6.1L V8 F/I	33-2295 ♦♦	HP-2010 ¹
Dakota	3.7L V6 F/I	33-2175	HP-2011 ¹
Dakota	4.7L V8 F/I	33-2175 ♦	HP-2010 ¹
Grand Caravan	3.3L V6 F/I	33-2419+	HP-1002 ¹
Grand Caravan	3.8L V6 F/I	33-2419+	HP-1002 ¹
Grand Caravan	4.0L V6 F/I	33-2419+	HP-1017 ¹
Journey	2.0L L4 DSL	33-2423	
Journey	2.4L L4 F/I	33-2423+	HP-1017 ¹
Journey	3.5L V6 F/I	33-2423+	HP-1017 ¹
Nitro	3.7L V6 F/I	33-2363 ♦♦	HP-2011 ¹
Nitro	4.0L V6 F/I	33-2363 ♦♦	HP-1017 ¹
Ram 1500	3.7L V6 F/I	33-2247 ♦	HP-2011 ¹
Ram 1500	4.7L V8 F/I	33-2247 ♦	HP-2010 ¹
Ram 1500	5.7L V8 F/I	33-2247 ♦	HP-2010 ¹
Ram 2500	5.7L V8 F/I	33-2247	HP-2010 ¹
Ram 2500	5.9L L6 DSL		HP-4003 ¹
Ram 2500	6.7L L6 DSL	E-0787 ♦	HP-4003 ¹
Ram 3500	6.7L L6 DSL	E-0787 ♦	HP-4003 ¹
Ram 4500	6.7L L6 DSL	E-0787	
Ram 5500	6.7L L6 DSL	E-0787	HP-4003 ¹
Viper	8.4L V10 F/I	33-2432 ♦	HP-2010 ¹

2009 DODGE			
Avenger	2.4L L4 F/I	33-2373 ♦♦	HP-1017 ¹
Avenger	2.7L V6 F/I	33-2373+	HP-2010 ¹

Vehicle	Engine Type	Air Filter	Oil Filter
2009 DODGE			
Avenger	3.5L V6 F/I		HP-2010 ¹
Caliber	2.0L L4 DSL	33-2362	
Caliber	2.0L L4 F/I	33-2362 ♦♦	HP-1017 ¹
Caliber SRT-4	2.4L L4 F/I	E-1988 ♦♦	HP-2010 ¹
Challenger	3.5L V6 F/I	33-2295 ♦♦	HP-1017 ¹
Challenger	5.7L V8 F/I	33-2295 ♦♦	HP-2010 ¹
Challenger	6.1L V8 F/I	33-2295 ♦♦	HP-2010 ¹
Charger	2.7L V6 F/I	33-2295 ♦♦	HP-1017 ¹
Charger	3.5L V6 F/I	33-2295 ♦♦	HP-2010 ¹
Charger	5.7L V8 F/I	33-2295 ♦♦	HP-2010 ¹
Charger	6.1L V8 F/I	33-2295 ♦♦	HP-2010 ¹
Dakota	3.7L V6 F/I	33-2175	HP-2011 ¹
Dakota	4.7L V8 F/I	33-2175 ♦	HP-2010 ¹
Durango	5.7L V8 F/I	33-2288 ♦	HP-2010 ¹
Durango Hybrid	5.7L V8 F/I	E-1991	HP-2010 ¹
Grand Caravan	3.3L V6 F/I	33-2419+	HP-1002 ¹
Grand Caravan	3.8L V6 F/I	33-2419+	HP-1002 ¹
Grand Caravan	4.0L V6 F/I	33-2419+	HP-1017 ¹
Journey	2.4L L4 F/I	33-2423+	HP-1017 ¹
Journey	3.5L V6 F/I	33-2423+	HP-1017 ¹
Nitro	3.7L V6 F/I	33-2363+	HP-2011 ¹
Nitro	4.0L V6 F/I	33-2363 ♦♦	HP-1017 ¹
Ram 1500	3.7L V6 F/I	33-2247 ♦	HP-2011 ¹
Ram 1500	4.7L V8 F/I	33-2247 ♦	HP-2010 ¹
Ram 1500	5.7L V8 F/I	33-2247 ♦	HP-2010 ¹
Ram 2500	5.7L V8 F/I	33-2247	HP-2010 ¹
Ram 2500	5.9L L6 DSL	E-0776	HP-4003 ¹
Ram 2500	6.7L L6 DSL	E-0784 ♦	HP-4003 ¹
Ram 3500	5.9L L6 DSL	E-0776	HP-4003 ¹
Ram 3500	6.7L L6 DSL	E-0784 ♦	HP-4003 ¹
Ram 4500	6.7L L6 DSL		HP-4003 ¹
Ram 5500	6.7L L6 DSL		HP-4003 ¹
Sprinter 3500	3.0L V6 DSL	33-2391	

2008 DODGE			
Avenger	2.0L L4 F/I		HP-1017 ¹
Avenger	2.4L L4 F/I	33-2373 ♦♦	HP-1017 ¹
Avenger	2.7L V6 F/I	33-2373+	HP-2010 ¹
Avenger	3.5L V6 F/I	33-2373 ♦♦	
Avenger	3.5L V6 F/I - 22mm Thread	33-2373	HP-2010 ¹
Avenger	3.5L V6 F/I - 3/4 thread	33-2373	HP-2004 ¹
Caliber	1.8L L4 F/I	33-2362 ♦♦	HP-1017 ¹
Caliber	2.0L L4 DSL	33-2362	
Caliber	2.0L L4 F/I	33-2362 ♦♦	HP-1017 ¹
Caliber	2.4L L4 F/I	33-2362 ♦♦	HP-1017 ¹
Caliber SRT-4	2.4L L4 F/I	E-1988 ♦♦	HP-2010 ¹
Caravan	3.3L V6 F/I	33-2419	
Challenger	6.1L V8 F/I	33-2295 ♦♦	HP-2010 ¹
Charger	2.7L V6 F/I	33-2295 ♦♦	HP-2010 ¹
Charger	3.5L V6 F/I	33-2295 ♦♦	HP-2010 ¹
Charger	5.7L V8 F/I	33-2295 ♦♦	HP-2010 ¹
Charger	6.1L V8 F/I	33-2295 ♦♦	HP-2010 ¹
Dakota	3.7L V6 F/I	33-2175 ♦	HP-2009 ¹
Dakota	4.7L V8 F/I	33-2175 ♦	HP-2010 ¹
Durango	3.7L V6 F/I	33-2288	HP-2009 ¹
Durango	4.7L V8 F/I	33-2288 ♦	HP-2010 ¹
Durango	5.7L V8 F/I	33-2288 ♦	HP-2010 ¹
Grand Caravan	3.3L V6 F/I	33-2419+	HP-1002 ¹
Grand Caravan	3.8L V6 F/I	33-2419+	HP-1002 ¹
Grand Caravan	4.0L V6 F/I	33-2419+	HP-2004 ¹
Journey	2.0L L4 DSL	33-2423	
Magnum	2.7L V6 F/I	33-2295 ♦♦	HP-2010 ¹

* 2 filters required ♦ Intake System Available - see page 370 +Cabin Air Filter Available - see page 353 1- Performance Silver Oil Filter Also Available



AIR & OIL FILTERS

DODGE

Vehicle	Engine Type	Air Filter	Oil Filter
2008 DODGE			
Magnum	3.5L V6 F/I	33-2295 ♦+	HP-2010 ¹
Magnum	5.7L V8 F/I	33-2295 ♦+	HP-2010 ¹
Magnum	6.1L V8 F/I	33-2295 ♦+	HP-2010 ¹
Nitro	3.7L V6 F/I	33-2363 ♦+	HP-2009 ¹
Nitro	4.0L V6 F/I	33-2363 ♦+	HP-2004 ¹
Ram 1500	3.7L V6 F/I	33-2247 ♦	HP-2009 ¹
Ram 1500	4.7L V8 F/I	33-2247 ♦	HP-2010 ¹
Ram 1500	5.7L V8 F/I	33-2247 ♦	HP-2010 ¹
Ram 2500	5.7L V8 F/I	33-2247 ♦	HP-2010 ¹
Ram 2500	5.9L L6 DSL	E-0776	HP-4003 ¹
Ram 2500	6.7L L6 DSL	E-0784 ♦	HP-4003 ¹
Ram 3500	5.9L L6 DSL	E-0776	HP-4003 ¹
Ram 3500	6.7L L6 DSL	E-0784 ♦	HP-4003 ¹
Ram 5500	6.7L L6 DSL		HP-4003 ¹
Sprinter 2500	3.0L V6 DSL	33-2391	
Sprinter 3500	3.0L V6 DSL	33-2391	
Viper	8.4L V10 F/I	33-2432 ♦	

Vehicle	Engine Type	Air Filter	Oil Filter
2007 DODGE			
Avenger	2.0L L4 DSL	33-2373	
Avenger	2.0L L4 F/I	33-2373	
Caliber	1.8L L4 F/I	33-2362 ♦+	HP-1017 ¹
Caliber	2.0L L4 DSL	33-2362	
Caliber	2.0L L4 F/I	33-2362 ♦+	HP-1017 ¹
Caliber	2.4L L4 F/I	33-2362 ♦+	HP-1017 ¹
Caravan	3.3L V6 F/I	33-2206+	HP-1002 ¹
Charger	2.7L V6 F/I	33-2295 ♦+	HP-2004 ¹
Charger	3.5L V6 F/I	33-2295 ♦+	HP-2004 ¹
Charger	5.7L V8 F/I	33-2295 ♦+	HP-2004 ¹
Charger	6.1L V8 F/I	33-2295 ♦+	HP-2004 ¹
Dakota	3.7L V6 F/I	33-2175 ♦	HP-2009 ¹
Dakota	4.7L V8 F/I	33-2175 ♦	HP-2004 ¹
Durango	4.7L V8 F/I	33-2288 ♦	HP-2004 ¹
Durango	5.7L V8 F/I	33-2288 ♦	HP-2004 ¹
Grand Caravan	3.3L V6 F/I	33-2206+	HP-1002 ¹
Grand Caravan	3.8L V6 F/I	33-2206+	HP-1002 ¹
Magnum	2.7L V6 F/I	33-2295 ♦+	HP-2004 ¹
Magnum	3.5L V6 F/I	33-2295 ♦+	HP-2004 ¹
Magnum	5.7L V8 F/I	33-2295 ♦+	HP-2004 ¹
Magnum	6.1L V8 F/I	33-2295 ♦+	HP-2004 ¹
Nitro	3.7L V6 F/I	33-2363 ♦	HP-2009 ¹
Nitro	4.0L V6 F/I	33-2363 ♦	HP-2004 ¹
Ram 1500	3.7L V6 F/I	33-2247 ♦	HP-2009 ¹
Ram 1500	4.7L V8 F/I	33-2247 ♦	HP-2004 ¹
Ram 1500	5.7L V8 F/I	33-2247 ♦	HP-2004 ¹
Ram 2500	5.7L V8 F/I	33-2247 ♦	HP-2004 ¹
Ram 2500	5.9L L6 DSL	E-0776 ♦	HP-4003 ¹
Ram 2500	6.7L L6 DSL	E-0784 ♦	HP-4003 ¹
Ram 3500	5.7L V8 F/I	33-2247 ♦	HP-2004 ¹
Ram 3500	5.9L L6 DSL	E-0776 ♦	HP-4003 ¹
Ram 3500	6.7L L6 DSL	E-0784 ♦	HP-4003 ¹
Ram 4000	5.9L L6 DSL		HP-4003 ¹
Sprinter 2500	3.0L V6 DSL	33-2391	PS-7028
Sprinter 3500	3.0L V6 DSL	33-2391	

Vehicle	Engine Type	Air Filter	Oil Filter
2006 DODGE			
Caravan	3.3L V6 F/I	33-2206+	HP-2004 ¹
Charger	2.7L V6 F/I	33-2295 ♦+	HP-2004 ¹
Charger	3.5L V6 F/I	33-2295 ♦+	HP-2004 ¹
Charger	5.7L V8 F/I	33-2295 ♦+	HP-2004 ¹
Charger	6.1L V8 F/I	33-2295 ♦+	HP-2004 ¹
Dakota	3.7L V6 F/I	33-2175 ♦	HP-2009 ¹
Dakota	4.7L V8 F/I	33-2175 ♦	HP-2004 ¹
Durango	4.7L V8 F/I	33-2288 ♦	HP-2004 ¹

Vehicle	Engine Type	Air Filter	Oil Filter
2006 DODGE			
Durango	5.7L V8 F/I	33-2288 ♦	HP-2004 ¹
Grand Caravan	3.3L V6 F/I	33-2206+	HP-2004 ¹
Grand Caravan	3.8L V6 F/I	33-2206+	HP-2004 ¹
Magnum	2.7L V6 F/I	33-2295 ♦+	HP-2004 ¹
Magnum	3.5L V6 F/I	33-2295 ♦+	HP-2004 ¹
Magnum	5.7L V8 F/I	33-2295 ♦+	HP-2004 ¹
Magnum	6.1L V8 F/I	33-2295 ♦+	HP-2004 ¹
Ram 1500	3.7L V6 F/I	33-2247 ♦	HP-2009 ¹
Ram 1500	4.7L V8 F/I	33-2247 ♦	HP-2004 ¹
Ram 1500	5.7L V8 F/I	33-2247 ♦	HP-2004 ¹
Ram 2500	4.7L V8 F/I		HP-2004 ¹
Ram 2500	5.7L V8 F/I	33-2247 ♦	HP-2004 ¹
Ram 2500	5.9L L6 DSL	E-0776 ♦	HP-4003 ¹
Ram 2500	5.7L V8 F/I	33-2247 ♦	HP-2004 ¹
Ram 3500	5.9L L6 DSL	E-0776 ♦	HP-4003 ¹
Ram SRT-10	8.3L V10 F/I	33-2297 ♦	HP-2004 ¹
Sprinter 2500	2.7L L5 DSL	33-2319	HP-7004 ¹
Sprinter 3500	2.7L L5 DSL	33-2319	HP-7004 ¹
Stratus	2.4L L4 F/I	E-1007	HP-1002 ¹
Viper	8.3L V10 F/I		HP-2004 ¹

Vehicle	Engine Type	Air Filter	Oil Filter
2005 DODGE			
Caravan	3.3L V6 F/I	33-2206+	HP-2004 ¹
Dakota	3.7L V6 F/I	33-2175 ♦	HP-2009 ¹
Dakota	4.7L V8 F/I	33-2175 ♦	HP-2004 ¹
Durango	4.7L V8 F/I	33-2288 ♦	HP-2004 ¹
Durango	5.7L V8 F/I	33-2288 ♦	HP-2004 ¹
Grand Caravan	3.3L V6 F/I	33-2206+	HP-2004 ¹
Grand Caravan	3.8L V6 F/I	33-2206+	HP-2004 ¹
Magnum	2.7L V6 F/I	33-2295 ♦+	HP-2004 ¹
Magnum	3.5L V6 F/I	33-2295 ♦+	HP-2004 ¹
Magnum	5.7L V8 F/I	33-2295 ♦+	HP-2004 ¹
Neon	2.0L L4 F/I	E-1006 ♦	HP-1002 ¹
Neon SRT-4	2.4L L4 F/I	E-1006 ♦	HP-2009 ¹
Ram 1500	3.7L V6 F/I	33-2247 ♦	HP-2009 ¹
Ram 1500	4.7L V8 F/I	33-2247 ♦	HP-2004 ¹
Ram 1500	5.7L V8 F/I	33-2247 ♦	HP-2004 ¹
Ram 2500	5.7L V8 F/I	33-2247 ♦	HP-2004 ¹
Ram 2500	5.9L L6 DSL	E-0776 ♦	HP-4003 ¹
Ram 3500	5.7L V8 F/I	33-2247 ♦	HP-2004 ¹
Ram 3500	5.9L L6 DSL	E-0776 ♦	HP-4003 ¹
Ram 4000	5.7L V8 F/I		HP-2004 ¹
Ram SRT-10	8.3L V10 F/I	33-2297 ♦	HP-2004 ¹
Sprinter 2500	2.7L L5 DSL	33-2319	HP-7004 ¹
Sprinter 3500	2.7L L5 DSL	33-2319	
Stratus	2.4L L4 F/I - Coupe	33-2072	HP-1010 ¹
Stratus	2.4L L4 F/I - Sedan	E-1007	HP-1002 ¹
Stratus	2.7L V6 F/I		HP-2004 ¹
Stratus	3.0L V6 F/I	33-2072	HP-1004 ¹
SX 2.0	2.0L L4 F/I	E-1006	HP-1002 ¹
Viper	8.3L V10 F/I		HP-2004 ¹

Vehicle	Engine Type	Air Filter	Oil Filter
2004 DODGE			
Dakota	3.7L V6 F/I	33-2175	HP-2009 ¹
Dakota	4.7L V8 F/I	33-2175 ♦	HP-2004 ¹
Durango	3.7L V6 F/I	33-2288	HP-2009 ¹
Durango	4.7L V8 F/I	33-2288 ♦	HP-2004 ¹
Durango	5.7L V8 F/I	33-2288 ♦	HP-2004 ¹
Intrepid SXT	3.5L V6 F/I		HP-2004 ¹
Neon	2.0L L4 F/I	E-1006 ♦	HP-1002 ¹
Neon SRT-4	2.4L L4 F/I	E-1006 ♦	HP-2009 ¹
Ram 1500	3.7L V6 F/I	33-2247 ♦	HP-2009 ¹
Ram 1500	4.7L V8 F/I	33-2247 ♦	HP-2004 ¹
Ram 1500	5.7L V8 F/I	33-2247 ♦	HP-2004 ¹

* 2 filters required ♦ Intake System Available - see page 370 +Cabin Air Filter Available - see page 353 1- Performance Silver Oil Filter Also Available



Vehicle	Engine Type	Air Filter	Oil Filter
2004 DODGE			
Ram 2500	5.7L V8 F/I	33-2247 ♦	HP-2004 ¹
Ram 2500	5.9L L6 DSL	E-0776 ♦	HP-4003 ¹
Ram 3500	5.7L V8 F/I	33-2247 ♦	HP-2004 ¹
Ram 3500	5.9L L6 DSL	E-0776 ♦	HP-4003 ¹
Ram SRT-10	8.3L V10 F/I	33-2297 ♦	HP-2004 ¹
Sprinter 2500	2.7L L5 DSL	33-2319	HP-7004 ¹
Stratus	2.4L L4 F/I - Coupe	33-2072	HP-1010 ¹
Stratus	2.4L L4 F/I - Sedan	E-1007	HP-1002 ¹
Stratus	2.7L V6 F/I	E-1007	HP-2004 ¹
Stratus	3.0L V6 F/I	33-2072	HP-1004 ¹
Viper	8.3L V10 F/I		HP-2004 ¹

Vehicle	Engine Type	Air Filter	Oil Filter
2003 DODGE			
Caravan	3.3L V6 F/I	33-2206+	HP-2004 ¹
Dakota	3.9L V6 F/I	33-2175	HP-2004 ¹
Dakota	4.7L V8 F/I	33-2175 ♦	HP-2004 ¹
Dakota	5.9L V8 F/I	33-2175 ♦	HP-2004 ¹
Durango	4.7L V8 F/I	33-2175 ♦	HP-2004 ¹
Durango	5.9L V8 F/I	33-2175 ♦	HP-2004 ¹
Grand Caravan	3.3L V6 F/I	33-2206+	
Grand Caravan	3.8L V6 F/I	33-2206+	HP-2004 ¹
Neon	2.0L L4 F/I	E-1006 ♦	HP-1002 ¹
Neon R/T	2.0L L4 F/I	E-1006 ♦	HP-1002 ¹
Neon SRT-4	2.4L L4 F/I	E-1006 ♦	HP-2009 ¹
Ram 1500	3.7L V6 F/I	33-2247 ♦	HP-2009 ¹
Ram 1500	4.7L V8 F/I	33-2247 ♦	HP-2004 ¹
Ram 1500	5.7L V8 F/I	33-2247 ♦	HP-2004 ¹
Ram 1500	5.9L V8 F/I	33-2247 ♦	HP-2004 ¹
Ram 1500 Van	3.9L V6 F/I		HP-2004 ¹
Ram 1500 Van	5.2L V8 F/I	E-1100	HP-2004 ¹
Ram 1500 Van	5.9L V8 F/I	E-1100	HP-2004 ¹
Ram 2500	5.7L V8 F/I	33-2247 ♦	HP-2004 ¹
Ram 2500	5.9L L6 DSL	E-0776 ♦	HP-4003 ¹
Ram 2500	8.0L V10 F/I	33-2247	HP-2004 ¹
Ram 2500 Van	5.9L V8 F/I	E-1100	HP-2004 ¹
Ram 3500	5.7L V8 F/I	33-2247 ♦	HP-2004 ¹
Ram 3500	5.9L L6 DSL	E-0776 ♦	HP-4003 ¹
Ram 3500	8.0L V10 F/I	33-2247	HP-2004 ¹
Ram 3500 Van	5.9L V8 F/I	E-1100	HP-2004 ¹
Sprinter 2500	2.7L L5 DSL		PS-7004
Stratus	2.4L L4 F/I - Coupe	33-2072	HP-1010 ¹
Stratus	2.4L L4 F/I - Sedan	E-1007	HP-1002 ¹
Viper	8.3L V10 F/I		HP-2004 ¹

Vehicle	Engine Type	Air Filter	Oil Filter
2002 DODGE			
Caravan	3.3L V6 F/I	33-2206+	HP-2004 ¹
Dakota	2.5L L4 F/I	33-2175	HP-2004 ¹
Dakota	3.9L V6 F/I	33-2175	HP-2004 ¹
Dakota	4.7L V8 F/I	33-2175 ♦	HP-2004 ¹
Dakota	5.9L V8 F/I	33-2175 ♦	HP-2004 ¹
Durango	4.7L V8 F/I	33-2175 ♦	HP-2004 ¹
Durango	5.9L V8 F/I	33-2175 ♦	HP-2004 ¹
Grand Caravan	3.3L V6 F/I	33-2206+	HP-2004 ¹
Grand Caravan	3.8L V6 F/I	33-2206+	HP-2004 ¹
Intrepid	2.7L V6 F/I		HP-2004 ¹
Intrepid	3.5L V6 F/I	33-2136 ♦	HP-2004 ¹
Neon	2.0L L4 F/I	E-1006 ♦	HP-1002 ¹
Neon ACR	2.0L L4 F/I	E-1006 ♦	HP-1002 ¹
Neon R/T	2.0L L4 F/I	E-1006 ♦	HP-1002 ¹
Ram 1500	3.7L V6 F/I	33-2247 ♦	HP-2009 ¹
Ram 1500	4.7L V8 F/I	33-2247 ♦	HP-2004 ¹
Ram 1500	5.9L V8 F/I	33-2247 ♦	HP-2004 ¹
Ram 1500 Van	3.9L V6 F/I	E-1100	HP-2004 ¹
Ram 1500 Van	5.2L V8 F/I	E-1100	HP-2004 ¹

Vehicle	Engine Type	Air Filter	Oil Filter
2002 DODGE			
Ram 1500 Van	5.9L V8 F/I	E-1100	HP-2004 ¹
Ram 2500	5.9L L6 DSL	33-2056 ♦	HP-4003 ¹
Ram 2500	5.9L V8 F/I	33-2084 ♦	HP-2004 ¹
Ram 2500	8.0L V10 F/I	33-2058 ♦	HP-2004 ¹
Ram 2500 Van	5.2L V8 F/I	E-1100	HP-2004 ¹
Ram 2500 Van	5.9L V8 F/I	E-1100	HP-2004 ¹
Ram 3500	5.9L L6 DSL	33-2056 ♦	HP-4003 ¹
Ram 3500	5.9L V8 F/I	33-2084	HP-2004 ¹
Ram 3500	8.0L V10 F/I	33-2058 ♦	HP-2004 ¹
Ram 3500 Van	5.9L V8 F/I	E-1100	HP-2004 ¹
Stratus	2.4L L4 F/I - Coupe		HP-1010 ¹
Stratus	2.4L L4 F/I - Sedan	E-1007	HP-1002 ¹
Stratus	2.7L V6 F/I	E-1007	HP-2004 ¹
Stratus	3.0L V6 F/I	33-2072	HP-1004 ¹
Viper	8.0L V10 F/I	33-2085*	HP-2004 ¹

Vehicle	Engine Type	Air Filter	Oil Filter
2001 DODGE			
Caravan	3.3L V6 F/I	33-2206+	HP-2004 ¹
Dakota	2.5L L4 F/I	33-2175	HP-2004 ¹
Dakota	3.9L V6 F/I	33-2175	HP-2004 ¹
Dakota	4.7L V8 F/I	33-2175 ♦	HP-2004 ¹
Dakota	5.9L V8 F/I	33-2175 ♦	HP-2004 ¹
Durango	4.7L V8 F/I	33-2175 ♦	HP-2004 ¹
Durango	5.9L V8 F/I	33-2175 ♦	HP-2004 ¹
Grand Caravan	3.3L V6 F/I	33-2206+	HP-2004 ¹
Grand Caravan	3.8L V6 F/I	33-2206+	
Intrepid	3.5L V6 F/I	33-2136 ♦	HP-2004 ¹
Neon	2.0L L4 F/I	E-1006 ♦	HP-1002 ¹
Neon ACR	2.0L L4 F/I	E-1006 ♦	HP-1002 ¹
Neon R/T	2.0L L4 F/I	E-1006 ♦	HP-1002 ¹
Ram 1500	3.9L V6 F/I	33-2084 ♦	HP-2004 ¹
Ram 1500	5.2L V8 F/I	33-2084 ♦	HP-2004 ¹
Ram 1500	5.9L V8 F/I	33-2084 ♦	HP-2004 ¹
Ram 1500 Van	3.9L V6 F/I	E-1100	HP-2004 ¹
Ram 1500 Van	5.2L V8 F/I	E-1100	HP-2004 ¹
Ram 1500 Van	5.9L V8 F/I	E-1100	HP-2004 ¹
Ram 2500	5.2L V8 F/I		HP-2004 ¹
Ram 2500	5.9L L6 DSL	33-2056 ♦	HP-4003 ¹
Ram 2500	5.9L V8 F/I	33-2084 ♦	HP-2004 ¹
Ram 2500	8.0L V10 F/I	33-2058 ♦	HP-2004 ¹
Ram 2500 Van	5.2L V8 F/I	E-1100	HP-2004 ¹
Ram 2500 Van	5.9L V8 F/I	E-1100	HP-2004 ¹
Ram 3500	5.9L L6 DSL	33-2056 ♦	HP-4003 ¹
Ram 3500	5.9L V8 F/I	33-2084	HP-2004 ¹
Ram 3500 Van	5.9L V8 F/I	E-1100	HP-2004 ¹
Viper	8.0L V10 F/I	33-2085*	HP-2004 ¹

Vehicle	Engine Type	Air Filter	Oil Filter
2000 DODGE			
Caravan	2.4L L4 F/I		HP-1002 ¹
Dakota	3.9L V6 F/I	33-2175	HP-2004 ¹
Dakota	4.7L V8 F/I	33-2175 ♦	HP-2004 ¹
Dakota	5.9L V8 F/I	33-2175 ♦	HP-2004 ¹
Durango	4.7L V8 F/I	33-2175 ♦	HP-2004 ¹
Durango	5.2L V8 F/I	33-2175 ♦	HP-2004 ¹
Durango	5.9L V8 F/I	33-2175 ♦	HP-2004 ¹
Grand Caravan	3.3L V6 F/I	33-2087	HP-2004 ¹
Intrepid	2.7L V6 F/I	33-2136 ♦	HP-2004 ¹
Neon	2.0L L4 F/I	E-1006 ♦	HP-1002 ¹
Ram 1500	3.9L V6 F/I	33-2084 ♦	HP-2004 ¹
Ram 1500	5.2L V8 F/I	33-2084 ♦	HP-2004 ¹
Ram 1500	5.9L V8 F/I	33-2084 ♦	HP-2004 ¹
Ram 1500 Van	3.9L V6 F/I	E-1100	HP-2004 ¹
Ram 1500 Van	5.2L V8 F/I	E-1100	HP-2004 ¹
Ram 1500 Van	5.9L V8 F/I	E-1100	HP-2004 ¹

* 2 filters required ♦ Intake System Available - see page 370 +Cabin Air Filter Available - see page 353 1- Performance Silver Oil Filter Also Available



AIR & OIL FILTERS

DODGE

Vehicle	Engine Type	Air Filter	Oil Filter	Vehicle	Engine Type	Air Filter	Oil Filter
2000 DODGE				1997 DODGE			
Ram 2500	5.9L L6 DSL	33-2056 ♦	HP-4003 ¹	B2500 Van	5.2L V8 F/I		HP-2004 ¹
Ram 2500	5.9L V8 F/I	33-2084 ♦	HP-2004 ¹	Caravan	3.0L V6 F/I		HP-2004 ¹
Ram 2500	8.0L V10 F/I	33-2058 ♦	HP-2004 ¹	Caravan	3.3L V6 F/I		HP-2004 ¹
Ram 2500 Van	5.2L V8 F/I		HP-2004 ¹	Caravan	3.8L V6 F/I	33-2087	HP-2004 ¹
Ram 2500 Van	5.9L V8 F/I	E-1100	HP-2004 ¹	Dakota	3.9L V6 F/I	33-2175	HP-2004 ¹
Ram 3500	5.9L L6 DSL	33-2056 ♦	HP-4003 ¹	Dakota	5.2L V8 F/I	33-2175 ♦	HP-2004 ¹
Ram 3500	5.9L V8 F/I	33-2084	HP-2004 ¹	Grand Caravan	3.3L V6 F/I	33-2087	HP-2004 ¹
Ram 3500 Van	5.9L V8 F/I	E-1100	HP-2004 ¹	Intrepid	3.3L V6 F/I		HP-2004 ¹
Viper	8.0L V10 F/I	33-2085*	HP-2004 ¹	Neon	2.0L L4 F/I	33-2087	HP-1002 ¹
1999 DODGE						33-2087 ♦	HP-1002 ¹
Avenger	2.5L V6 F/I		HP-2004 ¹	Ram 1500	3.9L V6 F/I		HP-2004 ¹
Caravan	3.3L V6 F/I		HP-2004 ¹	Ram 1500	5.2L V8 F/I	33-2084 ♦	HP-2004 ¹
Dakota	2.5L L4 F/I	33-2175	HP-2004 ¹	Ram 1500	5.9L V8 F/I	33-2084 ♦	HP-2004 ¹
Dakota	3.9L V6 F/I	33-2175	HP-2004 ¹	Ram 2500	5.9L L6 DSL	33-2056 ♦	HP-4003 ¹
Dakota	5.2L V8 F/I	33-2175 ♦	HP-2004 ¹	Ram 2500	5.9L V8 F/I	33-2084 ♦	HP-2004 ¹
Dakota	5.9L V8 F/I	33-2175 ♦	HP-2004 ¹	Ram 2500	8.0L V10 F/I	33-2058 ♦	HP-2004 ¹
Durango	3.9L V6 F/I	33-2175		Ram 3500	5.9L L6 DSL	33-2056 ♦	HP-4003 ¹
Durango	5.2L V8 F/I	33-2175 ♦	HP-2004 ¹	Ram 3500	5.9L V8 F/I	33-2084	HP-2004 ¹
Durango	5.9L V8 F/I	33-2175 ♦	HP-2004 ¹	Viper	8.0L V10 F/I	33-2085* ♦	HP-2004 ¹
Neon	2.0L L4 F/I	33-2087	HP-1002 ¹	2018 DUCATI			
		33-2087 ♦	HP-1002 ¹	959 Panigale	955	DU-1112	KN-159
Ram 1500	3.9L V6 F/I	33-2084 ♦	HP-2004 ¹	959 Panigale	955 - Race Specific	DU-1112R	KN-159
Ram 1500	5.2L V8 F/I	33-2084 ♦	HP-2004 ¹	959 Panigale Corse	955	DU-1112	KN-159
Ram 1500	5.9L V8 F/I	33-2084 ♦	HP-2004 ¹	959 Panigale Corse	955 - Race Specific	DU-1112R	KN-159
Ram 1500 Van	3.9L V6 F/I	E-1100	HP-2004 ¹	1299 Panigale R	1285		KN-159
Ram 1500 Van	5.2L V8 F/I	E-1100	HP-2004 ¹	Final Edition			
Ram 1500 Van	5.9L V8 F/I	E-1100	HP-2004 ¹	Diavel	1198	DU-1007	KN-153
Ram 2500	5.2L V8 F/I		HP-2004 ¹	Diavel Carbon	1198	DU-1007	KN-153
Ram 2500	5.9L L6 DSL	33-2056 ♦	HP-4003 ¹	Diavel Carbon	1198 - Race Specific	DU-1007R	KN-153
Ram 2500	5.9L V8 F/I	33-2084 ♦	HP-2004 ¹	Diavel Diesel	1198	DU-1007	
Ram 2500	8.0L V10 F/I	33-2058 ♦	HP-2004 ¹	Hypermotard 939	937	DU-1006	KN-153
Ram 2500 Van	5.2L V8 F/I	E-1100	HP-2004 ¹	Hypermotard 939 SP	937	DU-1006	KN-153
Ram 2500 Van	5.9L V8 F/I	E-1100	HP-2004 ¹	Hyperstrada	821		KN-153
Ram 3500	5.9L L6 DSL	33-2056 ♦	HP-4003 ¹	Hyperstrada 939	937	DU-1006	KN-153
Ram 3500	5.9L V8 F/I	33-2084	HP-2004 ¹	Monster 797	803	DU-8015	
Ram 3500	8.0L V10 F/I	33-2058 ♦	HP-2004 ¹	Monster 797 Plus	803	DU-8015	
Ram 3500	8.0L V10 F/I		HP-2004 ¹	Monster 821	821	DU-1006	
Ram 3500 Van	5.2L V8 F/I		HP-2004 ¹	Monster 1200	1198		KN-153
Ram 3500 Van	5.9L V8 F/I	E-1100	HP-2004 ¹	Monster 1200 R	1198	DU-1006	KN-153
Viper	8.0L V10 F/I	33-2085*	HP-2004 ¹	Monster 1200s	1198	DU-1006	KN-153
1998 DODGE				Multistrada 950	937	DU-1112	KN-153
Avenger	2.5L V6 F/I	33-2072	HP-2004 ¹	Multistrada 1200	1198		KN-153
Dakota	2.5L L4 F/I	33-2175	HP-2004 ¹	Enduro			
Dakota	3.9L V6 F/I	33-2175	HP-2004 ¹	Multistrada 1200	1198	DU-1112	KN-153
Dakota	5.2L V8 F/I	33-2175 ♦	HP-2004 ¹	Enduro Pro			
Dakota	5.9L V8 F/I	33-2175 ♦	HP-2004 ¹	Multistrada 1260	1262	DU-1112	
Durango	3.9L V6 F/I	33-2175		Pikes Peak			
Durango	5.2L V8 F/I	33-2175 ♦	HP-2004 ¹	Multistrada 1260 S	1262	DU-1112	
Durango	5.9L V8 F/I	33-2175 ♦	HP-2004 ¹	Multistrada 1260 S	1262 - Race Specific	DU-1112R	
Neon	2.0L L4 F/I	33-2087	HP-1002 ¹	Panigale V4	1103		KN-159
		33-2087 ♦	HP-1002 ¹	Panigale V4 S	1103		KN-159
Ram 1500	3.9L V6 F/I	33-2084 ♦	HP-2004 ¹	Panigale V4 Speciale	1103		KN-159
Ram 1500	5.2L V8 F/I	33-2084 ♦	HP-2004 ¹	Scrambler 1100	1079	DU-1112	
Ram 1500	5.9L V8 F/I	33-2084 ♦	HP-2004 ¹	Scrambler 1100	1079 - Race Specific	DU-1112R	
Ram 2500	5.2L V8 F/I		HP-2004 ¹	Scrambler 1100	1079	DU-1112	
Ram 2500	5.9L L6 DSL	33-2056 ♦	HP-4003 ¹	Special			
Ram 2500	5.9L V8 F/I	33-2084 ♦	HP-2004 ¹	Scrambler 1100	1079 - Race Specific	DU-1112R	
Ram 2500	8.0L V10 F/I	33-2058 ♦	HP-2004 ¹	Special			
Ram 3500	5.9L L6 DSL	33-2056 ♦	HP-4003 ¹	Scrambler 1100 Sport	1079	DU-1112	
Ram 3500	5.9L V8 F/I	33-2084	HP-2004 ¹	Scrambler 1100 Sport	1079 - Race Specific	DU-1112R	
Ram 3500	8.0L V10 F/I	33-2058 ♦	HP-2004 ¹	Scrambler Cafe	803	DU-8015	KN-153
Viper	8.0L V10 F/I	33-2085* ♦	HP-2004 ¹	Racer			
				Scrambler Classic	803	DU-8015	KN-153

* 2 filters required ♦ Intake System Available - see page 370 +Cabin Air Filter Available - see page 353 1- Performance Silver Oil Filter Also Available

Partial Listing: Complete Listing of Vehicles and Parts at KNFILTERS.COM or call 1-800-858-3333



Vehicle	Engine Type	Air Filter	Oil Filter	Vehicle	Engine Type	Air Filter	Oil Filter
2018 DUCATI				2016 DUCATI			
Scrambler Desert Sled	803	DU-8015		959 Panigale	955 - Race Specific	DU-1112R	KN-159
Scrambler Full Throttle	803	DU-8015	KN-153	1198 Panigale R	1198	DU-1112	KN-159
Scrambler Icon	803	DU-8015	KN-153	1198 Panigale R	1198 - Race Specific	DU-1112R	KN-159
Scrambler Mach 2.0	803	DU-8015	KN-153	1299 Panigale	1285	DU-1112	KN-159
Scrambler Sixty2	399	DU-8015	KN-153	1299 Panigale	1285 - Race Specific	DU-1112R	KN-159
Scrambler Street Classic	803	DU-8015		1299 Panigale R	1285	DU-1112	KN-159
Super Sport	937	DU-1006	KN-153	1299 Panigale R	1285 - Race Specific	DU-1112R	KN-159
Super Sport S	937	DU-1006	KN-153	1299 Panigale S	1285	DU-1112	KN-159
2017 DUCATI				1299 Panigale S	1285 - Race Specific	DU-1112R	KN-159
959 Panigale	955	DU-1112	KN-159	Anniversario			
959 Panigale	955 - Race Specific	DU-1112R	KN-159	Anniversario	1285 - Race Specific	DU-1112R	KN-159
959 Panigale Corse	955	DU-1112		Diavel	1198		KN-153
959 Panigale Corse	955 - Race Specific	DU-1112R		Diavel Carbon	1198	DU-1007	KN-153
1299 Panigale	1285	DU-1112		Diavel Carbon	1198 - Race Specific	DU-1007R	KN-153
1299 Panigale R	1285	DU-1112	KN-159	Diavel Titanium	1198		KN-153
1299 Panigale R	1285 - Race Specific	DU-1112R	KN-159	Hypermotard 939	937		KN-153
1299 Panigale S	1285	DU-1112		Hypermotard 939 SP	937		KN-153
1299 Panigale S	1285 - Race Specific	DU-1112R		Hyperstrada 939	937	DU-1006	KN-153
Diavel	1198		KN-153	Monster 821	821	DU-1006	KN-153
Diavel Carbon	1198		KN-153	Monster 821 Dark	821	DU-1006	KN-153
Hypermotard 939	937	DU-1006	KN-153	Monster 821 Stripe	821	DU-1006	KN-153
Hypermotard 939 SP	937	DU-1006	KN-153	Monster 1200	1198	DU-1006	KN-153
Monster 797	803	DU-8015	KN-153	Monster 1200 R	1198	DU-1006	KN-153
Monster 797 Plus	803	DU-8015	KN-153	Monster 1200s	1198	DU-1006	KN-153
Monster 821	821	DU-1006	KN-153	Monster 1200s Stripe	1198		KN-153
Monster 821 Stripe	821	DU-1006	KN-153	Multistrada 1200	1198	DU-1112	KN-153
Monster 1200	1198	DU-1006	KN-153	Multistrada 1200	1198	DU-1112	KN-153
Monster 1200 R	1198	DU-1006	KN-153	Enduro			
Monster 1200s	1198	DU-1006	KN-153	Multistrada 1200	1198 - Race Specific	DU-1112R	KN-153
Monster 1200s Stripe	1198		KN-153	Enduro			
Multistrada 950	937	DU-1112		Multistrada 1200	1198	DU-1112	KN-153
Multistrada 950	937 - Race Specific	DU-1112R		Pikes Peak			
Multistrada 1200	1198	DU-1112	KN-153	Multistrada 1200	1198 - Race Specific	DU-1112R	KN-153
Multistrada 1200	1198	DU-1112	KN-153	Pikes Peak			
Enduro				Multistrada 1200s	1198	DU-1112	KN-153
Multistrada 1200	1198 - Race Specific	DU-1112R	KN-153	Multistrada 1200s	1198 - Race Specific	DU-1112R	KN-153
Enduro				Scrambler Classic	803	DU-8015	KN-153
Multistrada 1200	1198	DU-1112	KN-153	Scrambler Flat Track Pro	803	DU-8015	KN-153
Pikes Peak				Scrambler Full Throttle	803	DU-8015	KN-153
Multistrada 1200s	1198	DU-1112	KN-153	Scrambler Icon	803	DU-8015	KN-153
Multistrada 1200s	1198 - Race Specific	DU-1112R	KN-153	Scrambler Sixty2	399	DU-8015	KN-153
Multistrada 1200s	1198	DU-1112	KN-153	Scrambler Urban	803	DU-8015	KN-153
Dair				Enduro			
Multistrada 1200s	1198 - Race Specific	DU-1112R	KN-153	XDiaavel	1262	DU-1112	KN-153
Dair				XDiaavel	1262 - Race Specific	DU-1112R	KN-153
Scrambler Cafe Racer	803	DU-8015		XDiaavel S	1262	DU-1112	KN-153
Scrambler Classic	803	DU-8015	KN-153	XDiaavel S	1262 - Race Specific	DU-1112R	KN-153
Scrambler Desert Sled	803	DU-8015		2015 DUCATI			
Scrambler Icon	803	DU-8015	KN-153	899 Panigale	898	DU-1112	KN-159
Scrambler Sixty2	399	DU-8015	KN-153	899 Panigale	898 - Race Specific	DU-1112R	KN-159
Super Sport	937	DU-1006	KN-153	1200 Panigale	1285		KN-159
Super Sport S	937	DU-1006	KN-153	1200 Panigale S	1285		KN-159
XDiaavel	1262	DU-1112	KN-153	1299 Panigale	1285	DU-1112	KN-159
XDiaavel S	1262	DU-1112	KN-153	1299 Panigale R	1285	DU-1112	KN-159
XDiaavel S	1262 - Race Specific	DU-1112R	KN-153	1299 Panigale R	1285 - Race Specific	DU-1112R	KN-159
2016 DUCATI				1299 Panigale S	1285	DU-1112	KN-159
899 Panigale	898		KN-159	1299 Panigale S	1285 - Race Specific	DU-1112R	KN-159
959 Panigale	955	DU-1112	KN-159	1299 Panigale S	1285 - Race Specific	DU-1112R	KN-159
				Diavel	1198	DU-1007	KN-153
				Diavel	1198 - Race Specific	DU-1007R	KN-153
				Diavel Carbon	1198	DU-1007	KN-153

* 2 filters required ♦ Intake System Available - see page 370 +Cabin Air Filter Available - see page 353 1- Performance Silver Oil Filter Also Available



AIR & OIL FILTERS

DUCATI

Vehicle	Engine Type	Air Filter	Oil Filter	Vehicle	Engine Type	Air Filter	Oil Filter
2015 DUCATI				2013 DUCATI			
Diavel Carbon	1198 - Race Specific	DU-1007R	KN-153	848 EVO Corse SE	848	DU-1007	KN-153
Diavel Strada	1198		KN-153	848 EVO Corse SE	848 - Race Specific	DU-1007R	KN-153
Diavel Titanium	1198	DU-1007		1199 Panigale	1198	DU-1112	KN-159
Diavel Titanium	1198 - Race Specific	DU-1007R		1199 Panigale R	1198	DU-1112	KN-159
Hypermotard	821	DU-1006	KN-153	1199 Panigale R	1198 - Race Specific	DU-1112R	KN-159
Hypermotard SP	821	DU-1006	KN-153	1199 Panigale S	1198	DU-1112	KN-159
Hyperstrada	821	DU-1006	KN-153	1199 Panigale S	1198 - Race Specific	DU-1112R	KN-159
Monster 796	803		KN-153	1199 Panigale S	1198	DU-1112	KN-159
Monster 821	821	DU-1006	KN-153	Tricolore			
Monster 821 Dark	821	DU-1006	KN-153	1199 Panigale S	1198 - Race Specific	DU-1112R	KN-159
Monster 821 Stripe	821	DU-1006	KN-153	Tricolore			
Monster 1200s	1198	DU-1006	KN-153	Diavel	1198	DU-1007	KN-153
Monster 1200s Stripe	1198	DU-1006		Diavel Carbon	1198	DU-1007	KN-153
Multistrada 1200s	1198	DU-1112	KN-153	Diavel Carbon	1198 - Race Specific	DU-1007R	KN-153
Multistrada 1200s	1198 - Race Specific	DU-1112R	KN-153	Diavel Cromo	1198		KN-153
Multistrada 1200s	1198	DU-1112	KN-153	Diavel Dark	1198	DU-1007	KN-153
Dair				Diavel Dark	1198 - Race Specific	DU-1007R	KN-153
Multistrada 1200s	1198 - Race Specific	DU-1112R	KN-153	Diavel Strada	1198	DU-1007	KN-153
Dair				Hypermotard	821	DU-1006	KN-153
Scrambler Classic	803	DU-8015	KN-153	Hypermotard 796	796	DU-1006	
Scrambler Full	803	DU-8015	KN-153	Hypermotard SP	821	DU-1006	KN-153
Throttle				Hyperstrada	821	DU-1006	KN-153
Scrambler Icon	803	DU-8015	KN-153	Monster 696	696	DU-6908	KN-153
Streetfighter	848		KN-153	Monster 796	796	DU-6908	KN-153
2014 DUCATI				Monster 1100 EVO	1100	DU-6908	KN-153
899 Panigale	898	DU-1112	KN-159	Multistrada 1200	1198	DU-1210	KN-153
899 Panigale	898 - Race Specific	DU-1112R	KN-159	Multistrada 1200s	1198	DU-1210	KN-153
1199 Panigale	1198	DU-1112	KN-159	Granturismo			
1199 Panigale	1198 - Race Specific	DU-1112R	KN-159	Multistrada 1200s	1198	DU-1210	KN-153
1199 Panigale R	1198	DU-1112	KN-159	Pikes Peak			
1199 Panigale R	1198 - Race Specific	DU-1112R	KN-159	Multistrada 1200s	1198	DU-1210	KN-153
1199 Panigale S	1198	DU-1112	KN-159	Sport			
1199 Panigale S	1198 - Race Specific	DU-1112R	KN-159	Multistrada 1200s	1198	DU-1210	KN-153
1199 Panigale S	1198		KN-159	Touring			
Tricolore				Streetfighter	848	DU-1007	KN-153
Diavel	1198	DU-1007	KN-153	Streetfighter	848 - Race Specific	DU-1007R	KN-153
Diavel Carbon	1198	DU-1007	KN-153	2012 DUCATI			
Diavel Cromo	1198		KN-153	848 EVO	848	DU-1007	KN-153
Diavel Dark	1198	DU-1007	KN-153	848 EVO	848 - Race Specific	DU-1007R	KN-153
Diavel Strada	1198	DU-1007	KN-153	848 EVO Corse SE	848	DU-1007	KN-153
Hypermotard	821	DU-1006	KN-153	848 EVO Corse SE	848 - Race Specific	DU-1007R	KN-153
Hypermotard SP	821	DU-1006	KN-153	1199 Panigale	1198	DU-1112	KN-159
Hyperstrada	821	DU-1006	KN-153	1199 Panigale	1198 - Race Specific	DU-1112R	KN-159
Monster 696	696	DU-6908	KN-153	1199 Panigale S	1198	DU-1112	KN-159
Monster 696 ABS	696	DU-6908		1199 Panigale S	1198 - Race Specific	DU-1112R	KN-159
Monster 796	803	DU-1006	KN-153	1199 Panigale S	1198	DU-1112	KN-159
Monster 796 ABS	803	DU-1006		Tricolore			
Monster 1200	1198	DU-1006	KN-153	1199 Panigale S	1198 - Race Specific	DU-1112R	KN-159
Monster 1200s	1198	DU-1006	KN-153	Tricolore			
Multistrada 1200	1198		KN-153	Diavel	1198	DU-1007	KN-153
Multistrada 1200s	1198	DU-1210	KN-153	Diavel	1198 - Race Specific	DU-1007R	KN-153
Granturismo				Diavel AMG	1198	DU-1007	KN-153
Multistrada 1200s	1198	DU-1210	KN-153	Diavel AMG	1198 - Race Specific	DU-1007R	KN-153
Pikes Peak				Diavel Carbon	1198	DU-1007	KN-153
Multistrada 1200s	1198	DU-1210	KN-153	Diavel Carbon	1198 - Race Specific	DU-1007R	KN-153
Sport				Diavel Cromo	1198	DU-1007	KN-153
Multistrada 1200s	1198	DU-1210	KN-153	Diavel Cromo	1198 - Race Specific	DU-1007R	KN-153
Touring				Hypermotard 796	796	DU-1006	KN-153
Streetfighter	848	DU-1007	KN-153	Hypermotard 1100	1100	DU-1006	KN-153
Streetfighter	848 - Race Specific	DU-1007R	KN-153	EVO			
2013 DUCATI				Hypermotard 1100	1100	DU-1006	
848 EVO	848	DU-1007	KN-153	EVO SP			
848 EVO	848 - Race Specific	DU-1007R	KN-153	Monster 696	696	DU-6908	KN-153
				Monster 796	796	DU-6908	KN-153

* 2 filters required ♦ Intake System Available - see page 370 +Cabin Air Filter Available - see page 353 1- Performance Silver Oil Filter Also Available

Partial Listing: Complete Listing of Vehicles and Parts at KNFILTERS.COM or call 1-800-858-3333



Vehicle	Engine Type	Air Filter	Oil Filter	Vehicle	Engine Type	Air Filter	Oil Filter
2012 DUCATI				2009 DUCATI			
Monster 1100 EVO	1100	DU-6908	KN-153	Hypermotard 1100	1079	DU-1006	KN-153
Multistrada 1200	1198		KN-153	Hypermotard 1100s	1079	DU-1006	KN-153
Multistrada 1200s	1198	DU-1210	KN-153	Monster 696	696	DU-6908	KN-153
Pikes Peak				Monster 1100	1100	DU-6908	KN-153
Multistrada 1200s Sport	1198	DU-1210	KN-153	Monster 1100s	1100	DU-6908	KN-153
Multistrada 1200s Touring	1198	DU-1210	KN-153	Multistrada 1100s	1078	DU-1004	KN-153
Streetfighter	848	DU-1007	KN-153	2008 DUCATI			
Streetfighter	848 - Race Specific	DU-1007R	KN-153	848	848	DU-1007	KN-153
2011 DUCATI				848	848 - Race Specific	DU-1007R	KN-153
848 EVO	848	DU-1007	KN-153	1098	1098	DU-1007	KN-153
848 EVO	848 - Race Specific	DU-1007R	KN-153	1098	1098 - Race Specific	DU-1007R	KN-153
1198	1198	DU-1007		1098R	1198	DU-1007	
1198R Corse	1198	DU-1007		1098R	1198 - Race Specific	DU-1007R	
1198S	1198	DU-1007		1098s	1098	DU-1007	KN-153
1198SP	1198	DU-1007	KN-153	1098s	1098 - Race Specific	DU-1007R	KN-153
1198SP	1198 - Race Specific	DU-1007R	KN-153	Hypermotard 1100	1079	DU-1006	KN-153
Diavel	1198	DU-1007	KN-153	Hypermotard 1100s	1079	DU-1006	KN-153
Diavel	1198 - Race Specific	DU-1007R	KN-153	Monster 695	696		KN-153
Diavel Carbon	1198	DU-1007	KN-153	Monster 696	696	DU-6908	
Diavel Carbon	1198 - Race Specific	DU-1007R	KN-153	Multistrada 1100s	1078	DU-1004	KN-153
Hypermotard 1100 EVO SP	1100		KN-153	2007 DUCATI			
Monster 696	696	DU-6908	KN-153	800SS	800		KN-153
Monster 796	796	DU-6908	KN-153	1098	1098	DU-1007	KN-153
Monster 1100	1100		KN-153	1098	1098 - Race Specific	DU-1007R	KN-153
Multistrada 1200	1198		KN-153	1098s	1098	DU-1007	KN-153
Multistrada 1200	1198 - Non-US, Exc. ABS	DU-1007	KN-153	1098s	1098 - Race Specific	DU-1007R	KN-153
Multistrada 1200	1198 - US	DU-1210	KN-153	1098s Tricolore	1098	DU-1007	
Multistrada 1200s	1198	DU-1210	KN-153	1098s Tricolore	1098 - Race Specific	DU-1007R	
2010 DUCATI				GT1000		DU-1006	KN-153
848	848		KN-153	Monster 695	695	DU-9001	KN-153
1198	1198	DU-1007	KN-153	Monster S2R	803		KN-153
1198R Corse	1198	DU-1007	KN-153	Monster S2R 1000	1000	DU-9001	KN-153
1198S	1198	DU-1007	KN-153	Monster S2R 800	803	DU-9001	KN-153
1198S	1198 - Race Specific	DU-1007R	KN-153	Monster S4Rs	998	DU-9001	KN-153
1198S Corse	1198	DU-1007	KN-153	Testastretta			
1198S Corse	1198 - Race Specific	DU-1007R	KN-153	Multistrada 1100s	1078	DU-1004	KN-153
Hypermotard 796	796	DU-1006	KN-153	ST3S ABS	992		KN-153
Monster 696	696	DU-6908	KN-153	2006 DUCATI			
Monster 1100	1100	DU-6908	KN-153	749	749		KN-153
Monster 1100s	1100	DU-6908	KN-153	749 Dark	749		KN-153
Multistrada 1200	1198	DU-1210	KN-153	749R	749		KN-153
Multistrada 1200s	1200	DU-1210	KN-153	749S	749		KN-153
Multistrada 1200s Sport	1198	DU-1210	KN-153	800SS	800		KN-153
Multistrada 1200s Touring	1198	DU-1210	KN-153	999	999		KN-153
Streetfighter	1100	DU-1007		999R	999		KN-153
Streetfighter	1100 - Race Specific	DU-1007R		999S	999		KN-153
Streetfighter S	1100	DU-1007	KN-153	Monster 620	620	DU-9001	KN-153
Streetfighter S	1100 - Race Specific	DU-1007R	KN-153	Monster 620 Dark	620	DU-9001	KN-153
2009 DUCATI				Monster S2R	803	DU-9001	KN-153
848	848	DU-1007	KN-153	Monster S2R 1000	1000	DU-9001	KN-153
848	848 - Race Specific	DU-1007R	KN-153	Monster S2R Dark	803	DU-9001	KN-153
1098R Bayliss LE	1198	DU-1007		Multistrada 620	620	DU-1004	KN-153
1098R Bayliss LE	1198 - Race Specific	DU-1007R		Multistrada 620 Dark	620	DU-1004	KN-153
1198	1198		KN-153	Multistrada 1000s DS	1000	DU-1004	
1198S	1198	DU-1007	KN-153	Sport 1000	992	DU-1006	KN-153
1198S	1198 - Race Specific	DU-1007R	KN-153	2005 DUCATI			
2009 DUCATI				749	749		KN-153
848	848	DU-1007	KN-153	749 Dark	749		KN-153
848	848 - Race Specific	DU-1007R	KN-153	749R	749		KN-153
1098R Bayliss LE	1198	DU-1007		749S	749		KN-153
1098R Bayliss LE	1198 - Race Specific	DU-1007R		999	999		KN-153
1198	1198		KN-153	2005 DUCATI			
1198S	1198	DU-1007	KN-153	749	749		KN-153
1198S	1198 - Race Specific	DU-1007R	KN-153	749 Dark	749		KN-153
2009 DUCATI				749R	749		KN-153
848	848	DU-1007	KN-153	749S	749		KN-153
848	848 - Race Specific	DU-1007R	KN-153	999	999		KN-153
1098R Bayliss LE	1198	DU-1007		2005 DUCATI			
1098R Bayliss LE	1198 - Race Specific	DU-1007R		749	749		KN-153
1198	1198		KN-153	749 Dark	749		KN-153
1198S	1198	DU-1007	KN-153	749R	749		KN-153
1198S	1198 - Race Specific	DU-1007R	KN-153	749S	749		KN-153
2009 DUCATI				999	999		KN-153
848	848	DU-1007	KN-153	2005 DUCATI			
848	848 - Race Specific	DU-1007R	KN-153	749	749		KN-153
1098R Bayliss LE	1198	DU-1007		749 Dark	749		KN-153
1098R Bayliss LE	1198 - Race Specific	DU-1007R		749R	749		KN-153
1198	1198		KN-153	749S	749		KN-153
1198S	1198	DU-1007	KN-153	999	999		KN-153
1198S	1198 - Race Specific	DU-1007R	KN-153	2005 DUCATI			

* 2 filters required ♦ Intake System Available - see page 370 +Cabin Air Filter Available - see page 353 1- Performance Silver Oil Filter Also Available



AIR & OIL FILTERS

DUCATI

Vehicle	Engine Type	Air Filter	Oil Filter	Vehicle	Engine Type	Air Filter	Oil Filter
2005 DUCATI				2001 DUCATI			
999R	999		KN-153	996 Biposto	996		KN-153
999S	999		KN-153	996R	996		KN-153
Monster 620	620	DU-9001	KN-153	996S	996		KN-153
Monster 620 Dark	620	DU-9001	KN-153	Monster 600	600	DU-0900	KN-153
Monster 620 Dark i.e.	620		KN-153	Monster 600 Dark	600	DU-0900	KN-153
Monster 620 Dark MD	620	DU-9001	KN-153	Monster 600 Metallic	600	DU-0900	KN-153
Monster 620 i.e.	620		KN-153	Monster 750	750	DU-9098	KN-153
Monster 1000	1000		KN-153	Monster 750 Dark	750	DU-9098	KN-153
Monster 1000s	1000	DU-9001	KN-153	Monster 750 Metallic	750	DU-9098	KN-153
Monster S2R	803	DU-9001	KN-153	Monster 900 Cromo	900	DU-0900	KN-153
Monster S2R Dark	803	DU-9001	KN-153	Monster 900s	904	DU-9098	KN-153
Monster S4R	996		KN-153	Monster S4	916		KN-153
Multistrada 1000 DS	1000	DU-1004		ST2	944	DU-9098	KN-153
ST3	992		KN-153	2000 DUCATI			
2004 DUCATI				748S	748		KN-153
749R	749		KN-153	900SS i.e.	900	DU-9098	KN-153
749S	749		KN-153	996 Biposto	996		KN-153
999	999		KN-153	Monster 750	750		KN-153
999R	999		KN-153	Monster 750 Dark	750	DU-9098	KN-153
999S	999		KN-153	Monster 750 Metallic	750		KN-153
Monster 620	618		KN-153	ST2	944		KN-153
Monster 620 Capirex	618		KN-153	ST4	916	DU-9098	KN-153
Monster 620 Dark	618		KN-153	1999 DUCATI			
Monster 620 Dark i.e.	620		KN-153	748 SPS	748		KN-153
Monster 620 Dark MD	620		KN-153	750SS	742	DU-9098	KN-153
Monster 620 i.e.	620		KN-153	900SS	904	DU-9098	KN-153
Monster 620 Matrix	618		KN-153	996 Biposto	996		KN-153
Monster S4R	996	DU-9001	KN-153	996 SPS	996		KN-153
Multistrada 1000	1000	DU-1004		Monster 750	750	DU-9098	KN-153
ST3	992		KN-153	Monster 750 City	750	DU-9098	KN-153
ST4S ABS	996		KN-153	Monster 750 Dark	750	DU-9098	KN-153
2003 DUCATI				Monster 750 Dark	750	DU-9098	KN-153
999	999		KN-153	City			
999R	999		KN-153	Monster 900 City	900	DU-9098	KN-153
999S	999		KN-153	Monster 900 Cromo	900	DU-9098	KN-153
Monster 620 Dark	618	DU-9001	KN-153	Monster 900s	900	DU-9098	KN-153
Monster 620 i.e.	620		KN-153	ST2	944		KN-153
Monster 620s	620		KN-153	ST4	916	DU-9098	KN-153
Monster 800 Dark	800		KN-153	1998 DUCATI			
Monster 800s	800		KN-153	748 SP	748		KN-153
ST4s	996	DU-9098	KN-153	750SS	742	DU-0900	KN-153
ST4S ABS	996	DU-9098	KN-153	1997 DUCATI			
2002 DUCATI				900SS	904	DU-0900	KN-153
750 Sport	750		KN-153	Monster 900	904	DU-0900	KN-153
998S	998		KN-153	1998 EAGLE			
998S Bayliss	998		KN-153	Talon TS <i>i</i>	2.0L L4 F/I		HP-1010 ¹
998S Bostrom	998		KN-153	1997 EAGLE			
Monster 620	620	DU-9001		Talon TS <i>i</i>	2.0L L4 F/I	33-2072 ♦	HP-1010 ¹
Monster 620s	620	DU-6202	KN-153	2010 FERRARI			
Monster 750	750	DU-9001	KN-153	F430	4.3L V8 F/I		33-2494*
Monster 750 Dark	750	DU-9001		2009 FERRARI			
Monster 750 Metallic	750	DU-9001		430	4.3L V8 F/I		33-2494*
Monster 900 Dark	900		KN-153	F430	4.3L V8 F/I		33-2494*
Monster S4	916	DU-9001	KN-153	2008 FERRARI			
Monster S4 Fogarty	916	DU-9001	KN-153	430	4.3L V8 F/I		33-2494*
ST4s	996		KN-153	F430	4.3L V8 F/I		33-2494*
2001 DUCATI				2007 FERRARI			
748	748		KN-153	430	4.3L V8 F/I		33-2494*
748R	748		KN-153				
748S	748		KN-153				
900SS i.e.	900		KN-153				

* 2 filters required ♦ Intake System Available - see page 370 +Cabin Air Filter Available - see page 353 1- Performance Silver Oil Filter Also Available

Partial Listing: Complete Listing of Vehicles and Parts at KNFILTERS.COM or call 1-800-858-3333



Vehicle	Engine Type	Air Filter	Oil Filter
2006 FERRARI			
F430	4.3L V8 F/I	33-2494*	
2004 FERRARI			
360	3.6L V8 F/I	33-2494	
456 M GT	5.5L V12 F/I	33-2816*	
2003 FERRARI			
360	3.6L V8 F/I	33-2494	
2001 FERRARI			
360	3.6L V8 F/I	33-2494	
2000 FERRARI			
360	3.6L V8 F/I	33-2494	
1999 FERRARI			
F355	3.5L V8 F/I	33-2816*	
F355 Spider	3.5L V8 F/I	33-2816*	
2019 FIAT			
124 Spider	1.4L L4 F/I	33-5040	
500L	1.4L L4 F/I - Exc. Turbo	33-2842	
500L	1.4L L4 F/I - Turbo	33-5015	
Fullback	2.4L L4 DSL	33-2443	
2018 FIAT			
124 Spider	1.4L L4 F/I	33-5040	
500	1.3L L4 DSL	33-3070	
500L	1.4L L4 F/I		HP-7041 ¹
500L	1.4L L4 F/I - Exc. Turbo	33-2842	HP-7041
500L	1.4L L4 F/I - Turbo	33-5015	HP-7041
500X	1.4L L4 F/I	33-5034	
500X	1.6L L4 DSL	33-5034	
500X	1.6L L4 F/I	33-5034	
500X	2.4L L4 F/I	33-5034	HP-1017 ¹
2017 FIAT			
124 Spider	1.4L L4 F/I	33-5040	HP-7041 ¹
500	1.4L L4 F/I		HP-7041 ¹
500	1.4L L4 F/I - Exc. Turbo	33-2471	HP-7041
		33-2471 ♦	HP-7041
500	1.4L L4 F/I - Turbo	33-2487	HP-7041
		33-2487 ♦	HP-7041
500L	1.4L L4 F/I		HP-7041 ¹
500L	1.4L L4 F/I - Exc. Turbo	33-2842+	HP-7041
500L	1.4L L4 F/I - Turbo	33-5015+	HP-7041
500X	1.4L L4 F/I	33-5034+	HP-7041 ¹
500X	1.6L L4 DSL	33-5034	
500X	1.6L L4 F/I	33-5034	
500X	2.0L L4 DSL	33-5034	
500X	2.4L L4 F/I	33-5034+	HP-1017 ¹
2016 FIAT			
124 Spider	1.4L L4 F/I	33-5040	
500	1.4L L4 F/I		HP-7041 ¹
500	1.4L L4 F/I - US, Exc. Turbo	33-2471	HP-7041
		33-2471 ♦	HP-7041
500	1.4L L4 F/I - US, Turbo	33-2487	HP-7041
500L	1.4L L4 F/I		HP-7041 ¹
500L	1.4L L4 F/I - Non-US, Exc. Turbo	33-2842+	HP-7041
500X	1.3L L4 DSL	33-3123	
500X	1.4L L4 F/I	33-5034+	HP-7041 ¹
500X	1.6L L4 DSL	33-5034	
500X	1.6L L4 F/I	33-5034	
500X	2.0L L4 DSL	33-5034	

Vehicle	Engine Type	Air Filter	Oil Filter
2016 FIAT			
500X	2.4L L4 F/I	33-5034+	HP-1017 ¹
Fullback	2.4L L4 DSL	33-2443	
2015 FIAT			
500	1.2L L4 F/I	33-2931 ♦	
500	1.4L L4 F/I		HP-7041 ¹
500	1.4L L4 F/I - Non-US, Exc. Turbo	33-2842	HP-7041
		33-2842 ♦	HP-7041
500	1.4L L4 F/I - Non-US, Turbo	33-3014	HP-7041
		33-3014 ♦	HP-7041
500	1.4L L4 F/I - US, Exc. Turbo	33-2471	HP-7041
		33-2471 ♦	HP-7041
500	1.4L L4 F/I - US, Turbo	33-2487	HP-7041
		33-2487 ♦	HP-7041
500L	1.4L L4 F/I		HP-7041 ¹
500L	1.4L L4 F/I - Non-US, Exc. Turbo	33-2842+	HP-7041
500L	1.4L L4 F/I - Turbo	33-5015+	HP-7041
500L	1.6L L4 DSL	33-5015	
500X	1.4L L4 F/I	33-5034	
500X	1.6L L4 DSL	33-5034	
500X	1.6L L4 F/I	33-5034	
500X	2.0L L4 DSL	33-5034	
2014 FIAT			
500	0.9L L2 F/I - Turbo	33-2981	
500	1.4L L4 F/I		HP-7041 ¹
500	1.4L L4 F/I - Exc. Turbo	33-2471	HP-7041
500	1.4L L4 F/I - Non-US, Turbo	33-3014	HP-7041
500	1.4L L4 F/I - US, Exc. Turbo	33-2471 ♦	HP-7041
500	1.4L L4 F/I - US, Turbo	33-2487	HP-7041
500 Abarth	1.4L L4 F/I		HP-7041 ¹
500 Abarth	1.4L L4 F/I - Non-US, Turbo	33-3014 ♦	HP-7041
500 Abarth	1.4L L4 F/I - US, Turbo	33-2487 ♦	HP-7041
500L	0.9L L2 F/I - Turbo	33-2981	
500L	1.4L L4 F/I		HP-7041 ¹
500L	1.4L L4 F/I - Non-US, Exc. Turbo	33-2842+	HP-7041
500L	1.4L L4 F/I - US	33-5015+	HP-7041
500L	1.6L L4 DSL	33-5015	
500X	1.4L L4 F/I	33-5034	
500X	1.6L L4 DSL	33-5034	
500X	1.6L L4 F/I	33-5034	
2013 FIAT			
500	1.2L L4 F/I	33-2931 ♦	
500	1.4L L4 F/I		HP-7041 ¹
500	1.4L L4 F/I - Non-US, Exc. Turbo	33-2842	HP-7041
500	1.4L L4 F/I - Non-US, Turbo	33-3014	HP-7041
500	1.4L L4 F/I - US, Exc. Turbo	33-2471	HP-7041
		33-2471 ♦	HP-7041
500	1.4L L4 F/I - US, Turbo	33-2487	HP-7041
500 Abarth	1.4L L4 F/I		HP-7041 ¹
500 Abarth	1.4L L4 F/I - Non-US, Turbo	33-3014 ♦	HP-7041
500 Abarth	1.4L L4 F/I - US, Turbo	33-2487 ♦	HP-7041

* 2 filters required ♦ Intake System Available - see page 370 +Cabin Air Filter Available - see page 353 1- Performance Silver Oil Filter Also Available



AIR & OIL FILTERS

FIAT

Vehicle	Engine Type	Air Filter	Oil Filter
2013 FIAT			
500L	1.4L L4 F/I - Non-US, Exc. Turbo	33-2842	
Freemont	3.6L V6 F/I	33-2470	
Punto	1.4L L4 F/I - Turbo	33-2935 ♦	

Vehicle	Engine Type	Air Filter	Oil Filter
2012 FIAT			
500	0.9L L2 F/I - Turbo	33-2981	
500	1.2L L4 F/I	33-2931 ♦	
500	1.3L L4 DSL	33-2984	
500	1.4L L4 F/I		HP-7041 ¹
500	1.4L L4 F/I - Non-US, Exc. Turbo	33-2842 ♦	HP-7041
500	1.4L L4 F/I - Non-US, Turbo	33-3014	HP-7041
500	1.4L L4 F/I - US, Exc. Turbo	33-2471	HP-7041
		33-2471 ♦	HP-7041
500	1.4L L4 F/I - US, Turbo	33-2487	HP-7041
500L	0.9L L2 F/I - Turbo	33-2981	
500L	1.3L L4 DSL	33-2984	
500L	1.4L L4 F/I - Non-US, Exc. Turbo	33-2842	

Vehicle	Engine Type	Air Filter	Oil Filter
2011 FIAT			
500	0.9L L2 F/I	33-2981	

Vehicle	Engine Type	Air Filter	Oil Filter
2012 FISKER			
Karma	2.0L L4 F/I		PS-7000

Vehicle	Engine Type	Air Filter	Oil Filter
2020 FORD			
EcoSport	1.0L L3 F/I	33-3117	HP-1002 ¹
EcoSport	2.0L L4 F/I	33-3117	HP-1002 ¹
Edge	2.0L L4 F/I	33-5000	
Edge	2.7L V6 F/I	33-5000	
Endura	2.0L L4 DSL	33-5000+	
Escape	1.5L L3 F/I	33-3131	
Escape	2.0L L4 DSL	E-2993	
Escape	2.0L L4 F/I	33-3131	
Everest	2.0L L4 DSL	33-3086+	
Expedition	3.5L V6 F/I	33-2385 ♦	HP-2011 ¹
Explorer	2.3L L4 F/I	33-2395	HP-1002 ¹
Explorer	3.0L V6 F/I	33-2395	HP-7037 ¹
Explorer	3.3L V6 F/I		HP-2011 ¹
F150	2.7L V6 F/I	33-2385 ♦	HP-7037 ¹
F150	3.0L V6 DSL	33-2385	
F150	3.3L V6 F/I	33-2385	HP-2011 ¹
F150	3.5L V6 F/I	33-2385 ♦	HP-2011 ¹
F150	5.0L V8 F/I	33-2385 ♦	HP-2011 ¹
F150 Raptor	3.5L V6 F/I	33-2385 ♦	HP-2011 ¹
F250 Super Duty	7.3L V8 F/I		HP-2010 ¹
F350 Super Duty	7.3L V8 F/I		HP-2010 ¹
F450 Super Duty	7.3L V8 F/I		HP-2010 ¹
F550 Super Duty	7.3L V8 F/I		HP-2010 ¹
Fusion	1.5L L4 F/I	33-5000 ♦	HP-1002 ¹
Fusion	2.0L L4 F/I		HP-1002 ¹
Fusion	2.0L L4 F/I - Exc. Turbo	33-5001	HP-1002
Fusion	2.0L L4 F/I - Turbo	33-5000	HP-1002
Fusion	2.5L L4 F/I	33-5000	HP-1002 ¹
Mustang	2.3L L4 F/I	33-5029 ♦	
Mustang Bullitt	5.0L V8 F/I	33-5029	
Mustang GT	5.0L V8 F/I	33-5029 ♦	
Police Interceptor Utility	3.0L V6 F/I		HP-7037 ¹
Police Interceptor Utility	3.3L V6 F/I		HP-2011 ¹
Ranger	2.3L L4 F/I	33-3086	HP-1002 ¹

Vehicle	Engine Type	Air Filter	Oil Filter
2020 FORD			
Transit Connect	2.0L L4 F/I		HP-1002 ¹
Transit Connect	2.5L L4 F/I		HP-1002 ¹

Vehicle	Engine Type	Air Filter	Oil Filter
2019 FORD			
E350 Super Duty	6.2L V8 F/I		HP-2010 ¹
E350 Super Duty	6.8L V10 F/I		HP-2010 ¹
EcoSport	1.0L L3 F/I	33-3117	HP-1002 ¹
EcoSport	2.0L L4 F/I	33-3117	HP-1002 ¹
EcoSport II	1.0L L3 F/I	33-3117	
EcoSport II	1.5L L3 DSL	33-3117	
Edge	2.0L L4 DSL	33-5000	
Edge	2.0L L4 F/I	33-5000	HP-1002 ¹
Edge	2.7L V6 F/I	33-5000	HP-7037 ¹
Escape	1.5L L4 F/I	E-2993	HP-1002 ¹
Escape	2.0L L4 DSL	E-2993	
Escape	2.0L L4 F/I	E-2993 ♦	HP-1002 ¹
Escape	2.5L L4 F/I	33-5002	HP-1002 ¹
Everest	3.2L L5 DSL	33-3086	
Expedition	3.5L V6 F/I	33-2385 ♦+	HP-2011 ¹
Explorer	2.3L L4 F/I	33-2395	HP-1002 ¹
Explorer	3.5L V6 F/I	33-2395 ♦	HP-2011 ¹
F53	6.8L V10 F/I		HP-2010 ¹
F150	2.7L V6 F/I	33-2385 ♦+	
F150	3.0L V6 DSL	33-2385 ♦+	
F150	3.3L V6 F/I	33-2385 ♦+	HP-2011 ¹
F150	3.5L V6 F/I	33-2385 ♦+	HP-2011 ¹
F150	5.0L V8 F/I	33-2385 ♦+	HP-2011 ¹
F150 Raptor	3.5L V6 F/I	33-2385 ♦+	
F250 Super Duty	6.2L V8 F/I	E-0644 ♦+	HP-2010 ¹
F250 Super Duty	6.7L V8 DSL	E-0644 ♦+	HP-4005
F250 Super Duty	6.8L V10 F/I		HP-2010 ¹
F350 Super Duty	6.2L V8 F/I	E-0644 ♦+	HP-2010 ¹
F350 Super Duty	6.7L V8 DSL	E-0644 ♦+	HP-4005
F350 Super Duty	6.8L V10 F/I		HP-2010 ¹
F450 Super Duty	6.2L V8 F/I		HP-2010 ¹
F450 Super Duty	6.7L V8 DSL		HP-4005
F450 Super Duty	6.8L V10 F/I		HP-2010 ¹
F550 Super Duty	6.7L V8 DSL		HP-4005
F550 Super Duty	6.8L V10 F/I		HP-2010 ¹
Fiesta	1.6L L4 F/I	33-2955	HP-1002 ¹
Fiesta ST	1.5L L4 F/I	33-3117 ♦	
Fiesta ST	1.6L L4 F/I	33-2955 ♦	HP-1002 ¹
Fiesta VII	1.0L L3 F/I	33-3117	HP-1002 ¹
Fiesta VII	1.1L L3 F/I	33-3117	
Fiesta VII	1.5L L4 DSL	33-3117	
Fiesta VII	1.5L L4 F/I	33-3117	
Flex	3.5L V6 F/I	33-2395 ♦	HP-2011 ¹
Focus IV	1.0L L3 F/I	33-3131	
Focus IV	1.5L L3 F/I	33-3131	
Focus IV	1.5L L4 DSL	33-3131	
Focus IV	1.5L L4 F/I	33-3131	
Focus IV	2.0L L4 DSL	33-3131	
Fusion	1.5L L4 F/I	33-5000 ♦	HP-1002 ¹
Fusion	2.0L L4 F/I		HP-1002 ¹
Fusion	2.0L L4 F/I - Exc. Turbo	33-5001	HP-1002
Fusion	2.0L L4 F/I - Turbo	33-5000	HP-1002
Fusion	2.5L L4 F/I	33-5000 ♦	HP-1002 ¹
Fusion	2.7L V6 F/I	33-5000	HP-7037 ¹
Mustang	2.3L L4 F/I	33-5029 ♦	HP-1002 ¹
Mustang Bullitt	5.0L V8 F/I		HP-2011 ¹
Mustang GT	5.0L V8 F/I	33-5029 ♦	HP-2011 ¹
Mustang Shelby	5.2L V8 F/I	E-0649 ♦	HP-7037 ¹
Ranger	2.0L L4 DSL	33-30086+	

* 2 filters required ♦ Intake System Available - see page 370 +Cabin Air Filter Available - see page 353 1- Performance Silver Oil Filter Also Available



Vehicle	Engine Type	Air Filter	Oil Filter	Vehicle	Engine Type	Air Filter	Oil Filter
2019 FORD				2018 FORD			
Ranger	2.0L L4 DSL	33-3086+		Fiesta VII	1.0L L3 F/I	33-3117	
Ranger	2.2L L4 DSL - Exc. Thailand	E-0662+		Fiesta VII	1.1L L3 F/I	33-3117	
Ranger	2.3L L4 F/I	33-3086+	HP-1002 ¹	Fiesta VII	1.5L L4 DSL	33-3117	
Ranger	3.2L L5 DSL	E-0662+		Fiesta VII	1.5L L4 F/I	33-3117	
Ranger Raptor	2.0L L4 DSL	33-30086		Flex	3.5L V6 F/I	33-2395 ♦+	HP-2011 ¹
		33-3086		Focus	1.0L L3 F/I	E-2993	HP-1002 ¹
Taurus SHO	3.5L V6 F/I	33-2395		Focus	2.0L L4 F/I	E-2993 ♦	HP-1002 ¹
Transit 150	3.5L V6 F/I	33-5024	HP-2011 ¹	Focus III	1.0L L3 F/I	E-2993 ♦	
Transit 250	3.5L V6 F/I	33-5024	HP-2011 ¹	Focus III	1.5L L4 DSL	E-2993 ♦	
Transit 250	3.7L V6 F/I	33-5024		Focus III	1.5L L4 F/I	E-2993 ♦	
Transit 350	3.2L L5 DSL	33-5024		Focus III	1.6L L4 F/I	E-2993 ♦	
Transit 350	3.5L V6 F/I	33-5024	HP-2011 ¹	Focus III	2.0L L4 DSL	E-2993	
Transit 350	3.7L V6 F/I	33-5024	HP-2011 ¹	Focus III	2.0L L4 F/I	E-2993 ♦	
Transit 350 HD	3.2L L5 DSL	33-5024	HP-2011 ¹	Focus III	2.3L L4 F/I	E-2993 ♦	
Transit 350 HD	3.5L V6 F/I	33-5024	HP-2011 ¹	Focus IV	1.0L L3 F/I	33-3131	
Transit 350 HD	3.7L V6 F/I	33-5024	HP-2011 ¹	Focus IV	1.5L L3 F/I	33-3131	
Transit Connect	1.6L L4 F/I	E-2993		Focus IV	1.5L L4 DSL	33-3131	
Transit Connect	2.5L L4 F/I		HP-1002 ¹	Focus IV	1.5L L4 F/I	33-3131	
Transit Custom	2.0L L4 DSL - FWD	33-3026		Focus IV	2.0L L4 DSL	33-3131	
2018 FORD				Focus RS	2.3L L4 F/I	E-2993 ♦	HP-1002 ¹
C-Max	2.0L L4 F/I		HP-1002 ¹	Focus ST	2.0L L4 DSL	E-2993	
C-Max II	2.0L L4 DSL	E-2993		Focus ST	2.0L L4 F/I	E-2993 ♦	HP-1002 ¹
E350 Super Duty	6.2L V8 F/I		HP-2010 ¹	Fusion	1.5L L4 F/I	33-5000 ♦+	HP-1002 ¹
E350 Super Duty	6.8L V10 F/I		HP-2010 ¹	Fusion	2.0L L4 F/I		HP-1002 ¹
EcoSport	1.0L L3 F/I	33-3117	HP-1002 ¹	Fusion	2.0L L4 F/I - Exc. Turbo	33-5001+	HP-1002
EcoSport	1.5L L3 F/I	33-3117	HP-1002 ¹	Fusion	2.0L L4 F/I - Turbo	33-5000+	HP-1002
EcoSport	2.0L L4 F/I	33-3117	HP-1002 ¹	Fusion	2.5L L4 F/I	33-5000 ♦+	HP-1002 ¹
EcoSport II	1.0L L3 F/I	33-3117	HP-1002 ¹	Fusion	2.7L V6 F/I	33-5000+	HP-7037 ¹
EcoSport II	1.5L L3 DSL	33-2955		Mondeo V	2.0L L4 DSL	33-5000+	
Edge	2.0L L4 DSL	33-5000+		Mondeo V	2.0L L4 F/I - Exc. Hybrid	33-5000+	
Edge	2.0L L4 F/I	33-5000 ♦+	HP-1002 ¹	Mustang	2.3L L4 F/I	33-5029 ♦+	HP-1002 ¹
Edge	2.7L V6 F/I	33-5000+	HP-7037 ¹	Mustang GT	5.0L V8 F/I	33-5029 ♦+	HP-2011 ¹
Edge	3.5L V6 F/I	33-5000 ♦+	HP-2011 ¹	Mustang Shelby	5.2L V8 F/I	E-0649 ♦+	HP-7037 ¹
Escape	1.5L L4 F/I	E-2993	HP-1002 ¹	Ranger	2.0L L4 DSL	33-3086	
Escape	2.0L L4 DSL	E-2993		Ranger	2.2L L4 DSL - Exc. Thailand	E-0662+	
Escape	2.0L L4 F/I	E-2993 ♦	HP-1002 ¹	Ranger	3.2L L5 DSL	E-0662+	
Escape	2.5L L4 F/I	33-5002	HP-1002 ¹	Ranger Raptor	2.0L L4 DSL	33-30086	
Everest	3.2L L5 DSL	33-30086+				33-3086	
		33-3086+		Taurus	3.5L V6 F/I	33-2395 ♦+	HP-2011 ¹
Expedition	3.5L V6 F/I	33-2385 ♦+	HP-2011 ¹	Taurus SHO	3.5L V6 F/I	33-2395 ♦+	HP-2011 ¹
Explorer	2.3L L4 F/I	33-2395+	HP-1002 ¹	Transit 150	3.2L L5 DSL	33-5024	HP-2011 ¹
Explorer	3.5L V6 F/I	33-2395 ♦+	HP-2011 ¹	Transit 150	3.5L V6 F/I	33-5024	HP-2011 ¹
F53	6.8L V10 F/I		HP-2010 ¹	Transit 150	3.7L V6 F/I	33-5024	HP-2011 ¹
F150	2.7L V6 F/I	33-2385 ♦+	HP-7037 ¹	Transit 250	3.2L L5 DSL	33-5024	HP-2011 ¹
F150	3.0L V6 DSL	33-2385 ♦+	HP-7043 ¹	Transit 250	3.5L V6 F/I	33-5024	HP-2011 ¹
F150	3.3L V6 F/I	33-2385 ♦+	HP-2011 ¹	Transit 250	3.7L V6 F/I	33-5024	HP-2011 ¹
F150	3.5L V6 F/I	33-2385 ♦+	HP-2011 ¹	Transit 350	3.2L L5 DSL	33-5024	
F150	5.0L V8 F/I	33-2385 ♦+	HP-2011 ¹	Transit 350	3.5L V6 F/I	33-5024	HP-2011 ¹
F150 Raptor	3.5L V6 F/I	33-2385 ♦+	HP-2011 ¹	Transit 350	3.7L V6 F/I	33-5024	HP-2011 ¹
F250 Super Duty	6.2L V8 F/I	E-0644 ♦+	HP-2010 ¹	Transit 350 HD	3.2L L5 DSL	33-5024	HP-2011 ¹
F250 Super Duty	6.7L V8 DSL	E-0644 ♦+	HP-4005	Transit 350 HD	3.5L V6 F/I	33-5024	HP-2011 ¹
F350 Super Duty	6.2L V8 F/I	E-0644 ♦+	HP-2010 ¹	Transit 350 HD	3.7L V6 F/I	33-5024	HP-2011 ¹
F350 Super Duty	6.7L V8 DSL	E-0644 ♦+	HP-4005	Transit Connect	1.0L L3 F/I - Euro 5	E-2993 ♦	
F450 Super Duty	6.7L V8 DSL	E-0644 ♦+	HP-4005	Transit Connect	1.0L L3 F/I - Euro 6	33-3138 ♦	
F450 Super Duty	6.8L V10 F/I		HP-2010 ¹	Transit Connect	1.5L L4 DSL - Euro 5	E-2993 ♦	
F550 Super Duty	6.7L V8 DSL	E-0644 ♦+	HP-4005	Transit Connect	1.5L L4 DSL - Euro 6	33-3117 ♦	
F550 Super Duty	6.8L V10 F/I		HP-2010 ¹			33-3138 ♦	
Fiesta	1.0L L3 F/I		HP-1002 ¹	Transit Connect	1.6L L4 F/I	E-2993	
Fiesta	1.6L L4 F/I	33-2955 ♦	HP-1002 ¹	Transit Connect	2.5L L4 F/I		HP-1002 ¹
Fiesta ST	1.5L L4 F/I	33-3117 ♦		Transit Courier	1.0L L3 F/I - From 5/18	33-3117	
Fiesta ST	1.6L L4 F/I	33-2955 ♦	HP-1002 ¹	Transit Courier	1.0L L3 F/I - To 4/18	33-2955	

* 2 filters required ♦ Intake System Available - see page 370 +Cabin Air Filter Available - see page 353 1- Performance Silver Oil Filter Also Available



AIR & OIL FILTERS

FORD

Vehicle	Engine Type	Air Filter	Oil Filter
2018 FORD			
Transit Custom	2.0L L4 DSL - FWD	33-3026	
2017 FORD			
C-Max	2.0L L4 F/I	33-5001	HP-1002 ¹
C-Max II	2.0L L4 DSL	E-2993 ♦	
E350 Cutaway	6.8L V10 F/I		HP-2010 ¹
E350 Super Duty	6.8L V10 F/I	E-0945	HP-2010 ¹
E450 Cutaway	6.8L V10 F/I		HP-2010 ¹
E450 Motorhome	6.8L V10 F/I		HP-2010 ¹
E450 Super Duty	6.8L V10 F/I	E-0945	HP-2010 ¹
EcoSport II	1.0L L3 F/I	33-3117	
Edge	2.0L L4 DSL	33-5000+	
Edge	2.0L L4 F/I	33-5000 ♦+	HP-1002 ¹
Edge	2.7L V6 F/I	33-5000+	HP-7037 ¹
Edge	3.5L V6 F/I	33-5000 ♦+	HP-2011 ¹
Escape	1.6L L4 F/I	E-2993	HP-1002 ¹
Escape	1.6L L4 F/I		HP-1002 ¹
Escape	2.0L L4 DSL	E-2993	
Escape	2.0L L4 F/I	E-2993 ♦	HP-1002 ¹
Escape	2.5L L4 F/I		HP-1002 ¹
Everest	3.2L L5 DSL	33-30086+	
		33-3086+	
Expedition	3.5L V6 F/I	33-2385 ♦	HP-2011 ¹
Explorer	2.3L L4 F/I	33-2395 ♦+	HP-1002 ¹
Explorer	3.5L V6 F/I	33-2395 ♦+	HP-2011 ¹
F53	6.8L V10 F/I		HP-2010 ¹
F150	2.7L V6 F/I	33-2385 ♦+	HP-7037 ¹
F150	3.5L V6 F/I	33-2385 ♦+	HP-2011 ¹
		33-2385 ♦+	HP-2011 ¹
F150	5.0L V8 F/I	33-2385 ♦+	HP-2011 ¹
F150 Raptor	3.5L V6 F/I	33-2385 ♦+	HP-2011 ¹
F250 Super Duty	6.2L V8 F/I	E-0644 ♦+	HP-2010 ¹
F250 Super Duty	6.7L V8 DSL	E-0644 ♦+	HP-4005
F350 Super Duty	6.2L V8 F/I	E-0644 ♦+	HP-2010 ¹
F350 Super Duty	6.7L V8 DSL	E-0644 ♦+	HP-4005
F450 Super Duty	6.2L V8 F/I	E-0644 +	HP-2010 ¹
F450 Super Duty	6.7L V8 DSL	E-0644 ♦+	HP-4005
F550 Super Duty	6.7L V8 DSL	E-0644 ♦+	HP-4005
F650	6.8L V10 F/I		HP-2010 ¹
Fiesta	1.0L L3 F/I		HP-1002 ¹
Fiesta	1.6L L4 F/I	33-2955 ♦	HP-1002 ¹
Fiesta ST	1.6L L4 F/I	33-2955 ♦	HP-1002 ¹
Fiesta VI	1.0L L3 F/I	33-2955	
Fiesta VI	1.5L L4 DSL	33-2955	HP-1002 ¹
Fiesta VI	1.6L L4 F/I	33-2955	HP-1002 ¹
Fiesta VII	1.0L L3 F/I	33-3117	
Fiesta VII	1.5L L4 DSL	33-3117	
Figo	1.2L L3 F/I	33-2955	
Figo Aspire	1.2L L3 F/I	33-2955	
Flex	3.5L V6 F/I	33-2395 ♦+	HP-2011 ¹
Focus	1.0L L3 F/I	E-2993	HP-1002 ¹
Focus	2.0L L4 F/I	E-2993 ♦	HP-1002 ¹
Focus III	1.0L L3 F/I	E-2993 ♦	HP-1002 ¹
Focus III	1.5L L4 DSL	E-2993 ♦	
Focus III	1.5L L4 F/I	E-2993 ♦	
Focus III	1.6L L4 F/I	E-2993 ♦	
Focus III	2.0L L4 DSL	E-2993 ♦	
Focus III	2.0L L4 F/I	E-2993 ♦	HP-1002 ¹
Focus III	2.3L L4 F/I	E-2993 ♦	
Focus RS	2.3L L4 F/I	E-2993 ♦	HP-1002 ¹
Focus ST	2.0L L4 DSL	E-2993 ♦	HP-1002 ¹
Focus ST	2.0L L4 F/I	E-2993 ♦	HP-1002 ¹
Furuisi	1.5L L4 F/I	E-2993	

Vehicle	Engine Type	Air Filter	Oil Filter
2017 FORD			
Fusion	1.5L L4 F/I	33-5000 ♦+	HP-1002 ¹
Fusion	2.0L L4 F/I		HP-1002 ¹
Fusion	2.0L L4 F/I - Exc. Turbo	33-5001+	HP-1002
Fusion	2.0L L4 F/I - Turbo	33-5000+	HP-1002
Fusion	2.5L L4 F/I	33-5000 ♦+	HP-1002 ¹
Fusion	2.7L V6 F/I	33-5000+	HP-7037 ¹
Mondeo V	2.0L L4 DSL	33-5000+	
Mondeo V	2.0L L4 F/I - Exc. Hybrid	33-5000+	
Mustang	2.3L L4 F/I	33-5029 ♦+	HP-1002 ¹
Mustang	3.7L V6 F/I	33-5029 ♦+	HP-2011 ¹
Mustang GT	5.0L V8 F/I	33-5029 ♦+	HP-2011 ¹
Mustang Shelby	5.2L V8 F/I	E-0649 ♦+	
Police Interceptor	3.5L V6 F/I		HP-2011 ¹
Police Interceptor	3.7L V6 F/I		HP-2011 ¹
Police Interceptor	3.7L V6 F/I		HP-2011 ¹
Ranger	2.2L L4 DSL	E-0662+	
Ranger	3.2L L5 DSL - Non-US	E-0662+	
Ranger	3.2L L5 DSL - Thailand	33-30086+	
Taurus	2.0L L4 F/I	33-2395 ♦+	HP-1002 ¹
Taurus	3.5L V6 F/I	33-2395 ♦+	HP-2011 ¹
Taurus SHO	3.5L V6 F/I	33-2395 ♦+	HP-2011 ¹
Transit 150	3.5L V6 F/I	33-5024	HP-2011 ¹
Transit 150	3.7L V6 F/I	33-5024	HP-2011 ¹
Transit 250	3.2L L5 DSL	33-5024	
Transit 250	3.5L V6 F/I	33-5024	HP-2011 ¹
Transit 250	3.7L V6 F/I	33-5024	HP-2011 ¹
Transit 350	3.2L L5 DSL	33-5024	
Transit 350	3.5L V6 F/I	33-5024	HP-2011 ¹
Transit 350	3.7L V6 F/I	33-5024	HP-2011 ¹
Transit 350 HD	3.2L L5 DSL	33-5024	
Transit 350 HD	3.5L V6 F/I	33-5024	HP-2011 ¹
Transit 350 HD	3.7L V6 F/I	33-5024	HP-2011 ¹
Transit Connect	1.5L L4 DSL	E-2993 ♦	
Transit Connect	1.6L L4 F/I	E-2993	HP-1002 ¹
Transit Connect	2.5L L4 F/I		HP-1002 ¹
2016 FORD			
C-Max	2.0L L4 F/I	33-5001	HP-1002 ¹
C-Max	2.0L L4 F/I - w/Hybrid	33-5001	HP-1002 ¹
C-Max II	2.0L L4 DSL	E-2993 ♦	
E350 Cutaway	6.8L V10 F/I		HP-2010 ¹
E350 Super Duty	5.4L V8 F/I	E-0945 ♦	HP-2010 ¹
E350 Super Duty	6.8L V10 F/I	E-0945 ♦	HP-2010 ¹
E450 Cutaway	6.8L V10 F/I		HP-2010 ¹
E450 Super Duty	5.4L V8 F/I	E-0945 ♦	HP-2010 ¹
E450 Super Duty	6.8L V10 F/I	E-0945 ♦	HP-2010 ¹
Edge	2.0L L4 DSL	33-5000+	
Edge	2.0L L4 F/I	33-5000+	HP-1002 ¹
Edge	2.7L V6 F/I	33-5000+	HP-7037 ¹
Edge	3.5L V6 F/I	33-5000 ♦+	HP-2011 ¹
Escape	1.6L L4 F/I	E-2993 ♦	HP-1002 ¹
Escape	2.0L L4 F/I	E-2993 ♦	HP-1002 ¹
Escape	2.5L L4 F/I	33-5002	HP-1002 ¹
Everest	3.2L L5 DSL	33-30086+	
		33-3086+	
Expedition	3.5L V6 F/I	33-2385 ♦	HP-2011 ¹
Explorer	2.3L L4 F/I	33-2395 ♦+	HP-1002 ¹
Explorer	3.5L V6 F/I	33-2395 ♦+	HP-2011 ¹
F53	6.8L V10 F/I		HP-2010 ¹
F150	2.7L V6 F/I	33-2385 ♦+	HP-7037 ¹
F150	3.5L V6 F/I	33-2385 ♦+	HP-2011 ¹

* 2 filters required ♦ Intake System Available - see page 370 +Cabin Air Filter Available - see page 353 1- Performance Silver Oil Filter Also Available

Partial Listing: Complete Listing of Vehicles and Parts at KNFILTERS.COM or call 1-800-858-3333



Vehicle	Engine Type	Air Filter	Oil Filter
2016 FORD			
F150	5.0L V8 F/I	33-2385 ♦♦	HP-2011 ¹
F250 Super Duty	6.2L V8 F/I	33-2385 ♦	HP-2010 ¹
F250 Super Duty	6.7L V8 DSL	33-5010 ♦	HP-4005
F350 Super Duty	6.2L V8 F/I	33-2385 ♦	HP-2010 ¹
F350 Super Duty	6.7L V8 DSL	33-5010 ♦	HP-4005
F450 Super Duty	6.7L V8 DSL	33-5010 ♦	HP-4005
F450 Super Duty	6.8L V10 F/I		HP-2010 ¹
F550 Super Duty	6.7L V8 DSL	33-5010 ♦	HP-4005
F550 Super Duty	6.8L V10 F/I		HP-2010 ¹
F650	6.8L V10 F/I		HP-2010 ¹
Falcon	2.0L L4 F/I	33-2950	
Falcon	4.0L L6 F/I	33-2950	HP-3001 ¹
Fiesta	1.0L L3 F/I		HP-1002 ¹
Fiesta	1.6L L4 F/I	33-2955 ♦	HP-1002 ¹
Fiesta ST	1.6L L4 F/I	33-2955 ♦	HP-1002 ¹
Fiesta VI	1.0L L3 F/I	33-2955	
Fiesta VI	1.25L L4 F/I	33-2955	
Fiesta VI	1.4L L4 F/I	33-2955	
Fiesta VI	1.5L L4 DSL	33-2955	HP-1002 ¹
Fiesta VI	1.6L L4 F/I	33-2955	HP-1002 ¹
Flex	3.5L V6 F/I	33-2395 ♦♦	HP-2011 ¹
Focus	1.0L L3 F/I	E-2993	HP-1002 ¹
Focus	2.0L L4 F/I	E-2993 ♦	HP-1002 ¹
Focus III	1.0L L3 F/I	E-2993 ♦	HP-1002 ¹
Focus III	1.5L L4 DSL	E-2993 ♦	
Focus III	1.5L L4 F/I	E-2993 ♦	
Focus III	1.6L L4 F/I	E-2993 ♦	
Focus III	2.0L L4 DSL	E-2993 ♦	
Focus III	2.0L L4 F/I	E-2993 ♦	HP-1002 ¹
Focus III	2.3L L4 F/I	E-2993 ♦	
Focus RS	2.3L L4 F/I	E-2993 ♦	HP-1002 ¹
Focus ST	2.0L L4 DSL	E-2993 ♦	
Focus ST	2.0L L4 F/I	E-2993 ♦	HP-1002 ¹
Furuisi	1.5L L4 F/I	E-2993	
Fusion	1.5L L4 F/I	33-5000 ♦♦	HP-1002 ¹
Fusion	1.6L L4 F/I		HP-1002 ¹
Fusion	2.0L L4 F/I		HP-1002 ¹
Fusion	2.0L L4 F/I - Exc. Turbo	33-5001+	HP-1002
Fusion	2.0L L4 F/I - Turbo	33-5000 ♦♦	HP-1002
Fusion	2.5L L4 F/I	33-5000 ♦♦	HP-1002 ¹
Mustang	2.3L L4 F/I	33-5029 ♦♦	HP-1002 ¹
Mustang	3.7L V6 F/I	33-5029 ♦♦	HP-2011 ¹
Mustang GT	5.0L V8 F/I	33-5029 ♦♦	HP-2011 ¹
Mustang Shelby	5.2L V8 F/I	E-0649 ♦♦	
Police Interceptor Utility	3.7L V6 F/I		HP-2011 ¹
Ranger	2.2L L4 DSL	E-0662+	
Ranger	3.2L L5 DSL - Non-US	E-0662+	
Ranger	3.2L L5 DSL - Thailand	33-30086+	
Taurus	3.5L V6 F/I	33-2395 ♦♦	HP-2011 ¹
Taurus	3.7L V6 F/I		HP-2011 ¹
Taurus SHO	3.5L V6 F/I	33-2395 ♦♦	HP-2011 ¹
Territory	4.0L L6 F/I	33-2950	
Transit 150	3.2L L5 DSL	33-5024	
Transit 150	3.5L V6 F/I	33-5024	HP-2011 ¹
Transit 150	3.7L V6 F/I	33-5024	HP-2011 ¹
Transit 250	3.2L L5 DSL	33-5024	HP-2011 ¹
Transit 250	3.5L V6 F/I	33-5024	HP-2011 ¹
Transit 250	3.7L V6 F/I	33-5024	HP-2011 ¹
Transit 350	3.5L V6 F/I	33-5024	HP-2011 ¹
Transit 350	3.7L V6 F/I	33-5024	HP-2011 ¹
Transit 350 HD	3.2L L5 DSL	33-5024	
Transit 350 HD	3.5L V6 F/I	33-5024	HP-2011 ¹

Vehicle	Engine Type	Air Filter	Oil Filter
2016 FORD			
Transit 350 HD	3.7L V6 F/I	33-5024	HP-2011 ¹
Transit Connect	1.0L L3 F/I	E-2993 ♦	
Transit Connect	1.5L L4 DSL	E-2993 ♦	
Transit Connect	1.6L L4 DSL	E-2993 ♦	
Transit Connect	1.6L L4 F/I	E-2993 ♦	HP-1002 ¹
Transit Connect	2.5L L4 F/I	33-5002	HP-1002 ¹
Transit Courier	1.0L L3 F/I	33-2955	
Transit Courier	1.6L L4 DSL	33-2955	
Transit Custom	2.2L L4 DSL	33-3026	
2015 FORD			
C-Max	2.0L L4 F/I	33-5001	HP-1002 ¹
C-Max II	2.0L L4 DSL	E-2993 ♦	
E350 Super Duty	5.4L V8 F/I	E-0945 ♦	HP-2010 ¹
E350 Super Duty	6.8L V10 F/I	E-0945 ♦	HP-2010 ¹
E450 Cutaway	6.8L V10 F/I		HP-2010 ¹
E450 Super Duty	5.4L V8 F/I	E-0945 ♦	
E450 Super Duty	6.8L V10 F/I	E-0945 ♦	HP-2010 ¹
Edge	2.0L L4 DSL	33-5000+	
Edge	2.0L L4 F/I	33-5000+	HP-1002 ¹
Edge	2.7L V6 F/I	33-5000+	HP-7037 ¹
Edge	3.5L V6 F/I	33-5000 ♦♦	HP-2011 ¹
Edge	3.7L V6 F/I		HP-2011 ¹
Escape	1.6L L4 F/I	E-2993 ♦	HP-1002 ¹
Escape	2.0L L4 F/I	E-2993 ♦	HP-1002 ¹
Escape	2.5L L4 F/I	33-5002	HP-1002 ¹
Everest	3.2L L5 DSL	33-3086+	
Expedition	3.5L V6 F/I	33-2385 ♦	HP-2011 ¹
Expedition	5.4L V8 F/I		HP-2010 ¹
Explorer	2.0L L4 F/I	33-2395 ♦♦	HP-1002 ¹
Explorer	3.5L V6 F/I	33-2395 ♦♦	HP-2011 ¹
Explorer Sport	3.5L V6 F/I	33-2395 ♦♦	HP-2011 ¹
F59	6.8L V10 F/I		HP-2010 ¹
F150	2.7L V6 F/I	33-2385 ♦♦	HP-7037 ¹
F150	3.5L V6 F/I	33-2385 ♦♦	HP-2011 ¹
F150	3.5L V6 F/I	33-2385 ♦♦	HP-2011 ¹
F150	3.7L V6 F/I		HP-2011 ¹
F150	5.0L V8 F/I	33-2385 ♦♦	HP-2011 ¹
F150	6.2L V8 F/I		HP-2010 ¹
F250 Super Duty	6.2L V8 F/I	33-2385 ♦	HP-2010 ¹
F250 Super Duty	6.7L V8 DSL	33-5010 ♦	HP-4005
F350 Super Duty	6.2L V8 F/I	33-2385	HP-2010 ¹
F350 Super Duty		33-2385 ♦	HP-2010 ¹
F350 Super Duty	6.7L V8 DSL	33-5010 ♦	HP-4005
F450 Super Duty	6.2L V8 F/I	33-2385	HP-2010 ¹
F450 Super Duty	6.7L V8 DSL	33-5010 ♦	HP-4005
F450 Super Duty	6.8L V10 F/I	33-2385	HP-2010 ¹
F550 Super Duty	6.7L V8 DSL	33-5010 ♦	HP-4005
F550 Super Duty	6.8L V10 F/I	33-2385	HP-2010 ¹
Falcon	4.0L L6 F/I	33-2950	
Fiesta	1.0L L3 F/I		HP-1002 ¹
Fiesta	1.6L L4 F/I	33-2955 ♦	HP-1002 ¹
Fiesta Ikon	1.6L L4 F/I	33-2955	HP-1002 ¹
Fiesta ST	1.6L L4 F/I	33-2955 ♦	HP-1002 ¹
Fiesta VI	1.0L L3 F/I	33-2955	HP-1002 ¹
Fiesta VI	1.4L L4 F/I	33-2955	
Fiesta VI	1.5L L4 DSL	33-2955	HP-1002 ¹
Fiesta VI	1.6L L4 DSL	33-2955	
Fiesta VI	1.6L L4 F/I	33-2955	HP-1002 ¹
Flex	3.5L V6 F/I	33-2395 ♦♦	HP-2011 ¹
Focus	1.0L L3 F/I	E-2993	HP-1002 ¹
Focus	2.0L L4 F/I	E-2993 ♦	HP-1002 ¹
Focus III	1.0L L3 F/I	E-2993 ♦	HP-1002 ¹

* 2 filters required ♦ Intake System Available - see page 370 +Cabin Air Filter Available - see page 353 1- Performance Silver Oil Filter Also Available



AIR & OIL FILTERS

FORD

Vehicle	Engine Type	Air Filter	Oil Filter	Vehicle	Engine Type	Air Filter	Oil Filter
2015 FORD				2014 FORD			
Focus III	1.5L L4 DSL	E-2993 ♦		Econoline Wagon	5.4L V8 F/I		HP-2010 ¹
Focus III	1.5L L4 F/I	E-2993 ♦		Edge	2.0L L4 F/I	33-2395 ♦+	HP-1002 ¹
Focus III	1.6L L4 DSL	E-2993		Edge	3.5L V6 F/I	33-2395 ♦+	HP-2011 ¹
Focus III	1.6L L4 F/I	E-2993 ♦		Edge	3.7L V6 F/I	33-2395 ♦+	HP-2011 ¹
Focus III	2.0L L4 DSL	E-2993 ♦		Escape	1.5L L4 F/I	33-2924	
Focus III	2.0L L4 F/I	E-2993 ♦	HP-1002 ¹	Escape	1.6L L4 F/I	E-2993 ♦	HP-1002 ¹
Focus RS	2.3L L4 F/I	E-2993		Escape	2.0L L4 F/I	E-2993 ♦	HP-1002 ¹
Focus ST	2.0L L4 DSL	E-2993 ♦		Escape	2.5L L4 F/I	33-5002	HP-1002 ¹
Focus ST	2.0L L4 F/I	E-2993 ♦	HP-1002 ¹	Expedition	5.4L V8 F/I	33-2385 ♦	HP-2010 ¹
Fusion	1.5L L4 F/I	33-5000 ♦+	HP-1002 ¹	Explorer	2.0L L4 F/I	33-2395 ♦+	HP-1002 ¹
Fusion	1.6L L4 F/I		HP-1002 ¹	Explorer	3.5L V6 F/I	33-2395 ♦+	HP-2011 ¹
Fusion	2.0L L4 F/I		HP-1002 ¹	Explorer Sport	3.5L V6 F/I	33-2395 ♦+	HP-2011 ¹
Fusion	2.0L L4 F/I - Exc. Turbo	33-5001+	HP-1002	F59	6.8L V10 F/I		HP-2010 ¹
Fusion	2.0L L4 F/I - Turbo	33-5000 ♦+	HP-1002	F150	3.5L V6 F/I	33-2385 ♦	HP-2011 ¹
Fusion	2.5L L4 F/I	33-5000 ♦+	HP-1002 ¹	F150	3.7L V6 F/I	33-2385 ♦	HP-2011 ¹
Ka	1.2L L4 F/I	33-2931 ♦		F150	5.0L V8 F/I	33-2385 ♦	HP-2011 ¹
Mondeo V	1.0L L3 F/I	33-5000+		F150	6.2L V8 F/I	33-2385	HP-2010 ¹
Mustang	2.3L L4 F/I	33-5029 ♦+	HP-1002 ¹	F150 SVT Raptor	6.2L V8 F/I	33-2385 ♦	HP-2010 ¹
Mustang	3.7L V6 F/I	33-5029 ♦+	HP-2011 ¹	F250 Super Duty	6.2L V8 F/I	33-2385 ♦	HP-2010 ¹
Mustang GT	5.0L V8 F/I	33-5029 ♦+	HP-2011 ¹	F250 Super Duty	6.7L V8 DSL	33-5010 ♦	HP-4005
Mustang Shelby	5.2L V8 F/I	E-0649+		F350 Super Duty	6.2L V8 F/I	33-2385 ♦	HP-2010 ¹
Police Interceptor Sedan	3.7L V6 F/I		HP-2011 ¹	F350 Super Duty	6.7L V8 DSL	33-5010 ♦	HP-4005
Police Interceptor Utility	3.7L V6 F/I		HP-2011 ¹	F450 Super Duty	6.7L V8 DSL	33-5010 ♦	HP-4005
Ranger	2.2L L4 DSL	E-0662+		F450 Super Duty	6.8L V10 F/I	33-2385	HP-2010 ¹
Ranger	2.5L L4 F/I	E-0662		F550 Super Duty	6.7L V8 DSL	33-5010 ♦	HP-4005
Ranger	3.2L L5 DSL	E-0662+		F550 Super Duty	6.8L V10 F/I	33-2385	HP-2010 ¹
Taurus	2.0L L4 F/I	33-2395 ♦+	HP-1002 ¹	Falcon	4.0L L6 F/I	33-2950	
Taurus	3.5L V6 F/I	33-2395 ♦+	HP-2011 ¹	Falcon	5.4L V8 F/I	33-2950	
Taurus SHO	3.5L V6 F/I	33-2395 ♦+	HP-2011 ¹	Fiesta	1.0L L3 F/I		HP-1002 ¹
Territory	2.7L V6 DSL	33-2950		Fiesta	1.6L L4 F/I	33-2955 ♦	HP-1002 ¹
Transit 150	3.2L L5 DSL	33-5024	HP-2011 ¹	Fiesta Ikon	1.6L L4 F/I	33-2955	HP-1002 ¹
Transit 150	3.5L V6 F/I	33-5024	HP-2011 ¹	Fiesta ST	1.6L L4 F/I	33-2955 ♦	HP-1002 ¹
Transit 150	3.7L V6 F/I	33-5024		Fiesta VI	1.0L L3 F/I	33-2955	HP-1002 ¹
Transit 250	3.2L L5 DSL	33-5024		Fiesta VI	1.25L L4 F/I	33-2955	
Transit 250	3.5L V6 F/I	33-5024	HP-2011 ¹	Fiesta VI	1.4L L4 F/I	33-2955	
Transit 250	3.7L V6 F/I	33-5024	HP-2011 ¹	Fiesta VI	1.5L L4 DSL	33-2955	HP-1002 ¹
Transit 350	3.2L L5 DSL	33-5024	HP-2011 ¹	Fiesta VI	1.6L L4 DSL	33-2955	
Transit 350	3.5L V6 F/I	33-5024	HP-2011 ¹	Fiesta VI	1.6L L4 F/I	33-2955	HP-1002 ¹
Transit 350	3.7L V6 F/I	33-5024	HP-2011 ¹	Flex	3.5L V6 F/I	33-2395 ♦+	HP-2011 ¹
Transit 350 HD	3.2L L5 DSL	33-5024	HP-2011 ¹	Focus	2.0L L4 F/I	E-2993 ♦	HP-1002 ¹
Transit 350 HD	3.5L V6 F/I	33-5024	HP-2011 ¹	Focus III	1.0L L3 F/I	E-2993 ♦	
Transit 350 HD	3.7L V6 F/I	33-5024	HP-2011 ¹	Focus III	1.5L L4 F/I	E-2993 ♦	
Transit Connect	1.6L L4 DSL	E-2993 ♦		Focus III	1.6L L4 DSL	E-2993 ♦	
Transit Connect	1.6L L4 F/I	E-2993 ♦	HP-1002 ¹	Focus III	1.6L L4 F/I	E-2993 ♦	
Transit Connect	2.5L L4 F/I	33-5002	HP-1002 ¹	Focus III	2.0L L4 DSL	E-2993 ♦	
Transit Custom	2.2L L4 DSL	33-3026		Focus III	2.0L L4 F/I	E-2993 ♦	HP-1002 ¹
2014 FORD				Focus ST	2.0L L4 DSL	E-2993 ♦	
C-Max	2.0L L4 F/I	33-5001	HP-1002 ¹	Focus ST	2.0L L4 F/I	E-2993 ♦	HP-1002 ¹
C-Max II	1.6L L4 DSL	E-2993 ♦		FPV GT	4.0L L6 F/I	33-2950	
C-Max II	1.6L L4 F/I	E-2993 ♦		Fusion	1.5L L4 F/I	33-5000 ♦+	HP-1002 ¹
C-Max II	2.0L L4 DSL	E-2993 ♦		Fusion	1.6L L4 F/I	33-5000 ♦+	HP-1002 ¹
E150	4.6L V8 F/I	E-0945	HP-2010 ¹	Fusion	2.0L L4 F/I		HP-1002 ¹
E150	5.4L V8 F/I	E-0945 ♦	HP-2010 ¹	Fusion	2.0L L4 F/I - Exc. Turbo	33-5001+	HP-1002
E250	4.6L V8 F/I	E-0945	HP-2010 ¹	Fusion	2.0L L4 F/I - Turbo	33-5000 ♦+	HP-1002
E250	5.4L V8 F/I	E-0945 ♦	HP-2010 ¹	Fusion	2.5L L4 F/I	33-5000 ♦+	HP-1002 ¹
E350 Super Duty	5.4L V8 F/I	E-0945 ♦	HP-2010 ¹	Kuga II	1.6L L4 F/I	E-2993 ♦	
E350 Super Duty	6.8L V10 F/I	E-0945 ♦	HP-2010 ¹	Kuga II	2.0L L4 DSL	E-2993	
E450 Super Duty	6.8L V10 F/I	E-0945 ♦	HP-2010 ¹	Mondeo V	2.0L L4 DSL	33-2393+	
Econoline	4.6L V8 F/I		HP-2010 ¹	Mondeo V	2.0L L4 F/I - Exc. Hybrid	33-5000 ♦+	
Econoline Wagon	4.6L V8 F/I		HP-2010 ¹	Mustang	3.7L V6 F/I	33-2431 ♦+	HP-2011 ¹
				Mustang GT	5.0L V8 F/I	33-2431 ♦+	HP-2011 ¹

* 2 filters required ♦ Intake System Available - see page 370 +Cabin Air Filter Available - see page 353 1- Performance Silver Oil Filter Also Available

Partial Listing: Complete Listing of Vehicles and Parts at KNFILTERS.COM or call 1-800-858-3333



Vehicle	Engine Type	Air Filter	Oil Filter
2014 FORD			
Mustang Shelby GT500	5.8L V8 F/I	E-1993+	HP-2010 ¹
Police Interceptor Sedan	3.5L V6 F/I		HP-2011 ¹
Police Interceptor Sedan	3.7L V6 F/I		HP-2011 ¹
Police Interceptor Utility	3.5L V6 F/I		HP-2011 ¹
Police Interceptor Utility	3.7L V6 F/I		HP-2011 ¹
Ranger	2.2L L4 DSL	E-0662+	
Ranger	2.5L L4 F/I	E-0662	
Ranger	3.2L L5 DSL	E-0662+	
Taurus	2.0L L4 F/I	33-2395 ♦+	HP-1002 ¹
Taurus	3.5L V6 F/I	33-2395 ♦+	HP-2011 ¹
Taurus SHO	3.5L V6 F/I	33-2395 ♦+	HP-2011 ¹
Territory	2.7L V6 DSL	33-2950	
Territory	4.0L L6 F/I	33-2950	
Transit Connect	1.6L L4 DSL	E-2993 ♦	
Transit Connect	1.6L L4 F/I	E-2993 ♦	HP-1002 ¹
Transit Connect	2.5L L4 F/I	33-5002	HP-1002 ¹

Vehicle	Engine Type	Air Filter	Oil Filter
2013 FORD			
C-Max	2.0L L4 F/I	33-5001	HP-1002 ¹
C-Max II	1.0L L3 F/I	E-2993 ♦	
C-Max II	1.6L L4 DSL	E-2993 ♦	
C-Max II	1.6L L4 F/I	E-2993 ♦	
C-Max II	2.0L L4 DSL	E-2993 ♦	
E150	4.6L V8 F/I	E-0945	HP-2010 ¹
E150	5.4L V8 F/I	E-0945 ♦	HP-2010 ¹
E250	4.6L V8 F/I	E-0945	HP-2010 ¹
E350 Super Duty	5.4L V8 F/I	E-0945 ♦	HP-2010 ¹
E350 Super Duty	6.8L V10 F/I	E-0945 ♦	HP-2010 ¹
E450 Super Duty	6.8L V10 F/I	E-0945 ♦	HP-2010 ¹
Edge	2.0L L4 F/I	33-2395 ♦+	HP-1002 ¹
Edge	3.5L V6 F/I	33-2395 ♦+	HP-2011 ¹
Edge	3.7L V6 F/I	33-2395 ♦+	HP-2011 ¹
Escape	1.6L L4 F/I	E-2993 ♦	HP-1002 ¹
Escape	2.0L L4 F/I	E-2993 ♦	HP-1002 ¹
Escape	2.5L L4 F/I	33-5002	HP-1002 ¹
Expedition	5.4L V8 F/I	33-2385 ♦	HP-2010 ¹
Explorer	2.0L L4 F/I	33-2395+	HP-1002 ¹
Explorer	3.5L V6 F/I	33-2395 ♦+	HP-2011 ¹
Explorer Sport	3.5L V6 F/I	33-2395 ♦+	HP-2011 ¹
F150	3.5L V6 F/I	33-2385 ♦	HP-2011 ¹
F150	3.7L V6 F/I	33-2385 ♦	HP-2011 ¹
F150	5.0L V8 F/I	33-2385 ♦	HP-2011 ¹
F150	6.2L V8 F/I	33-2385	HP-2010 ¹
F150 SVT Raptor	6.2L V8 F/I	33-2385 ♦	HP-2010 ¹
F250 Super Duty	6.2L V8 F/I	33-2385 ♦	HP-2010 ¹
F250 Super Duty	6.7L V8 DSL	33-5010 ♦	HP-4005
F350 Super Duty	6.2L V8 F/I	33-2385 ♦	HP-2010 ¹
F350 Super Duty	6.7L V8 DSL	33-5010 ♦	HP-4005
F450 Super Duty	6.7L V8 DSL	33-5010 ♦	
F450 Super Duty	6.8L V10 F/I	33-2385	HP-2010 ¹
F550 Super Duty	6.7L V8 DSL	33-5010 ♦	
F550 Super Duty	6.8L V10 F/I	33-2385	HP-2010 ¹
F650	6.7L L6 DSL	33-5010	
F650	6.8L V10 F/I	33-2385	
Falcon	2.0L L4 F/I	33-2950	
Falcon	4.0L L6 F/I	33-2950	
Falcon	5.4L V8 F/I	33-2950	
Fiesta	1.3L L4 F/I - To 3/13	33-2924	
Fiesta	1.6L L4 F/I	33-2955 ♦	HP-1002 ¹

Vehicle	Engine Type	Air Filter	Oil Filter
2013 FORD			
Fiesta Ikon	1.6L L4 F/I		HP-1002 ¹
Fiesta VI	1.0L L3 F/I	33-2955	
Fiesta VI	1.25L L4 F/I	33-2955	
Fiesta VI	1.4L L4 DSL	33-2955	
Fiesta VI	1.4L L4 F/I	33-2955	
Fiesta VI	1.5L L4 DSL	33-2955	
Fiesta VI	1.6L L4 DSL	33-2955	
Fiesta VI	1.6L L4 F/I	33-2955 ♦	HP-1002 ¹
Flex	3.5L V6 F/I	33-2395+	HP-2011 ¹
		33-2395 ♦+	HP-2011 ¹
Focus	2.0L L4 F/I	E-2993 ♦	HP-1002 ¹
Focus III	1.0L L3 F/I	E-2993 ♦	
Focus III	1.6L L4 DSL	E-2993 ♦	
Focus III	1.6L L4 F/I	E-2993 ♦	
Focus III	2.0L L4 DSL	E-2993 ♦	
Focus III	2.0L L4 F/I	E-2993 ♦	HP-1002 ¹
Focus ST	2.0L L4 F/I	E-2993 ♦	HP-1002 ¹
FPV GT	4.0L L6 F/I	33-2950	
Fusion	1.6L L4 F/I	33-5000 ♦+	HP-1002 ¹
Fusion	2.0L L4 F/I		HP-1002 ¹
Fusion	2.0L L4 F/I - Exc. Turbo	33-5001+	HP-1002
Fusion	2.0L L4 F/I - Turbo	33-5000 ♦+	HP-1002
Fusion	2.5L L4 F/I	33-5000 ♦+	HP-1002 ¹
Kuga II	2.0L L4 DSL	E-2993 ♦	
Mondeo IV	2.0L L4 DSL	33-2393	
Mondeo IV	2.0L L4 F/I	33-2393	
Mustang	3.7L V6 F/I	33-2431 ♦+	HP-2011 ¹
Mustang	5.4L V8 F/I		HP-2010 ¹
Mustang Boss 302	5.0L V8 F/I	33-2431 ♦+	HP-2011 ¹
Mustang GT	5.0L V8 F/I	33-2431 ♦+	HP-2011 ¹
Mustang Shelby GT500	5.8L V8 F/I	E-1993+	HP-2010 ¹
Police Interceptor Sedan	3.5L V6 F/I		HP-2011 ¹
Police Interceptor Sedan	3.7L V6 F/I		HP-2011 ¹
Police Interceptor Utility	3.7L V6 F/I		HP-2011 ¹
Ranger	2.2L L4 DSL	E-0662+	
Ranger	2.5L L4 F/I	E-0662	
Ranger	3.2L L5 DSL	E-0662+	
Taurus	2.0L L4 F/I	33-2395 ♦+	HP-1002 ¹
Taurus	3.5L V6 F/I	33-2395 ♦+	HP-2011 ¹
Taurus SHO	3.5L V6 F/I	33-2395 ♦+	HP-2011 ¹
Territory	2.7L V6 DSL	33-2950	
Territory	4.0L L6 F/I	33-2950	
Transit Connect	2.0L L4 F/I	33-2436	HP-1002 ¹

Vehicle	Engine Type	Air Filter	Oil Filter
2012 FORD			
E150	4.6L V8 F/I	E-0945	HP-2010 ¹
E150	5.4L V8 F/I	E-0945 ♦	HP-2010 ¹
E250	4.6L V8 F/I	E-0945	HP-2010 ¹
E250	5.4L V8 F/I	E-0945 ♦	HP-2010 ¹
E250 Super Duty	6.8L V10 F/I	E-0945	HP-2010 ¹
E350 Super Duty	5.4L V8 F/I	E-0945 ♦	HP-2010 ¹
E350 Super Duty	6.8L V10 F/I	E-0945 ♦	HP-2010 ¹
E450 Super Duty	6.8L V10 F/I	E-0945 ♦	HP-2010 ¹
Econoline Wagon	5.4L V8 F/I		HP-2010 ¹
Edge	2.0L L4 F/I	33-2395 ♦+	HP-1002 ¹
Edge	3.5L V6 F/I	33-2395 ♦+	HP-2011 ¹
Edge	3.7L V6 F/I	33-2395 ♦+	HP-2011 ¹
Escape	2.5L L4 F/I	33-2187	HP-1002 ¹
Escape	3.0L V6 F/I	E-1990	HP-2011 ¹
Escape Hybrid	2.5L L4 F/I	33-2347	HP-1002 ¹

* 2 filters required ♦ Intake System Available - see page 370 +Cabin Air Filter Available - see page 353 1- Performance Silver Oil Filter Also Available



AIR & OIL FILTERS

FORD

Vehicle	Engine Type	Air Filter	Oil Filter	Vehicle	Engine Type	Air Filter	Oil Filter
2012 FORD				2011 FORD			
Expedition	5.4L V8 F/I	33-2385 ♦	HP-2010 ¹	E150	4.6L V8 F/I	E-0945	HP-2010 ¹
Explorer	2.0L L4 F/I	33-2395+	HP-1002 ¹	E150	5.4L V8 F/I	E-0945 ♦	
Explorer	3.5L V6 F/I	33-2395 ♦+	HP-2011 ¹	E250	4.6L V8 F/I	E-0945	HP-2010 ¹
F150	3.5L V6 F/I	33-2385 ♦	HP-2011 ¹	E250	5.4L V8 F/I	E-0945 ♦	HP-2010 ¹
F150	3.7L V6 F/I	33-2385 ♦	HP-2011 ¹	E350 Super Duty	5.4L V8 F/I	E-0945 ♦	HP-2010 ¹
F150	5.0L V8 F/I	33-2385 ♦	HP-2011 ¹	E350 Super Duty	6.8L V10 F/I	E-0945 ♦	HP-2010 ¹
F150	6.2L V8 F/I	33-2385 ♦	HP-2010 ¹	E450 Super Duty	6.8L V10 F/I	E-0945 ♦	HP-2010 ¹
F150 SVT Raptor	6.2L V8 F/I	33-2385 ♦	HP-2010 ¹	EcoSport	2.0L L4 F/I		HP-1002 ²
F250 Super Duty	6.2L V8 F/I	33-2385 ♦	HP-2010 ¹	Edge	3.5L V6 F/I	33-2395 ♦+	HP-2011 ¹
F250 Super Duty	6.7L V8 DSL	33-5010 ♦	HP-4005	Edge	3.7L V6 F/I	33-2395 ♦+	HP-2011 ¹
F350 Super Duty	6.2L V8 F/I	33-2385 ♦	HP-2010 ¹	Escape	2.5L L4 F/I	33-2187	HP-1002 ²
F350 Super Duty	6.7L V8 DSL	33-5010 ♦	HP-4005	Escape	3.0L V6 F/I	E-1990	HP-2011 ¹
F450 Super Duty	6.7L V8 DSL	33-5010 ♦	HP-4005	Escape Hybrid	2.5L L4 F/I	33-2347	HP-1002 ²
F450 Super Duty	6.8L V10 F/I	33-2385		Expedition	5.4L V8 F/I	33-2385 ♦	HP-2010 ¹
F550 Super Duty	6.7L V8 DSL	33-5010 ♦		Explorer	3.5L V6 F/I	33-2395 ♦+	HP-2011 ¹
F550 Super Duty	6.8L V10 F/I	33-2385	HP-2010 ¹	F150	3.5L V6 F/I	33-2385 ♦	HP-2011 ¹
F650	6.7L L6 DSL	33-5010		F150	3.7L V6 F/I	33-2385	HP-2011 ¹
F650	6.8L V10 F/I	33-2385		F150	4.6L V8 F/I	33-2385	
Falcon	2.0L L4 F/I	33-2950		F150	5.0L V8 F/I	33-2385 ♦	HP-2011 ¹
Falcon	4.0L L6 F/I	33-2950		F150	5.4L V8 F/I	33-2385	
Fiesta	1.3L L4 F/I	33-2924		F150	6.2L V8 F/I	33-2385 ♦	HP-2010 ¹
Fiesta	1.6L L4 F/I	33-2955 ♦	HP-1002 ¹	F150 Platinum	6.2L V8 F/I	33-2385 ♦	HP-2010 ¹
Fiesta Ikon	1.6L L4 F/I		HP-1002 ¹	F150 SVT Raptor	6.2L V8 F/I	33-2385 ♦	HP-2010 ¹
Fiesta VI	1.0L L3 F/I	33-2955		F250 Super Duty	6.2L V8 F/I	33-2385 ♦	HP-2010 ¹
Fiesta VI	1.25L L4 F/I	33-2955 ♦		F250 Super Duty	6.7L V8 DSL	33-5010 ♦	HP-4005
Fiesta VI	1.4L L4 DSL	33-2955		F250 Super Duty	6.8L V10 F/I	33-2385	HP-2010 ¹
Fiesta VI	1.4L L4 F/I	33-2955		F350 Super Duty	6.2L V8 F/I	33-2385 ♦	HP-2010 ¹
Fiesta VI	1.5L L4 DSL	33-2955		F350 Super Duty	6.7L V8 DSL	33-5010 ♦	HP-4005
Fiesta VI	1.6L L4 DSL	33-2955		F350 Super Duty	6.8L V10 F/I	33-2385	HP-2010 ¹
Fiesta VI	1.6L L4 F/I	33-2955 ♦	HP-1002 ¹	F450 Super Duty	6.7L V8 DSL	33-5010 ♦	HP-4005
Fiesta VI	1.6L L4 F/I	33-2395+	HP-2011 ¹	F450 Super Duty	6.8L V10 F/I	33-2385	HP-2010 ¹
Flex	3.5L V6 F/I	33-2395 ♦+	HP-2011 ¹	F550 Super Duty	6.7L V8 DSL	33-5010 ♦	HP-4005
Focus	2.0L L4 F/I	E-2993 ♦	HP-1002 ¹	F550 Super Duty	6.8L V10 F/I	33-2385	HP-2010 ¹
Focus III	1.0L L3 F/I	E-2993 ♦		F650	6.7L L6 DSL	33-5010	
Focus III	1.6L L4 DSL	E-2993 ♦		Falcon	4.0L L6 F/I	33-2950	
Focus III	1.6L L4 F/I	E-2993 ♦		Falcon	5.4L V8 F/I	33-2950	
Focus III	2.0L L4 DSL	E-2993 ♦		Fiesta	1.6L L4 F/I	33-2955 ♦	HP-1002 ²
Focus III	2.0L L4 F/I	E-2993 ♦	HP-1002 ¹	Fiesta Ikon	1.6L L4 F/I		HP-1002 ²
FPV GT	4.0L L6 F/I	33-2950		Fiesta VI	1.25L L4 F/I	33-2955 ♦	
Fusion	1.4L L4 F/I	33-2853		Fiesta VI	1.4L L4 F/I	33-2955 ♦	
Fusion	1.6L L4 F/I	33-2853		Fiesta VI	1.6L L4 DSL	33-2955	
Fusion	2.5L L4 F/I	33-2357+	HP-1002 ¹	Fiesta VI	1.6L L4 F/I	33-2955 ♦	HP-1002 ²
Fusion	3.0L V6 F/I	33-2340+	HP-2011 ¹	Flex	3.5L V6 F/I	33-2395+	HP-2011 ¹
Fusion	3.5L V6 F/I	33-2395+	HP-2011 ¹			33-2395 ♦+	HP-2011 ¹
Mustang	3.7L V6 F/I	33-2431 ♦+	HP-2011 ¹	Focus	2.0L L4 F/I		HP-1002 ²
Mustang Boss 302	5.0L V8 F/I	33-2431 ♦+	HP-2011 ¹	Focus	2.0L L4 F/I - US	33-2401 ♦	HP-1002
Mustang GT	5.0L V8 F/I	33-2431 ♦+	HP-2011 ¹	Focus Europa	2.0L L4 F/I		HP-1002 ²
Mustang Shelby GT500	5.4L V8 F/I	E-1993 ♦+	HP-2010 ¹	Focus III	1.6L L4 DSL	E-2993 ♦	
Ranger	2.2L L4 DSL	E-0662+		Focus III	1.6L L4 F/I	E-2993 ♦	
Ranger	2.5L L4 F/I	E-0662		Focus III	2.0L L4 DSL	E-2993 ♦	
Ranger	3.2L L5 DSL	E-0662+		Focus XR5	2.5L L5 F/I	E-2993 ♦	
Taurus	3.5L V6 F/I	33-2395 ♦+	HP-2011 ¹	FPV GT	4.0L L6 F/I	33-2950	
Taurus SHO	3.5L V6 F/I	33-2395 ♦+	HP-2011 ¹	Fusion	1.4L L4 F/I	33-2853	
Territory	2.7L V6 DSL	33-2950		Fusion	1.6L L4 F/I	33-2853	
Territory	4.0L L6 F/I	33-2950		Fusion	2.5L L4 F/I	33-2357+	HP-1002 ²
Transit Connect	2.0L L4 F/I	33-2436	HP-1002 ¹	Fusion	3.0L V6 F/I	33-2340+	HP-2011 ¹
2011 FORD				Fusion	3.5L V6 F/I	33-2395+	HP-2011 ¹
C-Max II	2.0L L4 DSL	E-2993 ♦		Mustang	3.7L V6 F/I	33-2431 ♦+	HP-2011 ¹
Crown Victoria	4.6L V8 F/I	33-2272 ♦	HP-2010 ¹	Mustang GT	5.0L V8 F/I	33-2431 ♦+	HP-2011 ¹
Crown Victoria Police Interceptor	4.6L V8 F/I	33-2272	HP-1002 ¹	Mustang Shelby GT500	5.4L V8 F/I	E-1993 ♦+	HP-2010 ¹
				Ranger	2.2L L4 DSL	E-0662+	
				Ranger	2.3L L4 F/I	33-2106-1	HP-1002 ²

* 2 filters required ♦ Intake System Available - see page 370 +Cabin Air Filter Available - see page 353 1- Performance Silver Oil Filter Also Available

Partial Listing: Complete Listing of Vehicles and Parts at KNFILTERS.COM or call 1-800-858-3333



Vehicle	Engine Type	Air Filter	Oil Filter	Vehicle	Engine Type	Air Filter	Oil Filter
2011 FORD				2010 FORD			
Ranger	2.5L L4 DSL	E-2296	HP-1002 ¹	Focus III	1.6L L4 DSL	E-2993 ♦	
Ranger	3.0L L6 DSL	E-2296	HP-1002 ¹	Focus III	1.6L L4 F/I	E-2993 ♦	
Ranger	3.2L L5 DSL	E-0662 +		Focus III	2.0L L4 DSL	E-2993 ♦	
Ranger	4.0L V6 F/I	33-2106-1 ♦	HP-2010 ¹	Focus XR5	2.5L L4 F/I	E-2993 ♦	
S-Max	2.0L L4 DSL	33-2393		Fusion	1.4L L4 F/I	33-2853	
S-Max	2.0L L4 F/I	33-2393		Fusion	2.5L L4 F/I	33-2357+	HP-1002 ¹
Taurus	3.5L V6 F/I	33-2395 ♦+	HP-2011 ¹	Fusion	3.0L V6 F/I	33-2340+	HP-2011 ¹
Taurus SHO	3.5L V6 F/I	33-2395 ♦+	HP-2011 ¹	Fusion	3.5L V6 F/I	33-2395+	HP-2011 ¹
Territory	2.7L V6 DSL	33-2950		Fusion Hybrid	2.5L L4 F/I		HP-1002 ¹
Territory	4.0L L6 F/I	33-2950		Mustang	4.0L V6 F/I	33-2298 ♦+	HP-2010 ¹
Transit Connect	2.0L L4 F/I	33-2436	HP-1002 ¹	Mustang	4.6L V8 F/I	33-2431+	HP-2010 ¹
2010 FORD				2010 FORD			
Crown Victoria	4.6L V8 F/I	33-2272 ♦	HP-2010 ¹	Mustang GT	4.6L V8 F/I	33-2431 ♦+	HP-2010 ¹
Crown Victoria Police Interceptor	4.6L V8 F/I	33-2272	HP-1002 ¹	Mustang Shelby GT500	5.4L V8 F/I	E-1993 ♦+	HP-2010 ¹
E150	4.6L V8 F/I	E-0945	HP-2010 ¹	Ranger	2.3L L4 F/I	33-2106-1	HP-1002 ¹
E150	5.4L V8 F/I	E-0945 ♦	HP-2010 ¹	Ranger	2.5L L4 DSL	E-2296	HP-1002 ¹
E350 Super Duty	5.4L V8 F/I	E-0945 ♦	HP-2010 ¹	Ranger	3.0L L6 DSL	E-2296	HP-1002 ¹
E350 Super Duty	6.8L V10 F/I	E-0945 ♦	HP-2010 ¹	Ranger	4.0L V6 F/I	33-2106-1 ♦	HP-2010 ¹
E450 Super Duty	6.8L V10 F/I	E-0945 ♦	HP-2010 ¹	Taurus	3.5L V6 F/I	33-2395 ♦+	HP-2011 ¹
Edge	3.5L V6 F/I	33-2395 ♦+	HP-2011 ¹	Taurus SHO	3.5L V6 F/I	33-2395+	HP-2011 ¹
Escape	2.5L L4 F/I	33-2187	HP-1002 ¹	Transit Connect	2.0L L4 F/I	33-2436	HP-1002 ¹
Escape	3.0L V6 F/I	E-1990	HP-2011 ¹	2009 FORD			
Escape Hybrid	2.5L L4 F/I	33-2347	HP-1002 ¹	Crown Victoria	4.6L V8 F/I	33-2272 ♦	
Expedition	5.4L V8 F/I	33-2385 ♦	HP-2010 ¹	Crown Victoria	4.6L V8 F/I - After 11/13/08	33-2272	HP-2010 ¹
Explorer	4.0L V6 F/I	33-2366	HP-2010 ¹	Crown Victoria Police Interceptor	4.6L V8 F/I	33-2272	
Explorer	4.6L V8 F/I	33-2353	HP-2010 ¹	Crown Victoria Police Interceptor	4.6L V8 F/I - After 11/13/08	33-2272	HP-1002 ¹
Explorer Sport Trac	4.0L V6 F/I	33-2366	HP-2010 ¹	E150	4.6L V8 F/I	E-0945	
Explorer Sport Trac F150	4.6L V8 F/I	33-2353	HP-2010 ¹	E150	5.4L V8 F/I	E-0945 ♦	HP-2010 ¹
		33-2385	HP-2010 ¹	E250	4.6L V8 F/I	E-0945	HP-2010 ¹
		33-2385 ♦	HP-2010 ¹	E350 Super Duty	5.4L V8 F/I	E-0945 ♦	HP-2010 ¹
F150	5.4L V8 F/I	33-2385 ♦	HP-2010 ¹	E350 Super Duty	6.8L V10 F/I	E-0945 ♦	HP-2010 ¹
F150 SVT Raptor	5.4L V8 F/I	33-2385 ♦	HP-2010 ¹	E450 Super Duty	6.8L V10 F/I	E-0945 ♦	HP-2010 ¹
F150 SVT Raptor	6.2L V8 F/I	33-2385 ♦	HP-2010 ¹	Edge	3.5L V6 F/I	33-2395 ♦+	
F250 Super Duty	5.4L V8 F/I	33-2385 ♦	HP-2010 ¹	Edge	3.5L V6 F/I - Built After 1/15/09	33-2395	HP-2011 ¹
F250 Super Duty	6.4L V8 DSL	E-0785 ♦	PS-7009	Edge	3.5L V6 F/I - Built Before 1/15/09	33-2395	HP-2009 ¹
F250 Super Duty	6.8L V10 F/I	33-2385	HP-2010 ¹	Escape	2.5L L4 F/I	33-2187	
F350 Super Duty	5.4L V8 F/I	33-2385 ♦	HP-2010 ¹	Escape	2.5L L4 F/I - Cartridge	33-2187	HP-7013 ¹
F350 Super Duty	6.4L V8 DSL	E-0785 ♦	PS-7009	Escape	2.5L L4 F/I - Spin On	33-2187	HP-1002 ¹
F350 Super Duty	6.8L V10 F/I	33-2385	HP-2010 ¹	Escape	3.0L V6 F/I	E-1990	HP-2011 ¹
F450 Super Duty	6.4L V8 DSL	E-0785 ♦		Escape Hybrid	2.5L L4 F/I	33-2347	
F550 Super Duty	6.4L V8 DSL	E-0785 ♦		Escape Hybrid	2.5L L4 F/I - Cartridge	33-2347	HP-7013 ¹
F550 Super Duty	6.8L V10 F/I	33-2385	HP-2010 ¹	Escape Hybrid	2.5L L4 F/I - Spin On	33-2347	HP-1002 ¹
Falcon	4.0L L6 F/I	33-2950		Expedition	5.4L V8 F/I	33-2385 ♦	HP-2010 ¹
Falcon	5.4L V8 F/I	33-2950		Explorer	4.0L V6 F/I	33-2366	HP-2010 ¹
Fiesta	1.6L L4 F/I		HP-2009 ¹	Explorer	4.6L V8 F/I	33-2353	HP-2010 ¹
Fiesta VI	1.25L L4 F/I	33-2955 ♦		Explorer Sport Trac	4.0L V6 F/I	33-2366	HP-2010 ¹
Fiesta VI	1.4L L4 DSL	33-2840		Explorer Sport Trac	4.6L V8 F/I	33-2353	HP-2010 ¹
Fiesta VI	1.4L L4 F/I	33-2955 ♦	HP-1002 ¹	F150	4.6L V8 F/I	33-2385	
Fiesta VI	1.6L L4 DSL	33-2955				33-2385 ♦	
Fiesta VI	1.6L L4 F/I	33-2955 ♦	HP-1002 ¹	F150	4.6L V8 F/I - 22mm Thread	33-2385	HP-2010 ¹
Fiesta VI	1.6L L4 F/I	33-2955 ♦	HP-1002 ¹	F150	4.6L V8 F/I - 3/4 thread	33-2385	HP-2009 ¹
Flex	3.5L V6 F/I	33-2395+	HP-2011 ¹	F150	5.4L V8 F/I	33-2385 ♦	HP-2010 ¹
		33-2395 ♦+	HP-2011 ¹	F250 Super Duty	5.4L V8 F/I	33-2385 ♦	HP-2010 ¹
Focus	2.0L L4 F/I		HP-1002 ¹	F250 Super Duty	6.4L V8 DSL	E-0785 ♦	PS-7009
Focus	2.0L L4 F/I - US	33-2401 ♦	HP-1002	F250 Super Duty	6.8L V10 F/I	33-2385	HP-2010 ¹
Focus Europa	2.0L L4 F/I		HP-1002 ¹	F350	5.4L V8 F/I	33-2385	
Focus II	1.4L L4 F/I	E-2993 ♦		F350 Super Duty	5.4L V8 F/I	33-2385 ♦	HP-2010 ¹
Focus II	1.6L L4 DSL	E-2993 ♦				E-0785 ♦	PS-7009
Focus II	1.6L L4 F/I	E-2993 ♦				33-2385	HP-2010 ¹
Focus II	1.8L L4 F/I	E-2993 ♦				33-2385	
Focus II	2.0L L4 F/I	E-2993 ♦	HP-1002 ¹			33-2385 ♦	HP-2010 ¹
Focus II	2.5L L5 F/I - RS	E-2993 ♦				E-0785 ♦	PS-7009

* 2 filters required ♦ Intake System Available - see page 370 +Cabin Air Filter Available - see page 353 1- Performance Silver Oil Filter Also Available



AIR & OIL FILTERS

FORD

Vehicle	Engine Type	Air Filter	Oil Filter	Vehicle	Engine Type	Air Filter	Oil Filter
2009 FORD				2008 FORD			
F350 Super Duty	6.8L V10 F/I	33-2385	HP-2010 ¹	Explorer	4.0L V6 F/I	33-2366	HP-2010 ¹
F450 Super Duty	6.4L V8 DSL	E-0785 ♦	PS-7009	Explorer	4.6L V8 F/I	33-2353 ♦	HP-2010 ¹
F450 Super Duty	6.8L V10 F/I	33-2385		Explorer Sport Trac	4.0L V6 F/I	33-2366	HP-2010 ¹
F550 Super Duty	6.4L V8 DSL	E-0785 ♦		Explorer Sport Trac	4.6L V8 F/I	33-2353	HP-2010 ¹
F550 Super Duty	6.8L V10 F/I	33-2385		F150	4.2L V6 F/I	E-0945 ♦	HP-2009 ¹
Falcon	4.0L L6 F/I	33-2950	HP-3001 ¹	F150	4.6L V8 F/I	E-0945 ♦	
Fiesta	1.6L L4 F/I		HP-2009 ¹	F150	4.6L V8 F/I - 22mm Thread	E-0945	HP-2010 ¹
Fiesta VI	1.6L L4 DSL	33-2955		F150	4.6L V8 F/I - 3/4 thread	E-0945	HP-2009 ¹
Fiesta VI	1.6L L4 F/I	33-2955 ♦	HP-1002 ¹	F150	5.4L V8 F/I	33-2287 ♦	HP-2010 ¹
Flex	3.5L V6 F/I	33-2395 ♦		F250 Super Duty	5.4L V8 F/I	33-2385 ♦	HP-2010 ¹
Flex	3.5L V6 F/I - Built After 1/15/09	33-2395	HP-2011 ¹	F250 Super Duty	6.4L V8 DSL	E-0785 ♦	PS-7009
Flex	3.5L V6 F/I - Built Before 1/15/09	33-2395	HP-2009 ¹	F250 Super Duty	6.8L V10 F/I	33-2385	HP-2010 ¹
Focus	2.0L L4 F/I		HP-1002 ¹	F350 Super Duty	5.4L V8 F/I	33-2385 ♦	HP-2010 ¹
Focus	2.0L L4 F/I - US	33-2401 ♦	HP-1002	F350 Super Duty	6.4L V8 DSL	E-0785 ♦	PS-7009
Focus II	1.4L L4 F/I	E-2993 ♦		F350 Super Duty	6.8L V10 F/I	33-2385	HP-2010 ¹
Focus II	1.6L L4 DSL	E-2993 ♦		F450 Super Duty	6.4L V8 DSL	E-0785 ♦	PS-7009
Focus II	1.6L L4 F/I	E-2993 ♦		F450 Super Duty	6.8L V10 F/I	33-2385	HP-2010 ¹
Focus II	1.8L L4 F/I	E-2993 ♦		F550 Super Duty	6.4L V8 DSL	E-0785 ♦	
Focus II	2.0L L4 DSL	E-2993 ♦		F550 Super Duty	6.8L V10 F/I	33-2385	HP-2010 ¹
Focus II	2.0L L4 F/I	E-2993 ♦		Falcon	4.0L L6 F/I	33-2950	HP-3001 ¹
Focus II	2.5L L5 F/I - RS	E-2993 ♦		Falcon	5.4L V8 F/I - DOHC	E-0945	
Focus II	2.5L L5 F/I - ST	33-2873 ♦		Falcon	5.4L V8 F/I - SOHC	33-2950	
Focus XR5	2.5L L4 F/I	E-2993 ♦		Fiesta Ikon	1.6L L4 F/I		HP-2009 ¹
FPV GT	4.0L L6 F/I	33-2950		Fiesta V	1.6L L4 F/I		HP-1002 ¹
Fusion	1.6L L4 F/I	33-2853		Fiesta V	2.0L L4 F/I	33-2880 ♦	HP-1002 ¹
Fusion	2.3L L4 F/I	33-2357 ♦	HP-7013 ¹	Fiesta VI	1.25L L4 F/I	33-2955 ♦	
Fusion	3.0L V6 F/I	33-2340 ♦	HP-2010 ¹	Fiesta VI	1.4L L4 F/I	33-2955 ♦	
Mustang	4.0L V6 F/I	33-2298 ♦+	HP-2010 ¹	Fiesta VI	1.6L L4 DSL	33-2955	
Mustang	4.6L V8 F/I	33-2298+	HP-2010 ¹	Fiesta VI	1.6L L4 F/I	33-2955 ♦	
Mustang Bullitt	4.6L V8 F/I	E-1997+	HP-2010 ¹	Focus	2.0L L4 F/I		HP-1002 ¹
Mustang GT	4.6L V8 F/I	33-2298 ♦+	HP-2010 ¹	Focus	2.0L L4 F/I - US, Exc. PZEV	33-2401 ♦	HP-1002
Mustang Shelby	5.4L V8 F/I	33-2365 ♦+	HP-2010 ¹	Focus II	1.4L L4 F/I	E-2993 ♦	
Ranger	2.3L L4 F/I	33-2106-1	HP-1002 ¹	Focus II	1.6L L4 DSL	E-2993 ♦	
Ranger	2.5L L4 DSL	E-2296	HP-1002 ¹	Focus II	1.6L L4 F/I	E-2993 ♦	
Ranger	3.0L L6 DSL	E-2296	HP-1002 ¹	Focus II	1.8L L4 DSL	E-2993 ♦	
Ranger	4.0L V6 F/I	33-2106-1 ♦	HP-2010 ¹	Focus II	1.8L L4 F/I	E-2993 ♦	
Taurus	3.5L V6 F/I	33-2395		Focus II	2.0L L4 DSL	E-2993 ♦	
Taurus	3.5L V6 F/I - Built After 1/15/09	33-2395	HP-2011 ¹	Focus II	2.0L L4 F/I	E-2993 ♦	
Taurus	3.5L V6 F/I - Built Before 1/15/09	33-2395	HP-2009 ¹	Focus II	2.5L L5 F/I	33-2873 ♦	
Taurus X	3.5L V6 F/I	33-2395	HP-2009 ¹	Focus XR5	2.5L L4 F/I	33-2748-1 ♦	
2008 FORD				FPV GT	4.0L L6 F/I - 360BHP	33-2852	
Crown Victoria	4.6L V8 F/I	33-2272 ♦	HP-2010 ¹	FPV GT	4.0L L6 F/I - 420BHP	33-2950	
Crown Victoria Police Interceptor	4.6L V8 F/I	33-2272	HP-2010 ¹	Fusion	1.4L L4 F/I	33-2853	
E150	4.6L V8 F/I	E-0945	HP-2010 ¹	Fusion	1.6L L4 F/I	33-2853	
E150	5.4L V8 F/I	E-0945 ♦	HP-2010 ¹	Fusion	2.3L L4 F/I	33-2357 ♦	HP-7013 ¹
E250	4.6L V8 F/I	E-0945		Fusion	3.0L V6 F/I	33-2340 ♦	HP-2010 ¹
E250	5.4L V8 F/I	E-0945 ♦	HP-2010 ¹	Fusion	4.0L V6 F/I	33-2298 ♦+	HP-2010 ¹
E350 Super Duty	5.4L V8 F/I	E-0945 ♦	HP-2010 ¹	Mustang	4.6L V8 F/I	33-2298+	HP-2010 ¹
E350 Super Duty	6.0L V8 DSL	33-2341	PS-7009	Mustang	4.6L V8 F/I	E-1997+	HP-2010 ¹
E350 Super Duty	6.8L V10 F/I	E-0945 ♦	HP-2010 ¹	Mustang Bullitt	4.6L V8 F/I	33-2298 ♦+	HP-2010 ¹
E450 Super Duty	6.0L V8 DSL	33-2341		Mustang GT	4.6L V8 F/I	33-2298 ♦+	HP-2010 ¹
E450 Super Duty	6.8L V10 F/I	E-0945 ♦	HP-2010 ¹	Mustang Shelby	5.4L V8 F/I	33-2365 ♦+	HP-2010 ¹
Edge	3.5L V6 F/I	33-2395 ♦+	HP-2009 ¹	Ranger	2.3L L4 F/I	33-2106-1	HP-1002 ¹
Escape	2.3L L4 F/I	33-2187		Ranger	2.5L L4 DSL	E-2296	HP-1002 ¹
Escape	2.3L L4 F/I - Cartridge	33-2187	HP-7013 ¹	Ranger	3.0L L6 DSL	E-2296	HP-1002 ¹
Escape	2.3L L4 F/I - Spin On	33-2187	HP-1002 ¹	Ranger	3.0L V6 F/I	33-2106-1 ♦	HP-2009 ¹
Escape	3.0L V6 F/I	33-2187	HP-2010 ¹	Ranger	4.0L V6 F/I	33-2106-1 ♦	HP-2010 ¹
Escape Hybrid	2.3L L4 F/I	33-2347	HP-7013 ¹	Taurus	3.5L V6 F/I	33-2395	HP-2009 ¹
Expedition	5.4L V8 F/I	33-2385 ♦	HP-2010 ¹	Taurus X	3.5L V6 F/I	33-2395	HP-2009 ¹
				Territory	4.0L L6 F/I	33-2950	HP-2010 ¹
				Transit	2.3L L4 F/I	33-2861	
				Transit	2.4L L4 DSL	33-2861	

* 2 filters required ♦ Intake System Available - see page 370 +Cabin Air Filter Available - see page 353 1- Performance Silver Oil Filter Also Available



Vehicle	Engine Type	Air Filter	Oil Filter
2007 FORD			
Crown Victoria	4.6L V8 F/I	33-2272 ♦	HP-2010 ¹
Crown Victoria Police Interceptor	4.6L V8 F/I	33-2272	HP-2010 ¹
E150	4.6L V8 F/I	E-0945	HP-2010 ¹
E150	5.4L V8 F/I	E-0945 ♦	HP-2010 ¹
E250	4.6L V8 F/I	E-0945	HP-2010 ¹
E350 Super Duty	5.4L V8 F/I	E-0945 ♦	HP-2010 ¹
E350 Super Duty	6.0L V8 DSL	33-2341	
E350 Super Duty	6.8L V10 F/I	E-0945 ♦	HP-2010 ¹
E450 Super Duty	6.8L V10 F/I	E-0945 ♦	HP-2010 ¹
Edge	3.5L V6 F/I	33-2395 ♦+	HP-2009 ¹
Escape	2.3L L4 F/I	33-2187	
Escape	2.3L L4 F/I - Cartridge	33-2187	HP-7013 ¹
Escape	2.3L L4 F/I - Spin On	33-2187	HP-1002 ¹
Escape	3.0L V6 F/I	33-2187	HP-2010 ¹
Escape Hybrid	2.3L L4 F/I	33-2347	HP-7013 ¹
Expedition	5.4L V8 F/I	33-2385 ♦	HP-2010 ¹
Explorer	4.0L V6 F/I	33-2366	HP-2010 ¹
Explorer	4.6L V8 F/I	33-2353 ♦	HP-2010 ¹
Explorer Sport Trac	4.0L V6 F/I	33-2366	HP-2010 ¹
Explorer Sport Trac	4.6L V8 F/I	33-2353	HP-2010 ¹
F150	4.2L V6 F/I	E-0945 ♦	HP-2009 ¹
F150	4.6L V8 F/I	E-0945 ♦	HP-2010 ¹
F150	4.6L V8 F/I - 22mm Thread	E-0945	HP-2010 ¹
F150	4.6L V8 F/I - 3/4 thread	E-0945	HP-2009 ¹
F150	5.4L V8 F/I	33-2287 ♦	HP-2010 ¹
F250 Harley Davidson Super Duty	6.0L V8 DSL	E-0780 ♦	PS-7009
F250 Super Duty	5.4L V8 F/I	33-2287	HP-2010 ¹
F250 Super Duty	6.0L V8 DSL	E-0780 ♦	PS-7009
F250 Super Duty	6.8L V10 F/I	33-2313	HP-2010 ¹
F350	5.4L V8 F/I	33-2287	
F350 Cutaway	5.4L V8 F/I - Class C	33-2287	
F350 Cutaway	6.8L V10 F/I - Class C	33-2313	
F350 Harley Davidson Super Duty	6.0L V8 DSL	E-0780 ♦	PS-7009
F350 Super Duty	5.4L V8 F/I	33-2287	HP-2010 ¹
F350 Super Duty	6.0L V8 DSL	E-0780 ♦	PS-7009
F350 Super Duty	6.8L V10 F/I	33-2313	HP-2010 ¹
F450 Super Duty	6.0L V8 DSL	E-0780 ♦	PS-7009
F450 Super Duty	6.8L V10 F/I	33-2313	HP-2010 ¹
F550 Super Duty	6.0L V8 DSL	E-0780 ♦	PS-7009
F550 Super Duty	6.8L V10 F/I	33-2313	HP-2010 ¹
Fairmont	4.0L V6 F/I	33-2852	
Falcon	4.0L L6 F/I	33-2852	
Falcon	5.4L V8 F/I		HP-2010 ¹
Falcon	5.4L V8 F/I - DOHC	E-0945	HP-2010
Falcon	5.4L V8 F/I - SOHC	33-2852	HP-2010
Fiesta Ikon	1.6L L4 F/I		HP-1002 ¹
Fiesta V	1.4L L4 DSL	33-2840 ♦	
Fiesta V	1.4L L4 F/I	33-2853 ♦	
Fiesta V	2.0L L4 F/I	33-2880 ♦	HP-1002 ¹
Five Hundred	3.0L V6 F/I	33-2308	HP-2010 ¹
Focus	2.0L L4 F/I		HP-1002 ¹
Focus	2.3L L4 F/I		HP-1002 ¹
Focus C-Max	1.6L L4 DSL - To 5/07	33-2874	
Focus C-Max	1.6L L4 F/I - To 5/07	33-2877	
Focus C-Max	1.8L L4 DSL - To 5/07	33-2886	
Focus C-Max	1.8L L4 F/I - To 5/07	33-2877	
Focus C-Max	2.0L L4 DSL	33-2886	
Focus C-Max	2.0L L4 F/I	33-2877 ♦	
Focus II	1.4L L4 F/I - From 8/07	E-2993 ♦	

Vehicle	Engine Type	Air Filter	Oil Filter
2007 FORD			
Focus II	1.6L L4 DSL - From 8/07	E-2993 ♦	
Focus II	1.6L L4 DSL - To 7/07	33-2874 ♦	
Focus II	1.6L L4 F/I - From 8/07	E-2993 ♦	
Focus II	1.6L L4 F/I - To 7/07	33-2877 ♦	
Focus II	1.8L L4 DSL - From 8/07	E-2993 ♦	
Focus II	1.8L L4 DSL - To 7/07	33-2886 ♦	
Focus II	1.8L L4 F/I - From 8/07	E-2993 ♦	
Focus II	1.8L L4 F/I - To 7/07	33-2877 ♦	
Focus II	2.0L L4 DSL - From 8/07	E-2993 ♦	
Focus II	2.0L L4 DSL - To 7/07	33-2886 ♦	
Focus II	2.0L L4 F/I - From 8/07	E-2993 ♦	
Focus II	2.0L L4 F/I - To 7/07	33-2877 ♦	
Freestar	4.2L V6 F/I	33-2321+	HP-2009 ¹
Freestyle	3.0L V6 F/I	33-2308	HP-2010 ¹
Fusion	2.3L L4 F/I	33-2357 ♦	HP-7013 ¹
Fusion	3.0L V6 F/I	33-2340 ♦	HP-2010 ¹
Mustang	4.0L V6 F/I	33-2298 ♦+	HP-2010 ¹
Mustang	4.6L V8 F/I	33-2298+	HP-2010 ¹
Mustang GT	4.6L V8 F/I	33-2298 ♦+	HP-2010 ¹
Mustang Shelby	5.4L V8 F/I	33-2365 ♦+	HP-2010 ¹
Ranger	2.3L L4 F/I	33-2106-1	HP-1002 ¹
Ranger	2.5L L4 DSL	E-2296	HP-1002 ¹
Ranger	3.0L L6 DSL	E-2296	HP-1002 ¹
Ranger	3.0L V6 F/I	33-2106-1 ♦	HP-2009 ¹
Ranger	4.0L V6 F/I	33-2106-1 ♦	HP-2010 ¹
Taurus	3.0L V6 F/I	33-2150	HP-2009 ¹
2006 FORD			
Crown Victoria	4.6L V8 F/I	33-2272 ♦	HP-2010 ¹
Crown Victoria Police Interceptor	4.6L V8 F/I	33-2272	HP-2010 ¹
E150	4.6L V8 F/I	E-0945	HP-2010 ¹
E150	5.4L V8 F/I	E-0945 ♦	HP-2010 ¹
E250	4.6L V8 F/I	E-0945	HP-2010 ¹
E250	5.4L V8 F/I	E-0945 ♦	HP-2010 ¹
E350 Cutaway	5.4L V8 F/I - Class C	E-0945 ♦	
E350 Cutaway	6.0L V8 DSL - Class C	33-2341	
E350 Super Duty	5.4L V8 F/I	E-0945 ♦	HP-2010 ¹
E350 Super Duty	6.0L V8 DSL	33-2341	PS-7009
E350 Super Duty	6.8L V10 F/I	E-0945 ♦	HP-2010 ¹
E450 Cutaway	6.8L V10 F/I - Class C	E-0945 ♦	
E450 Super Duty	6.0L V8 DSL	33-2341	
E450 Super Duty	6.8L V10 F/I	E-0945 ♦	HP-2010 ¹
Escape	2.3L L4 F/I	33-2187	
Escape	2.3L L4 F/I - Cartridge	33-2187	HP-7013 ¹
Escape	2.3L L4 F/I - Spin On	33-2187	HP-1002 ¹
Escape	3.0L V6 F/I	33-2187	HP-2010 ¹
Escape Hybrid	2.3L L4 F/I	33-2347	HP-7013 ¹
Expedition	5.4L V8 F/I	33-2287 ♦	HP-2010 ¹
Explorer	4.0L V6 F/I	33-2366	HP-2010 ¹
Explorer	4.6L V8 F/I	33-2353 ♦	HP-2010 ¹
Explorer Sport Trac	4.0L V6 F/I	33-2366	HP-2010 ¹
F150	4.2L V6 F/I	E-0945 ♦	HP-2009 ¹
F150	4.6L V8 F/I	E-0945 ♦	HP-2010 ¹
F150	4.6L V8 F/I - 22mm Thread	E-0945	HP-2010 ¹
F150	4.6L V8 F/I - 3/4 thread	E-0945	HP-2009 ¹
F150	5.4L V8 F/I	33-2287 ♦	HP-2010 ¹
F250	4.6L V8 F/I		HP-2010 ¹
F250 Custom Chassis	6.8L V10 F/I - Class A	33-2313	

* 2 filters required ♦ Intake System Available - see page 370 +Cabin Air Filter Available - see page 353 1- Performance Silver Oil Filter Also Available



AIR & OIL FILTERS

FORD

Vehicle	Engine Type	Air Filter	Oil Filter	Vehicle	Engine Type	Air Filter	Oil Filter
2006 FORD				2005 FORD			
F250 Harley Davidson Super Duty	6.0L V8 DSL	E-0780 ♦	PS-7009	E350 Super Duty	5.4L V8 F/I	E-0945 ♦	HP-2010 ¹
F250 Super Duty	5.4L V8 F/I	33-2287 ♦	HP-2010 ¹	E350 Super Duty	6.0L V8 DSL	33-2341	PS-7009
F250 Super Duty	6.0L V8 DSL	E-0780 ♦	PS-7009	E350 Super Duty	6.8L V10 F/I	E-0945 ♦	HP-2010 ¹
F250 Super Duty	6.8L V10 F/I	33-2313 ♦	HP-2010 ¹	E450 Super Duty	6.8L V10 F/I	E-0945 ♦	HP-2010 ¹
F350	5.4L V8 F/I	33-2287 ♦		Escape	2.3L L4 F/I	33-2187	
F350 Cutaway	5.4L V8 F/I - Class C	33-2287		Escape	2.3L L4 F/I - Cartridge	33-2187	HP-7018 ¹
F350 Harley Davidson Super Duty	6.0L V8 DSL	E-0780 ♦	PS-7009	Escape	2.3L L4 F/I - Spin On	33-2187	HP-1002 ¹
F350 Super Duty	5.4L V8 F/I	33-2287 ♦	HP-2010 ¹	Escape	3.0L V6 F/I	33-2187	HP-2010 ¹
F350 Super Duty	6.0L V8 DSL	E-0780 ♦	PS-7009	Escape Hybrid	2.3L L4 F/I	33-2347	HP-7013 ¹
F350 Super Duty	6.8L V10 F/I	33-2313 ♦	HP-2010 ¹	Excursion	5.4L V8 F/I		HP-2010 ¹
F350 Super Duty	6.8L V10 F/I	33-2313 ♦	HP-2010 ¹	Excursion	5.4L V8 F/I - w/Panel Filter	33-2287 ♦	HP-2010
F450 Cutaway	6.8L V10 F/I - Class C	33-2313		Excursion	5.4L V8 F/I - w/Round Filter	E-0945 ♦	HP-2010
F450 Super Duty	6.0L V8 DSL	E-0780 ♦	PS-7009	Excursion	6.0L V8 DSL	E-0780 ♦	PS-7009
F450 Super Duty	6.8L V10 F/I		HP-2010 ¹	Excursion	6.8L V10 F/I	E-0945 ♦	HP-2010 ¹
F550 Cutaway	6.8L V10 F/I - Class C	33-2313		Excursion	5.4L V8 F/I	33-2287 ♦	HP-2010 ¹
F550 Super Duty	6.0L V8 DSL	E-0780 ♦	PS-7009	Expedition	4.0L V6 F/I	33-2207	HP-2010 ¹
F550 Super Duty	6.8L V10 F/I		HP-2010 ¹	Explorer	4.6L V8 F/I	33-2207 ♦	HP-2010 ¹
Fairlane	4.0L L6 F/I	33-2852		Explorer	4.0L V6 F/I	33-2106-1	HP-2010 ¹
Falcon	4.0L L6 F/I	33-2852		Explorer Sport Trac	4.0L V6 F/I	33-2106-1	HP-2010 ¹
Falcon	5.4L V8 F/I - SOHC	33-2852		F150	4.2L V6 F/I	E-0945 ♦	HP-2009 ¹
Fiesta	1.6L L4 F/I		HP-2009 ¹	F150	4.6L V8 F/I	E-0945 ♦	HP-2010 ¹
Fiesta Ikon	1.6L L4 F/I		HP-1002 ¹	F150	4.6L V8 F/I - 22mm Thread	E-0945	HP-2010 ¹
Fiesta V	1.6L L4 F/I		HP-1002 ¹	F150	4.6L V8 F/I - 3/4 thread	E-0945	HP-2009 ¹
Fiesta V	2.0L L4 F/I	33-2880 ♦		F150	5.4L V8 F/I	33-2287 ♦	HP-2010 ¹
Five Hundred	3.0L V6 F/I	33-2308	HP-2010 ¹	F250 Harley Davidson Super Duty	6.0L V8 DSL	E-0780 ♦	PS-7009
Focus	2.0L L4 F/I		HP-1002 ¹	F250 Harley Davidson Super Duty	6.8L V10 F/I		HP-2010 ¹
Focus	2.3L L4 F/I		HP-1002 ¹	F250 Super Duty	5.4L V8 F/I	33-2287 ♦	HP-2010 ¹
Focus C-Max	2.0L L4 DSL	33-2886		F250 Super Duty	6.0L V8 DSL	E-0780 ♦	PS-7009
Focus C-Max	2.0L L4 F/I	33-2877 ♦		F250 Super Duty	6.8L V10 F/I	33-2313 ♦	HP-2010 ¹
Focus II	2.0L L4 DSL	33-2886 ♦		F350	5.4L V8 F/I	33-2287 ♦	
Focus II	2.0L L4 F/I	33-2877 ♦		F350 Harley Davidson Super Duty	6.0L V8 DSL	E-0780 ♦	PS-7009
Focus II	2.5L L5 F/I	33-2873 ♦		F350 Super Duty	5.4L V8 F/I	33-2287 ♦	HP-2010 ¹
Focus XR5	2.5L L4 F/I	33-2748-1 ♦		F350 Super Duty	6.0L V8 DSL	E-0780 ♦	PS-7009
Freestar	3.9L V6 F/I	33-2321+	HP-2009 ¹	F350 Super Duty	5.4L V8 F/I	33-2287 ♦	HP-2010 ¹
Freestar	4.2L V6 F/I	33-2321+	HP-2009 ¹	F350 Super Duty	6.0L V8 DSL	E-0780 ♦	PS-7009
Freestyle	3.0L V6 F/I	33-2308	HP-2010 ¹	F350 Super Duty	6.8L V10 F/I	33-2313 ♦	HP-2010 ¹
Fusion	2.3L L4 F/I	33-2357 ♦	HP-7013 ¹	F550 Super Duty	6.8L V10 F/I		HP-2010 ¹
Fusion	3.0L V6 F/I	33-2340 ♦	HP-2010 ¹	Falcon	4.0L L6 F/I	33-2852	
GT	5.4L V8 F/I	33-2317*	HP-7007 ¹	Falcon	5.4L V8 F/I - SOHC	33-2852	
LTD	5.4L V8 F/I	33-2852		Fiesta Ikon	1.6L L4 F/I		HP-1002 ¹
Mustang	4.0L V6 F/I	33-2298 ♦+	HP-2010 ¹	Fiesta V	2.0L L4 F/I	33-2880 ♦	
Mustang GT	4.6L V8 F/I	33-2298 ♦+	HP-2010 ¹	Five Hundred	3.0L V6 F/I	33-2308	HP-2010 ¹
Ranger	2.3L L4 F/I	33-2106-1	HP-1002 ¹	Focus	2.0L L4 F/I		HP-1002 ¹
Ranger	2.5L L4 DSL - From 7/06	E-2296		Focus	2.3L L4 F/I		HP-1002 ¹
Ranger	2.5L L4 DSL - To 6/06	33-2167		Focus C-Max	1.6L L4 DSL	33-2874	
Ranger	3.0L L6 DSL	E-2296		Focus C-Max	1.6L L4 F/I	33-2877	
Ranger	3.0L V6 F/I	33-2106-1 ♦	HP-2009 ¹	Focus C-Max	2.0L L4 DSL	33-2886	
Ranger	4.0L V6 F/I	33-2106-1 ♦	HP-2010 ¹	Focus C-Max	2.0L L4 F/I	33-2877 ♦	
Taurus	3.0L V6 F/I	33-2150	HP-2009 ¹	Focus II	1.6L L4 DSL	33-2874 ♦	
Territory	4.0L V6 F/I	33-2852		Focus II	1.6L L4 F/I	33-2877 ♦	
2005 FORD				Focus II	2.0L L4 DSL	33-2886 ♦	
Crown Victoria	4.6L V8 F/I	33-2272 ♦	HP-2010 ¹	Focus II	2.0L L4 F/I	33-2877 ♦	
Crown Victoria Police Interceptor	4.6L V8 F/I	33-2272	HP-2010 ¹	FPV GT	4.0L L6 F/I	33-2852	
E150	4.6L V8 F/I	E-0945	HP-2010 ¹	Freestar	3.9L V6 F/I	33-2321+	HP-2009 ¹
E150	5.4L V8 F/I	E-0945 ♦	HP-2010 ¹	Freestar	4.2L V6 F/I	33-2321+	HP-2009 ¹
E150 Club Wagon	4.6L V8 F/I	E-0945	HP-2010 ¹	Freestyle	3.0L V6 F/I	33-2308	HP-2010 ¹
E150 Club Wagon	5.4L V8 F/I	E-0945 ♦	HP-2010 ¹	GT	5.4L V8 F/I	33-2317*	PS-7007
E250	5.4L V8 F/I	E-0945 ♦	HP-2010 ¹	Mondeo III	2.5L V6 F/I	33-2210 ♦	HP-2010 ¹
E250 Club Wagon	5.4L V8 F/I	E-0945 ♦	HP-2010 ¹	Mustang	4.0L V6 F/I	33-2298 ♦+	HP-2010 ¹
E350 Club Wagon	5.4L V8 F/I	E-0945 ♦	HP-2010 ¹	Mustang GT	4.6L V8 F/I	33-2298 ♦+	HP-2010 ¹
				Ranger	2.3L L4 F/I	33-2106-1	HP-2009 ¹

* 2 filters required ♦ Intake System Available - see page 370 +Cabin Air Filter Available - see page 353 1- Performance Silver Oil Filter Also Available

Partial Listing: Complete Listing of Vehicles and Parts at KNFILTERS.COM or call 1-800-858-3333



Vehicle	Engine Type	Air Filter	Oil Filter	Vehicle	Engine Type	Air Filter	Oil Filter
2005 FORD				2004 FORD			
Ranger	2.5L L4 DSL	33-2167		Falcon	5.4L V8 F/I - SOHC	33-2852	
Ranger	3.0L V6 F/I	33-2106-1 ♦	HP-2009 ¹	Focus	2.0L L4 F/I - DOHC		HP-2009 ¹
Ranger	4.0L V6 F/I	33-2106-1 ♦	HP-2010 ¹	Focus	2.0L L4 F/I - Non-US	33-2819 ♦	
Taurus	3.0L V6 F/I	33-2150		Focus	2.0L L4 F/I - SOHC		HP-2009 ¹
Taurus	3.0L V6 F/I - DOHC	33-2150	HP-2010 ¹	Focus	2.3L L4 F/I		HP-1002 ¹
Taurus	3.0L V6 F/I - OHV	33-2150	HP-2009 ¹	Focus C-Max	2.0L L4 DSL	33-2886	
Territory	4.0L V6 F/I	33-2852		Focus C-Max	2.0L L4 F/I	33-2877 ♦	
Thunderbird	3.9L V8 F/I	33-2266 ♦+	HP-1014	Focus II	2.0L L4 DSL	33-2886 ♦	
2004 FORD				Focus II	2.0L L4 F/I	33-2877 ♦	
Crown Victoria	4.6L V8 F/I	33-2272 ♦	HP-2010 ¹	Focus RS	2.0L L4 F/I	33-2266 ♦	
Crown Victoria Police Interceptor	4.6L V8 F/I	33-2272	HP-2010 ¹	Focus ST170	2.0L L4 F/I	33-2819 ♦	
E150	4.6L V8 F/I	E-0945	HP-2010 ¹	Focus SVT	2.0L L4 F/I	33-2819 ♦	HP-2009 ¹
E150	5.4L V8 F/I	E-0945 ♦	HP-2010 ¹	FPV GT	4.0L L6 F/I	33-2852	
E150 Club Wagon	4.6L V8 F/I	E-0945	HP-2010 ¹	Freestar	3.9L V6 F/I		HP-2009 ¹
E150 Club Wagon	5.4L V8 F/I	E-0945 ♦	HP-2010 ¹	Freestar	4.2L V6 F/I		HP-2009 ¹
E250	5.4L V8 F/I	E-0945 ♦	HP-2010 ¹	Mustang	3.8L V6 F/I	E-0940 ♦	HP-2009 ¹
E350 Club Wagon	5.4L V8 F/I	E-0945 ♦	HP-2010 ¹	Mustang	3.9L V6 F/I	E-0940	HP-2009 ¹
E350 Super Duty	5.4L V8 F/I	E-0945 ♦	HP-2010 ¹	Mustang GT	4.6L V8 F/I	E-0945 ♦	HP-2010 ¹
E350 Super Duty	6.0L V8 DSL	33-2341	PS-7009	Mustang Mach 1	4.6L V8 F/I	E-0945 ♦	HP-2010 ¹
E350 Super Duty	6.8L V10 F/I	E-0945 ♦	HP-2010 ¹	Mustang SVT Cobra	4.6L V8 F/I	E-0945 ♦	HP-2010 ¹
E450 Motorhome	6.8L V10 F/I - Class C	E-0945 ♦		Ranger	2.3L L4 F/I	33-2106-1	HP-2009 ¹
E450 Super Duty	6.8L V10 F/I	E-0945 ♦	HP-2010 ¹	Ranger	2.5L L4 DSL	33-2167	
Escape	2.0L L4 F/I	33-2187	HP-2009 ¹	Ranger	3.0L V6 F/I	33-2106-1 ♦	HP-2009 ¹
Escape	3.0L V6 F/I	33-2187	HP-2010 ¹	Ranger	4.0L V6 F/I	33-2106-1 ♦	HP-2010 ¹
Excursion	5.4L V8 F/I	E-0945 ♦	HP-2010 ¹	Taurus	3.0L V6 F/I	33-2150	
Excursion	6.0L V8 DSL	E-0780 ♦	PS-7009	Taurus	3.0L V6 F/I - DOHC	33-2150	HP-2010 ¹
Excursion	6.8L V10 F/I	E-0945 ♦	HP-2010 ¹	Taurus	3.0L V6 F/I - OHV	33-2150	HP-2009 ¹
Expedition	4.6L V8 F/I	E-0945 ♦	HP-2010 ¹	Thunderbird	3.9L V8 F/I	33-2266 ♦+	HP-1014
Expedition	5.4L V8 F/I	E-0945 ♦	HP-2010 ¹	2003 FORD			
Explorer	4.0L V6 F/I	33-2207	HP-2010 ¹	Crown Victoria	4.6L V8 F/I	33-2272 ♦	HP-2010 ¹
Explorer	4.6L V8 F/I	33-2207 ♦	HP-2010 ¹	E150	4.2L V6 F/I	E-0945	HP-2009 ¹
Explorer Sport	4.0L V6 F/I	33-2106-1	HP-2010 ¹	E150	4.6L V8 F/I	E-0945	HP-2010 ¹
Explorer Sport Trac	4.0L V6 F/I	33-2106-1 ♦	HP-2010 ¹	E150	5.4L V8 F/I	E-0945 ♦	HP-2010 ¹
F150	4.2L V6 F/I	E-0945 ♦	HP-2009 ¹	E150 Club Wagon	4.2L V6 F/I	E-0945	HP-2009 ¹
F150	4.6L V8 F/I	E-0945 ♦		E150 Club Wagon	4.6L V8 F/I	E-0945	HP-2010 ¹
F150	4.6L V8 F/I - 22mm Thread	E-0945	HP-2010 ¹	E150 Club Wagon	5.4L V8 F/I	E-0945 ♦	HP-2010 ¹
F150	4.6L V8 F/I - 3/4 thread	E-0945	HP-2009 ¹	E250	4.2L V6 F/I	E-0945	HP-2009 ¹
F150	5.4L V8 F/I	33-2287 ♦	HP-2010 ¹	E250	5.4L V8 F/I	E-0945 ♦	HP-2010 ¹
F150 Heritage	4.2L V6 F/I	E-0945 ♦	HP-2009 ¹	E350 Club Wagon	5.4L V8 F/I	E-0945 ♦	HP-2010 ¹
F150 Heritage	4.6L V8 F/I	E-0945 ♦	HP-2010 ¹	E350 Club Wagon	6.8L V10 F/I	E-0945 ♦	HP-2010 ¹
F150 Heritage	5.4L V8 F/I	E-0945 ♦	HP-2010 ¹	E350 Club Wagon	7.3L V8 DSL	33-2127*	HP-6001 ¹
F150 Lightning	5.4L V8 F/I	33-2140-1 ♦	HP-2010 ¹	E350 Super Duty	5.4L V8 F/I	E-0945 ♦	HP-2010 ¹
F250 Harley	6.0L V8 DSL	E-0780 ♦	PS-7009	E350 Super Duty	6.8L V10 F/I	E-0945 ♦	HP-2010 ¹
Davidson Super Duty				E350 Super Duty	7.3L V8 DSL	33-2127*	HP-6001 ¹
F250 Harley	6.8L V10 F/I		HP-2010 ¹	E450 Super Duty	6.8L V10 F/I	E-0945 ♦	HP-2010 ¹
Davidson Super Duty				E450 Super Duty	7.3L V8 DSL	33-2127*	
F250 Super Duty	5.4L V8 F/I	E-0945 ♦	HP-2010 ¹	E450 Super Duty	6.8L V10 F/I	E-0945	HP-2010 ¹
F250 Super Duty	6.0L V8 DSL	E-0780 ♦	PS-7009	Stripped Chassis			
F250 Super Duty	6.8L V10 F/I	E-0945 ♦	HP-2010 ¹	E450 Super Duty	7.3L V8 DSL	33-2127*	
F350	5.4L V8 F/I	E-0945 ♦		Stripped Chassis			
F350 Harley	6.0L V8 DSL	E-0780	PS-7009	E550 Super Duty	6.8L V10 F/I	E-0945 ♦	
Davidson Super Duty				Escape	2.0L L4 F/I	33-2187	HP-2009 ¹
F350 Harley	6.8L V10 F/I		HP-2010 ¹	Escape	3.0L V6 F/I	33-2187	HP-2010 ¹
Davidson Super Duty				Escort ZX2	2.0L L4 F/I	E-0995 ♦	HP-2009 ¹
F350 Super Duty	5.4L V8 F/I	E-0945 ♦	HP-2010 ¹	Excursion	5.4L V8 F/I	E-0945 ♦	HP-2010 ¹
F350 Super Duty	6.0L V8 DSL	E-0780 ♦	PS-7009	Excursion	6.0L V8 DSL	E-0780 ♦	PS-7009
F350 Super Duty	6.8L V10 F/I	E-0945 ♦	HP-2010 ¹	Excursion	6.8L V10 F/I	E-0945 ♦	HP-2010 ¹
F450 Super Duty	6.0L V8 DSL	E-0780 ♦	PS-7009	Excursion	7.3L V8 DSL	33-2248 ♦	HP-6001 ¹
F450 Super Duty	6.8L V10 F/I	E-0945	HP-2010 ¹	Expedition	4.6L V8 F/I	E-0945 ♦	HP-2010 ¹
Falcon	4.0L L6 F/I	33-2852		Expedition	5.4L V8 F/I	E-0945 ♦	HP-2010 ¹
Falcon	5.4L V8 F/I - DOHC	E-0945		Explorer	4.0L V6 F/I	33-2207 ♦	HP-2010 ¹
				Explorer	4.6L V8 F/I	33-2207 ♦	HP-2010 ¹

* 2 filters required ♦ Intake System Available - see page 370 +Cabin Air Filter Available - see page 353 1- Performance Silver Oil Filter Also Available



AIR & OIL FILTERS

FORD

Vehicle	Engine Type	Air Filter	Oil Filter	Vehicle	Engine Type	Air Filter	Oil Filter
2003 FORD				2002 FORD			
Explorer Sport	4.0L V6 F/I	33-2106-1 ♦	HP-2010 ¹	E350 Club Wagon	5.4L V8 F/I	E-0945 ♦	
Explorer Sport Trac	4.0L V6 F/I	33-2106-1 ♦	HP-2010 ¹	E350 Econoline Club Wagon	5.4L V8 F/I	E-0945 ♦	
F150	4.2L V6 F/I	E-0945 ♦	HP-2009 ¹	E350 Econoline Club Wagon	6.8L V10 F/I	E-0945 ♦	HP-2010 ¹
F150	4.6L V8 F/I	E-0945 ♦	HP-2010 ¹	E350 Super Duty	5.4L V8 F/I	E-0945 ♦	HP-2010 ¹
F150	5.4L V8 F/I	E-0945 ♦	HP-2010 ¹	E350 Super Duty	6.8L V10 F/I	E-0945 ♦	HP-2010 ¹
F150 Harley Davidson	5.4L V8 F/I	33-2140-1 ♦	HP-2010 ¹	E350 Super Duty	7.3L V8 DSL	33-2127*	HP-6001 ¹
F150 Lightning	5.4L V8 F/I	33-2140-1 ♦	HP-2010 ¹	E450 Econoline Super Duty	6.8L V10 F/I	E-0945 ♦	HP-2010 ¹
F250 Super Duty	5.4L V8 F/I	E-0945 ♦	HP-2010 ¹	E450 Econoline Super Duty Stripped	5.4L V8 F/I	E-0945	
F250 Super Duty	6.0L V8 DSL	E-0780 ♦	PS-7009	E450 Econoline Super Duty Stripped	6.8L V10 F/I	E-0945	HP-2010 ¹
F250 Super Duty	6.8L V10 F/I	E-0945 ♦	HP-2010 ¹	E450 Econoline Super Duty Stripped	7.3L V8 DSL	33-2127*	HP-6001 ¹
F250 Super Duty	7.3L V8 DSL	33-2248 ♦	HP-6001 ¹	E450 Motorhome	6.8L V10 F/I - Class C	E-0945 ♦	
F350 Super Duty	5.4L V8 F/I	E-0945 ♦	HP-2010 ¹	Escape	2.0L L4 F/I	33-2187	HP-2009 ¹
F350 Super Duty	6.0L V8 DSL	E-0780 ♦	PS-7009	Escape	3.0L V6 F/I	33-2187	HP-2010 ¹
F350 Super Duty	6.8L V10 F/I	E-0945 ♦	HP-2010 ¹	Escort	2.0L L4 F/I	E-0995	HP-2009 ¹
F350 Super Duty	7.3L V8 DSL	33-2248 ♦	HP-6001 ¹	Escort ZX2	2.0L L4 F/I	E-0995 ♦	HP-2009 ¹
F450 Super Duty	6.8L V10 F/I	E-0945	HP-2010 ¹	Excursion	5.4L V8 F/I	E-0945 ♦	HP-2010 ¹
F450 Super Duty	7.3L V8 DSL	33-2248	HP-2010 ¹	Excursion	6.8L V10 F/I	E-0945 ♦	HP-2010 ¹
Fairmont	4.0L V6 F/I	33-2852		Excursion	7.3L V8 DSL	33-2248 ♦	HP-6001 ¹
Fairmont	5.4L V8 F/I	33-2852		Expedition	4.6L V8 F/I	E-0945 ♦	HP-2010 ¹
Focus	1.8L L4 DSL	33-2819 ♦		Expedition	5.4L V8 F/I	E-0945 ♦	HP-2010 ¹
Focus	1.8L L4 F/I	33-2819 ♦		Explorer	4.0L V6 F/I	33-2207 ♦	HP-2010 ¹
Focus	2.0L L4 F/I	33-2819 ♦	HP-2009 ¹	Explorer	4.6L V8 F/I	33-2207 ♦	HP-2010 ¹
Focus	2.3L L4 F/I	33-2819 ♦	HP-1002 ¹	Explorer Sport	4.0L V6 F/I	33-2106-1 ♦	HP-2010 ¹
Focus C-Max	1.8L L4 DSL	33-2886		Explorer Sport Trac	4.0L V6 F/I	33-2106-1 ♦	HP-2010 ¹
Focus C-Max	1.8L L4 F/I	33-2877 ♦		F150	4.2L V6 F/I	E-0945 ♦	HP-2009 ¹
Focus RS	2.0L L4 F/I	33-2266 ♦		F150	4.6L V8 F/I	E-0945 ♦	HP-2010 ¹
Focus ST170	2.0L L4 F/I	33-2819 ♦		F150	5.4L V8 F/I	E-0945 ♦	HP-2010 ¹
Focus SVT	2.0L L4 F/I	33-2819 ♦	HP-2009 ¹	F150 Harley Davidson	5.4L V8 F/I	33-2140-1 ♦	HP-2010 ¹
LTD	5.4L V8 F/I	33-2852		F150 Lightning	5.4L V8 F/I	33-2140-1 ♦	HP-2010 ¹
Motorhome	5.4L V8 F/I - Class C	E-0945		F250 Super Duty	5.4L V8 F/I	E-0945 ♦	HP-2010 ¹
Mustang	3.8L V6 F/I	E-0940 ♦	HP-2009 ¹	F250 Super Duty	6.8L V10 F/I	E-0945 ♦	HP-2010 ¹
Mustang	4.6L V8 F/I	E-0945	HP-2010 ¹	F250 Super Duty	7.3L V8 DSL	33-2248 ♦	HP-6001 ¹
Mustang GT	4.6L V8 F/I	E-0945 ♦	HP-2010 ¹	F350 Super Duty	5.4L V8 F/I	E-0945 ♦	HP-2010 ¹
Mustang Mach 1	4.6L V8 F/I	E-0945 ♦	HP-2010 ¹	F350 Super Duty	6.8L V10 F/I	E-0945 ♦	HP-2010 ¹
Mustang SVT Cobra	4.6L V8 F/I	E-0945 ♦	HP-2010 ¹	F350 Super Duty	7.3L V8 DSL	33-2248 ♦	HP-6001 ¹
Ranger	2.3L L4 F/I	33-2106-1 ♦	HP-2009 ¹	F450 Super Duty	6.8L V10 F/I	E-0945	
Ranger	2.5L L4 DSL	33-2167		F450 Super Duty	7.3L V8 DSL	33-2248	HP-6001 ¹
Ranger	3.0L V6 F/I	33-2106-1 ♦	HP-2009 ¹	F550 Super Duty	6.8L V10 F/I	E-0945	
Ranger	4.0L V6 F/I	33-2106-1 ♦	HP-2010 ¹	F550 Super Duty	7.3L V8 DSL	33-2248	HP-6001 ¹
Street KA	1.6L L4 F/I	33-2862 ♦		Fairmont	4.0L V6 F/I - Turbo	33-2852	
Taurus	3.0L V6 F/I	33-2150		Fairmont	5.4L V8 F/I	33-2852	
Taurus	3.0L V6 F/I - DOHC	33-2150	HP-2010 ¹	Falcon	4.0L L6 F/I - From 10/02	33-2852	
Taurus	3.0L V6 F/I - OHV	33-2150	HP-2009 ¹	Falcon	4.0L L6 F/I - To 9/02	33-2015	
Thunderbird	3.9L V8 F/I	33-2266 ♦+	HP-1014	Falcon	5.4L V8 F/I - SOHC	33-2852	
Transit	2.0L L4 DSL	33-2861		Focus	1.6L L4 F/I	33-2819 ♦	
Transit	2.4L L4 DSL	33-2861		Focus	2.0L L4 F/I	33-2819 ♦	HP-2009 ¹
Windstar	3.8L V6 F/I	E-0995+	HP-2009 ¹	Focus	2.0L L4 F/I	33-2819 ♦	HP-2009 ¹
2002 FORD				2002 FORD			
Crown Victoria	4.6L V8 F/I	33-2272 ♦	HP-2010 ¹	Focus RS	2.0L L4 F/I	33-2266 ♦	
E150	4.2L V6 F/I	E-0945	HP-2009 ¹	Focus ST170	2.0L L4 F/I	33-2819 ♦	
E150	5.4L V8 F/I	E-0945 ♦	HP-2010 ¹	Focus SVT	2.0L L4 F/I	33-2819 ♦	HP-2009 ¹
E150 Econoline	4.2L V6 F/I	E-0945	HP-2009 ¹	Mustang	3.8L V6 F/I	E-0940 ♦	HP-2009 ¹
E150 Econoline	4.6L V8 F/I	E-0945	HP-2010 ¹	Mustang	4.6L V8 F/I	E-0945	HP-2010 ¹
E150 Econoline	5.4L V8 F/I	E-0945 ♦	HP-2010 ¹	Mustang GT	4.6L V8 F/I	E-0945 ♦	HP-2010 ¹
E150 Econoline Club Wagon	4.2L V6 F/I	E-0945	HP-2009 ¹	Ranger	2.3L L4 F/I	33-2106-1 ♦	HP-2009 ¹
E150 Econoline Club Wagon	4.6L V8 F/I	E-0945	HP-2010 ¹	Ranger	2.5L L4 DSL	33-2167	
E150 Econoline Club Wagon	5.4L V8 F/I	E-0945 ♦	HP-2010 ¹	Ranger	3.0L V6 F/I	33-2106-1 ♦	HP-2009 ¹
E250 Econoline	5.4L V8 F/I	E-0945 ♦	HP-2010 ¹				

* 2 filters required ♦ Intake System Available - see page 370 +Cabin Air Filter Available - see page 353 1- Performance Silver Oil Filter Also Available



Vehicle	Engine Type	Air Filter	Oil Filter
2002 FORD			
Ranger	4.0L V6 F/I	33-2106-1 ♦	HP-2010 ¹
Taurus	3.0L V6 F/I	33-2150	
Taurus	3.0L V6 F/I - DOHC	33-2150	HP-2010 ¹
Taurus	3.0L V6 F/I - OHV	33-2150	HP-2009 ¹
Thunderbird	3.9L V8 F/I	33-2266+	HP-1014
Windstar	3.8L V6 F/I	E-0995+	HP-2009 ¹

Vehicle	Engine Type	Air Filter	Oil Filter
2001 FORD			
Courier	1.6L L4 F/I		HP-2009 ¹
Crown Victoria	4.6L V8 F/I	33-2272 ♦	HP-2010 ¹
E150 Econoline	4.2L V6 F/I	E-0945	
E150 Econoline	4.6L V8 F/I	E-0945	HP-2010 ¹
E150 Econoline	5.4L V8 F/I	E-0945 ♦	HP-2010 ¹
E150 Econoline Club Wagon	4.2L V6 F/I	E-0945	
E150 Econoline Club Wagon	4.6L V8 F/I	E-0945	HP-2010 ¹
E150 Econoline Club Wagon	5.4L V8 F/I	E-0945 ♦	HP-2010 ¹
E350 Econoline Club Wagon	5.4L V8 F/I	E-0945 ♦	
E350 Econoline Club Wagon	7.3L V8 DSL	33-2127*	
E350 Super Duty	7.3L V8 DSL	33-2127*	HP-6001 ¹
E450 Econoline Super Duty	6.8L V10 F/I	E-0945 ♦	HP-2010 ¹
E450 Econoline Super Duty	7.3L V8 DSL	33-2127*	
E450 Econoline Super Duty Stripped	6.8L V10 F/I	E-0945	HP-2010 ¹
E450 Econoline Super Duty Stripped	7.3L V8 DSL	33-2127*	HP-6001 ¹
E450 Motorhome	6.8L V10 F/I - Class C	E-0945 ♦	
E550 Motorhome	6.8L V10 F/I - Class C	E-0945 ♦	
Escape	2.0L L4 F/I	33-2187	HP-2009 ¹
Escape	3.0L V6 F/I	33-2187	HP-2010 ¹
Escort	2.0L L4 F/I	E-0995	HP-2009 ¹
Escort ZX2	2.0L L4 F/I	E-0995 ♦	HP-2009 ¹
Excursion	5.4L V8 F/I	E-0945 ♦	HP-2010 ¹
Excursion	6.8L V10 F/I	E-0945	HP-2010 ¹
Excursion	7.3L V8 DSL	33-2248 ♦	HP-6001 ¹
Expedition	4.6L V8 F/I	E-0945 ♦	HP-2010 ¹
Expedition	5.4L V8 F/I	E-0945 ♦	HP-2010 ¹
Explorer	4.0L V6 F/I	33-2106-1 ♦	
Explorer	4.0L V6 F/I - 22mm Thread	33-2106-1	HP-2010 ¹
Explorer	4.0L V6 F/I - 3/4 thread	33-2106-1	HP-3001 ¹
Explorer	5.0L V8 F/I	33-2106-1	HP-2010 ¹
Explorer Sport	4.0L V6 F/I	33-2106-1 ♦	
Explorer Sport	4.0L V6 F/I - 22mm Thread	33-2106-1	HP-2010 ¹
Explorer Sport	4.0L V6 F/I - 3/4 thread	33-2106-1	HP-3001 ¹
Explorer Sport Trac	4.0L V6 F/I	33-2106-1 ♦	
Explorer Sport Trac	4.0L V6 F/I - 22mm Thread	33-2106-1	HP-2010 ¹
Explorer Sport Trac	4.0L V6 F/I - 3/4 thread	33-2106-1	HP-3001 ¹
F150	4.2L V6 F/I	E-0945 ♦	HP-2009 ¹
F150	4.6L V8 F/I	E-0945 ♦	HP-2010 ¹
F150	5.4L V8 F/I	E-0945 ♦	HP-2010 ¹
F150 Harley Davidson	5.4L V8 F/I	E-0945 ♦	HP-2010 ¹
F150 Lightning	5.4L V8 F/I	33-2140-1 ♦	HP-2010 ¹
F250 Super Duty	5.4L V8 F/I	E-0945 ♦	HP-2010 ¹
F250 Super Duty	6.8L V10 F/I	E-0945 ♦	HP-2010 ¹
F250 Super Duty	7.3L V8 DSL	33-2248 ♦	HP-6001 ¹
F350 Super Duty	5.4L V8 F/I	E-0945	
F350 Super Duty	5.4L V8 F/I	E-0945 ♦	
F350 Super Duty	6.8L V10 F/I	E-0945 ♦	HP-2010 ¹
F350 Super Duty	7.3L V8 DSL	33-2248 ♦	HP-6001 ¹
F350 Super Duty	5.4L V8 F/I	E-0945	

Vehicle	Engine Type	Air Filter	Oil Filter
2001 FORD			
F350 Super Duty	6.8L V10 F/I	E-0945 ♦	HP-2010 ¹
F350 Super Duty	7.3L V8 DSL	33-2248 ♦	HP-6001 ¹
F450 Super Duty	6.8L V10 F/I	E-0945	
F450 Super Duty	7.3L V8 DSL	33-2248	HP-6001 ¹
F550 Super Duty	6.8L V10 F/I	E-0945	HP-2010 ¹
F550 Super Duty	7.3L V8 DSL	33-2248	HP-6001 ¹
Falcon	4.0L L6 F/I	33-2015	HP-3001 ¹
Focus	2.0L L4 F/I	33-2819 ♦	HP-2009 ¹
		33-2819 ♦	HP-2009 ¹
Motorhome	5.4L V8 F/I - Class C	E-0945	
Mustang	3.8L V6 F/I	E-0940 ♦	HP-2009 ¹
Mustang	4.6L V8 F/I	E-0945	HP-2010 ¹
Mustang GT	4.6L V8 F/I	E-0945 ♦	HP-2010 ¹
Mustang GT Bullitt	4.6L V8 F/I	E-0945 ♦	HP-2010 ¹
Mustang SVT Cobra	4.6L V8 F/I	E-0945 ♦	HP-2010 ¹
Ranger	2.3L L4 F/I	33-2106-1 ♦	HP-2009 ¹
Ranger	2.5L L4 DSL	33-2167	
Ranger	2.5L L4 F/I	33-2106-1 ♦	HP-2009 ¹
Ranger	3.0L V6 F/I	33-2106-1 ♦	HP-2009 ¹
Ranger	4.0L V6 F/I	33-2106-1 ♦	HP-2010 ¹
Taurus	3.0L V6 F/I	33-2150	
Taurus	3.0L V6 F/I - DOHC	33-2150	HP-2010 ¹
Taurus	3.0L V6 F/I - OHV	33-2150	HP-2009 ¹
Windstar	3.8L V6 F/I	E-0995+	HP-2009 ¹

Vehicle	Engine Type	Air Filter	Oil Filter
2000 FORD			
Contour SVT	2.5L V6 F/I		HP-2010 ¹
Crown Victoria	4.6L V8 F/I	33-2272 ♦	HP-2010 ¹
E150 Econoline	5.4L V8 F/I	E-0945 ♦	HP-2010 ¹
E150 Econoline Club Wagon	5.4L V8 F/I	E-0945 ♦	HP-2010 ¹
E250 Econoline	5.4L V8 F/I	E-0945 ♦	
E350 Super Duty	6.8L V10 F/I	E-0945 ♦	HP-2010 ¹
E350 Super Duty	7.3L V8 DSL	33-2127*	HP-6001 ¹
E450 Econoline Super Duty	6.8L V10 F/I	E-0945 ♦	
E450 Econoline Super Duty Stripped	6.8L V10 F/I	E-0945	HP-2010 ¹
E450 Motorhome	6.8L V10 F/I - Class C	E-0945 ♦	
Escort	2.0L L4 F/I	E-0995	HP-2009 ¹
Escort ZX2	2.0L L4 F/I	E-0995 ♦	HP-2009 ¹
Excursion	5.4L V8 F/I	E-0945 ♦	HP-2010 ¹
Excursion	6.8L V10 F/I	E-0945 ♦	HP-2010 ¹
Excursion	7.3L V8 DSL	33-2248 ♦	HP-6001 ¹
Expedition	4.6L V8 F/I	E-0945 ♦	HP-2010 ¹
Expedition	5.4L V8 F/I	E-0945 ♦	HP-2010 ¹
Explorer	4.0L V6 F/I	33-2106-1 ♦	HP-3001 ¹
Explorer	5.0L V8 F/I	33-2106-1	HP-2010 ¹
Explorer Sport	4.0L V6 F/I	33-2106-1	HP-3001 ¹
F150	4.2L V6 F/I	E-0945 ♦	HP-2009 ¹
F150	4.6L V8 F/I	E-0945 ♦	HP-2010 ¹
F150	5.4L V8 F/I	E-0945 ♦	HP-2010 ¹
F150 Harley Davidson	5.4L V8 F/I	E-0945 ♦	HP-2010 ¹
F150 Lightning	5.4L V8 F/I	33-2140-1 ♦	HP-2010 ¹
F250 Super Duty	5.4L V8 F/I	E-0945 ♦	HP-2010 ¹
F250 Super Duty	6.8L V10 F/I	E-0945 ♦	HP-2010 ¹
F250 Super Duty	7.3L V8 DSL	33-2248 ♦	HP-6001 ¹
F350 Super Duty	5.4L V8 F/I	E-0945	
F350 Super Duty	5.4L V8 F/I	E-0945 ♦	
F350 Super Duty	6.8L V10 F/I	E-0945 ♦	HP-2010 ¹
F350 Super Duty	7.3L V8 DSL	33-2248 ♦	HP-6001 ¹
F450 Super Duty	7.3L V8 DSL	33-2248	HP-6001 ¹

* 2 filters required ♦ Intake System Available - see page 370 +Cabin Air Filter Available - see page 353 1- Performance Silver Oil Filter Also Available



AIR & OIL FILTERS

FORD

Vehicle	Engine Type	Air Filter	Oil Filter	Vehicle	Engine Type	Air Filter	Oil Filter
2000 FORD				1999 FORD			
F550 Super Duty	7.3L V8 DSL	33-2248	HP-6001 ¹	F250 Super Duty	7.3L V8 DSL - To 12/98	33-2123 ♦	HP-6001
Focus	2.0L L4 F/I	33-2819 ♦	HP-2009 ¹	F350 Super Duty	5.4L V8 F/I	E-0945	HP-2010 ¹
		33-2819 ♦	HP-2009 ¹			E-0945 ♦	HP-2010 ¹
Grand Marquis	4.6L V8 F/I		HP-2010 ¹	F350 Super Duty	6.8L V10 F/I	E-0945 ♦	HP-2010 ¹
Mustang	3.8L V6 F/I	E-0940 ♦	HP-2009 ¹	F350 Super Duty	7.3L V8 DSL		HP-6001 ¹
Mustang	4.6L V8 F/I	E-0945	HP-2010 ¹	F350 Super Duty	7.3L V8 DSL - From 12/98	33-2248 ♦	HP-6001
Mustang GT	4.6L V8 F/I	E-0945 ♦	HP-2010 ¹	F350 Super Duty	7.3L V8 DSL - To 12/98	33-2123 ♦	HP-6001
Mustang SVT Cobra	4.6L V8 F/I	E-0945 ♦	HP-2010 ¹	F450 Super Duty	7.3L V8 DSL		HP-6001 ¹
Mustang SVT Cobra R	5.4L V8 F/I		HP-2010 ¹	F450 Super Duty	7.3L V8 DSL - From 12/98	33-2248 ♦	HP-6001
Ranger	2.5L L4 DSL	33-2167		F450 Super Duty	7.3L V8 DSL - To 12/98	33-2123 ♦	HP-6001
Ranger	2.5L L4 F/I	33-2106-1 ♦	HP-2009 ¹	F550 Super Duty	6.8L V10 F/I	E-0945 ♦	HP-2010 ¹
Ranger	3.0L V6 F/I	33-2106-1 ♦	HP-2009 ¹	F550 Super Duty	7.3L V8 DSL		HP-6001 ¹
Ranger	4.0L V6 F/I	33-2106-1 ♦	HP-3001 ¹	F550 Super Duty	7.3L V8 DSL - From 12/98	33-2248 ♦	HP-6001
Taurus	3.0L V6 F/I	33-2150		F550 Super Duty	7.3L V8 DSL - To 12/98	33-2123 ♦	HP-6001
Taurus	3.0L V6 F/I - DOHC	33-2150	HP-2010 ¹	Motorhome	5.4L V8 F/I - Class C	E-0945	
Taurus	3.0L V6 F/I - OHV	33-2150	HP-2009 ¹	Mustang	3.8L V6 F/I	E-0940 ♦	HP-2009 ¹
Windstar	3.8L V6 F/I	E-0995+	HP-2009 ¹	Mustang	4.6L V8 F/I	E-0945	HP-2010 ¹
1999 FORD				Mustang GT	4.6L V8 F/I	E-0945 ♦	HP-2010 ¹
Contour	2.0L L4 F/I		HP-2009 ¹	Mustang SVT Cobra	4.6L V8 F/I	E-0945 ♦	HP-2010 ¹
Contour	2.5L V6 F/I	33-2115-1	HP-2010 ¹	Ranger	2.5L L4 DSL	33-2167	
Contour SVT	2.5L V6 F/I		HP-2010 ¹	Ranger	2.5L L4 F/I	33-2106-1 ♦	HP-2009 ¹
Crown Victoria	4.6L V8 F/I	33-2272 ♦	HP-2010 ¹	Ranger	3.0L V6 F/I	33-2106-1 ♦	HP-2009 ¹
E150 Econoline Club Wagon	4.2L V6 F/I	E-0945		Ranger	4.0L V6 F/I	33-2106-1 ♦	HP-3001 ¹
E150 Econoline Club Wagon	4.6L V8 F/I	E-0945	HP-2010 ¹	Sable	3.0L V6 F/I		HP-2009 ¹
E150 Econoline Club Wagon	5.4L V8 F/I	E-0945 ♦		Taurus	3.0L V6 F/I	33-2107	
E250 Econoline	4.2L V6 F/I	E-0945		Taurus	3.0L V6 F/I - DOHC	33-2107	HP-2010 ¹
E250 Econoline	5.4L V8 F/I	E-0945 ♦	HP-2010 ¹	Taurus	3.0L V6 F/I - OHV	33-2107	HP-2009 ¹
E350 Econoline	5.4L V8 F/I	E-0945 ♦	HP-2010 ¹	Taurus	3.4L V8 F/I	33-2150	HP-2009 ¹
E350 Econoline Club Wagon	5.4L V8 F/I	E-0945 ♦	HP-2010 ¹	1998 FORD			
E350 Econoline Club Wagon	6.8L V10 F/I	E-0945 ♦	HP-2010 ¹	Contour	2.0L L4 F/I		HP-2009 ¹
E350 Econoline Club Wagon	7.3L V8 DSL	33-2127*	HP-6001 ¹	Contour	2.5L V6 F/I		HP-2010 ¹
E350 Super Duty	5.4L V8 F/I	E-0945 ♦		Contour SVT	2.5L V6 F/I		HP-2010 ¹
E350 Super Duty	6.8L V10 F/I	E-0945 ♦	HP-2010 ¹	Crown Victoria	4.6L V8 F/I	33-2272	HP-2010 ¹
E350 Super Duty	7.3L V8 DSL	33-2127*	HP-6001 ¹	E150 Econoline	4.6L V8 F/I	E-0945	HP-2010 ¹
E450 Econoline Super Duty	6.8L V10 F/I	E-0945 ♦	HP-2010 ¹	E150 Econoline Club Wagon	4.6L V8 F/I	E-0945	HP-2010 ¹
E450 Motorhome	6.8L V10 F/I - Class C	E-0945 ♦		E350 Econoline	5.4L V8 F/I	E-0945 ♦	HP-2010 ¹
E550 Econoline Super Duty	6.8L V10 F/I	E-0945 ♦		E350 Econoline Club Wagon	7.3L V8 DSL	33-2127*	HP-6001 ¹
E550 Motorhome	6.8L V10 F/I - Class C	E-0945 ♦		E350 Econoline Club Wagon	7.3L V8 DSL	33-2127*	HP-6001 ¹
Escort	2.0L L4 F/I	E-0995	HP-2009 ¹	E450 Econoline Super Duty	6.8L V10 F/I	E-0945 ♦	HP-2010 ¹
Escort ZX2	2.0L L4 F/I	E-0995	HP-2009 ¹	Econoline Super Duty	6.8L V10 F/I	E-0945	HP-2010 ¹
Expedition	4.6L V8 F/I	E-0945 ♦	HP-2010 ¹	Escort	2.0L L4 F/I	E-0995	HP-2009 ¹
Expedition	5.4L V8 F/I	E-0945 ♦	HP-2010 ¹	Escort VII	2.0L L4 F/I	33-2627	
Explorer	4.0L V6 F/I	33-2106-1 ♦	HP-3001 ¹	Escort ZX2	2.0L L4 F/I	E-0995	HP-2009 ¹
		33-2106-1 ♦	HP-3001 ¹	Expedition	4.6L V8 F/I	E-0945 ♦	HP-2010 ¹
Explorer	5.0L V8 F/I	33-2106-1 ♦	HP-2010 ¹	Expedition	5.4L V8 F/I	E-0945 ♦	HP-2010 ¹
F150	4.2L V6 F/I	E-0945 ♦	HP-2009 ¹	Explorer	4.0L V6 F/I		HP-3001 ¹
F150	4.6L V8 F/I	E-0945 ♦	HP-2010 ¹	Explorer	4.0L V6 F/I - w/Panel Filter	33-2106-1 ♦	HP-3001
F150	5.4L V8 F/I	E-0945 ♦	HP-2010 ¹			33-2106-1 ♦	HP-3001
F150 Lightning	5.4L V8 F/I	33-2140-1 ♦	HP-2010 ¹	Explorer	4.8L V6 F/I		HP-2010 ¹
F250	5.4L V8 F/I	E-0945 ♦	HP-2010 ¹	Explorer	5.0L V8 F/I		HP-2010 ¹
F250 Super Duty	5.4L V8 F/I	E-0945 ♦	HP-2010 ¹	Explorer	5.0L V8 F/I - w/Panel Filter	33-2106-1	HP-2010
F250 Super Duty	6.8L V10 F/I	E-0945 ♦	HP-2010 ¹	F150	4.2L V6 F/I	E-0945 ♦	HP-2009 ¹
F250 Super Duty	7.3L V8 DSL		HP-6001 ¹				
F250 Super Duty	7.3L V8 DSL - From 12/98	33-2248 ♦	HP-6001				

* 2 filters required ♦ Intake System Available - see page 370 +Cabin Air Filter Available - see page 353 1- Performance Silver Oil Filter Also Available

Partial Listing: Complete Listing of Vehicles and Parts at KNFILTERS.COM or call 1-800-858-3333



Vehicle	Engine Type	Air Filter	Oil Filter
1998 FORD			
F150	4.6L V8 F/I	E-0945 ♦	HP-2010 ¹
F150	5.4L V8 F/I	E-0945 ♦	HP-2010 ¹
F250	5.4L V8 F/I	E-0945 ♦	HP-2010 ¹
Falcon Longreach	4.0L L6 F/I	33-2708	
Mustang	3.8L V6 F/I	E-0940	HP-2009 ¹
Mustang	4.6L V8 F/I	E-0945	HP-2010 ¹
Mustang GT	4.6L V8 F/I	E-0945 ♦	HP-2010 ¹
Mustang SVT Cobra	4.6L V8 F/I	E-0945 ♦	HP-2010 ¹
Ranger	2.5L L4 F/I	33-2106-1 ♦	HP-2009 ¹
Ranger	3.0L V6 F/I	33-2106-1 ♦	HP-2009 ¹
Ranger	4.0L V6 F/I	33-2106-1 ♦	HP-3001 ¹
Scorpio II	2.5L L4 DSL	33-2013	
Taurus	3.0L V6 F/I	33-2107	
Taurus	3.0L V6 F/I - DOHC	33-2107	HP-2010 ¹
Taurus	3.0L V6 F/I - OHV	33-2107	HP-2009 ¹
Taurus	3.4L V8 F/I	33-2150	HP-2009 ¹
Windstar	3.8L V6 F/I	E-0995	HP-2009 ¹

Vehicle	Engine Type	Air Filter	Oil Filter
1997 FORD			
Aspire	1.3L L4 F/I		HP-1008 ¹
Crown Victoria	4.6L V8 F/I	33-2272	HP-2010 ¹
E150 Econoline	4.6L V8 F/I	E-0945	
E150 Econoline	5.4L V8 F/I	E-0945 ♦	HP-2010 ¹
E150 Econoline Club Wagon	4.6L V8 F/I	E-0945	
E150 Econoline Club Wagon	5.4L V8 F/I	E-0945 ♦	HP-2010 ¹
E250	6.8L V10 F/I	E-0945 ♦	
E250 Econoline	5.4L V8 F/I	E-0945 ♦	HP-2010 ¹
E350 Econoline	7.3L V8 DSL	33-2127*	HP-6001 ¹
E350 Econoline Club Wagon	5.4L V8 F/I	E-0945 ♦	HP-2010 ¹
E350 Econoline Club Wagon	6.8L V10 F/I	E-0945 ♦	HP-2010 ¹
E350 Econoline Club Wagon	7.3L V8 DSL	33-2127*	HP-6001 ¹
Escort	2.0L L4 F/I	E-0995	HP-2009 ¹
Escort VII	2.0L L4 F/I	33-2627	
Expedition	4.6L V8 F/I	E-0945 ♦	HP-2010 ¹
Expedition	5.4L V8 F/I	E-0945 ♦	HP-2010 ¹
Explorer	4.0L V6 F/I		HP-3001 ¹
Explorer	4.0L V6 F/I - w/Panel Filter	33-2106-1 ♦	HP-3001
		33-2106-1 ♦	HP-3001
Explorer	5.0L V8 F/I		HP-2010 ¹
Explorer	5.0L V8 F/I - w/Panel Filter	33-2106-1 ♦	HP-2010
F53	7.5L V8 F/I	33-2023	HP-3001 ¹
F150	4.2L V6 F/I	E-0945 ♦	HP-2009 ¹
F150	4.6L V8 F/I	E-0945 ♦	HP-2010 ¹
F150	4.9L L6 F/I		HP-3001 ¹
F150	5.4L V8 F/I	E-0945 ♦	HP-2010 ¹
F250	4.6L V8 F/I	E-0945 ♦	HP-2010 ¹
F250	5.4L V8 F/I	E-0945 ♦	HP-2010 ¹
F250	5.8L V8 F/I	33-2023	HP-2010 ¹
F250	7.3L V8 DSL	E-1946 ♦	HP-6001 ¹
F250	7.5L V8 F/I	33-2023 ♦	HP-3001 ¹
F350	5.0L V8 F/I		HP-3001 ¹
F350	5.8L V8 F/I	33-2023	HP-2010 ¹
F350	7.3L V8 DSL	E-1946 ♦	HP-6001 ¹
F350	7.5L V8 F/I	33-2023 ♦	HP-3001 ¹
F450	7.3L V8 DSL	E-1946	
Mustang	3.8L V6 F/I	E-0940	HP-2009 ¹
Mustang	4.6L V8 F/I	E-0945	HP-2010 ¹

Vehicle	Engine Type	Air Filter	Oil Filter
1997 FORD			
Mustang GT	4.6L V8 F/I	E-0945 ♦	HP-2010 ¹
Mustang SVT Cobra	4.6L V8 F/I	E-0945 ♦	HP-2010 ¹
Probe	2.5L V6 F/I - Non-US	33-2676 ♦	
Probe	2.5L V6 F/I - US	33-2049 ♦	HP-1010 ¹
Ranger	2.3L L4 F/I	E-0995	HP-3001 ¹
		E-0995 ♦	HP-3001 ¹
Ranger	3.0L V6 F/I	E-0995	HP-2009 ¹
Ranger	4.0L V6 F/I		HP-3001 ¹
Ranger	4.0L V6 F/I - w/Round Filter	E-0995 ♦	HP-3001
Scorpio II	2.5L L4 DSL	33-2013	
Taurus	3.0L V6 F/I		HP-2009 ¹
Taurus	3.4L V8 F/I	33-2107	HP-2009 ¹
Taurus LX	3.0L V6 F/I	33-2107	HP-2010 ¹
Thunderbird	4.6L V8 F/I	33-2033 ♦	HP-2010 ¹

2018 FOTON			
Tunland	2.8L L4 DSL	33-3083	

2017 FOTON			
Thunder	2.8L L4 DSL	33-3083	

2014 FOTON			
Tunland	2.8L L4 DSL	33-3083	

2012 FOTON			
Tunland	2.8L L4 DSL - From 11/12	33-3083	

2019 FREIGHTLINER			
Sprinter 3500	3.0L V6 DSL		HP-7028 ¹

2018 FREIGHTLINER			
Sprinter 2500	3.0L V6 DSL		HP-7028 ¹
Sprinter 3500	3.0L V6 DSL		HP-7028 ¹

2014 FREIGHTLINER			
Sprinter 2500	3.0L V6 DSL		HP-7028 ¹

2013 FREIGHTLINER			
Sprinter 3500	3.0L V6 DSL		PS-7028

2006 FREIGHTLINER			
Sprinter 2500	2.7L L5 DSL		PS-7004
Sprinter 3500	2.7L L5 DSL		HP-7004 ¹

2005 FREIGHTLINER			
Sprinter 2500	2.7L L5 DSL		PS-7004

2002 FREIGHTLINER			
Sprinter 3500	2.7L L5 DSL		PS-7004

2017 GAC HONDA			
Avancier	2.0L L4 F/I	33-3096	

2015 GEELY			
Di Hao	1.5L L4 F/I - w/Auto Trans.	33-30107	
Di Hao	1.5L L4 F/I - w/Manual Trans.	33-30108	

2020 GENESIS			
G70	2.0L L4 F/I		HP-1004 ¹
G80	3.8L V6 F/I		HP-7035 ¹

2019 GENESIS			
G70	2.0L L4 F/I	33-5073 ♦+	HP-1004 ¹
G70	3.3L V6 F/I - Left Side Airbox	33-5067+	
G70	3.3L V6 F/I - Right Side Airbox	33-5068+	
G80	3.8L V6 F/I	33-5019+	HP-7035 ¹

* 2 filters required ♦ Intake System Available - see page 370 +Cabin Air Filter Available - see page 353 1- Performance Silver Oil Filter Also Available



AIR & OIL FILTERS

GENESIS

Vehicle	Engine Type	Air Filter	Oil Filter
2019 GENESIS			
G80	5.0L V8 F/I - Left Side Airbox	33-5021+	
G80	5.0L V8 F/I - Right Side Airbox	33-5020+	
G90	3.3L V6 F/I - Left Side Airbox	33-5021+	
G90	3.3L V6 F/I - Right Side Airbox	33-5020+	
G90	5.0L V8 F/I - Left Side Airbox	33-5021+	
G90	5.0L V8 F/I - Right Side Airbox	33-5020+	

Vehicle	Engine Type	Air Filter	Oil Filter
2018 GENESIS			
G80	3.3L V6 F/I - Left Side Airbox	33-5021+	
G80	3.3L V6 F/I - Right Side Airbox	33-5020+	
G80	3.8L V6 F/I	33-5019+	HP-7035 ¹
G80	5.0L V8 F/I - Left Side Airbox	33-5021+	
G80	5.0L V8 F/I - Right Side Airbox	33-5020+	
G90	5.0L V8 F/I - Left Side Airbox	33-5021+	
G90	5.0L V8 F/I - Right Side Airbox	33-5020+	

Vehicle	Engine Type	Air Filter	Oil Filter
2017 GENESIS			
G80	3.8L V6 F/I	33-5019+	HP-7035 ¹
G80	5.0L V8 F/I - Left Side Airbox	33-5021+	
G80	5.0L V8 F/I - Right Side Airbox	33-5020+	
G90	3.3L V6 F/I - Left Side Airbox	33-5021+	
G90	3.3L V6 F/I - Right Side Airbox	33-5020+	
G90	5.0L V8 F/I - Left Side Airbox	33-5021+	
G90	5.0L V8 F/I - Right Side Airbox	33-5020+	

Vehicle	Engine Type	Air Filter	Oil Filter
1997 GEO			
Metro	1.0L L3 F/I		HP-1002 ¹
Metro	1.3L L4 F/I		HP-1002 ¹
Prizm	1.6L L4 F/I	33-2672	
Prizm	1.8L L4 F/I	33-2672	
Tracker	1.6L L4 F/I	33-2065	HP-1002 ¹

Vehicle	Engine Type	Air Filter	Oil Filter
2020 GMC			
Acadia	2.0L L4 F/I		HP-1017 ¹
Acadia	2.5L L4 F/I	33-5056	HP-1017 ¹
Acadia	3.6L V6 F/I	33-5056 ♦	HP-2011 ¹
Canyon	2.5L L4 F/I	33-5030 ♦+	HP-1017 ¹
Canyon	2.8L L4 DSL	33-5030+	
Canyon	3.6L V6 F/I	33-5030 ♦+	HP-7027 ¹
Savana 2500	4.3L V6 F/I		HP-2011 ¹
Savana 2500	6.0L V8 F/I	E-1986	HP-1017 ¹
Savana 3500	4.3L V6 F/I		HP-2011 ¹
Savana 3500	6.0L V8 F/I	E-1986	HP-1017 ¹
Sierra 1500	2.7L L4 F/I	33-5083	
Sierra 1500	4.3L V6 F/I	33-5083 ♦	HP-2011 ¹
Sierra 1500	5.3L V8 F/I	33-5083 ♦	HP-2011 ¹
Sierra 1500	6.2L V8 F/I	33-5083 ♦	HP-2011 ¹
Sierra 2500 HD	6.6L V8 DSL		HP-2010 ¹
Sierra 2500 HD	6.6L V8 F/I		HP-2011 ¹
Sierra 3500 HD	6.6L V8 DSL		HP-2010 ¹
Sierra 3500 HD	6.6L V8 F/I		HP-2011 ¹
Terrain	1.5L L4 F/I	33-5069	HP-1017 ¹
Terrain	1.6L L4 DSL		HP-7027 ¹

Vehicle	Engine Type	Air Filter	Oil Filter
2020 GMC			
Terrain	2.0L L4 F/I	33-5069	HP-1017 ¹
Yukon	5.3L V8 F/I	33-2129 ♦	HP-2011 ¹
Yukon	6.2L V8 F/I	33-2135 ♦	HP-2011 ¹
Yukon XL	5.3L V8 F/I	33-2129 ♦	HP-2011 ¹
Yukon XL	6.2L V8 F/I	33-2135 ♦	HP-2011 ¹

Vehicle	Engine Type	Air Filter	Oil Filter
2019 GMC			
Acadia	2.5L L4 F/I	33-5056	HP-1017 ¹
Acadia	3.6L V6 F/I	33-5056 ♦	HP-2011 ¹
Canyon	2.5L L4 F/I	33-5030 ♦+	HP-1017 ¹
Canyon	2.8L L4 DSL	33-5030 ♦+	
Canyon	3.6L V6 F/I	33-5030 ♦+	HP-7027 ¹
Sierra 1500	5.3L V8 F/I	33-5083 ♦+	HP-2011 ¹
Sierra 1500	6.2L V8 F/I	33-5083 ♦+	HP-2011 ¹
Sierra 1500 Limited	5.3L V8 F/I	33-2129 ♦	HP-2011 ¹
Sierra 2500 HD	6.0L V8 F/I	33-2135 ♦+	HP-1017 ¹
Sierra 2500 HD	6.6L V8 DSL	33-5065 ♦+	HP-3003 ¹
Sierra 3500 HD	6.0L V8 F/I	33-2135 ♦+	HP-1017 ¹
Sierra 3500 HD	6.6L V8 DSL	33-5065 ♦+	HP-3003 ¹
Terrain	1.5L L4 F/I	33-5069+	HP-1017 ¹
Terrain	1.6L L4 DSL	33-5069+	HP-7027 ¹
Terrain	2.0L L4 F/I	33-5069+	HP-1017 ¹
Yukon	5.3L V8 F/I	33-2129 ♦+	HP-2011 ¹
Yukon	6.2L V8 F/I	33-2135 ♦+	HP-2011 ¹
Yukon Denali	6.2L V8 F/I	33-2135 ♦+	HP-2011 ¹
Yukon Denali XL	6.2L V8 F/I	33-2135 ♦+	HP-2011 ¹
Yukon XL	5.3L V8 F/I	33-2129 ♦+	HP-2011 ¹
Yukon XL	6.2L V8 F/I	33-2135 ♦+	HP-2011 ¹

Vehicle	Engine Type	Air Filter	Oil Filter
2018 GMC			
Acadia	2.5L L4 F/I	33-5056	HP-1017 ¹
Acadia	3.6L V6 F/I	33-5056 ♦	HP-2011 ¹
Canyon	2.5L L4 F/I	33-5030 ♦+	HP-1017 ¹
Canyon	2.8L L4 DSL	33-5030 ♦+	
Canyon	3.6L V6 F/I	33-5030 ♦+	HP-7027 ¹
Savana 2500	6.0L V8 F/I	E-1986	HP-1017 ¹
Savana 3500	6.0L V8 F/I	E-1986	HP-1017 ¹
Sierra 1500	4.3L V6 F/I	33-2129 ♦+	HP-2011 ¹
Sierra 1500	5.3L V8 F/I	33-2129+	HP-2011 ¹
		33-2129 ♦+	HP-2011 ¹
		33-2129 ♦	HP-2011 ¹
Sierra 1500	6.2L V8 F/I	33-2135 ♦+	HP-2011 ¹
		33-2135 ♦	HP-2011 ¹
Sierra 2500 HD	6.0L V8 F/I	33-2135 ♦+	HP-1017 ¹
Sierra 2500 HD	6.6L V8 DSL	33-5065 ♦+	HP-3003 ¹
Sierra 3500 HD	6.0L V8 F/I	33-2135 ♦+	HP-1017 ¹
Sierra 3500 HD	6.6L V8 DSL	33-5065 ♦+	HP-3003 ¹
Terrain	1.5L L4 F/I	33-5069+	HP-1017 ¹
Terrain	1.6L L4 DSL	33-5069+	HP-7027 ¹
Terrain	2.0L L4 F/I	33-5069+	HP-1017 ¹
Yukon	5.3L V8 F/I	33-2129 ♦+	HP-2011 ¹
Yukon	6.2L V8 F/I	33-2135 ♦+	HP-2011 ¹
Yukon Denali	6.2L V8 F/I	33-2135 ♦+	HP-2011 ¹
Yukon Denali XL	6.2L V8 F/I	33-2135 ♦+	HP-2011 ¹
Yukon XL	5.3L V8 F/I	33-2129 ♦+	HP-2011 ¹
Yukon XL	6.2L V8 F/I	33-2135 ♦+	HP-2011 ¹

Vehicle	Engine Type	Air Filter	Oil Filter
2017 GMC			
Acadia	2.5L L4 F/I	33-5056	HP-1017 ¹
Acadia	3.6L V6 F/I	33-5056 ♦	HP-2011 ¹
Acadia Limited	3.6L V6 F/I	33-2394	HP-2011 ¹
Canyon	2.5L L4 F/I	33-5030 ♦+	HP-1017 ¹
Canyon	2.8L L4 DSL	33-5030 ♦+	
Canyon	3.6L V6 F/I	33-5030 ♦+	HP-7027 ¹

* 2 filters required ♦ Intake System Available - see page 370 +Cabin Air Filter Available - see page 353 1- Performance Silver Oil Filter Also Available



Vehicle	Engine Type	Air Filter	Oil Filter
2017 GMC			
Savana 2500	4.8L V8 F/I	E-1986	HP-1017 ¹
Savana 2500	6.0L V8 F/I	E-1986	HP-1017 ¹
Savana 3500	4.8L V8 F/I	E-1986	
Savana 3500	6.0L V8 F/I	E-1986	HP-1017 ¹
Sierra 1500	4.3L V6 F/I	33-2129 ♦♦	HP-2011 ¹
Sierra 1500	5.3L V8 F/I	33-2129+ 33-2129 ♦♦	HP-2011 ¹
Sierra 1500	6.2L V8 F/I	33-2135 ♦♦	HP-2011 ¹
Sierra 2500 HD	6.0L V8 F/I	33-2135 ♦♦	HP-1017 ¹
Sierra 2500 HD	6.6L V8 DSL	33-5065 ♦♦	HP-3003 ¹
Sierra 3500 HD	6.0L V8 F/I	33-2135 ♦♦	HP-1017 ¹
Sierra 3500 HD	6.6L V8 DSL	33-5065 ♦♦	HP-3003 ¹
Terrain	2.4L L4 F/I	33-2439 ♦♦	HP-7000 ¹
Terrain	3.6L V6 F/I	33-2439+ 33-2129 ♦♦	HP-2011 ¹
Yukon	5.3L V8 F/I	33-2129 ♦♦	HP-2011 ¹
Yukon Denali	6.2L V8 F/I	33-2135 ♦♦	HP-2011 ¹
Yukon Denali XL	6.2L V8 F/I	33-2135 ♦♦	HP-2011 ¹
Yukon XL	5.3L V8 F/I	33-2129 ♦♦	HP-2011 ¹

Vehicle	Engine Type	Air Filter	Oil Filter
2016 GMC			
Acadia	3.6L V6 F/I	33-2394	HP-2011 ¹
Canyon	2.5L L4 F/I	33-5030 ♦♦	HP-1017 ¹
Canyon	2.8L L4 DSL	33-5030 ♦♦	
Canyon	3.6L V6 F/I	33-5030 ♦♦	HP-7003 ¹
Savana 2500	4.8L V8 F/I	E-1986	HP-1017 ¹
Savana 2500	6.0L V8 F/I	E-1986	
Savana 3500	6.0L V8 F/I	E-1986	
Sierra 1500	4.3L V6 F/I	33-2129 ♦♦	HP-2011 ¹
Sierra 1500	5.3L V8 F/I	33-2129 ♦♦	HP-2011 ¹
Sierra 1500	6.2L V8 F/I	33-2135 ♦♦	HP-2011 ¹
Sierra 2500 HD	6.0L V8 F/I	33-2135 ♦♦	HP-1017 ¹
Sierra 2500 HD	6.6L V8 DSL	33-2466 ♦♦	HP-3003 ¹
Sierra 3500 HD	6.0L V8 F/I	33-2135 ♦♦	HP-1017 ¹
Sierra 3500 HD	6.6L V8 DSL	33-2466 ♦♦	HP-3003 ¹
Terrain	2.4L L4 F/I	33-2439 ♦♦	HP-7000 ¹
Terrain	3.6L V6 F/I	33-2439+ 33-2129 ♦♦	HP-2011 ¹
Yukon	5.3L V8 F/I	33-2129 ♦♦	HP-2011 ¹
Yukon Denali	6.2L V8 F/I	33-2135 ♦♦	HP-2011 ¹
Yukon Denali XL	6.2L V8 F/I	33-2135 ♦♦	HP-2011 ¹
Yukon XL	5.3L V8 F/I	33-2129 ♦♦	HP-2011 ¹

Vehicle	Engine Type	Air Filter	Oil Filter
2015 GMC			
Acadia	3.6L V6 F/I	33-2394+	HP-2011 ¹
Canyon	2.5L L4 F/I	33-5030 ♦♦	HP-1017 ¹
Canyon	3.6L V6 F/I	33-5030 ♦♦	HP-7003 ¹
Savana 1500	4.3L V8 F/I		HP-1001 ¹
Savana 1500	5.3L V8 F/I		HP-1017 ¹
Savana 2500	4.8L V8 F/I	E-1986	HP-1017 ¹
Savana 2500	6.0L V8 F/I	E-1986	HP-1017 ¹
Savana 2500	6.6L V8 DSL		HP-3003 ¹
Sierra 1500	4.3L V6 F/I	33-2129 ♦♦	HP-2011 ¹
Sierra 1500	5.3L V8 F/I	33-2129+ 33-2129 ♦♦	HP-2011 ¹
Sierra 1500	6.2L V8 F/I	33-2135 ♦♦	HP-2011 ¹
Sierra 2500 HD	6.0L V8 F/I	33-2135 ♦♦	HP-1017 ¹
Sierra 2500 HD	6.6L V8 DSL	33-2466 ♦♦	HP-3003 ¹
Sierra 3500 HD	6.0L V8 F/I	33-2135 ♦♦	HP-1017 ¹
Sierra 3500 HD	6.6L V8 DSL	33-2466 ♦♦	HP-3003 ¹
Terrain	2.4L L4 F/I	33-2439 ♦♦	HP-7000 ¹
Terrain	3.6L V6 F/I	33-2439+ 33-2129 ♦♦	HP-2011 ¹
Yukon	5.3L V8 F/I	33-2129 ♦♦	HP-1017 ¹
Yukon Denali	6.2L V8 F/I	33-2135 ♦♦	HP-1017 ¹
Yukon Denali XL	6.2L V8 F/I	33-2135 ♦♦	HP-1017 ¹

Vehicle	Engine Type	Air Filter	Oil Filter
2015 GMC			
Yukon XL	5.3L V8 F/I	33-2129 ♦♦	HP-1017 ¹
2014 GMC			
Acadia	3.6L V6 F/I	33-2394+	HP-2011 ¹
Savana 1500	4.3L V6 F/I	E-1986	HP-1001 ¹
Savana 1500	5.3L V8 F/I		HP-1017 ¹
Savana 2500	4.8L V8 F/I	E-1986	HP-1017 ¹
Sierra 1500	4.3L V6 F/I	33-2129 ♦♦	HP-2011 ¹
Sierra 1500	5.3L V8 F/I	33-2129 ♦♦	HP-1017 ¹
Sierra 1500	6.2L V8 F/I	33-2135 ♦♦	HP-2011 ¹
Sierra 2500 HD	6.0L V8 F/I	33-2135 ♦	HP-1017 ¹
Sierra 2500 HD	6.6L V8 DSL	33-2466 ♦	HP-3003 ¹
Sierra 3500 HD	6.0L V8 F/I	33-2135 ♦	HP-1017 ¹
Sierra 3500 HD	6.6L V8 DSL	33-2466 ♦	HP-3003 ¹
Sierra Denali	6.2L V8 F/I	33-2135 ♦♦	HP-2011 ¹
Terrain	2.4L L4 F/I	33-2439 ♦♦	HP-7000 ¹
Terrain	3.6L V6 F/I	33-2439+ 33-2129 ♦	HP-2011 ¹
Yukon	5.3L V8 F/I	33-2129 ♦	HP-1017 ¹
Yukon Denali	6.2L V8 F/I	33-2135 ♦	HP-1017 ¹
Yukon Denali XL	6.2L V8 F/I	33-2135 ♦	HP-1017 ¹
Yukon XL 1500	5.3L V8 F/I	33-2129 ♦	HP-1017 ¹
Yukon XL 1500	6.2L V8 F/I	33-2135	HP-1017 ¹

Vehicle	Engine Type	Air Filter	Oil Filter
2013 GMC			
Acadia	3.6L V6 F/I	33-2394+	HP-2011 ¹
Savana 1500	5.3L V8 F/I	E-1986	HP-1017 ¹
Sierra 1500	4.3L V6 F/I	33-2129	HP-1001 ¹
Sierra 1500	4.8L V8 F/I	33-2129 ♦	HP-1017 ¹
Sierra 1500	5.3L V8 F/I	33-2129 ♦	HP-1017 ¹
Sierra 1500	6.2L V8 F/I	33-2135 ♦	HP-1017 ¹
Sierra 1500 Hybrid	6.0L V8 F/I	33-2135	HP-1017 ¹
Sierra 2500 HD	6.0L V8 F/I	33-2135 ♦	HP-1017 ¹
Sierra 2500 HD	6.6L V8 DSL	33-2466 ♦	HP-3003 ¹
Sierra 3500 HD	6.0L V8 F/I	33-2135 ♦	HP-1017 ¹
Sierra 3500 HD	6.6L V8 DSL	33-2466 ♦	HP-3003 ¹
Sierra Denali	6.2L V8 F/I	33-2135 ♦	HP-1017 ¹
Terrain	2.4L L4 F/I	33-2439 ♦♦	HP-7000 ¹
Terrain	3.6L V6 F/I	33-2439+ 33-2129 ♦	HP-2011 ¹
Yukon	5.3L V8 F/I	33-2129 ♦	HP-1017 ¹
Yukon Denali	6.2L V8 F/I	33-2135 ♦	HP-1017 ¹
Yukon Denali Hybrid	6.0L V8 F/I	33-2135	HP-1017 ¹
Yukon Denali XL	6.2L V8 F/I	33-2135 ♦	HP-1017 ¹
Yukon XL 1500	5.3L V8 F/I	33-2129 ♦	HP-1017 ¹
Yukon XL 1500	6.2L V8 F/I	33-2135 ♦	HP-1017 ¹
Yukon XL 2500	6.0L V8 F/I	33-2135	HP-1017 ¹

Vehicle	Engine Type	Air Filter	Oil Filter
2012 GMC			
Acadia	3.6L V6 F/I	33-2394+	HP-2011 ¹
Canyon	2.9L L4 F/I	33-2408 ♦	HP-1007 ¹
Canyon	3.7L L5 F/I	33-2408 ♦	HP-2006 ¹
Canyon	5.3L V8 F/I	33-2408	HP-1017 ¹
Savana 1500	4.3L V6 F/I	E-1986	
Savana 1500	5.3L V8 F/I	E-1986	HP-1017 ¹
Savana 2500	6.0L V8 F/I	E-1986	
Sierra 1500	4.3L V6 F/I	33-2129	HP-1001 ¹
Sierra 1500	4.8L V8 F/I	33-2129 ♦	HP-1017 ¹
Sierra 1500	5.3L V8 F/I	33-2129 ♦	HP-1017 ¹
Sierra 1500	6.2L V8 F/I	33-2135 ♦	HP-1017 ¹
Sierra 1500 Hybrid	6.0L V8 F/I	33-2135	HP-1017 ¹
Sierra 2500 HD	6.0L V8 F/I	33-2135 ♦	HP-1017 ¹
Sierra 2500 HD	6.6L V8 DSL	33-2466 ♦	HP-3003 ¹
Sierra 3500 HD	6.0L V8 F/I	33-2135 ♦	HP-1017 ¹
Sierra 3500 HD	6.6L V8 DSL	33-2466 ♦	HP-3003 ¹
Sierra Denali	6.2L V8 F/I	33-2135 ♦	HP-1017 ¹

* 2 filters required ♦ Intake System Available - see page 370 +Cabin Air Filter Available - see page 353 1- Performance Silver Oil Filter Also Available



AIR & OIL FILTERS

GMC

Vehicle	Engine Type	Air Filter	Oil Filter
2012 GMC			
Terrain	2.4L L4 F/I	33-2439 ♦♦	HP-7000 ¹
Terrain	3.0L V6 F/I	33-2439 ♦♦	HP-2011 ¹
Yukon	5.3L V8 F/I	33-2129 ♦	HP-1017 ¹
Yukon Denali	6.2L V8 F/I	33-2135 ♦	HP-1017 ¹
Yukon Denali Hybrid	6.0L V8 F/I	33-2135	HP-1017 ¹
Yukon Denali XL	6.2L V8 F/I	33-2135 ♦	HP-1017 ¹
Yukon XL 1500	5.3L V8 F/I	33-2129 ♦	HP-1017 ¹
Yukon XL 2500	6.0L V8 F/I	33-2135	HP-1017 ¹

Vehicle	Engine Type	Air Filter	Oil Filter
2011 GMC			
Acadia	3.6L V6 F/I	33-2394 +	HP-2011 ¹
Canyon	2.9L L4 F/I	33-2408 ♦	HP-1007 ¹
Canyon	3.7L L5 F/I	33-2408 ♦	HP-2006 ¹
Savana 1500	5.3L V8 F/I	E-1986	HP-1017 ¹
Savana 2500	4.8L V8 F/I	E-1986	HP-1017 ¹
Sierra 1500	4.3L V6 F/I	33-2129	HP-1001 ¹
Sierra 1500	4.8L V8 F/I	33-2129 ♦	HP-1017 ¹
Sierra 1500	5.3L V8 F/I	33-2129 ♦	HP-1017 ¹
Sierra 1500	6.2L V8 F/I	33-2135 ♦	HP-1017 ¹
Sierra 1500 Hybrid	6.0L V8 F/I	33-2135	HP-1017 ¹
Sierra 2500 HD	6.0L V8 F/I	33-2135 ♦	HP-1017 ¹
Sierra 2500 HD	6.6L V8 DSL	33-2466 ♦	HP-3003 ¹
Sierra 3500 HD	6.0L V8 F/I	33-2135 ♦	HP-1017 ¹
Sierra 3500 HD	6.6L V8 DSL	33-2466 ♦	HP-3003 ¹
Sierra Denali	6.2L V8 F/I	33-2135 ♦	HP-1017 ¹
Terrain	2.4L L4 F/I	33-2439 ♦♦	HP-7000 ¹
Terrain	3.0L V6 F/I	33-2439 ♦♦	HP-2011 ¹
Yukon	5.3L V8 F/I	33-2129 ♦	HP-1017 ¹
Yukon Denali	6.2L V8 F/I	33-2135 ♦	HP-1017 ¹
Yukon Denali Hybrid	6.0L V8 F/I	33-2135	HP-1017 ¹
Yukon Denali XL	6.2L V8 F/I	33-2135 ♦	HP-1017 ¹
Yukon Hybrid	6.0L V8 F/I	33-2135	
Yukon XL 1500	5.3L V8 F/I	33-2129 ♦	HP-1017 ¹
Yukon XL 1500	6.2L V8 F/I	33-2135 ♦	HP-1017 ¹
Yukon XL 2500	6.0L V8 F/I	33-2135	HP-1017 ¹

Vehicle	Engine Type	Air Filter	Oil Filter
2010 GMC			
Acadia	3.6L V6 F/I	33-2394 +	HP-1017 ¹
Canyon	2.9L L4 F/I	33-2408 ♦	HP-1007 ¹
Canyon	3.7L L5 F/I	33-2408 ♦	HP-2006 ¹
Canyon	5.3L V8 F/I	33-2408	HP-1017 ¹
Savana 1500	4.3L V6 F/I	E-1986	
Savana 1500	5.3L V8 F/I	E-1986	HP-1017 ¹
Savana 2500	6.0L V8 F/I	E-1986	
Sierra 1500	4.3L V6 F/I	33-2129	HP-1001 ¹
Sierra 1500	4.8L V8 F/I	33-2129 ♦	HP-1017 ¹
Sierra 1500	5.3L V8 F/I	33-2129 ♦	HP-1017 ¹
Sierra 1500	6.2L V8 F/I	33-2135 ♦	HP-1017 ¹
Sierra 1500 Hybrid	6.0L V8 F/I	33-2135	HP-1017 ¹
Sierra 2500 HD	6.0L V8 F/I	33-2135	HP-1017 ¹
Sierra 2500 HD	6.6L V8 DSL	E-0781 ♦	HP-3003 ¹
Sierra 3500 HD	6.6L V8 DSL	E-0781 ♦	HP-3003 ¹
Sierra Denali	6.2L V8 F/I	33-2135 ♦	HP-1017 ¹
Terrain	2.4L L4 F/I	33-2439 ♦♦	HP-7000 ¹
Terrain	3.0L V6 F/I	33-2439 ♦♦	HP-1017 ¹
Yukon	5.3L V8 F/I	33-2129 ♦	HP-1017 ¹
Yukon Denali	6.2L V8 F/I	33-2135 ♦	HP-1017 ¹
Yukon Denali Hybrid	6.0L V8 F/I	33-2135	HP-1017 ¹
Yukon Denali XL	6.2L V8 F/I	33-2135 ♦	HP-1017 ¹
Yukon Hybrid	6.0L V8 F/I	33-2135	HP-1017 ¹
Yukon XL 1500	5.3L V8 F/I	33-2129 ♦	HP-1017 ¹
Yukon XL 1500	6.2L V8 F/I	33-2135 ♦	HP-1017 ¹
Yukon XL 2500	6.0L V8 F/I	33-2135	HP-1017 ¹

Vehicle	Engine Type	Air Filter	Oil Filter
2009 GMC			
Acadia	3.6L V6 F/I	33-2394 +	HP-1017 ¹
Canyon	2.9L L4 F/I	33-2408 ♦	HP-1007 ¹
Canyon	3.7L L5 F/I	33-2408 ♦	HP-2006 ¹
Canyon	5.3L V8 F/I	33-2408	HP-1017 ¹
Envoy	4.2L L6 F/I	E-1009 ♦	HP-2006 ¹
Envoy	5.3L V8 F/I	E-1009	HP-1017 ¹
Savana 1500	5.3L V8 F/I	E-1986	HP-1017 ¹
Savana 2500	6.0L V8 F/I	E-1986	HP-1017 ¹
Sierra 1500	4.3L V6 F/I	33-2129	HP-1001 ¹
Sierra 1500	4.8L V8 F/I	33-2129 ♦	HP-1017 ¹
Sierra 1500	5.3L V8 F/I	33-2129 ♦	HP-1017 ¹
Sierra 1500	6.0L V8 F/I	33-2135 ♦	HP-1017 ¹
Sierra 1500	6.2L V8 F/I	33-2135 ♦	HP-1017 ¹
Sierra 1500 Hybrid	6.0L V8 F/I	33-2135	HP-1017 ¹
Sierra 2500 HD	6.0L V8 F/I	33-2135	HP-1017 ¹
Sierra 2500 HD	6.6L V8 DSL	E-0781 ♦	HP-3003 ¹
Sierra 3500 HD	6.0L V8 F/I	33-2135	HP-1017 ¹
Sierra 3500 HD	6.6L V8 DSL	E-0781 ♦	HP-3003 ¹
Sierra Denali	6.2L V8 F/I	33-2135 ♦	HP-1017 ¹
Yukon	5.3L V8 F/I	33-2129 ♦	HP-1017 ¹
Yukon Denali	6.2L V8 F/I	33-2135 ♦	HP-1017 ¹
Yukon Denali XL	6.2L V8 F/I	33-2135 ♦	HP-1017 ¹
Yukon Hybrid	6.0L V8 F/I	33-2135	HP-1017 ¹
Yukon XL 1500	5.3L V8 F/I	33-2129 ♦	HP-1017 ¹
Yukon XL 1500	6.0L V8 F/I	33-2135 ♦	
Yukon XL 1500	6.2L V8 F/I	33-2135 ♦	HP-1017 ¹
Yukon XL 2500	6.0L V8 F/I	33-2135	HP-1017 ¹

Vehicle	Engine Type	Air Filter	Oil Filter
2008 GMC			
Acadia	3.6L V6 F/I	33-2394 +	HP-1017 ¹
Canyon	2.9L L4 F/I	33-2408 ♦	HP-1007 ¹
Canyon	3.7L L5 F/I	33-2408 ♦	HP-2006 ¹
Envoy	4.2L L6 F/I	E-1009 ♦	HP-2006 ¹
Envoy Denali	5.3L V8 F/I	E-1009	HP-1017 ¹
Savana 1500	4.3L V6 F/I	E-1986	HP-1001 ¹
Savana 1500	5.3L V8 F/I	E-1986	HP-1017 ¹
Savana 3500	4.8L V8 F/I	E-1986	
Sierra 1500	4.3L V6 F/I	33-2129	HP-1001 ¹
Sierra 1500	4.8L V8 F/I	33-2129 ♦	HP-1017 ¹
Sierra 1500	5.3L V8 F/I	33-2129 ♦	HP-1017 ¹
Sierra 1500	6.0L V8 F/I	33-2135 ♦	HP-1017 ¹
Sierra 2500 HD	6.0L V8 F/I	33-2135 ♦	HP-1017 ¹
Sierra 2500 HD	6.6L V8 DSL	E-0781 ♦	HP-3003 ¹
Sierra 3500 HD	6.6L V8 DSL	E-0781 ♦	HP-3003 ¹
Sierra Denali	6.2L V8 F/I	33-2135 ♦	HP-1017 ¹
Yukon	4.8L V8 F/I	33-2129 ♦	HP-1017 ¹
Yukon	5.3L V8 F/I	33-2129 ♦	HP-1017 ¹
Yukon Denali	6.2L V8 F/I	33-2135 ♦	HP-1017 ¹
Yukon Hybrid	6.0L V8 F/I	33-2135	HP-1017 ¹
Yukon XL 1500	5.3L V8 F/I	33-2129 ♦	HP-1017 ¹
Yukon XL 1500	6.0L V8 F/I	33-2135 ♦	
Yukon XL 1500	6.2L V8 F/I	33-2135 ♦	HP-1017 ¹
Denali			
Yukon XL 2500	6.0L V8 F/I	33-2135	HP-1017 ¹

Vehicle	Engine Type	Air Filter	Oil Filter
2007 GMC			
Acadia	3.6L V6 F/I	33-2394 +	HP-1017 ¹
Canyon	2.9L L4 F/I	E-0773 ♦	HP-1007 ¹
Canyon	3.7L L5 F/I	E-0773 ♦	HP-2006 ¹
Envoy	4.2L L6 F/I	E-1009 ♦	HP-2006 ¹
Envoy Denali	5.3L V8 F/I	E-1009	HP-1017 ¹
Savana 2500	4.8L V8 F/I	E-1008	
Savana 3500	6.0L V8 F/I	E-1008	
Sierra	5.3L V8 F/I	33-2129	HP-1017 ¹

* 2 filters required ♦ Intake System Available - see page 370 +Cabin Air Filter Available - see page 353 1- Performance Silver Oil Filter Also Available

Partial Listing: Complete Listing of Vehicles and Parts at KNFILTERS.COM or call 1-800-858-3333



Vehicle	Engine Type	Air Filter	Oil Filter
2007 GMC			
Sierra 1500	4.3L V6 F/I	33-2129	HP-1001 ¹
Sierra 1500	4.8L V8 F/I	33-2129 ♦	HP-1017 ¹
Sierra 1500	5.3L V8 F/I	33-2129 ♦	HP-1017 ¹
Sierra 1500	6.0L V8 F/I	33-2135 ♦	HP-1017 ¹
Sierra 1500 Classic	4.3L V6 F/I	33-2129 ♦	HP-1001 ¹
Sierra 1500 Classic	4.8L V8 F/I	33-2129 ♦	HP-1017 ¹
Sierra 1500 Classic	5.3L V8 F/I	33-2129 ♦	HP-1017 ¹
Sierra 1500 HD	6.0L V8 F/I	33-2135	HP-1017 ¹
Sierra 1500 HD	6.0L V8 F/I	33-2135 ♦	HP-1017 ¹
Sierra 2500 HD	6.0L V8 F/I	33-2135 ♦	HP-1017 ¹
Sierra 2500 HD	6.6L V8 DSL	E-0781 ♦	HP-3003 ¹
Sierra 2500 HD	6.0L V8 F/I	33-2135 ♦	HP-1017 ¹
Sierra 2500 HD Classic	6.6L V8 DSL	E-0781 ♦	HP-3003 ¹
Sierra 2500 HD Classic	8.1L V8 F/I	33-2135 ♦	
Sierra 3500 Classic	6.0L V8 F/I	33-2135 ♦	
Sierra 3500 Classic	6.6L V8 DSL	E-0781 ♦	HP-3003 ¹
Sierra 3500 HD	6.0L V8 F/I	33-2135 ♦	HP-1017 ¹
Sierra 3500 HD	6.6L V8 DSL	E-0781 ♦	HP-3003 ¹
Sierra Denali	6.2L V8 F/I	33-2135 ♦	HP-1017 ¹
Sierra Denali Classic	6.0L V8 F/I	33-2135 ♦	HP-1017 ¹
Yukon	4.8L V8 F/I	33-2129 ♦	HP-1017 ¹
Yukon	5.3L V8 F/I	33-2129 ♦	HP-1017 ¹
Yukon Denali	6.2L V8 F/I	33-2135 ♦	HP-1017 ¹
Yukon XL 1500	5.3L V8 F/I	33-2129 ♦	HP-1017 ¹
Yukon XL 1500	6.2L V8 F/I	33-2135 ♦	HP-1017 ¹
Denali			
Yukon XL 2500	6.0L V8 F/I	33-2135 ♦	HP-1017 ¹

Vehicle	Engine Type	Air Filter	Oil Filter
2006 GMC			
Canyon	2.8L L4 F/I	E-0773 ♦	HP-1007 ¹
Canyon	3.5L L5 F/I	E-0773 ♦	HP-2006 ¹
Envoy	4.2L L6 F/I	E-1009 ♦	HP-2006 ¹
Envoy Denali	5.3L V8 F/I	E-1009	HP-1007 ¹
Savana 2500	6.0L V8 F/I	E-1008	HP-1007 ¹
Savana 2500	6.6L V8 DSL		HP-3003 ¹
Savana 3500	6.6L V8 DSL		HP-3003 ¹
Sierra 1500	4.3L V6 F/I	33-2129 ♦	HP-1001 ¹
Sierra 1500	4.8L V8 F/I	33-2129 ♦	HP-1007 ¹
Sierra 1500	5.3L V8 F/I	33-2129 ♦	HP-1007 ¹
Sierra 1500	6.0L V8 F/I	33-2135 ♦	HP-1007 ¹
Sierra 1500 HD	6.0L V8 F/I	33-2135 ♦	HP-1007 ¹
Sierra 2500 HD	6.0L V8 F/I	33-2135 ♦	HP-1007 ¹
Sierra 2500 HD	6.6L V8 DSL	E-0781 ♦	HP-3003 ¹
Sierra 2500 HD	8.1L V8 F/I	33-2135 ♦	HP-1011 ¹
Sierra 3500	6.0L V8 F/I	33-2135 ♦	HP-1007 ¹
Sierra 3500	6.6L V8 DSL	E-0781 ♦	HP-3003 ¹
Sierra Denali	6.0L V8 F/I	33-2135 ♦	HP-1007 ¹
Yukon	5.3L V8 F/I	33-2129 ♦	HP-1007 ¹
Yukon Denali	6.0L V8 F/I	33-2135 ♦	HP-1007 ¹
Yukon Denali XL	6.0L V8 F/I	33-2135 ♦	HP-1007 ¹
Yukon XL 1500	5.3L V8 F/I	33-2129 ♦	HP-1007 ¹
Yukon XL 2500	6.0L V8 F/I	33-2135 ♦	HP-1007 ¹
Yukon XL 2500	8.1L V8 F/I	33-2135 ♦	HP-1011 ¹

Vehicle	Engine Type	Air Filter	Oil Filter
2005 GMC			
Canyon	2.8L L4 F/I	E-0773 ♦	HP-1007 ¹
Canyon	3.5L L5 F/I	E-0773 ♦	HP-2006 ¹
Envoy	4.2L L6 F/I	E-1009 ♦	HP-2006 ¹
Envoy	5.3L V8 F/I	E-1009	HP-1007 ¹
Jimmy	4.3L V6 F/I	33-2042	HP-2001 ¹

Vehicle	Engine Type	Air Filter	Oil Filter
2005 GMC			
Savana 1500	5.3L V8 F/I	E-1008	HP-1007 ¹
Savana 2500	4.8L V8 F/I	E-1008	HP-1007 ¹
Savana 3500	6.0L V8 F/I	E-1008	HP-1007 ¹
Sierra 1500	4.3L V6 F/I	33-2129 ♦	HP-1001 ¹
Sierra 1500	4.8L V8 F/I	33-2129 ♦	HP-1007 ¹
Sierra 1500	5.3L V8 F/I	33-2129 ♦	HP-1007 ¹
Sierra 1500	6.0L V8 F/I	33-2135 ♦	HP-1007 ¹
Sierra 1500 HD	6.0L V8 F/I	33-2135 ♦	HP-1007 ¹
Sierra 2500 HD	6.0L V8 F/I	33-2135 ♦	HP-1007 ¹
Sierra 2500 HD	6.6L V8 DSL		HP-3003 ¹
Sierra 2500 HD	6.6L V8 DSL - w/Panel Filter	33-2135 ♦	HP-3003
Sierra 2500 HD	6.6L V8 DSL - w/Round Filter	E-0781 ♦	HP-3003
Sierra 2500 HD	8.1L V8 F/I	33-2135 ♦	HP-1011 ¹
Sierra 3500	6.0L V8 F/I	33-2135 ♦	HP-1007 ¹
Sierra 3500	6.6L V8 DSL		HP-3003 ¹
Sierra 3500	6.6L V8 DSL - w/Panel Filter	33-2135 ♦	HP-3003
Sierra 3500	6.6L V8 DSL - w/Round Filter	E-0781 ♦	HP-3003
Sierra Denali	6.0L V8 F/I	33-2135 ♦	HP-1007 ¹
Yukon	4.8L V8 F/I	33-2129 ♦	HP-1007 ¹
Yukon	5.3L V8 F/I	33-2129 ♦	HP-1007 ¹
Yukon Denali	6.0L V8 F/I	33-2135 ♦	HP-1007 ¹
Yukon Denali XL	6.0L V8 F/I	33-2135 ♦	HP-1007 ¹
Yukon XL 1500	5.3L V8 F/I	33-2129 ♦	HP-1007 ¹
Yukon XL 2500	6.0L V8 F/I	33-2135 ♦	HP-1007 ¹
Yukon XL 2500	8.1L V8 F/I	33-2135 ♦	HP-1011 ¹

Vehicle	Engine Type	Air Filter	Oil Filter
2004 GMC			
Canyon	2.8L L4 F/I	E-0773 ♦	
Canyon	3.5L L5 F/I	E-0773 ♦	HP-2006 ¹
Envoy	4.2L L6 F/I	E-1009 ♦	HP-2006 ¹
Envoy	5.3L V8 F/I	E-1009 ♦	HP-1007 ¹
Jimmy	4.3L V6 F/I	33-2042	HP-2001 ¹
Safari	4.3L V6 F/I	33-2225	HP-1001 ¹
Savana 1500	5.3L V8 F/I	E-1008	HP-1007 ¹
Sierra 1500	4.3L V6 F/I	33-2129 ♦	HP-1001 ¹
Sierra 1500	4.8L V8 F/I	33-2129 ♦	HP-1007 ¹
Sierra 1500	5.3L V8 F/I	33-2129 ♦	HP-1007 ¹
Sierra 2500	6.0L V8 F/I	33-2135 ♦	HP-1007 ¹
Sierra 2500 HD	6.0L V8 F/I	33-2135 ♦	HP-1007 ¹
Sierra 2500 HD	6.6L V8 DSL	33-2135 ♦	HP-3003 ¹
Sierra 2500 HD	8.1L V8 F/I	33-2135 ♦	HP-1011 ¹
Sierra 3500	6.6L V8 DSL	33-2135 ♦	HP-3003 ¹
Sierra Denali	6.0L V8 F/I	33-2135 ♦	HP-1007 ¹
Sonoma	4.3L V6 F/I	33-2042	HP-2001 ¹
Yukon	4.8L V8 F/I	33-2129 ♦	HP-1007 ¹
Yukon	5.3L V8 F/I	33-2129 ♦	HP-1007 ¹
Yukon Denali	6.0L V8 F/I	33-2135 ♦	HP-1007 ¹
Yukon Denali XL	6.0L V8 F/I	33-2135 ♦	HP-1007 ¹
Yukon XL 1500	5.3L V8 F/I	33-2129 ♦	HP-1007 ¹
Yukon XL 2500	6.0L V8 F/I	33-2135 ♦	HP-1007 ¹
Yukon XL 2500	8.1L V8 F/I	33-2135 ♦	HP-1011 ¹

Vehicle	Engine Type	Air Filter	Oil Filter
2003 GMC			
Envoy	4.2L L6 F/I	E-1009 ♦	HP-2006 ¹
Envoy	5.3L V8 F/I	E-1009 ♦	HP-1007 ¹
Jimmy	4.3L V6 F/I	33-2042	
Jimmy	4.3L V6 F/I - 2WD	33-2042	HP-1001 ¹
Jimmy	4.3L V6 F/I - 4WD	33-2042	HP-2001 ¹
Safari	4.3L V6 F/I	33-2225	HP-1001 ¹
Savana 1500	5.3L V8 F/I	E-1008	HP-1007 ¹
Sierra 1500	4.3L V6 F/I	33-2129 ♦	HP-1001 ¹

* 2 filters required ♦ Intake System Available - see page 370 +Cabin Air Filter Available - see page 353 1- Performance Silver Oil Filter Also Available



AIR & OIL FILTERS

GMC

Vehicle	Engine Type	Air Filter	Oil Filter
2003 GMC			
Sierra 1500	4.8L V8 F/I	33-2129 ♦	HP-1007 ¹
Sierra 1500	5.3L V8 F/I	33-2129 ♦	HP-1007 ¹
Sierra 1500 HD	6.0L V8 F/I	33-2135 ♦	HP-1007 ¹
Sierra 2500	6.0L V8 F/I	33-2135 ♦	HP-1007 ¹
Sierra 2500 HD	6.0L V8 F/I	33-2135 ♦	HP-1007 ¹
Sierra 2500 HD	6.6L V8 DSL	33-2135 ♦	HP-3003 ¹
Sierra 2500 HD	8.1L V8 F/I	33-2135 ♦	HP-1011 ¹
Sierra 3500	6.6L V8 DSL	33-2135 ♦	HP-3003 ¹
Sierra 3500	8.1L V8 F/I	33-2135 ♦	
Sierra Denali	6.0L V8 F/I	33-2135 ♦	HP-1007 ¹
Sonoma	2.2L L4 F/I	33-2042 ♦	HP-1001 ¹
Sonoma	4.3L V6 F/I	33-2042 ♦	
Sonoma	4.3L V6 F/I - 2WD	33-2042	HP-1001 ¹
Sonoma	4.3L V6 F/I - 4WD	33-2042	HP-2001 ¹
Yukon	4.8L V8 F/I	33-2129 ♦	HP-1007 ¹
Yukon	5.3L V8 F/I	33-2129 ♦	HP-1007 ¹
Yukon Denali	6.0L V8 F/I	33-2135 ♦	HP-1007 ¹
Yukon Denali XL	6.0L V8 F/I	33-2135 ♦	HP-1007 ¹
Yukon XL 1500	5.3L V8 F/I	33-2129 ♦	HP-1007 ¹
Yukon XL 2500	6.0L V8 F/I	33-2135 ♦	HP-1007 ¹
Yukon XL 2500	8.1L V8 F/I	33-2135 ♦	

Vehicle	Engine Type	Air Filter	Oil Filter
2002 GMC			
Envoy	4.2L L6 F/I	E-1009 ♦	HP-2006 ¹
Jimmy	4.3L V6 F/I	33-2042	
Jimmy	4.3L V6 F/I - 2WD	33-2042	HP-1001 ¹
Jimmy	4.3L V6 F/I - 4WD	33-2042	HP-2001 ¹
Safari	4.3L V6 F/I	33-2225	HP-1001 ¹
Savana 1500	5.0L V8 F/I	E-1008	HP-3002 ¹
Savana 1500	5.7L V8 F/I	E-1008	HP-3002 ¹
Savana 2500	4.3L V6 F/I	E-1008	
Savana 2500	5.7L V8 F/I	E-1008	
Savana 3500	5.7L V8 F/I	E-1008	HP-3002 ¹
Savana 3500	8.1L V8 F/I	E-1008	HP-1011 ¹
Sierra 1500	4.3L V6 F/I	33-2129 ♦♦	HP-1001 ¹
Sierra 1500	4.8L V8 F/I	33-2129 ♦♦	HP-2006 ¹
Sierra 1500	5.3L V8 F/I	33-2129 ♦♦	HP-2006 ¹
Sierra 1500 HD	6.0L V8 F/I	33-2135 ♦♦	HP-2006 ¹
Sierra 2500	6.0L V8 F/I	33-2135 ♦♦	HP-2006 ¹
Sierra 2500 HD	6.0L V8 F/I	33-2135 ♦♦	HP-2006 ¹
Sierra 2500 HD	6.6L V8 DSL	33-2135 ♦♦	HP-3003 ¹
Sierra 2500 HD	8.1L V8 F/I	33-2135 ♦♦	HP-1011 ¹
Sierra 3500	6.6L V8 DSL	33-2135 ♦♦	HP-3003 ¹
Sierra 3500	8.1L V8 F/I	33-2135 ♦♦	HP-1011 ¹
Sierra Denali	6.0L V8 F/I	33-2135 ♦	HP-2006 ¹
Sonoma	2.2L L4 F/I	33-2042 ♦	HP-1001 ¹
Sonoma	4.3L V6 F/I	33-2042 ♦	HP-1001 ¹
Yukon	4.8L V8 F/I	33-2129 ♦♦	HP-2006 ¹
Yukon	5.3L V8 F/I	33-2129 ♦♦	HP-2006 ¹
Yukon Denali	6.0L V8 F/I	33-2135 ♦♦	HP-2006 ¹
Yukon Denali XL	6.0L V8 F/I	33-2135 ♦♦	HP-2006 ¹
Yukon XL 1500	5.3L V8 F/I	33-2129 ♦♦	HP-2006 ¹
Yukon XL 2500	6.0L V8 F/I	33-2135 ♦♦	HP-2006 ¹
Yukon XL 2500	8.1L V8 F/I	33-2135 ♦♦	HP-1011 ¹

Vehicle	Engine Type	Air Filter	Oil Filter
2001 GMC			
Jimmy	4.3L V6 F/I	33-2042 ♦	
Jimmy	4.3L V6 F/I - 2WD	33-2042	HP-1001 ¹
Jimmy	4.3L V6 F/I - 4WD	33-2042	HP-2001 ¹
Safari	4.3L V6 F/I	33-2225	HP-1001 ¹
Savana 1500	5.7L V8 F/I	E-1008	HP-3002 ¹
Sierra 1500	4.3L V6 F/I	33-2129 ♦♦	HP-1001 ¹
Sierra 1500	4.8L V8 F/I	33-2129 ♦♦	HP-2006 ¹
Sierra 1500	5.3L V8 F/I	33-2129 ♦♦	HP-2006 ¹

Vehicle	Engine Type	Air Filter	Oil Filter
2001 GMC			
Sierra 1500	6.0L V8 F/I	33-2135 ♦♦	HP-2006 ¹
Sierra 1500 HD	6.0L V8 F/I	33-2135 ♦♦	HP-2006 ¹
Sierra 2500	6.0L V8 F/I	33-2135 ♦♦	HP-2006 ¹
Sierra 2500 HD	6.0L V8 F/I	33-2135 ♦♦	HP-2006 ¹
Sierra 2500 HD	6.6L V8 DSL	33-2135 ♦♦	HP-3003 ¹
Sierra 2500 HD	8.1L V8 F/I	33-2135 ♦♦	HP-1011 ¹
Sierra 3500	6.6L V8 DSL	33-2135 ♦♦	HP-3003 ¹
Sierra 3500	8.1L V8 F/I	33-2135 ♦♦	
Sierra C3	6.0L V8 F/I	33-2135 ♦♦	HP-2006 ¹
Sonoma	2.2L L4 F/I	33-2042 ♦	HP-1001 ¹
Sonoma	4.3L V6 F/I	33-2042 ♦	
Sonoma	4.3L V6 F/I - 2WD	33-2042	HP-1001 ¹
Sonoma	4.3L V6 F/I - 4WD	33-2042	HP-2001 ¹
Yukon	4.8L V8 F/I	33-2129 ♦♦	HP-2006 ¹
Yukon	5.3L V8 F/I	33-2129 ♦♦	HP-2006 ¹
Yukon Denali	6.0L V8 F/I	33-2135 ♦♦	HP-2006 ¹
Yukon Denali XL	6.0L V8 F/I	33-2135 ♦♦	HP-2006 ¹
Yukon XL 1500	5.3L V8 F/I	33-2129 ♦♦	HP-2006 ¹
Yukon XL 2500	6.0L V8 F/I	33-2135 ♦♦	HP-2006 ¹
Yukon XL 2500	8.1L V8 F/I	33-2135 ♦♦	HP-1011 ¹

Vehicle	Engine Type	Air Filter	Oil Filter
2000 GMC			
C2500	5.7L V8 F/I	E-1796 ♦	HP-3002 ¹
C3500	7.4L V8 F/I	E-1796 ♦	HP-3002 ¹
C3500HD	7.4L V8 F/I	E-1796 ♦	HP-3002 ¹
Jimmy	4.3L V6 F/I	33-2042 ♦	HP-1001 ¹
K2500	5.7L V8 F/I	E-1796 ♦	
K2500	7.4L V8 F/I	E-1796 ♦	HP-1011 ¹
K3500	5.7L V8 F/I	E-1796 ♦	HP-2001 ¹
K3500	7.4L V8 F/I	E-1796 ♦	
Sierra 1500	4.3L V6 F/I	33-2129 ♦♦	HP-1001 ¹
Sierra 1500	4.8L V8 F/I	33-2129 ♦♦	HP-2006 ¹
Sierra 1500	5.3L V8 F/I	33-2129 ♦♦	HP-2006 ¹
Sierra 2500	5.3L V8 F/I	33-2129 ♦♦	HP-2006 ¹
Sierra 2500	6.0L V8 F/I	33-2135 ♦♦	HP-2006 ¹
Sonoma	2.2L L4 F/I	33-2042 ♦	HP-1001 ¹
Sonoma	4.3L V6 F/I	33-2042 ♦	HP-1001 ¹
Yukon	4.8L V8 F/I		HP-2006 ¹
Yukon	5.3L V8 F/I	33-2129 ♦♦	HP-2006 ¹
Yukon Denali	5.7L V8 F/I	E-1796 ♦	HP-2001 ¹
Yukon XL 1500	5.3L V8 F/I	33-2129 ♦♦	HP-2006 ¹
Yukon XL 2500	6.0L V8 F/I	33-2135 ♦♦	HP-2006 ¹

Vehicle	Engine Type	Air Filter	Oil Filter
1999 GMC			
C1500	5.7L V8 F/I	E-1796 ♦	HP-3002 ¹
C1500 Suburban	5.7L V8 F/I	E-1796 ♦	HP-3002 ¹
Jimmy	4.3L V6 F/I	33-2042 ♦	HP-2001 ¹
K1500	5.0L V8 F/I	E-1796 ♦	
K1500	5.7L V8 F/I	E-1796 ♦	HP-2001 ¹
K1500 Suburban	5.7L V8 F/I	E-1796 ♦	HP-2001 ¹
K2500	5.7L V8 F/I	E-1796 ♦	
K2500	6.5L V8 DSL	E-1796	
K2500	7.4L V8 F/I	E-1796 ♦	HP-1011 ¹
K2500 Suburban	5.7L V8 F/I	E-1796 ♦	HP-2001 ¹
K2500 Suburban	6.5L V8 DSL	E-1796	HP-3002 ¹
K2500 Suburban	7.4L V8 F/I	E-1796 ♦	HP-1011 ¹
K3500	6.5L V8 DSL	E-1796	
K3500	7.4L V8 F/I	E-1796 ♦	HP-1011 ¹
Savana 1500	5.7L V8 F/I		HP-3002 ¹
Sierra 1500	4.3L V6 F/I	33-2129 ♦♦	HP-2001 ¹
Sierra 1500	4.8L V8 F/I	33-2129 ♦♦	HP-2006 ¹
Sierra 1500	5.3L V8 F/I	33-2129 ♦♦	HP-2006 ¹
Sierra 2500	5.3L V8 F/I		HP-2006 ¹
Sierra 2500	6.0L V8 F/I	33-2135 ♦♦	HP-2006 ¹

* 2 filters required ♦ Intake System Available - see page 370 +Cabin Air Filter Available - see page 353 1- Performance Silver Oil Filter Also Available



Vehicle	Engine Type	Air Filter	Oil Filter
1999 GMC			
Sonoma	2.2L L4 F/I	33-2042 ♦	HP-1001 ¹
Sonoma	4.3L V6 F/I	33-2042 ♦	HP-2001 ¹
Yukon	5.7L V8 F/I	E-1796 ♦	
Yukon	5.7L V8 F/I - 2WD	E-1796	HP-3002 ¹
Yukon	5.7L V8 F/I - 4WD	E-1796	HP-2001 ¹
Yukon Denali	5.7L V8 F/I	E-1796 ♦	HP-2001 ¹

Vehicle	Engine Type	Air Filter	Oil Filter
1998 GMC			
C1500	4.3L V6 F/I	E-1796 ♦	HP-2001 ¹
C1500	5.0L V8 F/I	E-1796 ♦	HP-3002 ¹
C1500	5.7L V8 F/I	E-1796 ♦	HP-3002 ¹
C1500 Suburban	5.7L V8 F/I	E-1796 ♦	HP-3002 ¹
C2500	5.7L V8 F/I	E-1796 ♦	HP-3002 ¹
C2500	7.4L V8 F/I	E-1796 ♦	HP-3002 ¹
C2500 Suburban	5.7L V8 F/I	E-1796 ♦	HP-3002 ¹
C2500 Suburban	7.4L V8 F/I	E-1796 ♦	HP-3002 ¹
C3500	7.4L V8 F/I	E-1796 ♦	HP-3002 ¹
Jimmy	4.3L V6 F/I	33-2042 ♦	HP-2001 ¹
K1500	5.0L V8 F/I	E-1796 ♦	HP-2001 ¹
K1500	5.7L V8 F/I	E-1796 ♦	HP-2001 ¹
K1500 Suburban	5.7L V8 F/I	E-1796 ♦	HP-2001 ¹
K1500 Suburban	6.5L V8 DSL	E-1796	
K2500	5.7L V8 F/I	E-1796 ♦	HP-2001 ¹
K2500	6.5L V8 DSL	E-1796	HP-3002 ¹
K2500	7.4L V8 F/I	E-1796 ♦	HP-3002 ¹
K2500 Suburban	5.7L V8 F/I	E-1796 ♦	HP-2001 ¹
K2500 Suburban	6.5L V8 DSL	E-1796	HP-3002 ¹
K2500 Suburban	7.4L V8 F/I	E-1796 ♦	HP-3002 ¹
K3500	7.4L V8 F/I	E-1796 ♦	
Sonoma	2.2L L4 F/I	33-2042 ♦	HP-1001 ¹
Sonoma	4.3L V6 F/I	33-2042 ♦	HP-2001 ¹
Yukon	5.7L V8 F/I	E-1796 ♦	
Yukon	5.7L V8 F/I - 2WD	E-1796	HP-3002 ¹
Yukon	5.7L V8 F/I - 4WD	E-1796	HP-2001 ¹

Vehicle	Engine Type	Air Filter	Oil Filter
1997 GMC			
C1500	4.3L V6 F/I	E-1796 ♦	HP-2001 ¹
C1500	5.0L V8 F/I	E-1796 ♦	HP-3002 ¹
C1500	5.7L V8 F/I	E-1796 ♦	HP-3002 ¹
C1500 Suburban	5.7L V8 F/I	E-1796 ♦	HP-3002 ¹
C1500 Suburban	6.5L V8 DSL	E-1796	
C2500	5.7L V8 F/I	E-1796 ♦	HP-3002 ¹
C2500 Suburban	5.7L V8 F/I	E-1796 ♦	HP-3002 ¹
C3500	5.7L V8 F/I	E-1796 ♦	HP-3002 ¹
C3500	7.4L V8 F/I	E-1796 ♦	
Jimmy	4.3L V6 F/I		HP-2001 ¹
K1500	4.3L V6 F/I	E-1796 ♦	HP-2001 ¹
K1500	5.0L V8 F/I	E-1796 ♦	HP-2001 ¹
K1500	5.7L V8 F/I	E-1796 ♦	HP-2001 ¹
K1500	6.5L V8 DSL	E-1796	
K1500 Suburban	5.7L V8 F/I	E-1796 ♦	HP-2001 ¹
K2500	5.7L V8 F/I	E-1796 ♦	
K2500	6.5L V8 DSL	E-1796	HP-3002 ¹
K2500 Suburban	5.7L V8 F/I	E-1796 ♦	HP-2001 ¹
K2500 Suburban	6.5L V8 DSL	E-1796	HP-3002 ¹
K2500 Suburban	7.4L V8 F/I	E-1796 ♦	HP-3002 ¹
K3500	7.4L V8 F/I	E-1796 ♦	HP-3002 ¹
Savana 1500	5.7L V8 F/I		HP-3002 ¹
Sonoma	4.3L V6 F/I	33-2042 ♦	HP-2001 ¹
Yukon	5.7L V8 F/I	E-1796 ♦	
Yukon	5.7L V8 F/I - 2WD	E-1796	HP-3002 ¹
Yukon	5.7L V8 F/I - 4WD	E-1796	HP-2001 ¹

Vehicle	Engine Type	Air Filter	Oil Filter
2014 GREAT WALL			
Hover H6	1.5L L4 F/I	33-2992	

Vehicle	Engine Type	Air Filter	Oil Filter
2020 HARLEY DAVIDSON			
FLDE Deluxe	107 CI		HD-1718
FLHC Heritage Classic	107 CI		HD-1718
FLHR Road King	107 CI		HD-1717
FLHRXS Road King Special	114 CI		HD-1717
FLHT Electra Glide Standard	107 CI		HD-1717
FLHTCUTG Tri Glide Ultra	114 CI		HD-1717
FLHTK Ultra Limited	114 CI		HD-1717
FLHX Street Glide	107 CI		HD-1717
FLHXS Street Glide Special	114 CI		HD-1717
FLRT Freewheeler	114 CI		HD-1717
FLSB Sport Glide	107 CI		HD-1718
FLSL Softail Slim	107 CI		HD-1718
FLTRK Road Glide Limited	114 CI		HD-1717
FLTRX Road Glide	107 CI		HD-1717
FLTRXS Road Glide Special	114 CI		HD-1717
FXBB Street Bob	107 CI		HD-1718
FXLR Low Rider	107 CI		HD-1718
XG500 Street	30 CI		HD-4915
XG750 Street	46 CI		HD-4915
XG750A Street Rod	46 CI		HD-7517
XL883N Iron	54 CI		HD-1212
XL1200CX Roadster	74 CI		HD-1212
XL1200NS Iron	74 CI		HD-1212
XL1200X Forty-Eight	74 CI		HD-1212

Vehicle	Engine Type	Air Filter	Oil Filter
2019 HARLEY DAVIDSON			
FLDE Deluxe	107 CI		HD-1718 KN-171C
FLFB Fat Boy	107 CI		HD-1718 KN-171C
FLHC Heritage Classic	107 CI		HD-1718
FLHR Road King	107 CI		HD-1717 KN-171C
FLHTCU Electra Glide Ultra Classic	107 CI		HD-1717 KN-171C
FLHTCUTG Tri Glide Ultra	107 CI		HD-1717 KN-171C
FLHTK Ultra Limited	114 CI		HD-1717 KN-171C
FLHTKL Ultra Limited Low	114 CI		HD-1717 KN-171C
FLHX Street Glide	107 CI		HD-1717 KN-171C
FLHXS Street Glide Special	114 CI		HD-1717 KN-171C
FLRT Freewheeler	107 CI		HD-1717 KN-171C
FLSB Sport Glide	107 CI		HD-1718 KN-171C
FLSL Softail Slim	107 CI		HD-1718 KN-171C
FLTRU Road Glide Ultra	114 CI		HD-1717 KN-171C
FLTRX Road Glide	107 CI		HD-1717 KN-171C
FLTRXS Road Glide Special	114 CI		HD-1717 KN-171C
FXBB Street Bob	107 CI		HD-1718 KN-171C
FXBR Breakout	107 CI		HD-1718 KN-171C
FXFB Fat Bob	107 CI		HD-1718 KN-171C
FXLR Low Rider	107 CI		HD-1718 KN-171C
XG500 Street	30 CI		HD-4915
XG750 Street	46 CI		HD-4915 KN-175
XG750A Street Rod	46 CI		HD-7517 KN-175

* 2 filters required ♦ Intake System Available - see page 370 +Cabin Air Filter Available - see page 353 1- Performance Silver Oil Filter Also Available



AIR & OIL FILTERS

HARLEY DAVIDSON

Vehicle	Engine Type	Air Filter	Oil Filter	Vehicle	Engine Type	Air Filter	Oil Filter
2019 HARLEY DAVIDSON				2017 HARLEY DAVIDSON			
XL883L SuperLow	54 CI	HD-1212	KN-170C	FLHR Road King	107 CI	HD-1717	KN-171C
XL883N Iron	54 CI	HD-1212	KN-170C	FLHRC Road King	103 CI		KN-171C
XL1200C Sportster Custom	74 CI	HD-1212	KN-170C	Classic			
XL1200CX Roadster	74 CI	HD-1212	KN-170C	FLHTCU Electra	107 CI	HD-1717	KN-171C
XL1200NS Iron	74 CI	HD-1212	KN-170C	Glide Ultra Classic			
XL1200X Forty-Eight	74 CI	HD-1212	KN-170C	FLHTCUTG Tri Glide Ultra	107 CI	HD-1717	KN-171C
XL1200XS Forty-Eight Special	74 CI		KN-170C	FLHTK Ultra Limited	107 CI	HD-1717	KN-171C
2018 HARLEY DAVIDSON				FLHTKL Ultra Limited Low	107 CI	HD-1717	KN-171C
FLDE Deluxe	107 CI	HD-1718	KN-171C	FLHTKSE CVO Limited	110 CI		KN-171C
FLFB Fat Boy	107 CI	HD-1718	KN-171C	FLHX Street Glide	107 CI	HD-1717	KN-171C
FLFBS Fat Boy	114 CI		KN-171C	FLHXS Street Glide Special	107 CI	HD-1717	KN-171C
FLHC Heritage Classic	107 CI	HD-1718	KN-171C	FLHXSE CVO Street Glide	110 CI		KN-171C
FLHCS Heritage Classic	114 CI		KN-171C	FLRT Freewheeler	107 CI	HD-1717	KN-171C
FLHR Road King	107 CI	HD-1717	KN-171C	FLS Softail Slim	103 CI	HD-1614	KN-171C
FLHRC Road King Classic	103 CI		KN-171C	FLSS Softail Slim S	110 CI	HD-0818	KN-171C
FLHRXS Road King Special	107 CI	HD-1717	KN-171C	FLSTC Heritage Softail Classic	103 CI	HD-1614	KN-171C
FLHTCU Electra Glide Ultra Classic	107 CI	HD-1717	KN-171C	FLSTF Fat Boy	103 CI	HD-1614	KN-171C
FLHTCUTG Tri Glide Ultra	107 CI	HD-1717	KN-171C	FLSTFBS Fat Boy S	110 CI		KN-171C
FLHTK Ultra Limited	107 CI	HD-1717	KN-171C	FLSTN Softail Deluxe	103 CI	HD-1614	KN-171C
FLHTKL Ultra Limited Low	107 CI	HD-1717	KN-171C	FLTRU Road Glide Ultra	107 CI	HD-1717	KN-171C
FLHTKSE CVO Limited	110 CI		KN-171C	FLTRX Road Glide	107 CI	HD-1717	KN-171C
FLHX Street Glide	107 CI	HD-1717	KN-171C	FLTRXS Road Glide Special	107 CI	HD-1717	KN-171C
FLHXS Street Glide Special	107 CI	HD-1717	KN-171C	FLTRXSE CVO Road Glide	110 CI		KN-171C
FLRT Freewheeler	107 CI	HD-1717	KN-171C	FXBB Street Bob	107 CI	HD-1718	KN-171C
FLSB Sport Glide	107 CI	HD-1718		FXBR Breakout	107 CI	HD-1718	KN-171C
FLSL Softail Slim	107 CI	HD-1718	KN-171C	FXBRS Breakout	114 CI		KN-171C
FLTRU Road Glide Ultra	107 CI	HD-1717	KN-171C	FXFB Fat Bob	107 CI	HD-1718	KN-171C
FLTRX Road Glide	107 CI	HD-1717	KN-171C	FXFBS Fat Bob	114 CI		KN-171C
FLTRXS Road Glide Special	107 CI	HD-1717	KN-171C	FXLR Low Rider	107 CI	HD-1718	KN-171C
FXDB Street Bob	103 CI		KN-171C	XG500 Street	30 CI	HD-4915	KN-175
FXDF Fat Bob	103 CI	HD-1611	KN-171C	XG750 Street	46 CI	HD-4915	KN-175
FXDL Dyna Low Rider	103 CI	HD-0910	KN-171C	XG750A Street Rod	46 CI	HD-7517	KN-175
FXDLS Low Rider S	110 CI		KN-171C	XL883L Sportster Low	54 CI		KN-170C
FXDWG Dyna Wide Glide	103 CI	HD-0910	KN-171C	XL883L SuperLow	54 CI	HD-1212	
FXSB Breakout	103 CI	HD-1614	KN-171C	XL883N Iron	54 CI	HD-1212	
FXSE CVO Pro Street Breakout	110 CI		KN-171C	XL1200C Sportster Custom	74 CI	HD-1212	KN-170C
VRSCDX Night Rod Special	76 CI	HD-1102	KN-174C	XL1200CX Roadster	74 CI	HD-1212	KN-170C
XG500 Street	30 CI	HD-4915	KN-175	XL1200T SuperLow	74 CI	HD-1212	
XG750 Street	46 CI	HD-4915	KN-175	XL1200X Forty-Eight	74 CI	HD-1212	KN-170C
XG750A Street Rod	46 CI	HD-7517	KN-175	2016 HARLEY DAVIDSON			
XL883L Sportster Low	54 CI		KN-170C	FLD Switchback	103 CI	HD-0910	KN-171C
XL883L SuperLow	54 CI	HD-1212		FLD Switchback - Non-US	103 CI	HD-9608	KN-171C
XL883N Iron	54 CI	HD-1212		FLHR Road King	103 CI	HD-1614	KN-171C
XL1200C Sportster Custom	74 CI	HD-1212	KN-170C	FLHRC Road King Classic	103 CI		KN-171C
XL1200CX Roadster	74 CI	HD-1212	KN-170C	FLHTCU Electra Glide Ultra Classic	103 CI	HD-1614	KN-171C
XL1200NS Iron	74 CI	HD-1212	KN-170C				
XL1200T SuperLow	74 CI	HD-1212	KN-170C				
XL1200X Forty-Eight	74 CI	HD-1212	KN-170C				
XL1200X Forty-Eight Special	74 CI	HD-1212	KN-170C				

* 2 filters required ♦ Intake System Available - see page 370 +Cabin Air Filter Available - see page 353 1- Performance Silver Oil Filter Also Available



Vehicle	Engine Type	Air Filter	Oil Filter	Vehicle	Engine Type	Air Filter	Oil Filter
2016 HARLEY DAVIDSON				2015 HARLEY DAVIDSON			
FLHTCUL Electra Glide Ultra Classic Low	103 CI	HD-1614	KN-171C	FLHR Road King Classic	103 CI	HD-1614	KN-171C
FLHTCUTG Tri Glide Ultra	103 CI	HD-1614	KN-171C	FLHTCU Electra Glide Ultra Classic	103 CI	HD-1614	KN-171C
FLHTK Ultra Limited	103 CI	HD-1614	KN-171C	FLHTCUL Electra Glide Ultra Classic Low	103 CI	HD-1614	KN-171C
FLHTKL Ultra Limited Low	103 CI	HD-1614	KN-171C	FLHTCUTG Tri Glide Ultra	103 CI	HD-1614	KN-171C
FLHTKSE CVO Limited	110 CI	HD-0910	KN-171C	FLHTK Ultra Limited	103 CI	HD-1614	KN-171C
FLHX Electra Glide Special	103 CI	HD-1614	KN-171C	FLHTKL Ultra Limited Low	103 CI	HD-1614	KN-171C
FLHX Street Glide	103 CI	HD-1614	KN-171C	FLHTKSE CVO Limited	110 CI	HD-0910	KN-171C
FLHXS Street Glide Special	103 CI	HD-1614	KN-171C	FLHX Street Glide	103 CI	HD-1614	KN-171C
FLHXSE CVO Street Glide	110 CI	HD-0910	KN-171C	FLHXS Street Glide Special	103 CI	HD-1614	KN-171C
FLRT Freewheeler	103 CI	HD-1614	KN-171C	FLHXSE CVO Street Glide	110 CI	HD-0910	KN-171C
FLS Softail Slim	103 CI	HD-1614	KN-171C	FLRT Freewheeler	103 CI	HD-1614	KN-171C
FLSS Softail Slim S	110 CI	HD-0818	KN-171C	FLS Softail Slim	103 CI	HD-1611	KN-171C
FLSTC Heritage Softail Classic	103 CI	HD-1614	KN-171C	FLSTC Heritage Softail Classic	103 CI	HD-1499	KN-171C
FLSTF Fat Boy	103 CI	HD-1614	KN-171C	FLSTF Fat Boy	103 CI	HD-1499	KN-171C
FLSTFB Softail Fat Boy Lo	103 CI	HD-1614	KN-171C	FLSTFB Softail Fat Boy Lo	103 CI	HD-1499	KN-171C
FLSTFBS Fat Boy S	110 CI		KN-171C	FLSTFB Softail Fat Boy Lo	103 CI	HD-1499	KN-171C
FLSTN Softail Deluxe	103 CI	HD-1614	KN-171C	FLSTN Softail Deluxe	103 CI	HD-1499	KN-171C
FLTRU Road Glide Ultra	103 CI	HD-1614	KN-171C	FLTRU Road Glide Ultra	103 CI	HD-1499	KN-171C
FLTRUSE CVO Road Glide Ultra	110 CI	HD-0910	KN-171C	FLTRUSE CVO Road Glide Ultra	110 CI	HD-0910	KN-171C
FLTRX Road Glide	103 CI	HD-1614	KN-171C	FLTRX Road Glide	103 CI	HD-1614	KN-171C
FLTRXS Road Glide Special	103 CI	HD-1614	KN-171C	FLTRXS Road Glide Special	103 CI	HD-1614	KN-171C
FXDB Street Bob	103 CI	HD-1611	KN-171C	FXDB Street Bob	103 CI	HD-1611	KN-171C
FXDF Fat Bob	103 CI	HD-0910	KN-171C	FXDF Fat Bob	103 CI	HD-1611	KN-171C
FXDF Fat Bob - Non-US	103 CI	HD-9608	KN-171C	FXDL Dyna Low Rider	103 CI	HD-9608	KN-171C
FXDL Dyna Low Rider	103 CI	HD-0910	KN-171C	FXDL Dyna Low Rider - Non-US	103 CI	HD-9608	KN-171C
FXDL Dyna Low Rider - Non-US	103 CI	HD-9608	KN-171C	FXDWG Dyna Wide Glide	103 CI	HD-9608	KN-171C
FXDWG Dyna Wide Glide	103 CI	HD-0910	KN-171C	FXDWG Dyna Wide Glide - Non-US	103 CI	HD-9608	KN-171C
FXDWG Dyna Wide Glide - Non-US	103 CI	HD-9608	KN-171C	FXSB Breakout	103 CI	HD-1614	KN-171C
FXSB Breakout	103 CI	HD-1614	KN-171C	VRSCDX Night Rod Special	76 CI	HD-1102	KN-174C
VRSCDX Night Rod Special	76 CI	HD-1102	KN-174C	VRSCDX Night Rod Special	76 CI	HD-1102	KN-174C
VRSCF V-Rod Muscle	76 CI	HD-1102	KN-174C	VRSCF V-Rod Muscle	76 CI	HD-1102	KN-174C
XG500 Street	30 CI	HD-4915	KN-175	XG500 Street	30 CI	HD-4915	KN-175
XG750 Street	46 CI	HD-4915	KN-175	XG750 Street	46 CI	HD-4915	KN-175
XL883L Sportster Low	54 CI		KN-170C	XL883L Sportster Low	54 CI		KN-170C
XL883L SuperLow	54 CI	HD-1212		XL883L SuperLow	54 CI	HD-1212	
XL883N Iron	54 CI	HD-1212		XL883N Iron	54 CI	HD-1212	
XL1200C Sportster Custom	74 CI	HD-1212	KN-171C	XL1200C Sportster Custom	74 CI	HD-1212	KN-171C
XL1200CX Roadster	74 CI	HD-1212		XL1200CX Roadster	74 CI	HD-1212	
XL1200T SuperLow	74 CI	HD-1212		XL1200T SuperLow	74 CI	HD-1212	
XL1200V Seventy-Two	74 CI	HD-1212	KN-170C	XL1200V Seventy-Two	74 CI	HD-1212	KN-170C
XL1200X Forty-Eight	74 CI	HD-1212	KN-171C	XL1200X Forty-Eight	74 CI	HD-1212	KN-171C
2015 HARLEY DAVIDSON				2014 HARLEY DAVIDSON			
FLD Switchback	103 CI	HD-9608	KN-171C	FLD Switchback	103 CI	HD-9608	KN-171C
				FLHR Road King Classic	103 CI	HD-1614	KN-171C
				FLHRC Road King Classic	103 CI	HD-1614	KN-171C
				FLHTCU Electra Glide Ultra Classic	103 CI	HD-1614	KN-171C
				FLHRC Road King Classic	103 CI	HD-1614	KN-171C
				FLHRS6 CVO Road King	110 CI		KN-171C
				FLHTCU Electra Glide Ultra Classic	103 CI	HD-1614	KN-171C

* 2 filters required ♦ Intake System Available - see page 370 +Cabin Air Filter Available - see page 353 1- Performance Silver Oil Filter Also Available



Vehicle	Engine Type	Air Filter	Oil Filter	Vehicle	Engine Type	Air Filter	Oil Filter
2014 HARLEY DAVIDSON				2013 HARLEY DAVIDSON			
FLHTCUSE8 CVO Ultra Classic Electra Glide F/I	110 CI		KN-171C	FLHX Street Glide	103 CI	HD-1508	KN-171C
FLHTCUTG Tri Glide Ultra	103 CI	HD-1614	KN-171C	FLS Softail Slim	103 CI	HD-1611	KN-171C
FLHTK Electra Glide Ultra Limited	103 CI	HD-1614	KN-171C	FLSTC Heritage Softail Classic	103 CI	HD-1499	KN-171C
FLHTKSE CVO Limited	110 CI	HD-0910	KN-171C	FLSTF Fat Boy	103 CI	HD-1499	KN-171C
FLHX Street Glide	103 CI	HD-1614	KN-171C	FLSTFB Softail Fat Boy Lo	103 CI	HD-1499	KN-171C
FLHXS Street Glide Special	103 CI	HD-1614	KN-171C	FLSTN Softail Deluxe	103 CI	HD-1499	KN-171C
FLS Softail Slim	103 CI	HD-1611	KN-171C	FLTRU Road Glide Ultra	103 CI	HD-1508	KN-171C
FLSTC Heritage Softail Classic	103 CI	HD-1499	KN-171C	FLTRX Road Glide Custom	103 CI	HD-1508	KN-171C
FLSTF Fat Boy	103 CI	HD-1499	KN-171C	FLTRXSE CVO Road Glide Custom	96 CI		KN-171C
FLSTFB Softail Fat Boy Lo	103 CI	HD-1499	KN-171C	FLTRXSE2 CVO Road Glide Custom	110 CI		KN-171C
FLSTN Softail Deluxe	103 CI	HD-1499	KN-171C	FXDB Street Bob	96 CI	HD-9608	KN-171C
FLSTNSE CVO Softail Deluxe	110 CI	HD-0910	KN-171C	FXDC Super Glide Custom	96 CI	HD-9608	KN-171C
FLTRX Road Glide Custom	103 CI		KN-171C	FXDF Fat Bob	103 CI	HD-9608	KN-171C
FXDB Street Bob	103 CI	HD-1611	KN-171C	FXDL Dyna Low Rider	103 CI		KN-171C
FXDC Super Glide Custom	103 CI	HD-9608	KN-171C	FXDWG Dyna Wide Glide	103 CI	HD-9608	KN-171C
FXDF Fat Bob	103 CI	HD-9608	KN-171C	FXS Blackline	103 CI	HD-1611	KN-171C
FXDL Dyna Low Rider	103 CI	HD-9608	KN-171C	FXSB Breakout	110 CI		KN-171C
FXDWG Dyna Wide Glide	103 CI	HD-9608	KN-171C	FXSBSE CVO Breakout	110 CI		KN-171C
FXSB Breakout	103 CI	HD-1499	KN-171C	VRSCDX Night Rod Special	76 CI	HD-1102	KN-174C
FXSBSE CVO Breakout	103 CI	KN-171C	KN-171C	VRSCF V-Rod Muscle	76 CI	HD-1102	KN-174C
VRSCDX Night Rod Special	76 CI	HD-1102	KN-174C	XL883L Sportster Low	54 CI		KN-170C
VRSCF V-Rod Muscle	76 CI	HD-1102	KN-174C	XL883L SuperLow	54 CI	HD-8834	
XL883L Sportster Low	54 CI		KN-170C	XL883N Iron	54 CI	HD-8834	
XL883L SuperLow	54 CI	HD-1212		XL1200C Sportster Custom	74 CI	HD-8834	KN-170C
XL883N Iron	54 CI	HD-1212		XL1200T SuperLow	74 CI	HD-1212	
XL1200C Sportster Custom	74 CI	HD-1212	KN-170C	XL1200V Seventy-Two	74 CI	HD-1212	KN-170C
XL1200T SuperLow	74 CI	HD-1212		XL1200X Forty-Eight	74 CI	HD-8834	KN-170C
XL1200V Seventy-Two	74 CI	HD-1212	KN-170C	2012 HARLEY DAVIDSON			
XL1200X Forty-Eight	74 CI	HD-1212	KN-170C	FLD Switchback	103 CI	HD-9608	KN-171C
2013 HARLEY DAVIDSON				FLHP Road King Police	103 CI	HD-1508	
FLD Switchback	103 CI	HD-9608	KN-171C	FLHR Road King	103 CI	HD-1508	KN-171C
FLHR Road King	103 CI	HD-1508	KN-171C	FLHRC Road King Classic	103 CI	HD-1508	KN-171C
FLHRC Road King Classic	103 CI	HD-1508	KN-171C	FLHTC Electra Glide Classic	103 CI	HD-1508	KN-171C
FLHRSE5 CVO Road King	110 CI	HD-0910	KN-171C	FLHTCU Electra Glide Ultra Classic	103 CI	HD-1508	KN-171C
FLHTC Electra Glide Classic	103 CI	HD-1508	KN-171C	FLHTCUSE7 CVO Ultra Classic Electra Glide	110 CI	HD-0910	KN-171C
FLHTCU Ultra Classic Electra Glide	103 CI	HD-1508	KN-171C	FLHTCUTG Tri Glide Ultra Classic	103 CI	HD-1508	KN-171C
FLHTCUSE8 CVO Ultra Classic Electra Glide F/I	110 CI	HD-0910	KN-171C	FLHTK Electra Glide Ultra Limited	103 CI	HD-1508	KN-171C
FLHTCUTG Tri Glide Ultra Classic	103 CI	HD-1508	KN-171C	FLHTP Electra Glide Police	103 CI	HD-1508	
FLHTK Electra Glide Ultra Limited	103 CI	HD-1508	KN-171C	FLHX Street Glide	103 CI	HD-1508	KN-171C
FLHTP Electra Glide Police	103 CI	HD-1508		FLHXSE3 CVO Street Glide	110 CI	HD-0910	KN-171C
FLHX Street Glide	103 CI	HD-1508	KN-171C	FLS Softail Slim	103 CI	HD-1611	
FLHXSE3 CVO Street Glide	110 CI	HD-0910	KN-171C				
FLS Softail Slim	103 CI	HD-1611					

* 2 filters required ♦ Intake System Available - see page 370 +Cabin Air Filter Available - see page 353 1- Performance Silver Oil Filter Also Available



Vehicle	Engine Type	Air Filter	Oil Filter	Vehicle	Engine Type	Air Filter	Oil Filter
2012 HARLEY DAVIDSON				2011 HARLEY DAVIDSON			
FLSTC Heritage Softail Classic	103 CI	HD-1499	KN-171C	FLSTF Fat Boy	96 CI	HD-1499	KN-171C
FLSTF Fat Boy	103 CI	HD-1499	KN-171C	FLSTFB Softail Fat Boy Lo	96 CI	HD-1499	KN-171C
FLSTFB Softail Fat Boy Lo	103 CI	HD-1499	KN-171C	FLSTN Softail Deluxe	96 CI	HD-1499	KN-171C
FLSTN Softail Deluxe	103 CI	HD-1499	KN-171C	FLSTSB Softail Cross Bones	96 CI	HD-1611	KN-171C
FLTRU Road Glide Ultra	103 CI	HD-1508	KN-171C	FLSTSE CVO Softail Convertible	110 CI	HD-0910	KN-171C
FLTRX Road Glide Custom	103 CI	HD-1508	KN-171C	FLTRU Road Glide Ultra	103 CI	HD-1508	KN-171C
FLTRXSE CVO Road Glide Custom	96 CI		KN-171C	FLTRUSE CVO Road Glide Ultra	110 CI	HD-0910	KN-171C
FXDB Street Bob	96 CI	HD-9608	KN-171C	FLTRX Road Glide Custom	96 CI	HD-1508	KN-171C
FXDC Super Glide Custom	96 CI	HD-9608	KN-171C	FXCWC Rocker C	96 CI		KN-171C
FXDF Fat Bob	103 CI	HD-9608	KN-171C	FXDB Street Bob	96 CI	HD-9608	KN-171C
FXDL Dyna Low Rider	103 CI		KN-171C	FXDC Super Glide Custom	96 CI	HD-9608	KN-171C
FXDWG Dyna Wide Glide	103 CI	HD-9608	KN-171C	FXDF Fat Bob	96 CI	HD-9608	KN-171C
FXS Blackline	103 CI	HD-1611	KN-171C	FXDL Dyna Low Rider	103 CI		KN-171C
VRSCDX 10th Anniversary Edition	76 CI	HD-1102	KN-174C	FXDWG Dyna Wide Glide	96 CI	HD-9608	KN-171C
VRSCDX Night Rod Special	76 CI	HD-1102	KN-174C	FXS Blackline	103 CI	HD-1611	
VRSCF V-Rod Muscle	76 CI	HD-1102	KN-174C	VRSCDX Night Rod Special	76 CI	HD-1102	KN-174C
XL883L Sportster Low	54 CI		KN-170C	VRSCF V-Rod Muscle	76 CI	HD-1102	KN-174C
XL883L SuperLow	54 CI	HD-8834		XL883L Sportster Low	54 CI		KN-170C
XL883N Iron	54 CI	HD-8834		XL883L SuperLow	54 CI	HD-8834	
XL883R Sportster Roadster	54 CI	HD-8834	KN-170C	XL883N Iron	54 CI	HD-8834	
XL1200C Sportster Custom	74 CI	HD-8834	KN-170C	XL1200C Sportster Custom	74 CI	HD-8834	KN-170C
XL1200N Sportster Nightster	74 CI	HD-8834	KN-170C	XL1200L Sportster Low	74 CI	HD-8834	KN-170C
XL1200V Seventy-Two	74 CI	HD-1212		XL1200N Sportster Nightster	74 CI	HD-8834	KN-170C
XL1200X Forty-Eight	74 CI	HD-8834	KN-170C	XL1200X Forty-Eight	74 CI	HD-8834	KN-170C
XR1200X Sportster	74 CI	HD-1208	KN-170C	XR1200X Sportster	74 CI	HD-1208	KN-170C
2011 HARLEY DAVIDSON				2010 HARLEY DAVIDSON			
FLHP Road King Police	103 CI	HD-1508		FLHP Road King Police	103 CI	HD-1508	
FLHR Road King	96 CI	HD-1508	KN-171C	FLHR Road King	96 CI	HD-1508	KN-171C
FLHRC Road King Classic	103 CI	HD-1508	KN-171C	FLHRC Road King Classic	96 CI	HD-1508	KN-171C
FLHTC Electra Glide Classic	96 CI	HD-1508	KN-171C	FLHTC Electra Glide Classic	96 CI	HD-1508	KN-171C
FLHTCU Ultra	96 CI	HD-1508	KN-171C	FLHTCU Ultra	96 CI	HD-1508	KN-171C
Classic Electra Glide				Classic Electra Glide			
FLHTCUSE6 CVO	110 CI	HD-0910	KN-171C	FLHTCUSE5 CVO	110 CI	HD-1508	KN-171C
Ultra Classic Electra Glide				Ultra Classic Electra Glide			
FLHTCUTG Tri Glide Ultra Classic	103 CI	HD-1508	KN-171C	FLHTCUTG Tri Glide Ultra Classic	103 CI	HD-1508	KN-171C
FLHTK Electra Glide Ultra Limited	103 CI	HD-1508	KN-171C	FLHTK Electra Glide Ultra Limited	103 CI	HD-1508	KN-171C
FLHTP Electra Glide Police	103 CI	HD-1508		FLHTP Electra Glide Police	103 CI	HD-1508	
FLHX Street Glide	96 CI	HD-1508	KN-171C	FLHX Street Glide	96 CI	HD-1508	KN-171C
FLHXSE2 CVO Street Glide	110 CI	HD-0910	KN-171C	FLHXSE2 CVO Street Glide	110 CI	HD-0910	KN-171C
FLHXXX Street Glide Trike	103 CI		KN-171C	FLSTC Heritage Softail Classic	96 CI	HD-1499	KN-171C
FLSTC Heritage Softail Classic	96 CI	HD-1499	KN-171C	FLSTF Fat Boy	96 CI	HD-1499	KN-171C

* 2 filters required ♦ Intake System Available - see page 370 +Cabin Air Filter Available - see page 353 1- Performance Silver Oil Filter Also Available



AIR & OIL FILTERS

HARLEY DAVIDSON

Vehicle	Engine Type	Air Filter	Oil Filter	Vehicle	Engine Type	Air Filter	Oil Filter
2010 HARLEY DAVIDSON				2009 HARLEY DAVIDSON			
FLSTFB Softail Fat Boy Lo	96 CI	HD-1499	KN-171C	FXCW Rocker	96 CI		KN-171C
FLSTN Softail Deluxe	96 CI	HD-1499	KN-171C	FXCWC Rocker C	96 CI	HD-1499	KN-171C
FLSTSE CVO Softail Convertible	110 CI	HD-0910	KN-171C	FXD Dyna Super Glide	96 CI	HD-9608	KN-171C
FLTR Road Glide	96 CI	HD-1508		FXDB Street Bob	96 CI	HD-9608	KN-171C
FLTRX Road Glide Custom	96 CI	HD-1508	KN-171C	FXDC Super Glide Custom	96 CI	HD-9608	KN-171C
FXCWC Rocker C	96 CI	HD-1499	KN-171C	FXDF Fat Bob	96 CI	HD-9608	KN-171C
FXD Dyna Super Glide	96 CI	HD-9608		FXDL Dyna Low Rider	96 CI	HD-9608	KN-171C
FXDB Street Bob	96 CI	HD-9608	KN-171C	FXSTB Night Train	96 CI	HD-1499	KN-171C
FXDC Super Glide Custom	96 CI	HD-9608	KN-171C	FXSTC Softail Custom	96 CI	HD-1499	KN-171C
FXDF Fat Bob	96 CI	HD-9608	KN-171C	FXSTSSE3 CVO Softail Springer	110 CI	HD-1499	
FXDWG Dyna Wide Glide	96 CI	HD-9608	KN-171C	VRSCAW V-Rod	69 CI	HD-1102	KN-174C
FXSTC Softail Custom	96 CI		KN-171C	VRSCDX Night Rod Special	76 CI	HD-1102	KN-174C
VRSCAW V-Rod	69 CI	HD-1102		VRSCF V-Rod Muscle	76 CI	HD-1102	KN-174C
VRSCDX Night Rod Special	76 CI	HD-1102	KN-174C	XL883C Sportster Custom	54 CI	HD-8834	KN-170C
VRSCF V-Rod Muscle	76 CI	HD-1102	KN-174C	XL883L Sportster Low	54 CI	HD-8834	KN-170C
XL883C Sportster Custom	54 CI	HD-8834		XL883N Iron	54 CI	HD-8834	
XL883L Sportster Low	54 CI	HD-8834	KN-170C	XL1200C Sportster Custom	74 CI	HD-8834	KN-170C
XL883N Iron	54 CI	HD-8834		XL1200L Sportster Low	74 CI	HD-8834	KN-170C
XL1200C Sportster Custom	74 CI	HD-8834	KN-170C	XL1200N Sportster Nightster	74 CI	HD-8834	KN-170C
XL1200L Sportster Low	74 CI	HD-8834	KN-170C	XL1200X Forty-Eight	74 CI	HD-8834	KN-170C
XL1200N Sportster Nightster	74 CI	HD-8834	KN-170C	XR1200X Sportster	74 CI	HD-1208	KN-170C
XL1200X Forty-Eight	74 CI	HD-8834	KN-170C				
XR1200X Sportster	74 CI	HD-1208	KN-170C	2008 HARLEY DAVIDSON			
2009 HARLEY DAVIDSON				FLHR Road King	96 CI	HD-1508	KN-171C
FLHP Road King Police	103 CI	HD-1508	KN-171C	FLHRC Road King Classic	96 CI	HD-1508	KN-171C
FLHR Road King	96 CI	HD-1508	KN-171C	FLHRSE4 Screamin Eagle Road King	110 CI	HD-1508	KN-171C
FLHRC Road King Classic	96 CI	HD-1508	KN-171C	FLHT Electra Glide Standard	96 CI	HD-1508	KN-171C
FLHT Electra Glide Standard	96 CI	HD-1508	KN-171C	FLHTC Electra Glide Classic	96 CI	HD-1508	KN-171C
FLHTC Electra Glide Classic	96 CI	HD-1508	KN-171C	FLHTCU Ultra	96 CI	HD-1508	KN-171C
FLHTCU Ultra	96 CI	HD-1508	KN-171C	Classic Electra Glide	96 CI	HD-1508	KN-171C
Classic Electra Glide	96 CI	HD-1508	KN-171C	FLHTCUSE3	110 CI	HD-1508	KN-171C
FLHTCUSE4 CVO	110 CI	HD-1508	KN-171C	Screamin Eagle Ultra Classic Electra Gl			
Ultra Classic Electra Glide	96 CI	HD-1508	KN-171C	FLHX Street Glide	96 CI	HD-1508	KN-171C
FLHTCUTG Tri Glide Ultra Classic	103 CI	HD-1508	KN-171C	FLSTC Heritage Softail Classic	96 CI	HD-1499	KN-171C
FLHTP Electra Glide Police	103 CI	HD-1508	KN-171C	FLSTF Fat Boy	96 CI	HD-1499	KN-171C
FLHX Street Glide	96 CI	HD-1508	KN-171C	FLSTN Softail Deluxe	96 CI	HD-1499	KN-171C
FLSTC Heritage Softail Classic	96 CI	HD-1499	KN-171C	FLSTSB Softail Cross Bones	96 CI - Non-US	HD-1499	
FLSTF Fat Boy	96 CI	HD-1499	KN-171C	FLSTSB Softail Cross Bones	96 CI - US	HD-1611	
FLSTN Softail Deluxe	96 CI	HD-1499	KN-171C	FLTR Road Glide	96 CI	HD-1508	KN-171C
FLSTSB Softail Cross Bones	96 CI		KN-171C	FXCW Rocker	96 CI	HD-1499	
FLTR Road Glide	96 CI	HD-1508	KN-171C	FXCWC Rocker C	96 CI	HD-1499	
FLTRSE3 CVO Road Glide	110 CI	HD-0910	KN-171C	FXD Dyna Super Glide	96 CI	HD-9608	KN-171C
				FXDB Street Bob	96 CI	HD-9608	KN-171C
				FXDC Super Glide Custom	96 CI	HD-9608	KN-171C
				FXDF Fat Bob	96 CI	HD-9608	KN-171C

* 2 filters required ♦ Intake System Available - see page 370 +Cabin Air Filter Available - see page 353 1- Performance Silver Oil Filter Also Available

Partial Listing: Complete Listing of Vehicles and Parts at KNFILTERS.COM or call 1-800-858-3333



Vehicle	Engine Type	Air Filter	Oil Filter	Vehicle	Engine Type	Air Filter	Oil Filter
2008 HARLEY DAVIDSON				2007 HARLEY DAVIDSON			
FXDL Dyna Low Rider	96 CI	HD-9608	KN-171C	FXDSE Screamin Eagle Dyna	110 CI		KN-171C
FXDSE2 Screamin Eagle Dyna	110 CI		KN-171C	FXDWG Dyna Wide Glide	96 CI	HD-1499	KN-171C
FXDSE2 Screamin Eagle Dyna	110 CI - US	HD-0800	KN-171C	FXST Softail Standard	96 CI	HD-1499	KN-171C
FXDWG Dyna Wide Glide	96 CI	HD-9608	KN-171C	FXSTB Night Train	96 CI	HD-1499	KN-171C
FXSTB Night Train	96 CI	HD-1499	KN-171C	FXSTC Softail Custom	96 CI	HD-1499	KN-171C
FXSTC Softail Custom	96 CI	HD-1499	KN-171C	FXSTD Softail Deuce	96 CI	HD-1499	KN-171C
FXSTSSE2 Screamin Eagle Softail Springer	110 CI		KN-171C	FXSTSSE Screamin Eagle Softail Springer	110 CI		KN-171C
VRSCAW V-Rod	69 CI	HD-1102	KN-174C	FXSTSSE Screamin Eagle Softail Springer	110 CI - OEM 2944299A/B/C/D	HD-0800	KN-171C
VRSCD Night Rod	76 CI	HD-1102	KN-174C	VRSCAW V-Rod	69 CI	HD-1102	KN-174C
VRSCDX Night Rod Special	76 CI	HD-1102	KN-174C	VRSCD Night Rod	69 CI	HD-1102	KN-174C
XL883 Sportster	54 CI	HD-8834	KN-170C	VRSCDX Night Rod Special	69 CI	HD-1102	KN-174C
XL883C Sportster Custom	54 CI	HD-8834	KN-170C	VRSCR Street Rod	69 CI	HD-1102	KN-174C
XL883L Sportster Low	54 CI	HD-8834	KN-170C	VRSCX V-Rod	76 CI	HD-1102	
XL1200C Sportster Custom	74 CI	HD-8834	KN-170C	XL50 50th Anniversary Sportster	74 CI		KN-170C
XL1200L Sportster Low	74 CI	HD-8834	KN-170C	XL883 Sportster	54 CI	HD-8834	KN-170C
XL1200N Sportster Nightster	74 CI	HD-8834	KN-170C	XL883C Sportster Custom	54 CI	HD-8834	KN-170C
XL1200R Sportster Roadster	74 CI	HD-8834	KN-170C	XL883L Sportster Low	54 CI	HD-8834	KN-170C
2007 HARLEY DAVIDSON				2006 HARLEY DAVIDSON			
FLHR Road King	96 CI	HD-1499	KN-171C	FLHR Road King	88 CI	HD-1499	KN-171C
FLHRC Road King Classic	96 CI	HD-1499	KN-171C	FLHRCI Road King Classic F/I	88 CI	HD-1499	KN-171C
FLHRS Road King Custom	96 CI	HD-1499	KN-171C	FLHRI Road King F/I	88 CI	HD-1499	KN-171C
FLHRSE3 Screamin Eagle Road King	110 CI		KN-171C	FLHRS Road King Custom	88 CI	HD-1499	KN-171C
FLHT Electra Glide Standard	96 CI	HD-1499	KN-171C	FLHRSI Road King Custom F/I	88 CI	HD-1499	KN-171C
FLHTC Electra Glide Classic	96 CI	HD-1499	KN-171C	FLHT Electra Glide Standard	88 CI	HD-1499	KN-171C
FLHTCI Electra Glide Classic F/I	88 CI	HD-1499	KN-171C	FLHTCUI Electra Glide Ultra Classic F/I	88 CI	HD-1499	KN-171C
FLHTCU Ultra Classic Electra Glide	96 CI	HD-1499	KN-171C	FLHTCUSE Screamin Eagle Ultra Classic Gli	103 CI	HD-1499	
FLHTCUSE2 Screamin Eagle Ultra Classic Electra Gli	110 CI		KN-171C	FLHTP Electra Glide Police	103 CI	HD-1499	
FLHXP Street Glide	96 CI	HD-1499	KN-171C	FLHX Street Glide	96 CI	HD-1499	KN-171C
FLSTC Heritage Softail Classic	96 CI	HD-1499	KN-171C	FLSTC Heritage Softail Classic	96 CI	HD-1499	KN-171C
FLSTF Fat Boy	96 CI	HD-1499	KN-171C	FLSTCI Heritage Softail Classic F/I	96 CI	HD-1499	KN-171C
FLSTN Softail Deluxe	96 CI	HD-1499	KN-171C	FLSTF Fat Boy	96 CI	HD-1499	KN-171C
FLSTSC Softail Springer Classic	96 CI	HD-1499	KN-171C	FXDL Dyna Low Rider	96 CI	HD-1499	KN-171C
FLTR Road Glide	96 CI	HD-1499	KN-171C				
FXD Dyna Super Glide	96 CI	HD-1499	KN-171C				
FXDB Street Bob	96 CI	HD-1499	KN-171C				
FXDC Super Glide Custom	96 CI	HD-1499	KN-171C				

* 2 filters required ♦ Intake System Available - see page 370 +Cabin Air Filter Available - see page 353 1- Performance Silver Oil Filter Also Available



AIR & OIL FILTERS

HARLEY DAVIDSON

Vehicle	Engine Type	Air Filter	Oil Filter	Vehicle	Engine Type	Air Filter	Oil Filter
2006 HARLEY DAVIDSON				2005 HARLEY DAVIDSON			
FLSTFI Fat Boy F/I	88 CI	HD-1499	KN-171C	FLHTC Electra Glide Classic	88 CI	HD-1499	KN-171C
FLSTI Heritage Softail F/I	88 CI	HD-1499	KN-171C	FLHTCI Electra Glide Classic F/I	88 CI	HD-1499	KN-171C
FLSTN Softail Deluxe	88 CI	HD-1499	KN-171C	FLHTCSE2 Screamin Eagle Electra Glide 2	103 CI		KN-171C
FLSTNI Softail Deluxe F/I	88 CI	HD-1499	KN-171C	FLHTCUI Electra Glide Ultra Classic F/I	88 CI	HD-1499	KN-171C
FLSTSCI Softail Springer Classic F/I	88 CI		KN-171C	FLHTI Electra Glide Standard F/I	88 CI	HD-1499	KN-171C
FLTRI Road Glide F/I	88 CI	HD-1499	KN-171C	FLSTC Heritage Softail Classic	88 CI	HD-1499	KN-171C
FXDBI Street Bob F/I	88 CI	HD-1499	KN-171C	FLSTCI Heritage Softail Classic F/I	88 CI	HD-1499	KN-171C
FXDCI Dyna Super Glide Custom F/I	88 CI	HD-1499	KN-171C	FLSTF Fat Boy	88 CI	HD-1499	KN-171C
FXDI Dyna Super Glide F/I	88 CI	HD-1499	KN-171C	FLSTFI Fat Boy F/I	88 CI	HD-1499	KN-171C
FXDI35 35th Anniv. Super Glide F/I	88 CI	HD-1499	KN-171C	FLSTFI Fat Boy F/I 15th Anniv.	95 CI	HD-0800	KN-171C
FXDLI Dyna Low Rider F/I	88 CI	HD-1499	KN-171C	FLSTFSE Screamin Eagle Fat Boy	103 CI	HD-0800	KN-171C
FXDWG Dyna Wide Glide	88 CI	HD-1499	KN-171C	FLSTN Softail Deluxe	88 CI	HD-1499	KN-171C
FXDWGI Dyna Wide Glide F/I	88 CI	HD-1499	KN-171C	FLSTNI Softail Deluxe F/I	88 CI	HD-1499	KN-171C
FXST Softail Standard	88 CI	HD-1499	KN-171C	FLSTSC Softail Springer Classic	88 CI		KN-171C
FXSTB Night Train	88 CI	HD-1499	KN-171C	FLSTSCI Softail Springer Classic F/I	88 CI	HD-1499	KN-171C
FXSTBI Night Train F/I	88 CI	HD-1499	KN-171C	FLTRI Road Glide F/I	88 CI	HD-1499	KN-171C
FXSTD Softail Deuce	88 CI	HD-1499	KN-171C	FXD Dyna Super Glide	88 CI	HD-1499	
FXSTDI Softail Deuce F/I	88 CI	HD-1499	KN-171C	FXDCI Dyna Super Glide Custom F/I	88 CI	HD-1499	KN-171C
FXSTI Softail Standard F/I	88 CI	HD-1499		FXDI Dyna Super Glide F/I	88 CI	HD-1499	KN-171C
VRSCA V-Rod	69 CI	HD-1102	KN-174C	FXDL Dyna Low Rider	88 CI	HD-1499	KN-171C
VRSCD Night Rod	69 CI	HD-1102	KN-174C	FXDLI Dyna Low Rider F/I	88 CI	HD-1499	KN-171C
VRSCR Street Rod	69 CI	HD-1102	KN-174C	FXDWG Dyna Wide Glide	88 CI	HD-1499	KN-171C
VRSCSE2 Screamin Eagle V-Rod	76 CI	HD-1102		FXDWGI Dyna Wide Glide F/I	88 CI	HD-1499	KN-171C
XL883 Sportster	54 CI	HD-8834		FXDX Dyna Super Glide Sport	88 CI		KN-171C
XL883C Sportster Custom	54 CI	HD-8834	KN-170C	FXDXI Dyna Super Glide Sport F/I	88 CI	HD-1499	KN-171C
XL883L Sportster Low	54 CI	HD-8834		FXST Softail Standard	88 CI	HD-1499	KN-171C
XL1200C Sportster Custom	74 CI	HD-8834	KN-170C	FXSTB Night Train	88 CI	HD-1499	KN-171C
XL1200L Sportster Low	74 CI	HD-8834		FXSTBI Night Train F/I	88 CI	HD-1499	KN-171C
XL1200R Sportster Roadster	74 CI	HD-8834	KN-170C	FXSTD Softail Deuce	88 CI	HD-1499	KN-171C
XLH883 Sportster	54 CI		KN-170C	FXSTDI Softail Deuce F/I	88 CI	HD-1499	KN-171C
XLH883 Sportster Custom	54 CI	HD-8834		FXSTI Softail Standard F/I	88 CI	HD-1499	
XLH883L Sportster Low	54 CI		KN-170C	FXSTS Springer Softail	88 CI		KN-171C
XLH883R Sportster R	54 CI		KN-170C	FXSTSI Springer Softail F/I	88 CI	HD-1499	KN-171C
2005 HARLEY DAVIDSON							
FLHR Road King	88 CI	HD-1499	KN-171C	VRSCA V-Rod	69 CI	HD-1102	KN-174C
FLHRCI Road King Classic F/I	88 CI	HD-1499	KN-171C	VRSCB V-Rod	69 CI	HD-1102	KN-174C
FLHRI Road King F/I	88 CI	HD-1499	KN-171C	VRSCSE Screamin Eagle V-Rod	76 CI	HD-1102	KN-174C
FLHRS Road King Custom	88 CI	HD-1499	KN-171C	XL883 Sportster	54 CI	HD-8834	
FLHRSI Road King Custom F/I	88 CI	HD-1499	KN-171C	XL883C Sportster Custom	54 CI	HD-8834	KN-170C
FLHT Electra Glide Standard	88 CI	HD-1499	KN-171C				

* 2 filters required ♦ Intake System Available - see page 370 +Cabin Air Filter Available - see page 353 1- Performance Silver Oil Filter Also Available

Partial Listing: Complete Listing of Vehicles and Parts at KNFILTERS.COM or call 1-800-858-3333



Vehicle	Engine Type	Air Filter	Oil Filter	Vehicle	Engine Type	Air Filter	Oil Filter
2005 HARLEY DAVIDSON				2004 HARLEY DAVIDSON			
XL883L Sportster Low	54 CI	HD-8834		FXSTS Springer Softail	88 CI		KN-171C
XL883R Sportster Roadster	54 CI	HD-8834		VRSCA V-Rod	69 CI	HD-1102	KN-174C
XL1200C Sportster Custom	74 CI	HD-8834	KN-170C	VRSCB V-Rod	69 CI	HD-1102	KN-174C
XL1200R Sportster Roadster	74 CI	HD-8834	KN-170C	XL883 Sportster Custom	54 CI	HD-8834	KN-170C
XLH883 Sportster	54 CI		KN-170C	XL883C Sportster Custom	54 CI	HD-8834	KN-170C
XLH883L Sportster Low	54 CI		KN-170C	XL1200C Sportster Custom	74 CI	HD-8834	KN-170C
2004 HARLEY DAVIDSON				2003 HARLEY DAVIDSON			
FLHR Road King	88 CI	HD-1499	KN-171C	FLHR Road King	88 CI	HD-1499	KN-171C
FLHRCI Road King Classic F/I	88 CI	HD-1499	KN-171C	FLHRCI Road King Classic F/I	88 CI	HD-1499	KN-171C
FLHRI Road King F/I	88 CI	HD-1499	KN-171C	FLHRI Road King F/I	88 CI	HD-1499	KN-171C
FLHRS Road King Custom	88 CI	HD-1499	KN-171C	FLHT Electra Glide Standard	88 CI	HD-1499	KN-171C
FLHRSI Road King Custom F/I	88 CI	HD-1499	KN-171C	FLHTC Electra Glide Classic	88 CI	HD-1499	KN-171C
FLHT Electra Glide Standard	88 CI	HD-1499	KN-171C	FLHTCI Electra Glide Classic F/I	88 CI	HD-1499	KN-171C
FLHTC Electra Glide Classic	88 CI	HD-1499	KN-171C	FLHTCSE Screamin Eagle Electra Glide	103 CI		KN-171C
FLHTCI Electra Glide Classic F/I	88 CI	HD-1499	KN-171C	FLHTCUI Electra Glide Ultra Classic F/I	88 CI	HD-1499	KN-171C
FLHTCSE Screamin Eagle Electra Glide	103 CI		KN-171C	FLHTI Electra Glide Standard F/I	88 CI	HD-1499	KN-171C
FLHTCUI Electra Glide Ultra Classic F/I	88 CI	HD-1499	KN-171C	FLSTC Heritage Softail Classic	88 CI	HD-1499	KN-171C
FLHTI Electra Glide Standard F/I	88 CI	HD-1499	KN-171C	FLSTCI Heritage Softail Classic F/I	88 CI	HD-1499	KN-171C
FLSTC Heritage Softail Classic	88 CI	HD-1499	KN-171C	FLSTF Fat Boy	88 CI	HD-1499	KN-171C
FLSTCI Heritage Softail Classic F/I	88 CI	HD-1499	KN-171C	FLSTFI Fat Boy F/I	88 CI	HD-1499	KN-171C
FLSTF Fat Boy	88 CI	HD-1499	KN-171C	FLSTS Heritage Springer	88 CI	HD-1499	KN-171C
FLSTFI Fat Boy F/I	88 CI	HD-1499	KN-171C	FLTRI Road Glide F/I	88 CI	HD-1499	KN-171C
FLTRI Road Glide F/I	88 CI	HD-1499	KN-171C	FXD Dyna Super Glide	88 CI	HD-1499	KN-171C
FXD Dyna Super Glide	88 CI	HD-1499	KN-171C	FXDL Dyna Super Rider	88 CI	HD-1499	KN-171C
FXDI Dyna Super Glide F/I	88 CI	HD-1499	KN-171C	FXDLI Dyna Super Rider F/I	88 CI	HD-1499	KN-171C
FXDL Dyna Low Rider	88 CI	HD-1499	KN-171C	FXDWG Dyna Wide Glide	88 CI	HD-1499	KN-171C
FXDLI Dyna Low Rider F/I	88 CI	HD-1499	KN-171C	FXDWGI Dyna Wide Glide F/I	88 CI	HD-1499	KN-171C
FXDWG Dyna Wide Glide	88 CI	HD-1499	KN-171C	FXDX Dyna Super Glide Sport	88 CI	KN-171C	
FXDWGI Dyna Wide Glide F/I	88 CI	HD-1499	KN-171C	FXDXI Dyna Super Glide Sport F/I	88 CI	KN-171C	
FXDX Dyna Super Glide Sport	88 CI	HD-1499	KN-171C	FXST Softail Standard	88 CI	HD-1499	KN-171C
FXDXI Dyna Super Glide Sport F/I	88 CI	HD-1499	KN-171C	FXSTB Night Train	88 CI	HD-1499	KN-171C
FXST Softail Standard	88 CI	HD-1499	KN-171C	FXSTBI Night Train F/I	88 CI	HD-1499	KN-171C
FXSTB Night Train	88 CI	HD-1499	KN-171C	FXSTD Softail Deuce	88 CI	HD-1499	KN-171C
FXSTBI Night Train F/I	88 CI	HD-1499	KN-171C	FXSTDI Softail Deuce F/I	88 CI	HD-1499	KN-171C
FXSTD Softail Deuce	88 CI	HD-1499	KN-171C	FXSTDSE Screamin Eagle Softail Deuce	95 CI		KN-171C
FXSTDI Softail Deuce F/I	88 CI	HD-1499	KN-171C	FXSTI Softail Standard F/I	88 CI	HD-1499	KN-171C
FXSTDSE2 Screamin Eagle Softail Deuce 2	95 CI		KN-171C	FXSTS Springer Softail	88 CI	HD-1499	KN-171C
FXSTI Softail Standard F/I	88 CI	HD-1499	KN-171C	FXSTSI Springer Softail F/I	88 CI		KN-171C
FXSTS Springer Softail	88 CI	HD-1499	KN-171C	VRSCA V-Rod	69 CI	HD-1102	KN-174C

* 2 filters required ♦ Intake System Available - see page 370 +Cabin Air Filter Available - see page 353 1- Performance Silver Oil Filter Also Available



AIR & OIL FILTERS

HARLEY DAVIDSON

Vehicle	Engine Type	Air Filter	Oil Filter	Vehicle	Engine Type	Air Filter	Oil Filter
2003 HARLEY DAVIDSON				2002 HARLEY DAVIDSON			
XL883C Sportster Custom	54 CI	HD-1388	KN-170C	XLH883 Sportster Hugger	54 CI	HD-1388	KN-170C
XL883R Sportster Roadster	54 CI	HD-1388	KN-170C	XLH1200 Sportster	74 CI	HD-1388	
XL1200C Sportster Custom	74 CI	HD-1388	KN-170C	2001 HARLEY DAVIDSON			
XL1200S Sportster Sport	74 CI	HD-1388	KN-170C	FLHR Road King	88 CI	HD-1499	KN-171C
XLH883 Sportster	54 CI	HD-1388	KN-170C	FLHRCI Road King Classic F/I	88 CI	HD-8899	KN-171C
XLH883 Sportster Custom	54 CI	HD-1388		FLHRI Road King F/I	88 CI	HD-8899	KN-171C
XLH883 Sportster Hugger	54 CI	HD-1388	KN-170C	FLHT Electra Glide Standard	82 CI		KN-171C
XLH1200 Sportster	73 CI	HD-1388		FLHT Electra Glide	88 CI	HD-1499	KN-171C
2002 HARLEY DAVIDSON				FLHTC Electra Glide Classic	88 CI	HD-1499	
FLHR Road King	88 CI	HD-1499	KN-171C	FLHTCI Electra Glide Classic F/I	88 CI	HD-8899	KN-171C
FLHRCI Road King Classic F/I	88 CI	HD-1499	KN-171C	FLHTCUI Electra Glide Ultra Classic F/I	88 CI	HD-8899	KN-171C
FLHRI Road King F/I	88 CI	HD-1499	KN-171C	FLSTC Heritage Softail Classic	88 CI	HD-1499	KN-171C
FLHT Electra Glide Standard	88 CI	HD-1499	KN-171C	FLSTCI Heritage Softail Classic F/I	88 CI	HD-8899	KN-171C
FLHTC Electra Glide Classic	88 CI	HD-1499	KN-171C	FLSTF Fat Boy	88 CI	HD-1499	KN-171C
FLHTCI Electra Glide Classic F/I	88 CI	HD-1499		FLSTFI Fat Boy F/I	88 CI	HD-1499	KN-171C
FLHTCUI Electra Glide Ultra Classic F/I	88 CI	HD-1499	KN-171C	FLSTS Heritage Springer	88 CI		KN-171C
FLSTC Heritage Softail Classic	88 CI	HD-1499	KN-171C	FLTR Road Glide	88 CI	HD-1499	
FLSTCI Heritage Softail Classic F/I	88 CI	HD-1499	KN-171C	FLTRI Road Glide F/I	88 CI	HD-8899	KN-171C
FLSTF Fat Boy	88 CI	HD-1499	KN-171C	FLTRSEI2 Screamin Eagle Road Glide 2 F/I	95 CI	HD-0800	
FLSTFI Fat Boy F/I	88 CI	HD-1499	KN-171C	FXD Dyna Super Glide	88 CI	HD-1499	KN-171C
FLTR Road Glide	88 CI	HD-1499		FXDL Dyna Low Rider	88 CI	HD-1499	KN-171C
FXD Dyna Super Glide	88 CI	HD-1499	KN-171C	FXDWG Dyna Wide Glide	88 CI	HD-1499	KN-171C
FXDL Dyna Low Rider	88 CI	HD-1499	KN-171C	FXDX Dyna Super Glide Sport	88 CI	HD-1499	KN-171C
FXDWG Dyna Wide Glide	88 CI	HD-1499	KN-171C	FXDXT Dyna Super Glide T-Sport	88 CI	HD-1499	KN-171C
FXDX Dyna Super Glide Sport	88 CI	HD-1499	KN-171C	FXST Softail Standard	88 CI	HD-1499	KN-171C
FXST Softail Standard	88 CI	HD-1499	KN-171C	FXSTB Night Train F/I	88 CI		KN-171C
FXSTB Night Train	88 CI	HD-1499	KN-171C	FXSTBI Night Train	88 CI		KN-171C
FXSTBI Night Train F/I	88 CI	HD-1499	KN-171C	FXSTD Softail Deuce	88 CI	HD-1499	KN-171C
FXSTD Softail Deuce	88 CI	HD-1499	KN-171C	FXSTDI Softail Deuce F/I	88 CI	HD-1499	KN-171C
FXSTDI Softail Deuce F/I	88 CI	HD-1499	KN-171C	FXSTI Softail Standard F/I	88 CI	HD-1499	
FXSTI Softail Standard F/I	88 CI	HD-1499		FXSTS Springer Softail	88 CI		KN-171C
FXSTS Springer Softail	88 CI	HD-1499	KN-171C	XL1200C Sportster Custom	74 CI	HD-1388	KN-170C
VRSCA V-Rod	69 CI	HD-1102	KN-174C	XL1200S Sportster Sport	74 CI	HD-1388	KN-170C
XL883C Sportster Custom	54 CI	HD-1388		XLH883 Sportster	54 CI	HD-1388	KN-170C
XL883R Sportster Roadster	54 CI	HD-1388	KN-170C	XLH883 Sportster Custom	54 CI	HD-1388	
XL1200C Sportster Custom	74 CI	HD-1388	KN-170C	XLH883 Sportster Hugger	54 CI	HD-1388	KN-170C
XL1200S Sportster Sport	74 CI	HD-1388	KN-170C	XLH1200 Sportster	74 CI	HD-1388	
XLH883 Sportster	54 CI	HD-1388	KN-170C	2000 HARLEY DAVIDSON			
XLH883 Sportster Custom	54 CI	HD-1388		FLHR Road King	88 CI	HD-1499	KN-171C
				FLHRCI Road King Classic F/I	88 CI	HD-8899	KN-171C

* 2 filters required ♦ Intake System Available - see page 370 +Cabin Air Filter Available - see page 353 1- Performance Silver Oil Filter Also Available

Partial Listing: Complete Listing of Vehicles and Parts at KNFILTERS.COM or call 1-800-858-3333



Vehicle	Engine Type	Air Filter	Oil Filter	Vehicle	Engine Type	Air Filter	Oil Filter
2000 HARLEY DAVIDSON				1999 HARLEY DAVIDSON			
FLHRI Road King F/I	88 CI	HD-8899	KN-171C	FXD Dyna Super	88 CI	HD-1499	KN-171C
FLHT Electra Glide	82 CI		KN-171C	Glide			
FLHT Electra Glide	88 CI	HD-1499	KN-171C	FXDL Dyna Low	88 CI	HD-1499	KN-171C
Standard				Rider			
FLHTC Electra Glide	88 CI	HD-1499		FXDS Dyna	88 CI	HD-1499	
Classic				Convertible			
FLHTCI Electra Glide	88 CI	HD-8899	KN-171C	FXDWG Dyna Wide	88 CI	HD-1499	KN-171C
Classic F/I				Glide			
FLHTCUI Electra	88 CI	HD-8899	KN-171C	FXDX Dyna Super	88 CI	HD-1499	KN-171C
Glide Ultra Classic F/I				Glide Sport			
FLSTC Heritage	88 CI	HD-1499	KN-171C	FXST Softail	82 CI	HD-1390	
Softail Classic				Standard			
FLSTF Fat Boy	88 CI	HD-1499	KN-171C	FXSTB Night Train	82 CI	HD-1390	KN-170C
FLSTS Heritage	88 CI		KN-171C	FXSTC Softail	82 CI	HD-1390	KN-170C
Springer				Custom			
FLTR Road Glide	88 CI	HD-1499		FXSTC Softail	82 CI	HD-1396	
FLTRI Road Glide F/I	88 CI	HD-8899	KN-171C	Custom - Non-US			
FXD Dyna Super	88 CI	HD-1499	KN-171C	FXSTS Springer	82 CI	HD-1390	KN-170C
Glide				Softail			
FXDL Dyna Low	88 CI	HD-1499	KN-171C	FXSTS Springer	82 CI	HD-1396	
Rider				Softail - Non-US			
FXDWG Dyna Wide	88 CI	HD-1499	KN-171C	XL1200C Sportster	74 CI	HD-1388	KN-170C
Glide				Custom			
FXDX Dyna Super	88 CI	HD-1499	KN-171C	XL1200S Sportster	74 CI	HD-1388	KN-170C
Glide Sport				Sport			
FXST Softail	88 CI	HD-1499	KN-171C	XLH883 Sportster	54 CI	HD-1388	KN-170C
Standard				XLH883 Sportster	54 CI	HD-1388	
FXSTB Night Train	88 CI	HD-1499	KN-171C	Custom			
FXSTC Softail	82 CI		KN-171C	XLH883 Sportster	54 CI	HD-1388	KN-170C
Custom				Hugger			
FXSTD Softail Deuce	88 CI	HD-1499	KN-171C	XLH1200 Sportster	74 CI	HD-1388	KN-170C
FXSTS Springer	88 CI	HD-1499	KN-171C				
Softail				1998 HARLEY DAVIDSON			
XL1200C Sportster	74 CI	HD-1388	KN-170C	FLHR Road King	82 CI	HD-1390	KN-170C
Custom				FLHRI Electra Glide	82 CI	HD-1395	
XL1200S Sportster	74 CI	HD-1388	KN-170C	Road King F/I			
Sport				FLHT Electra Glide	82 CI		KN-170C
XLH883 Sportster	54 CI	HD-1388	KN-170C	FLHT Electra Glide -	82 CI	HD-1396	
XLH883 Sportster	54 CI	HD-1388		Non-US			
Custom				FLHT Electra Glide	82 CI	HD-1390	
XLH883 Sportster	54 CI	HD-1388	KN-170C	Standard			
Hugger				FLHTC Electra Glide	82 CI	HD-1390	KN-170C
XLH1200 Sportster	74 CI	HD-1388		Classic			
				FLHTC Electra Glide	82 CI	HD-1396	
1999 HARLEY DAVIDSON				Classic - Non-US			
FLHR Road King	88 CI	HD-1499	KN-171C	FLHTCI Electra Glide	82 CI	HD-1395	
FLHRCI Road King	88 CI	HD-8899	KN-171C	Classic F/I			
Classic F/I				FLHTCUI Electra	82 CI	HD-1395	KN-170C
FLHT Electra Glide	88 CI	HD-1499	KN-171C	Glide Ultra Classic F/I			
Standard				FLSTC Heritage	82 CI	HD-1390	KN-170C
FLHTC Electra Glide	88 CI	HD-1499		Softail Classic			
Classic				FLSTC Heritage	82 CI	HD-1396	
FLHTCI Electra Glide	88 CI	HD-8899		Softail Classic -			
Classic F/I				Non-US			
FLHTCUI Electra	88 CI	HD-8899	KN-171C	FLSTF Fat Boy	82 CI	HD-1390	KN-170C
Glide Ultra Classic F/I				FLSTF Fat Boy -	82 CI	HD-1396	
FLSTC Heritage	82 CI	HD-1390	KN-170C	Non-US			
Softail Classic				FLSTN Heritage	82 CI	HD-1390	
FLSTC Heritage	82 CI	HD-1396		Softail Special			
Softail Classic -				FLSTS Heritage	82 CI	HD-1390	KN-170C
Non-US				Springer			
FLSTF Fat Boy	82 CI	HD-1390	KN-170C	FLTR Road Glide	82 CI	HD-1390	KN-170C
FLSTF Fat Boy -	82 CI	HD-1396		FLTRI Road Glide F/I	82 CI		KN-170C
Non-US				FXD Dyna Super	82 CI	HD-1390	KN-173C
FLSTS Heritage	82 CI	HD-1390	KN-170C	Glide			
Springer				FXD Dyna Super	82 CI	HD-1396	
FLTR Road Glide	88 CI	HD-1499		Glide - Non-US			

* 2 filters required ♦ Intake System Available - see page 370 +Cabin Air Filter Available - see page 353 1- Performance Silver Oil Filter Also Available



AIR & OIL FILTERS

HARLEY DAVIDSON

Vehicle	Engine Type	Air Filter	Oil Filter	Vehicle	Engine Type	Air Filter	Oil Filter
1998 HARLEY DAVIDSON				1997 HARLEY DAVIDSON			
FXDL Dyna Low Rider	82 CI	HD-1390	KN-173C	FXD Dyna Super Glide - Non-US	82 CI	HD-1396	
FXDL Dyna Low Rider - Non-US	82 CI	HD-1396		FXDL Dyna Low Rider	82 CI	HD-1390	KN-173C
FXDS Dyna Convertible	82 CI	HD-1390	KN-173C	FXDL Dyna Low Rider - Non-US	82 CI	HD-1396	
FXDS Dyna Convertible - Non-US	82 CI	HD-1396		FXDS Dyna Convertible	82 CI	HD-1390	KN-173C
FXDWG Dyna Wide Glide	82 CI	HD-1390	KN-173C	FXDS Dyna Convertible - Non-US	82 CI	HD-1396	
FXDWG Dyna Wide Glide - Non-US	82 CI	HD-1396		FXDWG Dyna Wide Glide	82 CI	HD-1390	KN-173C
FXSTC Softail Custom	82 CI	HD-1390	KN-170C	FXDWG Dyna Wide Glide - Non-US	82 CI	HD-1396	
FXSTC Softail Custom - Non-US	82 CI	HD-1396		FXSTC Softail Custom	82 CI	HD-1390	KN-170C
FXSTS Springer Softail	82 CI	HD-1390	KN-170C	FXSTC Softail Custom - Non-US	82 CI	HD-1396	
FXSTS Springer Softail - Non-US	82 CI	HD-1396		FXSTS Springer Softail	82 CI	HD-1390	KN-170C
XL1200C Sportster Custom	74 CI	HD-1388		FXSTS Springer Softail - Non-US	82 CI	HD-1396	
XL1200S Sportster Sport	74 CI	HD-1388	KN-170C	XL1200C Sportster Custom	74 CI	HD-1388	
XLH883 Sportster	54 CI	HD-1388	KN-170C	XL1200S Sportster Sport	74 CI	HD-1388	KN-170C
XLH883 Sportster Hugger	54 CI	HD-1388		XLH883 Sportster	54 CI	HD-1388	KN-170C
XLH1200 Sportster	74 CI	HD-1388	KN-170C	XLH883 Sportster Hugger	54 CI	HD-1388	
1997 HARLEY DAVIDSON				2015 HM MOTO			
FLHR Road King	82 CI	HD-1390	KN-170C	200 Urban City 4T	200		KN-141
FLHR Road King - Non-US	82 CI	HD-1396		2020 HONDA			
FLHRI Electra Glide Road King F/I	82 CI	HD-1395		Accord	1.5L L4 F/I	33-5072 ♦+	HP-1010 ¹
FLHT Electra Glide	82 CI		KN-170C	Accord	2.0L L4 F/I		HP-1010 ¹
FLHT Electra Glide - Non-US	82 CI	HD-1396		Accord	2.0L L4 F/I - Exc. Hybrid	33-5074 ♦+	HP-1010
FLHT Electra Glide Standard	82 CI	HD-1390		Accord Hybrid	2.0L L4 F/I	33-5006+	HP-1010 ¹
FLHTC Electra Glide Classic	82 CI	HD-1390	KN-170C	Civic	1.5L L4 F/I	33-5044 ♦	HP-1010 ¹
FLHTC Electra Glide Classic - Non-US	82 CI	HD-1396		Civic	2.0L L4 F/I		HP-1010 ¹
FLHTCI Electra Glide Classic F/I	82 CI	HD-1395		Civic	2.0L L4 F/I - Exc. Type R	33-5045 ♦	HP-1010
FLHTCU Electra Glide Ultra Classic	82 CI	HD-1390	KN-170C	Civic Si	1.5L L4 F/I	33-5044 ♦	HP-1010 ¹
FLHTCU Electra Glide Ultra Classic - Non-US	82 CI	HD-1396		CRF150R	149		KN-116
FLHTCUI Electra Glide Ultra Classic F/I	82 CI	HD-1395	KN-170C	CRF150R Expert	149		KN-116
FLSTC Heritage Softail Classic	82 CI	HD-1390	KN-170C	CRF250R	249		KN-116
FLSTC Heritage Softail Classic - Non-US	82 CI	HD-1396		CRF250RX	249		KN-116
FLSTF Fat Boy	82 CI	HD-1390	KN-170C	CR-V	1.5L L4 F/I	33-5044	HP-1010 ¹
FLSTF Fat Boy - Non-US	82 CI	HD-1396		CR-V	2.4L L4 F/I		HP-1010 ¹
FLSTN Heritage Softail Special	82 CI	HD-1390		HR-V	1.8L L4 F/I	33-5037	
FLSTS Heritage Springer	82 CI	HD-1390		Insight	1.5L L4 F/I	33-5090	HP-1010 ¹
FXD Dyna Super Glide	82 CI	HD-1390	KN-173C	Mobilio	1.5L L4 F/I	33-2422	
				Odyssey	3.5L V6 F/I	33-5041	HP-1010 ¹
				Passport	3.5L V6 F/I	33-5041+	HP-1010 ¹
				Pilot	3.5L V6 F/I	33-5041	HP-1010 ¹
				Ridgeline	3.5L V6 F/I	33-5041	
				SXS500M2 Pioneer	475	HA-5015	
				SXS700M2 Pioneer	675	HA-5000	
				SXS700M2 Pioneer Deluxe	675	HA-5000	
				SXS700M4 Pioneer	675	HA-5000	
				SXS700M4 Pioneer Deluxe	675	HA-5000	
				SXS1000M3 Pioneer	999	HA-1016	

* 2 filters required ♦ Intake System Available - see page 370 +Cabin Air Filter Available - see page 353 1- Performance Silver Oil Filter Also Available



Vehicle	Engine Type	Air Filter	Oil Filter	Vehicle	Engine Type	Air Filter	Oil Filter
2020 HONDA				2019 HONDA			
SXS1000M3 Pioneer Deluxe	999	HA-1016		CRF450RWE	449	HA-4517XD	KN-116
SXS1000M5 Pioneer Deluxe	999	HA-1016		CRF450RX	449	HA-4517XD	KN-116
TRX420FA2 FourTrax Rancher 4x4 AT DCT w/EPS	420	HA-5000		CRF1000L Africa Twin ABS	998	HA-9916	KN-204-1
TRX420FA5 FourTrax Rancher 4x4 Auto DCT IRS	420	HA-5000		CRF1000L Africa Twin DCT	998	HA-9916	KN-204-1
TRX420FA6 FourTrax Rancher 4x4 Auto DCT IRS EPS	420	HA-5000		CRF1000L2 Africa Twin Adventure Sports	998	HA-9916	KN-204-1
TRX420FE1 FourTrax Rancher 4x4 ES	420	HA-5000		CRF1000L2 Africa Twin Adventure Sports DCT	998	HA-9916	KN-204-1
TRX420FM1 FourTrax Rancher 4x4	420	HA-5000		CR-V	1.5L L4 F/I	33-5044	HP-1010 ¹
TRX420FM2 FourTrax Rancher 4x4 w/EPS	420	HA-5000		CR-V	2.4L L4 F/I	33-5063	HP-1010 ¹
TRX420TE1 FourTrax Rancher ES	420	HA-5000		Fit	1.5L L4 F/I	33-5027+	HP-1010 ¹
TRX420TM1 FourTrax Rancher	420	HA-5000		GL1800 Gold Wing Tour	1833	HA-1818	KN-204-1
2019 HONDA				GL1800 Gold Wing Tour Airbag Auto. DCT	1833	HA-1818	KN-204-1
Accord	1.5L L4 F/I	33-5072 ♦+	HP-1010 ¹	GL1800 Gold Wing Tour Auto. DCT	1833	HA-1818	KN-204-1
Accord	1.8L L4 F/I		HP-1010 ¹	Grom 125	125	HA-1313	
Accord	2.0L L4 F/I	33-5074 ♦+	HP-1010 ¹	Grom 125 ABS	125	HA-1313	
Accord Hybrid	2.0L L4 F/I	33-5006+	HP-1010 ¹	HR-V	1.5L L4 F/I - Exc. Turbo	33-5027	
CB125R	125	HA-2819		HR-V	1.8L L4 F/I	33-5037+	HP-1010 ¹
CB250R	249	HA-2819		Insight	1.5L L4 F/I	33-5090	HP-1010 ¹
CB300R	286	HA-2819		NPS50 Ruckus	49	HA-0502	
CB300R ABS	286	HA-2819		Odyssey	3.5L V6 F/I	33-5041+	HP-1010 ¹
CBF250	249	HA-2819		Passport	3.5L V6 F/I	33-5041+	HP-1010 ¹
CBR250RR	250	HA-2517		Pilot	3.5L V6 F/I	33-5041+	HP-1010 ¹
CBR600RR	599	HA-6007		Ridgeline	3.5L V6 F/I	33-5041+	HP-1010 ¹
CBR600RR	599 - Race Specific	HA-6007R		SXS700M4 Pioneer Deluxe	675	HA-5000	
CBR600RR ABS	599	HA-6007		SXS1000M3 Pioneer EPS	999	HA-1016	
CBR600RR ABS	599 - Race Specific	HA-6007R		SXS1000M5 Pioneer Deluxe	999	HA-1016	
City	1.5L L4 F/I	33-3030+		TRX250X	229	HA-2501	
Civic	1.5L L4 F/I	33-5044 ♦	HP-1010 ¹	TRX500FA5 FourTrax Foreman Rubicon Auto DCT	475	HA-6806	KN-114
Civic	2.0L L4 F/I		HP-1010 ¹	TRX500FA6 FourTrax Foreman Rubicon Auto DCT EPS	475	HA-6806	KN-114
Civic	2.0L L4 F/I - US, Exc. Type R	33-5045 ♦	HP-1010	TRX500FA7 FourTrax Foreman Rubicon Auto DCT EPS	475	HA-6806	KN-114
Civic Si	1.5L L4 F/I	33-5044 ♦	HP-1010 ¹	TRX500FE2 FourTrax Foreman 4x4 w/EPS	475	HA-5000	KN-113
Civic Type R	2.0L L4 F/I	33-5070 ♦	HP-1010 ¹	TRX500FM1 FourTrax Foreman 4x4	475	HA-5000	KN-113
Civic X	1.0L L3 F/I	33-2422		TRX500FM6 FourTrax Foreman Rubicon EPS	475	HA-6806	KN-113
Civic X	1.5L L4 F/I	33-5044		VT13CX Fury	1312	HA-1310	KN-204-1
Civic X Type R	2.0L L4 F/I	33-5070 ♦		XR650L	644	HA-6592	
Clarity	1.5L L4 F/I	33-5080	HP-1010 ¹	2018 HONDA			
CMX300 Rebel	286	HA-2513		Accord	1.5L L4 F/I	33-5072 ♦+	HP-1010 ¹
CMX300 Rebel ABS	286	HA-2513		Accord	2.0L L4 F/I	33-5074 ♦+	HP-1010 ¹
CMX500 Rebel	471	HA-2513		Accord Hybrid	2.0L L4 F/I	33-5006+	HP-1010 ¹
CMX500 Rebel ABS	471	HA-2513		BR-V	1.5L L4 F/I	33-3030	
CRF150R	150	HA-1507	KN-116	CB125R	125	HA-2819	
CRF150R Expert	150		KN-116	CB250R	249	HA-2819	
CRF230F	230	HA-1503		CB300F	286	HA-2511	
CRF250L ABS	249	HA-2513	KN-116				
CRF250L Rally	249	HA-2513	KN-116				
CRF250L Rally ABS	249		KN-116				
CRF450R	449	HA-4517XD	KN-116				

* 2 filters required ♦ Intake System Available - see page 370 +Cabin Air Filter Available - see page 353 1- Performance Silver Oil Filter Also Available



AIR & OIL FILTERS

HONDA

Vehicle	Engine Type	Air Filter	Oil Filter	Vehicle	Engine Type	Air Filter	Oil Filter
2018 HONDA				2018 HONDA			
CB300F ABS	286	HA-2511		CRF1000L2 Africa	998	HA-9916	KN-204-1
CB500F	471	HA-5013	KN-204-1	Twin Adventure			
CB500F ABS	471	HA-5013	KN-204-1	Sports DCT			
CB500X	471	HA-5013	KN-204-1	CR-V	1.5L L4 F/I	33-5044+	HP-1010 ¹
CB500X ABS	471	HA-5013	KN-204-1	CR-V	2.4L L4 F/I	33-5063+	HP-1010 ¹
CB650F	649	HA-6414	KN-204-1	CR-V IV	2.0L L4 F/I	33-30094	
CB650F ABS	649	HA-6414	KN-204-1	CTX700 DCT ABS	670	HA-7012	KN-204-1
CB1000R	998		KN-204-1	CTX700N DCT ABS	670	HA-7012	KN-204-1
CB1100 EX	1140	HA-1301		Fit	1.5L L4 F/I	33-5027+	HP-1010 ¹
CBR125R	125	HA-1502		Fit Shuttle	1.5L L4 F/I	33-5027	
CBR250RR	250	HA-2517		FS150	150	HA-1416	
CBR300R	286	HA-2511		GL1800 Gold Wing	1833	HA-1818	KN-204-1
CBR300R ABS	286	HA-2511		GL1800 Gold Wing	1833	HA-1818	KN-204-1
CBR500R	471	HA-5013	KN-204-1	Auto. DCT			
CBR500R ABS	471	HA-5013	KN-204-1	GL1800 Gold Wing	1833	HA-1818	KN-204-1
CBR600RR	599	HA-6007	KN-204-1	Tour			
CBR600RR	599 - Race Specific	HA-6007R	KN-204-1	GL1800 Gold Wing	1833	HA-1818	KN-204-1
CBR600RR ABS	599	HA-6007	KN-204-1	Tour Airbag Auto. DCT			
CBR600RR ABS	599 - Race Specific	HA-6007R	KN-204-1	GL1800 Gold Wing	1833	HA-1818	KN-204-1
CBR650F	649	HA-6414	KN-204-1	Tour Auto. DCT			
CBR650F ABS	649	HA-6414	KN-204-1	Grom 125	125	HA-1313	
CBR1000RR	998	HA-1017	KN-204-1	Grom 125 ABS	125	HA-1313	
CBR1000RR	998 - Race Specific	HA-1017R	KN-204-1	HR-V	1.5L L4 F/I	33-5027	
CBR1000RR ABS	998	HA-1017	KN-204-1	HR-V	1.8L L4 F/I	33-5037+	HP-1010 ¹
CBR1000RR ABS	998 - Race Specific	HA-1017R	KN-204-1	Jazz	1.5L L4 DSL	33-3038	
CBR1000RR SP	998	HA-1017	KN-204-1	Jazz	1.5L L4 F/I	33-5027+	
CBR1000RR SP	998 - Race Specific	HA-1017R	KN-204-1	MSX125	125	HA-1313	
Civic	1.5L L4 F/I	33-5044 ♦♦	HP-1010 ¹	NC750D Integra	745	HA-7012	KN-204-1
Civic	2.0L L4 F/I		HP-1010 ¹	NC750X	745	HA-7012	KN-204-1
Civic	2.0L L4 F/I - US, Exc. Type R	33-5045 ♦♦	HP-1010	NC750X DCT	745	HA-7012	KN-204-1
Civic Si	1.5L L4 F/I	33-5044 ♦♦	HP-1010 ¹	NPS50 Ruckus	49	HA-0502	
Civic Tourer	1.6L L4 DSL	33-3012		NSS125 Forza	125	HA-1513	
Civic Tourer	1.8L L4 F/I	33-2468		Odyssey	3.5L V6 F/I	33-5041+	HP-1010 ¹
Civic Type R	2.0L L4 F/I		HP-1010 ¹	Pilot	3.5L V6 F/I	33-5041+	HP-1010 ¹
Civic Type R	2.0L L4 F/I - US	33-5070 ♦♦	HP-1010	Ridgeline	3.5L V6 F/I	33-5041+	HP-1010 ¹
Civic X	1.0L L3 F/I	33-2422		RS150	150	HA-1416	
Civic X	1.5L L4 F/I	33-5044		S660	0.7L L3 F/I	33-3056	
Civic X Type R	2.0L L4 F/I	33-5070 ♦♦	HP-1010 ¹	SH125i	125	HA-1513	
Clarity	1.5L L4 F/I		HP-1010 ¹	SH300i	279	HA-2714	
Clarity	1.5L L4 F/I - Plug-In Hybrid	33-5080	HP-1010	SH125 Mode	125	HA-1213	
CMX300 Rebel	286	HA-2513		Supra GTR	150	HA-1416	
CMX500 Rebel	471	HA-2513	KN-204-1	SXS500M2 Pioneer	475	HA-5015	
CMX500 Rebel ABS	471	HA-2513	KN-204-1	SXS700M2 Pioneer	675	HA-5000	KN-111
CRF150R	150	HA-1507	KN-116	Deluxe			
CRF150R Expert	150		KN-116	SXS700M4 Pioneer	675	HA-5000	KN-111
CRF250L	249	HA-2513	KN-116	SXS700M4 Pioneer	675	HA-5000	KN-111
CRF250L ABS	249		KN-116	Deluxe			
CRF250L Rally	249	HA-2513	KN-116	SXS1000M3 Pioneer	999	HA-1016	KN-114
CRF250L Rally ABS	249		KN-116	SXS1000M3 Pioneer	999	HA-1016	KN-114
CRF250R	249		KN-116	EPS			
CRF250XRL	249	HA-2513	KN-116	SXS1000M3 Pioneer	999	HA-1016	KN-114
CRF450R	449	HA-4517XD	KN-116	Ltd Edition			
CRF450RX	449	HA-4517XD	KN-116	SXS1000M5 Pioneer	999	HA-1016	KN-114
CRF1000L Africa	998	HA-9916	KN-204-1	SXS1000M5 Pioneer	999	HA-1016	KN-114
Twin				Deluxe			
CRF1000L Africa	998	HA-9916	KN-204-1	SXS1000M5 Pioneer	999	HA-1016	KN-114
Twin ABS				Deluxe			
CRF1000L Africa	998	HA-9916	KN-204-1	SXS1000M5 Pioneer	999	HA-1016	KN-114
Twin DCT				Deluxe			
CRF1000L2 Africa	998	HA-9916	KN-204-1	SXS1000M5 Pioneer	999	HA-1016	KN-114
Twin Adventure				Deluxe			
Sports				SXS1000M5 Pioneer	999	HA-1016	KN-114
				Ltd Edition			
				TRX250X	229	HA-2501	
				TRX420FA2 FourTrax	420	HA-5000	KN-114
				Rancher 4x4 AT DCT			
				w/EPS			
				TRX420FA5 FourTrax	420	HA-5000	KN-114
				Rancher 4x4 Auto			
				DCT IRS			

* 2 filters required ♦ Intake System Available - see page 370 +Cabin Air Filter Available - see page 353 1- Performance Silver Oil Filter Also Available

Partial Listing: Complete Listing of Vehicles and Parts at KNFILTERS.COM or call 1-800-858-3333



Vehicle	Engine Type	Air Filter	Oil Filter	Vehicle	Engine Type	Air Filter	Oil Filter
2018 HONDA				2017 HONDA			
TRX420FA6 FourTrax 420 Rancher 4x4 Auto DCT IRS EPS		HA-5000	KN-114	CBR1000RR SP 998		HA-1017	KN-204-1
TRX420FE1 FourTrax 420 Rancher 4x4 ES		HA-5000	KN-113	CBR1000RR SP 998 - Race Specific		HA-1017R	KN-204-1
TRX420TM1 420 FourTrax Rancher		HA-5000	KN-113	CBR1000RR SP2 998		HA-1017	KN-204-1
TRX500FA5 FourTrax 475 Foreman Rubicon Auto DCT		HA-6806	KN-114	CBR1000RR SP2 998 - Race Specific		HA-1017R	KN-204-1
TRX500FA6 FourTrax 475 Foreman Rubicon Auto DCT EPS		HA-6806	KN-114	Civic 1.5L L4 F/I		33-5044 ♦+	HP-1010 ¹
TRX500FA7 FourTrax 475 Foreman Rubicon Auto DCT EPS		HA-6806	KN-114	Civic 1.8L L4 F/I		33-5045	
TRX500FE2 FourTrax 475 Foreman 4x4 w/EPS		HA-5000	KN-113	Civic 2.0L L4 F/I			HP-1010 ¹
TRX500FM1 475 FourTrax Foreman 4x4		HA-5000	KN-113	Civic 2.0L L4 F/I - US, Exc. Type R		33-5045 ♦+	HP-1010
TRX500FM6 475 FourTrax Foreman Rubicon EPS		HA-6806	KN-113	Civic IX 1.4L L4 F/I		33-3124	
TRX680FA FourTrax 675 Rincon		HA-6806	KN-111	Civic IX 1.6L L4 DSL		33-3012	
VT13CX Fury 1312		HA-1310	KN-204-1	Civic IX 1.8L L4 F/I		33-2468	
VT750C Shadow Aero		HA-7504	KN-204-1	Civic IX Type R 2.0L L4 F/I			HP-1010 ¹
VT750C2B Shadow Phantom		HA-7504	KN-204-1	Civic IX Type R 2.0L L4 F/I - Non-US		33-3058+	HP-1010
Winner 150 150		HA-1416		Civic Si 1.5L L4 F/I		33-5044 ♦+	HP-1010 ¹
X-ADV 745		HA-7417		Civic Tourer 1.6L L4 DSL		33-3012	
XR650L 650		HA-6592	KN-112	Civic Tourer 1.8L L4 F/I		33-2468	
2017 HONDA				2017 HONDA			
Accord 2.4L L4 F/I		33-2498 ♦+	HP-1010 ¹	Civic Type R 2.0L L4 F/I			HP-1010 ¹
Accord 3.5L V6 F/I		33-2499 ♦+	HP-1010 ¹	Civic Type R 2.0L L4 F/I - US		33-5070 ♦+	HP-1010
Accord Hybrid 2.0L L4 F/I		33-5006+	HP-1010 ¹	Civic X 1.0L L3 F/I		33-2422	
BR-V 1.5L L4 DSL		33-3038		Civic X 1.5L L4 F/I		33-5044+	HP-1010 ¹
BR-V 1.5L L4 F/I		33-3030		Civic X Type R 2.0L L4 F/I		33-5070 ♦+	HP-1010 ¹
CB300F 286		HA-2511	KN-112	CMX300 Rebel 286		HA-2513	
CB300F ABS 286		HA-2511	KN-112	CMX300 Rebel ABS 286		HA-2513	
CB500F 471		HA-5013	KN-204-1	CMX500 Rebel 471		HA-2513	KN-204-1
CB500F ABS 471		HA-5013	KN-204-1	CMX500 Rebel ABS 471		HA-2513	KN-204-1
CB500X 471		HA-5013	KN-204-1	CRF150F 150		HA-1503	KN-116
CB500X ABS 471		HA-5013	KN-204-1	CRF150R 150		HA-1507	KN-116
CB650F 649		HA-6414		CRF150R Expert 150			KN-116
CB1100 EX 1140		HA-1301	KN-204-1	CRF230F 230		HA-1503	
CBF1000 998		HA-1009		CRF250L 249		HA-2513	
CBR125R 125		HA-1502		CRF250L ABS 249		HA-2513	
CBR250RR 250		HA-2517		CRF250L Rally 249		HA-2513	
CBR300R 286		HA-2511	KN-112	CRF250L Rally ABS 249		HA-2513	
CBR300R ABS 286		HA-2511	KN-112	CRF250R 249		HA-4513XD	KN-116
CBR500R 471		HA-5013	KN-204-1	CRF250X 249		HA-2505XD	KN-116
CBR500R ABS 471		HA-5013	KN-204-1	CRF450R 449		HA-4517XD	KN-116
CBR600RR 599		HA-6007	KN-204-1	CRF450RX 449		HA-4517XD	KN-116
CBR600RR 599 - Race Specific		HA-6007R	KN-204-1	CRF450X 449		HA-2505XD	KN-116
CBR600RR ABS 599		HA-6007	KN-204-1	CRF1000L Africa Twin 998		HA-9916	KN-204-1
CBR600RR ABS 599 - Race Specific		HA-6007R	KN-204-1	CRF1000L Africa Twin ABS 998		HA-9916	KN-204-1
CBR650F 649		HA-6414	KN-204-1	CRF1000L Africa Twin DCT 998		HA-9916	KN-204-1
CBR650F ABS 649		HA-6414	KN-204-1	CR-V 1.5L L4 F/I		33-5044+	HP-1010 ¹
CBR1000RR 998		HA-1017	KN-204-1	CR-V 2.4L L4 F/I		33-5063+	HP-1010 ¹
CBR1000RR 998 - Race Specific		HA-1017R	KN-204-1	CR-V 2.0L L4 F/I		33-30094	
CBR1000RR ABS 998		HA-1017	KN-204-1	CTX700 670			KN-204-1
CBR1000RR ABS 998 - Race Specific		HA-1017R	KN-204-1	CTX700 DCT ABS 670		HA-7012	KN-204-1
				CTX700N 670			KN-204-1
				Fit 1.5L L4 F/I		33-5027+	HP-1010 ¹
				Fit Shuttle 1.5L L4 F/I		33-5027	
				FS150 150		HA-1416	
				GL1800B Gold Wing F6B Deluxe 1832		HA-1801	KN-204-1
				GL1800HP Gold Wing AC 1832		HA-1801	KN-204-1
				GL1800HPNM Gold Wing ACN XM ABS 1832		HA-1801	KN-204-1
				Grom 125 125		HA-1313	
				HR-V 1.5L L4 F/I		33-5027+	
				HR-V 1.8L L4 F/I		33-5037+	HP-1010 ¹
				MSX125 125		HA-1313	

* 2 filters required ♦ Intake System Available - see page 370 +Cabin Air Filter Available - see page 353 1- Performance Silver Oil Filter Also Available



AIR & OIL FILTERS

HONDA

Vehicle	Engine Type	Air Filter	Oil Filter	Vehicle	Engine Type	Air Filter	Oil Filter
2017 HONDA				2017 HONDA			
NC700X	670		KN-204-1	TRX500FM6	475	HA-6806	KN-113
NC700X DCT ABS	670	HA-7012	KN-204-1	FourTrax Foreman			
NC750S ABS Special	745	HA-7012	KN-204-1	Rubicon EPS			
NC750X	745	HA-7012	KN-204-1	VFR1200X DCT	1237	HA-1110	KN-204-1
NPS50 Ruckus	49	HA-0502		VFR1200XD	1237	HA-1110	KN-204-1
NSS125 Forza	125	HA-1513		VT13CX Fury	1312	HA-1310	KN-204-1
NSS300 Forza	279	HA-2714		VT750C2B Shadow	745	HA-7504	KN-204-1
Odyssey	3.5L V6 F/I	33-2461+	HP-1010 ¹	Phantom			
PCX125	125	HA-1213		Winner 150	150	HA-1416	
PCX150	153	HA-1213		X-ADV	745	HA-7417	
Pilot	3.5L V6 F/I	33-5041+	HP-1010 ¹	XR650L	650	HA-6592	KN-112
Ridgeline	3.5L V6 F/I	33-5041+	HP-1010 ¹	2016 HONDA			
RS150	150	HA-1416		Accord	2.4L L4 F/I	33-2498 ♦+	HP-1010 ¹
S660	0.7L L3 F/I	33-3056		Accord	3.5L V6 F/I	33-2499 ♦+	HP-1010 ¹
SH125i	125	HA-1513		CB300F	286	HA-2511	KN-112
SH300i	279	HA-2714		CB500F	471	HA-5013	KN-204-1
SH125 Mode	125	HA-1213		CB500F ABS	471	HA-5013	KN-204-1
Supra GTR	150	HA-1416		CB500X	471	HA-5013	KN-204-1
SXS500M2 Pioneer	475	HA-5015		CB500X ABS	471	HA-5013	KN-204-1
SXS700M2 Pioneer	675	HA-5000	KN-111	CB650F	649	HA-6414	
SXS700M2 Pioneer	675	HA-5000	KN-111	CB1000R	998	HA-1009	KN-204-1
Deluxe				CB1100	1140	HA-1301	KN-204-1
SXS700M4 Pioneer	675	HA-5000	KN-111	CBR125R	125	HA-1502	
SXS700M4 Pioneer	675	HA-5000	KN-111	CBR300R	286	HA-2511	KN-112
Deluxe				CBR300R ABS	286	HA-2511	KN-112
SXS1000M3 Pioneer	999	HA-1016	KN-114	CBR500R	471	HA-5013	KN-204-1
SXS1000M3 Pioneer	999	HA-1016	KN-114	CBR500R ABS	471	HA-5013	KN-204-1
EPS				CBR600RR	599	HA-6007	KN-204-1
SXS1000M3 Pioneer	999	HA-1016	KN-114	CBR600RR	599 - Race Specific	HA-6007R	KN-204-1
Ltd Edition				CBR600RR ABS	599	HA-6007	KN-204-1
SXS1000M5 Pioneer	999	HA-1016	KN-114	CBR600RR ABS	599 - Race Specific	HA-6007R	KN-204-1
SXS1000M5 Pioneer	999	HA-1016	KN-114	CBR650F	649	HA-6414	KN-204-1
Deluxe				CBR650F ABS	649	HA-6414	KN-204-1
SXS1000M5 Pioneer	999	HA-1016	KN-114	CBR1000RR	999	HA-1008	KN-204-1
Ltd Edition				CBR1000RR	999 - Race Specific	HA-1008R	KN-204-1
TRX250X	229	HA-2501		CBR1000RR SP	999	HA-1008	KN-204-1
TRX420FA2 FourTrax	420	HA-5000	KN-114	Repsol Edition			
Rancher 4x4 AT DCT				CBR1000RR SP	999 - Race Specific	HA-1008R	KN-204-1
w/EPS				Repsol Edition			
TRX420FA5 FourTrax	420	HA-5000	KN-114	City	1.5L L4 DSL	33-3038	
Rancher 4x4 Auto				City	1.5L L4 F/I	33-3030+	
DCT IRS				Civic	1.5L L4 F/I	33-5044 ♦+	HP-1010 ¹
TRX420FA6 FourTrax	420	HA-5000	KN-114	Civic	2.0L L4 F/I	33-5045+	HP-1010 ¹
Rancher 4x4 Auto						33-5045 ♦+	HP-1010 ¹
DCT IRS EPS				Civic IX	1.4L L4 F/I	33-3124	
TRX420FE1 FourTrax	420	HA-5000	KN-113	Civic IX	1.6L L4 DSL	33-3012	
Rancher 4x4 ES				Civic IX	1.8L L4 F/I	33-2468	
TRX420FM1	420	HA-5000	KN-113	Civic IX Type R	2.0L L4 F/I	33-3058+	
FourTrax Rancher				Civic Tourer	1.6L L4 DSL	33-3012	
4x4				Civic Tourer	1.8L L4 F/I	33-2468	
TRX420TM1	420	HA-5000	KN-113	Civic Type R	2.0L L4 F/I	33-3058+	
FourTrax Rancher				CMX250C Rebel	234	HA-2596	
TRX500FA5 FourTrax	475	HA-6806	KN-114	CRF150F	150		KN-116
Foreman Rubicon				CRF150R	150	HA-1507	KN-116
Auto DCT				CRF150R Expert	150	HA-1507	KN-116
TRX500FA6 FourTrax	475	HA-6806	KN-114	CRF230F	230	HA-1503	
Foreman Rubicon				CRF250L	249	HA-2513	KN-112
Auto DCT EPS				CRF250R	249	HA-4513XD	KN-116
TRX500FA7 FourTrax	475	HA-6806	KN-114	CRF250X	249	HA-2505XD	KN-116
Foreman Rubicon				CRF450R	449	HA-4513XD	KN-116
Auto DCT EPS				CRF450X	449		KN-116
TRX500FE2 FourTrax	475	HA-5000	KN-113	CRF450XRL	450		KN-116
Foreman 4x4 w/EPS							
TRX500FM1	475	HA-5000	KN-113				
FourTrax Foreman							
4x4							

* 2 filters required ♦ Intake System Available - see page 370 +Cabin Air Filter Available - see page 353 1- Performance Silver Oil Filter Also Available



Vehicle	Engine Type	Air Filter	Oil Filter	Vehicle	Engine Type	Air Filter	Oil Filter
2016 HONDA				2016 HONDA			
CRF1000L Africa Twin	998	HA-9916	KN-204-1	TRX420FA5 FourTrax Rancher 4x4 Auto	420	HA-5000	KN-114
CRF1000L Africa Twin ABS	998	HA-9916	KN-204-1	DCT IRS			
CRF1000L Africa Twin DCT	998	HA-9916	KN-204-1	TRX420FA6 FourTrax Rancher 4x4 Auto	420	HA-5000	KN-114
CR-V	2.4L L4 F/I	33-5031+	HP-1010 ¹	DCT IRS EPS			
CR-V IV	2.0L L4 F/I	33-30094		TRX420FE1 FourTrax Rancher 4x4 ES	420	HA-5000	KN-113
CR-Z	1.5L L4 F/I	33-2459 ♦	HP-1010 ¹	TRX420FM1 FourTrax Rancher 4x4	420	HA-5000	KN-113
CTX700	670	HA-7012	KN-204-1	TRX420FM2 FourTrax Rancher 4x4 w/EPS	420	HA-5000	KN-113
CTX700 DCT ABS	670	HA-7012	KN-204-1	TRX420TE1 FourTrax Rancher ES	420	HA-5000	KN-113
CTX700N	670	HA-7012	KN-204-1	TRX420TM1 FourTrax Rancher	420	HA-5000	KN-113
CTX700N DCT ABS	670	HA-7012	KN-204-1	TRX500FA5 FourTrax Foreman Rubicon Auto DCT	475	HA-6806	KN-114
Fit	1.5L L4 F/I	33-5027+	HP-1010 ¹	TRX500FA6 FourTrax Foreman Rubicon Auto DCT EPS	475	HA-6806	KN-114
Fit Shuttle	1.5L L4 F/I	33-5027		TRX500FA7 FourTrax Foreman Rubicon Auto DCT EPS	475		KN-114
FS150	150	HA-1416		TRX500FE1 FourTrax Foreman 4x4 ES	475	HA-5000	KN-113
GL1800 Gold Wing Airbag	1832	HA-1801	KN-204-1	TRX500FE2 FourTrax Foreman 4x4 w/EPS	475	HA-5000	KN-113
GL1800B Gold Wing F6B	1832	HA-1801	KN-204-1	TRX500FM1 FourTrax Foreman 4x4	475	HA-5000	KN-113
GL1800B Gold Wing F6B Deluxe	1832	HA-1801	KN-204-1	TRX500FM2 FourTrax Foreman 4x4 w/EPS	475	HA-5000	KN-113
GL1800HP Gold Wing AC	1832	HA-1801	KN-204-1	TRX500FM5 FourTrax Foreman Rubicon	475	HA-6806	KN-113
GL1800HPNM Gold Wing ACN XM	1832	HA-1801	KN-204-1	TRX500FM6 FourTrax Foreman Rubicon EPS D	475	HA-6806	KN-113
GL1800HPNM Gold Wing ACN XM ABS	1832	HA-1801	KN-204-1	TRX500FM6D FourTrax Foreman Rubicon EPS DLX	475	HA-6806	KN-113
HR-V	1.5L L4 F/I	33-5027+		TRX500FM7 FourTrax Foreman Rubicon	475	HA-6806	KN-114
HR-V	1.8L L4 F/I	33-5037+	HP-1010 ¹	TRX500FA6D FourTrax Foreman Rubicon Auto DCT	475	HA-6806	KN-114
Jazz	1.3L L4 F/I	33-5027		TRX500FA6D FourTrax Foreman Rubicon Auto DCT EPS D	475	HA-6806	KN-114
MSX125	125	HA-1313		VFR1200 VFR1200 Crosstourer	1237	HA-1110	KN-204-1
NC700X	670	HA-7012	KN-204-1	VFR1200F VFR1200X	1237	HA-1110	KN-204-1
NC700X DCT ABS	670	HA-7012	KN-204-1	VFR1200X DCT	1237	HA-1110	KN-204-1
NC750X	745		KN-204-1	VT13CX Fury	1312	HA-1310	KN-204-1
NPS50 Ruckus	49	HA-0502		VT750C Shadow Aero	745	HA-7504	KN-204-1
NSS125 Forza	125	HA-1513		VT750C2B Shadow Phantom	745	HA-7504	KN-204-1
NSS300 Forza	279	HA-2714	KN-204-1	Winner 150	150	HA-1416	
NSS300A Forza ABS	279	HA-2714	KN-204-1	XR650L	650	HA-6592	KN-112
Odyssey	3.5L V6 F/I	33-2461+	HP-1010 ¹				
PCX125	125	HA-1213					
PCX150	153	HA-1213					
Pilot	3.5L V6 F/I	33-5041+	HP-1010 ¹				
RS150	150	HA-1416					
S660	0.7L L3 F/I	33-3056					
SH125i	125	HA-1513					
SH150i	153	HA-1513					
Supra GTR	150	HA-1416					
SXS500M2 Pioneer	475	HA-5015	KN-113				
SXS700M2 Pioneer	675	HA-5000	KN-111				
SXS700M4 Pioneer	675	HA-5000	KN-111				
SXS1000M3 Pioneer	999	HA-1016	KN-114				
SXS1000M3 Pioneer EPS	999	HA-1016	KN-114				
SXS1000M5 Pioneer	999	HA-1016	KN-114				
SXS1000M5 Pioneer Deluxe	999	HA-1016	KN-114				
TRX250X	229	HA-2501					
TRX420FA1 FourTrax Rancher 4x4 AT DCT	420	HA-5000	KN-114				
TRX420FA2 FourTrax Rancher 4x4 AT DCT w/EPS	420	HA-5000	KN-114				
2015 HONDA				2015 HONDA			
				Accord	2.4L L4 F/I	33-2498 ♦+	HP-1010 ¹

* 2 filters required ♦ Intake System Available - see page 370 +Cabin Air Filter Available - see page 353 1- Performance Silver Oil Filter Also Available



AIR & OIL FILTERS

HONDA

Vehicle	Engine Type	Air Filter	Oil Filter	Vehicle	Engine Type	Air Filter	Oil Filter
2015 HONDA				2015 HONDA			
Accord	3.5L V6 F/I	33-2499 ♦+	HP-1010 ¹	GL1800B Gold Wing	1832	HA-1801	KN-204-1
Accord Hybrid	2.0L L4 F/I	33-5006+	HP-1010 ¹	F6B			
Accord IX	2.0L L4 F/I	33-3003		GL1800B Gold Wing	1832	HA-1801	KN-204-1
Accord IX	2.4L L4 F/I	33-2430	HP-1010 ¹	F6B Deluxe			
CB300F	286	HA-2511	KN-112	GL1800HP Gold	1832	HA-1801	KN-204-1
CB500F	471	HA-5013	KN-204-1	Wing AC			
CB500F ABS	471	HA-5013	KN-204-1	GL1800HPNM Gold	1832	HA-1801	KN-204-1
CB500X	471	HA-5013	KN-204-1	Wing ACN XM			
CB500X ABS	471	HA-5013	KN-204-1	GL1800HPNM Gold	1832	HA-1801	KN-204-1
CB650F	649	HA-6414		Wing ACN XM ABS			
CB1000R	998	HA-1009	KN-204-1	Grom 125	125	HA-1313	
CBR125R	125	HA-1502		MSX125	125	HA-1313	
CBR300R	286	HA-2511	KN-112	NC700X	670	HA-7012	KN-204-1
CBR300R ABS	286	HA-2511	KN-112	NC700X DCT ABS	670	HA-7012	KN-204-1
CBR500R	471	HA-5013	KN-204-1	NC750X	745	HA-7012	KN-204-1
CBR500R ABS	471	HA-5013	KN-204-1	NCH50 Metropolitan	49	HA-0513	
CBR600RR	599	HA-6007	KN-204-1	NPS50 Ruckus	49	HA-0502	
CBR600RR	599 - Race Specific	HA-6007R	KN-204-1	NSS125 Forza	125	HA-1513	
CBR600RR ABS	599	HA-6007	KN-204-1	NSS300 Forza	279	HA-2714	
CBR600RR ABS	599 - Race Specific	HA-6007R	KN-204-1	NSS300A Forza ABS	279	HA-2714	
CBR650F	649	HA-6414	KN-204-1	Odyssey	3.5L V6 F/I	33-2461+	HP-1010 ¹
CBR650F ABS	649	HA-6414	KN-204-1	PCX125	125	HA-1213	
CBR1000RR	999	HA-1008	KN-204-1	PCX150	153	HA-1213	
CBR1000RR	999 - Race Specific	HA-1008R	KN-204-1	Pilot	3.5L V6 F/I	33-2309+	HP-1010 ¹
CBR1000RR ABS	999	HA-1008	KN-204-1	S660	0.7L L3 F/I	33-3056	
CBR1000RR ABS	999 - Race Specific	HA-1008R	KN-204-1	SH125i	125	HA-1513	
CBR1000RR SP	999	HA-1008	KN-204-1	SH150i	153	HA-1513	
Repsol Edition				ST1300	1261		KN-204-1
CBR1000RR SP	999 - Race Specific	HA-1008R	KN-204-1	SXS500M2 Pioneer	475	HA-5015	KN-113
Repsol Edition				SXS700M2 Pioneer	675	HA-5000	KN-111
City	1.5L L4 DSL	33-3038		SXS700M4 Pioneer	675	HA-5000	KN-111
City	1.5L L4 F/I	33-3030+		TRX420FA1 FourTrax	420	HA-5000	KN-114
Civic	1.5L L4 F/I	33-2348+	HP-1010 ¹	Rancher 4x4 AT DCT			
Civic	1.8L L4 F/I	33-2468 ♦+	HP-1010 ¹	TRX420FA2 FourTrax	420	HA-5000	KN-114
Civic IX	1.4L L4 F/I	33-3124		Rancher 4x4 AT DCT			
Civic IX	1.6L L4 DSL	33-3012		w/EPS			
Civic IX	1.8L L4 F/I	33-2468	HP-1010 ¹	TRX420FA5 FourTrax	420	HA-5000	KN-114
Civic IX Type R	2.0L L4 F/I	33-3058		Rancher 4x4 Auto			
Civic Si	2.4L L4 F/I	33-2473 ♦+	HP-1010 ¹	DCT IRS			
Civic Tourer	1.6L L4 DSL	33-3012		TRX420FA6 FourTrax	420	HA-5000	KN-114
Civic Tourer	1.8L L4 F/I	33-2468		Rancher 4x4 Auto			
Civic Type R	2.0L L4 F/I	33-3058		DCT IRS EPS			
CRF150R	150		KN-116	TRX420FE1 FourTrax	420	HA-5000	KN-113
CRF150R Expert	150		KN-116	Rancher 4x4 ES			
CRF250L	249	HA-2513	KN-112	TRX420FM1	420	HA-5000	KN-113
CRF250R	249	HA-4513XD	KN-116	FourTrax Rancher			
CRF250X	249		KN-116	4x4			
CRF450R	449	HA-4513XD	KN-116	TRX420FM2	420	HA-5000	KN-113
CRF450XRL	450		KN-116	FourTrax Rancher			
Crosstour	2.4L L4 F/I	33-2402	HP-1010 ¹	4x4 w/EPS			
Crosstour	3.5L V6 F/I	33-2403	HP-1010 ¹	TRX420TE1 FourTrax	420	HA-5000	KN-113
CR-V	2.4L L4 F/I	33-5031+	HP-1010 ¹	Rancher ES			
CR-V IV	2.0L L4 F/I	33-30094		TRX420TM1	420	HA-5000	KN-113
CR-Z	1.5L L4 F/I	33-2459 ♦+	HP-1010 ¹	FourTrax Rancher			
CTX700	670	HA-7012	KN-204-1	TRX500FA5 FourTrax	475	HA-6806	KN-114
CTX700 DCT ABS	670	HA-7012	KN-204-1	Foreman Rubicon			
CTX700N	670	HA-7012	KN-204-1	Auto DCT			
CTX700N DCT ABS	670	HA-7012	KN-204-1	TRX500FA6 FourTrax	475	HA-6806	KN-114
Fit	1.5L L4 F/I	33-5027+	HP-1010 ¹	Foreman Rubicon			
Fit Shuttle	1.5L L4 F/I	33-5027		Auto DCT EPS			
GL1800 Gold Wing	1832	HA-1801	KN-204-1	TRX500FE1 FourTrax	475	HA-5000	KN-113
Airbag				Foreman 4x4 ES			
GL1800 Valkyrie	1832		KN-204-1	TRX500FE2 FourTrax	475	HA-5000	KN-113
				Foreman 4x4 w/EPS			
				TRX500FM1	475	HA-5000	KN-113
				FourTrax Foreman			
				4x4			

* 2 filters required ♦ Intake System Available - see page 370 +Cabin Air Filter Available - see page 353 1- Performance Silver Oil Filter Also Available

Partial Listing: Complete Listing of Vehicles and Parts at KNFILTERS.COM or call 1-800-858-3333



Vehicle	Engine Type	Air Filter	Oil Filter	Vehicle	Engine Type	Air Filter	Oil Filter
2015 HONDA				2014 HONDA			
TRX500FM2	475	HA-5000	KN-113	City	1.5L L4 F/I	33-3030+	
FourTrax Foreman 4x4 w/EP				Civic	1.5L L4 F/I	33-2348+	HP-1010 ¹
TRX500FM5	475	HA-6806	KN-113	Civic	1.8L L4 F/I	33-2468 ♦+	HP-1010 ¹
FourTrax Foreman Rubicon				Civic IX	1.4L L4 F/I	33-3124	
TRX500FM6	475	HA-6806	KN-113	Civic IX	1.6L L4 DSL	33-3012	
FourTrax Foreman Rubicon EPS				Civic IX	1.8L L4 F/I	33-2468	HP-1010 ¹
TRX500FM6D	475	HA-6806	KN-113	Civic IX	2.2L L4 DSL	33-3012	
FourTrax Foreman Rubicon EPS DLX				Civic Si	2.4L L4 F/I	33-2473 ♦+	HP-1010 ¹
TRX680FA FourTrax Rincon	675	HA-6806	KN-111	Civic Tourer	1.6L L4 DSL	33-3012	
TRX500FA6D	475	HA-6806	KN-114	Civic Tourer	1.8L L4 F/I	33-2468	
FourTrax Foreman Rubicon Auto DCT EPS D				Civic X	1.5L L4 F/I	33-5044	
Veze	1.5L L4 F/I	33-5027		CMX250C Rebel	234	HA-2596	
VFR800 Crossrunner	782		KN-204-1	CRF150R	150	HA-1507	KN-116
VFR800 Interceptor	782	HA-8098	KN-204-1	CRF150R Expert	150	HA-1507	KN-116
VFR800D Interceptor DLX	782	HA-8098	KN-204-1	CRF250L	249	HA-2513	KN-112
VFR1200 Crosstourer	1237	HA-1110	KN-204-1	CRF250R	249	HA-4513XD	KN-116
VT13CX Fury	1312	HA-1310	KN-204-1	CRF250X	249		KN-116
VT750C Shadow Aero	745	HA-7504	KN-204-1	CRF450R	449	HA-4513XD	KN-116
VT750C2B Shadow Phantom	745	HA-7504	KN-204-1	CRF450X	449		KN-116
VT1300CR Stateline	1312	HA-1310	KN-204-1	Crosstour	2.4L L4 F/I	33-2402+	HP-1010 ¹
VT1300CT Interstate	1312	HA-1310	KN-204-1	Crosstour	3.5L V6 F/I	33-2403+	HP-1010 ¹
XR650L	650	HA-6592	KN-112	CR-V	2.4L L4 F/I	33-2477+	HP-1010 ¹
2014 HONDA				CR-V IV	2.0L L4 F/I	33-30094	
Accord	2.4L L4 F/I	33-2498 ♦+	HP-1010 ¹	CR-Z	1.5L L4 F/I	33-2459 ♦+	HP-1010 ¹
Accord	3.5L V6 F/I	33-2499 ♦+	HP-1010 ¹	CTX700	670	HA-7012	KN-204-1
Accord Hybrid	2.0L L4 F/I	33-5006+	HP-1010 ¹	CTX700 DCT ABS	670	HA-7012	KN-204-1
Accord IX	2.0L L4 F/I	33-3003		CTX700N	670	HA-7012	KN-204-1
Accord IX	2.4L L4 F/I	33-2430	HP-1010 ¹	CTX700N DCT ABS	670	HA-7012	KN-204-1
CB500F	471	HA-5013	KN-204-1	CTX1300	1261	HA-1302	KN-204-1
CB500F ABS	471	HA-5013	KN-204-1	CTX1300 Deluxe	1261	HA-1302	KN-204-1
CB500X	471	HA-5013	KN-204-1	Fit	1.3L L4 F/I	33-2422	
CB500X ABS	471	HA-5013	KN-204-1	Fit	1.5L L4 F/I	33-2422	HP-1010 ¹
CB650F	649	HA-6414	KN-204-1	GL1800 Gold Wing Airbag	1832	HA-1801	KN-204-1
CB1000R	998	HA-1009	KN-204-1	GL1800 Valkyrie	1832	HA-1801	KN-204-1
CB1100	1140	HA-1301	KN-204-1	GL1800 Valkyrie ABS	1832	HA-1801	KN-204-1
CB1100 ABS	1140	HA-1301	KN-204-1	GL1800B Gold Wing F6B	1832	HA-1801	KN-204-1
CB1100 DLX	1140	HA-1301	KN-204-1	GL1800B Gold Wing F6B Deluxe	1832	HA-1801	KN-204-1
CBR125R	125	HA-1502		GL1800HP Gold Wing AC	1832	HA-1801	KN-204-1
CBR300R	286		KN-112	GL1800HPNM Gold Wing ACN XM	1832		KN-204-1
CBR500R	471	HA-5013	KN-204-1	GL1800HPNM Gold Wing ACN XM ABS	1832	HA-1801	KN-204-1
CBR500R ABS	471	HA-5013	KN-204-1	Grom 125	125	HA-1313	
CBR600RR	599	HA-6007	KN-204-1	Insight	1.3L L4 F/I	33-2433+	
CBR600RR	599 - Race Specific	HA-6007R	KN-204-1	Jazz	1.4L L4 F/I	33-2422	
CBR600RR ABS	599	HA-6007	KN-204-1	NC700X	670	HA-7012	KN-204-1
CBR600RR ABS	599 - Race Specific	HA-6007R	KN-204-1	NC700X DCT ABS	670	HA-7012	KN-204-1
CBR650F	649	HA-6414	KN-204-1	NC750X	745	HA-7012	KN-204-1
CBR650F ABS	649	HA-6414	KN-204-1	NCH50 Metropolitan	49	HA-0513	
CBR1000RR	999	HA-1008	KN-204-1	NSS300 Forza	279	HA-2714	KN-204-1
CBR1000RR	999 - Race Specific	HA-1008R	KN-204-1	NSS300A Forza ABS	279	HA-2714	KN-204-1
CBR1000RR ABS	999	HA-1008	KN-204-1	Odyssey	3.5L V6 F/I	33-2461+	HP-1010 ¹
CBR1000RR ABS	999 - Race Specific	HA-1008R	KN-204-1	PCX125	125	HA-1213	
CBR1000RR SP	999	HA-1008	KN-204-1	PCX150	153	HA-1213	
CBR1000RR SP	999 - Race Specific	HA-1008R	KN-204-1	Pilot	3.5L V6 F/I	33-2309+	HP-1010 ¹
City	1.5L L4 DSL	33-3038		Ridgeline	3.5L V6 F/I	33-2323+	HP-1010 ¹
				SH125i	125	HA-1513	
				SH150i	153	HA-1513	
				SXS700M2 Pioneer	675	HA-5000	KN-111
				SXS700M4 Pioneer	675	HA-5000	KN-111

* 2 filters required ♦ Intake System Available - see page 370 +Cabin Air Filter Available - see page 353 1- Performance Silver Oil Filter Also Available



AIR & OIL FILTERS

HONDA

Vehicle	Engine Type	Air Filter	Oil Filter	Vehicle	Engine Type	Air Filter	Oil Filter
2014 HONDA				2013 HONDA			
TRX250TE Recon ES	250	HA-2501		CB1100	1140	HA-1301	KN-204-1
TRX400X	400	HA-4099		CB1100 ABS	1140	HA-1301	KN-204-1
TRX420FA Rancher AT	420	HA-5000	KN-114	CBF600	599	HA-5907	
TRX420FA1 FourTrax Rancher 4x4 AT DCT	420	HA-5000	KN-114	CBR125R	125	HA-1502	
TRX420FA2 FourTrax Rancher 4x4 AT DCT w/EPS	420	HA-5000	KN-114	CBR250R	249	HA-2511	KN-112
TRX420FE1 FourTrax Rancher 4x4 ES	420	HA-5000	KN-113	CBR250R ABS	249	HA-2511	KN-112
TRX420FM1 FourTrax Rancher 4x4	420	HA-5000		CBR500R	471	HA-5013	KN-204-1
TRX420FM1 FourTrax Rancher 4x4	420 - w/Manual Trans.	HA-5000	KN-113	CBR500R ABS	471	HA-5013	KN-204-1
TRX420FM2 FourTrax Rancher 4x4 w/EPS	420	HA-5000		CBR600RR	599	HA-6007	KN-204-1
TRX420FM2 FourTrax Rancher 4x4 w/EPS	420 - w/Manual Trans.	HA-5000	KN-113	CBR600RR	599 - Race Specific	HA-6007R	KN-204-1
TRX420FPA Rancher AT 4x4 w/PS	420	HA-5000	KN-114	CBR600RR ABS	599	HA-6007	KN-204-1
TRX420TM1 FourTrax Rancher	420	HA-5000	KN-113	CBR600RR ABS	599 - Race Specific	HA-6007R	KN-204-1
TRX450ER	450	BD-6500	KN-116	CBR1000RR	999	HA-1008	KN-204-1
TRX500FA Foreman Rubicon	499	HA-6806	KN-111	CBR1000RR	999 - Race Specific	HA-1008R	KN-204-1
TRX500FE1 FourTrax Foreman 4x4 ES	475	HA-5000	KN-113	CBR1000RR ABS	999	HA-1008	KN-204-1
TRX500FM1 FourTrax Foreman 4x4	475	HA-5000	KN-113	CBR1000RR ABS	999 - Race Specific	HA-1008R	KN-204-1
TRX500FPA FourTrax Foreman Rubicon w/EPS	500	HA-6806	KN-111	City	1.5L L4 F/I	33-2422+	HP-1010 ¹
TRX500FPE Foreman 4x4 ES w/PS	500	HA-5000	KN-113	Civic	1.5L L4 F/I	33-2348+	HP-1010 ¹
VFR800 Interceptor	782	HA-8098	KN-204-1	Civic	1.8L L4 F/I	33-2468 ♦+	HP-1010 ¹
VFR800D Interceptor DLX	782	HA-8098	KN-204-1	Civic IX	1.4L L4 F/I	33-3124	
VFR1200F	1237	HA-1110	KN-204-1	Civic IX	1.6L L4 DSL	33-3012	
VT13CX Fury	1312	HA-1310	KN-204-1	Civic IX	1.8L L4 F/I	33-2468	HP-1010 ¹
VT750C Shadow Aero	745	HA-7504	KN-204-1	Civic IX	2.2L L4 DSL	33-3012	
VT750C2 Shadow Spirit	745	HA-7504	KN-204-1	Civic Si	2.4L L4 F/I	33-2473 ♦+	HP-1010 ¹
VT750C2 Shadow Spirit ABS	745	HA-7504	KN-204-1	CRF150F	150		KN-116
VT750C2B Shadow Phantom	745	HA-7504	KN-204-1	CRF150R	150	HA-1507	KN-116
VT1300CT Interstate	1312	HA-1310	KN-204-1	CRF150R Expert	150	HA-1507	KN-116
XR650L	650	HA-6592	KN-112	CRF250L	249	HA-2513	KN-112
2013 HONDA				2013 HONDA			
Accord	2.4L L4 F/I	33-2498 ♦+	HP-1010 ¹	CRF250R	249	HA-4509XD	KN-116
Accord	3.5L V6 F/I	33-2499 ♦+	HP-1010 ¹	CRF250X	249	HA-2505XD	KN-116
Accord IX	2.0L L4 F/I	33-3003		CRF450R	449	HA-4513XD	KN-116
Accord IX	2.4L L4 F/I	33-2430	HP-1010 ¹	CRF450X	449	HA-2505XD	KN-116
CB500F	471	HA-5013	KN-204-1	Crosstour	2.4L L4 F/I	33-2402+	HP-1010 ¹
CB500F ABS	471	HA-5013	KN-204-1	Crosstour	3.5L V6 F/I	33-2403+	HP-1010 ¹
CB500X	471	HA-5013	KN-204-1	CR-V	2.4L L4 F/I	33-2477+	HP-1010 ¹
CB500X ABS	471	HA-5013	KN-204-1	CR-V IV	2.0L L4 F/I	33-30094	
CB1000R	998	HA-1009	KN-204-1	CR-Z	1.5L L4 F/I	33-2459 ♦+	HP-1010 ¹
				Fit	1.3L L4 F/I	33-2422	
				Fit	1.5L L4 F/I	33-2422 ♦+	HP-1010 ¹
				GL1800 Gold Wing	1832	HA-1801	KN-204-1
				GL1800B Gold Wing Airbag	1832	HA-1801	KN-204-1
				GL1800B Gold Wing F6B	1832	HA-1801	KN-204-1
				GL1800B Gold Wing F6B Deluxe	1832	HA-1801	KN-204-1
				GL1800HP Gold Wing AC	1832	HA-1801	KN-204-1
				GL1800HPNM Gold Wing ACN XM	1832	HA-1801	KN-204-1
				GL1800HPNM Gold Wing ACN XM ABS	1832	HA-1801	KN-204-1
				MUV700 Big Red	675	HA-5000	KN-111
				NC700S	670		KN-204-1
				NC700X	670	HA-7012	KN-204-1
				NC700X DCT ABS	670	HA-7012	KN-204-1
				NC700X XD	670	HA-7012	KN-204-1
				NCH50 Metropolitan	49	HA-0513	
				NPS50 Ruckus	49	HA-0502	
				Odyssey	3.5L V6 F/I	33-2461+	HP-1010 ¹
				PCX125	125	HA-1213	
				PCX150	153	HA-1213	
				Pilot	3.5L V6 F/I	33-2309+	HP-1010 ¹
				Ridgeline	3.5L V6 F/I	33-2323+	HP-1010 ¹
				SH125i	125	HA-1513	

* 2 filters required ♦ Intake System Available - see page 370 +Cabin Air Filter Available - see page 353 1- Performance Silver Oil Filter Also Available

Partial Listing: Complete Listing of Vehicles and Parts at KNFILTERS.COM or call 1-800-858-3333



Vehicle	Engine Type	Air Filter	Oil Filter	Vehicle	Engine Type	Air Filter	Oil Filter
2013 HONDA				2012 HONDA			
SH150i	153	HA-1513		Civic IX	1.8L L4 F/I	33-2468	HP-1010 ¹
TRX400X	400	HA-4099		Civic IX	2.2L L4 DSL	33-3012	
TRX420FA Rancher AT	420	HA-4207	KN-114	Civic Si	2.4L L4 F/I	33-2473 ♦+	HP-1010 ¹
TRX420FE FourTrax Rancher 4X4 ES	420	HA-4207	KN-113	Civic VIII	1.3L L4 F/I	33-2348	HP-1010 ¹
TRX420FM FourTrax Rancher 4X4	420	HA-4207		CRF150F	150	HA-1503	KN-116
TRX420FM FourTrax Rancher 4X4	420 - w/Manual Trans.	HA-4207	KN-113	CRF150R	150		KN-116
TRX420FPA Rancher AT 4x4 w/PS	420	HA-4207	KN-114	CRF150R Expert	150	HA-1507	KN-116
TRX420FPE Rancher ES 4x4 w/PS	420	HA-4207	KN-113	CRF250R	249	HA-4509XD	KN-116
TRX450ER	450	BD-6500	KN-116	CRF250X	249	HA-2505XD	KN-116
TRX450R	450		KN-116	CRF450R	444	HA-4509XD	KN-116
TRX500FA Foreman Rubicon	499	HA-6806	KN-111	Crosstour	2.4L L4 F/I	33-2402+	HP-1010 ¹
TRX500FE FourTrax Foreman 4x4 ES	475	HA-5000	KN-113	Crosstour	3.5L V6 F/I	33-2403 ♦+	HP-1010 ¹
TRX500FM FourTrax Foreman 4x4	475	HA-5000	KN-113	CR-V	2.4L L4 F/I		HP-1010 ¹
TRX500FPA FourTrax Foreman Rubicon w/EPS	500	HA-6806	KN-111	CR-V	2.4L L4 F/I - US	33-2477+	HP-1010
TRX500FPE Foreman 4x4 ES w/PS	500	HA-5000	KN-113	CR-V III	2.0L L4 F/I	33-2961	
TRX680FA FourTrax Rincon	675	HA-6806	KN-111	CR-V III	2.4L L4 F/I		HP-1010 ¹
VT13CX Fury	1312	HA-1310	KN-204-1	CR-V III	2.4L L4 F/I - Non-US	33-2437	HP-1010
VT13CXA Fury ABS	1312	HA-1310	KN-204-1	CR-V IV	2.0L L4 F/I	33-30094	
VT750 C2B Shadow Phantom	745	HA-7504	KN-204-1	CR-Z	1.5L L4 F/I	33-2459 ♦+	HP-1010 ¹
VT750 RS Shadow	745		KN-204-1	Fit	1.3L L4 F/I	33-2422	
VT750C Shadow Aero	745	HA-7504	KN-204-1	Fit	1.5L L4 F/I	33-2422 ♦+	HP-1010 ¹
VT750C2 Shadow Spirit	745	HA-7504	KN-204-1	FJS600 Silver Wing	582		KN-204-1
VT750C2 Shadow Spirit ABS	745	HA-7504	KN-204-1	GL1800 Gold Wing Airbag	1832	HA-1801	KN-204-1
VT1300CS Sabre	1312	HA-1310	KN-204-1	GL1800A Gold Wing ABS	1832	HA-1801	KN-204-1
VT1300CT Interstate	1312	HA-1310	KN-204-1	GL1800HP Gold Wing AC	1832	HA-1801	KN-204-1
XR650L	650	HA-6592		GL1800HPNA Gold Wing ACN ABS	1832		KN-204-1
2012 HONDA				GL1800HPNM Gold Wing ACN XM	1832	HA-1801	KN-204-1
Accord	2.0L L4 F/I	33-3003		GL1800HPNM Gold Wing ACN XM ABS	1832	HA-1801	KN-204-1
Accord	2.4L L4 F/I	33-2402 ♦+	HP-1010 ¹	Insight	1.3L L4 F/I	33-2433+	HP-1010 ¹
Accord	3.5L V6 F/I	33-2403 ♦+	HP-1010 ¹	NC700S	670	HA-7012	KN-204-1
Accord IX	2.0L L4 F/I	33-3003		NC700X	670	HA-7012	KN-204-1
Accord IX	2.4L L4 F/I	33-2430	HP-1010 ¹	NC700X DCT ABS	670	HA-7012	KN-204-1
CB1000R	998	HA-1009	KN-204-1	NC700X XD	670	HA-7012	KN-204-1
CBF600	599	HA-5907	KN-204-1	NPS50 Ruckus	49	HA-0502	
CBR250R	249	HA-2511	KN-112	Odyssey	3.5L V6 F/I	33-2461+	HP-1010 ¹
CBR600RR	599	HA-6007	KN-204-1	PCX125	125	HA-1211	
CBR600RR	599 - Race Specific	HA-6007R	KN-204-1	Pilot	3.5L V6 F/I	33-2309+	HP-1010 ¹
CBR600RR ABS	599	HA-6007	KN-204-1	PS150i	150	HA-1510	
CBR600RR ABS	599 - Race Specific	HA-6007R	KN-204-1	Ridgeline	3.5L V6 F/I	33-2323+	HP-1010 ¹
CBR1000RR	999	HA-1008	KN-204-1	SH150i	150	HA-1510	
CBR1000RR	999 - Race Specific	HA-1008R	KN-204-1	ST1300 ABS	1261	HA-1302	KN-204-1
CBR1000RR ABS	999	HA-1008	KN-204-1	Stream	2.0L L4 F/I	33-2342	
CBR1000RR ABS	999 - Race Specific	HA-1008R	KN-204-1	TRX250TM Recon	250	HA-2501	
City	1.5L L4 F/I	33-2422+	HP-1010 ¹	TRX400X	400	HA-4099	
Civic	1.5L L4 F/I	33-2348+	HP-1010 ¹	TRX420FA Rancher AT	420	HA-4207	KN-114
Civic	1.8L L4 F/I	33-2468 ♦+	HP-1010 ¹	TRX420FE FourTrax Rancher 4X4 ES	420	HA-4207	KN-113
Civic IX	1.4L L4 F/I	33-3124		TRX420FM FourTrax Rancher 4X4	420 - w/Manual Trans.		KN-113
				TRX420FPA Rancher AT 4x4 w/PS	420	HA-4207	KN-114
				TRX420FPE Rancher ES 4x4 w/PS	420	HA-4207	KN-113
				TRX420FPM Rancher 4x4 w/PS	420		KN-113
				TRX420TE FourTrax Rancher ES	420	HA-4207	KN-113

* 2 filters required ♦ Intake System Available - see page 370 +Cabin Air Filter Available - see page 353 1- Performance Silver Oil Filter Also Available



AIR & OIL FILTERS

HONDA

Vehicle	Engine Type	Air Filter	Oil Filter	Vehicle	Engine Type	Air Filter	Oil Filter
2012 HONDA				2011 HONDA			
TRX420TM FourTrax Rancher	420		KN-113	Jazz	1.4L L4 F/I	33-2422	
TRX450ER	450	BD-6500	KN-116	Jazz	1.5L L4 F/I	33-2422+	
TRX450R	450	BD-6500	KN-116	MUV700 Big Red	675	HA-5000	
TRX500FA Foreman Rubicon	499	HA-6806	KN-111	NPS50 Ruckus	49	HA-0502	
TRX500FE FourTrax Foreman 4x4 ES	475	HA-5000	KN-113	Odyssey	3.5L V6 F/I	33-2461+	HP-1010 ¹
TRX500FM FourTrax Foreman 4x4	475	HA-5000	KN-113	PCX125	125	HA-1211	
TRX500FPE Foreman 4x4 ES w/PS	500	HA-5000	KN-113	Pilot	3.5L V6 F/I	33-2309+	HP-1010 ¹
VFR1200F	1237	HA-1110	KN-204-1	PS150i	150	HA-1510	
VFR1200F DCT	1237	HA-1110	KN-204-1	Ridgeline	3.5L V6 F/I	33-2323+	HP-1010 ¹
VT13CX Fury	1312	HA-1310	KN-204-1	SH150i	150	HA-1510	
VT750 C2 Shadow	750	HA-7504	KN-204-1	TRX250X	229	HA-2501	
VT750 C2B Shadow Phantom	745	HA-7504	KN-204-1	TRX420FA Rancher AT	420	HA-4207	KN-114
VT750 RS Shadow	745		KN-204-1	TRX420FE FourTrax Rancher 4X4 ES	420		KN-113
VT750C Shadow Aero	745	HA-7504	KN-204-1	TRX420FM FourTrax Rancher 4X4	420 - w/Manual Trans.		KN-113
VT1300CR Stateline	1312		KN-204-1	TRX420FPA Rancher AT 4x4 w/PS	420	HA-4207	KN-114
VT1300CS Sabre	1312	HA-1310	KN-204-1	TRX420FPE Rancher ES 4x4 w/PS	420	HA-4207	KN-113
VT1300CT Interstate	1312	HA-1310	KN-204-1	TRX420FPM Rancher 4x4 w/PS	420		KN-113
XR650L	650	HA-6592	KN-112	TRX420TE FourTrax Rancher ES	420		KN-113
2011 HONDA				2010 HONDA			
Accord	2.0L L4 F/I	33-3003		Accord	2.0L L4 F/I	33-3003	
Accord	2.4L L4 F/I	33-2402 ♦♦	HP-1010 ¹	Accord	2.4L L4 F/I		HP-1010 ¹
Accord	3.5L V6 F/I	33-2403 ♦♦	HP-1010 ¹	Accord	2.4L L4 F/I - US	33-2402 ♦♦	HP-1010
Accord Crosstour	3.5L V6 F/I	33-2403 ♦♦	HP-1010 ¹	Accord	3.5L V6 F/I	33-2403 ♦♦	HP-1010 ¹
Accord IX	2.0L L4 F/I	33-3003		Accord Crosstour	3.5L V6 F/I	33-2403 ♦♦	HP-1010 ¹
Accord IX	2.4L L4 F/I	33-2430	HP-1010 ¹	Accord IX	2.0L L4 F/I	33-3003	
CB1000R	998	HA-1009	KN-204-1	Accord IX	2.4L L4 F/I	33-2430	HP-1010 ¹
CBR125R	125	HA-1502		CB1000R	998	HA-1009	KN-204-1
CBR250R	249	HA-2511	KN-112	CBF600	599	HA-5907	KN-204-1
CBR600RR	599	HA-6007	KN-204-1	CBR600RR	599	HA-6007	KN-204-1
CBR600RR	599 - Race Specific	HA-6007R	KN-204-1	CBR600RR	599 - Race Specific	HA-6007R	KN-204-1
CBR600RR ABS	599	HA-6007	KN-204-1	CBR600RR ABS	599	HA-6007	KN-204-1
CBR600RR ABS	599 - Race Specific	HA-6007R	KN-204-1	CBR600RR ABS	599 - Race Specific	HA-6007R	KN-204-1
CBR1000RR	999	HA-1008	KN-204-1	CBR1000RR	999	HA-1008	KN-204-1
CBR1000RR	999 - Race Specific	HA-1008R	KN-204-1	CBR1000RR	999 - Race Specific	HA-1008	KN-204-1
CBR1000RR ABS	999	HA-1008	KN-204-1	CBR1000RR ABS	999	HA-1008	KN-204-1
CBR1000RR ABS	999 - Race Specific	HA-1008R	KN-204-1	CBR1000RR ABS	999 - Race Specific	HA-1008R	KN-204-1
City	1.5L L4 F/I	33-2422+	HP-1010 ¹	City	1.5L L4 F/I	33-2422+	HP-1010 ¹
Civic	1.3L L4 F/I	33-2348+	HP-1010 ¹	Civic	1.3L L4 F/I	33-2348+	HP-1010 ¹
Civic	1.8L L4 F/I	33-2342 ♦♦	HP-1010 ¹	Civic	1.8L L4 F/I	33-2342 ♦♦	HP-1010 ¹
Civic GX	1.8L L4 F/I	33-2342+	HP-1010 ¹	Civic GX	1.8L L4 F/I	33-2342+	HP-1010 ¹
Civic Si	2.0L L4 F/I	33-2343 ♦♦	HP-1010 ¹	Civic Si	2.0L L4 F/I	33-2343 ♦♦	HP-1010 ¹
Civic VII	1.3L L4 F/I	33-2348	HP-1010 ¹	Civic VII	1.3L L4 F/I	33-2348	HP-1010 ¹
Civic VIII	1.3L L4 F/I	33-2348	HP-1010 ¹	Civic VIII	1.3L L4 F/I	33-2348	HP-1010 ¹
Civic VIII	1.8L L4 F/I	33-2342 ♦	HP-1010 ¹	Civic VIII	1.8L L4 F/I	33-2342 ♦	HP-1010 ¹
CRF150R	150		KN-116	Civic VIII	2.0L L4 F/I	33-2948	HP-1010 ¹
CRF150R Expert	150		KN-116	CRF150R	150		KN-116
CRF250R	249	HA-4509XD	KN-116				
CRF450R	444	HA-4509XD	KN-116				
CR-V	2.4L L4 F/I	33-2437+	HP-1010 ¹				
CR-V III	2.0L L4 F/I	33-2961					
CR-Z	1.5L L4 F/I	33-2459 ♦♦	HP-1010 ¹				
Element	2.4L L4 F/I	33-2343+	HP-1010 ¹				
Fit	1.3L L4 F/I	33-2422					
Fit	1.5L L4 F/I	33-2422 ♦♦	HP-1010 ¹				
Insight	1.3L L4 F/I	33-2433+	HP-1010 ¹				

* 2 filters required ♦ Intake System Available - see page 370 +Cabin Air Filter Available - see page 353 1- Performance Silver Oil Filter Also Available



Vehicle	Engine Type	Air Filter	Oil Filter	Vehicle	Engine Type	Air Filter	Oil Filter
2010 HONDA				2009 HONDA			
CRF150R Expert	150	HA-1507	KN-116	Accord IX	2.4L L4 F/I	33-2430	
CRF250R	249	HA-4509XD	KN-116	CB1000R	998	HA-1009	KN-204-1
CRF450R	444	HA-4509XD	KN-116	CBR600RR	599	HA-6007	KN-204-1
CR-V	2.4L L4 F/I	33-2437+	HP-1010 ¹	CBR600RR	599 - Race Specific	HA-6007R	KN-204-1
CR-V III	2.0L L4 F/I	33-2961		CBR600RR ABS	599	HA-6007	KN-204-1
CR-V III	2.2L L4 DSL - 140BHP	33-2982		CBR600RR ABS	599 - Race Specific	HA-6007R	KN-204-1
CR-Z	1.5L L4 F/I	33-2459		CBR1000RR	999	HA-1008	KN-204-1
Element	2.4L L4 F/I	33-2343+	HP-1010 ¹	CBR1000RR	999 - Race Specific	HA-1008R	KN-204-1
Fit	1.3L L4 F/I	33-2422		CBR1000RR ABS	999	HA-1008	KN-204-1
Fit	1.5L L4 F/I	33-2422 ♦+	HP-1010 ¹	CBR1000RR ABS	999 - Race Specific	HA-1008R	KN-204-1
FJS600 Silver Wing	582		KN-204-1	CHF50 Metropolitan	50	HA-0502	
FR-V	1.8L L4 F/I	33-2342		Civic	1.3L L4 F/I	33-2348+	HP-1010 ¹
GL1800 Gold Wing	1832	HA-1801	KN-204-1	Civic	1.8L L4 F/I	33-2342 ♦+	HP-1010 ¹
Airbag				Civic GX	1.8L L4 F/I	33-2342 ♦+	HP-1010 ¹
GL1800A Gold Wing	1832	HA-1801	KN-204-1	Civic Si	2.0L L4 F/I	33-2343 ♦+	HP-1010 ¹
ABS				Civic VII	1.3L L4 F/I	33-2348	HP-1010 ¹
GL1800HP Gold	1832	HA-1801	KN-204-1	Civic VIII	1.3L L4 F/I	33-2348	HP-1010 ¹
Wing AC				Civic VIII	1.8L L4 F/I	33-2342 ♦	HP-1010 ¹
GL1800HPN Gold	1832		KN-204-1	Civic VIII	2.0L L4 F/I	33-2948	
Wing ACN				CMX250C Rebel	234	HA-2596	
GL1800HPNA Gold	1832	HA-1801	KN-204-1	CRF100F	100	HA-1088	
Wing ACN ABS				CRF150F	150	HA-1503	KN-116
Insight	1.3L L4 F/I	33-2433+	HP-1010 ¹	CRF150R	150	HA-1507	KN-116
Jazz	1.4L L4 F/I	33-2422		CRF150R Expert	150	HA-1507	KN-116
MUV700 Big Red	675	HA-5000		CRF230F	230	HA-1503	
NHX110	110	HA-1010		CRF250R	249	HA-4503XD	KN-116
Odyssey	3.5L V6 F/I	33-2309+	HP-1010 ¹	CRF250X	250	HA-2505XD	KN-116
PES150	150	HA-1510		CRF450R	444	HA-4509XD	KN-116
Pilot	3.5L V6 F/I	33-2309+	HP-1010 ¹	CRF450X	444	HA-2505XD	KN-116
Ridgeline	3.5L V6 F/I	33-2323+	HP-1010 ¹	CR-V	2.4L L4 F/I	33-2377+	HP-1010 ¹
SH150i	150	HA-1510		CR-V III	2.0L L4 F/I	33-2961	
ST1300	1261	HA-1302	KN-204-1	CR-V III	2.2L L4 DSL	33-2982	
ST1300 ABS	1261	HA-1302	KN-204-1	Element	2.4L L4 F/I	33-2343+	HP-1010 ¹
TRX420FA Rancher	420	HA-4207	KN-114	Fit	1.3L L4 F/I	33-2422	
AT				Fit	1.5L L4 F/I	33-2422 ♦+	HP-1010 ¹
TRX420FE FourTrax	420	HA-4207	KN-113	GL1800 Gold Wing	1800	HA-1801	KN-204-1
Rancher 4X4 ES				Airbag			
TRX420FM FourTrax	420	HA-4207		GL1800HP Gold	1800	HA-1801	KN-204-1
Rancher 4X4				Wing AC			
TRX420FM FourTrax	420 - w/Manual Trans.	HA-4207	KN-113	GL1800HPN Gold	1800	HA-1801	KN-204-1
Rancher 4X4				Wing ACN			
TRX420FPE Rancher	420	HA-4207	KN-113	GL1800HPNA Gold	1800	HA-1801	KN-204-1
ES 4x4 w/PS				Wing ACN ABS			
TRX420FPM Rancher	420	HA-4207	KN-113	Jazz	1.5L L4 F/I	33-2422+	
4x4 w/PS				NPS50 Ruckus	49	HA-0502	
TRX420TE FourTrax	420		KN-113	NSA700 DN-01	700	HA-6708	
Rancher ES				Odyssey	3.5L V6 F/I	33-2309+	HP-1010 ¹
TRX420TM FourTrax	420	HA-4207	KN-113	Pilot	3.5L V6 F/I	33-2309+	HP-1010 ¹
Rancher				Ridgeline	3.5L V6 F/I	33-2323+	HP-1010 ¹
VFR1200F	1237	HA-1110	KN-204-1	S2000	2.0L L4 F/I	E-2435	
VFR1200F DCT	1237	HA-1110	KN-204-1	S2000	2.2L L4 F/I	E-2435+	HP-1004 ¹
VT13CX Fury	1312	HA-1310	KN-204-1	ST1300	1300	HA-1302	KN-204-1
VT750 C2B Shadow	750	HA-7504	KN-204-1	ST1300 ABS	1300	HA-1302	KN-204-1
Phantom				ST1300 Pan	1300	HA-1302	KN-204-1
VT750 RS Shadow	750	HA-7504	KN-204-1	European			
VT1300CR Stateline	1312	HA-1310	KN-204-1	Stream	2.0L L4 F/I	33-2342	
VT1300CS Sabre	1312	HA-1310	KN-204-1	TRX300X	282	HA-3094	
VT1300CT Interstate	1312	HA-1310	KN-204-1	TRX400X	400	HA-4099	
2009 HONDA				TRX420FA Rancher	420	HA-4207	KN-114
Accord	2.0L L4 F/I	33-3003		AT			
Accord	2.4L L4 F/I		HP-1010 ¹	TRX420FE FourTrax	420	HA-4207	KN-113
Accord	2.4L L4 F/I - US	33-2402 ♦+	HP-1010	Rancher 4X4 ES			
Accord	3.5L V6 F/I	33-2403 ♦+	HP-1010 ¹	TRX420FM FourTrax	420	HA-4207	
Accord IX	2.0L L4 F/I	33-3003		Rancher 4X4			

* 2 filters required ♦ Intake System Available - see page 370 +Cabin Air Filter Available - see page 353 1- Performance Silver Oil Filter Also Available



AIR & OIL FILTERS

HONDA

Vehicle	Engine Type	Air Filter	Oil Filter	Vehicle	Engine Type	Air Filter	Oil Filter
2009 HONDA				2008 HONDA			
TRX420FM FourTrax Rancher 4X4	420 - w/Manual Trans.	HA-4207	KN-113	CRF80F	80	HA-1088	
TRX420FPA Rancher AT 4x4 w/PS	420	HA-4207	KN-114	CRF100F	100	HA-1088	
TRX420FPE Rancher ES 4x4 w/PS	420	HA-4207	KN-113	CRF150F	150	HA-1503	KN-116
TRX420TE FourTrax Rancher ES	420	HA-4207	KN-113	CRF150R	150	HA-1507	KN-116
TRX450ER	450	BD-6500	KN-116	CRF150R Expert	150	HA-1507	KN-116
TRX450R	450	BD-6500	KN-116	CRF230F	230	HA-1503	
TRX500FA Foreman Rubicon	500	HA-5000	KN-111	CRF250R	249	HA-4503XD	KN-116
TRX500FE FourTrax Foreman 4x4 ES	475	HA-5000	KN-113	CRF250X	250	HA-2505XD	KN-116
TRX500FM FourTrax Foreman 4x4	475	HA-5000	KN-113	CRF450R	444	HA-4503XD	KN-116
TRX500FPA FourTrax Foreman Rubicon w/EPS	500	HA-5000	KN-111	CRF450X	444	HA-2505XD	KN-116
TRX500FPE Foreman 4x4 ES w/PS	500	HA-5000	KN-113	CR-V	2.4L L4 F/I	33-2377+	HP-1010 ¹
TRX700XX	700	HA-6808	KN-112	CR-V III	2.0L L4 F/I	33-2961	
VFR800 Interceptor	782	HA-8098	KN-204-1	CR-V III	2.2L L4 DSL	33-2982	
VFR800A Interceptor ABS	782	HA-8098	KN-204-1	Element	2.4L L4 F/I	33-2343+	HP-1010 ¹
VT750C Shadow Aero	750	HA-7504	KN-204-1	Fit	1.3L L4 F/I - From 7/08	33-2422	
VT750C2 Shadow Spirit	750	HA-7504	KN-204-1	Fit	1.3L L4 F/I - To 6/08	33-2872	
VTX1300C	1300	HA-1330	KN-204-1	Fit	1.5L L4 F/I	33-2359♦+	HP-1010 ¹
VTX1300R	1300	HA-1330	KN-204-1	GL1800 Gold Wing Airbag	1800	HA-1801	KN-204-1
VTX1300T	1300	HA-1330	KN-204-1	GL1800HPN Gold Wing ACN	1800	HA-1801	KN-204-1
XL1000 Varadero	1000	HA-1003	KN-204-1	GL1800HPNA Gold Wing ACN ABS	1800	HA-1801	KN-204-1
XR650L	650	HA-6592	KN-112	GL1800P Gold Wing PA	1800	HA-1801	KN-204-1
2008 HONDA				Jazz	1.4L L4 F/I - OEM 17201PWA010	33-2917	
Accord	2.4L L4 F/I		HP-1010 ¹	Jazz	1.4L L4 F/I - OEM 17220REAZ00	33-2872	
Accord	2.4L L4 F/I - US	33-2402♦+	HP-1010	Jazz	1.5L L4 F/I	33-2422+	
Accord	3.5L V6 F/I	33-2403♦+	HP-1010 ¹	NPS50 Ruckus	49	HA-0502	
Accord IX	2.0L L4 F/I	33-3003		Odyssey	3.5L V6 F/I	33-2309+	HP-1010 ¹
Accord IX	2.4L L4 F/I	33-2430		PES125	125	HA-1510	
Accord VIII	2.0L L4 F/I - Non-US	33-2276♦		PES150	150	HA-1510	
Accord VIII	2.4L L4 F/I - Non-US	33-2276♦	HP-1010 ¹	Pilot	3.5L V6 F/I	33-2200+	HP-1010 ¹
CB1000R	998	HA-1009	KN-204-1	Ridgeline	3.5L V6 F/I	33-2323♦+	HP-1010 ¹
CBF500	500		KN-303	S2000	2.0L L4 F/I	E-2435	
CBF500 ABS	500		KN-303	S2000	2.2L L4 F/I	E-2435♦+	HP-1004 ¹
CBF600	599	HA-5907	KN-204-1	SH125	125	HA-1510	
CBF1000	998	HA-1006	KN-204-1	SH150i	150	HA-1510	
CBR125R	125	HA-1502		ST1300	1300	HA-1302	KN-204-1
CBR600RR	599	HA-6007	KN-204-1	ST1300 ABS	1300	HA-1302	KN-204-1
CBR600RR	599 - Race Specific	HA-6007R	KN-204-1	ST1300 Pan	1300	HA-1302	KN-204-1
CBR1000RR	999	HA-1008	KN-204-1	European			
CBR1000RR	999 - Race Specific	HA-1008R	KN-204-1	TRX250EX	225	HA-2501	
CHF50 Metropolitan City	50	HA-0502		TRX400EX	397	HA-4099	KN-113
Civic	1.5L L4 F/I	33-2422+		TRX420FE FourTrax Rancher 4X4 ES	420	HA-4207	KN-113
Civic	1.3L L4 F/I	33-2348+	HP-1010 ¹	TRX420FM FourTrax Rancher 4X4	420	HA-4207	
Civic	1.8L L4 F/I	33-2342♦+	HP-1010 ¹	TRX420FM FourTrax Rancher 4X4	420 - w/Manual Trans.	HA-4207	KN-113
Civic GX	1.8L L4 F/I	33-2342♦+	HP-1010 ¹	TRX420FM FourTrax Rancher 4X4	420		KN-113
Civic Si	2.0L L4 F/I	33-2343♦+	HP-1010 ¹	TRX420TE FourTrax Rancher ES	420		KN-113
Civic VII	1.3L L4 F/I	33-2348	HP-1010 ¹	TRX420TM FourTrax Rancher	420	HA-4207	KN-113
Civic VIII	1.3L L4 F/I	33-2348	HP-1010 ¹	TRX450ER	450	BD-6500	KN-116
Civic VIII	1.8L L4 F/I	33-2342♦	HP-1010 ¹	TRX450R	450	BD-6500	KN-116
Civic VIII	2.0L L4 F/I	33-2948		TRX500FA Foreman Rubicon	500	HA-5000	KN-111
CMX250C Rebel	234	HA-2596		TRX500FE FourTrax Foreman 4x4 ES	475	HA-5000	KN-113
				TRX500FGA Foreman Rubicon GPScape	500	HA-5000	KN-111

* 2 filters required ♦ Intake System Available - see page 370 +Cabin Air Filter Available - see page 353 1- Performance Silver Oil Filter Also Available



Vehicle	Engine Type	Air Filter	Oil Filter	Vehicle	Engine Type	Air Filter	Oil Filter
2008 HONDA				2007 HONDA			
TRX500FM FourTrax Foreman 4x4	475	HA-5000	KN-113	CRF80F	80	HA-1088	
TRX500FPE Foreman 4x4 ES w/PS	500		KN-113	CRF100F	100	HA-1088	
TRX500FPM Foreman 4x4 w/PS	500		KN-113	CRF150F	150	HA-1503	KN-116
TRX680FA FourTrax Rincon	675	HA-6806	KN-111	CRF150R	150	HA-1507	KN-116
TRX680FGA Rincon GPScape	680	HA-6806	KN-111	CRF150R Expert	150	HA-1507	KN-116
TRX700XX	700	HA-6808	KN-112	CRF230F	230	HA-1503	
VFR800 Interceptor	782	HA-8098	KN-204-1	CRF250R	249	HA-4503XD	KN-116
VT750C Shadow	750	HA-7504	KN-204-1	CRF250X	250	HA-2505XD	KN-116
VT750C Shadow Aero	750	HA-7504	KN-204-1	CRF450R	444	HA-4503XD	KN-116
VT750C2 Shadow Spirit	750	HA-7504	KN-204-1	CRF450X	444	HA-2505XD	KN-116
VTX1300C	1300	HA-1330	KN-204-1	CR-V	2.4L L4 F/I	33-2377+	HP-1010 ¹
VTX1300R	1300	HA-1330	KN-204-1	CR-V II	2.2L L4 DSL	33-2982	
VTX1300T	1300	HA-1330	KN-204-1	CR-V III	2.0L L4 F/I	33-2961	
VTX1800C	1795	HA-1802	KN-204-1	CR-V III	2.2L L4 DSL	33-2982	
VTX1800F	1795	HA-1802	KN-204-1	Element	2.4L L4 F/I	33-2343+	HP-1010 ¹
VTX1800N	1795	HA-1802	KN-204-1	Fit	1.3L L4 F/I	33-2872	
VTX1800R	1795	HA-1802	KN-204-1	Fit	1.5L L4 F/I	33-2359♦+	HP-1010 ¹
VTX1800T	1795	HA-1802	KN-204-1	FJS600 Silver Wing	582		KN-204-1
XL700V Transalp	700	HA-7008		FSC600 Silver Wing	582		KN-204-1
XL1000 Varadero	1000	HA-1003	KN-204-1	GL1800 Gold Wing Airbag	1800	HA-1801	KN-204-1
XR650L	650	HA-6592	KN-112	GL1800HPN Gold Wing ACN	1800	HA-1801	KN-204-1
2007 HONDA				GL1800HPNA Gold Wing ACN ABS	1800	HA-1801	KN-204-1
Accord	2.0L L4 F/I	33-2276		GL1800P Gold Wing PA	1800	HA-1801	KN-204-1
Accord	2.4L L4 F/I	33-2276♦+	HP-1010 ¹	NPS50 Ruckus	49	HA-0502	
Accord	3.0L V6 F/I	33-2277♦+	HP-1010 ¹	NPS50S Ruckus	49	HA-0502	
Accord	3.5L V6 F/I	33-2403		Odyssey	3.5L V6 F/I	33-2309+	HP-1010 ¹
Accord Hybrid	3.0L V6 F/I	33-2299+	HP-1010 ¹	PES150	150	HA-1510	
Accord VIII	2.0L L4 F/I - Non-US	33-2276♦		Pilot	3.5L V6 F/I	33-2200+	HP-1010 ¹
Accord VIII	2.4L L4 F/I - Non-US	33-2276♦	HP-1010 ¹	Ridgeline	3.5L V6 F/I	33-2323♦+	HP-1010 ¹
ARX1200N3 Aquatrax F-12	1235		KN-204-1	S2000	2.0L L4 F/I	E-2435♦	HP-1004 ¹
ARX1200T3 Aquatrax F-12X	1235		KN-204-1	S2000	2.2L L4 F/I	E-2435♦+	HP-1004 ¹
ARX1200T3D Aquatrax F-12X GPScape	1235		KN-204-1	SH125	125	HA-1510	
CB900F	919	HA-9002	KN-204-1	SH150i	150	HA-1510	
CBF600	599	HA-5907	KN-204-1	ST1300	1300	HA-1302	KN-204-1
CBR125R	125	HA-1502		ST1300 ABS	1300	HA-1302	KN-204-1
CBR600F	600		KN-204-1	ST1300 Pan European	1300	HA-1302	KN-204-1
CBR600RR	599	HA-6007	KN-204-1	TRX250EX	225	HA-2501	
CBR600RR	599 - Race Specific	HA-6007R	KN-204-1	TRX250TE Recon ES	250	HA-2501	
CBR1000RR	999	HA-1004	KN-204-1	TRX250TM Recon	250	HA-2501	
CBR1000RR	999 - Race Specific	HA-1004R	KN-204-1	TRX300EX	300	HA-3094	
CBR1100XX Super Blackbird	1100	HA-1199		TRX400EX	397	HA-4099	KN-113
CHF50 Metropolitan	50	HA-0502		TRX400FA Rancher AT	400	HA-3500	KN-111
Civic	1.3L L4 F/I	33-2348+	HP-1010 ¹	TRX400FGA Rancher AT GPScape	397	HA-3500	KN-111
Civic	1.8L L4 F/I	33-2342♦+	HP-1010 ¹	TRX420FE FourTrax Rancher 4X4 ES	420	HA-4207	KN-113
Civic GX	1.8L L4 F/I	33-2342♦+	HP-1010 ¹	TRX420FM FourTrax Rancher 4X4	420	HA-4207	
Civic Si	2.0L L4 F/I	33-2343♦+	HP-1010 ¹	TRX420FM FourTrax Rancher 4X4	420 - w/Manual Trans.	HA-4207	KN-113
Civic VII	1.3L L4 F/I	33-2348	HP-1010 ¹	TRX420TE FourTrax Rancher ES	420	HA-4207	KN-113
Civic VIII	1.3L L4 F/I	33-2348	HP-1010 ¹	TRX420TM FourTrax Rancher	420	HA-4207	KN-113
Civic VIII	1.8L L4 F/I	33-2342♦	HP-1010 ¹	TRX450ER	450	BD-6500	KN-116
Civic VIII	2.0L L4 F/I	33-2948		TRX450R	450	BD-6500	KN-116
CMX250C Rebel	234	HA-2596		TRX500FA Foreman Rubicon	500	HA-5000	KN-111

* 2 filters required ♦ Intake System Available - see page 370 +Cabin Air Filter Available - see page 353 1- Performance Silver Oil Filter Also Available



AIR & OIL FILTERS

HONDA

Vehicle	Engine Type	Air Filter	Oil Filter	Vehicle	Engine Type	Air Filter	Oil Filter
2007 HONDA				2006 HONDA			
TRX500FE FourTrax Foreman 4x4 ES	475	HA-5000	KN-113	Civic VII	1.3L L4 F/I	33-2348	HP-1010 ¹
TRX500FGA Foreman Rubicon GPScape	500	HA-5000	KN-111	Civic VII	2.0L L4 F/I	E-2429	
TRX500FM FourTrax Foreman 4x4	475	HA-5000	KN-113	Civic VIII	1.3L L4 F/I	33-2348	HP-1010 ¹
TRX500FPE Foreman 4x4 ES w/PS	500	HA-5000	KN-113	Civic VIII	1.8L L4 F/I	33-2342 ♦	HP-1010 ¹
TRX680FA FourTrax Rincon	675	HA-6806	KN-111	CMX250C Rebel	234	HA-2596	
TRX680FGA Rincon GPScape	680	HA-6806	KN-111	CRF80F	80	HA-1088	
VFR800 Interceptor	782	HA-8098	KN-204-1	CRF100F	100	HA-1088	
VFR800A Interceptor ABS	782	HA-8098	KN-204-1	CRF150F	150	HA-1503	
VT600C Shadow VLX	600	HA-6199		CRF230F	230	HA-1503	
VT600CD Shadow VLX Deluxe	600	HA-6199	KN-303	CRF250R	249	HA-4503XD	KN-116
VT750C Shadow Aero	750	HA-7504	KN-204-1	CRF250X	250	HA-2505XD	KN-116
VT750C2 Shadow Spirit	750	HA-7504	KN-204-1	CRF450R	444	HA-4503XD	KN-116
VT750DC Shadow Spirit	750	HA-7500	KN-303	CRF450X	444	HA-2505XD	KN-116
VT1100C Shadow Spirit	1100	HA-1187	KN-303	CR-V	2.4L L4 F/I	E-2429+	HP-1010 ¹
VT1100C2 Shadow Sabre	1100	HA-1187	KN-303	CR-V II	2.0L L4 F/I	E-2429	
VTX1300C	1300	HA-1330	KN-204-1	CR-V II	2.2L L4 DSL	33-2982	
VTX1300R	1300	HA-1330	KN-204-1	Element	2.4L L4 F/I	E-0771 ♦+	HP-1010 ¹
VTX1300S	1300	HA-1330	KN-204-1	Fit	1.5L L4 F/I	33-2872	HP-1010 ¹
VTX1800C	1795	HA-1802	KN-204-1	FJS600 Silver Wing	582		KN-204-1
VTX1800F	1795	HA-1802	KN-204-1	FSC600 Silver Wing	582		KN-204-1
VTX1800R	1795		KN-204-1	GL1800HP Gold Wing AC	1800	HA-1801	KN-204-1
VTX1800T	1795	HA-1802	KN-204-1	GL1800HPN Gold Wing ACN	1800	HA-1801	KN-204-1
XL650V Transalp	650	HA-6501		GL1800HPNA Gold Wing ACN ABS	1800	HA-1801	KN-204-1
XR650L	650	HA-6592	KN-112	Jazz	1.5L L4 F/I - OEM 17201PWA010	33-2917	
XR650R	650	HA-6500		Jazz	1.5L L4 F/I - OEM 17220REAZ00	33-2872	
2006 HONDA				Legend	3.5L V6 F/I - To 8/06	33-2179	
Accord	2.0L L4 F/I	33-2276		NPS50 Ruckus	49	HA-0502	
Accord	2.4L L4 F/I	33-2276 ♦+	HP-1010 ¹	NSS250 Reflex	250	HA-2500-1	
Accord	3.0L V6 F/I	33-2277 ♦+	HP-1010 ¹	Odyssey	3.5L V6 F/I	33-2309+	HP-1010 ¹
Accord Hybrid	3.0L V6 F/I	33-2299+	HP-1010 ¹	PES150	150	HA-1510	
Accord VIII	2.0L L4 F/I - Non-US	33-2276 ♦		Pilot	3.5L V6 F/I	33-2200+	HP-1010 ¹
Accord VIII	2.4L L4 F/I - Non-US	33-2276 ♦	HP-1010 ¹	RC51	1000		KN-204-1
ARX1200T3 Aquatrax F-12X	1235		KN-204-1	Ridgeline	3.5L V6 F/I	33-2323 ♦+	HP-1010 ¹
CB600 Hornet	600	HA-6098	KN-204-1	S2000	2.0L L4 F/I	E-2435 ♦	HP-1004 ¹
CB900F	919	HA-9002	KN-204-1	S2000	2.2L L4 F/I	E-2435 ♦+	HP-1004 ¹
CB1300	1300	HA-1301		ST1300	1300	HA-1302	KN-204-1
CBF250	250		KN-113	ST1300 ABS	1300	HA-1302	KN-204-1
CBF600	599	HA-6098	KN-204-1	ST1300 Pan	1300	HA-1302	KN-204-1
CBR600F	600	HA-6001	KN-204-1	European			
CBR600F4i	600	HA-6001	KN-204-1	TRX90	90	HA-1088	
CBR600RR	599	HA-6003	KN-204-1	TRX250EX	225	HA-2501	
CBR1000RR	999	HA-1004	KN-204-1	TRX250TE Recon ES	250	HA-2501	
CBR1000RR	999 - Race Specific	HA-1004R	KN-204-1	TRX300EX	300	HA-3094	
Civic	1.3L L4 F/I	33-2348+	HP-1010 ¹	TRX350FE Rancher 4x4 ES	350	HA-3500	KN-113
Civic	1.8L L4 F/I	33-2342 ♦+	HP-1010 ¹	TRX350FM Rancher 4x4	350	HA-3500	KN-113
Civic GX	1.8L L4 F/I	33-2342 ♦+	HP-1010 ¹	TRX350TE Rancher ES	350	HA-3500	KN-113
Civic Si	2.0L L4 F/I	33-2343 ♦+	HP-1010 ¹	TRX350TM Rancher	350	HA-3500	KN-113
Civic VI	1.6L L4 F/I - Exc. Sedan	33-2243 ♦		TRX400EX	397	HA-4099	KN-113
				TRX400FA Rancher AT	400	HA-3500	KN-111
				TRX450ER	450	BD-6500	KN-116
				TRX450R	450	BD-6500	KN-116
				TRX500FA Foreman Rubicon	500	HA-5000	KN-111
				TRX500FE FourTrax Foreman 4x4 ES	475	HA-5000	KN-113

* 2 filters required ♦ Intake System Available - see page 370 +Cabin Air Filter Available - see page 353 1- Performance Silver Oil Filter Also Available

Partial Listing: Complete Listing of Vehicles and Parts at KNFILTERS.COM or call 1-800-858-3333



Vehicle	Engine Type	Air Filter	Oil Filter	Vehicle	Engine Type	Air Filter	Oil Filter
2006 HONDA				2005 HONDA			
TRX500FGA	500	HA-5000	KN-111	Civic VI	1.4L L4 F/I	33-2243 ♦	
Foreman Rubicon				Civic VI	1.6L L4 F/I - Exc. Sedan	33-2243 ♦	
GPScape				Civic VI	1.7L L4 F/I	33-2192 ♦	HP-1010 ¹
TRX500FM FourTrax Foreman 4x4	475	HA-5000	KN-113	Civic VI	2.0L L4 F/I	E-2429 ♦	
TRX500TM Foreman	500	HA-5000	KN-113	Civic VII	1.3L L4 F/I		HP-1010 ¹
VFR800 Interceptor	782	HA-8098	KN-204-1	Civic VII	1.7L L4 F/I	33-2192	
VFR800A Interceptor ABS	782		KN-204-1	Civic VIII	1.8L L4 F/I	33-2342 ♦	
VT600C Shadow VLX	600	HA-6199		CMX250C Rebel	234	HA-2596	
VT600CD Shadow VLX Deluxe	600	HA-6199	KN-303	CRF80F	80	HA-1088	
VT750C Shadow Aero	745	HA-7504	KN-204-1	CRF100F	100	HA-1088	
VT750C2 Shadow Spirit	750	HA-7504	KN-204-1	CRF150F	150	HA-1503	
VT750DC Shadow Spirit	750	HA-7500	KN-303	CRF230F	230	HA-1503	
VT1100C Shadow Spirit	1100	HA-1187	KN-303	CRF250R	249	HA-4503XD	KN-116
VT1100C2 Shadow Sabre	1100	HA-1187	KN-303	CRF250X	250	HA-2505XD	KN-116
VTX1300C	1300	HA-1330	KN-204-1	CRF450R	444	HA-4503XD	KN-116
VTX1300R	1300	HA-1330	KN-204-1	CRF450X	444	HA-2505XD	KN-116
VTX1300S	1300	HA-1330	KN-204-1	CR-V	2.4L L4 F/I	E-2429 ⁺	HP-1010 ¹
VTX1800C	1795	HA-1802	KN-204-1	CR-V II	2.0L L4 F/I	E-2429	
VTX1800F	1800	HA-1802	KN-204-1	CR-V II	2.2L L4 DSL	33-2982	
VTX1800N	1800	HA-1802	KN-204-1	Element	2.4L L4 F/I	E-0771 ♦ ⁺	HP-1010 ¹
VTX1800R	1800	HA-1802	KN-204-1	FSC600 Silver Wing	582		KN-204-1
VTX1800S	1800	HA-1802	KN-204-1	GL1800 Gold Wing	1800	HA-1801	KN-204-1
XR650L	650	HA-6592	KN-112	GL1800A Gold Wing	1800	HA-1801	KN-204-1
XR650R	650	HA-6500	KN-112	ABS			
2005 HONDA				Insight	1.0L L3 F/I	33-2180	HP-1008 ¹
Accord	2.0L L4 F/I	33-2276		NES125	125	HA-1510	
Accord	2.4L L4 F/I	33-2276 ♦ ⁺	HP-1010 ¹	Odyssey	3.5L V6 F/I	33-2309 ⁺	HP-1010 ¹
Accord	3.0L V6 F/I	33-2277 ♦ ⁺	HP-1010 ¹	Pilot	3.5L V6 F/I	33-2200 ⁺	HP-1010 ¹
Accord Hybrid	3.0L V6 F/I	33-2299 ⁺	HP-1010 ¹	RC51	990	HA-5100	KN-204-1
Accord VIII	2.0L L4 F/I - Non-US	33-2276 ♦		S2000	2.0L L4 F/I	E-2435 ♦	HP-1004 ¹
Accord VIII	2.4L L4 F/I - Non-US	33-2276 ♦	HP-1010 ¹	S2000	2.2L L4 F/I	E-2435 ♦ ⁺	HP-1004 ¹
ARX1200N2 Aquatrax R-12	1235		KN-204-1	ST1300	1300	HA-1302	KN-204-1
ARX1200N3 Aquatrax F-12	1235		KN-204-1	ST1300 ABS	1300	HA-1302	KN-204-1
ARX1200T2 Aquatrax R-12X	1235		KN-204-1	ST1300 Pan European	1300	HA-1302	KN-204-1
ARX1200T3 Aquatrax F-12X	1235		KN-204-1	TRX250EX	225	HA-2501	
CB900F	919	HA-9002	KN-204-1	TRX300EX	300	HA-3094	
CBR600F	600		KN-204-1	TRX350FE Rancher 4x4 ES	350	HA-3500	KN-113
CBR600F4i	600	HA-6001	KN-204-1	TRX350FM Rancher 4x4	350	HA-3500	KN-113
CBR600RR	599	HA-6003	KN-204-1	TRX350TE Rancher ES	350	HA-3500	KN-113
CBR1000RR	999	HA-1004	KN-204-1	TRX350TM Rancher	325	HA-3500	KN-113
CBR1000RR	999 - Race Specific	HA-1004R	KN-204-1	TRX400EX	397	HA-4099	KN-113
Civic	1.3L L4 F/I	33-2338 ⁺	HP-1010 ¹	TRX400FA Rancher AT	400	HA-3500	KN-111
Civic DX	1.7L L4 F/I	33-2192 ♦ ⁺	HP-1010 ¹	TRX400FGA Rancher	397	HA-3500	KN-111
Civic EX	1.7L L4 F/I	33-2192 ♦ ⁺	HP-1010 ¹	AT GPScape			
Civic GX	1.7L L4 F/I	33-2192 ⁺	HP-1010 ¹	TRX450R	444	HA-4504	KN-116
Civic HX	1.7L L4 F/I	33-2192 ⁺	HP-1010 ¹	TRX500FA Foreman Rubicon	500	HA-5000	KN-111
Civic LX	1.7L L4 F/I	33-2192 ♦ ⁺	HP-1010 ¹	TRX500FE FourTrax Foreman 4x4 ES	475	HA-5000	KN-113
Civic Reverb	1.7L L4 F/I	33-2192 ⁺	HP-1010 ¹	TRX500FGA	500	HA-5000	KN-111
Civic Si	1.7L L4 F/I	33-2192 ♦ ⁺	HP-1010 ¹	Foreman Rubicon GPScape			
Civic Si	2.0L L4 F/I	E-2429 ♦ ⁺	HP-1010 ¹	TRX500FM FourTrax Foreman 4x4	475	HA-5000	KN-113
Civic Value Package	1.7L L4 F/I	33-2192 ♦ ⁺	HP-1010 ¹	TRX500TM Foreman	500	HA-5000	KN-113
Civic VI	1.3L L4 F/I		HP-1010 ¹	TRX650FA Rincon	644	HA-5000	KN-111
				VFR800 Interceptor	782	HA-8098	KN-204-1
				VFR800A Interceptor ABS	782	HA-8098	KN-204-1

* 2 filters required ♦ Intake System Available - see page 370 +Cabin Air Filter Available - see page 353 1- Performance Silver Oil Filter Also Available



AIR & OIL FILTERS

HONDA

Vehicle	Engine Type	Air Filter	Oil Filter	Vehicle	Engine Type	Air Filter	Oil Filter
2005 HONDA				2004 HONDA			
VT600C Shadow VLX	600	HA-6199	KN-303	Civic VI	2.0L L4 F/I	E-2429 ♦	
VT600CD Shadow VLX Deluxe	600	HA-6199	KN-303	Civic VII	1.7L L4 F/I	33-2192	
VT750C Shadow Aero	750	HA-7504	KN-204-1	CMX250C Rebel	234	HA-2596	
VT750C2 Shadow Spirit	750	HA-7504	KN-204-1	CRF80F	80	HA-1088	
VT750DC Shadow Spirit	750	HA-7500	KN-303	CRF100F	100	HA-1088	
VT1100C Shadow Spirit	1100	HA-1187	KN-303	CRF150F	150	HA-1503	
VT1100C2 Shadow Sabre	1100	HA-1187	KN-303	CRF230F	230	HA-1503	
VTX1300C	1284	HA-1330	KN-204-1	CRF250R	249	HA-4503XD	KN-116
VTX1300R	1284	HA-1330	KN-204-1	CRF250X	250	HA-2505XD	KN-116
VTX1300S	1284	HA-1330	KN-204-1	CRF450R	444	HA-4503XD	KN-116
VTX1800C	1795	HA-1802	KN-204-1	CR-V	2.4L L4 F/I	E-2429 ♦♦	HP-1010 ¹
VTX1800F	1800	HA-1802	KN-204-1	CR-V II	2.0L L4 F/I	E-2429	
VTX1800N	1800	HA-1802	KN-204-1	CR-V II	2.2L L4 DSL	33-2982	
VTX1800R	1800	HA-1802	KN-204-1	Element	2.4L L4 F/I	E-0771 ♦♦	HP-1010 ¹
VTX1800S	1800	HA-1802	KN-204-1	FJS600 Silver Wing	582		KN-204-1
XR650L	650	HA-6592	KN-112	FSC600 Silver Wing	582	HA-6002	KN-204-1
2004 HONDA				2004 HONDA			
Accord	2.0L L4 F/I	33-2276		GL1800 Gold Wing	1800	HA-1801	KN-204-1
Accord	2.4L L4 F/I	33-2276 ♦♦	HP-1010 ¹	GL1800A Gold Wing	1800	HA-1801	KN-204-1
Accord	3.0L V6 F/I	33-2277 ♦♦	HP-1010 ¹	ABS			
Accord VIII	2.0L L4 F/I - Non-US	33-2276 ♦		Insight	1.0L L3 F/I	33-2180	HP-1008 ¹
Accord VIII	2.4L L4 F/I - Non-US	33-2276 ♦	HP-1010 ¹	Jazz	1.2L L4 F/I - OEM 17201PWA010	33-2917	
ARX1200N3 Aquatrax F-12	1235		KN-204-1	Jazz	1.2L L4 F/I - OEM 17220REA200	33-2872	
ARX1200T2 Aquatrax R-12X	1235		KN-204-1	NES125	125	HA-1510	
ARX1200T3 Aquatrax F-12X	1235		KN-204-1	NPS50 Ruckus	49	HA-0502	
CB600 Hornet	599	HA-6098	KN-204-1	NPS50S Ruckus	49	HA-0502	
CB600F	600	HA-6098	KN-204-1	Odyssey	3.5L V6 F/I	33-2174+	HP-1004 ¹
CB900F	919	HA-9002	KN-204-1	Pilot	3.5L V6 F/I	33-2200+	HP-1010 ¹
CBF600	599		KN-204-1	RC51	990	HA-5100	KN-204-1
CBR125R	125	HA-1502		S2000	2.0L L4 F/I	E-2435 ♦	HP-1004 ¹
CBR600F	600	HA-6001	KN-204-1	S2000	2.2L L4 F/I	E-2435 ♦♦	HP-1004 ¹
CBR600F4i	600	HA-6001	KN-204-1	SES125	125	HA-1510	
CBR600RR	599	HA-6003	KN-204-1	SES150	150	HA-1510	
CBR1000RR	999	HA-1004	KN-204-1	SH125	125	HA-1510	
CBR1000RR	999 - Race Specific	HA-1004R	KN-204-1	ST1300	1300	HA-1302	KN-204-1
Civic	1.3L L4 F/I	33-2338+	HP-1010 ¹	ST1300 ABS	1300	HA-1302	KN-204-1
Civic DX	1.7L L4 F/I	33-2192 ♦♦	HP-1010 ¹	ST1300 Pan European	1300	HA-1302	KN-204-1
Civic EX	1.7L L4 F/I	33-2192 ♦♦	HP-1010 ¹	TRX90	90	HA-1088	
Civic EX	1.7L L4 F/I	33-2192 ♦♦	HP-1010 ¹	TRX250EX	225	HA-2501	
Civic GX	1.7L L4 F/I	33-2192+	HP-1010 ¹	TRX250TE Recon ES	250	HA-2501	
Civic HX	1.7L L4 F/I	33-2192+	HP-1010 ¹	TRX250TM Recon	250	HA-2501	
Civic LX	1.7L L4 F/I	33-2192 ♦♦	HP-1010 ¹	TRX300EX	300	HA-3094	
Civic LX	1.7L L4 F/I	33-2192 ♦♦	HP-1010 ¹	TRX350FE Rancher 4x4 ES	350	HA-3500	KN-113
Civic LX	1.7L L4 F/I	33-2192 ♦♦	HP-1010 ¹	TRX350FM Rancher 4x4	350	HA-3500	KN-113
Civic LX	1.7L L4 F/I	33-2192 ♦♦	HP-1010 ¹	TRX350TE Rancher ES	350	HA-3500	KN-113
Civic LX	1.7L L4 F/I	33-2192 ♦♦	HP-1010 ¹	TRX350TM Rancher	325	HA-3500	KN-113
Civic LX	1.7L L4 F/I	33-2192 ♦♦	HP-1010 ¹	TRX400EX	397	HA-4099	KN-113
Civic LX	1.7L L4 F/I	33-2192 ♦♦	HP-1010 ¹	TRX400FA Rancher AT	400	HA-3500	KN-111
Civic LX	1.7L L4 F/I	33-2192 ♦♦	HP-1010 ¹	TRX400FGA Rancher AT GPScape	397	HA-3500	KN-111
Civic LX	1.7L L4 F/I	33-2192 ♦♦	HP-1010 ¹	TRX450FE Foreman ES	450	HA-3098	KN-113
Civic LX	1.7L L4 F/I	33-2192 ♦♦	HP-1010 ¹	TRX450FM Foreman S	450	HA-3098	KN-113
Civic LX	1.7L L4 F/I	33-2192 ♦♦	HP-1010 ¹	TRX450R	444	HA-4504	KN-116
Civic LX	1.7L L4 F/I	33-2192 ♦♦	HP-1010 ¹	TRX500FA Foreman	500	HA-5000	KN-111
Civic LX	1.7L L4 F/I	33-2192 ♦♦	HP-1010 ¹	Rubicon			
Civic LX	1.7L L4 F/I	33-2192 ♦♦	HP-1010 ¹	TRX650FA Rincon	644	HA-5000	KN-111
Civic LX	1.7L L4 F/I	33-2192 ♦♦	HP-1010 ¹	VFR800 Interceptor	782	HA-8098	KN-204-1

* 2 filters required ♦ Intake System Available - see page 370 ♦ Cabin Air Filter Available - see page 353 1- Performance Silver Oil Filter Also Available

Partial Listing: Complete Listing of Vehicles and Parts at KNFILTERS.COM or call 1-800-858-3333



Vehicle	Engine Type	Air Filter	Oil Filter	Vehicle	Engine Type	Air Filter	Oil Filter
2004 HONDA				2003 HONDA			
VFR800A Interceptor ABS	782	HA-8098	KN-204-1	CRF450R	444	HA-4503XD	KN-116
VT600C Shadow VLX	600	HA-6199		CR-V	2.4L L4 F/I	E-2429 ♦+	HP-1010 ¹
VT600CD Shadow VLX Deluxe	600	HA-6199	KN-303	CR-V II	2.0L L4 F/I	E-2429	
VT750C Shadow Aero	750	HA-7504	KN-204-1	Element	2.4L L4 F/I	E-0771 ♦+	HP-1010 ¹
VT750DC Shadow Spirit	750	HA-7500	KN-303	Fit	1.3L L4 F/I - From 9/03	33-2872	
VT1100C Shadow Spirit	1100	HA-1187	KN-303	FSC600 Silver Wing	582		KN-204-1
VT1100C2 Shadow Sabre	1100	HA-1187	KN-303	GL1500C Valkyrie	1500	HA-1596	KN-303
VTR1000 Super Hawk	1000		KN-204-1	GL1800 Gold Wing	1800	HA-1801	KN-204-1
VTX1300C	1284	HA-1330	KN-204-1	GL1800A Gold Wing ABS	1800	HA-1801	KN-204-1
VTX1300S	1284	HA-1330	KN-204-1	NES125	125	HA-1510	
VTX1800 Retro	1795	HA-1802	KN-204-1	NES150	150	HA-1510	
VTX1800C	1795	HA-1802	KN-204-1	NPS50 Ruckus	49	HA-0502	
VTX1800N	1800	HA-1802	KN-204-1	Odyssey	3.5L V6 F/I	33-2174+	HP-1004 ¹
VTX1800R	1800		KN-204-1	Pilot	3.5L V6 F/I	33-2200+	HP-1004 ¹
VTX1800S	1800		KN-204-1	RC51	990	HA-5100	KN-204-1
XR250R	250	HA-1312	KN-112	S2000	2.0L L4 F/I	E-2435 ♦+	HP-1004 ¹
XR400R	397	HA-1314	KN-112	SES125	125	HA-1510	
XR650L	650	HA-6592	KN-112	SES150	150	HA-1510	
2003 HONDA				SH125	125	HA-1510	
Accord	2.0L L4 F/I	33-2276		SH150i	150	HA-1510	
Accord	2.4L L4 F/I	33-2276 ♦+	HP-1010 ¹	ST1300	1300	HA-1302	KN-204-1
Accord	3.0L V6 F/I	33-2277 ♦+	HP-1010 ¹	ST1300 ABS	1300	HA-1302	KN-204-1
Accord VII	1.8L L4 F/I	33-2124		ST1300 Pan European	1300	HA-1302	KN-204-1
Accord VII	2.0L L4 F/I	33-2124		TRX250EX	225	HA-2501	
Accord VII	3.0L V6 F/I	33-2133	HP-1004 ¹	TRX250TE Recon ES	250	HA-2501	
Accord VIII	2.0L L4 F/I - Non-US	33-2276 ♦		TRX250TM Recon	250	HA-2501	
Accord VIII	2.4L L4 F/I - Non-US	33-2276 ♦	HP-1010 ¹	TRX300EX	300	HA-3094	
CB750 Nighthawk	750	HA-7591	KN-303	TRX350FE Rancher 4x4 ES	350	HA-3500	KN-113
CB900F	919	HA-9002	KN-204-1	TRX350FM Rancher 4x4	350	HA-3500	KN-113
CBR600F	600		KN-204-1	TRX350TE Rancher ES	350	HA-3500	KN-113
CBR600F4i	600	HA-6001	KN-204-1	TRX350TM Rancher	325		KN-113
CBR600RR	599	HA-6003	KN-204-1	TRX400EX	397	HA-4099	KN-113
CBR954RR	954	HA-9502	KN-204-1	TRX400FW Foreman 4x4	395	HA-3098	
CBR1100XX Super Blackbird	1100	HA-1199	KN-303	TRX450FE Foreman ES	433	HA-3098	KN-113
CHF50 Metropolitan	50	HA-0502		TRX450FM Foreman S	433	HA-3098	KN-113
Civic	1.3L L4 F/I	33-2338+	HP-1010 ¹	TRX500FA Foreman Rubicon	500	HA-5000	KN-111
Civic DX	1.7L L4 F/I	33-2192 ♦+	HP-1010 ¹	TRX650FA Rincon	644	HA-5000	KN-111
		33-2192 ♦+	HP-1010 ¹	VF750C Magna	750	HA-7594	KN-303
Civic EX	1.7L L4 F/I	33-2192 ♦+	HP-1010 ¹	VFR800 Interceptor	782	HA-8098	KN-204-1
		33-2192 ♦+	HP-1010 ¹	VFR800A Interceptor ABS	782	HA-8098	KN-204-1
Civic GX	1.7L L4 F/I	33-2192+	HP-1010 ¹	VT600C Shadow VLX	600	HA-6199	
Civic HX	1.7L L4 F/I	33-2192+	HP-1010 ¹	VT600CD Shadow VLX Deluxe	600	HA-6199	KN-303
		33-2192 ♦+	HP-1010 ¹	VT750C/CD Shadow ACE	750	HA-7500	KN-303
Civic LX	1.7L L4 F/I	33-2192 ♦+	HP-1010 ¹	VT750DC Shadow Spirit	750	HA-7500	KN-303
		33-2192 ♦+	HP-1010 ¹	VT1100C Shadow Spirit	1100	HA-1187	KN-303
Civic Si	1.7L L4 F/I	33-2192 ♦+	HP-1010 ¹	VT1100C2 Shadow Sabre	1100	HA-1187	KN-303
Civic Si	2.0L L4 F/I	E-2429 ♦+	HP-1010 ¹	VTR1000 Firestorm	1000	HA-0011	
Civic VI	1.4L L4 F/I	33-2243 ♦		VTR1000 Super Hawk	1000	HA-0011	KN-204-1
Civic VI	1.6L L4 F/I - Exc. Sedan	33-2243 ♦		VTX1300S	1284	HA-1330	KN-204-1
Civic VI	1.7L L4 F/I	33-2192 ♦	HP-1010 ¹				
Civic VI	2.0L L4 F/I	E-2429 ♦					
Civic VII	1.7L L4 F/I	33-2192					
CMX250C Rebel	234	HA-2596					
CRF150F	150	HA-1503					
CRF230F	230	HA-1503					

* 2 filters required ♦ Intake System Available - see page 370 +Cabin Air Filter Available - see page 353 1- Performance Silver Oil Filter Also Available



AIR & OIL FILTERS

HONDA

Vehicle	Engine Type	Air Filter	Oil Filter	Vehicle	Engine Type	Air Filter	Oil Filter
2003 HONDA				2002 HONDA			
VTX1800 Retro	1795	HA-1802	KN-204-1	TRX350TE Rancher	350	HA-3500	KN-113
VTX1800C	1795	HA-1802	KN-204-1	ES			
VTX1800R	1795	HA-1802	KN-204-1	TRX350TM Rancher	325	HA-3500	KN-113
VTX1800S	1800	HA-1802	KN-204-1	TRX400EX	397	HA-4099	KN-113
XL650V Transalp	650	HA-6501		TRX400FW Foreman	395		KN-113
XR80R	80	HA-1088		4x4			
XR100R	100	HA-1088		TRX450FE Foreman	433	HA-3098	KN-113
XR250R	250	HA-1312	KN-112	ES			
XR400R	400	HA-1314	KN-112	TRX450FM Foreman	450	HA-3098	
XR650L	650	HA-6592	KN-112	S			
XR650R	650	HA-6500	KN-112	TRX450S Foreman S	450		KN-113
2002 HONDA				TRX500FA Foreman	500	HA-5000	KN-111
Accord	2.0L L4 F/I	33-2613		Rubicon			
Accord	2.3L L4 F/I	33-2124+	HP-1004 ¹	VF750C Magna	750	HA-7594	KN-303
Accord	3.0L V6 F/I	33-2133 ♦+	HP-1004 ¹	VFR800 Interceptor	782	HA-8098	KN-204-1
Accord VII	1.6L L4 F/I	33-2124		VFR800A Interceptor	782	HA-8098	KN-204-1
Accord VII	1.8L L4 F/I	33-2124		ABS			
Accord VII	2.0L L4 F/I	33-2124		VT600C Shadow VLX	600	HA-6199	
Accord VII	2.2L L4 F/I	33-2124 ♦		VT600CD Shadow	600	HA-6199	KN-303
Accord VII	3.0L V6 F/I	33-2133	HP-1004 ¹	VLX Deluxe			
CB900F	919	HA-9002	KN-204-1	VT750C/CD Shadow	750	HA-7500	KN-303
CBR600F4i	600	HA-6001	KN-204-1	ACE			
CBR900RR Fireblade	900	HA-9502	KN-204-1	VT750DC Shadow	750	HA-7500	KN-303
CBR954RR	954	HA-9502	KN-204-1	Spirit			
CBR1100XX Super	1100	HA-1199	KN-303	VT1100C Shadow	1100	HA-1187	KN-303
Blackbird				Spirit			
Civic DX	1.7L L4 F/I	33-2192 ♦+	HP-1010 ¹	VT1100C2 Shadow	1100	HA-1187	KN-303
		33-2192 ♦+	HP-1010 ¹	Sabre			
Civic EX	1.7L L4 F/I	33-2192 ♦+	HP-1010 ¹	VTX1800 Retro	1795	HA-1802	KN-204-1
		33-2192 ♦+	HP-1010 ¹	VTX1800C	1795	HA-1802	KN-204-1
Civic GX	1.7L L4 F/I		HP-1010 ¹	VTX1800R	1795	HA-1802	KN-204-1
Civic LX	1.7L L4 F/I	33-2192 ♦+	HP-1010 ¹	VTX1800S	1800	HA-1802	KN-204-1
		33-2192 ♦+	HP-1010 ¹	XL650V Transalp	650	HA-6501	
Civic Si	1.7L L4 F/I		HP-1010 ¹	XR80R	80	HA-1088	
Civic Si	2.0L L4 F/I	E-2429 ♦+	HP-1010 ¹	XR100R	100	HA-1088	
CMX250C Rebel	234	HA-2596		XR250R	250	HA-1312	KN-112
CRF450R	444		KN-116	XR400R	400	HA-1314	KN-112
CR-V	2.4L L4 F/I	E-2429 ♦+	HP-1010 ¹	XR650L	650	HA-6592	KN-112
CR-V I	2.0L L4 F/I	33-2104		XR650R	650	HA-6500	KN-112
CR-V II	2.0L L4 F/I	E-2429		2001 HONDA			
FJS600 Silver Wing	582		KN-204-1	Accord	2.0L L4 F/I	33-2613	
FSC600 Silver Wing	582		KN-204-1	Accord	2.3L L4 F/I	33-2124+	HP-1004 ¹
GL1500C Valkyrie	1520		KN-303	Accord	3.0L V6 F/I	33-2133 ♦+	HP-1004 ¹
GL1800 Gold Wing	1800	HA-1801	KN-204-1	Accord VII	1.6L L4 F/I	33-2124	
GL1800A Gold Wing	1800	HA-1801	KN-204-1	Accord VII	1.8L L4 F/I	33-2124	
ABS				Accord VII	2.0L L4 F/I	33-2124	
Jazz	1.4L L4 F/I - OEM	33-2917 ♦		Accord VII	2.2L L4 F/I	33-2124 ♦	
	17201PWA010			Accord VII	3.0L V6 F/I	33-2133	HP-1004 ¹
Jazz	1.4L L4 F/I - OEM	33-2872 ♦		CBR600F	600	HA-6001	KN-204-1
	17220REAZ00			CBR600F4i	600	HA-6001	KN-204-1
Odyssey	3.5L V6 F/I	33-2174+	HP-1004 ¹	CBR900RR Fireblade	900	HA-9200	KN-204-1
Passport	3.2L V6 F/I	33-2108		CBR929RR	929	HA-9200	KN-204-1
RC51	990	HA-5100	KN-204-1	CBR1100XX Super	1100	HA-1199	KN-303
S2000	2.0L L4 F/I	E-2435 ♦+	HP-1004 ¹	Blackbird			
SES125	125	HA-1510		Civic DX	1.7L L4 F/I	33-2192 ♦+	HP-1010 ¹
TRX250EX	225	HA-2501				33-2192 ♦+	HP-1010 ¹
TRX250TE Recon ES	250	HA-2501		Civic EX	1.7L L4 F/I	33-2192 ♦+	HP-1010 ¹
TRX250TM Recon	250	HA-2501				33-2192 ♦+	HP-1010 ¹
TRX300EX	300	HA-3094		Civic GX	1.7L L4 F/I		HP-1010 ¹
TRX350FE Rancher	350	HA-3500	KN-113	Civic HX	1.7L L4 F/I		HP-1010 ¹
4x4 ES				Civic LX	1.7L L4 F/I	33-2192 ♦+	HP-1010 ¹
TRX350FM Rancher	350	HA-3500	KN-113			33-2192 ♦+	HP-1010 ¹
4x4				Civic VI	1.6L L4 F/I - 105BHP	33-2036	
						33-2036 ♦	

* 2 filters required ♦ Intake System Available - see page 370 +Cabin Air Filter Available - see page 353 1- Performance Silver Oil Filter Also Available

Partial Listing: Complete Listing of Vehicles and Parts at KNFILTERS.COM or call 1-800-858-3333



Vehicle	Engine Type	Air Filter	Oil Filter	Vehicle	Engine Type	Air Filter	Oil Filter
2001 HONDA				2001 HONDA			
Civic VI	1.6L L4 F/I - 114/160BHP	33-2104		VT1100C2 Shadow Sabre	1100	HA-1187	KN-303
		33-2104 ♦		VTR1000 SP-1	1000	HA-5100	KN-204-1
Civic VI	1.6L L4 F/I - 116/126BHP	33-2047		VTR1000 Super Hawk	1000	HA-0011	KN-303
Civic VI	1.6L L4 F/I - EU, Exc. Sedan	33-2243 ♦		XL650V Transalp	650	HA-6501	
Civic VII	1.7L L4 F/I	33-2192		XR80R	80	HA-1088	
CR-V	2.0L L4 F/I	33-2104	HP-1004 ¹	XR100R	100	HA-1088	
CR-V I	2.0L L4 F/I	33-2104	HP-1004 ¹	XR400R	400	HA-1314	KN-112
GL1500 Valkyrie Interstate	1520	HA-1596		XR650L	650	HA-6592	KN-112
GL1500C Valkyrie	1520	HA-1596	KN-303	XR650R	650	HA-6500	KN-112
GL1500SE Gold Wing SE	1500		KN-303	XR750 Africa Twin	742	HA-0008	
GL1800 Gold Wing	1800	HA-1801	KN-204-1	2000 HONDA			
GL1800A Gold Wing ABS	1800	HA-1801	KN-204-1	Accord	2.0L L4 F/I	33-2613	
Insight	1.0L L3 F/I	33-2180	HP-1008 ¹	Accord	2.3L L4 F/I	33-2124+	HP-1004 ¹
Integra Type R	1.8L L4 F/I	E-2427		Accord	3.0L V6 F/I	33-2133 ♦+	HP-1004 ¹
NES125	125	HA-1510		Accord VII	1.8L L4 F/I	33-2124	
NES150	150	HA-1510		Accord VII	2.0L L4 F/I	33-2124	
NSR150	150	HA-1598		Accord VII	2.2L L4 F/I	33-2124 ♦	
Odyssey	3.5L V6 F/I	33-2174+	HP-1004 ¹	Accord VII	3.0L V6 F/I	33-2133	HP-1004 ¹
Passport	3.2L V6 F/I	33-2108	HP-1004 ¹	CB400 VTEC	400	HA-4098	
Prelude	2.2L L4 F/I	33-2090	HP-1004 ¹	CB750 Nighthawk	750		KN-303
Prelude V	2.2L L4 F/I		HP-1004 ¹	CBR600F4	600	HA-6099	KN-303
RC51	990	HA-5100	KN-204-1	CBR929RR	929	HA-9200	KN-204-1
S2000	2.0L L4 F/I	E-2435 ♦+	HP-1004 ¹	CBR1100XX Super Blackbird	1100	HA-1199	KN-303
SH125	125	HA-1510		Civic CX	1.6L L4 F/I	33-2120	HP-1004 ¹
SH150i	150	HA-1510		Civic DX	1.6L L4 F/I	33-2120	HP-1004 ¹
ST1100	1100		KN-303	Civic EX	1.6L L4 F/I	33-2104 ♦	HP-1004 ¹
ST1100 ABS II	1100	HA-1191	KN-303	Civic GX	1.6L L4 F/I	33-2104	HP-1004 ¹
TRX250EX	225	HA-2501		Civic HX	1.6L L4 F/I	33-2104	HP-1004 ¹
TRX300 Fourtrax	280	HA-3098		Civic LX	1.6L L4 F/I	33-2120	HP-1004 ¹
TRX300EX	300	HA-3094		Civic Si	1.6L L4 F/I	33-2104 ♦	HP-1004 ¹
TRX350FE Rancher 4x4 ES	350	HA-3500	KN-113	Civic V	1.6L L4 F/I - 105BHP	33-2036 ♦	
TRX350FM Rancher 4x4	350	HA-3500	KN-113	Civic V	1.6L L4 F/I - 114/160BHP	33-2104 ♦	
TRX350TE Rancher ES	350	HA-3500	KN-113	Civic V	1.6L L4 F/I - 116/125BHP	33-2047 ♦	
TRX350TM Rancher	350	HA-3500	KN-113	Civic VI	1.6L L4 F/I - 105BHP	33-2036	
TRX400EX	397	HA-4099	KN-113	Civic VI	1.6L L4 F/I - 114/160BHP	33-2104	
TRX400FW Foreman 4x4	395	HA-3098	KN-113	Civic VI	1.6L L4 F/I - 116/126BHP	33-2047	
TRX450ES Foreman ES	433	HA-3098		CR-V	2.0L L4 F/I	33-2104	HP-1004 ¹
TRX450S Foreman S	450	HA-3098	KN-113	CR-V I	2.0L L4 F/I	33-2104	HP-1004 ¹
TRX500FA Foreman Rubicon	500	HA-5000	KN-111	GL1500 Valkyrie Interstate	1520	HA-1596	
VF750C Magna	750	HA-7594	KN-303	GL1500A Gold Wing Aspencade	1520	HA-8088	
VFR800 Interceptor	782	HA-8098	KN-303	GL1500C Valkyrie	1520	HA-1596	KN-303
VT600C Shadow VLX	600	HA-6199		GL1500SE Gold Wing SE	1520	HA-8088	KN-303
VT600CD Shadow VLX Deluxe	600	HA-6199	KN-303	Insight	1.0L L3 F/I	33-2180	HP-1008 ¹
VT750 C2 Shadow	750	HA-7500	KN-303	NES125	125	HA-1510	
VT750C Shadow	750	HA-7500	KN-303	NSR150	150	HA-1598	
VT750C/CD Shadow ACE	750	HA-7500	KN-303	Odyssey	3.5L V6 F/I	33-2174+	HP-1004 ¹
VT750DC Shadow Spirit	750	HA-7500	KN-303	Passport	3.2L V6 F/I	33-2108	
VT1100C Shadow Spirit	1100	HA-1187	KN-303	Prelude	2.2L L4 F/I	33-2090	HP-1004 ¹
				Prelude V	2.0L L4 F/I	33-2090	
				Prelude V	2.2L L4 F/I	33-2090	HP-1004 ¹
				RC51	990	HA-5100	KN-204-1
				S2000	2.0L L4 F/I	E-2435 ♦+	HP-1004 ¹
				Shuttle	2.3L L4 F/I	33-2071	
				TRX300 Fourtrax	280	HA-3098	
				TRX300EX	300	HA-3094	

* 2 filters required ♦ Intake System Available - see page 370 +Cabin Air Filter Available - see page 353 1- Performance Silver Oil Filter Also Available



AIR & OIL FILTERS

HONDA

Vehicle	Engine Type	Air Filter	Oil Filter	Vehicle	Engine Type	Air Filter	Oil Filter
2000 HONDA				1999 HONDA			
TRX300FW Fourtrax 4x4	300	HA-3098		Civic V	1.6L L4 F/I - 116/125BHP	33-2047 ♦	
TRX350FE Rancher 4x4 ES	350	HA-3500	KN-113	Civic Value Package	1.6L L4 F/I	33-2104	HP-1004 ¹
TRX350FM Rancher 4x4	350		KN-113	Civic VI	1.6L L4 F/I - 105BHP	33-2036	
TRX350TE Rancher ES	350	HA-3500	KN-113	Civic VI	1.6L L4 F/I - 114/160BHP	33-2104	
TRX400EX	397	HA-4099	KN-113	Civic VI	1.6L L4 F/I - 116/126BHP	33-2047	
TRX400FW Foreman 4x4	395	HA-3098	KN-113	CR-V	2.0L L4 F/I	33-2104	HP-1004 ¹
TRX450ES Foreman ES	433	HA-3098		CR-V I	2.0L L4 F/I	33-2104	HP-1004 ¹
TRX450S Foreman S	450	HA-3098	KN-113	GL1500 Valkyrie Interstate	1520	HA-1596	
VF750C Magna	750		KN-303	GL1500C Valkyrie	1520	HA-1596	KN-303
VFR800 Interceptor	782	HA-8098	KN-303	GL1500CT Valkyrie Tourer	1520	HA-1596	
VT600C Shadow VLX	600	HA-6199		GL1500SE Gold Wing SE	1520	HA-8088	KN-303
VT600CD Shadow VLX Deluxe	600	HA-6199	KN-303	Odyssey	3.5L V6 F/I	33-2174+	HP-1004 ¹
VT750C/CD Shadow ACE	750	HA-7500	KN-303	Passport	3.2L V6 F/I	33-2108	
VT750CD Shadow Deluxe	750	HA-7500	KN-303	Prelude	2.2L L4 F/I	33-2090 ♦	HP-1004 ¹
VT1100C Shadow Spirit	1100	HA-1187	KN-303	Prelude V	2.2L L4 F/I	33-2090	HP-1004 ¹
VT1100C2 Shadow Sabre	1100	HA-1187	KN-303	S2000	2.0L L4 F/I	E-2435 ♦	
VT1100C3 Shadow Aero	1100	HA-1187	KN-303	ST1100	1100		KN-303
VTR1000 Firestorm	1000	HA-0011	KN-303	ST1100 ABS II	1100		KN-303
VTR1000 Super Hawk	996		KN-303	ST1100 Pan	1100		KN-303
XL1000 Varadero	1000	HA-0011	KN-303	European			
XR80R	80	HA-1088		TRX300 Fourtrax	280	HA-3098	
XR100R	100	HA-1088		TRX300EX	300	HA-3094	
XR250R	250	HA-1312	KN-112	TRX300FW Fourtrax 4x4	300	HA-3098	
XR400R	400	HA-1314	KN-112	TRX400EX	397		KN-113
XR600R	600	HA-1315		TRX400FW Foreman 4x4	395	HA-3098	KN-113
XR650L	650	HA-6592	KN-112	TRX450ES Foreman ES	433	HA-3098	
XR650R	650	HA-6500	KN-112	TRX450S Foreman S	450	HA-3098	KN-113
1999 HONDA				1998 HONDA			
Accord	2.0L L4 F/I - From 10/99	33-2613		Accord	2.3L L4 F/I - Non-US	33-2613	
Accord	2.3L L4 F/I	33-2124+	HP-1004 ¹	Accord	2.3L L4 F/I - US	33-2124+	HP-1004 ¹
Accord	3.0L V6 F/I	33-2133 ♦+	HP-1004 ¹	Accord	3.0L V6 F/I	33-2133+	HP-1004 ¹
Accord VII	1.6L L4 F/I	33-2124		Accord V	2.0L L4 F/I - F20B Eng.	33-2071 ♦	
Accord VII	2.0L L4 F/I	33-2124		Accord V	2.0L L4 F/I - F20Z Eng.	33-2613 ♦	
Accord VII	2.2L L4 F/I	33-2124 ♦		Accord V	2.2L L4 F/I	33-2071	HP-1004 ¹
Accord VII	3.0L V6 F/I	33-2133	HP-1004 ¹	Accord VI	1.8L L4 F/I	33-2613	
CB750 Nighthawk	750	HA-7591	KN-303	Accord VI	2.0L L4 DSL	33-2761	
CBR600F4	600	HA-6099	KN-303	Accord VI	2.0L L4 F/I	33-2613 ♦	
CBR900RR	900	HA-9092-A	KN-303				
CBR1100XX Super Blackbird	1100	HA-1199	KN-303				
Civic CX	1.6L L4 F/I	33-2120	HP-1004 ¹				
Civic DX	1.6L L4 F/I	33-2120	HP-1004 ¹				
Civic EX	1.6L L4 F/I	33-2104 ♦	HP-1004 ¹				
Civic GX	1.6L L4 F/I	33-2104	HP-1004 ¹				
Civic HX	1.6L L4 F/I	33-2104	HP-1004 ¹				
Civic LX	1.6L L4 F/I	33-2104 ♦	HP-1004 ¹				
Civic LX	1.6L L4 F/I	33-2120	HP-1004 ¹				
Civic Si	1.6L L4 F/I	33-2104 ♦	HP-1004 ¹				
Civic V	1.6L L4 F/I - 105BHP	33-2036 ♦					
Civic V	1.6L L4 F/I - 114/160BHP	33-2104 ♦					

* 2 filters required ♦ Intake System Available - see page 370 +Cabin Air Filter Available - see page 353 1- Performance Silver Oil Filter Also Available

Partial Listing: Complete Listing of Vehicles and Parts at KNFILTERS.COM or call 1-800-858-3333



Vehicle	Engine Type	Air Filter	Oil Filter	Vehicle	Engine Type	Air Filter	Oil Filter
1998 HONDA				1998 HONDA			
Accord VI	2.2L L4 F/I	33-2613	HP-1004 ¹	VT1100C2 Shadow	1100	HA-1187	KN-303
Accord VII	1.6L L4 F/I	33-2124		ACE			
Accord VII	1.8L L4 F/I	33-2124		VT1100C3 Shadow	1100	HA-1187	KN-303
Accord VII	2.0L L4 F/I	33-2124		Aero			
Accord VII	2.2L L4 F/I	33-2124 ♦		VTR1000 Firestorm	1000	HA-0011	KN-303
Accord VII	3.0L V6 F/I	33-2133	HP-1004 ¹	VTR1000 Super	996	HA-0011	KN-303
CB750 Nighthawk	750	HA-7591	KN-303	Hawk			
CBR600F3	600	HA-6095	KN-303	XR400R	400	HA-1314	KN-112
CBR900RR	900	HA-9092-A	KN-303	1997 HONDA			
CBR1100XX Super	1100	HA-1197	KN-303	Accord	2.2L L4 F/I		HP-1004 ¹
Blackbird				Accord	2.2L L4 F/I - US	33-2071 ♦	HP-1004
Civic CX	1.6L L4 F/I	33-2120	HP-1004 ¹	Accord	2.3L L4 F/I	33-2071	
Civic del Sol	1.6L L4 F/I	33-2047		Accord	2.7L V6 F/I	33-2100	HP-1004 ¹
Civic DX	1.6L L4 F/I	33-2120	HP-1004 ¹	Accord V	2.0L L4 F/I - F20B Eng.	33-2071 ♦	
Civic EX	1.6L L4 F/I	33-2104 ♦	HP-1004 ¹	Accord V	2.0L L4 F/I - F20Z Eng.	33-2613 ♦	
Civic GX	1.6L L4 F/I	33-2104	HP-1004 ¹	Accord V	2.2L L4 F/I	33-2071 ♦	HP-1004 ¹
Civic HX	1.6L L4 F/I	33-2104	HP-1004 ¹	Accord VI	1.8L L4 F/I	33-2613	
		33-2104 ♦	HP-1004 ¹	Accord VI	2.0L L4 DSL	33-2761	
Civic LX	1.6L L4 F/I	33-2120	HP-1004 ¹	Accord VI	2.0L L4 F/I	33-2613 ♦	
Civic Si	1.6L L4 F/I	33-2104	HP-1004 ¹	Accord VI	2.2L L4 F/I	33-2613 ♦	
Civic V	1.6L L4 F/I - 105BHP	33-2036 ♦		CBR600F3	600	HA-6095	KN-303
Civic V	1.6L L4 F/I - 114/160BHP	33-2104 ♦		CBR1100XX Super	1100	HA-1197	KN-303
Civic V	1.6L L4 F/I - 116/125BHP	33-2047 ♦		Blackbird			
Civic VI	1.6L L4 F/I - 105BHP	33-2036		Civic CX	1.6L L4 F/I	33-2120	HP-1004 ¹
Civic VI	1.6L L4 F/I - 114/160BHP	33-2104		Civic del Sol	1.6L L4 F/I	33-2047	HP-1004 ¹
Civic VI	1.6L L4 F/I - 116/126BHP	33-2047		Civic DX	1.6L L4 F/I	33-2120	HP-1004 ¹
CR-V	2.0L L4 F/I	33-2104	HP-1004 ¹	Civic EX	1.6L L4 F/I	33-2104 ♦	HP-1004 ¹
CR-V I	2.0L L4 F/I	33-2104	HP-1004 ¹	Civic HX	1.6L L4 F/I	33-2104	HP-1004 ¹
GL1500A Gold Wing	1520	HA-8088				33-2104 ♦	HP-1004 ¹
Aspencade				Civic IV	1.6L L4 F/I	33-2047 ♦	
GL1500C Valkyrie	1520	HA-1596	KN-303	Civic LX	1.6L L4 F/I	33-2120	HP-1004 ¹
GL1500CT Valkyrie	1520	HA-1596		Civic Si	1.6L L4 F/I	33-2104	HP-1004 ¹
Tourer				Civic V	1.6L L4 F/I - 105BHP	33-2036 ♦	
GL1500SE Gold	1520	HA-8088	KN-303	Civic V	1.6L L4 F/I - 114/160BHP	33-2104 ♦	
Wing SE				Civic V	1.6L L4 F/I - 116/125BHP	33-2047 ♦	
Odyssey	2.3L L4 F/I		HP-1004 ¹	Civic VI	1.6L L4 F/I - 105BHP	33-2036	
Prelude	2.2L L4 F/I	33-2090 ♦	HP-1004 ¹	Civic VI	1.6L L4 F/I - 113/116/126BHP	33-2047	
Prelude V	2.0L L4 F/I	33-2090		Civic VI	1.6L L4 F/I - 114/160BHP	33-2104	
Prelude V	2.2L L4 F/I	33-2090	HP-1004 ¹	CR-V	2.0L L4 F/I	33-2104	HP-1004 ¹
ST1100	1100		KN-303	CR-V I	2.0L L4 F/I	33-2104	HP-1004 ¹
ST1100 ABS II	1100		KN-303	GL1500A Gold Wing	1520	HA-8088	
ST1100 Pan	1100		KN-303	Aspencade			
European				GL1500C Valkyrie	1520	HA-1596	KN-303
TRX300 Fourtrax	280	HA-3098		GL1500CT Valkyrie	1520	HA-1596	
TRX300EX	300	HA-3094		Tourer			
TRX300FW Fourtrax 4x4	300	HA-3098		GL1500SE Gold	1520	HA-8088	KN-303
TRX400FW Foreman 4x4	395	HA-3098	KN-113	Wing SE			
TRX450ES Foreman ES	433	HA-3098		Odyssey	2.2L L4 F/I		HP-1004 ¹
TRX450S Foreman S	450	HA-3098	KN-113	Prelude	2.2L L4 F/I	33-2090 ♦	HP-1004 ¹
VF750C Magna	739	HA-7594	KN-303	Prelude V	2.0L L4 F/I	33-2090	
VFR800 Interceptor	782	HA-8098	KN-303	Prelude V	2.2L L4 F/I	33-2090	HP-1004 ¹
VT750C/CD Shadow ACE	750	HA-7500	KN-303	TRX300 Fourtrax	280	HA-3093	
VT750CD Shadow Deluxe	750	HA-7500	KN-303	TRX300EX	300	HA-3094	
VT1100C Shadow	1100	HA-1187	KN-303	TRX300FW Fourtrax 4x4	300	HA-3093	
VT1100C Shadow Spirit	1100	HA-1187	KN-303	TRX400FW Foreman 4x4	395	HA-3093	KN-113
				VF750C Magna	739	HA-7594	KN-303
				VFR750F Interceptor	739		KN-303
				VT600C Shadow VLX	600	HA-6088	
				VT1100C Shadow	1100	HA-1187	KN-303

* 2 filters required ♦ Intake System Available - see page 370 +Cabin Air Filter Available - see page 353 1- Performance Silver Oil Filter Also Available



AIR & OIL FILTERS

HONDA

Vehicle	Engine Type	Air Filter	Oil Filter
1997 HONDA			
VT1100C Shadow Spirit	1100	HA-1187	KN-303
VT1100C2 Shadow ACE	1100	HA-1187	KN-303
XR400R	400	HA-1314	KN-112
XR600R	600	HA-1315	
2017 HSV			
GTS R	6.2L V8 F/I	33-2919	
2016 HSV			
Clubsport	6.2L V8 F/I	33-2919	
GTS	6.2L V8 F/I	33-2919	
Maloo	6.2L V8 F/I	33-2919	
Senator	6.2L V8 F/I	33-2919	
2015 HSV			
Clubsport	6.2L V8 F/I	33-2919	
Grange	6.2L V8 F/I	33-2919	
Maloo	6.2L V8 F/I	33-2919	
2014 HSV			
Grange	6.2L V8 F/I	33-2919	
GTS	6.0L V8 F/I	33-2919	
GTS	6.2L V8 F/I	33-2919	
Maloo	6.2L V8 F/I	33-2919	
Senator	6.2L V8 F/I	33-2919	
2010 HSV			
Senator	6.2L V8 F/I	33-2919	
2009 HSV			
GTS	6.0L V8 F/I	33-2919	
2010 HUMMER			
H3	3.7L L5 F/I	33-2408	HP-2006 ¹
H3T	3.7L L5 F/I	33-2408	HP-2006 ¹
2009 HUMMER			
H2	6.2L V8 F/I		HP-1017 ¹
H3	3.7L L5 F/I	33-2408 ♦	HP-2006 ¹
H3	5.3L V8 F/I	33-2408	HP-1017 ¹
H3T	3.7L L5 F/I	33-2408 ♦	HP-2006 ¹
H3T	5.3L V8 F/I	33-2408	HP-1017 ¹
2008 HUMMER			
H2	6.2L V8 F/I		HP-1017 ¹
H3	3.5L L5 F/I	33-2408	
H3	3.7L L5 F/I	33-2408 ♦	HP-2006 ¹
H3	5.3L V8 F/I	33-2408	HP-1017 ¹
2007 HUMMER			
H2	6.0L V8 F/I		HP-1017 ¹
H3	3.5L L5 F/I	E-0773	
H3	3.7L L5 F/I	E-0773 ♦	HP-2006 ¹
2006 HUMMER			
H1	6.6L V8 DSL		HP-3003 ¹
H2	6.0L V8 F/I		HP-1007 ¹
H3	3.5L L5 F/I	E-0773 ♦	HP-2006 ¹
2005 HUMMER			
H1	6.5L V8 DSL	E-1700	
H2	6.0L V8 F/I		HP-1007 ¹
H3	3.5L L5 F/I	E-0773	
2004 HUMMER			
H2	6.0L V8 F/I		HP-1007 ¹

Vehicle	Engine Type	Air Filter	Oil Filter
2003 HUMMER			
H2	6.0L V8 F/I		HP-1007 ¹
2002 HUMMER			
H1	6.5L V8 DSL	E-1700	
H2	6.0L V8 F/I		HP-1007 ¹
2000 HUMMER			
H1	6.5L V8 DSL	E-1700	
2011 HUSABERG			
FE450 Enduro	450		KN-655
2010 HUSABERG			
FE450 Enduro	450		KN-655
2019 HUSQVARNA			
701 Supermoto	693	KT-6908	
701 Supermoto	693 - Tall Filter	KT-6908	KN-155
Svartpilen 401	373	KT-1217	KN-155
Vitpilen 401	373	KT-1217	KN-155
2018 HUSQVARNA			
701 Enduro	693	KT-6908	
701 Enduro	693 - Short Filter	KT-6908	KN-651
701 Enduro	693 - Tall Filter	KT-6908	KN-155
701 Supermoto	693	KT-6908	
701 Supermoto	693 - Short Filter	KT-6908	KN-651
701 Supermoto	693 - Tall Filter	KT-6908	KN-155
FC250	250		KN-652
FC350	350		KN-652
FC450	450		KN-652
FC450 Rockstar Edition	450		KN-652
FE250	250		KN-652
FE350	350		KN-652
FE450	449		KN-652
FE501	510		KN-652
FS450	450		KN-652
FX350	350		KN-652
FX450	450		KN-652
Svartpilen 401	373	KT-1217	KN-155
Vitpilen 401	373	KT-1217	KN-155
Vitpilen 701	693	KT-1113	
Vitpilen 701	693 - Short Filter	KT-1113	KN-651
Vitpilen 701	693 - Tall Filter	KT-1113	KN-155
2017 HUSQVARNA			
701 Enduro	693	KT-6908	
701 Enduro	693 - Short Filter	KT-6908	KN-651
701 Enduro	693 - Tall Filter	KT-6908	KN-155
701 Supermoto	693	KT-6908	
701 Supermoto	693 - Tall Filter	KT-6908	KN-155
FC250	250		KN-652
FC350	350		KN-652
FC450	450		KN-652
FE250	250		KN-652
FE350	350		KN-652
FE450	449		KN-652
FE501	510		KN-652
FX350	350		KN-652
FX450	450		KN-652
2016 HUSQVARNA			
701 Enduro	693	KT-6908	
701 Enduro	693 - Short Filter	KT-6908	KN-651
701 Enduro	693 - Tall Filter	KT-6908	KN-155
701 Supermoto	693	KT-6908	

* 2 filters required ♦ Intake System Available - see page 370 +Cabin Air Filter Available - see page 353 1- Performance Silver Oil Filter Also Available



Vehicle	Engine Type	Air Filter	Oil Filter
2016 HUSQVARNA			
FC250	250		KN-652
FC350	350		KN-652
FC450	450		KN-652
FE350	350		KN-652
FE350S	350		KN-652
FE501	510	KT-4511XD	KN-655
FE501S	510	KT-4511XD	

2015 HUSQVARNA			
FC250	250		KN-652
FC350	350		KN-652
FC450	450		KN-655
FE250	250		KN-652
FE350	350		KN-652
FE501	510	KT-4511XD	KN-655

2014 HUSQVARNA			
FC250	250		KN-652
FE501	510		KN-655
TC250	249	KT-4511XD	
TE310	310		KN-116
TE449	449		KN-611

2013 HUSQVARNA			
TC449	450		KN-611
TE310R	310	HU-1200	KN-116
TE449	449		KN-611
TE511	478		KN-611

2012 HUSQVARNA			
SMR511	511		KN-611
TC449	449		KN-611

2011 HUSQVARNA			
SMR511	511		KN-611
SMS630	630		KN-563
TC449	449		KN-611
TE310	310		KN-116
TE449	449		KN-611
TE511	511		KN-611
TE630	630		KN-563

2010 HUSQVARNA			
TE310	310		KN-563
TE510	510	HU-1200	KN-563
TXC250	250	HU-1200	KN-116

2009 HUSQVARNA			
SM450R	450		KN-563
SM510R	510		KN-563
SM450RR	450		KN-563
TE250	249		KN-563
TE450	450		KN-563
TE510	510	HU-1200	KN-563

2008 HUSQVARNA			
SM510R	510	HU-1200	KN-563
SM610S IE	610		KN-154
TC250	250		KN-563
TE450	450		KN-563
TE510	510	HU-1200	KN-563
TE610 IE	610		KN-154

2007 HUSQVARNA			
SM510R	510		KN-154
SM610S IE	610		KN-154
TE250	249	HU-1200	KN-154

Vehicle	Engine Type	Air Filter	Oil Filter
2007 HUSQVARNA			
TE450	450	HU-1200	KN-154
2006 HUSQVARNA			
SM450R	450		KN-154
SM610S IE	610		KN-154
TC450	450		KN-154
TE450	450		KN-154
TE510	510		KN-154
TE610 IE	610		KN-154

2004 HUSQVARNA			
TE450	450		KN-154

2001 HUSQVARNA			
SM610S	610		KN-154

2020 HYUNDAI			
Accent	1.6L L4 F/I	33-5081	
Elantra	1.4L L4 F/I	33-5050	HP-1004 ¹
Elantra	1.6L L4 F/I	33-5050	HP-1004 ¹
Elantra	2.0L L4 F/I	33-5050 ♦	HP-1004 ¹
Elantra GT	1.6L L4 F/I	33-5050	HP-1004 ¹
Elantra GT	2.0L L4 F/I	33-5050	HP-1004 ¹
I30	2.0L L4 F/I	33-5050+	
Kona	1.6L L4 F/I	33-5050	HP-1004 ¹
Kona	2.0L L4 F/I	33-5050	HP-1004 ¹
Palisade	3.8L V6 F/I	33-5075	HP-7035 ¹
Santa Fe	2.0L L4 F/I		HP-1004 ¹
Santa Fe	2.4L L4 F/I		HP-1004 ¹
Tucson	2.0L L4 F/I	33-5046	
Tucson	2.4L L4 F/I	33-5046	HP-1004 ¹
Veloster	1.6L L4 F/I	33-5050 ♦	HP-1004 ¹
Veloster	2.0L L4 F/I		HP-1004 ¹
Veloster	2.0L L4 F/I - Exc. N	33-5050 ♦	HP-1004
Veloster N	2.0L L4 F/I	E-0642 ♦	HP-1004 ¹

2019 HYUNDAI			
Accent	1.6L L4 F/I	33-5081	HP-1004 ¹
Elantra	1.6L L4 F/I	33-5050	HP-1004 ¹
Elantra	2.0L L4 F/I	33-5050	HP-1004 ¹
Elantra GT	1.6L L4 F/I	33-5050	HP-1004 ¹
Elantra GT	2.0L L4 F/I	33-5050	HP-1004 ¹
i20 II	1.0L L3 F/I	33-3052+	
i20 II	1.4L L4 F/I	33-3052+	
i30 III	1.6L L4 DSL	33-5050	
i40	1.6L L4 F/I	33-2451	
i40	1.7L L4 DSL	33-2451	
Ioniq	1.6L L4 F/I	33-3077	HP-1004 ¹
iX20	1.6L L4 F/I	33-2960	
Kona	1.0L L3 F/I	33-5050	
Kona	1.6L L4 DSL	33-5050	
Kona	1.6L L4 F/I	33-5050	HP-1004 ¹
Kona	2.0L L4 F/I	33-5050	HP-1004 ¹
Santa Fe Sport	2.0L L4 F/I		HP-1004 ¹
Santa Fe Sport	2.4L L4 F/I		HP-1004 ¹
Santa Fe XL	3.3L V6 F/I	33-2493	HP-1004 ¹
Sonata	2.0L L4 F/I	33-5057	HP-1004 ¹
Sonata	2.4L L4 F/I	33-5026 ♦	HP-1004 ¹
Sonata Hybrid	2.0L L4 F/I	33-5026+	HP-1004 ¹
Tucson	1.6L L4 DSL	33-3125	
Tucson	1.6L L4 F/I	33-5046	
Tucson	2.0L L4 DSL	33-3125	
Tucson	2.0L L4 F/I	33-5046	HP-1004 ¹
Tucson	2.4L L4 F/I	33-5046	HP-1004 ¹
Veloster	1.6L L4 F/I	33-5050 ♦	HP-1004 ¹

* 2 filters required ♦ Intake System Available - see page 370 +Cabin Air Filter Available - see page 353 1- Performance Silver Oil Filter Also Available



AIR & OIL FILTERS

HYUNDAI

Vehicle	Engine Type	Air Filter	Oil Filter
2019 HYUNDAI			
Veloster	2.0L L4 F/I		HP-1004 ¹
Veloster	2.0L L4 F/I - Exc. N	33-5050 ♦	HP-1004
Veloster N	2.0L L4 F/I	E-0642 ♦	HP-1004 ¹
2018 HYUNDAI			
Accent	1.6L L4 F/I	33-5081+	HP-1004 ¹
Azera	3.3L V6 F/I		PS-7030
Elantra	1.4L L4 F/I	33-5050+	HP-1004 ¹
Elantra	1.6L L4 F/I	33-5050 ♦+	HP-1004 ¹
Elantra	2.0L L4 F/I	33-5050+	HP-1004 ¹
Elantra GT	1.6L L4 F/I	33-5050 ♦+	HP-1004 ¹
Elantra GT	2.0L L4 F/I	33-5050+	HP-1004 ¹
Grand Starex	2.5L L4 DSL	33-2980	
H1	2.5L L4 DSL	33-2980	
H300	2.5L L4 DSL	33-2980	
i10	1.2L L4 F/I	33-3049	
i30	1.6L L4 F/I	33-5050+	
i30	2.0L L4 F/I	33-5050+	
i30 III	1.6L L4 DSL	33-5050	
i30N	2.0L L4 F/I	E-0642+	
i40	1.6L L4 F/I	33-2451+	
i40	2.0L L4 F/I	33-2451+	
Ioniq	1.6L L4 F/I	33-3077	HP-1004 ¹
iX20	1.6L L4 DSL	33-2960	
iX20	1.6L L4 F/I	33-2960	
Kona	1.0L L3 F/I	33-5050	
Kona	1.6L L4 DSL	33-5050	
Kona	1.6L L4 F/I	33-5050	HP-1004 ¹
Kona	2.0L L4 F/I	33-5050	HP-1004 ¹
Santa Fe	3.3L V6 F/I	33-2493	PS-7030
Santa Fe IV	2.0L L4 DSL	33-3064	
Santa Fe Sport	2.0L L4 F/I	33-5075+	HP-1004 ¹
Santa Fe Sport	2.4L L4 F/I	33-5075+	HP-1004 ¹
Santa Fe XL	3.3L V6 F/I	33-2493	PS-7030
Solaris	1.6L L4 F/I	33-3081	
Sonata	1.6L L4 F/I	33-5057+	HP-1004 ¹
Sonata	2.0L L4 F/I	33-5057+	HP-1004 ¹
Sonata	2.4L L4 F/I	33-5026 ♦+	HP-1004 ¹
Sonata Hybrid	2.0L L4 F/I	33-5026+	HP-1004 ¹
Starex	2.5L L4 DSL	33-2980	
Tucson	1.6L L4 DSL	33-3125	
Tucson	1.6L L4 F/I	33-5046	HP-1004 ¹
Tucson	1.7L L4 DSL	33-3125	
Tucson	2.0L L4 DSL	33-3125	
Tucson	2.0L L4 F/I	33-5046	HP-1004 ¹
Tucson	2.4L L4 F/I	33-5046	HP-1004 ¹
2017 HYUNDAI			
Accent	1.6L L4 F/I	33-2472	HP-1004 ¹
Azera	3.3L V6 F/I	33-2448	PS-7030
Elantra	1.4L L4 F/I	33-5050+	HP-1004 ¹
Elantra	1.6L L4 F/I	33-5050 ♦+	HP-1004 ¹
Elantra	2.0L L4 F/I	33-5050 ♦+	HP-1004 ¹
Elantra GT	2.0L L4 F/I	33-2451+	HP-1004 ¹
Grand i10	1.2L L4 F/I	33-3049	
Grand Starex	2.5L L4 DSL	33-2980	
H1	2.5L L4 DSL	33-2980	
H300	2.5L L4 DSL	33-2980	
i20 II	1.2L L4 F/I	33-3052+	
i20 II	1.4L L4 DSL	33-3052+	
i20 II	1.4L L4 F/I	33-3052+	
i30	2.0L L4 F/I - From 4/17	33-5050+	
i30	2.0L L4 F/I - To 3/17	33-2451+	
i30 II	1.4L L4 F/I	33-2451+	

Vehicle	Engine Type	Air Filter	Oil Filter
2017 HYUNDAI			
i30 III	1.4L L4 F/I	33-5050	
Iload	2.4L L4 F/I	33-2980	
Iload	2.5L L4 DSL	33-2980	
Imax	2.4L L4 F/I	33-2980	
Imax	2.5L L4 DSL	33-2980	
Ioniq	1.6L L4 F/I	33-3077	HP-1004 ¹
Kona	1.6L L4 DSL	33-5050	
Kona	1.6L L4 F/I	33-5050	
Santa Fe	3.3L V6 F/I	33-2493+	PS-7030
Santa Fe III	2.0L L4 DSL	33-3129	
Santa Fe III	2.4L L4 F/I	33-3129	
Santa Fe Sport	2.0L L4 F/I	33-5075+	HP-1004 ¹
Santa Fe Sport	2.4L L4 F/I	33-5075+	HP-1004 ¹
Santa Fe XL	3.3L V6 F/I	33-2493+	PS-7030
Sonata	1.6L L4 F/I	33-5057+	HP-1004 ¹
Sonata	2.0L L4 F/I	33-5057+	HP-1004 ¹
Sonata	2.4L L4 F/I	33-5026 ♦+	HP-1004 ¹
Sonata Hybrid	2.0L L4 F/I	33-5026+	HP-1004 ¹
Starex	2.5L L4 DSL	33-2980	
Tucson	1.6L L4 F/I	33-5046	HP-1004 ¹
Tucson	1.7L L4 DSL	33-3125	
Tucson	2.0L L4 DSL	33-3125	
Tucson	2.0L L4 F/I	33-5046	HP-1004 ¹
Veloster	1.6L L4 F/I	33-2472 ♦+	HP-1004 ¹
Veloster Turbo	1.6L L4 F/I	33-2472 ♦+	HP-1004 ¹
2016 HYUNDAI			
Accent	1.6L L4 F/I	33-2472+	HP-1004 ¹
Azera	3.3L V6 F/I	33-2448+	PS-7030
Elantra	1.8L L4 F/I	33-2451 ♦+	HP-1004 ¹
Elantra	2.0L L4 F/I	33-2451 ♦+	HP-1004 ¹
Elantra GT	2.0L L4 F/I	33-2451+	HP-1004 ¹
Equus	5.0L V8 F/I	33-2426+	HP-7029 ¹
Genesis	5.0L V8 F/I - Left Side Airbox	33-5021+	
Genesis	5.0L V8 F/I - Right Side Airbox	33-5020+	
Genesis Coupe	3.8L V6 F/I	33-2481 ♦+	
Genesis Coupe	3.8L V6 F/I - 4 In. High	33-2481	HP-7029 ¹
Genesis Coupe	3.8L V6 F/I - 5.2 In. High	33-2481	HP-7022 ¹
Genesis Sedan	3.8L V6 F/I	33-5019+	HP-7035 ¹
Grand i10	1.2L L4 F/I	33-3049	
i20 II	1.0L L3 F/I	33-3052+	
i20 II	1.2L L4 F/I	33-3052+	
Iload	2.4L L4 F/I	33-2980	
Iload	2.5L L4 DSL	33-2980	
Santa Fe	3.3L V6 F/I	33-2493+	PS-7030
Santa Fe III	2.0L L4 DSL	33-3129	
Santa Fe III	2.4L L4 F/I	33-3129	
Santa Fe Sport	2.0L L4 F/I	33-2493+	HP-1004 ¹
Santa Fe Sport	2.4L L4 F/I	33-2493 ♦+	HP-1004 ¹
Santa Fe XL	3.3L V6 F/I	33-2493+	PS-7030
Sonata	1.6L L4 F/I	33-5057+	HP-1004 ¹
Sonata	2.0L L4 F/I	33-5057+	HP-1004 ¹
Sonata	2.4L L4 F/I	33-5026 ♦+	HP-1004 ¹
Sonata Hybrid	2.0L L4 F/I	33-5026+	HP-1004 ¹
Starex	2.5L L4 DSL	33-2980	
Tucson	1.6L L4 F/I	33-5046	HP-1004 ¹
Tucson	1.7L L4 DSL	33-3125	
Tucson	2.0L L4 DSL	33-3125	
Tucson	2.0L L4 F/I	33-5046	HP-1004 ¹
Veloster	1.6L L4 F/I	33-2472 ♦+	HP-1004 ¹
Veloster Turbo	1.6L L4 F/I	33-2472 ♦+	HP-1004 ¹

* 2 filters required ♦ Intake System Available - see page 370 +Cabin Air Filter Available - see page 353 1- Performance Silver Oil Filter Also Available

Partial Listing: Complete Listing of Vehicles and Parts at KNFILTERS.COM or call 1-800-858-3333



Vehicle	Engine Type	Air Filter	Oil Filter	Vehicle	Engine Type	Air Filter	Oil Filter
2015 HYUNDAI				2014 HYUNDAI			
Accent	1.6L L4 F/I	33-2472+	HP-1004 ¹	Imax	2.5L L4 DSL	33-2980	
Accent IV	1.4L L4 F/I	33-2472+		Santa Fe	3.3L V6 F/I	33-2493+	PS-7030
Azera	3.3L V6 F/I	33-2448+	PS-7030	Santa Fe III	2.0L L4 DSL	33-3129	
Elantra	1.8L L4 F/I	33-2451 ♦+	HP-1004 ¹	Santa Fe Sport	2.0L L4 F/I	33-2493+	HP-1004 ¹
Elantra	2.0L L4 F/I	33-2451 ♦+	HP-1004 ¹	Santa Fe Sport	2.4L L4 F/I	33-2493 ♦+	HP-1004 ¹
Elantra GT	2.0L L4 F/I	33-2451+	HP-1004 ¹	Santa Fe XL	3.3L V6 F/I	33-2493+	PS-7030
Equus	5.0L V8 F/I	33-2426+	HP-7029 ¹	Sonata	2.0L L4 F/I	33-2448 ♦+	HP-1004 ¹
Genesis	5.0L V8 F/I - Left Side Airbox	33-5021+		Sonata	2.4L L4 F/I	33-2448 ♦+	HP-1004 ¹
Genesis	5.0L V8 F/I - Right Side Airbox	33-5020+		Sonata Hybrid	2.4L L4 F/I	33-2448+	HP-1004 ¹
Genesis Coupe	2.0L L4 F/I		HP-1004 ¹	Sonata VIII	2.0L L4 F/I	33-2448	
Genesis Coupe	3.8L V6 F/I	33-2481 ♦+		Sonata VIII	2.4L L4 F/I	33-2448	
Genesis Coupe	3.8L V6 F/I - 4 In. High	33-2481	HP-7029 ¹	Tucson	2.0L L4 F/I	33-2451+	HP-1004 ¹
Genesis Coupe	3.8L V6 F/I - 5.2 In. High	33-2481	HP-7022 ¹	Tucson	2.4L L4 F/I	33-2451+	HP-1004 ¹
Genesis Sedan	3.8L V6 F/I	33-5019+	HP-7035 ¹	Veloster	1.6L L4 F/I	33-2472 ♦+	HP-1004 ¹
Grand i10	1.2L L4 F/I	33-3049		Veloster Turbo	1.6L L4 F/I	33-2472 ♦+	HP-1004 ¹
Grand Starex	2.5L L4 DSL	33-2980		2013 HYUNDAI			
H1	2.5L L4 DSL	33-2980		Accent	1.6L L4 F/I	33-2472+	HP-1004 ¹
H-1	2.5L L4 DSL	33-2980		Accent IV	1.4L L4 F/I	33-2472+	
H300	2.5L L4 DSL	33-2980		Azera	3.3L V6 F/I	33-2448+	PS-7030
i10	1.0L L3 F/I - OEM 28113B9000	33-3049		Elantra	1.6L L4 F/I	33-2451	
Santa Fe	3.3L V6 F/I	33-2493+	PS-7030	Elantra	1.8L L4 F/I	33-2451 ♦+	HP-1004 ¹
Santa Fe III	2.0L L4 DSL	33-3129		Elantra Coupe	1.8L L4 F/I	33-2451 ♦+	HP-1004 ¹
Santa Fe Sport	2.0L L4 F/I	33-2493+	HP-1004 ¹	Elantra GT	1.8L L4 F/I	33-2451 ♦+	HP-1004 ¹
Santa Fe Sport	2.4L L4 F/I	33-2493 ♦+	HP-1004 ¹	Elantra Yuedon	1.6L L4 F/I	33-2380	
Santa Fe XL	3.3L V6 F/I	33-2493+	PS-7030	Equus	5.0L V8 F/I	33-2426+	HP-7029 ¹
Sonata	1.6L L4 F/I	33-5057+	HP-1004 ¹	Genesis	5.0L V8 F/I	33-2426+	HP-7029 ¹
Sonata	2.0L L4 F/I	33-5057+	HP-1004 ¹	Genesis Coupe	2.0L L4 F/I	33-2482 ♦+	HP-1004 ¹
Sonata	2.0L L4 F/I - From 3/15, China	33-5026+	HP-1004	Genesis Coupe	3.8L V6 F/I	33-2481 ♦+	
Sonata	2.4L L4 F/I	33-5026 ♦+	HP-1004 ¹	Genesis Coupe	3.8L V6 F/I - 4 In. High	33-2481	HP-7029 ¹
Sonata Hybrid	2.4L L4 F/I	33-2448+	HP-1004 ¹	Genesis Coupe	3.8L V6 F/I - 5.2 In. High	33-2481	HP-7022 ¹
Tucson	2.0L L4 DSL - From 6/15	33-3125		Genesis Sedan	3.8L V6 F/I	33-2426+	
Tucson	2.0L L4 F/I		HP-1004 ¹	Genesis Sedan	3.8L V6 F/I - 4 In. High	33-2426	HP-7029 ¹
Tucson	2.4L L4 F/I	33-2451+	HP-1004 ¹	Genesis Sedan	3.8L V6 F/I - 5.2 In. High	33-2426	HP-7022 ¹
Veloster	1.6L L4 F/I	33-2472 ♦+	HP-1004 ¹	Grand Starex	2.5L L4 DSL	33-2980	
Veloster Turbo	1.6L L4 F/I	33-2472 ♦+	HP-1004 ¹	H1	2.5L L4 DSL	33-2980	
2014 HYUNDAI				i30 II	1.6L L4 DSL	33-3008+	
Accent	1.6L L4 F/I	33-2472+	HP-1004 ¹	i30 III	1.6L L4 F/I	33-2451+	
Accent IV	1.4L L4 F/I	33-2472+		Santa Fe	2.0L L4 F/I	33-2493+	HP-1004 ¹
Azera	3.3L V6 F/I	33-2448+	PS-7030	Santa Fe	3.3L V6 F/I	33-2493+	PS-7030
Elantra	1.6L L4 F/I	33-2451		Santa Fe III	2.0L L4 DSL	33-3129	
Elantra	1.8L L4 F/I	33-2451 ♦+	HP-1004 ¹	Santa Fe Sport	2.0L L4 F/I	33-2493+	HP-1004 ¹
Elantra	2.0L L4 F/I	33-2451+	HP-1004 ¹	Santa Fe Sport	2.4L L4 F/I	33-2493 ♦+	HP-1004 ¹
Elantra Coupe	1.8L L4 F/I	33-2451 ♦+	HP-1004 ¹	Santa Fe XL	3.3L V6 F/I	33-2493+	PS-7030
Elantra Coupe	2.0L L4 F/I	33-2451 ♦+	HP-1004 ¹	Sonata	2.0L L4 F/I	33-2448 ♦+	HP-1004 ¹
Elantra GT	2.0L L4 F/I	33-2451 ♦+	HP-1004 ¹	Sonata	2.4L L4 F/I	33-2448 ♦+	HP-1004 ¹
Elantra Yuedon	1.6L L4 F/I	33-2380		Sonata Hybrid	2.4L L4 F/I	33-2448+	HP-1004 ¹
Equus	5.0L V8 F/I	33-2426+	HP-7029 ¹	Sonata VIII	2.0L L4 F/I	33-2448	
Genesis	5.0L V8 F/I	33-2426+	HP-7029 ¹	Sonata VIII	2.4L L4 F/I	33-2448	
Genesis Coupe	2.0L L4 F/I	33-2482 ♦+	HP-1004 ¹	Tucson	2.0L L4 F/I	33-2451+	HP-1004 ¹
Genesis Coupe	3.8L V6 F/I	33-2481 ♦+		Tucson	2.4L L4 F/I	33-2451+	HP-1004 ¹
Genesis Coupe	3.8L V6 F/I - 4 In. High	33-2481	HP-7029 ¹	Veloster	1.6L L4 F/I	33-2472 ♦+	HP-1004 ¹
Genesis Coupe	3.8L V6 F/I - 5.2 In. High	33-2481	HP-7022 ¹	Veloster Turbo	1.6L L4 F/I	33-2472 ♦+	HP-1004 ¹
Genesis Sedan	3.8L V6 F/I	33-2426+		2012 HYUNDAI			
Genesis Sedan	3.8L V6 F/I - 4 In. High	33-2426	HP-7029 ¹	Accent	1.6L L4 F/I	33-2472+	HP-1004 ¹
Genesis Sedan	3.8L V6 F/I - 5.2 In. High	33-2426	HP-7022 ¹	Accent IV	1.4L L4 F/I	33-2472+	
H-1	2.5L L4 DSL	33-2980		Azera	3.3L V6 F/I	33-2448+	PS-7030
Imax	2.4L L4 F/I	33-2980		Elantra	1.6L L4 F/I	33-2451	
				Elantra	1.8L L4 F/I	33-2451 ♦+	HP-1004 ¹
				Elantra	2.0L L4 F/I	33-2380	HP-1004 ¹
				Elantra Yuedon	1.6L L4 F/I	33-2380	

* 2 filters required ♦ Intake System Available - see page 370 +Cabin Air Filter Available - see page 353 1- Performance Silver Oil Filter Also Available



AIR & OIL FILTERS

HYUNDAI

Vehicle	Engine Type	Air Filter	Oil Filter
2012 HYUNDAI			
Equus	5.0L V8 F/I	33-2426+	HP-7029 ¹
Genesis	4.6L V8 F/I	33-2426+	HP-7029 ¹
Genesis	5.0L V8 F/I	33-2426+	HP-7029 ¹
Genesis Coupe	2.0L L4 F/I	33-2958 ♦+	HP-1004 ¹
Genesis Coupe	3.8L V6 F/I	33-2958+	HP-7029 ¹
Genesis Sedan	3.8L V6 F/I	33-2426+	HP-7029 ¹
H1	2.5L L4 DSL	33-2980	
i30 II	1.6L L4 DSL - From 3/12	33-3008+	
Imax	2.4L L4 F/I	33-2980	
Santa Fe	2.2L L4 DSL - To 8/12	33-2969	
Santa Fe	2.4L L4 F/I	33-2448+	HP-1004 ¹
Santa Fe	2.4L L4 F/I - China	33-2493+	HP-1004
Santa Fe	3.5L V6 F/I	33-2448+	PS-7030
Santa Fe II	2.2L L4 DSL - To 8/12	33-2969	
Santa Fe II	2.4L L4 F/I	33-2451	
Santa Fe III	2.2L L4 DSL	33-3129	
Sonata	2.0L L4 F/I	33-2448 ♦+	HP-1004 ¹
Sonata	2.4L L4 F/I	33-2448 ♦+	HP-1004 ¹
Sonata Hybrid	2.4L L4 F/I	33-2448+	HP-1004 ¹
Sonata VIII	2.0L L4 F/I	33-2448	
Sonata VIII	2.4L L4 F/I	33-2448	
Starex	2.5L L4 DSL	33-2980	
Tucson	2.0L L4 F/I	33-2451+	HP-1004 ¹
Tucson	2.4L L4 F/I	33-2451+	HP-1004 ¹
Veloster	1.6L L4 F/I	33-2472 ♦+	HP-1004 ¹
Veracruz	3.8L V6 F/I	33-2389	HP-7029 ¹

Vehicle	Engine Type	Air Filter	Oil Filter
2011 HYUNDAI			
Accent	1.6L L4 F/I	33-2354+	HP-1004 ¹
Accent IV	1.4L L4 F/I	33-2472+	
Azera	3.8L V6 F/I	33-2346+	
Elantra	1.6L L4 F/I	33-2451	
Elantra	1.8L L4 F/I	33-2451 ♦+	HP-1004 ¹
Elantra	2.0L L4 F/I	33-2380	HP-1004 ¹
Elantra Yuedon	1.6L L4 F/I	33-2380	
Equus	4.6L V8 F/I	33-2426+	HP-7029 ¹
Genesis	4.6L V8 F/I	33-2426+	HP-7029 ¹
Genesis Coupe	2.0L L4 F/I	33-2958 ♦+	HP-1004 ¹
Genesis Coupe	3.8L V6 F/I	33-2958+	HP-7029 ¹
Genesis Sedan	3.8L V6 F/I	33-2427+	HP-7029 ¹
H1	2.5L L4 DSL - 170BHP	33-2980	
H300	2.5L L4 DSL	33-2980	
Santa Fe	2.4L L4 F/I	33-2448+	HP-1004 ¹
Santa Fe	3.5L V6 F/I	33-2448+	PS-7030
Santa Fe II	2.4L L4 F/I	33-2451	
Sonata	2.0L L4 F/I	33-2448 ♦+	HP-1004 ¹
Sonata	2.4L L4 F/I	33-2448 ♦+	HP-1004 ¹
Sonata Hybrid	2.4L L4 F/I	33-2448+	HP-1004 ¹
Sonata V	2.4L L4 F/I	33-2448	
Sonata VIII	2.0L L4 F/I	33-2448	
Sonata VIII	2.4L L4 F/I	33-2448	
Starex	2.5L L4 DSL	33-2980	
Tucson	2.0L L4 F/I	33-2451+	HP-1004 ¹
Tucson	2.4L L4 F/I	33-2451+	HP-1004 ¹
Veloster	1.6L L4 F/I	33-2472 ♦	
Veracruz	3.8L V6 F/I	33-2389	HP-7029 ¹

Vehicle	Engine Type	Air Filter	Oil Filter
2010 HYUNDAI			
Accent	1.4L L4 F/I	33-2354	
Accent	1.6L L4 F/I	33-2354+	HP-1004 ¹
Elantra	1.6L L4 F/I	33-2451	
Elantra	2.0L L4 F/I	33-2380+	HP-1004 ¹
		33-2380	HP-1004 ¹

Vehicle	Engine Type	Air Filter	Oil Filter
2010 HYUNDAI			
Elantra Yuedon	1.6L L4 F/I	33-2380	
Genesis	4.6L V8 F/I	33-2426+	HP-7029 ¹
Genesis Coupe	2.0L L4 F/I	33-2958 ♦+	HP-1004 ¹
Genesis Coupe	3.8L V6 F/I	33-2958+	HP-7029 ¹
Genesis Sedan	3.8L V6 F/I	33-2427+	HP-7029 ¹
H-1	2.5L L4 DSL - 170BHP	33-2980	
i10	1.2L L4 F/I	33-2977	
ix35	2.0L L4 DSL	33-2451	
ix35	2.0L L4 F/I	33-2451	
Santa Fe	2.2L L4 DSL - From 8/10	33-2969	
Santa Fe	2.2L L4 DSL - To 7/10	33-2378	
Santa Fe	2.4L L4 F/I	33-2448+	HP-1004 ¹
Santa Fe	3.5L V6 F/I	33-2448+	PS-7030
Santa Fe II	2.2L L4 DSL - From 8/10	33-2969	
Santa Fe II	2.2L L4 DSL - To 7/10	33-2378	
Santa Fe II	2.4L L4 F/I	33-2451	
Sonata	2.4L L4 F/I	33-2887+	HP-1004 ¹
Sonata V	2.0L L4 F/I	33-2887	
Sonata V	2.4L L4 F/I	33-2887	
Starex	2.5L L4 DSL	33-2980	
Tucson	2.0L L4 DSL	33-2201+	
Tucson	2.4L L4 F/I	33-2451+	HP-1004 ¹
Veracruz	3.8L V6 F/I	33-2389	

Vehicle	Engine Type	Air Filter	Oil Filter
2009 HYUNDAI			
Accent	1.4L L4 F/I	33-2354	
Accent	1.6L L4 F/I	33-2354+	HP-1004 ¹
Elantra	2.0L L4 F/I	33-2380+	HP-1004 ¹
		33-2380	HP-1004 ¹
Elantra Yuedon	1.6L L4 F/I	33-2380	
Genesis	4.6L V8 F/I	33-2426+	HP-7029 ¹
Genesis Coupe	3.8L V6 F/I	33-2958	
Genesis Sedan	3.8L V6 F/I	33-2427+	HP-7029 ¹
H1	2.5L L4 DSL - 170BHP	33-2980	
I30	1.6L L4 DSL	33-2380	
I30	1.6L L4 F/I	33-2380 ♦	
Iload	2.4L L4 F/I	33-2980	
Iload	2.5L L4 DSL	33-2980	
Imax	2.4L L4 F/I	33-2980	
Santa Fe	2.7L V6 F/I	33-2378	HP-1008 ¹
Santa Fe	3.3L V6 F/I	33-2378	
Santa Fe	3.3L V6 F/I - w/4 Inch Tall Filter	33-2378	HP-7029 ¹
Santa Fe	3.3L V6 F/I - w/5 Inch Tall Filter	33-2378	HP-7022 ¹
Santa Fe II	2.7L V6 F/I	33-2378	
Sonata	2.4L L4 F/I	33-2887+	HP-1004 ¹
Sonata	3.3L V6 F/I	33-2346+	
Sonata	3.3L V6 F/I - w/4 Inch Tall Filter	33-2346	HP-7029 ¹
Sonata	3.3L V6 F/I - w/5 Inch Tall Filter	33-2346	HP-7022 ¹
Sonata V	2.0L L4 F/I	33-2887	
Sonata V	2.4L L4 F/I	33-2887	
Sonata V	3.3L V6 F/I	33-2346	
Starex	2.5L L4 DSL	33-2980	
Tucson	2.0L L4 DSL	33-2201+	
Tucson	2.0L L4 F/I	33-2201+	HP-1004 ¹
Veracruz	3.8L V6 F/I	33-2389	

Vehicle	Engine Type	Air Filter	Oil Filter
2008 HYUNDAI			
Accent	1.4L L4 F/I	33-2354	
Accent	1.6L L4 F/I	33-2354+	HP-1004 ¹
Azera	3.8L V6 F/I	33-2346+	HP-7022 ¹

* 2 filters required ♦ Intake System Available - see page 370 +Cabin Air Filter Available - see page 353 1- Performance Silver Oil Filter Also Available



Vehicle	Engine Type	Air Filter	Oil Filter	Vehicle	Engine Type	Air Filter	Oil Filter
2008 HYUNDAI				2006 HYUNDAI			
Elantra	1.6L L4 F/I - To 3/08	33-2201		Santa Fe	2.7L V6 F/I		HP-1008 ¹
Elantra	1.8L L4 F/I - To 3/08	33-2201		Santa Fe	2.7L V6 F/I - Non-US, From 4/06	33-2378+	HP-1008
Elantra	2.0L L4 F/I	33-2380+	HP-1004 ¹	Santa Fe	2.7L V6 F/I - US, Non-US, To 3/06	33-2198+	HP-1008
Elantra Yuedon	1.6L L4 F/I - From 4/08	33-2380		Santa Fe I	2.7L V6 F/I	33-2198	
Entourage	3.8L V6 F/I	33-2368+	HP-7022 ¹	Santa Fe II	2.7L V6 F/I	33-2378	
Grand Starex	2.5L L4 DSL	33-2980		Sonata	2.4L L4 F/I	33-2887+	HP-1004 ¹
Santa Fe	2.7L V6 F/I	33-2378	HP-1008 ¹	Sonata	3.3L V6 F/I	33-2346+	HP-7022 ¹
Santa Fe	3.3L V6 F/I	33-2378	HP-7022 ¹	Sonata V	2.4L L4 F/I	33-2887	HP-1004 ¹
Santa Fe II	2.7L V6 F/I	33-2378		Sonata V	3.3L V6 F/I	33-2346	HP-1004 ¹
Sonata	2.4L L4 F/I	33-2887+	HP-1004 ¹	Terracan	2.5L L4 DSL	33-2833	
Sonata	3.3L V6 F/I	33-2346+	HP-7022 ¹	Terracan	3.5L V6 DSL	33-2833	
Sonata V	2.4L L4 F/I	33-2887	HP-1004 ¹	Tiburon	2.0L L4 F/I	33-2201+	HP-1004 ¹
Sonata V	3.3L V6 F/I	33-2346		Tiburon	2.7L V6 F/I	33-2201+	HP-1008 ¹
Starex	2.5L L4 DSL	33-2980		Tiburon II	1.6L L4 F/I	33-2201	
Tiburon	2.0L L4 F/I	33-2201+	HP-1004 ¹	Tiburon II	2.0L L4 F/I	33-2201	
Tiburon	2.7L V6 F/I	33-2201+	HP-1008 ¹	Tiburon II	2.7L V6 F/I	33-2201	
Tiburon II	2.0L L4 F/I	33-2201		Tucson	2.0L L4 F/I		HP-1004 ¹
Tiburon II	2.7L V6 F/I	33-2201		Tucson	2.7L V6 F/I	33-2201+	HP-1008 ¹
Tucson	2.0L L4 DSL	33-2201+		2005 HYUNDAI			
Tucson	2.0L L4 F/I	33-2201+	HP-1004 ¹	Accent	1.4L L4 F/I	33-2354	
Tucson	2.7L V6 F/I	33-2201+	HP-1008 ¹	Accent	1.6L L4 F/I	33-2182 ♦	HP-1004 ¹
Veracruz	3.8L V6 F/I	33-2389		Accent II	1.3L L4 F/I	33-2182 ♦	
Veracruz	3.8L V6 F/I - w/4 Inch Tall Filter	33-2389	HP-7029 ¹	Elantra	1.8L L4 F/I	33-2201	
Veracruz	3.8L V6 F/I - w/5 Inch Tall Filter	33-2389	HP-7022 ¹	Elantra	2.0L L4 DSL	33-2201	
2007 HYUNDAI				Elantra	2.0L L4 F/I	33-2201+	HP-1004 ¹
Accent	1.4L L4 F/I	33-2354		Elantra	2.0L L4 F/I	33-2201+	HP-1004 ¹
Accent	1.6L L4 F/I	33-2354	HP-1004 ¹	Santa Fe	2.7L V6 F/I	33-2198+	HP-1008 ¹
Azera	3.8L V6 F/I	33-2346+	HP-7022 ¹	Santa Fe	3.5L V6 F/I	33-2312+	HP-1004 ¹
Elantra	1.6L L4 F/I	33-2201		Santa Fe I	2.7L V6 F/I	33-2198	
Elantra	1.8L L4 F/I	33-2201		Sonata	2.4L L4 F/I		HP-1004 ¹
Elantra	2.0L L4 DSL	33-2201		Sonata	2.5L V6 F/I	33-2188	
Elantra	2.0L L4 F/I		HP-1004 ¹	Sonata	2.7L V6 F/I	33-2188+	HP-1008 ¹
Elantra	2.0L L4 F/I - Non-US	33-2201+	HP-1004	Sonata V	2.4L L4 F/I	33-2887	
Elantra	2.0L L4 F/I - US	33-2380+	HP-1004	Terracan	2.5L L4 DSL	33-2833	
Entourage	3.8L V6 F/I	33-2368+	HP-7022 ¹	Terracan	2.9L L4 DSL	33-2833	
Santa Fe	2.2L L4 DSL	33-2378		Tiburon	2.0L L4 F/I	33-2201+	HP-1004 ¹
Santa Fe	2.7L V6 F/I	33-2378	HP-1008 ¹	Tiburon GT	2.7L V6 F/I	33-2201 ♦+	HP-1008 ¹
Santa Fe	3.3L V6 F/I	33-2378	HP-7022 ¹	Tiburon II	2.0L L4 F/I	33-2201	
Santa Fe II	2.2L L4 DSL	33-2378		Tiburon II	2.7L V6 F/I	33-2201	
Santa Fe II	2.7L V6 F/I	33-2378		Tiburon SE	2.7L V6 F/I	33-2201+	HP-1008 ¹
Sonata	2.4L L4 F/I	33-2887+	HP-1004 ¹	Tucson	2.0L L4 DSL	33-2201+	
Sonata	3.3L V6 F/I	33-2346+	HP-7022 ¹	Tucson	2.0L L4 F/I	33-2201+	HP-1004 ¹
Sonata V	2.4L L4 F/I	33-2887	HP-1004 ¹	Tucson	2.7L V6 F/I	33-2201+	HP-1008 ¹
Sonata V	3.3L V6 F/I	33-2346		XG350	3.5L V6 F/I	33-2199+	HP-1004 ¹
Tiburon	2.0L L4 F/I	33-2201+	HP-1004 ¹	2004 HYUNDAI			
Tiburon	2.7L V6 F/I	33-2201+	HP-1008 ¹	Accent	1.6L L4 F/I	33-2182 ♦	HP-1004 ¹
Tiburon II	2.0L L4 F/I	33-2201		Elantra	1.8L L4 F/I	33-2201	
Tiburon II	2.7L V6 F/I	33-2201		Elantra	2.0L L4 DSL	33-2201	
Tucson	2.0L L4 DSL	33-2201+		Elantra	2.0L L4 F/I	33-2201+	HP-1004 ¹
Tucson	2.0L L4 F/I	33-2201+	HP-1004 ¹	Santa Fe	2.7L V6 F/I	33-2198+	HP-1008 ¹
Tucson	2.7L V6 F/I	33-2201+	HP-1008 ¹	Santa Fe	3.5L V6 F/I	33-2312+	HP-1004 ¹
Veracruz	3.8L V6 F/I	33-2389	HP-7022 ¹	Santa Fe I	2.7L V6 F/I	33-2198	
2006 HYUNDAI				Sonata	2.4L L4 F/I		HP-1004 ¹
Accent	1.4L L4 F/I	33-2354		Sonata	2.7L V6 F/I	33-2188+	HP-1008 ¹
Accent	1.6L L4 F/I	33-2354 ♦	HP-1004 ¹			33-2188	HP-1008 ¹
Azera	3.8L V6 F/I	33-2346+	HP-7022 ¹	Sonata IV	2.7L V6 F/I	33-2188	HP-1008 ¹
Elantra	1.6L L4 F/I	33-2201		Tiburon	2.0L L4 F/I		HP-1004 ¹
Elantra	1.8L L4 F/I	33-2201		Tiburon GT	2.7L V6 F/I	33-2201 ♦+	HP-1008 ¹
Elantra	2.0L L4 DSL	33-2201		Tiburon II	2.0L L4 F/I	33-2201	
Elantra	2.0L L4 F/I	33-2201+	HP-1004 ¹	XG350	3.5L V6 F/I	33-2199+	HP-1004 ¹

* 2 filters required ♦ Intake System Available - see page 370 +Cabin Air Filter Available - see page 353 1- Performance Silver Oil Filter Also Available



AIR & OIL FILTERS

HYUNDAI

Vehicle	Engine Type	Air Filter	Oil Filter
2003 HYUNDAI			
Accent	1.6L L4 F/I	33-2182 ♦	HP-1004 ¹
Elantra	2.0L L4 DSL	33-2201	
Elantra	2.0L L4 F/I	33-2201+	HP-1004 ¹
Excel	1.5L L4 F/I	33-2093	
Santa Fe	2.7L V6 F/I		HP-1008 ¹
Santa Fe	3.5L V6 F/I		HP-1004 ¹
Sonata	2.4L L4 F/I	33-2188+	HP-1004 ¹
Sonata	2.7L V6 F/I		HP-1008 ¹
Sonata IV	2.7L V6 F/I	33-2188	HP-1008 ¹
Terracan	2.5L L4 DSL	33-2833	
Tiburon	2.0L L4 F/I	33-2201+	HP-1004 ¹
Tiburon GT	2.7L V6 F/I	33-2201 ♦+	HP-1008 ¹
Tiburon II	2.0L L4 F/I	33-2201	
Tiburon II	2.7L V6 F/I	33-2201	

Vehicle	Engine Type	Air Filter	Oil Filter
2002 HYUNDAI			
Accent	1.5L L4 F/I	33-2182	HP-1004 ¹
Accent	1.6L L4 F/I	33-2182	HP-1004 ¹
Accent II	1.5L L4 F/I	33-2182 ♦	HP-1004 ¹
Elantra	2.0L L4 DSL	33-2201	
Elantra	2.0L L4 F/I	33-2201+	HP-1004 ¹
Santa Fe	2.7L V6 F/I	33-2198+	HP-1008 ¹
Santa Fe I	2.7L V6 F/I	33-2198	
Sonata	2.7L V6 F/I	33-2188+	HP-1008 ¹
		33-2188	HP-1008 ¹
Sonata IV	2.7L V6 F/I	33-2188	HP-1008 ¹

Vehicle	Engine Type	Air Filter	Oil Filter
2001 HYUNDAI			
Elantra	2.0L L4 DSL	33-2201	
Elantra	2.0L L4 F/I	33-2201+	HP-1004 ¹
Excel	1.5L L4 F/I	33-2093	
Terracan	2.5L L4 DSL	33-2833	
Terracan	2.9L L4 DSL	33-2833	
Tiburon	2.0L L4 F/I	33-2753	HP-1004 ¹
Tiburon I	2.0L L4 F/I	33-2753	

Vehicle	Engine Type	Air Filter	Oil Filter
2000 HYUNDAI			
Accent	1.5L L4 F/I	33-2182	HP-1004 ¹
Accent II	1.5L L4 F/I	33-2182 ♦	HP-1004 ¹
Elantra	2.0L L4 F/I		HP-1004 ¹
Elantra	2.0L L4 F/I - Non-US	33-2201	HP-1004
Elantra	2.0L L4 F/I - US	33-2753	HP-1004

Vehicle	Engine Type	Air Filter	Oil Filter
1999 HYUNDAI			
Excel	1.5L L4 F/I	33-2093	

Vehicle	Engine Type	Air Filter	Oil Filter
1998 HYUNDAI			
Accent	1.5L L4 F/I	33-2161	

Vehicle	Engine Type	Air Filter	Oil Filter
2020 INDIAN			
Chief Dark Horse	111 CI	PL-1814	
Chief Vintage	111 CI	PL-1814	
Chieftain	111 CI	PL-1814	
Chieftain Classic	111 CI	PL-1814	
Chieftain Dark Horse	111 CI	PL-1814	
Chieftain Elite	111 CI	PL-1814	
Roadmaster	111 CI	PL-1814	
Roadmaster Dark Horse	111 CI	PL-1814	
Roadmaster Elite	111 CI	PL-1814	
Scout	69 CI	PL-1115	
Scout 100th Anniversary	69 CI	PL-1115	
Scout Bobber	69 CI	PL-1115	
Scout Bobber Twenty	69 CI	PL-1115	
Scout Sixty	61 CI	PL-1115	

Vehicle	Engine Type	Air Filter	Oil Filter
2020 INDIAN			
Springfield	111 CI	PL-1814	
Springfield Dark Horse	116 CI	PL-1814	

Vehicle	Engine Type	Air Filter	Oil Filter
2019 INDIAN			
Chief Dark Horse	111 CI	PL-1814	
Chief Vintage	111 CI	PL-1814	KN-175
Chieftain	111 CI	PL-1814	
Chieftain Classic	111 CI	PL-1814	KN-175
Chieftain Dark Horse	111 CI	PL-1814	KN-175
Chieftain Limited	111 CI	PL-1814	KN-175
Roadmaster	111 CI	PL-1814	KN-175
Roadmaster Classic	111 CI		KN-175
Roadmaster Elite	111 CI	PL-1814	KN-175
Scout	69 CI	PL-1115	
Scout Bobber	69 CI	PL-1115	
Scout Sixty	61 CI	PL-1115	
Springfield	111 CI	PL-1814	
Springfield Dark Horse	111 CI	PL-1814	KN-175

Vehicle	Engine Type	Air Filter	Oil Filter
2018 INDIAN			
Chief	111 CI	PL-1814	
Chief Classic	111 CI	PL-1814	KN-175
Chief Dark Horse	111 CI	PL-1814	KN-175
Chief Vintage	111 CI	PL-1814	KN-175
Chieftain	111 CI	PL-1814	KN-175
Chieftain Classic	111 CI	PL-1814	KN-175
Chieftain Dark Horse	111 CI	PL-1814	KN-175
Chieftain Elite	111 CI	PL-1814	KN-175
Chieftain Limited	111 CI	PL-1814	KN-175
Roadmaster	111 CI	PL-1814	KN-175
Roadmaster Classic	111 CI	PL-1814	KN-175
Roadmaster Elite	111 CI	PL-1814	KN-175
Scout	69 CI	PL-1115	
Scout Bobber	69 CI	PL-1115	
Scout Sixty	61 CI	PL-1115	
Springfield	111 CI	PL-1814	KN-175
Springfield Dark Horse	111 CI	PL-1814	KN-175

Vehicle	Engine Type	Air Filter	Oil Filter
2017 INDIAN			
Chief Classic	111 CI	PL-1814	KN-175
Chief Dark Horse	111 CI	PL-1814	KN-175
Chief Vintage	111 CI	PL-1814	KN-175
Chieftain	111 CI	PL-1814	KN-175
Chieftain Dark Horse	111 CI	PL-1814	KN-175
Chieftain Elite	111 CI	PL-1814	KN-175
Chieftain Limited	111 CI	PL-1814	KN-175
Roadmaster	111 CI	PL-1814	KN-175
Roadmaster Classic	111 CI	PL-1814	KN-175
Scout	69 CI	PL-1115	
Scout Sixty	61 CI	PL-1115	
Springfield	111 CI	PL-1814	KN-175

Vehicle	Engine Type	Air Filter	Oil Filter
2016 INDIAN			
Chief Classic	111 CI	PL-1814	KN-175
Chief Dark Horse	111 CI	PL-1814	KN-175
Chief Vintage	111 CI	PL-1814	KN-175
Chief Vintage LE	111 CI	PL-1814	KN-175
Chieftain	111 CI	PL-1814	KN-175
Chieftain Dark Horse	111 CI	PL-1814	KN-175
Roadmaster	111 CI	PL-1814	KN-175
Scout	69 CI	PL-1115	
Scout Sixty	61 CI	PL-1115	

* 2 filters required ♦ Intake System Available - see page 370 +Cabin Air Filter Available - see page 353 1- Performance Silver Oil Filter Also Available



Vehicle	Engine Type	Air Filter	Oil Filter
2016 INDIAN			
Springfield	111 CI	PL-1814	
2015 INDIAN			
Chief Classic	111 CI	PL-1814	
Chief Vintage	111 CI	PL-1814	KN-175
Chief Vintage LE	111 CI	PL-1814	KN-175
Chieftain	111 CI	PL-1814	KN-175
Roadmaster	111 CI	PL-1814	KN-175
Scout	69 CI	PL-1115	
2014 INDIAN			
Chief Classic	111 CI	PL-1814	
Chief Vintage	111 CI	PL-1814	
Chieftain	111 CI	PL-1814	
2013 INDIAN			
Chief Classic	105 CI	E-3290	
Chief Vintage LE	105 CI	E-3290	
2012 INDIAN			
Chief Classic	105 CI	E-3290	
2009 INDIAN			
Chief Deluxe	105 CI	E-3290	
2003 INDIAN			
Scout	1436 - w/S&S Tear Drop Backplate & IndianTear Drop CVR	E-3971	
Spirit	1436 - w/S&S Tear Drop Backplate & IndianTear Drop CVR	E-3971	
2002 INDIAN			
Scout	1436 - w/S&S Tear Drop Backplate & IndianTear Drop CVR	E-3971	
Spirit	1436 - w/S&S Tear Drop Backplate & IndianTear Drop CVR	E-3971	
2001 INDIAN			
Scout	1436 - w/S&S Tear Drop Backplate & IndianTear Drop CVR	E-3971	
Spirit	1436 - w/S&S Tear Drop Backplate & IndianTear Drop CVR	E-3971	
2000 INDIAN			
Chief	1436 - w/S&S Tear Drop Backplate & IndianTear Drop CVR	E-3971	
1999 INDIAN			
Chief	1436 - w/S&S Tear Drop Backplate & IndianTear Drop CVR	E-3971	
2020 INFINITI			
Q50	3.0L V6 F/I		HP-1008 ¹
QX50	2.0L L4 F/I		HP-1008 ¹
QX60	3.5L V6 F/I	33-2031-2	HP-1008 ¹
2019 INFINITI			
Q50	2.0L L4 F/I	E-0663	
Q50	3.0L V6 F/I	33-2409*	HP-1008 ¹
Q50	3.5L V6 F/I	33-5014*	HP-1008 ¹
Q60	2.0L L4 F/I	E-0663	
Q60	3.0L V6 F/I	33-2409*	HP-1008 ¹
Q70	3.7L V6 F/I	33-2440	HP-1008 ¹
Q70L	3.7L V6 F/I	33-2440	HP-1008 ¹
Q70L	5.6L V8 F/I	33-2409*	HP-1010 ¹

Vehicle	Engine Type	Air Filter	Oil Filter
2019 INFINITI			
QX50	2.0L L4 F/I	33-5091	HP-1008 ¹
QX60	3.5L V6 F/I	33-2031-2	HP-1008 ¹
QX80	5.6L V8 F/I	33-2456 ♦	HP-1010 ¹
2018 INFINITI			
Q30	2.0L L4 DSL	33-2996	
Q30	2.0L L4 F/I	33-2995	
Q50	2.0L L4 F/I	E-0663	
Q50	3.0L V6 F/I	33-2409*	HP-1008 ¹
Q50	3.5L V6 F/I	33-5014*	HP-1008 ¹
Q60	2.0L L4 F/I	E-0663	
Q60	3.0L V6 F/I	33-2409*	HP-1008 ¹
Q70	3.5L V6 F/I	33-5033*	
Q70	3.7L V6 F/I	33-2440	HP-1008 ¹
Q70	5.6L V8 F/I	33-2409*	HP-1010 ¹
Q70L	3.7L V6 F/I	33-2440	HP-1008 ¹
Q70L	5.6L V8 F/I	33-2409*	HP-1010 ¹
QX30	2.0L L4 F/I	33-2995	
QX30	2.2L L4 DSL	33-2996	
QX60	3.5L V6 F/I	33-2031-2 ♦	HP-1008 ¹
QX70	3.7L V6 F/I	33-2409*	
QX80	5.6L V8 F/I	33-2456 ♦	HP-1010 ¹
2017 INFINITI			
Q30	2.0L L4 F/I	33-2995	
Q50	2.0L L4 F/I	E-0663	
Q50	3.0L V6 F/I	33-2409*	HP-1008 ¹
Q50	3.5L V6 F/I	33-5014*	HP-1008 ¹
Q60	2.0L L4 F/I	E-0663	
Q60	3.0L V6 F/I	33-2409*	HP-1008 ¹
Q70	3.5L V6 F/I	33-5033*	
Q70	3.7L V6 F/I	33-2440	HP-1008 ¹
Q70	5.6L V8 F/I	33-2409*	
Q70L	3.7L V6 F/I	33-2440	HP-1008 ¹
Q70L	5.6L V8 F/I	33-2409*	
QX30	2.0L L4 F/I	33-2995	
QX50	3.7L V6 F/I	33-2399*	HP-1008 ¹
QX60	3.5L V6 F/I	33-2031-2 ♦	HP-1008 ¹
QX70	3.7L V6 F/I	33-2409*	HP-1008 ¹
QX80	5.6L V8 F/I	33-2456 ♦	HP-1010 ¹
2016 INFINITI			
Q30	2.0L L4 F/I	33-2995	
Q50	2.0L L4 F/I	E-0663	
Q50	3.0L V6 F/I	33-2409*	HP-1008 ¹
Q50	3.5L V6 F/I	33-5014*	HP-1008 ¹
Q50	3.7L V6 F/I		HP-1008 ¹
Q60	2.0L L4 F/I	E-0663	
Q60	3.7L V6 F/I		HP-1008 ¹
Q70	3.5L V6 F/I	33-5033*	
Q70	3.7L V6 F/I	33-2440	HP-1008 ¹
Q70	5.6L V8 F/I	33-2409*	HP-1010 ¹
Q70L	3.7L V6 F/I	33-2440	HP-1008 ¹
Q70L	5.6L V8 F/I	33-2409*	HP-1010 ¹
QX30	2.2L L4 DSL	33-2996	
QX50	3.7L V6 F/I	33-2399*	HP-1008 ¹
QX60	3.5L V6 F/I	33-2031-2	HP-1008 ¹
QX70	3.7L V6 F/I	33-2409*	HP-1008 ¹
QX80	5.6L V8 F/I	33-2456 ♦	HP-1010 ¹
2015 INFINITI			
G37	3.7L V6 F/I		HP-1008 ¹
Q40	3.7L V6 F/I	33-2399*	HP-1008 ¹
Q50	2.0L L4 F/I	E-0663	
Q50	3.5L V6 F/I	33-5014*	HP-1008 ¹

* 2 filters required ♦ Intake System Available - see page 370 +Cabin Air Filter Available - see page 353 1- Performance Silver Oil Filter Also Available



AIR & OIL FILTERS

INFINITI

Vehicle	Engine Type	Air Filter	Oil Filter
2015 INFINITI			
Q50	3.7L V6 F/I	33-5014* ♦	HP-1008 ¹
Q60	3.7L V6 F/I	33-2399*	HP-1008 ¹
Q70	3.5L V6 F/I	33-5033*	HP-1008 ¹
Q70	3.7L V6 F/I	33-2440	HP-1008 ¹
Q70	5.6L V8 F/I	33-2409*	HP-1010 ¹
Q70L	3.7L V6 F/I	33-2440	HP-1008 ¹
Q70L	5.6L V8 F/I	33-2409*	HP-1010 ¹
QX50	3.7L V6 F/I	33-2399*	HP-1008 ¹
QX60	2.5L L4 F/I	33-5036	HP-1008 ¹
QX60	3.5L V6 F/I	33-2031-2 ♦	HP-1008 ¹
QX70	3.7L V6 F/I	33-2409*	HP-1008 ¹
QX80	5.6L V8 F/I	33-2456 ♦	HP-1010 ¹

Vehicle	Engine Type	Air Filter	Oil Filter
2014 INFINITI			
G37	3.7L V6 F/I		HP-1008 ¹
Q50	2.0L L4 F/I	E-0663	
Q50	3.5L V6 F/I	33-5014*	HP-1008 ¹
Q50	3.7L V6 F/I	33-5014* ♦	HP-1008 ¹
Q60	3.7L V6 F/I	33-2399*	HP-1008 ¹
Q70	3.5L V6 F/I	33-5033*	
QX50	3.7L V6 F/I	33-2399*	HP-1008 ¹
QX60	2.5L L4 F/I	33-5036	HP-1008 ¹
QX60	3.5L V6 F/I	33-2031-2 ♦	HP-1008 ¹
QX70	3.7L V6 F/I	33-2409*	HP-1008 ¹
QX70	5.0L V8 F/I	33-2409*	HP-1010 ¹
QX80	5.6L V8 F/I	33-2456 ♦	HP-1010 ¹

Vehicle	Engine Type	Air Filter	Oil Filter
2013 INFINITI			
EX37	3.7L V6 F/I	33-2399*	HP-1008 ¹
FX37	3.7L V6 F/I	33-2409*	HP-1008 ¹
FX50	5.0L V8 F/I	33-2409*	HP-1008 ¹
G37	3.7L V6 F/I	33-2399* ♦	HP-1008 ¹
JX35	3.5L V6 F/I	33-2031-2 ♦	HP-1008 ¹
M35h	3.5L V6 F/I	33-5033*	
M37	3.7L V6 F/I	33-2440	HP-1008 ¹
M56	5.6L V8 F/I	33-2409*	HP-1010 ¹
QX56	5.6L V8 F/I	33-2456 ♦	HP-1010 ¹

Vehicle	Engine Type	Air Filter	Oil Filter
2012 INFINITI			
EX35	3.5L V6 F/I	33-2399*	HP-1008 ¹
FX35	3.5L V6 F/I	33-2409*	HP-1008 ¹
FX50	5.0L V8 F/I	33-2409*	HP-1010 ¹
G25	2.5L V6 F/I	33-2399*	HP-1008 ¹
G37	3.7L V6 F/I	33-2399* ♦	HP-1008 ¹
M35h	3.5L V6 F/I	33-5033*	HP-1008 ¹
M37	3.7L V6 F/I	33-2440	HP-1008 ¹
M56	5.6L V8 F/I	33-2409*	HP-1010 ¹
QX56	5.6L V8 F/I	33-2456 ♦	HP-1010 ¹

Vehicle	Engine Type	Air Filter	Oil Filter
2011 INFINITI			
EX35	3.5L V6 F/I	33-2399*	HP-1008 ¹
FX35	3.5L V6 F/I	33-2409*	HP-1008 ¹
FX50	5.0L V8 F/I	33-2409*	HP-1010 ¹
G25	2.5L V6 F/I	33-2399*	HP-1008 ¹
G37	3.7L V6 F/I	33-2399* ♦	HP-1008 ¹
M37	3.7L V6 F/I	33-2440	HP-1008 ¹
M56	5.6L V8 F/I	33-2409*	HP-1010 ¹
QX56	5.6L V8 F/I	33-2456 ♦	HP-1010 ¹

Vehicle	Engine Type	Air Filter	Oil Filter
2010 INFINITI			
EX35	3.5L V6 F/I	33-2399*	HP-1008 ¹
FX35	3.5L V6 F/I	33-2409*	HP-1008 ¹
FX50	5.0L V8 F/I	33-2409*	HP-1010 ¹
G37	3.7L V6 F/I	33-2399* ♦	HP-1008 ¹
M35	3.5L V6 F/I	33-2440	HP-1008 ¹

Vehicle	Engine Type	Air Filter	Oil Filter
2010 INFINITI			
M45	4.5L V8 F/I	33-2398	HP-1010 ¹
QX56	5.6L V8 F/I	33-2286 ♦+	HP-1010 ¹
2009 INFINITI			
FX35	3.5L V6 F/I	33-2409*	HP-1008 ¹
FX50	5.0L V8 F/I	33-2409*	HP-1010 ¹
G37	3.7L V6 F/I	33-2399* ♦	HP-1008 ¹
M35	3.5L V6 F/I	33-2440	HP-1008 ¹
M45	4.5L V8 F/I	33-2398	
QX56	5.6L V8 F/I	33-2286 ♦+	HP-1010 ¹

Vehicle	Engine Type	Air Filter	Oil Filter
2008 INFINITI			
EX35	3.5L V6 F/I	33-2399*	HP-1008 ¹
FX35	3.5L V6 F/I	33-2031-2+	HP-1008 ¹
G35	3.5L V6 F/I	33-2399* ♦+	HP-1008 ¹
G37	3.7L V6 F/I	33-2399* ♦	HP-1008 ¹
M35	3.5L V6 F/I	33-2397	HP-1008 ¹
M45	4.5L V8 F/I	33-2398	HP-1010 ¹
QX56	5.6L V8 F/I	33-2286 ♦+	HP-1010 ¹

Vehicle	Engine Type	Air Filter	Oil Filter
2007 INFINITI			
FX35	3.5L V6 F/I	33-2031-2+	HP-1008 ¹
FX45	4.5L V8 F/I	33-2229+	HP-1010 ¹
G35	3.5L V6 F/I		HP-1008 ¹
G35	3.5L V6 F/I - Coupe	33-2031-2+	HP-1008
G35	3.5L V6 F/I - Sedan	33-2399* ♦+	HP-1008
M35	3.5L V6 F/I	33-2397	HP-1008 ¹
M45	4.5L V8 F/I	33-2398	HP-1010 ¹
QX56	5.6L V8 F/I	33-2286 ♦+	HP-1010 ¹

Vehicle	Engine Type	Air Filter	Oil Filter
2006 INFINITI			
FX35	3.5L V6 F/I	33-2031-2+	HP-1008 ¹
FX45	4.5L V8 F/I	33-2229+	HP-1010 ¹
FX45	4.5L V8 F/I - China	33-2224	HP-1010
G35	3.5L V6 F/I	33-2031-2 ♦+	HP-1008 ¹
M35	3.5L V6 F/I	33-2397	HP-1008 ¹
M45	4.5L V8 F/I	33-2398	HP-1010 ¹
QX56	5.6L V8 F/I	33-2286 ♦+	HP-1010 ¹

Vehicle	Engine Type	Air Filter	Oil Filter
2005 INFINITI			
FX35	3.5L V6 F/I	33-2031-2+	HP-1008 ¹
FX45	4.5L V8 F/I	33-2229+	HP-1010 ¹
FX45	4.5L V8 F/I - China	33-2224	HP-1010
G35	3.5L V6 F/I	33-2031-2 ♦+	HP-1008 ¹
Q45	4.5L V8 F/I	33-2229	HP-1010 ¹
QX56	5.6L V8 F/I	33-2286 ♦+	HP-1010 ¹

Vehicle	Engine Type	Air Filter	Oil Filter
2004 INFINITI			
FX35	3.5L V6 F/I	33-2031-2+	HP-1008 ¹
FX45	4.5L V8 F/I	33-2229+	HP-1010 ¹
FX45	4.5L V8 F/I - China	33-2224	HP-1010
G35	3.5L V6 F/I	33-2031-2 ♦+	HP-1008 ¹
I35	3.5L V6 F/I	33-2031-2	HP-1010 ¹
M45	4.5L V8 F/I	33-2229	HP-1010 ¹
Q45	4.5L V8 F/I	33-2229	HP-1010 ¹
QX56	5.6L V8 F/I	33-2286 ♦+	HP-1010 ¹

Vehicle	Engine Type	Air Filter	Oil Filter
2003 INFINITI			
FX35	3.5L V6 F/I	33-2031-2+	HP-1008 ¹
FX45	4.5L V8 F/I	33-2229+	HP-1010 ¹
G35	3.5L V6 F/I	33-2031-2 ♦+	HP-1008 ¹
I35	3.5L V6 F/I	33-2031-2	HP-1010 ¹
M45	4.5L V8 F/I	33-2229	HP-1010 ¹
Q45	4.5L V8 F/I	33-2229	HP-1010 ¹
QX4	3.5L V6 F/I	33-2031-2	HP-1008 ¹

* 2 filters required ♦ Intake System Available - see page 370 +Cabin Air Filter Available - see page 353 1- Performance Silver Oil Filter Also Available



Vehicle	Engine Type	Air Filter	Oil Filter
2002 INFINITI			
G20	2.0L L4 F/I	33-2031-2	HP-1008 ¹
I35	3.5L V6 F/I	33-2031-2	HP-1008 ¹
Q45	4.5L V8 F/I	33-2229	HP-1010 ¹
QX4	3.5L V6 F/I	33-2031-2	HP-1008 ¹
2001 INFINITI			
G20	2.0L L4 F/I	33-2031-2	HP-1008 ¹
I30	3.0L V6 F/I	33-2031-2	HP-1010 ¹
QX4	3.5L V6 F/I	33-2031-2	HP-1010 ¹
2000 INFINITI			
G20	2.0L L4 F/I	33-2031-2	HP-1008 ¹
I30	3.0L V6 F/I	33-2031-2	HP-1010 ¹
Q45	4.1L V8 F/I	33-2110	HP-1010 ¹
QX4	3.3L V6 F/I	33-2031-2	
1999 INFINITI			
G20	2.0L L4 F/I	33-2031-2	HP-1008 ¹
I30	3.0L V6 F/I	33-2031-2	HP-1010 ¹
Q45	4.1L V8 F/I	33-2110	HP-1010 ¹
QX4	3.3L V6 F/I	33-2031-2	HP-1010 ¹
1998 INFINITI			
QX4	3.3L V6 F/I	33-2031-2	HP-1010 ¹
1997 INFINITI			
I30	3.0L V6 F/I	33-2031-2	HP-1010 ¹
J30	3.0L V6 F/I	33-2031-2	
Q45	4.1L V8 F/I	33-2110	HP-1010 ¹
QX4	3.3L V6 F/I	33-2031-2	HP-1010 ¹
2020 ISUZU			
D-Max	3.0L L4 DSL	33-3002+	
MU-X	3.0L L4 DSL	33-3002+	
2018 ISUZU			
D-Max	3.0L L4 DSL	33-3002+	
MU-X	1.9L L4 DSL	33-3002	
MU-X	2.5L L4 DSL	33-3002+	
MU-X	3.0L L4 DSL	33-3002+	
2017 ISUZU			
D-Max	1.9L L4 DSL	33-3002	
D-Max	2.5L L4 DSL	33-3002+	
D-Max	3.0L L4 DSL	33-3002+	
MU-X	2.5L L4 DSL	33-3002+	
MU-X	3.0L L4 DSL	33-3002+	
2016 ISUZU			
D-Max	2.5L L4 DSL	33-3002+	
D-Max	3.0L L4 DSL	33-3002+	
MU-X	2.5L L4 DSL	33-3002+	
MU-X	3.0L L4 DSL	33-3002+	
2015 ISUZU			
D-Max	2.5L L4 DSL	33-3002+	
MU-X	2.5L L4 DSL	33-3002+	
MU-X	3.0L L4 DSL	33-3002+	
2014 ISUZU			
D-Max	2.5L L4 DSL	33-3002+	
D-Max	3.0L L4 DSL	33-3002+	
MU-X	2.5L L4 DSL	33-3002+	
2013 ISUZU			
D-Max	2.5L L4 DSL	33-3002+	
D-Max	3.0L L4 DSL	33-3002+	
MU-X	2.5L L4 DSL	33-3002+	

Vehicle	Engine Type	Air Filter	Oil Filter
2012 ISUZU			
D-Max	2.5L L4 DSL	33-3002+	
D-Max	3.0L L4 DSL	33-3002+	
2011 ISUZU			
D-Max	3.0L L4 DSL	33-2013	
2010 ISUZU			
D-Max	2.5L L4 DSL	33-2013	
D-Max	3.0L L4 DSL	33-2013	
2009 ISUZU			
D-Max	2.5L L4 DSL	33-2013	
D-Max	3.0L L4 DSL	33-2013	
2008 ISUZU			
D-Max	2.5L L4 DSL	33-2013	
D-Max	3.0L L4 DSL	33-2013	
i-290	2.9L L4 F/I		HP-1007 ¹
i-370	3.7L L5 F/I		HP-2006 ¹
2007 ISUZU			
Ascender	4.2L L6 F/I		HP-2006 ¹
i-280	2.8L L4 F/I	E-0773	
i-290	2.9L L4 F/I	E-0773	HP-1007 ¹
2006 ISUZU			
i-280	2.8L L4 F/I	E-0773	HP-1007 ¹
I350	3.5L L5 F/I	E-0773	HP-2006 ¹
2005 ISUZU			
Ascender	4.2L L6 F/I		HP-2006 ¹
Rodeo	3.0L L4 DSL	E-2023	
2004 ISUZU			
Rodeo	3.2L V6 F/I	33-2108	
Rodeo	3.5L V6 F/I - Australia	33-2918	
2003 ISUZU			
Rodeo	3.2L V6 F/I	33-2108	HP-1004 ¹
Rodeo Sport	3.2L V6 F/I		HP-1004 ¹
2002 ISUZU			
Axiom	3.5L V6 F/I	33-2108	
Rodeo	3.2L V6 F/I	33-2108	HP-1004 ¹
Rodeo Sport	3.2L V6 F/I		HP-1004 ¹
Trooper	3.5L V6 F/I	33-2064	HP-1004 ¹
2001 ISUZU			
Rodeo	3.2L V6 F/I	33-2108	HP-1004 ¹
Rodeo Sport	3.2L V6 F/I		HP-1004 ¹
Vehicross	3.5L V6 F/I	33-2064	
2000 ISUZU			
Amigo	3.2L V6 F/I	33-2108	
Rodeo	3.2L V6 F/I	33-2108	HP-1004 ¹
Trooper	3.5L V6 F/I	33-2064	HP-1004 ¹
1999 ISUZU			
Amigo	3.2L V6 F/I	33-2108	HP-1004 ¹
Rodeo	3.2L V6 F/I	33-2108	HP-1004 ¹
Trooper	3.5L V6 F/I	33-2064	
Vehicross	3.5L V6 F/I	33-2064	HP-1004 ¹
1998 ISUZU			
Amigo	2.2L L4 F/I	33-2108	HP-1001 ¹
Hombre	2.2L L4 F/I	33-2042	HP-1001 ¹
Rodeo	3.2L V6 F/I	33-2108	HP-1004 ¹
Trooper	3.5L V6 F/I	33-2064	HP-1004 ¹

* 2 filters required ♦ Intake System Available - see page 370 +Cabin Air Filter Available - see page 353 1- Performance Silver Oil Filter Also Available



AIR & OIL FILTERS

ISUZU

Vehicle	Engine Type	Air Filter	Oil Filter	Vehicle	Engine Type	Air Filter	Oil Filter
1997 ISUZU				2017 JAGUAR			
Bighorn	3.2L V6 F/I	33-2108		XE	3.0L V6 F/I - Right Side	33-3074+	
Hombre	2.2L L4 F/I	33-2042	HP-1001 ¹	XF	3.0L V6 DSL - Left Side	33-3075+	
Rodeo	3.2L V6 F/I	33-2108			Airbox		
Trooper	3.2L V6 F/I	33-2064	HP-1004 ¹	XF	3.0L V6 DSL - Right Side	33-3074+	
					Side Airbox		
2019 JAGUAR				2016 JAGUAR			
F-Type	2.0L L4 F/I	33-3022		F-Pace	3.0L V6 DSL - Left Side	33-3075	
XF	2.0L L4 DSL	33-3075+			Airbox		
XF	2.0L L4 F/I	33-3075	HP-1002 ¹	F-Pace	3.0L V6 F/I - Left Side	33-3075	
					Airbox		
2018 JAGUAR				2015 JAGUAR			
E-Pace	2.0L L4 DSL	33-3073		F-Type	3.0L V6 F/I - Left Side	33-3021	
E-Pace	2.0L L4 F/I	33-3073			Airbox		
F-Pace	2.0L L4 DSL	33-3075+		F-Type	3.0L V6 F/I - Right Side	33-3022	
F-Pace	2.0L L4 F/I	33-3075			Airbox		
F-Pace	3.0L V6 DSL - Left Side	33-3075+		F-Type	5.0L V8 F/I - Left Side	33-3021	
	Airbox				Airbox		
F-Pace	3.0L V6 DSL - Right Side	33-3074+		F-Type	5.0L V8 F/I - Right Side	33-3022	
	Side Airbox				Airbox		
F-Pace	3.0L V6 F/I - Left Side	33-3075+		F-Type	2.0L L4 DSL	33-3075+	
	Airbox				2.0L L4 F/I	33-3075+	
F-Pace	3.0L V6 F/I - Right Side	33-3074+		XF	2.0L L4 DSL	33-3075+	
	Airbox			XF	2.0L L4 F/I	33-3075	
F-Type	3.0L V6 F/I - Left Side	33-3021		XF	3.0L V6 DSL - Left Side	33-3075+	
	Airbox				Airbox		
F-Type	3.0L V6 F/I - Right Side	33-3022		XF	3.0L V6 DSL - Right Side	33-3074+	
	Airbox				Side Airbox		
F-Type	5.0L V8 F/I - Left Side	33-3021		XF	3.0L V6 F/I - Left Side	33-3075+	
	Airbox				Airbox		
F-Type	5.0L V8 F/I - Right Side	33-3022		XF	3.0L V6 F/I - Right Side	33-3074+	
	Airbox				Airbox		
XE	2.0L L4 DSL	33-3075+		XJ	5.0L V8 F/I	33-2273*	
XE	2.0L L4 F/I	33-3075+		XJR	5.0L V8 F/I	33-2273*	
XE	3.0L V6 F/I - Left Side	33-3075+					
	Airbox			2015 JAGUAR			
XE	3.0L V6 F/I - Right Side	33-3074+		F-Type	3.0L V6 F/I - Left Side	33-3021	
	Airbox				Airbox		
XF	2.0L L4 DSL	33-3075+		F-Type	3.0L V6 F/I - Right Side	33-3022	
XF	2.0L L4 F/I	33-3075	HP-1002 ¹		Airbox		
XF	3.0L V6 DSL - Left Side	33-3075+		F-Type	5.0L V8 F/I - Left Side	33-3021	
	Airbox				Airbox		
XF	3.0L V6 DSL - Right Side	33-3074+		F-Type	5.0L V8 F/I - Right Side	33-3022	
	Side Airbox				Airbox		
XF	3.0L V6 F/I - Left Side	33-3075+		XE	2.0L L4 DSL	33-3075+	
	Airbox			XE	2.0L L4 F/I	33-3075+	
XF	3.0L V6 F/I - Right Side	33-3074+		XF	2.0L L4 DSL - From	33-3075+	
	Airbox				5/15		
XJR	5.0L V8 F/I	33-2273*		XF	2.0L L4 F/I		HP-1002 ¹
XJR575	5.0L V8 F/I	33-2273*		XF	2.0L L4 F/I - Non-US,	33-3075	HP-1002
					From 5/15		
2017 JAGUAR				XF	2.0L L4 F/I - Non-US,	33-2273	HP-1002
F-Pace	2.0L L4 DSL	33-3075			To 4/15		
F-Pace	2.0L L4 F/I	33-3075		XF	2.0L L4 F/I - US	33-2273	HP-1002
F-Pace	3.0L V6 DSL - Left Side	33-3075		XF	3.0L V6 DSL - From	33-3075+	
	Airbox				5/15, Left Side Airbox		
F-Pace	3.0L V6 DSL - Right Side	33-3074		XF	3.0L V6 DSL - From	33-3074+	
	Side Airbox				5/15, Right Side Airbox		
F-Pace	3.0L V6 F/I - Left Side	33-3075		XF	3.0L V6 DSL - To 4/15	33-2273+	
	Airbox			XF	3.0L V6 F/I - Non-US,	33-3075+	
F-Pace	3.0L V6 F/I - Right Side	33-3074			From 5/15, Left Side		
	Airbox			XF	Airbox		
F-Type	3.0L V6 F/I - Left Side	33-3021		XF	3.0L V6 F/I - Non-US,	33-3074+	
	Airbox				From 5/15, Right Side		
F-Type	3.0L V6 F/I - Right Side	33-3022			Airbox		
	Airbox			XF	3.0L V6 F/I - Non-US,	33-2273*+	
F-Type	5.0L V8 F/I - Left Side	33-3021			To 4/15		
	Airbox			XF	3.0L V6 F/I - US	33-2273*+	
F-Type	5.0L V8 F/I - Right Side	33-3022		XF	5.0L V8 F/I	33-2273*	
	Airbox			XFR	5.0L V8 F/I	33-2273*	
XE	2.0L L4 DSL	33-3075+					
XE	2.0L L4 F/I	33-3075+	HP-1002 ¹				
XE	3.0L V6 F/I - Left Side	33-3075+					
	Airbox						

* 2 filters required ♦ Intake System Available - see page 370 +Cabin Air Filter Available - see page 353 1- Performance Silver Oil Filter Also Available

Partial Listing: Complete Listing of Vehicles and Parts at KNFILTERS.COM or call 1-800-858-3333



Vehicle	Engine Type	Air Filter	Oil Filter
2015 JAGUAR			
XJ	3.0L V6 DSL	33-2273	
XJ	3.0L V6 F/I	33-2273*	
XJR	5.0L V8 F/I	33-2273*	

2014 JAGUAR			
F-Type	3.0L V6 F/I - Left Side Airbox	33-3021	
F-Type	3.0L V6 F/I - Right Side Airbox	33-3022	
F-Type	5.0L V8 F/I - Left Side Airbox	33-3021	
F-Type	5.0L V8 F/I - Right Side Airbox	33-3022	
XF	2.0L L4 F/I	33-2273	
XF	3.0L V6 DSL	33-2273	
XF	3.0L V6 F/I	33-2273*	
XFR	5.0L V8 F/I	33-2273*	
XJ	3.0L V6 DSL	33-2273	
XJ	3.0L V6 F/I	33-2273*	
XJ	5.0L V8 F/I	33-2273*	
XJR	5.0L V8 F/I	33-2273*	
XKR	5.0L V8 F/I	33-2445	
XKR-S	5.0L V8 F/I	33-2445	

2013 JAGUAR			
XF	3.0L V6 DSL	33-2273	
XF	3.0L V6 F/I	33-2273*	
XF	5.0L V8 F/I	33-2273*	
XFR	5.0L V8 F/I	33-2273*	
XJ	3.0L V6 DSL	33-2273	
XJ	3.0L V6 F/I	33-2273*	
XJ	5.0L V8 F/I	33-2273*	

2012 JAGUAR			
XF	5.0L V8 F/I	33-2273*	
XFR	5.0L V8 F/I	33-2273*	
XJ	5.0L V8 F/I	33-2273*	
XKR-S	5.0L V8 F/I	33-2445	

2011 JAGUAR			
XF	3.0L V6 DSL	33-2273	
XF	3.0L V6 F/I	33-2273	
XF	5.0L V8 F/I	33-2273*	
XFR	5.0L V8 F/I	33-2273*	
XJ	5.0L V8 F/I	33-2273*	
XKR	5.0L V8 F/I	33-2445	

2010 JAGUAR			
XF	3.0L V6 DSL	33-2273	
XF	3.0L V6 F/I	33-2273	
XF	4.2L V8 F/I	33-2273	HP-1014
XF	5.0L V8 F/I	33-2273*	
XFR	5.0L V8 F/I	33-2273*	
XK	5.0L V8 F/I	33-2445	
XKR	5.0L V8 F/I	33-2445	

2009 JAGUAR			
XF	3.0L V6 F/I		HP-2009 ¹
XF	4.2L V8 F/I		HP-1014
XF	4.2L V8 F/I - Exc. Supercharged	33-2273	HP-1014
XF	4.2L V8 F/I - Supercharged	33-2273*	HP-1014
XKR	4.2L V8 F/I	33-2445	HP-1014

2008 JAGUAR			
S-Type	3.0L V6 F/I		HP-2009 ¹
S-Type	3.0L V6 F/I - Non-US, Chassis M45255	33-2273	HP-2009

Vehicle	Engine Type	Air Filter	Oil Filter
2008 JAGUAR			
S-Type	3.0L V6 F/I - US	33-2273	HP-2009
XK	4.2L V8 F/I	33-3010	HP-1014
XKR	4.2L V8 F/I	33-2445	HP-1014

2007 JAGUAR			
S-Type	3.0L V6 F/I		HP-2009 ¹
S-Type	3.0L V6 F/I - Non-US, Chassis M45254	33-2266	HP-2009
S-Type	3.0L V6 F/I - Non-US, Chassis M45255	33-2273	HP-2009
S-Type	3.0L V6 F/I - US	33-2273	HP-2009
Vanden Plas	4.2L V8 F/I	33-2273	
XK	4.2L V8 F/I	33-3010	HP-1014
XK8	4.2L V8 F/I	33-2190	
XKR	4.2L V8 F/I	33-2445	HP-1014
X-Type	3.0L V6 F/I	33-2264	HP-2009 ¹

2006 JAGUAR			
S-Type	3.0L V6 F/I - Non-US, Chassis M45255	33-2273	
S-Type	3.0L V6 F/I - US	33-2273	
S-Type	4.2L V8 F/I	33-2273	
Super V8	4.2L V8 F/I	33-2273	HP-1014
XJ8	4.2L V8 F/I	33-2273	
X-Type	3.0L V6 F/I	33-2264	HP-2009 ¹

2005 JAGUAR			
S-Type	3.0L V6 F/I		HP-2009 ¹
S-Type	3.0L V6 F/I - Non-US, Chassis M45254	33-2266	HP-2009
S-Type	3.0L V6 F/I - Non-US, Chassis M45255	33-2273	HP-2009
S-Type	3.0L V6 F/I - US	33-2273	HP-2009
S-Type	4.2L V8 F/I	33-2273	HP-1014
Vanden Plas	4.2L V8 F/I	33-2273	HP-1014
XJ8	4.2L V8 F/I	33-2273	HP-1014
XJR	4.2L V8 F/I	33-2273	
XKR	4.2L V8 F/I	33-2190	
X-Type	3.0L V6 F/I	33-2264	HP-2009 ¹

2004 JAGUAR			
S-Type	2.5L V6 F/I	33-2273	
S-Type	3.0L V6 F/I		HP-2009 ¹
S-Type	3.0L V6 F/I - Non-US, Chassis M45254	33-2266	HP-2009
S-Type	3.0L V6 F/I - Non-US, Chassis M45255	33-2273	HP-2009
S-Type	3.0L V6 F/I - US	33-2273	HP-2009
S-Type	4.2L V8 F/I	33-2273	
Vanden Plas	4.2L V8 F/I	33-2273	
XJ8	3.5L V8 F/I	33-2273	
XJ8	4.2L V8 F/I	33-2273	HP-1014
XJR	4.2L V8 F/I	33-2273	
X-Type	3.0L V6 F/I	33-2264	HP-2009 ¹

2003 JAGUAR			
S-Type	3.0L V6 F/I		HP-2009 ¹
S-Type	3.0L V6 F/I - Non-US, Chassis M45254	33-2266	HP-2009
S-Type	3.0L V6 F/I - Non-US, Chassis M45255	33-2273	HP-2009
S-Type	3.0L V6 F/I - US	33-2273	HP-2009
S-Type	4.2L V8 F/I	33-2273	HP-1014
XJR	4.0L V8 F/I - To 5/03	33-2190	
XK8	4.2L V8 F/I	33-2190	
XK8-R	4.2L V8 F/I	33-2190	
XKR	4.2L V8 F/I	33-2190	HP-1014
X-Type	2.5L V6 F/I	33-2264	HP-2009 ¹

* 2 filters required ♦ Intake System Available - see page 370 +Cabin Air Filter Available - see page 353 1- Performance Silver Oil Filter Also Available



AIR & OIL FILTERS

JAGUAR

Vehicle	Engine Type	Air Filter	Oil Filter
2003 JAGUAR			
X-Type	3.0L V6 F/I	33-2264	HP-2009 ¹
2002 JAGUAR			
S-Type	3.0L V6 F/I - Non-US, Chassis M45255	33-2273+	
XJ8	4.0L V8 F/I	33-2190	
XKR	4.0L V8 F/I	33-2190	
X-Type	2.5L V6 F/I	33-2264	HP-2009 ¹
X-Type	3.0L V6 F/I	33-2264	HP-2009 ¹
2001 JAGUAR			
S-Type	3.0L V6 F/I		HP-2009 ¹
S-Type	3.0L V6 F/I - Non-US, Chassis M45255	33-2273+	HP-2009
S-Type	4.0L V8 F/I	33-2266+	
XJ8	4.0L V8 F/I	33-2190	
XJR	4.0L V8 F/I	33-2190	
XK8	4.0L V8 F/I	33-2190	
XKR	4.0L V8 F/I	33-2190	
2000 JAGUAR			
S-Type	3.0L V6 F/I		HP-2009 ¹
S-Type	3.0L V6 F/I - Non-US, Chassis M45254	33-2266+	HP-2009
S-Type	3.0L V6 F/I - Non-US, Chassis M45255	33-2273+	HP-2009
S-Type	3.0L V6 F/I - US	33-2266+	HP-2009
S-Type	4.0L V8 F/I	33-2266+	
XJ8	4.0L V8 F/I	33-2190	
XJR	4.0L V8 F/I	33-2190	
XK8	4.0L V8 F/I	33-2190	
XKR	4.0L V8 F/I	33-2190	
1999 JAGUAR			
XK8	4.0L V8 F/I	33-2190	
1998 JAGUAR			
XK8	4.0L V8 F/I	33-2190	
1997 JAGUAR			
XJ6	4.0L L6 F/I	33-2003	
XK8	4.0L V8 F/I	33-2190	
2020 JEEP			
Cherokee	2.0L L4 F/I	33-5088	HP-1017 ¹
Cherokee	2.4L L4 F/I	33-5089 ♦	HP-1017 ¹
Cherokee	3.2L V6 F/I	33-5089	HP-7026 ¹
Compass	2.4L L4 F/I		HP-1017 ¹
Gladiator	3.6L V6 F/I	33-5076 ♦+	HP-7026 ¹
Grand Cherokee	3.6L V6 F/I	33-2457 ♦	HP-7026 ¹
Grand Cherokee	5.7L V8 F/I	33-2457 ♦	HP-1017 ¹
Grand Cherokee	6.2L V8 F/I	33-5077	HP-2010 ¹
Grand Cherokee	6.4L V8 F/I	33-2457	HP-2010 ¹
Wrangler JL	2.0L L4 F/I	33-5076	HP-1017 ¹
Wrangler JL	3.6L V6 F/I	33-5076 ♦	HP-7026 ¹
2019 JEEP			
Cherokee	2.0L L4 F/I	33-5088	HP-1017 ¹
Cherokee	2.4L L4 F/I	33-5089 ♦	HP-1017 ¹
Cherokee	3.2L V6 F/I	33-5089	HP-7026 ¹
Compass	2.4L L4 F/I	33-5034 ♦	HP-1017 ¹
Grand Cherokee	3.6L V6 F/I	33-2457 ♦	HP-7026 ¹
Grand Cherokee	5.7L V8 F/I	33-2457 ♦	HP-1017 ¹
Grand Cherokee	6.2L V8 F/I	33-5077 ♦	HP-2010 ¹
Grand Cherokee	6.4L V8 F/I	33-2457 ♦	HP-2010 ¹
Renegade	1.0L L3 F/I	33-3080	
Renegade	2.4L L4 F/I	33-5034 ♦	
Wrangler JL	2.0L L4 F/I	33-5076+	HP-1017 ¹

Vehicle	Engine Type	Air Filter	Oil Filter
2019 JEEP			
Wrangler JL	2.2L L4 DSL	33-5076	
Wrangler JL	3.6L V6 F/I	33-5076 ♦+	HP-7026 ¹
2018 JEEP			
Cherokee	2.0L L4 DSL	33-5009	
Cherokee	2.2L L4 DSL	33-5009	
Cherokee	2.4L L4 F/I	33-5009 ♦	HP-1017 ¹
Cherokee	3.2L V6 F/I	33-5009 ♦	HP-7026 ¹
Compass	2.4L L4 F/I	33-5034 ♦	HP-1017 ¹
Compass II	1.4L L4 F/I	33-5034	
Compass II	1.6L L4 DSL	33-5034	
Compass II	2.0L L4 DSL	33-5034	
Compass II	2.4L L4 F/I	33-5034	HP-1017 ¹
Grand Cherokee	3.0L V6 DSL	33-3029+	HP-7042 ¹
Grand Cherokee	3.6L V6 F/I	33-2457 ♦+	HP-7026 ¹
Grand Cherokee	5.7L V8 F/I	33-2457 ♦+	HP-1017 ¹
Grand Cherokee	6.2L V8 F/I	33-5077 ♦+	HP-2010 ¹
Grand Cherokee	6.4L V8 F/I	33-2457 ♦+	HP-2010 ¹
Grand Cherokee IV	6.2L V8 F/I	33-5077 ♦+	
Renegade	1.4L L4 F/I	33-5034+	HP-7041 ¹
Renegade	1.6L L4 DSL	33-5034	
Renegade	1.6L L4 F/I	33-5034	
Renegade	2.0L L4 DSL	33-5034	
Renegade	2.4L L4 F/I	33-5034 ♦+	HP-1017 ¹
Wrangler	2.8L L4 DSL	33-5023	
Wrangler JK	3.6L V6 F/I	33-2364 ♦+	HP-7026 ¹
Wrangler JL	2.0L L4 F/I	33-5076+	
Wrangler JL	2.2L L4 DSL	33-5076	
Wrangler JL	3.6L V6 F/I	33-5076 ♦+	HP-7026 ¹
2017 JEEP			
Cherokee	2.0L L4 DSL	33-5009	
Cherokee	2.0L L4 F/I	33-5009	
Cherokee	2.2L L4 DSL	33-5009	
Cherokee	2.4L L4 F/I	33-5009 ♦	HP-1017 ¹
Cherokee	3.2L V6 F/I	33-5009 ♦	HP-7026 ¹
Compass	2.0L L4 F/I	E-1998 ♦+	HP-1017 ¹
Compass	2.4L L4 F/I	33-5034 ♦	HP-1017 ¹
Compass II	1.4L L4 F/I	33-5034	
Compass II	1.6L L4 DSL	33-5034	
Compass II	2.0L L4 DSL	33-5034	
Compass II	2.4L L4 F/I	33-5034	
Grand Cherokee	3.0L V6 DSL	33-3029+	HP-7042 ¹
Grand Cherokee	3.6L V6 F/I	33-2457 ♦+	HP-7026 ¹
Grand Cherokee	5.7L V8 F/I	33-2457 ♦+	HP-1017 ¹
Grand Cherokee	6.4L V8 F/I	33-2457 ♦+	HP-2010 ¹
Patriot	2.0L L4 F/I	E-1998 ♦+	HP-1017 ¹
Patriot	2.4L L4 F/I	E-1998 ♦+	HP-1017 ¹
Renegade	1.4L L4 F/I	33-5034+	HP-7041 ¹
Renegade	1.6L L4 DSL	33-5034	
Renegade	1.6L L4 F/I	33-5034	
Renegade	2.0L L4 DSL	33-5034	
Renegade	2.4L L4 F/I	33-5034 ♦+	HP-1017 ¹
Wrangler	2.8L L4 DSL	33-5023	
Wrangler	3.6L V6 F/I	33-2364 ♦+	HP-7026 ¹
2016 JEEP			
Cherokee	2.0L L4 DSL	33-5009	
Cherokee	2.2L L4 DSL	33-5009	
Cherokee	2.4L L4 F/I	33-5009 ♦	HP-1017 ¹
Cherokee	3.2L V6 F/I	33-5009 ♦	HP-7026 ¹
Compass	2.0L L4 F/I	E-1998 ♦+	HP-1017 ¹
Compass	2.4L L4 F/I	E-1998 ♦+	HP-1017 ¹
Compass II	2.0L L4 DSL	33-5034	

* 2 filters required ♦ Intake System Available - see page 370 +Cabin Air Filter Available - see page 353 1- Performance Silver Oil Filter Also Available



Vehicle	Engine Type	Air Filter	Oil Filter
2016 JEEP			
Grand Cherokee	3.0L V6 DSL	33-3029 ♦♦	HP-7042 ¹
Grand Cherokee	3.6L V6 F/I	33-2457 ♦♦	HP-7026 ¹
Grand Cherokee	5.7L V8 F/I	33-2457 ♦♦	HP-1017 ¹
Grand Cherokee	6.4L V8 F/I	33-2457 ♦♦	HP-2010 ¹
Patriot	2.0L L4 F/I	E-1998 ♦♦	HP-1017 ¹
Patriot	2.4L L4 F/I	E-1998 ♦♦	HP-1017 ¹
Renegade	1.4L L4 F/I	33-5034 ⁺	HP-7041 ¹
Renegade	1.6L L4 DSL	33-5034	
Renegade	1.6L L4 F/I	33-5034	
Renegade	2.0L L4 DSL	33-5034	
Renegade	2.4L L4 F/I	33-5034 ♦♦	HP-1017 ¹
Wrangler	2.8L L4 DSL	33-5023 ⁺	
Wrangler	3.6L V6 F/I	33-2364 ♦♦	HP-7026 ¹

Vehicle	Engine Type	Air Filter	Oil Filter
2015 JEEP			
Cherokee	2.0L L4 DSL	33-5009	
Cherokee	2.2L L4 DSL	33-5009	
Cherokee	2.4L L4 F/I	33-5009 ♦	HP-1017 ¹
Cherokee	3.2L V6 F/I	33-5009 ♦	HP-7026 ¹
Compass	2.0L L4 F/I	E-1998 ♦♦	HP-1017 ¹
Compass	2.4L L4 F/I	E-1998 ♦♦	HP-1017 ¹
Grand Cherokee	3.0L V6 DSL	33-3029 ♦♦	HP-7042 ¹
Grand Cherokee	3.6L V6 F/I	33-2457 ♦♦	HP-7026 ¹
Grand Cherokee	5.7L V8 F/I	33-2457 ♦♦	HP-2010 ¹
Grand Cherokee	6.4L V8 F/I	33-2457 ♦♦	HP-2010 ¹
Patriot	2.0L L4 F/I	E-1998 ♦♦	HP-1017 ¹
Patriot	2.4L L4 F/I	E-1998 ♦♦	HP-1017 ¹
Renegade	1.4L L4 F/I	33-5034 ⁺	HP-7041 ¹
Renegade	1.6L L4 DSL	33-5034	
Renegade	1.6L L4 F/I	33-5034	
Renegade	2.0L L4 DSL	33-5034	
Renegade	2.4L L4 F/I	33-5034 ♦♦	
Wrangler	2.8L L4 DSL	33-5023 ⁺	
Wrangler	3.6L V6 F/I	33-2364 ♦♦	HP-7026 ¹

Vehicle	Engine Type	Air Filter	Oil Filter
2014 JEEP			
Cherokee	2.0L L4 DSL	33-5009	
Cherokee	2.4L L4 F/I	33-5009 ♦	HP-1017 ¹
Cherokee	3.2L V6 F/I	33-5009 ♦	HP-7026 ¹
Cherokee	3.7L V6 F/I	33-2363 ⁺	
Compass	2.0L L4 F/I	E-1998 ♦♦	HP-1017 ¹
Compass	2.2L L4 DSL	E-1998	
Compass	2.4L L4 F/I	E-1998 ♦♦	HP-1017 ¹
Grand Cherokee	3.0L V6 DSL	33-3029 ♦♦	HP-7042 ¹
Grand Cherokee	3.6L V6 F/I	33-2457 ♦♦	HP-7026 ¹
Grand Cherokee	5.7L V8 F/I	33-2457 ♦♦	HP-2010 ¹
Grand Cherokee	6.4L V8 F/I	33-2457 ♦♦	HP-2010 ¹
Grand Cherokee IV	6.4L V8 F/I	33-2457 ♦♦	HP-2010 ¹
Patriot	2.0L L4 F/I	E-1998 ♦♦	HP-1017 ¹
Patriot	2.4L L4 F/I	E-1998 ♦♦	HP-1017 ¹
Wrangler	2.8L L4 DSL	33-5023 ⁺	
Wrangler	3.6L V6 F/I	33-2364 ♦♦	HP-7026 ¹
Wrangler III	2.8L L4 DSL - From 5/14	33-5023	

Vehicle	Engine Type	Air Filter	Oil Filter
2013 JEEP			
Cherokee	3.7L V6 F/I	33-2363 ⁺	
Compass	2.0L L4 F/I	E-1998 ♦♦	
Compass	2.4L L4 F/I	E-1998 ♦♦	HP-1017 ¹
Grand Cherokee	3.0L V6 DSL	33-3029	
Grand Cherokee	3.6L V6 F/I	33-2457 ♦♦	HP-7025 ¹
Grand Cherokee	5.7L V8 F/I	33-2457 ♦♦	HP-2010 ¹
Grand Cherokee	6.4L V8 F/I	33-2457 ♦♦	HP-2010 ¹
Grand Cherokee IV	3.0L V6 DSL - From 8/13	33-3029	

Vehicle	Engine Type	Air Filter	Oil Filter
2013 JEEP			
Grand Cherokee IV	6.4L V8 F/I	33-2457 ♦♦	HP-2010 ¹
Patriot	2.0L L4 F/I	E-1998 ♦♦	HP-1017 ¹
Patriot	2.4L L4 F/I	E-1998 ♦♦	HP-1017 ¹
Wrangler	2.8L L4 DSL	33-5023 ⁺	
Wrangler	3.6L V6 F/I	33-2364 ♦♦	HP-7025 ¹

Vehicle	Engine Type	Air Filter	Oil Filter
2012 JEEP			
Compass	2.0L L4 F/I	E-1998 ♦♦	HP-1017 ¹
Compass	2.2L L4 DSL	E-1998	
Compass	2.4L L4 F/I	E-1998 ♦♦	HP-1017 ¹
Grand Cherokee	3.6L V6 F/I	33-2457 ♦♦	HP-7025 ¹
Grand Cherokee	5.7L V8 F/I	33-2457 ♦♦	HP-2010 ¹
Grand Cherokee	6.4L V8 F/I	33-2457 ♦♦	HP-2010 ¹
Grand Cherokee IV	5.7L V8 F/I	33-2457	
Grand Cherokee IV	6.4L V8 F/I	33-2457	
Liberty	3.7L V6 F/I	33-2363 ♦♦	HP-2011 ¹
Patriot	2.0L L4 F/I	E-1998 ♦♦	HP-1017 ¹
Patriot	2.4L L4 F/I	E-1998 ♦♦	HP-1017 ¹
Wrangler	2.8L L4 DSL	33-5023 ⁺	
Wrangler	3.6L V6 F/I	33-2364 ♦♦	HP-7025 ¹
Wrangler	3.8L V6 F/I	33-2364	

Vehicle	Engine Type	Air Filter	Oil Filter
2011 JEEP			
Cherokee	2.8L L4 DSL	33-2363 ⁺	
Cherokee	3.7L V6 F/I	33-2363 ⁺	
Compass	2.0L L4 F/I	E-1998 ♦♦	HP-1017 ¹
Compass	2.2L L4 DSL	E-1998	
Compass	2.4L L4 F/I	E-1998 ♦♦	HP-1017 ¹
Compass	2.4L L4 F/I - China, To 2/11	33-2362 ♦♦	HP-1017
Grand Cherokee	3.0L V6 DSL	33-3029	
Grand Cherokee	3.6L V6 F/I	33-2457 ♦♦	HP-7025 ¹
Grand Cherokee	5.7L V8 F/I	33-2457 ♦♦	HP-2010 ¹
Liberty	3.7L V6 F/I	33-2363 ♦♦	HP-2011 ¹
Patriot	2.0L L4 F/I	E-1998 ♦♦	
Patriot	2.1L L4 DSL	E-1998	
Patriot	2.4L L4 F/I	E-1998 ♦♦	HP-1017 ¹
Wrangler	2.8L L4 DSL	33-5023 ⁺	
Wrangler	3.8L V6 F/I	33-2364 ♦♦	HP-1002 ¹
Wrangler III	3.8L V6 F/I	33-2364 ♦♦	HP-1002 ¹

Vehicle	Engine Type	Air Filter	Oil Filter
2010 JEEP			
Cherokee	3.7L V6 F/I	33-2363 ⁺	HP-2011 ¹
Commander	3.7L V6 F/I	33-2233 ♦	HP-2011 ¹
Commander	5.7L V8 F/I	33-2233 ♦	HP-2010 ¹
Compass	2.4L L4 F/I	33-2362 ♦♦	HP-1017 ¹
Grand Cherokee	3.7L V6 F/I	33-2233 ♦	HP-2011 ¹
Grand Cherokee	5.7L V8 F/I	33-2233 ♦	HP-2010 ¹
Grand Cherokee	6.1L V8 F/I	33-2233 ♦	HP-2010 ¹
Grand Cherokee III	3.0L V6 DSL	33-2420	
Grand Cherokee IV	3.6L V6 F/I - From 12/10	33-2457	
Liberty	3.7L V6 F/I	33-2363 ♦♦	HP-2011 ¹
Patriot	2.0L L4 F/I	33-2362 ♦♦	HP-1017 ¹
Patriot	2.4L L4 F/I	33-2362 ♦♦	HP-1017 ¹
Wrangler	3.8L V6 F/I	33-2364 ♦	HP-1002 ¹
Wrangler III	2.8L L4 DSL	33-5023	
Wrangler III	3.8L V6 F/I	33-2364 ♦	HP-1002 ¹

Vehicle	Engine Type	Air Filter	Oil Filter
2009 JEEP			
Cherokee	3.7L V6 F/I	33-2363 ⁺	
Commander	3.7L V6 F/I	33-2233 ♦	
Commander	5.7L V8 F/I	33-2233 ♦	HP-2010 ¹
Compass	2.4L L4 F/I		HP-1017 ¹
Grand Cherokee	3.7L V6 F/I	33-2233 ♦	HP-2011 ¹

* 2 filters required ♦ Intake System Available - see page 370 +Cabin Air Filter Available - see page 353 1- Performance Silver Oil Filter Also Available



AIR & OIL FILTERS

JEEP

Vehicle	Engine Type	Air Filter	Oil Filter
2009 JEEP			
Grand Cherokee	4.7L V8 F/I	33-2233 ♦	HP-2010 ¹
Grand Cherokee	5.7L V8 F/I	33-2233 ♦	HP-2010 ¹
Grand Cherokee	6.1L V8 F/I	33-2233 ♦	HP-2010 ¹
Liberty	3.7L V6 F/I	33-2363 ♦+	HP-2011 ¹
Patriot	2.0L L4 F/I		HP-1017 ¹
Patriot	2.4L L4 F/I	33-2362 ♦+	HP-1017 ¹
Wrangler	3.8L V6 F/I	33-2364 ♦	HP-1002 ¹
Wrangler III	2.8L L4 DSL	33-5023	
Wrangler III	3.8L V6 F/I	33-2364 ♦	HP-1002 ¹

Vehicle	Engine Type	Air Filter	Oil Filter
2008 JEEP			
Cherokee	2.8L L4 DSL	33-2363+	
Cherokee	3.7L V6 F/I	33-2363+	
Commander	3.7L V6 F/I	33-2233 ♦	HP-2009 ¹
Commander	4.7L V8 F/I	33-2233 ♦	HP-2010 ¹
Commander	5.7L V8 F/I	33-2233 ♦	HP-2010 ¹
Compass	2.0L L4 DSL	33-2362	
Compass	2.0L L4 F/I	33-2362+	HP-1017 ¹
Compass	2.4L L4 F/I	33-2362 ♦+	HP-1017 ¹
Grand Cherokee	3.0L V6 DSL	33-2420	HP-7028 ¹
Grand Cherokee	3.7L V6 F/I	33-2233 ♦	HP-2009 ¹
Grand Cherokee	4.7L V8 F/I	33-2233 ♦	HP-2010 ¹
Grand Cherokee	5.7L V8 F/I	33-2233 ♦	HP-2010 ¹
Grand Cherokee	6.1L V8 F/I	33-2233 ♦	
Grand Cherokee	6.1L V8 F/I - 22mm Thread	33-2233	HP-2010 ¹
Grand Cherokee	6.1L V8 F/I - 3/4 thread	33-2233	HP-2004 ¹
Grand Cherokee III	3.7L V6 F/I	33-2233	HP-2009 ¹
Grand Cherokee III	4.7L V8 F/I	33-2233	HP-2010 ¹
Grand Cherokee III	5.7L V8 F/I	33-2233	HP-2010 ¹
Grand Cherokee III	6.1L V8 F/I	33-2233	
Grand Cherokee III	6.1L V8 F/I - 22mm Thread	33-2233	HP-2010 ¹
Grand Cherokee III	6.1L V8 F/I - 3/4 thread	33-2233	HP-2004 ¹
Liberty	3.7L V6 F/I	33-2363 ♦+	HP-2009 ¹
Patriot	2.0L L4 DSL	33-2362	
Patriot	2.0L L4 F/I	33-2362 ♦+	HP-1017 ¹
Patriot	2.4L L4 F/I	33-2362 ♦+	HP-1017 ¹
Wrangler	3.8L V6 F/I	33-2364 ♦	HP-1002 ¹
Wrangler II	3.8L V6 F/I	33-2364	HP-1002 ¹
Wrangler III	2.8L L4 DSL	33-5023	

Vehicle	Engine Type	Air Filter	Oil Filter
2007 JEEP			
Commander	3.7L V6 F/I	33-2233 ♦	HP-2009 ¹
Commander	4.7L V8 F/I	33-2233 ♦	HP-2004 ¹
Commander	5.7L V8 F/I	33-2233 ♦	HP-2004 ¹
Compass	2.0L L4 DSL	33-2362	
Compass	2.0L L4 F/I	33-2362 ♦+	HP-1017 ¹
Compass	2.4L L4 F/I	33-2362 ♦+	HP-1017 ¹
Grand Cherokee	3.0L V6 DSL	33-2233	HP-7028 ¹
Grand Cherokee	3.7L V6 F/I	33-2233 ♦	HP-2009 ¹
Grand Cherokee	4.7L V8 F/I	33-2233 ♦	HP-2004 ¹
Grand Cherokee	5.7L V8 F/I	33-2233 ♦	HP-2004 ¹
Grand Cherokee	6.1L V8 F/I	33-2233 ♦	HP-2004 ¹
Grand Cherokee III	3.0L V6 DSL	33-2233	
Grand Cherokee III	3.7L V6 F/I	33-2233	HP-2009 ¹
Grand Cherokee III	4.7L V8 F/I	33-2233	HP-2004 ¹
Grand Cherokee III	5.7L V8 F/I	33-2233 ♦	HP-2004 ¹
Grand Cherokee III	6.1L V8 F/I	33-2233	HP-2004 ¹
Liberty	2.8L L4 DSL	33-2233	
Liberty	3.7L V6 F/I	33-2233 ♦	HP-2009 ¹
Patriot	2.0L L4 DSL	33-2362	
Patriot	2.0L L4 F/I	33-2362+	HP-1017 ¹
Patriot	2.4L L4 F/I	33-2362 ♦+	HP-1017 ¹

Vehicle	Engine Type	Air Filter	Oil Filter
2007 JEEP			
Wrangler	3.8L V6 F/I	33-2364 ♦	HP-1002 ¹
Wrangler II	3.8L V6 F/I	33-2364	HP-1002 ¹
Wrangler III	2.8L L4 DSL	33-5023	
2006 JEEP			
Commander	3.7L V6 F/I	33-2233 ♦	HP-2009 ¹
Commander	4.7L V8 F/I	33-2233 ♦	HP-2004 ¹
Commander	5.7L V8 F/I	33-2233 ♦	HP-2004 ¹
Grand Cherokee	3.7L V6 F/I	33-2233 ♦	HP-2009 ¹
Grand Cherokee	4.7L V8 F/I	33-2233 ♦	HP-2004 ¹
Grand Cherokee	5.7L V8 F/I	33-2233 ♦	HP-2004 ¹
Grand Cherokee	6.1L V8 F/I	33-2233 ♦	HP-2004 ¹
Grand Cherokee III	3.0L V6 DSL	33-2233	
Grand Cherokee III	3.7L V6 F/I	33-2233	HP-2009 ¹
Grand Cherokee III	4.7L V8 F/I	33-2233	HP-2004 ¹
Grand Cherokee III	5.7L V8 F/I	33-2233 ♦	HP-2004 ¹
Grand Cherokee III	6.1L V8 F/I	33-2233	HP-2004 ¹
Liberty	2.8L L4 DSL	33-2233	HP-2009 ¹
Liberty	3.7L V6 F/I	33-2233 ♦	HP-2009 ¹
TJ	2.4L L4 F/I	33-2261	HP-1002 ¹
TJ	4.0L L6 F/I	33-2114 ♦	HP-2004 ¹
Wrangler	2.4L L4 F/I	33-2261	HP-1002 ¹
Wrangler	4.0L L6 F/I	33-2114 ♦	HP-2004 ¹
Wrangler II	2.4L L4 F/I	33-2261	HP-1002 ¹
Wrangler II	4.0L L6 F/I	33-2114	HP-2004 ¹

Vehicle	Engine Type	Air Filter	Oil Filter
2005 JEEP			
Cherokee	2.5L L4 DSL	33-2233	
Grand Cherokee	3.7L V6 F/I	33-2233 ♦	HP-2009 ¹
Grand Cherokee	4.7L V8 F/I	33-2233 ♦	HP-2004 ¹
Grand Cherokee	5.7L V8 F/I	33-2233 ♦	HP-2004 ¹
Grand Cherokee II	2.7L L5 DSL	33-2139	
Grand Cherokee II	4.7L V8 F/I		HP-2004 ¹
Grand Cherokee II	4.7L V8 F/I - w/High Output	33-2246	HP-2004
Grand Cherokee II	4.7L V8 F/I - w/o High Output	33-2139	HP-2004
Grand Cherokee III	3.0L V6 DSL	33-2233	
Grand Cherokee III	3.7L V6 F/I	33-2233	HP-2009 ¹
Grand Cherokee III	4.7L V8 F/I	33-2233	HP-2004 ¹
Grand Cherokee III	5.7L V8 F/I	33-2233 ♦	HP-2004 ¹
Liberty	2.4L L4 F/I		HP-1002 ¹
Liberty	2.8L L4 DSL	33-2233	HP-2009 ¹
Liberty	3.7L V6 F/I	33-2233 ♦	HP-2009 ¹
TJ	2.4L L4 F/I	33-2261	HP-1002 ¹
TJ	4.0L L6 F/I	33-2114 ♦	HP-2004 ¹
Wrangler	2.4L L4 F/I	33-2261	HP-1002 ¹
Wrangler	4.0L L6 F/I	33-2114 ♦	HP-2004 ¹
Wrangler II	2.4L L4 F/I	33-2261	HP-1002 ¹
Wrangler II	4.0L L6 F/I	33-2114	HP-2004 ¹

Vehicle	Engine Type	Air Filter	Oil Filter
2004 JEEP			
Cherokee	3.7L V6 F/I	33-2233	
Grand Cherokee	4.0L L6 F/I	33-2139 ♦	HP-2004 ¹
Grand Cherokee	4.7L V8 F/I		HP-2004 ¹
Grand Cherokee	4.7L V8 F/I - w/High Output	33-2246 ♦	HP-2004
Grand Cherokee	4.7L V8 F/I - w/o High Output	33-2139 ♦	HP-2004
Grand Cherokee II	4.0L L6 F/I	33-2139	HP-2004 ¹
Grand Cherokee II	4.7L V8 F/I		HP-2004 ¹
Grand Cherokee II	4.7L V8 F/I - w/High Output	33-2246	HP-2004
Grand Cherokee II	4.7L V8 F/I - w/o High Output	33-2139	HP-2004
Grand Cherokee III	4.7L V8 F/I		HP-2004 ¹

* 2 filters required ♦ Intake System Available - see page 370 +Cabin Air Filter Available - see page 353 1- Performance Silver Oil Filter Also Available



Vehicle	Engine Type	Air Filter	Oil Filter
2004 JEEP			
Grand Cherokee III	4.7L V8 F/I - From 10/04	33-2233	HP-2004
Liberty	2.4L L4 F/I		HP-1002 ¹
Liberty	3.7L V6 F/I	33-2233 ♦	HP-2009 ¹
TJ	2.4L L4 F/I	33-2261	HP-1002 ¹
TJ	4.0L L6 F/I	33-2114 ♦	HP-2004 ¹
Wrangler	2.4L L4 F/I	33-2261	HP-1002 ¹
Wrangler	4.0L L6 F/I	33-2114 ♦	HP-2004 ¹
Wrangler II	2.4L L4 F/I	33-2261	HP-1002 ¹
Wrangler II	4.0L L6 F/I	33-2114	HP-2004 ¹

Vehicle	Engine Type	Air Filter	Oil Filter
2003 JEEP			
Grand Cherokee	4.0L L6 F/I	33-2139 ♦	HP-2004 ¹
Grand Cherokee	4.7L V8 F/I		HP-2004 ¹
Grand Cherokee	4.7L V8 F/I - w/High Output	33-2246 ♦	HP-2004
Grand Cherokee	4.7L V8 F/I - w/o High Output	33-2139 ♦	HP-2004
Grand Cherokee II	4.0L L6 F/I	33-2139	HP-2004 ¹
Grand Cherokee II	4.7L V8 F/I		HP-2004 ¹
Grand Cherokee II	4.7L V8 F/I - w/High Output	33-2246	HP-2004
Grand Cherokee II	4.7L V8 F/I - w/o High Output	33-2139	HP-2004
Liberty	3.7L V6 F/I	33-2233 ♦	HP-2009 ¹
TJ	2.4L L4 F/I	33-2261	HP-1002 ¹
TJ	4.0L L6 F/I	33-2114 ♦	HP-2004 ¹
Wrangler	2.4L L4 F/I	33-2261	HP-1002 ¹
Wrangler	4.0L L6 F/I	33-2114 ♦	HP-2004 ¹
Wrangler II	2.4L L4 F/I	33-2261	HP-1002 ¹
Wrangler II	4.0L L6 F/I	33-2114	HP-2004 ¹

Vehicle	Engine Type	Air Filter	Oil Filter
2002 JEEP			
Cherokee	2.5L L4 DSL	33-2233	
Cherokee	3.7L V6 F/I	33-2233	
Grand Cherokee	4.0L L6 F/I	33-2139 ♦	HP-2004 ¹
Grand Cherokee	4.7L V8 F/I		HP-2004 ¹
Grand Cherokee	4.7L V8 F/I - w/High Output	33-2246 ♦	HP-2004
Grand Cherokee	4.7L V8 F/I - w/o High Output	33-2139 ♦	HP-2004
Grand Cherokee II	4.0L L6 F/I	33-2139	HP-2004 ¹
Grand Cherokee II	4.7L V8 F/I		HP-2004 ¹
Grand Cherokee II	4.7L V8 F/I - w/High Output	33-2246	HP-2004
Grand Cherokee II	4.7L V8 F/I - w/o High Output	33-2139	HP-2004
Liberty	2.4L L4 F/I		HP-1002 ¹
Liberty	3.7L V6 F/I	33-2233 ♦	HP-2009 ¹
TJ	2.5L L4 F/I	33-2114	HP-2004 ¹
TJ	4.0L L6 F/I	33-2114 ♦	HP-2004 ¹
Wrangler	2.5L L4 F/I	33-2114	HP-2004 ¹
Wrangler	4.0L L6 F/I	33-2114 ♦	HP-2004 ¹
Wrangler II	2.4L L4 F/I		HP-1002 ¹
Wrangler II	2.5L L4 F/I	33-2114	HP-2004 ¹
Wrangler II	4.0L L6 F/I	33-2114	HP-2004 ¹

Vehicle	Engine Type	Air Filter	Oil Filter
2001 JEEP			
Cherokee	4.0L L6 F/I	33-2122 ♦	HP-2004 ¹
Grand Cherokee	4.0L L6 F/I	33-2139 ♦	HP-2004 ¹
Grand Cherokee	4.7L V8 F/I	33-2139 ♦	HP-2004 ¹
Grand Cherokee II	4.0L L6 F/I	33-2139	HP-2004 ¹
Grand Cherokee II	4.7L V8 F/I		HP-2004 ¹
Grand Cherokee II	4.7L V8 F/I - w/High Output	33-2246	HP-2004
Grand Cherokee II	4.7L V8 F/I - w/o High Output	33-2139	HP-2004
TJ	2.5L L4 F/I	33-2114	HP-2004 ¹

Vehicle	Engine Type	Air Filter	Oil Filter
2001 JEEP			
TJ	4.0L L6 F/I	33-2114 ♦	HP-2004 ¹
Wrangler	2.5L L4 F/I	33-2114	HP-2004 ¹
Wrangler	4.0L L6 F/I	33-2114 ♦	HP-2004 ¹
Wrangler II	2.5L L4 F/I	33-2114	HP-2004 ¹
Wrangler II	4.0L L6 F/I	33-2114	HP-2004 ¹

Vehicle	Engine Type	Air Filter	Oil Filter
2000 JEEP			
Cherokee	4.0L L6 F/I	33-2122 ♦	HP-2004 ¹
Grand Cherokee	4.0L L6 F/I	33-2139 ♦	HP-2004 ¹
Grand Cherokee	4.7L V8 F/I	33-2139 ♦	HP-2004 ¹
Grand Cherokee II	4.0L L6 F/I	33-2139	HP-2004 ¹
Grand Cherokee II	4.7L V8 F/I		HP-2004 ¹
Grand Cherokee II	4.7L V8 F/I - w/High Output	33-2246	HP-2004
Grand Cherokee II	4.7L V8 F/I - w/o High Output	33-2139	HP-2004
TJ	2.5L L4 F/I	33-2114	HP-2004 ¹
TJ	4.0L L6 F/I	33-2114 ♦	HP-2004 ¹
Wrangler	2.5L L4 F/I	33-2114	HP-2004 ¹
Wrangler	4.0L L6 F/I	33-2114 ♦	HP-2004 ¹
Wrangler II	2.5L L4 F/I	33-2114	HP-2004 ¹
Wrangler II	4.0L L6 F/I	33-2114	HP-2004 ¹

Vehicle	Engine Type	Air Filter	Oil Filter
1999 JEEP			
Cherokee	4.0L L6 F/I	33-2122 ♦	HP-2004 ¹
Grand Cherokee	4.0L L6 F/I	33-2139 ♦	HP-2004 ¹
Grand Cherokee	4.7L V8 F/I	33-2139 ♦	HP-2004 ¹
Grand Cherokee I	4.0L L6 F/I		HP-2004 ¹
Grand Cherokee I	4.0L L6 F/I - To 4/99	33-2048	HP-2004
Grand Cherokee II	4.0L L6 F/I		HP-2004 ¹
Grand Cherokee II	4.0L L6 F/I - From 5/99	33-2139	HP-2004
Grand Cherokee II	4.7L V8 F/I		HP-2004 ¹
Grand Cherokee II	4.7L V8 F/I - w/High Output	33-2246	HP-2004
Grand Cherokee II	4.7L V8 F/I - w/o High Output	33-2139	HP-2004
TJ	2.5L L4 F/I	33-2114	HP-2004 ¹
TJ	4.0L L6 F/I	33-2114 ♦	HP-2004 ¹
Wrangler	2.5L L4 F/I	33-2114	HP-2004 ¹
Wrangler	4.0L L6 F/I	33-2114 ♦	HP-2004 ¹
Wrangler II	2.5L L4 F/I	33-2114	HP-2004 ¹
Wrangler II	4.0L L6 F/I	33-2114	HP-2004 ¹

Vehicle	Engine Type	Air Filter	Oil Filter
1998 JEEP			
Cherokee	4.0L L6 F/I	33-2122 ♦	HP-2004 ¹
Grand Cherokee	4.0L L6 F/I	33-2048 ♦	HP-2004 ¹
Grand Cherokee	5.2L V8 F/I	33-2048 ♦	HP-2004 ¹
Grand Cherokee	5.9L V8 F/I	33-2048 ♦	HP-2004 ¹
Grand Cherokee I	4.0L L6 F/I	33-2048	HP-2004 ¹
Grand Cherokee I	5.2L V8 F/I	33-2048	HP-2004 ¹
Grand Cherokee I	5.9L V8 F/I	33-2048	HP-2004 ¹
TJ	2.5L L4 F/I	33-2114	HP-2004 ¹
TJ	4.0L L6 F/I	33-2114 ♦	HP-2004 ¹
Wrangler	2.5L L4 F/I	33-2114	HP-2004 ¹
Wrangler	4.0L L6 F/I	33-2114 ♦	HP-2004 ¹
Wrangler II	2.5L L4 F/I	33-2114	HP-2004 ¹
Wrangler II	4.0L L6 F/I	33-2114	HP-2004 ¹

Vehicle	Engine Type	Air Filter	Oil Filter
1997 JEEP			
Cherokee	2.5L L4 F/I		HP-2004 ¹
Cherokee	2.5L L4 F/I - Non-US	33-2018	HP-2004
Cherokee	4.0L L6 F/I	33-2122 ♦	HP-2004 ¹
Grand Cherokee	4.0L L6 F/I	33-2048 ♦	HP-2004 ¹
Grand Cherokee	5.2L V8 F/I	33-2048 ♦	HP-2004 ¹
Grand Cherokee I	2.5L L4 DSL	33-2048	
Grand Cherokee I	4.0L L6 F/I	33-2048	HP-2004 ¹

* 2 filters required ♦ Intake System Available - see page 370 +Cabin Air Filter Available - see page 353 1- Performance Silver Oil Filter Also Available



AIR & OIL FILTERS

JEEP

Vehicle	Engine Type	Air Filter	Oil Filter
1997 JEEP			
Grand Cherokee I	5.2L V8 F/I	33-2048	HP-2004 ¹
TJ	2.5L L4 F/I		HP-2004 ¹
TJ	2.5L L4 F/I - OEM 4797777	33-2114	HP-2004
TJ	2.5L L4 F/I - OEM 53002184	33-2046	HP-2004
TJ	4.0L L6 F/I		HP-2004 ¹
TJ	4.0L L6 F/I - OEM 4797777	33-2114 ♦	HP-2004
TJ	4.0L L6 F/I - OEM 53002184	33-2046 ♦	HP-2004
Wrangler	2.5L L4 F/I		HP-2004 ¹
Wrangler	2.5L L4 F/I - OEM 4797777	33-2114	HP-2004
Wrangler	2.5L L4 F/I - OEM 53002184	33-2046	HP-2004
Wrangler	4.0L L6 F/I		HP-2004 ¹
Wrangler	4.0L L6 F/I - OEM 4797777	33-2114 ♦	HP-2004
Wrangler	4.0L L6 F/I - OEM 53002184	33-2046 ♦	HP-2004
Wrangler II	2.5L L4 F/I	33-2114	HP-2004 ¹
Wrangler II	4.0L L6 F/I	33-2114	HP-2004 ¹

2013 JOHN DEERE			
Gator XUV 625i 4x4	617	E-4552	
Gator XUV 825i 4x4	812	E-4552	
Gator XUV 825i 4x4	812	E-4552	
PS			
Gator XUV 825i 4x4	812	E-4552	
S4			

2012 JOHN DEERE			
Gator TS 4x2	351	E-4552	
Gator TX 4x2	675	E-4552	
Gator XUV 625i 4x4	617	E-4552	
Gator XUV 825i 4x4	812	E-4552	

2011 JOHN DEERE			
Gator XUV 625i 4x4	617	E-4552	
Gator XUV 825i 4x4	812	E-4552	

2010 JOHN DEERE			
Gator XUV 850D 4x4	854	E-4552	
Diesel			

2009 JOHN DEERE			
Gator XUV 620i 4x4	617	E-4552	

2008 JOHN DEERE			
Gator XUV 620i 4x4	617	E-4552	

2005 JOHN DEERE			
Buck EX	500	BD-6502	
Buck EXT	500	BD-6502	
Trail Buck 500	500	BD-6502	
Trail Buck 650	650	BD-6502	KN-556
Trail Buck 650 EX	650	BD-6502	KN-556
Trail Buck 650 EXT	650	BD-6502	KN-556

2020 KAWASAKI			
KRF800 Teryx	783	KA-7512	
KRF800 Teryx Camo	783	KA-7512	
KRF800 Teryx LE	783	KA-7512	
KRT800 Teryx4	783	KA-7512	
KRT800 Teryx4 Camo	783	KA-7512	
KRT800 Teryx4 LE	783	KA-7512	

2019 KAWASAKI			
KLX110	112	KA-1102	KN-112

Vehicle	Engine Type	Air Filter	Oil Filter
2019 KAWASAKI			
KLX110L	112		KN-112
KLZ1000 Versys LT	1043	KA-1111	KN-303
Ninja 125	125	KA-2414	KN-112
Ninja 400	399	KA-4018	
Z125	125	KA-2414	KN-112
Z125 Pro	125	KA-2414	KN-112
Z900RS	948	KA-9018	KN-303
Z1000	1043	KA-1111	KN-303
Z1000 SX	1043	KA-1111	KN-303
Z1000R	1043	KA-1111	KN-303
ZR900 Z900	948	KA-9017	
ZR900 Z900 ABS	948	KA-9017	
ZR900 Z900RS	948	KA-9018	
ZR900 Z900RS Cafe	948	KA-9018	
ZX636 Ninja ZX-6R	636	KA-6009	KN-303
ZX636 Ninja ZX-6R	636 - Race Specific	KA-6009R	KN-303
ZX636 Ninja ZX-6R	636	KA-6009	KN-303
ZX636 Ninja ZX-6R	636 - Race Specific	KA-6009R	KN-303
ZX636 Ninja ZX-6R	636	KA-6009	KN-303
ZX636 Ninja ZX-6R	636 - Race Specific	KA-6009R	KN-303
ZX636 Ninja ZX-6R	636	KA-6009	KN-303
ZX636 Ninja ZX-6R	636 - Race Specific	KA-6009R	KN-303
ZX636 Ninja ZX-6R	636	KA-6009	KN-303
ZX1000 Ninja H2	998	KA-9915	
ZX1000 Ninja H2	998	KA-9915	
Carbon			
ZX1000 Ninja H2 SX	998	KA-9915	
SE			
ZX1000 Ninja ZX-10R	998	KA-1016	KN-303
ZX1000 Ninja ZX-10R	998 - Race Specific	KA-1016R	KN-303
ZX1000 Ninja ZX-10R	998	KA-1016	KN-303
ABS			
ZX1000 Ninja ZX-10R	998 - Race Specific	KA-1016R	KN-303
ABS			
ZX1000 Ninja ZX-10R	998	KA-1016	KN-303
ABS KRT Edition			
ZX1000 Ninja ZX-10R	998 - Race Specific	KA-1016R	KN-303
ABS KRT Edition			
ZX1000 Ninja ZX-10R	998	KA-1016	KN-303
KRT Edition			
ZX1000 Ninja ZX-10R	998 - Race Specific	KA-1016R	KN-303
KRT Edition			
ZX1000 Ninja	998	KA-1016	KN-303
ZX-10RR			
ZX1000 Ninja	998 - Race Specific	KA-1016R	KN-303
ZX-10RR			

2018 KAWASAKI			
EN650 Vulcan S	649		KN-303
EN650 Vulcan S ABS	649		KN-303
EN650 Vulcan S ABS	649		KN-303
Cafe			
EN650 Vulcan S ABS	649		KN-303
SE			
EX400 Ninja	399		KN-303
EX400 Ninja ABS	399		KN-303
EX400 Ninja ABS	399		KN-303
KRT Ed.			
EX650 Ninja	649		KN-303
EX650 Ninja ABS	649		KN-303
EX650 Ninja ABS	649		KN-303
KRT Ed.			
KL650 Tengai	652		KN-123
KLE650 Versys ABS	649		KN-303

* 2 filters required ♦ Intake System Available - see page 370 +Cabin Air Filter Available - see page 353 1- Performance Silver Oil Filter Also Available



Vehicle	Engine Type	Air Filter	Oil Filter	Vehicle	Engine Type	Air Filter	Oil Filter
2018 KAWASAKI				2018 KAWASAKI			
KLE650 Versys ABS LT	649		KN-303	ZX1000 Ninja ZX-10R ABS	998 - Race Specific	KA-1016R	KN-303
KLE300 Versys-X	296		KN-303	ZX1000 Ninja ZX-10R ABS KRT Edition	998	KA-1016	KN-303
KLE300 Versys-X ABS	296		KN-303	ZX1000 Ninja ZX-10R ABS KRT Edition	998 - Race Specific	KA-1016R	KN-303
KLX110	112	KA-1102	KN-112	ZX1000 Ninja ZX-10R KRT Edition	998	KA-1016	KN-303
KLX110L	112	KA-1102	KN-112	ZX1000 Ninja ZX-10R KRT Edition	998 - Race Specific	KA-1016R	KN-303
KLX140	144		KN-112	ZX1000 Ninja ZX-10R SE	998	KA-1016	KN-303
KLX140G	144		KN-112	ZX1000 Ninja ZX-10R SE	998 - Race Specific	KA-1016R	KN-303
KLX140L	144		KN-112	ZX1000 Ninja ZX-10R SE	998	KA-1016	KN-303
KLX250	249		KN-112	ZX1000 Ninja ZX-10R SE	998 - Race Specific	KA-1016R	KN-303
KLX250 Camo	249		KN-112	ZX1000 Ninja ZX-10R SE	998	KA-1016	KN-303
KLX450R	449		KN-112	ZX1000 Ninja ZX-10R SE	998 - Race Specific	KA-1016R	KN-303
KLZ1000 Versys LT	1043	KA-1111	KN-303	ZX1000 Ninja ZX-10RR	998	KA-1016	KN-303
KRF800 Teryx	783		KN-204-1	ZX1000 Ninja ZX-10RR	998 - Race Specific	KA-1016R	KN-303
KRF800 Teryx Camo	783	KA-7512	KN-204-1	ZX1400 Ninja ZX-14R ABS SE	1441		KN-303
KRF800 Teryx LE	783	KA-7512	KN-204-1	ZZR1400	1400		KN-303
KRT800 Teryx4	783		KN-204-1	2017 KAWASAKI			
KRT800 Teryx4 Camo	783	KA-7512	KN-204-1	EN650 Vulcan S	649		KN-303
KRT800 Teryx4 LE	783	KA-7512	KN-204-1	EN650 Vulcan S ABS	649		KN-303
KVF750 Brute Force 4x4i EPS	749		KN-204-1	EN650 Vulcan S ABS Cafe	649		KN-303
KVF750 Brute Force 4x4i EPS Camo	749		KN-204-1	EN650 Vulcan S ABS SE	649		KN-303
KX250F	249	KA-4516XD	KN-207	EX250R Ninja	249	KA-2508	
KX450F	449	KA-4516XD	KN-207	EX300 Ninja	296	KA-2508	KN-303
VN1700 Vulcan Vaquero	1700	KA-1709	KN-303	EX300 Ninja ABS	296	KA-2508	KN-303
VN1700 Vulcan Voyager ABS	1700	KA-1709	KN-303	EX300 Ninja ABS KRT Edition	296	KA-2508	KN-303
Z125 Pro	125		KN-112	EX300 Ninja ABS Winter Test Edition	296	KA-2508	KN-303
Z650	649		KN-303	EX650 Ninja	649		KN-303
Z650 ABS	649		KN-303	EX650 Ninja ABS	649		KN-303
Z900RS	948	KA-9018	KN-303	EX650 Ninja ABS KRT Ed.	649		KN-303
Z1000	1043	KA-1111	KN-303	JT1500 Ultra 310X SE	1498		KN-204-1
Z1000 SX	1043	KA-1111	KN-303	JT1500 Ultra 310X SE	1498		KN-204-1
Z1000R	1043	KA-1111	KN-303	KAF620 Mule 4000 4x4	617	KA-6201	KN-128
ZG1400 Concours ABS	1352		KN-303	KAF620 Mule 4010 4x4 SE	617		KN-128
ZR900 Z900	948	KA-9017	KN-303	KAF620 Mule 4010 Trans 4x4 Camo	617		KN-128
ZR900 Z900 ABS	948	KA-9017	KN-303	KAF620 Mule 4010 Trans 4x4 SE	617		KN-128
ZR900 Z900RS	948	KA-9018	KN-303	KLE650 Versys ABS	649		KN-303
ZR900 Z900RS Cafe	948	KA-9018	KN-303	KLE650 Versys ABS LT	649		KN-303
ZX636 Ninja ZX-6R	636	KA-6009	KN-303	KLE300 Versys-X	296		KN-303
ZX636 Ninja ZX-6R ABS	636 - Race Specific	KA-6009R	KN-303	KLE300 Versys-X ABS	296		KN-303
ZX636 Ninja ZX-6R ABS KRT Edition	636		KN-303	KLR650	651	KA-6589	KN-123
ZX636 Ninja ZX-6R KRT Edition	636		KN-303	KLR650 Camo	651	KA-6589	KN-123
ZX1000 Ninja ABS	1043		KN-303	KLX110	112	KA-1102	KN-112
ZX1000 Ninja H2	998	KA-9915	KN-303	KLX110L	112	KA-1102	KN-112
ZX1000 Ninja H2 Carbon	998	KA-9915	KN-303	KLX140	144		KN-112
ZX1000 Ninja H2 SX	998	KA-9915	KN-303	KLX140G	144		KN-112
ZX1000 Ninja H2 SX SE	998		KN-303	KLX140L	144		KN-112
ZX1000 Ninja H2R	998		KN-303	KLX250	249		KN-112
ZX1000 Ninja ZX-10R	998	KA-1016	KN-303	KLZ1000 Versys LT	1043	KA-1111	KN-303
ZX1000 Ninja ZX-10R ABS	998 - Race Specific	KA-1016R	KN-303				
ZX1000 Ninja ZX-10R ABS	998	KA-1016	KN-303				

* 2 filters required ♦ Intake System Available - see page 370 +Cabin Air Filter Available - see page 353 1- Performance Silver Oil Filter Also Available



AIR & OIL FILTERS

KAWASAKI

Vehicle	Engine Type	Air Filter	Oil Filter	Vehicle	Engine Type	Air Filter	Oil Filter
2017 KAWASAKI				2016 KAWASAKI			
KRF800 Teryx	783	KA-7512		1400GTR	1400	KA-1406	
KRF800 Teryx Camo	783	KA-7512		EN650 Vulcan S	649		KN-303
KRF800 Teryx LE	783	KA-7512		EN650 Vulcan S ABS	649		KN-303
KRT800 Teryx4	783	KA-7512	KN-204-1	EN650 Vulcan S ABS	649		KN-303
KRT800 Teryx4 Camo	783	KA-7512	KN-204-1	Cafe			
KRT800 Teryx4 LE	783	KA-7512	KN-204-1	EN650 Vulcan S ABS	649		KN-303
KVF300 Brute Force	271	KA-2712		SE			
KVF750 Brute Force	749	KA-7408	KN-204-1	ER6n	649	KA-6512	KN-303
KVF750 Brute Force 4x4i	749	KA-7408	KN-204-1	EX250R Ninja	249	KA-2508	
KVF750 Brute Force 4x4i EPS	749	KA-7408	KN-204-1	EX300 Ninja	296	KA-2508	KN-303
KVF750 Brute Force 4x4i EPS Camo	749	KA-7408	KN-204-1	EX300 Ninja ABS	296	KA-2508	KN-303
KX250F	249	KA-4516XD	KN-207	EX300 Ninja ABS	296	KA-2508	KN-303
KX450F	449	KA-4516XD	KN-207	KRT Edition			
VN1700 Vulcan Vaquero	1700	KA-1709	KN-303	EX650 Ninja	649	KA-6512	KN-303
VN1700 Vulcan Vaquero ABS	1700	KA-1709	KN-303	EX650 Ninja ABS	649	KA-6512	KN-303
VN1700 Vulcan Voyager ABS	1700	KA-1709	KN-303	JT1500 STX-15F	1498		KN-204-1
Z125 Pro	125		KN-112	KAF400 Mule 610 4x4 SE	400		KN-128
Z650	649		KN-303	KAF400 Mule 610 4x4 XC	400	KA-4093	KN-128
Z650 ABS	649		KN-303	KAF400 Mule 610 4x4 XC SE	400	KA-4093	KN-128
Z1000	1043	KA-1111	KN-303	KAF620 Mule 4010 4x4 SE	617	KA-6201	KN-128
Z1000 SX	1043	KA-1111	KN-303	KLE650 Versys ABS	649		KN-303
ZG1400 Concours ABS	1352		KN-303	KLE650 Versys ABS	649		KN-303
ZR900 Z900	948	KA-9017	KN-303	LT			
ZR900 Z900 ABS	948	KA-9017	KN-303	KLR650	651	KA-6589	KN-123
ZX636 Ninja ZX-6R	636	KA-6009	KN-303	KLR650 Camo	651	KA-6589	KN-123
ZX636 Ninja ZX-6R	636 - Race Specific	KA-6009R	KN-303	KLX110	111	KA-1102	KN-112
ZX636 Ninja ZX-6R ABS	636		KN-303	KLX110L	112		KN-112
ZX636 Ninja ZX-6R ABS KRT Edition	636		KN-303	KLX140	144	KA-1408	KN-112
ZX636 Ninja ZX-6R KRT Edition	636		KN-303	KLX140L	144	KA-1408	KN-112
ZX1000 Ninja ABS	1043		KN-303	KLX250	249		KN-112
ZX1000 Ninja H2 Carbon	998	KA-9915	KN-303	KLZ1000 Versys LT	1043	KA-1111	KN-303
ZX1000 Ninja H2R	998		KN-303	KRF800 Teryx	783	KA-7512	
ZX1000 Ninja ZX-10R	998	KA-1016	KN-303	KRF800 Teryx Camo	783	KA-7512	
ZX1000 Ninja ZX-10R	998 - Race Specific	KA-1016R	KN-303	KRF800 Teryx LE	783	KA-7512	
ZX1000 Ninja ZX-10R ABS	998	KA-1016	KN-303	KRT800 Teryx4	783	KA-7512	KN-204-1
ZX1000 Ninja ZX-10R ABS KRT Edition	998	KA-1016R	KN-303	KRT800 Teryx4 Camo	783	KA-7512	KN-204-1
ZX1000 Ninja ZX-10R KRT Edition	998	KA-1016	KN-303	KRT800 Teryx4 LE	783	KA-7512	KN-204-1
ZX1000 Ninja ZX-10R	998 - Race Specific	KA-1016R	KN-303	KVF300 Brute Force	271	KA-2712	
ZX1000 Ninja ZX-10R KRT Edition	998	KA-1016	KN-303	KVF750 Brute Force 4x4i	749	KA-7408	KN-204-1
ZX1000 Ninja ZX-10R	998	KA-1016	KN-303	KVF750 Brute Force 4x4i EPS	749	KA-7408	KN-204-1
ZX1000 Ninja ZX-10R	998 - Race Specific	KA-1016R	KN-303	KVF750 Brute Force 4x4i EPS Camo	749	KA-7408	KN-204-1
ZX1000 Ninja ZX-10R ABS KRT Edition	998	KA-1016	KN-303	KX250F	249	KA-2506XD	KN-207
ZX1000 Ninja ZX-10R KRT Edition	998	KA-1016	KN-303	KX450F	449	KA-4516XD	KN-207
ZX1000 Ninja ZX-10R	998	KA-1016	KN-303	Ninja 250 SL	249	KA-2414	
ZX1000 Ninja ZX-10R	998 - Race Specific	KA-1016R	KN-303	VN1700 Vulcan Nomad	1700		KN-303
ZX1000 Ninja ZX-10R	998	KA-1016	KN-303	VN1700 Vulcan Vaquero	1700	KA-1709	KN-303
ZX1000 Ninja ZX-10R	998	KA-1016	KN-303	VN1700 Vulcan Vaquero ABS	1700	KA-1709	KN-303
ZX1000 Ninja ZX-10R	998 - Race Specific	KA-1016R	KN-303	Z800 ABS	806	KA-1003	KN-303
ZX1000 Ninja ZX-10RR	998	KA-1016	KN-303	Z1000	1043	KA-1111	KN-303
ZX1000 Ninja ZX-10RR	998 - Race Specific	KA-1016R	KN-303	Z1000 SX	1043	KA-1111	KN-303
ZX1400 Ninja ZX-14R ABS	1441		KN-303	ZG1400 Concours ABS	1352		KN-303
ZX1400 Ninja ZX-14R ABS SE	1441		KN-303	ZR1000 ABS	1000		KN-303
ZZR1400	1400		KN-303	ZX636 Ninja ZX-6R	636	KA-6009	KN-303

* 2 filters required ♦ Intake System Available - see page 370 +Cabin Air Filter Available - see page 353 1- Performance Silver Oil Filter Also Available

Partial Listing: Complete Listing of Vehicles and Parts at KNFILTERS.COM or call 1-800-858-3333



Vehicle	Engine Type	Air Filter	Oil Filter	Vehicle	Engine Type	Air Filter	Oil Filter
2016 KAWASAKI				2015 KAWASAKI			
ZX636 Ninja ZX-6R	636 - Race Specific	KA-6009R	KN-303	KVF300 Brute Force	271	KA-2712	
ZX636 Ninja ZX-6R ABS	636	KA-6009	KN-303	KVF750 Brute Force 4x4i	749		KN-204-1
ZX636 Ninja ZX-6R ABS	636 - Race Specific	KA-6009R	KN-303	KVF750 Brute Force 4x4i EPS	749	KA-7408	KN-204-1
ZX636 Ninja ZX-6R ABS KRT Edition	636		KN-303	KX250F	249	KA-2506XD	KN-207
ZX636 Ninja ZX-6R KRT Edition	636		KN-303	KX450F	449	KA-2506XD	KN-112
ZX1000 Ninja ABS	998	KA-1111	KN-303	VN1700 Vulcan Vaquero	1700	KA-1709	KN-303
ZX1000 Ninja ZX-10R	998	KA-1016	KN-303	VN1700 Vulcan Voyager ABS	1700	KA-1709	KN-303
ZX1000 Ninja ZX-10R ABS	998 - Race Specific	KA-1016R	KN-303	Z800	806	KA-1003	
ZX1000 Ninja ZX-10R ABS	998	KA-1016	KN-303	Z800e	806	KA-1003	
ZX1000 Ninja ZX-10R ABS	998 - Race Specific	KA-1016R	KN-303	Z1000 ABS	1043	KA-1111	KN-303
ZX1000 Ninja ZX-10R ABS KRT Edition	998	KA-1016	KN-303	ZG1400 Concours ABS	1352		KN-303
ZX1000 Ninja ZX-10R ABS KRT Edition	998 - Race Specific	KA-1016R	KN-303	ZX636 Ninja ZX-6R	636		KN-303
ZX1000 Ninja ZX-10R KRT Edition	998	KA-1016	KN-303	ZX636 Ninja ZX-6R 30th Anniversary	636	KA-6009	KN-303
ZX1000 Ninja ZX-10R KRT Edition	998 - Race Specific	KA-1016R	KN-303	ZX636 Ninja ZX-6R 30th Anniversary	636 - Race Specific	KA-6009R	KN-303
ZX1400 Ninja ZX-14R ABS	1441		KN-303	ZX636 Ninja ZX-6R ABS	636		KN-303
ZX1400 Ninja ZX-14R ABS SE	1441		KN-303	ZX636 Ninja ZX-6R ABS 30th Anniversary	636	KA-6009	KN-303
2015 KAWASAKI				2015 KAWASAKI			
1400GTR	1400	KA-1406		ZX1000 Ninja ZX-10R ABS	998	KA-1111	KN-303
EN650 Vulcan S	649		KN-303	ZX1000 Ninja ZX-10R	1000	KA-1011	KN-303
EN650 Vulcan S ABS	649		KN-303	ZX1000 Ninja ZX-10R 30th Anniversary	1000 - Race Specific	KA-1011R	KN-303
ER6f	650	KA-6512		ZX1000 Ninja ZX-10R 30th Anniversary	1000	KA-1011	KN-303
ER6n	649	KA-6512	KN-303	ZX1000 Ninja ZX-10R 30th Anniversary	1000 - Race Specific	KA-1011R	KN-303
EX250R Ninja	249	KA-2508		ZX1000 Ninja ZX-10R ABS	1000	KA-1011	KN-303
EX300 Ninja	296	KA-2508	KN-303	ZX1000 Ninja ZX-10R ABS	1000 - Race Specific	KA-1011R	KN-303
EX300 Ninja ABS	296	KA-2508	KN-303	ZX1000 Ninja ZX-10R ABS 30th Anniversary	1000	KA-1011	KN-303
EX300 Ninja ABS ES	296	KA-2508	KN-303	ZX1000 Ninja ZX-10R ABS 30th Anniversary	1000 - Race Specific	KA-1011R	KN-303
EX300 Ninja SE	296	KA-2508	KN-303	ZX1400 Ninja ZX-14R ABS	1441		KN-303
EX650 Ninja	649	KA-6512	KN-303	ZX1400 Ninja ZX-14R ABS 30th Anniversary	1441		KN-303
EX650 Ninja ABS	649	KA-6512	KN-303	2014 KAWASAKI			
KAF400 Mule 610 4x4 XC	400	KA-4093	KN-128	1400GTR	1400	KA-1406	
KAF400 Mule 610 4x4 XC SE	400	KA-4093	KN-128	ER6n	649	KA-6512	KN-303
KAF620 Mule 4010 Trans 4x4	617	KA-6201	KN-128	EX250R Ninja	249	KA-2508	
KAF620 Mule 4010 Trans 4x4 Camo	617		KN-128	EX300 Ninja	296	KA-2508	KN-303
KLE650 Versys ABS	649		KN-303	EX300 Ninja ABS	296	KA-2508	KN-303
KLE650 Versys ABS LT	649		KN-303	EX300 Ninja ABS SE	296	KA-2508	KN-303
KLR650	651	KA-6589	KN-123	EX300 Ninja SE	296	KA-2508	KN-303
KLX110L	111	KA-1102	KN-112	EX650 Ninja	649	KA-6512	KN-303
KLX110L	112		KN-112	EX650 Ninja ABS	649	KA-6512	KN-303
KLX140L	144	KA-1408	KN-112	JT1500 Ultra 310X SE	1498		KN-204-1
KLX250	249		KN-112	JT1500 Ultra LX	1498		KN-204-1
KLZ1000 Versys LT	1043	KA-1111	KN-303	KAF400 Mule 610 4x4 XC	400	KA-4093	KN-128
KLZ1000 Versys LT	1049	KA-1111	KN-303	KAF400 Mule 610 4x4 XC SE	400	KA-4093	KN-128
KRF800 Teryx	783	KA-7512		KAF620 Mule 4010 4x4	617	KA-6201	KN-128
KRF800 Teryx Camo	783	KA-7512		KFX450R	449	KA-4508	KN-112
KRF800 Teryx LE	783	KA-7512					
KRT800 Teryx4 Camo	783		KN-204-1				
KRT800 Teryx4 LE	783	KA-7512	KN-204-1				

* 2 filters required ♦ Intake System Available - see page 370 +Cabin Air Filter Available - see page 353 1- Performance Silver Oil Filter Also Available



AIR & OIL FILTERS

KAWASAKI

Vehicle	Engine Type	Air Filter	Oil Filter	Vehicle	Engine Type	Air Filter	Oil Filter
2014 KAWASAKI				2013 KAWASAKI			
KLE650 Versys	649		KN-303	KAF950 Mule 4010 Diesel 4x4	953	KA-6201	
KLR650	651	KA-6589		KLE650 Versys	649		KN-303
KLR650 New Edition	651	KA-6589		KLR650	651	KA-6589	KN-123
KLX110L	111		KN-112	KLX110L	111		KN-112
KLX140	144	KA-1408	KN-112	KLX140L	144	KA-1408	KN-112
KLX140L	144	KA-1408	KN-112	KLX250S	249		KN-112
KLX250S	249		KN-112	KLZ1000 Versys LT	1043	KA-1111	KN-303
KLZ1000 Versys LT	1043	KA-1111	KN-303	KRF750 Teryx FI 4x4	749		KN-204-1
KRF800 Teryx Camo	783		KN-204-1	KRF750 Teryx FI 4x4 LE	749		KN-204-1
KRF800 Teryx LE	783		KN-204-1	KRF750 Teryx FI 4x4 LE Camo	749	KA-7513	KN-204-1
KRT800 Teryx	783	KA-7512	KN-204-1	KRF750 Teryx FI 4x4 Sport	749	KA-7513	KN-204-1
KRT800 Teryx Camo	783	KA-7512	KN-204-1	KRT750 Teryx4 4x4 EPS	749		KN-204-1
KRT800 Teryx LE	783	KA-7512	KN-204-1	KRT750 Teryx4 4x4 EPS LE	749		KN-204-1
KRT800 Teryx4	783	KA-7512	KN-204-1	KVF750 Brute Force 4x4i	749	KA-7408	KN-204-1
KRT800 Teryx4 Camo	783	KA-7512	KN-204-1	KVF750 Brute Force 4x4i	749	KA-7408	KN-204-1
KRT800 Teryx4 LE	783	KA-7512	KN-204-1	KX250F	249	KA-2506XD	KN-207
KVF650 Brute Force 4x4i	650		KN-204-1	KX450F	449	KA-2506XD	KN-112
KVF750 Brute Force 4x4i	749	KA-7408	KN-204-1	VN1700 Vulcan Nomad	1700	KA-1709	KN-303
KVF750 Brute Force 4x4i EPS	749	KA-7408	KN-204-1	VN1700 Vulcan Classic Tourer ABS	1700	KA-1709	KN-303
KX250F	249	KA-2506XD	KN-207	VN1700 Vulcan Nomad	1700	KA-1709	KN-303
KX450F	449	KA-2506XD	KN-112	VN1700 Vulcan Vaquero	1700	KA-1709	KN-303
VN1700 Vulcan Classic Tourer ABS	1700		KN-303	VN1700 Vulcan Voyager	1700	KA-1709	KN-303
VN1700 Vulcan Nomad	1700	KA-1709	KN-303	VN1700 Vulcan Voyager ABS	1700	KA-1709	KN-303
VN1700 Vulcan Vaquero	1700	KA-1709	KN-303	Z1000	1043	KA-1111	KN-303
VN1700 Vulcan Voyager ABS	1700	KA-1709	KN-303	ZG1400 Concours ABS	1352		KN-303
Z800	806	KA-1003	KN-303	ZG1400 Concours ABS - US	1352 - US	KA-1406	KN-303
Z800e	806	KA-1003	KN-303	ZX600 Ninja ZX-6R	599		KN-303
Z1000	1043	KA-1111	KN-303	ZX636 Ninja ZX-6R	636	KA-6009	KN-303
ZG1400 Concours ABS	1352		KN-303	ZX636 Ninja ZX-6R - Race Specific	636 - Race Specific	KA-6009R	KN-303
ZG1400 Concours ABS - US	1352 - US	KA-1406	KN-303	ZX636 Ninja ZX-6R ABS	636	KA-6009	KN-303
ZR1000 ABS	1000		KN-303	ZX636 Ninja ZX-6R ABS - Race Specific	636 - Race Specific	KA-6009R	KN-303
ZX636 Ninja ZX-6R	636	KA-6009	KN-303	ZX1000 Ninja	1043	KA-1111	
ZX636 Ninja ZX-6R - Race Specific	636 - Race Specific	KA-6009R	KN-303	ZX1000 Ninja ABS	1043	KA-1111	KN-303
ZX636 Ninja ZX-6R ABS	636	KA-6009	KN-303	ZX1000 Ninja ZX-10R	1000	KA-1011	KN-303
ZX636 Ninja ZX-6R ABS - Race Specific	636 - Race Specific	KA-6009R	KN-303	ZX1000 Ninja ZX-10R - Race Specific	1000 - Race Specific	KA-1011R	KN-303
ZX1000 Ninja ABS	1043	KA-1111	KN-303	ZX1000 Ninja ZX-10R ABS	1000	KA-1011	KN-303
ZX1000 Ninja ZX-10R	1000	KA-1011	KN-303	ZX1000 Ninja ZX-10R - Race Specific	1000 - Race Specific	KA-1011R	KN-303
ZX1000 Ninja ZX-10R - Race Specific	1000 - Race Specific	KA-1011R	KN-303	ZX1400 Ninja ZX-14R	1441		KN-303
ZX1000 Ninja ZX-10R ABS	1000	KA-1011	KN-303	ZX1400 Ninja ZX-14R ABS	1441		KN-303
ZX1000 Ninja ZX-10R - Race Specific ABS	1000 - Race Specific	KA-1011R	KN-303	2012 KAWASAKI			
ZX1400 Ninja ZX-14R	1441		KN-303	1400GTR	1400	KA-1406	
ZX1400 Ninja ZX-14R ABS	1441		KN-303	ER6n	649	KA-6512	KN-303
2013 KAWASAKI				EX250R Ninja	250	KA-2508	KN-401
1400GTR	1400	KA-1406		EX650 Ninja	649	KA-6512	KN-303
ER6n	649	KA-6512	KN-303	KAF620 Mule 4010 Trans 4x4	617	KA-6201	KN-128
EX250R Ninja	249	KA-2508		KLE650 Versys	649		KN-303
EX300 Ninja	296	KA-2508	KN-303	KLR650	651	KA-6589	KN-123
EX300 Ninja ABS	296	KA-2508	KN-303	KLX110L	111	KA-1102	KN-112
EX650 Ninja	649	KA-6512	KN-303	KLX140L	144	KA-1408	KN-112
EX650 Ninja ABS	649	KA-6512	KN-303				

* 2 filters required ♦ Intake System Available - see page 370 +Cabin Air Filter Available - see page 353 1- Performance Silver Oil Filter Also Available



Vehicle	Engine Type	Air Filter	Oil Filter	Vehicle	Engine Type	Air Filter	Oil Filter
2012 KAWASAKI				2011 KAWASAKI			
KLX250S	249		KN-112	KVF750 Brute Force 4x4i	749	KA-7408	KN-204-1
KLZ1000 Versys LT	1043	KA-1111	KN-303	KX250F	250	KA-2506XD	KN-207
KRF750 Teryx FI 4x4	750	KA-7508	KN-204-1	KX450F	450	KA-2506XD	KN-112
KRF750 Teryx FI 4x4 LE	750	KA-7508	KN-204-1	VN1700 Vulcan Nomad	1700	KA-1709	KN-303
KRF750 Teryx FI 4x4 Sport	750	KA-7508	KN-204-1	VN1700 Vulcan Vaquero	1700	KA-1709	KN-303
KRT750 Teryx4	749	KA-7512		VN1700 Vulcan Voyager	1700	KA-1709	KN-303
KVF650 Brute Force 4x4i	650	KA-7504	KN-204-1	VN1700 Vulcan Voyager ABS	1700	KA-1709	KN-303
KVF750 Brute Force 4x4i	749	KA-7408	KN-204-1	VN1700 Vulcan Voyager Custom ABS	1700	KA-1709	KN-303
KX250F	249	KA-2506XD	KN-207	Z1000	1043		KN-303
KX450F	449	KA-2506XD	KN-112	Z1000	1043 - After VIN ZRT00DE010766	KA-1111	KN-303
Ultra 300 X	1498		KN-204-1	Z1000	1043 - Before VIN ZRT00DE010765	KA-1010	KN-303
VN1700 Vulcan Classic	1700		KN-303	Z1000 SX	1043	KA-1111	KN-303
VN1700 Vulcan Classic Tourer ABS	1700	KA-1709	KN-303	ZG1400 Concours ABS	1352	KA-1406	KN-303
VN1700 Vulcan Nomad	1700	KA-1709	KN-303	ZX600 Ninja ZX-6R	599	KA-6009	KN-303
VN1700 Vulcan Vaquero	1700	KA-1709	KN-303	ZX600 Ninja ZX-6R - Race Specific	599	KA-6009R	KN-303
VN1700 Vulcan Voyager	1700	KA-1709	KN-303	ZX1000 Ninja	1043	KA-1111	KN-303
VN1700 Vulcan Voyager ABS	1700	KA-1709	KN-303	ZX1000 Ninja ZX-10R	1000	KA-1011	KN-303
VN1700 Vulcan Voyager Custom ABS	1700	KA-1709	KN-303	ZX1000 Ninja ZX-10R - Race Specific	1000	KA-1011R	KN-303
Z750R	750	KA-1003	KN-303	ZX1000 Ninja ZX-10R ABS	1000 - Race Specific	KA-1011R	KN-303
Z1000	1043	KA-1111	KN-303	ZX1400 Ninja ZX-14	1400	KA-1406	KN-303
Z1000 SX	1043	KA-1111	KN-303	ZZR1400	1400	KA-1406	KN-303
ZG1400 Concours ABS	1352		KN-303	2010 KAWASAKI			
ZG1400 Concours ABS - US	1352	KA-1406	KN-303	1400GTR	1400	KA-1406	KN-303
ZX600 Ninja ZX-6R	599	KA-6009	KN-303	ER6n	649		KN-303
ZX600 Ninja ZX-6R - Race Specific	599	KA-6009R	KN-303	EX250R Ninja	250	KA-2508	KN-401
ZX1000 Ninja	1043	KA-1111	KN-303	EX650R Ninja	649		KN-303
ZX1000 Ninja ABS	1043	KA-1111	KN-303	JT1500 STX-15F	1498		KN-204-1
ZX1000 Ninja ZX-10R	1000	KA-1011	KN-303	KFX450R	449	KA-4508	KN-112
ZX1000 Ninja ZX-10R - Race Specific	1000	KA-1011R	KN-303	KLE650 Versys	649		KN-303
ZX1000 Ninja ZX-10R ABS	1000	KA-1011	KN-303	KLR650	651	KA-6589	KN-123
ZX1000 Ninja ZX-10R - Race Specific	1000	KA-1011R	KN-303	KLX110	111		KN-112
ZX1400 Ninja ZX-14R	1441		KN-303	KLX110L	111	KA-1102	KN-112
ZZR1400	1400		KN-303	KLX250S	249		KN-112
2011 KAWASAKI				KLX250SF	249		KN-112
1400GTR	1400	KA-1406		KRF750 Teryx FI 4x4	750		KN-204-1
ER6n	649		KN-303	KRF750 Teryx FI 4x4 LE	750	KA-7508	KN-204-1
EX250R Ninja	250	KA-2508	KN-401	KRF750 Teryx FI 4x4 Sport	750		KN-204-1
EX650R Ninja	649		KN-303	KVF750 Brute Force 4x4i	749	KA-7408	KN-204-1
JT1500 STX-15F	1498		KN-204-1	KX250F	250	KA-2506XD	KN-207
KFX450R	449	KA-4508	KN-112	KX450F	450	KA-2506XD	KN-112
KLE650 Versys	649		KN-303	VN1700 Vulcan Nomad	1700	KA-1709	KN-303
KLR650	651	KA-6589	KN-123	VN1700 Vulcan Voyager	1700	KA-1709	KN-303
KLX250	249		KN-112	VN1700 Vulcan Voyager ABS	1700	KA-1709	KN-303
KRF750 Teryx FI 4x4	750		KN-204-1	VN2000 Vulcan Classic LT	2000		KN-303
KRF750 Teryx FI 4x4 Sport	750		KN-204-1	Z1000	1043	KA-1010	KN-303
KVF650 Brute Force 4x4i	650		KN-204-1	ZG1400 Concours	1352	KA-1406	KN-303

* 2 filters required ♦ Intake System Available - see page 370 +Cabin Air Filter Available - see page 353 1- Performance Silver Oil Filter Also Available



AIR & OIL FILTERS

KAWASAKI

Vehicle	Engine Type	Air Filter	Oil Filter
2010 KAWASAKI			
ZG1400 Concours ABS	1352	KA-1406	KN-303
ZX600 Ninja ZX-6R	599	KA-6009	KN-303
ZX600 Ninja ZX-6R	599 - Race Specific	KA-6009R	KN-303
ZX1000 Ninja ZX-10R	1000	KA-1008	KN-303
ZX1000 Ninja ZX-10R	1000 - Race Specific	KA-1008R	KN-303
ZX1400 Ninja ZX-14	1400	KA-1406	KN-303

Vehicle	Engine Type	Air Filter	Oil Filter
2009 KAWASAKI			
1400GTR	1400	KA-1406	KN-303
EN500 Vulcan LTD	500	KA-5096	KN-303
ER6n	649		KN-303
EX250R Ninja	250	KA-2508	KN-401
EX500R Ninja	500	KA-5087	KN-303
EX650R Ninja	649		KN-303
JT1500 STX-15F	1493		KN-204-1
KAF620 Mule 4010 4x4	617	KA-6201	KN-128
KFX450R	449	KA-4508	KN-112
KL250 Super Sherpa	250		KN-112
KLE650 Versys	649		KN-303
KLR650	651	KA-6589	KN-123
KLX110	111		KN-112
KLX140	144	KA-1408	KN-112
KLX140L	144	KA-1408	KN-112
KLX250S	249		KN-112
KLX250SF	249		KN-112
KLX450R	449		KN-112
KRF750 Teryx 4x4 LE	750		KN-204-1
KRF750 Teryx FI 4x4 LE	750		KN-204-1
KRF750 Teryx FI 4x4 LE Camo	750	KA-7508	KN-204-1
KRF750 Teryx FI 4x4 Sport	750	KA-7508	KN-204-1
KVF650 Brute Force 4x4	650	KA-6503	KN-204-1
KVF650 Brute Force 4x4i	650	KA-7504	KN-204-1
KVF750 Brute Force 4x4i	749	KA-7408	KN-204-1
KX250F	250	KA-2506XD	KN-207
KX450F	450	KA-2506XD	KN-112
VN1700 Vulcan Classic	1700	KA-1709	KN-303
VN1700 Vulcan Classic LT	1700	KA-1709	KN-303
VN1700 Vulcan Nomad	1700	KA-1709	KN-303
VN1700 Vulcan Voyager	1700	KA-1709	KN-303
VN1700 Vulcan Voyager ABS	1700	KA-1709	KN-303
VN2000 Vulcan Classic	2000		KN-303
VN2000 Vulcan Classic LT	2000	KA-2008	KN-303
Z1000	1043	KA-1003	KN-303
ZG1400 Concours	1352	KA-1406	KN-303
ZG1400 Concours ABS	1352	KA-1406	KN-303
ZX600 Ninja ZX-6R	599	KA-6009	KN-303
ZX600 Ninja ZX-6R	599 - Race Specific	KA-6009R	KN-303
ZX1000 Ninja ZX-10R	1000	KA-1008	KN-303
ZX1000 Ninja ZX-10R	1000 - Race Specific	KA-1008R	KN-303
ZX1400 Ninja ZX-14	1400	KA-1406	KN-303
ZZR600	600 - US	KA-6098	KN-303
ZZR1400	1400	KA-1406	KN-303

Vehicle	Engine Type	Air Filter	Oil Filter
2009 KAWASAKI			
ZX1400 Ninja ZX-14	1400	KA-1406	KN-303
2008 KAWASAKI			
1400GTR	1400	KA-1406	KN-303
EN500 Vulcan LTD	500	KA-5096	KN-303
ER6f	650		KN-303
EX250R Ninja	250	KA-2508	KN-401
EX500R Ninja	500		KN-303
EX650R Ninja	649		KN-303
KAF400 Mule 610 4x4	400	KA-4093	KN-128
KAF400 Mule 610 4x4 Hardwoods	400	KA-4093	KN-128
Green HD			
KFX450R	449	KA-4508	KN-112
KLE650 Versys	649		KN-303
KLR650	651	KA-6589	KN-123
KLX110	111	KA-1102	KN-112
KLX140	144	KA-1408	KN-112
KLX140L	144	KA-1408	KN-112
KLX450R	449		KN-112
KRF750 Teryx 4x4	750	KA-7508	KN-204-1
KRF750 Teryx 4x4 LE	750	KA-7508	KN-204-1
KRF750 Teryx 4x4 NRA Outdoors	750	KA-7508	KN-204-1
KVF360 Prairie 4x4 Hardwoods Green HD	360		KN-204-1
KVF650 Brute Force 4x4	650	KA-6503	KN-204-1
KVF650 Brute Force 4x4i	650	KA-7504	KN-204-1
KVF750 Brute Force 4x4i	749	KA-7408	KN-204-1
KX250F	250	KA-2506XD	KN-207
KX450F	450	KA-2506XD	KN-112
VN1500 Vulcan Classic	1500	KA-1596	KN-303
VN1600 Vulcan Classic	1600	KA-1603	KN-303
VN1600 Vulcan Mean Streak	1600	KA-1596	KN-303
VN1600 Vulcan Nomad	1600	KA-1603	KN-303
VN2000 Vulcan Classic	2000	KA-2008	KN-303
VN2000 Vulcan Classic LT	2000	KA-2008	KN-303
Z1000	1043	KA-1003	KN-303
ZG1400 Concours	1352	KA-1406	KN-303
ZG1400 Concours ABS	1352	KA-1406	KN-303
ZX600 Ninja ZX-6R	599	KA-6007	KN-303
ZX600 Ninja ZX-6R	599 - Race Specific	KA-6007R	KN-303
ZX1000 Ninja ZX-10R	1000	KA-1008	KN-303
ZX1000 Ninja ZX-10R	1000 - Race Specific	KA-1008R	KN-303
ZX1400 Ninja ZX-14	1400	KA-1406	KN-303
ZZR600	600 - US	KA-6098	KN-303
ZZR1400	1400	KA-1406	KN-303

Vehicle	Engine Type	Air Filter	Oil Filter
2007 KAWASAKI			
EN500 Vulcan LTD	500	KA-5096	KN-303
ER6f	650		KN-303
EX250R Ninja	250	KA-2586	KN-401
EX500R Ninja	500	KA-5087	KN-303
EX650R Ninja	649		KN-303

* 2 filters required ♦ Intake System Available - see page 370 +Cabin Air Filter Available - see page 353 1- Performance Silver Oil Filter Also Available

Partial Listing: Complete Listing of Vehicles and Parts at KNFILTERS.COM or call 1-800-858-3333



Vehicle	Engine Type	Air Filter	Oil Filter	Vehicle	Engine Type	Air Filter	Oil Filter
2007 KAWASAKI				2006 KAWASAKI			
JT1500 STX-15F	1493		KN-204-1	KLX125L	125	KA-1203	KN-132
JT1500 Ultra 250X	1500		KN-204-1	KLX250 D-Tracker	249	KA-1287	
JT1500 Ultra LX	1500		KN-204-1	KLX250S	249	KA-1287	KN-112
KAF400 Mule 610 4x4 Hardwoods Green HD	400	KA-4093	KN-128	KLX300R	300	KA-1287	
KLF250 Bayou	228		KN-123	KVF360 Prairie 4x4	360		KN-204-1
KLR650	651	KA-6589	KN-123	KVF360 Prairie 4x4 Hardwoods Green HD	360	KA-3603	KN-204-1
KLX110	111	KA-1102	KN-112	KVF650 Brute Force 4x4	650	KA-6503	KN-204-1
KLX250S	249	KA-1287	KN-112	KVF650 Brute Force 4x4i	650	KA-7504	KN-204-1
KVF360 Prairie 4x4	360	KA-3603	KN-204-1	KVF700 Prairie 4x4	700	KA-6503	KN-204-1
KVF360 Prairie 4x4 Hardwoods Green HD	360	KA-3603	KN-204-1	KVF700 Prairie 4x4 Team Green	700	KA-6503	KN-204-1
KVF650 Brute Force 4x4	650	KA-6503	KN-204-1	KVF750 Brute Force 4x4i	750	KA-7504	KN-204-1
KVF650 Brute Force 4x4i	650	KA-7504	KN-204-1	KX250F	250	KA-2506XD	KN-207
KVF750 Brute Force 4x4i	750	KA-7504	KN-204-1	KX450F	450	KA-2506XD	KN-112
KX250F	250	KA-2506XD	KN-207	VN750 Vulcan	749	KA-7586	KN-204-1
KX450F	450	KA-2506XD	KN-112	VN800 Vulcan Drifter	800		KN-204-1
VN1500 Vulcan Classic	1500	KA-1596	KN-303	VN1500 Vulcan Classic	1500	KA-1596	KN-204-1
VN1600 Vulcan Classic	1600	KA-1603	KN-303	VN1600 Vulcan Classic	1600	KA-1603	KN-204-1
VN1600 Vulcan Mean Streak	1600	KA-1596	KN-303	VN1600 Vulcan Mean Streak	1600	KA-1596	KN-204-1
VN1600 Vulcan Nomad	1600	KA-1603	KN-303	VN1600 Vulcan Nomad	1600	KA-1603	KN-204-1
VN2000 Vulcan Classic	2000		KN-303	VN2000 Vulcan Classic	2000	KA-2008	KN-303
VN2000 Vulcan Classic LT	2000	KA-2008	KN-204-1	VN2000 Vulcan Classic LT	2000	KA-2008	KN-204-1
Z750	750	KA-1003		VN2000 Vulcan Limited	2000	KA-2008	KN-204-1
Z750S	750	KA-1003	KN-303	Z750	750	KA-1003	KN-204-1
Z1000	1043	KA-1003	KN-303	Z750S	750	KA-1003	KN-204-1
ZR1000 ABS	1000		KN-303	Z1000	1043	KA-1003	KN-204-1
ZX600 Ninja ZX-6R	599	KA-6007	KN-303	ZG1000 Concours	998	KA-9084	KN-401
ZX600 Ninja ZX-6R - Race Specific	599	KA-6007R	KN-303	ZX600 Ninja ZX6-RR	599	KA-6005	KN-204-1
ZX1000 Ninja ZX-10R	1000	KA-1004	KN-303	ZX636 Ninja ZX-6R	636	KA-6005	KN-204-1
ZX1400 Ninja ZX-14	1400	KA-1406	KN-303	ZX1000 Ninja ZX-10R	998	KA-1004	KN-303
ZZR600	600 - US	KA-6098	KN-303	ZX1200 Ninja ZX-12R	1200	KA-1299-1	
ZZR1400	1400	KA-1406	KN-303	ZX1400 Ninja ZX-14	1400	KA-1406	KN-303
2006 KAWASAKI				ZXR600	600		KN-204-1
BN125 Eliminator	125		KN-112	ZZR600	600 - Non-US	KA-6093	KN-204-1
EN500 Vulcan LTD	500	KA-5096	KN-204-1	ZZR600	600 - US	KA-6098	KN-204-1
ER6f	650		KN-204-1	ZZR1400	1400	KA-1406	KN-303
EX250R Ninja	250	KA-2586	KN-401	2005 KAWASAKI			
EX500R Ninja	500	KA-5087	KN-303	BN125 Eliminator	125		KN-112
EX650R Ninja	649		KN-204-1	EN500 Vulcan LTD	500	KA-5096	KN-204-1
JT1200 STX-12F	1176		KN-204-1	EX250R Ninja	250	KA-2586	KN-401
JT1500 STX-15F	1493		KN-204-1	EX500R Ninja	500	KA-5087	KN-303
KAF400 Mule 610 4x4	400	KA-4093	KN-128	KFX400	400	SU-4002	KN-139
KAF400 Mule 610 4x4 Hardwoods Green HD	400	KA-4093	KN-128	KFX700	697	KA-6503	KN-204-1
KAF950 Mule 3010 Diesel 4x4	950	KA-6201		KLF250 Bayou	228		KN-123
KFX400	400	SU-4002	KN-139	KLR250	250		KN-123
KFX700	697	KA-6503	KN-204-1	KLR650	651	KA-6589	KN-123
KLF250 Bayou	228		KN-123	KLX110	111	KA-1102	KN-112
KLR650	651	KA-6589	KN-123	KLX125	125	KA-1203	KN-132
KLX110	111	KA-1102	KN-112	KLX125L	125	KA-1203	KN-132
KLX125	125	KA-1203	KN-132	KLX300R	300	KA-1287	
				KVF360 Prairie 4x4	360	KA-3603	KN-204-1

* 2 filters required ♦ Intake System Available - see page 370 +Cabin Air Filter Available - see page 353 1- Performance Silver Oil Filter Also Available



AIR & OIL FILTERS

KAWASAKI

Vehicle	Engine Type	Air Filter	Oil Filter	Vehicle	Engine Type	Air Filter	Oil Filter
2005 KAWASAKI				2004 KAWASAKI			
KVF360 Prairie 4x4 Hardwoods Green HD	360	KA-3603	KN-204-1	VN800 Vulcan	800	KA-8095	KN-204-1
KVF650 Brute Force 4x4	650	KA-6503	KN-204-1	VN800 Vulcan Classic	800	KA-8095	KN-204-1
KVF700 Prairie 4x4 Team Green	700	KA-6503	KN-204-1	VN800 Vulcan Drifter	800	KA-8095	KN-204-1
KVF750 Brute Force 4x4i	750	KA-7504	KN-204-1	VN1500 Vulcan Classic	1500	KA-1596	KN-204-1
KX250F	250		KN-207	VN1500 Vulcan Nomad F/I	1500	KA-1596	KN-204-1
VN750 Vulcan	749	KA-7586	KN-204-1	VN1600 Vulcan Classic	1600	KA-1603	KN-204-1
VN800 Vulcan	800	KA-8095	KN-204-1	VN1600 Vulcan Mean Streak	1600	KA-1596	KN-204-1
VN800 Vulcan Classic	800	KA-8095	KN-204-1	VN2000 Vulcan	2000	KA-2008	KN-204-1
VN800 Vulcan Drifter	800	KA-8095	KN-204-1	VN2000 Vulcan Classic LT	2000	KA-2008	KN-204-1
VN1500 Vulcan Classic	1500	KA-1596	KN-204-1	Z750	750	KA-1003	KN-204-1
VN1500 Vulcan Drifter	1500	KA-1596	KN-204-1	Z1000	1043	KA-1003	KN-204-1
VN1600 Vulcan Classic	1600	KA-1603	KN-204-1	ZG1000 Concours	998	KA-9084	KN-401
VN1600 Vulcan Mean Streak	1600	KA-1596	KN-204-1	ZRX1200	1200	KA-1199	KN-401
VN1600 Vulcan Nomad	1600	KA-1603		ZX636 Ninja ZX-6R	636	KA-6003	KN-303
VN2000 Vulcan	2000		KN-204-1	ZX1000 Ninja ZX-10R	998	KA-1004	KN-204-1
VN2000 Vulcan Limited	2000		KN-204-1	ZX1200 Ninja ZX-12R	1200	KA-1299-1	
Z750	750	KA-1003	KN-204-1	ZZR600	600		KN-204-1
Z750S	750	KA-1003	KN-204-1	ZZR600	600 - Exc. OE Filter w/hole	KA-6093	KN-204-1
Z1000	1043	KA-1003	KN-204-1	ZZR1200	1200	KA-1093	KN-401
ZG1000 Concours	998	KA-9084	KN-401	2003 KAWASAKI			
ZRX1200	1200	KA-1199	KN-401	EX250R Ninja	250	KA-2586	KN-401
ZX600 Ninja ZX6-RR	599	KA-6005	KN-204-1	EX500R Ninja	500	KA-5087	KN-303
ZX636 Ninja ZX-6R	636	KA-6005	KN-303	KFX400	400	SU-4002	KN-139
ZX1000 Ninja ZX-10R	998	KA-1004	KN-204-1	KLF250 Bayou	249		KN-123
ZX1200 Ninja ZX-12R	1200	KA-1299-1	KN-204-1	KLR650	651	KA-6589	KN-123
ZZR600	600		KN-204-1	KLX110	111	KA-1102	KN-112
ZZR600	600 - Non-US	KA-6093	KN-204-1	KLX300R	300	KA-1287	KN-112
ZZR600	600 - US	KA-6098	KN-204-1	KLX400R	398	SU-4000	KN-139
ZZR1200	1200	KA-1093	KN-401	KLX400SR	398	SU-4000	
2004 KAWASAKI				KVF360 Prairie 4x4	360	KA-3603	KN-204-1
EN500 Vulcan LTD	500	KA-5096	KN-204-1	KVF650 Prairie 4x4	635	KA-6503	KN-204-1
EX250R Ninja	250	KA-2586	KN-401	VN750 Vulcan	749	KA-7586	KN-303
EX500R Ninja	500	KA-5087	KN-303	VN800 Vulcan	800	KA-8095	KN-204-1
KAF950 Mule 3010 Diesel 4x4	950	KA-6201		VN800 Vulcan Classic	803	KA-8095	KN-204-1
KFX400	400	SU-4002	KN-139	VN800 Vulcan Drifter	800	KA-8095	KN-204-1
KFX700	697	KA-6503	KN-204-1	VN1500 Vulcan	1500	KA-1596	KN-204-1
KLF250 Bayou	228		KN-123	VN1500 Vulcan Classic	1500	KA-1596	KN-204-1
KLR250	250		KN-123	VN1500 Vulcan Classic Tourer F/I	1500		KN-204-1
KLR650	651	KA-6589	KN-123	VN1500 Vulcan Drifter	1500		KN-204-1
KLX110	111	KA-1102	KN-112	VN1500 Vulcan Mean Streak	1500	KA-1596	KN-204-1
KLX125	125	KA-1203	KN-132	VN1500 Vulcan Nomad F/I	1500	KA-1596	KN-204-1
KLX125L	125	KA-1203	KN-132	VN1600 Vulcan Classic	1553	KA-1603	KN-204-1
KLX300R	300	KA-1287		Z1000	1043	KA-1003	KN-204-1
KVF360 Prairie 4x4	360	KA-3603	KN-204-1	ZG1000 Concours	998	KA-9084	
KVF360 Prairie 4x4 Hardwoods Green HD	360	KA-3603	KN-204-1	ZG1200 Voyager XII	1185		KN-401
KVF700 Prairie 4x4	700	KA-6503	KN-204-1	ZR7S	750	KA-0850	KN-401
KVF700 Prairie 4x4 Hardwoods Green HD	700	KA-6503	KN-204-1	ZRX1200	1200	KA-1199	KN-401
KX250F	250		KN-207	ZX7R Ninja	750	KA-7596	KN-303
KX500	500	KA-1287		ZX600 Ninja ZX6-RR	599	KA-6003	KN-204-1
VN750 Vulcan	749	KA-7586	KN-204-1	ZX636 Ninja ZX-6R	636	KA-6003	KN-303
				ZX900 Ninja ZX-9R	899	KA-9098	KN-204-1
				ZX1200 Ninja ZX-12R	1200	KA-1299-1	KN-204-1

* 2 filters required ♦ Intake System Available - see page 370 +Cabin Air Filter Available - see page 353 1- Performance Silver Oil Filter Also Available

Partial Listing: Complete Listing of Vehicles and Parts at KNFILTERS.COM or call 1-800-858-3333



Vehicle	Engine Type	Air Filter	Oil Filter	Vehicle	Engine Type	Air Filter	Oil Filter
2003 KAWASAKI				2001 KAWASAKI			
ZZR600	600		KN-204-1	VN1500 Vulcan	1500		KN-204-1
ZZR600	600 - Exc. OE Filter w/whole	KA-6093	KN-204-1	Classic Tourer F/I			
ZZR1200	1200	KA-1093	KN-401	VN1500 Vulcan	1471		KN-204-1
2002 KAWASAKI				2000 KAWASAKI			
EN500 Vulcan LTD	500		KN-303	EN500 Vulcan LTD	500	KA-5096	KN-303
EX250R Ninja	250	KA-2586	KN-401	EX250R Ninja	250		KN-401
EX500R Ninja	500	KA-5087	KN-303	KL250 Super Sherpa	250		KN-112
KL250 Super Sherpa	250		KN-112	KLF220 Bayou	215		KN-123
KLR650	651	KA-6589	KN-123	KLF300 Bayou 4x4	300	KA-4093	KN-123
KLX300R	300	KA-1287		KLR250	250		KN-123
KVF300 Prairie 4x4	300		KN-303	KLR650	652	KA-6589	KN-123
KVF650 Prairie 4x4	635	KA-6502	KN-204-1	KLX300R	300	KA-1287	KN-112
VN750 Vulcan	749		KN-303	KVF300 Prairie 4x4	300		KN-303
VN800 Vulcan	800	KA-8095	KN-303	VN800 Vulcan	800	KA-8095	KN-303
VN800 Vulcan Classic	803	KA-8095	KN-204-1	VN800 Vulcan Classic	800	KA-8095	KN-303
VN800 Vulcan Drifter	800	KA-8095	KN-303	VN800 Vulcan Drifter	800	KA-8095	KN-303
VN1500 Vulcan Classic	1500	KA-1596	KN-204-1	VN1500 Vulcan Classic	1471	KA-1596	KN-204-1
VN1500 Vulcan Classic F/I	1500	KA-1596	KN-204-1	VN1500 Vulcan Classic	1471	KA-1596	KN-204-1
VN1500 Vulcan Classic Tourer F/I	1500		KN-204-1	VN1500 Vulcan Classic F/I	1500		KN-303
VN1500 Vulcan Drifter	1500		KN-204-1	VN1500 Vulcan Classic Tourer F/I	1471		KN-204-1
VN1500 Vulcan Mean Streak	1500	KA-1596	KN-204-1	VN1500 Vulcan Drifter	1500	KA-1596	KN-303
VN1500 Vulcan Nomad F/I	1500	KA-1596	KN-204-1	VN1500 Vulcan Nomad F/I	650		KN-204-1
ZG1000 Concours	998	KA-9084	KN-401	ZG1000 Concours	1000	KA-9084	
ZR7S	750	KA-0850	KN-401	ZG1200 Voyager XII	1185		KN-401
ZRX1200	1200	KA-1199	KN-401	ZR7	750	KA-0850	KN-401
ZX7R Ninja	750	KA-7596	KN-303	ZRX1100	1100	KA-1199	
ZX600 Ninja ZX-6	599	KA-6098	KN-204-1	ZX7R Ninja	750	KA-7596	KN-303
ZX600 Ninja ZX-6R	599	KA-6098	KN-204-1	ZX600 Ninja ZX-6	599		KN-303
ZX636 Ninja ZX-6R	636		KN-204-1	ZX600 Ninja ZX-6R	599	KA-6098	KN-303
ZX900 Ninja ZX-9R	899	KA-9098	KN-204-1	ZX900 Ninja ZX-9R	899	KA-9098	KN-303
ZX1200 Ninja ZX-12R	1200	KA-1299-1	KN-204-1	ZX1200 Ninja ZX-12R	1198	KA-1299-1	KN-204-1
ZZR600	600		KN-204-1	ZZR600	600		KN-204-1
ZZR600	600 - Exc. OE Filter w/whole	KA-6093	KN-204-1	ZZR600	600		KN-303
ZZR1200	1200	KA-1093	KN-401	Nomad F/I	650		KN-204-1
2001 KAWASAKI				1999 KAWASAKI			
EN500 Vulcan LTD	500	KA-5096	KN-303	EN500 Vulcan LTD	500		KN-303
EX250R Ninja	250	KA-2586	KN-401	EX250R Ninja	250	KA-2586	KN-401
EX500R Ninja	500	KA-5087	KN-303	EX500R Ninja	500	KA-5087	KN-303
KLF300 Bayou 4x4	300	KA-4093	KN-123	KAF300 Mule 550	300	KA-4093	
KLR250	250		KN-123	KLF220 Bayou	215		KN-123
KLR650	651	KA-6589	KN-123	KLR650	652	KA-6589	KN-123
KLX300R	300	KA-1287	KN-112	KLX300R	300	KA-1287	KN-112
KSF250 Mojave	249	KA-2587	KN-123	KVF300 Prairie 4x4	300		KN-303
KVF300 Prairie 4x4	300		KN-303	KVF400 Prairie 4x4	400	KA-4093	KN-303
KVF400 Prairie 4x4	400	KA-4093	KN-303	VN800 Vulcan	800	KA-8095	KN-303
VN750 Vulcan	749	KA-7586	KN-303				
VN800 Vulcan	800	KA-8095	KN-303				
VN800 Vulcan Classic	803	KA-8095	KN-303				
VN800 Vulcan Drifter	800	KA-8095	KN-303				
VN1500 Vulcan Classic	1471		KN-204-1				
VN1500 Vulcan Classic F/I	1471	KA-1596	KN-204-1				

* 2 filters required ♦ Intake System Available - see page 370 +Cabin Air Filter Available - see page 353 1- Performance Silver Oil Filter Also Available



AIR & OIL FILTERS

KAWASAKI

Vehicle	Engine Type	Air Filter	Oil Filter	Vehicle	Engine Type	Air Filter	Oil Filter
1999 KAWASAKI				2020 KIA			
VN800 Vulcan Classic	800	KA-8095	KN-303	Forte	2.0L L4 F/I		HP-1004 ¹
VN800 Vulcan Drifter	800	KA-8095	KN-303	Optima	1.6L L4 F/I		HP-1004 ¹
VN1500 Vulcan Classic	1500		KN-303	Optima	2.0L L4 F/I		HP-1004 ¹
VN1500 Vulcan Classic Tourer F/I	1471	KA-1596	KN-204-1	Optima	2.4L L4 F/I		HP-1004 ¹
VN1500 Vulcan Drifter	1500	KA-1596	KN-303	Optima Hybrid	2.0L L4 F/I	33-5026	HP-1004 ¹
VN1500 Vulcan Drifter	1471	KA-1596	KN-204-1	Soul	1.6L L4 F/I		HP-1004 ¹
VN1500 Vulcan Nomad	1471	KA-1596	KN-204-1	Soul	2.0L L4 F/I		HP-1004 ¹
ZG1000 Concours	1000	KA-9084		Sportage	2.0L L4 F/I	33-5046	HP-1004 ¹
ZG1200 Voyager XII	1185		KN-401	Sportage	2.4L L4 F/I	33-5046	HP-1004 ¹
ZRX1100	1100	KA-1199		Telluride	3.8L V6 F/I	33-5075	HP-7035 ¹
ZX7R Ninja	750	KA-7596		2019 KIA			
ZX600 Ninja ZX-6	599		KN-303	cee d	1.4L L4 F/I	33-5050	
ZX600 Ninja ZX-6	599 - Exc. OE Filter w/whole	KA-6093	KN-303	cee d	1.6L L4 DSL	33-5050	
ZX600 Ninja ZX-6R	599	KA-6098	KN-303	Forte	2.0L L4 F/I	33-5050 ♦	HP-1004 ¹
ZZR1100	1100	KA-1093		Niro	1.6L L4 F/I	33-3077	HP-1004 ¹
1998 KAWASAKI				Optima	1.6L L4 F/I	33-5057+	HP-1004 ¹
EX250R Ninja	250		KN-401	Optima	2.0L L4 F/I	33-5057+	HP-1004 ¹
EX500R Ninja	500		KN-303	Optima	2.4L L4 F/I	33-5026 ♦+	HP-1004 ¹
KLF300 Bayou 4x4	300	KA-4093	KN-123	Optima Hybrid	2.0L L4 F/I	33-5026+	HP-1004 ¹
KLX300R	300	KA-1287		Rio	1.6L L4 F/I	33-5081	HP-1004 ¹
KVF400 Prairie 4x4	400	KA-4093	KN-303	Rio IV	1.4L L4 F/I	33-3081	
VN800 Vulcan Classic	800	KA-8095	KN-303	Sedona	3.3L V6 F/I	33-5075	PS-7030
VN800 Vulcan Classic	800	KA-8095	KN-303	Sorento	2.4L L4 F/I	33-5075	HP-1004 ¹
VN1500 Vulcan Classic	1500	KA-1596	KN-303	Sorento	3.3L V6 F/I	33-5075	HP-7035 ¹
VN1500 Vulcan Nomad	1500		KN-303	Sorento III	2.2L L4 DSL	33-3064	
ZX7R Ninja	750	KA-7596		Soul	1.6L L4 F/I	33-2472	HP-1004 ¹
ZX600 Ninja ZX-6R	599		KN-303	Soul	2.0L L4 F/I	33-2472	HP-1004 ¹
ZX900 Ninja ZX-9R	899	KA-9098	KN-303	Sportage	1.6L L4 DSL	33-3125	
ZX1100 Ninja ZX-11	1100	KA-1093		Sportage	1.6L L4 F/I	33-5046	
1997 KAWASAKI				Sportage	2.0L L4 DSL	33-3125	
GPZ1100 ABS	1100		KN-401	Sportage	2.0L L4 F/I	33-5046	HP-1004 ¹
KLX300R	300	KA-1287		Sportage	2.4L L4 F/I	33-5046	HP-1004 ¹
KVF400 Prairie 4x4	392		KN-303	Stinger	2.0L L4 F/I	33-5073 ♦+	HP-1004 ¹
VN800 Vulcan Classic	800	KA-8095	KN-303	Stinger	3.3L V6 F/I - Left Side Airbox	33-5067 ♦+	
VN800 Vulcan Classic	800	KA-8095	KN-303	Stinger	3.3L V6 F/I - Right Side Airbox	33-5068 ♦+	
VN1500 Vulcan Classic	1500		KN-303	Venga	1.6L L4 F/I	33-2960	
VN1500 Vulcan 88	1500		KN-303	2018 KIA			
VN1500 Vulcan Classic	1500	KA-1596	KN-303	Cadenza	3.3L V6 F/I	33-5082	HP-7035 ¹
VN1500 Vulcan L	1500		KN-303	cee d	1.4L L4 F/I - From 7/18	33-5050+	
ZG1000 Concours	1000	KA-9084		cee d	1.4L L4 F/I - To 6/18	33-2451+	
ZX7R Ninja	750	KA-7596		cee d	1.6L L4 DSL - To 6/18	33-3008	
ZX600 Ninja ZX-6	599		KN-303	cee d	1.6L L4 F/I - Turbo, To 6/18	33-3008+	
ZX600 Ninja ZX-6	599 - Exc. OE Filter w/whole	KA-6093	KN-303	Forte	2.0L L4 F/I	33-2451+	HP-1004 ¹
ZX600 Ninja ZX-6R	599	KA-6095	KN-303	Forte5	1.6L L4 F/I	33-3008 ♦+	HP-1004 ¹
ZX900 Ninja ZX-9R	899	KA-9094		Forte5	2.0L L4 F/I	33-2451+	HP-1004 ¹
ZX1100 Ninja ZX-11	1100	KA-1093		Niro	1.6L L4 F/I	33-3077	HP-1004 ¹
2020 KIA				Optima	1.6L L4 F/I	33-5057+	HP-1004 ¹
Carnival	2.2L L4 DSL	33-3064		Optima	1.7L L4 DSL	33-5026	
Cerato	2.0L L4 F/I	33-5050+		Optima	2.0L L4 F/I		HP-1004 ¹
Cerato GT	1.6L L4 F/I	33-5050+		Optima	2.0L L4 F/I - Non-US, Exc. Turbo	33-5026+	HP-1004
CX-8	2.2L L4 DSL	33-3024+		Optima	2.0L L4 F/I - US	33-5057+	HP-1004
				Optima	2.4L L4 F/I	33-5026 ♦+	HP-1004 ¹
				Optima Hybrid	2.0L L4 F/I	33-5026+	HP-1004 ¹
				Rio	1.6L L4 F/I		HP-1004 ¹
				Rio IV	1.0L L3 F/I	33-3081	
				Rio IV	1.2L L4 F/I	33-3081	
				Rio IV	1.4L L4 DSL	33-3081	
				Rio IV	1.4L L4 F/I	33-3081	
				Rio X Line	1.4L L4 F/I	33-3081	

* 2 filters required ♦ Intake System Available - see page 370 +Cabin Air Filter Available - see page 353 1- Performance Silver Oil Filter Also Available



Vehicle	Engine Type	Air Filter	Oil Filter
2018 KIA			
Rio X Line	1.6L L4 F/I	33-3081	
Sedona	3.3L V6 F/I	33-5075	PS-7030
Sorento	2.0L L4 F/I	33-5075	HP-1004 ¹
Sorento	2.4L L4 F/I	33-5075	HP-1004 ¹
Sorento	3.3L V6 F/I	33-5075	PS-7030
Sorento III	2.2L L4 DSL	33-3064	
Soul	1.6L L4 DSL	33-2472	
Soul	1.6L L4 F/I	33-2472 ⁺	HP-1004 ¹
		33-2472 ^{♦+}	HP-1004 ¹
Soul	2.0L L4 F/I	33-2472 ⁺	HP-1004 ¹
Sportage	1.6L L4 DSL	33-3125	
Sportage	1.6L L4 F/I	33-5046	
Sportage	1.7L L4 DSL	33-3125	
Sportage	2.0L L4 DSL	33-3125	
Sportage	2.0L L4 F/I	33-5046	HP-1004 ¹
Sportage	2.4L L4 F/I	33-5046	HP-1004 ¹
Stinger	2.0L L4 F/I	33-5073 ^{♦+}	HP-1004 ¹
Stinger	3.3L V6 F/I - Left Side Airbox	33-5067 ^{♦+}	
Stinger	3.3L V6 F/I - Right Side Airbox	33-5068 ^{♦+}	

Vehicle	Engine Type	Air Filter	Oil Filter
2017 KIA			
Cadenza	2.4L L4 F/I	33-5026	
Cadenza	3.3L V6 F/I	33-5082	HP-7035 ¹
cee d	1.6L L4 DSL	33-3008 ⁺	
cee d	1.6L L4 F/I - Exc. Turbo	33-2451 ^{♦+}	
cee d	1.6L L4 F/I - Turbo	33-3008 ^{♦+}	
Forte	2.0L L4 F/I	33-2451 ⁺	HP-1004 ¹
Forte5	1.6L L4 F/I	33-3008 ^{♦+}	HP-1004 ¹
Forte5	2.0L L4 F/I	33-2451 ⁺	HP-1004 ¹
K5	2.0L L4 F/I	33-5026	
Niro	1.6L L4 F/I	33-3077	HP-1004 ¹
Optima	1.6L L4 F/I	33-5057 ⁺	HP-1004 ¹
Optima	1.7L L4 DSL	33-5026	
Optima	2.0L L4 F/I		HP-1004 ¹
Optima	2.0L L4 F/I - Turbo	33-5057 ⁺	HP-1004
Optima	2.4L L4 F/I	33-5026 ^{♦+}	HP-1004 ¹
Optima Hybrid	2.0L L4 F/I	33-5026 ⁺	HP-1004 ¹
Rio	1.6L L4 F/I	33-2472	HP-1004 ¹
Rio IV	1.0L L3 F/I	33-3081	
Rio X Line	1.6L L4 F/I	33-3081	
Sedona	3.3L V6 F/I	33-5075	PS-7030
Sorento	2.0L L4 F/I	33-5075	HP-1004 ¹
Sorento	2.4L L4 F/I	33-5075	HP-1004 ¹
Sorento	3.3L V6 F/I	33-5075	PS-7030
Sorento III	2.2L L4 DSL	33-3064	
Soul	1.6L L4 DSL	33-2472	
Soul	1.6L L4 F/I	33-2472 ⁺	HP-1004 ¹
		33-2472 ^{♦+}	HP-1004 ¹
Soul	2.0L L4 F/I	33-2472 ⁺	HP-1004 ¹
Sportage	1.6L L4 F/I	33-5046	
Sportage	1.7L L4 DSL	33-3125	
Sportage	2.0L L4 DSL	33-3125	
Sportage	2.0L L4 F/I	33-5046	HP-1004 ¹
Sportage	2.4L L4 F/I	33-5046	HP-1004 ¹

Vehicle	Engine Type	Air Filter	Oil Filter
2016 KIA			
Cadenza	3.3L V6 F/I	33-2448 ⁺	PS-7030
cee d	1.6L L4 DSL	33-3008 ⁺	
cee d	1.6L L4 F/I - Turbo	33-3008 ^{♦+}	
Cerato Koup	2.0L L4 F/I	33-2451 ⁺	
Forte	1.6L L4 F/I		HP-1004 ¹
Forte	1.8L L4 F/I	33-2451 ⁺	HP-1004 ¹

Vehicle	Engine Type	Air Filter	Oil Filter
2016 KIA			
Forte	2.0L L4 F/I	33-2451 ⁺	HP-1004 ¹
Forte Koup	1.6L L4 F/I	33-3008 ^{♦+}	HP-1004 ¹
Forte Koup	2.0L L4 F/I	33-2451 ⁺	HP-1004 ¹
Forte5	1.6L L4 F/I	33-3008 ^{♦+}	HP-1004 ¹
Forte5	2.0L L4 F/I	33-2451 ⁺	HP-1004 ¹
K5	2.0L L4 F/I	33-5026	
K5	2.4L L4 F/I	33-5026	
K900	3.8L V6 F/I	33-2426	
K900	5.0L V8 F/I	33-2426	HP-7029 ¹
Niro	1.6L L4 F/I	33-3077	
Optima	1.6L L4 F/I	33-5057 ⁺	HP-1004 ¹
Optima	1.7L L4 DSL	33-5026	
Optima	2.0L L4 F/I	33-5057 ⁺	HP-1004 ¹
Optima	2.0L L4 F/I - Non-US, Exc. Turbo	33-5026 ⁺	HP-1004
Optima	2.4L L4 F/I	33-5026 ^{♦+}	HP-1004 ¹
Optima Hybrid	2.0L L4 F/I - Non-US, From 9/16	33-5026	
Optima Hybrid	2.4L L4 F/I	33-2448 ⁺	HP-1004 ¹
Picanto	1.0L L3 F/I - Euro 5	33-3000	
Picanto	1.2L L4 F/I - Euro 5	33-3000	
Rio	1.6L L4 F/I		HP-1004 ¹
Rio III	1.4L L4 DSL	33-2472 ⁺	
Rio III	1.4L L4 F/I	33-2472 ⁺	
Sedona	3.3L V6 F/I	33-5075	PS-7030
Sorento	2.0L L4 F/I	33-5075	HP-1004 ¹
Sorento	2.4L L4 F/I	33-5075	HP-1004 ¹
Sorento	3.3L V6 F/I	33-5075	PS-7030
Sorento III	2.2L L4 DSL	33-3064	
Soul	1.6L L4 DSL	33-2472	
Soul	1.6L L4 F/I	33-2472 ⁺	HP-1004 ¹
Soul	2.0L L4 F/I	33-2472 ^{♦+}	HP-1004 ¹
Sportage	1.7L L4 DSL	33-3125	
Sportage	2.0L L4 DSL	33-3125	
Sportage	2.0L L4 F/I	33-2469 ⁺	HP-1004 ¹
Sportage	2.4L L4 F/I	33-2451 ⁺	HP-1004 ¹

Vehicle	Engine Type	Air Filter	Oil Filter
2015 KIA			
Cadenza	2.4L L4 F/I	33-2448 ⁺	
Cadenza	3.3L V6 F/I	33-2448 ⁺	PS-7030
cee d	1.6L L4 DSL	33-3008 ⁺	
cee d	1.6L L4 F/I - Turbo	33-3008 ^{♦+}	
Cerato Koup	1.6L L4 F/I	33-3008 ^{♦+}	
Forte	1.6L L4 F/I		HP-1004 ¹
Forte	1.8L L4 F/I	33-2451 ⁺	HP-1004 ¹
Forte	2.0L L4 F/I	33-2451 ⁺	HP-1004 ¹
Forte Koup	1.6L L4 F/I	33-3008 ^{♦+}	HP-1004 ¹
Forte Koup	2.0L L4 F/I	33-2451 ⁺	HP-1004 ¹
Forte5	1.6L L4 F/I	33-3008 ^{♦+}	
Forte5	2.0L L4 F/I	33-2451 ⁺	HP-1004 ¹
K5	2.0L L4 F/I - China, 162BHP	33-3061 ⁺	
K5	2.0L L4 F/I - Korea	33-2448 ⁺	
K5	2.4L L4 F/I	33-2448 ⁺	
K900	3.8L V6 F/I	33-2426	
K900	5.0L V8 F/I	33-2426	HP-7029 ¹
Optima	1.7L L4 DSL - From 10/15	33-5026	
Optima	1.7L L4 DSL - To 9/15	33-2448	
Optima	2.0L L4 F/I		HP-1004 ¹
Optima	2.0L L4 F/I - Non-US, From 10/15	33-5026 ⁺	HP-1004
Optima	2.0L L4 F/I - Non-US, To 9/15, Exc. 150/170BHP	33-2448 ⁺	HP-1004
Optima	2.0L L4 F/I - US	33-2448 ⁺	HP-1004

* 2 filters required ♦ Intake System Available - see page 370 +Cabin Air Filter Available - see page 353 1- Performance Silver Oil Filter Also Available



AIR & OIL FILTERS

KIA

Vehicle	Engine Type	Air Filter	Oil Filter
2015 KIA			
Optima	2.4L L4 F/I		HP-1004 ¹
Optima	2.4L L4 F/I - Non-US, From 10/15	33-5026 ♦♦	HP-1004
Optima	2.4L L4 F/I - Non-US, To 9/15	33-2448 ♦♦	HP-1004
Optima	2.4L L4 F/I - US	33-2448 ♦♦	HP-1004
Picanto	1.0L L3 F/I	33-3000	
Picanto	1.2L L4 F/I	33-3000	
Rio	1.6L L4 F/I	33-2472 +	HP-1004 ¹
Rio III	1.4L L4 DSL	33-2472 +	
Rio III	1.4L L4 F/I	33-2472 +	
Rio III	1.6L L4 F/I	33-2472	HP-1004 ¹
Rio5	1.6L L4 F/I	33-2472	HP-1004 ¹
Sedona	3.3L V6 F/I	33-5075	PS-7030
Sedona	3.5L V6 F/I		PS-7030
Sorento	2.4L L4 F/I	33-2493	HP-1004 ¹
Sorento	3.3L V6 F/I	33-2493	PS-7030
Sorento	3.5L V6 F/I	33-2448 +	
Sorento II	2.2L L4 DSL	33-2969	
Sorento III	2.2L L4 DSL	33-3064	
Soul	1.6L L4 DSL	33-2472	
Soul	1.6L L4 F/I	33-2472 +	HP-1004 ¹
Soul	2.0L L4 F/I	33-2472 ♦♦	HP-1004 ¹
Sportage	2.0L L4 DSL	33-2451	
Sportage	2.0L L4 F/I		HP-1004 ¹
Sportage	2.0L L4 F/I - Non-US	33-2451 +	HP-1004
Sportage	2.0L L4 F/I - US	33-2469 +	HP-1004
Sportage	2.4L L4 F/I	33-2451 +	HP-1004 ¹
2014 KIA			
Cadenza	2.4L L4 F/I	33-2448 +	
Cadenza	3.3L V6 F/I	33-2448 +	PS-7030
Forte	1.8L L4 F/I	33-2451 +	HP-1004 ¹
Forte	2.0L L4 F/I	33-2451 ♦♦	HP-1004 ¹
Forte Koup	1.6L L4 F/I	33-3008 ♦♦	HP-1004 ¹
Forte Koup	2.0L L4 F/I	33-2451 ♦♦	HP-1004 ¹
Forte5	1.6L L4 F/I	33-3008 ♦♦	HP-1004 ¹
Forte5	2.0L L4 F/I	33-2451 +	HP-1004 ¹
K5	2.0L L4 F/I - Korea	33-2448 +	
K5	2.4L L4 F/I	33-2448 +	
Optima	1.7L L4 DSL	33-2448	
Optima	2.0L L4 F/I		HP-1004 ¹
Optima	2.0L L4 F/I - Non-US, Exc. 150/170BHP	33-2448 ♦♦	HP-1004
Optima	2.0L L4 F/I - US	33-2448 ♦♦	HP-1004
Optima	2.4L L4 F/I	33-2448 ♦♦	HP-1004 ¹
Picanto	1.2L L4 F/I	33-3000	
Rio	1.6L L4 F/I	33-2472 +	HP-1004 ¹
Rio III	1.4L L4 DSL	33-2472 +	
Rio III	1.4L L4 F/I	33-2472 +	
Rio III	1.6L L4 F/I	33-2472 +	HP-1004 ¹
Rio5	1.6L L4 F/I	33-2472	HP-1004 ¹
Rondo	2.0L L4 F/I		HP-1004 ¹
Sedona	3.5L V6 F/I	33-2368 +	PS-7030
Sorento	2.4L L4 F/I	33-2493 +	HP-1004 ¹
Sorento	3.3L V6 F/I	33-2493 +	PS-7030
Sorento	3.5L V6 F/I	33-2448 +	
Sorento II	2.2L L4 DSL	33-2969	
Soul	1.6L L4 DSL	33-2472	
Soul	1.6L L4 F/I	33-2472 +	HP-1004 ¹
Soul	2.0L L4 F/I	33-2472 ♦♦	HP-1004 ¹
Sportage	1.6L L4 F/I	33-2451	
Sportage	2.0L L4 DSL	33-2451	
Sportage	2.0L L4 F/I		HP-1004 ¹

Vehicle	Engine Type	Air Filter	Oil Filter
2014 KIA			
Sportage	2.0L L4 F/I - Non-US	33-2451 +	HP-1004
Sportage	2.0L L4 F/I - US	33-2469 +	HP-1004
Sportage	2.4L L4 F/I	33-2451 +	HP-1004 ¹
2013 KIA			
Forte	2.0L L4 F/I	33-2380 ♦♦	HP-1004 ¹
Forte	2.4L L4 F/I	33-2380 +	HP-1004 ¹
Forte Koup	2.0L L4 F/I	33-2380 +	HP-1004 ¹
Forte Koup	2.4L L4 F/I	33-2380 ♦♦	HP-1004 ¹
Forte5	2.0L L4 F/I	33-2380 ♦♦	HP-1004 ¹
Forte5	2.4L L4 F/I	33-2380 +	HP-1004 ¹
K5	2.0L L4 F/I - China, 162BHP	33-3061	
K5	2.0L L4 F/I - China, 165/245BHP	33-2448	
K5	2.0L L4 F/I - Korea	33-2448 +	
K5	2.4L L4 F/I	33-2448 +	
K900	3.8L V6 F/I	33-2426	
Optima	1.7L L4 DSL	33-2448	
Optima	2.0L L4 F/I		HP-1004 ¹
Optima	2.0L L4 F/I - Non-US, Exc. 150/170BHP	33-2448 ♦♦	HP-1004
Optima	2.0L L4 F/I - US	33-2448 ♦♦	HP-1004
Optima	2.4L L4 F/I	33-2448 ♦♦	HP-1004 ¹
Picanto	1.0L L3 F/I	33-3000	
Picanto	1.2L L4 F/I	33-3000	
Rio	1.6L L4 F/I	33-2472 +	HP-1004 ¹
Rio III	1.1L L4 DSL	33-2472 +	
Rio III	1.4L L4 DSL	33-2472 +	
Rio III	1.4L L4 F/I	33-2472 +	
Rio III	1.6L L4 F/I	33-2472 +	HP-1004 ¹
Rio5	1.6L L4 F/I	33-2472	HP-1004 ¹
Sedona	3.5L V6 F/I		PS-7030
Sorento	2.4L L4 F/I	33-2448 +	HP-1004 ¹
Sorento	3.5L V6 F/I	33-2448 +	PS-7030
Sorento II	2.2L L4 DSL	33-2969	
Soul	1.6L L4 DSL	33-2960	
Soul	1.6L L4 F/I	33-2472	HP-1004 ¹
Soul	2.0L L4 F/I	33-2472 ♦	HP-1004 ¹
Sportage	1.6L L4 F/I	33-2451	
Sportage	1.7L L4 DSL	33-2451	
Sportage	2.0L L4 DSL	33-2451	
Sportage	2.0L L4 F/I		HP-1004 ¹
Sportage	2.0L L4 F/I - Non-US	33-2451 +	HP-1004
Sportage	2.0L L4 F/I - US	33-2469 +	HP-1004
Sportage	2.4L L4 F/I	33-2451 +	HP-1004 ¹
Sportage	2.7L V6 F/I	33-2201	
Sportage II	2.0L L4 F/I	33-2201	
2012 KIA			
Cerato Koup	2.0L L4 F/I	33-2380 +	
Forte	2.0L L4 F/I	33-2380 ♦♦	HP-1004 ¹
Forte	2.4L L4 F/I	33-2380 +	HP-1004 ¹
Forte Koup	2.0L L4 F/I	33-2380 +	HP-1004 ¹
Forte Koup	2.4L L4 F/I	33-2380 ♦♦	HP-1004 ¹
Forte5	2.0L L4 F/I	33-2380 +	HP-1004 ¹
Forte5	2.4L L4 F/I	33-2380 +	HP-1004 ¹
K5	2.0L L4 F/I - China, 162BHP	33-3061	
K5	2.0L L4 F/I - China, 165/245BHP	33-2448	
K5	2.0L L4 F/I - Korea	33-2448 +	
Optima	1.7L L4 DSL	33-2448	
Optima	2.0L L4 F/I		HP-1004 ¹
Optima	2.0L L4 F/I - Non-US, Exc. 150/170BHP	33-2448 ♦♦	HP-1004

* 2 filters required ♦ Intake System Available - see page 370 +Cabin Air Filter Available - see page 353 1- Performance Silver Oil Filter Also Available



Vehicle	Engine Type	Air Filter	Oil Filter	Vehicle	Engine Type	Air Filter	Oil Filter
2012 KIA				2010 KIA			
Optima	2.0L L4 F/I - US	33-2448 ♦+	HP-1004	Borrego	4.6L V8 F/I	33-2447+	
Optima	2.4L L4 F/I	33-2448+	HP-1004 ¹	Cerato Koup	2.0L L4 F/I	33-2380+	
Picanto	1.0L L3 F/I	33-3000		Forte	1.6L L4 F/I	33-2380	
Picanto	1.2L L4 F/I	33-3000		Forte	2.0L L4 F/I	33-2380 ♦+	HP-1004 ¹
Rio	1.6L L4 F/I	33-2472+	HP-1004 ¹	Forte	2.4L L4 F/I	33-2380+	HP-1004 ¹
Rio III	1.1L L4 DSL	33-2472+		Forte Koup	2.0L L4 F/I	33-2380+	HP-1004 ¹
Rio III	1.4L L4 DSL	33-2472+		Forte Koup	2.4L L4 F/I	33-2380 ♦+	HP-1004 ¹
Rio III	1.4L L4 F/I	33-2472+		Optima	2.4L L4 F/I	33-2934+	HP-1004 ¹
Rio III	1.6L L4 F/I	33-2472+	HP-1004 ¹	Optima	2.7L V6 F/I	33-2934+	HP-1010 ¹
Rio5	1.6L L4 F/I	33-2472+	HP-1004 ¹	Rio5	1.6L L4 F/I	33-2354+	HP-1004 ¹
Sedona	3.5L V6 F/I	33-2368+	PS-7030	Sedona	3.8L V6 F/I	33-2368+	
Sorento	2.4L L4 F/I	33-2448+	HP-1004 ¹	Soul	1.6L L4 DSL	33-2960	
Sorento	3.5L V6 F/I	33-2448+	PS-7030	Soul	1.6L L4 F/I	33-2960	HP-1004 ¹
Sorento II	2.2L L4 DSL - From 10/12	33-3129		Soul	2.0L L4 F/I	33-2960 ♦	HP-1004 ¹
Sorento II	2.2L L4 DSL - To 9/12	33-2969		Sportage	2.0L L4 F/I		HP-1004 ¹
Soul	1.6L L4 DSL	33-2960		Sportage II	2.0L L4 DSL	33-2201+	
Soul	1.6L L4 F/I	33-2472	HP-1004 ¹	Sportage II	2.0L L4 F/I	33-2201	
Soul	2.0L L4 F/I	33-2472 ♦	HP-1004 ¹	Sportage R	2.0L L4 F/I	33-2448	
Sportage	2.0L L4 DSL	33-2451		2009 KIA			
Sportage	2.0L L4 F/I		HP-1004 ¹	Borrego	3.8L V6 F/I	33-2447+	HP-7029 ¹
Sportage	2.0L L4 F/I - Non-US	33-2451+	HP-1004	Borrego	4.6L V8 F/I	33-2447+	HP-7029 ¹
Sportage	2.0L L4 F/I - US	33-2469+	HP-1004	Optima	2.4L L4 F/I	33-2934+	HP-1004 ¹
Sportage	2.4L L4 F/I	33-2451+	HP-1004 ¹	Rio	1.6L L4 F/I	33-2354+	HP-1004 ¹
Sportage II	2.0L L4 F/I	33-2201		Rio II	1.4L L4 F/I	33-2354+	
Sportage R	2.4L L4 F/I	33-2448		Rio II	1.6L L4 F/I	33-2354+	HP-1004 ¹
2011 KIA				Rio5	1.6L L4 F/I	33-2354+	HP-1004 ¹
Cerato Koup	2.0L L4 F/I	33-2380+		Rondo	2.4L L4 F/I	33-2934+	HP-1004 ¹
Forte	2.0L L4 F/I	33-2380 ♦+	HP-1004 ¹	Rondo	2.7L V6 F/I	33-2934+	HP-1008 ¹
Forte	2.4L L4 F/I	33-2380+	HP-1004 ¹	Sedona	3.8L V6 F/I	33-2368+	HP-7029 ¹
Forte Koup	2.0L L4 F/I	33-2380+	HP-1004 ¹	Sorento	3.3L V6 F/I	33-2271	HP-7029 ¹
Forte Koup	2.4L L4 F/I	33-2380 ♦+	HP-1004 ¹	Sorento	3.8L V6 F/I	33-2271+	
K5	2.0L L4 F/I	33-2448+		Spectra	2.0L L4 F/I	33-2201+	HP-1004 ¹
Optima	2.0L L4 F/I		HP-1004 ¹	Spectra5	2.0L L4 F/I	33-2201+	HP-1004 ¹
Optima	2.0L L4 F/I - Non-US, Exc. 150/170BHP	33-2448 ♦+	HP-1004	Sportage	2.0L L4 F/I	33-2201+	HP-1004 ¹
Optima	2.0L L4 F/I - US	33-2448 ♦+	HP-1004	Sportage	2.7L V6 F/I		HP-1008 ¹
Optima	2.4L L4 F/I	33-2448+	HP-1004 ¹	Sportage II	2.0L L4 DSL	33-2201+	
Rio II	1.6L L4 F/I		HP-1004 ¹	Sportage II	2.0L L4 F/I	33-2201	
Rio II	1.6L L4 F/I - Non-US, From 8/11	33-2472+	HP-1004	2008 KIA			
Rio II	1.6L L4 F/I - Non-US, To 7/11	33-2354+	HP-1004	Amanti	3.8L V6 F/I	33-2390	HP-7022 ¹
Rio III	1.6L L4 F/I		HP-1004 ¹	cee d	1.6L L4 DSL	33-2380	
Rio III	1.6L L4 F/I - Non-US, From 8/11	33-2472+	HP-1004	cee d	1.6L L4 F/I	33-2380 ♦	
Rio III	1.6L L4 F/I - Non-US, To 7/11	33-2354+	HP-1004	Optima	2.4L L4 F/I	33-2934+	HP-1004 ¹
Rio5	1.6L L4 F/I	33-2354+	HP-1004 ¹	Optima	2.7L V6 F/I	33-2934+	HP-1008 ¹
Sedona	3.5L V6 F/I	33-2368+	PS-7030	Picanto	1.1L L4 DSL - OEM 2811307100	33-2930	
Sorento	2.4L L4 F/I	33-2448+	HP-1004 ¹	Picanto	1.1L L4 F/I	33-2930	
Sorento	3.5L V6 F/I	33-2448+	PS-7030	Rio	1.6L L4 F/I		HP-1004 ¹
Sorento II	2.2L L4 DSL	33-2969		Rio	1.6L L4 F/I - US	33-2354+	HP-1004
Soul	1.6L L4 DSL	33-2960		Rio II	1.6L L4 F/I		HP-1004 ¹
Soul	1.6L L4 F/I	33-2960	HP-1004 ¹	Rio II	1.6L L4 F/I - China	33-2354+	HP-1004
Soul	2.0L L4 F/I	33-2960 ♦	HP-1004 ¹	Rio II	1.6L L4 F/I - EU	33-2196+	HP-1004
Sportage	1.7L L4 DSL	33-2451		Rio5	1.6L L4 F/I	33-2354+	HP-1004 ¹
Sportage	2.0L L4 F/I		HP-1004 ¹	Rondo	2.4L L4 F/I	33-2934+	HP-1004 ¹
Sportage	2.0L L4 F/I - Non-US	33-2451+	HP-1004	Rondo	2.7L V6 F/I	33-2934+	HP-1008 ¹
Sportage	2.0L L4 F/I - US	33-2469+	HP-1004	Sedona	3.8L V6 F/I	33-2368+	
Sportage	2.4L L4 F/I	33-2451+	HP-1004 ¹	Sedona	3.8L V6 F/I - w/5 Inch Tall Filter	33-2368	HP-7022 ¹
Sportage II	2.0L L4 F/I	33-2201		Sorento	2.5L L4 DSL	33-2271	
Sportage R	2.0L L4 F/I	33-2448		Sorento	3.3L V6 F/I	33-2271	
Sportage R	2.4L L4 F/I	33-2448		Sorento	3.3L V6 F/I - w/4 Inch Tall Filter	33-2271	HP-7029 ¹
				Sorento	3.3L V6 F/I - w/5 Inch Tall Filter	33-2271	HP-7022 ¹

* 2 filters required ♦ Intake System Available - see page 370 +Cabin Air Filter Available - see page 353 1- Performance Silver Oil Filter Also Available



AIR & OIL FILTERS

KIA

Vehicle	Engine Type	Air Filter	Oil Filter
2008 KIA			
Sorento	3.8L V6 F/I	33-2271+	
Sorento	3.8L V6 F/I - w/4 Inch Tall Filter	33-2271	HP-7029 ¹
Sorento	3.8L V6 F/I - w/5 Inch Tall Filter	33-2271	HP-7022 ¹
Spectra	2.0L L4 F/I	33-2201 ♦+	HP-1004 ¹
Spectra5	2.0L L4 F/I	33-2201+	HP-1004 ¹
Sportage	2.0L L4 F/I	33-2201+	HP-1004 ¹
Sportage	2.7L V6 F/I		HP-1008 ¹
Sportage II	2.0L L4 DSL	33-2201+	
Sportage II	2.0L L4 F/I	33-2201	

Vehicle	Engine Type	Air Filter	Oil Filter
2007 KIA			
Optima	2.4L L4 F/I	33-2934+	HP-1004 ¹
Optima	2.7L V6 F/I	33-2934+	HP-1008 ¹
Rio	1.6L L4 F/I		HP-1004 ¹
Rio	1.6L L4 F/I - US	33-2354+	HP-1004
Rio II	1.6L L4 F/I		HP-1004 ¹
Rio II	1.6L L4 F/I - China	33-2354+	HP-1004
Rio II	1.6L L4 F/I - EU	33-2196+	HP-1004
Rio5	1.6L L4 F/I	33-2354+	HP-1004 ¹
Rondo	2.7L V6 F/I	33-2934+	HP-1008 ¹
Sedona	3.8L V6 F/I	33-2368+	HP-7022 ¹
Sorento	2.5L L4 DSL	33-2271	
Sorento	3.3L V6 F/I	33-2271	
Sorento	3.8L V6 F/I	33-2271+	
Sorento	3.8L V6 F/I - w/5 Inch Tall Filter	33-2271	HP-7022 ¹
Spectra	2.0L L4 F/I	33-2201 ♦+	HP-1004 ¹
Spectra5	2.0L L4 F/I	33-2201+	HP-1004 ¹
Sportage	2.0L L4 F/I	33-2201+	HP-1004 ¹
Sportage	2.7L V6 F/I	33-2201+	HP-1008 ¹
Sportage II	2.0L L4 DSL	33-2201+	
Sportage II	2.0L L4 F/I	33-2201	

Vehicle	Engine Type	Air Filter	Oil Filter
2006 KIA			
Optima	2.4L L4 F/I		HP-1004 ¹
Optima	2.4L L4 F/I - VIN 3	33-2934+	HP-1004
Optima	2.4L L4 F/I - VIN 6	33-2188+	HP-1004
Optima	2.7L V6 F/I		HP-1008 ¹
Optima	2.7L V6 F/I - After 9/30/05	33-2934+	HP-1008
Optima	2.7L V6 F/I - Before 9/30/05	33-2188+	HP-1008
Rio	1.6L L4 F/I	33-2354+	HP-1004 ¹
Rio	1.6L L4 F/I - Non-US	33-2196+	HP-1004
Rio II	1.6L L4 F/I	33-2354+	HP-1004 ¹
Rio II	1.6L L4 F/I - Non-US	33-2196+	HP-1004
Rio5	1.6L L4 F/I	33-2354+	HP-1004 ¹
Sedona	3.8L V6 F/I	33-2368+	HP-7022 ¹
Sorento	2.4L L4 F/I	33-2271	
Sorento	2.5L L4 DSL	33-2271	
Sorento	3.3L V6 F/I	33-2271	
Sorento	3.5L V6 F/I	33-2271	HP-1004 ¹
Sorento	3.8L V6 F/I	33-2271+	
Spectra	2.0L L4 F/I	33-2201 ♦+	HP-1004 ¹
Spectra5	2.0L L4 F/I	33-2201 ♦+	HP-1004 ¹
Sportage	2.0L L4 F/I		HP-1004 ¹
Sportage	2.7L V6 F/I	33-2201+	HP-1008 ¹
Sportage II	2.0L L4 DSL	33-2201+	
Sportage II	2.0L L4 F/I	33-2201	

Vehicle	Engine Type	Air Filter	Oil Filter
2005 KIA			
Amanti	3.5L V6 F/I	33-2199	HP-1004 ¹
Optima	2.7L V6 F/I	33-2188+	HP-1008 ¹
Pride	1.4L L4 F/I	33-2222	

Vehicle	Engine Type	Air Filter	Oil Filter
2005 KIA			
Rio	1.6L L4 F/I		HP-1008 ¹
Rio II	1.6L L4 F/I		HP-1008 ¹
Sedona	3.5L V6 F/I	33-2268	HP-1004 ¹
Sorento	2.5L L4 DSL	33-2271	
Sorento	3.5L V6 F/I	33-2271	HP-1004 ¹
Spectra	2.0L L4 F/I	33-2201 ♦+	HP-1004 ¹
Spectra5	2.0L L4 F/I	33-2201 ♦+	HP-1004 ¹
Sportage	2.7L V6 F/I		HP-1008 ¹

Vehicle	Engine Type	Air Filter	Oil Filter
2004 KIA			
Optima	2.4L L4 F/I	33-2188	HP-1004 ¹
Optima	2.7L V6 F/I		HP-1008 ¹
Rio	1.6L L4 F/I	33-2196	HP-1008 ¹
Sedona	3.5L V6 F/I	33-2268	HP-1004 ¹
Sorento	2.4L L4 F/I	33-2271	
Sorento	3.5L V6 F/I	33-2271	HP-1004 ¹
Spectra	1.8L L4 F/I		HP-1008 ¹
Spectra	2.0L L4 F/I		HP-1004 ¹

Vehicle	Engine Type	Air Filter	Oil Filter
2003 KIA			
Optima	2.7L V6 F/I	33-2188	HP-1008 ¹
Rio	1.6L L4 F/I	33-2196	HP-1008 ¹
Sorento	2.4L L4 F/I	33-2271	
Sorento	2.5L L4 DSL	33-2271	
Sorento	3.5L V6 F/I	33-2271	HP-1004 ¹
Spectra	1.8L L4 F/I	33-2169	HP-1008 ¹
Sportage	2.0L L4 F/I	33-2168	

Vehicle	Engine Type	Air Filter	Oil Filter
2002 KIA			
Rio	1.5L L4 F/I		HP-1008 ¹
Spectra	1.8L L4 F/I	33-2169	HP-1008 ¹
Sportage	2.0L L4 F/I	33-2168	HP-1010 ¹

Vehicle	Engine Type	Air Filter	Oil Filter
2001 KIA			
Rio	1.5L L4 F/I	33-2196	HP-1008 ¹

Vehicle	Engine Type	Air Filter	Oil Filter
2000 KIA			
Sportage	2.0L L4 F/I	33-2168	HP-1010 ¹

Vehicle	Engine Type	Air Filter	Oil Filter
2019 KTM			
125 Duke	125	KT-1217	
250 Duke	249	KT-1217	
390 Duke	373	KT-1217	KN-155
690 Enduro R	690	KT-6908	
790 Duke	799	KT-7918	

Vehicle	Engine Type	Air Filter	Oil Filter
2018 KTM			
125 Duke	125	KT-1217	KN-155
200 Duke	200	KT-1211	KN-155
250 EXC-F	250		KN-652
250 EXC-F Six Days	250		KN-652
250 Freeride F	250		KN-652
250 SX-F	249		KN-652
250 XC-F	249		KN-652
350 EXC-F	350		KN-652
350 EXC-F Six Days	350		KN-652
350 EXC-F Six Days	350		KN-652
CKD			
350 Freeride	350		KN-652
350 SX-F	349		KN-652
350 XC-F	350		KN-652
390 Duke	373	KT-1217	KN-155
390 RC	390		KN-155
390 RC R	390		KN-155
450 EXC-F	449		KN-652
450 EXC-F Six Days	449		KN-652

* 2 filters required ♦ Intake System Available - see page 370 +Cabin Air Filter Available - see page 353 1- Performance Silver Oil Filter Also Available



Vehicle	Engine Type	Air Filter	Oil Filter	Vehicle	Engine Type	Air Filter	Oil Filter
2018 KTM				2016 KTM			
450 SX-F	449		KN-652	250 EXC-F Six Days	250		KN-652
450 XC-F	449		KN-652	250 SX-F	249		KN-652
500 EXC-F	510		KN-652	250 XC-F	249		KN-652
500 EXC-F Six Days	510		KN-652	350 EXC-F	350		KN-652
690 Duke	690	KT-6912		350 SX-F	349		KN-652
690 Duke	690 - Short Filter	KT-6912	KN-651	350 XC-F	350		KN-652
690 Duke	690 - Tall Filter	KT-6912	KN-155	350 XCF-W	350		KN-652
690 Enduro R	690 - Short Filter		KN-651	350 XCF-W Six Days	350		KN-652
690 Enduro R	690 - Tall Filter		KN-155	390 Duke	373	KT-1211	KN-155
790 Duke	799	KT-7918	KN-650	390 RC	390		KN-155
1090 Adventure	1050	KT-1113	KN-650	450 EXC Six Days	449		KN-655
1090 Adventure L	1050	KT-1113	KN-650	450 SX-F	449		KN-652
1090 Adventure R	1050	KT-1113	KN-650	450 XC-F	449		KN-652
1290 Super Adventure R	1301	KT-1113	KN-650	450 XC-W	449		KN-655
1290 Super Adventure S	1301	KT-1113	KN-650	500 EXC	510	KT-4511XD	KN-655
1290 Super Duke GT	1301	KT-1113	KN-650	500 EXC Six Days	510		KN-655
1290 Super Duke R	1301	KT-1113	KN-650	500 XC-W	510		KN-655
RC125	124	KT-1211		690 Duke	690	KT-6912	
RC200	199	KT-1211		690 Duke	690 - Short Filter	KT-6912	KN-651
2017 KTM				690 Duke	690 - Tall Filter	KT-6912	KN-155
125 Duke	125	KT-1217		690 Duke R	690	KT-6912	
200 Duke	200	KT-1211	KN-155	690 Duke R	690 - Short Filter	KT-6912	KN-651
250 Duke	249	KT-1217		690 Duke R	690 - Tall Filter	KT-6912	KN-155
250 EXC-F	250		KN-652	690 Enduro R	690	KT-6908	
250 EXC-F Six Days	250		KN-652	690 Enduro R	690 - Short Filter	KT-6908	KN-651
250 SX-F	249		KN-652	690 Enduro R	690 - Tall Filter	KT-6908	KN-155
250 XC-F	249		KN-652	1190 Adventure	1190	KT-1113	KN-650
350 EXC-F	350		KN-652	1190 Adventure R	1195	KT-1113	KN-650
350 EXC-F Six Days	350		KN-652	1290 Super Adventure	1301	KT-1113	KN-650
350 SX-F	349		KN-652	1290 Super Duke GT	1301		KN-650
350 XC-F	350		KN-652	1290 Super Duke R	1290	KT-1113	KN-650
390 Duke	373	KT-1217	KN-155	1290 Super Duke R	1301	KT-1113	KN-650
390 RC	390		KN-155	Special Ed.			
450 EXC-F	449		KN-652	RC125	124	KT-1211	
450 EXC-F Six Days	449		KN-652	RC200	199	KT-1211	
450 SX-F	449		KN-652	RC390	373	KT-1211	
450 XC-F	510		KN-652	2015 KTM			
500 EXC-F	510		KN-652	125 Duke	125	KT-1211	
500 EXC-F Six Days	510		KN-652	200 Duke	200	KT-1211	KN-155
690 Duke	690	KT-6912		250 Duke	250	KT-1211	
690 Duke	690 - Short Filter	KT-6912	KN-651	250 EXC-F Six Days	250		KN-652
690 Duke	690 - Tall Filter	KT-6912	KN-155	250 SX-F	249		KN-652
690 Duke R	690	KT-6912		250 XC-F	249		KN-652
690 Duke R	690 - Short Filter	KT-6912	KN-651	250 XCF-W	249		KN-652
690 Duke R	690 - Tall Filter	KT-6912	KN-155	350 EXC-F	350		KN-652
690 Enduro R	690	KT-6908		350 EXC-F Six Days	350		KN-652
690 Enduro R	690 - Short Filter	KT-6908	KN-651	350 Freeride	350		KN-652
690 Enduro R	690 - Tall Filter	KT-6908	KN-155	350 XCF-W	350		KN-652
1090 Adventure R	1050	KT-1113	KN-650	390 Duke	373	KT-1211	KN-155
1290 Super Adventure R	1301	KT-1113	KN-650	390 RC	390		KN-155
1290 Super Adventure T	1301	KT-1113		450 EXC	449	KT-4511XD	
1290 Super Duke GT	1301	KT-1113	KN-650	450 EXC Six Days	449	KT-4511XD	KN-655
1290 Super Duke R	1301	KT-1113	KN-650	450 SX-F	449		KN-655
RC390	373	KT-1211		450 XC-F	449		KN-655
2016 KTM				450 XC-W	449		KN-655
125 Duke	125	KT-1211	KN-155	450 XC-W	449		KN-655
200 Duke	200	KT-1211	KN-155	500 EXC	510	KT-4511XD	KN-655
250 Duke	250	KT-1211		500 EXC Six Days	510	KT-4511XD	KN-655
				500 XC-W	510	KT-4511XD	KN-655
				690 Duke	690	KT-6912	
				690 Duke	690 - Short Filter	KT-6912	KN-651
				690 Duke	690 - Tall Filter	KT-6912	KN-155

* 2 filters required ♦ Intake System Available - see page 370 +Cabin Air Filter Available - see page 353 1- Performance Silver Oil Filter Also Available



AIR & OIL FILTERS

KTM

Vehicle	Engine Type	Air Filter	Oil Filter	Vehicle	Engine Type	Air Filter	Oil Filter
2015 KTM				2013 KTM			
690 Duke R	690	KT-6912		500 EXC Six Days	510	KT-4511XD	KN-655
690 Duke R	690 - Short Filter	KT-6912	KN-651	500 XC-W	510		KN-655
690 Duke R	690 - Tall Filter	KT-6912	KN-155	690 Duke	690	KT-6912	
690 Enduro R	690	KT-6908		690 Duke	690 - Short Filter	KT-6912	KN-651
690 Enduro R	690 - Short Filter	KT-6908	KN-651	690 Duke	690 - Tall Filter	KT-6912	KN-155
690 Enduro R	690 - Tall Filter	KT-6908	KN-155	690 Duke R	690	KT-6912	
1190 Adventure	1190	KT-1113	KN-650	690 Duke R	690 - Short Filter	KT-6912	KN-651
1190 Adventure R	1195	KT-1113	KN-650	690 Duke R	690 - Tall Filter	KT-6912	KN-155
1190 RC8R	1190		KN-650	690 Enduro R	690	KT-6908	
1290 Super Adventure	1301	KT-1113	KN-650	690 Enduro R	690 - Short Filter	KT-6908	KN-651
1290 Super Duke R	1290	KT-1113	KN-650	690 Enduro R	690 - Tall Filter	KT-6908	KN-155
RC200	199	KT-1211		990 Adventure	999	KT-9907	KN-650
RC390	373	KT-1211		990 Adventure R	999	KT-9907	KN-650
				1190 Adventure R	1195	KT-1113	KN-650
2014 KTM				2012 KTM			
125 Duke	125	KT-1211		200 Duke	200	KT-1211	
200 Duke	200	KT-1211	KN-155	250 SX-F	249	KT-4511XD	KN-655
250 EXC-F	250		KN-652	250 XC-F	249		KN-655
250 EXC-F Six Days	250		KN-652	250 XCF-W	249		KN-655
250 SX-F	249	KT-4511XD	KN-652	350 EXC-F	350		KN-652
250 XC-F	249		KN-652	350 EXC-F Six Days	350		KN-652
250 XCF-W	249		KN-652	350 XC-F	350		KN-652
350 EXC-F	350		KN-652	350 XCF-W	350		KN-652
350 EXC-F Six Days	350		KN-652	450 SX-F	449	KT-4511XD	KN-652
350 Freeride	350		KN-652	450 SX-F Factory Edition	449	KT-4511XD	
350 XCF-W	350		KN-652	450 XC-W	449		KN-655
390 Duke	373	KT-1211	KN-155	500 EXC	510	KT-4511XD	KN-655
450 EXC Six Days	449		KN-655	500 EXC Six Days	510	KT-4511XD	KN-655
450 SX-F	449		KN-655	690 Duke	690	KT-6912	
450 XC-W	449		KN-655	690 Duke	690 - Short Filter	KT-6912	KN-651
500 EXC	510	KT-4511XD	KN-655	690 Duke	690 - Tall Filter	KT-6912	KN-155
500 EXC Six Days	510	KT-4511XD	KN-655	690 Duke R	690	KT-6912	
500 XC-W	510	KT-4511XD	KN-655	690 Duke R	690 - Short Filter	KT-6912	KN-651
690 Duke	690	KT-6912		690 Duke R	690 - Tall Filter	KT-6912	KN-155
690 Duke	690 - Short Filter	KT-6912	KN-651	690 Enduro R	690	KT-6908	
690 Duke	690 - Tall Filter	KT-6912	KN-155	690 Enduro R	690 - Tall Filter	KT-6908	KN-155
690 Duke R	690	KT-6912		990 Adventure	999	KT-9907	KN-650
690 Duke R	690 - Short Filter	KT-6912	KN-651	990 Adventure R	999	KT-9907	KN-650
690 Duke R	690 - Tall Filter	KT-6912	KN-155				
690 Enduro R	690	KT-6908		2011 KTM			
690 Enduro R	690 - Short Filter	KT-6908	KN-651	125 Duke	125	KT-1211	KN-155
690 Enduro R	690 - Tall Filter	KT-6908	KN-155	250 SX-F	249	KT-4511XD	KN-655
1190 Adventure	1195	KT-1113	KN-650	250 XC-F	249		KN-655
1190 Adventure R	1195	KT-1113	KN-650	250 XCF-W Six Days	249		KN-655
1190 RC8R	1190	KT-1108	KN-650	450 EXC	450		KN-652
1290 Super Duke R	1301	KT-1113	KN-650	450 EXC Six Days	450		KN-652
				450 SX-F	449	KT-4511XD	KN-652
				450 XC-W Six Days	449	KT-4511XD	KN-652
				530 EXC Six Days	530		KN-652
				530 XC-W Six Days	530		KN-652
				690 Duke	690	KT-6907	
				690 Duke	690 - Short Filter	KT-6907	KN-157
				690 Duke	690 - Tall Filter	KT-6907	KN-155
				690 Duke R	690	KT-6907	
				690 Duke R	690 - Short Filter	KT-6907	KN-157
				690 Duke R	690 - Tall Filter	KT-6907	KN-155
				690 Enduro R	690	KT-6908	
				690 Enduro R	690 - Tall Filter	KT-6908	KN-155
				990 Adventure Dakar Edition	999	KT-9907	KN-650
				990 Adventure R	999	KT-9907	KN-650
				990 Super Duke R	999		KN-650

* 2 filters required ♦ Intake System Available - see page 370 +Cabin Air Filter Available - see page 353 1- Performance Silver Oil Filter Also Available

Partial Listing: Complete Listing of Vehicles and Parts at KNFILTERS.COM or call 1-800-858-3333



Vehicle	Engine Type	Air Filter	Oil Filter	Vehicle	Engine Type	Air Filter	Oil Filter
2011 KTM				2008 KTM			
990 Supermoto R	999	KT-9907		505 SX-F	505		KN-652
990 Supermoto T	999	KT-9907		505 XC-F	478		KN-652
1190 RC8	1190	KT-1108	KN-650	530 EXC-R	530	KT-4511XD	KN-652
1190 RC8R	1190	KT-1108	KN-650	530 XC-RW	530		KN-652
2010 KTM				2007 KTM			
250 SX-F	249		KN-655	250 SX-F	249	KT-4511XD	KN-655
450 EXC	449		KN-652	250 XC-F	249		KN-655
450 EXC Six Days	450		KN-652	250 XCF-W	249	KT-5201	KN-655
450 SX-F	449		KN-652	450 EXC	450	KT-5201	KN-652
450 XC-W Six Days	449		KN-652	450 EXC	450 - Short Filter	KT-5201	KN-157
450 XC-WR	449		KN-652	450 EXC	450 - Tall Filter	KT-5201	KN-155
530 EXC	530		KN-652	450 SX-F	449	KT-4511XD	KN-652
530 EXC Factory Edition	530		KN-652	450 XC-W	449 - Short Filter	KT-5201	KN-157
530 EXC Six Days	530		KN-652	450 XC-W	449 - Tall Filter	KT-5201	KN-155
530 EXC-R	530	KT-4511XD		525 EXC	525	KT-5201	KN-157
690 Duke R	690	KT-6907		525 EXC	525 - Short Filter	KT-5201	KN-157
690 Enduro R	690	KT-6908		525 EXC	525 - Tall Filter	KT-5201	KN-155
690 Enduro R	690 - Short Filter	KT-6908	KN-157	525 EXC-G	525	KT-5201	KN-157
690 Enduro R	690 - Tall Filter	KT-6908	KN-155	525 EXC-G	525 - Short Filter	KT-5201	KN-157
990 Adventure	999	KT-9907	KN-650	525 EXC-G	525 - Tall Filter	KT-5201	KN-155
990 Adventure R	999	KT-9907	KN-650	525 MXC	525 - Tall Filter	KT-5201	KN-155
1190 RC8R	1190		KN-650	525 XC	525 - Short Filter	KT-5201	KN-157
2009 KTM				2006 KTM			
250 SX-F	249	KT-4511XD	KN-655	250 SX-F	249	KT-5201	KN-655
250 XC-F	249	KT-4511XD	KN-655	400 EXC	400 - Short Filter		KN-157
250 XCF-W	249		KN-655	400 EXC	400 - Tall Filter		KN-155
400 XC-W	400		KN-652	450 EXC	450	KT-5201	KN-157
450 EXC	449	KT-4511XD	KN-652	450 EXC	450 - Short Filter	KT-5201	KN-157
450 EXC-R	449	KT-4511XD		450 EXC	450 - Tall Filter	KT-5201	KN-155
450 SX-F	449	KT-4511XD	KN-652	450 SMR	449 - Tall Filter		KN-155
450 XC ATV	450 - 1st Filter		KN-155	450 SX	450 - Tall Filter		KN-155
450 XC ATV	450 - 2nd Filter		KN-157	450 SXS	450	KT-5201	
450 XC-F	449		KN-652	525 EXC	525 - Tall Filter		KN-155
450 XC-WR	449		KN-652	525 EXC-G	525	KT-5201	
505 SX ATV	478		KN-650				
530 EXC-R	530	KT-4511XD	KN-652				
690 Duke	690	KT-6907					
690 Enduro	690	KT-6908					
690 Enduro	690 - Tall Filter	KT-6908	KN-155				
690 Enduro R	690	KT-6908					
690 Enduro R	690 - Short Filter	KT-6908	KN-157				
690 Enduro R	690 - Tall Filter	KT-6908	KN-155				
990 Adventure	999	KT-9907	KN-650				
990 Adventure R	999	KT-9907					
990 Super Duke R	999		KN-650				

* 2 filters required ♦ Intake System Available - see page 370 +Cabin Air Filter Available - see page 353 1- Performance Silver Oil Filter Also Available



AIR & OIL FILTERS

KTM

Vehicle	Engine Type	Air Filter	Oil Filter
2006 KTM			
525 EXC-G	525 - Short Filter	KT-5201	KN-157
525 EXC-G	525 - Tall Filter	KT-5201	KN-155
525 SX	525 - Short Filter		KN-157
525 SX	525 - Tall Filter		KN-155
525 XC-G	525 - Tall Filter		KN-155
525 XC-W	525 - Tall Filter		KN-155
950 Adventure	942	KT-9504	
950 Adventure S	942	KT-9504	KN-650

Vehicle	Engine Type	Air Filter	Oil Filter
2005 KTM			
250 SX-F	249		KN-655
400 EXC	400 - Tall Filter		KN-155
450 EXC	450	KT-5201	
450 EXC	450 - Short Filter	KT-5201	KN-157
450 EXC	450 - Tall Filter	KT-5201	KN-155
450 MXC	450 - Tall Filter		KN-155
525 EXC	525	KT-5201	
525 EXC	525 - Short Filter	KT-5201	KN-157
525 EXC	525 - Tall Filter	KT-5201	KN-155
525 MXC	525 - Tall Filter		KN-155
525 SMR	525 - Short Filter		KN-157
525 SMR	525 - Tall Filter		KN-155
525 SX	525 - Tall Filter		KN-155
525 XC	525 - Tall Filter		KN-155
525 XC-W	525 - Short Filter		KN-157
525 XC-W	525 - Tall Filter		KN-155
625 SMC	625 - Short Filter		KN-155
625 SMC	625 - Tall Filter		KN-156
950 Adventure	942	KT-9504	KN-650
950 Adventure S	942	KT-9504	KN-650

Vehicle	Engine Type	Air Filter	Oil Filter
2004 KTM			
250 EXC Racing	250	KT-5201	
250 EXC Racing	250 - Short Filter	KT-5201	KN-157
250 EXC Racing	250 - Tall Filter	KT-5201	KN-155
450 EXC	450	KT-5201	
450 EXC	450 - Short Filter	KT-5201	KN-157
450 EXC	450 - Tall Filter	KT-5201	KN-155
450 SXS	450	KT-5201	
525 EXC	525 - Short Filter		KN-157
525 EXC	525 - Tall Filter		KN-155
625 SMC	625 - Short Filter		KN-155
950 Adventure	942	KT-9504	KN-650
950 Adventure S	942	KT-9504	KN-650

Vehicle	Engine Type	Air Filter	Oil Filter
2003 KTM			
250 EXC	250 - Short Filter		KN-157
250 EXC	250 - Tall Filter		KN-155
250 EXC 4-Stroke	250 - Short Filter		KN-157
250 EXC 4-Stroke	250 - Tall Filter		KN-155
250 EXC-G Racing	250	KT-5201	
450 EXC	450	KT-5201	
450 EXC	450 - Short Filter	KT-5201	KN-157
450 EXC	450 - Tall Filter	KT-5201	KN-155
450 MXC	450 - Tall Filter		KN-155
450 SX-F	449	KT-5201	
525 EXC	525 - Tall Filter		KN-155
625 SXC	625 - Short Filter		KN-157
625 SXC	625 - Tall Filter		KN-155
640 Duke II	625 - Short Filter		KN-155
950 Adventure S	942	KT-9504	

Vehicle	Engine Type	Air Filter	Oil Filter
2002 KTM			
400 EXC	400	KT-5201	
400 EXC	400 - Short Filter	KT-5201	KN-157

Vehicle	Engine Type	Air Filter	Oil Filter
2002 KTM			
520 EXC	510	KT-5201	
520 EXC	510 - Short Filter	KT-5201	KN-157
520 EXC	510 - Tall Filter	KT-5201	KN-155
520 SX	510 - Tall Filter		KN-155
640 Duke II	625 - Short Filter		KN-155
640 Duke II	625 - Tall Filter		KN-156
640 LC4	625 - Short Filter		KN-155
640 LC4	625 - Tall Filter		KN-156
660 Supermoto	660 - Tall Filter		KN-155

Vehicle	Engine Type	Air Filter	Oil Filter
2001 KTM			
520 EXC	510 - Short Filter		KN-157
520 EXC	510 - Tall Filter		KN-155
640 LC4	625 - Short Filter		KN-155
640 LC4	625 - Tall Filter		KN-156

Vehicle	Engine Type	Air Filter	Oil Filter
2000 KTM			
640 Duke II	625 - Short Filter		KN-155
640 Duke II	625 - Tall Filter		KN-156

Vehicle	Engine Type	Air Filter	Oil Filter
2011 KUBOTA			
RTV1100	898 - D1105-E2	E-4961	

Vehicle	Engine Type	Air Filter	Oil Filter
2010 KUBOTA			
RTV1100	898 - D1105-E2	E-4961	

Vehicle	Engine Type	Air Filter	Oil Filter
2007 KUBOTA			
RTV1100	898 - D1105-E2	E-4961	

Vehicle	Engine Type	Air Filter	Oil Filter
2005 KUBOTA			
BX1800	719	E-4552	

Vehicle	Engine Type	Air Filter	Oil Filter
2003 KUBOTA			
BX1800	719	E-4552	
BX2200	892	E-4552	

Vehicle	Engine Type	Air Filter	Oil Filter
2002 KUBOTA			
BX2200	892	E-4552	

Vehicle	Engine Type	Air Filter	Oil Filter
2019 LADA			
Vesta	1.6L L4 F/I	33-3007	

Vehicle	Engine Type	Air Filter	Oil Filter
2016 LADA			
Vesta	1.6L L4 F/I	33-3007	

Vehicle	Engine Type	Air Filter	Oil Filter
2015 LAMBORGHINI			
Huracan	5.2L V10 F/I	E-0658	

Vehicle	Engine Type	Air Filter	Oil Filter
2014 LAMBORGHINI			
Gallardo	5.2L V10 F/I	E-0669	

Vehicle	Engine Type	Air Filter	Oil Filter
2013 LAMBORGHINI			
Gallardo	5.2L V10 F/I	E-0669	

Vehicle	Engine Type	Air Filter	Oil Filter
2012 LAMBORGHINI			
Gallardo	5.2L V10 F/I	E-0669	

Vehicle	Engine Type	Air Filter	Oil Filter
2011 LAMBORGHINI			
Gallardo	5.2L V10 F/I	E-0669	

Vehicle	Engine Type	Air Filter	Oil Filter
2010 LAMBORGHINI			
Gallardo	5.2L V10 F/I	E-0669	

Vehicle	Engine Type	Air Filter	Oil Filter
2009 LAMBORGHINI			
Gallardo	5.2L V10 F/I	E-0669	

Vehicle	Engine Type	Air Filter	Oil Filter
2008 LAMBORGHINI			
Gallardo	5.0L V10 F/I	33-2490*	

Vehicle	Engine Type	Air Filter	Oil Filter
2007 LAMBORGHINI			
Gallardo	5.0L V10 F/I	33-2490*	

* 2 filters required ♦ Intake System Available - see page 370 +Cabin Air Filter Available - see page 353 1- Performance Silver Oil Filter Also Available



Vehicle	Engine Type	Air Filter	Oil Filter
2006 LAMBORGHINI			
Gallardo	5.0L V10 F/I	33-2490*	

Vehicle	Engine Type	Air Filter	Oil Filter
2005 LAMBORGHINI			
Gallardo	5.0L V10 F/I	33-2490*	

Vehicle	Engine Type	Air Filter	Oil Filter
2004 LAMBORGHINI			
Gallardo	5.0L V10 F/I	33-2490*	

Vehicle	Engine Type	Air Filter	Oil Filter
2003 LAMBORGHINI			
Gallardo	5.0L V10 F/I - From 8/03	33-2490*	

Vehicle	Engine Type	Air Filter	Oil Filter
2003 LANCIA			
Ypsilon	1.2L L4 F/I - 60BHP	33-2870 ♦	

Vehicle	Engine Type	Air Filter	Oil Filter
2020 LEXUS			
ES350	3.5L V6 F/I		HP-7020 ¹
LC500	5.0L V8 F/I		HP-7018 ¹
LC500h	3.5L V6 F/I		HP-7020 ¹
LX570	5.7L V8 F/I		HP-7018 ¹
RC F	5.0L V8 F/I	33-2453	
RX450h	3.5L V6 F/I		HP-7020 ¹

Vehicle	Engine Type	Air Filter	Oil Filter
2019 LEXUS			
ES350	3.5L V6 F/I	33-2443 ♦♦	HP-7020 ¹
GS F	5.0L V8 F/I	33-2453+	HP-7018 ¹
GS350	3.5L V6 F/I	33-2452 ♦♦	HP-7023 ¹
GX460	4.6L V8 F/I	33-2438+	HP-7023 ¹
IS300	2.0L L4 F/I	33-2452+	HP-7020 ¹
IS350	3.5L V6 F/I	33-2452 ♦♦	HP-7023 ¹
LX570	5.7L V8 F/I	33-2387+	HP-7018 ¹
NX300	2.0L L4 F/I	33-2443+	HP-7020 ¹
NX300h	2.5L L4 F/I	33-2435+	HP-7020 ¹
RC F	5.0L V8 F/I	33-2453+	HP-7018 ¹
RC300	3.5L V6 F/I	33-2452+	PS-7023
RC350	3.5L V6 F/I	33-2452 ♦♦	HP-7023 ¹
RX350	3.5L V6 F/I	33-2443+	HP-7020 ¹
RX350L	3.5L V6 F/I	33-2443+	
RX450h	3.5L V6 F/I	33-5079+	PS-7020
RX450hL	3.5L V6 F/I	33-5079+	
UX250h	2.0L L4 F/I		HP-1003 ¹

Vehicle	Engine Type	Air Filter	Oil Filter
2018 LEXUS			
ES300h	2.5L L4 F/I	33-2381+	HP-7020 ¹
ES350	3.5L V6 F/I	33-2443+	HP-7020 ¹
GS F	5.0L V8 F/I	33-2453+	HP-7018 ¹
GS300	2.0L L4 F/I	33-2452+	PS-7020
GS350	3.5L V6 F/I	33-2452 ♦♦	HP-7023 ¹
GS450h	3.5L V6 F/I	33-2452+	
GX460	4.6L V8 F/I	33-2438+	HP-7023 ¹
IS300	2.0L L4 F/I	33-2452+	HP-7020 ¹
IS300	3.5L V6 F/I	33-2452+	HP-7023 ¹
IS350	3.5L V6 F/I	33-2452 ♦♦	HP-7023 ¹
LC500	5.0L V8 F/I		HP-7018 ¹
LC500h	3.5L V6 F/I		HP-7020 ¹
LS500	3.5L V6 F/I		HP-7023 ¹
LS500h	3.5L V6 F/I		HP-7023 ¹
LX570	5.7L V8 F/I	33-2387+	HP-7023 ¹
NX200t	2.0L L4 F/I		HP-7020 ¹
NX300	2.0L L4 F/I	33-2443+	HP-7020 ¹
NX300h	2.5L L4 F/I	33-2435+	HP-7020 ¹
RC F	5.0L V8 F/I	33-2453+	HP-7018 ¹
RC Turbo	2.0L L4 F/I		PS-7020
RC200t	2.0L L4 F/I	33-2452	
RC300	2.0L L4 F/I	33-2452+	
RC350	3.5L V6 F/I	33-2452 ♦♦	HP-7023 ¹
RX350	3.5L V6 F/I	33-2443+	HP-7020 ¹

Vehicle	Engine Type	Air Filter	Oil Filter
2018 LEXUS			
RX350L	3.5L V6 F/I	33-2443+	HP-7020 ¹
RX450h	3.5L V6 F/I	33-5079+	HP-7020 ¹
RX450hL	3.5L V6 F/I	33-5079+	HP-7020 ¹

Vehicle	Engine Type	Air Filter	Oil Filter
2017 LEXUS			
CT200h	1.8L L4 F/I	33-2435	HP-7021 ¹
ES300h	2.5L L4 F/I	33-2381+	
ES350	3.5L V6 F/I	33-2443+	HP-7020 ¹
GS200t	2.0L L4 F/I	33-2452+	PS-7020
GS350	3.5L V6 F/I	33-2452 ♦♦	HP-7020 ¹
GX460	4.6L V8 F/I	33-2438+	HP-7023 ¹
IS200t	2.0L L4 F/I	33-2452+	HP-7020 ¹
IS300	3.5L V6 F/I	33-2452+	HP-7023 ¹
IS300h	2.5L L4 F/I	33-2452+	
IS350	3.5L V6 F/I	33-2452 ♦♦	HP-7023 ¹
LS460	4.6L V8 F/I	33-2381*+	HP-7023 ¹
LX570	5.7L V8 F/I	33-2387+	HP-7018 ¹
NX200t	2.0L L4 F/I	33-2443+	HP-7020 ¹
NX300h	2.5L L4 F/I	33-2435+	PS-7020
RC F	5.0L V8 F/I	33-2453 ♦♦	HP-7018 ¹
RC200t	2.0L L4 F/I	33-2452+	HP-7020 ¹
RC300	3.5L V6 F/I	33-2452+	
RC350	3.5L V6 F/I	33-2452 ♦♦	HP-7023 ¹
RX200T	2.0L L4 F/I	33-2443	
RX350	3.5L V6 F/I	33-2443+	HP-7020 ¹
RX450h	3.5L V6 F/I	33-5079+	HP-7020 ¹

Vehicle	Engine Type	Air Filter	Oil Filter
2016 LEXUS			
CT200h	1.8L L4 F/I	33-2435+	HP-7021 ¹
ES300h	2.5L L4 F/I	33-2381+	HP-7020 ¹
ES350	3.5L V6 F/I	33-2443+	HP-7020 ¹
GS F	5.0L V8 F/I	33-2453+	HP-7018 ¹
GS200t	2.0L L4 F/I	33-2452+	HP-7020 ¹
GS350	3.5L V6 F/I	33-2452 ♦♦	HP-7020 ¹
GS450h	3.5L V6 F/I	33-2452+	
GX460	4.6L V8 F/I	33-2438+	HP-7023 ¹
IS200t	2.0L L4 F/I	33-2452+	HP-7020 ¹
IS300	3.5L V6 F/I	33-2452+	HP-7023 ¹
IS300h	2.5L L4 F/I	33-2452+	
IS350	3.5L V6 F/I	33-2452 ♦♦	HP-7023 ¹
LS460	4.6L V8 F/I	33-2381*+	HP-7023 ¹
LX570	5.7L V8 F/I	33-2387+	HP-7018 ¹
NX200t	2.0L L4 F/I	33-2443+	HP-7020 ¹
RC F	5.0L V8 F/I	33-2453 ♦♦	HP-7018 ¹
RC200t	2.0L L4 F/I	33-2452+	HP-7020 ¹
RC300	3.5L V6 F/I	33-2452+	HP-7023 ¹
RC350	3.5L V6 F/I	33-2452 ♦♦	HP-7023 ¹
RX200T	2.0L L4 F/I	33-2443	
RX350	3.5L V6 F/I	33-2443+	HP-7020 ¹
RX450h	3.5L V6 F/I	33-5079+	HP-7020 ¹

Vehicle	Engine Type	Air Filter	Oil Filter
2015 LEXUS			
CT200h	1.8L L4 F/I	33-2435+	HP-7021 ¹
ES300h	2.5L L4 F/I	33-2381+	PS-7020
ES350	3.5L V6 F/I	33-2443+	HP-7020 ¹
GS200t	2.0L L4 F/I	33-2452+	
GS350	3.5L V6 F/I	33-2452 ♦♦	HP-7023 ¹
GX460	4.6L V8 F/I	33-2438+	HP-7023 ¹
IS F	5.0L V8 F/I	33-2453	HP-7018 ¹
IS250	2.5L V6 F/I	33-2452 ♦♦	HP-7023 ¹
IS300	2.5L L4 F/I	33-2452	
IS300h	2.5L L4 F/I	33-2452+	
IS350	3.5L V6 F/I	33-2452 ♦♦	HP-7023 ¹
LS460	4.6L V8 F/I	33-2381*+	HP-7023 ¹

* 2 filters required ♦ Intake System Available - see page 370 +Cabin Air Filter Available - see page 353 1- Performance Silver Oil Filter Also Available



AIR & OIL FILTERS

LEXUS

Vehicle	Engine Type	Air Filter	Oil Filter
2015 LEXUS			
LX570	5.7L V8 F/I	33-2387+	HP-7018 ¹
NX200t	2.0L L4 F/I	33-2443+	HP-7020 ¹
RC F	5.0L V8 F/I	33-2453♦+	HP-7018 ¹
RC300	3.5L V6 F/I	33-2452	
RC350	3.5L V6 F/I	33-2452♦+	HP-7023 ¹
RX350	3.5L V6 F/I	33-2443+	HP-7020 ¹
RX450h	3.5L V6 F/I	33-2455+	HP-7020 ¹

Vehicle	Engine Type	Air Filter	Oil Filter
2014 LEXUS			
CT200h	1.8L L4 F/I	33-2435+	HP-7021 ¹
ES250	2.5L V6 F/I	33-2370	
ES300h	2.5L L4 F/I	33-2381+	HP-7020 ¹
ES350	3.5L V6 F/I	33-2443+	HP-7020 ¹
GS350	3.5L V6 F/I	33-2452♦+	HP-7023 ¹
GX460	4.6L V8 F/I	33-2438+	HP-7023 ¹
IS F	5.0L V8 F/I	33-2453	HP-7018 ¹
IS250	2.5L V6 F/I	33-2452♦+	HP-7023 ¹
IS350	3.5L V6 F/I	33-2452♦+	HP-7023 ¹
LS460	4.6L V8 F/I	33-2381*+	HP-7023 ¹
LS600h	5.0L V8 F/I	33-2381*+	PS-7023
LX570	5.7L V8 F/I	33-2387+	PS-7018
NX200t	2.0L L4 F/I	33-2443	
RX350	3.5L V6 F/I	33-2443+	HP-7020 ¹
RX450h	3.5L V6 F/I	33-2455+	HP-7020 ¹

Vehicle	Engine Type	Air Filter	Oil Filter
2013 LEXUS			
CT200h	1.8L L4 F/I	33-2435+	HP-7021 ¹
ES250	2.5L V6 F/I	33-2370	
ES300h	2.5L L4 F/I	33-2381+	HP-7020 ¹
ES350	3.5L V6 F/I	33-2443+	HP-7020 ¹
GS350	3.5L V6 F/I	33-2452♦+	HP-7023 ¹
GX460	4.6L V8 F/I	33-2438+	HP-7023 ¹
IS F	5.0L V8 F/I	33-2453+	HP-7018 ¹
IS250	2.5L V6 F/I		HP-7023 ¹
IS250	2.5L V6 F/I - Non-US, From 3/13	33-2452♦	HP-7023
IS250	2.5L V6 F/I - Non-US, To 2/13	33-2345♦	HP-7023
IS250	2.5L V6 F/I - US	33-2345♦+	HP-7023
IS300h	2.5L L4 F/I	33-2452+	
IS350	3.5L V6 F/I	33-2345♦+	HP-7023 ¹
LS460	4.6L V8 F/I	33-2381*+	HP-7023 ¹
LS600h	5.0L V8 F/I	33-2381*+	
LX570	5.7L V8 F/I	33-2387+	HP-7018 ¹
RX350	3.5L V6 F/I	33-2443+	HP-7020 ¹
RX450h	3.5L V6 F/I	33-2455+	HP-7020 ¹

Vehicle	Engine Type	Air Filter	Oil Filter
2012 LEXUS			
CT200h	1.8L L4 F/I	33-2435+	HP-7021 ¹
ES250	2.5L V6 F/I	33-2370	
ES350	3.5L V6 F/I	33-2326+	HP-7020 ¹
ES350h	3.5L V6 F/I	33-2370	
GS350	3.5L V6 F/I	33-2452	
GX460	4.6L V8 F/I	33-2438+	HP-7023 ¹
IS F	5.0L V8 F/I	33-2453♦+	HP-7018 ¹
IS250	2.5L V6 F/I	33-2345♦+	HP-7023 ¹
IS350	3.5L V6 F/I	33-2345+	HP-7023 ¹
LS460	4.6L V8 F/I	33-2381*+	HP-7023 ¹
LX570	5.7L V8 F/I	33-2387	
RX350	3.5L V6 F/I	33-2443+	HP-7020 ¹
RX450h	3.5L V6 F/I	33-2455+	HP-7020 ¹

Vehicle	Engine Type	Air Filter	Oil Filter
2011 LEXUS			
CT200h	1.8L L4 F/I	33-2435+	HP-7021 ¹
ES350	3.5L V6 F/I	33-2326+	HP-7020 ¹

Vehicle	Engine Type	Air Filter	Oil Filter
2011 LEXUS			
GS350	3.5L V6 F/I	33-2345♦+	HP-7023 ¹
GS460	4.6L V8 F/I	33-2452+	
GX460	4.6L V8 F/I	33-2438+	HP-7023 ¹
HS250h	2.4L L4 F/I	33-2381+	
IS F	5.0L V8 F/I	33-2453♦+	HP-7018 ¹
IS220	2.2L L4 DSL	33-2345+	
IS250	2.5L V6 F/I	33-2345♦+	HP-7023 ¹
IS350	3.5L V6 F/I	33-2345♦+	HP-7023 ¹
LS460	4.6L V8 F/I	33-2381*+	HP-7023 ¹
LX570	5.7L V8 F/I	33-2387+	HP-7018 ¹
RX350	3.5L V6 F/I	33-2443+	HP-7020 ¹
RX450h	3.5L V6 F/I	33-2455+	PS-7020

Vehicle	Engine Type	Air Filter	Oil Filter
2010 LEXUS			
ES350	3.5L V6 F/I	33-2326+	HP-7020 ¹
GS350	3.5L V6 F/I	33-2345♦+	HP-7023 ¹
GX460	4.6L V8 F/I	33-2438+	HP-7023 ¹
HS250h	2.4L L4 F/I	33-2381+	HP-1003 ¹
IS F	5.0L V8 F/I	33-2453♦+	
IS220	2.2L L4 DSL	33-2345+	
IS250	2.5L V6 F/I	33-2345♦+	HP-7023 ¹
IS350	3.5L V6 F/I	33-2345♦+	HP-7023 ¹
LS460	4.6L V8 F/I	33-2381*+	HP-7023 ¹
LX570	5.7L V8 F/I	33-2387+	
RX350	3.5L V6 F/I	33-2443+	HP-7020 ¹
RX450h	3.5L V6 F/I	33-2455+	HP-7020 ¹

Vehicle	Engine Type	Air Filter	Oil Filter
2009 LEXUS			
ES350	3.5L V6 F/I	33-2326+	HP-7020 ¹
GS350	3.5L V6 F/I	33-2345♦+	HP-7023 ¹
GS450h	3.5L V6 F/I	33-2220+	PS-7023
GS460	4.6L V8 F/I	33-2452+	
GX470	4.7L V8 F/I	33-2144+	HP-1002 ¹
IS F	5.0L V8 F/I	33-2453♦+	HP-7018 ¹
IS220	2.2L L4 DSL	33-2345+	
IS250	2.5L V6 F/I	33-2345♦+	HP-7023 ¹
IS350	3.5L V6 F/I	33-2345♦+	HP-7023 ¹
LS460	4.6L V8 F/I	33-2381*+	HP-7023 ¹
LX570	5.7L V8 F/I	33-2387+	HP-7018 ¹
RX350	3.5L V6 F/I	33-2260+	HP-7020 ¹

Vehicle	Engine Type	Air Filter	Oil Filter
2008 LEXUS			
ES350	3.5L V6 F/I	33-2326+	HP-7020 ¹
GS350	3.5L V6 F/I	33-2345♦+	HP-7023 ¹
GS450h	3.5L V6 F/I	33-2220+	
GS460	4.6L V8 F/I	33-2452+	HP-7023 ¹
GX470	4.7L V8 F/I	33-2144+	HP-1002 ¹
IS F	5.0L V8 F/I	33-2453♦+	HP-7018 ¹
IS220	2.2L L4 DSL	33-2345+	
IS250	2.5L V6 F/I	33-2345♦+	HP-7023 ¹
IS300	3.0L L6 F/I	33-2345	
IS350	3.5L V6 F/I	33-2345♦+	HP-7023 ¹
LS460	4.6L V8 F/I	33-2381*+	HP-7023 ¹
LS600h	5.0L V8 F/I	33-2381*+	HP-7023 ¹
LX470	4.7L V8 F/I	33-2146	
LX570	5.7L V8 F/I	33-2387+	HP-7018 ¹
RX350	3.5L V6 F/I	33-2260+	HP-7020 ¹
RX400h	3.3L V6 F/I	33-2344+	HP-1002 ¹
SC430	4.3L V8 F/I	33-2220+	

Vehicle	Engine Type	Air Filter	Oil Filter
2007 LEXUS			
ES350	3.5L V6 F/I	33-2326+	HP-7020 ¹
GS350	3.5L V6 F/I	33-2345♦+	HP-7023 ¹
GS450h	3.5L V6 F/I	33-2220+	HP-7023 ¹
GX470	4.7L V8 F/I	33-2144+	HP-1002 ¹

* 2 filters required ♦ Intake System Available - see page 370 +Cabin Air Filter Available - see page 353 1- Performance Silver Oil Filter Also Available

Partial Listing: Complete Listing of Vehicles and Parts at KNFILTERS.COM or call 1-800-858-3333



Vehicle	Engine Type	Air Filter	Oil Filter
2007 LEXUS			
IS220	2.2L L4 DSL	33-2345 +	
IS250	2.5L V6 F/I	33-2345 ♦+	HP-7023 ¹
IS300	3.0L L6 F/I	33-2345	
IS350	3.5L V6 F/I	33-2345 ♦+	HP-7023 ¹
LS460	4.6L V8 F/I	33-2381*+	HP-7023 ¹
LX470	4.7L V8 F/I	33-2146	HP-1002 ¹
LX570	5.7L V8 F/I	33-2387	
RX350	3.5L V6 F/I	33-2260 +	HP-7020 ¹
RX400h	3.3L V6 F/I	33-2344 +	HP-1002 ¹
SC430	4.3L V8 F/I	33-2220 +	HP-1002 ¹

Vehicle	Engine Type	Air Filter	Oil Filter
2006 LEXUS			
ES330	3.3L V6 F/I	33-2260 +	HP-1002 ¹
ES350	3.5L V6 F/I	33-2326	
GS300	3.0L V6 F/I	33-2220 +	HP-7023 ¹
GS430	4.3L V8 F/I	33-2345 +	HP-1002 ¹
GX470	4.7L V8 F/I	33-2144 +	HP-1002 ¹
IS250	2.5L V6 F/I	33-2345 ♦+	HP-7023 ¹
IS300	3.0L V6 F/I	33-2345	
IS350	3.5L V6 F/I	33-2345 ♦+	HP-7023 ¹
LS430	4.3L V8 F/I	33-2137 +	HP-1002 ¹
LX470	4.7L V8 F/I	33-2146	HP-1002 ¹
RX330	3.3L V6 F/I	33-2260 +	HP-1002 ¹
RX350	3.5L V6 F/I	33-2260	
RX400h	3.3L V6 F/I	33-2344 +	HP-1002 ¹

Vehicle	Engine Type	Air Filter	Oil Filter
2005 LEXUS			
ES330	3.3L V6 F/I	33-2260 +	HP-1002 ¹
GS300	3.0L L6 F/I	33-2170 +	HP-1002 ¹
GS430	4.3L V8 F/I	33-2220 +	HP-1002 ¹
GX470	4.7L V8 F/I	33-2144 +	HP-1002 ¹
IS250	2.5L V6 F/I	33-2345 ♦	
IS300	3.0L L6 F/I	33-2170 ♦+	HP-1002 ¹
IS350	3.5L V6 F/I	33-2345	
LS430	4.3L V8 F/I	33-2137 +	HP-1002 ¹
LX470	4.7L V8 F/I	33-2146	HP-1002 ¹
RX300	3.0L V6 F/I	33-2260	
RX330	3.3L V6 F/I	33-2260 +	HP-1002 ¹
SC430	4.3L V8 F/I	33-2220 +	HP-1002 ¹

Vehicle	Engine Type	Air Filter	Oil Filter
2004 LEXUS			
ES330	3.3L V6 F/I	33-2260 +	HP-1002 ¹
GS300	3.0L L6 F/I	33-2170 +	HP-1002 ¹
GS430	4.3L V8 F/I	33-2220 +	HP-1002 ¹
GX470	4.7L V8 F/I	33-2144 +	HP-1002 ¹
IS200	2.0L L6 F/I - 153BHP	33-2845 +	
IS300	3.0L L6 F/I	33-2170 ♦+	HP-1002 ¹
LS430	4.3L V8 F/I	33-2137 +	HP-1002 ¹
LX470	4.7L V8 F/I	33-2146	HP-1002 ¹
RX300	3.0L V6 F/I	33-2260	
RX330	3.3L V6 F/I	33-2260 +	HP-1002 ¹
SC430	4.3L V8 F/I	33-2220 +	HP-1002 ¹

Vehicle	Engine Type	Air Filter	Oil Filter
2003 LEXUS			
ES300	3.0L V6 F/I	33-2260 +	HP-1002 ¹
ES330	3.3L V6 F/I	33-2260	
GS300	3.0L L6 F/I	33-2170 +	HP-1002 ¹
GS430	4.3L V8 F/I	33-2220 +	HP-1002 ¹
GX470	4.7L V8 F/I	33-2144 +	HP-1002 ¹
IS200	2.0L L6 F/I - 153BHP	33-2845 +	
IS300	3.0L L6 F/I	33-2170 ♦+	HP-1002 ¹
LS430	4.3L V8 F/I	33-2137 +	HP-1002 ¹
LX470	4.7L V8 F/I	33-2146	HP-1002 ¹
RX300	3.0L V6 F/I	33-2145-1+	HP-1002 ¹
RX300	3.0L V6 F/I - China	33-2260 +	HP-1002

Vehicle	Engine Type	Air Filter	Oil Filter
2003 LEXUS			
SC430	4.3L V8 F/I	33-2220 +	HP-1002 ¹
2002 LEXUS			
ES300	3.0L V6 F/I	33-2260 +	HP-1002 ¹
GS300	3.0L L6 F/I	33-2170 +	HP-1002 ¹
GS430	4.3L V8 F/I	33-2220 +	HP-1002 ¹
GX470	4.7L V8 F/I	33-2144	
IS200	2.0L L6 F/I - 153BHP	33-2845 +	
IS200	2.0L L6 F/I - China	33-2848 +	
IS300	3.0L L6 F/I	33-2170 ♦+	HP-1002 ¹
LS430	4.3L V8 F/I	33-2137 +	HP-1002 ¹
LX470	4.7L V8 F/I	33-2146	HP-1002 ¹
RX300	3.0L V6 F/I	33-2145-1+	HP-1002 ¹
SC430	4.3L V8 F/I	33-2220 +	HP-1002 ¹

Vehicle	Engine Type	Air Filter	Oil Filter
2001 LEXUS			
ES300	3.0L V6 F/I	33-2145-1	HP-1002 ¹
GS300	3.0L L6 F/I	33-2170 +	HP-1002 ¹
GS430	4.3L V8 F/I	33-2220 +	HP-1002 ¹
IS200	2.0L L6 F/I - 153BHP	33-2845 +	
IS300	3.0L L6 F/I	33-2170 ♦+	HP-1002 ¹
LS430	4.3L V8 F/I	33-2137 +	HP-1002 ¹
LX470	4.7L V8 F/I	33-2146	HP-1002 ¹
RX300	3.0L V6 F/I	33-2145-1+	HP-1002 ¹

Vehicle	Engine Type	Air Filter	Oil Filter
2000 LEXUS			
ES300	3.0L V6 F/I	33-2145-1	HP-1002 ¹
GS300	3.0L L6 F/I	33-2170	HP-1002 ¹
GS400	4.0L V8 F/I	33-2137 ♦	HP-1002 ¹
IS200	2.0L L6 F/I - 153BHP	33-2845 +	
LS400	4.0L V8 F/I	E-2606	HP-1002 ¹
LS430	4.3L V8 F/I	33-2137	
LX470	4.7L V8 F/I	33-2146	HP-1002 ¹
RX300	3.0L V6 F/I	33-2145-1+	HP-1002 ¹
SC400	4.0L V8 F/I		HP-1002 ¹

Vehicle	Engine Type	Air Filter	Oil Filter
1999 LEXUS			
ES300	3.0L V6 F/I	33-2145-1	HP-1002 ¹
GS300	3.0L L6 F/I	33-2170	HP-1002 ¹
GS400	4.0L V8 F/I	33-2137 ♦	HP-1002 ¹
IS200	2.0L L6 F/I - 153BHP	33-2845 +	
LS400	4.0L V8 F/I	E-2606	HP-1002 ¹
LX470	4.7L V8 F/I	33-2146	HP-1002 ¹
RX300	3.0L V6 F/I	33-2145-1+	HP-1002 ¹
SC300	3.0L L6 F/I	33-2054	HP-1002 ¹
SC400	4.0L V8 F/I		HP-1002 ¹

Vehicle	Engine Type	Air Filter	Oil Filter
1998 LEXUS			
ES300	3.0L V6 F/I	33-2145-1	HP-1002 ¹
GS300	3.0L L6 F/I	33-2170	HP-1002 ¹
GS400	4.0L V8 F/I	33-2137 ♦	HP-1002 ¹
LS400	4.0L V8 F/I	E-2606	HP-1002 ¹
LX470	4.7L V8 F/I	33-2146	HP-1002 ¹
SC300	3.0L L6 F/I		HP-1002 ¹
SC400	4.0L V8 F/I		HP-1002 ¹

Vehicle	Engine Type	Air Filter	Oil Filter
1997 LEXUS			
ES300	3.0L V6 F/I	33-2145-1	HP-1002 ¹
LS400	4.0L V8 F/I	E-2606	HP-1002 ¹
LX450	4.5L L6 F/I	E-2443	HP-1002 ¹
SC300	3.0L L6 F/I	33-2054	HP-1002 ¹
SC400	4.0L V8 F/I	33-2054	HP-1002 ¹

Vehicle	Engine Type	Air Filter	Oil Filter
2020 LINCOLN			
Aviator	3.0L V6 F/I	33-2395	HP-7037 ¹
Continental	2.7L V6 F/I	33-5000	

* 2 filters required ♦ Intake System Available - see page 370 +Cabin Air Filter Available - see page 353 1- Performance Silver Oil Filter Also Available



AIR & OIL FILTERS

LINCOLN

Vehicle	Engine Type	Air Filter	Oil Filter
2020 LINCOLN			
Continental	3.0L V6 F/I	33-5000	
Continental	3.7L V6 F/I	33-5000	
MKZ	2.0L L4 F/I	33-5000	
MKZ	3.0L V6 F/I	33-5000	
MKZ Hybrid	2.0L L4 F/I	33-5001	
Nautilus	2.0L L4 F/I		HP-1002 ¹
Nautilus	2.7L V6 F/I		HP-7037 ¹
Navigator	3.5L V6 F/I	33-2385 ♦	HP-2011 ¹

Vehicle	Engine Type	Air Filter	Oil Filter
2019 LINCOLN			
Continental	2.7L V6 F/I	33-5000	HP-7037 ¹
Continental	3.0L V6 F/I	33-5000	
Continental	3.7L V6 F/I	33-5000	HP-2011 ¹
MKC	2.0L L4 F/I	E-2993 ♦	HP-1002 ¹
MKC	2.3L L4 F/I	E-2993 ♦	HP-1002 ¹
MKT	3.5L V6 F/I	33-2395	
MKZ	2.0L L4 F/I		HP-1002 ¹
MKZ	2.0L L4 F/I - Exc. Hybrid	33-5000	HP-1002
MKZ	3.0L V6 F/I	33-5000	HP-7037 ¹
MKZ Hybrid	2.0L L4 F/I	33-5001	HP-1002 ¹
Nautilus	2.7L V6 F/I		HP-7037 ¹
Navigator	3.5L V6 F/I	33-2385 ♦+	HP-2011 ¹

Vehicle	Engine Type	Air Filter	Oil Filter
2018 LINCOLN			
Continental	2.7L V6 F/I	33-5000	
Continental	3.0L V6 F/I	33-5000	HP-7037 ¹
Continental	3.7L V6 F/I	33-5000	HP-2011 ¹
MKC	2.0L L4 F/I	E-2993 ♦	HP-1002 ¹
MKC	2.3L L4 F/I	E-2993 ♦	HP-1002 ¹
MKT	3.5L V6 F/I	33-2395+	
MKX	2.7L V6 F/I	33-5000+	HP-7037 ¹
MKX	3.7L V6 F/I	33-5000+	HP-2011 ¹
MKZ	2.0L L4 F/I		HP-1002 ¹
MKZ	2.0L L4 F/I - Exc. Hybrid	33-5000+	HP-1002
MKZ	3.0L V6 F/I	33-5000+	HP-7037 ¹
MKZ Hybrid	2.0L L4 F/I	33-5001+	HP-1002 ¹
Navigator	3.5L V6 F/I	33-2385 ♦+	HP-2011 ¹

Vehicle	Engine Type	Air Filter	Oil Filter
2017 LINCOLN			
Continental	2.7L V6 F/I	33-5000	
Continental	3.0L V6 F/I	33-5000	HP-7037 ¹
Continental	3.7L V6 F/I	33-5000	HP-2011 ¹
MKC	2.0L L4 F/I	E-2993 ♦	HP-1002 ¹
MKC	2.3L L4 F/I	E-2993 ♦	HP-1002 ¹
MKT	3.5L V6 F/I	33-2395+	HP-2011 ¹
MKT	3.7L V6 F/I	33-2395+	HP-2011 ¹
MKX	2.7L V6 F/I	33-5000+	HP-7037 ¹
MKX	3.7L V6 F/I	33-5000+	HP-2011 ¹
MKZ	2.0L L4 F/I		HP-1002 ¹
MKZ	2.0L L4 F/I - Exc. Hybrid	33-5000+	HP-1002
MKZ	3.0L V6 F/I	33-5000+	HP-7037 ¹
MKZ	3.7L V6 F/I		HP-2011 ¹
MKZ Hybrid	2.0L L4 F/I	33-5001+	HP-1002 ¹
Navigator	3.5L V6 F/I	33-2385 ♦	HP-2011 ¹

Vehicle	Engine Type	Air Filter	Oil Filter
2016 LINCOLN			
MKC	2.0L L4 F/I	E-2993 ♦	HP-1002 ¹
MKC	2.3L L4 F/I	E-2993 ♦	HP-1002 ¹
MKS	3.5L V6 F/I	33-2395+	HP-2011 ¹
MKS	3.7L V6 F/I	33-2395+	
MKT	3.5L V6 F/I	33-2395+	
MKX	2.7L V6 F/I	33-5000+	HP-7037 ¹
MKX	3.7L V6 F/I	33-5000+	HP-2011 ¹

Vehicle	Engine Type	Air Filter	Oil Filter
2016 LINCOLN			
MKZ	2.0L L4 F/I		HP-1002 ¹
MKZ	2.0L L4 F/I - Exc. Hybrid	33-5000+	HP-1002
MKZ	3.7L V6 F/I	33-5000+	HP-2011 ¹
MKZ Hybrid	2.0L L4 F/I	33-5001+	HP-1002 ¹
Navigator	3.5L V6 F/I	33-2385 ♦	HP-2011 ¹

Vehicle	Engine Type	Air Filter	Oil Filter
2015 LINCOLN			
MKC	2.0L L4 F/I	E-2993 ♦	HP-1002 ¹
MKC	2.3L L4 F/I	E-2993 ♦	HP-1002 ¹
MKS	3.5L V6 F/I	33-2395+	HP-2011 ¹
MKS	3.7L V6 F/I	33-2395+	HP-2011 ¹
MKT	3.5L V6 F/I	33-2395	
MKT	3.7L V6 F/I	33-2395	
MKX	3.7L V6 F/I	33-2395+	HP-2011 ¹
MKZ	2.0L L4 F/I		HP-1002 ¹
MKZ	2.0L L4 F/I - Exc. Hybrid	33-5000+	HP-1002
MKZ	3.7L V6 F/I	33-5000+	HP-2011 ¹
MKZ Hybrid	2.0L L4 F/I	33-5001+	HP-1002 ¹
Navigator	3.5L V6 F/I	33-2385 ♦	HP-2011 ¹

Vehicle	Engine Type	Air Filter	Oil Filter
2014 LINCOLN			
MKS	3.5L V6 F/I	33-2395+	HP-2011 ¹
MKS	3.7L V6 F/I	33-2395+	HP-2011 ¹
MKT	3.5L V6 F/I	33-2395+	HP-2011 ¹
MKX	3.7L V6 F/I	33-2395+	HP-2011 ¹
MKZ	2.0L L4 F/I		HP-1002 ¹
MKZ	2.0L L4 F/I - Exc. Hybrid	33-5000+	HP-1002
MKZ	3.7L V6 F/I	33-5000+	HP-2011 ¹
MKZ Hybrid	2.0L L4 F/I	33-5001+	HP-1002 ¹
Navigator	5.4L V8 F/I	33-2385 ♦	HP-2010 ¹

Vehicle	Engine Type	Air Filter	Oil Filter
2013 LINCOLN			
MKS	3.5L V6 F/I	33-2395+	HP-2011 ¹
MKS	3.7L V6 F/I	33-2395+	HP-2011 ¹
MKT	3.5L V6 F/I	33-2395+	HP-2011 ¹
MKT	3.7L V6 F/I	33-2395+	
MKX	3.7L V6 F/I	33-2395+	HP-2011 ¹
MKZ	2.0L L4 F/I		HP-1002 ¹
MKZ	2.0L L4 F/I - Exc. Hybrid	33-5000+	HP-1002
MKZ	3.7L V6 F/I	33-5000+	HP-2011 ¹
MKZ Hybrid	2.0L L4 F/I	33-5001+	HP-1002 ¹
Navigator	5.4L V8 F/I	33-2385 ♦	HP-2010 ¹

Vehicle	Engine Type	Air Filter	Oil Filter
2012 LINCOLN			
MKS	3.5L V6 F/I	33-2395+	HP-2011 ¹
MKS	3.7L V6 F/I	33-2395+	HP-2011 ¹
MKT	3.5L V6 F/I	33-2395+	
MKX	3.7L V6 F/I	33-2395+	HP-2011 ¹
MKZ	2.5L L4 F/I		HP-1002 ¹
MKZ	3.5L V6 F/I	33-2395+	HP-2011 ¹
Navigator	5.4L V8 F/I	33-2385 ♦	HP-2010 ¹

Vehicle	Engine Type	Air Filter	Oil Filter
2011 LINCOLN			
MKS	3.5L V6 F/I	33-2395+	HP-2011 ¹
MKS	3.7L V6 F/I	33-2395+	HP-2011 ¹
MKX	3.7L V6 F/I	33-2395+	HP-2011 ¹
MKZ	2.5L L4 F/I		HP-1002 ¹
MKZ	3.5L V6 F/I	33-2395+	HP-2011 ¹
Navigator	5.4L V8 F/I	33-2385 ♦	HP-2010 ¹
Town Car	4.6L V8 F/I	33-2272	HP-2010 ¹

Vehicle	Engine Type	Air Filter	Oil Filter
2010 LINCOLN			
MKS	3.5L V6 F/I	33-2395+	HP-2011 ¹

* 2 filters required ♦ Intake System Available - see page 370 +Cabin Air Filter Available - see page 353 1- Performance Silver Oil Filter Also Available



Vehicle	Engine Type	Air Filter	Oil Filter
2010 LINCOLN			
MKS	3.7L V6 F/I	33-2395+	HP-2011 ¹
MKT	3.5L V6 F/I	33-2395+	HP-2011 ¹
MKT	3.7L V6 F/I	33-2395+	HP-2011 ¹
MKX	3.5L V6 F/I	33-2395+	HP-2011 ¹
MKZ	3.5L V6 F/I	33-2395+	HP-2011 ¹
Navigator	5.4L V8 F/I	33-2385 ♦	HP-2010 ¹

2009 LINCOLN			
MKS	3.7L V6 F/I	33-2395	HP-2009 ¹
MKX	3.5L V6 F/I	33-2395+	
MKX	3.5L V6 F/I - Built After 1/15/09	33-2395	HP-2011 ¹
MKX	3.5L V6 F/I - Built Before 1/15/09	33-2395	HP-2009 ¹
MKZ	3.5L V6 F/I	33-2395	HP-2009 ¹
Navigator	5.4L V8 F/I	33-2385 ♦	HP-2010 ¹
Town Car	4.6L V8 F/I	33-2272	HP-2010 ¹

2008 LINCOLN			
Mark LT	5.4L V8 F/I	33-2287 ♦	HP-2010 ¹
MKX	3.5L V6 F/I	33-2395+	HP-2009 ¹
MKZ	3.5L V6 F/I	33-2395	HP-2009 ¹
Navigator	5.4L V8 F/I	33-2385 ♦	HP-2010 ¹
Town Car	4.6L V8 F/I	33-2272	HP-2010 ¹

2007 LINCOLN			
Mark LT	5.4L V8 F/I	33-2287 ♦	HP-2010 ¹
MKX	3.5L V6 F/I	33-2395+	HP-2009 ¹
MKZ	3.5L V6 F/I	33-2395	HP-2009 ¹
Navigator	5.4L V8 F/I	33-2385 ♦	HP-2010 ¹
Town Car	4.6L V8 F/I	33-2272	HP-2010 ¹

2006 LINCOLN			
LS	3.9L V8 F/I	33-2266 ♦	HP-1014
Mark LT	5.4L V8 F/I	33-2287 ♦	HP-2010 ¹
Navigator	5.4L V8 F/I	33-2287	HP-2010 ¹
Town Car	4.6L V8 F/I	33-2272	HP-2010 ¹
Zephyr	3.0L V6 F/I	33-2340	HP-2010 ¹

2005 LINCOLN			
Aviator	4.6L V8 F/I	33-2207	HP-2010 ¹
LS	3.0L V6 F/I	33-2266	HP-2009 ¹
LS	3.9L V8 F/I	33-2266 ♦	HP-1014
Navigator	5.4L V8 F/I	33-2287	HP-2010 ¹
Town Car	4.6L V8 F/I	33-2272	HP-2010 ¹

2004 LINCOLN			
Aviator	4.6L V8 F/I	33-2207	HP-2010 ¹
LS	3.0L V6 F/I	33-2266	HP-2009 ¹
LS	3.9L V8 F/I	33-2266 ♦	HP-1014
Navigator	5.4L V8 F/I	E-0945 ♦	HP-2010 ¹
Town Car	4.6L V8 F/I	33-2272	HP-2010 ¹

2003 LINCOLN			
Aviator	4.6L V8 F/I	33-2207	HP-2010 ¹
LS	3.0L V6 F/I		HP-2009 ¹
LS	3.9L V8 F/I	33-2266 ♦	
Navigator	5.4L V8 F/I	E-0945 ♦	HP-2010 ¹
Town Car	4.6L V8 F/I	33-2272	HP-2010 ¹

2002 LINCOLN			
Blackwood	5.4L V8 F/I	E-0945	HP-2010 ¹
Continental	4.6L V8 F/I	E-0945	HP-2010 ¹
LS	3.0L V6 F/I	33-2266+	HP-2009 ¹
LS	3.9L V8 F/I	33-2266+	
Navigator	5.4L V8 F/I	E-0945 ♦	HP-2010 ¹
Town Car	4.6L V8 F/I	33-2272	HP-2010 ¹

Vehicle	Engine Type	Air Filter	Oil Filter
2001 LINCOLN			
Continental	4.6L V8 F/I	E-0945	HP-2010 ¹
LS	3.0L V6 F/I		HP-2009 ¹
LS	3.9L V8 F/I	33-2266+	
Navigator	5.4L V8 F/I	E-0945 ♦	HP-2010 ¹
Town Car	4.6L V8 F/I	33-2272	HP-2010 ¹

2000 LINCOLN			
Continental	4.6L V8 F/I	E-0945	HP-2010 ¹
LS	3.0L V6 F/I	33-2266+	HP-2009 ¹
LS	3.9L V8 F/I	33-2266+	
Navigator	5.4L V8 F/I	E-0945 ♦	HP-2010 ¹
Town Car	4.6L V8 F/I	33-2272	HP-2010 ¹

1999 LINCOLN			
Continental	4.6L V8 F/I	E-0945	HP-2010 ¹
Navigator	5.4L V8 F/I	E-0945	HP-2010 ¹
		E-0945 ♦	HP-2010 ¹
Town Car	4.6L V8 F/I	33-2272	HP-2010 ¹

1998 LINCOLN			
Continental	4.6L V8 F/I	E-0945	HP-2010 ¹
Mark VIII	4.6L V8 F/I	33-2073	HP-2010 ¹
Navigator	5.4L V8 F/I	E-0945 ♦	HP-2010 ¹
Town Car	4.6L V8 F/I	33-2272	HP-2010 ¹

1997 LINCOLN			
Continental	4.6L V8 F/I	E-0945	HP-2010 ¹
Mark VIII	4.6L V8 F/I	33-2073	HP-2010 ¹
Town Car	4.6L V8 F/I	33-2272	HP-2010 ¹

2017 LOTUS			
Evora	3.5L V6 F/I	33-2355	HP-7020 ¹

2016 LOTUS			
Evora	3.5L V6 F/I	33-2355	

2014 LOTUS			
Evora	3.5L V6 F/I	33-2355	PS-7020

2012 LOTUS			
Evora	3.5L V6 F/I	33-2355	HP-7020 ¹

2011 LOTUS			
Evora	3.5L V6 F/I	33-2355	

2010 LOTUS			
Evora	3.5L V6 F/I	33-2355	HP-7020 ¹
Exige	1.8L L4 F/I	33-2252	

2008 LOTUS			
Exige	1.8L L4 F/I	33-2647 ♦	

2007 LOTUS			
Elise	1.8L L4 F/I - w/Toyota Eng.	33-2252 ♦	
Exige	1.8L L4 F/I	33-2647 ♦	

2006 LOTUS			
Elise	1.8L L4 F/I - w/Toyota Eng.	33-2252 ♦	

2005 LOTUS			
Elise	1.8L L4 F/I - Exc. Toyota Eng.	33-2647 ♦	
Elise	1.8L L4 F/I - w/Toyota Eng.	33-2252 ♦	

2018 MASERATI			
Ghibli	3.0L V6 F/I	E-0651*+	

2017 MASERATI			
Ghibli	3.0L V6 F/I	E-0651*+	

* 2 filters required ♦ Intake System Available - see page 370 +Cabin Air Filter Available - see page 353 1- Performance Silver Oil Filter Also Available



AIR & OIL FILTERS

MASERATI

Vehicle	Engine Type	Air Filter	Oil Filter
2017 MASERATI			
Levante	3.0L V6 F/I	E-0651**	
Quattroporte	3.0L V6 F/I	E-0651**	
Quattroporte	3.8L V8 F/I	E-0651**	
2016 MASERATI			
Ghibli	3.0L V6 F/I	E-0651**	
Quattroporte	3.8L V8 F/I	E-0651**	
2015 MASERATI			
Ghibli	3.0L V6 F/I	E-0651**	
Quattroporte	3.0L V6 F/I	E-0651**	
Quattroporte	3.8L V8 F/I	E-0651**	
2014 MASERATI			
Ghibli	3.0L V6 F/I	E-0651**	
Quattroporte	3.0L V6 F/I	E-0651**	
Quattroporte	3.8L V8 F/I	E-0651**	
2020 MAZDA			
3	2.0L L4 F/I		HP-1008 ¹
3	2.0L L4 F/I - Exc. 180BHP	33-5096+	HP-1008
3	2.5L L4 F/I		HP-1008 ¹
6	2.5L L4 F/I		HP-1008 ¹
6	2.5L L4 F/I - Exc. Turbo	33-2480 ♦	HP-1008
6	2.5L L4 F/I - Turbo	33-3024 ♦	HP-1008
CX-5	2.5L L4 F/I - Exc. Turbo	33-2480	
CX-5	2.5L L4 F/I - Turbo	33-3024	
CX-9	2.5L L4 F/I	33-3024 ♦	
CX-30	2.5L L4 F/I	33-5096	
2019 MAZDA			
6	2.5L L4 F/I		HP-1008 ¹
6	2.5L L4 F/I - Exc. Turbo	33-2480 ♦+	HP-1008
6	2.5L L4 F/I - Turbo	33-3024 ♦+	HP-1008
BT50	3.2L L5 DSL	E-0662	
CX-3	2.0L L4 F/I	33-5042	HP-1008 ¹
CX-5	2.5L L4 F/I		HP-1008 ¹
CX-5	2.5L L4 F/I - Exc. Turbo	33-2480+	HP-1008
CX-5	2.5L L4 F/I - Turbo	33-3024+	HP-1008
CX-9	2.5L L4 F/I	33-3024 ♦+	HP-1008 ¹
MX-5 Miata	2.0L L4 F/I	33-5040	HP-1008 ¹
2018 MAZDA			
2	1.5L L4 DSL	33-5038	
2	1.5L L4 F/I	33-5038	
3	1.5L L4 DSL	33-5038+	
3	1.5L L4 F/I	33-5038+	
3	2.0L L4 F/I	33-2480 ♦+	HP-1008 ¹
3	2.5L L4 F/I	33-2480 ♦+	HP-1008 ¹
6	2.0L L4 F/I	33-2480+	
6	2.2L L4 DSL	33-3024+	
6	2.5L L4 F/I		HP-1008 ¹
6	2.5L L4 F/I - Exc. Turbo	33-2480 ♦+	HP-1008
6	2.5L L4 F/I - Turbo	33-3024 ♦+	HP-1008
BT50	3.2L L5 DSL	E-0662	
CX-3	1.5L L4 DSL	33-5038	
CX-3	2.0L L4 F/I	33-5042	HP-1008 ¹
CX-5	2.0L L4 F/I	33-2480	
CX-5	2.2L L4 DSL	33-3024+	
CX-5	2.5L L4 F/I	33-2480+	HP-1008 ¹
CX-9	2.5L L4 F/I	33-3024 ♦+	HP-1008 ¹
		33-3024 ♦	HP-1008 ¹
MX-5	2.0L L4 F/I	33-5040	HP-1008 ¹
MX-5 IV	1.5L L4 F/I	33-5040	
MX-5 IV	2.0L L4 F/I	33-5040	

Vehicle	Engine Type	Air Filter	Oil Filter
2018 MAZDA			
MX-5 Miata	2.0L L4 F/I	33-5040	HP-1008 ¹
2017 MAZDA			
2	1.5L L4 DSL	33-5038	
2	1.5L L4 F/I	33-5038	
3	1.5L L4 DSL	33-5038+	
3	1.5L L4 F/I	33-5038+	
3	2.0L L4 F/I	33-2480 ♦+	HP-1008 ¹
3	2.2L L4 DSL	33-3024+	
3	2.5L L4 F/I	33-2480 ♦+	HP-1008 ¹
5	2.5L L4 F/I		HP-1002 ¹
6	2.0L L4 F/I	33-2480+	
6	2.2L L4 DSL	33-3024+	
6	2.5L L4 F/I	33-2480 ♦+	HP-1008 ¹
Biante	2.3L L4 F/I	33-2480	
BT50	3.2L L5 DSL	E-0662+	
CX-3	1.5L L4 DSL	33-5038	
CX-3	2.0L L4 F/I	33-5042	HP-1008 ¹
CX-5	2.0L L4 F/I	33-2480+	
CX-5	2.2L L4 DSL	33-3024+	
CX-5	2.5L L4 F/I	33-2480+	HP-1008 ¹
CX-9	2.5L L4 F/I	33-3024+	HP-1008 ¹
		33-3024	HP-1008 ¹
MX-5	2.0L L4 F/I	33-5040	HP-1008 ¹
MX-5 IV	1.5L L4 F/I	33-5040	
MX-5 IV	2.0L L4 F/I	33-5040	
MX-5 Miata	2.0L L4 F/I	33-5040	HP-1008 ¹
2016 MAZDA			
2	1.5L L4 DSL	33-5038	
2	1.5L L4 F/I	33-5038	
3	1.5L L4 DSL	33-5038	
3	1.5L L4 F/I	33-5038+	
3	2.0L L4 F/I	33-2480 ♦+	HP-1008 ¹
3	2.2L L4 DSL	33-3024+	
3	2.5L L4 F/I	33-2480 ♦+	HP-1008 ¹
5	2.5L L4 F/I		HP-1002 ¹
6	2.0L L4 F/I	33-2480+	
6	2.2L L4 DSL	33-3024+	
6	2.5L L4 F/I	33-2480 ♦+	HP-1008 ¹
BT50	2.2L L4 DSL	E-0662	
BT50	3.2L L5 DSL	E-0662+	
CX-3	1.5L L4 DSL	33-5038	
CX-3	2.0L L4 F/I	33-5042	HP-1008 ¹
CX-5	2.0L L4 F/I	33-2480+	HP-1008 ¹
CX-5	2.2L L4 DSL	33-3024+	
CX-5	2.5L L4 F/I	33-2480+	HP-1008 ¹
CX-9	2.5L L4 F/I	33-3024+	HP-1008 ¹
		33-3024	HP-1008 ¹
MX-5	2.0L L4 F/I		HP-1008 ¹
MX-5 IV	1.5L L4 F/I	33-5040	
MX-5 IV	2.0L L4 F/I	33-5040	
MX-5 Miata	2.0L L4 F/I	33-5040	HP-1008 ¹
2015 MAZDA			
2	1.5L L4 DSL	33-5038	
2	1.5L L4 F/I	33-5038	HP-1008 ¹
3	1.5L L4 DSL	33-5038	
3	1.5L L4 F/I	33-5038+	
3	2.0L L4 F/I	33-2480 ♦+	HP-1008 ¹
3	2.2L L4 DSL	33-3024+	
3	2.5L L4 F/I	33-2480 ♦+	HP-1008 ¹
3	2.5L L4 F/I		HP-1002 ¹
5	2.5L L4 F/I	33-2293	HP-1002 ¹
6	2.0L L4 F/I	33-2480+	

* 2 filters required ♦ Intake System Available - see page 370 +Cabin Air Filter Available - see page 353 1- Performance Silver Oil Filter Also Available



Vehicle	Engine Type	Air Filter	Oil Filter
2015 MAZDA			
6	2.2L L4 DSL	33-3024+	
6	2.5L L4 F/I	33-2480 ♦+	HP-1008 ¹
Axela	2.0L L4 F/I	33-2480	
CX-3	1.5L L4 DSL	33-5038	
CX-3	2.0L L4 F/I	33-5042	
CX-5	2.0L L4 F/I		HP-1008 ¹
CX-5	2.0L L4 F/I - Eng. Skyactiv	33-2480+	HP-1008
CX-5	2.2L L4 DSL	33-3024+	
CX-5	2.5L L4 F/I	33-2480+	HP-1008 ¹
CX-9	3.7L V6 F/I	33-2395+	HP-2009 ¹
MX-5	2.0L L4 F/I		HP-1002 ¹
MX-5 III	2.0L L4 F/I	33-2335 ♦	HP-1002 ¹
MX-5 IV	2.0L L4 F/I	33-5040	
MX-5 Miata	2.0L L4 F/I	33-2335	HP-1002 ¹

Vehicle	Engine Type	Air Filter	Oil Filter
2014 MAZDA			
2	1.5L L4 F/I	33-2924	HP-1008 ¹
3	1.5L L4 F/I	33-5038	
3	1.6L L4 F/I	33-2924	
3	2.0L L4 F/I	33-2480 ♦+	HP-1008 ¹
3	2.2L L4 DSL	33-3024+	
3	2.5L L4 F/I	33-2480 ♦+	HP-1008 ¹
3 Sport	2.0L L4 F/I		HP-1008 ¹
5	2.5L L4 F/I	33-2293	HP-1002 ¹
6	2.0L L4 F/I	33-2480+	
6	2.2L L4 DSL	33-3024+	
6	2.5L L4 F/I	33-2480 ♦+	HP-1008 ¹
BT50	2.2L L4 DSL	E-0662	
BT50	3.2L L5 DSL	E-0662+	
CX-5	2.0L L4 F/I	33-2480+	HP-1008 ¹
CX-5	2.2L L4 DSL	33-3024+	
CX-5	2.5L L4 F/I	33-2480+	HP-1008 ¹
CX-9	3.7L V6 F/I	33-2395+	HP-2009 ¹
MX-5	2.0L L4 F/I	33-2335	HP-1002 ¹
MX-5	2.0L L4 F/I - China	33-2335	HP-1002
MX-5 III	2.0L L4 F/I	33-2335 ♦	HP-1002 ¹
MX-5 Miata	2.0L L4 F/I	33-2335	HP-1002 ¹

Vehicle	Engine Type	Air Filter	Oil Filter
2013 MAZDA			
2	1.3L L4 F/I	33-2924	
2	1.5L L4 F/I	33-2924	HP-1008 ¹
2	1.6L L4 DSL	33-2955	
3	1.5L L4 F/I	33-5038	
3	1.6L L4 DSL	E-2993 ♦	
3	1.6L L4 F/I	33-2924	
3	2.0L L4 F/I - Eng. Skyactiv	33-2480 ♦	HP-1008 ¹
		33-2480 ♦	HP-1008 ¹
		33-2480 ♦	HP-1008 ¹
3	2.0L L4 F/I - Exc. Eng. Skyactiv	33-2293 ♦	HP-1002 ¹
3	2.0L L4 F/I - Non-US, w/DISI Eng.	33-2999	
3	2.2L L4 DSL - From 9/13	33-3024+	
3	2.3L L4 F/I		HP-1002 ¹
3	2.5L L4 F/I	33-2293	HP-1002 ¹
3 Sport	2.0L L4 F/I - Eng. Skyactiv		HP-1008 ¹
3 Sport	2.0L L4 F/I - Exc. Eng. Skyactiv		HP-1002 ¹
3 Sport	2.5L L4 F/I		HP-1002 ¹

Vehicle	Engine Type	Air Filter	Oil Filter
2013 MAZDA			
5	2.5L L4 F/I	33-2293	HP-1002 ¹
6	2.0L L4 F/I	33-2480+	
6	2.5L L4 F/I	33-2424 ♦	HP-1002 ¹
6	3.7L V6 F/I	33-2395	HP-2009 ¹
CX-5	2.0L L4 F/I	33-2480+	HP-1008 ¹
CX-5	2.2L L4 DSL	33-3024+	
CX-5	2.5L L4 F/I	33-2480	
CX-9	3.7L V6 F/I	33-2395+	HP-2009 ¹
Mazdaspeed3	2.3L L4 F/I	33-2293 ♦	HP-1002 ¹
MX-5	2.0L L4 F/I	33-2335	HP-1002 ¹
MX-5	2.0L L4 F/I - China	33-2335	HP-1002
MX-5 III	2.0L L4 F/I	33-2335 ♦	HP-1002 ¹
MX-5 Miata	2.0L L4 F/I	33-2335	HP-1002 ¹

Vehicle	Engine Type	Air Filter	Oil Filter
2012 MAZDA			
2	1.5L L4 F/I	33-2924	HP-1008 ¹
3	1.6L L4 DSL	E-2993 ♦	
3	1.6L L4 F/I	33-2924	
3	2.0L L4 F/I - Eng. Skyactiv	33-2480	HP-1008 ¹
3	2.0L L4 F/I - Exc. Eng. Skyactiv		HP-1002 ¹
3	2.0L L4 F/I - Non-US, w/DISI Eng.	33-2999	
3	2.0L L4 F/I - US, Exc. Eng. Skyactiv	33-2293 ♦	
3	2.2L L4 DSL	33-2293	
3	2.3L L4 F/I		HP-1002 ¹
3	2.5L L4 F/I	33-2293 ♦	HP-1002 ¹
3 Sport	2.0L L4 F/I - Eng. Skyactiv		HP-1008 ¹
3 Sport	2.0L L4 F/I - Exc. Eng. Skyactiv		HP-1002 ¹
3 Sport	2.5L L4 F/I	33-2293	HP-1002 ¹
5	1.6L L4 DSL	E-2993 ♦	
5	1.8L L4 F/I	33-2293	
5	2.5L L4 F/I	33-2293	HP-1002 ¹
6	1.8L L4 F/I	33-2278	
6	2.0L L4 F/I	33-2278	
6	2.5L L4 F/I	33-2424 ♦	HP-1002 ¹
6	3.7L V6 F/I	33-2395	HP-2009 ¹
Atenza	2.5L L4 F/I - China	33-2480	
CX-7	2.5L L4 F/I	33-2279	HP-1002 ¹
CX-9	3.7L V6 F/I	33-2395+	HP-2009 ¹
Mazdaspeed3	2.3L L4 F/I	33-2293 ♦	HP-1002 ¹
MX-5	2.0L L4 F/I	33-2335	HP-1002 ¹
MX-5	2.0L L4 F/I - China	33-2335	HP-1002
MX-5 III	2.0L L4 F/I	33-2335 ♦	HP-1002 ¹
MX-5 Miata	2.0L L4 F/I	33-2335	HP-1002 ¹

Vehicle	Engine Type	Air Filter	Oil Filter
2011 MAZDA			
2	1.3L L4 F/I	33-2924	
2	1.5L L4 F/I	33-2924	HP-1008 ¹
2	1.6L L4 DSL	33-2955	
3	1.6L L4 DSL	E-2993 ♦	
3	1.6L L4 F/I	33-2924	
3	2.0L L4 F/I		HP-1002 ¹
3	2.0L L4 F/I - Non-US, Exc. DISI Eng.	33-2293	HP-1002
3	2.0L L4 F/I - Non-US, w/DISI Eng.	33-2999	HP-1002
3	2.0L L4 F/I - US	33-2293 ♦	HP-1002
3	2.2L L4 DSL	33-2293	
3	2.3L L4 F/I		HP-1002 ¹
3	2.5L L4 F/I	33-2293 ♦	HP-1002 ¹
6	2.0L L4 F/I	33-2278	
6	2.5L L4 F/I		HP-1002 ¹

* 2 filters required ♦ Intake System Available - see page 370 +Cabin Air Filter Available - see page 353 1- Performance Silver Oil Filter Also Available



AIR & OIL FILTERS

MAZDA

Vehicle	Engine Type	Air Filter	Oil Filter	Vehicle	Engine Type	Air Filter	Oil Filter
2011 MAZDA				2009 MAZDA			
6	2.5L L4 F/I - Non-US	33-2480 ♦	HP-1002	3	2.2L L4 DSL	33-2293	
6	2.5L L4 F/I - US	33-2424 ♦	HP-1002	3	2.3L L4 F/I	33-2293 ♦	HP-7013 ¹
6	3.7L V6 F/I	33-2395	HP-2009 ¹	3 Sport	2.0L L4 F/I		HP-1002 ¹
CX-7	2.3L L4 F/I	33-2279	HP-1002 ¹	3 Sport	2.0L L4 F/I - Canada	33-2293	HP-1002
CX-7	2.5L L4 F/I	33-2279	HP-1002 ¹	5 Van	1.8L L4 F/I	33-2293	
CX-9	3.7L V6 F/I	33-2395+	HP-2009 ¹	5 Van	2.3L L4 F/I	33-2293	HP-7013 ¹
Mazdaspeed3	2.3L L4 F/I	33-2293 ♦	HP-1002 ¹	6	1.8L L4 F/I	33-2278 ♦	
MX-5	2.0L L4 F/I	33-2335	HP-1002 ¹	6	2.5L L4 F/I - Cartridge		HP-7013 ¹
MX-5	2.0L L4 F/I - China	33-2335	HP-1002	6	2.5L L4 F/I - Non-US	33-2278 ♦	
MX-5 III	2.0L L4 F/I	33-2335 ♦	HP-1002 ¹	6	2.5L L4 F/I - Spin On		HP-1002 ¹
MX-5 Miata	2.0L L4 F/I	33-2335	HP-1002 ¹	6	2.5L L4 F/I - US	33-2424 ♦	
RX-8	1.3L R2 F/I	33-2284 ♦	HP-1010 ¹	6	3.7L V6 F/I	33-2395	HP-2009 ¹
2010 MAZDA				2008 MAZDA			
3	1.6L L4 DSL	E-2993 ♦		3	1.4L L4 F/I	33-2924	
3	1.6L L4 F/I	33-2924		3	1.6L L4 DSL	33-2874	
3	2.0L L4 F/I		HP-1002 ¹	3	1.6L L4 F/I	33-2924	
3	2.0L L4 F/I - Non-US, Exc. DISI Eng.	33-2293	HP-1002	3	2.0L L4 DSL	33-2293	
3	2.0L L4 F/I - Non-US, w/DISI Eng.	33-2999	HP-1002	3	2.0L L4 F/I	33-2293 ♦	HP-1002 ¹
3	2.0L L4 F/I - US	33-2293	HP-1002	3	2.0L L4 F/I	33-2293 ♦	HP-7013 ¹
3	2.2L L4 DSL	33-2293		3	2.3L L4 F/I	33-2293 ♦	HP-7013 ¹
3	2.3L L4 F/I	33-2293	HP-1002 ¹	3	2.0L L4 DSL	33-2278	
3	2.5L L4 F/I	33-2293 ♦	HP-1002 ¹	3	2.0L L4 F/I	33-2278 ♦	
3 Sport	2.0L L4 F/I		HP-1002 ¹	3	2.3L L4 F/I - Non-US	33-2279 ♦+	HP-7013
3 Sport	2.0L L4 F/I - Canada	33-2293	HP-1002	3	2.3L L4 F/I - US	33-2278 ♦+	HP-7013
5 Van	1.8L L4 F/I	33-2293		6	2.5L L4 F/I	33-2278 ♦	
5 Van	2.0L L4 DSL	33-2293		6	3.0L V6 F/I	33-2279+	HP-2010 ¹
5 Van	2.3L L4 F/I	33-2293	HP-1002 ¹	6	3.0L V6 F/I	33-2106-1 ♦	HP-2009 ¹
6	1.8L L4 F/I	33-2278		6	4.0L V6 F/I	33-2106-1 ♦	HP-2010 ¹
6	2.0L L4 F/I	33-2278		6	CX-7	2.3L L4 F/I	33-2279
6	2.2L L4 DSL	33-2278		6	CX-9	3.7L V6 F/I	33-2395+
6	2.5L L4 F/I		HP-1002 ¹	6	Mazdaspeed3	2.3L L4 F/I	33-2293 ♦
6	2.5L L4 F/I - Non-US	33-2278 ♦	HP-1002	6	MX-5	2.0L L4 F/I	33-2335
6	2.5L L4 F/I - US	33-2424 ♦	HP-1002	6	MX-5 III	1.8L L4 F/I	33-2335 ♦
6	3.7L V6 F/I	33-2395	HP-2009 ¹	6	MX-5 III	2.0L L4 F/I	33-2335 ♦
B2300	2.3L L4 F/I		HP-1002 ¹	6	MX-5 Miata	2.0L L4 F/I	33-2335
B4000	4.0L V6 F/I		HP-2010 ¹	6	RX-8	1.3L R2 F/I	33-2284 ♦
CX-7	2.3L L4 F/I	33-2279	HP-1002 ¹	6	Tribute	2.3L L4 F/I	33-2187
CX-7	2.5L L4 F/I	33-2279	HP-1002 ¹	6	Tribute	3.0L V6 F/I	33-2187
CX-9	3.7L V6 F/I	33-2395+	HP-2009 ¹	6	Tribute Hybrid	2.3L L4 F/I	HP-7013 ¹
Mazdaspeed3	2.3L L4 F/I	33-2293 ♦	HP-1002 ¹	2007 MAZDA			
MX-5	2.0L L4 F/I	33-2335	HP-1002 ¹	3	1.6L L4 DSL	33-2874	
MX-5	2.0L L4 F/I - China	33-2335	HP-1002	3	1.6L L4 F/I	33-2924	
MX-5 III	1.8L L4 F/I	33-2335 ♦		3	2.0L L4 DSL	33-2293	
MX-5 III	2.0L L4 F/I	33-2335 ♦	HP-1002 ¹	3	2.0L L4 F/I	33-2293 ♦	
MX-5 Miata	2.0L L4 F/I	33-2335	HP-1002 ¹	3	2.0L L4 F/I - VIN F	33-2293	HP-1002 ¹
RX-8	1.3L R2 F/I	33-2284 ♦	HP-1010 ¹	3	2.0L L4 F/I - VIN G	33-2293	HP-7013 ¹
Tribute	2.5L L4 F/I	33-2187	HP-1002 ¹	3	2.3L L4 F/I	33-2293 ♦	HP-7013 ¹
Tribute	3.0L V6 F/I	E-1990		6	2.0L L4 DSL	33-2278	
Tribute Hybrid	2.5L L4 F/I		HP-1002 ¹	6	2.0L L4 F/I	33-2278 ♦	
2009 MAZDA				6	2.3L L4 F/I		HP-7013 ¹
2	1.3L L4 F/I	33-2924		6	2.3L L4 F/I - Non-US	33-2279 ♦+	HP-7013
3	1.6L L4 DSL - From 6/09	E-2993 ♦		6	2.3L L4 F/I - US	33-2278 ♦+	HP-7013
3	1.6L L4 F/I	33-2924		6	3.0L V6 F/I	33-2279 ♦+	HP-2010 ¹
3	2.0L L4 DSL	33-2293					
3	2.0L L4 F/I		HP-1002 ¹				
3	2.0L L4 F/I - Non-US, Exc. DISI Eng.	33-2293 ♦	HP-1002				
3	2.0L L4 F/I - Non-US, w/DISI Eng.	33-2999 ♦	HP-1002				
3	2.0L L4 F/I - US	33-2293 ♦	HP-1002				

* 2 filters required ♦ Intake System Available - see page 370 +Cabin Air Filter Available - see page 353 1- Performance Silver Oil Filter Also Available



Vehicle	Engine Type	Air Filter	Oil Filter
2007 MAZDA			
B3000	3.0L V6 F/I	33-2106-1 ♦	HP-2009 ¹
B4000	4.0L V6 F/I	33-2106-1 ♦	HP-2010 ¹
CX-7	2.3L L4 F/I	33-2279	HP-7013 ¹
CX-9	3.5L V6 F/I	33-2395+	HP-2009 ¹
Mazdaspeed3	2.3L L4 F/I	33-2293 ♦	HP-7013 ¹
Mazdaspeed6	2.3L L4 F/I	33-2279	HP-7013 ¹
MX-5	2.0L L4 F/I	33-2335	HP-1002 ¹
MX-5	2.0L L4 F/I - China	33-2335	HP-1002
MX-5 III	1.8L L4 F/I	33-2335 ♦	
MX-5 III	2.0L L4 F/I	33-2335 ♦	HP-1002 ¹
MX-5 Miata	2.0L L4 F/I	33-2335	HP-1002 ¹
RX-8	1.3L R2 F/I	33-2284 ♦	HP-1008 ¹

Vehicle	Engine Type	Air Filter	Oil Filter
2006 MAZDA			
3	1.4L L4 F/I	33-2924	
3	1.6L L4 DSL	33-2874	
3	1.6L L4 F/I	33-2924	
3	2.0L L4 DSL	33-2293	
3	2.0L L4 F/I	33-2293 ♦	
3	2.0L L4 F/I - VIN F	33-2293	HP-1002 ¹
3	2.0L L4 F/I - VIN G	33-2293	HP-7013 ¹
3	2.3L L4 F/I	33-2293 ♦	HP-7013 ¹
5	2.3L L4 F/I		HP-7013 ¹
6	1.8L L4 F/I	33-2278 ♦	
6	2.0L L4 DSL	33-2278	
6	2.0L L4 F/I	33-2278 ♦	
6	2.3L L4 F/I	33-2278 ♦+	HP-7013 ¹
6	3.0L V6 F/I	33-2279 ♦+	HP-2010 ¹
Autozam Carol	0.7L L3 F/I - Exc. Turbo	33-2826	
B2300	2.3L L4 F/I	33-2106-1	HP-1002 ¹
Mazdaspeed6	2.3L L4 F/I - US	33-2279	HP-7013 ¹
MX-5	2.0L L4 F/I	33-2335	HP-1002 ¹
MX-5	2.0L L4 F/I - China	33-2335	HP-1002
MX-5 III	1.8L L4 F/I	33-2335 ♦	
MX-5 III	2.0L L4 F/I	33-2335 ♦	HP-1002 ¹
MX-5 Miata	2.0L L4 F/I	33-2335	HP-1002 ¹
RX-8	1.3L R2 F/I	33-2284 ♦	HP-1008 ¹
Tribute	3.0L V6 F/I	33-2187	HP-2010 ¹

Vehicle	Engine Type	Air Filter	Oil Filter
2005 MAZDA			
3	2.0L L4 F/I	33-2293 ♦	HP-1002 ¹
3	2.3L L4 F/I	33-2293 ♦	HP-7013 ¹
6	2.0L L4 DSL	33-2278	
6	2.0L L4 F/I	33-2278 ♦	
6	2.3L L4 F/I	33-2278 ♦+	HP-7013 ¹
6	3.0L V6 F/I	33-2279 ♦+	HP-2010 ¹
B2300	2.3L L4 F/I	33-2106-1	
Miata	1.8L L4 F/I	33-2676 ♦	HP-1008 ¹
Miata Mazdaspeed	1.8L L4 F/I	33-2676	HP-1008 ¹
MPV	3.0L V6 F/I	33-2278	HP-2010 ¹
MPV	3.0L V6 F/I - China	33-2278	HP-2010
MPV II	3.0L V6 F/I	33-2177-1	HP-2010 ¹
MX-5 III	1.8L L4 F/I	33-2335 ♦	
RX-8	1.3L R2 F/I	33-2284 ♦	HP-1008 ¹
Tribute	2.0L L4 F/I	33-2187	HP-2009 ¹
Tribute	3.0L V6 F/I	33-2187	HP-2010 ¹

Vehicle	Engine Type	Air Filter	Oil Filter
2004 MAZDA			
3	2.0L L4 F/I	33-2293 ♦	HP-1002 ¹
3	2.3L L4 F/I	33-2293 ♦	HP-7013 ¹
6	2.0L L4 DSL	33-2278	
6	2.0L L4 F/I	33-2278 ♦	
6	2.3L L4 F/I	33-2278 ♦+	HP-7013 ¹
6	3.0L V6 F/I	33-2279 ♦+	HP-2010 ¹

Vehicle	Engine Type	Air Filter	Oil Filter
2004 MAZDA			
323 VI	2.0L L4 DSL	33-2223	
323 VI	2.0L V6 F/I	33-2134	
B-Series	2.5L L4 DSL	33-2167	
B2300	2.3L L4 F/I	33-2106-1	HP-2009 ¹
B3000	3.0L V6 F/I	33-2106-1 ♦	HP-2009 ¹
Miata	1.8L L4 F/I	33-2676 ♦	HP-1008 ¹
Miata Mazdaspeed	1.8L L4 F/I	33-2676	HP-1008 ¹
MPV	3.0L V6 F/I	33-2278	HP-2010 ¹
MPV	3.0L V6 F/I - China	33-2278	HP-2010
MPV II	3.0L V6 F/I	33-2177-1	HP-2010 ¹
RX-8	1.3L R2 F/I	33-2284 ♦	HP-1008 ¹
Tribute	3.0L V6 F/I	33-2187	HP-2010 ¹

Vehicle	Engine Type	Air Filter	Oil Filter
2003 MAZDA			
3	2.0L L4 F/I	33-2293 ♦	
6	2.0L L4 DSL	33-2278	
6	2.0L L4 F/I	33-2278 ♦	
6	2.3L L4 F/I	33-2278 ♦+	HP-7013 ¹
6	3.0L V6 F/I	33-2279 ♦+	HP-2010 ¹
323 VI	2.0L L4 DSL	33-2223	
323 VI	2.0L V6 F/I	33-2134	
B2300	2.3L L4 F/I	33-2106-1 ♦	HP-2009 ¹
B3000	3.0L V6 F/I	33-2106-1 ♦	HP-2009 ¹
Miata	1.8L L4 F/I	33-2676 ♦	HP-1008 ¹
MX-5 II	1.8L L4 F/I	33-2676 ♦	HP-1008 ¹
Protege	2.0L L4 F/I	33-2134 ♦	HP-1008 ¹
Protege Mazdaspeed	2.0L L4 F/I	33-2134	HP-1008 ¹
Protege5	2.0L L4 F/I	33-2134 ♦	HP-1008 ¹
RX-7	1.2L R2 F/I	33-2017	HP-1008 ¹
RX-8	1.3L R2 F/I	33-2284 ♦	
Tribute	3.0L V6 F/I	33-2187	HP-2010 ¹

Vehicle	Engine Type	Air Filter	Oil Filter
2002 MAZDA			
626 V	2.0L L4 DSL	33-2177-1	
626 V	2.0L L4 F/I	33-2676	HP-1008 ¹
B3000	3.0L V6 F/I	33-2106-1 ♦	HP-2009 ¹
B4000	4.0L V6 F/I	33-2106-1 ♦	HP-2010 ¹
Miata	1.8L L4 F/I	33-2676 ♦	HP-1008 ¹
MPV	3.0L V6 F/I	33-2177-1+	HP-2010 ¹
MPV	3.0L V6 F/I - China	33-2278	HP-2010
MPV II	3.0L V6 F/I	33-2177-1	HP-2010 ¹
MX-5 II	1.8L L4 F/I	33-2676 ♦	HP-1008 ¹
Protege	1.6L L4 F/I		HP-1008 ¹
Protege	2.0L L4 F/I	33-2134 ♦	HP-1008 ¹
Protege5	2.0L L4 F/I	33-2134 ♦	HP-1008 ¹
Tribute	3.0L V6 F/I	33-2187	HP-2010 ¹

Vehicle	Engine Type	Air Filter	Oil Filter
2001 MAZDA			
626	2.0L L4 F/I		HP-1008 ¹
626 V	2.0L L4 DSL	33-2177-1	
626 V	2.0L L4 F/I	33-2676	HP-1008 ¹
B3000	3.0L V6 F/I	33-2106-1 ♦	HP-2009 ¹
Miata	1.8L L4 F/I	33-2676 ♦	HP-1008 ¹
MX-5 II	1.8L L4 F/I		HP-1008 ¹
Protege	1.6L L4 F/I	33-2134	HP-1008 ¹
Protege	2.0L L4 F/I	33-2134	HP-1008 ¹
Tribute	3.0L V6 F/I	33-2187	HP-2010 ¹

Vehicle	Engine Type	Air Filter	Oil Filter
2000 MAZDA			
B-Series	2.5L L4 DSL	33-2167	
B2500	2.5L L4 F/I	33-2106-1 ♦	HP-2009 ¹
B3000	3.0L V6 F/I	33-2106-1 ♦	HP-2009 ¹
B4000	4.0L V6 F/I	33-2106-1 ♦	
Bongo	2.0L L4 F/I	33-2117	
Miata	1.8L L4 F/I	33-2676 ♦	HP-1008 ¹

* 2 filters required ♦ Intake System Available - see page 370 +Cabin Air Filter Available - see page 353 1- Performance Silver Oil Filter Also Available



AIR & OIL FILTERS

MAZDA

Vehicle	Engine Type	Air Filter	Oil Filter
2000 MAZDA			
MPV	2.5L V6 F/I	33-2177-1+	HP-2010 ¹
MPV II	2.5L V6 F/I	33-2177-1	HP-2010 ¹
MX-5 II	1.8L L4 F/I		HP-1008 ¹
Protege	1.6L L4 F/I	33-2134	HP-1008 ¹
Protege	1.8L L4 F/I	33-2134	HP-1008 ¹
RX-7	1.2L R2 F/I		HP-1008 ¹

1999 MAZDA			
626	2.5L V6 F/I	33-2157	HP-1010 ¹
626 V	2.0L L4 DSL	33-2177-1	
626 V	2.0L L4 F/I	33-2676	HP-1008 ¹
B2500	2.5L L4 F/I	33-2106-1 ♦	HP-2009 ¹
B3000	3.0L V6 F/I	33-2106-1 ♦	HP-2009 ¹
Miata	1.8L L4 F/I	33-2676 ♦	HP-1008 ¹
MX-5 II	1.8L L4 F/I	33-2676 ♦	HP-1008 ¹
Protege	1.6L L4 F/I	33-2134	HP-1008 ¹
Protege	1.8L L4 F/I	33-2134	HP-1008 ¹

1998 MAZDA			
B2500	2.5L L4 F/I	33-2106-1 ♦	
B4000	4.0L V6 F/I	33-2106-1 ♦	HP-3001 ¹
Miata	1.8L L4 F/I	33-2676 ♦	HP-1008 ¹

1997 MAZDA			
B4000	4.0L V6 F/I	E-0995 ♦	HP-3001 ¹
Bongo	2.5L L4 DSL - SGL3, SGL5, Up to VIN 40000	E-9280	
Miata	1.8L L4 F/I	33-2034 ♦	HP-1008 ¹
MX-5 I	1.6L L4 F/I	33-2034 ♦	
MX-5 I	1.8L L4 F/I	33-2676 ♦	
Protege	1.5L L4 F/I	33-2134	HP-1008 ¹

2016 MCLAREN			
570S	3.8L V8 F/I	E-0667	

2015 MCLAREN			
625C	3.8L V8 F/I	E-0667	
650S	3.8L V8 F/I	E-0667	
675LT	3.8L V8 F/I	E-0667	

2014 MCLAREN			
12C	3.8L V8 F/I	E-0667	
650S	3.8L V8 F/I	E-0667	

2013 MCLAREN			
MP4-12C	3.8L V8 F/I	E-0667	

2012 MCLAREN			
MP4-12C	3.8L V8 F/I	E-0667	

2020 MERCEDES BENZ			
GLE350	2.0L L4 F/I	33-3142	
GLE450 AMG	3.0L L6 F/I	33-3068	
Sprinter 2500	3.0L V6 DSL		HP-7028 ¹
Sprinter 3500	3.0L V6 DSL		HP-7028 ¹

2019 MERCEDES BENZ			
A35 AMG	2.0L L4 F/I	33-3133	
A160	1.3L L4 F/I	33-3132	
A180	1.3L L4 F/I	33-3132	
A200	1.3L L4 F/I	33-3132	
A220	2.0L L4 F/I	33-3133	
A250	2.0L L4 F/I	33-3133	
AMG GT C	4.0L V8 F/I	33-5039*	
AMG GT R	4.0L V8 F/I	33-5039*	
AMG GT S	4.0L V8 F/I	33-5039*	
B180	1.3L L4 F/I	33-3132	
C43 AMG	3.0L V6 F/I	33-5032*+	

Vehicle	Engine Type	Air Filter	Oil Filter
2019 MERCEDES BENZ			
C63 AMG	4.0L V8 F/I	33-3072*	
C63 AMG S	4.0L V8 F/I	33-3072*+	
C300d	2.0L L4 DSL	33-3068	
C400	3.0L V6 F/I	33-5032*	
CLA180	1.6L L4 F/I	33-2995	
CLA200	1.6L L4 F/I	33-2995	
CLS450	3.0L L6 F/I	33-3068	
E53 AMG	3.0L L6 F/I	33-3068+	
E450	3.0L V6 F/I	33-5032*+	
GLC43 AMG	3.0L V6 F/I	33-5032*+	
GLC63 AMG S	4.0L V8 F/I	33-3072*+	
GLC300	2.0L L4 F/I	33-3034+	
GLE450	3.0L L6 F/I	33-3068	
GLE450 AMG	3.0L L6 F/I	33-3068	
GLS63 AMG	5.5L V8 F/I	33-2474+	
S65 AMG	6.0L V12 F/I	33-2412	
S65 AMG Maybach	6.0L V12 F/I	33-2412	
SL63 AMG	5.5L V8 F/I	33-2474	
X220d	2.3L L4 DSL	33-3059	
X250d	2.3L L4 DSL	33-3059	

2018 MERCEDES BENZ			
A45 AMG	2.0L L4 F/I	E-0661	
A180	1.5L L4 DSL - W177 Model	33-3139	
A200	1.3L L4 F/I	33-3132	
A220	2.0L L4 F/I - W176 Model	33-2995	
A220	2.0L L4 F/I - W177 Model	33-3133	
A250	2.0L L4 F/I - W177 Model	33-3133	
AMG GT C	4.0L V8 F/I	33-5039*	
AMG GT R	4.0L V8 F/I	33-5039*	
AMG GT S	4.0L V8 F/I	33-5039*	
C43 AMG	3.0L V6 F/I	33-5032*+	HP-7040 ¹
C63 AMG	4.0L V8 F/I	33-3072*+	
C63 AMG S	4.0L V8 F/I	33-3072*+	
C200	2.0L L4 F/I - US	33-3034	
C250	2.0L L4 F/I - Non-US, To 4/18	33-3034	
C250	2.0L L4 F/I - US	33-3034	
C300	2.0L L4 F/I	33-3034+	
C300d	2.0L L4 DSL	33-3068	
CLA45 AMG	2.0L L4 F/I	E-0661	
CLA250	2.0L L4 F/I	33-2995 ♦	
E53 AMG	3.0L L6 F/I	33-3068	
E200	2.0L L4 F/I	E-0663	
E300	2.0L L4 F/I - Non-US, To 4/18	33-3034+	
E300	2.0L L4 F/I - US	33-3034+	
E400	3.0L V6 F/I	33-5032*+	HP-7040 ¹
E400d	3.0L L6 DSL	33-3068	
E450	3.0L V6 F/I	33-5032*	
G63 AMG	5.5L V8 F/I	33-2474	
G500	4.0L V8 F/I	33-3072*	
GLA45 AMG	2.0L L4 F/I	E-0661	
GLA250	2.0L L4 F/I	33-2995	
GLC43 AMG	3.0L V6 F/I	33-5032*+	HP-7040 ¹
GLC63 AMG	4.0L V8 F/I	33-3072*+	
GLC63 AMG S	4.0L V8 F/I	33-3072*+	
GLC300	2.0L L4 F/I	33-3034+	
GLC450 AMG	3.0L V6 F/I	33-5032*	
GLE43 AMG	3.0L V6 F/I	33-5032*	HP-7040 ¹
GLE63 AMG	5.5L V8 F/I	33-2474+	

* 2 filters required ♦ Intake System Available - see page 370 +Cabin Air Filter Available - see page 353 1- Performance Silver Oil Filter Also Available



Vehicle	Engine Type	Air Filter	Oil Filter
2018 MERCEDES BENZ			
GLE63 AMG S	5.5L V8 F/I	33-2474+	
GLE250	2.1L L4 DSL	E-0654	
GLE400	3.0L V6 F/I	33-5032*	
GLS63 AMG	5.5L V8 F/I	33-2474+	
GLS450	3.0L V6 F/I	33-5032*+	HP-7040 ¹
GLS500	4.6L V8 F/I	33-2474	
GLS500	4.7L V8 F/I	33-2474	
GLS550	4.6L V8 F/I	33-2474+	
S63 AMG	4.0L V8 F/I	33-3072*	
S65 AMG Maybach	6.0L V12 F/I	33-2412	
S450	3.0L L6 F/I	33-3068	
S500	3.0L L6 F/I	33-3068	
S600	6.0L V12 F/I	33-2412	
S600 Maybach	6.0L V12 F/I	33-2412	
SL63 AMG	5.5L V8 F/I	33-2474	
SL500	4.7L V8 F/I	33-2474	
SLC43 AMG	3.0L V6 F/I	33-5032*	
V250d	2.1L L4 DSL	33-3033	
Vito	1.6L L4 DSL	33-3033	
Vito	2.1L L4 DSL	33-3033	
X220d	2.3L L4 DSL	33-3059	
X250d	2.3L L4 DSL	33-3059	

Vehicle	Engine Type	Air Filter	Oil Filter
2017 MERCEDES BENZ			
A45 AMG	2.0L L4 F/I	E-0661	
AMG GT S	4.0L V8 F/I	33-5039*	
C43 AMG	3.0L V6 F/I	33-5032*+	HP-7040 ¹
C63 AMG	4.0L V8 F/I	33-3072*+	
C63 AMG S	4.0L V8 F/I	33-3072*+	
C200	2.0L L4 F/I	33-3034	
C300	2.0L L4 F/I	33-3034+	
C450 AMG	3.0L V6 F/I	33-5032*	
CLA45 AMG	2.0L L4 F/I	E-0661	
CLA250	2.0L L4 F/I	33-2995 ♦	
CLS63 AMG S	5.5L V8 F/I	33-2474	
CLS550	4.6L V8 F/I	33-2474	
E43 AMG	3.0L V6 F/I	33-5032*+	HP-7040 ¹
E300	2.0L L4 F/I	33-3034+	
E350e	2.0L L4 F/I	33-3034	
E400	3.0L V6 F/I	33-5032*	
E400	3.5L V6 F/I	33-5032*	
G63 AMG	5.5L V8 F/I	33-2474	
G500	4.0L V8 F/I	33-3072*	
G550	4.0L V8 F/I	33-3072*	
G550 4x4	4.0L V8 F/I	33-3072*	
GLA250	2.0L L4 F/I	33-2995	
GLC43 AMG	3.0L V6 F/I	33-5032*+	HP-7040 ¹
GLC63 AMG	4.0L V8 F/I	33-3072*	
GLC300	2.0L L4 F/I	33-3034+	
GLE43 AMG	3.0L V6 F/I	33-5032*	HP-7040 ¹
GLE63 AMG	5.5L V8 F/I	33-2474+	
GLE63 AMG S	5.5L V8 F/I	33-2474+	
GLE250	2.1L L4 DSL	E-0654	
GLE400	3.0L V6 F/I	33-5032*+	HP-7040 ¹
GLE450 AMG	3.0L L6 F/I	33-5032*	
GLE500e	3.0L V6 F/I	33-5032*	
GLS63 AMG	5.5L V8 F/I	33-2474+	
GLS400	3.0L V6 F/I	33-5032*	
GLS450	3.0L V6 F/I	33-5032*+	HP-7040 ¹
GLS550	4.6L V8 F/I	33-2474+	
S63 AMG	5.5L V8 F/I	33-2474	
S550	4.6L V8 F/I	33-2474	
SL450	3.0L V6 F/I	33-5032*	

Vehicle	Engine Type	Air Filter	Oil Filter
2017 MERCEDES BENZ			
Sprinter	3.0L V6 DSL	33-2391	HP-7028 ¹
Sprinter 2500	2.1L L4 DSL	33-2391	
Sprinter 2500	3.0L V6 DSL	33-2391	HP-7028 ¹
Sprinter 3500	2.1L L4 DSL	33-2391	
Sprinter 3500	3.0L V6 DSL	33-2391	HP-7028 ¹
Vito	1.6L L4 DSL	33-3033	
Vito	2.1L L4 DSL	33-3033	
X250d	2.3L L4 DSL	33-3059	

Vehicle	Engine Type	Air Filter	Oil Filter
2016 MERCEDES BENZ			
A45 AMG	2.0L L4 F/I	E-0661	
AMG GT S	4.0L V8 F/I	33-5039*	
C43 AMG	3.0L V6 F/I	33-5032*	
C63 AMG	4.0L V8 F/I	33-3072*+	
C63 AMG S	4.0L V8 F/I	33-3072*+	
C250	2.0L L4 F/I	33-3034	
C300	2.0L L4 F/I	33-3034+	
C450 AMG	3.0L V6 F/I	33-5032*+	HP-7040 ¹
CLA45 AMG	2.0L L4 F/I	E-0661	
CLA250	2.0L L4 F/I	33-2995 ♦	
CLS63 AMG S	5.5L V8 F/I	33-2474	
CLS400	3.0L V6 F/I	33-5032*	HP-7040 ¹
E63 AMG	5.5L V8 F/I	33-2474	
E63 AMG S	5.5L V8 F/I	33-2474	
E250	2.0L L4 F/I - Non-US, Cabrio & Coupe	E-0663	
E250	2.0L L4 F/I - Non-US, Combi & Sedan	33-3034	
E250	2.1L L4 DSL - Non-US, OEM A6510940104	E-0654	
E250	2.1L L4 DSL - US	E-0654	
E350	3.5L V6 F/I	33-2985	HP-7040 ¹
E350e	2.0L L4 F/I	33-3034	
E400	3.0L V6 F/I	33-5032*	HP-7040 ¹
E550	4.6L V8 F/I	33-2474	
G63 AMG	5.5L V8 F/I	33-2474	
GL450	3.0L V6 F/I	33-5032*+	HP-7040 ¹
GL550	4.6L V8 F/I	33-2474+	
GLA45 AMG	2.0L L4 F/I	E-0661	
GLA250	2.0L L4 F/I	33-2995	
GLC300	2.0L L4 F/I	33-3034+	
GLE43 AMG	3.0L V6 F/I	33-5032*	
GLE63 AMG	5.5L V8 F/I	33-2474+	
GLE63 AMG S	5.5L V8 F/I	33-2474+	
GLE350	3.5L V6 F/I		HP-7028 ¹
GLE350d	3.0L V6 DSL		HP-7028 ¹
GLE400	3.0L V6 F/I	33-5032*+	
GLE450 AMG	3.0L L6 F/I	33-5032*+	HP-7040 ¹
GLS400	3.0L V6 F/I	33-5032*	
S63 AMG	5.5L V8 F/I	33-2474	
S550	4.6L V8 F/I	33-2474	
S550	4.6L V8 F/I - w/Stem	33-2474	HP-7040 ¹
SL400	3.0L V6 F/I	33-5032*	
SLK300	2.0L L4 F/I	33-3034	
SLK350	3.5L V6 F/I	33-2985	
Sprinter 2500	2.1L L4 DSL	33-2391	
Sprinter 2500	3.0L V6 DSL	33-2391	HP-7028 ¹
Sprinter 3500	2.1L L4 DSL	33-2391	
Sprinter 3500	3.0L V6 DSL	33-2391	HP-7028 ¹
V250d	2.1L L4 DSL	33-3033	
Vito	2.1L L4 DSL	33-3033	

Vehicle	Engine Type	Air Filter	Oil Filter
2015 MERCEDES BENZ			
A45 AMG	2.0L L4 F/I	E-0661	
A200	1.6L L4 F/I	33-2995 ♦	

* 2 filters required ♦ Intake System Available - see page 370 +Cabin Air Filter Available - see page 353 1- Performance Silver Oil Filter Also Available



AIR & OIL FILTERS

MERCEDES BENZ

Vehicle	Engine Type	Air Filter	Oil Filter
2015 MERCEDES BENZ			
A250	2.0L L4 F/I	33-2995 ♦	
AMG GT	4.0L V8 F/I	33-5039*	
AMG GT S	4.0L V8 F/I	33-5039*	
B250	2.0L L4 F/I	33-2995	
C63 AMG	4.0L V8 F/I	33-3072*	
C63 AMG	6.3L V8 F/I	33-2405*	
C63 AMG S	4.0L V8 F/I	33-3072*+	
C180	1.6L L4 F/I	33-3034	
C250	2.0L L4 F/I	33-3034	
C300	2.0L L4 F/I	33-3034+	
C350	3.5L V6 F/I	33-2985	HP-7040 ¹
C350 Hybrid	2.0L L4 F/I	33-3034	
C400	3.0L V6 F/I	33-5032*+	HP-7040 ¹
CLA45 AMG	2.0L L4 F/I	E-0661	
CLA200	1.6L L4 F/I	33-2995 ♦	
CLA200	2.1L L4 DSL	33-2996	
CLA250	2.0L L4 F/I	33-2995 ♦	
CLS63 AMG S	5.5L V8 F/I	33-2474	
CLS400	3.0L V6 F/I	33-5032*	HP-7040 ¹
CLS550	4.6L V8 F/I	33-2474	
E63 AMG S	5.5L V8 F/I	33-2474	
E250	2.0L L4 F/I - Non-US, Cabrio & Coupe	E-0663	
E250	2.0L L4 F/I - Non-US, Combi & Sedan	33-3034	
E250	2.1L L4 DSL - Non-US, OEM A6510940004	E-2998	
E250	2.1L L4 DSL - Non-US, OEM A6510940104	E-0654	
E250	2.1L L4 DSL - US	E-0654	
E350	3.5L V6 F/I	33-2985	HP-7040 ¹
E400	3.0L V6 F/I	33-5032*	HP-7040 ¹
E400	3.5L V6 F/I	33-2985	HP-7040 ¹
E550	4.6L V8 F/I	33-2474	
G500	4.0L V8 F/I	33-3072*	
G550	5.5L V8 F/I	33-2181	HP-7008 ¹
GL63 AMG	5.5L V8 F/I	33-2474+	
GL350	3.0L V6 DSL		HP-7028 ¹
GL450	3.0L V6 F/I	33-5032*+	HP-7040 ¹
GL500	4.7L V8 F/I	33-2474	
GL550	4.6L V8 F/I	33-2474+	
GL550	4.6L V8 F/I - w/Stem	33-2474	HP-7040 ¹
GLA45 AMG	2.0L L4 F/I	E-0661	
GLA250	2.0L L4 F/I	33-2995	
GLK250	2.0L L4 F/I	E-0663	
GLK250	2.1L L4 DSL - Non-US, OEM A6510940004	E-2998	
GLK250	2.1L L4 DSL - Non-US, OEM A6510940104	E-0654	
GLK250	2.1L L4 DSL - US	E-0654	
GLK350	3.5L V6 F/I	33-2985	HP-7040 ¹
ML63 AMG	5.5L V8 F/I	33-2474+	
ML250	2.1L L4 DSL	E-0654+	
ML350	3.5L V6 F/I	33-2985+	HP-7040 ¹
ML400	3.0L V6 F/I	33-5032*+	HP-7040 ¹
ML500	4.7L V8 F/I	33-2474	
S63 AMG	5.5L V8 F/I	33-2474	
S300 Hybrid	2.1L L4 DSL	E-0654	
S500	4.7L V8 F/I	33-2474	
S500 Maybach	4.7L V8 F/I	33-2474	
S550	4.6L V8 F/I	33-2474	
S550	4.6L V8 F/I - w/Stem	33-2474	HP-7040 ¹
S550e	3.0L V6 F/I	33-5032*	
SL63 AMG	5.5L V8 F/I	33-2474	
SL400	3.0L V6 F/I	33-5032*	HP-7040 ¹

Vehicle	Engine Type	Air Filter	Oil Filter
2015 MERCEDES BENZ			
Sprinter 2500	2.1L L4 DSL	33-2391	
Sprinter 2500	3.0L V6 DSL	33-2391	HP-7028 ¹
Sprinter 3500	2.1L L4 DSL	33-2391	
Sprinter 3500	3.0L V6 DSL	33-2391	HP-7028 ¹
V250d	2.1L L4 DSL	33-3033	
2014 MERCEDES BENZ			
A45 AMG	2.0L L4 F/I	E-0661	
C63 AMG	6.2L V8 F/I	33-2405*	
C63 AMG	6.3L V8 F/I	33-2405*	
C180	1.6L L4 F/I - W204	E-0663	
C180	1.6L L4 F/I - W205	33-3034	
C180	1.8L L4 F/I	33-2965	
C180d	1.6L L4 DSL	33-3047	
C250	1.8L L4 F/I	33-2965	
C250	2.0L L4 F/I	33-3034	
C250	2.1L L4 DSL - 4-matic	E-0654	
C250	2.1L L4 DSL - Exc. 4-matic, With W/S204 models	E-2998	
C300	3.5L V6 F/I	33-2985	HP-7040 ¹
C350	3.5L V6 F/I	33-2985	HP-7040 ¹
CL63 AMG	5.5L V8 F/I	33-2474	
CL550	4.6L V8 F/I	33-2474	
CLA45 AMG	2.0L L4 F/I	E-0661	
CLA180	1.6L L4 F/I	33-2995 ♦	
CLA250	2.0L L4 F/I	33-2995 ♦	
CLS63 AMG	5.5L V8 F/I	33-2474	
CLS63 AMG S	5.5L V8 F/I	33-2474	
CLS550	4.6L V8 F/I	33-2474	
CLS550	4.6L V8 F/I - w/o Housing Center Tube	33-2474	HP-7040 ¹
E63 AMG	5.5L V8 F/I	33-2474	
E63 AMG S	5.5L V8 F/I	33-2474	
E200	1.8L L4 F/I - Cabrio	E-0663	
E250	2.0L L4 F/I - Non-US, Cabrio & Coupe	E-0663	
E250	2.0L L4 F/I - Non-US, Combi & Sedan	33-3034	
E250	2.1L L4 DSL - Non-US, OEM A6510940004	E-2998	
E250	2.1L L4 DSL - Non-US, OEM A6510940104	E-0654	
E250	2.1L L4 DSL - US	E-0654	
E350	3.5L V6 F/I	33-2985	HP-7040 ¹
E550	4.6L V8 F/I	33-2474	
E550	4.6L V8 F/I - w/o Housing Center Tube	33-2474	HP-7040 ¹
G550	5.5L V8 F/I	33-2181	PS-7004
GL63 AMG	5.5L V8 F/I	33-2474+	
GL350	3.0L V6 DSL		HP-7028 ¹
GL450	4.6L V8 F/I	33-2474+	HP-7040 ¹
GL550	4.6L V8 F/I	33-2474+	
GL550	4.6L V8 F/I - w/Stem	33-2474	HP-7040 ¹
GLK250	2.0L L4 F/I	E-0663	
GLK250	2.1L L4 DSL - Non-US, OEM A6510940004	E-2998	
GLK250	2.1L L4 DSL - Non-US, OEM A6510940104	E-0654	
GLK250	2.1L L4 DSL - US	E-0654	
GLK350	3.5L V6 F/I	33-2985	HP-7040 ¹
ML63 AMG	5.5L V8 F/I	33-2474+	
ML350	3.0L V6 DSL		HP-7028 ¹
ML350	3.5L V6 F/I	33-2985+	HP-7040 ¹
S63 AMG	5.5L V8 F/I	33-2474	
S550	4.6L V8 F/I	33-2474	
S550	4.6L V8 F/I - w/Stem	33-2474	HP-7040 ¹

* 2 filters required ♦ Intake System Available - see page 370 +Cabin Air Filter Available - see page 353 1- Performance Silver Oil Filter Also Available

Partial Listing: Complete Listing of Vehicles and Parts at KNFILTERS.COM or call 1-800-858-3333



Vehicle	Engine Type	Air Filter	Oil Filter
2014 MERCEDES BENZ			
SL550	4.6L V8 F/I	33-2474	
SLK250	1.8L L4 F/I	33-2965	
SLK350	3.5L V6 F/I	33-2985	
Sprinter	3.0L V6 DSL	33-2391	
Sprinter 2500	2.1L L4 DSL	33-2391	
Sprinter 2500	3.0L V6 DSL	33-2391	HP-7028 ¹
Sprinter 3500	2.1L L4 DSL	33-2391	
Sprinter 3500	3.0L V6 DSL	33-2391	HP-7028 ¹
Viano	2.5L V6 F/I	33-2912	

Vehicle	Engine Type	Air Filter	Oil Filter
2013 MERCEDES BENZ			
A250	2.0L L4 F/I	33-2995 ♦	
B250	2.0L L4 F/I	33-2995	
C63 AMG	6.2L V8 F/I	33-2405*	
C63 AMG	6.3L V8 F/I	33-2405*	
C180	1.6L L4 F/I	E-0663	
C250	1.8L L4 F/I	33-2965	
C250	2.1L L4 DSL - 4-matic	E-0654	
C250	2.1L L4 DSL - Exc. 4-matic	E-2998	
C300	3.5L V6 F/I	33-2985	HP-7040 ¹
C350	3.5L V6 F/I	33-2985	HP-7040 ¹
CL63 AMG	5.5L V8 F/I	33-2474	
CLA250	2.0L L4 F/I	33-2995 ♦	
CLS63 AMG	5.5L V8 F/I	33-2474	
CLS550	4.6L V8 F/I	33-2474	
CLS550	4.6L V8 F/I - w/o Housing Center Tube	33-2474	HP-7040 ¹
E63 AMG	5.5L V8 F/I	33-2474 +	
E250	2.0L L4 F/I - Cabrio & Coupe	E-0663	
E250	2.0L L4 F/I - Combi & Sedan	33-3034	
E350	3.5L V6 F/I	33-2985	HP-7040 ¹
E350d	3.0L V6 DSL		HP-7028 ¹
E350d	3.0L V6 DSL - US	33-2940	HP-7028
E550	4.6L V8 F/I	33-2474	
E550	4.6L V8 F/I - w/o Housing Center Tube	33-2474	HP-7040 ¹
G63 AMG	5.5L V8 F/I	33-2474	
G550	5.5L V8 F/I	33-2181	
GL63 AMG	5.5L V8 F/I	33-2474 +	
GL350	3.0L V6 DSL		HP-7028 ¹
GL450	4.6L V8 F/I	33-2474 +	HP-7040 ¹
GL550	4.6L V8 F/I	33-2474 +	
GLK250	2.0L L4 F/I	E-0663	
GLK250	2.1L L4 DSL - Non-US, OEM A6510940004	E-2998	
GLK250	2.1L L4 DSL - Non-US, OEM A6510940104	E-0654	
GLK250	2.1L L4 DSL - US	E-0654	
GLK350	3.5L V6 F/I	33-2985	HP-7040 ¹
ML63 AMG	5.5L V8 F/I	33-2474 +	
ML350	3.0L V6 DSL		HP-7028 ¹
ML350	3.5L V6 F/I	33-2985 +	HP-7040 ¹
ML550	4.6L V8 F/I	33-2474 +	
S63 AMG	5.5L V8 F/I	33-2474	
S550	4.6L V8 F/I	33-2474	
S550	4.6L V8 F/I - w/Stem	33-2474	HP-7040 ¹
SL63 AMG	5.5L V8 F/I	33-2474	
SL65 AMG	6.0L V12 F/I	33-2412	
SL550	4.6L V8 F/I	33-2474	
SLK250	1.8L L4 F/I	33-2965	
SLK350	3.5L V6 F/I	33-2985	
Sprinter 2500	3.0L V6 DSL	33-2391	HP-7028 ¹

Vehicle	Engine Type	Air Filter	Oil Filter
2013 MERCEDES BENZ			
Sprinter 3500	3.0L V6 DSL	33-2391	
2012 MERCEDES BENZ			
C63 AMG	6.3L V8 F/I	33-2405*	
C200	1.8L L4 F/I	33-2965	
C250	1.8L L4 F/I	33-2965	
C250	2.1L L4 DSL - 4-matic	E-0654	
C250	2.1L L4 DSL - Exc. 4-matic	E-2998	
C250	2.5L V6 F/I		HP-7004 ¹
C250 CGI	1.8L L4 F/I	33-2965	
C300	3.0L V6 F/I	33-2181*	HP-7004 ¹
C350	3.5L V6 F/I	33-2985	HP-7040 ¹
CL63 AMG	5.5L V8 F/I	33-2474	
CL500	4.7L V8 F/I	33-2474	
CL550	4.6L V8 F/I	33-2474	HP-7040 ¹
CLS63 AMG	5.5L V8 F/I	33-2474	
CLS550	4.6L V8 F/I	33-2474	
CLS550	4.6L V8 F/I - w/o Housing Center Tube	33-2474	HP-7040 ¹
E63 AMG	5.5L V8 F/I	33-2474 +	
E350	3.5L V6 F/I	33-2985	HP-7040 ¹
E350d	3.0L V6 DSL		HP-7028 ¹
E350d	3.0L V6 DSL - US	33-2940	HP-7028
E550	4.6L V8 F/I	33-2474	
G550	5.5L V8 F/I	33-2181*	
GL350	3.0L V6 DSL		HP-7028 ¹
GL350	3.0L V6 DSL - US	33-2940	HP-7028
GL450	4.6L V8 F/I	33-2181*	HP-7004 ¹
GL550	5.5L V8 F/I	33-2181*	
GLK350	3.5L V6 F/I		HP-7004 ¹
GLK350	3.5L V6 F/I - Non-US	33-2985	HP-7004
GLK350	3.5L V6 F/I - US	33-2181*	HP-7004
ML350	3.0L V6 DSL		HP-7028 ¹
ML350	3.5L V6 F/I	33-2985 +	HP-7040 ¹
ML550	4.6L V8 F/I	33-2474 +	
S63 AMG	5.5L V8 F/I	33-2474	
S550	4.6L V8 F/I	33-2474	
SL63 AMG	6.3L V8 F/I	33-2405*	
SL550	5.5L V8 F/I	33-2181*	PS-7004
SLK250	1.8L L4 F/I	33-2965	
SLK350	3.5L V6 F/I	33-2985	HP-7040 ¹
Sprinter 2500	3.0L V6 DSL	33-2391	HP-7028 ¹
Sprinter 3500	3.0L V6 DSL	33-2391	HP-7028 ¹
Vito	2.1L L4 DSL	33-2912	
Vito	3.5L V6 F/I	33-2912	

Vehicle	Engine Type	Air Filter	Oil Filter
2011 MERCEDES BENZ			
A200	2.0L L4 F/I	33-2914	
C63 AMG	6.3L V8 F/I	33-2405*	
C200 Kompressor	1.8L L4 F/I	E-2011	
C300	3.0L V6 F/I	33-2181*	HP-7004 ¹
C350	3.5L V6 F/I		HP-7004 ¹
C350	3.5L V6 F/I - 272BHP	33-2181*	HP-7004
C350	3.5L V6 F/I - 306BHP	33-2985	HP-7004
C350	3.5L V6 F/I - US	33-2181*	HP-7004
CL63 AMG	5.5L V8 F/I	33-2474	
E63 AMG	6.3L V8 F/I	33-2405*+	
E250	1.8L L4 F/I	33-2965	
E350	3.5L V6 F/I		HP-7004 ¹
E350	3.5L V6 F/I - 272BHP	33-2181*+	HP-7004
E350	3.5L V6 F/I - 306BHP	33-2985 +	HP-7004
E350	3.5L V6 F/I - US	33-2181*+	HP-7004
E350d	3.0L V6 DSL		HP-7028 ¹

* 2 filters required ♦ Intake System Available - see page 370 +Cabin Air Filter Available - see page 353 1- Performance Silver Oil Filter Also Available



AIR & OIL FILTERS

MERCEDES BENZ

Vehicle	Engine Type	Air Filter	Oil Filter
2011 MERCEDES BENZ			
E550	5.5L V8 F/I	33-2181*+	HP-7004 ¹
GL350	3.0L V6 DSL - US	33-2940	
GL450	4.6L V8 F/I	33-2181*	HP-7004 ¹
GL550	5.5L V8 F/I	33-2181*	
GLK350	3.5L V6 F/I		HP-7004 ¹
GLK350	3.5L V6 F/I - 272BHP	33-2181*	HP-7004
GLK350	3.5L V6 F/I - 306BHP	33-2985	HP-7004
GLK350	3.5L V6 F/I - US	33-2181*	HP-7004
ML350	3.0L V6 DSL - US	33-2940	
ML350	3.5L V6 F/I		HP-7004 ¹
ML350	3.5L V6 F/I - 272BHP	33-2181*	HP-7004
ML350	3.5L V6 F/I - 306BHP	33-2985	HP-7004
ML350	3.5L V6 F/I - US	33-2181*	HP-7004
R350	3.0L V6 DSL - US	33-2940	
R350	3.5L V6 F/I	33-2181*	
S550	5.5L V8 F/I		PS-7004
SL63 AMG	6.3L V8 F/I	33-2405*	
SL550	5.5L V8 F/I	33-2181*	
Sprinter 2500	3.0L V6 DSL	33-2391	HP-7028 ¹

Vehicle	Engine Type	Air Filter	Oil Filter
2010 MERCEDES BENZ			
C63 AMG	6.3L V8 F/I	33-2405*	
C300	3.0L V6 F/I	33-2181*	HP-7004 ¹
C350	3.5L V6 F/I	33-2181*	HP-7004 ¹
CLS63 AMG	6.3L V8 F/I	33-2405*+	
E63 AMG	6.3L V8 F/I	33-2405*+	
E350	3.5L V6 F/I	33-2181*+	HP-7004 ¹
E550	5.5L V8 F/I	33-2181*+	HP-7004 ¹
GL350	3.0L V6 DSL - US	33-2940	
GL450	4.6L V8 F/I	33-2181*	HP-7004 ¹
GL550	5.5L V8 F/I	33-2181*	
GLK350	3.5L V6 F/I	33-2181*	HP-7004 ¹
ML63 AMG	6.3L V8 F/I	33-2405*	
ML350	3.0L V6 DSL		PS-7028
ML350	3.0L V6 DSL - US	33-2940	PS-7028
ML350	3.5L V6 F/I	33-2181*	HP-7004 ¹
S63 AMG	6.2L V8 F/I	33-2405*	
S550	5.5L V8 F/I	33-2181*	HP-7004 ¹
SLK55 AMG	5.5L V8 F/I	33-2181*	
Sprinter 2500	3.0L V6 DSL	33-2391	
Sprinter 3500	3.0L V6 DSL	33-2391	

Vehicle	Engine Type	Air Filter	Oil Filter
2009 MERCEDES BENZ			
C63 AMG	6.3L V8 F/I	33-2405*	
C300	3.0L V6 F/I	33-2181*	HP-7004 ¹
C350	3.5L V6 F/I	33-2181*	HP-7004 ¹
CL63 AMG	6.3L V8 F/I	33-2405*	
CLK350	3.5L V6 F/I	33-2181*	HP-7004 ¹
CLS63 AMG	6.3L V8 F/I	33-2405*+	
CLS550	5.5L V8 F/I	33-2181*+	PS-7004
E63 AMG	6.3L V8 F/I	33-2405*+	
E280	3.0L V6 F/I	33-2181*	
E300	3.0L L6 DSL	33-2940	
E300	3.0L V6 F/I		PS-7004
E350	3.5L V6 F/I	33-2181*+	HP-7004 ¹
GL320	3.0L V6 DSL	33-2940	
GL450	4.6L V8 F/I	33-2181*	PS-7004
ML63 AMG	6.3L V8 F/I	33-2405*	
ML320	3.0L V6 DSL	33-2940	HP-7028 ¹
ML350	3.0L V6 DSL	33-2940	
ML350	3.5L V6 F/I	33-2181*	HP-7004 ¹
ML550	5.5L V8 F/I	33-2181*	
S63 AMG	6.2L V12 F/I	33-2405*	
S550	5.5L V8 F/I	33-2181*	PS-7004

Vehicle	Engine Type	Air Filter	Oil Filter
2009 MERCEDES BENZ			
SL63 AMG	6.3L V8 F/I	33-2405*	
SL65 AMG	6.0L V12 F/I	33-2412	
SL550	5.5L V8 F/I	33-2181*	PS-7004
Sprinter	2.1L L4 DSL	33-2391	
Sprinter	3.0L V6 DSL	33-2391	
Sprinter	3.5L V6 F/I	33-2391	

Vehicle	Engine Type	Air Filter	Oil Filter
2008 MERCEDES BENZ			
C63 AMG	6.3L V8 F/I	33-2405*	
C280	3.0L V6 DSL	33-2940	
C280	3.0L V6 F/I	33-2181*	
C300	3.0L V6 F/I	33-2181*	HP-7004 ¹
C350	3.5L V6 F/I	33-2181*	HP-7004 ¹
CL63 AMG	6.3L V8 F/I	33-2405*	
CL550	5.5L V8 F/I	33-2181*	PS-7004
CLK63 AMG	6.3L V8 F/I	33-2405*	
CLK350	3.5L V6 F/I	33-2181*	HP-7004 ¹
CLK550	5.5L V8 F/I	33-2181*	PS-7004
CLS63 AMG	6.3L V8 F/I	33-2405*+	
CLS550	5.5L V8 F/I		HP-7004 ¹
E63 AMG	6.3L V8 F/I	33-2405*+	
E320	3.0L V6 DSL	33-2940+	PS-7028
E350	3.5L V6 F/I	33-2181*+	HP-7004 ¹
E550	5.5L V8 F/I	33-2181*+	HP-7004 ¹
GL320	3.0L V6 DSL	33-2940	HP-7028 ¹
GL450	4.6L V8 F/I	33-2181*	HP-7004 ¹
GL550	5.5L V8 F/I	33-2181*	PS-7004
ML63 AMG	6.3L V8 F/I	33-2405*	
ML280	3.0L V6 DSL	33-2940	
ML320	3.0L V6 DSL	33-2940	HP-7028 ¹
ML350	3.5L V6 F/I	33-2181*	HP-7004 ¹
ML550	5.5L V8 F/I	33-2181*	
R320	3.0L V6 DSL	33-2940	
R350	3.5L V6 F/I	33-2181*	
S63 AMG	6.2L V8 F/I	33-2405*	
S63 AMG	6.3L V8 F/I	33-2405*	
S550	5.5L V8 F/I	33-2181*	HP-7004 ¹
SL55 AMG	5.5L V12 F/I	33-2181*	
SL55 AMG	5.5L V8 F/I	33-2181*	
SL550	5.5L V8 F/I	33-2181*	HP-7004 ¹

Vehicle	Engine Type	Air Filter	Oil Filter
2007 MERCEDES BENZ			
B200	2.0L L4 F/I	33-2914	
C63 AMG	6.3L V8 F/I	33-2405*	
C230	2.5L V6 F/I	33-2181*	HP-7004 ¹
C280	3.0L V6 DSL	33-2940	
C280	3.0L V6 F/I	33-2181*	HP-7004 ¹
CL63 AMG	6.3L V8 F/I	33-2405*	
CL550	5.5L V8 F/I	33-2181*	
CLK63 AMG	6.3L V8 F/I	33-2405*	
CLK350	3.5L V6 F/I	33-2181*	HP-7004 ¹
CLK550	5.5L V8 F/I		PS-7004
CLS55 AMG	5.5L V8 F/I	33-2181*	
CLS63 AMG	6.3L V8 F/I	33-2405*+	
CLS550	5.5L V8 F/I	33-2181*+	HP-7004 ¹
E63 AMG	6.3L V8 F/I	33-2405*+	
E320	3.0L V6 DSL	33-2940+	HP-7028 ¹
E350	3.5L V6 F/I	33-2181*+	HP-7004 ¹
E550	5.5L V8 F/I	33-2181*+	
GL320	3.0L V6 DSL	33-2940	
GL450	4.6L V8 F/I	33-2181*	HP-7004 ¹
ML63 AMG	6.3L V8 F/I	33-2405*	
ML320	3.0L V6 DSL	33-2940	HP-7028 ¹
ML350	3.5L V6 F/I	33-2181*	HP-7004 ¹

* 2 filters required ♦ Intake System Available - see page 370 +Cabin Air Filter Available - see page 353 1- Performance Silver Oil Filter Also Available



Vehicle	Engine Type	Air Filter	Oil Filter
2007 MERCEDES BENZ			
R350	3.5L V6 F/I	33-2181*	
S63 AMG	6.2L V8 F/I	33-2405*	
S65 AMG	6.0L V12 F/I	33-2412	
S550	5.5L V8 F/I	33-2181*	HP-7004 ¹
SL55 AMG	5.5L V8 F/I	33-2181*	
SL550	5.5L V8 F/I	33-2181*	HP-7004 ¹
SLK55 AMG	5.5L V8 F/I	33-2181*	
SLK280	3.0L V6 F/I	33-2181*	HP-7004 ¹
SLK350	3.5L V6 F/I	33-2181*	HP-7004 ¹
Sprinter	3.0L V6 DSL	33-2391	

Vehicle	Engine Type	Air Filter	Oil Filter
2006 MERCEDES BENZ			
C180 Kompressor	1.8L L4 F/I	E-2011	
C200 Kompressor	1.8L L4 F/I	E-2011	
C230	2.5L V6 F/I	33-2181*	HP-7004 ¹
C280	3.0L V6 DSL	33-2940	
C280	3.0L V6 F/I	33-2181*	HP-7004 ¹
C350	3.5L V6 F/I	33-2181*	HP-7004 ¹
CLK350	3.5L V6 F/I	33-2181*	
CLK500	5.0L V8 F/I	33-2181*	PS-7004
CLS55 AMG	5.5L V8 F/I	33-2181*+	HP-7004 ¹
CLS500	5.0L V8 F/I	33-2181*+	HP-7004 ¹
E55 AMG	5.5L V8 F/I	33-2181*+	PS-7004
E320	3.0L V6 DSL	33-2940	
E320	3.2L L6 DSL	E-2992+	HP-7017 ¹
E320	3.2L V6 F/I	33-2181*	
E350	3.5L V6 F/I	33-2181*+	HP-7004 ¹
E500	5.0L V8 F/I	33-2181*+	PS-7004
ML350	3.5L V6 F/I	33-2181*	HP-7004 ¹
ML500	5.0L V8 F/I	33-2181*	PS-7004
R350	3.5L V6 F/I	33-2181*	PS-7004
R500	5.0L V8 F/I	33-2181*	HP-7004 ¹
S63 AMG	6.2L V8 F/I	33-2405*	
S65 AMG	6.0L V12 F/I	33-2412	
S430	4.3L V8 F/I	33-2181*	
S500	5.0L V8 F/I	33-2181*	HP-7004 ¹
SL55 AMG	5.5L V8 F/I	33-2181*	PS-7004
SLK55 AMG	5.5L V8 F/I	33-2181*	
SLK200 Kompressor	1.8L L4 F/I	E-2011	
SLK280	3.0L V6 F/I	33-2181*	PS-7004
SLK350	3.5L V6 F/I	33-2181*	PS-7004
Sprinter	2.7L L5 DSL	33-2764	

Vehicle	Engine Type	Air Filter	Oil Filter
2005 MERCEDES BENZ			
C55 AMG	5.5L V8 F/I	33-2181*	PS-7004
C200 CGI	1.8L L4 F/I	E-2011	
C230	1.8L L4 F/I	E-2011	
C230	2.5L V6 F/I	33-2181*	
C230 Kompressor	1.8L L4 F/I	E-2011	
C240	2.6L V6 F/I	33-2181*	HP-7004 ¹
C320	3.2L V6 F/I	33-2181*	PS-7004
CL55 AMG	5.5L V8 F/I	33-2181*	
CL55 AMG Kompressor	5.5L V8 F/I	33-2181*	
CL500	5.0L V8 F/I	33-2181*	
CLK55 AMG	5.5L V8 F/I	33-2181*	
CLK320	3.0L V6 DSL	33-2940	
CLK320	3.2L V6 F/I	33-2181*	HP-7004 ¹
CLK500	5.0L V8 F/I	33-2181*	HP-7004 ¹
E55 AMG	5.5L V8 F/I	33-2181*+	HP-7004 ¹
E320	3.2L L6 DSL	E-2992+	HP-7017 ¹
E320	3.2L V6 F/I	33-2181*+	HP-7004 ¹
E500	5.0L V8 F/I	33-2181*+	HP-7004 ¹
G55 AMG	5.5L V8 F/I	33-2181*	PS-7004

Vehicle	Engine Type	Air Filter	Oil Filter
2005 MERCEDES BENZ			
ML350	3.5L V6 F/I	33-2181*	
ML350	3.7L V6 F/I	33-2703	HP-7004 ¹
ML500	5.0L V8 F/I - Non-US, From 7/05	33-2181*	
S500	5.0L V8 F/I	33-2181*	PS-7004
SL55 AMG	5.5L V8 F/I	33-2181*	PS-7004
SL500	5.0L V8 F/I	33-2181*	PS-7004
SL600	5.5L V12 F/I	33-2412	
SLK350	3.5L V6 F/I	33-2181*	HP-7004 ¹

Vehicle	Engine Type	Air Filter	Oil Filter
2004 MERCEDES BENZ			
C230	1.8L L4 F/I	E-2011	
C230 Kompressor	1.8L L4 F/I	E-2011	
C240	2.6L V6 F/I	33-2181*	HP-7004 ¹
C320	3.2L V6 F/I	33-2181*	PS-7004
CL55 AMG	5.5L V8 F/I	33-2181*	
CL55 AMG Kompressor	5.5L V8 F/I	33-2181*	PS-7004
CLK320	3.2L V6 F/I	33-2181*	HP-7004 ¹
CLK500	5.0L V8 F/I	33-2181*	PS-7004
E55 AMG	5.5L V8 F/I	33-2181*+	HP-7004 ¹
E320	3.2L L6 DSL	E-2992	HP-7017 ¹
E320	3.2L V6 F/I	33-2181*+	HP-7004 ¹
E500	5.0L V8 F/I	33-2181*+	HP-7004 ¹
G400	4.0L V8 DSL	33-2205*	
ML350	3.7L V6 F/I	33-2703	
S55 AMG	5.5L V8 F/I	33-2181*	
SL55 AMG	5.5L V8 F/I	33-2181*	HP-7004 ¹
SL500	5.0L V8 F/I	33-2181*	HP-7004 ¹
SLK230	2.3L L4 F/I	33-2767	HP-7008 ¹
SLK320	3.2L V6 F/I	33-2185*	HP-7004 ¹

Vehicle	Engine Type	Air Filter	Oil Filter
2003 MERCEDES BENZ			
C32 AMG	3.2L V6 F/I	33-2256*	PS-7004
C230 Kompressor	1.8L L4 F/I	E-2011	
C240	2.6L V6 F/I	33-2181*	HP-7004 ¹
C320	3.2L V6 F/I	33-2181*	HP-7004 ¹
CL55 AMG	5.4L V8 F/I - Non-US	33-2181*	
CL55 AMG	5.5L V8 F/I		PS-7004
CL55 AMG	5.5L V8 F/I - Non-US	33-2181*	PS-7004
CL55 AMG Kompressor	5.5L V8 F/I	33-2181*	HP-7004 ¹
CL600	5.5L V12 F/I	33-2412	HP-7033 ¹
CLK320	3.2L V6 F/I		HP-7004 ¹
CLK320	3.2L V6 F/I - Convertible	33-2703	HP-7004
CLK320	3.2L V6 F/I - Coupe	33-2181*	HP-7004
CLK320	3.2L V6 F/I - Non-US	33-2181*	HP-7004
CLK430	4.3L V8 F/I		PS-7004
CLK430	4.3L V8 F/I - Non-US	33-2747*	PS-7004
CLK430	4.3L V8 F/I - US	33-2183*	PS-7004
CLK500	5.0L V8 F/I	33-2181*	HP-7004 ¹
E55 AMG	5.5L V8 F/I		HP-7004 ¹
E55 AMG	5.5L V8 F/I - Non-US	33-2181*+	HP-7004
E320	3.2L L6 DSL	E-2992	
E320	3.2L V6 F/I		HP-7004 ¹
E320	3.2L V6 F/I - Sedan	33-2181*+	HP-7004
E320	3.2L V6 F/I - Wagon	33-2184+	HP-7004
E500	5.0L V8 F/I	33-2181*+	HP-7004 ¹
G500	5.0L V8 F/I	33-2181*	
ML350	3.7L V6 F/I	33-2703	PS-7004
ML500	5.0L V8 F/I	33-2703	PS-7004
S55 AMG	5.4L V8 F/I	33-2181*	
Kompressor			
S320	3.2L L6 F/I	33-2181*	

* 2 filters required ♦ Intake System Available - see page 370 +Cabin Air Filter Available - see page 353 1- Performance Silver Oil Filter Also Available



AIR & OIL FILTERS

MERCEDES BENZ

Vehicle	Engine Type	Air Filter	Oil Filter
2003 MERCEDES BENZ			
S430	4.3L V8 F/I	33-2181*	HP-7004 ¹
S500	5.0L V8 F/I	33-2181*	PS-7004
SL55 AMG	5.5L V8 F/I	33-2181*	HP-7004 ¹
SL500	5.0L V8 F/I	33-2181*	HP-7004 ¹
SLK32 AMG	3.2L V6 F/I	33-2256*	PS-7004
SLK320	3.2L V6 F/I	33-2185*	PS-7004
Vito	2.2L L4 DSL - From 9/03	33-2912	
2002 MERCEDES BENZ			
C32 AMG	3.2L V6 F/I	33-2256*	PS-7004
C180	2.0L L4 F/I	33-2244	
C200 Kompressor	2.0L L4 F/I	33-2193	
C230 Kompressor	1.8L L4 F/I - From 6/02	E-2011	
C230 Kompressor	1.8L L4 F/I - To 5/02	33-2193	
C230 Kompressor	2.3L L4 F/I	33-2193	HP-7008 ¹
C240	2.6L V6 F/I	33-2181*	HP-7004 ¹
C320	3.2L V6 F/I	33-2181*	
CLK55 AMG	5.5L V8 F/I		PS-7004
CLK55 AMG	5.5L V8 F/I - Non-US, 347BHP	33-2747*	PS-7004
CLK55 AMG	5.5L V8 F/I - Non-US, 367BHP	33-2181*	PS-7004
CLK55 AMG	5.5L V8 F/I - US	33-2183*	PS-7004
CLK320	3.2L V6 F/I	33-2703	HP-7004 ¹
CLK320	3.2L V6 F/I - Non-US, From 6/02	33-2181*	HP-7004
CLK320	3.2L V6 F/I - Non-US, To 5/02	33-2703	HP-7004
CLK430	4.3L V8 F/I		HP-7004 ¹
CLK430	4.3L V8 F/I - Non-US	33-2747*	HP-7004
CLK430	4.3L V8 F/I - US	33-2183*	HP-7004
E55 AMG	5.5L V8 F/I		HP-7004 ¹
E55 AMG	5.5L V8 F/I - Non-US, 354BHP	33-2747*	HP-7004
E55 AMG	5.5L V8 F/I - Non-US, 476BHP	33-2181*	HP-7004
E55 AMG	5.5L V8 F/I - US	33-2183*	HP-7004
E320	3.2L L6 DSL - 197BHP	33-2158	
E320	3.2L L6 DSL - 204BHP	E-2992	
E320	3.2L V6 F/I		HP-7004 ¹
E320	3.2L V6 F/I - Non-US, W/S210	33-2184	HP-7004
E320	3.2L V6 F/I - Non-US, W/S211	33-2181*	HP-7004
E320	3.2L V6 F/I - US	33-2184	HP-7004
E430	4.3L V8 F/I	33-2184	HP-7004 ¹
G500	5.0L V8 F/I		PS-7004
G500	5.0L V8 F/I - Non-US	33-2181*	PS-7004
ML320	3.2L V6 F/I	33-2703	HP-7004 ¹
ML500	5.0L V8 F/I	33-2703	
S430	4.3L V8 F/I	33-2181*	HP-7004 ¹
S500	5.0L V8 F/I	33-2181*	HP-7004 ¹
SLK230	2.3L L4 F/I	33-2767	PS-7008

Vehicle	Engine Type	Air Filter	Oil Filter
2001 MERCEDES BENZ			
C180	2.0L L4 F/I	33-2244	
C200 Kompressor	2.0L L4 F/I	33-2193	
C240	2.6L V6 F/I	33-2181*	HP-7004 ¹
C320	3.2L V6 F/I	33-2181*	PS-7004
CL55 AMG	5.5L V8 F/I - Non-US	33-2181*	
CLK55 AMG	5.5L V8 F/I		PS-7004
CLK55 AMG	5.5L V8 F/I - Non-US	33-2747*	PS-7004
CLK55 AMG	5.5L V8 F/I - US	33-2183*	PS-7004
CLK320	3.2L V6 F/I	33-2703	PS-7004
CLK430	4.3L V8 F/I		HP-7004 ¹
CLK430	4.3L V8 F/I - Non-US	33-2747*	HP-7004

Vehicle	Engine Type	Air Filter	Oil Filter
2001 MERCEDES BENZ			
CLK430	4.3L V8 F/I - US	33-2183*	HP-7004
E200 Kompressor	2.0L L4 F/I	33-2184	
E320	3.2L L6 DSL	33-2158	
E320	3.2L V6 F/I	33-2184	HP-7004 ¹
ML320	3.2L V6 F/I	33-2703	HP-7004 ¹
S55 AMG Kompressor	5.4L V8 F/I	33-2181*	
S430	4.3L V8 F/I	33-2181*	PS-7004
S500	5.0L V8 F/I	33-2181*	PS-7004
SL600	6.0L V12 F/I	33-2677*	
SLK230	2.3L L4 F/I	33-2767	
SLK320	3.2L V6 F/I	33-2185*	HP-7004 ¹

Vehicle	Engine Type	Air Filter	Oil Filter
2000 MERCEDES BENZ			
C230 Kompressor	2.3L L4 F/I	33-2703	HP-7008 ¹
C280	2.8L V6 F/I	33-2703	PS-7004
C320	3.2L V6 F/I	33-2181*	
CLK320	3.2L V6 F/I	33-2703	PS-7004
CLK430	4.3L V8 F/I		HP-7004 ¹
CLK430	4.3L V8 F/I - Non-US	33-2747*	HP-7004
CLK430	4.3L V8 F/I - US	33-2183*	HP-7004
E320	3.2L L6 DSL	33-2158	
E320	3.2L V6 F/I	33-2184	HP-7004 ¹
E430	4.3L V8 F/I	33-2184	PS-7004
ML320	3.2L V6 F/I	33-2703	PS-7004
ML430	4.3L V8 F/I	33-2703	PS-7004
S430	4.3L V8 F/I	33-2181*	HP-7004 ¹
S500	5.0L V8 F/I	33-2181*	HP-7004 ¹
SL500	5.0L V8 F/I - Non-US, 306BHP	33-2181*	
SL500	5.0L V8 F/I - US	33-2181*	
SLK230	2.3L L4 F/I	33-2767	

Vehicle	Engine Type	Air Filter	Oil Filter
1999 MERCEDES BENZ			
C230 Kompressor	2.3L L4 F/I	33-2703	HP-7008 ¹
C280	2.8L V6 F/I	33-2703	
CLK320	3.2L V6 F/I	33-2703	PS-7004
CLK430	4.3L V8 F/I		HP-7004 ¹
CLK430	4.3L V8 F/I - Non-US	33-2747*	HP-7004
CLK430	4.3L V8 F/I - US	33-2183*	HP-7004
E300	3.0L L6 DSL - Non-US	33-2747	
E320	3.2L L6 DSL	33-2158	
E320	3.2L V6 F/I		HP-7004 ¹
E320	3.2L V6 F/I - Non-US, From 8/99	33-2184	HP-7004
E320	3.2L V6 F/I - Non-US, To 7/99	33-2747	HP-7004
E320	3.2L V6 F/I - US	33-2747	HP-7004
E430	4.3L V8 F/I		PS-7004
E430	4.3L V8 F/I - Non-US, From 8/99	33-2184	PS-7004
E430	4.3L V8 F/I - Non-US, To 7/99	33-2747	PS-7004
E430	4.3L V8 F/I - US	33-2747	PS-7004
ML320	3.2L V6 F/I	33-2703	PS-7004
ML430	4.3L V8 F/I	33-2703	
S320	3.2L L6 F/I - Non-US, From 10/98	33-2181*	
S320	3.2L L6 F/I - Non-US, To 9/98	33-2130	
S320	3.2L L6 F/I - US	33-2130	
SL320	3.2L L6 F/I - 224BHP	33-2181*	
SL500	5.0L V8 F/I		HP-7004 ¹
SL500	5.0L V8 F/I - Non-US, 306BHP	33-2181*	HP-7004
SL500	5.0L V8 F/I - Non-US, 320BHP	33-2678*	HP-7004

* 2 filters required ♦ Intake System Available - see page 370 +Cabin Air Filter Available - see page 353 1- Performance Silver Oil Filter Also Available

Partial Listing: Complete Listing of Vehicles and Parts at KNFILTERS.COM or call 1-800-858-3333



Vehicle	Engine Type	Air Filter	Oil Filter
1999 MERCEDES BENZ			
SL500	5.0L V8 F/I - US	33-2181*	HP-7004
SL600	6.0L V12 F/I - Non-US	33-2677*	
SLK230	2.3L L4 F/I	33-2767	HP-7008 ¹

1998 MERCEDES BENZ			
C43 AMG	4.3L V8 F/I	33-2183*	PS-7004
C230	2.3L L4 F/I	33-2703 ♦	HP-7008 ¹
C230 Kompressor	2.3L L4 F/I	33-2703	HP-7008 ¹
C280	2.8L L6 F/I	33-2703	HP-7004 ¹
C280	2.8L V6 F/I	33-2703	HP-7004 ¹
E320	3.2L L6 F/I - Non-US, W/S124	33-2705	
E320	3.2L L6 F/I - Non-US, W/S210	33-2747	
E320	3.2L V6 F/I		HP-7004 ¹
E320	3.2L V6 F/I - US	33-2747	HP-7004
ML320	3.2L V6 F/I	33-2703	
S320	3.2L L6 F/I	33-2130	
S420	4.2L V8 F/I - Non-US	33-2678*	
S500	5.0L V8 F/I - Non-US, 306BHP	33-2181*	
S500	5.0L V8 F/I - Non-US, 320BHP	33-2678*	
SL500	5.0L V8 F/I - Non-US, 306BHP	33-2181*	
SL500	5.0L V8 F/I - Non-US, 320BHP	33-2678*	
SL600	6.0L V12 F/I - Non-US	33-2677*	
SLK230	2.3L L4 F/I	33-2767	HP-7008 ¹

1997 MERCEDES BENZ			
E320	3.2L L6 F/I		HP-7008 ¹
E320	3.2L L6 F/I - Non-US, W/S124	33-2705	HP-7008
E320	3.2L L6 F/I - Non-US, W/S210	33-2747	HP-7008
E320	3.2L L6 F/I - US	33-2747	HP-7008
E420	4.2L V8 F/I	33-2747	
SL500	5.0L V8 F/I	33-2678*	

2019 MINI			
Cooper	1.5L L3 F/I	33-3025 ♦	
Cooper	2.0L L4 F/I	33-3025 ♦	
Cooper Clubman	1.5L L3 F/I	33-3025 ♦	
Cooper Clubman	2.0L L4 F/I	33-3025 ♦	
Cooper Countryman	1.5L L3 F/I	33-3025 ♦	
Cooper Countryman	2.0L L4 F/I	33-3025 ♦	
Cooper D	1.5L L3 DSL	33-3025	
Cooper D Clubman	1.5L L3 DSL	33-3025	
Cooper D	1.5L L3 DSL	33-3025	
Countryman			
Cooper John Cooper Works	2.0L L4 F/I	33-3025	
Cooper John Cooper Works Clubman	2.0L L4 F/I	33-3025	
Cooper John Cooper Works Countryman	2.0L L4 F/I	33-3025	
Cooper S	2.0L L4 F/I	33-3025	
Cooper S Clubman	2.0L L4 F/I	33-3025	
Cooper S	2.0L L4 F/I	33-3025	
Countryman			
Cooper SD	2.0L L4 DSL	33-3025	
Cooper SD Clubman	2.0L L4 DSL	33-3025	
Cooper SD	2.0L L4 DSL	33-3025	
Countryman			

2018 MINI			
Cooper	1.5L L3 F/I	33-3025 ♦+	
Cooper Clubman	1.5L L3 F/I	33-3025 ♦+	HP-7039 ¹

Vehicle	Engine Type	Air Filter	Oil Filter
2018 MINI			
Cooper Clubman	2.0L L4 F/I	33-3025+	HP-7039 ¹
Cooper Countryman	1.5L L3 F/I	33-3025+	
Cooper Countryman	2.0L L4 F/I	33-3025 ♦+	HP-7039 ¹
John Cooper Works			
Cooper D	1.5L L3 DSL	33-3025	
Cooper D Clubman	2.0L L4 DSL	33-3025	
Cooper D	2.0L L4 DSL	33-3025	
Countryman			
Cooper John Cooper Works	2.0L L4 F/I	33-3025 ♦	HP-7039 ¹
Cooper John Cooper Works Clubman	2.0L L4 F/I	33-3025	
Cooper John Cooper Works Countryman	2.0L L4 F/I	33-3025	
Cooper S	2.0L L4 F/I	33-3025 ♦+	HP-7039 ¹
Cooper S	2.0L L4 F/I	33-3025+	HP-7039 ¹
Countryman			
Cooper SD	2.0L L4 DSL	33-3025	
Cooper SD Clubman	2.0L L4 DSL	33-3025	
Cooper SD	2.0L L4 DSL	33-3025	
Countryman			

2017 MINI			
Cooper	1.5L L3 F/I	33-3025 ♦+	HP-7039 ¹
Cooper	2.0L L4 F/I	33-3025	
Cooper Clubman	1.5L L3 F/I	33-3025 ♦+	HP-7039 ¹
Cooper Clubman	2.0L L4 F/I	33-3025+	
Cooper Countryman	1.5L L3 F/I	33-3025+	HP-7039 ¹
Cooper Countryman	2.0L L4 F/I	33-3025+	HP-7039 ¹
Cooper Countryman	2.0L L4 F/I	33-3025	HP-7039 ¹
John Cooper Works			
Cooper D	1.5L L3 DSL	33-3025	
Cooper D Clubman	2.0L L4 DSL	33-3025	
Cooper D	2.0L L4 DSL	33-3025	
Countryman			
Cooper John Cooper Works	2.0L L4 F/I	33-3025 ♦+	HP-7039 ¹
Cooper John Cooper Works Clubman	2.0L L4 F/I	33-3025+	HP-7039 ¹
Cooper S	2.0L L4 F/I	33-3025 ♦+	HP-7039 ¹
Cooper S Clubman	2.0L L4 F/I	33-3025	HP-7039 ¹
Cooper S	2.0L L4 F/I	33-3025+	HP-7039 ¹
Countryman			
Cooper SD	2.0L L4 DSL	33-3025	
Cooper SD Clubman	2.0L L4 DSL	33-3025	
Cooper SD	2.0L L4 DSL	33-3025	
Countryman			

2016 MINI			
Cooper	1.5L L3 F/I	33-3025 ♦+	HP-7039 ¹
Cooper	1.6L L4 F/I		HP-7024 ¹
Cooper Clubman	1.5L L3 F/I	33-3025 ♦+	HP-7039 ¹
Cooper Clubman	2.0L L4 F/I	33-3025+	HP-7039 ¹
Cooper Countryman	1.6L L4 F/I		HP-7024 ¹
Cooper Countryman	1.6L L4 F/I - Exc. Turbo	33-2386+	HP-7024
Cooper Countryman	1.6L L4 F/I - Turbo	33-2936+	HP-7024
Cooper D	1.5L L3 DSL	33-3025	
Cooper D Clubman	2.0L L4 DSL	33-3025	
Cooper John Cooper Works	2.0L L4 F/I	33-3025 ♦	HP-7039 ¹
Cooper Paceman	1.6L L4 F/I		HP-7024 ¹
Cooper Paceman	1.6L L4 F/I - Exc. Turbo	33-2386+	HP-7024
Cooper Paceman	1.6L L4 F/I - Turbo	33-2936+	HP-7024
Cooper S	2.0L L4 F/I	33-3025 ♦+	HP-7039 ¹
Cooper S Clubman	2.0L L4 F/I	33-3025	HP-7039 ¹
Cooper SD	2.0L L4 DSL	33-3025	

* 2 filters required ♦ Intake System Available - see page 370 +Cabin Air Filter Available - see page 353 1- Performance Silver Oil Filter Also Available



AIR & OIL FILTERS

MINI

Vehicle	Engine Type	Air Filter	Oil Filter
2016 MINI			
Cooper SD Clubman	2.0L L4 DSL	33-3025	
2015 MINI			
Cooper	1.5L L3 F/I	33-3025 ♦+	HP-7039 ¹
Cooper	1.6L L4 F/I		HP-7024 ¹
Cooper	1.6L L4 F/I - Exc. Turbo	33-2386	HP-7024
Cooper	1.6L L4 F/I - Turbo	33-2936	HP-7024
Cooper	1.6L L4 F/I - US, Exc. Turbo	33-2386	HP-7024
Cooper Countryman	1.6L L4 F/I		HP-7024 ¹
Cooper Countryman	1.6L L4 F/I - US, Exc. Turbo	33-2386+	HP-7024
Cooper Countryman	1.6L L4 F/I - US, Turbo	33-2936+	HP-7024
Cooper D	1.5L L3 DSL	33-3025	
Cooper John Cooper Works	2.0L L4 F/I	33-3025	HP-7039 ¹
Cooper Paceman	1.6L L4 F/I		HP-7024 ¹
Cooper Paceman	1.6L L4 F/I - US, Exc. Turbo	33-2386+	HP-7024
Cooper Paceman	1.6L L4 F/I - US, Turbo	33-2936+	HP-7024
Cooper S	1.6L L4 F/I		HP-7024 ¹
Cooper S	1.6L L4 F/I - Turbo	33-2936 ♦	HP-7024
Cooper S	2.0L L4 F/I	33-3025 ♦+	HP-7039 ¹
Cooper SD	2.0L L4 DSL	33-3025	
2014 MINI			
Cooper	1.5L L3 F/I	33-3025 ♦+	HP-7039 ¹
Cooper	1.6L L4 F/I		HP-7024 ¹
Cooper	1.6L L4 F/I - US	33-2386 ♦+	HP-7024
Cooper Countryman	1.6L L4 F/I	33-2386+	HP-7024 ¹
Cooper Countryman	1.6L L4 F/I	33-2936+	HP-7024 ¹
John Cooper Works			
Cooper D	1.5L L3 DSL	33-3025	
Cooper John Cooper Works	1.6L L4 F/I	33-2936 ♦+	HP-7024 ¹
Cooper Paceman	1.6L L4 F/I		HP-7024 ¹
Cooper Paceman	1.6L L4 F/I - US	33-2386+	HP-7024
Cooper Paceman	1.6L L4 F/I	33-2936+	HP-7024 ¹
John Cooper Works			
Cooper S	1.6L L4 F/I	33-2936 ♦+	HP-7024 ¹
Cooper S	2.0L L4 F/I	33-3025 ♦+	HP-7039 ¹
Cooper S	1.6L L4 F/I		HP-7024 ¹
Countryman			
Cooper S	1.6L L4 F/I - US	33-2936+	HP-7024
Countryman			
Cooper S Paceman	1.6L L4 F/I	33-2936+	HP-7024 ¹
Cooper SD	2.0L L4 DSL	33-3025	
2013 MINI			
Cooper	1.6L L4 F/I		HP-7024 ¹
Cooper	1.6L L4 F/I - Non-US	33-2941 ♦+	HP-7024
Cooper	1.6L L4 F/I - US	33-2386 ♦+	HP-7024
Cooper Countryman	1.6L L4 F/I		HP-7024 ¹
Cooper Countryman	1.6L L4 F/I - US	33-2386+	HP-7024
Cooper D	1.6L L4 DSL	E-2985	
Cooper D	2.0L L4 DSL	E-2985	
Cooper John Cooper Works	1.6L L4 F/I	33-2936+	HP-7024 ¹
Cooper John Cooper Works GP	1.6L L4 F/I	33-2936 ♦+	HP-7024 ¹
Cooper Paceman	1.6L L4 F/I		HP-7024 ¹
Cooper Paceman	1.6L L4 F/I - Non-US	33-2941+	HP-7024
Cooper Paceman	1.6L L4 F/I - US	33-2386+	HP-7024
Cooper S	1.6L L4 F/I	33-2936 ♦+	HP-7024 ¹
Cooper S	1.6L L4 F/I		HP-7024 ¹
Countryman			

Vehicle	Engine Type	Air Filter	Oil Filter
2013 MINI			
Cooper S	1.6L L4 F/I - US	33-2936+	HP-7024
Countryman			
Cooper S Paceman	1.6L L4 F/I		HP-7024 ¹
Cooper S Paceman	1.6L L4 F/I - US	33-2936+	HP-7024
2012 MINI			
Cooper	1.6L L4 F/I		HP-7024 ¹
Cooper	1.6L L4 F/I - Non-US	33-2941 ♦+	HP-7024
Cooper	1.6L L4 F/I - US	33-2386 ♦+	HP-7024
Cooper Countryman	1.6L L4 F/I		HP-7024 ¹
Cooper Countryman	1.6L L4 F/I - US	33-2386+	HP-7024
Cooper D	1.6L L4 DSL	E-2985	
Cooper John Cooper Works	1.6L L4 F/I	33-2936 ♦+	HP-7024 ¹
Cooper S	1.6L L4 F/I	33-2936 ♦+	HP-7024 ¹
Cooper S	1.6L L4 F/I - US	33-2936 ♦+	HP-7024
Cooper S Clubman	1.6L L4 F/I	33-2936 ♦+	HP-7024 ¹
Cooper S	1.6L L4 F/I		HP-7024 ¹
Countryman			
Cooper S	1.6L L4 F/I - US	33-2936 ♦+	HP-7024
Countryman			
2011 MINI			
Cooper	1.6L L4 F/I		HP-7024 ¹
Cooper	1.6L L4 F/I - Non-US	33-2941 ♦+	HP-7024
Cooper	1.6L L4 F/I - US	33-2386 ♦+	HP-7024
Cooper Clubman	1.6L L4 F/I		HP-7024 ¹
Cooper Clubman	1.6L L4 F/I - US	33-2386 ♦+	HP-7024
Cooper Countryman	1.6L L4 F/I		HP-7024 ¹
Cooper Countryman	1.6L L4 F/I - Non-US, w/Manual Trans.	33-2941+	HP-7024
Cooper Countryman	1.6L L4 F/I - US	33-2386+	HP-7024
Cooper D	1.6L L4 DSL	E-2985	
Cooper John Cooper Works	1.6L L4 F/I	33-2936 ♦+	HP-7024 ¹
Cooper John Cooper Works Clubman	1.6L L4 F/I	33-2936 ♦+	HP-7024 ¹
Cooper S	1.6L L4 F/I	33-2936 ♦+	HP-7024 ¹
Cooper S Clubman	1.6L L4 F/I		HP-7024 ¹
Cooper S Clubman	1.6L L4 F/I - US	33-2936 ♦+	HP-7024
Cooper S	1.6L L4 F/I		HP-7024 ¹
Countryman			
Cooper S	1.6L L4 F/I - Non-US, w/Manual Trans.	33-2936+	HP-7024
Countryman			
Cooper S	1.6L L4 F/I - US	33-2936+	HP-7024
Countryman			
2010 MINI			
Cooper	1.6L L4 F/I		HP-7024 ¹
Cooper	1.6L L4 F/I - Non-US, w/Manual Trans.	33-2941 ♦+	HP-7024
Cooper	1.6L L4 F/I - US	33-2386 ♦+	HP-7024
Cooper Clubman	1.6L L4 F/I		HP-7024 ¹
Cooper Clubman	1.6L L4 F/I - US	33-2386 ♦+	HP-7024
Cooper D	1.6L L4 DSL - From 9/10	E-2985	
Cooper D	1.6L L4 DSL - To 8/10	33-2929	
Cooper D	1.6L L4 DSL	E-2985	
Countryman			
Cooper John Cooper Works	1.6L L4 F/I	33-2936+	HP-7024 ¹
Cooper John Cooper Works Clubman	1.6L L4 F/I	33-2936+	HP-7024 ¹
Cooper S	1.6L L4 F/I		HP-7024 ¹
Cooper S	1.6L L4 F/I - US	33-2936 ♦+	HP-7024
Cooper S Clubman	1.6L L4 F/I		HP-7024 ¹
Cooper S Clubman	1.6L L4 F/I - US	33-2936 ♦+	HP-7024

* 2 filters required ♦ Intake System Available - see page 370 +Cabin Air Filter Available - see page 353 1- Performance Silver Oil Filter Also Available



Vehicle	Engine Type	Air Filter	Oil Filter
2010 MINI			
Cooper S Countryman	1.6L L4 F/I		HP-7024 ¹
Cooper S Countryman	1.6L L4 F/I - w/Manual Trans.	33-2936 ⁺	HP-7024

2009 MINI			
Cooper	1.6L L4 F/I		HP-7024 ¹
Cooper	1.6L L4 F/I - US	33-2386 ♦♦	HP-7024
Cooper Clubman	1.6L L4 F/I		HP-7024 ¹
Cooper Clubman	1.6L L4 F/I - US	33-2386 ♦♦	HP-7024
Cooper D	1.6L L4 DSL	33-2929 ♦	
Cooper John Cooper Works	1.6L L4 F/I	33-2936 ⁺	HP-7024 ¹
Cooper S	1.6L L4 F/I		HP-7024 ¹
Cooper S	1.6L L4 F/I - US	33-2936 ♦♦	HP-7024
Cooper S Clubman	1.6L L4 F/I		HP-7024 ¹
Cooper S Clubman	1.6L L4 F/I - US	33-2936 ♦♦	HP-7024

2008 MINI			
Cooper	1.6L L4 F/I - Convertible, w/Manual Trans.	33-2885 ♦♦	
Cooper	1.6L L4 F/I - Coupe		HP-7024 ¹
Cooper	1.6L L4 F/I - Non-US, Convertible	33-2885 ⁺	
		33-2885 ♦♦	
Cooper	1.6L L4 F/I - Non-US, Coupe	33-2941 ♦♦	
		33-2941 ♦♦	
Cooper	1.6L L4 F/I - US, Convertible, w/Auto Trans.	33-2239 ♦♦	
Cooper	1.6L L4 F/I - US, Coupe	33-2386 ♦♦	
Cooper Clubman	1.6L L4 F/I		HP-7024 ¹
Cooper Clubman	1.6L L4 F/I - Non-US, w/Manual Trans.	33-2941 ♦♦	HP-7024
Cooper Clubman	1.6L L4 F/I - US	33-2386 ♦♦	HP-7024
Cooper D	1.6L L4 DSL	33-2929 ♦	
Cooper S	1.6L L4 F/I - Coupe		HP-7024 ¹
Cooper S	1.6L L4 F/I - Non-US	33-2936 ♦♦	
Cooper S	1.6L L4 F/I - US, Convertible	33-2270 ⁺	
		33-2270 ♦♦	
Cooper S	1.6L L4 F/I - US, Coupe	33-2936 ⁺	
		33-2936 ♦♦	
Cooper S Clubman	1.6L L4 F/I		HP-7024 ¹
Cooper S Clubman	1.6L L4 F/I - Non-US, w/Auto Trans.	33-2936 ♦♦	HP-7024
Cooper S Clubman Works	1.6L L4 F/I - US	33-2936 ⁺	HP-7024
		33-2936	

2007 MINI			
Cooper	1.6L L4 F/I - Convertible, w/Manual Trans.	33-2885 ♦♦	
Cooper	1.6L L4 F/I - Coupe		HP-7024 ¹
Cooper	1.6L L4 F/I - Non-US, Convertible, w/Auto Trans.	33-2885 ⁺	
		33-2885 ♦♦	
Cooper	1.6L L4 F/I - Non-US, Coupe	33-2941 ♦♦	
		33-2941 ♦♦	
		33-2941 ♦♦	

Vehicle	Engine Type	Air Filter	Oil Filter
2007 MINI			
Cooper	1.6L L4 F/I - US, Convertible, w/Auto Trans.	33-2239 ♦♦	
Cooper	1.6L L4 F/I - US, Coupe	33-2386 ♦♦	
		33-2386 ♦♦	
Cooper D	1.6L L4 DSL	33-2929 ♦	
Cooper S	1.6L L4 F/I - Convertible	33-2270 ♦♦	
Cooper S	1.6L L4 F/I - Coupe	33-2936 ♦♦	HP-7024 ¹
		33-2936 ♦♦	HP-7024 ¹
One	1.4L L4 F/I	33-2941 ♦	

2006 MINI			
Cooper	1.4L L4 F/I	33-2239	
Cooper	1.6L L4 F/I - Non-US, From 11/06, Coupe	33-2941 ♦	
Cooper	1.6L L4 F/I - US, w/Manual Trans.	33-2885 ♦	
Cooper	1.6L L4 F/I - w/Auto Trans.	33-2239 ♦	
Cooper S	1.6L L4 F/I	33-2270 ♦	
		33-2270 ♦	

2005 MINI			
Cooper	1.4L L4 F/I	33-2239	
Cooper	1.6L L4 F/I - Non-US	33-2885 ♦	
Cooper	1.6L L4 F/I - US, w/Auto Trans.	33-2239 ♦	
Cooper	1.6L L4 F/I - US, w/Manual Trans.	33-2885 ♦	
Cooper S	1.6L L4 F/I	33-2270 ♦	

2004 MINI			
Cooper	1.4L L4 F/I	33-2239	
Cooper	1.6L L4 F/I - From 8/04, w/Manual Trans.	33-2885 ♦	
Cooper	1.6L L4 F/I - Non-US, From 8/04	33-2885 ♦	
Cooper	1.6L L4 F/I - To 7/04	33-2239 ♦	
Cooper	1.6L L4 F/I - To 7/04, US, From 8/04, w/Auto Trans.	33-2239 ♦	
Cooper S	1.6L L4 F/I	33-2270 ♦	

2003 MINI			
Cooper	1.4L L4 F/I	33-2239	
Cooper	1.6L L4 F/I	33-2239 ♦	
Cooper S	1.6L L4 F/I	33-2270 ♦	

2002 MINI			
Cooper	1.6L L4 F/I	33-2239 ♦	
Cooper S	1.6L L4 F/I	33-2270 ♦	

2020 MITSUBISHI			
ASX	2.2L L4 DSL	33-2050-1 ⁺	
Delica	2.2L L4 DSL	33-2050-1	
Eclipse Cross	1.5L L4 F/I		HP-1010 ¹
Mirage	1.2L L3 F/I		HP-1010 ¹
Outlander	2.2L L4 DSL	33-2050-1 ⁺	
Outlander	2.4L L4 F/I		HP-1010 ¹
Outlander	3.0L V6 F/I		HP-1010 ¹
Outlander Sport	2.0L L4 F/I		HP-1010 ¹
Outlander Sport	2.4L L4 F/I		HP-1010 ¹
Pajero	3.2L V6 DSL	33-2164	
Pajero Sport	2.4L L4 DSL	33-2443 ⁺	
Strada	2.4L L4 DSL	33-2443 ⁺	
Triton	2.4L L4 DSL	33-2443 ⁺	

2019 MITSUBISHI			
Attrage	1.2L L3 F/I	33-3016	

* 2 filters required ♦ Intake System Available - see page 370 +Cabin Air Filter Available - see page 353 1- Performance Silver Oil Filter Also Available



AIR & OIL FILTERS

MITSUBISHI

Vehicle	Engine Type	Air Filter	Oil Filter
2019 MITSUBISHI			
Eclipse Cross	1.5L L4 F/I	33-2435	HP-1010 ¹
Outlander	2.0L L4 F/I - Exc. Hybrid	33-3015	
Outlander	2.4L L4 F/I	33-3015	HP-1010 ¹
Outlander	3.0L V6 F/I	33-3015	HP-1010 ¹
Outlander PHEV	2.0L L4 F/I		HP-1010 ¹
Outlander Sport	2.0L L4 F/I	33-3015	HP-1010 ¹
Outlander Sport	2.4L L4 F/I	33-3015	HP-1010 ¹
Pajero	3.2L V6 DSL	33-2164	
Pajero Sport	2.4L L4 DSL	33-2443+	

Vehicle	Engine Type	Air Filter	Oil Filter
2018 MITSUBISHI			
ASX	1.6L L4 F/I	33-3015	
Attrage	1.2L L3 F/I	33-3016	
Eclipse Cross	1.5L L4 F/I	33-2435+	HP-1010 ¹
Eclipse Cross	1.5L L4 F/I - China	33-3015+	HP-1010
L200	2.4L L4 DSL	33-2443	
Mirage	1.2L L3 F/I	33-3016	HP-1010 ¹
Mirage G4	1.2L L3 F/I	33-3016	HP-1010 ¹
Outlander	2.0L L4 F/I		HP-1010 ¹
Outlander	2.0L L4 F/I - Exc. Hybrid	33-3015	HP-1010
Outlander	2.2L L4 DSL	33-2050-1+	
Outlander	2.4L L4 F/I	33-3015	HP-1010 ¹
Outlander	3.0L V6 F/I	33-3015	HP-1010 ¹
Outlander PHEV	2.0L L4 F/I		HP-1010 ¹
Outlander Sport	2.0L L4 F/I	33-3015	HP-1010 ¹
Outlander Sport	2.4L L4 F/I	33-3015	HP-1010 ¹
Pajero	3.2L V6 DSL	33-2164	
Pajero Sport	2.4L L4 DSL	33-2443+	
RVR	2.0L L4 F/I		HP-1010 ¹
RVR	2.4L L4 F/I		HP-1010 ¹
Triton	2.4L L4 DSL	33-2443+	

Vehicle	Engine Type	Air Filter	Oil Filter
2017 MITSUBISHI			
ASX	2.2L L4 DSL	33-2050-1	
L200	2.4L L4 DSL	33-2443	
Lancer	2.0L L4 F/I	33-3015	HP-1010 ¹
Lancer	2.4L L4 F/I	33-3015	HP-1010 ¹
Lancer VIII	1.6L L4 F/I	33-3015	
Lancer VIII	1.8L L4 DSL	33-2050-1	
Lancer VIII	1.8L L4 F/I	33-2392	
Mirage	1.0L L3 F/I	33-3016	
Mirage	1.2L L3 F/I	33-3016	HP-1010 ¹
Mirage G4	1.2L L3 F/I	33-3016	HP-1010 ¹
Outlander	2.0L L4 F/I - Exc. PHEV	33-3015	
Outlander	2.2L L4 DSL	33-2050-1	
Outlander	2.4L L4 F/I	33-3015	HP-1010 ¹
Outlander	3.0L V6 F/I	33-3015	HP-1010 ¹
Outlander Sport	2.0L L4 F/I	33-3015	HP-1010 ¹
Outlander Sport	2.4L L4 F/I	33-3015	HP-1010 ¹
Pajero IV	3.2L V6 DSL	33-2164	
Pajero Sport	2.4L L4 DSL	33-2443+	
RVR	1.8L L4 F/I	33-3015	
RVR	2.0L L4 F/I		HP-1010 ¹
RVR	2.4L L4 F/I		HP-1010 ¹
Triton	2.4L L4 DSL	33-2443+	

Vehicle	Engine Type	Air Filter	Oil Filter
2016 MITSUBISHI			
Attrage	1.2L L3 F/I	33-3016	
L200	2.4L L4 DSL	33-2443	
Lancer	2.0L L4 F/I	33-3015	HP-1010 ¹
Lancer		33-3015 ♦	HP-1010 ¹
Lancer	2.4L L4 F/I	33-3015	HP-1004 ¹
Lancer		33-3015 ♦	HP-1004 ¹

Vehicle	Engine Type	Air Filter	Oil Filter
2016 MITSUBISHI			
Lancer Evolution	2.0L L4 F/I	33-3015	HP-1010 ¹
Lancer VIII	1.6L L4 F/I	33-3015	
Lancer VIII	1.8L L4 DSL	33-2050-1	
Lancer VIII	1.8L L4 F/I	33-2392	
Mirage	1.0L L3 F/I	33-3016	
Mirage	1.2L L3 F/I	33-3016	HP-1010 ¹
Montero	3.2L V6 DSL	33-2164	
Outlander	2.0L L4 F/I - Exc. PHEV	33-3015	
Outlander	2.2L L4 DSL	33-2050-1	
Outlander	2.4L L4 F/I	33-3015+	HP-1010 ¹
Outlander	3.0L V6 F/I	33-3015+	HP-1010 ¹
Outlander Sport	2.0L L4 F/I	33-3015+	HP-1010 ¹
Outlander Sport	2.4L L4 F/I	33-3015+	HP-1010 ¹
Pajero	3.0L V6 F/I	33-2164	
Pajero	3.5L V6 F/I	33-2164	
Pajero	3.8L V6 F/I	33-2164	
Pajero IV	3.2L V6 DSL	33-2164	
Pajero Sport	2.4L L4 DSL	33-2443+	
RVR	2.0L L4 F/I		HP-1010 ¹
Shogun	3.2L V6 DSL	33-2164	
Triton	2.4L L4 DSL	33-2443+	

Vehicle	Engine Type	Air Filter	Oil Filter
2015 MITSUBISHI			
ASX	1.6L L4 F/I	33-3015	
L200	2.5L L4 DSL	33-2951	
Lancer	2.0L L4 F/I	33-3015+	HP-1004 ¹
Lancer		33-3015 ♦+	HP-1004 ¹
Lancer	2.4L L4 F/I		HP-1004 ¹
Lancer	2.4L L4 F/I - w/Auto Trans.	33-2392+	HP-1004
Lancer	2.4L L4 F/I - w/Manual Trans.	33-3015 ♦+	HP-1004
Lancer Evolution	2.0L L4 F/I	33-2392+	HP-1004 ¹
Lancer Evolution	2.0L L4 F/I	33-2392 ♦+	HP-1004 ¹
GSR			
Lancer Ralliart	2.0L L4 F/I	33-2392+	HP-1004 ¹
Lancer VIII	1.6L L4 F/I	33-3015	
Lancer VIII	1.8L L4 DSL	33-2050-1	
Lancer VIII	1.8L L4 F/I	33-2392	
Mirage	1.0L L3 F/I	33-3016	
Mirage	1.2L L3 F/I	33-3016	HP-1010 ¹
Montero	3.2L V6 DSL	33-2164	
Outlander	2.0L L4 F/I - Exc. PHEV	33-3015	
Outlander	2.2L L4 DSL	33-2050-1	
Outlander	2.4L L4 F/I	33-3015+	HP-1010 ¹
Outlander	3.0L V6 F/I	33-3015+	HP-1004 ¹
Outlander Sport	2.0L L4 F/I	33-3015+	HP-1010 ¹
Outlander Sport	2.4L L4 F/I	33-3015+	HP-1010 ¹
Pajero	3.0L V6 F/I	33-2164	
Pajero	3.5L V6 F/I	33-2164	
Pajero	3.8L V6 F/I	33-2164	
Pajero IV	3.2L V6 DSL	33-2164	
RVR	1.8L L4 F/I	33-3015	
RVR	2.0L L4 F/I		HP-1010 ¹
Triton	2.4L L4 DSL	33-2443+	
Triton	2.5L L4 DSL	33-2951	

Vehicle	Engine Type	Air Filter	Oil Filter
2014 MITSUBISHI			
ASX	2.0L L4 F/I	33-3015	
L200	2.5L L4 DSL	33-2951	
Lancer	2.0L L4 F/I	33-3015 ♦+	HP-1004 ¹
Lancer	2.4L L4 F/I	33-2392 ♦+	HP-1010 ¹
Lancer Evolution	2.0L L4 F/I	33-2392+	HP-1004 ¹
Lancer Evolution	2.0L L4 F/I	33-2392 ♦+	HP-1004 ¹
GSR			

* 2 filters required ♦ Intake System Available - see page 370 +Cabin Air Filter Available - see page 353 1- Performance Silver Oil Filter Also Available



Vehicle	Engine Type	Air Filter	Oil Filter
2014 MITSUBISHI			
Lancer Evolution MR	2.0L L4 F/I	33-2392+	HP-1004 ¹
Lancer Ralliart	2.0L L4 F/I	33-2392+	HP-1004 ¹
Lancer VIII	1.6L L4 F/I	33-3015	
Lancer VIII	1.8L L4 DSL	33-2050-1	
Lancer VIII	1.8L L4 F/I	33-2392	
Mirage	1.0L L3 F/I	33-3016	
Mirage	1.2L L3 F/I	33-3016	HP-1010 ¹
Montero	3.2L V6 DSL	33-2164	
Montero	3.8L V6 F/I		HP-1004 ¹
Outlander	2.0L L4 F/I - Exc. PHEV	33-3015	
Outlander	2.2L L4 DSL	33-2050-1	
Outlander	2.4L L4 F/I	33-3015+	HP-1004 ¹
Outlander	3.0L V6 F/I	33-3015+	HP-1010 ¹
Outlander Sport	2.0L L4 F/I	33-3015+	HP-1004 ¹
Pajero	3.0L V6 F/I	33-2164	
Pajero	3.5L V6 F/I	33-2164	
Pajero IV	3.2L V6 DSL	33-2164	
RVR	1.8L L4 F/I	33-3015	
RVR	2.0L L4 F/I		HP-1010 ¹
Triton	2.5L L4 DSL	33-2951	

Vehicle	Engine Type	Air Filter	Oil Filter
2013 MITSUBISHI			
ASX	2.0L L4 F/I	33-3015	
Lancer	2.0L L4 F/I	33-3015 ♦+	HP-1004 ¹
Lancer	2.4L L4 F/I	33-2392 ♦+	HP-1010 ¹
Lancer Evolution GSR	2.0L L4 F/I	33-2392 ♦+	HP-1004 ¹
Lancer Evolution MR	2.0L L4 F/I	33-2392+	HP-1004 ¹
Lancer Ralliart	2.0L L4 F/I	33-2392+	HP-1004 ¹
Lancer VI	2.0L L4 F/I	33-2392	
Lancer VI	2.0L L4 F/I - Exc. Turbo	33-2392	HP-1010 ¹
Lancer VI	2.0L L4 F/I - Turbo	33-2392	HP-1004 ¹
Lancer VIII	1.6L L4 F/I	33-3015	
Lancer VIII	1.8L L4 DSL	33-2050-1	
Lancer VIII	1.8L L4 F/I	33-2392	
Mirage	1.0L L3 F/I	33-3016	
Montero	3.2L V6 DSL	33-2164	
Outlander	2.4L L4 F/I	33-2392+	HP-1004 ¹
Outlander Sport	2.0L L4 F/I	33-3015+	HP-1004 ¹
RVR	1.8L L4 F/I	33-3015	
RVR	2.0L L4 F/I		HP-1010 ¹
Triton	2.5L L4 DSL	33-2951	

Vehicle	Engine Type	Air Filter	Oil Filter
2012 MITSUBISHI			
Eclipse	2.4L L4 F/I	33-2285	HP-1004 ¹
Eclipse	3.8L V6 F/I	33-2285	HP-1010 ¹
Galant	2.4L L4 F/I	33-2285+	HP-1004 ¹
L200	2.5L L4 DSL	33-2951	
Lancer	2.0L L4 F/I	33-2392 ♦+	HP-1010 ¹
Lancer	2.4L L4 F/I	33-2392 ♦+	HP-1010 ¹
Lancer Evolution GSR	2.0L L4 F/I	33-2392 ♦+	HP-1004 ¹
Lancer Evolution MR	2.0L L4 F/I	33-2392+	HP-1004 ¹
Lancer Ralliart	2.0L L4 F/I	33-2392+	HP-1004 ¹
Lancer Sportback	2.0L L4 F/I	33-2392+	HP-1004 ¹
Lancer VI	2.0L L4 F/I	33-2392	
Lancer VI	2.0L L4 F/I - Exc. Turbo	33-2392	HP-1010 ¹
Lancer VI	2.0L L4 F/I - Turbo	33-2392	HP-1004 ¹
Lancer VIII	1.6L L4 F/I	33-3015	
Lancer VIII	1.8L L4 DSL	33-2050-1	
Lancer VIII	1.8L L4 F/I	33-2392	
Mirage	1.0L L3 F/I	33-3016	
Montero	3.2L V6 DSL	33-2164	
Outlander	2.2L L4 DSL - 156BHP	33-2392	

Vehicle	Engine Type	Air Filter	Oil Filter
2012 MITSUBISHI			
Outlander	2.2L L4 DSL - 177BHP	33-2050-1	
Outlander	2.4L L4 F/I	33-2392+	HP-1004 ¹
Outlander	3.0L V6 F/I	33-2392+	HP-1010 ¹
Outlander Sport	2.0L L4 F/I	33-2392+	HP-1004 ¹
Pajero IV	3.2L V6 DSL	33-2164	
RVR	2.0L L4 F/I		HP-1010 ¹
Triton	2.5L L4 DSL	33-2951	

Vehicle	Engine Type	Air Filter	Oil Filter
2011 MITSUBISHI			
ASX	1.8L L4 DSL	33-2050-1	
Challenger	2.5L L4 DSL	33-2951	
Eclipse	2.4L L4 F/I	33-2285	HP-1004 ¹
Eclipse	3.8L V6 F/I	33-2285 ♦	HP-1010 ¹
Galant	2.4L L4 F/I	33-2285+	HP-1004 ¹
L200	2.5L L4 DSL	33-2951	
Lancer	2.0L L4 F/I	33-2392 ♦+	HP-1010 ¹
Lancer	2.4L L4 F/I	33-2392 ♦+	HP-1010 ¹
Lancer Evolution GSR	2.0L L4 F/I	33-2392 ♦+	HP-1004 ¹
Lancer Evolution MR	2.0L L4 F/I	33-2392+	HP-1004 ¹
Lancer Ralliart	2.0L L4 F/I	33-2392+	HP-1004 ¹
Lancer VI	2.0L L4 F/I	33-2392	
Lancer VI	2.0L L4 F/I - Exc. Turbo	33-2392	HP-1010 ¹
Lancer VI	2.0L L4 F/I - Turbo	33-2392	HP-1004 ¹
Lancer VIII	1.6L L4 F/I	33-2392	
Lancer VIII	1.8L L4 DSL	33-2050-1	
Lancer VIII	1.8L L4 F/I	33-2392	
Montero	3.2L V6 DSL	33-2164	
Outlander	2.2L L4 DSL - 156BHP	33-2392	
Outlander	2.2L L4 DSL - 177BHP	33-2050-1	
Outlander	2.4L L4 F/I	33-2392+	HP-1004 ¹
Outlander	3.0L V6 F/I	33-2392+	HP-1010 ¹
Outlander Sport	2.0L L4 F/I	33-2392+	HP-1004 ¹
Pajero	3.5L V6 F/I	33-2164	
Pajero IV	3.2L V6 DSL	33-2164	
RVR	1.8L L4 F/I	33-2392	
RVR	2.0L L4 F/I		HP-1010 ¹
Triton	2.4L L4 F/I	33-2951	
Triton	2.5L L4 DSL	33-2951	

Vehicle	Engine Type	Air Filter	Oil Filter
2010 MITSUBISHI			
Eclipse	3.8L V6 F/I	33-2285 ♦	HP-1010 ¹
Endeavor	3.8L V6 F/I	33-2285+	HP-1010 ¹
Galant	2.4L L4 F/I	33-2285+	HP-1004 ¹
L200	2.5L L4 DSL	33-2951	
Lancer	1.5L L4 F/I	33-2392	
Lancer	2.0L L4 DSL	33-2392	
Lancer	2.0L L4 F/I	33-2392 ♦+	HP-1010 ¹
Lancer	2.4L L4 F/I	33-2392 ♦+	HP-1010 ¹
Lancer Evolution GSR	2.0L L4 F/I	33-2392 ♦+	HP-1004 ¹
Lancer Evolution MR	2.0L L4 F/I	33-2392+	HP-1004 ¹
Lancer Evolution SE	2.0L L4 F/I	33-2392+	HP-1004 ¹
Lancer Ralliart	2.0L L4 F/I	33-2392+	HP-1004 ¹
Montero Sport	3.5L V6 F/I		HP-1004 ¹
Outlander	2.4L L4 F/I	33-2392+	HP-1004 ¹
Outlander	3.0L V6 F/I	33-2392+	HP-1010 ¹
Pajero IV	3.2L V6 DSL	33-2164	
Pajero IV	3.8L V6 F/I	33-2164	
Triton	2.5L L4 DSL	33-2951	

Vehicle	Engine Type	Air Filter	Oil Filter
2009 MITSUBISHI			
Challenger	2.5L L4 DSL	33-2951	
Colt CZC Cabriolet	1.5L L4 F/I	33-2881	

* 2 filters required ♦ Intake System Available - see page 370 +Cabin Air Filter Available - see page 353 1- Performance Silver Oil Filter Also Available



AIR & OIL FILTERS

MITSUBISHI

Vehicle	Engine Type	Air Filter	Oil Filter
2009 MITSUBISHI			
Colt VI	1.1L L3 F/I	33-2881	
Colt VI	1.5L L4 F/I	33-2881	
Eclipse	2.4L L4 F/I	33-2285	HP-1004 ¹
Eclipse	3.8L V6 F/I	33-2285 ♦	HP-1010 ¹
eK	0.7L L3 F/I	33-2826	
Galant	2.4L L4 F/I	33-2285+	HP-1004 ¹
L200	2.5L L4 DSL	33-2951	
Lancer	1.5L L4 F/I	33-2392	
Lancer	1.8L L4 F/I	33-2392	
Lancer	2.0L L4 DSL	33-2392	
Lancer	2.0L L4 F/I	33-2392 ♦+	HP-1010 ¹
Lancer	2.4L L4 F/I	33-2392 ♦+	HP-1010 ¹
Lancer Evolution GSR	2.0L L4 F/I	33-2392 ♦+	HP-1004 ¹
Lancer Evolution MR	2.0L L4 F/I	33-2392+	HP-1004 ¹
Lancer Evolution RS	2.0L L4 F/I	33-2392+	HP-1010 ¹
Lancer Ralliart	2.0L L4 F/I	33-2392+	HP-1004 ¹
Lancer VIII	1.5L L4 F/I - From 6/09	33-2392+	
Outlander	3.0L V6 F/I	33-2392+	HP-1010 ¹
Raider	3.7L V6 F/I	33-2175	HP-2011 ¹
Triton	2.5L L4 DSL	33-2951	

Vehicle	Engine Type	Air Filter	Oil Filter
2008 MITSUBISHI			
Colt CZC Cabriolet	1.5L L4 F/I	33-2881 ♦	
Eclipse	2.4L L4 F/I	33-2285	HP-1008 ¹
Eclipse	3.8L V6 F/I	33-2285 ♦	HP-1010 ¹
L200	2.5L L4 DSL	33-2951	
Lancer	1.5L L4 F/I	33-2392	
Lancer	1.6L L4 F/I	33-2105	
Lancer	1.8L L4 F/I	33-2392	
Lancer	2.0L L4 DSL	33-2392	
Lancer	2.0L L4 F/I	33-2392 ♦+	HP-1010 ¹
Lancer Evolution GSR	2.0L L4 F/I	33-2392 ♦+	HP-1010 ¹
Lancer Evolution MR	2.0L L4 F/I	33-2392+	HP-1010 ¹
Lancer V	2.0L L4 F/I - From 8/08	33-2392+	
Lancer VIII	1.8L L4 F/I - From 2/08	33-2392+	
Lancer VIII	2.0L L4 DSL	33-2392+	
Outlander	3.0L V6 F/I	33-2392+	HP-1010 ¹
Pajero	3.0L V6 F/I	33-2164	
Pajero IV	3.2L V6 DSL	33-2164	
Pajero IV	3.8L V6 F/I	33-2164	
Raider	3.7L V6 F/I	33-2175 ♦	HP-2009 ¹
Triton	3.2L L4 DSL	33-2951	

Vehicle	Engine Type	Air Filter	Oil Filter
2007 MITSUBISHI			
Colt VI	1.1L L3 F/I	33-2881	
Eclipse	2.4L L4 F/I	33-2285	HP-1008 ¹
Eclipse	3.8L V6 F/I	33-2285 ♦	HP-1010 ¹
eK	0.7L L3 F/I	33-2826	
Galant	2.4L L4 F/I	33-2285+	HP-1010 ¹
Galant	3.8L V6 F/I	33-2285+	HP-1010 ¹
L200	2.5L L4 DSL	33-2951	
Lancer	2.0L L4 F/I	33-2105	
Lancer	2.0L L4 F/I - Exc. Turbo, Non-US	33-2105	HP-1008 ¹
Lancer	2.4L L4 F/I	33-2105	HP-1004 ¹
Lancer Evolution	2.0L L4 F/I	33-2105	
Lancer Evolution	2.0L L4 F/I - Turbo	33-2105	HP-1010 ¹
Montero	3.8L V6 F/I	33-2164	
Outlander	2.4L L4 F/I - From 3/07	33-2392	
Outlander	2.4L L4 F/I - To 2/07	33-2105	
Outlander	3.0L V6 F/I	33-2392+	HP-1008 ¹
Outlander II	2.4L L4 F/I - From 9/07	33-2392+	

Vehicle	Engine Type	Air Filter	Oil Filter
2007 MITSUBISHI			
Pajero III	3.2L L4 DSL	33-2164	
Pajero IV	3.0L V6 F/I - From 3/07	33-2164	
Pajero IV	3.2L V6 DSL - From 2/07	33-2164	
Pajero IV	3.8L V6 F/I	33-2164	
Raider	3.7L V6 F/I	33-2175 ♦	
Triton	3.2L L4 DSL	33-2951	

Vehicle	Engine Type	Air Filter	Oil Filter
2006 MITSUBISHI			
Eclipse	2.4L L4 F/I	33-2285	HP-1008 ¹
Eclipse	3.8L V6 F/I	33-2285 ♦	HP-1010 ¹
Endeavor	3.8L V6 F/I	33-2285+	HP-1010 ¹
Galant	2.4L L4 F/I	33-2285+	HP-1008 ¹
L200	2.5L L4 DSL - From 5/06	33-2951 ♦	
Lancer	2.0L L4 F/I	33-2105 ♦	HP-1008 ¹
Lancer	2.4L L4 F/I	33-2105	HP-1008 ¹
Lancer Evolution	2.0L L4 F/I	33-2105 ♦	HP-1010 ¹
Lancer VII	2.0L L4 F/I	33-2105	
Montero	3.8L V6 F/I	33-2164	
Outlander	2.4L L4 F/I	33-2105	HP-1008 ¹
Raider	3.7L V6 F/I	33-2175 ♦	HP-2009 ¹
Raider	4.7L V8 F/I	33-2175 ♦	HP-2004 ¹
Triton	3.0L V6 F/I	33-2045	

Vehicle	Engine Type	Air Filter	Oil Filter
2005 MITSUBISHI			
Colt VI	1.5L L3 DSL	33-2881	
Colt VI	1.5L L4 F/I	33-2881 ♦	
Diamante	2.5L L4 F/I	33-2151	
Eclipse	2.4L L4 F/I	33-2072	HP-1010 ¹
Eclipse		33-2072 ♦	HP-1010 ¹
Eclipse GT	3.0L V6 F/I	33-2072 ♦	HP-1004 ¹
Endeavor	3.8L V6 F/I	33-2285+	HP-1010 ¹
Galant	2.4L L4 F/I	33-2285+	HP-1010 ¹
Lancer	2.0L L4 F/I	33-2105 ♦	HP-1008 ¹
Lancer Evolution	2.0L L4 F/I	33-2105 ♦	HP-1010 ¹
Lancer Ralliart	2.4L L4 F/I	33-2105	HP-1008 ¹
Lancer VII	2.0L L4 F/I	33-2105	
Montero	3.8L V6 F/I	33-2164	
Outlander	2.4L L4 F/I	33-2105	HP-1008 ¹
Pajero III	3.2L L4 DSL	33-2164	

Vehicle	Engine Type	Air Filter	Oil Filter
2004 MITSUBISHI			
Diamante	3.5L V6 F/I	33-2151	HP-1010 ¹
Eclipse	2.4L L4 F/I	33-2072	HP-1010 ¹
Eclipse		33-2072 ♦	HP-1010 ¹
Eclipse	3.0L V6 F/I	33-2072 ♦	HP-1004 ¹
Eclipse GT	3.0L V6 F/I	33-2072 ♦	HP-1004 ¹
eK	0.7L L3 F/I	33-2826	
Endeavor	3.8L V6 F/I	33-2285+	HP-1010 ¹
Lancer	2.0L L4 F/I	33-2105 ♦	HP-1008 ¹
Lancer Evolution	2.0L L4 F/I	33-2105 ♦	HP-1010 ¹
Lancer Ralliart	2.4L L4 F/I	33-2105	HP-1008 ¹
Lancer Sportback	2.4L L4 F/I	33-2105	HP-1008 ¹
Lancer VII	2.0L L4 F/I	33-2105	
Montero	3.8L V6 F/I	33-2164	
Montero Sport	3.5L V6 F/I	33-2112	HP-1004 ¹
Pajero III	3.0L V6 F/I	33-2164	
Pajero III	3.2L L4 DSL	33-2164	

Vehicle	Engine Type	Air Filter	Oil Filter
2003 MITSUBISHI			
Diamante	3.5L V6 F/I	33-2151	
Eclipse	2.4L L4 F/I	33-2072 ♦	HP-1010 ¹
Eclipse	3.0L V6 F/I	33-2072 ♦	HP-1004 ¹
Eclipse GT	3.0L V6 F/I	33-2072 ♦	HP-1004 ¹

* 2 filters required ♦ Intake System Available - see page 370 +Cabin Air Filter Available - see page 353 1- Performance Silver Oil Filter Also Available

Partial Listing: Complete Listing of Vehicles and Parts at KNFILTERS.COM or call 1-800-858-3333



Vehicle	Engine Type	Air Filter	Oil Filter
2003 MITSUBISHI			
eK	0.7L L3 F/I	33-2826	
Galant	2.4L L4 F/I	33-2072	HP-1010 ¹
Galant IV	2.4L L4 F/I	33-2794	HP-1010 ¹
Galant VI	2.0L L4 DSL	33-2147	
Galant VI	2.0L L4 F/I - 133BHP	33-2147	
Lancer	1.6L L4 F/I - From 10/03	33-2105	
Lancer	1.6L L4 F/I - To 9/03	33-2074	
Lancer	2.0L L4 F/I	33-2105 ♦	HP-1010 ¹
Lancer Evolution	2.0L L4 F/I	33-2105 ♦	HP-1008 ¹
Lancer V	1.6L L4 F/I - From 10/03	33-2105	
Lancer V	1.6L L4 F/I - To 9/03	33-2074	
Lancer VI	1.6L L4 F/I - From 10/03	33-2105	
Lancer VI	1.6L L4 F/I - To 9/03	33-2074	
Lancer VI	2.0L L4 F/I	33-2105	HP-1010 ¹
Lancer VII	1.6L L4 F/I - From 9/03	33-2105	
Lancer VII	2.0L L4 F/I - From 9/03	33-2105	
Magna	3.5L V6 F/I - Exc. LPG	33-2151	
Montero	3.8L V6 F/I	33-2164	HP-1004 ¹
Montero Sport	3.0L V6 F/I	33-2045	HP-1004 ¹
Montero Sport	3.5L V6 F/I	33-2112	HP-1004 ¹
Outlander	2.0L L4 F/I	33-2105	
Outlander	2.4L L4 F/I	33-2105	HP-1008 ¹
Outlander I	2.0L L4 F/I - From 5/03	33-2105	
Outlander I	2.4L L4 F/I - From 5/03	33-2105	
Pajero III	3.2L L4 DSL	33-2164	

Vehicle	Engine Type	Air Filter	Oil Filter
2002 MITSUBISHI			
Diamante	3.5L V6 F/I	33-2151	
Eclipse	2.4L L4 F/I	33-2072 ♦	HP-1010 ¹
Eclipse	3.0L V6 F/I	33-2072 ♦	HP-1004 ¹
Galant	2.4L L4 F/I	33-2072	HP-1010 ¹
Galant IV	2.4L L4 F/I	33-2794	HP-1010 ¹
Galloper	2.5L L4 DSL	E-4810	
Lancer	1.8L L4 F/I	33-2105	
Lancer	2.0L L4 F/I	33-2105 ♦	HP-1010 ¹
Lancer Evolution	2.0L L4 F/I	33-2105	
Lancer V	1.6L L4 F/I	33-2074	
Lancer VI	1.6L L4 F/I	33-2074	
Lancer VI	2.0L L4 F/I	33-2105	HP-1010 ¹
Montero	3.5L V6 F/I	33-2164	HP-1004 ¹
Montero Sport	3.0L V6 F/I	33-2045	HP-1004 ¹
Montero Sport	3.5L V6 F/I	33-2112	HP-1004 ¹
Pajero III	3.2L L4 DSL	33-2164	
Pajero III	3.5L V6 DSL	33-2164	

Vehicle	Engine Type	Air Filter	Oil Filter
2001 MITSUBISHI			
Diamante	2.5L L4 F/I	33-2151	
Diamante	3.5L V6 F/I	33-2151	
Eclipse	2.4L L4 F/I	33-2072 ♦	HP-1010 ¹
Eclipse	3.0L V6 F/I	33-2072 ♦	HP-1004 ¹
Galant	2.4L L4 F/I	33-2072	HP-1010 ¹
Galant	3.0L V6 F/I	33-2072	HP-1004 ¹
Galant IV	2.4L L4 F/I	33-2794	HP-1010 ¹
Lancer Evolution	2.0L L4 F/I	33-2105	
Mirage	1.8L L4 F/I	33-2105	HP-1010 ¹
Montero	3.5L V6 F/I	33-2164	HP-1004 ¹
Montero Sport	3.0L V6 F/I	33-2045	HP-1004 ¹
Montero Sport	3.5L V6 F/I	33-2112	HP-1004 ¹
Pajero III	3.0L V6 F/I	33-2164	
Pajero III	3.2L L4 DSL	33-2164	
Pajero III	3.5L V6 DSL	33-2164	

Vehicle	Engine Type	Air Filter	Oil Filter
2000 MITSUBISHI			
Eclipse	2.4L L4 F/I	33-2072 ♦	HP-1010 ¹
Eclipse	3.0L V6 F/I	33-2072 ♦	HP-1004 ¹
Galant	2.4L L4 F/I	33-2072	HP-1010 ¹
Galant	3.0L V6 F/I	33-2072	HP-1004 ¹
Galant IV	2.4L L4 F/I	33-2794	HP-1010 ¹
Galant VI	2.4L L4 F/I	33-2147	
Lancer VI	2.0L L4 F/I	33-2105	
Mirage	1.5L L4 F/I	33-2105	HP-1010 ¹
Mirage	1.8L L4 F/I	33-2105	HP-1010 ¹
Montero Sport	3.0L V6 F/I	33-2045	HP-1004 ¹
Montero Sport	3.5L V6 F/I	33-2112	
Pajero III	3.2L L4 DSL	33-2164	

Vehicle	Engine Type	Air Filter	Oil Filter
1999 MITSUBISHI			
3000GT	3.0L V6 F/I	33-2045	HP-1004 ¹
		33-2045 ♦	HP-1004 ¹
Eclipse	2.0L L4 F/I	33-2072	
		33-2072 ♦	
Eclipse	2.0L L4 F/I - Exc. Turbo	33-2072	HP-2004 ¹
Eclipse	2.0L L4 F/I - Turbo	33-2072	HP-1010 ¹
Eclipse	2.4L L4 F/I	33-2072	HP-1010 ¹
Eclipse II	2.0L L4 F/I	33-2072	
Eclipse II	2.0L L4 F/I - Exc. Turbo	33-2072	HP-2004 ¹
Eclipse II	2.0L L4 F/I - Turbo	33-2072	HP-1010 ¹
Eclipse II	2.4L L4 F/I	33-2072	HP-1010 ¹
Galant	3.0L V6 F/I		HP-1004 ¹
Mirage	1.5L L4 F/I	33-2105	HP-1010 ¹
Montero Sport	3.0L V6 F/I	33-2045	HP-1004 ¹
Montero Sport	3.5L V6 F/I	33-2112	

Vehicle	Engine Type	Air Filter	Oil Filter
1998 MITSUBISHI			
3000GT	3.0L V6 F/I	33-2045 ♦	HP-1004 ¹
Eclipse	2.0L L4 F/I	33-2072	
		33-2072 ♦	
Eclipse	2.0L L4 F/I - Exc. Turbo	33-2072	HP-2004 ¹
Eclipse	2.0L L4 F/I - Turbo	33-2072	HP-1010 ¹
Eclipse	2.4L L4 F/I	33-2072	HP-1010 ¹
Eclipse II	2.0L L4 F/I	33-2072	
Eclipse II	2.0L L4 F/I - Exc. Turbo	33-2072	HP-2004 ¹
Eclipse II	2.0L L4 F/I - Turbo	33-2072	HP-1010 ¹
Eclipse II	2.4L L4 F/I	33-2072	HP-1010 ¹
Galant	2.0L L4 F/I	33-2147	
Galant VI	2.0L L4 DSL	33-2147	
Galant VI	2.0L L4 F/I	33-2794	
Galant VI	2.0L L4 F/I - 136BHP	33-2147	
Lancer Evolution	2.0L L4 F/I	33-2105	
Montero	3.5L V6 F/I	33-2112	HP-1004 ¹
Montero Sport	2.4L L4 F/I	33-2045	HP-1010 ¹
Montero Sport	3.0L V6 F/I	33-2045	HP-1004 ¹

Vehicle	Engine Type	Air Filter	Oil Filter
1997 MITSUBISHI			
3000GT	3.0L V6 F/I	33-2045 ♦	HP-1004 ¹
Eclipse	2.0L L4 F/I	33-2072	
		33-2072 ♦	
Eclipse	2.0L L4 F/I - Exc. Turbo	33-2072	HP-2004 ¹
Eclipse	2.0L L4 F/I - Turbo	33-2072	HP-1010 ¹
Eclipse	2.4L L4 F/I	33-2072	HP-1010 ¹
Eclipse II	2.0L L4 F/I	33-2072	
Eclipse II	2.0L L4 F/I - Exc. Turbo	33-2072	HP-2004 ¹
Eclipse II	2.0L L4 F/I - Turbo	33-2072	HP-1010 ¹
Mirage	1.5L L4 F/I		HP-1010 ¹
Pajero II	2.8L L4 DSL - w/Oval Filter	E-2871	
Pajero II	3.5L V6 F/I	33-2112	

* 2 filters required ♦ Intake System Available - see page 370 +Cabin Air Filter Available - see page 353 1- Performance Silver Oil Filter Also Available



AIR & OIL FILTERS

MITSUBISHI FUSO

Vehicle	Engine Type	Air Filter	Oil Filter
2008 MITSUBISHI FUSO			
Colt IV	1.5L L3 DSL	33-2881	
2018 MOTO GUZZI			
Audace	1380	MG-1315	
V7 III Stone	744	MG-8516	
2017 MOTO GUZZI			
V7 III Racer	744	MG-8516	
V7 III Stone	744	MG-8516	
V9 Bobber	853	MG-8516	
V9 Roamer	853	MG-8516	
2014 MOTO GUZZI			
V7 Stone	744	MG-8516	
2013 MOTO GUZZI			
V7 II Racer	744	MG-8516	
V7 Racer	744	MG-8516	
2011 MOTO GUZZI			
V7 Special Stone	744	MG-8516	
2009 MOTO GUZZI			
V7 II Racer	744	MG-8516	
2008 MOTO GUZZI			
Breva 1100	1100	AL-1001	
2007 MOTO GUZZI			
Breva 850	850	AL-1001	
Breva 1100	1100	AL-1001	
California Vintage	1100	CG-9002	
Nevada Classic 750	748	MG-8516	
Norge 1200	1200	AL-1001	
2006 MOTO GUZZI			
Breva 1100	1100	AL-1001	
2004 MOTO GUZZI			
Nevada Classic 750	748	MG-8516	
2020 NISSAN			
370Z	3.7L V6 F/I	33-2399* ♦	HP-1008 ¹
Almera	1.2L L3 F/I	33-2409	
Altima	2.0L L4 F/I	33-5094	HP-1008 ¹
Altima	2.5L L4 F/I	33-5095 ♦	HP-1008 ¹
Armada	5.6L V8 F/I	33-2456 ♦	HP-1010 ¹
GT-R	3.8L V6 F/I	33-2413	HP-1010 ¹
Kicks	1.6L L4 F/I	33-5087	HP-1008 ¹
Maxima	3.5L V6 F/I	33-2031-2	HP-1008 ¹
Murano	3.5L V6 F/I	33-2031-2	HP-1008 ¹
Navara	2.3L L4 F/I	33-3059+	
NV1500	4.0L V6 F/I		HP-1010 ¹
NV2500	4.0L V6 F/I		HP-1010 ¹
NV3500	4.0L V6 F/I		HP-1010 ¹
Pathfinder	3.5L V6 F/I	33-2031-2	HP-1008 ¹
Rogue	2.0L L4 F/I		HP-1008 ¹
Rogue	2.5L L4 F/I	33-5016	HP-1008 ¹
Rogue Sport	2.0L L4 F/I	33-5016	
Sentra	1.6L L4 F/I		HP-1008 ¹
Sentra	1.8L L4 F/I		HP-1008 ¹
Versa	1.6L L4 F/I	33-5087	HP-1008 ¹
2019 NISSAN			
370Z	3.7L V6 F/I	33-2399* ♦	HP-1008 ¹
Armada	5.6L V8 F/I	33-2456 ♦	HP-1010 ¹
Frontier	4.0L V6 F/I	33-2286 ♦	HP-1010 ¹
GT-R	3.8L V6 F/I	33-2413	HP-1010 ¹
Kicks	1.6L L4 F/I	33-5087	HP-1008 ¹

Vehicle	Engine Type	Air Filter	Oil Filter
2019 NISSAN			
Maxima	3.5L V6 F/I	33-2031-2 ♦	HP-1008 ¹
Murano	3.5L V6 F/I	33-2031-2	HP-1008 ¹
NP300	2.3L L4 DSL	33-3059+	
NV200	2.0L L4 F/I	33-2375	HP-1008 ¹
NV1500	4.0L V6 F/I	33-2286	HP-1010 ¹
NV2500	4.0L V6 F/I	33-2286	HP-1010 ¹
NV3500	4.0L V6 F/I	33-2286	HP-1010 ¹
Pathfinder	3.5L V6 F/I	33-2031-2	HP-1008 ¹
Rogue	2.0L L4 F/I	33-5016	HP-1008 ¹
Rogue	2.5L L4 F/I	33-5016	HP-1008 ¹
Rogue Sport	2.0L L4 F/I	33-5016	HP-1008 ¹
Sentra	1.6L L4 F/I	33-2409	HP-1008 ¹
Sentra	1.8L L4 F/I	33-2409 ♦	HP-1008 ¹
Titan	5.6L V8 F/I	33-5062 ♦	HP-1010 ¹
Titan XD	5.0L V8 DSL	33-5048 ♦	HP-3005
Titan XD	5.6L V8 F/I	33-5058 ♦	HP-1010 ¹
Versa	1.6L L4 F/I	33-2479	HP-1008 ¹
Versa Note	1.6L L4 F/I	33-2479	HP-1008 ¹
X-Trail III	2.0L L4 DSL	33-5016	
2018 NISSAN			
370Z	3.7L V6 F/I	33-2399* ♦	HP-1008 ¹
Altima	2.5L L4 F/I	33-2478 ♦	HP-1008 ¹
Altima	3.5L V6 F/I	33-2031-2	HP-1008 ¹
Armada	5.6L V8 F/I	33-2456 ♦	HP-1010 ¹
Evalia	1.5L L4 DSL	33-2927	
Frontier	2.5L L4 F/I	33-2324+	HP-1008 ¹
Frontier	4.0L V6 F/I	33-2286 ♦	HP-1010 ¹
GT-R	3.8L V6 F/I	33-2413	HP-1010 ¹
Juke	1.6L L4 F/I	33-2409	
Kicks	1.6L L4 F/I	33-5087	
Maxima	3.5L V6 F/I	33-2031-2 ♦	HP-1008 ¹
Murano	3.5L V6 F/I	33-2031-2	HP-1008 ¹
Navara	2.3L L4 F/I	33-3059+	
NP300	2.3L L4 DSL	33-3059+	
NV200	1.5L L4 DSL	33-2927	
NV200	1.6L L4 F/I	33-2375	
NV200	2.0L L4 F/I	33-2375	HP-1008 ¹
NV1500	4.0L V6 F/I	33-2286	
NV2500	4.0L V6 F/I	33-2286	HP-1010 ¹
NV2500	5.6L V8 F/I		HP-1010 ¹
NV3500	4.0L V6 F/I	33-2286	HP-1010 ¹
NV3500	5.6L V8 F/I		HP-1010 ¹
Pathfinder	3.5L V6 F/I	33-2031-2 ♦	HP-1008 ¹
Qashqai	2.0L L4 F/I		HP-1008 ¹
Qashqai II	1.2L L4 F/I	33-5016	
Qashqai II	1.5L L4 DSL	33-5016	
Qashqai II	1.6L L4 DSL	33-5016	
Qashqai II	1.6L L4 F/I	33-5016	
Rogue	2.0L L4 F/I	33-5016	HP-1008 ¹
Rogue	2.5L L4 F/I	33-5016	HP-1008 ¹
Rogue Sport	2.0L L4 F/I	33-5016	HP-1008 ¹
Sentra	1.6L L4 F/I	33-2409	HP-1008 ¹
Sentra	1.8L L4 F/I	33-2409 ♦	HP-1008 ¹
Titan	5.6L V8 F/I	33-5062 ♦	HP-1010 ¹
Titan XD	5.0L V8 DSL	33-5048 ♦	HP-3005
Titan XD	5.6L V8 F/I	33-5058 ♦	HP-1010 ¹
Versa	1.6L L4 F/I	33-2479	HP-1008 ¹
Versa Note	1.6L L4 F/I	33-2479	HP-1008 ¹
X-Trail III	2.0L L4 DSL	33-5016	
2017 NISSAN			
370Z	3.7L V6 F/I	33-2399* ♦	HP-1008 ¹
Altima	2.5L L4 F/I	33-2478 ♦	HP-1008 ¹
Altima	3.5L V6 F/I	33-2031-2 ♦	HP-1008 ¹

* 2 filters required ♦ Intake System Available - see page 370 +Cabin Air Filter Available - see page 353 1- Performance Silver Oil Filter Also Available



Vehicle	Engine Type	Air Filter	Oil Filter	Vehicle	Engine Type	Air Filter	Oil Filter
2017 NISSAN				2016 NISSAN			
Armada	5.6L V8 F/I	33-2456 ♦	HP-1010 ¹	Navara	2.3L L4 DSL	33-3059+	
Fairlady Z	3.7L V6 F/I	33-2399*		Navara	2.3L L4 F/I	33-3059+	
Frontier	2.5L L4 F/I	33-2324+	HP-1008 ¹	Note	1.2L L3 F/I - Exc. Turbo	33-2409	
Frontier	4.0L V6 F/I	33-2286 ♦+	HP-1010 ¹	Note	1.2L L3 F/I - Turbo	33-3027	
GT-R	3.8L V6 F/I	33-2413	HP-1010 ¹	NP300	2.3L L4 DSL	33-3059+	
Juke	1.2L L4 F/I	33-2409		NP300 Navara	2.3L L4 DSL	33-3059+	
Juke	1.5L L4 DSL	33-2409		NV200	2.0L L4 F/I	33-2375	HP-1008 ¹
Juke	1.6L L4 F/I	33-2409	HP-1008 ¹	NV1500	4.0L V6 F/I	33-2286	
Maxima	2.5L V6 F/I	33-2031-2		NV2500	4.0L V6 F/I	33-2286	HP-1010 ¹
Maxima	3.5L V6 F/I	33-2031-2 ♦	HP-1008 ¹	NV2500	5.6L V8 F/I	33-2286	
Micra	1.2L L3 F/I - Exc. Turbo	33-2409		NV3500	5.6L V8 F/I	33-2286	HP-1010 ¹
Micra	1.2L L3 F/I - Turbo	33-3027		Pathfinder	3.5L V6 F/I	33-2031-2 ♦	HP-1008 ¹
Micra	1.5L L4 DSL	33-3082		Quest	3.5L V6 F/I	33-2031-2	HP-1008 ¹
Murano	3.5L V6 F/I	33-2031-2	HP-1008 ¹	Rogue	2.5L L4 F/I	33-5016	HP-1008 ¹
Navara	2.3L L4 DSL	33-3059+		Sentra	1.8L L4 F/I	33-2409 ♦	HP-1008 ¹
Navara	2.3L L4 F/I	33-3059+		Sylphy	1.8L L4 F/I	33-2409	
Note	1.2L L3 F/I - Exc. Turbo	33-2409		Teana	2.0L L4 F/I	33-30119	
Note	1.6L L4 F/I - Nismo S	33-2479		Titan XD	5.0L V8 DSL	33-5048 ♦+	HP-3005
NP300	2.3L L4 DSL	33-3059+		Titan XD	5.6L V8 F/I	33-5058+	HP-1010 ¹
NP300 Navara	2.3L L4 DSL	33-3059+		Versa	1.6L L4 F/I	33-2479	HP-1008 ¹
NV200	1.6L L4 F/I	33-2375		Versa Note	1.6L L4 F/I	33-2479	HP-1008 ¹
NV200	2.0L L4 F/I	33-2375	HP-1008 ¹	X-Trail	2.5L L4 F/I	33-5016	
NV1500	4.0L V6 F/I	33-2286	HP-1010 ¹	2015 NISSAN			
NV2500	4.0L V6 F/I	33-2286		370Z	3.7L V6 F/I	33-2399* ♦	HP-1008 ¹
NV3500	4.0L V6 F/I	33-2286	HP-1010 ¹	Almera	1.2L L3 F/I	33-2409	
NV3500	5.6L V8 F/I		HP-1010 ¹	Altima	2.5L L4 F/I	33-2478 ♦	HP-1008 ¹
Pathfinder	3.5L V6 F/I	33-2031-2 ♦	HP-1008 ¹	Altima	3.5L V6 F/I	33-2031-2 ♦	HP-1008 ¹
Patrol	5.6L V8 F/I	33-2456 ♦		Armada	5.6L V8 F/I	33-2286 ♦+	HP-1010 ¹
Qashqai	2.0L L4 F/I	33-5016	HP-1008 ¹	Frontier	2.5L L4 F/I	33-2324+	HP-1008 ¹
Quest	3.5L V6 F/I	33-2031-2	HP-1008 ¹	Frontier	4.0L V6 F/I	33-2286 ♦+	HP-1010 ¹
Rogue	2.0L L4 F/I	33-5016	HP-1008 ¹	GT-R	3.8L V6 F/I	33-2413	HP-1010 ¹
Rogue	2.5L L4 F/I	33-5016	HP-1008 ¹	Juke	1.2L L4 F/I	33-2409	
Rogue Sport	2.0L L4 F/I	33-5016	HP-1008 ¹	Juke	1.5L L4 DSL - OEM	33-2409	
Sentra	1.6L L4 F/I	33-2409	HP-1008 ¹		1654630P00		
Sentra	1.8L L4 F/I	33-2409 ♦	HP-1008 ¹	Juke	1.5L L4 DSL - OEM	33-2927	
Skyline 370GT	3.7L V6 F/I	33-2399*			16546BC40A		
Sylphy	1.8L L4 F/I	33-2409		Juke	1.5L L4 F/I	33-2409	
Titan	5.6L V8 F/I	33-5062 ♦+	HP-1010 ¹	Juke	1.6L L4 F/I	33-2409 ♦	HP-1008 ¹
Titan XD	5.0L V8 DSL	33-5048 ♦+	HP-3005	Maxima	3.5L V6 F/I		HP-1008 ¹
Titan XD	5.6L V8 F/I	33-5058 ♦+	HP-1010 ¹	Micra	1.2L L3 F/I - Exc. Turbo	33-2409	
Versa	1.6L L4 F/I	33-2479	HP-1008 ¹	Micra	1.2L L3 F/I - Turbo	33-3027	
Versa Note	1.6L L4 F/I	33-2479	HP-1008 ¹	Micra	1.5L L4 F/I	33-2375	
X-Trail	2.5L L4 F/I	33-5016		Micra	1.6L L4 F/I		HP-1008 ¹
X-Trail III	2.0L L4 DSL	33-5016		Murano	3.5L V6 F/I	33-2031-2	HP-1008 ¹
2016 NISSAN				Navara	2.3L L4 DSL	33-3059+	
370Z	3.7L V6 F/I	33-2399* ♦	HP-1008 ¹	Navara	2.3L L4 F/I	33-3059+	
Altima	2.5L L4 F/I	33-2478 ♦	HP-1008 ¹	Navara	2.5L L4 DSL - OEM	33-2080+	
Altima	3.5L V6 F/I	33-2031-2 ♦	HP-1008 ¹		16546EB300		
Cube	1.5L L4 F/I	33-2375		Navara	2.5L L4 DSL - OEM	33-2980+	
Frontier	2.5L L4 F/I	33-2324+	HP-1008 ¹		16546EB70A		
Frontier	4.0L V6 F/I	33-2286 ♦+	HP-1010 ¹	Note	1.2L L3 F/I - Exc. Turbo	33-2409	
GT-R	3.8L V6 F/I	33-2413	HP-1010 ¹	Note	1.2L L3 F/I - Turbo	33-3027	
Juke	1.2L L4 F/I	33-2409		Note	1.6L L4 F/I - Nismo S	33-2479	
Juke	1.5L L4 DSL - OEM	33-2409		NP300 Navara	2.3L L4 DSL	33-3059+	
	1654630P00			NV200	1.5L L4 DSL	33-2927	
Juke	1.5L L4 DSL - OEM	33-2927		NV200	1.6L L4 F/I	33-2375	
	16546BC40A			NV200	2.0L L4 F/I	33-2375	HP-1008 ¹
Juke	1.6L L4 F/I	33-2409	HP-1008 ¹	NV1500	4.0L V6 F/I	33-2286	
Maxima	2.5L V6 F/I	33-2031-2		NV2500	4.0L V6 F/I	33-2286	
Maxima	3.5L V6 F/I	33-2031-2 ♦	HP-1008 ¹	NV2500	5.6L V8 F/I	33-2286	
Micra	1.6L L4 F/I		HP-1008 ¹	NV3500	4.0L V6 F/I	33-2286	
Murano	2.5L L4 F/I		HP-1008 ¹	NV3500	5.6L V8 F/I	33-2286	HP-1010 ¹
Murano	3.5L V6 F/I	33-2031-2	HP-1008 ¹	Pathfinder	2.5L L4 F/I	33-5036	HP-1008 ¹
				Pathfinder	3.5L V6 F/I	33-2031-2 ♦	HP-1008 ¹

* 2 filters required ♦ Intake System Available - see page 370 +Cabin Air Filter Available - see page 353 1- Performance Silver Oil Filter Also Available



AIR & OIL FILTERS

NISSAN

Vehicle	Engine Type	Air Filter	Oil Filter	Vehicle	Engine Type	Air Filter	Oil Filter
2015 NISSAN				2014 NISSAN			
Qashqai	1.6L L4 DSL	33-5016		X-Trail	2.5L L4 F/I	33-5016	
Qashqai	1.6L L4 F/I	33-5016		X-Trail II	1.6L L4 DSL	33-5016	
Quest	3.5L V6 F/I	33-2031-2	HP-1008 ¹	X-Trail II	2.0L L4 F/I	33-2944	
Rogue	2.5L L4 F/I	33-5016	HP-1008 ¹	X-Trail II	2.5L L4 F/I	33-2031-2	HP-1008 ¹
Rogue Select	2.5L L4 F/I	33-2409	HP-1008 ¹	X-Trail III	1.6L L4 DSL	33-5016	
Sentra	1.8L L4 F/I	33-2409 ♦	HP-1008 ¹	2013 NISSAN			
Titan	5.6L V8 F/I	33-2286 ♦+	HP-1010 ¹	370Z	3.7L V6 F/I	33-2399* ♦	HP-1008 ¹
Titan XD	5.0L V8 DSL		HP-3005	Altima	3.5L V6 F/I	33-2031-2 ♦	HP-1008 ¹
Versa	1.6L L4 F/I	33-2479	HP-1008 ¹	Altima Coupe	2.5L L4 F/I	33-2374 ♦	HP-1008 ¹
Versa Note	1.6L L4 F/I	33-2479	HP-1008 ¹	Altima Sedan	2.5L L4 F/I	33-2478 ♦	HP-1008 ¹
Xterra	4.0L V6 F/I	33-2286 ♦	HP-1010 ¹	Armada	5.6L V8 F/I	33-2286 ♦+	HP-1008 ¹
X-Trail	2.0L L4 F/I	33-5016		Frontier	2.5L L4 F/I	33-2324+	HP-1008 ¹
X-Trail	2.5L L4 F/I	33-5016		Frontier	4.0L V6 F/I	33-2286 ♦+	HP-1010 ¹
2014 NISSAN				GT-R	3.8L V6 F/I	33-2413	HP-1010 ¹
370Z	3.7L V6 F/I	33-2399* ♦	HP-1008 ¹	Juke	1.5L L4 DSL	33-2927	
Altima	2.5L L4 F/I	33-2478 ♦	HP-1008 ¹	Juke	1.5L L4 F/I	33-2409	
Altima	3.5L V6 F/I	33-2031-2 ♦	HP-1008 ¹	Juke	1.6L L4 F/I	33-2409 ♦	HP-1008 ¹
Armada	5.6L V8 F/I	33-2286 ♦+	HP-1010 ¹	March	1.6L L4 F/I	33-2479	HP-1008 ¹
Cube	1.8L L4 F/I	33-2375		Maxima	2.5L V6 F/I	33-2031-2	
Dualis	2.0L L4 F/I	33-2944		Maxima	3.5L V6 F/I	33-2031-2 ♦	HP-1008 ¹
Frontier	2.5L L4 F/I	33-2324+	HP-1008 ¹	Murano	3.5L V6 F/I	33-2031-2	HP-1008 ¹
Frontier	4.0L V6 F/I	33-2286 ♦+	HP-1010 ¹	Navara	2.5L L4 DSL - OEM	33-2080+	
GT-R	3.8L V6 F/I	33-2413	HP-1010 ¹	Navara	16500EB30B		
Juke	1.2L L4 F/I	33-2409		Navara	2.5L L4 DSL - OEM	33-2980+	
Juke	1.5L L4 DSL	33-2927		Navara	16546EB70A		
Juke	1.5L L4 F/I	33-2409		NV3500	5.6L V8 F/I	33-2286	HP-1010 ¹
Juke	1.6L L4 F/I	33-2409 ♦	HP-1008 ¹	Pathfinder	2.5L L4 DSL - OEM	33-2080+	
Maxima	2.5L V6 F/I	33-2031-2		Pathfinder	16546EB300		
Maxima	3.5L V6 F/I	33-2031-2 ♦	HP-1008 ¹	Pathfinder	3.0L V6 DSL - OEM	33-2080+	
Micra	1.2L L3 F/I - Exc. Turbo	33-2409		Pathfinder	16546EB300		
Murano	2.5L L4 F/I	33-2374		Pathfinder	3.5L V6 F/I	33-2031-2 ♦	HP-1008 ¹
Murano	3.5L V6 F/I	33-2031-2	HP-1008 ¹	Pixo	1.0L L3 F/I - 244x146mm	33-2968	
Navara	2.5L L4 DSL - OEM	33-2080+		Qashqai	1.6L L4 DSL	33-2944	
Navara	16546EB300			Qashqai	1.6L L4 F/I	33-2944	
Navara	2.5L L4 DSL - OEM	33-2980+		Qashqai	2.0L L4 DSL	33-2944	
Navara	16546EB70A			Qashqai	2.0L L4 F/I	33-2944	
Navara	3.0L V6 DSL - OEM	33-2080+		Quest	3.5L V6 F/I	33-2031-2	HP-1008 ¹
Navara	16546EB300			Rogue	2.5L L4 F/I	33-2409	HP-1008 ¹
Note	1.2L L3 F/I - Exc. Turbo	33-2409		Sentra	1.8L L4 F/I	33-2409 ♦	HP-1008 ¹
Note	1.2L L3 F/I - Turbo	33-3027		Titan	5.6L V8 F/I	33-2286 ♦+	HP-1008 ¹
NV200	2.0L L4 F/I	33-2375	HP-1008 ¹	Versa	1.6L L4 F/I	33-2479	HP-1008 ¹
NV1500	4.0L V6 F/I	33-2286		Xterra	4.0L V6 F/I	33-2286 ♦+	HP-1010 ¹
NV2500	4.0L V6 F/I	33-2286		X-Trail II	2.5L L4 F/I	33-2031-2	HP-1008 ¹
NV3500	5.6L V8 F/I	33-2286	HP-1010 ¹	2012 NISSAN			
Pathfinder	2.5L L4 DSL - OEM	33-2080+		370Z	3.7L V6 F/I	33-2399* ♦	HP-1008 ¹
Pathfinder	16546EB300			Almera	1.5L L4 F/I	33-2409	
Pathfinder	2.5L L4 F/I	33-5036	HP-1008 ¹	Altima	2.5L L4 F/I	33-2374 ♦	HP-1008 ¹
Pathfinder	3.0L V6 DSL - OEM	33-2080+		Altima	3.5L V6 F/I	33-2031-2 ♦	HP-1008 ¹
Pathfinder	16546EB300			Armada	5.6L V8 F/I	33-2286 ♦+	HP-1010 ¹
Pathfinder	3.5L V6 F/I	33-2031-2 ♦	HP-1008 ¹	Cube	1.8L L4 F/I	33-2375	HP-1008 ¹
Patrol	3.0L L4 DSL	E-9267		Frontier	2.5L L4 F/I	33-2324+	HP-1008 ¹
Patrol	5.6L V8 F/I	33-2456 ♦		Frontier	4.0L V6 F/I	33-2286 ♦+	HP-1010 ¹
Qashqai	1.6L L4 F/I	33-2944		GT-R	3.8L V6 F/I	33-2413	HP-1008 ¹
Qashqai	2.0L L4 F/I - EU, China	33-2944		Juke	1.5L L4 DSL	33-2927	
Qashqai II	1.2L L4 F/I	33-5016		Juke	1.5L L4 F/I	33-2409	
Qashqai II	1.6L L4 F/I	33-5016		Juke	1.6L L4 F/I	33-2409 ♦	HP-1008 ¹
Quest	3.5L V6 F/I	33-2031-2	HP-1008 ¹	Maxima	3.5L V6 F/I	33-2031-2 ♦	HP-1008 ¹
Rogue	2.5L L4 F/I	33-5016	HP-1008 ¹	Micra	1.2L L3 F/I - Exc. Turbo	33-2409	
Rogue Select	2.5L L4 F/I	33-2409	HP-1008 ¹	Murano	3.5L V6 F/I	33-2031-2	HP-1008 ¹
Sentra	1.8L L4 F/I	33-2409 ♦	HP-1008 ¹	Navara	2.5L L4 DSL - OEM	33-2080+	
Titan	5.6L V8 F/I	33-2286 ♦+	HP-1008 ¹	Navara	16546EB300		
Versa	1.6L L4 F/I	33-2479	HP-1008 ¹	Navara	2.5L L4 DSL - OEM	33-2980+	
Versa Note	1.6L L4 F/I	33-2479	HP-1008 ¹	Navara	16546EB70A		
Xterra	4.0L V6 F/I	33-2286 ♦+	HP-1010 ¹				

* 2 filters required ♦ Intake System Available - see page 370 +Cabin Air Filter Available - see page 353 1- Performance Silver Oil Filter Also Available



Vehicle	Engine Type	Air Filter	Oil Filter
2012 NISSAN			
Navara	3.0L V6 DSL - OEM 16546EB300	33-2080+	
Note	1.4L L4 F/I	33-2060	
NV2500	5.6L V8 F/I	33-2286	HP-1010 ¹
NV3500	5.6L V8 F/I	33-2286	
Pathfinder	2.5L L4 DSL - OEM 16546EB300	33-2080+	
Pathfinder	3.0L V6 DSL	33-2080+	
Pathfinder	4.0L V6 F/I	33-2286 ♦+	HP-1010 ¹
Pathfinder	5.6L V8 F/I	33-2286 ♦+	HP-1010 ¹
Qashqai	1.6L L4 DSL	33-2944	
Qashqai	1.6L L4 F/I	33-2944	
Quest	3.5L V6 F/I	33-2031-2	HP-1008 ¹
Rogue	2.5L L4 F/I	33-2409	HP-1008 ¹
Sentra	1.8L L4 F/I	33-2409	HP-1008 ¹
Sentra	2.0L L4 F/I	33-2376	HP-1008 ¹
Sentra	2.5L L4 F/I	33-2409 ♦	HP-1008 ¹
Tiida	1.5L L4 F/I	33-2375	
Titan	5.6L V8 F/I	33-2286 ♦+	HP-1008 ¹
Versa	1.6L L4 F/I	33-2479	HP-1008 ¹
Versa	1.8L L4 F/I	33-2375	HP-1008 ¹
Xterra	4.0L V6 F/I	33-2286 ♦+	HP-1010 ¹
X-Trail	2.0L L4 DSL	33-2944	
X-Trail II	2.0L L4 F/I	33-2944	
X-Trail II	2.5L L4 F/I	33-2031-2	HP-1008 ¹

Vehicle	Engine Type	Air Filter	Oil Filter
2011 NISSAN			
370Z	3.7L V6 F/I	33-2399* ♦	HP-1008 ¹
AD	1.2L L4 F/I	33-2375	
Altima	2.5L L4 F/I	33-2374 ♦	HP-1008 ¹
Altima	3.5L V6 F/I	33-2031-2 ♦	HP-1008 ¹
Armada	5.6L V8 F/I	33-2286 ♦+	HP-1010 ¹
Cube	1.5L L4 F/I	33-2375	
Cube	1.6L L4 F/I	33-2375	
Cube	1.8L L4 F/I	33-2375	HP-1008 ¹
Dualis	2.0L L4 F/I	33-2944	
Frontier	2.5L L4 F/I	33-2324+	HP-1008 ¹
Frontier	4.0L V6 F/I	33-2286 ♦+	HP-1010 ¹
GT-R	3.8L V6 F/I	33-2413	HP-1008 ¹
Juke	1.5L L4 DSL	33-2927	
Juke	1.5L L4 F/I	33-2409	
Juke	1.6L L4 F/I	33-2409	HP-1008 ¹
Maxima	2.5L V6 F/I	33-2031-2	
Maxima	3.5L V6 F/I	33-2031-2 ♦	HP-1008 ¹
Murano	3.5L V6 F/I	33-2031-2	HP-1008 ¹
Navara	2.5L L4 DSL - OEM 16546EB300	33-2080+	
Navara	2.5L L4 DSL - OEM 16546EB70A	33-2980+	
Pathfinder	2.5L L4 DSL - OEM 16546EB300	33-2080+	
Pathfinder	3.0L V6 DSL	33-2080+	
Pathfinder	4.0L V6 F/I	33-2286 ♦+	HP-1010 ¹
Pathfinder	5.6L V8 F/I	33-2286 ♦+	HP-1010 ¹
Patrol	3.0L L4 DSL	E-9267	
Quest	3.5L V6 F/I	33-2031-2	
Rogue	2.5L L4 F/I	33-2409	HP-1008 ¹
Sentra	1.8L L4 F/I		HP-1008 ¹
Sentra	2.0L L4 F/I	33-2376	HP-1008 ¹
Sentra	2.5L L4 F/I	33-2409 ♦	HP-1008 ¹
Tiida Yida	1.6L L4 F/I	33-2375	
Titan	5.6L V8 F/I	33-2286 ♦+	HP-1010 ¹
Versa	1.6L L4 F/I	33-2375	HP-1008 ¹
Versa	1.8L L4 F/I	33-2375	HP-1008 ¹
Xterra	4.0L V6 F/I	33-2286 ♦+	HP-1010 ¹

Vehicle	Engine Type	Air Filter	Oil Filter
2011 NISSAN			
X-Trail	2.5L L4 F/I	33-2409	
X-Trail II	2.5L L4 F/I	33-2031-2	HP-1008 ¹
2010 NISSAN			
370Z	3.7L V6 F/I	33-2399* ♦	HP-1008 ¹
Altima	2.5L L4 F/I	33-2374 ♦	HP-1008 ¹
Altima	3.5L V6 F/I	33-2031-2 ♦	HP-1008 ¹
Altima Hybrid	2.5L L4 F/I	33-2374	HP-1010 ¹
Armada	5.6L V8 F/I	33-2286 ♦+	HP-1010 ¹
Cube	1.8L L4 F/I	33-2375 ♦	HP-1008 ¹
Dualis	2.0L L4 F/I	33-2944	
Fairlady Z	3.7L V6 F/I	33-2399*	
Frontier	2.5L L4 F/I	33-2324+	HP-1008 ¹
Frontier	4.0L V6 F/I	33-2286 ♦+	HP-1010 ¹
GT-R	3.8L V6 F/I	33-2413	HP-1010 ¹
March	1.5L L4 F/I	33-2375	
Maxima	2.5L V6 F/I	33-2031-2	
Maxima	3.5L V6 F/I	33-2031-2 ♦	HP-1008 ¹
Micra	1.2L L4 F/I	33-2060	
Murano	3.5L V6 F/I	33-2031-2	HP-1008 ¹
Navara	2.5L L4 DSL - OEM 16546EB300	33-2080+	
Navara	2.5L L4 DSL - OEM 16546EB70A	33-2980+	
NV200	1.5L L4 DSL	33-2927	
Pathfinder	2.5L L4 DSL	33-2080+	
Pathfinder	3.0L V6 DSL	33-2080+	
Pathfinder	4.0L V6 F/I	33-2286 ♦+	HP-1010 ¹
Pathfinder	5.6L V8 F/I	33-2286 ♦+	HP-1010 ¹
Patrol II	3.0L L6 DSL	E-9267	
Rogue	2.5L L4 F/I	33-2409	HP-1008 ¹
Sentra	1.8L L4 F/I		HP-1008 ¹
Sentra	2.0L L4 F/I	33-2376	HP-1008 ¹
Sentra	2.5L L4 F/I	33-2409 ♦	HP-1008 ¹
Tiida	1.6L L4 F/I	33-2375	
Tiida	1.8L L4 F/I	33-2375	
Tiida Qida	1.6L L4 F/I	33-2375	
Tiida Yida	1.6L L4 F/I	33-2375	
Titan	5.6L V8 F/I	33-2286 ♦+	HP-1010 ¹
Versa	1.6L L4 F/I	33-2375	HP-1008 ¹
Versa	1.8L L4 F/I	33-2375	HP-1008 ¹
Xterra	4.0L V6 F/I	33-2286 ♦+	HP-1010 ¹
X-Trail	2.0L L4 DSL	33-2944	
X-Trail II	2.0L L4 F/I	33-2944	

Vehicle	Engine Type	Air Filter	Oil Filter
2009 NISSAN			
350Z	3.5L V6 F/I	33-2399*	HP-1008 ¹
370Z	3.7L V6 F/I	33-2399* ♦	HP-1008 ¹
Altima	2.5L L4 F/I	33-2374 ♦	HP-1008 ¹
Altima	3.5L V6 F/I	33-2031-2 ♦	HP-1008 ¹
Altima Hybrid	2.5L L4 F/I	33-2374	HP-1010 ¹
Armada	5.6L V8 F/I	33-2286 ♦+	HP-1010 ¹
Cube	1.5L L4 F/I	33-2375	
Cube	1.8L L4 F/I	33-2375 ♦	HP-1008 ¹
Frontier	2.5L L4 F/I	33-2324+	HP-1008 ¹
Frontier	4.0L V6 F/I	33-2286 ♦+	HP-1010 ¹
GT-R	3.8L V6 F/I	33-2413	HP-1010 ¹
March	1.2L L4 F/I	33-2060	
Maxima	3.5L V6 F/I	33-2031-2 ♦	HP-1008 ¹
Micra	1.2L L4 F/I	33-2060	
Micra	1.4L L4 F/I	33-2060	
Murano	2.5L L4 F/I	33-2374	
Murano	3.5L V6 F/I	33-2031-2	HP-1008 ¹
Navara	2.5L L4 DSL - OEM 16546EB300	33-2080 ♦+	

* 2 filters required ♦ Intake System Available - see page 370 +Cabin Air Filter Available - see page 353 1- Performance Silver Oil Filter Also Available



AIR & OIL FILTERS

NISSAN

Vehicle	Engine Type	Air Filter	Oil Filter
2009 NISSAN			
Navara	2.5L L4 DSL - OEM 16546EB70A	33-2980 ♦♦	
Pathfinder	2.5L L4 DSL	33-2080+	
Pathfinder	4.0L V6 F/I	33-2286 ♦♦	HP-1010 ¹
Patrol	4.8L L6 F/I	E-9266	
Patrol II	3.0L L6 DSL	E-9267	
Qashqai	2.0L L4 DSL	33-2944	
Qashqai	2.0L L4 F/I	33-2944	
Rogue	2.5L L4 F/I	33-2409	HP-1008 ¹
Sentra	1.8L L4 F/I		HP-1008 ¹
Sentra	2.0L L4 F/I	33-2376	HP-1008 ¹
Sentra	2.5L L4 F/I	33-2409 ♦	HP-1008 ¹
Tiida	1.8L L4 F/I	33-2375	HP-1008 ¹
Titan	5.6L V8 F/I	33-2286 ♦♦	HP-1010 ¹
Versa	1.6L L4 F/I		HP-1008 ¹
Versa	1.8L L4 F/I	33-2375	HP-1008 ¹
Xterra	4.0L V6 F/I	33-2286 ♦♦	HP-1010 ¹
X-Trail	2.0L L4 DSL	33-2944	
X-Trail II	2.0L L4 F/I	33-2944	

Vehicle	Engine Type	Air Filter	Oil Filter
2008 NISSAN			
350Z	3.5L V6 F/I	33-2399* ♦	HP-1008 ¹
Altima	2.5L L4 F/I	33-2374 ♦	HP-1008 ¹
Altima	3.5L V6 F/I	33-2031-2 ♦	HP-1008 ¹
Altima Hybrid	2.5L L4 F/I	33-2374	HP-1010 ¹
Armada	5.6L V8 F/I	33-2286 ♦♦	HP-1010 ¹
Fairlady Z	3.5L V6 F/I	33-2031-2	
Frontier	2.5L L4 F/I	33-2324+	HP-1008 ¹
Frontier	4.0L V6 F/I	33-2286 ♦♦	HP-1010 ¹
Maxima	3.5L V6 F/I	33-2031-2 ♦♦	HP-1008 ¹
Navara	2.5L L4 DSL - OEM 16546EB300	33-2080 ♦♦	
Navara	2.5L L4 DSL - OEM 16546EB70A	33-2980 ♦♦	
Pathfinder	2.5L L4 DSL	33-2080+	
Pathfinder	4.0L V6 F/I	33-2286 ♦♦	HP-1010 ¹
Pathfinder	5.6L V8 F/I	33-2286 ♦♦	HP-1010 ¹
Patrol	4.8L L6 F/I	E-9266	
Quest	3.5L V6 F/I	33-2031-2	HP-1008 ¹
Rogue	2.5L L4 F/I	33-2409	HP-1008 ¹
Sentra	1.8L L4 F/I		HP-1008 ¹
Sentra	2.0L L4 F/I	33-2376	HP-1008 ¹
Sentra	2.5L L4 F/I	33-2409 ♦	HP-1008 ¹
Titan	5.6L V8 F/I	33-2286 ♦♦	HP-1010 ¹
Versa	1.8L L4 F/I	33-2375	HP-1008 ¹
Xterra	4.0L V6 F/I	33-2286 ♦♦	HP-1010 ¹
X-Trail	2.0L L4 DSL	33-2944	
X-Trail I	2.0L L4 F/I	33-2944	
X-Trail II	2.0L L4 F/I	33-2944	
X-Trail II	2.5L L4 F/I	33-2031-2	

Vehicle	Engine Type	Air Filter	Oil Filter
2007 NISSAN			
350Z	3.5L V6 F/I	33-2399* ♦	HP-1008 ¹
Altima	2.5L L4 F/I	33-2374 ♦	HP-1010 ¹
Altima	3.5L V6 F/I	33-2031-2 ♦	HP-1008 ¹
Altima Hybrid	2.5L L4 F/I	33-2374	HP-1010 ¹
Armada	5.6L V8 F/I	33-2286 ♦♦	HP-1010 ¹
Fairlady Z	3.5L V6 F/I	33-2031-2	
Frontier	2.5L L4 F/I	33-2324+	HP-1008 ¹
Frontier	4.0L V6 F/I	33-2286 ♦♦	HP-1010 ¹
Maxima	3.5L V6 F/I	33-2031-2 ♦♦	HP-1008 ¹
Murano	2.5L L4 F/I	33-2031-2+	
Murano	3.5L V6 F/I	33-2031-2+	HP-1008 ¹
Navara	2.5L L4 DSL - OEM 16546EB300	33-2080 ♦♦	

Vehicle	Engine Type	Air Filter	Oil Filter
2007 NISSAN			
Navara	2.5L L4 DSL - OEM 16546EB70A	33-2980 ♦♦	
Pathfinder	2.5L L4 DSL	33-2080+	
Pathfinder	4.0L V6 F/I	33-2286 ♦♦	HP-1010 ¹
Patrol	4.8L L6 F/I	E-9266	
Patrol II	3.0L L6 DSL	E-9267	
Patrol II	4.2L L6 DSL	E-9267	
Quest	3.5L V6 F/I	33-2031-2	HP-1008 ¹
Sentra	1.8L L4 F/I		HP-1008 ¹
Sentra	2.0L L4 F/I	33-2376	HP-1008 ¹
Sentra	2.5L L4 F/I	33-2409 ♦	HP-1008 ¹
Tiida	1.5L L4 F/I	33-2375	
Tiida	1.8L L4 F/I	33-2375	
Titan	5.6L V8 F/I	33-2286 ♦♦	HP-1010 ¹
Versa	1.8L L4 F/I	33-2375	HP-1008 ¹
Xterra	4.0L V6 F/I	33-2286 ♦♦	HP-1010 ¹

Vehicle	Engine Type	Air Filter	Oil Filter
2006 NISSAN			
350Z	3.5L V6 F/I	33-2031-2 ♦	HP-1008 ¹
Altima	2.5L L4 F/I	33-2031-2 ♦♦	HP-1010 ¹
Altima	3.5L V6 F/I	33-2031-2 ♦♦	HP-1008 ¹
Armada	5.6L V8 F/I	33-2286 ♦♦	HP-1010 ¹
Frontier	2.5L L4 F/I	33-2324+	HP-1008 ¹
Frontier	4.0L V6 F/I	33-2286 ♦♦	HP-1010 ¹
Maxima	3.5L V6 F/I	33-2031-2 ♦♦	HP-1008 ¹
Murano	3.5L V6 F/I	33-2031-2+	HP-1008 ¹
Navara	2.5L L4 DSL - OEM 16546EB300	33-2080 ♦♦	
Navara	2.5L L4 DSL - OEM 16546EB70A	33-2980 ♦♦	
Note	1.4L L4 F/I	33-2060	
Note	1.5L L4 DSL	33-2927	
Note	1.5L L4 F/I	33-2375	
Pathfinder	2.5L L4 DSL	33-2080+	
Pathfinder	4.0L V6 F/I	33-2286 ♦♦	HP-1010 ¹
Patrol	4.8L L6 F/I	E-9266	
Patrol II	3.0L L6 DSL	E-9267	
Patrol II	4.2L L6 DSL	E-9267	
Quest	3.5L V6 F/I	33-2031-2	HP-1008 ¹
Sentra	1.8L L4 F/I	33-2031-2+	HP-1010 ¹
Sentra	2.5L L4 F/I	33-2031-2 ♦♦	HP-1010 ¹
Titan	5.6L V8 F/I	33-2286 ♦♦	HP-1010 ¹
Xterra	4.0L V6 F/I	33-2286 ♦♦	HP-1010 ¹
X-Trail I	2.0L L4 F/I	33-2031-2	
X-Trail I	2.5L L4 F/I	33-2031-2	HP-1008 ¹

Vehicle	Engine Type	Air Filter	Oil Filter
2005 NISSAN			
350Z	3.5L V6 F/I	33-2031-2 ♦	HP-1008 ¹
Almera	1.8L L4 F/I		HP-1008 ¹
Almera II	1.8L L4 F/I	33-2031-2 ♦	HP-1008 ¹
Almera Tino	1.8L L4 F/I	33-2031-2	
Altima	2.5L L4 F/I	33-2031-2 ♦♦	HP-1010 ¹
Altima	3.5L V6 F/I	33-2031-2 ♦♦	HP-1008 ¹
Armada	5.6L V8 F/I	33-2286 ♦♦	HP-1010 ¹
Frontier	2.5L L4 DSL	E-2020	
Frontier	2.5L L4 F/I	33-2324+	HP-1008 ¹
Frontier	4.0L V6 F/I	33-2286 ♦♦	HP-1010 ¹
Fuga	4.5L V8 F/I	33-2398	
Maxima	3.0L V6 F/I	33-2031-2	
Maxima	3.5L V6 F/I	33-2031-2 ♦♦	HP-1008 ¹
Micra	1.2L L4 F/I	33-2060	
Micra	1.4L L4 F/I	33-2060	
Murano	3.5L V6 F/I	33-2031-2+	HP-1008 ¹
Navara	3.0L L4 DSL	33-2031-2	
Navara	3.0L L4 F/I	E-2020	

* 2 filters required ♦ Intake System Available - see page 370 +Cabin Air Filter Available - see page 353 1- Performance Silver Oil Filter Also Available

Partial Listing: Complete Listing of Vehicles and Parts at KNFILTERS.COM or call 1-800-858-3333



Vehicle	Engine Type	Air Filter	Oil Filter
2005 NISSAN			
Pathfinder	2.5L L4 DSL	33-2080+	
Pathfinder	4.0L V6 F/I	33-2286 ♦♦	HP-1010 ¹
Patrol	3.0L L6 DSL	E-9267	
Patrol	4.8L L6 F/I	E-9266	
Patrol II	4.2L L6 DSL	E-9267	
Quest	3.5L V6 F/I	33-2031-2	HP-1008 ¹
Sentra	1.8L L4 F/I	33-2031-2+	HP-1010 ¹
Sentra	2.5L L4 F/I	33-2031-2 ♦♦	HP-1010 ¹
Skyline 350GT	3.5L V6 F/I	33-2031-2	
Tiida	1.5L L4 F/I	33-2375	
Titan	5.6L V8 F/I	33-2286 ♦♦	HP-1010 ¹
Xterra	4.0L V6 F/I	33-2286 ♦♦	HP-1010 ¹
X-Trail I	2.0L L4 F/I	33-2031-2	
X-Trail I	2.5L L4 F/I	33-2031-2	HP-1008 ¹

Vehicle	Engine Type	Air Filter	Oil Filter
2004 NISSAN			
350Z	3.5L V6 F/I	33-2031-2 ♦	HP-1008 ¹
Almera II	1.5L L4 DSL	33-2864	
Almera II	1.5L L4 F/I	33-2031-2 ♦	
Almera II	1.8L L4 F/I	33-2031-2 ♦	HP-1008 ¹
Almera Tino	1.8L L4 F/I	33-2031-2	
Altima	2.5L L4 F/I	33-2031-2 ♦♦	HP-1010 ¹
Altima	3.5L V6 F/I	33-2031-2 ♦♦	HP-1008 ¹
Cube	1.4L L4 F/I	33-2060	
Frontier	2.4L L4 F/I	E-9233	HP-1010 ¹
Frontier	2.5L L4 DSL	E-2020	
Frontier	3.3L V6 F/I	33-2031-2 ♦	HP-1010 ¹
Liberty	2.0L L4 F/I	33-2031-2	
Maxima	3.5L V6 F/I	33-2031-2 ♦♦	HP-1008 ¹
Micra	1.4L L4 F/I	33-2060	
Murano	3.5L V6 F/I	33-2031-2+	HP-1008 ¹
Pathfinder	3.5L V6 F/I	33-2031-2 ♦	HP-1008 ¹
Pathfinder	5.6L V8 F/I	33-2286 ♦♦	HP-1010 ¹
Pathfinder Armada	5.6L V8 F/I	33-2286 ♦♦	HP-1010 ¹
Patrol	3.0L L6 DSL	E-9267	
Patrol	4.8L L6 F/I	E-9266	
Patrol II	4.2L L6 DSL	E-9267	
Quest	3.5L V6 F/I	33-2031-2	HP-1008 ¹
Sentra	1.8L L4 F/I	33-2031-2+	HP-1010 ¹
Sentra	2.5L L4 F/I	33-2031-2 ♦♦	HP-1010 ¹
Titan	5.6L V8 F/I	33-2286 ♦♦	HP-1010 ¹
Xterra	2.4L L4 F/I	E-9233	HP-1010 ¹
Xterra	3.3L V6 F/I	33-2031-2 ♦	HP-1010 ¹
X-Trail I	2.0L L4 F/I	33-2031-2	

Vehicle	Engine Type	Air Filter	Oil Filter
2003 NISSAN			
350Z	3.5L V6 F/I	33-2031-2 ♦	HP-1008 ¹
Altima	2.5L L4 F/I	33-2031-2 ♦♦	HP-1010 ¹
Altima	3.5L V6 F/I	33-2031-2+	HP-1008 ¹
		33-2031-2	HP-1008 ¹
Cube	1.4L L4 F/I	33-2060	
D21 Pickup	2.4L L4 F/I		HP-1010 ¹
Fairlady Z	3.5L V6 F/I	33-2031-2	
Frontier	2.4L L4 F/I	E-9233	HP-1010 ¹
Frontier	3.3L V6 F/I	33-2031-2 ♦	HP-1010 ¹
Gloria	3.0L V6 F/I	33-2031-2	
Maxima	3.0L V6 F/I	33-2031-2	
Maxima	3.5L V6 F/I	33-2031-2	HP-1008 ¹
Murano	3.5L V6 F/I	33-2031-2+	HP-1008 ¹
Pathfinder	3.5L V6 F/I	33-2031-2 ♦	HP-1008 ¹
Patrol	3.0L L6 DSL	E-9267	
Sentra	1.8L L4 F/I	33-2031-2+	HP-1008 ¹
Sentra	2.5L L4 F/I	33-2031-2 ♦♦	HP-1010 ¹
Xterra	2.4L L4 F/I	E-9233	

Vehicle	Engine Type	Air Filter	Oil Filter
2003 NISSAN			
Xterra	3.3L V6 F/I	33-2031-2 ♦	HP-1010 ¹
X-Trail I	2.5L L4 F/I	33-2031-2	HP-1008 ¹
2002 NISSAN			
Almera II	1.5L L4 DSL	33-2864	
Almera II	1.5L L4 F/I	33-2031-2 ♦	
Altima	2.5L L4 F/I	33-2031-2 ♦+	HP-1010 ¹
Altima	3.5L V6 F/I	33-2031-2+	HP-1008 ¹
Cube	1.4L L4 F/I	33-2060	
Frontier	2.4L L4 F/I	E-9233	HP-1010 ¹
Frontier	3.3L V6 F/I	33-2031-2 ♦	HP-1010 ¹
Maxima	3.0L V6 F/I	33-2031-2	
Maxima	3.5L V6 F/I	33-2031-2	HP-1008 ¹
Micra	1.4L L4 F/I	33-2060 ♦	
Navara	3.0L L4 F/I	E-2020	
Pathfinder	2.7L L6 DSL	33-2031-2	
Pathfinder	3.3L V6 F/I	33-2031-2	
Pathfinder	3.5L V6 F/I	33-2031-2 ♦	HP-1008 ¹
Patrol	3.0L L6 DSL	E-9267	
Patrol	4.5L L6 F/I	E-9266	
Patrol	4.8L L6 F/I	E-9266	
Sentra	1.8L L4 F/I	33-2031-2+	HP-1008 ¹
Sentra	2.5L L4 F/I	33-2031-2 ♦+	HP-1010 ¹
Skyline GT-R	2.6L L6 F/I	33-2031-2	
Xterra	2.4L L4 F/I	E-9233	HP-1010 ¹
Xterra	3.3L V6 F/I	33-2031-2 ♦	HP-1010 ¹

Vehicle	Engine Type	Air Filter	Oil Filter
2001 NISSAN			
Almera Tino	2.0L L4 F/I	33-2031-2	
Altima	2.4L L4 F/I	33-2031-2	HP-1010 ¹
Frontier	2.4L L4 F/I	E-9233	HP-1010 ¹
Frontier	3.3L V6 F/I	33-2031-2 ♦	HP-1010 ¹
Maxima	3.0L V6 F/I	33-2031-2	HP-1010 ¹
Pathfinder	3.3L V6 F/I	33-2031-2	
Pathfinder	3.5L V6 F/I	33-2031-2 ♦	HP-1010 ¹
Sentra	1.8L L4 F/I	33-2031-2+	HP-1008 ¹
Sentra	2.0L L4 F/I	33-2031-2+	HP-1008 ¹
Skyline 250GT	2.5L V6 F/I	33-2031-2	
Skyline GT-R	2.6L L6 F/I	33-2031-2	
Terrano II	2.4L L4 F/I	33-2031-2	
Xterra	2.4L L4 F/I	E-9233	HP-1010 ¹
Xterra	3.3L V6 F/I	33-2031-2 ♦	HP-1010 ¹

Vehicle	Engine Type	Air Filter	Oil Filter
2000 NISSAN			
200SX	2.0L L4 F/I	33-2031-2	
Altima	2.4L L4 F/I	33-2031-2	HP-1010 ¹
Cube	1.4L L4 F/I	33-2060	
Frontier	2.4L L4 F/I	E-9233	HP-1010 ¹
Frontier	3.3L V6 F/I	33-2031-2 ♦	HP-1010 ¹
March	1.0L L4 F/I	33-2060	
March	1.3L L4 F/I	33-2060	
Maxima	2.0L V6 F/I	33-2031-2	
Maxima	3.0L V6 F/I	33-2031-2	HP-1010 ¹
Micra	1.0L L4 F/I	33-2060 ♦	
Micra	1.3L L4 F/I	33-2060 ♦	
Micra	1.4L L4 F/I	33-2060 ♦	
Pathfinder	2.7L L6 DSL	33-2031-2	
Pathfinder	3.3L V6 F/I	33-2031-2	HP-1010 ¹
Pathfinder	3.5L V6 F/I	33-2031-2	
Patrol	3.0L L6 DSL	E-9267	
Patrol	4.2L L6 DSL	E-9201	
Patrol	4.5L L6 F/I	E-9266	
Patrol II	2.8L V6 DSL	E-9267	
Sentra	1.6L L4 F/I		HP-2008

* 2 filters required ♦ Intake System Available - see page 370 +Cabin Air Filter Available - see page 353 1- Performance Silver Oil Filter Also Available



AIR & OIL FILTERS

NISSAN

Vehicle	Engine Type	Air Filter	Oil Filter
2000 NISSAN			
Sentra	1.8L L4 F/I	33-2031-2+	HP-1008 ¹
Sentra	2.0L L4 F/I	33-2031-2+	HP-1008 ¹
Silvia	2.0L L4 F/I	33-2031-2	
Skyline GT-R	2.6L L6 F/I	33-2031-2	
Stagea	2.5L L6 F/I	33-2031-2	
Terrano II	2.4L L4 F/I	33-2031-2	
Terrano II	2.7L L4 DSL	E-9251	
Xterra	2.4L L4 F/I	E-9233	
Xterra	3.3L V6 F/I	33-2031-2 ♦	HP-1010 ¹

Vehicle	Engine Type	Air Filter	Oil Filter
1999 NISSAN			
200SX	2.0L L4 F/I	33-2031-2 ♦	
Altima	2.4L L4 F/I	33-2031-2	HP-1010 ¹
Frontier	2.4L L4 F/I	E-9233	HP-1010 ¹
Frontier	3.3L V6 F/I	33-2031-2 ♦	HP-1010 ¹
Maxima	3.0L V6 F/I	33-2031-2	HP-1010 ¹
Pathfinder	3.3L V6 F/I	33-2031-2	HP-1010 ¹
Patrol	4.2L L6 DSL	E-9201	
Patrol II	2.8L V6 DSL	E-9267	
Pulsar	2.0L L4 F/I	33-2031-2	
Sentra	1.6L L4 F/I	33-2031-2	HP-2008
Sentra	2.0L L4 F/I	33-2031-2	
Silvia	2.0L L4 F/I	33-2031-2	
Skyline	2.0L L6 F/I	33-2031-2	
Skyline GT-R	2.6L L6 F/I	33-2031-2	

Vehicle	Engine Type	Air Filter	Oil Filter
1998 NISSAN			
200SX	1.6L L4 F/I	33-2031-2	
200SX	2.0L L4 F/I	33-2031-2 ♦	HP-1008 ¹
240SX	2.4L L4 F/I	33-2031-2 ♦	HP-2008
Altima	2.4L L4 F/I	33-2031-2	HP-1010 ¹
Frontier	2.4L L4 F/I	E-9233	HP-1010 ¹
March	1.0L L4 F/I	33-2060	
March	1.3L L4 F/I	33-2060	
Maxima	3.0L V6 F/I	33-2031-2	HP-1010 ¹
Micra	1.3L L4 F/I	33-2060 ♦	
Pathfinder	3.3L V6 F/I	33-2031-2	HP-1010 ¹
Patrol	4.2L L6 DSL	E-9201	
Patrol	4.5L L6 F/I	E-9266	
Patrol II	2.8L V6 DSL	E-9267	
Primera	2.0L L4 DSL	33-2031-2	
Primera	2.0L L4 F/I	33-2031-2 ♦	
Pulsar	2.0L L4 F/I	33-2031-2	
Sentra	1.6L L4 F/I	33-2031-2	HP-2008
Sentra	2.0L L4 F/I	33-2031-2	
Silvia	2.0L L4 F/I	33-2031-2	
Skyline	2.0L L6 F/I	33-2031-2	
Skyline	2.5L L6 F/I	33-2031-2	

Vehicle	Engine Type	Air Filter	Oil Filter
1997 NISSAN			
200SX	2.0L L4 F/I	33-2031-2 ♦	HP-1008 ¹
240SX	2.4L L4 F/I	33-2031-2 ♦	HP-2008
Altima	2.4L L4 F/I	33-2031-2	HP-2008
D21 Pickup	2.4L L4 F/I	E-9233	
Maxima	2.0L V6 F/I	33-2031-2	
Maxima	3.0L V6 F/I	33-2031-2	HP-1010 ¹
Pathfinder	3.3L V6 F/I	33-2031-2	HP-1010 ¹
Pickup	2.4L L4 F/I	E-9233	HP-2008
Sentra	1.6L L4 F/I	33-2031-2	HP-2008
Sentra	2.0L L4 F/I		HP-1008 ¹
Skyline	2.6L - GTR, 24v, Twin Turbo	33-2031-2	

Vehicle	Engine Type	Air Filter	Oil Filter
2004 OLDSMOBILE			
Alero	2.2L L4 F/I	33-2121-1	PS-7000

Vehicle	Engine Type	Air Filter	Oil Filter
2004 OLDSMOBILE			
Alero	3.4L V6 F/I	33-2121-1	HP-1001 ¹

Vehicle	Engine Type	Air Filter	Oil Filter
2003 OLDSMOBILE			
Alero	2.2L L4 F/I		PS-7000
Alero	3.4L V6 F/I		HP-1001 ¹
Bravada	4.2L L6 F/I	E-1009 ♦	HP-2006 ¹

Vehicle	Engine Type	Air Filter	Oil Filter
2002 OLDSMOBILE			
Alero	2.2L L4 F/I		PS-7000
Alero	3.4L V6 F/I		HP-1001 ¹
Bravada	4.2L L6 F/I	E-1009 ♦	HP-2006 ¹
Intrigue	3.5L V6 F/I		PS-7003

Vehicle	Engine Type	Air Filter	Oil Filter
2001 OLDSMOBILE			
Alero	2.4L L4 F/I	33-2121-1	HP-1007 ¹
Alero	3.4L V6 F/I	33-2121-1	HP-1001 ¹
Aurora	4.0L V8 F/I	33-2063-1+	HP-2006 ¹
Bravada	4.3L V6 F/I	33-2042	HP-2001 ¹
Intrigue	3.5L V6 F/I		PS-7003

Vehicle	Engine Type	Air Filter	Oil Filter
2000 OLDSMOBILE			
Bravada	4.3L V6 F/I	33-2042	HP-2001 ¹

Vehicle	Engine Type	Air Filter	Oil Filter
1999 OLDSMOBILE			
Alero	3.4L V6 F/I	33-2121-1	HP-1001 ¹
Aurora	4.0L V8 F/I	33-2086	HP-2006 ¹
Bravada	4.3L V6 F/I	33-2042	
Intrigue	3.5L V6 F/I		PS-7003
Intrigue	3.8L V6 F/I	33-2063-1+	HP-1001 ¹

Vehicle	Engine Type	Air Filter	Oil Filter
1998 OLDSMOBILE			
88	3.8L V6 F/I		HP-1001 ¹
Intrigue	3.8L V6 F/I	33-2063-1+	HP-1001 ¹

Vehicle	Engine Type	Air Filter	Oil Filter
1997 OLDSMOBILE			
88	3.8L V6 F/I	33-2086	HP-1001 ¹

Vehicle	Engine Type	Air Filter	Oil Filter
2018 OPEL			
Grandland X	2.0L L4 DSL	33-3122	
Insignia B	2.0L L4 DSL	33-5049+	
Insignia B	2.0L L4 F/I	33-5049 ♦+	

Vehicle	Engine Type	Air Filter	Oil Filter
2017 OPEL			
Astra K	1.6L L4 DSL	E-0650+	
Astra K	1.6L L4 F/I	E-0650+	
Insignia B	2.0L L4 DSL	33-5049+	
Insignia B	2.0L L4 F/I	33-5049 ♦+	

Vehicle	Engine Type	Air Filter	Oil Filter
2016 OPEL			
Astra K	1.6L L4 DSL	E-0650+	
Astra K	1.6L L4 F/I	E-0650+	

Vehicle	Engine Type	Air Filter	Oil Filter
2014 OPEL			
Mokka	1.4L L4 F/I	33-5007+	
Mokka	1.6L L4 F/I	33-5007+	

Vehicle	Engine Type	Air Filter	Oil Filter
2012 OPEL			
Agila	1.2L L4 F/I	33-2974	
Antara	2.4L L4 F/I	33-2956	
Astra J	1.6L L4 F/I - Exc. Turbo	33-2964	
Astra J	1.6L L4 F/I - Turbo	33-2966	
Astra J	2.0L L4 DSL	33-2966	
Astra J	2.0L L4 F/I	33-2964	

Vehicle	Engine Type	Air Filter	Oil Filter
2010 OPEL			
Astra J	1.6L L4 F/I - Exc. Turbo	33-2964	
Astra J	1.6L L4 F/I - Turbo	33-2966	

Vehicle	Engine Type	Air Filter	Oil Filter
2008 OPEL			
Antara	3.2L V6 F/I	33-2956	

* 2 filters required ♦ Intake System Available - see page 370 +Cabin Air Filter Available - see page 353 1- Performance Silver Oil Filter Also Available



Vehicle	Engine Type	Air Filter	Oil Filter
2008 OPEL			
Astra H	1.6L L4 F/I - Exc. Turbo	33-2787 ♦	
2005 OPEL			
Astra H	2.0L L4 F/I	33-2787 ♦	
2003 OPEL			
Astra G	1.6L L4 F/I	33-2787 ♦	
2019 PEUGEOT			
308	2.0L L4 DSL	33-3122	
508 II	2.0L L4 DSL	33-3122	
3008	2.0L L4 DSL	33-3122	
2018 PEUGEOT			
308	1.6L L4 DSL	33-2119	
308	2.0L L4 DSL	33-3122	
508 II	2.0L L4 DSL	33-3122	
3008	1.5L L4 DSL	33-2305	
3008	2.0L L4 DSL	33-3122	
5008 II	2.0L L4 DSL	33-3122	
Expert	2.0L L4 DSL	33-3122	
Traveller	2.0L L4 DSL	33-3122	
2017 PEUGEOT			
208	1.6L L4 DSL	33-2119 +	
308	2.0L L4 DSL	33-3122	
2016 PEUGEOT			
108	1.2L L3 F/I	33-3006	
208	1.2L L3 F/I - Exc. Turbo	33-3006 +	
208	1.2L L3 F/I - Turbo	33-3039 +	
208	1.6L L4 DSL - BlueHDi	33-2119 +	
508	1.6L L4 DSL	33-2119	
2015 PEUGEOT			
308	1.2L L3 F/I - Exc. Turbo	33-3006	
308	1.2L L3 F/I - Turbo	33-3039	
308	2.0L L4 DSL	33-3122	
308S	1.2L L3 F/I	33-3039	
2014 PEUGEOT			
208	1.4L L4 DSL	33-2975 +	
208	1.6L L4 DSL	33-2975 +	
208 GT	1.6L L4 F/I	33-2936 +	
308	1.6L L4 DSL - BlueHDi	33-2119 +	
508	1.6L L4 DSL - BlueHDi	33-2119	
508	1.6L L4 DSL - Exc. BlueHDi	33-2975	
2013 PEUGEOT			
208	1.6L L4 DSL	33-2975 +	
208	1.6L L4 F/I - Exc. Turbo	33-2941 +	
208	1.6L L4 F/I - Turbo	33-2936 +	
Boxer	2.2L L4 DSL	E-9283	
2012 PEUGEOT			
308	1.6L L4 DSL	33-2975 +	
2011 PEUGEOT			
308	1.6L L4 F/I - China	33-2937 +	
2009 PEUGEOT			
207	1.6L L4 DSL - 92/112BHP	33-2975 ♦ +	
207	1.6L L4 F/I - 109BHP, Exc. Turbo	33-2844 ♦ +	
207	1.6L L4 F/I - Turbo	33-2936 ♦ +	
2008 PEUGEOT			
207	1.6L L4 DSL	33-2847 ♦ +	HP-7024 ¹

Vehicle	Engine Type	Air Filter	Oil Filter
2008 PEUGEOT			
207	1.6L L4 F/I		HP-7024 ¹
207	1.6L L4 F/I - 109BHP	33-2844 ♦ +	HP-7024
207	1.6L L4 F/I - 120BHP	33-2941 ♦ +	HP-7024
207	1.6L L4 F/I - Turbo	33-2936 ♦ +	HP-7024
2007 PEUGEOT			
207	1.6L L4 DSL	33-2847 ♦ +	
207	1.6L L4 F/I - 109BHP	33-2844 ♦ +	
207	1.6L L4 F/I - Turbo	33-2936 ♦ +	
307	1.6L L4 F/I	33-2937 ♦	
407	2.0L L4 DSL	33-2928 ♦	
2006 PEUGEOT			
206	1.4L L4 F/I - 8v	33-2813	
307	1.6L L4 DSL	33-2847	
307	1.6L L4 F/I	33-2937 ♦	
307	2.0L L4 DSL - Auto Gearbox	33-2998 ♦	
307	2.0L L4 DSL - Manual Gearbox	33-2245 ♦	
307	2.0L L4 F/I	33-2957 ♦	
2005 PEUGEOT			
407	3.0L V6 F/I	33-2911	
2004 PEUGEOT			
206	1.4L L4 DSL	33-2840	
206	1.4L L4 F/I - 16v	33-2916	
206	1.4L L4 F/I - 8v	33-2813	
206 RC	2.0L L4 F/I	33-2510 ♦	
2003 PEUGEOT			
206	1.6L L4 F/I	33-2813 ♦	
206 RC	2.0L L4 F/I	33-2510 ♦	
2002 PEUGEOT			
206	2.0L L4 DSL	33-2813	
206	2.0L L4 F/I	33-2813 ♦	
2018 PIAGGIO			
Liberty 4T i-Get e4	125		KN-183
Vespa GTS i.e.	300		KN-183
2016 PIAGGIO			
Beverly ie ABS E4	300		KN-183
Vespa GTS i.e.	300		KN-183
Vespa GTS IE ABS E4	125		KN-183
Vespa Sprint 4T 3V E4 i-Get	125		KN-183
2015 PIAGGIO			
Vespa S Special Sport i.e. 3V	125		KN-183
Vespa Sprint 4T 3V ABS	125		KN-183
2014 PIAGGIO			
Beverly Cruiser	500		KN-184
Fly 150	150		KN-183
2013 PIAGGIO			
Beverly Cruiser	500		KN-184
2012 PIAGGIO			
Vespa LX	150		KN-183
Vespa LX 4T-3V i.e.	150		KN-183
Vespa LX 4T-3V i.e. Touring	150		KN-183
Vespa LX Touring i.e.	150		KN-183

* 2 filters required ♦ Intake System Available - see page 370 +Cabin Air Filter Available - see page 353 1- Performance Silver Oil Filter Also Available



AIR & OIL FILTERS

PIAGGIO

Vehicle	Engine Type	Air Filter	Oil Filter	Vehicle	Engine Type	Air Filter	Oil Filter
2012 PIAGGIO				2020 POLARIS			
Vespa LXV i.e.	150		KN-183	RZR XP 4 1000	999	PL-1014 ♦	
Vespa LXV Via delta Moda i.e.	150		KN-183	RZR XP 4 1000 High Lifter Edition	999	PL-1014	
2009 PIAGGIO				RZR XP 4 1000 Limited Edition	999	PL-1014	
Beverly Cruiser	500		KN-184	RZR XP 4 1000 Premium	999	PL-1014	
Beverly Tourer	250		KN-183	RZR XP 4 Turbo	925	PL-1014 ♦	
MP3 400	400		KN-184	RZR XP 4 Turbo EPS	925	PL-1014 ♦	
MP3 i.e.	125		KN-183	RZR XP 4 Turbo EPS	925	PL-1014 ♦	
Vespa GTS	250		KN-183	RZR XP 4 Turbo EPS Dynamix Edition	925	PL-1014 ♦	
Vespa LX FL	150		KN-183	RZR XP 4 Turbo EPS LE	925	PL-1014	
Vespa LX i.e.	150		KN-183	RZR XP 4 Turbo S	925	PL-1014	
Vespa LX Touring i.e.	150		KN-183	RZR XP 4 Turbo S Velocity	925	PL-1014	
Vespa LXV Navy	125		KN-183	RZR XP 1000	999	PL-1014 ♦	
2008 PIAGGIO				RZR XP 1000 High Lifter Edition	999	PL-1014	
Beverly Tourer	250		KN-183	RZR XP 1000 Limited Edition	999	PL-1014	
2007 PIAGGIO				RZR XP 1000 Premium	999	PL-1014	
Beverly Cruiser	250		KN-183	RZR XP 1000 Trails and Rock Edition	999	PL-1014	
Beverly Cruiser	500		KN-184	RZR XP Turbo	925	PL-1014 ♦	
Beverly GT Rst	250		KN-183	RZR XP Turbo EPS	925	PL-1014 ♦	
Beverly IE	250		KN-183	RZR XP Turbo EPS	925	PL-1014 ♦	
Beverly MIC	250		KN-183	RZR XP Turbo EPS Dynamix Ed.	925	PL-1014 ♦	
Beverly Sport	250		KN-183	RZR XP Turbo EPS Fox Edition	925	PL-1014 ♦	
Beverly Tourer	250		KN-183	RZR XP Turbo EPS LE	925	PL-1014 ♦	
2006 PIAGGIO				RZR XP Turbo S	925	PL-1014 ♦	
Beverly Cruiser	250		KN-183	RZR XP Turbo S	925	PL-1014	
Beverly GT Rst	250		KN-183	Velocity			
Beverly IE	250		KN-183	Scrambler 850	850	PL-1003	
Beverly MIC	250		KN-183	Scrambler 1000 XP S	952	PL-1003	
Beverly Sport	250		KN-183	Sportsman 850	850	PL-1003	
Beverly Tourer	250		KN-183	Sportsman 850 High Lifter Edition	850	PL-1003	
Fly 150	150		KN-183	Sportsman 850	850	PL-1003	
Vespa GTS	250		KN-183	Sportsman 850 Premium	850	PL-1003	
Vespa LX	150		KN-183	Sportsman 850 Touring	850	PL-1003	
2001 PLYMOUTH				Sportsman 1000 Touring XP	952	PL-1003	
Prowler	3.5L V6 F/I	33-2087	HP-2004 ¹	Sportsman 1000 XP High Lifter Edition	952	PL-1003	
2000 PLYMOUTH				Sportsman 1000 XP Hunter Edition	952	PL-1003	
Prowler	3.5L V6 F/I	33-2087	HP-2004 ¹	Sportsman 1000 XP Premium	952	PL-1003	
1999 PLYMOUTH				Sportsman 1000 XP S	952	PL-1003	
Neon	2.0L L4 F/I		HP-1002 ¹	2019 POLARIS			
Prowler	3.5L V6 F/I	33-2087	HP-2004 ¹	Phoenix 200	196	PL-1004	
1997 PLYMOUTH				RZR 900	875	PL-8715	
Breeze	2.0L L4 F/I		HP-1002 ¹	RZR 900 EPS	875	PL-8715	
2020 POLARIS				RZR RS1	999	PL-1014 ♦	KN-198
General 4 1000	999	PL-8715		RZR S 900 EPS	875	PL-8715	
General 4 1000 Deluxe	999	PL-8715		RZR S 1000 EPS	999	PL-8715 ♦	KN-198
General 1000	999	PL-8715		RZR S4 1000 EPS	999	PL-8715 ♦	KN-198
General 1000 Deluxe	999	PL-8715		RZR XP 4 1000 EPS	999	PL-1014 ♦	KN-198
General 1000 Premium	999	PL-8715		RZR XP 4 1000 EPS Dynamix Edition	999	PL-1014 ♦	KN-198
RZR 900	875	PL-8715					
RZR 900 Fox Edition	875	PL-8715					
RZR 900 Premium	875	PL-8715					
RZR Pro XP	925	PL-1014					
RZR Pro XP Premium	925	PL-1014					
RZR Pro XP Ultimate	925	PL-1014					
RZR RS1	999	PL-1014 ♦					
RZR S 900	875	PL-8715					
RZR S 900 Premium	875	PL-8715					

* 2 filters required ♦ Intake System Available - see page 370 +Cabin Air Filter Available - see page 353 1- Performance Silver Oil Filter Also Available

POLARIS

AIR & OIL FILTERS



Vehicle	Engine Type	Air Filter	Oil Filter	Vehicle	Engine Type	Air Filter	Oil Filter
2019 POLARIS				2018 POLARIS			
RZR XP 4 1000 EPS High Lifter Ed.	999	PL-1014 ♦	KN-198	Ranger Crew XP 900 EPS	875	PL-5712	KN-198
RZR XP 4 1000 EPS Ride Command Ed.	999	PL-1014 ♦	KN-198	Ranger XP 900	875	PL-5712	
RZR XP 4 Turbo EPS	925	PL-1014 ♦		Ranger XP 900 EPS	875	PL-5712	
RZR XP 4 Turbo EPS Dynamix Edition	925	PL-1014		Ranger XP 1000 EPS	999		KN-198
RZR XP 4 Turbo EPS LE	925	PL-1014 ♦		Ranger XP 1000 EPS High Lifter Ed.	999		KN-198
RZR XP 1000 EPS	999	PL-1014 ♦	KN-198	Ranger XP 1000 EPS Northstar HVAC Ed.	999		
RZR XP 1000 EPS Dynamix Edition	999	PL-1014 ♦	KN-198	RZR 170 EFI	169	PL-1710	
RZR XP 1000 EPS High Lifter Edition	999	PL-1014 ♦	KN-198	RZR 570 EPS	567	PL-5712	
RZR XP 1000 EPS Ride Command Ed.	999	PL-1014 ♦	KN-198	RZR RS1	999	PL-1014 ♦	KN-198
RZR XP 1000 EPS Trails & Rock Ed.	999	PL-1014 ♦	KN-198	RZR S 900	875	PL-8715	
RZR XP Turbo EPS	925	PL-1014 ♦		RZR S 900 EPS	875	PL-8715	
RZR XP Turbo EPS Dynamix Ed.	925	PL-1014 ♦		RZR S 1000 EPS	999	PL-8715	KN-198
RZR XP Turbo EPS LE	925	PL-1014 ♦		RZR XP 4 1000 EPS	999	PL-1014 ♦	KN-198
RZR XP Turbo S	925	PL-1014 ♦		RZR XP 4 1000 EPS High Lifter Ed.	999	PL-1014 ♦	KN-198
Slingshot S	2384	PL-2415		RZR XP 4 1000 EPS Ride Command Ed.	999	PL-1014 ♦	KN-198
Slingshot SL	2384	PL-2415		RZR XP 4 Turbo EPS	925	PL-1014	KN-198
Slingshot SLR	2384	PL-2417		RZR XP 4 Turbo EPS Dynamix Edition	925	PL-1014 ♦	KN-198
Sportsman 450 HO	500	PL-1003		RZR XP 4 Turbo EPS Fox Edition	925	PL-1014 ♦	KN-198
Sportsman 450 HO EPS	500	PL-1003		RZR XP 1000 B	999		KN-198
Sportsman 450 HO Utility Edition	500	PL-1003		RZR XP 1000 EPS	999	PL-1014 ♦	KN-198
Sportsman 570	567	PL-1003		RZR XP 1000 EPS High Lifter Edition	999	PL-1014 ♦	KN-198
Sportsman 570 6x6	567	PL-1003		RZR XP 1000 EPS Ride Command Ed.	999	PL-1014 ♦	KN-198
Sportsman 570 EPS	567	PL-1003		RZR XP 1000 EPS Trails & Rock Ed.	925	PL-1014	KN-198
Sportsman 570 EPS Utility Edition	567	PL-1003		RZR XP Turbo EPS	925	PL-1014 ♦	KN-198
Sportsman 570 SP	567	PL-1003		RZR XP Turbo EPS Dynamix Ed.	925	PL-1014 ♦	KN-198
Sportsman 570 SP Hunters Edition	567	PL-1003		RZR XP Turbo EPS Fox Edition	925	PL-1014 ♦	KN-198
Sportsman 570 Touring	567	PL-1003		RZR XP Turbo S	925	PL-1014 ♦	KN-198
Sportsman 570 Touring EPS	567	PL-1003		Scrambler 850	850	PL-1003	
Sportsman 570 Touring SP	567	PL-1003		Slingshot S	2384	PL-2415	
Sportsman 570 X2 EPS	567	PL-1003		Slingshot SL	2384	PL-2415	
				Slingshot SLR	2384	PL-2417	
				Slingshot SLR LE	2384	PL-2417	
				Sportsman 450 HO	500	PL-1003	
				Sportsman 450 HO EPS	500	PL-1003	
				Sportsman 450 HO Utility Edition	500	PL-1003	
				Sportsman 570	567	PL-1003	
				Sportsman 570 Big	567	PL-1003	
				Boss 6x6 EPS			
				Sportsman 570 EPS	567	PL-1003	
				Sportsman 570 EPS Utility Edition	567	PL-1003	
				Sportsman 570 SP	567	PL-1003	
				Sportsman 570 SP Hunters Edition	567	PL-1003	
				Sportsman 570 Touring	567	PL-1003	
				Sportsman 570 Touring EPS	567	PL-1003	
				Sportsman 570 Touring SP	567	PL-1003	
				Sportsman 570 X2 EPS	567	PL-1003	

* 2 filters required ♦ Intake System Available - see page 370 +Cabin Air Filter Available - see page 353 1- Performance Silver Oil Filter Also Available



AIR & OIL FILTERS

POLARIS

Vehicle	Engine Type	Air Filter	Oil Filter	Vehicle	Engine Type	Air Filter	Oil Filter
2017 POLARIS				2017 POLARIS			
Ace 570	570	PL-3214	KN-198	Sportsman 570 EPS Utility Edition	567	PL-1003	
Ace 570 SP	567	PL-3214		Sportsman 570 SP	567	PL-1003	
Ace 900 XC	875	PL-8715	KN-198	Sportsman 570 SP Hunters Edition	567	PL-1003	
General 4 1000 EPS	999	PL-8715		Sportsman 570 Touring	567	PL-1003	
General 1000 EPS	999	PL-8715		Sportsman 570 Touring EPS	567	PL-1003	
General 1000 EPS Deluxe	999	PL-8715		Sportsman 570 Touring SP	567	PL-1003	
Hunter Ed.				Sportsman 570 X2 EPS	567	PL-1003	
General 1000 EPS Ride Command Ed.	999	PL-8715		Sportsman 850 Touring SP	850	PL-1003	
Phoenix 200	196	PL-1004		2016 POLARIS			
Ranger 570	567		KN-198	Ace 570	570	PL-3214	KN-198
Ranger 570 EPS	567		KN-198	Ace 900 SP	875	PL-8715	KN-198
Ranger 570 Full Size	567		KN-198	General 1000 EPS Deluxe	999	PL-8715	
Ranger 570-4 Crew	567		KN-198	General 1000 EPS Deluxe	999	PL-8715	
Ranger 570-4 Crew EPS	567		KN-198	Ranger 570	567		KN-198
Ranger 570-6 Crew	567		KN-198	Ranger 570 EPS	567		KN-198
Ranger 900 XP	875	PL-5712		Ranger 570 EPS Full Size	567		KN-198
Ranger 900 XP EPS	875	PL-5712		Ranger 570 EPS Hunter Edition	567		KN-198
Ranger Crew XP 900 EPS	875	PL-5712		Ranger 570 Full Size	567		KN-198
Ranger Crew XP 1000 EPS	999		KN-198	Ranger 570 XP	567		KN-198
Ranger XP 1000 EPS	999		KN-198	Ranger 570 XP EPS	567		KN-198
RZR 4 900 EPS	875	PL-8715		Ranger 570-4 Crew	567		KN-198
RZR 570	567	PL-5712	KN-198	Ranger 570-4 Crew EPS	567		KN-198
RZR 570 EPS	567	PL-5712	KN-198	Ranger 570-6 Crew	567		KN-198
RZR 900	875	PL-8715		Ranger 570-6 Crew EPS	567		KN-198
RZR 900 EPS	875	PL-8715		Ranger 900 XP	875	PL-5712	
RZR 900 EPS XC Edition	875	PL-8715		Ranger 900 XP EPS	875	PL-5712	
RZR S 570 EPS	567		KN-198	Ranger 900 XP EPS High Lifter Edition	875	PL-5712	KN-198
RZR S 900	875	PL-8715		Ranger 900 XP EPS Hunter Deluxe Edition	875	PL-5712	
RZR S 900 EPS	875	PL-8715		Ranger 900 XP EPS Hunter Edition	875	PL-5712	
RZR S 1000 EPS	999	PL-8715	KN-198	Ranger 900 XP EPS Northstar Edition	875	PL-5712	
RZR XP 4 1000 EPS	999	PL-1014	KN-198	Ranger 900 XP EPS Trail Edition	875	PL-5712	
RZR XP 4 1000 EPS High Lifter Ed.	999	PL-1014	KN-198	Ranger 900-5 Crew	875	PL-5712	
RZR XP 4 Turbo EPS	925	PL-1014		Ranger 900-5 Crew EPS	875	PL-5712	
RZR XP 1000 B	999		KN-198	Ranger 900-6 Crew	875	PL-5712	
RZR XP 1000 EPS	999	PL-1014	KN-198	Ranger 900-6 Crew EPS	875	PL-5712	
RZR XP 1000 EPS Gold Matte Metallic LE	999	PL-1014	KN-198	RZR 170 EFI	169	PL-1710	
RZR XP 1000 EPS High Lifter Edition	999	PL-1014	KN-198	RZR 570	567	PL-5712	KN-198
RZR XP 1000 EPS Velocity Blue LE	999	PL-1014	KN-198	RZR 570 EPS Trail	567	PL-5712	KN-198
RZR XP Turbo EPS	925	PL-1014		RZR 900	875	PL-8715	
Slingshot	2384	PL-2415		RZR 900 EPS Trail	875	PL-8715	
Slingshot SL	2384	PL-2415		RZR 900 EPS Trail Fox Edition LE	875	PL-8715	
Slingshot SL LE	2384	PL-2415		RZR 900 XC Edition	875	PL-8715	
Slingshot SLR	2384	PL-2417		RZR S 900	875	PL-8715	
Sportsman 450 HO	500	PL-1003		RZR S 900 EPS	875	PL-8715	
Sportsman 450 HO EPS	500	PL-1003		RZR S 1000 EPS	999	PL-8715	KN-198
Sportsman 450 HO Utility Edition	500	PL-1003					
Sportsman 570	567	PL-1003					
Sportsman 570 Big Boss 6x6 EPS	567	PL-1003					
Sportsman 570 EPS	567	PL-1003					

* 2 filters required ♦ Intake System Available - see page 370 +Cabin Air Filter Available - see page 353 1- Performance Silver Oil Filter Also Available



Vehicle	Engine Type	Air Filter	Oil Filter	Vehicle	Engine Type	Air Filter	Oil Filter
2016 POLARIS				2015 POLARIS			
RZR XP 4 1000 EPS	999	PL-1014	KN-198	RZR 900	875	PL-8715	KN-198
RZR XP 4 1000 EPS High Lifter Ed.	999	PL-1014	KN-198	RZR 900 EPS Trail	875	PL-8715	KN-198
RZR XP 4 Turbo EPS	925	PL-1014		RZR 900 XC Edition	875	PL-8715	KN-198
RZR XP 1000 EPS	999	PL-1014	KN-198	RZR S 900	875	PL-8715	KN-198
RZR XP 1000 EPS High Lifter Edition	999	PL-1014	KN-198	RZR S 900 EPS	875	PL-8715	KN-198
RZR XP Turbo EPS	925	PL-1014		RZR XP 4 1000 EPS	999	PL-1014	KN-198
Scrambler 850	850	PL-1003		RZR XP 1000 EPS Desert Edition	999	PL-1014	KN-198
Slingshot	2384	PL-2415	HP-7000	RZR XP 1000 EPS Fox Edition	999	PL-1014	KN-198
Slingshot SL	2384	PL-2415	HP-7000	RZR XP 1000 EPS High Lifter Edition	999	PL-1014	KN-198
Slingshot SL LE	2384	PL-2415	HP-7000	Scrambler 850	850	PL-1003	
Sportsman 450 HO	500	PL-1003		Slingshot	2384	PL-2415	
Sportsman 570	567	PL-1003		Slingshot SL	2384	PL-2415	
Sportsman 570 EPS	567	PL-1003		Slingshot SL LE	2384	PL-2415	
Sportsman 570 SP	567	PL-1003		Sportsman 570	567	PL-1003	
Sportsman 570 SP Hunters Edition	567	PL-1003		Sportsman 570 EPS	567	PL-1003	
Sportsman 570 Touring	567	PL-1003		Sportsman 570 SP	567	PL-1003	
Sportsman 570 Touring EPS	567	PL-1003		Sportsman 570 SP Hunters Edition	567	PL-1003	
Sportsman 570 Touring SP	567	PL-1003		Sportsman 570 Touring	567	PL-1003	
Sportsman 570 X2 EPS	567	PL-1003		Sportsman 570 Touring EPS	567	PL-1003	
Sportsman 850	850	PL-1003		Sportsman 570 Touring SP	567	PL-1003	
Sportsman 850 High Lifter Edition	850	PL-1003		Sportsman 570 X2 EPS	567	PL-1003	
Sportsman 850 SP	850	PL-1003		Sportsman 850	850	PL-1003	
Sportsman 850 Touring SP	850	PL-1003		Sportsman 850 SP	850	PL-1003	
2015 POLARIS				2014 POLARIS			
Ace	325		KN-116	Ranger 4x4 400	455	PL-5008	
Phoenix 200	196	PL-1004		Ranger 6x6 800	760	AIR-800-50†	
Ranger 570	567		KN-198			PL-8007	
Ranger 570 Crew	567		KN-198	Ranger 570 Crew	567		KN-198
Ranger 570 Crew EPS	567		KN-198	Ranger 570 Crew EPS LE	567		KN-198
Ranger 570 Crew EPS Full Size	567		KN-198	Ranger 570 EFI	567		KN-198
Ranger 570 Crew Full Size	567		KN-198	Ranger 800 EFI	760	AIR-800-50†	
Ranger 570 EPS	567		KN-198			PL-8007	
Ranger 570 EPS Full Size	567		KN-198	Ranger 800 EFI EPS LE	760	AIR-800-50†	
Ranger 570 Full Size	567		KN-198			PL-8007	
Ranger 900 Crew	875	PL-5712		Ranger 800 EFI Mid-Size	760	AIR-800-50†	
Ranger 900 Crew EPS	875	PL-5712				PL-8007	
Ranger 900 XP	875	PL-5712	KN-198	Ranger 800 EFI Mid-Size LE	760	AIR-800-50†	
Ranger 900 XP EPS	875	PL-5712	KN-198			PL-8007	
Ranger 900 XP EPS Deluxe	875	PL-5712	KN-198	Ranger 900 Crew EPS	875	PL-5712	
Ranger 900 XP EPS Hunter Deluxe Edition	875	PL-5712	KN-198	Ranger 900 Crew EPS LE	875	PL-5712	
Ranger 900 XP EPS Hunter Edition	875	PL-5712	KN-198	Ranger 900 XP	875	PL-5712	KN-198
Ranger 900 XP EPS LE	875	PL-5712	KN-198				
Ranger 900 XP EPS Northstar Edition	875	PL-5712	KN-198				
RZR 170 EFI	169	PL-1710					
RZR 570	567	PL-5712	KN-198				
RZR 570 EPS Trail	567	PL-5712	KN-198				

* 2 filters required ♦ Intake System Available - see page 370 †Cabin Air Filter Available - see page 353 1- Performance Silver Oil Filter Also Available



AIR & OIL FILTERS

POLARIS

Vehicle	Engine Type	Air Filter	Oil Filter	Vehicle	Engine Type	Air Filter	Oil Filter
2014 POLARIS				2013 POLARIS			
Ranger 900 XP Deluxe	875	PL-5712	KN-198	Ranger 800 EFI EPS LE	760	PL-8007	KN-198
Ranger 900 XP EPS	875	PL-5712	KN-198	Ranger 800 EFI LE	760	AIR-800-50†	KN-198
Ranger 900 XP EPS Browning LE	875	PL-5712	KN-198			PL-8007	KN-198
Ranger 900 XP EPS LE	875	PL-5712	KN-198	Ranger 800 EFI Mid-Size	760	AIR-800-50†	KN-198
Ranger RZR 800	760	AIR-800-50†	KN-198			PL-8007	KN-198
		PL-8007	KN-198	Ranger 900 XP	875	PL-5712	KN-198
Ranger RZR 800 EPS LE	760	AIR-800-50†	KN-198	Ranger Crew 800	760	PL-8007	
		PL-8007	KN-198	Ranger Crew 800 EPS	760	AIR-800-50†	KN-198
						PL-8007	KN-198
Ranger RZR 800 S	760	AIR-800-50†	KN-198				
		PL-8007	KN-198	Ranger RZR 4 800	760	AIR-800-50†	KN-198
RZR 4 800 EPS LE	760	AIR-800-50†	KN-198			PL-8007	KN-198
		PL-8007	KN-198	Ranger RZR 4 800 EPS LE	760	AIR-800-50†	KN-198
RZR 4 900 EPS LE	875	PL-9011	KN-198				
RZR 170	169	PL-1710				PL-8007	KN-198
RZR 570	567	PL-5712		Ranger RZR 570	567	PL-5712	KN-198
RZR 570 EPS LE	567	PL-5712	KN-198	Ranger RZR 570 EPS Trail LE	567	PL-5712	KN-198
RZR 570 EPS Trail LE	567	PL-5712	KN-198	Ranger RZR 800	760	AIR-800-50†	KN-198
RZR 800	760	AIR-800-50†	KN-198			PL-8007	KN-198
		PL-8007	KN-198	Ranger RZR 800 EPS LE	760	AIR-800-50†	KN-198
RZR 800 EPS LE	760	AIR-800-50†	KN-198				
		PL-8007	KN-198			PL-8007	KN-198
RZR 800 XC Edition	760	AIR-800-50†	KN-198	Ranger RZR 800 LE	760	AIR-800-50†	KN-198
		PL-8007	KN-198			PL-8007	KN-198
RZR 900	875	PL-9011	KN-198	Ranger RZR 800 S	760	AIR-800-50†	KN-198
RZR 900 EPS LE	875	PL-9011	KN-198			PL-8007	KN-198
RZR S 800	760	AIR-800-50†	KN-198	Ranger RZR 800 S LE	760	AIR-800-50†	KN-198
		PL-8007	KN-198				
RZR S 800 EPS LE	760	AIR-800-50†	KN-198			PL-8007	KN-198
		PL-8007	KN-198	Ranger RZR 170	169	PL-1710	
RZR XP 4 1000 EPS	999	PL-1014	KN-198	Ranger RZR XP 4 900	875	PL-9011	KN-198
RZR XP 1000 EPS	999	PL-1014	KN-198	Ranger RZR XP 4 900 EPS LE	875	PL-9011	KN-198
Scrambler 850 XP HO EPS LE	850	PL-1003		Ranger RZR XP 900	875	PL-9011	KN-198
Sportsman 400 H.O.	455	PL-1003		Ranger RZR XP 900 EPS LE	875	PL-9011	KN-198
Sportsman 550 EPs	550	PL-1003		Ranger RZR XP 900 EPS Walker Evans LE	875	PL-9011	KN-198
Sportsman 550 EPs Touring	550	PL-1003		Ranger RZR XP 900 HO Jagged X Edition	875	PL-9011	KN-198
Sportsman 550 X2	550	PL-1003		Ranger RZR XP 900 LE	875	PL-9011	KN-198
Sportsman 570	567	PL-1003		Scrambler 850 XP HO	850	PL-1003	
Sportsman 570 EPS	567	PL-1003		Scrambler 850 XP HO EPS LE	850	PL-1003	
Sportsman 570 Touring	567	PL-1003		Sportsman 400 H.O.	455	PL-1003	
Sportsman 850 HO XP EPS Pearl White LE	850	PL-5509		Sportsman 500 HO	498	PL-1003	KN-303
Sportsman 850 XP H.O. EPs	850	PL-5509		Sportsman 500 HO Touring	498	PL-1003	KN-303
Sportsman Ace	325	PL-3214		Sportsman 550 EPs	550	PL-1003	
				Sportsman 550 EPs Touring	550	PL-1003	
2013 POLARIS				Sportsman 550 X2	550	PL-1003	
Ranger 4x4 EFI	499	PL-5008	KN-303	Sportsman 850 HO	850	PL-1003	
Ranger 500 Crew	498	PL-5008	KN-303	Touring EPS Sunset Red LE			
Ranger 500 Crew LE	498	PL-5008	KN-303				
Ranger 800 EFI	760	AIR-800-50†	KN-198				
		PL-8007	KN-198				
Ranger 800 EFI EPS	760	AIR-800-50†	KN-198				
		PL-8007	KN-198				
Ranger 800 EFI EPS LE	760	AIR-800-50†	KN-198				

* 2 filters required ♦ Intake System Available - see page 370 +Cabin Air Filter Available - see page 353 1- Performance Silver Oil Filter Also Available

Partial Listing: Complete Listing of Vehicles and Parts at KNFILTERS.COM or call 1-800-858-3333



Vehicle	Engine Type	Air Filter	Oil Filter	Vehicle	Engine Type	Air Filter	Oil Filter
2013 POLARIS				2012 POLARIS			
Sportsman 850	850	PL-1003		Sportsman 500 HO	498	PL-1003	KN-303
Touring H.O. EPs				Polaris Pursuite LE			
Sportsman 850 XP	850	PL-5509		Sportsman 500 HO	500	PL-1003	KN-303
H.O. EPs				Touring			
Sportsman 850 XP	850	PL-5509		Sportsman 550	550	PL-1003	
H.O. EPs				Sportsman 550 EPs	550	PL-1003	
2012 POLARIS				Sportsman 550 EPs	550	PL-1003	
Ranger 4x4 400	455	PL-5008	KN-303	Browning			
Ranger 4x4 EFI	499	PL-5008	KN-303	Sportsman 550 EPS	550	PL-1003	
Ranger 500 Crew	498	PL-5008	KN-303	Orange Madness LE			
Ranger 500 Crew	498	PL-5008	KN-303	Sportsman 550 EPs	550	PL-1003	
Turbo Silver LE				Touring			
Ranger 800 HD EPS	760	PL-5008		Sportsman 550 X2	550	PL-1003	
Ranger 800 XP	760	AIR-800-50†	KN-198	Sportsman 550 XP	550	PL-5509	
		PL-8007	KN-198	EFI			
Ranger 800 XP EPS	760	AIR-800-50†	KN-198	Sportsman 800 EFI	800	PL-1003	KN-198
		PL-8007	KN-198	Sportsman 800 EFI	800	PL-1003	KN-198
Ranger 800 XP EPS	760	AIR-800-50†	KN-198	6x6 Big Boss			
LE		PL-8007	KN-198	Sportsman 850 HO	850	PL-5509	
				XP EPS			
Ranger 800 XP LE	760	AIR-800-50†	KN-198	Sportsman 850 HO	850	PL-5509	
		PL-8007	KN-198	XP EPS Browning LE			
Ranger Crew 800	760	PL-8007		Sportsman 850 HO	850	PL-5509	
Ranger Crew 800	760	AIR-800-50†	KN-198	XP EPS Orange			
EPS		PL-8007	KN-198	Madness LE			
				2011 POLARIS			
Ranger RZR 4 800	760	PL-8007		Ranger 4x4 400	455	PL-5008	KN-303
Ranger RZR 4 800	760	AIR-800-50†	KN-198	Ranger 500 Crew	498	PL-5008	KN-303
EPs Robby Gordon				Ranger 800 XP	760	AIR-800-50†	KN-198
Edition						PL-8007	KN-198
		PL-8007	KN-198	Ranger 800 XP EPS	760	AIR-800-50†	KN-198
						PL-8007	KN-198
Ranger RZR 4 800	760	AIR-800-50†	KN-198	Ranger Crew 800	760	PL-8007	KN-198
Gordon Edition		PL-8007	KN-198	Ranger Crew 800	760	AIR-800-50†	KN-198
				EPS		PL-8007	KN-198
Ranger RZR 570	567	PL-5712	KN-198				
Ranger RZR 800	760	AIR-800-50†	KN-198	Ranger RZR 4 800	760	PL-8007	
		PL-8007	KN-198	Ranger RZR 4 800	760	AIR-800-50†	KN-198
Ranger RZR 800	760	AIR-800-50†	KN-198	EPs Robby Gordon			
EPS LE		PL-8007	KN-198	Edition		PL-8007	KN-198
Ranger RZR 800 LE	760	AIR-800-50†	KN-198	Ranger RZR 4 800	760	AIR-800-50†	KN-198
		PL-8007	KN-198	Gordon Edition		PL-8007	KN-198
Ranger RZR 800 S	760	AIR-800-50†	KN-198				
		PL-8007	KN-198	Ranger RZR 800	760	AIR-800-50†	KN-198
Ranger RZR 800 S	760	AIR-800-50†	KN-198			PL-8007	KN-198
LE		PL-8007	KN-198	Ranger RZR 800 SW	760	AIR-800-50†	KN-198
				Military		PL-8007	KN-198
Ranger RZR 170	169	PL-1710					
Ranger RZR XP 4	875	PL-9011		Ranger RZR 170	169	PL-1710	
900				Ranger RZR S	760	AIR-800-50†	KN-198
Ranger RZR XP 4	875	PL-9011				PL-8007	KN-198
900 EPS LE				Ranger RZR XP 900	875	PL-9011	
Ranger RZR XP 900	875	PL-9011		Ranger RZR XP 900	875	PL-9011	
Ranger RZR XP 900	875	PL-9011		LE			
LE				Sportsman 400 H.O.	455	PL-1003	KN-303
Sportsman 400 H.O.	455	PL-1003		Sportsman 500 HO	500	PL-1003	KN-303
Sportsman 500 EFI	498	PL-1003	KN-303	Touring			
Sportsman 500 HO	498	PL-1003	KN-303	Sportsman 550	550	PL-1003	
				Sportsman 550 EPs	550	PL-1003	

* 2 filters required ♦ Intake System Available - see page 370 +Cabin Air Filter Available - see page 353 1- Performance Silver Oil Filter Also Available



AIR & OIL FILTERS

POLARIS

Vehicle	Engine Type	Air Filter	Oil Filter	Vehicle	Engine Type	Air Filter	Oil Filter
2011 POLARIS				2009 POLARIS			
Sportsman 550 EPs Touring	550	PL-1003		Ranger 4x4 500 EFI	499	PL-5008	KN-303
Sportsman 550 X2	550	PL-1003		Ranger 6x6 700 EFI	700	PL-5008	
Sportsman 550 XP EFI	550	PL-5509		Ranger Crew 700	700	PL-5008	KN-198
Sportsman 850 XP EFI	850	PL-5509		Ranger HD	700	PL-5008	KN-198
Sportsman 850 XP EPs	850	PL-5509		Ranger RZR 800	760	AIR-800-50†	KN-198
2010 POLARIS						PL-8007	KN-198
Outlaw 525 IRS	525 - Short Filter		KN-157	Ranger RZR S	760	AIR-800-50†	KN-198
Outlaw 525 IRS	525 - Tall Filter		KN-155	Ranger XP	700	PL-5008	KN-198
Ranger 4x4 EFI	499	PL-5008	KN-303	Sportsman 400 H.O.	455		KN-303
Ranger 800 HD	760	PL-5008		Sportsman 500 EFI	496		KN-303
Ranger 800 XP	760	PL-5008		Sportsman 500 Efi LE	496		KN-303
Ranger 800 XP EPS	760	PL-5008		Sportsman 500 EFI	496	PL-1003	KN-303
Ranger Crew 800	760	PL-5008		Touring			
Ranger Crew 800 EPS	760	PL-5008		Sportsman 500 Efi	496	PL-1003	
Ranger RZR 4 800 Gordon Edition	760	AIR-800-50†	KN-198	Touring Le			
		PL-8007	KN-198	Sportsman 500 Efi X2	500	PL-1003	KN-303
				Sportsman 500 HO	500	PL-1003	KN-303
Ranger RZR 800	760	AIR-800-50†	KN-198	Sportsman 550 XP	550	PL-5509	
		PL-8007	KN-198	EFI			
		PL-1710		Sportsman 550 XP	550	PL-5509	
Ranger RZR 170	169			EFI w/EPs			
Ranger RZR S	760	AIR-800-50†	KN-198	Sportsman 800 EFI	769	PL-1003	
		PL-8007	KN-198	HO			
Sportsman 400 H.O.	455		KN-303	Sportsman 800 EFI	769	PL-1003	KN-198
Sportsman 500 EFI	500		KN-303	Touring			
Sportsman 500 EFI	500		KN-303	Sportsman 800 EFI	769	PL-1003	KN-198
Touring				X2			
Sportsman 500 HO	498		KN-303	Sportsman 850 XP	850	PL-5509	
Sportsman 500 HO	500	PL-1003	KN-303	EFI			
Touring				Trail Boss 330	325		KN-303
Sportsman 550	550	PL-1003		2008 POLARIS			
Sportsman 550 EPs	550	PL-1003		Outlaw 450 MXR	450 - Short Filter		KN-157
Sportsman 550 EPs Browning	550	PL-1003		Outlaw 450 MXR	450 - Tall Filter		KN-155
Sportsman 550 EPs Touring	550	PL-1003		Outlaw 525 IRS	525 - Short Filter		KN-157
Sportsman 550 X2	550	PL-1003		Outlaw 525 IRS	525 - Tall Filter		KN-155
Sportsman 550 XP	550	PL-5509		Ranger 4x4 500 EFI	499	PL-5008	KN-303
EFI				Ranger Crew 700	700	PL-5008	KN-198
Sportsman 550 XP	550	PL-5509		Ranger RZR 800	760	AIR-800-50†	KN-198
EFI w/EPs						PL-8007	KN-198
Sportsman 550 XP	550	PL-5509		Ranger XP	700	PL-5008	
LE-Browning				Scrambler 500 4x4	500		KN-303
Sportsman 800 EFI	800	PL-1003	KN-198	Sportsman 300	329		KN-303
6x6 Big Boss				Sportsman 300 LE	329	PL-1004	KN-303
Sportsman 800 EFI	800	PL-1003	KN-198	Sportsman 400 H.O.	455	PL-1003	KN-303
HO				Sportsman 500 EFI	496	PL-1003	KN-303
Sportsman 850 XP	850	PL-5509		Sportsman 500 Efi LE	496	PL-1003	KN-303
Sportsman 850 XP	850	PL-5509		Touring			
EFI				Sportsman 500 Efi	496	PL-1003	
Sportsman 850 XP	850	PL-5509		Touring Le			
EPs				Sportsman 500 Efi X2	500	PL-1003	KN-303
Sportsman 850 XP	850	PL-5509		Sportsman 500 HO	500	PL-1003	KN-303
EPs Browning				Sportsman 800 EFI	769	PL-1003	KN-198
Sportsman 850 XP	850	PL-5509		Sportsman 800 EFI	769	PL-1003	KN-198
LE-Browning				HO			
Sportsman 850 XP	850	PL-5509		Sportsman 800 EFI	769	PL-1003	
LE-Nuclear Sunset				Le			
2009 POLARIS						PL-1003	KN-198
Phoenix 200	200	PL-1004		Sportsman 800 EFI	769	PL-1003	KN-198
				X2 LE			

* 2 filters required ♦ Intake System Available - see page 370 +Cabin Air Filter Available - see page 353 1- Performance Silver Oil Filter Also Available

Partial Listing: Complete Listing of Vehicles and Parts at KNFILTERS.COM or call 1-800-858-3333



Vehicle	Engine Type	Air Filter	Oil Filter
2007 POLARIS			
Hawkeye 2x4	300	PL-1004	KN-303
Hawkeye 4x4	300	PL-1004	KN-303
Outlaw 500	500		KN-112
Outlaw 525 IRS	525 - Short Filter		KN-157
Outlaw 525 IRS	525 - Tall Filter		KN-155
Predator 500	496	PL-5003	KN-112
Ranger 2x4 500	500		KN-303
Ranger 4x4 500 EFI	499	PL-5008	KN-303
Ranger 6x6 700 EFI	700	PL-5008	
Ranger XP	700	PL-5008	
Scrambler 500 4x4	500	PL-1003	KN-303
Sportsman 450	455		KN-303
Sportsman 500 EFI	499	PL-1003	KN-303
Sportsman 500 EFI Deluxe	499	PL-1003	KN-303
Sportsman 500 Efi X2	499	PL-1003	KN-303
Sportsman 500 EFI X2 Deluxe	499	PL-1003	KN-303
Sportsman 500 HO	500		KN-303
Sportsman 800 EFI	800	PL-1003	KN-198
Sportsman 800 EFI Deluxe	800	PL-1003	KN-198
Trail Boss 330	325	PL-1005	KN-303

2006 POLARIS			
Hawkeye 2x4	300		KN-303
Hawkeye 4x4	329	PL-1004	KN-303
Outlaw 500	500		KN-112
Phoenix 200	200	PL-1004	
Predator 500	496	PL-5003	KN-112
Predator 500 TLD	496	PL-5003	
Ranger 4x4 500	500	PL-5008	KN-303
Ranger 4x4 500 EFI	499	PL-5008	KN-303
Ranger 6x6 700 EFI	700	PL-5008	
Ranger XP	700	PL-5008	
Sawtooth	200	PL-1004	
Scrambler 500 4x4	500		KN-303
Sportsman 450	455	PL-1003	KN-303
Sportsman 500 EFI	496	PL-1003	KN-303
Sportsman 500 Efi X2	496	PL-1003	KN-303
Sportsman 500 HO	500	PL-1003	KN-303
Sportsman 700	700	PL-1003	
Sportsman 700 EFI	700	PL-1003	KN-198
Sportsman 700 MV	700	PL-1003	KN-198
Sportsman 800 EFI	800	PL-1003	KN-198
Trail Boss 330	325	PL-1005	KN-303

2005 POLARIS			
Phoenix 200	200	PL-1004	
Predator 500	496	PL-5003	KN-112
Predator 500 TLD	500	PL-5003	KN-112
Ranger 4x4 500	500	PL-5008	
Ranger XP	700	PL-5008	
Scrambler 500 4x4	500	PL-1003	KN-303
Sportsman 400 4x4	427	PL-1003	KN-303
Sportsman 500 HO	500	PL-1003	KN-303
Sportsman 700	700	PL-1003	KN-198
Sportsman 700 EFI	700	PL-1003	KN-198
Sportsman 800 Twin EFI	794	PL-1003	KN-198
Trail Boss 330	325	PL-1005	KN-303

2004 POLARIS			
ATP500 HO	496	PL-1003	KN-303
Magnum 330 2x4	330		KN-303

Vehicle	Engine Type	Air Filter	Oil Filter
2004 POLARIS			
Predator 500	496	PL-5003	KN-112
Ranger 4x4 500	500	PL-5008	KN-303
Scrambler 500 4x4	500	PL-1003	KN-303
Sportsman 400 4x4	427	PL-1003	KN-303
Sportsman 500 HO	500	PL-1003	KN-303
Sportsman 500 HO Mossy Oak	500	PL-1003	KN-303
Sportsman 600	597	PL-1003	
Sportsman 600	597 - Built After 10/2/03	PL-1003	KN-198
Sportsman 600	597 - Built Before 10/2/03	PL-1003	KN-196
Sportsman 700	700	PL-1003	
Sportsman 700	700 - Built After 10/8/04	PL-1003	KN-198
Sportsman 700	700 - Built Before 10/8/04	PL-1003	KN-196
Sportsman 700 EFI	700	PL-1003	
Sportsman 700 EFI	700 - Built After 10/8/04	PL-1003	KN-198
Sportsman 700 EFI	700 - Built Before 10/8/04	PL-1003	KN-196
Sportsman 700 Twin Mossy Oak	700	PL-1003	
Sportsman 700 Twin Mossy Oak	700 - Built After 10/8/04	PL-1003	KN-198
Sportsman 700 Twin Mossy Oak	700 - Built Before 10/8/04	PL-1003	KN-196
Trail Boss 330	325		KN-303

2003 POLARIS			
Magnum 330 4x4	325		KN-303
Predator 500	496	PL-5003	KN-112
Ranger 4x4 500	500	PL-5008	
Scrambler 500 4x4	500	PL-1003	KN-303
Sportsman 400 4x4	427		KN-303
Sportsman 500 HO 4x4	500	PL-1003	
Sportsman 600	597	PL-1003	KN-196
Sportsman 700	700	PL-1003	KN-196
Trail Boss 330	334	PL-1005	KN-303

2002 POLARIS			
Magnum 325 4x4	325	PL-1005	KN-303
Scrambler 500 4x4	500		KN-303
Sportsman 400 4x4	427	PL-1003	KN-303
Sportsman 500	500	PL-1003	
Sportsman 500 6x6	496		KN-303
Sportsman 500 HO 4x4	500	PL-1003	
Sportsman 700	700	PL-1003	KN-196
Trail Boss 325 2x4	325	PL-1005	KN-303

2001 POLARIS			
Magnum 325 4x4	325		KN-303
Scrambler 500 4x4	500	PL-1003	KN-303
Sportsman 400 4x4	427	PL-1003	KN-303
Sportsman 500	496	PL-1003	
Sportsman 500 6x6	496	PL-1003	KN-303
Sportsman 500 HO	500	PL-1003	KN-303
Sportsman 500 HO DUSE	500	PL-1003	
Sportsman 500 HO RSE	500	PL-1003	

2000 POLARIS			
Magnum 325 2x4	325		KN-303
Magnum 325 4x4	325	PL-1003	KN-303
Magnum 500 4x4	496	PL-1003	KN-303
Scrambler 500 4x4	500		KN-303

* 2 filters required ♦ Intake System Available - see page 370 +Cabin Air Filter Available - see page 353 1- Performance Silver Oil Filter Also Available



AIR & OIL FILTERS

POLARIS

Vehicle	Engine Type	Air Filter	Oil Filter
2000 POLARIS			
Sportsman 335	334		KN-303
Sportsman 500 4x4	500	PL-1003	
Sportsman 500 HO	500		KN-303
Trail Blazer 250	244	PL-1001	
Trail Boss 325 2x4	325	PL-1003	KN-303
Xplorer 400L	377		KN-303

1999 POLARIS			
Scrambler 500 4x4	500		KN-303
Sportsman 335	334		KN-303
Sportsman 500 4x4	500	PL-1003	

1998 POLARIS			
Sportsman 500 4x4	500	PL-1003	

1997 POLARIS			
Sportsman 500 4x4	500	PL-1003	
Xplorer 500 4x4	500	PL-1003	KN-303

2010 PONTIAC			
G5	2.2L L4 F/I		PS-7000
G6	2.4L L4 F/I		HP-7000 ¹
G6	2.4L L4 F/I - OEM 10366901	33-2315	HP-7000
G6	2.4L L4 F/I - OEM 22676970	33-2296	HP-7000
G6	3.5L V6 F/I		HP-2006 ¹
G6	3.5L V6 F/I - OEM 10366901	33-2315 ♦	HP-2006
G6	3.5L V6 F/I - OEM 22676970	33-2296 ♦	HP-2006
Solstice	2.4L L4 F/I	33-2349	
Vibe	1.8L L4 F/I	33-2360 +	HP-7021 ¹
Vibe	2.4L L4 F/I		HP-1003 ¹

2009 PONTIAC			
G3	1.6L L4 F/I	33-2320	HP-7027 ¹
G3 Wave	1.6L L4 F/I		HP-7027 ¹
G5	2.2L L4 F/I	33-2311 +	
G6	2.4L L4 F/I		HP-7000 ¹
G6	2.4L L4 F/I - OEM 10366901	33-2315	HP-7000
G6	2.4L L4 F/I - OEM 22676970	33-2296	HP-7000
G6	3.5L V6 F/I		HP-2006 ¹
G6	3.5L V6 F/I - OEM 10366901	33-2315 ♦	HP-2006
G6	3.5L V6 F/I - OEM 22676970	33-2296 ♦	HP-2006
G6	3.6L V6 F/I	33-2296	HP-1017 ¹
G6	3.9L V6 F/I	33-2315	HP-2006 ¹
G8	3.6L V6 F/I	33-2919 ♦+	HP-7003 ¹
G8	6.0L V8 F/I	33-2919 ♦+	HP-1017 ¹
G8	6.2L V8 F/I	33-2919 +	HP-1017 ¹
Solstice	2.0L L4 F/I	33-2369	HP-7000 ¹
Solstice	2.4L L4 F/I	33-2349 ♦	HP-7000 ¹
Torrent	3.4L V6 F/I	33-2296	HP-1001 ¹
Torrent	3.6L V6 F/I		HP-1017 ¹
Vibe	1.8L L4 F/I	33-2360 +	HP-7021 ¹
Vibe	2.4L L4 F/I	33-2326 +	HP-1003 ¹

2008 PONTIAC			
G3	1.6L L4 F/I		PS-7027
G5	2.2L L4 F/I	33-2311 +	HP-7000 ¹
G5	2.4L L4 F/I	33-2311 +	HP-7000 ¹
G6	2.4L L4 F/I		HP-7000 ¹
G6	2.4L L4 F/I - OEM 10366901	33-2315	HP-7000

Vehicle	Engine Type	Air Filter	Oil Filter
2008 PONTIAC			
G6	2.4L L4 F/I - OEM 22676970	33-2296	HP-7000
G6	3.5L V6 F/I		HP-2006 ¹
G6	3.5L V6 F/I - OEM 10366901	33-2315 ♦	HP-2006
G6	3.5L V6 F/I - OEM 22676970	33-2296 ♦	HP-2006
G6	3.6L V6 F/I	33-2296	HP-1017 ¹
G6	3.9L V6 F/I	33-2315	HP-2006 ¹
G8	3.6L V6 F/I	33-2919 ♦+	HP-7003 ¹
G8	6.0L V8 F/I	33-2919 ♦+	HP-1017 ¹
Grand Prix	3.8L V6 F/I	33-2141-1 +	HP-1001 ¹
Grand Prix	5.3L V8 F/I	33-2334 ♦+	HP-1017 ¹
Montana	3.9L V6 F/I		HP-2006 ¹
Solstice	2.0L L4 F/I	33-2369 ♦	HP-7000 ¹
Solstice	2.4L L4 F/I	33-2349 ♦	HP-7000 ¹
Torrent	3.4L V6 F/I	33-2296	HP-1001 ¹
Torrent	3.6L V6 F/I	33-2296	HP-1017 ¹
Vibe	1.8L L4 F/I	33-2252 +	HP-1003 ¹
Wave	1.6L L4 F/I	33-2320	HP-1001 ¹

2007 PONTIAC			
G5	2.2L L4 F/I	33-2311 +	HP-7000 ¹
G5	2.4L L4 F/I	33-2311 +	HP-7000 ¹
G6	2.4L L4 F/I	33-2315	HP-7000 ¹
G6	3.5L V6 F/I	33-2315 ♦	HP-2006 ¹
G6	3.6L V6 F/I	33-2296	HP-1017 ¹
G6	3.9L V6 F/I	33-2315	HP-2006 ¹
Grand Prix	3.8L V6 F/I	33-2141-1 +	HP-1001 ¹
Grand Prix	5.3L V8 F/I	33-2334 ♦+	HP-1017 ¹
Solstice	2.0L L4 F/I	33-2369	HP-7000 ¹
Solstice	2.4L L4 F/I	33-2349 ♦	HP-7000 ¹
Torrent	3.4L V6 F/I	33-2296	HP-1001 ¹
Vibe	1.8L L4 F/I	33-2252 +	HP-1003 ¹

2006 PONTIAC			
G3	1.6L L4 F/I		HP-1001 ¹
G6	2.4L L4 F/I	33-2315	HP-7000 ¹
G6	3.5L V6 F/I	33-2315 ♦	HP-1001 ¹
G6	3.9L V6 F/I	33-2315	HP-2006 ¹
Grand Prix	3.8L V6 F/I	33-2141-1 +	HP-1001 ¹
Grand Prix	5.3L V8 F/I	33-2334 ♦+	HP-1007 ¹
GTO	6.0L V8 F/I	33-2314 ♦	HP-1007 ¹
Pursuit	2.2L L4 F/I		HP-7000 ¹
Solstice	2.4L L4 F/I	33-2349 ♦	HP-7000 ¹
Torrent	3.4L V6 F/I	33-2296	HP-1001 ¹
Vibe	1.8L L4 F/I	33-2252 +	HP-1003 ¹
Vibe GT	1.8L L4 F/I	33-2252 ♦+	HP-1003 ¹

2005 PONTIAC			
Bonneville	3.8L V6 F/I	33-2141-1 +	HP-1001 ¹
Bonneville	4.6L V8 F/I	33-2063-1 +	HP-2006 ¹
G6	3.5L V6 F/I	33-2315 ♦	HP-1001 ¹
Grand Am	3.4L V6 F/I	33-2121-1	HP-1001 ¹
Grand Prix	3.8L V6 F/I	33-2141-1 ♦+	HP-1001 ¹
Grand Prix	5.3L V8 F/I	33-2334 +	HP-1007 ¹
GTO	6.0L V8 F/I	33-2314 ♦	HP-1007 ¹
Montana	3.4L V6 F/I	33-2156 +	HP-1001 ¹
Montana	3.5L V6 F/I	33-2156 +	HP-1001 ¹
Sunfire	2.2L L4 F/I	33-2143	HP-7000 ¹
Vibe	1.8L L4 F/I	33-2252 +	HP-1003 ¹
Vibe GT	1.8L L4 F/I	33-2252 ♦+	HP-1003 ¹

2004 PONTIAC			
Aztek	3.4L V6 F/I	33-2156 +	HP-1001 ¹
Bonneville	3.8L V6 F/I	33-2141-1 +	HP-1001 ¹

* 2 filters required ♦ Intake System Available - see page 370 +Cabin Air Filter Available - see page 353 1- Performance Silver Oil Filter Also Available



Vehicle	Engine Type	Air Filter	Oil Filter
2004 PONTIAC			
Bonneville	4.6L V8 F/I	33-2063-1+	HP-2006 ¹
Grand Am	2.2L L4 F/I	33-2121-1	PS-7000
Grand Am	3.4L V6 F/I	33-2121-1	HP-1001 ¹
Grand Prix	3.8L V6 F/I	33-2141-1 ♦+	HP-1001 ¹
GTO	5.7L V8 F/I	33-2289 ♦	HP-1007 ¹
Montana	3.4L V6 F/I	33-2156+	HP-1001 ¹
Sunfire	2.2L L4 F/I	33-2143 ♦	HP-7000 ¹
Vibe	1.8L L4 F/I	33-2252 ♦+	HP-1003 ¹
Vibe GT	1.8L L4 F/I	33-2252 ♦+	HP-1003 ¹

2003 PONTIAC			
Bonneville	3.8L V6 F/I	33-2141-1+	HP-1001 ¹
Grand Am	2.2L L4 F/I	33-2121-1	HP-7000 ¹
Grand Am	3.4L V6 F/I	33-2121-1	HP-1001 ¹
Grand Prix	3.1L V6 F/I	33-2141-1	HP-1001 ¹
Grand Prix	3.8L V6 F/I	33-2141-1 ♦	HP-1001 ¹
Montana	3.4L V6 F/I	33-2156+	HP-1001 ¹
Sunfire	2.2L L4 F/I	33-2143 ♦	HP-7000 ¹
Vibe	1.8L L4 F/I	33-2252 ♦+	HP-1003 ¹
Vibe GT	1.8L L4 F/I	33-2252 ♦+	HP-1003 ¹

2002 PONTIAC			
Bonneville	3.8L V6 F/I	33-2141-1+	HP-1001 ¹
Firebird	3.8L V6 F/I	33-2118 ♦	HP-1001 ¹
Firebird	5.7L V8 F/I	33-2118 ♦	HP-1007 ¹
Grand Am	2.2L L4 F/I	33-2121-1	HP-7000 ¹
Grand Am	3.4L V6 F/I	33-2121-1	HP-1001 ¹
Grand Prix	3.1L V6 F/I	33-2141-1	HP-1001 ¹
Grand Prix	3.8L V6 F/I	33-2141-1 ♦	HP-1001 ¹
Montana	3.4L V6 F/I	33-2156+	HP-1001 ¹
Sunfire	2.2L L4 F/I	33-2143 ♦	HP-1001 ¹
Sunfire	2.4L L4 F/I		HP-1007 ¹

2001 PONTIAC			
Bonneville	3.8L V6 F/I	33-2141-1+	HP-1001 ¹
Firebird	3.8L V6 F/I	33-2118 ♦	HP-1001 ¹
Firebird	5.7L V8 F/I	33-2118 ♦	HP-1007 ¹
Grand Am	2.4L L4 F/I	33-2121-1	HP-1007 ¹
Grand Am	3.4L V6 F/I	33-2121-1	HP-1001 ¹
Grand Prix	3.1L V6 F/I	33-2141-1	
Grand Prix	3.8L V6 F/I	33-2141-1 ♦	HP-1001 ¹
Sunfire	2.2L L4 F/I	33-2143	HP-1001 ¹
Sunfire	2.4L L4 F/I		HP-1007 ¹

2000 PONTIAC			
Bonneville	3.8L V6 F/I	33-2141-1+	HP-1001 ¹
Firebird	3.8L V6 F/I	33-2118 ♦	HP-1001 ¹
Firebird	5.7L V8 F/I	33-2118 ♦	HP-1007 ¹
Grand Am	2.4L L4 F/I	33-2121-1	HP-1007 ¹
Grand Am	3.4L V6 F/I	33-2121-1	HP-1001 ¹
Grand Prix	3.8L V6 F/I	33-2141-1 ♦	HP-1001 ¹
Sunfire	2.2L L4 F/I	33-2143	HP-1001 ¹
Sunfire	2.4L L4 F/I	33-2143	HP-1007 ¹

1999 PONTIAC			
Bonneville	3.8L V6 F/I	33-2086	HP-1001 ¹
Firebird	3.8L V6 F/I	33-2118 ♦	HP-1001 ¹
Firebird	5.7L V8 F/I	33-2118 ♦	HP-1007 ¹
Grand Am	3.4L V6 F/I	33-2121-1	HP-1001 ¹
Grand Prix	3.1L V6 F/I	33-2141-1	HP-1001 ¹
Grand Prix	3.8L V6 F/I	33-2141-1 ♦	HP-1001 ¹
Sunfire	2.4L L4 F/I		HP-1007 ¹

1998 PONTIAC			
Bonneville	3.8L V6 F/I	33-2086	HP-1001 ¹

Vehicle	Engine Type	Air Filter	Oil Filter
1998 PONTIAC			
Firebird	3.8L V6 F/I	33-2118	HP-1001 ¹
Firebird	5.7L V8 F/I	33-2118 ♦	HP-1007 ¹
Grand Prix	3.1L V6 F/I	33-2063-1	HP-1001 ¹
Grand Prix	3.8L V6 F/I	33-2063-1	HP-1001 ¹
Sunfire	2.2L L4 F/I		HP-1001 ¹

1997 PONTIAC			
Bonneville	3.8L V6 F/I	33-2086	HP-1001 ¹
Firebird	3.8L V6 F/I	33-2042	HP-1001 ¹
Firebird	5.7L V8 F/I		HP-2002
Firebird	5.7L V8 F/I - w/o Ram Air	33-2042 ♦	HP-2002
Firebird	5.7L V8 F/I - w/Ram Air	33-2035 ♦	HP-2002
Grand Am	3.1L V6 F/I	33-2068	HP-1001 ¹
Grand Prix	3.8L V6 F/I	33-2063-1	HP-1001 ¹

2020 PORSCHE			
911	3.0L H6 F/I		HP-7032 ¹
Macan	2.0L L4 F/I	E-0660+	

2019 PORSCHE			
911	3.0L H6 F/I		HP-7032 ¹
911	3.8L H6 F/I		HP-7032 ¹

2018 PORSCHE			
718 Boxster	2.0L H4 F/I	33-3078	
718 Boxster	2.5L H4 F/I	33-3078	
718 Cayman	2.0L H4 F/I	33-3078	
718 Cayman	2.5L H4 F/I	33-3078	
911	3.0L H6 F/I		HP-7032 ¹
911	3.8L H6 F/I		HP-7032 ¹
Cayenne	3.6L V6 F/I		HP-7032 ¹
Macan	2.0L L4 F/I	E-0660+	HP-7038 ¹
Macan	3.0L V6 DSL	E-0660+	
Macan	3.0L V6 F/I	E-0660*+	HP-7032 ¹
Macan	3.6L V6 F/I	E-0660*	HP-7032 ¹

2017 PORSCHE			
718 Boxster	2.0L H4 F/I	33-3078	
718 Boxster	2.5L H4 F/I	33-3078	
718 Cayman	2.0L H4 F/I	33-3078	
718 Cayman	2.5L H4 F/I	33-3078	
911	3.0L H6 F/I		HP-7032 ¹
Cayenne	3.0L V6 DSL	33-2857	HP-7015 ¹
Cayenne	3.0L V6 F/I	33-2857	HP-7015 ¹
Cayenne	3.6L V6 F/I	33-2857	HP-7032 ¹
Cayenne	4.8L V8 F/I	33-2857*	
Macan	2.0L L4 F/I	E-0660+	HP-7038 ¹
Macan	3.0L V6 DSL	E-0660+	
Macan	3.0L V6 F/I	E-0660*+	
Macan	3.6L V6 F/I	E-0660*	HP-7032 ¹

2016 PORSCHE			
718 Boxster	2.5L H4 F/I	33-3078	
718 Cayman	2.5L H4 F/I	33-3078	
911	3.4L H6 F/I	33-2484	
911	3.8L H6 F/I	33-2484	HP-7032 ¹
Boxster	2.7L H6 F/I	E-0666*	
Boxster	3.4L H6 F/I	E-0666*	
Boxster	3.8L H6 F/I	E-0666*	
Cayenne	3.0L V6 DSL	33-2857	HP-7015 ¹
Cayenne	3.0L V6 F/I	33-2857	HP-7015 ¹
Cayenne	3.6L V6 F/I	33-2857	
Cayenne	4.2L V8 DSL		HP-7015 ¹
Cayenne	4.8L V8 F/I	33-2857*	HP-7032 ¹
Cayman	2.7L H6 F/I	E-0666*	HP-7036 ¹

* 2 filters required ♦ Intake System Available - see page 370 +Cabin Air Filter Available - see page 353 1- Performance Silver Oil Filter Also Available



AIR & OIL FILTERS

PORSCHE

Vehicle	Engine Type	Air Filter	Oil Filter
2016 PORSCHE			
Cayman	3.4L H6 F/I	E-0666*	HP-7036 ¹
Cayman	3.8L H6 F/I	E-0666*	HP-7036 ¹
Macan	3.0L V6 DSL	E-0660+	
Macan	3.0L V6 F/I	E-0660*+	
Macan	3.6L V6 F/I	E-0660*	
2015 PORSCHE			
911	3.4L H6 F/I	33-2484	HP-7032 ¹
911	3.8L H6 F/I	33-2484	HP-7032 ¹
Boxster	2.7L H6 F/I	E-0666*	HP-7036 ¹
Boxster	3.4L H6 F/I	E-0666*	
Cayenne	3.0L V6 DSL	33-2857	
Cayenne	3.0L V6 F/I		HP-7015 ¹
Cayenne	3.6L V6 F/I		HP-7032 ¹
Cayenne	4.8L V8 F/I	33-2857*	
Cayman	2.7L H6 F/I	E-0666*	HP-7036 ¹
Cayman	3.4L H6 F/I	E-0666*	HP-7036 ¹
Macan	2.0L L4 F/I	E-0660	
Macan	3.0L V6 F/I	E-0660*	
Macan	3.6L V6 F/I	E-0660*	
Panamera	3.6L V6 F/I		HP-7032 ¹
Panamera	4.8L V8 F/I		HP-7032 ¹
2014 PORSCHE			
911	3.4L H6 F/I	33-2484	
911	3.8L H6 F/I	33-2484	HP-7032 ¹
911 Carrera	3.8L H6 F/I	33-2484	HP-7032 ¹
911 GT3	3.8L H6 F/I	33-2484	HP-7032 ¹
911 Turbo	3.8L H6 F/I		HP-7032 ¹
Boxster	2.7L H6 F/I	E-0666*	HP-7036 ¹
Boxster	3.4L H6 F/I	E-0666*	HP-7036 ¹
Cayenne	3.0L V6 DSL	33-2857	
Cayenne	3.0L V6 F/I	33-2857	HP-7015 ¹
Cayenne	3.6L V6 F/I	33-2857	
Cayenne	4.8L V8 F/I	33-2857*	HP-7032 ¹
Cayman	2.7L H6 F/I	E-0666*	HP-7036 ¹
Cayman	3.4L H6 F/I	E-0666*	HP-7036 ¹
Panamera	4.8L V8 F/I		HP-7032 ¹
2013 PORSCHE			
911	3.4L H6 F/I	33-2484	HP-7032 ¹
911	3.6L H6 F/I - Exc. GT2 RS	33-2484	
911 Carrera	3.8L H6 F/I	33-2484	HP-7032 ¹
911 GT3	3.8L H6 F/I	33-2484	HP-7032 ¹
911 Turbo	3.8L H6 F/I		HP-7032 ¹
Boxster	2.7L H6 F/I	E-0666*	HP-7036 ¹
Boxster	3.4L H6 F/I	E-0666*	HP-7036 ¹
Cayenne	3.0L V6 DSL	33-2857	
Cayenne	3.0L V6 F/I	33-2857	HP-7015 ¹
Cayenne	3.6L V6 F/I	33-2857	
Cayenne	4.8L V8 F/I	33-2857*	HP-7032 ¹
Panamera	3.6L V6 F/I		HP-7032 ¹
Panamera	4.8L V8 F/I		HP-7032 ¹
2012 PORSCHE			
911	3.6L H6 F/I	E-1999	HP-7032 ¹
911	3.8L H6 F/I		HP-7032 ¹
911	3.8L H6 F/I - w/Panel Filter	33-2484	HP-7032
911	3.8L H6 F/I - w/Round Filter	E-1999	HP-7032
Boxster	2.9L H6 F/I	E-2295	
Boxster	3.4L H6 F/I	E-2295	
Cayenne	3.0L V6 DSL	33-2857	
Cayenne	3.0L V6 F/I	33-2857	

Vehicle	Engine Type	Air Filter	Oil Filter
2012 PORSCHE			
Cayenne	3.6L V6 F/I	33-2857	
Cayenne	4.8L V8 F/I	33-2857*	HP-7032 ¹
Panamera	3.6L V6 F/I		HP-7032 ¹
Panamera	4.8L V8 F/I		HP-7032 ¹
2011 PORSCHE			
911	3.8L H6 F/I	E-1999	HP-7032 ¹
911 GT3	3.8L H6 F/I		HP-7032 ¹
911 Turbo	3.8L H6 F/I		HP-7032 ¹
Boxster	3.4L H6 F/I	E-2295	HP-7036 ¹
Cayenne	3.0L V6 DSL	33-2857	
Cayenne	3.0L V6 F/I	33-2857	
Cayenne	3.6L V6 F/I	33-2857	HP-7005 ¹
Cayenne	4.8L V8 F/I	33-2857*	HP-7032 ¹
Cayman	2.9L H6 F/I	E-2295	
Panamera	3.6L V6 F/I		HP-7032 ¹
Panamera	4.8L V8 F/I		HP-7032 ¹
2010 PORSCHE			
911	3.6L H6 F/I	E-1999	HP-7032 ¹
911	3.8L H6 F/I	E-1999	HP-7032 ¹
911 GT3	3.8L H6 F/I		HP-7032 ¹
911 Turbo	3.8L H6 F/I		HP-7032 ¹
Boxster	2.9L H6 F/I	E-2295	HP-7036 ¹
Boxster	3.4L H6 F/I	E-2295	PS-7036
Cayenne	3.0L V6 DSL	33-2857	
Cayenne	3.6L V6 F/I	33-2857	HP-7005 ¹
Cayenne	4.8L V8 F/I	33-2857*	HP-7032 ¹
Cayman	2.9L H6 F/I	E-2295	HP-7036 ¹
Cayman	3.4L H6 F/I	E-2295	
Panamera	4.8L V8 F/I		HP-7032 ¹
2009 PORSCHE			
911	3.6L H6 F/I		HP-7032 ¹
911	3.6L H6 F/I - Exc. Turbo	E-1999	HP-7032
911	3.8L H6 F/I	E-1999	HP-7032 ¹
Cayenne	3.6L V6 F/I	33-2857	HP-7005 ¹
Cayenne	4.8L V8 F/I	33-2857*	HP-7032 ¹
Cayman	2.9L H6 F/I	E-2295	HP-7036 ¹
Cayman	3.4L H6 F/I	E-2295	
2008 PORSCHE			
911	3.6L H6 F/I	33-2786	HP-7011 ¹
911	3.8L H6 F/I	33-2786	HP-7011 ¹
911 GT2	3.6L H6 F/I		HP-7011 ¹
911 GT3	3.6L H6 F/I		HP-7011 ¹
911 GT3 RSR	4.0L H6 F/I	33-5008	
911 Turbo	3.6L H6 F/I		HP-7011 ¹
Boxster	2.7L H6 F/I	E-2295	
Cayenne	3.6L V6 F/I	33-2857	HP-7005 ¹
Cayenne	4.8L V8 F/I	33-2857*	HP-7032 ¹
Cayman	2.7L H6 F/I	E-2295	
Cayman	3.4L H6 F/I	E-2295	HP-7011 ¹
2007 PORSCHE			
911	3.6L H6 F/I		HP-7011 ¹
911	3.6L H6 F/I - Exc. Turbo	33-2786	HP-7011
911	3.8L H6 F/I	33-2786	HP-7011 ¹
911 GT3	3.6L H6 F/I		HP-7011 ¹
Boxster	2.7L H6 F/I	E-2295	HP-7011 ¹
Boxster	3.4L H6 F/I	E-2295	
Cayman	2.7L H6 F/I	E-2295	HP-7011 ¹
Cayman	3.4L H6 F/I	E-2295	HP-7011 ¹
2006 PORSCHE			
911	3.6L H6 F/I	33-2786	HP-7011 ¹

* 2 filters required ♦ Intake System Available - see page 370 +Cabin Air Filter Available - see page 353 1- Performance Silver Oil Filter Also Available



Vehicle	Engine Type	Air Filter	Oil Filter
2006 PORSCHE			
911	3.8L H6 F/I	33-2786	HP-7011 ¹
911 GT3 RSR	4.0L H6 F/I	33-5008	
Boxster	2.7L H6 F/I	E-2295	HP-7011 ¹
Boxster	3.2L H6 F/I	E-2295	HP-7011 ¹
Boxster	3.4L H6 F/I	E-2295	
Cayenne	3.2L V6 F/I	33-2857	HP-7005 ¹
Cayenne	4.5L V8 F/I	33-2857*	HP-7011 ¹
Cayman	2.7L H6 F/I	E-2295	
Cayman	3.4L H6 F/I	E-2295	HP-7011 ¹

2005 PORSCHE			
911	3.6L H6 F/I		HP-7011 ¹
911	3.6L H6 F/I - Exc. Turbo	33-2786 ♦	HP-7011
911	3.6L H6 F/I - Turbo	33-2189	HP-7011
911	3.8L H6 F/I	33-2786	HP-7011 ¹
911 GT3	3.6L H6 F/I	33-2786	HP-7011 ¹
Boxster	2.7L H6 F/I	E-2295	HP-7011 ¹
Boxster	3.2L H6 F/I	E-2295	HP-7011 ¹
Cayenne	3.2L V6 F/I	33-2857	
Cayenne	4.5L V8 F/I	33-2857*	HP-7011 ¹

2004 PORSCHE			
911	3.6L H6 F/I		HP-7011 ¹
911	3.6L H6 F/I - Exc. Turbo	33-2786 ♦	HP-7011
911	3.6L H6 F/I - Turbo	33-2189	HP-7011
911	3.8L H6 F/I	33-2786	
Boxster	2.7L H6 F/I	33-2773	PS-7011
Boxster	3.2L H6 F/I - w/Panel Filter	33-2773	
Boxster	3.2L H6 F/I - w/Round Filter	E-2295	
Carrera 996	3.6L H6 F/I		PS-7011
Carrera 996	3.6L H6 F/I - Exc. Turbo	33-2786	PS-7011
Cayenne	3.2L V6 F/I	33-2857	HP-7005 ¹
Cayenne	4.5L V8 F/I	33-2857*	HP-7011 ¹

2003 PORSCHE			
911 Carrera	3.6L H6 F/I	33-2786 ♦	HP-7011 ¹
911 GT2	3.6L H6 F/I	33-2189	HP-7011 ¹
911 GT3	3.6L H6 F/I	33-2189	HP-7011 ¹
911 Turbo	3.6L H6 F/I	33-2189	HP-7011 ¹
Boxster	2.7L H6 F/I	33-2773	HP-7011 ¹
Boxster	3.2L H6 F/I	33-2773	HP-7011 ¹
Carrera 996	3.6L H6 F/I		HP-7011 ¹
Carrera 996	3.6L H6 F/I - Exc. Turbo	33-2786	HP-7011
Cayenne	4.5L V8 F/I	33-2857*	

2002 PORSCHE			
911	3.6L H6 F/I	33-2786 ♦	HP-7011 ¹
911 Carrera	3.6L H6 F/I	33-2786 ♦	HP-7011 ¹
911 GT2	3.6L H6 F/I	33-2189	HP-7011 ¹
911 GT3	3.6L H6 F/I	33-2189	HP-7011 ¹
911 Turbo	3.6L H6 F/I	33-2189	HP-7011 ¹
Boxster	2.7L H6 F/I	33-2773	HP-7011 ¹
Boxster	3.2L H6 F/I	33-2773	HP-7011 ¹
Carrera 996	3.6L H6 F/I		HP-7011 ¹
Carrera 996	3.6L H6 F/I - Exc. Turbo	33-2786	HP-7011

2001 PORSCHE			
911	3.4L H6 F/I	33-2786 ♦	HP-7011 ¹
911 Carrera	3.6L H6 F/I	33-2786	HP-7011 ¹
911 Turbo	3.6L H6 F/I	33-2189	HP-7011 ¹
Boxster	2.7L H6 F/I	33-2773	HP-7011 ¹
Boxster	3.2L H6 F/I	33-2773	HP-7011 ¹
Carrera 996	3.4L H6 F/I	33-2786	PS-7011

Vehicle	Engine Type	Air Filter	Oil Filter
2000 PORSCHE			
911	3.4L H6 F/I	33-2786 ♦	HP-7011 ¹
911	3.6L H6 F/I	33-2189	HP-7011 ¹
Boxster	2.7L H6 F/I	33-2773	HP-7011 ¹
Boxster	3.2L H6 F/I	33-2773	HP-7011 ¹
Carrera 996	3.4L H6 F/I	33-2786	HP-7011 ¹

1999 PORSCHE			
911	3.4L H6 F/I	33-2786 ♦	HP-7011 ¹
Boxster	2.5L H6 F/I	33-2773	HP-7011 ¹
Boxster	2.7L H6 F/I	33-2773	
Carrera 996	3.4L H6 F/I	33-2786	HP-7011 ¹

1998 PORSCHE			
911	3.4L H6 F/I	33-2786	
911	3.6L H6 F/I	33-2731	
Boxster	2.5L H6 F/I	33-2773	HP-7011 ¹

1997 PORSCHE			
911	3.6L H6 F/I	33-2731	
Boxster	2.5L H6 F/I	33-2773	HP-7011 ¹

2020 RAM			
1500	3.6L V6 F/I	33-2247	HP-1017 ¹
1500	5.7L V8 F/I	33-2247 ♦	HP-1017 ¹
ProMaster City	2.4L L4 F/I		HP-1017 ¹

2019 RAM			
1500	3.6L V6 F/I	33-2247+	HP-7026 ¹
1500	5.7L V8 F/I	33-2247 ♦+	HP-1017 ¹
1500 Classic	3.6L V6 F/I	33-2247 ♦+	HP-7026 ¹
1500 Classic	5.7L V8 F/I	33-2247 ♦+	HP-1017 ¹
2500	5.7L V8 F/I		HP-1017 ¹
2500	6.7L L6 DSL	33-5005+	HP-4003 ¹
3500	5.7L V8 F/I		HP-1017 ¹
3500	6.7L L6 DSL	33-5005+	

2018 RAM			
1500	3.0L V6 DSL	33-2247 ♦+	HP-7042 ¹
1500	3.6L V6 F/I	33-2247 ♦+	HP-7026 ¹
1500	5.7L V8 F/I	33-2247 ♦+	HP-1017 ¹
2500	5.7L V8 F/I	33-2247 ♦+	HP-1017 ¹
2500	6.4L V8 F/I	33-2247 ♦+	HP-1017 ¹
2500	6.7L L6 DSL	33-5005 ♦+	HP-4003 ¹
3500	5.7L V8 F/I	33-2247 ♦+	HP-1017 ¹
3500	6.4L V8 F/I	33-2247 ♦+	HP-1017 ¹
3500	6.7L L6 DSL	33-5005 ♦+	HP-4003 ¹
4500	6.7L L6 DSL	33-5005+	HP-4003 ¹
5500	6.7L L6 DSL	33-5005+	HP-4003 ¹
ProMaster 1500	3.6L V6 F/I	E-0656	HP-7026 ¹
ProMaster 2500	3.6L V6 F/I	E-0656	HP-7026 ¹
ProMaster 3500	3.6L V6 F/I	E-0656	HP-7026 ¹
ProMaster City	2.4L L4 F/I	33-5034	HP-1017 ¹

2017 RAM			
1500	3.0L V6 DSL	33-2247 ♦+	HP-7042 ¹
1500	3.6L V6 F/I	33-2247 ♦+	HP-7026 ¹
1500	5.7L V8 F/I	33-2247 ♦+	HP-1017 ¹
2500	5.7L V8 F/I	33-2247 ♦+	HP-1017 ¹
2500	6.4L V8 F/I	33-2247 ♦+	HP-1017 ¹
2500	6.7L L6 DSL	33-5005 ♦+	HP-4003 ¹
3500	5.7L V8 F/I	33-2247 ♦+	
3500	6.4L V8 F/I	33-2247 ♦+	HP-1017 ¹
3500	6.7L L6 DSL	33-5005 ♦+	HP-4003 ¹
4500	6.4L V8 F/I	33-2247+	HP-1017 ¹
4500	6.7L L6 DSL	33-5005+	HP-4003 ¹
5500	6.7L L6 DSL	33-5005+	HP-4003 ¹

* 2 filters required ♦ Intake System Available - see page 370 +Cabin Air Filter Available - see page 353 1- Performance Silver Oil Filter Also Available



AIR & OIL FILTERS

RAM

Vehicle	Engine Type	Air Filter	Oil Filter
2017 RAM			
ProMaster 1500	3.0L L4 DSL	E-9283	
ProMaster 1500	3.6L V6 F/I	E-0656	HP-7026 ¹
ProMaster 2500	3.6L V6 F/I	E-0656	HP-7026 ¹
ProMaster 3500	3.6L V6 F/I	E-0656	HP-7026 ¹
ProMaster City	2.4L L4 F/I	33-5034	HP-1017 ¹

2016 RAM			
1500	3.0L V6 DSL	33-2247 ♦♦	HP-7042 ¹
1500	3.6L V6 F/I	33-2247 ♦♦	HP-7026 ¹
1500	5.7L V8 F/I	33-2247 ♦♦	HP-1017 ¹
2500	5.7L V8 F/I	33-2247 ♦♦	HP-1017 ¹
2500	6.4L V8 F/I	33-2247 ♦♦	HP-1017 ¹
2500	6.7L L6 DSL	33-5005 ♦♦	HP-4003 ¹
3500	5.7L V8 F/I	33-2247 ♦♦	HP-1017 ¹
3500	6.4L V8 F/I	33-2247 ♦♦	HP-1017 ¹
3500	6.7L L6 DSL	33-5005 ♦♦	HP-4003 ¹
4500	6.4L V8 F/I	33-2247 +	
4500	6.7L L6 DSL	33-5005 +	
5500	6.4L V8 F/I	33-2247 +	
5500	6.7L L6 DSL	33-5005 +	HP-4003 ¹
ProMaster 1500	3.0L L4 DSL	E-9283	
ProMaster 1500	3.6L V6 F/I	E-0656	HP-7026 ¹
ProMaster 2500	3.6L V6 F/I	E-0656	
ProMaster 3500	3.6L V6 F/I	E-0656	HP-7026 ¹
ProMaster City	2.4L L4 F/I	33-5034	HP-1017 ¹
Ram	5.7L V8 F/I		HP-1017 ¹

2015 RAM			
1500	3.0L V6 DSL	33-2247 ♦	HP-7042 ¹
1500	3.6L V6 F/I	33-2247 ♦	HP-7026 ¹
1500	5.7L V8 F/I	33-2247 ♦	HP-1017 ¹
2500	5.7L V8 F/I	33-2247 ♦	HP-1017 ¹
2500	6.4L V8 F/I	33-2247 ♦	HP-1017 ¹
2500	6.7L L6 DSL	33-5005 ♦	HP-4003 ¹
3500	5.7L V8 F/I	33-2247 ♦	HP-1017 ¹
3500	6.4L V8 F/I	33-2247 ♦	HP-1017 ¹
3500	6.7L L6 DSL	33-5005 ♦	HP-4003 ¹
4500	6.4L V8 F/I	33-2247	HP-1017 ¹
4500	6.7L L6 DSL	33-5005	
5500	6.7L L6 DSL	33-5005	HP-4003 ¹
ProMaster 1500	3.0L L4 DSL	E-9283	
ProMaster 1500	3.6L V6 F/I	E-0656	
ProMaster 2500	3.0L L4 DSL	E-9283	
ProMaster 2500	3.6L V6 F/I	E-0656	HP-7026 ¹
ProMaster 3500	3.0L L4 DSL	E-9283	
ProMaster 3500	3.6L V6 F/I	E-0656	HP-7026 ¹
ProMaster City	2.4L L4 F/I	33-5034	HP-1017 ¹
Ram	5.7L V8 F/I		HP-1017 ¹

2014 RAM			
1500	3.0L V6 DSL	33-2247 ♦	HP-7042 ¹
1500	3.6L V6 F/I	33-2247 ♦	HP-7026 ¹
1500	5.7L V8 F/I	33-2247 ♦	HP-1017 ¹
2500	5.7L V8 F/I	33-2247 ♦	HP-1017 ¹
2500	6.4L V8 F/I	33-2247 ♦	HP-1017 ¹
2500	6.7L L6 DSL	33-5005 ♦	HP-4003 ¹
3500	5.7L V8 F/I	33-2247 ♦	HP-1017 ¹
3500	6.4L V8 F/I	33-2247 ♦	HP-1017 ¹
3500	6.7L L6 DSL	33-5005 ♦	HP-4003 ¹
4500	6.4L V8 F/I	33-2247	HP-1017 ¹
4500	6.7L L6 DSL	33-5005	HP-4003 ¹
5500	6.4L V8 F/I	33-2247	HP-1017 ¹
5500	6.7L L6 DSL	33-5005	HP-4003 ¹
Cargo Van	3.6L V6 F/I	33-2462 +	HP-7026 ¹

Vehicle	Engine Type	Air Filter	Oil Filter
2014 RAM			
ProMaster 1500	3.0L L4 DSL	E-9283	
ProMaster 1500	3.6L V6 F/I	E-0656	HP-7026 ¹
ProMaster 2500	3.0L L4 DSL	E-9283	
ProMaster 2500	3.6L V6 F/I	E-0656	PS-7026
ProMaster 3500	3.6L V6 F/I	E-0656	HP-7026 ¹
Ram	5.7L V8 F/I	33-2247	HP-1017 ¹

2013 RAM			
1500	3.6L V6 F/I	33-2247 ♦	HP-7025 ¹
1500	4.7L V8 F/I	33-2247 ♦	HP-2010 ¹
1500	5.7L V8 F/I	33-2247 ♦	HP-1017 ¹
2500	5.7L V8 F/I	33-2247 ♦	HP-1017 ¹
2500	6.7L L6 DSL	33-5005 ♦	HP-4003 ¹
3500	5.7L V8 F/I	33-2247 ♦	HP-1017 ¹
3500	6.7L L6 DSL	33-5005 ♦	HP-4003 ¹
4500	6.7L L6 DSL	33-5005	
5500	6.7L L6 DSL	33-5005	HP-4003 ¹
Cargo Van	3.6L V6 F/I	33-2462 +	
Ram	5.7L V8 F/I	33-2247	HP-1017 ¹
Ram	6.7L L6 DSL	33-5005	

2012 RAM			
1500	3.7L V6 F/I	33-2247	HP-2011 ¹
1500	4.7L V8 F/I	33-2247 ♦	HP-2010 ¹
1500	5.7L V8 F/I	33-2247 ♦	HP-2010 ¹
2500	5.7L V8 F/I	33-2247	HP-2010 ¹
2500	6.7L L6 DSL	E-0787 ♦	HP-4003 ¹
3500	5.7L V8 F/I	33-2247	
3500	6.7L L6 DSL	E-0787 ♦	HP-4003 ¹
4500	6.7L L6 DSL	E-0787	HP-4003 ¹
5500	6.7L L6 DSL	E-0787	HP-4003 ¹
Cargo Van	3.6L V6 F/I	33-2462 +	
Ram	5.7L V8 F/I	33-2247	HP-2010 ¹
Ram	6.7L L6 DSL	E-0787	

2011 RAM			
1500	3.7L V6 F/I	33-2247 ♦	HP-2011 ¹
1500	4.7L V8 F/I	33-2247 ♦	HP-2010 ¹
1500	5.7L V8 F/I	33-2247 ♦	HP-2010 ¹
2500	5.7L V8 F/I	33-2247	HP-2010 ¹
2500	6.7L L6 DSL	E-0787 ♦	HP-4003 ¹
3500	5.7L V8 F/I	33-2247	HP-2010 ¹
3500	6.7L L6 DSL	E-0787 ♦	HP-4003 ¹
4500	6.7L L6 DSL	E-0787	HP-4003 ¹
5500	6.7L L6 DSL	E-0787	HP-4003 ¹
Dakota	3.7L V6 F/I	33-2175	HP-2011 ¹
Dakota	4.7L V8 F/I	33-2175	HP-2010 ¹

2010 RAM			
2500	5.7L V8 F/I	33-2247	HP-2010 ¹
2500	6.7L L6 DSL	E-0787 ♦	HP-4003 ¹
Dakota	3.7L V6 F/I	33-2175	HP-2011 ¹

2019 RENAULT			
Alaskan	2.3L L4 DSL	33-3059 +	

2018 RENAULT			
Clio IV	0.9L L3 F/I	33-3007	
Clio IV	1.2L L4 F/I - Turbo	33-3007	
Megane IV	1.6L L4 DSL	33-3057	
Megane IV	1.6L L4 F/I	33-3057	
Megane IV	1.8L L4 DSL	33-3057	

2017 RENAULT			
Captur	1.2L L4 F/I	33-3007	
Clio IV	1.2L L4 F/I - Turbo	33-3007	

* 2 filters required ♦ Intake System Available - see page 370 +Cabin Air Filter Available - see page 353 1- Performance Silver Oil Filter Also Available



Vehicle	Engine Type	Air Filter	Oil Filter
2017 RENAULT			
Clio IV	1.6L L4 F/I	33-3007	
Megane IV	1.2L L4 F/I	33-3057	
Megane IV	1.6L L4 DSL	33-3057	
Megane IV	1.6L L4 F/I	33-3057	
2016 RENAULT			
Alaskan	2.3L L4 DSL	33-3059	
Megane III	2.0L L4 F/I	33-2849	
2015 RENAULT			
Captur	0.9L L3 F/I	33-3007	
Captur	1.2L L4 F/I	33-3007	
Captur	1.5L L4 DSL	33-3007	
Clio IV	0.9L L3 F/I	33-3007	
Clio IV	1.2L L4 F/I - Turbo	33-3007	
Clio IV	1.5L L4 DSL	33-3007	
Clio IV	1.6L L4 F/I	33-3007	
Kadjar	1.5L L4 DSL	33-5016	
Kangoo Express	1.2L L4 F/I	33-2849	
Kangoo Express	1.5L L4 DSL	33-2849	
2014 RENAULT			
Clio IV	1.6L L4 F/I	33-3007	
Trafic III	1.6L L4 DSL	33-3054	
2013 RENAULT			
Clio IV	0.9L L3 F/I	33-3007	
Clio IV	1.6L L4 F/I	33-3007	
Koleos	2.0L L4 DSL	33-2944	
Koleos	2.5L L4 F/I	33-2409	
Megane III	1.2L L4 F/I	33-2849	
Megane III	2.0L L4 DSL	33-2849	
Megane III	2.0L L4 F/I - Exc. Auto. Trans.	33-2849	
2012 RENAULT			
Clio III	1.6L L4 F/I	33-2927	
Fluence	1.6L L4 F/I	33-2849	
Megane III	1.2L L4 F/I	33-2849	
Megane III	2.0L L4 DSL	33-2849	
Megane III	2.0L L4 F/I - Exc. Auto. Trans.	33-2849	
2009 RENAULT			
Scenic III	1.5L L4 DSL	33-2849	
2008 RENAULT			
Clio III	1.2L L4 F/I - 101BHP	33-2927 ♦	
Clio III	1.2L L4 F/I - Exc. 101BHP	33-2925 ♦	
2007 RENAULT			
Twingo	1.2L L4 F/I - Turbo	33-2993 ♦	
2005 RENAULT			
Clio III	1.4L L4 F/I	33-2927 ♦	
2003 RENAULT			
Clio	2.0L L4 F/I	33-2863	
Clio II	2.0L L4 F/I	33-2863 ♦	
2002 RENAULT			
Clio II	2.0L L4 F/I	33-2863 ♦	
2001 RENAULT			
Twingo	1.2L L4 F/I - 75BHP	33-2860 ♦	
2008 RENAULT SAMSUNG			
SM3	1.6L L4 F/I	33-2031-2	

Vehicle	Engine Type	Air Filter	Oil Filter
2011 SAAB			
9-3	2.0L L4 F/I	33-2337	HP-7000 ¹
9-3 Series II	2.0L L4 F/I	33-2337	HP-7000 ¹
9-3X	2.0L L4 F/I		HP-7000 ¹
9-5	2.0L L4 DSL	33-2962	
9-5	2.0L L4 F/I	33-2962+	PS-7000
9-5	2.8L V6 F/I	33-2962+	HP-7003 ¹
2010 SAAB			
9-3	2.0L L4 F/I	33-2337	HP-7000 ¹
9-3 Series II	2.0L L4 F/I	33-2337	HP-7000 ¹
9-3X	2.0L L4 F/I	33-2337	HP-7000 ¹
2009 SAAB			
9-3	2.0L L4 F/I	33-2337	HP-7000 ¹
9-3 Series II	2.0L L4 F/I	33-2337	HP-7000 ¹
9-5	2.3L L4 F/I	E-2455	HP-1002 ¹
2008 SAAB			
9-3	2.0L L4 F/I	33-2337	HP-7000 ¹
9-3	2.8L V6 F/I	33-2337	HP-7003 ¹
9-3 Series II	2.0L L4 F/I	33-2337	HP-7000 ¹
9-3 Series II	2.8L V6 F/I	33-2337	HP-7003 ¹
9-5	2.3L L4 F/I	E-2455	HP-1002 ¹
9-7x	4.2L L6 F/I	E-1009	HP-2006 ¹
9-7x	5.3L V8 F/I	E-1009	HP-1017 ¹
2007 SAAB			
9-3	2.0L L4 F/I	33-2337	HP-7000 ¹
9-3	2.8L V6 F/I	33-2337	HP-7003 ¹
9-3 Series II	2.0L L4 F/I	33-2337	HP-7000 ¹
9-3 Series II	2.8L V6 F/I	33-2337	HP-7003 ¹
9-5	2.3L L4 F/I	E-2455	HP-1002 ¹
9-7x	4.2L L6 F/I	E-1009	HP-2006 ¹
9-7x	5.3L V8 F/I	E-1009	HP-1017 ¹
2006 SAAB			
9-2X	2.0L H4 F/I		HP-1008 ¹
9-2X	2.5L H4 F/I		HP-1008 ¹
9-3	2.0L L4 F/I	33-2337	HP-7000 ¹
9-3	2.8L V6 F/I	33-2337	HP-7003 ¹
9-3 Series II	2.0L L4 F/I	33-2337	HP-7000 ¹
9-3 Series II	2.8L V6 F/I	33-2337	HP-7003 ¹
9-5	2.3L L4 F/I	E-2455	HP-1002 ¹
9-7x	4.2L L6 F/I	E-1009	HP-2006 ¹
9-7x	5.3L V8 F/I	E-1009	HP-1007 ¹
2005 SAAB			
9-2X	2.0L H4 F/I	33-2336	HP-1008 ¹
9-2X	2.5L H4 F/I	33-2336	HP-1008 ¹
9-3	2.0L L4 F/I	33-2337	HP-7000 ¹
9-3 Series II	1.8L L4 F/I - Turbo		PS-7000
9-3 Series II	2.0L L4 F/I	33-2337	HP-7000 ¹
9-5	2.0L L4 F/I	E-2455 ♦	
9-5	2.3L L4 F/I	E-2455	HP-1002 ¹
9-7x	4.2L L6 F/I		HP-2006 ¹
2004 SAAB			
9-3	2.0L L4 F/I	33-2337	HP-7000 ¹
9-3 Series II	2.0L L4 F/I	33-2337	HP-7000 ¹
9-5	2.3L L4 F/I	E-2455	HP-1002 ¹
2003 SAAB			
9-3	2.0L L4 F/I - US, Convertible	33-2165	HP-1002 ¹
9-3	2.0L L4 F/I - US, Sedan	33-2337	HP-7000 ¹
9-3 Series I	2.2L L4 DSL	33-2337	
9-3 Series II	2.0L L4 F/I - Non-US	33-2337	

* 2 filters required ♦ Intake System Available - see page 370 +Cabin Air Filter Available - see page 353 1- Performance Silver Oil Filter Also Available



AIR & OIL FILTERS

SAAB

Vehicle	Engine Type	Air Filter	Oil Filter
2003 SAAB			
9-3 Series II	2.0L L4 F/I - Non-US, Convertible		HP-1002 ¹
9-3 Series II	2.0L L4 F/I - Non-US, Sedan		HP-7000 ¹
9-5	2.3L L4 F/I	E-2455	HP-1002 ¹
2002 SAAB			
9-3	2.0L L4 F/I - US	33-2165	HP-1002 ¹
9-3	2.3L L4 F/I		HP-1002 ¹
9-3 Series I	2.0L L4 F/I - Non-US		HP-7000 ¹
9-3 Series I	2.0L L4 F/I - Non-US, From 8/02	33-2337 ♦	
9-3 Series I	2.0L L4 F/I - Non-US, OEM 4236030, To 7/02	33-2166 ♦	
9-3 Series I	2.0L L4 F/I - Non-US, OEM 4876074, To 7/02	33-2165 ♦	
9-5	2.0L L4 F/I	E-2455 ♦	
9-5	2.3L L4 F/I	E-2455	HP-1002 ¹
2001 SAAB			
9-3	2.0L L4 F/I		HP-1002 ¹
9-3	2.0L L4 F/I - US	33-2165	HP-1002
9-3	2.3L L4 F/I	33-2165	HP-1002 ¹
9-3 Series I	2.0L L4 F/I		HP-1002 ¹
9-3 Series I	2.0L L4 F/I - OEM 4236030	33-2166 ♦	HP-1002
9-3 Series I	2.0L L4 F/I - OEM 4876074	33-2165 ♦	HP-1002
9-5	2.3L L4 F/I	E-2455	HP-1002 ¹
9-5	3.0L V6 F/I	E-2455	HP-1002 ¹
2000 SAAB			
9-3	2.0L L4 F/I		HP-1002 ¹
9-3	2.0L L4 F/I - OEM 4236030	33-2166	HP-1002
9-3	2.0L L4 F/I - OEM 4876074	33-2165	HP-1002
9-3	2.3L L4 F/I		HP-1002 ¹
9-3 Series I	2.0L L4 F/I		HP-1002 ¹
9-3 Series I	2.0L L4 F/I - OEM 4236030	33-2166 ♦	HP-1002
9-3 Series I	2.0L L4 F/I - OEM 4876074	33-2165 ♦	HP-1002
1999 SAAB			
9-3	2.0L L4 F/I		HP-1002 ¹
9-3	2.0L L4 F/I - OEM 4236030	33-2166	HP-1002
9-3	2.0L L4 F/I - OEM 4876074	33-2165	HP-1002
9-3 Series I	2.0L L4 F/I		HP-1002 ¹
9-3 Series I	2.0L L4 F/I - OEM 4236030	33-2166 ♦	HP-1002
9-3 Series I	2.0L L4 F/I - OEM 4876074	33-2165 ♦	HP-1002
9-5	2.3L L4 F/I	E-2455	HP-1002 ¹
1997 SAAB			
900	2.0L L4 F/I	33-2166	HP-1002 ¹
900 II	2.0L L4 F/I	33-2663	HP-1002 ¹
9000	2.3L L4 F/I		HP-1002 ¹
2009 SATURN			
Aura	2.4L L4 F/I	33-2249	HP-7000 ¹
Aura	3.6L V6 F/I	33-2249	HP-1017 ¹
Outlook	3.6L V6 F/I	33-2394+	HP-1017 ¹
Sky	2.0L L4 F/I	33-2369	HP-7000 ¹
Sky	2.4L L4 F/I	33-2349 ♦	HP-7000 ¹
Vue	2.4L L4 F/I	33-2404+	PS-7000
Vue	3.5L V6 F/I	33-2404	HP-2006 ¹
Vue	3.6L V6 F/I	33-2404	HP-1017 ¹

Vehicle	Engine Type	Air Filter	Oil Filter
2008 SATURN			
Astra	1.8L L4 F/I	33-2787 ♦	HP-7027 ¹
Aura	2.4L L4 F/I	33-2249	HP-7000 ¹
Aura	3.5L V6 F/I	33-2249	HP-2006 ¹
Aura	3.6L V6 F/I	33-2249	HP-1017 ¹
Outlook	3.6L V6 F/I	33-2394+	HP-1017 ¹
Sky	2.0L L4 F/I	33-2369 ♦	HP-7000 ¹
Sky	2.4L L4 F/I	33-2349 ♦	HP-7000 ¹
Vue	2.4L L4 F/I	33-2404+	HP-7000 ¹
Vue	3.5L V6 F/I	33-2404	HP-2006 ¹
Vue	3.6L V6 F/I	33-2404	HP-1017 ¹
2007 SATURN			
Aura	3.5L V6 F/I	33-2249	HP-2006 ¹
Aura	3.6L V6 F/I	33-2249	HP-1017 ¹
Ion	2.0L L4 F/I		HP-7000 ¹
Ion	2.2L L4 F/I	33-2358	HP-7000 ¹
Ion	2.4L L4 F/I	33-2358	HP-7000 ¹
Outlook	3.6L V6 F/I	33-2394+	HP-1017 ¹
Relay	3.9L V6 F/I	33-2318+	HP-2006 ¹
Sky	2.0L L4 F/I	33-2369	HP-7000 ¹
Sky	2.4L L4 F/I	33-2349 ♦	HP-7000 ¹
Vue	2.2L L4 F/I	33-2249	HP-7000 ¹
Vue	2.4L L4 F/I		PS-7000
Vue	3.5L V6 F/I	33-2249 ♦	HP-1010 ¹
2006 SATURN			
Ion	2.0L L4 F/I		HP-7000 ¹
Ion	2.2L L4 F/I	33-2358	HP-7000 ¹
Ion	2.4L L4 F/I	33-2358	HP-7000 ¹
Vue	2.2L L4 F/I	33-2249	HP-7000 ¹
Vue	3.5L V6 F/I	33-2249 ♦	HP-1010 ¹
2005 SATURN			
Ion	2.0L L4 F/I		HP-7000 ¹
Ion	2.2L L4 F/I	33-2275	HP-7000 ¹
Vue	2.2L L4 F/I	33-2249	HP-7000 ¹
Vue	3.5L V6 F/I	33-2249 ♦	HP-1010 ¹
2004 SATURN			
Ion	2.0L L4 F/I		HP-7000 ¹
Ion	2.2L L4 F/I	33-2275	HP-7000 ¹
Vue	2.2L L4 F/I	33-2249	HP-7000 ¹
Vue	3.5L V6 F/I	33-2249 ♦	HP-1010 ¹
2003 SATURN			
Ion	2.2L L4 F/I	33-2275	HP-7000 ¹
L200	2.2L L4 F/I	33-2160	HP-7000 ¹
LW200	2.2L L4 F/I		PS-7000
Vue	2.2L L4 F/I	33-2249	PS-7000
Vue	3.0L V6 F/I	33-2249	HP-7001 ¹
2002 SATURN			
L200	2.2L L4 F/I	33-2160	PS-7000
L300	3.0L V6 F/I	33-2160	HP-7001 ¹
SC1	1.9L L4 F/I	33-2055	HP-1002 ¹
SC2	1.9L L4 F/I	33-2055	HP-1002 ¹
SL	1.9L L4 F/I	33-2055	HP-1002 ¹
SL1	1.9L L4 F/I	33-2055	HP-1002 ¹
SL2	1.9L L4 F/I	33-2055	HP-1002 ¹
Vue	3.0L V6 F/I	33-2249	PS-7001
2001 SATURN			
SC1	1.9L L4 F/I	33-2055	HP-1002 ¹
SC2	1.9L L4 F/I	33-2055	HP-1002 ¹
SL	1.9L L4 F/I	33-2055	HP-1002 ¹
SL1	1.9L L4 F/I	33-2055	HP-1002 ¹

* 2 filters required ♦ Intake System Available - see page 370 +Cabin Air Filter Available - see page 353 1- Performance Silver Oil Filter Also Available



Vehicle	Engine Type	Air Filter	Oil Filter
2001 SATURN			
SL2	1.9L L4 F/I	33-2055	HP-1002 ¹
2000 SATURN			
LS	2.2L L4 F/I		PS-7000
LS1	2.2L L4 F/I	33-2160	PS-7000
SC2	1.9L L4 F/I		HP-1002 ¹
SL	1.9L L4 F/I		HP-1002 ¹
SL1	1.9L L4 F/I	33-2055	HP-1002 ¹
SL2	1.9L L4 F/I	33-2055	HP-1002 ¹
1999 SATURN			
SC2	1.9L L4 F/I	33-2055	HP-1002 ¹
SL1	1.9L L4 F/I	33-2055	HP-1002 ¹
SL2	1.9L L4 F/I	33-2055	HP-1002 ¹
1998 SATURN			
SL1	1.9L L4 F/I	33-2055	HP-1002 ¹
SL2	1.9L L4 F/I	33-2055	HP-1002 ¹
1997 SATURN			
SL2	1.9L L4 F/I	33-2055	HP-1002 ¹
SW2	1.9L L4 F/I		HP-1002 ¹
2016 SCION			
FR-S	2.0L H4 F/I	33-2300 ♦+	HP-1004 ¹
iA	1.5L L4 F/I	33-5038	HP-1008 ¹
iM	1.8L L4 F/I	33-2360 ♦+	HP-7021 ¹
tC	2.5L L4 F/I	33-2326 ♦+	HP-7020 ¹
2015 SCION			
FR-S	2.0L H4 F/I	33-2300 ♦+	HP-1004 ¹
tC	2.5L L4 F/I	33-2326 ♦+	HP-7020 ¹
xB	2.4L L4 F/I	33-2326 ♦+	HP-1003 ¹
2014 SCION			
FR-S	2.0L H4 F/I	33-2300 ♦+	HP-1004 ¹
iQ	1.3L L4 F/I	33-2486	
tC	2.5L L4 F/I	33-2326 ♦+	HP-7020 ¹
xB	2.4L L4 F/I	33-2326 ♦+	HP-1003 ¹
xD	1.8L L4 F/I	33-2360 +	HP-7021 ¹
2013 SCION			
FR-S	2.0L H4 F/I	33-2300 ♦+	HP-1004 ¹
iQ	1.3L L4 F/I	33-2486	
tC	2.5L L4 F/I	33-2326 ♦+	HP-7020 ¹
xB	2.4L L4 F/I	33-2326 ♦+	HP-1003 ¹
xD	1.8L L4 F/I	33-2360 +	HP-7021 ¹
2012 SCION			
iQ	1.3L L4 F/I	33-2486	
tC	2.5L L4 F/I	33-2326 ♦+	HP-7020 ¹
xB	2.4L L4 F/I	33-2326 ♦+	HP-1003 ¹
xD	1.8L L4 F/I	33-2360 ♦+	HP-7021 ¹
2011 SCION			
tC	2.5L L4 F/I	33-2326 ♦+	HP-7020 ¹
xB	2.4L L4 F/I	33-2326 ♦+	HP-1003 ¹
xD	1.8L L4 F/I	33-2360 ♦+	HP-7021 ¹
2010 SCION			
tC	2.4L L4 F/I	33-2252 ♦+	HP-1003 ¹
xB	2.4L L4 F/I	33-2326 ♦+	HP-1003 ¹
xD	1.8L L4 F/I	33-2360 ♦+	HP-7021 ¹
2009 SCION			
tC	2.4L L4 F/I	33-2252 ♦+	HP-1003 ¹
xB	2.4L L4 F/I	33-2326 ♦+	HP-1003 ¹
xD	1.8L L4 F/I	33-2360 ♦+	HP-7021 ¹

Vehicle	Engine Type	Air Filter	Oil Filter
2008 SCION			
tC	2.4L L4 F/I	33-2252 ♦+	HP-1003 ¹
xB	2.4L L4 F/I	33-2326 ♦+	HP-1003 ¹
xD	1.8L L4 F/I	33-2360 ♦+	HP-7021 ¹
2007 SCION			
tC	2.4L L4 F/I	33-2252 ♦+	HP-1003 ¹
2006 SCION			
tC	2.4L L4 F/I	33-2300 ♦+	HP-1003 ¹
xA	1.5L L4 F/I	33-2211 ♦+	HP-1003 ¹
xB	1.5L L4 F/I	33-2211 ♦+	HP-1003 ¹
2005 SCION			
tC	2.4L L4 F/I	33-2300 ♦+	HP-1003 ¹
xA	1.5L L4 F/I	33-2211 ♦+	HP-1003 ¹
xB	1.5L L4 F/I	33-2211 ♦+	HP-1003 ¹
2004 SCION			
xA	1.5L L4 F/I	33-2211 ♦+	HP-1003 ¹
xB	1.5L L4 F/I	33-2211 ♦+	HP-1003 ¹
2017 SEA DOO			
GTI Limited 155	1494		KN-556
GTI SE 130	1494		KN-556
GTI SE 155	1494		KN-556
GTR-X 230	1494		KN-556
GTX Limited S 260	1494		KN-556
RXT 260	1494		KN-556
Wake 155	1494		KN-556
2016 SEA DOO			
GTI 130	1503		KN-556
GTI SE 130	1503		KN-556
GTI SE 155	1503		KN-556
GTR 215	1503		KN-556
GTS 130	1503		KN-556
GTX 155	1503		KN-556
RXT 260	1503		KN-556
Wake 155	1503		KN-556
2015 SEA DOO			
GTX 155	1503		KN-556
RXT X 260	1503		KN-556
2014 SEA DOO			
GTI 130	1494		KN-556
GTI SE 130	1494		KN-556
GTI SE 155	1494		KN-556
GTS 130	1503		KN-556
GTX 155	1503		KN-556
RXP X 260	1503		KN-556
Wake 155	1503		KN-556
Wake Pro 215	1503		KN-556
2013 SEA DOO			
GTI SE 130	1494		KN-556
RXP X 260	1494		KN-556
RXT X aS 260	1494		KN-556
Wake Pro 215	1494		KN-556
2012 SEA DOO			
GTI 130	1494		KN-556
GTI SE 155	1494		KN-556
GTX 155	1494		KN-556
GTX 215	1494		KN-556
GTX S 155	1494		KN-556
RXP X 260	1494		KN-556
RXT X 260	1494		KN-556

* 2 filters required ♦ Intake System Available - see page 370 +Cabin Air Filter Available - see page 353 1- Performance Silver Oil Filter Also Available



AIR & OIL FILTERS

SEA DOO

Vehicle	Engine Type	Air Filter	Oil Filter
2012 SEA DOO			
Wake 155	1494	KN-556	
Wake Pro 215	1494	KN-556	
2011 SEA DOO			
GTI SE 155	1494	KN-556	
GTX 215	1494	KN-556	
RXP X 255	1494	KN-556	
Wake 155	1494	KN-556	
2010 SEA DOO			
GTI SE 155	1494	KN-556	
GTX 155	1494	KN-556	
RXT iS 260	1494	KN-556	
RXT X 260	1494	KN-556	
Wake Pro 215	1494	KN-556	
2009 SEA DOO			
GTI SE 130	1494	KN-556	
RXP 215	1494	KN-556	
RXP X 255	1494	KN-556	
RXT iS 255	1494	KN-556	
2008 SEA DOO			
150 Speedster	1494	KN-556	
180 Challenger SE	1494	KN-556	
GTX 155	1494	KN-556	
RXP X 255	1494	KN-556	
2007 SEA DOO			
150 Speedster	1494	KN-556	
200 Speedster	1494	KN-556	
230 Wake Eng 2	1494	KN-556	
GTI SE	1494	KN-556	
GTX STD	1494	KN-556	
RXP NA	1494	KN-556	
RXT BVIC	1494	KN-556	
2006 SEA DOO			
180 Challenger CS	1494	KN-556	
200 Speedster	1494	KN-556	
GTI SE	1494	KN-556	
GTX 4-TEC STD	1494	KN-556	
GTX 4-Tec Wake	1494	KN-556	
GTX Limited	1494	KN-556	
GTX SC	1494	KN-556	
RXP	1494	KN-556	
Speedster Wake	1494	KN-556	
Speedster Wake Eng. 2	1494	KN-556	
2005 SEA DOO			
GTX SC	1494	KN-556	
RXP	1494	KN-556	
RXT	1494	KN-556	
2004 SEA DOO			
GTX 4-Tec	1494	KN-556	
GTX 4-Tec Ltd. Supercharged	1494	KN-556	
GTX 4-Tec Supercharged	1484	KN-556	
Sportster 4-Tec	1484	KN-556	
2003 SEA DOO			
GTX 4-Tec	1484	KN-556	
GTX 4-Tec Supercharged	1484	KN-556	
GTX 4-Tec Wake	1484	KN-556	

Vehicle	Engine Type	Air Filter	Oil Filter
2002 SEA DOO			
GTX 4-Tec	1484		KN-556
2019 SEAT			
Leon	2.0L L4 DSL	33-3005	
Leon	2.0L L4 F/I	33-3005 ♦	
2018 SEAT			
Ateca	1.6L L4 DSL	33-3035	
Ibiza VI	1.0L L3 F/I - Turbo	33-3037	
Leon	1.0L L3 F/I	33-3037	
Leon	2.0L L4 DSL	33-3005	
Leon	2.0L L4 F/I	33-3005 ♦	
Toledo IV	1.0L L3 F/I	33-3037	
2017 SEAT			
Ibiza VI	1.0L L3 F/I - Turbo	33-3037	
Leon	2.0L L4 DSL	33-3005+	
Leon	2.0L L4 F/I	33-3005 ♦+	
Mii	1.0L L3 F/I - Turbo	33-3037	
2016 SEAT			
Ateca	1.0L L3 F/I	33-3037+	
Ibiza V	1.0L L3 F/I - Turbo	33-3037	
Ibiza V	1.8L L4 F/I	33-3035	
Leon	1.4L L4 F/I	33-3004 ♦+	
Leon	2.0L L4 DSL	33-3005+	
Leon	2.0L L4 F/I	33-3005 ♦+	
Toledo IV	1.6L L4 DSL	33-3035	
2015 SEAT			
Ibiza V	1.0L L3 F/I - Turbo	33-3037	
Ibiza V	1.2L L3 DSL	E-2997	
Ibiza V	1.2L L4 F/I - Exc. TSi	33-2830 ♦	
Ibiza V	1.2L L4 F/I - TSi, From 5/15	33-3004 ♦	
Ibiza V	1.2L L4 F/I - TSi, To 4/15	E-2997 ♦	
Ibiza V	1.4L L4 DSL	33-3044	
Ibiza V	1.4L L4 F/I - Exc. TSi	33-2920 ♦	
Ibiza V	1.4L L4 F/I - TSi, 140BHP, From 5/15	33-3004 ♦	
Ibiza V	1.4L L4 F/I - TSi, 150/180BHP, To 4/15	E-2997 ♦	
Ibiza V	1.6L L4 DSL	E-2997	
Leon	2.0L L4 DSL	33-3005+	
Leon	2.0L L4 F/I	33-3005 ♦+	
2014 SEAT			
Ibiza V	1.2L L3 DSL	E-2997	
Ibiza V	1.2L L4 F/I - TSi	E-2997 ♦	
Ibiza V	1.4L L4 F/I - TSi, 150/180BHP	E-2997 ♦	
Leon	1.4L L4 F/I	33-3004 ♦+	
Leon	1.8L L4 F/I	33-3005 ♦+	
Leon	2.0L L4 DSL	33-3005+	
Leon	2.0L L4 F/I	33-3005 ♦+	
Toledo IV	1.2L L4 F/I - TSi	E-2997	
2013 SEAT			
Ibiza V	1.2L L3 DSL	E-2997 ♦	
Ibiza V	1.2L L4 F/I - TSi	E-2997 ♦	
Ibiza V	1.4L L4 F/I - TSi, 150/180BHP	E-2997 ♦	
Ibiza V	1.6L L4 DSL	E-2997 ♦	
Leon	1.8L L4 F/I	33-3005 ♦+	
Leon	2.0L L4 DSL	33-3005+	
2012 SEAT			
Leon	1.4L L4 F/I - 86BHP	33-2920 ♦+	

* 2 filters required ♦ Intake System Available - see page 370 +Cabin Air Filter Available - see page 353 1- Performance Silver Oil Filter Also Available

Partial Listing: Complete Listing of Vehicles and Parts at KNFILTERS.COM or call 1-800-858-3333



Vehicle	Engine Type	Air Filter	Oil Filter
2012 SEAT			
Leon	2.0L L4 DSL	33-2865 ♦♦	
Leon	2.0L L4 F/I	33-2865 ♦♦	
Leon Cupra R	2.0L L4 F/I	33-2888 ♦♦	
2011 SEAT			
Ibiza V	1.2L L3 DSL	E-2997 ♦	
Ibiza V	1.2L L4 F/I - TSi	E-2997 ♦	
Ibiza V	1.4L L4 F/I - TSi	E-2997 ♦	
Ibiza V	1.6L L4 DSL	E-2997 ♦	
Leon	1.4L L4 F/I - 125BHP	E-2014 ♦♦	
Leon	1.4L L4 F/I - 86BHP	33-2920 ♦♦	
2010 SEAT			
Ibiza V	1.4L L4 DSL	33-2830	
Ibiza V	1.4L L4 F/I - TSi	E-2997 ♦	
2009 SEAT			
Ibiza V	1.4L L3 DSL	33-2830	
Ibiza V	1.4L L4 F/I - TSi	E-2997 ♦	
Leon	2.0L L4 DSL	33-2865 ♦♦	
Leon	2.0L L4 F/I		HP-7010 ¹
Leon	2.0L L4 F/I - From 7/09, Exc. Cupra R	33-2865 ♦♦	HP-7010
Leon	2.0L L4 F/I - Turbo; To 6/09, From 7/09; Cupra R	33-2888 ♦♦	HP-7010
2008 SEAT			
Ibiza IV	1.4L L3 DSL	33-2830	
Ibiza IV	1.4L L4 F/I - 85BHP	33-2920 ♦	
Leon	2.0L L4 DSL	33-2865 ♦♦	
Leon	2.0L L4 F/I		HP-7010 ¹
Leon	2.0L L4 F/I - Exc. 150BHP	33-2888 ♦♦	HP-7010
2007 SEAT			
Ibiza IV	1.9L L4 DSL	33-2830 ♦	
Leon	2.0L L4 F/I		PS-7010
2006 SEAT			
Ibiza IV	1.8L L4 F/I	33-2830 ♦	
2004 SEAT			
Leon	1.8L L4 F/I	33-2128 ♦♦	
2003 SEAT			
Leon	1.8L L4 F/I	33-2128 ♦♦	HP-2005 ¹
2011 SHERCO			
SE 2.5i F	250		KN-611
2006 SHERCO			
SM 4.5i F	450		KN-611
2004 SHERCO			
SM 5.1i F	500		KN-611
2004 SKI DOO			
Legend V-1000 Sport	1000		KN-556
2018 SMART			
Fortwo	0.9L L3 F/I	33-3043	
Fortwo	1.0L L3 F/I	33-3043	
2017 SMART			
Fortwo	1.0L L3 F/I	33-3043	
2016 SMART			
Fortwo	0.9L L3 F/I	33-3043	
Fortwo	1.0L L3 F/I	33-3043	

Vehicle	Engine Type	Air Filter	Oil Filter
2015 SMART			
Fortwo	0.9L L3 F/I	33-3043	
Fortwo	1.0L L3 F/I	33-2417	HP-1008 ¹
Fortwo	1.0L L3 F/I - Non-US, Cabrio	33-2417	HP-1008
Fortwo	1.0L L3 F/I - Non-US, Coupe	33-3043	HP-1008
2014 SMART			
Fortwo	1.0L L3 F/I	33-2417	HP-1008 ¹
Fortwo	1.0L L3 F/I - China, From 9/14	33-3043	HP-1008
2013 SMART			
Fortwo	1.0L L3 F/I	33-2417	HP-1008 ¹
2012 SMART			
Fortwo	1.0L L3 F/I	33-2417	HP-1008 ¹
2011 SMART			
Fortwo	1.0L L3 F/I	33-2417	HP-1008 ¹
2010 SMART			
Fortwo	1.0L L3 F/I		HP-1008 ¹
Fortwo	1.0L L3 F/I - US	33-2417	HP-1008
2009 SMART			
Cabrio II	1.0L L3 F/I	33-2417	
Fortwo	0.8L L3 DSL	33-2417	
Fortwo	1.0L L3 F/I	33-2417	HP-1008 ¹
2008 SMART			
Cabrio II	1.0L L3 F/I	33-2417	
Fortwo	0.8L L3 DSL	33-2417	
Fortwo	1.0L L3 F/I	33-2417	HP-1008 ¹
2006 SMART			
Forfour	1.5L L4 F/I	33-2881	
Fortwo	0.8L L3 DSL	E-9257	
2005 SMART			
Forfour	1.1L L3 F/I	33-2881	
2004 SMART			
Roadster	0.7L L3 F/I	E-9257 ♦	
2003 SMART			
Roadster	0.7L L3 F/I	E-9257 ♦	
2020 SUBARU			
Ascent	2.4L H4 F/I	33-5064	HP-1010 ¹
BRZ	2.0L H4 F/I - OEM 16546AA170	33-5060 ♦	
BRZ	2.0L H4 F/I - OEM 16546JB000	33-2300 ♦	
Forester	2.5L H4 F/I	33-5064	HP-1010 ¹
Legacy	2.4L H4 F/I	33-5064+	
Legacy	2.5L H4 F/I		HP-1010 ¹
Outback	2.4L H4 F/I	33-5064+	
WRX	2.0L H4 F/I	33-2304	
WRX STI	2.5L H4 F/I	33-5092 ♦	
2019 SUBARU			
Ascent	2.4L H4 F/I	33-5064+	HP-1010 ¹
BRZ	2.0L H4 F/I		HP-1004 ¹
BRZ	2.0L H4 F/I - OEM 16546AA170	33-5060 ♦	HP-1004
BRZ	2.0L H4 F/I - OEM 16546JB000	33-2300 ♦	HP-1004
Crosstrek	2.0L H4 F/I	33-5064 ♦♦	HP-1010 ¹
Forester	2.0L H4 F/I	33-2304	
Forester	2.5L H4 F/I	33-5064	HP-1010 ¹
Impreza	1.6L H4 F/I	33-5064	

* 2 filters required ♦ Intake System Available - see page 370 +Cabin Air Filter Available - see page 353 1- Performance Silver Oil Filter Also Available



AIR & OIL FILTERS

SUBARU

Vehicle	Engine Type	Air Filter	Oil Filter
2019 SUBARU			
Impreza	2.0L H4 F/I	33-5064+	HP-1010 ¹
Legacy	2.5L H4 F/I	33-2304+	HP-1010 ¹
Legacy	3.6L H6 F/I	33-2304+	HP-1004 ¹
Levorg	1.6L H4 F/I	33-2304+	
Outback	2.5L H4 F/I	33-2304+	HP-1010 ¹
Outback	3.6L H6 F/I	33-2304+	HP-1004 ¹
WRX	2.0L H4 F/I	33-2304♦	HP-1004 ¹
WRX STI	2.5L H4 F/I	33-5092♦	HP-1008 ¹
XV	2.0L H4 F/I	33-5064+	

Vehicle	Engine Type	Air Filter	Oil Filter
2018 SUBARU			
BRZ	2.0L H4 F/I		HP-1004 ¹
BRZ	2.0L H4 F/I - OEM 16546AA170	33-5060♦+	HP-1004
BRZ	2.0L H4 F/I - OEM 16546JB000	33-2300♦+	HP-1004
Crosstrek	2.0L H4 F/I	33-5064♦+	HP-1004 ¹
Forester	2.0L H4 DSL	33-2304	
Forester	2.0L H4 F/I	33-2304+	HP-1010 ¹
Forester	2.5L H4 F/I	33-2304+	HP-1010 ¹
Impreza	1.6L H4 F/I	33-5064	
Impreza	2.0L H4 F/I	33-5064♦+	HP-1010 ¹
Legacy	2.5L H4 F/I	33-2304+	HP-1010 ¹
Legacy	3.6L H6 F/I	33-2304+	HP-1004 ¹
Outback	2.0L H4 F/I	33-2304	
Outback	2.5L H4 F/I	33-2304+	HP-1010 ¹
Outback	3.6L H6 F/I	33-2304+	HP-1004 ¹
WRX	2.0L H4 F/I	33-2304♦+	HP-1004 ¹
WRX STI	2.5L H4 F/I	33-2304♦+	HP-1008 ¹
XV	2.0L H4 F/I	33-5064+	

Vehicle	Engine Type	Air Filter	Oil Filter
2017 SUBARU			
BRZ	2.0L H4 F/I		HP-1004 ¹
BRZ	2.0L H4 F/I - OEM 16546AA170	33-5060♦+	HP-1004
BRZ	2.0L H4 F/I - OEM 16546JB000	33-2300♦+	HP-1004
Crosstrek	2.0L H4 F/I	33-2304+	HP-1010 ¹
Exiga	2.0L H4 F/I	33-2304+	
Forester	2.0L H4 DSL	33-2304	
Forester	2.0L H4 F/I	33-2304+	HP-1010 ¹
Forester	2.5L H4 F/I	33-2304+	HP-1010 ¹
Impreza	1.6L H4 F/I	33-5064	
Impreza	2.0L H4 F/I	33-5064♦+	HP-1010 ¹
Legacy	2.5L H4 F/I	33-2304+	HP-1010 ¹
Legacy	3.6L H6 F/I	33-2304+	HP-1004 ¹
Outback	2.0L H4 DSL	33-2304	
Outback	2.5L H4 F/I	33-2304+	HP-1010 ¹
Outback	3.6L H6 F/I	33-2304+	HP-1004 ¹
Stella	0.7L L3 F/I - Turbo	33-3085	
WRX	2.0L H4 F/I	33-2304♦+	HP-1004 ¹
WRX STI	2.5L H4 F/I	33-2304♦+	HP-1008 ¹
XV	1.6L H4 F/I - From 5/17	33-5064	
XV	1.6L H4 F/I - To 5/17	33-2304	
XV	2.0L H4 DSL	33-2304	
XV	2.0L H4 F/I		HP-1010 ¹
XV	2.0L H4 F/I - Non-US, To 5/17	33-2304	HP-1010

Vehicle	Engine Type	Air Filter	Oil Filter
2016 SUBARU			
BRZ	2.0L H4 F/I	33-2300♦+	HP-1004 ¹
Forester	2.0L H4 DSL	33-2304	
Forester	2.0L H4 F/I	33-2304+	HP-1010 ¹
Forester	2.5L H4 F/I	33-2304+	HP-1010 ¹
Impreza	1.6L H4 F/I - From 7/16	33-5064	
Impreza	1.6L H4 F/I - To 9/16	33-2304	

Vehicle	Engine Type	Air Filter	Oil Filter
2016 SUBARU			
Impreza	2.0L H4 F/I		HP-1010 ¹
Impreza	2.0L H4 F/I - Non-US, To 9/16	33-2304+	HP-1010
Impreza	2.0L H4 F/I - US	33-2304+	HP-1010
Impreza WRX STi	2.5L H4 F/I	33-2304♦+	HP-1008 ¹
Legacy	2.5L H4 F/I	33-2304+	HP-1010 ¹
Legacy	3.6L H6 F/I	33-2304+	HP-1004 ¹
Outback	2.0L H4 DSL	33-2304	
Outback	2.5L H4 F/I	33-2304+	HP-1010 ¹
Outback	3.6L H6 F/I	33-2304+	HP-1004 ¹
WRX	2.0L H4 F/I	33-2304♦+	HP-1004 ¹
WRX STI	2.5L H4 F/I	33-2304♦+	HP-1008 ¹
XV	1.6L H4 F/I	33-2304	
XV	2.0L H4 DSL	33-2304	
XV	2.0L H4 F/I		HP-1010 ¹
XV	2.0L H4 F/I - Non-US	33-2304	HP-1010
XV Crosstrek	2.0L H4 F/I		HP-1010 ¹
XV Crosstrek	2.0L H4 F/I - Exc. Hybrid	33-2304	HP-1010
XV Crosstrek	2.0L H4 F/I - w/Hybrid	33-5022	HP-1010

Vehicle	Engine Type	Air Filter	Oil Filter
2015 SUBARU			
BRZ	2.0L H4 F/I	33-2300♦+	HP-1004 ¹
Forester	2.0L H4 DSL	33-2304	
Forester	2.0L H4 F/I	33-2304+	HP-1010 ¹
Forester	2.5L H4 F/I	33-2304+	HP-1010 ¹
Forester	2.5L H4 F/I - China	33-2304	HP-1010
Impreza	1.6L H4 F/I	33-2304	
Impreza	2.0L H4 F/I	33-2304♦+	HP-1010 ¹
Impreza WRX STi	2.5L H4 F/I	33-2304♦+	HP-1008 ¹
Legacy	2.5L H4 F/I	33-2304+	HP-1010 ¹
Legacy	3.6L H6 F/I	33-2304+	HP-1004 ¹
Outback	2.0L H4 DSL	33-2304	
Outback	2.5L H4 F/I	33-2304+	HP-1010 ¹
Outback	3.6L H6 F/I	33-2304+	HP-1004 ¹
WRX	2.0L H4 F/I	33-2304♦+	HP-1004 ¹
WRX STI	2.5L H4 F/I	33-2304♦+	HP-1008 ¹
XV	2.0L H4 DSL	33-2304	
XV	2.0L H4 F/I		HP-1010 ¹
XV	2.0L H4 F/I - Non-US	33-2304	HP-1010
XV Crosstrek	2.0L H4 F/I		HP-1010 ¹
XV Crosstrek	2.0L H4 F/I - Exc. Hybrid	33-2304+	HP-1010
XV Crosstrek	2.0L H4 F/I - w/Hybrid	33-5022+	HP-1010

Vehicle	Engine Type	Air Filter	Oil Filter
2014 SUBARU			
BRZ	2.0L H4 F/I	33-2300♦+	HP-1004 ¹
Forester	2.0L H4 DSL	33-2304	
Forester	2.0L H4 F/I	33-2304+	HP-1010 ¹
Forester	2.5L H4 F/I	33-2304+	HP-1010 ¹
Forester	2.5L H4 F/I - China	33-2304	HP-1010
Impreza	1.6L H4 F/I	33-2304	
Impreza	2.0L H4 F/I	33-2304♦+	HP-1010 ¹
Impreza WRX	2.5L H4 F/I	33-2304♦+	HP-1008 ¹
Impreza WRX STi	2.5L H4 F/I	33-2304♦+	HP-1008 ¹
Legacy	2.5L H4 F/I	33-2304+	HP-1010 ¹
Legacy	3.6L H6 F/I	33-2304+	HP-1004 ¹
Legacy IV	2.0L H4 DSL	33-2304	
Legacy IV	2.0L H4 F/I	33-2304	
Legacy IV	2.5L H4 F/I	33-2304	
Outback	2.0L H4 DSL	33-2304	
Outback	2.5L H4 F/I	33-2304+	HP-1010 ¹
Outback	3.6L H6 F/I	33-2304+	HP-1004 ¹
WRX	2.5L H4 F/I	33-2304+	HP-1008 ¹
WRX STI	2.5L H4 F/I	33-2304♦+	HP-1008 ¹

* 2 filters required ♦ Intake System Available - see page 370 +Cabin Air Filter Available - see page 353 1- Performance Silver Oil Filter Also Available



Vehicle	Engine Type	Air Filter	Oil Filter
2014 SUBARU			
XV	2.0L H4 DSL	33-2304	
XV	2.0L H4 F/I		HP-1010 ¹
XV	2.0L H4 F/I - Non-US	33-2304	HP-1010
XV Crosstrek	2.0L H4 F/I		HP-1008 ¹
XV Crosstrek	2.0L H4 F/I - Exc. Hybrid	33-2304+	HP-1008
XV Crosstrek	2.0L H4 F/I - w/Hybrid	33-5022+	HP-1008

Vehicle	Engine Type	Air Filter	Oil Filter
2013 SUBARU			
BRZ	2.0L H4 F/I	33-2300 ♦+	HP-1004 ¹
Forester	2.0L H4 DSL	33-2304	
Forester	2.0L H4 F/I	33-2304	
Forester	2.5L H4 F/I	33-2304+	
Forester	2.5L H4 F/I - China	33-2304	
Forester	2.5L H4 F/I - Exc. Turbo	33-2304	HP-1010 ¹
Forester	2.5L H4 F/I - Turbo	33-2304	HP-1008 ¹
Impreza	1.6L H4 F/I	33-2304	
Impreza	2.0L H4 F/I	33-2304+	HP-1010 ¹
Impreza WRX	2.5L H4 F/I	33-2304 ♦+	HP-1008 ¹
Impreza WRX STi	2.5L H4 F/I	33-2304 ♦+	HP-1008 ¹
Legacy	2.5L H4 F/I	33-2304+	HP-1010 ¹
Legacy	3.6L H6 F/I	33-2304+	HP-1004 ¹
Legacy IV	2.0L H4 DSL	33-2304	
Legacy IV	2.0L H4 F/I	33-2304	
Legacy IV	2.5L H4 F/I	33-2304	
Outback	2.0L H4 DSL	33-2304	
Outback	2.5L H4 F/I	33-2304+	HP-1010 ¹
Outback	3.6L H6 F/I	33-2304+	HP-1004 ¹
Tribeca	3.6L H6 F/I	33-2304+	
WRX	2.5L H4 F/I	33-2304+	HP-1008 ¹
WRX STi	2.5L H4 F/I	33-2304	HP-1008 ¹
XV	2.0L H4 DSL	33-2304	
XV	2.0L H4 F/I	33-2304	
XV Crosstrek	2.0L H4 F/I	33-2304+	HP-1008 ¹

Vehicle	Engine Type	Air Filter	Oil Filter
2012 SUBARU			
BRZ	2.0L H4 F/I	33-2300	
Dex	1.3L L4 F/I	33-2967+	
Forester	2.0L H4 DSL	33-2304	
Forester	2.0L H4 F/I	33-2304	
Forester	2.5L H4 F/I	33-2304+	HP-1004 ¹
Forester	2.5L H4 F/I - China	33-2304	HP-1004
Forester Turbo	2.5L H4 F/I	33-2304+	HP-1008 ¹
Impreza	1.5L H4 F/I	33-2304	
Impreza	2.0L H4 DSL	33-2304	
Impreza	2.0L H4 F/I	33-2304+	HP-1010 ¹
Impreza WRX	2.5L H4 F/I	33-2304 ♦+	HP-1008 ¹
Impreza WRX STi	2.5L H4 F/I	33-2304 ♦+	HP-1008 ¹
Legacy	2.5L H4 F/I	33-2304+	HP-1008 ¹
Legacy	3.6L H6 F/I	33-2304+	HP-1004 ¹
Legacy IV	2.0L H4 DSL	33-2304	
Legacy IV	2.0L H4 F/I	33-2304	
Legacy IV	2.5L H4 F/I	33-2304	
Outback	2.0L H4 DSL	33-2304	
Outback	2.5L H4 F/I	33-2304+	HP-1008 ¹
Outback	3.6L H6 F/I	33-2304+	HP-1004 ¹
Tribeca	3.6L H6 F/I	33-2304+	HP-1004 ¹
WRX	2.5L H4 F/I	33-2304+	HP-1008 ¹
WRX STi	2.5L H4 F/I	33-2304+	HP-1008 ¹
XV	2.0L H4 DSL	33-2304	
XV	2.0L H4 F/I	33-2304	

Vehicle	Engine Type	Air Filter	Oil Filter
2011 SUBARU			
Forester	2.0L H4 DSL	33-2304	

Vehicle	Engine Type	Air Filter	Oil Filter
2011 SUBARU			
Forester	2.0L H4 F/I	33-2304	
Forester	2.5L H4 F/I	33-2304+	HP-1004 ¹
Forester	2.5L H4 F/I - China	33-2304	HP-1004
Forester Turbo	2.5L H4 F/I	33-2304+	HP-1008 ¹
Impreza	1.5L H4 F/I	33-2304	
Impreza	2.0L H4 DSL	33-2304	
Impreza	2.0L H4 F/I	33-2304	
Impreza	2.5L H4 F/I	33-2304	HP-1008 ¹
Impreza WRX	2.5L H4 F/I	33-2304 ♦+	HP-1008 ¹
Impreza WRX STi	2.5L H4 F/I	33-2304 ♦+	HP-1008 ¹
Legacy	2.5L H4 F/I	33-2304+	HP-1008 ¹
Legacy	3.6L H6 F/I	33-2304+	HP-1004 ¹
Legacy IV	2.0L H4 DSL	33-2304	
Legacy IV	2.0L H4 F/I	33-2304	
Legacy IV	2.5L H4 F/I	33-2304	
Outback	2.0L H4 DSL	33-2304	
Outback	2.5L H4 F/I	33-2304+	HP-1008 ¹
Outback	3.6L H6 F/I	33-2304+	HP-1004 ¹
Tribeca	3.6L H6 F/I	33-2304+	

Vehicle	Engine Type	Air Filter	Oil Filter
2010 SUBARU			
Forester	2.0L H4 DSL	33-2304	
Forester	2.0L H4 F/I	33-2304	
Forester	2.5L H4 F/I	33-2304+	HP-1008 ¹
Forester	2.5L H4 F/I - China	33-2304	HP-1008
Impreza	1.5L H4 F/I	33-2304	
Impreza	2.0L H4 DSL	33-2304	
Impreza	2.0L H4 F/I	33-2304	
Impreza	2.5L H4 F/I	33-2304	HP-1008 ¹
Impreza WRX	2.5L H4 F/I	33-2304 ♦+	HP-1008 ¹
Impreza WRX STi	2.5L H4 F/I	33-2304 ♦+	HP-1008 ¹
Legacy	2.5L H4 F/I	33-2304+	HP-1008 ¹
Legacy	3.6L H6 F/I	33-2304+	HP-1004 ¹
Legacy III	2.0L H4 DSL	33-2304	
Legacy III	2.0L H4 F/I	33-2304	
Legacy III	2.5L H4 F/I	33-2304+	HP-1008 ¹
Legacy IV	2.0L H4 DSL	33-2304	
Legacy IV	2.0L H4 F/I	33-2304	
Legacy IV	2.5L H4 F/I	33-2304	
Outback	2.0L H4 DSL	33-2304	
Outback	2.5L H4 F/I	33-2304+	HP-1008 ¹
Outback	3.6L H6 F/I	33-2304+	HP-1004 ¹
Tribeca	3.6L H6 F/I	33-2304+	HP-1004 ¹

Vehicle	Engine Type	Air Filter	Oil Filter
2009 SUBARU			
Forester	2.0L H4 DSL	33-2304	
Forester	2.0L H4 F/I	33-2304	
Forester	2.5L H4 F/I	33-2304+	HP-1008 ¹
Impreza	2.0L H4 DSL	33-2304	
Impreza	2.0L H4 F/I	33-2304	
Impreza	2.5L H4 F/I	33-2304	HP-1008 ¹
Impreza II	1.5L H4 F/I	33-2304	
Impreza WRX	2.0L H4 F/I	33-2304	
Impreza WRX	2.5L H4 F/I	33-2304 ♦+	HP-1008 ¹
Impreza WRX STi	2.0L H4 F/I	33-2304	
Impreza WRX STi	2.5L H4 F/I	33-2304 ♦+	HP-1008 ¹
Legacy	2.5L H4 F/I	33-2304+	HP-1008 ¹
Legacy	3.0L H6 F/I	33-2304+	HP-1004 ¹
Legacy GT	2.5L H4 F/I	33-2304 ♦+	HP-1008 ¹
Legacy III	2.0L H4 DSL	33-2304	
Legacy III	2.0L H4 F/I	33-2304	
Legacy III	2.5L H4 F/I	33-2304+	HP-1008 ¹
Legacy III	3.0L H6 F/I	33-2304+	HP-1004 ¹
Legacy IV	2.0L H4 DSL	33-2304	

* 2 filters required ♦ Intake System Available - see page 370 +Cabin Air Filter Available - see page 353 1- Performance Silver Oil Filter Also Available



AIR & OIL FILTERS

SUBARU

Vehicle	Engine Type	Air Filter	Oil Filter
2009 SUBARU			
Legacy IV	2.0L H4 F/I	33-2304	
Legacy IV	2.5L H4 F/I	33-2304	HP-1008 ¹
Legacy IV	3.0L H6 F/I	33-2304	HP-1004 ¹
Outback	2.5L H4 F/I	33-2304+	HP-1008 ¹
Outback	3.0L H6 F/I	33-2304+	HP-1004 ¹
Outback III	3.6L H6 F/I	33-2304+	HP-1004 ¹
Tribeca	3.0L H6 F/I	33-2304	
Tribeca	3.6L H6 F/I	33-2304+	HP-1004 ¹

Vehicle	Engine Type	Air Filter	Oil Filter
2008 SUBARU			
Forester	2.0L H4 DSL	33-2304	
Forester	2.0L H4 F/I - From 4/08	33-2304	
Forester	2.5L H4 F/I	33-2075	HP-1008 ¹
Forester	2.5L H4 F/I - China	33-2304	HP-1008
Impreza	2.0L H4 DSL	33-2304	
Impreza	2.0L H4 F/I	33-2304	
Impreza	2.5L H4 F/I	33-2304	HP-1008 ¹
Impreza II	1.5L H4 F/I	33-2304	
Impreza II	2.0L H4 F/I - China, 125BHP	33-2154	
Impreza II	2.0L H4 F/I - China, 160BHP	33-2232	
Impreza II	2.0L H4 F/I - EU	33-2304	
Impreza II	2.5L H4 F/I	33-2304	HP-1008 ¹
Impreza II WRX	2.0L H4 F/I - China	33-2232	
Impreza II WRX	2.0L H4 F/I - EU	33-2304	
Impreza II WRX	2.5L H4 F/I	33-2304	HP-1008 ¹
Impreza II WRX STI	2.0L H4 F/I - China	33-2232	
Impreza II WRX STI	2.0L H4 F/I - EU	33-2304	
Impreza II WRX STI	2.5L H4 F/I	33-2304 ♦	HP-1008 ¹
Impreza III	1.5L H4 F/I	33-2304	
Impreza III	2.0L H4 F/I	33-2304	
Impreza III WRX STI	2.5L H4 F/I	33-2304 ♦	HP-1008 ¹
Impreza WRX	2.5L H4 F/I	33-2304 ♦+	HP-1008 ¹
Impreza WRX STI	2.5L H4 F/I	33-2304 ♦+	HP-1008 ¹
Legacy	2.5L H4 F/I	33-2304+	HP-1008 ¹
Legacy	3.0L H6 F/I	33-2304+	HP-1004 ¹
Legacy GT	2.5L H4 F/I	33-2304 ♦+	HP-1008 ¹
Legacy III	2.0L H4 DSL	33-2304	
Legacy III	2.0L H4 F/I	33-2304	
Legacy III	2.5L H4 F/I	33-2304+	HP-1008 ¹
Legacy III	3.0L H6 F/I	33-2304	HP-1004 ¹
Legacy IV	2.0L H4 DSL	33-2304	
Legacy IV	2.0L H4 F/I	33-2304	
Legacy IV	2.5L H4 F/I		HP-1008 ¹
Legacy IV	2.5L H4 F/I - 165BHP	33-2304	HP-1008
Legacy IV	3.0L H6 F/I	33-2304	HP-1004 ¹
Outback	2.5L H4 F/I	33-2304+	HP-1008 ¹
Outback	3.0L H6 F/I	33-2304+	HP-1004 ¹
Outback II	2.0L H4 DSL	33-2304	
Sambar	0.7L L3 F/I	33-2222	
Tribeca	3.0L H6 F/I	33-2304	
Tribeca	3.6L H6 F/I	33-2304+	HP-1004 ¹

Vehicle	Engine Type	Air Filter	Oil Filter
2007 SUBARU			
B9 Tribeca	3.0L H6 F/I	33-2304+	HP-1004 ¹
Forester	2.0L H4 F/I - Exc. Turbo, To 3/08	33-2154	
Forester	2.0L H4 F/I - Turbo	33-2075	
Forester	2.5L H4 F/I	33-2075	HP-1008 ¹
Impreza	2.5L H4 F/I	33-2232	HP-1008 ¹
Impreza II	2.0L H4 F/I - China, 125BHP	33-2154	
Impreza II	2.0L H4 F/I - China, 160BHP	33-2232	

Vehicle	Engine Type	Air Filter	Oil Filter
2007 SUBARU			
Impreza II	2.0L H4 F/I - EU	33-2304	
Impreza II	2.5L H4 F/I	33-2232	HP-1008 ¹
Impreza II WRX	2.0L H4 F/I - China	33-2232 ♦	
Impreza II WRX	2.0L H4 F/I - EU	33-2304 ♦	
Impreza II WRX	2.5L H4 F/I	33-2232 ♦	HP-1008 ¹
Impreza II WRX STI	2.0L H4 F/I - China	33-2232 ♦	
Impreza II WRX STI	2.0L H4 F/I - EU	33-2304 ♦	
Impreza WRX	2.5L H4 F/I	33-2232 ♦	HP-1008 ¹
Impreza WRX STI	2.5L H4 F/I	33-2232 ♦	HP-1008 ¹
Legacy	2.5L H4 F/I	33-2304+	HP-1008 ¹
Legacy GT	2.5L H4 F/I	33-2304 ♦+	HP-1008 ¹
Legacy III	2.0L H4 DSL	33-2304	
Legacy III	2.0L H4 F/I	33-2304	
Legacy III	2.5L H4 F/I	33-2304+	HP-1008 ¹
Legacy IV	2.0L H4 F/I	33-2304	
Legacy IV	2.5L H4 F/I		HP-1008 ¹
Legacy IV	2.5L H4 F/I - 165BHP	33-2304	HP-1008
Outback	2.5L H4 F/I	33-2304+	HP-1008 ¹
Outback	3.0L H6 F/I	33-2304+	HP-1004 ¹

Vehicle	Engine Type	Air Filter	Oil Filter
2006 SUBARU			
B9 Tribeca	3.0L H6 F/I	33-2304+	HP-1004 ¹
Baja	2.5L H4 F/I	33-2075	HP-1008 ¹
Baja Sport	2.5L H4 F/I	33-2154	HP-1008 ¹
Forester	2.0L H4 F/I - Exc. Turbo	33-2154	
Forester	2.0L H4 F/I - Turbo	33-2075	
Forester	2.5L H4 F/I		HP-1008 ¹
Forester	2.5L H4 F/I - Non-US, Turbo	33-2075	HP-1008
Forester	2.5L H4 F/I - US	33-2075	HP-1008
Forester Turbo	2.5L H4 F/I		HP-1008 ¹
Forester Turbo	2.5L H4 F/I - US	33-2075 ♦	HP-1008
Impreza	2.5L H4 F/I	33-2232	HP-1008 ¹
Impreza II	2.0L H4 F/I - 125BHP	33-2154	
Impreza II	2.0L H4 F/I - 160BHP	33-2232	
Impreza II WRX	2.0L H4 F/I	33-2232 ♦	
Impreza II WRX	2.5L H4 F/I	33-2232 ♦	HP-1008 ¹
Impreza II WRX STI	2.0L H4 F/I	33-2232 ♦	
Impreza II WRX STI	2.5L H4 F/I	33-2232 ♦	HP-1008 ¹
Impreza WRX	2.5L H4 F/I	33-2232 ♦	HP-1008 ¹
Impreza WRX STI	2.5L H4 F/I	33-2232 ♦	HP-1008 ¹
Legacy	2.5L H4 F/I	33-2304+	HP-1008 ¹
Legacy GT	2.5L H4 F/I	33-2304 ♦+	HP-1008 ¹
Legacy III	2.0L H4 DSL	33-2304	
Legacy III	2.0L H4 F/I	33-2304	
Legacy III	2.5L H4 F/I	33-2304	HP-1008 ¹
Legacy III	3.0L H6 F/I	33-2304	
Legacy IV	2.0L H4 F/I	33-2304	
Legacy IV	2.5L H4 F/I		HP-1008 ¹
Legacy IV	2.5L H4 F/I - 165BHP	33-2304	HP-1008
Legacy IV	3.0L H6 F/I	33-2304	
Outback	2.5L H4 F/I	33-2304+	HP-1008 ¹
Outback	3.0L H6 F/I	33-2304+	HP-1004 ¹
Outback XT	2.5L H4 F/I	33-2304+	HP-1008 ¹

Vehicle	Engine Type	Air Filter	Oil Filter
2005 SUBARU			
Baja	2.5L H4 F/I	33-2075	HP-1008 ¹
Baja Sport	2.5L H4 F/I	33-2154	HP-1008 ¹
Forester	2.0L H4 F/I - China, Turbo	33-2075	
Forester	2.0L H4 F/I - EU, Turbo	33-2232	
Forester	2.0L H4 F/I - Exc. Turbo	33-2154	
Forester	2.5L H4 F/I	33-2075	HP-1008 ¹

* 2 filters required ♦ Intake System Available - see page 370 +Cabin Air Filter Available - see page 353 1- Performance Silver Oil Filter Also Available



Vehicle	Engine Type	Air Filter	Oil Filter
2005 SUBARU			
Forester	2.5L H4 F/I - Non-US, Exc. Turbo	33-2154	HP-1008
Forester	2.5L H4 F/I - Non-US, Turbo	33-2075	HP-1008
Forester Turbo	2.5L H4 F/I	33-2075 ♦	HP-1008 ¹
Impreza	2.5L H4 F/I	33-2232	HP-1008 ¹
Impreza II	2.0L H4 F/I		HP-1008 ¹
Impreza II	2.0L H4 F/I - 125BHP	33-2154 ♦	HP-1008
Impreza II	2.0L H4 F/I - 160BHP	33-2232 ♦	HP-1008
Impreza II	2.5L H4 F/I	33-2232	HP-1008 ¹
Impreza II WRX	2.0L H4 F/I		HP-1008 ¹
Impreza II WRX	2.0L H4 F/I - 125BHP	33-2154 ♦	HP-1008
Impreza II WRX	2.0L H4 F/I - 265BHP	33-2232 ♦	HP-1008
Impreza II WRX STI	2.0L H4 F/I	33-2154 ♦	HP-1008 ¹
Impreza II WRX STI	2.5L H4 F/I	33-2232 ♦	HP-1008 ¹
Impreza WRX	2.0L H4 F/I		HP-1008 ¹
Impreza WRX	2.0L H4 F/I - US	33-2075 ♦	HP-1008
Impreza WRX STi	2.5L H4 F/I	33-2232 ♦	HP-1008 ¹
Legacy	2.5L H4 F/I	33-2304+	HP-1008 ¹
Legacy GT	2.5L H4 F/I	33-2304 ♦+	HP-1008 ¹
Legacy III	2.0L H4 DSL	33-2304	
Legacy III	2.0L H4 F/I	33-2304	
Legacy III	2.5L H4 F/I	33-2304	HP-1008 ¹
Legacy III	3.0L H6 F/I	33-2304	
Legacy IV	2.0L H4 F/I	33-2304	
Legacy IV	2.5L H4 F/I		HP-1008 ¹
Legacy IV	2.5L H4 F/I - 165BHP	33-2304	HP-1008
Legacy IV	3.0L H6 F/I	33-2304	
Outback	2.5L H4 F/I	33-2304+	HP-1008 ¹
Outback	3.0L H6 F/I	33-2304+	HP-1004 ¹
Outback XT	2.5L H4 F/I	33-2304+	HP-1008 ¹

Vehicle	Engine Type	Air Filter	Oil Filter
2004 SUBARU			
Baja	2.5L H4 F/I	33-2075	HP-1008 ¹
Baja Sport	2.5L H4 F/I	33-2154	HP-1008 ¹
Forester	2.0L H4 F/I - China, Turbo	33-2075	
Forester	2.0L H4 F/I - EU, Turbo	33-2232	
Forester	2.0L H4 F/I - Exc. Turbo	33-2154	
Forester	2.5L H4 F/I		HP-1008 ¹
Forester	2.5L H4 F/I - Exc. Turbo	33-2154	HP-1008
Forester Turbo	2.5L H4 F/I		HP-1008 ¹
Forester Turbo	2.5L H4 F/I - Turbo	33-2075 ♦	HP-1008
Impreza	2.5L H4 F/I	33-2154	HP-1008 ¹
Impreza II	2.0L H4 F/I		HP-1008 ¹
Impreza II	2.0L H4 F/I - 125BHP	33-2154 ♦	HP-1008
Impreza II	2.0L H4 F/I - 160BHP	33-2232 ♦	HP-1008
Impreza II WRX	2.0L H4 F/I		HP-1008 ¹
Impreza II WRX	2.0L H4 F/I - 125BHP	33-2154 ♦	HP-1008
Impreza II WRX	2.0L H4 F/I - 265BHP	33-2232 ♦	HP-1008
Impreza II WRX STI	2.0L H4 F/I		HP-1008 ¹
Impreza II WRX STI	2.0L H4 F/I - 125BHP	33-2154 ♦	HP-1008
Impreza II WRX STI	2.0L H4 F/I - 160BHP	33-2232 ♦	HP-1008
Impreza WRX	2.0L H4 F/I		HP-1008 ¹
Impreza WRX	2.0L H4 F/I - US	33-2075 ♦	HP-1008
Impreza WRX STi	2.5L H4 F/I	33-2075 ♦	HP-1008 ¹
Legacy	2.5L H4 F/I	33-2154	HP-1008 ¹
Legacy III	2.0L H4 DSL	33-2304	
Legacy III	2.0L H4 F/I	33-2304	
Legacy III	2.5L H4 F/I	33-2304	
Legacy III	3.0L H6 F/I	33-2304	
Legacy IV	2.0L H4 F/I - 138BHP	33-2304	
Legacy IV	2.5L H4 F/I - 165BHP	33-2304	
Legacy IV	3.0L H6 F/I	33-2304	

Vehicle	Engine Type	Air Filter	Oil Filter
2004 SUBARU			
Outback	2.5L H4 F/I		HP-1008 ¹
Outback	2.5L H4 F/I - Exc. Turbo	33-2154	HP-1008
Outback	2.5L H4 F/I - Non-US	33-2304	HP-1008
Outback	2.5L H4 F/I - Turbo	33-2075	HP-1008
Outback	3.0L H6 F/I		HP-1004 ¹
Outback	3.0L H6 F/I - Non-US, 245BHP	33-2304	HP-1004
Outback	3.0L H6 F/I - VDC	33-2075	HP-1004 ¹
Outback I	3.0L H6 F/I	33-2232	HP-1004 ¹
Outback II	3.0L H6 F/I	33-2304	HP-1004 ¹

Vehicle	Engine Type	Air Filter	Oil Filter
2003 SUBARU			
Baja	2.5L H4 F/I	33-2154	HP-1008 ¹
Forester	2.0L H4 F/I - China, Turbo	33-2075	
Forester	2.0L H4 F/I - EU, Turbo	33-2232	
Forester	2.0L H4 F/I - Exc. Turbo	33-2154	
Forester	2.5L H4 F/I		HP-1008 ¹
Forester	2.5L H4 F/I - Non-US, Exc. Turbo	33-2154	HP-1008
Forester	2.5L H4 F/I - Non-US, Turbo	33-2075	HP-1008
Forester	2.5L H4 F/I - US	33-2154	HP-1008
Impreza	2.5L H4 F/I	33-2154	HP-1008 ¹
Impreza II	2.0L H4 F/I		HP-1008 ¹
Impreza II	2.0L H4 F/I - 125BHP	33-2154 ♦	HP-1008
Impreza II	2.0L H4 F/I - 218BHP	33-2232 ♦	HP-1008
Impreza II WRX	2.0L H4 F/I	33-2232 ♦	HP-1008 ¹
Impreza II WRX STI	2.0L H4 F/I	33-2154 ♦	HP-1008 ¹
Impreza WRX	2.0L H4 F/I	33-2232 ♦	HP-1008 ¹
Legacy	2.5L H4 F/I	33-2154	HP-1008 ¹
Legacy III	2.0L H4 DSL	33-2304	
Legacy III	2.0L H4 F/I - China	33-2304	
Legacy III	2.5L H4 F/I		HP-1008 ¹
Legacy III	2.5L H4 F/I - China	33-2304	HP-1008
Legacy III	2.5L H4 F/I - EU	33-2154	HP-1008
Legacy IV	2.0L H4 F/I - 138BHP	33-2304	
Legacy IV	2.5L H4 F/I - 165BHP	33-2304	
Liberty	2.5L H4 F/I	33-2304+	
Outback	2.5L H4 F/I	33-2154	HP-1008 ¹
Outback	3.0L H6 F/I	33-2232	HP-1004 ¹
Outback I	2.5L H4 F/I	33-2154	HP-1008 ¹
Outback I	3.0L H6 F/I	33-2232	HP-1004 ¹
Outback II	2.5L H4 F/I	33-2304	HP-1008 ¹
Outback II	3.0L H6 F/I	33-2304	HP-1004 ¹

Vehicle	Engine Type	Air Filter	Oil Filter
2002 SUBARU			
Forester	2.0L H4 F/I - Exc. Turbo, 279x167mm	33-2232	
Forester	2.0L H4 F/I - Exc. Turbo, 368x165mm	33-2154	
Forester	2.0L H4 F/I - Turbo	33-2075	
Forester	2.5L H4 F/I	33-2154	HP-1008 ¹
Forester	2.5L H4 F/I - Non-US, Exc. Turbo	33-2154	HP-1008
Forester	2.5L H4 F/I - Non-US, Turbo	33-2075	HP-1008
Impreza	2.5L H4 F/I	33-2154	HP-1008 ¹
Impreza II	1.6L H4 F/I - 95BHP	33-2154	
Impreza II	2.0L H4 F/I		HP-1008 ¹
Impreza II	2.0L H4 F/I - 125BHP	33-2154 ♦	HP-1008
Impreza II	2.0L H4 F/I - 218BHP	33-2232 ♦	HP-1008
Impreza II WRX	2.0L H4 F/I	33-2232 ♦	HP-1008 ¹
Impreza II WRX STI	2.0L H4 F/I	33-2232 ♦	HP-1008 ¹
Impreza RS	2.5L H4 F/I	33-2154	HP-1008 ¹
Impreza WRX	2.0L H4 F/I	33-2232 ♦	HP-1008 ¹
Legacy	2.5L H4 F/I	33-2154	HP-1008 ¹

* 2 filters required ♦ Intake System Available - see page 370 +Cabin Air Filter Available - see page 353 1- Performance Silver Oil Filter Also Available



AIR & OIL FILTERS

SUBARU

Vehicle	Engine Type	Air Filter	Oil Filter
2002 SUBARU			
Legacy III	2.5L H4 F/I	33-2154	HP-1008 ¹
Outback	2.5L H4 F/I	33-2154	HP-1008 ¹
Outback	3.0L H6 F/I	33-2232	HP-1004 ¹
Outback I	3.0L H6 F/I	33-2232	HP-1004 ¹

Vehicle	Engine Type	Air Filter	Oil Filter
2001 SUBARU			
Forester	2.0L H4 F/I - Exc. Turbo, 279x167mm	33-2232	
Forester	2.0L H4 F/I - Exc. Turbo, 368x165mm	33-2154	
Forester	2.5L H4 F/I	33-2154	HP-1008 ¹
Impreza	2.2L H4 F/I	33-2154	HP-1008 ¹
Impreza	2.5L H4 F/I	33-2154	HP-1008 ¹
Impreza II	2.0L H4 F/I - 125BHP	33-2154 ♦	
Impreza II	2.0L H4 F/I - 218BHP	33-2232 ♦	
Impreza II WRX	2.0L H4 F/I	33-2232 ♦	
Impreza II WRX STI	2.0L H4 F/I	33-2232 ♦	
Impreza WRX	2.2L H4 F/I	33-2154	
Legacy	2.5L H4 F/I	33-2154	HP-1008 ¹
Legacy II	3.0L H6 F/I	33-2232	
Legacy III	2.0L H4 F/I	33-2154	
Legacy III	2.5L H4 F/I	33-2154	HP-1008 ¹
Outback	2.5L H4 F/I	33-2154	HP-1008 ¹
Outback	3.0L H6 F/I	33-2232	HP-1004 ¹
Outback I	3.0L H6 F/I	33-2232	HP-1004 ¹

Vehicle	Engine Type	Air Filter	Oil Filter
2000 SUBARU			
Forester	2.0L H4 F/I - Exc. Turbo, 279x167mm	33-2232	
Forester	2.0L H4 F/I - Exc. Turbo, 368x165mm	33-2154	
Forester	2.5L H4 F/I	33-2154	HP-1008 ¹
Impreza	2.2L H4 F/I	33-2154	HP-1008 ¹
Impreza	2.5L H4 F/I	33-2154	HP-1008 ¹
Impreza II	2.0L H4 F/I - 125BHP	33-2154 ♦	
Impreza II	2.0L H4 F/I - 218BHP	33-2232 ♦	
Impreza II WRX	2.0L H4 F/I - 125BHP	33-2154 ♦	
Impreza II WRX	2.0L H4 F/I - 218BHP	33-2232 ♦	
Legacy	2.5L H4 F/I	33-2154	HP-1008 ¹
Legacy III	2.0L H4 F/I	33-2154	
Legacy III	2.5L H4 F/I	33-2154	HP-1008 ¹
Outback	2.5L H4 F/I	33-2154	HP-1008 ¹
Outback I	3.0L H6 F/I	33-2232	

Vehicle	Engine Type	Air Filter	Oil Filter
1999 SUBARU			
Forester	2.0L H4 F/I - Exc. Turbo, 279x167mm	33-2232	
Forester	2.0L H4 F/I - Exc. Turbo, 368x165mm	33-2154	
Forester	2.5L H4 F/I		HP-1008 ¹
Forester	2.5L H4 F/I - OEM 16546AA020	33-2232	HP-1008
Forester	2.5L H4 F/I - OEM 16546AA070	33-2154	HP-1008
Impreza	2.0L H4 F/I	33-2232 ♦	
Impreza	2.2L H4 F/I		HP-1008 ¹
Impreza	2.2L H4 F/I - OEM 16546AA020	33-2232	HP-1008
Impreza	2.2L H4 F/I - OEM 16546AA070	33-2154	HP-1008
Impreza	2.5L H4 F/I		HP-1008 ¹
Impreza	2.5L H4 F/I - OEM 16546AA020	33-2075	HP-1008
Impreza	2.5L H4 F/I - OEM 16546AA070	33-2154	HP-1008
Legacy	2.2L H4 F/I		HP-1008 ¹
Legacy	2.2L H4 F/I - OEM 16546AA020	33-2232	HP-1008

Vehicle	Engine Type	Air Filter	Oil Filter
1999 SUBARU			
Legacy	2.2L H4 F/I - OEM 16546AA070	33-2154	HP-1008
Legacy	2.5L H4 F/I		HP-1008 ¹
Legacy	2.5L H4 F/I - OEM 16546AA020	33-2232	HP-1008
Legacy	2.5L H4 F/I - OEM 16546AA070	33-2154	HP-1008
Legacy II	2.0L H4 F/I	33-2232	
Legacy II	2.2L H4 F/I	33-2232	HP-1008 ¹
Legacy II	2.5L H4 F/I	33-2232	HP-1008 ¹
Legacy III	2.0L H4 F/I	33-2154	
Legacy III	2.5L H4 F/I	33-2154	HP-1008 ¹
Sambar	0.7L L3 F/I	33-2222	

Vehicle	Engine Type	Air Filter	Oil Filter
1998 SUBARU			
Forester	2.0L H4 F/I - Exc. Turbo, 279x167mm	33-2232	
Forester	2.0L H4 F/I - Exc. Turbo, 368x165mm	33-2154	
Forester	2.5L H4 F/I	33-2232	HP-1008 ¹
Impreza	2.0L H4 F/I	33-2232 ♦	
Impreza	2.2L H4 F/I		HP-1008 ¹
Impreza	2.5L H4 F/I		HP-1008 ¹
Legacy	2.2L H4 F/I	33-2232	HP-1008 ¹
Legacy	2.5L H4 F/I		HP-1008 ¹
Legacy	2.5L H4 F/I - OEM 16546AA020	33-2232	HP-1008
Legacy	2.5L H4 F/I - OEM 16546AA070	33-2154	HP-1008
Legacy II	2.2L H4 F/I	33-2232	HP-1008 ¹
Legacy II	2.5L H4 F/I	33-2232	HP-1008 ¹
Legacy III	2.5L H4 F/I	33-2154	HP-1008 ¹
Legacy Outback	2.5L H4 F/I	33-2232	HP-1008 ¹

Vehicle	Engine Type	Air Filter	Oil Filter
1997 SUBARU			
Impreza	1.8L H4 F/I		HP-1008 ¹
Impreza	2.0L H4 F/I	33-2232 ♦	
Impreza	2.2L H4 F/I		HP-1008 ¹
Legacy	2.2L H4 F/I	33-2232	HP-1008 ¹
Legacy	2.5L H4 F/I		HP-1008 ¹
Legacy	2.5L H4 F/I - OEM 16546AA020	33-2232	HP-1008
Legacy	2.5L H4 F/I - OEM 16546AA070	33-2154	HP-1008
Legacy II	2.2L H4 F/I	33-2232	HP-1008 ¹
Legacy II	2.5L H4 F/I	33-2232	HP-1008 ¹
Legacy Outback	2.5L H4 F/I	33-2232	HP-1008 ¹

Vehicle	Engine Type	Air Filter	Oil Filter
2020 SUZUKI			
Ciaz	1.4L L4 F/I	33-2974	
Vitara	1.6L L4 F/I	33-2075	

Vehicle	Engine Type	Air Filter	Oil Filter
2019 SUZUKI			
Swift V	1.0L L3 F/I	33-3063	

Vehicle	Engine Type	Air Filter	Oil Filter
2018 SUZUKI			
AN400 Burgman	399	SU-3917	KN-131
AN400 Burgman ABS	399	SU-3917	KN-131
AN650 Burgman	638	SU-6303	KN-138
AN650A Burgman ABS	650	SU-6303	KN-138
AN650A Burgman Executive	638	SU-6303	KN-138
Baleno II	1.2L L4 F/I - 90BHP	33-3076	
C50 Boulevard	805	SU-8009	KN-138
C50T Boulevard	805	SU-8009	KN-138
C90 Boulevard BOSS	1462	SU-1409	KN-138
C90T Boulevard	1462	SU-1409	KN-138

* 2 filters required ♦ Intake System Available - see page 370 +Cabin Air Filter Available - see page 353 1- Performance Silver Oil Filter Also Available



Vehicle	Engine Type	Air Filter	Oil Filter	Vehicle	Engine Type	Air Filter	Oil Filter
2018 SUZUKI				2018 SUZUKI			
Celerio	1.0L L3 F/I - 244x146mm	33-2968		LTA750 KingQuad AXi PS SE	750		KN-138
DL650 V-Strom	645	SU-1002	KN-138	LTA750X KingQuad AXi 4x4	750		KN-138
DL650A V-Strom ABS	645	SU-1002	KN-138	M50 Boulevard	805	SU-8009	KN-138
DL650A V-Strom XT ABS	645	SU-1002	KN-138	M90 Boulevard	1462	SU-1409	KN-138
DL1000 V-Strom	1037	SU-1014	KN-138	M109R Boulevard	1783	SU-1806	KN-138
DL1000 V-Strom ABS	1037	SU-1014	KN-138	M109R Boulevard BOSS	1783	SU-1806	KN-138
DL1000 V-Strom XT	1037	SU-1014	KN-138	Raider F150 FI	150	SU-1517	
DR200S	199		KN-132	RMZ250	249		KN-207
DR650S	644	SU-6596	KN-137	RMZ450	449		KN-207
DR650SE	644	SU-6596	KN-137	RV200 VanVan	199		KN-132
DRZ125L	124	KA-1203	KN-132	S40 Boulevard	652	SU-6595	KN-137
DRZ400S	398	SU-4000	KN-139	Satria F150	150	SU-1517	
DRZ400SM	398	SU-4000	KN-139	SV650	645	SU-6509	KN-138
GSX250R	248	SU-2513	KN-138	SV650 ABS	645	SU-6509	KN-138
GSX250R ABS	248	SU-2513	KN-138	SV650X	645	SU-6509	KN-138
GSX1300R Hayabusa	1340	SU-1308	KN-138	Swift V	1.0L L3 F/I	33-3063	
GSX1300R Hayabusa	1340 - Race Specific	SU-1308R	KN-138	TU250X	249	SU-2497	KN-136
GSXR125	125	YA-3215		Wagon R	0.7L L3 F/I	33-3084	
GSXR150	150	YA-3215		2017 SUZUKI			
GSXR150 GP	150	YA-3215		AN400 Burgman ABS	399 - L8 Model	SU-3917	
GSXR600	600	SU-7511	KN-138	AN650A Burgman Executive	638	SU-6303	KN-138
GSXR600	600 - Race Specific	SU-7511R	KN-138	C50 Boulevard	805	SU-8009	KN-138
GSXR600 30 Years	600	SU-7511	KN-138	C50T Boulevard	805	SU-8009	KN-138
GSXR600 30 Years	600 - Race Specific	SU-7511R	KN-138	C90 Boulevard BOSS	1462	SU-1409	KN-138
GSXR600 GP	600	SU-7511	KN-138	Celerio	1.0L L3 F/I - 260x95mm	33-2986	
GSXR600 GP	600 - Race Specific	SU-7511R	KN-138	DL650A V-Strom ABS	645	SU-1002	KN-138
GSXR750	750	SU-7511	KN-138	DL650A V-Strom XT ABS	645	SU-1002	KN-138
GSXR750	750 - Race Specific	SU-7511R	KN-138	DR200S	199		KN-132
GSXR1000	999	SU-1017	KN-138	DR650S	644	SU-6596	KN-137
GSXR1000	999 - Race Specific	SU-1017R	KN-138	DR650SE	644	SU-6596	KN-137
GSXR1000 ABS	999	SU-1017	KN-138	DRZ400S	398	SU-4000	KN-139
GSXR1000 ABS	999 - Race Specific	SU-1017R	KN-138	DRZ400SM	398	SU-4000	KN-139
GSXR1000A	999	SU-1017	KN-138	GSX1300R Hayabusa	1340	SU-1308	KN-138
GSXR1000A	999 - Race Specific	SU-1017R	KN-138	GSX1300R Hayabusa	1340 - Race Specific	SU-1308R	KN-138
GSXR1000A GP	999	SU-1017	KN-138	GSXR600	600	SU-7511	KN-138
GSXR1000A GP	999 - Race Specific	SU-1017R	KN-138	GSXR600	600 - Race Specific	SU-7511R	KN-138
GSXR1000R	999	SU-1017	KN-138	GSXR600 GP	600	SU-7511	KN-138
GSXR1000R	999 - Race Specific	SU-1017R	KN-138	GSXR600 GP	600 - Race Specific	SU-7511R	KN-138
GSXS750	749	SU-6006	KN-138	GSXR750	750	SU-7511	KN-138
GSXS750 ABS	749	SU-6006	KN-138	GSXR750	750 - Race Specific	SU-7511R	KN-138
GSXS750Z	749	SU-6006	KN-138	GSXR1000	999	SU-1017	KN-138
GSXS1000	999	SU-9915	KN-138	GSXR1000	999 - Race Specific	SU-1017R	KN-138
GSXS1000 ABS	999	SU-9915	KN-138	GSXR1000 ABS	999	SU-1017	KN-138
GSXS1000F ABS	999	SU-9915	KN-138	GSXR1000 ABS	999 - Race Specific	SU-1017R	KN-138
GSXS1000Z	999	SU-9915	KN-138	GSXR1000R	999	SU-1017	KN-138
GW250	248		KN-138	GSXR1000R	999 - Race Specific	SU-1017R	KN-138
Hustler	0.7L L3 F/I	33-3084		GSXS125	125	YA-3215	
Jimny	1.3L L4 F/I	33-2162		GSXS750	749	SU-6006	KN-138
LTA400F KingQuad ASi	376		KN-138	GSXS1000	999	SU-9915	KN-138
LTA400F KingQuad ASi SE	376		KN-138	GSXS1000 ABS	999	SU-9915	KN-138
LTA500 KingQuad AXi	500		KN-138	GSXS1000F ABS	999	SU-9915	KN-138
LTA500 KingQuad AXi PS	500		KN-138	Jimny	1.3L L4 F/I	33-2162	
LTA500 KingQuad AXi PS SE	500		KN-138	LTA400F KingQuad ASi	376		KN-138
LTA750 KingQuad AXi PS	750		KN-138	LTA500 KingQuad AXi	500		KN-138
				LTA500 KingQuad AXi PS	500		KN-138

* 2 filters required ♦ Intake System Available - see page 370 +Cabin Air Filter Available - see page 353 1- Performance Silver Oil Filter Also Available



AIR & OIL FILTERS

SUZUKI

Vehicle	Engine Type	Air Filter	Oil Filter	Vehicle	Engine Type	Air Filter	Oil Filter
2017 SUZUKI				2016 SUZUKI			
LTA500 KingQuad AXi PS SE	500		KN-138	GSXR600	600 - Race Specific	SU-7511R	KN-138
LTA500 KingQuad AXi PS SE Rugged	500		KN-138	GSXR600 30 Years	600	SU-7511	KN-138
LTA750 KingQuad AXi PS	750		KN-138	GSXR600 30 Years	600 - Race Specific	SU-7511R	KN-138
LTA750 KingQuad AXi PS SE	750		KN-138	GSXR600 GP	600	SU-7511	KN-138
LTA750 KingQuad AXi PS SE Rugged	750		KN-138	GSXR600 GP	600 - Race Specific	SU-7511R	KN-138
LTA750X KingQuad AXi 4x4	750		KN-138	GSXR750	750	SU-7511	KN-138
LTA750X KingQuad AXi 4x4 PS	750		KN-138	GSXR750	750 - Race Specific	SU-7511R	KN-138
M90 Boulevard	1462	SU-1409	KN-138	GSXR1000	999	SU-1009	KN-138
M109R Boulevard	1783	SU-1806		GSXR1000	999 - Race Specific	SU-1009R	KN-138
M109R Boulevard BOSS	1783	SU-1806	KN-138	GSXR1000 Commemorative Edition	999	SU-1009	KN-138
RMX450Z	449		KN-207	GSXR1000 Commemorative Edition	999 - Race Specific	SU-1009R	KN-138
RMZ250	249	YA-2506XD	KN-207	GSXR1000 GP	999	SU-1009	KN-138
RMZ450	449	YA-2506XD	KN-207	GSXR1000 GP	999 - Race Specific	SU-1009R	KN-138
RV200 VanVan	199		KN-132	GSXS750	749	SU-6006	KN-138
S40 Boulevard	652	SU-6595	KN-137	GSXS750 ABS	749	SU-6006	KN-138
Satria F150	150	SU-1517		GSXS1000	999	SU-9915	KN-138
SV650	645	SU-6509	KN-138	GSXS1000 ABS	999	SU-9915	KN-138
SV650 ABS	645	SU-6509	KN-138	GSXS1000F ABS	999	SU-9915	KN-138
Swift	1.4L L4 F/I	33-2974		GW250	248	SU-2513	KN-138
Swift IV	1.2L L4 F/I	33-2974		GW250F	248	SU-2513	KN-138
Swift V	1.0L L3 F/I	33-3063		Jimny	1.3L L4 F/I	33-2162	
Swift V	1.4L L4 F/I	33-3130		LTA400F KingQuad ASi	376		KN-138
VZR1800 Intruder	1800		KN-138	LTA400F KingQuad ASi LE	376		KN-138
2016 SUZUKI				2015 SUZUKI			
Alto	0.7L L3 F/I	33-3084		LTA500 KingQuad AXi PS	500		KN-138
Alto Lapin	0.7L L3 F/I	33-3084		LTA500 KingQuad AXi PS SE	500		KN-138
Alto Turbo RS	0.7L L3 F/I	33-3084		LTA750 KingQuad 4x4	750		KN-138
Alto Works	0.7L L3 F/I	33-3084		LTA750 KingQuad AXi PS	750	SU-7005	KN-138
AN400 Burgman ABS	399	SU-4007		LTA750 KingQuad AXi PS SE	750	SU-7005	KN-138
AN650A Burgman Executive	638	SU-6303	KN-138	LTA750X KingQuad AXi 4x4	750	SU-7005	KN-138
Baleno II	1.0L L3 F/I	33-3063		LTZ400 QuadSport Z	398		KN-139
C50 Boulevard	805	SU-8009	KN-138	M90 Boulevard	1462	SU-1409	KN-138
C50 Boulevard BOSS	805	SU-8009	KN-138	M109R Boulevard	1783	SU-1806	KN-138
C50T Boulevard	805	SU-8009	KN-138	M109R Boulevard BOSS	1783	SU-1806	KN-138
Celerio	1.0L L3 F/I - 260x95mm	33-2986		RMZ250	249	YA-2506XD	KN-207
DL650A V-Strom ABS	645	SU-1002	KN-138	RMZ450	449	YA-2506XD	KN-207
DL650A V-Strom XT ABS	645	SU-1002	KN-138	S40 Boulevard	652		KN-137
DL1000 V-Strom ABS	1037	SU-1014	KN-138	SV650	645	SU-6509	
DL1000 V-Strom ABS Adventure	1037	SU-1014	KN-138	Swift	1.4L L4 F/I	33-2974	
DR200S	199		KN-132	Swift IV	1.2L L4 F/I	33-2974	
DR650S	644	SU-6596	KN-137	2015 SUZUKI			
DR650SE	644	SU-6596	KN-137	Alto Lapin	0.7L L3 F/I	33-3084	
DRZ400S	398	SU-4000	KN-139	AN400 Burgman ABS	399		KN-131
DRZ400SM	398	SU-4000	KN-139	AN650A Burgman ABS	638		KN-138
GSF1250 Bandit	1255	SU-6505	KN-138	AN650A Burgman Executive	638		KN-138
GSR750	750	SU-6006	KN-138	C50 Boulevard	805		KN-138
GSX1250FA	1250	SU-6505		C50 Boulevard BOSS	805		KN-138
GSX1300R Hayabusa	1340	SU-1308	KN-138	C50T Boulevard	805		KN-138
GSX1300R Hayabusa - Race Specific	1340	SU-1308R	KN-138	C90 Boulevard BOSS	1462	SU-1409	KN-138
GSX1300RA	1340	SU-1308	KN-138				
Hayabusa							
GSXR600	600	SU-7511	KN-138				

* 2 filters required ♦ Intake System Available - see page 370 +Cabin Air Filter Available - see page 353 1- Performance Silver Oil Filter Also Available

Partial Listing: Complete Listing of Vehicles and Parts at KNFILTERS.COM or call 1-800-858-3333



Vehicle	Engine Type	Air Filter	Oil Filter	Vehicle	Engine Type	Air Filter	Oil Filter
2015 SUZUKI				2014 SUZUKI			
C90T Boulevard	1462	SU-1409	KN-138	DL1000 V-Strom ABS	1037	SU-1014	KN-138
Celerio	1.0L L3 F/I - 244x146mm	33-2968		DL1000 V-Strom ABS Adventure	1037	SU-1014	KN-138
Celerio	1.0L L3 F/I - 260x95mm	33-2986		DR650SE	644	SU-6596	KN-137
DL650A V-Strom ABS	645	SU-1002	KN-138	DRZ400S	398	SU-4000	
DL650A V-Strom ABS Adventure	645	SU-1002	KN-138	DRZ400SM	398	SU-4000	KN-139
DL650A V-Strom XT ABS	645	SU-1002	KN-138	GSR750	750	SU-6006	KN-138
DL1000 V-Strom ABS	1037	SU-1014	KN-138	GSX1250FA	1250	SU-6505	
DL1000 V-Strom ABS Adventure	1037	SU-1014	KN-138	GSX1300R Hayabusa	1340	SU-1308	KN-138
DR200S	199		KN-132	GSX1300R Hayabusa 50th Ann. Edition	1340 - Race Specific	SU-1308R	KN-138
DR650S	644	SU-6596	KN-137	GSX1300R Hayabusa 50th Ann. Edition	1340 - Race Specific	SU-1308R	KN-138
DR650SE	644	SU-6596	KN-137	GSXR600	600	SU-7511	KN-138
DRZ400S	398	SU-4000	KN-139	GSXR600	600 - Race Specific	SU-7511R	KN-138
DRZ400SM	398	SU-4000	KN-139	GSXR750	750	SU-7511	KN-138
Escudo	2.4L L4 F/I	33-2429		GSXR750	750 - Race Specific	SU-7511R	KN-138
GSX1300R Hayabusa	1340	SU-1308	KN-138	GSXR750 50th Ann. Edition	750	SU-7511	KN-138
GSX1300R Hayabusa - Race Specific	1340	SU-1308R	KN-138	GSXR750 50th Ann. Edition	750 - Race Specific	SU-7511R	KN-138
GSXR600	600	SU-7511	KN-138	GSXR1000	999	SU-1009	KN-138
GSXR600	600 - Race Specific	SU-7511R	KN-138	GSXR1000	999 - Race Specific	SU-1009R	KN-138
GSXR750	750	SU-7511	KN-138	GSXR1000 SE	999	SU-1009	KN-138
GSXR750	750 - Race Specific	SU-7511R	KN-138	GSXR1000 SE	999 - Race Specific	SU-1009R	KN-138
GSXR1000	999	SU-1009	KN-138	Jimny	1.3L L4 F/I	33-2162	
GSXR1000	999 - Race Specific	SU-1009R	KN-138	LTA400F KingQuad ASi	376		KN-138
GSXS750	749	SU-6006	KN-138	LTA400F KingQuad ASi LE	376	SU-5002	KN-138
GSXS750Z	749	SU-6006	KN-138	LTA500XP KingQuad	500	SU-7005	KN-138
GSXS1000	999		KN-138	AXI PS			
GW250	248	SU-2513	KN-138	LTA750 KingQuad	750		KN-138
GW250F	248	SU-2513	KN-138	AXi PS LE			
Jimny	1.3L L4 F/I	33-2162		LTA750X KingQuad	750		KN-138
LTA400F KingQuad ASi	376		KN-138	AXi 4x4 LE			
LTA500 KingQuad AXi	500		KN-138	LTZ400 QuadSport Z	398		KN-139
LTA500XP KingQuad AXi PS	500		KN-138	M90 Boulevard	1462		KN-138
LTA750 KingQuad AXi PS	750		KN-138	M109R Boulevard	1783	SU-1806	KN-138
LTA750 KingQuad AXi PS LE	750		KN-138	M109R Boulevard BOSS	1783	SU-1806	KN-138
LTA750X KingQuad AXi 4x4	750		KN-138	RMZ250	249	YA-2506XD	KN-207
M90 Boulevard	1462		KN-138	RMZ450	449	YA-2506XD	KN-207
M109R Boulevard BOSS	1783	SU-1806	KN-138	S40 Boulevard	652		KN-137
RMZ250	249	YA-2506XD	KN-207	SFV650	645	SU-6509	KN-138
RMZ450	449	YA-2506XD	KN-207	Swift	1.4L L4 F/I	33-2974	
SV650	645	SU-6509	KN-138	Swift IV	1.2L L4 F/I	33-2974	
Swift	1.4L L4 F/I	33-2974		UH200 Burgman ABS	200		KN-131
TU250X	249	SU-2497	KN-136	2013 SUZUKI			
Vitara	1.6L L4 F/I	33-2075		AN400 Burgman ABS	399	SU-4007	KN-131
Wagon R	1.2L L4 F/I	33-2974		AN650A Burgman ABS	638	SU-6303	KN-138
2014 SUZUKI				C50 Boulevard	805	SU-8009	KN-138
Alto	0.7L L3 F/I	33-3084		C50 Boulevard SE	805	SU-8009	KN-138
C50 Boulevard BOSS	805	SU-8009	KN-138	C50T Boulevard	805	SU-8009	KN-138
C50T Boulevard	805	SU-8009	KN-138	C90 Boulevard	1462		KN-138
C90 Boulevard BOSS	1462	SU-1409	KN-138	C90 Boulevard BOSS	1462		KN-138
C90T Boulevard	1462	SU-1409	KN-138	C90T Boulevard	1462	SU-1409	
DL650A V-Strom ABS	645	SU-1002	KN-138	C90T Boulevard BOSS	1462	SU-1409	
DL650A V-Strom ABS Adventure	645	SU-1002	KN-138	DL650A V-Strom ABS	645	SU-1002	KN-138
				DL650A V-Strom ABS Adventure	645	SU-1002	KN-138

* 2 filters required ♦ Intake System Available - see page 370 +Cabin Air Filter Available - see page 353 1- Performance Silver Oil Filter Also Available



AIR & OIL FILTERS

SUZUKI

Vehicle	Engine Type	Air Filter	Oil Filter	Vehicle	Engine Type	Air Filter	Oil Filter
2013 SUZUKI				2012 SUZUKI			
DR200SE	199		KN-132	Equator	4.0L V6 F/I	33-2286+	HP-1010 ¹
DR650SE	644	SU-6596	KN-137	Grand Vitara	2.4L L4 F/I	33-2429	
DRZ125	125		KN-132	GSR750	750	SU-6006	KN-138
DRZ400S	398	SU-4000	KN-139	GSX1300R Hayabusa	1340	SU-1308	KN-138
DRZ400SM	398	SU-4000	KN-139	GSX1300R Hayabusa	1340 - Race Specific	SU-1308R	KN-138
GSF1250 Bandit	1250	SU-6505		GSXR600	600	SU-7511	KN-138
GSR750	750	SU-6006	KN-138	GSXR600	600 - Race Specific	SU-7511R	KN-138
GSX650F	656	SU-6505	KN-138	GSXR750	750	SU-7511	KN-138
GSX1250FA	1250	SU-6505		GSXR750	750 - Race Specific	SU-7511R	KN-138
GSX1300R Hayabusa	1340	SU-1308	KN-138	GSXR1000	999	SU-1009	KN-138
GSX1300R Hayabusa	1340 - Race Specific	SU-1308R	KN-138	GSXR1000	999 - Race Specific	SU-1009R	KN-138
GSX1300R Hayabusa	1340	SU-1308	KN-138	Kizashi	2.4L L4 F/I	33-2441	HP-1003 ¹
Limited Edition				LTA400F KingQuad	376		KN-138
GSX1300R Hayabusa	1340 - Race Specific	SU-1308R	KN-138	Auto 4x4			
Limited Edition				LTA500XP KingQuad	500		KN-138
GSXR600	600	SU-7511	KN-138	AXI PS			
GSXR600	600 - Race Specific	SU-7511R	KN-138	LTA750X KingQuad	750	SU-7005	KN-138
GSXR750	750	SU-7511	KN-138	AXi 4x4			
GSXR750	750 - Race Specific	SU-7511R	KN-138	LTZ400 QuadSport Z	398	SU-4002	KN-139
GSXR1000	999	SU-1009	KN-138	LTZ400 QuadSport Z	398	SU-4002	KN-139
GSXR1000	999 - Race Specific	SU-1009R	KN-138	LE			
GSXR1000 1 Million	999	SU-1009	KN-138	M109R Boulevard	1783	SU-1806	KN-138
C.E.				RMZ250	249	YA-2506XD	KN-207
GSXR1000 1 Million	999 - Race Specific	SU-1009R	KN-138	RMZ450	449	YA-2506XD	KN-207
C.E.				SFV650	652	SU-6509	KN-138
GW250	248	SU-2513	KN-138	Splash	1.2L L4 F/I	33-2974	
Kizashi	2.4L L4 F/I	33-2441	HP-1003 ¹	Swift	1.4L L4 F/I	33-2974	
LTA500XP KingQuad	500	SU-7005	KN-138	SX4	2.0L L4 F/I	33-2463	HP-1003 ¹
AXI PS				SX4 Crossover	2.0L L4 F/I	33-2463	HP-1003 ¹
LTA750X KingQuad	750	SU-7005	KN-138	TU250X	249	SU-2497	KN-136
AXi 4x4				Wagon R	1.2L L4 F/I	33-2974	
LTZ400 QuadSport Z	398	SU-4002	KN-139	2011 SUZUKI			
M50 Boulevard	805	SU-8009		AN400 Burgman ABS	399		KN-131
M90 Boulevard	1462		KN-138	AN650A Burgman	638	SU-6303	KN-138
M109R Boulevard	1783	SU-1806	KN-138	Executive			
RMZ250	249	YA-2506XD	KN-207	C50T Boulevard	805	SU-8009	KN-138
RMZ450	449	YA-2506XD	KN-207	DL650 V-Strom	645	SU-1002	KN-138
SFV650	645	SU-6509	KN-138	DL650A V-Strom	645	SU-1002	KN-138
Swift	1.4L L4 F/I	33-2974		ABS			
Swift IV	1.2L L4 F/I	33-2974		DL1000 V-Strom	996		KN-138
SX4	2.0L L4 F/I	33-2463	HP-1003 ¹	DR650SE	644	SU-6596	KN-137
SX4 S-Cross	1.6L L4 F/I	33-2075		DRZ400S	398	SU-4000	KN-139
VL1500BT Intruder	1462	SU-1409		DRZ400SM	398		KN-139
Wagon R	1.2L L4 F/I	33-2974		Equator	4.0L V6 F/I	33-2286+	HP-1010 ¹
2012 SUZUKI				Grand Vitara	2.4L L4 F/I	33-2429	HP-1003 ¹
Alto V	1.0L L3 F/I - 244x146mm	33-2968		GSR600	600	SU-6006	
AN400 Burgman ABS	399	SU-4007	KN-131	GSR750	750	SU-6006	KN-138
AN650A Burgman	638	SU-6303	KN-138	GSX1250FA	1250	SU-6505	KN-138
Executive				GSX1300R Hayabusa	1340	SU-1308	KN-138
C50T Boulevard	805	SU-8009	KN-138	GSX1300R Hayabusa	1340 - Race Specific	SU-1308R	KN-138
C50T Boulevard	805	SU-8009	KN-138	GSXR600	600	SU-7511	KN-138
Classic				GSXR600	600 - Race Specific	SU-7511R	KN-138
DL650 V-Strom	645	SU-1002	KN-138	GSXR750	750	SU-7511	KN-138
DL650A V-Strom	645	SU-1002	KN-138	GSXR750	750 - Race Specific	SU-7511R	KN-138
ABS				GSXR1000	999	SU-1009	KN-138
DL650A V-Strom	645	SU-1002	KN-138	GSXR1000	999 - Race Specific	SU-1009R	KN-138
ABS Adventure				Jimny	1.3L L4 F/I	33-2162	
DL1000 V-Strom	996	SU-1002	KN-138	Kizashi	2.4L L4 F/I	33-2441	HP-1003 ¹
DL1000 V-Strom	996	SU-1002	KN-138	LTA500XP KingQuad	500	SU-7005	KN-138
Adventure				AXI PS			
DR650SE	644	SU-6596	KN-137	LTA750X KingQuad	750	SU-7005	KN-138
DRZ400S	398	SU-4000	KN-139	AXi 4x4			
DRZ400SM	398		KN-139	M109R Boulevard	1783	SU-1806	KN-138

* 2 filters required ♦ Intake System Available - see page 370 +Cabin Air Filter Available - see page 353 1- Performance Silver Oil Filter Also Available

Partial Listing: Complete Listing of Vehicles and Parts at KNFILTERS.COM or call 1-800-858-3333



Vehicle	Engine Type	Air Filter	Oil Filter	Vehicle	Engine Type	Air Filter	Oil Filter
2011 SUZUKI				2009 SUZUKI			
RMZ250	249	YA-2506XD	KN-207	GSF1250 Bandit	1250	SU-6505	KN-138
RMZ450	449	YA-2506XD	KN-207	GSF1250 Bandit S	1250	SU-6505	KN-138
SFV650	652	SU-6509	KN-138	GSR600	600	SU-6006	KN-138
SX4	2.0L L4 F/I	33-2463	HP-1003 ¹	GSX650F	650	SU-6505	KN-138
TU250X	249	SU-2497	KN-136	GSX1300BK B-King	1340	SU-1348	
VZR1800 Intruder	1800		KN-138	GSX1300R Hayabusa	1340	SU-1308	KN-138
2010 SUZUKI				GSX1300R Hayabusa	1340 - Race Specific	SU-1308R	KN-138
C50 Boulevard	805	SU-8009	KN-138	GSXR600	600	SU-7506	KN-138
C109R Boulevard	1800		KN-138	GSXR600	600 - Race Specific	SU-7506R	KN-138
DL650 V-Strom	645	SU-1002	KN-138	GSXR750	750	SU-7506	KN-138
DRZ400S	398	SU-4000	KN-139	GSXR750	750 - Race Specific	SU-7506R	KN-138
DRZ400SM	398	SU-4000	KN-139	GSXR1000	999	SU-1009	KN-138
Equator	4.0L V6 F/I	33-2286+		GSXR1000	999 - Race Specific	SU-1009R	KN-138
Grand Vitara	2.0L L4 F/I	33-2361		GZ250 Marauder	250		KN-136
Grand Vitara	2.4L L4 F/I	33-2429	HP-1003 ¹	LTA450X KingQuad	450	SU-7005	KN-138
Grand Vitara	3.2L V6 F/I	33-2429	HP-1017 ¹	AXi 4x4			
GSF650 Bandit	650	SU-6505		LTA450X KingQuad	450	SU-7005	KN-138
GSF1250 Bandit S	1250	SU-6505		AXi 4x4 Camo			
GSR600	600	SU-6006	KN-138	LTA750X KingQuad	750	SU-7005	KN-138
GSX650F	656	SU-6505	KN-138	AXi 4x4			
GSX1300R Hayabusa	1340	SU-1308	KN-138	LTZ90 QuadSport	90		KN-131
GSXR600	600	SU-7506	KN-138	LTZ400 QuadSport Z	398	SU-4002	KN-139
GSXR600	600 - Race Specific	SU-7506R	KN-138	M50 Boulevard	805	SU-8009	KN-138
GSXR750	750	SU-7506	KN-138	M50 Boulevard SE	805		KN-138
GSXR750	750 - Race Specific	SU-7506R	KN-138	M90 Boulevard	1462	SU-1409	KN-138
GSXR1000	999	SU-1009	KN-138	M109R Boulevard	1783	SU-1806	KN-138
GSXR1000	999 - Race Specific	SU-1009R	KN-138	RMZ250	250	YA-2506XD	KN-207
Jimny	1.3L L4 F/I	33-2162		RMZ450	450	YA-2506XD	KN-207
Kizashi	2.4L L4 F/I	33-2441	HP-1003 ¹	S40 Boulevard	650	SU-6595	KN-137
M109R2 Boulevard	1783		KN-138	SFV650	652	SU-6509	KN-138
RMX450Z	450		KN-207	SV650	650	SU-6503	KN-138
RMZ250	249	YA-2506XD	KN-207	SV650S	650	SU-6503	KN-138
RMZ450	449	YA-2506XD	KN-207	SV650SF	650	SU-6503	KN-138
SFV650	652		KN-138	Swift	1.5L L4 F/I	33-2826+	
SV650 SA	650		KN-138	Swift	1.6L L4 F/I	33-2826+	
SV650S	650		KN-138	Swift III	1.3L L4 F/I - VIN JSA	33-2826 ♦+	
Swift IV	1.2L L4 F/I	33-2974		Swift III	1.5L L4 F/I		HP-1001 ¹
Swift Plus	1.6L L4 F/I	33-2826+		SX4	1.5L L4 F/I	33-2954	
SX4	1.6L L4 F/I - 109BHP	33-2954+		SX4	1.6L L4 F/I - 109BHP	33-2954+	
SX4	2.0L L4 F/I	33-2463	HP-1003 ¹	SX4	1.6L L4 F/I - 120BHP	33-2075+	
VZR1800 Intruder	1800	SU-1806	KN-138	SX4	2.0L L4 F/I	33-2371	HP-1003 ¹
2009 SUZUKI				VL1500LC Intruder	1500		KN-138
AN650 Burgman	638	SU-6303	KN-138	XL-7	3.6L V6 F/I	33-2249	HP-1017 ¹
C50 Boulevard	805	SU-8009	KN-138	2008 SUZUKI			
C50 Boulevard SE	805	SU-8009	KN-138	Alto IV	1.1L L4 F/I	33-2826	
C50T Boulevard	805	SU-8009	KN-138	AN400 Burgman	400	SU-4007	KN-131
C90 Boulevard	1500	SU-1598	KN-138	AN650A Burgman	638	SU-6303	KN-138
C90T Boulevard	1462		KN-138	Executive			
C109RT Boulevard	1800		KN-138	C50 Boulevard	805	SU-8001	KN-138
DL650 V-Strom	645	SU-1002	KN-138	C50B Boulevard	805		KN-138
DL650A V-Strom	645	SU-1002	KN-138	C50C Boulevard	805		KN-138
ABS				C50T Boulevard	805	SU-8001	KN-138
DL1000 V-Strom	996	SU-1002	KN-138	C90 Boulevard	1500	SU-1598	KN-138
DR200SE	200		KN-132	C90T Boulevard	1462	SU-1598	KN-138
DR650SE	650	SU-6596	KN-137	C109R Boulevard	1800		KN-138
DRZ125L	125		KN-132	C109RT Boulevard	1800		KN-138
DRZ400S	398	SU-4000	KN-139	DL650 V-Strom	645	SU-1002	KN-138
DRZ400SM	398	SU-4000	KN-139	DL1000 V-Strom	996	SU-1002	KN-138
Equator	2.5L L4 F/I	33-2324+	HP-1008 ¹	DR650SE	650	SU-6596	KN-137
Equator	4.0L V6 F/I	33-2286+		DRZ125	125	KA-1203	KN-132
Grand Vitara	2.4L L4 F/I	33-2429	HP-1003 ¹	DRZ125L	125	KA-1203	KN-132
GS500F	500	SU-5589	KN-133	DRZ400E	398	SU-4000	
				DRZ400S	398	SU-4000	KN-139

* 2 filters required ♦ Intake System Available - see page 370 +Cabin Air Filter Available - see page 353 1- Performance Silver Oil Filter Also Available



AIR & OIL FILTERS

SUZUKI

Vehicle	Engine Type	Air Filter	Oil Filter	Vehicle	Engine Type	Air Filter	Oil Filter
2008 SUZUKI				2007 SUZUKI			
DRZ400SM	398	SU-4000	KN-139	Aerio	2.3L L4 F/I	33-2282	HP-1003'
Forenza	2.0L L4 F/I		HP-1001'	Alto IV	1.1L L4 F/I	33-2826	
Grand Vitara	2.0L L4 F/I	33-2361		AN400 Burgman	400	SU-4007	KN-131
Grand Vitara	2.7L V6 F/I	33-2361	HP-1002'	AN650 Burgman	638	SU-6303	KN-138
GS500F	500	SU-5589	KN-133	AN650A Burgman Executive	638	SU-6303	KN-138
GSF1250 Bandit S	1250	SU-6505	KN-138	C50 Boulevard	805	SU-8001	KN-138
GSR600	600	SU-6006	KN-138	C50B Boulevard	805		KN-138
GSX650F	650	SU-6505	KN-138	C50C Boulevard	805	SU-8001	KN-138
GSX1300BK B-King	1340	SU-1348	KN-138	C50T Boulevard	805	SU-8001	KN-138
GSX1300R Hayabusa	1340	SU-1308	KN-138	C90 Boulevard	1500	SU-1598	KN-138
GSX1300R Hayabusa	1340 - Race Specific	SU-1308R	KN-138	C90T Boulevard	1462	SU-1598	KN-138
GSXR600	600	SU-7506	KN-138	DL650 V-Strom	645	SU-1002	KN-138
GSXR600	600 - Race Specific	SU-7506R	KN-138	DL650A V-Strom	645	SU-1002	KN-138
GSXR750	750	SU-7506	KN-138	ABS			
GSXR750	750 - Race Specific	SU-7506R	KN-138	DL1000 V-Strom	996	SU-1002	KN-138
GSXR1000	999	SU-1005	KN-138	DR200SE	200		KN-132
GSXR1000	999 - Race Specific	SU-1005R	KN-138	DR650SE	650	SU-6596	KN-137
GZ250 Marauder	250		KN-136	DRZ125	125	KA-1203	KN-132
Jimny	1.3L L4 F/I	33-2162		DRZ125L	125	KA-1203	KN-132
Landy	2.0L L4 F/I	33-2031-2		DRZ400E	398	SU-4000	KN-139
LTA400F KingQuad Auto 4x4	400	SU-5002	KN-138	DRZ400S	398	SU-4000	KN-139
LTA400F KingQuad Auto 4x4 Camo	400	SU-5002	KN-138	DRZ400SM	398	SU-4000	
LTA450X KingQuad AXi 4x4	450	SU-7005	KN-138	Forenza	2.0L L4 F/I		HP-1001'
LTA450X KingQuad AXi 4x4 Camo	450	SU-7005	KN-138	Grand Vitara	2.7L V6 F/I	33-2361	HP-1002'
LTA750X KingQuad AXi 4x4	750	SU-7005	KN-138	GS500	500	SU-5589	KN-133
LTF250 Ozark	250	SU-2504	KN-132	GS500F	500	SU-5589	KN-133
LTF400F KingQuad 4x4	400		KN-138	GS500H	500		KN-133
LTF400F KingQuad 4x4 Camo	400		KN-138	GSF650 Bandit S	650	SU-6505	
LTR450 QuadRacer	450	SU-4506	KN-139	GSF1250 Bandit S	1250	SU-6505	KN-138
LTR450 QuadRacer Limited Edition	450	SU-4506	KN-139	GSR600	600	SU-6006	KN-138
LTZ400 QuadSport Z	398	SU-4002	KN-139	GSX1300R Hayabusa	1300	SU-1399	KN-138
M50 Boulevard	805	SU-8005	KN-138	GSX1400	1400	SU-1402	
M109R Boulevard	1783	SU-1806	KN-138	GSXR600	600	SU-7506	KN-138
M109R2 Boulevard	1783		KN-138	GSXR600	600 - Race Specific	SU-7506R	KN-138
M109RZ Boulevard Ltd	1783	SU-1806	KN-138	GSXR750	750	SU-7506	KN-138
RMZ250	250	YA-2506XD	KN-207	GSXR750	750 - Race Specific	SU-7506R	KN-138
RMZ450	450	YA-2506XD	KN-207	GSXR1000	999	SU-1005	KN-138
S50 Boulevard	800		KN-138	GSXR1000	999 - Race Specific	SU-1005R	KN-138
Solio	1.0L L3 F/I	33-2826		GZ250 Marauder	250		KN-136
Splash	1.2L L4 F/I	33-2949		LS650 Savage	650		KN-137
SV650	650	SU-6503	KN-138	LTA400F Eiger Auto 4x4	400		KN-138
SV650S	650	SU-6503	KN-138	LTA400F Eiger Auto 4x4 Hunter X Hunter	400		KN-138
Swift	1.6L L4 F/I	33-2826+		LTA450X KingQuad 4x4	450	SU-7005	KN-138
Swift III	1.3L L4 F/I - VIN JSA	33-2826 ♦+		LTA450X KingQuad 4x4 Camo	450	SU-7005	KN-138
Swift Plus	1.6L L4 F/I		HP-1001'	LTA450X KingQuad AXi 4x4	450		KN-138
SX4	1.6L L4 F/I	33-2954+		LTA500F Vinson Auto 4x4	500	SU-5002	KN-138
SX4	1.9L L4 DSL	33-2399		LTA700X KingQuad 4x4	700	SU-7005	KN-138
SX4	2.0L L4 F/I	33-2371	HP-1003'	LTA700X KingQuad 4x4 Camo	700	SU-7005	KN-138
VL1500LC Intruder	1500		KN-138	LTF400F Eiger 4x4	400		KN-138
VLR1800 C1800R Intruder	1800		KN-138	LTF400F Eiger 4x4 Camo	400		KN-138
VLR1800 C1800R Intruder	1800 - OEM 1378048G00	SU-1806	KN-138	LTR450 QuadRacer	450	SU-4506	KN-139
VZ800 Marauder	800		KN-138	LTZ90 QuadSport	90		KN-131
XL-7	3.6L V6 F/I	33-2249	HP-1017'	LTZ250 QuadSport Z	246	SU-2504	KN-132

* 2 filters required ♦ Intake System Available - see page 370 +Cabin Air Filter Available - see page 353 1- Performance Silver Oil Filter Also Available

Partial Listing: Complete Listing of Vehicles and Parts at KNFILTERS.COM or call 1-800-858-3333



Vehicle	Engine Type	Air Filter	Oil Filter	Vehicle	Engine Type	Air Filter	Oil Filter
2007 SUZUKI				2006 SUZUKI			
L TZ400 QuadSport Z	398	SU-4002	KN-139	GSXR1000	999	SU-1005	KN-138
M50 Boulevard	805	SU-8005	KN-138	GSXR1000	999 - Race Specific	SU-1005R	KN-138
M50 Boulevard Ltd	805	SU-8005	KN-138	GZ250 Marauder	250		KN-136
M109R Boulevard	1783	SU-1806	KN-138	Landy	2.0L L4 F/I	33-2031-2	
M109RZ Boulevard Ltd	1783	SU-1806	KN-138	LTA400 Eiger Auto 2x4	400		KN-138
Reno	2.0L L4 F/I	33-2330	HP-1001 ¹	LTA400F Eiger Auto 4x4	400		KN-138
RMZ250	250	YA-2506XD	KN-207	LTA400F Eiger Auto 4x4 Camo	400	SU-5002	KN-138
RMZ450	450	YA-2506XD	KN-207	LTA700X KingQuad 4x4	700	SU-7005	KN-138
S40 Boulevard	650	SU-6595	KN-137	LTA700X KingQuad 4x4 Camo	700	SU-7005	KN-138
S50 Boulevard	800	SU-7086	KN-138	LTF400F Eiger 4x4	400		KN-138
SV650	650	SU-6503	KN-138	LTF400F Eiger 4x4 Camo	400		KN-138
SV650A ABS	650	SU-6503	KN-138	LTF500F Vinson 4x4	500		KN-138
SV650S	650	SU-6503	KN-138	LTF500F Vinson 4x4 Camo	500	SU-5002	KN-138
SV1000S	1000	SU-6503	KN-138	LTR450 QuadRacer	450	SU-4506	KN-139
Swift	1.6L L4 F/I	33-2826 ⁺		LTZ250 QuadSport Z	246	SU-2504	KN-132
Swift III	1.3L L4 F/I - VIN JSA	33-2826 ^{♦♦}		LTZ400 QuadSport Z	398	SU-4002	KN-139
SX4	1.6L L4 F/I	33-2954 ⁺		M50 Boulevard	805	SU-8005	KN-138
SX4	2.0L L4 F/I	33-2371	HP-1003 ¹	M50B Boulevard	805		KN-138
VL800 C50 Volusia	800		KN-138	M109R Boulevard	1783	SU-1806	KN-138
VL1500LC Intruder	1500		KN-138	Reno	2.0L L4 F/I		HP-1001 ¹
VS800 Intruder	800		KN-138	RMZ250	250	YA-2506XD	
VS1400GLP Intruder	1400		KN-138	RMZ250	250		KN-207
VZR1800 Intruder	1800	SU-1806	KN-138	RMZ450	450	YA-2506XD	KN-207
XL-7	3.6L V6 F/I	33-2249	HP-1017 ¹	S40 Boulevard	650	SU-6595	KN-137
2006 SUZUKI				S50 Boulevard	800	SU-7086	KN-138
Aerio	2.3L L4 F/I	33-2282	HP-1003 ¹	S83 Boulevard	1400		KN-138
AN400 Burgman	400	SU-2599	KN-132	SV650	650	SU-6503	KN-138
AN400 Burgman Type S	400	SU-2599	KN-132	SV650S	650	SU-6503	KN-138
AN650A Burgman Executive	638	SU-6303	KN-138	SV1000S	1000	SU-6503	KN-138
C50 Boulevard	805	SU-8001	KN-138	Swift	1.6L L4 F/I	33-2826 ⁺	
C50B Boulevard	805	SU-8001	KN-138	Swift III	1.3L L4 F/I - VIN JSA	33-2826 ^{♦♦}	
C50C Boulevard	805	SU-8001	KN-138	Verona	2.5L L6 F/I	33-2325	
C50T Boulevard	805	SU-8001	KN-138	VL800 Intruder C800	805		KN-138
C90 Boulevard	1500	SU-1598	KN-138	VL1500LC Intruder	1500		KN-138
C90T Boulevard	1462	SU-1598	KN-138	VS800 Intruder	800		KN-138
DL650 V-Strom	645	SU-1002	KN-138	VZ800 Marauder	800		KN-138
DL1000 V-Strom	996	SU-1002	KN-138	VZR1800 Intruder	1800	SU-1806	KN-138
DR200SE	200		KN-132	XL-7	2.7L V6 F/I	33-2327	HP-1002 ¹
DR650SE	650	SU-6596	KN-137	2005 SUZUKI			
DRZ125L	125	KA-1203	KN-132	Alto IV	1.1L L4 F/I	33-2826	
DRZ400E	398	SU-4000	KN-139	AN650 Burgman	638	SU-6303	KN-138
DRZ400S	398	SU-4000	KN-139	C50 Boulevard	805	SU-8001	KN-138
DRZ400SM	398	SU-4000		C50B Boulevard	805	SU-8001	KN-138
Forenza	2.0L L4 F/I	33-2330	HP-1001 ¹	C50T Boulevard	805	SU-8001	KN-138
Grand Vitara	2.0L L4 F/I	33-2361		C90 Boulevard	1500	SU-1598	KN-138
Grand Vitara	2.7L V6 F/I	33-2361	HP-1002 ¹	C90B Boulevard	1500		KN-138
GS500	500	SU-5589		C90T Boulevard	1462	SU-1598	KN-138
GS500F	500	SU-5589	KN-133	DL650 V-Strom	645	SU-1002	KN-138
GSF1200 Bandit S	1200	SU-6505		DL1000 V-Strom	996	SU-1002	KN-138
GSR600	600	SU-6006	KN-138	DR200SE	200		KN-132
GSX600F Katana	600	SU-7592	KN-138	DR650SE	650	SU-6596	KN-137
GSX750F Katana	750	SU-7592	KN-138	DRZ125	125	KA-1203	KN-132
GSX1300R Hayabusa	1300	SU-1399	KN-138	DRZ125L	125	KA-1203	KN-132
GSX1300R Hayabusa Limited Edition	1300	SU-1399	KN-138	DRZ400E	398	SU-4000	KN-139
GSX1400	1400	SU-1402		DRZ400S	398	SU-4000	KN-139
GSXR600	600	SU-7506	KN-138	DRZ400SM	398	SU-4000	
GSXR600	600 - Race Specific	SU-7506R	KN-138				
GSXR750	750	SU-7506	KN-138				
GSXR750	750 - Race Specific	SU-7506R	KN-138				

* 2 filters required ♦ Intake System Available - see page 370 +Cabin Air Filter Available - see page 353 1- Performance Silver Oil Filter Also Available



AIR & OIL FILTERS

SUZUKI

Vehicle	Engine Type	Air Filter	Oil Filter	Vehicle	Engine Type	Air Filter	Oil Filter
2005 SUZUKI				2004 SUZUKI			
Forenza	2.0L L4 F/I	33-2330	HP-1001 ¹	GSX600F Katana	600	SU-7592	KN-138
GS500	500	SU-5589	KN-133	GSX750F Katana	750	SU-7592	KN-138
GS500F	500	SU-5589	KN-133	GSX1300R Hayabusa	1300	SU-1399	KN-138
GSF650 Bandit S	650	SU-6505	KN-138	GSXR600	600	SU-7504	KN-138
GSF1200 Bandit	1200		KN-138	GSXR750	750	SU-7504	KN-138
GSF1200 Bandit S	1200	SU-6000	KN-138	GSXR1000	999	SU-7500	KN-138
GSX600F Katana	600	SU-7592	KN-138	GZ250 Marauder	250		KN-136
GSX750F Katana	750	SU-7592	KN-138	Jimny	1.3L L4 F/I	33-2162	
GSX1300R Hayabusa	1300	SU-1399	KN-138	LS650 Savage	650	SU-6595	KN-137
GSX1400	1400	SU-1402		LTA400F Eiger Auto	400		KN-138
GSXR600	600	SU-7504	KN-138	4x4			
GSXR750	750	SU-7504	KN-138	LTA400F Eiger Auto	400		KN-138
GSXR1000	999	SU-1005	KN-138	4x4 Camo			
GSXR1000	999 - Race Specific	SU-1005R	KN-138	LTA500F Vinson Auto	500		KN-138
GZ250 Marauder	250		KN-136	4x4			
Kei	0.7L L3 F/I - Exc. Turbo	33-2949		LTF250 Ozark	250	SU-2504	KN-132
LTA400F Eiger Auto	400	SU-5002	KN-138	LTF400 Eiger 2x4	400		KN-138
4x4				LTF400F Eiger 4x4	400	SU-5002	KN-138
LTA400F Eiger Auto	400	SU-5002	KN-138	LTF500F Vinson 4x4	500	SU-5002	KN-138
4x4 Camo				LTZ250 QuadSport Z	246	SU-2504	KN-132
LTA700X KingQuad	700	SU-7005	KN-138	LTZ400 QuadSport Z	398	SU-4002	KN-139
4x4				RMZ250	250		KN-207
LTF250 Ozark	250	SU-2504	KN-132	SV650	650	SU-6503	KN-138
LTF500F Vinson 4x4	500	SU-5002	KN-138	SV650S	650	SU-6503	KN-138
LTF500F Vinson 4x4	500	SU-5002	KN-138	SV1000S	1000		KN-138
Camo				VL800LC Intruder	800	SU-8001	KN-138
LTZ250 QuadSport Z	246	SU-2504	KN-132	Volusia			
LTZ400 QuadSport Z	398	SU-4002	KN-139	VL1500LC Intruder	1500	SU-1598	KN-138
M50 Boulevard	805	SU-8005	KN-138	VS800 Intruder	800	SU-7086	KN-138
M50B Boulevard	805		KN-138	VS1400GLP Intruder	1400		KN-138
M95 Boulevard	1600		KN-204-1	VZ800 Marauder	800		KN-138
RMZ250	250		KN-207	VZ800 Marauder	800 - Jet kit required, purchase separately	SU-5589*	KN-138
RMZ450	450	YA-2506XD	KN-207	VZ1600 Marauder	1600	KA-1596	KN-204-1
S40 Boulevard	650	SU-6595	KN-137	Wagon R Plus	1.0L L4 F/I	33-2826	
S50 Boulevard	800	SU-7086	KN-138	XL-7	2.7L V6 F/I	33-2327	HP-1002 ¹
S83 Boulevard	1400	SU-1487	KN-138	2003 SUZUKI			
SV650	650	SU-6503	KN-138	Aerio	2.0L L4 F/I	33-2258	HP-1003 ¹
SV650S	650	SU-6503	KN-138	AN400 Burgman	400	SU-2599	KN-132
SV1000S	1000	SU-6503	KN-138	AN400 Burgman	400	SU-2599	KN-132
Swift	1.5L L4 F/I	33-2826+		Type S			
Swift III	1.3L L4 F/I - VIN JSA	33-2826 ♦+		AN650 Burgman	638	SU-6303	KN-138
VL800 Intruder C800	805		KN-138	DL1000 V-Strom	996	SU-1002	KN-138
VL1500LC Intruder	1500		KN-138	DRZ110	110		KN-112
XL-7	2.7L V6 F/I	33-2327	HP-1002 ¹	DRZ125	125	KA-1203	KN-132
2004 SUZUKI				DRZ125L	125	KA-1203	KN-132
Aerio	1.8L L4 F/I	33-2282		DRZ400	398	SU-4000	KN-139
Aerio	2.3L L4 F/I	33-2282		DRZ400E	398	SU-4000	KN-139
AN400 Burgman	400	SU-2599	KN-132	DRZ400S	398	SU-4000	KN-139
AN400 Burgman	400	SU-2599	KN-132	GSF600 Bandit S	600	SU-6000	KN-138
Type S				GSF1200 Bandit	1200	SU-6000	KN-138
AN650 Burgman	638	SU-6303	KN-138	GSF1200 Bandit S	1200	SU-6000	KN-138
DL650 V-Strom	645	SU-1002	KN-138	GSX600F Katana	600	SU-7592	KN-138
DL1000 V-Strom	996	SU-1002	KN-138	GSX750F Katana	750		KN-138
DR650SE	650	SU-6596	KN-137	GSX1300R Hayabusa	1300	SU-1399	KN-138
DRZ125	125	KA-1203	KN-132	GSX1400	1400	SU-1402	KN-138
DRZ125L	125	KA-1203	KN-132	GSXR600	600	SU-7500	KN-138
DRZ400	398	SU-4000		GSXR750	750	SU-7500	KN-138
DRZ400E	398	SU-4000	KN-139	GSXR1000	999	SU-7500	KN-138
DRZ400S	398	SU-4000	KN-139	GZ125 Marauder	125		KN-131
GS500	500	SU-5589		Jimny	1.3L L4 F/I	33-2162	
GS500F	500	SU-5589	KN-133	LS650 Savage	650	SU-6595	KN-137
GSF600 Bandit S	600	SU-6000	KN-138				
GSF1200 Bandit S	1200	SU-6000	KN-138				

* 2 filters required ♦ Intake System Available - see page 370 +Cabin Air Filter Available - see page 353 1- Performance Silver Oil Filter Also Available

Partial Listing: Complete Listing of Vehicles and Parts at KNFILTERS.COM or call 1-800-858-3333



Vehicle	Engine Type	Air Filter	Oil Filter	Vehicle	Engine Type	Air Filter	Oil Filter
2003 SUZUKI				2001 SUZUKI			
LTA400F Eiger Auto 4x4	400		KN-138	Carry	0.7L L3 F/I	33-2826	
LTF250 Ozark	250	SU-2504	KN-132	DR200SE	200		KN-132
LTF400F Eiger 4x4	400	SU-5002	KN-138	DR650SE	650	SU-6596	KN-137
LTF500F Vinson 4x4	500		KN-138	DRZ400	398	SU-4000	KN-139
LTZ400 QuadSport Z	398	SU-4002	KN-139	DRZ400E	398	SU-4000	KN-139
Mr Wagon	1.0L L3 F/I	33-2826		DRZ400S	398	SU-4000	KN-139
SV650	650	SU-6503	KN-138	Grand Vitara	2.5L V6 F/I	33-2155	HP-1002 ¹
SV650S	650	SU-6503	KN-138	Grand Vitara	2.7L V6 F/I	33-2155	HP-1002 ¹
SV1000	1000	SU-6503	KN-138	GS500	500	SU-5589	KN-133
SV1000S	1000	SU-6503	KN-138	GSF600 Bandit	600	SU-6000	KN-138
TL1000R	1000	SU-0015		GSF600 Bandit S	600	SU-6000	KN-138
VL800LC Intruder Volusia	800	SU-8001	KN-138	GSF1200 Bandit	1200	SU-6000	KN-138
VL1500LC Intruder	1500	SU-1598	KN-138	GSF1200 Bandit S	1200	SU-6000	KN-138
VS800 Intruder	800	SU-7086	KN-138	GSX600F Katana	600	SU-7592	KN-138
VS1400GLP Intruder	1400	SU-1487	KN-138	GSX1300R Hayabusa	1300	SU-1399	KN-138
VZ800 Marauder	800		KN-138	GSXR600	600	SU-7500	KN-138
VZ800 Marauder	800 - Jet kit required, purchase separately	SU-5589*	KN-138	GSXR750	750	SU-7500	KN-138
XL-7	2.7L V6 F/I	33-2155	HP-1002 ¹	GSXR1000	999	SU-7500	KN-138
2002 SUZUKI				LS650 Savage	650	SU-6595	KN-137
Aerio	2.0L L4 F/I		HP-1003 ¹	LTA500 Quadmaster	500	SU-5098	KN-138
Alto IV	1.1L L4 F/I	33-2826		LTF250 QuadRunner	250		KN-132
DL1000 V-Strom	996	SU-1002	KN-138	LTF250 Quadrunner 4x4	250	SU-2588	KN-132
DRZ400	398	SU-4000	KN-139	RM250	250	SU-2596	
DRZ400E	398	SU-4000	KN-139	SV650	650	SU-6599	KN-138
DRZ400S	398	SU-4000	KN-139	SV650S	650	SU-6599	KN-138
Grand Vitara	2.5L V6 F/I	33-2155	HP-1002 ¹	Swift	1.3L L4 F/I	E-9132	HP-1003 ¹
Grand Vitara	2.7L V6 F/I	33-2155		Swift II	1.3L L4 F/I		HP-1003 ¹
GS500	500	SU-5589	KN-133	Swift II	1.3L L4 F/I - 101BHP	E-9132	HP-1003
GSF600 Bandit	600		KN-138	TL1000R	1000	SU-0015	KN-138
GSF600 Bandit S	600	SU-6000	KN-138	VL800LC Intruder	800	SU-8001	KN-138
GSF1200 Bandit	1200	SU-6000	KN-138	Volusia			
GSF1200 Bandit S	1200	SU-6000	KN-138	VL1500LC Intruder	1500	SU-1598	KN-138
GSX600F Katana	600	SU-7592	KN-138	VS800 Intruder	800	SU-7086	KN-138
GSX750F Katana	750	SU-7592	KN-138	VS1400GLP Intruder	1400	SU-1487	KN-138
GSX1300R Hayabusa	1300	SU-1399	KN-138	VZ800 Marauder	800		KN-138
GSXR600	600	SU-7500	KN-138	VZ800 Marauder	800 - Jet kit required, purchase separately	SU-5589*	KN-138
GSXR750	750	SU-7500	KN-138	Wagon R Solio	1.0L L3 F/I	33-2826	
GSXR1000	999	SU-7500	KN-138	2000 SUZUKI			
Jimny	1.3L L4 F/I	33-2162		Alto	0.7L L3 F/I	33-2826	
LS650 Savage	650	SU-6595	KN-137	Carry	0.7L L3 F/I	33-2826	
LTA400 Eiger Auto 2x4	400		KN-138	DR650SE	650	SU-6596	KN-137
LTA400F Eiger Auto 4x4	400		KN-138	DRZ400	398	SU-4000	KN-139
LTF250 Ozark	250	SU-2504		DRZ400E	398	SU-4000	KN-139
LTF400F Eiger 4x4	400		KN-138	DRZ400S	398	SU-4000	KN-139
SV650	650	SU-6599	KN-138	GS500E	500	SU-5589	KN-133
SV650S	650	SU-6599	KN-138	GSF600 Bandit	600		KN-138
TL1000R	1000	SU-0015	KN-138	GSF600 Bandit S	600	SU-6000	KN-138
Vitara	2.0L L4 F/I	33-2155	HP-1003 ¹	GSF1200 Bandit	1200		KN-138
VL800LC Intruder	800	SU-8001	KN-138	GSF1200 Bandit S	1200	SU-7593	KN-138
Volusia				GSX600F Katana	600	SU-7592	KN-138
VL1500LC Intruder	1500	SU-1598	KN-138	GSX750F Katana	750	SU-7592	KN-138
VS800 Intruder	800	SU-7086	KN-138	GSX1300R Hayabusa	1300	SU-1399	KN-138
VS1400GLP Intruder	1400	SU-1487	KN-138	GSXR600	600	SU-7596	KN-138
VZ800 Marauder	800		KN-138	GSXR750	750	SU-7500	KN-138
VZ800 Marauder	800 - Jet kit required, purchase separately	SU-5589*	KN-138	Jimny	1.3L L4 F/I	33-2162	
Wagon R Plus	1.0L L4 F/I	33-2826		LTA500 Quadmaster	500	SU-5098	KN-138
XL-7	2.7L V6 F/I	33-2155	HP-1002 ¹	SV650	650	SU-6599	KN-138
				SV650S	650	SU-6599	KN-138
				TL1000R	1000	SU-0015	KN-138
				VL1500LC Intruder	1500	SU-1598	KN-138
				VS800 Intruder	800	SU-7086	KN-138

* 2 filters required ♦ Intake System Available - see page 370 +Cabin Air Filter Available - see page 353 1- Performance Silver Oil Filter Also Available



AIR & OIL FILTERS

SUZUKI

Vehicle	Engine Type	Air Filter	Oil Filter
2000 SUZUKI			
VS1400GLP Intruder	1400	SU-1487	KN-138
VZ800 Marauder	800		KN-138
VZ800 Marauder	800 - Jet kit required, purchase separately	SU-5589*	KN-138
Wagon R Solio	1.0L L3 F/I	33-2826	

1999 SUZUKI			
Carry	0.7L L3 F/I	33-2826	
DR350	350		KN-136
DR350SE	350	SU-3590	KN-136
Grand Vitara	2.5L V6 F/I	33-2155	HP-1002 ¹
GS500E	500	SU-5589	
GSF1200 Bandit S	1200	SU-7593	KN-138
GSX600F Katana	600	SU-7592	KN-138
GSX750F Katana	750		KN-138
GSX1300R Hayabusa	1300	SU-1399	KN-138
GSXR600	600	SU-7596	KN-138
GSXR750	750	SU-7596	KN-138
GZ250 Marauder	250		KN-136
LS650 Savage	650	SU-6595	KN-137
LTF4WDX King Quad 300	300		KN-132
LTF300F KingQuad 4x4	300	SU-2588	
SV650	650	SU-6599	KN-138
SV650S	650	SU-6599	KN-138
VL1500LC Intruder	1500	SU-1598	KN-138
VS800 Intruder	800		KN-138
VZ800 Marauder	800		KN-138
VZ800 Marauder	800 - Jet kit required, purchase separately	SU-5589*	KN-138

1998 SUZUKI			
GS500E	500	SU-5589	
GSF600 Bandit S	600		KN-138
GSF1200 Bandit S	1200	SU-7593	KN-138
GSX600F Katana	600	SU-7592	KN-138
GSX750F Katana	750	SU-7592	KN-138
GSXR600	600	SU-7596	KN-138
GSXR750	750	SU-7596	KN-138
GSXR1100	1052	SU-7593	
Jimny	1.3L L4 F/I	33-2162	
Kei	0.7L L3 F/I - Turbo	33-2826	
LTF4WDX King Quad 300	300		KN-132
LTF500F Quadrunner	500	SU-5098	KN-138
Sidekick	1.8L L4 F/I		HP-1003 ¹
VL1500LC Intruder	1500	SU-1598	KN-138
VS800 Intruder	800	SU-7086	KN-138
VS1400GLP Intruder	1400	SU-1487	KN-138
VZ800 Marauder	800		KN-138
VZ800 Marauder	800 - Jet kit required, purchase separately	SU-5589*	KN-138

1997 SUZUKI			
DR650SE	650	SU-6596	KN-137
GSF1200 Bandit S	1200	SU-7593	KN-138
GSXR600	600	SU-7596	KN-138
GSXR750	750	SU-7596	KN-138
GSXR1100	1052		KN-138
LS650 Savage	650	SU-6595	KN-137
LT80 QuadSport	80	SU-8087	
LTF4WDX King Quad 300	300		KN-132
LTF250 Quadrunner 4x4	250		KN-132

Vehicle	Engine Type	Air Filter	Oil Filter
1997 SUZUKI			
LTF300 King Quad	300	SU-2588	KN-132
Sidekick	1.6L L4 F/I		HP-1002 ¹
Sidekick	1.8L L4 F/I		HP-1003 ¹
Vitara	1.6L L4 F/I - 257x206mm	33-2700 ♦	
Vitara	1.6L L4 F/I - 297x135mm	33-2065 ♦	
VS800 Intruder	800		KN-138
VS1400GLP Intruder	1400	SU-1487	KN-138
VZ800 Marauder	800		KN-138
VZ800 Marauder	800 - Jet kit required, purchase separately	SU-5589*	KN-138

2020 TOYOTA			
4 Runner	4.0L V6 F/I	33-2438 ♦	
86	2.0L H4 F/I - OEM 178010D020	33-2300 ♦	
86	2.0L H4 F/I - OEM SU00306405	33-5060 ♦	
Avalon	2.5L L4 F/I	33-3080	HP-1003 ¹
Avalon	3.5L V6 F/I	33-2443 ♦	HP-7020 ¹
Camry	2.5L L4 F/I		HP-1003 ¹
Camry	2.5L L4 F/I - Exc. Hybrid	33-2443 ♦	HP-1003
Camry	3.5L V6 F/I	33-2443 ♦	HP-7018 ¹
Camry Hybrid	2.5L L4 F/I	33-3080	HP-1003 ¹
C-HR	2.0L L4 F/I	33-3080	
C-HR	2.0L L4 F/I - Cartridge	33-3080	HP-7021 ¹
C-HR	2.0L L4 F/I - Spin On	33-3080	HP-1003 ¹
Corolla	1.8L L4 F/I	33-3080+	
Corolla	1.8L L4 F/I - Cartridge	33-3080	HP-7021 ¹
Corolla	1.8L L4 F/I - Spin On	33-3080	HP-1003 ¹
Corolla	2.0L L4 F/I	33-3080 ♦+	HP-1003 ¹
Corolla Hybrid	1.8L L4 F/I	33-2485+	
Corolla Hybrid	1.8L L4 F/I - Cartridge	33-2485	HP-7021 ¹
Corolla Hybrid	1.8L L4 F/I - Spin On	33-2485	HP-1003 ¹
GR Supra	3.0L L6 F/I	33-3136	
Land Cruiser	5.7L V8 F/I	33-2387	HP-7018 ¹
Prius	1.8L L4 F/I	33-2485	
Prius	1.8L L4 F/I - Cartridge	33-2485	HP-7021 ¹
Prius	1.8L L4 F/I - Spin On	33-2485	HP-1003 ¹
Prius Prime	1.8L L4 F/I	33-2485	
Prius Prime	1.8L L4 F/I - Cartridge	33-2485	HP-7021 ¹
Prius Prime	1.8L L4 F/I - Spin On	33-2485	HP-1003 ¹
RAV4	2.5L L4 F/I	33-2443	
Sequoia	5.7L V8 F/I	33-5017 ♦	HP-7018 ¹
Sienna	3.5L V6 F/I		HP-7020 ¹
Tacoma	2.7L L4 F/I	33-2306 ♦+	HP-1002 ¹
Tacoma	3.5L V6 F/I	33-5017 ♦+	HP-7020 ¹
Tarago	2.4L L4 F/I	33-2355+	
Tundra	5.7L V8 F/I	33-5017 ♦	
Yaris	1.5L L4 F/I	33-5038	

2019 TOYOTA			
4 Runner	4.0L V6 F/I	33-2438 ♦+	HP-7023 ¹
86	2.0L H4 F/I		HP-1004 ¹
86	2.0L H4 F/I - OEM 178010D020	33-2300 ♦+	HP-1004
86	2.0L H4 F/I - OEM SU00306405	33-5060 ♦+	HP-1004
Auris	1.2L L4 F/I	33-2360	
Avalon	2.5L L4 F/I	33-3080+	HP-1003 ¹
Avalon	3.5L V6 F/I	33-2443 ♦+	HP-7020 ¹
Aygo II	1.0L L3 F/I	33-2485	
Camry	2.5L L4 F/I		HP-1003 ¹
Camry	2.5L L4 F/I - Exc. Hybrid	33-2443 ♦+	HP-1003

* 2 filters required ♦ Intake System Available - see page 370 +Cabin Air Filter Available - see page 353 1- Performance Silver Oil Filter Also Available

Partial Listing: Complete Listing of Vehicles and Parts at KNFILTERS.COM or call 1-800-858-3333



Vehicle	Engine Type	Air Filter	Oil Filter	Vehicle	Engine Type	Air Filter	Oil Filter
2019 TOYOTA				2018 TOYOTA			
Camry	3.5L V6 F/I	33-2443 ♦+	HP-7020 ¹	Agua	1.0L L3 F/I	33-3066	
Camry Hybrid	2.5L L4 F/I	33-3080+	HP-1003 ¹	Aqua	1.0L L3 F/I	33-3066	
C-HR	1.2L L4 F/I	33-3080		Avalon	2.5L L4 F/I	33-2381+	HP-7020 ¹
C-HR	1.8L L4 F/I	33-2485		Avalon	3.5L V6 F/I	33-2443+	HP-7020 ¹
C-HR	2.0L L4 F/I	33-3080		Avanza	1.5L L4 F/I	33-3016	
C-HR	2.0L L4 F/I - Cartridge	33-3080	HP-7021 ¹	Camry	2.5L L4 F/I	33-2443 ♦	HP-1003 ¹
C-HR	2.0L L4 F/I - Spin On	33-3080	HP-1003 ¹	Camry	2.5L L4 F/I - Exc. Hybrid	33-2443 ♦+	HP-1003
Corolla	1.8L L4 F/I	33-2360 ♦+		Camry	3.5L V6 F/I	33-2443 ♦+	HP-7020 ¹
Corolla	1.8L L4 F/I - Cartridge	33-2360	HP-7021 ¹	Camry Hybrid	2.5L L4 F/I	33-3080+	HP-1003 ¹
Corolla	1.8L L4 F/I - Spin On	33-2360	HP-1003 ¹	C-HR	1.2L L4 F/I	33-3080	
Corolla	2.0L L4 F/I		HP-1003 ¹	C-HR	1.8L L4 F/I	33-2485	
Corolla Hatchback	2.0L L4 F/I	33-3080+		C-HR	2.0L L4 F/I	33-3080	HP-7021 ¹
Fortuner	2.8L L4 DSL	33-3045		Corolla	1.6L L4 F/I	33-2360	
Highlander	2.7L L4 F/I	33-2443+	HP-7020 ¹	Corolla	1.8L L4 F/I	33-2360 ♦+	
Highlander	3.5L V6 F/I	33-2443+	HP-7020 ¹	Corolla	1.8L L4 F/I - Cartridge	33-2360	HP-7021 ¹
Highlander Hybrid	3.5L V6 F/I	33-5079+	HP-7020 ¹	Corolla	1.8L L4 F/I - Spin On	33-2360	HP-1003 ¹
Hilux	2.4L L4 DSL	33-3045		Corolla iM	1.8L L4 F/I	33-2360+	HP-1003 ¹
Hilux	2.8L L4 DSL	33-3045		Fortuner	2.4L L4 DSL	33-3045	
Land Cruiser	2.8L L4 DSL	33-3062		Fortuner	2.7L L4 F/I	33-3045	
Land Cruiser	5.7L V8 F/I	33-2387 ♦+	HP-7018 ¹	Fortuner	2.8L L4 DSL	33-3045	
Prius	1.8L L4 F/I	33-2485+		Highlander	2.7L L4 F/I	33-2443+	HP-7020 ¹
Prius	1.8L L4 F/I - Cartridge	33-2485	HP-7021 ¹	Highlander	3.5L V6 F/I	33-2443+	HP-7020 ¹
Prius	1.8L L4 F/I - Spin On	33-2485	HP-1003 ¹	Highlander Hybrid	3.5L V6 F/I	33-5079+	HP-7020 ¹
Prius AWD-e	1.8L L4 F/I	33-2485+		Hilux	2.4L L4 DSL	33-3045	
Prius AWD-e	1.8L L4 F/I - Cartridge	33-2485	HP-7021 ¹	Hilux	2.7L V6 F/I	33-3045+	
Prius AWD-e	1.8L L4 F/I - Spin On	33-2485	HP-1003 ¹	Hilux	2.8L L4 DSL	33-3045	
Prius C	1.5L L4 F/I	33-2485+	HP-1003 ¹	Land Cruiser	2.8L L4 DSL	33-3062	
Prius Prime	1.8L L4 F/I	33-2485+		Land Cruiser	5.7L V8 F/I	33-2387 ♦+	HP-7018 ¹
Prius Prime	1.8L L4 F/I - Cartridge	33-2485	HP-7021 ¹	Land Cruiser Prado	2.8L L4 DSL	33-3062	
Prius Prime	1.8L L4 F/I - Spin On	33-2485	HP-1003 ¹	Prius	1.8L L4 F/I	33-2485+	HP-7021 ¹
ProAce II	2.0L L4 DSL	33-3122		Prius C	1.5L L4 F/I	33-2485+	HP-1003 ¹
ProAce Verso	2.0L L4 DSL	33-3122		Prius Prime	1.8L L4 F/I		HP-7021 ¹
RAV4	2.5L L4 F/I		HP-1003 ¹	Prius V	1.8L L4 F/I		HP-7021 ¹
RAV4	2.5L L4 F/I - Exc. Hybrid	33-2443 ♦+	HP-1003	RAV4	2.5L L4 F/I	33-2381+	HP-7020 ¹
RAV4 Hybrid	2.5L L4 F/I	33-3080+	HP-1003 ¹	RAV4 Hybrid	2.5L L4 F/I	33-2435+	HP-7020 ¹
RAV4 V	2.0L L4 F/I	33-2443		RAV4 IV	2.0L L4 F/I	33-2360	
RAV4 V	2.5L L4 F/I - w/Hybrid	33-3080		RAV4 IV	2.5L L4 F/I		HP-7020 ¹
Sequoia	5.7L V8 F/I	33-5017 ♦+	HP-7018 ¹	RAV4 IV	2.5L L4 F/I - Exc. Hybrid	33-2381+	HP-7020
Sienna	3.5L V6 F/I	33-2443+	HP-7020 ¹	RAV4 IV	2.5L L4 F/I - w/Hybrid	33-2435+	HP-7020
Tacoma	2.7L L4 F/I	33-2306 ♦+	HP-1002 ¹	Rush	1.5L L4 F/I	33-3016+	
Tacoma	3.5L V6 F/I	33-5017 ♦+	HP-7020 ¹	Sequoia	5.7L V8 F/I	33-5017 ♦+	HP-7018 ¹
Tacoma	4.6L V8 F/I	33-5017 ♦+	HP-7018 ¹	Sienna	3.5L V6 F/I	33-2443+	HP-7020 ¹
Tundra	5.7L V8 F/I	33-5017 ♦+	HP-7018 ¹	Tacoma	2.7L L4 F/I	33-2306 ♦+	HP-1002 ¹
Vios	1.3L L4 F/I	33-3016+		Tacoma	3.5L V6 F/I	33-5017 ♦+	HP-7020 ¹
Vios	1.5L L4 F/I	33-3016+		Tank	1.0L L3 F/I	33-2485	
Vitz	1.5L L4 F/I	33-2360+		Tundra	4.6L V8 F/I	33-5017 ♦+	HP-7018 ¹
Yaris	1.0L L3 F/I	33-2485		Tundra	5.7L V8 F/I	33-5017 ♦+	HP-7018 ¹
Yaris	1.5L L4 F/I		HP-1008 ¹	Vios	1.3L L4 F/I	33-3016+	
Yaris	1.5L L4 F/I - Brazil	33-3018	HP-1008	Vios	1.5L L4 F/I	33-3016+	
Yaris	1.5L L4 F/I - Eng. 1NZFE		HP-1003 ¹	Wigo	1.0L L3 F/I	33-3066	
Yaris	1.5L L4 F/I - Eng. P5		HP-1008 ¹	Yaris	1.5L L4 F/I	33-2360+	
Yaris	1.5L L4 F/I - Non-US	33-2360	HP-1008	Yaris	1.5L L4 F/I - Brazil	33-3018+	
Yaris	1.5L L4 F/I - US	33-5038	HP-1008	Yaris	1.5L L4 F/I - Eng. 1NZFE	33-2360	HP-1003 ¹
Yaris	1.8L L4 F/I	33-2360		Yaris	1.5L L4 F/I - Eng. P5	33-2360	HP-1008 ¹
Yaris iA	1.5L L4 F/I		HP-1008 ¹	Yaris Hybrid	1.5L L4 F/I	33-2485	
2018 TOYOTA				2017 TOYOTA			
4 Runner	4.0L V6 F/I	33-2438 ♦+	HP-7023 ¹	4 Runner	4.0L V6 F/I	33-2438 ♦+	HP-7023 ¹
86	2.0L H4 F/I		HP-1004 ¹	86	2.0L H4 F/I		HP-1004 ¹
86	2.0L H4 F/I - OEM 178010D020	33-2300 ♦+	HP-1004	86	2.0L H4 F/I - OEM 178010D020	33-2300 ♦+	HP-1004
86	2.0L H4 F/I - OEM SU00306405	33-5060 ♦+	HP-1004				

* 2 filters required ♦ Intake System Available - see page 370 +Cabin Air Filter Available - see page 353 1- Performance Silver Oil Filter Also Available



AIR & OIL FILTERS

TOYOTA

Vehicle	Engine Type	Air Filter	Oil Filter
2017 TOYOTA			
86	2.0L H4 F/I - OEM SU00306405	33-5060 ♦♦	HP-1004
Agya	1.0L L3 F/I	33-3066	
Auris Hybrid	1.8L L4 F/I	33-2435	
Avalon	3.5L V6 F/I	33-2443 ♦♦	HP-7020 ¹
Avanza	1.5L L4 F/I	33-3016	
Camry	2.5L L4 F/I		HP-7020 ¹
Camry	2.5L L4 F/I - Exc. Hybrid	33-2370 ♦♦	HP-7020
Camry	3.5L V6 F/I	33-2443 ♦♦	HP-7020 ¹
Camry Hybrid	2.5L L4 F/I	33-2381 ⁺	HP-7020 ¹
Corolla	1.3L L4 F/I	33-2360	
Corolla	1.4L L4 DSL	33-2953	
Corolla	1.5L L4 F/I	33-2360 ⁺	
Corolla	1.6L L4 F/I	33-2360	
Corolla	1.8L L4 F/I	33-2360 ♦♦	
Corolla	1.8L L4 F/I - Cartridge	33-2360	HP-7021 ¹
Corolla	1.8L L4 F/I - Spin On	33-2360	HP-1003 ¹
Corolla iM	1.8L L4 F/I	33-2360 ♦♦	
Corolla iM	1.8L L4 F/I - Cartridge	33-2360	HP-7021 ¹
Corolla iM	1.8L L4 F/I - Spin On	33-2360	HP-1003 ¹
Fortuner	2.4L L4 DSL	33-3045	
Fortuner	2.7L L4 F/I	33-3045	
Fortuner	2.8L L4 DSL	33-3045	
GT 86	2.0L H4 F/I		HP-1004 ¹
GT 86	2.0L H4 F/I - w/Auto Trans.	33-2300 ♦♦	HP-1004
Hiace Commuter	3.0L L4 DSL	33-2987	
Highlander	2.7L L4 F/I	33-2443 ⁺	HP-7020 ¹
Highlander	3.5L V6 F/I	33-2443 ⁺	HP-7020 ¹
Highlander Hybrid	3.5L V6 F/I	33-5079 ⁺	HP-7020 ¹
Hilux	2.4L L4 DSL	33-3045	
Hilux	2.7L L4 F/I	E-2296	
Hilux	2.7L V6 F/I	33-3045 ⁺	
Hilux	2.8L L4 DSL	33-3045	
Hilux	3.0L L4 DSL	E-2296 ⁺	
Hilux	4.0L V6 F/I	33-3045 ⁺	HP-1002 ¹
Hilux Revo	2.8L L4 DSL	33-3045	
Innova	2.0L L4 F/I	33-2987	
Innova	2.8L L4 DSL	33-3045	
Innova Crysta	2.8L L4 DSL	33-3045	
Land Cruiser	2.8L L4 DSL	33-3062	
Land Cruiser	5.7L V8 F/I	33-2387 ♦♦	HP-7018 ¹
Land Cruiser 76/78/79	4.5L V8 DSL	33-2146	
Land Cruiser 200	4.5L V8 DSL	33-2387 ⁺	
Land Cruiser Prado	2.8L L4 DSL	33-3062	
Prius	1.8L L4 F/I	33-2485 ⁺	HP-7021 ¹
		33-2485	HP-7021 ¹
Prius C	1.5L L4 F/I	33-2485 ⁺	HP-1003 ¹
Prius Prime	1.8L L4 F/I	33-2485 ⁺	HP-7021 ¹
Prius V	1.8L L4 F/I	33-2435 ⁺	HP-7021 ¹
RAV4	2.5L L4 F/I	33-2381 ⁺	HP-7020 ¹
RAV4 Hybrid	2.5L L4 F/I	33-2435 ⁺	HP-7020 ¹
RAV4 IV	2.0L L4 DSL	33-3053	
RAV4 IV	2.0L L4 F/I	33-2360	
RAV4 IV	2.5L L4 F/I		HP-7020 ¹
RAV4 IV	2.5L L4 F/I - Exc. Hybrid	33-2381 ⁺	HP-7020
RAV4 IV	2.5L L4 F/I - w/Hybrid	33-2435 ⁺	HP-7020
Sequoia	5.7L V8 F/I	33-5017 ♦♦	HP-7018 ¹
Sienna	3.5L V6 F/I	33-2443 ⁺	HP-7020 ¹
Succeed	1.5L L4 F/I	33-2360	
Tacoma	2.7L L4 F/I	33-2306 ♦♦	HP-1002 ¹

Vehicle	Engine Type	Air Filter	Oil Filter
2017 TOYOTA			
Tacoma	3.5L V6 F/I	33-5017 ♦♦	HP-7020 ¹
Tundra	4.6L V8 F/I	33-5017 ♦♦	HP-7018 ¹
Tundra	5.7L V8 F/I	33-5017 ♦♦	HP-7018 ¹
Vios	1.3L L4 F/I	33-3016 ⁺	
Wigo	1.0L L3 F/I	33-3066	
Yaris	1.3L L4 F/I	33-2211	
Yaris	1.5L L4 F/I	33-2360 ♦♦	
Yaris	1.5L L4 F/I - Eng. 1NZFE	33-2360	HP-1003 ¹
Yaris	1.5L L4 F/I - Eng. P5	33-2360	HP-1008 ¹
Yaris Hybrid	1.5L L4 F/I	33-2485 ⁺	
Yaris iA	1.5L L4 F/I	33-5038	HP-1008 ¹
2016 TOYOTA			
4 Runner	4.0L V6 F/I	33-2438 ♦♦	HP-7023 ¹
86	2.0L H4 F/I	33-2300 ♦♦	
Agya	1.0L L3 F/I	33-3066	
Avalon	2.5L L4 F/I	33-2381 ⁺	HP-7020 ¹
Avalon	3.5L V6 F/I	33-2443 ♦♦	HP-7020 ¹
Camry	2.5L L4 F/I		HP-7020 ¹
Camry	2.5L L4 F/I - Exc. Hybrid	33-2370 ♦♦	HP-7020
Camry	3.5L V6 F/I	33-2443 ♦♦	HP-7020 ¹
Camry Hybrid	2.5L L4 F/I	33-2381 ⁺	HP-7020 ¹
Corolla	1.3L L4 F/I	33-2360	
Corolla	1.4L L4 DSL	33-2953	
Corolla	1.5L L4 F/I	33-2360 ⁺	
Corolla	1.6L L4 F/I	33-2360	
Corolla	1.8L L4 F/I	33-2360 ⁺	HP-7021 ¹
Fortuner	2.4L L4 DSL	33-3045	
Fortuner	2.7L L4 F/I	33-3045	
Fortuner	2.8L L4 DSL	33-3045	
GT 86	2.0L H4 F/I		HP-1004 ¹
Hiace	3.0L L4 DSL	33-2987 ⁺	
Hiace Commuter	3.0L L4 DSL	33-2987	
Highlander	2.7L L4 F/I	33-2443 ⁺	HP-7020 ¹
Highlander	3.5L V6 F/I	33-2443 ⁺	HP-7020 ¹
Highlander Hybrid	3.5L V6 F/I	33-2455 ⁺	HP-7020 ¹
Hilux	2.4L L4 DSL	33-3045	
Hilux	2.7L L4 F/I	E-2296	
Hilux	2.7L V6 F/I	33-3045 ⁺	
Hilux	2.8L L4 DSL	33-3045	
Hilux	3.0L L4 DSL	E-2296 ⁺	
Hilux	4.0L V6 F/I	33-3045 ⁺	HP-1002 ¹
Hilux Revo	2.4L L4 DSL	33-3045	
Hilux Revo	2.8L L4 DSL	33-3045	
Innova	2.0L L4 F/I	33-2987	
Innova	2.8L L4 DSL	33-3045	
Innova Crysta	2.8L L4 DSL	33-3045	
Land Cruiser	5.7L V8 F/I	33-2387 ♦♦	HP-7018 ¹
Land Cruiser 76/78/79	4.5L V8 DSL	33-2146	
Land Cruiser 200	4.5L V8 DSL	33-2387 ⁺	
Land Cruiser Prado	2.8L L4 DSL	33-3062	
Prius	1.8L L4 F/I	33-2485 ⁺	HP-7021 ¹
		33-2485	HP-7021 ¹
Prius C	1.5L L4 F/I	33-2485 ⁺	HP-1003 ¹
Prius Prime	1.8L L4 F/I	33-2485 ⁺	HP-7021 ¹
Prius V	1.8L L4 F/I	33-2435 ⁺	HP-7021 ¹
RAV4	2.5L L4 F/I	33-2381 ⁺	HP-7020 ¹
RAV4 Hybrid	2.5L L4 F/I	33-2435 ⁺	HP-7020 ¹
RAV4 IV	2.0L L4 DSL	33-3053	
RAV4 IV	2.0L L4 F/I	33-2360	
RAV4 IV	2.5L L4 F/I		HP-7020 ¹
RAV4 IV	2.5L L4 F/I - Exc. Hybrid	33-2381 ⁺	HP-7020
RAV4 IV	2.5L L4 F/I - w/Hybrid	33-2435 ⁺	HP-7020
Sequoia	5.7L V8 F/I	33-5017 ♦♦	HP-7018 ¹
Sienna	3.5L V6 F/I	33-2443 ⁺	HP-7020 ¹
Succeed	1.5L L4 F/I	33-2360	
Tacoma	2.7L L4 F/I	33-2306 ♦♦	HP-1002 ¹

* 2 filters required ♦ Intake System Available - see page 370 +Cabin Air Filter Available - see page 353 1- Performance Silver Oil Filter Also Available

Partial Listing: Complete Listing of Vehicles and Parts at KNFILTERS.COM or call 1-800-858-3333



Vehicle	Engine Type	Air Filter	Oil Filter	Vehicle	Engine Type	Air Filter	Oil Filter
2016 TOYOTA				2015 TOYOTA			
RAV4 IV	2.0L L4 F/I	33-2360		Land Cruiser	4.5L V8 DSL	33-2146	
RAV4 IV	2.5L L4 F/I		HP-7020 ¹	76/78/79			
RAV4 IV	2.5L L4 F/I - Exc. Hybrid	33-2381+	HP-7020	Land Cruiser 200	4.5L V8 DSL	33-2387+	
RAV4 IV	2.5L L4 F/I - w/Hybrid	33-2435+	HP-7020	Land Cruiser Prado	2.8L L4 DSL	33-3062	
Sequoia	5.7L V8 F/I	33-5017 ♦+	HP-7018 ¹	Land Cruiser Prado	3.0L V6 DSL	33-2146	
Sienna	3.5L V6 F/I	33-2443+	HP-7020 ¹	Prius	1.8L L4 F/I	33-2435+	HP-7021 ¹
Tacoma	2.7L L4 F/I	33-2306 ♦+	HP-1002 ¹	Prius C	1.5L L4 F/I	33-2485+	HP-1003 ¹
Tacoma	3.5L V6 F/I	33-5017 ♦+	HP-7020 ¹	Prius V	1.8L L4 F/I	33-2435+	HP-7021 ¹
Tundra	4.6L V8 F/I	33-5017 ♦+	HP-7018 ¹	RAV4	2.5L L4 F/I	33-2381+	HP-7020 ¹
Tundra	5.7L V8 F/I	33-5017 ♦+	HP-7018 ¹	RAV4 IV	2.0L L4 DSL - From 10/15	33-3053	
Venza	2.7L L4 F/I		HP-7020 ¹	RAV4 IV	2.0L L4 DSL - To 9/15	33-2345	
Venza	3.5L V6 F/I		HP-7020 ¹	RAV4 IV	2.0L L4 F/I	33-2360	
Vios	1.3L L4 F/I	33-3016+		RAV4 IV	2.2L L4 DSL	33-2452	
Vios	1.5L L4 F/I	33-3016+		RAV4 IV	2.5L L4 F/I		HP-7020 ¹
Wigo	1.0L L3 F/I	33-3066		RAV4 IV	2.5L L4 F/I - Exc. Hybrid	33-2381+	HP-7020
Yaris	1.5L L4 F/I	33-2360 ♦+		RAV4 IV	2.5L L4 F/I - w/Hybrid	33-2435+	HP-7020
Yaris	1.5L L4 F/I - Eng. 1NZFE	33-2360	HP-1003 ¹	Rukus	2.4L L4 F/I	33-2326+	
Yaris	1.5L L4 F/I - Eng. P5	33-2360	HP-1008 ¹	Rush	1.5L L4 F/I - OEM 17801BZ050	33-2989	
Yaris Hybrid	1.5L L4 F/I	33-2485+		Sequoia	5.7L V8 F/I	33-5017 ♦+	HP-7018 ¹
2015 TOYOTA				2014 TOYOTA			
4 Runner	4.0L V6 F/I	33-2438 ♦+	HP-7023 ¹	Sienna	3.5L V6 F/I	33-2443+	HP-7020 ¹
86	2.0L H4 F/I	33-2300 ♦+		Sienta	1.5L L4 F/I	33-2211	
Agya	1.0L L3 F/I	33-3066		Succeed	1.5L L4 F/I	33-2360	
Aqua	1.0L L3 F/I	33-3066		Tacoma	2.7L L4 F/I	33-2306 ♦+	HP-1002 ¹
Aurion	3.5L V6 F/I	33-2443+		Tacoma	4.0L V6 F/I	33-2281 ♦+	HP-1002 ¹
Avalon	2.5L L4 F/I	33-2381+	HP-7020 ¹	Tundra	4.0L V8 F/I		HP-7018 ¹
Avalon	3.5L V6 F/I	33-2443 ♦+	HP-7020 ¹	Tundra	4.6L V8 F/I	33-5017 ♦+	HP-7018 ¹
Avanza	1.5L L4 F/I	33-3016		Tundra	5.7L V8 F/I	33-5017 ♦+	HP-7018 ¹
Camry	2.0L L4 F/I	33-2381		Venza	2.7L L4 F/I	33-2370 ♦+	HP-7020 ¹
Camry	2.5L L4 F/I		HP-7020 ¹	Venza	3.5L V6 F/I	33-2326 ♦+	HP-7020 ¹
Camry	2.5L L4 F/I - Exc. Hybrid	33-2370 ♦+	HP-7020	Vios	1.3L L4 F/I	33-3016+	
Camry	3.5L V6 F/I	33-2443 ♦+	HP-7020 ¹	Vios	1.5L L4 F/I	33-3016+	
Camry Hybrid	2.5L L4 F/I	33-2381+	HP-7020 ¹	Wigo	1.0L L3 F/I	33-3066	
Corolla	1.3L L4 F/I	33-2360		Yaris	1.3L L4 F/I	33-2211	
Corolla	1.4L L4 DSL	33-2953		Yaris	1.5L L4 F/I	33-2360 ♦+	HP-1003 ¹
Corolla	1.5L L4 F/I	33-2360+		Yaris Hybrid	1.5L L4 F/I	33-2485+	HP-1003 ¹
Corolla	1.6L L4 F/I	33-2360		2014 TOYOTA			
Corolla	1.8L L4 F/I	33-2360+	HP-7021 ¹	4 Runner	4.0L V6 F/I	33-2438 ♦+	HP-7023 ¹
		33-2360 ♦+	HP-7021 ¹	86	2.0L H4 F/I	33-2300 ♦+	
Crown Royal	2.5L L4 F/I - From 3/15	33-2345		Agya	1.0L L3 F/I	33-3066	
Fortuner	2.7L L4 F/I	E-2296		Avalon	2.5L L4 F/I	33-2381+	HP-7020 ¹
GT 86	2.0L H4 F/I	33-2300 ♦+		Avalon	3.5L V6 F/I	33-2443 ♦+	HP-7020 ¹
Hiace	2.0L L4 F/I	33-2987		Camry	2.0L L4 F/I	33-2370	
Hiace	3.0L L4 DSL	33-2987+		Camry	2.5L L4 F/I		HP-7020 ¹
Hiace Commuter	3.0L L4 DSL	33-2987		Camry	2.5L L4 F/I - Exc. Hybrid	33-2370 ♦+	HP-7020
Highlander	2.7L L4 F/I	33-2443+	HP-7020 ¹	Camry	3.5L V6 F/I	33-2443 ♦+	HP-7020 ¹
Highlander	3.5L V6 F/I	33-2443+	HP-7020 ¹	Camry Hybrid	2.5L L4 F/I	33-2381+	HP-7020 ¹
Highlander Hybrid	3.5L V6 F/I	33-2455+	HP-7020 ¹	Corolla	1.3L L4 F/I	33-2360	
Highlander Kluger	3.5L V6 F/I - From 3/15	33-2443		Corolla	1.4L L4 DSL	33-2953	
Hilux	2.5L L4 DSL	E-2296		Corolla	1.5L L4 F/I	33-2360+	
Hilux	2.7L L4 F/I	E-2296		Corolla	1.6L L4 F/I	33-2360	
Hilux	2.7L V6 F/I	33-3045+		Corolla	1.8L L4 F/I	33-2360+	HP-7021 ¹
Hilux	2.8L L4 DSL	33-3045				33-2360 ♦+	HP-7021 ¹
Hilux	4.0L V6 F/I - From 7/15	33-3045+		FJ Cruiser	4.0L V6 F/I	33-2438 ♦+	HP-7023 ¹
Hilux Vigo	2.5L L4 DSL	E-2296		Fortuner	2.7L L4 F/I	E-2296	
Innova	2.0L L4 F/I	33-2987		Hiace	2.0L L4 F/I	33-2987	
Innova	2.8L L4 DSL	33-3045		Hiace Commuter	3.0L L4 DSL	33-2987	
Innova Crysta	2.8L L4 DSL	33-3045		Highlander	2.7L L4 F/I	33-2443+	PS-7020
Land Cruiser	2.8L L4 DSL	33-3062		Highlander	3.5L V6 F/I	33-2443	HP-7020 ¹
Land Cruiser	5.7L V8 F/I	33-2387+	PS-7018	Highlander Hybrid	3.5L V6 F/I	33-2455	HP-7020 ¹
				Hilux	2.5L L4 DSL	E-2296	

* 2 filters required ♦ Intake System Available - see page 370 +Cabin Air Filter Available - see page 353 1- Performance Silver Oil Filter Also Available



AIR & OIL FILTERS

TOYOTA

Vehicle	Engine Type	Air Filter	Oil Filter	Vehicle	Engine Type	Air Filter	Oil Filter
2014 TOYOTA				2013 TOYOTA			
Hilux	3.0L L4 DSL	E-2296		Hilux	3.0L L4 DSL	E-2296	
Hilux Vigo	2.5L L4 DSL	E-2296		Hilux Vigo	2.5L L4 DSL	E-2296	
Hilux Vigo	3.0L L4 DSL	E-2015		Hilux Vigo	3.0L L4 DSL	E-2015	
Land Cruiser	3.0L L4 DSL	33-2146		Land Cruiser	3.0L L4 DSL	33-2146	
Land Cruiser	5.7L V8 F/I	33-2387+		Land Cruiser	4.5L V8 DSL - Exc. 70 & 200 Series	33-2387	
Land Cruiser	4.5L V8 DSL	33-2146		Land Cruiser	5.7L V8 F/I	33-2387+	PS-7018
Land Cruiser 200	4.5L V8 DSL	33-2387+		Land Cruiser	4.5L V8 DSL	33-2146	
Land Cruiser Prado	3.0L V6 DSL	33-2146		Land Cruiser	76/78/79		
Land Cruiser Prado	4.0L V6 F/I	33-2438		Land Cruiser 200	4.5L V8 DSL	33-2387+	
Matrix	1.8L L4 F/I		HP-7021 ¹	Land Cruiser Prado	3.0L V6 DSL	33-2146	
Prius	1.8L L4 F/I	33-2435+	HP-7021 ¹	Matrix	1.8L L4 F/I	33-2360+	HP-7021 ¹
Prius C	1.5L L4 F/I	33-2485+	HP-1003 ¹	Matrix	2.4L L4 F/I	33-2326 ♦+	HP-1003 ¹
Prius V	1.8L L4 F/I	33-2435+	HP-7021 ¹	Prius	1.8L L4 F/I	33-2435+	HP-7021 ¹
RAV4	2.5L L4 F/I	33-2381+	HP-7020 ¹	Prius C	1.5L L4 F/I	33-2485+	HP-1003 ¹
RAV4 IV	2.0L L4 DSL	33-2345		Prius V	1.8L L4 F/I	33-2435+	HP-7021 ¹
RAV4 IV	2.0L L4 F/I	33-2360		RAV4	2.0L L4 F/I - From 8/13	33-2355	
RAV4 IV	2.2L L4 DSL	33-2452		RAV4	2.5L L4 F/I	33-2381+	HP-7020 ¹
Sequoia	5.7L V8 F/I	33-5017 ♦+	HP-7018 ¹	RAV4	2.5L L4 F/I - China	33-2355+	HP-7020
Sienna	3.5L V6 F/I	33-2443+	HP-7020 ¹	RAV4 III	2.0L L4 F/I	33-2360	
Tacoma	2.7L L4 F/I	33-2306 ♦+	HP-1002 ¹	RAV4 III	2.2L L4 DSL	33-2345	
Tacoma	4.0L V6 F/I	33-2281 ♦+	HP-1002 ¹	RAV4 IV	2.0L L4 DSL	33-2345	
Tundra	4.0L V6 F/I	33-2387+	HP-7023 ¹	RAV4 IV	2.0L L4 F/I	33-2360	
Tundra	4.6L V8 F/I	33-5017 ♦+	HP-7018 ¹	RAV4 IV	2.2L L4 DSL	33-2452	
Tundra	5.7L V8 F/I	33-5017 ♦+	HP-7018 ¹	Rush	1.5L L4 F/I - OEM 17801BZ050	33-2989	
Venza	2.7L L4 F/I	33-2370 ♦+	HP-7020 ¹	Sequoia	5.7L V8 F/I	33-2387 ♦+	HP-7018 ¹
Venza	3.5L V6 F/I	33-2326 ♦+	HP-7020 ¹	Sienna	2.7L L4 F/I		HP-7020 ¹
Vios	1.5L L4 F/I	33-3016+		Sienna	3.5L V6 F/I	33-2443+	HP-7020 ¹
Yaris	1.3L L4 F/I - Australia	33-2360		Sienta	1.5L L4 F/I	33-2211	
Yaris	1.3L L4 F/I - EU	33-2211		Tacoma	2.7L L4 F/I	33-2306 ♦+	HP-1002 ¹
Yaris	1.5L L4 F/I	33-2360 ♦+	HP-1003 ¹	Tacoma	4.0L V6 F/I	33-2281 ♦+	HP-1002 ¹
Yaris Hybrid	1.5L L4 F/I	33-2485	HP-1003 ¹	Tundra	4.0L V6 F/I	33-2387+	HP-7023 ¹
Yaris L	1.5L L4 F/I - China, From 10/14	33-2211		Tundra	4.6L V8 F/I	33-2387 ♦+	HP-7018 ¹
Yaris L	1.5L L4 F/I - China, To 9/14	33-2360		Tundra	5.7L V8 F/I	33-2387 ♦+	HP-7018 ¹
2013 TOYOTA				2012 TOYOTA			
4 Runner	4.0L V6 F/I	33-2438 ♦+	HP-7023 ¹	4 Runner	4.0L V6 F/I	33-2438 ♦+	HP-7023 ¹
86	2.0L H4 F/I	33-2300 ♦+		86	2.0L H4 F/I	33-2300 ♦+	
Agya	1.0L L3 F/I	33-3066		Auris	1.6L L4 F/I	33-2360	
Avalon	2.5L L4 F/I	33-2381+	HP-7020 ¹	Avalon	3.5L V6 F/I	33-2326+	HP-7020 ¹
Avalon	3.5L V6 F/I	33-2443 ♦+	HP-7020 ¹	Camry	2.0L L4 F/I	33-2370	
Avanza	1.5L L4 F/I	33-2989		Camry	2.5L L4 F/I		HP-7020 ¹
Camry	2.0L L4 F/I	33-2370		Camry	2.5L L4 F/I - Exc. Hybrid	33-2370 ♦+	HP-7020
Camry	2.5L L4 F/I		HP-7020 ¹	Camry	3.5L V6 F/I	33-2443 ♦+	HP-7020 ¹
Camry	3.5L V6 F/I	33-2443 ♦+	HP-7020 ¹	Camry Hybrid	2.5L L4 F/I	33-2381+	HP-7020 ¹
Camry Hybrid	2.5L L4 F/I	33-2381+	HP-7020 ¹	Corolla	1.3L L4 F/I	33-2360	
Corolla	1.3L L4 F/I	33-2360		Corolla	1.4L L4 DSL	33-2953	
Corolla	1.4L L4 DSL	33-2953		Corolla	1.5L L4 F/I	33-2360+	
Corolla	1.5L L4 F/I	33-2360+		Corolla	1.6L L4 F/I	33-2360	
Corolla	1.6L L4 F/I	33-2360		Corolla	1.8L L4 F/I	33-2360 ♦+	HP-7021 ¹
Corolla	1.8L L4 F/I	33-2360 ♦+	HP-7021 ¹	Corolla	2.4L L4 F/I	33-2326+	
Corolla	2.4L L4 F/I	33-2326+		FJ Cruiser	4.0L V6 F/I	33-2438 ♦+	HP-7023 ¹
FJ Cruiser	4.0L V6 F/I	33-2438 ♦+	HP-7023 ¹	Fortuner	2.7L L4 F/I	E-2296	
Fortuner	2.7L L4 F/I	E-2296		Fortuner	3.0L L4 DSL	E-2296	
Fortuner	3.0L L4 DSL	E-2296		GT 86	2.0L H4 F/I	33-2300 ♦+	
GT 86	2.0L H4 F/I	33-2300 ♦+		Auris	1.6L L4 F/I	33-2360	
Highlander	2.7L L4 F/I	33-2260+	HP-7020 ¹	Avalon	3.5L V6 F/I	33-2326+	HP-7020 ¹
Highlander	3.5L V6 F/I	33-2260+	HP-7020 ¹	Camry	2.0L L4 F/I	33-2370	
Highlander Hybrid	3.5L V6 F/I	33-2455+	HP-7020 ¹	Camry	2.5L L4 F/I		HP-7020 ¹
Hilux	2.5L L4 DSL	E-2296		Camry	2.5L L4 F/I - Exc. Hybrid	33-2370 ♦+	HP-7020
				Camry	3.5L V6 F/I	33-2443 ♦+	HP-7020 ¹
				Camry Hybrid	2.4L L4 F/I	33-2260	
				Camry Hybrid	2.5L L4 F/I	33-2381+	HP-7020 ¹
				Corolla	1.5L L4 F/I	33-2360+	
				Corolla	1.8L L4 F/I	33-2360 ♦+	HP-7021 ¹
				Corolla	2.4L L4 F/I	33-2326+	
				FJ Cruiser	4.0L V6 F/I	33-2438 ♦+	HP-7023 ¹
				Fortuner	2.5L L4 DSL	E-2296	
				Fortuner	2.7L L4 F/I	E-2296	
				Fortuner	3.0L L4 DSL	E-2296	
				GT 86	2.0L H4 F/I	33-2300 ♦+	

* 2 filters required ♦ Intake System Available - see page 370 +Cabin Air Filter Available - see page 353 1- Performance Silver Oil Filter Also Available

Partial Listing: Complete Listing of Vehicles and Parts at KNFILTERS.COM or call 1-800-858-3333



Vehicle	Engine Type	Air Filter	Oil Filter	Vehicle	Engine Type	Air Filter	Oil Filter
2012 TOYOTA				2011 TOYOTA			
Hiace	3.0L L4 DSL	33-2987+		Hiace	3.0L L4 DSL	33-2987+	
Hiace Commuter	3.0L L4 DSL	33-2987		Hiace Commuter	3.0L L4 DSL	33-2987	
Highlander	2.7L L4 F/I	33-2260+	HP-7020 ¹	Highlander	2.7L L4 F/I	33-2260+	PS-7020
Highlander	3.5L V6 F/I	33-2260+	HP-7020 ¹	Highlander	3.5L V6 F/I	33-2260+	HP-7020 ¹
Highlander Hybrid	3.5L V6 F/I	33-2455+	HP-7020 ¹	Highlander Hybrid	3.5L V6 F/I	33-2455+	HP-7020 ¹
Highlander Kluger	2.7L V6 F/I	33-2260		Highlander Kluger	2.7L V6 F/I	33-2260	
Highlander Kluger	3.5L V6 F/I - To 5/12	33-2260		Highlander Kluger	3.5L V6 F/I	33-2260	
Hilux	2.7L L4 F/I	E-2296		Hilux	2.7L L4 F/I	E-2296	
Hilux	3.0L L4 DSL	E-2296		Hilux	3.0L L4 DSL	E-2296	
Hilux	4.0L V6 F/I	33-2281+		Hilux Vigo	3.0L L4 DSL	E-2015	
Hilux Vigo	2.5L L4 DSL	E-2296		Land Cruiser	5.7L V8 F/I	33-2387+	PS-7018
Hilux Vigo	3.0L L4 DSL	E-2015		Land Cruiser	4.5L V8 DSL	33-2146	
Land Cruiser	3.0L L4 DSL	33-2146		76/78/79			
Land Cruiser	4.7L V8 F/I - To 2/12	33-2387		Land Cruiser 200	4.5L V8 DSL	33-2387+	
Land Cruiser	4.5L V8 DSL	33-2146		Matrix	1.8L L4 F/I	33-2360+	HP-7021 ¹
Land Cruiser 200	4.5L V8 DSL	33-2387+		Matrix	2.4L L4 F/I	33-2326 ♦+	
Land Cruiser Prado	3.0L V6 DSL	33-2146		Prius	1.8L L4 F/I	33-2435+	HP-7021 ¹
Land Cruiser Prado	4.0L V6 F/I	33-2438		Prius	1.8L L4 F/I - China, From 12/11	33-2329+	HP-7021
Matrix	1.8L L4 F/I	33-2360+	PS-7021	RAV4	2.4L L4 F/I	33-2355+	
Matrix	2.4L L4 F/I	33-2326 ♦+	HP-1003 ¹	RAV4	2.5L L4 F/I	33-2355+	HP-7020 ¹
Prado	4.0L V6 F/I	33-2438+		RAV4	3.5L V6 F/I	33-2355+	HP-7020 ¹
Prius	1.8L L4 F/I	33-2435+	HP-7021 ¹	RAV4 III	2.0L L4 F/I	33-2360	
Prius C	1.5L L4 F/I	33-2485+	HP-1003 ¹	RAV4 III	2.2L L4 DSL	33-2345	
Prius V	1.8L L4 F/I	33-2435+	HP-7021 ¹	Sequoia	4.6L V8 F/I	33-2387 ♦+	
RAV4	2.4L L4 F/I	33-2355+		Sequoia	5.7L V8 F/I	33-2387 ♦+	HP-7018 ¹
RAV4	2.5L L4 F/I	33-2355+	HP-7020 ¹	Sienna	2.7L L4 F/I	33-2443+	HP-7020 ¹
RAV4	3.5L V6 F/I	33-2355+	HP-7020 ¹	Sienna	3.5L V6 F/I	33-2443+	HP-7020 ¹
RAV4 III	2.0L L4 F/I	33-2360		Sienta	1.5L L4 F/I	33-2211	
RAV4 III	2.2L L4 DSL	33-2345		Tacoma	2.7L L4 F/I	33-2306 ♦+	HP-1002 ¹
Sequoia	4.6L V8 F/I	33-2387 ♦+	PS-7018	Tacoma	4.0L V6 F/I	33-2281 ♦+	HP-1002 ¹
Sequoia	5.7L V8 F/I	33-2387 ♦+	HP-7018 ¹	Tundra	4.0L V6 F/I	33-2387+	
Sienna	2.7L L4 F/I	33-2443+	PS-7020	Tundra	4.0L V6 F/I - Spin On	33-2387	HP-1002 ¹
Sienna	3.5L V6 F/I	33-2443+	HP-7020 ¹	Tundra	4.6L V8 F/I	33-2387 ♦+	HP-7018 ¹
Tacoma	2.7L L4 F/I	33-2306 ♦+	HP-1002 ¹	Tundra	5.7L V8 F/I	33-2387 ♦+	HP-7018 ¹
Tacoma	4.0L V6 F/I	33-2281 ♦+	HP-1002 ¹	Vanguard	3.5L V6 F/I	33-2355+	
Tundra	4.0L V6 F/I	33-2387+		Venza	2.7L L4 F/I	33-2370+	HP-7020 ¹
Tundra	4.6L V8 F/I	33-2387 ♦+	HP-7018 ¹	Venza	3.5L V6 F/I	33-2326 ♦+	HP-7020 ¹
Tundra	5.7L V8 F/I	33-2387 ♦+	HP-7018 ¹	Yaris	1.4L L4 DSL	33-2988	
Venza	2.7L L4 F/I	33-2370+	HP-7020 ¹	Yaris	1.5L L4 F/I	33-2360 ♦+	HP-1003 ¹
Venza	3.5L V6 F/I	33-2326 ♦+	HP-7020 ¹	2010 TOYOTA			
Vios	1.5L L4 F/I	33-2360+		4 Runner	2.7L L4 F/I		HP-1002 ¹
Yaris	1.5L L4 F/I	33-2360 ♦+	HP-1003 ¹	4 Runner	4.0L V6 F/I	33-2438 ♦+	HP-7023 ¹
Yaris Hybrid	1.5L L4 F/I	33-2485	HP-1003 ¹	Avalon	3.5L V6 F/I	33-2326+	HP-7020 ¹
2011 TOYOTA				Camry	2.4L L4 F/I	33-2370	
4 Runner	4.0L V6 F/I	33-2438 ♦+	HP-7023 ¹	Camry	2.5L L4 F/I	33-2370 ♦+	HP-7020 ¹
Aurion	3.5L V6 F/I	33-2355+		Camry	3.5L V6 F/I	33-2326 ♦+	HP-7020 ¹
Avalon	3.5L V6 F/I	33-2326+	HP-7020 ¹	Camry Hybrid	2.4L L4 F/I	33-2260+	HP-1003 ¹
Camry	2.0L L4 F/I - From 12/11	33-2370		Corolla	1.3L L4 F/I	33-2360	
Camry	2.4L L4 F/I	33-2370		Corolla	1.5L L4 F/I	33-2360+	
Camry	2.5L L4 F/I	33-2370 ♦+	HP-7020 ¹	Corolla	1.8L L4 F/I	33-2360 ♦+	HP-7021 ¹
Camry	3.5L V6 F/I	33-2326 ♦+	HP-7020 ¹	Corolla	2.0L L4 F/I - From 9/10	33-2360	
Camry Hybrid	2.4L L4 F/I	33-2260+	HP-1003 ¹	Corolla	2.4L L4 F/I	33-2326+	HP-1003 ¹
Corolla	1.5L L4 F/I	33-2360+		FJ Cruiser	4.0L V6 F/I	33-2438 ♦+	HP-7023 ¹
Corolla	1.8L L4 F/I	33-2360 ♦+	HP-7021 ¹	Fortuner	2.5L L4 DSL	E-2296	
Corolla	2.0L L4 F/I	33-2360		Fortuner	3.0L L4 DSL	E-2296	
Corolla	2.4L L4 F/I	33-2326+	HP-1003 ¹	Hiace	2.0L L4 F/I	33-2987	
Estima	2.4L L4 F/I	33-2355+		Hiace	3.0L L4 DSL	33-2987+	
FJ Cruiser	4.0L V6 F/I	33-2438 ♦+	HP-7023 ¹	Hiace Commuter	3.0L L4 DSL	33-2987	
Fortuner	2.5L L4 DSL	E-2296		Highlander	2.7L L4 F/I	33-2260+	HP-7020 ¹
Fortuner	2.7L L4 F/I	E-2296		Highlander	3.5L V6 F/I	33-2260+	HP-7020 ¹
Fortuner	3.0L L4 DSL	E-2296		Highlander Hybrid	3.3L V6 F/I	33-2344+	HP-1002 ¹
				Highlander Kluger	2.7L V6 F/I	33-2260	

* 2 filters required ♦ Intake System Available - see page 370 +Cabin Air Filter Available - see page 353 1- Performance Silver Oil Filter Also Available



AIR & OIL FILTERS

TOYOTA

Vehicle	Engine Type	Air Filter	Oil Filter	Vehicle	Engine Type	Air Filter	Oil Filter
2010 TOYOTA				2009 TOYOTA			
Highlander Kluger	3.5L V6 F/I	33-2260		Hiace Commuter	3.0L L4 DSL	33-2987	
Hilux	2.5L L4 DSL	E-2296		Highlander	2.7L L4 F/I	33-2260+	
Hilux	2.7L L4 F/I	E-2296		Highlander	3.5L V6 F/I	33-2260+	HP-7020 ¹
Hilux	3.0L L4 DSL	E-2296		Highlander Hybrid	3.3L V6 F/I	33-2344+	HP-1002 ¹
Hilux Vigo	2.5L L4 DSL	E-2296		Highlander Kluger	2.7L V6 F/I - From 5/09	33-2260	
Hilux Vigo	3.0L L4 DSL	E-2015		Highlander Kluger	3.5L V6 F/I	33-2260	
Land Cruiser	3.0L L4 DSL	33-2146		Hilux	2.5L L4 DSL	E-2296	
Land Cruiser	4.0L V6 F/I - China	33-2281		Hilux	2.7L L4 F/I	E-2296	
Land Cruiser	4.0L V6 F/I - EU	33-2438		Hilux	3.0L L4 DSL	E-2296	
Land Cruiser	4.5L V8 DSL - Exc. 70 & 200 Series	33-2387		Hilux	4.0L V6 F/I	33-2281+	
Land Cruiser	4.7L V8 F/I	33-2387		Hilux Vigo	2.5L L4 DSL	E-2296	
Land Cruiser	5.7L V8 F/I	33-2387+		Hilux Vigo	3.0L L4 DSL	E-2015	
Land Cruiser	4.5L V8 DSL	33-2146		Land Cruiser	3.0L L4 DSL	33-2146	
				Land Cruiser	4.0L V6 F/I	33-2281	
Land Cruiser 200	4.5L V8 DSL	33-2387+		Land Cruiser	4.5L V8 DSL - Exc. 70 & 200 Series	33-2387	
Land Cruiser Prado	3.0L V6 DSL	33-2146		Land Cruiser	4.7L V8 F/I	33-2387	
Land Cruiser Prado	4.0L V6 F/I	33-2438		Land Cruiser	5.7L V8 F/I	33-2387+	
Matrix	1.8L L4 F/I	33-2360+	HP-7021 ¹	Land Cruiser	4.5L V8 DSL	33-2146	
Matrix	2.4L L4 F/I	33-2326 ♦+	HP-1003 ¹				
Prius	1.8L L4 F/I	33-2435+	HP-7021 ¹	Land Cruiser 200	4.5L V8 DSL	33-2387+	
RAV4	2.4L L4 F/I	33-2355+		Land Cruiser Prado	3.0L V6 DSL	33-2146	
RAV4	2.5L L4 F/I	33-2355+	HP-7020 ¹	Land Cruiser Prado	4.0L V6 F/I	33-2281	
RAV4	3.5L V6 F/I	33-2355+	HP-7020 ¹	Matrix	1.8L L4 F/I	33-2360+	HP-7021 ¹
RAV4 III	2.0L L4 F/I	33-2360		Matrix	2.4L L4 F/I	33-2326 ♦+	HP-1003 ¹
RAV4 III	2.2L L4 DSL	33-2345		Prius	1.5L L4 F/I	33-2329+	HP-1003 ¹
Sequoia	5.7L V8 F/I	33-2387 ♦+	HP-7018 ¹	RAV4	2.0L L4 F/I - From 3/09	33-2355	
Sienna	3.5L V6 F/I	33-2260+	HP-7020 ¹	RAV4	2.4L L4 F/I - Australia	33-2355+	
Tacoma	2.7L L4 F/I	33-2306 ♦+	HP-1002 ¹	RAV4	2.5L L4 F/I	33-2355+	HP-7020 ¹
Tacoma	4.0L V6 F/I	33-2281 ♦+	HP-1002 ¹	RAV4	3.5L V6 F/I	33-2355+	HP-7020 ¹
Tundra	4.0L V6 F/I	33-2281 ♦+	HP-1002 ¹	RAV4 III	2.0L L4 F/I - 152BHP	33-2355	
Tundra	4.6L V8 F/I	33-2387 ♦+	HP-7018 ¹	RAV4 III	2.0L L4 F/I - 158BHP	33-2360	
Tundra	5.7L V8 F/I	33-2387 ♦+	HP-7018 ¹	RAV4 III	2.2L L4 DSL	33-2345	
Venza	2.7L L4 F/I	33-2370+	HP-7020 ¹	RAV4 III	3.5L V6 F/I	33-2355	
Venza	3.5L V6 F/I	33-2326 ♦+	HP-7020 ¹	Rush	1.5L L4 F/I - OEM 17801B1010	33-2967	
Yaris	1.0L L3 F/I	33-2131 ♦		Rush	1.5L L4 F/I - OEM 17801BZ050	33-2989	
Yaris	1.3L L4 F/I - China	33-2360		Sequoia	4.7L V8 F/I	33-2387 ♦+	
Yaris	1.3L L4 F/I - EU	33-2211		Sequoia	5.7L V8 F/I	33-2387 ♦+	HP-7018 ¹
Yaris	1.5L L4 F/I	33-2360 ♦+	HP-1003 ¹	Sienna	3.5L V6 F/I	33-2260+	HP-7020 ¹
Yaris	1.6L L4 F/I	33-2360		Solara	2.4L L4 F/I	33-2260	
2009 TOYOTA				Tacoma	2.7L L4 F/I	33-2306 ♦+	HP-1002 ¹
4 Runner	4.0L V6 F/I	33-2281+	HP-1002 ¹	Tacoma	4.0L V6 F/I	33-2281 ♦+	HP-1002 ¹
4 Runner	4.7L V8 F/I		HP-1002 ¹	Tacoma	4.0L V6 F/I	33-2281 ♦+	HP-1002 ¹
Auris	1.6L L4 F/I	33-2360 ♦		Tundra	4.0L V6 F/I	33-2281 ♦+	HP-1002 ¹
Avalon	3.5L V6 F/I	33-2326+	HP-7020 ¹	Tundra	4.7L V8 F/I	33-2387 ♦+	HP-1002 ¹
Avanza	1.3L L4 F/I	33-2989		Tundra	5.7L V8 F/I	33-2387 ♦+	HP-7018 ¹
Avanza	1.5L L4 F/I	33-2989		Venza	2.7L L4 F/I	33-2370+	HP-7020 ¹
Camry	2.4L L4 F/I	33-2370 ♦+	HP-1003 ¹	Venza	3.5L V6 F/I	33-2326 ♦+	HP-7020 ¹
Camry	3.5L V6 F/I	33-2326 ♦+	HP-7020 ¹	Yaris	1.3L L4 F/I - China	33-2360	
Camry Hybrid	2.4L L4 F/I	33-2260+	HP-1003 ¹	Yaris	1.3L L4 F/I - EU, 101BHP	33-2211	
Corolla	1.3L L4 F/I	33-2360		Yaris	1.4L L4 DSL	33-2988	
Corolla	1.4L L4 DSL	33-2953		Yaris	1.5L L4 F/I	33-2360 ♦+	HP-1003 ¹
Corolla	1.4L L4 F/I	33-2360		Yaris	1.6L L4 F/I	33-2360	
Corolla	1.5L L4 F/I	33-2360+		Yaris	1.8L L4 F/I	33-2360 ♦	
Corolla	1.6L L4 F/I	33-2360		2008 TOYOTA			
Corolla	1.8L L4 F/I	33-2360 ♦+	HP-7021 ¹	4 Runner	4.0L V6 F/I	33-2281 ♦+	HP-1002 ¹
Corolla	2.0L L4 DSL	33-2953		4 Runner	4.7L V8 F/I	33-2144 ♦+	HP-1002 ¹
Corolla	2.4L L4 F/I	33-2326+	HP-1003 ¹	Aurion	3.5L V6 F/I	33-2355+	
FJ Cruiser	4.0L V6 F/I	33-2281 ♦+	HP-1002 ¹	Avalon	3.5L V6 F/I	33-2326+	HP-7020 ¹
Fortuner	2.5L L4 DSL	E-2296		Camry	2.4L L4 F/I	33-2370 ♦+	HP-1003 ¹
Fortuner	2.7L L4 F/I	E-2296		Camry	3.5L V6 F/I	33-2326 ♦+	HP-7020 ¹
Fortuner	3.0L L4 DSL	E-2296		Camry Hybrid	2.4L L4 F/I	33-2260+	HP-1003 ¹
Hiace	3.0L L4 DSL	33-2987+					

* 2 filters required ♦ Intake System Available - see page 370 +Cabin Air Filter Available - see page 353 1- Performance Silver Oil Filter Also Available

Partial Listing: Complete Listing of Vehicles and Parts at KNFILTERS.COM or call 1-800-858-3333



Vehicle	Engine Type	Air Filter	Oil Filter	Vehicle	Engine Type	Air Filter	Oil Filter
2008 TOYOTA				2007 TOYOTA			
Corolla	1.4L L4 DSL	33-2953		Corolla	1.4L L4 F/I	33-2360 ♦	
Corolla	1.4L L4 F/I	33-2360		Corolla	1.5L L4 F/I	33-2360+	
Corolla	1.5L L4 F/I	33-2360+		Corolla	1.6L L4 F/I - From 4/07	33-2360 ♦	
Corolla	1.6L L4 F/I	33-2360		Corolla	1.6L L4 F/I - To 3/07	33-2252 ♦	
Corolla	1.8L L4 F/I	33-2252 ♦+	HP-1003 ¹	Corolla	1.8L L4 F/I	33-2252 ♦+	HP-1003 ¹
Corolla	1.8L L4 F/I - China	33-2360 ♦+	HP-1003	Corolla	2.0L L4 DSL	33-2953	
FJ Cruiser	4.0L V6 F/I	33-2281 ♦+	HP-1002 ¹	Corolla	2.2L L4 DSL	33-2926	
Fortuner	2.7L L4 F/I	E-2296		FJ Cruiser	4.0L V6 F/I	33-2281 ♦+	HP-1002 ¹
Fortuner	3.0L L4 DSL	E-2296		Fortuner	2.7L L4 F/I	E-2296	
Highlander	3.5L V6 F/I	33-2260+	HP-7020 ¹	Fortuner	3.0L L4 DSL	E-2296	
Highlander Hybrid	3.3L V6 F/I	33-2344+	HP-1002 ¹	Highlander	2.4L L4 F/I	33-2260+	HP-1003 ¹
Highlander Kluger	3.5L V6 F/I	33-2260		Highlander	3.3L V6 F/I	33-2260+	HP-1002 ¹
Hilux	3.0L L4 DSL	E-2296		Highlander Hybrid	3.3L V6 F/I	33-2344+	HP-1002 ¹
Hilux	4.0L V6 F/I	33-2281+		Highlander Kluger	3.3L V6 F/I - To 5/07	33-2260	
Hilux Vigo	2.5L L4 DSL	E-2296		Highlander Kluger	3.5L V6 F/I - From 8/07	33-2260	
Hilux Vigo	3.0L L4 DSL	E-2015		Hilux	2.7L L4 F/I	E-2296	HP-1002 ¹
Land Cruiser	4.7L V8 F/I	33-2387		Hilux	3.0L L4 DSL	E-2296	
Land Cruiser	5.7L V8 F/I	33-2387+	PS-7018	Hilux Vigo	2.5L L4 DSL	E-2296	
Land Cruiser	4.5L V8 DSL	33-2146		Hilux Vigo	3.0L L4 DSL	E-2015	
Land Cruiser 200	4.5L V8 DSL	33-2387+		Land Cruiser	4.7L V8 F/I	33-2146	HP-1002 ¹
Land Cruiser Prado	4.7L V8 F/I	33-2387		Land Cruiser	4.7L V8 F/I - Australia	E-2444	HP-1002
Matrix	1.8L L4 F/I	33-2252+	HP-1003 ¹	Land Cruiser	4.7L V8 F/I - China, From 12/07	33-2387	HP-1002
Prius	1.5L L4 F/I	33-2329+	HP-1003 ¹	Land Cruiser	4.5L V8 DSL	33-2146	
RAV4	2.4L L4 F/I	33-2355+	HP-1003 ¹	Land Cruiser 200	4.5L V8 DSL	33-2387+	
RAV4	3.5L V6 F/I	33-2355+	HP-7020 ¹	Land Cruiser Prado	3.0L L4 DSL	33-2146	
RAV4 III	2.0L L4 F/I	33-2355		Matrix	1.8L L4 F/I	33-2252+	HP-1003 ¹
RAV4 III	2.2L L4 DSL	33-2345		Prado	4.0L V6 F/I	33-2281+	
RAV4 III	2.4L L4 F/I	33-2355		Prius	1.5L L4 F/I	33-2329+	HP-1003 ¹
RAV4 III	3.5L V6 F/I	33-2355		RAV4	2.4L L4 F/I	33-2355+	HP-1003 ¹
Sequoia	4.7L V8 F/I	33-2387 ♦+	HP-1002 ¹	RAV4	3.5L V6 F/I	33-2355+	HP-7020 ¹
Sequoia	5.7L V8 F/I	33-2387 ♦+	HP-7018 ¹	RAV4 III	2.0L L4 F/I	33-2355	
Sienna	3.5L V6 F/I	33-2260+	HP-7020 ¹	RAV4 III	2.2L L4 DSL	33-2345	
Sienta	1.5L L4 F/I	33-2211		RAV4 III	2.4L L4 F/I	33-2355	
Solara	3.3L V6 F/I	33-2260+	HP-1002 ¹	RAV4 III	3.5L V6 F/I	33-2355	
Tacoma	2.7L L4 F/I	33-2306 ♦+	HP-1002 ¹	Sequoia	4.7L V8 F/I	33-2144 ♦	HP-1002 ¹
Tacoma	4.0L V6 F/I	33-2281 ♦+	HP-1002 ¹	Sienna	3.3L V6 F/I		HP-1002 ¹
Tundra	4.0L V6 F/I	33-2281 ♦+	HP-1002 ¹	Sienna	3.5L V6 F/I	33-2260+	HP-7020 ¹
Tundra	4.7L V8 F/I	33-2387 ♦+	HP-1002 ¹	Solara	2.4L L4 F/I	33-2260+	HP-1003 ¹
Tundra	5.7L V8 F/I	33-2387 ♦+	HP-7018 ¹	Solara	3.3L V6 F/I	33-2260+	HP-1002 ¹
Vios	1.5L L4 F/I	33-2360+		Tacoma	2.7L L4 F/I	33-2306 ♦+	HP-1002 ¹
Yaris	1.0L L3 F/I	33-2131 ♦		Tacoma	4.0L V6 F/I	33-2281 ♦+	HP-1002 ¹
Yaris	1.3L L4 F/I - China, From 6/08	33-2360		Tundra	4.0L V6 F/I	33-2281 ♦+	HP-1002 ¹
Yaris	1.3L L4 F/I - EU	33-2131		Tundra	4.7L V8 F/I	33-2387 ♦+	HP-1002 ¹
Yaris	1.5L L4 F/I	33-2360 ♦+	HP-1003 ¹	Tundra	5.7L V8 F/I	33-2387 ♦+	HP-7018 ¹
Yaris	1.6L L4 F/I - From 6/08	33-2360		Yaris	1.0L L3 F/I	33-2131 ♦	
Yaris	1.8L L4 F/I	33-2360 ♦		Yaris	1.3L L4 F/I	33-2131	
Yaris	1.5L L4 F/I	33-2360 ♦+	HP-1003 ¹	Yaris	1.5L L4 F/I	33-2360 ♦+	HP-1003 ¹
Yaris	1.8L L4 F/I	33-2360 ♦		Yaris	1.8L L4 F/I	33-2360 ♦	
2007 TOYOTA				2006 TOYOTA			
4 Runner	4.0L V6 F/I	33-2281 ♦+	HP-1002 ¹	4 Runner	4.0L V6 F/I	33-2281 ♦+	HP-1002 ¹
4 Runner	4.7L V8 F/I	33-2144 ♦+	HP-1002 ¹	4 Runner	4.7L V8 F/I	33-2144 ♦+	HP-1002 ¹
Aurion	3.5L V6 F/I	33-2355+		Avalon	3.0L V6 F/I	33-2145-1+	
Avalon	3.5L V6 F/I	33-2326+	HP-7020 ¹	Avalon	3.5L V6 F/I	33-2326+	HP-7020 ¹
Avensis	2.0L L4 F/I	33-2252 ♦		Avensis Verso	2.0L L4 F/I - 1AZ-FE Eng.	33-2252	
Avensis Verso	2.0L L4 F/I - 1AZ-FE Eng.	33-2252		Avensis Verso	2.0L L4 F/I - 1AZ-FE Eng.	33-2252	
Camry	2.0L L4 F/I	33-2370		Camry	2.0L L4 F/I - From 6/06	33-2370	
Camry	2.4L L4 F/I	33-2370 ♦+	HP-1003 ¹	Camry	2.4L L4 F/I	33-2260 ♦+	HP-1003 ¹
Camry	3.5L V6 F/I	33-2326 ♦+	HP-7020 ¹	Camry	2.4L L4 F/I - China, From 6/06	33-2370 ♦+	HP-1003
Camry Hybrid	2.4L L4 F/I	33-2260+	HP-1003 ¹	Camry	3.0L V6 F/I	33-2260+	HP-1002 ¹
Corolla	1.4L L4 DSL - From 4/07	33-2953		Camry	3.3L V6 F/I	33-2260+	HP-1002 ¹
Corolla	1.4L L4 DSL - To 3/07	33-2835					

* 2 filters required ♦ Intake System Available - see page 370 +Cabin Air Filter Available - see page 353 1- Performance Silver Oil Filter Also Available



AIR & OIL FILTERS

TOYOTA

Vehicle	Engine Type	Air Filter	Oil Filter	Vehicle	Engine Type	Air Filter	Oil Filter
2006 TOYOTA				2005 TOYOTA			
Corolla	1.4L L4 DSL	33-2835		Highlander	2.4L L4 F/I	33-2260+	HP-1003 ¹
Corolla	1.4L L4 F/I	33-2252 ♦		Highlander	3.3L V6 F/I	33-2260+	HP-1002 ¹
Corolla	1.6L L4 F/I	33-2252 ♦		Highlander Kluger	3.3L V6 F/I	33-2260	
Corolla	1.8L L4 F/I	33-2252 ♦+	HP-1003 ¹	Hilux	2.7L L4 F/I - To 6/05	E-2233	
Corolla	2.0L L4 DSL	33-2835		Hilux	2.7L L4 F/I - To 7/05	E-2296	
Highlander	2.4L L4 F/I	33-2260+	HP-1003 ¹	Hilux Vigo	2.5L L4 DSL	E-2296	
Highlander	3.3L V6 F/I	33-2260+	HP-1002 ¹	Land Cruiser	3.0L L4 DSL - w/Round Filter	E-2444	
Highlander Hybrid	3.3L V6 F/I	33-2344+	HP-1002 ¹	Land Cruiser	4.2L L6 DSL - w/Round Filter	E-2444	
Highlander Kluger	3.3L V6 F/I	33-2260		Land Cruiser	4.5L V8 F/I	E-2444	
Hilux	2.7L L4 F/I	E-2296		Land Cruiser	4.7L V8 F/I	33-2146 ♦	HP-1002 ¹
Hilux	3.0L L4 DSL	E-2015		Land Cruiser	4.7L V8 F/I - Australia	E-2444 ♦	HP-1002
Hilux	4.0L V6 F/I	33-2281+		Land Cruiser 70	4.2L L6 DSL	E-2443	
Hilux Vigo	2.5L L4 DSL	E-2296		Land Cruiser Prado	3.0L V6 DSL	33-2146	
Hilux Vigo	3.0L L4 DSL	E-2015		Land Cruiser Prado	4.0L V6 F/I	33-2281	
Land Cruiser	3.0L L4 DSL - w/Round Filter	E-2444		Matrix	1.8L L4 F/I	33-2252+	HP-1003 ¹
Land Cruiser	4.2L L6 DSL - w/Round Filter	E-2444		Matrix XR	1.8L L4 F/I	33-2252+	HP-1003 ¹
Land Cruiser	4.5L V8 F/I - To 6/06	E-2444		Matrix XRS	1.8L L4 F/I	33-2252 ♦+	HP-1003 ¹
Land Cruiser	4.7L V8 F/I	33-2146	HP-1002 ¹	Prado	4.0L V6 F/I	33-2281+	
Land Cruiser	4.7L V8 F/I - Australia	E-2444	HP-1002	Prius	1.5L L4 F/I	33-2329+	HP-1003 ¹
Land Cruiser 70	4.2L L6 DSL	E-2443		RAV4	2.4L L4 F/I	33-2216+	HP-1003 ¹
Land Cruiser Prado	3.0L L4 DSL	33-2146		RAV4 II	1.8L L4 F/I	33-2855	
Matrix	1.8L L4 F/I	33-2252+	HP-1003 ¹	RAV4 II	2.0L L4 F/I	33-2216 ♦	
Matrix XR	1.8L L4 F/I	33-2252+	HP-1003 ¹	RAV4 III	2.0L L4 DSL	33-2843	
Matrix XRS	1.8L L4 F/I	33-2252 ♦+	HP-1003 ¹	RAV4 III	2.4L L4 F/I	33-2216	
Prius	1.5L L4 F/I	33-2329+	HP-1003 ¹	Sequoia	4.7L V8 F/I	33-2144 ♦	HP-1002 ¹
RAV4	2.4L L4 F/I	33-2355+	HP-1003 ¹	Sienna	3.3L V6 F/I	33-2260+	HP-1002 ¹
RAV4	3.5L V6 F/I	33-2355+	HP-7020 ¹	Solara	2.4L L4 F/I	33-2260 ♦+	HP-1003 ¹
RAV4 II	2.0L L4 F/I	33-2216		Solara	3.3L V6 F/I	33-2260+	HP-1002 ¹
RAV4 III	2.0L L4 F/I	33-2355		Tacoma	2.7L L4 F/I	33-2306 ♦+	HP-1002 ¹
RAV4 III	2.2L L4 DSL	33-2345		Tacoma	4.0L V6 F/I	33-2281 ♦+	HP-1002 ¹
RAV4 III	2.4L L4 F/I	33-2355		Tundra	4.0L V6 F/I	33-2281 ♦	HP-1002 ¹
RAV4 III	3.5L V6 F/I	33-2355		Tundra	4.7L V8 F/I	33-2144 ♦	HP-1002 ¹
Sequoia	4.7L V8 F/I	33-2144 ♦	HP-1002 ¹	Vigo	2.5L L4 DSL	E-2296	
Sienna	3.3L V6 F/I	33-2260+	HP-1002 ¹	Vigo	3.0L L4 DSL	E-2296	
Sienta	1.5L L4 F/I	33-2211		Vitz	1.5L L4 F/I	33-2360+	
Solara	2.4L L4 F/I	33-2260 ♦+	HP-1003 ¹	2004 TOYOTA			
Solara	3.3L V6 F/I	33-2260+	HP-1002 ¹	4 Runner	4.0L V6 F/I	33-2281 ♦+	HP-1002 ¹
Tacoma	2.7L L4 F/I	33-2306 ♦+	HP-1002 ¹	4 Runner	4.7L V8 F/I	33-2144 ♦+	HP-1002 ¹
Tacoma	4.0L V6 F/I	33-2281 ♦+	HP-1002 ¹	Avalon	3.0L V6 F/I	33-2145-1+	HP-1002 ¹
Tundra	4.0L V6 F/I	33-2281 ♦	HP-1002 ¹	Camry	2.4L L4 F/I	33-2260 ♦+	HP-1003 ¹
Tundra	4.7L V8 F/I	33-2144 ♦	HP-1002 ¹	Camry	3.0L V6 F/I	33-2260+	HP-1002 ¹
Yaris	1.3L L4 F/I		HP-1003 ¹	Camry	3.3L V6 F/I	33-2260+	HP-1002 ¹
Yaris	1.5L L4 F/I	33-2360 ♦+	HP-1003 ¹	Celica	1.8L L4 F/I	33-2041-1 ♦	HP-1003 ¹
2005 TOYOTA				Celica GT	1.8L L4 F/I	33-2041-1 ♦+	HP-1003 ¹
4 Runner	4.0L V6 F/I	33-2281 ♦+	HP-1002 ¹	Celica GTS	1.8L L4 F/I	33-2041-1 ♦+	HP-1003 ¹
4 Runner	4.7L V8 F/I	33-2144 ♦+	HP-1002 ¹	Corolla	1.4L L4 DSL	33-2835	
Avalon	3.0L V6 F/I	33-2145-1+		Corolla	1.4L L4 F/I	33-2252 ♦	
Avalon	3.5L V6 F/I	33-2326+	HP-7020 ¹	Corolla	1.5L L4 F/I	33-2252	
Camry	2.4L L4 F/I	33-2260 ♦+	HP-1003 ¹	Corolla	1.6L L4 F/I	33-2252 ♦	
Camry	3.0L V6 F/I	33-2260+	HP-1002 ¹	Corolla	1.8L L4 F/I	33-2252 ♦+	HP-1003 ¹
Camry	3.3L V6 F/I	33-2260+	HP-1002 ¹	Echo	1.5L L4 F/I	33-2211+	HP-1003 ¹
Celica GT	1.8L L4 F/I	33-2041-1+	HP-1003 ¹	Highlander	2.4L L4 F/I	33-2260+	HP-1003 ¹
Celica GTS	1.8L L4 F/I	33-2041-1+	HP-1003 ¹	Highlander	3.3L V6 F/I	33-2260+	HP-1002 ¹
Corolla	1.4L L4 DSL	33-2835		Highlander Kluger	3.3L V6 F/I	33-2260	
Corolla	1.4L L4 F/I	33-2252 ♦		Hilux	2.7L L4 F/I	E-2233	HP-1002 ¹
Corolla	1.5L L4 F/I	33-2252		Hilux	3.0L L4 DSL	E-2015	
Corolla	1.6L L4 F/I	33-2252 ♦		Hilux	3.0L L4 F/I	E-2015	
Corolla	1.8L L4 F/I	33-2252 ♦+	HP-1003 ¹	Land Cruiser	4.2L L6 DSL - w/Round Filter	E-2444	
Corolla	2.0L L4 DSL	33-2835		Land Cruiser	4.5L V8 F/I	E-2444	
Echo	1.5L L4 F/I	33-2211+	HP-1003 ¹	Land Cruiser	4.7L V8 F/I	33-2146 ♦	HP-1002 ¹
Fortuner	2.7L L4 F/I	E-2296					

* 2 filters required ♦ Intake System Available - see page 370 +Cabin Air Filter Available - see page 353 1- Performance Silver Oil Filter Also Available

Partial Listing: Complete Listing of Vehicles and Parts at KNFILTERS.COM or call 1-800-858-3333



Vehicle	Engine Type	Air Filter	Oil Filter
2004 TOYOTA			
Land Cruiser	4.7L V8 F/I - Australia	E-2444 ♦	HP-1002
Land Cruiser 70	4.2L L6 DSL	E-2443	
Land Cruiser Prado	3.0L L4 DSL	33-2146	
Land Cruiser Prado	4.0L V6 F/I	33-2281	
Matrix	1.8L L4 F/I	33-2252+	HP-1003 ¹
Matrix XR	1.8L L4 F/I	33-2252 ♦+	HP-1003 ¹
Matrix XRS	1.8L L4 F/I	33-2252 ♦+	HP-1003 ¹
MR2 Spyder	1.8L L4 F/I	33-2041-1 ♦	HP-1003 ¹
Prius	1.5L L4 F/I	33-2329+	HP-1003 ¹
RAV4	2.4L L4 F/I	33-2216+	HP-1003 ¹
RAV4 II	1.8L L4 F/I	33-2855	
RAV4 II	2.0L L4 DSL	33-2843	
RAV4 II	2.0L L4 F/I	33-2216 ♦	
Sequoia	4.7L V8 F/I	33-2144 ♦	HP-1002 ¹
Sienna	3.3L V6 F/I	33-2260+	HP-1002 ¹
Solara	2.4L L4 F/I	33-2260 ♦+	HP-1003 ¹
Solara	3.3L V6 F/I	33-2260+	HP-1002 ¹
Sparky	1.3L L4 F/I	33-2525	
Tacoma	2.4L L4 F/I	33-2050-1 ♦	HP-1002 ¹
Tacoma	2.7L L4 F/I	33-2050-1 ♦	HP-1002 ¹
Tacoma	3.4L V6 F/I	33-2054 ♦	HP-1002 ¹
Tundra	3.4L V6 F/I	33-2144 ♦	HP-1002 ¹
Tundra	4.7L V8 F/I	33-2144 ♦	HP-1002 ¹
Wish	2.0L L4 F/I	33-2252	

2003 TOYOTA			
4 Runner	4.0L V6 F/I	33-2281 ♦+	HP-1002 ¹
4 Runner	4.7L V8 F/I	33-2144 ♦+	HP-1002 ¹
Avalon	3.0L V6 F/I	33-2145-1+	HP-1002 ¹
Camry	2.4L L4 F/I	33-2260 ♦+	HP-1003 ¹
Camry	3.0L V6 F/I	33-2260+	HP-1002 ¹
Celica	1.8L L4 F/I	33-2041-1 ♦	
Celica GT	1.8L L4 F/I	33-2041-1 ♦+	HP-1003 ¹
Celica GTS	1.8L L4 F/I	33-2041-1 ♦+	HP-1003 ¹
Corolla	1.4L L4 F/I	33-2252 ♦	
Corolla	1.5L L4 F/I	33-2252	
Corolla	1.6L L4 F/I	33-2252 ♦	
Corolla	1.8L L4 F/I	33-2252 ♦+	HP-1003 ¹
Echo	1.3L L4 F/I	33-2211+	
Echo	1.5L L4 F/I	33-2211+	HP-1003 ¹
Highlander	2.4L L4 F/I	33-2260+	HP-1003 ¹
Highlander	3.0L V6 F/I	33-2260+	HP-1002 ¹
Highlander Kluger	3.3L V6 F/I - From 11/03	33-2260	
Hilux	2.7L L4 F/I	E-2233	
Land Cruiser	4.2L L6 DSL	E-2444	
Land Cruiser	4.5L V8 F/I - From 10/03	E-2444	
Land Cruiser	4.7L V8 F/I	33-2146 ♦	HP-1002 ¹
Land Cruiser	4.7L V8 F/I - Australia	E-2444 ♦	HP-1002
Land Cruiser 70	4.2L L6 DSL	E-2443	
Land Cruiser Prado	3.4L L4 F/I	E-2233	
Matrix	1.8L L4 F/I	33-2252+	HP-1003 ¹
Matrix XR	1.8L L4 F/I	33-2252 ♦+	HP-1003 ¹
Matrix XRS	1.8L L4 F/I	33-2252 ♦+	HP-1003 ¹
MR2 Spyder	1.8L L4 F/I	33-2041-1 ♦	HP-1003 ¹
Prius	1.5L L4 F/I	33-2186+	HP-1003 ¹
RAV4	2.0L L4 F/I	33-2216+	HP-1003 ¹
RAV4 II	1.8L L4 F/I	33-2855	
RAV4 II	2.0L L4 DSL	33-2843	
RAV4 II	2.0L L4 F/I	33-2216 ♦	
Sequoia	4.7L V8 F/I	33-2144 ♦	HP-1002 ¹
Sienna	3.0L V6 F/I	33-2145-1	HP-1002 ¹
Solara	2.4L L4 F/I	33-2145-1 ♦	HP-1003 ¹
Solara	3.0L V6 F/I	33-2145-1	HP-1002 ¹
Supra	3.0L L6 F/I	33-2054	
Tacoma	2.4L L4 F/I	33-2050-1 ♦	HP-1002 ¹
Tacoma	2.7L L4 F/I	33-2050-1 ♦	HP-1002 ¹
Tacoma	3.4L V6 F/I	33-2054 ♦	HP-1002 ¹
Tundra	3.4L V6 F/I	33-2144 ♦	HP-1002 ¹
Tundra	4.7L V8 F/I	33-2144 ♦	HP-1002 ¹

Vehicle	Engine Type	Air Filter	Oil Filter
2003 TOYOTA			
Tacoma	2.4L L4 F/I	33-2050-1 ♦	HP-1002 ¹
Tacoma	2.7L L4 F/I	33-2050-1 ♦	HP-1002 ¹
Tacoma	3.4L V6 F/I	33-2054 ♦	HP-1002 ¹
Tundra	3.4L V6 F/I	33-2144 ♦	HP-1002 ¹
Tundra	4.7L V8 F/I	33-2144 ♦	HP-1002 ¹

2002 TOYOTA			
4 Runner	3.4L V6 F/I	33-2054 ♦	HP-1002 ¹
4 Runner	4.0L V6 F/I	33-2281	HP-1002 ¹
4 Runner	4.7L V8 F/I	33-2144	HP-1002 ¹
Altezza AS300	3.0L L6 F/I	33-2170+	
Altezza RS200	2.0L L4 F/I	33-2170+	
Avalon	3.0L V6 F/I	33-2145-1+	HP-1002 ¹
Camry	2.4L L4 F/I	33-2260 ♦+	HP-1003 ¹
Camry	3.0L V6 F/I	33-2260+	HP-1002 ¹
Celica	1.8L L4 F/I	33-2041-1 ♦	
Celica GT	1.8L L4 F/I	33-2041-1 ♦+	HP-1003 ¹
Celica GTS	1.8L L4 F/I	33-2041-1 ♦+	HP-1003 ¹
Corolla	1.4L L4 F/I	33-2252 ♦	
Corolla	1.6L L4 F/I	33-2252 ♦	
Corolla	1.8L L4 F/I - Non-US	33-2252 ♦	
Corolla	1.8L L4 F/I - US	33-2672 ♦+	HP-1003 ¹
Echo	1.5L L4 F/I	33-2211+	HP-1003 ¹
Highlander	2.4L L4 F/I	33-2260+	HP-1003 ¹
Highlander	3.0L V6 F/I	33-2260+	HP-1002 ¹
Hilux	2.7L L4 F/I	E-2233	
Hilux	3.0L L4 DSL	E-2015	
Hilux	3.0L L4 F/I	E-2015	
Land Cruiser	4.7L V8 F/I	33-2146 ♦	HP-1002 ¹
Land Cruiser	4.7L V8 F/I - Australia	E-2444 ♦	HP-1002
Land Cruiser Prado	2.7L L4 F/I - China, From 9/02	33-2146	
Land Cruiser Prado	2.7L L4 F/I - Non-US	E-2023	
Land Cruiser Prado	3.4L L4 F/I	E-2233	
Land Cruiser Prado	4.7L V8 F/I - From 2/02	33-2146	
MR2 Spyder	1.8L L4 F/I	33-2041-1 ♦	HP-1003 ¹
Prius	1.5L L4 F/I	33-2186+	HP-1003 ¹
RAV4	2.0L L4 F/I	33-2216+	HP-1003 ¹
RAV4 II	1.8L L4 F/I	33-2855	
RAV4 II	2.0L L4 DSL	33-2843	
RAV4 II	2.0L L4 F/I	33-2216 ♦	
Sequoia	4.7L V8 F/I	33-2144 ♦	HP-1002 ¹
Sienna	3.0L V6 F/I	33-2145-1	HP-1002 ¹
Solara	2.4L L4 F/I	33-2145-1 ♦	HP-1003 ¹
Solara	3.0L V6 F/I	33-2145-1	HP-1002 ¹
Supra	3.0L L6 F/I	33-2054	
Tacoma	2.4L L4 F/I	33-2050-1 ♦	HP-1002 ¹
Tacoma	2.7L L4 F/I	33-2050-1 ♦	HP-1002 ¹
Tacoma	3.4L V6 F/I	33-2054 ♦	HP-1002 ¹
Tundra	3.4L V6 F/I	33-2144 ♦	HP-1002 ¹
Tundra	4.7L V8 F/I	33-2144 ♦	HP-1002 ¹

2001 TOYOTA			
4 Runner	3.4L V6 F/I	33-2054 ♦	HP-1002 ¹
Avalon	3.0L V6 F/I	33-2145-1+	HP-1002 ¹
Camry	2.2L L4 F/I	33-2145-1	HP-1003 ¹
Camry	2.4L L4 F/I	33-2260	
Camry	3.0L V6 F/I	33-2145-1	HP-1002 ¹
Camry	3.0L V6 F/I - China	33-2260	HP-1002 ¹
Celica	1.8L L4 F/I	33-2041-1 ♦	HP-1003 ¹
Celica GT	1.8L L4 F/I	33-2041-1 ♦+	HP-1003 ¹
Celica GTS	1.8L L4 F/I	33-2041-1 ♦+	HP-1003 ¹
Corolla	1.4L L4 F/I	33-2252 ♦	
Corolla	1.5L L4 F/I	33-2252	

* 2 filters required ♦ Intake System Available - see page 370 +Cabin Air Filter Available - see page 353 1- Performance Silver Oil Filter Also Available



AIR & OIL FILTERS

TOYOTA

Vehicle	Engine Type	Air Filter	Oil Filter
2001 TOYOTA			
Corolla	1.6L L4 F/I	33-2252 ♦	
Corolla	1.8L L4 F/I		HP-1003 ¹
Corolla	1.8L L4 F/I - Non-US	33-2252 ♦	HP-1003
Corolla	1.8L L4 F/I - US	33-2672	HP-1003
Corolla	2.0L L4 F/I	33-2252	
Echo	1.3L L4 F/I	33-2211 +	
Echo	1.5L L4 F/I	33-2211 +	HP-1003 ¹
Highlander	2.4L L4 F/I	33-2260 +	HP-1003 ¹
Highlander	3.0L V6 F/I	33-2260 +	HP-1002 ¹
Hilux	2.7L L4 F/I	E-2233	
Hilux	3.0L L4 DSL	E-2015	HP-3001 ¹
Hilux	3.0L L4 F/I	E-2015	
Land Cruiser	3.0L L4 DSL	E-2444	
Land Cruiser	4.2L L6 DSL	E-2444	
Land Cruiser	4.5L L6 F/I	E-2444	
Land Cruiser	4.7L V8 F/I	33-2146 ♦	HP-1002 ¹
Land Cruiser	4.7L V8 F/I - Australia	E-2444 ♦	HP-1002
Land Cruiser 70	4.2L L6 DSL	E-2443	
Land Cruiser 70	4.5L L6 DSL	E-2443	
Land Cruiser Prado	2.7L L4 F/I	E-2023	
Land Cruiser Prado	3.0L L4 DSL	E-2444	
Land Cruiser Prado	3.0L V6 F/I	E-2444	
Land Cruiser Prado	3.4L L4 F/I	E-2233	
MR2 Spyder	1.8L L4 F/I	33-2041-1 ♦	HP-1003 ¹
RAV4	2.0L L4 F/I	33-2216 +	HP-1003 ¹
RAV4 II	2.0L L4 DSL	33-2843	
RAV4 II	2.0L L4 F/I	33-2216 ♦	
Regius	3.0L L4 DSL	E-2416	
Sequoia	4.7L V8 F/I	33-2144 ♦	HP-1002 ¹
Sienna	3.0L V6 F/I	33-2145-1	HP-1002 ¹
Solara	2.2L L4 F/I	33-2145-1	HP-1003 ¹
Solara	3.0L V6 F/I	33-2145-1	HP-1002 ¹
Supra	3.0L L6 F/I	33-2054	
Tacoma	2.4L L4 F/I	33-2050-1 ♦	HP-1002 ¹
Tacoma	2.7L L4 F/I	33-2050-1 ♦	HP-1002 ¹
Tacoma	3.4L V6 F/I	33-2054 ♦	HP-1002 ¹
Tundra	3.4L V6 F/I	33-2144 ♦	HP-1002 ¹
Tundra	4.7L V8 F/I	33-2144 ♦	HP-1002 ¹
2000 TOYOTA			
4 Runner	2.7L L4 F/I	33-2050-1 ♦	HP-1002 ¹
4 Runner	3.4L V6 F/I	33-2054 ♦	HP-1002 ¹
Altezza AS200	2.0L L4 F/I	33-2855 +	
Altezza RS200	2.0L L4 F/I	33-2170 +	
Avalon	3.0L V6 F/I	33-2145-1 +	HP-1002 ¹
Camry	2.2L L4 F/I	33-2145-1	HP-1003 ¹
Camry	3.0L V6 F/I	33-2145-1	HP-1002 ¹
Celica	1.8L L4 F/I	33-2041-1 ♦	HP-1003 ¹
Celica GT	1.8L L4 F/I	33-2041-1 ♦ +	HP-1003 ¹
Celica GTS	1.8L L4 F/I	33-2041-1 ♦ +	HP-1003 ¹
Corolla	1.4L L4 F/I - 97BHP	33-2252	
Corolla	1.5L L4 F/I	33-2252	
Corolla	1.8L L4 F/I		HP-1003 ¹
Corolla	1.8L L4 F/I - US	33-2672	HP-1003
Echo	1.5L L4 F/I	33-2211 +	HP-1003 ¹
Hilux	2.7L L4 F/I	E-2233	
Land Cruiser	3.0L L4 DSL - D-4D	E-2444	
Land Cruiser	3.0L L4 DSL - Exc. D-4D	E-2233	
Land Cruiser	4.2L L6 DSL	E-2444	
Land Cruiser	4.7L V8 F/I	33-2146 ♦	HP-1002 ¹
Land Cruiser	4.7L V8 F/I - Australia	E-2444 ♦	HP-1002
Land Cruiser Prado	2.7L L4 F/I	E-2023	

Vehicle	Engine Type	Air Filter	Oil Filter
2000 TOYOTA			
Land Cruiser Prado	3.0L L4 DSL	E-2444	
Land Cruiser Prado	3.4L L4 F/I	E-2233	
MR2 Spyder	1.8L L4 F/I	33-2041-1 ♦	HP-1003 ¹
RAV4	2.0L L4 F/I	33-2163	HP-1003 ¹
RAV4 I	2.0L L4 F/I - 129BHP	33-2030 ♦	
RAV4 II	2.0L L4 DSL	33-2843	
RAV4 II	2.0L L4 F/I	33-2216 ♦	
Sienna	3.0L V6 F/I	33-2145-1	HP-1002 ¹
Solara	2.2L L4 F/I	33-2145-1	HP-1003 ¹
Solara	3.0L V6 F/I	33-2145-1	HP-1002 ¹
Supra	3.0L L6 F/I	33-2054	
Tacoma	2.4L L4 F/I	33-2050-1 ♦	HP-1002 ¹
Tacoma	2.7L L4 F/I	33-2050-1 ♦	HP-1002 ¹
Tacoma	3.4L V6 F/I	33-2054 ♦	HP-1002 ¹
Tundra	3.4L V6 F/I	33-2144 ♦	HP-1002 ¹
Tundra	4.7L V8 F/I	33-2144 ♦	HP-1002 ¹
1999 TOYOTA			
4 Runner	2.7L L4 F/I	33-2050-1 ♦	HP-1002 ¹
4 Runner	3.4L V6 F/I	33-2054 ♦	HP-1002 ¹
Aristo	3.0L L6 F/I	33-2170 +	
Avalon	3.0L V6 F/I	33-2145-1	HP-1002 ¹
Camry	2.2L L4 F/I	33-2145-1	HP-1003 ¹
Camry	3.0L V6 F/I	33-2145-1	HP-1002 ¹
Celica	1.8L L4 F/I - To 10/99	33-2052 ♦	
Celica	2.2L L4 F/I	33-2052	HP-1003 ¹
Corolla	1.6L L4 F/I	33-2672 ♦	
Corolla	1.8L L4 F/I		HP-1003 ¹
Corolla	1.8L L4 F/I - US	33-2672	HP-1003
Hilux	2.7L L4 F/I	E-2233	
Land Cruiser	3.0L L4 DSL	E-2233	
Land Cruiser	4.2L L6 DSL	E-2444	
Land Cruiser	4.5L L6 F/I	E-2444	
Land Cruiser	4.7L V8 F/I	33-2146 ♦	HP-1002 ¹
Land Cruiser	4.7L V8 F/I - Australia	E-2444 ♦	HP-1002
Land Cruiser 70	4.5L L6 DSL	E-2443	
Land Cruiser Prado	3.0L L4 DSL	E-2233	
Land Cruiser Prado	3.4L L4 F/I	E-2233	
RAV4	2.0L L4 F/I	33-2163	HP-1003 ¹
RAV4 I	2.0L L4 F/I - 129BHP	33-2030 ♦	
Regius	3.0L L4 DSL	E-2416	
Sienna	3.0L V6 F/I	33-2145-1	HP-1002 ¹
Solara	2.2L L4 F/I	33-2145-1	HP-1003 ¹
Solara	3.0L V6 F/I	33-2145-1	HP-1002 ¹
Supra	3.0L L6 F/I	33-2054	
Tacoma	2.4L L4 F/I	33-2050-1 ♦	HP-1002 ¹
Tacoma	2.7L L4 F/I	33-2050-1 ♦	HP-1002 ¹
Tacoma	3.4L V6 F/I	33-2054 ♦	HP-1002 ¹
1998 TOYOTA			
4 Runner	2.7L L4 F/I	33-2050-1 ♦	HP-1002 ¹
4 Runner	3.4L V6 F/I	33-2054 ♦	HP-1002 ¹
Aristo	3.0L L6 F/I	33-2170 +	
Avalon	3.0L V6 F/I	33-2145-1	HP-1002 ¹
Camry	2.2L L4 F/I	33-2145-1	HP-1003 ¹
Camry	3.0L V6 F/I	33-2145-1	HP-1002 ¹
Celica	2.2L L4 F/I	33-2052	HP-1003 ¹
Comfort Taxi	2.0L L4 F/I	33-2241	
Corolla	1.4L L4 F/I - Left Hand Drive	33-2671	
Corolla	1.6L L4 F/I	33-2672 ♦	
Corolla	1.8L L4 F/I		HP-1003 ¹
Corolla	1.8L L4 F/I - US	33-2672	HP-1003
Hilux	2.7L L4 F/I	E-2233	

* 2 filters required ♦ Intake System Available - see page 370 +Cabin Air Filter Available - see page 353 1- Performance Silver Oil Filter Also Available

Partial Listing: Complete Listing of Vehicles and Parts at KNFILTERS.COM or call 1-800-858-3333



Vehicle	Engine Type	Air Filter	Oil Filter
1998 TOYOTA			
Land Cruiser	4.2L L6 DSL	E-2444	
Land Cruiser	4.5L L6 F/I	E-2444	
Land Cruiser	4.7L V8 F/I	33-2146	HP-1002 ¹
Land Cruiser	4.7L V8 F/I - Australia	E-2444	HP-1002
Land Cruiser 70	4.5L L6 DSL	E-2443	
Land Cruiser Prado	2.7L L4 F/I	E-2023	
Land Cruiser Prado	3.0L L4 DSL	E-2233	
Land Cruiser Prado	3.4L L4 F/I	E-2233	
Land Cruiser Prado	4.7L V8 F/I	33-2146	
RAV4	2.0L L4 F/I	33-2163	HP-1003 ¹
RAV4 I	2.0L L4 F/I - 129BHP	33-2030 ♦	
Sienna	3.0L V6 F/I	33-2145-1	HP-1002 ¹
Supra	3.0L L6 F/I	33-2054	HP-1002 ¹
T100	3.4L V6 F/I	33-2064 ♦	HP-1002 ¹
Tacoma	2.4L L4 F/I	33-2050-1 ♦	HP-1002 ¹
Tacoma	2.7L L4 F/I	33-2050-1 ♦	HP-1002 ¹
Tacoma	3.4L V6 F/I	33-2054 ♦	HP-1002 ¹
Tercel	1.5L L4 F/I	33-2094	HP-1003 ¹

Vehicle	Engine Type	Air Filter	Oil Filter
1997 TOYOTA			
4 Runner	2.7L L4 F/I	33-2050-1 ♦	HP-1002 ¹
4 Runner	3.4L V6 F/I	33-2054 ♦	HP-1002 ¹
Avalon	3.0L V6 F/I	33-2145-1	HP-1002 ¹
Camry	2.2L L4 F/I	33-2145-1	HP-1003 ¹
Camry	3.0L V6 F/I	33-2145-1	HP-1002 ¹
Celica	2.2L L4 F/I	33-2052	HP-1003 ¹
Corolla	1.6L L4 F/I	33-2672 ♦	HP-1003 ¹
Corolla	1.8L L4 F/I		HP-1003 ¹
Corolla	1.8L L4 F/I - Non-US, To 4/97	33-2672	HP-1003
Corolla	1.8L L4 F/I - US	33-2672	HP-1003
Hilux	2.4L L4 CARB	E-2023	
Hilux	3.0L L4 DSL	E-2015	
Land Cruiser	3.0L L4 DSL	E-2233	
Land Cruiser	3.4L L4 F/I	33-2054	
Land Cruiser	4.2L L6 DSL	E-2443	
Land Cruiser	4.5L L6 F/I	E-2443	HP-1002 ¹
Land Cruiser 70	4.5L L6 DSL	E-2443	
Land Cruiser Prado	2.7L L4 F/I	E-2023	
Land Cruiser Prado	3.0L L4 DSL	E-2233	
Land Cruiser Prado	3.4L L4 F/I	E-2233	
Paseo	1.5L L4 F/I	33-2094	
RAV4	2.0L L4 F/I	33-2163	HP-1003 ¹
RAV4 I	2.0L L4 F/I - 129BHP	33-2030 ♦	
Starlet	1.3L L4 F/I	33-2094	
Supra	3.0L L6 F/I	33-2054	HP-1002 ¹
T100	2.7L L4 F/I	33-2064	HP-1002 ¹
T100	3.4L V6 F/I	33-2064 ♦	HP-1002 ¹
Tacoma	2.4L L4 F/I	33-2050-1 ♦	HP-1002 ¹
Tacoma	2.7L L4 F/I	33-2050-1 ♦	HP-1002 ¹
Tacoma	3.4L V6 F/I	33-2054 ♦	HP-1002 ¹
Tercel	1.5L L4 F/I	33-2094	HP-1003 ¹

Vehicle	Engine Type	Air Filter	Oil Filter
2019 TRIUMPH			
Bonneville T100	900	TB-9016	
Bonneville T100	900	TB-9016	
Black			
Bonneville T120	1200	TB-9016	
Bonneville T120	1200	TB-9016	
Black			
Speed Triple RS	1050	TB-1016	
Street Scrambler	900	TB-9016	
Street Twin	900	TB-9016	

Vehicle	Engine Type	Air Filter	Oil Filter
2018 TRIUMPH			
Bonneville Bobber	1200		KN-204-1
Bonneville Bobber	1200		KN-204-1
Black			
Bonneville	1200		KN-204-1
Speedmaster			
Bonneville T100	900	TB-9016	KN-204-1
Bonneville T100	900	TB-9016	KN-204-1
Black			
Bonneville T120	1200	TB-9016	KN-204-1
Bonneville T120	1200	TB-9016	KN-204-1
Black			
Rocket III Roadster	2294	TB-2204	KN-204-1
Speed Triple R	1050	TB-1016	KN-204-1
Speed Triple RS	1050		KN-204-1
Speed Triple S	1050	TB-1016	
Street Scrambler	900	TB-9016	KN-204-1
Street Triple R	765	TB-7617	KN-204-1
Street Triple R Low	765	TB-7617	KN-204-1
Street Triple RS	765	TB-7617	KN-204-1
Street Triple S	765		KN-204-1
Street Twin	900	TB-9016	KN-204-1
Thruxton	1200	TB-1216	KN-204-1
Thruxton R	1200	TB-1216	KN-204-1
Tiger 800 XCa	800	TB-8011	
Tiger 800 XCx	800	TB-8011	
Tiger 800 XCx Low	800	TB-8011	
Tiger 800 XRt	800	TB-8011	
Tiger 800 XRx	800	TB-8011	
Tiger 800 XRx Low	800	TB-8011	
Tiger 1200 XCa	1215	TB-1212	KN-204-1
Tiger 1200 XRt	1215	TB-1212	KN-204-1
Tiger 1200 XRx	1215		KN-204-1
Tiger 1200 XRx Low	1215	TB-1212	KN-204-1

Vehicle	Engine Type	Air Filter	Oil Filter
2017 TRIUMPH			
Bonneville Bobber	1200		KN-204-1
Bonneville T100	900	TB-9016	KN-204-1
Bonneville T100	900	TB-9016	KN-204-1
Black			
Bonneville T120	1200	TB-9016	KN-204-1
Bonneville T120	1200	TB-9016	KN-204-1
Black			
Daytona 675R	675	TB-6713	
Daytona 675R ABS	675	TB-6713	
Rocket III Roadster	2294		KN-204-1
Scrambler	865		KN-204-1
Speed Triple R	1050	TB-1016	KN-204-1
Speed Triple S	1050	TB-1016	KN-204-1
Street Cup	900	TB-9016	KN-204-1
Street Scrambler	900	TB-9016	KN-204-1
Street Triple R	675	TB-1016	KN-204-1
Street Triple S	675	TB-1016	KN-204-1
Street Twin	900	TB-9016	KN-204-1
Thruxton	1200	TB-1216	KN-204-1
Thruxton R	1200	TB-1216	KN-204-1
Tiger 800 XCa	799	TB-8011	KN-204-1
Tiger 800 XCx	799	TB-8011	KN-204-1
Tiger 800 XCx Low	799	TB-8011	KN-204-1
Tiger 800 XRt	799	TB-8011	KN-204-1
Tiger 800 XRx	799	TB-8011	KN-204-1
Tiger 800 XRx Low	799	TB-8011	KN-204-1
Tiger 1200 XCa	1215		KN-204-1
Tiger 1200 XCx	1215		KN-204-1
Tiger 1200 XR	1215		KN-204-1

* 2 filters required ♦ Intake System Available - see page 370 +Cabin Air Filter Available - see page 353 1- Performance Silver Oil Filter Also Available



AIR & OIL FILTERS

TRIUMPH

Vehicle	Engine Type	Air Filter	Oil Filter
2017 TRIUMPH			
Tiger 1200 XRt	1215		KN-204-1
Tiger 1200 XRx	1215		KN-204-1
Tiger 1200 XRx Low	1215		KN-204-1
Tiger Explorer XR	1215	TB-1212	KN-204-1
Tiger Explorer XRt	1215	TB-1212	KN-204-1
Tiger Explorer XRx	1215	TB-1212	KN-204-1
Tiger Explorer XRx Low	1215	TB-1212	KN-204-1

Vehicle	Engine Type	Air Filter	Oil Filter
2016 TRIUMPH			
America LT	865		KN-204-1
Bonneville T100	865	TB-9016	KN-204-1
Bonneville T100 Black	865	TB-9016	KN-204-1
Bonneville T120	1200	TB-9016	KN-204-1
Bonneville T120 Black	1200	TB-9016	KN-204-1
Daytona 675	675	TB-6713	KN-204-1
Daytona 675R	675	TB-6713	KN-204-1
Daytona 675R ABS	675	TB-6713	KN-204-1
Rocket III Roadster	2294	TB-2204	KN-204-1
Scrambler	865	TB-9004	KN-204-1
Speed Triple R	1050	TB-1016	KN-204-1
Speed Triple S	1050	TB-1016	KN-204-1
Speedmaster	865	TB-8002	KN-204-1
Street Triple ABS	675	TB-6713	KN-204-1
Street Triple R ABS	675	TB-6713	KN-204-1
Street Triple Rx	675		KN-204-1
Street Triple Rx ABS	675	TB-6713	KN-204-1
Street Twin	900	TB-9016	KN-204-1
Thrupton	1200	TB-1216	KN-204-1
Thrupton R	1200	TB-1216	KN-204-1
Thunderbird LT	1699	TB-1614	KN-204-1
Thunderbird Storm	1699	TB-1610	KN-204-1
Tiger 800 XC	799	TB-8011	KN-204-1
Tiger 800 XC ABS	799	TB-8011	KN-204-1
Tiger 800 XCa	799	TB-8011	KN-204-1
Tiger 800 XCx	799	TB-8011	KN-204-1
Tiger 800 XCx Low	799	TB-8011	KN-204-1
Tiger 800 XRt	799	TB-8011	KN-204-1
Tiger 800 XRx	799	TB-8011	KN-204-1
Tiger 800 XRx Low	799	TB-8011	KN-204-1
Tiger Explorer XCa	1215	TB-1212	KN-204-1
Tiger Explorer XR	1215		KN-204-1
Tiger Explorer XRt	1215	TB-1212	KN-204-1
Tiger Explorer XRx	1215	TB-1212	KN-204-1
Trophy SE	1215	TB-1213	KN-204-1

Vehicle	Engine Type	Air Filter	Oil Filter
2015 TRIUMPH			
America LT	865	TB-8002	KN-204-1
Bonneville	865	TB-9004	KN-204-1
Bonneville T100	865	TB-9004	KN-204-1
Bonneville T100 Black	865	TB-9004	KN-204-1
Bonneville T214 SE	865		KN-204-1
Daytona 675 ABS	675	TB-6713	KN-204-1
Daytona 675R ABS	675	TB-6713	KN-204-1
Rocket III Touring ABS	2294		KN-204-1
Scrambler	865	TB-9004	KN-204-1
Speed Triple ABS	1050	TB-1011	KN-204-1
Speed Triple R ABS	1050	TB-1011	KN-204-1
Speedmaster	865	TB-8002	KN-204-1
Street Triple ABS	675	TB-6713	KN-204-1
Street Triple R	675	TB-6713	KN-204-1
Thrupton	865	TB-9004	KN-204-1
Thunderbird	1597	TB-1610	KN-204-1
Thunderbird ABS	1597	TB-1610	KN-204-1
Thunderbird Storm	1699	TB-1610	KN-204-1

Vehicle	Engine Type	Air Filter	Oil Filter
2015 TRIUMPH			
Street Triple R ABS	675	TB-6713	KN-204-1
Thrupton	865	TB-9004	KN-204-1
Thrupton Ace SE	865	TB-9004	KN-204-1
Thunderbird	1699	TB-1614	KN-204-1
Commander ABS			
Thunderbird LT	1699	TB-1614	KN-204-1
Thunderbird Storm	1699	TB-1610	KN-204-1
ABS			
Tiger 800 XCx	799	TB-8011	KN-204-1
Tiger 800 XRx	799	TB-8011	KN-204-1
Tiger Explorer ABS	1215	TB-1212	KN-204-1
Tiger Explorer XC	1215		KN-204-1
ABS			
Trophy SE	1215	TB-1213	KN-204-1

Vehicle	Engine Type	Air Filter	Oil Filter
2014 TRIUMPH			
America	865	TB-8002	KN-204-1
America LT	865	TB-8002	KN-204-1
Bonneville	865	TB-9004	KN-204-1
Bonneville	865	TB-9004	KN-204-1
Newchurch SE			
Bonneville T100	865	TB-9004	KN-204-1
Bonneville T100 Black	865	TB-9004	KN-204-1
Daytona 675	675	TB-6713	KN-204-1
Daytona 675R	675	TB-6713	KN-204-1
Rocket III Roadster	2294	TB-2204	KN-204-1
Rocket III Touring	2294	TB-2204	KN-204-1
Scrambler	865	TB-9004	KN-204-1
Speed Triple ABS	1050	TB-1011	KN-204-1
Speed Triple R ABS	1050	TB-1011	KN-204-1
Speedmaster	865		KN-204-1
Street Triple ABS	675	TB-6713	KN-204-1
Street Triple R ABS	675	TB-6713	KN-204-1
Thrupton	865	TB-9004	KN-204-1
Thunderbird	1597	TB-1610	KN-204-1
Thunderbird	1699	TB-1614	KN-204-1
Commander			
Thunderbird LT	1699	TB-1614	KN-204-1
Thunderbird Storm	1699	TB-1610	KN-204-1
Tiger 800 ABS	799	TB-8011	KN-204-1
Tiger 800 XC	799	TB-8011	KN-204-1
Tiger Explorer XC	1215	TB-1212	KN-204-1
Trophy SE	1215	TB-1213	KN-204-1

Vehicle	Engine Type	Air Filter	Oil Filter
2013 TRIUMPH			
America	865	TB-8002	KN-204-1
Bonneville	865	TB-9004	KN-204-1
Bonneville SE	865	TB-9004	KN-204-1
Bonneville T100	865	TB-9004	KN-204-1
Daytona 675	675	TB-6713	KN-204-1
Daytona 675R	675	TB-6713	KN-204-1
Rocket III Roadster	2294		KN-204-1
Rocket III Touring	2294		KN-204-1
Scrambler	865		KN-204-1
Speed Triple ABS	1050	TB-1011	KN-204-1
Speed Triple R ABS	1050	TB-1011	KN-204-1
Speedmaster	865	TB-8002	KN-204-1
Street Triple	675	TB-6713	KN-204-1
Street Triple R	675	TB-6713	KN-204-1
Thrupton	865	TB-9004	KN-204-1
Thunderbird	1597	TB-1610	KN-204-1
Thunderbird ABS	1597	TB-1610	KN-204-1
Thunderbird Storm	1699	TB-1610	KN-204-1

* 2 filters required ♦ Intake System Available - see page 370 +Cabin Air Filter Available - see page 353 1- Performance Silver Oil Filter Also Available

Partial Listing: Complete Listing of Vehicles and Parts at KNFILTERS.COM or call 1-800-858-3333



Vehicle	Engine Type	Air Filter	Oil Filter
2013 TRIUMPH			
Thunderbird Storm ABS	1699	TB-1610	KN-204-1
Tiger 800 ABS	799	TB-8011	KN-204-1
Tiger 800 XC ABS	799	TB-8011	KN-204-1
Tiger Explorer	1215	TB-1212	KN-204-1
Tiger Explorer XC	1215	TB-1212	KN-204-1
Trophy SE	1215	TB-1213	KN-204-1

Vehicle	Engine Type	Air Filter	Oil Filter
2012 TRIUMPH			
America	865	TB-8002	KN-204-1
Bonneville	865	TB-9004	KN-204-1
Bonneville SE	865	TB-9004	KN-204-1
Bonneville Steve	865	TB-9004	KN-204-1
McQueen SE			
Bonneville T100	865	TB-9004	KN-204-1
Bonneville T100	865	TB-9004	KN-204-1
110th Anniversary LE			
Daytona 675	671	TB-6706	KN-204-1
Daytona 675R	671	TB-6706	KN-204-1
Rocket III Roadster	2294	TB-2204	KN-204-1
Scrambler	865	TB-9004	KN-204-1
Speed Triple	1050	TB-1011	KN-204-1
Speed Triple ABS	1050	TB-1011	KN-204-1
Speed Triple R ABS	1050	TB-1011	KN-204-1
Speedmaster	865	TB-8002	KN-204-1
Sprint GT	1050	TB-1005	
Street Triple	675	TB-6706	KN-204-1
Street Triple R	675	TB-6706	KN-204-1
Thrupton	865	TB-9004	KN-204-1
Thunderbird ABS	1597	TB-1610	KN-204-1
Thunderbird Storm ABS	1699	TB-1610	KN-204-1
Tiger 800 ABS	799	TB-8011	KN-204-1
Tiger 800 XC ABS	799	TB-8011	KN-204-1
Tiger Explorer	1215	TB-1212	KN-204-1

Vehicle	Engine Type	Air Filter	Oil Filter
2011 TRIUMPH			
America	865		KN-204-1
America Classic	865		KN-204-1
Bonneville	865		KN-204-1
Bonneville SE	865	TB-9004	KN-204-1
Bonneville T100	865	TB-9004	KN-204-1
Bonneville T100 Jet Black	865	TB-9004	KN-204-1
Daytona 675	671	TB-6706	KN-204-1
Daytona 675R	671	TB-6706	KN-204-1
Rocket III Roadster	2294	TB-2204	KN-204-1
Speed Triple	1050	TB-1011	KN-204-1
Speed Triple ABS	1050	TB-1011	KN-204-1
Sprint GT	1050	TB-1005	KN-204-1
Street Triple R	675	TB-6706	KN-204-1
Thrupton	865		KN-204-1
Thrupton SE	865		KN-204-1
Thunderbird	1597	TB-1610	
Thunderbird 1700	1700	TB-1610	KN-204-1
Thunderbird ABS	1597	TB-1610	KN-204-1
Thunderbird SE	1597	TB-1610	KN-204-1
Thunderbird Storm	1597	TB-1610	KN-204-1
Tiger 800 ABS	799	TB-8011	KN-204-1
Tiger 800 XC	799	TB-8011	KN-204-1
Tiger 800 XC ABS	799	TB-8011	KN-204-1

Vehicle	Engine Type	Air Filter	Oil Filter
2010 TRIUMPH			
America	865	TB-8002	KN-204-1
Bonneville	865	TB-9004	KN-204-1

Vehicle	Engine Type	Air Filter	Oil Filter
2010 TRIUMPH			
Bonneville SE	865	TB-9004	KN-204-1
Bonneville T100	865	TB-9004	KN-204-1
Daytona 675	671	TB-6706	KN-204-1
Rocket III	2294		KN-204-1
Rocket III Classic	2294		KN-204-1
Rocket III Classic Tourer	2294	TB-2204	KN-204-1
Rocket III Roadster	2294	TB-2204	KN-204-1
Scrambler	865	TB-9004	KN-204-1
Speed Triple	1050	TB-1005	KN-204-1
Speedmaster	865	TB-8002	KN-204-1
Street Triple	671	TB-6706	KN-204-1
Street Triple R	671	TB-6706	KN-204-1
Thrupton	865	TB-9004	KN-204-1
Thunderbird	1597	TB-1610	KN-204-1
Thunderbird 1700	1700		KN-204-1
Thunderbird ABS	1597	TB-1610	KN-204-1
Tiger 1050 ABS	1050	TB-1005	KN-204-1
Tiger 1050 SE	1050	TB-1005	KN-204-1

Vehicle	Engine Type	Air Filter	Oil Filter
2009 TRIUMPH			
America	865	TB-8002	KN-204-1
Bonneville	865	TB-9004	KN-204-1
Bonneville SE	865	TB-9004	KN-204-1
Bonneville T100	865	TB-9004	KN-204-1
Daytona 675	671	TB-6706	KN-204-1
Daytona 675 SE	671	TB-6706	KN-204-1
Rocket III	2294		KN-204-1
Rocket III Classic	2294	TB-2204	KN-204-1
Rocket III Classic Tourer	2294	TB-2204	KN-204-1
Speed Triple	1050	TB-1005	KN-204-1
Speedmaster	865	TB-8002	KN-204-1
Sprint ST	1050	TB-1005	KN-204-1
Street Triple	671	TB-6706	KN-204-1
Street Triple R	671	TB-6706	KN-204-1
Tiger	1050	TB-1005	KN-204-1

Vehicle	Engine Type	Air Filter	Oil Filter
2008 TRIUMPH			
America	865	TB-8002	KN-204-1
Bonneville	865	TB-9004	KN-204-1
Bonneville T100	865	TB-9004	KN-204-1
Daytona 675	671	TB-6706	KN-204-1
Daytona 675 SE	671	TB-6706	KN-204-1
Rocket III	2294		KN-204-1
Rocket III Classic	2294	TB-2204	KN-204-1
Rocket III Classic Tourer	2294	TB-2204	KN-204-1
Scrambler	865		KN-204-1
Speed Triple	1050	TB-1005	KN-204-1
Speedmaster	865	TB-8002	KN-204-1
Sprint ST	1050	TB-1005	KN-204-1
Street Triple	671	TB-6706	KN-204-1
Thrupton	865	TB-9004	KN-204-1
Tiger	1050	TB-1005	KN-204-1

Vehicle	Engine Type	Air Filter	Oil Filter
2007 TRIUMPH			
America	865	TB-8002	KN-204-1
Bonneville	865	TB-9004	KN-204-1
Bonneville T100	865	TB-9004	KN-204-1
Daytona 675	671	TB-6706	KN-204-1
Rocket III	2294	TB-2204	KN-204-1
Rocket III Classic	2294	TB-2204	KN-204-1
Rocket III Classic Tourer	2294	TB-2204	KN-204-1

* 2 filters required ♦ Intake System Available - see page 370 +Cabin Air Filter Available - see page 353 1- Performance Silver Oil Filter Also Available



AIR & OIL FILTERS

TRIUMPH

Vehicle	Engine Type	Air Filter	Oil Filter
2007 TRIUMPH			
Scrambler	865	TB-9004	KN-204-1
Speed Triple	1050	TB-1005	KN-204-1
Speedmaster	865	TB-8002	KN-204-1
Sprint ST	1050	TB-1005	KN-204-1
Thrupton	865	TB-9004	KN-204-1
Tiger	1050	TB-1005	KN-204-1

Vehicle	Engine Type	Air Filter	Oil Filter
2006 TRIUMPH			
America	790	TB-8002	KN-204-1
Bonneville	865	TB-9004	KN-204-1
Bonneville T100	865	TB-9004	KN-204-1
Daytona 675	671	TB-6706	KN-204-1
Rocket III	2294	TB-2204	KN-204-1
Rocket III Classic	2294	TB-2204	KN-204-1
Scrambler	865		KN-204-1
Speed Triple	1050	TB-1005	KN-204-1
Sprint ST	1050	TB-1005	KN-204-1
Thrupton	865	TB-9004	KN-204-1
Tiger	956	TB-9097	KN-204-1

Vehicle	Engine Type	Air Filter	Oil Filter
2005 TRIUMPH			
America	790	TB-8002	KN-204-1
Bonneville	800	TB-9004	KN-204-1
Bonneville T100	865	TB-9004	KN-204-1
Daytona 650	650		KN-204-1
Rocket III	2294	TB-2204	KN-204-1
Speed Triple	1050	TB-1005	KN-204-1
Speedmaster	865	TB-8002	KN-204-1
Sprint ST	1050	TB-1005	KN-204-1
Thrupton	865	TB-9004	KN-204-1
Tiger	956	TB-9097	KN-204-1

Vehicle	Engine Type	Air Filter	Oil Filter
2004 TRIUMPH			
America	790	TB-8002	KN-191
Bonneville	800	TB-9004	KN-191
Bonneville T100	800	TB-9004	KN-191
Daytona 600	600	TB-6000	
Speed Four	596	TB-6000	KN-191
Speed Triple	956	TB-9002	KN-191
Speedmaster	865	TB-8002	KN-191
Thrupton	865	TB-9004	KN-204-1

Vehicle	Engine Type	Air Filter	Oil Filter
2003 TRIUMPH			
America	790	TB-8002	KN-191
Bonneville	800	TB-9004	KN-191
Bonneville T100	800	TB-9004	KN-191
Daytona 955i	956		KN-191
Speed Four	600	TB-6000	KN-191
Speed Triple	956	TB-9002	KN-191
Speedmaster	865	TB-8002	KN-191
Thunderbird Sport	900	TB-9095	
Tiger	956	TB-9097	KN-191

Vehicle	Engine Type	Air Filter	Oil Filter
2002 TRIUMPH			
America	790		KN-191
Bonneville	800	TB-9004	KN-191
Bonneville T100	800	TB-9004	KN-191
Daytona 955i CE	956	TB-9002	KN-191
Speed Triple T509	955	TB-9002	

Vehicle	Engine Type	Air Filter	Oil Filter
2001 TRIUMPH			
Bonneville	800	TB-9004	KN-191
Daytona 955i	956		KN-191
Speed Triple T509	955	TB-9097	
Sprint ST	955	TB-9097	KN-191

Vehicle	Engine Type	Air Filter	Oil Filter
2001 TRIUMPH			
Tiger	956	TB-9097	KN-191
2000 TRIUMPH			
Sprint ST	955	TB-9097	
Thunderbird	885	TB-9095	KN-192
Thunderbird Sport	885	TB-9095	KN-192
Tiger	885	TB-9097	
Trophy 1200	1179	TB-9091	

Vehicle	Engine Type	Air Filter	Oil Filter
1999 TRIUMPH			
Adventurer 900	885	TB-9095	
Legend TT	885	TB-9095	KN-192
Thunderbird	885	TB-9095	KN-192
Thunderbird Sport	885	TB-9095	KN-192

Vehicle	Engine Type	Air Filter	Oil Filter
1998 TRIUMPH			
Sprint	885	TB-9091	KN-401
Sprint Executive	885	TB-9091	KN-192
Sprint Sport	885	TB-9091	KN-401
Thunderbird Sport	885	TB-9095	
Tiger	885	TB-9091	KN-192

Vehicle	Engine Type	Air Filter	Oil Filter
1997 TRIUMPH			
Daytona T595	955	TB-9097	KN-191
Sprint	885	TB-9091	
Thunderbird Sport	900	TB-9095	
Trophy 900	885	TB-9091	

Vehicle	Engine Type	Air Filter	Oil Filter
2017 VICTORY			
Cross Country	1731		KN-198
Cross Country Tour	1731		KN-198
Gunner	1731	PL-1608	KN-198
Hammer S	1731	PL-1608	
High-Ball	1731	PL-1608	
Magnum	1731		KN-198
Magnum X-1	1731		KN-198
Octane	1179	PL-1115	
Vegas	1731	PL-1608	
Vegas 8-Ball	1731	PL-1608	KN-198

Vehicle	Engine Type	Air Filter	Oil Filter
2016 VICTORY			
Cross Country	1731		KN-198
Cross Country 8-Ball	1731		KN-198
Cross Country Tour	1731		KN-198
Gunner	1731	PL-1608	KN-198
High-Ball	1731	PL-1608	KN-198
Magnum	1731		KN-198
Magnum X-1 Stealth Edition	1731		KN-198
Vegas 8-Ball	1731	PL-1608	KN-198
Vision	1731		KN-198

Vehicle	Engine Type	Air Filter	Oil Filter
2015 VICTORY			
Cross Country	1731		KN-198
Cross Country 8-Ball	1731		KN-198
Cross Country Tour	1731		KN-198
Gunner	1731	PL-1608	
High-Ball	1731	PL-1608	
Vegas 8-Ball	1731	PL-1608	KN-198
Vision Tour	1731		KN-198

Vehicle	Engine Type	Air Filter	Oil Filter
2014 VICTORY			
Boardwalk	1731	PL-1608	
Cross Country	1731		KN-198
Cross Country 8-Ball	1731		KN-198
Cross Country Tour	1731		KN-198

* 2 filters required ♦ Intake System Available - see page 370 +Cabin Air Filter Available - see page 353 1- Performance Silver Oil Filter Also Available

Partial Listing: Complete Listing of Vehicles and Parts at KNFILTERS.COM or call 1-800-858-3333



Vehicle	Engine Type	Air Filter	Oil Filter
2014 VICTORY			
Cross Country Tour 15th Anniversary LE	1731		KN-198
High-Ball	1731	PL-1608	KN-198
Jackpot	1731	PL-1608	
Vegas 8-Ball	1731	PL-1608	KN-198
Vision Tour	1731		KN-198
2013 VICTORY			
Boardwalk	1731	PL-1608	KN-198
Cross Country	1731		KN-198
Cross Country Cory Ness	1731		KN-198
Cross Country Tour	1731		KN-198
Cross Country Zach Ness	1731		KN-198
Hammer 8-Ball	1731	PL-1608	KN-198
Hard-Ball	1731		KN-198
High-Ball	1731	PL-1608	KN-198
Judge	1731	PL-1608	KN-198
Vegas 8-Ball	1731	PL-1608	KN-198
Vegas Jackpot	1731	PL-1608	
Vision Tour	1731		KN-198
2012 VICTORY			
Cross Country	1731		KN-198
Cross Country Cory Ness	1731		KN-198
Cross Country Tour	1731		KN-198
Cross Roads	1731		KN-198
Cross Roads Classic LE	1731		KN-198
High-Ball	1731	PL-1608	KN-198
Vegas	1731	PL-1608	
Vegas 8-Ball	1731	PL-1608	KN-198
Vegas Jackpot	1731	PL-1608	KN-198
Vegas Zach Ness	1731	PL-1608	
2011 VICTORY			
Cross Country	1731		KN-198
Cross Country Cory Ness	1731		KN-198
Cross Roads	1731		KN-198
Hammer	1731	PL-1608	
Hammer 8-Ball	1731	PL-1608	
Hammer S	1731	PL-1608	
Vegas	1731	PL-1608	
Vegas 8-Ball	1731	PL-1608	KN-198
Vegas Jackpot	1731	PL-1608	KN-198
Vegas Zach Ness	1731	PL-1608	
Vision Tour	1731		KN-198
2010 VICTORY			
Cross Country	1731		KN-198
Cross Roads	1731		KN-198
Hammer 8-Ball	1731	PL-1608	KN-198
Hammer S	1731	PL-1608	
Vision Tour	1731		KN-198
2009 VICTORY			
Hammer	1731	PL-1608	KN-198
Hammer S	1731	PL-1608	KN-198
Vision Street Premium	1731		KN-198
Vision Tour	1731		KN-198
Vision Tour 10th Anniversary	1731		KN-198

Vehicle	Engine Type	Air Filter	Oil Filter
2009 VICTORY			
Vision Tour Comfort	1731		KN-198
Vision Tour Premium	1731		KN-198
2008 VICTORY			
Hammer	1634	PL-1608	KN-198
Hammer S	1634	PL-1608	
Kingpin	1634	PL-1608	
Kingpin 8-Ball	1634	PL-1608	
Kingpin Tour	1634	PL-1608	
Vegas	1634	PL-1608	
Vegas 8-Ball	1634	PL-1608	KN-198
Vegas Jackpot	1634	PL-1608	KN-198
Vegas Low	1634	PL-1608	
Vision Street Premium	1731		KN-198
Vision Tour	1731		KN-198
Vision Tour Comfort	1731		KN-198
Vision Tour Premium	1731		KN-198
2007 VICTORY			
Hammer	1634	PL-1500	KN-198
Hammer S	1634	PL-1500	
Kingpin Tour	1634	PL-1500	
Vegas	1634	PL-1500	KN-198
Vegas 8-Ball	1634	PL-1500	KN-198
Vegas Jackpot	1634	PL-1500	KN-198
2006 VICTORY			
Hammer	1634	PL-1500	KN-198
Kingpin	1634	PL-1500	KN-198
Vegas	1634	PL-1500	KN-198
Vegas 8-Ball	1634	PL-1500	KN-198
Vegas Jackpot	1634	PL-1500	KN-198
2005 VICTORY			
Hammer	1634	PL-1500	
Kingpin	1507	PL-1500	KN-198
Kingpin Ness	1507	PL-1500	KN-198
Signature Series			
Vegas	1507	PL-1500	KN-198
Vegas 8-Ball	1507	PL-1500	
Vegas Ness	1507	PL-1500	
Signature Series			
2004 VICTORY			
Kingpin	1507	PL-1500	KN-198
Touring Cruiser	1508	PL-1500	KN-198
Vegas	1507	PL-1500	KN-198
2003 VICTORY			
Classic Cruiser	1508	PL-1500	
Vegas	1507	PL-1500	KN-198
2002 VICTORY			
Standard Cruiser	1507	PL-1500	
2001 VICTORY			
V92C Standard Cruiser Deluxe	1507	PL-1500	
2000 VICTORY			
V92C Standard Cruiser	1508	PL-1500	
V92C Standard Cruiser Special Ed.	1508	PL-1500	
2020 VOLKSWAGEN			
Jetta	1.4L L4 F/I		HP-1002'
Passat	2.0L L4 F/I	33-2865	

* 2 filters required ♦ Intake System Available - see page 370 +Cabin Air Filter Available - see page 353 1- Performance Silver Oil Filter Also Available



AIR & OIL FILTERS

VOLKSWAGEN

Vehicle	Engine Type	Air Filter	Oil Filter
2020 VOLKSWAGEN			
Tiguan	2.0L L4 F/I	33-3005	
2019 VOLKSWAGEN			
Amarok	3.0L V6 DSL	33-2983	
Arteon	2.0L L4 DSL - 240BHP	33-3036	
Arteon	2.0L L4 DSL - Exc. 240BHP	33-3005	
Arteon	2.0L L4 F/I	33-3005 ♦	
Atlas	3.6L V6 F/I	33-5071	
Beetle	2.0L L4 F/I - US	33-2865+	
Caddy IV	2.0L L4 DSL	33-2865	
Golf	1.4L L4 F/I		HP-1002 ¹
Golf	1.4L L4 F/I - US	33-5084	HP-1002
Golf Alltrack	1.8L L4 F/I	33-3005 ♦	
Golf R	2.0L L4 F/I	33-3005 ♦	
Golf Sportsvan	1.0L L3 F/I	33-3037	
Golf Sportsvan	1.6L L4 DSL	33-3005	
Golf Sportsvan	2.0L L4 DSL	33-3005	
Golf SportWagen	1.4L L4 F/I		HP-1002 ¹
Golf SportWagen	1.4L L4 F/I - US	33-5084	HP-1002
Golf SportWagen	1.8L L4 F/I	33-3005 ♦	HP-7038 ¹
Golf VII	1.0L L3 F/I	33-3037	
Golf VII	1.4L L4 F/I	33-3004	
Golf VII	1.6L L4 DSL	33-3005	
Golf VII	2.0L L4 DSL	33-3005	
Golf VII	2.0L L4 F/I	33-3005 ♦	
GTI	2.0L L4 F/I	33-3005 ♦	HP-7038 ¹
Jetta	1.4L L4 F/I		HP-1002 ¹
Jetta	1.4L L4 F/I - US	33-5084	HP-1002
Passat	2.0L L4 DSL	33-3005	
Passat	2.0L L4 F/I - Non-US	33-3005 ♦+	
Passat	2.0L L4 F/I - US	33-2865 ♦+	
Polo	1.0L L3 F/I - Turbo	33-3037	
Scirocco	2.0L L4 DSL	33-2865	
Scirocco	2.0L L4 F/I	33-2865	
Sharan II	2.0L L4 DSL	33-2865	
Tiguan	2.0L L4 F/I	33-3005	
Tiguan II	1.5L L4 F/I	33-3111	
Tiguan II	2.0L L4 DSL - 240BHP	33-3036	
Tiguan II	2.0L L4 DSL - Exc. 240BHP	33-3005	
Tiguan II	2.0L L4 F/I	33-3005 ♦	
Touareg II	3.0L V6 DSL	33-2857*	
Up	1.0L L3 F/I - Exc. Turbo	33-2994	
Up	1.0L L3 F/I - Turbo	33-3037	

Vehicle	Engine Type	Air Filter	Oil Filter
2018 VOLKSWAGEN			
Golf VII	1.4L L4 F/I	33-3004 ♦	
Golf VII	2.0L L4 DSL	33-3005	
Golf VII	2.0L L4 F/I	33-3005 ♦	
GTI	2.0L L4 F/I	33-3005 ♦	HP-7038 ¹
Jetta	1.4L L4 F/I	33-3004 ♦+	HP-1002 ¹
Jetta	1.8L L4 F/I	33-2865+	HP-7038 ¹
Jetta	2.0L L4 F/I		HP-7038 ¹
Jetta GLI	2.0L L4 F/I	33-2865+	
Passat	1.8L L4 F/I	33-3005 ♦	
Passat	2.0L L4 DSL	33-3005	
Passat	2.0L L4 F/I		HP-7038 ¹
Passat	2.0L L4 F/I - Non-US	33-3005 ♦+	HP-7038
Passat	2.0L L4 F/I - US	33-2865 ♦+	HP-7038
Passat	3.6L V6 F/I	33-2384+	
Polo	1.0L L3 F/I - Turbo	33-3037	
Polo	1.6L L4 DSL	33-3005	
Polo	1.6L L4 F/I	33-3037	
Tiguan	2.0L L4 F/I	33-3005	HP-7038 ¹
Tiguan II	1.4L L4 F/I	33-3004 ♦	
Tiguan II	1.5L L4 F/I	33-3111	
Tiguan II	1.6L L4 DSL	33-3005	
Tiguan II	2.0L L4 DSL - 240BHP	33-3036	
Tiguan II	2.0L L4 DSL - Exc. 240BHP	33-3005	
Tiguan II	2.0L L4 F/I	33-3005 ♦	
Tiguan Limited	2.0L L4 F/I	33-2865+	PS-3004
Touareg II	3.0L V6 F/I	33-2857	
T-Roc	1.0L L3 F/I	33-3037	
Up	1.0L L3 F/I		HP-1002 ¹
Up	1.0L L3 F/I - Exc. Turbo	33-2994	HP-1002
Up	1.0L L3 F/I - Turbo	33-3037	HP-1002
2017 VOLKSWAGEN			
Amarok	3.0L V6 DSL	33-2983	
Beetle	1.8L L4 F/I	33-2865	HP-7038 ¹
Beetle	2.0L L4 DSL	33-3005+	
Beetle	2.0L L4 F/I - Non-US	33-3005 ♦+	
Beetle	2.0L L4 F/I - US	33-2865 ♦+	
Caddy IV	1.0L L3 F/I	33-3037+	
CC	2.0L L4 F/I	33-2865 ♦+	
GLI	1.4L L4 F/I		HP-1002 ¹
Golf	1.8L L4 F/I	33-3005 ♦	HP-7038 ¹
Golf Alltrack	1.8L L4 F/I	33-3005	HP-7038 ¹
Golf R	2.0L L4 F/I	33-3005 ♦	HP-7038 ¹
Golf Sportsvan	1.0L L3 F/I	33-3037+	
Golf Sportsvan	1.4L L4 F/I	33-3004 ♦+	
Golf Sportsvan	1.6L L4 DSL	33-3005+	
Golf Sportsvan	1.6L L4 F/I	33-3060+	
Golf Sportsvan	2.0L L4 DSL	33-3005+	
Golf SportWagen	1.8L L4 F/I	33-3005	HP-7038 ¹
Golf VII	1.0L L3 F/I	33-3037+	
Golf VII	1.2L L4 F/I	33-3004 ♦+	
Golf VII	1.4L L4 F/I	33-3004 ♦+	
Golf VII	1.6L L4 DSL	33-3005+	
Golf VII	1.6L L4 F/I	33-3060+	
Golf VII	2.0L L4 DSL	33-3005+	
Golf VII	2.0L L4 F/I	33-3005 ♦+	
GTI	2.0L L4 F/I	33-3005 ♦	HP-7038 ¹
Jetta	1.4L L4 F/I	33-3004 ♦+	HP-1002 ¹
Jetta	1.6L L4 F/I	33-3060	
Jetta	1.8L L4 F/I	33-2865+	HP-7038 ¹
Jetta	2.0L L4 F/I	33-2865	HP-7038 ¹
Jetta GLI	2.0L L4 F/I	33-2865+	

* 2 filters required ♦ Intake System Available - see page 370 +Cabin Air Filter Available - see page 353 1- Performance Silver Oil Filter Also Available



Vehicle	Engine Type	Air Filter	Oil Filter	Vehicle	Engine Type	Air Filter	Oil Filter
2017 VOLKSWAGEN				2016 VOLKSWAGEN			
Jetta Hybrid	1.4L L4 F/I	33-3004 ♦♦		GTI	2.0L L4 F/I	33-3005 ♦	HP-7038 ¹
Jetta IV	1.2L L4 F/I	33-3004 ♦♦		Jetta	1.4L L4 F/I	33-3004 ♦♦	HP-1002 ¹
Jetta IV	1.4L L4 F/I	33-3004 ♦♦		Jetta	1.6L L4 F/I	33-3060	
Passat	1.4L L4 F/I	33-3004 ♦♦		Jetta	1.8L L4 F/I	33-2865 ♦♦	HP-7038 ¹
Passat	1.6L L4 DSL	33-3005+		Jetta	2.0L L4 F/I		HP-7038 ¹
Passat	1.8L L4 F/I		HP-7038 ¹	Jetta GLI	2.0L L4 F/I	33-2865 ♦♦	
Passat	1.8L L4 F/I - Non-US	33-3005 ♦♦	HP-7038	Jetta Hybrid	1.4L L4 F/I	33-3004 ♦♦	HP-1002 ¹
Passat	1.8L L4 F/I - US	33-2865 ♦♦	HP-7038	Jetta IV	1.2L L4 F/I	33-3004 ♦♦	
Passat	2.0L L4 DSL - Non-US, 150/184/190BHP	33-3005+		Jetta IV	1.4L L4 F/I	33-3004 ♦♦	
Passat	2.0L L4 DSL - Non-US, 240BHP	33-3036+		Jetta V	1.2L L4 F/I	33-3004 ♦♦	
Passat	2.0L L4 F/I	33-3005 ♦♦		Jetta V	1.4L L4 F/I	33-3004 ♦♦	
Passat	3.6L V6 F/I	33-2384+		Jetta V	2.0L L4 DSL	33-2865	
Polo	1.0L L3 F/I - Turbo	33-3037		Passat	1.4L L4 F/I	33-3004 ♦♦	
Polo	1.2L L4 F/I	33-3004 ♦		Passat	1.8L L4 F/I		HP-7038 ¹
Polo	1.4L L4 F/I	33-3004 ♦		Passat	1.8L L4 F/I - Non-US	33-3005 ♦♦	HP-7038
Polo	1.6L L4 DSL	33-3005		Passat	1.8L L4 F/I - US	33-2865 ♦♦	HP-7038
Polo	1.6L L4 F/I - OEM 04C129620A	33-3037		Passat	2.0L L4 DSL - Non-US, 150/184/190BHP	33-3005+	
Polo	1.6L L4 F/I - OEM 04E129620A	33-3060		Passat	2.0L L4 DSL - Non-US, 240BHP	33-3036+	
Polo	1.8L L4 F/I	33-3035		Passat	2.0L L4 F/I	33-3005 ♦♦	
Polo GT	1.2L L4 F/I	E-2997		Passat	3.6L V6 F/I	33-2384+	
Tiguan	2.0L L4 F/I	33-2865 ♦♦	PS-3004	Polo	1.0L L3 F/I - Turbo	33-3037	
Tiguan II	1.6L L4 DSL	33-3005+		Polo	1.2L L4 F/I	33-3004 ♦	
Tiguan II	2.0L L4 DSL - 240BHP	33-3036+		Polo	1.4L L4 F/I	33-3004 ♦	
Tiguan II	2.0L L4 DSL - Exc. 240BHP	33-3005+		Polo	1.8L L4 F/I	33-3035	
Tiguan II	2.0L L4 F/I	33-3005 ♦♦		Polo GT	1.2L L4 F/I	E-2997	
Tiguan Limited	2.0L L4 F/I	33-2865		Santana	1.6L L4 F/I	33-3060	
Touareg	3.6L V6 F/I	33-2857		Scirocco	2.0L L4 DSL	33-2865+	
Touareg II	3.0L V6 DSL	33-2857		Scirocco	2.0L L4 F/I - 180/220BHP	33-2865+	
Up	1.0L L3 F/I - Turbo	33-3037		Tiguan	2.0L L4 F/I		PS-3004
2016 VOLKSWAGEN				Tiguan	2.0L L4 F/I - US	33-2865 ♦♦	PS-3004
Amarok	2.0L L4 DSL	33-2983		Tiguan II	2.0L L4 DSL - 240BHP	33-3036+	
Beetle	1.2L L4 F/I	33-3004 ♦♦		Tiguan II	2.0L L4 DSL - Exc. 240BHP	33-3005+	
Beetle	1.8L L4 F/I	33-2865	HP-7038 ¹	Tiguan II	2.0L L4 F/I	33-3005 ♦♦	
Beetle	2.0L L4 DSL	33-3005+		Touareg	3.0L V6 DSL	33-2857	
Beetle	2.0L L4 F/I		HP-7038 ¹	Touareg	3.6L V6 F/I	33-2857	
Beetle	2.0L L4 F/I - Non-US	33-3005 ♦♦	HP-7038	Touareg II	3.0L V6 DSL	33-2857	
Beetle	2.0L L4 F/I - US	33-2865 ♦♦	HP-7038	Touareg II	3.0L V6 F/I	33-2857	
Caravelle T6	2.0L L4 DSL	33-2867		Up	1.0L L3 F/I - Turbo	33-3037	
Caravelle T6	2.0L L4 F/I	33-2867		2015 VOLKSWAGEN			
CC	2.0L L4 DSL	33-2865		Amarok	2.0L L4 DSL	33-2983	
CC	2.0L L4 F/I	33-2865+		Beetle	1.2L L4 F/I	33-3004 ♦♦	
		33-2865 ♦♦		Beetle	1.4L L4 F/I	33-3004 ♦♦	
Golf	1.8L L4 F/I	33-3005 ♦	HP-7038 ¹	Beetle	2.0L L4 DSL - Non-US	33-3005+	
Golf R	2.0L L4 F/I	33-3005 ♦	HP-7038 ¹	Beetle	2.0L L4 DSL - US	33-2865+	
Golf Sportsvan	1.0L L3 F/I	33-3037+		Beetle	2.0L L4 F/I		HP-7038 ¹
		33-3037		Beetle	2.0L L4 F/I - Non-US	33-3005 ♦	HP-7038
Golf Sportsvan	1.2L L4 F/I	33-3004 ♦♦		Beetle	2.0L L4 F/I - US	33-2865 ♦	HP-7038
Golf Sportsvan	1.4L L4 F/I	33-3004 ♦♦		Beetle	2.5L L5 F/I	33-2331	PS-7010
Golf Sportsvan	1.6L L4 DSL	33-3005		Caddy IV	1.0L L3 F/I	33-3037	
Golf Sportsvan	1.6L L4 F/I	33-3060+		CC	2.0L L4 DSL	33-2865 ♦♦	
Golf Sportsvan	2.0L L4 DSL	33-3005		CC	2.0L L4 F/I	33-2865+	PS-3004
Golf SportWagen	1.8L L4 F/I	33-3005	HP-7038 ¹		33-2865 ♦♦	PS-3004	
Golf VII	1.0L L3 F/I	33-3037+		CC	3.6L V6 F/I	33-2384+	
Golf VII	1.2L L4 F/I	33-3004 ♦♦		Golf	1.8L L4 F/I	33-3005 ♦♦	HP-7038 ¹
Golf VII	1.4L L4 F/I	33-3004 ♦♦		Golf	2.0L L4 DSL	33-3005+	
Golf VII	1.6L L4 DSL	33-3005+		Golf	2.0L L4 F/I		HP-7038 ¹
Golf VII	1.6L L4 F/I	33-3060+		Golf	2.5L L5 F/I		PS-7010
Golf VII	2.0L L4 DSL	33-3005+		Golf R	2.0L L4 F/I	33-3005 ♦	HP-7038 ¹
Golf VII	2.0L L4 F/I	33-3005 ♦♦		Golf Sportsvan	1.0L L3 F/I	33-3037	
				Golf Sportsvan	1.2L L4 F/I	33-3004 ♦♦	

* 2 filters required ♦ Intake System Available - see page 370 +Cabin Air Filter Available - see page 353 1- Performance Silver Oil Filter Also Available



AIR & OIL FILTERS

VOLKSWAGEN

Vehicle	Engine Type	Air Filter	Oil Filter	Vehicle	Engine Type	Air Filter	Oil Filter
2015 VOLKSWAGEN				2014 VOLKSWAGEN			
Golf Sportsvan	1.4L L4 F/I	33-3004 ♦+		Amarok	2.0L L4 DSL	33-2983	
Golf Sportsvan	1.6L L4 DSL	33-3005+		Beetle	1.8L L4 F/I		HP-7038 ¹
Golf Sportsvan	1.6L L4 F/I	33-3060		Beetle	2.0L L4 DSL	33-2865+	HP-7031 ¹
Golf Sportsvan	2.0L L4 DSL	33-3005+		Beetle	2.0L L4 F/I	33-2865+	HP-7038 ¹
Golf SportWagen	1.8L L4 F/I	33-3005	HP-7038 ¹	Beetle	2.5L L5 F/I	33-2331+	HP-7010 ¹
Golf VI	1.4L L4 F/I - 122BHP	E-2014		CC	1.8L L4 F/I	33-2865 ♦+	
Golf VI	1.4L L4 F/I - 160BHP	33-2865		CC	2.0L L4 DSL	33-2865 ♦+	
Golf VI	1.4L L4 F/I - 80BHP	33-2920		CC	2.0L L4 F/I	33-2865 ♦+	PS-3004
Golf VI	1.6L L4 F/I	E-2014				33-2865 ♦+	PS-3004
Golf VI	2.0L L4 DSL	33-2865		CC	3.6L V6 F/I	33-2384+	
Golf VI	2.0L L4 F/I - 210BHP	33-2865		Golf	2.0L L4 DSL		HP-7031 ¹
Golf VI	2.0L L4 F/I - Exc.	33-2888		Golf	2.0L L4 DSL - US	33-2865+	HP-7031
	210BHP			Golf	2.5L L5 F/I	33-2331+	HP-7010 ¹
Golf VII	1.0L L3 F/I	33-3037		Golf Plus	2.0L L4 DSL	33-2865 ♦+	
Golf VII	1.2L L4 F/I	33-3004 ♦+		Golf Sportsvan	2.0L L4 DSL	33-3005+	
Golf VII	1.4L L4 F/I	33-3004 ♦+		Golf VI	2.0L L4 DSL	33-2865+	
Golf VII	1.6L L4 DSL	33-3005+		Golf VI	2.0L L4 F/I - 210BHP	33-2865+	
Golf VII	1.6L L4 F/I	33-3060		Golf VI	2.0L L4 F/I - Exc.	33-2888+	
Golf VII	2.0L L4 DSL	33-3005+			210BHP		
Golf VII	2.0L L4 F/I	33-3005 ♦+		Golf VII	1.4L L4 F/I	33-3004 ♦+	
GTI	2.0L L4 F/I	33-3005 ♦+	HP-7038 ¹	Golf VII	2.0L L4 DSL	33-3005+	
Jetta	1.6L L4 F/I	33-3060		Golf VII	2.0L L4 F/I	33-3005 ♦+	
Jetta	1.8L L4 F/I	33-2865 ♦+	HP-7038 ¹	GTI	2.0L L4 F/I	33-2865	PS-3004
Jetta	2.0L L4 DSL	33-2865+		Jetta	1.6L L4 F/I	33-3060	
Jetta	2.0L L4 F/I	E-2014+	HP-2005 ¹	Jetta	1.8L L4 F/I	33-2865 ♦+	HP-7038 ¹
Jetta	2.5L L5 F/I		HP-7010 ¹	Jetta	2.0L L4 DSL	33-2865 ♦+	HP-7031 ¹
Jetta GLi	2.0L L4 F/I	33-2865 ♦+	HP-7038 ¹	Jetta	2.0L L4 F/I	E-2014+	HP-2005 ¹
Jetta Hybrid	1.4L L4 F/I	33-3004 ♦+	HP-7010 ¹	Jetta	2.5L L5 F/I	33-2331+	HP-7010 ¹
Jetta V	1.2L L4 F/I	33-3004 ♦		Jetta GLi	2.0L L4 F/I	33-2865 ♦+	HP-7038 ¹
Jetta V	1.4L L4 F/I	33-3004 ♦+		Jetta Hybrid	1.4L L4 F/I	33-3004 ♦+	HP-1002 ¹
Jetta V	2.0L L4 DSL	33-2865+		Jetta V	1.2L L4 F/I	E-2014 ♦+	
Passat	1.4L L4 F/I	33-3004 ♦+		Jetta V	1.4L L4 F/I - 122BHP	E-2014 ♦+	
Passat	1.6L L4 DSL	33-3005+		Jetta V	1.4L L4 F/I - 160BHP	33-2865 ♦+	
Passat	1.8L L4 F/I		HP-7038 ¹	Jetta V	1.4L L4 F/I - 90BHP	33-3004 ♦+	
Passat	1.8L L4 F/I - Non-US	33-3005 ♦+	HP-7038	Jetta V	1.6L L4 DSL	33-2865 ♦+	
Passat	1.8L L4 F/I - US	33-2865 ♦+	HP-7038	Jetta V	1.8L L4 F/I		HP-7038 ¹
Passat	2.0L L4 DSL - Non-US,	33-3005+		Jetta V	2.0L L4 DSL	33-2865 ♦+	
Passat	150/190BHP			New Beetle	1.2L L4 F/I - CBZB Eng.	E-2014 ♦	
Passat	2.0L L4 DSL - Non-US,	33-3036+		New Beetle	1.2L L4 F/I - CYVD	33-3004 ♦	
Passat	240BHP				Eng.		
Passat	2.0L L4 DSL - US	33-2865+		Passat	1.4L L4 F/I -	E-2014 ♦+	
Passat	2.0L L4 F/I - Non-US	33-3005 ♦		Passat	122/131BHP		
Passat	2.5L L5 F/I		PS-7010	Passat	1.4L L4 F/I -	33-2865 ♦+	
Passat	3.6L V6 F/I	33-2384+		Passat	150/160BHP		
Polo	1.2L L4 F/I	33-3004 ♦		Passat	1.8L L4 F/I	33-2865 ♦+	HP-7038 ¹
Polo	1.4L L4 F/I - China, GTI	E-2997 ♦		Passat	2.0L L4 DSL	33-2865 ♦+	
Polo	1.4L L4 F/I - EU	33-3004 ♦		Passat	2.0L L4 F/I	33-2865 ♦+	
Polo	1.6L L4 F/I	33-3060		Passat	2.5L L5 F/I	33-2331+	HP-7010 ¹
Polo	1.8L L4 F/I	33-3035		Passat	3.6L V6 F/I	33-2384+	
Polo GT	1.2L L4 F/I	E-2997		Polo	1.2L L3 DSL	E-2997	
Tiguan	1.4L L4 F/I -	33-3004 ♦		Polo	1.2L L4 F/I - Exc. TSi	33-2830 ♦	
	125/150BHP			Polo	1.2L L4 F/I - TSi,	33-3004 ♦	
Tiguan	2.0L L4 DSL	33-2865 ♦			w/Panel Filter		
Tiguan	2.0L L4 F/I	33-2865+	PS-3004	Polo	1.2L L4 F/I - TSi,	E-2997 ♦	
		33-2865 ♦+	PS-3004		w/Round Filter		
Touareg	3.0L V6 DSL	33-2857		Polo	1.4L L4 F/I - Exc. TSi	33-2920	
Touareg	3.0L V6 F/I	33-2857	HP-7015 ¹	Polo	1.4L L4 F/I - TSi	E-2997	
Touareg	3.6L V6 F/I	33-2857		Polo	1.6L L4 DSL	E-2997	
Touareg	4.2L V8 DSL	33-2857*		Polo	1.6L L4 F/I - From 7/14	33-3060	
Touareg II	3.0L V6 DSL	33-2857		Polo	1.6L L4 F/I - To 6/14	33-2920	
Touareg II	3.0L V6 F/I	33-2857		Polo GT	1.2L L4 F/I	E-2997	
Up	1.0L L3 F/I	33-2994		Polo GT	1.4L L4 F/I	33-3004 ♦	
Up	1.0L L3 F/I - Brazil,	33-3037		Routan	3.6L V6 F/I		HP-7026 ¹
	Turbo			Scirocco	2.0L L4 DSL	33-2865 ♦+	
				Scirocco	2.0L L4 F/I - 211BHP	33-2865 ♦+	

* 2 filters required ♦ Intake System Available - see page 370 +Cabin Air Filter Available - see page 353 1- Performance Silver Oil Filter Also Available

Partial Listing: Complete Listing of Vehicles and Parts at KNFILTERS.COM or call 1-800-858-3333



Vehicle	Engine Type	Air Filter	Oil Filter	Vehicle	Engine Type	Air Filter	Oil Filter
2014 VOLKSWAGEN				2013 VOLKSWAGEN			
Sportvan	1.6L L4 F/I	33-3060		Jetta V	2.0L L4 DSL	33-2865 ♦+	
Tiguan	1.4L L4 F/I - 122BHP	E-2014 ♦+		Jetta V	2.0L L4 F/I	33-2865 ♦+	
Tiguan	1.4L L4 F/I - 160BHP	33-2865 ♦+		Passat	1.8L L4 F/I	33-2865 ♦	
Tiguan	2.0L L4 DSL	33-2865 ♦+		Passat	2.0L L4 DSL	33-2865 ♦+	
Tiguan	2.0L L4 F/I	33-2865 ♦+	PS-3004	Passat	2.0L L4 F/I	33-2865 ♦+	
Touareg	3.0L V6 DSL	33-2857		Passat	2.5L L5 F/I	33-2331+	HP-7010 ¹
Touareg	3.0L V6 F/I	33-2857	HP-7015 ¹	Passat	3.6L V6 F/I	33-2384+	
Touareg	3.6L V6 F/I	33-2857	HP-7015 ¹	Polo	1.2L L3 DSL	E-2997 ♦	
Touareg II	3.0L V6 DSL	33-2857		Polo	1.2L L4 F/I - Exc. TSi	33-2830 ♦	
Touareg II	3.0L V6 F/I	33-2857		Polo	1.2L L4 F/I - TSi	E-2997 ♦	
2013 VOLKSWAGEN				Polo	1.4L L4 F/I - Exc. TSi	33-2920 ♦	
Amarok	2.0L L4 DSL	33-2983		Polo	1.4L L4 F/I - TSi	E-2997 ♦	
Amarok	2.0L L4 F/I	33-2983		Polo	1.6L L4 DSL	E-2997 ♦	
Beetle	2.0L L4 DSL	33-2865 ♦	HP-7031 ¹	Polo	1.6L L4 F/I	33-2920	
Beetle	2.0L L4 F/I	33-2865 ♦+	HP-7038 ¹	Polo GT	1.2L L4 F/I	E-2997	
Beetle	2.5L L5 F/I	33-2331+	HP-7010 ¹	Polo GT	1.4L L4 F/I	33-3004 ♦	
California T5	2.0L L4 DSL	33-2867		Routan	3.6L V6 F/I	33-2462	
California T5	2.0L L4 F/I	33-2867		Scirocco	2.0L L4 DSL	33-2865 ♦+	
CC	1.4L L4 F/I	33-2865 ♦+		Scirocco	2.0L L4 F/I - 211BHP	33-2865 ♦+	
CC	2.0L L4 DSL	33-2865 ♦+		Scirocco	2.0L L4 F/I - 265BHP	33-2888 ♦+	
CC	2.0L L4 F/I	33-2865 ♦+	PS-3004	Tiguan	2.0L L4 DSL	33-2865 ♦+	
CC	2.0L L4 F/I	33-2865 ♦+	PS-3004	Tiguan	2.0L L4 F/I	33-2865 ♦+	PS-3004
CC	3.6L V6 F/I	33-2384+		Touareg	3.0L V6 DSL	33-2857	
Eos	2.0L L4 DSL	33-2865 ♦+		Touareg	3.0L V6 F/I	33-2857	HP-7015 ¹
Eos	2.0L L4 F/I	33-2865 ♦+	PS-3004	Touareg	3.6L V6 F/I	33-2857	
Golf	2.0L L4 DSL		HP-7031 ¹	Touareg II	3.0L V6 DSL	33-2857	
Golf	2.0L L4 DSL - US	33-2865+	HP-7031	Touareg II	3.0L V6 F/I	33-2857	
Golf	2.0L L4 F/I	33-2888+	HP-7010 ¹	Touareg II	3.6L V6 F/I	33-2857	
Golf	2.5L L5 F/I	33-2331+	HP-7010 ¹	Up	1.0L L3 F/I	33-2994	
Golf Plus	1.4L L4 F/I - 122BHP	E-2014 ♦		2012 VOLKSWAGEN			
Golf Plus	1.4L L4 F/I - 160BHP	33-2865 ♦		Amarok	2.0L L4 DSL	33-2983	
Golf Plus	1.4L L4 F/I - 80BHP	33-2920 ♦		Amarok	2.0L L4 F/I	33-2983	
Golf Plus	1.6L L4 DSL	33-2865 ♦+		Beetle	2.0L L4 F/I	33-2865+	PS-3004
Golf Plus	1.6L L4 F/I	33-2920+				33-2865 ♦+	PS-3004
Golf Plus	2.0L L4 DSL	33-2865 ♦+		Beetle	2.5L L5 F/I	33-2331+	HP-7010 ¹
Golf SportWagen	2.5L L5 F/I	33-2331	HP-7010 ¹	CC	2.0L L4 DSL	33-2865 ♦+	
Golf VI	1.4L L4 F/I - 122BHP	E-2014 ♦+		CC	2.0L L4 F/I	33-2865 ♦+	PS-3004
Golf VI	1.4L L4 F/I - 160BHP	33-2865 ♦+		CC	3.6L V6 F/I	33-2384+	HP-7031 ¹
Golf VI	1.4L L4 F/I - 80BHP	33-2920 ♦+		Eos	2.0L L4 DSL	33-2865 ♦+	
Golf VI	1.6L L4 DSL	33-2865 ♦+		Eos	2.0L L4 F/I	33-2865 ♦+	PS-3004
Golf VI	1.6L L4 F/I	E-2014+		Golf	2.0L L4 DSL		HP-7031 ¹
Golf VI	2.0L L4 DSL	33-2865 ♦+		Golf	2.0L L4 DSL - US	33-2865+	HP-7031
Golf VI	2.0L L4 F/I - 211BHP	33-2865 ♦+		Golf	2.0L L4 F/I	33-2888+	
Golf VI	2.0L L4 F/I - 235/270BHP	33-2888 ♦+		Golf	2.5L L5 F/I	33-2331+	HP-7010 ¹
Golf VII	1.4L L4 F/I	33-3004 ♦+		Golf Plus	1.4L L4 F/I - 122BHP	E-2014 ♦	
Golf VII	1.6L L4 DSL	33-3005+		Golf Plus	1.4L L4 F/I - 160BHP	33-2865 ♦	
Golf VII	1.6L L4 F/I	33-3060		Golf Plus	1.4L L4 F/I - 80BHP	33-2920 ♦	
Golf VII	2.0L L4 DSL	33-3005+		Golf Plus	1.6L L4 DSL	33-2865 ♦+	
Golf VII	2.0L L4 F/I	33-3005 ♦+		Golf Plus	1.6L L4 F/I	33-2920+	
GTI	2.0L L4 F/I	33-2865	PS-3004	Golf Plus	2.0L L4 DSL	33-2865 ♦+	
		33-2865 ♦	PS-3004	Golf VI	1.2L L4 F/I	E-2014 ♦+	
Jetta	2.0L L4 DSL	33-2865 ♦+	HP-7031 ¹	Golf VI	1.4L L4 F/I - 122BHP	E-2014 ♦+	
Jetta	2.0L L4 F/I	E-2014+	HP-2005 ¹	Golf VI	1.4L L4 F/I - 160BHP	33-2865 ♦+	
Jetta	2.5L L5 F/I	33-2331+	HP-7010 ¹	Golf VI	1.4L L4 F/I - 80BHP	33-2920 ♦+	
Jetta GLI	2.0L L4 F/I	33-2865 ♦+	PS-3004	Golf VI	1.6L L4 DSL	33-2865 ♦+	
Jetta Hybrid	1.4L L4 F/I	33-3004 ♦+	HP-1002 ¹	Golf VI	1.6L L4 F/I	E-2014+	
Jetta V	1.2L L4 F/I	E-2014 ♦+		Golf VI	1.8L L4 F/I	33-2865 ♦+	
Jetta V	1.4L L4 F/I - 122BHP	E-2014 ♦+		Golf VI	2.0L L4 DSL	33-2865 ♦+	
Jetta V	1.4L L4 F/I - 131BHP	33-3004 ♦+		Golf VI	2.0L L4 F/I - 211BHP	33-2865 ♦+	
Jetta V	1.4L L4 F/I - 160BHP	33-2865 ♦+		Golf VI	2.0L L4 F/I - 235/270BHP	33-2888 ♦+	
Jetta V	1.6L L4 F/I - From 4/13	33-3060+					

* 2 filters required ♦ Intake System Available - see page 370 +Cabin Air Filter Available - see page 353 1- Performance Silver Oil Filter Also Available



AIR & OIL FILTERS

VOLKSWAGEN

Vehicle	Engine Type	Air Filter	Oil Filter	Vehicle	Engine Type	Air Filter	Oil Filter
2012 VOLKSWAGEN				2011 VOLKSWAGEN			
Golf VII	1.2L L4 F/I	33-3004 ♦♦		Golf VI	1.4L L4 F/I - 160BHP	33-2865 ♦♦	
Golf VII	1.4L L4 F/I	33-3004 ♦♦		Golf VI	1.4L L4 F/I - 80BHP	33-2920 ♦♦	
Golf VII	1.6L L4 DSL	33-3005+		Golf VI	2.0L L4 DSL	33-2865 ♦♦	
Golf VII	2.0L L4 DSL	33-3005+		Golf VI	2.0L L4 F/I - 211BHP	33-2865 ♦♦	
GTI	2.0L L4 F/I	33-2865	PS-3004	Golf VI	2.0L L4 F/I - 235/270BHP	33-2888 ♦♦	
		33-2865 ♦	PS-3004	Golf VI	2.5L L5 F/I	33-2331+	
Jetta	2.0L L4 DSL	33-2865+	HP-7031 ¹	GTI	2.0L L4 F/I	33-2865	PS-3004
Jetta	2.0L L4 F/I	E-2014+	HP-2005 ¹			33-2865 ♦	PS-3004
Jetta	2.5L L5 F/I	33-2331+	HP-7010 ¹	Jetta	2.0L L4 DSL	33-2865+	HP-7031 ¹
Jetta GLi	2.0L L4 F/I	33-2865 ♦♦	PS-3004	Jetta	2.0L L4 F/I		PS-3004
Jetta V	1.4L L4 F/I - 122BHP	E-2014 ♦♦		Jetta	2.0L L4 F/I - US	E-2014+	PS-3004
Jetta V	1.4L L4 F/I - 160BHP	33-2865 ♦♦		Jetta	2.5L L5 F/I	33-2331+	HP-7010 ¹
Jetta V	1.6L L4 DSL	33-2865 ♦♦		Jetta V	1.2L L4 F/I	E-2014 ♦♦	
Jetta V	2.0L L4 DSL	33-2865 ♦♦		Jetta V	1.4L L4 F/I - 122BHP	E-2014 ♦♦	
Jetta V	2.0L L4 F/I	33-2865 ♦♦	HP-2005 ¹	Jetta V	1.4L L4 F/I - 160BHP	33-2865 ♦♦	
Multivan T5	2.0L L4 DSL	33-2867		Jetta V	1.6L L4 DSL	33-2865 ♦♦	
Multivan T5	2.0L L4 F/I	33-2867		Jetta V	1.6L L4 F/I - w/Round Filter	E-2014 ♦♦	
New Beetle	2.0L L4 F/I - 115BHP	33-2128		Jetta V	2.0L L4 DSL	33-2865 ♦♦	
New Beetle	2.0L L4 F/I - Exc. 115BHP	33-2865		Jetta V	2.0L L4 F/I		PS-3004
New Beetle	2.5L L4 F/I	33-2128		Jetta V	2.0L L4 F/I - TFSi	33-2888 ♦♦	PS-3004
Passat	1.8L L4 F/I	33-2865 ♦		Jetta V	2.0L L4 F/I - TSi	33-2865 ♦♦	PS-3004
Passat	2.0L L4 DSL	33-2865 ♦♦		New Beetle	2.0L L4 F/I	33-2128	
Passat	2.0L L4 F/I	33-2865 ♦♦		Passat	2.0L L4 DSL	33-2865 ♦	
Passat	2.5L L5 F/I	33-2331+	HP-7010 ¹	Passat	2.0L L4 F/I	33-2865 ♦	
Passat	3.6L V6 F/I	33-2384+		Passat CC	2.0L L4 DSL	33-2865 ♦	
Passat CC	1.8L L4 F/I	33-2865 ♦		Polo	1.2L L3 DSL	E-2997 ♦	
Passat CC	2.0L L4 DSL	33-2865 ♦♦		Polo	1.2L L4 F/I - Exc. TSi	33-2830 ♦	
Passat CC	3.6L V6 F/I	33-2384+		Polo	1.2L L4 F/I - TSi	E-2997 ♦	
Polo	1.2L L3 DSL	E-2997 ♦		Polo	1.4L L4 F/I - Exc. TSi	33-2920 ♦	
Polo	1.2L L4 F/I - Exc. TSi	33-2830 ♦		Polo	1.4L L4 F/I - TSi, Exc. GT	E-2997 ♦	
Polo	1.2L L4 F/I - TSi	E-2997 ♦		Polo	1.6L L4 DSL	E-2997 ♦	
Polo	1.4L L4 F/I - Exc. TSi	33-2920 ♦		Polo	1.6L L4 F/I	33-2920	
Polo	1.4L L4 F/I - TSi, Exc. GT	E-2997 ♦		Polo GT	1.2L L4 F/I	E-2997	
Polo	1.6L L4 DSL	E-2997 ♦		Polo GT	1.4L L4 F/I	33-3004 ♦	
Polo	1.6L L4 F/I	33-2920		Routan	3.6L V6 F/I	33-2462	
Polo GT	1.2L L4 F/I	E-2997		Scirocco	1.4L L4 F/I - 122BHP	E-2014 ♦♦	
Polo GT	1.4L L4 F/I	33-3004 ♦		Scirocco	1.4L L4 F/I - 160BHP	33-2865 ♦♦	
Routan	3.6L V6 F/I	33-2462	HP-7025 ¹	Tiguan	2.0L L4 DSL	33-2865 ♦♦	
Scirocco	1.4L L4 F/I - 122BHP	E-2014 ♦♦		Tiguan	2.0L L4 F/I	33-2865 ♦♦	PS-3004
Scirocco	1.4L L4 F/I - 160BHP	33-2865 ♦♦		Touareg	3.0L V6 DSL	33-2857	
Tiguan	2.0L L4 DSL	33-2865 ♦♦		Touareg	3.0L V6 F/I	33-2857	
Tiguan	2.0L L4 F/I	33-2865 ♦♦	PS-3004	Touareg	3.6L V6 F/I	33-2857	
Touareg	3.0L V6 DSL	33-2857		Touareg II	3.0L V6 DSL	33-2857	
Touareg	3.0L V6 F/I	33-2857	HP-7015 ¹	Touareg II	3.0L V6 F/I	33-2857	
Touareg	3.6L V6 F/I	33-2857		2010 VOLKSWAGEN			
Touareg II	3.0L V6 DSL	33-2857		Beetle	2.5L L5 F/I	33-2128+	HP-7010 ¹
Touareg II	3.0L V6 F/I	33-2857		Beetle Cabrio	2.5L L5 F/I	33-2128+	HP-7010 ¹
Transporter T5	2.0L L4 DSL	33-2867		CC	2.0L L4 F/I	33-2865 ♦♦	PS-3004
Transporter T5	2.0L L4 F/I	33-2867		CC	3.6L V6 F/I	33-2384+	
2011 VOLKSWAGEN				Eos	2.0L L4 DSL	33-2865 ♦♦	
Amarok	2.0L L4 DSL	33-2983		Eos	2.0L L4 F/I	33-2865 ♦♦	PS-3004
Amarok	2.0L L4 F/I	33-2983		GLi	2.0L L4 F/I	33-2865	
CC	2.0L L4 F/I	33-2865 ♦♦	PS-3004	Golf	2.0L L4 DSL		HP-7031 ¹
Eos	2.0L L4 DSL	33-2865 ♦♦		Golf	2.0L L4 DSL - US	33-2865+	HP-7031
Eos	2.0L L4 F/I	33-2865 ♦♦		Golf	2.5L L5 F/I	33-2331+	HP-7010 ¹
Golf	2.0L L4 DSL		HP-7031 ¹	Golf Plus	2.0L L4 DSL	33-2865 ♦♦	
Golf	2.0L L4 DSL - US	33-2865+	HP-7031	Golf V	2.0L L4 F/I - 150BHP	E-2014	
Golf	2.5L L5 F/I	33-2331+	HP-7010 ¹	Golf V	2.0L L4 F/I - 200BHP	33-2888	
Golf Plus	1.4L L4 F/I - 80BHP	33-2920 ♦		Golf VI	1.4L L4 F/I - 160BHP	33-2865 ♦♦	
Golf Plus	2.0L L4 DSL	33-2865 ♦♦		Golf VI	1.4L L4 F/I - 80BHP	33-2920 ♦♦	
Golf VI	1.4L L4 F/I - 122BHP	E-2014 ♦♦		Golf VI	2.0L L4 DSL	33-2865 ♦♦	
				Golf VI	2.0L L4 F/I - 270BHP	33-2888 ♦♦	
				Golf VI	2.0L L4 F/I - Exc. 270BHP	33-2865 ♦♦	
				Golf VI	2.5L L5 F/I	33-2331+	

* 2 filters required ♦ Intake System Available - see page 370 +Cabin Air Filter Available - see page 353 1- Performance Silver Oil Filter Also Available



Vehicle	Engine Type	Air Filter	Oil Filter	Vehicle	Engine Type	Air Filter	Oil Filter
2010 VOLKSWAGEN				2009 VOLKSWAGEN			
GTI	2.0L L4 F/I	33-2865	PS-3004	Passat CC	3.6L V6 F/I	33-2384+	
Jetta	2.0L L4 DSL	33-2865+	HP-7031 ¹	Polo	1.6L L4 DSL	E-2997 ♦	
Jetta	2.0L L4 F/I	33-2865+	PS-3004	Polo	1.8L L4 F/I	33-2830 ♦	
Jetta	2.5L L5 F/I	33-2331+	HP-7010 ¹	Rabbit	2.5L L5 F/I	33-2331+	HP-7010 ¹
Jetta GLI	2.0L L4 F/I	33-2865 ♦+	PS-3004	Scirocco	1.4L L4 F/I - 160BHP	33-2865 ♦+	
Jetta V	2.0L L4 DSL	33-2865 ♦+		Tiguan	2.0L L4 DSL	33-2865 ♦+	
Jetta V	2.0L L4 F/I - TFSi	33-2888 ♦+		Tiguan	2.0L L4 F/I		PS-3004
Jetta V	2.0L L4 F/I - TSi	33-2865 ♦+		Tiguan	2.0L L4 F/I - Turbo	33-2865 ♦+	PS-3004
Jetta V	2.5L L5 F/I	33-2331+		Touareg	3.6L V6 F/I	33-2857	HP-7005 ¹
Passat	2.0L L4 DSL	33-2865 ♦+		Touareg	3.6L V6 F/I - BHK Eng.	33-2857	PS-7005
Passat	2.0L L4 F/I	33-2865 ♦+	PS-3004	2008 VOLKSWAGEN			
Passat CC	2.0L L4 DSL	33-2865 ♦+		Beetle	2.5L L5 F/I	33-2128+	HP-7010 ¹
Passat CC	2.0L L4 F/I	33-2865+		Eos	2.0L L4 DSL	33-2865 ♦+	
Polo	1.2L L3 DSL	E-2997 ♦		Eos	2.0L L4 F/I	33-2888+	HP-7010 ¹
Polo	1.2L L4 F/I - Exc., TSi	33-2830 ♦		Eos	2.0L L4 F/I - 150BHP	E-2014 ♦+	HP-7010
Polo	1.2L L4 F/I - TSi	E-2997 ♦		Eos	2.0L L4 F/I - 200BHP	33-2888 ♦+	HP-7010
Polo	1.4L L4 F/I - Exc. TSi	33-2920 ♦		Golf City	2.0L L4 F/I	33-2128+	HP-2005 ¹
Polo	1.4L L4 F/I - TSi	E-2997 ♦		Golf V	2.0L L4 DSL - 75BHP	E-2014 ♦+	
Polo	1.6L L4 DSL	E-2997 ♦		Golf V	2.0L L4 DSL - Exc. 75BHP	33-2865 ♦+	
Polo GT	1.2L L4 F/I	E-2997		Golf V	2.0L L4 F/I		PS-7010
Routan	3.8L V6 F/I	33-2419	HP-1002 ¹	Golf V	2.0L L4 F/I - 150BHP	E-2014 ♦+	PS-7010
Scirocco	1.4L L4 F/I - 160BHP	33-2865 ♦+		Golf V	2.0L L4 F/I - 200BHP	33-2888 ♦+	PS-7010
Tiguan	1.4L L4 F/I - 122BHP	E-2014 ♦+		Golf V GTI	2.0L L4 F/I	33-2888 ♦	HP-7010 ¹
Tiguan	1.4L L4 F/I - 150BHP	33-2865 ♦+		Golf VI	2.0L L4 DSL	33-2865 ♦+	
Tiguan	2.0L L4 DSL	33-2865 ♦+		Golf VI	2.0L L4 F/I - 211BHP	33-2865 ♦	
Tiguan	2.0L L4 F/I	33-2865 ♦+	PS-3004	GTI	2.0L L4 F/I	33-2888 ♦+	PS-3004
Touareg	3.0L V6 DSL	33-2857		Jetta	2.0L L4 F/I	33-2865+	PS-3004
Touareg II	3.0L V6 DSL	33-2857		Jetta	2.5L L5 F/I	33-2331+	HP-7010 ¹
Touareg II	3.0L V6 F/I	33-2857		Jetta City	2.0L L4 F/I	33-2128+	HP-2005 ¹
2009 VOLKSWAGEN				Jetta GLI	2.0L L4 F/I	33-2888+	PS-3004
Beetle	2.5L L5 F/I	33-2128+	HP-7010 ¹	Jetta V	1.9L L4 DSL - EU	33-2865 ♦+	
CC	2.0L L4 F/I	33-2865 ♦+	PS-3004	Jetta V	2.0L L4 DSL	33-2865 ♦+	HP-7031 ¹
CC	3.6L V6 F/I	33-2384+	HP-7031 ¹	Jetta V	2.0L L4 F/I		HP-7010 ¹
Eos	2.0L L4 DSL	33-2865 ♦+		Jetta V	2.0L L4 F/I - 200BHP	33-2888 ♦+	HP-7010
Eos	2.0L L4 F/I	33-2865 ♦+	PS-3004	Jetta V	2.0L L4 F/I - Exc., 200BHP	E-2014 ♦+	HP-7010
Eos	2.0L L4 F/I - 150BHP	E-2014 ♦+	PS-3004	Jetta V	2.5L L5 F/I	33-2331+	HP-7010 ¹
Eos	2.0L L4 F/I - 200BHP	33-2888 ♦+	PS-3004	Passat	2.0L L4 DSL	33-2865 ♦+	
Golf V GTI	2.0L L4 F/I	33-2888		Passat	2.0L L4 F/I - 116BHP	33-2125 ♦+	
Golf VI	2.0L L4 DSL	33-2865 ♦+		Passat	2.0L L4 F/I - 150BHP	E-2014 ♦+	
Golf VI	2.0L L4 F/I - 211BHP	33-2865 ♦+		Passat	2.0L L4 F/I - 200BHP	33-2888 ♦+	
Golf VI	2.0L L4 F/I - 270BHP	33-2888 ♦+		Passat	2.0L L4 F/I - BPY Eng.	33-2888+	HP-7010 ¹
GTI	2.0L L4 F/I	33-2865+	PS-3004	Passat	2.0L L4 F/I - CCTA Eng.	33-2865+	PS-3004
Jetta	2.0L L4 DSL	33-2865+	HP-7031 ¹	Passat	3.6L V6 F/I		PS-7031
Jetta	2.0L L4 F/I	33-2865+	PS-3004	Passat	3.6L V6 F/I - Non-US	33-2384+	PS-7031
Jetta	2.5L L5 F/I	33-2331+	HP-7010 ¹	Passat	3.6L V6 F/I - US	33-2384+	PS-7031
Jetta City	2.0L L4 F/I	33-2128+		Passat CC	2.0L L4 DSL	33-2865 ♦+	
Jetta GLI	2.0L L4 F/I	33-2865 ♦+	PS-3004	Passat CC	2.0L L4 F/I	33-2865 ♦+	
Jetta V	2.0L L4 DSL	33-2865 ♦+		Passat CC	3.6L V6 F/I	33-2384	
Jetta V	2.0L L4 F/I - 200BHP	33-2888 ♦+		R32	3.2L V6 F/I	33-2384+	HP-7031 ¹
Jetta V	2.0L L4 F/I - Exc., 200BHP	E-2014 ♦+		Rabbit	2.5L L5 F/I	33-2331+	HP-7010 ¹
Jetta V	2.5L L5 F/I	33-2331+	HP-7010 ¹	Touareg	3.6L V6 F/I	33-2857	HP-7005 ¹
Passat	2.0L L4 DSL	33-2865 ♦+		Touareg	3.6L V6 F/I - BHK Eng.	33-2857	PS-7005
Passat	2.0L L4 F/I	33-2865 ♦+		Touareg	4.2L V8 F/I	33-2857*	
Passat	2.0L L4 F/I - 116BHP	33-2125 ♦+		2007 VOLKSWAGEN			
Passat	2.0L L4 F/I - 150BHP	E-2014 ♦+		Beetle	2.5L L5 F/I	33-2128+	HP-7010 ¹
Passat	2.0L L4 F/I - 200BHP	33-2888 ♦+		Eos	2.0L L4 DSL	33-2865 ♦+	
Passat	2.0L L4 F/I - CCTA Eng.	33-2865	PS-3004	Eos	2.0L L4 F/I	33-2888+	HP-7010 ¹
Passat CC	2.0L L4 DSL	33-2865 ♦+					
Passat CC	2.0L L4 F/I	33-2865 ♦+	HP-7010 ¹				

* 2 filters required ♦ Intake System Available - see page 370 +Cabin Air Filter Available - see page 353 1- Performance Silver Oil Filter Also Available



AIR & OIL FILTERS

VOLKSWAGEN

Vehicle	Engine Type	Air Filter	Oil Filter	Vehicle	Engine Type	Air Filter	Oil Filter
2007 VOLKSWAGEN				2006 VOLKSWAGEN			
Eos	2.0L L4 F/I - 150BHP	E-2014 ♦+	HP-7010	GTI	2.0L L4 F/I	33-2888 ♦+	HP-7010 ¹
Eos	2.0L L4 F/I - 200BHP	33-2888 ♦+	HP-7010	Jetta	1.9L L4 DSL	33-2865+	HP-7031 ¹
GLi	2.0L L4 F/I		PS-7010	Jetta	2.0L L4 F/I	33-2888+	HP-7010 ¹
Golf City	2.0L L4 F/I	33-2128+	HP-2005 ¹	Jetta	2.5L L5 F/I	33-2331+	HP-7010 ¹
Golf IV	1.9L L4 DSL	33-2128		Jetta City	2.0L L4 F/I		HP-2005 ¹
Golf Plus	1.9L L4 DSL	33-2865 ♦+		Jetta GLi	2.0L L4 F/I	33-2888 ♦+	HP-7010 ¹
Golf Plus	2.0L L4 F/I		PS-7010	Jetta V	1.4L L4 F/I	33-2865 ♦+	
Golf V	1.9L L4 DSL	33-2865 ♦+		Jetta V	1.6L L4 F/I - 102BHP	E-2014 ♦+	
Golf V	2.0L L4 DSL - 75BHP	E-2014 ♦+		Jetta V	1.9L L4 DSL - EU	33-2865 ♦+	
Golf V	2.0L L4 DSL - Exc. 75BHP	33-2865 ♦+		Jetta V	2.0L L4 DSL	33-2865 ♦+	
Golf V	2.0L L4 F/I		HP-7010 ¹	Jetta V	2.0L L4 F/I		HP-7010 ¹
Golf V	2.0L L4 F/I - 150BHP	E-2014 ♦+	HP-7010	Jetta V	2.0L L4 F/I - 200BHP	33-2888 ♦+	HP-7010
Golf V	2.0L L4 F/I - 200BHP	33-2888 ♦+	HP-7010	Jetta V	2.0L L4 F/I - Exc., 200BHP	E-2014 ♦+	HP-7010
Golf V GTI	2.0L L4 F/I	33-2888 ♦	HP-7010 ¹	Jetta V	2.5L L5 F/I	33-2331+	HP-7010 ¹
GTI	2.0L L4 F/I	33-2888 ♦+	HP-7010 ¹	New Beetle	2.5L L4 F/I	33-2128	
Jetta	2.0L L4 F/I	33-2888+	HP-7010 ¹	Passat	2.0L L4 DSL	33-2865 ♦+	
Jetta	2.5L L5 F/I	33-2331+	HP-7010 ¹	Passat	2.0L L4 F/I	33-2888+	HP-7010 ¹
Jetta City	2.0L L4 F/I	33-2128+	HP-2005 ¹	Passat	2.0L L4 F/I - 116BHP	33-2125 ♦+	HP-7010
Jetta GLi	2.0L L4 F/I	33-2888 ♦+	HP-7010 ¹	Passat	2.0L L4 F/I - 150BHP	E-2014 ♦+	HP-7010
Jetta V	2.0L L4 DSL	33-2865 ♦+		Passat	2.0L L4 F/I - 200BHP	33-2888 ♦+	HP-7010
Jetta V	2.0L L4 F/I		HP-7010 ¹	Passat	3.6L V6 F/I		HP-7031 ¹
Jetta V	2.0L L4 F/I - 200BHP	33-2888 ♦+	HP-7010	Passat	3.6L V6 F/I - Non-US	33-2384+	HP-7031
Jetta V	2.0L L4 F/I - Exc., 200BHP	E-2014 ♦+	HP-7010	Polo	1.4L L3 DSL	33-2830 ♦	
Jetta V	2.5L L5 F/I	33-2331+	HP-7010 ¹	Polo	1.4L L4 F/I - 80BHP	33-2920 ♦	
Passat	2.0L L4 DSL	33-2865 ♦+		Rabbit	2.5L L5 F/I		PS-7010
Passat	2.0L L4 F/I	33-2888+	HP-7010 ¹	Touareg	3.2L V6 F/I	33-2857	
Passat	2.0L L4 F/I - 116BHP	33-2125 ♦+	HP-7010	Touareg	3.6L V6 F/I	33-2857	
Passat	2.0L L4 F/I - 150BHP	E-2014 ♦+	HP-7010	Touareg	4.2L V8 F/I	33-2857*	HP-7005 ¹
Passat	2.0L L4 F/I - 200BHP	33-2888 ♦+	HP-7010	Touareg	4.2L V8 F/I - AXQ Eng.	33-2857*	PS-7005
Passat	3.6L V6 F/I		HP-7031 ¹	2005 VOLKSWAGEN			
Passat	3.6L V6 F/I - Non-US	33-2384+	HP-7031	Beetle	1.8L L4 F/I	33-2128 ♦+	
Passat	3.6L V6 F/I - US	33-2384+	HP-7031	Beetle	2.0L L4 F/I	33-2128 ♦+	HP-2005 ¹
Polo	1.2L L3 F/I - 54/64BHP	33-2830		Fox	1.4L L3 DSL	33-2830 ♦	
Polo	1.4L L3 DSL	33-2830		Golf	1.9L L4 DSL - US	33-2128+	
Polo	1.4L L4 F/I - 75/101BHP	33-2221 ♦		Golf	2.0L L4 F/I	33-2128 ♦+	HP-2005 ¹
Polo	1.4L L4 F/I - 80BHP	33-2920 ♦		Golf GTI	1.8L L4 F/I	33-2128 ♦+	HP-2005 ¹
Polo	1.9L L4 DSL	33-2830 ♦		Golf IV	1.9L L4 DSL	33-2128	
Rabbit	2.5L L5 F/I	33-2331+	HP-7010 ¹	Golf IV	2.0L L4 F/I	33-2128	
Touareg	5.0L V10 DSL	33-2857*		Golf IV GTI	1.8L L4 F/I	33-2128	
2006 VOLKSWAGEN				Golf Plus	1.9L L4 DSL	33-2865 ♦+	
Beetle	2.5L L5 F/I	33-2128+	HP-7010 ¹	Golf Plus	2.0L L4 DSL	33-2865 ♦+	
Golf	2.0L L4 F/I	33-2128+	HP-2005 ¹	Golf Plus	2.0L L4 F/I	E-2014 ♦+	HP-7010 ¹
Golf GTI	1.8L L4 F/I	33-2128+	HP-2005 ¹	Golf V	1.9L L4 DSL	33-2865 ♦+	
Golf IV	1.6L L4 F/I	33-2128		Golf V	2.0L L4 DSL - 75BHP	E-2014 ♦+	
Golf IV	1.9L L4 DSL	33-2128		Golf V	2.0L L4 DSL - Exc. 75BHP	33-2865 ♦+	
Golf Plus	1.6L L4 F/I - 102BHP	E-2014 ♦+		Golf V	2.0L L4 F/I		HP-7010 ¹
Golf Plus	1.9L L4 DSL	33-2865 ♦+		Golf V	2.0L L4 F/I - 150BHP	E-2014 ♦+	HP-7010
Golf Plus	2.0L L4 DSL	33-2865 ♦+		Golf V	2.0L L4 F/I - 200BHP	33-2888 ♦+	HP-7010
Golf Plus	2.0L L4 F/I	E-2014 ♦+	HP-7010 ¹	Golf V GTI	2.0L L4 F/I	33-2888 ♦	HP-7010 ¹
Golf V	1.6L L4 F/I - 101BHP	33-2920 ♦+		Jetta	1.8L L4 F/I	33-2128+	HP-2005 ¹
Golf V	1.6L L4 F/I - 102BHP	E-2014 ♦+		Jetta	1.9L L4 DSL		HP-7031 ¹
Golf V	1.9L L4 DSL	33-2865 ♦+		Jetta	1.9L L4 DSL - BEW Eng.	33-2128+	HP-7031
Golf V	2.0L L4 DSL - 75BHP	E-2014 ♦+		Jetta	1.9L L4 DSL - BRM Eng.	33-2865+	HP-7031
Golf V	2.0L L4 DSL - Exc. 75BHP	33-2865 ♦+		Jetta	2.0L L4 F/I	33-2128+	HP-2005 ¹
Golf V	2.0L L4 F/I		HP-7010 ¹	Jetta	2.5L L5 F/I		HP-7010 ¹
Golf V	2.0L L4 F/I - 150BHP	E-2014 ♦+	HP-7010	Jetta	2.5L L5 F/I - Body Code K	33-2331+	HP-7010
Golf V	2.0L L4 F/I - 200BHP	33-2888 ♦+	HP-7010	Jetta V	1.9L L4 DSL	33-2865 ♦+	
Golf V	3.2L V6 F/I	33-2384 ♦+		Jetta V	2.0L L4 DSL	33-2865 ♦+	
Golf V GTI	2.0L L4 F/I		HP-7010 ¹	Jetta V	2.0L L4 F/I		HP-7010 ¹
Golf V GTI	2.0L L4 F/I - Turbo	33-2888 ♦	HP-7010				

* 2 filters required ♦ Intake System Available - see page 370 +Cabin Air Filter Available - see page 353 1- Performance Silver Oil Filter Also Available

Partial Listing: Complete Listing of Vehicles and Parts at KNFILTERS.COM or call 1-800-858-3333



Vehicle	Engine Type	Air Filter	Oil Filter
2005 VOLKSWAGEN			
Jetta V	2.0L L4 F/I - 200BHP	33-2888 ♦+	HP-7010
Jetta V	2.0L L4 F/I - Exc., 200BHP	E-2014 ♦+	HP-7010
New Beetle	2.0L L4 F/I	33-2128	
Passat	1.8L L4 F/I	33-2125+	HP-3001 ¹
Passat	1.9L L4 DSL - 3C Model	33-2865 ♦+	
Passat	2.0L L4 DSL - 3B Model	33-2125 ♦+	
Passat	2.0L L4 DSL - 3C Model	33-2865 ♦+	
Passat	2.0L L4 F/I - 150BHP, 3C Model	E-2014 ♦	
Passat	2.0L L4 F/I - 200BHP, 3C Model	33-2888 ♦	
Passat	2.0L L4 F/I - 3B Model	33-2125 ♦	
Passat	2.0L L4 F/I - 3C Model		HP-7010 ¹
Passat	2.8L V6 F/I	33-2125+	HP-2004 ¹
Passat CC	2.0L L4 DSL - From 8/05	33-2865	
Passat CC	2.0L L4 F/I - From 3/05	E-2014	
Touareg	3.2L V6 F/I	33-2857	HP-7005 ¹
Touareg	4.2L V8 F/I	33-2857*	HP-7005 ¹
Touareg	4.2L V8 F/I - AXQ Eng.	33-2857*	PS-7005

Vehicle	Engine Type	Air Filter	Oil Filter
2004 VOLKSWAGEN			
Beetle	1.8L L4 F/I	33-2128 ♦+	
Beetle	1.9L L4 DSL	33-2128+	
Beetle	2.0L L4 F/I	33-2128 ♦+	HP-2005 ¹
Golf	1.9L L4 DSL	33-2128+	
Golf	2.0L L4 F/I	33-2128 ♦+	HP-2005 ¹
Golf GTI	1.8L L4 F/I - US	33-2128 ♦+	HP-2005 ¹
Golf GTI	2.8L V6 F/I	33-2128 ♦+	HP-7031 ¹
Golf IV	1.8L L4 F/I	33-2128 ♦	
Golf IV	1.9L L4 DSL	33-2128 ♦	
Golf IV	2.0L L4 F/I	33-2128 ♦	
Golf IV	2.8L V6 F/I	33-2128 ♦	
Golf IV GTI	1.8L L4 F/I	33-2128 ♦	
Golf IV GTI	1.9L L4 DSL	33-2128 ♦	
Golf Plus	2.0L L4 DSL	33-2865 ♦+	
Golf V	1.9L L4 DSL	33-2865 ♦+	
Golf V	2.0L L4 DSL - 75BHP	E-2014 ♦+	
Golf V	2.0L L4 DSL - Exc. 75BHP	33-2865 ♦+	
Golf V	2.0L L4 F/I		HP-7010 ¹
Golf V	2.0L L4 F/I - 150BHP	E-2014 ♦+	HP-7010
Golf V	2.0L L4 F/I - 200BHP	33-2888 ♦+	HP-7010
Golf V GTI	2.0L L4 F/I	33-2888 ♦+	HP-7010 ¹
Jetta	1.8L L4 F/I	33-2128 ♦+	HP-2005 ¹
Jetta	1.9L L4 DSL	33-2128+	
Jetta	2.0L L4 F/I	33-2128 ♦+	HP-2005 ¹
Jetta	2.8L V6 F/I	33-2128+	HP-7031 ¹
Passat	1.8L L4 F/I	33-2125+	HP-3001 ¹
Passat	2.8L V6 F/I	33-2125+	
Passat	4.0L W8 F/I	33-2125+	HP-7005 ¹
R32	3.2L V6 F/I	33-2128 ♦+	HP-7031 ¹
Touareg	3.0L V6 DSL	33-2857	
Touareg	3.2L V6 F/I	33-2857	
Touareg	4.2L V8 F/I	33-2857*	HP-7005 ¹
Touareg	4.2L V8 F/I - AXQ Eng.	33-2857*	PS-7005
Touareg	5.0L V10 DSL	33-2857*	

Vehicle	Engine Type	Air Filter	Oil Filter
2003 VOLKSWAGEN			
Beetle	1.8L L4 F/I	33-2128 ♦+	HP-2005 ¹
Beetle	2.0L L4 F/I	33-2128 ♦+	HP-2005 ¹
EuroVan	2.8L V6 F/I		HP-7031 ¹
Golf	1.9L L4 DSL	33-2128+	

Vehicle	Engine Type	Air Filter	Oil Filter
2003 VOLKSWAGEN			
Golf	2.0L L4 F/I - US	33-2128 ♦+	HP-2005 ¹
Golf GTI	1.8L L4 F/I	33-2128 ♦+	
Golf GTI	1.8L L4 F/I - US	33-2128	HP-2005 ¹
Golf GTI	2.0L L4 F/I		HP-2005 ¹
Golf GTI	2.8L V6 F/I	33-2128+	HP-7031 ¹
Golf IV	1.8L L4 F/I	33-2128 ♦	
Golf IV	1.9L L4 DSL	33-2128 ♦	
Golf IV	2.0L L4 F/I	33-2128 ♦	
Golf IV	2.8L V6 F/I	33-2128 ♦	
Golf IV GTI	1.8L L4 F/I	33-2128 ♦	
Golf IV GTI	1.9L L4 DSL	33-2128 ♦	
Golf V	1.9L L4 DSL	33-2865 ♦+	
Golf V	2.0L L4 DSL - 75BHP	E-2014 ♦+	
Golf V	2.0L L4 DSL - Exc. 75BHP	33-2865 ♦+	
Jetta	1.8L L4 F/I	33-2128 ♦+	HP-2005 ¹
Jetta	1.9L L4 DSL	33-2128+	
Jetta	2.0L L4 F/I	33-2128 ♦+	HP-2005 ¹
Jetta	2.8L V6 F/I	33-2128+	HP-7031 ¹
Passat	1.8L L4 F/I	33-2125+	HP-3001 ¹
Passat	1.9L L4 DSL	33-2125	
Passat	2.0L L4 DSL	33-2125	
Passat	2.0L L4 F/I	33-2125	
Passat	2.8L V6 F/I	33-2125+	
Passat	4.0L W8 F/I	33-2125+	HP-7005 ¹
Polo	1.4L L3 DSL	33-2830 ♦	
Touareg	3.2L V6 F/I	33-2857	

Vehicle	Engine Type	Air Filter	Oil Filter
2002 VOLKSWAGEN			
Beetle	1.8L L4 F/I	33-2128 ♦+	HP-2005 ¹
Beetle	1.9L L4 DSL	33-2128+	
Beetle	2.0L L4 F/I	33-2128 ♦+	HP-2005 ¹
Golf	1.9L L4 DSL	33-2128+	
Golf	2.0L L4 F/I - US	33-2128 ♦+	HP-2005 ¹
Golf GTI	1.8L L4 F/I - US	33-2128 ♦+	HP-2005 ¹
Golf GTI	2.0L L4 F/I	33-2128+	HP-2005 ¹
Golf GTI	2.8L V6 F/I	33-2128+	
Golf GTI	2.8L V6 F/I - AFP Eng.	33-2128	HP-7005 ¹
Golf GTI	2.8L V6 F/I - BDF Eng.	33-2128	HP-7031 ¹
Golf V	1.8L L4 F/I	33-2128 ♦	
Golf V	1.9L L4 DSL	33-2128 ♦	
Golf V	2.0L L4 F/I	33-2128 ♦	
Golf V Cabriolet	1.8L L4 F/I	33-2069	HP-2005 ¹
Golf V GTI	1.8L L4 F/I	33-2128 ♦	
Golf V GTI	1.9L L4 DSL	33-2128 ♦	
Jetta	1.8L L4 F/I	33-2128 ♦+	HP-2005 ¹
Jetta	1.9L L4 DSL	33-2128+	
Jetta	2.0L L4 F/I	33-2128 ♦+	HP-2005 ¹
Jetta	2.8L V6 F/I	33-2128+	
Jetta	2.8L V6 F/I - AFP Eng.	33-2128	HP-7005 ¹
Jetta		33-2128	HP-7005 ¹
Jetta	2.8L V6 F/I - BDF Eng.	33-2128	HP-7031 ¹
Jetta		33-2128	HP-7031 ¹
New Beetle	1.8L L4 F/I	33-2128	
New Beetle	2.3L L4 F/I	33-2128	
Passat	1.8L L4 F/I	33-2125+	HP-2005 ¹
Passat	2.3L V5 F/I	33-2125	
Passat	2.8L V6 F/I	33-2125+	
Passat	4.0L W8 F/I	33-2125+	HP-7005 ¹
Polo	1.2L L3 F/I - 54BHP	33-2830 ♦	
Polo	1.4L L3 DSL	33-2830 ♦	

Vehicle	Engine Type	Air Filter	Oil Filter
2001 VOLKSWAGEN			
Beetle	1.8L L4 F/I	33-2128 ♦+	HP-2005 ¹

* 2 filters required ♦ Intake System Available - see page 370 +Cabin Air Filter Available - see page 353 1- Performance Silver Oil Filter Also Available



AIR & OIL FILTERS

VOLKSWAGEN

Vehicle	Engine Type	Air Filter	Oil Filter
2001 VOLKSWAGEN			
Beetle	1.9L L4 DSL	33-2128 +	
Beetle	2.0L L4 F/I	33-2128 ♦+	HP-2005 ¹
Golf	2.0L L4 F/I	33-2128 ♦+	
Golf GTI	1.8L L4 F/I - US	33-2128 ♦+	HP-2005 ¹
Golf GTI	2.0L L4 F/I	33-2128 +	HP-2005 ¹
Golf GTI	2.8L V6 F/I	33-2128 +	HP-7005 ¹
Golf IV	1.8L L4 F/I	33-2128 ♦	
Golf IV	1.9L L4 DSL	33-2128 ♦	
Golf IV	2.0L L4 F/I	33-2128 ♦	
Golf IV	2.8L V6 F/I	33-2128 ♦	HP-7005 ¹
Golf IV Cabriolet	1.8L L4 F/I	33-2069	HP-2005 ¹
Golf IV GTI	1.8L L4 F/I	33-2128 ♦	
Golf IV GTI	1.9L L4 DSL	33-2128 ♦	
Jetta	1.8L L4 F/I	33-2128 ♦+	HP-2005 ¹
Jetta	1.9L L4 DSL	33-2128 +	
Jetta	2.0L L4 F/I	33-2128 ♦+	HP-2005 ¹
Jetta	2.8L V6 F/I	33-2128 +	HP-7005 ¹
Passat	1.8L L4 F/I	33-2125 +	HP-3001 ¹
Passat	2.8L V6 F/I	33-2125 +	
Polo	1.4L L3 DSL - From 10/01	33-2830 ♦	
Polo	1.4L L4 F/I - Type 6K 60BHP	E-1210 ♦	
Polo	1.4L L4 F/I - Type 6K, 75BHP, Type 6N2, 75/101BHP	33-2774 ♦	
Polo	1.4L L4 F/I - Type 6N2 60BHP	33-2159* ♦	
Polo	1.4L L4 F/I - Type 9N, 75/101BHP, Exc. FSi, 86BHP	33-2221 ♦	

Vehicle	Engine Type	Air Filter	Oil Filter
2000 VOLKSWAGEN			
Beetle	1.6L L4 F/I	33-2128 ♦	
Beetle	1.8L L4 F/I	33-2128 +	HP-2005 ¹
		33-2128	HP-2005 ¹
Beetle	1.9L L4 DSL	33-2128 +	
Beetle	2.0L L4 F/I	33-2128 ♦+	HP-2005 ¹
EuroVan	2.8L V6 F/I	33-2759	PS-7005
Golf	1.8L L4 F/I	33-2128 +	HP-2005 ¹
Golf	1.9L L4 DSL	33-2128 +	
Golf	2.0L L4 F/I	33-2128 ♦+	HP-2005 ¹
Golf GTI	1.8L L4 F/I	33-2128 +	HP-2005 ¹
Golf GTI	2.0L L4 F/I	33-2128 +	HP-2005 ¹
Golf GTI	2.8L V6 F/I	33-2128 +	HP-7005 ¹
Golf IV	1.8L L4 F/I	33-2128 ♦	
Golf IV	1.9L L4 DSL	33-2128 ♦	
Golf IV	2.0L L4 F/I	33-2128 ♦	
Golf IV	2.8L V6 F/I	33-2128 ♦	HP-7005 ¹
Golf IV Cabriolet	1.8L L4 F/I	33-2069	HP-2005 ¹
Golf IV GTI	1.8L L4 F/I	33-2128 ♦	
Jetta	1.8L L4 F/I	33-2128 ♦+	HP-2005 ¹
Jetta	1.9L L4 DSL	33-2128 +	
Jetta	2.0L L4 F/I	33-2128 ♦+	HP-2005 ¹
Jetta	2.8L V6 F/I	33-2128 +	HP-7005 ¹
New Beetle	1.8L L4 F/I	33-2128	
Passat	1.8L L4 F/I	33-2125 ♦+	HP-3001 ¹
Passat	2.0L L4 F/I	33-2125	
Passat	2.8L V6 F/I	33-2125 ♦+	
Polo	1.4L L4 F/I - Type 6K 60BHP	E-1210 ♦	
Polo	1.4L L4 F/I - Type 6K, 75BHP, Type 6N2, 75/101BHP	33-2774 ♦	
Polo	1.4L L4 F/I - Type 6N2 60BHP	33-2159* ♦	

Vehicle	Engine Type	Air Filter	Oil Filter
1999 VOLKSWAGEN			
Beetle	2.0L L4 F/I	33-2128 ♦+	HP-2005 ¹
Cabrio	2.0L L4 F/I	33-2069	HP-2005 ¹
Golf	2.0L L4 F/I	33-2128 +	
Golf GTI	2.0L L4 F/I	33-2128 +	HP-2005 ¹
Golf GTI	2.8L V6 F/I	33-2128 +	HP-7005 ¹
Golf III	1.8L L4 F/I	33-2069	
Golf III	2.0L L4 F/I	33-2069	HP-2005 ¹
Golf IV	1.8L L4 F/I	33-2128 ♦	HP-2005 ¹
Golf IV	2.0L L4 F/I	33-2128 ♦	HP-2005 ¹
Golf IV Cabriolet	1.8L L4 F/I	33-2069	HP-2005 ¹
Golf IV GTI	1.8L L4 F/I	33-2128 ♦	HP-2005 ¹
Jetta	1.9L L4 DSL	33-2128 +	
Jetta	2.0L L4 F/I		HP-2005 ¹
Jetta	2.0L L4 F/I - ABA Eng.	33-2069 +	HP-2005
Jetta	2.0L L4 F/I - AEG Eng.	33-2128 +	HP-2005
Jetta IV	1.8L L4 F/I		HP-2005 ¹
Passat	1.8L L4 F/I	33-2125 ♦+	HP-3001 ¹
Passat	2.8L V6 F/I	33-2125 ♦+	
Polo	1.4L L4 F/I - Type 6K 60BHP, Type 6N 8v	E-1210 ♦	
Polo	1.4L L4 F/I - Type 6K 75BHP, Type 6N 16v, Type 6N2 75/101 BHP	33-2774 ♦	
Polo	1.4L L4 F/I - Type 6N2 60BHP	33-2159* ♦	

Vehicle	Engine Type	Air Filter	Oil Filter
1998 VOLKSWAGEN			
Beetle	2.0L L4 F/I	33-2128 ♦+	HP-2005 ¹
Golf	2.0L L4 F/I	33-2069 +	HP-2005 ¹
Golf GTI	2.8L V6 F/I	33-2069 +	HP-7005 ¹
Golf III	2.0L L4 F/I	33-2069	HP-2005 ¹
Golf IV	2.0L L4 F/I	33-2128 ♦	HP-2005 ¹
Golf IV GTI	1.8L L4 F/I	33-2128	
Jetta	1.9L L4 DSL	33-2069 +	HP-3001 ¹
Jetta	2.0L L4 F/I	33-2069 +	HP-2005 ¹
Passat	1.8L L4 F/I	33-2125 ♦	HP-3001 ¹
Passat	1.9L L4 DSL	33-2125 ♦	
Transporter T4	2.5L L5 DSL	33-2759 ♦	
Transporter T4	2.5L L5 F/I	33-2759	

Vehicle	Engine Type	Air Filter	Oil Filter
1997 VOLKSWAGEN			
Golf	2.0L L4 F/I	33-2069 +	HP-2005 ¹
Golf III	2.0L L4 F/I	33-2069 ♦	HP-2005 ¹
Golf III GTI	2.0L L4 F/I	33-2069 ♦	HP-2005 ¹
Jetta	2.0L L4 F/I	33-2069 +	HP-2005 ¹
Jetta	2.8L V6 F/I	33-2069 +	HP-7005 ¹

Vehicle	Engine Type	Air Filter	Oil Filter
2019 VOLVO			
S90 II	2.0L L4 DSL	33-3065	
S90 II	2.0L L4 F/I	33-3065	
V60	2.0L L4 F/I	33-3065	
V60 Cross Country	2.0L L4 F/I	33-3065	
V60 II	2.0L L4 DSL	33-3065	
V60 II	2.0L L4 F/I	33-3065	
XC40	1.5L L3 F/I	33-3127	
XC40	2.0L L4 DSL	33-3127	
XC40	2.0L L4 F/I	33-3127	
XC60	2.0L L4 F/I	33-3065	
XC60 II	2.0L L4 DSL	33-3065	
XC60 II	2.0L L4 F/I	33-3065	
XC90	2.0L L4 F/I	33-3065	
XC90 II	2.0L L4 DSL	33-3065	
XC90 II	2.0L L4 F/I	33-3065	

Vehicle	Engine Type	Air Filter	Oil Filter
2018 VOLVO			
S60	2.0L L4 F/I	33-2388	

* 2 filters required ♦ Intake System Available - see page 370 +Cabin Air Filter Available - see page 353 1- Performance Silver Oil Filter Also Available



Vehicle	Engine Type	Air Filter	Oil Filter	Vehicle	Engine Type	Air Filter	Oil Filter
2018 VOLVO				2016 VOLVO			
S60 Cross Country	2.0L L4 F/I	33-2388		XC60	2.0L L5 DSL	33-2388	
S60 II	2.0L L4 DSL	33-2388		XC60	2.4L L5 DSL	33-2388	
S60 II	2.0L L4 F/I	33-2388		XC60	2.5L L5 F/I	33-2873	HP-7010 ¹
S60 II	2.0L L5 DSL	33-2388		XC60	3.0L L6 F/I	33-2418	HP-7016 ¹
S90	2.0L L4 F/I	33-3065		XC70	2.5L L5 F/I	33-2873	PS-7010
S90 II	2.0L L4 DSL	33-3065		XC90	2.0L L4 F/I	33-3065	
S90 II	2.0L L4 F/I	33-3065		XC90 II	2.0L L4 DSL	33-3065	
V40 II	2.0L L4 DSL	33-3055		XC90 II	2.0L L4 F/I	33-3065	
V40 II	2.0L L4 F/I	33-3055		2015 VOLVO			
V60	2.0L L4 DSL - To 5/18	33-2388		S60	2.0L L4 F/I	33-2388	
V60	2.0L L4 F/I - To 5/18	33-2388		S60	2.5L L5 F/I	33-2873	HP-7010 ¹
V60	2.0L L5 DSL	33-2388		S60	3.0L L6 F/I	33-2418	HP-7016 ¹
V60 Cross Country	2.0L L4 F/I	33-2388		S60 II	1.6L L4 F/I	33-2388	
V60 II	2.0L L4 DSL	33-3065		S60 II	2.0L L4 DSL	33-2388	
V60 II	2.0L L4 F/I	33-3065		S60 II	2.0L L4 F/I	33-2388	
XC40	2.0L L4 DSL	33-3127		S60 II	2.0L L5 DSL	33-2388	
XC40	2.0L L4 F/I	33-3127		S60 II	2.4L L5 DSL	33-2388	
XC60	2.0L L4 F/I	33-3065		V40 II	1.6L L4 F/I	E-2993	
XC60 II	2.0L L4 DSL	33-3065		V40 II	2.0L L4 DSL	33-3055	
XC60 II	2.0L L4 F/I	33-3065		V40 II	2.0L L4 F/I	33-3055	
XC90	2.0L L4 F/I	33-3065		V60	2.0L L4 DSL	33-2388	
XC90 II	2.0L L4 DSL	33-3065		V60	2.0L L4 F/I	33-2388	
XC90 II	2.0L L4 F/I	33-3065		V60	2.0L L5 DSL	33-2388	
2017 VOLVO				V60	2.5L L5 F/I	33-2873	HP-7010 ¹
S60	2.0L L4 F/I	33-2388		V60	3.0L L6 F/I	33-2418	HP-7016 ¹
S60 Cross Country	2.0L L4 F/I	33-2388		V60 Cross Country	2.5L L5 F/I	33-2873	HP-7010 ¹
S60 II	2.0L L4 DSL	33-2388		V60 Hybrid	2.4L L5 DSL	33-2388	
S60 II	2.0L L4 F/I	33-2388		XC60	2.0L L4 DSL	33-2388	
S60 II	2.0L L5 DSL	33-2388		XC60	2.0L L4 F/I	33-2388	
S60 II	2.4L L5 DSL	33-2388		XC60	2.0L L5 DSL	33-2388	
S90 II	2.0L L4 DSL	33-3065		XC60	2.4L L5 DSL	33-2388	
S90 II	2.0L L4 F/I	33-3065		XC60	2.5L L5 F/I	33-2873	HP-7010 ¹
V60	2.0L L4 DSL	33-2388		XC60	3.0L L6 F/I	33-2418	HP-7016 ¹
V60	2.0L L4 F/I	33-2388		XC60	3.2L L6 F/I	33-2418	
V60	2.0L L5 DSL	33-2388		XC70	3.0L L6 F/I	33-2418	HP-7016 ¹
V60 Cross Country	2.0L L4 F/I	33-2388		2014 VOLVO			
V60 II	2.0L L4 F/I	33-3065		S60	2.5L L5 F/I	33-2873	HP-7010 ¹
V90 II	2.0L L4 DSL	33-3065		V40 II	1.6L L4 DSL	E-2993	
V90 II	2.0L L4 F/I	33-3065		V40 II	1.6L L4 F/I	E-2993 ♦	
XC60	2.0L L4 DSL	33-2388		XC60	3.0L L6 F/I	33-2418	HP-7016 ¹
XC60	2.0L L4 F/I	33-2388		XC90	3.2L L6 F/I	33-2400	
XC60	2.0L L5 DSL	33-2388		2013 VOLVO			
XC60	2.4L L5 DSL	33-2388		C30	2.0L L4 F/I	E-2993 ♦	
XC60 II	2.0L L4 DSL	33-3065		C30	2.0L L5 DSL	33-2976	
XC60 II	2.0L L4 F/I	33-3065		C30	2.5L L5 F/I	33-2873	HP-7010 ¹
XC90	2.0L L4 F/I	33-3065		C70 II	2.5L L5 F/I	33-2873	PS-7010
XC90 II	2.0L L4 DSL	33-3065		S60	2.5L L5 F/I	33-2873	HP-7010 ¹
XC90 II	2.0L L4 F/I	33-3065		S60	3.0L L6 F/I	33-2418	HP-7016 ¹
2016 VOLVO				S60 II	2.0L L4 F/I	33-2388	
S60	2.0L L4 F/I	33-2388		S60 II	2.0L L5 DSL	33-2388	
S60	2.5L L5 F/I	33-2873	HP-7010 ¹	S60 II	3.0L L6 F/I	33-2418	
S60	3.0L L6 F/I	33-2418		XC60	3.0L L6 F/I	33-2418	HP-7016 ¹
S60 Cross Country	2.5L L5 F/I	33-2873	HP-7010 ¹	XC60	3.2L L6 F/I	33-2418	HP-7016 ¹
S60 II	2.0L L4 DSL	33-2388		XC90	3.2L L6 F/I	33-2400	HP-7016 ¹
S60 II	2.0L L4 F/I	33-2388		2012 VOLVO			
S60 II	2.0L L5 DSL	33-2388		C30	2.0L L4 F/I	E-2993 ♦	
V60	2.0L L4 DSL	33-2388		C30	2.0L L5 DSL	33-2976	
V60	2.0L L4 F/I	33-2388		C30	2.5L L5 F/I	33-2873 ♦	HP-7010 ¹
V60	2.0L L5 DSL	33-2388		C70	2.5L L5 F/I	33-2873	PS-7010
V60 Cross Country	2.5L L5 F/I	33-2873	PS-7010	C70 II	2.5L L5 F/I	33-2873	PS-7010
XC60	2.0L L4 DSL	33-2388		S60	2.5L L5 F/I	33-2873	HP-7010 ¹
XC60	2.0L L4 F/I	33-2388					

* 2 filters required ♦ Intake System Available - see page 370 +Cabin Air Filter Available - see page 353 1- Performance Silver Oil Filter Also Available



AIR & OIL FILTERS

VOLVO

Vehicle	Engine Type	Air Filter	Oil Filter	Vehicle	Engine Type	Air Filter	Oil Filter
2012 VOLVO				2008 VOLVO			
S60	3.0L L6 F/I	33-2418	HP-7016 ¹	S40 II	2.4L L5 F/I	33-2873	
S60 II	2.0L L4 F/I	33-2388		S40 II	2.5L L5 F/I	33-2873 ♦	HP-7010 ¹
S60 II	2.0L L5 DSL	33-2388		S60	2.5L L5 F/I	33-2176	HP-7002 ¹
S60 II	2.4L L5 DSL	33-2388		S80	3.0L L6 F/I	33-2418	HP-7016 ¹
S60 II	3.0L L6 F/I	33-2418		S80 II	3.0L L6 F/I	33-2418	HP-7016 ¹
S80 II	3.0L L6 F/I	33-2418		V50	2.0L L4 DSL	E-2993 ♦	
XC60	3.0L L6 F/I	33-2418	HP-7016 ¹	V50	2.0L L4 F/I	E-2993 ♦	
XC60	3.2L L6 F/I	33-2418	HP-7016 ¹	V50	2.5L L5 F/I		PS-7010
XC70	3.0L L6 F/I	33-2418	HP-7016 ¹	V70	3.2L L6 F/I	33-2418	
XC70	3.2L L6 F/I	33-2418		V70 III	3.2L L6 F/I	33-2418	
XC70 II	3.0L L6 F/I	33-2418		XC70	3.2L L6 F/I	33-2418	HP-7016 ¹
XC90	3.2L L6 F/I	33-2400	HP-7016 ¹	XC70 Cross Country	3.2L L6 F/I	33-2418	HP-7016 ¹
2011 VOLVO				2007 VOLVO			
C30	2.5L L5 F/I	33-2873 ♦	HP-7010 ¹	XC70 II	3.2L L6 F/I	33-2418	HP-7016 ¹
C70	2.5L L5 F/I	33-2873	HP-7010 ¹	XC90	3.2L L6 F/I	33-2400	HP-7016 ¹
C70 II	2.5L L5 F/I	33-2873	HP-7010 ¹	XC90	4.4L V8 F/I	33-2328	HP-7002 ¹
S40	2.5L L5 F/I		PS-7010	2006 VOLVO			
S40 II	2.5L L5 F/I	33-2873 ♦	HP-7010 ¹	C70	2.5L L5 F/I	33-2873	PS-7010
S60	3.0L L6 F/I	33-2418	HP-7016 ¹	C70 II	2.5L L5 F/I	33-2873	PS-7010
S60 II	3.0L L6 F/I	33-2418		S40	2.4L L5 F/I	33-2873	
XC60	3.0L L6 F/I	33-2418		S40	2.5L L5 F/I	33-2873	HP-7010 ¹
XC60	3.2L L6 F/I	33-2418	PS-7016	S40 II	2.4L L5 DSL	33-2976	
XC90	3.2L L6 F/I	33-2400	HP-7016 ¹	S40 II	2.4L L5 F/I	33-2873	
2010 VOLVO				S40 II	2.5L L5 F/I	33-2873 ♦	HP-7010 ¹
C30	2.5L L5 F/I	33-2873 ♦	HP-7010 ¹	S60	2.4L L5 DSL - 185BHP	33-2972	
S40	2.4L L5 F/I	33-2873	HP-7010 ¹	S60	2.4L L5 DSL - Exc. 185BHP	33-2176	
S40	2.5L L5 F/I	33-2873	PS-7010	S60	2.4L L5 F/I	33-2176	
S40 II	2.4L L5 DSL	33-2976		S60	2.5L L5 F/I	33-2176	HP-7002 ¹
S40 II	2.4L L5 F/I	33-2873		S60R	2.5L L5 F/I	E-2019	HP-7002 ¹
S40 II	2.5L L5 F/I	33-2873 ♦	HP-7010 ¹	S80	4.4L V8 F/I	33-2388	HP-7002 ¹
XC60	3.0L L6 F/I	33-2418	HP-7016 ¹	S80 II	3.2L L6 F/I	33-2418	
XC60	3.2L L6 F/I	33-2418	PS-7016	S80 II	4.4L V8 F/I	33-2388	
XC90	3.2L L6 F/I	33-2400	HP-7016 ¹	V50	2.4L L5 F/I	33-2873	PS-7010
2009 VOLVO				V50	2.5L L5 F/I	33-2873 ♦	PS-7010
C30	2.0L L4 DSL	E-2993 ♦		XC70 Cross Country	2.5L L5 F/I	33-2176	
C30	2.0L L4 F/I	E-2993 ♦		XC90	3.2L L6 F/I	33-2400	HP-7016 ¹
C30	2.4L L5 DSL	33-2976		XC90	4.4L V8 F/I	33-2328	HP-7002 ¹
C30	2.4L L5 F/I	33-2873		2005 VOLVO			
C30	2.5L L5 F/I	33-2873 ♦	HP-7010 ¹	C70	2.5L L5 F/I	33-2873	PS-7010
C70	2.5L L5 F/I	33-2873	HP-7010 ¹	C70 II	2.5L L5 F/I	33-2873	PS-7010
C70 II	2.5L L5 F/I	33-2873	HP-7010 ¹	S40	2.4L L5 F/I	33-2873	
S40	2.5L L5 F/I	33-2873	PS-7010	S40	2.5L L5 F/I	33-2873 ♦	HP-7010 ¹
S40 II	2.4L L5 DSL	33-2976		S40 II	2.4L L5 DSL	33-2976	
S40 II	2.4L L5 F/I	33-2873		S40 II	2.4L L5 F/I	33-2873	
S40 II	2.5L L5 F/I	33-2873 ♦	PS-7010	S40 II	2.5L L5 F/I	33-2873 ♦	HP-7010 ¹
S60	2.5L L5 F/I	33-2176	HP-7002 ¹	S60	2.4L L5 DSL - 185BHP	33-2972	
S80 II	2.5L L5 F/I	33-2873		S60	2.4L L5 DSL - Exc. 185BHP	33-2176	
S80 II	3.0L L6 F/I	33-2418		S60	2.4L L5 F/I	33-2176	HP-7002 ¹
XC70	3.2L L6 F/I		PS-7007	S60	2.5L L5 F/I	33-2176	HP-7002 ¹
XC70 Cross Country	3.2L L6 F/I	33-2418	HP-7016 ¹	S60R	2.5L L5 F/I	E-2019	HP-7002 ¹
XC70 II	3.2L L6 F/I	33-2418		V50	2.4L L5 DSL	33-2976	
2008 VOLVO				V50	2.4L L5 F/I	33-2873	HP-7010 ¹
C30	2.0L L4 DSL	E-2993 ♦		V50	2.5L L5 F/I	33-2873 ♦	HP-7010 ¹
C30	2.0L L4 F/I	E-2993 ♦		V70	2.4L L5 F/I		HP-7002 ¹
C30	2.4L L5 F/I	33-2873		V70	2.4L L5 F/I - US	33-2176	HP-7002
C30	2.5L L5 F/I	33-2873 ♦	HP-7010 ¹	V70 II	2.4L L5 DSL - OEM 30636833	33-2972	
C70	2.5L L5 F/I	33-2873	HP-7010 ¹	V70 II	2.4L L5 DSL - OEM 30748212 & 31370161	33-2388	
C70 II	2.5L L5 F/I	33-2873	HP-7010 ¹	V70 II	2.4L L5 F/I		HP-7002 ¹
S40	2.4L L5 F/I	33-2873		V70 II	2.4L L5 F/I - 260BHP	E-2019	HP-7002
S40	2.5L L5 F/I	33-2873	HP-7010 ¹				
S40 II	2.4L L5 DSL	33-2976					

* 2 filters required ♦ Intake System Available - see page 370 +Cabin Air Filter Available - see page 353 1- Performance Silver Oil Filter Also Available

Partial Listing: Complete Listing of Vehicles and Parts at KNFILTERS.COM or call 1-800-858-3333



Vehicle	Engine Type	Air Filter	Oil Filter
2006 VOLVO			
V70 II	2.4L L5 F/I - Exc. 260BHP	33-2176	HP-7002
V70 II	2.5L L5 F/I - 300BHP	E-2019	
V70 II	2.5L L5 F/I - Exc., 300BHP	33-2176	
V70R	2.5L L5 F/I	E-2019	
XC70 Cross Country	2.5L L5 F/I	33-2176	HP-7002 ¹
XC90	2.4L L5 DSL - 163BHP	33-2280 ♦	
XC90	2.4L L5 DSL - 185BHP	33-2972 ♦	
XC90	2.5L L5 F/I	33-2280	HP-7002 ¹
XC90	4.4L V8 F/I	33-2328	HP-7002 ¹

Vehicle	Engine Type	Air Filter	Oil Filter
2005 VOLVO			
S40	2.4L L5 F/I	33-2873	HP-7002 ¹
S40	2.5L L5 F/I	33-2873 ♦	HP-7010 ¹
S40 II	2.4L L5 F/I	33-2873	
S40 II	2.5L L5 F/I	33-2873 ♦	HP-7010 ¹
S60	2.4L L5 DSL - 185BHP	33-2972	
S60	2.4L L5 DSL - Exc. 185BHP	33-2176	
S60	2.4L L5 F/I	33-2176	HP-7002 ¹
S60	2.5L L5 F/I	33-2176	HP-7002 ¹
S60R	2.5L L5 F/I	E-2019	HP-7002 ¹
S80	2.5L L5 DSL	33-2176	
S80	2.5L L5 F/I	33-2176	HP-7002 ¹
V50	2.4L L5 F/I	33-2873	HP-7010 ¹
V50	2.5L L5 F/I	33-2873 ♦	HP-7010 ¹
V70	2.5L L5 F/I	33-2176	
V70 II	2.5L L5 F/I - 300BHP	E-2019	
V70 II	2.5L L5 F/I - Exc., 300BHP	33-2176	
V70R	2.5L L5 F/I	E-2019	HP-7002 ¹
XC70 Cross Country	2.5L L5 F/I	33-2176	HP-7002 ¹
XC90	2.5L L5 F/I	33-2280	HP-7002 ¹
XC90	2.9L L6 F/I	33-2280	HP-7002 ¹
XC90	3.0L L6 F/I	33-2280	
XC90	4.4L V8 F/I	33-2328	HP-7002 ¹

Vehicle	Engine Type	Air Filter	Oil Filter
2004 VOLVO			
C70 I	2.4L L5 F/I	33-2670	
S40	1.9L L4 F/I	33-2763	
S40	2.5L L5 F/I		PS-7010
S40 II	2.4L L5 F/I	33-2873	
S40 II	2.5L L5 F/I	33-2873 ♦	PS-7010
S60	2.4L L5 DSL	33-2176	
S60	2.4L L5 F/I	33-2176	
S60	2.5L L5 F/I	33-2176	HP-7002 ¹
S60R	2.5L L5 F/I	E-2019	HP-7002 ¹
V40	1.9L L4 DSL	33-2763	
V40	1.9L L4 F/I		HP-7002 ¹
V70	2.5L L5 F/I	33-2176	HP-7002 ¹
V70 II	2.5L L5 F/I		HP-7002 ¹
V70 II	2.5L L5 F/I - 300BHP	E-2019	HP-7002
V70 II	2.5L L5 F/I - Exc., 300BHP	33-2176	HP-7002
V70R	2.5L L5 F/I	E-2019	HP-7002 ¹
XC70	2.5L L5 F/I	33-2176	HP-7002 ¹
XC70 Cross Country	2.5L L5 F/I	33-2176	HP-7002 ¹
XC90	2.5L L5 F/I	33-2280	HP-7002 ¹
XC90	2.9L L6 F/I	33-2280	HP-7002 ¹

Vehicle	Engine Type	Air Filter	Oil Filter
2003 VOLVO			
S40	1.9L L4 F/I	33-2763	
S40 I	1.9L L4 DSL	33-2763	
S60	2.4L L5 DSL	33-2176	
S60	2.4L L5 F/I	33-2176	HP-7002 ¹

Vehicle	Engine Type	Air Filter	Oil Filter
2003 VOLVO			
S60	2.5L L5 F/I	33-2176	HP-7002 ¹
XC70 Cross Country	2.5L L5 F/I	33-2176	
2002 VOLVO			
S40	1.9L L4 F/I	33-2763	HP-7002 ¹
S40 I	1.9L L4 DSL	33-2763	
S60	2.3L L5 F/I	33-2176	HP-7002 ¹
S60	2.4L L5 DSL	33-2176	
S60	2.4L L5 F/I	33-2176	HP-7002 ¹
S80	2.9L L6 F/I		HP-7002 ¹
S80	2.9L L6 F/I - Exc. Turbo	33-2152	HP-7002
S80	2.9L L6 F/I - Turbo	33-2269	HP-7002
V70	2.4L L5 F/I	33-2176	HP-7002 ¹
V70 II	2.4L L5 DSL	33-2176	
V70 II	2.4L L5 F/I	33-2176	HP-7002 ¹

Vehicle	Engine Type	Air Filter	Oil Filter
2001 VOLVO			
S40	1.9L L4 F/I	33-2763	HP-7002 ¹
S40 I	1.9L L4 DSL	33-2763	
S60	2.4L L5 DSL	33-2176	
S60	2.4L L5 F/I	33-2176	HP-7002 ¹
V70	2.4L L5 DSL	33-2176	
V70	2.4L L5 F/I	33-2176	HP-7002 ¹
V70 II	2.4L L5 DSL	33-2176	
V70 II	2.4L L5 F/I	33-2176	HP-7002 ¹
XC70 Cross Country	2.4L L5 F/I	33-2176	HP-7002 ¹

Vehicle	Engine Type	Air Filter	Oil Filter
2000 VOLVO			
C70	2.3L L5 F/I	33-2670	HP-7002 ¹
C70 I	2.3L L5 F/I	33-2670	HP-7002 ¹
S70	2.4L L5 F/I	33-2670	HP-7002 ¹
S80	2.9L L6 F/I	33-2152	
V40	1.9L L4 DSL	33-2763	
V40	1.9L L4 F/I	33-2763 ♦	

Vehicle	Engine Type	Air Filter	Oil Filter
1999 VOLVO			
S70	2.4L L5 F/I	33-2670	HP-2004 ¹
V70	2.4L L5 F/I	33-2670	HP-2004 ¹
V70 I	2.4L L5 F/I	33-2670	HP-7002 ¹
V70 I	2.5L L5 DSL	33-2670	
V70 I	2.5L L5 F/I	33-2670	

Vehicle	Engine Type	Air Filter	Oil Filter
1998 VOLVO			
S70	2.3L L5 F/I	33-2670 ♦	HP-2004 ¹
S70	2.4L L5 F/I	33-2670	HP-2004 ¹
V70	2.3L L5 F/I	33-2670	HP-2004 ¹
V70	2.4L L5 F/I	33-2670	HP-2004 ¹
V70 I	2.3L L5 F/I	33-2670 ♦	HP-2004 ¹
V70 I	2.4L L5 F/I	33-2670	
V70 I	2.5L L5 DSL	33-2670	
V70 I	2.5L L5 F/I	33-2670	

Vehicle	Engine Type	Air Filter	Oil Filter
1997 VOLVO			
850	2.3L L5 F/I	33-2670	HP-2004 ¹
850	2.4L L5 F/I	33-2670	HP-2004 ¹
960	2.9L L6 F/I		HP-2004 ¹

Vehicle	Engine Type	Air Filter	Oil Filter
2007 WORKHORSE			
Chevrolet Chassis	6.0L V8 F/I - Class C	E-1008	

Vehicle	Engine Type	Air Filter	Oil Filter
2006 WORKHORSE			
Chevrolet Chassis	6.0L V8 F/I - Class C	E-1008	

Vehicle	Engine Type	Air Filter	Oil Filter
2020 YAMAHA			
TTR230	223	YA-2305	
TW200	196	YA-2002	
WR250R	250	YA-3586	

* 2 filters required ♦ Intake System Available - see page 370 +Cabin Air Filter Available - see page 353 1- Performance Silver Oil Filter Also Available



AIR & OIL FILTERS

YAMAHA

Vehicle	Engine Type	Air Filter	Oil Filter	Vehicle	Engine Type	Air Filter	Oil Filter
2020 YAMAHA				2018 YAMAHA			
XT250	249	YA-2509		FZ16 2.0	149	YA-1414	
YXM700 Viking EPS Ranch Edition	686	YA-6914		FZN150	149	YA-1414	
YXM700 Viking EPS w/Suntop	686	YA-6914		FZN150D	149	YA-1414	
YXM700 Viking w/Suntop	686	YA-6914		GPD 125 Nmax	125	YA-1215	
YXZ1000R	998	YA-0116		MT-03	321	YA-3215	
YXZ1000R SE	998	YA-0116		MT-07	689	YA-6814	KN-204-1
YXZ1000R SS	998	YA-0116		MT-09	847	YA-8514	KN-204-1
YXZ1000R SS SE	998	YA-0116		MT-10	998	YA-1015	KN-204-1
YXZ1000R SS XT-R	998	YA-0116		MT-10	998 - Race Specific	YA-1015R	KN-204-1
YZ85	85	YA-8502		MT-125	125	YA-1208	KN-140
YZ250F	250	YA-4518XD		SCR950	942	YA-9514	
YZ450F	449	YA-4518XD		Tracer 700	689	YA-6814	KN-204-1
YZ450FX	449	YA-4518XD		Tracer 900	847	YA-8514	KN-204-1
YZF R3 Monster Energy Yamaha MotoGP Edition	321	YA-3215		TTR125LE	124	YA-1201	
2019 YAMAHA				TW200	196	YA-2002	KN-143
GPD 125 Nmax	125	YA-1215		VMX1700 V-Max	1679	YA-1709	
MT-10	998	YA-1015	KN-204-1	WR250F	250	YA-4514XD	KN-140
MT-10	998 - Race Specific	YA-1015R	KN-204-1	WR250R	250	YA-3586	KN-140
TTR125LE	124	YA-1201		XT250	249	YA-2509	KN-140
TW200	196	YA-2002	KN-143	XT250 Tenere	249		KN-140
VMX1700 V-Max	1679	YA-1709		XT1200 Super Tenere	1199		KN-204-1
WR250F	250	YA-4514XD	KN-140	XTZ1200 Super Tenere	1199	YA-1210	
WR250R	250	YA-3586	KN-140	XTZ1200 Super Tenere ES	1199	YA-1210	
XT250	249	YA-2509	KN-140	XV19B Star Eluder GT	1854		KN-204-1
XT250 Tenere	249		KN-140	XV250 V-Star	250	YA-2588	KN-145
XV250 V-Star	250	YA-2588		XV1900 F-J Star Venture	1854		KN-204-1
XVS950 Bolt	942	YA-9514	KN-204-1	XV1900 Star Eluder	1854		KN-204-1
XVS950 Bolt R-Spec	942	YA-9514	KN-204-1	XVS950 Bolt	942	YA-9514	KN-204-1
YFM700 Grizzly EPS	686	YA-7016	KN-204-1	XVS950 Bolt R-Spec	942	YA-9514	KN-204-1
YFM700 Grizzly EPS SE	686	YA-7016	KN-204-1	YFM450 Kodiak	421		KN-204-1
YFM700K Kodiak	686	YA-7016	KN-204-1	YFM450 Kodiak EPS	421		KN-204-1
YFM700K Kodiak EPS	686	YA-7016	KN-204-1	YFM700 Grizzly EPS	708	YA-7016	KN-147
YFZ450R	449	YA-4504	KN-140	YFM700 Grizzly EPS LE	708	YA-7016	KN-147
YFZ450R SE	449		KN-140	YFM700 Grizzly EPS SE	708	YA-7016	KN-147
YXZ1000R	998	YA-0116		YFM700 Raptor	686		KN-145
YXZ1000R SE	998	YA-0116		YFM700K Kodiak	708	YA-7016	KN-147
YXZ1000R SS	998	YA-0116		YFM700K Kodiak EPS	708	YA-7016	KN-147
YXZ1000R SS SE	998	YA-0116		YFM700K Kodiak EPS SE	708	YA-7016	KN-147
YZ85	85	YA-8502		YFM700R Raptor	686	YA-7006	KN-145
YZ125	125	YA-2506XD		YFM700R Raptor SE	686	YA-7006	KN-145
YZ250	249	YA-2506XD	KN-140	YFZ450R	449	YA-4504	KN-140
YZ250F	250	YA-4518XD	KN-140	YFZ450R SE	449	YA-4504	KN-140
YZ250FX	250	YA-4514XD	KN-140	YXE70 Wolverine	708	YA-6914	KN-204-1
YZ250X	249	YA-2506XD	KN-140	YXE70 Wolverine R-Spec EPS	708	YA-6914	KN-204-1
YZF R3	321	YA-3215	KN-204-1	YXF85 Wolverine X4 SE	847		KN-204-1
YZF R3 ABS	321	YA-3215	KN-204-1	YXM700 Viking VI EPS	686	YA-6914	KN-204-1
2018 YAMAHA				YXM700 Viking VI EPS Ranch Edition	686	YA-6914	KN-204-1
Byson	150	YA-1414		YXZ1000R	998	YA-0116	
CZD300 XMAX	292	YA-2918	KN-141				
FJR1300A	1298	YA-1301	KN-204-1				
FJR1300AE	1298	YA-1301	KN-204-1				
FJR1300AS	1298	YA-1301	KN-204-1				
FJR1300ES	1298	YA-1301	KN-204-1				
FZ FI Version 2.0	149	YA-1414					

* 2 filters required ♦ Intake System Available - see page 370 +Cabin Air Filter Available - see page 353 1- Performance Silver Oil Filter Also Available

Partial Listing: Complete Listing of Vehicles and Parts at KNFILTERS.COM or call 1-800-858-3333



Vehicle	Engine Type	Air Filter	Oil Filter	Vehicle	Engine Type	Air Filter	Oil Filter
2018 YAMAHA				2017 YAMAHA			
YXZ1000R SE	998	YA-0116		XV250 V-Star	250	YA-2588	KN-145
YXZ1000R SS	998	YA-0116		XVS13 Stryker	1304		KN-204-1
YXZ1000R SS SE	998	YA-0116		XVS950 Bolt	942	YA-9514	KN-204-1
YZ85	85	YA-8502		XVS950 Bolt R-Spec	942	YA-9514	KN-204-1
YZ125	125	YA-2506XD		XVS1300 V-Star	1300		KN-204-1
YZ250	250	YA-2506XD	KN-140	Deluxe			
YZ250F	250	YA-4514XD	KN-140	XVS1300 V-Star	1300	YA-1307	KN-204-1
YZ250FX	250	YA-4514XD	KN-140	Tourer			
YZ250X	249	YA-2506XD	KN-140	Y15 ZR	150	YA-1515	
YZ450F	449	YA-4518XD	KN-140	YFM700 Grizzly EPS	708	YA-7016	KN-147
YZ450FX	449	YA-4514XD	KN-140	LE			
YZF R1	998	YA-1015	KN-204-1	YFM700 Raptor	686	YA-7006	KN-145
YZF R1	998 - Race Specific	YA-1015R	KN-204-1	YFM700F Grizzly FI	708	YA-7016	KN-147
YZF R1M	998	YA-1015	KN-204-1	Auto 4x4 EPS			
YZF R1M	998 - Race Specific	YA-1015R	KN-204-1	YFM700F Grizzly FI	708	YA-7016	KN-147
YZF R1S	998	YA-1015	KN-204-1	Auto 4x4 EPS SE			
YZF R1S	998 - Race Specific	YA-1015R	KN-204-1	YFM700K Kodiak	708	YA-7016	KN-147
YZF R3	321	YA-3215	KN-204-1	YFM700K Kodiak	708	YA-7016	KN-147
YZF R3 ABS	321	YA-3215	KN-204-1	EPS			
YZF R6	599	YA-6008	KN-204-1	YFM700K Kodiak	708	YA-7016	KN-147
YZF R6	599 - Race Specific	YA-6008R	KN-204-1	EPS SE			
YZF R125	125	YA-1208	KN-140	YFM700R Raptor	686	YA-7006	KN-145
YZF R125A ABS	125		KN-140	YFM700R Raptor SE	686	YA-7006	KN-145
2017 YAMAHA				YFZ450R	449	YA-4504	KN-140
Exciter 150	150	YA-1515		YFZ450R SE	449	YA-4504	KN-140
FJ-09	847	YA-8514	KN-204-1	YXE70 Wolverine	708	YA-6914	KN-204-1
FJR1300A	1298		KN-204-1	R-Spec			
FJR1300AE	1298	YA-1301	KN-204-1	YXE70 Wolverine	708	YA-6914	KN-204-1
FJR1300AS	1298	YA-1301	KN-204-1	R-Spec EPS			
FZ Fi	149	YA-1414		YXE70 Wolverine	708	YA-6914	KN-204-1
FZ6R	600	YA-6009	KN-204-1	R-Spec EPS SE			
FZ-07	689	YA-6814	KN-204-1	YXM700 Viking FI	686		KN-204-1
FZ-09	847	YA-8514	KN-204-1	4x4 EPS w/Suntop			
FZ-10	998		KN-204-1	YXM700 Viking VI	686	YA-6914	KN-204-1
FZ16 2.0	149	YA-1414		EPS			
FZN150D	149	YA-1414		YXM700 Viking VI	686	YA-6914	KN-204-1
King 150	150	YA-1515		EPS Ranch Edition			
MT-03	321	YA-3215	KN-204-1	YXM700 Viking VI	686	YA-6914	KN-204-1
MT-07	689	YA-6814	KN-204-1	EPS SE			
MT-09	847	YA-8514	KN-204-1	YXZ1000R	998	YA-0116	KN-204-1
MT-10	998		KN-204-1	YXZ1000R SE	998	YA-0116	KN-204-1
SCR950	942	YA-9514	KN-204-1	YXZ1000R SS	998	YA-0116	KN-204-1
Sniper 150	150	YA-1515		YXZ1000R SS SE	998	YA-0116	KN-204-1
SR400	399	YA-5008		YZ250	250		KN-140
SW10LL Sidewinder	998		KN-147	YZ250F	250	YA-4514XD	KN-140
LTX LE				YZ250FX	250	YA-4514XD	KN-140
TTR125LE	124	YA-1201		YZ250X	249		KN-140
TTR230	223	YA-2305	KN-143	YZ450F	449	YA-4514XD	KN-140
TW200	196	YA-2002	KN-143	YZ450FX	449	YA-4514XD	KN-140
VMX1700 V-Max	1679	YA-1709		YZF R1	998	YA-1015	KN-204-1
WR250F	250	YA-4514XD	KN-140	YZF R1	998 - Race Specific	YA-1015R	KN-204-1
WR250R	250	YA-3586	KN-140	YZF R1M	998	YA-1015	KN-204-1
WR450F	450		KN-140	YZF R1M	998 - Race Specific	YA-1015R	KN-204-1
XP530 T-Max	530	YA-5317	KN-204-1	YZF R1S	998	YA-1015	KN-204-1
XSR700	689	YA-6814		YZF R1S	998 - Race Specific	YA-1015R	KN-204-1
XSR900	847	YA-8514	KN-204-1	YZF R3	321	YA-3215	KN-204-1
XT250	249	YA-2509	KN-140	YZF R3 ABS	321	YA-3215	KN-204-1
XT1200 Super	1199		KN-204-1	YZF R6	599	YA-6008	KN-204-1
Tenere				YZF R6	599 - Race Specific	YA-6008R	KN-204-1
XTZ1200 Super	1199	YA-1210		YZF R125	125	YA-1208	
Tenere				2016 YAMAHA			
XTZ1200 Super	1199	YA-1210		Exciter 150	150	YA-1515	
Tenere ES				FJ-09	847	YA-8514	KN-204-1
				FJR1300A	1300	YA-1301	KN-204-1

* 2 filters required ♦ Intake System Available - see page 370 +Cabin Air Filter Available - see page 353 1- Performance Silver Oil Filter Also Available



AIR & OIL FILTERS

YAMAHA

Vehicle	Engine Type	Air Filter	Oil Filter	Vehicle	Engine Type	Air Filter	Oil Filter
2016 YAMAHA				2016 YAMAHA			
FJR1300AE	1298		KN-204-1	YFZ450R SE	449	YA-4504	KN-140
FJR1300AS	1298	YA-1301	KN-204-1	YXC700 Viking EPS SE	700		KN-204-1
FJR1300ES	1298	YA-1301	KN-204-1	YXE70 Wolverine	708	YA-6914	KN-204-1
FZ Fi	149	YA-1414		YXE70 Wolverine R-Spec	708	YA-6914	KN-204-1
FZ6R	600	YA-6009	KN-204-1	YXE70 Wolverine R-Spec EPS	708	YA-6914	KN-204-1
FZ-07	689	YA-6814	KN-204-1	YXE70 Wolverine R-Spec EPS SE	708	YA-6914	KN-204-1
FZ-09	847	YA-8514	KN-204-1	YXM700 Viking FI 4x4 EPS SE	686	YA-6914	KN-204-1
FZ16 2.0	149	YA-1414		YXM700 Viking VI	686		KN-204-1
GPD 125 Nmax	125	YA-1215		YXM700 Viking VI EPS	686	YA-6914	KN-204-1
King 150	150	YA-1515		YXM700 Viking VI EPS Ranch Edition	686	YA-6914	KN-204-1
Kodiak 700	708		KN-147	YXM700 Viking VI EPS SE	686	YA-6914	KN-204-1
MT-07	689	YA-6814	KN-204-1	YXZ1000R	998	YA-0116	KN-204-1
MT-09	847	YA-8514	KN-204-1	YXZ1000R SE	998	YA-0116	KN-204-1
MT-10	998	YA-1015	KN-204-1	YZZ250	250		KN-140
MT-10	998 - Race Specific	YA-1015R	KN-204-1	YZZ250F	250	YA-4514XD	KN-140
RX10PX Apex RTX	998		KN-204-1	YZZ250F 60th Anniversary Ed.	250	YA-2506XD	KN-140
Sniper 150	150	YA-1515		YZ250FX	250	YA-4514XD	KN-140
SR400	400	YA-5008	KN-145	YZ250X	249		KN-140
TTR125LE	124	YA-1201		YZ250X 2T	249	YA-2506XD	KN-140
TTR230	223	YA-2305	KN-143	YZ450F	449	YA-4514XD	KN-140
TW200	196	YA-2002		YZ450FX	449	YA-4514XD	KN-140
VMX1700 V-Max	1679	YA-1709	KN-303	YZF R1	998	YA-1015	KN-204-1
WR250F	250		KN-140	YZF R1	998 - Race Specific	YA-1015R	KN-204-1
WR250R	250	YA-3586	KN-140	YZF R1M	998	YA-1015	KN-204-1
WR450F	450		KN-140	YZF R1M	998 - Race Specific	YA-1015R	KN-204-1
XSR900	847	YA-8514	KN-204-1	YZF R1S	998 - Race Specific	YA-1015R	KN-204-1
XT250	249	YA-2509	KN-140	YZF R3	321	YA-3215	KN-204-1
XT1200 Super Tenere	1199		KN-204-1	YZF R6	599	YA-6008	KN-204-1
XTZ1200 Super Tenere	1199	YA-1210	KN-204-1	YZF R6	599 - Race Specific	YA-6008R	KN-204-1
XTZ1200 Super Tenere ES	1199	YA-1210	KN-204-1	YZF R125	125	YA-1208	
XV19C Raider	1854		KN-204-1	YZF R125A ABS	125		KN-140
XV950 Racer	942	YA-9514		2015 YAMAHA			
XV950R	942	YA-9514		Exciter 150	150	YA-1515	
XVS13 Stryker	1304		KN-204-1	FJ-09	847	YA-8514	KN-204-1
XVS13 Stryker Bullet Cowl	1300	YA-1307	KN-204-1	FJR1300A	1300	YA-1301	KN-204-1
XVS650 V-Star Custom	650	YA-6598		FJR1300AE	1298	YA-1301	KN-204-1
XVS950 Bolt	942	YA-9514	KN-204-1	FJR1300AS	1298	YA-1301	KN-204-1
XVS950 Bolt C-Spec	942	YA-9514	KN-204-1	FJR1300ES	1298	YA-1301	KN-204-1
XVS950 Bolt R-Spec	942	YA-9514	KN-204-1	FZ1	1000	YA-1006	KN-204-1
XVS950 V-Star	942	YA-1307	KN-204-1	FZ1 Fazer	998	YA-1006	KN-204-1
XVS1300 V-Star	1300		KN-204-1	FZ6R	600	YA-6009	KN-204-1
XVS1300 V-Star Deluxe	1300	YA-1307	KN-204-1	FZ-07	689	YA-6814	KN-204-1
XVS1300 V-Star Tourer	1300		KN-204-1	FZ-09	847	YA-8514	KN-204-1
Y15 ZR	150	YA-1515		Jupiter 150	150	YA-1515	
YFM700 Raptor	686	YA-7006	KN-145	MT-07	689	YA-6814	KN-204-1
YFM700F Grizzly FI Auto 4x4	708	YA-7016	KN-204-1	MT-09	847	YA-8514	KN-204-1
YFM700F Grizzly FI Auto 4x4 EPS	708	YA-7016	KN-147	SR400	400	YA-5008	KN-145
YFM700K Kodiak	708	YA-7016	KN-147	T-Max	530		KN-147
YFM700K Kodiak EPS	708	YA-7016	KN-147	TTR125LE	124	YA-1201	
YFM700K Kodiak EPS SE	708	YA-7016	KN-147	TTR230	223	YA-2305	KN-143
YFM700R Raptor	686	YA-7006	KN-145	TW200	196	YA-2002	KN-143
YFM700R Raptor SE	686	YA-7006	KN-145	VMX1700 V-Max	1679	YA-1709	KN-303
YFZ450R	449	YA-4504	KN-140	VX1100 WaveRunner Cruiser	1100		KN-204-1

* 2 filters required ♦ Intake System Available - see page 370 +Cabin Air Filter Available - see page 353 1- Performance Silver Oil Filter Also Available

Partial Listing: Complete Listing of Vehicles and Parts at KNFILTERS.COM or call 1-800-858-3333



Vehicle	Engine Type	Air Filter	Oil Filter	Vehicle	Engine Type	Air Filter	Oil Filter
2015 YAMAHA				2015 YAMAHA			
VX1100 WaveRunner Deluxe	1100		KN-204-1	YXM700 Viking FI 4x4 EPS SE	686	YA-6914	KN-204-1
VX1100 WaveRunner Sport	1100		KN-204-1	YXM700 Viking FI 4x4 EPS w/Suntop	686	YA-6914	KN-204-1
VX1100 WaveRunner VX	1052		KN-204-1	YXM700 Viking FI 4x4 w/Suntop	686	YA-6914	KN-204-1
WR125R	125	YA-1208		YXM700 Viking VI	686		KN-204-1
WR125X	125	YA-1208		YXM700 Viking VI EPS	686	YA-6914	KN-204-1
WR250F	250	YA-4514XD	KN-140	YXM700 Viking VI EPS SE	686	YA-6914	KN-204-1
WR250R	250	YA-3586	KN-140	YZ250	250		KN-140
WR450F	450	YA-4503	KN-140	YZ250F	250	YA-4514XD	KN-140
XJR1300	1251	YA-1308		YZ250FX	250	YA-4514XD	KN-140
XP500 T-Max	530	YA-5008		YZ450F	449	YA-4514XD	KN-140
XP530 T-Max	530	YA-5008		YZ450F	450	YA-4514XD	KN-140
XT250	249	YA-2509	KN-140	YZ450FX	449		KN-140
XT660X Super Motard	660	YA-6604		YZF R1	998	YA-1015	KN-204-1
XT660Z Tenere	660	YA-6608		YZF R1	998 - Race Specific	YA-1015R	KN-204-1
XT1200 Super Tenere	1199		KN-204-1	YZF R1M	998	YA-1015	KN-204-1
XTZ1200 Super Tenere	1199	YA-1210	KN-204-1	YZF R1M	998 - Race Specific	YA-1015R	KN-204-1
XTZ1200 Super Tenere ES	1199	YA-1210	KN-204-1	YZF R3	321	YA-3215	KN-204-1
XV19C Raider	1854		KN-204-1	YZF R6	599	YA-6008	KN-204-1
XV19C Raider Bullet Cowl	1854	YA-1906	KN-204-1	YZF R6	599 - Race Specific	YA-6008R	KN-204-1
XV19CS Raider S	1854		KN-204-1	YZF R125	125	YA-1208	
XV250 V-Star	250	YA-2588	KN-145	2014 YAMAHA			
XV950R	942	YA-9514		FJR1300A	1300	YA-1301	KN-204-1
XV1900 Raider	1854	YA-1906	KN-204-1	FJR1300AE	1298		KN-204-1
XV1900 Raider S	1854	YA-1906	KN-204-1	FJR1300AS	1298		KN-204-1
XVS13 Stryker	1304		KN-204-1	FJR1300ES	1298	YA-1301	KN-204-1
XVS13 Stryker Bullet Cowl	1300	YA-1307	KN-204-1	FZ1	1000	YA-1006	KN-204-1
XVS650 V-Star Custom	650	YA-6598	KN-145	FZ1 Fazer	998	YA-1006	KN-204-1
XVS950 Bolt	942	YA-9514	KN-204-1	FZ6R	600	YA-6009	KN-204-1
XVS950 Bolt C-Spec	942	YA-9514	KN-204-1	FZ-09	847	YA-8514	KN-204-1
XVS950 Bolt R-Spec	942	YA-9514	KN-204-1	MT-07	689	YA-6814	KN-204-1
XVS950 V-Star	942	YA-1307	KN-204-1	MT-09	847	YA-8514	KN-204-1
XVS950CT V-Star Tourer	942	YA-1307	KN-204-1	TTR230	223	YA-2305	KN-143
XVS1300 V-Star	1300	YA-1307	KN-204-1	VMX1700 V-Max	1679	YA-1709	
XVS1300 V-Star Deluxe	1300	YA-1307	KN-204-1	VX1100 WaveRunner Cruiser	1100		KN-204-1
XVS1300 V-Star Deluxe Tourer	1300	YA-1307	KN-204-1	VX1100 WaveRunner Deluxe	1100		KN-204-1
Y15 ZR	150	YA-1515		VX1100 WaveRunner Sport	1100		KN-204-1
YFM700 Raptor	686	YA-7006	KN-145	WR250R	250	YA-3586	KN-140
YFM700F Grizzly FI Auto 4x4	686	YA-7007	KN-204-1	WR450F	450	YA-4503	KN-140
YFM700F Grizzly FI Auto 4x4 EPS	686	YA-7007	KN-204-1	XP500 T-Max	530	YA-5008	
YFM700F Grizzly FI Auto 4x4 EPS SE	686	YA-7007	KN-204-1	XT250	249	YA-2509	KN-140
YFM700R Raptor	686	YA-7006	KN-145	XTZ1200 Super Tenere	1199	YA-1210	KN-204-1
YFM700R Raptor SE	686	YA-7006	KN-145	XTZ1200 Super Tenere ES	1199	YA-1210	KN-204-1
YFZ450R	449	YA-4504	KN-140	XV19C Raider SCL	1854	YA-1906	KN-204-1
YFZ450R SE	449	YA-4504	KN-140	XV250 V-Star	250	YA-2588	KN-145
YW125 Zuma	125	YA-1209		XV950	942	YA-9514	
YXM700 Viking FI 4x4	686	YA-6914	KN-204-1	XV950R	942	YA-9514	
YXM700 Viking FI 4x4 EPS	686	YA-6914	KN-204-1	XV1700 Road Star S Silverado S	1700		KN-303
				XV1700 Road Star Silverado S	1700	YA-1704	KN-303
				XV1900 Raider	1854	YA-1906	KN-204-1
				XV1900 Raider S	1854	YA-1906	KN-204-1
				XV1900 Roadliner S	1854		KN-204-1
				XV1900 Stratoliner Deluxe	1854	YA-1906	KN-204-1

* 2 filters required ♦ Intake System Available - see page 370 +Cabin Air Filter Available - see page 353 1- Performance Silver Oil Filter Also Available



AIR & OIL FILTERS

YAMAHA

Vehicle	Engine Type	Air Filter	Oil Filter	Vehicle	Engine Type	Air Filter	Oil Filter
2014 YAMAHA				2013 YAMAHA			
XV1900 Stratoliner S	1854	YA-1906	KN-204-1	VX1100 WaveRunner	1100		KN-204-1
XVS13 Stryker	1304	YA-1307	KN-204-1	Cruiser			
XVS650 V-Star	650	YA-6598	KN-145	VX1100 WaveRunner	1100		KN-204-1
Custom				Deluxe			
XVS950 Bolt	942	YA-9514	KN-204-1	VX1100 WaveRunner	1100		KN-204-1
XVS950 Bolt R-Spec	942	YA-9514	KN-204-1	Sport			
XVS950 V-Star	942	YA-1307	KN-204-1	WR125X	125	YA-1208	
XVS950CT V-Star	942	YA-1307	KN-204-1	WR250F	250	YA-4503	KN-140
Tourer				WR250R	250	YA-3586	KN-140
XVS1300 V-Star	1300	YA-1307	KN-204-1	WR450F	450	YA-4503	KN-140
XVS1300 V-Star	1300	YA-1307	KN-204-1	XJ6	600	YA-6009	
Deluxe				XJ6 Diversion	600	YA-6009	
XVS1300 V-Star	1300	YA-1307	KN-204-1	XJR1300	1251	YA-1308	
Tourer				XP500 T-Max	500	YA-5008	
YBR125	124	YA-1213		XT250	249	YA-2509	KN-140
YBR125 Custom	124	YA-1213		XT1200 Super	1199		KN-204-1
YFM350 Grizzly Auto	350		KN-204-1	Tenere			
YFM350 Grizzly Auto	350	YA-3504	KN-204-1	XTZ1200 Super	1199	YA-1210	KN-204-1
4x4				Tenere			
YFM450 Grizzly Auto	450	YA-3504	KN-204-1	XV19C Raider SCL	1854		KN-204-1
YFM450 Grizzly EPS	450	YA-3504	KN-204-1	XV250 V-Star	250	YA-2588	KN-145
YFM450 Grizzly EPS	450	YA-3504	KN-204-1	XV1700 Road Star S	1700		KN-303
Hunter				XV1700 Road Star	1700	YA-1704	KN-303
YFM550F Grizzly FI	558	YA-7007	KN-204-1	Silverado S			
Auto 4x4				XV1900 Raider	1854	YA-1906	KN-204-1
YFM550F Grizzly FI	558	YA-7007	KN-204-1	XV1900 Raider S	1854	YA-1906	KN-204-1
Auto 4x4 EPS				XV1900 Roadliner	1854	YA-1906	KN-204-1
YFM700 Raptor	686	YA-7006	KN-145	XVS13 Stryker	1304	YA-1307	KN-204-1
YFM700F Grizzly FI	686	YA-7007	KN-204-1	XVS650 V-Star	650	YA-6598	KN-145
Auto 4x4				Custom			
YFM700F Grizzly FI	686	YA-7007	KN-204-1	XVS950 V-Star	942	YA-1307	KN-204-1
Auto 4x4 EPS				XVS950CT V-Star	942	YA-1307	KN-204-1
YFM700F Grizzly FI	686	YA-7007	KN-204-1	Tourer			
Auto 4x4 EPS SE				XVS1300 V-Star	1300	YA-1307	KN-204-1
YFM700R Raptor	686	YA-7006	KN-145	XVS1300 V-Star	1300	YA-1307	KN-204-1
YFM700R Raptor SE	686	YA-7006	KN-145	Deluxe			
YFZ450R	449	YA-4504	KN-140	XVS1300 V-Star	1300	YA-1307	KN-204-1
YFZ450R SE	449	YA-4504	KN-140	Tourer			
YP400 Majesty	400		KN-132	XVS1300A Midnight	1304	YA-1307	KN-204-1
YXM700 Viking FI	686	YA-6914	KN-204-1	Star			
4x4				YFM350 Grizzly Auto	350		KN-204-1
YXM700 Viking FI	686	YA-6914	KN-204-1	4x4			
4x4 EPS				YFM350R Raptor	350	YA-6602	
YXM700 Viking FI	686	YA-6914	KN-204-1	YFM550F Grizzly FI	558		KN-204-1
4x4 EPS SE				Auto 4x4			
YXM700 Viking FI	686	YA-6914	KN-204-1	YFM550F Grizzly FI	558	YA-7007	KN-204-1
4x4 EPS w/Suntop				Auto 4x4 EPS			
YXM700 Viking FI	686	YA-6914	KN-204-1	YFM700 Raptor	686	YA-7006	KN-145
4x4 w/Suntop				YFM700F Grizzly FI	686	YA-7007	KN-204-1
YZ250F	250	YA-4514XD	KN-140	Auto 4x4			
YZF R1	998	YA-1009	KN-204-1	YFM700F Grizzly FI	686	YA-7007	KN-204-1
YZF R1	998 - Race Specific	YA-1009R	KN-204-1	Auto 4x4 EPS			
YZF R6	599	YA-6008	KN-204-1	YFM700F Grizzly FI	686	YA-7007	KN-204-1
YZF R6	599 - Race Specific	YA-6008R	KN-204-1	Auto 4x4 EPS SE			
YZF R125	125	YA-1208		YFM700R Raptor	686	YA-7006	KN-145
2013 YAMAHA				YFM700R Raptor SE	686	YA-7006	KN-145
FJR1300	1300	YA-1301	KN-204-1	YFM250 Raptor	249	YA-2088	KN-140
FJR1300A	1300	YA-1301	KN-204-1	YFZ450	449	YA-4504	KN-140
FZ1	1000		KN-204-1	YFZ450R	449	YA-4504	KN-140
FZ1 Fazer	998	YA-1006	KN-204-1	YFZ450R SE	449	YA-4504	KN-140
FZ6R	600	YA-6009	KN-204-1	YP400 Majesty	400		KN-132
FZ8	800	YA-1006	KN-204-1	YW125 Zuma	125	YA-1209	
TTR230	223	YA-2305	KN-143	YXR700 Rhino FI	700	YA-7008	KN-204-1
TW200	196	YA-2002	KN-143	YXR700 Rhino FI	700	YA-7008	KN-204-1
				Auto 4x4 Special Ed.			

* 2 filters required ♦ Intake System Available - see page 370 +Cabin Air Filter Available - see page 353 1- Performance Silver Oil Filter Also Available

Partial Listing: Complete Listing of Vehicles and Parts at KNFILTERS.COM or call 1-800-858-3333



Vehicle	Engine Type	Air Filter	Oil Filter	Vehicle	Engine Type	Air Filter	Oil Filter
2013 YAMAHA				2012 YAMAHA			
YXR700 Rhino FI Auto 4x4 Sport Ed.	700	YA-7008	KN-204-1	YFM550F Grizzly FI Auto 4x4 EPS	550	YA-7007	KN-204-1
YZ85	85	YA-8502		YFM700F Grizzly FI Auto 4x4	686	YA-7007	KN-204-1
YZ250F	250	YA-2506XD	KN-140	YFM700F Grizzly FI Auto 4x4 EPS	686	YA-7007	KN-204-1
YZF R1	998	YA-1009	KN-204-1	YFM700F Grizzly FI Auto 4x4 EPS SE	686	YA-7007	KN-204-1
YZF R1	998 - Race Specific	YA-1009R	KN-204-1	YFM700R Raptor	686	YA-7006	KN-145
YZF R6	599	YA-6008	KN-204-1	YFM700R Raptor SE	686	YA-7006	KN-145
YZF R6	599 - Race Specific	YA-6008R	KN-204-1	YFM250 Raptor	249	YA-2088	KN-140
YZF R125	125	YA-1208		YFZ450	449	YA-4504	KN-140
2012 YAMAHA				YFZ450R	449	YA-4504	KN-140
FJR1300A	1300	YA-1301	KN-148	YFZ450R SE	449	YA-4504	KN-140
FZ1	1000	YA-1006	KN-204-1	YW125 Zuma	125	YA-1209	
FZ1 Fazer	998	YA-1006	KN-204-1	YXR700 Rhino FI	700	YA-7008	KN-204-1
FZ6R	600	YA-6009	KN-204-1	YZ250F	250	YA-2506XD	KN-140
FZ8	800	YA-1006	KN-204-1	YZF R1	998	YA-1009	KN-204-1
RX10PS Apex SE	998		KN-204-1	YZF R1	998 - Race Specific	YA-1009R	KN-204-1
TDM900	897	YA-9002		YZF R6	599	YA-6008	KN-204-1
TDM900A	897	YA-9002		YZF R6	599 - Race Specific	YA-6008R	KN-204-1
TTR125LE	124	YA-1201		YZF R125	125	YA-1208	
TTR230	223	YA-2305	KN-143	YZF R125 50th Anniversary Ed.	125	YA-1208	KN-141
VMX1700 V-Max	1679	YA-1709		2011 YAMAHA			
VX1100 WaveRunner Cruiser	1100		KN-204-1	FJR1300A	1300	YA-1301	KN-148
VX1100 WaveRunner Deluxe	1100		KN-204-1	FZ6R	600	YA-6009	KN-204-1
WR250F	250		KN-140	FZ8	800	YA-1006	KN-204-1
WR250R	250	YA-3586	KN-140	FZ16	153	YA-1611	
WR450F	450	YA-4503	KN-140	FZ150 Fazer	153	YA-1611	
XJ6	600	YA-6009	KN-204-1	RX10PX Apex XTX	998		KN-204-1
XJ6 Diversion	600	YA-6009	KN-204-1	RX10R Apex	998		KN-204-1
XP500 T-Max	500	YA-5008		TTR230	223	YA-2305	KN-143
XP530 T-Max	530	YA-5008		VK10 RS Viking Professional	973		KN-147
XT250	249	YA-2509	KN-140	VMX1700 V-Max	1679	YA-1709	
XT660R	660	YA-6604		VX1100 WaveRunner Cruiser	1100		KN-204-1
XT1200 Super Tenere	1199		KN-204-1	VX1100 WaveRunner Deluxe	1100		KN-204-1
XTZ1200 Super Tenere	1199	YA-1210	KN-204-1	WR125X	125	YA-1208	
XV250 V-Star	250	YA-2588		WR250F	250		KN-140
XV1700 Road Star S	1700		KN-303	WR250R	250	YA-3586	KN-140
XV1700 Road Star Silverado S	1700	YA-1704	KN-303	WR250X	250	YA-3586	KN-140
XV1900 Raider	1854	YA-1906	KN-204-1	WR450F	450	YA-4503	KN-140
XV1900 Raider S	1854	YA-1906	KN-204-1	XJ6	600	YA-6009	
XV1900 Roadliner	1854		KN-204-1	XJ6 Diversion	600	YA-6009	KN-204-1
XV1900 Stratoliner Deluxe	1854	YA-1906	KN-204-1	XT250	249	YA-2509	KN-140
XVS13 Stryker	1304	YA-1307	KN-204-1	XT660X Super Motard	660	YA-6604	
XVS950 V-Star	942	YA-1307	KN-204-1	XV1900 Raider S	1854	YA-1906	KN-204-1
XVS950CT V-Star Tourer	942	YA-1307	KN-204-1	XVS13 Stryker	1304	YA-1307	KN-204-1
XVS1300 V-Star	1300	YA-1307	KN-204-1	XVS650 V-Star Custom	650	YA-6598	KN-145
XVS1300 V-Star Tourer	1300	YA-1307	KN-204-1	XVS950 V-Star	942	YA-1307	KN-204-1
YFM125 Raptor	124	YA-2088		XVS950CT V-Star Tourer	942	YA-1307	KN-204-1
YFM350 Grizzly Auto 4x4	350		KN-204-1	XVS1300 V-Star Tourer	1300	YA-1307	KN-204-1
YFM350 Grizzly Auto 4x4 IRS	350	YA-3504	KN-204-1	XVZ1300 Royal Star Venture S	1300		KN-303
YFM350R Raptor	350	YA-6602	KN-142	YFM350 Grizzly Auto 4x4	350		KN-204-1
YFM450 Grizzly Auto	450		KN-204-1	YFM350 Grizzly Auto 4x4 IRS	350		KN-204-1
YFM450 Grizzly Auto EPS	450	YA-3504	KN-204-1				

* 2 filters required ♦ Intake System Available - see page 370 +Cabin Air Filter Available - see page 353 1- Performance Silver Oil Filter Also Available



AIR & OIL FILTERS

YAMAHA

Vehicle	Engine Type	Air Filter	Oil Filter	Vehicle	Engine Type	Air Filter	Oil Filter
2011 YAMAHA				2010 YAMAHA			
YFM350R Raptor	350	YA-6602		XVS1300 V-Star	1300	YA-1307	KN-204-1
YFM450 Grizzly Auto 4x4	450		KN-204-1	Tourer			
YFM450 Grizzly Auto EPS	450		KN-204-1	XVZ1300 Royal Star	1300		KN-303
YFM550F Grizzly FI Auto 4x4	558	YA-7007	KN-204-1	Venture S			
YFM550F Grizzly FI Auto 4x4 EPS	558	YA-7007	KN-204-1	YFM350 Grizzly Auto 4x4	350	YA-3504	KN-204-1
YFM700F Grizzly FI Auto 4x4 EPS	686	YA-7007	KN-204-1	YFM350 Grizzly Auto 4x4 IRS	350	YA-3504	KN-204-1
YFM700F Grizzly FI Auto 4x4 EPS SE	686	YA-7007	KN-204-1	YFM400 Big Bear	400		KN-142
YFM700R Raptor	686	YA-7006	KN-145	IRS 4x4			
YFM700R Raptor SE	686	YA-7006	KN-145	YFM450 Grizzly Auto 4x4 IRS	450	YA-3504	KN-204-1
YFZ450R	449	YA-4504	KN-140	YFM550F Grizzly FI Auto 4x4	558	YA-7007	KN-204-1
YFZ450R SE	449	YA-4504	KN-140	YFM550F Grizzly FI Auto 4x4 EPS	558	YA-7007	KN-204-1
YFZ450X	449		KN-140	YFM700F Grizzly FI Auto 4x4	686	YA-7007	KN-204-1
YFZ450X SE	449		KN-140	YFM700F Grizzly FI Auto 4x4 EPS	686	YA-7007	KN-204-1
YW125 Zuma	125	YA-1209		YFM700F Grizzly FI Auto 4x4 EPS SE	686	YA-7007	KN-204-1
YXR700 Rhino FI Auto 4x4 Sport Ed.	686	YA-7008	KN-204-1	YFM700R Raptor SE	686	YA-7006	KN-145
YZ250F	250	YA-2506XD	KN-140	YFM250 Raptor	249	YA-2088	KN-140
YZF R1	998	YA-1009	KN-204-1	YFZ450R	449	YA-4504	KN-140
YZF R1	998 - Race Specific	YA-1009R	KN-204-1	YFZ450R SE	449	YA-4504	KN-140
YZF R6	599	YA-6008	KN-204-1	YFZ450X	449	YA-4504	KN-140
YZF R6	599 - Race Specific	YA-6008R	KN-204-1	YFZ450X Bill	449	YA-4504	KN-140
YZF R15	150 - To 9/11	YA-1208		Ballance			
2010 YAMAHA				YXR700 Rhino FI	686		KN-204-1
FJR1300A	1300	YA-1301	KN-148	YZ250F	250	YA-2506XD	KN-140
FJR1300AE	1300		KN-148	YZF R1	998	YA-1009	KN-204-1
FJR1300AS	1298	YA-1301	KN-148	YZF R1	998 - Race Specific	YA-1009R	KN-204-1
FZ1	1000	YA-1006	KN-204-1	YZF R1 LE	998	YA-1009	KN-204-1
FZ6R	600	YA-6009	KN-204-1	YZF R1 LE	998 - Race Specific	YA-1009R	KN-204-1
FZ16	153	YA-1611		YZF R6	599	YA-6008	KN-204-1
VX1100 WaveRunner Cruiser	1100		KN-204-1	YZF R6	599 - Race Specific	YA-6008R	KN-204-1
VX1100 WaveRunner Deluxe	1100		KN-204-1	YZF R6S	599	YA-6008	KN-303
WR250R	250	YA-3586	KN-140	YZF R6S	599 - Race Specific	YA-6008R	KN-303
XJ6	600	YA-6009	KN-204-1	2009 YAMAHA			
XJ6 Diversion	600	YA-6009	KN-204-1	FJR1300A	1300	YA-1301	KN-148
XT250	249	YA-2509	KN-140	FJR1300AE	1300	YA-1301	KN-148
XT660X	660	YA-6604		FJR1300AS	1300	YA-1301	KN-148
XT660X Super Motard	660	YA-6604		FZ1	1000	YA-1006	KN-204-1
XV1700 Road Star S	1700		KN-303	FZ1 Fazer	998	YA-1006	KN-204-1
XV1700 Road Star Silverado	1700	YA-1704	KN-303	FZ6	600	YA-6004	KN-204-1
XV1700 Road Star Silverado S	1700	YA-1704	KN-303	FZ6 Fazer S2	600	YA-6004	KN-204-1
XV1900 Raider	1854	YA-1906	KN-303	FZ6 S2	600	YA-6004	KN-204-1
XV1900 Raider S	1854	YA-1906	KN-303	FZ6R	600	YA-6009	KN-204-1
XV1900 Roadliner S	1900		KN-303	FZ150 Fazer	153	YA-1611	
XV1900 Stratoliner	1900		KN-303	MT-01	1700	YA-1605	
XV1900 Stratoliner Deluxe	1900	YA-1906	KN-303	RX10GT Apex GT	977		KN-204-1
XV1900 Stratoliner S	1900	YA-1906	KN-303	SXT1100 232 Limited	998		KN-204-1
XVS650 V-Star Classic	650	YA-6598	KN-145	Eng 2			
XVS650 V-Star Custom	650	YA-6598	KN-145	T135	135	YA-1306	
XVS950 V-Star	942	YA-1307	KN-204-1	TTR125LE	125	YA-1201	
XVS950CT V-Star Tourer	942	YA-1307	KN-204-1	TTR230	223	YA-2305	KN-143
				VMX1700 V-Max	1679	YA-1709	KN-303
				VX1100 WaveRunner Cruiser	1100		KN-204-1
				VX1100 WaveRunner Deluxe	1100		KN-204-1
				WR250F	250	YA-4503	KN-140
				WR250R	250	YA-3586	KN-140
				WR250X	250	YA-3586	KN-140

* 2 filters required ♦ Intake System Available - see page 370 +Cabin Air Filter Available - see page 353 1- Performance Silver Oil Filter Also Available

Partial Listing: Complete Listing of Vehicles and Parts at KNFILTERS.COM or call 1-800-858-3333



Vehicle	Engine Type	Air Filter	Oil Filter	Vehicle	Engine Type	Air Filter	Oil Filter
2009 YAMAHA				2009 YAMAHA			
WR450F	450	YA-4503	KN-140	YFM450FX Wolverine Auto 4x4	450	YA-3504	KN-204-1
XJ6	600	YA-6009		YFM550F Grizzly FI Auto 4x4	558	YA-7007	KN-204-1
XJ6 Diversion	600	YA-6009	KN-204-1	YFM550F Grizzly FI Auto 4x4 EPS	558	YA-7007	KN-204-1
XJR1300	1251	YA-1308		YFM700F Grizzly FI Auto 4x4	686	YA-7007	KN-204-1
XP500 T-Max	500	YA-5008	KN-147	YFM700F Grizzly FI Auto 4x4 EPS	686	YA-7007	KN-204-1
XT250	249	YA-2509	KN-140	YFM700F Grizzly FI Auto 4x4 EPS SE	686	YA-7007	KN-204-1
XT660R	660	YA-6604		YFM700R Raptor	686	YA-7006	KN-145
XT660X Super Motard	660	YA-6604		YFM700R Raptor SE	686	YA-7006	KN-145
XV250 V-Star	250	YA-2588	KN-145	YFM250 Raptor	249	YA-2088	KN-140
XV1700 Road Star	1700	YA-1704	KN-303	YFZ450	449	YA-4504	KN-140
XV1700 Road Star Midnight Warrior	1700	YA-1602	KN-303	YFZ450R	449	YA-4504	KN-140
XV1700 Road Star S	1700	YA-1704	KN-303	YFZ450R SE	449	YA-4504	KN-140
XV1700 Road Star Silverado	1700	YA-1704	KN-303	YFZ450X Bill	449	YA-4504	KN-140
XV1700 Road Star Silverado S	1700	YA-1704	KN-303	Ballance			
XV1700 Road Star Warrior	1670	YA-1602	KN-303	YXR450 Rhino Auto 4x4	450	YA-6504	KN-303
XV1900 Raider	1900	YA-1906	KN-303	YXR700 Rhino FI	686	YA-7008	KN-204-1
XV1900 Raider S	1900	YA-1906	KN-303	YZ250	250	YA-2506XD	
XV1900 Roadliner	1900	YA-1906	KN-303	YZ250F	250	YA-2506XD	KN-140
XV1900 Roadliner S	1900	YA-1906	KN-303	YZF R1	998	YA-1009	KN-204-1
XV1900 Stratoliner	1900	YA-1906	KN-303	YZF R1	998 - Race Specific	YA-1009R	KN-204-1
XV1900 Stratoliner S	1900	YA-1906	KN-303	YZF R6	599	YA-6008	KN-204-1
XVS650 V-Star Classic	650	YA-6598	KN-145	YZF R6	599 - Race Specific	YA-6008R	KN-204-1
XVS650 V-Star Custom	650	YA-6598	KN-145	YZF R6S	599	YA-6001	KN-303
XVS950 V-Star	942	YA-1307	KN-204-1	YZF R15	150	YA-1208	
XVS950CT V-Star Tourer	942	YA-1307	KN-204-1	YZF R125	125	YA-1208	
XVS1100 V-Star Classic	1100	YA-1199	KN-145	2008 YAMAHA			
XVS1100 V-Star Custom	1100	YA-1199	KN-145	CP250 Morphous	250		KN-132
XVS1300 V-Star	1300	YA-1307	KN-147	FJR1300A	1300	YA-1301	KN-148
XVS1300 V-Star Tourer	1300	YA-1307	KN-147	FJR1300AE	1300	YA-1301	
XVS1300A Midnight Star	1304	YA-1307	KN-147	FJR1300AS	1300	YA-1301	KN-148
XVZ1300 Royal Star Tour Deluxe	1300		KN-303	FX1000 WaveRunner Cruiser	998		KN-204-1
XVZ1300 Royal Star Tour Deluxe S	1300		KN-303	FX1000 WaveRunner	998		KN-204-1
XVZ1300 Royal Star Venture	1300		KN-303	FX			
XVZ1300 Royal Star Venture S	1300	YA-1399	KN-303	FX1100 WaveRunner	998		KN-204-1
YBR125	124	YA-1213		H.O.			
YBR125 Custom	124	YA-1213		FZ1	1000	YA-1006	KN-204-1
YFM350 Grizzly Auto 4x4	346	YA-3504	KN-204-1	FZ1 Fazer	998	YA-1006	KN-204-1
YFM350 Grizzly Auto 4x4 IRS	346	YA-3504	KN-204-1	FZ1N	1000	YA-1006	KN-204-1
YFM350R Raptor	350	YA-6602	KN-142	FZ1S	1000	YA-1006	KN-204-1
YFM400 Big Bear	400		KN-142	FZ6	600	YA-6004	KN-204-1
IRS 4x4				FZ6 Fazer S2	600	YA-6004	KN-204-1
YFM450 Grizzly Auto 4x4	450	YA-3504	KN-204-1	FZ6 S2	600	YA-6004	KN-204-1
YFM450 Grizzly Auto 4x4 Hunter	450	YA-3504	KN-204-1	FZ6N	600	YA-6004	KN-204-1
YFM450 Grizzly Auto 4x4 IRS	450	YA-3504	KN-204-1	FZ6S	600	YA-6004	KN-204-1
				FZ16	153	YA-1611	
				SR400	400	YA-4092	
				SXT1100 SX230 H.O.	998		KN-204-1
				SXT1100 SX230 H.O. Eng 2	998		KN-204-1
				TTR125LE	125	YA-1201	
				TTR230	223	YA-2305	KN-143
				TW200	196	YA-2002	
				VX1100 WaveRunner Cruiser	998		KN-204-1
				VX1100 WaveRunner Deluxe	998		KN-204-1

* 2 filters required ♦ Intake System Available - see page 370 +Cabin Air Filter Available - see page 353 1- Performance Silver Oil Filter Also Available



AIR & OIL FILTERS

YAMAHA

Vehicle	Engine Type	Air Filter	Oil Filter	Vehicle	Engine Type	Air Filter	Oil Filter
2008 YAMAHA				2008 YAMAHA			
VX1100 WaveRunner Sport	998		KN-204-1	YFM660 Grizzly Auto 4x4	660	YA-6602	KN-204-1
VX1100 WaveRunner VX	998		KN-204-1	YFM700F Grizzly FI Auto 4x4	686	YA-7007	KN-204-1
WR250F	250	YA-4503	KN-141	YFM700F Grizzly FI Auto 4x4 EPS	686	YA-7007	KN-204-1
WR250R	250	YA-3586	KN-141	YFM700R Raptor	686	YA-7006	KN-145
WR250X	250	YA-3586	KN-141	YFM700R Raptor SE	686	YA-7006	KN-145
WR450F	450	YA-4503	KN-141	YFM250 Raptor	249	YA-2088	KN-140
XT250	249	YA-2509	KN-141	YFZ450	449	YA-4504	KN-140
XT250X	250	YA-2509	KN-141	YFZ450 SE	449	YA-4504	KN-140
XT660	660	YA-6604		YFZ450R SE	449	YA-4504	KN-140
XT660R	660	YA-6604		YXR450 Rhino Auto 4x4	450	YA-6504	KN-303
XT660X Super Motard	660	YA-6604		YXR450 Rhino Auto 4x4 Special Ed.	450	YA-6504	KN-303
XT660Z Tenere	660	YA-6608		YXR700 Rhino FI	686	YA-7008	KN-204-1
XV250 V-Star	250	YA-2588	KN-145	YXR700 Rhino FI Auto 4x4 Special Ed.	686	YA-7008	KN-204-1
XV1700 Road Star	1700	YA-1704	KN-303	YZ250	250	YA-2506XD	KN-141
XV1700 Road Star Midnight Warrior	1700	YA-1602	KN-303	YZ250F	250	YA-2506XD	KN-141
XV1700 Road Star S	1700	YA-1704	KN-303	YZF R1	998	YA-1007	KN-204-1
XV1700 Road Star Silverado	1700	YA-1704	KN-303	YZF R6	599	YA-6008	KN-204-1
XV1700 Road Star Silverado S	1700	YA-1704	KN-303	YZF R6	599 - Race Specific	YA-6008R	KN-204-1
XV1700 Road Star Warrior	1670	YA-1602	KN-303	YZF R6S	599	YA-6001	KN-303
XV1900 Raider	1900	YA-1906	KN-303	YZF R15	150	YA-1208	
XV1900 Raider S	1900	YA-1906	KN-303	2007 YAMAHA			
XV1900 Roadliner S	1900		KN-303	FJR1300A	1300	YA-1301	KN-148
XV1900 Stratoliner Midnight	1900	YA-1906	KN-303	FJR1300AE	1300	YA-1301	
XV1900 Stratoliner S	1900	YA-1906	KN-303	FJR1300AS	1300	YA-1301	KN-148
XVS650 V-Star Classic	650	YA-6598	KN-145	FX1100 WaveRunner	998		KN-303
XVS650 V-Star Custom	650	YA-6598	KN-145	FX Cruiser H.O.			
XVS650 V-Star Silverado	650	YA-6598	KN-145	FZ1	1000	YA-1006	KN-204-1
XVS1100 V-Star Classic	1100	YA-1199	KN-145	FZ1 Fazer	998	YA-1006	KN-204-1
XVS1100 V-Star Custom	1100	YA-1199	KN-145	FZ6	600	YA-6004	KN-204-1
XVS1100 V-Star Silverado	1100	YA-1199	KN-145	FZ6 Fazer	600	YA-6004	KN-204-1
XVS1300 V-Star	1300	YA-1307	KN-147	FZ6 Fazer S2	600	YA-6004	KN-204-1
XVS1300 V-Star Tourer	1300	YA-1307	KN-147	FZ6 S2	600	YA-6004	KN-204-1
XVZ1300 Royal Star Venture	1300		KN-303	MT-01	1700	YA-1605	
XVZ1300 Royal Star Venture S	1300	YA-1399	KN-303	SR400	400	YA-4092	
YFM250 Big Bear	230		KN-143	SXT1100 AR230 H.O. Eng 1	998		KN-303
YFM250 Raptor SE	249	YA-2088	KN-140	SXT1100 SR230 H.O.	998		KN-303
YFM250 Raptor SE Custom	249	YA-2088	KN-140	SXT1100 SR230 H.O. Eng 2	998		KN-303
YFM350 Grizzly Auto 4x4 IRS	346		KN-204-1	SXT1100 SX230 H.O. Eng 2	998		KN-303
YFM350R Raptor	348	YA-6602	KN-142	TTR125L	125	YA-1201	
YFM350X Wolverine 2x4	350		KN-204-1	TTR125LE	125	YA-1201	
YFM400 Big Bear IRS 4x4	400	YA-4001	KN-142	TTR125LW	125	YA-1201	
YFM450 Grizzly Auto 4x4	450	YA-3504	KN-204-1	TTR230	223	YA-2305	KN-143
YFM450FX Wolverine 4x4	450	YA-3504	KN-204-1	TW200	196	YA-2002	KN-143
				VX1100 WaveRunner Cruiser	998		KN-303
				VX1100 WaveRunner Deluxe	998		KN-303
				WR250F	250	YA-4503	KN-141
				WR450F	450	YA-4503	KN-141
				XJR1300	1251	YA-1308	
				XT225	225		KN-143

* 2 filters required ♦ Intake System Available - see page 370 +Cabin Air Filter Available - see page 353 1- Performance Silver Oil Filter Also Available

Partial Listing: Complete Listing of Vehicles and Parts at KNFILTERS.COM or call 1-800-858-3333



Vehicle	Engine Type	Air Filter	Oil Filter	Vehicle	Engine Type	Air Filter	Oil Filter
2007 YAMAHA				2007 YAMAHA			
XV250 Virago	250	YA-2588	KN-145	YFM700R Raptor	686	YA-7006	KN-145
XV1700 Road Star	1700	YA-1704	KN-303	YFM700R Raptor	686	YA-7006	KN-145
XV1700 Road Star	1700	YA-1704	KN-303	GYTR Edition			
Midnight				YFM700R Raptor SE	686	YA-7006	KN-145
XV1700 Road Star	1700	YA-1704	KN-303	YFZ450	449	YA-4504	KN-140
Midnight Silverado				YFZ450 Bill Ballance	450	YA-4504	KN-140
XV1700 Road Star	1700	YA-1602	KN-303	Edition			
Midnight Warrior				YFZ450 SE	449	YA-4504	KN-140
XV1700 Road Star	1700	YA-1704	KN-303	YP400 Majesty	400		KN-132
Silverado				YXR450 Rhino Auto	450	YA-6504	KN-303
XV1700 Road Star	1670	YA-1602	KN-303	4x4			
Warrior				YXR450 Rhino Auto	450	YA-6504	KN-303
XV1900 Roadliner	1900	YA-1906	KN-303	4x4 Special Ed.			
XV1900 Roadliner	1900	YA-1906	KN-303	YXR660 Rhino	660	YA-6504	KN-204-1
Midnight				YZ85	85	YA-8502	
XV1900 Roadliner S	1900	YA-1906	KN-303	YZ250	250	YA-2506XD	KN-141
XV1900 Stratoliner	1900	YA-1906	KN-303	YZ250F	250	YA-2506XD	KN-141
XV1900 Stratoliner	1900	YA-1906	KN-303	YZF R1	998	YA-1007	KN-204-1
Midnight				YZF R6	599	YA-6006	KN-204-1
XV1900 Stratoliner S	1900	YA-1906	KN-303	YZF R6S	599	YA-6001	KN-303
XVS650 V-Star	650	YA-6598	KN-145	YZF600R	600	YA-6096	KN-303
Classic				2006 YAMAHA			
XVS650 V-Star	650	YA-6598	KN-145	F50TLR	50HP		KN-204-1
Custom				FJR1300	1300	YA-1301	
XVS1100 V-Star	1100	YA-1199	KN-145	FJR1300A	1300	YA-1301	KN-148
Classic				FJR1300AE	1300	YA-1301	
XVS1100 V-Star	1100	YA-1199	KN-145	FJR1300AS	1300	YA-1301	KN-148
Custom				FX1000 WaveRunner	998		KN-303
XVS1100 V-Star	1100	YA-1199	KN-145	FX1000 WaveRunner	998		KN-303
Midnight Custom				Cruiser			
XVS1100 V-Star	1100	YA-1199	KN-145	FX1100 WaveRunner	998		KN-303
Silverado				Cruiser H.O.			
XVS1300 V-Star	1300	YA-1307	KN-147	FX1100 WaveRunner	998		KN-303
XVS1300 V-Star	1300	YA-1307	KN-147	H.O.			
Tourer				FZ1	1000	YA-1006	KN-204-1
XVS1300A Midnight	1304		KN-147	FZ1 Fazer	998	YA-1006	KN-204-1
Star				FZ1N	1000	YA-1006	KN-204-1
XVZ1300 Royal Star	1300		KN-303	FZ1S	1000	YA-1006	KN-204-1
Midnight Venture				FZ6	600	YA-6004	KN-303
XVZ1300 Royal Star	1300	YA-1399	KN-303	FZ6 Fazer	600	YA-6004	KN-303
Tour Deluxe				MT-01	1700	YA-1605	
XVZ1300 Royal Star	1300	YA-1399	KN-303	RX10GT Apex GT	977		KN-204-1
Venture				RX10R Apex ER	998		KN-204-1
YFM125 Grizzly	124	YA-2088		RXW10 Attak	977		KN-204-1
YFM350 Grizzly Auto	346		KN-204-1	SR400	400	YA-4092	
2x4				SRT1000 SX230	1000		KN-303
YFM350 Grizzly Auto	346	YA-3504	KN-204-1	SRT1100 AR230	998		KN-303
4x4				H.O. Eng 1			
YFM350 Grizzly Auto	346	YA-3504	KN-204-1	SRT1100 SX230	998		KN-303
4x4 IRS				H.O.			
YFM350R Raptor	350	YA-6602	KN-142	SRT1100 SX230	998		KN-303
YFM350X Wolverine	350		KN-204-1	H.O. Eng 2			
2x4				TTR125E	125	YA-1201	
YFM400 Big Bear	400	YA-4001	KN-142	TTR125LE	125	YA-1201	
IRS 4x4				TTR230	223	YA-2305	KN-143
YFM400 Grizzly Auto	400		KN-204-1	TTR250	250	YA-3586	KN-142
4x4				TW200	198	YA-2002	KN-143
YFM450 Grizzly Auto	450	YA-3504	KN-204-1	VMX1200 V-Max	1200	YA-1285	KN-303
4x4				VX1100 WaveRunner	998		KN-303
YFM450FX Wolverine	450	YA-3504	KN-204-1	Deluxe			
4x4				VX1100 WaveRunner	998		KN-303
YFM660 Grizzly Auto	660	YA-6602	KN-204-1	Sport			
4x4				WR250F	250	YA-4503	KN-141
YFM700F Grizzly FI	686	YA-7007	KN-204-1	WR450F	450	YA-4503	KN-141
Auto 4x4							
YFM700F Grizzly FI	686	YA-7007	KN-204-1				
Auto 4x4 EPS							

* 2 filters required ♦ Intake System Available - see page 370 +Cabin Air Filter Available - see page 353 1- Performance Silver Oil Filter Also Available



AIR & OIL FILTERS

YAMAHA

Vehicle	Engine Type	Air Filter	Oil Filter	Vehicle	Engine Type	Air Filter	Oil Filter
2006 YAMAHA				2006 YAMAHA			
XT225	225	YA-2292	KN-143	YFZ450 Bill Ballance Edition	449	YA-4504	KN-141
XT660R	660	YA-6604		YJ125 Vino	125		KN-143
XV250 Virago	250	YA-2588	KN-145	YP400 Majesty	400		KN-132
XV1700 Road Star	1700	YA-1704	KN-303	YXR450 Rhino Auto 4x4	450	YA-6504	KN-303
XV1700 Road Star Cast Wheels				YXR660 Rhino	660	YA-6504	KN-303
XV1700 Road Star Midnight	1700	YA-1704	KN-303	YZ250	250	YA-2506XD	KN-141
XV1700 Road Star Midnight Silverado	1700	YA-1704	KN-303	YZ250F	250	YA-2506XD	KN-141
XV1700 Road Star Silverado	1700	YA-1704	KN-303	YZF R1	998	YA-1004	KN-303
XV1700 Road Star Warrior	1670	YA-1602	KN-303	YZF R1 LE	998	YA-1004	KN-303
XV1700PCM Road Star Midnight Warrior	1700		KN-303	YZF R1 SP	998	YA-1004	KN-303
XV1900 Roadliner	1900	YA-1906	KN-303	YZF R6	599	YA-6006	KN-204-1
XV1900 Roadliner Midnight	1900	YA-1906	KN-303	YZF R6S	599	YA-6001	KN-303
XV1900 Roadliner S	1900	YA-1906	KN-303	YZF600R	600	YA-6096	KN-303
XV1900 Stratoliner	1900	YA-1906	KN-303	2005 YAMAHA			
XV1900 Stratoliner Midnight	1900	YA-1906	KN-303	FJR1300	1300	YA-1301	KN-148
XV1900 Stratoliner S	1900	YA-1906	KN-303	FJR1300A	1300	YA-1301	KN-148
XVS650 V-Star Classic	650	YA-6598	KN-145	FJR1300AE	1300	YA-1301	
XVS650 V-Star Custom	650	YA-6598	KN-145	FX1000 WaveRunner Cruiser	998		KN-303
XVS650 V-Star Silverado	650	YA-6598	KN-145	FX1100 WaveRunner Cruiser H.O.	998		KN-303
XVS1100 V-Star Classic	1100	YA-1199	KN-145	FX1100 WaveRunner H.O.	998		KN-303
XVS1100 V-Star Custom	1100	YA-1199	KN-145	FZ6	600	YA-6004	KN-303
XVS1100 V-Star Silverado	1100	YA-1199	KN-145	FZ6 Fazer	600	YA-6004	KN-303
XVZ1300 Royal Star Midnight Tour Deluxe	1300		KN-303	FZS1000 FZ1	1000	YA-1001	KN-303
XVZ1300 Royal Star Midnight Venture	1300	YA-1399	KN-303	RX10 RX-1	1000		KN-303
XVZ1300 Royal Star Tour Deluxe	1300	YA-1399	KN-303	RXW10 RX Warrior	1000		KN-303
XVZ1300 Royal Star Venture	1300	YA-1399	KN-303	SR400	400	YA-4092	
YFM50 Raptor	50	YA-8002		SRT1100 SX230 H.O. Eng 2	998		KN-303
YFM80 Raptor	80	YA-8002		TTR125E	125	YA-1201	
YFM250 Bruin	230	YA-4001	KN-143	TTR125L	125	YA-1201	
YFM350 Bruin Auto 2x4	350	YA-3504	KN-303	TTR125LE	125	YA-1201	
YFM350 Bruin Auto 4x4	350		KN-303	TTR230	223	YA-2305	KN-143
YFM350 Bruin Auto 4x4 Hunter	350	YA-3504	KN-303	TTR250	250	YA-3586	KN-142
YFM350R Raptor	350	YA-6602	KN-142	TW200	198	YA-2002	
YFM400 Kodiak Auto 4x4	384	YA-3504	KN-303	VMX1200 V-Max	1200	YA-1285	KN-303
YFM450 Kodiak Auto 4x4	416	YA-3504	KN-303	VX1100 WaveRunner Deluxe	998		KN-303
YFM450FX Wolverine 4x4	450	YA-3504	KN-303	VX1100 WaveRunner Sport	998		KN-303
YFM660 Grizzly Auto 4x4	660	YA-6602	KN-303	WR250F	250	YA-4503	KN-141
YFM700R Raptor	686	YA-7006	KN-145	WR250R	250		KN-141
YFS200 Blaster	200	YA-2088		WR450F	450	YA-4503	KN-141
YFZ350 Banshee	350	YA-3502		XT225	225	YA-2292	KN-143
YFZ450	449	YA-4504	KN-141	XT660R	660	YA-6604	
				XT660X Super Motard	660	YA-6604	
				XV250 Virago	250	YA-2588	KN-145
				XV1700 Road Star	1700	YA-1704	KN-303
				XV1700 Road Star Cast Wheels	1700	YA-1704	KN-303
				XV1700 Road Star Midnight	1700	YA-1704	KN-303
				XV1700 Road Star Silverado	1700	YA-1704	KN-303
				XV1700 Road Star Warrior	1670	YA-1602	KN-303
				XV1700PCM Road Star Midnight Warrior	1700		KN-303
				XVS650 V-Star Classic	650	YA-6598	KN-145

* 2 filters required ♦ Intake System Available - see page 370 +Cabin Air Filter Available - see page 353 1- Performance Silver Oil Filter Also Available

Partial Listing: Complete Listing of Vehicles and Parts at KNFILTERS.COM or call 1-800-858-3333



Vehicle	Engine Type	Air Filter	Oil Filter	Vehicle	Engine Type	Air Filter	Oil Filter
2005 YAMAHA				2004 YAMAHA			
XVS650 V-Star Custom	650	YA-6598	KN-145	TTR225	225	YA-2292	KN-143
XVS650 V-Star Silverado	650	YA-6598	KN-145	TTR250	250	YA-3586	KN-142
XVS1100 V-Star Classic	1100	YA-1199	KN-145	VMX1200 V-Max	1200	YA-1285	KN-303
XVS1100 V-Star Custom	1100	YA-1199	KN-145	WR250F	250	YA-4503	KN-141
XVS1100 V-Star Silverado	1100	YA-1199	KN-145	WR250R	250		KN-141
XVZ1300 Royal Star Midnight Venture	1300		KN-303	WR450F	450	YA-4503	KN-141
XVZ1300 Royal Star Tour Deluxe	1300	YA-1399	KN-303	XT660R	660	YA-6604	
XVZ1300 Royal Star Venture	1300		KN-303	XT660X Super Motard	660	YA-6604	
YFM50 Raptor	50	YA-8002		XV1700 Road Star	1700	YA-1704	KN-303
YFM80 Grizzly	80	YA-8002		XV1700 Road Star Midnight	1700	YA-1704	KN-303
YFM125 Grizzly	124	YA-2088		XV1700 Road Star Midnight Silverado	1700	YA-1704	KN-303
YFM250 Bruin	230	YA-4001		XV1700 Road Star Silverado	1700	YA-1704	KN-303
YFM350 Bruin Auto 2x4	350		KN-303	XV1700 Road Star Warrior	1670	YA-1602	KN-303
YFM350 Bruin Auto 4x4	350	YA-3504	KN-303	XVS650 V-Star Classic	650	YA-6598	KN-145
YFM350 Bruin Auto 4x4 Hunter	350	YA-3504	KN-303	XVS650 V-Star Custom	650	YA-6598	KN-145
YFM350R Raptor	350	YA-6602	KN-142	XVS1100 V-Star Classic	1100	YA-1199	KN-145
YFM400 Big Bear 4x4	384		KN-142	XVS1100 V-Star Custom	1100	YA-1199	KN-145
YFM400 Kodiak Auto 4x4	384	YA-3504	KN-303	XVS1100 V-Star Silverado	1100	YA-1199	KN-145
YFM450 Kodiak Auto 4x4	416	YA-3504	KN-303	XVZ1300 Royal Star Midnight Venture	1300		KN-303
YFM660 Grizzly Auto 4x4	660	YA-6602	KN-303	XVZ1300 Royal Star Venture	1300	YA-1399	KN-303
YFM660R Raptor	660	YA-6601	KN-147	YFM50 Raptor	50	YA-8002	
YFS200 Blaster	200	YA-2088		YFM80 Raptor	80	YA-8002	
YFZ350 Banshee	350	YA-3502		YFM250 Bear Tracker	250		KN-143
YFZ450	449	YA-4504	KN-141	YFM350 Bruin Auto 2x4	350	YA-3504	KN-303
YP125 Majesty	125	YA-2598		YFM350 Bruin Auto 4x4	350	YA-3504	KN-303
YP400 Majesty	400		KN-132	YFM350R Raptor	350	YA-6602	
YXR660 Rhino	660	YA-6504	KN-303	YFM350X Warrior	350	YA-4350	KN-142
YZ125	125	YA-2506XD		YFM400 Kodiak Auto 4x4	384	YA-3504	KN-303
YZ250	250	YA-2506XD	KN-141	YFM450 Kodiak Auto 4x4	416	YA-4003	KN-303
YZ250F	250	YA-2506XD	KN-141	YFM660 Grizzly Auto 4x4	660	YA-6602	KN-303
YZF R1	998	YA-1004	KN-303	YFM660R Raptor	660	YA-6601	KN-147
YZF R6	599	YA-6001	KN-303	YFS200 Blaster	200	YA-2088	
YZF600R	600	YA-6096	KN-303	YFZ350 Banshee	350	YA-3502	
2004 YAMAHA				2003 YAMAHA			
FJR1300	1300	YA-1301	KN-148	FJR1300	1300	YA-1301	KN-148
FJR1300A	1300	YA-1301	KN-148	FJR1300A	1300	YA-1301	KN-148
FX1100 WaveRunner Cruiser H.O.	998		KN-303	FZS1000 FZ1	1000	YA-1001	KN-303
FX1100 WaveRunner H.O.	998		KN-303	RX10 RX-1	1000		KN-303
FZ6	600	YA-6004	KN-303	RX10S RX-1 LE	1000		KN-303
FZ6 Fazer	600	YA-6004	KN-303	RXW10 RX Warrior	1000		KN-303
FZS1000 FZ1	1000	YA-1001	KN-303	SR400	400	YA-4092	
RX10 RX-1	1000		KN-303	SRT1000 SX230	998		KN-303
RX10S RX-1 LE	1000		KN-303	SRT1000 SX230 Eng 2	998		KN-303
RXW10 RX Warrior	1000		KN-303	TTR125LE	125	YA-1201	
SR400	400	YA-4092					

* 2 filters required ♦ Intake System Available - see page 370 +Cabin Air Filter Available - see page 353 1- Performance Silver Oil Filter Also Available



AIR & OIL FILTERS

YAMAHA

Vehicle	Engine Type	Air Filter	Oil Filter	Vehicle	Engine Type	Air Filter	Oil Filter
2003 YAMAHA				2002 YAMAHA			
TTR125	125	YA-1201		XJR1300	1235	YA-1295	
TTR125E	125	YA-1201		XV250 Virago	250	YA-2588	KN-145
TTR125L	125	YA-1201		XV1600 Road Star	1600	YA-1699	KN-303
TTR125LE	125	YA-1201		XV1600 Road Star	1600	YA-1699	KN-303
TTR225	225	YA-2292	KN-143	Midnight			
VMX1200 V-Max	1200	YA-1285	KN-303	XV1600 Road Star	1600	YA-1699	KN-303
WR250F	250	YA-4503	KN-141	Silverado			
WR450F	450	YA-4503	KN-141	XV1700 Road Star	1670	YA-1602	KN-303
XP500 T-Max	500		KN-147	Warrior			
XT225	225	YA-2292	KN-143	XVS650 V-Star	650	YA-6598	KN-145
XV250 Virago	250	YA-2588		Classic			
XV1600 Road Star	1600	YA-1699	KN-303	XVS650 V-Star	650	YA-6598	KN-145
XV1600 Road Star	1600	YA-1699	KN-303	Custom			
Ltd. Edition				XVS1100 V-Star	1100	YA-1199	KN-145
XV1600 Road Star	1600	YA-1699	KN-303	Classic			
Midnight				XVS1100 V-Star	1100	YA-1199	KN-145
XV1600 Road Star	1600	YA-1699	KN-303	Custom			
Silverado				YFM250 Bear	230	YA-4001	KN-143
XV1600 Road Star	1600	YA-1699	KN-303	Tracker			
Silverado Ltd. Edition				YFM350FX Wolverine	350	YA-4350	KN-142
XV1700 Road Star	1670	YA-1602	KN-303	YFM350X Warrior	350	YA-4350	KN-142
Warrior				YFM400 Big Bear 4x4	400	YA-4001	
XVS650 V-Star	650	YA-6598	KN-145	YFM400A Kodiak	393	YA-4000	
Classic				YFM400F Kodiak	393	YA-4000	
XVS650 V-Star	650	YA-6598	KN-145	YFM660 Grizzly	660	YA-6602	KN-303
Custom				YFM660R Raptor	660	YA-6601	KN-147
XVS650 V-Star	650	YA-6598	KN-145	YFS200 Blaster	200	YA-2088	
Silverado				YFZ350 Banshee	350	YA-3502	
XVS1100 V-Star	1100	YA-1199	KN-145	YZ250	250	YA-2506XD	
Classic				YZ250F	250	YA-2506XD	KN-142
XVS1100 V-Star	1100	YA-1199	KN-145	YZ426F	426	YA-2506XD	KN-142
Custom				YZF R1	998	YA-1002	KN-303
XVS1100 V-Star	1100	YA-1199	KN-145	YZF R6	599	YA-6001	KN-303
Silverado				YZF600R	600	YA-6096	KN-303
XVZ1300 Royal Star	1300		KN-303	2001 YAMAHA			
Venture				FZS600 Fazer	600	YA-6098	
YFM80 Raptor	80	YA-8002		FZS1000 FZ1	1000	YA-1001	KN-303
YFM350X Warrior	350	YA-4350	KN-142	TTR125	125	YA-1201	
YFM400 Big Bear 4x4	400		KN-142	TTR125L	125	YA-1201	
YFM400 Kodiak Auto	393	YA-4003		TTR225	225	YA-2292	KN-143
2x4				TTR250	250	YA-3586	KN-142
YFM400 Kodiak Auto	393	YA-4003	KN-303	TW200	198	YA-2002	KN-143
4x4				VMX1200 V-Max	1200	YA-1285	KN-303
YFM450 Kodiak Auto	489	YA-4003	KN-303	WR250F	250	YA-2506XD	KN-142
4x4				WR426F	426		KN-142
YFM660 Grizzly	660	YA-6602	KN-303	XQ125 Thunder	125	YA-2598	
YFM660R Raptor	660	YA-6601	KN-147	XT225	225	YA-2292	KN-143
YFS200 Blaster	200	YA-2088		XV1600 Road Star	1600	YA-1699	KN-303
YFZ350 Banshee	350	YA-3502		XV1600 Road Star	1600	YA-1699	
YZ250	250	YA-2506XD	KN-141	Midnight			
YZ250F	250	YA-2506XD	KN-141	XV1600 Road Star	1600	YA-1699	KN-303
YZF R1	998	YA-1002	KN-303	Silverado			
YZF R6	599	YA-6001	KN-303	XVS650 DragStar	650	YA-6598	KN-145
YZF600R	600	YA-6096	KN-303	XVS650 V-Star	650	YA-6598	KN-145
2002 YAMAHA				Classic			
FZS1000 FZ1	1000	YA-1001	KN-303	XVS650 V-Star	650	YA-6598	
SR125	125		KN-143	Custom			
SR400	400	YA-4092		XVS1100 V-Star	1100	YA-1199	KN-145
TTR125	125	YA-1201		Classic			
TTR125L	125	YA-1201		XVS1100 V-Star	1100	YA-1199	
TTR225	225	YA-2292	KN-143	Custom			
TTR250	250	YA-3586	KN-142	XVZ1300 Royal Star	1300		KN-303
VMX1200 V-Max	1200	YA-1285	KN-303	Venture			
WR250F	250	YA-2506XD	KN-142	YFM250 Bear	230	YA-4001	KN-143
WR426F	426		KN-142	Tracker			

* 2 filters required ♦ Intake System Available - see page 370 +Cabin Air Filter Available - see page 353 1- Performance Silver Oil Filter Also Available

Partial Listing: Complete Listing of Vehicles and Parts at KNFILTERS.COM or call 1-800-858-3333



Vehicle	Engine Type	Air Filter	Oil Filter	Vehicle	Engine Type	Air Filter	Oil Filter
2001 YAMAHA				1999 YAMAHA			
YFM350FX Wolverine	350	YA-4350	KN-142	XVS650 V-Star Custom	650	YA-6598	
YFM350X Warrior	350	YA-4350	KN-142	XVS1100 V-Star	1100	YA-1199	KN-145
YFM400 Big Bear 2x4	400		KN-142	XVS1100 V-Star Classic	1100		KN-145
YFM400 Big Bear 4x4	400	YA-4001		XVZ1300 Royal Star Venture	1300	YA-1399	
YFM400 Kodiak Auto 4x4	393	YA-4000	KN-303	YFM250 Bear Tracker	230	YA-4001	KN-143
YFM600 Grizzly	600	YA-4350	KN-145	YFM350FW Big Bear	384	YA-2597	KN-142
YFM660R Raptor	660	YA-6601	KN-147	YFM350X Warrior	350	YA-4350	KN-142
YFS200 Blaster	200	YA-2088		YFM400 Big Bear	400		KN-142
YFZ350 Banshee	350	YA-3502		YFM400F Kodiak	401	YA-2597	KN-142
YZ125	125	YA-2506XD		YFM600 Grizzly	600	YA-4350	KN-145
YZ250	250	YA-2506XD		YFZ350 Banshee	350	YA-3502	
YZ250F	250	YA-2506XD	KN-142	YZ400F	400	YA-2506XD	KN-142
YZ426F	426	YA-2506XD	KN-142	YZF R1	998	YA-1098	KN-303
YZF R1	998	YA-1098	KN-303	YZF R6	599	YA-6001	KN-303
YZF R6	599	YA-6001	KN-303	YZF600R	600	YA-6096	KN-303
YZF600R	600	YA-6096	KN-303				
2000 YAMAHA				1998 YAMAHA			
SR400	400	YA-4092		VMX1200 V-Max	1200	YA-1285	KN-303
TTR250	250	YA-3586	KN-142	XV1100 Virago	1100	YA-1186	KN-145
TW200	198	YA-2002	KN-143	XVS650 V-Star Classic	650	YA-6598	KN-145
VMX1200 V-Max	1200	YA-1285	KN-303	XVS650 V-Star Custom	650	YA-6598	
WR400F	400	YA-2506XD	KN-142	XVZ1300 Royal Star	1300		KN-303
XV1600 Road Star	1600	YA-1699	KN-303	XVZ1300 Royal Star Tour Classic	1300	YA-1595	KN-303
XV1600 Road Star Midnight	1600	YA-1699		YFM350FW Big Bear	346	YA-2597	KN-142
XV1600 Road Star Silverado	1600	YA-1699	KN-303	YFM350FX Wolverine	350	YA-4350	KN-142
XVS650 V-Star Classic	650	YA-6598	KN-145	YFM350X Warrior	350	YA-4350	KN-142
XVS650 V-Star Custom	650	YA-6598		YFM400F Kodiak	401	YA-2597	
XVS1100 V-Star Classic	1100	YA-1199	KN-145	YFM600 Grizzly	600	YA-4350	KN-145
XVS1100 V-Star Custom	1100	YA-1199		YFZ350 Banshee	350	YA-3502	
XVZ1300 Royal Star Venture	1300	YA-1399	KN-303	YZF R1	998	YA-1098	KN-303
YFM250 Bear Tracker	230	YA-4001	KN-143	YZF600R	600	YA-6096	KN-303
YFM350FX Wolverine	350	YA-4350		YZF1000R	1000	YA-1089	KN-303
YFM350X Warrior	350	YA-4350	KN-142	Thunderace			
YFM400 Big Bear 4x4	384	YA-4001					
YFM400 Kodiak Auto 4x4	393	YA-4000	KN-303	1997 YAMAHA			
YFM600 Grizzly	600	YA-4350	KN-145	VMX1200 V-Max	1200	YA-1285	KN-303
YFS200 Blaster	200	YA-2088		XV1100 Virago	1100	YA-1186	KN-145
YFZ350 Banshee	350	YA-3502		XVZ1300 Royal Star	1300	YA-1595	KN-303
YZ426F	426	YA-2506XD	KN-142	XVZ1300 Royal Star Tour Classic	1300		KN-303
YZF R1	998	YA-1098	KN-303	XVZ1300 Royal Star Tour Deluxe	1300	YA-1595	
YZF R6	599	YA-6001	KN-303	YFB250 Timberwolf	230	YA-2597	KN-143
YZF600R	600	YA-6096	KN-303	YFM350FW Big Bear	346	YA-2597	KN-142
				YFM400F Kodiak	401	YA-2597	KN-142
				YFZ350 Banshee	350	YA-3502	
				YZF600R	600	YA-6096	KN-303
				YZF1000R	1000	YA-1089	
1999 YAMAHA							
SR400	400	YA-4092					
VMX1200 V-Max	1200	YA-1285	KN-303				
XJR1300	1300	YA-1295					
XT350	350		KN-143				
XV1100 Virago	1100		KN-145				
XV1600 Road Star Silverado	1600	YA-1699	KN-303				
XV1600 Road Star	1600	YA-1699	KN-303				
XVS650 V-Star Classic	650	YA-6598	KN-145				

* 2 filters required ♦ Intake System Available - see page 370 +Cabin Air Filter Available - see page 353 1- Performance Silver Oil Filter Also Available



CABIN AIR FILTERS

ACURA	Year(s)	Part#	AUDI	Year(s)	Part#	AUDI	Year(s)	Part#
CL			A3			A5		
3.2L F/I V6	01-03	VF3006	1.6L DSL L4	09-12	VF3013	4.2L F/I V8	08-11	VF3009
CL Type-S				13-18	VF2047	A5 Quattro		
3.2L F/I V6	01-03	VF3006	1.6L F/I L4	03-10	VF3013	2.0L F/I L4	10-16	VF3009
CSX			1.8L F/I L4	98-04	VF2012	3.2L F/I V6	08-11	VF3009
2.0L F/I L4	06-11	VF2001		06-12	VF3013	allroad		
EL				13-17	VF2047	2.0L F/I L4	13-16	VF3009
1.6L F/I L4	97-00	VF2022	1.9L DSL L4	03-10	VF3013	Cabriolet		
1.7L F/I L4	02-05	VF2022	2.0L DSL L4	03-12	VF3013	2.8L F/I V6	94-98	VF5001
ILX				14-18	VF2047	Q2		
1.5L F/I L4	13-14	VF2001	2.0L DSL L4 - Non-US	2013	VF2047	1.0L F/I L3	16-18	VF2047
2.0L F/I L4	13-15	VF2001	2.0L F/I L4	03-12	VF3013	1.4L F/I L4	16-18	VF2047
2.4L F/I L4	13-20	VF2001		15-18	VF2047	1.6L DSL L4	16-18	VF2047
MDX			2.0L F/I L4 - Non-US	2013	VF2047	2.0L DSL L4	16-18	VF2047
3.5L F/I V6	01-06	VF3004	2.0L F/I L4 - US	2013	VF3013	2.0L F/I L4	17-18	VF2047
	14-20	VF2001	3.2L F/I V6	03-05	VF3013	Q2 Quattro		
3.7L F/I V6	07-13	VF2001	A3 Quattro			2.0L F/I L4	2018	VF2047
RDX			1.4L F/I L4	2018	VF2047	Q3		
2.0L F/I L4	2019	VF2033	2.0L F/I L4	04-05	VF3013	1.4L F/I L4	13-18	VF3013
2.3L F/I L4	07-12	VF2001		09-13	VF3013	2.0L DSL L4	11-18	VF3013
3.5L F/I V6	13-18	VF2001		15-18	VF2047	2.0L F/I L4	11-18	VF3013
RL			3.2L F/I V6	04-09	VF3013	2.5L F/I L5	13-18	VF3013
3.5L F/I V6	05-08	VF2001	A3 Sportback e-tron			Q3 Quattro		
3.7L F/I V6	09-12	VF2001	1.4L F/I L4	16-18	VF2047	2.0L DSL L4	17-18	VF3013
RLX			A4			2.0L F/I L4	15-18	VF3013
3.5L F/I V6	14-18	VF2001	1.8L F/I L4	97-01	VF5001	Q5		
RSX				08-16	VF3009	2.0L F/I L4	11-17	VF3009
2.0L F/I L4	02-06	VF2022	2.0L DSL L4	08-16	VF3009	3.0L DSL V6	14-16	VF3009
RSX Type-S			2.0L F/I L4	08-16	VF3009	3.0L F/I V6	13-17	VF3009
2.0L F/I L4	02-06	VF2022	2.7L DSL V6	08-11	VF3009	3.2L F/I V6	09-12	VF3009
TL			2.8L F/I V6	96-99	VF5001	Q5 II		
3.2L F/I V6	99-03	VF3006		2001	VF5001	2.0L F/I L4	16-17	VF3009
	04-08	VF2001	3.0L DSL V6	08-15	VF3009	RS3		
3.5L F/I V6	07-14	VF2001	3.0L F/I V6	09-15	VF3009	2.5L F/I L5	11-12	VF3013
3.7L F/I V6	09-14	VF2001	3.2L F/I V6	08-11	VF3009		16-18	VF2047
TL Type-S			A4 allroad			RS4		
3.2L F/I V6	02-03	VF3006	2.0L F/I L4	13-16	VF3009	4.2L F/I V8	12-15	VF3009
TLX			A4 Cabriolet			RS5		
2.4L F/I L4	15-20	VF2001	2.0L F/I L4	2010	VF3009	4.2L F/I V8	10-15	VF3009
3.5L F/I V6	15-20	VF2001	A4 Quattro			S3		
TSX			1.8L F/I L4	97-01	VF5001	2.0L F/I L4	07-13	VF3013
2.4L F/I L4	04-14	VF2001	2.0L F/I L4	09-16	VF3009		16-18	VF2047
3.5L F/I V6	10-14	VF2001	2.8L F/I V6	96-99	VF5001	2.0L F/I V4	2014	VF2047
ZDX				2001	VF5001	S4		
3.7L F/I V6	10-13	VF2001	3.2L F/I V6	2009	VF3009	2.7L F/I V6	00-02	VF5001
AUDI	Year(s)	Part#	A4 Quattro Cabriolet			3.0L F/I V6 - 8K/B8 Model	2016	VF3009
90			2.0L F/I L4	2010	VF3009	3.0L F/I V6	10-15	VF3009
2.8L F/I V6	94-95	VF5001	3.2L F/I V6	2009	VF3009	3.2L F/I V6	08-11	VF3009
90 Quattro			A5			S5		
2.8L F/I V6	94-95	VF5001	1.8L F/I L4	08-16	VF3009	3.0L F/I V6	10-16	VF3009
A3			2.0L DSL L4	08-16	VF3009	3.2L F/I V6	09-11	VF3009
1.0L F/I L3	16-18	VF2047	2.0L F/I L4	08-14	VF3009	4.2L F/I V8	08-12	VF3009
1.2L F/I L4	09-12	VF3013	2.7L DSL V6	08-11	VF3009	SQ5		
	13-16	VF2047	3.0L DSL V6	08-15	VF3009	3.0L DSL V6	13-16	VF3009
1.4L F/I L4	07-12	VF3013	3.0L F/I V6	08-16	VF3009	3.0L F/I V6	13-17	VF3009
	13-18	VF2047	3.2L F/I V6	08-11	VF3009			

CABIN AIR FILTERS



AUDI	Year(s)	Part#	BMW	Year(s)	Part#	BMW	Year(s)	Part#
TT			530i			X2 18i		
1.8L F/I L4	00-06	VF2012	3.0L F/I L6 - E60, E61	2010	VF4000	2.0L F/I L4	2018	VF2060
	09-14	VF3013	535d			X2 20i		
	15-18	VF2047	3.0L DSL L6	05-09	VF4000	2.0L F/I L4	2018	VF2060
2.0L DSL L4	15-17	VF2047	3.0L DSL L6 - E60, E61	2010	VF4000	X3		
2.0L F/I L4	08-09	VF3013	535i			2.0L F/I L4 - Under Hood	14-17	VF2069
	15-18	VF2047	3.0L F/I L6	07-09	VF4000	3.0L F/I L6 - Under Hood	11-12	VF2069
TT Quattro			3.0L F/I L6 - E60, E61	2010	VF4000		15-17	VF2069
1.8L F/I L4	00-06	VF2012	535i GT			X3 xDrive28i		
	2014	VF3013	3.0L F/I L6	2009	VF4000	2.0L F/I L4 - Under Hood	2013	VF2069
2.0L F/I L4	09-14	VF3013	3.0L F/I L6 - E60, E61	2010	VF4000	3.0L F/I L6 - Under Hood	2011	VF2069
	16-18	VF2047	535i xDrive				2013	VF2069
2.0L F/I L4 - Non-US	2015	VF2047	3.0L F/I L6 - E60, E61	2010	VF4000	X3 xDrive35i		
2.0L F/I L4 - US	2015	VF3013	540i			3.0L F/I L6 - Under Hood	13-14	VF2069
2.5L F/I L5	12-13	VF3013	4.0L F/I V8	05-10	VF4000	X4		
3.2L F/I V6	04-06	VF2012	545i			2.0L F/I L4 - Under Hood	15-18	VF2069
	07-10	VF3013	4.4L F/I V8	03-05	VF4000	3.0L F/I L6 - Under Hood	15-18	VF2069
TT RS			550i			X5		
2.5L F/I L5	16-17	VF2047	4.8L F/I V8	05-09	VF4000	2.0L F/I L4	16-18	VF3019
TT RS Quattro			4.8L F/I V8 - E60, E61	2010	VF4000	3.0L F/I L6	07-18	VF3019
2.5L F/I L5	2018	VF2047	630i			4.4L F/I V8	11-18	VF3019
TTS Quattro			3.0L F/I L6	04-11	VF4000	4.8L F/I V8	07-10	VF3019
2.0L F/I L4	16-18	VF2047	635d			X5 M		
BMW	Year(s)	Part#	3.0L DSL L6	05-11	VF4000	4.4L F/I V8	10-17	VF3019
520d			645Ci			X6		
2.0L DSL L4	05-09	VF4000	4.4L F/I V8	04-05	VF4000	3.0L F/I L6	08-18	VF3019
2.0L DSL L4 - E60, E61	2010	VF4000	650i			4.4L F/I V8	08-18	VF3019
520i			4.8L F/I V8	05-11	VF4000	X6 M		
2.0L F/I L4 - E60, E61	2010	VF4000	Alpina B5			4.4L F/I V8	09-17	VF3019
2.0L F/I L6	04-09	VF4000	4.4L F/I V8	05-10	VF4000	BUICK	Year(s)	Part#
2.0L F/I L6 - E60, E61	2003	VF4000	Alpina B6			Allure		
	2010	VF4000	4.4L F/I V8	06-10	VF4000	2.4L F/I L4	2010	VF2040
523i			i3			3.0L F/I V6	2010	VF2040
2.5L F/I L6	05-09	VF4000	0.6L F/I L2	14-18	VF2060	3.6L F/I V6	05-08	VF3000
2.5L F/I L6 - E60, E61	2010	VF4000	i3s				2010	VF2040
525d			0.6L F/I L2	2018	VF2060	3.8L F/I V6	05-09	VF3000
2.5L DSL L6	04-08	VF4000	M5			5.3L F/I V8	08-09	VF3000
3.0L DSL L6	2009	VF4000	5.0L F/I V10	05-10	VF4000	Century		
3.0L DSL L6 - E60, E61	2010	VF4000	M6			3.1L F/I V6	97-05	VF3000
525i			5.0L F/I V10	05-11	VF4000	Enclave		
2.5L F/I L6	04-09	VF4000	X1			3.6L F/I V6	08-16	VF1012
2.5L F/I L6 - E60, E61	2003	VF4000	2.0L F/I L4	16-18	VF2060		18-19	VF2071
	2010	VF4000	X1 18i			Encore		
3.0L F/I L6	06-09	VF4000	2.0L F/I L4	2018	VF2060	1.4L F/I L4	13-19	VF2040
3.0L F/I L6 - E60, E61	2010	VF4000	X1 20i			Envision		
530d			2.0L F/I L4	2016	VF2060	2.0L F/I L4	16-19	VF2071
3.0L DSL L6	04-09	VF4000	X1 25i			2.5L F/I L4	17-19	VF2071
3.0L DSL L6 - E60, E61	2003	VF4000	2.0L F/I L4	2016	VF2060	LaCrosse		
	2010	VF4000	X2			2.4L F/I L4	10-16	VF2040
530i			2.0L F/I L4	2018	VF2060	2.5L F/I L4	2018	VF2071
3.0L F/I L6	05-09	VF4000	2.0L F/I L4	2016	VF2060			
3.0L F/I L6 - E60	2003	VF4000	X2 18i					
3.0L F/I L6 - E60, E61	2004	VF4000	2.0L F/I L4	2018	VF2060			



CABIN AIR FILTERS

BUICK	Year(s)	Part#	CADILLAC	Year(s)	Part#	CHEVROLET	Year(s)	Part#
LaCrosse			ELR			Colorado		
3.0L F/I V6	2010	VF2040	1.4L F/I L4	14-15	VF2040	2.5L F/I L4	15-20	VF2071
3.6L F/I V6	05-08	VF3000	Escalade			2.8L DSL L4	16-20	VF2071
	10-16	VF2040	5.3L F/I V8	2002	VF1000	3.6L F/I V6	15-20	VF2071
	17-18	VF2071	6.0L F/I V8	2002	VF1000	Corvette		
3.8L F/I V6	05-09	VF3000	6.2L F/I V8	15-19	VF2044	6.0L F/I V8	05-07	VF3018
5.3L F/I V8	08-09	VF3000	Escalade ESV			6.2L F/I V8	08-18	VF3018
LeSabre			6.2L F/I V8	15-19	VF2044	Corvette Z06		
3.8L F/I V6	00-05	VF3001	SRX			7.0L F/I V8	06-13	VF3018
Lucerne			2.8L F/I V6	10-11	VF2040	Corvette ZR1		
3.8L F/I V6	06-08	VF3001	3.0L F/I V6	10-11	VF2040	6.2L F/I V8	09-13	VF3018
3.9L F/I V6	09-11	VF3001	3.6L F/I V6	04-09	VF2043	Cruze		
4.6L F/I V8	06-11	VF3001	4.6L F/I V8	12-16	VF2040	1.4L F/I L4	11-19	VF2040
Regal			4.6L F/I V8	04-09	VF2043	1.6L DSL L4	17-19	VF2040
2.0L F/I L4	11-17	VF2040	STS			1.8L F/I L4	11-15	VF2040
2.4L F/I L4	11-17	VF2040	3.6L F/I V6	05-11	VF2043	2.0L DSL L4	14-15	VF2040
3.8L F/I V6	97-04	VF3000	4.6L F/I V8	05-10	VF2043	Cruze Limited		
Regal Sportback			STS-V			1.4L F/I L4	2016	VF2040
2.0L F/I L4	18-19	VF2040	4.4L F/I V8	06-09	VF2043	Equinox		
3.6L F/I V6	18-19	VF2040	XLR			2.4L F/I L4	10-17	VF2016
Regal TourX			4.4L F/I V8	07-09	VF3018	3.0L F/I V6	10-12	VF2016
2.0L F/I L4	18-19	VF2040	4.6L F/I V8	05-09	VF3018	3.6L F/I V6	13-17	VF2016
Rendezvous			XT5			HHR		
3.4L F/I V6	02-05	VF2046	3.6L F/I V6	17-19	VF2071	2.0L F/I L4	08-10	VF2006
3.5L F/I V6	06-07	VF2046	CHEVROLET	Year(s)	Part#	2.2L F/I L4	06-11	VF2006
3.6L F/I V6	04-06	VF2046	Avalanche 1500			2.4L F/I L4	06-11	VF2006
Terraza			5.3L F/I V8	2002	VF1000	Impala		
3.5L F/I V6	05-06	VF2046	Avalanche 2500			3.4L F/I V6	00-05	VF3000
3.9L F/I V6	06-07	VF2046	8.1L F/I V8	2002	VF1000	3.5L F/I V6	06-11	VF3000
Verano			Blazer			3.6L F/I V6	12-13	VF3000
2.0L F/I L4	13-15	VF2040	2.5L F/I L4	2019	VF2071	3.8L F/I V6	00-05	VF3000
2.4L F/I L4	12-15	VF2040	3.6L F/I V6	2019	VF2071	3.9L F/I V6	06-11	VF3000
CADILLAC	Year(s)	Part#	Camaro			5.3L F/I V8	06-09	VF3000
CTS			2.0L F/I L4	16-19	VF2040	Malibu		
2.0L F/I L4	14-19	VF2040	3.6L F/I V6	10-15	VF3017	1.5L F/I L4	16-19	VF2071
2.8L F/I V6	05-07	VF2043	7.0L F/I V8	14-15	VF3017	1.8L F/I L4	16-19	VF2071
3.0L F/I V6	10-14	VF2043	Camaro SS			2.0L F/I L4	13-15	VF2040
3.2L F/I V6	03-04	VF2043	6.2L F/I V8	10-15	VF3017	2.4L F/I L4	13-14	VF2040
3.6L F/I V6	04-13	VF2043	16-19	VF2040	16-19	2.5L F/I L4	13-15	VF2040
3.6L F/I V6 - Exc. Coupe & Wagon	2014	VF2040	Camaro ZL1			Monte Carlo		
3.6L F/I V6 - Exc. Sedan	2014	VF2043	6.2L F/I V8	12-15	VF3017	3.1L F/I V6	97-99	VF3000
CTS V-Sport			17-19	VF2040	17-19	3.4L F/I V6	1997	VF3000
3.6L F/I V6	14-19	VF2040	Caprice			00-05	VF3000	
CTS-V			3.6L F/I V6	12-17	VF3020	06-07	VF3000	
5.7L F/I V8	04-05	VF2043	6.0L F/I V8	11-17	VF3020	08-05	VF3000	
6.0L F/I V8	06-07	VF2043	Captiva Sport			2006	VF3000	
6.2L F/I V8	2009	VF2043	2.4L F/I L4	2006	VF2016	06-07	VF3000	
	11-15	VF2043	3.0L F/I V6	2008	VF2016	Orlando		
	16-19	VF2040	3.6L F/I V6	10-15	VF2016	2.4L F/I L4	12-13	VF2040
DeVille			Cobalt			Silverado 1500		
4.6L F/I V8	00-05	VF3001	2.0L F/I L4	05-10	VF2006	2.7L F/I L4	2019	VF2071
DTS			2.2L F/I L4	05-10	VF2006	4.3L F/I V6	99-02	VF1000
4.6L F/I V8	06-11	VF3001	2.4L F/I L4	06-08	VF2006	4.8L F/I V8	14-18	VF2044
							2019	VF2071
							99-02	VF1000

CABIN AIR FILTERS



CHEVROLET	Year(s)	Part#	CHEVROLET	Year(s)	Part#	DODGE	Year(s)	Part#
Silverado 1500			Uplander			1500		
5.3L F/I V8	99-02	VF1000	3.5L F/I V6	05-06	VF2046	3.6L F/I V6 - Equipped w/Cabin Filter Door	16-18	VF2013
	14-18	VF2044	3.9L F/I V6	06-09	VF2046	5.7L F/I V8	2019	VF2065
	2019	VF2071	Venture			5.7L F/I V8 - Equipped w/Cabin Filter Door	16-18	VF2013
6.2L F/I V8	14-18	VF2044	3.4L F/I V6	01-05	VF2046	1500 Classic		
	2019	VF2071	Volt			3.6L F/I V6 - Equipped w/Cabin Filter Door	2019	VF2013
Silverado 1500 HD			1.4L F/I L4	11-15	VF2040	5.7L F/I V8 - Equipped w/Cabin Filter Door	2019	VF2013
6.0L F/I V8	01-02	VF1000	1.5L F/I L4	16-19	VF2040	2500		
Silverado 2500			CHRYSLER	Year(s)	Part#	5.7L F/I V8 - Equipped w/Cabin Filter Door	16-18	VF2013
5.3L F/I V8	99-00	VF1000	200			5.7L F/I V8 - Equipped w/Cabin Filter Door	16-18	VF2013
	2002	VF1000	2.4L F/I L4	11-14	VF2013	6.4L F/I V8 - Equipped w/Cabin Filter Door	16-18	VF2013
6.0L F/I V8	99-02	VF1000	3.6L F/I V6	11-14	VF2013	6.7L DSL L6 - Equipped w/Cabin Filter Door	16-18	VF2013
Silverado 2500 HD			300			3500		
6.0L F/I V8	01-02	VF1000	2.7L F/I V6	05-10	VF3007	5.7L F/I V8 - Equipped w/Cabin Filter Door	16-18	VF2013
	15-19	VF2044	3.5L F/I V6	05-10	VF3007	6.4L F/I V8 - Equipped w/Cabin Filter Door	16-18	VF2013
6.6L DSL V8	01-02	VF1000	3.6L F/I V6	11-17	VF2027	6.7L DSL L6 - Equipped w/Cabin Filter Door	16-18	VF2013
	15-19	VF2044	5.7L F/I V8	2017	VF2027	4500		
8.1L F/I V8	01-02	VF1000	6.4L F/I V8	12-14	VF2027	6.4L F/I V8 - Equipped w/Cabin Filter Door	16-17	VF2013
Silverado 3500			300C			6.7L DSL L6	16-18	VF2013
5.3L F/I V8	2002	VF1000	3.5L F/I V6	2005	VF3007	5500		
6.0L F/I V8	01-02	VF1000	3.6L F/I V6	14-15	VF2027	6.4L F/I V8	16-17	VF2013
	2017	VF2044	5.7L F/I V8	05-10	VF3007	6.7L DSL L6	16-18	VF2013
6.6L DSL V8	01-02	VF1000	6.1L F/I V8	11-17	VF2027	Avenger		
8.1L F/I V8	01-02	VF1000	300S	05-10	VF3007	2.4L F/I L4	08-14	VF2013
Silverado 3500 HD			5.7L F/I V8	12-16	VF2027	2.7L F/I V6	08-10	VF2013
6.0L F/I V8	15-19	VF2044	Cirrus			3.5L F/I V6	08-10	VF2013
6.6L DSL V8	15-19	VF2044	2.4L F/I L4	08-10	VF2013	Grand Voyager		
Sonic			3.5L F/I V6	2008	VF2013	3.0L F/I V6	2000	VF3005
1.4L F/I L4	12-19	VF2040	Grand Voyager			3.3L F/I V6	2000	VF3005
1.8L F/I L4	12-18	VF2040	3.0L F/I V6	2000	VF3005	Pacifica		
Spark			3.3L F/I V6	2000	VF3005	3.5L F/I V6	04-06	VF3005
1.2L F/I L4	13-15	VF2040	Pacifica			3.8L F/I V6	05-08	VF3005
1.4L F/I L4	16-19	VF2040	3.5L F/I V6	04-06	VF3005	4.0L F/I V6	07-08	VF3005
SS			3.8L F/I V6	05-08	VF3005	Sebring		
6.2L F/I V8	14-17	VF3020	4.0L F/I V6	07-08	VF3005	2.4L F/I L4	07-10	VF2013
Suburban			Sebring			2.7L F/I V6	07-10	VF2013
5.3L F/I V8	15-19	VF2044	2.4L F/I L4	07-10	VF2013	3.5L F/I V6	07-10	VF2013
6.2L F/I V8	2019	VF2044	2.7L F/I V6	07-10	VF2013	Town & Country Van		
Suburban 1500			3.5L F/I V6	07-10	VF2013	3.3L F/I V6	01-07	VF3005
5.3L F/I V8	00-02	VF1000	Town & Country Van			08-10	VF2038	
Suburban 2500			3.3L F/I V6	01-07	VF3005	11-16	VF2038	
6.0L F/I V8	00-02	VF1000	3.6L F/I V6	11-16	VF2038	01-07	VF3005	
8.1L F/I V8	01-02	VF1000	3.8L F/I V6	01-07	VF3005	08-10	VF2038	
Suburban 3500 HD			Sebring			08-10	VF2038	
6.0L F/I V8	16-19	VF2044	2.4L F/I L4	07-10	VF2013	Caliber		
Tahoe			2.7L F/I V6	07-10	VF2013	1.8L F/I L4	07-09	VF2013
4.8L F/I V8	00-02	VF1000	3.5L F/I V6	07-10	VF2013	2.0L F/I L4	07-12	VF2013
5.3L F/I V8	00-02	VF1000	Town & Country Van			2.4L F/I L4	07-11	VF2013
	15-19	VF2044	3.3L F/I V6	01-07	VF3005	Caliber SRT-4		
6.2L F/I V8	18-19	VF2044	3.6L F/I V6	01-07	VF3005	2.4L F/I L4	08-09	VF2013
Traverse			3.8L F/I V6	01-07	VF3005	Caravan		
2.0L F/I L4	18-19	VF2071	4.0L F/I V6	08-10	VF2038	2.4L F/I L4	01-07	VF3005
3.6L F/I V6	09-16	VF1012	Voyager Van			3.3L F/I V6	01-07	VF3005
	18-19	VF2071	2.4L F/I L4	01-03	VF3005	Cargo Van		
Trax			3.3L F/I V6	01-03	VF3005	3.6L F/I V6	2012	VF2038
1.4L F/I L4	15-19	VF2040	DODGE	Year(s)	Part#	Challenger		
			1500			3.5L F/I V6	09-10	VF3007
			3.0L DSL V6 - Equipped w/Cabin Filter Door	16-18	VF2013	3.6L F/I V6	11-18	VF2027
			3.6L F/I V6	2019	VF2065	5.7L F/I V8	09-10	VF3007
						11-18	VF2027	
						6.1L F/I V8	08-10	VF3007
						6.2L F/I V8	15-18	VF2027
						6.4L F/I V8	11-18	VF2027
						Challenger Demon		
						6.2L F/I V8	2018	VF2027



CABIN AIR FILTERS

DODGE	Year(s)	Part#	FORD	Year(s)	Part#	FORD	Year(s)	Part#
Charger			Explorer			Mustang		
2.7L F/I V6	06-10	VF3007	2.3L F/I L4	16-18	VF1011	4.0L F/I V6	05-10	VF2020
3.5L F/I V6	06-10	VF3007	3.5L F/I V6	11-18	VF1011	4.6L F/I V8	07-10	VF2020
3.6L F/I V6	11-18	VF2027	Explorer Sport			Mustang Boss 302		
5.7L F/I V8	06-10	VF3007	3.5L F/I V6	13-15	VF1011	5.0L F/I V8	12-13	VF2020
	11-18	VF2027	F150			Mustang Bullitt		
6.1L F/I V8	06-10	VF3007	2.7L F/I V6	15-19	VF2049	4.6L F/I V8	08-09	VF2020
6.2L F/I V8	15-18	VF2027	3.0L DSL V6	18-19	VF2049	Mustang GT		
6.4L F/I V8	12-18	VF2027	3.3L F/I V6	18-19	VF2049	4.6L F/I V8	05-10	VF2020
Durango			3.5L F/I V6	15-19	VF2049	5.0L F/I V8	11-14	VF2020
3.6L F/I V6	11-16	VF3012	5.0L F/I V8	15-19	VF2049		15-18	VF2053
5.7L F/I V8	11-16	VF3012	F150 Raptor			Mustang Shelby		
Grand Caravan			3.5L F/I V6	17-19	VF2049	5.2L F/I V8	15-18	VF2053
3.3L F/I V6	01-07	VF3005	F250 Super Duty			5.4L F/I V8	07-09	VF2020
	08-10	VF2038	6.2L F/I V8	17-19	VF2049	Mustang Shelby GT500		
3.6L F/I V6	11-18	VF2038	6.7L DSL V8	17-19	VF2049	5.4L F/I V8	10-12	VF2020
3.8L F/I V6	01-07	VF3005	F350 Super Duty			5.8L F/I V8	13-14	VF2020
	08-10	VF2038	6.2L F/I V8	17-19	VF2049	Ranger		
4.0L F/I V6	08-10	VF2038	6.7L DSL V8	17-19	VF2049	2.0L DSL L4	2019	VF2052
Journey			F450 Super Duty			2.2L DSL L4	11-19	VF2052
2.4L F/I L4	09-18	VF2013	6.2L F/I V8	2017	VF2049	2.3L F/I L4	2019	VF2052
3.5L F/I V6	09-10	VF2013	6.7L DSL V8	17-19	VF2049	3.2L DSL L5	11-19	VF2052
3.6L F/I V6	11-18	VF2013	F550 Super Duty			S-Max II		
Magnum			6.7L DSL V8	17-19	VF2049	1.5L F/I L4	15-18	VF2050
2.7L F/I V6	05-08	VF3007	Flex			2.0L DSL L4	15-18	VF2050
3.5L F/I V6	05-08	VF3007	3.5L F/I V6	10-18	VF1011	2.0L F/I L4	15-18	VF2050
5.7L F/I V8	05-08	VF3007	Freestar			Taurus		
6.1L F/I V8	06-08	VF3007	3.9L F/I V6	04-07	VF3002	2.0L F/I L4	13-17	VF1011
Nitro			4.2L F/I V6	04-07	VF3002	3.5L F/I V6	10-18	VF1011
2.8L DSL L4	06-10	VF1016	Fusion			Taurus SHO		
3.7L F/I V6	08-11	VF1016	1.5L F/I L4	14-18	VF2050	3.5L F/I V6	10-18	VF1011
4.0L F/I V6	08-11	VF1016	1.6L F/I L4	13-14	VF2050	Thunderbird		
FIAT	Year(s)	Part#	2.0L F/I L4	13-18	VF2050	3.9L F/I V8	02-05	VF3008
500L			2.5L F/I L4	10-12	VF2041	Windstar		
1.4L F/I L4	14-17	VF1014		13-18	VF2050	3.0L F/I V6	99-00	VF3002
500X			2.7L F/I V6	17-18	VF2050	3.8L F/I V6	99-03	VF3002
1.4L F/I L4	16-17	VF1014	3.0L F/I V6	10-12	VF2041	FREIGHTLINER	Year(s)	Part#
2.4L F/I L4	16-17	VF1014	3.5L F/I V6	10-12	VF2041	Sprinter 1500		
FORD	Year(s)	Part#	Fusion Hybrid			2.0L F/I L4 - OEM	19-20	VF8000
Edge			2.5L F/I L4	2010	VF2041	ABPN10G91559,		
2.0L DSL L4	15-18	VF2050	Galaxy III			91559, & BOA91559		
2.0L F/I L4	12-14	VF2019	1.5L F/I L4	15-18	VF2050	2.0L F/I L4 - OEM	19-20	VF8001
	15-18	VF2050	2.0L DSL L4	15-18	VF2050	ABPN83328345,		
2.7L F/I V6	15-18	VF2050	2.0L F/I L4	15-18	VF2050	22446600, &		
3.5L F/I V6	07-14	VF2019	Mondeo V			N8328345		
	15-18	VF2050	1.0L F/I L3	15-18	VF2050	Sprinter 2500		
3.7L F/I V6	11-14	VF2019	1.5L DSL L4	15-18	VF2050	2.0L F/I L4 - OEM	19-20	VF8000
Endura			1.5L F/I L4	15-18	VF2050	ABPN10G91559,		
2.0L DSL L4	18-20	VF2050	1.6L DSL L4	14-15	VF2050	91559, & BOA91559		
Everest			2.0L DSL L4	14-18	VF2050	2.0L F/I L4 - OEM	19-20	VF8001
2.0L DSL L4	18-20	VF2045	2.0L F/I L4	14-18	VF2050	ABPN83328345,		
3.2L DSL L5	15-18	VF2052	2.5L F/I L5	15-16	VF2050	22446600, &		
Expedition			Mustang			N8328345		
3.5L F/I V6	18-19	VF2049	2.3L F/I L4	15-18	VF2053	2.1L DSL L4 - OEM	14-17	VF8000
Explorer			3.7L F/I V6	11-14	VF2020	ABPN10G91559,		
2.0L F/I L4	12-15	VF1011		15-17	VF2053	91559, & BOA91559		

CABIN AIR FILTERS



FREIGHTLINER	Year(s)	Part#	GMC	Year(s)	Part#	GMC	Year(s)	Part#
Sprinter 2500			Canyon			Yukon XL		
2.7L DSL L5 - OEM ABPN10G91559, 91559, & BOA91559	02-06	VF8000	2.5L F/I L4	15-20	VF2071	6.2L F/I V8	18-19	VF2044
2.7L DSL L5 - OEM ABPN83328345, 22446600, & N8328345	02-06	VF8001	2.8L DSL L4	16-20	VF2071	Yukon XL 1500	00-02	VF1000
3.0L DSL V6 - OEM ABPN10G91559, 91559, & BOA91559	07-20	VF8000	3.6L F/I V6	15-20	VF2071	Yukon XL 2500	00-02	VF1000
3.0L DSL V6 - OEM ABPN83328345, 22446600, & N8328345	07-20	VF8001	Sierra 1500	99-02	VF1000	6.0L F/I V8	00-02	VF1000
3.5L F/I V6 - OEM ABPN10G91559, 91559, & BOA91559	07-08	VF8000	4.3L F/I V6	14-18	VF2044	8.1L F/I V8	01-02	VF1000
3.5L F/I V6 - OEM ABPN83328345, 22446600, & N8328345	07-08	VF8001	4.8L F/I V8	99-02	VF1000	HOLDEN	Year(s)	Part#
Sprinter 3500			5.3L F/I V8	99-02	VF1000	Arcadia	18-19	VF2071
2.1L DSL L4 - OEM ABPN10G91559, 91559, & BOA91559	14-17	VF8000	6.0L F/I V8	2001	VF1000	Astra BK	16-19	VF2071
2.1L DSL L4 - OEM ABPN83328345, 22446600, & N8328345	14-17	VF8001	6.2L F/I V8	14-18	VF2044	1.6L F/I L4	15-19	VF2071
2.7L DSL L5 - OEM ABPN10G91559, 91559, & BOA91559	02-06	VF8000	Sierra 1500 HD	2019	VF2071	Astra PJ	15-17	VF2040
2.7L DSL L5 - OEM ABPN83328345, 22446600, & N8328345	02-06	VF8001	6.0L F/I V8	01-02	VF1000	2.0L F/I L4	15-17	VF2040
3.0L DSL V6 - OEM ABPN10G91559, 91559, & BOA91559	07-20	VF8000	Sierra 2500	99-00	VF1000	Barina	11-18	VF2040
3.0L DSL V6 - OEM ABPN83328345, 22446600, & N8328345	07-20	VF8001	5.3L F/I V8	99-02	VF1000	Barina RS	13-16	VF2040
3.5L F/I V6 - OEM ABPN10G91559, 91559, & BOA91559	07-08	VF8000	6.0L F/I V8	01-02	VF1000	Barina Spark	10-15	VF2040
3.5L F/I V6 - OEM ABPN83328345, 22446600, & N8328345	07-08	VF8001	Sierra 2500 HD	15-19	VF2044	Calais	18-19	VF2071
GENESIS	Year(s)	Part#	6.0L F/I V8	01-02	VF1000	2.0L DSL L4	18-19	VF2071
G70			6.6L DSL V8	01-02	VF1000	2.0L F/I L4	18-19	VF2071
2.0L F/I L4	2019	VF2061	8.1L F/I V8	01-02	VF1000	3.6L F/I V6	18-19	VF2071
3.3L F/I V6	2019	VF2061	Sierra 3500	01-02	VF1000	Captiva Sport	2006	VF2016
G80			6.0L F/I V8	01-02	VF1000	Cascada	14-17	VF2040
3.3L F/I V6	18-19	VF2061	6.6L DSL V8	01-02	VF1000	1.6L F/I L4	14-17	VF2040
3.8L F/I V6	17-19	VF2061	8.1L F/I V8	01-02	VF1000	Colorado	12-14	VF2004
5.0L F/I V8	17-19	VF2061	Sierra 3500 HD	15-19	VF2044	2.4L DSL L4	12-19	VF2004
G90			6.0L F/I V8	15-19	VF2044	2.8L DSL L4	12-19	VF2004
3.3L F/I V6	17-19	VF2061	Sierra C3	2001	VF1000	Colorado 7	12-16	VF2004
5.0L F/I V8	17-19	VF2061	6.0L F/I V8	2014	VF2044	2.8L DSL L4	2018	VF2004
GMC	Year(s)	Part#	Sierra Denali			Commodore		
Acadia			6.2L F/I V8	2014	VF2044	2.0L DSL L4	18-19	VF2071
3.6L F/I V6	07-15	VF1012	Terrain			2.0L F/I L4	18-19	VF2071
			1.5L F/I L4	18-19	VF2071	3.6L F/I V6	18-19	VF2071
			1.6L DSL L4	18-19	VF2071	Cruze		
			2.0L F/I L4	18-19	VF2071	1.4L F/I L4	11-15	VF2040
			2.4L F/I L4	10-17	VF2016	1.6L F/I L4	13-16	VF2040
			3.0L F/I V6	10-12	VF2016	1.8L F/I L4	09-16	VF2040
			3.6L F/I V6	13-17	VF2016	2.0L DSL L4	09-15	VF2040
			Yukon			Equinox		
			4.8L F/I V8	00-02	VF1000	1.5L F/I L4	18-19	VF2071
			5.3L F/I V8	00-02	VF1000	1.6L DSL L4	18-19	VF2071
			6.2L F/I V8	18-19	VF2044	2.0L F/I L4	18-19	VF2071
			Yukon Denali			Insignia		
			6.0L F/I V8	01-02	VF1000	2.8L F/I V6	15-17	VF2040
			6.2L F/I V8	15-19	VF2044	Malibu		
			Yukon Denali XL			2.0L DSL L4	13-16	VF2040
			6.0L F/I V8	01-02	VF1000	2.4L F/I L4	13-16	VF2040
			6.2L F/I V8	15-19	VF2044	Spark		
			Yukon XL			1.4L F/I L4	16-18	VF2040
			5.3L F/I V8	15-19	VF2044			



CABIN AIR FILTERS

HOLDEN	Year(s)	Part#	HONDA	Year(s)	Part#	HYUNDAI	Year(s)	Part#
TrailBlazer			Civic X			Elantra		
2.8L DSL L4	16-17	VF2004	1.5L F/I L4	2017	VF2033	1.4L F/I L4	17-18	VF2059
Trax			Civic X Type R			1.6L F/I L4	17-18	VF2059
1.4L F/I L4	14-20	VF2040	2.0L F/I L4	17-18	VF2033	1.8L F/I L4	11-16	VF2037
1.8L F/I L4	13-20	VF2040	CR-V			2.0L F/I L4	01-06	VF2014
Volt			1.5L F/I L4	17-18	VF2033		07-08	VF2037
1.4L F/I L4	12-13	VF2040	2.4L F/I L4	02-06	VF2022		14-16	VF2037
				07-16	VF2001		17-18	VF2059
				17-18	VF2033	2.0L F/I L4 - Exc. Touring	09-10	VF2037
HONDA	Year(s)	Part#	CR-Z			Elantra Coupe		
Accord			1.5L F/I L4	11-15	VF2033	1.8L F/I L4	13-14	VF2037
1.5L F/I L4	18-20	VF2001	Crosstour			2.0L F/I L4	2014	VF2037
2.0L F/I L4	18-20	VF2001	2.4L F/I L4	12-14	VF2001	Elantra GT		
2.3L F/I L4	98-02	VF3006	3.5L F/I V6	12-14	VF2001	1.6L F/I L4	2018	VF2059
2.4L F/I L4	03-17	VF2001	Element			1.8L F/I L4	2013	VF2037
3.0L F/I V6	98-02	VF3006	2.4L F/I L4	03-11	VF2022	2.0L F/I L4	14-17	VF2037
	03-07	VF2001	Fit				2018	VF2059
3.5L F/I V6	08-17	VF2001	Electric	2014	VF2033	Entourage		
Accord Crosstour			1.5L F/I L4	07-08	VF1013	3.8L F/I V6	07-10	VF2014
3.5L F/I V6	10-11	VF2001		09-13	VF2033	Equus		
Accord Hybrid				15-19	VF2033	4.6L F/I V8	2011	VF2061
2.0L F/I L4	14-15	VF2001	HR-V			5.0L F/I V8	12-16	VF2061
	17-20	VF2001	1.5L F/I L4	15-17	VF2033	Genesis		
3.0L F/I V6	05-07	VF2001	1.6L DSL L4	15-17	VF2033	4.6L F/I V8	09-12	VF2061
City			1.8L F/I L4	16-19	VF2033	5.0L F/I V8	12-16	VF2061
1.5L F/I L4	08-19	VF2033	Insight			Genesis Coupe		
Civic			1.3L F/I L4	10-14	VF2033	2.0L F/I L4	10-14	VF2007
1.3L F/I L4	03-05	VF2022	Jazz			3.8L F/I V6	10-16	VF2007
	06-11	VF2001	1.5L F/I L4	08-19	VF2033	Genesis Sedan		
1.5L F/I L4	12-15	VF2001	Odyssey			3.8L F/I V6	09-16	VF2061
1.8L F/I L4	06-15	VF2001	3.5L F/I V6	99-04	VF3004	i20 II		
2.0L F/I L4	16-18	VF2033		05-17	VF2001	1.0L F/I L3	16-19	VF2037
Civic DX			Passport			1.1L DSL L3	15-18	VF2037
1.7L F/I L4	01-05	VF2022	3.5L F/I V6	19-20	VF2001	1.2L F/I L4	15-19	VF2037
Civic EX			Pilot			1.4L DSL L4	15-18	VF2037
1.7L F/I L4	01-05	VF2022	3.5L F/I V6	03-08	VF3004	1.4L F/I L4	15-19	VF2037
Civic GX			Ridgeline			i30		
1.7L F/I L4	01-05	VF2022	3.5L F/I V6	06-14	VF2001	1.6L F/I L4	18-19	VF2037
1.8L F/I L4	06-11	VF2001		17-19	VF2001	1.8L F/I L4	13-17	VF2037
Civic HX			S2000			2.0L F/I L4	13-20	VF2037
1.7L F/I L4	01-05	VF2022	2.0L F/I L4	00-03	VF1018	i30 II		
Civic IX Type R			2.2L F/I L4	04-09	VF1018	1.4L DSL L4 - From 3/12	13-16	VF2037
2.0L F/I L4	16-17	VF2033	HYUNDAI	Year(s)	Part#	1.4L F/I L4	2012	VF2037
Civic LX			Accent			1.4L F/I L4 - From 3/12	2012	VF2037
1.7L F/I L4	01-05	VF2022	1.6L F/I L4	08-11	VF2037	1.6L DSL L4	13-17	VF2037
Civic Reverb				12-16	VF2007	1.6L DSL L4 - From 3/12	2012	VF2037
1.7L F/I L4	2005	VF2022	Accent IV			1.6L F/I L4 - From 3/12	2012	VF2037
Civic Si			1.4L F/I L4	11-15	VF2007	i30 III		
1.5L F/I L4	17-18	VF2033	Azera			1.6L F/I L4	13-16	VF2037
1.7L F/I L4	02-05	VF2022	3.3L F/I V6	12-16	VF2016	i30N		
2.0L F/I L4	02-05	VF2022	3.3L F/I V6 - Exc. Auto Temp Control	07-11	VF2010	2.0L F/I L4	18-20	VF2037
	06-11	VF2001	3.8L F/I V6 - Exc. Auto Temp Control	06-11	VF2010	i40		
2.4L F/I L4	12-15	VF2001				1.6L F/I L4	01-18	VF2007
Civic Type R								
2.0L F/I L4	16-18	VF2033						
Civic Value Package								
1.7L F/I L4	04-05	VF2022						

CABIN AIR FILTERS



HYUNDAI	Year(s)	Part#	HYUNDAI	Year(s)	Part#	JEEP	Year(s)	Part#
i40			Tucson			Compass		
1.7L DSL L4	11-18	VF2007	2.0L F/I L4	11-14	VF2007	2.0L F/I L4	07-17	VF2013
2.0L F/I L4	11-18	VF2007	2.0L F/I L4 - Exc. HCC HVAC System	04-09	VF2007	2.4L F/I L4	07-16	VF2013
i45			2.4L F/I L4	11-15	VF2007	Gladiator		
2.0L F/I L4	10-15	VF2010	2.4L F/I L4 - Exc. HCC HVAC System	2010	VF2007	3.6L F/I V6	2020	VF2064
2.4L F/I L4	10-15	VF2010	2.7L F/I V6 - Exc. HCC HVAC System	04-09	VF2007	Grand Cherokee		
ix35			Veloster			3.0L DSL V6	14-18	VF3012
2.0L F/I L4	13-15	VF2037	1.6L F/I L4	12-17	VF2007	3.6L F/I V6	11-18	VF3012
2.4L F/I L4	13-15	VF2037	Veloster Turbo			5.7L F/I V8	11-18	VF3012
Santa Fe			1.6L F/I L4	13-17	VF2007	6.2L F/I V8	2018	VF3012
2.0L F/I L4	2013	VF2016	Veloster Turbo			6.4L F/I V8	12-18	VF3012
2.4L F/I L4	01-06	VF1003	1.6L F/I L4	13-17	VF2007	Grand Cherokee IV		
	2010	VF2026	XG300			6.2L F/I V8	2018	VF3012
	2012	VF2010	3.0L F/I V6	2001	VF1003	6.4L F/I V8	13-14	VF3012
2.4L F/I L4 - From 12/8/10	2011	VF2010	XG350			Liberty		
2.4L F/I L4 - To 12/8/10	2011	VF2026	3.5L F/I V6	02-05	VF1003	3.7L F/I V6	08-12	VF1016
2.7L F/I V6	01-06	VF1003	INFINITI	Year(s)	Part#	Patriot		
3.3L F/I V6	13-17	VF2016	FX35			2.0L F/I L4	07-17	VF2013
3.5L F/I V6	03-06	VF1003	3.5L F/I V6	03-08	VF2004	2.4L F/I L4	07-17	VF2013
	2010	VF2026	FX45			Renegade		
	2012	VF2010	4.5L F/I V8	03-08	VF2004	1.4L F/I L4	15-18	VF1014
3.5L F/I V6 - From 12/8/10	2011	VF2010	G35			2.4L F/I L4	15-18	VF1014
3.5L F/I V6 - To 12/8/10	2011	VF2026	3.5L F/I V6	03-08	VF2004	Wrangler		
Santa Fe Sport			QX56			2.8L DSL L4	11-16	VF1010
2.0L F/I L4	13-18	VF2016	5.6L F/I V8	04-10	VF1002	3.6L F/I V6	12-17	VF1010
2.4L F/I L4	13-18	VF2016	ISUZU	Year(s)	Part#	3.8L F/I V6	2011	VF1010
Santa Fe XL			D-Max			Wrangler III		
3.3L F/I V6	13-17	VF2016	2.5L DSL L4	12-18	VF2004	3.8L F/I V6	2011	VF1010
Sonata			3.0L DSL L4	12-20	VF2004	Wrangler JK		
1.6L F/I L4	15-18	VF2058	MU-X			3.6L F/I V6	2018	VF1010
2.0L F/I L4	11-14	VF2016	2.5L DSL L4	13-18	VF2004	Wrangler JL		
	15-18	VF2058	3.0L DSL L4	13-20	VF2004	2.0L F/I L4	18-19	VF2064
2.4L F/I L4	99-05	VF1003	JAGUAR	Year(s)	Part#	3.6L F/I V6	18-19	VF2064
	11-14	VF2016	F-Pace			KIA	Year(s)	Part#
	15-18	VF2058	2.0L DSL L4	18-19	VF2000	Borrego		
2.4L F/I L4	99-05	VF1003	3.0L DSL V6	18-19	VF2000	3.8L F/I V6	09-11	VF2042
	11-14	VF2016	3.0L F/I V6	18-19	VF2000	4.6L F/I V8	09-11	VF2042
	15-18	VF2058	I-Pace			Cadenza		
2.4L F/I L4 - Exc. Auto Temp Control	06-10	VF2010	Electric	17-19	VF2000	2.4L F/I L4	13-16	VF2016
2.5L F/I V6	99-01	VF1003	S-Type			3.3L F/I V6	14-16	VF2016
2.7L F/I V6	02-05	VF1003	3.0L F/I V6	00-02	VF3008	Carens		
3.3L F/I V6 - Exc. Auto Temp Control	06-10	VF2010	4.0L F/I V8	00-02	VF3008	1.6L F/I L4	13-18	VF2037
Sonata Hybrid			XE			1.7L DSL L4	13-16	VF2037
2.0L F/I L4	16-19	VF2016	2.0L DSL L4	15-19	VF2000		2018	VF2037
2.4L F/I L4	11-15	VF2016	2.0L F/I L4	15-19	VF2000	2.0L F/I L4	13-18	VF2037
Tiburon			3.0L DSL V6	15-19	VF2000	Carnival		
2.0L F/I L4	03-08	VF2014	3.0L F/I V6	15-19	VF2000	2.2L DSL L4	15-17	VF2014
2.7L F/I V6	06-08	VF2014	XF			3.3L F/I V6	15-17	VF2014
Tiburon GT			2.0L DSL L4	15-19	VF2000	Carnival III		
2.7L F/I V6	03-05	VF2014	3.0L DSL V6	15-19	VF2000	2.7L F/I V6	06-11	VF2014
Tiburon SE			3.0L F/I V6	15-19	VF2000	cee d		
2.7L F/I V6	2005	VF2014	JEEP	Year(s)	Part#	1.0L F/I L3	15-17	VF2037
Tucson			Cherokee			1.0L F/I L3 - To 6/18	2018	VF2037
2.0L DSL L4 - Exc. HCC HVAC System	04-10	VF2007	2.8L DSL L4	08-14	VF1016	1.4L F/I L4	13-17	VF2037
			3.7L F/I V6	08-14	VF1016	1.4L F/I L4 - From 5/12	2012	VF2037
						1.4L F/I L4 - To 6/18	2018	VF2037



CABIN AIR FILTERS

KIA	Year(s)	Part#	KIA	Year(s)	Part#	KIA	Year(s)	Part#
cee d			Magentis			Sedona		
1.6L DSL L4	13-17	VF2037	2.4L F/I L4	07-10	VF2010	3.5L F/I V6	11-12	VF2016
1.6L DSL L4 - From 5/12	2012	VF2037	2.7L F/I V6	07-10	VF2010		2014	VF2016
1.6L F/I L4	14-17	VF2037	Optima			3.8L F/I V6	06-10	VF2014
1.6L F/I L4 - From 5/12	2012	VF2037	1.6L F/I L4	16-19	VF2016	Sorento		
1.6L F/I L4 - To 6/18	2018	VF2037	2.0L F/I L4	01-05	VF2010	2.4L F/I L4	11-14	VF2026
				11-19	VF2016	3.3L F/I V6	2014	VF2026
Cerato			2.4L F/I L4	2005	VF1003	3.5L F/I V6	11-15	VF2026
1.6L DSL L4	06-09	VF2014		06-10	VF2010	3.8L F/I V6 - Korea	06-09	VF2007
1.6L F/I L4	08-12	VF2007		11-19	VF2016	Soul		
	13-16	VF2037	2.5L F/I V6 - Korea	01-03	VF2010	1.6L F/I L4	14-18	VF1017
1.8L F/I L4	13-17	VF2037	2.7L F/I V6	2005	VF1003	2.0L F/I L4	14-18	VF1017
2.0L F/I L4	04-07	VF2014		06-10	VF2010	Soul EV		
	08-12	VF2007	Optima Hybrid			Electric	15-18	VF1017
	13-20	VF2037	2.0L F/I L4	17-19	VF2016	Spectra		
Cerato GT			2.4L F/I L4	2016	VF2016	2.0L F/I L4	05-09	VF2042
1.6L F/I L4	18-20	VF2037	Pro cee d			Spectra5		
Cerato Koup			1.6L F/I L4	14-16	VF2037	2.0L F/I L4	05-09	VF2042
1.6L F/I L4	13-17	VF2037	Rio			Sportage		
2.0L F/I L4	09-13	VF2007	1.6L F/I L4	06-16	VF2007	2.0L F/I L4	05-13	VF2007
	14-17	VF2037		2018	VF2059	2.0L F/I L4 - Non-US, 224x202mm	14-16	VF2007
CX-8			Rio II			2.0L F/I L4 - US	14-16	VF2007
2.2L DSL L4	19-20	VF2054	1.2L F/I L4	05-11	VF2007	2.4L F/I L4	11-16	VF2007
Forte			1.4L F/I L4	05-11	VF2007	2.7L F/I V6	05-10	VF2007
1.6L F/I L4	15-16	VF2037	1.5L DSL L4	05-11	VF2007	Sportage II		
1.8L F/I L4	14-16	VF2037	1.6L F/I L4	05-11	VF2007	2.0L DSL L4 - From 7/05, Left Hand Drive	2005	VF2007
2.0L F/I L4	10-13	VF2007	Rio III			2.0L DSL L4 - Left Hand Drive	06-10	VF2007
	14-18	VF2037	1.1L DSL L4 - Exc. Production Facility Russia	11-15	VF2007	Stinger		
2.4L F/I L4	10-13	VF2007	1.1L DSL L4 - Exc. Production Facility Turkey	16-17	VF2007	2.0L F/I L4	18-19	VF2061
Forte Koup			1.2L F/I L4 - Exc. Production Facility Russia	11-15	VF2007	3.3L F/I V6	18-19	VF2061
1.6L F/I L4	14-16	VF2037	1.2L F/I L4 - Exc. Production Facility Turkey	16-17	VF2007	LAND ROVER	Year(s)	Part#
2.0L F/I L4	10-13	VF2007	1.4L DSL L4 - Exc. Production Facility Russia	11-15	VF2007	Discovery V		
	14-16	VF2037	1.4L DSL L4 - Exc. Production Facility Turkey	11-15	VF2007	2.0L F/I L4	17-19	VF2000
2.4L F/I L4	10-13	VF2007	1.4L DSL L4 - Exc. Production Facility Russia	16-17	VF2007	3.0L DSL V6	16-19	VF2000
Forte5			1.4L DSL L4 - Exc. Production Facility Turkey	11-15	VF2007	3.0L F/I V6	16-18	VF2000
1.6L F/I L4	14-18	VF2037	1.4L DSL L4 - Exc. Production Facility Russia	16-17	VF2007	Range Rover IV		
2.0L F/I L4	12-13	VF2007	1.4L DSL L4 - Exc. Production Facility Turkey	11-15	VF2007	2.0L F/I L4	17-19	VF2000
	14-18	VF2037	1.4L F/I L4 - Exc. Production Facility Russia	16-17	VF2007	3.0L DSL V6	13-19	VF2000
2.4L F/I L4	12-13	VF2007	1.4L F/I L4 - Exc. Production Facility Turkey	11-14	VF2007	3.0L F/I V6	13-15	VF2000
Grand Carnival			1.6L F/I L4	06-12	VF2007	4.4L DSL V8	14-19	VF2000
2.9L DSL V6	07-11	VF2014	Rio5			5.0L F/I V8	13-19	VF2000
3.5L F/I V6	10-14	VF2016	1.6L F/I L4	06-12	VF2007	Range Rover Sport II		
3.8L F/I V6	06-10	VF2014	Rondo			2.0L DSL L4	18-19	VF2000
K2			1.7L DSL L4	13-17	VF2037	2.0L F/I L4	13-15	VF2000
1.6L F/I L4	11-16	VF2007	2.0L F/I L4	13-17	VF2037	3.0L DSL V6	13-19	VF2000
K3			2.4L F/I L4	07-12	VF2007	3.0L F/I V6	13-15	VF2000
1.6L DSL L4	12-17	VF2037	2.7L F/I V6	07-12	VF2007	4.4L DSL V8	13-19	VF2000
1.6L F/I L4	12-17	VF2037				5.0L F/I V8	13-19	VF2000
K4						Range Rover Velar		
1.6L F/I L4	14-17	VF2037				2.0L DSL L4	17-19	VF2000
K5						2.0L F/I L4	17-19	VF2000
2.0L F/I L4	11-15	VF2016				3.0L DSL V6	17-19	VF2000
2.4L F/I L4	11-15	VF2016				3.0L F/I V6	17-19	VF2000
K7								
2.4L F/I L4	10-16	VF2016						
3.3L F/I V6	10-16	VF2016						

CABIN AIR FILTERS



LEXUS	Year(s)	Part#	LEXUS	Year(s)	Part#	LEXUS	Year(s)	Part#
CT200h			IS300h			SC430		
1.8L F/I L4	11-16	VF2000	2.5L F/I L4	13-17	VF2000	4.3L F/I V8	02-10	VF2045
ES300			IS350			UX200		
3.0L F/I V6	02-03	VF2002	3.5L F/I V6	06-13	VF2000	2.0L F/I L4	2019	VF2054
ES300h				16-19	VF2057	UX250h		
2.5L F/I L4	13-18	VF2000	3.5L F/I V6 - Convertible	14-15	VF2000	2.0L F/I L4	2019	VF2054
ES330			3.5L F/I V6 - Exc.	14-15	VF2057	LINCOLN		
3.3L F/I V6	04-06	VF2002	Convertible			LS	Year(s)	Part#
ES350			LFA			3.0L F/I V6	00-02	VF3008
3.5L F/I V6	07-18	VF2000	4.8L F/I V10	2012	VF2000	3.9L F/I V8	00-02	VF3008
	2019	VF2054	LS430			MKS		
GS F			4.3L F/I V8	01-06	VF2045	3.5L F/I V6	10-16	VF1011
5.0L F/I V8	16-19	VF2057	LS460			3.7L F/I V6	10-16	VF1011
GS200t			4.6L F/I V8	07-17	VF2000	MKT		
2.0L F/I L4	15-17	VF2057	LS600h			2.0L F/I L4	2014	VF1011
GS250			5.0L F/I V8	08-17	VF2000	3.5L F/I V6	10-14	VF1011
2.5L F/I V6	12-14	VF2000	LX570				16-18	VF1011
GS300			5.7L F/I V8	08-11	VF2000	3.7L F/I V6	10-14	VF1011
2.0L F/I L4	18-19	VF2057		13-19	VF2000		16-18	VF1011
3.0L F/I L6	01-05	VF2045	NX200t			MKX		
3.0L F/I V6	2006	VF2000	2.0L F/I L4	15-17	VF2000	2.7L F/I V6	16-18	VF2050
GS350			NX300			3.5L F/I V6	07-10	VF2019
3.5L F/I V6	07-11	VF2000	2.0L F/I L4	18-19	VF2000	3.7L F/I V6	11-15	VF2019
	13-19	VF2057	NX300h				16-18	VF2050
GS430			2.5L F/I L4	15-19	VF2000	MKZ		
4.3L F/I V8	01-05	VF2045	RC F			2.0L F/I L4	13-18	VF2050
	06-07	VF2000	5.0L F/I V8	15-19	VF2057	2.5L F/I L4	11-12	VF2041
GS450h			RC200t			3.0L F/I V6	17-18	VF2050
3.5L F/I V6	07-11	VF2000	2.0L F/I L4	16-17	VF2057	3.5L F/I V6	10-12	VF2041
	13-18	VF2057	RC300			3.7L F/I V6	13-16	VF2050
GS460			2.0L F/I L4	18-19	VF2057	MKZ Hybrid		
4.6L F/I V8	08-11	VF2000	3.5L F/I V6	16-19	VF2057	2.0L F/I L4	13-18	VF2050
GX460			RC350			Navigator		
4.6L F/I V8	10-19	VF2000	3.5L F/I V6	15-19	VF2057	3.5L F/I V6	18-19	VF2049
GX470			RX270			MASERATI		
4.7L F/I V8	03-09	VF2002	2.7L F/I L4	12-14	VF2000	Ghibli	Year(s)	Part#
HS250h			RX300			3.0L F/I V6	14-18	VF2067
2.4L F/I L4	10-12	VF2000	3.0L F/I V6	99-03	VF2008	Levante		
IS F			RX330			3.0L F/I V6	17-18	VF2067
5.0L F/I V8	08-13	VF2000	3.3L F/I V6	04-06	VF2002	Quattroporte		
IS200			RX350			3.0L F/I V6	14-18	VF2067
2.0L F/I L6	99-05	VF2008	3.5L F/I V6	07-09	VF2002	3.8L F/I V8	14-18	VF2067
IS200t				10-15	VF2000	MAZDA		
2.0L F/I L4	16-17	VF2057		2019	VF2054	3	Year(s)	Part#
IS220			3.5L F/I V6 - US	16-18	VF2054	1.5L DSL L4	17-18	VF2056
2.2L DSL L4	05-11	VF2000	RX350L			1.5L F/I L4	15-18	VF2056
IS250			3.5L F/I V6	2019	VF2054	2.0L F/I L4	14-20	VF2056
2.5L F/I V6	06-13	VF2000	3.5L F/I V6 - US	2018	VF2054	2.2L DSL L4	13-18	VF2056
2.5L F/I V6 - Convertible	14-15	VF2000	RX400h			2.5L F/I L4	14-20	VF2056
2.5L F/I V6 - Exc.	14-15	VF2057	3.3L F/I V6	06-08	VF2002	6		
Convertible			RX450h			2.0L F/I L4	13-18	VF2056
IS300			3.5L F/I V6	10-15	VF2000	2.2L DSL L4	13-18	VF2056
2.0L F/I L4	18-19	VF2057		16-19	VF2054	2.3L F/I L4 - US	03-08	VF2018
3.0L F/I L6	01-05	VF2008	RX450hL			2.5L F/I L4	14-19	VF2056
3.5L F/I V6	16-19	VF2057	3.5L F/I V6	18-19	VF2054	3.0L F/I V6 - US	03-08	VF2018



CABIN AIR FILTERS

MAZDA	Year(s)	Part#	MERCEDES BENZ	Year(s)	Part#	MERCEDES BENZ	Year(s)	Part#
BT50			E43 AMG			GLE450 AMG		
3.2L DSL L5	12-17	VF2052	3.0L F/I V6 - Under Hood	17-18	VF2068	3.0L F/I L6 - Under Hood	2016	VF2068
CX-5			E450			GLE550		
2.0L F/I L4	13-17	VF2056	3.0L F/I V6 - Under Hood	2019	VF2068	4.6L F/I V8 - Under Hood	16-18	VF2068
2.2L DSL L4	12-19	VF2056	E500			GLE550e		
2.5L F/I L4	14-19	VF2056	5.0L F/I V8	03-06	VF4001	3.0L F/I V6 - Under Hood	16-18	VF2068
CX-8			E53 AMG			GLE63 AMG		
2.2L DSL L4	2018	VF2054	3.0L F/I L6 - Under Hood	2019	VF2068	5.5L F/I V8 - Under Hood	16-19	VF2068
CX-9			E55 AMG			GLE63 AMG S		
2.5L F/I L4	2019	VF2054	5.5L F/I V8	03-06	VF4001	5.5L F/I V8 - Under Hood	16-19	VF2068
2.5L F/I L4 - US	16-18	VF2054	E550			GLS450		
3.5L F/I V6	2007	VF2019	5.5L F/I V8	07-11	VF4001	3.0L F/I V6 - Under Hood	17-19	VF2068
3.7L F/I V6	08-15	VF2019	E63 AMG			GLS550		
MPV			5.5L F/I V8	12-13	VF4001	4.6L F/I V8 - Under Hood	17-19	VF2068
2.5L F/I V6	00-01	VF2002	6.3L F/I V8	07-11	VF4001	GLS63 AMG		
3.0L F/I V6	02-03	VF2002	E63 AMG S			5.5L F/I V8 - Under Hood	17-19	VF2068
MERCEDES BENZ	Year(s)	Part#	4.0L F/I V8 - Under Hood	18-19	VF2068	GLS63 AMG		
C300			GL350			5.5L F/I V8 - Under Hood	17-19	VF2068
2.0L F/I L4 - Under Hood	15-19	VF2066	GL450			ML250		
C350e			3.0L F/I V6 - Under Hood	15-16	VF2068	2.1L DSL L4 - Under Hood	2015	VF2068
2.0L F/I L4 - Under Hood	16-18	VF2066	4.6L F/I V8 - Under Hood	13-14	VF2068	ML350		
C400			GL550			3.0L DSL V6 - Under Hood	12-14	VF2068
3.0L F/I V6 - Under Hood	2015	VF2066	4.6L F/I V8 - Under Hood	13-16	VF2068	3.5L F/I V6 - Under Hood	12-15	VF2068
C43 AMG			GL63 AMG			ML400		
3.0L F/I V6 - Under Hood	17-19	VF2066	5.5L F/I V8 - Under Hood	13-16	VF2068	3.0L F/I V6 - Under Hood	2015	VF2068
C450 AMG			GLC300			ML550		
3.0L F/I V6 - Under Hood	2016	VF2066	2.0L F/I L4 - Under Hood	16-19	VF2068	4.6L F/I V8 - Under Hood	12-14	VF2068
C63 AMG			GLC350e			ML63 AMG		
4.0L F/I V8 - Under Hood	16-18	VF2066	2.0L F/I L4 - Under Hood	2019	VF2068	5.5L F/I V8 - Under Hood	12-15	VF2068
C63 AMG S			GLC43 AMG			MERCURY	Year(s)	Part#
4.0L F/I V8 - Under Hood	15-19	VF2066	3.0L F/I V6 - Under Hood	17-19	VF2068	Milan		
CLS500			GLC63 AMG			2.5L F/I L4	10-11	VF2041
5.0L F/I V8	2006	VF4001	4.0L F/I V8 - Under Hood	18-19	VF2068	3.0L F/I V6	10-11	VF2041
CLS55 AMG			GLC63 AMG S			Milan Hybrid		
5.5L F/I V8	2006	VF4001	4.0L F/I V8 - Under Hood	18-19	VF2068	2.5L F/I L4	2010	VF2041
CLS550			GLE300d			Monterey Van		
5.5L F/I V8	07-11	VF4001	2.1L DSL L4 - Under Hood	2016	VF2068	4.2L F/I V6	04-07	VF3002
CLS63 AMG			GLE350			MINI	Year(s)	Part#
6.3L F/I V8	07-11	VF4001	3.5L F/I V6 - Under Hood	16-18	VF2068	Cooper		
E300			GLE400			1.5L F/I L3	14-18	VF2060
2.0L F/I L4 - Under Hood	17-19	VF2068	3.0L F/I V6 - Under Hood	16-17	VF2068	1.6L F/I L4	07-14	VF5000
E320						Cooper Clubman		
3.0L DSL V6	07-09	VF4001				1.5L F/I L3	16-18	VF2060
3.2L DSL L6	05-06	VF4001				1.6L F/I L4	08-11	VF5000
3.2L F/I V6	03-05	VF4001				2.0L F/I L4	16-18	VF2060
E350						Cooper Countryman		
3.5L F/I V6	06-11	VF4001				1.5L F/I L3	17-18	VF2060
E400						1.6L F/I L4	11-16	VF5000
3.0L F/I V6 - Under Hood	2018	VF2068				2.0L F/I L4	2017	VF2060

CABIN AIR FILTERS



MINI	Year(s)	Part#	MINI	Year(s)	Part#	NISSAN	Year(s)	Part#
Cooper Countryman John Cooper Works			Lancer VIII			Navara		
1.6L F/I L4	2014	VF5000	1.5L F/I L4 - From 6/09	2009	VF2004	4.0L F/I V6	06-11	VF1001
2.0L F/I L4	2018	VF2060	1.8L F/I L4 - From 2/08	2008	VF2004	NP300		
Cooper John Cooper Works			2.0L DSL L4	2008	VF2004	2.3L DSL L4	15-19	VF2004
1.6L F/I L4	09-14	VF5000	Outlander			2.5L DSL L4	08-15	VF1001
2.0L F/I L4	2017	VF2060	2.2L DSL L4	18-20	VF2004	NP300 Navara		
Cooper John Cooper Works Clubman			2.4L F/I L4	08-16	VF2004	2.3L DSL L4	15-17	VF2004
1.6L F/I L4	10-11	VF5000	3.0L F/I V6	07-16	VF2004	Pathfinder		
2.0L F/I L4	2017	VF2060	Outlander II			2.5L DSL L4	05-15	VF1001
Cooper John Cooper Works GP			2.0L DSL L4 - From 2/07	2007	VF2004	3.0L DSL V6	10-15	VF1001
1.6L F/I L4	2013	VF5000	2.0L F/I L4	2010	VF2004	4.0L F/I V6	05-12	VF1001
Cooper Paceman			2.2L DSL L4 - From 8/07	2007	VF2004	5.6L F/I V8	2004	VF1002
1.6L F/I L4	13-16	VF5000	2.4L F/I L4 - From 9/07	2007	VF2004	Pathfinder Armada		
Cooper Paceman John Cooper Works			3.0L F/I V6 - From 11/06	2006	VF2004	5.6L F/I V8	2004	VF1002
1.6L F/I L4	2014	VF5000	Outlander Sport			Sentra		
Cooper S			2.0L F/I L4	11-16	VF2004	1.8L F/I L4	00-06	VF2004
1.6L F/I L4	07-14	VF5000	2.4L F/I L4	15-16	VF2004	2.0L F/I L4	00-01	VF2004
2.0L F/I L4	14-18	VF2060	Pajero Sport			2.5L F/I L4	02-06	VF2004
Cooper S Clubman			2.4L DSL L4	15-20	VF2004	Titan		
1.6L F/I L4	08-12	VF5000	RVR			5.6L F/I V8	04-15	VF1002
Cooper S Countryman			2.0L F/I L4	11-13	VF2004	Titan XD		
1.6L F/I L4	10-14	VF5000	Strada			5.0L DSL V8	16-18	VF2063
2.0L F/I L4	17-18	VF2060	2.4L DSL L4	15-20	VF2004	5.6L F/I V8	16-18	VF2063
Cooper S Paceman			Triton			Xterra		
1.6L F/I L4	13-14	VF5000	2.4L DSL L4	15-20	VF2004	4.0L F/I V6	05-14	VF1001
MITSUBISHI	Year(s)	Part#	MITSUBISHI DONG	Year(s)	Part#	OLDSMOBILE	Year(s)	Part#
ASX			Lancer EX			Aurora		
2.0L F/I L4 - From 4/10	2010	VF2004	1.6L F/I L4 - From 5/06	2006	VF2004	3.5L F/I V6	01-02	VF3001
2.2L DSL L4	18-20	VF2004	2.0L F/I L4 - From 11/09	2009	VF2004	4.0L F/I V8	01-03	VF3001
Eclipse Cross			MITSUBISHI GMMC	Year(s)	Part#	Intrigue		
1.5L F/I L4	2018	VF2004	ASX			3.5L F/I V6	99-02	VF3000
Endeavor			2.0L F/I L4 - From 11/12	2012	VF2004	3.8L F/I V6	98-99	VF3000
3.8L F/I V6	04-08	VF2002	NISSAN	Year(s)	Part#	Silhouette		
	10-11	VF2002	Altima			3.4L F/I V6	01-04	VF2046
Galant			2.5L F/I L4	02-06	VF2004	PERODUA	Year(s)	Part#
2.4L F/I L4	04-12	VF2002	3.5L F/I V6	02-06	VF2004	Aruz		
3.8L F/I V6	04-09	VF2002	Armada			1.5L F/I L4	2019	VF2000
Lancer			5.6L F/I V8	05-15	VF1002	PEUGEOT	Year(s)	Part#
2.0L F/I L4	08-15	VF2004	Frontier			2008		
2.4L F/I L4	09-15	VF2004	2.5L F/I L4	05-18	VF1001	1.2L F/I L3	13-17	VF3016
Lancer Evolution			4.0L F/I V6	05-18	VF1001	1.4L DSL L4	13-14	VF3016
2.0L F/I L4	14-15	VF2004	Maxima			1.6L DSL L4	13-17	VF3016
Lancer Evolution GSR			3.5L F/I V6	04-08	VF2004	1.6L F/I L4	13-15	VF3016
2.0L F/I L4	08-15	VF2004	Murano			207		
Lancer Evolution MR			2.5L F/I L4	04-08	VF2004	1.4L DSL L4	06-13	VF3016
2.0L F/I L4	08-14	VF2004	3.5L F/I V6	03-07	VF2004	1.4L F/I L4	06-14	VF3016
Lancer Evolution RS			Navara			1.6L DSL L4	06-15	VF3016
2.0L F/I L4	2009	VF2004	2.3L DSL L4	15-17	VF2004	1.6L F/I L4	06-15	VF3016
Lancer Evolution SE				2019	VF2004	207 RC		
2.0L F/I L4	2010	VF2004	2.3L F/I L4	15-20	VF2004	1.6L F/I L4	07-09	VF3016
Lancer Ralliart			2.5L DSL L4 - OEM 27274EA000	05-15	VF1001	208		
2.0L F/I L4	09-15	VF2004	3.0L DSL V6	10-15	VF1001	1.0L F/I L3	12-16	VF3016
Lancer Sportback						1.2L F/I L3	12-17	VF3016
2.0L F/I L4	2012	VF2004				1.4L DSL L4	12-15	VF3016
Lancer V								
2.0L F/I L4 - From 8/08	2008	VF2004						



CABIN AIR FILTERS

PEUGEOT	Year(s)	Part#	RAM	Year(s)	Part#	SCION	Year(s)	Part#
208			1500			iM		
1.4L F/I L4	12-14	VF3016	5.7L F/I V8 - Equipped w/Cabin Filter Door	16-18	VF2013	1.8L F/I L4	2016	VF2000
1.6L DSL L4	12-17	VF3016				tC		
1.6L F/I L4	12-17	VF3016	1500 Classic			2.4L F/I L4	05-10	VF2009
208 GT			3.0L DSL V6	2019	VF2013	2.5L F/I L4	11-16	VF2000
1.6L F/I L4	14-15	VF3016	3.6L F/I V6 - Equipped w/Cabin Filter Door	2019	VF2013	xA		
308			5.7L F/I V8 - Equipped w/Cabin Filter Door	2019	VF2013	1.5L F/I L4	04-06	VF2009
1.4L F/I L4	07-14	VF3000				xB		
1.6L DSL L4	07-14	VF3000	2500			1.5L F/I L4	04-06	VF2009
1.6L F/I L4	07-14	VF3000	5.7L F/I V8 - Equipped w/Cabin Filter Door	16-18	VF2013	2.4L F/I L4	08-15	VF2000
2.0L DSL L4	07-13	VF3000	6.4L F/I V8	2019	VF2065	xD		
RCZ			6.4L F/I V8 - Equipped w/Cabin Filter Door	16-18	VF2013	1.8L F/I L4	08-14	VF2000
1.6L F/I L4	10-16	VF3000	6.7L DSL L6	2019	VF2065	SUBARU	Year(s)	Part#
2.0L DSL L4	10-16	VF3000	6.7L DSL L6 - Equipped w/Cabin Filter Door	16-18	VF2013	Ascent		
PONTIAC	Year(s)	Part#				2.4L F/I H4	2019	VF2054
Aztek			3500			B9 Tribeca		
3.4L F/I V6	01-05	VF2046	5.7L F/I V8 - Equipped w/Cabin Filter Door	16-18	VF2013	3.0L F/I H6	06-07	VF2002
Bonneville			6.4L F/I V8	2019	VF2065	BRZ		
3.8L F/I V6	00-05	VF3001	6.4L F/I V8 - Equipped w/Cabin Filter Door	16-18	VF2013	2.0L F/I H4	13-18	VF1013
4.6L F/I V8	04-05	VF3001	6.7L DSL L6	2019	VF2065	Crosstrek		
G5			6.7L DSL L6 - Equipped w/Cabin Filter Door	16-18	VF2013	2.0L F/I H4	2017	VF2055
2.2L F/I L4	07-10	VF2006				18-19	VF2054	
2.4L F/I L4	07-08	VF2006	4500			Dex		
G8			6.4L F/I V8	16-17	VF2013	1.3L F/I L4	08-12	VF2000
3.6L F/I V6	08-09	VF3020	6.7L DSL L6	16-18	VF2013	Exiga		
6.0L F/I V8	08-09	VF3020	6.7L DSL L6 - Equipped w/Cabin Filter Door	16-18	VF2013	2.0L F/I H4	08-17	VF2000
6.2L F/I V8	2009	VF3020				Forester		
Grand Prix			6.4L F/I V8	16-17	VF2013	2.0L F/I H4	14-18	VF2055
3.8L F/I V6	04-08	VF3000	6.7L DSL L6	16-18	VF2013	2.5L F/I H4	09-18	VF2055
5.3L F/I V8	05-08	VF3000	5500			Forester Turbo		
Montana			6.4L F/I V8	16-17	VF2013	2.5L F/I H4	11-12	VF2055
3.4L F/I V6	01-05	VF2046	6.7L DSL L6	16-18	VF2013	Impreza		
3.5L F/I V6	05-06	VF2046	Cargo Van			2.0L F/I H4	12-16	VF2055
3.9L F/I V6	06-09	VF2046	3.6L F/I V6	12-15	VF2038	17-19	VF2054	
Pursuit			RENAULT	Year(s)	Part#	Impreza WRX		
2.2L F/I L4	05-06	VF2006	Alaskan			2.5L F/I H4	08-14	VF2055
2.4L F/I L4	2006	VF2006	2.3L DSL L4	17-19	VF2004	Impreza WRX STI		
Vibe			SAAB	Year(s)	Part#	2.5L F/I H4	08-16	VF2055
1.8L F/I L4	03-08	VF2005	9-4X			Legacy		
	09-10	VF2000	2.8L F/I V6	2011	VF2040	2.4L F/I H4	2020	VF2054
2.4L F/I L4	09-10	VF2000	3.0L F/I V6	2011	VF2040	2.5L F/I H4	05-09	VF2002
Vibe GT			9-5			10-19	VF2000	
1.8L F/I L4	03-06	VF2005	2.0L F/I L4	2011	VF2040	2020	VF2054	
PORSCHE	Year(s)	Part#	2.8L F/I V6	10-11	VF2040	08-09	VF2002	
Macan			SATURN	Year(s)	Part#	10-19	VF2000	
2.0L F/I L4	17-20	VF3009	Ion			Legacy GT		
3.0L DSL V6	16-19	VF3009	2.0L F/I L4	04-07	VF2006	2.5L F/I H4	05-09	VF2002
3.0L F/I V6	16-19	VF3009	Outlook			Legacy III		
RAM	Year(s)	Part#	3.6L F/I V6	07-10	VF1012	2.5L F/I H4	07-09	VF2002
1500			Relay			2010	VF2000	
3.0L DSL V6 - Equipped w/Cabin Filter Door	16-18	VF2013	3.5L F/I V6	2006	VF2046	09-10	VF2002	
3.6L F/I V6	2019	VF2065	3.9L F/I V6	06-07	VF2046	Levorg		
3.6L F/I V6 - Equipped w/Cabin Filter Door	16-18	VF2013	Vue			1.6L F/I H4	14-19	VF2055
5.7L F/I V8	2019	VF2065	2.4L F/I L4	08-10	VF2016	2.0L F/I H4	14-19	VF2055
			SCION	Year(s)	Part#	Liberty		
			FR-S			2.0L F/I H4	99-02	VF2005
			2.0L F/I H4	13-16	VF1013			

CABIN AIR FILTERS



SUBARU	Year(s)	Part#	TOYOTA	Year(s)	Part#	TOYOTA	Year(s)	Part#
Liberty			4 Runner			Camry Hybrid		
2.0L F/I H4	03-06	VF2002	4.7L F/I V8	03-09	VF2002	2.5L F/I L4	12-17	VF2000
2.5L F/I H4	99-02	VF2005	86				2019	VF2054
	03-08	VF2002	2.0L F/I H4	12-19	VF1013	2.5L F/I L4 - US	2018	VF2054
	09-17	VF2000	Allion			Celica GT		
3.0L F/I H6	04-09	VF2000	1.8L F/I L4	08-16	VF2000	1.8L F/I L4	00-05	VF2002
3.6L F/I H6	09-17	VF2000	2.0L	2009	VF2000	Celica GTS		
Liberty Exiga			2.0L F/I L4	07-08	VF2000	1.8L F/I L4	00-05	VF2002
2.5L F/I H4	09-14	VF2000		10-16	VF2000	Corolla		
Outback			Alphard			1.5L F/I L4	07-17	VF2000
2.4L F/I H4	2020	VF2054	2.4L F/I L4	09-14	VF2000	1.8L F/I L4	02-08	VF2003
2.5L F/I H4	05-09	VF2002	3.5L F/I V6	08-14	VF2000		09-19	VF2000
	10-19	VF2000	Altezza AS200				2020	VF2054
	2020	VF2054	2.0L F/I L4	98-05	VF2008	2.0L F/I L4	2020	VF2054
3.0L F/I H6	05-09	VF2002	Altezza AS300			2.4L F/I L4	09-13	VF2000
3.6L F/I H6	10-19	VF2000	3.0L F/I L6	01-05	VF2008	Corolla Hatchback		
Outback III			Altezza RS200			2.0L F/I L4	2019	VF2054
3.6L F/I H6	2009	VF2000	2.0L F/I L4	98-05	VF2008	Corolla Hybrid		
Outback XT			Aqua			1.8L F/I L4	2020	VF2054
2.5L F/I H4	05-06	VF2002	1.5L F/I L4	12-17	VF2000	Corolla iM		
Tribeca			Aristo			1.8L F/I L4	17-18	VF2000
3.6L F/I H6	07-14	VF2002	3.0L F/I L6	97-05	VF2008	Crown		
WRX			Aurion			3.5L F/I V6	05-08	VF2000
2.0L F/I H4	15-19	VF2055	3.5L F/I V6	06-17	VF2000	Echo		
2.5L F/I H4	12-14	VF2055	Auris			1.3L F/I L4	99-05	VF2009
WRX STI			1.5L F/I L4	06-17	VF2000	1.5L F/I L4	00-05	VF2009
2.5L F/I H4	2012	VF2055	1.8L F/I L4	06-09	VF2000	Estima		
	14-19	VF2055	Avalon			2.4L F/I L4	00-17	VF2000
XV			2.5L F/I L4	13-18	VF2000	3.5L F/I V6	06-15	VF2000
2.0L F/I H4	18-19	VF2055		2019	VF2054	FJ Cruiser		
XV Crosstrek			3.0L F/I V6	00-06	VF2002	4.0L F/I V6	07-14	VF2002
2.0L F/I H4	13-15	VF2055	3.5L F/I V6	05-18	VF2000	GT 86		
SUZUKI	Year(s)	Part#		2019	VF2054	2.0L F/I H4	12-17	VF1013
Equator			bB II			Harrier		
2.5L F/I L4	09-12	VF1001	1.3L F/I L4	05-16	VF2000	3.5L F/I V6	06-08	VF2000
4.0L F/I V6	09-12	VF1001	1.5L F/I L4	05-16	VF2000	Harrier Hybrid		
Swift			Belta			3.3L F/I V6	05-09	VF2008
1.2L DSL L4	12-17	VF1013	1.0L F/I L3	05-12	VF2000	Hiace		
1.5L F/I L4	04-10	VF1013	1.3L F/I L4	05-12	VF2000	2.0L DSL L4	04-15	VF2000
1.6L F/I L4	05-09	VF1013	1.5L F/I L4	05-12	VF2000	2.5L DSL L4	04-07	VF2000
Swift III			Blade			2.7L F/I L4	04-19	VF2000
1.3L F/I L4	04-10	VF1013	2.4L F/I L4	06-12	VF2000	3.0L DSL L4	06-19	VF2000
Swift IV			3.5L F/I V6	07-12	VF2000	Highlander		
1.6L F/I L4	11-17	VF1013	Camry			2.4L F/I L4	01-07	VF2008
Swift Plus			2.4L F/I L4	02-06	VF2002	2.7L F/I L4	09-19	VF2000
1.6L F/I L4	2010	VF1013		07-09	VF2000	3.0L F/I V6	01-03	VF2008
SX4			2.5L F/I L4	10-17	VF2000	3.3L F/I V6	04-07	VF2008
1.6L F/I L4	06-14	VF1013		2019	VF2054	3.5L F/I V6	08-13	VF2000
TESLA	Year(s)	Part#	2.5L F/I L4 - US	2018	VF2054		15-19	VF2000
S			3.0L F/I V6	02-06	VF2002	Highlander Hybrid		
Electric	12-15	VF1015	3.3L F/I V6	04-06	VF2002	3.3L F/I V6	06-07	VF2008
TOYOTA	Year(s)	Part#	3.5L F/I V6	07-17	VF2000		08-10	VF2000
4 Runner			3.5L F/I V6 - US	2019	VF2054	3.5L F/I V6	11-13	VF2000
2.7L F/I L4	2010	VF2000		2018	VF2054		15-19	VF2000
4.0L F/I V6	03-09	VF2002	Camry Hybrid			Hilux		
	10-19	VF2000	2.4L F/I L4	07-11	VF2000	2.7L F/I V6	15-18	VF2054



CABIN AIR FILTERS

TOYOTA	Year(s)	Part#	TOYOTA	Year(s)	Part#	TOYOTA	Year(s)	Part#
Hilux			RAV4			Vitz		
3.0L DSL L4	15-17	VF2000	2.5L F/I L4	09-18	VF2000	1.0L F/I L4	99-04	VF2009
4.0L F/I V6	05-17	VF2000		2019	VF2054		05-10	VF2000
Kluger			3.5L F/I V6	06-12	VF2000	1.3L F/I L4	99-04	VF2009
2.4L F/I L4	00-07	VF2008	RAV4 Hybrid				05-10	VF2000
3.0L F/I V6	00-07	VF2008	2.5L F/I L4	16-18	VF2000		14-17	VF2000
3.3L F/I V6	03-07	VF2008		2019	VF2054	1.5L F/I L4	00-04	VF2009
3.5L F/I V6	08-17	VF2000	RAV4 IV				05-19	VF2000
Land Cruiser			2.5L F/I L4	15-18	VF2000	Voltz		
5.7L F/I V8	08-11	VF2000	Rukus			1.8L F/I L4	02-04	VF2005
	13-19	VF2000	2.4L F/I L4	10-15	VF2000	Voxy		
Land Cruiser 200			Rush			2.0L F/I L4	07-14	VF2000
4.5L DSL V8	07-17	VF2000	1.5L F/I L4	17-18	VF2000	Wish		
Matrix			Sai			1.8L F/I L4	09-17	VF2000
1.8L F/I L4	03-08	VF2003	2.4L	2013	VF2000	2.0L F/I L4	09-17	VF2000
	09-13	VF2000	2.4L F/I L4	09-12	VF2000	Yaris		
2.4L F/I L4	09-13	VF2000		14-17	VF2000	1.5L F/I L4	06-18	VF2000
Matrix XR			Sequoia			Yaris Hybrid		
1.8L F/I L4	03-06	VF2003	4.6L F/I V8	10-12	VF2000	1.5L F/I L4	15-17	VF2000
Matrix XRS			4.7L F/I V8	08-09	VF2000	VOLKSWAGEN	Year(s)	Part#
1.8L F/I L4	03-06	VF2003	5.7L F/I V8	08-19	VF2000	Arteon		
Noah			Sienna			1.5L F/I L4	2017	VF2047
2.0L F/I L4	07-13	VF2000	2.7L F/I L4	11-12	VF2000	2.0L DSL L4	17-18	VF2047
Porte			3.3L F/I V6	04-06	VF2002	2.0L F/I L4	2017	VF2047
1.5L F/I L4	12-15	VF2000	3.5L F/I V6	07-10	VF2002	Beetle		
Prado				11-19	VF2000	1.2L F/I L4	11-17	VF3013
4.0L F/I V6	03-09	VF2002	Solara			1.4L F/I L4	11-17	VF3013
	10-16	VF2000	2.4L F/I L4	04-08	VF2002	1.6L DSL L4	11-15	VF3013
Premio			3.3L F/I V6	04-08	VF2002	1.8L F/I L4	99-05	VF2012
1.5L F/I L4	08-16	VF2000	Spade				13-14	VF3013
1.8L F/I L4	08-16	VF2000	1.5L F/I L4	12-15	VF2000	1.9L DSL L4	98-06	VF2012
2.0L F/I L4	08-16	VF2000	Tacoma			2.0L DSL L4	14-17	VF3013
Previa			2.7L F/I L4	05-20	VF2005	2.0L F/I L4	98-05	VF2012
2.4L F/I L4	06-17	VF2000	3.5L F/I V6	16-20	VF2005		12-14	VF3013
3.5L F/I V6	06-15	VF2000	4.0L F/I V6	05-15	VF2005		16-19	VF3013
Prius			Tarago			2.5L F/I L5	06-10	VF2012
1.5L F/I L4	01-09	VF2002	2.4L F/I L4	00-06	VF2002		12-14	VF3013
1.8L F/I L4	10-15	VF2000		07-20	VF2000	Beetle Cabrio		
	18-19	VF2054	3.5L F/I V6	06-15	VF2000	2.5L F/I L5	2010	VF2012
1.8L F/I L4 - US	16-17	VF2054	Tundra			Cabrio		
Prius AWD-e			4.0L F/I V6	07-14	VF2000	2.0L F/I L4	00-02	VF2012
1.8L F/I L4	2019	VF2054	4.6L F/I V8	10-19	VF2000	Caddy III		
Prius C			4.7L F/I V8	07-09	VF2000	1.4L F/I L4	04-10	VF3013
1.5L F/I L4	12-19	VF2000	5.7L F/I V8	07-19	VF2000	1.6L F/I L4	04-10	VF3013
Prius Prime			Vanguard			1.9L DSL L4	04-10	VF3013
1.8L F/I L4	18-19	VF2054	2.4L F/I L4	07-13	VF2000	2.0L DSL L4	04-10	VF3013
1.8L F/I L4 - US	2017	VF2054	3.5L F/I V6	07-13	VF2000	2.0L F/I L4	06-10	VF3013
Prius V			Vellfire			Caddy IV		
1.8L F/I L4	12-17	VF2000	2.4L F/I L4	08-14	VF2000	1.0L F/I L3	16-17	VF3013
Ractis			3.5L F/I V6	08-14	VF2000	1.2L F/I L4	10-17	VF3013
1.3L F/I L4	05-17	VF2000	Venza			1.4L F/I L4	16-17	VF3013
1.5L F/I L4	05-10	VF2000	2.7L F/I L4	09-15	VF2000	1.6L DSL L4	10-17	VF3013
RAV4			3.5L F/I V6	09-15	VF2000	1.6L F/I L4	10-15	VF3013
2.0L F/I L4	01-03	VF2009	Vios			2.0L DSL L4	10-17	VF3013
2.4L F/I L4	04-05	VF2009	1.3L F/I L4	07-19	VF2000	2.0L F/I L4	10-15	VF3013
	06-12	VF2000	1.5L F/I L4	07-19	VF2000			

CABIN AIR FILTERS



VOLKSWAGEN	Year(s)	Part#	VOLKSWAGEN	Year(s)	Part#	VOLKSWAGEN	Year(s)	Part#
CC			Golf V			Jetta V		
1.4L F/I L4	11-14	VF3013	1.9L DSL L4	03-09	VF3013	1.2L F/I L4	2016	VF3013
1.4L F/I L4 - To 4/15	2015	VF3013	2.0L DSL L4	03-09	VF3013	1.4L F/I L4	06-16	VF3013
1.8L F/I L4	11-15	VF3013	2.0L F/I L4	03-09	VF3013	1.6L DSL L4	09-14	VF3013
2.0L DSL L4	12-15	VF3013	3.2L F/I V6	05-09	VF3013	1.6L F/I L4	05-14	VF3013
2.0L F/I L4	09-17	VF3013	Golf VI			1.8L F/I L4	13-14	VF3013
3.6L F/I V6	09-16	VF3013	1.2L F/I L4	09-14	VF3013	1.9L DSL L4	05-10	VF3013
Crafter II			1.4L F/I L4	08-14	VF3013	2.0L DSL L4	05-15	VF3013
2.0L DSL L4	2017	VF2047	1.6L DSL L4	09-14	VF3013	2.0L F/I L4	05-14	VF3013
Derby			1.6L F/I L4	08-14	VF3013	2.5L F/I L5	05-13	VF3013
1.8L F/I L4	99-05	VF2012	1.8L F/I L4	09-14	VF3013	Passat		
2.0L F/I L4	2003	VF2012	2.0L DSL L4	08-14	VF3013	1.2L F/I L4	16-17	VF2047
Eos			2.0L F/I L4	09-14	VF3013	1.4L F/I L4	07-14	VF3013
1.4L F/I L4	07-14	VF3013	2.5L F/I L5	09-14	VF3013	1.6L DSL L4	15-17	VF2047
1.6L F/I L4	06-08	VF3013	Golf VII			1.6L F/I L4	09-14	VF3013
2.0L DSL L4	06-14	VF3013	1.0L F/I L3	16-17	VF2047	1.6L F/I L4	05-10	VF3013
2.0L F/I L4	06-16	VF3013	1.2L F/I L4	12-17	VF2047	1.8L F/I L4	99-01	VF5001
3.2L F/I V6	06-09	VF3013	1.4L F/I L4	12-17	VF2047	1.6L DSL L4	02-05	VF2012
3.6L F/I V6	09-10	VF3013	1.6L DSL L4	12-17	VF2047	1.6L F/I L4	07-11	VF3013
Golf			1.6L F/I L4	16-17	VF2047	2.0L DSL L4	2014	VF3013
1.8L F/I L4	1993	VF2012	2.0L DSL L4	12-17	VF2047	1.8L F/I L4 - Non-US	16-17	VF2047
	95-01	VF2012	2.0L F/I L4	13-17	VF2047	1.8L F/I L4 - US	15-17	VF3013
	2015	VF2047	Golf VII e-Golf			1.9L DSL L4	05-08	VF3013
1.9L DSL L4	93-06	VF2012	Electric	16-17	VF2047	2.0L DSL L4	2004	VF2012
2.0L DSL L4	10-14	VF3013	GTI			2.0L DSL L4	06-10	VF3013
	2015	VF2047	2.0L F/I L4	06-08	VF2012		12-14	VF3013
2.0L F/I L4	1993	VF2012		2009	VF3013		16-17	VF2047
	95-06	VF2012		2015	VF2047			
	12-13	VF3013	Jetta			2.0L DSL L4 - Non-US	2005	VF3013
2.5L F/I L5	10-14	VF3013	1.4L F/I L4	16-18	VF3013	2.0L DSL L4 - Non-US, 150/190BHP	2015	VF2047
2.8L F/I V6	1995	VF2012	1.8L F/I L4	93-95	VF2012	2.0L DSL L4 - US	2005	VF2012
Golf City				00-05	VF2012		2015	VF3013
2.0L F/I L4	07-10	VF2012		14-18	VF3013	2.0L F/I L4	06-10	VF3013
Golf GTI			1.9L DSL L4	93-04	VF2012		12-14	VF3013
1.8L F/I L4	00-06	VF2012		2006	VF3013		16-17	VF2047
2.0L F/I L4	99-03	VF2012	1.9L DSL L4 - BEW Eng.	2005	VF2012		18-19	VF3013
2.8L F/I V6	96-05	VF2012	1.9L DSL L4 - BRM Eng.	2005	VF3013	2.5L F/I L5	12-14	VF3013
Golf Plus			2.0L DSL L4	09-15	VF3013	2.8L F/I V6	98-01	VF5001
1.2L F/I L4	09-14	VF3013	2.0L F/I L4	93-05	VF2012		02-05	VF2012
1.4L F/I L4	03-09	VF3013		06-15	VF3013	3.6L F/I V6	06-10	VF3013
1.6L DSL L4	09-14	VF3013	2.5L F/I L5	05-14	VF3013		12-14	VF3013
1.6L F/I L4	03-14	VF3013	2.8L F/I V6	94-04	VF2012		2018	VF3013
1.9L DSL L4	03-09	VF3013	Jetta City			3.6L F/I V6 - US	15-17	VF3013
2.0L DSL L4	03-14	VF3013	2.0L F/I L4	07-09	VF2012	4.0L F/I W8	02-04	VF2012
2.0L F/I L4	03-14	VF3013	Jetta GLI			Passat CC		
Golf Sportsvan			2.0L F/I L4	06-10	VF3013	1.8L F/I L4	08-11	VF3013
1.0L F/I L3	16-17	VF2047		12-18	VF3013	2.0L DSL L4	08-10	VF3013
1.2L F/I L4	14-17	VF2047	Jetta Hybrid				2012	VF3013
1.4L F/I L4	14-17	VF2047	1.4L F/I L4	13-17	VF3013	2.0L F/I L4	08-10	VF3013
1.6L DSL L4	14-17	VF2047	Jetta IV			3.6L F/I V6	09-10	VF3013
1.6L F/I L4	16-17	VF2047	1.2L F/I L4	16-17	VF3013		2012	VF3013
2.0L DSL L4	14-17	VF2047	1.4L F/I L4	16-17	VF3013	R32		
2.0L F/I L4	16-17	VF2047	Jetta V			3.2L F/I V6	2004	VF2012
Golf V			1.2L F/I L4	11-14	VF3013		2008	VF3013
1.4L F/I L4	03-09	VF3013						
1.6L F/I L4	03-09	VF3013						



CABIN AIR FILTERS

VOLKSWAGEN	Year(s)	Part#	VOLVO	Year(s)	Part#	VOLVO	Year(s)	Part#
Rabbit			Bus Unspecified			Bus Unspecified		
2.5L F/I L5	06-09	VF3013	10.4L - Bunk OEM 20435801	2000	VF8003	9.6L - Cab OEM 20435801	00-02	VF8002
Scirocco			10.4L - Cab OEM 20435801	2000	VF8002		2005	VF8002
1.4L F/I L4	08-17	VF3013	10.6L - Bunk OEM 20435801	2000	VF8003	9.9L - Bunk OEM 20435801	2000	VF8003
2.0L DSL L4	08-17	VF3013	10.6L - Cab OEM 20435801	2000	VF8002	9.9L - Cab OEM 20435801	2000	VF8002
2.0L F/I L4	08-17	VF3013	10.9L - Bunk OEM 20435801	2000	VF8003	F Series		
Sharan II			10.9L - Cab OEM 20435801	2000	VF8002	0.0L - Bunk OEM 20435801	2000	VF8003
1.4L F/I L4	10-17	VF3013	11.0L - Bunk OEM 20435801	2000	VF8003	0.0L - Cab OEM 20435801	2000	VF8002
1.8L F/I L4	12-15	VF3013	11.0L - Cab OEM 20435801	2000	VF8002	FH Series		
2.0L DSL L4	10-17	VF3013	11.9L - Bunk OEM 20435801	2000	VF8003	0.0L - Bunk OEM 20435801	00-03	VF8003
2.0L F/I L4	10-17	VF3013	11.9L - Cab OEM 20435801	2000	VF8002	0.0L - Cab OEM 20435801	00-03	VF8002
Tiguan			12.0L - Bunk OEM 20435801	2000	VF8003	FL Series		
1.4L F/I L4	07-14	VF3013	12.0L - Cab OEM 20435801	2000	VF8002	0.0L - Bunk OEM 20435801	2000	VF8003
2.0L DSL L4	07-14	VF3013	12.0L - Cab OEM 20435801	2000	VF8002	0.0L - Cab OEM 20435801	2000	VF8002
2.0L F/I L4	07-15	VF3013	12.1L - Bunk OEM 20435801	2000	VF8003	5.4L - Bunk OEM 20435801	2000	VF8003
2.0L F/I L4 - US	16-17	VF3013	12.1L - Cab OEM 20435801	2000	VF8002	5.4L - Cab OEM 20435801	2000	VF8002
Tiguan II			12.8L - Bunk OEM 20435801	2000	VF8003	5.5L - Bunk OEM 20435801	2000	VF8003
1.4L F/I L4	16-17	VF2047	12.8L - Cab OEM 20435801	2000	VF8002	5.5L - Cab OEM 20435801	2000	VF8002
1.6L DSL L4	16-17	VF2047	6.0L - Bunk OEM 20435801	2000	VF8003		2014	VF8003
2.0L DSL L4	16-17	VF2047	6.0L - Cab OEM 20435801	2000	VF8002			
2.0L F/I L4 - Non-US	16-17	VF2047	6.5L - Bunk OEM 20435801	2000	VF8003			
Tiguan Limited			6.5L - Cab OEM 20435801	2000	VF8002	FM Series		
2.0L F/I L4	2018	VF3013	6.7L - Bunk OEM 20435801	2000	VF8003	9.6L - Bunk OEM 20435801	2000	VF8003
Touran			6.7L - Cab OEM 20435801	2000	VF8002	9.6L - Cab OEM 20435801	2000	VF8002
1.2L F/I L4	10-15	VF3013	6.9L - Bunk OEM 20435801	2000	VF8003			
1.4L F/I L4	06-15	VF3013	6.9L - Cab OEM 20435801	2000	VF8002			
1.6L DSL L4	10-15	VF3013	7.0L - Bunk OEM 20435801	2000	VF8003			
1.6L F/I L4	03-10	VF3013	7.0L - Cab OEM 20435801	2000	VF8002			
1.9L DSL L4	03-10	VF3013	8.2L - Bunk OEM 20435801	2000	VF8003			
2.0L DSL L4	03-15	VF3013	8.2L - Cab OEM 20435801	2000	VF8002			
2.0L F/I L4	03-09	VF3013	9.6L - Bunk OEM 20435801	00-02	VF8003			
Touran II			9.6L - Cab OEM 20435801	2000	VF8002			
1.2L F/I L4	15-17	VF2047				Unknown		
1.4L F/I L4	15-17	VF2047	6.7L - Bunk OEM 20435801	2000	VF8003	6.7L - Bunk OEM 20435801	2000	VF8003
1.6L DSL L4	15-17	VF2047	6.7L - Cab OEM 20435801	2000	VF8002	6.7L - Cab OEM 20435801	2000	VF8002
1.8L F/I L4	15-17	VF2047						
2.0L DSL L4	15-17	VF2047						
Van								
1.8L F/I L4	03-09	VF2012						
VOLVO	Year(s)	Part#						
A Series Dumper								
6.7L - Bunk OEM 20435801	2000	VF8003						
	2003	VF8003						
6.7L - Cab OEM 20435801	2000	VF8002						
	2003	VF8002						
Bus Unspecified								
0.0L - Bunk OEM 20435801	2000	VF8003						
0.0L - Cab OEM 20435801	2000	VF8002						
10.0L - Bunk OEM 20435801	2000	VF8003						
10.0L - Cab OEM 20435801	2000	VF8002						

Performance Air Intake Systems – Pages 370-472

Advanced computer-aided design software available is used to create custom-fit, lightweight kits for specific applications, offering a radical increase in airflow and performance, with a variety of styles and finishes available.



**10 Year /
Million Mile Warranty**

limitations apply, visit knfilters.com/warranty



**Guaranteed Power
and Acceleration**



**World-Class
Engine Protection**



**User-Friendly
Installation**



**Proudly Made
in America**



**GUARANTEED TO INCREASE
HORSEPOWER**

VEHICLE-SPECIFIC HEAT SHIELD

Helps keep inlet air cool
and oxygen-dense

CUSTOM ALUMINUM INTAKE TUBE

Custom engineered, durable tube
available in roto-molded HDPE or
mandrel-bent aluminum

K&N® ORIGINAL HIGH-FLOW AIR FILTER

Increases airflow by up to 50%
for more power

VEHICLE-SPECIFIC ENCLOSED AIR BOX

Helps keep inlet air cool and
oxygen-dense and adds an additional
level of filter protection

**SOME INTAKES ARE NOT LEGAL FOR SALE OR USE ON ANY
POLLUTION CONTROLLED MOTOR VEHICLE IN CALIFORNIA.**

See knfilters.com for CARB status on each part for a specific vehicle

Blackhawk Induction™ Air Intake Systems – Pages 370-472

Blackhawk Induction™ intake systems provide a stylish, blacked-out appearance in your engine bay and a radical increase in airflow with a specially-designed oil-free synthetic air filter.



**10 Year /
Million Mile Warranty**

limitations apply, visit knfilters.com/warranty



**Guaranteed Power
and Acceleration**



**Oil-Free
Filtration**



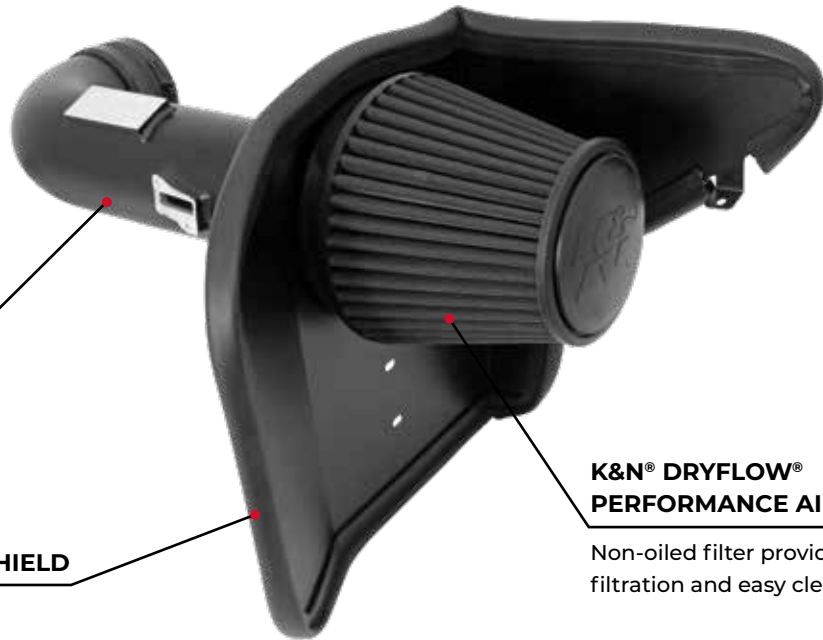
**World-Class
Engine Protection**



**User-Friendly
Installation**



**Proudly Made
in America**



**POWDER-COATED
ALUMINUM TUBE**

Heat-resistant, durable tube
increases airflow

VEHICLE-SPECIFIC HEAT SHIELD

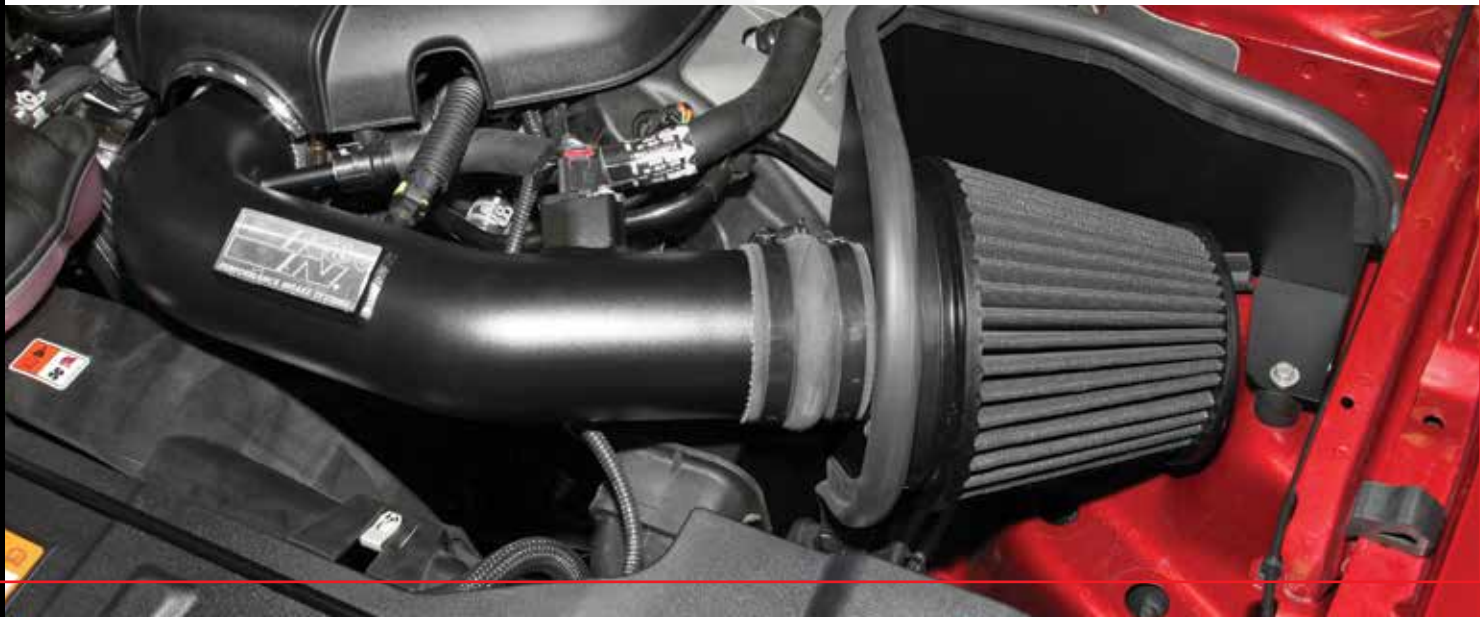
Helps keep inlet air cool
and oxygen-dense

**K&N® DRYFLOW®
PERFORMANCE AIR FILTER**

Non-oiled filter provides exceptional
filtration and easy cleaning

**SOME INTAKES ARE NOT LEGAL FOR SALE OR USE ON ANY
POLLUTION CONTROLLED MOTOR VEHICLE IN CALIFORNIA.**

See knfilters.com for CARB status on each part for a specific vehicle





Vehicle	Engine Type	Part Number	Estimated Horsepower*	Vehicle	Engine Type	Part Number	Estimated Horsepower*
2017 ACURA				2006 ACURA			
ILX	2.4L L4 F/I	69-1503TS ²	6.4 @ 6069	TSX	2.4L L4 F/I	69-0025TP ¹	4.2 @ 5300
2016 ACURA				2005 ACURA			
ILX	2.4L L4 F/I	69-1503TS ²	6.4 @ 6069	EL	1.7L L4 F/I	69-1008TS ²	5.0 @ 5200
2015 ACURA						69-1008TB ²	5.0 @ 5200
ILX	2.4L L4 F/I	69-1019TS ²	10.6 @ 5400	RSX	2.0L L4 F/I	69-0015TR ¹	2.8 @ 6500
TLX	3.5L V6 F/I	69-1212TS ²	7.4 @ 5429			69-0015TS ¹	2.8 @ 6500
2014 ACURA				RSX Type-S	2.0L L4 F/I	69-1009TR ¹	10.5 @ 7014
ILX	2.4L L4 F/I	69-1019TS ¹	10.6 @ 5400			69-1009TP ¹	10.5 @ 7014
TL	3.5L V6 F/I	69-1210TS ¹	10.2 @ 5217	TL	3.2L V6 F/I	69-1009TWR ¹	10.5 @ 7014
TSX	2.4L L4 F/I	69-0026TS ¹	7.9 @ 5400			69-0021TS ¹	6.8 @ 5501
2013 ACURA				TSX	2.4L L4 F/I	69-0021TB ¹	6.8 @ 5501
ILX	2.4L L4 F/I	69-1019TS ¹	10.6 @ 5400			69-0025TP ¹	4.2 @ 5300
TL	3.5L V6 F/I	69-1210TS ¹	10.2 @ 5217	2004 ACURA			
TSX	2.4L L4 F/I	69-0026TS ¹	7.9 @ 5400	EL	1.7L L4 F/I	69-1008TB ²	5.0 @ 5200
2012 ACURA						69-1008TS ²	5.0 @ 5200
TL	3.5L V6 F/I	69-1210TS ¹	10.2 @ 5217	RSX	2.0L L4 F/I	69-0015TR ¹	2.8 @ 6500
TSX	2.4L L4 F/I	69-0026TS ¹	7.9 @ 5400			69-0015TS ¹	2.8 @ 6500
2011 ACURA				RSX Type-S	2.0L L4 F/I	69-1009TWR ¹	10.5 @ 7014
RDX	2.3L L4 F/I	69-0017TS ¹	8.8 @ 5047			69-1009TP ¹	10.5 @ 7014
TL	3.5L V6 F/I - w/Mass Air	69-1210TS ¹	10.2 @ 5217	TL	3.2L V6 F/I	69-1009TR ¹	10.5 @ 7014
TSX	2.4L L4 F/I	69-0026TS ¹	7.9 @ 5400			69-0021TS ¹	6.8 @ 5501
2010 ACURA				TSX	2.4L L4 F/I	69-0021TB ¹	6.8 @ 5501
RDX	2.3L L4 F/I	69-0017TS ¹	8.8 @ 5047			69-0025TP ¹	4.2 @ 5300
TL	3.5L V6 F/I - w/Mass Air	69-1210TS ¹	10.2 @ 5217	2003 ACURA			
TL	3.7L V6 F/I - w/Mass Air	69-1210TS ¹	10.2 @ 5217	EL	1.7L L4 F/I	69-1008TB ²	5.0 @ 5200
TSX	2.4L L4 F/I	69-0026TS ¹	7.9 @ 5400			69-1008TS ²	5.0 @ 5200
2009 ACURA				RSX	2.0L L4 F/I	69-0015TR ¹	2.8 @ 6500
RDX	2.3L L4 F/I	69-0017TS ¹	8.8 @ 5047			69-0015TS ¹	2.8 @ 6500
TL	3.5L V6 F/I - w/Mass Air	69-1210TS ¹	10.2 @ 5217	RSX Type-S	2.0L L4 F/I	69-1009TP ¹	10.5 @ 7014
TL	3.7L V6 F/I	69-1210TS ¹	10.2 @ 5217			69-1009TR ¹	10.5 @ 7014
TSX	2.4L L4 F/I	69-0026TS ¹	7.9 @ 5400	2002 ACURA			
2008 ACURA				EL	1.7L L4 F/I	69-1008TB ²	5.0 @ 5200
RDX	2.3L L4 F/I	69-0017TS ¹	8.8 @ 5047			69-1008TS ²	5.0 @ 5200
TL	3.2L V6 F/I	69-0021TS ¹	6.8 @ 5501	RSX	2.0L L4 F/I	69-0015TR ¹	2.8 @ 6500
		69-0021TB ¹	6.8 @ 5501			69-0015TS ¹	2.8 @ 6500
TL	3.5L V6 F/I - w/Mass Air	69-1210TS ¹	10.2 @ 5217	RSX Type-S	2.0L L4 F/I	69-1009TR ¹	10.5 @ 7014
TSX	2.4L L4 F/I	69-0025TP ¹	4.2 @ 5300			69-1009TWR ¹	10.5 @ 7014
2007 ACURA						69-1009TP ¹	10.5 @ 7014
RDX	2.3L L4 F/I	69-0017TS ¹	8.8 @ 5047	2001 ACURA			
TL	3.2L V6 F/I	69-0021TB ¹	6.8 @ 5501	EL	1.7L L4 F/I	69-1008TB ²	5.0 @ 5200
		69-0021TS ¹	6.8 @ 5501			69-1008TS ²	5.0 @ 5200
TL	3.5L V6 F/I - w/Mass Air	69-1210TS ¹	10.2 @ 5217	Integra GS-R	1.8L L4 F/I	57-3509 ¹	5.5 @ 7200
TSX	2.4L L4 F/I	69-0025TP ¹	4.2 @ 5300	2000 ACURA			
2006 ACURA				Integra GS-R	1.8L L4 F/I	57-3509 ¹	5.5 @ 7200
RSX	2.0L L4 F/I	69-0015TR ¹	2.8 @ 6500	1999 ACURA			
		69-0015TS ¹	2.8 @ 6500	Integra GS-R	1.8L L4 F/I	57-3509 ¹	5.5 @ 7200
RSX Type-S	2.0L L4 F/I	69-1009TP ¹	10.5 @ 7014	1998 ACURA			
		69-1009TWR ¹	10.5 @ 7014	Integra GS-R	1.8L L4 F/I	57-3509 ¹	5.5 @ 7200
		69-1009TR ¹	10.5 @ 7014	1997 ACURA			
TL	3.2L V6 F/I	69-0021TS ¹	6.8 @ 5501	Integra GS-R	1.8L L4 F/I	57-3509 ¹	5.5 @ 7200
		69-0021TB ¹	6.8 @ 5501				

1) Street legal in all US states. 2) Not legal for sale or use on any pollution controlled motor vehicle in California or states adopting California emission procedures. * Estimated horsepower gains are based on specific or similar vehicle dyno tests. Results will vary. See Page 482 for more information. See page 7 for information on intake tube materials/colors.



AIR INTAKE SYSTEMS

ACURA

Vehicle	Engine Type	Part Number	Estimated Horsepower*	Vehicle	Engine Type	Part Number	Estimated Horsepower*
1996 ACURA				2011 AUDI			
Integra GS-R	1.8L L4 F/I	57-3509 ¹	5.5 @ 7200	A3	1.8L L4 F/I	69-9756TFK ²	3.3 @ 3400
1995 ACURA				A3	2.0L L4 DSL	69-9756TFK ²	3.3 @ 3400
Integra	1.8L L4 F/I	57-3506 ¹	6.1 @ 6300	A3	2.0L L4 F/I - 211BHP	69-9756TFK ²	3.3 @ 3400
Integra GS-R	1.8L L4 F/I	57-3509 ¹	5.5 @ 7200	A3	2.0L L4 F/I - US, Exc. LEV2 SULEV Test Group BADXV02.03PA	69-9504TTK ¹	9.2 @ 4853
1994 ACURA				A4	2.0L L4 F/I - Non-US, Exc. Right Hand Drive	69-9505T ²	13.6 @ 4500
Integra	1.8L L4 F/I	57-3506 ¹	6.1 @ 6300	A4	2.0L L4 F/I - US	69-9505T ¹	13.6 @ 4500
Integra GS-R	1.8L L4 F/I	57-3509 ¹	5.5 @ 7200	2010 AUDI			
1993 ACURA				A3	1.6L L4 DSL	69-9756TFK ²	3.3 @ 3400
Integra	1.8L L4 F/I	57-3501 ¹		A3	1.8L L4 F/I	69-9756TFK ²	3.3 @ 3400
Integra GS-R	1.7L L4 F/I	57-3501 ¹		A3	1.9L L4 DSL	69-9756TFK ²	3.3 @ 3400
1992 ACURA				A3	2.0L L4 DSL	69-9756TFK ²	3.3 @ 3400
Integra	1.8L L4 F/I	57-3501 ¹		A3	2.0L L4 F/I - Non-US	69-9756TFK ²	3.3 @ 3400
Integra GS-R	1.7L L4 F/I	57-3501 ¹		A3	2.0L L4 F/I - US, Exc. LEV2 SULEV Test Group AADXV02.03PA	69-9504TTK ¹	9.2 @ 4853
1991 ACURA				A4	2.0L L4 F/I - Non-US, Exc. Right Hand Drive	69-9505T ²	18.1 @ 4435
Integra	1.8L L4 F/I	57-3501 ¹		A4	2.0L L4 F/I - US	69-9505T ¹	18.1 @ 4435
1990 ACURA				A4 Cabriolet	2.0L L4 F/I - Non-US, Exc. Right Hand Drive	69-9505T ²	13.6 @ 4500
Integra	1.8L L4 F/I	57-3501 ¹		A4 Quattro	2.0L L4 F/I	69-9505T ²	13.6 @ 4500
1989 ACURA				A4 Quattro	2.0L L4 F/I - Non-US	69-9505T ²	13.6 @ 4500
Integra	1.6L L4 F/I	57-3500 ¹		A4 Quattro Cabriolet	2.0L L4 F/I - Non-US	69-9505T ²	13.6 @ 4500
1988 ACURA				2009 AUDI			
Integra	1.6L L4 F/I	57-3500 ¹		A3	1.6L L4 DSL	69-9756TFK ²	3.3 @ 3400
1987 ACURA				A3	1.8L L4 F/I	69-9756TFK ²	3.3 @ 3400
Integra	1.6L L4 F/I	57-3500 ¹		A3	1.9L L4 DSL	69-9756TFK ²	3.3 @ 3400
1986 ACURA				A3	2.0L L4 DSL	69-9756TFK ²	3.3 @ 3400
Integra	1.6L L4 F/I	57-3500 ¹		A3	2.0L L4 F/I - Non-US	69-9756TFK ²	3.3 @ 3400
2015 AUDI				A3	2.0L L4 F/I - US, Exc. LEV2 SULEV Test Group 9ADXV02.03PA	69-9504TTK ¹	9.2 @ 4853
A4	2.0L L4 F/I - US	69-9508T ²	15.5 @ 3600	A4	2.0L L4 F/I - Non-US, Exc. Right Hand Drive	69-9505T ²	13.6 @ 4500
A5	2.0L L4 F/I - US	69-9508T ²	15.5 @ 3600	A4	2.0L L4 F/I - US	69-9505T ¹	13.6 @ 4500
A6	2.0L L4 F/I - US	69-9508T ²	15.5 @ 3600	A4 Cabriolet	2.0L L4 F/I - Non-US, Exc. Right Hand Drive	69-9505T ²	13.6 @ 4500
2014 AUDI				A4 Quattro	2.0L L4 F/I - Non-US, Exc. Right Hand Drive	69-9505T ²	13.6 @ 4500
A4	2.0L L4 F/I - US	69-9508T ²	15.5 @ 3600	A4 Quattro Cabriolet	2.0L L4 F/I - Non-US, Exc. Right Hand Drive	69-9505T ²	13.6 @ 4500
A5	2.0L L4 F/I - US	69-9508T ²	15.5 @ 3600	TT	2.0L L4 DSL	69-9756TFK ²	3.3 @ 3400
A6	2.0L L4 F/I - US	69-9508T ²	15.5 @ 3600	2008 AUDI			
2013 AUDI				A3	1.8L L4 F/I	69-9756TFK ²	3.3 @ 3400
A3	2.0L L4 F/I - US, Exc. LEV2 SULEV Test Group DADXV02.03PA	69-9504TTK ¹	9.2 @ 4853	A3	1.9L L4 DSL	69-9756TFK ²	3.3 @ 3400
A4	2.0L L4 F/I - Non-US, Exc. Right Hand Drive	69-9505T ²	13.6 @ 4500	A3	2.0L L4 DSL	69-9756TFK ²	3.3 @ 3400
A4	2.0L L4 F/I - US	69-9505T ¹	13.6 @ 4500	A3	2.0L L4 F/I - Non-US, Turbo, 200BHP	69-9503TFK ²	18.6 @ 4500
2012 AUDI				A3	2.0L L4 F/I - US, Exc. LEV2 SULEV Test Group 8ADXV02.03PA	69-9504TTK ¹	9.2 @ 4853
A3	1.8L L4 F/I	69-9756TFK ²	3.3 @ 3400	A3 Quattro	2.0L L4 F/I - Turbo, 200BHP	69-9503TFK ²	18.6 @ 4500
A3	2.0L L4 DSL	69-9756TFK ²	3.3 @ 3400	TT	2.0L L4 DSL	69-9756TFK ²	3.3 @ 3400
A3	2.0L L4 F/I - 211BHP	69-9756TFK ²	3.3 @ 3400	2007 AUDI			
A3	2.0L L4 F/I - US, Exc. LEV2 SULEV Test Group CADXV02.03PA	69-9504TTK ¹	9.2 @ 4853	A3	1.8L L4 F/I	69-9756TFK ²	3.3 @ 3400
A4	2.0L L4 F/I - Non-US, Exc. Right Hand Drive	69-9505T ²	13.6 @ 4500	A3	1.9L L4 DSL	69-9756TFK ²	3.3 @ 3400
A4	2.0L L4 F/I - US	69-9505T ¹	13.6 @ 4500				
2011 AUDI							
A3	1.6L L4 DSL	69-9756TFK ²	3.3 @ 3400				

1) Street legal in all US states. 2) Not legal for sale or use on any pollution controlled motor vehicle in California or states adopting California emission procedures. * Estimated horsepower gains are based on specific or similar vehicle dyno tests. Results will vary. See Page 482 for more information. See page 7 for information on intake tube materials/colors.



Vehicle	Engine Type	Part Number	Estimated Horsepower*	Vehicle	Engine Type	Part Number	Estimated Horsepower*
2007 AUDI				2018 BMW			
A3	2.0L L4 DSL	69-9756TFK ²	3.3 @ 3400	216i Active Tourer	1.5L L3 F/I	69-2026TTK ²	6.5 @ 3200
A3	2.0L L4 F/I - Turbo	69-9503TFK ¹	18.6 @ 4500	216i Gran Tourer	1.5L L3 F/I	69-2026TTK ²	6.5 @ 3200
A3	2.0L L4 F/I - Turbo, 200BHP	69-9503TFK ²	18.6 @ 4500	218i Active Tourer	1.5L L3 F/I	69-2026TTK ²	6.5 @ 3200
A3 Quattro	2.0L L4 F/I - Turbo, 200BHP	69-9503TFK ²	18.6 @ 4500	218i Gran Tourer	1.5L L3 F/I	69-2026TTK ²	6.5 @ 3200
2006 AUDI				220i Active Tourer			
A3	1.9L L4 DSL	69-9756TFK ²	3.3 @ 3400	220i Gran Tourer	2.0L L4 F/I	69-2026TTK ²	6.5 @ 3200
A3	2.0L L4 DSL	69-9756TFK ²	3.3 @ 3400	X1	2.0L L4 F/I	69-2026TTK ²	6.5 @ 3200
A3	2.0L L4 F/I - Turbo	69-9503TFK ¹	18.6 @ 4500	X1 18i	1.5L L3 F/I	69-2026TTK ²	6.5 @ 3200
A3	2.0L L4 F/I - Turbo, 200BHP	69-9503TFK ²	18.6 @ 4500	X1 18i	2.0L L4 F/I	69-2026TTK ²	6.5 @ 3200
A3 Quattro	2.0L L4 F/I - Turbo, 200BHP	69-9503TFK ²	18.6 @ 4500	X1 20i	2.0L L4 F/I	69-2026TTK ²	6.5 @ 3200
2005 AUDI				X1 25i			
A3	1.9L L4 DSL	69-9756TFK ²	3.3 @ 3400	X2	2.0L L4 F/I	69-2026TTK ²	6.5 @ 3200
A3	2.0L L4 DSL	69-9756TFK ²	3.3 @ 3400	X2 18i	2.0L L4 F/I	69-2026TTK ²	6.5 @ 3200
A3	2.0L L4 F/I - Turbo	69-9503TFK ²	18.6 @ 4500	X2 20i	2.0L L4 F/I	69-2026TTK ²	6.5 @ 3200
A3 Quattro	2.0L L4 F/I - Turbo	69-9503TFK ²	18.6 @ 4500	2017 BMW			
2004 AUDI				216i Active Tourer			
A3	1.9L L4 DSL	69-9756TFK ²	3.3 @ 3400	216i Gran Tourer	1.5L L3 F/I	69-2026TTK ²	6.5 @ 3200
A3	2.0L L4 DSL	69-9756TFK ²	3.3 @ 3400	218i Active Tourer	1.5L L3 F/I	69-2026TTK ²	6.5 @ 3200
A3	2.0L L4 F/I - Turbo	69-9503TFK ²	18.6 @ 4500	218i Gran Tourer	1.5L L3 F/I	69-2026TTK ²	6.5 @ 3200
A3 Quattro	2.0L L4 F/I - Turbo	69-9503TFK ²	18.6 @ 4500	220i Active Tourer	2.0L L4 F/I	69-2026TTK ²	6.5 @ 3200
2003 AUDI				220i Gran Tourer			
A3	1.8L L4 F/I - 150/180BHP, w/Aux. Air Pump	69-9501TB ²	10.0 @ 5079	225i Active Tourer	2.0L L4 F/I	69-2026TTK ²	6.5 @ 3200
		69-9501TP ²	10.0 @ 5079	225xe Active Tourer	1.5L L3 F/I	69-2026TTK ²	6.5 @ 3200
A3	1.9L L4 DSL	69-9756TFK ²	3.3 @ 3400	X1	2.0L L4 F/I	69-2026TTK ²	6.5 @ 3200
A3	2.0L L4 DSL	69-9756TFK ²	3.3 @ 3400	216i Active Tourer	1.5L L3 F/I	69-2026TTK ²	6.5 @ 3200
A3	2.0L L4 F/I - Turbo	69-9503TFK ²	18.6 @ 4500	216i Gran Tourer	1.5L L3 F/I	69-2026TTK ²	6.5 @ 3200
2002 AUDI				218i Active Tourer			
A3	1.8L L4 F/I - 150/180BHP, w/Aux. Air Pump	69-9501TP ²	10.0 @ 5079	218i Gran Tourer	1.5L L3 F/I	69-2026TTK ²	6.5 @ 3200
		69-9501TB ²	10.0 @ 5079	220i Active Tourer	2.0L L4 F/I	69-2026TTK ²	6.5 @ 3200
A3	1.9L L4 DSL	69-9756TFK ²	3.3 @ 3400	220i Gran Tourer	2.0L L4 F/I	69-2026TTK ²	6.5 @ 3200
A3	2.0L L4 DSL	69-9756TFK ²	3.3 @ 3400	225i Active Tourer	2.0L L4 F/I	69-2026TTK ²	6.5 @ 3200
A3	2.0L L4 F/I - Turbo	69-9503TFK ²	18.6 @ 4500	225xe Active Tourer	1.5L L3 F/I	69-2026TTK ²	6.5 @ 3200
2001 AUDI				435i			
A3	1.8L L4 F/I - 150/180BHP, w/Aux. Air Pump	69-9501TB ²	10.0 @ 5079	535i	3.0L L6 F/I	69-2027TS ²	8.3 @ 5200
		69-9501TP ²	10.0 @ 5079	535i GT	3.0L L6 F/I	63-1132 ²	13.5 @ 6300
A3	1.9L L4 DSL	69-9756TFK ²	3.3 @ 3400	535i GT xDrive	3.0L L6 F/I	63-1132 ²	13.5 @ 6300
A3	2.0L L4 DSL	69-9756TFK ²	3.3 @ 3400	535i xDrive	3.0L L6 F/I	63-1132 ²	13.5 @ 6300
A3	2.0L L4 F/I - Turbo	69-9503TFK ²	18.6 @ 4500	X1	2.0L L4 F/I	69-2026TTK ²	6.5 @ 3200
2000 AUDI				X1 20i			
A3	1.8L L4 F/I - 150/180BHP, w/Aux. Air Pump	69-9501TB ²	10.0 @ 5079	X1 25i	2.0L L4 F/I	69-2026TTK ²	6.5 @ 3200
		69-9501TP ²	10.0 @ 5079	X1 28i	2.0L L4 F/I	69-2026TTK ²	6.5 @ 3200
2019 BMW				2015 BMW			
X1	1.5L L3 F/I - US	69-2026TTK ²	6.5 @ 3200	216i Active Tourer	1.5L L3 F/I	69-2026TTK ²	6.5 @ 3200
X1	2.0L L4 F/I - US	69-2026TTK ²	6.5 @ 3200	216i Gran Tourer	1.5L L3 F/I	69-2026TTK ²	6.5 @ 3200
				218i Active Tourer	1.5L L3 F/I	69-2026TTK ²	6.5 @ 3200
				218i Gran Tourer	1.5L L3 F/I	69-2026TTK ²	6.5 @ 3200
				220i Active Tourer	2.0L L4 F/I	69-2026TTK ²	6.5 @ 3200
				220i Gran Tourer	2.0L L4 F/I	69-2026TTK ²	6.5 @ 3200
				225i Active Tourer	2.0L L4 F/I	69-2026TTK ²	6.5 @ 3200
				335i	3.0L L6 F/I	69-2027TS ²	8.3 @ 5200
				435i	3.0L L6 F/I	69-2027TS ²	8.3 @ 5200
				535i	3.0L L6 F/I	63-1132 ²	13.5 @ 6300
				535i GT	3.0L L6 F/I	63-1132 ²	13.5 @ 6300

1) Street legal in all US states. 2) Not legal for sale or use on any pollution controlled motor vehicle in California or states adopting California emission procedures. * Estimated horsepower gains are based on specific or similar vehicle dyno tests. Results will vary. See Page 482 for more information. See page 7 for information on intake tube materials/colors.



AIR INTAKE SYSTEMS

BMW

Vehicle	Engine Type	Part Number	Estimated Horsepower*	Vehicle	Engine Type	Part Number	Estimated Horsepower*
2015 BMW				2006 BMW			
535i GT xDrive	3.0L L6 F/I	63-1132 ²	13.5 @ 6300	M6	5.0L V10 F/I - Non-US	69-2003TFK ²	20.8 @ 5700
535i xDrive	3.0L L6 F/I	63-1132 ²	13.5 @ 6300	2005 BMW			
X1	2.0L L4 F/I	69-2026TTK ²	6.5 @ 3200	325Ci	2.5L L6 F/I - US, Exc. PZEV Eng. Family 5BMXV02.5M56	57-1002 ¹	9.7 @ 6090
X1 20i	2.0L L4 F/I - F48	69-2026TTK ²	6.5 @ 3200	325i	2.5L L6 F/I - US, Exc. PZEV Eng. Family 5BMXV02.5M56	57-1002 ¹	9.7 @ 6090
X1 25i	2.0L L4 F/I - F48	69-2026TTK ²	6.5 @ 3200	325Xi	2.5L L6 F/I - US	57-1002 ¹	9.7 @ 6090
X1 28i	2.0L L4 F/I - F48	69-2026TTK ²	6.5 @ 3200	330Ci	3.0L L6 F/I - US	57-1001 ¹	11.5 @ 6030
2014 BMW				330i	3.0L L6 F/I - US	57-1001 ¹	11.5 @ 6030
218i Active Tourer	1.5L L3 F/I	69-2026TTK ²	6.5 @ 3200	330Xi	3.0L L6 F/I - US	57-1001 ¹	11.5 @ 6030
218i Gran Tourer	1.5L L3 F/I	69-2026TTK ²	6.5 @ 3200	M3	3.2L L6 F/I	57-1003 ¹	17.8 @ 7400
220i Active Tourer	2.0L L4 F/I	69-2026TTK ²	6.5 @ 3200	M3	3.2L L6 F/I - US	69-2001TWK ¹	9.1 @ 6000
220i Gran Tourer	2.0L L4 F/I	69-2026TTK ²	6.5 @ 3200			69-2001TS ¹	9.1 @ 6000
225i Active Tourer	2.0L L4 F/I	69-2026TTK ²	6.5 @ 3200	M5	5.0L V10 F/I	69-2003TFK ²	20.8 @ 5700
335i	3.0L L6 F/I	69-2027TS ²	8.3 @ 5200	M6	5.0L V10 F/I	69-2003TFK ²	20.8 @ 5700
435i	3.0L L6 F/I	69-2027TS ²	8.3 @ 5200	2004 BMW			
535i	3.0L L6 F/I	63-1132 ²	13.5 @ 6300	325Ci	2.5L L6 F/I - US	57-1002 ¹	9.7 @ 6090
535i GT	3.0L L6 F/I	63-1132 ²	13.5 @ 6300	325i	2.5L L6 F/I - US	57-1002 ¹	9.7 @ 6090
535i GT xDrive	3.0L L6 F/I	63-1132 ²	13.5 @ 6300	325Xi	2.5L L6 F/I - US	57-1002 ¹	9.7 @ 6090
535i xDrive	3.0L L6 F/I	63-1132 ²	13.5 @ 6300	330Ci	3.0L L6 F/I - US	57-1001 ¹	11.5 @ 6030
2013 BMW				330i	3.0L L6 F/I - US	57-1001 ¹	11.5 @ 6030
335i	3.0L L6 F/I	69-2027TS ²	8.3 @ 5200	330Xi	3.0L L6 F/I - US	57-1001 ¹	11.5 @ 6030
335i Coupe	3.0L L6 F/I	69-2027TS ²	8.3 @ 5200	M3	3.2L L6 F/I	57-1003 ¹	17.8 @ 7400
535i	3.0L L6 F/I	63-1132 ²	13.5 @ 6300	M3	3.2L L6 F/I - US	69-2001TS ¹	9.1 @ 6000
535i GT	3.0L L6 F/I	63-1132 ²	13.5 @ 6300			69-2001TWK ¹	9.1 @ 6000
535i GT xDrive	3.0L L6 F/I	63-1132 ²	13.5 @ 6300	2003 BMW			
535i xDrive	3.0L L6 F/I	63-1132 ²	13.5 @ 6300	325Ci	2.5L L6 F/I - US	57-1002 ¹	9.7 @ 6090
M3	4.0L V8 F/I	63-1116 ²	13.4 @ 6000	325i	2.5L L6 F/I - US	57-1002 ¹	9.7 @ 6090
2012 BMW				325Xi	2.5L L6 F/I - US	57-1002 ¹	9.7 @ 6090
335i	3.0L L6 F/I - Exc. E92	69-2027TS ²	8.3 @ 5200	330Ci	3.0L L6 F/I - US	57-1001 ¹	11.5 @ 6030
535i	3.0L L6 F/I	63-1132 ²	13.5 @ 6300	330i	3.0L L6 F/I - US	57-1001 ¹	11.5 @ 6030
535i GT	3.0L L6 F/I	63-1132 ²	13.5 @ 6300	330Xi	3.0L L6 F/I - US	57-1001 ¹	11.5 @ 6030
535i GT xDrive	3.0L L6 F/I	63-1132 ²	13.5 @ 6300	M3	3.2L L6 F/I	57-1003 ¹	17.8 @ 7400
535i xDrive	3.0L L6 F/I	63-1132 ²	13.5 @ 6300	M3	3.2L L6 F/I - US	69-2001TWK ¹	9.1 @ 6000
M3	4.0L V8 F/I	63-1116 ²	13.4 @ 6000			69-2001TS ¹	9.1 @ 6000
2011 BMW				2002 BMW			
535i	3.0L L6 F/I	63-1132 ²	13.5 @ 6300	325Ci	2.5L L6 F/I - US	57-1002 ¹	9.7 @ 6090
535i GT	3.0L L6 F/I	63-1132 ²	13.5 @ 6300	325i	2.5L L6 F/I - US	57-1002 ¹	9.7 @ 6090
535i GT xDrive	3.0L L6 F/I	63-1132 ²	13.5 @ 6300	325Xi	2.5L L6 F/I - US	57-1002 ¹	9.7 @ 6090
535i xDrive	3.0L L6 F/I	63-1132 ²	13.5 @ 6300	330Ci	3.0L L6 F/I - US	57-1001 ¹	11.5 @ 6030
M3	4.0L V8 F/I	63-1116 ²	13.4 @ 6000	330i	3.0L L6 F/I - US	57-1001 ¹	11.5 @ 6030
2010 BMW				330Xi	3.0L L6 F/I - US	57-1001 ¹	11.5 @ 6030
M3	4.0L V8 F/I	63-1116 ²	13.4 @ 6000	M3	3.2L L6 F/I	57-1003 ¹	17.8 @ 7400
2009 BMW				M3	3.2L L6 F/I - US	69-2001TWK ¹	9.1 @ 6000
M3	4.0L V8 F/I	63-1116 ²	13.4 @ 6000			69-2001TS ¹	9.1 @ 6000
2008 BMW				2001 BMW			
M3	4.0L V8 F/I	63-1116 ²	13.4 @ 6000	325Ci	2.5L L6 F/I - US	57-1002 ¹	9.7 @ 6090
M5	5.0L V10 F/I - Non-US	69-2003TFK ²	20.8 @ 5700	325i	2.5L L6 F/I - US	57-1002 ¹	9.7 @ 6090
M6	5.0L V10 F/I - Non-US	69-2003TFK ²	20.8 @ 5700	330Ci	3.0L L6 F/I - US	57-1001 ¹	11.5 @ 6030
2007 BMW				330i	3.0L L6 F/I - US	57-1001 ¹	11.5 @ 6030
M5	5.0L V10 F/I	69-2003TFK ²	20.8 @ 5700	M3	3.2L L6 F/I	57-1003 ¹	17.8 @ 7400
M6	5.0L V10 F/I - Non-US	69-2003TFK ²	20.8 @ 5700	M3	3.2L L6 F/I - US	69-2001TS ¹	9.1 @ 6000
2006 BMW						69-2001TWK ¹	9.1 @ 6000
M5	5.0L V10 F/I	69-2003TFK ²	20.8 @ 5700				

1) Street legal in all US states. 2) Not legal for sale or use on any pollution controlled motor vehicle in California or states adopting California emission procedures. * Estimated horsepower gains are based on specific or similar motor dyno tests. Results will vary. See Page 482 for more information. See page 7 for information on intake tube materials/colors.



Vehicle	Engine Type	Part Number	Estimated Horsepower*	Vehicle	Engine Type	Part Number	Estimated Horsepower*
2000 BMW				2020 CADILLAC			
323Ci	2.5L L6 F/I - US	57-1002 ¹	9.7 @ 6090	Escalade	6.2L V8 F/I	71-3082 ²	8.3 @ 5338
323i	2.5L L6 F/I - US	57-1002 ¹	9.7 @ 6090			77-3082KP ²	10.2 @ 4996
328Ci	2.8L L6 F/I - US	57-1002 ¹	9.7 @ 6090			63-3082 ²	10.7 @ 5341
328i	2.8L L6 F/I - US	57-1002 ¹	9.7 @ 6090			57-3098 ²	5.1 @ 5250
1999 BMW				Escalade ESV	6.2L V8 F/I	57-3098 ²	5.1 @ 5250
323Ci	2.5L L6 F/I - US	57-1002 ¹	9.7 @ 6090			63-3082 ²	10.7 @ 5341
323Ci	2.5L L6 F/I - US, E36	57-1000 ¹	8.7 @ 6300			71-3082 ²	8.3 @ 5338
323i	2.5L L6 F/I - E46	57-1002 ¹	9.7 @ 6090			77-3082KP ²	10.2 @ 4996
323iS	2.5L L6 F/I - US, E36	57-1000 ¹	8.7 @ 6300	XT5	3.6L V6 F/I	63-3115 ²	12.5 @ 6114
328i	2.8L L6 F/I - US, E36	57-1000 ¹	8.7 @ 6300	2019 CADILLAC			
328i	2.8L L6 F/I - US, E46	57-1002 ¹	9.7 @ 6090	ATS	2.0L L4 F/I	63-3100 ²	19.8 @ 3742
328iC	2.8L L6 F/I - US, E36	57-1000 ¹	8.7 @ 6300	CTS	3.6L V6 F/I	57-3094 ²	9.0 @ 5500
328iS	2.8L L6 F/I - US	57-1000 ¹	8.7 @ 6300	CTS V-Sport	3.6L V6 F/I	57-3094 ²	9.0 @ 5500
M3	3.2L L6 F/I - US	57-1000 ¹	8.7 @ 6300	CTS-V	6.2L V8 F/I	63-3096 ²	50.2 @ 5824
1998 BMW				Escalade	6.2L V8 F/I	71-3082 ²	8.3 @ 5338
323Ci	2.5L L6 F/I - US, E36	57-1000 ¹	8.7 @ 6300			63-3082 ²	10.7 @ 5341
323iS	2.5L L6 F/I - US, E36	57-1000 ¹	8.7 @ 6300			57-3098 ²	5.1 @ 5250
328Ci	2.8L L6 F/I - US, E36	57-1000 ¹	8.7 @ 6300	Escalade ESV	6.2L V8 F/I	77-3082KP ²	10.2 @ 4996
328i	2.8L L6 F/I - US	57-1000 ¹	8.7 @ 6300			63-3082 ²	10.7 @ 5341
328iC	2.8L L6 F/I - US	57-1000 ¹	8.7 @ 6300			77-3082KP ²	10.2 @ 4996
328iS	2.8L L6 F/I - US, E36	57-1000 ¹	8.7 @ 6300			71-3082 ²	8.3 @ 5338
M3	3.2L L6 F/I - US	57-1000 ¹	8.7 @ 6300	XT5	3.6L V6 F/I	57-3098 ²	5.1 @ 5250
1997 BMW				XT5	3.6L V6 F/I	63-3115 ²	12.5 @ 6114
323iS	2.5L L6 F/I - US, E36	57-1000 ¹	8.7 @ 6300	2018 CADILLAC			
328Ci	2.8L L6 F/I - US, E36	57-1000 ¹	8.7 @ 6300	ATS	2.0L L4 F/I	63-3100 ²	19.8 @ 3742
328i	2.8L L6 F/I - US	57-1000 ¹	8.7 @ 6300	CTS	3.6L V6 F/I	57-3094 ²	9.0 @ 5500
328iS	2.8L L6 F/I - US, E36	57-1000 ¹	8.7 @ 6300	CTS-V	6.2L V8 F/I	63-3096 ²	50.2 @ 5824
M3	3.2L L6 F/I - US	57-1000 ¹	8.7 @ 6300	Escalade	6.2L V8 F/I	77-3082KP ²	10.2 @ 4996
1996 BMW						71-3082 ²	8.3 @ 5338
328Ci	2.8L L6 F/I - US, E36	57-1000 ¹	8.7 @ 6300			57-3098 ²	5.1 @ 5250
328i	2.8L L6 F/I - US	57-1000 ¹	8.7 @ 6300	Escalade ESV	6.2L V8 F/I	63-3082 ²	10.7 @ 5341
328iS	2.8L L6 F/I - US, E36	57-1000 ¹	8.7 @ 6300			77-3082KP ²	10.2 @ 4996
M3	3.2L L6 F/I - US	57-1000 ¹	8.7 @ 6300			71-3082 ²	8.3 @ 5338
1995 BMW						63-3082 ²	10.7 @ 5341
325Ci	2.5L L6 F/I - US, E36	57-1000 ¹	8.7 @ 6300	XT5	3.6L V6 F/I	57-3098 ²	5.1 @ 5250
325i	2.5L L6 F/I - US	57-1000 ¹	8.7 @ 6300	2017 CADILLAC			
325iS	2.5L L6 F/I - US, E36	57-1000 ¹	8.7 @ 6300	ATS	2.0L L4 F/I	63-3100 ²	19.8 @ 3742
328Ci	2.8L L6 F/I - US, E36	57-1000 ¹	8.7 @ 6300	ATS-V	3.6L V6 F/I	63-3093 ²	34.4 @ 5806
M3	3.0L L6 F/I - US	57-1000 ¹	8.7 @ 6300	CTS	3.6L V6 F/I	57-3094 ²	9.0 @ 5500
1994 BMW				CTS-V	6.2L V8 F/I	63-3096 ²	50.2 @ 5824
325Ci	2.5L L6 F/I - US, E36	57-1000 ¹	8.7 @ 6300	Escalade	6.2L V8 F/I	71-3082 ²	8.3 @ 5338
325i	2.5L L6 F/I - US	57-1000 ¹	8.7 @ 6300			57-3098 ²	5.1 @ 5250
325iS	2.5L L6 F/I - US, E36	57-1000 ¹	8.7 @ 6300			77-3082KP ²	10.2 @ 4996
1993 BMW						63-3082 ²	10.7 @ 5341
325Ci	2.5L L6 F/I - US, E36	57-1000 ¹	8.7 @ 6300	Escalade ESV	6.2L V8 F/I	63-3082 ²	10.7 @ 5341
325i	2.5L L6 F/I - US	57-1000 ¹	8.7 @ 6300			77-3082KP ²	10.2 @ 4996
325iS	2.5L L6 F/I - US	57-1000 ¹	8.7 @ 6300			57-3098 ²	5.1 @ 5250
1992 BMW						71-3082 ²	8.3 @ 5338
325Ci	2.5L L6 F/I - US, E36	57-1000 ¹	8.7 @ 6300	XT5	3.6L V6 F/I	63-3115 ²	12.5 @ 6114
325i	2.5L L6 F/I - US	57-1000 ¹	8.7 @ 6300	2016 CADILLAC			
325iS	2.5L L6 F/I - US, E36	57-1000 ¹	8.7 @ 6300	ATS	2.0L L4 F/I	63-3100 ²	19.8 @ 3742
				ATS	2.5L L4 F/I	63-3083 ²	8.3 @ 5332
						57-3083 ¹	5.5 @ 5332

1) Street legal in all US states. 2) Not legal for sale or use on any pollution controlled motor vehicle in California or states adopting California emission procedures. * Estimated horsepower gains are based on specific or similar vehicle dyno tests. Results will vary. See Page 482 for more information. See page 7 for information on intake tube materials/colors.



AIR INTAKE SYSTEMS

CADILLAC

Vehicle	Engine Type	Part Number	Estimated Horsepower*	Vehicle	Engine Type	Part Number	Estimated Horsepower*
2016 CADILLAC				2013 CADILLAC			
ATS-V	3.6L V6 F/I	63-3093 ²	34.4 @ 5806	Escalade	6.2L V8 F/I	71-3070 ¹	12.2 @ 5342
CTS	3.6L V6 F/I	57-3094 ²	9.0 @ 5500	Escalade ESV	6.2L V8 F/I	57-3070 ¹	10.3 @ 5342
CTS-V	6.2L V8 F/I	63-3096 ²	50.2 @ 5824			77-3070KP ¹	9.9 @ 5342
Escalade	6.2L V8 F/I	77-3082KP ²	10.2 @ 4996			71-3070 ¹	12.2 @ 5342
		71-3082 ²	8.3 @ 5338	Escalade EXT	6.2L V8 F/I	77-3070KP ¹	9.9 @ 5342
		63-3082 ²	10.7 @ 5341			57-3070 ¹	10.3 @ 5342
Escalade ESV	6.2L V8 F/I	77-3082KP ²	10.2 @ 4996			71-3070 ¹	12.2 @ 5342
		71-3082 ²	8.3 @ 5338	2012 CADILLAC			
		63-3082 ²	10.7 @ 5341	CTS	3.0L V6 F/I	69-4527TS ¹	11.5 @ 6605
2015 CADILLAC				CTS	3.6L V6 F/I	69-4527TS ¹	11.5 @ 6605
ATS	2.5L L4 F/I	63-3083 ²	8.3 @ 5332	CTS-V	6.2L V8 F/I	69-4530TS ²	25.6 @ 4931
ATS	2.5L L4 F/I - Exc. Test Group FGMXJ02.5150	57-3083 ¹	5.5 @ 5332			57-3086 ¹	20.1 @ 4493
						63-3086 ²	20.1 @ 4493
ATS	3.6L V6 F/I	63-3084 ²	16.3 @ 5369	Escalade	6.2L V8 F/I	77-3070KP ¹	9.9 @ 5342
CTS	3.6L V6 F/I	63-3084 ²	16.3 @ 5369			57-3070 ¹	10.3 @ 5342
CTS-V	6.2L V8 F/I	69-4530TS ²	25.6 @ 4931			71-3070 ¹	12.2 @ 5342
		63-3086 ²	20.1 @ 4493	Escalade ESV	6.2L V8 F/I	71-3070 ¹	12.2 @ 5342
		57-3086 ¹	20.1 @ 4493			77-3070KP ¹	9.9 @ 5342
Escalade	6.2L V8 F/I	77-3082KP ¹	10.2 @ 4996			57-3070 ¹	10.3 @ 5342
		57-3082 ¹		Escalade EXT	6.2L V8 F/I	77-3070KP ¹	9.9 @ 5342
		63-3082 ²	10.7 @ 5341			71-3070 ¹	12.2 @ 5342
		71-3082 ¹	8.3 @ 5338			57-3070 ¹	10.3 @ 5342
Escalade ESV	6.2L V8 F/I	63-3082 ²	10.7 @ 5341	2011 CADILLAC			
		77-3082KP ¹	10.2 @ 4996	CTS	3.6L V6 F/I	69-4528TS ²	12.3 @ 6508
		57-3082 ¹		CTS-V	6.2L V8 F/I	63-3086 ²	20.1 @ 4493
		71-3082 ¹	8.3 @ 5338			69-4530TS ²	25.6 @ 4931
2014 CADILLAC						57-3086 ¹	20.1 @ 4493
ATS	2.5L L4 F/I	63-3083 ²	8.3 @ 5332	Escalade	6.2L V8 F/I	71-3070 ¹	12.2 @ 5342
ATS	2.5L L4 F/I - Exc. Test Group EGMXJ02.5150	57-3083 ¹	5.5 @ 5332			77-3070KP ¹	9.9 @ 5342
						57-3070 ¹	10.3 @ 5342
ATS	3.6L V6 F/I	63-3084 ²	16.3 @ 5369	Escalade ESV	6.2L V8 F/I	71-3070 ¹	12.2 @ 5342
CTS	3.6L V6 F/I - Exc. Coupe & Wagon	63-3084 ²	16.3 @ 5369			57-3070 ¹	10.3 @ 5342
CTS	3.6L V6 F/I - Exc. Sedan	69-4527TS ²	11.5 @ 6605	Escalade EXT	6.2L V8 F/I	77-3070KP ¹	9.9 @ 5342
CTS-V	6.2L V8 F/I	69-4530TS ²	25.6 @ 4931			71-3070 ¹	12.2 @ 5342
		63-3086 ²	20.1 @ 4493			77-3070KP ¹	9.9 @ 5342
		57-3086 ¹	20.1 @ 4493			57-3070 ¹	10.3 @ 5342
Escalade	6.2L V8 F/I	77-3070KP ¹	9.9 @ 5342	2010 CADILLAC			
		57-3070 ¹	10.3 @ 5342	CTS	3.6L V6 F/I	69-4528TS ²	12.3 @ 6508
		71-3070 ¹	12.2 @ 5342	CTS-V	6.2L V8 F/I	63-3086 ²	20.1 @ 4493
Escalade ESV	6.2L V8 F/I	77-3070KP ¹	9.9 @ 5342			69-4530TS ²	25.6 @ 4931
		71-3070 ¹	12.2 @ 5342			57-3086 ¹	20.1 @ 4493
		57-3070 ¹	10.3 @ 5342	Escalade	6.2L V8 F/I	77-3070KP ¹	9.9 @ 5342
2013 CADILLAC						71-3070 ¹	12.2 @ 5342
ATS	2.5L L4 F/I	63-3083 ²	8.3 @ 5332			57-3070 ¹	10.3 @ 5342
ATS	2.5L L4 F/I - Exc. Test Group DGMXJ02.5150	57-3083 ¹	5.5 @ 5332	Escalade ESV	6.2L V8 F/I	71-3070 ¹	12.2 @ 5342
						57-3070 ¹	10.3 @ 5342
ATS	3.6L V6 F/I	63-3084 ²	16.3 @ 5369			77-3070KP ¹	9.9 @ 5342
CTS	3.0L V6 F/I	69-4527TS ²	11.5 @ 6605	Escalade EXT	6.2L V8 F/I	77-3070KP ¹	9.9 @ 5342
CTS	3.6L V6 F/I	69-4527TS ²	11.5 @ 6605			71-3070 ¹	12.2 @ 5342
CTS-V	6.2L V8 F/I	69-4530TS ²	25.6 @ 4931			57-3070 ¹	10.3 @ 5342
		57-3086 ¹	20.1 @ 4493	2009 CADILLAC			
		63-3086 ²	20.1 @ 4493	CTS	3.6L V6 F/I	69-4528TS ²	12.3 @ 6508
Escalade	6.2L V8 F/I	77-3070KP ¹	9.9 @ 5342	CTS-V	6.2L V8 F/I	69-4530TS ²	25.6 @ 4931
		57-3070 ¹	10.3 @ 5342			57-3086 ¹	20.1 @ 4493

1) Street legal in all US states. 2) Not legal for sale or use on any pollution controlled motor vehicle in California or states adopting California emission procedures. * Estimated horsepower gains are based on specific or similar vehicle dyno tests. Results will vary. See Page 482 for more information. See page 7 for information on intake tube materials/colors.



Vehicle	Engine Type	Part Number	Estimated Horsepower*	Vehicle	Engine Type	Part Number	Estimated Horsepower*
2009 CADILLAC				2004 CADILLAC			
CTS-V	6.2L V8 F/I	63-3086 ²	20.1 @ 4493	CTS	3.2L V6 F/I	57-3040 ¹	12.9 @ 6048
Escalade	6.2L V8 F/I	77-3070KP ¹	9.9 @ 5342	CTS	3.6L V6 F/I	57-3042 ¹	14.2 @ 6283
		71-3070 ¹	12.2 @ 5342	CTS-V	5.7L V8 F/I	57-3054 ¹	19.1 @ 5100
		57-3070 ¹	10.3 @ 5342	Escalade	5.3L V8 F/I	57-3023-1 ¹	14.3 @ 5018
Escalade ESV	6.2L V8 F/I	77-3070KP ¹	9.9 @ 5342	Escalade	6.0L V8 F/I	77-3023KP ¹	8.2 @ 5067
		71-3070 ¹	12.2 @ 5342	Escalade	6.0L V8 F/I	77-3023KP ¹	8.2 @ 5067
		57-3070 ¹	10.3 @ 5342	Escalade ESV	6.0L V8 F/I	57-3023-1 ¹	14.3 @ 5018
Escalade EXT	6.2L V8 F/I	77-3070KP ¹	9.9 @ 5342	Escalade EXT	6.0L V8 F/I	57-3023-1 ¹	14.3 @ 5018
		71-3070 ¹	10.3 @ 5342	Escalade EXT	6.0L V8 F/I	57-3023-1 ¹	14.3 @ 5018
		57-3070 ¹	12.2 @ 5342	Escalade EXT	6.0L V8 F/I	77-3023KP ¹	8.2 @ 5067
2008 CADILLAC				2003 CADILLAC			
CTS	3.6L V6 F/I	69-4528TS ²	12.3 @ 6508	CTS	3.2L V6 F/I	57-3040 ¹	12.9 @ 6048
Escalade	6.2L V8 F/I	77-3058KP ¹	12.5 @ 4917	Escalade	5.3L V8 F/I	77-3023KP ¹	8.2 @ 5067
		57-3058 ¹	17.6 @ 4917	Escalade	6.0L V8 F/I	57-3023-1 ¹	14.3 @ 5018
		71-3058 ¹	10.2 @ 4900	Escalade	6.0L V8 F/I	77-3023KP ¹	14.1 @ 4897
Escalade ESV	6.2L V8 F/I	71-3058 ¹	10.2 @ 4900	Escalade	6.0L V8 F/I	57-3023-1 ¹	14.3 @ 5018
		57-3058 ¹	17.6 @ 4917	Escalade ESV	6.0L V8 F/I	57-3023-1 ¹	14.3 @ 5018
		77-3058KP ¹	12.5 @ 4917	Escalade EXT	6.0L V8 F/I	77-3023KP ¹	14.1 @ 4897
Escalade EXT	6.2L V8 F/I	71-3058 ¹	10.2 @ 4900	Escalade EXT	6.0L V8 F/I	77-3023KP ¹	14.1 @ 4897
		57-3058 ¹	17.6 @ 4917	Escalade EXT	6.0L V8 F/I	57-3023-1 ¹	14.3 @ 5018
		77-3058KP ¹	12.5 @ 4917				
2007 CADILLAC				2002 CADILLAC			
CTS-V	6.0L V8 F/I	57-3068 ¹	17.1 @ 5117	Escalade	5.3L V8 F/I	57-3023-1 ¹	14.3 @ 5018
Escalade	6.2L V8 F/I	77-3058KP ¹	12.5 @ 4917	Escalade	6.0L V8 F/I	77-3023KP ¹	8.2 @ 5067
		57-3058 ¹	17.6 @ 4917	Escalade	6.0L V8 F/I	57-3023-1 ¹	14.3 @ 5018
		71-3058 ¹	10.2 @ 4900	Escalade	6.0L V8 F/I	77-3023KP ¹	8.2 @ 5067
Escalade ESV	6.2L V8 F/I	57-3058 ¹	17.6 @ 4917				
		77-3058KP ¹	12.5 @ 4917	2020 CHEVROLET			
		71-3058 ¹	10.2 @ 4900	Blazer	3.6L V6 F/I	63-3115 ²	12.5 @ 6114
Escalade EXT	6.2L V8 F/I	71-3058 ¹	10.2 @ 4900	Camaro	3.6L V6 F/I	57-3094 ²	9.0 @ 5500
		57-3058 ¹	17.6 @ 4917			63-3094 ²	21.2 @ 5900
		77-3058KP ¹	12.5 @ 4917	Camaro SS	6.2L V8 F/I	69-4535TP ²	21.3 @ 5900
2006 CADILLAC						63-3092 ²	24.5 @ 4726
CTS	2.8L V6 F/I	57-3042 ¹	14.2 @ 6283			71-3092 ²	20.7 @ 4805
CTS	3.6L V6 F/I	57-3042 ¹	14.2 @ 6283			69-4534TP ²	15.2 @ 4833
CTS-V	6.0L V8 F/I	57-3068 ¹	17.1 @ 5117	Colorado	2.5L L4 F/I	57-3092 ²	12.3 @ 4826
Escalade	6.0L V8 F/I	77-3050KP ¹	8.4 @ 5336	Colorado	3.6L V6 F/I	77-3089KP ²	12.4 @ 5105
		57-3050 ¹	11.9 @ 5367			63-3089 ²	9.9 @ 5310
		77-3050KP ¹	8.4 @ 5336	Malibu	1.5L L4 F/I	71-3104 ²	11.0 @ 6498
Escalade ESV	6.0L V8 F/I	57-3050 ¹	11.9 @ 5367	Malibu	2.0L L4 F/I	57-3104 ²	5.0 @ 6303
		77-3050KP ¹	8.4 @ 5336	Silverado 1500	4.3L V6 F/I	63-3104 ²	7.8 @ 6547
		57-3050 ¹	11.9 @ 5367			77-3104KP ²	14.5 @ 6498
Escalade EXT	6.0L V8 F/I	77-3050KP ¹	8.4 @ 5336			63-3106 ²	8.5 @ 5491
		57-3050 ¹	11.9 @ 5367			63-3097 ²	15.8 @ 5495
		77-3050KP ¹	8.4 @ 5336			63-3117 ²	16.6 @ 4226
2005 CADILLAC						63-3116 ²	9.8 @ 3660
CTS	2.8L V6 F/I	57-3042 ¹	14.2 @ 6283			77-3110KP ²	18.7 @ 5000
CTS	3.6L V6 F/I	57-3042 ¹	14.2 @ 6283			63-3110 ²	17.3 @ 5000
CTS-V	5.7L V8 F/I	57-3054 ¹	19.1 @ 5100			57-3108 ²	10.9 @ 5038
Escalade	5.3L V8 F/I	77-3050KP ¹	8.4 @ 5336			71-3110 ²	12.8 @ 5000
		57-3050 ¹	11.9 @ 5367			63-3109 ²	15.7 @ 5200
		77-3050KP ¹	8.4 @ 5336			57-3108 ²	10.9 @ 5038
Escalade	6.0L V8 F/I	57-3050 ¹	11.9 @ 5367			63-3109 ²	15.7 @ 5200
		77-3050KP ¹	8.4 @ 5336			77-3110KP ²	18.7 @ 5000
		57-3050 ¹	11.9 @ 5367			63-3110 ²	17.3 @ 5000
Escalade ESV	6.0L V8 F/I	77-3050KP ¹	8.4 @ 5336				
		57-3050 ¹	11.9 @ 5367				
		77-3050KP ¹	8.4 @ 5336				
Escalade EXT	6.0L V8 F/I	57-3050 ¹	11.9 @ 5367				
		77-3050KP ¹	8.4 @ 5336				
		57-3050 ¹	11.9 @ 5367				

1) Street legal in all US states. 2) Not legal for sale or use on any pollution controlled motor vehicle in California or states adopting California emission procedures. * Estimated horsepower gains are based on specific or similar vehicle dyno tests. Results will vary. See Page 482 for more information. See page 7 for information on intake tube materials/colors.



AIR INTAKE SYSTEMS

CHEVROLET

Vehicle	Engine Type	Part Number	Estimated Horsepower*	Vehicle	Engine Type	Part Number	Estimated Horsepower*
2020 CHEVROLET				2019 CHEVROLET			
Silverado 1500	6.2L V8 F/I	71-3110 ²	12.8 @ 5000	Silverado 1500 LD	5.3L V8 F/I	77-3082KP ²	10.2 @ 4996
Suburban	5.3L V8 F/I	71-3082 ²	8.3 @ 5338			63-3082 ²	10.7 @ 5341
		77-3082KP ²	10.2 @ 4996	Silverado 2500 HD	6.0L V8 F/I	77-3090KTK ²	7.6 @ 4450
		57-3098 ²	5.1 @ 5250	Silverado 2500 HD	6.6L V8 DSL	63-3101 ²	10.4 @ 2600
		63-3082 ²	10.7 @ 5341			77-3101KP ²	15.2 @ 2500
Suburban	6.2L V8 F/I	57-3098 ²	5.1 @ 5250	Silverado 3500 HD	6.0L V8 F/I	77-3090KTK ²	7.6 @ 4450
		77-3082KP ²	10.2 @ 4996	Silverado 3500 HD	6.6L V8 DSL	77-3101KP ²	15.2 @ 2500
		63-3082 ²	10.7 @ 5341			63-3101 ²	10.4 @ 2600
		71-3082 ²	8.3 @ 5338	Sonic	1.4L L4 F/I	69-4524TS ²	7.0 @ 5474
Tahoe	5.3L V8 F/I	57-3098 ²	5.1 @ 5250	Suburban	5.3L V8 F/I	71-3082 ²	8.3 @ 5338
		77-3082KP ²	10.2 @ 4996			63-3082 ²	10.7 @ 5341
		63-3082 ²	10.7 @ 5341			77-3082KP ²	10.2 @ 4996
		71-3082 ²	8.3 @ 5338			57-3098 ²	5.1 @ 5250
Tahoe	6.2L V8 F/I	57-3098 ²	5.1 @ 5250	Suburban	6.2L V8 F/I	77-3082KP ²	10.2 @ 4996
		77-3082KP ²	10.2 @ 4996			63-3082 ²	10.7 @ 5341
		63-3082 ²	10.7 @ 5341			57-3098 ²	5.1 @ 5250
		71-3082 ²	8.3 @ 5338			71-3082 ²	8.3 @ 5338
2019 CHEVROLET				Tahoe	5.3L V8 F/I	77-3082KP ²	10.2 @ 4996
Blazer	3.6L V6 F/I	63-3115 ²	12.5 @ 6114			57-3098 ²	5.1 @ 5250
Camaro	2.0L L4 F/I	63-3105 ²	6.6 @ 4903			71-3082 ²	8.3 @ 5338
Camaro	3.6L V6 F/I	69-4535TP ²	21.3 @ 5900	Tahoe	6.2L V8 F/I	63-3082 ²	10.7 @ 5341
		63-3094 ²	21.2 @ 5900			77-3082KP ²	10.2 @ 4996
		57-3094 ²	9.0 @ 5500			71-3082 ²	8.3 @ 5338
Camaro SS	6.2L V8 F/I	63-3092 ²	24.5 @ 4726			57-3098 ²	5.1 @ 5250
		57-3092 ²	12.3 @ 4826			63-3082 ²	10.7 @ 5341
		71-3092 ²	20.7 @ 4805	2018 CHEVROLET			
		69-4534TP ²	15.2 @ 4833	Camaro	2.0L L4 F/I	63-3105 ²	6.6 @ 4903
Camaro ZL1	6.2L V8 F/I	63-3099 ²	23.6 @ 5379	Camaro	3.6L V6 F/I	57-3094 ²	9.0 @ 5500
Colorado	2.5L L4 F/I	77-3089KP ²	12.4 @ 5105			69-4535TP ²	21.3 @ 5900
		63-3089 ²	9.9 @ 5310			63-3094 ²	21.2 @ 5900
		57-3107 ²	4.7 @ 5494	Camaro SS	6.2L V8 F/I	71-3092 ²	20.7 @ 4805
Colorado	2.8L L4 DSL	63-3095 ²	8.1 @ 3200			63-3092 ²	24.5 @ 4726
Colorado	3.6L V6 F/I	63-3104 ²	7.8 @ 6547			57-3092 ²	12.3 @ 4826
		57-3104 ²	5.0 @ 6303			69-4534TP ²	15.2 @ 4833
		71-3104 ²	11.0 @ 6498	Camaro ZL1	6.2L V8 F/I	63-3099 ²	23.6 @ 5379
		77-3104KP ²	14.5 @ 6498	Colorado	2.5L L4 F/I	77-3089KP ²	12.4 @ 5105
Corvette	6.2L V8 F/I - Exc. Z06 & ZR1	63-3081 ²	12.5 @ 4998			63-3089 ²	9.9 @ 5310
Corvette ZR1	6.2L V8 F/I - Exc. Z06	63-3111 ²	44.6 @ 5387			57-3107 ²	4.7 @ 5494
Cruze	1.4L L4 F/I	69-4537TS ²	6.4 @ 5347	Colorado	2.8L L4 DSL	63-3095 ²	8.1 @ 3200
Malibu	1.5L L4 F/I	63-3106 ²	8.5 @ 5491	Colorado	3.6L V6 F/I	77-3104KP ²	14.5 @ 6498
Malibu	2.0L L4 F/I	63-3097 ²	15.8 @ 5495			71-3104 ²	11.0 @ 6498
Silverado 1500	4.3L V6 F/I	63-3116 ²	9.8 @ 3660			57-3104 ²	5.0 @ 6303
		63-3117 ²	16.6 @ 4226	Corvette	6.2L V8 F/I - Exc. Z06	63-3081 ²	12.5 @ 4998
		63-3110 ²	17.3 @ 5000	Corvette Z06	6.2L V8 F/I	63-3090 ²	50.7 @ 5340
Silverado 1500	5.3L V8 F/I	71-3110 ²	12.8 @ 5000	Cruze	1.4L L4 F/I	69-4537TS ²	6.4 @ 5347
		57-3108 ²	10.9 @ 5038	Malibu	1.5L L4 F/I	63-3106 ²	8.5 @ 5491
		77-3110KP ²	18.7 @ 5000	Malibu	2.0L L4 F/I	63-3097 ²	15.8 @ 5495
		63-3109 ²	15.7 @ 5200	Silverado 1500	4.3L V6 F/I	63-3085 ²	10.2 @ 5245
		63-3110 ²	15.7 @ 5200			57-3103 ²	7.5 @ 5250
		63-3110 ²	17.3 @ 5000			77-3085KP ²	10.0 @ 5285
		77-3110KP ²	18.7 @ 5000	Silverado 1500	5.3L V8 F/I - Exc. Hybrid	77-3082KP ²	10.2 @ 4996
		57-3108 ²	10.9 @ 5038			71-3082 ²	8.3 @ 5338
Silverado 1500 LD	5.3L V8 F/I	71-3082 ²	8.3 @ 5338				
		57-3098 ²	5.1 @ 5250				

1) Street legal in all US states. 2) Not legal for sale or use on any pollution controlled motor vehicle in California or states adopting California emission procedures. * Estimated horsepower gains are based on specific or similar vehicle dyno tests. Results will vary. See Page 482 for more information. See page 7 for information on intake tube materials/colors.

CHEVROLET

AIR INTAKE SYSTEMS



Vehicle	Engine Type	Part Number	Estimated Horsepower*	Vehicle	Engine Type	Part Number	Estimated Horsepower*		
2018 CHEVROLET				2017 CHEVROLET					
Silverado 1500	5.3L V8 F/I - Exc. Hybrid	57-3098 ²	5.1 @ 5250	Silverado 1500	5.3L V8 F/I - Exc. Hybrid	57-3098 ²	5.1 @ 5250		
		63-3082 ²	10.7 @ 5341			71-3082 ²	8.3 @ 5338		
Silverado 1500	6.2L V8 F/I	77-3082KP ²	10.2 @ 4996	Silverado 1500	6.2L V8 F/I	77-3082KP ²	10.2 @ 4996		
		63-3082 ²	10.7 @ 5341			71-3082 ²	8.3 @ 5338		
		71-3082 ²	8.3 @ 5338			57-3098 ²	5.1 @ 5250		
		57-3098 ²	5.1 @ 5250			63-3082 ²	10.7 @ 5341		
Silverado 2500 HD	6.0L V8 F/I	77-3090KTK ²	7.6 @ 4450	Silverado 2500 HD	6.0L V8 F/I	77-3090KTK ²	7.6 @ 4450		
Silverado 2500 HD	6.6L V8 DSL	77-3101KP ²	15.2 @ 2500	Silverado 2500 HD	6.6L V8 DSL	63-3101 ²	10.4 @ 2600		
		63-3101 ²	10.4 @ 2600			77-3101KP ²	15.2 @ 2500		
Silverado 3500 HD	6.0L V8 F/I	77-3090KTK ²	7.6 @ 4450	Silverado 3500 HD	6.0L V8 F/I	77-3090KTK ²	7.6 @ 4450		
Silverado 3500 HD	6.6L V8 DSL	77-3101KP ²	15.2 @ 2500	Silverado 3500 HD	6.6L V8 DSL	77-3101KP ²	15.2 @ 2500		
		63-3101 ²	10.4 @ 2600			63-3101 ²	10.4 @ 2600		
Sonic	1.4L L4 F/I	69-4524TS ²	7.0 @ 5474	Sonic	1.4L L4 F/I	69-4524TS ²	7.0 @ 5474		
Suburban	5.3L V8 F/I	71-3082 ²	8.3 @ 5338	Sonic	1.8L L4 F/I	69-4525TS ²	5.1 @ 6003		
		63-3082 ²	10.7 @ 5341			SS	6.2L V8 F/I	63-3071 ²	10.4 @ 4707
		57-3098 ²	5.1 @ 5250					Suburban	5.3L V8 F/I
		77-3082KP ²	10.2 @ 4996			57-3098 ²	5.1 @ 5250		
Tahoe	5.3L V8 F/I	71-3082 ²	8.3 @ 5338	Tahoe	5.3L V8 F/I	63-3082 ²	10.7 @ 5341		
		57-3098 ²	5.1 @ 5250			77-3082KP ²	10.2 @ 4996		
		77-3082KP ²	10.2 @ 4996			63-3082 ²	10.7 @ 5341		
		63-3082 ²	10.7 @ 5341			71-3082 ²	8.3 @ 5338		
Tahoe	6.2L V8 F/I	71-3082 ²	8.3 @ 5338	Tahoe	6.2L V8 F/I	71-3082 ²	8.3 @ 5338		
		77-3082KP ²	10.2 @ 4996			57-3098 ²	5.1 @ 5250		
63-3082 ²	10.7 @ 5341	2016 CHEVROLET							
2017 CHEVROLET				Camaro	2.0L L4 F/I	63-3105 ²	6.6 @ 4903		
Camaro	2.0L L4 F/I	63-3105 ²	6.6 @ 4903	Camaro	3.6L V6 F/I	63-3094 ²	21.2 @ 5900		
Camaro	3.6L V6 F/I	57-3094 ²	9.0 @ 5500	Camaro	3.6L V6 F/I	57-3094 ²	9.0 @ 5500		
		69-4535TP ²	21.3 @ 5900			69-4535TP ²	21.3 @ 5900		
		63-3094 ²	21.2 @ 5900			Camaro SS	6.2L V8 F/I	71-3092 ²	20.7 @ 4805
		69-4534TP ²	15.2 @ 4833					63-3092 ²	24.5 @ 4726
Camaro SS	6.2L V8 F/I	71-3092 ²	20.7 @ 4805	Camaro SS	6.2L V8 F/I	69-4534TP ²	15.2 @ 4833		
		57-3092 ²	12.3 @ 4826			57-3092 ²	12.3 @ 4826		
		63-3092 ²	24.5 @ 4726			Colorado	2.5L L4 F/I	77-3089KP ¹	12.4 @ 5105
		63-3099 ²	23.6 @ 5379					57-3089 ¹	9.9 @ 5310
Camaro ZL1	6.2L V8 F/I	63-3099 ²	23.6 @ 5379	Colorado	2.5L L4 F/I	63-3089 ²	9.9 @ 5310		
Colorado	2.5L L4 F/I	57-3107 ²	4.7 @ 5494	Colorado	2.5L L4 F/I	63-3089 ²	9.9 @ 5310		
		77-3089KP ²	12.4 @ 5105			Colorado	2.8L L4 DSL	63-3095 ²	8.1 @ 3200
		63-3089 ²	9.9 @ 5310					Colorado	3.6L V6 F/I
		63-3095 ²	8.1 @ 3200			57-3088 ¹	19.4 @ 3551		
Colorado	2.8L L4 DSL	63-3095 ²	8.1 @ 3200	Colorado	2.8L L4 DSL	77-3088KP ¹	10.3 @ 5823		
Colorado	3.6L V6 F/I	77-3104KP ²	14.5 @ 6498	Colorado	3.6L V6 F/I	63-3088 ²	19.4 @ 3551		
		63-3104 ²	7.8 @ 6547			63-3081 ²	12.5 @ 4998		
		71-3104 ²	11.0 @ 6498			Corvette	6.2L V8 F/I - Exc. Z06	57-3090 ¹	50.7 @ 5340
		57-3104 ²	5.0 @ 6303					63-3090 ²	50.7 @ 5340
Corvette	6.2L V8 F/I - Exc. Z06	63-3081 ²	12.5 @ 4998	Corvette Z06	6.2L V8 F/I	63-3090 ¹	50.7 @ 5340		
Corvette Z06	6.2L V8 F/I	63-3090 ²	50.7 @ 5340	Corvette Z06	6.2L V8 F/I	63-3090 ¹	50.7 @ 5340		
Cruze	1.4L L4 F/I	69-4537TS ²	6.4 @ 5347	Cruze Limited	1.4L L4 F/I	69-4521TS ²	6.5 @ 5000		
Equinox	2.4L L4 F/I	77-3071KS ²	9.3 @ 4600	Equinox	2.4L L4 F/I	77-3071KS ²	9.3 @ 4600		
Malibu	1.5L L4 F/I	63-3106 ²	8.5 @ 5491	Malibu	1.5L L4 F/I	63-3106 ²	8.5 @ 5491		
Malibu	2.0L L4 F/I	63-3097 ²	15.8 @ 5495	Malibu	2.0L L4 F/I	63-3097 ²	15.8 @ 5495		
Silverado 1500	4.3L V6 F/I	77-3085KP ²	10.0 @ 5285	Malibu	2.5L L4 F/I	69-4529TS ²	8.2 @ 6321		
		57-3103 ²	7.5 @ 5250	Silverado 1500	4.3L V6 F/I	63-3085 ²	10.2 @ 5245		
		63-3085 ²	10.2 @ 5245			77-3085KP ²	10.0 @ 5285		
		63-3082 ²	10.7 @ 5341	Silverado 1500	5.3L V8 F/I	77-3082KP ²	10.2 @ 4996		
Silverado 1500	5.3L V8 F/I - Exc. Hybrid	63-3082 ²	10.7 @ 5341	Silverado 1500	5.3L V8 F/I	71-3082 ²	8.3 @ 5338		
		77-3082KP ²	10.2 @ 4996			63-3082 ²	10.7 @ 5341		
				Silverado 1500	6.2L V8 F/I	77-3082KP ²	10.2 @ 4996		

1) Street legal in all US states. 2) Not legal for sale or use on any pollution controlled motor vehicle in California or states adopting California emission procedures. * Estimated horsepower gains are based on specific or similar vehicle dyno tests. Results will vary. See Page 482 for more information. See page 7 for information on intake tube materials/colors.



AIR INTAKE SYSTEMS

CHEVROLET

Vehicle	Engine Type	Part Number	Estimated Horsepower*	Vehicle	Engine Type	Part Number	Estimated Horsepower*
2016 CHEVROLET				2015 CHEVROLET			
Silverado 1500	6.2L V8 F/I	63-3082 ²	10.7 @ 5341	Silverado 2500 HD	6.6L V8 DSL	77-3087KP ¹	19.9 @ 2950
		71-3082 ²	8.3 @ 5338	Silverado 3500 HD	6.0L V8 F/I	77-3086KTK ¹	9.5 @ 4950
Silverado 2500 HD	6.0L V8 F/I	77-3090KTK ²	7.6 @ 4450	Silverado 3500 HD	6.6L V8 DSL	77-3087KP ¹	19.9 @ 2950
Silverado 2500 HD	6.6L V8 DSL	77-3087KP ²	19.9 @ 2950			63-3087 ²	24.1 @ 2950
		63-3087 ²	24.1 @ 2950			57-3087 ¹	24.1 @ 2950
Silverado 3500 HD	6.0L V8 F/I	77-3090KTK ²	7.6 @ 4450	Sonic	1.4L L4 F/I	69-4524TS ²	7.0 @ 5474
Silverado 3500 HD	6.6L V8 DSL	77-3087KP ²	19.9 @ 2950	Sonic	1.8L L4 F/I	69-4525TS ²	5.1 @ 6003
		63-3087 ²	24.1 @ 2950	SS	6.2L V8 F/I	63-3071 ²	10.4 @ 4707
Sonic	1.4L L4 F/I	69-4524TS ²	7.0 @ 5474	Suburban	5.3L V8 F/I	71-3082 ¹	8.3 @ 5338
Sonic	1.8L L4 F/I	69-4525TS ²	5.1 @ 6003			63-3082 ²	10.7 @ 5341
SS	6.2L V8 F/I	63-3071 ²	10.4 @ 4707			77-3082KP ¹	10.2 @ 4996
Suburban	5.3L V8 F/I	77-3082KP ²	10.2 @ 4996			57-3082 ¹	13.5 @ 5341
		71-3082 ²	8.3 @ 5338	Tahoe	5.3L V8 F/I	77-3082KP ¹	13.5 @ 5341
		63-3082 ²	10.7 @ 5341			57-3082 ¹	15.4 @ 5341
Tahoe	5.3L V8 F/I	71-3082 ²	8.3 @ 5338			71-3082 ¹	8.3 @ 5338
		63-3082 ²	10.7 @ 5341			63-3082 ²	15.4 @ 5341
		77-3082KP ²	10.2 @ 4996	2014 CHEVROLET			
2015 CHEVROLET				Camaro	3.6L V6 F/I	69-4523TP ¹	15.6 @ 5800
Camaro	3.6L V6 F/I	63-3078 ²	11.4 @ 5800			63-3078 ²	11.4 @ 5800
		69-4523TP ¹	15.6 @ 5800			57-3075 ¹	4.8 @ 6045
		57-3078 ¹	13.1 @ 5800	Camaro	7.0L V8 F/I	69-4533TTK ²	19.7 @ 4980
Camaro	7.0L V8 F/I	69-4533TTK ²	19.7 @ 4980	Camaro SS	6.2L V8 F/I	71-4519 ²	17.6 @ 5191
Camaro SS	6.2L V8 F/I	69-4519TP ²	18.1 @ 5200			57-3074 ¹	6.5 @ 5844
		63-3074 ²	18.6 @ 5161			69-4519TP ²	18.1 @ 5200
		71-4519 ²	17.6 @ 5191	Camaro ZL1	6.2L V8 F/I	63-3074 ²	18.6 @ 5161
Camaro ZL1	6.2L V8 F/I	63-3079 ²	31.7 @ 4300			63-3079 ²	25.4 @ 4053
Colorado	2.5L L4 F/I	77-3089KP ¹	12.4 @ 5105	Colorado	2.5L L4 F/I	77-3089KP ¹	12.4 @ 5105
		63-3089 ²	9.9 @ 5310			63-3089 ²	9.9 @ 5310
		57-3089 ¹	9.9 @ 5310	Colorado	3.6L V6 F/I	77-3088KP ¹	10.3 @ 5823
Colorado	3.6L V6 F/I	77-3088KP ¹	10.3 @ 5823			71-3088 ¹	15.7 @ 5823
		71-3088 ¹	15.7 @ 5823	Corvette	6.2L V8 F/I	63-3088 ²	19.4 @ 3551
		63-3088 ²	19.4 @ 3551			57-3088 ¹	19.4 @ 3551
Corvette	6.2L V8 F/I - Exc. Z06	63-3081 ²	12.5 @ 4998	Corvette	6.2L V8 F/I - Exc. Z06	63-3081 ²	12.5 @ 4998
		57-3081 ¹	12.5 @ 4998			57-3081 ¹	12.5 @ 4998
Corvette Z06	6.2L V8 F/I	63-3090 ²	50.7 @ 5340	Cruze	1.4L L4 F/I	69-4521TS ¹	6.5 @ 5000
		57-3090 ¹	50.7 @ 5340	Cruze	1.8L L4 F/I - US	69-4522TS ²	5.7 @ 5940
Cruze	1.4L L4 F/I	69-4521TS ¹	6.5 @ 5000	Cruze	2.0L L4 DSL - US	69-4531TTK ¹	12.6 @ 3188
Cruze	2.0L L4 DSL - US	69-4531TTK ¹	12.6 @ 3188	Equinox	2.4L L4 F/I	77-3071KS ²	9.3 @ 4600
Equinox	2.4L L4 F/I	77-3071KS ²	9.3 @ 4600	Impala Limited	3.6L V6 F/I	69-4526TS ²	11.7 @ 6218
Malibu	2.0L L4 F/I	63-3091 ²	14.2 @ 5489	Malibu	2.0L L4 F/I	63-3091 ²	14.2 @ 5489
Malibu	2.5L L4 F/I	69-4529TS ²	8.2 @ 6321	Malibu	2.5L L4 F/I	69-4529TS ²	8.2 @ 6321
Silverado 1500	4.3L V6 F/I	63-3085 ²	10.2 @ 5245	Silverado 1500	4.3L V6 F/I	77-3085KP ¹	10.0 @ 5285
		77-3085KP ²	10.0 @ 5285			63-3085 ²	10.2 @ 5245
Silverado 1500	5.3L V8 F/I	77-3082KP ¹	10.2 @ 4996	Silverado 1500	5.3L V8 F/I	77-3085KP ¹	10.0 @ 5285
		57-3082 ¹	10.2 @ 4996			57-3085 ¹	10.2 @ 5245
		71-3082 ¹	8.3 @ 5338	Silverado 1500	6.2L V8 F/I	71-3082 ¹	8.3 @ 5338
		63-3082 ²	10.7 @ 5341			77-3082KP ¹	12.3 @ 5237
Silverado 1500	6.2L V8 F/I	71-3082 ¹	8.3 @ 5338			57-3082 ¹	10.7 @ 5341
		57-3082 ¹	8.3 @ 5338	Silverado 1500	6.2L V8 F/I	63-3082 ²	10.7 @ 5341
		77-3082KP ¹	10.2 @ 4996			77-3082KP ¹	10.2 @ 4996
		63-3082 ²	10.7 @ 5341			57-3082 ¹	13.8 @ 5227
Silverado 2500 HD	6.0L V8 F/I	77-3086KTK ¹	9.5 @ 4950			71-3082 ¹	8.3 @ 5338
Silverado 2500 HD	6.6L V8 DSL	77-3077KP ¹	12.2 @ 2850	Silverado 2500 HD	6.0L V8 F/I	77-3086KTK ²	9.5 @ 4950
		57-3077 ¹	19.3 @ 2420	Silverado 2500 HD	6.6L V8 DSL	77-3077KP ¹	12.2 @ 2850
		77-3082KP ¹	10.2 @ 4996			57-3077 ¹	19.3 @ 2420
		63-3082 ²	10.7 @ 5341	Silverado 3500 HD	6.0L V8 F/I	77-3086KTK ²	9.5 @ 4950
Silverado 2500 HD	6.0L V8 F/I	77-3086KTK ¹	9.5 @ 4950	Silverado 3500 HD	6.6L V8 DSL	57-3077 ¹	19.3 @ 2420
Silverado 2500 HD	6.6L V8 DSL	63-3087 ²	24.1 @ 2950			77-3077KP ¹	12.2 @ 2850
		57-3087 ¹	24.1 @ 2950	Sonic	1.4L L4 F/I	69-4524TS ²	7.0 @ 5474

1) Street legal in all US states. 2) Not legal for sale or use on any pollution controlled motor vehicle in California or states adopting California emission procedures. * Estimated horsepower gains are based on specific or similar vehicle dyno tests. Results will vary. See Page 482 for more information. See page 7 for information on intake tube materials/colors.



Vehicle	Engine Type	Part Number	Estimated Horsepower*	Vehicle	Engine Type	Part Number	Estimated Horsepower*
2014 CHEVROLET				2012 CHEVROLET			
Sonic	1.8L L4 F/I	69-4525TS ²	5.1 @ 6003	Avalanche	5.3L V8 F/I	71-3070 ¹	12.2 @ 5342
SS	6.2L V8 F/I	63-3071 ²	10.4 @ 4707			77-3070KP ¹	9.9 @ 5342
		57-3071 ¹	16.6 @ 5670	Camaro	3.6L V6 F/I	69-4523TP ¹	15.6 @ 5800
Suburban 1500	5.3L V8 F/I	77-3070KP ¹	9.9 @ 5342			57-3075 ¹	4.8 @ 6045
		71-3070 ¹	12.2 @ 5342			57-3078 ¹	13.1 @ 5800
		57-3070 ¹	10.3 @ 5342	Camaro SS	6.2L V8 F/I	69-4519TP ²	18.1 @ 5200
Tahoe	5.3L V8 F/I	71-3070 ¹	12.2 @ 5342			63-3074 ²	18.6 @ 5161
		57-3070 ¹	10.3 @ 5342			57-3074 ¹	6.5 @ 5844
		77-3070KP ¹	9.9 @ 5342			71-4519 ²	17.6 @ 5191
2013 CHEVROLET				Camaro ZL1	6.2L V8 F/I	63-3079 ²	25.4 @ 4053
Avalanche	5.3L V8 F/I	71-3070 ¹	12.2 @ 5342	Colorado	2.9L L4 F/I	63-3064-1 ²	9.0 @ 4862
		57-3070 ¹	10.3 @ 5342	Colorado	3.7L L5 F/I	63-3065 ²	11.0 @ 4754
		77-3070KP ¹	9.9 @ 5342			77-3065KP ²	7.2 @ 4533
Camaro	3.6L V6 F/I	57-3078 ¹	13.1 @ 5800	Corvette	6.2L V8 F/I	63-3073 ²	17.7 @ 4750
		69-4523TP ¹	15.6 @ 5800	Corvette ZR1	6.2L V8 F/I	63-3080 ²	27.1 @ 5948
		57-3075 ¹	4.8 @ 6045	Cruze	1.4L L4 F/I	69-4521TS ¹	6.5 @ 5000
		63-3078 ²	11.4 @ 5800	Cruze	1.8L L4 F/I - US	69-4522TS ¹	5.7 @ 5940
Camaro SS	6.2L V8 F/I	71-4519 ²	17.6 @ 5191	Equinox	2.4L L4 F/I	77-3071KS ²	9.3 @ 4600
		69-4519TP ²	18.1 @ 5200	Equinox	3.0L V6 F/I	77-3078KTK ¹	6.5 @ 4900
		63-3074 ²	18.6 @ 5161	Silverado 1500	4.8L V8 F/I	77-3070KP ¹	9.9 @ 5342
		57-3074 ¹	6.5 @ 5844			57-3070 ¹	10.3 @ 5342
Camaro ZL1	6.2L V8 F/I	63-3079 ²	25.4 @ 4053			71-3070 ¹	12.2 @ 5342
Corvette	6.2L V8 F/I	63-3073 ²	17.7 @ 4750	Silverado 1500	5.3L V8 F/I	77-3070KP ¹	9.9 @ 5342
Corvette ZR1	6.2L V8 F/I	63-3080 ²	27.1 @ 5948			71-3070 ¹	12.2 @ 5342
Cruze	1.4L L4 F/I	69-4521TS ¹	6.5 @ 5000			57-3070 ¹	10.3 @ 5342
Cruze	1.8L L4 F/I - US	69-4522TS ²	5.7 @ 5940	Silverado 1500	6.2L V8 F/I	77-3070KP ¹	9.9 @ 5342
Equinox	2.4L L4 F/I	77-3071KS ²	9.3 @ 4600			57-3070 ¹	10.3 @ 5342
Impala	3.6L V6 F/I	69-4526TS ²	11.7 @ 6218			71-3070 ¹	12.2 @ 5342
Malibu	2.0L L4 F/I	63-3091 ²	14.2 @ 5489	Silverado 2500 HD	6.0L V8 F/I	77-3076KTK ²	10.2 @ 5033
Malibu	2.5L L4 F/I	69-4529TS ²	8.2 @ 6321	Silverado 2500 HD	6.6L V8 DSL	77-3077KP ¹	12.2 @ 2850
Silverado 1500	4.8L V8 F/I	71-3070 ¹	12.2 @ 5342			57-3077 ¹	19.3 @ 2420
		57-3070 ¹	10.3 @ 5342	Silverado 3500 HD	6.0L V8 F/I	77-3076KTK ¹	10.2 @ 5033
		77-3070KP ¹	9.9 @ 5342	Silverado 3500 HD	6.6L V8 DSL	77-3077KP ¹	12.2 @ 2850
Silverado 1500	5.3L V8 F/I	77-3070KP ¹	9.9 @ 5342			57-3077 ¹	19.3 @ 2420
		71-3070 ¹	12.2 @ 5342	Sonic	1.4L L4 F/I	69-4524TS ²	7.0 @ 5474
		57-3070 ¹	10.3 @ 5342	Sonic	1.8L L4 F/I	69-4525TS ²	5.1 @ 6003
Silverado 1500	6.2L V8 F/I	71-3070 ¹	12.2 @ 5342	Suburban 1500	5.3L V8 F/I	77-3070KP ¹	9.9 @ 5342
		77-3070KP ¹	9.9 @ 5342			57-3070 ¹	10.3 @ 5342
		57-3070 ¹	10.3 @ 5342	Tahoe	5.3L V8 F/I	71-3070 ¹	12.2 @ 5342
Silverado 2500 HD	6.0L V8 F/I	77-3076KTK ²	10.2 @ 5033			77-3070KP ¹	9.9 @ 5342
Silverado 2500 HD	6.6L V8 DSL	57-3077 ¹	19.3 @ 2420			57-3070 ¹	10.3 @ 5342
		77-3077KP ¹	12.2 @ 2850	2011 CHEVROLET			
Silverado 3500 HD	6.0L V8 F/I	77-3076KTK ¹	10.2 @ 5033	Avalanche	5.3L V8 F/I	71-3070 ¹	12.2 @ 5342
Silverado 3500 HD	6.6L V8 DSL	77-3077KP ¹	12.2 @ 2850			77-3070KP ¹	9.9 @ 5342
		57-3077 ¹	19.3 @ 2420	Camaro	3.6L V6 F/I	69-4520TP ²	13.4 @ 6200
Sonic	1.4L L4 F/I	69-4524TS ²	7.0 @ 5474			57-3075 ¹	4.8 @ 6045
Sonic	1.8L L4 F/I	69-4525TS ²	5.1 @ 6003			63-3078 ²	11.4 @ 5800
Suburban 1500	5.3L V8 F/I	77-3070KP ¹	9.9 @ 5342	Camaro SS	6.2L V8 F/I	71-4519 ²	17.6 @ 5191
		57-3070 ¹	10.3 @ 5342			69-4519TP ²	18.1 @ 5200
		71-3070 ¹	12.2 @ 5342			63-3074 ²	18.6 @ 5161
Tahoe	5.3L V8 F/I	77-3070KP ¹	9.9 @ 5342			57-3074 ¹	6.5 @ 5844
		71-3070 ¹	12.2 @ 5342	Colorado	2.9L L4 F/I	63-3064-1 ²	9.0 @ 4862
		57-3070 ¹	10.3 @ 5342				
2012 CHEVROLET							
Avalanche	5.3L V8 F/I	57-3070 ¹	10.3 @ 5342				

1) Street legal in all US states. 2) Not legal for sale or use on any pollution controlled motor vehicle in California or states adopting California emission procedures. * Estimated horsepower gains are based on specific or similar vehicle dyno tests. Results will vary. See Page 482 for more information. See page 7 for information on intake tube materials/colors.



AIR INTAKE SYSTEMS

CHEVROLET

Vehicle	Engine Type	Part Number	Estimated Horsepower*	Vehicle	Engine Type	Part Number	Estimated Horsepower*
2011 CHEVROLET				2010 CHEVROLET			
Colorado	3.7L L5 F/I	63-3065 ²	11.0 @ 4754	Silverado 1500	4.8L V8 F/I	77-3070KP ¹	9.9 @ 5342
		77-3065KP ²	7.2 @ 4533	Silverado 1500	5.3L V8 F/I	77-3070KP ¹	9.9 @ 5342
Corvette	6.2L V8 F/I	63-3073 ²	17.7 @ 4750			71-3070 ²	12.2 @ 5342
Corvette ZR1	6.2L V8 F/I	63-3080 ²	27.1 @ 5948			57-3070 ¹	10.3 @ 5342
Cruze	1.4L L4 F/I	69-4521TS ¹	6.5 @ 5000	Silverado 1500	6.2L V8 F/I	77-3070KP ¹	9.9 @ 5342
Cruze	1.8L L4 F/I - US	69-4522TS ¹	5.7 @ 5940			57-3070 ¹	10.3 @ 5342
Equinox	2.4L L4 F/I	77-3071KS ¹	9.3 @ 4600			71-3070 ²	12.2 @ 5342
Equinox	3.0L V6 F/I	77-3078KTK ¹	6.5 @ 4900	Silverado 2500 HD	6.6L V8 DSL	71-3066 ¹	12.5 @ 2638
HHR	2.2L L4 F/I	57-3056 ¹	9.3 @ 5325			57-3066 ¹	19.7 @ 2900
Silverado 1500	4.8L V8 F/I	77-3070KP ¹	9.9 @ 5342	Silverado 3500 HD	6.6L V8 DSL	57-3066 ¹	19.7 @ 2900
		71-3070 ¹	12.2 @ 5342			71-3066 ¹	12.5 @ 2638
		57-3070 ¹	10.3 @ 5342	Suburban 1500	5.3L V8 F/I	77-3070KP ¹	9.9 @ 5342
Silverado 1500	5.3L V8 F/I	77-3070KP ¹	9.9 @ 5342			71-3070 ¹	12.2 @ 5342
		71-3070 ²	12.2 @ 5342			57-3070 ¹	10.3 @ 5342
		57-3070 ¹	10.3 @ 5342	Tahoe	5.3L V8 F/I	77-3070KP ¹	9.7 @ 5342
Silverado 1500	6.2L V8 F/I	57-3070 ¹	10.3 @ 5342			71-3070 ¹	12.2 @ 5342
		77-3070KP ¹	9.9 @ 5342			57-3070 ¹	10.3 @ 5342
		71-3070 ²	12.2 @ 5342	2009 CHEVROLET			
Silverado 2500 HD	6.0L V8 F/I	77-3076KTK ²	10.2 @ 5033	Avalanche	5.3L V8 F/I	77-3070KP ¹	9.9 @ 5342
Silverado 2500 HD	6.6L V8 DSL	77-3077KP ¹	12.2 @ 2850			57-3070 ¹	10.3 @ 5342
		57-3077 ¹	19.3 @ 2420			71-3070 ¹	12.2 @ 5342
Silverado 3500 HD	6.0L V8 F/I	77-3076KTK ¹	10.2 @ 5033	Avalanche	6.0L V8 F/I	77-3070KP ¹	9.9 @ 5342
Silverado 3500 HD	6.6L V8 DSL	77-3077KP ¹	12.2 @ 2850			57-3070 ¹	10.3 @ 5342
		57-3077 ¹	19.3 @ 2420			71-3070 ¹	12.2 @ 5342
Suburban 1500	5.3L V8 F/I	71-3070 ¹	12.2 @ 5342	Cheyenne 2500	5.3L V8 F/I	77-3058KP ²	12.5 @ 4917
		57-3070 ¹	10.3 @ 5342	Cobalt	2.0L L4 F/I	69-4518TTK ¹	12.4 @ 4600
		77-3070KP ¹	9.9 @ 5342	Cobalt	2.2L L4 F/I	69-4515TS ²	6.6 @ 4800
Tahoe	5.3L V8 F/I	71-3070 ¹	12.2 @ 5342	Colorado	2.9L L4 F/I	63-3064-1 ²	9.0 @ 4862
		77-3070KP ¹	9.9 @ 5342	Colorado	3.7L L5 F/I	77-3065KP ²	7.2 @ 4533
		57-3070 ¹	10.3 @ 5342			63-3065 ²	11.0 @ 4754
2010 CHEVROLET				Corvette	6.2L V8 F/I	63-3073 ²	17.7 @ 4750
Avalanche	5.3L V8 F/I	77-3070KP ¹	9.9 @ 5342	Corvette Z06	7.0L V8 F/I	63-3060-1 ²	27.2 @ 5600
		57-3070 ¹	10.3 @ 5342	Corvette ZR1	6.2L V8 F/I	63-3080 ²	27.1 @ 5948
		71-3070 ¹	12.2 @ 5342	HHR	2.0L L4 F/I	57-3069 ¹	9.4 @ 5068
Camaro	3.6L V6 F/I	57-3075 ¹	4.8 @ 6045	HHR	2.4L L4 F/I	57-3056 ¹	9.3 @ 5325
		63-3075 ²	15.0 @ 6200	Impala	5.3L V8 F/I	63-3059 ²	13.5 @ 5222
		69-4520TP ²	13.4 @ 6200	Silverado 1500	4.8L V8 F/I	57-3070 ¹	10.3 @ 5342
Camaro SS	6.2L V8 F/I	63-3074 ²	18.6 @ 5161			77-3070KP ¹	9.9 @ 5342
		57-3074 ¹	6.5 @ 5844			71-3070 ¹	12.2 @ 5342
		71-4519 ²	17.6 @ 5191	Silverado 1500	5.3L V8 F/I	71-3070 ²	12.2 @ 5342
		69-4519TP ²	18.1 @ 5200			77-3070KP ¹	9.9 @ 5342
Cobalt	2.0L L4 F/I	69-4518TTK ¹	12.2 @ 4600			57-3070 ¹	10.3 @ 5342
Cobalt	2.2L L4 F/I	69-4515TS ²	6.6 @ 4800	Silverado 1500	6.0L V8 F/I	77-3070KP ¹	9.9 @ 5342
Colorado	2.9L L4 F/I	63-3064-1 ²	9.0 @ 4862			71-3070 ²	12.2 @ 5342
Colorado	3.7L L5 F/I	77-3065KP ²	7.2 @ 4533			57-3070 ¹	10.3 @ 5342
		63-3065 ²	11.0 @ 4754	Silverado 1500	6.2L V8 F/I	71-3070 ²	12.2 @ 5342
Corvette	6.2L V8 F/I	63-3073 ²	17.7 @ 4750			77-3070KP ¹	10.8 @ 5342
Corvette ZR1	6.2L V8 F/I	63-3080 ²	27.1 @ 5948			57-3070 ¹	16.6 @ 5342
Equinox	2.4L L4 F/I	77-3071KS ¹	9.3 @ 4600	Silverado 2500 HD	6.6L V8 DSL	71-3066 ¹	12.5 @ 2638
Equinox	3.0L V6 F/I	77-3078KTK ¹	6.5 @ 4900			57-3066 ¹	19.7 @ 2900
HHR	2.0L L4 F/I	57-3069 ¹	9.4 @ 5068	Silverado 3500 HD	6.6L V8 DSL	71-3066 ¹	12.5 @ 2638
HHR	2.2L L4 F/I	57-3056 ¹	9.3 @ 5325			57-3066 ¹	19.7 @ 2900
HHR	2.4L L4 F/I	57-3056 ¹	9.3 @ 5325	Suburban 1500	5.3L V8 F/I	57-3070 ¹	10.3 @ 5342
Silverado 1500	4.8L V8 F/I	71-3070 ¹	12.2 @ 5342			77-3070KP ¹	9.9 @ 5342
		57-3070 ¹	10.3 @ 5342			71-3070 ¹	12.2 @ 5342

1) Street legal in all US states. 2) Not legal for sale or use on any pollution controlled motor vehicle in California or states adopting California emission procedures. * Estimated horsepower gains are based on specific or similar vehicle dyno tests. Results will vary. See Page 482 for more information. See page 7 for information on intake tube materials/colors.

CHEVROLET

AIR INTAKE SYSTEMS



Vehicle	Engine Type	Part Number	Estimated Horsepower*	Vehicle	Engine Type	Part Number	Estimated Horsepower*		
2009 CHEVROLET				2008 CHEVROLET					
Suburban 1500	6.0L V8 F/I	71-3070 ¹	12.2 @ 5342	Tahoe	4.8L V8 F/I	71-3058 ¹	10.2 @ 4900		
		77-3070KP ¹	9.9 @ 5342			57-3058 ¹	17.6 @ 4917		
		57-3070 ¹	10.3 @ 5342			77-3058KP ¹	12.5 @ 4917		
Tahoe	4.8L V8 F/I	77-3070KP ¹	9.9 @ 5342	Tahoe	5.3L V8 F/I	57-3058 ¹	17.6 @ 4917		
		57-3070 ¹	10.3 @ 5342			71-3058 ¹	10.2 @ 4900		
		71-3070 ¹	12.2 @ 5342			77-3062KP ²	9.3 @ 4850		
Tahoe	5.3L V8 F/I	77-3070KP ¹	9.9 @ 5342	TrailBlazer	6.0L V8 F/I	63-3062 ²	9.5 @ 4725		
		71-3070 ¹	12.2 @ 5342			57-3061 ¹	19.2 @ 5331		
		57-3070 ¹	10.3 @ 5342			2007 CHEVROLET			
Tahoe	6.2L V8 F/I	77-3070KP ¹	9.9 @ 5342	Avalanche	5.3L V8 F/I	57-3058 ¹	17.6 @ 4917		
		71-3070 ¹	12.2 @ 5342			71-3058 ¹	10.2 @ 4900		
		57-3070 ¹	10.3 @ 5342			77-3058KP ¹	12.5 @ 4917		
TrailBlazer	4.2L L6 F/I	77-3062KP ²	9.3 @ 4850	Avalanche	6.0L V8 F/I	71-3058 ¹	10.2 @ 4900		
		63-3062 ²	9.5 @ 4725			57-3058 ¹	17.6 @ 4917		
		2008 CHEVROLET				77-3058KP ¹	12.5 @ 4917		
Avalanche	5.3L V8 F/I	77-3058KP ¹	12.5 @ 4917	Cheyenne 2500	5.3L V8 F/I	77-3058KP ²	12.5 @ 4917		
		71-3058 ¹	10.2 @ 4900			Cobalt	2.2L L4 F/I	69-4515TS ²	6.6 @ 4800
		57-3058 ¹	17.6 @ 4917			Cobalt	2.4L L4 F/I	69-4517TTK ¹	15.9 @ 5900
Avalanche	6.0L V8 F/I	71-3058 ¹	10.2 @ 4900	Colorado	2.9L L4 F/I	63-3064-1 ²	9.0 @ 4862		
		57-3058 ¹	17.6 @ 4917			Colorado	3.7L L5 F/I	63-3065 ²	11.0 @ 4754
		77-3058KP ¹	12.5 @ 4917					77-3065KP ²	7.2 @ 4533
Cheyenne 2500	5.3L V8 F/I	77-3058KP ²	12.5 @ 4917	Corvette	6.0L V8 F/I	63-3052 ²	10.1 @ 6000		
Cobalt	2.0L L4 F/I	69-4518TTK ¹	12.2 @ 4600	Corvette Z06	7.0L V8 F/I	63-3060-1 ²	27.2 @ 5600		
Cobalt	2.2L L4 F/I	69-4515TS ²	6.6 @ 4800	HHR	2.4L L4 F/I	57-3056 ¹	9.3 @ 5325		
Cobalt	2.4L L4 F/I	69-4517TTK ¹	15.9 @ 5900	Impala	5.3L V8 F/I	63-3059 ²	13.5 @ 5222		
Colorado	2.9L L4 F/I	63-3064-1 ²	9.0 @ 4862	Monte Carlo	5.3L V8 F/I	63-3059 ²	13.5 @ 5222		
Colorado	3.7L L5 F/I	63-3065 ²	11.0 @ 4754	Silverado 1500	4.8L V8 F/I	57-3058 ¹	17.6 @ 4917		
		77-3065KP ²	7.2 @ 4533			77-3058KP ¹	12.5 @ 4917		
		63-3073 ²	17.7 @ 4750			71-3058 ¹	10.2 @ 4900		
Corvette	6.2L V8 F/I	63-3073 ²	17.7 @ 4750	Silverado 1500	5.3L V8 F/I	57-3058 ¹	17.6 @ 4917		
Corvette Z06	7.0L V8 F/I	63-3060-1 ²	27.2 @ 5600			71-3058 ¹	10.2 @ 4900		
HHR	2.0L L4 F/I	57-3069 ¹	9.4 @ 5068			77-3058KP ¹	12.5 @ 4917		
HHR	2.4L L4 F/I	57-3056 ¹	9.3 @ 5325	Silverado 1500	6.0L V8 F/I	57-3058 ¹	17.6 @ 4917		
Impala	5.3L V8 F/I	63-3059 ²	13.5 @ 5222			77-3058KP ¹	12.5 @ 4917		
Silverado 1500	4.8L V8 F/I	71-3058 ¹	10.2 @ 4900			71-3058 ¹	10.2 @ 4900		
		77-3058KP ¹	12.5 @ 4917	57-3038 ¹	8.2 @ 4544				
		57-3058 ¹	17.6 @ 4917	Silverado 1500	4.3L V6 F/I				
Silverado 1500	5.3L V8 F/I	71-3058 ¹	10.2 @ 4900	Classic					
		77-3058KP ¹	12.5 @ 4917	Silverado 1500	4.8L V8 F/I	77-3050KP ¹	8.4 @ 5336		
		57-3058 ¹	17.6 @ 4917	Classic					
Silverado 1500	6.0L V8 F/I	77-3058KP ¹	12.5 @ 4917			57-3050 ¹	11.9 @ 5367		
		57-3058 ¹	17.6 @ 4917	Silverado 1500	5.3L V8 F/I	57-3050 ¹	11.9 @ 5367		
		71-3058 ¹	10.2 @ 4900	Classic					
Silverado 2500 HD	6.0L V8 F/I	57-3067 ¹	11.4 @ 4500			77-3050KP ¹	8.4 @ 5336		
		Silverado 2500 HD	6.6L V8 DSL	71-3066 ¹	12.5 @ 2638				
				57-3066 ¹	19.7 @ 2900	Silverado 1500	6.0L V8 F/I	77-3023KP ¹	8.2 @ 5067
Silverado 3500 HD	6.0L V8 F/I	57-3067 ¹	11.4 @ 4500	Classic					
		Silverado 3500 HD	6.6L V8 DSL		71-3066 ¹	12.5 @ 2638			
					57-3058 ¹	17.6 @ 4917	Silverado 1500 HD	6.0L V8 F/I	77-3023KP ¹
Suburban 1500	5.3L V8 F/I	77-3058KP ¹	12.5 @ 4917	Classic					
		71-3058 ¹	10.2 @ 4900				57-3023-1 ¹	14.3 @ 5018	
		57-3058 ¹	17.6 @ 4917		Silverado 2500 HD	6.0L V8 F/I	57-3067 ¹	11.4 @ 4500	
Suburban 1500	6.0L V8 F/I	71-3058 ¹	10.2 @ 4900	Silverado 2500 HD	6.6L V8 DSL	57-3066 ¹	19.7 @ 2900		
		77-3058KP ¹	12.5 @ 4917			71-3066 ¹	12.5 @ 2638		
		57-3058 ¹	17.6 @ 4917						
Tahoe	4.8L V8 F/I	71-3058 ¹	10.2 @ 4900						
		77-3058KP ¹	12.5 @ 4917						
		77-3058KP ¹	12.5 @ 4917						

1) Street legal in all US states. 2) Not legal for sale or use on any pollution controlled motor vehicle in California or states adopting California emission procedures. * Estimated horsepower gains are based on specific or similar vehicle dyno tests. Results will vary. See Page 482 for more information. See page 7 for information on intake tube materials/colors.



AIR INTAKE SYSTEMS

CHEVROLET

Vehicle	Engine Type	Part Number	Estimated Horsepower*	Vehicle	Engine Type	Part Number	Estimated Horsepower*
2007 CHEVROLET				2006 CHEVROLET			
Silverado 2500 HD Classic	6.0L V8 F/I	77-3031KP ¹	17.4 @ 5024	HHR	2.4L L4 F/I	57-3056 ¹	9.3 @ 5325
		57-3031-1 ¹	20.3 @ 4894	Impala	5.3L V8 F/I	63-3059 ²	13.5 @ 5222
				Monte Carlo	5.3L V8 F/I	63-3059 ²	13.5 @ 5222
Silverado 2500 HD Classic	6.6L V8 DSL	57-3057 ¹	22.1 @ 2860	Silverado 1500	4.3L V6 F/I	57-3038 ¹	8.2 @ 4544
		57-3000 ¹	15.4 @ 2911	Silverado 1500	4.8L V8 F/I	57-3050 ¹	11.9 @ 5367
						77-3050KP ¹	8.4 @ 5336
Silverado 2500 HD Classic	8.1L V8 F/I	57-3030-1 ¹	17.3 @ 4559	Silverado 1500	5.3L V8 F/I	57-3050 ¹	11.9 @ 5367
						77-3050KP ¹	8.4 @ 5336
Silverado 3500 Classic	6.0L V8 F/I	77-3031KP ¹	17.4 @ 5024	Silverado 1500	6.0L V8 F/I	77-3050KP ¹	8.4 @ 5336
		57-3031-1 ¹	20.3 @ 4894			57-3050 ¹	11.9 @ 5367
				Silverado 1500 HD	6.0L V8 F/I	57-3023-1 ¹	14.3 @ 5018
Silverado 3500 Classic	6.6L V8 DSL	57-3057 ¹	22.1 @ 2860			77-3023KP ¹	8.2 @ 5067
		57-3000 ¹	15.4 @ 2911	Silverado 2500 HD	6.0L V8 F/I	77-3031KP ¹	17.4 @ 5024
						57-3031-1 ¹	20.3 @ 4894
Silverado 3500 Classic	8.1L V8 F/I	57-3030-1 ¹	17.3 @ 4559	Silverado 2500 HD	6.6L V8 DSL	57-3000 ¹	15.4 @ 2911
						57-3057 ¹	22.1 @ 2860
Silverado 3500 HD	6.0L V8 F/I	57-3067 ¹	11.4 @ 4500	Silverado 2500 HD	8.1L V8 F/I	57-3030-1 ¹	17.3 @ 4559
Silverado 3500 HD	6.6L V8 DSL	71-3066 ¹	12.5 @ 2638	Silverado 3500	6.0L V8 F/I	77-3031KP ¹	17.4 @ 5024
		57-3066 ¹	19.7 @ 2900			57-3031-1 ¹	20.3 @ 4894
		57-3050 ¹	11.9 @ 5367	Silverado 3500	6.6L V8 DSL	57-3057 ¹	22.1 @ 2860
Silverado SS Classic	6.0L V8 F/I	77-3050KP ¹	8.4 @ 5336	Silverado 3500	8.1L V8 F/I	57-3000 ¹	15.4 @ 2911
				Silverado SS	6.0L V8 F/I	57-3030-1 ¹	17.3 @ 4559
						77-3050KP ¹	8.4 @ 5336
						57-3050 ¹	11.9 @ 5367
Suburban 1500	5.3L V8 F/I	77-3058KP ¹	12.5 @ 4917	Sonora	5.3L V8 F/I	77-3050KP ²	8.4 @ 5336
		71-3058 ¹	10.2 @ 4900	SSR	6.0L V8 F/I	57-3055 ¹	13.8 @ 4700
		57-3058 ¹	17.6 @ 4917	Suburban 1500	5.3L V8 F/I	57-3050 ¹	11.9 @ 5367
Suburban 1500	6.0L V8 F/I	71-3058 ¹	10.2 @ 4900			77-3050KP ¹	8.4 @ 5336
		77-3058KP ¹	12.5 @ 4917	Suburban 1500	6.0L V8 F/I	57-3023-1 ¹	14.3 @ 5018
		57-3058 ¹	17.6 @ 4917			77-3023KP ¹	8.2 @ 5067
Suburban 2500	6.0L V8 F/I	57-3063 ¹	11.6 @ 5075	Suburban 2500	6.0L V8 F/I	77-3023KP ¹	8.2 @ 5067
Tahoe	4.8L V8 F/I	77-3058KP ¹	12.5 @ 4917			57-3023-1 ¹	14.3 @ 5018
		71-3058 ¹	10.2 @ 4900	Suburban 2500	8.1L V8 F/I	57-3032 ¹	13.0 @ 4231
		57-3058 ¹	17.6 @ 4917	Tahoe	4.8L V8 F/I	57-3050 ¹	11.9 @ 5367
Tahoe	5.3L V8 F/I	71-3058 ¹	10.2 @ 4900			77-3050KP ¹	8.4 @ 5336
		57-3058 ¹	17.6 @ 4917	Tahoe	5.3L V8 F/I	57-3050 ¹	11.9 @ 5367
		77-3058KP ¹	12.5 @ 4917			77-3050KP ¹	8.4 @ 5336
TrailBlazer	4.2L L6 F/I	77-3062KP ²	9.3 @ 4850	TrailBlazer	4.2L L6 F/I	57-3062 ¹	9.5 @ 4725
		63-3062 ²	9.5 @ 4725			77-3062KP ¹	9.3 @ 4850
TrailBlazer	6.0L V8 F/I	57-3061 ¹	19.2 @ 5331	TrailBlazer	6.0L V8 F/I	57-3061 ¹	19.2 @ 5331
2006 CHEVROLET				2005 CHEVROLET			
Avalanche 1500	5.3L V8 F/I	77-3050KP ¹	8.4 @ 5336	Avalanche 1500	5.3L V8 F/I	77-3050KP ¹	8.4 @ 5336
		57-3050 ¹	11.9 @ 5367			57-3050 ¹	11.9 @ 5367
Avalanche 2500	8.1L V8 F/I	57-3032 ¹	13.0 @ 4231	Avalanche 2500	8.1L V8 F/I	57-3032 ¹	13.0 @ 4231
CK4500 Kodiak	6.6L V8 DSL	77-3064KTK ¹	10.0 @ 2944	Blazer	4.3L V6 F/I	57-3017-2 ¹	7.4 @ 4671
CK5500 Kodiak	6.6L V8 DSL	77-3064KTK ¹	10.0 @ 2944	Cavalier	2.2L L4 F/I	69-4510TS ¹	5.4 @ 5223
Cobalt	2.0L L4 F/I	69-4516TS ¹	8.1 @ 5829	CK4500 Kodiak	6.6L V8 DSL	77-3063KTK ¹	14.9 @ 2612
Cobalt	2.2L L4 F/I	69-4515TS ¹	6.6 @ 4800	CK5500 Kodiak	6.6L V8 DSL	77-3063KTK ¹	14.9 @ 2612
Cobalt	2.4L L4 F/I	69-4517TTK ¹	15.9 @ 5900	Cobalt	2.0L L4 F/I	69-4516TS ¹	8.1 @ 5829
Colorado	2.8L L4 F/I	57-3051 ¹	11.5 @ 5863	Cobalt	2.2L L4 F/I	69-4515TS ¹	6.6 @ 4800
Colorado	3.5L L5 F/I	77-3043KP ¹	9.2 @ 6057	Colorado	2.8L L4 F/I	57-3051 ¹	11.5 @ 5863
		57-3043 ¹	18.6 @ 6001	Colorado	3.5L L5 F/I	77-3043KP ¹	9.2 @ 6057
Corvette	6.0L V8 F/I	63-3052 ²	10.1 @ 6000			57-3043 ¹	18.6 @ 6001
Corvette Z06	7.0L V8 F/I	63-3060-1 ²	27.2 @ 5600	Corvette	6.0L V8 F/I	57-3052 ¹	10.1 @ 6000
				Impala	3.8L V6 F/I	57-3045 ¹	13.3 @ 5224

1) Street legal in all US states. 2) Not legal for sale or use on any pollution controlled motor vehicle in California or states adopting California emission procedures. * Estimated horsepower gains are based on specific or similar vehicle dyno tests. Results will vary. See Page 482 for more information. See page 7 for information on intake tube materials/colors.



Vehicle	Engine Type	Part Number	Estimated Horsepower*	Vehicle	Engine Type	Part Number	Estimated Horsepower*
2005 CHEVROLET				2004 CHEVROLET			
Monte Carlo	3.8L V6 F/I	57-3045 ¹	13.3 @ 5224	Monte Carlo	3.8L V6 F/I	57-3045 ¹	13.3 @ 5224
Silverado 1500	4.3L V6 F/I	57-3038 ¹	8.2 @ 4544	S10 Pickup	4.3L V6 F/I	57-3017-2 ¹	7.4 @ 4671
Silverado 1500	4.8L V8 F/I	77-3050KP ¹	8.4 @ 5336	Silverado 1500	4.3L V6 F/I	57-3038 ¹	8.2 @ 4544
		57-3050 ¹	11.9 @ 5367	Silverado 1500	4.8L V8 F/I	77-3021KP ¹	8.2 @ 5067
Silverado 1500	5.3L V8 F/I	77-3050KP ¹	8.4 @ 5336			57-3021-1 ¹	9.1 @ 5352
		57-3050 ¹	11.9 @ 5367	Silverado 1500	5.3L V8 F/I	77-3021KP ¹	8.2 @ 5067
Silverado 1500 HD	6.0L V8 F/I	77-3023KP ¹	8.2 @ 5067			57-3021-1 ¹	9.1 @ 5352
		57-3023-1 ¹	14.3 @ 5018	Silverado 1500	6.0L V8 F/I	57-3023-1 ¹	14.3 @ 5018
Silverado 2500 HD	6.0L V8 F/I	77-3031KP ¹	17.4 @ 5024			77-3023KP ¹	8.2 @ 5067
		57-3031-1 ¹	20.3 @ 4894	Silverado 2500	6.0L V8 F/I	57-3023-1 ¹	14.3 @ 5018
Silverado 2500 HD	6.6L V8 DSL - w/Panel Filter	77-3047KP ¹	20.1 @ 3158			77-3023KP ¹	8.2 @ 5067
		57-3047 ¹	20.1 @ 3157	Silverado 2500 HD	6.0L V8 F/I	77-3031KP ¹	17.4 @ 5024
Silverado 2500 HD	6.6L V8 DSL - w/Round Filter	57-3057 ¹	22.1 @ 2860			57-3031-1 ¹	20.3 @ 4894
		57-3000 ¹	15.4 @ 2911	Silverado 2500 HD	6.6L V8 DSL - LB7	57-3034 ¹	16.3 @ 3246
Silverado 2500 HD	8.1L V8 F/I	57-3030-1 ¹	17.3 @ 4559			77-3034KP ¹	12.6 @ 3246
Silverado 3500	6.0L V8 F/I	57-3031-1 ¹	20.3 @ 4894	Silverado 2500 HD	6.6L V8 DSL - LLY	77-3047KP ¹	20.1 @ 3157
		77-3031KP ¹	17.4 @ 5024			57-3047 ¹	20.1 @ 3157
Silverado 3500	6.6L V8 DSL - w/Panel Filter	77-3047KP ¹	20.1 @ 3158	Silverado 2500 HD	8.1L V8 F/I	57-3030-1 ¹	17.3 @ 4559
		57-3047 ¹	20.1 @ 3157	Silverado 3500	6.0L V8 F/I	57-3031-1 ¹	20.3 @ 4894
Silverado 3500	6.6L V8 DSL - w/Round Filter	57-3057 ¹	22.1 @ 2860			77-3031KP ¹	17.4 @ 5024
		57-3000 ¹	15.4 @ 2911	Silverado 3500	6.6L V8 DSL - LB7	77-3034KP ¹	12.6 @ 3246
Silverado 3500	8.1L V8 F/I	57-3030-1 ¹	17.3 @ 4559			57-3034 ¹	16.3 @ 2750
Silverado SS	6.0L V8 F/I	77-3050KP ¹	8.4 @ 5336	Silverado 3500	6.6L V8 DSL - LLY	77-3047KP ¹	20.1 @ 3158
		57-3050 ¹	11.9 @ 5367			57-3047 ¹	20.1 @ 3157
Sonora	5.3L V8 F/I	77-3050KP ²	8.4 @ 5336	Silverado 3500	8.1L V8 F/I	57-3030-1 ¹	17.3 @ 4559
SSR	6.0L V8 F/I	57-3055 ¹	13.8 @ 4700	Silverado SS	6.0L V8 F/I	57-3023-1 ¹	14.3 @ 5018
Suburban 1500	5.3L V8 F/I	77-3050KP ¹	8.4 @ 5336			77-3023KP ¹	8.2 @ 5067
		57-3050 ¹	11.9 @ 5367	Sonora	5.3L V8 F/I	77-3023KP ²	8.2 @ 5067
Suburban 2500	6.0L V8 F/I	77-3023KP ¹	8.2 @ 5067	SSR	5.3L V8 F/I	57-3046 ¹	5.4 @ 5200
		57-3023-1 ¹	14.3 @ 5018	Suburban 1500	5.3L V8 F/I	77-3023KP ¹	8.2 @ 5067
Suburban 2500	8.1L V8 F/I	57-3032 ¹	13.0 @ 4231			57-3023-1 ¹	14.3 @ 5018
Tahoe	4.8L V8 F/I	57-3050 ¹	11.9 @ 5367	Suburban 2500	6.0L V8 F/I	57-3023-1 ¹	14.3 @ 5018
		77-3050KP ¹	8.4 @ 5336			77-3023KP ¹	8.2 @ 5067
Tahoe	5.3L V8 F/I	77-3050KP ¹	8.4 @ 5336	Suburban 2500	8.1L V8 F/I	57-3032 ¹	13.0 @ 4231
		57-3050 ¹	11.9 @ 5367	Tahoe	4.8L V8 F/I	57-3023-1 ¹	14.3 @ 5018
TrailBlazer	4.2L L6 F/I	57-3036 ¹	9.3 @ 5623			77-3023KP ¹	8.2 @ 5067
		77-3036KP ¹	10.9 @ 5474	Tahoe	5.3L V8 F/I	77-3023KP ¹	8.2 @ 5067
						57-3023-1 ¹	14.3 @ 5018
				TrailBlazer	4.2L L6 F/I	77-3036KP ¹	10.9 @ 5474
						57-3036 ¹	9.3 @ 5623
				TrailBlazer	5.3L V8 F/I	57-3048 ¹	19.3 @ 5133
2004 CHEVROLET				2003 CHEVROLET			
Avalanche 1500	5.3L V8 F/I	77-3023KP ¹	8.2 @ 5067	Avalanche 1500	5.3L V8 F/I	57-3033 ¹	10.2 @ 5244
		57-3033 ¹	10.2 @ 5244			77-3023KP ¹	8.2 @ 5067
Avalanche 2500	8.1L V8 F/I	57-3032 ¹	13.0 @ 4231	Avalanche 2500	8.1L V8 F/I	57-3032 ¹	13.0 @ 4231
Blazer	4.3L V6 F/I	57-3017-2 ¹	7.4 @ 4671	Blazer	4.3L V6 F/I	57-3017-2 ¹	7.4 @ 4671
Cavalier	2.2L L4 F/I	69-4510TS ¹	5.4 @ 5223	Cavalier	2.2L L4 F/I	69-4510TS ¹	5.4 @ 5223
CK4500 Kodiak	6.6L V8 DSL	77-3063KTK ¹	14.9 @ 2612	Corvette	5.7L V8 F/I	57-3035 ¹	11.4 @ 4700
CK5500 Kodiak	6.6L V8 DSL	77-3063KTK ¹	14.9 @ 2612	Corvette Z06	5.7L V8 F/I	63-1050 ²	11.4 @ 4700
Colorado	2.8L L4 F/I	57-3051 ¹	11.5 @ 5863	Impala	3.8L V6 F/I	57-3045 ¹	13.3 @ 5224
Colorado	3.5L L5 F/I	77-3043KP ¹	9.2 @ 6057	Monte Carlo	3.8L V6 F/I	57-3045 ¹	13.3 @ 5224
		57-3043 ¹	18.6 @ 6001	S10 Pickup	2.2L L4 F/I	57-3025-1 ¹	6.7 @ 4700
Corvette	5.7L V8 F/I	57-3035 ¹	11.4 @ 4700	S10 Pickup	4.3L V6 F/I	57-3017-2 ¹	7.4 @ 4671
Corvette Z06	5.7L V8 F/I	63-1050 ²	11.4 @ 4700	Silverado 1500	4.3L V6 F/I	57-3038 ¹	8.2 @ 4544
Impala	3.8L V6 F/I	57-3045 ¹	13.3 @ 5224	Silverado 1500	4.8L V8 F/I	57-3021-1 ¹	9.1 @ 5352

1) Street legal in all US states. 2) Not legal for sale or use on any pollution controlled motor vehicle in California or states adopting California emission procedures. * Estimated horsepower gains are based on specific or similar vehicle dyno tests. Results will vary. See Page 482 for more information. See page 7 for information on intake tube materials/colors.



AIR INTAKE SYSTEMS

CHEVROLET

Vehicle	Engine Type	Part Number	Estimated Horsepower*	Vehicle	Engine Type	Part Number	Estimated Horsepower*
2003 CHEVROLET				2002 CHEVROLET			
Silverado 1500	4.8L V8 F/I	77-3021KP ¹	8.2 @ 5067	Silverado 2500	5.3L V8 F/I	57-3021-1 ¹	9.1 @ 5352
Silverado 1500	5.3L V8 F/I	77-3021KP ¹	8.2 @ 5067	Silverado 2500	6.0L V8 F/I	57-3023-1 ¹	14.3 @ 5018
		57-3021-1 ¹	9.1 @ 5352			77-3023KP ¹	8.2 @ 5067
Silverado 1500 HD	6.0L V8 F/I	57-3023-1 ¹	14.3 @ 5018	Silverado 2500 HD	6.0L V8 F/I	57-3031-1 ¹	20.3 @ 4894
		77-3023KP ¹	8.2 @ 5067			77-3031KP ¹	17.4 @ 5024
Silverado 2500	6.0L V8 F/I	77-3023KP ¹	8.2 @ 5067	Silverado 2500 HD	6.6L V8 DSL	77-3034KP ¹	12.6 @ 3246
		57-3023-1 ¹	14.3 @ 5018			57-3034 ¹	16.3 @ 2750
Silverado 2500 HD	6.0L V8 F/I	57-3031-1 ¹	20.3 @ 4894	Silverado 2500 HD	8.1L V8 F/I	57-3030-1 ¹	17.3 @ 4559
		77-3031KP ¹	17.4 @ 5024	Silverado 3500	5.3L V8 F/I	77-3021KP ¹	8.2 @ 5067
Silverado 2500 HD	6.6L V8 DSL	77-3034KP ¹	12.6 @ 3246			57-3021-1 ¹	9.1 @ 5352
		57-3034 ¹	16.3 @ 2750	Silverado 3500	6.0L V8 F/I	77-3031KP ¹	17.4 @ 5024
Silverado 2500 HD	8.1L V8 F/I	57-3030-1 ¹	17.3 @ 4559	Silverado 3500	6.6L V8 DSL	77-3034KP ¹	12.6 @ 3246
Silverado 3500	6.0L V8 F/I	77-3031KP ¹	17.4 @ 5024			57-3034 ¹	16.3 @ 2750
		57-3031-1 ¹	20.3 @ 4894	Silverado 3500	8.1L V8 F/I	57-3030-1 ¹	17.3 @ 4559
Silverado 3500	6.6L V8 DSL	77-3034KP ¹	12.6 @ 3246	Suburban 1500	5.3L V8 F/I	77-3023KP ¹	8.2 @ 5067
		57-3034 ¹	16.3 @ 2750			57-3023-1 ¹	14.3 @ 5018
Silverado 3500	8.1L V8 F/I	57-3030-1 ¹	17.3 @ 4559	Suburban 2500	6.0L V8 F/I	57-3023-1 ¹	14.3 @ 5018
Silverado SS	6.0L V8 F/I	77-3023KP ¹	8.2 @ 5067			77-3023KP ¹	8.2 @ 5067
		57-3023-1 ¹	14.3 @ 5018	Suburban 2500	8.1L V8 F/I	57-3032 ¹	13.0 @ 4231
Sonora	5.3L V8 F/I	77-3023KP ²	8.2 @ 5067	Tahoe	4.8L V8 F/I	77-3023KP ¹	8.2 @ 5067
SSR	5.3L V8 F/I	57-3046 ¹	5.4 @ 5200			57-3023-1 ¹	14.3 @ 5018
Suburban 1500	5.3L V8 F/I	77-3023KP ¹	8.2 @ 5067	Tahoe	5.3L V8 F/I	57-3023-1 ¹	14.3 @ 5018
		57-3023-1 ¹	14.3 @ 5018			77-3023KP ¹	8.2 @ 5067
Suburban 2500	6.0L V8 F/I	57-3023-1 ¹	14.3 @ 5018	TrailBlazer	4.2L L6 F/I	77-3036KP ¹	10.9 @ 5474
		77-3023KP ¹	8.2 @ 5067			57-3036 ¹	9.3 @ 5623
Suburban 2500	8.1L V8 F/I	57-3032 ¹	13.0 @ 4231	2001 CHEVROLET			
Tahoe	4.8L V8 F/I	77-3023KP ¹	8.2 @ 5067	Blazer	4.3L V6 F/I	57-3017-2 ¹	7.4 @ 4671
		57-3023-1 ¹	14.3 @ 5018	Camaro	3.8L V6 F/I	57-3041 ¹	6.8 @ 5066
Tahoe	5.3L V8 F/I	77-3023KP ¹	8.2 @ 5067	Camaro	5.7L V8 F/I	57-3022-2 ¹	14.7 @ 5300
		57-3023-1 ¹	14.3 @ 5018	Corvette	5.7L V8 F/I	57-3035 ¹	11.4 @ 4700
TrailBlazer	4.2L L6 F/I	77-3036KP ¹	10.9 @ 5474	Corvette Z06	5.7L V8 F/I	63-1050 ²	11.4 @ 4700
		57-3036 ¹	9.3 @ 5623	Impala	3.8L V6 F/I	57-3045 ¹	13.3 @ 5224
TrailBlazer	5.3L V8 F/I	57-3048 ¹	19.3 @ 5133	Monte Carlo	3.8L V6 F/I	57-3045 ¹	13.3 @ 5224
2002 CHEVROLET				S10 Pickup	2.2L L4 F/I	57-3025-1 ¹	6.7 @ 4700
Avalanche 1500	5.3L V8 F/I	77-3023KP ¹	8.2 @ 5067	S10 Pickup	4.3L V6 F/I	57-3017-2 ¹	7.4 @ 4671
		57-3033 ¹	10.2 @ 5244	Silverado 1500	4.3L V6 F/I	57-3038 ¹	8.2 @ 4544
Avalanche 2500	8.1L V8 F/I	57-3032 ¹	13.0 @ 4231	Silverado 1500	4.8L V8 F/I	77-3021KP ¹	8.2 @ 5067
Blazer	4.3L V6 F/I	57-3017-2 ¹	7.4 @ 4671			57-3021-1 ¹	9.1 @ 5352
Camaro	3.8L V6 F/I	57-3041 ¹	6.8 @ 5066	Silverado 1500	5.3L V8 F/I	77-3021KP ¹	8.2 @ 5067
Camaro	5.7L V8 F/I	57-3022-2 ¹	14.7 @ 5300			57-3021-1 ¹	9.1 @ 5352
Cavalier	2.2L L4 F/I - Exc. OHV	69-4510TS ¹	5.4 @ 5223	Silverado 1500 HD	6.0L V8 F/I	57-3023-1 ¹	14.3 @ 5018
Corvette	5.7L V8 F/I	57-3035 ¹	11.4 @ 4700			77-3023KP ¹	8.2 @ 5067
Corvette Z06	5.7L V8 F/I	63-1050 ²	11.4 @ 4700	Silverado 2500	6.0L V8 F/I	57-3023-1 ¹	14.3 @ 5018
Impala	3.8L V6 F/I	57-3045 ¹	13.3 @ 5224			77-3023KP ¹	8.2 @ 5067
Monte Carlo	3.8L V6 F/I	57-3045 ¹	13.3 @ 5224	Silverado 2500 HD	6.0L V8 F/I	77-3031KP ¹	17.4 @ 5024
S10 Pickup	2.2L L4 F/I	57-3025-1 ¹	6.7 @ 4700			57-3031-1 ¹	20.3 @ 4894
S10 Pickup	4.3L V6 F/I	57-3017-2 ¹	7.4 @ 4671	Silverado 2500 HD	6.6L V8 DSL	77-3034KP ¹	12.6 @ 3246
Silverado 1500	4.3L V6 F/I	57-3038 ¹	8.2 @ 4544			57-3034 ¹	16.3 @ 2750
Silverado 1500	4.8L V8 F/I	57-3021-1 ¹	9.1 @ 5352	Silverado 2500 HD	8.1L V8 F/I	57-3030-1 ¹	17.3 @ 4559
		77-3021KP ¹	8.2 @ 5067	Silverado 3500	6.0L V8 F/I	77-3031KP ¹	17.4 @ 5024
Silverado 1500	5.3L V8 F/I	77-3021KP ¹	8.2 @ 5067			57-3031-1 ¹	20.3 @ 4894
		57-3021-1 ¹	9.1 @ 5352	Silverado 3500	6.6L V8 DSL	57-3034 ¹	16.3 @ 2750
Silverado 1500 HD	6.0L V8 F/I	77-3023KP ¹	8.2 @ 5067			77-3034KP ¹	12.6 @ 3246
		57-3023-1 ¹	14.3 @ 5018	Silverado 3500	8.1L V8 F/I	57-3030-1 ¹	17.3 @ 4559
Silverado 2500	5.3L V8 F/I	77-3021KP ¹	8.2 @ 5067				

1) Street legal in all US states. 2) Not legal for sale or use on any pollution controlled motor vehicle in California or states adopting California emission procedures. * Estimated horsepower gains are based on specific or similar vehicle dyno tests. Results will vary. See Page 482 for more information. See page 7 for information on intake tube materials/colors.



Vehicle	Engine Type	Part Number	Estimated Horsepower*	Vehicle	Engine Type	Part Number	Estimated Horsepower*
2001 CHEVROLET				1999 CHEVROLET			
Suburban 1500	5.3L V8 F/I	57-3023-1 ¹	14.3 @ 5018	C2500	5.7L V8 F/I	57-3013-2 ¹	9.5 @ 4918
		77-3023KP ¹	8.2 @ 5067	C2500	7.4L V8 F/I	57-3016-1 ¹	21.5 @ 4078
Suburban 2500	6.0L V8 F/I	77-3023KP ¹	8.2 @ 5067	C2500 Suburban	5.7L V8 F/I	57-3013-2 ¹	9.5 @ 4918
		57-3023-1 ¹	14.3 @ 5018	C2500 Suburban	7.4L V8 F/I	57-3016-1 ¹	21.5 @ 4078
Suburban 2500	8.1L V8 F/I	57-3032 ¹	13.0 @ 4231	C3500	5.7L V8 F/I	57-3013-2 ¹	9.5 @ 4918
Tahoe	4.8L V8 F/I	57-3023-1 ¹	14.3 @ 5018	C3500	7.4L V8 F/I	57-3016-1 ¹	21.5 @ 4078
		77-3023KP ¹	8.2 @ 5067	Camaro	3.8L V6 F/I	57-3041 ¹	6.8 @ 5066
Tahoe	5.3L V8 F/I	57-3023-1 ¹	14.3 @ 5018	Camaro	5.7L V8 F/I	57-3022-2 ¹	14.7 @ 5300
		77-3023KP ¹	8.2 @ 5067	Corvette	5.7L V8 F/I	57-3020 ¹	18.3 @ 5600
2000 CHEVROLET				K1500			
Blazer	4.3L V6 F/I	57-3017-2 ¹	7.4 @ 4671	K1500	5.0L V8 F/I	57-3013-2 ¹	9.5 @ 4918
C35	5.7L V8 F/I	57-3013-2 ¹	9.5 @ 4918	K1500 Suburban	5.7L V8 F/I	57-3013-2 ¹	9.5 @ 4918
C2500	5.7L V8 F/I	57-3013-2 ¹	9.5 @ 4918	K2500	5.0L V8 F/I	57-3013-2 ¹	9.5 @ 4918
C2500	7.4L V8 F/I	57-3016-1 ¹	21.5 @ 4078	K2500	5.7L V8 F/I	57-3013-2 ¹	9.5 @ 4918
C3500	5.7L V8 F/I	57-3013-2 ¹	9.5 @ 4918	K2500	7.4L V8 F/I	57-3016-1 ¹	21.5 @ 4078
C3500	7.4L V8 F/I	57-3016-1 ¹	21.5 @ 4078	K2500 Suburban	5.7L V8 F/I	57-3013-2 ¹	9.5 @ 4918
Camaro	3.8L V6 F/I	57-3041 ¹	6.8 @ 5066	K2500 Suburban	7.4L V8 F/I	57-3016-1 ¹	21.5 @ 4078
Camaro	5.7L V8 F/I	57-3022-2 ¹	14.7 @ 5300	K3500	5.7L V8 F/I	57-3013-2 ¹	9.5 @ 4918
Corvette	5.7L V8 F/I	57-3020 ¹	18.3 @ 5500	K3500	7.4L V8 F/I	57-3016-1 ¹	21.5 @ 4078
Impala	3.8L V6 F/I	57-3045 ¹	13.3 @ 5224	S10 Pickup	2.2L L4 F/I	57-3025-1 ¹	6.7 @ 4700
K2500	5.7L V8 F/I	57-3013-2 ¹	9.5 @ 4918	S10 Pickup	4.3L V6 F/I	57-3017-2 ¹	7.4 @ 4671
K2500	7.4L V8 F/I	57-3016-1 ¹	21.5 @ 4078	Silverado 1500	4.3L V6 F/I	57-3038 ¹	8.2 @ 4544
K3500	5.7L V8 F/I	57-3013-2 ¹	9.5 @ 4918	Silverado 1500	4.8L V8 F/I	77-3021KP ¹	8.2 @ 5067
K3500	7.4L V8 F/I	57-3016-1 ¹	21.5 @ 4078			57-3021-1 ¹	9.1 @ 5352
Monte Carlo	3.8L V6 F/I	57-3045 ¹	13.3 @ 5224	Silverado 1500	5.3L V8 F/I	57-3021-1 ¹	9.1 @ 5352
S10 Pickup	2.2L L4 F/I	57-3025-1 ¹	6.7 @ 4700			77-3021KP ¹	8.2 @ 5067
S10 Pickup	4.3L V6 F/I	57-3017-2 ¹	7.4 @ 4672	Silverado 2500	5.3L V8 F/I	77-3023KP ¹	8.2 @ 5067
Silverado 1500	4.3L V6 F/I	57-3038 ¹	8.2 @ 4544			57-3023-1 ¹	14.3 @ 5018
Silverado 1500	4.8L V8 F/I	57-3021-1 ¹	9.1 @ 5352	Silverado 2500	6.0L V8 F/I	77-3023KP ¹	8.2 @ 5067
		77-3021KP ¹	8.2 @ 5067			57-3023-1 ¹	14.3 @ 5018
Silverado 1500	5.3L V8 F/I	57-3021-1 ¹	9.1 @ 5352	Tahoe	5.7L V8 F/I	57-3013-2 ¹	9.5 @ 4918
		77-3021KP ¹	8.2 @ 5067	1998 CHEVROLET			
Silverado 2500	5.3L V8 F/I	77-3023KP ¹	8.2 @ 5067	Blazer	4.3L V6 F/I	57-3017-2 ¹	7.4 @ 4671
		57-3023-1 ¹	14.3 @ 5018	C35	5.7L V8 F/I	57-3013-2 ¹	9.5 @ 4918
Silverado 2500	6.0L V8 F/I	77-3023KP ¹	8.2 @ 5067	C1500	4.3L V6 F/I	57-3039 ¹	6.0 @ 4476
		57-3023-1 ¹	14.3 @ 5018	C1500	5.0L V8 F/I	57-3013-2 ¹	9.5 @ 4918
Suburban 1500	5.3L V8 F/I	77-3023KP ¹	8.2 @ 5067	C1500	5.7L V8 F/I	57-3013-2 ¹	9.5 @ 4918
		57-3023-1 ¹	14.3 @ 5018	C1500 Suburban	5.7L V8 F/I	57-3013-2 ¹	9.5 @ 4918
Suburban 1500	5.7L V8 F/I	57-3013-2 ¹	9.5 @ 4918	C2500	5.0L V8 F/I	57-3013-2 ¹	9.5 @ 4918
Suburban 2500	5.3L V8 F/I	57-3023-1 ¹	14.3 @ 5018	C2500	5.7L V8 F/I	57-3013-2 ¹	9.5 @ 4918
		77-3023KP ¹	8.2 @ 5067	C2500	7.4L V8 F/I	57-3016-1 ¹	21.5 @ 4078
Suburban 2500	6.0L V8 F/I	57-3023-1 ¹	14.3 @ 5018	C2500 Suburban	5.7L V8 F/I	57-3013-2 ¹	9.5 @ 4918
		77-3023KP ¹	8.2 @ 5067	C2500 Suburban	7.4L V8 F/I	57-3016-1 ¹	21.5 @ 4078
Tahoe	4.8L V8 F/I	77-3023KP ¹	8.2 @ 5067	C3500	5.7L V8 F/I	57-3013-2 ¹	9.5 @ 4918
		57-3023-1 ¹	14.3 @ 5018	C3500	7.4L V8 F/I	57-3016-1 ¹	21.5 @ 4078
Tahoe	5.3L V8 F/I	77-3023KP ¹	8.2 @ 5067	Camaro	5.7L V8 F/I	57-3022-2 ¹	14.7 @ 5300
		57-3023-1 ¹	14.3 @ 5018	Corvette	5.7L V8 F/I	57-3020 ¹	18.3 @ 5500
Tahoe	5.7L V8 F/I	57-3013-2 ¹	9.5 @ 4918	K1500	5.0L V8 F/I	57-3013-2 ¹	9.5 @ 4918
1999 CHEVROLET				K1500	5.7L V8 F/I	57-3013-2 ¹	9.5 @ 4918
Blazer	4.3L V6 F/I	57-3017-2 ¹	7.4 @ 4671	K1500 Suburban	5.7L V8 F/I	57-3013-2 ¹	9.5 @ 4918
C35	5.7L V8 F/I	57-3013-2 ¹	9.5 @ 4918	K2500	5.0L V8 F/I	57-3013-2 ¹	9.5 @ 4918
C1500	5.0L V8 F/I	57-3013-2 ¹	9.5 @ 4918	K2500	5.7L V8 F/I	57-3013-2 ¹	9.5 @ 4918
C1500	5.7L V8 F/I	57-3013-2 ¹	9.5 @ 4918	K2500	7.4L V8 F/I	57-3016-1 ¹	21.5 @ 4078
C1500 Suburban	5.7L V8 F/I	57-3013-2 ¹	9.5 @ 4918	K2500 Suburban	5.7L V8 F/I	57-3013-2 ¹	9.5 @ 4918
C2500	5.0L V8 F/I	57-3013-2 ¹	9.5 @ 4918	K2500 Suburban	7.4L V8 F/I	57-3016-1 ¹	21.5 @ 4078

1) Street legal in all US states. 2) Not legal for sale or use on any pollution controlled motor vehicle in California or states adopting California emission procedures. * Estimated horsepower gains are based on specific or similar vehicle dyno tests. Results will vary. See Page 482 for more information. See page 7 for information on intake tube materials/colors.



AIR INTAKE SYSTEMS

CHEVROLET

Vehicle	Engine Type	Part Number	Estimated Horsepower*	Vehicle	Engine Type	Part Number	Estimated Horsepower*
1998 CHEVROLET				1996 CHEVROLET			
K3500	5.7L V8 F/I	57-3013-2 ¹	9.5 @ 4918	K2500	7.4L V8 F/I	57-3016-1 ¹	21.5 @ 4078
K3500	7.4L V8 F/I	57-3016-1 ¹	21.5 @ 4078	K2500 Suburban	5.7L V8 F/I	57-3013-2 ¹	9.5 @ 4918
S10 Pickup	2.2L L4 F/I	57-3025-1 ¹	6.7 @ 4700	K2500 Suburban	7.4L V8 F/I	57-3016-1 ¹	21.5 @ 4078
S10 Pickup	4.3L V6 F/I	57-3017-2 ¹	7.4 @ 4671	K3500	5.7L V8 F/I	57-3013-2 ¹	9.5 @ 4918
Tahoe	5.7L V8 F/I	57-3013-2 ¹	9.5 @ 4918	K3500	7.4L V8 F/I	57-3016-1 ¹	21.5 @ 4078
1997 CHEVROLET				S10 Pickup			
Blazer	4.3L V6 F/I	57-3017-2 ¹	7.4 @ 4671	S10 Pickup	2.2L L4 F/I	57-3024 ¹	7.5 @ 5224
C35	5.7L V8 F/I	57-3013-2 ¹	9.5 @ 4918	Tahoe	4.3L V6 F/I	57-3017-2 ¹	7.4 @ 4671
C1500	4.3L V6 F/I	57-3039 ¹	6.0 @ 4476	Tahoe	5.7L V8 F/I	57-3013-2 ¹	9.5 @ 4918
C1500	5.0L V8 F/I	57-3013-2 ¹	9.5 @ 4918	1995 CHEVROLET			
C1500	5.7L V8 F/I	57-3013-2 ¹	9.5 @ 4918	Blazer	4.3L V6 F/I	57-3009 ¹	7.1 @ 4571
C1500 Suburban	5.7L V8 F/I	57-3013-2 ¹	9.5 @ 4918	C35	5.7L V8 F/I	63-1007-1 ²	6.7 @ 4107
C2500	5.7L V8 F/I	57-3013-2 ¹	9.5 @ 4918		57-3026 ¹	6.7 @ 4107	
C2500	7.4L V8 F/I	57-3016-1 ¹	21.5 @ 4078	C1500	5.0L V8 F/I	63-1007-1 ²	6.7 @ 4107
C2500 Suburban	5.7L V8 F/I	57-3013-2 ¹	9.5 @ 4918		57-3026 ¹	6.7 @ 4107	
C2500 Suburban	7.4L V8 F/I	57-3016-1 ¹	21.5 @ 4078	C1500	5.7L V8 F/I	63-1007-1 ²	6.7 @ 4107
C3500	5.7L V8 F/I	57-3013-2 ¹	9.5 @ 4918		57-3026 ¹	6.7 @ 4107	
C3500	7.4L V8 F/I	57-3016-1 ¹	21.5 @ 4078	C1500 Suburban	5.7L V8 F/I	63-1007-1 ²	6.7 @ 4107
Camaro	5.7L V8 F/I - w/o Ram Air or Traction Control	57-3010-1 ¹	18.3 @ 5331		57-3026 ¹	6.7 @ 4107	
Corvette	5.7L V8 F/I	57-3020 ¹	18.3 @ 5500	C2500	5.0L V8 F/I	63-1007-1 ²	6.7 @ 4107
K1500	4.3L V6 F/I	57-3039 ¹	6.0 @ 4476		57-3026 ¹	6.7 @ 4107	
K1500	5.0L V8 F/I	57-3013-2 ¹	9.5 @ 4918	C2500	5.7L V8 F/I	63-1007-1 ²	6.7 @ 4107
K1500	5.7L V8 F/I	57-3013-2 ¹	9.5 @ 4918		57-3027 ¹	7.4 @ 3571	
K1500 Suburban	5.7L V8 F/I	57-3013-2 ¹	9.5 @ 4918	C2500	7.4L V8 F/I - w/o heat stove	63-1007-1 ²	6.7 @ 4107
K2500	5.7L V8 F/I	57-3013-2 ¹	9.5 @ 4918		57-3014 ¹	17.6 @ 3811	
K2500	7.4L V8 F/I	57-3016-1 ¹	21.5 @ 4078	C2500 Suburban	5.7L V8 F/I	63-1007-1 ²	6.7 @ 4107
K2500 Suburban	5.7L V8 F/I	57-3013-2 ¹	9.5 @ 4918		57-3026 ¹	6.7 @ 4107	
K2500 Suburban	7.4L V8 F/I	57-3016-1 ¹	21.5 @ 4078	C2500 Suburban	7.4L V8 F/I	63-1007-1 ²	6.7 @ 4107
K3500	5.7L V8 F/I	57-3013-2 ¹	9.5 @ 4918		57-3027 ¹	7.4 @ 3571	
K3500	7.4L V8 F/I	57-3016-1 ¹	21.5 @ 4078	C2500 Suburban	7.4L V8 F/I - w/o heat stove	57-3014 ¹	17.6 @ 3811
S10 Pickup	2.2L L4 F/I	57-3024 ¹	7.5 @ 5224		57-3014 ¹	17.6 @ 3811	
S10 Pickup	4.3L V6 F/I	57-3017-2 ¹	7.4 @ 4671	C3500	5.7L V8 F/I	63-1007-1 ²	6.7 @ 4107
Tahoe	5.7L V8 F/I	57-3013-2 ¹	9.5 @ 4918		57-3026 ¹	6.7 @ 4107	
1996 CHEVROLET				C3500	7.4L V8 F/I	63-1007-1 ²	6.7 @ 4107
Blazer	4.3L V6 F/I	57-3017-2 ¹	7.4 @ 4671		57-3027 ¹	7.4 @ 3571	
C35	5.7L V8 F/I	57-3013-2 ¹	9.5 @ 4918	C3500	7.4L V8 F/I - w/o heat stove	57-3014 ¹	17.6 @ 3810
C1500	4.3L V6 F/I	57-3039 ¹	6.0 @ 4476		57-3014 ¹	17.6 @ 3810	
C1500	5.0L V8 F/I	57-3013-2 ¹	9.5 @ 4916	C3500	7.4L V8 F/I - w/o heat stove	57-3014 ¹	17.6 @ 3810
C1500	5.7L V8 F/I	57-3013-2 ¹	9.5 @ 4918	Camaro	3.4L V6 F/I - w/o Ram Air or Traction Control	57-3010-1 ¹	18.3 @ 5331
C1500 Suburban	5.7L V8 F/I	57-3013-2 ¹	9.5 @ 4918		57-3010-1 ¹	18.3 @ 5331	
C2500	5.7L V8 F/I	57-3013-2 ¹	9.5 @ 4918	Camaro	5.7L V8 F/I - w/o Ram Air or Traction Control	57-3010-1 ¹	18.3 @ 5331
C2500	7.4L V8 F/I	57-3016-1 ¹	21.5 @ 4078		57-3010-1 ¹	18.3 @ 5331	
C2500 Suburban	5.7L V8 F/I	57-3013-2 ¹	9.5 @ 4918	Caprice	5.7L V8 F/I	57-3011 ¹	18.8 @ 4760
C2500 Suburban	7.4L V8 F/I	57-3016-1 ¹	21.5 @ 4078		57-3011 ¹	18.8 @ 4760	
C3500	5.7L V8 F/I	57-3013-2 ¹	9.5 @ 4918	Impala SS	5.7L V8 F/I	57-3011 ¹	18.8 @ 4760
C3500	7.4L V8 F/I	57-3016-1 ¹	21.5 @ 4078		57-3026 ¹	6.7 @ 4107	
Camaro	5.7L V8 F/I - w/o Ram Air or Traction Control	57-3010-1 ¹	18.3 @ 5333	K1500	5.0L V8 F/I	63-1007-1 ²	6.7 @ 4107
Caprice	5.7L V8 F/I	57-3011 ¹	18.8 @ 4760		63-1007-1 ²	6.7 @ 4107	
Impala SS	5.7L V8 F/I	57-3011 ¹	18.8 @ 4760	K1500	5.7L V8 F/I	63-1007-1 ²	6.7 @ 4107
K1500	4.3L V6 F/I	57-3039 ¹	6.0 @ 4476		57-3026 ¹	6.7 @ 4107	
K1500	5.0L V8 F/I	57-3013-2 ¹	9.5 @ 4916	K1500 Suburban	5.7L V8 F/I	63-1007-1 ²	6.7 @ 4107
K1500	5.7L V8 F/I	57-3013-2 ¹	9.5 @ 4918		57-3026 ¹	6.7 @ 4107	
K1500 Suburban	5.7L V8 F/I	57-3013-2 ¹	9.5 @ 4918	K2500	5.0L V8 F/I	63-1007-1 ²	6.7 @ 4107
K2500	5.7L V8 F/I	57-3013-2 ¹	9.5 @ 4918		57-3026 ¹	6.7 @ 4107	
				K2500	5.7L V8 F/I	63-1007-1 ²	6.7 @ 4107
					57-3026 ¹	6.7 @ 4107	
				K2500	7.4L V8 F/I	63-1007-1 ²	6.7 @ 4107
					57-3027 ¹	7.4 @ 3571	
				K2500	7.4L V8 F/I - w/o heat stove	57-3014 ¹	17.6 @ 3811
					57-3014 ¹	17.6 @ 3811	

1) Street legal in all US states. 2) Not legal for sale or use on any pollution controlled motor vehicle in California or states adopting California emission procedures. * Estimated horsepower gains are based on specific or similar vehicle dyno tests. Results will vary. See Page 482 for more information. See page 7 for information on intake tube materials/colors.



Vehicle	Engine Type	Part Number	Estimated Horsepower*	Vehicle	Engine Type	Part Number	Estimated Horsepower*
1995 CHEVROLET				1994 CHEVROLET			
K2500 Suburban	5.7L V8 F/I	57-3026 ¹	6.7 @ 4107	K2500	5.0L V8 F/I	57-3026 ¹	6.7 @ 4107
		63-1007-1 ²	6.7 @ 4107			63-1007-1 ²	6.7 @ 4107
K2500 Suburban	7.4L V8 F/I	63-1007-1 ²	6.7 @ 4107	K2500	5.7L V8 F/I	63-1007-1 ²	6.7 @ 4107
		57-3027 ¹	7.4 @ 3571			57-3026 ¹	6.7 @ 4107
K2500 Suburban	7.4L V8 F/I - w/o heat stove	57-3014 ¹	17.6 @ 3811	K2500	7.4L V8 F/I	63-1007-1 ²	6.7 @ 4107
K3500	5.7L V8 F/I	57-3026 ¹	6.7 @ 4107			57-3027 ¹	7.4 @ 3571
		63-1007-1 ²	6.7 @ 4107	K2500	7.4L V8 F/I - w/o heat stove	57-3014 ¹	17.6 @ 3811
K3500	7.4L V8 F/I	63-1007-1 ²	6.7 @ 4107	K2500 Suburban	5.7L V8 F/I	63-1007-1 ²	6.7 @ 4107
		57-3027 ¹	7.4 @ 3571			57-3026 ¹	6.7 @ 4107
K3500	7.4L V8 F/I - w/o heat stove	57-3014 ¹	17.6 @ 3811	K2500 Suburban	7.4L V8 F/I	63-1007-1 ²	6.7 @ 4107
S10 Pickup	2.2L L4 F/I	57-3024 ¹	7.5 @ 5224			57-3027 ¹	7.4 @ 3571
S10 Pickup	4.3L V6 CPI	57-3009 ¹	7.1 @ 4572	K2500 Suburban	7.4L V8 F/I - w/o heat stove	57-3014 ¹	17.6 @ 3811
S10 Pickup	4.3L V6 TBI	57-3029 ¹	4.7 @ 3971			63-1007-1 ²	6.7 @ 4107
Tahoe	5.7L V8 F/I	57-3026 ¹	6.7 @ 4107	K3500	5.7L V8 F/I	57-3026 ¹	6.7 @ 4107
		63-1007-1 ²	6.7 @ 4107			63-1007-1 ²	6.7 @ 4107
1994 CHEVROLET				1993 CHEVROLET			
Blazer	5.7L V8 F/I	63-1007-1 ²	6.7 @ 4107	K3500	7.4L V8 F/I - w/o heat stove	57-3014 ¹	17.6 @ 3811
		57-3026 ¹	6.7 @ 4107			57-3027 ¹	7.4 @ 3571
C1500	5.0L V8 F/I	63-1007-1 ²	6.7 @ 4107	S10 Blazer	4.3L V6 TBI	57-3029 ¹	4.7 @ 3971
		57-3026 ¹	6.7 @ 4107	S10 Pickup	2.2L L4 F/I	57-3024 ¹	7.5 @ 5224
C1500	5.7L V8 F/I	57-3026 ¹	10.3 @ 4237	S10 Pickup	4.3L V6 CPI	57-3009 ¹	7.1 @ 4571
		63-1007-1 ²	6.7 @ 4107	S10 Pickup	4.3L V6 TBI	57-3029 ¹	4.7 @ 3971
C1500 Suburban	5.7L V8 F/I	63-1007-1 ²	6.7 @ 4107	1993 CHEVROLET			
		57-3026 ¹	10.3 @ 4237	Blazer	5.7L V8 F/I	63-1007-1 ²	6.7 @ 4107
C2500	5.0L V8 F/I	63-1007-1 ²	6.7 @ 4107			57-3026 ¹	6.7 @ 4107
		57-3026 ¹	6.7 @ 4107	C1500	5.0L V8 F/I	63-1007-1 ²	6.7 @ 4107
C2500	5.7L V8 F/I	57-3026 ¹	6.7 @ 4107			57-3026 ¹	6.7 @ 4107
		63-1007-1 ²	6.7 @ 4107	C1500	5.7L V8 F/I	57-3026 ¹	6.7 @ 4107
C2500	7.4L V8 F/I	63-1007-1 ²	6.7 @ 4107			63-1007-1 ²	6.7 @ 4107
		57-3027 ¹	7.4 @ 3571	C1500	7.4L V8 F/I	63-1007-1 ²	6.7 @ 4107
C2500	7.4L V8 F/I - w/o heat stove	57-3014 ¹	17.6 @ 3811			57-3027 ¹	7.4 @ 3571
C2500 Suburban	5.7L V8 F/I	63-1007-1 ²	6.7 @ 4107	C1500 Suburban	5.7L V8 F/I	63-1007-1 ²	6.7 @ 4107
		57-3026 ¹	6.7 @ 4107			57-3026 ¹	6.7 @ 4107
C2500 Suburban	7.4L V8 F/I	57-3027 ¹	7.4 @ 3571	C2500	5.0L V8 F/I	63-1007-1 ²	6.7 @ 4107
		63-1007-1 ²	6.7 @ 4107			57-3026 ¹	6.7 @ 4107
C2500 Suburban	7.4L V8 F/I - w/o heat stove	57-3014 ¹	17.6 @ 3811	C2500	5.7L V8 F/I	57-3026 ¹	6.7 @ 4107
C3500	5.7L V8 F/I	63-1007-1 ²	6.7 @ 4107			63-1007-1 ²	6.7 @ 4107
		57-3026 ¹	6.7 @ 4107	C2500	7.4L V8 F/I	57-3027 ¹	7.4 @ 3571
C3500	7.4L V8 F/I	63-1007-1 ²	6.7 @ 4107			63-1007-1 ²	6.7 @ 4107
		57-3027 ¹	7.4 @ 3571	C2500	7.4L V8 F/I - w/o heat stove	57-3014 ¹	17.6 @ 3811
C3500	7.4L V8 F/I - w/o heat stove	57-3014 ¹	17.6 @ 3811	C2500 Suburban	5.7L V8 F/I	63-1007-1 ²	6.7 @ 4107
Camaro	3.4L V6 F/I - w/o Ram Air or Traction Control	57-3010-1 ¹	18.3 @ 5331			57-3026 ¹	6.7 @ 4107
Camaro	5.7L V8 F/I - w/o Ram Air or Traction Control	57-3010-1 ¹	18.3 @ 5331	C2500 Suburban	7.4L V8 F/I	63-1007-1 ²	6.7 @ 4107
Caprice	5.7L V8 F/I	57-3011 ¹	18.8 @ 4760			57-3027 ¹	7.4 @ 3571
Impala SS	5.7L V8 F/I	57-3011 ¹	18.8 @ 4760	C2500 Suburban	7.4L V8 F/I - w/o heat stove	57-3014 ¹	17.6 @ 3811
K1500	5.0L V8 F/I	57-3026 ¹	6.7 @ 4107			57-3026 ¹	6.7 @ 4107
		63-1007-1 ²	6.7 @ 4107	C3500	5.7L V8 F/I	57-3026 ¹	6.7 @ 4107
K1500	5.7L V8 F/I	57-3026 ¹	10.3 @ 4237			63-1007-1 ²	6.7 @ 4107
		63-1007-1 ²	6.7 @ 4107	C3500	7.4L V8 F/I	57-3027 ¹	7.4 @ 3571
K1500 Suburban	5.7L V8 F/I	63-1007-1 ²	6.7 @ 4107			57-3014 ¹	17.6 @ 3811
		57-3026 ¹	10.3 @ 4237	Camaro	3.4L V6 F/I - w/o Ram Air or Traction Control	57-3010-1 ¹	18.3 @ 5331
						57-3010-1 ¹	18.3 @ 5331

1) Street legal in all US states. 2) Not legal for sale or use on any pollution controlled motor vehicle in California or states adopting California emission procedures. * Estimated horsepower gains are based on specific or similar vehicle dyno tests. Results will vary. See Page 482 for more information. See page 7 for information on intake tube materials/colors.



AIR INTAKE SYSTEMS

CHEVROLET

Vehicle	Engine Type	Part Number	Estimated Horsepower*	Vehicle	Engine Type	Part Number	Estimated Horsepower*
1993 CHEVROLET				1992 CHEVROLET			
K1500	5.0L V8 F/I	57-3026 ¹	6.7 @ 4107	C3500	7.4L V8 F/I - w/o heat stove	57-3014 ¹	17.6 @ 3811
		63-1007-1 ²	6.7 @ 4107			57-3026 ¹	6.7 @ 4107
K1500	5.7L V8 F/I	57-3026 ¹	6.7 @ 4107	K1500	5.0L V8 F/I	63-1007-1 ²	6.7 @ 4107
		63-1007-1 ²	6.7 @ 4107			57-3026 ¹	6.7 @ 4107
K1500 Suburban	5.7L V8 F/I	63-1007-1 ²	6.7 @ 4107	K1500	5.7L V8 F/I	63-1007-1 ²	6.7 @ 4107
		57-3026 ¹	6.7 @ 4107			57-3026 ¹	6.7 @ 4107
K2500	5.0L V8 F/I	63-1007-1 ²	6.7 @ 4107	K1500 Suburban	5.7L V8 F/I	63-1007-1 ²	6.7 @ 4107
		57-3026 ¹	6.7 @ 4107			57-3026 ¹	6.7 @ 4107
K2500	5.7L V8 F/I	57-3026 ¹	6.7 @ 4107	K2500	5.0L V8 F/I	63-1007-1 ²	6.7 @ 4107
		63-1007-1 ²	6.7 @ 4107			57-3026 ¹	6.7 @ 4107
K2500	7.4L V8 F/I	57-3027 ¹	7.4 @ 3571	K2500	5.7L V8 F/I	63-1007-1 ²	6.7 @ 4107
		63-1007-1 ²	6.7 @ 4107			57-3026 ¹	6.7 @ 4107
K2500	7.4L V8 F/I - w/o heat stove	57-3014 ¹	17.6 @ 3811	K2500	7.4L V8 F/I	57-3027 ¹	7.4 @ 3571
		57-3026 ¹	6.7 @ 4107			63-1007-1 ²	6.7 @ 4107
K2500 Suburban	5.7L V8 F/I	63-1007-1 ²	6.7 @ 4107	K2500	7.4L V8 F/I - w/o heat stove	57-3014 ¹	17.6 @ 3811
		57-3027 ¹	7.4 @ 3571			63-1007-1 ²	6.7 @ 4107
K2500 Suburban	7.4L V8 F/I	57-3027 ¹	7.4 @ 3571	K2500 Suburban	5.7L V8 F/I	57-3026 ¹	6.7 @ 4107
		57-3014 ¹	17.6 @ 3811			57-3027 ¹	7.4 @ 3571
K2500 Suburban	7.4L V8 F/I - w/o heat stove	57-3014 ¹	17.6 @ 3811	K2500 Suburban	7.4L V8 F/I	63-1007-1 ²	6.7 @ 4107
		57-3026 ¹	6.7 @ 4107			57-3014 ¹	17.6 @ 3811
K3500	5.7L V8 F/I	63-1007-1 ²	6.7 @ 4107	K2500 Suburban	7.4L V8 F/I - w/o heat stove	57-3014 ¹	17.6 @ 3811
		57-3027 ¹	7.4 @ 3571			57-3026 ¹	6.7 @ 4107
K3500	7.4L V8 F/I	63-1007-1 ²	6.7 @ 4107	K3500	5.7L V8 F/I	63-1007-1 ²	6.7 @ 4107
		57-3027 ¹	7.4 @ 3571			57-3027 ¹	7.4 @ 3571
K3500	7.4L V8 F/I - w/o heat stove	57-3014 ¹	17.6 @ 3811	K3500	7.4L V8 F/I	63-1007-1 ²	6.7 @ 4107
		57-3026 ¹	6.7 @ 4107			57-3027 ¹	7.4 @ 3571
S10 Blazer	4.3L V6 TBI	57-3028 ¹		K3500	7.4L V8 F/I - w/o heat stove	57-3014 ¹	17.6 @ 3811
S10 Pickup	4.3L V6 TBI	57-3028 ¹				57-3026 ¹	6.7 @ 4107
1992 CHEVROLET				S10 Pickup	4.3L V6 TBI	57-3028 ¹	
Blazer	5.7L V8 F/I	63-1007-1 ²	6.7 @ 4107	1991 CHEVROLET			
		57-3026 ¹	6.7 @ 4107	Blazer	5.7L V8 F/I	63-1007-1 ²	6.7 @ 4107
C1500	5.0L V8 F/I	63-1007-1 ²	6.7 @ 4107	C1500	5.0L V8 F/I	63-1007-1 ²	6.7 @ 4107
		57-3026 ¹	6.7 @ 4107			57-3026 ¹	6.7 @ 4107
C1500	5.7L V8 F/I	63-1007-1 ²	6.7 @ 4107	C1500	5.7L V8 F/I	63-1007-1 ²	6.7 @ 4107
		57-3026 ¹	6.7 @ 4107			57-3026 ¹	6.7 @ 4107
C1500	7.4L V8 F/I	63-1007-1 ²	6.7 @ 4107	C1500	7.4L V8 F/I	63-1007-1 ²	6.7 @ 4107
		57-3027 ¹	7.4 @ 3571			57-3027 ¹	7.4 @ 3571
C1500 Suburban	5.7L V8 F/I	63-1007-1 ²	6.7 @ 4107	C2500	5.0L V8 F/I	63-1007-1 ²	6.7 @ 4107
		57-3026 ¹	6.7 @ 4107			57-3026 ¹	6.7 @ 4107
C2500	5.0L V8 F/I	63-1007-1 ²	6.7 @ 4107	C2500	5.7L V8 F/I	63-1007-1 ²	6.7 @ 4107
		57-3026 ¹	6.7 @ 4107			57-3026 ¹	6.7 @ 4107
C2500	5.7L V8 F/I	63-1007-1 ²	6.7 @ 4107	C2500	7.4L V8 F/I	63-1007-1 ²	6.7 @ 4107
		57-3026 ¹	6.7 @ 4107			57-3027 ¹	7.4 @ 3571
C2500	7.4L V8 F/I	57-3027 ¹	7.4 @ 3571	C3500	5.7L V8 F/I	63-1007-1 ²	6.7 @ 4107
		63-1007-1 ²	6.7 @ 4107			57-3026 ¹	6.7 @ 4107
C2500	7.4L V8 F/I - w/o heat stove	57-3014 ¹	17.6 @ 3811	C3500	7.4L V8 F/I	63-1007-1 ²	6.7 @ 4107
		57-3027 ¹	7.4 @ 3571			57-3027 ¹	7.4 @ 3571
C2500 Suburban	5.7L V8 F/I	63-1007-1 ²	6.7 @ 4107	K1500	5.0L V8 F/I	63-1007-1 ²	6.7 @ 4107
		57-3026 ¹	6.7 @ 4107			57-3026 ¹	6.7 @ 4107
C2500 Suburban	7.4L V8 F/I	57-3027 ¹	7.4 @ 3571	K1500	5.7L V8 F/I	63-1007-1 ²	6.7 @ 4107
		63-1007-1 ²	6.7 @ 4107			57-3026 ¹	6.7 @ 4107
C2500 Suburban	7.4L V8 F/I - w/o heat stove	57-3014 ¹	17.6 @ 3811	K2500	5.0L V8 F/I	63-1007-1 ²	6.7 @ 4107
		57-3026 ¹	6.7 @ 4107			57-3026 ¹	6.7 @ 4107
C3500	5.7L V8 F/I	63-1007-1 ²	6.7 @ 4107	K2500	5.7L V8 F/I	63-1007-1 ²	6.7 @ 4107
		57-3027 ¹	7.4 @ 3571			57-3026 ¹	6.7 @ 4107
C3500	7.4L V8 F/I	63-1007-1 ²	6.7 @ 4107	K2500	7.4L V8 F/I	63-1007-1 ²	6.7 @ 4107
		57-3027 ¹	7.4 @ 3571			57-3027 ¹	7.4 @ 3571

1) Street legal in all US states. 2) Not legal for sale or use on any pollution controlled motor vehicle in California or states adopting California emission procedures. * Estimated horsepower gains are based on specific or similar vehicle dyno tests. Results will vary. See Page 482 for more information. See page 7 for information on intake tube materials/colors.



Vehicle	Engine Type	Part Number	Estimated Horsepower*	Vehicle	Engine Type	Part Number	Estimated Horsepower*
1991 CHEVROLET				1989 CHEVROLET			
K3500	5.7L V8 F/I	63-1007-1 ²	6.7 @ 4107	Blazer	5.7L V8 F/I	63-1007-1 ²	6.7 @ 4107
		57-3026 ¹	6.7 @ 4107	C1500	5.0L V8 F/I	63-1007-1 ²	6.7 @ 4107
K3500	7.4L V8 F/I	57-3027 ¹	7.4 @ 3571			57-3026 ¹	6.7 @ 4107
		63-1007-1 ²	6.7 @ 4107	C1500	5.7L V8 F/I	57-3026 ¹	6.7 @ 4107
R1500 Suburban	5.7L V8 F/I	63-1007-1 ²	6.7 @ 4107			63-1007-1 ²	6.7 @ 4107
R2500 Suburban	5.7L V8 F/I	63-1007-1 ²	6.7 @ 4107	C2500	5.0L V8 F/I	63-1007-1 ²	6.7 @ 4107
R2500 Suburban	7.4L V8 F/I	63-1007-1 ²	6.7 @ 4107			57-3026 ¹	6.7 @ 4107
R3500	5.7L V8 F/I	63-1007-1 ²	6.7 @ 4107	C2500	5.7L V8 F/I	63-1007-1 ²	6.7 @ 4107
R3500	7.4L V8 F/I	63-1007-1 ²	6.7 @ 4107			57-3026 ¹	6.7 @ 4107
S10 Blazer	4.3L V6 F/I	57-3028 ¹		C3500	5.7L V8 F/I	63-1007-1 ²	6.7 @ 4107
S10 Pickup	4.3L V6 F/I	57-3028 ¹				57-3026 ¹	6.7 @ 4107
V1500 Suburban	5.7L V8 F/I	63-1007-1 ²	6.7 @ 4107	C3500	7.4L V8 F/I	63-1007-1 ²	6.7 @ 4107
V2500 Suburban	5.7L V8 F/I	63-1007-1 ²	6.7 @ 4107			57-3027 ¹	7.4 @ 3573
V3500	5.7L V8 F/I	63-1007-1 ²	6.7 @ 4107	K1500	5.0L V8 F/I	63-1007-1 ²	6.7 @ 4107
V3500	7.4L V8 F/I	63-1007-1 ²	6.7 @ 4107			57-3026 ¹	6.7 @ 4107
1990 CHEVROLET				K1500	5.7L V8 F/I	63-1007-1 ²	6.7 @ 4107
Blazer	5.7L V8 F/I	63-1007-1 ²	6.7 @ 4107			57-3026 ¹	6.7 @ 4107
C1500	5.0L V8 F/I	63-1007-1 ²	6.7 @ 4107	K2500	5.0L V8 F/I	57-3026 ¹	6.7 @ 4107
		57-3026 ¹	6.7 @ 4107			63-1007-1 ²	6.7 @ 4107
C1500	5.7L V8 F/I	63-1007-1 ²	6.7 @ 4107	K2500	5.7L V8 F/I	57-3026 ¹	6.7 @ 4107
		57-3026 ¹	6.7 @ 4107			63-1007-1 ²	6.7 @ 4107
C1500	7.4L V8 F/I	63-1007-1 ²	6.7 @ 4107	K3500	5.7L V8 F/I	63-1007-1 ²	6.7 @ 4107
C2500	5.0L V8 F/I	57-3026 ¹	6.7 @ 4107			57-3026 ¹	6.7 @ 4107
		63-1007-1 ²	6.7 @ 4107	K3500	7.4L V8 F/I	57-3027 ¹	7.4 @ 3571
C2500	5.7L V8 F/I	57-3026 ¹	6.7 @ 4107			63-1007-1 ²	6.7 @ 4107
		63-1007-1 ²	6.7 @ 4107	R1500 Suburban	5.7L V8 F/I	63-1007-1 ²	6.7 @ 4107
C3500	5.7L V8 F/I	63-1007-1 ²	6.7 @ 4107	R2500	5.7L V8 F/I	63-1007-1 ²	6.7 @ 4107
		57-3026 ¹	6.7 @ 4107	R2500	7.4L V8 F/I	63-1007-1 ²	6.7 @ 4107
C3500	7.4L V8 F/I	57-3027 ¹	7.4 @ 3571	R2500 Suburban	5.7L V8 F/I	63-1007-1 ²	6.7 @ 4107
		63-1007-1 ²	6.7 @ 4107	R2500 Suburban	7.4L V8 F/I	63-1007-1 ²	6.7 @ 4107
K1500	5.0L V8 F/I	57-3026 ¹	6.7 @ 4107	R3500	5.7L V8 F/I	63-1007-1 ²	6.7 @ 4107
		63-1007-1 ²	6.7 @ 4107	R3500	7.4L V8 F/I	63-1007-1 ²	6.7 @ 4107
K1500	5.7L V8 F/I	57-3026 ¹	6.7 @ 4107	S10 Blazer	4.3L V6 F/I	57-3028 ¹	
		63-1007-1 ²	6.7 @ 4107	S10 Pickup	4.3L V6 F/I	57-3028 ¹	
K2500	5.0L V8 F/I	63-1007-1 ²	6.7 @ 4107	V1500 Suburban	5.7L V8 F/I	63-1007-1 ²	6.7 @ 4107
		57-3026 ¹	6.7 @ 4107	V2500 Suburban	5.7L V8 F/I	63-1007-1 ²	6.7 @ 4107
K2500	5.7L V8 F/I	63-1007-1 ²	6.7 @ 4107	V3500	7.4L V8 F/I	63-1007-1 ²	6.7 @ 4107
		57-3026 ¹	6.7 @ 4107	1988 CHEVROLET			
K3500	5.7L V8 F/I	57-3026 ¹	6.7 @ 4107	Blazer	5.7L V8 F/I	63-1007-1 ²	6.7 @ 4107
		63-1007-1 ²	6.7 @ 4107	C1500	5.0L V8 F/I	57-3026 ¹	6.7 @ 4107
K3500	7.4L V8 F/I	63-1007-1 ²	6.7 @ 4107			63-1007-1 ²	6.7 @ 4107
		57-3027 ¹	7.4 @ 3571	C1500	5.7L V8 F/I	57-3026 ¹	6.7 @ 4107
R1500 Suburban	5.7L V8 F/I	63-1007-1 ²	6.7 @ 4107			63-1007-1 ²	6.7 @ 4107
R2500 Suburban	5.7L V8 F/I	63-1007-1 ²	6.7 @ 4107	C2500	5.0L V8 F/I	57-3026 ¹	6.7 @ 4107
R2500 Suburban	7.4L V8 F/I	63-1007-1 ²	6.7 @ 4107			63-1007-1 ²	6.7 @ 4107
R3500	5.7L V8 F/I	63-1007-1 ²	6.7 @ 4107	C2500	5.7L V8 F/I	63-1007-1 ²	6.7 @ 4107
R3500	7.4L V8 F/I	63-1007-1 ²	6.7 @ 4107			57-3026 ¹	6.7 @ 4107
S10 Blazer	4.3L V6 F/I	57-3028 ¹		C3500	5.7L V8 F/I	57-3026 ¹	6.7 @ 4107
S10 Pickup	4.3L V6 F/I	57-3028 ¹				63-1007-1 ²	6.7 @ 4107
V1500 Suburban	5.7L V8 F/I	63-1007-1 ²	6.7 @ 4107	C3500	7.4L V8 F/I	57-3027 ¹	7.4 @ 3571
V2500 Suburban	5.7L V8 F/I	63-1007-1 ²	6.7 @ 4107			63-1007-1 ²	6.7 @ 4107
V2500 Suburban	7.4L V8 F/I	63-1007-1 ²	6.7 @ 4107	K1500	5.0L V8 F/I	57-3026 ¹	6.7 @ 4107
V3500	5.7L V8 F/I	63-1007-1 ²	6.7 @ 4107			63-1007-1 ²	6.7 @ 4107
V3500	7.4L V8 F/I	63-1007-1 ²	6.7 @ 4107	K1500	5.7L V8 F/I	57-3026 ¹	6.7 @ 4107
						63-1007-1 ²	6.7 @ 4107

1) Street legal in all US states. 2) Not legal for sale or use on any pollution controlled motor vehicle in California or states adopting California emission procedures. * Estimated horsepower gains are based on specific or similar vehicle dyno tests. Results will vary. See Page 482 for more information. See page 7 for information on intake tube materials/colors.



AIR INTAKE SYSTEMS

CHEVROLET

Vehicle	Engine Type	Part Number	Estimated Horsepower*	Vehicle	Engine Type	Part Number	Estimated Horsepower*
1988 CHEVROLET				2018 CHRYSLER			
K2500	5.0L V8 F/I	57-3026 ¹	6.7 @ 4107	300	5.7L V8 F/I - Exc. Shaker Hood	63-1114 ²	11.8 @ 4513
		63-1007-1 ²	6.7 @ 4107			71-1542 ²	14.1 @ 4188
K2500	5.7L V8 F/I	57-3026 ¹	6.7 @ 4107			69-2526TP ²	11.7 @ 4854
		63-1007-1 ²	6.7 @ 4107				
K3500	5.7L V8 F/I	63-1007-1 ²	6.7 @ 4107	300C	5.7L V8 F/I - Exc. Shaker Hood	71-1542 ¹	14.1 @ 4188
		57-3026 ¹	6.7 @ 4107			69-2526TP ¹	11.7 @ 4854
K3500	7.4L V8 F/I	63-1007-1 ²	6.7 @ 4107			57-1542 ¹	21.1 @ 5216
		57-3027 ¹	7.4 @ 3571			63-1114 ²	11.8 @ 4513
R10 Suburban	5.7L V8 F/I	63-1007-1 ²	6.7 @ 4107	2017 CHRYSLER			
R20	5.0L V8 F/I	63-1007-1 ²	6.7 @ 4107	200	2.4L L4 F/I - Exc. LEV3 SULEV30 Test Group HCRXJ02.4CP0	69-2551TS ¹	4.7 @ 3987
		57-3026 ¹	6.7 @ 4107				
R20	5.7L V8 F/I	63-1007-1 ²	6.7 @ 4107	300	3.6L V6 F/I	69-2544TP ¹	7.4 @ 5095
R20	7.4L V8 F/I	63-1007-1 ²	6.7 @ 4107			57-1564 ¹	8.1 @ 5231
R20 Suburban	5.7L V8 F/I	63-1007-1 ²	6.7 @ 4107			63-1564 ²	8.1 @ 5231
R20 Suburban	7.4L V8 F/I	63-1007-1 ²	6.7 @ 4107			71-1542 ²	14.1 @ 4188
R30	5.7L V8 F/I	63-1007-1 ²	6.7 @ 4107	300	5.7L V8 F/I - Exc. Shaker Hood	69-2526TP ²	11.7 @ 4854
R30	7.4L V8 F/I	63-1007-1 ²	6.7 @ 4107			63-1114 ²	11.8 @ 4513
S10 Blazer	4.3L V6 F/I	57-3028 ¹					
S10 Pickup	4.3L V6 F/I	57-3028 ¹		300C	5.7L V8 F/I - Exc. Shaker Hood	69-2526TP ¹	11.7 @ 4854
V10 Suburban	5.7L V8 F/I	63-1007-1 ²	6.7 @ 4107			71-1542 ¹	14.1 @ 4188
V20 Suburban	5.7L V8 F/I	63-1007-1 ²	6.7 @ 4107			63-1114 ²	11.8 @ 4513
V20 Suburban	7.4L V8 F/I	63-1007-1 ²	6.7 @ 4107				
V30	7.4L V8 F/I	63-1007-1 ²	6.7 @ 4107	300C	5.7L V8 F/I - Exc. Shaker Hood	69-2526TP ¹	11.7 @ 4854
		57-3027 ¹	7.4 @ 3571			71-1542 ¹	14.1 @ 4188
2020 CHRYSLER							
300	3.6L V6 F/I	69-2544TP ²	7.4 @ 5095			63-1114 ²	11.8 @ 4513
		63-1564 ²	8.1 @ 5231			57-1542 ¹	21.1 @ 5216
300C	5.7L V8 F/I - Exc. Shaker Hood	71-1542 ²	14.1 @ 4188	2016 CHRYSLER			
		69-2526TP ²	11.7 @ 4854	200	2.4L L4 F/I - Exc. LEV2 SULEV Test Group GCRXJ02.4CP0	69-2551TS ¹	4.7 @ 3987
		63-1114 ²	11.8 @ 4513				
300S	5.7L V8 F/I - Exc. Shaker Hood	71-1542 ²	14.1 @ 4188	200	3.6L V6 F/I	63-1572 ²	10.5 @ 5010
		69-2526TP ²	11.7 @ 4854			57-1572 ¹	10.5 @ 5010
		63-1114 ²	11.8 @ 4513	300	3.6L V6 F/I	63-1564 ²	8.1 @ 5231
2019 CHRYSLER						57-1564 ¹	8.1 @ 5231
300	3.6L V6 F/I	69-2544TP ²	7.4 @ 5095	300C	5.7L V8 F/I - Exc. Shaker Hood	69-2526TP ¹	11.7 @ 4854
		63-1564 ²	8.1 @ 5231			57-1542 ¹	21.1 @ 5216
300	5.7L V8 F/I - Exc. Shaker Hood	71-1542 ²	14.1 @ 4188			63-1114 ²	11.8 @ 4513
		63-1114 ²	11.8 @ 4513			71-1542 ¹	14.1 @ 4188
		69-2526TP ²	11.7 @ 4854	2015 CHRYSLER			
300C	5.7L V8 F/I - Exc. Shaker Hood	71-1542 ¹	14.1 @ 4188	200	2.4L L4 F/I - Exc. LEV2 SULEV Test Group FCRXJ02.4CP0	69-2551TS ¹	4.7 @ 3987
		63-1114 ²	11.8 @ 4513				
		69-2526TP ¹	11.7 @ 4854	200	3.6L V6 F/I	63-1572 ²	10.5 @ 5010
		57-1542 ¹	21.1 @ 5216			57-1572 ¹	10.5 @ 5010
2018 CHRYSLER				300	3.6L V6 F/I	69-2544TP ¹	7.4 @ 5095
300	3.6L V6 F/I	69-2544TP ¹	7.4 @ 5095			57-1564 ¹	8.1 @ 5231
		57-1564 ¹	8.1 @ 5231			63-1564 ²	8.1 @ 5231
		63-1564 ²	8.1 @ 5231	300	6.4L V8 F/I	69-2545TP ¹	22.2 @ 5216
						71-2545 ¹	9.1 @ 4564
						57-1565 ¹	21.9 @ 5216

1) Street legal in all US states. 2) Not legal for sale or use on any pollution controlled motor vehicle in California or states adopting California emission procedures. * Estimated horsepower gains are based on specific or similar vehicle dyno tests. Results will vary. See Page 482 for more information. See page 7 for information on intake tube materials/colors.



Vehicle	Engine Type	Part Number	Estimated Horsepower*	Vehicle	Engine Type	Part Number	Estimated Horsepower*
2015 CHRYSLER				2012 CHRYSLER			
300	6.4L V8 F/I	63-1565 ²	21.9 @ 5216	300C	5.7L V8 F/I	57-1542 ¹	21.1 @ 5216
300C	3.6L V6 F/I	69-2544TP ¹	7.4 @ 5095			63-1114 ²	11.8 @ 4513
		63-1564 ²	8.1 @ 5231	2011 CHRYSLER			
		57-1564 ¹	8.1 @ 5231	300	3.6L V6 F/I	63-1564 ²	8.1 @ 5231
300C	5.7L V8 F/I - Exc. Shaker Hood	71-1542 ¹	14.1 @ 4188			57-1564 ¹	8.1 @ 5231
		63-1114 ²	11.8 @ 4513			69-2544TP ¹	7.4 @ 5095
		69-2526TP ¹	11.7 @ 4854	300C	5.7L V8 F/I	69-2526TP ¹	11.7 @ 4854
		57-1542 ¹	21.1 @ 5216			57-1542 ¹	21.1 @ 5216
300S	5.7L V8 F/I - Exc. Shaker Hood	69-2526TP ²	11.7 @ 4854			63-1114 ²	11.8 @ 4513
		63-1114 ²	11.8 @ 4513	2010 CHRYSLER			
2014 CHRYSLER				300	2.7L V6 F/I	57-1544 ¹	7.3 @ 5693
200	2.4L L4 F/I	69-2549TS ²	11.0 @ 5645	300	3.5L V6 F/I	57-1543 ¹	11.7 @ 6215
300	3.6L V6 F/I	69-2544TP ¹	7.4 @ 5095	300C	5.7L V8 F/I	71-1542 ¹	14.1 @ 4188
		63-1564 ²	8.1 @ 5231			57-1542 ¹	21.1 @ 5216
		57-1564 ¹	8.1 @ 5231	300C	6.1L V8 F/I	69-2526TP ¹	11.7 @ 4854
300	6.4L V8 F/I	71-2545 ¹	9.1 @ 4564			71-1542 ¹	14.1 @ 4188
		63-1565 ²	21.9 @ 5216			57-1542 ¹	21.1 @ 5216
		69-2545TP ¹	22.2 @ 5216	PT Cruiser	2.4L L4 F/I - Exc. Turbo	57-1550 ¹	7.2 @ 5004
		57-1565 ¹	21.9 @ 5216	2009 CHRYSLER			
300C	3.6L V6 F/I	63-1564 ²	8.1 @ 5231	300	2.7L V6 F/I	57-1544 ¹	7.3 @ 5693
		69-2544TP ¹	7.4 @ 5095	300	3.5L V6 F/I	57-1543 ¹	11.7 @ 6215
		57-1564 ¹	8.1 @ 5231	300C	5.7L V8 F/I	71-1542 ¹	14.1 @ 4188
300C	5.7L V8 F/I	69-2526TP ¹	11.7 @ 4854			57-1542 ¹	21.1 @ 5216
		71-1542 ¹	14.1 @ 4188			69-2526TP ¹	11.7 @ 4854
		57-1542 ¹	21.1 @ 5216	300C	6.1L V8 F/I	71-1542 ¹	14.1 @ 4188
		63-1114 ²	11.8 @ 4513			57-1542 ¹	21.1 @ 5216
2013 CHRYSLER				PT Cruiser	2.4L L4 F/I - Exc. Turbo	57-1550 ¹	7.2 @ 5004
200	2.4L L4 F/I	69-2549TS ²	11.0 @ 5645	2008 CHRYSLER			
300	3.6L V6 F/I	63-1564 ²	8.1 @ 5231	300	2.7L V6 F/I	57-1544 ¹	7.3 @ 5693
		69-2544TP ¹	7.4 @ 5095	300	3.5L V6 F/I	57-1543 ¹	11.7 @ 6215
		57-1564 ¹	8.1 @ 5231	300C	5.7L V8 F/I	71-1542 ¹	14.1 @ 4188
300	6.4L V8 F/I	69-2545TP ¹	22.2 @ 5216			57-1542 ¹	21.1 @ 5216
		71-2545 ¹	9.1 @ 4564			69-2526TP ¹	11.7 @ 4854
		57-1565 ¹	21.9 @ 5216	300C	6.1L V8 F/I	69-2526TP ¹	11.7 @ 4854
		63-1565 ²	21.9 @ 5216			71-1542 ¹	14.1 @ 4188
300C	5.7L V8 F/I	71-1542 ¹	14.1 @ 4188			57-1542 ¹	21.1 @ 5216
		69-2526TP ¹	11.7 @ 4854	PT Cruiser	2.4L L4 F/I - Exc. Turbo	57-1550 ¹	7.2 @ 5004
		63-1114 ²	11.8 @ 4513	PT Cruiser	2.4L L4 F/I - Turbo	69-2541TP ¹	11.1 @ 4508
		57-1542 ¹	21.1 @ 5216			69-2541TB ¹	11.1 @ 4508
2012 CHRYSLER						57-1551 ¹	12.1 @ 5086
200	2.4L L4 F/I	69-2549TS ²	11.0 @ 5645	2007 CHRYSLER			
200	3.6L V6 F/I	69-2546TS ²	8.4 @ 5506	300	2.7L V6 F/I	57-1544 ¹	7.3 @ 5693
300	3.6L V6 F/I	69-2544TP ¹	7.4 @ 5095	300	3.5L V6 F/I	57-1543 ¹	11.7 @ 6215
		57-1564 ¹	8.1 @ 5231	300C	5.7L V8 F/I	71-1542 ¹	14.1 @ 4188
		63-1564 ²	8.1 @ 5231			69-2526TP ¹	11.7 @ 4854
300	6.4L V8 F/I	63-1565 ²	21.9 @ 5216			57-1542 ¹	21.1 @ 5216
		71-2545 ¹	9.1 @ 4564	300C	6.1L V8 F/I	69-2526TP ¹	11.7 @ 4854
		69-2545TP ¹	22.2 @ 5216			71-1542 ¹	14.1 @ 4188
		57-1565 ¹	21.9 @ 5216			57-1542 ¹	21.1 @ 5216
300C	5.7L V8 F/I	71-1542 ¹	14.1 @ 4188	Aspen	5.7L V8 F/I	77-1539KP ¹	15.6 @ 5148
		69-2526TP ¹	11.7 @ 4854			57-1539 ¹	17.5 @ 5053

1) Street legal in all US states. 2) Not legal for sale or use on any pollution controlled motor vehicle in California or states adopting California emission procedures. * Estimated horsepower gains are based on specific or similar vehicle dyno tests. Results will vary. See Page 482 for more information. See page 7 for information on intake tube materials/colors.



AIR INTAKE SYSTEMS

CHRYSLER

Vehicle	Engine Type	Part Number	Estimated Horsepower*	Vehicle	Engine Type	Part Number	Estimated Horsepower*
2007 CHRYSLER				2002 CHRYSLER			
PT Cruiser	2.4L L4 F/I - Exc. Turbo	57-1550 ¹	7.2 @ 5004	PT Cruiser	2.4L L4 F/I	57-1515-1 ¹	5.9 @ 5486
PT Cruiser	2.4L L4 F/I - Turbo	69-2541TP ¹	11.1 @ 4508	2001 CHRYSLER			
		69-2541TB ¹	11.1 @ 4508	300M	3.5L V6 F/I	57-1522 ¹	8.5 @ 5482
		57-1551 ¹	12.1 @ 5086	Neon	2.0L L4 F/I	69-2520TR ²	5.3 @ 4641
2006 CHRYSLER						69-2520TP ²	5.3 @ 4641
300	2.7L V6 F/I	57-1544 ¹	7.3 @ 5693	Neon II	2.0L L4 F/I	69-2520TR ²	5.3 @ 4641
300	3.5L V6 F/I	57-1543 ¹	11.7 @ 6215			69-2520TP ²	5.3 @ 4641
300C	5.7L V8 F/I	71-1542 ¹	14.1 @ 4188	PT Cruiser	2.4L L4 F/I	57-1515-1 ¹	5.9 @ 5486
		69-2526TP ¹	18.2 @ 5217	2000 CHRYSLER			
		57-1542 ¹	21.1 @ 5216	300M	3.5L V6 F/I	57-1522 ¹	8.5 @ 5482
300C	6.1L V8 F/I	71-1542 ¹	14.1 @ 4188	Neon	2.0L L4 F/I	69-2520TR ²	5.3 @ 4641
		57-1542 ¹	21.1 @ 5216			69-2520TP ²	5.3 @ 4641
		69-2526TP ¹	11.7 @ 4854	Neon II	2.0L L4 F/I	69-2520TR ²	5.3 @ 4641
PT Cruiser	2.4L L4 F/I - Exc. Turbo	57-1550 ¹	7.2 @ 5004			69-2520TP ²	5.3 @ 4641
PT Cruiser	2.4L L4 F/I - Turbo	69-2541TP ¹	11.1 @ 4508	1999 CHRYSLER			
		57-1551 ¹	12.1 @ 5086	Neon II	2.0L L4 F/I	69-2520TP ²	5.3 @ 4641
		69-2541TB ¹	11.1 @ 4508			69-2520TR ²	5.3 @ 4641
2005 CHRYSLER				2020 DODGE			
300	2.7L V6 F/I	57-1544 ¹	7.3 @ 5693	Challenger	3.6L V6 F/I	69-2544TP ²	7.4 @ 5095
300	3.5L V6 F/I	57-1543 ¹	11.7 @ 6215			63-1564 ²	8.1 @ 5231
300C	5.7L V8 F/I	71-1542 ¹	14.1 @ 4188	Challenger	5.7L V8 F/I - Exc. Shaker Hood	71-1542 ²	14.1 @ 4188
		69-2526TP ¹	11.7 @ 4854			69-2526TP ²	11.7 @ 4854
		57-1542 ¹	21.1 @ 5216	Challenger	6.4L V8 F/I - Exc. Shaker Hood	71-2545 ²	9.1 @ 4564
300C	6.1L V8 F/I	71-1542 ¹	14.1 @ 4188			63-1114 ²	11.8 @ 4513
		69-2526TP ¹	11.7 @ 4854	Challenger	6.4L V8 F/I - Exc. Shaker Hood	71-2545 ²	9.1 @ 4564
		57-1542 ¹	21.1 @ 5216			63-1565 ²	21.9 @ 5216
Neon II	2.0L L4 F/I	69-2520TR ²	5.3 @ 4641	Challenger Redeye	6.2L V8 F/I	63-1577 ²	44.5 @ 4685
		69-2520TP ²	5.3 @ 4641	Charger	3.6L V6 F/I	69-2544TP ²	7.4 @ 5095
PT Cruiser	2.4L L4 F/I - Exc. Turbo	57-1515-1 ¹	5.9 @ 5486			63-1564 ²	8.1 @ 5231
PT Cruiser	2.4L L4 F/I - Turbo	69-2541TB ¹	11.1 @ 4508	Charger	5.7L V8 F/I - Exc. Shaker Hood	69-2526TP ²	11.7 @ 4854
		69-2541TP ¹	11.1 @ 4508			71-1542 ²	14.1 @ 4188
		57-1531 ¹	12.0 @ 5086	Charger	6.2L V8 F/I	69-2553TTK ²	23.6 @ 5712
2004 CHRYSLER				Charger	6.4L V8 F/I	71-2545 ²	9.1 @ 4564
300M	3.5L V6 F/I	57-1522 ¹	8.5 @ 5482			63-1565 ²	21.9 @ 5216
Neon II	2.0L L4 F/I	69-2520TR ²	5.3 @ 4641	Durango	3.6L V6 F/I	69-2545TP ²	22.2 @ 5216
		69-2520TP ²	5.3 @ 4641			77-1572KS ²	11.5 @ 6000
PT Cruiser	2.4L L4 F/I - Exc. Turbo	57-1515-1 ¹	5.9 @ 5486	Durango	5.7L V8 F/I	77-1563KP ²	15.0 @ 4500
PT Cruiser	2.4L L4 F/I - Turbo	69-2541TB ¹	11.1 @ 4508			63-1563 ²	17.0 @ 4944
		57-1531 ¹	12.0 @ 5086	2019 DODGE			
		69-2541TP ¹	11.1 @ 4508	1500	5.7L V8 F/I	63-1578 ²	10.7 @ 5500
2003 CHRYSLER						77-1578KP ²	15.1 @ 5308
300M	3.5L V6 F/I	57-1522 ¹	8.5 @ 5482			57-1578 ²	7.9 @ 4500
Neon II	2.0L L4 F/I	69-2520TR ²	5.3 @ 4641	1500 Classic	3.6L V6 F/I	77-1564KS ²	12.0 @ 6371
		69-2520TP ²	5.3 @ 4641	1500 Classic	5.7L V8 F/I	77-1561KP ²	10.3 @ 4382
PT Cruiser	2.4L L4 F/I - Exc. Turbo	57-1515-1 ¹	5.9 @ 5486			63-1561 ²	15.7 @ 4688
PT Cruiser	2.4L L4 F/I - Turbo	69-2541TP ¹	11.1 @ 4508			71-1561 ²	7.2 @ 4643
		69-2541TB ¹	11.1 @ 4508			57-1575 ²	6.2 @ 4612
		57-1531 ¹	12.0 @ 5086	2002 CHRYSLER			
2002 CHRYSLER				300M	3.5L V6 F/I	57-1522 ¹	8.5 @ 5482
300M	3.5L V6 F/I	57-1522 ¹	8.5 @ 5482	Neon	2.0L L4 F/I	69-2520TR ²	5.3 @ 4641
Neon	2.0L L4 F/I	69-2520TR ²	5.3 @ 4641			69-2520TP ²	5.3 @ 4641
		69-2520TP ²	5.3 @ 4641	Neon II	2.0L L4 F/I	69-2520TR ²	5.3 @ 4641
		69-2520TR ²	5.3 @ 4641			69-2520TP ²	5.3 @ 4641

1) Street legal in all US states. 2) Not legal for sale or use on any pollution controlled motor vehicle in California or states adopting California emission procedures. * Estimated horsepower gains are based on specific or similar vehicle dyno tests. Results will vary. See Page 482 for more information. See page 7 for information on intake tube materials/colors.



Vehicle	Engine Type	Part Number	Estimated Horsepower*	Vehicle	Engine Type	Part Number	Estimated Horsepower*
2019 DODGE				2018 DODGE			
Challenger	3.6L V6 F/I	63-1564 ²	8.1 @ 5231	Challenger	5.7L V8 F/I - Exc. Shaker Hood	63-1114 ²	11.8 @ 4513
		69-2544TP ²	7.4 @ 5095			57-1542 ¹	21.1 @ 5216
Challenger	5.7L V8 F/I - Exc. Shaker Hood	71-1542 ¹	14.1 @ 4188			69-2526TP ¹	11.7 @ 4854
		69-2526TP ¹	11.7 @ 4854	Challenger	6.2L V8 F/I	69-2553TTK ²	23.6 @ 5712
		63-1114 ²	11.8 @ 4513	Challenger	6.4L V8 F/I - Exc. Shaker Hood	63-1565 ²	21.9 @ 5216
		57-1542 ¹	21.1 @ 5216			71-2545 ¹	9.1 @ 4564
Challenger	6.2L V8 F/I	69-2553TTK ²	23.6 @ 5712			69-2545TP ¹	22.2 @ 5216
Challenger	6.4L V8 F/I - Exc. Shaker Hood	71-2545 ²	9.1 @ 4564			57-1565 ¹	21.9 @ 5216
		69-2545TP ²	22.2 @ 5216	Challenger Demon Charger	6.2L V8 F/I	63-1577 ²	44.5 @ 4685
		63-1565 ²	21.9 @ 5216		3.6L V6 F/I	57-1564 ¹	8.1 @ 5231
Challenger Redeye Charger	6.2L V8 F/I	63-1577 ²	44.5 @ 4685			69-2544TP ¹	7.4 @ 5095
	3.6L V6 F/I	69-2544TP ²	7.4 @ 5095	Charger	5.7L V8 F/I - Exc. Shaker Hood	63-1564 ²	8.1 @ 5231
		63-1564 ²	8.1 @ 5231			71-1542 ¹	14.1 @ 4188
Charger	5.7L V8 F/I - Exc. Shaker Hood	69-2526TP ¹	11.7 @ 4854			63-1114 ²	11.8 @ 4513
		71-1542 ¹	14.1 @ 4188			57-1542 ¹	21.1 @ 5216
		57-1542 ¹	21.1 @ 5216			69-2526TP ¹	11.7 @ 4854
		63-1114 ²	11.8 @ 4513	Charger	6.2L V8 F/I	69-2553TTK ²	23.6 @ 5712
Charger	6.2L V8 F/I	69-2553TTK ²	23.6 @ 5712	Charger	6.4L V8 F/I	71-2545 ¹	9.1 @ 4564
Charger	6.4L V8 F/I	71-2545 ²	9.1 @ 4564			69-2545TP ¹	22.2 @ 5216
		63-1565 ²	21.9 @ 5216			63-1565 ²	21.9 @ 5216
		69-2545TP ²	22.2 @ 5216			57-1565 ¹	21.9 @ 5216
Durango	3.6L V6 F/I	77-1572KS ²	11.5 @ 6000	Durango	3.6L V6 F/I	77-1572KS ²	11.5 @ 6000
Durango	5.7L V8 F/I	77-1563KP ²	15.0 @ 4500	Durango	5.7L V8 F/I	77-1563KP ²	15.0 @ 4500
		63-1563 ²	17.0 @ 4944			63-1563 ²	17.0 @ 4944
				Durango	6.4L V8 F/I	77-1567KS ²	27.9 @ 5700
2018 DODGE				2017 DODGE			
1500	3.0L V6 DSL	63-1571 ²	11.2 @ 3300	1500	3.0L V6 DSL	57-1571 ¹	11.2 @ 3300
		57-1571 ¹	11.2 @ 3300			63-1571 ²	11.2 @ 3300
1500	3.6L V6 F/I	77-1564KS ²	12.0 @ 6371	1500	3.6L V6 F/I	77-1564KS ²	12.0 @ 6371
1500	5.7L V8 F/I	77-1561KP ²	10.3 @ 4382	1500	5.7L V8 F/I	71-1561 ²	7.2 @ 4643
		63-1561 ²	15.7 @ 4688	1500		77-1561KP ²	10.3 @ 4382
		57-1575 ²	6.2 @ 4612			63-1561 ²	15.7 @ 4688
		71-1561 ²	7.2 @ 4643	2500	5.7L V8 F/I	77-1561KP ²	10.3 @ 4382
2500	5.7L V8 F/I	71-1561 ²	7.2 @ 4643	2500		63-1561 ²	15.7 @ 4688
		77-1561KP ²	10.3 @ 4382	2500	6.4L V8 F/I	77-1568KTK ²	15.6 @ 5005
		63-1561 ²	15.7 @ 4688	2500	6.7L L6 DSL	63-1568 ²	14.7 @ 2500
2500	6.4L V8 F/I	77-1568KTK ²	15.6 @ 5005	2500		57-1568 ¹	14.7 @ 2500
2500	6.7L L6 DSL	63-1568 ²	14.7 @ 2500	3500	5.7L V8 F/I	77-1561KP ²	10.3 @ 4382
		57-1568 ¹	14.7 @ 2500	3500		71-1561 ²	7.2 @ 4643
3500	5.7L V8 F/I	71-1561 ²	7.2 @ 4643	3500		63-1561 ²	15.7 @ 4688
		77-1561KP ²	10.3 @ 4382	3500	6.4L V8 F/I	77-1568KTK ²	15.6 @ 5005
		63-1561 ²	15.7 @ 4688	3500	6.7L L6 DSL	63-1568 ²	14.7 @ 2500
3500	6.4L V8 F/I	77-1568KTK ²	15.6 @ 5005	3500		57-1568 ¹	14.7 @ 2500
3500	6.7L L6 DSL	57-1568 ¹	14.7 @ 2500	Challenger	3.6L V6 F/I	63-1564 ²	8.1 @ 5231
		63-1568 ²	14.7 @ 2500			69-2544TP ¹	7.4 @ 5095
Challenger	3.6L V6 F/I	63-1564 ²	8.1 @ 5231	Challenger		57-1564 ¹	8.1 @ 5231
		69-2544TP ¹	7.4 @ 5095	Challenger		71-1542 ¹	14.1 @ 4188
		57-1564 ¹	8.1 @ 5231				
Challenger	5.7L V8 F/I - Exc. Shaker Hood	71-1542 ¹	14.1 @ 4188	Challenger	5.7L V8 F/I - Exc. Shaker Hood	71-1542 ¹	14.1 @ 4188

1) Street legal in all US states. 2) Not legal for sale or use on any pollution controlled motor vehicle in California or states adopting California emission procedures. * Estimated horsepower gains are based on specific or similar vehicle dyno tests. Results will vary. See Page 482 for more information. See page 7 for information on intake tube materials/colors.



AIR INTAKE SYSTEMS

DODGE

Vehicle	Engine Type	Part Number	Estimated Horsepower*	Vehicle	Engine Type	Part Number	Estimated Horsepower*
2017 DODGE				2016 DODGE			
Challenger	5.7L V8 F/I - Exc. Shaker Hood	69-2526TP ¹	11.7 @ 4854	Challenger	5.7L V8 F/I - Exc. Shaker Hood	69-2526TP ¹	11.7 @ 4854
		57-1542 ¹	21.1 @ 5216			63-1114 ²	11.8 @ 4513
		63-1114 ²	11.8 @ 4513	Challenger	6.2L V8 F/I	69-2550TTK ¹	39.0 @ 5713
Challenger	6.2L V8 F/I	69-2553TTK ²	23.6 @ 5712	Challenger	6.4L V8 F/I - Exc. Shaker Hood	71-2545 ¹	9.1 @ 4564
Challenger	6.4L V8 F/I - Exc. Shaker Hood	63-1565 ²	21.9 @ 5216			63-1565 ²	21.9 @ 5216
		71-2545 ¹	9.1 @ 4564			69-2545TP ¹	22.2 @ 5216
		69-2545TP ¹	22.2 @ 5216			57-1565 ¹	21.9 @ 5216
		57-1565 ¹	21.9 @ 5216	Charger	3.6L V6 F/I	63-1564 ²	8.1 @ 5231
Charger	3.6L V6 F/I	69-2544TP ¹	7.4 @ 5095			69-2544TP ¹	7.4 @ 5095
		63-1564 ²	8.1 @ 5231			57-1564 ¹	8.1 @ 5231
		57-1564 ¹	8.1 @ 5231	Charger	5.7L V8 F/I - Exc. Shaker Hood	71-1542 ¹	14.1 @ 4188
Charger	5.7L V8 F/I - Exc. Shaker Hood	71-1542 ¹	14.1 @ 4188			69-2526TP ¹	11.7 @ 4854
		69-2526TP ¹	11.7 @ 4854			57-1542 ¹	21.1 @ 5216
		63-1114 ²	11.8 @ 4513			63-1114 ²	11.8 @ 4513
		57-1542 ¹	21.1 @ 5216	Charger	6.2L V8 F/I	69-2550TTK ¹	39.0 @ 5713
Charger	6.2L V8 F/I	69-2553TTK ²	23.6 @ 5712	Charger	6.4L V8 F/I	71-2545 ¹	9.1 @ 4564
Charger	6.4L V8 F/I	71-2545 ¹	9.1 @ 4564			63-1565 ²	21.9 @ 5216
		57-1565 ¹	21.9 @ 5216			69-2545TP ¹	22.2 @ 5216
		63-1565 ²	21.9 @ 5216			57-1565 ¹	21.9 @ 5216
		69-2545TP ¹	22.2 @ 5216	Dart	1.4L L4 F/I	69-2552TS ²	9.9 @ 5038
Durango	3.6L V6 F/I	77-1572KS ²	11.5 @ 6000	Dart	2.0L L4 F/I	69-2547TS ¹	3.9 @ 5955
Durango	5.7L V8 F/I	77-1563KP ²	15.0 @ 4500	Durango	3.6L V6 F/I	77-1572KS ²	11.5 @ 6000
		63-1563 ²	17.0 @ 4944	Durango	5.7L V8 F/I	77-1563KP ²	15.0 @ 4500
						63-1563 ²	17.0 @ 4944
				Viper	8.4L V10 F/I	69-2528TTK ¹	26.7 @ 5201
2016 DODGE				2015 DODGE			
1500	3.0L V6 DSL	63-1571 ²	11.2 @ 3300	1500	3.0L V6 DSL	57-1571 ¹	11.2 @ 3300
		57-1571 ¹	11.2 @ 3300			63-1571 ²	11.2 @ 3300
1500	3.6L V6 F/I	77-1564KS ²	12.0 @ 6371	1500	3.6L V6 F/I	77-1564KS ²	12.0 @ 6371
1500	5.7L V8 F/I	71-1561 ²	7.2 @ 4643	1500	5.7L V8 F/I	71-1561 ¹	7.2 @ 4643
		63-1561 ²	15.7 @ 4688			57-1561 ¹	15.7 @ 4688
		77-1561KP ²	10.3 @ 4382			77-1561KP ¹	10.3 @ 4382
2500	5.7L V8 F/I	77-1561KP ²	10.3 @ 4382			63-1561 ²	15.7 @ 4688
		63-1561 ²	15.7 @ 4688			71-1561 ¹	7.2 @ 4643
		71-1561 ²	7.2 @ 4643	2500	5.7L V8 F/I	77-1561KP ¹	10.3 @ 4382
2500	6.4L V8 F/I	77-1568KTK ¹	15.6 @ 5005			63-1561 ²	15.7 @ 4688
2500	6.7L L6 DSL	57-1568 ¹	14.7 @ 2500			71-1561 ¹	7.2 @ 4643
		63-1568 ²	14.7 @ 2500			57-1561 ¹	15.7 @ 4688
3500	5.7L V8 F/I	77-1561KP ²	10.3 @ 4382	2500	6.4L V8 F/I	77-1568KTK ¹	15.6 @ 5005
		63-1561 ²	15.7 @ 4688	2500	6.7L L6 DSL	63-1568 ²	14.7 @ 2500
		71-1561 ²	7.2 @ 4643			57-1568 ¹	14.7 @ 2500
3500	6.4L V8 F/I	77-1568KTK ¹	15.6 @ 5005	3500	5.7L V8 F/I	77-1561KP ²	10.3 @ 4382
3500	6.7L L6 DSL	63-1568 ²	14.7 @ 2500			63-1561 ²	15.7 @ 4688
		57-1568 ¹	14.7 @ 2500			71-1561 ²	7.2 @ 4643
Challenger	3.6L V6 F/I	69-2544TP ¹	7.4 @ 5095	3500	6.4L V8 F/I	77-1568KTK ¹	15.6 @ 5005
		63-1564 ²	8.1 @ 5231	3500	6.7L L6 DSL	57-1568 ¹	14.7 @ 2500
		57-1564 ¹	8.1 @ 5231			63-1568 ²	14.7 @ 2500
Challenger	5.7L V8 F/I - Exc. Shaker Hood	71-1542 ¹	14.1 @ 4188	Challenger	3.6L V6 F/I	57-1564 ¹	8.1 @ 5231
		57-1542 ¹	21.1 @ 5216			69-2544TP ¹	7.4 @ 5095
						63-1564 ²	8.1 @ 5231

1) Street legal in all US states. 2) Not legal for sale or use on any pollution controlled motor vehicle in California or states adopting California emission procedures. * Estimated horsepower gains are based on specific or similar vehicle dyno tests. Results will vary. See Page 482 for more information. See page 7 for information on intake tube materials/colors.



Vehicle	Engine Type	Part Number	Estimated Horsepower*	Vehicle	Engine Type	Part Number	Estimated Horsepower*
2015 DODGE				2014 DODGE			
Challenger	5.7L V8 F/I - Exc. Shaker Hood	69-2526TP ¹	11.7 @ 4854	Charger	3.6L V6 F/I	57-1564 ¹	8.1 @ 5231
		63-1114 ²	11.8 @ 4513	Charger	5.7L V8 F/I	69-2544TP ¹	7.4 @ 5095
		57-1542 ¹	21.1 @ 5216			69-2526TP ¹	11.7 @ 4854
		71-1542 ¹	14.1 @ 4188			57-1542 ¹	21.1 @ 5216
Challenger	6.2L V8 F/I	69-2550TTK ¹	39.0 @ 5713	Charger	6.4L V8 F/I	71-1542 ¹	14.1 @ 4188
Challenger	6.4L V8 F/I	69-2545TP ¹	22.2 @ 5216			63-1114 ²	11.8 @ 4513
		71-2545 ¹	9.1 @ 4564	Charger		69-2545TP ¹	22.2 @ 5216
		57-1565 ¹	21.9 @ 5216			57-1565 ¹	21.9 @ 5216
		63-1565 ²	21.9 @ 5216	Dart	1.4L L4 F/I	63-1565 ²	21.9 @ 5216
Charger	3.6L V6 F/I	69-2544TP ¹	7.4 @ 5095	Dart	2.0L L4 F/I - Exc. LEV3 SULEV30 Test Group ECRXV02.0CP0	69-2548TS ¹	7.3 @ 4467
		57-1564 ¹	8.1 @ 5231			69-2547TS ¹	3.9 @ 5955
		63-1564 ²	8.1 @ 5231	Durango	3.6L V6 F/I	77-1560KTK ¹	10.8 @ 5447
Charger	5.7L V8 F/I - Exc. Shaker Hood	63-1114 ²	11.8 @ 4513	Durango	5.7L V8 F/I	77-1563KP ¹	15.0 @ 4500
		71-1542 ¹	14.1 @ 4188			63-1563 ²	17.0 @ 4944
		69-2526TP ¹	11.7 @ 4854	Ram 2500	5.7L V8 F/I	57-1563 ¹	17.0 @ 4944
		57-1542 ¹	21.1 @ 5216			71-1561 ¹	7.2 @ 4643
Charger	6.2L V8 F/I	69-2550TTK ¹	39.0 @ 5713			57-1561 ¹	15.7 @ 4688
Charger	6.4L V8 F/I	69-2545TP ¹	22.2 @ 5216	Ram 2500	6.7L L6 DSL	77-1561KP ¹	10.3 @ 4382
		63-1565 ²	21.9 @ 5216			63-1561 ²	15.7 @ 4688
		57-1565 ¹	21.9 @ 5216	Ram 3500	5.7L V8 F/I	63-1568 ²	14.7 @ 2500
		71-2545 ¹	9.1 @ 4564			57-1568 ¹	14.7 @ 2500
Dart	1.4L L4 F/I	69-2552TS ²	9.9 @ 5038	Ram 3500	6.7L L6 DSL	71-1561 ²	7.2 @ 4643
Dart	2.0L L4 F/I	69-2547TS ¹	3.9 @ 5955			77-1561KP ²	10.3 @ 4382
Durango	3.6L V6 F/I	77-1560KTK ¹	10.8 @ 5447	Ram 3500	6.7L L6 DSL	63-1561 ²	15.7 @ 4688
Durango	5.7L V8 F/I	63-1563 ²	17.0 @ 4944	Viper	8.4L V10 F/I	57-1568 ¹	14.7 @ 2500
		77-1563KP ²	15.0 @ 4500			63-1568 ²	14.7 @ 2500
Viper	8.4L V10 F/I	69-2528TTK ¹	13.9 @ 5273			69-2528TTK ¹	13.9 @ 5273
2014 DODGE				2013 DODGE			
1500	3.0L V6 DSL	57-1571 ¹	11.2 @ 3300	1500	3.6L V6 F/I	77-1564KS ¹	12.0 @ 6371
		63-1571 ²	11.2 @ 3300	1500	5.7L V8 F/I	77-1561KP ¹	10.3 @ 4382
1500	3.6L V6 F/I	77-1564KS ¹	12.0 @ 6371			71-1561 ¹	7.2 @ 4643
1500	5.7L V8 F/I	77-1561KP ¹	10.3 @ 4382	Avenger	2.4L L4 F/I	63-1561 ²	15.7 @ 4688
		63-1561 ²	15.7 @ 4688	Avenger	3.6L V6 F/I	57-1561 ¹	15.7 @ 4688
		71-1561 ¹	7.2 @ 4643	Challenger	3.6L V6 F/I	69-2549TS ²	11.0 @ 5645
		57-1561 ¹	15.7 @ 4688			69-2546TS ²	8.4 @ 5506
2500	6.4L V8 F/I	77-1568KTK ¹	15.6 @ 5005	Challenger	5.7L V8 F/I	69-2544TP ¹	7.4 @ 5095
3500	6.4L V8 F/I	77-1568KTK ¹	15.6 @ 5005			63-1564 ²	8.1 @ 5231
Avenger	2.4L L4 F/I	69-2549TS ²	11.0 @ 5645	Challenger	6.4L V8 F/I	57-1564 ¹	8.1 @ 5231
Avenger	3.6L V6 F/I	69-2546TS ²	8.4 @ 5506			71-1542 ¹	14.1 @ 4188
Challenger	3.6L V6 F/I	69-2544TP ¹	7.4 @ 5095	Challenger	6.4L V8 F/I	69-2526TP ¹	11.7 @ 4854
		63-1564 ²	8.1 @ 5231			63-1114 ²	11.8 @ 4513
		57-1564 ¹	8.1 @ 5231	Challenger	6.4L V8 F/I	57-1542 ¹	21.1 @ 5216
Challenger	5.7L V8 F/I	71-1542 ¹	14.1 @ 4188			63-1565 ²	21.9 @ 5216
		63-1114 ²	11.8 @ 4513	Challenger	6.4L V8 F/I	71-2545 ¹	9.1 @ 4564
		69-2526TP ¹	11.7 @ 4854	Charger	3.6L V6 F/I	69-2545TP ¹	22.2 @ 5216
		57-1542 ¹	21.1 @ 5216			57-1565 ¹	21.9 @ 5216
Challenger	6.4L V8 F/I	57-1565 ¹	21.9 @ 5216	Charger	3.6L V6 F/I	57-1564 ¹	8.1 @ 5231
		71-2545 ¹	9.1 @ 4564			69-2544TP ¹	7.4 @ 5095
		63-1565 ²	21.9 @ 5216	Charger	5.7L V8 F/I	63-1564 ²	8.1 @ 5231
		69-2545TP ¹	22.2 @ 5216			71-1542 ¹	14.1 @ 4188
Charger	3.6L V6 F/I	63-1564 ²	8.1 @ 5231			69-2526TP ¹	11.7 @ 4854
						57-1542 ¹	21.1 @ 5216
						63-1114 ²	11.8 @ 4513

1) Street legal in all US states. 2) Not legal for sale or use on any pollution controlled motor vehicle in California or states adopting California emission procedures. * Estimated horsepower gains are based on specific or similar vehicle dyno tests. Results will vary. See Page 482 for more information. See page 7 for information on intake tube materials/colors.



AIR INTAKE SYSTEMS

DODGE

Vehicle	Engine Type	Part Number	Estimated Horsepower*	Vehicle	Engine Type	Part Number	Estimated Horsepower*
2013 DODGE				2012 DODGE			
Charger	6.4L V8 F/I	71-2545 ¹	9.1 @ 4564	Durango	5.7L V8 F/I	57-1563 ¹	17.0 @ 4944
		69-2545TP ¹	22.2 @ 5216	Ram 1500	4.7L V8 F/I	77-1529KP ¹	6.8 @ 4743
		63-1565 ²	21.9 @ 5216			63-1529 ²	8.6 @ 4688
		57-1565 ¹	21.9 @ 5216			57-1529 ¹	8.6 @ 4688
Dart	1.4L L4 F/I	69-2548TS ¹	7.3 @ 4467	Ram 2500	6.7L L6 DSL	71-1562 ¹	7.2 @ 3010
Dart	2.0L L4 F/I	69-2547TS ¹	3.9 @ 5955			57-1562 ¹	8.2 @ 2919
Durango	3.6L V6 F/I	77-1560KTK ¹	10.8 @ 5447	Ram 3500	6.7L L6 DSL	63-1562 ²	8.2 @ 2919
Durango	5.7L V8 F/I	77-1563KP ¹	15.0 @ 4500			71-1562 ¹	7.2 @ 3010
		63-1563 ²	17.0 @ 4944			63-1562 ²	8.2 @ 2919
		57-1563 ¹	17.0 @ 4944			57-1562 ¹	8.2 @ 2919
Ram 1500	4.7L V8 F/I	77-1571KP ²	10.1 @ 5436	2011 DODGE			
Ram 2500	5.7L V8 F/I	77-1561KP ¹	10.3 @ 4382	1500	5.7L V8 F/I	77-1561KP ¹	10.3 @ 4382
		71-1561 ¹	7.2 @ 4643			63-1561 ²	15.7 @ 4688
		57-1561 ¹	15.7 @ 4688			57-1561 ¹	15.7 @ 4688
		63-1561 ²	15.7 @ 4688			71-1561 ¹	7.2 @ 4643
Ram 2500	6.7L L6 DSL	63-1568 ²	14.7 @ 2500	Avenger	3.6L V6 F/I	69-2546TS ¹	8.4 @ 5506
		57-1568 ¹	14.7 @ 2500	Challenger	3.6L V6 F/I	63-1564 ²	8.1 @ 5231
Ram 3500	5.7L V8 F/I	71-1561 ²	7.2 @ 4643			69-2544TP ¹	7.4 @ 5095
		77-1561KP ²	10.3 @ 4382			57-1564 ¹	8.1 @ 5231
		63-1561 ²	15.7 @ 4688	Challenger	5.7L V8 F/I	69-2526TP ¹	11.7 @ 4854
Ram 3500	6.7L L6 DSL	63-1568 ²	14.7 @ 2500			71-1542 ¹	14.1 @ 4188
		57-1568 ¹	14.7 @ 2500			57-1542 ¹	21.1 @ 5216
Viper	8.4L V10 F/I	69-2528TTK ¹	13.9 @ 5273			63-1114 ²	11.8 @ 4513
2012 DODGE				Challenger	6.4L V8 F/I	69-2545TP ¹	22.2 @ 5216
1500	5.7L V8 F/I	77-1561KP ¹	10.3 @ 4382			71-2545 ¹	9.1 @ 4564
		57-1561 ¹	15.7 @ 4688			57-1565 ¹	21.9 @ 5216
		71-1561 ¹	7.2 @ 4643			63-1565 ²	21.9 @ 5216
		63-1561 ²	15.7 @ 4688	Charger	3.6L V6 F/I	69-2544TP ¹	7.4 @ 5095
Avenger	2.4L L4 F/I	69-2549TS ²	11.0 @ 5645			57-1564 ¹	8.1 @ 5231
Avenger	3.6L V6 F/I	69-2546TS ¹	8.4 @ 5506			63-1564 ²	8.1 @ 5231
Challenger	3.6L V6 F/I	69-2544TP ¹	7.4 @ 5095	Charger	5.7L V8 F/I	71-1542 ¹	14.1 @ 4188
		57-1564 ¹	8.1 @ 5231			69-2526TP ¹	11.7 @ 4854
		63-1564 ²	8.1 @ 5231			63-1114 ²	11.8 @ 4513
Challenger	5.7L V8 F/I	71-1542 ¹	14.1 @ 4188			57-1542 ¹	21.1 @ 5216
		69-2526TP ¹	11.7 @ 4854	Durango	3.6L V6 F/I	77-1560KTK ¹	10.8 @ 5447
		63-1114 ²	11.8 @ 4513	Durango	5.7L V8 F/I	77-1563KP ¹	15.0 @ 4500
		57-1542 ¹	21.1 @ 5216			57-1563 ¹	17.0 @ 4944
Challenger	6.4L V8 F/I	71-2545 ¹	9.1 @ 4564			63-1563 ²	17.0 @ 4944
		63-1565 ²	21.9 @ 5216	Nitro	3.7L V6 F/I	77-1562KTK ¹	9.2 @ 4876
		57-1565 ¹	21.9 @ 5216	Nitro	4.0L V6 F/I	57-1556 ¹	8.7 @ 5006
		69-2545TP ¹	22.2 @ 5216	Ram 1500	3.7L V6 F/I	63-1537 ²	7.4 @ 5223
Charger	3.6L V6 F/I	69-2544TP ¹	7.4 @ 5095	Ram 1500	4.7L V8 F/I	77-1529KP ¹	6.8 @ 4743
		57-1564 ¹	8.1 @ 5231			57-1529 ¹	8.6 @ 4688
		63-1564 ²	8.1 @ 5231			63-1529 ²	10.8 @ 4695
Charger	5.7L V8 F/I	71-1542 ¹	14.1 @ 4188	Ram 2500	6.7L L6 DSL	63-1562 ²	8.2 @ 2919
		69-2526TP ¹	11.7 @ 4854			71-1562 ¹	7.2 @ 3010
		63-1114 ²	11.8 @ 4513			57-1562 ¹	8.2 @ 2919
		57-1542 ¹	21.1 @ 5216	Ram 3500	6.7L L6 DSL	71-1562 ¹	7.2 @ 3010
Charger	6.4L V8 F/I	71-2545 ¹	9.1 @ 4564			63-1562 ²	8.2 @ 2919
		69-2545TP ¹	22.2 @ 5216			57-1562 ¹	8.2 @ 2919
		63-1565 ²	21.9 @ 5216	2010 DODGE			
		57-1565 ¹	21.9 @ 5216	Avenger	2.4L L4 F/I	69-2542TS ²	9.4 @ 5969
Durango	3.6L V6 F/I	77-1560KTK ¹	10.8 @ 5447	Avenger	3.5L V6 F/I	69-2543TTK ¹	12.3 @ 5493
Durango	5.7L V8 F/I	77-1563KP ¹	15.0 @ 4500	Caliber	1.8L L4 F/I	57-1552 ¹	7.9 @ 4557
		63-1563 ²	17.0 @ 4944	Caliber	2.0L L4 F/I	57-1552 ¹	7.9 @ 4557

1) Street legal in all US states. 2) Not legal for sale or use on any pollution controlled motor vehicle in California or states adopting California emission procedures. * Estimated horsepower gains are based on specific or similar vehicle dyno tests. Results will vary. See Page 482 for more information. See page 7 for information on intake tube materials/colors.



Vehicle	Engine Type	Part Number	Estimated Horsepower*	Vehicle	Engine Type	Part Number	Estimated Horsepower*
2010 DODGE				2009 DODGE			
Caliber	2.4L L4 F/I	57-1552 ¹	7.9 @ 4557	Charger	6.1L V8 F/I	69-2526TP ¹	11.7 @ 4854
Challenger	3.5L V6 F/I	57-1543 ¹	11.7 @ 6215			57-1542 ¹	21.1 @ 5216
Challenger	5.7L V8 F/I	71-1542 ¹	14.1 @ 4188	Dakota	4.7L V8 F/I	77-1546KP ¹	7.3 @ 4475
		57-1542 ¹	21.1 @ 5216			57-1546 ¹	9.2 @ 4524
		69-2526TP ¹	11.7 @ 4854	Durango	4.7L V8 F/I	77-1538KP ¹	8.9 @ 4406
Challenger	6.1L V8 F/I	71-1542 ¹	14.1 @ 4188			57-1538 ¹	16.8 @ 4588
		57-1542 ¹	21.1 @ 5216	Durango	5.7L V8 F/I	77-1539KP ¹	15.6 @ 5148
		69-2526TP ¹	11.7 @ 4854			57-1539 ¹	17.5 @ 5053
Charger	2.7L V6 F/I	57-1544 ¹	7.3 @ 5693	Nitro	4.0L V6 F/I	57-1556 ¹	8.7 @ 5006
Charger	3.5L V6 F/I	57-1543 ¹	11.7 @ 6215	Ram 1500	3.7L V6 F/I	57-1537 ¹	7.4 @ 5223
Charger	5.7L V8 F/I	69-2526TP ¹	11.7 @ 4854	Ram 1500	4.7L V8 F/I	77-1529KP ¹	6.8 @ 4743
		71-1542 ¹	14.1 @ 4188			57-1529 ¹	8.6 @ 4688
		57-1542 ¹	21.1 @ 5216			63-1529 ²	8.6 @ 4688
Charger	6.1L V8 F/I	57-1542 ¹	21.1 @ 5216	Ram 1500	5.7L V8 F/I	77-1561KP ¹	10.3 @ 4382
		71-1542 ¹	14.1 @ 4188			63-1561 ²	15.7 @ 4688
		69-2526TP ¹	11.7 @ 4854			71-1561 ¹	7.2 @ 4643
Dakota	4.7L V8 F/I	77-1546KP ¹	7.3 @ 4475	Ram 2500	6.7L L6 DSL	57-1557 ¹	15.7 @ 4688
		57-1546 ¹	9.2 @ 4524			71-1557 ¹	9.3 @ 2950
Nitro	3.7L V6 F/I	77-1562KTK ¹	9.2 @ 4876	Ram 3500	6.7L L6 DSL	57-1557 ¹	20.6 @ 2500
Nitro	4.0L V6 F/I	57-1556 ¹	8.7 @ 5006			71-1557 ¹	9.3 @ 2950
Ram 1500	3.7L V6 F/I	57-1537 ¹	7.4 @ 5223	Viper	8.4L V10 F/I	69-2527TTR ¹	18.7 @ 5300
Ram 1500	4.7L V8 F/I	77-1529KP ¹	6.8 @ 4743	2008 DODGE			
		63-1529 ²	8.6 @ 4688	Avenger	2.4L L4 F/I	69-2542TS ²	9.4 @ 5369
		57-1529 ¹	8.6 @ 4688	Avenger	3.5L V6 F/I	69-2543TTK ¹	12.3 @ 5493
Ram 1500	5.7L V8 F/I	77-1561KP ¹	10.3 @ 4382	Caliber	1.8L L4 F/I	57-1552 ¹	7.9 @ 4557
		63-1561 ²	15.7 @ 4688	Caliber	2.0L L4 F/I	57-1552 ¹	7.9 @ 4557
		71-1561 ¹	7.2 @ 4643	Caliber	2.4L L4 F/I - Exc. SRT-4	57-1552 ¹	7.9 @ 4557
Ram 2500	6.7L L6 DSL	57-1561 ¹	15.7 @ 4688	Caliber SRT-4	2.4L L4 F/I	57-1560 ¹	10.9 @ 5500
		63-1562 ²	8.2 @ 2919	Challenger	6.1L V8 F/I	71-1542 ¹	14.1 @ 4188
		57-1562 ¹	8.2 @ 2919			69-2526TP ¹	11.7 @ 4854
		71-1562 ¹	7.2 @ 3010			57-1542 ¹	31.4 @ 5217
Ram 3500	6.7L L6 DSL	71-1562 ¹	7.2 @ 3010	Charger	2.7L V6 F/I	57-1544 ¹	7.3 @ 5693
		63-1562 ²	8.2 @ 2919	Charger	3.5L V6 F/I	57-1543 ¹	11.7 @ 6215
		57-1562 ¹	8.2 @ 2919	Charger	5.7L V8 F/I	71-1542 ¹	14.1 @ 4188
Viper	8.4L V10 F/I	69-2527TTR ¹	18.7 @ 5300			69-2526TP ¹	11.7 @ 4854
2009 DODGE						57-1542 ¹	21.1 @ 5216
Avenger	2.4L L4 F/I	69-2542TS ²	9.4 @ 5969	Charger	6.1L V8 F/I	71-1542 ¹	14.1 @ 4188
Avenger	3.5L V6 F/I	69-2543TTK ¹	12.3 @ 5493			69-2526TP ¹	11.7 @ 4854
Caliber	1.8L L4 F/I	57-1552 ¹	7.9 @ 4557			57-1542 ¹	21.1 @ 5216
Caliber	2.0L L4 F/I	57-1552 ¹	7.9 @ 4557	Charger	6.1L V8 F/I	71-1542 ¹	14.1 @ 4188
Caliber	2.4L L4 F/I - Exc. SRT-4	57-1552 ¹	7.9 @ 4557			69-2526TP ¹	11.7 @ 4854
Caliber SRT-4	2.4L L4 F/I	57-1560 ¹	10.9 @ 5500			57-1542 ¹	21.1 @ 5216
Challenger	3.5L V6 F/I	57-1543 ¹	11.7 @ 6215	Dakota	3.7L V6 F/I	77-1558KP ¹	6.1 @ 4200
Challenger	5.7L V8 F/I	71-1542 ¹	14.1 @ 4188			57-1558 ¹	9.2 @ 4200
		69-2526TP ¹	11.7 @ 4854	Dakota	4.7L V8 F/I	77-1546KP ¹	7.3 @ 4475
		57-1542 ¹	21.1 @ 5216			57-1546 ¹	9.2 @ 4524
Challenger	6.1L V8 F/I	71-1542 ¹	14.1 @ 4188	Durango	4.7L V8 F/I	77-1538KP ¹	8.9 @ 4406
		69-2526TP ¹	11.7 @ 4854			57-1538 ¹	16.8 @ 4588
		57-1542 ¹	21.1 @ 5216	Durango	5.7L V8 F/I	77-1539KP ¹	15.6 @ 5148
		69-2526TP ¹	11.7 @ 4854			57-1539 ¹	17.5 @ 5053
		57-1542 ¹	21.1 @ 5216	Magnum	2.7L V6 F/I	57-1544 ¹	7.3 @ 5693
Charger	2.7L V6 F/I	57-1544 ¹	7.3 @ 5693	Magnum	3.5L V6 F/I	57-1543 ¹	11.7 @ 6215
Charger	3.5L V6 F/I	57-1543 ¹	11.7 @ 6215	Magnum	5.7L V8 F/I	69-2526TP ¹	11.7 @ 4854
Charger	5.7L V8 F/I	71-1542 ¹	14.1 @ 4188			57-1542 ¹	21.1 @ 5216
		69-2526TP ¹	11.7 @ 4854			71-1542 ¹	14.1 @ 4188
		57-1542 ¹	21.1 @ 5216	Magnum	6.1L V8 F/I	71-1542 ¹	14.1 @ 4188
Charger	6.1L V8 F/I	71-1542 ¹	14.1 @ 4188			69-2526TP ¹	11.7 @ 4854

1) Street legal in all US states. 2) Not legal for sale or use on any pollution controlled motor vehicle in California or states adopting California emission procedures. * Estimated horsepower gains are based on specific or similar vehicle dyno tests. Results will vary. See Page 482 for more information. See page 7 for information on intake tube materials/colors.



AIR INTAKE SYSTEMS

DODGE

Vehicle	Engine Type	Part Number	Estimated Horsepower*	Vehicle	Engine Type	Part Number	Estimated Horsepower*
2008 DODGE				2007 DODGE			
Magnum	6.1L V8 F/I	57-1542 ¹	21.1 @ 5216	Ram 1500	4.7L V8 F/I	77-1529KP ¹	6.8 @ 4743
Nitro	3.7L V6 F/I	77-1554KP ¹	11.6 @ 4270	Ram 1500	5.7L V8 F/I	77-1533KP ¹	8.3 @ 5391
		57-1554 ¹	11.7 @ 4270			71-1533 ¹	9.6 @ 5341
Nitro	4.0L V6 F/I	57-1556 ¹	8.7 @ 5006			57-1533 ¹	10.5 @ 5445
Ram 1500	3.7L V6 F/I	57-1537 ¹	7.4 @ 5223	Ram 2500	5.7L V8 F/I	77-1533KP ¹	8.3 @ 5391
Ram 1500	4.7L V8 F/I	77-1529KP ¹	6.8 @ 4743			57-1533 ¹	10.5 @ 5445
		63-1529 ²	8.6 @ 4688			71-1533 ¹	9.6 @ 5341
		57-1529 ¹	8.6 @ 4688	Ram 2500	5.9L L6 DSL	71-1532 ¹	8.1 @ 2400
Ram 1500	5.7L V8 F/I	71-1533 ¹	9.6 @ 5341			57-1532 ¹	11.0 @ 2852
		77-1533KP ¹	8.3 @ 5391	Ram 2500	6.7L L6 DSL	57-1557 ¹	20.6 @ 2500
		57-1533 ¹	10.5 @ 5445			71-1557 ¹	9.3 @ 2950
Ram 2500	5.7L V8 F/I	77-1533KP ¹	8.3 @ 5391	Ram 3500	5.7L V8 F/I	71-1533 ¹	9.6 @ 5341
		71-1533 ¹	9.6 @ 5341			77-1533KP ¹	8.3 @ 5391
		57-1533 ¹	10.5 @ 5445			57-1533 ¹	10.5 @ 5445
Ram 2500	6.7L L6 DSL	71-1557 ¹	9.3 @ 2950	Ram 3500	5.9L L6 DSL	57-1532 ¹	11.0 @ 2852
		57-1557 ¹	20.6 @ 2500			71-1532 ¹	8.1 @ 2400
Ram 3500	5.7L V8 F/I	77-1533KP ¹	8.3 @ 5391	Ram 3500	6.7L L6 DSL	71-1557 ¹	9.3 @ 2950
		71-1533 ¹	9.6 @ 5341			57-1557 ¹	20.6 @ 2500
		57-1533 ¹	10.5 @ 5445	2006 DODGE			
Ram 3500	6.7L L6 DSL	71-1557 ¹	9.3 @ 2950	Charger	2.7L V6 F/I	57-1544 ¹	7.3 @ 5693
		57-1557 ¹	20.6 @ 2500	Charger	3.5L V6 F/I	57-1543 ¹	11.7 @ 6215
Viper	8.4L V10 F/I	69-2527TTR ¹	18.7 @ 5300	Charger	5.7L V8 F/I	71-1542 ¹	14.1 @ 4188
2007 DODGE						57-1542 ¹	21.1 @ 5216
Caliber	1.8L L4 F/I	57-1552 ¹	7.9 @ 4557			69-2526TP ¹	11.7 @ 4854
Caliber	2.0L L4 F/I	57-1552 ¹	7.9 @ 4557	Charger	6.1L V8 F/I	71-1542 ¹	14.1 @ 4188
Caliber	2.4L L4 F/I	57-1552 ¹	7.9 @ 4557			69-2526TP ¹	11.7 @ 4854
Charger	2.7L V6 F/I	57-1544 ¹	7.3 @ 5693			57-1542 ¹	21.1 @ 5216
Charger	3.5L V6 F/I	57-1543 ¹	11.7 @ 6215	Dakota	3.7L V6 F/I	57-1547 ¹	8.7 @ 4749
Charger	5.7L V8 F/I	71-1542 ¹	14.1 @ 4188			77-1547KP ¹	6.0 @ 4943
		69-2526TP ¹	11.7 @ 4854	Dakota	4.7L V8 F/I	77-1546KP ¹	7.3 @ 4475
		57-1542 ¹	21.1 @ 5216			57-1546 ¹	9.2 @ 4524
Charger	6.1L V8 F/I	57-1542 ¹	21.1 @ 5216	Durango	4.7L V8 F/I	57-1538 ¹	16.8 @ 4588
		69-2526TP ¹	11.7 @ 4854			77-1538KP ¹	8.9 @ 4406
		71-1542 ¹	14.1 @ 4188	Durango	5.7L V8 F/I	57-1539 ¹	17.5 @ 5053
Dakota	3.7L V6 F/I	57-1558 ¹	9.2 @ 4200			77-1539KP ¹	15.6 @ 5148
		77-1558KP ¹	6.1 @ 4200	Magnum	2.7L V6 F/I	57-1544 ¹	7.3 @ 5693
Dakota	4.7L V8 F/I	77-1546KP ¹	7.3 @ 4475	Magnum	3.5L V6 F/I	57-1543 ¹	11.7 @ 6215
		57-1546 ¹	9.2 @ 4524	Magnum	5.7L V8 F/I	71-1542 ¹	14.1 @ 4188
Durango	4.7L V8 F/I	77-1538KP ¹	8.9 @ 4406			69-2526TP ¹	11.7 @ 4854
		57-1538 ¹	16.8 @ 4588			57-1542 ¹	21.1 @ 5216
Durango	5.7L V8 F/I	77-1539KP ¹	15.6 @ 5148	Magnum	6.1L V8 F/I	71-1542 ¹	14.1 @ 4188
		57-1539 ¹	17.5 @ 5053			57-1542 ¹	21.1 @ 5216
Magnum	2.7L V6 F/I	57-1544 ¹	7.3 @ 5693	Ram 1500	3.7L V6 F/I	57-1537 ¹	7.4 @ 5223
Magnum	3.5L V6 F/I	57-1543 ¹	11.7 @ 6215	Ram 1500	4.7L V8 F/I	77-1529KP ¹	6.8 @ 4743
Magnum	5.7L V8 F/I	71-1542 ¹	14.1 @ 4188			57-1529 ¹	8.6 @ 4688
		69-2526TP ¹	11.7 @ 4854	Ram 1500	5.7L V8 F/I	77-1533KP ¹	8.3 @ 5391
		57-1542 ¹	21.1 @ 5216			57-1533 ¹	10.5 @ 5445
Magnum	6.1L V8 F/I	69-2526TP ¹	11.7 @ 4854			71-1533 ¹	9.6 @ 5341
		71-1542 ¹	14.1 @ 4188	Ram 2500	5.7L V8 F/I	71-1533 ¹	9.6 @ 5341
		57-1542 ¹	21.1 @ 5216			77-1533KP ¹	8.3 @ 5391
Nitro	3.7L V6 F/I	57-1554 ¹	11.7 @ 4270			57-1533 ¹	10.5 @ 5445
		77-1554KP ¹	11.6 @ 4270	Ram 2500	5.9L L6 DSL	57-1532 ¹	11.0 @ 2852
Nitro	4.0L V6 F/I	57-1556 ¹	8.7 @ 5006			71-1532 ¹	8.1 @ 2400
Ram 1500	3.7L V6 F/I	57-1537 ¹	7.4 @ 5223	Ram 3500	5.7L V8 F/I	71-1533 ¹	9.6 @ 5341
Ram 1500	4.7L V8 F/I	57-1529 ¹	6.8 @ 4688				

1) Street legal in all US states. 2) Not legal for sale or use on any pollution controlled motor vehicle in California or states adopting California emission procedures. * Estimated horsepower gains are based on specific or similar vehicle dyno tests. Results will vary. See Page 482 for more information. See page 7 for information on intake tube materials/colors.



Vehicle	Engine Type	Part Number	Estimated Horsepower*	Vehicle	Engine Type	Part Number	Estimated Horsepower*
2006 DODGE				2004 DODGE			
Ram 3500	5.7L V8 F/I	77-1533KP ¹	8.3 @ 5391	Neon	2.0L L4 F/I	69-2520TP ¹	5.3 @ 4641
		57-1533 ¹	10.5 @ 5445	Neon SRT-4	2.4L L4 F/I	69-2521TP ¹	12.2 @ 5312
Ram 3500	5.9L L6 DSL	57-1532 ¹	11.0 @ 2852			69-2521TB ¹	12.2 @ 5312
		71-1532 ¹	8.1 @ 2400			57-1535 ¹	9.8 @ 5500
Ram SRT-10	8.3L V10 F/I	57-1541 ¹	19.8 @ 4867	Ram 1500	3.7L V6 F/I	57-1537 ¹	7.4 @ 5223
Viper	8.3L V10 F/I	57-1536 ¹	14.1 @ 5300	Ram 1500	4.7L V8 F/I	77-1529KP ¹	6.8 @ 4743
						57-1529 ¹	8.6 @ 4688
2005 DODGE				Ram 1500	5.7L V8 F/I	71-1533 ¹	9.6 @ 5341
Dakota	3.7L V6 F/I	57-1547 ¹	8.7 @ 4749			77-1533KP ¹	8.3 @ 5391
		77-1547KP ¹	6.0 @ 4943			57-1533 ¹	10.5 @ 5445
Dakota	4.7L V8 F/I	77-1546KP ¹	7.3 @ 4475	Ram 2500	5.7L V8 F/I	77-1533KP ¹	8.3 @ 5391
		57-1546 ¹	9.2 @ 4524			57-1533 ¹	10.5 @ 5445
Durango	4.7L V8 F/I	77-1538KP ¹	8.9 @ 4406			71-1533 ¹	9.6 @ 5341
		57-1538 ¹	16.8 @ 4588	Ram 2500	5.9L L6 DSL	71-1532 ¹	8.1 @ 2400
Durango	5.7L V8 F/I	77-1539KP ¹	15.6 @ 5148			57-1532 ¹	11.0 @ 2852
		57-1539 ¹	17.5 @ 5053	Ram 3500	5.7L V8 F/I	71-1533 ¹	9.6 @ 5341
Magnum	2.7L V6 F/I	57-1544 ¹	7.3 @ 5693			57-1533 ¹	10.5 @ 5445
Magnum	3.5L V6 F/I	57-1543 ¹	11.7 @ 6214	Ram 3500	5.9L L6 DSL	77-1533KP ¹	8.3 @ 5391
Magnum	5.7L V8 F/I	71-1542 ¹	14.1 @ 4188			57-1532 ¹	11.0 @ 2852
		69-2526TP ¹	11.7 @ 4854	Ram SRT-10	8.3L V10 F/I	57-1541 ¹	19.8 @ 4867
		57-1542 ¹	21.1 @ 5216	Viper	8.3L V10 F/I	57-1536 ¹	14.1 @ 5300
Neon	2.0L L4 F/I	69-2520TR ¹	5.3 @ 4641	2003 DODGE			
		69-2520TP ¹	5.3 @ 4641	Dakota	4.7L V8 F/I	77-1516KP ¹	7.7 @ 4722
		57-1534 ¹	4.8 @ 5600			57-1516 ¹	8.0 @ 4470
Neon SRT-4	2.4L L4 F/I	69-2521TP ¹	12.2 @ 5312	Dakota	5.9L V8 F/I	57-1517-2 ¹	11.7 @ 4553
		69-2521TB ¹	12.2 @ 5312	Durango	4.7L V8 F/I	77-1516KP ¹	7.7 @ 4722
		57-1535 ¹	9.8 @ 5500			57-1516 ¹	8.0 @ 4470
Ram 1500	3.7L V6 F/I	57-1537 ¹	7.4 @ 5223	Durango	5.9L V8 F/I	57-1517-2 ¹	11.7 @ 4553
Ram 1500	4.7L V8 F/I	77-1529KP ¹	6.8 @ 4743	Intrepid	2.7L V6 F/I	57-1523 ¹	4.5 @ 5939
		57-1529 ¹	8.6 @ 4688	Intrepid	3.5L V6 F/I	57-1522 ¹	8.5 @ 5482
Ram 1500	5.7L V8 F/I	77-1533KP ¹	8.3 @ 5391	Neon	2.0L L4 F/I	69-2520TR ¹	5.3 @ 4641
		71-1533 ¹	9.6 @ 5341			57-1534 ¹	4.8 @ 5600
		57-1533 ¹	10.5 @ 5445	Neon R/T	2.0L L4 F/I	69-2520TP ¹	5.3 @ 4641
Ram 2500	5.7L V8 F/I	77-1533KP ¹	8.3 @ 5391			57-1534 ¹	4.8 @ 5600
		71-1533 ¹	9.6 @ 5341	Ram 1500	3.7L V6 F/I	57-1537 ¹	7.4 @ 5223
		57-1533 ¹	10.5 @ 5445	Ram 1500	4.7L V8 F/I	77-1529KP ¹	6.8 @ 4743
Ram 2500	5.9L L6 DSL	71-1532 ¹	8.1 @ 2400			57-1529 ¹	8.6 @ 4688
		57-1532 ¹	11.0 @ 2852	Ram 1500	5.7L V8 F/I	77-1533KP ¹	8.3 @ 5391
Ram 3500	5.7L V8 F/I	77-1533KP ¹	8.3 @ 5391			57-1533 ¹	10.5 @ 5445
		71-1533 ¹	9.6 @ 5341			71-1533 ¹	9.6 @ 5341
		57-1533 ¹	10.5 @ 5445	Ram 2500	5.9L L6 DSL	71-1532 ¹	8.1 @ 2400
Ram 3500	5.9L L6 DSL	57-1532 ¹	11.0 @ 2852			57-1532 ¹	11.0 @ 2852
		71-1532 ¹	8.1 @ 2400	Ram 3500	5.7L V8 F/I	57-1533 ¹	10.5 @ 5445
Ram SRT-10	8.3L V10 F/I	57-1541 ¹	19.8 @ 4867			71-1533 ¹	9.6 @ 5341
Viper	8.3L V10 F/I	57-1536 ¹	14.1 @ 5300			77-1533KP ¹	8.3 @ 5391
2004 DODGE							
Dakota	4.7L V8 F/I	57-1516 ¹	8.0 @ 4470	Ram 1500	5.9L V8 F/I	57-1530-1 ¹	8.7 @ 4362
		77-1516KP ¹	7.7 @ 4722	Ram 2500	5.7L V8 F/I	57-1533 ¹	10.5 @ 5445
Durango	4.7L V8 F/I	57-1538 ¹	16.8 @ 4588			77-1533KP ¹	8.3 @ 5391
		77-1538KP ¹	8.9 @ 4406			71-1533 ¹	9.6 @ 5341
Durango	5.7L V8 F/I	57-1539 ¹	17.5 @ 5053	Ram 2500	5.9L L6 DSL	71-1532 ¹	8.1 @ 2400
		77-1539KP ¹	15.6 @ 5148			57-1532 ¹	11.0 @ 2852
Intrepid	2.7L V6 F/I	57-1523 ¹	4.5 @ 5939	Ram 3500	5.7L V8 F/I	57-1533 ¹	10.5 @ 5445
Intrepid SXT	3.5L V6 F/I	57-1522 ¹	8.5 @ 5482			71-1533 ¹	9.6 @ 5341
Neon	2.0L L4 F/I	69-2520TR ¹	5.3 @ 4641			77-1533KP ¹	8.3 @ 5391
		57-1534 ¹	4.8 @ 5600				

1) Street legal in all US states. 2) Not legal for sale or use on any pollution controlled motor vehicle in California or states adopting California emission procedures. * Estimated horsepower gains are based on specific or similar vehicle dyno tests. Results will vary. See Page 482 for more information. See page 7 for information on intake tube materials/colors.



AIR INTAKE SYSTEMS

DODGE

Vehicle	Engine Type	Part Number	Estimated Horsepower*	Vehicle	Engine Type	Part Number	Estimated Horsepower*
2003 DODGE				2001 DODGE			
Ram 3500	5.9L L6 DSL	71-1532 ¹	8.1 @ 2400	Ram 3500	8.0L V10 F/I	57-1507 ¹	15.8 @ 4128
		57-1532 ¹	11.0 @ 2852	2000 DODGE			
Viper	8.3L V10 F/I	57-1536 ¹	14.1 @ 5300	Dakota	4.7L V8 F/I	77-1516KP ¹	7.7 @ 4722
2002 DODGE						57-1516 ¹	8.0 @ 4470
Dakota	4.7L V8 F/I	77-1516KP ¹	7.7 @ 4722	Dakota	5.9L V8 F/I	57-1517-2 ¹	11.7 @ 4553
		57-1516 ¹	8.0 @ 4470	Durango	4.7L V8 F/I	57-1516 ¹	8.0 @ 4470
Dakota	5.9L V8 F/I	57-1517-2 ¹	11.7 @ 4553			77-1516KP ¹	7.7 @ 4722
Durango	4.7L V8 F/I	57-1516 ¹	8.0 @ 4470	Durango	5.2L V8 F/I	57-1517-2 ¹	11.7 @ 4553
		77-1516KP ¹	7.7 @ 4722	Durango	5.9L V8 F/I	57-1517-2 ¹	11.7 @ 4553
Durango	5.9L V8 F/I	57-1517-2 ¹	11.7 @ 4553	Intrepid	2.7L V6 F/I	57-1523 ¹	4.5 @ 5939
Intrepid	2.7L V6 F/I	57-1523 ¹	4.5 @ 5939	Intrepid	3.5L V6 F/I	57-1522 ¹	8.5 @ 5482
Intrepid	3.5L V6 F/I	57-1522 ¹	8.5 @ 5482	Neon	2.0L L4 F/I	69-2520TP ¹	5.3 @ 4641
Neon	2.0L L4 F/I	69-2520TR ¹	5.3 @ 4641			57-1534 ¹	4.8 @ 5600
		57-1534 ¹	4.8 @ 5600	Ram 1500	3.9L V6 F/I	57-1527-1 ¹	5.3 @ 3884
		69-2520TP ¹	5.3 @ 4641	Ram 1500	5.2L V8 F/I	57-1511-2 ¹	11.8 @ 4248
Neon ACR	2.0L L4 F/I	69-2520TR ¹	5.3 @ 4641	Ram 1500	5.9L V8 F/I	57-1511-2 ¹	11.8 @ 4248
		69-2520TP ¹	5.3 @ 4641	Ram 2500	5.9L L6 DSL	57-1525 ¹	9.2 @ 2560
		57-1534 ¹	4.8 @ 5600	Ram 2500	5.9L V8 F/I	57-1511-2 ¹	11.8 @ 4248
Neon R/T	2.0L L4 F/I	69-2520TR ¹	5.3 @ 4641	Ram 2500	8.0L V10 F/I	57-1507 ¹	15.8 @ 4128
		69-2520TP ¹	5.3 @ 4641	Ram 3500	5.9L L6 DSL	57-1525 ¹	9.2 @ 2560
		57-1534 ¹	4.8 @ 5600	Ram 3500	8.0L V10 F/I	57-1507 ¹	15.8 @ 4128
Ram 1500	3.7L V6 F/I	57-1537 ¹	7.4 @ 5223	1999 DODGE			
Ram 1500	4.7L V8 F/I	77-1529KP ¹	6.8 @ 4743	Dakota	5.2L V8 F/I	57-1509-1 ¹	10.7 @ 4580
		57-1529 ¹	8.6 @ 4688	Dakota	5.9L V8 F/I	57-1509-1 ¹	10.7 @ 4580
Ram 1500	5.9L V8 F/I	57-1530-1 ¹	8.7 @ 4362	Durango	5.2L V8 F/I	57-1509-1 ¹	10.7 @ 4580
Ram 2500	5.9L L6 DSL	57-1525 ¹	9.2 @ 2560	Durango	5.9L V8 F/I	57-1509-1 ¹	10.7 @ 4580
Ram 2500	5.9L V8 F/I	57-1511-2 ¹	11.8 @ 4248	Intrepid	2.7L V6 F/I	57-1523 ¹	4.5 @ 5939
Ram 2500	8.0L V10 F/I	57-1507 ¹	15.8 @ 4128	Neon	2.0L L4 F/I - SOHC	57-1512 ¹	6.0 @ 5810
Ram 3500	5.9L L6 DSL	57-1525 ¹	9.2 @ 2560	Ram 1500	3.9L V6 F/I	57-1527-1 ¹	5.3 @ 3884
Ram 3500	8.0L V10 F/I	57-1507 ¹	15.8 @ 4128	Ram 1500	5.2L V8 F/I	57-1511-2 ¹	11.8 @ 4248
2001 DODGE				Ram 1500	5.9L V8 F/I	57-1511-2 ¹	11.8 @ 4248
Dakota	4.7L V8 F/I	57-1516 ¹	8.0 @ 4470	Ram 2500	5.9L L6 DSL	57-1525 ¹	9.2 @ 2560
		77-1516KP ¹	7.7 @ 4722	Ram 2500	5.9L V8 F/I	57-1511-2 ¹	11.8 @ 4248
Dakota	5.9L V8 F/I	57-1517-2 ¹	11.7 @ 4553	Ram 2500	8.0L V10 F/I	57-1507 ¹	15.8 @ 4128
Durango	4.7L V8 F/I	57-1516 ¹	8.0 @ 4470	Ram 3500	5.9L L6 DSL	57-1525 ¹	9.2 @ 2560
		77-1516KP ¹	7.7 @ 4722	Ram 3500	8.0L V10 F/I	57-1507 ¹	15.8 @ 4128
Durango	5.9L V8 F/I	57-1517-2 ¹	11.7 @ 4553	1998 DODGE			
Intrepid	2.7L V6 F/I	57-1523 ¹	4.5 @ 5939	Dakota	5.2L V8 F/I	57-1509-1 ¹	10.7 @ 4580
Intrepid	3.5L V6 F/I	57-1522 ¹	8.5 @ 5482	Dakota	5.9L V8 F/I	57-1509-1 ¹	10.7 @ 4580
Neon	2.0L L4 F/I	69-2520TP ¹	5.3 @ 4641	Durango	5.2L V8 F/I	57-1509-1 ¹	10.7 @ 4580
		69-2520TR ¹	5.3 @ 4641	Durango	5.9L V8 F/I	57-1509-1 ¹	10.7 @ 4580
		57-1534 ¹	4.8 @ 5600	Intrepid	2.7L V6 F/I	57-1523 ¹	4.5 @ 5939
Neon ACR	2.0L L4 F/I	57-1534 ¹	4.8 @ 5600	Neon	2.0L L4 F/I - SOHC	57-1512 ¹	6.0 @ 5810
		69-2520TR ¹	5.3 @ 4641	Ram 1500	3.9L V6 F/I	57-1527-1 ¹	5.3 @ 3884
		69-2520TP ¹	5.3 @ 4641	Ram 1500	5.2L V8 F/I	57-1511-2 ¹	11.8 @ 4248
Neon R/T	2.0L L4 F/I	69-2520TR ¹	5.3 @ 4641	Ram 1500	5.9L V8 F/I	57-1511-2 ¹	11.8 @ 4248
		57-1534 ¹	4.8 @ 5600	Ram 2500	5.2L V8 F/I	57-1511-2 ¹	11.8 @ 4248
		69-2520TP ¹	5.3 @ 4641	Ram 2500	5.9L L6 DSL	57-1525 ¹	9.2 @ 2560
Ram 1500	3.9L V6 F/I	57-1527-1 ¹	5.3 @ 3884	Ram 2500	5.9L V8 F/I	57-1511-2 ¹	11.8 @ 4248
Ram 1500	5.2L V8 F/I	57-1511-2 ¹	11.8 @ 4248	Ram 2500	8.0L V10 F/I	57-1507 ¹	15.8 @ 4128
Ram 1500	5.9L V8 F/I	57-1511-2 ¹	11.8 @ 4248	Ram 3500	5.9L L6 DSL	57-1525 ¹	9.2 @ 2560
Ram 2500	5.9L L6 DSL	57-1525 ¹	9.2 @ 2560	Ram 3500	5.9L V8 F/I	57-1511-2 ¹	11.8 @ 4248
Ram 2500	5.9L V8 F/I	57-1511-2 ¹	11.8 @ 4248	Ram 3500	8.0L V10 F/I	57-1507 ¹	15.8 @ 4128
Ram 2500	8.0L V10 F/I	57-1507 ¹	15.8 @ 4128	Ram 3500	8.0L V10 F/I	57-1507 ¹	15.8 @ 4128
Ram 3500	5.9L L6 DSL	57-1525 ¹	9.2 @ 2560	Viper	8.0L V10 F/I	57-1508 ¹	13.4 @ 5363

1) Street legal in all US states. 2) Not legal for sale or use on any pollution controlled motor vehicle in California or states adopting California emission procedures. * Estimated horsepower gains are based on specific or similar vehicle dyno tests. Results will vary. See Page 482 for more information. See page 7 for information on intake tube materials/colors.



Vehicle	Engine Type	Part Number	Estimated Horsepower*	Vehicle	Engine Type	Part Number	Estimated Horsepower*
1997 DODGE				1993 DODGE			
Dakota	5.2L V8 F/I	57-1509-1 ¹	10.7 @ 4580	D150	3.9L V6 F/I	57-1502 ¹	
Neon	2.0L L4 F/I - SOHC	57-1512 ¹	6.0 @ 5810	D150	5.2L V8 F/I	57-1502 ¹	
Ram 1500	3.9L V6 F/I	57-1527-1 ¹	5.3 @ 3884	D150	5.9L V8 F/I	57-1502 ¹	
Ram 1500	5.2L V8 F/I	57-1511-2 ¹	11.8 @ 4248	D250	3.9L V6 F/I	57-1502 ¹	
Ram 1500	5.9L V8 F/I	57-1511-2 ¹	11.8 @ 4248	D250	5.2L V8 F/I	57-1502 ¹	
Ram 2500	5.9L L6 DSL	57-1525 ¹	9.2 @ 2560	D250	5.9L V8 F/I	57-1502 ¹	
Ram 2500	5.9L V8 F/I	57-1511-2 ¹	11.8 @ 4248	D350	5.9L V8 F/I	57-1502 ¹	
Ram 2500	8.0L V10 F/I	57-1507 ¹	15.8 @ 4128	Dakota	3.9L V6 F/I	57-1501 ¹	6.4 @ 4352
Ram 3500	5.9L L6 DSL	57-1525 ¹	9.2 @ 2560	Dakota	5.2L V8 F/I	57-1501 ¹	6.4 @ 4352
Ram 3500	8.0L V10 F/I	57-1507 ¹	15.8 @ 4128	Stealth	3.0L V6 F/I	57-1500-1 ¹	
Viper	8.0L V10 F/I	57-1508 ¹	13.4 @ 5363	W150	3.9L V6 F/I	57-1502 ¹	
1996 DODGE				1992 DODGE			
Dakota	3.9L V6 F/I	57-1501 ¹	6.4 @ 4352	W150	5.2L V8 F/I	57-1502 ¹	
Dakota	5.2L V8 F/I	57-1501 ¹	6.4 @ 4352	W150	5.9L V8 F/I	57-1502 ¹	
Neon	2.0L L4 F/I - SOHC	57-1512 ¹	6.0 @ 5810	W250	5.2L V8 F/I	57-1502 ¹	
Ram 1500	3.9L V6 F/I	57-1527-1 ¹	5.3 @ 3884	W250	5.9L V8 F/I	57-1502 ¹	
Ram 1500	5.2L V8 F/I	57-1511-2 ¹	11.8 @ 4248	W350	5.9L V8 F/I	57-1502 ¹	
Ram 1500	5.9L V8 F/I	57-1511-2 ¹	11.8 @ 4248	1991 DODGE			
Ram 2500	5.2L V8 F/I	57-1511-2 ¹	11.8 @ 4248	Stealth	3.0L V6 F/I	57-1500-1 ¹	
Ram 2500	5.9L L6 DSL	57-1525 ¹	9.2 @ 2560	D150	3.9L V6 F/I	57-1502 ¹	
Ram 2500	5.9L V8 F/I	57-1511-2 ¹	11.8 @ 4248	D150	5.2L V8 F/I	57-1502 ¹	
Ram 2500	8.0L V10 F/I	57-1507 ¹	15.8 @ 4128	D250	3.9L V6 F/I	57-1502 ¹	
Ram 3500	5.9L L6 DSL	57-1525 ¹	9.2 @ 2560	D250	5.2L V8 F/I	57-1502 ¹	
Ram 3500	8.0L V10 F/I	57-1507 ¹	15.8 @ 4128	D250	5.9L V8 F/I	57-1502 ¹	
Stealth	3.0L V6 F/I	57-1500-1 ¹		D350	5.9L V8 F/I	57-1502 ¹	
Viper	8.0L V10 F/I	57-1508 ¹	13.4 @ 5363	Dakota	3.9L V6 F/I	57-1501 ¹	6.4 @ 4352
1995 DODGE				2017 FIAT			
Dakota	3.9L V6 F/I	57-1501 ¹	6.4 @ 4352	500	1.4L L4 F/I - US, w/Auto Trans.	69-3303TS ²	3.9 @ 4503
Dakota	5.2L V8 F/I	57-1501 ¹	6.4 @ 4352	2016 FIAT			
Neon	2.0L L4 F/I - SOHC	57-1512 ¹	6.0 @ 5810	500	1.4L L4 F/I - US, w/Auto Trans.	69-3303TS ²	3.9 @ 4503
Ram 1500	3.9L V6 F/I	57-1527-1 ¹	5.3 @ 3884	2015 FIAT			
Ram 1500	5.2L V8 F/I	57-1511-2 ¹	11.8 @ 4248	500	1.4L L4 F/I - US, w/Auto Trans.	69-3303TS ¹	3.9 @ 4503
Ram 1500	5.9L V8 F/I	57-1511-2 ¹	11.8 @ 4248	2014 FIAT			
Ram 2500	5.2L V8 F/I	57-1511-2 ¹	11.8 @ 4248	500	1.4L L4 F/I - US, w/Auto Trans.	69-3303TS ¹	3.9 @ 4503
Ram 2500	5.9L L6 DSL	57-1525 ¹	9.2 @ 2560	500 Abarth	1.4L L4 F/I - US	63-1700 ²	5.4 @ 5342
Ram 2500	5.9L V8 F/I	57-1511-2 ¹	11.8 @ 4248	2013 FIAT			
Ram 2500	8.0L V10 F/I	57-1507 ¹	15.8 @ 4128	500	1.4L L4 F/I - US, w/Auto Trans.	69-3303TS ¹	3.9 @ 4503
Ram 3500	5.9L L6 DSL	57-1525 ¹	9.2 @ 2560	500 Abarth	1.4L L4 F/I - US	63-1700 ²	5.4 @ 5342
Ram 3500	8.0L V10 F/I	57-1507 ¹	15.8 @ 4128	2012 FIAT			
Stealth	3.0L V6 F/I	57-1500-1 ¹		500	1.4L L4 F/I - US, w/Auto Trans.	69-3303TS ¹	3.9 @ 4503
Viper	8.0L V10 F/I	57-1508 ¹	13.4 @ 5363				
1994 DODGE							
Dakota	3.9L V6 F/I	57-1501 ¹	6.4 @ 4352				
Dakota	5.2L V8 F/I	57-1501 ¹	6.4 @ 4352				
Ram 1500	3.9L V6 F/I	57-1527-1 ¹	5.3 @ 3884				
Ram 1500	5.2L V8 F/I	57-1511-2 ¹	11.8 @ 4248				
Ram 1500	5.9L V8 F/I	57-1511-2 ¹	11.8 @ 4248				
Ram 2500	5.2L V8 F/I	57-1511-2 ¹	11.8 @ 4248				
Ram 2500	5.9L L6 DSL	57-1525 ¹	9.2 @ 2560				
Ram 2500	5.9L V8 F/I	57-1511-2 ¹	11.8 @ 4248				
Ram 2500	8.0L V10 F/I	57-1507 ¹	15.8 @ 4128				
Ram 3500	5.9L L6 DSL	57-1525 ¹	9.2 @ 2560				
Ram 3500	8.0L V10 F/I	57-1507 ¹	15.8 @ 4128				
Stealth	3.0L V6 F/I	57-1500-1 ¹					

1) Street legal in all US states. 2) Not legal for sale or use on any pollution controlled motor vehicle in California or states adopting California emission procedures. * Estimated horsepower gains are based on specific or similar vehicle dyno tests. Results will vary. See Page 482 for more information. See page 7 for information on intake tube materials/colors.



AIR INTAKE SYSTEMS

FIAT

Vehicle	Engine Type	Part Number	Estimated Horsepower*	Vehicle	Engine Type	Part Number	Estimated Horsepower*
2006 FIAT				2019 FORD			
Stilo	2.4L L5 F/I	69-3302TS ² 69-3302TB ²		F150 Raptor	3.5L V6 F/I	57-2601 ¹	8.7 @ 4505
2005 FIAT				F250 Super Duty	6.2L V8 F/I	77-2588KTK ²	19.0 @ 4315
Stilo	2.4L L5 F/I	69-3302TB ² 69-3302TS ²		F250 Super Duty	6.7L V8 DSL	63-2600 ² 63-2597 ² 57-2600 ¹ 57-2597 ¹	12.3 @ 2700 11.4 @ 2750 12.3 @ 2700 11.4 @ 2750
2004 FIAT				F350 Super Duty	6.2L V8 F/I	77-2588KTK ²	19.0 @ 4315
Stilo	2.4L L5 F/I	69-3302TS ² 69-3302TB ²		F350 Super Duty	6.7L V8 DSL	57-2600 ¹ 63-2600 ² 63-2597 ² 57-2597 ¹	12.3 @ 2700 12.3 @ 2700 11.4 @ 2750 11.4 @ 2750
2003 FIAT				F450 Super Duty	6.7L V8 DSL	63-2600 ² 57-2597 ¹ 63-2600 ² 57-2597 ¹	12.3 @ 2700 11.4 @ 2750 12.3 @ 2700 11.4 @ 2750
Stilo	2.4L L5 F/I	69-3302TB ² 69-3302TS ²		F550 Super Duty	6.7L V8 DSL	57-2600 ¹ 63-2597 ² 63-2600 ² 63-2597 ²	12.3 @ 2700 11.4 @ 2750 12.3 @ 2700 11.4 @ 2750
2002 FIAT				Fiesta ST	1.6L L4 F/I	63-2587 ²	7.2 @ 5210
Stilo	2.4L L5 F/I	69-3302TS ² 69-3302TB ²		Flex	3.5L V6 F/I - Exc. Turbo	77-2576KTK ¹	13.2 @ 5698
2001 FIAT				Flex	3.5L V6 F/I - Turbo	69-3531TS ¹	12.1 @ 5327
Stilo	2.4L L5 F/I	69-3302TB ² 69-3302TS ²		Fusion	1.5L L4 F/I	63-2588 ²	8.4 @ 5063
2020 FORD				Fusion	2.5L L4 F/I	69-3533TTK ²	6.7 @ 5929
Expedition	3.5L V6 F/I	63-2599 ²	12.3 @ 4915	Mustang	2.3L L4 F/I	57-2606 ¹ 63-2606 ²	7.6 @ 4506 18.9 @ 5346
F150	2.7L V6 F/I	63-2593 ² 63-2608 ²	19.4 @ 4500 14.4 @ 4998	Mustang GT	5.0L V8 F/I	71-3540 ² 63-2605 ² 69-3540TP ²	9.5 @ 7002 22.1 @ 6787 16.0 @ 7000
F150	3.5L V6 F/I	63-2599 ²	12.3 @ 4915	Mustang GT	5.0L V8 F/I - Test Group KFMXV05.0VKN	57-2605 ¹	8.7 @ 4993
F150	5.0L V8 F/I	77-2591KP ² 71-2591 ² 63-2591 ²	13.9 @ 4553 11.4 @ 4553 12.7 @ 4555	Mustang Shelby	5.2L V8 F/I	69-3538TTK ²	18.1 @ 6400
F150 Raptor	3.5L V6 F/I	63-2599 ²	12.3 @ 4915	2018 FORD			
Fusion	1.5L L4 F/I	63-2588 ²	8.4 @ 5063	Edge	2.0L L4 F/I	63-2611 ² 57-2611 ¹	8.2 @ 4000
Mustang	2.3L L4 F/I	63-2606 ²	18.9 @ 5346	Edge	3.5L V6 F/I	77-2592KS ²	15.3 @ 5802
Mustang GT	5.0L V8 F/I	71-3540 ² 63-2605 ² 69-3540TP ²	9.5 @ 7002 22.1 @ 6787 16.0 @ 7000	Escape	2.0L L4 F/I	69-3537TS ²	19.1 @ 4503
2019 FORD				Expedition	3.5L V6 F/I	63-2599 ² 57-2601 ¹	12.3 @ 4915 8.7 @ 4505
Escape	2.0L L4 F/I	69-3537TS ²	19.1 @ 4503	Explorer	3.5L V6 F/I - Exc. Turbo	77-2575KS ¹	13.6 @ 5500
Expedition	3.5L V6 F/I	57-2601 ¹ 63-2599 ²	8.7 @ 4505 12.3 @ 4915	Explorer	3.5L V6 F/I - Turbo	69-3531TS ²	12.1 @ 5327
Explorer	3.5L V6 F/I - Exc. Turbo	77-2575KS ²	13.6 @ 5500	F150	2.7L V6 F/I	63-2608 ² 63-2593 ² 57-2602 ¹ 63-2593 ²	14.4 @ 4998 19.4 @ 4500 6.1 @ 5300 19.4 @ 4500
Explorer	3.5L V6 F/I - Turbo	69-3531TS ²	12.1 @ 5327	F150	3.0L V6 DSL	63-2607 ²	9.1 @ 2655
F150	2.7L V6 F/I	63-2608 ² 57-2602 ¹ 63-2593 ²	14.4 @ 4998 6.1 @ 5300 19.4 @ 4500	F150	3.3L V6 F/I	63-2604 ² 57-2604 ²	6.1 @ 4642 6.1 @ 4642
F150	3.0L V6 DSL	63-2607 ²	9.1 @ 2655	F150	3.5L V6 F/I	63-2609 ² 63-2599 ² 57-2601 ¹	14.1 @ 4516 12.3 @ 4915 8.7 @ 4505
F150	3.3L V6 F/I	57-2604 ² 63-2604 ²	6.1 @ 4642 6.1 @ 4642	F150	5.0L V8 F/I	77-2591KP ² 71-2591 ² 63-2610 ² 63-2591 ² 57-2603 ²	13.9 @ 4553 11.4 @ 4553 15.4 @ 3778 12.7 @ 4555 10.1 @ 4613
F150	3.5L V6 F/I	63-2609 ² 57-2601 ¹ 63-2599 ²	14.1 @ 4516 8.7 @ 4505 12.3 @ 4915	F150 Raptor	3.5L V6 F/I	63-2609 ² 63-2599 ² 57-2601 ¹	14.1 @ 4516 12.3 @ 4915 8.7 @ 4505
F150	5.0L V8 F/I	77-2591KP ² 63-2610 ² 71-2591 ² 63-2591 ² 57-2603 ²	13.9 @ 4553 15.4 @ 3778 11.4 @ 4553 12.7 @ 4555 10.1 @ 4613				
F150 Raptor	3.5L V6 F/I	63-2599 ² 63-2609 ²	12.3 @ 4915 14.1 @ 4516				

1) Street legal in all US states. 2) Not legal for sale or use on any pollution controlled motor vehicle in California or states adopting California emission procedures. * Estimated horsepower gains are based on specific or similar vehicle dyno tests. Results will vary. See Page 482 for more information. See page 7 for information on intake tube materials/colors.



Vehicle	Engine Type	Part Number	Estimated Horsepower*	Vehicle	Engine Type	Part Number	Estimated Horsepower*
2018 FORD				2017 FORD			
F250 Super Duty	6.2L V8 F/I	77-2588KTK ²	19.0 @ 4315	F150	3.5L V6 F/I - Turbo	57-2599 ¹	12.3 @ 4915
F250 Super Duty	6.7L V8 DSL	63-2600 ²	12.3 @ 2700	F150	5.0L V8 F/I	77-2591KP ¹	13.9 @ 4553
		63-2597 ²	11.4 @ 2750			71-2591 ¹	11.4 @ 4553
		57-2600 ¹	12.3 @ 2700			63-2610 ²	15.4 @ 3778
		57-2597 ¹	11.4 @ 2750			63-2591 ²	12.7 @ 4555
F350 Super Duty	6.2L V8 F/I	77-2588KTK ²	19.0 @ 4315	F150 Raptor	3.5L V6 F/I	57-2591 ¹	12.7 @ 4555
F350 Super Duty	6.7L V8 DSL	63-2600 ²	12.3 @ 2700			63-2609 ²	14.1 @ 4516
		63-2597 ²	11.4 @ 2750			63-2599 ²	12.3 @ 4915
		57-2600 ¹	12.3 @ 2700			57-2599 ¹	12.3 @ 4915
		57-2597 ¹	11.4 @ 2750	F250 Super Duty	6.2L V8 F/I	77-2588KTK ²	19.0 @ 4315
F450 Super Duty	6.7L V8 DSL	63-2600 ²	12.3 @ 2700	F250 Super Duty	6.7L V8 DSL	63-2600 ²	12.3 @ 2700
		63-2597 ²	11.4 @ 2750			63-2597 ²	11.4 @ 2750
		57-2600 ¹	12.3 @ 2700			57-2600 ¹	12.3 @ 2700
		57-2597 ¹	11.4 @ 2750	F350 Super Duty	6.2L V8 F/I	77-2588KTK ²	19.0 @ 4315
F550 Super Duty	6.7L V8 DSL	63-2600 ²	12.3 @ 2700	F350 Super Duty	6.7L V8 DSL	63-2600 ²	12.3 @ 2700
		63-2597 ²	11.4 @ 2750			63-2597 ²	11.4 @ 2750
Fiesta	1.6L L4 F/I	69-3530TS ²	3.8 @ 4518			57-2600 ¹	12.3 @ 2700
Fiesta ST	1.6L L4 F/I	63-2587 ²	7.2 @ 5210			57-2597 ¹	11.4 @ 2750
Flex	3.5L V6 F/I - Exc. Turbo	77-2576KTK ¹	13.2 @ 5698	F450 Super Duty	6.7L V8 DSL	63-2600 ²	12.3 @ 2700
Flex	3.5L V6 F/I - Turbo	69-3531TS ¹	12.1 @ 5327			63-2597 ²	11.4 @ 2750
Focus	2.0L L4 F/I - US, Exc. Turbo, Exc. LEV2 SULEV Test Group JFMXV02.0VZ2	69-3517TS ¹	10.0 @ 5872			57-2600 ¹	12.3 @ 2700
						57-2597 ¹	11.4 @ 2750
Focus RS	2.3L L4 F/I	69-3539TB ¹	33.0 @ 4904	F550 Super Duty	6.7L V8 DSL	63-2600 ²	12.3 @ 2700
Focus ST	2.0L L4 F/I - Exc. LEV2 SULEV & LEV3 SULEV30	69-3518TS ¹	7.4 @ 5130	Fiesta	1.6L L4 F/I	69-3530TS ¹	3.8 @ 4518
				Fiesta ST	1.6L L4 F/I	63-2587 ²	7.2 @ 5210
Fusion	1.5L L4 F/I	63-2588 ²	8.4 @ 5063	Flex	3.5L V6 F/I - Exc. Turbo	77-2576KTK ¹	13.2 @ 5698
Fusion	2.5L L4 F/I	69-3533TTK ²	6.7 @ 5929	Flex	3.5L V6 F/I - Turbo	69-3531TS ¹	12.1 @ 5327
Mustang	2.3L L4 F/I	63-2606 ²	18.9 @ 5346	Focus	2.0L L4 F/I - US, Exc. Turbo, Exc. LEV2 SULEV Test Group HFMXV02.0VZ2	69-3517TS ¹	10.0 @ 5872
		57-2606 ¹	7.6 @ 4506				
Mustang GT	5.0L V8 F/I	71-3540 ²	9.5 @ 7002	Focus RS	2.3L L4 F/I	69-3539TB ¹	33.0 @ 4904
		69-3540TP ²	16.0 @ 7000	Focus ST	2.0L L4 F/I - Exc. LEV2 SULEV & LEV3 SULEV30	69-3518TS ¹	7.4 @ 5130
		63-2605 ²	22.1 @ 6787				
		57-2605 ¹	8.7 @ 4993	Fusion	1.5L L4 F/I	63-2588 ²	8.4 @ 5063
Mustang GT	5.0L V8 F/I - Test Group JFMXV05.0VKN	57-2605 ¹	8.7 @ 4993	Fusion	1.5L L4 F/I - Exc. LEV2 SULEV & LEV3 SULEV30	57-2588 ¹	4.8 @ 5247
Mustang Shelby	5.2L V8 F/I	69-3538TTK ²	18.1 @ 6400	Fusion	2.5L L4 F/I	69-3533TTK ²	6.7 @ 5929
Taurus	3.5L V6 F/I - Exc. Turbo	77-2576KTK ²	13.2 @ 5698	Mustang	2.3L L4 F/I	63-2589 ²	15.7 @ 4224
Taurus SHO	3.5L V6 F/I - Turbo	69-3531TS ¹	12.1 @ 5327			57-2589 ¹	15.7 @ 4224
2017 FORD				Mustang	3.7L V6 F/I	69-3536TTK ¹	12.4 @ 5186
Edge	2.0L L4 F/I	63-2611 ²	8.2 @ 4000			63-2594 ²	7.5 @ 5401
		57-2611 ¹		Mustang GT	5.0L V8 F/I	57-2594 ¹	7.5 @ 5401
Edge	3.5L V6 F/I	77-2592KS ²	15.3 @ 5802			71-3535 ²	18.7 @ 5216
Escape	2.0L L4 F/I	69-3537TS ²	19.1 @ 4503			69-3535TP ²	19.3 @ 5287
Expedition	3.5L V6 F/I	63-2595 ²	6.9 @ 4100			63-2590 ²	17.4 @ 5287
		57-2595 ¹	6.9 @ 4100	Mustang Shelby	5.2L V8 F/I	57-2590 ¹	9.1 @ 5342
Explorer	2.3L L4 F/I	77-2587KS ¹	11.1 @ 5433	Taurus	2.0L L4 F/I	69-3538TTK ²	18.1 @ 6400
Explorer	3.5L V6 F/I - Exc. Turbo	77-2575KS ¹	13.6 @ 5500			63-2598 ²	9.8 @ 4872
Explorer	3.5L V6 F/I - Turbo	69-3531TS ²	12.1 @ 5327	Taurus	3.5L V6 F/I - Exc. Turbo	77-2576KTK ¹	13.2 @ 5698
F150	2.7L V6 F/I	63-2608 ²	14.4 @ 4998	Taurus SHO	3.5L V6 F/I - Turbo	69-3531TS ¹	12.1 @ 5327
		63-2593 ²	19.4 @ 4500	2016 FORD			
		57-2608 ¹		E350 Cutaway	5.4L V8 F/I	77-2570KTK ²	17.5 @ 4101
		57-2593 ²	19.4 @ 4500	E350 Cutaway	6.8L V10 F/I	77-2570KTK ²	17.5 @ 4101
F150	3.5L V6 F/I	63-2609 ²	14.1 @ 4516				
F150	3.5L V6 F/I - Turbo	63-2599 ²	12.3 @ 4915				
		57-2609 ¹					

1) Street legal in all US states. 2) Not legal for sale or use on any pollution controlled motor vehicle in California or states adopting California emission procedures. * Estimated horsepower gains are based on specific or similar vehicle dyno tests. Results will vary. See Page 482 for more information. See page 7 for information on intake tube materials/colors.



AIR INTAKE SYSTEMS

FORD

Vehicle	Engine Type	Part Number	Estimated Horsepower*	Vehicle	Engine Type	Part Number	Estimated Horsepower*
2016 FORD				2016 FORD			
E350 Super Duty	5.4L V8 F/I	77-2570KTK ¹	17.5 @ 4101	Fusion	1.5L L4 F/I - Exc. LEV2 SULEV & LEV3 SULEV30	57-2588 ¹	4.8 @ 5247
E350 Super Duty	6.8L V10 F/I	77-2570KTK ¹	17.5 @ 4101	Fusion	2.0L L4 F/I - Turbo	63-2585 ²	10.1 @ 5185
E450 Cutaway	5.4L V8 F/I	77-2570KTK ²	17.5 @ 4101			57-2585 ¹	10.1 @ 5185
E450 Cutaway	6.8L V10 F/I	77-2570KTK ²	17.5 @ 4101	Fusion	2.5L L4 F/I	69-3533TTK ¹	6.7 @ 5929
E450 Motorhome	5.4L V8 F/I	77-2570KTK ²	17.5 @ 4101	Mustang	2.3L L4 F/I	63-2589 ²	15.7 @ 4224
E450 Motorhome	6.8L V10 F/I	77-2570KTK ²	17.5 @ 4101			57-2589 ¹	15.7 @ 4224
E450 Super Duty	5.4L V8 F/I	77-2570KTK ¹	17.5 @ 4101	Mustang	3.7L V6 F/I	69-3536TTK ¹	12.4 @ 5186
E450 Super Duty	6.8L V10 F/I	77-2570KTK ¹	17.5 @ 4101			63-2594 ²	7.5 @ 5401
Edge	3.5L V6 F/I	77-2592KS ²	15.3 @ 5802			57-2594 ¹	7.5 @ 5401
Escape	1.6L L4 F/I	69-3537TS ¹	19.1 @ 4503	Mustang GT	5.0L V8 F/I	71-3535 ²	18.7 @ 5216
Escape	2.0L L4 F/I	69-3537TS ¹	19.1 @ 4503			69-3535TP ²	19.3 @ 5287
Expedition	3.5L V6 F/I	63-2595 ²	6.9 @ 4100			63-2590 ²	17.4 @ 5287
		57-2595 ¹	6.9 @ 4100			57-2590 ¹	9.1 @ 5342
Explorer	2.3L L4 F/I	77-2587KS ¹	11.1 @ 5433	Mustang Shelby	5.2L V8 F/I	69-3538TTK ²	18.1 @ 6400
Explorer	3.5L V6 F/I - Exc. Turbo	77-2575KS ¹	13.6 @ 5500	Taurus	2.0L L4 F/I	63-2598 ²	9.8 @ 4872
Explorer	3.5L V6 F/I - Turbo	69-3531TS ¹	12.1 @ 5327			57-2598 ¹	9.8 @ 4872
F150	2.7L V6 F/I	63-2608 ²	14.4 @ 4998	Taurus	3.5L V6 F/I - Exc. Turbo	77-2576KTK ¹	13.2 @ 5698
		63-2593 ²	19.4 @ 4500	Taurus SHO	3.5L V6 F/I - Turbo	69-3531TS ¹	12.1 @ 5327
		57-2608 ¹	19.4 @ 4500	2015 FORD			
		57-2593 ¹	19.4 @ 4500	E350 Cutaway	5.4L V8 F/I	77-2570KTK ²	17.5 @ 4101
F150	3.5L V6 F/I	63-2608 ²	14.4 @ 4998	E350 Cutaway	6.8L V10 F/I	77-2570KTK ²	17.5 @ 4101
F150	3.5L V6 F/I - Exc. Turbo	63-2596 ²	12.3 @ 5686	E350 Super Duty	5.4L V8 F/I	77-2570KTK ¹	17.5 @ 4101
F150	3.5L V6 F/I - Turbo	63-2592 ²	23.0 @ 3505	E350 Super Duty	6.8L V10 F/I	77-2570KTK ¹	17.5 @ 4101
		57-2608 ¹	23.0 @ 3505	E450 Cutaway	5.4L V8 F/I	77-2570KTK ²	17.5 @ 4101
		57-2592 ¹	23.0 @ 3505	E450 Cutaway	6.8L V10 F/I	77-2570KTK ²	17.5 @ 4101
F150	5.0L V8 F/I	77-2591KP ¹	13.9 @ 4553	E450 Motorhome	5.4L V8 F/I	77-2570KTK ²	17.5 @ 4101
		71-2591 ¹	11.4 @ 4553	E450 Motorhome	6.8L V10 F/I	77-2570KTK ²	17.5 @ 4101
		63-2610 ²	15.4 @ 3778	E450 Super Duty	5.4L V8 F/I	77-2570KTK ¹	17.5 @ 4101
		63-2591 ²	12.7 @ 4555	E450 Super Duty	6.8L V10 F/I	77-2570KTK ¹	17.5 @ 4101
		57-2591 ¹	12.7 @ 4555	E450 Super Duty	6.8L V10 F/I	77-2570KTK ¹	17.5 @ 4101
F250 Super Duty	6.2L V8 F/I	77-2582KTK ¹	13.6 @ 4497	Edge	3.5L V6 F/I	77-2592KS ²	15.3 @ 5802
F250 Super Duty	6.7L V8 DSL	71-2582 ¹	13.8 @ 2200	Escape	1.6L L4 F/I	69-3537TS ¹	19.1 @ 4503
		63-2582 ²	11.9 @ 2700	Escape	2.0L L4 F/I	69-3537TS ¹	19.1 @ 4503
		57-2582 ¹	11.9 @ 2700	Expedition	3.5L V6 F/I	63-2595 ²	6.9 @ 4100
F350 Super Duty	6.2L V8 F/I	77-2582KTK ¹	13.6 @ 4497			57-2595 ¹	6.9 @ 4100
F350 Super Duty	6.7L V8 DSL	71-2582 ¹	13.8 @ 2200	Explorer	2.0L L4 F/I	77-2587KS ¹	11.1 @ 5433
		63-2582 ²	11.9 @ 2700	Explorer	3.5L V6 F/I - Exc. Turbo	77-2575KS ¹	13.6 @ 5500
		57-2582 ¹	11.9 @ 2700	Explorer Sport	3.5L V6 F/I - Turbo	69-3531TS ¹	12.1 @ 5327
F450 Super Duty	6.7L V8 DSL	71-2582 ¹	13.8 @ 2200	F150	2.7L V6 F/I	63-2608 ²	14.4 @ 4998
		63-2582 ²	11.9 @ 2700			63-2593 ²	19.4 @ 4500
		57-2582 ¹	11.9 @ 2700			57-2608 ¹	19.4 @ 4500
F550 Super Duty	6.7L V8 DSL	71-2582 ²	13.8 @ 2200	F150	3.5L V6 F/I	63-2608 ²	14.4 @ 4998
		63-2582 ²	11.9 @ 2700	F150	3.5L V6 F/I - Exc. Turbo	63-2596 ²	12.3 @ 5686
Fiesta	1.6L L4 F/I	69-3530TS ¹	3.8 @ 4518	F150	3.5L V6 F/I - Turbo	63-2592 ²	23.0 @ 3505
Fiesta ST	1.6L L4 F/I	63-2587 ²	7.2 @ 5210			57-2608 ¹	23.0 @ 3505
Flex	3.5L V6 F/I - Exc. Turbo	77-2576KTK ¹	13.2 @ 5698	F150	5.0L V8 F/I	77-2591KP ¹	13.9 @ 4553
Flex	3.5L V6 F/I - Turbo	69-3531TS ¹	12.1 @ 5327			71-2591 ¹	11.4 @ 4553
Focus	2.0L L4 F/I - US, Exc. Turbo, Exc. LEV2 SULEV Test Group GFMXV02.0VZ2	69-3517TS ¹	10.0 @ 5872	F250 Super Duty	6.2L V8 F/I	77-2582KTK ¹	13.6 @ 4497
Focus RS	2.3L L4 F/I	69-3539TB ¹	33.0 @ 4904	F250 Super Duty	6.7L V8 DSL	71-2582 ¹	13.8 @ 2200
Focus ST	2.0L L4 F/I - Exc. LEV2 SULEV & LEV3 SULEV30	69-3518TS ¹	7.4 @ 5130			63-2582 ²	11.9 @ 2700
Fusion	1.5L L4 F/I	63-2588 ²	8.4 @ 5063				

1) Street legal in all US states. 2) Not legal for sale or use on any pollution controlled motor vehicle in California or states adopting California emission procedures. * Estimated horsepower gains are based on specific or similar vehicle dyno tests. Results will vary. See Page 482 for more information. See page 7 for information on intake tube materials/colors.



Vehicle	Engine Type	Part Number	Estimated Horsepower*	Vehicle	Engine Type	Part Number	Estimated Horsepower*
2015 FORD				2014 FORD			
F250 Super Duty	6.7L V8 DSL	57-2582 ¹	11.9 @ 2700	E450 Super Duty	5.4L V8 F/I	77-2570KTK ¹	17.5 @ 4101
F350 Super Duty	6.2L V8 F/I	77-2582KTK ¹	13.6 @ 4497	E450 Super Duty	6.8L V10 F/I	77-2570KTK ¹	17.5 @ 4101
F350 Super Duty	6.7L V8 DSL	71-2582 ¹	13.8 @ 2200	E550 Motorhome	6.8L V10 F/I - Class C	77-2570KTK ²	17.5 @ 4101
		63-2582 ²	11.9 @ 2700	E550 Super Duty	6.8L V10 F/I	77-2570KTK ²	17.5 @ 4101
		57-2582 ¹	11.9 @ 2700	Edge	2.0L L4 F/I	77-2586KS ¹	8.4 @ 5497
F450 Super Duty	6.7L V8 DSL	71-2582 ¹	13.8 @ 2200	Edge	3.5L V6 F/I	77-2583KS ²	9.2 @ 4950
		63-2582 ²	11.9 @ 2700	Edge	3.7L V6 F/I	77-2583KS ¹	9.2 @ 4950
		57-2582 ¹	11.9 @ 2700	Escape	1.6L L4 F/I	69-3537TS ¹	19.1 @ 4503
F550 Super Duty	6.7L V8 DSL	71-2582 ²	13.8 @ 2200	Escape	2.0L L4 F/I	69-3537TS ¹	19.1 @ 4503
		63-2582 ²	11.9 @ 2700	Expedition	5.4L V8 F/I	57-2575 ¹	11.0 @ 4600
Fiesta	1.6L L4 F/I	69-3530TS ¹	3.8 @ 4518	Explorer	2.0L L4 F/I	77-2587KS ¹	11.1 @ 5433
Fiesta ST	1.6L L4 F/I	63-2587 ²	7.2 @ 5210	Explorer	3.5L V6 F/I - Exc. Turbo	77-2575KS ¹	13.6 @ 5500
		57-2587 ¹	7.2 @ 5210	Explorer Sport	3.5L V6 F/I - Turbo	69-3531TS ¹	12.1 @ 5327
Flex	3.5L V6 F/I - Exc. Turbo	77-2576KTK ¹	13.2 @ 5698	F150	3.5L V6 F/I	57-2583 ¹	11.1 @ 4318
Flex	3.5L V6 F/I - Turbo	69-3531TS ¹	12.1 @ 5327	F150	3.7L V6 F/I	77-2585KS ¹	11.9 @ 5536
Focus	2.0L L4 F/I - US, Exc. Turbo, Exc. LEV2 SULEV Test Group FFMXV02.0VZ2	69-3517TS ¹	10.0 @ 5872	F150	5.0L V8 F/I	77-2581KP ¹	9.9 @ 5508
						71-2581 ¹	8.0 @ 5006
						57-2581 ¹	12.1 @ 5304
Focus ST	2.0L L4 F/I - Exc. LEV2 SULEV & LEV3 SULEV30	69-3518TS ¹	7.4 @ 5130	F150 SVT Raptor	6.2L V8 F/I	77-2579KTK ¹	20.0 @ 4830
				F250 Super Duty	6.2L V8 F/I	77-2582KTK ¹	13.6 @ 4497
Fusion	1.5L L4 F/I	63-2588 ²	8.4 @ 5063	F250 Super Duty	6.7L V8 DSL	71-2582 ¹	13.8 @ 2200
Fusion	1.5L L4 F/I - Exc. LEV2 SULEV & LEV3 SULEV30	57-2588 ¹	4.8 @ 5247			63-2582 ²	11.9 @ 2700
						57-2582 ¹	11.9 @ 2700
Fusion	1.6L L4 F/I	63-2586 ²	5.4 @ 5751	F350 Super Duty	6.2L V8 F/I	77-2582KTK ¹	13.6 @ 4497
Fusion	2.0L L4 F/I - Turbo	63-2585 ²	10.1 @ 5185	F350 Super Duty	6.7L V8 DSL	71-2582 ¹	13.8 @ 2200
		57-2585 ¹	10.1 @ 5185			63-2582 ²	11.9 @ 2700
Fusion	2.5L L4 F/I	69-3533TTK ¹	6.7 @ 5929	F450 Super Duty	6.7L V8 DSL	71-2582 ¹	13.8 @ 2200
Mondeo V	2.0L L4 F/I - Exc. Hybrid	63-2585 ²	10.1 @ 5185			63-2582 ²	11.9 @ 2700
						57-2582 ¹	11.9 @ 2700
Mustang	2.3L L4 F/I	63-2589 ²	15.7 @ 4224	F550 Super Duty	6.7L V8 DSL	71-2582 ¹	13.8 @ 2200
		57-2589 ¹	15.7 @ 4224			63-2582 ²	11.9 @ 2700
Mustang	3.7L V6 F/I	69-3536TTK ¹	12.4 @ 5186			57-2582 ¹	11.9 @ 2700
		63-2594 ²	7.5 @ 5401	Fiesta	1.6L L4 F/I	69-3530TS ¹	3.8 @ 4518
		57-2594 ¹	7.5 @ 5401	Fiesta ST	1.6L L4 F/I	63-2587 ²	7.2 @ 5210
Mustang GT	5.0L V8 F/I	71-3535 ²	18.7 @ 5216			57-2587 ¹	7.2 @ 5210
		69-3535TP ²	19.3 @ 5287	Flex	3.5L V6 F/I - Exc. Turbo	77-2576KTK ¹	13.2 @ 5698
		63-2590 ²	17.4 @ 5287	Flex	3.5L V6 F/I - Turbo	69-3531TS ¹	12.1 @ 5327
		57-2590 ¹	9.1 @ 5342	Focus	2.0L L4 F/I - US, Exc. Turbo, Exc. LEV2 SULEV Test Group EFMXV02.0VZ2	69-3517TS ¹	10.0 @ 5872
Taurus	2.0L L4 F/I	63-2598 ²	9.8 @ 4872				
		57-2598 ¹	9.8 @ 4872	Focus ST	2.0L L4 F/I - Exc. LEV2 SULEV & LEV3 SULEV30	69-3518TS ¹	7.4 @ 5130
Taurus	3.5L V6 F/I - Exc. Turbo	77-2576KTK ¹	13.2 @ 5698				
Taurus SHO	3.5L V6 F/I - Turbo	69-3531TS ¹	12.1 @ 5327	Fusion	1.5L L4 F/I	63-2588 ²	8.4 @ 5063
				Fusion	1.5L L4 F/I - Exc. LEV2 SULEV & LEV3 SULEV30	57-2588 ¹	4.8 @ 5247
				Fusion	1.6L L4 F/I	63-2586 ²	5.4 @ 5751
				Fusion	2.0L L4 F/I - Turbo	63-2585 ²	10.1 @ 5185
						57-2585 ¹	10.1 @ 5185
				Fusion	2.5L L4 F/I	69-3533TTK ¹	6.7 @ 5929
				Mondeo V	2.0L L4 F/I - Exc. Hybrid	63-2585 ²	10.1 @ 5185
				Mustang	3.7L V6 F/I	69-3529TP ¹	11.8 @ 5900
				Mustang GT	5.0L V8 F/I	71-3527 ²	14.3 @ 4808
						69-3527TP ²	19.6 @ 5100

1) Street legal in all US states. 2) Not legal for sale or use on any pollution controlled motor vehicle in California or states adopting California emission procedures. * Estimated horsepower gains are based on specific or similar vehicle dyno tests. Results will vary. See Page 482 for more information. See page 7 for information on intake tube materials/colors.



AIR INTAKE SYSTEMS

FORD

Vehicle	Engine Type	Part Number	Estimated Horsepower*	Vehicle	Engine Type	Part Number	Estimated Horsepower*
2014 FORD				2013 FORD			
Mustang GT	5.0L V8 F/I	63-2578 ²	20.3 @ 5400	Focus	2.0L L4 F/I - US, Exc. Turbo, Exc. LEV2 SULEV Test Group DFMXV02.0VZ2	69-3517TS ¹	10.0 @ 5872
Taurus	2.0L L4 F/I	57-2578 ¹	10.1 @ 5379	Focus ST	2.0L L4 F/I - Exc. LEV2 SULEV & LEV3 SULEV30	69-3518TS ¹	7.4 @ 5130
Taurus	3.5L V6 F/I - Exc. Turbo	63-2598 ²	9.8 @ 4872	Fusion	1.6L L4 F/I	63-2586 ²	5.4 @ 5751
Taurus SHO	3.5L V6 F/I - Turbo	57-2598 ¹	9.8 @ 4872	Fusion	2.0L L4 F/I - Turbo	63-2585 ²	10.1 @ 5185
Taurus SHO	3.5L V6 F/I - Turbo	77-2576KTK ¹	13.2 @ 5698	Fusion	2.5L L4 F/I	57-2585 ¹	10.1 @ 5185
Taurus SHO	3.5L V6 F/I - Turbo	69-3531TS ¹	12.1 @ 5327	Mustang	3.7L V6 F/I	69-3533TTK ²	6.7 @ 5929
2013 FORD				Mustang Boss 302	5.0L V8 F/I	69-3529TP ¹	11.8 @ 5900
E150	5.4L V8 F/I	77-2570KTK ¹	17.5 @ 4101	Mustang GT	5.0L V8 F/I	69-3534TTK ²	17.0 @ 6700
E150 Wagon	5.4L V8 F/I	77-2570KTK ¹	17.5 @ 4101			71-3527 ²	14.3 @ 4808
E250	5.4L V8 F/I	77-2570KTK ¹	17.5 @ 4101			69-3527TP ²	19.6 @ 5100
E250	6.8L V10 F/I	77-2570KTK ¹	17.5 @ 4101			63-2578 ²	20.3 @ 5400
E350 Cutaway	5.4L V8 F/I - Class C	77-2570KTK ²	17.5 @ 4101	Taurus	2.0L L4 F/I	57-2578 ¹	10.1 @ 5379
E350 Cutaway	6.8L V10 F/I - Class C	77-2570KTK ²	17.5 @ 4101			63-2598 ²	9.8 @ 4872
E350 Super Duty	5.4L V8 F/I	77-2570KTK ¹	17.5 @ 4101			57-2598 ¹	9.8 @ 4872
E350 Super Duty	6.8L V10 F/I	77-2570KTK ¹	17.5 @ 4101	Taurus	3.5L V6 F/I - Exc. Turbo	77-2576KTK ¹	13.2 @ 5698
E350 Wagon	5.4L V8 F/I	77-2570KTK ¹	17.5 @ 4101	Taurus SHO	3.5L V6 F/I - Turbo	69-3531TS ¹	12.1 @ 5327
E350 Wagon	6.8L V10 F/I	77-2570KTK ¹	17.5 @ 4101	2012 FORD			
E450 Cutaway	6.8L V10 F/I - Class C	77-2570KTK ²	17.5 @ 4101	E150	5.4L V8 F/I	77-2570KTK ¹	17.5 @ 4101
E450 Motorhome	6.8L V10 F/I - Class C	77-2570KTK ²	17.5 @ 4101	E150 Wagon	5.4L V8 F/I	77-2570KTK ¹	17.5 @ 4101
E450 Super Duty	5.4L V8 F/I	77-2570KTK ¹	17.5 @ 4101	E250	5.4L V8 F/I	77-2570KTK ¹	17.5 @ 4101
E450 Super Duty	6.8L V10 F/I	77-2570KTK ¹	17.5 @ 4101	E250	6.8L V10 F/I	77-2570KTK ¹	17.5 @ 4101
E550 Motorhome	6.8L V10 F/I - Class C	77-2570KTK ²	17.5 @ 4101	E350 Cutaway	5.4L V8 F/I - Class C	77-2570KTK ²	17.5 @ 4101
E550 Super Duty	6.8L V10 F/I	77-2570KTK ²	17.5 @ 4101	E350 Cutaway	6.8L V10 F/I - Class C	77-2570KTK ²	17.5 @ 4101
Edge	2.0L L4 F/I	77-2586KS ¹	8.4 @ 5497	E350 Super Duty	5.4L V8 F/I	77-2570KTK ¹	17.5 @ 4101
Edge	3.5L V6 F/I	77-2583KS ¹	9.2 @ 4950	E350 Super Duty	6.8L V10 F/I	77-2570KTK ¹	17.5 @ 4101
Edge	3.7L V6 F/I	77-2583KS ¹	9.2 @ 4950	E350 Wagon	5.4L V8 F/I	77-2570KTK ¹	17.5 @ 4101
Escape	1.6L L4 F/I	69-3537TS ¹	19.1 @ 4503	E350 Wagon	6.8L V10 F/I	77-2570KTK ¹	17.5 @ 4101
Escape	2.0L L4 F/I	69-3537TS ¹	19.1 @ 4503	E450 Cutaway	6.8L V10 F/I - Class C	77-2570KTK ²	17.5 @ 4101
Expedition	5.4L V8 F/I	57-2575 ¹	11.0 @ 4600	E450 Motorhome	6.8L V10 F/I - Class C	77-2570KTK ²	17.5 @ 4101
Explorer	3.5L V6 F/I - Exc. Turbo	77-2575KS ¹	13.6 @ 5500	E450 Super Duty	5.4L V8 F/I	77-2570KTK ¹	17.5 @ 4101
Explorer Sport	3.5L V6 F/I - Turbo	69-3531TS ¹	13.0 @ 4800	E450 Super Duty	6.8L V10 F/I	77-2570KTK ¹	17.5 @ 4101
F150	3.5L V6 F/I	57-2583 ¹	11.9 @ 4312	E550 Motorhome	6.8L V10 F/I - Class C	77-2570KTK ²	17.5 @ 4101
F150	3.7L V6 F/I	77-2585KS ¹	11.9 @ 5536	E550 Super Duty	6.8L V10 F/I	77-2570KTK ²	17.5 @ 4101
F150	5.0L V8 F/I	77-2581KP ¹	9.9 @ 5508	Edge	2.0L L4 F/I	77-2586KS ¹	8.4 @ 5497
		71-2581 ¹	8.0 @ 5006	Edge	3.5L V6 F/I	77-2583KS ¹	9.2 @ 4950
		57-2581 ¹	12.1 @ 5304	Edge	3.7L V6 F/I	77-2583KS ¹	9.2 @ 4950
F150 SVT Raptor	6.2L V8 F/I	77-2579KTK ¹	20.0 @ 4830	Expedition	5.4L V8 F/I	57-2575 ¹	11.0 @ 4600
F250 Super Duty	6.2L V8 F/I	77-2582KTK ¹	13.6 @ 4497	Explorer	3.5L V6 F/I	77-2575KS ¹	13.6 @ 5500
F250 Super Duty	6.7L V8 DSL	71-2582 ¹	13.8 @ 2200	F150	3.5L V6 F/I	57-2583 ¹	11.1 @ 4318
		63-2582 ²	11.9 @ 2700	F150	3.7L V6 F/I	77-2585KS ¹	11.9 @ 5536
		57-2582 ¹	11.9 @ 2700	F150	5.0L V8 F/I	77-2581KP ¹	9.9 @ 5508
F350 Super Duty	6.2L V8 F/I	77-2582KTK ¹	13.6 @ 4497			71-2581 ¹	8.0 @ 5006
F350 Super Duty	6.7L V8 DSL	71-2582 ¹	13.8 @ 2200			57-2581 ¹	12.1 @ 5304
		63-2582 ²	11.9 @ 2700	F150	6.2L V8 F/I	77-2584KP ¹	18.7 @ 5267
		57-2582 ¹	11.9 @ 2700			71-2584 ¹	20.4 @ 5347
F450 Super Duty	6.7L V8 DSL	71-2582 ¹	13.8 @ 2200	F150 SVT Raptor	6.2L V8 F/I	77-2579KTK ¹	20.0 @ 4830
		63-2582 ²	11.9 @ 2700	F250 Super Duty	6.2L V8 F/I	77-2582KTK ¹	13.6 @ 4497
		57-2582 ¹	11.9 @ 2700	F250 Super Duty	6.7L V8 DSL	71-2582 ¹	13.8 @ 2200
F550 Super Duty	6.7L V8 DSL	71-2582 ¹	13.8 @ 2200			63-2582 ²	11.9 @ 2700
		63-2582 ²	11.9 @ 2700			57-2582 ¹	11.9 @ 2700
		57-2582 ¹	11.9 @ 2700	F350 Super Duty	6.2L V8 F/I	77-2582KTK ¹	13.6 @ 4497
Fiesta	1.6L L4 F/I - Non-US, Exc. Turbo	69-3530TS ²	3.8 @ 4518			77-2582KTK ¹	13.6 @ 4497
Fiesta	1.6L L4 F/I - US	69-3530TS ¹	3.8 @ 4518			71-2582 ¹	13.8 @ 2200
Fiesta VI	1.6L L4 F/I	69-3530TS ²	3.8 @ 4518			63-2582 ²	11.9 @ 2700
Flex	3.5L V6 F/I - Exc. Turbo	77-2576KTK ¹	13.2 @ 5698			57-2582 ¹	11.9 @ 2700

1) Street legal in all US states. 2) Not legal for sale or use on any pollution controlled motor vehicle in California or states adopting California emission procedures. * Estimated horsepower gains are based on specific or similar vehicle dyno tests. Results will vary. See Page 482 for more information. See page 7 for information on intake tube materials/colors.



Vehicle	Engine Type	Part Number	Estimated Horsepower*	Vehicle	Engine Type	Part Number	Estimated Horsepower*
2012 FORD				2011 FORD			
F350 Super Duty	6.7L V8 DSL	71-2582 ¹	13.8 @ 2200	F150 Platinum	6.2L V8 F/I	71-2584 ¹	20.4 @ 5347
		63-2582 ²	11.9 @ 2700			57-2584 ¹	27.2 @ 5347
		57-2582 ¹	11.9 @ 2700	F150 SVT Raptor	6.2L V8 F/I	77-2579KTK ¹	20.0 @ 4830
F450 Super Duty	6.7L V8 DSL	71-2582 ¹	13.8 @ 2200	F250 Super Duty	6.2L V8 F/I	77-2582KTK ¹	13.6 @ 4497
		63-2582 ²	11.9 @ 2700	F250 Super Duty	6.7L V8 DSL	71-2582 ¹	13.8 @ 2200
		57-2582 ¹	11.9 @ 2700			63-2582 ²	11.9 @ 2700
F550 Super Duty	6.7L V8 DSL	71-2582 ¹	13.8 @ 2200			57-2582 ¹	11.9 @ 2700
		63-2582 ²	11.9 @ 2700	F350 Super Duty	6.2L V8 F/I	77-2582KTK ¹	13.6 @ 4497
		57-2582 ¹	11.9 @ 2700	F350 Super Duty	6.7L V8 DSL	71-2582 ¹	13.8 @ 2200
Fiesta	1.6L L4 F/I	69-3530TS ¹	3.8 @ 4518			63-2582 ²	11.9 @ 2700
Fiesta VI	1.6L L4 F/I	69-3530TS ²	3.8 @ 4518			57-2582 ¹	11.9 @ 2700
Flex	3.5L V6 F/I - Exc. Turbo	77-2578KS ¹	9.2 @ 4914	F450 Super Duty	6.7L V8 DSL	71-2582 ¹	13.8 @ 2200
Focus	2.0L L4 F/I - US, Exc. LEV2 SULEV Test Group CFMV02.0VZ2	69-3517TS ¹	10.0 @ 5872			63-2582 ²	11.9 @ 2700
						57-2582 ¹	11.9 @ 2700
Mustang	3.7L V6 F/I	69-3529TP ¹	11.8 @ 5900	F550 Super Duty	6.7L V8 DSL	71-2582 ¹	13.8 @ 2200
Mustang Boss 302	5.0L V8 F/I	69-3534TTK ²	17.0 @ 6700			63-2582 ²	11.9 @ 2700
Mustang GT	5.0L V8 F/I	71-3527 ²	14.3 @ 4808			57-2582 ¹	11.9 @ 2700
		69-3527TP ²	19.6 @ 5100	Fiesta	1.6L L4 F/I	69-3530TS ¹	3.8 @ 4518
		63-2578 ²	20.3 @ 5400	Fiesta VI	1.6L L4 F/I	69-3530TS ²	3.8 @ 4518
		57-2578 ¹	10.1 @ 5379	Flex	3.5L V6 F/I - Exc. Turbo	77-2578KS ¹	9.2 @ 4914
Mustang Shelby GT500	5.4L V8 F/I	57-2579 ¹	30.5 @ 5200	Focus	2.0L L4 F/I - PZEV	69-3516TTK ²	5.8 @ 5000
Taurus	3.5L V6 F/I - Exc. Turbo	69-3528TS ¹	11.6 @ 4044	Mustang	3.7L V6 F/I	69-3529TP ¹	11.8 @ 5900
Taurus SHO	3.5L V6 F/I - Turbo	69-3531TS ¹	12.1 @ 5327	Mustang GT	5.0L V8 F/I	71-3527 ²	14.3 @ 4808
						69-3527TP ²	19.6 @ 5100
						63-2578 ²	20.3 @ 5400
						57-2578 ¹	10.1 @ 5379
						57-2579 ¹	30.5 @ 5200
2011 FORD							
Crown Victoria	4.6L V8 F/I - Exc. Police Package	69-3532TTK ¹	10.2 @ 4491	Mustang Shelby GT500	5.4L V8 F/I		
E150	5.4L V8 F/I	77-2570KTK ¹	17.5 @ 4101	Ranger	4.0L V6 F/I	77-2561KP ¹	11.2 @ 4950
E150 Wagon	5.4L V8 F/I	77-2570KTK ¹	17.5 @ 4101			57-2561 ¹	13.5 @ 5129
E250	5.4L V8 F/I	77-2570KTK ¹	17.5 @ 4101	Taurus	3.5L V6 F/I - Exc. Turbo	69-3528TS ¹	11.7 @ 4044
E250	6.8L V10 F/I	77-2570KTK ¹	17.5 @ 4101	Taurus SHO	3.5L V6 F/I - Turbo	69-3531TS ¹	12.1 @ 5327
E350 Cutaway	5.4L V8 F/I - Class C	77-2570KTK ²	17.5 @ 4101	2010 FORD			
E350 Cutaway	6.8L V10 F/I - Class C	77-2570KTK ²	17.5 @ 4101	Crown Victoria	4.6L V8 F/I - Exc. Police Package	69-3532TTK ¹	10.2 @ 4491
E350 Super Duty	5.4L V8 F/I	77-2570KTK ¹	17.5 @ 4101	E150	5.4L V8 F/I	77-2570KTK ¹	17.5 @ 4101
E350 Super Duty	6.8L V10 F/I	77-2570KTK ¹	17.5 @ 4101	E150 Wagon	5.4L V8 F/I	77-2570KTK ¹	17.5 @ 4101
E350 Wagon	5.4L V8 F/I	77-2570KTK ¹	17.5 @ 4101	E250	5.4L V8 F/I	77-2570KTK ¹	17.5 @ 4101
E350 Wagon	6.8L V10 F/I	77-2570KTK ¹	17.5 @ 4101	E250	6.8L V10 F/I	77-2570KTK ¹	17.5 @ 4101
E450 Cutaway	6.8L V10 F/I - Class C	77-2570KTK ²	17.5 @ 4101	E350 Cutaway	5.4L V8 F/I - Class C	77-2570KTK ²	17.5 @ 4101
E450 Motorhome	6.8L V10 F/I - Class C	77-2570KTK ²	17.5 @ 4101	E350 Cutaway	6.8L V10 F/I - Class C	77-2570KTK ²	17.5 @ 4101
E450 Super Duty	5.4L V8 F/I	77-2570KTK ¹	17.5 @ 4101	E350 Super Duty	5.4L V8 F/I	77-2570KTK ¹	17.5 @ 4101
E450 Super Duty	6.8L V10 F/I	77-2570KTK ¹	17.5 @ 4101	E350 Super Duty	6.8L V10 F/I	77-2570KTK ¹	17.5 @ 4101
E550 Motorhome	6.8L V10 F/I - Class C	77-2570KTK ²	17.5 @ 4101	E350 Wagon	5.4L V8 F/I	77-2570KTK ¹	17.5 @ 4101
E550 Super Duty	6.8L V10 F/I	77-2570KTK ²	17.5 @ 4101	E350 Wagon	6.8L V10 F/I	77-2570KTK ¹	17.5 @ 4101
Edge	3.5L V6 F/I	77-2583KS ¹	9.2 @ 4950	E450 Cutaway	6.8L V10 F/I - Class C	77-2570KTK ²	17.5 @ 4101
Edge	3.7L V6 F/I	77-2583KS ¹	9.2 @ 4950	E450 Motorhome	6.8L V10 F/I - Class C	77-2570KTK ²	17.5 @ 4101
Expedition	5.4L V8 F/I	57-2575 ¹	11.0 @ 4600	E450 Super Duty	5.4L V8 F/I	77-2570KTK ¹	17.5 @ 4101
Explorer	3.5L V6 F/I	77-2575KS ¹	13.6 @ 5500	E450 Super Duty	6.8L V10 F/I	77-2570KTK ¹	17.5 @ 4101
F150	3.5L V6 F/I	57-2583 ¹	11.1 @ 4318	E550 Motorhome	6.8L V10 F/I - Class C	77-2570KTK ²	17.5 @ 4101
F150	5.0L V8 F/I	77-2581KP ¹	9.9 @ 5508	E550 Super Duty	6.8L V10 F/I	77-2570KTK ²	17.5 @ 4101
		71-2581 ¹	8.0 @ 5006	Edge	3.5L V6 F/I	77-2574KS ¹	11.2 @ 5797
		57-2581 ¹	12.1 @ 5304	Expedition	5.4L V8 F/I	57-2575 ¹	11.0 @ 4600
F150	6.2L V8 F/I	77-2584KP ¹	18.7 @ 5267	F150	4.6L V8 F/I - w/3 Valve VIN 8	77-2580KP ¹	15.1 @ 4650
		71-2584 ¹	20.4 @ 5347			57-2580 ¹	16.1 @ 4650
		57-2584 ¹	27.2 @ 5347				
F150 Platinum	6.2L V8 F/I	77-2584KP ¹	18.7 @ 5267				

1) Street legal in all US states. 2) Not legal for sale or use on any pollution controlled motor vehicle in California or states adopting California emission procedures. * Estimated horsepower gains are based on specific or similar vehicle dyno tests. Results will vary. See Page 482 for more information. See page 7 for information on intake tube materials/colors.



AIR INTAKE SYSTEMS

FORD

Vehicle	Engine Type	Part Number	Estimated Horsepower*	Vehicle	Engine Type	Part Number	Estimated Horsepower*
2010 FORD				2009 FORD			
F150	5.4L V8 F/I	57-2575 ¹	12.5 @ 4600	F450 Super Duty	6.4L V8 DSL	57-2576 ¹	16.4 @ 2600
F150 SVT Raptor	5.4L V8 F/I	57-2575 ¹	11.0 @ 4600	F550 Super Duty	6.4L V8 DSL	71-2576 ²	11.1 @ 2460
F150 SVT Raptor	6.2L V8 F/I	77-2579KTK ¹	20.0 @ 4830			57-2576 ¹	16.4 @ 2600
F250 Super Duty	5.4L V8 F/I	77-2577KTK ¹	13.9 @ 4077	Fiesta VI	1.6L L4 F/I	69-3530TS ²	3.8 @ 4518
F250 Super Duty	6.4L V8 DSL	71-2576 ¹	11.1 @ 2460	Flex	3.5L V6 F/I	77-2578KS ¹	9.2 @ 4914
		57-2576 ¹	16.4 @ 2600	Focus	2.0L L4 F/I - PZEV	69-3516TTK ²	5.8 @ 5000
F350 Super Duty	5.4L V8 F/I	77-2577KTK ¹	13.9 @ 4077	Mustang	4.0L V6 F/I	69-3525TS ¹	5.2 @ 4700
F350 Super Duty	6.4L V8 DSL	71-2576 ¹	11.1 @ 2460			57-2577 ¹	7.4 @ 4700
		57-2576 ¹	16.4 @ 2600	Mustang GT	4.6L V8 F/I	69-3526TP ²	9.5 @ 5000
F450 Super Duty	6.4L V8 DSL	71-2576 ¹	11.1 @ 2460	Mustang Shelby GT500	5.4L V8 F/I	57-2579 ¹	30.5 @ 5200
		57-2576 ¹	16.4 @ 2600	Ranger	4.0L V6 F/I	77-2561KP ¹	11.2 @ 4950
F550 Super Duty	6.4L V8 DSL	71-2576 ²	11.1 @ 2460			57-2561 ¹	13.5 @ 5129
		57-2576 ¹	16.4 @ 2600	Taurus	3.5L V6 F/I	69-3528TS ¹	11.6 @ 4044
Fiesta VI	1.6L L4 F/I	69-3530TS ²	3.8 @ 4518	2008 FORD			
Flex	3.5L V6 F/I - Exc. Turbo	77-2578KS ¹	9.2 @ 4914	Crown Victoria	4.6L V8 F/I - Exc. Police Package	69-3532TTK ¹	10.2 @ 4491
Focus	2.0L L4 F/I - PZEV	69-3516TTK ²	5.8 @ 5000	E150	5.4L V8 F/I	77-2570KTK ¹	17.5 @ 4101
Mustang	4.0L V6 F/I	69-3525TS ¹	5.2 @ 4700	E150 Wagon	5.4L V8 F/I	77-2570KTK ¹	17.5 @ 4101
		57-2577 ¹	7.4 @ 4700	E250	5.4L V8 F/I	77-2570KTK ¹	17.5 @ 4101
Mustang GT	4.6L V8 F/I	69-3526TP ²	9.5 @ 5000	E250	6.8L V10 F/I	77-2570KTK ¹	17.5 @ 4101
Mustang Shelby GT500	5.4L V8 F/I	57-2579 ¹	30.5 @ 5200	E250	6.8L V10 F/I	77-2570KTK ¹	17.5 @ 4101
Ranger	4.0L V6 F/I	77-2561KP ¹	11.2 @ 4950	E350 Cutaway	5.4L V8 F/I - Class C	77-2570KTK ²	17.5 @ 4101
		57-2561 ¹	13.5 @ 5129	E350 Cutaway	6.8L V10 F/I - Class C	77-2570KTK ²	17.5 @ 4101
Taurus	3.5L V6 F/I	69-3528TS ¹	11.6 @ 4044	E350 Super Duty	5.4L V8 F/I	77-2570KTK ¹	17.5 @ 4101
2009 FORD				E350 Super Duty	6.8L V10 F/I	77-2570KTK ¹	17.5 @ 4101
Crown Victoria	4.6L V8 F/I - Exc. Police Package	69-3532TTK ¹	10.2 @ 4491	E350 Wagon	5.4L V8 F/I	77-2570KTK ¹	17.5 @ 4101
E150	5.4L V8 F/I	77-2570KTK ¹	17.5 @ 4101	E350 Wagon	6.8L V10 F/I	77-2570KTK ¹	17.5 @ 4101
E150 Wagon	5.4L V8 F/I	77-2570KTK ¹	17.5 @ 4101	E450 Cutaway	6.8L V10 F/I - Class C	77-2570KTK ²	17.5 @ 4101
E250	5.4L V8 F/I	77-2570KTK ¹	17.5 @ 4101	E450 Motorhome	6.8L V10 F/I - Class C	77-2570KTK ²	17.5 @ 4101
E250	6.8L V10 F/I	77-2570KTK ¹	17.5 @ 4101	E450 Super Duty	5.4L V8 F/I	77-2570KTK ¹	17.5 @ 4101
E350 Cutaway	5.4L V8 F/I - Class C	77-2570KTK ²	17.5 @ 4101	E450 Super Duty	6.8L V10 F/I	77-2570KTK ¹	17.5 @ 4101
E350 Cutaway	6.8L V10 F/I - Class C	77-2570KTK ²	17.5 @ 4101	E550 Motorhome	6.8L V10 F/I - Class C	77-2570KTK ²	17.5 @ 4101
E350 Super Duty	5.4L V8 F/I	77-2570KTK ¹	17.5 @ 4101	E550 Super Duty	6.8L V10 F/I	77-2570KTK ²	17.5 @ 4101
E350 Super Duty	6.8L V10 F/I	77-2570KTK ¹	17.5 @ 4101	Edge	3.5L V6 F/I	77-2574KS ¹	11.2 @ 5797
E350 Wagon	5.4L V8 F/I	77-2570KTK ¹	17.5 @ 4101	Expedition	5.4L V8 F/I	57-2575 ¹	11.0 @ 4600
E350 Wagon	6.8L V10 F/I	77-2570KTK ¹	17.5 @ 4101	Explorer	4.6L V8 F/I	77-2573KP ¹	10.0 @ 4700
E450 Cutaway	6.8L V10 F/I - Class C	77-2570KTK ²	17.5 @ 4101			57-2573 ¹	11.0 @ 4500
E450 Motorhome	6.8L V10 F/I - Class C	77-2570KTK ²	17.5 @ 4101	F150	4.2L V6 F/I	57-2572 ¹	7.4 @ 4106
E450 Super Duty	5.4L V8 F/I	77-2570KTK ¹	17.5 @ 4101	F150	4.6L V8 F/I	57-2574 ¹	9.9 @ 4200
E450 Super Duty	6.8L V10 F/I	77-2570KTK ¹	17.5 @ 4101	F150	5.4L V8 F/I	77-2556KP ¹	9.6 @ 3724
E550 Motorhome	6.8L V10 F/I - Class C	77-2570KTK ²	17.5 @ 4101			71-2556 ¹	11.5 @ 3800
E550 Super Duty	6.8L V10 F/I	77-2570KTK ²	17.5 @ 4101			57-2556 ¹	15.5 @ 3829
Edge	3.5L V6 F/I	77-2574KS ¹	11.2 @ 5797	F250 Super Duty	5.4L V8 F/I	77-2577KTK ¹	13.9 @ 4077
Expedition	5.4L V8 F/I	57-2575 ¹	11.0 @ 4600	F250 Super Duty	6.4L V8 DSL	71-2576 ¹	11.1 @ 2460
F150	4.6L V8 F/I - w/3 Valve VIN 8	77-2580KP ¹	15.1 @ 4650			57-2576 ¹	16.4 @ 2600
		57-2580 ¹	16.1 @ 4650	F350 Super Duty	5.4L V8 F/I	77-2577KTK ¹	13.9 @ 4077
F150	5.4L V8 F/I	57-2575 ¹	11.0 @ 4600	F350 Super Duty	6.4L V8 DSL	71-2576 ¹	11.1 @ 2460
F250 Super Duty	5.4L V8 F/I	77-2577KTK ¹	13.9 @ 4077			57-2576 ¹	16.4 @ 2600
F250 Super Duty	6.4L V8 DSL	71-2576 ¹	11.1 @ 2460	F450 Super Duty	6.4L V8 DSL	71-2576 ¹	11.1 @ 2460
		57-2576 ¹	16.4 @ 2600	F550 Super Duty	6.4L V8 DSL	71-2576 ²	11.1 @ 2460
F350 Super Duty	5.4L V8 F/I	77-2577KTK ¹	13.9 @ 4077				
F350 Super Duty	6.4L V8 DSL	71-2576 ¹	11.1 @ 2460				
		57-2576 ¹	16.4 @ 2600				
F450 Super Duty	6.4L V8 DSL	71-2576 ¹	11.1 @ 2460				

1) Street legal in all US states. 2) Not legal for sale or use on any pollution controlled motor vehicle in California or states adopting California emission procedures. * Estimated horsepower gains are based on specific or similar vehicle dyno tests. Results will vary. See Page 482 for more information. See page 7 for information on intake tube materials/colors.



Vehicle	Engine Type	Part Number	Estimated Horsepower*	Vehicle	Engine Type	Part Number	Estimated Horsepower*
2008 FORD				2007 FORD			
F550 Super Duty	6.4L V8 DSL	57-2576 ¹	16.4 @ 2600	Focus	2.0L L4 F/I - Exc. LEV2 SULEV Test Group	69-3513TTK ¹	5.2 @ 5400
Fiesta V	2.0L L4 F/I	69-4002TB ²		Focus	7FMXV02.0VZP		
Fiesta VI	1.6L L4 F/I	69-3530TS ²	3.8 @ 4518	Focus	2.3L L4 F/I - Exc. PZEV Eng. Family	69-3512TR ¹	8.5 @ 5800
Focus	2.0L L4 F/I - Exc. LEV2 SULEV Test Group	69-3513TTK ¹	5.2 @ 5400		5FMXV02.01GB		
Fusion	2.3L L4 F/I - Exc. LEV2 SULEV Test Group	69-3514TTK ¹	6.0 @ 4200			69-3512TP ¹	8.5 @ 5800
Fusion	3.0L V6 F/I	69-3515TS ¹	11.9 @ 5001	Fusion	2.3L L4 F/I - Exc. LEV2 SULEV Test Group	69-3514TTK ¹	6.0 @ 4200
Mustang	4.0L V6 F/I	69-3522TP ¹	7.1 @ 5200	Fusion	7FMXV02.3VZT		
		57-2566 ¹	7.5 @ 4996	Fusion	3.0L V6 F/I	69-3515TS ¹	11.9 @ 5001
Mustang GT	4.6L V8 F/I	69-3523KP ²	8.8 @ 5208	Lobo	5.4L V8 F/I	77-2556KP ²	9.6 @ 3724
		63-2565 ²	15.3 @ 6000			71-2556 ²	11.5 @ 3800
Mustang Shelby	5.4L V8 F/I	57-2571 ¹	57.0 @ 5900	Mustang	4.0L V6 F/I	69-3522TP ¹	7.1 @ 5200
Ranger	3.0L V6 F/I	57-2560 ¹	10.0 @ 4921			57-2566 ¹	7.5 @ 4996
Ranger	4.0L V6 F/I	77-2561KP ¹	11.2 @ 4950	Mustang GT	4.6L V8 F/I	69-3523KP ²	8.8 @ 5208
		57-2561 ¹	13.5 @ 5129			63-2565 ²	15.3 @ 6000
2007 FORD				Mustang Shelby	5.4L V8 F/I	57-2571 ¹	57.0 @ 5900
Crown Victoria	4.6L V8 F/I - Exc. Police Package	69-3532TTK ¹	10.2 @ 4491	Ranger	3.0L V6 F/I	57-2560 ¹	10.0 @ 4921
E150	5.4L V8 F/I	77-2570KTK ¹	17.5 @ 4101	Ranger	4.0L V6 F/I	77-2561KP ¹	11.2 @ 4950
E150 Wagon	5.4L V8 F/I	77-2570KTK ¹	17.5 @ 4101			57-2561 ¹	13.5 @ 5129
E250	5.4L V8 F/I	77-2570KTK ¹	17.5 @ 4101	2006 FORD			
E250	6.8L V10 F/I	77-2570KTK ¹	17.5 @ 4101	Crown Victoria	4.6L V8 F/I - Exc. Police Package	69-3532TTK ¹	10.2 @ 4491
E350 Cutaway	5.4L V8 F/I - Class C	77-2570KTK ²	17.5 @ 4101	E150	5.4L V8 F/I	77-2570KTK ¹	17.5 @ 4101
E350 Cutaway	6.8L V10 F/I - Class C	77-2570KTK ²	17.5 @ 4101	E150 Wagon	5.4L V8 F/I	77-2570KTK ¹	17.5 @ 4101
E350 Super Duty	5.4L V8 F/I	77-2570KTK ¹	17.5 @ 4101	E250	5.4L V8 F/I	77-2570KTK ¹	17.5 @ 4101
E350 Super Duty	6.8L V10 F/I	77-2570KTK ¹	17.5 @ 4101	E250	6.8L V10 F/I	77-2570KTK ¹	17.5 @ 4101
E350 Wagon	5.4L V8 F/I	77-2570KTK ¹	17.5 @ 4101	E350 Cutaway	5.4L V8 F/I - Class C	77-2570KTK ²	17.5 @ 4101
E350 Wagon	6.8L V10 F/I	77-2570KTK ¹	17.5 @ 4101	E350 Cutaway	6.8L V10 F/I - Class C	77-2570KTK ²	17.5 @ 4101
E450 Cutaway	6.8L V10 F/I - Class C	77-2570KTK ²	17.5 @ 4101	E350 Super Duty	5.4L V8 F/I	77-2570KTK ¹	17.5 @ 4101
E450 Motorhome	6.8L V10 F/I - Class C	77-2570KTK ²	17.5 @ 4101	E350 Super Duty	6.8L V10 F/I	77-2570KTK ¹	17.5 @ 4101
E450 Super Duty	5.4L V8 F/I	77-2570KTK ¹	17.5 @ 4101	E350 Wagon	5.4L V8 F/I	77-2570KTK ¹	17.5 @ 4101
E450 Super Duty	6.8L V10 F/I	77-2570KTK ¹	17.5 @ 4101	E350 Wagon	6.8L V10 F/I	77-2570KTK ¹	17.5 @ 4101
E550 Motorhome	6.8L V10 F/I - Class C	77-2570KTK ²	17.5 @ 4101	E450 Cutaway	6.8L V10 F/I - Class C	77-2570KTK ²	17.5 @ 4101
E550 Super Duty	6.8L V10 F/I	77-2570KTK ²	17.5 @ 4101	E450 Motorhome	6.8L V10 F/I - Class C	77-2570KTK ²	17.5 @ 4101
Edge	3.5L V6 F/I	77-2574KS ¹	11.2 @ 5797	E450 Super Duty	5.4L V8 F/I	77-2570KTK ¹	17.5 @ 4101
Expedition	5.4L V8 F/I	57-2575 ¹	11.0 @ 4600	E450 Super Duty	6.8L V10 F/I	77-2570KTK ¹	17.5 @ 4101
Explorer	4.6L V8 F/I	77-2573KP ¹	10.0 @ 4700	E550 Motorhome	6.8L V10 F/I - Class C	77-2570KTK ²	17.5 @ 4101
		57-2573 ¹	11.0 @ 4500	E550 Super Duty	6.8L V10 F/I	77-2570KTK ²	17.5 @ 4101
F150	4.2L V6 F/I	57-2572 ¹	7.4 @ 4106	Expedition	5.4L V8 F/I	77-2568KP ¹	10.6 @ 3872
F150	4.6L V8 F/I	57-2574 ¹	9.9 @ 4200			57-2568 ¹	13.6 @ 3872
F150	5.4L V8 F/I	77-2556KP ¹	9.6 @ 3724	Explorer	4.6L V8 F/I	77-2573KP ¹	10.0 @ 4700
		71-2556 ¹	11.5 @ 3800			57-2573 ¹	11.0 @ 4500
		57-2556 ¹	15.5 @ 3829	F150	4.2L V6 F/I	57-2572 ¹	7.4 @ 4016
		57-2546-1 ¹	15.5 @ 3426	F150	4.6L V8 F/I	77-2569KP ¹	7.7 @ 4775
F250 Harley Davidson Super Duty	6.0L V8 DSL	57-2546-1 ¹	15.5 @ 3426			57-2569 ¹	8.5 @ 4775
F250 Super Duty	6.0L V8 DSL	57-2546-1 ¹	15.5 @ 3426	F150	5.4L V8 F/I	77-2556KP ¹	9.6 @ 3724
F350 Cutaway	6.0L V8 DSL	57-2546-1 ¹	15.5 @ 3426			71-2556 ¹	11.5 @ 3800
F350 Harley Davidson Super Duty	6.0L V8 DSL	57-2546-1 ¹	15.5 @ 3426	F250 Harley Davidson Super Duty	6.0L V8 DSL	57-2546-1 ¹	15.5 @ 3426
F350 Super Duty	6.0L V8 DSL	57-2546-1 ¹	15.5 @ 3426	F250 Super Duty	5.4L V8 F/I	57-2570 ¹	21.5 @ 4387
F450 Super Duty	6.0L V8 DSL	57-2546-1 ¹	15.5 @ 3426	F250 Super Duty	6.0L V8 DSL	57-2546-1 ¹	15.5 @ 3426
F550 Super Duty	6.0L V8 DSL	57-2546-1 ¹	15.5 @ 3426	F250 Super Duty	6.8L V10 F/I	57-2567 ¹	16.2 @ 4450
Fiesta V	2.0L L4 F/I	69-4002TB ²		F350	5.4L V8 F/I	57-2570 ¹	21.5 @ 4387

1) Street legal in all US states. 2) Not legal for sale or use on any pollution controlled motor vehicle in California or states adopting California emission procedures. * Estimated horsepower gains are based on specific or similar vehicle dyno tests. Results will vary. See Page 482 for more information. See page 7 for information on intake tube materials/colors.



AIR INTAKE SYSTEMS

FORD

Vehicle	Engine Type	Part Number	Estimated Horsepower*	Vehicle	Engine Type	Part Number	Estimated Horsepower*
2006 FORD				2005 FORD			
F350 Cutaway	6.0L V8 DSL	57-2546-1 ¹	15.5 @ 3426	F150	4.6L V8 F/I	77-2557KP ¹	9.3 @ 4724
F350 Harley Davidson Super Duty	6.0L V8 DSL	57-2546-1 ¹	15.5 @ 3426	F150	5.4L V8 F/I	57-2557 ¹	7.8 @ 4828
F350 Super Duty	5.4L V8 F/I	57-2570 ¹	21.5 @ 4387	F150	5.4L V8 F/I	77-2556KP ¹	9.6 @ 3724
F350 Super Duty	6.0L V8 DSL	57-2546-1 ¹	15.5 @ 3426			71-2556 ¹	11.5 @ 3800
F350 Super Duty	6.8L V10 F/I	57-2567 ¹	16.2 @ 4450	F250 Harley Davidson Super Duty	6.0L V8 DSL	57-2556 ¹	15.5 @ 3829
F450 Super Duty	6.0L V8 DSL	57-2546-1 ¹	15.5 @ 3426	F250 Harley Davidson Super Duty	6.8L V10 F/I	57-2546-1 ¹	15.5 @ 3426
F550 Super Duty	6.0L V8 DSL	57-2546-1 ¹	15.5 @ 3426	F250 Super Duty	5.4L V8 F/I	57-2570 ¹	21.5 @ 4387
Fiesta V	2.0L L4 F/I	69-4002TB ²		F250 Super Duty	6.0L V8 DSL	57-2546-1 ¹	15.5 @ 3426
Focus	2.3L L4 F/I - Exc. PZEV Eng. Family 5FMXV02.01GB	69-3512TR ¹	8.5 @ 5800	F250 Super Duty	6.8L V10 F/I	57-2567 ¹	16.2 @ 4450
		69-3512TP ¹	8.5 @ 5800	F350	5.4L V8 F/I	57-2570 ¹	21.5 @ 4387
Fusion	2.3L L4 F/I - Exc. LEV2 SULEV Test Group 6FMXV02.31ZA	69-3514TTK ¹	6.0 @ 4200	F350 Harley Davidson Super Duty	6.0L V8 DSL	57-2546-1 ¹	15.5 @ 3426
Fusion	3.0L V6 F/I	69-3515TS ¹	11.9 @ 5001	F350 Harley Davidson Super Duty	6.8L V10 F/I	57-2567 ¹	16.2 @ 4450
Lobo	4.6L V8 F/I	77-2569KP ²	7.7 @ 4775	F350 Super Duty	5.4L V8 F/I	57-2570 ¹	21.5 @ 4387
Lobo	5.4L V8 F/I	77-2556KP ²	9.6 @ 3724	F350 Super Duty	6.0L V8 DSL	57-2546-1 ¹	15.5 @ 3426
		71-2556 ²	11.5 @ 3800	F350 Super Duty	6.8L V10 F/I	57-2567 ¹	16.2 @ 4450
Mustang	4.0L V6 F/I	69-3522TP ¹	7.1 @ 5200	F350 Super Duty	5.4L V8 F/I	57-2570 ¹	21.5 @ 4387
		57-2566 ¹	7.5 @ 4996	F350 Super Duty	6.0L V8 DSL	57-2546-1 ¹	15.5 @ 3426
Mustang GT	4.6L V8 F/I	69-3523KP ¹	8.8 @ 5208	F450 Super Duty	6.0L V8 DSL	57-2546-1 ¹	15.5 @ 3426
		57-2565 ¹	15.3 @ 6000	F550 Super Duty	6.0L V8 DSL	57-2546-1 ¹	15.5 @ 3426
Ranger	3.0L V6 F/I	57-2560 ¹	10.0 @ 4921	Fiesta V	2.0L L4 F/I	69-4002TB ²	
Ranger	4.0L V6 F/I	77-2561KP ¹	11.2 @ 4950	Focus	2.0L L4 F/I - Exc. PZEV Eng. Family 5FMXV02.01GB	57-2559 ¹	11.9 @ 5797
		57-2561 ¹	13.5 @ 5129	Focus	2.3L L4 F/I - Exc. PZEV Eng. Family 5FMXV02.01GB	69-3512TR ¹	8.5 @ 5800
2005 FORD				Focus		69-3512TP ¹	8.5 @ 5800
Crown Victoria	4.6L V8 F/I - Exc. Police Package	69-3532TTK ¹	10.2 @ 4491				
E150	5.4L V8 F/I	77-2570KTK ¹	17.5 @ 4101				
E150 Club Wagon	5.4L V8 F/I	77-2570KTK ¹	17.5 @ 4101	Lobo	4.6L V8 F/I	77-2557KP ²	9.3 @ 4724
E250	5.4L V8 F/I	77-2570KTK ¹	17.5 @ 4101	Lobo	5.4L V8 F/I	77-2556KP ²	9.6 @ 3724
E250	6.8L V10 F/I	77-2570KTK ¹	17.5 @ 4101			71-2556 ²	11.5 @ 3800
E250 Club Wagon	5.4L V8 F/I	77-2570KTK ¹	17.5 @ 4101	Mustang	4.0L V6 F/I	69-3522TP ¹	7.1 @ 5200
E350 Club Wagon	5.4L V8 F/I	77-2570KTK ¹	17.5 @ 4101			57-2566 ¹	7.5 @ 4596
E350 Club Wagon	6.8L V10 F/I	77-2570KTK ¹	17.5 @ 4101	Mustang GT	4.6L V8 F/I	69-3523KP ¹	8.8 @ 5208
E350 Cutaway	5.4L V8 F/I - Class C	77-2570KTK ²	17.5 @ 4101			57-2565 ¹	15.3 @ 6000
E350 Cutaway	6.8L V10 F/I - Class C	77-2570KTK ²	17.5 @ 4101	Ranger	3.0L V6 F/I	57-2560 ¹	10.0 @ 4921
E350 Super Duty	5.4L V8 F/I	77-2570KTK ¹	17.5 @ 4101	Ranger	4.0L V6 F/I	77-2561KP ¹	11.2 @ 4950
E350 Super Duty	6.8L V10 F/I	77-2570KTK ¹	17.5 @ 4101			57-2561 ¹	13.5 @ 5129
E450 Cutaway	6.8L V10 F/I - Class C	77-2570KTK ²	17.5 @ 4101	Thunderbird	3.9L V8 F/I	69-3520TP ¹	8.0 @ 5379
E450 Motorhome	6.8L V10 F/I - Class C	77-2570KTK ²	17.5 @ 4101			57-2562 ¹	15.8 @ 6000
E450 Super Duty	5.4L V8 F/I	77-2570KTK ¹	17.5 @ 4101	2004 FORD			
E450 Super Duty	6.8L V10 F/I	77-2570KTK ¹	17.5 @ 4101	Crown Victoria	4.6L V8 F/I - Exc. Police Package	69-3532TTK ¹	10.2 @ 4491
E550 Motorhome	6.8L V10 F/I - Class C	77-2570KTK ²	17.5 @ 4101	E150	5.4L V8 F/I	77-2570KTK ¹	17.5 @ 4101
E550 Super Duty	6.8L V10 F/I	77-2570KTK ²	17.5 @ 4101	E150 Club Wagon	5.4L V8 F/I	77-2570KTK ¹	17.5 @ 4101
Excursion	5.4L V8 F/I	57-2570 ¹	21.5 @ 4387	E250	5.4L V8 F/I	77-2570KTK ¹	17.5 @ 4101
Excursion	6.0L V8 DSL	57-2546-1 ¹	15.5 @ 3426	E250	6.8L V10 F/I	77-2570KTK ¹	17.5 @ 4101
Excursion	6.8L V10 F/I	57-2524-2 ¹	12.0 @ 4140	E350 Club Wagon	5.4L V8 F/I	77-2570KTK ¹	17.5 @ 4101
Expedition	5.4L V8 F/I	77-2556KP ¹	9.6 @ 3724	E350 Club Wagon	6.8L V10 F/I	77-2570KTK ¹	17.5 @ 4101
		71-2556 ¹	11.5 @ 3800				
		57-2556 ¹	15.5 @ 3829				
Explorer	4.6L V8 F/I	57-2564 ¹	10.4 @ 4921				
F150	4.2L V6 F/I	57-2572 ¹	7.4 @ 4106				

1) Street legal in all US states. 2) Not legal for sale or use on any pollution controlled motor vehicle in California or states adopting California emission procedures. * Estimated horsepower gains are based on specific or similar vehicle dyno tests. Results will vary. See Page 482 for more information. See page 7 for information on intake tube materials/colors.



Vehicle	Engine Type	Part Number	Estimated Horsepower*	Vehicle	Engine Type	Part Number	Estimated Horsepower*
2004 FORD				2004 FORD			
E350 Cutaway	5.4L V8 F/I - Class C	77-2570KTK ²	17.5 @ 4101	Focus SVT	2.0L L4 F/I	69-3511TP ¹	6.2 @ 5000
E350 Cutaway	6.8L V10 F/I - Class C	77-2570KTK ²	17.5 @ 4101			57-2547 ¹	5.5 @ 6500
E350 Super Duty	5.4L V8 F/I	77-2570KTK ¹	17.5 @ 4101	Lobo	4.6L V8 F/I	77-2557KP ²	9.3 @ 4724
E350 Super Duty	6.8L V10 F/I	77-2570KTK ¹	17.5 @ 4101	Lobo	5.4L V8 F/I	77-2556KP ²	9.6 @ 3724
E450 Cutaway	6.8L V10 F/I - Class C	77-2570KTK ²	17.5 @ 4101			71-2556 ²	11.5 @ 3800
E450 Motorhome	6.8L V10 F/I - Class C	77-2570KTK ²	17.5 @ 4101	Mustang	3.8L V6 F/I	57-2532 ¹	6.9 @ 4825
E450 Super Duty	5.4L V8 F/I	77-2570KTK ¹	17.5 @ 4101	Mustang GT	4.6L V8 F/I	69-3521TP ¹	6.8 @ 4600
E450 Super Duty	6.8L V10 F/I	77-2570KTK ¹	17.5 @ 4101			57-2519-3 ¹	10.1 @ 4945
E550 Motorhome	6.8L V10 F/I - Class C	77-2570KTK ²	17.5 @ 4101	Mustang Mach 1	4.6L V8 F/I	57-2555 ¹	12.6 @ 5100
E550 Super Duty	6.8L V10 F/I	77-2570KTK ²	17.5 @ 4101	Mustang SVT Cobra	4.6L V8 F/I	57-2545 ¹	30.3 @ 5900
Excursion	5.4L V8 F/I	57-2525-2 ¹	11.6 @ 4480	Ranger	3.0L V6 F/I	57-2560 ¹	10.0 @ 4921
Excursion	6.0L V8 DSL	57-2546-1 ¹	15.5 @ 3426	Ranger	4.0L V6 F/I	77-2561KP ¹	11.2 @ 4950
Excursion	6.8L V10 F/I	57-2524-2 ¹	12.0 @ 4140			57-2561 ¹	13.5 @ 5129
Expedition	4.6L V8 F/I	77-2514KP ¹	9.7 @ 4093	Thunderbird	3.9L V8 F/I	69-3520TP ¹	8.0 @ 5379
		57-2538 ¹	10.2 @ 4618			57-2562 ¹	15.8 @ 6000
Expedition	5.4L V8 F/I	77-2514KP ¹	9.7 @ 4093	2003 FORD			
		57-2538 ¹	10.2 @ 4618	Crown Victoria	4.6L V8 F/I	57-2553 ¹	13.1 @ 4979
Explorer	4.6L V8 F/I	57-2564 ¹	10.4 @ 4921	E150	5.4L V8 F/I	77-2570KTK ¹	17.5 @ 4101
Explorer Sport Trac	4.0L V6 F/I	77-2529KP ¹	5.3 @ 5095	E150 Club Wagon	5.4L V8 F/I	77-2570KTK ¹	17.5 @ 4101
		57-2529-1 ¹	6.9 @ 5244	E250	5.4L V8 F/I	77-2570KTK ¹	17.5 @ 4101
F150	4.2L V6 F/I	77-2550KP ¹	6.2 @ 4567	E250	6.8L V10 F/I	77-2570KTK ¹	17.5 @ 4101
		57-2550 ¹	7.6 @ 4891	E350 Club Wagon	5.4L V8 F/I	77-2570KTK ¹	17.5 @ 4101
F150	4.6L V8 F/I	77-2557KP ¹	9.3 @ 4724	E350 Club Wagon	6.8L V10 F/I	77-2570KTK ¹	17.5 @ 4101
		57-2557 ¹	7.8 @ 4828	E350 Cutaway	5.4L V8 F/I - Class C	77-2570KTK ²	17.5 @ 4101
F150	5.4L V8 F/I	77-2556KP ¹	9.6 @ 3724	E350 Cutaway	6.8L V10 F/I - Class C	77-2570KTK ²	17.5 @ 4101
		71-2556 ¹	11.5 @ 3800	E350 Super Duty	5.4L V8 F/I	77-2570KTK ¹	17.5 @ 4101
		57-2556 ¹	15.5 @ 3829	E350 Super Duty	6.8L V10 F/I	77-2570KTK ¹	17.5 @ 4101
F150 Heritage	4.2L V6 F/I	77-2550KP ¹	6.2 @ 4567	E450 Cutaway	6.8L V10 F/I - Class C	77-2570KTK ²	17.5 @ 4101
		57-2550 ¹	7.6 @ 4891	E450 Motorhome	6.8L V10 F/I - Class C	77-2570KTK ²	17.5 @ 4101
F150 Heritage	4.6L V8 F/I	77-2514KP ¹	9.7 @ 4093	E450 Super Duty	5.4L V8 F/I	77-2570KTK ¹	17.5 @ 4101
		57-2541 ¹	13.1 @ 4562	E450 Super Duty	6.8L V10 F/I	77-2570KTK ¹	17.5 @ 4101
F150 Heritage	5.4L V8 F/I	57-2541 ¹	13.1 @ 4562	E550 Motorhome	6.8L V10 F/I - Class C	77-2570KTK ²	17.5 @ 4101
F150 Lightning	5.4L V8 F/I	57-2549 ¹	15.6 @ 5162	E550 Super Duty	6.8L V10 F/I	77-2570KTK ¹	17.5 @ 4101
F250 Harley Davidson Super Duty	6.0L V8 DSL	57-2546-1 ¹	15.5 @ 3426	Escort ZX2	2.0L L4 F/I	69-3500TP ¹	4.6 @ 5700
F250 Super Duty	5.4L V8 F/I	57-2525-2 ¹	11.6 @ 4480			69-3500TB ¹	4.6 @ 5700
F250 Super Duty	6.0L V8 DSL	57-2546-1 ¹	15.5 @ 3426	Excursion	5.4L V8 F/I	57-2525-2 ¹	11.6 @ 4480
F250 Super Duty	6.8L V10 F/I	57-2524-2 ¹	12.0 @ 4140	Excursion	6.0L V8 DSL	57-2546-1 ¹	15.5 @ 3426
F350	5.4L V8 F/I	57-2525-2 ¹	11.6 @ 4480	Excursion	6.8L V10 F/I	57-2524-2 ¹	12.0 @ 4140
F350 Super Duty	5.4L V8 F/I	57-2525-2 ¹	11.6 @ 4480	Excursion	7.3L V8 DSL	57-2530 ¹	14.9 @ 2925
F350 Super Duty	6.0L V8 DSL	57-2546-1 ¹	15.5 @ 3426	Expedition	4.6L V8 F/I	77-2514KP ¹	9.7 @ 4093
F350 Super Duty	6.8L V10 F/I	57-2524-2 ¹	12.0 @ 4140			57-2538 ¹	10.2 @ 4618
F450 Super Duty	6.0L V8 DSL	57-2546-1 ¹	15.5 @ 3426	Expedition	5.4L V8 F/I	77-2514KP ¹	9.7 @ 4093
F550 Super Duty	6.0L V8 DSL	57-2546-1 ¹	15.5 @ 3426			57-2538 ¹	10.2 @ 4618
Focus	1.8L L4 F/I	69-4000TS ²		Explorer	4.0L V6 F/I	57-2537 ¹	7.3 @ 4890
		69-4000TB ²		Explorer	4.6L V8 F/I	57-2539 ¹	8.6 @ 4486
Focus	2.0L L4 F/I - DOHC	57-2526-2 ¹	3.2 @ 5100	Explorer Sport	4.0L V6 F/I	77-2529KP ¹	5.3 @ 5095
Focus	2.0L L4 F/I - Non-US	69-4000TS ²				57-2529-1 ¹	6.9 @ 5244
		69-4000TB ²		Explorer Sport Trac	4.0L V6 F/I	77-2529KP ¹	5.3 @ 5095
Focus	2.3L L4 F/I	69-3512TR ²	8.5 @ 5800			57-2529-1 ¹	6.9 @ 5244
		69-3512TP ²	8.5 @ 5800	F150	4.2L V6 F/I	77-2550KP ¹	6.2 @ 4567
		63-1101 ²	11.9 @ 5797			57-2550 ¹	7.6 @ 4891
Focus ST170	2.0L L4 F/I	69-3511TR ²	6.2 @ 5000	F150	4.6L V8 F/I	77-2514KP ¹	9.7 @ 4093
		69-3511TP ²	6.2 @ 5000			57-2541 ¹	13.1 @ 4562
Focus SVT	2.0L L4 F/I	69-3511TR ¹	6.2 @ 5000	F150	5.4L V8 F/I	77-2514KP ¹	9.7 @ 4093
						57-2541 ¹	13.1 @ 4562

1) Street legal in all US states. 2) Not legal for sale or use on any pollution controlled motor vehicle in California or states adopting California emission procedures. * Estimated horsepower gains are based on specific or similar vehicle dyno tests. Results will vary. See Page 482 for more information. See page 7 for information on intake tube materials/colors.



AIR INTAKE SYSTEMS

FORD

Vehicle	Engine Type	Part Number	Estimated Horsepower*	Vehicle	Engine Type	Part Number	Estimated Horsepower*
2003 FORD				2002 FORD			
F150 Harley Davidson	5.4L V8 F/I	57-2549 ¹	15.6 @ 5162	E350 Super Duty	5.4L V8 F/I	77-2570KTK ¹	17.5 @ 4101
F150 Lightning	5.4L V8 F/I	57-2549 ¹	15.6 @ 5162	E350 Super Duty	6.8L V10 F/I	77-2570KTK ¹	17.5 @ 4101
F250 Super Duty	5.4L V8 F/I	57-2525-2 ¹	11.6 @ 4480	E450 Cutaway	6.8L V10 F/I - Class C	77-2570KTK ²	17.5 @ 4101
F250 Super Duty	6.0L V8 DSL	57-2546-1 ¹	15.5 @ 3426	E450 Econoline Super Duty	5.4L V8 F/I	77-2570KTK ¹	17.5 @ 4101
F250 Super Duty	6.8L V10 F/I	57-2524-2 ¹	12.0 @ 4140	E450 Econoline Super Duty	6.8L V10 F/I	77-2570KTK ¹	17.5 @ 4101
F250 Super Duty	7.3L V8 DSL	57-2530 ¹	14.9 @ 2925	E450 Motorhome	6.8L V10 F/I - Class C	77-2570KTK ²	17.5 @ 4101
F350 Super Duty	5.4L V8 F/I	57-2525-2 ¹	11.6 @ 4480	E550 Econoline Super Duty	6.8L V10 F/I	77-2570KTK ¹	17.5 @ 4101
F350 Super Duty	6.0L V8 DSL	57-2546-1 ¹	15.5 @ 3426	E550 Motorhome	6.8L V10 F/I - Class C	77-2570KTK ²	17.5 @ 4101
F350 Super Duty	6.8L V10 F/I	57-2524-2 ¹	12.0 @ 4140	Escort ZX2	2.0L L4 F/I	69-3500TP ¹	4.6 @ 5700
F350 Super Duty	7.3L V8 DSL	57-2530 ¹	14.9 @ 2925			69-3500TB ¹	4.6 @ 5700
F450 Super Duty	6.0L V8 DSL	57-2546-1 ¹	15.5 @ 3426	Excursion	5.4L V8 F/I	57-2525-2 ¹	11.6 @ 4482
F550 Super Duty	6.0L V8 DSL	57-2546-1 ¹	15.5 @ 3426	Excursion	6.8L V10 F/I	57-2524-2 ¹	12.0 @ 4140
Focus	1.8L L4 F/I	69-4000TS ²		Excursion	7.3L V8 DSL	57-2530 ¹	14.9 @ 2925
		69-4000TB ²		Expedition	4.6L V8 F/I	77-2514KP ¹	9.7 @ 4093
Focus	2.0L L4 F/I - DOHC	69-3510TP ¹	3.9 @ 2931			57-2541 ¹	13.1 @ 4562
		69-3510TB ¹	3.9 @ 2931	Expedition	5.4L V8 F/I	57-2514-4 ¹	9.8 @ 4198
		57-2526-2 ¹	3.2 @ 5100			77-2514KP ¹	9.7 @ 4093
Focus	2.0L L4 F/I - Non-US	69-4000TS ²		Expedition	5.4L V8 F/I	57-2541 ¹	13.1 @ 4562
		69-4000TB ²				57-2514-4 ¹	9.8 @ 4198
Focus	2.3L L4 F/I	69-3512TR ²	8.5 @ 5800	Explorer	4.0L V6 F/I	57-2537 ¹	7.3 @ 4890
		69-3512TP ²	8.5 @ 5800	Explorer	4.6L V8 F/I	57-2539 ¹	8.6 @ 4486
		63-1101 ²	11.9 @ 5797	Explorer Sport	4.0L V6 F/I	77-2529KP ¹	5.3 @ 5095
Focus ST170	2.0L L4 F/I	69-3511TR ²	6.2 @ 5000			57-2529-1 ¹	6.9 @ 5244
		69-3511TP ²	6.2 @ 5000	Explorer Sport Trac	4.0L V6 F/I	77-2529KP ¹	5.3 @ 5095
Focus SVT	2.0L L4 F/I	69-3511TR ¹	6.2 @ 5000			57-2529-1 ¹	6.9 @ 5244
		69-3511TP ¹	6.2 @ 5000	F150	4.2L V6 F/I	77-2550KP ¹	6.2 @ 4567
		57-2547 ¹	5.5 @ 6500			57-2550 ¹	7.6 @ 4891
Lobo	5.4L V8 F/I	77-2514KP ²	9.7 @ 4093	F150	4.6L V8 F/I	77-2514KP ¹	9.7 @ 4093
Mustang	3.8L V6 F/I	57-2532 ¹	6.9 @ 4825			57-2541 ¹	13.1 @ 4562
Mustang GT	4.6L V8 F/I	69-3521TP ¹	6.8 @ 4600	F150	5.4L V8 F/I	77-2514KP ¹	9.7 @ 4093
		57-2519-3 ¹	10.1 @ 4945			57-2514-4 ¹	9.8 @ 4198
Mustang Mach 1	4.6L V8 F/I	57-2555 ¹	12.6 @ 5100	F150	5.4L V8 F/I	77-2514KP ¹	9.7 @ 4093
Mustang SVT Cobra	4.6L V8 F/I	57-2545 ¹	30.3 @ 5900			57-2541 ¹	13.1 @ 4562
Ranger	2.3L L4 F/I	77-2552KP ¹	6.1 @ 4498			57-2514-4 ¹	9.8 @ 4198
		57-2552 ¹	6.8 @ 4874	F150 Harley Davidson	5.4L V8 F/I	57-2549 ¹	15.6 @ 5162
Ranger	3.0L V6 F/I	57-2554 ¹	9.4 @ 4848	F150 Lightning	5.4L V8 F/I	57-2549 ¹	15.6 @ 5162
Ranger	4.0L V6 F/I	77-2529KP ¹	5.3 @ 5095	F250 Super Duty	5.4L V8 F/I	57-2525-2 ¹	11.6 @ 4480
		57-2529-1 ¹	6.9 @ 5244	F250 Super Duty	6.8L V10 F/I	57-2524-2 ¹	12.0 @ 4140
Thunderbird	3.9L V8 F/I	69-3520TP ¹	8.0 @ 5379	F250 Super Duty	7.3L V8 DSL	57-2530 ¹	14.9 @ 2925
		57-2562 ¹	15.8 @ 6000	F350 Super Duty	5.4L V8 F/I	57-2525-2 ¹	11.6 @ 4480
2002 FORD				2002 FORD			
Crown Victoria	4.6L V8 F/I	57-2544 ¹	16.9 @ 5000	F350 Super Duty	6.8L V10 F/I	57-2524-2 ¹	12.0 @ 4140
E150	5.4L V8 F/I	77-2570KTK ¹	17.5 @ 4101	F350 Super Duty	7.3L V8 DSL	57-2530 ¹	14.9 @ 2925
E150 Econoline	5.4L V8 F/I	77-2570KTK ¹	17.5 @ 4101	F350 Super Duty	5.4L V8 F/I	57-2525-2 ¹	11.6 @ 4480
E150 Econoline Club Wagon	5.4L V8 F/I	77-2570KTK ¹	17.5 @ 4101	F350 Super Duty	6.8L V10 F/I	57-2524-2 ¹	12.0 @ 4140
E250	6.8L V10 F/I	77-2570KTK ¹	17.5 @ 4101	Focus	1.8L L4 F/I	69-4000TS ²	
E250 Econoline	5.4L V8 F/I	77-2570KTK ¹	17.5 @ 4101			69-4000TB ²	
E350 Club Wagon	5.4L V8 F/I	77-2570KTK ¹	17.5 @ 4101	Focus	2.0L L4 F/I - DOHC	69-3510TP ¹	3.9 @ 2931
E350 Cutaway	5.4L V8 F/I - Class C	77-2570KTK ²	17.5 @ 4101			69-3510TB ¹	3.9 @ 2931
E350 Cutaway	6.8L V10 F/I - Class C	77-2570KTK ²	17.5 @ 4101	Focus	2.0L L4 F/I - Non-US	57-2526-2 ¹	3.2 @ 5100
E350 Econoline Club Wagon	5.4L V8 F/I	77-2570KTK ¹	17.5 @ 4101			69-4000TS ²	
E350 Econoline Club Wagon	6.8L V10 F/I	77-2570KTK ¹	17.5 @ 4101	Focus ST170	2.0L L4 F/I	69-4000TB ²	
						69-3511TR ²	6.2 @ 5000
				Focus SVT	2.0L L4 F/I	69-3511TP ²	6.2 @ 5000
						69-3511TR ¹	6.2 @ 5000
						69-3511TP ¹	6.2 @ 5000

1) Street legal in all US states. 2) Not legal for sale or use on any pollution controlled motor vehicle in California or states adopting California emission procedures. * Estimated horsepower gains are based on specific or similar vehicle dyno tests. Results will vary. See Page 482 for more information. See page 7 for information on intake tube materials/colors.



Vehicle	Engine Type	Part Number	Estimated Horsepower*	Vehicle	Engine Type	Part Number	Estimated Horsepower*
2002 FORD				2001 FORD			
Focus SVT	2.0L L4 F/I	57-2547 ¹	5.5 @ 6500	F150	4.6L V8 F/I	57-2541 ¹	13.1 @ 4562
Lobo	5.4L V8 F/I	77-2514KP ²	9.7 @ 4093			57-2514-4 ¹	9.8 @ 4198
Mustang	3.8L V6 F/I	57-2532 ¹	6.9 @ 4825	F150	5.4L V8 F/I	77-2514KP ¹	9.7 @ 4093
Mustang GT	4.6L V8 F/I	69-3521TP ¹	6.8 @ 4600			57-2541 ¹	13.1 @ 4562
		63-1008 ²	4.5 @ 4216			57-2514-4 ¹	9.8 @ 4198
		57-2519-3 ¹	10.1 @ 4945	F150 Harley Davidson	5.4L V8 F/I	77-2514KP ¹	9.7 @ 4093
Ranger	2.3L L4 F/I	77-2552KP ¹	6.1 @ 4498			57-2541 ¹	13.1 @ 4562
		57-2552 ¹	6.8 @ 4874			57-2514-4 ¹	9.8 @ 4198
Ranger	3.0L V6 F/I	57-2554 ¹	9.4 @ 4848				
Ranger	4.0L V6 F/I	77-2529KP ¹	5.3 @ 5095				
		57-2529-1 ¹	6.9 @ 5244	F150 Lightning	5.4L V8 F/I	57-2549 ¹	15.6 @ 5162
2001 FORD				F250 Super Duty	5.4L V8 F/I	57-2525-2 ¹	11.6 @ 4480
Crown Victoria	4.6L V8 F/I	57-2544 ¹	16.9 @ 5000	F250 Super Duty	6.8L V10 F/I	57-2524-2 ¹	12.0 @ 4140
E150 Econoline	5.4L V8 F/I	77-2570KTK ¹	17.5 @ 4101	F250 Super Duty	7.3L V8 DSL	57-2530 ¹	14.9 @ 2925
E150 Econoline Club Wagon	5.4L V8 F/I	77-2570KTK ¹	17.5 @ 4101	F350 Super Duty	5.4L V8 F/I	57-2525-2 ¹	11.6 @ 4480
E250	6.8L V10 F/I	77-2570KTK ¹	17.5 @ 4101	F350 Super Duty	6.8L V10 F/I	57-2524-2 ¹	12.0 @ 4140
E250 Econoline	5.4L V8 F/I	77-2570KTK ¹	17.5 @ 4101	F350 Super Duty	7.3L V8 DSL	57-2530 ¹	14.9 @ 2925
E350 Cutaway	5.4L V8 F/I - Class C	77-2570KTK ²	17.5 @ 4101	Focus	1.8L L4 F/I	69-4000TS ²	
E350 Cutaway	6.8L V10 F/I - Class C	77-2570KTK ²	17.5 @ 4101			69-4000TB ²	
E350 Econoline Club Wagon	5.4L V8 F/I	77-2570KTK ¹	17.5 @ 4101	Focus	2.0L L4 F/I - DOHC	69-3510TP ¹	3.9 @ 2931
E350 Econoline Club Wagon	6.8L V10 F/I	77-2570KTK ¹	17.5 @ 4101			69-3510TB ¹	3.9 @ 2931
E350 Super Duty	5.4L V8 F/I	77-2570KTK ¹	17.5 @ 4101	Focus	2.0L L4 F/I - Non-US	57-2526-2 ¹	3.2 @ 5100
E350 Super Duty	6.8L V10 F/I	77-2570KTK ¹	17.5 @ 4101			69-4000TS ²	
E450 Cutaway	6.8L V10 F/I - Class C	77-2570KTK ²	17.5 @ 4101	Lobo	5.4L V8 F/I	77-2514KP ²	9.7 @ 4093
E450 Econoline Super Duty	5.4L V8 F/I	77-2570KTK ¹	17.5 @ 4101	Mustang	3.8L V6 F/I	57-2532 ¹	6.9 @ 4825
E450 Econoline Super Duty	6.8L V10 F/I	77-2570KTK ¹	17.5 @ 4101	Mustang GT	4.6L V8 F/I	69-3524TP ¹	6.8 @ 4600
E450 Motorhome	6.8L V10 F/I - Class C	77-2570KTK ²	17.5 @ 4101			63-1008 ²	4.5 @ 4216
E550 Econoline Super Duty	6.8L V10 F/I	77-2570KTK ²	17.5 @ 4101			57-2519-3 ¹	10.1 @ 4945
E550 Econoline Super Duty	6.8L V10 F/I - Class C	77-2570KTK ²	17.5 @ 4101	Mustang GT Bullitt	4.6L V8 F/I	57-2523-2 ¹	12.1 @ 5860
Escort ZX2	2.0L L4 F/I	69-3500TP ¹	4.6 @ 5700	Mustang SVT Cobra	4.6L V8 F/I	63-1008 ²	4.5 @ 4216
		69-3500TB ¹	4.6 @ 5700			57-2523-2 ¹	12.1 @ 5860
Excursion	5.4L V8 F/I	57-2525-2 ¹	11.6 @ 4480	Ranger	2.3L L4 F/I	77-2552KP ¹	6.1 @ 4498
Excursion	6.8L V10 F/I	57-2524-2 ¹	12.0 @ 4140			57-2552 ¹	6.8 @ 4874
Excursion	7.3L V8 DSL	57-2530 ¹	14.9 @ 2925	Ranger	2.5L L4 F/I	57-2540 ¹	6.6 @ 5000
Expedition	4.6L V8 F/I	77-2514KP ¹	9.7 @ 4093			57-2533 ¹	5.5 @ 4721
		57-2541 ¹	13.1 @ 4562	Ranger	4.0L V6 F/I	77-2529KP ¹	5.3 @ 5095
		57-2514-4 ¹	9.8 @ 4198			57-2529-1 ¹	6.9 @ 5244
Expedition	5.4L V8 F/I	77-2514KP ¹	9.7 @ 4093	2000 FORD			
		57-2541 ¹	13.1 @ 4562	Crown Victoria	4.6L V8 F/I	57-2544 ¹	16.9 @ 5000
		57-2514-4 ¹	9.8 @ 4198	E150 Econoline	5.4L V8 F/I	77-2570KTK ¹	17.5 @ 4101
Explorer	4.0L V6 F/I	77-2529KP ¹	5.3 @ 5095	E150 Econoline Club Wagon	5.4L V8 F/I	77-2570KTK ¹	17.5 @ 4101
		57-2529-1 ¹	6.9 @ 5244	E250	6.8L V10 F/I	77-2570KTK ¹	17.5 @ 4101
Explorer Sport	4.0L V6 F/I	77-2529KP ¹	5.3 @ 5095	E250 Econoline	5.4L V8 F/I	77-2570KTK ¹	17.5 @ 4101
		57-2529-1 ¹	6.9 @ 5244	E350 Cutaway	5.4L V8 F/I - Class C	77-2570KTK ²	17.5 @ 4101
Explorer Sport Trac	4.0L V6 F/I - From 7/00	77-2529KP ¹	5.3 @ 5095	E350 Cutaway	6.8L V10 F/I - Class C	77-2570KTK ²	17.5 @ 4101
		57-2529-1 ¹	6.9 @ 5244	E350 Econoline	5.4L V8 F/I	77-2570KTK ¹	17.5 @ 4101
Explorer Sport Trac	4.0L V6 F/I - To 7/00	57-2528 ¹	8.6 @ 5303	E350 Econoline Club Wagon	5.4L V8 F/I	77-2570KTK ¹	17.5 @ 4101
F150	4.2L V6 F/I	77-2550KP ¹	6.2 @ 4567	E350 Econoline Club Wagon	6.8L V10 F/I	77-2570KTK ¹	17.5 @ 4101
		57-2550 ¹	7.6 @ 4891	E350 Super Duty	5.4L V8 F/I	77-2570KTK ¹	17.5 @ 4101
F150	4.6L V8 F/I	77-2514KP ¹	9.7 @ 4093	E350 Super Duty	6.8L V10 F/I	77-2570KTK ¹	17.5 @ 4101
				E450 Cutaway	6.8L V10 F/I - Class C	77-2570KTK ²	17.5 @ 4101

1) Street legal in all US states. 2) Not legal for sale or use on any pollution controlled motor vehicle in California or states adopting California emission procedures. * Estimated horsepower gains are based on specific or similar vehicle dyno tests. Results will vary. See Page 482 for more information. See page 7 for information on intake tube materials/colors.



AIR INTAKE SYSTEMS

FORD

Vehicle	Engine Type	Part Number	Estimated Horsepower*	Vehicle	Engine Type	Part Number	Estimated Horsepower*
2000 FORD				2000 FORD			
E450 Econoline Super Duty	5.4L V8 F/I	77-2570KTK ¹	17.5 @ 4101	Ranger	3.0L V6 F/I	57-2533 ¹	5.5 @ 4721
E450 Econoline Super Duty	6.8L V10 F/I	77-2570KTK ¹	17.5 @ 4101	Ranger	4.0L V6 F/I	57-2527 ¹	3.2 @ 3969
E450 Motorhome	6.8L V10 F/I - Class C	77-2570KTK ²	17.5 @ 4101	Ranger	4.0L V6 F/I - OHV	77-2527KP ²	8.4 @ 4476
E550 Econoline Super Duty	6.8L V10 F/I	77-2570KTK ²	17.5 @ 4101	Ranger	4.0L V6 F/I - SOHC	77-2528KP ²	12.0 @ 4764
E550 Motorhome	6.8L V10 F/I - Class C	77-2570KTK ²	17.5 @ 4101	1999 FORD			
Escort ZX2	2.0L L4 F/I	69-3500TP ¹	4.6 @ 5700	Crown Victoria	4.6L V8 F/I	57-2544 ¹	16.9 @ 5000
		69-3500TB ¹	4.6 @ 5700	E150 Econoline	5.4L V8 F/I	77-2570KTK ¹	17.5 @ 4101
Excursion	5.4L V8 F/I	57-2525-2 ¹	11.6 @ 4480	E150 Econoline Club Wagon	5.4L V8 F/I	77-2570KTK ¹	17.5 @ 4101
Excursion	6.8L V10 F/I	57-2524-2 ¹	12.0 @ 4140	E250	6.8L V10 F/I	77-2570KTK ¹	17.5 @ 4101
Excursion	7.3L V8 DSL	57-2530 ¹	14.9 @ 2925	E250 Econoline	5.4L V8 F/I	77-2570KTK ¹	17.5 @ 4101
Expedition	4.6L V8 F/I	77-2514KP ¹	9.7 @ 4093	E350 Cutaway	5.4L V8 F/I - Class C	77-2570KTK ²	17.5 @ 4101
		57-2541 ¹	13.1 @ 4562	E350 Cutaway	6.8L V10 F/I - Class C	77-2570KTK ²	17.5 @ 4101
		57-2514-4 ¹	9.8 @ 4198	E350 Econoline	5.4L V8 F/I	77-2570KTK ¹	17.5 @ 4101
Expedition	5.4L V8 F/I	77-2514KP ¹	9.7 @ 4093	E350 Econoline Club Wagon	5.4L V8 F/I	77-2570KTK ¹	17.5 @ 4101
		57-2541 ¹	13.1 @ 4562	E350 Econoline Club Wagon	6.8L V10 F/I	77-2570KTK ¹	17.5 @ 4101
		57-2514-4 ¹	9.8 @ 4198	E350 Super Duty	5.4L V8 F/I	77-2570KTK ¹	17.5 @ 4101
Explorer	4.0L V6 F/I - OHV	77-2527KP ²	8.4 @ 4476	E350 Super Duty	6.8L V10 F/I	77-2570KTK ¹	17.5 @ 4101
		57-2527 ¹	3.2 @ 3969	E450 Cutaway	6.8L V10 F/I - Class C	77-2570KTK ²	17.5 @ 4101
Explorer	4.0L V6 F/I - SOHC	77-2528KP ²	12.0 @ 4764	E450 Econoline Super Duty	5.4L V8 F/I	77-2570KTK ¹	17.5 @ 4101
		57-2528 ¹	8.6 @ 5303	E450 Econoline Super Duty	6.8L V10 F/I	77-2570KTK ¹	17.5 @ 4101
F150	4.2L V6 F/I	77-2550KP ¹	6.2 @ 4567	E450 Motorhome	6.8L V10 F/I - Class C	77-2570KTK ²	17.5 @ 4101
		57-2550 ¹	7.6 @ 4891	E550 Econoline Super Duty	6.8L V10 F/I	77-2570KTK ²	17.5 @ 4101
F150	4.6L V8 F/I	77-2514KP ¹	9.7 @ 4093	E550 Econoline Super Duty	6.8L V10 F/I - Class C	77-2570KTK ²	17.5 @ 4101
		57-2541 ¹	13.1 @ 4562	E550 Motorhome	6.8L V10 F/I - Class C	77-2570KTK ²	17.5 @ 4101
		57-2514-4 ¹	9.8 @ 4198	Expedition	4.6L V8 F/I	77-2514KP ¹	9.7 @ 4093
F150	5.4L V8 F/I	77-2514KP ¹	9.7 @ 4093			57-2541 ¹	13.1 @ 4562
		57-2541 ¹	13.1 @ 4562	Expedition	5.4L V8 F/I	77-2514KP ¹	9.7 @ 4093
		57-2514-4 ¹	9.8 @ 4198			57-2514-4 ¹	9.8 @ 4198
F150 Harley Davidson	5.4L V8 F/I	77-2514KP ¹	9.7 @ 4093	Expedition	5.4L V8 F/I	77-2514KP ¹	9.7 @ 4093
		57-2541 ¹	13.1 @ 4562			57-2541 ¹	13.1 @ 4562
		57-2514-4 ¹	9.8 @ 4198	Explorer	4.0L V6 F/I - OHV	77-2527KP ²	8.4 @ 4476
		57-2514-4 ¹	9.8 @ 4198			57-2527 ¹	3.2 @ 3969
F150 Lightning	5.4L V8 F/I	57-2548 ¹	15.3 @ 5000	Explorer	4.0L V6 F/I - SOHC	77-2528KP ²	12.0 @ 4764
F250 Super Duty	5.4L V8 F/I	57-2525-2 ¹	11.6 @ 4480			57-2528 ¹	8.6 @ 5303
F250 Super Duty	6.8L V10 F/I	57-2524-2 ¹	12.0 @ 4140	F150	4.2L V6 F/I	77-2550KP ¹	6.2 @ 4567
F250 Super Duty	7.3L V8 DSL	57-2530 ¹	14.9 @ 2925			57-2550 ¹	7.6 @ 4891
F350 Super Duty	5.4L V8 F/I	57-2525-2 ¹	11.6 @ 4480	F150	4.6L V8 F/I	77-2514KP ¹	9.7 @ 4093
F350 Super Duty	6.8L V10 F/I	57-2524-2 ¹	12.0 @ 4140			57-2541 ¹	13.1 @ 4562
F350 Super Duty	7.3L V8 DSL	57-2530 ¹	14.9 @ 2925	F150	5.4L V8 F/I	77-2514KP ¹	9.7 @ 4093
Focus	1.8L L4 F/I	69-4000TS ²				57-2514-4 ¹	9.8 @ 4198
		69-4000TB ²		F150	5.4L V8 F/I	77-2514KP ¹	9.7 @ 4093
Focus	2.0L L4 F/I - DOHC	69-3510TP ¹	3.9 @ 2931			57-2541 ¹	13.1 @ 4562
		69-3510TB ¹	3.9 @ 2931	F150 Lightning	5.4L V8 F/I	57-2548 ¹	15.3 @ 4974
		57-2526-2 ¹	3.2 @ 5100	F250	4.6L V8 F/I	77-2514KP ¹	9.7 @ 4093
Focus	2.0L L4 F/I - Non-US	69-4000TS ²		F250	5.4L V8 F/I	77-2514KP ¹	9.7 @ 4093
		69-4000TB ²				57-2525-2 ¹	11.6 @ 4480
Mustang	3.8L V6 F/I	57-2532 ¹	6.9 @ 4820	F250 Super Duty	5.4L V8 F/I	57-2525-2 ¹	11.6 @ 4480
Mustang GT	4.6L V8 F/I	69-3524TP ¹	6.8 @ 4600	F250 Super Duty	6.8L V10 F/I	57-2524-2 ¹	12.0 @ 4140
		63-1008 ²	4.5 @ 4216	F250 Super Duty	7.3L V8 DSL - From 12/98	57-2530 ¹	14.9 @ 2925
		57-2519-3 ¹	10.1 @ 4945	F350 Super Duty	5.4L V8 F/I	57-2525-2 ¹	11.6 @ 4480
Mustang SVT Cobra	4.6L V8 F/I	63-1008 ²	4.5 @ 4216	F350 Super Duty	6.8L V10 F/I	57-2524-2 ¹	12.0 @ 4140
Ranger	2.5L L4 F/I	57-2540 ¹	6.6 @ 5000				

1) Street legal in all US states. 2) Not legal for sale or use on any pollution controlled motor vehicle in California or states adopting California emission procedures. * Estimated horsepower gains are based on specific or similar vehicle dyno tests. Results will vary. See Page 482 for more information. See page 7 for information on intake tube materials/colors.



Vehicle	Engine Type	Part Number	Estimated Horsepower*	Vehicle	Engine Type	Part Number	Estimated Horsepower*
1999 FORD				1998 FORD			
F350 Super Duty	7.3L V8 DSL - From 12/98	57-2530 ¹	14.9 @ 2925	F150	4.2L V6 F/I	57-2550 ¹	7.6 @ 4891
F450 Super Duty	6.8L V10 F/I	57-2524-2 ¹	12.0 @ 4140	F150	4.6L V8 F/I	77-2514KP ¹	9.7 @ 4093
F450 Super Duty	7.3L V8 DSL - From 12/98	57-2530 ¹	14.9 @ 2925			57-2541 ¹	13.1 @ 4562
F550 Super Duty	6.8L V10 F/I	57-2524-2 ¹	12.0 @ 4140	F150	5.4L V8 F/I	57-2514-4 ¹	9.8 @ 4198
F550 Super Duty	7.3L V8 DSL - From 12/98	57-2530 ¹	14.9 @ 2925			77-2514KP ¹	9.7 @ 4093
Focus	1.8L L4 F/I	69-4000TS ²		F250	4.6L V8 F/I	57-2541 ¹	13.1 @ 4562
		69-4000TB ²		F250	5.4L V8 F/I	57-2514-4 ¹	9.8 @ 4198
Focus	2.0L L4 F/I	69-4000TS ²				77-2514KP ¹	9.7 @ 4093
		69-4000TB ²		Focus	1.8L L4 F/I	57-2514-4 ¹	9.8 @ 4198
Mustang	3.8L V6 F/I	57-2532 ¹	6.9 @ 4825	F250	4.6L V8 F/I	69-4000TS ²	6.8 @ 4600
Mustang GT	4.6L V8 F/I	69-3524TP ¹	6.8 @ 4600	F250	5.4L V8 F/I	69-4000TB ²	4.5 @ 4216
		63-1008 ²	4.5 @ 4216	Focus	2.0L L4 F/I	69-4000TS ²	10.1 @ 4945
		57-2519-3 ¹	10.1 @ 4945			69-4000TB ²	12.1 @ 5860
Mustang SVT Cobra	4.6L V8 F/I	63-1008 ²	4.5 @ 4216	Mustang GT	4.6L V8 F/I	57-2523-2 ¹	12.1 @ 5860
		57-2523-2 ¹	12.1 @ 5860			63-1008 ²	4.5 @ 4216
Ranger	2.5L L4 F/I	57-2540 ¹	6.6 @ 5000	Mustang SVT Cobra	4.6L V8 F/I	57-2519-3 ¹	10.1 @ 4945
Ranger	3.0L V6 F/I	57-2533 ¹	5.5 @ 4721			63-1008 ²	4.5 @ 4216
Ranger	4.0L V6 F/I	57-2527 ¹	3.2 @ 3969	Ranger	2.5L L4 F/I	57-2523-2 ¹	12.1 @ 5860
Ranger	4.0L V6 F/I - OHV	77-2527KP ²	8.4 @ 4476	Ranger	3.0L V6 F/I	57-2540 ¹	6.6 @ 5000
Ranger	4.0L V6 F/I - SOHC	77-2528KP ²	12.0 @ 4764	Ranger	4.0L V6 F/I - OHV	57-2533 ¹	5.5 @ 4721
				Ranger	4.0L V6 F/I - OHV	77-2527KP ²	8.4 @ 4476
						57-2527 ¹	3.2 @ 3970
				Ranger	4.0L V6 F/I - SOHC	77-2528KP ²	12.0 @ 4764
1998 FORD				1997 FORD			
E150 Econoline	5.4L V8 F/I	77-2570KTK ¹	17.5 @ 4101	E150 Econoline	5.4L V8 F/I	77-2570KTK ¹	17.5 @ 4101
E150 Econoline Club Wagon	5.4L V8 F/I	77-2570KTK ¹	17.5 @ 4101	E150 Econoline Club Wagon	5.4L V8 F/I	77-2570KTK ¹	17.5 @ 4101
E250	6.8L V10 F/I	77-2570KTK ¹	17.5 @ 4101	E250	6.8L V10 F/I	77-2570KTK ¹	17.5 @ 4101
E250 Econoline	5.4L V8 F/I	77-2570KTK ¹	17.5 @ 4101	E250 Econoline	5.4L V8 F/I	77-2570KTK ¹	17.5 @ 4101
E350 Cutaway	5.4L V8 F/I - Class C	77-2570KTK ²	17.5 @ 4101	E350 Cutaway	5.4L V8 F/I - Class C	77-2570KTK ²	17.5 @ 4101
E350 Cutaway	6.8L V10 F/I - Class C	77-2570KTK ²	17.5 @ 4101	E350 Cutaway	6.8L V10 F/I - Class C	77-2570KTK ²	17.5 @ 4101
E350 Econoline	5.4L V8 F/I	77-2570KTK ¹	17.5 @ 4101	E350 Econoline	5.4L V8 F/I	77-2570KTK ¹	17.5 @ 4101
E350 Econoline	6.8L V10 F/I	77-2570KTK ¹	17.5 @ 4101	E350 Econoline	6.8L V10 F/I	77-2570KTK ¹	17.5 @ 4101
E350 Econoline	5.4L V8 F/I	77-2570KTK ¹	17.5 @ 4101	E350 Econoline	5.4L V8 F/I	77-2570KTK ¹	17.5 @ 4101
E350 Econoline Club Wagon	6.8L V10 F/I	77-2570KTK ¹	17.5 @ 4101	E350 Econoline Club Wagon	6.8L V10 F/I	77-2570KTK ¹	17.5 @ 4101
E350 Econoline Club Wagon	5.4L V8 F/I	77-2570KTK ¹	17.5 @ 4101	E350 Econoline Club Wagon	5.4L V8 F/I	77-2570KTK ¹	17.5 @ 4101
E450 Cutaway	6.8L V10 F/I - Class C	77-2570KTK ²	17.5 @ 4101	E350 Econoline Club Wagon	6.8L V10 F/I	77-2570KTK ¹	17.5 @ 4101
E450 Econoline Super Duty	5.4L V8 F/I	77-2570KTK ¹	17.5 @ 4101	E450 Cutaway	6.8L V10 F/I - Class C	77-2570KTK ²	17.5 @ 4101
E450 Econoline Super Duty	6.8L V10 F/I	77-2570KTK ¹	17.5 @ 4101	E450 Econoline Super Duty	5.4L V8 F/I	77-2570KTK ¹	17.5 @ 4101
E450 Motorhome	6.8L V10 F/I - Class C	77-2570KTK ²	17.5 @ 4101	E450 Econoline Super Duty	6.8L V10 F/I	77-2570KTK ¹	17.5 @ 4101
E550 Econoline Super Duty	6.8L V10 F/I	77-2570KTK ²	17.5 @ 4101	E450 Econoline Super Duty	6.8L V10 F/I - Class C	77-2570KTK ²	17.5 @ 4101
E550 Motorhome	6.8L V10 F/I - Class C	77-2570KTK ²	17.5 @ 4101	E450 Motorhome	6.8L V10 F/I - Class C	77-2570KTK ²	17.5 @ 4101
Expedition	4.6L V8 F/I	77-2514KP ¹	9.7 @ 4093	E550 Econoline Super Duty	6.8L V10 F/I	77-2570KTK ²	17.5 @ 4101
		57-2541 ¹	13.1 @ 4562	E550 Motorhome	6.8L V10 F/I - Class C	77-2570KTK ²	17.5 @ 4101
		57-2514-4 ¹	9.8 @ 4198	Expedition	4.6L V8 F/I	77-2514KP ¹	9.7 @ 4093
Expedition	5.4L V8 F/I	77-2514KP ¹	9.7 @ 4093			57-2541 ¹	13.1 @ 4562
		57-2541 ¹	13.1 @ 4562	Expedition	5.4L V8 F/I	57-2514-4 ¹	9.8 @ 4198
		57-2514-4 ¹	9.8 @ 4198			77-2514KP ¹	9.7 @ 4093
Explorer	4.0L V6 F/I - OHV	77-2527KP ²	8.4 @ 4476	Expedition	4.0L V6 F/I - OHV	57-2541 ¹	13.1 @ 4562
		57-2527 ¹	3.2 @ 3969			57-2514-4 ¹	9.8 @ 4198
Explorer	4.0L V6 F/I - SOHC	77-2528KP ²	12.0 @ 4764	Explorer	4.0L V6 F/I - OHV	77-2527KP ²	8.4 @ 4476
		57-2528 ¹	8.6 @ 5303			57-2536 ¹	5.9 @ 4202
F150	4.2L V6 F/I	77-2550KP ¹	6.2 @ 4567			57-2513-1 ¹	

1) Street legal in all US states. 2) Not legal for sale or use on any pollution controlled motor vehicle in California or states adopting California emission procedures. * Estimated horsepower gains are based on specific or similar vehicle dyno tests. Results will vary. See Page 482 for more information. See page 7 for information on intake tube materials/colors.



AIR INTAKE SYSTEMS

FORD

Vehicle	Engine Type	Part Number	Estimated Horsepower*	Vehicle	Engine Type	Part Number	Estimated Horsepower*
1997 FORD				1996 FORD			
Explorer	4.0L V6 F/I - OHV, w/Panel Filter	57-2527 ¹	3.2 @ 3969	F150	5.8L V8 F/I - w/Mass Air	57-2543 ¹	10.2 @ 4201
Explorer	4.0L V6 F/I - SOHC	77-2528KP ²	12.0 @ 4764	F150		57-2510-1 ¹	9.7 @ 4313
Explorer	5.0L V8 F/I - w/Round Filter	57-2528 ¹	8.6 @ 5303	F150	5.8L V8 F/I - w/o Mass Air	63-1014 ²	9.4 @ 3787
F150	4.2L V6 F/I	57-2513-1 ¹		F250	4.9L L6 F/I - w/Mass Air	57-2510-1 ¹	9.7 @ 4313
F150	4.6L V8 F/I	77-2550KP ¹	6.2 @ 4567	F250	4.9L L6 F/I - w/o Mass Air	63-1014 ²	9.4 @ 3787
F150		57-2550 ¹	7.6 @ 4891	F250	5.0L V8 F/I - w/Mass Air	57-2510-1 ¹	9.7 @ 4313
F150		77-2514KP ¹	9.7 @ 4093	F250	5.0L V8 F/I - w/o Mass Air	63-1014 ²	9.4 @ 3787
F150		57-2541 ¹	13.1 @ 4562	F250	5.8L V8 F/I - w/Mass Air	57-2510-1 ¹	9.7 @ 4313
F150		57-2514-4 ¹	9.8 @ 4198	F250	5.8L V8 F/I - w/o Mass Air	63-1014 ²	9.4 @ 3787
F150		77-2514KP ¹	9.7 @ 4093	F250	7.3L V8 DSL	57-2531 ¹	9.8 @ 3022
F150		57-2541 ¹	13.1 @ 4562	F250	7.5L V8 F/I - w/Mass Air	57-2516 ¹	
F150		57-2514-4 ¹	9.8 @ 4198	F250	7.5L V8 F/I - w/o Mass Air	63-1014 ²	9.4 @ 3787
F250	4.6L V8 F/I	77-2514KP ¹	9.7 @ 4093	F250	4.9L L6 F/I - w/Mass Air	57-2510-1 ¹	9.7 @ 4313
F250		57-2541 ¹	9.8 @ 4198	F250	4.9L L6 F/I - w/o Mass Air	63-1014 ²	9.4 @ 3787
F250		77-2514KP ¹	9.7 @ 4093	F350	5.8L V8 F/I - w/Mass Air	57-2510-1 ¹	9.7 @ 4313
F250		57-2514-4 ¹	9.8 @ 4198	F350	5.8L V8 F/I - w/o Mass Air	63-1014 ²	9.4 @ 3787
F250		57-2531 ¹	9.8 @ 3022	F350	7.3L V8 DSL	57-2531 ¹	9.8 @ 3022
F250		57-2516 ¹	9.8 @ 3787	F350	7.5L V8 F/I - w/Mass Air	57-2516 ¹	
F250		63-1014 ²	9.8 @ 3787	F350	7.5L V8 F/I - w/o Mass Air	63-1014 ²	9.4 @ 3787
F350		57-2531 ¹	9.8 @ 3022	F350	4.6L V8 F/I	69-3524TP ¹	6.8 @ 4600
F350		57-2516 ¹	9.8 @ 3022	F350		63-1008 ²	4.5 @ 4216
F350		63-1014 ²	9.4 @ 3787	Mustang GT		57-2519-3 ¹	10.1 @ 4945
Mustang GT	4.6L V8 F/I	69-3524TP ¹	6.8 @ 4600	Mustang SVT Cobra	4.6L V8 F/I	63-1008 ²	4.5 @ 4216
		63-1008 ²	4.5 @ 4216			57-2523-2 ¹	12.1 @ 5860
		57-2519-3 ¹	10.1 @ 4945	Probe	2.5L V6 F/I - US	57-2507 ¹	
Mustang SVT Cobra	4.6L V8 F/I	63-1008 ²	4.5 @ 4216	Ranger	2.3L L4 F/I - w/Manual Trans.	57-2535 ¹	6.1 @ 5200
		57-2523-2 ¹	12.1 @ 5860	Ranger	4.0L V6 F/I	77-2527KP ²	8.4 @ 4476
Probe	2.5L V6 F/I - US	57-2507 ¹		Ranger	4.0L V6 F/I - w/Panel Filter	57-2527 ¹	3.2 @ 3969
Ranger	2.3L L4 F/I - w/Manual Trans.	57-2535 ¹	6.1 @ 5200	Ranger	4.0L V6 F/I - w/Round Filter	57-2513-1 ¹	
Ranger	4.0L V6 F/I	77-2527KP ²	8.4 @ 4476	Thunderbird	3.8L V6 F/I	57-2505-1 ¹	4.7 @ 3418
Ranger	4.0L V6 F/I - w/Panel Filter	57-2527 ¹	3.2 @ 3969	Thunderbird	4.6L V8 F/I	57-2505-1 ¹	4.7 @ 3418
Ranger	4.0L V6 F/I - w/Round Filter	57-2513-1 ¹		1995 FORD			
Thunderbird	3.8L V6 F/I	57-2505-1 ¹	4.7 @ 3418	Bronco	5.0L V8 F/I - w/Mass Air	57-2543 ¹	10.2 @ 4201
Thunderbird	4.6L V8 F/I	57-2505-1 ¹	4.7 @ 3418	Bronco		57-2510-1 ¹	9.7 @ 4313
1996 FORD				Bronco	5.0L V8 F/I - w/o Mass Air	57-2542 ¹	9.3 @ 3696
Bronco	5.0L V8 F/I - w/Mass Air	57-2543 ¹	10.2 @ 4201			57-2503 ¹	5.3 @ 3654
Bronco		57-2510-1 ¹	9.7 @ 4313	Bronco	5.8L V8 F/I - w/Mass Air	57-2543 ¹	10.2 @ 4201
Bronco	5.0L V8 F/I - w/o Mass Air	63-1014 ²	9.4 @ 3787	Bronco		57-2510-1 ¹	9.7 @ 4313
Bronco	5.8L V8 F/I - w/Mass Air	57-2543 ¹	10.2 @ 4201	Bronco	5.8L V8 F/I - w/o Mass Air	57-2542 ¹	9.3 @ 3696
Bronco		57-2510-1 ¹	9.7 @ 4313			57-2503 ¹	5.3 @ 3654
Bronco	5.8L V8 F/I - w/o Mass Air	63-1014 ²	9.4 @ 3787	Escort GT	1.8L L4 F/I	57-2500 ¹	
Explorer	4.0L V6 F/I	57-2536 ¹	5.9 @ 4202	Explorer	4.0L V6 F/I	57-2536 ¹	5.9 @ 4202
Explorer		57-2513-1 ¹				57-2513-1 ¹	
Explorer	5.0L V8 F/I	57-2513-1 ¹		F150	4.9L L6 F/I - w/Mass Air	57-2510-1 ¹	9.7 @ 4313
F150	4.9L L6 F/I - w/Mass Air	57-2510-1 ¹	9.7 @ 4313	F150	4.9L L6 F/I - w/o Mass Air	57-2503 ¹	5.3 @ 3654
F150	4.9L L6 F/I - w/o Mass Air	63-1014 ²	9.4 @ 3787	F150	5.0L V8 F/I - w/Mass Air	57-2543 ¹	10.2 @ 4201
F150	5.0L V8 F/I - w/Mass Air	57-2543 ¹	10.2 @ 4201			57-2510-1 ¹	9.7 @ 4313
F150		57-2510-1 ¹	9.7 @ 4313	F150	5.0L V8 F/I - w/o Mass Air	57-2542 ¹	9.3 @ 3696
F150	5.0L V8 F/I - w/o Mass Air	63-1014 ²	9.4 @ 3787				

1) Street legal in all US states. 2) Not legal for sale or use on any pollution controlled motor vehicle in California or states adopting California emission procedures. * Estimated horsepower gains are based on specific or similar vehicle dyno tests. Results will vary. See Page 482 for more information. See page 7 for information on intake tube materials/colors.



Vehicle	Engine Type	Part Number	Estimated Horsepower*	Vehicle	Engine Type	Part Number	Estimated Horsepower*
1995 FORD				1994 FORD			
F150	5.0L V8 F/I - w/o Mass Air	57-2503 ¹	5.3 @ 3654	F250	4.9L L6 F/I - w/o Mass Air	57-2503 ¹	5.3 @ 3654
F150	5.8L V8 F/I - w/Mass Air	57-2543 ¹ 57-2510-1 ¹	10.2 @ 4201 9.7 @ 4313	F250	5.0L V8 F/I - w/o Mass Air	57-2503 ¹	5.3 @ 3654
F150	5.8L V8 F/I - w/o Mass Air	57-2542 ¹ 57-2503 ¹	9.3 @ 3696 5.3 @ 3654	F250	5.8L V8 F/I - w/o Mass Air	57-2503 ¹	5.3 @ 3654
F150 Lightning	5.8L V8 F/I	57-2517 ¹	6.3 @ 4296	F250	7.3L V8 DSL - VIN F	57-2531 ¹	9.8 @ 3022
F250	4.9L L6 F/I - w/o Mass Air	57-2503 ¹	5.3 @ 3654	F250	7.5L V8 F/I - w/o Mass Air	57-2503 ¹	5.3 @ 3654
F250	4.9L V8 F/I - w/o Mass Air	57-2503 ¹	5.3 @ 3654	F350	4.9L L6 F/I - w/o Mass Air	57-2503 ¹	5.3 @ 3654
F250	5.0L V8 F/I - w/o Mass Air	57-2503 ¹	5.3 @ 3654	F350	5.8L V8 F/I - w/o Mass Air	57-2503 ¹	5.3 @ 3654
F250	5.8L V8 F/I - w/Mass Air	57-2543 ¹ 57-2510-1 ¹	10.2 @ 4201 9.7 @ 4313	F350	7.3L V8 DSL - VIN F	57-2531 ¹	9.8 @ 3022
F250	5.8L V8 F/I - w/o Mass Air	57-2503 ¹	5.3 @ 3654	F350	7.5L V8 F/I - w/o Mass Air	57-2503 ¹	5.3 @ 3654
F250	7.3L V8 DSL	57-2531 ¹	9.8 @ 3022	Mustang GT	5.0L V8 F/I	57-2511 ¹	13.0 @ 4800
F250	7.5L V8 F/I - w/o Mass Air	57-2503 ¹	5.3 @ 3654	Mustang SVT Cobra Probe	5.0L V8 F/I	57-2511 ¹	13.0 @ 4801
F350	4.9L L6 F/I - w/o Mass Air	57-2503 ¹	5.3 @ 3654	Thunderbird	2.5L V6 F/I - US	57-2507 ¹	
F350	5.8L V8 F/I - w/Mass Air	57-2543 ¹ 57-2510-1 ¹	10.2 @ 4201 9.7 @ 4313	Thunderbird	3.8L V6 F/I - Exc. S/C	57-2505-1 ¹	4.7 @ 3418
F350	5.8L V8 F/I - w/o Mass Air	57-2503 ¹	5.3 @ 3654	Thunderbird	4.6L V8 F/I	57-2505-1 ¹	4.7 @ 3418
F350	7.3L V8 DSL	57-2531 ¹	9.8 @ 3022	1993 FORD			
F350	7.5L V8 F/I - w/o Mass Air	57-2503 ¹	5.3 @ 3654	Bronco	5.0L V8 F/I	57-2542 ¹ 57-2503 ¹	9.3 @ 3696 5.3 @ 3654
Mustang	5.0L V8 F/I	57-2511 ¹	13.0 @ 4801	Bronco	5.8L V8 F/I	57-2542 ¹ 57-2503 ¹	9.3 @ 3696 5.3 @ 3654
Mustang SVT Cobra Probe	5.0L V8 F/I	57-2511 ¹	13.0 @ 4801	Escort GT	1.8L L4 F/I	57-2500 ¹	
Ranger	2.5L V6 F/I - US	57-2507 ¹		F150	4.9L L6 F/I	57-2503 ¹	5.3 @ 3654
Ranger	2.3L L4 F/I - w/Manual Trans.	57-2535 ¹	6.1 @ 5200	F150	5.0L V8 F/I	57-2542 ¹ 57-2503 ¹	9.3 @ 3696 5.3 @ 3654
Ranger	4.0L V6 F/I	57-2513-1 ¹		F150	5.8L V8 F/I	57-2503 ¹	5.3 @ 3654
Thunderbird	3.8L V6 F/I - Exc. S/C	57-2505-1 ¹	4.7 @ 3418	F150 Lightning	5.8L V8 F/I	57-2517 ¹	6.3 @ 4296
Thunderbird	4.6L V8 F/I	57-2505-1 ¹	4.7 @ 3418	F250	5.8L V8 F/I	57-2503 ¹	5.3 @ 3654
1994 FORD				F250	7.5L V8 F/I	57-2503 ¹	5.3 @ 3654
Bronco	5.0L V8 F/I - w/Mass Air	57-2543 ¹ 57-2510-1 ¹	10.2 @ 4201 9.7 @ 4313	F350	5.8L V8 F/I	57-2503 ¹	5.3 @ 3654
Bronco	5.0L V8 F/I - w/o Mass Air	57-2542 ¹ 57-2503 ¹	9.3 @ 3696 5.3 @ 3654	F350	7.5L V8 F/I	57-2503 ¹	5.3 @ 3654
Bronco	5.8L V8 F/I - w/o Mass Air	57-2542 ¹ 57-2503 ¹	9.3 @ 3696 5.3 @ 3654	F350	7.5L V8 F/I	57-2503 ¹	5.3 @ 3654
Escort GT	1.8L L4 F/I	57-2500 ¹		F350	5.0L V8 F/I	57-2502 ¹	6.8 @ 4706
F150	4.9L L6 F/I - w/o Mass Air	57-2503 ¹	5.3 @ 3654	Mustang	5.0L V8 F/I	57-2502 ¹	6.8 @ 4706
F150	5.0L V8 F/I - w/Mass Air	57-2543 ¹ 57-2510-1 ¹	10.2 @ 4201 9.7 @ 4313	Probe	2.5L V6 F/I	57-2507 ¹	
F150	5.0L V8 F/I - w/o Mass Air	57-2542 ¹ 57-2503 ¹	9.3 @ 3696 5.3 @ 3654	Thunderbird	3.8L V6 F/I - Exc. S/C	57-2505-1 ¹	4.7 @ 3418
F150	5.8L V8 F/I - w/o Mass Air	57-2542 ¹ 57-2503 ¹	9.3 @ 3696 5.3 @ 3654	Thunderbird	5.0L V8 F/I	57-2505-1 ¹	4.7 @ 3418
F150	5.8L V8 F/I - w/o Mass Air	57-2542 ¹ 57-2503 ¹	9.3 @ 3696 5.3 @ 3654	1992 FORD			
F150 Lightning	5.8L V8 F/I	57-2517 ¹	6.3 @ 4296	Bronco	4.9L L6 F/I	57-2503 ¹	5.3 @ 3654

1) Street legal in all US states. 2) Not legal for sale or use on any pollution controlled motor vehicle in California or states adopting California emission procedures. * Estimated horsepower gains are based on specific or similar vehicle dyno tests. Results will vary. See Page 482 for more information. See page 7 for information on intake tube materials/colors.



AIR INTAKE SYSTEMS

FORD

Vehicle	Engine Type	Part Number	Estimated Horsepower*	Vehicle	Engine Type	Part Number	Estimated Horsepower*
1992 FORD				1989 FORD			
Thunderbird	3.8L V6 F/I - Exc. S/C	57-2505-1 ¹	4.7 @ 3418	F150	5.8L V8 F/I - w/o Mass Air	57-2503 ¹	5.3 @ 3654
Thunderbird	5.0L V8 F/I	57-2505-1 ¹	4.7 @ 3418	F250	4.9L L6 F/I - w/o Mass Air	57-2503 ¹	5.3 @ 3654
1991 FORD				1988 FORD			
Bronco	4.9L L6 F/I	57-2503 ¹	5.3 @ 3654	Bronco	4.9L L6 F/I - w/o Mass Air	57-2503 ¹	5.3 @ 3654
Bronco	5.0L V8 F/I	57-2542 ¹	9.3 @ 3696	Bronco	5.0L V8 F/I - w/o Mass Air	57-2542 ¹	9.3 @ 3696
Bronco	5.8L V8 F/I	57-2503 ¹	5.3 @ 3654	Bronco	5.8L V8 F/I - w/o Mass Air	57-2503 ¹	5.3 @ 3654
Bronco	5.8L V8 F/I	57-2542 ¹	9.3 @ 3696	Bronco	5.8L V8 F/I - w/o Mass Air	57-2542 ¹	9.3 @ 3696
Bronco	5.8L V8 F/I	57-2503 ¹	5.3 @ 3654	Bronco	5.8L V8 F/I - w/o Mass Air	57-2503 ¹	5.3 @ 3654
Escort GT	1.8L L4 F/I	57-2500 ¹		Bronco	7.5L V8 F/I - w/o Mass Air	57-2503 ¹	5.3 @ 3654
F150	4.9L L6 F/I	57-2503 ¹	5.3 @ 3654	Bronco	7.5L V8 F/I - w/o Mass Air	57-2503 ¹	5.3 @ 3654
F150	5.0L V8 F/I	57-2542 ¹	9.3 @ 3696	Bronco	5.0L V8 F/I - w/o Mass Air	57-2503 ¹	5.3 @ 3654
F150	5.8L V8 F/I	57-2503 ¹	5.3 @ 3654	Bronco	5.8L V8 F/I - w/o Mass Air	57-2503 ¹	5.3 @ 3654
F150	5.8L V8 F/I	57-2542 ¹	9.3 @ 3696	Bronco	7.5L V8 F/I - w/o Mass Air	57-2503 ¹	5.3 @ 3654
F150	5.8L V8 F/I	57-2503 ¹	5.3 @ 3654	Bronco	7.5L V8 F/I - w/o Mass Air	57-2503 ¹	5.3 @ 3654
F250	4.9L L6 F/I	57-2503 ¹	5.3 @ 3654	Bronco	5.0L V8 F/I	57-2502 ¹	6.8 @ 4706
F250	5.8L V8 F/I	57-2503 ¹	5.3 @ 3654	Bronco	5.8L V8 F/I - w/o Mass Air	57-2542 ¹	9.3 @ 3696
F250	7.5L V8 F/I	57-2503 ¹	5.3 @ 3654	Bronco	5.8L V8 F/I - w/o Mass Air	57-2503 ¹	5.3 @ 3654
F350	5.8L V8 F/I	57-2503 ¹	5.3 @ 3654	Bronco	7.5L V8 F/I - w/o Mass Air	57-2503 ¹	5.3 @ 3654
F350	7.5L V8 F/I	57-2503 ¹	5.3 @ 3654	Bronco	7.5L V8 F/I - w/o Mass Air	57-2503 ¹	5.3 @ 3654
Mustang	5.0L V8 F/I	57-2502 ¹	6.8 @ 4706	Bronco	5.0L V8 F/I - w/o Mass Air	57-2503 ¹	5.3 @ 3654
Thunderbird	3.8L V6 F/I - Exc. S/C	57-2505-1 ¹	4.7 @ 3418	Bronco	5.8L V8 F/I - w/o Mass Air	57-2542 ¹	9.3 @ 3696
Thunderbird	5.0L V8 F/I	57-2505-1 ¹	4.7 @ 3418	Bronco	5.8L V8 F/I - w/o Mass Air	57-2503 ¹	5.3 @ 3654
1990 FORD				1987 FORD			
Bronco	4.9L L6 F/I	57-2503 ¹	5.3 @ 3654	Mustang	5.0L V8 F/I	57-2501 ¹	
Bronco	5.0L V8 F/I	57-2542 ¹	9.3 @ 3696	1986 FORD			
Bronco	5.8L V8 F/I	57-2503 ¹	5.3 @ 3654	Mustang	5.0L V8 F/I	57-2501 ¹	
Bronco	5.8L V8 F/I	57-2542 ¹	9.3 @ 3696	2020 GENESIS			
Bronco	5.8L V8 F/I	57-2503 ¹	5.3 @ 3654	G70	2.0L L4 F/I	69-5320TS ²	5.4 @ 5799
F150	4.9L L6 F/I	57-2503 ¹	5.3 @ 3654				
F150	5.0L V8 F/I	57-2542 ¹	9.3 @ 3696				
F150	5.8L V8 F/I	57-2503 ¹	5.3 @ 3654				
F150	5.8L V8 F/I	57-2542 ¹	9.3 @ 3696				

1) Street legal in all US states. 2) Not legal for sale or use on any pollution controlled motor vehicle in California or states adopting California emission procedures. * Estimated horsepower gains are based on specific or similar vehicle dyno tests. Results will vary. See Page 482 for more information. See page 7 for information on intake tube materials/colors.



Vehicle	Engine Type	Part Number	Estimated Horsepower*	Vehicle	Engine Type	Part Number	Estimated Horsepower*
2019 GENESIS				2019 GMC			
G70	2.0L L4 F/I	69-5320TS ²	5.4 @ 5799	Sierra 1500	6.2L V8 F/I	71-3110 ²	12.8 @ 5000
2020 GMC						63-3110 ²	17.3 @ 5000
Acadia	3.6L V6 F/I	63-3115 ²	12.5 @ 6114			63-3109 ²	15.7 @ 5200
Canyon	2.5L L4 F/I	77-3089KP ²	12.4 @ 5105			57-3108 ²	10.9 @ 5038
		63-3089 ²	9.9 @ 5310	Sierra 1500 Limited	5.3L V8 F/I	77-3082KP ²	10.2 @ 4996
Canyon	3.6L V6 F/I	77-3104KP ²	14.5 @ 6498			71-3082 ²	8.3 @ 5338
		71-3104 ²	11.0 @ 6498			63-3082 ²	10.7 @ 5341
		63-3104 ²	7.8 @ 6547	Sierra 2500 HD	6.0L V8 F/I	77-3090KTK ²	7.6 @ 4450
		57-3104 ²	5.0 @ 6303	Sierra 2500 HD	6.6L V8 DSL	77-3101KP ²	15.2 @ 2500
Sierra 1500	4.3L V6 F/I	63-3117 ²	16.6 @ 4226			63-3101 ²	10.4 @ 2600
		63-3116 ²	9.8 @ 3660	Sierra 3500 HD	6.0L V8 F/I	77-3090KTK ²	7.6 @ 4450
Sierra 1500	5.3L V8 F/I	77-3110KP ²	18.7 @ 5000	Sierra 3500 HD	6.6L V8 DSL	77-3101KP ²	15.2 @ 2500
		71-3110 ²	12.8 @ 5000			63-3101 ²	10.4 @ 2600
		63-3110 ²	17.3 @ 5000	Yukon	5.3L V8 F/I	77-3082KP ²	10.2 @ 4996
		63-3109 ²	15.7 @ 5200			71-3082 ²	8.3 @ 5338
		57-3108 ²	10.9 @ 5038			63-3082 ²	10.7 @ 5341
Sierra 1500	6.2L V8 F/I	77-3110KP ²	18.7 @ 5000			57-3098 ²	5.1 @ 5250
		71-3110 ²	12.8 @ 5000	Yukon	6.2L V8 F/I	77-3082KP ²	10.2 @ 4996
		63-3110 ²	17.3 @ 5000			71-3082 ²	8.3 @ 5338
		63-3109 ²	15.7 @ 5200			63-3082 ²	10.7 @ 5341
		57-3108 ²	10.9 @ 5038	Yukon Denali	6.2L V8 F/I	77-3082KP ²	10.2 @ 4996
Yukon	5.3L V8 F/I	77-3082KP ²	10.2 @ 4996			71-3082 ²	8.3 @ 5338
		71-3082 ²	8.3 @ 5338			63-3082 ²	10.7 @ 5341
		63-3082 ²	10.7 @ 5341	Yukon Denali XL	6.2L V8 F/I	77-3082KP ²	10.2 @ 4996
		57-3098 ²	5.1 @ 5250			71-3082 ²	8.3 @ 5338
Yukon	6.2L V8 F/I	77-3082KP ²	10.2 @ 4996			63-3082 ²	10.7 @ 5341
		71-3082 ²	8.3 @ 5338	Yukon XL	5.3L V8 F/I	77-3082KP ²	10.2 @ 4996
		63-3082 ²	10.7 @ 5341			71-3082 ²	8.3 @ 5338
		57-3098 ²	5.1 @ 5250	Yukon XL	6.2L V8 F/I	77-3082KP ²	10.2 @ 4996
Yukon XL	5.3L V8 F/I	77-3082KP ²	10.2 @ 4996			71-3082 ²	8.3 @ 5338
		71-3082 ²	8.3 @ 5338			63-3082 ²	10.7 @ 5341
		63-3082 ²	10.7 @ 5341			77-3082KP ²	10.2 @ 4996
		57-3098 ²	5.1 @ 5250			71-3082 ²	8.3 @ 5338
Yukon XL	6.2L V8 F/I	77-3082KP ²	10.2 @ 4996			63-3082 ²	10.7 @ 5341
		71-3082 ²	8.3 @ 5338	2018 GMC			
		63-3082 ²	10.7 @ 5341	Acadia	3.6L V6 F/I	63-3115 ²	12.5 @ 6114
		57-3098 ²	5.1 @ 5250	Canyon	2.5L L4 F/I	77-3089KP ²	12.4 @ 5105
2019 GMC						63-3089 ²	9.9 @ 5310
Acadia	3.6L V6 F/I	63-3115 ²	12.5 @ 6114	Canyon	2.8L L4 DSL	57-3107 ²	4.7 @ 5494
Canyon	2.5L L4 F/I	77-3089KP ²	12.4 @ 5105	Canyon	3.6L V6 F/I	63-3095 ²	8.1 @ 3200
		63-3089 ²	9.9 @ 5310			77-3104KP ²	14.5 @ 6498
		57-3107 ²	4.7 @ 5494			71-3104 ²	11.0 @ 6498
Canyon	2.8L L4 DSL	63-3095 ²	8.1 @ 3200			63-3104 ²	7.8 @ 6547
Canyon	3.6L V6 F/I	77-3104KP ²	14.5 @ 6498	Sierra 1500	4.3L V6 F/I	57-3104 ²	5.0 @ 6303
		71-3104 ²	11.0 @ 6498			77-3085KP ²	10.0 @ 5285
		63-3104 ²	7.8 @ 6547			63-3085 ²	10.2 @ 5245
		57-3104 ²	5.0 @ 6303	Sierra 1500	5.3L V8 F/I - Exc. Hybrid	57-3103 ²	7.5 @ 5250
Sierra 1500	4.3L V6 F/I	63-3117 ²	16.6 @ 4226			77-3082KP ²	10.2 @ 4996
		63-3116 ²	9.8 @ 3660			71-3082 ²	8.3 @ 5338
Sierra 1500	5.3L V8 F/I	77-3110KP ²	18.7 @ 5000			63-3082 ²	10.7 @ 5341
		71-3110 ²	12.8 @ 5000			57-3098 ²	5.1 @ 5250
		63-3110 ²	17.3 @ 5000	Sierra 1500	6.2L V8 F/I	77-3082KP ²	10.2 @ 4996
		63-3109 ²	15.7 @ 5200			71-3082 ²	8.3 @ 5338
		57-3108 ²	10.9 @ 5038				
Sierra 1500	6.2L V8 F/I	77-3110KP ²	18.7 @ 5000				

1) Street legal in all US states. 2) Not legal for sale or use on any pollution controlled motor vehicle in California or states adopting California emission procedures. * Estimated horsepower gains are based on specific or similar vehicle dyno tests. Results will vary. See Page 482 for more information. See page 7 for information on intake tube materials/colors.



AIR INTAKE SYSTEMS

GMC

Vehicle	Engine Type	Part Number	Estimated Horsepower*	Vehicle	Engine Type	Part Number	Estimated Horsepower*
2018 GMC				2017 GMC			
Sierra 1500	6.2L V8 F/I	63-3082 ²	10.7 @ 5341	Sierra 2500 HD	6.0L V8 F/I	77-3090KTK ²	7.6 @ 4450
		57-3098 ²	5.1 @ 5250	Sierra 2500 HD	6.6L V8 DSL	77-3101KP ²	15.2 @ 2500
Sierra 2500 HD	6.0L V8 F/I	77-3090KTK ²	7.6 @ 4450			63-3101 ²	10.4 @ 2600
Sierra 2500 HD	6.6L V8 DSL	77-3101KP ²	15.2 @ 2500	Sierra 3500 HD	6.0L V8 F/I	77-3090KTK ²	7.6 @ 4450
		63-3101 ²	10.4 @ 2600	Sierra 3500 HD	6.6L V8 DSL	77-3101KP ²	15.2 @ 2500
Sierra 3500 HD	6.0L V8 F/I	77-3090KTK ²	7.6 @ 4450			63-3101 ²	10.4 @ 2600
Sierra 3500 HD	6.6L V8 DSL	77-3101KP ²	15.2 @ 2500	Terrain	2.4L L4 F/I	77-3071KS ²	9.3 @ 4600
		63-3101 ²	10.4 @ 2600	Yukon	5.3L V8 F/I	77-3082KP ²	10.2 @ 4996
Yukon	5.3L V8 F/I	77-3082KP ²	10.2 @ 4996			71-3082 ²	8.3 @ 5338
		71-3082 ²	8.3 @ 5338			63-3082 ²	10.7 @ 5341
		63-3082 ²	10.7 @ 5341	Yukon Denali	6.2L V8 F/I	77-3082KP ²	10.2 @ 4996
		57-3098 ²	5.1 @ 5250			71-3082 ²	8.3 @ 5338
Yukon	6.2L V8 F/I	77-3082KP ²	10.2 @ 4996			63-3082 ²	10.7 @ 5341
		71-3082 ²	8.3 @ 5338	Yukon Denali XL	6.2L V8 F/I	77-3082KP ²	10.2 @ 4996
		63-3082 ²	10.7 @ 5341			71-3082 ²	8.3 @ 5338
Yukon Denali	6.2L V8 F/I	77-3082KP ²	10.2 @ 4996			63-3082 ²	10.7 @ 5341
		71-3082 ²	8.3 @ 5338	Yukon XL	5.3L V8 F/I	77-3082KP ²	10.2 @ 4996
		63-3082 ²	10.7 @ 5341			71-3082 ²	8.3 @ 5338
		57-3098 ²	5.1 @ 5250			63-3082 ²	10.7 @ 5341
Yukon Denali XL	6.2L V8 F/I	77-3082KP ²	10.2 @ 4996			57-3098 ²	5.1 @ 5250
		71-3082 ²	8.3 @ 5338	2016 GMC			
		63-3082 ²	10.7 @ 5341	Canyon	2.5L L4 F/I	77-3089KP ¹	12.4 @ 5105
Yukon XL	5.3L V8 F/I	77-3082KP ²	10.2 @ 4996			63-3089 ²	9.9 @ 5310
		71-3082 ²	8.3 @ 5338	Canyon	2.8L L4 DSL	57-3089 ¹	9.9 @ 5310
		63-3082 ²	10.7 @ 5341			63-3095 ²	8.1 @ 3200
		57-3098 ²	5.1 @ 5250	Canyon	3.6L V6 F/I	77-3088KP ¹	10.3 @ 5823
Yukon XL	6.2L V8 F/I	77-3082KP ²	10.2 @ 4996			71-3088 ¹	15.7 @ 5823
		71-3082 ²	8.3 @ 5338	Sierra 1500	4.3L V6 F/I	63-3088 ²	19.4 @ 3551
		63-3082 ²	10.7 @ 5341			57-3088 ¹	19.4 @ 3551
		57-3098 ²	5.1 @ 5250			77-3085KP ²	10.0 @ 5285
2017 GMC						63-3085 ²	10.2 @ 5245
Acadia	3.6L V6 F/I	63-3115 ²	12.5 @ 6114	Sierra 1500	5.3L V8 F/I	77-3082KP ²	10.2 @ 4996
Canyon	2.5L L4 F/I	77-3089KP ²	12.4 @ 5105			71-3082 ²	8.3 @ 5338
		63-3089 ²	9.9 @ 5310	Sierra 1500	6.2L V8 F/I	63-3082 ²	10.7 @ 5341
		57-3107 ²	4.7 @ 5494			77-3082KP ²	10.2 @ 4996
Canyon	2.8L L4 DSL	63-3095 ²	8.1 @ 3200	Sierra 1500	6.0L V8 F/I	71-3082 ²	8.3 @ 5338
Canyon	3.6L V6 F/I	77-3104KP ²	14.5 @ 6498	Sierra 1500	6.6L V8 DSL	63-3082 ²	10.7 @ 5341
		71-3104 ²	11.0 @ 6498			77-3082KP ²	10.2 @ 4996
		63-3104 ²	7.8 @ 6547	Sierra 2500 HD	6.0L V8 F/I	71-3082 ²	8.3 @ 5338
		57-3104 ²	5.0 @ 6303	Sierra 2500 HD	6.6L V8 DSL	63-3082 ²	10.7 @ 5341
Sierra 1500	4.3L V6 F/I	77-3085KP ²	10.0 @ 5285			77-3090KTK ²	7.6 @ 4450
		63-3085 ²	10.2 @ 5245	Sierra 2500 HD	6.6L V8 DSL	77-3087KP ²	19.9 @ 2950
		57-3103 ²	7.5 @ 5250			63-3087 ²	24.1 @ 2950
Sierra 1500	5.3L V8 F/I - Exc. Hybrid	77-3082KP ²	10.2 @ 4996	Sierra 3500 HD	6.0L V8 F/I	77-3090KTK ²	7.6 @ 4450
		71-3082 ²	8.3 @ 5338	Sierra 3500 HD	6.6L V8 DSL	77-3087KP ²	19.9 @ 2950
		63-3082 ²	10.7 @ 5341			63-3087 ²	24.1 @ 2950
		57-3098 ²	5.1 @ 5250	Terrain	2.4L L4 F/I	77-3071KS ²	9.3 @ 4600
Sierra 1500	6.2L V8 F/I	77-3082KP ²	10.2 @ 4996	Yukon	5.3L V8 F/I	77-3082KP ²	10.2 @ 4996
		71-3082 ²	8.3 @ 5338			71-3082 ²	8.3 @ 5338
		63-3082 ²	10.7 @ 5341			63-3082 ²	10.7 @ 5341
		57-3098 ²	5.1 @ 5250	Yukon Denali	6.2L V8 F/I	77-3082KP ²	10.2 @ 4996
						71-3082 ²	8.3 @ 5338
				Yukon Denali XL	6.2L V8 F/I	63-3082 ²	10.7 @ 5341
						77-3082KP ²	10.2 @ 4996
						71-3082 ²	8.3 @ 5338

1) Street legal in all US states. 2) Not legal for sale or use on any pollution controlled motor vehicle in California or states adopting California emission procedures. * Estimated horsepower gains are based on specific or similar vehicle dyno tests. Results will vary. See Page 482 for more information. See page 7 for information on intake tube materials/colors.



Vehicle	Engine Type	Part Number	Estimated Horsepower*	Vehicle	Engine Type	Part Number	Estimated Horsepower*
2016 GMC				2014 GMC			
Yukon Denali XL	6.2L V8 F/I	63-3082 ²	10.7 @ 5341	Sierra 1500	6.2L V8 F/I	77-3082KP ¹	10.2 @ 4996
Yukon XL	5.3L V8 F/I	77-3082KP ²	10.2 @ 4996			71-3082 ¹	8.3 @ 5338
		71-3082 ²	8.3 @ 5338			63-3082 ²	10.7 @ 5341
		63-3082 ²	10.7 @ 5341			57-3082 ¹	
2015 GMC				Sierra 2500 HD	6.0L V8 F/I	77-3086KTK ²	9.5 @ 4950
Canyon	2.5L L4 F/I	77-3089KP ¹	12.4 @ 5105	Sierra 2500 HD	6.6L V8 DSL	77-3077KP ¹	12.2 @ 2850
		63-3089 ²	9.9 @ 5310			57-3077 ¹	19.3 @ 2420
		57-3089 ¹	9.9 @ 5310	Sierra 3500 HD	6.0L V8 F/I	77-3086KTK ²	9.5 @ 4950
Canyon	3.6L V6 F/I	77-3088KP ¹	10.3 @ 5823	Sierra 3500 HD	6.6L V8 DSL	77-3077KP ¹	12.2 @ 2850
		71-3088 ¹	15.7 @ 5823			57-3077 ¹	19.3 @ 2420
		63-3088 ²	19.4 @ 3551	Sierra Denali	6.2L V8 F/I	77-3082KP ¹	10.2 @ 4996
		57-3088 ¹	19.4 @ 3551			71-3082 ¹	8.3 @ 5338
Sierra 1500	4.3L V6 F/I	77-3085KP ²	10.0 @ 5285			63-3082 ²	10.7 @ 5341
		63-3085 ²	10.2 @ 5245	Terrain	2.4L L4 F/I	77-3071KS ²	9.3 @ 4600
Sierra 1500	5.3L V8 F/I	77-3082KP ¹	10.2 @ 4996	Yukon	5.3L V8 F/I	77-3070KP ¹	9.9 @ 5342
		71-3082 ¹	8.3 @ 5338			71-3070 ¹	12.2 @ 5342
		63-3082 ²	10.7 @ 5341			57-3070 ¹	10.3 @ 5342
		57-3082 ¹		Yukon Denali	6.2L V8 F/I	77-3070KP ¹	9.9 @ 5342
Sierra 1500	6.2L V8 F/I	77-3082KP ¹	10.2 @ 4996			71-3070 ¹	12.2 @ 5342
		71-3082 ¹	8.3 @ 5338			57-3070 ¹	10.3 @ 5342
		63-3082 ²	10.7 @ 5341	Yukon Denali XL	6.2L V8 F/I	77-3070KP ¹	9.9 @ 5342
		57-3082 ¹				71-3070 ¹	12.2 @ 5342
Sierra 2500 HD	6.0L V8 F/I	77-3086KTK ¹	9.5 @ 4950			57-3070 ¹	10.3 @ 5342
Sierra 2500 HD	6.6L V8 DSL	77-3087KP ¹	19.9 @ 2950	Yukon XL 1500	5.3L V8 F/I	77-3070KP ¹	9.9 @ 5342
		63-3087 ²	24.1 @ 2950			71-3070 ¹	12.2 @ 5342
		57-3087 ¹	24.1 @ 2950			57-3070 ¹	10.3 @ 5342
Sierra 3500 HD	6.0L V8 F/I	77-3086KTK ¹	9.5 @ 4950	2013 GMC			
Sierra 3500 HD	6.6L V8 DSL	77-3087KP ¹	19.9 @ 2950	Sierra 1500	4.8L V8 F/I	77-3070KP ¹	9.9 @ 5342
		63-3087 ²	24.1 @ 2950			71-3070 ¹	12.2 @ 5342
		57-3087 ¹	24.1 @ 2950			57-3070 ¹	10.3 @ 5342
Terrain	2.4L L4 F/I	77-3071KS ²	9.3 @ 4600	Sierra 1500	5.3L V8 F/I	77-3070KP ¹	9.9 @ 5342
Yukon	5.3L V8 F/I	77-3082KP ¹	10.2 @ 4996			71-3070 ¹	12.2 @ 5342
		71-3082 ¹	8.3 @ 5338			57-3070 ¹	10.3 @ 5342
		63-3082 ²	10.7 @ 5341			77-3070KP ¹	9.9 @ 5342
		57-3082 ¹		Sierra 1500	6.2L V8 F/I	71-3070 ¹	12.2 @ 5342
Yukon Denali	6.2L V8 F/I	77-3082KP ¹	10.2 @ 4996			57-3070 ¹	10.3 @ 5342
		71-3082 ¹	8.3 @ 5338	Sierra 2500 HD	6.0L V8 F/I	77-3076KTK ²	10.2 @ 5033
		63-3082 ²	10.7 @ 5341	Sierra 2500 HD	6.6L V8 DSL	77-3077KP ¹	12.2 @ 2850
		57-3082 ¹				57-3077 ¹	19.3 @ 2420
Yukon Denali XL	6.2L V8 F/I	77-3082KP ¹	10.2 @ 4996	Sierra 3500 HD	6.0L V8 F/I	77-3076KTK ²	10.2 @ 5033
		71-3082 ¹	8.3 @ 5338	Sierra 3500 HD	6.6L V8 DSL	77-3077KP ¹	12.2 @ 2850
		63-3082 ²	10.7 @ 5341			57-3077 ¹	19.3 @ 2420
		57-3082 ¹		Sierra Denali	6.2L V8 F/I	77-3070KP ¹	9.9 @ 5342
Yukon XL	5.3L V8 F/I	77-3082KP ¹	10.2 @ 4996			71-3070 ¹	12.2 @ 5342
		71-3082 ¹	8.3 @ 5338			57-3070 ¹	10.3 @ 5342
		63-3082 ²	10.7 @ 5341	Terrain	2.4L L4 F/I	77-3071KS ²	9.3 @ 4600
		57-3082 ¹		Yukon	5.3L V8 F/I	77-3070KP ¹	9.9 @ 5342
2014 GMC						71-3070 ¹	12.2 @ 5342
Sierra 1500	4.3L V6 F/I	77-3085KP ¹	10.0 @ 5285			57-3070 ¹	10.3 @ 5342
		63-3085 ²	10.2 @ 5245	Yukon Denali	6.2L V8 F/I	77-3070KP ¹	9.9 @ 5342
		57-3085 ¹	10.2 @ 5245			71-3070 ¹	12.2 @ 5342
Sierra 1500	5.3L V8 F/I	77-3082KP ¹	10.2 @ 4996			57-3070 ¹	10.3 @ 5342
		71-3082 ¹	8.3 @ 5338	Yukon Denali XL	6.2L V8 F/I	77-3070KP ¹	9.9 @ 5342
		63-3082 ²	10.7 @ 5341			71-3070 ¹	12.2 @ 5342
		57-3082 ¹				57-3070 ¹	10.3 @ 5342

1) Street legal in all US states. 2) Not legal for sale or use on any pollution controlled motor vehicle in California or states adopting California emission procedures. * Estimated horsepower gains are based on specific or similar vehicle dyno tests. Results will vary. See Page 482 for more information. See page 7 for information on intake tube materials/colors.



AIR INTAKE SYSTEMS

GMC

Vehicle	Engine Type	Part Number	Estimated Horsepower*	Vehicle	Engine Type	Part Number	Estimated Horsepower*
2013 GMC				2011 GMC			
Yukon Denali XL	6.2L V8 F/I	57-3070 ¹	10.3 @ 5342	Sierra 1500	6.2L V8 F/I	71-3070 ¹	12.2 @ 5342
Yukon XL 1500	5.3L V8 F/I	77-3070KP ¹	9.9 @ 5342			71-3070 ²	12.2 @ 5342
		71-3070 ¹	12.2 @ 5342			57-3070 ¹	10.3 @ 5342
		57-3070 ¹	10.3 @ 5342			57-3070 ¹	10.3 @ 5342
Yukon XL 1500	6.2L V8 F/I	77-3070KP ¹	9.9 @ 5342	Sierra 2500 HD	6.0L V8 F/I	77-3076KTK ²	10.2 @ 5033
		71-3070 ¹	12.2 @ 5342	Sierra 2500 HD	6.6L V8 DSL	77-3077KP ¹	12.2 @ 2850
		57-3070 ¹	10.3 @ 5342			57-3077 ¹	19.3 @ 2420
2012 GMC				Sierra 3500 HD	6.0L V8 F/I	77-3076KTK ¹	10.2 @ 5033
Canyon	2.9L L4 F/I	63-3064-1 ²	9.0 @ 4862	Sierra 3500 HD	6.6L V8 DSL	77-3077KP ¹	12.2 @ 2850
Canyon	3.7L L5 F/I	77-3065KP ²	7.2 @ 4533			57-3077 ¹	19.3 @ 2420
		63-3065 ²	11.0 @ 4754	Sierra Denali	6.2L V8 F/I	77-3070KP ¹	9.9 @ 5342
Sierra 1500	4.8L V8 F/I	77-3070KP ¹	9.9 @ 5342			71-3070 ¹	12.2 @ 5342
		71-3070 ¹	12.2 @ 5342			57-3070 ¹	10.3 @ 5342
		57-3070 ¹	10.3 @ 5342	Terrain	2.4L L4 F/I	77-3071KS ¹	9.3 @ 4600
Sierra 1500	5.3L V8 F/I	77-3070KP ¹	9.9 @ 5342	Terrain	3.0L V6 F/I	77-3078KTK ¹	6.5 @ 4900
		71-3070 ¹	12.2 @ 5342	Yukon	4.8L V8 F/I	77-3070KP ¹	9.9 @ 5342
		57-3070 ¹	10.3 @ 5342			71-3070 ¹	12.2 @ 5342
Sierra 1500	6.2L V8 F/I	77-3070KP ¹	9.9 @ 5342	Yukon	5.3L V8 F/I	77-3070KP ¹	9.9 @ 5342
		71-3070 ¹	12.2 @ 5342			71-3070 ¹	12.2 @ 5342
		57-3070 ¹	10.3 @ 5342	Yukon	6.2L V8 F/I	57-3070 ¹	10.3 @ 5342
Sierra 2500 HD	6.0L V8 F/I	77-3076KTK ²	10.2 @ 5033	Yukon	6.2L V8 F/I	77-3070KP ¹	9.9 @ 5342
Sierra 2500 HD	6.6L V8 DSL	77-3077KP ¹	12.2 @ 2850			71-3070 ¹	12.2 @ 5342
		57-3077 ¹	19.3 @ 2420			57-3070 ¹	10.3 @ 5342
Sierra 3500 HD	6.0L V8 F/I	77-3076KTK ¹	10.2 @ 5033	Yukon Denali	6.2L V8 F/I	77-3070KP ¹	9.9 @ 5342
Sierra 3500 HD	6.6L V8 DSL	77-3077KP ¹	12.2 @ 2850			71-3070 ¹	12.2 @ 5342
		57-3077 ¹	19.3 @ 2420			57-3070 ¹	10.3 @ 5342
Sierra Denali	6.2L V8 F/I	77-3070KP ¹	9.9 @ 5342	Yukon Denali XL	6.2L V8 F/I	77-3070KP ¹	9.9 @ 5342
		71-3070 ¹	12.2 @ 5342			71-3070 ¹	12.2 @ 5342
		57-3070 ¹	10.3 @ 5342			57-3070 ¹	10.3 @ 5342
Terrain	2.4L L4 F/I	77-3071KS ²	9.3 @ 4600	Yukon XL 1500	5.3L V8 F/I	77-3070KP ¹	9.9 @ 5342
Terrain	3.0L V6 F/I	77-3078KTK ¹	6.5 @ 4900			71-3070 ¹	12.2 @ 5342
Yukon	5.3L V8 F/I	77-3070KP ¹	9.9 @ 5342			57-3070 ¹	10.3 @ 5342
		71-3070 ¹	12.2 @ 5342	Yukon XL 1500	6.2L V8 F/I	77-3070KP ¹	9.9 @ 5342
		57-3070 ¹	10.3 @ 5342			71-3070 ¹	12.2 @ 5342
Yukon Denali	6.2L V8 F/I	77-3070KP ¹	9.9 @ 5342			57-3070 ¹	10.3 @ 5342
		71-3070 ¹	12.2 @ 5342	2010 GMC			
		57-3070 ¹	10.3 @ 5342	Canyon	2.9L L4 F/I	63-3064-1 ²	9.0 @ 4862
Yukon Denali XL	6.2L V8 F/I	77-3070KP ¹	9.9 @ 5342	Canyon	3.7L L5 F/I	77-3065KP ²	7.2 @ 4533
		71-3070 ¹	12.2 @ 5342			63-3065 ²	11.0 @ 4754
		57-3070 ¹	10.3 @ 5342	Sierra 1500	4.8L V8 F/I	77-3070KP ¹	9.9 @ 5342
Yukon XL 1500	5.3L V8 F/I	77-3070KP ¹	9.9 @ 5342			71-3070 ¹	12.2 @ 5342
		71-3070 ¹	12.2 @ 5342			57-3070 ¹	10.3 @ 5342
		57-3070 ¹	10.3 @ 5342	Sierra 1500	5.3L V8 F/I	77-3070KP ¹	9.9 @ 5342
2011 GMC						71-3070 ²	12.2 @ 5342
Canyon	2.9L L4 F/I	63-3064-1 ²	9.0 @ 4862			57-3070 ¹	10.3 @ 5342
Canyon	3.7L L5 F/I	77-3065KP ²	7.2 @ 4533	Sierra 1500	6.2L V8 F/I	77-3070KP ¹	9.9 @ 5342
		63-3065 ²	11.0 @ 4754			71-3070 ²	12.2 @ 5342
Sierra 1500	4.8L V8 F/I	77-3070KP ¹	9.9 @ 5342			57-3070 ¹	10.3 @ 5342
		71-3070 ¹	12.2 @ 5342	Sierra 2500 HD	6.6L V8 DSL	71-3066 ¹	12.5 @ 2638
		57-3070 ¹	10.3 @ 5342			57-3066 ¹	19.7 @ 2900
Sierra 1500	5.3L V8 F/I	77-3070KP ¹	9.9 @ 5342	Sierra 3500 HD	6.6L V8 DSL	71-3066 ¹	12.5 @ 2638
		71-3070 ²	12.2 @ 5342			57-3066 ¹	19.7 @ 2900
		57-3070 ¹	12.8 @ 5342	Sierra Denali	6.2L V8 F/I	77-3070KP ¹	9.9 @ 5342
Sierra 1500	6.2L V8 F/I	77-3070KP ¹	9.9 @ 5342			71-3070 ¹	12.2 @ 5342
		77-3070KP ¹	9.9 @ 5342				

1) Street legal in all US states. 2) Not legal for sale or use on any pollution controlled motor vehicle in California or states adopting California emission procedures. * Estimated horsepower gains are based on specific or similar vehicle dyno tests. Results will vary. See Page 482 for more information. See page 7 for information on intake tube materials/colors.



Vehicle	Engine Type	Part Number	Estimated Horsepower*	Vehicle	Engine Type	Part Number	Estimated Horsepower*
2010 GMC				2009 GMC			
Sierra Denali	6.2L V8 F/I	57-3070 ¹	10.3 @ 5342	Yukon Denali XL	6.2L V8 F/I	77-3070KP ¹	9.9 @ 5342
Terrain	2.4L L4 F/I	77-3071KS ¹	9.3 @ 4600			71-3070 ¹	12.2 @ 5342
Terrain	3.0L V6 F/I	77-3078KTK ¹	6.5 @ 4900			57-3070 ¹	10.3 @ 5342
Yukon	4.8L V8 F/I	77-3070KP ¹	9.9 @ 5342	Yukon XL 1500	5.3L V8 F/I	77-3070KP ¹	9.9 @ 5342
		71-3070 ¹	12.2 @ 5342			71-3070 ¹	12.2 @ 5342
		57-3070 ¹	10.3 @ 5342			57-3070 ¹	10.3 @ 5342
Yukon	5.3L V8 F/I	77-3070KP ¹	9.9 @ 5342	Yukon XL 1500	6.0L V8 F/I	77-3070KP ¹	9.9 @ 5342
		71-3070 ¹	12.2 @ 5342			71-3070 ²	12.2 @ 5342
		57-3070 ¹	10.3 @ 5342	Yukon XL 1500	6.2L V8 F/I	77-3070KP ¹	9.9 @ 5342
Yukon Denali	6.2L V8 F/I	77-3070KP ¹	9.9 @ 5342			71-3070 ¹	12.2 @ 5342
		71-3070 ¹	12.2 @ 5342			57-3070 ¹	10.3 @ 5342
		57-3070 ¹	10.3 @ 5342	2008 GMC			
Yukon Denali XL	6.2L V8 F/I	77-3070KP ¹	9.9 @ 5342	Canyon	2.9L L4 F/I	63-3064-1 ²	9.0 @ 4862
		71-3070 ¹	12.2 @ 5342	Canyon	3.7L L5 F/I	77-3065KP ²	7.2 @ 4533
		57-3070 ¹	10.3 @ 5342			63-3065 ²	11.0 @ 4754
Yukon XL 1500	5.3L V8 F/I	77-3070KP ¹	9.9 @ 5342	Envoy	4.2L L6 F/I	77-3062KP ²	9.3 @ 4850
		71-3070 ¹	12.2 @ 5342			63-3062 ²	9.5 @ 4725
		57-3070 ¹	10.3 @ 5342	Sierra 1500	4.8L V8 F/I	77-3058KP ¹	12.5 @ 4917
Yukon XL 1500	6.2L V8 F/I	77-3070KP ¹	9.9 @ 5342			71-3058 ¹	10.2 @ 4900
		71-3070 ¹	12.2 @ 5342			57-3058 ¹	17.6 @ 4917
		57-3070 ¹	10.3 @ 5342	Sierra 1500	5.3L V8 F/I	77-3058KP ¹	12.5 @ 4917
2009 GMC						71-3058 ¹	10.2 @ 4900
Canyon	2.9L L4 F/I	63-3064-1 ²	9.0 @ 4862			57-3058 ¹	17.6 @ 4917
Canyon	3.7L L5 F/I	77-3065KP ²	7.2 @ 4533	Sierra 1500	6.0L V8 F/I	77-3058KP ¹	12.5 @ 4917
		63-3065 ²	11.0 @ 4754			71-3058 ¹	10.2 @ 4900
Envoy	4.2L L6 F/I	77-3062KP ²	9.3 @ 4850	Sierra 2500 HD	6.0L V8 F/I	57-3067 ¹	11.4 @ 4500
		63-3062 ²	9.5 @ 4725	Sierra 2500 HD	6.6L V8 DSL	71-3066 ¹	12.5 @ 2638
Sierra 1500	4.8L V8 F/I	77-3070KP ¹	9.9 @ 5342			57-3066 ¹	19.7 @ 2900
		71-3070 ¹	12.2 @ 5342	Sierra 3500 HD	6.0L V8 F/I	57-3067 ¹	11.4 @ 4500
		57-3070 ¹	10.3 @ 5342	Sierra 3500 HD	6.6L V8 DSL	71-3066 ¹	12.5 @ 2638
Sierra 1500	5.3L V8 F/I	77-3070KP ¹	9.9 @ 5342			57-3066 ¹	19.7 @ 2900
		71-3070 ²	12.2 @ 5342	Sierra Denali	6.2L V8 F/I	77-3058KP ¹	12.5 @ 4917
		57-3070 ¹	10.3 @ 5342			71-3058 ¹	10.2 @ 4900
Sierra 1500	6.0L V8 F/I	77-3070KP ¹	9.9 @ 5342			57-3058 ¹	17.6 @ 4917
		71-3070 ²	12.2 @ 5342	Yukon	4.8L V8 F/I	77-3058KP ¹	12.5 @ 4917
		57-3070 ¹	10.3 @ 5342			71-3058 ¹	10.2 @ 4900
Sierra 1500	6.2L V8 F/I	77-3070KP ¹	9.9 @ 5342	Yukon	5.3L V8 F/I	77-3058KP ¹	12.5 @ 4917
		71-3070 ²	12.2 @ 5342			71-3058 ¹	10.2 @ 4900
		57-3070 ¹	10.3 @ 5342	Yukon Denali	6.2L V8 F/I	77-3058KP ¹	12.5 @ 4917
Sierra 2500 HD	6.6L V8 DSL	71-3066 ¹	12.5 @ 2638			71-3058 ¹	10.2 @ 4900
		57-3066 ¹	19.7 @ 2900	Yukon XL 1500	5.3L V8 F/I	77-3058KP ¹	12.5 @ 4917
Sierra 3500 HD	6.6L V8 DSL	71-3066 ¹	12.5 @ 2638			71-3058 ¹	10.2 @ 4900
		57-3066 ¹	19.7 @ 2900	Yukon XL 1500	6.0L V8 F/I	77-3058KP ¹	12.5 @ 4917
Sierra Denali	6.2L V8 F/I	77-3070KP ¹	9.9 @ 5342			71-3058 ¹	10.2 @ 4900
		71-3070 ¹	12.2 @ 5342	Yukon XL 1500	6.2L V8 F/I	77-3058KP ¹	12.5 @ 4917
		57-3070 ¹	10.3 @ 5342	Denali		71-3058 ¹	10.2 @ 4900
Yukon	4.8L V8 F/I	77-3070KP ¹	9.9 @ 5342				
		71-3070 ¹	12.2 @ 5342				
		57-3070 ¹	10.3 @ 5342				
Yukon	5.3L V8 F/I	77-3070KP ¹	9.9 @ 5342				
		71-3070 ¹	12.2 @ 5342				
		57-3070 ¹	10.3 @ 5342				
Yukon Denali	6.2L V8 F/I	77-3070KP ¹	9.9 @ 5342				
		71-3070 ¹	12.2 @ 5342				
		57-3070 ¹	10.3 @ 5342				

1) Street legal in all US states. 2) Not legal for sale or use on any pollution controlled motor vehicle in California or states adopting California emission procedures. * Estimated horsepower gains are based on specific or similar vehicle dyno tests. Results will vary. See Page 482 for more information. See page 7 for information on intake tube materials/colors.



AIR INTAKE SYSTEMS

GMC

Vehicle	Engine Type	Part Number	Estimated Horsepower*	Vehicle	Engine Type	Part Number	Estimated Horsepower*
2008 GMC				2007 GMC			
Yukon XL 1500 Denali	6.2L V8 F/I	57-3058 ¹	17.6 @ 4917	Yukon	5.3L V8 F/I	77-3058KP ¹ 71-3058 ¹ 57-3058 ¹	12.5 @ 4917 10.2 @ 4900 17.6 @ 4917
2007 GMC				Yukon Denali	6.2L V8 F/I	77-3058KP ¹ 71-3058 ¹ 57-3058 ¹	12.5 @ 4917 10.2 @ 4900 17.6 @ 4917
Canyon Canyon	2.9L L4 F/I 3.7L L5 F/I	63-3064-1 ² 77-3065KP ² 63-3065 ²	9.0 @ 4862 7.2 @ 4533 11.0 @ 4754	Yukon XL 1500	5.3L V8 F/I	77-3058KP ¹ 71-3058 ¹ 57-3058 ¹	12.5 @ 4917 10.2 @ 4900 17.6 @ 4917
Envoy	4.2L L6 F/I	77-3062KP ² 63-3062 ²	9.3 @ 4850 9.5 @ 4725	Yukon XL 1500	6.0L V8 F/I	77-3058KP ¹ 71-3058 ¹ 57-3058 ¹	12.5 @ 4917 10.2 @ 4900 17.6 @ 4917
Sierra 1500	4.8L V8 F/I	77-3058KP ¹ 71-3058 ¹ 57-3058 ¹	12.5 @ 4917 10.2 @ 4900 17.6 @ 4917	Yukon XL 1500 Denali	6.2L V8 F/I	77-3058KP ¹ 71-3058 ¹ 57-3058 ¹	12.5 @ 4917 10.2 @ 4900 17.6 @ 4917
Sierra 1500	5.3L V8 F/I	77-3058KP ¹ 71-3058 ¹ 57-3058 ¹	12.5 @ 4917 10.2 @ 4900 17.6 @ 4917	Yukon XL 1500 Denali	6.2L V8 F/I	77-3058KP ¹ 71-3058 ¹ 57-3058 ¹	12.5 @ 4917 10.2 @ 4900 17.6 @ 4917
Sierra 1500	6.0L V8 F/I	77-3058KP ¹ 71-3058 ¹ 57-3058 ¹	10.7 @ 4900 10.2 @ 4900 17.6 @ 4917	Yukon XL 2500	6.0L V8 F/I	57-3063 ¹	11.6 @ 5075
Sierra 1500 Classic	4.3L V6 F/I	57-3038 ¹	8.2 @ 4544	2006 GMC			
Sierra 1500 Classic	4.8L V8 F/I	77-3050KP ¹ 57-3050 ¹	8.4 @ 5336 11.9 @ 5367	Canyon Canyon	2.8L L4 F/I 3.5L L5 F/I	57-3051 ¹ 77-3043KP ¹ 57-3043 ¹	11.5 @ 5863 9.2 @ 6057 18.6 @ 6001
Sierra 1500 Classic	5.3L V8 F/I	77-3050KP ¹ 57-3050 ¹	8.4 @ 5336 11.9 @ 5367	CK4500 Topkick	6.6L V8 DSL	77-3064KTK ¹	10.0 @ 2944
Sierra 1500 HD Classic	6.0L V8 F/I	77-3023KP ¹ 57-3023-1 ¹	8.2 @ 5067 14.3 @ 5018	CK5500 Topkick	6.6L V8 DSL	77-3064KTK ¹	10.0 @ 2944
Sierra 2500 HD	6.0L V8 F/I	57-3067 ¹	11.4 @ 4500	Envoy	4.2L L6 F/I	77-3062KP ¹ 57-3062 ¹	9.3 @ 4850 9.5 @ 4725
Sierra 2500 HD	6.6L V8 DSL	71-3066 ¹ 57-3066 ¹	12.5 @ 2638 19.7 @ 2900	Sierra 1500	4.3L V6 F/I	57-3038 ¹	8.2 @ 4544
Sierra 2500 HD Classic	6.0L V8 F/I	77-3031KP ¹ 57-3031-1 ¹	17.4 @ 5024 20.3 @ 4894	Sierra 1500	4.8L V8 F/I	77-3050KP ¹ 57-3050 ¹	8.4 @ 5336 11.9 @ 5367
Sierra 2500 HD Classic	6.6L V8 DSL	57-3057 ¹ 57-3000 ¹	22.1 @ 2860 15.4 @ 2911	Sierra 1500	5.3L V8 F/I	77-3050KP ¹ 57-3050 ¹	8.4 @ 5336 11.9 @ 5367
Sierra 2500 HD Classic	8.1L V8 F/I	57-3030-1 ¹	17.3 @ 4559	Sierra 1500	6.0L V8 F/I	77-3050KP ¹ 57-3050 ¹	8.4 @ 5336 11.9 @ 5367
Sierra 3500 Classic	6.0L V8 F/I	77-3031KP ¹ 57-3031-1 ¹	17.4 @ 5024 20.3 @ 4894	Sierra 1500 HD	6.0L V8 F/I	77-3023KP ¹ 57-3023-1 ¹	8.2 @ 5067 14.3 @ 5018
Sierra 3500 Classic	6.6L V8 DSL	57-3057 ¹ 57-3000 ¹	22.1 @ 2860 15.4 @ 2911	Sierra 2500 HD	6.0L V8 F/I	77-3031KP ¹ 57-3031-1 ¹	17.4 @ 5024 20.3 @ 4894
Sierra 3500 Classic	8.1L V8 F/I	57-3030-1 ¹	17.3 @ 4559	Sierra 2500 HD	6.6L V8 DSL	57-3057 ¹ 57-3000 ¹	22.1 @ 2860 15.4 @ 2911
Sierra 3500 HD	6.0L V8 F/I	57-3067 ¹	11.4 @ 4500	Sierra 2500 HD	8.1L V8 F/I	57-3030-1 ¹	17.3 @ 4559
Sierra 3500 HD	6.6L V8 DSL	71-3066 ¹ 57-3066 ¹	12.5 @ 2638 19.7 @ 2900	Sierra 3500	6.0L V8 F/I	77-3031KP ¹ 57-3031-1 ¹	17.4 @ 5024 20.3 @ 4894
Sierra Denali	6.2L V8 F/I	77-3058KP ¹ 71-3058 ¹ 57-3058 ¹	12.5 @ 4917 10.2 @ 4900 17.6 @ 4917	Sierra 3500	6.6L V8 DSL	57-3057 ¹ 57-3000 ¹	22.1 @ 2860 15.4 @ 2911
Sierra Denali Classic	6.0L V8 F/I	77-3050KP ¹ 57-3050 ¹	8.4 @ 5336 11.9 @ 5367	Sierra 3500	8.1L V8 F/I	57-3030-1 ¹	17.3 @ 4559
Yukon	4.8L V8 F/I	77-3058KP ¹ 71-3058 ¹ 57-3058 ¹	12.5 @ 4917 10.2 @ 4900 17.6 @ 4917	Sierra Denali	6.0L V8 F/I	77-3050KP ¹ 57-3050 ¹	8.4 @ 5336 11.9 @ 5367
				Yukon	4.8L V8 F/I	77-3050KP ¹ 57-3050 ¹	8.4 @ 5336 11.9 @ 5367
				Yukon	5.3L V8 F/I	77-3050KP ¹ 57-3050 ¹	8.4 @ 5336 11.9 @ 5367
				Yukon Denali	6.0L V8 F/I	77-3050KP ¹ 57-3050 ¹	8.4 @ 5336 11.9 @ 5367
				Yukon Denali XL	6.0L V8 F/I	77-3050KP ¹ 57-3050 ¹	8.4 @ 5336 11.9 @ 5367

1) Street legal in all US states. 2) Not legal for sale or use on any pollution controlled motor vehicle in California or states adopting California emission procedures. * Estimated horsepower gains are based on specific or similar vehicle dyno tests. Results will vary. See Page 482 for more information. See page 7 for information on intake tube materials/colors.



Vehicle	Engine Type	Part Number	Estimated Horsepower*	Vehicle	Engine Type	Part Number	Estimated Horsepower*
2006 GMC				2005 GMC			
Yukon XL 1500	5.3L V8 F/I	77-3050KP ¹	8.4 @ 5336	Yukon XL 2500	8.1L V8 F/I	57-3032 ¹	13.0 @ 4231
		57-3050 ¹	11.9 @ 5367	2004 GMC			
Yukon XL 2500	6.0L V8 F/I	77-3023KP ¹	8.2 @ 5067	Canyon	2.8L L4 F/I	57-3051 ¹	11.5 @ 5863
		57-3023-1 ¹	14.3 @ 5018	Canyon	3.5L L5 F/I	77-3043KP ¹	9.2 @ 6057
Yukon XL 2500	8.1L V8 F/I	57-3032 ¹	13.0 @ 4231			57-3043 ¹	18.6 @ 6001
2005 GMC				CK4500 Topkick	6.6L V8 DSL	77-3063KTK ¹	14.9 @ 2612
Canyon	2.8L L4 F/I	57-3051 ¹	11.5 @ 5863	CK5500 Topkick	6.6L V8 DSL	77-3063KTK ¹	14.9 @ 2612
Canyon	3.5L L5 F/I	77-3043KP ¹	9.2 @ 6057	Envoy	4.2L L6 F/I	77-3036KP ¹	10.9 @ 5474
		57-3043 ¹	18.6 @ 6001			57-3036 ¹	9.3 @ 5623
CK4500 Topkick	6.6L V8 DSL	77-3063KTK ¹	14.9 @ 2612	Envoy	5.3L V8 F/I	57-3048 ¹	19.3 @ 5133
CK5500 Topkick	6.6L V8 DSL	77-3063KTK ¹	14.9 @ 2612	Sierra 1500	4.3L V6 F/I	57-3038 ¹	8.2 @ 4544
Envoy	4.2L L6 F/I	77-3036KP ¹	10.9 @ 5474	Sierra 1500	4.8L V8 F/I	77-3021KP ¹	8.2 @ 5067
		57-3036 ¹	9.3 @ 5623			57-3021-1 ¹	9.1 @ 5352
Sierra 1500	4.3L V6 F/I	57-3038 ¹	8.2 @ 4544	Sierra 1500	5.3L V8 F/I	77-3021KP ¹	8.2 @ 5067
Sierra 1500	4.8L V8 F/I	77-3050KP ¹	8.4 @ 5336			57-3021-1 ¹	9.1 @ 5352
		57-3050 ¹	11.9 @ 5367	Sierra 2500	6.0L V8 F/I	77-3023KP ¹	8.2 @ 5067
Sierra 1500	5.3L V8 F/I	77-3050KP ¹	8.4 @ 5336			57-3023-1 ¹	14.3 @ 5018
		57-3050 ¹	11.9 @ 5367	Sierra 2500 HD	6.0L V8 F/I	77-3031KP ¹	17.4 @ 5024
Sierra 1500	6.0L V8 F/I	77-3050KP ¹	8.4 @ 5336			57-3031-1 ¹	20.3 @ 4894
		57-3050 ¹	11.9 @ 5367	Sierra 2500 HD	6.6L V8 DSL - LB7	77-3034KP ¹	12.6 @ 3246
Sierra 1500 HD	6.0L V8 F/I	77-3023KP ¹	8.2 @ 5067			57-3034 ¹	16.3 @ 2750
		57-3023-1 ¹	14.3 @ 5018	Sierra 2500 HD	6.6L V8 DSL - LLY	77-3047KP ¹	20.1 @ 3158
Sierra 2500 HD	6.0L V8 F/I	77-3031KP ¹	17.4 @ 5024			57-3047 ¹	20.1 @ 3157
		57-3031-1 ¹	20.3 @ 4894	Sierra 2500 HD	8.1L V8 F/I	57-3030-1 ¹	17.3 @ 4559
Sierra 2500 HD	6.6L V8 DSL - w/Panel Filter	77-3047KP ¹	20.1 @ 3158	Sierra 3500	6.0L V8 F/I	77-3031KP ¹	17.4 @ 5024
		57-3047 ¹	20.1 @ 3157			57-3031-1 ¹	20.3 @ 4894
Sierra 2500 HD	6.6L V8 DSL - w/Round Filter	57-3057 ¹	22.1 @ 2860	Sierra 3500	6.6L V8 DSL - LB7	77-3034KP ¹	12.6 @ 3246
		57-3000 ¹	15.4 @ 2911			57-3034 ¹	16.3 @ 2750
Sierra 2500 HD	8.1L V8 F/I	57-3030-1 ¹	17.3 @ 4559	Sierra 3500	6.6L V8 DSL - LLY	77-3047KP ¹	20.1 @ 3158
Sierra 3500	6.0L V8 F/I	77-3031KP ¹	17.4 @ 5024			57-3047 ¹	20.1 @ 3157
		57-3031-1 ¹	20.3 @ 4894	Sierra 3500	8.1L V8 F/I	57-3030-1 ¹	17.3 @ 4559
Sierra 3500	6.6L V8 DSL - w/Panel Filter	77-3047KP ¹	20.1 @ 3158	Sierra Denali	6.0L V8 F/I	77-3023KP ¹	8.2 @ 5067
		57-3047 ¹	20.1 @ 3157			57-3023-1 ¹	14.3 @ 5018
Sierra 3500	6.6L V8 DSL - w/Round Filter	57-3057 ¹	22.1 @ 2860	Sonoma	4.3L V6 F/I	57-3017-2 ¹	7.4 @ 4671
		57-3000 ¹	15.4 @ 2911	Yukon	4.8L V8 F/I	77-3023KP ¹	8.2 @ 5067
Sierra 3500	8.1L V8 F/I	57-3030-1 ¹	17.3 @ 4559			57-3023-1 ¹	14.3 @ 5018
Sierra Denali	6.0L V8 F/I	77-3050KP ¹	8.4 @ 5336	Yukon	5.3L V8 F/I	77-3023KP ¹	8.2 @ 5067
		57-3050 ¹	11.9 @ 5367			57-3023-1 ¹	14.3 @ 5018
Yukon	4.8L V8 F/I	77-3050KP ¹	8.4 @ 5336	Yukon Denali	6.0L V8 F/I	77-3023KP ¹	8.2 @ 5067
		57-3050 ¹	11.9 @ 5367			57-3023-1 ¹	14.3 @ 5018
Yukon	5.3L V8 F/I	77-3050KP ¹	8.4 @ 5336	Yukon Denali XL	6.0L V8 F/I	77-3023KP ¹	8.2 @ 5067
		57-3050 ¹	11.9 @ 5367			57-3023-1 ¹	14.3 @ 5018
Yukon Denali	6.0L V8 F/I	77-3050KP ¹	8.4 @ 5336	Yukon XL 1500	5.3L V8 F/I	77-3023KP ¹	8.2 @ 5067
		57-3050 ¹	11.9 @ 5367			57-3023-1 ¹	14.3 @ 5018
Yukon Denali XL	6.0L V8 F/I	77-3050KP ¹	8.4 @ 5336	Yukon XL 2500	6.0L V8 F/I	77-3023KP ¹	8.2 @ 5067
		57-3050 ¹	11.9 @ 5367			57-3023-1 ¹	14.3 @ 5018
Yukon XL 1500	5.3L V8 F/I	77-3050KP ¹	8.4 @ 5336	Yukon XL 2500	8.1L V8 F/I	57-3032 ¹	13.0 @ 4231
		57-3050 ¹	11.9 @ 5367	2003 GMC			
Yukon XL 2500	6.0L V8 F/I	77-3023KP ¹	8.2 @ 5067	Envoy	4.2L L6 F/I	77-3036KP ¹	10.9 @ 5474
		57-3023-1 ¹	14.3 @ 5018			57-3036 ¹	9.3 @ 5623

1) Street legal in all US states. 2) Not legal for sale or use on any pollution controlled motor vehicle in California or states adopting California emission procedures. * Estimated horsepower gains are based on specific or similar vehicle dyno tests. Results will vary. See Page 482 for more information. See page 7 for information on intake tube materials/colors.



AIR INTAKE SYSTEMS

GMC

Vehicle	Engine Type	Part Number	Estimated Horsepower*	Vehicle	Engine Type	Part Number	Estimated Horsepower*
2003 GMC				2002 GMC			
Sierra 1500	5.3L V8 F/I	57-3021-1 ¹	9.1 @ 5352	Sierra Denali	6.0L V8 F/I	57-3023-1 ¹	14.3 @ 5018
Sierra 1500 HD	6.0L V8 F/I	77-3023KP ¹	8.2 @ 5067	Sonoma	2.2L L4 F/I	57-3025-1 ¹	6.7 @ 4700
		57-3023-1 ¹	14.3 @ 5018	Sonoma	4.3L V6 F/I	57-3017-2 ¹	7.4 @ 4671
Sierra 2500	6.0L V8 F/I	77-3023KP ¹	8.2 @ 5067	Yukon	4.8L V8 F/I	77-3023KP ¹	8.2 @ 5067
		57-3023-1 ¹	14.3 @ 5018			57-3023-1 ¹	14.3 @ 5018
Sierra 2500 HD	6.0L V8 F/I	77-3031KP ¹	17.4 @ 5024	Yukon	5.3L V8 F/I	77-3023KP ¹	8.2 @ 5067
		57-3031-1 ¹	20.3 @ 4894			57-3023-1 ¹	14.3 @ 5018
Sierra 2500 HD	6.6L V8 DSL	77-3034KP ¹	12.6 @ 3246	Yukon Denali	6.0L V8 F/I	77-3023KP ¹	8.2 @ 5067
		57-3034 ¹	16.3 @ 2750			57-3023-1 ¹	14.3 @ 5018
Sierra 2500 HD	8.1L V8 F/I	57-3030-1 ¹	17.3 @ 4559	Yukon Denali XL	6.0L V8 F/I	77-3023KP ¹	8.2 @ 5067
Sierra 3500	6.0L V8 F/I	77-3031KP ¹	17.4 @ 5024			57-3023-1 ¹	14.3 @ 5018
		57-3031-1 ¹	20.3 @ 4894	Yukon XL 1500	5.3L V8 F/I	77-3023KP ¹	8.2 @ 5067
Sierra 3500	6.6L V8 DSL	77-3034KP ¹	12.6 @ 3246			57-3023-1 ¹	14.3 @ 5018
		57-3034 ¹	16.3 @ 2750	Yukon XL 2500	6.0L V8 F/I	77-3023KP ¹	8.2 @ 5067
Sierra 3500	8.1L V8 F/I	57-3030-1 ¹	17.3 @ 4559			57-3023-1 ¹	14.3 @ 5018
Sierra Denali	6.0L V8 F/I	77-3023KP ¹	8.2 @ 5067	Yukon XL 2500	8.1L V8 F/I	57-3032 ¹	13.0 @ 4231
		57-3023-1 ¹	14.3 @ 5018	2001 GMC			
Sonoma	2.2L L4 F/I	57-3025-1 ¹	6.7 @ 4700	Jimmy	4.3L V6 F/I	57-3017-2 ¹	7.4 @ 4671
Sonoma	4.3L V6 F/I	57-3017-2 ¹	7.4 @ 4671	Sierra 1500	4.3L V6 F/I	57-3038 ¹	8.2 @ 4544
Yukon	4.8L V8 F/I	77-3023KP ¹	8.2 @ 5067	Sierra 1500	4.8L V8 F/I	77-3021KP ¹	8.2 @ 5067
		57-3023-1 ¹	14.3 @ 5018			57-3021-1 ¹	9.1 @ 5352
Yukon	5.3L V8 F/I	77-3023KP ¹	8.2 @ 5067	Sierra 1500	5.3L V8 F/I	77-3021KP ¹	8.2 @ 5067
		57-3023-1 ¹	14.3 @ 5018			57-3021-1 ¹	9.1 @ 5352
Yukon Denali	6.0L V8 F/I	77-3023KP ¹	8.2 @ 5067	Sierra 1500	6.0L V8 F/I	77-3023KP ¹	8.2 @ 5067
		57-3023-1 ¹	14.3 @ 5018			57-3023-1 ¹	14.3 @ 5018
Yukon Denali XL	6.0L V8 F/I	77-3023KP ¹	8.2 @ 5067	Sierra 1500 HD	6.0L V8 F/I	77-3023KP ¹	8.2 @ 5067
		57-3023-1 ¹	14.3 @ 5018			57-3023-1 ¹	14.3 @ 5018
Yukon XL 1500	5.3L V8 F/I	77-3023KP ¹	8.2 @ 5067	Sierra 2500	6.0L V8 F/I	77-3023KP ¹	8.2 @ 5067
		57-3023-1 ¹	14.3 @ 5018			57-3023-1 ¹	14.3 @ 5018
Yukon XL 2500	6.0L V8 F/I	77-3023KP ¹	8.2 @ 5067	Sierra 2500 HD	6.0L V8 F/I	77-3031KP ¹	17.4 @ 5024
		57-3023-1 ¹	14.3 @ 5018			57-3031-1 ¹	20.3 @ 4894
Yukon XL 2500	8.1L V8 F/I	57-3032 ¹	13.0 @ 4231	Sierra 2500 HD	6.6L V8 DSL	77-3034KP ¹	12.6 @ 3246
						57-3034 ¹	16.3 @ 2750
2002 GMC				Sierra 2500 HD	8.1L V8 F/I	57-3030-1 ¹	17.3 @ 4559
Envoy	4.2L L6 F/I	77-3036KP ¹	10.9 @ 5474	Sierra 3500	6.0L V8 F/I	77-3031KP ¹	17.4 @ 5024
		57-3036 ¹	9.3 @ 5623			57-3031-1 ¹	20.3 @ 4894
Sierra 1500	4.3L V6 F/I	57-3038 ¹	8.2 @ 4544	Sierra 3500	6.6L V8 DSL	77-3034KP ¹	12.6 @ 3246
Sierra 1500	4.8L V8 F/I	77-3021KP ¹	8.2 @ 5067			57-3034 ¹	16.3 @ 2750
		57-3021-1 ¹	9.1 @ 5352	Sierra 3500	8.1L V8 F/I	57-3030-1 ¹	17.3 @ 4559
Sierra 1500	5.3L V8 F/I	77-3021KP ¹	8.2 @ 5067	Sierra C3	6.0L V8 F/I	77-3023KP ¹	8.2 @ 5067
		57-3021-1 ¹	9.1 @ 5352			57-3023-1 ¹	14.3 @ 5018
Sierra 1500 HD	6.0L V8 F/I	77-3023KP ¹	8.2 @ 5067	Sonoma	2.2L L4 F/I	57-3025-1 ¹	6.7 @ 4700
		57-3023-1 ¹	14.3 @ 5018	Sonoma	4.3L V6 F/I	57-3017-2 ¹	7.4 @ 4671
Sierra 2500	6.0L V8 F/I	77-3023KP ¹	8.2 @ 5067	Yukon	4.8L V8 F/I	77-3023KP ¹	8.2 @ 5067
		57-3023-1 ¹	14.3 @ 5018			57-3023-1 ¹	14.3 @ 5018
Sierra 2500 HD	6.0L V8 F/I	77-3031KP ¹	17.4 @ 5024	Yukon	5.3L V8 F/I	77-3023KP ¹	8.2 @ 5067
		57-3031-1 ¹	20.3 @ 4894			57-3023-1 ¹	14.3 @ 5018
Sierra 2500 HD	6.6L V8 DSL	77-3034KP ¹	12.6 @ 3246	Yukon Denali	6.0L V8 F/I	77-3023KP ¹	8.2 @ 5067
		57-3034 ¹	16.3 @ 2750			57-3023-1 ¹	14.3 @ 5018
Sierra 2500 HD	8.1L V8 F/I	57-3030-1 ¹	17.3 @ 4559	Yukon Denali XL	6.0L V8 F/I	77-3023KP ¹	8.2 @ 5067
Sierra 3500	6.0L V8 F/I	77-3031KP ¹	17.4 @ 5024			57-3023-1 ¹	14.3 @ 5018
		57-3031-1 ¹	20.3 @ 4894	Yukon XL 1500	5.3L V8 F/I	77-3023KP ¹	8.2 @ 5067
Sierra 3500	6.6L V8 DSL	77-3034KP ¹	12.6 @ 3246			57-3023-1 ¹	14.3 @ 5018
		57-3034 ¹	16.3 @ 2750	Yukon XL 2500	6.0L V8 F/I	77-3023KP ¹	8.2 @ 5067
Sierra 3500	8.1L V8 F/I	57-3030-1 ¹	17.3 @ 4559			57-3023-1 ¹	14.3 @ 5018
Sierra Denali	6.0L V8 F/I	77-3023KP ¹	8.2 @ 5067			57-3023-1 ¹	14.3 @ 5018

1) Street legal in all US states. 2) Not legal for sale or use on any pollution controlled motor vehicle in California or states adopting California emission procedures. * Estimated horsepower gains are based on specific or similar vehicle dyno tests. Results will vary. See Page 482 for more information. See page 7 for information on intake tube materials/colors.



Vehicle	Engine Type	Part Number	Estimated Horsepower*	Vehicle	Engine Type	Part Number	Estimated Horsepower*
2001 GMC				1999 GMC			
Yukon XL 2500	8.1L V8 F/I	57-3032 ¹	13.0 @ 4231	Sierra 1500	4.8L V8 F/I	77-3021KP ¹	8.2 @ 5067
2000 GMC							
C2500	5.7L V8 F/I	57-3013-2 ¹	9.5 @ 4918	Sierra 1500	5.3L V8 F/I	77-3021KP ¹	8.2 @ 5067
C2500	7.4L V8 F/I	57-3016-1 ¹	21.5 @ 4078	Sierra 1500	5.3L V8 F/I	57-3021-1 ¹	9.1 @ 5352
C3500	5.7L V8 F/I	57-3013-2 ¹	9.5 @ 4918	Sierra 2500	5.3L V8 F/I	77-3023KP ¹	8.2 @ 5067
C3500	7.4L V8 F/I	57-3016-1 ¹	21.5 @ 4078	Sierra 2500	6.0L V8 F/I	57-3023-1 ¹	14.3 @ 5018
C3500HD	7.4L V8 F/I	57-3016-1 ¹	21.5 @ 4078	Sierra 2500	6.0L V8 F/I	77-3023KP ¹	8.2 @ 5067
Jimmy	4.3L V6 F/I	57-3017-2 ¹	7.4 @ 4671	Sierra 2500	6.0L V8 F/I	57-3023-1 ¹	14.3 @ 5018
K2500	5.7L V8 F/I	57-3013-2 ¹	9.5 @ 4918	Sonoma	2.2L L4 F/I	57-3025-1 ¹	6.7 @ 4700
K2500	7.4L V8 F/I	57-3016-1 ¹	21.5 @ 4078	Sonoma	4.3L V6 F/I	57-3017-2 ¹	7.4 @ 4671
K3500	5.7L V8 F/I	57-3013-2 ¹	9.5 @ 4918	Yukon	5.7L V8 F/I	57-3013-2 ¹	9.5 @ 4918
K3500	7.4L V8 F/I	57-3016-1 ¹	21.5 @ 4078	Yukon Denali	5.7L V8 F/I	57-3013-2 ¹	9.5 @ 4918
Sierra 1500	4.3L V6 F/I	57-3038 ¹	8.2 @ 4544	1998 GMC			
Sierra 1500	4.8L V8 F/I	77-3021KP ¹	8.2 @ 5067	C1500	4.3L V6 F/I	57-3039 ¹	6.0 @ 4476
		57-3021-1 ¹	9.1 @ 5352	C1500	5.0L V8 F/I	57-3013-2 ¹	9.5 @ 4918
Sierra 1500	5.3L V8 F/I	77-3021KP ¹	8.2 @ 5067	C1500	5.7L V8 F/I	57-3013-2 ¹	9.5 @ 4918
		57-3021-1 ¹	9.1 @ 5352	C1500 Suburban	5.7L V8 F/I	57-3013-2 ¹	9.5 @ 4918
Sierra 2500	5.3L V8 F/I	77-3023KP ¹	8.2 @ 5067	C2500	5.7L V8 F/I	57-3013-2 ¹	9.5 @ 4918
		57-3023-1 ¹	14.3 @ 5018	C2500	7.4L V8 F/I	57-3016-1 ¹	21.5 @ 4078
Sierra 2500	6.0L V8 F/I	77-3023KP ¹	8.2 @ 5067	C2500 Suburban	5.7L V8 F/I	57-3013-2 ¹	9.5 @ 4918
		57-3023-1 ¹	14.3 @ 5018	C2500 Suburban	7.4L V8 F/I	57-3016-1 ¹	21.5 @ 4078
Sonoma	2.2L L4 F/I	57-3025-1 ¹	6.7 @ 4700	C3500	5.7L V8 F/I	57-3013-2 ¹	9.5 @ 4918
Sonoma	4.3L V6 F/I	57-3017-2 ¹	7.4 @ 4671	C3500	7.4L V8 F/I	57-3016-1 ¹	21.5 @ 4078
Yukon	4.8L V8 F/I	77-3023KP ¹	8.2 @ 5067	Jimmy	4.3L V6 F/I	57-3017-2 ¹	7.4 @ 4671
		57-3023-1 ¹	14.3 @ 5018	K1500	5.0L V8 F/I	57-3013-2 ¹	9.5 @ 4918
Yukon	5.3L V8 F/I	77-3023KP ¹	8.2 @ 5067	K1500	5.7L V8 F/I	57-3013-2 ¹	9.5 @ 4918
		57-3023-1 ¹	14.3 @ 5018	K1500 Suburban	5.7L V8 F/I	57-3013-2 ¹	9.5 @ 4918
Yukon Denali	5.7L V8 F/I	57-3013-2 ¹	9.5 @ 4918	K2500	5.0L V8 F/I	57-3013-2 ¹	9.5 @ 4918
Yukon XL 1500	5.3L V8 F/I	77-3023KP ¹	8.2 @ 5067	K2500	5.7L V8 F/I	57-3013-2 ¹	9.5 @ 4918
		57-3023-1 ¹	14.3 @ 5018	K2500	7.4L V8 F/I	57-3016-1 ¹	21.5 @ 4078
Yukon XL 2500	6.0L V8 F/I	77-3023KP ¹	8.2 @ 5067	K2500 Suburban	5.7L V8 F/I	57-3013-2 ¹	9.5 @ 4918
		57-3023-1 ¹	14.3 @ 5018	K2500 Suburban	7.4L V8 F/I	57-3016-1 ¹	21.5 @ 4078
1999 GMC				1997 GMC			
C1500	5.0L V8 F/I	57-3013-2 ¹	9.5 @ 4918	C1500	4.3L V6 F/I	57-3039 ¹	6.0 @ 4476
C1500	5.7L V8 F/I	57-3013-2 ¹	9.5 @ 4918	C1500	5.0L V8 F/I	57-3013-2 ¹	9.5 @ 4918
C1500 Suburban	5.7L V8 F/I	57-3013-2 ¹	9.5 @ 4918	C1500	5.7L V8 F/I	57-3013-2 ¹	9.5 @ 4918
C2500	5.0L V8 F/I	57-3013-2 ¹	9.5 @ 4918	C1500 Suburban	5.7L V8 F/I	57-3013-2 ¹	9.5 @ 4918
C2500	5.7L V8 F/I	57-3013-2 ¹	9.5 @ 4918	C2500	5.0L V8 F/I	57-3013-2 ¹	9.5 @ 4918
C2500	7.4L V8 F/I	57-3016-1 ¹	21.5 @ 4078	C2500	5.7L V8 F/I	57-3013-2 ¹	9.5 @ 4918
C2500 Suburban	5.7L V8 F/I	57-3013-2 ¹	9.5 @ 4918	C2500	7.4L V8 F/I	57-3016-1 ¹	21.5 @ 4078
C2500 Suburban	7.4L V8 F/I	57-3016-1 ¹	21.5 @ 4078	C2500 Suburban	5.7L V8 F/I	57-3013-2 ¹	9.5 @ 4918
C3500	5.7L V8 F/I	57-3013-2 ¹	9.5 @ 4918	C2500 Suburban	7.4L V8 F/I	57-3016-1 ¹	21.5 @ 4078
C3500	7.4L V8 F/I	57-3016-1 ¹	21.5 @ 4078	C3500	5.7L V8 F/I	57-3013-2 ¹	9.5 @ 4918
Jimmy	4.3L V6 F/I	57-3017-2 ¹	7.4 @ 4671	C3500	7.4L V8 F/I	57-3016-1 ¹	21.5 @ 4078
K1500	5.0L V8 F/I	57-3013-2 ¹	9.5 @ 4918	Jimmy	4.3L V6 F/I	57-3017-2 ¹	7.4 @ 4671
K1500	5.7L V8 F/I	57-3013-2 ¹	9.5 @ 4918	K1500	4.3L V6 F/I	57-3039 ¹	6.0 @ 4476
K1500 Suburban	5.7L V8 F/I	57-3013-2 ¹	9.5 @ 4918	K1500	5.0L V8 F/I	57-3013-2 ¹	9.5 @ 4918
K2500	5.0L V8 F/I	57-3013-2 ¹	9.5 @ 4918	K1500	5.7L V8 F/I	57-3013-2 ¹	9.5 @ 4918
K2500	5.7L V8 F/I	57-3013-2 ¹	9.5 @ 4918	K1500 Suburban	5.7L V8 F/I	57-3013-2 ¹	9.5 @ 4918
K2500	7.4L V8 F/I	57-3016-1 ¹	21.5 @ 4078	K2500	5.0L V8 F/I	57-3013-2 ¹	9.5 @ 4918
K2500 Suburban	5.7L V8 F/I	57-3013-2 ¹	9.5 @ 4918				
K2500 Suburban	7.4L V8 F/I	57-3016-1 ¹	21.5 @ 4078				
K3500	5.7L V8 F/I	57-3013-2 ¹	9.5 @ 4918				
K3500	7.4L V8 F/I	57-3016-1 ¹	21.5 @ 4078				
Sierra 1500	4.3L V6 F/I	57-3038 ¹	8.2 @ 4544				

1) Street legal in all US states. 2) Not legal for sale or use on any pollution controlled motor vehicle in California or states adopting California emission procedures. * Estimated horsepower gains are based on specific or similar vehicle dyno tests. Results will vary. See Page 482 for more information. See page 7 for information on intake tube materials/colors.



AIR INTAKE SYSTEMS

GMC

Vehicle	Engine Type	Part Number	Estimated Horsepower*	Vehicle	Engine Type	Part Number	Estimated Horsepower*
1997 GMC				1995 GMC			
K2500	5.7L V8 F/I	57-3013-2 ¹	9.5 @ 4918	C3500	5.7L V8 F/I	63-1007-1 ²	6.7 @ 4107
K2500	7.4L V8 F/I	57-3016-1 ¹	21.5 @ 4078			57-3026 ¹	6.7 @ 4107
K2500 Suburban	5.7L V8 F/I	57-3013-2 ¹	9.5 @ 4918	C3500	7.4L V8 F/I	63-1007-1 ²	6.7 @ 4107
K2500 Suburban	7.4L V8 F/I	57-3016-1 ¹	21.5 @ 4078			57-3027 ¹	7.4 @ 3571
K3500	5.7L V8 F/I	57-3013-2 ¹	9.5 @ 4918	C3500	7.4L V8 F/I - w/o heat stove	57-3014 ¹	17.6 @ 3811
K3500	7.4L V8 F/I	57-3016-1 ¹	21.5 @ 4078	Jimmy	4.3L V6 F/I	57-3009 ¹	7.1 @ 4571
Sonoma	2.2L L4 F/I	57-3024 ¹	7.5 @ 5224	K1500	5.0L V8 F/I	63-1007-1 ²	6.7 @ 4107
Sonoma	4.3L V6 F/I	57-3017-2 ¹	7.4 @ 4671			57-3026 ¹	6.7 @ 4107
Yukon	5.7L V8 F/I	57-3013-2 ¹	9.5 @ 4918	K1500	5.7L V8 F/I	63-1007-1 ²	6.7 @ 4107
1996 GMC						57-3026 ¹	6.7 @ 4107
C1500	4.3L V6 F/I	57-3039 ¹	6.0 @ 4476	K1500 Suburban	5.7L V8 F/I	63-1007-1 ²	6.7 @ 4107
C1500	5.0L V8 F/I	57-3013-2 ¹	9.5 @ 4918			57-3026 ¹	6.7 @ 4107
C1500	5.7L V8 F/I	57-3013-2 ¹	9.5 @ 4918	K2500	5.0L V8 F/I	63-1007-1 ²	6.7 @ 4107
C1500 Suburban	5.7L V8 F/I	57-3013-2 ¹	9.5 @ 4918	K2500	5.7L V8 F/I	63-1007-1 ²	6.7 @ 4107
C2500	5.0L V8 F/I	57-3013-2 ¹	9.5 @ 4918			57-3026 ¹	6.7 @ 4107
C2500	5.7L V8 F/I	57-3013-2 ¹	9.5 @ 4918	K2500	7.4L V8 F/I	63-1007-1 ²	6.7 @ 4107
C2500	7.4L V8 F/I	57-3016-1 ¹	21.5 @ 4078			57-3027 ¹	7.4 @ 3571
C2500 Suburban	5.7L V8 F/I	57-3013-2 ¹	9.5 @ 4918	K2500	7.4L V8 F/I - w/o heat stove	57-3014 ¹	17.6 @ 3811
C2500 Suburban	7.4L V8 F/I	57-3016-1 ¹	21.5 @ 4078	K2500 Suburban	5.7L V8 F/I	63-1007-1 ²	6.7 @ 4107
C3500	5.7L V8 F/I	57-3013-2 ¹	9.5 @ 4918			57-3026 ¹	6.7 @ 4107
C3500	7.4L V8 F/I	57-3016-1 ¹	21.5 @ 4078	K2500 Suburban	7.4L V8 F/I	63-1007-1 ²	6.7 @ 4107
Jimmy	4.3L V6 F/I	57-3017-2 ¹	7.4 @ 4671			57-3027 ¹	7.4 @ 3571
K1500	4.3L V6 F/I	57-3039 ¹	6.0 @ 4476	K2500 Suburban	7.4L V8 F/I - w/o heat stove	57-3014 ¹	17.6 @ 3811
K1500	5.0L V8 F/I	57-3013-2 ¹	9.5 @ 4918	K3500	5.7L V8 F/I	63-1007-1 ²	6.7 @ 4107
K1500	5.7L V8 F/I	57-3013-2 ¹	9.5 @ 4918			57-3026 ¹	6.7 @ 4107
K1500 Suburban	5.7L V8 F/I	57-3013-2 ¹	9.5 @ 4918	K3500	7.4L V8 F/I	63-1007-1 ²	6.7 @ 4107
K2500	5.0L V8 F/I	57-3013-2 ¹	9.5 @ 4918			57-3027 ¹	7.4 @ 3571
K2500	5.7L V8 F/I	57-3013-2 ¹	9.5 @ 4918	K3500	7.4L V8 F/I - w/o heat stove	57-3014 ¹	17.6 @ 3811
K2500	7.4L V8 F/I	57-3016-1 ¹	21.5 @ 4078	Sonoma	2.2L L4 F/I	57-3024 ¹	7.5 @ 5224
K2500 Suburban	5.7L V8 F/I	57-3013-2 ¹	9.5 @ 4918	Sonoma	4.3L V6 CPI	57-3009 ¹	7.1 @ 4571
K2500 Suburban	7.4L V8 F/I	57-3016-1 ¹	21.5 @ 4078	Sonoma	4.3L V6 TBI	57-3029 ¹	4.7 @ 3971
K3500	5.7L V8 F/I	57-3013-2 ¹	9.5 @ 4918	Yukon	5.7L V8 F/I	63-1007-1 ²	6.7 @ 4107
K3500	7.4L V8 F/I	57-3016-1 ¹	21.5 @ 4078			57-3026 ¹	6.7 @ 4107
Sonoma	2.2L L4 F/I	57-3024 ¹	7.5 @ 5224	1994 GMC			
Sonoma	4.3L V6 F/I	57-3017-2 ¹	7.4 @ 4671	C1500	5.0L V8 F/I	63-1007-1 ²	6.7 @ 4107
Yukon	5.7L V8 F/I	57-3013-2 ¹	9.5 @ 4918			57-3026 ¹	6.7 @ 4107
1995 GMC				C1500	5.7L V8 F/I	63-1007-1 ²	6.7 @ 4107
C1500	5.0L V8 F/I	63-1007-1 ²	6.7 @ 4107			57-3026 ¹	6.7 @ 4107
		57-3026 ¹	6.7 @ 4107	C1500 Suburban	5.7L V8 F/I	63-1007-1 ²	6.7 @ 4107
C1500	5.7L V8 F/I	63-1007-1 ²	6.7 @ 4107			57-3026 ¹	6.7 @ 4107
		57-3026 ¹	6.7 @ 4107	C2500	5.0L V8 F/I	63-1007-1 ²	6.7 @ 4107
C1500 Suburban	5.7L V8 F/I	63-1007-1 ²	6.7 @ 4107	C2500	5.7L V8 F/I	63-1007-1 ²	6.7 @ 4107
		57-3026 ¹	6.7 @ 4107			57-3026 ¹	6.7 @ 4107
C2500	5.0L V8 F/I	63-1007-1 ²	6.7 @ 4107	C2500	7.4L V8 F/I	63-1007-1 ²	6.7 @ 4107
C2500	5.7L V8 F/I	63-1007-1 ²	6.7 @ 4107			57-3027 ¹	7.4 @ 3571
		57-3026 ¹	6.7 @ 4107	C2500	7.4L V8 F/I - w/o heat stove	57-3014 ¹	17.6 @ 3811
C2500	7.4L V8 F/I	63-1007-1 ²	6.7 @ 4107	C2500 Suburban	5.7L V8 F/I	63-1007-1 ²	6.7 @ 4107
		57-3027 ¹	7.4 @ 3571			57-3026 ¹	6.7 @ 4107
C2500	7.4L V8 F/I - w/o heat stove	57-3014 ¹	17.6 @ 3811	C2500 Suburban	7.4L V8 F/I	63-1007-1 ²	6.7 @ 4107
C2500 Suburban	5.7L V8 F/I	63-1007-1 ²	6.7 @ 4107			57-3027 ¹	7.4 @ 3571
		57-3026 ¹	6.7 @ 4107	C2500 Suburban	7.4L V8 F/I - w/o heat stove	57-3014 ¹	17.6 @ 3811
C2500 Suburban	7.4L V8 F/I	63-1007-1 ²	6.7 @ 4107	C3500	5.7L V8 F/I	63-1007-1 ²	6.7 @ 4107
		57-3027 ¹	7.4 @ 3571				
C2500 Suburban	7.4L V8 F/I - w/o heat stove	57-3014 ¹	17.6 @ 3811				

1) Street legal in all US states. 2) Not legal for sale or use on any pollution controlled motor vehicle in California or states adopting California emission procedures. * Estimated horsepower gains are based on specific or similar vehicle dyno tests. Results will vary. See Page 482 for more information. See page 7 for information on intake tube materials/colors.



Vehicle	Engine Type	Part Number	Estimated Horsepower*	Vehicle	Engine Type	Part Number	Estimated Horsepower*
1994 GMC				1993 GMC			
C3500	5.7L V8 F/I	57-3026 ¹	6.7 @ 4107	C3500	5.7L V8 F/I	57-3026 ¹	6.7 @ 4107
C3500	7.4L V8 F/I	63-1007-1 ²	6.7 @ 4107	C3500	7.4L V8 F/I	63-1007-1 ²	6.7 @ 4107
		57-3027 ¹	7.4 @ 3571			57-3027 ¹	7.4 @ 3571
C3500	7.4L V8 F/I - w/o heat stove	57-3014 ¹	17.6 @ 3811	C3500	7.4L V8 F/I - w/o heat stove	57-3014 ¹	17.6 @ 3811
Jimmy	4.3L V6 TBI	57-3029 ¹	4.7 @ 3971	Jimmy	4.3L V6 TBI	57-3028 ¹	
K1500	5.0L V8 F/I	63-1007-1 ²	6.7 @ 4107	K1500	5.0L V8 F/I	63-1007-1 ²	6.7 @ 4107
		57-3026 ¹	6.7 @ 4107			57-3026 ¹	6.7 @ 4107
K1500	5.7L V8 F/I	63-1007-1 ²	6.7 @ 4107	K1500	5.7L V8 F/I	63-1007-1 ²	6.7 @ 4107
		57-3026 ¹	6.7 @ 4107			57-3026 ¹	6.7 @ 4107
K1500 Suburban	5.7L V8 F/I	63-1007-1 ²	6.7 @ 4107	K1500 Suburban	5.7L V8 F/I	63-1007-1 ²	6.7 @ 4107
		57-3026 ¹	6.7 @ 4107			57-3026 ¹	6.7 @ 4107
K2500	5.0L V8 F/I	63-1007-1 ²	6.7 @ 4107	K2500	5.0L V8 F/I	63-1007-1 ²	6.7 @ 4107
K2500	5.7L V8 F/I	63-1007-1 ²	6.7 @ 4107	K2500	5.7L V8 F/I	63-1007-1 ²	6.7 @ 4107
		57-3026 ¹	6.7 @ 4107			57-3026 ¹	6.7 @ 4107
K2500	7.4L V8 F/I	63-1007-1 ²	6.7 @ 4107	K2500	7.4L V8 F/I	63-1007-1 ²	6.7 @ 4107
		57-3027 ¹	7.4 @ 3571			57-3027 ¹	7.4 @ 3571
K2500	7.4L V8 F/I - w/o heat stove	57-3014 ¹	17.6 @ 3811	K2500	7.4L V8 F/I - w/o heat stove	57-3014 ¹	17.6 @ 3811
K2500 Suburban	5.7L V8 F/I	63-1007-1 ²	6.7 @ 4107	K2500 Suburban	5.7L V8 F/I	63-1007-1 ²	6.7 @ 4107
		57-3026 ¹	6.7 @ 4107			57-3026 ¹	6.7 @ 4107
K2500 Suburban	7.4L V8 F/I	63-1007-1 ²	6.7 @ 4107	K2500 Suburban	7.4L V8 F/I	63-1007-1 ²	6.7 @ 4107
		57-3027 ¹	7.4 @ 3571			57-3027 ¹	7.4 @ 3571
K2500 Suburban	7.4L V8 F/I - w/o heat stove	57-3014 ¹	17.6 @ 3811	K2500 Suburban	7.4L V8 F/I - w/o heat stove	57-3014 ¹	17.6 @ 3811
K3500	5.7L V8 F/I	63-1007-1 ²	6.7 @ 4107	K3500	5.7L V8 F/I	63-1007-1 ²	6.7 @ 4107
		57-3026 ¹	6.7 @ 4107			57-3026 ¹	6.7 @ 4107
K3500	7.4L V8 F/I	63-1007-1 ²	6.7 @ 4107	K3500	7.4L V8 F/I	63-1007-1 ²	6.7 @ 4107
		57-3027 ¹	7.4 @ 3571			57-3027 ¹	7.4 @ 3571
K3500	7.4L V8 F/I - w/o heat stove	57-3014 ¹	17.6 @ 3811	K3500	7.4L V8 F/I - w/o heat stove	57-3014 ¹	17.6 @ 3811
Sonoma	2.2L L4 F/I	57-3024 ¹	7.5 @ 5224	Sonoma	4.3L V6 TBI	57-3028 ¹	
Sonoma	4.3L V6 CPI	57-3009 ¹	7.1 @ 4571	Yukon	5.7L V8 F/I	63-1007-1 ²	6.7 @ 4107
Sonoma	4.3L V6 TBI	57-3029 ¹	4.7 @ 3971			57-3026 ¹	6.7 @ 4107
Yukon	5.7L V8 F/I	63-1007-1 ²	6.7 @ 4107			57-3026 ¹	6.7 @ 4107
		57-3026 ¹	6.7 @ 4107			57-3026 ¹	6.7 @ 4107
1993 GMC				1992 GMC			
C1500	5.0L V8 F/I	63-1007-1 ²	6.7 @ 4107	C1500	5.0L V8 F/I	63-1007-1 ²	6.7 @ 4107
		57-3026 ¹	6.7 @ 4107			57-3026 ¹	6.7 @ 4107
C1500	5.7L V8 F/I	63-1007-1 ²	6.7 @ 4107	C1500	5.7L V8 F/I	63-1007-1 ²	6.7 @ 4107
		57-3026 ¹	6.7 @ 4107			57-3026 ¹	6.7 @ 4107
C1500 Suburban	5.7L V8 F/I	63-1007-1 ²	6.7 @ 4107	C1500 Suburban	5.7L V8 F/I	63-1007-1 ²	6.7 @ 4107
		57-3026 ¹	6.7 @ 4107			57-3026 ¹	6.7 @ 4107
C2500	5.0L V8 F/I	63-1007-1 ²	6.7 @ 4107	C2500	5.0L V8 F/I	63-1007-1 ²	6.7 @ 4107
		57-3026 ¹	6.7 @ 4107			57-3026 ¹	6.7 @ 4107
C2500	5.7L V8 F/I	63-1007-1 ²	6.7 @ 4107	C2500	5.7L V8 F/I	63-1007-1 ²	6.7 @ 4107
		57-3026 ¹	6.7 @ 4107			57-3026 ¹	6.7 @ 4107
C2500	7.4L V8 F/I	63-1007-1 ²	6.7 @ 4107	C2500	7.4L V8 F/I	63-1007-1 ²	6.7 @ 4107
		57-3027 ¹	7.4 @ 3571			57-3027 ¹	7.4 @ 3571
C2500	7.4L V8 F/I - w/o heat stove	57-3014 ¹	17.6 @ 3811	C2500	7.4L V8 F/I - w/o heat stove	57-3014 ¹	17.6 @ 3811
C2500 Suburban	5.7L V8 F/I	63-1007-1 ²	6.7 @ 4107	C2500 Suburban	5.7L V8 F/I	63-1007-1 ²	6.7 @ 4107
		57-3026 ¹	6.7 @ 4107			57-3026 ¹	6.7 @ 4107
C2500 Suburban	7.4L V8 F/I	63-1007-1 ²	6.7 @ 4107	C2500 Suburban	7.4L V8 F/I	63-1007-1 ²	6.7 @ 4107
		57-3027 ¹	7.4 @ 3571			57-3027 ¹	7.4 @ 3571
C2500 Suburban	7.4L V8 F/I - w/o heat stove	57-3014 ¹	17.6 @ 3811	C2500 Suburban	7.4L V8 F/I - w/o heat stove	57-3014 ¹	17.6 @ 3811
C3500	5.7L V8 F/I	63-1007-1 ²	6.7 @ 4107	C3500	5.7L V8 F/I	63-1007-1 ²	6.7 @ 4107
		57-3026 ¹	6.7 @ 4107			57-3026 ¹	6.7 @ 4107

1) Street legal in all US states. 2) Not legal for sale or use on any pollution controlled motor vehicle in California or states adopting California emission procedures. * Estimated horsepower gains are based on specific or similar vehicle dyno tests. Results will vary. See Page 482 for more information. See page 7 for information on intake tube materials/colors.



AIR INTAKE SYSTEMS

GMC

Vehicle	Engine Type	Part Number	Estimated Horsepower*	Vehicle	Engine Type	Part Number	Estimated Horsepower*
1992 GMC				1991 GMC			
C3500	7.4L V8 F/I	63-1007-1 ²	6.7 @ 4107	K2500	5.7L V8 F/I	57-3026 ¹	6.7 @ 4107
		57-3027 ¹	7.4 @ 3571	K2500	7.4L V8 F/I	63-1007-1 ²	6.7 @ 4107
C3500	7.4L V8 F/I - w/o heat stove	57-3014 ¹	17.6 @ 3811			57-3027 ¹	7.4 @ 3571
Jimmy	4.3L V6 TBI	57-3028 ¹		K3500	5.7L V8 F/I	63-1007-1 ²	6.7 @ 4107
K1500	5.0L V8 F/I	63-1007-1 ²	6.7 @ 4107			57-3026 ¹	6.7 @ 4107
		57-3026 ¹	6.7 @ 4107	K3500	7.4L V8 F/I	63-1007-1 ²	6.7 @ 4107
K1500	5.7L V8 F/I	63-1007-1 ²	6.7 @ 4107			57-3027 ¹	7.4 @ 3571
		57-3026 ¹	6.7 @ 4107	R1500 Suburban	5.7L V8 F/I	63-1007-1 ²	6.7 @ 4107
K1500 Suburban	5.7L V8 F/I	63-1007-1 ²	6.7 @ 4107	R2500 Suburban	5.7L V8 F/I	63-1007-1 ²	6.7 @ 4107
		57-3026 ¹	6.7 @ 4107	R2500 Suburban	7.4L V8 F/I	63-1007-1 ²	6.7 @ 4107
K2500	5.0L V8 F/I	63-1007-1 ²	6.7 @ 4107	R3500	5.7L V8 F/I	63-1007-1 ²	6.7 @ 4107
		57-3026 ¹	6.7 @ 4107	R3500	7.4L V8 F/I	63-1007-1 ²	6.7 @ 4107
K2500	5.7L V8 F/I	63-1007-1 ²	6.7 @ 4107	S15 Jimmy	4.3L V6 F/I	57-3028 ¹	
		57-3026 ¹	6.7 @ 4107	Sonoma	4.3L V6 F/I	57-3028 ¹	
K2500	7.4L V8 F/I	63-1007-1 ²	6.7 @ 4107	V1500 Suburban	5.7L V8 F/I	63-1007-1 ²	6.7 @ 4107
		57-3027 ¹	7.4 @ 3571	V2500 Suburban	5.7L V8 F/I	63-1007-1 ²	6.7 @ 4107
K2500	7.4L V8 F/I - w/o heat stove	57-3014 ¹	17.6 @ 3811	V3500	5.7L V8 F/I	63-1007-1 ²	6.7 @ 4107
				V3500	7.4L V8 F/I	63-1007-1 ²	6.7 @ 4107
K2500 Suburban	5.7L V8 F/I	63-1007-1 ²	6.7 @ 4107	1990 GMC			
		57-3026 ¹	6.7 @ 4107	C1500	5.0L V8 F/I	63-1007-1 ²	6.7 @ 4107
K2500 Suburban	7.4L V8 F/I	63-1007-1 ²	6.7 @ 4107			57-3026 ¹	6.7 @ 4107
		57-3027 ¹	7.4 @ 3571	C1500	5.7L V8 F/I	63-1007-1 ²	6.7 @ 4107
K2500 Suburban	7.4L V8 F/I - w/o heat stove	57-3014 ¹	17.6 @ 3811			57-3026 ¹	6.7 @ 4107
K3500	5.7L V8 F/I	63-1007-1 ²	6.7 @ 4107	C2500	5.0L V8 F/I	63-1007-1 ²	6.7 @ 4107
		57-3026 ¹	6.7 @ 4107			57-3026 ¹	6.7 @ 4107
K3500	7.4L V8 F/I	63-1007-1 ²	6.7 @ 4107	C2500	5.7L V8 F/I	63-1007-1 ²	6.7 @ 4107
		57-3027 ¹	7.4 @ 3571			57-3026 ¹	6.7 @ 4107
K3500	7.4L V8 F/I - w/o heat stove	57-3014 ¹	17.6 @ 3811	C3500	5.7L V8 F/I	63-1007-1 ²	6.7 @ 4107
						57-3026 ¹	6.7 @ 4107
Sonoma	4.3L V6 TBI	57-3028 ¹		C3500	7.4L V8 F/I	63-1007-1 ²	6.7 @ 4107
Yukon	5.7L V8 F/I	63-1007-1 ²	6.7 @ 4107			57-3027 ¹	7.4 @ 3571
		57-3026 ¹	6.7 @ 4107	Jimmy	5.7L V8 F/I	63-1007-1 ²	6.7 @ 4107
1991 GMC				K1500	5.0L V8 F/I	63-1007-1 ²	6.7 @ 4107
C1500	5.0L V8 F/I	63-1007-1 ²	6.7 @ 4107			57-3026 ¹	6.7 @ 4107
		57-3026 ¹	6.7 @ 4107	K1500	5.7L V8 F/I	63-1007-1 ²	6.7 @ 4107
C1500	5.7L V8 F/I	63-1007-1 ²	6.7 @ 4107			57-3026 ¹	6.7 @ 4107
		57-3026 ¹	6.7 @ 4107	K2500	5.0L V8 F/I	63-1007-1 ²	6.7 @ 4107
C2500	5.0L V8 F/I	63-1007-1 ²	6.7 @ 4107			57-3026 ¹	6.7 @ 4107
		57-3026 ¹	6.7 @ 4107	K2500	5.7L V8 F/I	63-1007-1 ²	6.7 @ 4107
C2500	5.7L V8 F/I	63-1007-1 ²	6.7 @ 4107			57-3026 ¹	6.7 @ 4107
		57-3026 ¹	6.7 @ 4107	K3500	5.7L V8 F/I	63-1007-1 ²	6.7 @ 4107
C2500	7.4L V8 F/I	63-1007-1 ²	6.7 @ 4107			57-3026 ¹	6.7 @ 4107
		57-3027 ¹	7.4 @ 3571	K3500	7.4L V8 F/I	63-1007-1 ²	6.7 @ 4107
C3500	5.7L V8 F/I	63-1007-1 ²	6.7 @ 4107			57-3027 ¹	7.4 @ 3571
		57-3026 ¹	6.7 @ 4107	R1500 Suburban	5.7L V8 F/I	63-1007-1 ²	6.7 @ 4107
C3500	7.4L V8 F/I	63-1007-1 ²	6.7 @ 4107	R2500 Suburban	5.7L V8 F/I	63-1007-1 ²	6.7 @ 4107
		57-3027 ¹	7.4 @ 3571	R2500 Suburban	7.4L V8 F/I	63-1007-1 ²	6.7 @ 4107
Jimmy	5.7L V8 F/I	63-1007-1 ²	6.7 @ 4107	R3500	5.7L V8 F/I	63-1007-1 ²	6.7 @ 4107
K1500	5.0L V8 F/I	63-1007-1 ²	6.7 @ 4107	R3500	7.4L V8 F/I	63-1007-1 ²	6.7 @ 4107
		57-3026 ¹	6.7 @ 4107	S15 Jimmy	4.3L V6 TBI	57-3028 ¹	
K1500	5.7L V8 F/I	63-1007-1 ²	6.7 @ 4107	S15 Pickup	4.3L V6 TBI	57-3028 ¹	
		57-3026 ¹	6.7 @ 4107	V1500 Suburban	5.7L V8 F/I	63-1007-1 ²	6.7 @ 4107
K2500	5.0L V8 F/I	63-1007-1 ²	6.7 @ 4107	V2500 Suburban	5.7L V8 F/I	63-1007-1 ²	6.7 @ 4107
		57-3026 ¹	6.7 @ 4107	V3500	5.7L V8 F/I	63-1007-1 ²	6.7 @ 4107
K2500	5.7L V8 F/I	63-1007-1 ²	6.7 @ 4107	V3500	7.4L V8 F/I	63-1007-1 ²	6.7 @ 4107

1) Street legal in all US states. 2) Not legal for sale or use on any pollution controlled motor vehicle in California or states adopting California emission procedures. * Estimated horsepower gains are based on specific or similar vehicle dyno tests. Results will vary. See Page 482 for more information. See page 7 for information on intake tube materials/colors.



Vehicle	Engine Type	Part Number	Estimated Horsepower*	Vehicle	Engine Type	Part Number	Estimated Horsepower*
1990 GMC				1988 GMC			
V3500	7.4L V8 F/I	57-3027 ¹	7.4 @ 3571	K1500	5.0L V8 F/I	63-1007-1 ² 57-3026 ¹	6.7 @ 4107
1989 GMC				1988 GMC			
C1500	5.0L V8 F/I	63-1007-1 ² 57-3026 ¹	6.7 @ 4107	K1500	5.7L V8 F/I	63-1007-1 ² 57-3026 ¹	6.7 @ 4107
C1500	5.7L V8 F/I	63-1007-1 ² 57-3026 ¹	6.7 @ 4107	K2500	5.0L V8 F/I	63-1007-1 ² 57-3026 ¹	6.7 @ 4107
C2500	5.0L V8 F/I	63-1007-1 ² 57-3026 ¹	6.7 @ 4107	K2500	5.7L V8 F/I	63-1007-1 ² 57-3026 ¹	6.7 @ 4107
C2500	5.7L V8 F/I	63-1007-1 ² 57-3026 ¹	6.7 @ 4107	K3500	5.7L V8 F/I	63-1007-1 ² 57-3026 ¹	6.7 @ 4107
C3500	5.7L V8 F/I	63-1007-1 ² 57-3026 ¹	6.7 @ 4107	K3500	7.4L V8 F/I	63-1007-1 ² 57-3027 ¹	6.7 @ 4107 7.4 @ 3571
C3500	7.4L V8 F/I	63-1007-1 ² 57-3027 ¹	6.7 @ 4107 7.4 @ 3571	R1500 Suburban	5.7L V8 F/I	63-1007-1 ²	6.7 @ 4107
Jimmy	5.7L V8 F/I	63-1007-1 ²	6.7 @ 4107	R2500	5.7L V8 F/I	63-1007-1 ²	6.7 @ 4107
K1500	5.0L V8 F/I	63-1007-1 ² 57-3026 ¹	6.7 @ 4107	R2500	7.4L V8 F/I	63-1007-1 ²	6.7 @ 4107
K1500	5.7L V8 F/I	63-1007-1 ² 57-3026 ¹	6.7 @ 4107	R2500 Suburban	5.7L V8 F/I	63-1007-1 ²	6.7 @ 4107
K2500	5.0L V8 F/I	63-1007-1 ² 57-3026 ¹	6.7 @ 4107	R2500 Suburban	7.4L V8 F/I	63-1007-1 ²	6.7 @ 4107
K2500	5.7L V8 F/I	63-1007-1 ² 57-3026 ¹	6.7 @ 4107	R3500	5.7L V8 F/I	63-1007-1 ²	6.7 @ 4107
K2500	5.7L V8 F/I	63-1007-1 ² 57-3026 ¹	6.7 @ 4107	R3500	7.4L V8 F/I	63-1007-1 ²	6.7 @ 4107
K3500	5.7L V8 F/I	63-1007-1 ² 57-3026 ¹	6.7 @ 4107	S15 Jimmy	4.3L V6 F/I	57-3028 ¹	6.7 @ 4107
K3500	7.4L V8 F/I	63-1007-1 ² 57-3027 ¹	6.7 @ 4107 7.4 @ 3571	S15 Pickup	4.3L V6 F/I	57-3028 ¹	6.7 @ 4107
R1500 Suburban	5.7L V8 F/I	63-1007-1 ²	6.7 @ 4107	V1500 Suburban	5.7L V8 F/I	63-1007-1 ²	6.7 @ 4107
R2500	5.7L V8 F/I	63-1007-1 ² 57-3026 ¹	6.7 @ 4107	V2500 Suburban	5.7L V8 F/I	63-1007-1 ²	6.7 @ 4107
R2500	7.4L V8 F/I	63-1007-1 ²	6.7 @ 4107	V3500	5.7L V8 F/I	63-1007-1 ²	6.7 @ 4107
R2500 Suburban	5.7L V8 F/I	63-1007-1 ²	6.7 @ 4107	V3500	7.4L V8 F/I	63-1007-1 ²	6.7 @ 4107
R2500 Suburban	7.4L V8 F/I	63-1007-1 ²	6.7 @ 4107	2015 HOLDEN			
R3500	5.7L V8 F/I	63-1007-1 ²	6.7 @ 4107	Cruze	1.4L L4 F/I	69-4521TS ²	6.5 @ 5000
R3500	7.4L V8 F/I	63-1007-1 ²	6.7 @ 4107	2014 HOLDEN			
S15 Jimmy	4.3L V6 TBI	57-3028 ¹	6.7 @ 4107	Cruze	1.4L L4 F/I	69-4521TS ²	6.5 @ 5000
S15 Pickup	4.3L V6 TBI	57-3028 ¹	6.7 @ 4107	2013 HOLDEN			
V1500 Suburban	5.7L V8 F/I	63-1007-1 ²	6.7 @ 4107	Cruze	1.4L L4 F/I	69-4521TS ²	6.5 @ 5000
V2500 Suburban	5.7L V8 F/I	63-1007-1 ²	6.7 @ 4107	2012 HOLDEN			
V3500	5.7L V8 F/I	63-1007-1 ²	6.7 @ 4107	Cruze	1.4L L4 F/I	69-4521TS ²	6.5 @ 5000
V3500	7.4L V8 F/I	63-1007-1 ²	6.7 @ 4107	2011 HOLDEN			
1988 GMC				Cruze	1.4L L4 F/I	69-4521TS ²	6.5 @ 5000
C1500	5.0L V8 F/I	63-1007-1 ² 57-3026 ¹	6.7 @ 4107	2020 HONDA			
C1500	5.7L V8 F/I	63-1007-1 ² 57-3026 ¹	6.7 @ 4107	Accord	1.5L L4 F/I	69-1507TS ²	8.6 @ 6000
C2500	5.0L V8 F/I	63-1007-1 ² 57-3026 ¹	6.7 @ 4107	Accord	2.0L L4 F/I - Exc. Hybrid	69-1506TS ²	6.1 @ 5410
C2500	5.7L V8 F/I	63-1007-1 ² 57-3026 ¹	6.7 @ 4107	Civic	1.5L L4 F/I - Exc. Si	63-3516 ²	
C3500	5.7L V8 F/I	63-1007-1 ² 57-3026 ¹	6.7 @ 4107	Civic	2.0L L4 F/I - Exc. Type R	63-3517 ²	
C3500	7.4L V8 F/I	63-1007-1 ² 57-3027 ¹	6.7 @ 4107 7.4 @ 3571	Civic Si	1.5L L4 F/I	69-1504TR ²	11.2 @ 4371
Jimmy	5.7L V8 F/I	63-1007-1 ²	6.7 @ 4107	2019 HONDA			
				Accord	1.5L L4 F/I	69-1507TS ²	8.6 @ 6000
				Accord	2.0L L4 F/I - Exc. Hybrid	69-1506TS ²	6.1 @ 5410
				Civic	1.5L L4 F/I - Exc. Si	63-3516 ²	
				Civic	2.0L L4 F/I - Exc. Type R	63-3517 ²	
				Civic Si	1.5L L4 F/I	69-1504TR ²	11.2 @ 4371
				Civic Type R	2.0L L4 F/I	69-1505TWR ²	12.6 @ 6122
				Civic X Type R	2.0L L4 F/I	69-1505TWR ²	12.6 @ 6122

1) Street legal in all US states. 2) Not legal for sale or use on any pollution controlled motor vehicle in California or states adopting California emission procedures. * Estimated horsepower gains are based on specific or similar vehicle dyno tests. Results will vary. See Page 482 for more information. See page 7 for information on intake tube materials/colors.



AIR INTAKE SYSTEMS

HONDA

Vehicle	Engine Type	Part Number	Estimated Horsepower*	Vehicle	Engine Type	Part Number	Estimated Horsepower*
2018 HONDA				2012 HONDA			
Accord	1.5L L4 F/I	69-1507TS ²	8.6 @ 6000	Accord	3.5L V6 F/I	69-1210TS ¹	10.2 @ 5217
Accord	2.0L L4 F/I - Exc. Hybrid	69-1506TS ²	6.1 @ 5410	Civic	1.8L L4 F/I - Exc. LEV2 SULEV Test Group CHNXV01.8VC2	69-1020TS ¹	3.2 @ 5424
Civic	1.5L L4 F/I - Exc. Si	63-3516 ²		Civic Si	2.4L L4 F/I	69-1019TS ¹	10.6 @ 5400
Civic	2.0L L4 F/I - US, Exc. Type R	63-3517 ²		Crosstour	3.5L V6 F/I	69-1210TS ¹	10.2 @ 5217
Civic Si	1.5L L4 F/I	69-1504TR ²	11.2 @ 4371	CR-Z	1.5L L4 F/I	69-1018TS ²	4.8 @ 5049
Civic Type R	2.0L L4 F/I	69-1505TWR ²	12.6 @ 6122	Fit	1.5L L4 F/I	69-1017TTK ¹	4.5 @ 5900
Civic X Type R	2.0L L4 F/I	69-1505TWR ²	12.6 @ 6122	2011 HONDA			
2017 HONDA				Accord	2.4L L4 F/I - Exc. LEV2 SULEV Test Group BHNXXV02.4RC3	69-1211TTK ¹	11.1 @ 5600
Accord	2.4L L4 F/I	69-1213TS ²	5.2 @ 5378	Accord	3.5L V6 F/I - w/Mass Air	69-1210TS ¹	10.2 @ 5217
Accord	3.5L V6 F/I	69-1212TS ²	7.4 @ 5429	Accord Crosstour	3.5L V6 F/I - w/Mass Air	69-1210TS ¹	10.2 @ 5217
Civic	1.5L L4 F/I - Exc. Si	63-3516 ²	9.0 @ 68	Civic	1.8L L4 F/I - US	69-1013TS ¹	5.7 @ 5700
Civic	2.0L L4 F/I - Exc. Type R	63-3517 ²		Civic Si	2.0L L4 F/I	69-1014TS ¹	7.0 @ 6700
Civic Si	1.5L L4 F/I	69-1504TR ²	11.2 @ 4371	CR-Z	1.5L L4 F/I	69-1018TS ²	4.8 @ 5049
Civic Type R	2.0L L4 F/I	69-1505TWR ²	12.6 @ 6122	Fit	1.5L L4 F/I	69-1017TTK ¹	4.5 @ 5900
Civic X Type R	2.0L L4 F/I	69-1505TWR ²	12.6 @ 6122	2010 HONDA			
2016 HONDA				Accord	2.4L L4 F/I - Exc. LEV2 SULEV Test Group AHNXXV02.4KC3	69-1211TTK ¹	11.1 @ 5600
Accord	2.4L L4 F/I	69-1213TS ²	5.2 @ 5378	Accord	3.5L V6 F/I - w/Mass Air	69-1210TS ¹	10.2 @ 5217
Accord	3.5L V6 F/I	69-1212TS ²	7.4 @ 5429	Accord Crosstour	3.5L V6 F/I - w/Mass Air	69-1210TS ¹	10.2 @ 5217
Civic	1.5L L4 F/I	63-3516 ²	9.0 @ 68	Civic	1.8L L4 F/I - US	69-1013TS ¹	5.7 @ 5700
Civic	2.0L L4 F/I - Exc. DX	63-3517 ²	3.1 @ 44	Civic Si	2.0L L4 F/I	69-1014TS ¹	7.0 @ 6700
CR-Z	1.5L L4 F/I	69-1018TS ²	4.8 @ 5049	Fit	1.5L L4 F/I	69-1017TTK ¹	4.5 @ 5900
2015 HONDA				2009 HONDA			
Accord	2.4L L4 F/I	69-1213TS ²	5.2 @ 5378	Accord	2.4L L4 F/I - Exc. LEV2 SULEV Test Group 9HNXXV02.4TC3	69-1211TTK ¹	11.1 @ 5600
Accord	3.5L V6 F/I	69-1212TS ²	7.4 @ 5429	Accord	3.5L V6 F/I - Exc. LEV2 SULEV Test Group 9HNXXV03.5EC3	69-1210TS ¹	10.2 @ 5217
Civic	1.8L L4 F/I	69-1020TS ²	3.2 @ 5424	Civic	1.8L L4 F/I - US	69-1013TS ¹	5.7 @ 5700
Civic Si	2.4L L4 F/I	69-1019TS ²	10.6 @ 5400	Civic GX	1.8L L4 F/I - US	69-1013TS ¹	5.7 @ 5700
CR-Z	1.5L L4 F/I	69-1018TS ²	4.8 @ 5049	Civic Si	2.0L L4 F/I	69-1014TS ¹	7.0 @ 6700
2014 HONDA				Fit	1.5L L4 F/I	69-1017TTK ¹	4.5 @ 5900
Accord	2.4L L4 F/I - Exc. LEV2 SULEV Test Group EHNXXV02.46C3	69-1213TS ¹	5.2 @ 5378	2008 HONDA			
Accord	3.5L V6 F/I - Exc. LEV2 SULEV Test Group EHNXXV03.5SC3	69-1212TS ¹	7.4 @ 5429	Accord	2.4L L4 F/I - Exc. LEV2 SULEV Test Group 8HNXXV02.4EMC	69-1211TTK ¹	11.1 @ 5600
Civic	1.8L L4 F/I - Exc. LEV2 SULEV Test Group EHNXXV01.8WC2	69-1020TS ¹	3.2 @ 5424	Accord	3.5L V6 F/I - Exc. LEV2 SULEV Test Group 8HNXXV03.5BMC	69-1210TS ¹	10.2 @ 5217
Civic Si	2.4L L4 F/I	69-1019TS ¹	10.6 @ 5400	Accord VIII	2.0L L4 F/I - Non-US	69-1206TP ²	3.9 @ 5097
CR-Z	1.5L L4 F/I	69-1018TS ²	4.8 @ 5049	Accord VIII	2.4L L4 F/I - Non-US	69-1206TP ²	3.9 @ 5097
2013 HONDA				Civic	1.8L L4 F/I - US	69-1013TS ¹	5.7 @ 5700
Accord	2.4L L4 F/I - Exc. LEV2 SULEV Test Group DHNXXV02.4NC3	69-1213TS ¹	5.2 @ 5378	Civic GX	1.8L L4 F/I - US	69-1013TS ¹	5.7 @ 5700
Accord	3.5L V6 F/I - Exc. LEV2 SULEV Test Group DHNXXV03.5VC3	69-1212TS ¹	7.4 @ 5429	Civic Si	2.0L L4 F/I	69-1014TS ¹	7.0 @ 6700
Civic	1.8L L4 F/I - Exc. LEV2 SULEV Test Group DHNXXV01.82C2	69-1020TS ¹	3.2 @ 5424	Fit	1.5L L4 F/I	69-1016-1TS ¹	5.0 @ 5500
Civic Si	2.4L L4 F/I	69-1019TS ¹	10.6 @ 5400	Ridgeline	3.5L V6 F/I	77-3515KP ¹	9.7 @ 5159
CR-Z	1.5L L4 F/I	69-1018TS ²	4.8 @ 5049	S2000	2.2L L4 F/I	63-3514 ²	9.6 @ 6500
Fit	1.5L L4 F/I	69-1017TTK ¹	4.5 @ 5900			57-3514 ¹	9.6 @ 6400
2012 HONDA				2007 HONDA			
Accord	2.4L L4 F/I - Exc. LEV2 SULEV Test Group CHNXXV02.4MC3	69-1211TTK ¹	11.1 @ 5600	Accord	2.4L L4 F/I - SULEV	69-1209TS ¹	7.1 @ 5111

1) Street legal in all US states. 2) Not legal for sale or use on any pollution controlled motor vehicle in California or states adopting California emission procedures. * Estimated horsepower gains are based on specific or similar vehicle dyno tests. Results will vary. See Page 482 for more information. See page 7 for information on intake tube materials/colors.



Vehicle	Engine Type	Part Number	Estimated Horsepower*	Vehicle	Engine Type	Part Number	Estimated Horsepower*
2007 HONDA				2005 HONDA			
Accord	3.0L V6 F/I	69-1207TR ¹	10.4 @ 5522	Civic LX	1.7L L4 F/I	69-1008TS ¹	5.0 @ 5200
		69-1207TP ¹	10.4 @ 5522			69-1008TB ¹	5.0 @ 5200
Accord VIII	2.0L L4 F/I - Non-US	69-1206TP ²	3.9 @ 5097			57-3513 ¹	4.8 @ 6200
Accord VIII	2.4L L4 F/I - Non-US	69-1206TP ²	3.9 @ 5097	Civic Si	1.7L L4 F/I	69-1008TS ²	5.0 @ 5200
		69-0025TP ²	4.2 @ 5300			69-1008TB ²	5.0 @ 5200
Civic	1.8L L4 F/I - US	69-1013TS ¹	5.7 @ 5700	Civic Si	2.0L L4 F/I	69-1009TWR ¹	10.5 @ 7014
Civic GX	1.8L L4 F/I - US	69-1013TS ¹	5.7 @ 5700			69-1009TR ¹	10.5 @ 7014
Civic Si	2.0L L4 F/I	69-1014TS ¹	7.0 @ 6700			69-1009TP ¹	10.5 @ 7014
Fit	1.5L L4 F/I	69-1016-1TS ¹	5.0 @ 5500	Civic Value Package	1.7L L4 F/I	69-1008TS ²	5.0 @ 5200
Ridgeline	3.5L V6 F/I	77-3515KP ¹	9.7 @ 5159			69-1008TB ²	5.0 @ 5200
		57-3515 ¹	10.7 @ 5159	Civic VI	1.6L L4 F/I	69-1008TS ²	5.0 @ 5200
S2000	2.0L L4 F/I	69-1040TWR ²	5.6 @ 5220			69-1008TB ²	5.0 @ 5200
		69-1040TP ²	5.6 @ 5220			69-1007TS ²	4.8 @ 6237
		63-3514 ²	9.6 @ 6500	Civic VI	1.7L L4 F/I	69-1008TS ²	5.0 @ 5200
S2000	2.2L L4 F/I	57-3514 ¹	9.6 @ 6400			69-1008TB ²	5.0 @ 5200
				Civic VI	1.7L L4 F/I - w/Manual Trans.	69-1007TS ²	4.8 @ 6237
2006 HONDA				Civic VI	2.0L L4 F/I - 200BHP	69-1009TWR ²	10.5 @ 7014
Accord	2.4L L4 F/I - SULEV	69-1209TS ¹	7.1 @ 5111			69-1009TR ²	10.5 @ 7014
Accord	2.4L L4 F/I - w/o Mass Air, Not CARB exempt for LEV2 SULEV Engines	69-1206TP ¹	3.9 @ 5097	Element	2.4L L4 F/I	69-1009TP ²	10.5 @ 7014
						69-1015TP ¹	7.0 @ 4800
Accord	3.0L V6 F/I	69-1207TR ¹	10.4 @ 5522			69-1015TB ¹	7.0 @ 4800
		69-1207TP ¹	10.4 @ 5522	S2000	2.0L L4 F/I	69-1040TWR ²	5.6 @ 5220
Accord VIII	2.0L L4 F/I - Non-US	69-1206TP ²	3.9 @ 5097			69-1040TP ²	5.6 @ 5220
Accord VIII	2.4L L4 F/I - Non-US	69-1206TP ²	3.9 @ 5097	S2000	2.2L L4 F/I	63-3514 ²	9.6 @ 6500
		69-0025TP ²	4.2 @ 5300			69-1040TWR ¹	5.6 @ 5220
Civic	1.8L L4 F/I - US	69-1013TS ¹	5.7 @ 5700			69-1040TP ¹	5.6 @ 5220
Civic GX	1.8L L4 F/I - US	69-1013TS ¹	5.7 @ 5700	TRX450R	444	57-3514 ¹	9.6 @ 6400
Civic Si	2.0L L4 F/I	69-1014TS ¹	7.0 @ 6700			63-1127 ²	3.0 @ 6200
Civic VI	1.6L L4 F/I	69-1008TS ²	5.0 @ 5200	2004 HONDA			
		69-1008TB ²	5.0 @ 5200	Accord	2.4L L4 F/I - SULEV	69-1209TS ¹	7.1 @ 5111
		69-1007TS ²	4.8 @ 6237	Accord	2.4L L4 F/I - w/o Mass Air, Not CARB exempt for LEV2 SULEV Engines	69-1206TP ¹	3.9 @ 5097
Element	2.4L L4 F/I	69-1015TP ¹	7.0 @ 4800				
		69-1015TB ¹	7.0 @ 4800	Accord	3.0L V6 F/I	69-1207TR ¹	10.4 @ 5522
Ridgeline	3.5L V6 F/I	77-3515KP ¹	9.7 @ 5159			69-1207TP ¹	10.4 @ 5522
		57-3515 ¹	10.7 @ 5159	Accord VIII	2.0L L4 F/I - Non-US	69-1206TP ²	3.9 @ 5097
S2000	2.0L L4 F/I	69-1040TWR ²	5.6 @ 5220	Accord VIII	2.4L L4 F/I - Non-US	69-1206TP ²	3.9 @ 5097
		69-1040TP ²	5.6 @ 5220			69-0025TP ²	4.2 @ 5300
		63-3514 ²	9.6 @ 6500	Civic DX	1.7L L4 F/I	69-1008TS ¹	5.0 @ 5200
S2000	2.2L L4 F/I	57-3514 ¹	9.6 @ 6400			69-1008TB ¹	5.0 @ 5200
						57-3513 ¹	4.8 @ 6200
2005 HONDA				Civic DX	1.7L L4 F/I - w/Manual Trans.	69-1007TS ¹	4.8 @ 6237
Accord	2.4L L4 F/I - SULEV	69-1209TS ¹	7.1 @ 5111	Civic EX	1.7L L4 F/I	69-1008TS ¹	5.0 @ 5200
Accord	2.4L L4 F/I - w/o Mass Air, Not CARB exempt for LEV2 SULEV Engines	69-1206TP ¹	3.9 @ 5097			69-1008TB ¹	5.0 @ 5200
						57-3513 ¹	4.8 @ 6200
Accord	3.0L V6 F/I	69-1207TR ¹	10.4 @ 5522	Civic EX	1.7L L4 F/I - w/Manual Trans.	69-1007TS ¹	4.8 @ 6237
		69-1207TP ¹	10.4 @ 5522				
Accord VIII	2.0L L4 F/I - Non-US	69-1206TP ²	3.9 @ 5097	Civic HX	1.7L L4 F/I - w/Manual Trans.	69-1007TS ²	4.8 @ 6237
Accord VIII	2.4L L4 F/I - Non-US	69-1206TP ²	3.9 @ 5097				
		69-0025TP ²	4.2 @ 5300	Civic LX	1.7L L4 F/I	69-1008TS ¹	5.0 @ 5200
Civic DX	1.7L L4 F/I	69-1008TS ¹	5.0 @ 5200			69-1008TB ¹	5.0 @ 5200
		69-1008TB ¹	5.0 @ 5200			57-3513 ¹	4.8 @ 6200
		57-3513 ¹	4.8 @ 6200	Civic LX	1.7L L4 F/I - w/Manual Trans.	69-1007TS ¹	4.8 @ 6237
Civic EX	1.7L L4 F/I	69-1008TS ¹	5.0 @ 5200	Civic Si	1.7L L4 F/I	69-1008TS ²	5.0 @ 5200
		69-1008TB ¹	5.0 @ 5200				
		57-3513 ¹	4.8 @ 6200				

1) Street legal in all US states. 2) Not legal for sale or use on any pollution controlled motor vehicle in California or states adopting California emission procedures. * Estimated horsepower gains are based on specific or similar vehicle dyno tests. Results will vary. See Page 482 for more information. See page 7 for information on intake tube materials/colors.



AIR INTAKE SYSTEMS

HONDA

Vehicle	Engine Type	Part Number	Estimated Horsepower*	Vehicle	Engine Type	Part Number	Estimated Horsepower*
2004 HONDA				2003 HONDA			
Civic Si	1.7L L4 F/I	69-1008TB ²	5.0 @ 5200	Civic Si	1.7L L4 F/I - w/Manual Trans.	69-1007TS ²	4.8 @ 6237
Civic Si	1.7L L4 F/I - w/Manual Trans.	69-1007TS ²	4.8 @ 6237	Civic Si	2.0L L4 F/I	69-1009TWR ¹	10.5 @ 7014
Civic Si	2.0L L4 F/I	69-1009TWR ¹	10.5 @ 7014			69-1009TR ¹	10.5 @ 7014
		69-1009TR ¹	10.5 @ 7014			69-1009TP ¹	10.5 @ 7014
Civic Value Package	1.7L L4 F/I	69-1008TS ²	5.0 @ 5200	Civic VI	1.6L L4 F/I	69-1008TS ²	5.0 @ 5200
		69-1008TB ²	5.0 @ 5200			69-1008TB ²	5.0 @ 5200
Civic Value Package	1.7L L4 F/I - w/Manual Trans.	69-1007TS ²	4.8 @ 6237	Civic VI	1.7L L4 F/I	69-1008TS ²	5.0 @ 5200
Civic VI	1.6L L4 F/I	69-1008TS ²	5.0 @ 5200			69-1008TB ²	5.0 @ 5200
		69-1008TB ²	5.0 @ 5200	Civic VI	1.7L L4 F/I - 5 spd.	69-1007TS ²	4.8 @ 6237
		69-1007TS ²	4.8 @ 6237	Civic VI	2.0L L4 F/I	69-1009TWR ²	10.5 @ 7014
Civic VI	1.7L L4 F/I	69-1008TS ²	5.0 @ 5200			69-1009TR ²	10.5 @ 7014
		69-1008TB ²	5.0 @ 5200	CR-V	2.4L L4 F/I	69-0015TS ¹	2.8 @ 6500
Civic VI	1.7L L4 F/I - 5 spd.	69-1007TS ²	4.8 @ 6237			69-0015TR ¹	2.8 @ 6500
Civic VI	2.0L L4 F/I - 200BHP	69-1009TWR ²	10.5 @ 7014	Element	2.4L L4 F/I	69-1015TP ¹	7.0 @ 4800
		69-1009TR ²	10.5 @ 7014			69-1015TB ¹	7.0 @ 4800
		69-1009TP ²	10.5 @ 7014	S2000	2.0L L4 F/I	69-1040TWR ¹	5.6 @ 5220
CR-V	2.4L L4 F/I	69-0015TS ¹	2.8 @ 6500			69-1040TP ¹	5.6 @ 5220
		69-0015TR ¹	2.8 @ 6500			57-3514 ¹	9.6 @ 6400
Element	2.4L L4 F/I	69-1015TP ¹	7.0 @ 4800	2002 HONDA			
		69-1015TB ¹	7.0 @ 4800	Accord	3.0L V6 F/I	69-1203TP ¹	9.4 @ 5924
S2000	2.0L L4 F/I	69-1040TWR ²	5.6 @ 5220	Accord VII	2.2L L4 F/I	69-1500TWR ²	13.0 @ 7000
		69-1040TP ²	5.6 @ 5220			69-1500TP ²	13.0 @ 7000
		63-3514 ²	9.6 @ 6500	Civic DX	1.7L L4 F/I	69-1008TS ¹	5.0 @ 5200
S2000	2.2L L4 F/I	69-1040TWR ¹	5.6 @ 5220			69-1008TB ¹	5.0 @ 5200
		69-1040TP ¹	5.6 @ 5220	Civic DX	1.7L L4 F/I - w/Manual Trans.	69-1007TS ¹	4.8 @ 6237
		57-3514 ¹	9.6 @ 6400	Civic EX	1.7L L4 F/I	69-1008TS ¹	5.0 @ 5200
TRX450R	444	63-1127 ²	3.0 @ 6200			69-1008TB ¹	5.0 @ 5200
2003 HONDA						57-3513 ¹	4.8 @ 6200
Accord	2.4L L4 F/I - w/o Mass Air, Not CARB exempt for LEV2 SULEV Engines	69-1206TP ¹	3.9 @ 5097	Civic EX	1.7L L4 F/I - w/Manual Trans.	69-1007TS ¹	4.8 @ 6237
				Civic EX	1.7L L4 F/I - w/Manual Trans.	69-1007TS ²	4.8 @ 6237
Accord	3.0L V6 F/I	69-1207TR ¹	10.4 @ 5522	Civic HX	1.7L L4 F/I - w/Manual Trans.	69-1007TS ²	4.8 @ 6237
		69-1207TP ¹	10.4 @ 5522	Civic LX	1.7L L4 F/I	69-1008TS ¹	5.0 @ 5200
Accord VIII	2.0L L4 F/I - Non-US	69-1206TP ²	3.9 @ 5097			69-1008TB ¹	5.0 @ 5200
Accord VIII	2.4L L4 F/I - Non-US	69-1206TP ²	3.9 @ 5097	Civic LX	1.7L L4 F/I - w/Manual Trans.	69-1007TS ¹	4.8 @ 6237
		69-0025TP ²	4.2 @ 5300	Civic LX	1.7L L4 F/I	69-1008TS ¹	5.0 @ 5200
Civic DX	1.7L L4 F/I	69-1008TS ¹	5.0 @ 5200			57-3513 ¹	4.8 @ 6200
		69-1008TB ¹	5.0 @ 5200	Civic LX	1.7L L4 F/I - w/Manual Trans.	69-1007TS ¹	4.8 @ 6237
		57-3513 ¹	4.8 @ 6200	Civic Si	1.7L L4 F/I	69-1008TS ²	5.0 @ 5200
Civic DX	1.7L L4 F/I - w/Manual Trans.	69-1007TS ¹	4.8 @ 6237			69-1008TB ²	5.0 @ 5200
Civic EX	1.7L L4 F/I	69-1008TS ¹	5.0 @ 5200	Civic Si	1.7L L4 F/I - w/Manual Trans.	69-1007TS ²	4.8 @ 6237
		69-1008TB ¹	5.0 @ 5200	Civic Si	2.0L L4 F/I	69-1009TWR ¹	10.5 @ 7014
		57-3513 ¹	4.8 @ 6200			69-1009TR ¹	10.5 @ 7014
Civic EX	1.7L L4 F/I - w/Manual Trans.	69-1007TS ¹	4.8 @ 6237	Civic VI	1.6L L4 F/I	69-1008TS ²	5.0 @ 5200
Civic HX	1.7L L4 F/I - w/Manual Trans.	69-1007TS ²	4.8 @ 6237			69-1008TB ²	5.0 @ 5200
Civic LX	1.7L L4 F/I	69-1008TS ¹	5.0 @ 5200	Civic VI	1.7L L4 F/I	69-1007TS ²	4.8 @ 6237
		69-1008TB ¹	5.0 @ 5200			69-1008TS ²	5.0 @ 5200
		57-3513 ¹	4.8 @ 6200	Civic VI	1.7L L4 F/I	69-1008TB ²	5.0 @ 5200
Civic LX	1.7L L4 F/I - w/Manual Trans.	69-1007TS ¹	4.8 @ 6237			69-1007TS ²	4.8 @ 6237
Civic Si	1.7L L4 F/I	69-1008TS ²	5.0 @ 5200	Civic VI	2.0L L4 F/I	69-1009TWR ²	10.5 @ 7014
		69-1008TB ²	5.0 @ 5200			69-1009TR ²	10.5 @ 7014
						69-1009TP ²	10.5 @ 7014

1) Street legal in all US states. 2) Not legal for sale or use on any pollution controlled motor vehicle in California or states adopting California emission procedures. * Estimated horsepower gains are based on specific or similar vehicle dyno tests. Results will vary. See Page 482 for more information. See page 7 for information on intake tube materials/colors.



Vehicle	Engine Type	Part Number	Estimated Horsepower*	Vehicle	Engine Type	Part Number	Estimated Horsepower*
2002 HONDA				1999 HONDA			
CR-V	2.4L L4 F/I	69-0015TS ¹	2.8 @ 6500	Accord VII	2.2L L4 F/I	69-1500TP ²	13.0 @ 7000
		69-0015TR ¹	2.8 @ 6500	Civic EX	1.6L L4 F/I	69-1011TP ¹	5.3 @ 4692
S2000	2.0L L4 F/I	69-1040TWR ¹	5.6 @ 5220	Civic HX	1.6L L4 F/I - w/Manual Trans.	63-1016 ²	5.6 @ 7200
		69-1040TP ¹	5.6 @ 5220	Civic Si	1.6L L4 F/I	69-1010TP ¹	10.6 @ 7100
		57-3514 ¹	9.6 @ 6400			57-3512 ¹	5.8 @ 7500
2001 HONDA				Civic V	1.5L L4 F/I - 3/4-Door	69-1011TP ²	5.3 @ 4692
Accord	3.0L V6 F/I	69-1203TP ¹	9.4 @ 5924	Prelude	2.2L L4 F/I - US	69-1302TP ¹	7.1 @ 6821
Accord VII	2.2L L4 F/I	69-1500TWR ²	13.0 @ 7000	S2000	2.0L L4 F/I	69-1040TWR ²	5.6 @ 5220
		69-1500TP ²	13.0 @ 7000			69-1040TP ²	5.6 @ 5220
Civic DX	1.7L L4 F/I	69-1008TS ¹	5.0 @ 5200	1998 HONDA			
		69-1008TB ¹	5.0 @ 5200	Accord VII	2.2L L4 F/I	69-1500TWR ²	13.0 @ 7000
		57-3513 ¹	4.8 @ 6200			69-1500TP ²	13.0 @ 7000
Civic DX	1.7L L4 F/I - w/Manual Trans.	69-1007TS ¹	4.8 @ 6237	Civic EX	1.6L L4 F/I	69-1011TP ¹	5.3 @ 4692
Civic EX	1.7L L4 F/I	69-1008TS ¹	5.0 @ 5200			63-1016 ²	5.6 @ 7200
		69-1008TB ¹	5.0 @ 5200	Civic HX	1.6L L4 F/I - w/Manual Trans.	63-1016 ²	5.6 @ 7200
		57-3513 ¹	4.8 @ 6200	Civic V	1.5L L4 F/I - 3/4-Door	69-1011TP ²	5.3 @ 4692
Civic EX	1.7L L4 F/I - w/Manual Trans.	69-1007TS ¹	4.8 @ 6237	Prelude	2.2L L4 F/I - US	69-1302TP ¹	7.1 @ 6821
Civic HX	1.7L L4 F/I - w/Manual Trans.	69-1007TS ²	4.8 @ 6237	1997 HONDA			
Civic LX	1.7L L4 F/I	69-1008TS ¹	5.0 @ 5200	Accord	2.2L L4 F/I	69-1208TS ¹	5.9 @ 5411
		69-1008TB ¹	5.0 @ 5200	Accord V	2.2L L4 F/I	69-1208TS ²	5.9 @ 5411
		57-3513 ¹	4.8 @ 6200	Accord VI	2.2L L4 F/I	69-1208TS ²	5.9 @ 5411
Civic LX	1.7L L4 F/I - w/Manual Trans.	69-1007TS ¹	4.8 @ 6237	Civic EX	1.6L L4 F/I	69-1011TP ¹	5.3 @ 4692
Civic V	1.5L L4 F/I - 3/4-Door	69-1011TP ²	5.3 @ 4692			63-1016 ²	5.6 @ 7200
Civic VI	1.6L L4 F/I	69-1008TS ²	5.0 @ 5200	Civic HX	1.6L L4 F/I - w/Manual Trans.	63-1016 ²	5.6 @ 7200
		69-1008TB ²	5.0 @ 5200	Civic V	1.5L L4 F/I - 3/4-Door	69-1011TP ²	5.3 @ 4692
		69-1007TS ²	4.8 @ 6237	Prelude	2.2L L4 F/I - US	69-1302TP ¹	7.1 @ 6821
Civic VI	1.7L L4 F/I	69-1008TS ²	5.0 @ 5200	1996 HONDA			
		69-1008TB ²	5.0 @ 5200	Accord	2.2L L4 F/I	69-1208TS ¹	5.9 @ 5411
		69-1007TS ²	4.8 @ 6237	Accord V	2.2L L4 F/I	69-1208TS ²	5.9 @ 5411
Civic VI	2.0L L4 F/I	69-1009TWR ²	10.5 @ 7014	Accord VI	2.2L L4 F/I	69-1208TS ²	5.9 @ 5411
		69-1009TR ²	10.5 @ 7014	Civic EX	1.6L L4 F/I	69-1011TP ¹	5.3 @ 4692
		69-1009TP ²	10.5 @ 7014			63-1016 ²	5.6 @ 7200
S2000	2.0L L4 F/I	69-1040TWR ¹	5.6 @ 5220	Civic HX	1.6L L4 F/I - w/Manual Trans.	63-1016 ²	5.6 @ 7200
		69-1040TP ¹	5.6 @ 5220	Civic V	1.5L L4 F/I	69-1011TP ²	5.3 @ 4692
		57-3514 ¹	9.6 @ 6400	1995 HONDA			
2000 HONDA				Accord	2.2L L4 F/I	69-1208TS ¹	5.9 @ 5411
Accord	3.0L V6 F/I	69-1203TP ¹	9.4 @ 5924	Civic del Sol	1.5L L4 F/I	57-3504 ¹	3.7 @ 6100
Accord VII	2.2L L4 F/I	69-1500TWR ²	13.0 @ 7000	Civic del Sol	1.6L L4 F/I	57-3504 ¹	3.7 @ 6100
		69-1500TP ²	13.0 @ 7000	Civic DX	1.5L L4 F/I	63-1017 ²	4.7 @ 6000
Civic EX	1.6L L4 F/I	69-1011TP ¹	5.3 @ 4692			57-3504 ¹	3.7 @ 6100
Civic Si	1.6L L4 F/I	69-1010TP ¹	10.6 @ 7100	Civic DX Hatchback	1.5L L4 F/I	63-1017 ²	4.7 @ 6000
		57-3512 ¹	5.8 @ 7500	Civic EX	1.6L L4 F/I	63-1017 ²	4.7 @ 6000
Civic Type R	2.0L L4 F/I	69-1009TWR ²	10.5 @ 7014			57-3504 ¹	3.7 @ 6100
		69-1009TR ²	10.5 @ 7014	Civic LX	1.5L L4 F/I	63-1017 ²	4.7 @ 6000
		69-1009TP ²	10.5 @ 7014	Civic Si	1.6L L4 F/I	63-1017 ²	4.7 @ 6000
Civic V	1.5L L4 F/I - 3/4-Door	69-1011TP ²	5.3 @ 4692	Civic V	1.5L L4 F/I	69-1011TP ²	5.3 @ 4692
S2000	2.0L L4 F/I	69-1040TWR ¹	5.6 @ 5220	1994 HONDA			
		69-1040TP ¹	5.6 @ 5220	Accord	2.2L L4 F/I	69-1208TS ¹	5.9 @ 5411
		57-3514 ¹	9.6 @ 6400	Civic CX	1.5L L4 F/I	63-1017 ²	4.7 @ 6000
1999 HONDA						57-3504 ¹	3.7 @ 6100
Accord	3.0L V6 F/I	69-1203TP ¹	9.4 @ 5924	Civic del Sol	1.5L L4 F/I	57-3504 ¹	3.7 @ 6100
Accord VII	2.2L L4 F/I	69-1500TWR ²	13.0 @ 7000	1994 HONDA			
		69-1500TP ²	13.0 @ 7000	Accord	2.2L L4 F/I	69-1208TS ¹	5.9 @ 5411
		57-3514 ¹	9.6 @ 6400	Civic CX	1.5L L4 F/I	63-1017 ²	4.7 @ 6000
1999 HONDA						57-3504 ¹	3.7 @ 6100
Accord	3.0L V6 F/I	69-1203TP ¹	9.4 @ 5924	Civic del Sol	1.5L L4 F/I	57-3504 ¹	3.7 @ 6100
Accord VII	2.2L L4 F/I	69-1500TWR ²	13.0 @ 7000	1994 HONDA			
		69-1500TP ²	13.0 @ 7000	Accord	2.2L L4 F/I	69-1208TS ¹	5.9 @ 5411
		57-3514 ¹	9.6 @ 6400	Civic CX	1.5L L4 F/I	63-1017 ²	4.7 @ 6000
		57-3504 ¹	3.7 @ 6100			57-3504 ¹	3.7 @ 6100

1) Street legal in all US states. 2) Not legal for sale or use on any pollution controlled motor vehicle in California or states adopting California emission procedures. * Estimated horsepower gains are based on specific or similar vehicle dyno tests. Results will vary. See Page 482 for more information. See page 7 for information on intake tube materials/colors.



AIR INTAKE SYSTEMS

HONDA

Vehicle	Engine Type	Part Number	Estimated Horsepower*	Vehicle	Engine Type	Part Number	Estimated Horsepower*
1994 HONDA				2009 HUMMER			
Civic del Sol	1.6L L4 F/I	57-3504 ¹	3.7 @ 6100	H3	3.7L L5 F/I	63-3065 ²	11.0 @ 4754
Civic DX	1.5L L4 F/I	63-1017 ²	4.7 @ 6000	H3T	3.7L L5 F/I	77-3065KP ²	7.2 @ 4533
		57-3504 ¹	3.7 @ 6100			63-3065 ²	11.0 @ 4754
Civic DX Hatchback	1.5L L4 F/I	63-1017 ²	4.7 @ 6000	2008 HUMMER			
Civic EX	1.6L L4 F/I	63-1017 ²	4.7 @ 6000	H2	6.2L V8 F/I	77-3037KP ¹	9.8 @ 4558
		57-3504 ¹	3.7 @ 6100			57-3037 ¹	11.4 @ 4524
Civic LX	1.5L L4 F/I	63-1017 ²	4.7 @ 6000	H3	3.7L L5 F/I	77-3065KP ²	7.2 @ 4533
		57-3504 ¹	3.7 @ 6100			63-3065 ²	11.0 @ 4754
Civic Si	1.6L L4 F/I	63-1017 ²	4.7 @ 6000	2007 HUMMER			
		57-3504 ¹	3.7 @ 6100	H2	6.0L V8 F/I	77-3037KP ¹	9.8 @ 4558
1993 HONDA						57-3037 ¹	11.4 @ 4524
Civic del Sol	1.5L L4 F/I	57-3504 ¹	3.7 @ 6100	H3	3.7L L5 F/I	77-3065KP ²	7.2 @ 4533
Civic del Sol	1.6L L4 F/I	57-3504 ¹	3.7 @ 6100			63-3065 ²	11.0 @ 4754
Civic DX	1.5L L4 F/I	63-1017 ²	4.7 @ 6000	2006 HUMMER			
		57-3504 ¹	3.7 @ 6100	H2	6.0L V8 F/I	77-3037KP ¹	9.8 @ 4558
Civic DX Hatchback	1.5L L4 F/I	63-1017 ²	4.7 @ 6000			57-3037 ¹	11.4 @ 4524
Civic EX	1.6L L4 F/I	63-1017 ²	4.7 @ 6000	H3	3.5L L5 F/I	77-3044KP ¹	16.2 @ 5849
		57-3504 ¹	3.7 @ 6100			57-3043 ¹	18.6 @ 6001
Civic LX	1.5L L4 F/I	63-1017 ²	4.7 @ 6000	2005 HUMMER			
		57-3504 ¹	3.7 @ 6100	H2	6.0L V8 F/I	77-3037KP ¹	9.8 @ 4558
Civic Si	1.6L L4 F/I	63-1017 ²	4.7 @ 6000			57-3037 ¹	11.4 @ 4524
1992 HONDA				2004 HUMMER			
Civic DX	1.5L L4 F/I	63-1017 ²	4.7 @ 6000	H2	6.0L V8 F/I	77-3037KP ¹	9.8 @ 4558
		57-3504 ¹	3.7 @ 6100			57-3037 ¹	11.4 @ 4524
Civic DX Hatchback	1.5L L4 F/I	63-1017 ²	4.7 @ 6000	2003 HUMMER			
Civic EX	1.6L L4 F/I	63-1017 ²	4.7 @ 6000	H2	6.0L V8 F/I	77-3037KP ¹	9.8 @ 4558
		57-3504 ¹	3.7 @ 6100			57-3037 ¹	11.4 @ 4524
Civic LX	1.5L L4 F/I	63-1017 ²	4.7 @ 6000	2020 HYUNDAI			
Civic Si	1.6L L4 F/I	63-1017 ²	4.7 @ 6000	Elantra	2.0L L4 F/I	69-5322TS ²	4.1 @ 5920
1991 HONDA				Veloster	1.6L L4 F/I	69-5323TS ²	15.4 @ 5893
Civic	1.5L L4 F/I - Exc. HF	57-3503 ¹	4.4 @ 5416	Veloster	2.0L L4 F/I	69-5325TS ²	9.7 @ 6088
Civic	1.6L L4 F/I	57-3503 ¹	4.4 @ 5416	Veloster N	2.0L L4 F/I	69-5324TS ²	10.0 @ 5722
CRX	1.5L L4 F/I - Exc. HF	57-3503 ¹	4.4 @ 5416	2019 HYUNDAI			
CRX	1.6L L4 F/I	57-3503 ¹	4.4 @ 5416	Sonata	2.4L L4 F/I	69-5321TS ²	5.8 @ 5998
1990 HONDA				Veloster	1.6L L4 F/I	69-5323TS ²	15.4 @ 5893
Civic	1.5L L4 F/I	57-3503 ¹	4.4 @ 5416	Veloster	2.0L L4 F/I	69-5325TS ²	9.7 @ 6088
Civic	1.6L L4 F/I	57-3503 ¹	4.4 @ 5416	Veloster N	2.0L L4 F/I	69-5324TS ²	10.0 @ 5722
CRX	1.5L L4 F/I - Exc. HF	57-3503 ¹	4.4 @ 5416	2018 HYUNDAI			
CRX	1.6L L4 F/I	57-3503 ¹	4.4 @ 5416	Elantra	1.6L L4 F/I	69-5317TS ²	15.4 @ 5513
1989 HONDA				Elantra GT	1.6L L4 F/I	69-5317TS ²	15.4 @ 5513
Civic	1.5L L4 F/I	57-3503 ¹	4.4 @ 5416	Sonata	2.4L L4 F/I	69-5321TS ²	5.8 @ 5998
Civic	1.6L L4 F/I	57-3503 ¹	4.4 @ 5416	2017 HYUNDAI			
CRX	1.5L L4 F/I - Exc. HF	57-3503 ¹	4.4 @ 5416	Elantra	1.6L L4 F/I	69-5317TS ²	15.4 @ 5513
CRX	1.6L L4 F/I	57-3503 ¹	4.4 @ 5416	Elantra	2.0L L4 F/I - Exc. SULEV	69-5315TS ²	5.2 @ 6120
1988 HONDA				Sonata	2.4L L4 F/I	69-5321TS ²	5.8 @ 5998
Civic	1.5L L4 F/I	57-3503 ¹	4.4 @ 5416	Veloster	1.6L L4 F/I	69-5304TS ²	6.5 @ 6400
Civic	1.6L L4 F/I	57-3503 ¹	4.4 @ 5416	Veloster Turbo	1.6L L4 F/I	69-5312TS ²	12.9 @ 4547
CRX	1.5L L4 F/I - Exc. HF	57-3503 ¹	4.4 @ 5416	2016 HYUNDAI			
CRX	1.6L L4 F/I	57-3503 ¹	4.4 @ 5416	Elantra	1.8L L4 F/I	69-5315TS ²	5.2 @ 6120
2009 HUMMER				Elantra	2.0L L4 F/I	69-5315TS ²	5.2 @ 6120
H2	6.2L V8 F/I	77-3037KP ¹	9.8 @ 4558	Genesis Coupe	3.8L V6 F/I	69-5310TS ²	8.9 @ 6180
		57-3037 ¹	11.4 @ 4524				
H3	3.7L L5 F/I	77-3065KP ²	7.2 @ 4533				

1) Street legal in all US states. 2) Not legal for sale or use on any pollution controlled motor vehicle in California or states adopting California emission procedures. * Estimated horsepower gains are based on specific or similar vehicle dyno tests. Results will vary. See Page 482 for more information. See page 7 for information on intake tube materials/colors.



Vehicle	Engine Type	Part Number	Estimated Horsepower*	Vehicle	Engine Type	Part Number	Estimated Horsepower*
2016 HYUNDAI				2010 HYUNDAI			
Santa Fe Sport	2.4L L4 F/I	63-5301 ²	3.7 @ 5591	Genesis Coupe	2.0L L4 F/I	69-5302TTK ²	7.0 @ 4000
Sonata	2.4L L4 F/I	69-5321TS ²	5.8 @ 5998	2005 HYUNDAI			
Veloster	1.6L L4 F/I	69-5304TS ²	6.5 @ 6400	Coupe	2.7L V6 F/I	69-5300TS ²	10.0 @ 5000
Veloster Turbo	1.6L L4 F/I	69-5312TS ²	12.9 @ 4547			69-5300TR ²	10.0 @ 5000
2015 HYUNDAI				Tiburon GT	2.7L V6 F/I	69-5300TS ¹	10.0 @ 5000
Elantra	1.8L L4 F/I	69-5315TS ²	5.2 @ 6120			69-5300TR ¹	10.0 @ 5000
Elantra	2.0L L4 F/I	69-5315TS ²	5.2 @ 6120	2004 HYUNDAI			
Genesis Coupe	3.8L V6 F/I	69-5310TS ²	8.9 @ 6180	Coupe	2.7L V6 F/I	69-5300TS ²	10.0 @ 5000
Santa Fe Sport	2.4L L4 F/I	63-5301 ²	3.7 @ 5591			69-5300TR ²	10.0 @ 5000
Sonata	2.4L L4 F/I	69-5321TS ²	5.8 @ 5998	Tiburon GT	2.7L V6 F/I	69-5300TS ¹	10.0 @ 5000
Veloster	1.6L L4 F/I	69-5304TS ²	6.5 @ 6400			69-5300TR ¹	10.0 @ 5000
Veloster Turbo	1.6L L4 F/I	69-5312TS ²	12.9 @ 4547	2003 HYUNDAI			
2014 HYUNDAI				Coupe	2.7L V6 F/I	69-5300TS ²	10.0 @ 5000
Elantra	1.8L L4 F/I	69-5315TS ²	5.2 @ 6120			69-5300TR ²	10.0 @ 5000
Elantra Coupe	2.0L L4 F/I	69-5315TS ²	5.2 @ 6120	Tiburon GT	2.7L V6 F/I	69-5300TS ¹	10.0 @ 5000
Elantra GT	2.0L L4 F/I	69-5315TS ²	5.2 @ 6120			69-5300TR ¹	10.0 @ 5000
Genesis Coupe	2.0L L4 F/I	69-5311TTK ²	16.7 @ 4014	2002 HYUNDAI			
Genesis Coupe	3.8L V6 F/I	69-5310TS ²	8.9 @ 6180	Coupe	2.7L V6 F/I	69-5300TS ²	10.0 @ 5000
Santa Fe Sport	2.4L L4 F/I	63-5301 ²	3.7 @ 5591			69-5300TR ²	10.0 @ 5000
Sonata	2.0L L4 F/I	69-5309TS ¹	7.6 @ 4861	2020 INFINITI			
Sonata	2.4L L4 F/I - Exc. LEV2 SULEV Test Group EHYXV02.42JP	69-5301TTK ¹	7.8 @ 5147	QX80	5.6L V8 F/I	63-6018 ²	10.7 @ 5388
Veloster	1.6L L4 F/I	69-5304TS ²	6.5 @ 6400	2019 INFINITI			
Veloster Turbo	1.6L L4 F/I	69-5312TS ¹	12.9 @ 4547	QX80	5.6L V8 F/I	63-6018 ²	10.7 @ 5388
2013 HYUNDAI				2018 INFINITI			
Elantra	1.8L L4 F/I	69-5303TS ²	5.6 @ 5383	QX60	3.5L V6 F/I	69-7084TS ²	7.8 @ 6000
Elantra Coupe	1.8L L4 F/I	69-5303TS ²	5.6 @ 5383	QX80	5.6L V8 F/I	63-6018 ²	10.7 @ 5388
Elantra GT	1.8L L4 F/I	69-5303TS ²	5.6 @ 5383	2017 INFINITI			
Genesis Coupe	2.0L L4 F/I	69-5311TTK ¹	16.7 @ 4014	QX60	3.5L V6 F/I	69-7084TS ²	7.8 @ 6000
Genesis Coupe	3.8L V6 F/I	69-5310TS ¹	8.9 @ 6180	QX80	5.6L V8 F/I	63-6018 ²	10.7 @ 5388
Santa Fe Sport	2.4L L4 F/I	63-5301 ²	3.7 @ 5591	2016 INFINITI			
Sonata	2.0L L4 F/I	69-5309TS ¹	7.6 @ 4861	QX80	5.6L V8 F/I	63-6018 ²	10.7 @ 5388
Sonata	2.4L L4 F/I	57-5300 ¹	4.8 @ 5588	2015 INFINITI			
Sonata	2.4L L4 F/I - Exc. LEV2 SULEV Test Group DHYXV02.42GP	69-5301TTK ¹	7.8 @ 5147	Q50	3.7L V6 F/I	69-7083TS ²	6.2 @ 5473
Veloster	1.6L L4 F/I	69-5304TS ¹	6.5 @ 6400	QX60	3.5L V6 F/I	69-7063TTK ²	7.1 @ 5354
Veloster Turbo	1.6L L4 F/I	69-5312TS ¹	12.9 @ 4547	QX80	5.6L V8 F/I	63-6018 ²	10.7 @ 5388
2012 HYUNDAI				2014 INFINITI			
Elantra	1.8L L4 F/I	69-5303TS ²	5.6 @ 5383	Q50	3.7L V6 F/I	69-7083TS ²	6.2 @ 5473
Genesis Coupe	2.0L L4 F/I	69-5302TTK ²	7.0 @ 4000	QX60	3.5L V6 F/I	69-7063TTK ¹	7.1 @ 5354
Sonata	2.0L L4 F/I	69-5309TS ¹	7.6 @ 4861	QX80	5.6L V8 F/I	63-6018 ²	10.7 @ 5388
Sonata	2.4L L4 F/I - Exc. LEV2 SULEV Test Group CHYXV02.4YPC	69-5301TTK ¹	7.8 @ 5147	2013 INFINITI			
Veloster	1.6L L4 F/I	69-5304TS ¹	6.5 @ 6400	G37	3.7L V6 F/I	71-7078 ²	9.3 @ 6500
2011 HYUNDAI						69-7078TS ¹	14.2 @ 5600
Elantra	1.8L L4 F/I	69-5303TS ²	5.6 @ 5383	JX35	3.5L V6 F/I	69-7063TTK ¹	7.1 @ 5354
Genesis Coupe	2.0L L4 F/I	69-5302TTK ²	7.0 @ 4000	QX56	5.6L V8 F/I	63-6018 ²	10.7 @ 5388
Sonata	2.0L L4 F/I	69-5309TS ¹	7.6 @ 4861	2012 INFINITI			
Sonata	2.4L L4 F/I - Exc. LEV2 SULEV Test Group BHYXV02.4YPC	69-5301TTK ¹	7.8 @ 5147	G37	3.7L V6 F/I	71-7078 ²	9.3 @ 6500
Veloster	1.6L L4 F/I - Non-US	69-5304TS ²	6.5 @ 6400			69-7078TS ¹	14.2 @ 5600
				QX56	5.6L V8 F/I	63-6018 ²	10.7 @ 5388
				2011 INFINITI			
				G37	3.7L V6 F/I	71-7078 ²	9.3 @ 6500

1) Street legal in all US states. 2) Not legal for sale or use on any pollution controlled motor vehicle in California or states adopting California emission procedures. * Estimated horsepower gains are based on specific or similar vehicle dyno tests. Results will vary. See Page 482 for more information. See page 7 for information on intake tube materials/colors.



AIR INTAKE SYSTEMS

INFINITI

Vehicle	Engine Type	Part Number	Estimated Horsepower*	Vehicle	Engine Type	Part Number	Estimated Horsepower*
2011 INFINITI				2020 JEEP			
G37	3.7L V6 F/I	69-7078TS ¹	14.2 @ 5600	Renegade	2.4L L4 F/I	77-1565KS ²	9.5 @ 5100
QX56	5.6L V8 F/I	63-6018 ²	10.7 @ 5388	Wrangler JL	3.6L V6 F/I	77-1576KP ²	8.8 @ 5400
2010 INFINITI						71-1576 ²	9.1 @ 5400
G37	3.7L V6 F/I	71-7078 ²	9.3 @ 6500			63-1576 ²	12.5 @ 4630
		69-7078TS ¹	14.2 @ 5600	2019 JEEP			
QX56	5.6L V8 F/I	77-6012KP ¹	7.3 @ 4914	Cherokee	2.4L L4 F/I	77-1577KS ²	11.6 @ 4980
		63-6012 ²	11.2 @ 5073	Compass	2.4L L4 F/I	77-1565KS ²	9.5 @ 5100
		57-6012 ¹	11.2 @ 5073	Grand Cherokee	3.6L V6 F/I	77-1572KS ²	11.5 @ 6000
2009 INFINITI				Grand Cherokee	5.7L V8 F/I	77-1563KP ²	15.0 @ 4500
G37	3.7L V6 F/I	71-7078 ²	9.3 @ 6500			63-1563 ²	17.0 @ 4944
		69-7078TS ¹	14.2 @ 5600	Grand Cherokee	6.2L V8 F/I	63-1579 ²	51.4 @ 5500
QX56	5.6L V8 F/I	77-6012KP ¹	7.3 @ 4914	Grand Cherokee	6.4L V8 F/I	77-1567KS ²	27.9 @ 5700
		63-6012 ²	11.2 @ 5073	Renegade	2.4L L4 F/I	77-1565KS ²	9.5 @ 5100
		57-6012 ¹	11.2 @ 5073	Wrangler JL	3.6L V6 F/I	77-1576KP ²	8.8 @ 5400
2008 INFINITI						71-1576 ²	9.1 @ 5400
G35	3.5L V6 F/I - Sedan	69-7082TS ¹	8.1 @ 5960			63-1576 ²	12.5 @ 4630
G37	3.7L V6 F/I	71-7078 ²	9.3 @ 6500	2018 JEEP			
		69-7078TS ¹	14.2 @ 5600	Cherokee	2.4L L4 F/I	77-1570KS ²	3.4 @ 4100
QX56	5.6L V8 F/I	77-6012KP ¹	7.3 @ 4914	Cherokee	3.2L V6 F/I	77-1569KS ²	8.3 @ 5998
		63-6012 ²	11.2 @ 5073			63-1569 ²	7.5 @ 5998
		57-6012 ¹	11.2 @ 5073	Compass	2.4L L4 F/I	77-1565KS ²	9.5 @ 5100
2007 INFINITI				Grand Cherokee	3.6L V6 F/I	77-1572KS ²	11.5 @ 6000
G35	3.5L V6 F/I - Sedan	69-7082TS ¹	8.1 @ 5960	Grand Cherokee	5.7L V8 F/I	77-1563KP ²	15.0 @ 4500
QX56	5.6L V8 F/I	77-6012KP ¹	7.3 @ 4914			63-1563 ²	17.0 @ 4944
		63-6012 ²	11.2 @ 5073	Grand Cherokee	6.2L V8 F/I	63-1579 ²	51.4 @ 5500
		57-6012 ¹	11.2 @ 5073	Grand Cherokee	6.4L V8 F/I	77-1567KS ²	27.9 @ 5700
2006 INFINITI				Grand Cherokee IV	6.2L V8 F/I	63-1579 ²	51.4 @ 5500
G35	3.5L V6 F/I - Coupe	69-7080-1TS ¹	9.5 @ 6101	Renegade	2.4L L4 F/I	77-1565KS ²	9.5 @ 5100
G35	3.5L V6 F/I - Sedan	69-7081-1TS ¹	5.1 @ 5688	Wrangler JK	3.6L V6 F/I	77-1566KP ²	10.2 @ 5600
QX56	5.6L V8 F/I	77-6012KP ¹	7.3 @ 4914			71-1566 ²	7.3 @ 5600
		63-6012 ²	11.2 @ 5073			63-1581 ²	10.5 @ 6004
		57-6012 ¹	11.2 @ 5073			63-1566 ²	12.2 @ 5600
2005 INFINITI				Wrangler JK	3.6L V6 F/I - Left Hand Drive	63-1573 ²	6.6 @ 5200
G35	3.5L V6 F/I - Coupe	69-7080-1TS ¹	9.5 @ 6101	Wrangler JL	3.6L V6 F/I	77-1576KP ²	8.8 @ 5400
G35	3.5L V6 F/I - Sedan	69-7081-1TS ¹	5.1 @ 5688			71-1576 ²	9.1 @ 5400
QX56	5.6L V8 F/I	77-6012KP ¹	7.3 @ 4914			63-1576 ²	12.5 @ 4630
		63-6012 ²	11.2 @ 5073	2017 JEEP			
		57-6012 ¹	11.2 @ 5073	Cherokee	2.4L L4 F/I	77-1570KS ²	3.4 @ 4100
2004 INFINITI				Cherokee	3.2L V6 F/I	77-1569KS ²	8.3 @ 5998
G35	3.5L V6 F/I - Coupe	69-7080-1TS ¹	9.5 @ 6101			63-1569 ²	7.5 @ 5998
G35	3.5L V6 F/I - Sedan	69-7081-1TS ¹	5.1 @ 5688	Compass	2.0L L4 F/I	63-1567 ²	6.3 @ 4397
QX56	5.6L V8 F/I	77-6012KP ¹	7.3 @ 4914	Compass	2.4L L4 F/I	77-1565KS ²	9.5 @ 5100
		63-6012 ²	11.2 @ 5073	Grand Cherokee	3.6L V6 F/I	77-1572KS ²	11.5 @ 6000
		57-6012 ¹	11.2 @ 5073	Grand Cherokee	5.7L V8 F/I	77-1563KP ²	15.0 @ 4500
2003 INFINITI						63-1563 ²	17.0 @ 4944
G35	3.5L V6 F/I - Coupe	69-7080-1TS ¹	9.5 @ 6101	Grand Cherokee	6.4L V8 F/I	77-1567KS ²	27.9 @ 5700
G35	3.5L V6 F/I - Sedan	69-7081-1TS ¹	5.1 @ 5688	Patriot	2.0L L4 F/I	63-1567 ²	6.3 @ 4397
		63-6012 ²	11.2 @ 5073	Patriot	2.4L L4 F/I	63-1567 ²	6.3 @ 4397
2020 JEEP				Renegade	2.4L L4 F/I	77-1565KS ²	9.5 @ 5100
Cherokee	2.4L L4 F/I	77-1577KS ²	11.6 @ 4980	Wrangler	3.6L V6 F/I	77-1566KP ²	10.2 @ 5600
Compass	2.4L L4 F/I	77-1565KS ²	9.5 @ 5100			71-1566 ²	7.3 @ 5600
Gladiator	3.6L V6 F/I	77-1576KP ²	8.8 @ 5400			63-1581 ²	10.5 @ 6004
		71-1576 ²	9.1 @ 5400			63-1566 ²	12.2 @ 5600
		63-1576 ²	12.5 @ 4630				
Grand Cherokee	3.6L V6 F/I	77-1572KS ²	11.5 @ 6000				
Grand Cherokee	5.7L V8 F/I	77-1563KP ²	15.0 @ 4500				
		63-1563 ²	17.0 @ 4944				

1) Street legal in all US states. 2) Not legal for sale or use on any pollution controlled motor vehicle in California or states adopting California emission procedures. * Estimated horsepower gains are based on specific or similar vehicle dyno tests. Results will vary. See Page 482 for more information. See page 7 for information on intake tube materials/colors.



Vehicle	Engine Type	Part Number	Estimated Horsepower*	Vehicle	Engine Type	Part Number	Estimated Horsepower*
2017 JEEP				2014 JEEP			
Wrangler	3.6L V6 F/I - Left Hand Drive	63-1573 ²	6.6 @ 5200	Cherokee	3.2L V6 F/I	77-1569KS ¹ 63-1569 ² 57-1569 ¹	8.3 @ 5998 7.5 @ 5998 7.5 @ 5998
2016 JEEP				2013 JEEP			
Cherokee	2.4L L4 F/I - Exc. LEV2 SULEV Test Group GCRXJ02.4CP0	77-1570KS ¹	3.4 @ 4100	Compass	2.0L L4 F/I	63-1567 ² 57-1567 ¹	6.3 @ 4397 6.3 @ 4397
Cherokee	3.2L V6 F/I	77-1569KS ¹ 63-1569 ² 57-1569 ¹	8.3 @ 5998 7.5 @ 5998 7.5 @ 5998	Compass	2.4L L4 F/I	63-1567 ² 57-1567 ¹	6.3 @ 4397 6.3 @ 4397
Compass	2.0L L4 F/I	63-1567 ²	6.3 @ 4397	Grand Cherokee	3.0L V6 DSL	63-1570 ² 57-1570 ¹	12.7 @ 2900 12.7 @ 2900
Compass	2.4L L4 F/I	63-1567 ²	6.3 @ 4397	Grand Cherokee	3.6L V6 F/I	77-1560KTK ¹	10.8 @ 5447
Grand Cherokee	3.0L V6 DSL	63-1570 ² 57-1570 ¹	12.7 @ 2900 12.7 @ 2900	Grand Cherokee	5.7L V8 F/I	77-1563KP ¹ 63-1563 ² 57-1563 ¹	15.0 @ 4500 17.0 @ 4944 17.0 @ 4944
Grand Cherokee	3.6L V6 F/I	77-1572KS ²	11.5 @ 6000	Grand Cherokee	6.4L V8 F/I	77-1567KS ¹	27.9 @ 5700
Grand Cherokee	5.7L V8 F/I	77-1563KP ² 63-1563 ²	15.0 @ 4500 17.0 @ 4944	Grand Cherokee IV	6.4L V8 F/I	77-1567KS ¹	27.9 @ 5700
Grand Cherokee	6.4L V8 F/I	77-1567KS ²	27.9 @ 5700	Patriot	2.0L L4 F/I	63-1567 ² 57-1567 ¹	6.3 @ 4397 6.3 @ 4397
Patriot	2.0L L4 F/I	63-1567 ²	6.3 @ 4397	Patriot	2.4L L4 F/I	63-1567 ² 57-1567 ¹	6.3 @ 4397 6.3 @ 4397
Patriot	2.4L L4 F/I	63-1567 ²	6.3 @ 4397	Patriot	2.4L L4 F/I	63-1567 ² 57-1567 ¹	6.3 @ 4397 6.3 @ 4397
Renegade	2.4L L4 F/I	77-1565KS ¹	9.5 @ 5100	Wrangler	3.6L V6 F/I	77-1566KP ¹ 71-1566 ² 63-1581 ² 63-1566 ² 57-1566 ¹	10.2 @ 5600 7.3 @ 5600 10.5 @ 6004 12.2 @ 5600 6.6 @ 5200
Wrangler	3.6L V6 F/I	77-1566KP ² 71-1566 ² 63-1581 ² 63-1566 ²	10.2 @ 5600 7.3 @ 5600 10.5 @ 6004 12.2 @ 5600	Wrangler	3.6L V6 F/I - Left Hand Drive	63-1573 ²	6.6 @ 5200
Wrangler	3.6L V6 F/I - Left Hand Drive	63-1573 ²	6.6 @ 5200	2012 JEEP			
2015 JEEP				2011 JEEP			
Cherokee	2.4L L4 F/I - Exc. LEV2 SULEV Test Group FCRXJ02.4CP0	77-1570KS ¹	3.4 @ 4100	Compass	2.0L L4 F/I	63-1567 ² 57-1567 ¹	6.3 @ 4397 6.3 @ 4397
Cherokee	3.2L V6 F/I	77-1569KS ¹ 63-1569 ² 57-1569 ¹	8.3 @ 5998 7.5 @ 5998 7.5 @ 5998	Compass	2.4L L4 F/I	63-1567 ² 57-1567 ¹	6.3 @ 4397 6.3 @ 4397
Compass	2.0L L4 F/I	63-1567 ² 57-1567 ¹	6.3 @ 4397 6.3 @ 4397	Grand Cherokee	3.6L V6 F/I	77-1560KTK ¹	10.8 @ 5447
Compass	2.4L L4 F/I	63-1567 ² 57-1567 ¹	6.3 @ 4397 6.3 @ 4397	Grand Cherokee	5.7L V8 F/I	77-1563KP ¹ 63-1563 ² 57-1563 ¹	15.0 @ 4500 17.0 @ 4944 17.0 @ 4944
Grand Cherokee	3.0L V6 DSL	63-1570 ² 57-1570 ¹	12.7 @ 2900 12.7 @ 2900	Grand Cherokee	6.4L V8 F/I	77-1567KS ¹	27.9 @ 5700
Grand Cherokee	3.6L V6 F/I	77-1560KTK ¹	10.8 @ 5447	Grand Cherokee IV	6.4L V8 F/I	77-1567KS ¹	27.9 @ 5700
Grand Cherokee	5.7L V8 F/I	77-1563KP ² 63-1563 ² 57-1563 ¹	15.0 @ 4500 17.0 @ 4944 17.0 @ 4944	Patriot	2.0L L4 F/I	63-1567 ² 57-1567 ¹	6.3 @ 4397 6.3 @ 4397
Grand Cherokee	6.4L V8 F/I	77-1567KS ¹	27.9 @ 5700	Patriot	2.4L L4 F/I	63-1567 ² 57-1567 ¹	6.3 @ 4397 6.3 @ 4397
Patriot	2.0L L4 F/I	63-1567 ² 57-1567 ¹	6.3 @ 4397 6.3 @ 4397	Wrangler	3.6L V6 F/I	77-1566KP ¹ 71-1566 ¹ 63-1581 ² 63-1566 ² 57-1566 ¹	10.2 @ 5600 7.3 @ 5600 10.5 @ 6004 12.2 @ 5600 6.6 @ 5200
Patriot	2.4L L4 F/I	63-1567 ² 57-1567 ¹	6.3 @ 4397 6.3 @ 4397	Wrangler	3.6L V6 F/I - Left Hand Drive	63-1573 ²	6.6 @ 5200
Renegade	2.4L L4 F/I	77-1565KS ¹	9.5 @ 5100	2010 JEEP			
Wrangler	3.6L V6 F/I	77-1566KP ¹ 71-1566 ¹ 63-1581 ² 63-1566 ² 57-1566 ¹	10.2 @ 5600 7.3 @ 5600 10.5 @ 6004 12.2 @ 5600 6.6 @ 5200	Compass	2.0L L4 F/I	63-1567 ² 57-1567 ¹	6.3 @ 4397 6.3 @ 4397
Wrangler	3.6L V6 F/I - Left Hand Drive	63-1573 ²	6.6 @ 5200	Compass	2.4L L4 F/I	63-1567 ² 57-1567 ¹	6.3 @ 4397 6.3 @ 4397
2014 JEEP				2009 JEEP			
Cherokee	2.4L L4 F/I	77-1570KS ¹	3.4 @ 4100	Grand Cherokee	3.6L V6 F/I	77-1560KTK ¹	10.8 @ 5447
2013 JEEP				2008 JEEP			
Cherokee	2.4L L4 F/I	77-1570KS ¹	3.4 @ 4100	Grand Cherokee	5.7L V8 F/I	77-1563KP ¹ 63-1563 ²	15.0 @ 4500 17.0 @ 4944

1) Street legal in all US states. 2) Not legal for sale or use on any pollution controlled motor vehicle in California or states adopting California emission procedures. * Estimated horsepower gains are based on specific or similar vehicle dyno tests. Results will vary. See Page 482 for more information. See page 7 for information on intake tube materials/colors.



AIR INTAKE SYSTEMS

JEEP

Vehicle	Engine Type	Part Number	Estimated Horsepower*	Vehicle	Engine Type	Part Number	Estimated Horsepower*
2012 JEEP				2009 JEEP			
Grand Cherokee	5.7L V8 F/I	57-1563 ¹	17.0 @ 4944	Commander	3.7L V6 F/I	77-1545KP ¹	6.9 @ 5184
Grand Cherokee	6.4L V8 F/I	77-1567KS ¹	27.9 @ 5700			57-1545 ¹	7.5 @ 5132
Liberty	3.7L V6 F/I	77-1562KTK ¹	9.2 @ 4876	Commander	4.7L V8 F/I	77-1548KP ¹	7.7 @ 4397
Patriot	2.0L L4 F/I	63-1567 ²	6.3 @ 4397			57-1548 ¹	9.5 @ 4397
		57-1567 ¹	6.3 @ 4397	Commander	5.7L V8 F/I	77-1549KP ¹	12.9 @ 5046
Patriot	2.4L L4 F/I	63-1567 ²	6.3 @ 4397			57-1549 ¹	15.3 @ 5046
		57-1567 ¹	6.3 @ 4397	Compass	2.4L L4 F/I	57-1552 ¹	7.9 @ 4557
Wrangler	3.6L V6 F/I	77-1566KP ¹	10.2 @ 5600	Grand Cherokee	3.7L V6 F/I	77-1545KP ¹	6.9 @ 5184
		71-1566 ¹	7.3 @ 5600			57-1545 ¹	7.5 @ 5132
		63-1581 ²	10.5 @ 6004	Grand Cherokee	4.7L V8 F/I	77-1548KP ¹	7.7 @ 4397
		63-1566 ²	12.2 @ 5600			57-1548 ¹	9.5 @ 4397
		57-1566 ¹	12.2 @ 5600	Grand Cherokee	5.7L V8 F/I	77-1549KP ¹	12.9 @ 5046
Wrangler	3.6L V6 F/I - Left Hand Drive	63-1573 ²	6.6 @ 5200			57-1549 ¹	15.3 @ 5046
				Grand Cherokee	6.1L V8 F/I	57-1555 ¹	12.0 @ 5000
2011 JEEP				Liberty	3.7L V6 F/I	77-1559KP ¹	10.0 @ 4800
Compass	2.0L L4 F/I	63-1567 ²	6.3 @ 4397			57-1559 ¹	11.3 @ 4800
		57-1567 ¹	6.3 @ 4397	Patriot	2.0L L4 F/I	57-1552 ¹	7.9 @ 4557
Compass	2.4L L4 F/I	63-1567 ²	6.3 @ 4397	Patriot	2.4L L4 F/I	57-1552 ¹	7.9 @ 4557
		57-1567 ¹	6.3 @ 4397	Wrangler	3.8L V6 F/I	77-1553KP ¹	7.9 @ 4807
Grand Cherokee	3.6L V6 F/I	77-1560KTK ¹	10.8 @ 5447			63-1574 ²	11.3 @ 4859
Grand Cherokee	5.7L V8 F/I	77-1563KP ¹	15.0 @ 4500			57-1553 ¹	8.2 @ 4807
		63-1563 ²	17.0 @ 4944	Wrangler III	3.8L V6 F/I	77-1553KP ¹	7.9 @ 4807
		57-1563 ¹	17.0 @ 4944			63-1574 ²	11.3 @ 4859
Liberty	3.7L V6 F/I	77-1562KTK ¹	9.2 @ 4876			57-1553 ¹	8.2 @ 4807
Patriot	2.0L L4 F/I	63-1567 ²	6.3 @ 4397	2008 JEEP			
		57-1567 ¹	6.3 @ 4397	Commander	3.7L V6 F/I	77-1545KP ¹	6.9 @ 5184
Patriot	2.4L L4 F/I	63-1567 ²	6.3 @ 4397			57-1545 ¹	7.5 @ 5132
		57-1567 ¹	6.3 @ 4397	Commander	4.7L V8 F/I	77-1548KP ¹	7.7 @ 4397
Wrangler	3.8L V6 F/I	77-1553KP ¹	7.9 @ 4807			57-1548 ¹	9.5 @ 4397
		63-1574 ²	11.3 @ 4859	Commander	5.7L V8 F/I	77-1549KP ¹	12.9 @ 5046
		57-1553 ¹	8.2 @ 4807			57-1549 ¹	15.3 @ 5046
Wrangler III	3.8L V6 F/I	77-1553KP ¹	7.9 @ 4807	Compass	2.4L L4 F/I	57-1552 ¹	7.9 @ 4557
		63-1574 ²	11.3 @ 4859	Grand Cherokee	3.7L V6 F/I	77-1545KP ¹	6.9 @ 5184
		57-1553 ¹	8.2 @ 4807			57-1545 ¹	7.5 @ 5132
2010 JEEP				Grand Cherokee	4.7L V8 F/I	77-1548KP ¹	7.7 @ 4397
Commander	3.7L V6 F/I	77-1545KP ¹	6.9 @ 5184			57-1548 ¹	9.5 @ 4397
		57-1545 ¹	7.5 @ 5132	Grand Cherokee	5.7L V8 F/I	77-1549KP ¹	12.9 @ 5046
Commander	5.7L V8 F/I	77-1549KP ¹	12.9 @ 5046			57-1549 ¹	15.3 @ 5046
		57-1549 ¹	15.3 @ 5046	Grand Cherokee	6.1L V8 F/I	57-1555 ¹	12.0 @ 5000
Compass	2.4L L4 F/I	57-1552 ¹	7.9 @ 4557	Liberty	3.7L V6 F/I	77-1559KP ¹	10.0 @ 4800
Grand Cherokee	3.7L V6 F/I	77-1545KP ¹	6.9 @ 5184			57-1559 ¹	11.3 @ 4800
		57-1545 ¹	7.5 @ 5132	Patriot	2.0L L4 F/I	57-1552 ¹	7.9 @ 4557
Grand Cherokee	5.7L V8 F/I	77-1549KP ¹	12.9 @ 5046	Patriot	2.4L L4 F/I	57-1552 ¹	7.9 @ 4557
		57-1549 ¹	15.3 @ 5046	Wrangler	3.8L V6 F/I	77-1553KP ¹	7.9 @ 4807
Grand Cherokee	6.1L V8 F/I	57-1555 ¹	12.0 @ 5000			63-1574 ²	11.3 @ 4859
Liberty	3.7L V6 F/I	77-1562KTK ¹	9.2 @ 4876			57-1553 ¹	8.2 @ 4807
Patriot	2.0L L4 F/I	57-1552 ¹	7.9 @ 4557	2007 JEEP			
Patriot	2.4L L4 F/I	57-1552 ¹	7.9 @ 4557	Commander	3.7L V6 F/I	77-1545KP ¹	6.9 @ 5184
Wrangler	3.8L V6 F/I	77-1553KP ¹	7.9 @ 4807			57-1545 ¹	7.5 @ 5132
		63-1574 ²	11.3 @ 4859	Commander	4.7L V8 F/I	77-1548KP ¹	7.7 @ 4397
		57-1553 ¹	8.2 @ 4807			57-1548 ¹	9.5 @ 4397
Wrangler III	3.8L V6 F/I	77-1553KP ¹	7.9 @ 4807	Commander	5.7L V8 F/I	77-1549KP ¹	12.9 @ 5046
		63-1574 ²	11.3 @ 4859			57-1549 ¹	15.3 @ 5046
		57-1553 ¹	8.2 @ 4807	Compass	2.0L L4 F/I	57-1552 ¹	7.9 @ 4557
				Compass	2.4L L4 F/I	57-1552 ¹	7.9 @ 4557

1) Street legal in all US states. 2) Not legal for sale or use on any pollution controlled motor vehicle in California or states adopting California emission procedures. * Estimated horsepower gains are based on specific or similar vehicle dyno tests. Results will vary. See Page 482 for more information. See page 7 for information on intake tube materials/colors.



Vehicle	Engine Type	Part Number	Estimated Horsepower*	Vehicle	Engine Type	Part Number	Estimated Horsepower*
2007 JEEP				2003 JEEP			
Grand Cherokee	3.7L V6 F/I	77-1545KP ¹	6.9 @ 5184	Grand Cherokee	4.0L L6 F/I	77-1526KP ¹	6.7 @ 4492
		57-1545 ¹	7.5 @ 5132			57-1526 ¹	7.7 @ 4711
Grand Cherokee	4.7L V8 F/I	77-1548KP ¹	7.7 @ 4397	Grand Cherokee	4.7L V8 F/I	77-1513KP ¹	9.2 @ 4680
		57-1548 ¹	9.5 @ 4397			57-1513-1 ¹	13.1 @ 4765
Grand Cherokee	5.7L V8 F/I	77-1549KP ¹	12.9 @ 5046	Liberty	3.7L V6 F/I	57-1528 ¹	8.5 @ 5047
		57-1549 ¹	15.3 @ 5046	TJ	4.0L L6 F/I	57-1514-1 ¹	12.1 @ 4623
Grand Cherokee	6.1L V8 F/I	57-1555 ¹	12.0 @ 5000	Wrangler	4.0L L6 F/I	57-1514-1 ¹	12.1 @ 4623
Grand Cherokee III	5.7L V8 F/I	57-1549 ²	15.3 @ 5046	2002 JEEP			
Liberty	3.7L V6 F/I	77-1540KP ¹	5.9 @ 4054	Grand Cherokee	4.0L L6 F/I	77-1526KP ¹	6.7 @ 4492
		57-1540 ¹	6.4 @ 5274			57-1526 ¹	7.7 @ 4711
Patriot	2.4L L4 F/I	57-1552 ¹	7.9 @ 4557	Grand Cherokee	4.7L V8 F/I	77-1513KP ¹	9.2 @ 4680
Wrangler	3.8L V6 F/I	77-1553KP ¹	7.9 @ 4807			57-1513-1 ¹	13.1 @ 4765
		63-1574 ²	11.3 @ 4859	Liberty	3.7L V6 F/I	57-1528 ¹	8.5 @ 5047
		57-1553 ¹	8.2 @ 4807	TJ	4.0L L6 F/I	57-1514-1 ¹	12.1 @ 4623
2006 JEEP				Wrangler	4.0L L6 F/I	57-1514-1 ¹	12.1 @ 4623
Commander	3.7L V6 F/I	77-1545KP ¹	6.9 @ 5184	2001 JEEP			
		57-1545 ¹	7.5 @ 5132	Cherokee	4.0L L6 F/I	57-1518 ¹	7.9 @ 4511
Commander	4.7L V8 F/I	77-1548KP ¹	7.7 @ 4397	Grand Cherokee	4.0L L6 F/I	77-1526KP ¹	6.7 @ 4492
		57-1548 ¹	9.5 @ 4397			57-1526 ¹	7.7 @ 4711
Commander	5.7L V8 F/I	77-1549KP ¹	12.9 @ 5046	Grand Cherokee	4.7L V8 F/I	77-1513KP ¹	9.2 @ 4680
		57-1549 ¹	15.3 @ 5046			57-1513-1 ¹	13.1 @ 4765
Grand Cherokee	3.7L V6 F/I	77-1545KP ¹	6.9 @ 5184	TJ	4.0L L6 F/I	57-1514-1 ¹	12.1 @ 4623
		57-1545 ¹	7.5 @ 5132	Wrangler	4.0L L6 F/I	57-1514-1 ¹	12.1 @ 4623
Grand Cherokee	4.7L V8 F/I	77-1548KP ¹	7.7 @ 4397	2000 JEEP			
		57-1548 ¹	9.5 @ 4397	Cherokee	4.0L L6 F/I	57-1518 ¹	7.9 @ 4511
Grand Cherokee	5.7L V8 F/I	77-1549KP ¹	12.9 @ 5046	Grand Cherokee	4.0L L6 F/I	77-1526KP ¹	6.7 @ 4492
		57-1549 ¹	15.3 @ 5046			57-1526 ¹	7.7 @ 4711
Grand Cherokee	6.1L V8 F/I	57-1555 ¹	12.0 @ 5000	Grand Cherokee	4.7L V8 F/I	77-1513KP ¹	9.2 @ 4680
Grand Cherokee III	5.7L V8 F/I	57-1549 ²	15.3 @ 5046			57-1513-1 ¹	13.1 @ 4765
Liberty	3.7L V6 F/I	77-1540KP ¹	5.9 @ 4054	TJ	4.0L L6 F/I	57-1514-1 ¹	12.1 @ 4623
		57-1540 ¹	6.4 @ 5274	Wrangler	4.0L L6 F/I	57-1514-1 ¹	12.1 @ 4623
TJ	4.0L L6 F/I	57-1514-1 ¹	12.1 @ 4623	1999 JEEP			
Wrangler	4.0L L6 F/I	57-1514-1 ¹	12.1 @ 4623	Cherokee	4.0L L6 F/I	57-1518 ¹	7.9 @ 4511
2005 JEEP				Grand Cherokee	4.0L L6 F/I	77-1526KP ¹	6.7 @ 4492
Grand Cherokee	3.7L V6 F/I	77-1545KP ¹	6.9 @ 5184			57-1526 ¹	7.7 @ 4711
		57-1545 ¹	7.5 @ 5132	Grand Cherokee	4.7L V8 F/I	77-1513KP ¹	9.2 @ 4680
Grand Cherokee	4.7L V8 F/I	77-1548KP ¹	7.7 @ 4397			57-1513-1 ¹	13.1 @ 4765
		57-1548 ¹	9.5 @ 4997	TJ	4.0L L6 F/I	57-1514-1 ¹	12.1 @ 4623
Grand Cherokee	5.7L V8 F/I	77-1549KP ¹	12.9 @ 5046	Wrangler	4.0L L6 F/I	57-1514-1 ¹	12.1 @ 4623
		57-1549 ¹	15.3 @ 5046	1998 JEEP			
Grand Cherokee III	5.7L V8 F/I	57-1549 ²	15.3 @ 5046	Cherokee	4.0L L6 F/I	57-1518 ¹	7.9 @ 4511
Liberty	3.7L V6 F/I	77-1540KP ¹	5.9 @ 4054	Grand Cherokee	4.0L L6 F/I	57-1520 ¹	7.7 @ 4684
		57-1540 ¹	6.4 @ 5274	Grand Cherokee	5.2L V8 F/I	57-1506-2 ¹	24.7 @ 4335
TJ	4.0L L6 F/I	57-1514-1 ¹	12.1 @ 4623	Grand Cherokee	5.9L V8 F/I	57-1506-2 ¹	24.7 @ 4335
Wrangler	4.0L L6 F/I	57-1514-1 ¹	12.1 @ 4623	TJ	4.0L L6 F/I	57-1514-1 ¹	12.1 @ 4623
2004 JEEP				Wrangler	4.0L L6 F/I	57-1514-1 ¹	12.1 @ 4623
Grand Cherokee	4.0L L6 F/I	77-1526KP ¹	6.7 @ 4492	1997 JEEP			
		57-1526 ¹	7.7 @ 4711	Cherokee	4.0L L6 F/I	57-1518 ¹	7.9 @ 4511
Grand Cherokee	4.7L V8 F/I	77-1513KP ¹	9.2 @ 4680	Grand Cherokee	4.0L L6 F/I	57-1520 ¹	7.7 @ 4984
		57-1513-1 ¹	13.1 @ 4765	Grand Cherokee	5.2L V8 F/I	57-1506-2 ¹	24.7 @ 4335
Liberty	3.7L V6 F/I	77-1540KP ¹	5.9 @ 4054	TJ	4.0L L6 F/I	57-1514-1 ¹	12.1 @ 4623
		57-1540 ¹	6.4 @ 5274	Wrangler	4.0L L6 F/I	57-1514-1 ¹	12.1 @ 4623
TJ	4.0L L6 F/I	57-1514-1 ¹	12.1 @ 4623				
Wrangler	4.0L L6 F/I	57-1514-1 ¹	12.1 @ 4623				

1) Street legal in all US states. 2) Not legal for sale or use on any pollution controlled motor vehicle in California or states adopting California emission procedures. * Estimated horsepower gains are based on specific or similar vehicle dyno tests. Results will vary. See Page 482 for more information. See page 7 for information on intake tube materials/colors.



AIR INTAKE SYSTEMS

JEEP

Vehicle	Engine Type	Part Number	Estimated Horsepower*	Vehicle	Engine Type	Part Number	Estimated Horsepower*
1996 JEEP				2016 KIA			
Cherokee	4.0L L6 F/I	57-1518 ¹	7.9 @ 4511	Soul	2.0L L4 F/I	69-5313TS ²	5.3 @ 5852
Grand Cherokee	4.0L L6 F/I	57-1520 ¹	7.7 @ 4684	2015 KIA			
Grand Cherokee	5.2L V8 F/I	57-1506-2 ¹	24.7 @ 4335	cee d	1.6L L4 F/I - Turbo	69-5316TS ²	7.0 @ 5382
1995 JEEP				Cerato Koup	1.6L L4 F/I - Turbo	69-5316TS ²	7.0 @ 5382
Cherokee	4.0L L6 F/I	57-1519 ¹	7.1 @ 4548	Forte Koup	1.6L L4 F/I	69-5316TS ²	7.0 @ 5382
Grand Cherokee	4.0L L6 F/I	57-1520 ¹	7.7 @ 4684	Forte5	1.6L L4 F/I	69-5316TS ²	7.0 @ 5382
Grand Cherokee	5.2L V8 F/I	57-1506-2 ¹	24.7 @ 4335	Optima	2.4L L4 F/I	69-5321TS ²	5.8 @ 5998
Wrangler	4.0L L6 F/I - Exc. ABS	57-1521 ¹	12.7 @ 4800	Soul	2.0L L4 F/I	69-5301TTK ²	7.8 @ 5147
1994 JEEP				Soul	2.0L L4 F/I	69-5313TS ²	5.3 @ 5852
Cherokee	4.0L L6 F/I	57-1519 ¹	7.1 @ 4548	2014 KIA			
Grand Cherokee	4.0L L6 F/I	57-1520 ¹	7.7 @ 4684	cee d	1.6L L4 F/I - Turbo	69-5316TS ²	7.0 @ 5382
Grand Cherokee	5.2L V8 F/I	57-1506-2 ¹	24.7 @ 4335	Cerato Koup	1.6L L4 F/I - Turbo	69-5316TS ²	7.0 @ 5382
Wrangler	4.0L L6 F/I - Exc. ABS	57-1521 ¹	12.7 @ 4800	Forte	2.0L L4 F/I	69-5314TS ²	8.2 @ 5467
1993 JEEP				Forte Koup	1.6L L4 F/I	69-5316TS ²	7.0 @ 5382
Cherokee	4.0L L6 F/I	57-1519 ¹	7.1 @ 4548	Forte Koup	2.0L L4 F/I	69-5314TS ²	8.2 @ 5467
Grand Cherokee	4.0L L6 F/I	57-1520 ¹	7.7 @ 4684	Forte5	1.6L L4 F/I	69-5316TS ²	7.0 @ 5382
Grand Cherokee	5.2L V8 F/I	57-1506-2 ¹	24.7 @ 4335	Optima	2.0L L4 F/I	69-5309TS ¹	7.6 @ 4861
Wrangler	4.0L L6 F/I - Exc. ABS	57-1521 ¹	12.7 @ 4800	Optima	2.4L L4 F/I	69-5301TTK ²	7.8 @ 5147
1992 JEEP				Soul	2.0L L4 F/I	69-5313TS ¹	5.3 @ 5852
Cherokee	4.0L L6 F/I	57-1519 ¹	7.1 @ 4548	2013 KIA			
Wrangler	4.0L L6 F/I - Exc. ABS	57-1521 ¹	12.7 @ 4800	cee d	1.6L L4 F/I - Turbo	69-5316TS ²	7.0 @ 5382
1991 JEEP				Cerato Koup	1.6L L4 F/I - Turbo	69-5316TS ²	7.0 @ 5382
Cherokee	4.0L L6 F/I	57-1519 ¹	7.1 @ 4548	Forte	2.0L L4 F/I	69-5307TTK ²	7.5 @ 5501
Wrangler	4.0L L6 F/I - Exc. ABS	57-1521 ¹	12.7 @ 4800	Forte Koup	2.4L L4 F/I	69-5307TTK ²	7.5 @ 5501
2020 KIA				Forte5	2.0L L4 F/I	69-5307TTK ²	7.5 @ 5501
Forte	2.0L L4 F/I	69-5322TS ²	4.1 @ 5920	Optima	2.0L L4 F/I	69-5309TS ¹	7.6 @ 4861
Optima	2.4L L4 F/I	69-5321TS ²	5.8 @ 5998	Optima	2.4L L4 F/I	69-5301TTK ²	7.8 @ 5147
Stinger	2.0L L4 F/I - US	69-5320TS ²	5.4 @ 5799	Soul	2.0L L4 F/I	57-5300 ¹	4.8 @ 5588
2019 KIA				Soul	2.0L L4 F/I	69-5308TS ¹	5.1 @ 5664
Forte	2.0L L4 F/I	69-5322TS ²	4.1 @ 5920	2012 KIA			
Optima	2.4L L4 F/I	69-5321TS ²	5.8 @ 5998	Forte	2.0L L4 F/I	69-5307TTK ²	7.5 @ 5501
Stinger	2.0L L4 F/I - US	69-5320TS ²	5.4 @ 5799	Forte Koup	2.4L L4 F/I	69-5307TTK ²	7.5 @ 5501
Stinger	3.3L V6 F/I	69-5318TS ²	9.1 @ 5249	Optima	2.0L L4 F/I	69-5309TS ¹	7.6 @ 4861
2018 KIA				Soul	2.0L L4 F/I	69-5308TS ¹	5.1 @ 5664
Forte5	1.6L L4 F/I	69-5316TS ²	7.0 @ 5382	2011 KIA			
Optima	2.4L L4 F/I	69-5321TS ²	5.8 @ 5998	Forte	2.0L L4 F/I	69-5307TTK ²	7.5 @ 5501
Soul	1.6L L4 F/I - Turbo	69-5319TS ²	7.8 @ 5493	Forte Koup	2.4L L4 F/I	69-5307TTK ²	7.5 @ 5501
Stinger	2.0L L4 F/I - US	69-5320TS ²	5.4 @ 5799	Optima	2.0L L4 F/I	69-5309TS ¹	7.6 @ 4861
Stinger	3.3L V6 F/I	69-5318TS ²	9.1 @ 5249	Soul	2.0L L4 F/I	69-5306TS ¹	5.1 @ 5300
2017 KIA				2010 KIA			
cee d	1.6L L4 F/I - Turbo	69-5316TS ²	7.0 @ 5382	Forte	2.0L L4 F/I	69-5307TTK ²	7.5 @ 5501
Cerato Koup	1.6L L4 F/I - Turbo	69-5316TS ²	7.0 @ 5382	Forte Koup	2.4L L4 F/I	69-5307TTK ²	7.5 @ 5501
Forte5	1.6L L4 F/I	69-5316TS ²	7.0 @ 5382	Soul	2.0L L4 F/I	69-5306TS ¹	5.1 @ 5300
Optima	2.4L L4 F/I	69-5321TS ²	5.8 @ 5998	2008 KIA			
Soul	1.6L L4 F/I - Turbo	69-5319TS ²	7.8 @ 5493	Spectra	2.0L L4 F/I - Exc. LEV2 SULEV Test Group 8KMXV02.0LPC	69-5305TP ¹	7.2 @ 5800
2016 KIA				2007 KIA			
cee d	1.6L L4 F/I - Turbo	69-5316TS ²	7.0 @ 5382	Spectra	2.0L L4 F/I - Exc. LEV2 SULEV Test Group 7KMXV02.0LPC	69-5305TP ¹	7.2 @ 5800
Cerato Koup	1.6L L4 F/I - Turbo	69-5316TS ²	7.0 @ 5382				
Forte Koup	1.6L L4 F/I	69-5316TS ²	7.0 @ 5382				
Forte5	1.6L L4 F/I	69-5316TS ²	7.0 @ 5382				
Optima	2.4L L4 F/I	69-5321TS ²	5.8 @ 5998				

1) Street legal in all US states. 2) Not legal for sale or use on any pollution controlled motor vehicle in California or states adopting California emission procedures. * Estimated horsepower gains are based on specific or similar vehicle dyno tests. Results will vary. See Page 482 for more information. See page 7 for information on intake tube materials/colors.



Vehicle	Engine Type	Part Number	Estimated Horsepower*	Vehicle	Engine Type	Part Number	Estimated Horsepower*
2006 KIA				2012 LEXUS			
Spectra	2.0L L4 F/I - Exc. LEV2 SULEV Test Group 6KMXV02.0LPC	69-5305TP ¹	7.2 @ 5800	IS250	2.5L V6 F/I	69-8701TP ²	12.1 @ 5852
Spectra5	2.0L L4 F/I - Exc. LEV2 SULEV Test Group 6KMXV02.0LPC	69-5305TP ¹	7.2 @ 5800	2011 LEXUS			
2005 KIA				GS350	3.5L V6 F/I	69-8702TP ²	18.1 @ 5751
Spectra	2.0L L4 F/I - Exc. LEV2 SULEV Test Group 5KMXV02.0LPC	69-5305TP ¹	7.2 @ 5800	IS F	5.0L V8 F/I	69-8703TS ²	22.4 @ 6145
Spectra5	2.0L L4 F/I - Exc. LEV2 SULEV Test Group 5KMXV02.0LPC	69-5305TP ¹	7.3 @ 5800	IS250	2.5L V6 F/I	69-8701TP ²	12.1 @ 5852
2020 LEXUS				IS350	3.5L V6 F/I	69-8701TP ²	12.1 @ 5852
ES350	3.5L V6 F/I	69-8622TTK ²	5.3 @ 5326	2010 LEXUS			
2019 LEXUS				GS350	3.5L V6 F/I	69-8702TP ²	18.1 @ 5751
ES350	3.5L V6 F/I	69-8622TTK ¹	5.3 @ 5326	IS F	5.0L V8 F/I	69-8703TS ²	22.4 @ 6145
GS350	3.5L V6 F/I	69-8704TP ¹	12.6 @ 5498	IS250	2.5L V6 F/I	69-8701TP ²	12.1 @ 5852
IS350	3.5L V6 F/I	69-8704TP ¹	12.6 @ 5498	IS350	3.5L V6 F/I	69-8701TP ²	12.1 @ 5852
RC350	3.5L V6 F/I	69-8704TP ¹	12.6 @ 5498	2009 LEXUS			
2018 LEXUS				GS350	3.5L V6 F/I	69-8702TP ²	18.1 @ 5751
GS350	3.5L V6 F/I	69-8704TP ¹	12.6 @ 5498	IS F	5.0L V8 F/I	69-8703TS ²	28.1 @ 5900
IS350	3.5L V6 F/I	69-8704TP ¹	12.6 @ 5498	IS250	2.5L V6 F/I	69-8701TP ²	12.1 @ 5852
RC350	3.5L V6 F/I	69-8704TP ¹	12.6 @ 5498	IS350	3.5L V6 F/I	69-8701TP ²	12.1 @ 5852
2017 LEXUS				2008 LEXUS			
GS350	3.5L V6 F/I	69-8704TP ¹	12.6 @ 5498	GS350	3.5L V6 F/I	69-8702TP ²	18.1 @ 5751
IS350	3.5L V6 F/I	69-8704TP ¹	12.6 @ 5498	IS F	5.0L V8 F/I	69-8703TS ²	28.1 @ 5900
RC F	5.0L V8 F/I	63-9038 ²	13.6 @ 6100	IS250	2.5L V6 F/I	69-8701TP ²	12.1 @ 5852
		57-9038 ¹	13.6 @ 6100	IS350	3.5L V6 F/I	69-8701TP ²	12.1 @ 5852
RC350	3.5L V6 F/I	69-8704TP ¹	12.6 @ 5498	2007 LEXUS			
2016 LEXUS				GS350	3.5L V6 F/I	69-8702TP ²	18.1 @ 5751
GS350	3.5L V6 F/I	69-8704TP ¹	12.6 @ 5498	IS250	2.5L V6 F/I	69-8701TP ²	12.1 @ 5852
IS350	3.5L V6 F/I	69-8704TP ¹	12.6 @ 5498	IS350	3.5L V6 F/I	69-8701TP ²	12.1 @ 5852
RC F	5.0L V8 F/I	63-9038 ²	13.6 @ 6100	2006 LEXUS			
		57-9038 ¹	13.6 @ 6100	IS250	2.5L V6 F/I	69-8701TP ²	12.1 @ 5852
RC350	3.5L V6 F/I	69-8704TP ¹	12.6 @ 5498	IS350	3.5L V6 F/I	69-8701TP ²	12.1 @ 5852
2015 LEXUS				2005 LEXUS			
GS350	3.5L V6 F/I	69-8704TP ¹	12.6 @ 5498	IS250	2.5L V6 F/I	69-8701TP ²	12.1 @ 5852
IS250	2.5L V6 F/I	69-8704TP ¹	12.6 @ 5498	IS300	3.0L L6 F/I	69-8700TP ¹	9.4 @ 5850
IS350	3.5L V6 F/I	69-8704TP ¹	12.6 @ 5498			57-9018 ¹	9.4 @ 5726
RC F	5.0L V8 F/I	63-9038 ²	13.6 @ 6100	2004 LEXUS			
		57-9038 ¹	13.6 @ 6100	IS300	3.0L L6 F/I	69-8700TP ¹	9.4 @ 5850
RC350	3.5L V6 F/I	69-8704TP ¹	12.6 @ 5498			57-9018 ¹	9.4 @ 5726
2014 LEXUS				2003 LEXUS			
GS350	3.5L V6 F/I	69-8704TP ¹	12.6 @ 5498	IS300	3.0L L6 F/I	69-8700TP ¹	9.4 @ 5850
IS250	2.5L V6 F/I	69-8704TP ¹	12.6 @ 5498			57-9018 ¹	9.4 @ 5726
IS350	3.5L V6 F/I	69-8704TP ¹	12.6 @ 5498	2002 LEXUS			
2013 LEXUS				IS300	3.0L L6 F/I	69-8700TP ¹	9.4 @ 5850
GS350	3.5L V6 F/I	69-8704TP ¹	12.6 @ 5498			57-9018 ¹	9.4 @ 5726
IS250	2.5L V6 F/I	69-8701TP ²	12.1 @ 5852	2001 LEXUS			
IS250	2.5L V6 F/I - Non-US, To 2/13	69-8701TP ²	12.1 @ 5852	IS300	3.0L L6 F/I	69-8700TP ¹	9.4 @ 5850
IS350	3.5L V6 F/I	69-8704TP ¹	12.6 @ 5498			57-9018 ¹	9.4 @ 5726
2012 LEXUS				2000 LEXUS			
IS F	5.0L V8 F/I	69-8703TS ²	22.4 @ 6145	GS400	4.0L V8 F/I	57-9011 ¹	9.3 @ 5978
1999 LEXUS				1998 LEXUS			
				GS400	4.0L V8 F/I	57-9011 ¹	9.3 @ 5978

1) Street legal in all US states. 2) Not legal for sale or use on any pollution controlled motor vehicle in California or states adopting California emission procedures. * Estimated horsepower gains are based on specific or similar vehicle dyno tests. Results will vary. See Page 482 for more information. See page 7 for information on intake tube materials/colors.



AIR INTAKE SYSTEMS

LINCOLN

Vehicle	Engine Type	Part Number	Estimated Horsepower*	Vehicle	Engine Type	Part Number	Estimated Horsepower*
2020 LINCOLN				2006 LINCOLN			
Navigator	3.5L V6 F/I	63-2599 ²	12.3 @ 4915	Mark LT	5.4L V8 F/I	77-2556KP ¹ 71-2556 ¹ 57-2556 ¹	9.6 @ 3724 11.5 @ 3800 15.5 @ 3829
2019 LINCOLN				2005 LINCOLN			
MKC	2.0L L4 F/I	69-3537TS ²	19.1 @ 4503	LS	3.9L V8 F/I	69-3520TP ¹	8.0 @ 5379
MKC	2.3L L4 F/I	69-3537TS ²	19.1 @ 4503	2004 LINCOLN			
Navigator	3.5L V6 F/I	63-2599 ² 57-2601 ¹	12.3 @ 4915 8.7 @ 4505	LS	3.9L V8 F/I	69-3520TP ¹	8.0 @ 5379
2018 LINCOLN				Navigator	5.4L V8 F/I	57-2551 ¹	15.5 @ 5049
MKC	2.0L L4 F/I	69-3537TS ²	19.1 @ 4503	2003 LINCOLN			
MKC	2.3L L4 F/I	69-3537TS ²	19.1 @ 4503	LS	3.9L V8 F/I	69-3520TP ¹	8.0 @ 5379
Navigator	3.5L V6 F/I	63-2599 ² 57-2601 ¹	12.3 @ 4915 8.7 @ 4505	Navigator	5.4L V8 F/I	57-2551 ¹	15.5 @ 5049
2017 LINCOLN				2002 LINCOLN			
MKC	2.0L L4 F/I	69-3537TS ²	19.1 @ 4503	Navigator	5.4L V8 F/I	57-2558 ¹	15.1 @ 4649
MKC	2.3L L4 F/I	69-3537TS ²	19.1 @ 4503	2001 LINCOLN			
Navigator	3.5L V6 F/I	63-2595 ² 57-2595 ¹	6.9 @ 4100 6.9 @ 4100	Navigator	5.4L V8 F/I	57-2558 ¹	15.1 @ 4649
2016 LINCOLN				2000 LINCOLN			
MKC	2.0L L4 F/I	69-3537TS ²	19.1 @ 4503	Navigator	5.4L V8 F/I	57-2558 ¹	15.1 @ 4649
MKC	2.3L L4 F/I	69-3537TS ²	19.1 @ 4503	1999 LINCOLN			
Navigator	3.5L V6 F/I	63-2595 ² 57-2595 ¹	6.9 @ 4100 6.9 @ 4100	Navigator	5.4L V8 F/I - SOHC	77-2514KP ¹ 57-2541 ¹ 57-2514-4 ¹	9.7 @ 4093 13.1 @ 4562 9.8 @ 4198
2015 LINCOLN				1998 LINCOLN			
MKC	2.0L L4 F/I	69-3537TS ²	19.1 @ 4503	Navigator	5.4L V8 F/I	77-2514KP ¹ 57-2541 ¹ 57-2514-4 ¹	9.7 @ 4093 13.1 @ 4562 9.8 @ 4198
MKC	2.3L L4 F/I	69-3537TS ²	19.1 @ 4503	2020 MAZDA			
Navigator	3.5L V6 F/I	63-2595 ² 57-2595 ¹	6.9 @ 4100 6.9 @ 4100	6	2.5L L4 F/I - Exc. Turbo	69-6032TS ²	5.7 @ 4844
2014 LINCOLN				6	2.5L L4 F/I - Turbo	69-6034TS ²	10.8 @ 4510
Navigator	5.4L V8 F/I	57-2575 ¹	11.0 @ 4600	CX-9	2.5L L4 F/I	69-6034TS ²	10.8 @ 4510
2013 LINCOLN				2019 MAZDA			
Navigator	5.4L V8 F/I	57-2575 ¹	11.0 @ 4600	6	2.5L L4 F/I - Exc. Turbo	69-6032TS ²	5.7 @ 4844
2012 LINCOLN				6	2.5L L4 F/I - Turbo	69-6034TS ¹	10.8 @ 4510
Navigator	5.4L V8 F/I	57-2575 ¹	11.0 @ 4600	CX-9	2.5L L4 F/I	69-6034TS ¹	10.8 @ 4510
2011 LINCOLN				2018 MAZDA			
Navigator	5.4L V8 F/I	57-2575 ¹	11.0 @ 4600	3	2.0L L4 F/I	69-6033TTK ²	5.5 @ 4982
2010 LINCOLN				3	2.5L L4 F/I - Exc. Turbo	69-6032TS ²	5.7 @ 4844
Navigator	5.4L V8 F/I	57-2575 ¹	11.0 @ 4600	6	2.5L L4 F/I - Exc. Turbo	69-6032TS ²	5.7 @ 4844
2009 LINCOLN				6	2.5L L4 F/I - Turbo	69-6034TS ¹	10.8 @ 4510
Navigator	5.4L V8 F/I	57-2575 ¹	11.0 @ 4600	CX-9	2.5L L4 F/I	69-6034TS ¹	10.8 @ 4510
2008 LINCOLN				2017 MAZDA			
Mark LT	5.4L V8 F/I	77-2556KP ¹ 71-2556 ¹ 57-2556 ¹ 57-2575 ¹	9.6 @ 3724 11.5 @ 3800 15.5 @ 3829 11.0 @ 4600	3	2.0L L4 F/I	69-6033TTK ²	5.5 @ 4982
Navigator	5.4L V8 F/I	57-2575 ¹	11.0 @ 4600	3	2.5L L4 F/I	69-6032TS ²	5.7 @ 4844
2007 LINCOLN				6	2.5L L4 F/I	69-6032TS ²	5.7 @ 4844
Mark LT	5.4L V8 F/I	77-2556KP ¹ 71-2556 ¹ 57-2556 ¹ 57-2575 ¹	9.6 @ 3724 11.5 @ 3800 15.5 @ 3829 11.0 @ 4600	2016 MAZDA			
Navigator	5.4L V8 F/I	57-2575 ¹	11.0 @ 4600	3	2.0L L4 F/I - Eng. Skyactiv	69-6033TTK ²	5.5 @ 4982
2006 LINCOLN				3	2.5L L4 F/I	69-6032TS ²	5.7 @ 4844
LS	3.9L V8 F/I	69-3520TP ¹	8.0 @ 5379	6	2.5L L4 F/I	69-6032TS ²	5.7 @ 4844
				2015 MAZDA			
				3	2.0L L4 F/I - Eng. Skyactiv	69-6033TTK ²	5.5 @ 4982

1) Street legal in all US states. 2) Not legal for sale or use on any pollution controlled motor vehicle in California or states adopting California emission procedures. * Estimated horsepower gains are based on specific or similar vehicle dyno tests. Results will vary. See Page 482 for more information. See page 7 for information on intake tube materials/colors.



Vehicle	Engine Type	Part Number	Estimated Horsepower*	Vehicle	Engine Type	Part Number	Estimated Horsepower*
2015 MAZDA				2008 MAZDA			
3	2.5L L4 F/I	69-6032TS ²	5.7 @ 4844	RX-8	1.3L R2 F/I	69-6030-1TFK ¹	11.2 @ 8660
6	2.5L L4 F/I	69-6032TS ²	5.7 @ 4844	2007 MAZDA			
2014 MAZDA				3	2.0L L4 F/I	69-6010TS ²	5.7 @ 4764
3	2.0L L4 F/I - Eng. Skyactiv	69-6033TTK ¹	5.5 @ 4982	3	2.3L L4 F/I	69-6010TR ²	5.7 @ 4764
3	2.5L L4 F/I	69-6032TS ²	5.7 @ 4844	3	2.3L L4 F/I	69-6010TS ²	5.7 @ 4764
6	2.5L L4 F/I	69-6032TS ²	5.7 @ 4844	5 Van	2.3L L4 F/I	69-6010TS ¹	5.7 @ 4764
2013 MAZDA				6	2.3L L4 F/I - Exc. LEV2 SULEV Test Group	69-6027TTK ¹	11.9 @ 5400
3	2.0L L4 F/I - Eng. Skyactiv, Exc. LEV2 SULEV DTKXV02.0NC1 & DTKXV02.05NN	69-6033TTK ¹	5.5 @ 4982	6	3.0L V6 F/I	69-6026TS ¹	6.6 @ 4700
3	2.0L L4 F/I - Exc. Eng. Skyactiv	69-6031TS ²	5.6 @ 5743	B3000	3.0L V6 F/I	57-2560 ¹	10.0 @ 4921
6	2.5L L4 F/I	69-6028TTK ²	5.5 @ 5100	B4000	4.0L V6 F/I	77-2561KP ¹	11.2 @ 4950
Mazdaspeed3	2.3L L4 F/I	69-6012TS ¹	24.2 @ 5000	Mazdaspeed3	2.3L L4 F/I	69-6011TS ¹	25.7 @ 4300
2012 MAZDA				RX-8	1.3L R2 F/I	69-6030-1TFK ¹	11.2 @ 8660
3	2.0L L4 F/I - Exc. Eng. Skyactiv	69-6031TS ²	5.6 @ 5743	2006 MAZDA			
3	2.5L L4 F/I	69-6013TTK ²	6.7 @ 5604	3	2.0L L4 F/I	69-6010TS ²	5.7 @ 4764
6	2.5L L4 F/I	69-6028TTK ²	5.5 @ 5100	3	2.3L L4 F/I	69-6010TR ²	5.7 @ 4764
Mazdaspeed3	2.3L L4 F/I	69-6012TS ¹	24.2 @ 5000	3	2.3L L4 F/I	69-6010TS ²	5.7 @ 4764
2011 MAZDA				5	2.3L L4 F/I	69-6010TR ¹	5.7 @ 4764
3	2.0L L4 F/I	69-6031TS ²	5.6 @ 5743	6	2.3L L4 F/I - US, Exc. LEV2 SULEV Test Group	69-6025TS ¹	6.2 @ 5051
3	2.5L L4 F/I	69-6013TTK ²	6.7 @ 5604	6	3.0L V6 F/I	69-6026TS ¹	6.6 @ 4700
6	2.5L L4 F/I	69-6028TTK ²	5.5 @ 5100	B3000	3.0L V6 F/I	57-2560 ¹	10.0 @ 4921
Mazdaspeed3	2.3L L4 F/I	69-6012TS ¹	24.2 @ 5000	B4000	4.0L V6 F/I	77-2561KP ¹	11.2 @ 4950
RX-8	1.3L R2 F/I	69-6030-1TFK ¹	11.2 @ 8660	RX-8	1.3L R2 F/I	69-6030-1TFK ¹	11.2 @ 8660
2010 MAZDA				2005 MAZDA			
3	2.5L L4 F/I	69-6013TTK ²	6.7 @ 5604	3	2.0L L4 F/I	69-6010TS ²	5.7 @ 4764
6	2.5L L4 F/I	69-6028TTK ²	5.5 @ 5100	3	2.3L L4 F/I	69-6010TR ²	5.7 @ 4764
Mazdaspeed3	2.3L L4 F/I	69-6012TS ¹	24.2 @ 5000	6	2.3L L4 F/I - US, Exc. LEV2 SULEV Test Group	69-6025TS ¹	6.2 @ 5051
RX-8	1.3L R2 F/I	69-6030-1TFK ²	11.2 @ 8660	6	3.0L V6 F/I	69-6026TS ¹	6.6 @ 4700
2009 MAZDA				B3000	3.0L V6 F/I	57-2560 ¹	10.0 @ 4921
3	2.0L L4 F/I	69-6010TS ²	5.7 @ 4764	B4000	4.0L V6 F/I	77-2561KP ¹	11.2 @ 4950
3	2.3L L4 F/I - Exc. Turbo	69-6010TR ²	5.7 @ 4764	RX-8	1.3L R2 F/I	69-6030-1TFK ¹	11.2 @ 8660
3	2.3L L4 F/I - Exc. Turbo	69-6010TS ²	5.7 @ 4764	2004 MAZDA			
6	2.5L L4 F/I	69-6028TTK ²	5.5 @ 5100	3	2.0L L4 F/I - Non-US	69-6010TS ²	5.7 @ 4764
B4000	4.0L V6 F/I	77-2561KP ¹	11.2 @ 4950	3	2.3L L4 F/I	69-6010TR ²	5.7 @ 4764
Mazdaspeed3	2.3L L4 F/I	69-6011TS ¹	25.7 @ 4300	3	2.3L L4 F/I	69-6010TS ¹	5.7 @ 4764
RX-8	1.3L R2 F/I	69-6030-1TFK ¹	11.2 @ 8660	6	2.3L L4 F/I - US	69-6025TS ¹	6.2 @ 5051
2008 MAZDA				Miata	1.8L L4 F/I	69-6000TR ¹	3.6 @ 6499
3	2.0L L4 F/I	69-6010TS ²	5.7 @ 4764	69-6000TP ¹	3.6 @ 6499		
3	2.3L L4 F/I	69-6010TR ²	5.7 @ 4764	MX-5 II	1.8L L4 F/I	69-6000TR ²	3.6 @ 6499
3	2.3L L4 F/I	69-6010TS ²	5.7 @ 4764	69-6000TP ²	3.6 @ 6499		
5 Van	2.3L L4 F/I	69-6010TR ¹	5.7 @ 4764	RX-8	1.3L R2 F/I	69-6030-1TFK ¹	11.2 @ 8660
6	2.3L L4 F/I - Exc. LEV2 SULEV Test Group	69-6027TTK ¹	11.9 @ 5400	2004 MAZDA			
B3000	3.0L V6 F/I	57-2560 ¹	10.0 @ 4921	3	2.0L L4 F/I - Non-US	69-6010TS ²	5.7 @ 4764
B4000	4.0L V6 F/I	77-2561KP ¹	11.2 @ 4950	3	2.3L L4 F/I	69-6010TR ²	5.7 @ 4764
Mazdaspeed3	2.3L L4 F/I	69-6011TS ¹	25.7 @ 4300	3	2.3L L4 F/I	69-6010TS ¹	5.7 @ 4764
		57-2561 ¹	13.5 @ 5129	6	2.3L L4 F/I - US	69-6025TS ¹	6.2 @ 5051
		69-6011TS ¹	25.7 @ 4300	6	3.0L V6 F/I	69-6026TS ¹	6.6 @ 4700

1) Street legal in all US states. 2) Not legal for sale or use on any pollution controlled motor vehicle in California or states adopting California emission procedures. * Estimated horsepower gains are based on specific or similar vehicle dyno tests. Results will vary. See Page 482 for more information. See page 7 for information on intake tube materials/colors.



AIR INTAKE SYSTEMS

MAZDA

Vehicle	Engine Type	Part Number	Estimated Horsepower*	Vehicle	Engine Type	Part Number	Estimated Horsepower*
2004 MAZDA				2000 MAZDA			
B3000	3.0L V6 F/I	57-2560 ¹	10.0 @ 4921	B2500	2.5L L4 F/I	57-2540 ¹	6.6 @ 5000
B4000	4.0L V6 F/I	77-2561KP ¹	11.2 @ 4950	B3000	3.0L V6 F/I	57-2533 ¹	5.5 @ 4721
		57-2561 ¹	13.5 @ 5129	B4000	4.0L V6 F/I	57-2527 ¹	3.2 @ 3969
Miata	1.8L L4 F/I	69-6000TR ¹	3.6 @ 6499	Miata	1.8L L4 F/I	69-6000TR ¹	3.6 @ 6499
		69-6000TP ¹	3.6 @ 6499			69-6000TP ¹	3.6 @ 6499
MX-5 II	1.8L L4 F/I	69-6000TR ²	3.6 @ 6499	MX-5 II	1.8L L4 F/I	69-6000TR ²	3.6 @ 6499
		69-6000TP ²	3.6 @ 6499			69-6000TP ²	3.6 @ 6499
RX-8	1.3L R2 F/I	69-6030-1TFK ¹	11.2 @ 8660	1999 MAZDA			
2003 MAZDA				B2500	2.5L L4 F/I	57-2540 ¹	6.6 @ 5000
3	2.0L L4 F/I	69-6010TS ²	5.7 @ 4764	B3000	3.0L V6 F/I	57-2533 ¹	5.5 @ 4721
		69-6010TR ²	5.7 @ 4764	B4000	4.0L V6 F/I	57-2527 ¹	3.2 @ 3969
6	2.3L L4 F/I - US	69-6025TS ¹	6.2 @ 5051	Miata	1.8L L4 F/I	69-6000TR ¹	3.6 @ 6499
6	3.0L V6 F/I	69-6026TS ¹	6.6 @ 4700			69-6000TP ¹	3.6 @ 6499
B2300	2.3L L4 F/I	77-2552KP ¹	6.1 @ 4498	MX-5 II	1.8L L4 F/I	69-6000TR ²	3.6 @ 6499
		57-2552 ¹	6.8 @ 4874			69-6000TP ²	3.6 @ 6499
B3000	3.0L V6 F/I	57-2554 ¹	9.4 @ 4848	1998 MAZDA			
B4000	4.0L V6 F/I	77-2529KP ¹	5.3 @ 5095	B2500	2.5L L4 F/I	57-2540 ¹	6.6 @ 5000
		57-2529-1 ¹	6.9 @ 5244	B3000	3.0L V6 F/I	57-2533 ¹	5.5 @ 4721
Miata	1.8L L4 F/I	69-6000TR ¹	3.6 @ 6499	B4000	4.0L V6 F/I	57-2527 ¹	3.2 @ 3969
		69-6000TP ¹	3.6 @ 6499	Miata	1.8L L4 F/I	69-6000TR ²	3.6 @ 6499
MX-5 II	1.8L L4 F/I	69-6000TR ²	3.6 @ 6499			69-6000TP ²	3.6 @ 6499
		69-6000TP ²	3.6 @ 6499	MX-5 II	1.8L L4 F/I	69-6000TR ²	3.6 @ 6499
Protege	2.0L L4 F/I	69-6020TS ¹	5.0 @ 3568			69-6000TP ²	3.6 @ 6499
		69-6020TR ¹	5.0 @ 3568	1997 MAZDA			
Protege5	2.0L L4 F/I	69-6020TS ¹	5.0 @ 3568	B2300	2.3L L4 F/I - w/Manual Trans.	57-2535 ¹	6.1 @ 5200
		69-6020TR ¹	5.0 @ 3568	B4000	4.0L V6 F/I	57-2527 ¹	3.2 @ 3969
RX-8	1.3L R2 F/I	69-6030-1TFK ¹	11.2 @ 8660	MX-6	2.5L V6 F/I	57-2507 ¹	
2002 MAZDA				1996 MAZDA			
B2300	2.3L L4 F/I	77-2552KP ¹	6.1 @ 4498	B2300	2.3L L4 F/I - w/Manual Trans.	57-2535 ¹	6.1 @ 5200
		57-2552 ¹	6.8 @ 4874	MX-6	2.5L V6 F/I	57-2507 ¹	
B3000	3.0L V6 F/I	57-2554 ¹	9.4 @ 4848	1995 MAZDA			
B4000	4.0L V6 F/I	77-2529KP ¹	5.3 @ 5095	B2300	2.3L L4 F/I - w/Manual Trans.	57-2535 ¹	6.1 @ 5200
		57-2529-1 ¹	6.9 @ 5244	MX-6	2.5L V6 F/I	57-2507 ¹	
Miata	1.8L L4 F/I	69-6000TR ¹	3.6 @ 6499	1994 MAZDA			
		69-6000TP ¹	3.6 @ 6499	MX-6	2.5L V6 F/I	57-2507 ¹	
MP3	2.0L L4 F/I	69-6020TS ¹	5.0 @ 3568	1993 MAZDA			
		69-6020TR ¹	5.0 @ 3568	Miata	1.6L L4 F/I	57-5001 ¹	4.1 @ 5828
MX-5 II	1.8L L4 F/I	69-6000TR ²	3.6 @ 6499	MX-6	2.5L V6 F/I	57-2507 ¹	
		69-6000TP ²	3.6 @ 6499	1992 MAZDA			
Protege	2.0L L4 F/I	69-6020TS ¹	5.0 @ 3568	Miata	1.6L L4 F/I	57-5001 ¹	4.1 @ 5828
		69-6020TR ¹	5.0 @ 3568	1991 MAZDA			
Protege5	2.0L L4 F/I	69-6020TS ¹	5.0 @ 3568	Miata	1.6L L4 F/I	57-5001 ¹	4.1 @ 5828
		69-6020TR ¹	5.0 @ 3568	1990 MAZDA			
2001 MAZDA				Miata	1.6L L4 F/I	57-5001 ¹	4.1 @ 5828
B2300	2.3L L4 F/I	77-2552KP ¹	6.1 @ 4498	1988 MAZDA			
		57-2552 ¹	6.8 @ 4874	RX-7	1.3L R2 F/I - Exc. Turbo	57-5005 ¹	
B2500	2.5L L4 F/I	57-2540 ¹	6.6 @ 5000	1987 MAZDA			
B3000	3.0L V6 F/I	57-2533 ¹	5.5 @ 4721	RX-7	1.3L R2 F/I - Exc. Turbo	57-5005 ¹	
B4000	4.0L V6 F/I	77-2529KP ¹	5.3 @ 5095				
		57-2529-1 ¹	6.9 @ 5244				
Miata	1.8L L4 F/I	69-6000TR ¹	3.6 @ 6499				
		69-6000TP ¹	3.6 @ 6499				
MX-5 II	1.8L L4 F/I	69-6000TR ²	3.6 @ 6499				
		69-6000TP ²	3.6 @ 6499				

1) Street legal in all US states. 2) Not legal for sale or use on any pollution controlled motor vehicle in California or states adopting California emission procedures. * Estimated horsepower gains are based on specific or similar vehicle dyno tests. Results will vary. See Page 482 for more information. See page 7 for information on intake tube materials/colors.



Vehicle	Engine Type	Part Number	Estimated Horsepower*	Vehicle	Engine Type	Part Number	Estimated Horsepower*
1986 MAZDA				2011 MINI			
RX-7	1.3L R2 F/I - Exc. Turbo	57-5005 ¹		Cooper	1.6L L4 F/I - US	69-2005TTK ¹	4.1 @ 5300
2019 MINI				Cooper John	1.6L L4 F/I	69-2025TS ¹	6.0 @ 5602
Cooper	1.5L L3 F/I - US	69-2026TTK ²	6.5 @ 3200	Cooper Works			
Cooper	2.0L L4 F/I - US	69-2026TTK ²	6.5 @ 3200	Cooper John	1.6L L4 F/I	69-2025TS ¹	6.0 @ 5602
Cooper Clubman	1.5L L3 F/I - US	69-2026TTK ²	6.5 @ 3200	Cooper Works			
Cooper Clubman	2.0L L4 F/I - US	69-2026TTK ²	6.5 @ 3200	Clubman			
Cooper Countryman	1.5L L3 F/I - US	69-2026TTK ²	6.5 @ 3200	Cooper S	1.6L L4 F/I	69-2023TS ¹	8.5 @ 5200
Cooper Countryman	2.0L L4 F/I - US	69-2026TTK ²	6.5 @ 3200	Cooper S Clubman	1.6L L4 F/I	69-2023TS ¹	8.5 @ 5200
2018 MINI				One	1.4L L4 F/I	69-2022TS ²	
Cooper	1.5L L3 F/I	69-2026TTK ²	6.5 @ 3200	2010 MINI			
Cooper Clubman	1.5L L3 F/I	69-2026TTK ²	6.5 @ 3200	Cooper	1.6L L4 F/I - Non-US, w/Manual Trans.	69-2022TS ²	
Cooper Countryman	2.0L L4 F/I	69-2026TTK ²	6.5 @ 3200	Cooper	1.6L L4 F/I - US	69-2005TTK ¹	4.1 @ 5300
John Cooper Works				Cooper Clubman	1.6L L4 F/I - w/Manual Trans.	69-2022TS ²	
Cooper John	2.0L L4 F/I	69-2026TTK ²	6.5 @ 3200	Cooper S	1.6L L4 F/I - US	69-2004TTK ¹	11.2 @ 4700
Cooper Works				One	1.4L L4 F/I	69-2022TS ²	
Cooper S	2.0L L4 F/I	69-2026TTK ²	6.5 @ 3200	2009 MINI			
2017 MINI				Cooper	1.6L L4 F/I - US	69-2005TTK ¹	4.1 @ 5300
Cooper	1.5L L3 F/I	69-2026TTK ²	6.5 @ 3200	Cooper	1.6L L4 F/I - w/Manual Trans.	69-2022TS ²	
Cooper Clubman	1.5L L3 F/I	69-2026TTK ²	6.5 @ 3200	Cooper Clubman	1.6L L4 F/I - US	69-2005TTK ¹	4.1 @ 5300
Cooper John	2.0L L4 F/I	69-2026TTK ²	6.5 @ 3200	Cooper Clubman	1.6L L4 F/I - w/Manual Trans.	69-2022TS ²	
Cooper Works				Cooper S	1.6L L4 F/I - US	69-2004TTK ¹	11.2 @ 4700
Cooper S	2.0L L4 F/I	69-2026TTK ²	6.5 @ 3200	One	1.4L L4 F/I	69-2022TS ²	
2016 MINI				2008 MINI			
Cooper	1.5L L3 F/I	69-2026TTK ²	6.5 @ 3200	Cooper	1.6L L4 F/I - Non-US, Coupe, w/Manual Trans.	69-2022TS ²	
Cooper Clubman	1.5L L3 F/I	69-2026TTK ²	6.5 @ 3200	Cooper	1.6L L4 F/I - US	69-2005TTK ¹	4.1 @ 5300
Cooper John	2.0L L4 F/I	69-2026TTK ²	9.0 @ 5400	Cooper Clubman	1.6L L4 F/I - US	69-2005TTK ¹	4.1 @ 5300
Cooper Works				Cooper S	1.6L L4 F/I - US, Exc. Supercharger	69-2004TTK ¹	11.2 @ 4700
Cooper S	2.0L L4 F/I	69-2026TTK ²	6.5 @ 3200	One	1.4L L4 F/I - Exc. Convertible	69-2022TS ²	
2015 MINI				2007 MINI			
Cooper	1.5L L3 F/I	69-2026TTK ²	6.5 @ 3200	Cooper	1.6L L4 F/I - Non-US, Coupe, w/Manual Trans.	69-2022TS ²	
Cooper S	1.6L L4 F/I	69-2023TS ²	8.5 @ 5200	Cooper	1.6L L4 F/I - US	69-2005TTK ¹	4.1 @ 5300
Cooper S	2.0L L4 F/I	69-2026TTK ²	6.5 @ 3200	Cooper S	1.6L L4 F/I - Convertible	69-2021TP ¹	4.1 @ 5997
2014 MINI				Cooper S	1.6L L4 F/I - US, Coupe, Exc. Supercharger	69-2004TTK ¹	11.2 @ 4700
Cooper	1.5L L3 F/I	69-2026TTK ²	6.5 @ 3200	One	1.4L L4 F/I - Exc. Convertible	69-2022TS ²	
Cooper	1.6L L4 F/I - US	69-2024TTK ¹	3.0 @ 5504	2006 MINI			
Cooper John	1.6L L4 F/I	69-2025TS ²	6.0 @ 5602	Cooper	1.6L L4 F/I	69-2020TR ¹	4.3 @ 5950
Cooper Works				Cooper S	1.6L L4 F/I - w/Manual Trans.	69-2020TP ¹	4.3 @ 5950
Cooper S	1.6L L4 F/I	69-2023TS ²	8.5 @ 5200	Cooper S	1.6L L4 F/I	69-2021TP ¹	4.1 @ 5997
Cooper S	2.0L L4 F/I	69-2026TTK ²	6.5 @ 3200	One	1.6L L4 F/I	69-2020TR ²	4.3 @ 5950
2013 MINI				Works	1.6L L4 F/I	69-2021TP ²	4.1 @ 5997
Cooper	1.6L L4 F/I - US	69-2024TTK ¹	3.0 @ 5504	2005 MINI			
Cooper John	1.6L L4 F/I	69-2025TS ²	6.0 @ 5602	Cooper	1.6L L4 F/I	69-2020TR ¹	4.3 @ 5950
Cooper Works GP				Cooper S	1.6L L4 F/I	69-2020TP ¹	4.3 @ 5950
Cooper S	1.6L L4 F/I	69-2023TS ²	8.5 @ 5200	Cooper S	1.6L L4 F/I	69-2021TP ¹	4.1 @ 5997
2012 MINI				One	1.6L L4 F/I	69-2020TR ²	4.3 @ 5950
Cooper	1.6L L4 F/I - US	69-2024TTK ¹	3.0 @ 5504	Cooper S	1.6L L4 F/I	69-2021TP ¹	4.1 @ 5997
Cooper John	1.6L L4 F/I	69-2025TS ¹	6.0 @ 5602	One	1.6L L4 F/I	69-2020TR ²	4.3 @ 5950
Cooper Works				2005 MINI			
Cooper S	1.6L L4 F/I	69-2023TS ¹	8.5 @ 5200	Cooper	1.6L L4 F/I	69-2020TR ¹	4.3 @ 5950
Cooper S Clubman	1.6L L4 F/I	69-2023TS ¹	8.5 @ 5200	Cooper S	1.6L L4 F/I	69-2020TP ¹	4.3 @ 5950
Cooper S	1.6L L4 F/I	69-2023TS ¹	8.5 @ 5200	Cooper S	1.6L L4 F/I	69-2021TP ¹	4.1 @ 5997
Countryman				One	1.6L L4 F/I	69-2020TR ²	4.3 @ 5950

1) Street legal in all US states. 2) Not legal for sale or use on any pollution controlled motor vehicle in California or states adopting California emission procedures. * Estimated horsepower gains are based on specific or similar vehicle dyno tests. Results will vary. See Page 482 for more information. See page 7 for information on intake tube materials/colors.



AIR INTAKE SYSTEMS

MINI

Vehicle	Engine Type	Part Number	Estimated Horsepower*	Vehicle	Engine Type	Part Number	Estimated Horsepower*
2005 MINI				2012 MITSUBISHI			
One	1.6L L4 F/I	69-2020TP ²	4.3 @ 5950	Lancer	2.4L L4 F/I	69-6544TS ¹	6.7 @ 5100
Works	1.6L L4 F/I	69-2021TP ²	4.1 @ 5997	Lancer Evolution GSR	2.0L L4 F/I	69-6546TWR ¹	21.4 @ 6100
2004 MINI				2011 MITSUBISHI			
Cooper	1.6L L4 F/I	69-2020TR ¹	4.3 @ 5950	Eclipse	3.8L V6 F/I	69-6502TR ¹	13.1 @ 5400
		69-2020TP ¹	4.3 @ 5950	Lancer	2.0L L4 F/I - Exc. LEV2 SULEV Test Group BMTXV02.4G6G	69-6544TS ¹	6.7 @ 5100
Cooper S	1.6L L4 F/I	69-2021TP ¹	4.1 @ 5997	Lancer	2.4L L4 F/I - Exc. LEV2 SULEV Test Group BMTXV02.4G6G	69-6544TS ¹	6.7 @ 5100
One	1.6L L4 F/I	69-2020TR ²	4.3 @ 5950	Lancer Evolution GSR	2.0L L4 F/I	69-6546TWR ¹	21.4 @ 6100
		69-2020TP ²	4.3 @ 5950				
Works	1.6L L4 F/I	69-2021TP ²	4.1 @ 5997				
2003 MINI				2010 MITSUBISHI			
Cooper	1.6L L4 F/I	69-2020TR ¹	4.3 @ 5950	Eclipse	3.8L V6 F/I	69-6502TR ¹	13.1 @ 5400
		69-2020TP ¹	4.3 @ 5950	Lancer	2.0L L4 F/I - Exc. LEV2 SULEV Test Group AMTXV02.0G6G	69-6544TS ¹	6.7 @ 5100
Cooper S	1.6L L4 F/I	69-2021TP ¹	4.1 @ 5997	Lancer	2.4L L4 F/I - Exc. LEV2 SULEV Test Group AMTXV02.4G6G	69-6544TS ¹	6.7 @ 5100
One	1.6L L4 F/I	69-2020TR ²	4.3 @ 5950	Lancer Evolution GSR	2.0L L4 F/I	69-6546TWR ¹	21.4 @ 6100
		69-2020TP ²	4.3 @ 5950				
Works	1.6L L4 F/I	69-2021TP ²	4.1 @ 5997				
2002 MINI				2009 MITSUBISHI			
Cooper	1.6L L4 F/I	69-2020TR ¹	4.3 @ 5950	Eclipse	3.8L V6 F/I	69-6502TR ¹	13.1 @ 5400
		69-2020TP ¹	4.3 @ 5950	Lancer	2.0L L4 F/I - Exc. LEV2 SULEV Test Group 9MTXV02.0G6G	69-6544TS ¹	6.7 @ 5100
Cooper S	1.6L L4 F/I	69-2021TP ¹	4.1 @ 5997	Lancer	2.4L L4 F/I - Exc. LEV2 SULEV Test Group 9MTXV02.0G6G	69-6544TS ¹	6.7 @ 5100
One	1.6L L4 F/I	69-2020TR ²	4.3 @ 5950	Lancer Evolution GSR	2.0L L4 F/I	69-6546TWR ¹	21.4 @ 6100
		69-2020TP ²	4.3 @ 5950				
2001 MINI				2008 MITSUBISHI			
Cooper	1.6L L4 F/I	69-2020TR ²	4.3 @ 5950	Eclipse	3.8L V6 F/I	69-6502TR ¹	13.1 @ 5400
		69-2020TP ²	4.3 @ 5950	Lancer	2.0L L4 F/I	69-6544TS ¹	6.7 @ 5100
One	1.6L L4 F/I	69-2020TR ²	4.3 @ 5950	Lancer Evolution GSR	2.0L L4 F/I	69-6546TWR ¹	21.4 @ 6100
		69-2020TP ²	4.3 @ 5950	Raider	3.7L V6 F/I	77-1558KP ¹	6.1 @ 4200
2000 MINI						57-1558 ¹	9.2 @ 4200
Cooper	1.6L L4 F/I	69-2020TR ²	4.3 @ 5950	2007 MITSUBISHI			
		69-2020TP ²	4.3 @ 5950	Eclipse	3.8L V6 F/I	69-6502TR ¹	13.1 @ 5400
2016 MITSUBISHI				Raider	3.7L V6 F/I	77-1558KP ¹	6.1 @ 4200
Lancer	2.0L L4 F/I - w/Manual Trans.	63-5506 ²	5.4 @ 5216			57-1558 ¹	9.2 @ 4200
Lancer	2.4L L4 F/I - w/Manual Trans.	63-5506 ²	5.4 @ 5216	Raider	4.7L V8 F/I	77-1546KP ¹	7.3 @ 4475
2015 MITSUBISHI						57-1546 ¹	9.2 @ 4524
Lancer	2.0L L4 F/I - w/Manual Trans.	63-5506 ²	5.4 @ 5216	2006 MITSUBISHI			
Lancer	2.4L L4 F/I - w/Manual Trans.	63-5506 ²	5.4 @ 5216	Eclipse	3.8L V6 F/I	69-6502TR ¹	13.1 @ 5400
Lancer Evolution GSR	2.0L L4 F/I	69-6546TWR ²	21.4 @ 6100	Lancer	2.0L L4 F/I	69-6540TP ¹	4.3 @ 4491
2014 MITSUBISHI				Lancer Evolution	2.0L L4 F/I	69-6540TB ¹	4.3 @ 4491
Lancer	2.0L L4 F/I	69-6544TS ¹	6.7 @ 5100	Raider	3.7L V6 F/I	69-6545T ¹	14.6 @ 5500
Lancer	2.4L L4 F/I	69-6544TS ¹	6.7 @ 5100			77-1547KP ¹	6.0 @ 4943
Lancer Evolution GSR	2.0L L4 F/I	69-6546TWR ²	21.4 @ 6100	Raider	4.7L V8 F/I	57-1547 ¹	8.7 @ 4749
2013 MITSUBISHI						77-1546KP ¹	7.3 @ 4475
Lancer	2.0L L4 F/I	69-6544TS ¹	6.7 @ 5100			57-1546 ¹	9.2 @ 4524
Lancer	2.4L L4 F/I	69-6544TS ¹	6.7 @ 5100	2005 MITSUBISHI			
Lancer Evolution GSR	2.0L L4 F/I	69-6546TWR ¹	21.4 @ 6100	Eclipse	2.4L L4 F/I	69-6506TS ²	5.9 @ 4213
2012 MITSUBISHI						69-6506TR ¹	5.9 @ 4213
Lancer	2.0L L4 F/I	69-6544TS ¹	6.7 @ 5100				

1) Street legal in all US states. 2) Not legal for sale or use on any pollution controlled motor vehicle in California or states adopting California emission procedures. * Estimated horsepower gains are based on specific or similar vehicle dyno tests. Results will vary. See Page 482 for more information. See page 7 for information on intake tube materials/colors.



Vehicle	Engine Type	Part Number	Estimated Horsepower*	Vehicle	Engine Type	Part Number	Estimated Horsepower*
2005 MITSUBISHI				1998 MITSUBISHI			
Eclipse	3.0L V6 F/I	57-5505 ¹	5.4 @ 5500	3000GT	3.0L V6 F/I	57-1500-1 ¹	
Eclipse GT	3.0L V6 F/I	69-6501TP ¹	6.9 @ 5800	Eclipse	2.0L L4 F/I - Turbo	57-5504-1 ¹	7.7 @ 5900
		69-6501TB ¹	6.9 @ 5800	1997 MITSUBISHI			
		57-5505 ¹	5.4 @ 5500	3000GT	3.0L V6 F/I	57-1500-1 ¹	
Lancer	2.0L L4 F/I	69-6540TP ¹	4.3 @ 4491	Eclipse	2.0L L4 F/I - Turbo	57-5504-1 ¹	7.7 @ 5900
		69-6540TB ¹	4.3 @ 4491	1996 MITSUBISHI			
Lancer Evolution	2.0L L4 F/I	69-6543TR ¹	12.9 @ 5200	3000GT	3.0L V6 F/I	57-1500-1 ¹	
		69-6543TP ¹	12.9 @ 5200	Eclipse	2.0L L4 F/I - Turbo	57-5504-1 ¹	7.7 @ 5900
2004 MITSUBISHI				1995 MITSUBISHI			
Eclipse	2.4L L4 F/I	69-6506TS ¹	5.9 @ 4213	3000GT	3.0L V6 F/I	57-1500-1 ¹	
		69-6506TR ¹	5.9 @ 4213	Eclipse	2.0L L4 F/I - Turbo	57-5504-1 ¹	7.7 @ 5900
Eclipse	3.0L V6 F/I	57-5505 ¹	5.4 @ 5500	1994 MITSUBISHI			
Eclipse GT	3.0L V6 F/I	69-6501TP ¹	6.9 @ 5800	3000GT	3.0L V6 F/I	57-1500-1 ¹	
		69-6501TB ¹	6.9 @ 5800	1993 MITSUBISHI			
		57-5505 ¹	5.4 @ 5500	3000GT	3.0L V6 F/I	57-1500-1 ¹	
Lancer	2.0L L4 F/I	69-6540TP ¹	4.3 @ 4491	Eclipse	2.0L L4 F/I - Exc. Turbo	57-5500 ¹	
		69-6540TB ¹	4.3 @ 4491	1992 MITSUBISHI			
Lancer Evolution	2.0L L4 F/I	69-6543TR ¹	12.9 @ 5200	3000GT	3.0L V6 F/I	57-1500-1 ¹	
		69-6543TP ¹	12.9 @ 5200	Eclipse	2.0L L4 F/I - Exc. Turbo	57-5500 ¹	
2003 MITSUBISHI				1991 MITSUBISHI			
Eclipse	2.4L L4 F/I	69-6506TS ¹	5.9 @ 4213	3000GT	3.0L V6 F/I	57-1500-1 ¹	
		69-6506TR ¹	5.9 @ 4213	Eclipse	2.0L L4 F/I - Exc. Turbo	57-5500 ¹	
Eclipse	3.0L V6 F/I	57-5505 ¹	5.4 @ 5500	1990 MITSUBISHI			
Eclipse GT	3.0L V6 F/I	69-6501TP ¹	6.9 @ 5800	Eclipse	2.0L L4 F/I - Exc. Turbo	57-5500 ¹	
		69-6501TB ¹	6.9 @ 5800	2020 NISSAN			
		57-5505 ¹	5.4 @ 5500	370Z	3.7L V6 F/I	71-7078 ²	9.3 @ 6500
Lancer	2.0L L4 F/I	69-6540TP ¹	4.3 @ 4491			69-7078TS ²	14.2 @ 5600
		69-6540TB ¹	4.3 @ 4491	Altima	2.5L L4 F/I	69-7085TS ²	5.2 @ 56
Lancer Evolution	2.0L L4 F/I	69-6543TR ¹	12.9 @ 5200	Armada	5.6L V8 F/I	63-6018 ²	10.7 @ 5388
		69-6543TP ¹	12.9 @ 5200	2019 NISSAN			
2002 MITSUBISHI				370Z	3.7L V6 F/I	71-7078 ²	9.3 @ 6500
Eclipse	2.4L L4 F/I	69-6506TS ¹	5.9 @ 4213			69-7078TS ²	14.2 @ 5600
		69-6506TR ¹	5.9 @ 4213	Altima	2.5L L4 F/I	69-7085TS ²	10.7 @ 5388
Eclipse	3.0L V6 F/I	69-6501TP ¹	6.9 @ 5800	Armada	5.6L V8 F/I	63-6018 ²	10.7 @ 5388
		69-6501TB ¹	6.9 @ 5800	Frontier	4.0L V6 F/I	77-6014-1KP ²	11.6 @ 5200
		57-5505 ¹	5.4 @ 5500			63-6014 ²	14.3 @ 5075
Lancer	2.0L L4 F/I	69-6540TP ¹	4.3 @ 4491	Maxima	3.5L V6 F/I	69-7002TTK ²	13.3 @ 5249
		69-6540TB ¹	4.3 @ 4491	Sentra	1.8L L4 F/I	69-7003TTK ²	2.4 @ 5255
Lancer Evolution	2.0L L4 F/I	69-6543TR ¹	12.9 @ 5200	Titan	5.6L V8 F/I	63-6019 ²	17.1 @ 5000
		69-6543TP ¹	12.9 @ 5200	2018 NISSAN			
2001 MITSUBISHI				370Z	3.7L V6 F/I	71-7078 ²	9.3 @ 6500
Eclipse	2.4L L4 F/I	69-6506TS ¹	5.9 @ 4213			69-7078TS ²	14.2 @ 5600
		69-6506TR ¹	5.9 @ 4213	Altima	2.5L L4 F/I	69-7064TS ²	
Eclipse	3.0L V6 F/I	69-6501TP ¹	6.9 @ 5800	Armada	5.6L V8 F/I	63-6018 ²	10.7 @ 5388
		69-6501TB ¹	6.9 @ 5800	Frontier	4.0L V6 F/I	77-6014-1KP ²	11.6 @ 5200
		57-5505 ¹	5.4 @ 5500			63-6014 ²	14.3 @ 5075
2000 MITSUBISHI				Maxima	3.5L V6 F/I	69-7002TTK ²	13.3 @ 5249
Eclipse	2.4L L4 F/I	69-6506TS ¹	5.9 @ 4213	Sentra	1.8L L4 F/I	69-7003TTK ²	2.4 @ 5255
		69-6506TR ¹	5.9 @ 4213	Titan	5.6L V8 F/I	63-6019 ²	17.1 @ 5000
Eclipse	3.0L V6 F/I	69-6501TP ¹	6.9 @ 5800	2017 NISSAN			
		69-6501TB ¹	6.9 @ 5800	370Z	3.7L V6 F/I	71-7078 ²	9.3 @ 6500
		57-5505 ¹	5.4 @ 5500			69-7078TS ²	14.2 @ 5600
1999 MITSUBISHI				Altima	2.5L L4 F/I	69-7064TS ²	
3000GT	3.0L V6 F/I - Turbo	57-1500-1 ¹	7.7 @ 5900	Armada	5.6L V8 F/I	63-6018 ²	10.7 @ 5388
Eclipse	2.0L L4 F/I - Turbo	57-5504-1 ¹	7.7 @ 5900	Frontier	4.0L V6 F/I	77-6014-1KP ²	11.6 @ 5200
						63-6014 ²	14.3 @ 5075
				Maxima	3.5L V6 F/I	69-7002TTK ²	13.3 @ 5249
				Pathfinder	3.5L V6 F/I	69-7084TS ²	7.8 @ 6000
				Patrol	5.6L V8 F/I	63-6018 ²	10.7 @ 5388
				Sentra	1.8L L4 F/I	69-7003TTK ²	2.4 @ 5255
				Titan	5.6L V8 F/I	63-6019 ²	17.1 @ 5000

1) Street legal in all US states. 2) Not legal for sale or use on any pollution controlled motor vehicle in California or states adopting California emission procedures. * Estimated horsepower gains are based on specific or similar vehicle dyno tests. Results will vary. See Page 482 for more information. See page 7 for information on intake tube materials/colors.



AIR INTAKE SYSTEMS

NISSAN

Vehicle	Engine Type	Part Number	Estimated Horsepower*	Vehicle	Engine Type	Part Number	Estimated Horsepower*
2018 NISSAN				2014 NISSAN			
Titan XD	5.0L V8 DSL	77-6017KS ²	11.1 @ 3997	Altima	2.5L L4 F/I - Exc. LEV2 SULEV Test Group ENSXV02.585A	69-7064TS ¹	
Titan XD	5.6L V8 F/I	63-6017 ²	11.2 @ 4086	Altima	3.5L V6 F/I	69-7063TTK ¹	7.1 @ 5354
		63-6020 ²	9.9 @ 5502	Armada	5.6L V8 F/I	77-6012KP ¹	7.3 @ 4914
2017 NISSAN						63-6012 ²	11.2 @ 5073
370Z	3.7L V6 F/I	71-7078 ²	9.3 @ 6500			57-6012 ¹	11.2 @ 5073
		69-7078TS ²	14.2 @ 5600	Frontier	4.0L V6 F/I	77-6014-1KP ¹	11.6 @ 5200
Altima	2.5L L4 F/I	69-7064TS ²				63-6014 ²	14.3 @ 5075
Altima	3.5L V6 F/I	69-7063TTK ²	7.1 @ 5354			57-6014 ¹	14.3 @ 5075
Armada	5.6L V8 F/I	63-6018 ²	10.7 @ 5388	Juke	1.6L L4 F/I - Turbo	69-7079TS ¹	7.2 @ 5936
Frontier	4.0L V6 F/I	77-6014-1KP ²	11.6 @ 5200	Maxima	3.5L V6 F/I	69-7002TTK ¹	13.3 @ 5249
		63-6014 ²	14.3 @ 5075	Pathfinder	3.5L V6 F/I	69-7063TTK ¹	7.1 @ 5354
Maxima	3.5L V6 F/I	69-7002TTK ²	13.3 @ 5249	Patrol	5.6L V8 F/I	63-6018 ²	10.7 @ 5388
Pathfinder	3.5L V6 F/I	69-7084TS ²	7.8 @ 6000	Sentra	1.8L L4 F/I	69-7003TTK ¹	2.4 @ 5255
Patrol	5.6L V8 F/I	63-6018 ²	10.7 @ 5388	Titan	5.6L V8 F/I	77-6012KP ¹	7.3 @ 4914
Sentra	1.8L L4 F/I	69-7003TTK ²	2.4 @ 5255			63-6012 ²	11.2 @ 5073
Titan	5.6L V8 F/I	63-6019 ²	17.1 @ 5000			57-6012 ¹	11.2 @ 5073
Titan XD	5.0L V8 DSL	77-6017KS ²	11.1 @ 3997	Xterra	4.0L V6 F/I	77-6014-1KP ¹	11.6 @ 5200
		63-6017 ²	11.2 @ 4086			63-6014 ²	14.3 @ 5075
Titan XD	5.6L V8 F/I	63-6020 ²	9.9 @ 5502			57-6014 ¹	14.3 @ 5075
2016 NISSAN				2013 NISSAN			
370Z	3.7L V6 F/I	71-7078 ²	9.3 @ 6500	370Z	3.7L V6 F/I	71-7078 ²	9.3 @ 6500
		69-7078TS ²	14.2 @ 5600	Altima	3.5L V6 F/I	69-7078TS ¹	14.2 @ 5600
Altima	2.5L L4 F/I	69-7064TS ²		Altima	3.5L V6 F/I	69-7063TTK ¹	7.1 @ 5354
Altima	3.5L V6 F/I	69-7063TTK ²	7.1 @ 5354	Altima Coupe	2.5L L4 F/I	69-7061TS ¹	6.9 @ 4927
Frontier	4.0L V6 F/I	77-6014-1KP ²	11.6 @ 5200	Altima Sedan	2.5L L4 F/I - Exc. LEV2 SULEV Test Group DNSXV02.585A	69-7064TS ¹	7.8 @ 41
		63-6014 ²	14.3 @ 5075	Armada	5.6L V8 F/I	77-6012KP ¹	7.3 @ 4914
Maxima	3.5L V6 F/I	69-7002TTK ²	13.3 @ 5249			63-6012 ²	11.2 @ 5073
Pathfinder	3.5L V6 F/I	69-7063TTK ²	7.1 @ 5354			57-6012 ¹	11.2 @ 5073
Patrol	5.6L V8 F/I	63-6018 ²	10.7 @ 5388	Frontier	4.0L V6 F/I	77-6014-1KP ¹	11.6 @ 5200
Sentra	1.8L L4 F/I	69-7003TTK ²	2.4 @ 5255			63-6014 ²	14.3 @ 5075
Titan XD	5.0L V8 DSL	77-6017KS ²	11.1 @ 3997			57-6014 ¹	14.3 @ 5075
		63-6017 ²	11.2 @ 4086	Juke	1.6L L4 F/I - Turbo	69-7079TS ¹	7.2 @ 5936
				Maxima	3.5L V6 F/I	69-7002TTK ¹	13.3 @ 5249
2015 NISSAN						69-7063TTK ¹	7.1 @ 5354
370Z	3.7L V6 F/I	71-7078 ²	9.3 @ 6500	Patrol	5.6L V8 F/I	63-6018 ²	10.7 @ 5388
		69-7078TS ²	14.2 @ 5600	Sentra	1.8L L4 F/I	69-7003TTK ¹	2.4 @ 5255
Altima	2.5L L4 F/I	69-7064TS ²		Titan	5.6L V8 F/I	77-6012KP ¹	7.3 @ 4914
Altima	3.5L V6 F/I	69-7063TTK ²	7.1 @ 5354			63-6012 ²	11.2 @ 5073
Armada	5.6L V8 F/I	77-6012KP ²	7.3 @ 4914			57-6012 ¹	11.2 @ 5073
		63-6012 ²	11.2 @ 5073	Xterra	4.0L V6 F/I	77-6014-1KP ¹	11.6 @ 5200
Frontier	4.0L V6 F/I	77-6014-1KP ²	11.6 @ 5200			63-6014 ²	14.3 @ 5075
		63-6014 ²	14.3 @ 5075			57-6014 ¹	14.3 @ 5075
Juke	1.6L L4 F/I - Non-US, Turbo	69-7079TS ²	7.2 @ 5936	2012 NISSAN			
Maxima	3.5L V6 F/I	69-7002TTK ²	13.3 @ 5249	370Z	3.7L V6 F/I	71-7078 ²	9.3 @ 6500
Pathfinder	3.5L V6 F/I	69-7063TTK ²	7.1 @ 5354			69-7078TS ¹	14.2 @ 5600
Patrol	5.6L V8 F/I	63-6018 ²	10.7 @ 5388	Altima	2.5L L4 F/I	69-7061TS ¹	6.9 @ 4927
Sentra	1.8L L4 F/I	69-7003TTK ²	2.4 @ 5255	Altima	3.5L V6 F/I	69-7062TTK ¹	9.4 @ 4300
Titan	5.6L V8 F/I	77-6012KP ²	7.3 @ 4914	Armada	5.6L V8 F/I	77-6012KP ¹	7.3 @ 4914
		63-6012 ²	11.2 @ 5073			63-6012 ²	11.2 @ 5073
Xterra	4.0L V6 F/I	77-6014-1KP ²	11.6 @ 5200			57-6012 ¹	11.2 @ 5073
		63-6014 ²	14.3 @ 5075	Frontier	4.0L V6 F/I	77-6014-1KP ¹	11.6 @ 5200
2014 NISSAN						63-6014 ²	14.3 @ 5075
370Z	3.7L V6 F/I	71-7078 ²	9.3 @ 6500				
		69-7078TS ¹	14.2 @ 5600				

1) Street legal in all US states. 2) Not legal for sale or use on any pollution controlled motor vehicle in California or states adopting California emission procedures. * Estimated horsepower gains are based on specific or similar vehicle dyno tests. Results will vary. See Page 482 for more information. See page 7 for information on intake tube materials/colors.



Vehicle	Engine Type	Part Number	Estimated Horsepower*	Vehicle	Engine Type	Part Number	Estimated Horsepower*
2012 NISSAN				2010 NISSAN			
Frontier	4.0L V6 F/I	57-6014 ¹	14.3 @ 5075	Pathfinder	4.0L V6 F/I	77-6014-1KP ¹	11.6 @ 5200
Juke	1.6L L4 F/I - Non-US, Turbo	69-7079TS ²	7.2 @ 5936			63-6014 ²	14.3 @ 5075
Maxima	3.5L V6 F/I	69-7002TTK ¹	13.3 @ 5249	Pathfinder	5.6L V8 F/I	77-6016KS ¹	10.8 @ 5137
Pathfinder	4.0L V6 F/I	77-6014-1KP ¹	11.6 @ 5200	Patrol	5.6L V8 F/I	63-6018 ²	10.7 @ 5388
		63-6014 ²	14.3 @ 5075	Sentra	2.5L L4 F/I	69-7001TTK ¹	6.7 @ 5900
		57-6014 ¹	14.3 @ 5075	Titan	5.6L V8 F/I	77-6012KP ¹	7.3 @ 4914
Pathfinder	5.6L V8 F/I	77-6016KS ¹	10.8 @ 5137			63-6012 ²	11.2 @ 5073
Patrol	5.6L V8 F/I	63-6018 ²	10.7 @ 5388			57-6012 ¹	11.2 @ 5073
Sentra	2.5L L4 F/I	69-7001TTK ¹	6.7 @ 5900	Xterra	4.0L V6 F/I	77-6014-1KP ¹	11.6 @ 5200
Titan	5.6L V8 F/I	77-6012KP ¹	7.3 @ 4914			63-6014 ²	14.3 @ 5075
		63-6012 ²	11.2 @ 5073			57-6014 ¹	14.3 @ 5075
		57-6012 ¹	11.2 @ 5073	2009 NISSAN			
Xterra	4.0L V6 F/I	77-6014-1KP ¹	11.6 @ 5200	370Z	3.7L V6 F/I	71-7078 ²	9.3 @ 6500
		63-6014 ²	14.3 @ 5075			69-7078TS ¹	14.2 @ 5600
		57-6014 ¹	14.3 @ 5075	Altima	2.5L L4 F/I - Exc. LEV2 SULEV Test Group	69-7061TS ¹	6.9 @ 4927
2011 NISSAN						9NSXV02.585A	
370Z	3.7L V6 F/I	71-7078 ²	9.3 @ 6500	Altima	3.5L V6 F/I	69-7062TTK ¹	9.4 @ 4300
		69-7078TS ¹	14.2 @ 5600	Armada	5.6L V8 F/I	77-6012KP ¹	7.3 @ 4914
Altima	2.5L L4 F/I - Exc. LEV2 SULEV Test Group	69-7061TS ¹	6.9 @ 4927			63-6012 ²	11.2 @ 5073
	BNSXV02.585A					57-6012 ¹	11.2 @ 5073
Altima	3.5L V6 F/I	69-7062TTK ¹	9.4 @ 4300	Cube	1.8L L4 F/I	69-7077TTK ¹	7.8 @ 4886
Armada	5.6L V8 F/I	77-6012KP ¹	7.3 @ 4914	Frontier	4.0L V6 F/I	77-6014-1KP ¹	11.6 @ 5200
		63-6012 ²	11.2 @ 5073			63-6014 ²	14.3 @ 5075
		57-6012 ¹	11.2 @ 5073			57-6014 ¹	14.3 @ 5075
Frontier	4.0L V6 F/I	77-6014-1KP ¹	11.6 @ 5200	Maxima	3.5L V6 F/I	69-7002TTK ¹	13.3 @ 5249
		63-6014 ²	14.3 @ 5075	Pathfinder	4.0L V6 F/I	77-6014-1KP ¹	11.6 @ 5200
		57-6014 ¹	14.3 @ 5075			63-6014 ²	14.3 @ 5075
Maxima	3.5L V6 F/I	69-7002TTK ¹	13.3 @ 5249			57-6014 ¹	14.3 @ 5075
Pathfinder	4.0L V6 F/I	77-6014-1KP ¹	11.6 @ 5200	Pathfinder	5.6L V8 F/I	77-6016KS ¹	10.8 @ 5137
		63-6014 ²	14.3 @ 5075	Sentra	2.5L L4 F/I	69-7001TTK ¹	6.7 @ 5900
		57-6014 ¹	14.3 @ 5075	Titan	5.6L V8 F/I	77-6012KP ¹	7.3 @ 4914
Pathfinder	5.6L V8 F/I	77-6016KS ¹	10.8 @ 5137			63-6012 ²	11.2 @ 5073
Patrol	5.6L V8 F/I	63-6018 ²	10.7 @ 5388			57-6012 ¹	11.2 @ 5073
Sentra	2.5L L4 F/I	69-7001TTK ¹	6.7 @ 5900	Xterra	4.0L V6 F/I	77-6014-1KP ¹	11.6 @ 5200
Titan	5.6L V8 F/I	77-6012KP ¹	7.3 @ 4914			63-6014 ²	14.3 @ 5075
		63-6012 ²	11.2 @ 5073			57-6014 ¹	14.3 @ 5075
		57-6012 ¹	11.2 @ 5073	2008 NISSAN			
Xterra	4.0L V6 F/I	77-6014-1KP ¹	11.6 @ 5200	350Z	3.5L V6 F/I	69-7071TS ¹	8.2 @ 5800
		63-6014 ²	14.3 @ 5075	Altima	2.5L L4 F/I - Exc. LEV2 SULEV Test Group	69-7061TS ¹	6.9 @ 4927
		57-6014 ¹	14.3 @ 5075		8NSXV02.585A		
2010 NISSAN				Altima	3.5L V6 F/I	69-7062TTK ¹	9.4 @ 4300
370Z	3.7L V6 F/I	71-7078 ²	9.3 @ 6500	Armada	5.6L V8 F/I	77-6012KP ¹	7.3 @ 4914
		69-7078TS ¹	14.2 @ 5600			63-6012 ²	11.2 @ 5073
Altima	2.5L L4 F/I - Exc. LEV2 SULEV Test Group	69-7061TS ¹	6.9 @ 4927			57-6012 ¹	11.2 @ 5073
	ANSXV02.585A			Frontier	4.0L V6 F/I	77-6014-1KP ¹	11.6 @ 5200
Altima	3.5L V6 F/I	69-7062TTK ¹	9.4 @ 4300			63-6014 ²	14.3 @ 5075
Armada	5.6L V8 F/I	77-6012KP ¹	7.3 @ 4914			57-6014 ¹	14.3 @ 5075
		63-6012 ²	11.2 @ 5073	Maxima	3.5L V6 F/I	57-6015 ¹	7.4 @ 5001
		57-6012 ¹	11.2 @ 5073	Pathfinder	4.0L V6 F/I	77-6014-1KP ¹	11.6 @ 5200
Cube	1.8L L4 F/I	69-7077TTK ¹	7.8 @ 4886			63-6014 ²	14.3 @ 5075
Frontier	4.0L V6 F/I	77-6014-1KP ¹	11.6 @ 5200			57-6014 ¹	14.3 @ 5075
		63-6014 ²	14.3 @ 5075	Pathfinder	5.6L V8 F/I	77-6016KS ¹	10.8 @ 5137
		57-6014 ¹	14.3 @ 5075	Sentra	2.5L L4 F/I	69-7001TTK ¹	6.7 @ 5900
Maxima	3.5L V6 F/I	69-7002TTK ¹	13.3 @ 5249				

1) Street legal in all US states. 2) Not legal for sale or use on any pollution controlled motor vehicle in California or states adopting California emission procedures. * Estimated horsepower gains are based on specific or similar vehicle dyno tests. Results will vary. See Page 482 for more information. See page 7 for information on intake tube materials/colors.



AIR INTAKE SYSTEMS

NISSAN

Vehicle	Engine Type	Part Number	Estimated Horsepower*	Vehicle	Engine Type	Part Number	Estimated Horsepower*
2008 NISSAN				2005 NISSAN			
Titan	5.6L V8 F/I	77-6012KP ¹	7.3 @ 4914	Frontier	4.0L V6 F/I	57-6014 ¹	14.3 @ 5075
		63-6012 ²	11.2 @ 5073	Maxima	3.5L V6 F/I	57-6015 ¹	7.4 @ 5001
		57-6012 ¹	11.2 @ 5073	Pathfinder	4.0L V6 F/I	77-6014-1KP ¹	11.6 @ 5200
Xterra	4.0L V6 F/I	77-6014-1KP ¹	11.6 @ 5200			57-6014 ¹	14.3 @ 5075
		63-6014 ²	14.3 @ 5075	Sentra	2.5L L4 F/I	69-7000TR ¹	7.7 @ 5253
		57-6014 ¹	14.3 @ 5075			69-7000TP ¹	7.7 @ 5253
2007 NISSAN				Titan	5.6L V8 F/I	77-6012KP ¹	7.3 @ 4914
350Z	3.5L V6 F/I	69-7071TS ¹	8.2 @ 5800			57-6012 ¹	11.2 @ 5073
Altima	2.5L L4 F/I - Exc. LEV2 SULEV Test Group 7NSXV02.585A	69-7061TS ¹	6.9 @ 4927	Xterra	4.0L V6 F/I	77-6014-1KP ¹	11.6 @ 5200
						57-6014 ¹	14.3 @ 5075
Altima	3.5L V6 F/I	69-7062TTK ¹	9.4 @ 4300	2004 NISSAN			
Armada	5.6L V8 F/I	77-6012KP ¹	7.3 @ 4914	350Z	3.5L V6 F/I	69-7070TP ¹	7.7 @ 6208
		57-6012 ¹	11.2 @ 5073			69-7070TB ¹	7.7 @ 6208
Frontier	4.0L V6 F/I	77-6014-1KP ¹	11.6 @ 5200			57-6013 ¹	10.7 @ 5500
		57-6014 ¹	14.3 @ 5075	Altima	2.5L L4 F/I - Exc. LEV2 SULEV Test Group 4NSXV02.585A	69-7060TS ¹	7.0 @ 5498
Maxima	3.5L V6 F/I	57-6015 ¹	7.4 @ 5001	Altima	3.5L V6 F/I	57-6015 ¹	7.4 @ 5001
Pathfinder	4.0L V6 F/I	77-6014-1KP ¹	11.6 @ 5200	Frontier	3.3L V6 F/I - Exc. S/C	57-6005 ¹	5.5 @ 4847
		57-6014 ¹	14.3 @ 5075	Frontier	3.3L V6 F/I - S/C	57-6010 ¹	12.7 @ 4824
Sentra	2.5L L4 F/I	69-7001TTK ¹	6.7 @ 5900	Maxima	3.5L V6 F/I	57-6015 ¹	7.4 @ 5001
Titan	5.6L V8 F/I	77-6012KP ¹	7.3 @ 4914	Pathfinder	3.5L V6 F/I	57-6011 ¹	14.5 @ 5918
		57-6012 ¹	11.2 @ 5073	Pathfinder	5.6L V8 F/I	77-6012KP ¹	7.3 @ 4914
Xterra	4.0L V6 F/I	77-6014-1KP ¹	11.6 @ 5200			57-6012 ¹	11.2 @ 5073
		57-6014 ¹	14.3 @ 5075	Pathfinder Armada	5.6L V8 F/I	77-6012KP ¹	7.3 @ 4914
2006 NISSAN						57-6012 ¹	11.2 @ 5073
350Z	3.5L V6 F/I	69-7070TP ¹	7.7 @ 6208	Sentra	2.5L L4 F/I	69-7000TR ¹	7.7 @ 5253
		69-7070TB ¹	7.7 @ 6208			69-7000TP ¹	7.7 @ 5253
		57-6013 ¹	10.7 @ 5500	Titan	5.6L V8 F/I	77-6012KP ¹	7.3 @ 4914
Altima	2.5L L4 F/I - Exc. LEV2 SULEV Test Group 6NSXV02.585A	69-7060TS ¹	7.0 @ 5498			57-6012 ¹	11.2 @ 5073
Altima	3.5L V6 F/I	57-6015 ¹	7.4 @ 5001	Xterra	3.3L V6 F/I - Exc. S/C	57-6005 ¹	5.5 @ 4847
Armada	5.6L V8 F/I	77-6012KP ¹	7.3 @ 4914	Xterra	3.3L V6 F/I - S/C	57-6010 ¹	12.7 @ 4824
		57-6012 ¹	11.2 @ 5073	2003 NISSAN			
Frontier	4.0L V6 F/I	77-6014-1KP ¹	11.6 @ 5200	350Z	3.5L V6 F/I	69-7070TP ¹	7.7 @ 6208
		57-6014 ¹	14.3 @ 5075			69-7070TB ¹	7.7 @ 6208
Maxima	3.5L V6 F/I	57-6015 ¹	7.4 @ 5001			57-6013 ¹	10.7 @ 5500
Pathfinder	4.0L V6 F/I	77-6014-1KP ¹	11.6 @ 5200	Altima	2.5L L4 F/I	69-7060TS ¹	7.0 @ 5498
		57-6014 ¹	14.3 @ 5075	Frontier	3.3L V6 F/I - Exc. S/C	57-6005 ¹	5.5 @ 4847
Sentra	2.5L L4 F/I	69-7000TR ¹	7.7 @ 5253	Frontier	3.3L V6 F/I - S/C	57-6010 ¹	12.7 @ 4824
		69-7000TP ¹	7.7 @ 5253	Pathfinder	3.5L V6 F/I	57-6011 ¹	14.5 @ 5918
Titan	5.6L V8 F/I	77-6012KP ¹	7.3 @ 4914	Sentra	2.5L L4 F/I	69-7000TR ¹	7.7 @ 5253
		57-6012 ¹	11.2 @ 5073			69-7000TP ¹	7.7 @ 5253
Xterra	4.0L V6 F/I	77-6014-1KP ¹	11.6 @ 5200	Xterra	3.3L V6 F/I - Exc. S/C	57-6005 ¹	5.5 @ 4847
		57-6014 ¹	14.3 @ 5075	Xterra	3.3L V6 F/I - S/C	57-6010 ¹	12.7 @ 4824
2005 NISSAN				2002 NISSAN			
350Z	3.5L V6 F/I	69-7070TP ¹	7.7 @ 6208	Altima	2.5L L4 F/I	69-7060TS ¹	7.0 @ 5498
		69-7070TB ¹	7.7 @ 6208	Frontier	3.3L V6 F/I - Exc. S/C	57-6005 ¹	5.5 @ 4847
		57-6013 ¹	10.7 @ 5500	Frontier	3.3L V6 F/I - S/C	57-6010 ¹	12.7 @ 4824
Altima	2.5L L4 F/I - Exc. LEV2 SULEV Test Group 5NSXV02.585A	69-7060TS ¹	7.0 @ 5498	Pathfinder	3.5L V6 F/I	57-6011 ¹	14.5 @ 5918
Altima	3.5L V6 F/I	57-6015 ¹	7.4 @ 5001	Sentra	2.5L L4 F/I	69-7000TR ¹	7.7 @ 5253
Armada	5.6L V8 F/I	77-6012KP ¹	7.3 @ 4914			69-7000TP ¹	7.7 @ 5253
		57-6012 ¹	11.2 @ 5073	Xterra	3.3L V6 F/I - Exc. S/C	57-6005 ¹	5.5 @ 4847
Frontier	4.0L V6 F/I	77-6014-1KP ¹	11.6 @ 5200	Xterra	3.3L V6 F/I - S/C	57-6010 ¹	12.7 @ 4824
				2001 NISSAN			
				Frontier	3.3L V6 F/I - Exc. S/C	57-6005 ¹	5.5 @ 4847

1) Street legal in all US states. 2) Not legal for sale or use on any pollution controlled motor vehicle in California or states adopting California emission procedures. * Estimated horsepower gains are based on specific or similar vehicle dyno tests. Results will vary. See Page 482 for more information. See page 7 for information on intake tube materials/colors.



Vehicle	Engine Type	Part Number	Estimated Horsepower*	Vehicle	Engine Type	Part Number	Estimated Horsepower*
2001 NISSAN				1987 NISSAN			
Frontier	3.3L V6 F/I - S/C	57-6010 ¹	12.7 @ 4824	Fairlady	3.0L V6 F/I	57-6002 ¹	
Pathfinder	3.5L V6 F/I	57-6011 ¹	14.5 @ 5918	1986 NISSAN			
Xterra	3.3L V6 F/I	57-6005 ¹	5.5 @ 4847	300ZX	3.0L V6 F/I	57-6002 ¹	
2000 NISSAN				Fairlady	3.0L V6 F/I	57-6002 ¹	
Frontier	3.3L V6 F/I	57-6005 ¹	5.5 @ 4847	1985 NISSAN			
Xterra	3.3L V6 F/I	57-6005 ¹	5.5 @ 4847	300ZX	3.0L V6 F/I	57-6002 ¹	
1999 NISSAN				1984 NISSAN			
Frontier	3.3L V6 F/I	57-6005 ¹	5.5 @ 4847	300ZX	3.0L V6 F/I	57-6002 ¹	
1998 NISSAN				2010 PONTIAC			
240SX	2.4L L4 F/I	69-7076TS ¹	4.9 @ 4471	G6	3.5L V6 F/I	69-7202-1TTK ²	5.2 @ 5196
1997 NISSAN				2009 PONTIAC			
240SX	2.4L L4 F/I	69-7076TS ¹	4.9 @ 4471	G6	3.5L V6 F/I	69-7202-1TTK ²	5.2 @ 5196
1996 NISSAN				G8	3.6L V6 F/I	63-3072 ²	10.7 @ 6200
240SX	2.4L L4 F/I	69-7076TS ¹	4.9 @ 4471	G8	6.0L V8 F/I	63-3071 ²	10.4 @ 4707
1995 NISSAN				Solstice	2.4L L4 F/I	69-8432TS ¹	5.4 @ 4700
240SX	2.4L L4 F/I	69-7076TS ¹	4.9 @ 4471	2008 PONTIAC			
1994 NISSAN				G6	3.5L V6 F/I	69-7202-1TTK ²	5.2 @ 5196
240SX	2.4L L4 F/I	69-7075TS ¹	10.7 @ 4500	G8	3.6L V6 F/I	63-3072 ²	10.7 @ 6200
Sentra	2.0L L4 F/I	57-6003 ¹		G8	6.0L V8 F/I	63-3071 ²	11.9 @ 4700
1993 NISSAN				Grand Prix	5.3L V8 F/I	63-3059 ²	13.5 @ 5222
240SX	2.4L L4 F/I	69-7075TS ¹	10.7 @ 4500	Solstice	2.0L L4 F/I	69-8433TTK ¹	11.0 @ 4900
		57-6000 ¹		Solstice	2.4L L4 F/I	69-8432TS ¹	5.4 @ 4700
300ZX	3.0L V6 F/I	57-6001 ¹		2007 PONTIAC			
Fairlady	3.0L V6 F/I	57-6001 ²		G6	3.5L V6 F/I	69-7202-1TTK ¹	5.2 @ 5196
Sentra	2.0L L4 F/I	57-6003 ¹		Grand Prix	5.3L V8 F/I	63-3059 ²	13.5 @ 5222
1992 NISSAN				Solstice	2.4L L4 F/I	69-8432TS ¹	5.4 @ 4700
240SX	2.4L L4 F/I	69-7075TS ¹	10.7 @ 4500	2006 PONTIAC			
		57-6000 ¹		G6	3.5L V6 F/I	69-7202-1TTK ¹	5.2 @ 5196
300ZX	3.0L V6 F/I	57-6001 ¹		Grand Prix	5.3L V8 F/I	63-3059 ²	13.5 @ 5222
Fairlady	3.0L V6 F/I	57-6001 ²		GTO	6.0L V8 F/I	63-3053 ²	14.0 @ 5700
Sentra	2.0L L4 F/I	57-6003 ¹		Solstice	2.4L L4 F/I	69-8432TS ¹	5.4 @ 4700
1991 NISSAN				Vibe GT	1.8L L4 F/I	69-8601TR ²	11.9 @ 7700
240SX	2.4L L4 F/I	69-7075TS ¹	10.7 @ 4500			69-8601TP ²	11.9 @ 7700
		57-6000 ¹		2005 PONTIAC			
300ZX	3.0L V6 F/I	57-6001 ¹		G6	3.5L V6 F/I	69-7202-1TTK ¹	5.2 @ 5196
Fairlady	3.0L V6 F/I	57-6001 ²		Grand Prix	3.8L V6 F/I	57-3049 ¹	16.8 @ 5248
Sentra	2.0L L4 F/I	57-6003 ¹		GTO	6.0L V8 F/I	69-7201TP ¹	10.3 @ 5100
1990 NISSAN						57-3053 ¹	14.0 @ 5700
240SX	2.4L L4 F/I	57-6000 ¹		Vibe GT	1.8L L4 F/I	69-8601TR ²	11.9 @ 7700
300ZX	3.0L V6 F/I - US	57-6001 ¹				69-8601TP ²	11.9 @ 7700
Fairlady	3.0L V6 F/I	57-6001 ²		2004 PONTIAC			
1989 NISSAN				Grand Prix	3.8L V6 F/I	57-3049 ¹	16.8 @ 5248
240SX	2.4L L4 F/I	57-6000 ¹		GTO	5.7L V8 F/I	69-7200TP ¹	15.4 @ 5100
300ZX	3.0L V6 F/I	57-6002 ¹				57-3044 ¹	18.6 @ 5818
Fairlady	3.0L V6 F/I	57-6002 ¹		Sunfire	2.2L L4 F/I	69-4510TS ¹	5.4 @ 5223
1988 NISSAN				Vibe	1.8L L4 F/I	69-8600TR ¹	8.7 @ 6250
300ZX	3.0L V6 F/I	57-6002 ¹				69-8600TP ¹	8.7 @ 6250
Fairlady	3.0L V6 F/I	57-6002 ¹		Vibe GT	1.8L L4 F/I	69-8601TR ¹	11.9 @ 7700
1987 NISSAN						69-8601TP ¹	11.9 @ 7700
300ZX	3.0L V6 F/I	57-6002 ¹		2003 PONTIAC			
				Grand Prix	3.8L V6 F/I	57-3045 ¹	13.3 @ 5224

1) Street legal in all US states. 2) Not legal for sale or use on any pollution controlled motor vehicle in California or states adopting California emission procedures. * Estimated horsepower gains are based on specific or similar vehicle dyno tests. Results will vary. See Page 482 for more information. See page 7 for information on intake tube materials/colors.



AIR INTAKE SYSTEMS

PONTIAC

Vehicle	Engine Type	Part Number	Estimated Horsepower*	Vehicle	Engine Type	Part Number	Estimated Horsepower*
2003 PONTIAC				2019 RAM			
Sunfire	2.2L L4 F/I	69-4510TS ¹	5.4 @ 5223	1500 Classic	3.0L V6 DSL	57-1571 ¹	11.2 @ 3300
Vibe	1.8L L4 F/I	69-8600TR ¹	8.7 @ 6250	1500 Classic	3.6L V6 F/I	77-1564KS ²	12.0 @ 6371
		69-8600TP ¹	8.7 @ 6250	1500 Classic	5.7L V8 F/I	77-1561KP ²	10.3 @ 4382
Vibe GT	1.8L L4 F/I	69-8601TR ¹	11.9 @ 7700			71-1561 ²	7.2 @ 4643
		69-8601TP ¹	11.9 @ 7700			63-1561 ²	15.7 @ 4688
						57-1575 ²	6.2 @ 4612
2002 PONTIAC				2018 RAM			
Firebird	3.8L V6 F/I	57-3041 ¹	6.8 @ 5066	1500	3.0L V6 DSL	63-1571 ²	11.2 @ 3300
Firebird	5.7L V8 F/I	57-3022-2 ¹	14.7 @ 5300			57-1571 ¹	11.2 @ 3300
Grand Prix	3.8L V6 F/I	57-3045 ¹	13.3 @ 5224	1500	3.6L V6 F/I	77-1564KS ²	12.0 @ 6371
Sunfire	2.2L L4 F/I - Exc. OHV	69-4510TS ¹	5.4 @ 5223	1500	5.7L V8 F/I	77-1561KP ²	10.3 @ 4382
2001 PONTIAC						71-1561 ²	7.2 @ 4643
Firebird	3.8L V6 F/I	57-3041 ¹	6.8 @ 5066			63-1561 ²	15.7 @ 4688
Firebird	5.7L V8 F/I	57-3022-2 ¹	14.7 @ 5300			57-1575 ²	6.2 @ 4612
Grand Prix	3.8L V6 F/I	57-3045 ¹	13.3 @ 5224	2500	5.7L V8 F/I	77-1561KP ²	10.3 @ 4382
2000 PONTIAC						71-1561 ²	7.2 @ 4643
Firebird	3.8L V6 F/I	57-3041 ¹	6.8 @ 5066			63-1561 ²	15.7 @ 4688
Firebird	5.7L V8 F/I	57-3022-2 ¹	14.7 @ 5300	2500	6.4L V8 F/I	77-1568KTK ²	15.6 @ 5005
Grand Prix	3.8L V6 F/I	57-3045 ¹	13.3 @ 5224	2500	6.7L L6 DSL	63-1568 ²	14.7 @ 2500
1999 PONTIAC						57-1568 ¹	14.7 @ 2500
Firebird	3.8L V6 F/I	57-3041 ¹	6.8 @ 5066	3500	5.7L V8 F/I	77-1561KP ²	10.3 @ 4382
Firebird	5.7L V8 F/I	57-3022-2 ¹	14.7 @ 5300			71-1561 ²	7.2 @ 4643
Grand Prix	3.8L V6 F/I	57-3045 ¹	13.3 @ 5224			63-1561 ²	15.7 @ 4688
1998 PONTIAC				3500	6.4L V8 F/I	77-1568KTK ²	15.6 @ 5005
Firebird	5.7L V8 F/I	57-3022-2 ¹	14.7 @ 5300	3500	6.7L L6 DSL	63-1568 ²	14.7 @ 2500
						57-1568 ¹	14.7 @ 2500
1997 PONTIAC				2017 RAM			
Firebird	5.7L V8 F/I - w/o Ram Air or Traction Control	57-3010-1 ¹	18.3 @ 5331	1500	3.0L V6 DSL	63-1571 ²	11.2 @ 3300
1996 PONTIAC						57-1571 ¹	11.2 @ 3300
Firebird	5.7L V8 F/I - w/o Ram Air or Traction Control	57-3010-1 ¹	18.3 @ 5331	1500	3.6L V6 F/I	77-1564KS ²	12.0 @ 6371
1995 PONTIAC				1500	5.7L V8 F/I	77-1561KP ²	10.3 @ 4382
Firebird	3.4L V6 F/I - w/o Ram Air or Traction Control	57-3010-1 ¹	18.3 @ 5331			71-1561 ²	7.2 @ 4643
Firebird	5.7L V8 F/I - w/o Ram Air or Traction Control	57-3010-1 ¹	18.3 @ 5331	2500	5.7L V8 F/I	63-1561 ²	15.7 @ 4688
1994 PONTIAC						77-1561KP ²	10.3 @ 4382
Firebird	3.4L V6 F/I - w/o Ram Air or Traction Control	57-3010-1 ¹	18.3 @ 5331	2500	6.4L V8 F/I	71-1561 ²	7.2 @ 4643
Firebird	5.7L V8 F/I - w/o Ram Air or Traction Control	57-3010-1 ¹	18.3 @ 5331	2500	6.7L L6 DSL	63-1568 ²	14.7 @ 2500
1993 PONTIAC						57-1568 ¹	14.7 @ 2500
Firebird	3.4L V6 F/I - w/o Ram Air or Traction Control	57-3010-1 ¹	18.3 @ 5331	3500	5.7L V8 F/I	77-1561KP ²	10.3 @ 4382
Firebird	5.7L V8 F/I - w/o Ram Air or Traction Control	57-3010-1 ¹	18.3 @ 5331	3500	6.4L V8 F/I	71-1561 ²	7.2 @ 4643
2020 RAM						63-1561 ²	15.7 @ 4688
1500	5.7L V8 F/I	77-1578KP ²	15.1 @ 5308	3500	6.4L V8 F/I	77-1568KTK ²	15.6 @ 5005
		63-1578 ²	10.7 @ 5500	3500	6.7L L6 DSL	63-1568 ²	14.7 @ 2500
		57-1578 ²	7.9 @ 4500			57-1568 ¹	14.7 @ 2500
2019 RAM				2016 RAM			
1500	5.7L V8 F/I	77-1578KP ²	15.1 @ 5308	1500	3.0L V6 DSL	63-1571 ²	11.2 @ 3300
		63-1578 ²	10.7 @ 5500			57-1571 ¹	11.2 @ 3300
		57-1578 ²	7.9 @ 4500	1500	3.6L V6 F/I	77-1564KS ²	12.0 @ 6371
1500 Classic	3.0L V6 DSL	63-1571 ²	11.2 @ 3300	1500	5.7L V8 F/I	77-1561KP ²	10.3 @ 4382
						71-1561 ²	7.2 @ 4643
				2500	5.7L V8 F/I	63-1561 ²	15.7 @ 4688
						77-1561KP ²	10.3 @ 4382
						71-1561 ²	7.2 @ 4643

1) Street legal in all US states. 2) Not legal for sale or use on any pollution controlled motor vehicle in California or states adopting California emission procedures. * Estimated horsepower gains are based on specific or similar vehicle dyno tests. Results will vary. See Page 482 for more information. See page 7 for information on intake tube materials/colors.

RAM

AIR INTAKE SYSTEMS



Vehicle	Engine Type	Part Number	Estimated Horsepower*	Vehicle	Engine Type	Part Number	Estimated Horsepower*
2016 RAM				2013 RAM			
2500	5.7L V8 F/I	63-1561 ²	15.7 @ 4688	1500	4.7L V8 F/I	77-1571KP ²	10.1 @ 5436
2500	6.4L V8 F/I	77-1568KTK ¹	15.6 @ 5005	1500	5.7L V8 F/I	77-1561KP ¹	10.3 @ 4382
2500	6.7L L6 DSL	63-1568 ²	14.7 @ 2500			71-1561 ¹	7.2 @ 4643
		57-1568 ¹	14.7 @ 2500			63-1561 ²	15.7 @ 4688
3500	5.7L V8 F/I	77-1561KP ²	10.3 @ 4382			57-1561 ¹	15.7 @ 4688
		71-1561 ²	7.2 @ 4643	2500	5.7L V8 F/I	77-1561KP ¹	10.3 @ 4382
		63-1561 ²	15.7 @ 4688			71-1561 ¹	7.2 @ 4643
3500	6.4L V8 F/I	77-1568KTK ¹	15.6 @ 5005			63-1561 ²	15.7 @ 4688
3500	6.7L L6 DSL	63-1568 ²	14.7 @ 2500			57-1561 ¹	15.7 @ 4688
		57-1568 ¹	14.7 @ 2500	2500	6.7L L6 DSL	63-1568 ²	14.7 @ 2500
						57-1568 ¹	14.7 @ 2500
2015 RAM				2012 RAM			
1500	3.0L V6 DSL	63-1571 ²	11.2 @ 3300	3500	5.7L V8 F/I	77-1561KP ²	10.3 @ 4382
		57-1571 ¹	11.2 @ 3300			71-1561 ²	7.2 @ 4643
1500	3.6L V6 F/I	77-1564KS ²	12.0 @ 6371	3500	6.7L L6 DSL	63-1568 ²	15.7 @ 4688
1500	5.7L V8 F/I	77-1561KP ¹	10.3 @ 4382			63-1568 ²	14.7 @ 2500
		71-1561 ¹	7.2 @ 4643			57-1568 ¹	14.7 @ 2500
		63-1561 ²	15.7 @ 4688	2011 RAM			
2500	5.7L V8 F/I	77-1561KP ¹	10.3 @ 4382	1500	4.7L V8 F/I	77-1529KP ¹	6.8 @ 4743
		71-1561 ¹	7.2 @ 4643			63-1529 ²	8.6 @ 4688
		63-1561 ²	15.7 @ 4688			57-1529 ¹	8.6 @ 4688
2500	6.4L V8 F/I	77-1568KTK ¹	15.6 @ 5005	1500	5.7L V8 F/I	77-1561KP ¹	10.3 @ 4382
2500	6.7L L6 DSL	63-1568 ²	14.7 @ 2500			71-1561 ¹	7.2 @ 4643
		57-1568 ¹	14.7 @ 2500			63-1561 ²	15.7 @ 4688
3500	5.7L V8 F/I	77-1561KP ²	10.3 @ 4382	2500	6.7L L6 DSL	57-1561 ¹	15.7 @ 4688
		71-1561 ²	7.2 @ 4643			71-1562 ¹	7.2 @ 3010
		63-1561 ²	15.7 @ 4688	3500	6.7L L6 DSL	63-1562 ²	8.2 @ 2919
3500	6.4L V8 F/I	77-1568KTK ¹	15.6 @ 5005			57-1562 ¹	8.2 @ 2919
3500	6.7L L6 DSL	63-1568 ²	14.7 @ 2500			71-1562 ¹	7.2 @ 3010
		57-1568 ¹	14.7 @ 2500			63-1562 ²	8.2 @ 2919
						57-1562 ¹	8.2 @ 2919
2014 RAM				2010 RAM			
1500	3.0L V6 DSL	63-1571 ²	11.2 @ 3300	2500	6.7L L6 DSL	71-1562 ¹	7.2 @ 3010
		57-1571 ¹	11.2 @ 3300			63-1562 ²	8.2 @ 2919
1500	3.6L V6 F/I	77-1564KS ¹	12.0 @ 6371			57-1562 ¹	8.2 @ 2919
1500	5.7L V8 F/I	77-1561KP ¹	10.3 @ 4382	2009 SATURN			
		71-1561 ¹	7.2 @ 4643	Sky	2.4L L4 F/I	69-8432TS ¹	5.4 @ 4700
		63-1561 ²	15.7 @ 4688	2008 SATURN			
		57-1561 ¹	15.7 @ 4688	Sky	2.0L L4 F/I	69-8433TTK ¹	11.0 @ 4900
2500	5.7L V8 F/I	77-1561KP ¹	10.3 @ 4382				
		71-1561 ¹	7.2 @ 4643				
		63-1561 ²	15.7 @ 4688				
2500	6.4L V8 F/I	77-1568KTK ¹	15.6 @ 5005				
2500	6.7L L6 DSL	63-1568 ²	14.7 @ 2500				
		57-1568 ¹	14.7 @ 2500				
3500	5.7L V8 F/I	77-1561KP ²	10.3 @ 4382				
		71-1561 ²	7.2 @ 4643				
		63-1561 ²	15.7 @ 4688				
3500	6.4L V8 F/I	77-1568KTK ¹	15.6 @ 5005				
3500	6.7L L6 DSL	63-1568 ²	14.7 @ 2500				
		57-1568 ¹	14.7 @ 2500				
2013 RAM							
1500	3.6L V6 F/I	77-1564KS ¹	12.0 @ 6371				

1) Street legal in all US states. 2) Not legal for sale or use on any pollution controlled motor vehicle in California or states adopting California emission procedures. * Estimated horsepower gains are based on specific or similar vehicle dyno tests. Results will vary. See Page 482 for more information. See page 7 for information on intake tube materials/colors.



AIR INTAKE SYSTEMS

SATURN

Vehicle	Engine Type	Part Number	Estimated Horsepower*	Vehicle	Engine Type	Part Number	Estimated Horsepower*
2008 SATURN				2013 SCION			
Sky	2.4L L4 F/I	69-8432TS ¹	5.4 @ 4700	FR-S	2.0L H4 F/I	69-8619TS ¹	6.7 @ 6670
2007 SATURN				tC	2.5L L4 F/I	69-8616TS ²	6.1 @ 5712
Sky	2.4L L4 F/I	69-8432TS ¹	5.4 @ 4700	xB	2.4L L4 F/I	69-8613TS ²	9.1 @ 5026
Vue	3.5L V6 F/I	77-3000KS ¹	11.8 @ 5420	2012 SCION			
2006 SATURN				tC	2.5L L4 F/I	69-8616TS ²	6.1 @ 5712
Ion	2.0L L4 F/I	69-8431TP ¹	14.4 @ 6000	xB	2.4L L4 F/I	69-8613TS ²	9.1 @ 5026
Vue	3.5L V6 F/I	77-3000KS ¹	11.8 @ 5420	xD	1.8L L4 F/I	69-8615TS ²	5.5 @ 5300
2005 SATURN				2011 SCION			
Ion	2.0L L4 F/I	69-8431TP ¹	14.4 @ 6000	tC	2.5L L4 F/I	69-8616TS ²	6.1 @ 5712
Vue	3.5L V6 F/I	77-3000KS ¹	11.8 @ 5420	xB	2.4L L4 F/I	69-8613TS ²	9.1 @ 5026
2004 SATURN				xD	1.8L L4 F/I	69-8615TS ²	5.5 @ 5300
Ion	2.0L L4 F/I	69-8431TP ¹	14.4 @ 6000	2010 SCION			
Vue	3.5L V6 F/I	77-3000KS ¹	11.8 @ 5420	tC	2.4L L4 F/I	69-8614TS ²	8.1 @ 5467
1996 SATURN				xB	2.4L L4 F/I	69-8613TS ²	9.1 @ 5026
SC2	1.9L L4 F/I - Exc. TLEV models	57-3012 ¹		xD	1.8L L4 F/I	69-8615TS ²	5.5 @ 5300
SL2	1.9L L4 F/I - Exc. TLEV models	57-3012 ¹		2009 SCION			
SW2	1.9L L4 F/I - Exc. TLEV models	57-3012 ¹		tC	2.4L L4 F/I	69-8614TS ²	8.1 @ 5467
1995 SATURN				xB	2.4L L4 F/I	69-8613TS ²	9.1 @ 5026
SC2	1.9L L4 F/I	57-3012 ¹		xD	1.8L L4 F/I	69-8615TS ²	5.5 @ 5300
SL2	1.9L L4 F/I	57-3012 ¹		2008 SCION			
SW2	1.9L L4 F/I	57-3012 ¹		tC	2.4L L4 F/I	69-8614TS ²	8.1 @ 5467
1994 SATURN				xB	2.4L L4 F/I	69-8613TS ²	9.1 @ 5026
SC2	1.9L L4 F/I	57-3012 ¹		xD	1.8L L4 F/I	69-8615TS ²	5.5 @ 5300
SL2	1.9L L4 F/I	57-3012 ¹		2007 SCION			
SW2	1.9L L4 F/I	57-3012 ¹		tC	2.4L L4 F/I	69-8614TS ²	8.1 @ 5467
1993 SATURN				xA	1.5L L4 F/I	69-8606TP ²	4.4 @ 4925
SC2	1.9L L4 F/I	57-3012 ¹				69-8606TB ²	4.4 @ 4925
SL2	1.9L L4 F/I	57-3012 ¹		xB	1.5L L4 F/I	69-8605TS ²	8.0 @ 5450
SW2	1.9L L4 F/I	57-3012 ¹		2006 SCION			
1992 SATURN				tC	2.4L L4 F/I	69-8608TFK ¹	7.6 @ 5000
SC	1.9L L4 F/I	57-3012 ¹				69-8607TS ²	6.0 @ 5412
SL2	1.9L L4 F/I	57-3012 ¹				69-8607TB ²	6.0 @ 5412
1991 SATURN				xA	1.5L L4 F/I	69-8606TP ²	4.4 @ 4925
SC	1.9L L4 F/I	57-3012 ¹				69-8606TB ²	4.4 @ 4925
SL2	1.9L L4 F/I	57-3012 ¹		xB	1.5L L4 F/I	69-8605TS ²	8.0 @ 5450
2016 SCION				2005 SCION			
FR-S	2.0L H4 F/I	69-8619TS ¹	6.7 @ 6670	tC	2.4L L4 F/I	69-8608TFK ¹	7.6 @ 5000
iM	1.8L L4 F/I	63-9041 ²	2.5 @ 5536			69-8607TS ²	6.0 @ 5412
		57-9041 ¹	2.5 @ 5536	xA	1.5L L4 F/I	69-8607TB ²	6.0 @ 5412
tC	2.5L L4 F/I	69-8616TS ²	6.1 @ 5712			69-8606TP ¹	4.4 @ 4925
2015 SCION				xB	1.5L L4 F/I	69-8606TB ¹	4.4 @ 4925
FR-S	2.0L H4 F/I	69-8619TS ¹	6.7 @ 6670			69-8605TS ¹	8.0 @ 5450
tC	2.5L L4 F/I	69-8616TS ²	6.1 @ 5712	2004 SCION			
xB	2.4L L4 F/I	69-8613TS ²	9.1 @ 5026	xA	1.5L L4 F/I	69-8606TP ¹	4.4 @ 4925
2014 SCION						69-8606TB ¹	4.4 @ 4925
FR-S	2.0L H4 F/I	69-8619TS ¹	6.7 @ 6670	xB	1.5L L4 F/I	69-8605TS ¹	8.0 @ 5450
tC	2.5L L4 F/I	69-8616TS ²	6.1 @ 5712	2003 SCION			
xB	2.4L L4 F/I	69-8613TS ²	9.1 @ 5026	xA	1.5L L4 F/I	69-8606TP ¹	4.4 @ 4925
						69-8606TB ¹	4.4 @ 4925
				xB	1.5L L4 F/I	69-8605TS ¹	8.0 @ 5450

1) Street legal in all US states. 2) Not legal for sale or use on any pollution controlled motor vehicle in California or states adopting California emission procedures. * Estimated horsepower gains are based on specific or similar vehicle dyno tests. Results will vary. See Page 482 for more information. See page 7 for information on intake tube materials/colors.



Vehicle	Engine Type	Part Number	Estimated Horsepower*	Vehicle	Engine Type	Part Number	Estimated Horsepower*
2020 SUBARU				2009 SUBARU			
BRZ	2.0L H4 F/I	69-8619TS ²	6.7 @ 6670	Legacy GT	2.5L H4 F/I	69-8003TFK ¹	14.9 @ 4700
WRX STI	2.5L H4 F/I	69-8009TWR ²	25.2 @ 5999	2008 SUBARU			
2019 SUBARU				Impreza II WRX STI	2.5L H4 F/I	69-8005TWR ¹	17.5 @ 5260
BRZ	2.0L H4 F/I	69-8619TS ¹	6.7 @ 6670	Impreza III WRX STI	2.5L H4 F/I	69-8005TWR ¹	17.5 @ 5260
Crosstrek	2.0L H4 F/I	69-8010TTK ²	5.2 @ 4683	Impreza WRX	2.5L H4 F/I - US	69-8004TTK ¹	14.3 @ 5228
WRX	2.0L H4 F/I	69-8011TTK ²	17.4 @ 5402	Impreza WRX STI	2.5L H4 F/I	69-8005TWR ¹	17.5 @ 5260
WRX STI	2.5L H4 F/I	69-8009TWR ²	25.2 @ 5999	Legacy GT	2.5L H4 F/I	69-8003TFK ¹	14.9 @ 4700
2018 SUBARU				2007 SUBARU			
BRZ	2.0L H4 F/I	69-8619TS ¹	6.7 @ 6670	Impreza II WRX	2.0L H4 F/I	69-8001TWR ²	15.9 @ 5050
Crosstrek	2.0L H4 F/I	69-8010TTK ²	5.2 @ 4683			69-8001TS ²	15.9 @ 5050
Impreza	2.0L H4 F/I	69-8010TTK ²	5.2 @ 4683	Impreza II WRX	2.5L H4 F/I	69-8001TWR ²	15.9 @ 5050
WRX	2.0L H4 F/I	69-8011TTK ²	17.4 @ 5402			69-8001TS ²	15.9 @ 5050
WRX STI	2.5L H4 F/I	69-8009TWR ²	25.2 @ 5999	Impreza II WRX STI	2.0L H4 F/I	69-8001TWR ²	15.9 @ 5050
2017 SUBARU						69-8001TS ²	15.9 @ 5050
BRZ	2.0L H4 F/I	69-8619TS ¹	6.7 @ 6670	Impreza WRX	2.5L H4 F/I	69-8001TWR ¹	15.9 @ 5050
Impreza	2.0L H4 F/I	69-8010TTK ²	5.2 @ 4683			69-8001TS ¹	15.9 @ 5050
WRX	2.0L H4 F/I	69-8006TTK ²	9.2 @ 4800	Impreza WRX STI	2.5L H4 F/I	69-8001TWR ¹	15.9 @ 5050
WRX STI	2.5L H4 F/I	69-8007TWR ²	34.3 @ 5400			69-8001TS ¹	15.9 @ 5050
2016 SUBARU				Legacy GT	2.5L H4 F/I	69-8003TFK ¹	14.9 @ 4700
BRZ	2.0L H4 F/I	69-8619TS ¹	6.7 @ 6670	2006 SUBARU			
Impreza WRX STI	2.5L H4 F/I	69-8007TWR ²	34.3 @ 5400	Forester Turbo	2.5L H4 F/I - Turbo	69-8002TS ¹	17.7 @ 5484
WRX	2.0L H4 F/I	69-8006TTK ²	9.2 @ 4800	Impreza II WRX	2.0L H4 F/I	69-8001TWR ²	15.9 @ 5050
WRX STI	2.5L H4 F/I	69-8007TWR ²	34.3 @ 5400			69-8001TS ²	15.9 @ 5050
2015 SUBARU				Impreza II WRX	2.5L H4 F/I	69-8001TWR ²	15.9 @ 5050
BRZ	2.0L H4 F/I	69-8619TS ¹	6.7 @ 6670			69-8001TS ²	15.9 @ 5050
Impreza	2.0L H4 F/I	69-8008TTK ²	7.2 @ 5712	Impreza II WRX STI	2.0L H4 F/I	69-8001TWR ²	15.9 @ 5050
Impreza WRX STI	2.5L H4 F/I	69-8007TWR ²	34.3 @ 5400			69-8001TS ²	15.9 @ 5050
WRX	2.0L H4 F/I	69-8006TTK ²	9.2 @ 4800	Impreza II WRX STI	2.5L H4 F/I	69-8001TWR ²	15.9 @ 5050
WRX STI	2.5L H4 F/I	69-8007TWR ²	34.3 @ 5400			69-8001TS ²	15.9 @ 5050
2014 SUBARU				Impreza WRX	2.5L H4 F/I	69-8001TWR ¹	15.9 @ 5050
BRZ	2.0L H4 F/I	69-8619TS ¹	6.7 @ 6670			69-8001TS ¹	15.9 @ 5050
Impreza	2.0L H4 F/I	69-8008TTK ²	7.2 @ 5712	Impreza WRX STI	2.5L H4 F/I	69-8001TWR ¹	15.9 @ 5050
Impreza WRX	2.5L H4 F/I	69-8004TTK ¹	14.3 @ 5228			69-8001TS ¹	15.9 @ 5050
Impreza WRX STI	2.5L H4 F/I	69-8005TWR ²	17.5 @ 5260	Legacy GT	2.5L H4 F/I	69-8003TFK ¹	14.9 @ 4700
WRX STI	2.5L H4 F/I	69-8005TWR ²	17.5 @ 5260	2005 SUBARU			
2013 SUBARU				Forester Turbo	2.5L H4 F/I - Turbo	69-8002TS ¹	17.7 @ 5484
BRZ	2.0L H4 F/I	69-8619TS ¹	6.7 @ 6670	Impreza II WRX	2.0L H4 F/I	69-8001TWR ²	15.9 @ 5050
Impreza WRX	2.5L H4 F/I	69-8004TTK ¹	14.3 @ 5228			69-8001TS ²	15.9 @ 5050
Impreza WRX STI	2.5L H4 F/I	69-8005TWR ¹	17.5 @ 5260	Impreza II WRX STI	2.0L H4 F/I	69-8001TWR ²	15.9 @ 5050
2012 SUBARU						69-8001TS ²	15.9 @ 5050
Impreza WRX	2.5L H4 F/I	69-8004TTK ¹	14.3 @ 5228	Impreza II WRX STI	2.5L H4 F/I	69-8001TWR ²	15.9 @ 5050
Impreza WRX STI	2.5L H4 F/I	69-8005TWR ¹	17.5 @ 5260			69-8001TS ²	15.9 @ 5050
2011 SUBARU				Impreza WRX	2.0L H4 F/I	69-8001TWR ¹	15.9 @ 5050
Impreza WRX	2.5L H4 F/I	69-8004TTK ¹	14.3 @ 5228			69-8001TS ¹	15.9 @ 5050
Impreza WRX STI	2.5L H4 F/I	69-8005TWR ¹	17.5 @ 5260	Impreza WRX STI	2.5L H4 F/I	69-8001TWR ¹	15.9 @ 5050
2010 SUBARU						69-8001TS ¹	15.9 @ 5050
Impreza WRX	2.5L H4 F/I	69-8004TTK ¹	14.3 @ 5228	Legacy GT	2.5L H4 F/I	69-8003TFK ¹	14.9 @ 4700
Impreza WRX STI	2.5L H4 F/I	69-8005TWR ¹	17.5 @ 5260	2004 SUBARU			
2009 SUBARU				Forester Turbo	2.5L H4 F/I - Turbo	69-8002TS ¹	17.7 @ 5484
Impreza WRX	2.5L H4 F/I	69-8004TTK ¹	14.3 @ 5228	Impreza II WRX	2.0L H4 F/I	69-8001TWR ²	15.9 @ 5050
Impreza WRX STI	2.5L H4 F/I	69-8005TWR ¹	17.5 @ 5260			69-8001TS ²	15.9 @ 5050
				Impreza II WRX STI	2.0L H4 F/I	69-8001TWR ²	15.9 @ 5050
						69-8001TS ²	15.9 @ 5050
				Impreza WRX	2.0L H4 F/I	69-8001TWR ¹	15.9 @ 5050

1) Street legal in all US states. 2) Not legal for sale or use on any pollution controlled motor vehicle in California or states adopting California emission procedures. * Estimated horsepower gains are based on specific or similar vehicle dyno tests. Results will vary. See Page 482 for more information. See page 7 for information on intake tube materials/colors.



AIR INTAKE SYSTEMS

SUBARU

Vehicle	Engine Type	Part Number	Estimated Horsepower*	Vehicle	Engine Type	Part Number	Estimated Horsepower*
2004 SUBARU				2019 TOYOTA			
Impreza WRX	2.0L H4 F/I	69-8001TS ¹	15.9 @ 5050	4 Runner	4.0L V6 F/I	63-9034 ²	12.2 @ 4600
Impreza WRX STI	2.5L H4 F/I	69-8001TWR ¹	15.9 @ 5050			57-9034 ¹	5.8 @ 5400
		69-8001TS ¹	15.9 @ 5050	86	2.0L H4 F/I	69-8619TS ¹	6.7 @ 6670
2003 SUBARU				Avalon	3.5L V6 F/I	69-8622TTK ¹	5.3 @ 5326
Impreza II WRX	2.0L H4 F/I	69-8001TWR ²	15.9 @ 5050	Camry	2.5L L4 F/I - Exc. Hybrid	69-8621TTK ²	3.1 @ 5458
		69-8001TS ²	15.9 @ 5050	Camry	3.5L V6 F/I	69-8622TTK ¹	5.3 @ 5326
Impreza II WRX STI	2.0L H4 F/I	69-8001TWR ²	15.9 @ 5050	Corolla	1.8L L4 F/I	63-9041 ²	2.5 @ 5536
		69-8001TS ²	15.9 @ 5050			57-9041 ¹	2.5 @ 5536
Impreza WRX	2.0L H4 F/I	69-8001TWR ¹	15.9 @ 5050	Corolla	2.0L L4 F/I	69-8758TS ²	7.7 @ 6139
		69-8001TS ¹	15.9 @ 5050	Land Cruiser	5.7L V8 F/I	63-9040 ²	17.1 @ 5500
2002 SUBARU						57-9040 ¹	10.7 @ 5500
Impreza II WRX	2.0L H4 F/I	69-8001TWR ²	15.9 @ 5050	RAV4	2.5L L4 F/I	69-8623TS ²	7.2 @ 5513
		69-8001TS ²	15.9 @ 5050	Sequoia	5.7L V8 F/I	77-9036KP ²	7.2 @ 5490
Impreza II WRX STI	2.0L H4 F/I	69-8001TWR ²	15.9 @ 5050			63-9036 ²	9.3 @ 5497
		69-8001TS ²	15.9 @ 5050	Tacoma	2.7L L4 F/I	57-9036 ¹	5.8 @ 5508
Impreza WRX	2.0L H4 F/I	69-8001TWR ¹	15.9 @ 5050			77-9026KP ²	5.7 @ 4600
		69-8001TS ¹	15.9 @ 5050	Tacoma	3.5L V6 F/I	63-9026 ²	7.4 @ 4600
2001 SUBARU						77-9039KP ²	18.8 @ 5429
Impreza II WRX	2.0L H4 F/I	69-8001TWR ²	15.9 @ 5050			71-9039 ²	15.6 @ 5446
		69-8001TS ²	15.9 @ 5050			63-9039 ²	17.0 @ 5374
Impreza II WRX STI	2.0L H4 F/I	69-8001TWR ²	15.9 @ 5050	Tundra	4.6L V8 F/I	57-9039 ¹	9.4 @ 3980
		69-8001TS ²	15.9 @ 5050			77-9035KP ²	10.2 @ 5280
2000 SUBARU						63-9035 ²	13.8 @ 5517
Impreza II WRX	2.0L H4 F/I	69-8001TWR ²	15.9 @ 5050	Tundra	5.7L V8 F/I	57-9036 ¹	5.8 @ 5508
		69-8001TS ²	15.9 @ 5050			77-9036KP ²	7.2 @ 5490
2019 TEXTRON						63-9036 ²	9.3 @ 5497
Wildcat XX	998	63-1144 ²				57-9036 ¹	5.8 @ 5508
		57-1144 ¹		2018 TOYOTA			
Wildcat XX LTD	998	63-1144 ²		4 Runner	4.0L V6 F/I	77-9034KP ²	11.1 @ 4862
		57-1144 ¹				63-9034 ²	12.2 @ 4600
2018 TEXTRON				86	2.0L H4 F/I	69-8619TS ¹	6.7 @ 6670
Wildcat XX	998	63-1144 ²		Camry	2.5L L4 F/I - Exc. Hybrid	69-8621TTK ²	3.1 @ 5458
		57-1144 ¹		Camry	3.5L V6 F/I	69-8622TTK ¹	5.3 @ 5326
2020 TOYOTA				Corolla	1.8L L4 F/I	63-9041 ²	2.5 @ 5536
4 Runner	4.0L V6 F/I	77-9034KP ²	11.1 @ 4862			57-9041 ¹	2.5 @ 5536
		63-9034 ²	12.2 @ 4600	Land Cruiser	5.7L V8 F/I	63-9040 ²	17.1 @ 5500
86	2.0L H4 F/I	69-8619TS ²	6.7 @ 6670			57-9040 ¹	10.7 @ 5500
Avalon	3.5L V6 F/I	69-8622TTK ²	5.3 @ 5326	Sequoia	5.7L V8 F/I	77-9036KP ²	7.2 @ 5490
Camry	2.5L L4 F/I - Exc. Hybrid	69-8621TTK ²	3.1 @ 5458			63-9036 ²	9.3 @ 5497
Camry	3.5L V6 F/I	69-8622TTK ²	5.3 @ 5326	Tacoma	2.7L L4 F/I	57-9036 ¹	5.8 @ 5508
Corolla	2.0L L4 F/I	69-8758TS ²	7.7 @ 6139			77-9026KP ²	5.7 @ 4600
Sequoia	5.7L V8 F/I	77-9036KP ²	7.2 @ 5490	Tacoma	3.5L V6 F/I	63-9026 ²	7.4 @ 4600
		63-9036 ²	9.3 @ 5497			77-9039KP ²	18.8 @ 5429
Tacoma	2.7L L4 F/I	77-9026KP ²	5.7 @ 4600			71-9039 ²	15.6 @ 5446
		63-9026 ²	7.4 @ 4600	Tundra	4.6L V8 F/I	57-9039 ¹	9.4 @ 3980
Tacoma	3.5L V6 F/I	77-9039KP ²	18.8 @ 5429			77-9035KP ²	10.2 @ 5280
		71-9039 ²	15.6 @ 5446			63-9035 ²	13.8 @ 5517
		63-9039 ²	17.0 @ 5374	Tundra	5.7L V8 F/I	57-9036 ¹	5.8 @ 5508
Tundra	5.7L V8 F/I	77-9036KP ²	7.2 @ 5490			77-9036KP ²	7.2 @ 5490
		63-9036 ²	9.3 @ 5497			63-9036 ²	9.3 @ 5497
2019 TOYOTA						57-9036 ¹	5.8 @ 5508
4 Runner	4.0L V6 F/I	77-9034KP ²	11.1 @ 4862				

1) Street legal in all US states. 2) Not legal for sale or use on any pollution controlled motor vehicle in California or states adopting California emission procedures. * Estimated horsepower gains are based on specific or similar vehicle dyno tests. Results will vary. See Page 482 for more information. See page 7 for information on intake tube materials/colors.



Vehicle	Engine Type	Part Number	Estimated Horsepower*	Vehicle	Engine Type	Part Number	Estimated Horsepower*
2017 TOYOTA				2016 TOYOTA			
4 Runner	4.0L V6 F/I	77-9034KP ²	11.1 @ 4862	Tundra	4.6L V8 F/I	57-9036 ¹	5.8 @ 5508
		63-9034 ²	12.2 @ 4600	Tundra	5.7L V8 F/I	77-9036KP ²	7.2 @ 5490
		57-9034 ¹	5.8 @ 5400			63-9036 ²	9.3 @ 5497
86	2.0L H4 F/I	69-8619TS ¹	6.7 @ 6670	Yaris	1.5L L4 F/I	57-9036 ¹	5.8 @ 5508
Avalon	3.5L V6 F/I	69-8618TS ²	7.1 @ 5914			69-8612TFK ²	4.6 @ 5089
Camry	2.5L L4 F/I	69-8620TTK ²	5.8 @ 5605	2015 TOYOTA			
Camry	3.5L V6 F/I	69-8618TS ²	7.1 @ 5914	4 Runner	4.0L V6 F/I	77-9034KP ²	11.1 @ 4862
Corolla	1.8L L4 F/I	63-9041 ²	2.5 @ 5536			63-9034 ²	12.2 @ 4600
		57-9041 ¹	2.5 @ 5536			57-9034 ¹	5.8 @ 5400
Corolla iM	1.8L L4 F/I	63-9041 ²	2.5 @ 5536	86	2.0L H4 F/I	69-8619TS ²	6.7 @ 6670
		57-9041 ¹	2.5 @ 5536	Avalon	3.5L V6 F/I	69-8618TS ²	7.1 @ 5914
GT 86	2.0L H4 F/I	69-8619TS ²	6.7 @ 6670	Camry	2.5L L4 F/I	69-8620TTK ²	5.8 @ 5605
Land Cruiser	5.7L V8 F/I	77-9040KP ²	15.1 @ 5500	Camry	3.5L V6 F/I	69-8618TS ²	7.1 @ 5914
		63-9040 ²	17.1 @ 5500	Corolla	1.8L L4 F/I - Exc. Eco	69-8757TTK ²	6.4 @ 5323
		57-9040 ¹	10.7 @ 5500	GT 86	2.0L H4 F/I	69-8619TS ²	6.7 @ 6670
Sequoia	5.7L V8 F/I	77-9036KP ²	7.2 @ 5490	Sequoia	5.7L V8 F/I	77-9036KP ²	7.2 @ 5490
		63-9036 ²	9.3 @ 5497			63-9036 ²	9.3 @ 5497
		57-9036 ¹	5.8 @ 5508			57-9036 ¹	5.8 @ 5508
Tacoma	2.7L L4 F/I	77-9026KP ²	5.7 @ 4600	Tacoma	2.7L L4 F/I	77-9026KP ²	5.7 @ 4600
		63-9026 ²	7.4 @ 4600			63-9026 ²	7.4 @ 4600
Tacoma	3.5L V6 F/I	77-9039KP ²	18.8 @ 5429	Tacoma	4.0L V6 F/I	77-9037KP ²	7.6 @ 4976
		71-9039 ²	15.6 @ 5446			63-9037 ²	8.7 @ 5100
		63-9039 ²	17.0 @ 5374	Tundra	4.6L V8 F/I	77-9035KP ²	10.2 @ 5280
		57-9039 ¹	9.4 @ 3980			63-9035 ²	13.8 @ 5517
Tundra	4.6L V8 F/I	77-9035KP ²	10.2 @ 5280	Tundra	5.7L V8 F/I	77-9036KP ²	7.2 @ 5490
		63-9035 ²	13.8 @ 5517			63-9036 ²	9.3 @ 5497
		57-9036 ¹	5.8 @ 5508			57-9036 ¹	5.8 @ 5508
Tundra	5.7L V8 F/I	77-9036KP ²	7.2 @ 5490	Venza	2.7L L4 F/I	69-8617TTK ²	4.8 @ 5654
		63-9036 ²	9.3 @ 5497	Venza	3.5L V6 F/I	69-8611TS ²	11.7 @ 4800
		57-9036 ¹	5.8 @ 5508	Yaris	1.5L L4 F/I	69-8612TFK ²	4.6 @ 5089
Yaris	1.5L L4 F/I	69-8612TFK ²	4.6 @ 5089	2014 TOYOTA			
2016 TOYOTA				4 Runner	4.0L V6 F/I	77-9034KP ²	11.1 @ 4862
4 Runner	4.0L V6 F/I	77-9034KP ²	11.1 @ 4862			63-9034 ²	12.2 @ 4600
		63-9034 ²	12.2 @ 4600			57-9034 ¹	5.8 @ 5400
		57-9034 ¹	5.8 @ 5400	86	2.0L H4 F/I	69-8619TS ²	6.7 @ 6670
86	2.0L H4 F/I	69-8619TS ²	6.7 @ 6670	Avalon	3.5L V6 F/I	69-8618TS ²	7.1 @ 5914
Avalon	3.5L V6 F/I	69-8618TS ²	7.1 @ 5914	Camry	2.5L L4 F/I	69-8620TTK ²	5.8 @ 5605
Camry	2.5L L4 F/I	69-8620TTK ²	5.8 @ 5605	Camry	3.5L V6 F/I	69-8618TS ²	7.1 @ 5914
Camry	3.5L V6 F/I	69-8618TS ²	7.1 @ 5914	Corolla	1.8L L4 F/I - Exc. Eco	69-8757TTK ²	6.4 @ 5323
Corolla	1.8L L4 F/I - Exc. Eco	69-8757TTK ²	6.4 @ 5323	Corolla	4.0L V6 F/I	77-9034KP ²	11.1 @ 4862
GT 86	2.0L H4 F/I	69-8619TS ²	6.7 @ 6670			63-9034 ²	12.2 @ 4600
Land Cruiser	5.7L V8 F/I	77-9040KP ²	15.1 @ 5500			57-9034 ¹	5.8 @ 5400
		63-9040 ²	17.1 @ 5500	GT 86	2.0L H4 F/I	69-8619TS ²	6.7 @ 6670
		57-9040 ¹	10.7 @ 5500	Sequoia	5.7L V8 F/I	77-9036KP ²	7.2 @ 5490
Sequoia	5.7L V8 F/I	77-9036KP ²	7.2 @ 5490			63-9036 ²	9.3 @ 5497
		63-9036 ²	9.3 @ 5497			57-9036 ¹	5.8 @ 5508
		57-9036 ¹	5.8 @ 5508	Tacoma	2.7L L4 F/I	77-9026KP ²	5.7 @ 4600
Tacoma	2.7L L4 F/I	77-9026KP ²	5.7 @ 4600			63-9026 ²	7.4 @ 4600
		63-9026 ²	7.4 @ 4600	Tacoma	4.0L V6 F/I	77-9037KP ²	7.6 @ 4976
Tacoma	3.5L V6 F/I	77-9039KP ²	18.8 @ 5429			63-9037 ²	8.7 @ 5100
		71-9039 ²	15.6 @ 5446			57-9025 ¹	8.9 @ 4857
		63-9039 ²	17.0 @ 5374	Tundra	4.6L V8 F/I	77-9035KP ²	10.2 @ 5280
		57-9039 ¹	9.4 @ 3980			63-9035 ²	13.8 @ 5517
Tundra	4.6L V8 F/I	77-9035KP ²	10.2 @ 5280			57-9036 ¹	5.8 @ 5508
		63-9035 ²	13.8 @ 5517				

1) Street legal in all US states. 2) Not legal for sale or use on any pollution controlled motor vehicle in California or states adopting California emission procedures. * Estimated horsepower gains are based on specific or similar vehicle dyno tests. Results will vary. See Page 482 for more information. See page 7 for information on intake tube materials/colors.



AIR INTAKE SYSTEMS

TOYOTA

Vehicle	Engine Type	Part Number	Estimated Horsepower*	Vehicle	Engine Type	Part Number	Estimated Horsepower*
2014 TOYOTA				2012 TOYOTA			
Tundra	5.7L V8 F/I	77-9036KP ²	7.2 @ 5490	Tacoma	4.0L V6 F/I	77-9037KP ²	7.6 @ 4976
		63-9036 ²	9.3 @ 5497			63-9037 ²	8.7 @ 5100
		57-9036 ¹	5.8 @ 5508			57-9025 ¹	8.9 @ 4857
Venza	2.7L L4 F/I	69-8617TTK ²	4.8 @ 5654	Tundra	4.6L V8 F/I	77-9035KP ²	10.2 @ 5280
Venza	3.5L V6 F/I	69-8611TS ²	11.7 @ 4800			63-9035 ²	13.8 @ 5517
Yaris	1.5L L4 F/I	69-8612TFK ²	4.6 @ 5089	Tundra	5.7L V8 F/I	77-9036KP ²	7.2 @ 5490
2013 TOYOTA						63-9036 ²	9.3 @ 5497
4 Runner	4.0L V6 F/I	77-9034KP ²	11.1 @ 4862			57-9031 ¹	5.9 @ 5080
		63-9034 ²	12.2 @ 4600	Venza	3.5L V6 F/I	69-8611TS ²	11.7 @ 4800
		57-9034 ¹	5.8 @ 5400	Yaris	1.5L L4 F/I	69-8612TFK ²	4.6 @ 5089
86	2.0L H4 F/I	69-8619TS ²	6.7 @ 6670	2011 TOYOTA			
Avalon	3.5L V6 F/I	69-8618TS ²	7.1 @ 5914	4 Runner	4.0L V6 F/I	77-9034KP ²	11.1 @ 4862
Camry	2.5L L4 F/I	69-8620TTK ²	5.8 @ 5605			63-9034 ²	12.2 @ 4600
Camry	3.5L V6 F/I	69-8618TS ²	7.1 @ 5914			57-9034 ¹	5.8 @ 5400
Corolla	1.8L L4 F/I	69-8757TTK ²	6.4 @ 5323	Camry	2.5L L4 F/I	69-8617TTK ²	4.8 @ 5654
FJ Cruiser	4.0L V6 F/I	77-9034KP ²	11.1 @ 4862	Camry	3.5L V6 F/I	69-8611TS ²	11.7 @ 4800
		63-9034 ²	14.6 @ 4862	Corolla	1.8L L4 F/I	69-8757TTK ²	6.4 @ 5323
		57-9034 ¹	5.8 @ 5400	FJ Cruiser	4.0L V6 F/I	77-9034KP ²	11.1 @ 4862
GT 86	2.0L H4 F/I	69-8619TS ²	6.7 @ 6670			63-9034 ²	12.3 @ 4862
Matrix	2.4L L4 F/I	69-8613TS ²	9.1 @ 5026			57-9034 ¹	5.8 @ 5400
Sequoia	5.7L V8 F/I	77-9036KP ²	7.2 @ 5490	Matrix	2.4L L4 F/I	69-8613TS ²	9.1 @ 5026
		63-9036 ²	9.3 @ 5497	Sequoia	4.6L V8 F/I	77-9035KP ²	10.2 @ 5280
		57-9031 ¹	5.9 @ 5080	Sequoia	5.7L V8 F/I	77-9031-1KP ²	13.4 @ 5142
Tacoma	2.7L L4 F/I	77-9026KP ²	5.7 @ 4600			63-9031-1 ²	13.1 @ 5282
		63-9026 ²	7.4 @ 4600	Tacoma	2.7L L4 F/I	77-9026KP ²	5.7 @ 4600
Tacoma	4.0L V6 F/I	77-9037KP ²	7.6 @ 4976			63-9026 ²	7.4 @ 4600
		63-9037 ²	8.7 @ 5100	Tacoma	4.0L V6 F/I	77-9025KP ²	10.2 @ 5174
		57-9025 ¹	8.9 @ 4857			63-9025 ²	10.3 @ 4979
Tundra	4.6L V8 F/I	77-9035KP ²	10.2 @ 5280	Tacoma	4.0L V6 F/I	77-9025KP ²	10.2 @ 5174
		63-9035 ²	13.8 @ 5517			57-9025 ¹	8.9 @ 4857
Tundra	5.7L V8 F/I	77-9036KP ²	7.2 @ 5490	Tundra	4.6L V8 F/I	77-9035KP ²	10.2 @ 5280
		63-9036 ²	9.3 @ 5497			63-9035 ²	13.8 @ 5517
		57-9031 ¹	5.9 @ 5080	Tundra	5.7L V8 F/I	77-9031-1KP ²	13.4 @ 5142
Venza	2.7L L4 F/I	69-8617TTK ²	4.8 @ 5654			63-9031-1 ²	13.1 @ 5282
Venza	3.5L V6 F/I	69-8611TS ²	11.7 @ 4800	Venza	3.5L V6 F/I	69-8611TS ²	11.7 @ 4800
Yaris	1.5L L4 F/I	69-8612TFK ²	4.6 @ 5089	Yaris	1.5L L4 F/I	69-8612TFK ²	4.6 @ 5089
2012 TOYOTA				Yaris	1.8L L4 F/I	69-8615TS ²	5.5 @ 5300
4 Runner	4.0L V6 F/I	77-9034KP ²	11.1 @ 4862	2010 TOYOTA			
		63-9034 ²	12.2 @ 4600	4 Runner	4.0L V6 F/I	77-9034KP ²	11.1 @ 4862
		57-9034 ¹	5.8 @ 5400			63-9034 ²	12.2 @ 4600
86	2.0L H4 F/I	69-8619TS ²	6.7 @ 6670			57-9034 ¹	5.8 @ 5400
Camry	2.5L L4 F/I	69-8620TTK ²	5.8 @ 5605	Camry	2.5L L4 F/I	69-8617TTK ²	4.8 @ 5654
Camry	3.5L V6 F/I	69-8618TS ²	7.1 @ 5914	Camry	3.5L V6 F/I	69-8611TS ²	11.7 @ 4800
Corolla	1.8L L4 F/I	69-8757TTK ²	6.4 @ 5323	Corolla	1.8L L4 F/I	69-8757TTK ²	6.4 @ 5323
FJ Cruiser	4.0L V6 F/I	77-9034KP ²	11.1 @ 4862	FJ Cruiser	4.0L V6 F/I	77-9034KP ²	13.6 @ 5000
		63-9034 ²	12.2 @ 4600			63-9034 ²	12.2 @ 4600
		57-9034 ¹	5.8 @ 5400			57-9034 ¹	5.8 @ 5400
GT 86	2.0L H4 F/I	69-8619TS ²	6.7 @ 6670	Matrix	2.4L L4 F/I	69-8613TS ²	9.1 @ 5026
Matrix	2.4L L4 F/I	69-8613TS ²	9.1 @ 5026	Sequoia	4.6L V8 F/I	77-9035KP ²	10.2 @ 5280
Sequoia	4.6L V8 F/I	77-9035KP ²	10.2 @ 5280	Sequoia	5.7L V8 F/I	77-9031-1KP ²	13.4 @ 5142
Sequoia	5.7L V8 F/I	77-9036KP ²	7.2 @ 5490			63-9031-1 ²	13.1 @ 5282
		63-9036 ²	9.3 @ 5497	Tacoma	2.7L L4 F/I	77-9026KP ²	5.7 @ 4600
		57-9031 ¹	5.9 @ 5080			63-9026 ²	7.4 @ 4600
Tacoma	2.7L L4 F/I	77-9026KP ²	5.7 @ 4600			57-9031 ¹	5.9 @ 5080
		63-9026 ²	7.4 @ 4600			77-9026KP ²	5.7 @ 4600

1) Street legal in all US states. 2) Not legal for sale or use on any pollution controlled motor vehicle in California or states adopting California emission procedures. * Estimated horsepower gains are based on specific or similar vehicle dyno tests. Results will vary. See Page 482 for more information. See page 7 for information on intake tube materials/colors.



Vehicle	Engine Type	Part Number	Estimated Horsepower*	Vehicle	Engine Type	Part Number	Estimated Horsepower*
2010 TOYOTA				2008 TOYOTA			
Tacoma	4.0L V6 F/I	77-9025KP ²	10.2 @ 5174	Sequoia	4.7L V8 F/I	77-9032-1KP ²	9.0 @ 4717
		63-9025 ²	10.3 @ 4979			63-9032-1 ²	8.1 @ 4717
		57-9025 ¹	8.9 @ 4857	Sequoia	5.7L V8 F/I	77-9031-1KP ²	13.4 @ 5142
Tundra	4.0L V6 F/I	77-9033KP ²	9.7 @ 4743			63-9031-1 ²	13.1 @ 5282
		63-9033 ²	9.7 @ 4742			57-9031 ¹	5.9 @ 5080
Tundra	4.6L V8 F/I	77-9035KP ²	10.2 @ 5280	Tacoma	2.7L L4 F/I	77-9026KP ²	5.7 @ 4600
		63-9035 ²	13.8 @ 5517			63-9026 ²	7.4 @ 4600
Tundra	5.7L V8 F/I	77-9031-1KP ²	13.4 @ 5142	Tacoma	4.0L V6 F/I	77-9025KP ²	10.2 @ 5174
		63-9031-1 ²	13.1 @ 5282			63-9025 ²	10.3 @ 4979
		57-9031 ¹	5.9 @ 5080			57-9025 ¹	8.9 @ 4857
Venza	3.5L V6 F/I	69-8611TS ²	11.7 @ 4800	Tundra	4.0L V6 F/I	77-9033KP ²	9.7 @ 4743
Yaris	1.5L L4 F/I	69-8612TFK ²	4.6 @ 5089			63-9033 ²	9.7 @ 4742
Yaris	1.8L L4 F/I	69-8615TS ²	5.5 @ 5300	Tundra	4.7L V8 F/I	77-9032-1KP ²	9.0 @ 4717
2009 TOYOTA						63-9032-1 ²	8.1 @ 4717
Camry	2.4L L4 F/I	69-8610TTK ²	14.3 @ 5639	Tundra	5.7L V8 F/I	77-9031-1KP ²	13.4 @ 5142
Camry	3.5L V6 F/I	69-8611TS ²	11.7 @ 4800			63-9031-1 ²	13.1 @ 5282
Corolla	1.8L L4 F/I	69-8757TTK ²	6.4 @ 5323			57-9031 ¹	5.9 @ 5080
FJ Cruiser	4.0L V6 F/I	77-9030KP ²	8.2 @ 4785	Yaris	1.5L L4 F/I	69-8612TFK ²	4.6 @ 5089
		63-9030 ²	11.9 @ 4785	Yaris	1.8L L4 F/I	69-8615TS ²	5.5 @ 5300
		69-8613TS ²	9.1 @ 5026	2007 TOYOTA			
Matrix	2.4L L4 F/I	69-8613TS ²	9.1 @ 5026	4 Runner	4.0L V6 F/I	77-9023KP ²	7.9 @ 5189
Sequoia	4.7L V8 F/I	77-9032-1KP ²	9.0 @ 4717			63-9023 ²	9.2 @ 5388
		63-9032-1 ²	8.1 @ 4717	4 Runner	4.7L V8 F/I	77-9029KP ²	7.4 @ 5270
Sequoia	5.7L V8 F/I	77-9031-1KP ²	13.4 @ 5142			63-9029 ²	12.3 @ 5270
		63-9031-1 ²	13.1 @ 5282	Avensis	1.6L L4 F/I	69-8754TR ²	
		57-9031 ¹	5.9 @ 5080			69-8754TP ²	
Tacoma	2.7L L4 F/I	77-9026KP ²	5.7 @ 4600	Avensis	1.8L L4 F/I	69-8754TR ²	
		63-9026 ²	7.4 @ 4600			69-8754TP ²	
Tacoma	4.0L V6 F/I	77-9025KP ²	10.2 @ 5174	Avensis	2.0L L4 F/I	69-8754TR ²	
		63-9025 ²	10.3 @ 4979			69-8754TP ²	
		57-9025 ¹	8.9 @ 4857	Avensis	2.0L L4 F/I	69-8754TR ²	
Tundra	4.0L V6 F/I	77-9033KP ²	9.7 @ 4743			69-8754TP ²	
		63-9033 ²	9.7 @ 4742	Camry	2.4L L4 F/I	69-8610TTK ²	14.3 @ 5639
Tundra	4.7L V8 F/I	77-9032-1KP ²	9.0 @ 4717	Camry	3.5L V6 F/I	69-8611TS ²	11.7 @ 4800
		63-9032-1 ²	8.1 @ 4717	Corolla	1.4L L4 F/I	69-8754TR ²	
Tundra	5.7L V8 F/I	77-9031-1KP ²	13.4 @ 5142			69-8754TP ²	
		63-9031-1 ²	13.1 @ 5282	Corolla	1.6L L4 F/I	69-8754TR ²	
		57-9031 ¹	5.9 @ 5080			69-8754TP ²	
Venza	3.5L V6 F/I	69-8611TS ²	11.7 @ 4800	Corolla	1.8L L4 F/I - Non-US	69-8751TR ²	
Yaris	1.5L L4 F/I	69-8612TFK ²	4.6 @ 5089			69-8751TP ²	
Yaris	1.8L L4 F/I	69-8615TS ²	5.5 @ 5300	FJ Cruiser	4.0L V6 F/I	77-9030KP ²	8.2 @ 4785
2008 TOYOTA						63-9030 ²	11.9 @ 4785
4 Runner	4.0L V6 F/I	77-9023KP ²	7.9 @ 5189	Sequoia	4.7L V8 F/I	77-9027KP ²	8.7 @ 5465
		63-9023 ²	9.2 @ 5388			63-9027 ²	9.5 @ 5472
4 Runner	4.7L V8 F/I	77-9029KP ²	7.4 @ 5270	Tacoma	2.7L L4 F/I	77-9026KP ²	5.7 @ 4600
		63-9029 ²	12.3 @ 5270			63-9026 ²	7.4 @ 4600
Avensis	1.6L L4 F/I	69-8754TR ²		Tacoma	4.0L V6 F/I	77-9025KP ²	10.2 @ 5174
		69-8754TP ²				63-9025 ²	10.3 @ 4979
Avensis	1.8L L4 F/I	69-8754TR ²				57-9025 ¹	8.9 @ 4857
		69-8754TP ²		Tundra	4.0L V6 F/I	77-9033KP ²	9.7 @ 4743
Avensis	2.0L L4 F/I	69-8754TR ²				63-9033 ²	9.7 @ 4742
		69-8754TP ²		Tundra	4.7L V8 F/I	77-9032-1KP ²	9.0 @ 4717
Camry	2.4L L4 F/I	69-8610TTK ²	14.3 @ 5639			63-9032-1 ²	8.1 @ 4717
Camry	3.5L V6 F/I	69-8611TS ²	11.7 @ 4800	Tundra	5.7L V8 F/I	77-9031-1KP ²	13.4 @ 5142
FJ Cruiser	4.0L V6 F/I	77-9030KP ²	8.2 @ 4785			63-9031-1 ²	13.1 @ 5282
		63-9030 ²	11.9 @ 4785	Yaris	1.5L L4 F/I	57-9031 ¹	5.9 @ 5080
						69-8612TFK ²	4.6 @ 5089

1) Street legal in all US states. 2) Not legal for sale or use on any pollution controlled motor vehicle in California or states adopting California emission procedures. * Estimated horsepower gains are based on specific or similar vehicle dyno tests. Results will vary. See Page 482 for more information. See page 7 for information on intake tube materials/colors.



AIR INTAKE SYSTEMS

TOYOTA

Vehicle	Engine Type	Part Number	Estimated Horsepower*	Vehicle	Engine Type	Part Number	Estimated Horsepower*
2007 TOYOTA				2005 TOYOTA			
Yaris	1.8L L4 F/I	69-8615TS ²	5.5 @ 5300	Celica	1.8L L4 F/I - 192BHP	69-8752TR ²	
2006 TOYOTA				Corolla	1.4L L4 F/I	69-8754TR ²	
4 Runner	4.0L V6 F/I	77-9023KP ²	7.9 @ 5189	Corolla	1.6L L4 F/I	69-8754TP ²	
		63-9023 ²	9.2 @ 5388	Corolla	1.8L L4 F/I - Non-US	69-8751TR ²	
4 Runner	4.7L V8 F/I	77-9029KP ²	7.4 @ 5270	Corolla		69-8751TP ²	
		63-9029 ²	12.3 @ 5270	Land Cruiser	4.7L V8 F/I	57-9021 ¹	8.5 @ 4138
Avensis	1.6L L4 F/I	69-8754TR ²		Matrix XRS	1.8L L4 F/I	69-8601TR ²	11.9 @ 7700
		69-8754TP ²				69-8601TP ²	11.9 @ 7700
Avensis	1.8L L4 F/I	69-8754TR ²		RAV4 II	2.0L L4 F/I - Non-US	69-8753TS ²	
		69-8754TP ²				69-8753TR ²	
Avensis	2.0L L4 F/I	69-8754TR ²		Sequoia	4.7L V8 F/I	77-9027KP ²	8.7 @ 5465
		69-8754TP ²				63-9027 ²	9.5 @ 5472
Camry	2.4L L4 F/I	69-8609TTK ²	6.4 @ 5600			57-9027 ¹	9.6 @ 4306
Celica	1.8L L4 F/I - 143BHP	69-8750TS ²		Solara	2.4L L4 F/I	69-8609TTK ²	6.4 @ 5600
		69-8750TR ²		Tacoma	2.7L L4 F/I	77-9026KP ²	5.7 @ 4600
Celica	1.8L L4 F/I - 192BHP	69-8752TS ²				63-9026 ²	7.4 @ 4600
		69-8752TR ²		Tacoma	4.0L V6 F/I	77-9025KP ²	10.2 @ 5174
Corolla	1.4L L4 F/I	69-8754TR ²				63-9025 ²	10.3 @ 4979
		69-8754TP ²		Tundra	4.0L V6 F/I	57-9025 ¹	8.9 @ 4857
Corolla	1.6L L4 F/I	69-8754TR ²				77-9028KP ²	8.3 @ 5159
		69-8754TP ²		Tundra	4.7L V8 F/I	63-9028 ²	11.4 @ 5159
Corolla	1.8L L4 F/I - Non-US	69-8751TR ²				77-9027KP ²	8.7 @ 5465
		69-8751TP ²		Tundra	4.7L V8 F/I	63-9027 ²	9.5 @ 5472
Matrix XRS	1.8L L4 F/I	69-8601TR ²	11.9 @ 7700			57-9027 ¹	9.6 @ 4306
		69-8601TP ²	11.9 @ 7700	Yaris	1.5L L4 F/I - 105BHP	69-8756TP ²	
Sequoia	4.7L V8 F/I	77-9027KP ²	8.7 @ 5465			69-8756TB ²	
		63-9027 ²	9.5 @ 5472	2004 TOYOTA			
		57-9027 ¹	9.6 @ 4306	4 Runner	4.0L V6 F/I	77-9023KP ²	7.9 @ 5189
Solara	2.4L L4 F/I	69-8609TTK ²	6.4 @ 5600			63-9023 ²	9.2 @ 5388
Tacoma	2.7L L4 F/I	77-9026KP ²	5.7 @ 4600	4 Runner	4.7L V8 F/I	77-9022KP ²	12.8 @ 5007
		63-9026 ²	7.4 @ 4600			63-9022 ²	13.5 @ 5011
Tacoma	4.0L V6 F/I	77-9025KP ²	10.2 @ 5174	Avensis	1.6L L4 F/I	69-8754TR ²	
		63-9025 ²	10.3 @ 4979			69-8754TP ²	
Tundra	4.0L V6 F/I	57-9025 ¹	8.9 @ 4857	Avensis	1.8L L4 F/I	69-8754TR ²	
		77-9028KP ²	8.3 @ 5159			69-8754TP ²	
Tundra	4.7L V8 F/I	63-9028 ²	11.4 @ 5159	Avensis	2.0L L4 F/I	69-8754TR ²	
		77-9027KP ²	8.7 @ 5465			69-8754TP ²	
Tundra	4.7L V8 F/I	63-9027 ²	9.5 @ 5472	Camry	2.4L L4 F/I	69-8609TTK ²	6.4 @ 5600
		57-9027 ¹	9.6 @ 4306	Celica	1.8L L4 F/I - 143BHP	69-8750TS ²	
Yaris	1.5L L4 F/I	69-8612TFK ²	4.6 @ 5089			69-8750TR ²	
2005 TOYOTA				Celica	1.8L L4 F/I - 192BHP	69-8752TS ²	
4 Runner	4.0L V6 F/I	77-9023KP ²	7.9 @ 5189			69-8752TR ²	
		63-9023 ²	9.2 @ 5388	Celica GT	1.8L L4 F/I	69-8520TS ¹	5.9 @ 6400
4 Runner	4.7L V8 F/I	77-9029KP ²	7.4 @ 5270			69-8520TR ¹	5.9 @ 6400
		63-9029 ²	12.3 @ 5270	Celica GTS	1.8L L4 F/I	69-8522TS ¹	7.5 @ 6362
Avensis	1.6L L4 F/I	69-8754TR ²		Corolla	1.4L L4 F/I	69-8754TR ²	
		69-8754TP ²				69-8754TP ²	
Avensis	1.8L L4 F/I	69-8754TR ²		Corolla	1.6L L4 F/I	69-8754TR ²	
		69-8754TP ²				69-8754TP ²	
Avensis	2.0L L4 F/I	69-8754TR ²		Corolla	1.8L L4 F/I - Non-US	69-8751TR ²	
		69-8754TP ²				69-8751TP ²	
Camry	2.4L L4 F/I	69-8609TTK ²	6.4 @ 5600	Corolla	1.8L L4 F/I - US	69-8600TR ¹	8.7 @ 6250
Celica	1.8L L4 F/I - 143BHP	69-8750TS ²				69-8600TP ¹	8.7 @ 6250
		69-8750TR ²					
Celica	1.8L L4 F/I - 192BHP	69-8752TS ²					

1) Street legal in all US states. 2) Not legal for sale or use on any pollution controlled motor vehicle in California or states adopting California emission procedures. * Estimated horsepower gains are based on specific or similar vehicle dyno tests. Results will vary. See Page 482 for more information. See page 7 for information on intake tube materials/colors.



Vehicle	Engine Type	Part Number	Estimated Horsepower*	Vehicle	Engine Type	Part Number	Estimated Horsepower*
2004 TOYOTA				2003 TOYOTA			
Land Cruiser	4.7L V8 F/I	57-9021 ¹	8.5 @ 4138	Sequoia	4.7L V8 F/I	77-9020KP ¹	10.1 @ 5022
Matrix XR	1.8L L4 F/I	69-8600TR ¹	8.7 @ 6250			57-9020 ¹	13.7 @ 4842
		69-8600TP ¹	8.7 @ 6250	Solara	2.4L L4 F/I	69-8609TTK ¹	6.4 @ 5600
Matrix XRS	1.8L L4 F/I	69-8601TR ¹	11.9 @ 7700	Tacoma	2.4L L4 F/I	77-9016KP ¹	5.4 @ 4365
		69-8601TP ¹	11.9 @ 7700			57-9016-1 ¹	6.2 @ 4200
RAV4 II	2.0L L4 F/I - Non-US	69-8753TS ²		Tacoma	2.7L L4 F/I	77-9016KP ¹	5.4 @ 4365
		69-8753TR ²				57-9016-1 ¹	6.2 @ 4200
Sequoia	4.7L V8 F/I	77-9020KP ¹	10.1 @ 5022	Tacoma	3.4L V6 F/I	77-9015KP ¹	9.3 @ 4620
		57-9020 ¹	13.7 @ 4842			57-9015-1 ¹	9.4 @ 4842
Solara	2.4L L4 F/I	69-8609TTK ²	6.4 @ 5600	Tundra	3.4L V6 F/I	63-1043 ²	5.0 @ 4752
Tacoma	2.4L L4 F/I	77-9016KP ¹	5.4 @ 4365	Tundra	4.7L V8 F/I	77-9020KP ²	10.1 @ 5022
		57-9016-1 ¹	6.2 @ 4200			63-1058 ²	13.7 @ 4842
Tacoma	2.7L L4 F/I	77-9016KP ¹	5.4 @ 4365	Yaris	1.5L L4 F/I - 105BHP	69-8756TP ²	
		57-9016-1 ¹	6.2 @ 4200			69-8756TB ²	
Tacoma	3.4L V6 F/I	77-9015KP ¹	9.3 @ 4620	2002 TOYOTA			
		57-9015-1 ¹	9.4 @ 4842	4 Runner	3.4L V6 F/I	77-9015KP ¹	9.3 @ 4620
Tundra	3.4L V6 F/I	63-1043 ²	5.0 @ 4752			57-9015-1 ¹	9.4 @ 4842
Tundra	4.7L V8 F/I	77-9020KP ²	10.1 @ 5022	Camry	2.4L L4 F/I	69-8609TTK ¹	6.4 @ 5600
		63-1058 ²	13.7 @ 4842	Celica	1.8L L4 F/I - 143BHP	69-8750TS ²	
Yaris	1.5L L4 F/I - 105BHP	69-8756TP ²				69-8750TR ²	
		69-8756TB ²		Celica	1.8L L4 F/I - 192BHP	69-8752TS ²	
2003 TOYOTA						69-8752TR ²	
4 Runner	4.0L V6 F/I	77-9023KP ²	7.9 @ 5189	Celica GT	1.8L L4 F/I	69-8520TS ¹	5.9 @ 6400
		63-9023 ²	9.2 @ 5388			69-8520TR ¹	5.9 @ 6400
4 Runner	4.7L V8 F/I	77-9022KP ²	12.8 @ 5007	Celica GTS	1.8L L4 F/I	69-8522TS ¹	7.5 @ 6362
		63-9022 ²	13.5 @ 5011	Corolla	1.4L L4 F/I	69-8754TR ²	
Avensis	1.6L L4 F/I	69-8754TR ²				69-8754TP ²	
		69-8754TP ²		Corolla	1.6L L4 F/I	69-8754TR ²	
Avensis	1.8L L4 F/I	69-8754TR ²				69-8754TP ²	
		69-8754TP ²		Corolla	1.8L L4 F/I	69-8600TR ¹	8.7 @ 6250
Avensis	2.0L L4 F/I	69-8754TR ²				69-8600TP ¹	8.7 @ 6250
		69-8754TP ²		Corolla	1.8L L4 F/I - Non-US	69-8751TR ²	
Camry	2.4L L4 F/I	69-8609TTK ¹	6.4 @ 5600			69-8751TP ²	
Celica	1.8L L4 F/I - 143BHP	69-8750TS ²		Land Cruiser	4.7L V8 F/I	57-9021 ¹	8.5 @ 4138
		69-8750TR ²		RAV4 II	2.0L L4 F/I - Non-US	69-8753TS ²	
Celica	1.8L L4 F/I - 192BHP	69-8752TS ²				69-8753TR ²	
		69-8752TR ²		Sequoia	4.7L V8 F/I	77-9020KP ¹	10.1 @ 5022
Celica GT	1.8L L4 F/I	69-8520TS ¹	5.9 @ 6400			57-9020 ¹	13.7 @ 4842
		69-8520TR ¹	5.9 @ 6400	Solara	2.4L L4 F/I	69-8609TTK ¹	6.4 @ 5600
Celica GTS	1.8L L4 F/I	69-8522TS ¹	7.5 @ 6362	Tacoma	2.4L L4 F/I	77-9016KP ¹	5.4 @ 4365
Corolla	1.4L L4 F/I	69-8754TR ²				57-9016-1 ¹	6.2 @ 4200
		69-8754TP ²		Tacoma	2.7L L4 F/I	77-9016KP ¹	5.4 @ 4365
Corolla	1.6L L4 F/I	69-8754TR ²				57-9016-1 ¹	6.2 @ 4200
		69-8754TP ²		Tacoma	3.4L V6 F/I	77-9015KP ¹	9.3 @ 4620
Corolla	1.8L L4 F/I - Non-US	69-8751TR ²				57-9015-1 ¹	9.4 @ 4842
		69-8751TP ²		Tundra	3.4L V6 F/I	57-9019 ¹	5.0 @ 4752
Corolla	1.8L L4 F/I - US	69-8600TR ¹	8.7 @ 6250	Tundra	4.7L V8 F/I	77-9020KP ¹	10.1 @ 5022
		69-8600TP ¹	8.7 @ 6250			57-9020 ¹	13.7 @ 4842
Land Cruiser	4.7L V8 F/I	57-9021 ¹	8.5 @ 4138	Yaris	1.5L L4 F/I - 105BHP	69-8756TP ²	
Matrix XR	1.8L L4 F/I	69-8600TR ¹	8.7 @ 6250			69-8756TB ²	
		69-8600TP ¹	8.7 @ 6250	2001 TOYOTA			
Matrix XRS	1.8L L4 F/I	69-8601TR ¹	11.9 @ 7700	4 Runner	3.4L V6 F/I	77-9015KP ¹	9.3 @ 4620
		69-8601TP ¹	11.9 @ 7700			57-9015-1 ¹	9.4 @ 4842
RAV4 II	2.0L L4 F/I - Non-US	69-8753TS ²		Celica	1.8L L4 F/I - 143BHP	69-8750TS ²	
		69-8753TR ²				69-8750TR ²	

1) Street legal in all US states. 2) Not legal for sale or use on any pollution controlled motor vehicle in California or states adopting California emission procedures. * Estimated horsepower gains are based on specific or similar vehicle dyno tests. Results will vary. See Page 482 for more information. See page 7 for information on intake tube materials/colors.



AIR INTAKE SYSTEMS

TOYOTA

Vehicle	Engine Type	Part Number	Estimated Horsepower*	Vehicle	Engine Type	Part Number	Estimated Horsepower*
2001 TOYOTA				1999 TOYOTA			
Celica	1.8L L4 F/I - 192BHP	69-8752TS ²		Land Cruiser	4.7L V8 F/I	57-9021 ¹	8.5 @ 4138
		69-8752TR ²		Tacoma	2.4L L4 F/I	57-9012 ¹	5.7 @ 4727
Celica GT	1.8L L4 F/I	69-8520TS ¹	5.9 @ 6400	Tacoma	2.7L L4 F/I	57-9012 ¹	5.7 @ 4727
		69-8520TR ¹	5.9 @ 6400	Tacoma	3.4L V6 F/I	77-9015KP ¹	9.3 @ 4620
Celica GTS	1.8L L4 F/I	69-8522TS ¹	7.5 @ 6362			57-9015-1 ¹	9.4 @ 4842
Corolla	1.8L L4 F/I - Non-US	69-8751TR ²		Yaris	1.3L L4 F/I	69-8606TP ¹	4.4 @ 4925
		69-8751TP ²				69-8606TB ¹	4.4 @ 4925
Land Cruiser	4.7L V8 F/I	57-9021 ¹	8.5 @ 4138	1998 TOYOTA			
RAV4 II	2.0L L4 F/I - Non-US	69-8753TS ²		4 Runner	2.7L L4 F/I	57-9012 ¹	5.7 @ 4727
		69-8753TR ²		4 Runner	3.4L V6 F/I	57-9013 ¹	6.2 @ 4848
Sequoia	4.7L V8 F/I	77-9020KP ¹	10.1 @ 5022	T100	3.4L V6 F/I	57-9024 ¹	9.1 @ 4847
		57-9017 ¹	11.7 @ 5108	Tacoma	2.4L L4 F/I	57-9012 ¹	5.7 @ 4727
Tacoma	2.4L L4 F/I	77-9016KP ¹	5.4 @ 4365	Tacoma	2.7L L4 F/I	57-9012 ¹	5.7 @ 4727
		57-9016-1 ¹	6.2 @ 4200	Tacoma	3.4L V6 F/I	57-9013 ¹	6.2 @ 4848
Tacoma	2.7L L4 F/I	77-9016KP ¹	5.4 @ 4365	1997 TOYOTA			
		57-9016-1 ¹	6.2 @ 4200	4 Runner	2.7L L4 F/I	57-9012 ¹	5.7 @ 4727
Tacoma	3.4L V6 F/I	77-9015KP ¹	9.3 @ 4620	4 Runner	3.4L V6 F/I	57-9013 ¹	6.2 @ 4848
		57-9015-1 ¹	9.4 @ 4842	T100	3.4L V6 F/I	57-9024 ¹	9.1 @ 4847
Tundra	3.4L V6 F/I	57-9019 ¹	5.0 @ 4752	Tacoma	2.4L L4 F/I	57-9012 ¹	5.7 @ 4727
Tundra	4.7L V8 F/I	77-9020KP ¹	10.1 @ 5022	Tacoma	2.7L L4 F/I	57-9012 ¹	5.7 @ 4727
		57-9014-1 ¹	14.2 @ 5027	Tacoma	3.4L V6 F/I	57-9013 ¹	6.2 @ 4848
Yaris	1.5L L4 F/I - 105BHP	69-8756TP ²		1996 TOYOTA			
		69-8756TB ²		4 Runner	2.7L L4 F/I	57-9012 ¹	5.7 @ 4727
2000 TOYOTA				4 Runner	3.4L V6 F/I	57-9013 ¹	6.2 @ 4848
4 Runner	2.7L L4 F/I	77-9016KP ¹	5.4 @ 4365	T100	3.4L V6 F/I	57-9024 ¹	9.1 @ 4847
		57-9016-1 ¹	6.2 @ 4200	Tacoma	2.4L L4 F/I	57-9012 ¹	5.7 @ 4727
4 Runner	3.4L V6 F/I	77-9015KP ¹	9.3 @ 4620	Tacoma	2.7L L4 F/I	57-9012 ¹	5.7 @ 4727
		57-9015-1 ¹	9.4 @ 4842	Tacoma	3.4L V6 F/I	57-9013 ¹	6.2 @ 4848
Celica	1.8L L4 F/I - 143BHP	69-8750TS ²		1995 TOYOTA			
		69-8750TR ²		4 Runner	2.4L L4 F/I	57-9008 ¹	5.1 @ 4700
Celica	1.8L L4 F/I - 192BHP	69-8752TS ²		4 Runner	3.0L V6 F/I	57-9006 ¹	3.3 @ 4405
		69-8752TR ²		MR2	2.0L L4 F/I	57-9001 ¹	6.1 @ 5500
Celica GT	1.8L L4 F/I	69-8520TS ¹	5.9 @ 6400	Pickup	2.4L L4 F/I	57-9008 ¹	5.1 @ 4700
		69-8520TR ¹	5.9 @ 6400	Pickup	3.0L V6 F/I	57-9006 ¹	3.3 @ 4405
Celica GTS	1.8L L4 F/I	69-8522TS ¹	7.5 @ 6362	Supra	3.0L L6 F/I - Turbo	57-9004 ¹	8.3 @ 5306
Land Cruiser	4.7L V8 F/I	57-9021 ¹	8.5 @ 4138	T100	3.4L V6 F/I	57-9024 ¹	9.1 @ 4847
RAV4 II	2.0L L4 F/I - Non-US	69-8753TS ²		Tacoma	2.4L L4 F/I	57-9012 ¹	5.7 @ 4727
		69-8753TR ²		Tacoma	2.7L L4 F/I	57-9012 ¹	5.7 @ 4727
Tacoma	2.4L L4 F/I	77-9016KP ¹	5.4 @ 4365	Tacoma	3.4L V6 F/I	57-9013 ¹	6.2 @ 4848
		57-9016-1 ¹	6.2 @ 4200	1994 TOYOTA			
Tacoma	2.7L L4 F/I	77-9016KP ¹	5.4 @ 4365	4 Runner	2.4L L4 F/I	57-9008 ¹	5.1 @ 4700
		57-9016-1 ¹	6.2 @ 4200	4 Runner	3.0L V6 F/I	57-9006 ¹	3.3 @ 4405
Tacoma	3.4L V6 F/I	77-9015KP ¹	9.3 @ 4620	MR2	2.0L L4 F/I	57-9001 ¹	6.1 @ 5500
		57-9015-1 ¹	9.4 @ 4842	Pickup	2.4L L4 F/I	57-9008 ¹	5.1 @ 4700
Tundra	3.4L V6 F/I	57-9019 ¹	5.0 @ 4752	Pickup	3.0L V6 F/I	57-9006 ¹	3.3 @ 4405
Tundra	4.7L V8 F/I	77-9020KP ¹	10.1 @ 5022	Supra	3.0L L6 F/I - Turbo	57-9004 ¹	8.3 @ 5306
		57-9014-1 ¹	14.2 @ 5027	1993 TOYOTA			
Yaris	1.3L L4 F/I	69-8606TP ¹	4.4 @ 4925	4 Runner	2.4L L4 F/I	57-9008 ¹	5.1 @ 4700
		69-8606TB ¹	4.4 @ 4925	4 Runner	3.0L V6 F/I	57-9006 ¹	3.3 @ 4405
1999 TOYOTA				MR2	2.0L L4 F/I	57-9001 ¹	6.1 @ 5500
4 Runner	2.7L L4 F/I	57-9012 ¹	5.7 @ 4727	Pickup	2.4L L4 F/I	57-9008 ¹	5.1 @ 4700
4 Runner	3.4L V6 F/I	77-9015KP ¹	9.3 @ 4620	Pickup	3.0L V6 F/I	57-9006 ¹	3.3 @ 4405
		57-9015-1 ¹	9.4 @ 4842	Supra	3.0L L6 F/I - Exc. Turbo	57-9005 ¹	
Celica	1.8L L4 F/I - 143BHP	69-8750TS ²					
		69-8750TR ²					

1) Street legal in all US states. 2) Not legal for sale or use on any pollution controlled motor vehicle in California or states adopting California emission procedures. * Estimated horsepower gains are based on specific or similar vehicle dyno tests. Results will vary. See Page 482 for more information. See page 7 for information on intake tube materials/colors.



Vehicle	Engine Type	Part Number	Estimated Horsepower*	Vehicle	Engine Type	Part Number	Estimated Horsepower*
1993 TOYOTA				2019 VOLKSWAGEN			
Supra	3.0L L6 F/I - Turbo	57-9004 ¹	8.3 @ 5306	Golf R	2.0L L4 F/I - US	69-9506TTK ²	12.9 @ 3933
1992 TOYOTA				Golf SportWagen	1.8L L4 F/I - US	69-9506TTK ²	12.9 @ 3933
4 Runner	2.4L L4 F/I	57-9008 ¹	5.1 @ 4700	GTI	2.0L L4 F/I - US	69-9506TTK ²	12.9 @ 3933
4 Runner	3.0L V6 F/I	57-9006 ¹	3.3 @ 4405	Jetta GLI	2.0L L4 F/I - US	69-9506TTK ²	12.9 @ 3933
MR2	2.0L L4 F/I	57-9001 ¹	6.1 @ 5500	2018 VOLKSWAGEN			
Pickup	2.4L L4 F/I	57-9008 ¹	5.1 @ 4700	Golf	1.8L L4 F/I - US	69-9506TTK ²	12.9 @ 3933
Pickup	3.0L V6 F/I	57-9006 ¹	3.3 @ 4405	Golf R	2.0L L4 F/I - US	69-9506TTK ²	12.9 @ 3933
Supra	3.0L L6 F/I - Exc. Turbo	57-9005 ¹		GTI	2.0L L4 F/I - US	69-9506TTK ²	12.9 @ 3933
Supra	3.0L L6 F/I - Turbo	57-9004 ¹	8.3 @ 5306	2017 VOLKSWAGEN			
1991 TOYOTA				CC	2.0L L4 F/I - US	69-9504TTK ²	9.2 @ 4853
4 Runner	2.4L L4 F/I	57-9008 ¹	5.1 @ 4700	Golf	1.8L L4 F/I - US	69-9506TTK ²	12.9 @ 3933
4 Runner	3.0L V6 F/I	57-9006 ¹	3.3 @ 4405	Golf R	2.0L L4 F/I - US	69-9506TTK ²	12.9 @ 3933
MR2	2.0L L4 F/I	57-9001 ¹	6.1 @ 5500	GTI	2.0L L4 F/I - US	69-9506TTK ²	12.9 @ 3933
Pickup	2.4L L4 F/I	57-9008 ¹	5.1 @ 4700	Tiguan	2.0L L4 F/I - US	69-9504TTK ²	9.2 @ 4853
Pickup	3.0L V6 F/I	57-9006 ¹	3.3 @ 4405	2016 VOLKSWAGEN			
Supra	3.0L L6 F/I - Exc. Turbo	57-9005 ¹		CC	2.0L L4 F/I - US	69-9504TTK ²	9.2 @ 4853
Supra	3.0L L6 F/I - Turbo	57-9004 ¹	8.3 @ 5306	Golf	1.8L L4 F/I - US	69-9506TTK ²	12.9 @ 3933
1990 TOYOTA				Golf R	2.0L L4 F/I - US	69-9506TTK ²	12.9 @ 3933
4 Runner	2.4L L4 F/I	57-9008 ¹	5.1 @ 4700	GTI	2.0L L4 F/I - US	69-9506TTK ²	12.9 @ 3933
4 Runner	3.0L V6 F/I	57-9006 ¹	3.3 @ 4405	Jetta	1.8L L4 F/I - US	69-9507TTK ²	3.8 @ 3545
MR2	2.0L L4 F/I - Turbo	57-9001 ¹	6.1 @ 5500	Jetta GLI	2.0L L4 F/I - US	69-9507TTK ²	3.8 @ 3545
Pickup	2.4L L4 F/I	57-9008 ¹	5.1 @ 4700	Passat	1.8L L4 F/I - US	69-9507TTK ²	3.8 @ 3545
Pickup	3.0L V6 F/I	57-9006 ¹	3.3 @ 4405	Tiguan	2.0L L4 F/I - US	69-9504TTK ²	9.2 @ 4853
Supra	3.0L L6 F/I - Exc. Turbo	57-9005 ¹		2015 VOLKSWAGEN			
Supra	3.0L L6 F/I - Turbo	57-9004 ¹	8.3 @ 5306	Golf	1.8L L4 F/I - US	69-9506TTK ²	12.9 @ 3933
1989 TOYOTA				Golf R	2.0L L4 F/I - US	69-9506TTK ²	12.9 @ 3933
4 Runner	2.4L L4 F/I	57-9008 ¹	5.1 @ 4700	GTI	2.0L L4 F/I - US	69-9506TTK ²	12.9 @ 3933
4 Runner	3.0L V6 F/I	57-9006 ¹	3.3 @ 4405	Jetta	1.8L L4 F/I - US	69-9507TTK ²	3.8 @ 3545
Pickup	2.4L L4 F/I	57-9008 ¹	5.1 @ 4700	Jetta GLI	2.0L L4 F/I - US	69-9507TTK ²	3.8 @ 3545
Pickup	3.0L V6 F/I	57-9006 ¹	3.3 @ 4405	Passat	1.8L L4 F/I - US	69-9507TTK ²	3.8 @ 3545
Supra	3.0L L6 F/I - Exc. Turbo	57-9005 ¹		Tiguan	2.0L L4 F/I - US	69-9504TTK ²	9.2 @ 4853
Supra	3.0L L6 F/I - Turbo	57-9004 ¹	8.3 @ 5306	2014 VOLKSWAGEN			
1988 TOYOTA				Beetle	1.6L L4 DSL	69-9756TFK ²	3.3 @ 3400
4 Runner	2.4L L4 F/I	57-9008 ¹	5.1 @ 4700	CC	1.8L L4 F/I	69-9756TFK ²	3.3 @ 3400
4 Runner	3.0L V6 F/I	57-9006 ¹	3.3 @ 4405	CC	2.0L L4 F/I - US, Exc. LEV2 SULEV Test Group EVWXV02.03PA	69-9504TTK ¹	9.2 @ 4853
Pickup	2.4L L4 F/I	57-9008 ¹	5.1 @ 4700	Eos	2.0L L4 DSL	69-9756TFK ²	3.3 @ 3400
Pickup	3.0L V6 F/I	57-9006 ¹	3.3 @ 4405	Eos	2.0L L4 F/I - Non-US	69-9756TFK ²	3.3 @ 3400
Supra	3.0L L6 F/I - Exc. Turbo	57-9005 ¹		Eos	2.0L L4 F/I - US	69-9504TTK ¹	9.2 @ 4853
Supra	3.0L L6 F/I - Turbo	57-9004 ¹	8.3 @ 5306	Golf Plus	1.6L L4 DSL	69-9756TFK ²	3.3 @ 3400
1987 TOYOTA				Golf Plus	2.0L L4 DSL	69-9756TFK ²	3.3 @ 3400
Corolla	1.6L L4 F/I	57-9000 ¹		Jetta	1.8L L4 F/I - US	69-9507TTK ²	3.8 @ 3545
Corolla Sport GTS	1.6L L4 F/I	57-9000 ¹		Jetta	2.0L L4 DSL	69-9509TTK ²	5.5 @ 3300
Supra	3.0L L6 F/I - Exc. Turbo	57-9005 ¹		Jetta GLI	2.0L L4 F/I - US	69-9507TTK ²	3.8 @ 3545
Supra	3.0L L6 F/I - Turbo	57-9004 ¹	8.3 @ 5306	Jetta V	1.6L L4 DSL	69-9756TFK ²	3.3 @ 3400
1986 TOYOTA				Jetta V	2.0L L4 DSL	69-9756TFK ²	3.3 @ 3400
Corolla	1.6L L4 F/I	57-9000 ¹		Passat	1.6L L4 DSL	69-9756TFK ²	3.3 @ 3400
Supra	3.0L L6 F/I	57-9005 ¹		Passat	1.8L L4 F/I - Non-US	69-9756TFK ²	3.3 @ 3400
1985 TOYOTA				Passat	2.0L L4 DSL - Non-US	69-9756TFK ²	3.3 @ 3400
Corolla	1.6L L4 F/I	57-9000 ¹		Passat	2.0L L4 F/I - Non-US	69-9756TFK ²	3.3 @ 3400
2019 VOLKSWAGEN				Tiguan	2.0L L4 F/I - US	69-9504TTK ¹	9.2 @ 4853
Arteon	2.0L L4 F/I - US	69-9506TTK ²	12.9 @ 3933	2013 VOLKSWAGEN			
Golf Alltrack	1.8L L4 F/I - US	69-9506TTK ²	12.9 @ 3933	Caddy IV	1.6L L4 DSL	69-9756TFK ²	3.3 @ 3400

1) Street legal in all US states. 2) Not legal for sale or use on any pollution controlled motor vehicle in California or states adopting California emission procedures. * Estimated horsepower gains are based on specific or similar vehicle dyno tests. Results will vary. See Page 482 for more information. See page 7 for information on intake tube materials/colors.



AIR INTAKE SYSTEMS

VOLKSWAGEN

Vehicle	Engine Type	Part Number	Estimated Horsepower*	Vehicle	Engine Type	Part Number	Estimated Horsepower*
2013 VOLKSWAGEN				2012 VOLKSWAGEN			
Caddy IV	2.0L L4 DSL	69-9756TFK ²	3.3 @ 3400	Jetta GLI	2.0L L4 F/I - US, Exc. LEV2 SULEV Test Group CVWXV02.03PA	69-9504TTK ¹	9.2 @ 4853
CC	1.8L L4 F/I	69-9756TFK ²	3.3 @ 3400	Jetta V	1.6L L4 DSL	69-9756TFK ²	3.3 @ 3400
CC	2.0L L4 DSL	69-9756TFK ²	3.3 @ 3400	Jetta V	2.0L L4 DSL	69-9756TFK ²	3.3 @ 3400
CC	2.0L L4 F/I - Non-US	69-9756TFK ²	3.3 @ 3400	Jetta V	2.0L L4 F/I	69-9756TFK ²	3.3 @ 3400
CC	2.0L L4 F/I - US, Exc. LEV2 SULEV Test Group DVWXV02.03PA	69-9504TTK ¹	9.2 @ 4853	Passat	1.6L L4 DSL	69-9756TFK ²	3.3 @ 3400
Eos	2.0L L4 DSL	69-9756TFK ²	3.3 @ 3400	Passat	1.8L L4 F/I	69-9756TFK ²	3.3 @ 3400
Eos	2.0L L4 F/I - Non-US	69-9756TFK ²	3.3 @ 3400	Passat CC	1.8L L4 F/I	69-9756TFK ²	3.3 @ 3400
Eos	2.0L L4 F/I - US	69-9504TTK ¹	9.2 @ 4853	Passat CC	2.0L L4 DSL	69-9756TFK ²	3.3 @ 3400
Golf Plus	1.6L L4 DSL	69-9756TFK ²	3.3 @ 3400	Scirocco	2.0L L4 DSL	69-9756TFK ²	3.3 @ 3400
Golf Plus	2.0L L4 DSL	69-9756TFK ²	3.3 @ 3400	Scirocco	2.0L L4 F/I - 211BHP	69-9756TFK ²	3.3 @ 3400
Golf VI	1.6L L4 DSL	69-9756TFK ²	3.3 @ 3400	Sharan II	2.0L L4 DSL	69-9756TFK ²	3.3 @ 3400
Golf VI	1.8L L4 F/I	69-9756TFK ²	3.3 @ 3400	Sharan II	2.0L L4 F/I	69-9756TFK ²	3.3 @ 3400
Golf VI	2.0L L4 DSL	69-9756TFK ²	3.3 @ 3400	Tiguan	2.0L L4 F/I - US	69-9504TTK ¹	9.2 @ 4853
Golf VI	2.0L L4 F/I - 211BHP	69-9756TFK ²	3.3 @ 3400	Touran	2.0L L4 DSL	69-9756TFK ²	3.3 @ 3400
GTI	2.0L L4 F/I - US, Exc. LEV2 SULEV Test Group DAD XV02.03PA	69-9504TTK ¹	9.2 @ 4853	2011 VOLKSWAGEN			
Jetta	2.0L L4 DSL	69-9509TTK ²	5.5 @ 3300	Caddy IV	1.6L L4 DSL	69-9756TFK ²	3.3 @ 3400
Jetta GLI	2.0L L4 F/I - US, Exc. LEV2 SULEV Test Group DVWXV02.03PA	69-9504TTK ¹	9.2 @ 4853	Caddy IV	2.0L L4 DSL	69-9756TFK ²	3.3 @ 3400
Jetta V	1.6L L4 DSL	69-9756TFK ²	3.3 @ 3400	CC	2.0L L4 F/I - US, Exc. LEV2 SULEV Test Group BVWXV02.03PA	69-9504TTK ¹	9.2 @ 4853
Jetta V	2.0L L4 DSL	69-9756TFK ²	3.3 @ 3400	Eos	2.0L L4 F/I - US	69-9504TTK ¹	9.2 @ 4853
Jetta V	2.0L L4 F/I	69-9756TFK ²	3.3 @ 3400	Golf Plus	1.6L L4 DSL	69-9756TFK ²	3.3 @ 3400
Passat	1.6L L4 DSL	69-9756TFK ²	3.3 @ 3400	Golf Plus	2.0L L4 DSL	69-9756TFK ²	3.3 @ 3400
Passat	1.8L L4 F/I	69-9756TFK ²	3.3 @ 3400	Golf VI	1.6L L4 DSL	69-9756TFK ²	3.3 @ 3400
Passat	2.0L L4 DSL - Non-US	69-9756TFK ²	3.3 @ 3400	Golf VI	1.8L L4 F/I	69-9756TFK ²	3.3 @ 3400
Passat	2.0L L4 F/I - Non-US	69-9756TFK ²	3.3 @ 3400	Golf VI	2.0L L4 DSL	69-9756TFK ²	3.3 @ 3400
Scirocco	2.0L L4 DSL	69-9756TFK ²	3.3 @ 3400	Golf VI	2.0L L4 F/I - 211BHP	69-9756TFK ²	3.3 @ 3400
Scirocco	2.0L L4 F/I - 211BHP	69-9756TFK ²	3.3 @ 3400	GTI	2.0L L4 F/I - US, Exc. LEV2 SULEV Test Group BAD XV02.03PA	69-9504TTK ¹	9.2 @ 4853
Sharan II	2.0L L4 DSL	69-9756TFK ²	3.3 @ 3400	Passat	1.6L L4 DSL	69-9756TFK ²	3.3 @ 3400
Sharan II	2.0L L4 F/I	69-9756TFK ²	3.3 @ 3400	Passat CC	1.8L L4 F/I	69-9756TFK ²	3.3 @ 3400
Tiguan	2.0L L4 DSL - Non-US	69-9756TFK ²	3.3 @ 3400	Passat CC	2.0L L4 DSL	69-9756TFK ²	3.3 @ 3400
Tiguan	2.0L L4 F/I - Non-US	69-9756TFK ²	3.3 @ 3400	Scirocco	2.0L L4 DSL	69-9756TFK ²	3.3 @ 3400
Tiguan	2.0L L4 F/I - US	69-9504TTK ¹	9.2 @ 4853	Scirocco	2.0L L4 F/I - 211BHP	69-9756TFK ²	3.3 @ 3400
Touran	1.6L L4 DSL	69-9756TFK ²	3.3 @ 3400	Sharan II	2.0L L4 DSL	69-9756TFK ²	3.3 @ 3400
Touran	2.0L L4 DSL	69-9756TFK ²	3.3 @ 3400	Sharan II	2.0L L4 F/I	69-9756TFK ²	3.3 @ 3400
2012 VOLKSWAGEN				Tiguan	2.0L L4 F/I - US	69-9504TTK ¹	9.2 @ 4853
Caddy IV	1.6L L4 DSL	69-9756TFK ²	3.3 @ 3400	Touran	2.0L L4 DSL	69-9756TFK ²	3.3 @ 3400
Caddy IV	2.0L L4 DSL	69-9756TFK ²	3.3 @ 3400	2010 VOLKSWAGEN			
CC	1.8L L4 F/I	69-9756TFK ²	3.3 @ 3400	CC	2.0L L4 F/I - US, Exc. LEV2 SULEV Test Group AVWXV02.03PA	69-9504TTK ¹	9.2 @ 4853
CC	2.0L L4 DSL	69-9756TFK ²	3.3 @ 3400	Eos	2.0L L4 F/I - US	69-9504TTK ¹	9.2 @ 4853
CC	2.0L L4 F/I - Non-US	69-9756TFK ²	3.3 @ 3400	Golf Plus	1.6L L4 DSL	69-9756TFK ²	3.3 @ 3400
CC	2.0L L4 F/I - US, Exc. LEV2 SULEV Test Group CVWXV02.03PA	69-9504TTK ¹	9.2 @ 4853	Golf Plus	2.0L L4 DSL	69-9756TFK ²	3.3 @ 3400
Eos	2.0L L4 F/I - Non-US	69-9756TFK ²	3.3 @ 3400	Golf VI	1.6L L4 DSL	69-9756TFK ²	3.3 @ 3400
Eos	2.0L L4 F/I - US	69-9504TTK ¹	9.2 @ 4853	Golf VI	1.8L L4 F/I	69-9756TFK ²	3.3 @ 3400
Golf Plus	1.6L L4 DSL	69-9756TFK ²	3.3 @ 3400	Golf VI	2.0L L4 DSL	69-9756TFK ²	3.3 @ 3400
Golf Plus	2.0L L4 DSL	69-9756TFK ²	3.3 @ 3400	Golf VI	2.0L L4 F/I - 211BHP	69-9756TFK ²	3.3 @ 3400
Golf VI	1.6L L4 DSL	69-9756TFK ²	3.3 @ 3400	GTI	2.0L L4 F/I - US, Exc. LEV2 SULEV Test Group AAD XV02.03PA	69-9504TTK ¹	9.2 @ 4853
Golf VI	1.8L L4 F/I	69-9756TFK ²	3.3 @ 3400	Jetta GLI	2.0L L4 F/I - US, Exc. LEV2 SULEV Test Group AAD XV02.03PA	69-9504TTK ¹	9.2 @ 4853
Golf VI	2.0L L4 DSL	69-9756TFK ²	3.3 @ 3400				
Golf VI	2.0L L4 F/I - 211BHP	69-9756TFK ²	3.3 @ 3400				
GTI	2.0L L4 F/I - US, Exc. LEV2 SULEV Test Group CAD XV02.03PA	69-9504TTK ¹	9.2 @ 4853				

1) Street legal in all US states. 2) Not legal for sale or use on any pollution controlled motor vehicle in California or states adopting California emission procedures. * Estimated horsepower gains are based on specific or similar vehicle dyno tests. Results will vary. See Page 482 for more information. See page 7 for information on intake tube materials/colors.



Vehicle	Engine Type	Part Number	Estimated Horsepower*	Vehicle	Engine Type	Part Number	Estimated Horsepower*
2010 VOLKSWAGEN				2008 VOLKSWAGEN			
Passat	2.0L L4 F/I - US, Exc. LEV2 SULEV Test Group AVWXV02.03PA	69-9504TTK ¹	9.2 @ 4853	Passat	2.0L L4 DSL	69-9756TFK ²	3.3 @ 3400
Passat CC	1.8L L4 F/I	69-9756TFK ²	3.3 @ 3400	Passat	2.0L L4 F/I - Non-US, 200BHP	69-9503TFK ²	18.6 @ 4500
Passat CC	2.0L L4 DSL	69-9756TFK ²	3.3 @ 3400	Scirocco	2.0L L4 DSL	69-9756TFK ²	3.3 @ 3400
Scirocco	2.0L L4 DSL	69-9756TFK ²	3.3 @ 3400	Scirocco	2.0L L4 F/I - 211BHP	69-9756TFK ²	3.3 @ 3400
Scirocco	2.0L L4 F/I - 211BHP	69-9756TFK ²	3.3 @ 3400	Touran	1.9L L4 DSL	69-9756TFK ²	3.3 @ 3400
Sharan II	2.0L L4 DSL	69-9756TFK ²	3.3 @ 3400	Touran	2.0L L4 DSL	69-9756TFK ²	3.3 @ 3400
Tiguan	2.0L L4 F/I - US	69-9504TTK ¹	9.2 @ 4853	2007 VOLKSWAGEN			
Touran	1.9L L4 DSL	69-9756TFK ²	3.3 @ 3400	Eos	2.0L L4 DSL	69-9756TFK ²	3.3 @ 3400
Touran	2.0L L4 DSL	69-9756TFK ²	3.3 @ 3400	Eos	2.0L L4 F/I - 150BHP	69-9754TS ²	
2009 VOLKSWAGEN				Eos	2.0L L4 F/I - 200BHP	69-9503TFK ²	18.6 @ 4500
CC	2.0L L4 F/I - US	69-9504TTK ¹	9.2 @ 4853	Golf Plus	1.9L L4 DSL	69-9756TFK ²	3.3 @ 3400
Eos	2.0L L4 DSL	69-9756TFK ²	3.3 @ 3400	Golf Plus	2.0L L4 DSL	69-9756TFK ²	3.3 @ 3400
Eos	2.0L L4 F/I - US	69-9504TTK ¹	9.2 @ 4853	Golf Plus	2.0L L4 F/I	69-9754TS ²	
Golf V	1.9L L4 DSL	69-9756TFK ²	3.3 @ 3400	Golf V	1.9L L4 DSL	69-9756TFK ²	3.3 @ 3400
Golf V	2.0L L4 DSL	69-9756TFK ²	3.3 @ 3400	Golf V	2.0L L4 DSL	69-9756TFK ²	3.3 @ 3400
Golf VI	1.8L L4 F/I	69-9756TFK ²	3.3 @ 3400	Golf V	2.0L L4 F/I - 150BHP	69-9754TS ²	
Golf VI	2.0L L4 DSL	69-9756TFK ²	3.3 @ 3400	Golf V	2.0L L4 F/I - 200BHP	69-9503TFK ²	18.6 @ 4500
Golf VI	2.0L L4 F/I - 211BHP	69-9756TFK ²	3.3 @ 3400	Golf V GTI	2.0L L4 F/I	69-9503TFK ²	18.6 @ 4500
GTI	2.0L L4 F/I - US, Exc. LEV2 SULEV Test Group 9ADXV02.03PA	69-9504TTK ¹	9.2 @ 4853	GTI	2.0L L4 F/I	69-9503TFK ¹	18.6 @ 4500
Jetta GLI	2.0L L4 F/I - US, Exc. LEV2 SULEV Test Group 9ADXV02.03PA	69-9504TTK ¹	9.2 @ 4853	Jetta GLi	2.0L L4 F/I	69-9503TFK ¹	18.6 @ 4500
Jetta V	1.9L L4 DSL	69-9756TFK ²	3.3 @ 3400	Jetta V	1.9L L4 DSL	69-9756TFK ²	3.3 @ 3400
Jetta V	2.0L L4 DSL	69-9756TFK ²	3.3 @ 3400	Jetta V	2.0L L4 DSL	69-9756TFK ²	3.3 @ 3400
Passat	1.8L L4 F/I	69-9756TFK ²	3.3 @ 3400	Jetta V	2.0L L4 F/I - 150BHP	69-9754TS ²	
Passat	1.9L L4 DSL	69-9756TFK ²	3.3 @ 3400	Jetta V	2.0L L4 F/I - 200BHP	69-9503TFK ²	18.6 @ 4500
Passat	2.0L L4 DSL	69-9756TFK ²	3.3 @ 3400	Passat	1.9L L4 DSL	69-9756TFK ²	3.3 @ 3400
Passat	2.0L L4 F/I - US	69-9504TTK ¹	9.2 @ 4853	Passat	2.0L L4 DSL	69-9756TFK ²	3.3 @ 3400
Passat CC	1.8L L4 F/I	69-9756TFK ²	3.3 @ 3400	Touran	2.0L L4 F/I - Non-US, 200BHP	69-9503TFK ²	18.6 @ 4500
Passat CC	2.0L L4 DSL	69-9756TFK ²	3.3 @ 3400	Touran	1.9L L4 DSL	69-9756TFK ²	3.3 @ 3400
Scirocco	2.0L L4 DSL	69-9756TFK ²	3.3 @ 3400	Touran	2.0L L4 DSL	69-9756TFK ²	3.3 @ 3400
Scirocco	2.0L L4 F/I - 211BHP	69-9756TFK ²	3.3 @ 3400	2006 VOLKSWAGEN			
Tiguan	2.0L L4 F/I - US	69-9504TTK ¹	9.2 @ 4853	Eos	2.0L L4 DSL	69-9756TFK ²	3.3 @ 3400
Touran	1.9L L4 DSL	69-9756TFK ²	3.3 @ 3400	Eos	2.0L L4 F/I - 150BHP	69-9754TS ²	
Touran	2.0L L4 DSL	69-9756TFK ²	3.3 @ 3400	Eos	2.0L L4 F/I - 200BHP	69-9503TFK ²	18.6 @ 4500
2008 VOLKSWAGEN				Golf Plus	1.9L L4 DSL	69-9756TFK ²	3.3 @ 3400
Eos	2.0L L4 DSL	69-9756TFK ²	3.3 @ 3400	Golf Plus	2.0L L4 DSL	69-9756TFK ²	3.3 @ 3400
Eos	2.0L L4 F/I - 150BHP	69-9754TS ²		Golf Plus	2.0L L4 F/I	69-9754TS ²	
Eos	2.0L L4 F/I - 200BHP	69-9503TFK ²	18.6 @ 4500	Golf V	1.9L L4 DSL	69-9756TFK ²	3.3 @ 3400
Golf Plus	1.9L L4 DSL	69-9756TFK ²	3.3 @ 3400	Golf V	2.0L L4 DSL	69-9756TFK ²	3.3 @ 3400
Golf Plus	2.0L L4 DSL	69-9756TFK ²	3.3 @ 3400	Golf V	2.0L L4 F/I - 150BHP	69-9754TS ²	
Golf V	1.9L L4 DSL	69-9756TFK ²	3.3 @ 3400	Golf V	2.0L L4 F/I - 200BHP	69-9503TFK ²	18.6 @ 4500
Golf V	2.0L L4 DSL	69-9756TFK ²	3.3 @ 3400	Golf V GTI	2.0L L4 F/I	69-9503TFK ²	18.6 @ 4500
Golf V	2.0L L4 F/I - 200BHP	69-9503TFK ²	18.6 @ 4500	GTI	2.0L L4 F/I	69-9503TFK ¹	18.6 @ 4500
Golf V GTI	2.0L L4 F/I	69-9503TFK ²	18.6 @ 4500	Jetta GLi	2.0L L4 F/I	69-9503TFK ¹	18.6 @ 4500
Golf VI	2.0L L4 DSL	69-9756TFK ²	3.3 @ 3400	Jetta V	1.9L L4 DSL - Non-US	69-9756TFK ²	3.3 @ 3400
GTI	2.0L L4 F/I	69-9503TFK ¹	18.6 @ 4500	Jetta V	2.0L L4 DSL	69-9756TFK ²	3.3 @ 3400
Jetta V	1.9L L4 DSL	69-9756TFK ²	3.3 @ 3400	Jetta V	2.0L L4 F/I - 150BHP	69-9754TS ²	
Jetta V	2.0L L4 DSL	69-9756TFK ²	3.3 @ 3400	Jetta V	2.0L L4 F/I - 200BHP	69-9503TFK ²	18.6 @ 4500
Jetta V	2.0L L4 F/I - 150BHP	69-9754TS ²		Passat	1.9L L4 DSL	69-9756TFK ²	3.3 @ 3400
Jetta V	2.0L L4 F/I - 200BHP	69-9503TFK ²	18.6 @ 4500	Passat	2.0L L4 DSL	69-9756TFK ²	3.3 @ 3400
Passat	1.8L L4 F/I	69-9756TFK ²	3.3 @ 3400	Passat	2.0L L4 F/I - Non-US, 200BHP	69-9503TFK ²	18.6 @ 4500
Passat	1.9L L4 DSL	69-9756TFK ²	3.3 @ 3400	Touran	1.9L L4 DSL	69-9756TFK ²	3.3 @ 3400
				Touran	2.0L L4 DSL	69-9756TFK ²	3.3 @ 3400

1) Street legal in all US states. 2) Not legal for sale or use on any pollution controlled motor vehicle in California or states adopting California emission procedures. * Estimated horsepower gains are based on specific or similar vehicle dyno tests. Results will vary. See Page 482 for more information. See page 7 for information on intake tube materials/colors.



AIR INTAKE SYSTEMS

VOLKSWAGEN

Vehicle	Engine Type	Part Number	Estimated Horsepower*	Vehicle	Engine Type	Part Number	Estimated Horsepower*
2005 VOLKSWAGEN				2004 VOLKSWAGEN			
Bora	1.4L L4 F/I	69-9751TS ²		Golf IV	1.6L L4 F/I - 102/105BHP	69-9751TB ²	
Bora	1.6L L4 F/I - 105BHP	69-9751TB ²		Golf IV	1.8L L4 F/I - 150BHP, w/Eng. AAP	69-9501TP ²	10.0 @ 5079
Bora	1.8L L4 F/I - 180BHP	69-9501TP ²	10.0 @ 5079	Golf IV	2.0L L4 F/I	69-9501TB ²	10.0 @ 5079
Bora	2.0L L4 F/I - w/Eng. AAP	69-9501TB ²	10.0 @ 5079	Golf IV	2.3L L5 F/I - 170BHP	69-8250TWR ²	10.0 @ 5079
Bora	2.3L V5 F/I	69-8250TS ²		Golf IV	2.8L V6 F/I	69-8250TS ²	
Golf	2.0L L4 F/I	69-9501TP ¹	10.0 @ 5079	Golf IV	3.2L V6 F/I	69-9502TP ²	17.7 @ 5684
Golf GTI	1.8L L4 F/I	69-9501TB ¹	10.0 @ 5079	Golf IV GTI	1.8L L4 F/I - w/Eng. AAP	69-9502TB ²	17.7 @ 5684
Golf Plus	1.9L L4 DSL	69-9756TFK ²	3.3 @ 3400	Golf Plus	2.0L L4 DSL	69-9501TP ²	10.0 @ 5079
Golf Plus	2.0L L4 DSL	69-9756TFK ²	3.3 @ 3400	Golf V	1.9L L4 DSL	69-9501TB ²	10.0 @ 5079
Golf Plus	2.0L L4 F/I	69-9754TS ²		Golf V	2.0L L4 DSL	69-9756TFK ²	3.3 @ 3400
Golf V	1.9L L4 DSL	69-9756TFK ²	3.3 @ 3400	Golf V	2.0L L4 F/I - 150BHP	69-9754TS ²	
Golf V	2.0L L4 DSL	69-9756TFK ²	3.3 @ 3400	Golf V	2.0L L4 F/I - 200BHP	69-9503TFK ²	18.6 @ 4500
Golf V	2.0L L4 F/I - 150BHP	69-9754TS ²		Golf V GTI	2.0L L4 F/I	69-9503TFK ²	18.6 @ 4500
Golf V	2.0L L4 F/I - 200BHP	69-9503TFK ²	18.6 @ 4500	Jetta	1.8L L4 F/I - Exc. LEV2 SULEV Test Group 4VWVX02.0227	69-9501TP ¹	10.0 @ 5079
Golf V GTI	2.0L L4 F/I	69-9503TFK ²	18.6 @ 4500	Jetta	2.0L L4 F/I - Exc. LEV2 SULEV Test Group 4VWVX02.0227	69-9501TB ¹	10.0 @ 5079
Jetta V	1.9L L4 DSL	69-9756TFK ²	3.3 @ 3400	R32	3.2L V6 F/I	69-9502TP ¹	17.7 @ 5684
Jetta V	2.0L L4 DSL	69-9756TFK ²	3.3 @ 3400	Touran	1.9L L4 DSL	69-9502TB ¹	17.7 @ 5684
Jetta V	2.0L L4 F/I - 150BHP	69-9754TS ²		Touran	2.0L L4 DSL	69-9756TFK ²	3.3 @ 3400
Jetta V	2.0L L4 F/I - 200BHP	69-9503TFK ²	18.6 @ 4500				
Passat	1.9L L4 DSL - 3C Model	69-9756TFK ²	3.3 @ 3400				
Passat	2.0L L4 DSL - 3C Model	69-9756TFK ²	3.3 @ 3400				
Passat	2.0L L4 F/I - Non-US, 200BHP, 3C Model	69-9503TFK ²	18.6 @ 4500				
Touran	1.9L L4 DSL	69-9756TFK ²	3.3 @ 3400				
Touran	2.0L L4 DSL	69-9756TFK ²	3.3 @ 3400				
2004 VOLKSWAGEN				2003 VOLKSWAGEN			
Bora	1.4L L4 F/I	69-9751TS ²		Bora	1.4L L4 F/I	69-9751TS ²	
Bora	1.6L L4 F/I - 105BHP	69-9751TB ²		Bora	1.6L L4 F/I - 105BHP	69-9751TB ²	
Bora	1.8L L4 F/I - 180BHP	69-9501TP ²	10.0 @ 5079	Bora	1.8L L4 F/I - 180BHP	69-9751TB ²	
Bora	2.0L L4 F/I - w/Eng. AAP	69-9501TB ²	10.0 @ 5079	Bora	2.0L L4 F/I - w/Eng. AAP	69-9501TP ²	10.0 @ 5079
Bora	2.3L V5 F/I	69-8250TWR ²		Bora	2.0L L4 F/I - w/Eng. AAP	69-9501TB ²	10.0 @ 5079
Bora	2.8L V6 F/I	69-8250TS ²		Bora	2.3L V5 F/I	69-9501TB ²	10.0 @ 5079
Golf	2.0L L4 F/I - US	69-9501TP ¹	10.0 @ 5079	Bora	2.8L V6 F/I	69-8250TWR ²	
Golf GTI	1.8L L4 F/I - US	69-9501TB ¹	10.0 @ 5079	Bora	2.8L V6 F/I	69-8250TS ²	
Golf IV	1.4L L4 F/I	69-9501TP ¹	10.0 @ 5079	Golf	2.0L L4 F/I - US	69-8250TWR ²	
Golf IV	1.6L L4 F/I - 102/105BHP	69-9501TB ¹	10.0 @ 5079	Golf GTI	1.8L L4 F/I - US	69-9501TP ¹	10.0 @ 5079
		69-9751TS ²		Golf IV	1.4L L4 F/I	69-9501TB ¹	10.0 @ 5079
		69-9751TB ²				69-9501TP ¹	10.0 @ 5079
		69-9751TS ²				69-9501TB ¹	10.0 @ 5079
		69-9751TS ²				69-9751TS ²	
		69-9751TS ²				69-9751TB ²	

1) Street legal in all US states. 2) Not legal for sale or use on any pollution controlled motor vehicle in California or states adopting California emission procedures. * Estimated horsepower gains are based on specific or similar vehicle dyno tests. Results will vary. See Page 482 for more information. See page 7 for information on intake tube materials/colors.



Vehicle	Engine Type	Part Number	Estimated Horsepower*	Vehicle	Engine Type	Part Number	Estimated Horsepower*
2003 VOLKSWAGEN				2002 VOLKSWAGEN			
Golf IV	1.6L L4 F/I - 102/105BHP	69-9751TS ² 69-9751TB ²		Golf IV	1.8L L4 F/I - 150BHP, w/Eng. AAP	69-9501TP ² 69-9501TB ²	10.0 @ 5079 10.0 @ 5079
Golf IV	1.8L L4 F/I - 150BHP, w/Eng. AAP	69-9501TP ² 69-9501TB ²	10.0 @ 5079 10.0 @ 5079	Golf IV	2.0L L4 F/I	69-9501TP ² 69-9501TB ²	10.0 @ 5079 10.0 @ 5079
Golf IV	2.0L L4 F/I	69-9501TP ² 69-9501TB ²	10.0 @ 5079 10.0 @ 5079	Golf IV	2.3L L5 F/I - 170BHP	69-8250TWR ² 69-8250TS ²	
Golf IV	2.3L L5 F/I - 170BHP	69-8250TWR ² 69-8250TS ²		Golf IV	2.8L V6 F/I	69-8250TWR ² 69-8250TS ²	
Golf IV	2.8L V6 F/I	69-8250TWR ² 69-8250TS ²		Golf IV	3.2L V6 F/I	69-9502TP ² 69-9502TB ²	17.7 @ 5684 17.7 @ 5684
Golf IV	3.2L V6 F/I	69-9502TP ² 69-9502TB ²	17.7 @ 5684 17.7 @ 5684	Golf IV GTI	1.8L L4 F/I - w/Eng. AAP	69-9501TP ²	10.0 @ 5079
Golf IV GTI	1.8L L4 F/I - w/Eng. AAP	69-9501TP ² 69-9501TB ²	10.0 @ 5079 10.0 @ 5079	Jetta	1.8L L4 F/I	69-9501TP ¹ 69-9501TB ¹	10.0 @ 5079 10.0 @ 5079
Golf V	1.9L L4 DSL	69-9756TFK ²	3.3 @ 3400	Jetta	2.0L L4 F/I	69-9501TP ¹ 69-9501TB ¹	10.0 @ 5079 10.0 @ 5079
Golf V	2.0L L4 DSL	69-9756TFK ²	3.3 @ 3400	2001 VOLKSWAGEN			
Jetta	1.8L L4 F/I - Exc. LEV2 SULEV Test Group 3VW XV02.0227	69-9501TP ¹ 69-9501TB ¹	10.0 @ 5079 10.0 @ 5079	Bora	1.4L L4 F/I	69-9751TS ² 69-9751TB ²	
Jetta	2.0L L4 F/I - Exc. LEV2 SULEV Test Group 3VW XV02.0227	69-9501TP ¹ 69-9501TB ¹	10.0 @ 5079 10.0 @ 5079	Bora	1.6L L4 F/I - 105BHP	69-9751TS ² 69-9751TB ²	
Touran	1.9L L4 DSL	69-9756TFK ²	3.3 @ 3400	Bora	1.8L L4 F/I - 180BHP	69-9501TP ² 69-9501TB ²	10.0 @ 5079 10.0 @ 5079
Touran	2.0L L4 DSL	69-9756TFK ²	3.3 @ 3400	Bora	2.0L L4 F/I - w/Eng. AAP	69-9501TP ² 69-9501TB ²	10.0 @ 5079 10.0 @ 5079
2002 VOLKSWAGEN				Bora	2.3L V5 F/I	69-8250TWR ² 69-8250TS ²	
Bora	1.4L L4 F/I	69-9751TS ² 69-9751TB ²		Bora	2.8L V6 F/I	69-8250TWR ² 69-8250TS ²	
Bora	1.6L L4 F/I - 105BHP	69-9751TS ² 69-9751TB ²		Bora	1.8L L4 F/I - US	69-9501TP ² 69-9501TB ²	10.0 @ 5079 10.0 @ 5079
Bora	1.8L L4 F/I - 180BHP	69-9501TP ² 69-9501TB ²	10.0 @ 5079 10.0 @ 5079	Golf	2.0L L4 F/I	69-9501TP ¹ 69-9501TB ¹	10.0 @ 5079 10.0 @ 5079
Bora	2.0L L4 F/I - w/Eng. AAP	69-9501TP ² 69-9501TB ²	10.0 @ 5079 10.0 @ 5079	Golf GTI	1.8L L4 F/I - US	69-9501TP ¹ 69-9501TB ¹	10.0 @ 5079 10.0 @ 5079
Bora	2.3L V5 F/I	69-8250TWR ² 69-8250TS ²		Golf IV	1.4L L4 F/I	69-9751TS ² 69-9751TB ²	
Bora	2.8L V6 F/I	69-8250TWR ² 69-8250TS ²		Golf IV	1.6L L4 F/I - 102/105BHP	69-9751TS ² 69-9751TB ²	
Golf	2.0L L4 F/I - US	69-9501TP ¹ 69-9501TB ¹	10.0 @ 5079 10.0 @ 5079	Golf IV	1.8L L4 F/I - 150BHP, w/Eng. AAP	69-9501TP ² 69-9501TB ²	10.0 @ 5079 10.0 @ 5079
Golf GTI	1.8L L4 F/I - US	69-9501TP ¹ 69-9501TB ¹	10.0 @ 5079 10.0 @ 5079	Golf IV	2.0L L4 F/I - Exc. Eng. AAP	69-9752TP ² 69-9752TB ²	8.0 @ 6000 8.0 @ 6000
Golf IV	1.4L L4 F/I	69-9751TS ² 69-9751TB ²		Golf IV	2.0L L4 F/I - w/Eng. AAP	69-9501TP ² 69-9501TB ²	10.0 @ 5079 10.0 @ 5079
Golf IV	1.6L L4 F/I - 102/105BHP	69-9751TS ² 69-9751TB ²		Golf IV	2.3L L5 F/I - 170BHP	69-8250TWR ² 69-8250TS ²	

1) Street legal in all US states. 2) Not legal for sale or use on any pollution controlled motor vehicle in California or states adopting California emission procedures. * Estimated horsepower gains are based on specific or similar vehicle dyno tests. Results will vary. See Page 482 for more information. See page 7 for information on intake tube materials/colors.



AIR INTAKE SYSTEMS

VOLKSWAGEN

Vehicle	Engine Type	Part Number	Estimated Horsepower*	Vehicle	Engine Type	Part Number	Estimated Horsepower*
2001 VOLKSWAGEN				2000 VOLKSWAGEN			
Golf IV	2.8L V6 F/I	69-8250TWR ²		Jetta	2.0L L4 F/I	69-9501TB ¹	10.0 @ 5079
		69-8250TS ²		Polo	1.6L L4 F/I - Type 6N	69-9750TWR ²	
Golf IV GTI	1.8L L4 F/I - w/Eng. AAP	69-9501TP ²	10.0 @ 5079			69-9750TS ²	
		69-9501TB ²	10.0 @ 5079	1999 VOLKSWAGEN			
Jetta	1.8L L4 F/I	69-9501TP ¹	10.0 @ 5079	Bora	2.0L L4 F/I - Exc. Eng. AAP	69-9752TP ²	8.0 @ 6000
		69-9501TB ¹	10.0 @ 5079			69-9752TB ²	8.0 @ 6000
Jetta	2.0L L4 F/I	69-9501TP ¹	10.0 @ 5079	Bora	2.8L V6 F/I	69-8250TWR ²	
		69-9501TB ¹	10.0 @ 5079			69-8250TS ²	
Polo	1.6L L4 F/I - Type 6N	69-9750TWR ²		Golf IV	1.4L L4 F/I	69-9751TS ²	
		69-9750TS ²				69-9751TB ²	
2000 VOLKSWAGEN				Golf IV	1.8L L4 F/I - w/Eng. AAP	69-9501TP ²	10.0 @ 5079
Bora	1.4L L4 F/I	69-9751TS ²				69-9501TB ²	10.0 @ 5079
		69-9751TB ²		Golf IV	2.0L L4 F/I - Exc. Eng. AAP	69-9752TP ²	8.0 @ 6000
Bora	1.6L L4 F/I - 105BHP	69-9751TS ²				69-9752TB ²	8.0 @ 6000
		69-9751TB ²		Golf IV	2.0L L4 F/I - w/Eng. AAP	69-9501TP ²	10.0 @ 5079
Bora	1.8L L4 F/I - 180BHP	69-9501TP ²	10.0 @ 5079			69-9501TB ²	10.0 @ 5079
		69-9501TB ²	10.0 @ 5079	Golf IV	2.8L V6 F/I	69-8250TWR ²	
Bora	2.0L L4 F/I - Exc. Eng. AAP	69-9752TP ²	8.0 @ 6000			69-8250TS ²	
		69-9752TB ²	8.0 @ 6000	Golf IV GTI	1.8L L4 F/I	69-9501TP ²	10.0 @ 5079
Bora	2.0L L4 F/I - w/Eng. AAP	69-9501TP ²	10.0 @ 5079			69-9501TB ²	10.0 @ 5079
		69-9501TB ²	10.0 @ 5079	Polo	1.6L L4 F/I - Type 6N, 120/125BHP	69-9750TS ²	
Bora	2.3L V5 F/I - 170BHP	69-8250TWR ²				69-9750TWR ²	
		69-8250TS ²		1998 VOLKSWAGEN			
Bora	2.8L V6 F/I	69-8250TWR ²		Bora	2.0L L4 F/I - Exc. Eng. AAP	69-9752TP ²	8.0 @ 6000
		69-8250TS ²				69-9752TB ²	8.0 @ 6000
Golf	2.0L L4 F/I	69-9501TP ¹	10.0 @ 5079	Golf IV	1.4L L4 F/I	69-9751TS ²	
		69-9501TB ¹	10.0 @ 5079			69-9751TB ²	
Golf IV	1.4L L4 F/I	69-9751TS ²		Golf IV	2.0L L4 F/I - Exc. Eng. AAP	69-9752TP ²	8.0 @ 6000
		69-9751TB ²				69-9752TB ²	8.0 @ 6000
Golf IV	1.6L L4 F/I - 102/105BHP	69-9751TS ²		Golf IV	2.0L L4 F/I - w/Eng. AAP	69-9501TP ²	10.0 @ 5079
		69-9751TB ²				69-9501TB ²	10.0 @ 5079
Golf IV	1.8L L4 F/I - 150BHP, w/Eng. AAP	69-9501TP ²	10.0 @ 5079	Polo	1.6L L4 F/I - Type 6N, 120/125BHP	69-9750TWR ²	
		69-9501TB ²	10.0 @ 5079			69-9750TS ²	
Golf IV	2.0L L4 F/I - Exc. Eng. AAP	69-9752TP ²	8.0 @ 6000	2012 VOLVO			
		69-9752TB ²	8.0 @ 6000	C30	2.5L L5 F/I - Non-US	69-9000TS ²	14.6 @ 3925
Golf IV	2.0L L4 F/I - w/Eng. AAP	69-9501TP ²	10.0 @ 5079	S40 II	2.5L L5 F/I	69-9000TS ²	14.6 @ 3925
		69-9501TB ²	10.0 @ 5079	V50	2.5L L5 F/I - Non-US	69-9000TS ²	14.6 @ 3925
Golf IV	2.3L L5 F/I - 170BHP	69-8250TWR ²		2011 VOLVO			
		69-8250TS ²		C30	2.5L L5 F/I - Non-US	69-9000TS ²	14.6 @ 3925
Golf IV	2.8L V6 F/I	69-8250TWR ²		S40 II	2.5L L5 F/I - Non-US	69-9000TS ²	14.6 @ 3925
		69-8250TS ²		V50	2.5L L5 F/I - Non-US	69-9000TS ²	14.6 @ 3925
Golf IV GTI	1.8L L4 F/I - w/Eng. AAP	69-9501TP ²	10.0 @ 5079	2010 VOLVO			
		69-9501TB ²	10.0 @ 5079	C30	2.5L L5 F/I	69-9000TS ¹	14.6 @ 3925
Jetta	1.8L L4 F/I	69-9501TP ¹	10.0 @ 5079				
		69-9501TB ¹	10.0 @ 5079				
Jetta	2.0L L4 F/I	69-9501TP ¹	10.0 @ 5079				

1) Street legal in all US states. 2) Not legal for sale or use on any pollution controlled motor vehicle in California or states adopting California emission procedures. * Estimated horsepower gains are based on specific or similar vehicle dyno tests. Results will vary. See Page 482 for more information. See page 7 for information on intake tube materials/colors.



Vehicle	Engine Type	Part Number	Estimated Horsepower*
2010 VOLVO			
S40 II	2.5L L5 F/I - Non-US	69-9000TS ²	14.6 @ 3925
V50	2.5L L5 F/I - Non-US	69-9000TS ²	14.6 @ 3925
2009 VOLVO			
C30	2.5L L5 F/I	69-9000TS ¹	14.6 @ 3925
S40 II	2.5L L5 F/I	69-9000TS ²	14.6 @ 3925
V50	2.5L L5 F/I - Non-US	69-9000TS ²	14.6 @ 3925
2008 VOLVO			
C30	2.5L L5 F/I	69-9000TS ¹	14.6 @ 3925
S40 II	2.5L L5 F/I	69-9000TS ²	14.6 @ 3925
V50	2.5L L5 F/I - Non-US	69-9000TS ²	14.6 @ 3925
2007 VOLVO			
C30	2.5L L5 F/I	69-9000TS ¹	14.6 @ 3925
S40 II	2.5L L5 F/I	69-9000TS ²	14.6 @ 3925
V50	2.5L L5 F/I - Non-US	69-9000TS ²	14.6 @ 3925
2006 VOLVO			
C30	2.5L L5 F/I	69-9000TS ¹	14.6 @ 3925
S40	2.5L L5 F/I	69-9000TS ¹	14.6 @ 3925
S40 II	2.5L L5 F/I	69-9000TS ²	14.6 @ 3925
V50	2.5L L5 F/I - Non-US	69-9000TS ²	14.6 @ 3925
2005 VOLVO			
S40	2.5L L5 F/I	69-9000TS ¹	14.6 @ 3925
S40 II	2.5L L5 F/I	69-9000TS ²	14.6 @ 3925
V50	2.5L L5 F/I - Non-US	69-9000TS ²	14.6 @ 3925
2004 VOLVO			
S40	2.5L L5 F/I	69-9000TS ¹	14.6 @ 3925
S40 II	2.5L L5 F/I	69-9000TS ²	14.6 @ 3925
V50	2.5L L5 F/I	69-9000TS ²	14.6 @ 3925

1) Street legal in all US states. 2) Not legal for sale or use on any pollution controlled motor vehicle in California or states adopting California emission procedures. * Estimated horsepower gains are based on specific or similar vehicle dyno tests. Results will vary. See Page 482 for more information. See page 7 for information on intake tube materials/colors.



Intake System Spare Filters and Wraps

Intake System	Spare Filter	Filter Wrap	Intake System	Spare Filter	Filter Wrap	Intake System	Spare Filter	Filter Wrap
57-1000	RU-4690	RC-4690DK	57-1533	RF-1040	RF-1034DK	57-2532	RC-4940	RC-5173DK
57-1001	RU-4630	RC-4630DK	57-1534	RU-5141	RP-4660DK	57-2533	RX-4730	RX-4730DK
57-1002	RU-4730	RX-4730DK	57-1535	RP-4660	RP-4660DK	57-2534	RX-4730	RX-4730DK
57-1003	RU-1032	RF-1032DK	57-1536	RX-2820	22-8044PK	57-2535	RF-1037	RF-1037DK
57-1120	RX-4730XD	RX-4730DK	57-1537	RF-1040	RF-1034DK	57-2536	RF-1048	RF-1048DK
57-1121	RU-2960XD	22-8049DK	57-1538	RU-5138	22-8049DK	57-2537	RF-1048	RF-1048DK
57-1122	RE-0960	RC-3680DK	57-1539	RU-5138	22-8049DK	57-2538	RU-1020	RF-1020DK
57-1122P	RC-3680	RC-3680DK	57-1540	RF-1048	RF-1048DK	57-2539	RF-1048	RF-1048DK
57-1124	RU-4630XD	RC-4630DK	57-1541	RF-1024	RF-1024DK	57-2540	RF-1037	RF-1037DK
57-1125	RE-0960	RC-3680DK	57-1542	RU-1042	RF-1042DK	57-2541	RU-5046	RC-5046DK
57-1125P	RC-3680	RC-3680DK	57-1543	RF-1048	RF-1048DK	57-2542	RU-3690	RC-3690DK
57-1126	RE-0960	RC-3680DK	57-1544	RF-1048	RF-1048DK	57-2543	RU-1041	RF-1041DK
57-1126P	RC-3680	RC-3680DK	57-1545	RF-1048	RF-1048DK	57-2544	RU-1041	RF-1041DK
57-1128	RC-5182XD	RC-5182DK	57-1546	RF-1048	RF-1048DK	57-2545	RU-5046	RC-5046DK
57-1129	RU-5062XD	RC-5060DR	57-1547	RF-1048	RF-1048DK	57-2546-1	RC-5178	
57-1130	RE-0960	RC-3680DK	57-1548	RF-1048	RF-1048DK	57-2547	RP-5101	RU-5168DK
57-1131	RE-0961	RE-0961DK	57-1549	RF-1048	RF-1048DK	57-2548	RU-5046	RC-5046DK
57-1131P	RE-0961	RE-0961DK	57-1550	RP-4660	RP-4660DK	57-2549	RU-5046	RC-5046DK
57-1133	RU-5064	RU-5064DK	57-1551	RP-4660	RP-4660DK	57-2550	RU-5046	RC-5046DK
57-1134	RE-5286	RE-5286DK	57-1552	RU-4730	RX-4730DK	57-2551	RU-1020	RF-1020DK
57-1134S	RE-5287		57-1553	RF-1048	RF-1048DK	57-2552	RF-1037	RF-1037DK
57-1135	RU-2805XD	RU-2805DK	57-1554	RU-1041	RF-1041DK	57-2553	RU-1041	RF-1041DK
57-1136	RU-5064	RU-5064DK	57-1555	RU-1042	RF-1042DK	57-2554	RF-1037	RF-1037DK
57-1137	RE-5286	RE-5286DK	57-1556	RU-1042	RF-1042DK	57-2555	RU-1041	RF-1041DK
57-1137S	RE-5287		57-1557	RC-5142	RC-5112DK	57-2556	RU-1020	RF-1020DK
57-1138	RE-0960	RC-3680DK	57-1558	RF-1048	RF-1048DK	57-2557	RU-1020	RF-1020DK
57-1138C	RE-3680		57-1559	RF-1048	RF-1048DK	57-2558	RU-5046	RC-5046DK
57-1139	RE-5286	RE-5286DK	57-1560	RU-3570	RX-4990DK	57-2559	RX-4990	RX-4990DK
57-1139S	RE-5287		57-1561	RU-1044	RF-1020DK	57-2560	RX-4860	RX-4730DK
57-1140	RU-5065XD		57-1562	RC-5283	RC-5112DK	57-2561	RU-4990	RX-4990DK
57-1141	RU-5065XD		57-1563	RU-1041	RF-1041DK	57-2562	RU-4630	RC-4630DK
57-1500-1	RF-1001	RF-1001DK	57-1564	RF-1042	RF-1042DK	57-2563	RU-1041	RF-1041DK
57-1501	E-3742	E-1650PK	57-1565	RU-1042	RF-1042DK	57-2564	RF-1048	RF-1048DK
57-1502	E-1650	E-1650PK	57-1566	RF-1048	RF-1048DK	57-2565	RF-1048	RF-1048DK
57-1503-1	E-3740	E-3740PK	57-1567	RU-4990	RX-4990DK	57-2566	RF-1048	RF-1048DK
57-1506-2	RU-1027	RF-1027DK	57-1569	RF-1048	RF-1048DK	57-2567	RU-5046	RC-5046DK
57-1507	RU-1027	RF-1027DK	57-1570	RU-2960	22-8049DK	57-2568	RU-1020	RF-1020DK
57-1508	RF-1033		57-1571	RU-1042XD	RF-1042DK	57-2569	RU-1041	RF-1041DK
57-1509-1	RU-4680	RF-1032DK	57-1572	RU-4600	22-8036PK	57-2570	RU-5046	RC-5046DK
57-1511-2	RU-4680	RF-1032DK	57-2500	RF-1028	RF-1028DK	57-2571	RF-1048	RF-1048DK
57-1512	RF-1039	RC-4160DK	57-2501	RF-1003		57-2572	RU-5046	RC-5046DK
57-1513-1	RU-1045	RF-1045DK	57-2502	RF-1004		57-2573	RF-1048	RF-1048DK
57-1514-1	RU-1045	RF-1045DK	57-2503	RF-1012	RF-1012DK	57-2574	RU-1041	RF-1041DK
57-1515-1	RP-4660	RP-4660DK	57-2505-1	RF-1016	RC-5100DK	57-2575	RU-5173	RC-5173DK
57-1516	RC-5040	RC-5040DK	57-2507	RF-1025	RC-5106DK	57-2576	RU-5172	RC-5139DK
57-1517-2	RU-4680	RF-1032DK	57-2510-1	RF-1017	22-8050PK	57-2577	RC-4381	RF-1036DK
57-1518	RU-4690	RC-4690DK	57-2511	RF-1014	RF-1014DK	57-2579	RU-1044	RF-1020DK
57-1519	RU-4690	RC-4690DK	57-2513-1	RF-1014	RF-1014DK	57-2580	RU-5173	RC-5173DK
57-1520	RU-4690	RC-4690DK	57-2514-4	RU-1020	RF-1020DK	57-2581	RU-5173	RC-5173DK
57-1521	RU-4630	RC-4630DK	57-2516	RF-1026	RF-1026DK	57-2582	RC-5282	
57-1522	RX-4730	RX-4730DK	57-2517	RF-1003		57-2583	RU-5173	RC-5173DK
57-1523	RX-4730	RX-4730DK	57-2519-3	RF-1036	RF-1036DK	57-2584	RU-5173	RC-5173DK
57-1524	RX-4990	RX-4990DK	57-2523-2	RF-1048	RF-1048DK	57-2585	RU-1637	
57-1525	RC-4780	RC-4780DK	57-2524-2	RU-1044	RF-1020DK	57-2587	RU-4960	RX-4990DK
57-1526	RU-4700	RC-4700DK	57-2525-2	RU-1044	RF-1020DK	57-2589	RU-2960	22-8049DK
57-1527-1	RU-4680	RF-1032DK	57-2526-2	RP-4740	RF-1023DK	57-2591	RU-5173	RC-5173DK
57-1528	RU-5060	RC-5060DK	57-2527	RF-1048	RF-1048DK	57-2592	RU-5173	RC-5173DK
57-1529	RF-1040	RF-1034DK	57-2528	RF-1048	RF-1048DK	57-2593	RU-1042	RF-1042DK
57-1530-1	RU-1020	RF-1020DK	57-2529-1	RF-1048	RF-1048DK	57-2594	RU-2960	22-8049DK
57-1531	RP-4660	RP-4660DK	57-2530	RC-4780	RC-4780DK	57-2595	RU-5173	RC-5173DK
57-1532	RC-4780	RC-4780DK	57-2531	RC-4780	RC-4780DK	57-2597	RC5179	

Filter Wrap Suffix K = Black, L = Blue, R=Red, Y=Yellow

Partial Listing: Complete Listing of Vehicles and Parts at KNFILTERS.COM or call 1-800-858-3333

473

Visit knfilters.com to see available colors

Intake System Spare Filters and Wraps



Intake System	Spare Filter	Filter Wrap	Intake System	Spare Filter	Filter Wrap	Intake System	Spare Filter	Filter Wrap
57-2598	RU-2960	22-8049DK	57-3079	RP-5168		63-1007-1	E-3750	E-3750PK
57-2599	RU-5173	RC-5173DK	57-3081	RP-5285		63-1008	RF-1014	RF-1014DK
57-2600	RC5179		57-3082	RU-1041	RF-1041DK	63-1014	RF-1012	RF-1012DK
57-3000	RC-5179	RC-5139DK	57-3085	RU-1041	RF-1041DK	63-1016	RF-1030	RC-4630DK
57-3009	RF-1023	22-8033PK	57-3087	RC-5179	RC-5139DK	63-1017	RF-1030	RC-4630DK
57-3010-1	RF-1015	RF-1015DK	57-3088	RU-1042XD	RF-1042DK	63-1019	RC-4400	
57-3011	RF-1021		57-3089	RU-2960XD	22-8049DK	63-1043	RU-4700	RC-4700DK
57-3012	RF-1018		57-3090	RP-5285		63-1050	RP-5070	
57-3013-2	RF-1024	RF-1024DK	57-3500	RF-1007		63-1058	RU-5100	RC-5100DK
57-3014	E-3750	E-3750PK	57-3501	RF-1005		63-1094	RC-5138	22-8049DK
57-3016-1	RF-1040	RF-1034DK	57-3503	RF-1007		63-1101	RX-4990	RX-4990DK
57-3017-2	RU-1035	RF-1032DK	57-3504	RF-1008	RC-5106DK	63-1114	RU-1042	RF-1042DK
57-3020	RF-1038		57-3506	RF-1013	RF-1036DK	63-1116	RU-5138	22-8049DK
57-3021-1	RU-1041	RF-1041DK	57-3509	RF-1030	RC-4630DK	63-1132	RC-5063	
57-3022-2	RF-1050		57-3512	RU-4550	RF-1023DK	63-1529	RF-1040	RF-1034DK
57-3023-1	RU-1042	RF-1042DK	57-3513	RP-4970	22-8032PK	63-1537	RF-1040	RF-1034DK
57-3024	RC-4650	RC-4650DK	57-3514	RP-4980	RC-5149DK	63-1561	RU-1044	RF-1020DK
57-3025-1	RC-4650	RC-4650DK	57-3515	RC-4760	RC-5106DK	63-1562	RC-5283	RC-5112DK
57-3026	RU-1032	RF-1032DK	57-5001	RF-1009	22-8036PK	63-1563	RU-1041	RF-1041DK
57-3027	RU-1032	RF-1032DK	57-5005	RF-1002		63-1564	RU-1042	RF-1042DK
57-3028	E-1240	RC-3028DK	57-5500	RF-1022		63-1565	RU-1042	RF-1042DK
57-3029	E-1230	RC-3028DK	57-5504-1	RF-1019		63-1566	RF-1048	RF-1048DK
57-3030-1	RU-1041	RF-1041DK	57-5505	RF-1001	RF-1001DK	63-1567	RU-4990	RX-4990DK
57-3031-1	RU-1041	RF-1041DK	57-6000	RC-2960	22-8049DK	63-1569	RF-1048	RF-1048DK
57-3032	RU-1041	RF-1041DK	57-6001	RF-1010		63-1570	RU-2960	22-8049DK
57-3033	RU-1041	RF-1041DK	57-6002	RF-1011		63-1571	RU-1042XD	RF-1042DK
57-3034	RC-4900	RC-4900DK	57-6003	RC-2960	22-8049DK	63-1572	RU-4600	22-8036PK
57-3035	RP-5070		57-6005	RX-4750	RF-1042DK	63-1573	RF-1048	RF-1048DK
57-3036	RU-4630	RC-4630DK	57-6010	RU-1037	RF-1037DK	63-1574	RF-1048	RF-1048DK
57-3037	RP-5103	RP-5103DK	57-6011	RU-1037	RF-1037DK	63-1576	RU-2815	RU-2815DK
57-3038	RU-1041	RF-1041DK	57-6012	RU-1044	RF-1020DK	63-1577	RP-3280	
57-3039	RF-1040	RF-1034DK	57-6013	RU-1037	RF-1037DK	63-1578	RC-50460	RC-5046DK
57-3040	RF-1048	RF-1048DK	57-6014	RU-1014	RF-1014DK	63-1579	RF-10420	RF-1042DK
57-3041	RP-5105		57-6015	RU-4180	22-8033PK	63-1581	RF-10480	RF-1048DK
57-3042	RF-1048	RF-1048DK	57-7000	RP-4630	RC-4630DK	63-1700	RU-5062XD	RC-5060DR
57-3043	RF-1048	RF-1048DK	57-7001	RP-5167	RF-1037DK	63-2565	RF-1048	RF-1048DK
57-3044	RF-1048	RF-1048DK	57-9000	RF-1002		63-2578	RF-1048	RF-1048DK
57-3045	RF-1040	RF-1034DK	57-9001	RF-1009	22-8036PK	63-2582	RC-5282	
57-3046	RP-5115		57-9004	RC-2960	22-8049DK	63-2585	RU-1637	
57-3047	RC-4900	RC-4900DK	57-9005	RC-2960	22-8049DK	63-2586	RU-1637	
57-3048	RU-1032	RF-1032DK	57-9006	RF-1009	22-8036PK	63-2587	RU-4960	RX-4990DK
57-3049	RF-1048	RF-1048DK	57-9008	RF-1009	22-8036PK	63-2588	RU-4600	22-8036PK
57-3050	RU-1041	RF-1041DK	57-9011	RU-4630	RC-4630DK	63-2589	RU-2960	22-8049DK
57-3051	RF-1048	RF-1048DK	57-9012	RU-1037	RF-1037DK	63-2590	RU-2960	22-8049DK
57-3052	RP-5135	RP-5135DK	57-9013	RU-1029	RF-1029DK	63-2591	RU-5173	RC-5173DK
57-3053	RF-1048	RF-1048DK	57-9014-1	RU-1045	RF-1045DK	63-2592	RU-5173	RC-5173DK
57-3054	RU-2960	22-8049DK	57-9015-1	RU-4700	RC-4700DK	63-2593	RU-1042	RF-1042DK
57-3055	RP-5115		57-9016-1	RU-1037	RF-1037DK	63-2594	RU-2960	22-8049DK
57-3056	RC-5149	RC-5149DK	57-9017	RU-1045	RF-1045DK	63-2595	RU-5173	RC-5173DK
57-3057	RC-5179	RC-5139DK	57-9018	RP-4980	RC-5149DK	63-2596	RU-5173	RC-5173DK
57-3058	RU-1042	RF-1042DK	57-9019	RU-4700	RC-4700DK	63-2597	RC-5179	RC-5139DK
57-3061	RU-1032	RF-1032DK	57-9020	RU-5100	RC-5100DK	63-2598	RU-2960	22-8049DK
57-3062	RU-4730	RX-4730DK	57-9021	RU-5100	RC-5100DK	63-2599	RU-5173	RC-5173DK
57-3063	RU-1042	RF-1042DK	57-9024	RU-1029	RF-1029DK	63-2600	RC-5179	RC-5139DK
57-3066	RC-5179	RC-5139DK	57-9025	RF-1048	RF-1048DK	63-2604	33-2385	
57-3067	RU-1042	RF-1042DK	57-9027	E-3034		63-2605	RU-1044XD	RF-1020DK
57-3068	RU-2960	22-8049DK	57-9036	33-5017		63-2606	RU-2960	22-8049DK
57-3069	E-1989	RX-3820PK	57-9038	33-2453		63-2608	RF10420	
57-3070	RU-1042XD	RF-1042DK	57-9039	33-5017		63-2609	RF10420	
57-3077	RC-5179	RC-5139DK	57-9040	33-2387		63-2610	RF-10420	RF-1042DK
57-3078	RC-5107	RC-5107DK	57-9041	33-2360		63-3052	RP-5135	RP-5135DK

Filter Wrap Suffix K = Black, L = Blue, R=Red, Y=Yellow



Intake System Spare Filters and Wraps

Intake System	Spare Filter	Filter Wrap	Intake System	Spare Filter	Filter Wrap	Intake System	Spare Filter	Filter Wrap
63-3053	RF-1048	RF-1048DK	63-9032-1	RU-1041	RF-1041DK	69-2005TTK	RC-5144	RC-4690DK
63-3059	RF-1048	RF-1048DK	63-9033	RU-1020	RF-1020DK	69-2020TP	RU-9350	RC-9350DK
63-3060-1	RP-5161	RP-5135DK	63-9034	RF-1048	RF-1048DK	69-2020TR	RU-9350	RC-9350DK
63-3062	RU-4730	RX-4730DK	63-9035	RU-1042XD	RF-1042DK	69-2021TP	RU-4950	RX-4990DK
63-3064-1	RF-1048	RF-1048DK	63-9036	RU-1044	RF-1020DK	69-2022TS	RU-9630	RC-9350DK
63-3065	RF-1048	RF-1048DK	63-9037	RU-1042XD	RF-1042DK	69-2023TS	RU-4960	RX-4990DK
63-3069	E-1989	RX-3820PK	63-9039	RC-2960	22-8049DK	69-2024TTK	RC-5144	RC-4690DK
63-3071	RU-5138	22-8049DK	63-9040	RU-1044	RF-1020DK	69-2025TS	RU-4960	RX-4990DK
63-3072	RU-5138	22-8049DK	69-0015TR	RU-4870	RX-4730DK	69-2026TTK	RU-5176	RX-4990DK
63-3073	RP-5161	RP-5135DK	69-0015TS	RU-4870	RX-4730DK	69-2027TS	RU-5138	22-8049DK
63-3074	RU-1042	RF-1042DK	69-0017TS	RX-4730	RX-4730DK	69-2520TP	RU-4950	RX-4990DK
63-3075	RU-1042	RF-1042DK	69-0021TB	RU-4870	RX-4730DK	69-2520TR	RU-4950	RX-4990DK
63-3078	RC-5107	RC-5107DK	69-0021TS	RU-4870	RX-4730DK	69-2521TB	RU-4950	RX-4990DK
63-3079	RP-5168		69-0025TP	RU-4870	RX-4730DK	69-2521TP	RU-4950	RX-4990DK
63-3080	RP-5161	RP-5135DK	69-0026TS	RU-4630XD	RC-4630DK	69-2526TP	RU-1042	RF-1042DK
63-3081	RP-5285		69-0500TS	RU-4950	RX-4990DK	69-2527TTR	RF-1048	RF-1048DK
63-3082	RU-1041	RF-1041DK	69-0500TWR	RU-4950	RX-4990DK	69-2528TTK	RF-1048	RF-1048DK
63-3083	RU-1009	22-8036PK	69-0502TWR	RU-4860	RX-4730DK	69-2541TB	RU-4950	RX-4990DK
63-3084	RU-5138	22-8049DK	69-1007TS	RU-4950	RX-4990DK	69-2541TP	RU-4950	RX-4990DK
63-3085	RU-1041	RF-1041DK	69-1008TB	RU-4950	RX-4990DK	69-2542TS	RU-4860	RX-4730DK
63-3086	33-2411		69-1008TS	RU-4950	RX-4990DK	69-2543TTK	RU-4730	RX-4730DK
63-3087	RC-5179	RC-5139DK	69-1009TP	RU-4870	RX-4730DK	69-2544TP	RU-1042	RF-1042DK
63-3088	RU-1042XD	RF-1042DK	69-1009TR	RU-4870	RX-4730DK	69-2545TP	RF-1042	RF-1042DK
63-3089	RU-2960XD	22-8049DK	69-1009TWR	RU-4870	RX-4730DK	69-2546TS	RF-1048	RF-1048DK
63-3090	RP-5285		69-1010TP	RU-4870	RX-4730DK	69-2547TS	RU-4990	RX-4990DK
63-3091	RU-5176	RX-4990DK	69-1011TP	RU-4860	RX-4730DK	69-2548TS	RU-3560	
63-3092	RU-1042	RF-1042DK	69-1013TS	RU-4950	RX-4990DK	69-2549TS	RU-4960	RX-4990DK
63-3093	RP-6101		69-1014TS	RU-5147	RU-5147DK	69-2550TTK	RU-1041	RF-1041DK
63-3094	RC-5107	RC-5107DK	69-1015TB	RU-4960	RX-4990DK	69-2551TS	RU-4990	RX-4990DK
63-3095	RU-1044XD	RF-1020DK	69-1015TP	RU-4960	RX-4990DK	69-2553TTK	RU-1041	RF-1041DK
63-3096	RP-2960		69-1016-1TS	RU-5163	RU-5163DK	69-3002TS	RU-9350	RC-9350DK
63-3097	RU-4630	RC-4630DK	69-1017TTK	RU-9630	RC-9350DK	69-3300TP	RU-4960	RX-4990DK
63-3099	RP-5168		69-1018TS	RX-4950	RX-4990DK	69-3300TR	RU-4960	RX-4990DK
63-3100	RU-5163XD	RU-5163DK	69-1019TS	RU-4600	22-8036PK	69-3300TS	RU-4960	RX-4990DK
63-3101	RC-5179	RC-5139DK	69-1020TS	RU-4600	22-8036PK	69-3301TB	RU-4950	RX-4990DK
63-3104	RU-1042XD	RF-1042DK	69-1040TP	RU-4990	RX-4990DK	69-3301TP	RU-4950	RX-4990DK
63-3105	RU-5147	RU-5147DK	69-1040TWR	RU-4990	RX-4990DK	69-3301TS	RU-4950	RX-4990DK
63-3106	RU-4630	RC-4630DK	69-1203TP	RU-4950	RX-4990DK	69-3302TB	RU-9310	RC-9310DK
63-3109	RF-10410	RF-1041DK	69-1206TP	RU-4870	RX-4730DK	69-3302TS	RU-9310	RC-9310DK
63-3110	RF-10410	RF-1041DK	69-1207TP	RU-4960	RX-4990DK	69-3303TS	RC-9800	
63-3111	RP-5285		69-1207TR	RU-4960	RX-4990DK	69-3500TB	RU-4990	RX-4990DK
63-3514	RP-4980	RC-5149DK	69-1208TS	RU-4950	RX-4990DK	69-3500TP	RU-4990	RX-4990DK
63-3516	RU-5163	RU-5163DK	69-1209TS	RU-4870	RX-4730DK	69-3510TB	RU-4860	RX-4730DK
63-3517	RU-5163XD	RU-5163DK	69-1210TS	RU-4630	RC-4630DK	69-3510TP	RU-4860	RX-4730DK
63-5301	RU-4600	22-8036PK	69-1211TTK	RU-3570	RX-4990DK	69-3511TP	RU-4960	RX-4990DK
63-5506	RU-5147	RU-5147DK	69-1212TS	RU-4630XD	RC-4630DK	69-3511TR	RU-4960	RX-4990DK
63-6012	RU-1044	RF-1020DK	69-1213TS	RU-4960XD	RX-4990DK	69-3512TP	RU-4950	RX-4990DK
63-6014	RF-1014	RF-1014DK	69-1302TP	RU-4870	RX-4730DK	69-3512TR	RU-4950	RX-4990DK
63-6017	RU-1042XD	RF-1042DK	69-1500TP	RU-9310	RC-9310DK	69-3513TTK	RU-4950	RX-4990DK
63-6018	RU-1042	RF-1042DK	69-1500TWR	RU-9310	RC-9310DK	69-3514TTK	RU-4960	RX-4990DK
63-6019	RC-2960	22-8049DK	69-1502TP	RU-4950	RX-4990DK	69-3515TS	RU-5176	RX-4990DK
63-6020	RU-1042XD	RF-1042DK	69-1502TS	RU-4950	RX-4990DK	69-3516TTK	RU-4960XD	RX-4990DK
63-9022	RU-5100	RC-5100DK	69-1503TS	RU-5138	22-8049DK	69-3517TS	RC-5284	
63-9023	RU-5100	RC-5100DK	69-1504TR	RU-5163	RU-5163DK	69-3518TS	RU-4600	22-8036PK
63-9025	RU-1042	RF-1042DK	69-1505TWR	RU-4600	22-8036PK	69-3520TP	RU-5122	RC-5106DK
63-9026	RU-1042	RF-1042DK	69-1506TS	RU-5163XD	RU-5163DK	69-3521TP	RF-1036	RF-1036DK
63-9027	RU-1042	RF-1042DK	69-1507TS	RU-5174	RX-4990DK	69-3522TP	RF-1048	RF-1048DK
63-9028	RU-1042	RF-1042DK	69-2001TS	RP-5113	RU-5147DK	69-3523KP	RF-1048	RF-1048DK
63-9029	RF-1048	RF-1048DK	69-2001TWK	RP-5113	RU-5147DK	69-3524TP	RF-1036	RF-1036DK
63-9030	RU-5046	RC-5046DK	69-2003TFK	RU-5147	RU-5147DK	69-3525TS	RC-4381	RF-1036DK
63-9031-1	RU-1042	RF-1042DK	69-2004TTK	RU-4960	RX-4990DK	69-3526TP	RF-1048	RF-1048DK

Filter Wrap Suffix K = Black, L = Blue, R=Red, Y=Yellow

Partial Listing: Complete Listing of Vehicles and Parts at KNFILTERS.COM or call 1-800-858-3333

475

Visit knfilters.com to see available colors

Intake System Spare Filters and Wraps



Intake System	Spare Filter	Filter Wrap	Intake System	Spare Filter	Filter Wrap	Intake System	Spare Filter	Filter Wrap
69-3527TP	RF-1048	RF-1048DK	69-5317TS	RU-5147	RU-5147DK	69-7084TS	RU-4600	22-8036PK
69-3528TS	RF-1048	RF-1048DK	69-5318TS	RU-5163	RU-5163DK	69-7085TS	RU-5147	RU-5147DK
69-3529TP	RU-2960XD	22-8049DK	69-5319TS	RU-5163	RU-5163DK	69-7200TP	RU-5138	22-8049DK
69-3530TS	RU-9630	RC-9350DK	69-5320TS	RU-4600	22-8036PK	69-7201TP	RF-1048	RF-1048DK
69-3531TS	RF-1048	RF-1048DK	69-5321TS	RU-4600	22-8036PK	69-7202-1TTK	RF-1023	22-8033PK
69-3532TTK	RU-5122	RC-5106DK	69-5322TS	RC-5284		69-7501TB	RU-9630	RC-9350DK
69-3533TTK	RU-9350	RC-9350DK	69-5323TS	RU-2800		69-7501TS	RU-9630	RC-9350DK
69-3534TTK	RF-1048	RF-1048DK	69-5324TS	RF-10480	RF-1048DK	69-7502TB	RC-5136	RC-9310DK
69-3535TP	RU-2960	22-8049DK	69-5325TS	RU-4990	RX-4990DK	69-7503TB	RU-9310	RC-9310DK
69-3536TTK	RU-2960	22-8049DK	69-6000TP	RU-4870	RX-4730DK	69-7503TS	RU-9310	RC-9310DK
69-3537TS	RU-4990	RX-4990DK	69-6000TR	RU-4870	RX-4730DK	69-7505TP	RU-9350	RC-9350DK
69-3538TTK	RP-2960		69-6010TR	RU-4950	RX-4990DK	69-7505TS	RU-9350	RC-9350DK
69-3539TB	RU-5163	RU-5163DK	69-6010TS	RU-4950	RX-4990DK	69-7800TB	RU-5090	RC-9310DK
69-3540TP	RU-1042	RF-1042DK	69-6011TS	RU-4960	RX-4990DK	69-7800TS	RU-5090	RC-9310DK
69-4000TB	RU-4860	RX-4730DK	69-6012TS	RU-4960	RX-4990DK	69-8001TS	RP-5113	RU-5147DK
69-4000TS	RU-4860	RX-4730DK	69-6013TTK	RU-4960XD	RX-4990DK	69-8001TWR	RP-5113	RU-5147DK
69-4002TB	RU-9310	RC-9310DK	69-6020TR	RU-4950	RX-4990DK	69-8002TS	RP-5113	RU-5147DK
69-4510TS	RU-4960	RX-4990DK	69-6020TS	RU-4950	RX-4990DK	69-8003TFK	RP-5113	RU-5147DK
69-4515TS	RU-5147	RU-5147DK	69-6025TS	RU-4870	RX-4730DK	69-8004TTK	RP-5113	RU-5147DK
69-4516TS	RU-4990	RX-4990DK	69-6026TS	RU-4870	RX-4730DK	69-8005TWR	RP-5113	RU-5147DK
69-4517TTK	RU-5147	RU-5147DK	69-6027TTK	RU-4870	RX-4730DK	69-8006TTK	RU-4960	RX-4990DK
69-4518TTK	RC-4470	RC-4700DK	69-6028TTK	RU-4960	RX-4990DK	69-8007TWR	RU-4870	RX-4730DK
69-4519TP	RU-1042	RF-1042DK	69-6030-1TFK	RU-5123		69-8008TTK	RU-4960	RX-4990DK
69-4520TP	RU-1042	RF-1042DK	69-6031TS	RU-4960XD	RX-4990DK	69-8009TWR	RU-5163	RU-5163DK
69-4521TS	RU-5147	RU-5147DK	69-6032TS	RU-4990	RX-4990DK	69-8010TTK	RU-4960XD	RX-4990DK
69-4522TS	RU-5147	RU-5147DK	69-6033TTK	RU-4960XD	RX-4990DK	69-8011TTK	RU-4990	RX-4990DK
69-4523TP	RU-5107	RC-5107DK	69-6034TS	RU-4990	RX-4990DK	69-8250TS	RU-4990	RX-4990DK
69-4524TS	RU-4960XD	RX-4990DK	69-6501TB	RU-4730	RX-4730DK	69-8250TWR	RU-4990	RX-4990DK
69-4525TS	RU-4960XD	RX-4990DK	69-6501TP	RU-4730	RX-4730DK	69-8251TS	RU-9350	RC-9350DK
69-4526TS	RF-1048	RF-1048DK	69-6502TR	RU-4730	RX-4730DK	69-8400TR	RU-4960	RX-4990DK
69-4527TS	RU-2960XD	22-8049DK	69-6506TR	RU-4730	RX-4730DK	69-8400TS	RU-4960	RX-4990DK
69-4528TS	RC-5107	RC-5107DK	69-6506TS	RU-4730	RX-4730DK	69-8431TP	RU-4990	RX-4990DK
69-4529TS	RU-4960	RX-4990DK	69-6540TB	RU-4730	RX-4730DK	69-8432TS	RU-4990	RX-4990DK
69-4530TS	RU-5138	22-8049DK	69-6540TP	RU-4730	RX-4730DK	69-8433TTK	RP-5182	
69-4531TTK	RU-5176	RX-4990DK	69-6543TP	RP-4600	22-8036PK	69-8520TR	RU-4870	RX-4730DK
69-4532TTK	RU-5176	RX-4990DK	69-6543TR	RP-4600	22-8036PK	69-8520TS	RU-4870	RX-4730DK
69-4533TTK	RP-5168		69-6544TS	RU-4950	RX-4990DK	69-8522TS	RU-4870	RX-4730DK
69-4534TP	RU-1042	RF-1042DK	69-6545T	RP-4600	22-8036PK	69-8600TP	RU-4960	RX-4990DK
69-4535TP	RC-5107	RC-5107DK	69-6546TWR	RF-1047		69-8600TR	RU-4960	RX-4990DK
69-4536TS	RU-5163	RU-5163DK	69-7000TP	RU-4960	RX-4990DK	69-8601TP	RU-4960	RX-4990DK
69-4537TS	RU-4730	RX-4730DK	69-7000TR	RU-4960	RX-4990DK	69-8601TR	RU-4960	RX-4990DK
69-4900TB	RC-9350	RC-9350DK	69-7001TTK	RU-3700	22-8014PK	69-8605TS	RU-4860	RX-4730DK
69-4900TS	RC-9350	RC-9350DK	69-7002TTK	RU-2960	22-8049DK	69-8606TB	RU-4950	RX-4990DK
69-5300TR	RU-4870	RX-4730DK	69-7003TTK	RU-5128		69-8606TP	RU-4950	RX-4990DK
69-5300TS	RU-4870	RX-4730DK	69-7060TS	RU-4870	RX-4730DK	69-8607TB	RU-4960	RX-4990DK
69-5301TTK	RU-5138	22-8049DK	69-7061TS	RU-4990	RX-4990DK	69-8607TS	RU-4960	RX-4990DK
69-5302TTK	RP-4600	22-8036PK	69-7062TTK	RU-4990	RX-4990DK	69-8608TFK	E-3038	
69-5303TS	RU-4600	22-8036PK	69-7063TTK	RF-1048	RF-1048DK	69-8609TTK	RU-4960	RX-4990DK
69-5304TS	RU-4600	22-8036PK	69-7064TS	RX-4730XD	RX-4730DK	69-8610TTK	RU-4990	RX-4990DK
69-5305TP	RU-4870	RX-4730DK	69-7070TB	RU-4990	RX-4990DK	69-8611TS	RU-4990	RX-4990DK
69-5306TS	RU-4990	RX-4990DK	69-7070TP	RU-4990	RX-4990DK	69-8612TFK	RU-5174	RX-4990DK
69-5307TTK	RU-4600	22-8036PK	69-7071TS	RU-4960	RX-4990DK	69-8613TS	RU-3570	RX-4990DK
69-5308TS	RU-4600	22-8036PK	69-7075TS	RU-4600	22-8036PK	69-8614TS	RU-4860	RX-4730DK
69-5309TS	RF-1048	RF-1048DK	69-7076TS	RU-4600	22-8036PK	69-8615TS	RU-4630	RC-4630DK
69-5310TS	RU-5138	22-8049DK	69-7077TTK	RU-9350	RC-9350DK	69-8616TS	RP-4600	22-8036PK
69-5311TTK	RU-4630XD	RC-4630DK	69-7078TS	RU-4960XD	RX-4990DK	69-8617TTK	RU-4990	RX-4990DK
69-5312TS	RU-4990	RX-4990DK	69-7079TS	RU-5128		69-8618TS	RU-4990	RX-4990DK
69-5313TS	RU-4600	22-8036PK	69-7080-1TS	RU-4730	RX-4730DK	69-8619TS	RU-4630XD	RC-4630DK
69-5314TS	RU-4600	22-8036PK	69-7081-1TS	RU-4960	RX-4990DK	69-8620TTK	RF-1048	RF-1048DK
69-5315TS	RU-4600	22-8036PK	69-7082TS	RU-4960	RX-4990DK	69-8621TTK	RU-5147	RU-5147DK
69-5316TS	RX-4730XD	RX-4730DK	69-7083TS	RU-4960XD	RX-4990DK	69-8623TS	RU-5147	RU-5147DK

Filter Wrap Suffix K = Black, L = Blue, R=Red, Y=Yellow



Intake System Spare Filters and Wraps

Intake System	Spare Filter	Filter Wrap	Intake System	Spare Filter	Filter Wrap	Intake System	Spare Filter	Filter Wrap
69-8700TP	RU-4960	RX-4990DK	71-3527	RU-3102HBK	RF-1042DK	77-2586KS	RF-1048	RF-1048DK
69-8701TP	RU-5176	RX-4990DK	71-3535	RU-3106HBK		77-2587KS	RF-1048	RF-1048DK
69-8702TP	RU-4990	RX-4990DK	71-3540	RU-3102HBK	RF-1042DK	77-2588KTK	RC-5179	RC-5139DK
69-8703TS	RT-4600	22-8036PK	71-4519	RU-3102HBK	RF-1042DK	77-2591KP	RU-5173	RC-5173DK
69-8750TR	RU-4870	RX-4730DK	71-7078	RU-3103HBK		77-2592KS	RF-10480	RF-1048DK
69-8750TS	RU-4870	RX-4730DK	71-9039	RU-3102HBK	RF-1042DK	77-3000KS	RF-1037	RF-1037DK
69-8751TP	RU-4960	RX-4990DK	77-1513KP	RU-1045	RF-1045DK	77-3021KP	RU-5046	RC-5046DK
69-8751TR	RU-4960	RX-4990DK	77-1516KP	RU-4990	RX-4990DK	77-3023KP	RU-5046	RC-5046DK
69-8752TR	RU-4870	RX-4730DK	77-1526KP	RU-4870	RX-4730DK	77-3031KP	RU-5046	RC-5046DK
69-8752TS	RU-4870	RX-4730DK	77-1529KP	RC-5106	RC-5106DK	77-3034KP	RC-5112	RC-5112DK
69-8753TR	RC-5144	RC-4690DK	77-1533KP	RU-3690	RC-3690DK	77-3036KP	RU-4730	RX-4730DK
69-8753TS	RC-5144	RC-4690DK	77-1538KP	RU-3690	RC-3690DK	77-3037KP	RU-1041	RF-1041DK
69-8754TP	RU-4960	RX-4990DK	77-1539KP	RU-3690	RC-3690DK	77-3043KP	RF-1048	RF-1048DK
69-8754TR	RU-4960	RX-4990DK	77-1540KP	RF-1048	RF-1048DK	77-3044KP	RF-1048	RF-1048DK
69-8756TB	RU-4950	RX-4990DK	77-1545KP	RF-1048	RF-1048DK	77-3047KP	RC-5112	RC-5112DK
69-8756TP	RU-4950	RX-4990DK	77-1546KP	RF-1048	RF-1048DK	77-3050KP	RU-1041	RF-1041DK
69-8757TTK	RU-4960XD	RX-4990DK	77-1547KP	RF-1048	RF-1048DK	77-3058KP	RU-1042	RF-1042DK
69-8758TS	RU-5163	RU-5163DK	77-1548KP	RF-1048	RF-1048DK	77-3062KP	RU-4730	RX-4730DK
69-9000TS	RU-4730	RX-4730DK	77-1549KP	RF-1048	RF-1048DK	77-3063KTK	RC-5165	RC-5165DK
69-9501TB	RU-4960	RX-4990DK	77-1553KP	RU-4730	RX-4730DK	77-3064KTK	RC-5181	RF-1026DK
69-9501TP	RU-4960	RX-4990DK	77-1554KP	RU-1041	RF-1041DK	77-3065KP	RF-1048	RF-1048DK
69-9502TB	RP-5118	RC-3690DK	77-1558KP	RF-1048	RF-1048DK	77-3070KP	RU-1042	RF-1042DK
69-9502TP	RP-5118	RC-3690DK	77-1559KP	RF-1048	RF-1048DK	77-3071KS	RU-5138	22-8049DK
69-9503TFK	RU-4960	RX-4990DK	77-1560KTK	RU-1041	RF-1041DK	77-3076KTK	RU-1042XD	RF-1042DK
69-9504TTK	RX-4730XD	RX-4730DK	77-1561KP	RU-1044	RF-1020DK	77-3077KP	RC-5179	RC-5139DK
69-9505T	RF-1047		77-1562KTK	RU-1042	RF-1042DK	77-3078KTK	RU-2960	22-8049DK
69-9506TTK	RU-9350	RC-9350DK	77-1563KP	RU-1041	RF-1041DK	77-3082KP	RU-1041	RF-1041DK
69-9507TTK	RU-4990	RX-4990DK	77-1564KS	RU-1042	RF-1042DK	77-3085KP	RU-1041	RF-1041DK
69-9508T	RU-3570	RX-4990DK	77-1565KS	RU-4600	22-8036PK	77-3086KTK	RU-1041	RF-1041DK
69-9509TTK	RU-4990	RX-4990DK	77-1566KP	RF-1048	RF-1048DK	77-3087KP	RC-5179	RC-5139DK
69-9750TS	RU-9630	RC-9350DK	77-1567KS	RU-1042	RF-1042DK	77-3088KP	RU-1042XD	RF-1042DK
69-9750TWR	RU-9630	RC-9350DK	77-1568KTK	RF-1048	RF-1048DK	77-3089KP	RU-2960XD	22-8049DK
69-9751TB	RU-9630	RC-9350DK	77-1569KS	RF-1048	RF-1048DK	77-3090KTK	RU-1041	RF-1041DK
69-9751TS	RU-9630	RC-9350DK	77-1570KS	RU-2960	22-8049DK	77-3101KP	RC-5179	RC-5139DK
69-9752TB	RU-4960	RX-4990DK	77-1571KP	RU-1044	RF-1020DK	77-3104KP	RU-1042XD	RF-1042DK
69-9752TP	RU-4960	RX-4990DK	77-1572KS	RU-1042	RF-1042DK	77-3110KP	RF-10410	RF-1041DK
69-9754TS	RU-9350	RC-9350DK	77-1576KP	RU-2815	RU-2815DK	77-3515KP	RC-4470	RC-4700DK
69-9756TFK	RU-4960	RX-4990DK	77-1578KP	RC-50460	RC-5046DK	77-6012KP	RU-5046	RC-5046DK
71-1532	RU-5171HBK	RC-5112DK	77-2514KP	RU-5046	RC-5046DK	77-6014-1KP	RF-1014	RF-1014DK
71-1533	RU-3105HBK		77-2529KP	RF-1048	RF-1048DK	77-6016KS	RC-4381	RF-1036DK
71-1542	RU-3102HBK	RF-1042DK	77-2550KP	RC-5107	RC-5107DK	77-6017KS	RU-1042XD	RF-1042DK
71-1557	RU-5171HBK	RC-5112DK	77-2552KP	RF-1037	RF-1037DK	77-9015KP	RU-1042	RF-1042DK
71-1561	RU-3101HBK		77-2556KP	RU-5046	RC-5046DK	77-9016KP	RF-1037	RF-1037DK
71-1562	RU-5283HBK	RC-5112DK	77-2557KP	RU-1020	RF-1020DK	77-9020KP	RU-2960	22-8049DK
71-1566	RU-3102HBK	RF-1042DK	77-2561KP	RF-1048	RF-1048DK	77-9022KP	RF-1048	RF-1048DK
71-1576	RU-3107HBK		77-2568KP	RU-1020	RF-1020DK	77-9023KP	RF-1048	RF-1048DK
71-2545	RU-3102HBK	RF-1042DK	77-2569KP	RU-1041	RF-1041DK	77-9025KP	RF-1048	RF-1048DK
71-2556	RU-3101HBK		77-2570KTK	RU-5046	RC-5046DK	77-9026KP	RU-1042	RF-1042DK
71-2576	RU-5283HBK	RC-5112DK	77-2573KP	RF-1048	RF-1048DK	77-9027KP	RU-1042	RF-1042DK
71-2581	RU-3102HBK	RF-1042DK	77-2574KS	RU-1042	RF-1042DK	77-9028KP	RU-1042	RF-1042DK
71-2582	RU-5177HBK	RC-5139DK	77-2575KS	RF-1048	RF-1048DK	77-9029KP	RF-1048	RF-1048DK
71-2584	RU-3102HBK	RF-1042DK	77-2576KTK	RU-2960XD	22-8049DK	77-9030KP	RF-1048	RF-1048DK
71-2591	RU-3102HBK	RF-1042DK	77-2577KTK	RU-5173	RC-5173DK	77-9031-1KP	RU-1042	RF-1042DK
71-3058	RU-3102HBK	RF-1042DK	77-2578KS	RF-1048	RF-1048DK	77-9032-1KP	RU-5045	RU-5045DK
71-3066	RU-5177HBK	RC-5139DK	77-2579KTK	RU-1044XD	RF-1020DK	77-9033KP	RU-1020	RF-1020DK
71-3070	RU-3101HBK		77-2580KP	RU-5173	RC-5173DK	77-9034KP	RF-1048	RF-1048DK
71-3082	RU-3101HBK		77-2581KP	RU-5173	RC-5173DK	77-9035KP	RU-1042XD	RF-1042DK
71-3088	RU-3101HBK		77-2582KTK	RU-5173	RC-5173DK	77-9036KP	RU-1044	RF-1020DK
71-3092	RU-3102HBK	RF-1042DK	77-2583KS	RF-1048	RF-1048DK	77-9037KP	RU-1042XD	RF-1042DK
71-3104	RU-3101HBK		77-2584KP	RU-5173	RC-5173DK	77-9039KP	RU-2960	22-8049DK
71-3110	RU-3101HBK		77-2585KS	RU-5173	RC-5173DK	77-9040KP	RU-1044	RF-1020DK

Filter Wrap Suffix K = Black, L = Blue, R=Red, Y=Yellow

Partial Listing: Complete Listing of Vehicles and Parts at KNFILTERS.COM or call 1-800-858-3333

Visit knfilters.com to see available colors

Testing Facilities and Methods

K&N® maintains testing facilities in the USA, the UK and the Netherlands. These facilities incorporate both airflow and horsepower/torque testing capabilities. Our horsepower/torque testing is performed on wheel-based dynamometers, which measure SAE corrected brake horsepower and torque at the wheel(s) receiving power from the drive train. This is different and we believe more realistic than horsepower/torque testing done at the flywheel of an engine because the power lost between the engine and the wheels does not contribute to the power needed to put a vehicle in motion. Our standard SAE corrected horsepower/torque testing is designed to measure relative power differences on a vehicle with and without K&N products installed. We attempt to hold all other variables constant to generate a reliable measurement of changes in SAE corrected horsepower and torque on a vehicle before and after a K&N product is installed.

Airflow testing is a little more complicated, so we have included a detailed description of our airflow testing on our website. See knfilters.com for more information.

To test the dust filtration efficiency for a particular air filter, we use both an independent lab and our own dirt retention laboratory to conduct such tests in accordance with the ISO 5011 testing procedure.



K&N® Estimated Horsepower Gains

K&N® provides estimated SAE corrected horsepower gains that are based on actual dynamometer testing for a specific or similar vehicle. The actual horsepower increase a consumer will receive will vary depending on such things as vehicle condition, fuel, weather and other circumstances. It would be impractical to test every possible vehicle configuration or year in which a particular engine may be used; therefore, many of our estimates are based upon similar engine/vehicle/year dynamometer testing that we believe to be representational for the vehicle listed.

K&N® Dynamometer Test Results

K&N® utilizes an inertial dynamometer (dyno) to determine the estimated SAE corrected horsepower of our intake kits and OE replacement air filters. This type of dyno does not actually measure horsepower, but rather measures acceleration. This measured acceleration is then multiplied by the mass of the drum (a constant mass) to obtain the force being applied to the drum, or in other words, the interface between the vehicle's tires and the dyno drum. Now that the force at this point is known, determining the torque is straightforward. The torque is calculated by multiplying the calculated force by the radius (again a constant) of the dyno's drum.

Now, torque is very simply and mathematically related to horsepower by the following equation:

$$\text{Horsepower} = \text{Torque} \times \text{RPM} / 5,252$$

From this equation, the SAE corrected horsepower can be determined.

According to the above explanation, the only variable being measured by the dyno is the acceleration of the drum. There are no adjustments (calibration) to be made by K&N on either the two-wheel or four-wheel drive dyno. The mass of the drum(s) is determined at the factory before shipping the dynamometers to K&N and the mass of the drum(s) are imbedded into the software. K&N does not have the ability to modify or adjust these values.

Furthermore, there are several factors that can affect the SAE corrected horsepower values as measured by K&N or at any other dyno facility. Some of these factors are:

- Consistency of test parameters
- Tire pressure
- Fuel octane rating
- Vehicle condition
- The atmospheric conditions (dyno correction factors can vary from engine electronic correction factors)

K&N has noticed that SAE corrected horsepower values will vary from day-to-day, while testing the same vehicle, due to the manner in which the vehicle's on-board computer adjusts for varying climate conditions. In other words, if a vehicle is tested at sea level on a sunny and warm day, the dyno will apply a SAE correction factor to adjust the conditions to a standard temperature and pressure (STP) and the vehicle's on-board computer will also apply certain set of operating parameters. If that same vehicle is tested at a high altitude, on a rainy and cold day, the dyno will again adjust to STP while the vehicle may adjust to a different correction factor than it did on the sea level test. Furthermore, some vehicles have required almost a 100 miles be logged on the vehicle in order to allow the on-board computer to reset itself to obtain accurate power readings.

While K&N pays close attention to these many factors, and is patient while performing dyno tests, we are not in the position to scrutinize the many facilities that perform dynamometer testing for the general public. Furthermore, we certainly do not have enough information to make a judgment on the validity of these tests.



CABIN AIR FILTER CLEANING INSTRUCTIONS

K&N® Washable Cabin Air Filter Cleaning Instructions

K&N® recommends servicing your washable cabin air filter every 12 months or 12,000 miles. This is similar to the typical recommended replacement interval for a disposable cabin air filter. Cleaning your K&N® washable cabin air filter requires the use of a K&N® Refresher™ Kit by following these simple steps:

Step 1: Remove Filter

Remove the K&N® cabin air filter from the cabin air filter housing and or cabin air filter tray. Handling with care, remove loose dirt and debris from the filter by tapping it with your hand or against a hard surface.

Step 2: Apply Cleaner

Spray a generous amount of K&N's specially formulated cabin air filter cleaner part# 99-0650 onto both sides of the filter, with a majority of it applied to the dirty side. Allow the cleaner to soak in for 10 minutes. Do not allow the cleaner to dry on the cabin air filter.

Step 3: Rinse Filter

Rinse off the filter element with cool or warm (not hot) water from the clean side out in order to flush the dirt out of the filter. It may be necessary to use your fingers on the hose, to apply light water pressure. Repeat steps 2 and 3, until the water flowing through the media is completely clear of any dirt and debris.

Step 4: Dry

After rinsing, gently shake off excess water. Allow filter to dry naturally for 20-30 minutes. The filter does not need to be completely dry and can be slightly damp before moving to the next step.

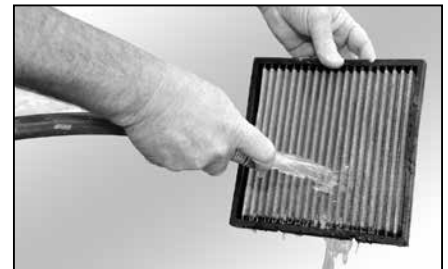
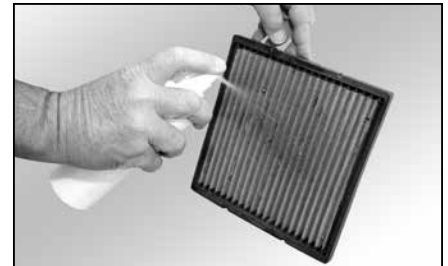
Step 5: Refreshing

Apply K&N® cabin air filter Refresher™ part# 99-0660 onto the cabin air filter element. Apply liberally, so that the entire area of the cabin air filter media is treated.

Step 6: Re-Install

Re-install the cabin air filter into the filter housing or tray. Follow original installation instructions that were provided with your K&N® cabin air filter.

Scan this QR code to see a cleaning instruction video



Use only K&N® cabin air filter Refresher™ kit, and not K&N® engine air filter Recharger® kit. The above process is the only approved procedure for servicing your K&N® cabin air filter. Please visit knfilters.com for a complete listing of other K&N® products for your vehicle, such as oil filters, air filters, and intake systems.

Visit knfilters.com for additional information on cleaning and refreshing your filter.

ENGINE AIR FILTER CLEANING INSTRUCTIONS

K&N® Engine Air Filter Cleaning Instructions

Most K&N® air filters will normally require cleaning every 50,000 miles. Servicing your K&N® oiled cotton air filter is simple; just follow the four easy steps below.

Scan this QR code to see a cleaning instruction video



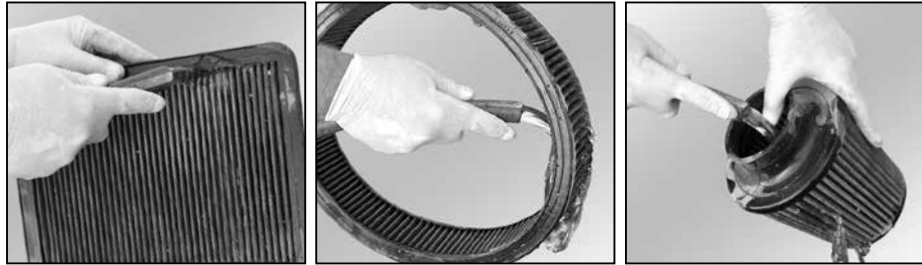
Step 1: Apply Cleaner

Liberally spray K&N® air filter cleaner or K&N® Power Kleen® onto both sides of filter and allow to soak for 10 minutes to loosen the dirt. Do not allow cleaner to dry on air filter.



Step 2: Rinse Filter

Rinse off air filter with cool low-pressure water from the clean side out in order to flush the dirt out of the filter. Continue to rinse the filter until all traces of cleaner are gone. It may be necessary to repeat steps 1 and 2.



Step 3: Dry Filter

After rinsing, gently shake off excess water and **allow filter to dry naturally**. Do not oil until the filter is dry.

Step 4: Oil Filter

Squeeze Oil (99-5050): Apply K&N® air filter oil evenly along the crown of each filter pleat. Allow oil to wick for approximately 20 minutes. Touch up any light areas on either side of the filter until there is a uniform red color on all areas.



Aerosol Oil (99-5000): Spray K&N® air filter oil evenly along the crown of each filter pleat holding nozzle about 3" away. Allow oil to wick for approximately 20 minutes. Touch up any light areas on either side of the filter until there is a uniform red color on all areas.



The above process is the only approved procedure for maintaining your K&N® oiled cotton air filter.

Visit knfilters.com for additional information on cleaning and re-oiling your filter and examples of a dirty filter needing to be serviced.

Recharger® Air Filter Cleaning Kits

Aerosol Oil - RED

Designed to clean cotton K&N® engine air filters. It restores airflow efficiency so your air filter performs virtually like new! Includes 6 1/2 oz. spray oil and 12 oz. filter cleaner.

Part# 99-5000

Squeeze Oil - RED

Same as 99-5000 except has squeeze oil bottle instead of spray can. Includes 8 oz. squeeze oil and 12 oz. filter cleaner.

Part# 99-5050

Squeeze Oil - BLACK

Same as 99-5050 except the squeeze oil is made of a new all black formula. Get the same K&N protection and performance with an all-new look! Includes 8 oz. squeeze oil and 12 oz. filter cleaner.

Part# 99-5050BK



Power Kleen®

K&N® Power Kleen® is a high-performance cleaner and degreaser used to remove road grime, engine exhaust and grease from cotton air filters. It is the only brand of cleaner recommended to clean K&N® engine air filter elements, and is now formulated to clean those troublesome and demanding cleaning jobs. It can remove oil, lubricants, grease, grime, and other deposits from most surfaces including cotton K&N® engine air filters, painted surfaces, chrome, plastic and more!



DESCRIPTION	PART#
12 fl. oz. Spray Bottle	99-0606
32 fl. oz. Spray Bottle	99-0621
1 gal. Bottle	99-0635
5 gal. Pail	99-0640

Note: Do not use on polished or anodized aluminum.

K&N® Sealing Grease

K&N® air filter sealing grease provides an air tight fit around sealing surfaces on all types of air filter elements. It resists heat and will not melt or run off.



DESCRIPTION	PART#
1 oz. Squeeze Tube	99-0703-1
6 oz. Squeeze Tube	99-0704

Note: K&N® air filter sealing grease is not to be used on clamp-on filter elements.

K&N® Air Filter Oil

K&N® air filter oil is the only oil specially formulated to work in combination with the cotton fabric in K&N® air filter elements, providing outstanding air filtration. It quickly penetrates the filter pleats, where it remains suspended in the cotton fabric until the element is cleaned with K&N® engine air filter cleaner.

99-11312



DESCRIPTION	PART#
6 1/2 oz. Aerosol Can	99-0504
12 oz. Aerosol Can	99-0516
8 oz. Squeeze Bottle	99-0533
1/2 oz. Pillow Pack	99-11312
1 gal. Refill Bottle	99-0551
5 gal. Pail	99-0555

K&N® Refresher™ Cabin Air Filter Cleaning Kit

K&N's Refresher™ cabin air filter cleaning kit comes with a cleaner and a bottle of Refresher™. The cleaner loosens dirt from K&N® cabin air filters and helps remove trapped mold, fungus, allergens, and other debris from them. K&N's Refresher™ helps these filters trap contaminants and also helps eliminate the source of most odors. Includes 12 oz. cabin air filter cleaner and 8 oz. cabin air filter Refresher™. Part# 99-6000





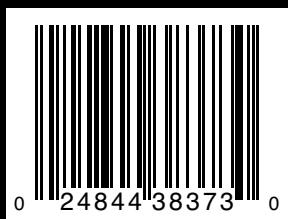
OFFICIAL PERFORMANCE FILTER

Follow us @knfilters



KNFILTERS.COM

\$1.99



K&N ENGINEERING, INC.
1-800-858-3333

1455 Citrus St. Riverside, CA 92507
P.O. Box 1329, Riverside, CA 92502



89-11482-20

©2020 K&N Engineering, Inc.