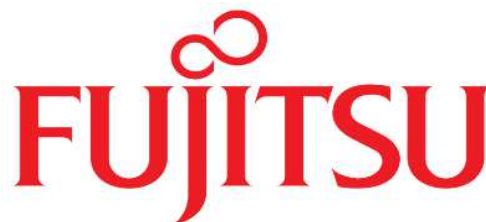


PRIMERGY GX2570 M5



Chapter	Folder	Content
	Cover	List of content, Instructions for usage of this configurator, abbreviations
	Description	System Description for easier understanding
1	Base	describes base unit ofGX2570M5
2		describes rack mount kits and services
3		Power supply units, power cables, country specific opt.
4	CPU	Order code and Infos of Intel Xeon Platinum series process
5	RAM	DDR4 System memory (RAM) and memory modes
6	GFX	Graphics-, Grid-cards, GPU and Xeon Co processors and other graphics options
7	HD_cage	Drive cage and PCIe riser options
8	RAID	SAS / RAID Controller and components
9	ODD	optical disk drives (DVD, DVD-rw, Blu ray)
10	Backup	LTO drives & RDX drive
11	HD_SSD	Storage drives - PCIe SSD - SAS/SATA SSD & HDD
12	LAN_FC_IB	LAN Components
13		Fibre Channel Controller
14		Infiniband Controller
15	USB_devices	Keyboards, Mice, USB devices
16	others	System Management, ATD, RS232 port, TPM module

Instructions

This document contains basic product and configuration information supporting you in more complicated configurations.

Please follow this document step by step from the top to the bottom.

Chapter xx - description of chapter

Text fields with grey color offer extra information for related topics (e.g prerequisites, technical back ground, configuration rules, limitations, ...)

S26361-F4610-E2
S26361-F4610-L3
PLAN 2x1Gb Ethern. Controller
i350-T2 chip (based on Intel Powerville) offers 2x1Gb RJ45 connectors
PCIe Gen2 x4 full height card
max. 6x per system

<-- order code E-part (bold) --

<-- order code L-part (bold)

<-- "name" of this part

<--description of this part, in same cases as well description of content

<--requires a free PCIe slot --> means total amount of PCIe slots reduced

<--indicates how often this part can be configured in the related Server

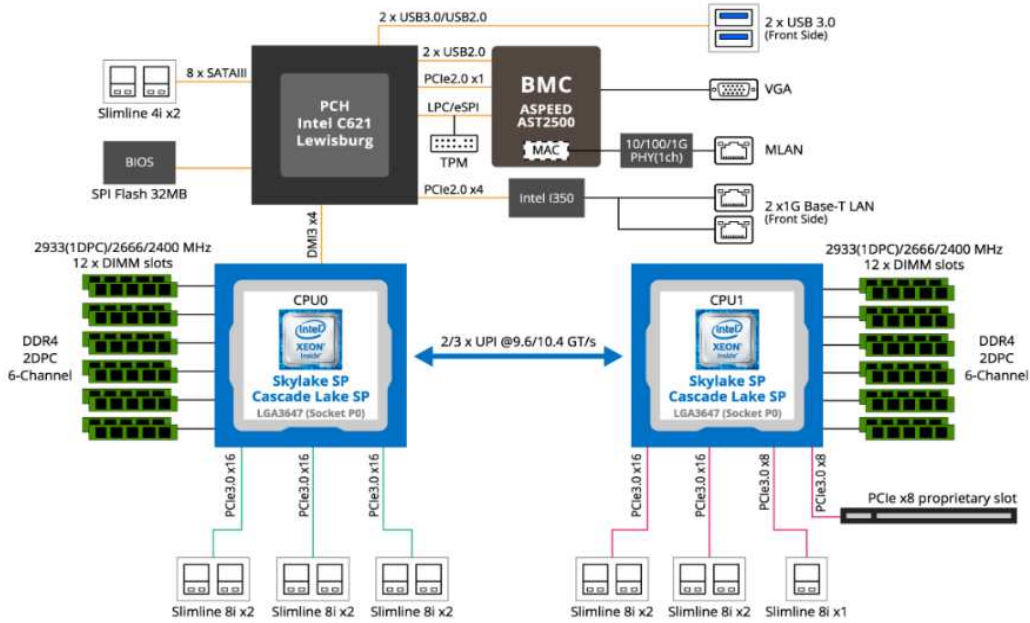
For further information see:

Fujitsu is providing the content of this document with very high accuracy. In case you identify a mistake, we would kindly encourage you to inform us. We kindly ask for understanding, that errors still may occur and that Fujitsu may change this document without notice

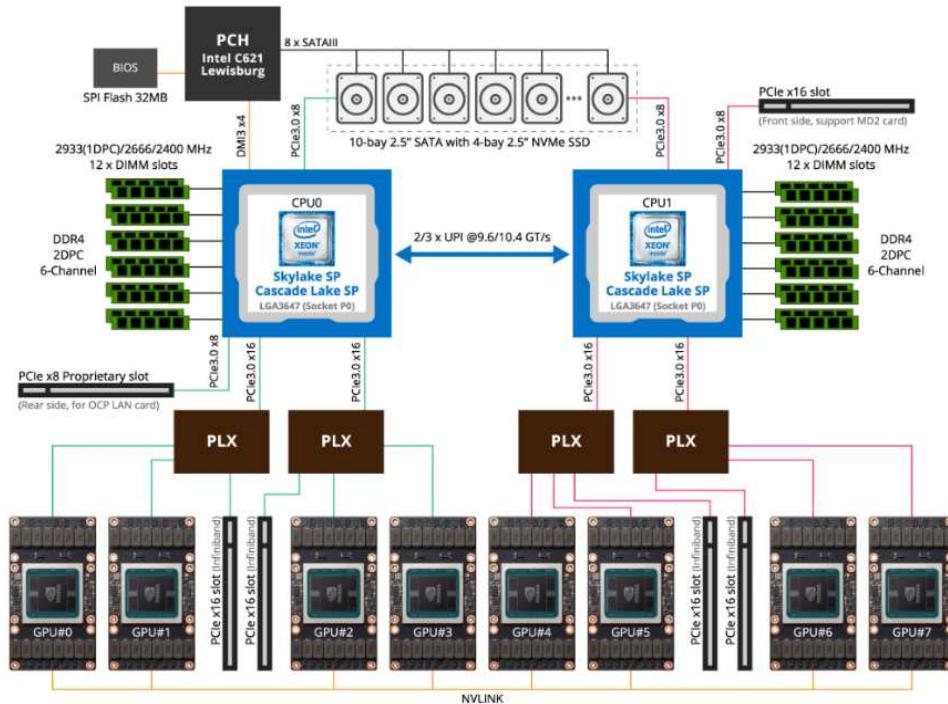
Abbreviations

SAS	Drives, RAID	Serial attached SCSI Device (HDD, SSD, LTO drives); SAS2.0 = 6Gbit/s; SAS3.0 = 12Gbit/s
SATA	Drives, RAID	Serial ATA (HDD, SSD) current SATA speed = 6Gbit/s
HDD	Drives	Hard disk drive (Non volatile storage device), 2.5" (SFF) or 3.5" (LFF)
SSD	Drives	Solid state disk (Non volatile storage device), 2.5" (SFF)
SFF	Drives	small form factor (=2.5")
LFF	Drives	large form factor (=3.5")
CPU	Processor	central processing unit ("processor")
RAID	Drives, RAID	RAID 0 = max speed, RAID 1 = mirroring, RAID 5 = 1 out of x drives is spare
Spaces	OS	Microsoft spaces, optimized in Win2012 R2 offers software RAID and storage tiering
storage tiering	RAID	offers optimized storage allocation (fast area for "hot data"; slower area for "cold data")
hot data	Drives	Data which are currently being processed
cold data	Drives	Data which are currently not processed (only stored)
ODD	Drives	optical disk drive (i.e. DVD-player, DVD-burner, Blu ray player, blu ray burner)
OS	operating system	OS=operating system - required for running, organize and administrating the server
E-Part	"Einbau-Part"	"e.g. S26361-F1234- <u>E</u> 240" ordercode with "E" means it is either integrated into to Server (CPU, Mem, ..) or integrated in the shipping box (Keyboard, Mouse, ..)
L-Part	"Lose Lieferung-Part"	"e.g. S26361-F1234- <u>L</u> 240" ordercode with "L" means, the part will be shipped with extra package, may be as well with extra shipment

PRIMERGY GX2570 M5 Motherboard Block Diagram



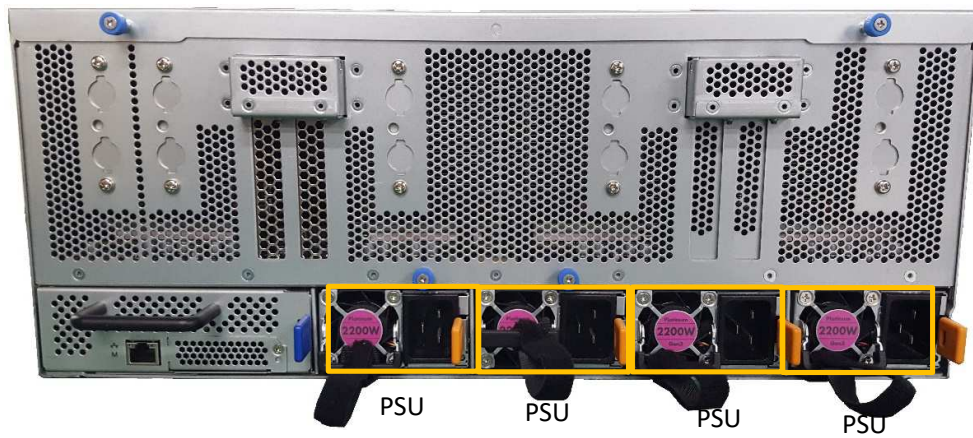
PRIMERGY GX2570 M5 System Block Diagram



GX2570 M5 Front view



GX2570 M5 Rear view



Chapter 1 - Base unit

Start

Power supply units & cooling:
The PRIMERGY GX2570 M5 offers bays for 4x direct attached hot plug power supply units of 2200W with up to 94% efficiency.

Server Management:
AST2500 (integrated Remote Management Controller) on-board with dedicated (or shared) 1000 Service LAN-port and integrated graphics controller. With the integrated onboard indicators and controls you can easily highlight failed components via LEDs.

Platform:
Chipset Intel® C624 (Lewisburg 4)
2 Serial KTI links
Up to two Intel® Xeon® Processor Scalable Family CPUs

3 PCIe slots low profile @first CPU:
PCIe x16 slot (Rear side, for LAN card)
PCIe x16 slot (Rear side, for LAN card)
PCIe x16 slot (Rear side, for OCP LAN card)

3PCIe slots low profile @second CPU*
PCIe x16 slot (Rear side, for LAN card)
PCIe x16 slot (Rear side, for LAN card)
PCIe x16 slot (Front side, for RAID card)

Onboard RAID 0/1/10/5 6Gbits/s available for up to 6x SATA drives.

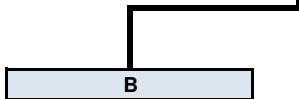
System RAM up to DDR4-2933 MHz
768GB memory with 24x DDR4 RDIMMs (12 per CPU)
Memory speed depends on CPU and configuration, please see folder "CPU" and "RAM" for further details .

LAN:
LAN on motherboard with 2x1Gb/s BASE-T LAN ports(Intel® I350-AM2) and 1x10/100/1000 management LAN @Front side

Connectivity

<p>Interfaces at rear side N/A</p> <p>Interfaces internal 1xTPM header 1xVROC connector</p>	<p>Interfaces at front side 2xUSB 3.0 1xVGA(Primary port)</p>
---	--

S26361-K2616-V100
Basic units for GX2570 M5
Rack version for 19" racks with 4 height units
4x PSU included in base unit
0-10x 2.5" HDD/SSD bays



Chapter 2 - Rack architecture

PRIMECENTER Rack

Rack Architecture	Remark
No Cable managment Arm etc	

Chapter 3 - Power supply unit, power cable, country specific options

AC Input 100-127V~/14A, 47-63Hz : 200-240V~/12.6A, 47-63Hz DC Output Max 1200W/ 100-127V~ +12.12V/95.6A +12Vsb/ 3.5A Max 2200W/ 200-240V~ +12.12V/178.1A +12Vsb/ 3.5A
--

T26139-Y3850-E10
No Power Cord
without rack only
1x per PSU

S26361-F1452-E100 REGION KIT APAC/EMEA/India For Shipments to EMEA / Asia and Pacific regions 1x per system	S26361-F1452-E110 REGION KIT JP For Shipments to Japan regions 1x per system	S26361-F1452-E130 REGION KIT America For Shipments to America region 1x per system
---	--	--

A

Chapter 4 - CPU (GX2570 M5)

B

There are 2 processor sockets available. Please configure 2 Processors.

**Base
Units**

Standard (S26361-K2616-V100)

Xeon Platinum 8200 Advanced AEP enabled			
64-bit Intel Xeon processor supporting HT*, DDR4 @ 2933 MHz & UPI Bus @ 10.4 GT/s			
Xeon Platinum 8268 24C 2.9GHz 205W	S26361-F4082-E368		X
Xeon Platinum 8270 26C 2.7GHz 205W	S26361-F4082-E370		X
Xeon Platinum 8280 28C 2.7GHz 205W	S26361-F4082-E380		X

Xeon Gold 6200 - Advanced AEP enabled			
64-bit Intel Xeon processor supporting HT*, DDR4 @ 2933 MHz & UPI Bus @ 10.4 GT/s			
Xeon Gold 6230 20C 2.1GHz 125W	S26361-F4082-E330		X
Xeon Gold 6240 18C 2.6GHz 150W	S26361-F4082-E340		X
Xeon Gold 6242 16C 2.8GHz 150W	S26361-F4082-E342		X
Xeon Gold 6244 8C 3.6GHz 150W	S26361-F4082-E344		X
Xeon Gold 6248 20C 2.5GHz 150W	S26361-F4082-E348		X
Xeon Gold 6252 24C 2.1GHz 150W	S26361-F4082-E352		X
Xeon Gold 6254 18C 3.1GHz 200W	S26361-F4082-E354		X

C

Chapter 5 - DDR4 System memory

C

24x DIMM configuraiton (Mix configuration for 1DPC / 2DPC)

Supported memory max capacities per System:
768 GB DDR4 RDIMM (24x 32GB 2Rx4)

The memory speed is independent from the configuration (1DPC or 2DPC).
DDR4 memory is operated at 1.2V

DDR4 rg 2933 xRx8		
8GB (1x8GB) 1Rx8 DDR4-2933 R ECC	S26361-F4083-E608	S26361-F4083-L608
16GB (1x16GB) 2Rx8 DDR4-2933 R ECC	S26361-F4083-E616	S26361-F4083-L616

DDR4 rg 2933 xRx4		
16GB (1x16GB) 1Rx4 DDR4-2933 R ECC	S26361-F4083-E816	S26361-F4083-L816
32GB (1x32GB) 2Rx4 DDR4-2933 R ECC	S26361-F4083-E832	S26361-F4083-L832

D

Chapter 6 - Graphics options

D

NVIDIA Tesla V100 for SXM2

S26361-F4025-E202
PY NVIDIA Tesla V100 for SXM2
NVIDIA Tesla V100 with 5120 graphic cores & 32GB HBM2 memory. NVLink
power cables from PSU need to be ordered separately. 2400 PSU is recommended
PCIe *16 (Gen3) - mezz type
Support OS is only RHEL7
min./max. 8x per GX2570 M5



Basic unit for GX2570M5
Always 8x SXM2 required

E

Chapter 7 - Drive cage and PCIe riser options

E
F

Chapter 8 - SAS / RAID Controller

G

onboard SATA controller with SW-RAID

onboard controller for SATA HDD or SSD drives				
6Gb/s SATA HDD	based on Intel chipse	No Cache	SW-RAID 0, 1, 10, 5	1x onboard, included

Note: Not possible to use SSD

SAS Cable	1x	-	CA08026-K319
SAS Cable is necessary for RAID controller. (It is not necessary for BTO.)			

internal RAID controller with 2nd Level cache 1GB, 2GB

internal drive RAID / SAS, SATA controllers with Cache and opt. TFM module + Flash Backup Unit and opt. Advanced SW Options				
PRAID EP400i RAID Contr.	1GB Cache	RAID 0,1,1E,10,5,50,6,60	1x	S26361-F5243-E11 S26361-F5243-L11
8 ports 3, 6 & 12Gb/s SAS/SATA HDD/ SSD, supports up to 8 devices without expander requires 1x LP PCIe 3.0 x8 (int.) slot, based on LSI SAS3108				
optional Licence Activation Key, a free of charge test licence is available at PRIMERGY-PM, FastPath is included in Controller FW				
RAID Advanced SW Option CacheCade @Broadcom: SSD-cache-based HDD acceleration		1x	S26361-F5243-E670	S26361-F5243-L670
PRAID EP420i RAID Contr.	2GB Cache	RAID 0,1,1E,10,5,50,6,60	1x	S26361-F5243-E12 S26361-F5243-L12
8 ports 3, 6 & 12Gb/s SAS/SATA HDD/ SSD, supports up to 8 devices without expander requires 1x LP PCIe 3.0 x8 (int.) slot, based on LSI SAS3108				
optional Licence Activation Key, a free of charge test licence is available at PRIMERGY-PM, FastPath is included in Controller FW				
RAID Advanced SW Option CacheCade @Broadcom: SSD-cache-based HDD acceleration		1x	S26361-F5243-E670	S26361-F5243-L670

H

Chapter 9 - ODD optical disk drives

No internal ODD support

|

Chapter 10 - backup drives

No internal backup drive support

L

Chapter 11 - storage drives

H

SATA drives can be connected to the onboard Controller (max. 8x),
 Hard Disk Sector Format Information:
 512n HDD: 512 byte sectors on the drive media.
 512e (e=emulation) HDD: 4K physical sectors on the drive media with 512 byte logical configuration.
 512e HDD Disk Drives: VMware is not supported.
 512n & 512e HDDs can be mixed, but cannot be used in one logical RAID volume
 DWPD (5y): Drive Writes Per Day over 5 years.
HDD Classes:
 Business-Critical (BC) -SATA=Nearline SATA Enterprise Drives / 7.2Krpm, SATA 6G.
 Business-Critical (BC) -SAS=Nearline SAS Enterprise Drives / 7.2Krpm, SAS 6G or SAS 12G .
 Mission-Critical (MC)=SAS 10K and SAS 15K Enterprise Drives with max. performance and reliability.
Warranty:
 SSD and SATA DOM have a built-in Wear-Out indicator. In this case the warranty for such a component, as an exception to the system warranty, is restricted to the time period until the indicator reaches the exhaust level.

2.5" (SFF) SATA SSD

SSD SATA 2.5" Mixed Use (SFF) Enterprise with hot plug/hot replace tray							Micron 5300 MAX	
Capacity	Formfactor	Interface	Endurance	DWPD		order code E-part	order code L-part	
240GB	2.5" (SFF)	SATA 6Gb/s	Mixed Use	3.6		S26361-F5777-E240	S26361-F5777-L240	
480GB	2.5" (SFF)	SATA 6Gb/s	Mixed Use	3.6		S26361-F5777-E480	S26361-F5777-L480	
960GB	2.5" (SFF)	SATA 6Gb/s	Mixed Use	3		S26361-F5777-E960	S26361-F5777-L960	
1.92TB	2.5" (SFF)	SATA 6Gb/s	Mixed Use	3		S26361-F5777-E192	S26361-F5777-L192	
3.84TB	2.5" (SFF)	SATA 6Gb/s	Mixed Use	3.6		S26361-F5777-E384	S26361-F5777-L384	

max. 8x - GX2570 M5

SSD SATA 2.5" Read Intensive (SFF) Enterprise with hot plug/hot replace tray							Micron 5300 PRO	
Capacity	Formfactor	Interface	Endurance	DWPD		order code E-part	order code L-part	
240GB	2.5" (SFF)	SATA 6Gb/s	Read Intensive	1.4		S26361-F5784-E240	S26361-F5784-L240	
480GB	2.5" (SFF)	SATA 6Gb/s	Read Intensive	0.9		S26361-F5784-E480	S26361-F5784-L480	
960GB	2.5" (SFF)	SATA 6Gb/s	Read Intensive	0.9		S26361-F5784-E960	S26361-F5784-L960	
1.92TB	2.5" (SFF)	SATA 6Gb/s	Read Intensive	0.9		S26361-F5784-E192	S26361-F5784-L192	
3.84TB	2.5" (SFF)	SATA 6Gb/s	Read Intensive	1.0		S26361-F5784-E384	S26361-F5784-L384	
7.68TB	2.5" (SFF)	SATA 6Gb/s	Read Intensive	0.5		S26361-F5784-E768	S26361-F5784-L768	

max. 8x - GX2570 M5

I

2.5" (SFF) Hard drives

HDD SATA 2.5" 7.2K 512n (SFF) Enterprise Business Critical with hot plug/hot replace tray							SGT Avenger	
Capacity	RPM	Interface	Sector			order code E-part	order code L-part	
1TB	7,200	SATA 6Gb/s	512n			S26361-F5763-E100	S26361-F5763-L100	
2TB	7,200	SATA 6Gb/s	512n			S26361-F5763-E200	S26361-F5763-L200	

max. 8x - GX2570 M5

HDD SATA 2.5" 7.2K 512e (SFF) Enterprise Business Critical with hot plug/hot replace tray							SGT Avenger	
Capacity	RPM	Interface	Sector			order code E-part	order code L-part	
1TB	7,200	SATA 6Gb/s	512e			S26361-F5764-E100	S26361-F5764-L100	
2TB	7,200	SATA 6Gb/s	512e			S26361-F5764-E200	S26361-F5764-L200	

max. 8x - GX2570 M5

HDD SAS 2.5" 10K 512e (SFF) Enterprise Business Critical with hot plug/hot replace tray							SGT Avenger	
Capacity	RPM	Interface	Sector			order code E-part	order code L-part	
600GB	10,000	SATA 6Gb/s	512e			S26361-F5767-E160	S26361-F5767-L160	
1.2TB	10,000	SATA 6Gb/s	512e			S26361-F5767-E112	S26361-F5767-L112	
1.8TB	10,000	SATA 6Gb/s	512e			S26361-F5767-E118	S26361-F5767-L118	
2.4TB	10,000	SATA 6Gb/s	512e			S26361-F5767-E124	S26361-F5767-L124	

max. 8x - GX2570 M5

J

2.5" (SFF) PCIe-SSD

PCIe-SSD 2.5" Mixed Use (SFF) Enterprise with hot plug/hot replace tray							Intel P4610	
Capacity	Formfactor	Interface	Endurance	DWPD		order code E-part	order code L-part	
1.6TB	2.5" (SFF)	PCIe3.0 x4	Mixed Use	3.0		S26361-F5754-E160	S26361-F5754-L160	
3.2TB	2.5" (SFF)	PCIe3.0 x4	Mixed Use	3.1		S26361-F5754-L320	S26361-F5754-L320	
6.4TB	2.5" (SFF)	PCIe3.0 x4	Mixed Use	3.2		S26361-F5754-E640	S26361-F5754-L640	

max. 4x - GX2570 M5

PCIe-SSD 2.5" Mixed Use (SFF) Enterprise with hot plug/hot replace tray							Intel P4510	
Capacity	Formfactor	Interface	Endurance	DWPD		order code E-part	order code L-part	
960GB	2.5" (SFF)	PCIe3.0 x4	Mixed Use	1.0		S26361-F5755-E100	S26361-F5755-L100	
1.92TB	2.5" (SFF)	PCIe3.0 x4	Mixed Use	1.0		S26361-F5755-E200	S26361-F5755-L200	
3.84TB	2.5" (SFF)	PCIe3.0 x4	Mixed Use	1.0		S26361-F5755-E400	S26361-F5755-L400	

max. 4x - GX2570 M5

K

Chapter 12 - LAN Components

Default: 2x 1GbE ports on systemboard

x1 **Dynamic LoM OCP PHY/PCIe interface cards**

PLAN EP XXV710-DA2 2x25Gb OCP Type 1	Dual Port NIC, Intel	S26361-F4055-E302	S26361-F4055-L302		
Optional, 25G DAC or 25G AOC for PLAN EP XXV710-DA2					
25G DAC - Brocade	2x	DAC are not in Fujitsu's portfolio yet. Thus, test only and purchase from switch vendors.			
25G DAC - Cisco	2x				
25G DAC - Intel	2x				
25G AOC - Brocade	2x			AOC are not in Fujitsu's portfolio yet. Thus, test only and purchase from switch vendors.	
25G AOC - Cisco	2x				
25G AOC - Intel	2x				
Max. 1x 25G DAC or 25G AOC Cable per PLAN EP XXV710-DA2 2x25Gb OCP Type 1. Using SFP28 optical transceivers is not allowed.					

10Gb Ethernet network components

10Gb Ethernet network adapters with RJ45 interface (10GBASE-T)			
Dual speed support, auto-sense: supports 10Gbps and 1Gbps line rate per-port. Only Marvell FastLinQ® adapters provide RDMA capabilities, both iWARP and RoCE. Intel adapter don't.			
PLAN EP QL41112 2x10GBASE-T LP	4x	2 port NIC with Universal RDMA, Marvell FastLinQ® QL41132HLCU	S26361-F4068-E202 S26361-F4069-L502
max. 4x adapters per system			

10G SFP+

10Gb Ethernet network adapters with SFP+ cage. Adapter ships with empty cages.			
Each cage consumes 1x optical SFP+ transceiver per port, or 1x twinax cable per port, or 1x DAC cable per port. Dual rate 10G/1G support requires 10G/1G Dual Rate SFP+ Optical Transceiver Modules. Only Marvell FastLinQ® adapters provide RDMA capabilities, both iWARP and RoCE. Intel adapters don't. For Converged Network Adapter features such as FCoE, iSCSI, iSCSI Offload please select the PCNA EP QL41262. Other adapters do not support CNA features.			
PLAN EP QL41132 2x10Gb SFP+ LP	4x	2 port NIC with Universal RDMA, Marvell FastLinQ® QL41132HLCU	S26361-F4069-E202 S26361-F4069-L502
Optional, 10Gb SFP+ optical transceiver module, one per cage			
SFP+ Optical Transceiver 10G Single Rate SR	1x .. 4x	LC, MMF / SR SFP+ module, up to 400m, Finisar	S26361-F3986-E3 S26361-F3986-L3
SFP+ Optical Transceiver 10G Single Rate LR	1x .. 4x	LC, SMF / LR SFP+ module, up to 10km, Finisar	S26361-F3986-E4 S26361-F3986-L4
SFP+ Optical Transceiver 10G/1G Dual Rate SR	1x .. 4x	LC, MMF / SR SFP+ module, up to 400m, Intel	S26361-F3986-E5 S26361-F3986-L5
SFP+ Optical Transceiver 10G/1G Dual Rate LR	1x .. 4x	LC, SMF / LR SFP+ module, up to 10km, Intel	S26361-F3986-E6 S26361-F3986-L6
SFP+ active Twinax Cable Fujitsu	1x .. 4x	Customized length. Best fitting length selected at rack factory installation.	S26361-F3989-E600
SFP+ active Twinax Cable Brocade	1x .. 4x		S26361-F3873-E500
Max. 4x SFP+, DAC, or Twinax Cable (DynamicLoM, QL41114, X710-DA4) per adapter, or max. 2x SFP+, DAC, or Twinax Cable (Dynamic LoM, QL4112, X710-DA2) per adapter			
max. 4x adapters per system			

J

Network cables for later upgrade

Fujitsu active SFP+ Twinax 10Gb cable	
SFP+ active Twinax Cable Fujitsu 2m	S26361-F3989-L102
SFP+ active Twinax Cable Fujitsu 5m	S26361-F3989-L105
SFP+ active Twinax Cable Fujitsu 10m	S26361-F3989-L110

Brocade active SFP+ Twinax 10Gb cable	
SFP+ active Twinax Cable Brocade 1m	S26361-F3873-L501
SFP+ active Twinax Cable Brocade 3m	S26361-F3873-L503
SFP+ active Twinax Cable Brocade 5m	S26361-F3873-L505

K

Chapter 13 - Fibre Channel Controller

Chapter 14 - Infiniband Controllers

S26361-F5717-E102/E202
100Gbit 1 / 2channel Infiniband Controller EDR technology (8.0GT/s)
1x / 2x Q-SFP+ connector
PCIe Gen3 x16, 170mm
max. 4

S26361-F5724-E102/E202
100Gbit 1 / 2channel Infiniband Controller HDR technology (8.0GT/s)
1x / 2x Q-SFP+ connector
PCIe Gen3 x16, 170mm
max. 4

L

Chapter 15 - Accessories

Q

<http://www.fujitsu.com/fts/products/computing/peripheral/accessories/index-facts.html>

USB Mouse:		
Mouse M520 Black	S26381-K467-E100	S26381-K467-L100
Mouse M520 Grey	S26381-K467-E101	S26381-K467-L101
Mouse M530 Black	n/a	S26381-K468-L100
Mouse M530 Grey	n/a	S26381-K468-L101



USB sticks (FOR PROJECTS ONLY) - no standard release		
ADATA USB 3.0 Flash Stick UE700 – 32GB		S26391-F6048-L332
ADATA USB 3.0 Flash Stick UE700 – 64GB		S26391-F6048-L364



USB Keyboards for Tower Servers for following countries:		
USB professional Keyboard KBPC PX EC	Country version	FUJITSU Keyboard KB521 USB (grey)
	US/ int 105 keys (UK keyboard + US int. Layout)	S26381-K521-E102
S26381-K341-E104	Czech/Slovak	S26381-K521-E104
S26381-K341-E110	US 104 keys (US keyboard + US layout)	S26381-K521-E110
S26381-K341-E120	Germany	S26381-K521-E120
S26381-K341-E122	Germany / Int	S26381-K521-E122
S26381-K341-E140	France	S26381-K521-E140
S26381-K341-E154	Sweden / Finland	S26381-K521-E154
S26381-K341-E165	United Kingdom	S26381-K521-E165
S26381-K341-E170	Switzerland	S26381-K521-E170
S26381-K341-E180	Spain	S26381-K521-E180
S26381-K341-E185	Italy	S26381-K521-E185



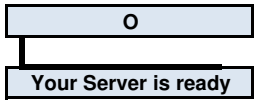
Please find the layout of all Fujitsu keyboards here:

USB Optical Disc Drive	
Fujitsu External Super Multi Drive	S26341-F103-L142



R

Chapter 16 - others



Legend

GR: General Release

NR: No release

	Model Name	GX2570 M5
Microsoft Windows		
Windows Server 2019		
Microsoft Hyper-V Server 2019		NR
Windows Server 2019 Datacenter		NR
Windows Server 2019 Standard		NR
Windows Server 2019 Essentials		NR
Windows Server 2016		
Microsoft Hyper-V Server 2016		NR
Windows Server 2016 Datacenter		NR
Windows Server 2016 Standard		NR
Windows Server 2016 Essentials		NR
Windows Storage Server 2016 Standard		NR
Windows Server 2012R2		
Microsoft Hyper-V Server 2012R2		NR
Windows Server 2012R2 Datacenter		NR
Windows Server 2012R2 Standard		NR
Windows Server 2012R2 Essentials		NR
Windows Server 2012R2 Foundation		NR
Windows Storage Server 2012R2 Standard		NR
RedHat Linux		
Red Hat Enterprise Linux 64-bit	6.10	NR
Red Hat Enterprise Linux 64-bit	7.5	NR
Red Hat Enterprise Linux 64-bit	7.6	GR
Red Hat Enterprise Linux 64-bit	8.0	NR
Suse Linux		
SUSE Linux Enterprise Server 12 64-bit	SP3	NR
SUSE Linux Enterprise Server 12 64-bit	SP4	NR
SUSE Linux Enterprise Server 15 64-bit	SP1	NR
Open Enterprise Server 2 32-bit		NR
Open Enterprise Server 2 64-bit		NR
VMware ESX Server		
ESXi 6.5 U1		NR
ESXi 6.5 U2		NR
ESXi 6.7		NR
ESXi 6.7U1		NR
Oracle		
Oracle Linux 6 (RHEL & UEK kernel) 64-bit	6.10	NR
Oracle Linux 7 (RHEL & UEK kernel) 64-bit	7.6	NR
Oracle Linux 7 (RHEL & UEK kernel) 64-bit	8.0	NR
Oracle Virtual Manager 3	3.4	NR
Solaris 11 64-bit		NR
Citrix		
XenServer	7.1	NR
XenServer	8.0	NR
Other		
WinPE		NR
CentOS	7.6	NR

No.	Date	Descriptions
1	2020/4/24	First version
2	2020/8/20	Delete the following cables - QSFP IB cable
3	2020/9/10	Delete power cable Change SATA SSD