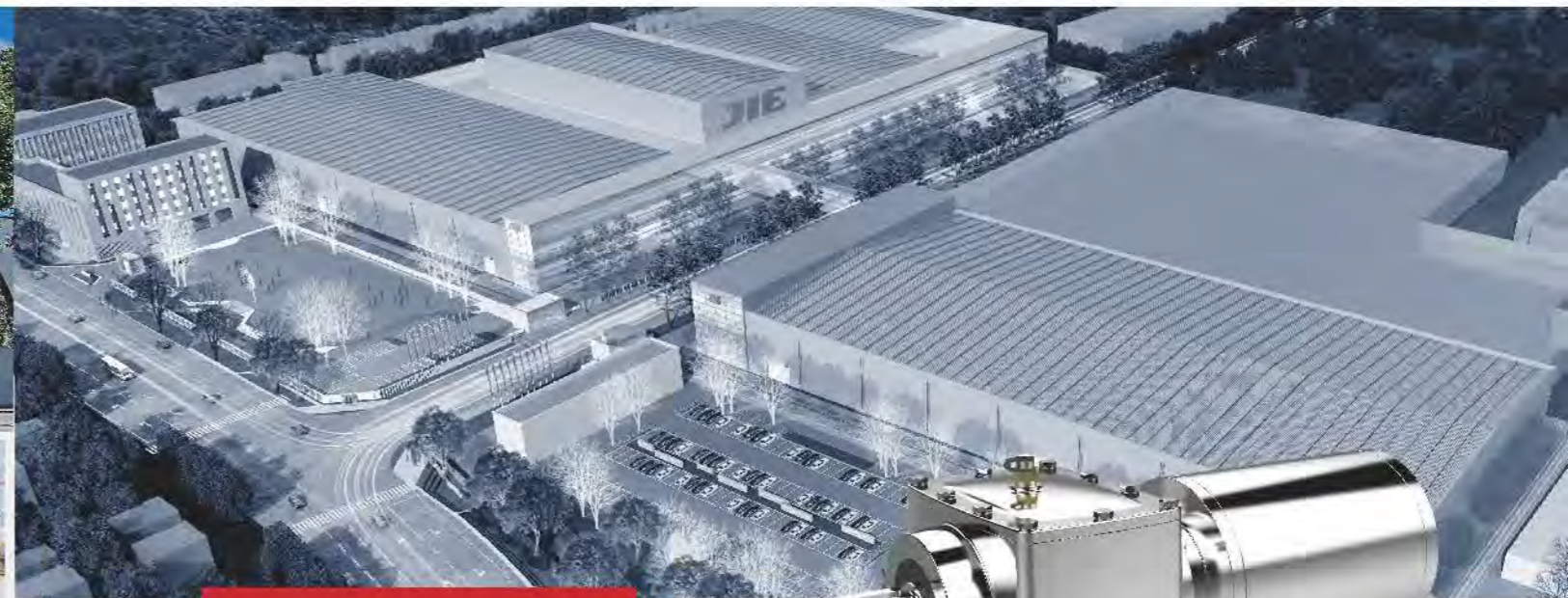




杰牌官方网站
JIE Website



杰牌官方微信
JIE Wechat



杰牌始创于1988年,坚持100年做好一台减速机。匠心打造齿轮行业百年企业。
杰牌减速机+电动机+变频器+传感器+物联网等智能传动方案,服务全球市场,杰牌为全球好客户做好产品。
杰牌坚持“专业化、智能化、全球化”发展规划,致力于智能工厂、智能产品、智能服务、智能体验、智能人才等工业4.0技术的创新与应用。
杰牌智能传动方案提供商!

Established in 1988, JIE has been insisting on manufacturing a great reducer in 100 years, aiming to build a century-old enterprise with its craftsmanship.
JIE serves global market with intelligent drive solutions incl. gear units, motors, inverters, sensors and Internet of Things. JIE is committed to providing great products for great partners across the world.
With the core strategy of "Specialization, Intelligence and Globalization", JIE is dedicated to the innovation and application of industry 4.0 technologies incl. intelligent plants, intelligent products, intelligent services, intelligent experiences, intelligent talents, etc.
JIE, a provider of Intelligent Drive Solutions!

杰牌传动
JIE DRIVE



JRES 不锈钢减速电机
JRES Stainless Steel Gearmotor



杭州杰牌传动科技有限公司
HANG ZHOU JIE DRIVE TECHNOLOGY CO.,LTD.

地址 Add: 中国杭州萧山·杭州空港经济区·杰牌路1号 邮编: 311223
No.1, JIE Road, Hangzhou Airport Economic Zone, Xiaoshan,
311223, Hangzhou, P.R. China

热线 Tel: +86 571 8299 1111 400 114 1111

总机 Call Center: +86 571 8299 2222

传真 Fax: +86 571 8299 3333

邮箱 E mail: jie@jie.com.cn

网址 Web: www.jie.com.cn www.jiedrive.com

JIE USA, INC.

Add : 493 Mission St. Carol Stream IL 60188 USA

Tel : +1 630 580 9986

E-mail: info@jie-drives.com

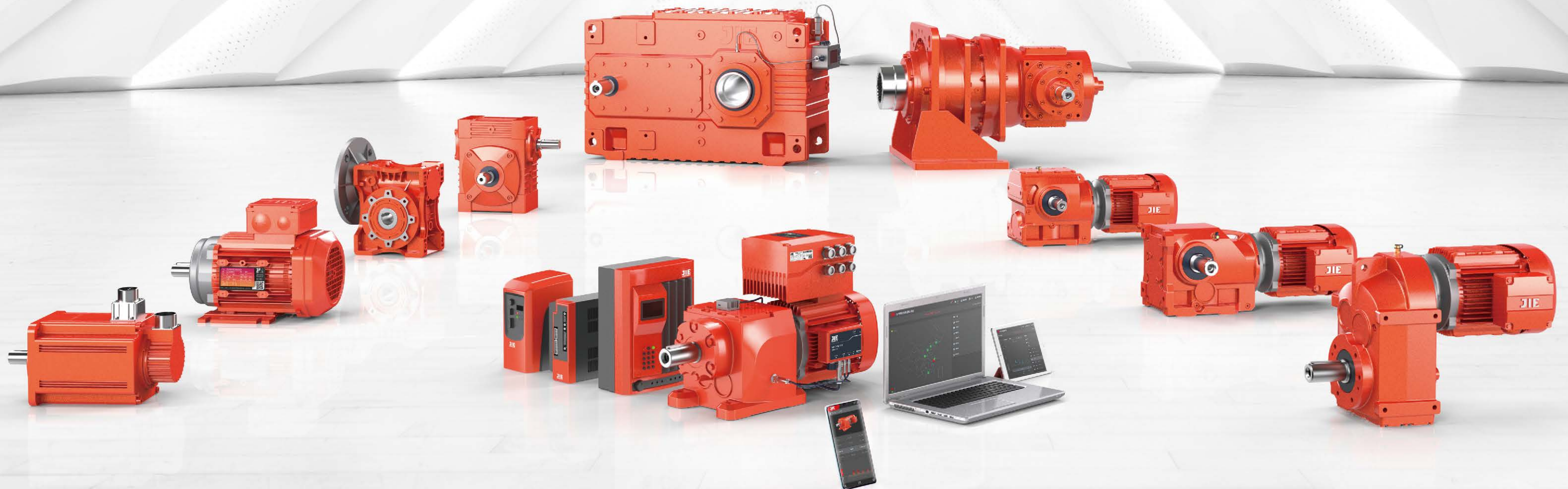
Web : www.jie-drives.com

图例号: 图例号-2020-L-01077078 版本号: JIEC-10-01C-2019A-1000
法律声明: 本图册及产品目录中的所有产品照片, 包括但不限于产品设计、外观、材料、颜色、包装、图案、数据、技术规范等内容, 已申请并
获得版权或注册商标知识, 受相关法律法规的保护。杰牌享有本图册和产品目录及其所包含内容、信息的知识产权。未经许可, 不得复制或
以任何方式使用。
Legal Notices: JIE obtained the authorization or relevant intellectual property against all the products or photos in this catalogue including but not limited to the design, appearance,
material, color, packing, drawing, data, technical specification, etc. and is protected by relevant laws and regulations. If without permission, it is forbidden to copy, plagiarize or use for other purpose.

因专业 而杰出
Excellence From Expertise

杰牌智能传动方案提供商

JIE INTELLIGENT DRIVE SOLUTIONS PROVIDER



JIE
JDRIVE

旭
日
东
升

生
机
盎
然

万
物
之
灵

天
地
之
杰



目 录

P6-7	一. 选型步骤
P8	二. 产品图片
P9	三. 产品说明
P10-12	四. 型号说明
P13-20	五. 选型说明
P21-30	六. JRESR 不锈钢齿轮减速电机
P31-40	七. JRESK 锥齿轮-不锈钢齿轮减速电机
P41-45	八. JRESSD 不锈钢蜗杆减速电机
P47-54	杰牌传动产品目录



CONTENTS

P6-7	Selection Guide
P8	Product Pictures
P9	Product Description
P10-12	Model Description
P13-20	Selection Description
P21-30	JRESR Helical Inline Stainless Steel Gearmotor
P31-40	JRESK Helical Bevel Stainless Gearmotor
P41-45	JRESSD Stainless Worm Gearmotor
P47-54	JIE Drive Product Catalogue

一. 选型步骤

Selection Guide



1

选择杰牌传动产品

例: JRESR 不锈钢齿轮减速电机、JRESK 锥齿轮-不锈钢齿轮减速电机、JRESSD 不锈钢蜗杆减速电机等信息。

Select JIE Drive product

Example: Pick the right model, JRESR helical inline stainless steel gearmotor, JRESK helical bevel stainless steel gearmotor, JRESSD stainless worm gearmotor.

2

输入现用产品品牌

例: 杰牌传动、欧美日品牌、中国品牌等信息。

Enter current product brand

Example: JIE Drive or competitors.

3

输入现用产品参数

例: JRESR 不锈钢齿轮减速电机、JRESK 锥齿轮-不锈钢齿轮减速电机, 规格 37-67, 传动比 3.41-199.81, 输入功率 0.18-7.5kW, 输出扭矩 26-910Nm; JRESSD 不锈钢蜗杆减速电机, 规格 40-63, 速比 7.5-100, 输入功率 0.09-1.5kW, 输出扭矩 11-167Nm 等型号规格信息。

Enter current product specifications

Example: JRESR helical inline stainless steel gearmotor, JRESK helical bevel stainless steel gearmotor, size 37-67, ratio 3.41-199.81, input power 0.18-7.5kW, output torque 26-910Nm, JRESSD stainless worm gearmotor, size 40-63, ratio 7.5-100, input power 0.09-1.5kW, output torque 11-167Nm and other specifications.

4

生成杰牌产品型号规格

例: JRESR37SS80-4P-15.60-0°, JRESKA37SS80-4P-28.83-A-0°, JRESSD63-7.5-71B14 等型号规格信息。

Generate JIE Drive model and specifications

Example: JRESR37SS80-4P-15.60-0°, JRESKA37SS80-4P-28.83-A-0°, JRESSD63-7.5-71B14 and other models.

5

生成杰牌产品2D/3D图

例: JRESR37SS80-4P-15.60-0°, JRESKA37SS80-4P-28.83-A-0°, JRESSD63-7.5-71B14 等产品2D/3D图信息。

Generate 2D/3D drawings of JIE Drive products

Example: 2D/3D drawings of JRESR37SS80-4P-15.60-0°, JRESKA37SS80-4P-28.83-A-0°, JRESSD63-7.5-71B14 and other models.

6

确认技术质量标准

例: 技术质量标准按杰牌相关标准和双方协议约定的标准执行, 质保期自发货之日起18个月或实际使用之日起12个月, 以先到为准等信息确认。

Confirm the technical quality standard

Example: The technical and quality standards shall be implemented according to the relevant standards of JIE Drive and the standards agreed by both parties. The warranty period shall be 12 months after start using products or 18 months after shipment from JIE whichever comes earlier.

7

确认交期服务标准

例: 首次合作按双方协议约定时间交货; 提供1+3滚动计划时7天交货, 包括总用量、年用量、月用量、批用量、试用用量; 售前服务、售中服务、售后服务和预单管理等信息确认。

Confirm delivery standard

Example: Delivery shall be made according to the time agreed by both parties for the first cooperation; 7 days lead time base on 1+3 rolling plan, including total usage, annual usage, monthly usage, batch usage and sample; confirmation of pre-sales service, in-sales service, after-sales service and pre-order management.

8

确认结算价格标准

例: 30%定金款到后订单生效, 余款款到后发货; 价格按双方协议约定的价格执行等信息确认。

Confirm the settlement price standard

Example: The order comes into effective after 30% deposition received and products will be delivered after balance payment; price shall be subject to agreed upon both parties.

9

确认产品订单信息

例: 产品名称、型号规格、技术参数、订单数量、包装形式、运输方式、下单时间、交付时间、交付地点、收货单位等信息确认。

Confirm order information

Example: Confirm product type, model, specification; order quantity, packaging, transportation, P.O issue time, delivery time, delivery location, receiving company and other order information.

10

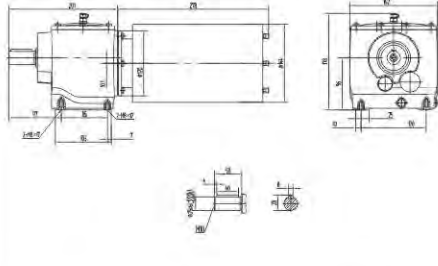
确认产品交付信息

例: 样机订单交付、小批订单交付、批量订单交付等信息确认。

Confirm product delivery information

Example: Confirm prototype delivery, small batch delivery, batch delivery and other delivery information.

5. 生成杰牌产品2D/3D图 Generate 2D/3D drawing of JIE products



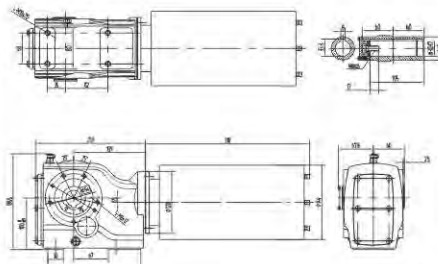
型号	JRES2055S65-4P-5.00-0
额定功率	5.75
额定电压	560
额定转速	3354
额定转矩	4.4
额定电流	108
额定效率	87
绝缘等级	F
防护等级	IP54
冷却方式	自然冷却
重量	1.2
外形尺寸	230/1450
轴径	50
轴伸长度	770
轴端螺纹	M20

尺寸对照表	
名称	
标准尺寸	
定制尺寸	

新增物料表	
序号	1 2 3
名称	

性能参数表	
名称	
标准性能	
定制性能	

外形图	
品牌	JIE
系列	JDRIVE
名称	JRES2055S65-4P-5.00-0
型号	JRES2055S65-4P-5.00-0
重量	
尺寸	



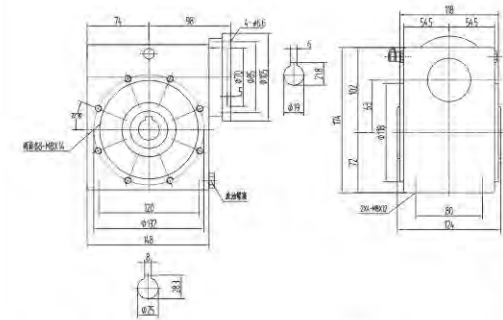
型号	JRES4475S80-4P-28.00-4-0
额定功率	1
额定电压	280V
额定转速	877R
额定转矩	14
额定电流	11
额定效率	87
绝缘等级	F
防护等级	IP54
冷却方式	自然冷却
重量	1.2
外形尺寸	220/1360
轴径	50
轴伸长度	600
轴端螺纹	M20

尺寸对照表	
名称	
标准尺寸	
定制尺寸	

新增物料表	
序号	1 2 3
名称	

性能参数表	
名称	
标准性能	
定制性能	

外形图	
品牌	JIE
系列	JDRIVE
名称	JRES4475S80-4P-28.00-4-0
型号	JRES4475S80-4P-28.00-4-0
重量	
尺寸	



型号	JRES3063-75-7.00
额定功率	7.5
额定电压	~5

尺寸对照表	
名称	
标准尺寸	
定制尺寸	

新增物料表	
序号	1 2 3
名称	

性能参数表	
名称	
标准性能	
定制性能	

外形图	
品牌	JIE
系列	JDRIVE
名称	JRES3063-75-7.00
型号	JRES3063-75-7.00
重量	
尺寸	



二. 产品图片 Product Pictures



三. 产品说明

Product Description

杰牌JRES不锈钢减速电机, 拥有自主知识产权, 产品采用不锈钢铸造箱体, 符合欧盟食品机械卫生设计指引系列标准, 具有外观美、低噪音、不漏油、易清洗、高防护和安全环保等亮点, 包括JRESR不锈钢齿轮减速电机、JRESK锥齿轮—不锈钢齿轮减速电机、JRESSD不锈钢蜗杆减速机等全系列产品。所有外露金属件均采用不锈钢304, 箱体表面工艺有: 加工、抛光和铸造三种工艺可供选择。

杰牌JRES不锈钢减速电机, 通过完整产品策划与设计 and 全价值链精益生产最优方案实施, 推进精益生产、建设智能工厂, 实现研产供销服一体化, 以满足客户对快速响应的需求。

杰牌JRES不锈钢减速电机, 遵循模块化和最优化设计理念, 其中JRESR不锈钢齿轮减速电机、JRESK锥齿轮—不锈钢齿轮减速电机产品包括减速电机、实心轴输出模块、空心轴输出模块、底脚安装等输入接口、输出模块和安装形式。JRESSD不锈钢蜗杆减速电机产品包括IEC电机法兰输入接口、实心轴输出模块、空心轴输出模块、底脚安装、扭矩臂安装等输入接口、输出模块和安装形式。并可根据客户需要进行个性化的设计与制造。

杰牌为全球好客户做好产品!

JRES stainless steel gearmotor with independent intellectual property rights. The product adopts the stainless steel casting housing, which conforms to the European Union EHEDG Guidelines Hygienic equipment design criteria. It has beautiful appearance and features low noise, no oil leakage, easy to clean, high protection grade and safety and environmental protection. It includes JRESR helical inline stainless steel gearmotor, JRESK helical bevel stainless steel gearmotor, JRESSD stainless worm gearmotor. All parts of outside all use stainless steel 304 material, and the processing of the gear housing surface have 3 choices, it has machining, polishing and casting.

JRES stainless steel gearmotor promotes lean production, builds intelligent factories, and realizes the integration of research, production, supply, marketing and service, so as to meet customers' demand for rapid response through complete product planning and design such as "core product-extreme technology, peripheral product-extreme service, external product-extreme experience" and the implementation of the optimal plan of lean production in the whole value chain such as "product planning, design validation, processing test, assembly test, warehouse logistics, sales service, information system, HR, operation plan, strategy planning".

JRES stainless steel gearmotor follows the concept of modular and optimized design. For JRESR helical inline stainless steel gearmotor, JRESK helical bevel stainless steel gearmotor includes gearmotor, solid shaft output module, hollow shaft output module, foot mounting and other input interface, output module and installation types. For JRESSD stainless worm gearmotor includes IEC electric motor interface, solid shaft output module, hollow shaft output module, foot mounting, torque arm mounting and other input interface, output module and installation types. And it can be customized in design and manufacturing according to customer needs.

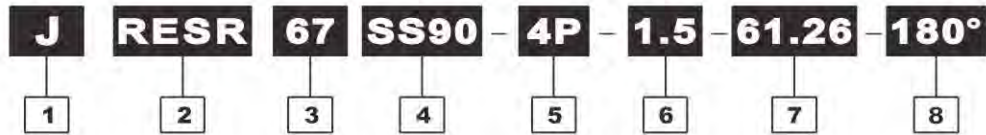
JIE Drive provides great products for great clients across the world!



四. 型号说明 Model Description

1. JRESR 不锈钢齿轮减速电机型号说明

JRESR Helical Inline Stainless Steel Gearmotor Model Description



1

企业代码
J-杰牌传动

Enterprise code
J-JIE Drive

2

产品代码
RESR-不锈钢齿轮减速电机

Product code
RESR- Stainless steel helical gear reducer for food

3

减速机规格
67-减速机规格67

Gear reducer size number
67-Gear reducer size number 67

4

不锈钢电动机规格
SS90-不锈钢电机规格号90

Specification code for stainless steel motor
SS90-Stainless steel motor size number 90

5

电动机极数
4P-电动机极数4

Motor pole number
Motor pole number 4

6

电机功率
1.5-电机功率1.5kW

Power of motor
1.5- Motor power 1.5kw

7

减速电机传动比
61.26-减速机传动比61.26

Gear ratio of speed reducer
61.26- Reducer transmission ratio is 61.26

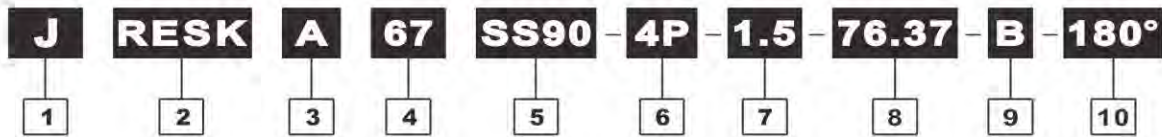
8

接线盒位置
无代码-安装型式图中0° 位置
180° -安装型式图中180° 位置

Junction box position
No code-0° position in installation pattern diagram
180° - 180° position in the installation pattern diagram

2. JRESK 锥齿轮-不锈钢齿轮减速电机型号说明

JRESK Helical Bevel Stainless Gearmotor Model Description



1

企业代码
J-杰牌传动

Enterprise code
J-JIE Drive

2

产品代码
RESK-不锈钢锥齿轮-齿轮减速电机

Product code
RESK- Stainless steel helical gear reducer for food

3

装配型式
无代码-底脚安装
A-空心轴安装

Assembly type
No code-foot mounting
A-Hollow shaft mounting

4

减速电机规格
67-减速机规格67

Gear reducer size number
67-Gear reducer size number 67

5

不锈钢电动机规格
SS90-不锈钢电机规格90

Specification code for stainless steel motor
SS90-Stainless steel motor size number 90

6

电动机极数
4P-电动机极数4

Motor pole number
Motor pole number 4

7

电机功率
1.5-电机功率1.5kW

Power of motor
1.5- Motor power 1.5kW

8

减速机传动比
76.37-减速机传动比76.37

Gear ratio of speed reducer
76.37- Reducer transmission ratio is 76.37

9

轴指向
A-轴指向A;
B-轴指向B;

Axis direction
A- axis points to A;
B- axis points to B;

10

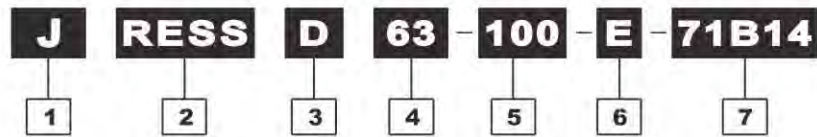
接线盒位置
无代码-安装型式图中0° 位置
180° -安装型式图中180° 位置

Junction box position
No code-0° position in installation pattern diagram
180° - 180° position in the installation pattern diagram



3. JRESSD 不锈钢蜗杆减速电机型号说明

JRESSD Stainless Worm Gearmotor Model Description



1

企业代码
J-杰牌传动

Enterprise code
J-JIE Drive

2

产品代码
RESS-不锈钢蜗杆减速机

Product code
RESS- Stainless steel worm gear reducer

3

入轴连接方式D:
带电机法兰

Input shaft connecting mode D:
with motor flange

4

产品规格: 63,
以蜗杆副中心距表示

Product specification: 63,
Named by center distance of worm gear pair

5

传动比: 100

Ratio:100

6

附件
A-单输出轴
B-双输出轴
E-带扭力臂
无代码-不带扭力臂

Accessory
A-Single output shaft
B-Double output shaft
E-With torque arm
no code-No torque arm

7

法兰规格

71-与之匹配电机机座号
B5、B14-电机法兰结构

Flange Specification
71-Matching motor size number
B5、B14- Flange structure of motor

五. 选型说明 Selection Description

1. 使用系数 Service Factor

JRESR不锈钢齿轮减速电机、JRESK锥齿轮-不锈钢齿轮减速电机是按载荷平稳, 每天工作时间一定和少量起停次数的情况设计的, 而在实际使用中往往不是处于此种理想状况, 因此必须按照实际情况的载荷类型、运行时间、起动频率来确定工作机数 f_{B1} 、原动机系数 f_{B2} 、起动系数 f_{B3} 。使用小于或等于选型表中的使用系数 f_B , 即 $f_{B1} \times f_{B2} \times f_{B3} \leq f_B$ 。或将工作机所需的扭矩乘以使用系数 ($f_{B1} \times f_{B2} \times f_{B3}$) 应小于或等于齿轮减速电机的许用扭矩。

Gear units are designed under the circumstance of steady load, stated operating time per day and a few starting times. But the practical condition will be not as perfect as the designed circumstance. So we must confirm driven machine factor f_{B1} , prime mover factor f_{B2} , starting factor f_{B3} according to actual load type, operating time, starting frequency. Let it less than or equal to the service factor f_B of selection table, viz $f_{B1} \times f_{B2} \times f_{B3} \leq f_B$. The needed torque of service machine multiply the service factor ($f_{B1} \times f_{B2} \times f_{B3}$) should less than or equal to gear units' permissible torque.

即 $M_a \geq M_d \times f_{B1} \times f_{B2} \times f_{B3}$

- f_{B1} -工作机系数 (见表1) f_{B1} -driven machine factor(see table 1)
- f_{B2} -原动机系数 (见表2) f_{B2} -prime mover factor (see table 2)
- f_{B3} -起动系数 (见表3) f_{B3} -starting factor(see table 3)
- M_d -工作机所需转矩 M_d -the needed torque of driven machine
- M_a - 齿轮减速电机许用转矩 M_a -gear units' permissible torque

工作机 Driven machines		日工作小时数 The day work hours		
		$\leq 0.5h$	0.5-10h	$> 10h$
污水处理 Waste water treatment	浓缩器 (中心传动) Thickeners (central drive)	-	-	1.2
	压滤器 Fitter presses	1.0	1.3	1.5
	絮凝器 Flocculation apparata	0.8	1.0	1.3
	曝气机 Aerators	-	1.8	2.0
	搂集设备 Raking equipment	1.0	1.2	1.3
	纵向、回转组合搂集装置 Combined longitudinal and rotary rakes	1.0	1.3	1.5
	预浓缩器 Pre-thickeners	-	1.1	1.3
	螺杆泵 Screw pumps	-	1.3	1.5
	水轮机 Water turbines	-	-	2.0
	离心泵 Centrifugal pumps	1.0	1.2	1.3
	1个活塞容积式泵 1 piston positive-displacement pumps	1.3	1.4	1.8
	>1个活塞容积式泵 > 1 piston positive displacement pumps	1.2	1.4	1.5
挖泥机 Dredgers	斗式运输机 Bucker conveyors	-	1.6	1.6
	倾卸装置 Dumping devices	-	1.3	1.5
	Cartepillar行走机构 Carterpillar travelling gears	1.2	1.6	1.8
	斗轮式挖掘机 (用于捡拾) Bucket wheel excavators as pick-up	-	1.7	1.7
	斗轮式挖掘机 (用于粗料) Bucket wheel excavators for primitive material	-	2.2	2.2
	切碎机 Cutter heads	-	2.2	2.2
	行走机构* Traversing gears*	-	1.4	1.8
弯板机* Plate bending machines	-	1.0	1.0	
化学工业 Chemical industry	挤压机 Extnuders	-	-	1.6
	调浆机 Dough mills	-	1.8	1.8
	橡胶研光机 Rubber calenders	-	1.5	1.5
	冷却圆筒 Cooling drums	-	1.3	1.4
	混料机, 用于均匀介质 Mixers for uniform media	1.0	1.3	1.4
	混料机, 用于非均匀介质 Mixers for non-uniform media	1.4	1.6	1.7
	搅拌机, 用于密度均匀介质 Agitators for media with uniform density	1.0	1.3	1.5
	搅拌机, 用于非均匀介质 Agitators for media with non uniform density	1.2	1.4	1.6
	搅拌机, 用于不均匀气体吸收 Agitators for media with non uniform gas absorption	1.4	1.6	1.8
	烘炉 Toasters	1.0	1.3	1.5
离心机 Centrifuges	1.0	1.2	1.3	
起重机械 Cranes	回转机构 Slewing gears	2.5	2.5	3.0
	俯仰机构 Luffing gears	2.5	2.5	3.0
	行走机构 Travelling gears	2.5	3.0	3.0
	提升机构 Hoisting gears	2.5	2.5	3.0
	转臂式起重机 Derricking jib cranes	2.5	2.5	3.0





工作机 Driven machines		日工作小时数 The day work hours		
		≤0.5h	0.5-10h	>10h
金属加工设备 Metal working mills	翻板机 Plate titers	1.0	1.0	1.2
	推钢机 Ingot pushers	1.0	1.2	1.2
	绕线机 Winding machines	-	1.6	1.6
	冷床横移架 Cooling bed transfer frames	-	1.5	1.5
	辊式矫直机 Roller straighteners	-	1.6	1.6
	辊道(连续式) Roller tables continuous	-	1.5	1.5
	辊道(间歇式) Roller tables intermittent	-	2.0	2.0
	可逆式轧管机 Roller tables Reversing tube mills	-	1.8	1.8
	剪切机(连续机)* Shears continuous*	-	1.5	1.5
	剪切机(曲柄式)* Shears crank type*	1.0	1.0	1.0
	连铸机驱动装置 Continuous casting drivers	-	1.4	1.4
	可逆式开坯机 Reversing blooming mills	-	2.5	2.5
	可逆式板坯轧机 Reversing slabbing mills	-	2.5	2.5
	可逆式线材轧机 Reversing wire mills	-	1.8	1.8
	可逆式薄板轧机 Reversing sheet mills	-	2.0	2.0
	可逆式中厚板轧机 Reversing plate mills	-	1.8	1.8
辊缝调节驱动装置 Roll adjustment drives	0.9	1.0	-	
输送机械 Conveyors	斗式输送机 Bucket conveyors	-	1.2	1.5
	绞车 Hauling winches	1.4	1.6	1.6
	卷扬机 Hoists	-	1.5	1.8
	皮带输送机<150kw Belt conveyors<150kw	1.0	1.2	1.3
	皮带输送机≥150kw Belt conveyors≥150kw	1.1	1.3	1.5
	货用电梯* Goods lifts*	-	1.2	1.5
	客用电梯* Passenger lifts*	-	1.5	1.8
	刮板式输送机 Apron conveyors	-	1.2	1.5
	自动扶梯 Escalators	-	1.2	1.4
	轨道行走机构 Rail travelling gears	-	1.5	-
变频装置 Frequency converters	-	1.8	2.0	
往复式压缩机 Reciprocating compressors	-	1.8	1.9	
冷却塔 Cooling towers	冷却塔风扇 Cooling tower fans	-	-	2.0
	风机(轴流和离心式) Blowers(axial and radial)	-	1.4	1.5
蔗糖生产 Cane sugar production	甘蔗切碎机* Cane knives*	-	-	1.7
	甘蔗碾磨机 Cane mills	-	-	1.7
甜菜糖生产 Beet sugar production	甜菜绞碎机 Beet cossettes macerators	-	-	1.2
	榨取机, 机械致冷机, 蒸煮机 Extraction plants, Mechanical refrigerators, Juice boilers	-	-	1.4
	甜菜清洗机 Sugar beet washing machines	-	-	1.5
	甜菜切碎机 Sugar beet cutters	-	-	1.5
造纸机械 Paper machines	各种类型** Of all-kind**	-	1.8	2.0
	碎浆机驱动装置 Pulper drives	2.0	2.0	2.0
	离心式压缩机 Centrifugal compressors	-	1.4	1.5
索道缆车 Cableways	运货索道 Material ropeways	-	1.3	1.4
	往返系统空中索道 To-and fro system aerial ropeways	-	1.6	1.8
	T型杆升降 T-barlifts	-	1.3	1.4
	连续索道 Continuous ropeways	-	1.4	1.6
水泥工业 Cement industry	混凝土搅拌器 Concrete mixers	-	1.5	1.5
	破碎机* Breakers*	-	1.2	1.4
	回转窑 Rotary kilns	-	-	2.0
	管式磨机 Tube mills	-	-	2.0
	选粉机 Separators	-	1.6	1.6
	辊压机 Roll crushers	-	-	2.0

电机, 液压马达, 汽轮机 Electric motos, hydraulic motors, turbines	1.0
4-6缸活塞发动机 Piston engines 4-6 cylinders	1.25
1-3缸活塞发动机 Piston engines 1-3 cylinders	1.5

启停次数/每小时 Number of starts and stop/hour	
<10	1
10< f_{B3} <100	1.15
100< f_{B3} <500	1.25

为正确选择JRESSD不锈钢蜗杆减速电机, 敬请用户首先了解以下几点:
Please understand the following at first in order to select the model of JRST worm gear reducer properly:

- 负荷条件。
Load condition.
- 使用转速范围或传动比(与双级组合可获得超低输出转速)。
Speed scope or ratio in application.
- 工作运转情况及环境(温度、湿度、腐蚀等)。
Working condition and environment.
- 安装空间。
Installation space.



确定使用系数f1及使用系数f2。
Define working condition Coefficient

- 根据表1, 决定机械负荷种类A、B、C。
Ensure machinery load types A, B, C according to table 1.
- 根据运转时间(小时/天)和启动频率(次数/小时)从图1中求得使用系数f1。
Get the working condition coefficient K1 from diagram 1 according to turning time (hour/day) and start frequency (times/hour).
- 根据表2, 查取使用系数f2。
Inspect working condition and select coefficient

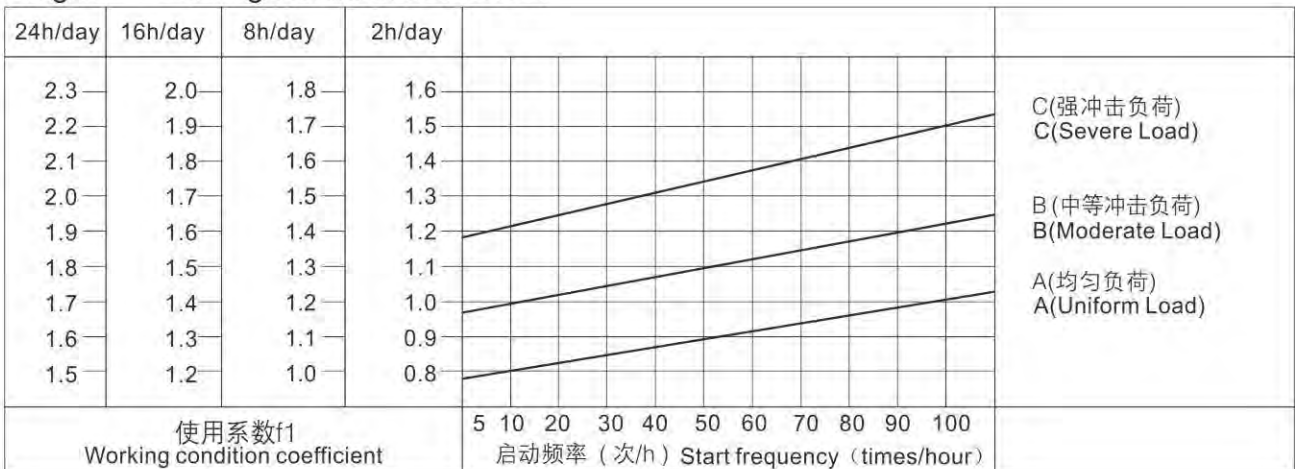
机械负荷种类选定(表1)
Table 1 Machinery load classification selection

使用情况 Using situation	示例 Example	负荷种类 Load type
无冲击均匀负荷 Uniform load	传送带(均速输送) Convey band(uniform conveying)	A(均匀负荷) A(Uniform load)
中等冲击负荷 Moderate Load	传送带(变速输送) Speed changed conveying	B(中等冲击负荷) B(Moderate load)
强烈冲击负荷 Severe Load	压缩机、粉碎机等 Compressor, pulverizer, etc.	C(强冲击负荷) C(Severe load)

使用系数f2选定(表2)
Table 2 Working condition coefficient

环境温度 Ambient temperature	使用系数f2 Working condition coefficient
-10°C ~ 30°C	1
30°C ~ 40°C	1.1 ~ 1.2

使用系数f1选定(图1)
Diagram 1 working condition coefficient



选定JRESSD不锈钢蜗杆减速电机

Reducer selected



- 用户须先确定工作机输入机械负荷T(转矩)，以T乘以使用系数f1,再乘以使用系数f2,即获得 不锈钢蜗杆减速电机应有的输出转矩值，以此为据，并结合传动比值或输出转速值，选定所需JRESSD不锈钢蜗杆减速电机规格。
At first it is better to make sure the value of input machinery load T(torque) and then you can get the output torque through T multiply with work situation coefficient K1 and work situation revise coefficient K2 .The required model can be gained by the above and connecting ratio or output speed.
- 用户也可以根据已知的输入功率，结合传动比值或输出转速值，计算输出转矩，选定JRESSD不锈钢蜗杆减速电机。
You can also select the reducer as followings:calculate output torque according to known input power and then select the reducer in accordance with output torque and rotate speed.
- 本公司JRESSD不锈钢蜗杆减速电机均为右旋螺牙，根据右手定则，确定输入轴、输出轴回转方向。
Our standard reducers all have right-hand helical tooth,deciding the rotating direction of input shaft and output shaft according to the right-hand criterion.

2. 径向和轴向负载 Overhung and Axial loads

径向负载

Determining overhung load

确定径向负载时,要考虑安装在轴端传动部件的影响, 传动部件系数 f_z 列于下表:

When determining the overhung load, the type of transmission element mounted on the shaft end must be considered. The transmission element factors f_z are listed as follows.

传动部件 Transmission element	传动部件系数 f_z Transmission element factor f_z	备注 Comments
齿轮 Gears	1.15	> 17齿 >17teeth
链轮 Chain sprockets	1.40	> 13齿 >13teeth
链轮 Chain sprockets	1.25	> 20齿 >20teeth
窄V型带 Narrow V-belt pulleys	1.75	预应力影响 Pre-tensioning influence
宽平皮带 Flat belt pulleys	2.50	预应力影响 Pre-tensioning influence
齿型皮带 Toothed belt pulleys	2.5	预应力影响 Pre-tensioning influence

作用在电机或不锈钢齿轮减速电机轴伸上的径向力按下式计算:

The overhung load exerted on the motor or gear shaft is then calculated as follows:

$$F_R = \frac{M_d \cdot 2000}{d_o} \cdot f_z$$

F_R 径向载荷(N)
Overhung load in N

M_d 力矩(Nm)
Torque in Nm

d_o 节圆直径(mm)
Mean diameter of the mounted transmission element in mm

f_z 传动部件系数
Transmission element factor

作用的径向载荷

Permitted overhung load

根据耐磨轴承额定寿命 L_{H10} 来确定许用径向载荷。

对于特殊的运行条件,许用径向载荷根据所要求的修正寿命 L_{na} 来确定。

对于地脚安装实心轴输出的不锈钢齿轮减速电机许用径向载荷列于不锈钢齿轮减速电机的选型表中。

According the rate service life L_{H10} of the anti-friction bearings to define the permitted overhung loads.

For the special operating conditions, the permitted overhung loads can be determined by the modified service life L_{na} .

The permitted overhung loads F_{Ra} for the output shafts of foot-mounted gear units with a solid shaft are listed in the selection tables for geared motors. Please contact JIE in case of other types.

选型表中的径向力数值按照力作用于轴伸的中点 (JRESK锥齿轮-不锈钢齿轮减速电机按照A端输出轴考虑)。径向力作用角度 α 和旋转方向已经按最不利的条件给予考虑。

The data refer to the radial force acting midway on the shaft end (with right-angle gear units on the A-side output). Worst case conditions have been assumed for the force application angle α and the direction of rotation.



更高的许用径向载荷

Higher approved overhung loads

对于JRESR不锈钢齿轮减速电机、JRESK锥齿轮-不锈钢齿轮减速电机，安装重载轴承可提高许用径向载荷。另外，精确考虑旋转方向和力作用角 α ，也可提高许用径向载荷，在此情况下，请和杰牌联系。

It possible to achieve a higher overhung load by exactly considering the force application angle α and the direction of rotation. In addition, higher output shaft loads are permitted if heavy duty bearings are installed, especially with R, F and K gear units. Please contact JIE in this case.

所受力的定义

Definition of force application

所受力根据下图来定义

Force application is defined according to the following diagram:

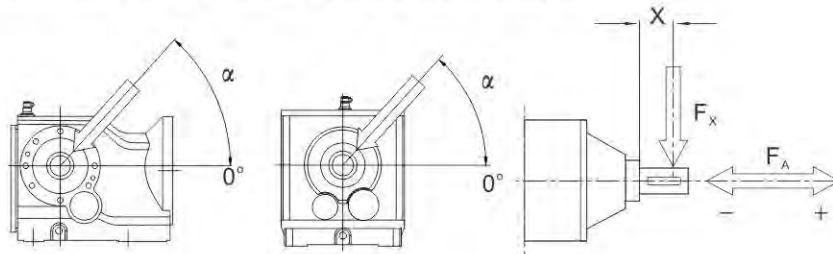


图: 受力定义

Fig: Definition of force application

F_x = 在X点的许用径向载荷(N)
Approved overhung load at point X [N]

F_A = 许用轴向载荷(N)
Approved axial load [N]

许用轴向载荷

Approved axial loads

如果没有径向载荷，那么轴向载荷 F_A (+表示拉力，-表示压紧力)依据表中径向负荷的50%给定是允许的，这适用于

If there is no overhung load, then an axial load F_A (tension or compression) amount to 50% of the overhung load given in the selection tables is approved. This applies to the following gear-d motors:

- JRESR不锈钢齿轮减速电机
Helical geared motors
- JRESK锥齿轮-不锈钢齿轮减速电机(实心轴)
Parallel shaft and helical bevel geared motors with solid shaft

偏离中心点的径向力

Overhung load conversion for off-center force application

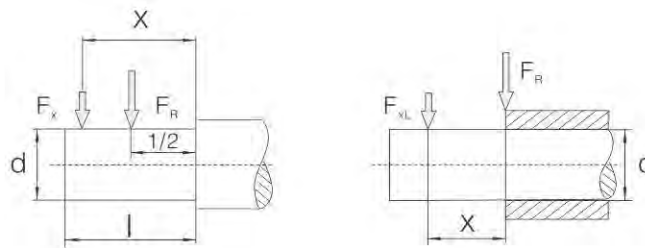
对于受力点不在轴端中点的允许径向载荷要根据下面的公式计算。 F_{XL} 和 F_{xw} 中的较小值是在 X 点允许数值，所计算的数值应用于 M_{amax}

The approved overhung loads given in the selection tables must be calculated using the following formulae in the event of force application not in the center of the shaft end. The smaller of the two values F_{XL} (according to bearing service life) and F_{xw} (according to shaft strength) is the approved value for the overhung load at point x. Note that the calculations apply to M_{amax} .

根据轴承寿命 F_{XL}
 F_{XL} acc.to bearing service life $F_{XL} = F_{ra} \cdot \frac{a}{b+x}$ [N]

根据输出轴强度 F_{xw}
 F_{xw} from the shaft strength $F_{xw} = \frac{c}{f+x}$ [N]

- F_{ra} = 对于底脚安装不锈钢齿轮减速电机的允许径向载荷（选型表中所列值）单位：N
 Approved overhung load ($x=1/2$) for foot-mounted gear units according to the selection tables in [N]
- X = 从轴肩到受力点的距离
 Distance from the shaft shoulder to the force application point in [mm]
- a,b,f = 对于径向负载转化的不锈钢齿轮减速电机常量
 Gear unit constants for overhung load conversion [mm]
- c = 对于径向负载转化的不锈钢齿轮减速电机常量
 Gear unit constant for overhung load conversion [Nmm]



图：偏离中心点的径向力 F_x
 Fig:Overhung load F_x for off-center force application

据径向负载转化所得的不锈钢齿轮减速电机常量

Gear unit constants for overhung load conversion

不锈钢齿轮减速电机常量 Gear unit type	a [mm]	b [mm]	c [Nmm]	f [mm]	d [mm]	l [mm]
JRESR37	118	93	1.24×10^5	0	25	50
JRESR47	137	107	2.44×10^5	15	20	60
JRESR57	147.5	112.5	3.77×10^5	18	35	70
JRESR67	168.5	133.5	2.51×10^5	0	35	70
JRESK37	123.5	98.5	1.41×10^5	0	25	50
JRESK47	153.5	123.5	1.78×10^5	0	30	60
JRESK57	169.7	134.7	6.8×10^5	31	35	70
JRESK67	181.3	141.3	4.12×10^5	0	40	80

对于没有列出的类型的值需要给定。

Values for types not listed are available on request.



3. 选型示例

Examples for Model Chosen



例1 通用传送带 (均匀负荷)

EX1 Common convey band(uniform load)

扭矩: 20Nm, 运转时间: 8小时/天,
 转速: 约55r/min, 启动频率: 10次/小时,
 不锈钢蜗杆减速电机传动比: 1/25, 环境温度: 室内25℃, 电机直联

Torque: 20Nm Turning time: 8hours/day
 Speed: About 55r/min Start frequency: 10times/hour
 Ratio: 1/25 Environment temperature: indoor 25℃ Connect with motor directly

- 根据表1, 决定负荷种类: 无冲击均匀负荷, 选A;
Load classification: Uniform load, choose A. Select load classification according to table 1.
- 根据图1, 在A线上取频率10次/小时的交点; 查出运转时间8小时/天的使用系数 $f_1=1$;
As per cross point of 10 times/hour frequency on line A in diagram 1, get coefficient K_1 value is 1 that turning time is 8 hours/day;
- 根据表2, 查得使用系数 $f_2=1$;
Get the coefficient K_2 according to table 2;
- 则扭矩值为 $20 \times f_1 \times f_2 = 20 \times 1 \times 1 = 20\text{Nm}$, 可选择最接近20Nm的减速机。
So the torque value is 20Nm.

选定结果: JRESSD40-1/25

Choose model: JRESSD40-1/25

输入功率0.18kW, 输出转速56转/分, 输出扭矩23Nm;
 Input power is 0.18kW, output speed is 56r/min, output torque is 23Nm;

校核: 实际输出扭矩=输出扭矩 \times 使用系数(f_s)= $23 \times 1.0 = 23\text{Nm} > 20\text{Nm}$, 满足使用要求。

You can get the actual output torque through the nominal output torque 23Nm multiply with the coefficient f_s 1, so the actual output torque is $23\text{Nm} > 20\text{Nm}$. The selected model is suitable for use.

例2 输送带(中等冲击负荷)

EX2 Covey band(moderate load)

扭矩: 65Nm, 运转时间: 16小时/天,
 转速: 约21r/min, 启动频率: 100次/小时,
 不锈钢蜗杆减速电机传动比: 1/60, 环境温度: 室内35℃, 电机直联

Torque: 65Nm Turning time: 16 hours/day
 Speed: About 21r/min Start frequency: 100 times/hour
 Ratio: 1/60 Environment temperature: indoor 35℃ Connect with motor directly

- 根据表1, 决定负荷种类: 中等冲击负荷, 选B;
As per load classification table 1 : moderate load, choose B;
- 根据图1, 在B线上取频率100次/小时的交点; 查出运转时间16小时/天的使用系数 $f_1=1.65$;
As per cross point of 100 times/hours frequency on line B in diagram 1, get coefficient K_1 valer is 1.65 that turning time is 16 hours/day;
- 根据表2, 查得使用系数 $f_2=1.15$;
Get the coefficient K_2 1.15 according to table 2;
- 则扭矩值为 $65 \times K_1 \times K_2 = 65 \times 1.65 \times 1.15 = 123\text{Nm}$, 可选择最接近123Nm的减速机。
So the torque value is 65Nm. You can select the model that torque value is the closest to 123 Nm.

选定结果: JRESSD63-1/60

Choose model: JRESSD63-1/60

输入功率0.55kW, 输出转速23.3转/分, 输出扭矩140Nm;
 Input power is 0.55 kW, output speed is 23.3r/min, output torque is 140Nm;

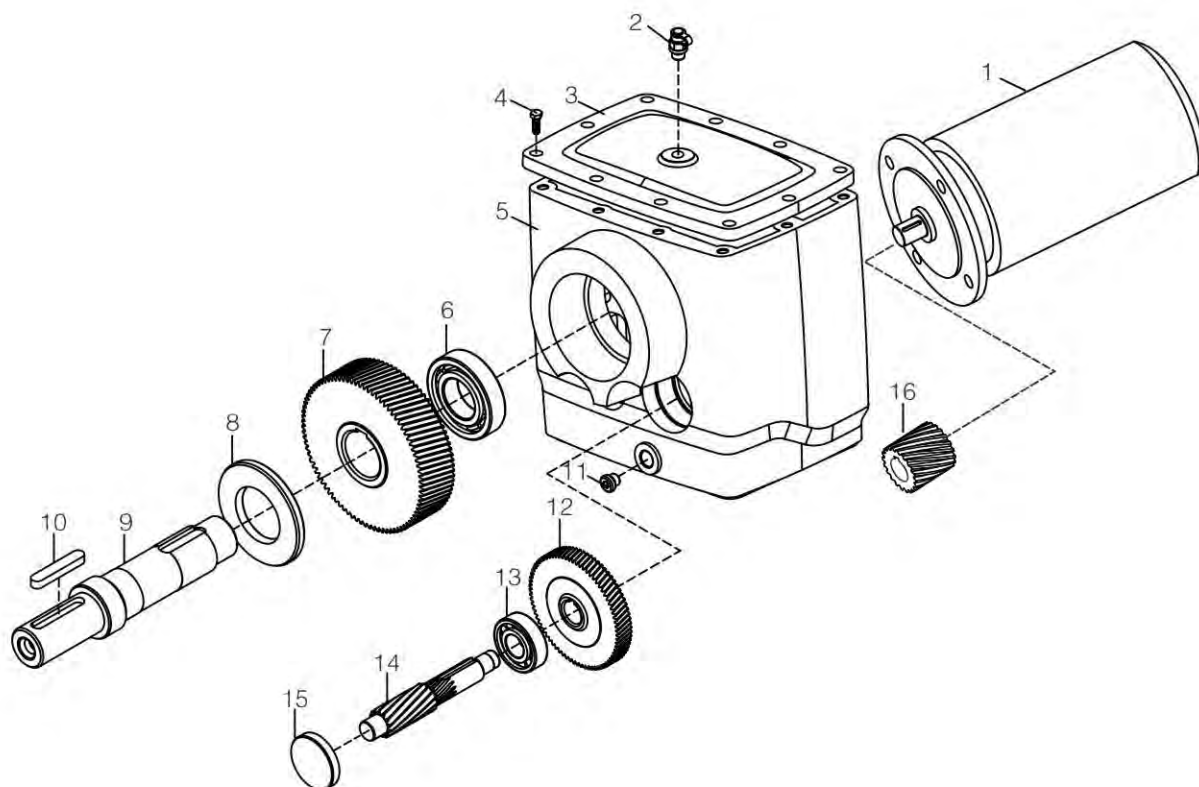
校核: 实际输出扭矩=输出扭矩 \times 使用系数(f_s)= $140 \times 0.9 = 126\text{Nm} > 123\text{Nm}$, 满足使用要求。

You can get the actual output torque through the nominal output torque 140Nm multiply with the coefficient f_s 0.9, so the actual output is $126\text{Nm} > 123\text{Nm}$. The selected model is suitable for use.

六. JRESR 不锈钢齿轮减速电机 JRESR Helical Inline Stainless Steel Gearmotor



1. 产品结构 Product Structure



序号	名称	Name	序号	名称	Name
1	不锈钢电机	Stainless Steel Motor	9	输出轴	Output Shaft
2	通气器	Breather	10	键	Key
3	视孔盖	Gearcase Cover	11	放油螺塞	Screw Plug
4	螺栓	Bolt	12	齿轮	Gear
5	箱体	Housing	13	轴承	Bearing
6	轴承	Bearing	14	齿轮轴	Gear Shaft
7	齿轮	Gear	15	密封端盖	Closing Cover
8	油封	Oil Seal	16	电机齿轮	Motor Gear



2. 选型参数表

Parameter for Model Chosen

输出 转速 Output speed n_a [r/min]	输出 扭矩 Output torque T_a [N m]	传动 比 Ratio i	出轴许用 径向负载 Permitted overhung load F_{Ra} [N]	使用 系数 Service factor f_B	型 号 Model	
0.18kW						
4.3	395	199.81	9370	1.50	JRESR67SS71-6P	
4.7	365	184.07	9560	1.65		
5.5	310	158.14	9830	1.90		
6.3	270	137.67	10000	2.2		
6.8	255	128.97	10100	2.4		
7.6	225	113.94	10200	2.7		
8.2	210	105.83	10200	2.9		
9.1	190	95.91	10300	3.2		
10	170	86.11	10300	3.5		
12	147	74.17	10400	4.1		
12	138	69.75	10400	4.4		
0.18kW						
16	110	84.61	5760	1.80	JRESR37SS63-4P	
18	96	73.96	5840	2.1		
19	90	69.33	5870	2.2		
22	80	61.18	5920	2.5		
24	73	55.76	5940	2.8		
27	63	48.08	5960	3.2		
0.25kW						
4.4	540	199.81	8190	1.10	JRESR67SS71-6P	
4.8	500	184.07	8590	1.20		
5.6	430	158.14	9140	1.40		
6.4	375	137.67	9500	1.60		
6.8	350	128.97	9630	1.70		
7.7	310	113.94	9840	1.95		
0.25kW						
8.3	285	105.83	9940	2.1	JRESR67SS71-4P	
6.5	365	199.81	9540	1.65		
7.1	340	184.07	9700	1.80		
8.2	290	158.14	9930	2.1		
9.4	255	137.67	10100	2.4		
10	235	128.97	10100	2.5		
0.25kW						
11	210	113.94	10200	2.9	JRESR57SS71-6P	
12	194	105.83	10300	3.1		
14	176	95.91	10300	3.4		
15	158	86.11	10400	3.8		
0.25kW						
4.7	505	186.89	6450	0.90		JRESR57SS71-6P
5.1	465	172.17	7030	0.95		
5.9	400	147.92	7300	1.10		
6.8	350	128.77	7480	1.30		
7.3	325	120.63	7550	1.35		
8.3	290	106.58	7660	1.55		
0.25kW						
8.9	270	98.99	7710	1.70	JRESR57SS71-4P	
7.0	345	186.89	7500	1.30		
7.6	315	172.17	7590	1.40		
8.8	270	147.92	7700	1.65		
10	235	128.77	7780	1.90		
11	220	120.63	7810	2.0		
0.25kW						
12	196	106.58	7860	2.3	JRESR57SS71-4P	
13	182	98.99	7880	2.5		
14	165	89.71	7910	2.7		
16	148	80.55	7930	3.0		
19	127	69.23	7960	3.5		
0.25kW						
7.4	325	176.88	5280	0.90	JRESR47SS71-4P	
8.0	300	162.94	5420	1.00		
9.3	255	139.99	5630	1.15		
11	225	121.87	5770	1.35		
0.25kW						
9.8	176	134.82	5230	1.15	JRESR47SS71-4P	
11	161	123.66	5370	1.25		
13	137	105.28	5580	1.45		
14	172	93.68	5940	1.75		
15	156	84.90	5980	1.90		



输出 转速 Output speed n_a [r/min]	输出 扭矩 Output torque T_a [N m]	传动 比 Ratio i	出轴许用 径向负载 Permitted overhung load F_{Ra} [N]	使用 系数 Service factor f_B	型 号 Model
0.25kW					
17	140	76.23	6020	2.1	JRESR47SS71-4P
19	126	68.54	6050	2.4	
20	118	64.21	6070	2.5	
23	104	56.73	6090	2.9	
25	97	52.69	6100	3.1	
27	88	47.75	6080	3.4	
9.6	250	134.82	2630	0.80	JRESR37SS71-4P
11	225	123.66	4560	0.90	
12	193	105.28	5030	1.05	
14	167	90.77	5320	1.20	
15	155	84.61	5420	1.30	
18	136	73.96	5590	1.45	
19	127	69.33	5650	1.55	
21	112	61.18	5750	1.80	
23	102	55.76	5800	1.95	
27	88	48.08	5870	2.3	
29	82	44.81	5760	2.4	
33	72	39.17	5540	2.8	
35	67	36.72	5430	3.0	
40	60	32.40	5230	3.4	
0.37kW					
5.7	620	158.14	7300	0.95	JRESR67SS80-6P
6.5	540	137.67	8210	1.10	
7.0	505	128.97	8530	1.20	
7.9	445	113.94	9010	1.35	
6.9	510	199.81	8480	1.15	JRESR67SS71-4P
7.5	470	184.07	8820	1.25	
8.7	405	158.14	9310	1.50	
10	355	137.67	9620	1.70	
11	330	128.97	9740	1.80	
12	290	113.94	9920	2.1	
13	270	105.83	10000	2.2	
14	245	95.91	10100	2.4	
16	220	86.11	10200	2.7	
19	190	74.17	10300	3.2	
20	179	69.75	10300	3.4	
23	157	61.26	10400	3.8	
24	146	56.89	10400	4.1	
7.0	505	128.77	6510	0.90	JRESR57SS80-6P
7.5	475	120.63	7000	0.95	
8.4	420	106.58	7240	1.10	
9.1	390	98.99	7350	1.15	
7.4	480	186.89	6980	0.95	JRESR57SS71-4P
8.0	440	172.17	7140	1.00	
9.3	380	147.92	7390	1.20	
11	330	128.77	7550	1.35	
11	310	120.63	7610	1.45	
13	275	106.58	7700	1.65	

输出 转速 Output speed n_a [r/min]	输出 扭矩 Output torque T_a [N m]	传动 比 Ratio i	出轴许用 径向负载 Permitted overhung load F_{Ra} [N]	使用 系数 Service factor f_B	型 号 Model
0.37kW					
14	255	98.99	7750	1.80	JRESR57SS71-4P
15	230	89.71	7800	1.95	
17	205	80.55	7840	2.2	
20	177	69.23	7890	2.5	
21	166	64.85	7910	2.7	
24	147	57.29	7760	3.1	
26	136	53.22	7600	3.3	
29	124	48.23	7380	3.6	
9.9	360	139.99	3490	0.85	
11	310	121.87	5350	0.95	
12	290	114.17	5460	1.05	
14	260	100.86	5630	1.15	
15	240	93.68	5700	1.25	
16	215	84.90	5790	1.40	
18	195	76.23	5870	1.55	
20	176	68.54	5930	1.70	
21	164	64.21	5960	1.80	
24	145	56.73	6010	2.1	
26	135	52.69	5990	2.2	
29	122	47.75	5820	2.5	
32	110	42.87	5650	2.7	
37	95	36.93	5410	3.2	
40	89	34.73	5310	3.4	
41	87	33.79	5270	2.8	JRESR47SS71-4P
44	80	31.12	5150	2.8	
52	69	26.74	4920	4.4	
59	60	23.28	4720	5.0	
63	56	21.81	4620	5.4	
15	230	90.77	4250	0.85	JRESR37SS71-4P
16	215	84.61	4720	0.90	
19	189	73.96	5070	1.05	
20	178	69.33	5210	1.15	JRESR37SS71-4P
23	157	61.18	5410	1.30	
25	143	55.76	5530	1.40	
29	123	48.08	5590	1.60	
31	115	44.81	5480	1.75	
35	100	39.17	5290	2.0	
38	94	36.72	5190	2.1	
43	83	32.40	5010	2.4	
48	74	28.73	4850	2.7	
57	63	24.42	4620	3.2	
49	73	28.32	4830	2.8	JRESR37SS71-4P
53	67	26.03	4710	2.8	
62	57	22.27	4500	3.5	
71	49	19.31	4320	4.1	
76	46	18.05	4230	4.3	
88	40	15.60	4050	5.0	JRESR37SS71-4P
104	34	13.25	3850	5.6	
117	30	11.83	3720	6.0	



输出 转速 Output speed n_a [r/min]	输出 扭矩 Output torque T_a [N m]	传动 比 Ratio i	出轴许用 径向负载 Permitted overhung load F_{Ra} [N]	使用 系数 Service factor f_s	型 号 Model
0.55kW					
8.6	610	158.14	7430	1.00	JRESR67SS80-4P
9.9	530	137.67	8290	1.15	
11	500	128.97	8600	1.20	
12	440	113.94	9060	1.35	
13	410	105.83	9280	1.45	
14	370	95.91	9520	1.60	
16	335	86.11	9730	1.80	
18	285	74.17	9940	2.1	
20	270	69.75	10000	2.2	
22	235	61.26	10100	2.5	
24	220	56.89	10200	2.7	
11	465	120.63	7030	0.95	
13	410	106.58	7260	1.10	
14	380	98.99	7370	1.20	
15	345	89.71	7490	1.30	
17	310	80.55	7600	1.45	
20	265	69.23	7710	1.70	
21	250	64.85	7750	1.80	
24	220	57.29	7530	2.0	
26	205	53.22	7390	2.2	
28	186	48.23	7190	2.4	
31	167	43.30	6980	2.7	
36	144	37.30	6700	3.1	
39	136	35.07	6580	3.3	
52	102	26.31	6060	4.4	JRESR57SS80-4P
54	97	24.99	5970	4.7	
62	85	21.93	5740	5.3	
73	72	18.60	5460	6.3	
15	360	93.68	3280	0.85	JRESR47SS80-4P
16	330	84.90	5230	0.90	
18	295	76.23	5450	1.00	
20	265	68.54	5600	1.15	
21	250	64.21	5670	1.20	
24	220	56.73	5790	1.35	
26	205	52.69	5770	1.45	
28	184	47.75	5630	1.65	
32	166	42.87	5470	1.80	
37	143	36.93	5260	2.1	
39	134	34.73	5180	2.2	
46	115	29.88	4970	2.6	
51	103	26.74	4820	2.9	JRESR47SS80-4P
58	90	23.28	4630	3.3	
62	84	21.81	4550	3.6	
22	235	61.18	3910	0.85	JRESR37SS80-4P
24	215	55.76	4740	0.95	
28	186	48.08	5120	1.10	
30	173	44.81	5230	1.15	

输出 转速 Output speed n_a [r/min]	输出 扭矩 Output torque T_a [N m]	传动 比 Ratio i	出轴许用 径向负载 Permitted overhung load F_{Ra} [N]	使用 系数 Service factor f_s	型 号 Model	
0.55kW						
35	151	39.17	5070	1.30	JRESR37SS80-4P	
37	142	36.72	4990	1.40		
42	125	32.40	4840	1.60		
47	111	28.73	4700	1.80		
56	94	24.42	4500	2.1		
61	86	22.27	4390	2.3		
70	75	19.31	4220	2.7	JRESR37SS80-4P	
75	70	18.05	4140	2.9		
87	60	15.60	3970	3.3		
103	51	13.25	3790	3.7		
115	46	11.83	3670	4.0		
0.75kW						
11	670	128.97	4040	0.90	JRESR67SS80-4P	
12	590	113.94	7660	1.00		
13	550	105.83	8120	1.10		
14	500	95.91	8600	1.20		
16	445	86.11	9010	1.35		
19	385	74.17	9430	1.55		
20	360	69.75	9570	1.65		
23	320	61.26	9800	1.90		
24	295	56.89	9910	2.0		
27	270	51.56	10000	2.2		
30	240	46.29	10100	2.5		
13	555	106.58	4610	0.80		JRESR57SS80-4P
14	515	98.99	6200	0.90		
15	465	89.71	7040	0.95		
17	420	80.55	7240	1.10		
20	360	69.23	7450	1.25		
21	335	64.85	7430	1.35		
24	295	57.29	7220	1.50		
26	275	53.22	7090	1.65	JRESR57SS80-4P	
29	250	48.23	6930	1.80		
32	225	43.30	6740	2.0		
37	194	37.30	6490	2.3		
39	182	35.07	6380	2.5		
46	157	30.18	6130	2.9		
51	140	26.97	5940	3.2		
52	137	26.31	5900	3.3	JRESR57SS80-4P	
55	130	24.99	5820	3.5		
63	114	21.93	5610	4.0		
74	97	18.60	5350	4.7		
20	355	68.54	3660	0.85	JRESR47SS80-4P	
21	335	64.21	4950	0.90		
24	295	56.73	5450	1.00		
26	275	52.69	5480	1.10	JRESR47SS80-4P	
29	250	47.75	5370	1.20		
32	225	42.87	5240	1.35		



输出 转速 Output speed n_s [r/min]	输出 扭矩 Output torque T_s [N m]	传动 比 Ratio i	出轴许用 径向负载 Permitted overhung load F_{ra} [N]	使用 系数 Service factor f_B	型 号 Model
1.5kW					
50	285	28.13	9950	1.90	JRESR67SS90-4P
53	270	26.72	9850	2.0	
60	240	23.44	9500	2.4	
71	200	19.89	9070	3.0	
79	182	17.95	8810	3.2	
JRESR57SS90-4P					
27	540	53.22	5140	0.85	JRESR57SS90-4P
29	490	48.23	6010	0.90	
33	440	43.30	5920	1.00	
JRESR57SS90-4P					
38	380	37.30	5770	1.20	JRESR57SS90-4P
40	355	35.07	5710	1.25	
47	305	30.18	5540	1.45	
52	275	26.97	5420	1.65	
JRESR57SS90-4P					
54	265	26.31	5390	1.70	JRESR57SS90-4P
56	255	24.99	5330	1.75	
64	225	21.93	5170	2.0	
76	189	18.60	4980	2.4	
84	171	16.79	4850	2.6	
95	150	14.77	4700	2.9	
101	142	13.95	4630	3.0	
119	121	11.88	4440	3.4	
JRESR47SS90-4P					
38	375	36.93	2380	0.80	JRESR47SS90-4P
41	355	34.73	3840	0.85	
JRESR47SS90-4P					
47	305	29.88	4220	1.00	JRESR47SS90-4P
53	270	26.70	4140	1.10	
60	240	23.59	4050	1.25	
61	235	23.28	4040	1.25	
JRESR47SS90-4P					
65	220	21.81	3990	1.35	JRESR47SS90-4P
73	196	19.27	3890	1.50	
79	182	17.89	3830	1.60	
87	165	16.22	3740	1.65	
97	148	14.56	3650	1.80	
112	127	12.54	3520	1.95	
120	120	11.79	3470	2.1	
139	103	10.15	3340	2.2	
155	92	9.07	3240	2.4	
176	81	8.01	3140	2.5	
182	79	7.76	3060	2.1	
203	71	6.96	2980	2.3	
235	61	6.00	2860	2.6	
250	57	5.64	2810	2.7	
291	49	4.85	2700	3.0	
325	44	4.34	2610	3.3	
368	39	3.83	2520	3.7	
JRESR37SS90-4P					
73	196	19.31	2660	1.00	JRESR37SS90-4P
78	183	18.05	2840	1.10	
90	159	15.60	3160	1.25	
JRESR37SS90-4P					
106	135	13.25	3350	1.40	JRESR37SS90-4P
119	120	11.83	3270	1.50	

输出 转速 Output speed n_s [r/min]	输出 扭矩 Output torque T_s [N m]	传动 比 Ratio i	出轴许用 径向负载 Permitted overhung load F_{ra} [N]	使用 系数 Service factor f_B	型 号 Model
1.5kW					
140	103	10.11	3160	1.65	JRESR37SS90-4P
149	96	9.47	3110	1.75	
177	81	7.97	2980	1.95	
211	68	6.67	2820	2.1	
249	58	5.67	2710	2.5	
279	51	5.06	2630	2.6	
326	44	4.32	2520	2.9	
348	41	4.05	2470	3.0	
414	35	3.41	2360	3.2	
JRESR37SS90-2P					
211	68	13.25	2850	2.8	JRESR37SS90-2P
237	61	11.83	2770	3.0	
277	52	10.11	2650	3.3	
296	48	9.47	2610	3.5	
351	41	7.97	2480	3.8	
2.2kW					
JRESR67SS100-4P					
35	595	39.88	7630	1.00	JRESR67SS100-4P
38	560	37.50	8020	1.00	
44	480	32.27	8750	1.10	
49	430	28.83	9140	1.20	
60	350	23.44	9140	1.60	
JRESR67SS100-4P					
71	295	19.89	8760	2.0	JRESR67SS100-4P
79	270	17.95	8530	2.2	
89	235	15.79	8240	2.4	
95	220	14.91	8110	2.5	
111	189	12.70	7760	2.8	
122	172	11.54	7560	2.9	
141	149	10.00	7250	3.2	
162	130	8.70	6960	3.4	
181	116	7.79	6760	3.3	
JRESR57SS100-4P					
38	555	37.30	4490	0.80	JRESR57SS100-4P
40	525	35.07	5110	0.85	
47	450	30.18	5030	1.00	
52	400	26.97	4960	1.10	
JRESR57SS100-4P					
64	325	21.93	4800	1.40	JRESR57SS100-4P
76	275	18.60	4660	1.60	
84	250	16.79	4570	1.80	
95	220	14.77	4450	2.0	
101	210	13.95	4390	2.1	
119	177	11.88	4230	2.3	
131	161	10.79	4140	2.4	
151	139	9.35	4000	2.7	
156	135	9.06	3980	2.8	
177	119	7.97	3850	3.0	
JRESR57SS90-2P					
107	197	26.31	4340	2.3	JRESR57SS90-2P
112	187	24.99	4290	2.4	
128	164	21.93	4160	2.8	
151	139	18.60	3990	3.2	
167	126	16.79	3890	3.6	
190	111	14.77	3760	3.9	
201	104	13.95	3710	4.1	



输出 转速 Output speed n_a [r/min]	输出 扭矩 Output torque T_a [N m]	传动 比 Ratio i	出轴许用 径向负载 Permitted overhung load F_{Ra} [N]	使用 系数 Service factor f_b	型 号 Model
0.75kW					
37	192	36.93	5060	1.55	JRESR47SS80-4P
40	180	34.73	4980	1.65	
46	155	29.88	4800	1.95	
52	139	26.70	4660	2.2	
58	122	23.59	4510	2.5	
52	139	26.74	4660	2.2	JRESR47SS80-4P
59	121	23.28	4490	2.5	
63	113	21.18	4420	2.7	
72	100	19.27	4270	3.0	
77	93	17.89	4180	3.1	
85	84	16.22	4070	3.3	
29	250	48.08	2330	0.80	JRESR37SS80-4P
31	235	44.81	4230	0.85	
35	205	39.17	4720	1.00	
38	191	36.72	4740	1.05	JRESR37SS80-4P
43	168	32.40	4610	1.20	
48	149	28.73	4490	1.35	
57	127	24.42	4320	1.60	
62	116	22.27	4230	1.75	JRESR37SS80-4P
71	100	19.31	4080	2.0	
76	94	18.05	4010	2.1	
88	81	15.60	3850	2.5	
104	69	13.25	3690	2.8	
117	61	11.83	3570	3.0	
137	53	10.11	3420	3.2	
146	49	9.47	3360	3.4	
1.1kW					
16	645	86.11	6820	0.95	JRESR67SS90-4P
19	555	74.17	8040	1.10	
20	525	69.75	8370	1.15	
23	460	61.26	8920	1.30	
25	425	56.89	9160	1.40	
27	385	51.56	9420	1.55	
30	345	46.29	9650	1.75	
35	300	39.88	9890	1.95	
37	280	37.50	9970	2.0	
43	240	32.27	10100	2.2	
49	215	28.83	10200	2.4	
50	210	28.13	10200	2.6	JRESR67SS90-4P
52	200	26.72	10100	2.7	
60	176	23.44	9730	3.2	
70	149	19.89	9270	4.0	
20	520	68.23	5990	0.85	JRESR57SS90-4P
22	485	64.85	6850	0.90	
24	430	57.29	6700	1.05	
26	400	53.22	6610	1.15	JRESR57SS90-4P
29	360	48.23	6490	1.25	
32	325	43.30	6350	1.40	
38	280	37.30	6140	1.60	

输出 转速 Output speed n_a [r/min]	输出 扭矩 Output torque T_a [N m]	传动 比 Ratio i	出轴许用 径向负载 Permitted overhung load F_{Ra} [N]	使用 系数 Service factor f_b	型 号 Model
1.1kW					
40	265	35.07	6060	1.70	JRESR57SS90-4P
46	225	30.18	5850	2.0	
52	200	26.97	5690	2.2	
53	197	26.31	5650	2.3	
56	188	24.99	5580	2.4	
64	165	21.93	5400	2.7	
75	140	18.60	5170	3.2	
83	126	16.79	5030	3.6	
29	360	47.75	3500	0.85	JRESR47SS90-4P
33	320	42.87	4850	0.95	
38	275	36.93	4720	1.10	
40	260	34.73	4660	1.15	
47	225	29.88	4520	1.35	
52	200	26.70	4410	1.50	JRESR47SS90-4P
59	177	23.59	4290	1.70	
60	175	23.28	4270	1.70	
64	164	21.81	4210	1.85	JRESR47SS90-4P
73	145	19.27	4080	2.0	
78	134	17.89	4010	2.2	JRESR47SS90-4P
86	122	16.22	3910	2.3	
96	109	14.56	3800	2.4	
112	94	12.54	3650	2.7	
119	89	11.79	3590	2.8	
138	76	10.15	3450	3.0	
154	68	9.07	3340	3.2	
43	245	32.40	2900	0.80	JRESR37SS90-4P
49	215	28.73	3300	0.95	
57	183	24.42	3720	1.10	
73	145	19.31	3840	1.40	JRESR37SS90-4P
78	135	18.05	3790	1.50	
90	117	15.60	3660	1.70	
106	99	13.25	3520	1.90	JRESR37SS90-4P
118	89	11.83	3430	2.1	
139	76	10.11	3290	2.2	
148	71	9.47	3230	2.3	
176	60	7.97	3090	2.6	
210	50	6.67	2920	2.9	
247	43	5.67	2790	3.3	
277	38	5.06	2700	3.6	
1.5kW					
23	620	61.26	7280	0.95	JRESR67SS90-4P
25	580	56.89	7810	1.05	
27	525	51.56	8370	1.15	
30	470	46.29	8830	1.30	
35	405	39.88	9300	1.45	
38	380	37.50	9460	1.50	
44	330	32.27	9750	1.65	
49	295	28.83	9920	1.80	



输出转速 Output speed n_a [r/min]	输出扭矩 Output torque T_a [N m]	传动比 Ratio i	出轴许用 径向负载 Permitted overhung load F_{Ra} [N]	使用 系数 Service factor f_B	型 号 Model
2.2kW					
73	285	19.27	3550	1.05	JRESR47SS100-4P
87	240	16.22	3460	1.15	
97	215	14.56	3400	1.20	
112	187	12.54	3310	1.35	
120	176	11.79	3270	1.40	
139	151	10.15	3160	1.50	
155	135	9.07	3090	1.65	
176	119	8.01	3000	1.70	
182	116	7.76	2910	1.40	
203	104	6.96	2840	1.55	
235	89	6.00	2740	1.75	
250	84	5.64	2700	1.85	
291	72	4.85	2600	2.1	
325	65	4.34	2530	2.3	
368	57	3.83	2440	2.5	
121	174	23.28	3260	1.70	
129	163	21.81	3220	1.85	
146	144	19.27	3130	2.1	
157	134	17.89	3080	2.2	
173	121	16.22	3010	2.3	
193	109	14.56	2930	2.4	
224	94	12.54	2830	2.7	
238	88	11.79	2780	2.8	
277	76	10.15	2680	3.0	
310	68	9.07	2600	3.2	
90	230	15.60	1070	0.85	JRESR37SS100-4P
106	198	13.25	1660	0.95	
119	176	11.83	1990	1.05	
140	151	10.11	2360	1.15	JRESR37SS100-4P
149	141	9.47	2480	1.20	
177	119	7.97	2750	1.30	
211	99	6.67	2470	1.45	
249	84	5.67	2570	1.70	
279	75	5.06	2500	1.80	
326	64	4.32	2410	1.95	
348	60	4.05	2370	2.0	
146	144	19.31	2440	1.4	JRESR37SS90-2P
156	135	18.05	2560	1.5	
180	117	15.60	2780	1.7	
212	99	13.25	2700	1.9	JRESR37SS90-2P
237	89	11.83	2630	2.1	
278	76	10.11	2540	2.3	
297	71	9.47	2500	2.4	
352	60	7.97	2390	2.6	

输出转速 Output speed n_a [r/min]	输出扭矩 Output torque T_a [N m]	传动比 Ratio i	出轴许用 径向负载 Permitted overhung load F_{Ra} [N]	使用 系数 Service factor f_B	型 号 Model	
2.2kW						
421	50	6.67	2260	2.9	JRESR37SS90-2P	
496	42	5.67	2170	3.4		
555	38	5.06	2100	3.6		
650	32	4.32	2010	3.9		
694	30	4.05	1980	4.0		
824	26	3.41	1880	4.4		
3.0kW						
60	480	23.44	8730	1.15	JRESR67SS100-4P	
70	405	19.89	8420	1.45		
78	365	17.95	8230	1.60		
89	325	15.79	7980	1.75		
94	305	14.91	7860	1.80		
110	260	12.70	7550	2.0		
121	235	11.54	7360	2.1		
140	205	10.00	7090	2.3		
52	550	26.97	4330	0.80		JRESR57SS100-4P
64	450	21.93	4380	1.00		JRESR57SS100-4P
75	380	18.60	4300	1.20		
83	345	16.79	4250	1.30		
95	300	14.77	4160	1.45	JRESR57SS100-4P	
100	285	13.95	4130	1.50		
118	245	11.88	4010	1.65		
130	220	10.79	3940	1.75		
150	191	9.35	3820	1.95		
155	185	9.06	3810	2.0		
176	163	7.97	3700	2.2		
186	154	7.53	3650	2.3		
218	131	6.41	3520	2.6		
240	119	5.82	3430	2.7		
277	103	5.05	3310	3.0	JRESR57SS100-2P	
319	90	4.39	3190	3.1		
128	225	21.93	3950	2.0		
151	190	18.60	3820	2.4		
167	172	16.79	3730	2.6		
190	151	14.77	3620	2.9		
201	143	13.95	3570	3.0		
236	122	11.88	3440	3.3	JRESR47SS100-4P	
259	110	10.79	3360	3.5		
86	330	16.22	2030	0.85		
96	300	14.56	2500	0.90		
112	255	12.54	3040	0.95	JRESR47SS100-4P	
119	240	11.79	3040	1.00		
138	210	10.15	2970	1.10		
154	186	9.07	2910	1.20	JRESR47SS100-4P	
175	164	8.01	2840	1.25		
181	159	7.76	2740	1.05		



输出 转速 Output speed n_a [r/min]	输出 扭矩 Output torque T_a [N m]	传动 比 Ratio i	出轴许用 径向负载 Permitted overhung load F_{ra} [N]	使用 系数 Service factor f_s	型 号 Model
3.0kW					
201	143	6.96	2680	1.10	JRESR47SS100-4P
233	123	6.00	2610	1.25	
248	115	5.64	2580	1.35	
288	99	4.85	2490	1.50	
323	89	4.34	2430	1.65	
365	78	3.83	2360	1.85	
237	121	11.79	2670	2.0	JRESR47SS100-2P
276	104	10.15	2580	2.2	
309	93	9.07	2510	2.4	
349	82	8.01	2430	2.5	
361	79	7.76	2370	2.1	
402	71	6.96	2310	2.2	
467	61	6.00	2220	2.5	
496	58	5.64	2190	2.7	
577	50	4.85	2100	3.0	
646	44	4.34	2040	3.3	
731	39	3.83	1970	3.7	
139	205	10.11	780	0.80	JRESR37SS100-4P
148	194	9.47	1010	0.85	
176	163	7.97	1510	0.95	
210	137	6.67	1250	1.05	JRESR37SS100-4P
247	116	5.67	1630	1.25	
277	104	5.06	1830	1.30	
324	88	4.32	2070	1.45	
346	83	4.05	2140	1.45	
411	70	3.41	2180	1.60	
277	103	10.11	2340	1.65	
296	97	9.47	2380	1.70	
351	82	7.97	2290	1.90	
420	68	6.67	2170	2.1	
494	58	5.67	2090	2.5	
553	52	5.06	2030	2.6	
648	44	4.32	1950	2.9	
692	41	4.05	1920	3.0	
821	35	3.41	1840	3.2	
4.0kW					
71	535	19.89	7960	1.10	JRESR67SS112-4P
79	485	17.95	7800	1.20	
90	425	15.79	7600	1.30	
95	400	14.91	7510	1.35	
112	340	12.70	7240	1.50	
123	310	11.54	7080	1.60	
142	270	10.00	6840	1.75	
163	235	8.70	6600	1.90	
182	210	7.79	6440	1.80	
193	198	7.36	6340	1.85	
227	169	6.27	6070	1.95	
249	153	5.70	5920	2.0	

输出 转速 Output speed n_a [r/min]	输出 扭矩 Output torque T_a [N m]	传动 比 Ratio i	出轴许用 径向负载 Permitted overhung load F_{ra} [N]	使用 系数 Service factor f_s	型 号 Model
4.0kW					
288	133	4.93	5680	2.2	JRESR67SS112-4P
331	116	4.29	5460	2.3	
76	500	18.60	3520	0.90	JRESR57SS112-4P
85	450	16.79	3830	1.00	
96	395	14.77	3800	1.10	
102	375	13.95	3780	1.15	
120	320	11.88	3710	1.25	JRESR57SS112-4P
132	290	10.79	3660	1.35	
152	250	9.35	3580	1.45	
157	245	9.06	3590	1.55	
178	215	7.97	3500	1.65	
189	205	7.53	3470	1.75	
222	172	6.41	3350	1.95	
244	157	5.82	3280	2.0	
281	136	5.05	3180	2.3	
323	118	4.39	3070	2.4	
140	275	10.15	1960	0.85	
157	245	9.07	2350	0.90	
177	215	8.01	2640	0.95	JRESR47SS112-4P
204	187	6.96	2480	0.85	
237	161	6.00	2430	0.95	
252	152	5.64	2410	1.00	
293	131	4.85	2350	1.15	
327	117	4.34	2300	1.25	
371	103	3.83	2250	1.40	
176	215	16.22	2640	1.25	JRESR47SS112-2P
196	195	14.56	2600	1.35	
228	168	12.54	2540	1.50	
242	158	11.79	2510	1.55	
282	136	10.15	2440	1.70	
315	121	9.07	2390	1.80	
357	107	8.01	2320	1.90	
369	104	7.76	2250	1.55	
411	93	6.96	2200	1.70	
477	80	6.00	2130	1.95	
507	75	5.64	2100	2.1	
589	65	4.85	2020	2.3	
660	58	4.34	1970	2.5	
746	51	3.83	1910	2.8	
5.5kW					
91	580	15.79	6610	0.95	JRESR67SS132-4P
96	550	14.91	6900	1.00	
113	465	12.70	6810	1.10	
124	425	11.54	6690	1.20	
143	365	10.00	6500	1.30	
164	320	8.70	6310	1.40	
183	285	7.79	6180	1.35	
194	270	7.36	6100	1.35	

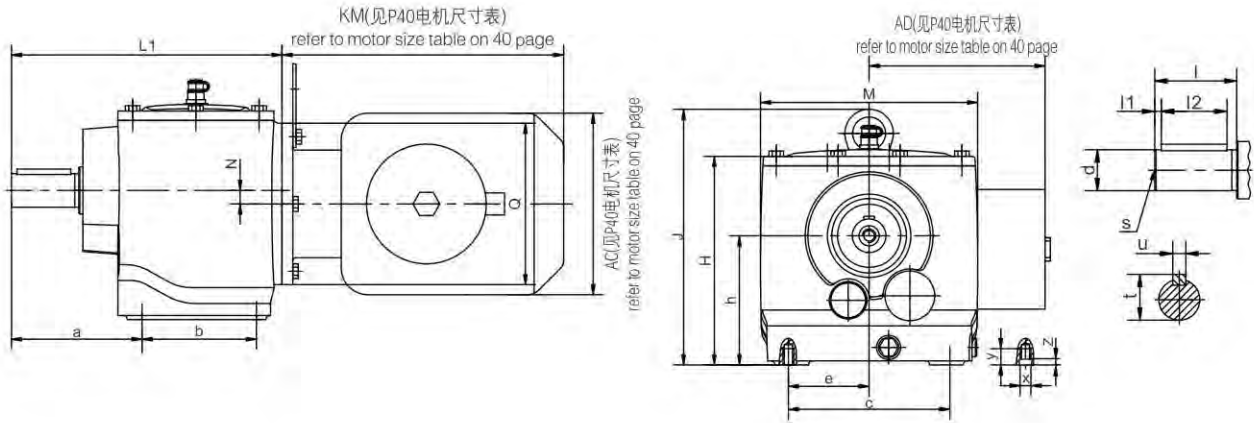


输出 转速 Output speed n_s [r/min]	输出 扭矩 Output torque T_s [N m]	传动 比 Ratio i	出轴许用 径向负载 Permitted overhung load F_{ra} [N]	使用 系数 Service factor f_B	型 号 Model
5.5kW					
228	230	6.27	5860	1.45	JRESR67SS132-4P
251	210	5.70	5720	1.50	
290	181	4.93	5510	1.60	
333	158	4.29	5310	1.70	
331	159	8.70	5300	2.8	JRESR67SS132-2P
369	142	7.79	5160	2.7	
391	134	7.36	5080	2.8	
460	114	6.27	4860	2.9	
506	104	5.70	4730	3.0	
584	90	4.93	4540	3.2	
671	78	4.29	4350	3.5	
97	545	14.77	1730	0.80	JRESR57SS132-4P
103	510	13.95	2070	0.85	
120	435	11.88	2900	0.95	
132	395	10.79	3270	1.00	
153	345	9.35	3240	1.10	JRESR57SS132-4P
179	295	7.97	3220	1.20	
190	275	7.53	3200	1.25	
223	235	6.41	3120	1.40	
246	215	5.82	3080	1.50	
283	185	5.05	3000	1.65	
326	161	4.39	2920	1.75	
308	171	9.35	2930	2.2	JRESR57SS132-2P
361	145	7.97	2850	2.4	
383	137	7.53	2820	2.6	
449	117	6.41	2720	2.9	
494	106	5.82	2660	3.0	
571	92	5.05	2560	3.3	
656	80	4.39	2470	3.5	
295	178	4.85	1870	0.85	JRESR47SS132-4P
330	159	4.34	2110	0.90	
373	141	3.83	2080	1.00	
230	230	12.54	1730	1.10	JRESR47SS132-2P
244	215	11.79	1910	1.15	
284	185	10.15	2250	1.25	
318	165	9.07	2220	1.35	
359	146	8.01	2170	1.40	
480	109	6.00	2000	1.45	
511	103	5.64	1970	1.50	
593	89	4.85	1920	1.70	
664	79	4.34	1870	1.85	
752	70	3.83	1820	2.1	
7.5kW					
113	635	12.70	4240	0.80	JRESR67SS132-4P
124	580	11.54	4860	0.85	
143	500	10.00	5620	0.95	
164	435	8.70	5930	1.00	
183	390	7.79	5500	0.95	

输出 转速 Output speed n_s [r/min]	输出 扭矩 Output torque T_s [N m]	传动 比 Ratio i	出轴许用 径向负载 Permitted overhung load F_{ra} [N]	使用 系数 Service factor f_B	型 号 Model
7.5kW					
194	370	7.36	5720	1.00	JRESR67SS132-4P
228	315	6.27	5600	1.05	
251	285	5.70	5480	1.10	
290	245	4.93	5300	1.15	
333	215	4.29	5130	1.25	
179	400	7.97	980	0.90	JRESR57SS132-4P
190	375	7.53	1280	0.95	
223	320	6.41	2020	1.05	
246	290	5.82	2380	1.10	
283	255	5.05	2760	1.20	
326	220	4.39	2710	1.25	
196	365	14.77	2580	1.20	
208	345	13.95	2780	1.25	
244	295	11.88	2780	1.40	
269	265	10.79	2750	1.45	
310	230	9.35	2710	1.60	
364	197	7.97	2670	1.80	
385	186	7.53	2640	1.90	
452	158	6.41	2570	2.1	
498	144	5.82	2520	2.2	
575	125	5.05	2440	2.5	
660	108	4.39	2370	2.6	

3. 安装尺寸 Installation Dimensions

JRESR37...~JRESR67..



型号 Model	a	c	h	N	Q	X	L1	轴伸尺寸 Axial Extension				
	b	e	H			Y		M	d	l	l1 l2	S
JRESR37..	97	120	96	10.1	120	M8	201	25k6	50	4	M10	28
	85	60	155 178			12 4	162					
JRESR47..	113	140	115	14	160	M10	235	30k6	60	3.5	M10	33
	103	70	193 223			17 4	175					
JRESR57..	131	166	115	11.2	160	M10	257	35k6	70	7	M12	38
	100	83	193 236			17 4	200					
JRESR67..	143	170	130	20.7	160	M12	280	35k6	70	7	M12	38
	114	85	209 241.5			21 4	212					

注: SS63-90不锈钢电机可提供尾出线, 具体请咨询杰牌。

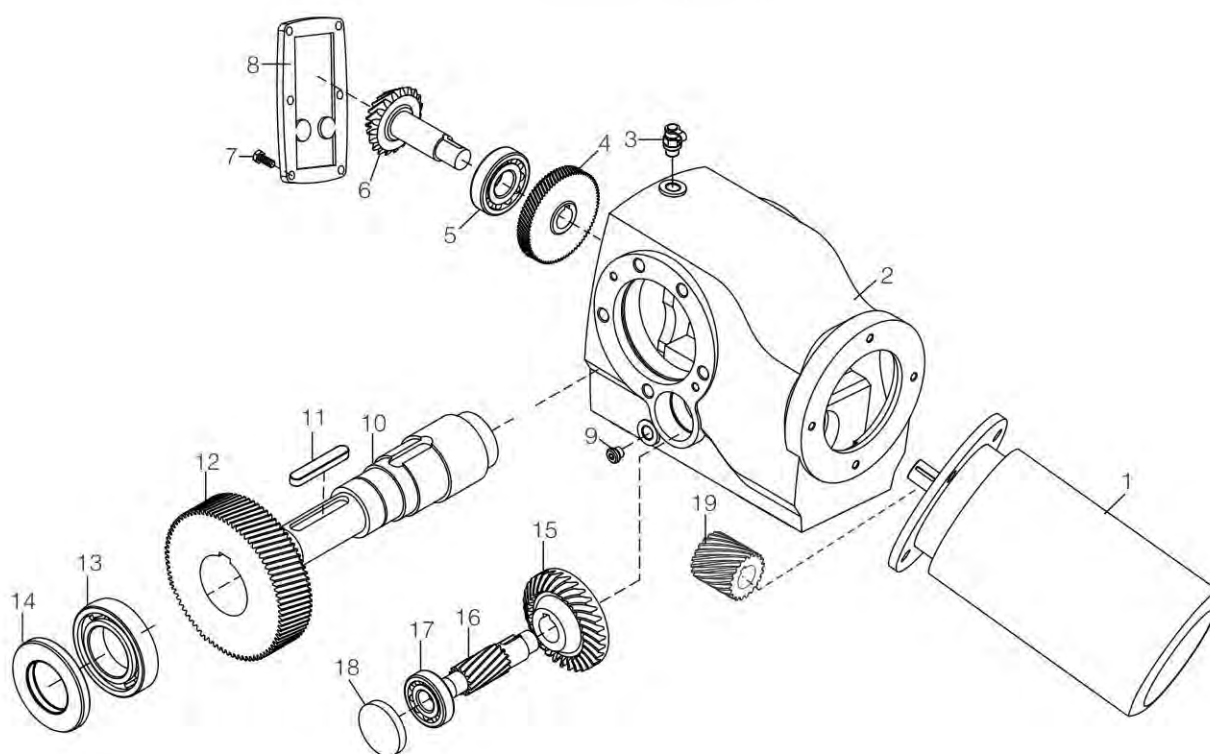
Notice: SS63-90 stainless steel electric motor can also provide the tail outlet, please consult JIE for details.

七. JRESK 锥齿轮-不锈钢齿轮减速电机

JRESK Helical Bevel Stainless Gearmotor

1 产品结构

Product Structure



序号	名称	Name	序号	名称	Name
1	不锈钢电机	Stainless Steel Motor	11	键	Key
2	箱体	Housing	12	齿轮	Gear
3	通气器	Breather	13	轴承	Bearing
4	齿轮	Gear	14	油封	Oil Seal
5	轴承	Bearing	15	锥齿轮	Bevel Gear
6	锥齿轮轴	Bevel Gear Shaft	16	齿轮轴	Gear Shaft
7	螺栓	Bolt	17	轴承	Bearing
8	视孔盖	Gearcase Cover	18	密封端盖	Closing Cover
9	放油螺塞	Screw Plug	19	电机齿轮	Motor Gear
10	输出轴	Output Shaft			

2. 选型参数表 Parameter for Model Chosen

输出 转速 Output speed n_a [r/min]	输出 扭矩 Output torque T_a [N m]	传动 比 Ratio i	出轴许用 径向负载 Permitted overhung load $F_{Ra}^{1)}$ [N]	使用 系数 Service factor f_a	型 号 Model
0.18kW					
6.0	285	144.79	13000	2.9	
7.0	245	123.54	13000	3.4	JRESK67SS71-6P
8.1	215	108.03	13000	3.8	JRESKA67SS71-6P
8.5	205	102.62	13000	4.0	
9.1	189	144.79	13000	4.3	
11	161	123.54	13000	5.1	JRESK67SS63-4P
12	141	108.03	13000	5.8	JRESKA67SS63-4P
0.25kW					
6.1	395	144.79	12800	2.1	
7.1	335	123.54	13000	2.5	JRESK67SS71-6P
8.1	295	108.03	13000	2.8	JRESKA67SS71-6P
8.6	280	102.62	13000	3.0	
9.0	265	144.79	13000	3.1	
11	225	123.54	13000	3.6	JRESK67SS71-4P
12	198	108.03	13000	4.1	JRESKA67SS71-4P
13	189	102.62	13000	4.3	
6.1	395	145.14	8910	1.50	
7.1	335	123.85	9150	1.80	
8.1	295	108.29	9310	2.0	JRESK57SS71-6P
8.6	280	102.88	9360	2.2	JRESKA57SS71-6P
9.8	245	90.26	9480	2.5	
11	210	76.56	9610	2.9	
9.0	265	145.14	9410	2.2	
11	225	123.85	9540	2.6	
12	199	108.29	9640	3.0	JRESK57SS71-4P
13	189	102.88	9670	3.2	JRESKA57SS71-4P
14	166	90.26	9740	3.6	
17	141	76.56	9810	4.3	
6.7	360	131.87	6470	1.10	
7.2	330	121.48	6780	1.20	
8.4	285	104.73	7210	1.40	JRESK47SS71-6P
9.7	245	90.86	7480	1.60	JRESKA47SS71-6P
10	230	85.12	7590	1.75	
9.9	240	131.87	7510	1.65	
11	225	121.48	7640	1.80	
12	192	104.37	7820	2.1	JRESK47SS71-4P
14	167	90.86	7930	2.4	JRESKA47SS71-4P
15	156	85.12	7980	2.6	
11	225	83.69	5300	0.90	
12	197	72.54	5680	1.00	
13	184	67.80	5810	1.10	JRESK37SS71-6P
15	159	58.60	6050	1.25	JRESKA37SS71-6P
18	135	49.79	6230	1.50	
12	195	106.38	5690	1.00	
13	180	97.81	5860	1.10	
16	154	83.69	6090	1.30	JRESK37SS71-4P
18	133	72.54	6250	1.50	JRESKA37SS71-4P
19	125	67.80	6230	1.60	
22	108	58.60	6030	1.85	

1) 实心轴底脚安装不锈钢齿轮减速电机的径向负荷

1) Overhung load specified for foot-mounted gear unit with solid shaft

输出 转速 Output speed n_a [r/min]	输出 扭矩 Output torque T_a [N m]	传动 比 Ratio i	出轴许用 径向负载 Permitted overhung load $F_{Ra}^{(1)}$ [N]	使用 系数 Service factor f_B	型 号 Model
0.25kW					
26	91	49.79	5810	2.2	
29	82	44.46	5650	2.5	
34	70	37.97	5430	2.9	
37	65	35.57	5340	3.1	
43	55	29.96	5100	3.6	
45	53	28.83	5050	3.8	
52	46	24.99	4860	4.4	
56	43	23.36	4770	4.6	JRESK37SS71-4P
64	37	20.19	4580	5.0	JRESKA37SS71-4P
76	32	17.15	4370	5.7	
85	28	15.31	4230	6.2	
99	24	13.08	4030	6.9	
107	22	12.14	3940	7.2	
124	19	10.49	3780	8.3	
146	16	8.91	3590	9.8	
163	15	7.96	3470	11	
191	13	6.80	3310	12	
204	12	6.37	3240	12	
0.37kW					
7.3	485	123.54	12500	1.70	
8.3	425	108.03	12700	1.95	JRESK67SS80-6P
8.8	405	102.62	12800	2.0	JRESKA67SS80-6P
10	355	90.04	13000	2.3	
0.55kW					
9.5	370	144.79	12900	2.2	
11	315	123.54	13000	2.6	JRESK67SS71-4P
13	275	108.03	13000	3.0	JRESKA67SS71-4P
15	230	90.04	13000	3.6	
18	196	76.37	13000	4.2	
0.75kW					
7.3	485	123.85	8490	1.25	
8.3	425	108.29	8770	1.40	
8.8	405	102.88	8870	1.50	JRESK57SS80-6P
10	355	90.26	9070	1.70	JRESKA57SS80-6P
12	300	76.56	9280	2.0	
13	270	69.12	9390	2.2	
1.1kW					
9.5	370	145.14	9000	1.60	
11	315	123.85	9220	1.90	
13	275	108.29	9370	2.2	JRESK57SS71-4P
13	265	102.88	9420	2.3	JRESKA57SS71-4P
15	230	90.26	9530	2.6	
18	196	76.56	9650	3.1	
20	177	69.12	9700	3.4	
1.5kW					
8.6	410	104.37	5490	1.00	
9.9	355	90.86	6480	1.10	JRESK47SS80-6P
11	335	85.12	6730	1.20	JRESKA47SS80-6P
12	295	75.20	7100	1.35	
2.2kW					
10	340	131.87	6690	1.20	JRESK47SS71-4P
11	310	121.48	6960	1.30	JRESKA47SS71-4P
13	265	104.37	7330	1.50	

输出 转速 Output speed n_a [r/min]	输出 扭矩 Output torque T_a [N m]	传动 比 Ratio i	出轴许用 径向负载 Permitted overhung load $F_{Ra}^{(1)}$ [N]	使用 系数 Service factor f_B	型 号 Model
0.37kW					
15	235	90.86	7580	1.70	
16	220	85.12	7670	1.85	
18	193	75.20	7810	2.1	JRESK47SS71-4P
20	179	69.84	7880	2.2	JRESKA47SS71-4P
22	162	63.30	7960	2.5	
0.55kW					
14	250	97.81	2520	0.80	
16	215	83.69	5470	0.95	
19	186	72.54	5690	1.10	
20	174	67.80	5630	1.15	
24	150	58.60	5510	1.35	
28	128	49.79	5350	1.55	
31	114	44.46	5230	1.75	
36	97	37.97	5060	2.1	
39	91	35.57	4990	2.2	
46	77	29.96	4800	2.6	
48	74	28.83	4750	2.7	
55	64	24.99	4590	3.1	
59	60	23.36	4510	3.3	JRESK37SS71-4P
68	52	20.19	4350	3.6	JRESKA37SS71-4P
80	44	17.15	4160	4.1	
90	39	15.31	4040	4.5	
105	34	13.08	3860	4.9	
114	31	12.14	3780	5.1	
132	27	10.49	3630	6.0	
155	23	8.91	3460	7.0	
173	20	7.96	3350	7.6	
203	17	6.80	3190	8.6	
217	16	6.37	3130	8.9	
257	14	5.36	2970	10	
0.55kW					
7.3	720	123.54	11100	1.15	
8.3	630	108.03	11700	1.30	JRESK67SS80-6P
8.8	600	102.62	11900	1.35	JRESKA67SS80-6P
10	525	90.04	12300	1.55	
12	445	76.37	12600	1.85	
0.75kW					
11	475	123.54	12500	1.70	
13	415	108.03	12800	1.95	JRESK67SS80-4P
15	350	90.04	13000	2.4	JRESKA67SS80-4P
18	295	76.37	13000	2.8	
1.1kW					
8.3	630	108.29	7360	0.95	
8.8	600	102.88	7630	1.00	
10	525	90.26	8220	1.15	JRESK57SS80-6P
12	445	76.56	8670	1.35	JRESKA57SS80-6P
13	405	69.12	8870	1.50	
15	355	60.81	9070	1.70	
16	335	57.42	9150	1.80	
1.5kW					
11	480	123.85	8520	1.25	JRESK57SS80-4P
13	420	108.29	8800	1.45	JRESKA57SS80-4P
13	395	102.88	8890	1.50	



1) 实心轴底脚安装不锈钢齿轮减速电机的径向负荷

1) Overhung load specified for foot-mounted gear unit with solid shaft



输出 转速 Output speed n_a [r/min]	输出 扭矩 Output torque T_a [N m]	传动 比 Ratio i	出轴许用 径向负载 Permitted overhung load $F_{Ra}^{(1)}$ [N]	使用 系数 Service factor i_s	型 号 Model
0.55kW					
15	350	90.26	9100	1.70	JRESK57SS80-4P JRESKA57SS80-4P
18	295	76.56	9300	2.0	
20	265	69.12	9410	2.3	
22	235	60.81	9520	2.6	
24	220	57.42	9560	2.7	
13	405	104.37	5880	1.00	JRESK47SS80-4P JRESKA47SS80-4P
15	350	90.86	6550	1.15	
16	330	85.12	6790	1.20	
18	290	75.20	7150	1.40	
19	270	69.84	7310	1.50	
21	245	63.30	7500	1.65	JRESK47SS80-4P JRESKA47SS80-4P
24	220	56.83	7660	1.80	
28	189	48.95	7830	2.1	
30	178	46.03	7880	2.2	
23	225	58.60	4850	0.90	
27	192	49.79	4790	1.05	
31	172	44.46	4740	1.15	
36	147	37.97	4640	1.35	
38	137	35.57	4600	1.45	
45	116	29.96	4470	1.75	
47	111	28.83	4440	1.80	
54	97	24.99	4320	2.1	
58	90	23.36	4260	2.2	
67	78	20.19	4130	2.4	
79	66	17.15	3980	2.7	
89	59	15.31	3880	3.0	
104	51	13.08	3730	3.3	
112	47	12.14	3660	3.4	
130	41	10.49	3520	4.0	
153	34	8.91	3370	4.7	
171	31	7.96	3270	5.1	
200	26	6.80	3130	5.7	JRESK37SS80-4P JRESKA37SS80-4P
214	25	6.37	3070	5.9	
254	21	5.36	2920	6.8	
342	15	3.98	2680	8.1	
0.75kW					
11	640	123.54	11700	1.30	JRESK67SS80-4P JRESKA67SS80-4P
13	560	108.03	12100	1.45	
15	465	90.04	12600	1.75	
18	395	76.37	12800	2.1	JRESK67SS80-4P JRESKA67SS80-4P
20	360	68.95	13000	2.3	
23	315	60.66	13000	2.6	
24	295	57.28	13000	2.8	
11	645	123.85	7130	0.95	
13	560	108.29	7940	1.05	
13	535	102.88	8160	1.10	
15	470	90.26	8570	1.30	
18	395	76.56	8890	1.50	
20	360	69.12	9060	1.65	
23	315	60.81	9230	1.90	

输出 转速 Output speed n_a [r/min]	输出 扭矩 Output torque T_a [N m]	传动 比 Ratio i	出轴许用 径向负载 Permitted overhung load $F_{Ra}^{(1)}$ [N]	使用 系数 Service factor i_s	型 号 Model
0.75kW					
24	300	57.42	9290	2.0	JRESK57SS80-4P JRESKA57SS80-4P
28	255	48.89	9450	2.4	
31	230	44.43	9530	2.6	
18	390	75.20	6060	1.00	JRESK47SS80-4P JRESKA47SS80-4P
20	365	69.84	6410	1.10	
22	330	63.30	6790	1.20	
24	295	56.83	7110	1.35	JRESK47SS80-4P JRESKA47SS80-4P
28	255	48.95	7430	1.55	
30	240	46.03	7540	1.65	
35	205	39.61	7740	1.95	
39	184	35.39	7760	2.2	
44	162	31.30	7550	2.5	
31	230	44.46	4170	0.85	
36	197	37.97	4150	1.00	
39	185	35.57	4140	1.10	
46	156	29.96	4080	1.30	
48	150	28.83	4060	1.35	
55	130	24.99	3990	1.55	
59	121	23.36	3950	1.60	
68	105	20.19	3860	1.75	
80	89	17.15	3750	2.0	
90	80	15.31	3670	2.2	
105	68	13.08	3550	2.4	
114	63	12.14	3500	2.5	
132	54	10.49	3380	2.9	
155	46	8.91	3250	3.5	
173	41	7.96	3160	3.8	
203	35	6.80	3030	4.3	
217	33	6.37	2980	4.4	
257	28	5.36	2840	5.0	
347	21	3.98	2620	6.0	
1.1kW					
13	810	108.03	10400	1.00	JRESK67SS90-4P JRESKA67SS90-4P
14	770	102.62	10700	1.05	
16	675	90.04	11400	1.20	
18	575	76.37	12000	1.45	
20	515	68.95	12300	1.60	
23	455	60.66	12600	1.80	JRESK67SS90-4P JRESKA67SS90-4P
24	430	57.28	12700	1.90	
29	365	48.77	12900	2.2	
32	335	44.32	13000	2.5	
36	290	38.39	13000	2.8	
16	675	90.26	7410	0.90	
18	575	76.56	7840	1.05	
20	520	69.12	8280	1.15	
23	455	60.81	8630	1.30	
24	430	57.42	8750	1.40	
29	365	48.89	9020	1.65	
32	335	44.43	9160	1.80	

1) 实心轴底脚安装不锈钢齿轮减速电机的径向负荷

1) Overhung load specified for foot-mounted gear unit with solid shaft

输出 转速 Output speed n_2 [r/min]	输出 扭矩 Output torque T_2 [N·m]	传动 比 Ratio i	出轴许用 径向负载 Permitted overhung load $F_{Ra}^{(1)}$ [N]	使用 系数 Service factor f_B	型 号 Model	
1.1kW						
36	290	38.49	9330	2.1	JRESK57SS90-4P JRESKA57SS90-4P	
39	270	35.70	9400	2.2		
46	225	30.28	9540	2.6		
51	205	27.34	9510	2.9		
58	181	24.05	9220	3.3		
62	170	22.71	9090	3.5		
72	145	19.34	8720	4.0		
80	132	17.57	8510	4.2		
92	114	15.22	8180	4.7		
106	99	13.25	7880	5.1		
117	90	11.92	7570	4.6		
124	85	11.26	7450	4.9		
146	72	9.59	7120	5.6		
161	65	8.71	6930	6.0		
186	57	7.55	6650	6.5		
213	49	6.57	6380	7.0		
298	35	4.69	5770	8.5		
25	425	56.83	3310	0.95		JRESK47SS90-4P JRESKA47SS90-4P
29	365	48.95	6360	1.10		
30	345	46.03	6610	1.15		
35	295	39.61	7090	1.35	JRESK47SS90-4P JRESKA47SS90-4P	
40	265	35.39	7090	1.50		
45	235	31.30	6960	1.70		
48	220	29.32	6890	1.80		
54	194	25.91	6730	2.1		
64	164	21.81	6510	2.4		
72	147	19.58	6360	2.7		
47	225	29.96	3420	0.90	JRESK37SS90-4P JRESKA37SS90-4P	
56	188	24.99	3440	1.05		
60	175	23.36	3440	1.10		
69	152	20.19	3420	1.20		
82	129	17.15	3370	1.40		
91	115	15.31	3330	1.50		
107	98	13.08	3260	1.70		
115	91	12.14	3220	1.75		
133	79	10.49	3140	2.0	JRESK37SS90-4P JRESKA37SS90-4P	
157	67	8.91	3040	2.4		
176	60	7.96	2970	2.6		
206	51	6.80	2870	2.9		
220	48	6.37	2830	3.0		
261	40	5.36	2720	3.5		
352	30	3.98	2520	4.2		
1.5kW						
16	910	90.04	9370	0.90	JRESK67SS90-4P JRESKA67SS90-4P	
18	775	76.37	10700	1.05		
20	700	68.95	11300	1.15		
23	615	60.66	11800	1.35		
25	580	57.28	12000	1.40		
29	495	48.77	12400	1.65		
32	450	44.32	12600	1.80		JRESK67SS90-4P JRESKA67SS90-4P
37	390	38.39	12800	2.1		
40	360	35.62	12900	2.3		

输出 转速 Output speed n_2 [r/min]	输出 扭矩 Output torque T_2 [N·m]	传动 比 Ratio i	出轴许用 径向负载 Permitted overhung load $F_{Ra}^{(1)}$ [N]	使用 系数 Service factor f_B	型 号 Model	
1.5kW						
47	305	30.22	13000	2.7	JRESK67SS90-4P JRESKA67SS90-4P	
52	275	27.28	13000	3.0		
59	245	24.00	13000	3.3		
23	620	60.81	7480	0.95	JRESK57SS90-4P JRESKA57SS90-4P	
25	585	57.42	7770	1.05		
29	495	48.89	8430	1.20		
32	450	44.43	8650	1.35		
37	390	38.49	8920	1.55	JRESK57SS90-4P JRESKA57SS90-4P	
39	365	35.70	9040	1.65		
47	310	30.28	9190	1.95		
52	280	27.34	9010	2.2		
59	245	24.05	8780	2.5		
62	230	22.71	8670	2.6		
73	196	19.34	8360	2.9		
36	400	39.61	5890	1.00		JRESK47SS90-4P JRESKA47SS90-4P
40	360	35.39	6360	1.10		
45	320	31.30	6310	1.25		
48	300	29.32	6270	1.35	JRESK47SS90-4P JRESKA47SS90-4P	
54	265	25.91	6190	1.50		
65	220	21.81	6050	1.80		
72	199	19.58	5950	2.0		
84	171	16.86	5800	2.2		
89	161	15.86	5730	2.4		
103	139	13.65	5560	2.6		
116	124	12.19	5430	2.8		
120	120	11.77	5340	2.3	JRESK37SS90-4P JRESKA37SS90-4P	
60	235	23.36	2860	0.80		
70	205	20.19	2920	0.90		
82	174	17.15	2940	1.05		
92	156	15.31	2950	1.10		
108	133	13.08	2930	1.25		
116	123	12.14	2920	1.30		
134	107	10.49	2880	1.50		
158	91	8.91	2820	1.75		
177	81	7.96	2770	1.90		
207	69	6.80	2700	2.2		
221	65	6.37	2670	2.2	JRESK67SS100-4P JRESKA67SS100-4P	
263	55	5.36	2580	2.6		
354	40	3.98	2420	3.1		
2.2kW						
23	900	60.66	9490	0.90		JRESK67SS100-4P JRESKA67SS100-4P
25	850	57.28	10000	0.95		
29	725	48.77	11100	1.15		
32	660	44.32	11500	1.25		
37	570	38.39	12100	1.40		
40	530	35.62	12300	1.55		
47	450	30.22	12600	1.80		
52	405	27.28	12800	2.0		
59	360	24.00	13000	2.2	JRESK67SS100-4P JRESKA67SS100-4P	
62	340	22.66	13000	2.3		
73	285	19.30	13000	2.6		



1) 实心轴底脚安装不锈钢齿轮减速电机的径向负荷

1) Overhung load specified for foot-mounted gear unit with solid shaft



输出 转速 Output speed n_2 [r/min]	输出 扭矩 Output torque T_2 [N m]	传动 比 Ratio i	出轴许用 径向负载 Permitted overhung load $F_{Ra}^{(1)}$ [N]	使用 系数 Service factor f_B	型 号 Model	
2.2kW						
80	260	17.54	13000	2.8	JRESK67SS100-4P JRESKA67SS100-4P	
93	225	15.19	13000	3.1		
107	197	13.22	13000	3.4		
113	186	12.48	13000	2.9		
133	158	10.63	13000	3.2		
146	144	9.66	13000	3.3		
169	125	8.37	13000	3.5		
194	109	7.28	12700	3.9		
271	78	5.2	11700	4.5		
32	660	44.43	5100	0.90		JRESK57SS100-4P JRESKA57SS100-4P
37	575	38.49	7850	1.05		
39	530	35.70	8180	1.15		
47	450	30.28	8250	1.35		
52	405	27.34	8160	1.45	JRESK57SS100-4P JRESKA57SS100-4P	
59	360	24.05	8030	1.65		
62	340	22.71	7970	1.75		
73	290	19.34	7760	2.0		
80	260	17.57	7630	2.1		
93	225	15.22	7430	2.4		
106	197	13.25	7220	2.6		
118	178	11.92	6890	2.3		
125	168	11.26	6810	2.5		
54	385	25.91	5260	1.05		JRESK47SS100-4P JRESKA47SS100-4P
65	325	21.81	5260	1.25		
72	290	19.58	5240	1.35		
84	250	16.86	5190	1.50	JRESK47SS100-4P JRESKA47SS100-4P	
89	235	15.86	5160	1.60		
103	205	13.65	5070	1.75		
116	182	12.19	4990	1.95		
120	175	11.77	4890	1.60	JRESK47SS100-4P JRESKA47SS100-4P	
133	157	10.56	4810	1.80		
155	136	9.10	4690	2.1		
108	195	13.08	2370	0.85	JRESK37SS100-4P JRESKA37SS100-4P	
134	156	10.49	2430	1.00		
158	133	8.91	2440	1.20		
177	119	7.96	2430	1.30		
207	101	6.80	2410	1.50		
221	95	6.37	2400	1.55		
263	80	5.36	2350	1.75		
354	59	3.98	2250	2.1		
3.0kW						
32	910	44.32	9450	0.90		JRESK67SS100-4P JRESKA67SS100-4P
36	785	38.39	10600	1.00		
39	730	35.62	11100	1.15		
46	620	30.22	11800	1.35		
51	560	27.28	12100	1.45		
58	490	24.00	12500	1.65		
62	465	22.66	12600	1.70	JRESK67SS100-4P JRESKA67SS100-4P	
73	395	19.30	12800	1.95		
80	360	17.54	13000	2.1		

输出 转速 Output speed n_2 [r/min]	输出 扭矩 Output torque T_2 [N m]	传动 比 Ratio i	出轴许用 径向负载 Permitted overhung load $F_{Ra}^{(1)}$ [N]	使用 系数 Service factor f_B	型 号 Model
3.0kW					
92	310	15.19	13000	2.3	JRESK67SS100-4P JRESKA67SS100-4P
106	270	13.22	13000	2.5	
112	255	12.48	13000	2.1	
132	220	10.63	13000	2.3	
145	198	9.66	13000	2.4	
46	620	30.28	7180	0.95	
51	560	27.34	7190	1.05	
58	490	24.05	7180	1.20	
62	465	22.71	7160	1.30	JRESK57SS100-4P JRESKA57SS100-4P
72	395	19.34	7080	1.45	
80	360	17.57	7020	1.55	
92	310	15.22	6890	1.70	
106	270	13.25	6750	1.90	
117	245	11.92	6420	1.70	
124	230	11.26	6370	1.80	
146	196	9.59	6200	2.1	
161	178	8.71	6090	2.2	
186	154	7.55	5920	2.4	
213	134	6.57	5750	2.6	
298	96	4.69	5320	3.1	
72	400	19.58	4430	1.00	JRESK47SS100-4P JRESKA47SS100-4P
83	345	16.86	4490	1.10	
88	325	15.86	4500	1.15	
103	280	13.65	4510	1.30	
115	250	12.19	4490	1.40	
119	240	11.77	4370	1.15	
133	215	10.56	4350	1.30	
154	186	9.10	4290	1.50	JRESK47SS100-4P JRESKA47SS100-4P
164	175	8.56	4270	1.55	
190	151	7.36	4190	1.65	
213	135	6.58	4120	1.80	
241	119	5.81	4030	1.95	
302	95	4.64	3860	2.2	
157	182	8.91	2000	0.90	JRESK37SS100-4P JRESKA37SS100-4P
176	163	7.96	2040	0.95	
206	139	6.80	2080	1.10	
220	130	6.37	2080	1.10	
261	110	5.36	2090	1.30	
352	81	3.98	2050	1.55	
4.0kW					
47	810	30.22	10400	1.00	JRESK67SS112-4P JRESKA67SS112-4P
52	735	27.28	11000	1.10	
59	645	24.00	11600	1.25	
63	610	22.66	11800	1.30	JRESK67SS112-4P JRESKA67SS112-4P
74	520	19.30	12300	1.45	
81	470	17.54	12500	1.55	
94	410	15.19	12800	1.70	
107	355	13.22	13000	1.90	
114	335	12.48	13000	1.60	
134	285	10.63	13000	1.75	
147	260	9.66	12900	1.85	

1) 实心轴底脚安装不锈钢齿轮减速电机的径向负荷

1) Overhung load specified for foot-mounted gear unit with solid shaft

输出 转速 Output speed n_a [r/min]	输出 扭矩 Output torque T_a [N·m]	传动 比 Ratio i	出轴许用 径向负载 Permitted overhung load $F_{Ra}^{(1)}$ [N]	使用 系数 Service factor i_s	型 号 Model	
4.0kW						
170	225	8.37	12500	1.95	JRESK67SS112-4P JRESKA67SS112-4P	
195	196	7.28	12100	2.1		
273	140	5.20	11200	2.5		
59	645	24.05	6120	0.95	JRESK57SS112-4P JRESKA57SS112-4P	
63	610	22.71	6160	1.00		
73	520	19.34	6220	1.10		
81	475	17.57	6230	1.15		
93	410	15.22	6210	1.30		
107	355	13.25	6510	1.45		
119	320	11.92	5810	1.30		
126	305	11.26	5790	1.35		
148	260	9.59	5700	1.55		
163	235	8.71	5640	1.65		
188	205	7.55	5530	1.80		
216	177	6.57	5400	1.95		
303	126	4.69	5070	2.4		
5.5kW						
60	880	24.00	9720	0.90		JRESK67SS132-4P JRESKA67SS132-4P
63	830	22.66	10200	0.95		
74	710	19.30	11200	1.05		
82	645	17.54	11600	1.15		
94	560	15.19	12100	1.25		
108	485	13.22	12500	1.40		
115	460	12.48	12600	1.15		
135	390	10.63	12400	1.30		
148	355	9.66	12200	1.35		
171	305	8.37	11900	1.45		
196	265	7.28	11600	1.55		
275	191	5.20	10800	1.85		

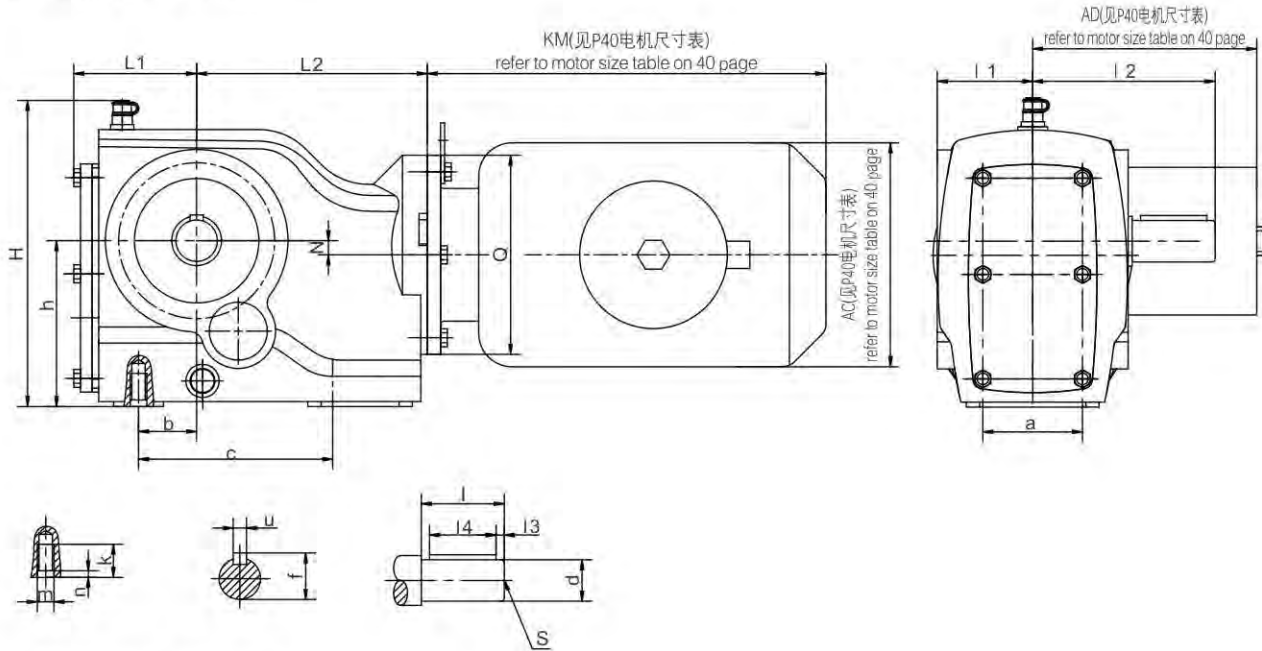
1) 实心轴底脚安装不锈钢齿轮减速电机的径向负荷

1) Overhung load specified for foot-mounted gear unit with solid shaft

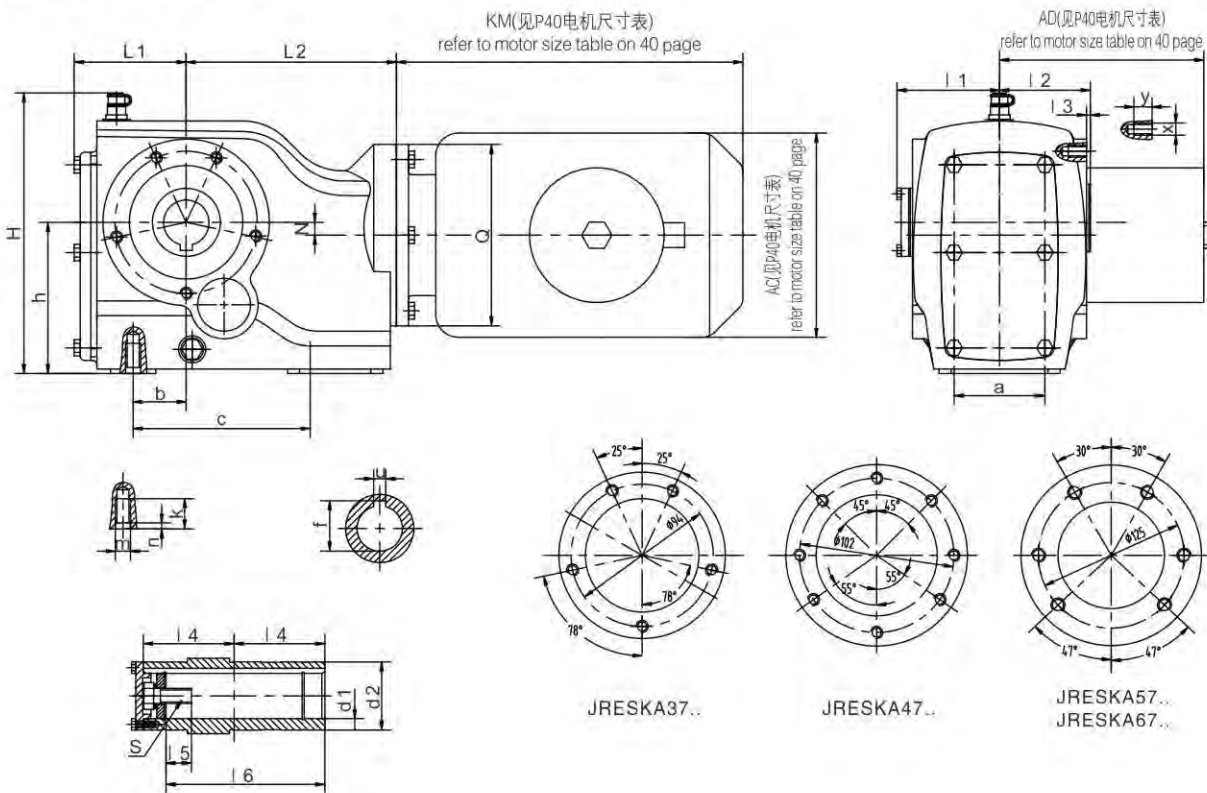


3. 安装尺寸 Installation Dimensions

JRESK37...~JRESK67..



JRESKA37...~JRESKA67..



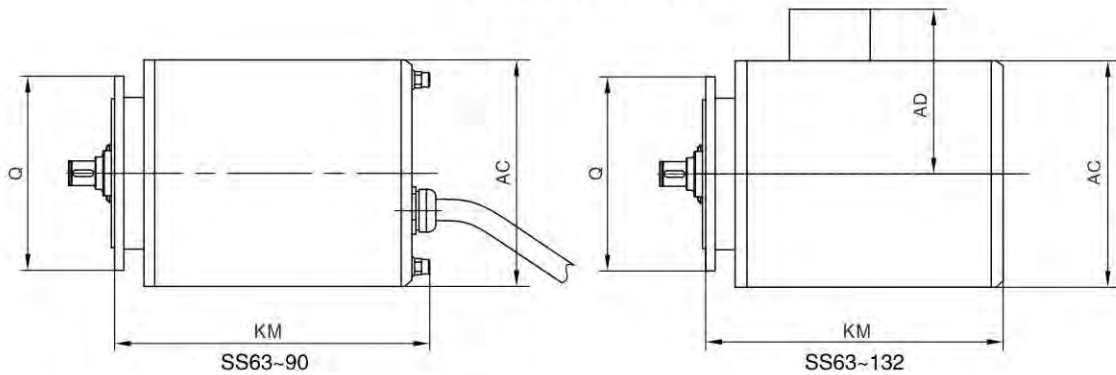
注: SS63-90 不锈钢电机可提供尾出线, 具体请咨询杰牌。

Notice: SS63-90 stainless steel electric motor can also provide the tail outlet, please consult JIE for details.

型号Model	a	k	h	N	Q	L1	l1	轴伸尺寸 Axial Extension				
	b	m	H			L2	l2	d	l	3 4	S	t u
JRESK37..	60	20	100	8.5	120	74	57.5	25k6	50	5	M10	28
	35	M10	187			139	110			40		8
	117	4										
JRESK47..	70	20	112	7.2	160	77	72	30k6	60	3.5	M10	33
	40	M10	205			166	135			50		8
	140	4										
JRESK57..	88	25	132	13.1	160	93.2	80	35k6	70	7	M12	38
	47	M12	235			173	153			56		10
	152	5										
JRESK67..	88	25	140	20	160	94	86.5	40k6	80	5	M16	43
	42	M12	249.5			179	171			70		12
	152	5										
型号Model	a	k	h	N	X	L1	l1	空心轴尺寸 Hollow Shaft Size				
	b	m	H	Q	Y	L2	l2	d1 d2	l5	4 6	S	t u
JRESKA37..	60	20	100	8.5	M8	74	68	30H7	17	60	M10	33.3
	35	M10	187	120	12	139	60	45		105		8
	117	4				2.5						
JRESKA47..	70	20	112	7.2	M8	77	83	35H7	22	75	M12	38.3
	40	M10	205	160	12	166	75	50		132		10
	140	4				3						
JRESKA57..	88	25	132	13.1	M12	93.2	91	40H7	29	83	M16	43.3
	47	M12	235	160	20	173	83	55		142		12
	152	5				3						
JRESKA67..	88	25	140	20	M12	94	98	40H7	29	90	M16	43.3
	42	M12	249.5	160	20	179	90	55		156		12
	152	5				3.5						



4. 电机尺寸表 The Size of Motor



型号	规格	Q	KM	AC	AD
SS63	M1	120	215	114	--
	M2		240		
		160			
SS71	M1	120	236	134	--
	M2		246		
	M1	160	230		
	M2		240		
		200			
SS80	M1	120	287	144	--
	M2		327		
	M1	160	280		
	M2		327		
		200			
	250				
SS90		120	340	164	--
		160			
		200			
		250			
		300			
SS100		120		203	169
		160			
		200			
		250			
		300			
SS112		160		218	174
		200			
		250			
		300			
		350			
SS132		160		256	192
		200			
		250			
		300			
		350			
	400				

注： 1.未注明尺寸请咨询杰牌。

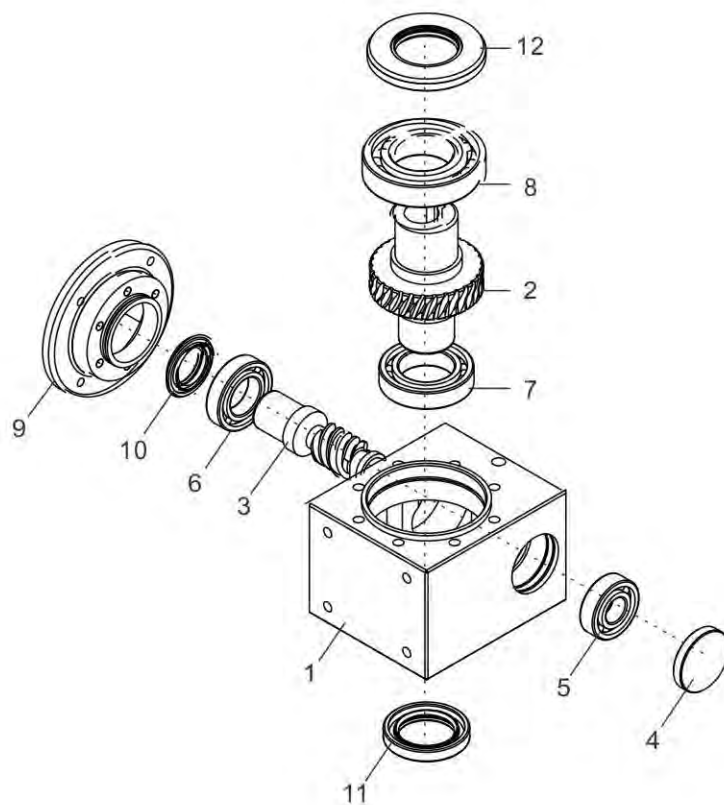
Notice: Those not remarked sizes, please consult JIE

2.电机绝缘等级F级, 按105K考核, 若有特殊要求, 请咨询杰牌。

Motor insulation class: F(105K standand), if any other special requirement, please consult JIE.

八. JRESSD 不锈钢蜗杆减速机 JRESSD Stainless Worm Gearmotor

1. 产品结构 Product Structure



序号	名称	Name
1	箱体	Housing
2	蜗轮	Worm Wheel
3	蜗杆	Worm Shaft
4	密封端盖	Closing Cover
5	轴承	Bearing
6	轴承	Bearing
7	轴承	Bearing
8	轴承	Bearing
9	输入法兰	Input Flange
10	油封	Oil Seal
11	油封	Oil Seal
12	油封	Oil Seal

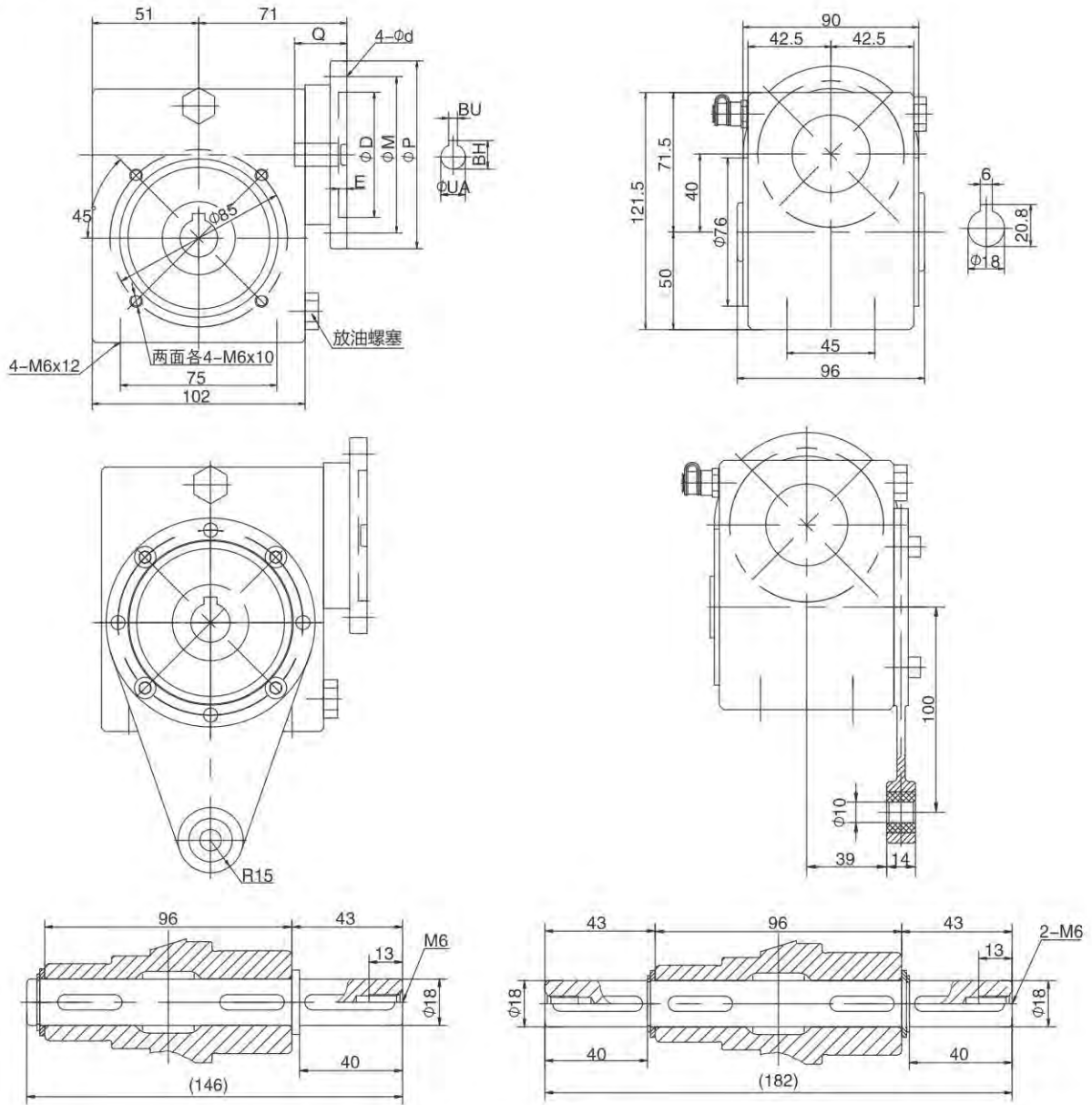
2. 选型参数表

Parameter for Model Chosen

输出转速 Output speed r/min	输出扭矩 Output torque N m	传动比 Transmission ratio i	输出轴径 Output radial force kN	使用系数 fs	机型代号 Model code	输出转速 Output speed r/min	输出扭矩 Output torque N m	传动比 Transmission ratio i	输出轴径 Output radial force kN	使用系数 fs	机型代号 Model code
0.09kW						0.37kW					
28	19	50	2.47	2.0	JRESSD40	56	47	25	1.96	0.8	JRESSD40
23.3	21	60	2.63	1.7		46.7	53	30	2.08	0.8	
17.5	26	80	2.89	1.3		140	21	10	1.98	3.3	JRESSD50
14	29	100	3.11	1.0		93.3	31	15	2.27	2.4	
0.12kW						70	40	20	2.5	1.8	
46.7	17.2	30	2.08	2.6	56	48	25	2.69	1.5		
35	21	40	2.29	1.9	46.7	55	30	2.86	1.5		
28	25	50	2.47	1.5	35	68	40	3.15	1.1		
23.3	28	60	2.63	1.3	28	80	50	3.39	0.9		
17.5	34	80	2.89	1.0	23.3	89	60	3.61	0.8		
14	38	100	3.11	0.8	0.55kW						
0.18kW						35	70	40	4.12	2.1	JRESSD63
23.3	29	60	3.61	2.3	28	83	50	4.44	1.6		
17.5	35	80	3.97	1.9	23.3	94	60	4.71	1.4		
14	40	100	4.28	1.4	17.5	115	80	5.19	1.1		
0.25kW						14	129	100	5.59	0.9	
70	19	20	1.82	2.0	0.75kW						
56	23	25	1.96	1.7	186.7	25	7.5	1.8	2.9	JRESSD50	
46.7	26	30	2.08	1.7	140	32	10	1.98	2.2		
35	32	40	2.29	1.3	93.3	46	15	2.27	1.6		
28	38	50	2.47	1.0	70	59	20	2.5	1.2		
23.3	43	60	2.63	0.8	56	71	25	2.69	1.0		
0.37kW						46.7	81	30	2.86	1.0	
186.7	11	7.5	1.31	3.6	35	80	40	3.15	0.9		
140	14	10	1.44	2.8	1.1kW						
93.3	21	15	1.65	1.9	186.7	49	7.5	2.35	2.6	JRESSD63	
70	27	20	1.82	1.5	140	65	10	2.59	2.1		
56	32	25	1.96	1.2	93.3	93	15	2.97	1.5		
46.7	36	30	2.08	1.3	1.5kW						
35	44	40	2.29	0.9	186.7	67	7.5	2.35	1.9	JRESSD63	
28	37	50	2.47	0.8	140	88	10	2.59	1.5		
0.55kW						93.3	63	15	2.27		1.2
70	26	20	2.5	2.7	70	81	20	2.5	0.9		
56	32	25	2.69	2.2	93.3	63	15	2.97	2.2		
46.7	37	30	2.86	2.3	70	83	20	3.27	1.6		
35	46	40	3.15	1.7	56	100	25	3.52	1.3		
28	54	50	3.39	1.4	46.7	114	30	3.74	1.4		
23.3	60	60	3.61	1.1	1.1kW						
17.5	72	80	3.97	0.9	186.7	49	7.5	2.35	2.6	JRESSD63	
0.75kW						140	65	10	2.59		2.1
70	26	20	2.5	2.7	93.3	93	15	2.97	1.5		
56	32	25	2.69	2.2	1.5kW						
46.7	37	30	2.86	2.3	186.7	67	7.5	2.35	1.9	JRESSD63	
35	46	40	3.15	1.7	140	88	10	2.59	1.5		
28	54	50	3.39	1.4	93.3	63	15	2.27	1.2		
23.3	60	60	3.61	1.1	70	81	20	2.5	0.9		
17.5	72	80	3.97	0.9	93.3	63	15	2.97	2.2		
0.12kW						70	83	20	3.27	1.6	
70	26	20	2.5	2.7	56	100	25	3.52	1.3		
56	32	25	2.69	2.2	46.7	114	30	3.74	1.4		
46.7	37	30	2.86	2.3	1.1kW						
35	46	40	3.15	1.7	186.7	49	7.5	2.35	2.6	JRESSD63	
28	54	50	3.39	1.4	140	65	10	2.59	2.1		
23.3	60	60	3.61	1.1	93.3	93	15	2.97	1.5		
17.5	72	80	3.97	0.9	1.5kW						
0.18kW						70	122	20	3.27	1.1	JRESSD63
70	19	20	1.82	2.0	56	146	25	3.52	0.9		
56	23	25	1.96	1.7	46.7	167	30	3.74	1.0		
46.7	26	30	2.08	1.7	35	165	40	3.59	0.9		
35	32	40	2.29	1.3	1.5kW						
28	38	50	2.47	1.0	186.7	67	7.5	2.35	1.9	JRESSD63	
23.3	43	60	2.63	0.8	140	88	10	2.59	1.5		
0.25kW						93.3	63	15	2.27		1.2
186.7	11	7.5	1.31	3.6	70	81	20	2.5	0.9		
140	14	10	1.44	2.8	93.3	63	15	2.97	2.2		
93.3	21	15	1.65	1.9	70	83	20	3.27	1.6		
70	27	20	1.82	1.5	56	100	25	3.52	1.3		
56	32	25	1.96	1.2	46.7	114	30	3.74	1.4		
46.7	36	30	2.08	1.3	1.1kW						
35	44	40	2.29	0.9	186.7	49	7.5	2.35	2.6	JRESSD63	
28	37	50	2.47	0.8	140	65	10	2.59	2.1		
0.37kW						93.3	93	15	2.97		1.5
186.7	16	7.5	1.31	2.4	1.5kW						
140	21	10	1.44	1.9	186.7	67	7.5	2.35	1.9	JRESSD63	
93.3	31	15	1.65	1.3	140	88	10	2.59	1.5		
70	39	20	1.82	1.0	93.3	63	15	2.27	1.2		
0.55kW						70	81	20	2.5		0.9
70	26	20	2.5	2.7	93.3	63	15	2.97	2.2		
56	32	25	2.69	2.2	70	83	20	3.27	1.6		
46.7	37	30	2.86	2.3	56	100	25	3.52	1.3		
35	46	40	3.15	1.7	46.7	114	30	3.74	1.4		
28	54	50	3.39	1.4	1.1kW						
23.3	60	60	3.61	1.1	186.7	49	7.5	2.35	2.6	JRESSD63	
17.5	72	80	3.97	0.9	140	65	10	2.59	2.1		
0.12kW						93.3	93	15	2.97		1.5
70	26	20	2.5	2.7	1.5kW						
56	32	25	2.69	2.2	186.7	67	7.5	2.35	1.9	JRESSD63	
46.7	37	30	2.86	2.3	140	88	10	2.59	1.5		
35	46	40	3.15	1.7	93.3	63	15	2.27	1.2		
28	54	50	3.39	1.4	70	81	20	2.5	0.9		
23.3	60	60	3.61	1.1	93.3	63	15	2.97	2.2		
17.5	72	80	3.97	0.9	70	83	20	3.27	1.6		
0.18kW						56	100	25	3.52	1.3	
70	19	20	1.82	2.0	46.7	114	30	3.74	1.4		
56	23	25	1.96	1.7	1.1kW						
46.7	26	30	2.08	1.7	186.7	49	7.5	2.35	2.6	JRESSD63	
35	32	40	2.29	1.3	140	65	10	2.59	2.1		
28	38	50	2.47	1.0	93.3	93	15	2.97	1.5		
23.3	43	60	2.63	0.8	1.5kW						
0.25kW						70	122	20	3.27	1.1	JRESSD63
186.7	11	7.5	1.31	3.6	56	146	25	3.52	0.9		
140	14	10	1.44	2.8	46.7	167	30	3.74	1.0		
93.3	21	15	1.65	1.9	35	165	40	3.59	0.9		
70	27	20	1.82	1.5	1.5kW						
56	32	25	1.96	1.2	186.7	67	7.5	2.35	1.9	JRESSD63	
46.7	36	30	2.08	1.3	140	88	10	2.59	1.5		
35	44	40	2.29	0.9	93.3	63	15	2.27	1.2		
28	37	50	2.47	0.8	70	81	20	2.5	0.9		
0.37kW						93.3	63	15	2.97		2.2
186.7	16	7.5	1.31	2.4	70	83	20	3.27	1.6		
140	21	10	1.44	1.9	56	100	25	3.52	1.3		
93.3	31	15	1.65	1.3	46.7	114	30	3.74	1.4		
70	39	20	1.82	1.0	1.1kW						
0.55kW						186.7	49	7.5	2.35	2.6	JRESSD63
70	26	20	2.5	2.7	140	65	10	2.59	2.1		
56	32	25	2.69	2.2	93.3	93	15	2.97	1.5		
46.7	37	30	2.86	2.3	1.5kW						
35	46	40	3.15	1.7	186.7	67	7.5	2.35	1.9	JRESSD63	
28	54	50	3.39	1.4	140	88	10	2.59	1.5		
23.3	60	60	3.61	1.1	93.3	63	15	2.27	1.2		
17.5	72	80	3.97	0.9	70	81	20	2.5	0.9		
0.12kW						93.3	63	15	2.97		2.2
70	26	20	2.5	2.7	70	83	20	3.27	1.6		
56	32	25	2.69	2.2	56	100	25	3.52	1.3		
46.7	37	30	2.86	2.3	46.7	114	30	3.74	1.4		
35	46	40	3.15	1.7	1.1kW						
28	54	50	3.39	1.4	186.7	49	7.5	2.35	2.6	JRESSD63	
23.3	60	60	3.61	1.1	140	65	10	2.59	2.1		
17.5	72	80	3.97	0.9	93.3	93	15	2.97	1.5		
0.18kW						1.5kW					
70	19	20	1.82	2.0	186.7	67	7.5	2.35	1.9	JRESSD63	
56	23	25	1.96	1.7	140	88	10	2.59	1.5		
46.7	26	30	2.08	1.7	93.3	63	15	2.27	1.2		
35	32	40	2.29	1.3	70	81	20	2.5	0.9		
28	38	50	2.47	1.0	93.3	63	15	2.97	2.2		
23.3	43	60	2.63	0.8	70	83	20	3.27	1.6		
0.25kW						56	100	25	3.52	1.3	
186.7	11	7.5	1.31	3.6	46.7	114	30	3.74	1.4		
140	14	10	1.44	2.8	1.1kW						
93.3	21	15	1.65	1.9	186.7	49	7.5	2.35	2.6	JRESSD63	
70	27	20	1.82	1.5	140	65	10	2.59	2.1		
56	32	25	1.96	1.2	93.3	93	15	2.97	1.5		
46.7	36	30	2.08	1.3	1.5kW						
35	44	40	2.29	0.9	70	122	20				

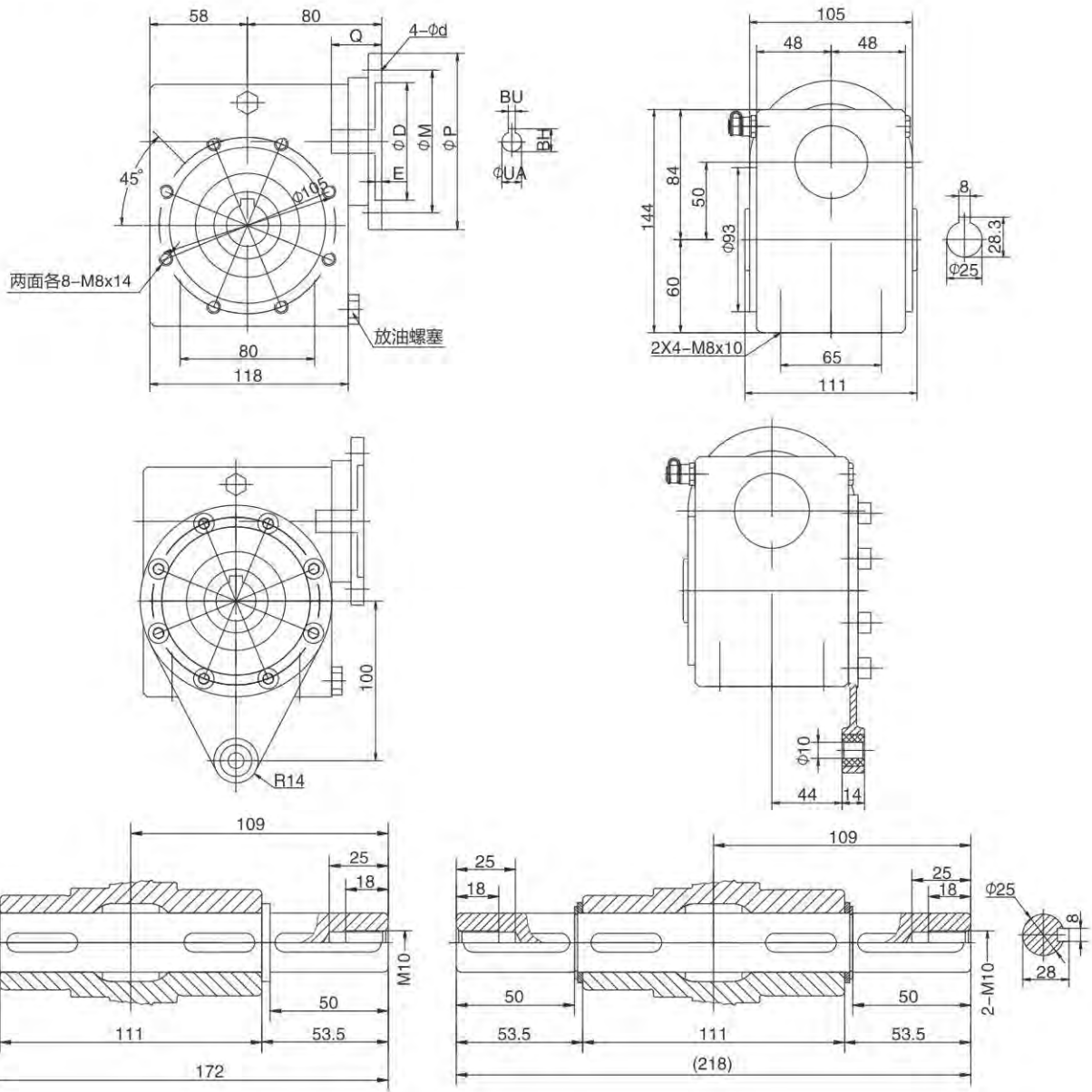
3. 安装尺寸 Installation Dimensions

JRESSD40..

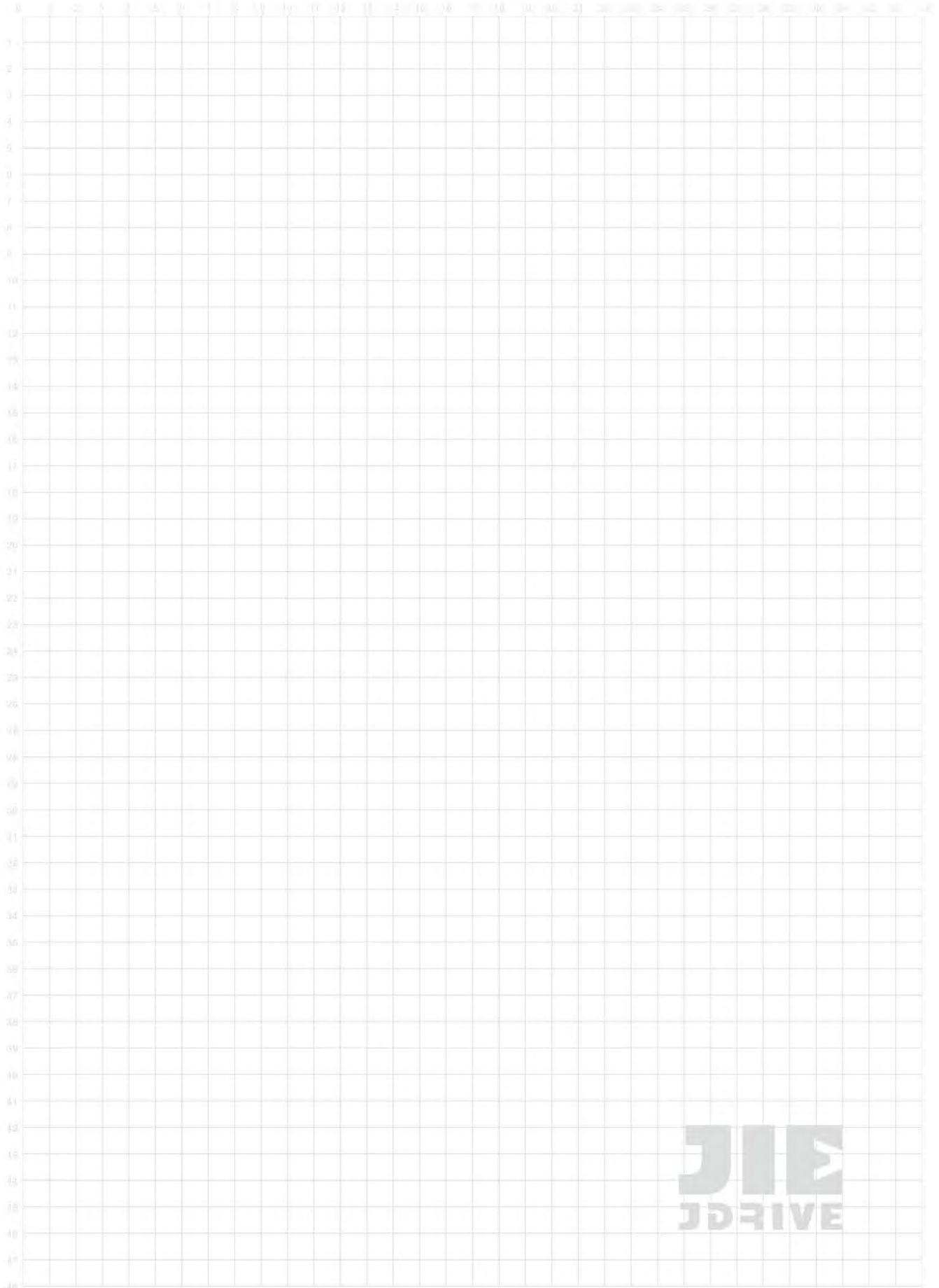


代号 Model 法兰规格 Flange Specification	D	M	P	d	BH	BU	E	Q	输入孔径 Input Aperture UA												
									速比 Ratio i												
									7.5	10	15	20	25	30	40	50	60	80	100		
71B5	110	130	160	9	16.3	5	5	30	14	14	14	14	14	14	14	-	-	-	-	-	-
71B14	70	85	105	6.6	16.3	5	5	30	-	-	-	-	-	-	-	-	-	-	-	-	-
63B5	95	115	140	9	12.8	4	5	23	-	-	-	11	11	11	11	11	11	11	11	11	-
63B14	60	75	90	5.5	12.8	4	5	23	-	-	-	-	-	-	-	-	-	-	-	-	-
56B5	80	100	120	6.6	10.4	3	4	19	-	-	-	-	-	-	-	9	9	9	9	9	9

JRESSD50..



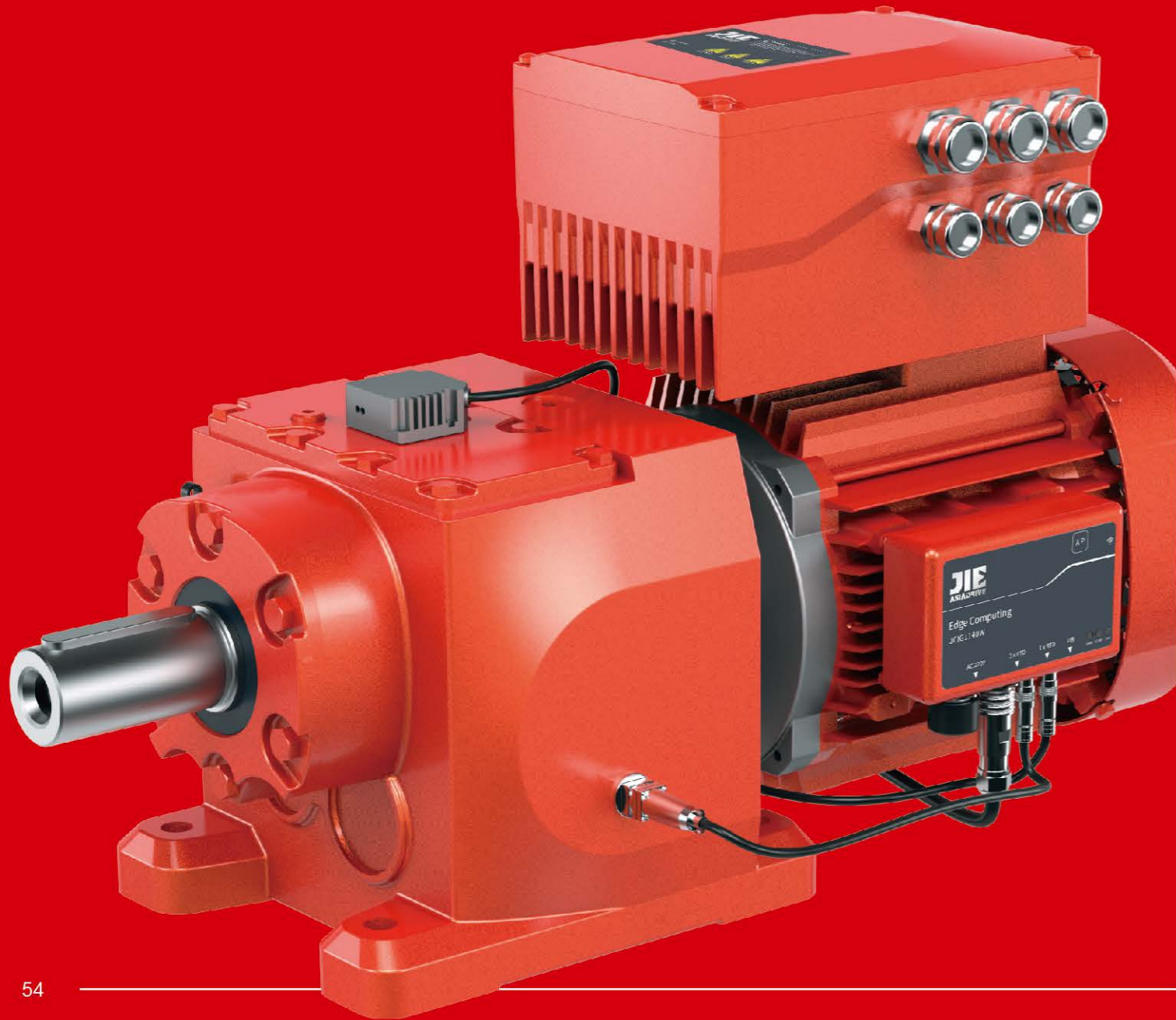
代号 Model 法兰规格 Flange Specification	D	M	P	d	BH	BU	E	Q	输入孔径 Input Aperture UA												
									速比 Ratio i												
									7.5	10	15	20	25	30	40	50	60	80	100		
80B5	130	165	200	11	21.8	6	6	40	19	19	19	19	19	19	-	-	-	-	-	-	-
80B14	80	100	120	6.6	21.8	6	6	40	-	-	-	-	-	-	-	-	-	-	-	-	-
71B5	10	130	160	9	16.3	5	5	30	-	14	14	14	14	14	14	14	14	14	14	14	-
71B14	70	85	105	6.6	16.3	5	5	30	-	-	-	-	-	-	-	-	-	-	-	-	-
63B5	95	115	140	9	12.8	4	5	23	-	-	-	-	-	-	11	11	11	11	11	11	-
63B14	60	75	90	5.5	12.8	4	5	23	-	-	-	-	-	-	-	-	-	-	-	-	-



杰牌传动产品目录

JIE DRIVE

PRODUCT CATALOGUE



JRT 齿轮减速电机



JRTR
齿轮减速电机
规格: 17~187
传动比: 3.37~289.74
输入功率: 0.12~250 kW
输出扭矩: 2.4~56494 Nm



JRTRF
平行轴-齿轮减速电机
规格: 37~167
传动比: 3.77~281.71
输入功率: 0.12~250kW
输出扭矩: 3.5~37125Nm



JRTRK
锥齿轮-齿轮减速电机
规格: 37~187
传动比: 3.98~197.37
输入功率: 0.12~200kW
输出扭矩: 10~62800Nm



JRTRS
蜗杆副-齿轮减速电机
规格: 37~97
传动比: 6.8~288
输入功率: 0.12~22kW
输出扭矩: 10~4900Nm



JRTRX
齿轮减速电机
规格: 57~107
传动比: 1.3~8.65
输入功率: 0.12~45kW
输出扭矩: 1.4~990Nm

JRH 工业齿轮箱



JRHH
平行轴齿轮箱
规格: 3~28
传动比: 1.25~450
输入功率: 4.3~10515kW
输出扭矩: 2300~1400000Nm



JRHB
直轴轴齿轮箱
规格: 4~28
传动比: 5~400
输入功率: 2.8~4908kW
输出扭矩: 5500~1400000Nm



JRHD
斗提机齿轮箱
规格: 5~16
传动比: 25~71
输入功率: 16~1305kW
输出扭矩: 11000~173000Nm



JRHO
棕榈油齿轮箱
规格: 310
传动比: 56、80
输入功率: 106、141kW
输出扭矩: 75000Nm



JRHA
空冷岛齿轮箱
规格: 166
传动比: 14
输入功率: 228kW
输出扭矩: 21000Nm

JRP 行星齿轮箱



JRP
大型行星齿轮箱
规格: 9~36
传动比: 25~4000
输入功率: 0.4~12934kW
输出扭矩: 22000~2600000Nm



JRP
小型行星齿轮箱
规格: 01~8
传动比: 3.08~3460
输入功率: 0.02~192kW
输出扭矩: 1000~13000Nm



JRPH
回行星齿轮箱
规格: 08~100
传动比: 3.4~2000
输入功率: 75~250kW
输出扭矩: 8000~100000Nm



VR
同心轴行星减速机
速比: 3~100
背隙: 1~3/3~5/5~7/3arc-min
扭矩: 6~3300Nm



EV
直角行星减速机
速比: 3~100
背隙: 4~9/6~11arc-min
扭矩: 12~1920Nm

JRW 蜗杆减速机



JRW
蜗杆减速机
规格: 30~150
传动比: 7.5~100
输入功率: 0.1~25.8kW
输出扭矩: 13~1550Nm



JRWD
蜗杆减速机
规格: 25~150
传动比: 7.5~100
输入功率: 0.06~15kW
输出扭矩: 2.6~1760Nm



JRWND
NEMA蜗杆减速机
规格: 30~150
传动比: 7.5~100
输入功率: 0.06~15kW
输出扭矩: 2.6~1760Nm



WPA
蜗杆减速机
规格: 40~250
传动比: 10~60
输入功率: 0.12~33.2kW
输出扭矩: 19~2745Nm



WPW
蜗杆减速机
规格: 40~250
传动比: 10~60
输入功率: 0.12~33.2kW
输出扭矩: 6~3025Nm

JD 电动机



JD
IEC电机
规格: 63~315
功率: 0.12~200kW
能效: IE2、IE3、IE4 (0.75~200kW)



JDP
NEMA电机
规格: 63~315
功率: 0.12~200kW
能效: IE2、IE3、IE4 (0.75~200kW)



JDN
NEMA电机
规格: 63~180
功率: 0.12~22kW
能效: IE2、IE3、IE4



JDB
防爆电机
规格: 80~315
功率: 0.75~200kW
防爆等级: Exib II BT4
能效: IE2、IE3



JDC
伺服电机
规格: 30~90
功率: 0.4~7.5kW
额定扭矩: 1.27~48Nm

JC 智能传动方案



JC
智能传动方案
减速机+电动机+变频器
+传感器+物联网等行业传动方案



JCI
智能监测系统
监测项目: 振动、温度、湿度、
气压、电压、电流、地理位置等



JCM
变频一体减速机
规格: 004-0075
功率: 0.4~7.5kW
防护等级: IP54~IP65
供电: 3AC 380~440V
输出频率: 0~200Hz



JCF
变频器
规格: 0075~0550
功率: 0.75~55kW
输出频率: 0~200Hz
载波频率: 8~32KHz



JCS
伺服驱动器
规格: FSA/FSB/FSC
功率: 0.4~7.5kW
供电: 1AC 220V/3AC 380V

其它减速机



JRESR
不锈钢齿轮减速机
规格: 37~67
传动比: 3.41~199.81
输入功率: 0.18~7.5kW
输出扭矩: 26~670Nm



JRESK
锥齿轮-不锈钢齿轮减速机
规格: 37~67
传动比: 3.98~145.14
输入功率: 0.18~5.5kW
输出扭矩: 12~910Nm



JRESS
不锈钢蜗杆减速机
规格: 40~90
传动比: 7.5~100
输入功率: 0.09~4kW
输出扭矩: 19~458Nm



JRSS
丝杆升降机
规格: 35~150
传动比: 5~40
输入功率: 0.19~16.3kW
起升力: 500~26050kg



JRTRM
锥齿轮转向器
规格: 2~25
传动比: 1~5
输入功率: 0.014~335kW
输入转速: 10~1450r/min



JRGC
工程分动箱
规格: 0401、1501
传动比: 0.589、0.659、0.756、0.825
输出最大扭矩: 1390Nm
行走最大扭矩: 40000Nm



JTA
轴装式减速机
规格: 80/90~100/120
速比: 5~31.5
功率: 11~45kW
扭矩: 6600~10500Nm



JEC
扶梯主机
规格: 2~15、2~25
传动比: 24.5
效率: ≥96%
使用寿命: 146000h
输出扭矩: 3530~5150Nm



JN
农机齿轮箱
传动比: 0.364~2.33
输入转速: 800r/min
效率: ≥96%



JIE Drive Product Catalogue

杰牌智能传动方案提供商
更多产品敬请咨询

杰牌智能传动平台产品

Platform Products of JIE Intelligent Drive

产品标准化实现平台化, 工艺标准化实现自动化, 流程标准化实现信息化。

Standardizing the products to realize platformization, Standardizing the technologies to realize automation, Standardizing the processes to realize informatization.

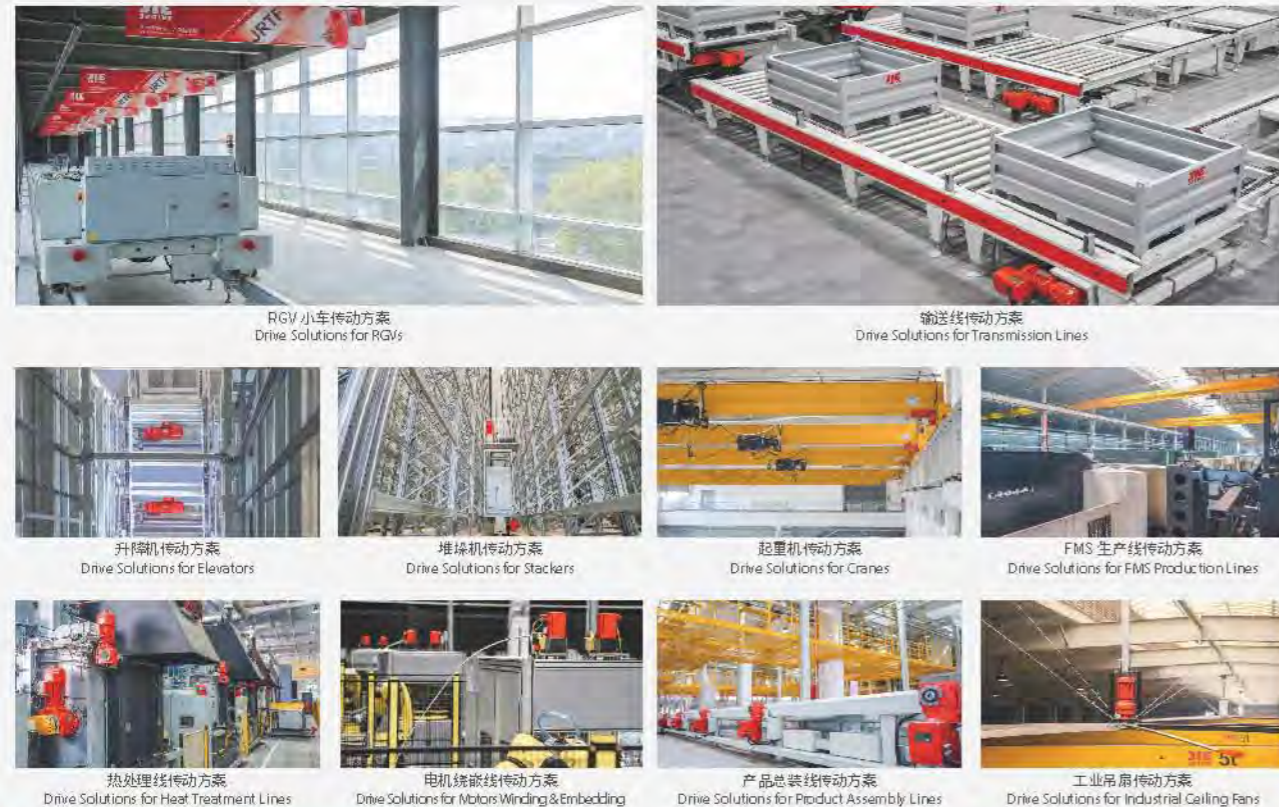


杰牌智能传动项目应用案例

An application case of JIE Intelligent Drive Solutions

智能计划物流、箱体智能工厂、齿轮智能工厂、电机智能工厂、装配智能工厂、智能检测试验等项目传动方案。

Projects Drive Solutions incl. Intelligent Planning Logistics, Intelligent Plant of Gear Housings, Intelligent Plant of Gears, Intelligent Plant of Motors, Intelligent Plant of Assembly, Intelligent Tests, etc.



杰牌智能传动项目

JIE Intelligent Drive Project

智能工厂+智能产品+智能服务, 推进精益生产, 建设智能工厂, 构建产业联盟, 实现合作共赢。

Intelligent Plants + Intelligent Products + Intelligent Services, to promote lean production and build intelligent plants, and to build industrial alliances and achieve win-win cooperation.

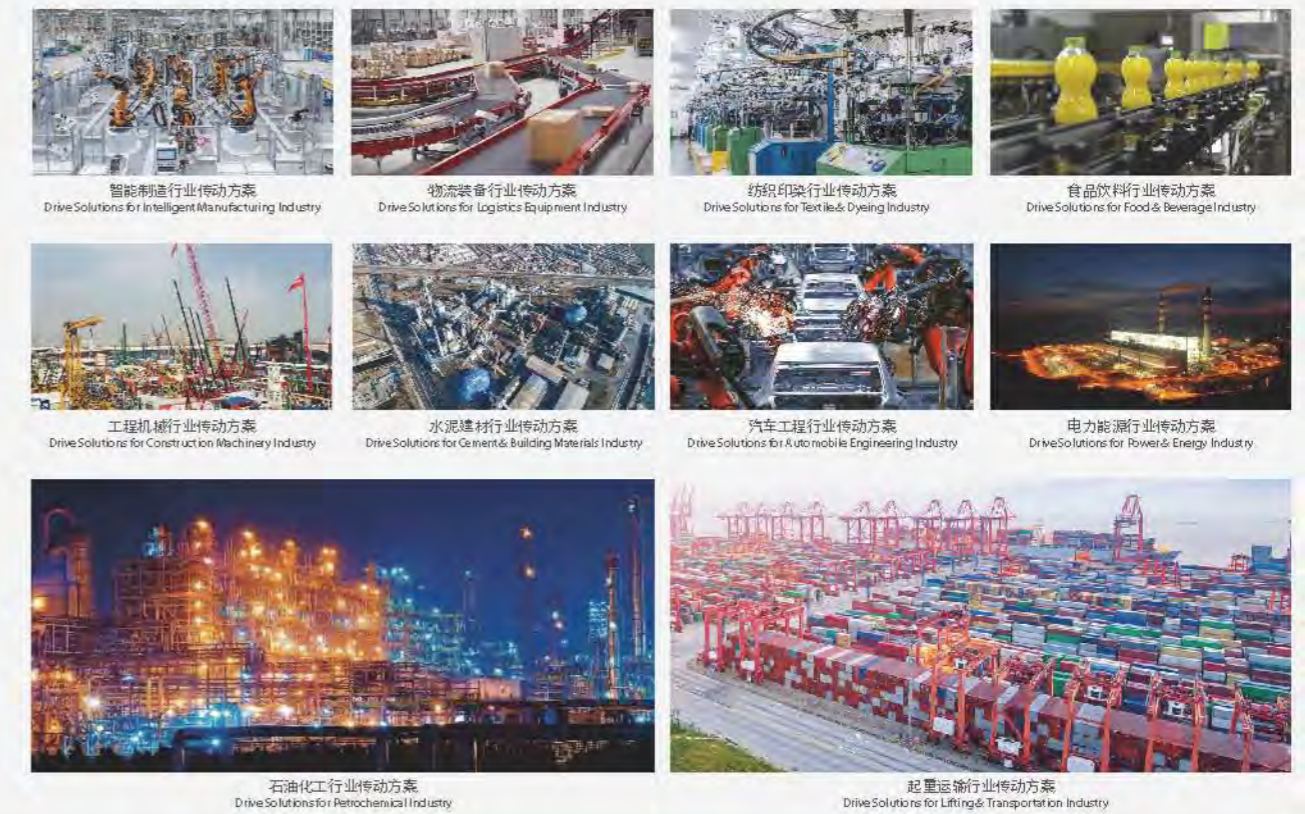


杰牌智能传动行业应用案例

Industrial application cases of JIE Intelligent Drive Solutions

杰牌“新、衣、食、住、行、源、运”等行业传动方案。

JIE Industrial Drive Solutions for New Manufacturing, Clothing, Food, Residence, Traveling, Energy, Transportation, etc.



杰牌智能传动工业园

JIE Intelligent Drive Industrial Zone

生产区:1号工厂、2号工厂、3号工厂、万杰工厂、5号工厂; 办公区:A座商务中心、B座创新中心、C座运营中心;
生活区:匠心楼、群英楼、精益楼。

Production Area: No.1 Plant, No.2 Plant, No. 3 Plant, Wanjie Plant, No. 5 Plant;
Office Area: Building A Business Center, Building B Innovation Center, Building C Operation Center;
Living Area: Artisans Building, Elites Building, Lean Building.



杰牌智能传动方案提供商

JIE Intelligent Drive Solutions Provider

杰牌智能传动项目应用智能产品、建设智能工厂、生产智能产品,为用户提供智能产品、智能服务、智能体验,实现一台减速机的智能制造之旅和智能监测运维。

JIE Intelligent Drive Project, which applies intelligent products to build intelligent plants and produce intelligent products, to serve the customers with intelligent products, intelligent services and intelligent experience, has realized a journey of intelligent manufacturing, intelligent operation & maintenance monitoring for a reducer.



杰牌研产供销服一体化平台

JIE Platform integrated with research, production, supply, marketing and service

全流程的生态系统、多系统的数据中台、一体化的工业大脑。

A whole-process ecosystem, A multi-system data center and an integrated industrial brain.



杰牌美丽工厂

JIE Beautiful Plants

打造环境友好型、发展持续性、发展全球型的“小而美公司”。

To build a small but excellent company of "Environment-friendly, Sustainable and Global service".



在专业化的路上走向胜利 On road to specialization strive together

陈 杰 词
Lyric: Chen Jie
钱建隆 曲
Mus: Qian Jianlong

1= bE $\frac{4}{4}$

稍快、朝气蓬勃地
allegretto, full of youth

||: ($\overset{3}{111}$ $\overset{3}{111}$ $\overset{3}{111}$ 1 | $\overset{3}{111}$ $\overset{3}{111}$ $\overset{3}{111}$ 1 | $\underline{51123456}$ | 5 $\overset{3}{555}$ 1 0) |

$\underline{5}$ 1 1 2 3 1 0 | $\underline{5\cdot4}$ 3 2 3 1 0 | $\dot{1}\cdot\dot{7}$ $\overset{\frown}{7}$ $\overset{\frown}{6}$ $\overset{\frown}{6}$ 5 | $\underline{6}$ 5 3 4 5 - |

要做 就做 一流 是我永恒追求 产业联盟 我们一起走
To be the star is my eternal pursue industrial union we walk together
产业事业 家业 共同富裕 和谐 目标在前 我们一起走
Estate career family harmonious with wealth for the goal ahead we walk together

$\underline{5}$ 1 1 2 3 1 0 | $\underline{5\cdot4}$ 3 2 3 1 0 | $\dot{1}$ $\dot{1}$ $\dot{7}$ $\dot{6}$ | $\underline{5\cdot4}$ 3 4 2 \vee 1 |

聚 万物之灵 造 天地之杰 产业发展 我们一起走啦
Nimbus from all beings making it outstanding industry developing we walk together La
团结 创新 专业 推动 联盟发展 胜利在前 我们一起走啦
Join Innovation Expertise enhancing the union for the victory ahead we walk together La

$\dot{1}$ - $\dot{1}$ $\dot{7}$ $\dot{1}$ | 5 - - 1 | 6 - $\overset{\frown}{6}$ $\overset{\frown}{6}$ $\overset{\frown}{7}$ $\dot{1}$ 3 - - - |

啦 啦啦啦 啦 啦啦 啦啦啦 啦
La La La La La La La La La La

(节奏强烈、有冲击力)
(hot, powerful)

1 - 4 5 | $\underline{6\cdot7}$ $\dot{1}$ 6 · 5 | 6 6 $\underline{5\cdot4}$ 3 5 | 5 - - - |

在 专业 化的 路 上 我们 一起 努力
On road to specialization we strive together

1 - 4 5 | $\underline{6\cdot7}$ $\dot{1}$ 6 · 5 | 4 3 $\underline{2\cdot2}$ 1 2 | 2 - - - |

在 专业 化的 路 上 我们 走向 胜利
On road to specialization we go to victory

1 - 4 5 | $\underline{6\cdot7}$ $\dot{1}$ 6 · 5 | 6 6 $\underline{5\cdot4}$ 3 6 | 6 - - - |

在 专业 化的 路 上 我们 一起 努力
On road to specialization we strive together

1 - 4 5 | $\underline{6\cdot7}$ $\dot{1}$ 6 · 5 | $\overset{1}{4}$ 3 $\underline{2\cdot2}$ 3 1 | 1 - - - ||

在 专业 化的 路 上 我们 走向 胜利
On road to specialization we go to victory

- 2
4 3 $\underline{2\cdot2}$ 3 1 | 1 0 0 $\dot{1}$ | $\dot{1}$ - 0 0 | 0 0 0 0 ||

我 们 走 向 胜 利 胜 利
we go to victory Victory