



## **PowerLite**<sup>®</sup> **D6150** MULTIMEDIA PROJECTOR



### **Dust-resistant design. Cutting-edge technology.**

Boasting a robust design, advanced features and networking capabilities, the PowerLite D6150 is the perfect solution for lecture halls and corporate conference rooms alike. With its unprecedented exhaust vent shutter, dust-resistant design, cable locks and long filter/lamp life, the D6150 gives you added peace of mind that your investment will last longer. This innovative projector gives you the performance you want at a price that won't break your bottom line.

**Robust design** — dust-resistant body, 10,000-hour recommended cleaning cycle<sup>1</sup> and up to 6000-hour lamp life<sup>2</sup> mean less down time and a low cost of ownership

**Bright, sharp presentations** — true-to-life color with 3500 lumens of color and white light output<sup>3</sup> and XGA resolution

**Cutting-edge technology** — split-screen function; HDMI, USB, LAN and 2 VGA inputs plus optional wireless

**Advanced networking features** — remote monitor and control functions, message broadcasting and Crestron RoomView<sup>®</sup> enabled

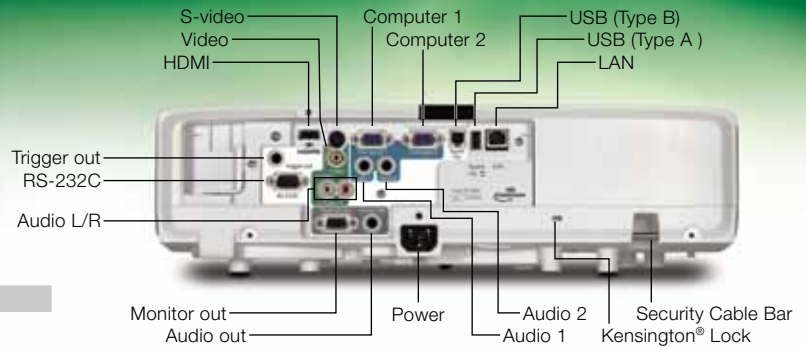
**Additional benefits** — easy setup tools such as our innovative horizontal keystone correction and Quick Corner<sup>®</sup>, built-in closed captioning, a 5 W speaker and more



# PowerLite<sup>®</sup> D6150

## Multimedia Projector

Product Name	Product Code	UPC
PowerLite D6150	V11H395020	0 10343 88321 5
Genuine Epson Lamp	V13H010L61	0 10343 88052 8
Replacement Air Filter	V13H134A30	0 10343 88383 3



Specifications	Interfaces	Dimensions (W x D x H)	Accessory Part Numbers
----------------	------------	------------------------	------------------------

**Projection System**  
Epson 3LCD, 3-chip technology

**Projection Method**  
Front/rear/ceiling mount

**Driving Method**  
Epson Poly-silicon TFT Active Matrix

**Pixel Number**  
786,432 pixel x 3 LCDs (1024 x 768)

**Native Resolution**  
1024 x 768 (XGA)

**Aspect Ratio**  
4:3

**Color Light Output<sup>3</sup>**  
3500 lumens

**White Light Output<sup>3</sup>**  
3500 lumens (ISO 21118 standard)

**Contrast Ratio (High Brightness, Dynamic Mode)**  
2000:1

**Brightness Uniformity (typical)**  
89%

**Color Reproduction**  
16.7 million colors

**Size (projected distance)**  
30" – 300"

**Keystone Correction**  
Vertical: ± 30 degrees - manual  
Horizontal: ± 30 degrees - manual

**Lamp Type**  
275 W UHE E-TORL

**Lamp Life<sup>2</sup>**  
4000 hours (Normal Mode)  
6000 hours (ECO Mode)

### Effective Scanning Frequency Range

**Pixel Clock**  
13.5 MHz – 162 MHz (up to UXGA 60 Hz)

**Horizontal**  
15 kHz – 92 kHz

**Vertical**  
50 Hz – 85Hz

### Video I/O

**Display Performance**  
NTSC: 480 line  
PAL: 576 line  
(depends on the observation of the multi-burst pattern)

**Input Signal**  
NTSC/NTSC4.43/PAL/M-PAL/N-PAL/  
PAL60/SECAM  
480i/576i/480p/576p/720p/1080i/1080p

HDMI x 1  
Computer: D-sub 15 pin x 2  
Monitor-out: D-sub 15 pin x 1  
Video: RCA x 1  
S-Video x 1  
Network: RJ-45 x 1, 100 Mbps  
Wireless LAN: Optional 802.11 a/b/g/n  
Serial: RS-232c  
USB: A x 1, Type-B x 1  
Audio-in: Mini stereo x 2  
Audio-in: RCA (L and R)  
Audio out: Mini stereo x 1  
Trigger out: 3.5mm x 1

### Projection Lens

**Type**  
Powered focus/Manual zoom

**F-number**  
1.51 – 1.99

**Focal Length**  
18.2 mm – 29.2 mm

**Zoom Ratio**  
Optical zoom 1.0 – 1.6

**Throw Ratio Range**  
1.38 – 2.24

### Other

**Speaker**  
5 W (mono)

**Operating Temperature**  
32° to 104°F (0° to 40°C)

**Power Supply Voltage**  
100 – 240 V ± 10%, 50/60 Hz AC

**Power Consumption**  
328 W (Normal Mode)  
242 W (ECO Mode)  
6.0 W Standby (Communication On)  
0.29 W Standby (Communication Off)

**Fan Noise**  
39 dB (Normal Mode)  
33 dB (ECO Mode)

**Security**  
Security cable hole, Kensington<sup>®</sup> lock provision

Including feet: 17.72" x 10.78" x 5.16"  
Excluding feet: 17.72" x 10.78" x 4.49"  
Weight: 9.7 lb

### Remote Control

**Features**  
Power, input signal selection, computer, video, A/V mute, freeze, user, ID num, auto, aspect, color mode, page up and down, E-zoom, volume, help, menu, enter, esc and pointer functions

**Operating Angle**  
Right/left:  
Front: ± 60 degrees  
Rear: ± 30 degrees  
Upper/lower:  
Front: +10 to +80 degrees  
Rear: -10 to +70 degrees

**Operating Distance**  
19.6 ft

### Support

**The Epson Connection<sup>SM</sup>**  
Pre-sales support  
U.S. and Canada 800-463-7766  
Internet website [www.epson.com](http://www.epson.com)

**Service Programs**  
Two-year limited warranty, Epson Road Service program, PrivateLine<sup>®</sup> dedicated toll-free support (U.S. and Canada only) and 90-day limited lamp warranty

**What's In The Box**  
PowerLite D6150 projector, power cable, computer cable (VGA), projector remote control with batteries, user manual CD, EasyMP software CD, password protection sticker, cable cover, cable locks (x2)

### Accessory Part Numbers

Genuine Epson lamp	V13H010L61
Air filter set	V13H134A30
ELPDC05 High resolution document imager	V12H162020
DC-06 Document Camera (PC / Mac <sup>®</sup> )	V12H321005
DC-11 Document Camera	V12H377020
PixiePlus control system for Epson projectors	ELPSP10
Belkin Pro Series VGA / SVGA cable, 6 ft	F3H982-06

Belkin Pro Series VGA / SVGA Cable, 10 ft	F3H982-10
Belkin Pro Series VGA / SVGA Cable, 25 ft	F3H982-25
Belkin PureAV HDMI audio video Cable, 3 ft	AV22300-03
Belkin PureAV HDMI audio video Cable, 6 ft	AV22300-06
Belkin PureAV HDMI audio video Cable, 12 ft	AV22300-12
Universal ceiling mount	ELPMBPJF
Duet <sup>™</sup> 4:3, 16:9 portable screen	ELPSC80
ES3000 Ultra portable projector Screen	V12H002S3Y
Portable projection screen 50"	ELPSC06
Structural round ceiling plate	ELPMBP03
False ceiling plate kit	ELPMBP02
Adjustable suspended ceiling channel kit	ELPMBP01
Adjustable extension column (Pipe) 8"-1"	ELPMB0C1
Kensington Microsaver Security Lock	ELPSL01
BrightLink Solo <sup>™</sup> Interactive Module (IU-01)	V12H415020
BrightLink Solo Interactive Module (IU-01) with RM EasiTeach	V12H415020RM
Soft carrying case (ELPKS64)	V12H001K64

### Packaging Specifications

**PowerLite D6150**  
Dimensions 19.53" x 21.46" x 10.4" (W x D x H)  
Weight 16.40 lb

**Genuine Epson Lamp**  
Dimensions 6.3" x 5.6" x 5.6" (W x D x H)  
Weight 0.7 lb  
Master Carton  
Dimensions 28.4" x 13.1" x 6.8" (W x D x H)  
Weight 9.5 lb  
Units Per Master Carton 10

**Replacement Air Filter**  
Dimensions 4.9" x 3.9" x 1.2" (W x D x H)  
Weight 0.1 lb  
Master Carton  
Dimensions 12.7" x 5.2" x 4.6" (W x D x H)  
Weight 1.1 lb  
Units Per Master Carton 10

1 Recommendation based on normal room conditions. Cleaning requirements may vary depending on use, environment and other conditions. Cleaning intervals may be adjusted to accommodate the environment in which the projector is used.

2 Lamp life will vary depending upon mode selected, environmental conditions and usage. Lamp brightness decreases over time.

3 Color and white light output will vary depending on mode selected. White light output measured using ISO 21118 standard.

4 Data source: ProjectorCentral.com Jan. 2011. Average of 1038 shipping models for which manufacturers provided lumens and total power data, all resolutions and brightness levels.

5 See our website for convenient and reasonable recycling options at [www.epson.com/recycle](http://www.epson.com/recycle)

6 SmartWay is an innovative partnership of the U.S. Environmental Protection Agency that reduces greenhouse gases and other air pollutants and improves fuel efficiency.

7 Tested with JIS Z 8901 Type 8 Dust (size: 6.6-8.6 micrometers, density: 2.9-3.1g/cm<sup>3</sup>) with wind speed = 0.25m/sec.