

ITool co.		(865)670-3713	
TITLE: 1,000 Lb. Puller			
NAME	S. Strand	DATE	11/14/23
SIZE	DWG. NO.	REV	
A	C1K		
SCALE: 1:20	WEIGHT: 4.89	SHEET 1 OF 5	

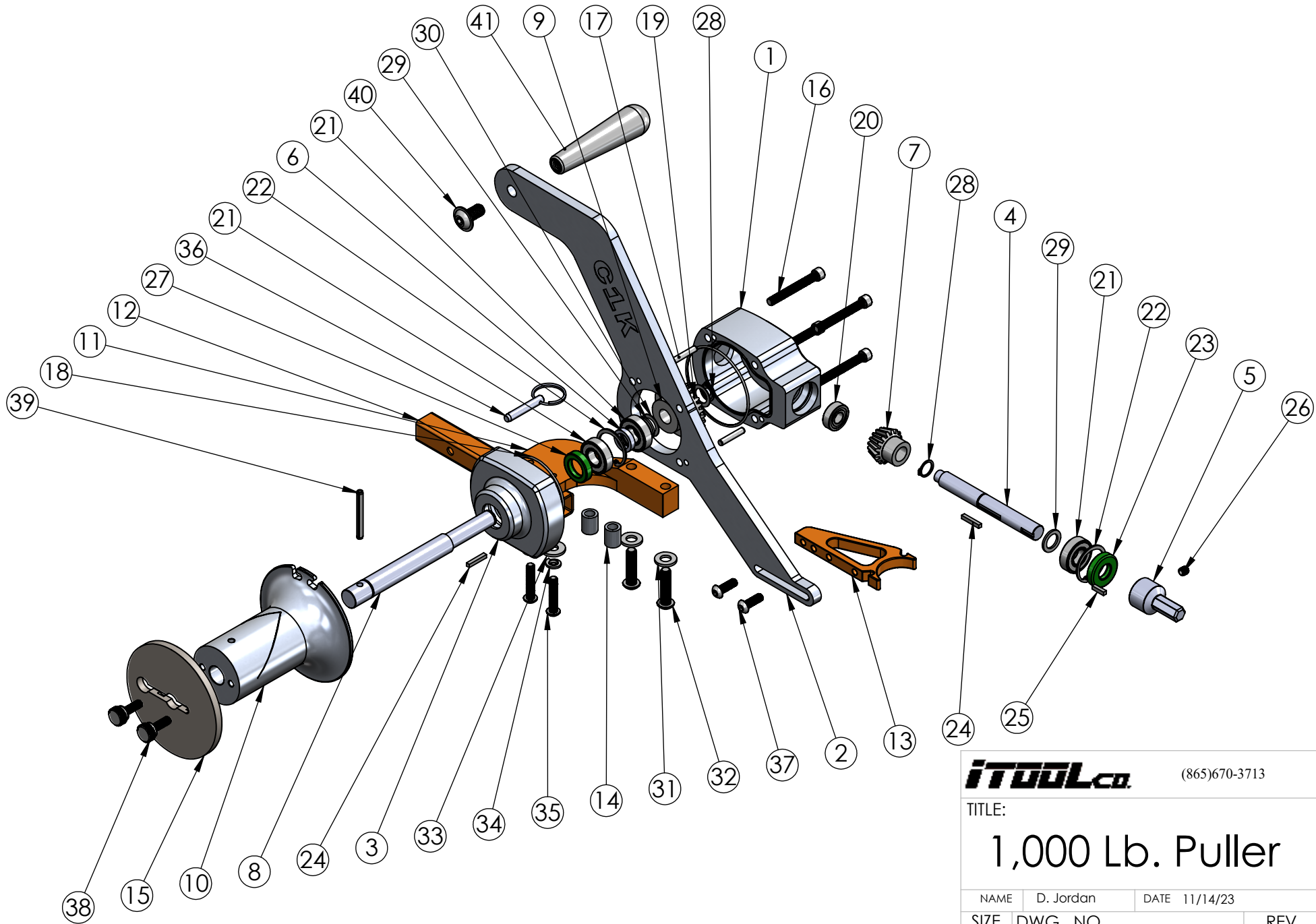
5

4

3

2

1



IToolCo. (865)670-3713

TITLE:
1,000 Lb. Puller

NAME	D. Jordan	DATE	11/14/23
SIZE	DWG. NO.	REV	
A	C1K		
SCALE: 1:20	WEIGHT: 4.89	SHEET 2 OF 5	

ITEM NO.	PART NUMBER	DESCRIPTION	Material	Weight	QTY.
1	C1K-101M	Gear Housing	6061 Alloy	0.69	1
2	C1K-106.2M	Center Plate	6061A	0.96	1
3	C1K-105M	Gear Box End Cap	6061 A	0.58	1
4	C1K-104M	1/2" Drive Shaft Keyed		0.03	1
5	C1K-117M	Input Shaft Adapter	6061 A	0.02	1
6	C1K-107M	Bearing Spacer	6061 A	0.00	1
7	SP-402	Pinion Bevel Gear	1144 Carbon Steel		1
8	C1K-108M	5/8" Long Shaft Keyed		0.06	1
9	SP-401	Metal Bevel Gear	1144 Carbon Steel		1
10	C1K-102M	C1K Capstan	4" Od BMA-08	1.35	1
11	C1K-412				1
12	C1K-413	Receiver Tube	3/4" x 0.065" Wall Tube	0.04	1
13	C1K-403				1
14	C1K-119M	Receiver Tube Spacer	6061 Alloy	0.01	2
15	C1K-418.2	Capstan End Cap	1/4" Aluminum	0.79	1
16	HW-513	1/4"-20 x 2" Socket Head Screw	Alloy Steel		4
17	HW-502	3/16" Dia. 1" Long Steel Dowel Pin	18-8 Stainless Steel		2
18	HW-498	1/16 Fractional Width, Dash Number 035 Oil-Resistant O-Ring	Buna-N Rubber		1
19	HW-499	1/16 Fractional Width, Dash Number 038 Oil-Resistant O-Ring	Buna-N Rubber		1
20	HW-510	3/8" (R6-2RS) Sealed Ball Bearing			1
21	HW-496	1/2" Ball Bearing (R8-2RS)			3
22	HW-505	1-1/8" Internal Retaining Ring	1060-1090 Spring Steel		2
23	HW-514	1/2" Shaft Seal, 1.124" OD			1
24	HW-501	1/8" x 1/8" x 3/4" Machine Key	1008-1045 Carbon Steel		2
25	HW-500	1/8" x 1/8" x 1/2" Machine Key	1008-1045 Carbon Steel		1
26	HW-495	1/4"-28 x 1/4" Set Screw	Alloy Steel		1
27	HW-515	5/8" ID, 1" OD, 1/4" Deep Shaft Seal (CR6141)			1
28	HW-504	For 1/2" OD External Retaining Ring	1060-1090 Spring Steel		2
29	HW-508	1/2" OD, 0.062 Thick Shim	18-8 Stainless Steel		2
30	HW-507	1/2" ID, 0.02" Thick Shim	316 Stainless Steel		2
31	HW-357	5/16" Flat Washer			2
32	HW-512	5/16"-18 x 1-1/4" Button Head Hex Drive Screw	Alloy Steel		2
33	HW-126	1/4" flat washer			2
34	HW-124	1/4" Split Lock Washer	Steel		2
35	HW-493	1/4"-20 x 1-1/4" Hex Drive Screw	Alloy Steel		2
36	HW-491	1/4" Dia. 1" Usable Ring-Grip Quick-Release Pin	1144 Carbon Steel		1
37	HW-511	1/4"-20 x 3/4" Button Head Hex Drive Screw	Alloy Steel		2
38	HW-521	1/4"-20 x 3/4" Raised Thumb Screw	18-8 Stainless Steel		2
39	HW-489	3/16" Dia. 1-3/4" Long Roll Pin	420 Stainless Steel		1
40	HW-308	3/8" 1 1/2 x 3/4" L Flange bolt			1
41	SP-405	3/8"-16 Plastic Tapered Handle	Phenolic Plastic		1

IToolco.

(865)670-3713

TITLE:

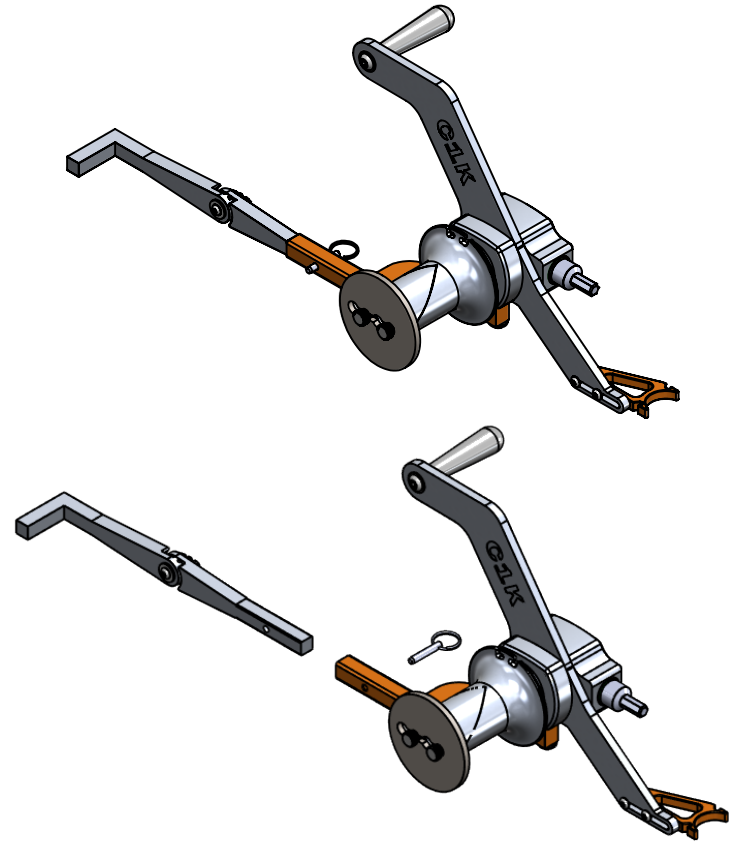
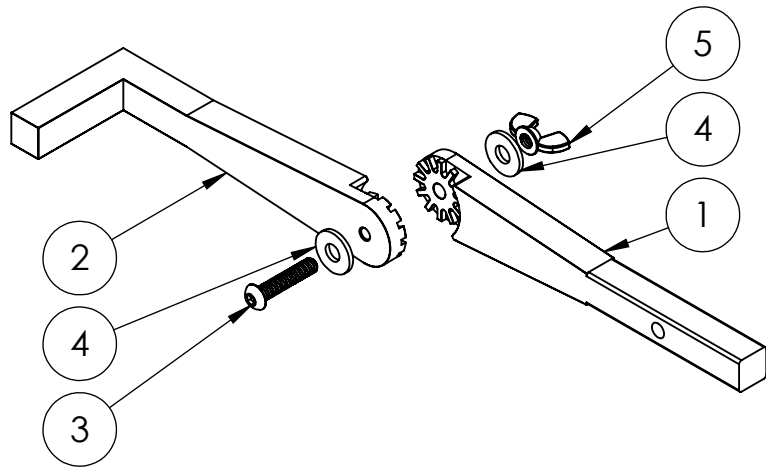
1,000 Lb. Puller

NAME D. Jordan DATE 11/14/23

SIZE DWG. NO.

A C1K

SCALE: 1:20 WEIGHT: 4.89 SHEET 3 OF 5



IToolco.

(865)670-3713

TITLE:

C1K With C1KA01
Wedge Attachment

NAME S. Strand DATE 11/14/23

SIZE DWG. NO. REV
A **C1K**

SCALE: 1:20 WEIGHT: 4.89 SHEET 4 OF 5

ITEM NO.	PART NUMBER	DESCRIPTION	Material	Weight	QTY.
1	C1K-109M	Pivot Arm Receiver	6061 Alloy		1
2	C1K-110M	Pivot Arm Wedge	6061 Alloy		1
3	HW-493	1/4"-20 x 1-1/4" Hex Drive Screw	Alloy Steel		1
4	HW-126	1/4" flat washer			2
5	HW-494	1/4"-20 Steel Wing Nut	Steel		1

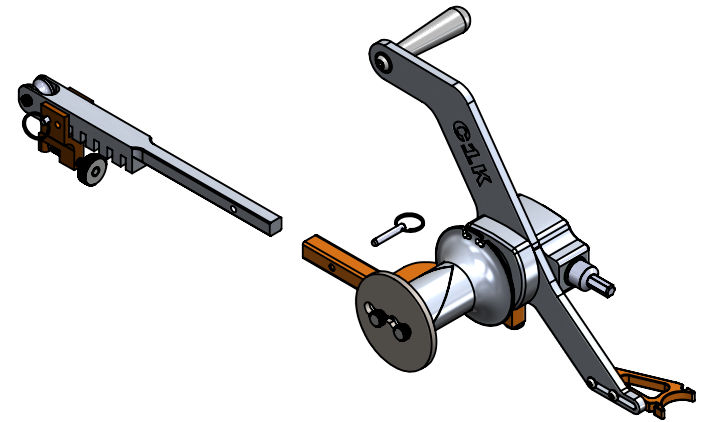
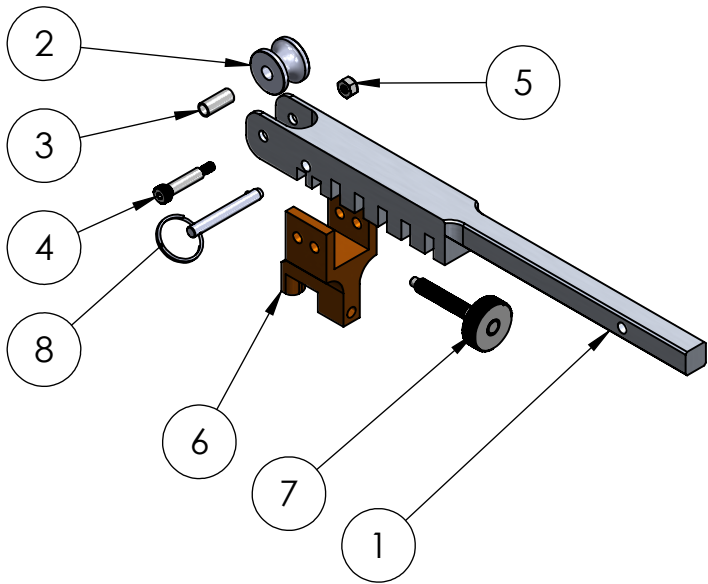
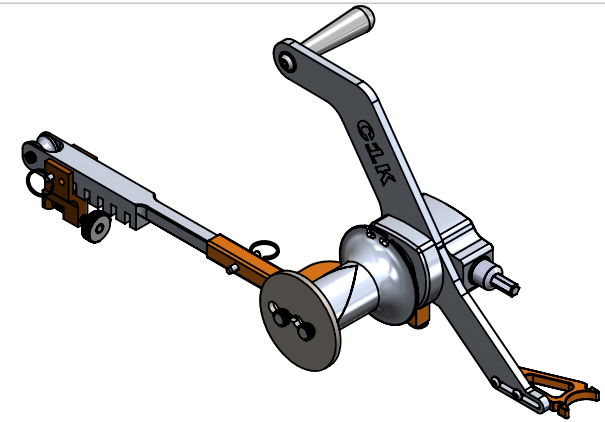
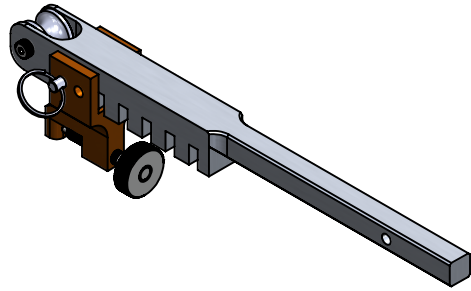
5

4

3

2

1



ITEM NO.	PART NUMBER	DESCRIPTION	Material	Weight	QTY.
1	C1K-114M	Roller Arm	6061 Alloy		1
2	C1K-115M	Roller Wheel	6061 A		1
3	HW-490	1/4" ID, 5/16" OD, 3/4" Oilite Sleeve Bushing	841 Bearing Bronze		1
4	HW-518	1/4" Shoulder Bolt, 1" Long	Alloy Steel		1
5	HW-335	10-24 Nylock Hex Nut			1
6	C1K-416M	Lock On Conduit Pinch Bracket			1
7	HW-520	5/16"-18 x 2" Thumb Screw	Steel		1
8	HW-492	1/4" Dia. 1-1/2" Usable Ring-Grip Quick-Release Pin	1144 Carbon Steel		1

IToolCo.

(865)670-3713

TITLE:

C1K With C1KA02
Conduit Clamp

NAME	S. Strand	DATE	11/14/23
SIZE	DWG. NO.	REV	
A	C1K		
SCALE: 1:20	WEIGHT: 4.89	SHEET 5 OF 5	