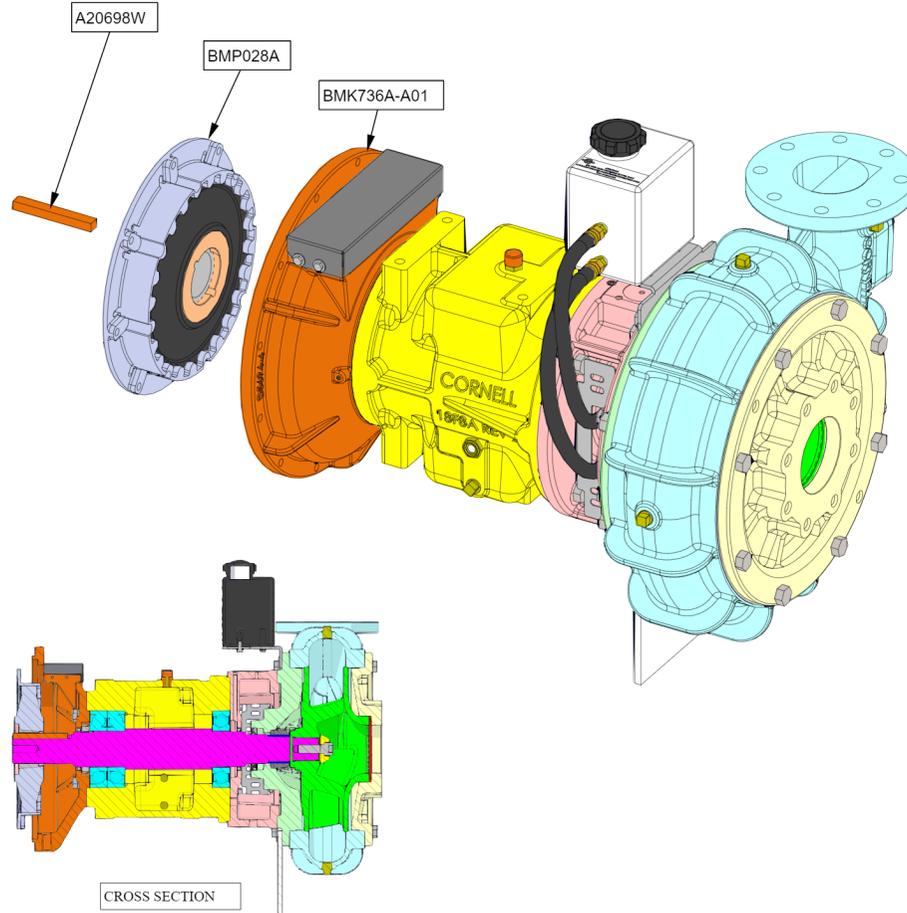


This drawing is uncontrolled. Contact your sales representative for up-to-date versions



| PART NUMBER   | DESCRIPTION                        | QTY |
|---------------|------------------------------------|-----|
| BMK736A-A01   | 4414T-EM18DBK-3 T2 SGL R-D, W/CO   | 1EA |
| BMP028A       | RDD 11.5", 2.5" SH, ARCUS AC-T3.SN | 1EA |
| A20698W-28-KS | KEY .62 X .50 X 4.75               | 1EA |

Top Level BOM: TB04972



Description: 4414T-EM18DBK-3 R-D, 11.5" RDD

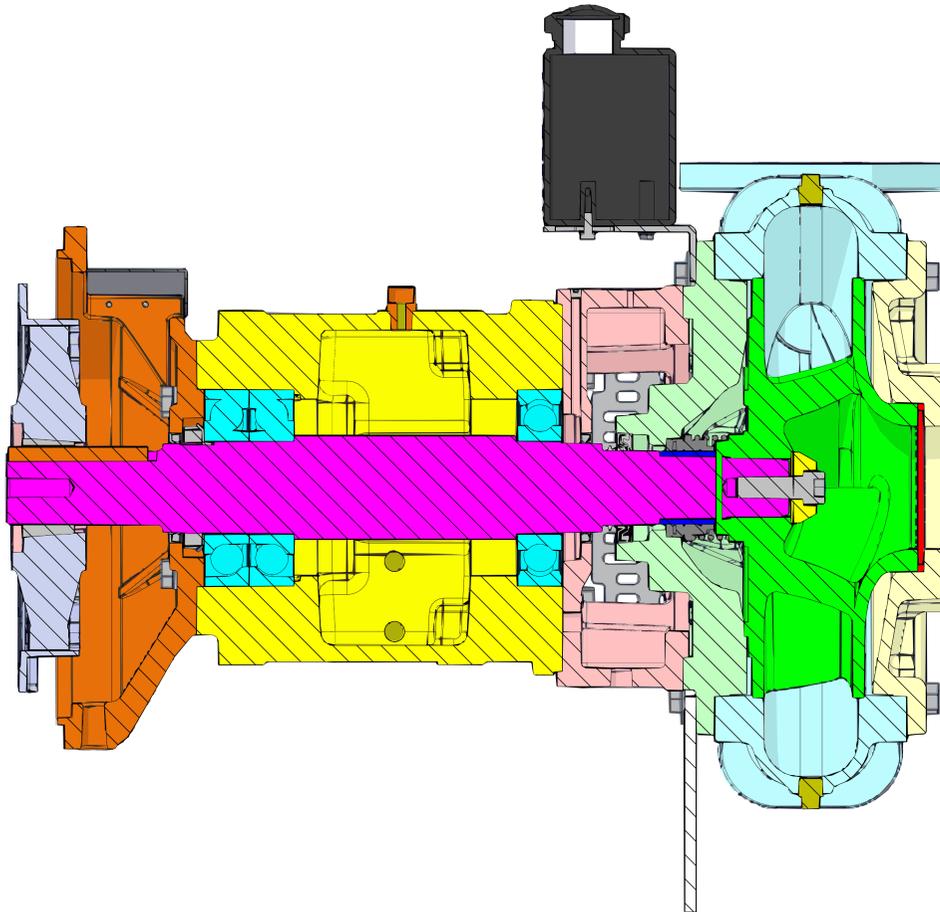
Cornell Pump Company, Portland Oregon Approx. Weight: 718 LB

This drawing is uncontrolled. Contact your sales representative for up-to-date versions

PART NUMBER

DESCRIPTION

QTY



Top Level BOM: TB04972

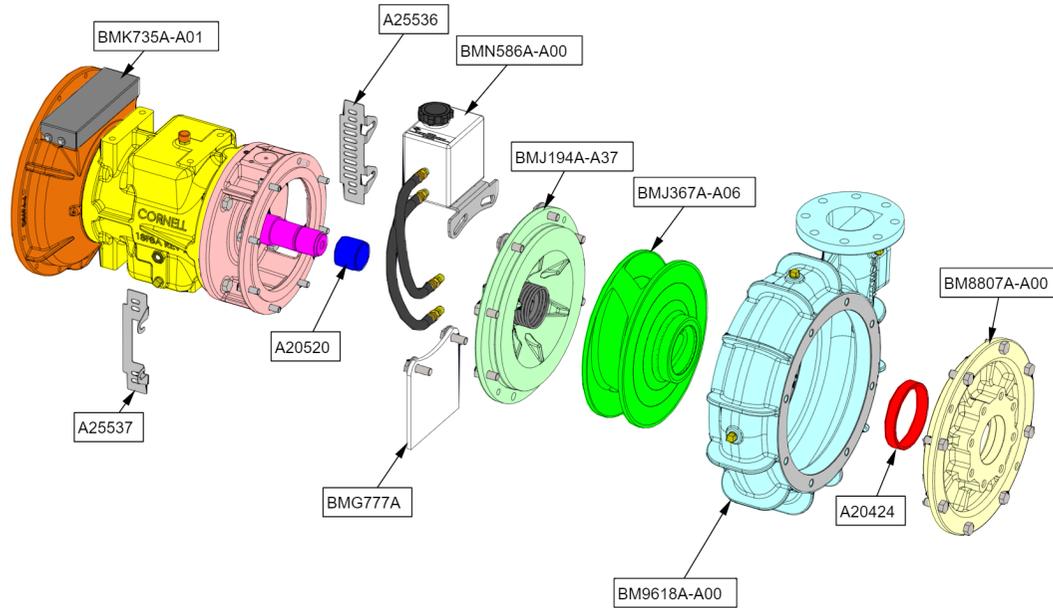
Assembly: TB04972 X-SECTION



Description: 4414T-EM18DBK-3 R-D, 11.5" RDD

Cornell Pump Company, Portland Oregon Approx. Weight: 718 LB

This drawing is uncontrolled. Contact your sales representative for up-to-date versions



| PART NUMBER   | DESCRIPTION                              | QTY |
|---------------|--|-----|
| A20424-6-CI   | WEAR RING CASE 5.75 X 5.27 X.94 OPEN CLR | 1EA |
| A20520-15-SS  | SLV 2.50 X 2.12 X 2.00                   | 1EA |
| BM8807A-A00   | SUCTION COVER 4414T                      | 1EA |
| BM9618A-A00   | VOLUTE 4414T W/CO                        | 1EA |
| BMJ367A-A06   | IMPELLER 4414T, THREADED BORE            | 1EA |
| BMJ194A-A37   | BACKPL. 2502S R-D, 11.5 REG.             | 1EA |
| BMK735A-A01   | FRAME EM18DBK-3 B26365 SH THD            | 1EA |
| A25536-220-SD | GUARD D5220 BRACKET NON RUNDRIY SIDE     | 1EA |
| A25537-220-SD | GUARD D5220 BRACKET RUNDRIY SIDE         | 1EA |
| BMG777A       | SUPPORT PLATE (EM) 4414T & 4NH           | 1EA |
| BMN586A-A00   | RESV./FTGS RUN-DRY (BOSTON)              | 1EA |

Top Level BOM: TB04972

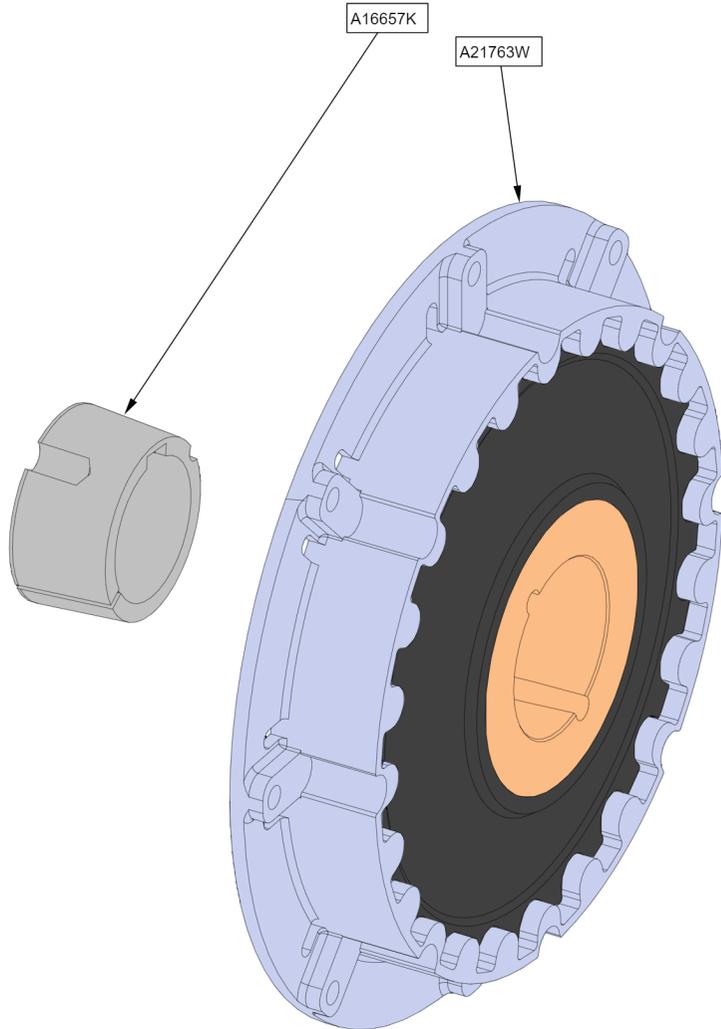
Assembly: BMK736A-A01



Description: 4414T-EM18DBK-3 T2 SGL R-D, W/CO

Cornell Pump Company, Portland Oregon Approx. Weight: 718 LB

This drawing is uncontrolled. Contact your sales representative for up-to-date versions



| PART NUMBER    | DESCRIPTION                             | QTY |
|----------------|---|-----|
| A21763W-335    | RDD 11.5" ARCUS AC-T3.SN.F2.11.5.2517   | 1EA |
| A16657K-251-SK | DODGE 2517 2.50 TPR LCK BSH. W/RED. KEY | 1EA |

Top Level BOM: TB04972

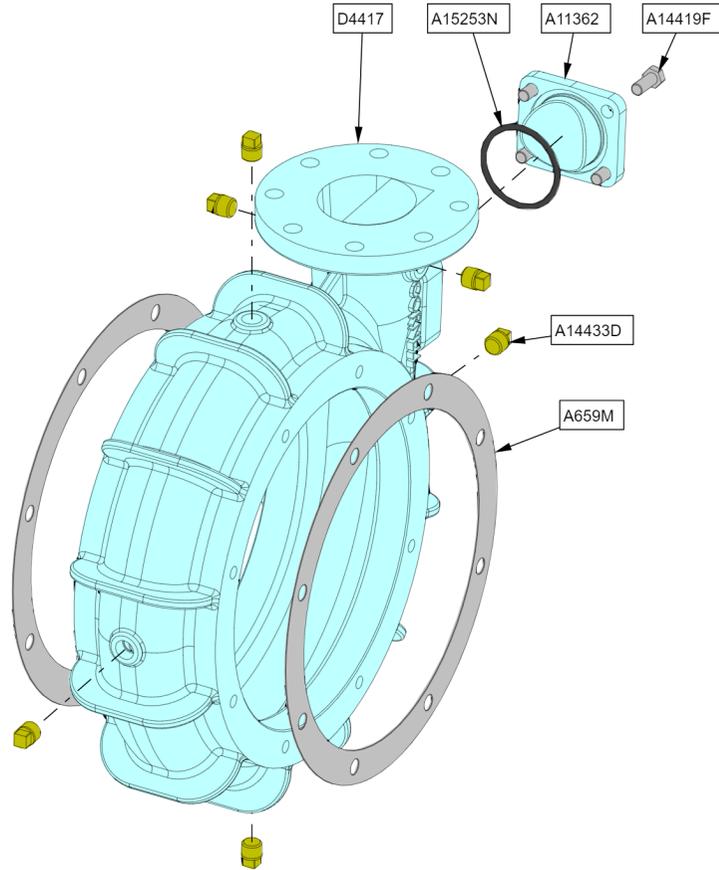
Assembly: BMP028A



Description: RDD 11.5", 2.5" SH, ARCUS AC-T3.SN

Cornell Pump Company, Portland Oregon | Approx. Weight: 718 LB

This drawing is uncontrolled. Contact your sales representative for up-to-date versions



| PART NUMBER    | DESCRIPTION                    | QTY |
|----------------|--------------------------------|-----|
| D4417-2-CP     | VOLUTE 4414T, 4NHTA W/CO       | 1EA |
| A11362-94-CI   | CLEANOUT COVER 4NH             | 1EA |
| A15253N-59-EB  | O-RING 3.25 X 3.62 X .19 THK   | 1EA |
| A14419F-128-SM | CPSCR,HEX .50NC X 1.25 GR5     | 4EA |
| A14433D-56-XS  | PIPE PLUG .50 NPT (SOLID PLUG) | 6EA |
| A659M-197-GA   | VOLUTE GASKET                  | 2EA |

Top Level BOM: TB04972

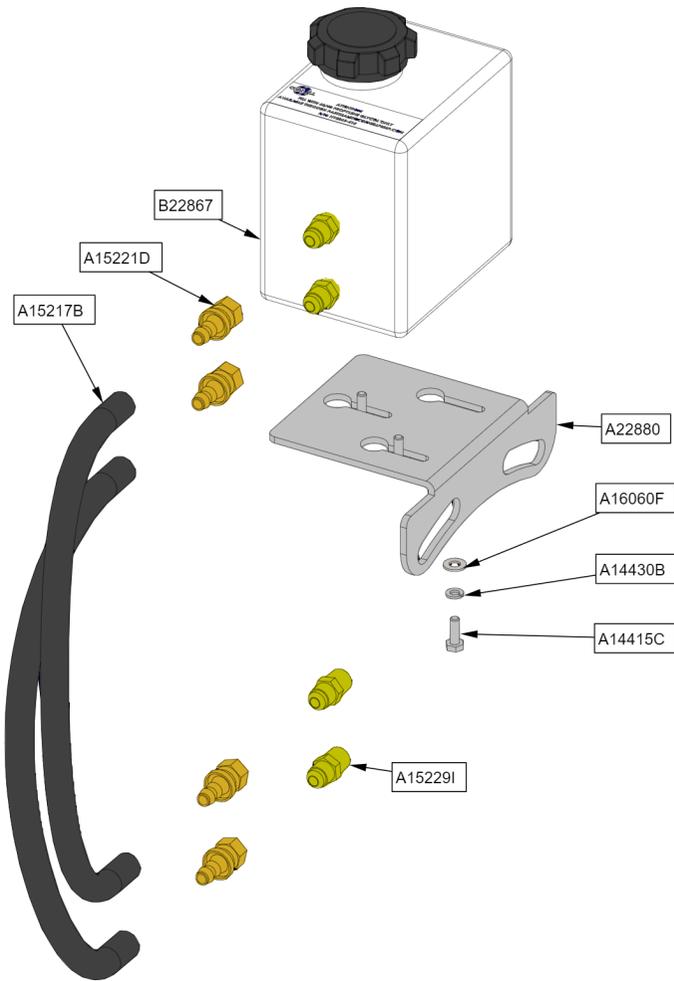
Assembly: BM9618A-A00



Description: VOLUTE 4414T W/CO

Cornell Pump Company, Portland Oregon Approx. Weight: 718 LB

This drawing is uncontrolled. Contact your sales representative for up-to-date versions



| PART NUMBER    | DESCRIPTION                                   | QTY  |
|----------------|---|------|
| B22867-157     | RESERVOIR W/CAP, RUN-DRY (PLASTIC)            | 1EA  |
| A22880-384-SK  | BRACKET, RUN DRY RESV, BLACK, .50 & .62 SCREW | 1EA  |
| A16060F-193-SK | WASHER,SAE .25                                | 3EA  |
| A14430B-363-SK | WASHER, LOCK .25                              | 3EA  |
| A14415C-128-SM | CPSCR,HEX .25NC X .75 GR5                     | 3EA  |
| A15229I-243-BD | TUBE FTG - MALE 48X6X6 FLARED                 | 2EA  |
| A15221D-422-BD | FITTING HOSE -45D FLARE SWIVEL                | 4EA  |
| A15217B-421-EB | HOSE .38 ID                                   | 48IN |

Top Level BOM: TB04972

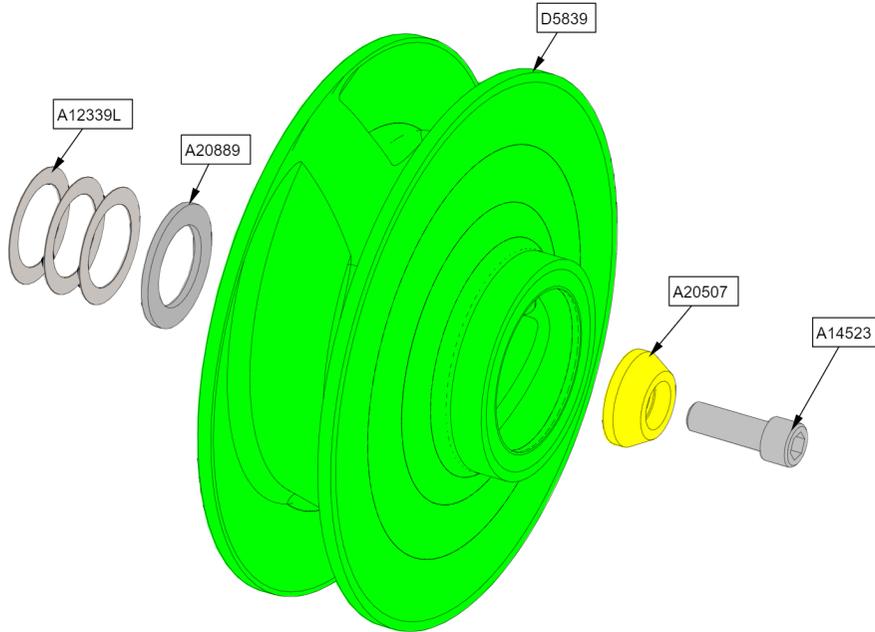
Assembly: BMN586A-A00



Description: RESV./FTGS RUN-DRY (PLASTIC) .50 & .62

Cornell Pump Company, Portland Oregon Approx. Weight: 718 LB

This drawing is uncontrolled. Contact your sales representative for up-to-date versions



| PART NUMBER     | DESCRIPTION                          | QTY |
|-----------------|--------------------------------------|-----|
| D5839-3-CI-R    | IMPELLER 4414T, THREADED BORE        | 1EA |
| A20507-13-ST    | IMPELLER WASHER-.81 X 2.44 X .88     | 1EA |
| A14523-12-SD    | LOCKSCREW .75NC X 2.25 SOC 18-8      | 1EA |
| A20889-95-ST    | THRUST WASHER, 4414T, THREADED       | 1EA |
| A12339L-107-SDA | IMPELLER SHIM .015" THICK (AS REQ'D) | 3EA |

Top Level BOM: TB04972

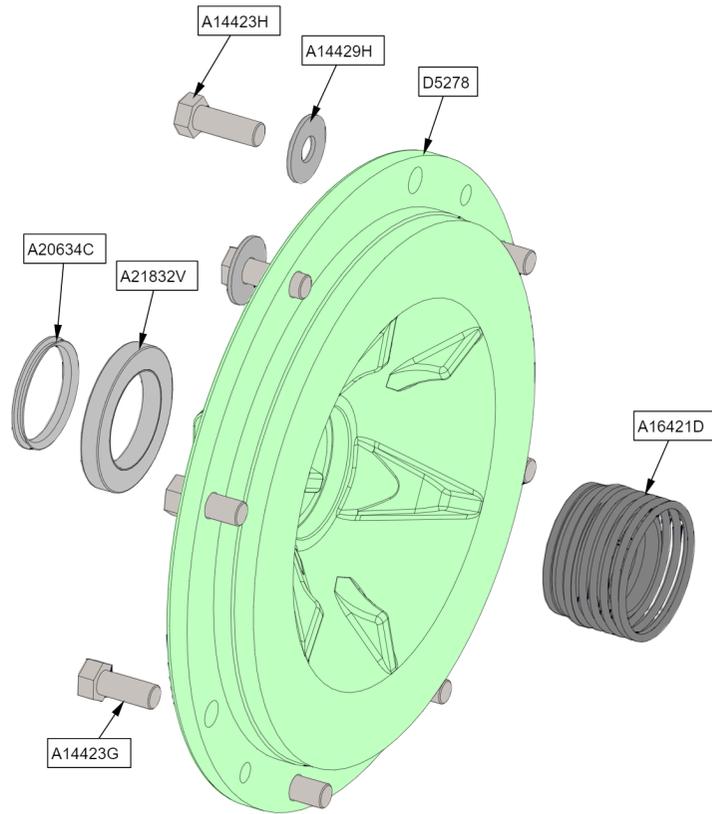
Assembly: BMJ367A-A06



Description: IMPELLER 4414T, THREADED BORE

Cornell Pump Company, Portland Oregon Approx. Weight: 718 LB

This drawing is uncontrolled. Contact your sales representative for up-to-date versions



| PART NUMBER    | DESCRIPTION  | QTY |
|----------------|--|-----|
| D5278-38-CV    | BACKPL. 4-6N-38-5 2501/2S                          | 1EA |
| A14423G-128-SM | CPSCR,HEX .62NC X 1.50 GR5                         | 6EA |
| A14423H-128-SM | CPSCR,HEX .62NC X 1.75 GR5                         | 2EA |
| A14429H-193-SK | WASHER,PLAIN .62 STEEL                             | 2EA |
| A16421D-40     | SEAL 2502S RP                                      | 1EA |
| A21832V-18     | LIP SEAL TRI SEAL 2.50 X 3.75<br>X .53 2800RPM MAX | 1EA |
| A20634C-16     | V-RING, 400654                                     | 1EA |

Top Level BOM: TB04972

Assembly: BMJ194A-A37

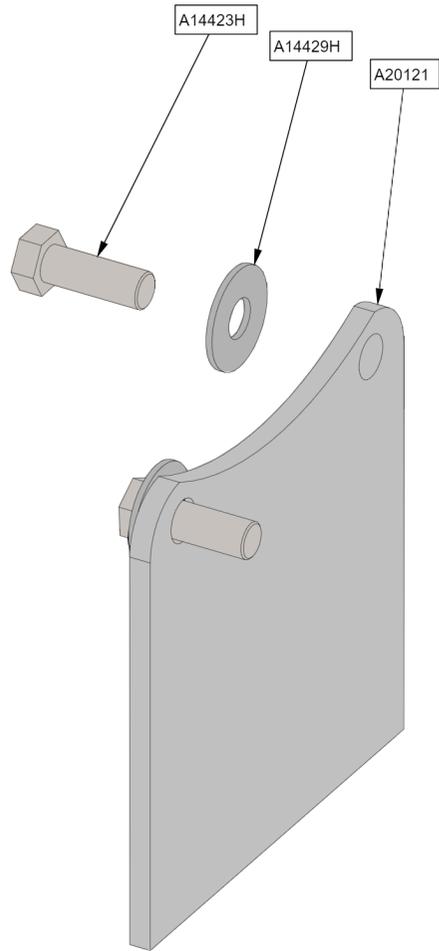


Description: BACKPL. 2502S R-D, 11.5 REG.

Cornell Pump Company, Portland Oregon Approx. Weight: 718 LB



This drawing is uncontrolled. Contact your sales representative for up-to-date versions



| PART NUMBER    | DESCRIPTION                | QTY |
|----------------|----------------------------|-----|
| A20121-213-SK  | SUPPORT PLATE EM           | 1EA |
| A14423H-128-SM | CPSCR,HEX .62NC X 1.75 GR5 | 2EA |
| A14429H-193-SK | WASHER,PLAIN .62 STEEL     | 2EA |

Top Level BOM: TB04972

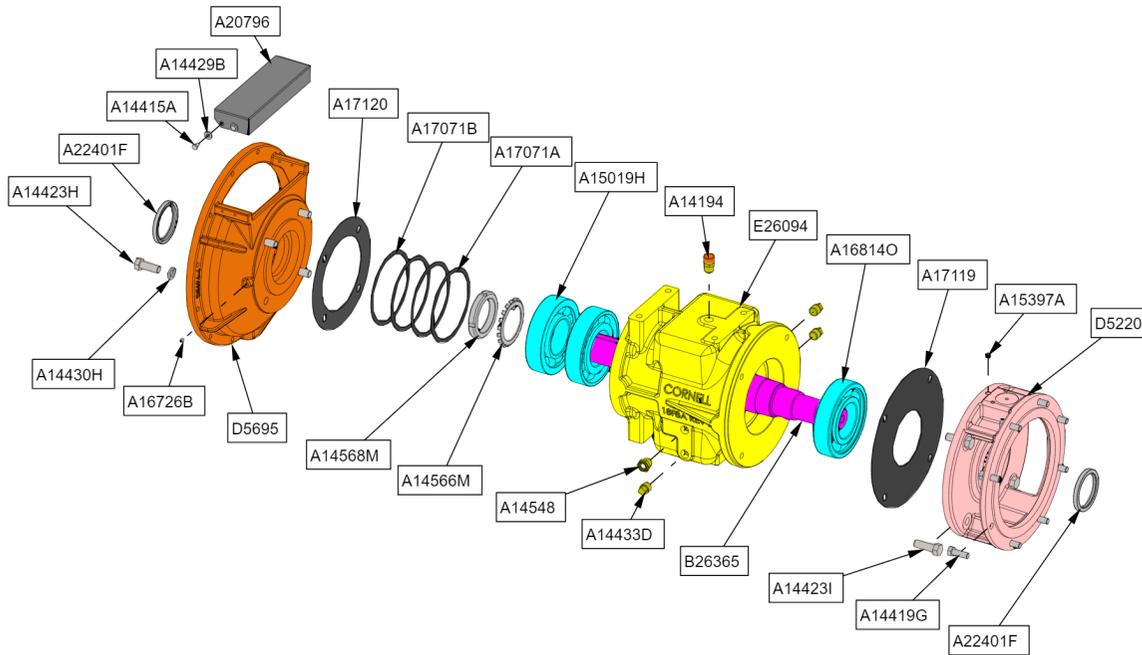
Assembly: BMG777A



Description: SUPPORT PLATE (EM) 4414T & 4NH

Cornell Pump Company, Portland Oregon Approx. Weight: 718 LB

This drawing is uncontrolled. Contact your sales representative for up-to-date versions



| PART NUMBER    | DESCRIPTION                                   | QTY |
|----------------|---|-----|
| E26094-8-CI    | FRAME F18 MACHINED FOR PILOT                  | 1EA |
| A14194-262-SK  | BREATHER .50 NPT                              | 1EA |
| A14548-188-SK  | VIEW GAUGE                                    | 1EA |
| A14433D-56-XS  | PIPE PLUG .50 NPT (SOLID PLUG)                | 3EA |
| B26365-14-SP   | SHAFT F18, D5220 BRKT THRD                    | 1EA |
| A16814O-20     | BEARING 18B/18DBPE                            | 1EA |
| A15019H-20     | BEARING 18DBDE                                | 2EA |
| A14566M-363-SK | LOCK WASHER W-16                              | 1EA |
| A14568M-129-SK | LOCK NUT AN-16                                | 1EA |
| D5220-4-CI     | BRACKET 95B4                                  | 1EA |
| A17119-197-GB  | P.E.GASKET (F16K-F18K)                        | 1EA |
| A14423I-128-SM | CPSCR,HEX .62NC X 2.00 GR5                    | 4EA |
| A14419G-128-SM | CPSCR,HEX .50NC X 1.50 GR5                    | 8EA |
| A22401F-18     | LIP SEAL KOK, TC12241, 3.00 X 3.75 X .375     | 2EA |
| A15397A-56-XS  | FLUSH PLUG .12 NPT                            | 1EA |
| A17071A-107-AS | SHIM .010 THICK (AS REQ'D.)                   | 3EA |
| A17071B-107-AS | SHIM .005 THICK (AS REQ'D.)                   | 1EA |
| D5695-4-CI     | ENGINE BRACKET, SAE 3 R-P                     | 1EA |
| A17120-197-GB  | D.E.GASKET (F16K-F18K)                        | 1EA |
| A14423H-128-SM | CPSCR,HEX .62NC X 1.75 GR5                    | 4EA |
| A14430H-363-SK | WASHER, LOCK 5/8"                             | 4EA |
| A16726B-149-SM | SET SCREW, SOC HD .25-28NFX .38 LG. CUP POINT | 1EA |
| A20796-342-SD  | COVER, SAE #2& #3 (R-P BRKT)                  | 1EA |
| A14415A-128-SM | CPSCR,HEX .25NC X .50 GR5                     | 4EA |
| A14429B-193-SK | WASHER,PLAIN .25 STEEL                        | 4EA |

Top Level BOM: TB04972

Assembly: BMK735A-A01

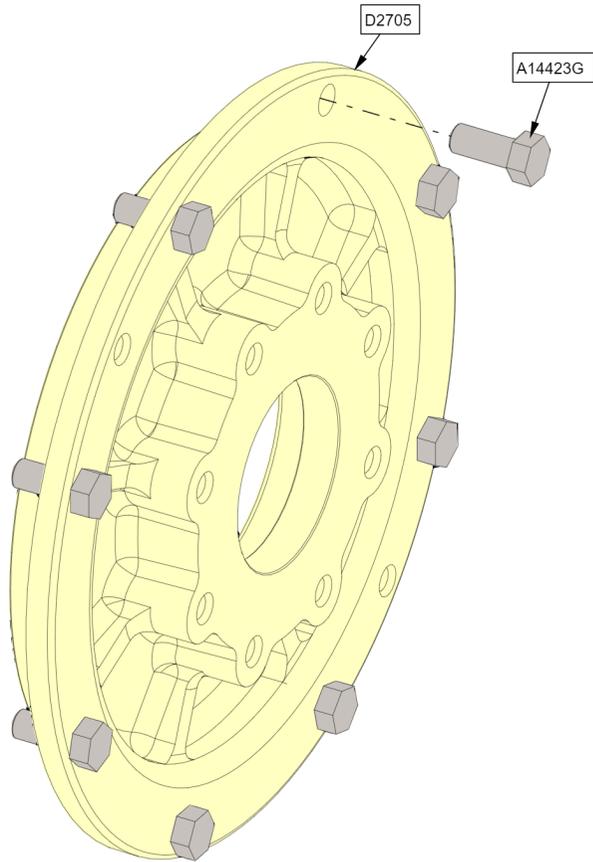


Description: FRAME EM18DBK-3 B26365 SH THD

Cornell Pump Company, Portland Oregon Approx. Weight: 718 LB

This drawing is uncontrolled. Contact your sales representative for up-to-date versions

| PART NUMBER    | DESCRIPTION                | QTY |
|----------------|----------------------------|-----|
| D2705-1-CV     | SUCTION COVER 4NH-1        | 1EA |
| A14423G-128-SM | CPSCR,HEX .62NC X 1.50 GR5 | 8EA |



Top Level BOM: TB04972

Assembly: BM8807A-A00



Description: SUCTION COVER 4414T

Cornell Pump Company, Portland Oregon | Approx. Weight: 718 LB