
**CLUSTERS
CATALOG**



VISI CLAW COMPLETE CLUSTER

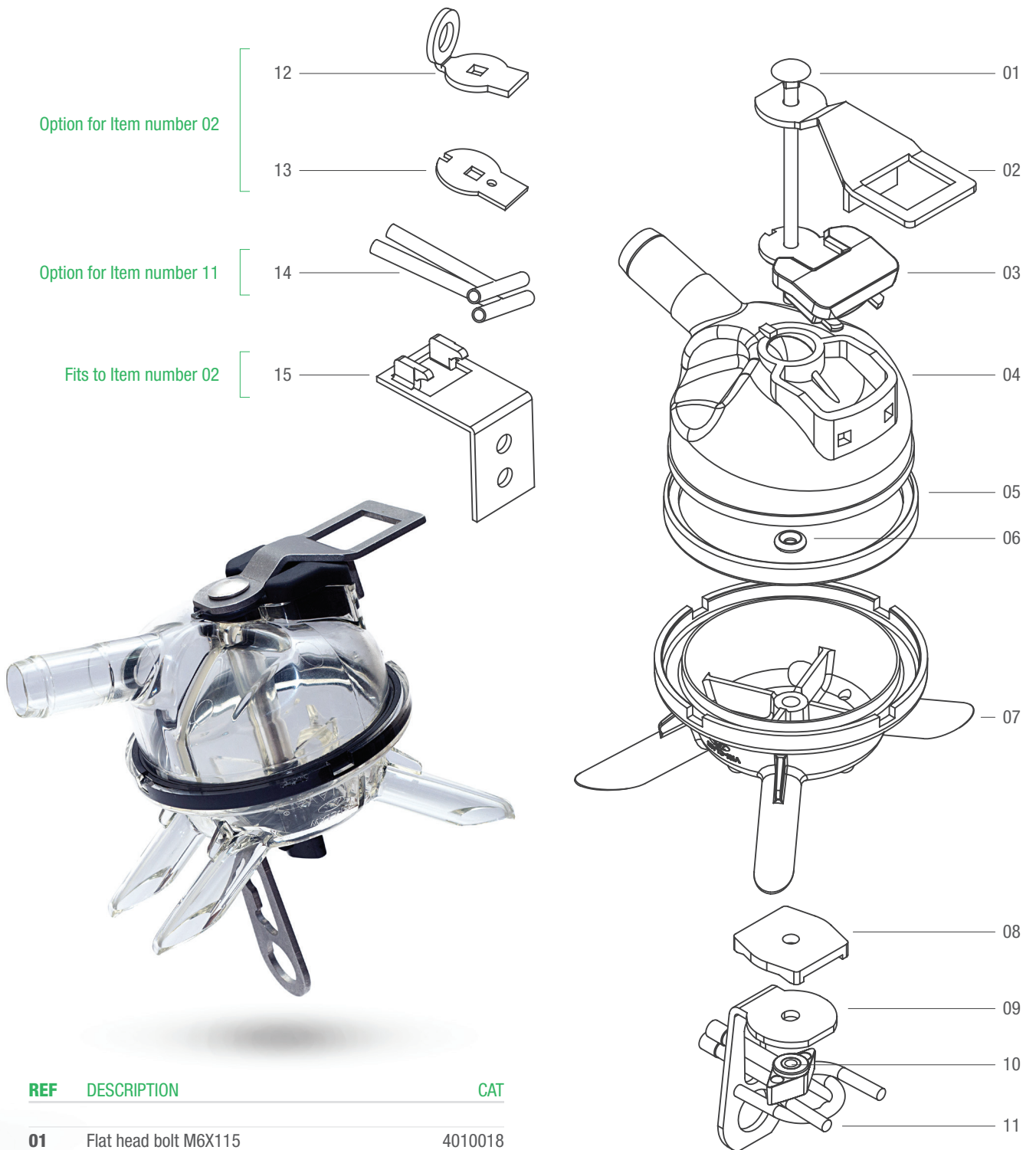
1015004

The **VISI-CLAW CLUSTER** was designed by **FULL-LAVAL** in search of a solution for milking cows in a parallel or a rotating parlor, where the cows must be milked from behind. This claw can also be used in a herring bone parlor.



Visi
Cluster

VISI CLAW COMPLETE CLUSTER



REF	DESCRIPTION	CAT
01	Flat head bolt M6X115	4010018
02	Hanger on the claw (fits to 1015021)	1015501
03	Bumper for FF/VC claw	4011022
04	Plastic bowl for FF/VC (milk tube)	1015204
05	Large gasket FF/VC claw	1015041
06	O-ring gasket FF/VC claw	1015011
07	Plastic bowl for VC claw(4 inlets)	4034077
08	Octagon gasket for FF/VC claw	1015061
09	Support for fork FF/VC claw	1015401
10	Nut for claw FF/VC claw	1015153
11	S/S air fork for FF/VC claw bended	1015208

REF	DESCRIPTION	CAT
12	S/S Spacer for rubber bumper with hanging	4015402
13	S/S Spacer for rubber bumper	4011071
14	S/S air fork for FF/VC claw	1015206
15	S/S Hanger for cleaning	1015021
Visi Claw (Complete)		1015603

FREE FLOW COMPLETE CLUSTER

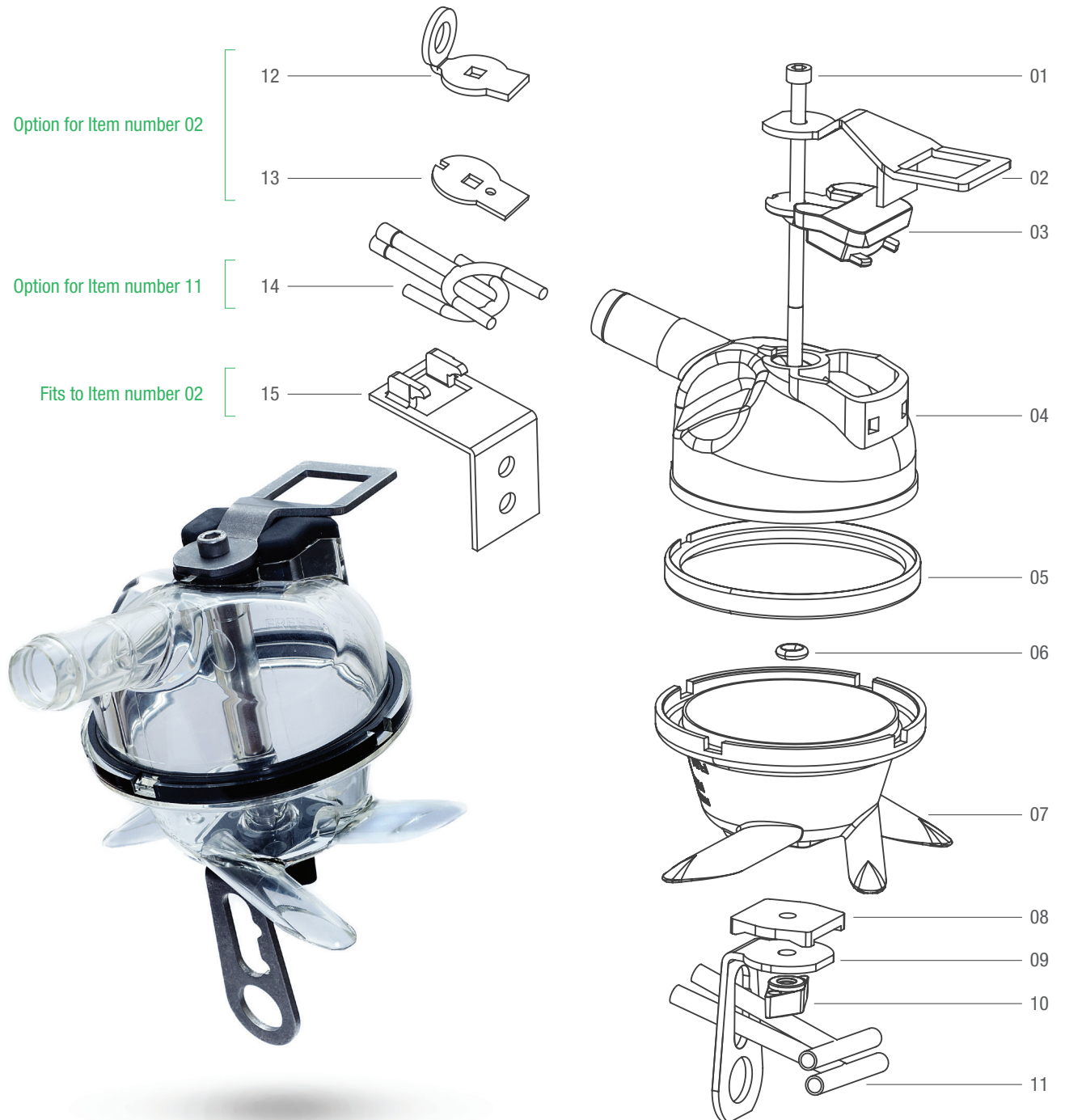
1015005

The new **FREE – FLOW** cluster is designed to handle cows with asymmetric teats as well as "classic teats". It is possible thanks to the four different positions of the cluster's milk inlets. The customer can select it according to the parlor type.



FreeFlow
Cluster

FREE FLOW COMPLETE CLUSTER



REF	DESCRIPTION	CAT
01	Hexagon head bolt M6X120	4010115
02	Hanger on the claw	1015501
03	Bumper for FF/VC claw	4011022
04	Plastic bowl for FF/VC (milk tube)	1015204
05	Large gasket FF/VC claw	1015041
06	O-ring gasket FF/VC claw	1015011
07	Plastic bowl for FF claw(4 inlets)	1015202
08	Octagon gasket for FF/VC claw	1015061
09	Support for fork FF/VC claw	1015401
10	Nut for claw FF/VC claw	1015153
11	S/S air fork for FF/VC claw	1015206

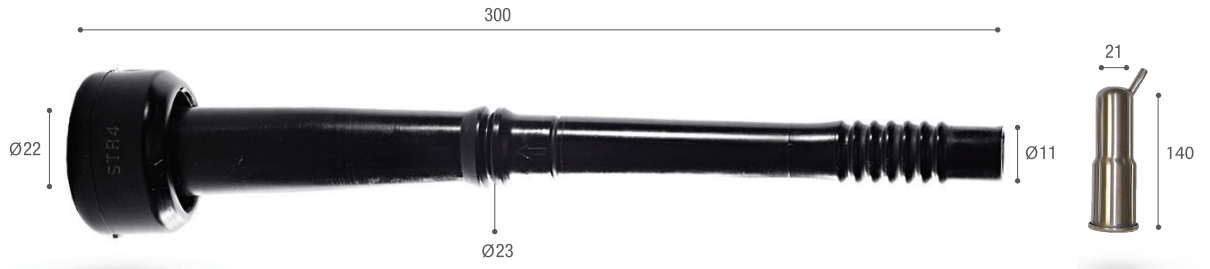
REF	DESCRIPTION	CAT
12	S/S Spacer for rubber bumper with hanging	4015402
13	S/S Spacer for rubber bumper	4011071
14	S/S air fork for FF/VC claw bended	1015208
15	S/S Hanger for cleaning	1015021
Free-Flow claw (Complete)		1015015

LINERS

Our range of liners were designed, after many years of experience, to improve milking efficiency, lowering the milking duration and increase the cow comfort.

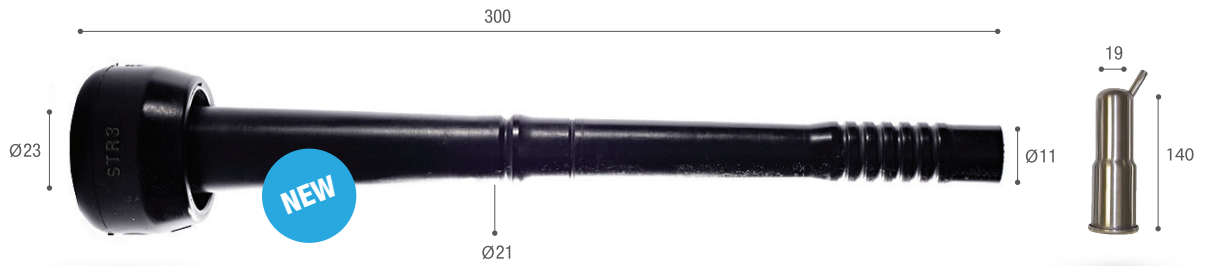
STR-4

2018005



STR-3

2019003



STR-1

2019001



IB-LBMX-V

2118007



COLLAPSIBLE INFLATION CLEANING PLATE

ADVANTAGES OF THE PRODUCT

Designed with special rubber cups to support the milking cluster during the cleaning phase without any hanger.

The rubber cups structure enables a better and external cleaning of the liners head.

The water sprayers inside the rubber cups are made of stainless steel for long life durability.

All the cleaning plate is made of high grade stainless steel 3.0 mm thickness , electro polish finish.

The cleaning plate can be supplied with a long or a short collapsible support .



NON COLLAPSIBLE INFLATION CLEANING PLATE

ADVANTAGES OF THE PRODUCT

Designed to fit almost all the clusters in use.

Can be fixed to any parlor construction with two U bolts , or welded to the construction.

Equipped with special designed rubber cups to support the milking cluster during the cleaning phase without any hanger.

The water sprayers inside the rubber cups made of stainless steel , easy to install or replace.

The cleaning plate is made of high grade stainless steel , electro polish finish.



