

LAV SHIELD®

Overview

Lav Shield® represents the “next generation” of ADA compliant undersink protection by meeting mandated knee and toe clearance requirements for wheelchair users. Durable, single-piece construction prevents pipe and component tampering, and conceals all lavatory piping, electronic faucet connections, mixing valves, trap primers, and instantaneous water heaters*— a truly attractive alternative to individual component covers that will satisfy even the most discriminating designer.

TOTAL ENCLOSURE DESIGN

Heavy-duty, vandal-resistant enclosure shields all piping, electronic faucet components, mixing valves, trap primers, and instantaneous water heaters*. Vandal-resistant fasteners are available upon request.

SANITARY ADVANTAGES

Lav Shield contains an antimicrobial additive to resist fungal and bacterial growth making the Lav Shield an excellent cover to use in medical and health care facilities. Installing Lav Shield in these facilities eliminates the need to sanitize P-Traps, angle stops, supply lines and electrical components.

ADA-CONFORMING ATTRACTIVE PROFILE

The Lav Shield tastefully conceals all unsightly plumbing and components while satisfying ADA dimensional requirements.

STRICT CODE COMPLIANCE MINIMIZES RISK

The Lav Shield complies with ASME A112.18.9-2001, ADA article 4.19.4 (606.5), California P 1504B, ANSI A117.1, BOCA P 1203.4, and other state and local regulations.

EASY-TO-SERVICE SINGLE-PIECE CONFIGURATION

The Lav Shield may be quickly removed for convenient, unhindered access to all plumbing and mechanical components. Reinstallation takes just minutes.

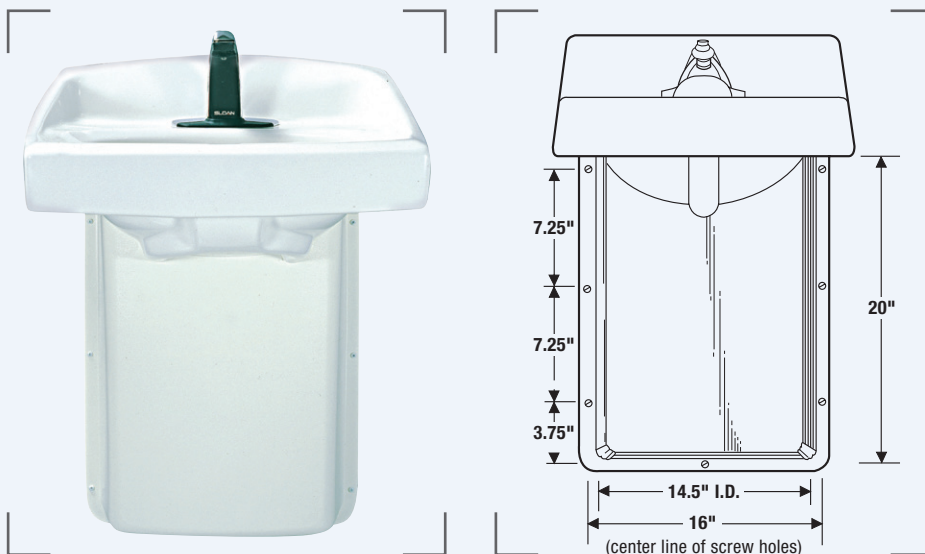
WIDE VARIETY OF CUSTOM OPTIONS

Available in our standard field fit model which allows contractor to custom fit Lav Shield to underside of lavatory. For an even faster and more tailored fit, Lav Shield can be purchased factory pre-cut to the underside geometry of the actual lavatory being installed. Pre-cut models are listed on following page.

RIGID HIGH-IMPACT, STAIN-RESISTANT PVC

The Lav Shield is molded from impact-resistant, stain-resistant and chemical-resistant rigid vinyl for durability, safety and long life.

NOW AVAILABLE IN
CUSTOM FINISHES



MADE IN THE USA



ADA COMPLIANT

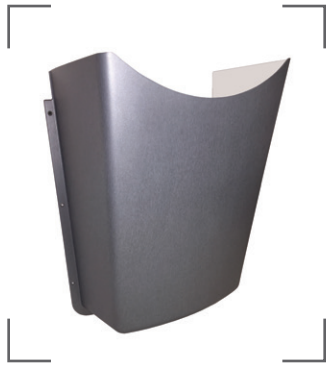
ATTRACTIVE DESIGNER-STYLE,
TAMPER-RESISTANT, THE ULTIMATE
ADA-ENGINEERED PROTECTIVE
LAVATORY ENCLOSURE

*Lavatory "rough in" should be considered to allow mounting room for instantaneous water heater behind enclosure. Contact TRUEBRO for specifications.

LAVATORY PROTECTIVE ENCLOSURES

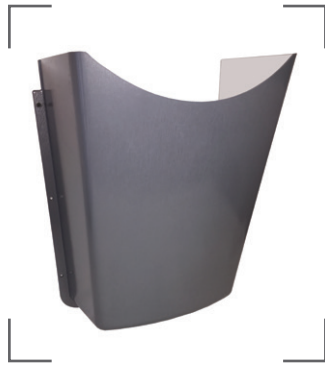
Custom Finish Lav Shields

The already attractive ADA compliant Lav Shield is now available in 10+ custom finishes to meet any designer needs. Custom finish Lav Shields are only available in the standard, fit to field, Lav Shield.



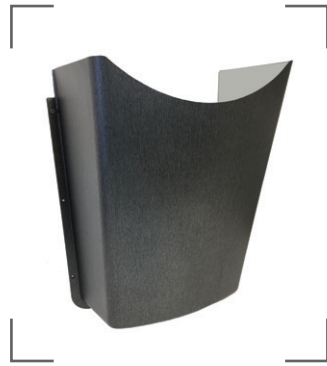
ARCHITECTURAL BRUSHED ALUMINUM

Product: 82721
Model: WTP-907



STAINLESS STEEL

Product: 82722
Model: WTP-270



STAINLESS STEEL OVER BLACK

Product: 82723
Model: WTP-270B



ITALIAN LEATHER ESPRESSO

Product: 82736
Model: WTP-715



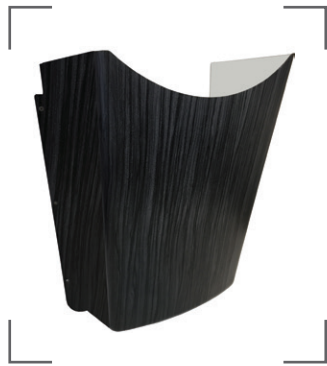
ROSEWOOD

Product: 82726
Model: WTP-488



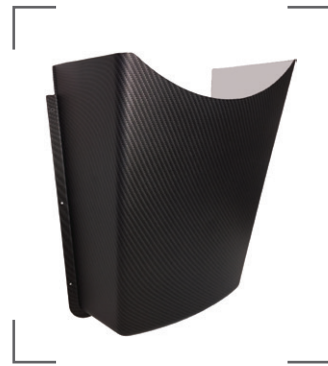
BURLWOOD

Product: 82727
Model: WTP-496



MONACO WALNUT

Product: 82728
Model: WTP-538



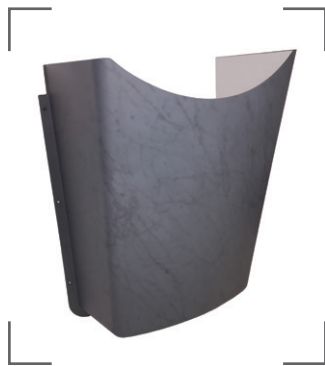
SPORT CARBON

Product: 82741
Model: WTP-940



BLACK MARBLE

Product: 82731
Model: WTP-512



GRAY MARBLE

Product: 82732
Model: WTP-659G



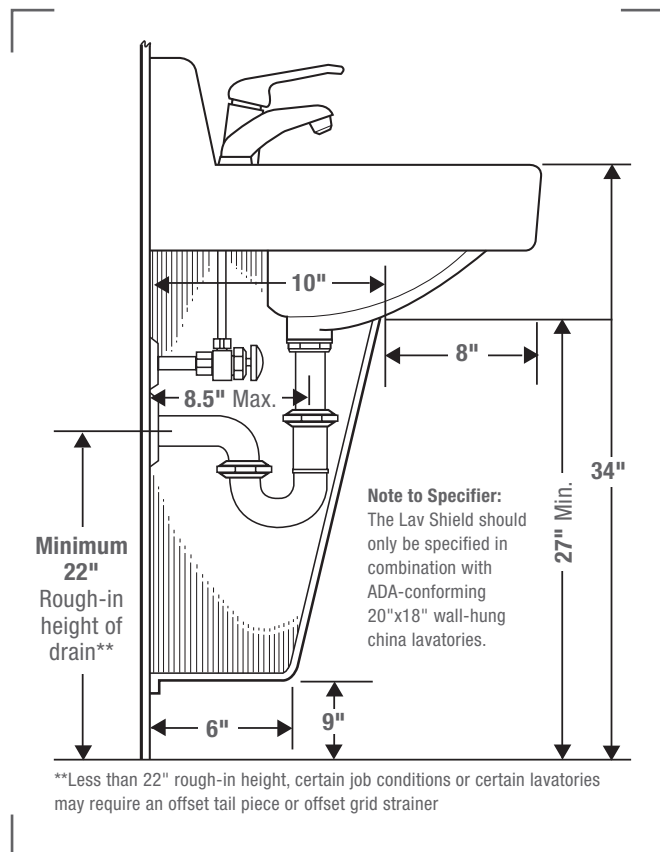
ARCHITECTURAL WHITE MARBLE

Product: 82733
Model: WTP-659W

LAV SHIELD® LAVATORY PROTECTIVE ENCLOSURES

SPECIFICATIONS

Material	Rigid high-impact, stain-resistant PVC
Nominal Wall	.093"
Finish	Fine haircell
UV Protection	Will not fade or discolor
Durability	Virtually indestructible — tamper resistant screws available
Fasteners	7 stainless steel screws and wall anchors provided
Color	China white
Compatibility	Fits all ADA-conforming 20"x18" wall-hung lavatories
Paintability	Acrylic enamel or latex
Flammability	UL-94 V-0, 5VA ASTM D-635-91 4 (ATB) 2.1 (AEB)
Bacterial/Fungal	ASTM G21 and G22 — Result 0



Note: Model numbers listed on this page are for single pack Lav Shields. For bulk pack items, change the 1 in the model to a 4.

Item #	Description	Model
82202	Standard Lav Shield	20181
Pre-Cut Lav Shields (Pre-cuts are not returnable)		
82203	American Standard Comrade	2018ASC1
82204	American Standard Declyn	2018ASD1
82205	American Standard Lucerne	2018ASL1
82206	American Standard Muro	2018ASM1
82207	American Standard Lucerne (old)	2018ASOL
97957	American Standard Penlyn	2018ASP1
97966	American Standard Regalyn	2018ASRG1
82208	American Standard Roxalyn	2018ASR1
82209	Bradley Imperial	2018BDI1
97916	Briggs Milton	2018BM1
82210	Briggs Whitman	2018BRW1
82211	Crane Harwich	2018CRH1
82212	Crane Norwich	2018CRN1
82213	Crane Westmont	2018CRW1
82214	Crane Yorkshire	2018CRY1
82215	Eljer Blair	2018ELB1
82216	Eljer Delwyn	2018ELD1
82217	Eljer Mayburne	2018ELM1
82218	Eljer Signature	2018ELS1
82219	Eljer Blucknell	2018ELU1
82220	Gerber Hayes	2018GRH1
82323	Gerber Monticello	2018GRM1
82221	Gerber Plymouth	2018GRP1
97962	Kohler Brenham	2018KOB1
82222	Kohler Chesapeake	2018KOC1
82223	Kohler Greenwich, Model 202	2018KOG1
97922	Kohler Greenwich, Model 203	2018KONG1
82224	Kohler Hudson	2018KOH1
82225	Kohler Kingston	2018KOK1
97911	Kohler Pinoir	2018KOP1
82226	Kohler Soho	2018KOS1
82228	Mansfield Grand Isle	2018MAN1
82401	Sloan SS-3003	2018SLSS300
82229	Toto LT307	2018TOL1
82231	Zurn #Z5344	2018ZNZ1
97937	New Zurn #Z5344	2018ZNNZ1
Standard Lav Shield with Custom Finish		
82721	Architectural Brushed Aluminum	WTP-907
82722	Stainless Steel	WTP-270
82723	Stainless Steel Over Black	WTP-270B
82726	Rosewood	WTP-488
82727	Burlwood	WTP-496
82728	Monaco Walnut	WTP-538
82731	Black Marble	WTP-512
82732	Gray Marble	WTP-659G
82733	Architectural White Marble	WTP-659W
82736	Italian Leather Espresso	WTP-715
82741	Sport Carbon	WTP-940
Lav Shield Accessories		
82187	Lav Shield Standard Fasteners (7)	20184F
82292	Tamper Resistant Fasteners, (7)	TRFAST