



# Wall, Ceiling and Floor Heaters

Commercial & Industrial  
Electric heating and controls

Our products do more in a wide  
range of applications. **Expect More.**

# INTRODUCTION

INDEECO offers commercial and industrial electric heating and control systems that set the industry standard for excellence. The company's heating solutions reflect more than 85 years of innovation, product quality and efficient service.

INDEECO's line of Comfort Heating Products cover a wide range of commercial and industrial applications. Whether the requirement is for architectural wall

heaters, cabinet unit heaters, convector heaters or ceiling heaters, INDEECO has a product to match the application.

INDEECO's quality is matched only by its customer service and support. With its quick-ship delivery program, INDEECO provides the products you need.



# TABLE OF CONTENTS

Comparison Chart 4-5

## Wall Heaters

	Architectural Wall Heater WAI Series (933)	6-8
	Commercial Wall Heater WCI Series (932)	9-11
	European Wall Heater EWI Series (935)	12
	Wall Heater WLI Series (934)	13-14
	Register Wall Heater WRI Series (930)	15-16
	Commercial Wall Convactor CWI Series (942)	17-18
	Cabinet Unit Heater CUI Series (922)	19-22

## Ceiling Heaters

	Commercial Ceiling Heater CDI/CDIR Series (936/937)	23-26
	Commercial Ceiling Heater CCI Series (931)	27-28
	Commercial Ceiling Heater CLI Series (941)	29-30

## Floor Heaters

	Toe-Space Heater TSI Series (938)	31
	Floor Insert Heater FFI Series (939)	32

## Radiant Panels

	AS Series	33-36
	RCI Cove Heater	37-38
	Invizatherm	39-40
	Invizatherm Thin	41-42

Invizatherm Contactor Panels 44

Controls 45-46

Thermostats 47-49

How To Order 50

Limited Warranty 51

Other Products 52

Color Section Chart 53

\*Optional factory installed disconnect switches have been sized in accordance to current UL2021 standards.

\*All field installed and factory installed electrical component options are listed with their maximum voltage and maximum amperage ratings. They can be used with heaters rated up to their maximum ratings.

# COMPARISON CHART

## Wall, Ceiling and Floor Heaters



Features	Architectural Wall WAI	Commercial Wall WCI	European Wall EWI	Wall WLI	Register Wall WRI
<b>Typical Applications</b>	Entryways Offices Reception areas	Guard houses Offices Stairwells	Offices Restrooms	Small offices Storage rooms	Hallways Stairwells
<b>Wattage Range</b>	up to 12,000	up to 12,000	up to 1,500	up to 2,000	up to 2,000
<b>Voltages</b>	up to 480/3	up to 480/3	up to 240/1	up to 240/1	up to 240/1
<b>Airflow CFM</b>	up to 480	up to 480	up to 70	up to 80	up to 80
<b>Element Type</b>	Steel finned tubular	Steel finned tubular	Stitched Ribbon Element	Steel finned tubular	Steel finned tubular
<b>Standard Construction</b>	1/8" thick extruded aluminum grille	18-gauge steel grille	20-gauge steel grille	22-gauge steel grille	20-gauge steel grille
<b>Finish</b>	Epoxy/Polyester powder paint	Epoxy/Polyester powder paint	Epoxy/Polyester powder paint	Epoxy/Polyester powder paint	Epoxy/Polyester powder paint
<b>Mounting</b>	Surface or recessed	Surface or recessed	Surface or recessed	Surface or recessed	Surface or recessed
<b>Custom Colors</b>	Yes	Yes	Yes	Yes	Yes
<b>Agency Approvals</b>	CSA <sub>US</sub>	CSA <sub>US</sub>	CSA <sub>US</sub>	CSA <sub>US</sub>	CSA <sub>US</sub>

# COMPARISON CHART

## Wall, Ceiling and Floor Heaters



Cabinet CUI	Fan-Forced Ceiling CDI	Fan Forced Ceiling CDIR	Commercial Ceiling CCI	Commercial Ceiling CLI	Toe-Space TSI	Floor Insert FFI
Classrooms Hallways Meeting rooms	Classrooms Day care Reception areas	Classrooms Day care Reception areas	Entryways Hallways Restrooms	Entryways Hallways Restrooms	Kitchens Reception areas	Under sliding doors Under windows
up to 24,000	up to 10,000	up to 5,000	up to 8,000	up to 2,000	up to 1,000	up to 1,500
up to 480/3	up to 480/3	up to 480/3	up to 480/1	up to 240/1	up to 240/1	up to 240/1
up to 1,000	up to 600	up to 310	up to 320	up to 80	80	80
Steel finned tubular	Stainless steel finned tubular aluminum fins	Stainless steel finned tubular aluminum fins	Steel finned tubular	Steel finned tubular	Steel finned tubular	Steel finned tubular
18-gauge steel and extruded aluminum grille	20-gauge steel grille with flat ribbon wire outlet grille	20-gauge steel grille with flat ribbon wire outlet grille	18-gauge steel grille	22-gauge steel grille	20-gauge steel grille	20-gauge steel body and 14-gauge grille
Epoxy/Polyester powder paint	Epoxy/Polyester powder paint	Epoxy/Polyester powder paint	Epoxy/Polyester powder paint	Epoxy/Polyester powder paint	Epoxy/Polyester powder paint	Epoxy/Polyester powder paint
Surface, recessed or ceiling	Surface or T-bar	Recessed or T-bar	Surface, recessed or T-bar	Surface or recessed	Recessed under cabinet	Recessed in floor
Yes	Yes	Yes	Yes	Yes	Yes	Yes
CSA <sub>US</sub>	CSA <sub>US</sub>	CSA <sub>US</sub>	CSA <sub>US</sub>	CSA <sub>US</sub>	CSA <sub>US</sub>	CSA <sub>US</sub>

# WAI SERIES

## Architectural Wall Heater



The WAI fan-forced wall heater is designed for commercial and industrial areas requiring higher KW ratings and quick recovery. The unit provides a burst of heat in areas affected by cold drafts or wide temperature swings.

- **Efficient Operation:** The fan draws air into the top of the grille and discharges warm air downward to distribute heat and keep floors warm and dry. High CFMs create air circulation within the room to provide uniform temperatures.
- **Extended Capacity:** The WAI is available with one, two or three modules and ratings up to 12,000 W and 480 CFM.

Standard Colors



### Applications

- Entryways
- Garages
- Guard Houses
- Offices
- Reception Areas
- Restrooms
- Stairwells
- Vestibules

## Standard Construction Features

**Heating Elements** – Steel finned tubular elements.

**Outlet Grille** – The WAI has an architectural extruded aluminum grille in a choice of seven epoxy/polyester powder paint finishes. The closely spaced, heavy bar grille design prevents insertion of foreign objects. The tamperproof thermostat adjustment is concealed behind the front cover.

**Built-in Controls** – Automatic reset thermal cutout, over-temperature warning light, fan override and tamperproof thermostat.

**Fan Motor** – Permanently lubricated, totally enclosed motor. The single unit has a 160 CFM fan (55 dBA), double unit has 2 x 160 CFM fans (58 dBA), and triple unit has 3 x 160 CFM fans (61 dBA).

**Installation Requirements** – Heater must be installed at least ten inches from the floor and adjacent walls.

### Rough in Dimensions –

Single Unit: 1500/1125 - 5000 Watt heaters:  
14-7/16" wide x 19-7/8" high x 4-1/8" deep.

Double Unit: 6000/4500 - 8000 Watt heaters:  
30-3/16" wide x 19-7/8" high x 4-1/8" deep.

Triple Unit: 12000/9000 Watt heaters:  
46-5/8" wide x 19-7/8" high x 4-1/8" deep.

# WAI SERIES

## Architectural Wall Heater

### Factory Built-in Options

Code	Description
D1	Disconnect Switch 600V, Three-pole, 32 Amp
D2	Disconnect Switch 600V, Three-pole, 64 Amp
D3	Disconnect Switch 277V, Double-pole, 16 Amp
R1	24V Relay (1)
R2	24V Relay with Transformer (1)
S3	Fan On/Auto Switch

(1) A built-in thermostat will not be supplied when option R1 or R2 are selected. If built-in thermostat is required with these options, add Code T1 to the part number.

### Field-Installed Options

(shipped loose for field installation into heater)

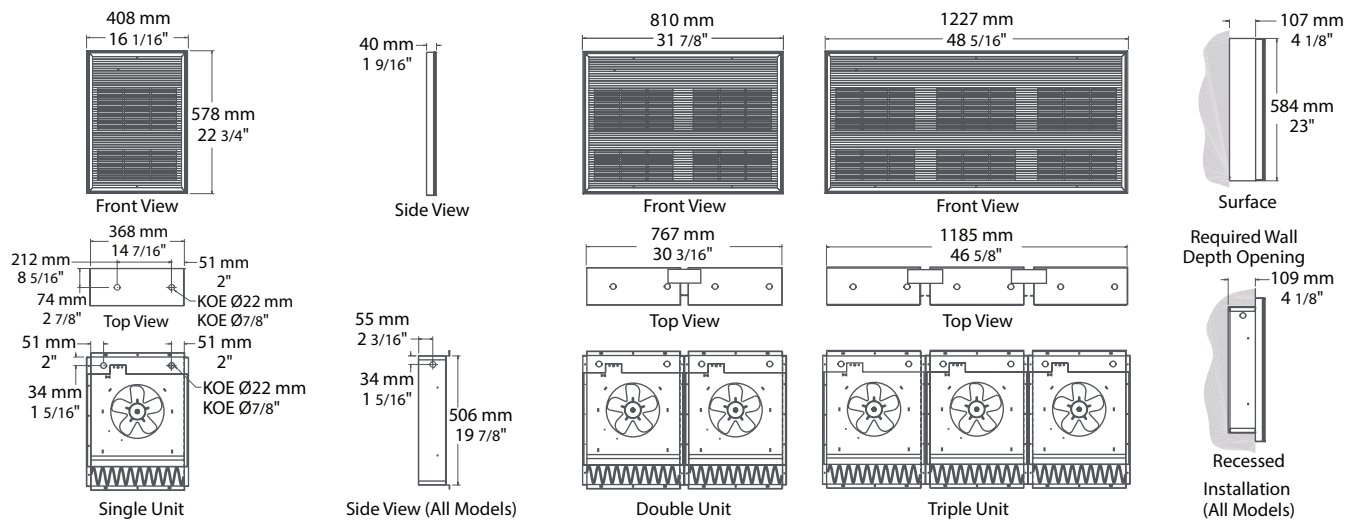
Catalog Number	Description
933-124501	Surface Mounting Box (1500-5000 W)
933-158471	Surface Mounting Box (6000-8000 W)
933-269345	Surface Mounting Box (12000 W)
933-151114	1" Semi Recessed Trim Kit (1500-5000 W)
933-166530	1" Semi Recessed Trim Kit (6000-8000 W)
933-269346	1" Semi Recessed Trim Kit (12000W)
933-151115	2" Semi Recessed Trim Kit (1500-5000 W)
933-166531	2" Semi Recessed Trim Kit (6000-8000 W)
933-269347	2" Semi Recessed Trim Kit (12000W)

Add color code to end of catalog number.

Remote Room Thermostat – See page 39.

### Color Code Chart

Code	Color	Code	Color
BZ	Bronze	W	White
AE	Metallic Silver	A	Almond
CM	Metallic Charcoal	AL	Aluminum
BK	Semi-gloss black		



# WAI SERIES

## Architectural Wall Heater

### Heater Listing

Built-in tamperproof thermostat is included.

Watts	Volts	Phase	Total Amps (1)	CFM	Approximate Air Temperature Rise °F (°C)	Weight lb (kg)	Catalog Number
1500/1125	240/208	1	6.6/5.8	160	30/22 (17/12)	24 (11)	933U01500V
1500	120	1	12.9	160	30 (17)	24 (11)	933U01500B
1500	277	1	5.8	160	30 (17)	24 (11)	933U01500N
	480	1	3.5	160	30 (17)	28 (13)	933U01500T
2000/1500	240/208	1	8.7/7.6	160	40/30 (22/17)	24 (11)	933U02000V
2000	208	1	10.0	160	40 (22)	24 (11)	933U02000C
	277	1	7.6	160	40 (22)	24 (11)	933U02000N
	480	1	4.5	160	40 (22)	28 (13)	933U02000T
3000/2250	240/208	1	12.9/11.2	160	60/45 (33/25)	24 (11)	933U03000V
3000	208	3	8.74	160	60 (33)	28 (13)	933U03000D
	277	1	11.2	160	60 (33)	24 (11)	933U03000N
	480	1	6.7	160	60 (33)	28 (13)	933U03000T
	480	3	4.01	160	60 (33)	32 (15)	933U03000U
4000/3000	240/208	1	17.0/14.8	160	80/60 (44/33)	24 (11)	933U04000V
	240/208	3	10.0/8.7	160	80/60 (44/33)	28 (13)	933U04000P
4000	208	1	19.6	160	80 (44)	24 (11)	933U04000C
	208	3	11.52	160	80 (44)	28 (13)	933U04000D
	277	1	14.8	160	80 (44)	24 (11)	933U04000N
	480	1	8.7	160	80 (44)	28 (13)	933U04000T
	480	3	5.22	160	80 (44)	32 (15)	933U04000U
4800/3600	240/208	1	20.4/17.7	160	96/72 (53/40)	24 (11)	933U04800V
4800	208	1	23.5	160	96 (53)	24 (11)	933U04800C
	277	1	17.7	160	96 (53)	24 (11)	933U04800N
	480	1	10.4	160	96 (53)	28 (13)	933U04800T
5000/3750	240/208	3	12.4/10.8	160	100 (55)	28 (13)	933U05000P
5000	208	3	14.3	160	100 (55)	28 (13)	933U05000D
	480	3	6.4	160	100 (55)	32 (15)	933U05000U
6000/4500	240/208	1	25.4/22.0	320	60/45 (33/25)	50 (23)	933U06000V
6000	277	1	22.1	320	60 (33)	55 (25)	933U06000N
	480	1	12.9	320	60 (33)	55 (25)	933U06000T
8000/6000	240/208	1	33.7/29.2	320	80/60 (44/33)	50 (23)	933U08000V
8000	208	1	38.9	320	80 (44)	50 (23)	933U08000C
	277	1	29.3	320	80 (44)	55 (25)	933U08000N
	480	1	17.1	320	80 (44)	55 (25)	933U08000T
12000/9000	240/208	3 (2)	29.3/25.4	480	80 (44)	90 (41)	933U12000P
12000	208	3	33.7	480	80 (44)	90 (41)	933U12000D
	240	3	29.3	480	80 (44)	90 (41)	933U12000K
	277	1	43.7	480	80 (44)	90 (41)	933U12000N
	480	1	25.4	480	80 (44)	90 (41)	933U12000T
	480	3	14.8	480	80 (44)	90 (41)	933U12000U

(1) Total Amps = Heating element amps and motor amps.

(2) Single-phase is available upon request, consult factory.

Add color code to end of catalog number.

Standard colors. See page 7 for color codes to be added to the end of catalog number.



# WCI SERIES Commercial Wall Heater



The WCI fan-forced wall heater is designed for commercial and industrial areas requiring higher KW ratings and quick recovery. The unit provides a burst of heat in areas affected by cold drafts or wide temperature swings.

- **Efficient Operation:** The fan draws air into the top of the grille and discharges warm air downward to distribute heat and keep floors warm and dry. High CFM's create air circulation within the room to provide uniform temperatures.
- **Extended Capacity:** The WCI is available with one, two or three modules and ratings up to 12,000 W at 480 CFM.

## Applications

- Entryways
- Garages
- Guard Houses
- Offices
- Reception Areas
- Restrooms
- Stairwells
- Vestibules

## Standard



## Special Colors



## Standard Construction Features

**Heating Elements** – Steel finned tubular elements.

**Outlet Grille** – The WCI has an 18-gauge steel grille with rounded corners and a polyester powder paint finish in white or almond. The external thermostat adjustment knob can be replaced with the concealing plug provided for tamperproof construction.

**Built-in Controls** – Automatic reset thermal cutout, over-temperature warning light, fan override and thermostat.

**Fan Motor** – Permanently lubricated, totally enclosed motor. The single unit has a 160 CFM fan (55 dBA), double unit has 2 x 160 CFM fans (58 dBA), and triple unit has 3 x 160 CFM fans (61 dBA).

**Installation Requirements** – Heater must be installed at least ten inches from the floor and adjacent walls.

### Rough in Dimensions –

- Single Unit: 1500/1125 - 5000 Watt heaters:  
14-7/16" wide x 19-7/8" high x 4-1/8" deep.
- Double Unit: 6000/4500 - 8000 Watt heaters:  
30-3/16" wide x 19-7/8" high x 4-1/8" deep.
- Triple Unit: 12000/9000 Watt heaters:  
46-5/8" wide x 19-7/8" high x 4-1/8" deep.

# WCI SERIES

## Commercial Wall Heater

### Factory Built-in Options

Code	Description
D1	Disconnect Switch 600V, Three-pole, 32 Amp
D2	Disconnect Switch, 600V, Three-pole, 64 Amp
D3	Disconnect Switch 277V, Double-pole, 16 Amp
R1	24V Relay (1)
R2	24V Relay with Transformer (1)
S3	Fan On/Auto Switch

(1) A built-in thermostat will not be supplied when option R1 or R2 are selected. If built-in thermostat is required with these options, add Code T1 for tamper-proof or T5 for adjustable thermostat.

### Field-Installed Options

(shipped loose for field installation into heater)

Catalog Number	Description
932-124500	Surface Mounting Box (1500-5000 W)
932-158211	Surface Mounting Box (6000-8000 W)
932-158212	Surface Mounting Box (12000 W)
932-146878	1" Semi Recessed Trim Kit (1500-5000 W)
932-166532	1" Semi Recessed Trim Kit (6000-8000 W)
932-166534	1" Semi Recessed Trim Kit (12000 W)
932-153670	2" Semi Recessed Trim Kit (1500-5000 W)
932-166533	2" Semi Recessed Trim Kit (6000-8000 W)
932-166535	2" Semi Recessed Trim Kit (12000 W)

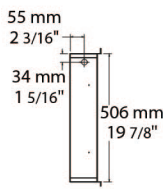
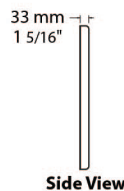
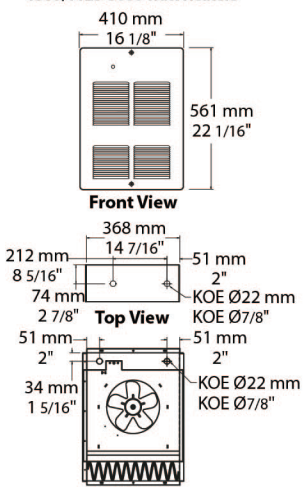
Standard colors - Add W for white finish or A for almond finish to the end of catalog number.

Special or custom colors - See inside back cover for color codes to be added to end of catalog number.

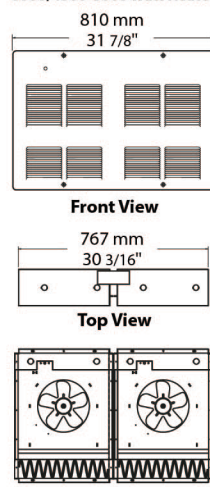
Remote Room Thermostat – See page 39.

### Grille Dimensions

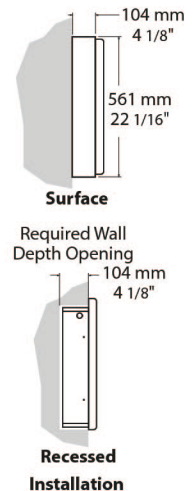
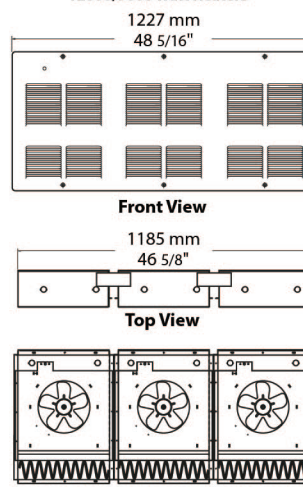
1500/1125-5000 Watt Heaters



6000/4500-8000 Watt Heaters



12000/9000 Watt Heaters



# WCI SERIES

## Commercial Wall Heater

### Heater Listing

Adjustable thermostat is included. A hole plug is provided for tamperproof installations.

Watts	Volts	Phase	Total Amps (1)	CFM	Approximate Air Temperature Rise °F (°C)	Weight lbs (kg)	Catalog Number
1500/1125	240/208	1	6.6/5.8	160	30/22 (17/12)	24 (11)	932U01500V
1500	120	1	12.9	160	30 (17)	24 (11)	932U01500B
	277	1	5.8	160	30 (17)	28 (13)	932U01500N
	480	1	3.5	160	30 (17)	28 (13)	932U01500T
2000/1500	240/208	1	8.7/7.6	160	40/30 (22/17)	24 (11)	932U02000V
2000	208	1	10.0	160	40 (22)	24 (11)	932U02000C
	277	1	7.6	160	40 (22)	28 (13)	932U02000N
	480	1	4.6	160	40 (22)	28 (13)	932U02000T
3000/2250	240/208	1	12.9/11.2	160	60/45 (33/25)	24 (11)	932U03000V
3000	208	3	8.74	160	60 (33)	28 (13)	932U03000D
	277	1	11.2	160	60 (33)	28 (13)	932U03000N
	480	1	6.7	160	60 (33)	28 (13)	932U03000T
	480	3	4.01	160	60 (33)	32 (15)	932U03000U
4000/3000	240/208	1	17.0/14.8	160	80/60 (44/33)	24 (11)	932U04000V
	240/208	3	10.0/8.7	160	80/60 (44/33)	28 (13)	932U04000P
4000	208	1	19.6	160	80 (44)	24 (11)	932U04000C
	208	3	11.52	160	80 (44)	28 (13)	932U04000D
	277	1	14.8	160	80 (44)	28 (13)	932U04000N
	480	1	8.7	160	80 (44)	28 (13)	932U04000T
	480	3	5.22	160	80 (44)	32 (15)	932U04000U
4800/3600	240/208	1	20.4/17.7	160	96/72 (53/40)	24 (11)	932U04800V
4800	208	1	23.5	160	96 (53)	24 (11)	932U04800C
	277	1	17.7	160	96 (53)	28 (13)	932U04800N
	480	1	10.4	160	96 (53)	28 (13)	932U04800T
5000/3750	240/208	3	12.4/10.8	160	100 (55)	28 (13)	932U05000P
5000	208	3	14.3	160	100 (55)	28 (13)	932U05000D
	480	3	0.4	160	100 (55)	32 (15)	932U05000U
6000/4500	240/208	1	25.4/22.0	320	60/45 (33/25)	50 (23)	932U06000V
6000	277	1	22.1	320	60 (33)	55 (25)	932U06000N
	480	1	12.9	320	60 (33)	55 (25)	932U06000T
8000/6000	240/208	1	33.7/29.2	320	80/60 (44/33)	50 (23)	932U08000V
8000	208	1	38.9	320	80 (44)	50 (23)	932U08000C
	277	1	29.3	320	80 (44)	55 (25)	932U08000N
	480	1	17.1	320	80 (44)	55 (25)	932U08000T
12000/9000	240/208	3(2)	29.3/25.4	480	80 (44)	90 (41)	932U12000P
12000	208	3	33.7	480	80 (44)	90 (41)	932U12000D
	240	3	29.3	480	80 (44)	90 (41)	932U12000K
	277	1	43.7	480	80 (44)	90 (41)	932U12000N
	480	1	25.4	480	80 (44)	90 (41)	932U12000T
	480	3	14.8	480	80 (44)	90 (41)	932U12000U

(1) Total Amps = Heating element amps and motor amps.

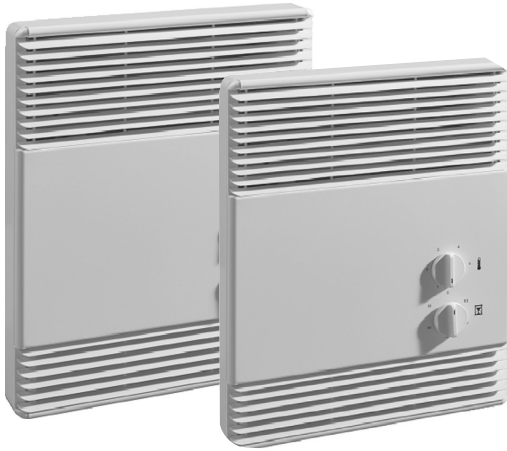
(2) Single-phase is available upon request, consult factory

**Standard colors - Add W for white finish or A for almond finish to the end of catalog number.**

Special or custom colors - See inside back cover for color codes to be added to end of catalog number.

# EWI SERIES

## European Style Wall Heater



(Shown with optional thermostat & timer)

The EWI wall heater has a stylish, contemporary design with rounded corners and soft lines for an elegant appearance. This heater is ideal for areas with space restrictions and high heating requirements.

- **Unique Element Design:** Stitched ribbon-type heating element provides instant heat for areas that need to be warmed quickly.
- **Three Models:** The standard single-stage heater is controlled by an optional remote line-voltage thermostat. Heater type **T** has a single-stage built-in thermostat. Heater type **TZ** is furnished with an additional 0-60 minute mechanical timer that provides manual operation at maximum wattage during occupied periods, then resumes normal control.
- **Installation Flexibility:** The heater can be recessed in a 2-inch by 3-inch stud wall or surface mounted without the use of adapters.

### Applications

- Entryways
- Reception Areas
- Fire Station Changing Areas
- Restrooms
- Offices

### Standard



### Special Colors



## Standard Construction Features

**Heating Elements** – Stitched ribbon-type element.

**Outlet Grille** – The 20-gauge steel grille has a polyester powder paint finish available in white, almond, or optional stainless steel front cover.

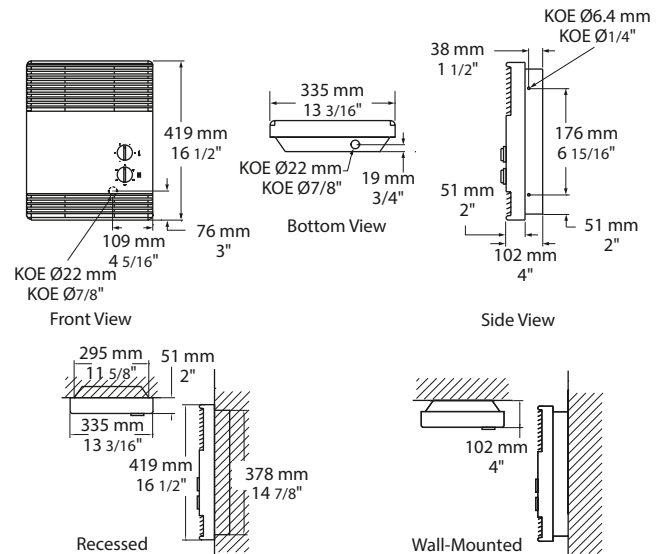
**Built-in Controls** – Automatic reset thermal cutout prevents overheating.

**Fan Motor** – Whisper-quiet squirrel-cage fan operates at 42.5 dBA with 70 CFM.

**Installation Requirements** – The air outlet should be installed a minimum of 12-inches above floors.

**Rough In Dimensions** – All heaters: 11-7/8" wide x 15-1/2" high x 2" deep.

**Remote Room Thermostat** – See page 39.



## Heater Listing

Watts Maximum	Volts (1 Phase)	Total Amps (1)	CFM	Temperature Rise	Weight lb (kg)	Catalog Number
			Maximum			
1500	120	13.0	70	68 (38)	14 (6)	935U01500B
1500	120	13.0	70	68 (38)	14 (6)	935U01500B-T
1500	120	13.0	70	68 (38)	14 (6)	935U01500B-TZ
1500/1125	240/208	6.7/5.9	70	68/51 (38/28)	14 (6)	935U01500V
1500/1125	240/208	6.7/5.9	70	68/51 (38/28)	14 (6)	935U01500V-T
1500/1125	240/208	6.7/5.9	70	68/51 (38/28)	14 (6)	935U01500V-TZ

(1) Total Amps = Heating element amps and motor amps.

Add **W** to end of catalog number for white finish, **A** for almond or **SS** for custom stainless steel front cover.

Special or custom colors - See inside back cover for color codes to be added to end of catalog number.

# WLI SERIES Wall Heater



The WLI wall heater is designed for recessed mounting into shallow 2-inch by 3-inch stud walls. It provides heat in a quiet, efficient manner. Single units can heat small areas and multiple heaters can be used in large or odd-shaped rooms.

- **Mounting Options:** Units can be surface (with optional box) or recessed mounted, vertically or horizontally, in one of four positions. A tapered recess box assures a tight fit when mounted into the wall.

## Applications

- Breezeways
- Entryways
- Restrooms
- Small Offices
- Storage Rooms

## Standard



## Special Colors



## Standard Construction Features

**Heating Elements** – Steel finned tubular elements.

**Outlet Grille** – The louvered front grille is made from 22-gauge steel with rounded corners. The grille is finished with an epoxy/polyester powder paint in white or almond.

**Built-in Controls** – Automatic reset thermal cutout.

**Fan Motor** – Quiet, permanently lubricated axial fan operates at 38 dBA at 40 CFM for models up to 1000 W and 41.3 dBA at 80 CFM for all models rated above 1000 W.

**Installation Requirements** - The air outlet should be installed a minimum of ten inches above floors.

**Rough In Dimensions** – All heaters: 7-3/16" wide x 14-1/8" high x 3" deep.

## Factory Built-in Options

Code	Description
D3	Disconnect Switch, 277V, Double-pole, 16 Amp
T1	Tamperproof Thermostat, Single-pole, 25 Amp
T2	Tamperproof Thermostat, Double-pole, 25 Amp with off position
T5	Adjustable Thermostat, Single-pole, 25 Amp
T6	Adjustable Thermostat, Double-pole, 25 Amp with off position

## Field-Installed Options

(shipped loose for field installation into heater)

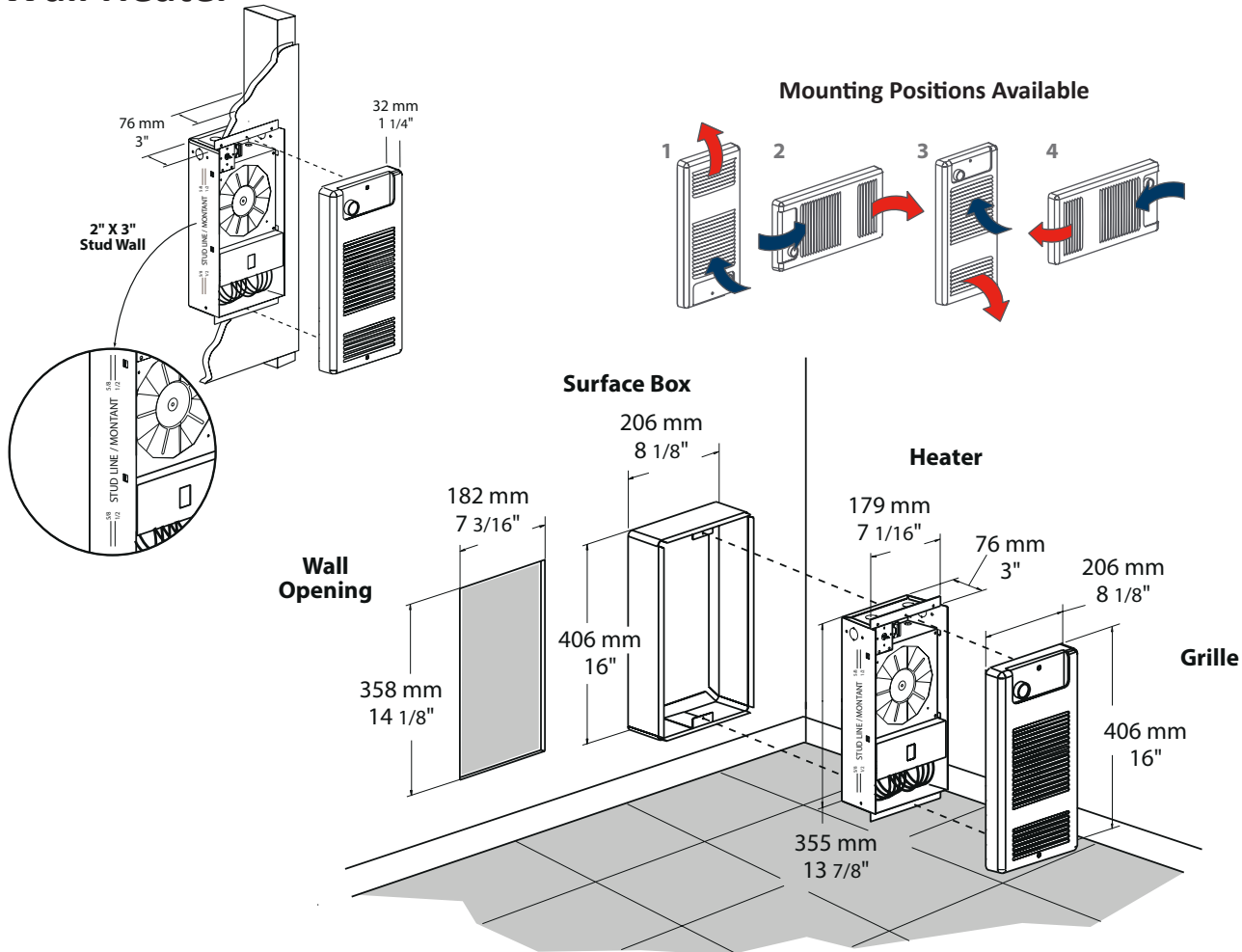
Catalog Number	Description
934-124647	Surface Mounting Box
934-124648	Adjustable Thermostat Kit, Single-pole, 25 Amp
934-124649	Tamperproof Thermostat Kit, Single-pole, 25 Amp
934-124650	Adjustable Thermostat Kit, Double-pole, 25 Amp with off position
934-124651	Tamperproof Thermostat Kit, Double-pole, 25 Amp with off position

**Standard colors** - Add **W** for white finish or **A** for almond finish to the end of catalog number.

**Special or custom colors** - See inside back cover for color codes to be added to end of catalog number.

**Remote Room Thermostat** – See page 39.

# WLI SERIES Wall Heater



## Heater Listing

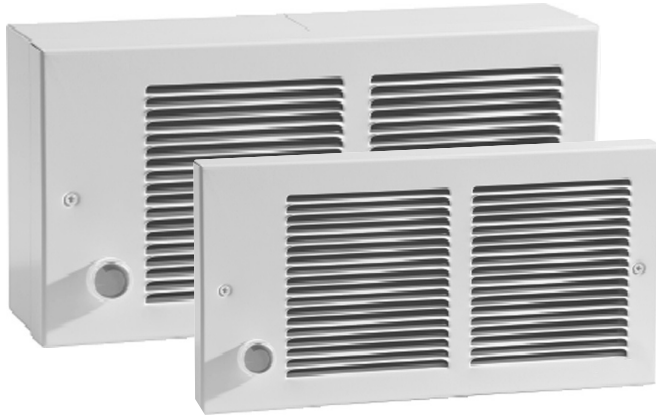
Watts	Volts (1 Phase)	Total Amps (1)	CFM	Approximate Air Temperature Rise °F (°C)	Weight lb (kg)	Catalog Number
500	120	4.6	40	40 (22)	9 (4)	934U00500B
500/375	240/208	2.3/2.0	40	40/30 (22/17)	9 (4)	934U00500V
750	120	6.7	40	60 (33)	9 (4)	934U00750B
750/563	240/208	3.3/2.9	40	60/45 (33/25)	9 (4)	934U00750V
1000	120	8.7	40	80 (44)	9 (4)	934U01000B
1000/750	240/208	4.5/3.8	40	80/60 (44/33)	9 (4)	934U01000V
1250	120	10.8	80	50 (28)	9 (4)	934U01250B
1250/938	240/208	5.4/4.7	80	50/37 (28/21)	9 (4)	934U01250V
1500	120	12.9	80	60 (33)	9 (4)	934U01500B
1500/1125	240/208	6.5/5.6	80	60/45 (33/25)	9 (4)	934U01500V
2000	208	9.8	80	80 (44)	9 (4)	934U02000C
2000/1500	240/208	8.5/7.4	80	80/60 (44/33)	9 (4)	934U02000V

(1) Total Amps = Heating element amps and motor amps.

Standard colors - Add **W** for white finish or **A** for almond finish to the end of catalog number.

Special or custom colors - See inside back cover for color codes to be added to end of catalog number.

# WRI SERIES Register Wall Heater



(Shown with optional built-in thermostat)

## Applications

- Hallways
- Restrooms
- Stairwells

The WRI register wall heater is ideal for use as a primary heat source in small areas or as supplemental heat in more spacious areas. Multiple heaters can be used to effectively heat large or odd-shaped rooms.

- **Installation Options:** Units are designed for recessed mounting into shallow 2-inch by 3-inch stud walls or surface mounting with the use of an optional box.
- **Safety:** Finned tubular elements provide electrical isolation from accidental contact.
- **Temperature Control:** An optional thermostat can be installed in the heater or a remote thermostat can be used.

## Standard



## Special Colors



## Standard Construction Features

**Heating Elements** – Steel finned tubular elements.

**Outlet Grille** – The louvered front grille is made from 20-gauge steel. The grille is finished with an epoxy/polyester powder paint in white or almond.

**Built-in Controls** – Automatic reset thermal cutout and over-temperature warning light.

**Fan Motor** – Quiet, factory lubricated fan operates at 38 dBA at 40 CFM for models up to 1,000 W and 41.3 dBA at 80 CFM for all models rated above 1,000 W.

**Installation Requirements** – The air outlet should be installed a minimum of ten inches above vinyl floors.

**Rough In Dimensions** – All heaters: 14-1/8" wide x 7-3/16" high x 3" deep.

## Factory Built-in Options

Code	Description
D3	Disconnect Switch, 277V, Double-pole, 16 Amp
T1	Tamperproof Thermostat, Single-pole, 25 Amp
T2	Tamperproof Thermostat, Double-pole, 25 Amp with off position
T5	Adjustable Thermostat, Single-pole, 25 Amp
T6	Adjustable Thermostat, Double-pole, 25 Amp with off position

Double-pole thermostats include positive off feature.

## Field-Installed Options

(shipped loose for field installation into heater)

Catalog Number	Description
930-166766	Surface Mounting Box
930-166767	Adjustable Thermostat Kit, Single-pole, 25 Amp
930-166768	Tamperproof Thermostat Kit, Single-pole, 25 Amp
930-166769	Adjustable Thermostat Kit, Double-pole, 25 Amp with off position
930-166770	Tamperproof Thermostat Kit, Double-pole, 25 Amp with off position

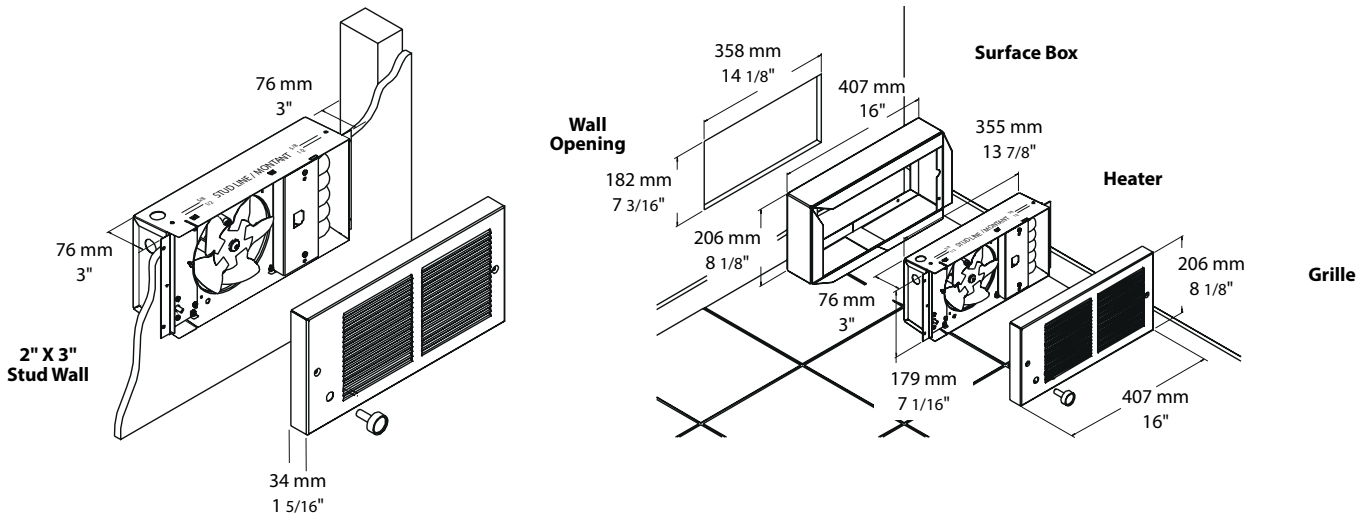
Standard colors - Add W for white finish or A for almond finish to the end of catalog number.

Special or custom colors - See inside back cover for color codes to be added to end of catalog number.

Remote Room Thermostat – See page 39.

# WRI SERIES

## Register Wall Heater



### Heater Listing

Watts	Volts (1 Phase)	Total Amps (1)	CFM	Approximate Air Temperature Rise °F (°C)	Weight lb (kg)	Catalog Number
500	120	4.6	40	40 (22)	9 (4)	930U00500B
500/375	240/208	2.3/2.0	40	40/30 (22/17)	9 (4)	930U00500V
750	120	6.7	40	60 (33)	9 (4)	930U00750B
750/563	240/208	3.3/2.9	40	60/45 (33/25)	9 (4)	930U00750V
1000	120	8.7	40	80 (44)	9 (4)	930U01000B
1000/750	240/208	4.5/3.8	40	80/60 (44/33)	9 (4)	930U01000V
1250	120	10.8	80	50 (28)	9 (4)	930U01250B
1250/938	240/208	5.4/4.7	80	50/37 (28/21)	9 (4)	930U01250V
1500	120	12.9	80	60 (33)	9 (4)	930U01500B
1500/1125	240/208	6.5/5.6	80	60/45 (33/25)	9 (4)	930U01500V
2000	208	9.8	80	80 (44)	9 (4)	930U02000C
2000/1500	240/208	8.5/7.4	80	80/60 (44/33)	9 (4)	930U02000V

(1) Total Amps = Heating element amps and motor amps.

Standard colors - Add W for white finish or A for almond finish to the end of catalog number.

Special or custom colors - See inside back cover for color codes to be added to end of catalog number.



# CWI SERIES

## Commercial Wall Convector



The CWI is a space-saving convector that provides the quietness of natural convection heating. With its contemporary look, the CWI perfectly blends with any surrounding.

### Applications

- Condominium/Loft
- Kitchen
- Living/Family Room
- Bedroom
- Basement
- Hotel
- Dormitory
- Commercial Applications



---

## Standard Construction Features

**Heating Elements** – 2 Stainless steel elements with aluminum fins float on high temperature nylon bushings for quiet operation.

**Outlet Grille** – The CWI has a 20-gauge steel grille with rounded corners and a polyester powder paint finish available in standard white. The warm air outlet will direct the air to the center of the room.

**Built-in Controls** – Automatic reset thermal cutout and over temperature warning light (units under 250V). Heaters can be controlled by a remote thermostat (not included) or with optional (T8) built-in non-programmable electronic thermostat for heater 120V to 240V.

**Installation Requirements** – The minimum installation clearance is four inches to the floor and from an adjacent wall. Installing is made easy with the included wall mounting bracket. This heater is approved for residential use in the United States.

# CWI SERIES

## Commercial Wall Convactor

### Factory Built-in Options

Code	Description
R7	24V Triac Proportional Relay 277V, 15A
R8	24V Triac Proportional Relay with transformer, 277V, 15A
T8	Built-in Non Programmable Electronic Thermostat, 120V to 240V

### Field-Installed Options

(shipped loose for field installation into heater)

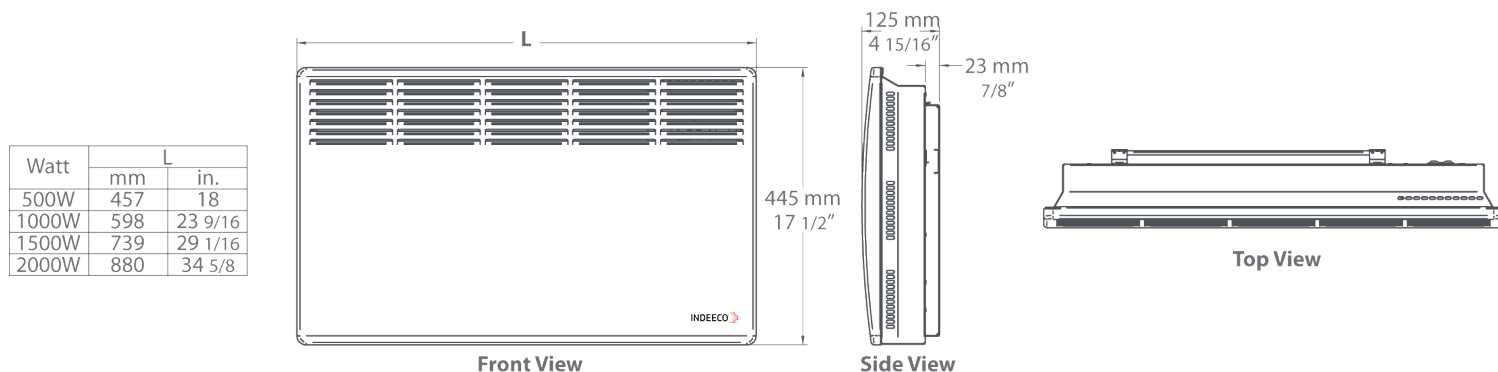
Catalog Number	Description
942-309332	24V TRIAC Proportional Relay, 120V to 277V, 15A Max.
942-309333	24V TRIAC Proportional Relay with transformer, 208V to 277V, 15A

### Heater Listing

Watts	Volts (1 Phase)	Total Amps	Length In. (MM)	Weight lb (kg)	Catalog Number
500	120	4.2	18 (457)	13 (6)	942U00500B
	208	2.4	18 (457)	13 (6)	942U00500C
	277	1.8	18 (457)	13 (6)	942U00500N
500/375	240/208	2.1/1.8	18 (457)	13 (6)	942U00500V
1000	120	8.3	23.7 (598)	16.7 (7.6)	942U01000B
	208	4.8	23.7 (598)	16.7 (7.6)	942U01000C
	277	3.6	23.7 (598)	16.7 (7.6)	942U01000N
1000/750	240/208	4.2/3.6	23.7 (598)	16.7 (7.6)	942U01000V
1500	120	12.5	29.1 (739)	20 (9.12)	942U01500B
	208	7.2	29.1 (739)	20 (9.12)	942U01500C
	277	5.4	29.1 (739)	20 (9.12)	942U01500N
1500/1125	240/208	6.3/5.4	29.1 (739)	20 (9.12)	942U01500V
2000	208	9.6	35.6 (880)	24 (10.9)	942U02000C
	277	7.2	35.6 (880)	24 (10.9)	942U02000N
2000/1500	240/208	8.3/7.2	35.6 (880)	24 (10.9)	942U02000V

Standard color - Add W for white finish

Special or custom colors - See inside back cover for color codes to be added to the end of catalog number.



# CUI SERIES Cabinet Unit Heater



The CUI cabinet heater offers a unique combination of quality, efficiency, reliability and flexibility. The attractive cabinet design blends into any commercial decor.

- **Mounting Options:** The cabinet heater can be mounted on the floor, wall or ceiling. It can also be recessed into the wall or ceiling as required. Twelve air inlet and outlet combinations are available.
- **Simplified Maintenance:** The insulated front panel is hinged to allow for easy access.
- **Quiet Operation:** The blower wheel is mounted directly on the motor shaft to reduce the noise level.
- **Fresh Air Inlet:** Manual or optional power-operated inlet allows fresh air to enter through the rear of the heater and mix with re-circulated room air.

## Applications

- Classrooms
- Hallways
- Meeting Rooms
- Lobbies
- Stairways
- Corridors
- Waiting Rooms
- Entry Ways

## Standard



## Special Colors



## Standard Construction Features

**Heating Elements** – Industrial grade steel finned tubular elements.

**Housing** – Cabinet is constructed of 18-gauge steel with an epoxy/polyester powder paint finish in white or almond.

**Outlet Grille** – An extruded architectural style aluminum grille discourages tampering with the heating element. The grille can be field converted for front or top air discharge.

**Built-in Controls** – Automatic reset thermal cutout and fan delay. Power fusing is supplied for heaters over 48 amps.

**Fan Motor** – The squirrel cage fan is beltless and two-speed, operating at 48 dBA at low speed and 50 dBA at high speed. Fan motors have permanently lubricated sleeve bearings for trouble-free service.

**Installation Requirements** – For best performance, do not install cabinet heaters above recommended maximum mounting height of ten feet.

**Rough In Dimensions** – Recess mounting only: Heater Length + 1" wide x 27" high x 12" deep.

# CUI SERIES

## Cabinet Unit Heater

### Factory Built-in Options

Code	Description
A1	Fresh Air Inlet (1)
A2	Power Operated Fresh Air Inlet (1)
D1	Disconnect Switch 600V, Three-pole, 32 Amp
D2	Disconnect Switch 600V, Three-pole, 64 Amp
D5	Disconnect Switch 600V, Three-pole, 80 Amp
G	Fusing
M	Manual Reset
N1	2-Speed Motor w/High-Low Switch (2)
N2	2-Speed Motor w/High-Low Relay-24 (1) (2) (3)
R1	24V Relay
R2	24V Relay with Transformer
S1	On/Auto Fan Relay-24V Fan Relay with Transformer
S2	On/Standby 24V Heating Relay with Transformer
S3	On/Auto Fan Switch
S4	On Standby Heating Switch
T1	Tamperproof Thermostat, 1-Stage, Single-pole
T7	Tamperproof Thermostat, 2-Stage (4)
X	120V Control circuit

(1) Built-in thermostat is not available with options A1 or A2.

(2) To obtain the minimum ratings, it is necessary to add the optional "N1" two-speed motor with high/low switch for manual operation or option "N2" two-speed motor with high/low relay-24 Volt. The "N2" can be connected to a remote two-stage, wall-mounted thermostat or field-furnished low voltage device for maximum/minimum control.

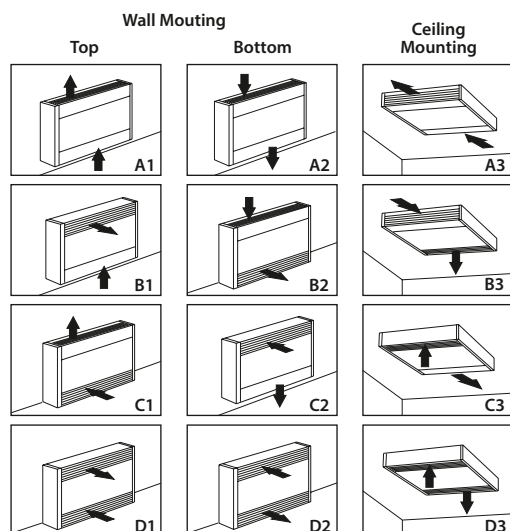
(3) Option N2 is required for two-stage remote thermostat operation.

(4) When choosing Option T7; A1, A2, N1, R1 & R2 are unavailable.

\* Additional kW/standard cabinet size combinations are available.

**Remote Room Thermostat – See page 39.**

### Mounting Applications



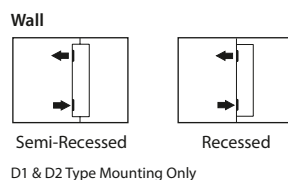
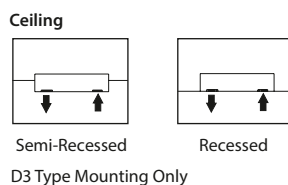
### Field-Installed Options

(shipped loose for field installation into heater)

Catalog Number	Description	Heater Length In. (mm)
922-124530	Sub Base	28 (711)
922-124531		48 (1219)
922-124532		66 (1676)
922-124533		80 (2032)
922-124534	Recess Trim Kit	28 (711)
922-124535		48 (1219)
922-124536		66 (1676)
922-124537		80 (2032)
922-124538P	Permanent/Washable Air Filters (Wall Installation Only)	28 (711)
922-124539P		48 (1219)
922-124540P		66 (1676)
922-124541P		80 (2032)
922-124538	Replaceable Throwaway Air Filters (Wall Installation Only)	28 (711)
922-124539		48 (1219)
922-124540		66 (1676)
922-124541		80 (2032)
922-218265	Smooth Finish on Heater Back Plate Kit Heater Length In (mm)	28 (711)
922-218266		48 (1219)
922-218267		66 (1676)
922-218268		80 (2032)
922-289684	24V Relay with Transformer Kit, 208-240V 22A, 277V 19A Kit	
922-224750	Tamperproof Single-pole thermostat kit	

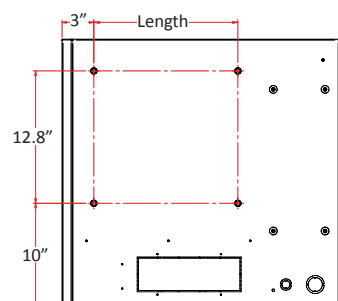
Standard colors - Add W for white finish or A for almond finish to the end of part number.

Special or custom colors - See inside back cover for color codes to be added to end of part number.

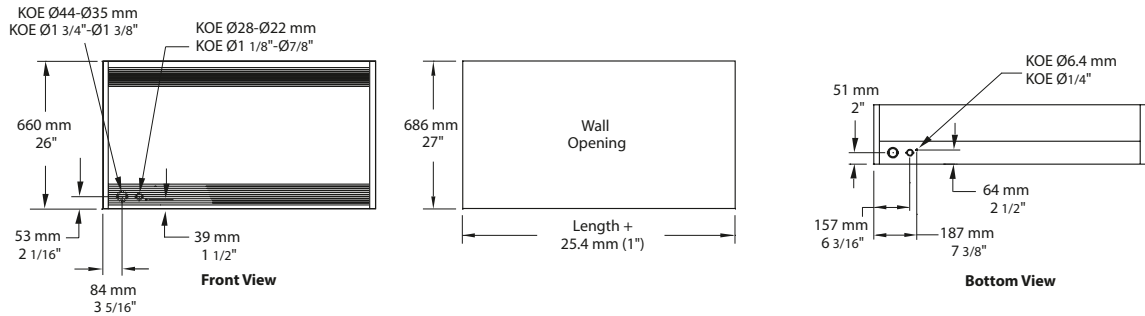


#### Mounting Hole Positions

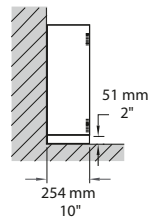
Watts	Length In (mm)
2 - 6 kW	14 (356)
6 - 12 kW	34 (864)
15 - 18 kW	52 (1322)
20 - 24 kW	66 (1677)



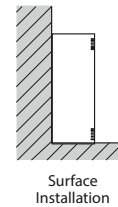
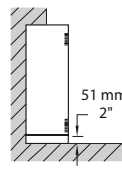
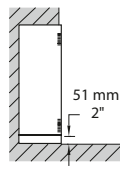
# CUI SERIES Cabinet Unit Heater



Installation with Sub-Base



Installation with Recess Trim Kit



## Heater Listing

Watts (1)		Volts	Phase	Total Amps (2)		CFM		Approximate Air Temp. Rise °F (°C)	Heater Length In. (mm)	Weight Lbs (kg)	Catalog Number
Max.	Min.			Max.	Min.	Max.	Min.				
2000	1333	208	1	11.0	7.8	250	200	26 (14)	28 (711)	115 (52)	922U02000C
		208	3	7.0	5.1	250	200	26 (14)	28 (711)	115 (52)	922U02000D
		240	1	9.7	7.0	250	200	26 (14)	28 (711)	115 (52)	922U02000J
		240	3	6.2	2.6	250	200	26 (14)	28 (711)	115 (52)	922U02000K
		277	1	8.6	6.2	250	200	26 (14)	28 (711)	115 (52)	922U02000N
		480	3	3.8	3.0	250	200	26 (14)	28 (711)	115 (52)	922U02000U
3000	1000	208	1	15.8	6.2	250	200	38 (21)	28 (711)	115 (52)	922U03000C
		208	3	9.7	4.2	250	200	38 (21)	28 (711)	115 (52)	922U03000D
		240	1	13.9	5.6	250	200	38 (21)	28 (711)	115 (52)	922U03000J
		240	3	8.6	3.8	250	200	38 (21)	28 (711)	115 (52)	922U03000K
		277	1	12.2	5.0	250	200	38 (21)	28 (711)	115 (52)	922U03000N
		480	3	5.0	2.6	250	200	38 (21)	28 (711)	115 (52)	922U03000U
4000	2667	208	1	20.6	14.2	250	200	51 (28)	28 (711)	115 (52)	922U04000C
		208	3	12.5	8.8	250	200	51 (28)	28 (711)	115 (52)	922U04000D
		240	1	18.1	12.5	250	200	51 (28)	28 (711)	115 (52)	922U04000J
		240	3	11.0	7.8	250	200	51 (28)	28 (711)	115 (52)	922U04000K
		277	1	15.8	11.0	250	200	51 (28)	28 (711)	115 (52)	922U04000N
		480	3	6.2	4.6	250	200	51 (28)	28 (711)	115 (52)	922U04000U
5000	3333	208	1	25.4	17.4	250	200	64 (36)	28 (711)	115 (52)	922U05000C
		208	3	15.3	10.7	250	200	64 (36)	28 (711)	115 (52)	922U05000D
		240	1	22.2	15.3	250	200	64 (36)	28 (711)	115 (52)	922U05000J
		240	3	13.4	9.5	250	200	64 (36)	28 (711)	115 (52)	922U05000K
		277	1	19.4	13.4	250	200	64 (36)	28 (711)	115 (52)	922U05000N
		480	3	7.4	5.4	250	200	64 (36)	28 (711)	115 (52)	922U05000U

(1) To obtain the minimum ratings it is necessary to add the optional "N1" two-speed motor with high/low switch for manual operation or option "N2" two-speed motor with high/low relay-24 volt. The "N2" can be connected to a remote two-stage, wall-mounted thermostat or field furnished low voltage device for maximum/minimum control.

(2) Total Amps = Heating element amps and motor amps.

Other voltages available. Consult factory.

Standard colors - Add W for white finish or A for almond finish to the end of catalog number.

Special or custom colors - See inside back cover for color codes to be added to end of catalog number.

Specify mounting application code when ordering (see page 19).

# CUI SERIES

## Cabinet Unit Heater

### Heater Listing (continued)

Watts (1)		Volts	Phase	Total Amps (2)		CFM		Approximate Air Temp. Rise °F (°C)	Heater Length In. (mm)	Weight Lbs (kg)	Catalog Number
Max.	Min.			Max.	Min.	Max.	Min.				
6000	4000	208	1	30.2	20.6	250	200	77 (43)	28 (711)	115 (52)	922U06000C
		208	3	18.1	12.5	250	200	77 (43)	28 (711)	115 (52)	922U06000D
		240	1	26.4	18.1	250	200	77 (43)	28 (711)	115 (52)	922U06000J
		240	3	15.8	11.0	250	200	77 (43)	28 (711)	115 (52)	922U06000K
		277	1	23.1	15.8	250	200	77 (43)	28 (711)	115 (52)	922U06000N
		480	3	8.6	6.2	250	200	77 (43)	28 (711)	115 (52)	922U06000U
8000	4000	208	1	41.3	22.0	500	400	51 (28)	48 (1219)	146 (66)	922U08000C
		208	3	25.0	13.9	500	400	51 (28)	48 (1219)	146 (66)	922U08000D
		240	1	36.1	19.5	500	400	51 (28)	48 (1219)	146 (66)	922U08000J
		240	3	22.0	12.4	500	400	51 (28)	48 (1219)	146 (66)	922U08000K
		277	1	31.7	17.2	500	400	51 (28)	48 (1219)	146 (66)	922U08000N
		480	3	12.4	7.6	500	400	51 (28)	48 (1219)	146 (66)	922U08000U
10000	5000	208	1	50.9	26.8	500	400	64 (36)	48 (1219)	146 (66)	922U10000C
		208	3	30.6	16.7	500	400	64 (36)	48 (1219)	146 (66)	922U10000D
		240	1	44.5	23.6	500	400	64 (36)	48 (1219)	146 (66)	922U10000J
		240	3	26.9	14.8	500	400	64 (36)	48 (1219)	146 (66)	922U10000K
		277	1	38.9	20.9	500	400	64 (36)	48 (1219)	146 (66)	922U10000N
		480	3	14.8	8.8	500	400	64 (36)	48 (1219)	146 (66)	922U10000U
12000	6000	208	1	60.5	31.6	500	400	77 (43)	48 (1219)	146 (66)	922U12000C
		208	3	36.1	19.5	500	400	77 (43)	48 (1219)	146 (66)	922U12000D
		240	1	52.8	27.8	500	400	77 (43)	48 (1219)	146 (66)	922U12000J
		240	3	31.7	17.3	500	400	77 (43)	48 (1219)	146 (66)	922U12000K
		277	1	46.1	24.5	500	400	77 (43)	48 (1219)	146 (66)	922U12000N
		480	3	17.2	10.0	500	400	77 (43)	48 (1219)	146 (66)	922U12000U
15000	10000	208	1	76.3	52.3	750	600	63 (35)	66 (1677)	210 (96)	922U15000C
		208	3	45.9	32.0	750	600	63 (35)	66 (1677)	210 (96)	922U15000D
		240	1	66.7	45.9	750	600	63 (35)	66 (1677)	210 (96)	922U15000J
		240	3	40.3	28.3	750	600	63 (35)	66 (1677)	210 (96)	922U15000K
		480	3	22.3	16.2	750	600	63 (35)	66 (1677)	210 (96)	922U15000U
		18000	12000	208	1	90.7	61.9	750	600	77 (43)	66 (1677)
208	3			54.2	37.5	750	600	77 (43)	66 (1677)	210 (96)	922U18000D
240	1			79.2	54.2	750	600	77 (43)	66 (1677)	210 (96)	922U18000J
240	3			47.5	33.1	750	600	77 (43)	66 (1677)	210 (96)	922U18000K
480	3			25.9	18.6	750	600	77 (43)	66 (1677)	210 (96)	922U18000U
20000	13333			208	1	101.8	69.7	1000	800	64 (36)	80 (2032)
		208	3	61.1	42.6	1000	800	64 (36)	80 (2032)	240 (109)	922U20000D
		240	1	88.9	61.2	1000	800	64 (36)	80 (2032)	240 (109)	922U20000J
		240	3	53.7	37.7	1000	800	64 (36)	80 (2032)	240 (109)	922U20000K
		480	3	29.7	21.7	1000	800	64 (36)	80 (2032)	240 (109)	922U20000U
		24000	16000	208	3	72.2	50.1	1000	800	77 (43)	80 (2032)
240	1			105.6	72.3	1000	800	77 (43)	80 (2032)	240 (109)	922U24000J
240	3			63.3	44.1	1000	800	77 (43)	80 (2032)	240 (109)	922U24000K
480	3			34.5	24.9	1000	800	77 (43)	80 (2032)	240 (109)	922U24000U

(1) To obtain the minimum ratings it is necessary to add the optional "N1" two-speed motor with high/low switch for manual operation or option "N2" two-speed motor with high/low relay-24 volt. The "N2" can be connected to a remote two-stage, wall-mounted thermostat or field furnished low voltage device for maximum/ minimum control.

(2) Total Amps = Heating element amps and motor amps.

**Standard colors - Add W for white finish or A for almond finish to the end of catalog number.**

Special or custom colors - See inside back cover for color codes to be added to end of catalog number.

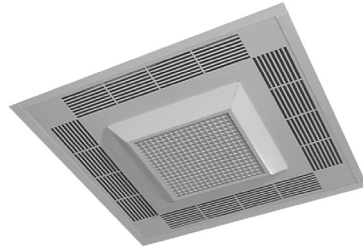
**Specify mounting application code when ordering (see page 19).**

# CDI/CDIR SERIES

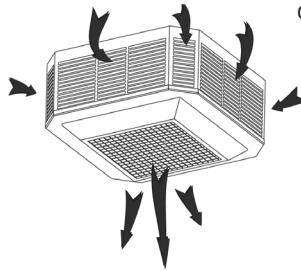
## Fan-Forced Ceiling Heater



CDI Series Surface Mounting



CDIR Series Recessed Mounting



Downward Discharge Uniform Circulation

The CDI/CDIR ceiling heaters are designed for commercial applications. CDI heaters are designed for surface mounting and can be adapted for T-Bar installation with an optional kit. The CDIR heater is designed for recessed mounting and installation into 2-feet by 2-feet ceiling grids. The CDIR comes with a built-in flange; an additional trim ring kit is not required.

- **Enhanced Performance:** These heaters set new industry standards with ratings up to 10,000 W and 600 CFM in single and three-phase 208, 240 and 480 voltages.
- **Increased Comfort:** The side draw-through inlet with down discharge promotes circulation within the space for uniform temperatures and increased comfort.

### Standard



### Special Colors



### Applications

- Classrooms
- Day Care
- Entryways
- Guard Houses
- Hallways
- Lobbies
- Offices
- Reception Areas
- Restrooms
- Vestibules
- Workshops

## Standard Construction Features

**Heating Elements** – Stainless steel tubular elements with aluminum fins.

**Outlet Grille** – The grille is made of 20-gauge galvanized steel with a flat ribbon wire outlet grille and is finished with a polyester powder paint in white or almond.

**Built-in Controls** – Automatic reset thermal cutout and fan delay relay.

**Fan Motor** – Quiet, direct drive aluminum fan and totally enclosed motor with lifetime lubricated ball bearings.

**Installation Requirements** – For best performance, ceiling heaters should be installed between 8 and 12-feet above the floor.

**Rough In Dimensions** – CDIR Only: 23" wide x 23" high x 6" deep

## Factory Built-in Options

Code	Description
D1	Disconnect Switch 600V, Three-pole, 32 Amp
D2	Disconnect Switch 600V, Three-pole, 64 Amp
D3	Disconnect Switch 277V, Double-pole, 16 Amp
R1	24V Control Relay
R2	24V Control Relay with Transformer
S3	Summer Fan Switch and Pilot Light
S5	Summer Fan 24V Relay for Remote Switching and Pilot Light (Switch not included)
S6	Summer Fan 240V Relay for Remote Switching and Pilot Light (Switch not included)
T1	Tamperproof Thermostat
X	120V Control, fused secondary and grounded

## Field-Installed Options

(shipped loose for field installation into heater)

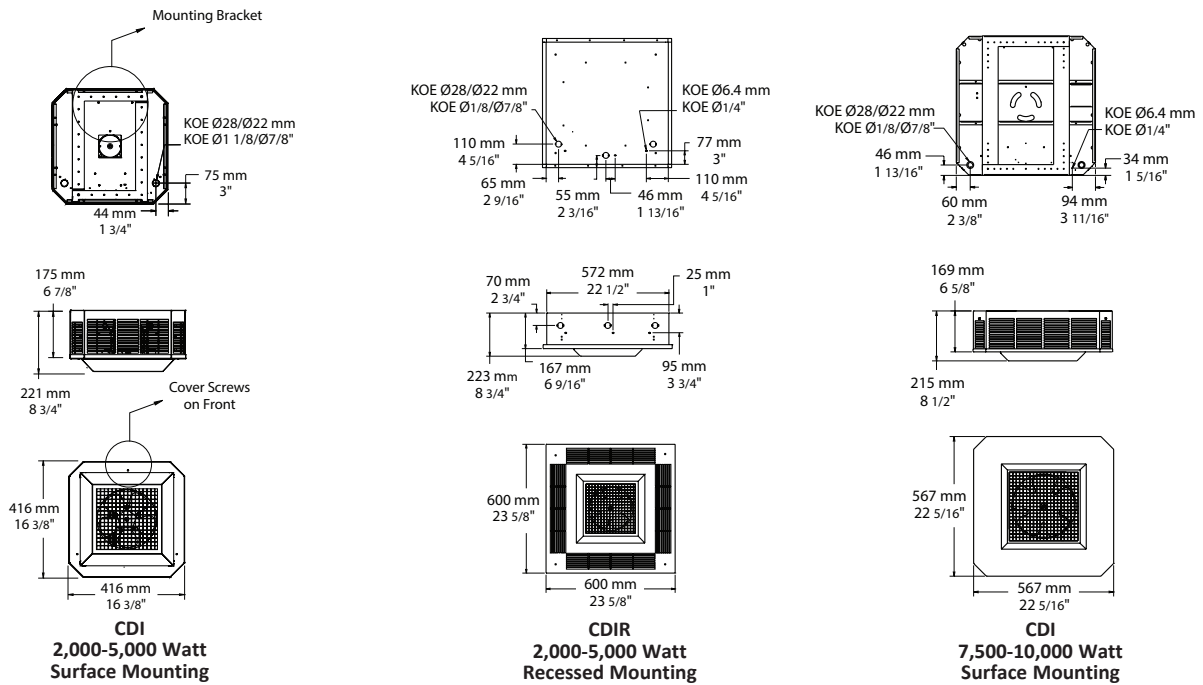
Catalog Number	Description
936-158478	Tamperproof Thermostat Kit
936-218269	24V Control Relay Kit
936-229004	Disconnect Switch Kit, 16 Amp, 277V, Double-pole
936-158479	T-Bar Adaptor for CDI surface mounting 2000 through 5000 watt heaters
936-277095	T-Bar Adaptor for CDI surface mounting 7500-10000 watt heaters

Add W to end of catalog number for white finish or add A for almond finish.

**Remote Room Thermostat** – See page 39.

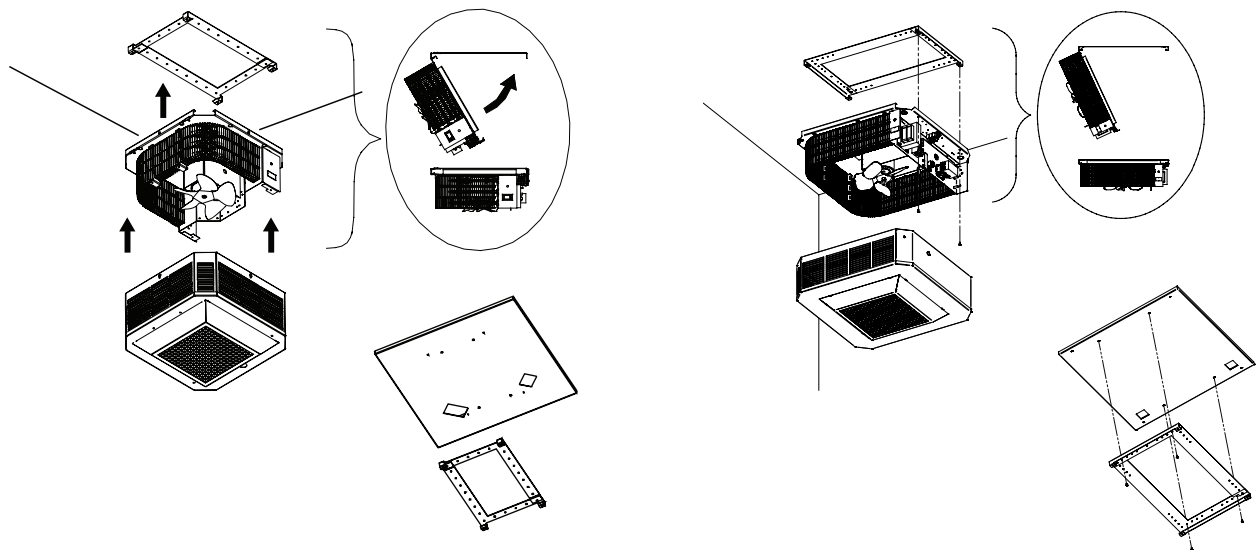
# CDI/CDIR SERIES

## Fan-Forced Ceiling Heater

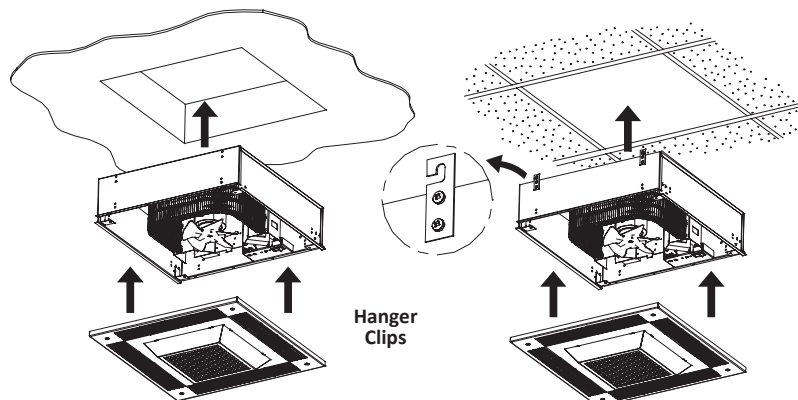


**CDI Surface Mounting**  
for 2,000 to 5,000 Watt Heaters

**CDI Surface Mounting**  
for 7,500 to 10,000 Watt Heaters



**CDIR Recessed Mounting**





# CDI/CDIR SERIES

## Fan-Forced Ceiling Heater

### CDI Series Surface Mounting Heater Listing

Watts	Volts	Phase	Total Amps (1)	CFM	Approximate Air Temperature Rise °F (°C)	Weight lb (kg)	Catalog Number
2000	208	1	10.3	310	20 (11)	25 (11.3)	936U02000C
	208	3	6.3	310	20 (11)	25 (11.3)	936U02000D
	240	1	9.0	310	20 (11)	25 (11.3)	936U02000J
	240	3	5.5	310	20 (11)	25 (11.3)	936U02000K
	277	1	7.9	310	20 (11)	25 (11.3)	936U02000N
	480	1	4.9	310	20 (11)	25 (11.3)	936U02000T
	480	3	3.1	310	20 (11)	25 (11.3)	936U02000U
3000	208	1	15.1	310	30 (17)	25 (11.3)	936U03000C
	208	3	9.0	310	30 (17)	25 (11.3)	936U03000D
	240	1	13.2	310	30 (17)	25 (11.3)	936U03000J
	240	3	7.9	310	30 (17)	25 (11.3)	936U03000K
	277	1	11.5	310	30 (17)	25 (11.3)	936U03000N
	480	1	7.0	310	30 (17)	25 (11.3)	936U03000T
	480	3	4.3	310	30 (17)	25 (11.3)	936U03000U
4000	208	1	19.9	310	41 (23)	25 (11.3)	936U04000C
	208	3	11.8	310	41 (23)	25 (11.3)	936U04000D
	240	1	17.4	310	41 (23)	25 (11.3)	936U04000J
	240	3	10.3	310	41 (23)	25 (11.3)	936U04000K
	277	1	15.1	310	41 (23)	25 (11.3)	936U04000N
	480	1	9.0	310	41 (23)	25 (11.3)	936U04000T
	480	3	5.5	310	41 (23)	25 (11.3)	936U04000U
5000	208	1	24.7	310	51 (28)	25 (11.3)	936U05000C
	208	3	14.6	310	51 (28)	25 (11.3)	936U05000D
	240	1	21.5	310	51 (28)	25 (11.3)	936U05000J
	240	3	12.7	310	51 (28)	25 (11.3)	936U05000K
	277	1	18.8	310	51 (28)	25 (11.3)	936U05000N
	480	1	11.1	310	51 (28)	25 (11.3)	936U05000T
	480	3	6.7	310	51 (28)	25 (11.3)	936U05000U
7500	208	1	36.8	600	39 (22)	34 (15.4)	936U07500C
	208	3	21.5	600	39 (22)	34 (15.4)	936U07500D
	240	1	32.0	600	39 (22)	34 (15.4)	936U07500J
	240	3	18.7	600	39 (22)	34 (15.4)	936U07500K
	277	1	27.8	600	39 (22)	34 (15.4)	936U07500N
	480	1	16.3	600	39 (22)	34 (15.4)	936U07500T
	480	3	9.7	600	39 (22)	34 (15.4)	936U07500U
9900	208	1	48.0	600	53 (29)	34 (15.4)	936U09900C
	208	3	28.0	600	53 (29)	34 (15.4)	936U09900D
10000	240	1	42.4	600	53 (29)	34 (15.4)	936U10000J
	240	3	24.8	600	53 (29)	34 (15.4)	936U10000K
	277	1	36.8	600	53 (29)	34 (15.4)	936U10000N
	480	1	21.5	600	53 (29)	34 (15.4)	936U10000T
	480	3	12.7	600	53 (29)	34 (15.4)	936U10000U

(1) Total Amps = Heating element amps and motor amps.

Add **W** to end of catalog number for white finish or add **A** for almond finish.

Special or custom colors - See inside back cover for color codes to be added to the end of the catalog number.

# CDI/CDIR SERIES

## Fan-Forced Ceiling Heater

### CDIR Series Recessed Mounting Heater Listing

Watts	Volts	Phase	Total Amps (1)	CFM	Approximate Air Temperature Rise °F (°C)	Weight lb (kg)	Catalog Number
2000	208	1	10.3	310	20 (11)	31 (14)	937U02000C
	208	3	6.3	310	20 (11)	31 (14)	937U02000D
	240	1	9.0	310	20 (11)	31 (14)	937U02000J
	240	3	5.5	310	20 (11)	31 (14)	937U02000K
	277	1	7.9	310	20 (11)	31 (14)	937U02000N
	480	1	4.9	310	20 (11)	31 (14)	937U02000T
	480	3	3.1	310	20 (11)	31 (14)	937U02000U
3000	208	1	15.1	310	30 (17)	31 (14)	937U03000C
	208	3	9.0	310	30 (17)	31 (14)	937U03000D
	240	1	13.2	310	30 (17)	31 (14)	937U03000J
	240	3	7.9	310	30 (17)	31 (14)	937U03000K
	277	1	11.5	310	30 (17)	31 (14)	937U03000N
	480	1	7.0	310	30 (17)	31 (14)	937U03000T
	480	3	4.3	310	30 (17)	31 (14)	937U03000U
4000	208	1	19.9	310	41 (23)	31 (14)	937U04000C
	208	3	11.8	310	41 (23)	31 (14)	937U04000D
	240	1	17.4	310	41 (23)	31 (14)	937U04000J
	240	3	10.3	310	41 (23)	31 (14)	937U04000K
	277	1	15.1	310	41 (23)	31 (14)	937U04000N
	480	1	9.0	310	41 (23)	31 (14)	937U04000T
	480	3	5.5	310	41 (23)	31 (14)	937U04000U
5000	208	1	24.7	310	51 (28)	31 (14)	937U05000C
	208	3	14.6	310	51 (28)	31 (14)	937U05000D
	240	1	21.5	310	51 (28)	31 (14)	937U05000J
	240	3	12.7	310	51 (28)	31 (14)	937U05000K
	277	1	18.8	310	51 (28)	31 (14)	937U05000N
	480	1	11.1	310	51 (28)	31 (14)	937U05000T
	480	3	6.7	310	51 (28)	31 (14)	937U05000U

(1) Total Amps = Heating element amps and motor amps.

Add W to end of catalog number for white finish or add A for almond finish.

Special or custom colors - See inside back cover for color codes to be added to the end of the catalog number.

# CCI SERIES Commercial Ceiling Heater



## Applications

- Entryways
- Garages
- Hallways
- Restrooms
- Stairwells
- Vestibules

The CCI ceiling heater is designed for commercial use in areas where no wall space is available. It provides supplemental heat to prevent cold drafts or wide temperature swings.

- **Extended Capacity:** CCI heaters are available as single or double modules with ratings up to 8,000 W and 320 CFM in 480 volt single-phase.
- **Control Options:** Heaters can be controlled by a building management system with the addition of a low voltage relay.
- **Flexible Mounting:** Units can be surface, (with optional surface mounting box) recessed or installed in T-Bar ceiling systems.

## Standard



## Special Colors



## Standard Construction Features

**Heating Elements** – Steel finned tubular elements.

**Outlet Grille** – The louvered front grille is made of 18-gauge steel with rounded corners. The grille is finished with a polyester powder paint in white or almond.

**Built-in Controls** – Automatic reset thermal cutout, fan override with contactor when required.

**Fan Motor** – Permanently lubricated, open and ventilated fan. The single unit has a 160 CFM fan (55.5 dBA) and the double unit has 2 x 160 CFM fans (58.5 dBA).

**Installation Requirements** – For best performance, do not install ceiling heaters above recommended maximum mounting height of ten feet. Heater must be installed at least ten inches from adjacent walls.

## Rough In Dimensions –

- 1500/1125 - 4800 Watt heaters: 14-7/16" wide x 19-7/8" high x 4-1/8" deep.
- 6000/4500 - 8000 Watt heaters: 30-3/16" wide x 19-7/8" high x 4-1/8" deep.

## Factory Built-in Options

Code	Description
D1	Disconnect Switch 600V, Three-pole, 32 Amp
D2	Disconnect Switch, 600V, Three-pole, 64 Amp
D3	Disconnect Switch 277V, Double-pole, 16 Amp
R1	24V Control Relay
R2	24V Control Relay with Transformer (1)
T1	Built-in Tamperproof Thermostat
T2	Adjustable Thermostat

(1) Not available for 120V heaters.

## Field-Installed Options

(shipped loose for field installation into heater)

Catalog Number	Description
931-124506	Surface Mounting Box (1500-4800W)
931-158213	Surface Mounting Box (6000-8000W)
931-124507	Built-in Thermostat Kit (both knob & tamperproof plug provided)
931-124508	24V Control Relay Kit
931-124512	T-Bar Adapter 23-3/4" x 23-3/4" (1500-4800W)
931-124513	T-Bar Adapter 23-3/4" x 47-11/16" (6000-8000W)
931-218272	Extruded Aluminum Front Grille (1500-4800W)
931-218273	Extruded Aluminum Front Grille (6000-8000W)
931-218274	Surface Mounting Box for Aluminum Front Grille (1500-4800W)
931-218275	Surface Mounting Box for Aluminum Front Grille (6000-8000W)

Standard colors - Add W for white finish or A for almond finish to the end of catalog number.

Special or custom colors - See inside back cover for color codes to be added to end of catalog number.

**Remote Room Thermostat – See page 39.**

# CCI SERIES

## Commercial Ceiling Heater

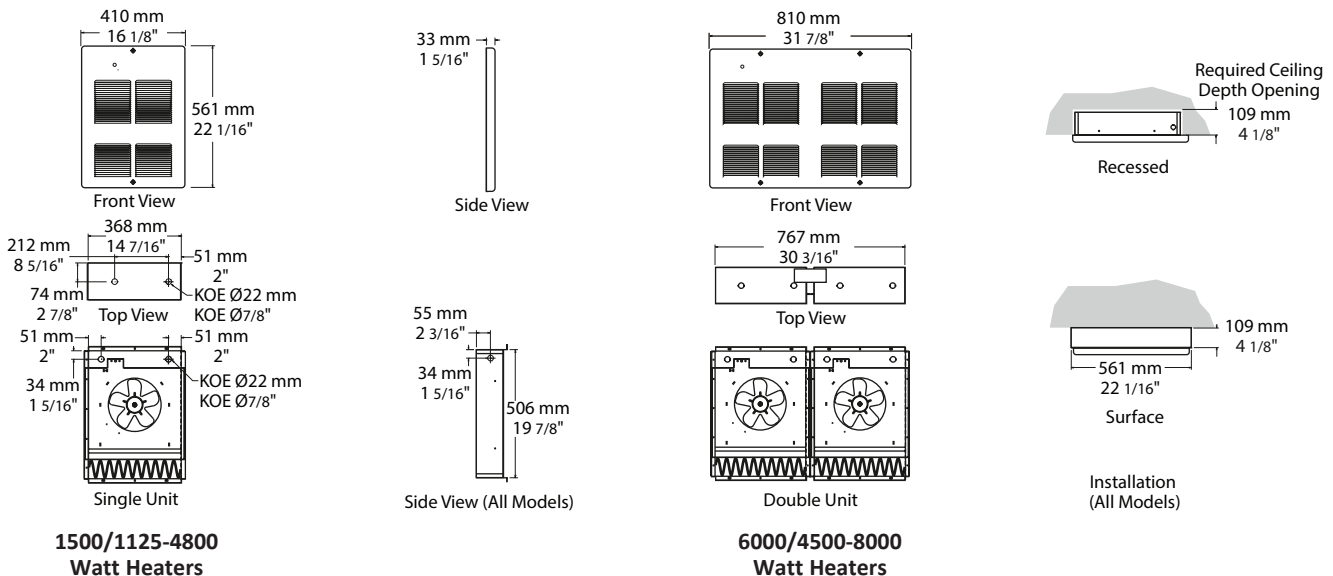
### Heater Listing

Watts	Volts (1 Phase)	Totals Amps (1)	CFM	Approximate Air Temperature Rise °F (°C)	Weight lb (kg)	Catalog Number
1500/1125	240/208	6.6/5.8	160	30/27 (17/12)	20 (9)	931U01500V
1500	120	12.9	160	30/27 (17/12)	20 (9)	931U01500B
	277	5.8	160	30 (17)	26 (12)	931U01500N
	480	3.5	160	30 (17)	26 (12)	931U01500T
2000/1500	240/208	8.7/7.6	160	40/30 (22/17)	20 (9)	931U02000V
2000	277	7.6	160	40 (22)	26 (12)	931U02000N
	480	4.5	160	40 (22)	26 (12)	931U02000T
3000/2250	240/208	12.9/11.2	160	60/45 (33/25)	20 (9)	931U03000V
3000	277	11.2	160	60 (33)	26 (12)	931U03000N
	480	6.6	160	60 (33)	26 (12)	931U03000T
4000/3000	240/208	17.0/14.8	160	80/60 (44/33)	20 (9)	931U04000V
4000	208	19.6	160	80 (44)	20 (9)	931U04000C
	277	14.8	160	80 (44)	26 (12)	931U04000N
	480	8.7	160	80 (44)	26 (12)	931U04000T
4800/3600	240/208	20.5/17.8	160	95/83 (53/36)	24 (11)	931U04800V
4800	208	23.6	160	95 (53)	24 (11)	931U04800C
	277	17.8	160	95 (53)	26 (12)	931U04800N
	480	10.4	160	95 (53)	26 (12)	931U04800T
6000/4500	240/208	25.4/22.0	320	60/45 (33/25)	40 (18)	931U06000V
6000	277	22.1	320	60 (33)	52 (24)	931U06000N
	480	12.9	320	60 (33)	52 (24)	931U06000T
8000/6000	240/208	33.7/29.2	320	80/60 (44/33)	40 (18)	931U08000V
8000	208	38.9	320	80 (44)	40 (18)	931U08000C
	277	29.3	320	80 (44)	52 (24)	931U08000N
	480	17.1	320	80 (44)	52 (24)	931U08000T

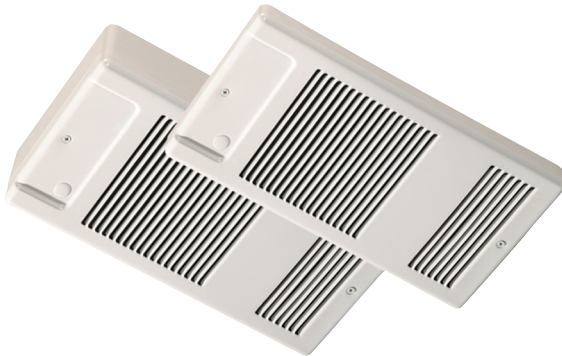
(1) Total Amps includes motor amps.

Standard colors - Add W for white finish or A for almond finish to the end of catalog number.

Special or custom colors - See inside back cover for color codes to be added to end of catalog number.



# CLI SERIES Fan-Forced Ceiling Heater



The CLI ceiling heater is designed for recessed mounting into a ceiling. It provides heat in a quiet, efficient manner. Single units can heat small areas and multiple heaters can be used in large or odd-shaped rooms.

## Applications

- Breezeways
- Entryways
- Restrooms
- Small Offices
- Storage Rooms

- Mounting Options: Units can be surface (with optional box) or recessed mounted. A tapered recess box assures a tight fit when mounted into the wall.

## Standard



## Special Colors



---

## Standard Construction Features

**Housing** – The cabinet is 20-gauge steel with a V-shaped recessed box.

**Outlet Grille** – The louvered front grille is made from 22-gauge steel with rounded corners. The grille is finished with an epoxy/polyester powder paint in white or almond. Optional colors: metallic silver, bronze, metallic charcoal, aluminum, and semi-gloss.

**Built-in Controls** – Automatic reset thermal cutout.

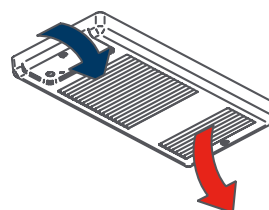
**Fan Motor** – Quiet, permanently lubricated axial fan operates at 38 dBA at 40 CFM for models up to 1,000 W and 41.3 dBA at 80 CFM for all models rated above 1,000 W.

**Installation Requirements** – The air outlet should be installed a minimum of ten inches from the wall and should be oriented towards the center of the room.

**Control** – Room temperature is controlled by a remote wall mounted thermostat which is sold separately.

**Rough In Dimensions** – All heaters: 7-3/16" wide x 14-1/8" high x 3" deep.

Pictures showing front panel. Directional vane air flow.



# CLI SERIES

## Fan-Forced Ceiling Heater

### Heater Listing

Watts	Volts (1 Phase)	Total Amps (1)	CFM	Approximate Air Temperature Rise °F (°C)	Weight lb (kg)	Catalog Number
500	120	4.6	40	40 (22)	9 (4)	941U00500B
500/375	240/208	2.3/2.0	40	40/30 (22/17)	9 (4)	941U00500V
750	120	6.7	40	60 (33)	9 (4)	941U00750B
750/563	240/208	3.3/2.9	40	60/45 (33/25)	9 (4)	941U00750V
1000	120	8.7	40	80 (44)	9 (4)	941U01000B
1000/750	240/208	4.5/3.8	40	80/60 (44/33)	9 (4)	941U01000V
1250	120	10.8	80	50 (28)	9 (4)	941U01250B
1250/938	240/208	5.4/4.7	80	50/37 (28/21)	9 (4)	941U01250V
1500	120	12.9	80	60 (33)	9 (4)	941U01500B
1500/1125	240/208	6.5/5.6	80	60/45 (33/25)	9 (4)	941U01500V

(1) Total Amps = Heating element amps and motor amps.

All models listed are single-phase.

Standard colors - Add W for white finish or A for almond finish to the end of catalog number.

Special or custom colors - See inside back cover for color codes to be added to end of catalog number.

### Factory Built-in Options

Code	Description
D3	Disconnect Switch 277V, Double-pole, 16 Amp
C	Factory Sealed Elements for high humidity applications

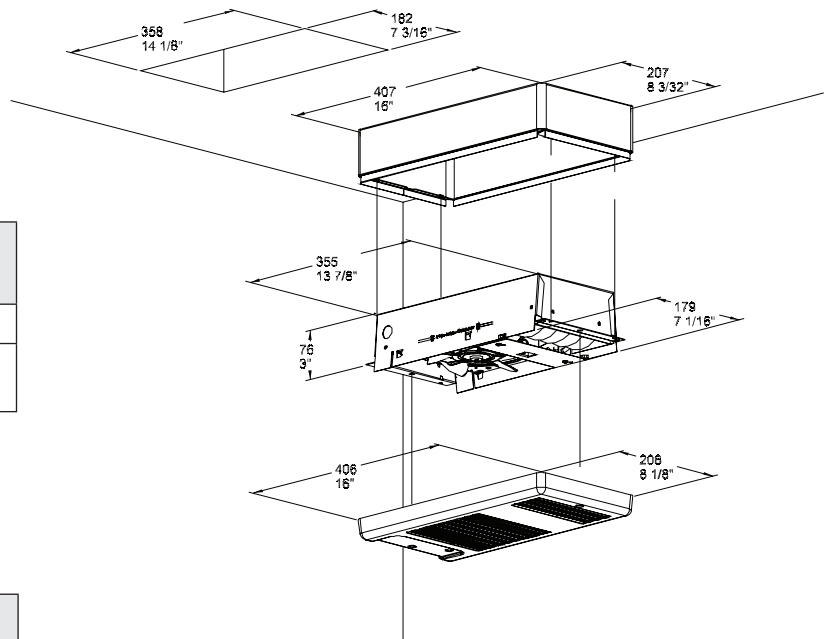
### Field-Installed Options

(shipped loose for field installation into heater)

Catalog Number	Description
941-227578	Surface Mounting Box

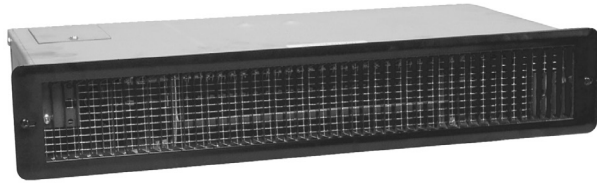
Standard colors - Add W for white finish or A for almond finish to the end of catalog number.

Special or custom colors - See inside back cover for color codes to be added to end of catalog number.



Remote Room Thermostat – See page 39.

# TSI SERIES Fan-Forced Toe-Space Heater



## Applications

- Checkout Counters
- Reception Areas
- Kitchens
- Ticket/Tollbooths



The TSI heater is designed for installation in places where other heaters do not fit. These heaters can be installed into the toe space or kick space below a cabinet, in the soffit above a cabinet or into risers of a stairway.

- **Multiple Wattage:** Quick disconnect lead wires allow output conversion from 1,000 to 500 watts.
- **Overtemperature Protection:** Automatic and manual reset thermal cutout is provided for primary and secondary overtemperature protection.
- **Two-piece Construction:** Unit is designed for easy installation. The fan, motor and controls are factory assembled into a sheet metal box with a removable front grille.

## Standard Construction Features

**Heating Elements** – Steel finned tubular elements provide durability.

**Outlet Grille** – Heavy 20-gauge steel grille has a polyester powder paint finish. Standard grille colors include black, white or almond.

**Built-in Controls** – Heater comes complete with a bi-metal automatic and manual reset thermal cutouts.

**Fan Motor** – Factory-lubricated fan motor operates at 44.5 dBA with 80 CFM.

**Soffit Adapter** – Included with the heater.

**Installation Requirements** – Do not install heater near thermosensitive materials.

**Rough In Dimensions** – All heaters: 20-1/2" wide x 3-27/32" high x 10-1/2" deep.

**Remote Room Thermostat** – See page 39.

## Factory Built-in Options

Code	Description
T5	Adjustable thermostat, single-pole; 25 Amp
T6	Adjustable thermostat, double-pole; 25 Amp with off position

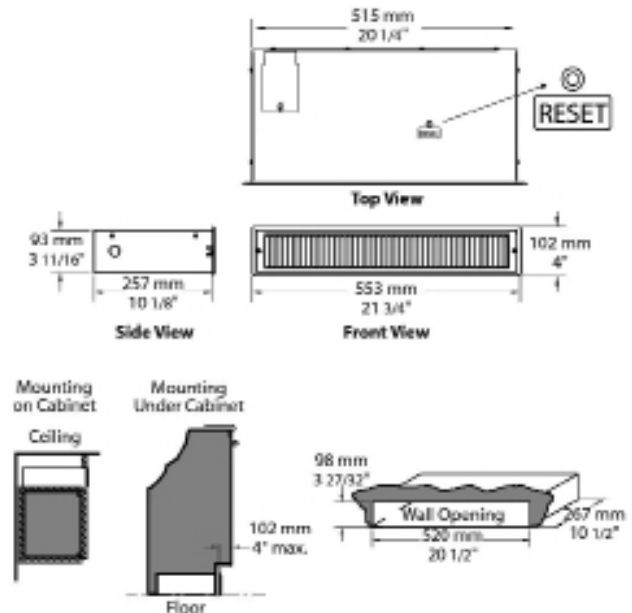
## Heater Listing

Watts	Volts	Total Amps (1)	CFM	Approximate Air Temperature Rise °F (°C)	Weight lb (kg)	Catalog Number
1000/500	120	8.8/4.6	80	20 (11)	13 (6)	938U01000B
500/375	240/208	2.5/2.3	80	20/15	13 (6)	938U01000V
1000/750		4.6/4.1	80	40/30 (22/17)	13 (6)	

(1) Total Amps = Heating element amps and motor amps.

Add W to end of catalog number for white finish, A for almond, or BK for black.

Special or custom colors - See inside back cover for color codes to be added to end of catalog number.



## Field-Installed Options

(shipped loose for field installation into heater)

Catalog Number	Description
938-158480	Adjustable thermostat kit, single-pole; 25 Amp
938-218240	Adjustable thermostat kit, double-pole; 25 Amp with off position

# FFI SERIES

## Fan-Forced Floor Heater



The FFI floor heater is compact to fit into tight spaces. It is designed to mount between the floor joists.

- **Unique Design:** The heater features a separate housing and core assembly. The core assembly is completely prewired with leads and an electrical connection plug, which can be removed for service and cleaning without disturbing the housing or field wiring.
- **Safety Screen:** A protective screen prevents foreign objects from falling onto the heating elements or interfering with the fan.

### Applications

- Entryways
- Small Rooms
- Open Stairwells
- Under Large Window Areas



## Standard Construction Features

**Heating Elements** – Steel finned tubular elements provide durability.

**Housing** – Heavy welded 20-gauge steel housing.

**Outlet Grille** – The 14-gauge steel grille has a polyester powder paint finish. Standard grille colors include bronze, white or almond.

**Built-in Controls** – Manual reset thermal cutout prevents overheating.

**Fan Motor** – Quiet, factory-lubricated fan motor operates at 43.9 dBA with 80 CFM.

**Installation Requirements** – Floor heaters should be installed a minimum of six inches from adjacent walls.

**Rough In Dimensions** – All heaters: 14-3/8" wide x 7-7/16" high x 8" deep.

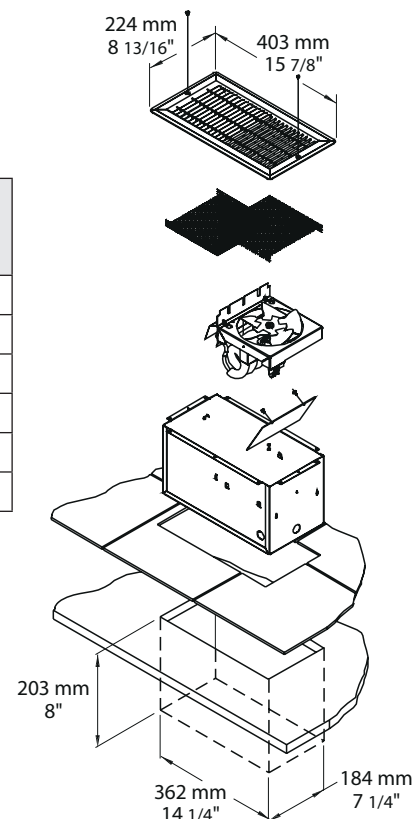
## Heater Listing

Watts	Volts	Total Amps (1)	CFM	Approximate Air Temperature Rise °F (°C)	Weight lb (kg)	Catalog Number
500	120	4.6	80	20 (11)	16 (7.3)	939U00500B
1000	120	8.8	80	40 (22)	16 (7.3)	939U01000B
1500	120	13.0	80	60 (33)	16 (7.3)	939U01500B
500/375	240/208	2.6/2.3	80	20/15 (11/8.3)	16 (7.3)	939U00500V
1000/750	240/208	4.6/4.1	80	40/30 (22/17)	16 (7.3)	939U01000V
1500/1125	240/208	6.7/5.9	80	60/45 (33/25)	16 (7.3)	939U01500V

(1) Total Amps = Heating element amps and motor amps.

Add **W** to end of catalog number for white finish, **A** for almond, or **BZ** for bronze.

Special or custom colors - See inside back cover for color codes to be added to end of catalog number.



Remote Room Thermostat – See page 39.



# AS SERIES

## Radiant Ceiling Panels



### Applications

- Atriums
- Enclosed Walkways
- Entryways
- Hospitals
- Lobbies
- Offices
- Schools
- Warehouses

AS Series radiant panels are ideal for offsetting heat loss through exterior glass on the perimeter of a building. They help to control the problem of condensation typically found with these large exterior glass walls. Radiant panels provide improved comfort by maintaining an even temperature from floor to ceiling.

- **Radiant Heat:** Radiant energy travels in straight lines and is absorbed by objects in the room, warming the space. Air quality is maintained because no forced air movement occurs with radiant heating.
- **Maximize Work Area:** Ceiling mounted panels permit full use of floor and wall space.
- **Maintenance Free:** Radiant panels have no moving parts, so they are maintenance free and can provide years of quiet, safe and clean operation.

## Standard Construction Features

**Heating Element** – High quality alloy resistance wire is electrically insulated with a UL Listed PTFE<sup>®</sup> compound rated for 250°C (482°F). Heating wires are covered with high-efficiency reflective foil.

**Panel Design** – Panel is made of 22-gauge galvanized steel with a white baked-on powder paint finish. Panel is crimped, not riveted, for improved strength.

**Insulation** – Each panel contains two inches of high temperature/high density mineral wool insulation.

**Electrical** – Integrated junction box is built into each panel for field wiring and to connect panels to each other.

**Installation Requirements** – Heater can be installed in suspended T-bar ceiling systems or can be surface or recessed mounted using optional mounting frames.

Heater comes equipped with four suspension clips. Connecting wire or chain is supplied by customer.

Minimum recommended mounting height is eight feet from the floor.

### Rough In Dimensions – for Plaster Mounting Frames only

- PF-22: 24-3/16" x 24-3/16"
- PF-24: 24-3/16" x 48-3/16"
- PF-1448: 14-3/16" x 48-3/16"
- PF-1460: 14-3/16" x 60-3/16"

**Note:** For steel frame structures order a sample frame to ensure your openings are accurate

# AS SERIES

## Radiant Ceiling Panels

### Factory Built-in Options

Code	Description
FC	48" Flexible conduit
S	Silicone seams, provides protection in high moisture areas. Includes 36" of sealtite conduit.

### Finishes

Code	Description
O	Specify custom color finish.
PT	Standard finish; textured white baked-on powder coating on front panel.
S304	304 Stainless steel construction, includes 36" of sealtite conduit and silicone seal.

### Field-Installed Options

(shipped loose for field installation into heater)

Catalog Number	Width In. (mm)	Length In. (mm)	Weight lb. (kg)
<b>Surface Mounting Frames</b>			
SF-22	24 (610)	24 (610)	4 (1.8)
SF-24	24 (610)	48 (1219)	9 (4.1)
SF-1448	14 (356)	48 (1219)	8 (3.6)
SF-1460	14 (356)	60 (1524)	10 (4.5)
<b>Plaster Mounting Frames</b>			
PF-22	24 (610)	24 (610)	2 (1.0)
PF-24	24 (610)	48 (1219)	4 (1.8)
SPF-24 (1)	24 (610)	48 (1219)	4 (1.8)
PF-1448	14 (356)	48 (1219)	5 (2.3)
PF-1460	14 (356)	60 (1524)	6 (2.7)
<b>Filler Panel</b>			
FP	Sized and finished to match standard, custom color.		

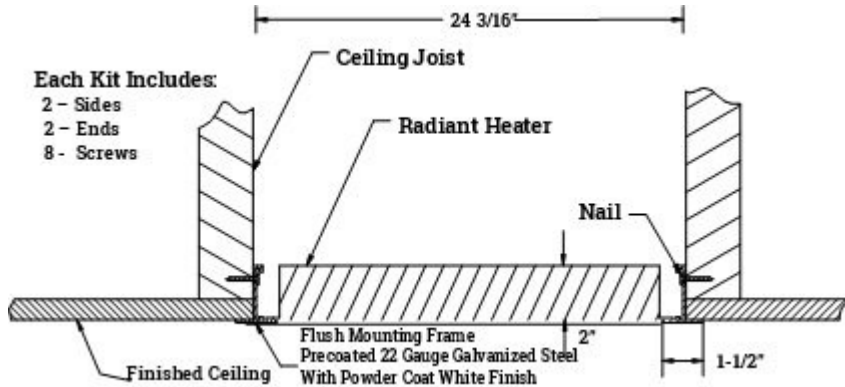
(1) Stainless steel frame, specify 304.  
Add finish code to end of catalog number.

**Remote Room Thermostat – See page 39.**

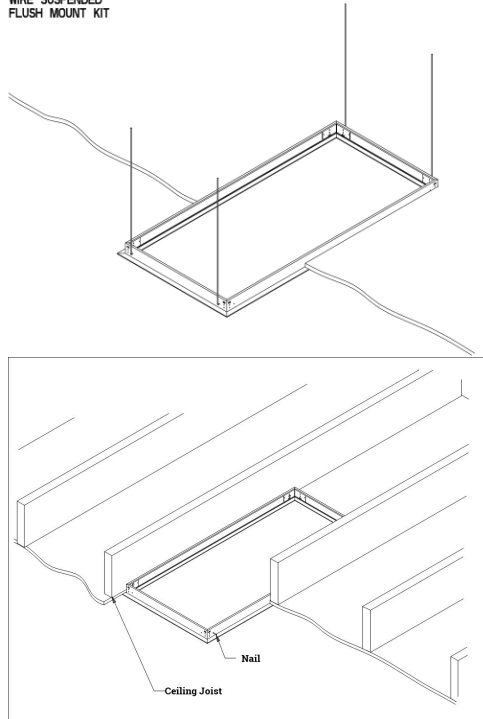
### Control Options

Catalog Number	Description
SR-LV	SmartRooms low voltage controller. Sensor(s) must be ordered at the same time. Requires connection to SmartRooms Communication Panel.
PL-1	Plaster ring for SR-LV Controller
Sensors	Used with SR-240/120, 15' long
	Longer length add per foot
SRDP-10/10	SmartRooms Panel w/10comm. Ports and 10 ea. 20 amp relays
SRDP-10/20	SmartRooms Panel w/10comm. Ports and 20 ea. 20 amp relays
SRDP-20/20	SmartRooms Panel w/20comm. Ports and 20 ea. 20 amp relays

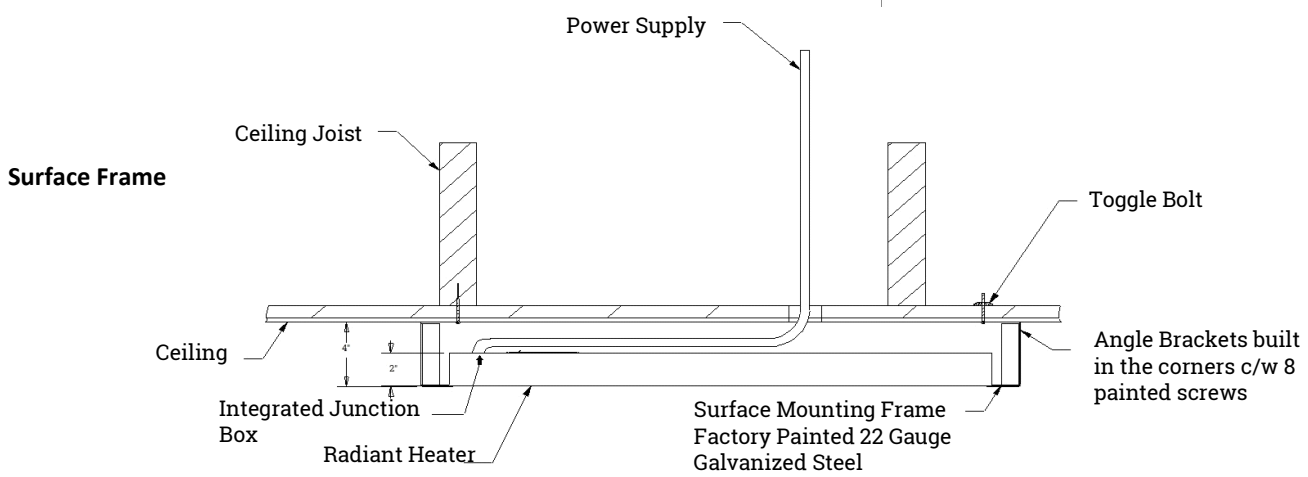
# AS SERIES Radiant Ceiling Panels



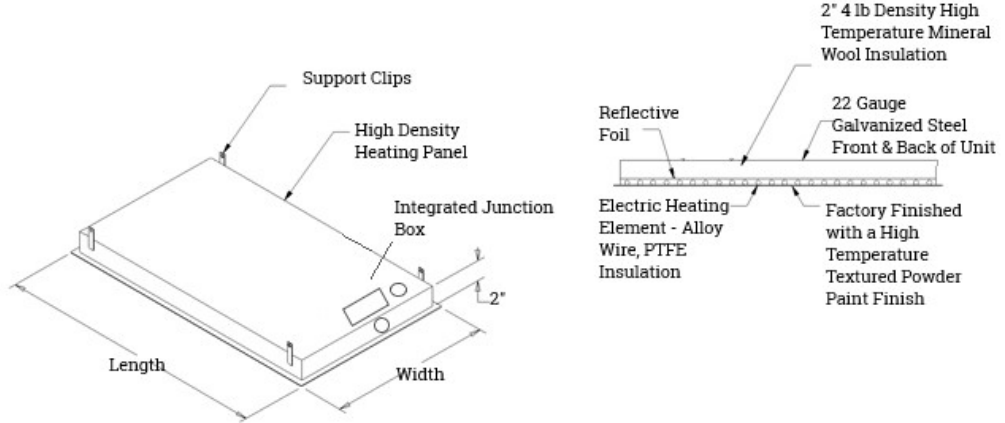
WIRE SUSPENDED  
FLUSH MOUNT KIT



Note: a "thin" heater version is available with a 4' conduit.



Cutaway View of AS Series



# AS SERIES

## Radiant Ceiling Panels

### AS - Radiant Ceiling Panels Listing

Watts	Volts (1 Phase)	Width In. (mm)	Height In. (mm)	Amps	Weight Lb. (kg)	Catalog Number
-------	--------------------	-------------------	--------------------	------	--------------------	-------------------

#### 24 x 24

250	120	24 (610)	24 (610)	2.1	15 (6.8)	AS2424-250-120
250	240	24 (610)	24 (610)	1.0	15 (6.8)	AS2424-250-240
250	277	24 (610)	24 (610)	0.9	15 (6.8)	AS2424-250-277
310	120	24 (610)	24 (610)	2.6	15 (6.8)	AS2424-310-120
310	208	24 (610)	24 (610)	1.5	15 (6.8)	AS2424-310-208
310	240	24 (610)	24 (610)	1.3	15 (6.8)	AS2424-310-240
310	277	24 (610)	24 (610)	1.1	15 (6.8)	AS2424-310-277
325	240	24 (610)	24 (610)	1.4	15 (6.8)	AS2424-325-240
335	120	24 (610)	24 (610)	2.8	15 (6.8)	AS2424-335-120
335	277	24 (610)	24 (610)	1.2	15 (6.8)	AS2424-335-277
375	120	24 (610)	24 (610)	3.1	15 (6.8)	AS2424-375-120
375	208	24 (610)	24 (610)	1.8	15 (6.8)	AS2424-375-208
375	277	24 (610)	24 (610)	1.4	15 (6.8)	AS2424-375-277

#### 24 x 48

500	120	24 (610)	48 (1219)	4.2	30 (13.6)	AS2448-500-120
500	240	24 (610)	48 (1219)	2.1	30 (13.6)	AS2448-500-240
500	277	24 (610)	48 (1219)	1.8	30 (13.6)	AS2448-500-277
515	208	24 (610)	48 (1219)	2.5	30 (13.6)	AS2448-515-208
535	208	24 (610)	48 (1219)	2.6	30 (13.6)	AS2448-535-208
625	120	24 (610)	48 (1219)	5.2	30 (13.6)	AS2448-625-120
625	208	24 (610)	48 (1219)	3.0	30 (13.6)	AS2448-625-208
625	240	24 (610)	48 (1219)	2.6	30 (13.6)	AS2448-625-240
660	277	24 (610)	48 (1219)	2.4	30 (13.6)	AS2448-660-277
725	240	24 (610)	48 (1219)	3.0	30 (13.6)	AS2448-725-240
750	120	24 (610)	48 (1219)	6.3	30 (13.6)	AS2448-750-120
750	208	24 (610)	48 (1219)	3.6	30 (13.6)	AS2448-750-208
750	277	24 (610)	48 (1219)	2.7	30 (13.6)	AS2448-750-277

#### 14 x 48

300	240	14 (356)	48 (1219)	1.3	18 (8.2)	AS1448-300-240
350	120	14 (356)	48 (1219)	2.9	18 (8.2)	AS1448-350-120
350	277	14 (356)	48 (1219)	1.3	18 (8.2)	AS1448-350-277
400	208	14 (356)	48 (1219)	1.9	18 (8.2)	AS1448-400-208
435	208	14 (356)	48 (1219)	2.1	18 (8.2)	AS1448-435-208
435	240	14 (356)	48 (1219)	1.8	18 (8.2)	AS1448-435-240
435	277	14 (356)	48 (1219)	1.6	18 (8.2)	AS1448-435-277

#### 14 x 60

350	120	14 (356)	60 (1524)	2.9	22 (10.0)	AS1460-350-120
375	240	14 (356)	60 (1524)	1.6	22 (10.0)	AS1460-375-240
375	277	14 (356)	60 (1524)	1.4	22 (10.0)	AS1460-375-277
450	208	14 (356)	60 (1524)	2.2	22 (10.0)	AS1460-450-208
535	277	14 (356)	60 (1524)	1.9	22 (10.0)	AS1460-535-277
550	240	14 (356)	60 (1524)	2.3	22 (10.0)	AS1460-550-240

Add finish code to end of catalog number. See page 33.

# RCI SERIES Cove Heater



Cove heaters are designed to supply efficient radiant heat. They provide greater comfort at lower temperature settings and can be set up for individual or zone control to reduce energy costs.

### Applications

- Classrooms
- Garages
- Hospital Rooms
- Lobbies
- Offices
- Restrooms

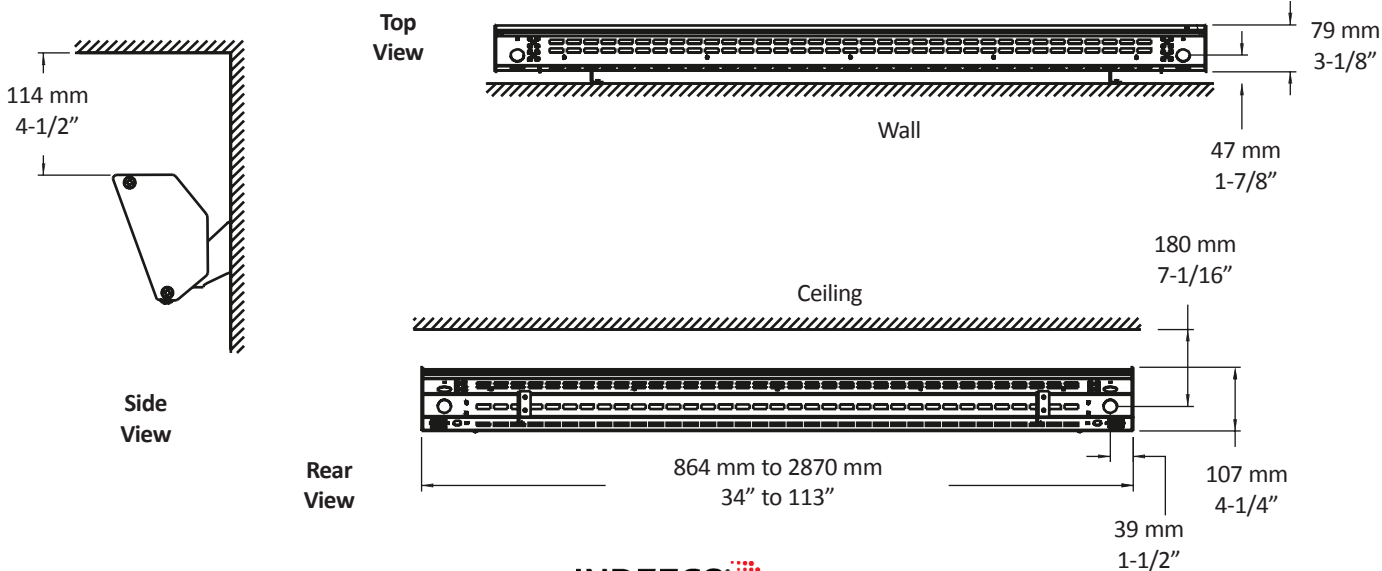
- **Radiant Heat:** Radiant energy travels in a straight line from the heater to people and objects in the room, warming the space.
- **Convection Flow:** The design of the heater provides a convection flow from behind and over the top of the unit to circulate warm air into the room.
- **Virtually Maintenance Free:** No moving parts to replace or service.
- **Wall Installation:** For ease of installation, brackets are supplied that do not require the opening of the heater's casing.

## Standard Construction Features

- Heating Element** – Stainless steel tubular heating element.
- Housing** – Heater has an 18-gauge G-90 galvanized steel frame. Front panel shall be extruded heavy gauge aluminum.
- Front Panel** – Heater shall be provided with a silichem off-white, matt black, or anodized aluminum finish chosen for radiant heating applications. Additional colors are available to blend in with the decor.

- Electrical** – Junction boxes with 4" (102mm) ground wires are provided on both ends. Two 7/8" (22mm) knockouts are provided on the back of the heater for ease of wiring. A wireway is provided that is approved for interconnection of units for wall-to-wall applications.
- Installation Requirements** – Minimum clearances: 6' (1.83m) from the floor; and 4-1/2" (114mm) from ceiling. A variety of accessories are available for wall-to-wall installations.

Remote Room Thermostat – See page 39.



# RCI SERIES

## Cove Heater

### Cove Heater Listing

Watts	Volts (1 Phase)	Amps	Length In. (mm)	Weight lb (kg)	Catalog Number
390	120	3.3	34 (864)	6 (2.7)	918U00390B
	208	1.9	34 (864)	6 (2.7)	918U00390C
	240	1.6	34 (864)	6 (2.7)	918U00390J
	277	1.4	34 (864)	6 (2.7)	918U00390N
600	120	5	47 (1194)	8 (3.6)	918U00600B
	208	2.9	47 (1194)	8 (3.6)	918U00600C
	240	2.5	47 (1194)	8 (3.6)	918U00600J
	277	2.2	47 (1194)	8 (3.6)	918U00600N
750	120	6.2	59 (1499)	10 (4.5)	918U00750B
	208	3.6	59 (1499)	10 (4.5)	918U00750C
	240	3.1	59 (1499)	10 (4.5)	918U00750J
	277	2.7	59 (1499)	10 (4.5)	918U00750N
900	120	7.5	71 (1803)	12 (5.4)	918U00900B
	208	1.3	71 (1803)	12 (5.4)	918U00900C
	240	3.7	71 (1803)	12 (5.4)	918U00900J
	277	3.2	71 (1803)	12 (5.4)	918U00900N
1050	120	8.8	83 (2108)	13 (5.9)	918U01050B
	208	5	83 (2108)	13 (5.9)	918U01050C
	240	4.4	83 (2108)	13 (5.9)	918U01050J
	277	3.8	83 (2108)	13 (5.9)	918U01050N
1200	120	10	94 (2388)	15 (6.8)	918U01200B
	208	5.8	94 (2388)	15 (6.8)	918U01200C
	240	5	94 (2388)	15 (6.8)	918U01200J
	277	4.3	94 (2388)	15 (6.8)	918U01200N
1500	120	12.5	113 (2870)	18 (8.2)	918U01500B
	208	7.2	113 (2870)	18 (8.2)	918U01500C
	240	6.3	113 (2870)	18 (8.2)	918U01500J
	277	5.4	113 (2870)	18 (8.2)	918U01500N

(All models listed are single-phase)

Standard colors - Add BL for silichem off-white, NM for mat black, and AA for anodized aluminum finish at the end of catalog number.

### Factory Built-in Options

Code	Description
T5	Adjustable Thermostat, Single-pole, 25 Amp
T6	Adjustable Thermostat, Double-pole with off position, factory installed into an additional 4" section, 25 Amp

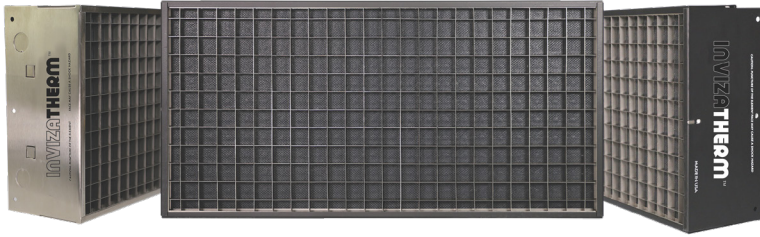
### Field-Installed Options

(shipped loose for field installation into heater)

Catalog Number	Description
918-276918	Splice plate
918-276919	Adjustable Thermostat Kit, Single-pole
918-276920	Adjustable Thermostat Kit, Double-pole with off position, mounted in a 4" section

† Standard colors - Add BL for silichem off-white, NM for mat black, and AA for anodized aluminum finish at the end of catalog number.

# INVIZATHERM SERIES



## Applications

- Warehouses
- Factories
- Manufacturing Plants
- Storage Facilities
- Workshops and Garages
- Autobody and Repair Shops
- Fitness Studios
- Hot Yoga

Whether you have a warehouse, dock, or workshop to keep heated, Invizatherm™ is the smart choice. Let the quartz era end and a revolution begin with a zero maintenance heater. You'll never worry about bulbs to replace or reflectors to clean.

With no moving parts to wear out, Invizatherm™ will last you for years to come, all the while giving you safe, clean, energy-efficient heat. There are no combustion products discharged, no flames, and no noxious gases emitted. Meaning there is no need to ventilate.

To top it all off, Invizatherm™ provides the most energy efficient heater in the comfort heat market, converting 95% of the used energy into useful heat.

## Standard Features

**NO MOVING PARTS** - Nothing to break or wear out means the Invizatherm™ is maintenance free.

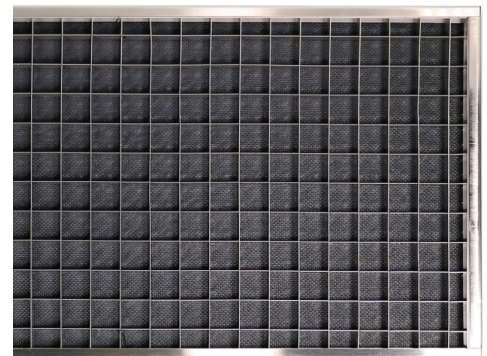
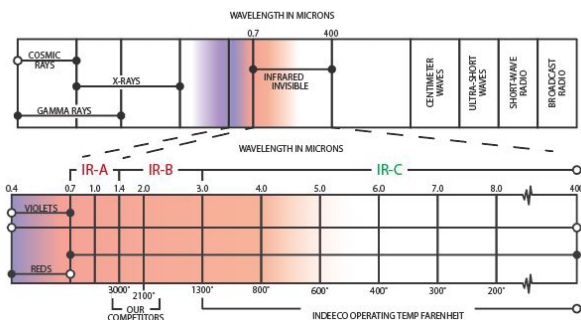
**NO ORANGE GLOW** - Never worry about the eyesore of a glowing heater again. Every Invizatherm™ has a clean, black face which does not give off any light, meaning it neatly blends into the background.

**USING LOWER WAVELENGTHS** - to radiate heat, Invizatherm heaters generate long wavelength heat, which are the most consistent, even, and energy efficient in the industry.

**NO REFLECTORS TO CLEAN** - No bulbs means no need for reflectors. Another reason Invizatherm™ heaters require zero maintenance.

**NO BULBS** - Save yourself money and frustration by never having to replace a bulb.

**Mounting** - Wall mounting bracket is included with each heater.



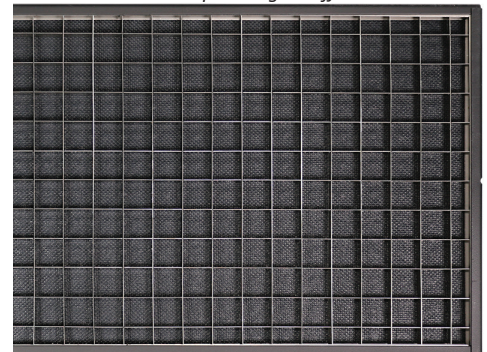
STAINLESS STEEL (SS)

BLACK SATIN (BK Standard)

WHITE (W)



*Shown with optional grid diffuser*



Standard color - add BK for black satin finish to the end of the catalog number.

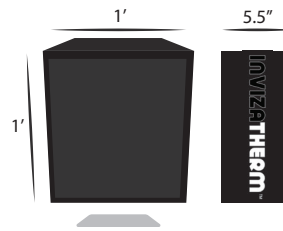
Optional color - add W for white finish or SS for stainless steel to the end of catalog number.

Optional Grid Diffuser - add code G to end of catalog number.

\*BTUs shown is based on maximum wattage.

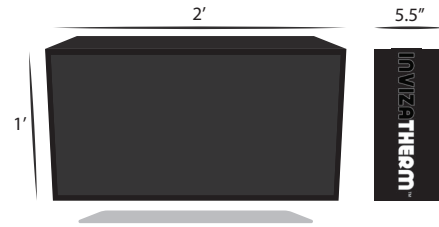
# INVIZATHERM SERIES

12" Model		Single Phase		
Model	BTUs*	Watts	120V	240V
STS-U12-0871B	2972	871	7.3	-
STS-U12-1081B	3707	1081	9.0	-
STS-U12-1111B	3789	1111	9.3	-
STS-U12-1681B	5927	1681	14.2	-
STS-U12-1436J	5573	1436	6.8	-



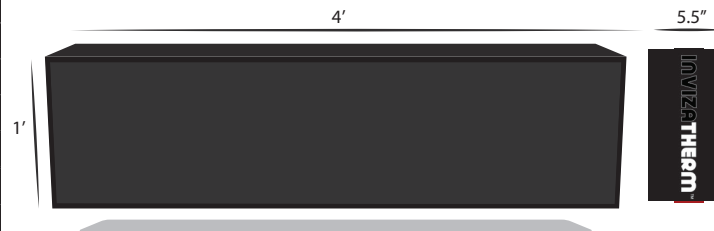
Shipping Weight 10 lbs.

24" Model		Single Phase			Three Phase
Model	BTUs*	Watts	120V	208V	240V
STS-U24-1015V	3559	1015/783	-	3.8	4.3
STS-U24-1316B	4490	1316	11.0	-	-
STS-U24-1297V	4426	1297/974	-	4.7	5.4
STS-U24-1659B	5662	1659	13.8	-	-
STS-U24-1701V	5804	1701/1278	-	6.1	7.1
STS-U24-2192B	7479	2192	18.3	-	-
STS-U24-2001V	6827	2001/1503	-	7.2	8.3
STS-U24-2222B	7578	2222	18.5	-	-
STS-U24-2428V	8285	2428/1824	-	8.8	10.2
STS-U24-3363B	11614	3363	28.4	-	-
STS-U24-3239V	11052	3239/2433	-	11.7	13.5
STS-U24-1992P	6811	1992	-	-	4.8
STS-U24-2442P	8351	2442	-	-	5.9
STS-U24-3041P	10400	3041	-	-	7.3



Shipping Weight 20 lbs.

48" Model		Single Phase					Three Phase		
Model	BTUs*	Watts	120V	208V	240V	277V	480V	240V	480V
STS-U48-2030T	7118	2030	-	-	-	-	4.3	-	-
STS-U48-2030V	7118	2030/1567	-	7.5	8.7	-	-	-	-
STS-U48-2594T	8851	2594	-	-	-	-	5.4	-	-
STS-U48-2594V	8851	2594/1948	-	9.4	10.8	-	-	-	-
STS-U48-3402T	11608	3402	-	-	-	-	7.1	-	-
STS-U48-3402V	11608	3402/2555	-	12.3	14.2	-	-	-	-
STS-U48-4002T	13654	4002	-	-	-	-	8.3	-	-
STS-U48-4002V	13654	4002/3006	-	14.5	16.7	-	-	-	-
STS-U48-3964N	13526	3964	-	-	-	14.3	-	-	-
STS-U48-4856T	16570	4856	-	-	-	-	10.1	-	-
STS-U48-4856V	16570	4856/3647	-	17.5	20.2	-	-	-	-
STS-U48-4776N	16296	4776	-	-	-	17.2	-	-	-
STS-U48-6478T	22104	6478	-	-	-	-	13.5	-	-
STS-U48-6478V	22104	4866/6478	-	23.4	27.0	-	-	-	-
STS-U48-6056N	20516	6056	-	-	-	21.7	-	-	-
STS-U48-3971P	13582	3971	-	-	-	-	-	9.6	-
STS-U48-3928U	13803	3928	-	-	-	-	-	-	4.9
STS-U48-4794P	16396	4797	-	-	-	-	-	11.6	-
STS-U48-4838U	16545	4838	-	-	-	-	-	-	5.8
STS-U48-5954P	20933	5954	-	-	-	-	-	14.8	-
STS-U48-6060U	20729	6060	-	-	-	-	-	-	7.3



Shipping Weight 38 lbs.



# INVIZATHERM THIN SERIES



## Applications

- Restaurants
- Outdoor Patios
- Water and other Treatment Facilities
- Parking Garages
- Indoor Pools
- Hotel Entrances and Valet Stands
- Stadiums and Arenas
- Car Rental Stations

Invizatherm™ Thin includes all of the features and benefits of the Invizatherm™, in a new, slimmer, modern design. Packed with more heat per square inch, the Invizatherm™ Thin is still perfect for all of your heating needs. Ideal for restaurants, outdoor patios, and any other area that needs to keep people warm, the Invizatherm™ Thin does so effectively and discretely.

Like its sister heater, the Invizatherm™ Thin converts 95% of applied energy to useful heat, it contains no bulbs or moving parts to replace, and is maintenance free for the life of the heater. The slim cove design gives Invizatherm™ Thin an attractive commercial or residential appeal, and with three colors to choose from, these heaters blend seamlessly into any space.

## Standard Features

**NO MOVING PARTS** - Nothing to break or wear out means the Invizatherm™ is maintenance free.

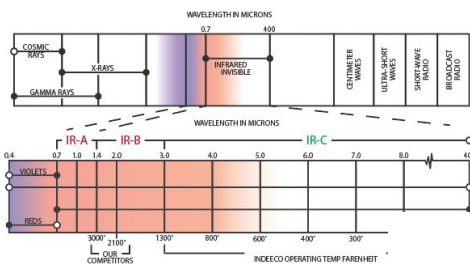
**NO ORANGE GLOW** - Never worry about the eyesore of a glowing heater again. Every Invizatherm™ has a clean, black face which does not give off any light, meaning it neatly blends into the background.

**USING LOWER WAVELENGTHS** - to radiate heat, Invizatherm heaters generate long wavelength heat, which are the most consistent, even, and energy efficient in the industry.

**NO REFLECTORS TO CLEAN** - No bulbs means no need for reflectors. Another reason Invizatherm™ heaters require zero maintenance.

**NO BULBS** - Save yourself money and frustration by never having to replace a bulb.

**Mounting** - Wall mounting bracket is included with each heater.



Standard color - add BK for black satin finish to the end of the catalog number.

Optional color - add W for white finish or SS for stainless steel to the end of catalog number.

\*BTUs shown is based on maximum wattage



BLACK SATIN (BK Standard)



STAINLESS STEEL (SS)

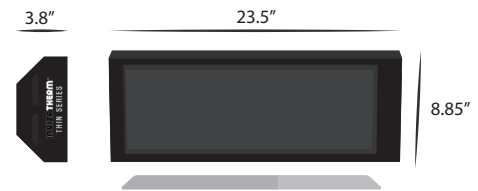


WHITE (W)

# INVIZATHERM THIN SERIES

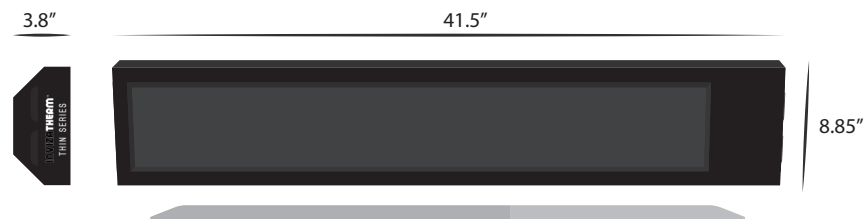
Invizatherm™ Thin is available with an 18” or 36” heating surface. The heating element is a flat panel IR emitter, which is able to be “cycled” for increased energy efficiency. All Invizatherm™ Thin heaters are UL rated for outdoor use under cover, and come supplied with a rear mounted junction box. The mounting bracket, included, is designed for ceiling or wall mounted locations, and is predesigned for pivoting to safely hang at an angle.

18” Model		Single Phase	
Model	BTUs*	Watts	120V
STT-U18-1091B	3723	1091	9.1
STTU18-1330B	4712	1330	11.5
STT-U18-1767B	6053	1767	14.8
STT-U18-2161B	7373	2161	18.1



Shipping Weight 16 lbs.

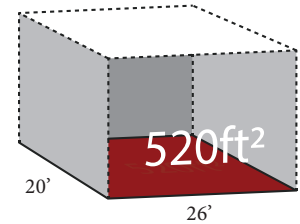
36” Model		Single Phase		
Model	BTUs*	Watts	240V	208V
STT-U36-2180V	7438	2180/1635	9.1	6.8
STT-U36-2660V	9421	2660/2071	11.5	8.6
STT-U36-3104V	10591	3104/2328	12.9	9.7
STT-U36-3534V	12106	3534/2661	14.8	11.1
STT-U36-4322V	14747	4322/3242	18.1	15.6



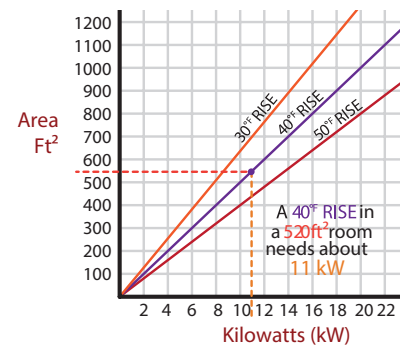
Shipping Weight 21 lbs.

## How to determine the number of heaters you will need

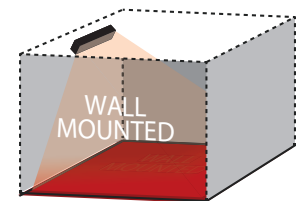
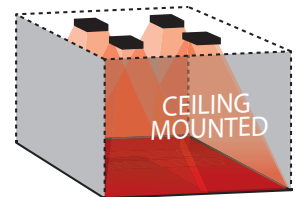
1. You will need to find the approximate square footage of the area you wish to heat.



2. Now that you know how large your space is, use this watts per square foot chart and reference the desired temperature rise. This will help determine the KW that is required to heat your space.



3. After determining the total kW needed for your space, visit the product portion of this catalog to select appropriately sized heaters for your space; keeping in mind voltage, phase, and wattage suitable for your needs. When determining the heater model and quantity that you need for your space, note that both Invizatherm™ and Invizatherm™ Thin can be ceiling or wall mounted. To achieve even heat distribution, we recommend smaller, more evenly spaced heaters throughout your space.



4. If heat control is needed for your area, reference the controls section of this catalog to determine what the best method of heat control is for your area. Note that not all heating control options mentioned in this catalog are suitable for every heater.

*\*For more information on heater requirements or controls, contact your local distributor or call Indeeco directly to speak with a comfort heat professional.*

# INVIZATHERM CONTACTOR PANELS

Indeeco's contactor panels are designed to control Invizatherm electric infrared heaters. These contactor panels are often partnered with thermostats, but may also be controlled with on/off switches, timers, and other low voltage controllers. These panels are suitable for any arrangement of heaters, including single zone control, or field wired for multiple zones of control. Each contactor is able to carry one or several heaters. Indeeco's contactor panels are factory wired for quick and efficient installations and offer an affordable solution for every project.



Model Number	Number of Contactors	Contactor Size	Phase	Supply Voltage	Control Voltage	Size	Weight
THZ-S30-2C-0	2	30A	1	120-600	24VAC	12"x20"x6"	35 lbs
THZ-S30-2C-1	2	30A	1	120-600	120V	12"x20"x6"	35 lbs
THZ-T30-2C-0	2	30A	3	120-600	24VAC	12"x20"x6"	40 lbs
THZ-T30-2C-1	2	30A	3	120-600	120V	12"x20"x6"	40 lbs
THZ-S30-5C-0	5	30A	1	120-600	24VAC	16"x24"x6"	50 lbs
THZ-S30-5C-1	5	30A	1	120-600	120V	16"x24"x6"	50 lbs
THZ-T30-5C-0	5	30A	3	208-600	24VAC	16"x30"x6"	55 lbs
THZ-T30-5C-1	5	30A	3	208-600	120V	16"x30"x6"	55 lbs
THZ-T60-5C-0	5	60A	3	208-600	24VAC	20"x30"x6"	60 lbs
THZ-T60-5C-1	5	60A	3	208-600	120V	20"x30"x6"	60 lbs
THZ-S30-10C-0	10	30A	1	120-600	24VAC	20"x24"x6"	60 lbs
THZ-S30-10C-1	10	30A	1	120-600	120V	20"x24"x6"	60 lbs
THZ-T30-10C-0	10	30A	3	208-600	24VAC	20"x30"x6"	65 lbs
THZ-T30-10C-1	10	30A	3	208-600	120V	20"x30"x6"	65 lbs
THZ-T60-10C-0	10	60A	3	208-600	24VAC	24"x30"x6"	75 lbs
THZ-T60-10C-1	10	60A	3	208-600	120V	24"x30"x6"	75 lbs
THZ-S30-20C-0	20	30A	1	120-600	24VAC	24"x36"x6"	80 lbs
THZ-S30-20C-1	20	30A	1	120-600	120V	24"x36"x6"	80 lbs
THZ-T30-20C-0	20	30A	3	208-600	24VAC	30"x42"x6"	90 lbs
THZ-T30-20C-1	20	30A	3	208-600	120V	30"x42"x6"	90 lbs
THZ-T60-20C-0	20	60a	3	208-600	24VAC	30"x42"x6"	100 lbs
THZ-T60-20C-1	20	60a	3	208-600	120V	30"x42"x6"	100 lbs

- Nema 4 enclosure, cULus listed and labeled contactor panel.
- 24V and 120V Control Voltage available.
- Suitable for smart or standard wall thermostats.
- Single phase panels available with 30A contactors in 2, 5, 10 or 20 unit designs. Supply voltage from 120-600V.
- Three phase panels available with 30A or 60A contactors in 2, 5, 10 or 20 unit designs. Supply voltage from 208-600V.
- All contactors rated up to 600V.
- Single and multi-zone control capability.
- Nothing to program, all the intelligence is in the thermostat.

## Notes:

Customer to field wire low voltage controls (thermostat) to terminal blocks.

Customer to field wire power to contacts.

Customer to provide means of disconnect (if required).

Contact factory for additional NEMA rated enclosures.

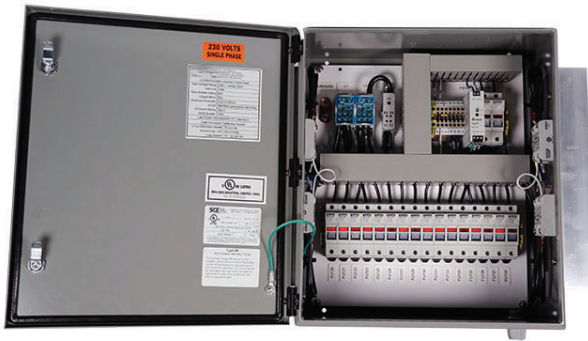
NEC recommended amp load for each contactor is 75%.

# CONTROLS

All Invizatherm™ and Invizatherm™ Thin heater models are capable of being regulated or “cycled” to control their heat output. Different methods of control offer varying levels of efficiency so each application should be examined to determine which control method is most suitable. The following pages discuss the Indeeco recommended methods of control in more detail, highlighting the benefits and function of each.

Invizatherm™ and Invizatherm™ Thin heaters do not come with built in controls. The heaters may be installed and operated without controls, in which case a heater is either 100% on, or it is 100% off. This may be acceptable in many applications; however, when controls are needed to regulate temperature or follow a heating schedule, Indeeco offers a variety of manufacturer recommended control options which range from single unit control, all the way to full system commercial and industrial grade control panels. Please contact your Invizatherm™ supplier or a qualified electrician to determine if controls are needed for your heating application.

## Control Panel



Indeeco offers a variety of UL listed control panels as the most efficient and effective way to control your Invizatherm™ and Invizatherm Thin™ heaters. Suitable for 120V/240V and 480V heaters in both single and three phase design. Standard panels are equipped to handle up to 4 independently controlled heat zones. See below for a list of standard Indeeco control panel options.

Contact you local sales representative for assistance in sizing your panel.

We will need the following information to size your panel:

- Number of heating zones
- Which model number and the quantity of each heater per zone
- Voltage/phase
- How do you want to control the heaters (built-in or remote color touch screen (specify), line voltage potentiometer on the panel door, or remote low voltage thermostat)

## Touch Screen



Indeeco’s remote mounted Touch Screen allows users to access control of the heaters at a convenient location. A 4” color screen allows access to each zone for independent temperature control. All Indeeco remote mounted touch screens are rated for indoor or outdoor use.

# CONTROLS

## Percent Timer



This 120V/240V 20 Amp Percent Timer offers simple control utilizing Indeeco’s preferred method of “cycling” to regulate heater output. The simple operation of this Percentage Timer makes this unit ideal for regulating your Invizatherm™ and Invizatherm™ Thin heaters. Two dials give the user complete control of the heat output; one controls the cycle time of the heater, and the other controls the amount of time in which the heater is on during that given cycle. For example, if the cycle time is set to 1 minute, and the percent set to 75%; then the heater will be on for 45 seconds, off for 15 seconds, then repeat. This allows precise temperature control while offering optimal heater efficiency. This method of heat control is ideal for areas that need to regulate a consistent temperature.

## Timer



This 120V/240V 20 Amp In-Wall Timer gives the user precise control over the length of time a heater is on. Simply turn the dial to the desired time and it will be on for this period. At the end of this set time period, the heater will automatically shut off. This method of control is ideal for areas that are used frequently, but not for extended periods of time.

### EASILY CONTROLLED WITH YOUR SMART PHONE

With your Z-Wave HUB set up and your TZ Switches all connected, you can now control your Invizatherm™ and Invizatherm™ Thin heaters from your phone. Easily create a routine for your heaters to turn on or off automatically, or enjoy turning them on and off as needed from the convenience of your phone.

Z-WAVE		RATING		
Model	Item Description	AMP	Volt	Phase
TZ-HUB	Wireless Connection Hub	ANY	ANY	1
TZ-SWITCH	Wireless Controller, Z-WAVE Switch	40	120/240	1

UNIT CONTROLS		RATING		
Model	Item Description	AMP	Volt	Phase
TZ-PCT	Percent Timer	20	120/240	1
TZ-TIMER	Heavy Duty Timer	28	120/240	1

# THERMOSTATS

## Line Voltage Thermostats

Catalog Number	Switch Type	Color	Type	Tamper-proof	Thermo-meter	Amps @ 120-240V	Amps @ 277V	Pilot Duty	Positive Off	Temperature Range °F
T498A1810	Bimetal	Beige	SPST	No	No	22	19	—	No	40-80
OTL221	Bimetal	White	SPST	No	No	22	19	—	No	41-90
OTL222			DPST					—	Yes	
TH114-A-240D	Electronic	White	DPST	Yes	Digital	15A @ 208&240	—	—	No	40-86
OTH3000 <sup>(1)</sup>			11.5			—	—			
OTH3000P <sup>(1,2)</sup>			11.5			—	—			
OTH4000 <sup>(1)</sup>			16.7			—	—			
OTH4000P <sup>(1,2)</sup>			16.7			—	—			
OTH5007 <sup>(1)</sup>			—			14.4	—			
TH106-A-347S4	Electronic	White	Pulse	Yes	Digital	—	16.7	—	No	40-86

(1) Do not use these thermostats with heaters that have inductive loads (heaters that have a motor or contactor).

(2) Programmable electronic thermostat.

## Low Voltage Thermostats (Requires option R2 or an on/off relay with transformer)

Catalog Number	Switch Type	Color	Type	Tamper-proof	Thermo-meter	Amps @ 120-240V	Amps @ 277V	Pilot Duty	Positive Off	Temperature Range °F
901-1006998	Bimetal	White	SPST	No	No	—	—	30VA at 30V max	Yes	50-90
T822K1018	Bimetal	White	SPST	No	No	—	—	30VA at 30V max	Yes	45-95
901-1007030	2-stage Bimetal	White	2 SPST Switches	No	Yes	—	—	30VA at 30V max	Yes	40-90

## Low Voltage Electronic Thermostats (Requires option R2 or an on/off relay with transformer)

Catalog Number	Switch Type	Color	Type	Tamper-proof	Thermo-meter	Amps @ 120-240V	Amps @ 277V	Output Signal	Positive Off	Temperature Range °F
OTH24	Electronic	White	Pulse	No	Digital	—	—	24VAC	No	41-97

## Line Voltage Thermostats for AS, Cove and Quartzone Heaters

Catalog Number	Switch Type	Color	Type	Tamper-proof	Thermo-meter	Amps @ 120-240V	Amps @ 277V	Output Signal	Positive Off	Temperature Range °F
R-101	Bimetal	White	SPST	No	No	22A @ 120V-240V & 18A @ 277V	—	—	No	40-85
R-102	Bimetal	White	DPST	No	No	—	22A	—	Yes	40-85

(1) A 3 inch deep double electrical box will be supplied for wall installation. Remote window sensor option is available.

# THERMOSTATS

## Controllers and Accessories

Catalog Number	Description	Amps @ 120-240V	Amps @ 277V	Input Signal
RC840	On-Off Relay without transformer 120/208/240/277V	22	18	—
RC840T-240	On-Off Relay with transformer 208/240V	22	—	—
RC840T-120	On-Off Relay with transformer 120V	22	—	—

## Accessories

Catalog Number	Description
F29-0143	Clear universal thermostat guard. Protects both line and low voltage thermostats against vandalism, damage, and unauthorized adjustment of thermostat settings. Inside dimensions:6-3/8" (length), 3-1/2" (height), 3" (depth)
F29-0198	Clear universal thermostat guard. Protects both line and low voltage thermostats against vandalism, damage, and unauthorized adjustment of thermostat settings. Inside dimensions:8-1/4" (length), 5-3/8" (height), 3-1/2" (depth)

## Thermostat Selection Chart

Page	6	9	12	13	15	17	19	23	27	29	31	32	33	37
	WAI	WCI	EWI	WLI	WRI	CWI	CUI	CDI/CDIR	CCI	CLI	TSI	FFI	AS	RCI
901-1006998	X(1)	X(1)					X(1)	X(1)	X(1)					X(4)
901-1007030							X(2)							
OTH24	X(1)	X(1)					X(1)	X(1)	X(1)					X(4)
OTH24-AFR	X(1)	X(1)					X(1)	X(1)	X(1)					X(1)
T498A1810 OTL221 OTL222	X	X	X	X	X		X	X	X	X	X	X		X
T410A1013	X	X	X	X	X		X	X	X	X	X	X		X
OTL102F	X	X	X	X	X		X	X	X	X	X	X		X
T822K1018	X(1)	X(1)					X(1)	X(1)	X(1)					
OTH3000 OTH3000P			X(3)	X(3)	X(3)	x				X(3)	X(3)	X(3)		X
OTH4000 OTH4000P			X(3)	X(3)	X(3)	x				X(3)	X(3)	X(3)		X
OTH5007						x								X
TH114-A-240D			X	X	X					X	X	X		X
R-101 & R-102													X	X

(1) Option R2 is required - 24V relay with transformer or relay without transformer (for more than one heater on the same thermostat)

(2) Option N2 is required - 2-Speed Motor w/High-Low Relay 24V

(3) Thermostat has to be set for fan mode

(4) Requires a field installed 24V relay with transformer: RT840T-240 for 208/240V or RC840T-120 for 120V



# THERMOSTATS

## Line Voltage Thermostats



OTL221  
OTL222



T498A1810



OTH 4000P



OTH3000P



OTH3000



OTH4000



OTH5007

## Low Voltage Thermostats



T822K1018

## Low Voltage Electronic Thermostats



OTH24  
OTH24 - ARF

## Line Voltage Thermostats for AS, Cove and Quartzzone Heaters



## Controllers and Accessories



RT850  
RT850T-240  
RT850-277



RC840  
RC840T-120  
RC840T-240  
RC840T-277

## Accessories

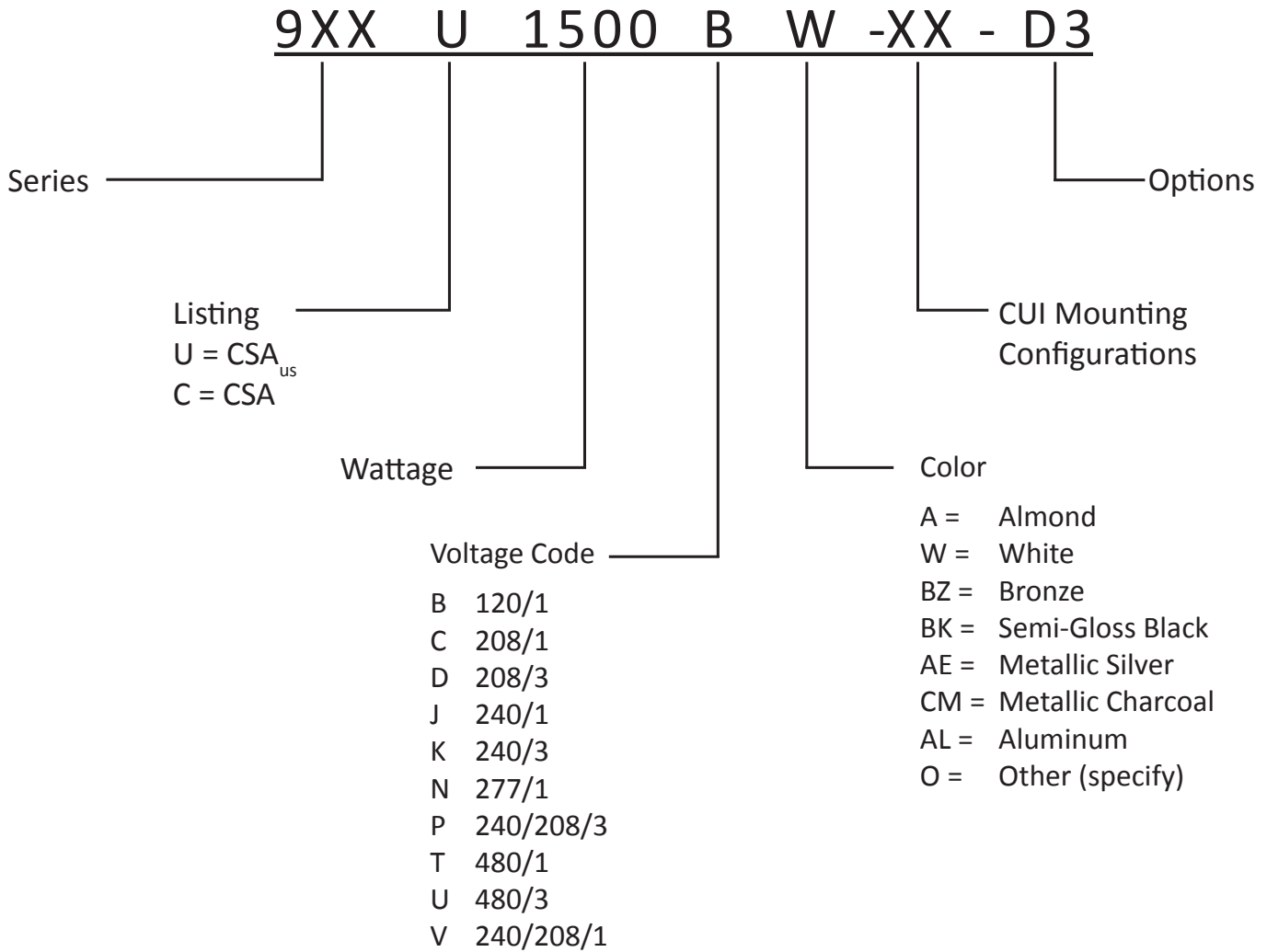


F29-0143



F29-0198

# HOW TO ORDER



# LIMITED WARRANTY

Industrial Engineering and Equipment Company (INDEECO) new products are warranted against defects in workmanship, material, design, labeling and packaging. No other warranty, expressed or implied, written or oral, applies. No person other than an officer or the general manager of INDEECO is authorized to give any other warranty or assume any liability.

## **WARRANTY PERIOD**

This warranty is effective for eighteen months from the date of shipment of the product from INDEECO's factory, or for twelve months from the date the product is first placed into service, whichever period lapses first.

## **CONDITIONS OF WARRANTY**

INDEECO products must be installed, operated, and maintained in accordance with INDEECO's instructions. INDEECO is not liable for damage or unsatisfactory performance of the product resulting from accident, negligence, alteration, unauthorized repair, improper application or installation of the product, improper specifications, or corrosion. INDEECO IS NOT LIABLE FOR ANY INCIDENTAL OR CONSEQUENTIAL DAMAGES. Claims against carriers for damage in transit must be filed by the purchaser with the carrier.

## **REMEDY**

Contact INDEECO at (314) 644-4300, for a Return Material Authorization Number (RMA#) and return instructions.

If after receipt of the product and the claim, INDEECO finds to its reasonable satisfaction that the product is defective in workmanship, material, design, labeling or packaging, the product will be repaired or replaced, or the purchase price refunded at INDEECO's option. There will be no charge to the purchaser for parts or labor. Removal and reinstallation of the product, and shipment of the product to INDEECO for repair or inspection, shall be at the purchaser's risk and expense.

THE REPAIR, REPLACEMENT, OR REFUND PROVIDED FOR IN THIS LIMITED WARRANTY IS THE EXCLUSIVE REMEDY OF THE PURCHASER. THIS WARRANTY IS EXPRESSLY IN LIEU OF ANY OTHER, INCLUDING ANY WARRANTY OF MERCHANTABILITY OR FITNESS FOR A PARTICULAR PURPOSE. THERE ARE NO WARRANTIES WHICH EXTEND BEYOND THE TERMS OF THIS LIMITED WARRANTY.

# OTHER PRODUCT CATALOGS

## EXPLOSION-PROOF AND FAN-FORCED ELECTRIC UNIT HEATERS

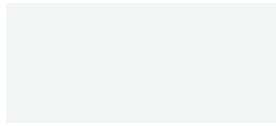


## BASEBOARD & CONVECTOR HEATERS



# COLOR SELECTION CHART

## Standard Colors 900 Series



White  
(W)



Almond  
(A)

Refer to catalog listings for standard and special color availability. Use color codes in parentheses when specifying and ordering. Custom colors are also available on 900 Series. Special and Optional Colors subject to setup charges. Colors represented are approximate.

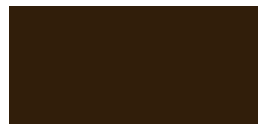
## Special Colors 900 Series



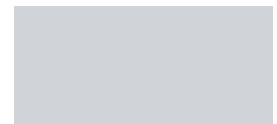
Metallic Silver  
(AE)



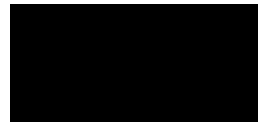
Metallic Charcoal  
(CM)



Bronze  
(BZ)



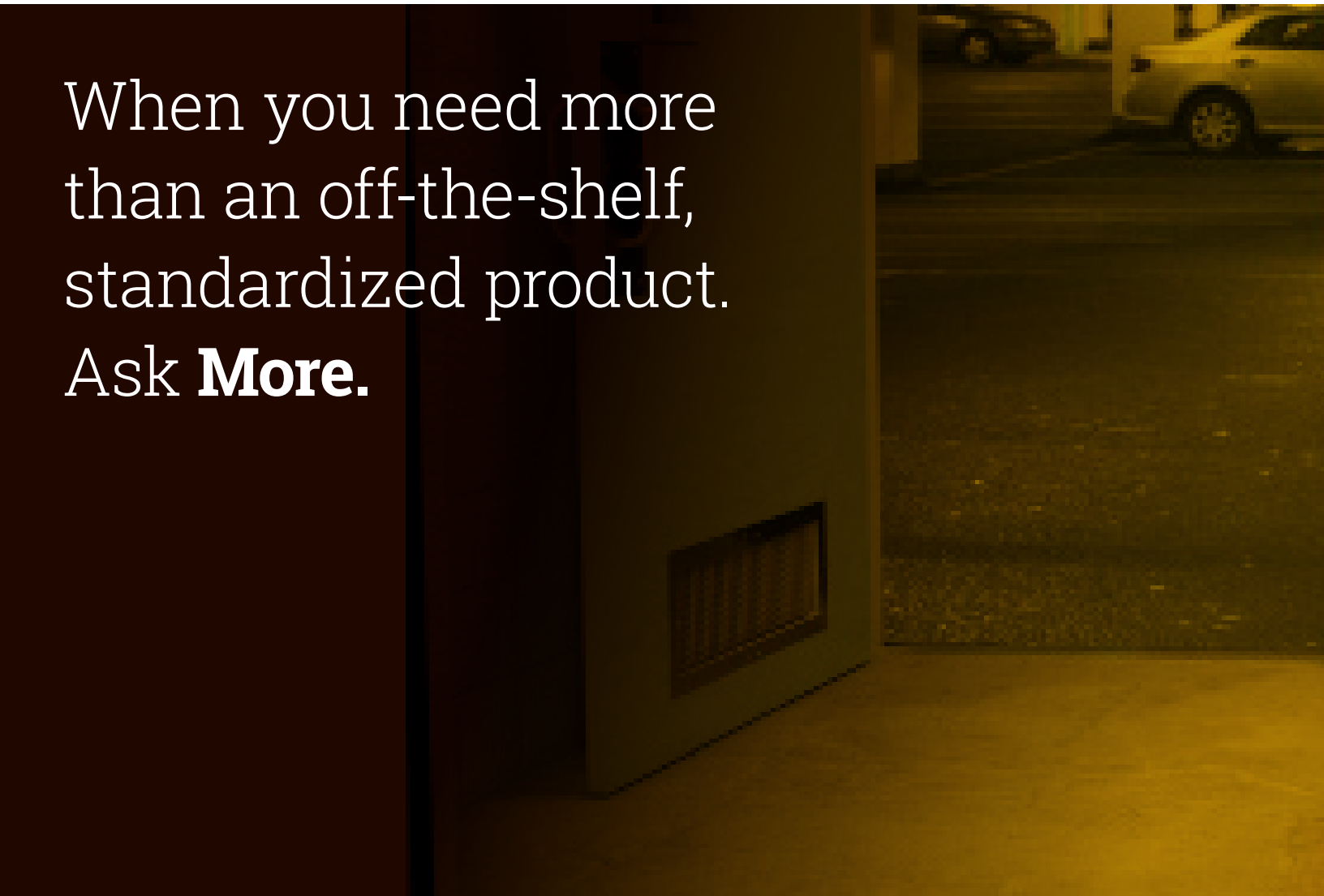
Aluminum  
(AL)



Semi-Gloss Black  
(BK)

We have the experience and expertise to provide you with the personalized support to arrive at customized solutions.

Email [sales@indeeco.com](mailto:sales@indeeco.com)  
or call 800.243.8162  
to find your nearest  
Indeeco representative.



When you need more  
than an off-the-shelf,  
standardized product.  
Ask **More.**