

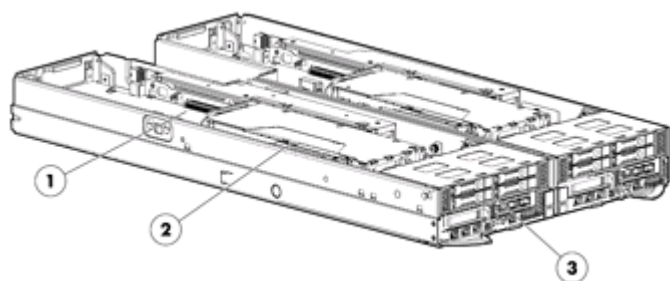
Overview

The HP ProLiant SL250s Gen8 Server is part of the HP ProLiant SL6500 Scalable System of server solutions optimized for the Hyperscale and High Performance Computing market segments. The server series is designed to reduce solution costs, maximize power efficiency, and to ease customer serviceability.

The 2U half-width tray is designed and optimized for a dense GPU configuration, ideal for the HPC market sub segments such as Oil & Gas, Life Sciences, Manufacturing, Research or Finance.

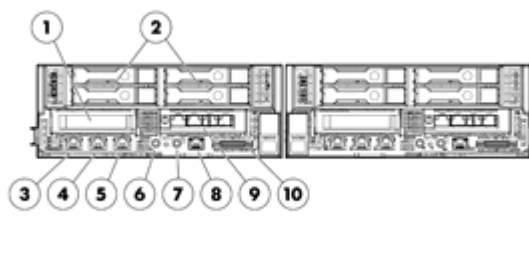
The s6500 Chassis is 4U and can accommodate up to four 2U, half-width servers, all individually serviceable. The chassis also features front cabling and common slot power supplies and fans for ease of service.

NOTE: The 2U Open View image below shows two SL250s side by side to denote the left and right trays. Each unit is a 1U, half-width form factor.



2U Open View:

1. Rear dual GPU placement
2. Single GPU riser mounts and underneath is Support for two Intel® Xeon® E5-2600 sequence processors and 16 memory slots. This location is also for the optional SFF 2.5" hard drive kit to enable four (4) SFF HDD's in place of the GPUs
3. FlexibleLOM networking option slot



2U Front View:

1. PCIe Expansion slot
2. Four Hot-Plug Drive Slots
3. Dedicated iLO4 Management Port
4. (1) 1GbE Ports
5. (1) 1GbE Ports
6. Power Button
7. Health LED
8. UID LED
9. Serial Port
10. SUV (Serial/USB/Video)

Standard Features

NOTE: For the Standard Features shipped in the Factory Integrated Models, please see the "Configuration Information - Factory Integrated Models" section.

Processor
One of the following
depending on Model

Entry Processors

NOTE: All support up to 1066MHz memory speeds.

Intel® Xeon® E5-2609 (2.4GHz/4-core/10MB/6.4GT-s QPI/80W)

Intel® Xeon® E5-2603 (1.8GHz/4-core/10MB/6.4GT-s QPI/80W)

Base Processors

NOTE: All support up to 1333MHz DDR3 memory speeds.

Intel® Xeon® E5-2640 (2.50GHz/6-core/15MB/7.2GT-s QPI/95W, DDR3-1333, HT, Turbo2-3/3/4/4/5/5)

Intel® Xeon® E5-2630 (2.30GHz/6-core/15MB/7.2GT-s QPI/95W, DDR3-1333, HT, Turbo2-3/3/4/4/5/5)

Intel® Xeon® E5-2620 (2.0GHz/6-core/15MB/7.2GT-s QPI/95W, DDR3-1333, HT, Turbo2-3/3/4/4/5/5)

Intel® Xeon® E5-2630L (2.0GHz/6-core/15MB/8.0GT-s QPI/60W, DDR3-1333, HT, Turbo2-3/3/4/4/5/5)

Performance Processors

NOTE: All support up to 1600MHz DDR3 memory speeds.

Intel® Xeon® E5-2680 (2.7GHz/8-core/20MB/8GT-s QPI/130W, DDR3-1600, HT, Turbo2-4/4/5/5/6/6/7/7)

Intel® Xeon® E5-2667 (2.9GHz/6-core/20MB/8GT-s QPI/130W, DDR3-1600, HT, Turbo2-4/4/5/5/6/6/7/7)

Intel® Xeon® E5-2670 (2.60GHz/8-core/20MB/8GT-s QPI/115W, DDR3-1600, HT, Turbo2-4/4/5/5/6/6/7/7)

Intel® Xeon® E5-2665 (2.40GHz/8-core/20MB/8GT-s QPI/115W, DDR3-1600, HT, Turbo2-4/4/5/5/6/6/7/7)

Intel® Xeon® E5-2660 (2.20GHz/8-core/20MB/8GT-s QPI/95W, DDR3-1600, HT, Turbo2-5/5/6/6/7/7/8/8)

Intel® Xeon® E5-2650 (2.0GHz/8-core/20MB/8GT-s QPI/95W, DDR3-1600, HT, Turbo2-4/4/5/5/5/7/8/8)

Intel® Xeon® E5-2650L (1.80GHz/8-core/20MB/8.0 GT-s QPI/70W, DDR3-1600, HT, Turbo2-2/2/3/3/4/4/5/5)

Intel® Xeon® E5-2637 (3.0GHz/2-core/5MB/8.0GT-s QPI/80W, DDR3-1600, HT, Turbo2- 2/2)

NOTE: HT indicates that the processor model supports Intel® /Hyper-Threading Technology

NOTE: Turbo 2 indicates the maximum potential bin increments when using Intel® Turbo Boost Technology, with 8, 7, 6, 5, 4, 3, 2 and 1 cores active.

NOTE: DDR3 speed is the maximum memory speed of the processor. Actual memory speed may depend on the quantity and type of DIMMs installed (options for 1600, 1333, 1066MHz).

NOTE: Up to 2 processors supported. Mixing different processor models is not supported.

NOTE: For the Intel® C600 Chipset E5-2600 Series, the letter preceding the model number indicates the Product Line (E3, E5, E7); 2600x v#, 2 = number of CPUs in a Node, 6 is socket/segment designation, 00 = Processor SKU, x = L for low power SKUs and v# (not yet designated) = version number



Standard Features

Cache Memory
One of the following
depending on Model

20MB (1x20MB) Level 3
NOTE: For Eight-core processors.
15MB (1x15MB) Level 3
NOTE: For Six-core processors.
10MB (1x10MB) Level 3
NOTE: For Quad-core processors.
5MB (1x5MB) Level 3
NOTE: For Dual-core processors.

Chipset

Intel® C600 Series Chipset
Intel® E5-2600 Processor Family
NOTE: For more information regarding Intel® chipsets, please see the following URL:
<http://www.intel.com/products/server/chipsets/>.

Upgradeability

Upgradeable to two processors

On System Management
Processor

HP iLO (Firmware: HP iLO 4)
NOTE: For more information, visit: <http://www.hp.com/go/ilo>.

Memory Protection

Advanced ECC (multi-bit error protection)

Memory

Type	HP SmartMemory DDR3 Registered (RDIMM), Unbuffered (UDIMM) , or Load Reduced (LRDIMM)
DIMM Slots Available	16 total DIMM Slots available
Maximum (RDIMM) (per server tray)	256GB (16 x 16GB)
Maximum (UDIMM) (per server tray)	128GB (16 x 8GB)

NOTE: HP memory from previous generation servers are not qualified or warranted with this HP ProLiant Server. HP SmartMemory is required to realize the memory performance improvements and enhanced functionality listed in this document for Gen8. For additional information, please see the HP SmartMemory QuickSpecs at:

http://h18000.www1.hp.com/products/quickspecs/14225_na/14225_na.html

NOTE: LRDIMM, RDIMM and UDIMMs are all distinct memory technologies and cannot be mixed within a server. The majority of ProLiant Gen8 servers support RDIMM, UDIMM and LRDIMM.

NOTE: HP certified SmartMemory must be used to guarantee full 1600MHz speeds.

NOTE: Depending on the memory configuration and processor model, the memory speed may run at 1600MHz, 1333MHz, or 1066MHz. Please see the Online Memory Configuration Tool at:

www.hp.com/go/ddr3memory-configurator.

NOTE: Kits described as LP include Low Power DIMMs. For more information on ProLiant Energy Efficient Features, see: www.hp.com/go/proliant-energy-efficient.



Standard Features

Network Controller HP Ethernet 1Gb 2-port 361i

Expansion Slots	Expansion Slots #	Technology	Bus Width*	Connector Width	Form Factor	Notes
	1	PCIe 3.0	x8	x8	Low Profile slot	
	2	PCIe 3.0	x16	x16	Half-length, full-height slot	

*Indicates the number of physical electrical lanes running to the connector.

NOTE: Two PCIe 3.0 expansion slots: (1) Half-length, full-height slot and (1) low-profile slot.

HP Server ROM

HP ROM (Read Only Memory) is now digitally signed using HP's Corporate Signing Service. This signature is verified before the flash process starts, reducing accidental programming and preventing malicious efforts to corrupt system ROM.

HP ROM provides for essential initialization and validation of hardware components before control is passed to the customer-installed operating system. The ROM also provides the capability of booting from various fixed media (HDD, CD-ROM) and removable media (USB), to continue operation to the operating system.

HP ROM performs very early configuration of the video controller, to allow monitoring of initialization progress via an attached monitor. If configuration or hardware errors are discovered during this early phase of hardware initialization, suitable messages are now displayed on the connected monitor. Additionally, these configuration or hardware errors are logged to the Integrated Management Log (IML) to assist in diagnosis.

HP's ProLiant ROM is used to configure the following:

- Processor and chipset status registers
- System memory, memory map, and memory initialization
- System hardware configuration (Integrated PCI devices and optional PCIe cards).
- Customer-specific BIOS configuration (using the HP ROM-Based Setup Utility (RBSU)).

NOTE: For further information, please refer to HP's RBSU (ROM based setup utility) user guide: www.hp.com/support/rbsu.

Storage Controller HP H220i Host Bus Adapter

Internal Storage Devices		
Diskette Drives		Via USB through the SUV port, external support only
Optical Drives		Via USB through the SUV port, external support only
Hard Drives		None ship standard



Standard Features

Maximum Internal Storage	2U Half Width tray		
	Hot Plug SATA SFF 2.5"	4.0 TB	2 x 1TB
	Hot Plug SAS SFF 2.5"	4.0TB	2 x 1TB
	Hot Plug SATA SSD 2.5"	1.6TB	2 x 400GB
	Hot Plug SAS SSD 2.5"	3.2TB	2 x 800GB
Quick Release (Non-Hot Plug) SATA 2.5"	4.0TB	4 x 1TB	

NOTE: The Non-Hot Plug Quick Release drives can only be used when implementing the internal SFF kit and not implementing the GPUs

NOTE: The SL250 SFF Internal Enablement Kit (PN: 679991-B21) allows for up to four SFF HDD to be implemented in place of the three GPUs.

Interfaces	Network RJ-45	Two 1GbE NIC ports
	FlexibleLOM	ProLiant Gen8 servers offer a new networking technology - Flexible Network Technology. The SL250 Gen8 server offers the customer the choice of 1Gigabit, 10Gigabit or InfiniBand FlexibleLOM solutions depending on workload. For further details on the choices, see FlexibleLOM in the Networking Section of this document for further details. NOTE: The FlexibleLOM slot is a PCIe 3.0 x 16 slot which ships blank, one can install a Hot Plug HDD kit or one of the many networking FlexibleLOM options
	KVM	Serial USB Video Port (SUV)
	Micro SD	1 (internal)
	USB Ports	1 (internal)
	iLO remote management network port	1 GB Dedicated
	Health LED	1 front
	Power	1 front
	UID	1 front
		NOTE: The FlexibleLOM slot is a PCIe 3.0 x 16 slot which ships blank, one can install a Hot Plug HDD kit or one of the many networking FlexibleLOM options.

Industry Standard Compliance	ACPI 2.0b Compliant
	PCIe 3.0 Compliant
	WOL Support
	Microsoft® Logo certifications
	PXE Support
	USB 1.1 and 2.0 Compliant
	SMBIOS 2.6.1



Standard Features

Server Power Cords

One 6' Highline (IEC-IEC) power cord ships standard

NOTE: HP ProLiant SL servers are primarily connected to PDU's in data center racks so they ship standard with only a PDU power cord (416151-B21). If a user wishes to power a ProLiant SL server using a 110V receptacle (NEMA-15), the NEMA power cord must be ordered separately.

NOTE: If customers require a power cord, they can check the power cord matrix for the appropriate cord. Please see the following power cord matrix: <http://www.hp.com/go/powercordmatrix>.

Power Specifications

To review typical system power ratings use the HP Power Advisor which is available via the online tool located at URL: www.hp.com/go/proliant-energy-efficient or www.hp.com/go/hppoweradvisor.

NOTE: Power Specification and Technical Content for supported power supplies can be found at: http://h18000.www1.hp.com/products/quickspecs/14209_div/14209_div.html

Common Slot Power Supplies

HP's Common Slot (CS) power supplies allow for commonality of power supplies across a wide range of ProLiant and Integrity servers, as well as HP Storage solutions, and are designed to provide the highest power supply efficiency without degrading system performance. HP CS power supplies are tested by the Electric Power Research Institute (EPRI) and certified through the ECOS 80 Plus power supply program. HP CS power supply options provide efficiency ratings of up to 94% (80 Plus Platinum) and are available in two power output options - 750W and 1200W - allowing the customer to "right-size" a power supply for their specific server configuration. All HP Common Slot power sources are UL, CE Mark Compliant, hot-plug and support redundant configurations.

NOTE: Mixing of power supplies in the same server is not supported. All power supplies must be of the same output and efficiency rating. If non-matched power supplies are inserted you will get errors and operation will fail.

HP CS Platinum Plus power supplies are required when enabling HP's Intelligent Power Discovery (IPD) solution. IPD is the first technology to create an automated, energy-aware network between IT systems and facilities. This allows your company to reclaim millions of dollars in wasted power capacity and downtime costs across data centers. For more information on HP's IPD solution, go to www.hp.com/go/ipd.

It is highly recommended that you use the HP Power Advisor in defining the "Right-Size" power supply for your needs. HP Power Advisor can be accessed at: www.hp.com/go/hppoweradvisor.

NOTE: The 80 PLUS program is a unique forum that unites electric utilities, the computer industry, and consumers in an effort to bring energy efficient technology solutions to the marketplace. 80 Plus independently tests power supply efficiency and publicly posts the results on 80Plus.org.

Redundant Power: Optional (1+1 or n+n redundant) power supplies can be purchased through power supply option kits (see Power Supplies for part numbers).

NOTE: Power Specification and Technical Content for supported power supplies can be found at: http://h18000.www1.hp.com/products/quickspecs/14209_div/14209_div.html



Standard Features

System Fans

HP s6500 Redundant Fan Kit

NOTE: This kit includes only 1 fan

NOTE: This selection must be ordered in quantities of 8 (PN 617856-B21)

HP s6500 Non-Redundant Fan Kit

NOTE: This kit includes only 1 fan

NOTE: This selection must be ordered in quantities of 8 (PN 617858-B21)

NOTE: all 8 fan bays must be populated with either redundant or non-redundant fans

NOTE: mixing and matching of fans is not allowed

Operating Systems and Virtualization Software Support for ProLiant Servers

Microsoft Windows Server

Red Hat Enterprise Linux (RHEL)

SUSE Linux Enterprise Server (SLES)

NOTE: For more information on HP's Certified and Supported ProLiant Servers for OS and Virtualization Software and latest listing of software drivers available for your server including how to purchase from HP, please visit our OS Support Site at: <http://www.hp.com/go/ossupport>.

Graphics

Integrated Matrox G200 video standard

- 1280 x 1024 (32 bpp)
- 1920 x 1200 (16 bpp)

NOTE: For more information, visit: <http://www.hp.com/go/ilo>.

Form Factor

Fully configured SL250 is 2U, half-width

Fully configured SL6500 chassis is 4U, full-width

On System Management

HP iLO Management Engine

HP iLO Management Engine is a complete set of embedded management features supporting the complete lifecycle of the server, from initial deployment, through ongoing management, to service alerting and remote support. HP iLO Management Engine comes standard on all HP ProLiant Gen8 Servers. HP iLO Management Engine portfolio includes:

- **HP iLO:** The HP iLO management processor is the core foundation for HP iLO Management Engine. HP iLO for HP ProLiant servers simplify server setup, engage health monitoring, power and thermal control, and promote remote administration for HP ProLiant ML, DL, BL and SL servers. Furthermore with the new HP iLO is the ability to access, deploy, and manage your server anytime from anywhere with your Smartphone device.
- **HP Agentless Management:** With HP iLO Management Engine in every HP ProLiant Gen8 server, the base hardware monitoring and alerting capability is built into the system (running on the HP iLO chipset) and starts working the moment that a power cord and an Ethernet cable is connected to the server.
- **HP Active Health System:** HP Active Health System is an essential component of the HP iLO Management Engine. It provides: Diagnostics tools/scanners wrapped into one; Always on, continuous monitoring for increased stability and shorter downtimes; Rich



Standard Features

configuration history; Health and service alerts; Easy export and upload to Service and Support.

- **HP Intelligent Provisioning** (previously known as SmartStart): HP Intelligent Provisioning offers the ability for out-of-the box single-server deployment and configuration without the need for media.

NOTE: For more information, visit: <http://www.hp.com/go/ilo>

HP Insight management software

HP Service Pack for ProLiant (SPP)

HP Service Pack for ProLiant (SPP) and HP Smart Update Manager (HP SUM) version 5 provide a new, comprehensive approach to firmware and system software maintenance. Together they provide better operating stability and ensure maximum uptime. The SPP will be updated at a predictable cadence, typically coinciding with new HP server hardware launches. By enabling all firmware to be updated online and integrating firmware and system software updates in one operation HP SUM and the SPP offer faster updates of individual servers and dramatically faster updates of entire BladeSystem enclosures. Further improving system uptime and stability is the fact that HP provides 12 months of support on each Service Pack for ProLiant.

The user experience around HP SUM and the SPP has been improved in several ways, starting with the web download. A single web page provides access to a single download containing both the latest version of HP SUM version 5 and the latest SPP. Optional smaller subsets with only specific types of servers or specific operating systems are offered to save on download time. The HP SUM application has been re-written to provide a more straightforward, intuitive user interface that guides the user through the steps of discovery, analyses and update, providing comprehensive information on available updates, criticality and interdependencies. This information is also available in reports. By providing the option of multiple local or shared repositories which can be easily updated from hp.com, HP SUM provides the tools to optimize stability and consistency throughout the company. While HP SUM and the SPP will recommend the combinations of firmware and system software that HP has found to be the best practice, the application gives customers the flexibility to set their own specific baseline.

The Service Pack for ProLiant has been rigorously tested with specific attention for interaction between firmware, drivers and agents both within the server as well as in interaction with the BladeSystem enclosure components (Onboard Administrator and Virtual Connect). This testing ensures the highest quality as well as providing the input for HP SUM to deploy updates taking into account all interdependencies, when determining the correct updates and order of update deployment.

NOTE: The Service Pack for ProLiant (which includes HP SUM 5) can be downloaded from www.hp.com/go/spp/download. More information can be found: www.hp.com/go/spp and <http://www.hp.com/go/hpsum>



Standard Features

Security

Power-on password
Keyboard password
QuickLock, Network Server Mode
Serial interface control
Administrator's password
iLO 4 (Integrated Lights-Out 3) has 12 customizable user accounts and SSL encryption
iLO 4 can be disabled via a Global Setting
iLO Advanced supports directory services integration

Warranty

This product is covered by a global limited warranty and supported by HP Services and a worldwide network of HP Authorized Channel Partners. Hardware diagnostic support and repair is available for one year from date of purchase. Support for software and initial setup is available for 90 days from date of purchase. Enhancements to warranty services are available through HP Care Pack services or customized service agreements. Hard drives have either a one year or three year warranty.

NOTE: Server Warranty includes 1 year Parts, 1 year Labor, 1-year on-site support with next business day response. Warranty repairs may be accomplished through the use of Customer Self Repair (CSR) parts. These parts fall into two categories: 1) Mandatory CSR parts are designed for easy replacement. A travel and labor charge will result when customers decline to replace a Mandatory CSR part; 2) Optional CSR parts are also designed for easy replacement but may involve added complexity. Customers may choose to have HP replace Optional CSR parts at no charge. Additional information regarding worldwide limited warranty and technical support is available at: <http://h18004.www1.hp.com/products/servers/platforms/warranty/index.html>.



Optional Features

HP Insight management software

HP Insight Control

HP Insight Control, a product option, delivers essential infrastructure management that can help save time and money by making it easy to deploy, migrate, monitor, remote control, and optimize your IT infrastructure through a single, simple management console.

Two versions of Insight Control are available, to serve environments requiring either a Linux-based or a Windows-based central management server: HP Insight Control for Linux, and HP Insight Control. See www.hp.com/go/insightcontrol

HP Insight Control includes one year of 24 x 7 HP Software Technical Support and Update Service ensuring rapid access to HP support staff and proactive delivery of software updates. For more information about this service, please visit: <http://www.hp.com/services/insight>.

HP Matrix Operating Environment

The HP Matrix Operating Environment (Matrix OE) for ProLiant and Integrity servers is an integrated command center that helps you instantly adjust to dynamic business demands. This advanced infrastructure management software lets you reduce the cost of common data center tasks by up to 40 percent while keeping pace with your changing business.

The HP Matrix OE includes the automated provisioning, optimization, and recovery management capabilities for HP CloudSystem Matrix, the ideal platform for private cloud and Infrastructure as a Service (IaaS).

NOTE: For more information, visit: <http://www.hp.com/go/matrixoe>

HP iLO Advanced License for ProLiant Servers

HP iLO management processors for HP ProLiant Gen8 servers virtualizes system controls to help simplify server setup, engage health monitoring and power and thermal control, and promote remote administration. HP iLO functions out-of-the-box without additional software installation and functions regardless of the servers' state of operation. Basic system board management functions, diagnostics, and essential Lights-Out functionality ships standard across all HP ProLiant Gen8 rack, tower and blade servers. The HP iLO can be accessed from any location via a web browser and works hand-in-hand with HP Systems Insight Manager, Insight Control, and HP Matrix Operating Environment, helping customers unleash the value of the ProLiant platform and deliver the highest possible quality of IT service to the business.

Advanced functionality, such as graphical remote console, multi-user collaboration, and video record/playback can be activated with the optional HP iLO Advanced or HP iLO Advanced for BladeSystem licenses. The Advanced licensed features offer sophisticated remote administration of servers in dynamic data center and remote locations and can help significantly reduce cost associated with IT-related travel and unplanned downtime.

NOTE: For more information, visit: <http://www.hp.com/go/ilo>



Optional Features

High Performance Clusters	HP Cluster Platforms	HP Cluster Platforms are specifically engineered, factory-integrated large-scale ProLiant clusters optimized for High Performance Computing, with a choice of servers, networks and software. Operating system options include specially priced offerings for Red Hat Enterprise Linux and SUSE Linux Enterprise Server, as well as Microsoft Windows HPC Server. A Cluster Platform Configurator simplifies ordering. http://www.hp.com/go/clusters
	HP HPC Interconnects	High Performance Computing (HPC) interconnect technologies are available for this server as part of the HP Cluster Platform portfolio. These high-speed InfiniBand and Gigabit interconnects are fully supported by HP when integrated within an HP cluster. Flexible, validated solutions can be defined with the help of configuration tools. http://www.hp.com/techservers/clusters/ucp/index.html
	HP Insight Cluster Management Utility	HP Insight Cluster Management Utility (CMU) is an HP-licensed and HP-supported suite of tools that are used for lifecycle management of hyperscale clusters of Linux ProLiant systems. CMU includes software for the centralized provisioning, management and monitoring of nodes. CMU makes the administration of clusters user friendly, efficient, and effective. http://www.hp.com/go/cmu
	HP HPC Linux Value Pack	HP HPC Linux Value Pack (Value Pack) is an HP-licensed and HP-supported option to HP Insight CMU, for the development and deployment of applications on HPC Cluster Platforms. Value Pack includes the Platform LSF workload scheduler and Platform Application Center, as well as the HP-MPI parallelization library. HP HPC Linux Value Pack

HP Insight Online	HP Insight Online is a new addition to the HP Support Center for one stop, secure access to product and HP support information personalized to your IT environment. Insight Online can automatically display devices remotely monitored by HP Insight Remote Support. With Insight Online's easy navigation you can efficiently track your IT support contracts and device status from anywhere and at anytime. www.hp.com/go/insightonline
-------------------	--

Factory Express Portfolio for Servers and Storage	<p>HP Factory Express offers configuration, customization, integration and deployment services for HP servers and storage products. Customers can choose how their factory solutions are built, tested, integrated, shipped and deployed.</p> <p>Factory Express offers service packages for simple configuration, racking, installation, complex configuration and design services as well as individual factory services, such as image loading, asset tagging, and custom packaging. HP products supported through Factory Express include a wide array of servers and storage: HP Integrity, HP ProLiant, HP ProLiant Server Blades, HP BladeSystem, HP 9000 servers as well as the MSAxxxx, VA7xxx, EVA, XP, rackable tape libraries and configurable network switches.</p> <p>For more information on Factory Express services for your specific server model please contact your sales representative or go to: http://www.hp.com/go/factory-express.</p>
---	---



Optional Features

HP Enterprise Configurator

The HP eConfigure Enterprise Configurator now provides factory default racking for our HP hardware portfolio. This approach is aligned with our strategic direction to meet the needs and expectations of our valued customers. If you require "custom" rack configuration, please contact HP's Customer Business Center or an Authorized Partner for assistance. <http://www.hp.com/products/configurator>

GPU Computing Modules Each SL250s tray will accommodate up to three GPUs, with options including HP NVIDIA Tesla M2075, M2070Q and M2090 computational accelerator modules. The NVIDIA M2070Q module enables computational acceleration as well as high-end QUADRO® graphics. The other modules are primarily for computational acceleration.

NOTE: The ambient temperature for SL250s systems must be 30 degrees Celsius or less.

NOTE: When adding GPU solutions to the SL250s servers one must utilize the HP 1200W CS Platinum Power Supply Kit, 578322-B21, for all four power supply slots.

NOTE: When implementing three M2090's in the SL250 you must clock them down to 225W, if you are implementing two or less, you can run the GPUs at the full 250W.

NOTE: 130W processors are not supported when implementing Graphics Processors (GPUs).



Service and Support

Service and Support

HP Technology Services for Industry Standard Servers and BladeSystem

Capitalizing on HP ProLiant server and HP BladeSystem capabilities requires a service partner who understands your increasingly complex business technology environment. That's why it makes sense to team up with the people who know HP infrastructure hardware and software best - the experienced professionals at HP Services.

What HP ProLiant and BladeSystem Services can do for you

HP ProLiant and BladeSystem Services can help you design, deploy, test, integrate, support, and manage IT and infrastructure solutions. This way, HP proposes services solutions that include more than just uplift of base warranty. Foundation Care services deliver scalable support-packages for HP industry-standard servers and software. You can choose the type and level of service that is most suitable for their business needs. New to this portfolio is HP Collaborative Support. If you are running business critical environments, HP offers Proactive Care or Critical Advantage. These services help deliver high levels of application availability through proactive service management and advanced technical response

You can get the support you need by choosing from one of a number of service packaged solutions we have designed to address wider set of customer support needs.

HP Technology Services meets business challenges with services offered in three support recommendations - **Optimized Care, Standard Care, and Basic Care** - available for each product group. Such support solutions enable customers to optimize technology operations, minimize risk and drive better business outcomes with easy-to-buy, easy-to-use scalable support recommendations for servers, storage, networking and software.

All three service recommendations include support services from the broader portfolio of Foundation Care and Proactive Care services.

Optimized Care

Optimized Care: Supports maintaining servers at optimum performance availability

HP ProLiant Server Hardware Installation

Provides for the basic hardware installation of HP branded servers, storage devices and networking options to assist you in bringing your new hardware into operation in a timely and professional manner <http://h20195.www2.hp.com/V2/GetPDF.aspx/5981-9356EN.pdf>

HP Installation and Startup for Insight Control Software / HP SIM

Provides for the deployment and basic configuration of HP Insight Control or HP SIM (Systems Insight Manager) on HP ProLiant ML and DL series servers or HP BladeSystem servers <http://h20195.www2.hp.com/v2/GetPDF.aspx/4AA0-9972ENW.pdf>

3-Year HP 24x7 4 hour Response, Proactive Care or Critical Advantage

Helps optimize your systems and delivers high levels of application availability through proactive service management and advanced technical response. A skilled Technical Manager will own your query or issue end to end until resolved, delivering a single point of contact for you <http://h20195.www2.hp.com/V2/GetPDF.aspx/4AA3-2140ENW.pdf>

Additional Services: Data Center Transformation Services



Service and Support

Standard Care

Standard Care: Service recommendation that maintains high level of server availability

HP ProLiant Server Hardware Installation

Provides for the basic hardware installation of HP branded servers, storage devices and networking options to assist you in bringing your new hardware into operation in a timely and professional manner
<http://h20195.www2.hp.com/v2/GetPDF.aspx/5981-9356EN.pdf>

HP Installation and Startup for Insight Control Software / HP SIM

Provides for the deployment and basic configuration of HP Insight Control or HP SIM (Systems Insight Manager) on HP ProLiant ML and DL series servers or HP BladeSystem servers
<http://h20195.www2.hp.com/v2/GetPDF.aspx/4AA0-9972ENW.pdf>

3-Year HP 24x7 4 hour Response, Collaborative Support

Offers customers a single point of contact for server problem diagnosis, hardware problem resolution, and basic software problem diagnosis, fault isolation, and resolution if available to HP. If the problem is with HP HW, the representative will arrive on site any time and day of the year to begin hardware maintenance service within 4 hours of the service request being logged. In case, the issue is with HP or supported third-party software product and cannot be resolved by applying known fixes, HP will contact the third-party vendor and create a problem incident on your behalf.

Additional Services: Software OS (Microsoft, Linux (SUSE/Red Hat) & VMware) Installation & Start Up and Software Support; Microsoft or Linux or VMware education courses; +60 Proactive Select Credits

Basic Care

Basic Care: delivers minimum recommended support service level

HP ProLiant Server Hardware Installation

Provides for the basic hardware installation of HP branded servers, storage devices and networking options to assist you in bringing your new hardware into operation in a timely and professional manner
<http://h20195.www2.hp.com/v2/GetPDF.aspx/5981-9356EN.pdf>

3-Year HP 24x7 4 hour Response, Hardware Support Onsite Service

Provides for the deployment and basic configuration of HP Insight Control on HP ProLiant ML and DL series servers or HP BladeSystem servers
<http://h20195.www2.hp.com/v2/GetPDF.aspx/4AA0-9972ENW.pdf>

Additional Services: Software OS (Microsoft, Linux (SUSE/Red Hat) & VMware) Installation & Start Up and Software Support; +30 Proactive Select Credits, Factory Express.

Insight Remote Support

Provides 24 X 7 remote monitoring, proactive notifications, and problem resolution. Learn more
<http://www.hp.com/go/insightremotesupport>



Service and Support

HP Support Center

Personalized online support portal with access to information, tools and experts to support HP business products. Submit support cases online, chat with HP experts, access support resources or collaborate with peers. Learn more <http://www.hp.com/go/hpsc>

HP's Support Center Mobile App* allows you to resolve issues yourself or quickly connect to an agent for live support. Now, you can get access to personalized IT support anywhere, anytime.

HP Insight Remote Support and HP Support Center are available at no additional cost with a HP warranty, HP Care Pack or HP contractual support agreement.

**HP Support Center Mobile App is subject to local availability*

Warranty / Service Coverage

For ProLiant servers and storage systems, the services cover HP-branded hardware options qualified for the server, purchased at the same time or afterward, internal to the enclosure, as well as external monitors up to 22" and tower UPS products; these items will be covered at the same service level and for the same coverage period as the server unless the maximum supported lifetime and/or the maximum usage limitation has been exceeded. Coverage of the UPS battery is not included; standard warranty terms and conditions apply.

The defective media retention service feature option applies only to Disk or eligible SSD/Flash Drives replaced by HP due to malfunction. It does not apply to any exchange of Disk or SSD/Flash Drives that have not failed. SSD/Flash Drives that are specified by HP as consumable parts and/or that have exceeded maximum supported lifetime and/or the maximum usage limit as set forth in the manufacturer's operating manual or the technical data sheet are not eligible for the defective media retention service feature option.

For more information

To learn more on HP ProLiant servers and HP BladeSystem servers, please contact your HP sales representative or HP Authorized Channel Partner. Or visit: <http://www.hp.com/services/proliant>



Pre-configured Models

NOTE: For the Standard Features shipped in the "Factory Integrated Models", please see the "Configuration Information - Factory Integrated Models" section.

NOTE: Pre-configured models ship with the configurations below. Options can be selected from the Core or Additional options section of this QuickSpecs.

NOTE: HP does not allow factory integration of options into pre-configured models. Any additional options purchased will be shipped separately.

NOTE: If you desire a custom configuration please see "Configuration Information - Factory Integrated Models" section of this QuickSpecs.

HP ProLiant SL250s G8 2U Server

Base Models

HP ProLiant SL250s Gen8 Processor(s) E5-2665 2P 8GB 2U Left Tray Server 659042-B21	Cache Memory Memory	(2) Intel® Xeon® E5-2665 (2.40GHz/8-core/20MB/8GT-s QPI/115W, DDR3-1600, HT, Turbo2- 4/4/5/5/6/6/7/7) Processors 20MB (1x20MB) L3 cache 8GB (2x 4G, DDR3-1333MHz RDIMM) NOTE: A total of 16 DIMM Slots are available.
	Network Controller	HP Ethernet 1Gb 2-port 361i
	Storage Controller	HP H220i Host Bus Adapter
	Hard Drive	None ship standard
	Internal Storage	None ship standard
	Optical Drive	External support only via USB through the SUV port
	Power Supply	Chassis, fans and power supplies sold separately
	Fans	Chassis, fans and power supplies sold separately
	Management	iLO Management Engine Standard Optional: HP Insight Control
	Form Factor	2U Half-Width server tray
	Warranty	Server Warranty includes 1-Year Parts, 1-Year Labor, 1-Year onsite service

HP ProLiant SL250s Gen8 Processor(s) E5-2665 2P 8GB 2U Right Tray Server 659050-B21	Cache Memory Memory	(2) Intel® Xeon® E5-2665 (2.40GHz/8-core/20MB/8GT-s QPI/115W, DDR3-1600, HT, Turbo2- 4/4/5/5/6/6/7/7) Processors 20MB (1x20MB) L3 cache 8GB (2x 4G, DDR3-1333MHz RDIMM) NOTE: Note a total of 16 DIMM Slots are available.
	Network Controller	HP Ethernet 1Gb 2-port 361i
	Storage Controller	HP H220i Host Bus Adapter
	Hard Drive	None ship standard
	Internal Storage	None ship standard
	Optical Drive	External support only via USB through the SUV port
	Power Supply	Chassis, fans and power supplies sold separately
	Fans	Chassis, fans and power supplies sold separately
	Management	iLO Management Engine Standard Optional: HP Insight Control
	Form Factor	2U Half-Width server tray
	Warranty	Server Warranty includes 1-Year Parts, 1-Year Labor, 1-Year onsite service



Configuration Information - Factory Integrated Models

NOTE: This section lists some of the steps required to configure a Factory Integrated Model. To ensure only valid configurations are ordered, HP recommends the use of an HP approved configurator. Contact your local sales representative for information on configurable product offerings and requirements.

NOTE: Configure-to-order (CTO) servers must start with a CTO Chassis.

NOTE: FIO indicates that this option is only available as a factory installable option.

NOTE: If you already have an s6500 chassis skip to Step 1A.

Step 1: Base Configuration (choose one from each list unless otherwise noted)

HP Chassis	HP ProLiant s6500 w/o Fans 4U Configure-to-order Chassis NOTE: You must choose Power Supplies and fans as the chassis does not include them. NOTE: If you already have a s6500 chassis you can buy server trays below.	614167-B21
HP Chassis Fans	HP s6500 Redundant Fan Kit NOTE: This kit includes only 1 fan NOTE: This selection must be ordered in quantities of 8.	617856-B21
	HP s6500 Non-Redundant Fan Kit NOTE: This kit includes only 1 fan NOTE: This selection must be ordered in quantities of 8.	617858-B21
HP Rail Kits	HP s6500 4U 3rd Party Rail Kit HP s6500 4U Rail Kit HP Performance Optimized Datacenter (POD) S6500 Rail Kit	601946-B21 599109-B21 599108-B21

Step 1A: Select Nodes

NOTE: Mixing and matching of half width trays is supported in the s6500 chassis.

NOTE: If you do not fill up chassis with servers, the HP node blank Kit 622372-B21 needs to be ordered for each half width 1U space unpopulated.

HP Server Nodes	HP ProLiant SL250s Gen8 2U Left Half Width Tray Configure-to-order Server HP ProLiant SL250s Gen8 2U Right Half Width Tray Configure-to-order Server	654939-B21 654940-B21
-----------------	---	--------------------------

Step 2: Choose Required Node Options (only one of the following from each list unless otherwise noted)

HP Processors	NOTE: If 2 processors are desired, select one xxxx-L21 and one xxxxx-B21. NOTE: For 130W CPU support and configuration, please contact your HP account team. 130W CPUs must be implemented with an inlet temperature of 30 degrees Celsius	
	Entry Processors NOTE: All support up to 1066MHz memory speeds.	
	HP SL250s Gen8 Intel® Xeon® E5-2609 (2.40GHz/4-core/10MB/80W) FIO Processor Kit	662326-L21
	HP SL250s Gen8 Intel® Xeon® E5-2603 (1.80GHz/4-core/10MB/80W) FIO Processor Kit	662327-L21
	Base Processors NOTE: All support up to 1333MHz DDR3 memory speeds.	
	HP SL250s Gen8 Intel® Xeon® E5-2640 (2.50GHz/6-core/15MB/95W) FIO Processor Kit	662323-L21



Configuration Information - Factory Integrated Models

HP SL250s Gen8 Intel® Xeon® E5-2630 (2.30GHz/6-core/15MB/95W) FIO Processor Kit	662324-L21
HP SL250s Gen8 Intel® Xeon® E5-2620 (2.0GHz/6-core/15MB/95W) FIO Processor Kit	662325-L21
HP SL250s Gen8 Intel® Xeon® E5-2630L (2.0GHz/6-core/15MB/60W) FIO Processor Kit	662332-L21
Performance Processors	
NOTE: All support up to 1600MHz DDR3 memory speeds.	
HP SL250s Gen8 Intel® Xeon® E5-2680 (2.7GHz/8-core/20MB/130W) FIO Processor Kit	662318-L21
HP SL250s Gen8 Intel® Xeon® E5-2667 (2.9GHz/6-core/15MB/130W) FIO Processor Kit	662328-L21
HP SL250s Gen8 Intel® Xeon® E5-2670 (2.60GHz/8-core/20MB/115W) FIO Processor Kit	662319-L21
HP SL250s Gen8 Intel® Xeon® E5-2665 (2.40GHz/8-core/20MB/115W) FIO Processor Kit	662320-L21
HP SL250s Gen8 Intel® Xeon® E5-2660 (2.20GHz/8-core/20MB/95W) FIO Processor Kit	662321-L21
HP SL250s Gen8 Intel® Xeon® E5-2650 (2.0GHz/8-core/20MB/95W) FIO Processor Kit	662322-L21
HP SL250s Gen8 Intel® Xeon® E5-2650L (1.80GHz/8-core/20MB/70W) FIO Processor Kit	662331-L21
HP SL250s Gen8 Intel® Xeon® E5-2637 (3.0GHz/2-core/5MB/80W) FIO Processor Kit	662330-L21

NOTE: DDR3 speed is the maximum memory speed of the processor. Actual memory speed may depend on the quantity and type of DIMMs installed.

HP Memory

NOTE: HP memory from previous generation servers are not qualified or warranted with this HP ProLiant Server. HP SmartMemory is required to realize the memory performance improvements and enhanced functionality listed in this document for Gen8. For additional information, please see the HP SmartMemory QuickSpecs at: http://h18000.www1.hp.com/products/quickspecs/14225_na/14225_na.html

NOTE: LRDIMM, RDIMM and UDIMMs are all distinct memory technologies and cannot be mixed within a server. The majority of ProLiant Gen8 servers support RDIMM, UDIMM and LRDIMM.

Registered DIMMs (RDIMMs)

HP 4GB (1x4GB) Single Rank x4 PC3L-10600R (DDR3-1333) Registered CAS-9 Low Voltage Memory Kit	647893-B21
HP 8GB (1x8GB) Dual Rank x4 PC3L-10600R (DDR3-1333) Registered CAS-9 Low Voltage Memory Kit	647897-B21
HP 16GB (1x16GB) Dual Rank x4 PC3L-10600R (DDR3-1333) Registered CAS-9 Low Voltage Memory Kit	647901-B21
HP 4GB (1x4GB) Single Rank x4 PC3-12800R (DDR3-1600) Registered CAS-11 Memory Kit	647895-B21
HP 8GB (1x8GB) Single Rank x4 PC3-12800R (DDR3-1600) Registered CAS-11 Memory Kit	647899-B21



Configuration Information - Factory Integrated Models

Unbuffered with ECC DIMMs (UDIMMs)

HP 2GB (1x2GB) Single Rank x8 PC3L-10600E (DDR3-1333) Unbuffered CAS-9 Low Voltage Memory Kit 647905-B21

HP 4GB (1x4GB) Dual Rank x8 PC3L-10600E (DDR3-1333) Unbuffered CAS-9 Low Voltage Memory Kit 647907-B21

HP 8GB (1x8GB) Dual Rank x8 PC3L-10600E (DDR3-1333) Unbuffered CAS-9 Low Voltage Memory Kit 647909-B21

NOTE: For detailed memory configuration rules and guidelines, please use the Online DDR3 Memory Configuration Tool: www.hp.com/go/ddr3memory-configurator

NOTE: There is a maximum support limitation of 8 ranks per memory channel (maximum of 2 quad rank DIMMs per channel)

NOTE: PC3L is a low voltage memory.

NOTE: Memory Min and Max depends on number of processors and type of memory:

Step 3: Choose Additional Options for Factory Integration

NOTE: For additional options, please refer to the "Core Options" and "Additional Options" section below.

Core Options

NOTE: Some options may not be integrated at the factory. To ensure only valid configurations are ordered, HP recommends the use of an HP approved configurator. Contact your local sales representative for additional information.

HP Unique Options	SL250 SFF Internal Enablement Kit	679991-B21
	NOTE: The SFF enablement kit allows for up to four SFF HDD to be implemented in place of the three GPUs.	
	HP s6500 Full Tray Node Blank Kit	627051-B21
	HP s6500 Node Blank Kit	622372-B21

HP Processors

NOTE: For 130W CPU support and configuration, please contact your HP account team. 130W CPUs must be implemented with an inlet temperature of 30 degrees Celsius.

Entry Processors

NOTE: All Entry Processors support up to 1600MHz DDR3 memory speed.

HP SL250s Gen8 Intel® Xeon® E5-2609 (2.40GHz/4-core/10MB/80W) Processor Kit 662326-B21

HP SL250s Gen8 Intel® Xeon® E5-2603 (1.80GHz/4-core/10MB/80W) Processor Kit 662327-B21

Base Processors

NOTE: All Base Processors support up to 1333MHz DDR3 memory speed.

HP SL250s Gen8 Intel® Xeon® E5-2640 (2.50GHz/6-core/15MB/95W) Processor Kit 662323-B21

HP SL250s Gen8 Intel® Xeon® E5-2630 (2.30GHz/6-core/15MB/95W) Processor Kit 662324-B21

HP SL250s Gen8 Intel® Xeon® E5-2620 (2.0GHz/6-core/15MB/95W) Processor Kit 662325-B21

HP SL250s Gen8 Intel® Xeon® E5-2630L (2.0GHz/6-core/15MB/60W) Processor Kit 662332-B21

Performance Processors

NOTE: All support up to 1600MHz DDR3 memory speeds

HP SL250s Gen8 Intel® Xeon® E5-2680 (2.7GHz/8-core/20MB/130W) Processor Kit 662318-B21

HP SL250s Gen8 Intel® Xeon® E5-2667 (2.9GHz/6-core/15MB/130W) FIO Processor Kit 6 62328-B21

HP SL250s Gen8 Intel® Xeon® E5-2670 (2.60GHz/8-core/20MB/115W) Processor Kit 662319-B21

HP SL250s Gen8 Intel® Xeon® E5-2665 (2.40GHz/8-core/20MB/115W) Processor Kit 662320-B21

HP SL250s Gen8 Intel® Xeon® E5-2660 (2.20GHz/8-core/20MB/95W) Processor Kit 662321-B21

HP SL250s Gen8 Intel® Xeon® E5-2650 (2.0GHz/8-core/20MB/95W) Processor Kit 662322-B21

HP SL250s Gen8 Intel® Xeon® E5-2650L (1.80GHz/8-core/20MB/70W) Processor Kit 662331-B21

HP SL250s Gen8 Intel® Xeon® E5-2637 (3.0GHz/2-core/5MB/80W) Processor Kit 662330-B21



Core Options

HP Memory

NOTE: HP memory from previous generation servers are not qualified or warranted with this HP ProLiant Server. HP SmartMemory is required to realize the memory performance improvements and enhanced functionality listed in this document for Gen8. For additional information, please see the HP SmartMemory QuickSpecs at: http://h18000.www1.hp.com/products/quickspecs/14225_na/14225_na.html

NOTE: LRDIMM, RDIMM and UDIMMs are all distinct memory technologies and cannot be mixed within a server. The majority of ProLiant Gen8 servers support RDIMM, UDIMM and LRDIMM.

Registered DIMMs (RDIMMs)

HP 4GB (1x4GB) Single Rank x4 PC3L-10600R (DDR3-1333) Registered CAS-9 Low Voltage Memory Kit 647893-B21

HP 8GB (1x8GB) Dual Rank x4 PC3L-10600R (DDR3-1333) Registered CAS-9 Low Voltage Memory Kit 647897-B21

HP 16GB (1x16GB) Dual Rank x4 PC3L-10600R (DDR3-1333) Registered CAS-9 Low Voltage Memory Kit 647901-B21

HP 4GB (1x4GB) Single Rank x4 PC3-12800R (DDR3-1600) Registered CAS-11 Memory Kit 647895-B21

HP 8GB (1x8GB) Single Rank x4 PC3-12800R (DDR3-1600) Registered CAS-11 Memory Kit 647899-B21

Unbuffered with ECC DIMMs (UDIMMs)

HP 2GB (1x2GB) Single Rank x8 PC3L-10600E (DDR3-1333) Unbuffered CAS-9 Low Voltage Memory Kit 647905-B21

HP 4GB (1x4GB) Dual Rank x8 PC3L-10600E (DDR3-1333) Unbuffered CAS-9 Low Voltage Memory Kit 647907-B21

HP 8GB (1x8GB) Dual Rank x8 PC3L-10600E (DDR3-1333) Unbuffered CAS-9 Low Voltage Memory Kit 647909-B21

NOTE: For detailed memory configuration rules and guidelines, please use the Online DDR3 Memory Configuration Tool: www.hp.com/go/ddr3memory-configurator

NOTE: There is a maximum support limitation of 8 ranks per memory channel (maximum of 2 quad rank DIMMs per channel)

NOTE: PC3L is a low voltage memory.

NOTE: Memory Min and Max depends on number of processors and type of memory:

HP Hard Drives

NOTE: The components of a storage subsystem (e.g. the drive, the HBA/controller, firmware, and the server backplane) should operate at the same data transfer rate or the system bandwidth will be negotiated down to an acceptable level for all components.

NOTE: Hard drives have either a one year or three year warranty.

NOTE: The non-hot plug hard drives use a quick release carrier.

SAS Hot Plug with Smart Drive SFF (2.5-inch) Enterprise Drives

HP 900GB 6G SAS 10K rpm SFF (2.5-inch) SC Enterprise 3yr Warranty Hard Drive 652589-B21

HP 600GB 6G SAS 10K rpm SFF (2.5-inch) SC Enterprise 3yr Warranty Hard Drive 652583-B21

HP 450GB 6G SAS 10K rpm SFF (2.5-inch) SC Enterprise 3yr Warranty Hard Drive 652572-B21

HP 300GB 6G SAS 15K rpm SFF (2.5-inch) SC Enterprise 3yr Warranty Hard Drive 652611-B21

HP 300GB 6G SAS 10K rpm SFF (2.5-inch) SC Enterprise 3yr Warranty Hard Drive 652564-B21



Core Options

HP 146GB 6G SAS 15K rpm SFF (2.5-inch) SC Enterprise 3yr Warranty Hard Drive 652605-B21

HP 72GB 6G SAS 15K rpm SFF (2.5-inch) SC Enterprise 3yr Warranty Hard Drive 652597-B21

SAS Hot Plug Smart Drive SFF (2.5-inch) Midline Drives

HP 1TB 6G SAS 7.2K rpm SFF (2.5-inch) SC Midline 1yr Warranty Hard Drive 652749-B21

HP 500GB 6G SAS 7.2K rpm SFF (2.5-inch) SC Midline 1yr Warranty Hard Drive 652745-B21

NOTE: Please see the [QuickSpecs for Technical Specifications and additional information:](#)

http://h18000.www1.hp.com/products/quickspecs/12244_na/12244_na.html
(Worldwide)

6G SATA Hot Plug with Smart Drive SFF (2.5-inch) Midline (MDL) Drives

HP 1TB 6G SATA 7.2K rpm SFF (2.5-inch) SC Midline 1yr Warranty Hard Drive 655710-B21

HP 500GB 6G SATA 7.2K rpm SFF (2.5-inch) SC Midline 1yr Warranty Hard Drive 655708-B21

6G SATA Quick Release SFF (2.5-inch) Midline (MDL) Drives

HP 1TB 6G SATA 7.2K rpm SFF (2.5-inch) Quick Release Midline 1yr Warranty Hard Drive 632080-B21

HP 500GB 6G SATA 7.2K rpm SFF (2.5-inch) Quick Release Midline 1yr Warranty Hard Drive 632078-B21

NOTE: Please see the [QuickSpecs for Technical Specifications and additional information:](#)

http://h18000.www1.hp.com/products/quickspecs/13021_na/13021_na.html

6G SAS MLC Hot Plug SFF (2.5-inch) Enterprise Mainstream Solid State Drives

HP 800GB 6G SAS MLC SFF (2.5-inch) SC Enterprise Mainstream 3yr Warranty Solid State Drive 653109-B21

HP 400GB 6G SAS MLC SFF (2.5-inch) SC Enterprise Mainstream 3yr Warranty Solid State Drive 653105-B21

HP 200GB 6G SAS MLC SFF (2.5-inch) SC Enterprise Mainstream 3yr Warranty Solid State Drive 658478-B21

6G SAS SLC Hot Plug SFF (2.5-inch) Enterprise Performance Solid State Drives

HP 400GB 6G SAS SLC SFF (2.5-inch) SC Enterprise Performance 3yr Warranty Solid State Drive 653082-B21

HP 200GB 6G SAS SLC SFF (2.5-inch) SC Enterprise Performance 3yr Warranty Solid State Drive 653078-B21

3G SATA MLC Hot Plug SFF (2.5-inch) Enterprise Mainstream Solid State Drives

HP 400GB 3G SATA MLC SFF (2.5-inch) SC Enterprise Mainstream 3yr Warranty Solid State Drive 653120-B21

HP 200GB 3G SATA MLC SFF (2.5-inch) SC Enterprise Mainstream 3yr Warranty Solid State Drive 653118-B21

HP 100GB 3G SATA MLC SFF (2.5-inch) SC Enterprise Mainstream 3yr Warranty Solid State Drive 653112-B21

NOTE: Please see the [QuickSpecs for Technical Specifications and additional information:](#)

http://h18000.www1.hp.com/products/quickspecs/14038_na/14038_na.html

SAS Non-Hot Plug SFF (2.5-inch) Enterprise (ENT) Drives - with quick-release (QR) carrier



Core Options

HP 300GB 6G SAS 10K rpm SFF (2.5-inch) Quick-release Dual Port Enterprise 3yr Warranty Hard Drive	574879-B21
SATA Non-Hot Plug SFF (2.5-inch) Enterprise Mainstream - with quick-release (QR) carrier	
HP 400GB 3G SATA MLC SFF (2.5-inch) Quick-release Enterprise Mainstream 3yr Wty Solid State Drive	636625-B21
HP 200GB 3G SATA MLC SFF (2.5-inch) Quick-release Enterprise Mainstream 3yr Wty Solid State Drive	636623-B21
HP 100GB 3G SATA MLC SFF (2.5-inch) Quick-release Enterprise Mainstream 3yr Wty Solid State Drive	636621-B21
Drive Cage Kits	
SL250 SFF Internal Enablement Kit	679991-B21
NOTE: The SFF enablement kit allows for up to four SFF HDD to be implemented in place of the three GPUs.	

HP Networking

Gigabit Ethernet Adapters

HP NC112T PCI Express Gigabit Server Adapter	503746-B21
HP NC365T 4-port Ethernet Server Adapter	593722-B21
HP Ethernet 1Gb 4-port 331T Adapter	647594-B21

10 Gigabit Ethernet adapters

NOTE: The SL250s Gen8 supports only the low-profile version of the 10GbE Ethernet Adapters.

NOTE: Direct Attach Cable (DAC) for copper environments or fiber transceivers and cables for fiber-optic environments must be purchased separately.

HP NC523SFP 10Gb 2-port Server Adapter	593717-B21
HP NC552SFP 10Gb 2-port Ethernet Server Adapter	614203-B21

FlexibleLOM Adapters

HP Ethernet 1Gb 4-port 331FLR Adapter	629135-B21
HP Ethernet 10Gb 2-port 530FLR-SFP+ Adapter	647581-B21
HP FlexFabric 10Gb 2-port 554FLR-SFP+ Adapter	629142-B21

NOTE: Please see the QuickSpecs for Technical Specifications and additional information: www.hp.com/go/ProLiantNICs



Core Options

HP InfiniBand	HP InfiniBand 4X QDR ConnectX-2 PCIe G2 Dual Port HCA	592520-B21
	QLogic InfiniBand 4X QDR PCI-E G2 Dual Port HCA	583211-B21
	HP InfiniBand FDR/EN 10/40Gb Dual Port 544FLR-QSFP Adapter	649282-B21
	NOTE: Dual port ConnectX-3 FDR/QDR IB or 40/10GbE. No IB Enablement Kit required.	
	HP InfiniBand QDR/EN 10Gb Dual Port 544FLR-QSFP Adapter	649283-B21
	NOTE: Dual port ConnectX-3 QDR IB or 10GbE. No IB Enablement Kit required.	
HP InfiniBand FDR/EN 10/40Gb Dual Port 544QSFP Adapter		649281-B21
	NOTE: Dual port ConnectX-3 FDR/QDR IB or 40/10GbE. No IB Enablement Kit required.	
	NOTE: Please see the QuickSpecs for additional information: http://h18000.www1.hp.com/products/quickspecs/13078_div/13078_div.html	

HP Power Supplies

NOTE: Prior to making a power supply selection it is highly recommended that the HP Power Advisor is run to determine the right size power supply for your server configuration. The HP Power Advisor is located at: www.hp.com/go/hppoweradvisor.

HP Common Slot Platinum Plus Power Supply Kits

HP 750W Common Slot Platinum Plus Hot Plug Power Supply Kit	656363-B21
HP 1200W Common Slot Platinum Plus Hot Plug Power Supply Kit	656364-B21

HP Common Slot -48VDC Power Supplies

HP 1200W Common Slot -48VDC Hot Plug Power Supply Kit	437573-B21
---	------------

NOTE: Option Kits contain optional power supply, an IEC power cable and PDU IEC cables.

NOTE: Power Specification and Technical Content for supported power supplies can be found at:

http://h18000.www1.hp.com/products/quickspecs/14209_na/14209_na.html



Additional Options

HP SL Advanced Power Manager

The SL Advanced Power Manager is an optional rack level solution for the HP ProLiant SL6500 which enables server-level DC (or hardware) power on and off and server-level monitoring. In addition, the SL APM will automatically discover SL hardware components which are connected into the SL APM solution.

The SL APM does not replace rack PDUs, but is designed to enable the utilization of basic, low cost, rack PDUs while providing the functionality of 'switched' PDUs which provide hardware power on/off of individual servers by turning off the AC power to the power supplies of a given server. Because the SL servers share power supplies to optimize power efficiency, using 'switched' PDUs to turn off the power supplies in the chassis will result in the loss of all servers in that chassis. The SL APM solves this by allowing server-level hardware power on/off of the DC power to the individual server motherboards.

HP SL Advanced Power Manager Kit	538084-B21
HP SL Advanced Power Manager Distribution Module Kit	539264-B21
HP SL Advanced Power Manager Distribution Module Kit	620002-B21

HP Insight Software

HP Insight Control

HP Insight Control including 1yr 24x7 Technical Support and Updates Electronic License	T9074BAE
--	----------

HP Insight Control including 1yr 24x7 Technical Support and Updates Single Server License	452148-B22
---	------------

HP Insight Management Media Kit	436222-B21
---------------------------------	------------

NOTE: HP Insight Management Media Kit contains DVDs without licenses. Contains HP Systems Insight Manager, HP Insight Control, HP Matrix Operating Environment, and Virtual Connect Enterprise Manager software. Uses an integrated installer to perform quick and accurate software installation and updates.

NOTE: Electronic and Flexible-Quantity licenses can be used to purchase multiple licenses with a single activation key.

NOTE: Customer will receive a license entitlement certificate. The license entitlement certificate must be redeemed online or via fax in order to obtain the license activation key(s). Includes one year of 24 x 7 HP Software Technical Support and Update Service.

NOTE: Licenses ship without media. Media kits can be ordered separately, or can be downloaded at: <http://www.hp.com/go/insightupdates>.

NOTE: For additional license options please see the Insight Control QuickSpecs at: http://h18000.www1.hp.com/products/quickspecs/12631_na/12631_na.html

HP Insight Control for Linux

HP Insight Control for Linux including 1yr 24x7 Support Electronic License	TC213AAE
--	----------

HP Insight Control for Linux including 1yr 24x7 Support Single Server License	TC209A
---	--------

HP Insight Control for Linux Media Kit	TC208A
--	--------

NOTE: Media pack DVD contains the ISO image for HP Insight Control for Linux, HP Systems Insight Manager, HP Insight Control power management, HP Insight Control virtual machine management, and an integrated installer. Servers must be acquired separately.

NOTE: Licenses ship without media. The Media Kit for Insight Control for Linux can be ordered separately, or can be downloaded at: <http://www.hp.com/go/ic-linux> (click



Additional Options

on Download button).

NOTE: Electronic and Flexible-Quantity licenses can be used to purchase multiple licenses with a single set of activation keys.

NOTE: For additional License Kits, including electronic licensing options, please see the QuickSpecs at:

http://h18000.www1.hp.com/products/quickspecs/13019_na/13019_na.html

HP Integrated Lights-Out (iLO) Advanced

HP iLO Advanced including 1yr 24x7 Technical Support and Updates Single Server License 512485-B21

NOTE: This license allows 1 server to be deployed and managed via HP iLO Advanced. Customer will receive a printed license entitlement certificate via physical shipment. The license entitlement certificate must be redeemed online or via fax in order to obtain the license activation key(s). Includes one year of 24 x 7 HP Software Technical Support Service

NOTE: For additional license kits, including electronic delivery options, please see the QuickSpecs at:

http://h18000.www1.hp.com/products/quickspecs/12362_na/12362_na.html

HP Insight Control Server Deployment

HP Insight Control Server Deployment including 1yr 24x7 Support Electronic License T9082AAE

HP Insight Control Server Deployment including 1yr 24x7 Support Single Server License 452151-B21

NOTE: Electronic and Flexible-Quantity licenses can be used to purchase multiple licenses with a single activation key.

NOTE: Customer will receive a license entitlement certificate. The license entitlement certificate must be redeemed online or via fax in order to obtain the license activation key(s). Includes one year of 24 x 7 HP Software Technical Support and Update Service.

NOTE: Licenses ship without media. The HP Insight Management Media Kit can be ordered separately, or can be downloaded at: <http://www.hp.com/go/insightupdates>.

NOTE: For additional license options please see the Insight Control QuickSpecs at: http://h18000.www1.hp.com/products/quickspecs/12631_na/12631_na.html

High Performance Clusters

HP Cluster Management Utility

HP Insight Cluster Management Utility 1yr 24x7 Flexible License QL803B

HP Insight Cluster Management Utility 3yr 24x7 Flexible License BD476A

NOTE: These part numbers can be used to purchase one certificate for multiple licenses and support with a single activation key. Each license is for one node (server). Customer will receive a printed end user license agreement and license entitlement certificate via physical shipment. The license entitlement certificate must be redeemed online in order to obtain a license key. Customer also will receive a support agreement.

HP Insight Cluster Management Utility Media BD477A

NOTE: For additional license kits please see the QuickSpecs at

http://h18004.www1.hp.com/products/quickspecs/12612_div/12612_div.html

HP HPC Linux Value Pack



Additional Options

HP High Performance Computing Linux Value Pack 1 Processor Flexible License NOTE: This part number can be used to purchase one certificate for multiple licenses with a single activation key. Each license is for one socket (a.k.a. processor). Customer will receive a printed end user license agreement and license entitlement certificate via physical shipment. The license entitlement certificate must be redeemed online in order to obtain a license key.	TC293B
HP High Performance Computing Linux Value Pack Media Kit NOTE: This part number can be used to purchase media including software and documentation, which will be delivered to the customer. NOTE: For additional license kits please see the QuickSpecs at: http://h18004.www1.hp.com/products/quickspecs/13485_div/13485_div.html	TC294A

GPU Computing Modules **NOTE:** Each SL250s tray will accommodate up to three GPUs, with options including HP NVIDIA Tesla M2075, M2070Q and M2090 computational accelerator modules. The NVIDIA M2070Q module enables computational acceleration as well as high-end QUADRO® graphics. The other modules are primarily for computational acceleration.

NOTE: The ambient temperature for SL250s systems must be 30 degrees Celsius or less.

NOTE: When adding GPU solutions to the SL250s servers one must utilize the HP 1200W CS Platinum Plus Power Supply Kit, 578322-B21, for all four power supply slots.

NOTE: Power supplies must be configured to accommodate the power requirements of the Tesla modules. For example, the M2090 modules each have a peak power requirement of 225 watts.

NOTE: When implementing three M2090's in the SL250s you must clock them down to 225W, if you are implementing two or less, you can run the GPUs at the full 250W.

NOTE: 130W processors are not supported when implementing Graphics Processors (GPUs).

NVIDIA Tesla M2070Q 6GB GPU Graphics Module	A0C39A
NVIDIA Tesla M2075 6GB Computational Module	A0R41A
NVIDIA Tesla M2090 6GB Module	A0J99A

NOTE: One must configure a minimum of 4GB of memory per CPU when GPU's are installed

NOTE: For additional license kits please see the QuickSpecs at:
http://h18004.www1.hp.com/products/quickspecs/13743_na/13743_na.html



Additional Options

HP Storage Controllers	SAS Controllers	
	Smart Array P222 Controller	
	HP Smart Array P222/512 FBWC 6Gb 1-port Int/1-port Ext SAS Controller	631667-B21
	Smart Array P420 Controller	
	HP Smart Array P420/1GB FBWC 6Gb 2-ports Int SAS Controller	631670-B21
	Smart Array P421 Controller	
	HP Smart Array P421/1GB FBWC 6Gb 2-ports Ext SAS Controller	631673-B21
	HP Smart Array P421/2GB FBWC 6Gb 2-ports Ext SAS Controller	631674-B21
	Optional Upgrades	
	HP 24in Super Capacity Option for Smart Array	668944-B21
	HP SL250s 4X SFF Smart Array Enablement Kit	670564-B21
	HP Smart Array Advanced Pack 2.0 No Media 1 Server 1yr 24x7 Support Software	BC377A
	HP Smart Array Advanced Pack 2.0 No Media Electronic Lic 1yr 24x7 Support Software	BC390AAE
	NOTE: Please see the QuickSpecs for Technical Specifications and additional information:	
	http://h18000.www1.hp.com/products/quickspecs/14227_na/14227_na.html (Smart Array P222 Controller)	
	http://h18000.www1.hp.com/products/quickspecs/14228_na/14228_na.html (Smart Array P420 Controller)	
	http://h18000.www1.hp.com/products/quickspecs/14229_na/14229_na.html (Smart Array P421 Controller)	
	http://h18000.www1.hp.com/products/quickspecs/13200_na/13200_na.html (Smart Array Advanced Pack)	

HP Power Cords	HP 0.7m 10A C13-C14 Gray Jumper Cord	A0K03A
	HP 1.37m 10A C13-C14 Gray Jumper Cord	A0K04A
	HP 2.0m 10A C13-C14 Black Jumper Cord	A0K02A
	HP 3.0m 10A C13-C14 Gray Jumper Cord	A0K06A
	HP 3.6m 15A 250V C13-NEMA6-15P Cord	A0N33A
	HP 1.83m 10A C13 Power Cord	AF556A
	HP 2m 10A C13-C14 Redundant Jumper Cord	AF573A



Additional Options

HP Rack Series	HP Rack 10000 G2 Series (Carbon/Graphite Metallic)	
	HP 10642 G2 1200mm deep Shock Rack	AF092A
	HP 10647 G2 1200mm deep Shock Rack	AF094A
	NOTE: It is mandatory to use a shock pallet when shipping racks with equipment installed.	
	NOTE: Please see the QuickSpecs for Technical Specifications and additional information: http://h18000.www1.hp.com/products/quickspecs/12402_na/12402_na.html	
NOTE: For additional information regarding Rack Cabinets, please see the following URL: http://www.hp.com/go/rackandpower .		
NOTE: The increasing power of new high-performance processor technology requires increased cooling efficiency for rack-mounted servers. The 10000 G2 Series Racks provide enhanced airflow for maximum cooling, allowing these racks to be fully loaded with servers using the latest processors.		
CAUTION: If a third-party rack is used, observe the following additional requirements to ensure adequate airflow and to prevent damage to the equipment: Front and rear doors: If your 42U server rack includes closing front and rear doors, you must allow 830 square inches (5,350 sq cm) of hole evenly distributed from top to bottom to permit adequate airflow (equivalent to the required 64 percent open area for ventilation). Side: The clearance between the installed rack component and the side panels of the rack must be a minimum of 2.75 inches (7 cm).		
CAUTION: Always use blanking panels to fill all remaining empty front panel U-spaces in the rack. This arrangement ensures proper airflow. Using a rack without blanking panels results in improper cooling that can lead to thermal damage.		
NOTE: Quick deploy rail system provides tool-free support for racks with square or round mounting holes (including Compaq/HP 7000, 9000, 10000 G2 and HP series), with an adjustment range of 24" - 36". The ambidextrous cable management arm can be mounted on either the left or right side for improved cable management.		
<hr/>		
HP Rack Options	HP USB Keyboard and Mouse	
	HP USB BFR with PVC Free US Keyboard/Mouse Kit	631341-B21
	NOTE: Please see the QuickSpecs for Technical Specifications and additional information: http://h18000.www1.hp.com/products/quickspecs/13972_na/13972_na.html	
<hr/>		
HP USB and SD Options	HP 2GB USB Flash Media Drive Key Kit	608447-B21
	NOTE: HP qualified blank USB key for use with HP ProLiant servers that support the VMware virtualization environment and other HP value-add software like SmartStart. HP recommends this industry standard USB flash device for use with VMware ESXi. USB device must be installed in the internal slot of the ProLiant server for use with VMware ESXi. Refer to HP VMware Getting Started Guide for installation instructions.	
	HP 4GB Micro SDHC Flash Media Kit	647444-B21
	HP 36pin Serial/USB/VGA Dongle Cord Kit	676277-B21
<hr/>		
HP Care Pack Services	HP 3 year 24x7 24 hour Call to Repair ProLiant s6500 Hardware Support	UR425E



Additional Options

HP 3 year 24x7 24 hour Call to Repair with Defective Media Retention ProLiant s6500 Hardware Support	UR426E
HP 3 year 4 hour 13x5 ProLiant s6500 Hardware Support	UR400E
HP 3 year 4 hour 13x5 with Defective Media Retention ProLiant s6500 Hardware Support	UR401E
HP 3 year 4 hour 24x7 ProLiant s6500 Hardware Support	UR402E
HP 3 year 4 hour 24x7 with Defective Media Retention ProLiant s6500 Hardware Support	UR403E
HP 3 year 6 hour 24x7 Call to Repair ProLiant s6500 Hardware Support	UR404E
HP 3 year 6 hour 24x7 Call to Repair with Defective Media Retention s6500 Hardware Support	UR405E
HP 3 year Next business day ProLiant s6500 Hardware Support	UR398E
HP 3 year Next business day with Defective Media Retention ProLiant s6500 Hardware Support	UR399E
HP 4 year 24x7 24 hour Call to Repair ProLiant s6500 Hardware Support	UR427E
HP 4 year 24x7 24 hour Call to Repair with Defective Media Retention ProLiant s6500 Hardware Support	UR428E
HP 4 year 4 hour 13x5 ProLiant s6500 Hardware Support	UR408E
HP 4 year 4 hour 13x5 with Defective Media Retention ProLiant s6500 Hardware Support	UR409E
HP 4 year 4hour 24x7 ProLiant s6500 Hardware Support	UR410E
HP 4 year 4 hour 24x7 with Defective Media Retention ProLiant s6500 Hardware Support	UR411E
HP 4 year 6 hour 24x7 Call to Repair ProLiant s6500 Hardware Support	UR412E
HP 4 year 6 hour Call to Repair 24x7 with Defective Media Retention ProLiant s6500 Hardware Support	UR413E
HP 4 year Next business day ProLiant s6500 Hardware Support	UR406E
HP 4 year Next business day with Defective Media Retention ProLiant s6500 Hardware Support	UR407E
HP 5 year 24x7 24 hour Call to Repair ProLiant s6500 Hardware Support	UR429E
HP 5 year 24x7 24 hour Call to Repair with Defective Media Retention ProLiant s6500 Hardware Support	UR430E
HP 5 year 4 hour 13x5 ProLiant s6500 Hardware Support	UR416E
HP 5 year 4 hour 13x5 with Defective Media Retention ProLiant s6500 Hardware Support	UR417E
HP 5 year 4 hour 24x7 ProLiant s6500 Hardware Support	UR418E
HP 5 year 4 hour 24x7 with Defective Media Retention ProLiant s6500 Hardware Support	UR419E
HP 5 year 6 hour 24x7 Call to Repair ProLiant s6500 Hardware Support	UR420E
HP 5 year 6 hour 24x7 Call to Repair with Defective Media Retention s6500 Hardware Support	UR421E
HP 5 year Next business day ProLiant s6500 Hardware Support	UR414E
HP 5 year Next business day with Defective Media Retention ProLiant s6500 Hardware Support	UR415E



Additional Options

NOTE: For more information, customer/resellers can contact:
<http://www.hp.com/services/carepack>.



Memory

HP ProLiant SL250s Gen8 Server

NOTE: Memory configurations listed do not apply to "Factory Integrated Models".

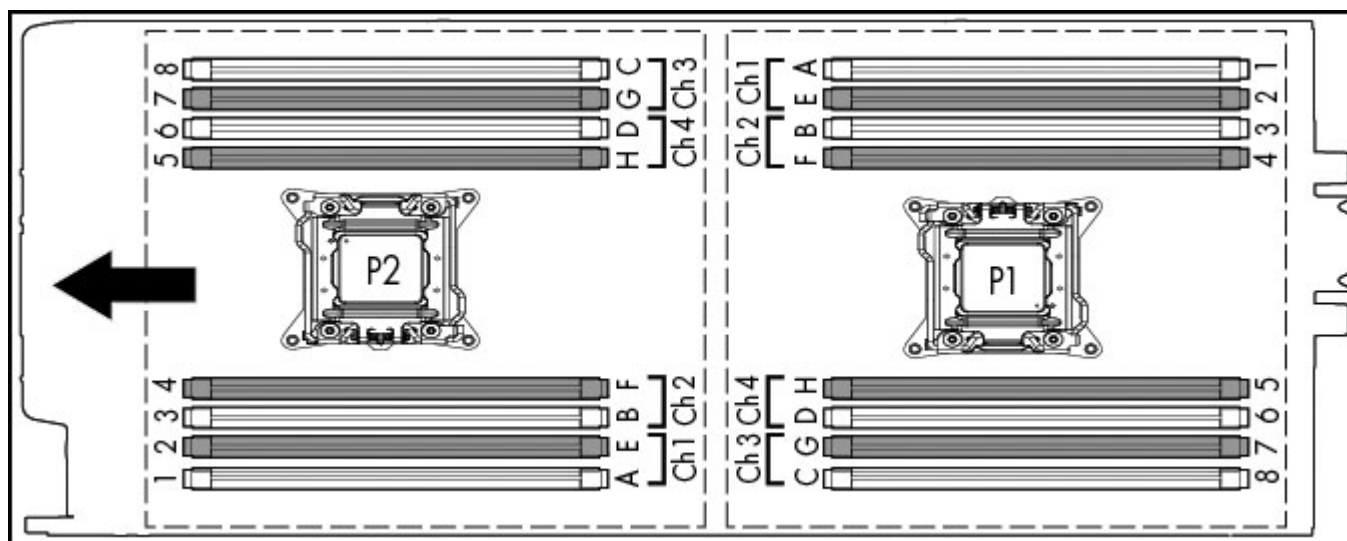
NOTE: Chart does not represent all possible memory configurations.

DDR3 memory population guidelines

For detailed memory configuration rules and guidelines, please use the Online DDR3 Memory Configuration Tool:

www.hp.com/go/ddr3memory-configurator

Each Intel® Xeon® E5-2600 family processor socket contains two memory channels that support four DIMMs each for a total of twelve (8) DIMM per installed processor or a grand total of sixteen (16) DIMMs for the server. Up to 32GB capacity DIMMs are supported for 512GB of memory (16 DIMM slots x 32GB per DIMM).



Memory Population Rules and Guidelines:

- White DIMM slots denote the first slot of a channel. For 1 DPC (DIMM per channel) populate white slots only.
- Install DIMMs only if the corresponding processor is installed.
- If only one processor is installed in a two processor system, only half of the DIMM slots are available.
- To maximize performance, it is recommended to balance the total memory capacity between all installed processors and to load the channels similarly whenever possible.
- Populate DIMMs from heaviest load (quad-rank) to lightest load (single-rank) within a channel
- Heaviest load (DIMM with most ranks) within a channel goes furthest from the processor
- RDIMMs operating at either 1.35V or 1.5V may be mixed in any order, but the system will power them at the higher voltage.
- Do not mix RDIMMs, LRDIMMs, and UDIMMs.
- LRDIMMs are supported up to 2 DIMMs per channel.
- The Intel Xeon E5-2620 processor does not support DIMMs at 1.35V. Using the HP RBSU, 1.35V DIMMs can be changed to operate at 1.5V.
- DIMMs of different speeds may be mixed in any order; the server will select a common optimal speed.
- The maximum memory speed is a function of the memory type, memory configuration, and processor model.
- The maximum memory capacity is a function of the memory type and number of installed processors.
- HP memory from previous generation servers is not qualified on the SL250s Gen8 Server. Certain HP SmartMemory features such as memory authentication and enhanced performance may not be supported.
- To realize the performance memory capabilities listed in this document, HP SmartMemory is required. For additional

Memory

information, please see the HP SmartMemory QuickSpecs at:

http://h18000.www1.hp.com/products/quickspecs/14225_na/14225_na.html.

- For memory population rules and additional memory guidelines, please see the SL250 Gen8 user guide at <http://www.hp.com/support>.

DIMM slot/capacity/populated speed table									
DIMM Type	Registered DIMMS (RDIMMs)						Unbuffered with ECC DIMMs (UDIMMs)		
DIMM Rank	Single Rank (1R)			Dual Rank (2R)			Single Rank (1R)	Dual Rank (2R)	
DIMM Capacity	4GB	4GB	8GB	8GB	16GB	16GB	2GB	4GB	8GB
DIMM Native Speed (MHz)	1066	1333	1066	1333	1333	1600	1333	1333	1333
Voltage	Std	LV		LV	LV	Std	LV	LV	LV
SLOTS THAT CAN BE POPULATED									
16 slot servers	16	16	16	16	16	16	16	16	16
MAXIMUM CAPACITY (GB)									
Capacity	64	64	128	128	256	256	32	64	128
POPULATED DIMM SPEED (MHz)									
1 DIMM Per Channel	1600	1333	1600	1066	1333	1600	1333	1333	1333
2 DIMM Per Channel	1600	1333	1600	1066	1333*	1600	1333**	1333**	1333**

*For RDIMM DDR3-1333, HP SmartMemory supports either 1.35V or 1.5V up to 2DPC@1333. Third party memory may support 2DPC@1333 at 1.5V only.

** UDIMM is supported at 2DPC@1333 using HP SmartMemory. Third party memory may only support 2DPC@1066.

NOTE: For DDR3-1333 RDIMM, HP SmartMemory supports 2DPC@1333 and 3DPC@1066 running either 1.35V or 1.5V. Third party memory may only support 2DPC@1333 and 3DPC@1066 running at 1.5V

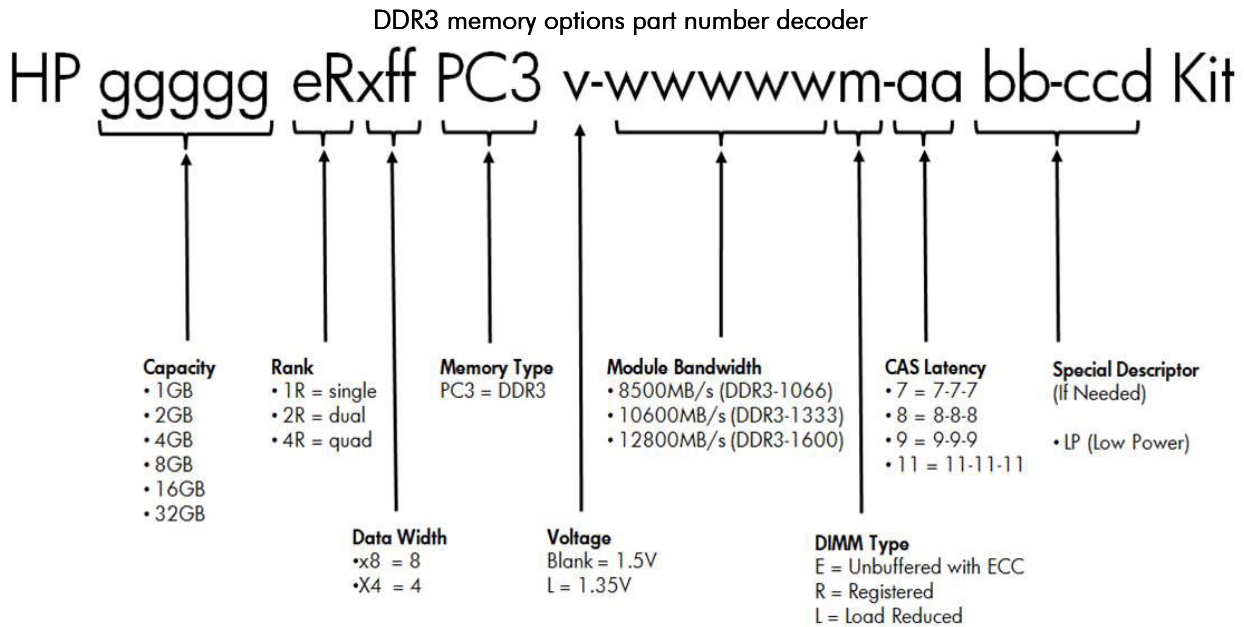
NOTE: LRDIMM enables 3 DIMMs per channel. HP SmartMemory supports up to 3DPC@1066 at 1.35V. Third party memory may only support up to 3DPC@1066 at 1.5V.

NOTE: For UDIMMs, HP SmartMemory supports 2DPC@1333 at 1.35V. Third party memory may only support up to 2DPC@1066 at 1.5V.



Memory

- 2GB = 2048MB
- 4GB = 4096MB
- 8GB = 8192MB
- 16GB = 16384MB



Following are memory options available from HP:

HP Memory

NOTE: HP memory from previous generation servers are not qualified or warranted with this HP ProLiant Server. HP SmartMemory is required to realize the memory performance improvements and enhanced functionality listed in this document for Gen8. For additional information, please see the HP SmartMemory QuickSpecs at: http://h18000.www1.hp.com/products/quickspecs/14225_na/14225_na.html

NOTE: LRDIMM, RDIMM and UDIMMs are all distinct memory technologies and cannot be mixed within a server. The majority of ProLiant Gen8 servers support RDIMM, UDIMM and LRDIMM.

Registered DIMMs (RDIMMs)

HP 4GB (1x4GB) Single Rank x4 PC3L-10600R (DDR3-1333) Registered CAS-9 Low Voltage Memory Kit 647893-B21

HP 8GB (1x8GB) Dual Rank x4 PC3L-10600R (DDR3-1333) Registered CAS-9 Low Voltage Memory Kit 647897-B21

HP 16GB (1x16GB) Dual Rank x4 PC3L-10600R (DDR3-1333) Registered CAS-9 Low Voltage Memory Kit 647901-B21

HP 4GB (1x4GB) Single Rank x4 PC3-12800R (DDR3-1600) Registered CAS-11 Memory Kit 647895-B21

HP 8GB (1x8GB) Single Rank x4 PC3-12800R (DDR3-1600) Registered CAS-11 Memory Kit 647899-B21

Unbuffered with ECC DIMMs (UDIMMs)

HP 2GB (1x2GB) Single Rank x8 PC3L-10600E (DDR3-1333) Unbuffered CAS-9 Low Voltage Memory Kit 647905-B21



Memory

HP 4GB (1x4GB) Dual Rank x8 PC3L-10600E (DDR3-1333) Unbuffered CAS-9 Low Voltage Memory Kit 647907-B21

HP 8GB (1x8GB) Dual Rank x8 PC3L-10600E (DDR3-1333) Unbuffered CAS-9 Low Voltage Memory Kit 647909-B21

NOTE: For detailed memory configuration rules and guidelines, please use the Online DDR3 Memory Configuration Tool: www.hp.com/go/ddr3memory-configurator.

NOTE: There is a maximum support limitation of 8 ranks per memory channel (maximum of 2 quad rank DIMMs per channel)

NOTE: PC3L is a low voltage memory.

NOTE: Memory Min and Max depends on number of processors and type of memory:

- One (1) Processor -> R-Dimm: Min 1 // Max 8 U-Dimm: Min 1 // Max 8
- Two (2) Processors -> R-Dimm: Min 2 // Max 16 U-Dimm: Min 2 // Max 16

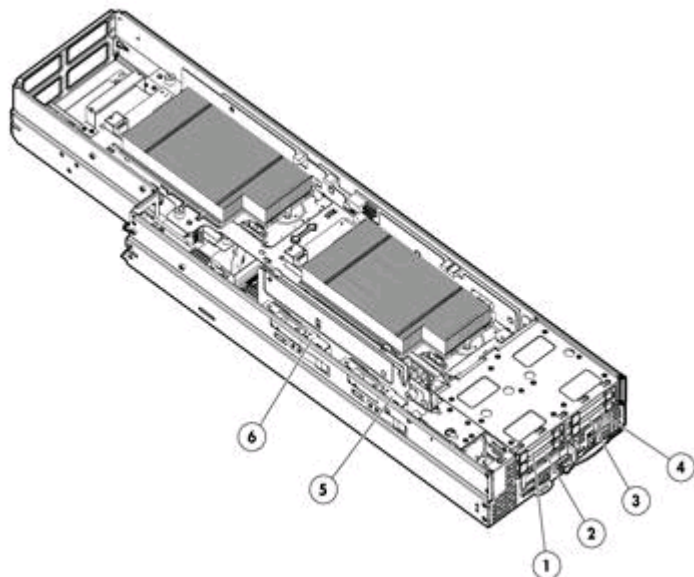
NOTE: Intel E5 E5-2620 processor does not support LV DIMMs running at 1.35V. The HP RBSU can be changed to run at 1.5V.

NOTE: Not all Intel E5 processor series support 1600MHz or 1333MHz speeds. Memory speed is a function of the processor QPI speed.

NOTE: For Registered DIMMs, there is a maximum support limitation of 8 ranks per memory channel (maximum of 2 quad rank DIMMs per channel). However, Load Reduced DIMMs are capable of supporting up to 3 DIMMs per channel



Storage



2U Tray

1-4 1-4 Up to four 2.5" hot plug hard drive bays

5 5 Up to four additional 2.5" non hot-plug drives can be configured when the SFF Hard Drive Enablement Kit is implemented in place of the included GPU kit

Drive Support

Hard Drives

NOTE: The components of a storage subsystem (e.g. the drive, the HBA/controller, firmware, and the server backplane) should operate at the same data transfer rate or the system bandwidth will be negotiated down to an acceptable level for all components.

NOTE: Hard drives have either a one year or three year warranty.

2U Tray

SAS Hot Plug with Smart Drive SFF (2.5-inch) Enterprise Drives

	Quantity Supported	Position Supported	Controller
900GB 6G SAS 10K	Up to 4	1-4	HP H220i Host Bus Adapter
600GB 6G SAS 10K			
450GB 6G SAS 10K			
300GB 6G SAS 15K			
300GB 6G SAS 10K			
146GB 6G SAS 15K			
72GB 6G SAS 15K			

SAS Hot Plug Smart Drive SFF (2.5-inch) Midline Drives

	Quantity Supported	Position Supported	Controller
1TB 6G SAS 7.2K	Up to 4	1-4	HP H220i Host Bus Adapter
500GB 6G SAS 7.2K			

6G SATA Hot Plug with Smart Drive SFF (2.5-inch) Midline (MDL) Drives



Storage

	Quantity Supported	Position Supported	Controller
1TB 6G SATA 7.2K 500GB 6G SATA 7.2K	Up to 4	1-4	HP H220i Host Bus Adapter

6G SATA Quick Release SFF (2.5-inch) Midline (MDL) Drives

	Quantity Supported	Position Supported	Controller
1TB 6G SATA 7.2K 500GB 6G SATA 7.2K	Up to 4	7	HP H220i Host Bus Adapter

6G SAS MLC Hot Plug SFF (2.5-inch) Enterprise Mainstream Solid State Drives

	Quantity Supported	Position Supported	Controller
800GB 6G SAS MLC 400GB 6G SAS MLC 200GB 6G SAS MLC	Up to 4	1-4	HP H220i Host Bus Adapter

6G SAS SLC Hot Plug SFF (2.5-inch) Enterprise Performance Solid State Drives

	Quantity Supported	Position Supported	Controller
400GB 6G SAS SLC 200GB 6G SAS SLC	Up to 4	1-4	HP H220i Host Bus Adapter

3G SATA MLC Hot Plug SFF (2.5-inch) Enterprise Mainstream Solid State Drives

	Quantity Supported	Position Supported	Controller
400GB 3G SATA MLC 200GB 3G SATA MLC 100GB 3G SATA MLC	Up to 4	1-4	HP H220i Host Bus Adapter

SAS Non-Hot Plug SFF (2.5-inch) Enterprise (ENT) Drives - with quick-release (QR) carrier

	Quantity Supported	Position Supported	Controller
300GB 6G SAS 10K	Up to 4	7	HP H220i Host Bus Adapter

SATA Non-Hot Plug SFF (2.5-inch) Enterprise Mainstream - with quick-release (QR) carrier

	Quantity Supported	Position Supported	Controller
400GB 3G SATA MLC 200GB 3G SATA MLC 100GB 3G SATA MLC	Up to 4	7	HP H220i Host Bus Adapter



Technical Specifications

System Unit	Chassis Dimensions (H x W x D) Add fan extension kit (with bezel)	6.96 x 17.638 x 35.236in (17.68 x 44.8 x 89.55cm)
	Weight (approximate)	Maximum (all hard drives, power supplies, and processors installed) 220lb (99.8kg)
	Input Requirements (per power supply)	Rated Line Voltage 90 to 140 VAC 180 to 264 VAC
		Rated Input Current 7.31A at 115VAC 3.6A at 230VAC
		Rated Input Frequency 47 to 63 Hz
		Rated Input Power 855W (at 100 VAC), 840.72W (at 200 VAC)
	Power Supply Output (per power supply)	Rated Steady-State Power 653.10W (at 100 VAC), 653.08W (at 200 VAC)
	System Inlet Temperature	Operating 50° to 95° F (10° to 35° C) at sea level with an altitude derating of 1.8°F per every 1000 ft (1.0°C per every 305 m) above sea level to a maximum of 10,000 ft (3050 m), no direct sustained sunlight. Maximum rate of change is 18°F/hr (10°C/hr). The upper limit may be limited by the type and number of options installed. System performance may be reduced if operating with a fan fault or above 86°F (30°C).
		Non-operating -22° to 140° F (-30° to 60° C) Maximum rate of change is 36°F/hr (20°C/hr).
	Relative Humidity (non-condensing)	Operating 10% to 90% relative humidity (Rh), 82.4°F (28°C) maximum wet bulb temperature, non-condensing.
		Non-operating 5% to 95% relative humidity (Rh), 101.7°F (38.7°C) maximum wet bulb temperature, non-condensing.
	Altitude	Operating 10,000 ft (3050 m). This value may be limited by the type and number of options installed. Maximum allowable altitude change rate is 1500 ft/min (457 m/min).
		Non-operating 30,000 ft (9144 m). Maximum allowable altitude change rate is 1500 ft/min (457 m/min).
	Acoustic Noise	Listed are the declared A-Weighted sound power levels (LWAd) and declared average bystander position A-Weighted sound pressure levels (LpAm) when the product is operating in a 23°C ambient environment. Noise emissions were measured in accordance with ISO 7779 (ECMA 74) and declared in accordance with ISO 9296 (ECMA 109).
		Idle



Technical Specifications

	LWAd	6.4
	LpAm	45dBA
	Operating	
	LWAd	6.7
	LpAm	51dBA
Emissions Classification (EMC)	FCC Rating	Class A
	Normative Standards	CISPR 22; EN55022; EN55024; FCC CFR 47, Pt 15; ICES-003; CNS13438; GB9254; K22;K24; EN 61000-3-2; EN 61000-3-3; EN 60950-1; IEC 60950-1

NOTE: Product conformance to cited product specifications is based on sample (type) testing, evaluation, or assessment. This product or family of products is eligible to bear the appropriate compliance logos and statements.

HP iLO 4 On System Management Processor	Architecture	PCI Express based health and remote management ASIC
	Processor	Embedded ARM processor core operating at 400MHz
	Upgradeability	Firmware upgradeable via Flash ROM
	Video Support	1920 x 1200 (16 bpp) DVR max resolution
	Interfaces	One Ethernet Sideband connection (10/100/1000 Mb/s)
		One Ethernet network LAN connection (1 Gbps) for rack, towers and SL systems
		One Ethernet network LAN connection (10/100 Mb/s) for Blade Systems
	Memory	16 MB Flash
		256 MB DDR 3 with ECC (112 MB after ECC and video)
	Operating System Support	Microsoft Windows 2008 R2
Microsoft Windows 2008 (32 bit and 64 bit)		
Microsoft Windows Server 2008 Standard Edition (32 bit and 64 bit)		
Microsoft Windows Server 2008 Enterprise Edition (32 bit and 64 bit)		
Red Hat Enterprise Linux 5.7 (32 bit and 64 bit)		
Red Hat Enterprise Linux 6.0 (32 bit and 64 bit)		
SUSE LINUX Enterprise Server 11 (32 bit and 64 bit)		
SUSE LINUX Enterprise Server 10 (32 bit and 64 bit)		
VMware ESX 4.1		
VMware ESXi 5.0		
Client System Support	Red Hat Enterprise Desktop 5.00	
	SUSE Linux Enterprise Desktop 11	
	SUSE Linux Enterprise Desktop 10	
	Windows 7	
	Microsoft Windows XP Professional Edition	
Client Browser Support	Microsoft Windows Vista Business and Ultimate Editions	
	Microsoft Internet Explorer 9	
		NOTE: For customers using Protected Mode, please use the Java based



Technical Specifications

		version of Integrated Remote Console.
		Microsoft Internet Explorer 8
		NOTE: For customers using Protected Mode, please use the Java based version of Integrated Remote Console.
		Microsoft Internet Explorer 7
		Firefox Extended Support Release (ESR) 10 (on supported Windows and Linux systems)
		Firefox 3.6 (on supported Windows and Linux systems)
Command Line Support		Secure Shell and serial port access
		Secure Socket Layer
		Secure Shell version 2
Security		Advanced Encryption Standard (AES) and Triple Data Encryption Standard (3DES) on browser, CLP and XML scripting interface
		AES encryption of video
		RC4 encryption of video
Directory Support Services		Active Directory v1.0 (Windows 2003)
Driver Support		HP ProLiant iLO 4 Management Controller Driver Package
Management protocols supported		SNMP, IPMI 2.0 (system and LAN interface), DMTF Systems Management Architecture for Server Hardware Command Line Protocol (SMASH CLP), HP RIBCL XML

HP Ethernet 1Gb 2-port 361i Adapter	Network Interface	10Base-T/100Base-TX/1000Base-TX	
	Compatibility	IEEE 802.3 10Base-T	
		IEEE 802.3ab 1000Base-T	
		IEEE 802.3u 100Base-TX	
		IEEE 1588, IEEE 802.1AS	
		IEEE 802.3az - Energy Efficient Ethernet (EEE)	
	Data Transfer Method	PCI Express v 2.1, 5.0 GT/s and 2.5 GT/s bus speeds and supports for x1, x2, x4 links widths (Lanes)	
	Controller	I350 Powerville	
	Network Transfer Rate	10Base-T (Half-Duplex)	10 Mb/s per port, 20 Mb/s Combined
		10Base-T (Full-Duplex)	20 Mb/s per port, 40 Mb/s Combined
100Base-TX (Half-Duplex)		100 Mb/s per port, 200 Mb/s Combined	
100Base-TX (Full-Duplex)		200 Mb/s per port, 400 Mb/s Combined	
1000Base-TX (Half and Full-Duplex)		1000Mb/s per port, 2000 Mb/s Combined	
Connector	RJ-45		
Cable Support	10Base-T	Categories 3, 4 or 5 UTP; up to 328 ft (100 m)	
	10/100/1000Base-TX	Category 5 UTP; up to 328 ft (100 m)	



Technical Specifications

HP H220i Host Bus Adapter	Disk Drive and Enclosure Interface - Transfer rate	6Gb/s SAS (Serial Attached SCSI) 6Gb/s SATA (Serial ATA)
	SAS Connectors	2 internal 4X connectors
	Server Interface	x8 PCIe 3.0 provides 2GB/s maximum bandwidth
	SAS Speed	6Gb/s SAS links provide 4.8GB/s maximum bandwidth
	Cache Memory	None
	Physical Drives Supported	Up to 8 physical drives
	Hot Plug Support	Yes
	RAID Support	None

Environment-friendly Products and Approach **End-of-life Management and Recycling** Hewlett-Packard offers end-of-life HP product return, trade-in, and recycling programs in many geographic areas. For trade-in information, please go to: <http://www.hp.com/go/green>. To recycle your product, please go to: <http://www.hp.com/go/green> or contact your nearest HP sales office. Products returned to HP will be recycled, recovered or disposed of in a responsible manner.

The EU WEEE directive (2002/95/EC) requires manufacturers to provide treatment information for each product type for use by treatment facilities. This information (product disassembly instructions) is posted on the Hewlett Packard web site at: <http://www.hp.com/go/green>. These instructions may be used by recyclers and other WEEE treatment facilities as well as HP OEM customers who integrate and re-sell HP equipment.

© Copyright 2012 Hewlett-Packard Development Company, L.P.

The information contained herein is subject to change without notice.

Microsoft and Windows NT are US registered trademarks of Microsoft Corporation. Intel, the Intel logo, Xeon and Xeon Inside are trademarks of Intel Corporation in the U.S. and other countries.

The only warranties for HP products and services are set forth in the express warranty statements accompanying such products and services. Nothing herein should be construed as constituting an additional warranty. HP shall not be liable for technical or editorial errors or omissions contained herein.

For hard drives, 1GB = 1 billion bytes. Actual formatted capacity is less.

