

# APPLIANCES '98



FEATURING THE GE PROFILE PERFORMANCE SERIES™



*We bring good things to life.*

---





# THE NEW GOLD STANDARD FOR PERFORMANCE

## GE INTRODUCES THE ALL-NEW PROFILE PERFORMANCE SERIES™

GE Profile Performance appliances take performance to the next level. The refrigerator is the only one in the world with "Water by Culligan.™" The amazing new convection range has a versatile new cooktop, unlike any you've ever seen. An exclusive bridge-burner actually connects to the front burner (perfect for a skillet) and then connects to the back burner, to create a unique oval burner about 7" by 16" (perfect for poaching). The range also has GE's exclusive TrueTemp™ System, the most accurate oven in America. You'll find innovations like these on every appliance in the series. The washer and dryer for example, treat every type of fabric (from delicate silks to rugged denims) with special care. Each appliance delivers more than you expect, which is actually what you deserve. That includes the styling. Think of it as a way to reward yourself. You've earned it.



*Profile Performance™*

*We bring good things to life.*





# THE FASTEST GROWING BRAND OF APPLIANCES IN AMERICA

GE PROFILE™ APPLIANCES HAVE  
CAPTURED AMERICA'S IMAGINATION.

Why just wish for smarter appliances? They're here. The GE Profile line features the "Built-In-Style" collection, which lets you achieve a built-in look without the built-in expense. With this unique collection, you can mix and match built-in and free-standing appliances to create a "custom kitchen" look. What really makes this possible is the innovative GE Profile "Built-In-Style" refrigerator. It's actually a free-standing unit. But, look at the photo. Note how the refrigerator is almost flush with the countertop (most free-standing models would stick out at least six inches). And inside, you have as much space as GE's standard 27 cubic foot refrigerators. In addition, you get all of GE Profile's innovative, space-saving design features. Step up to GE Profile. You'll never look back.



*Profile*™

*We bring good things to life.*





# THE NAME YOU KNOW, THE BRAND YOU TRUST.

FOR GOOD REASON. GE QUALITY  
AND DEPENDABILITY ARE LEGENDARY.

Our GE Answer Center® receives call after call from satisfied customers telling us how pleased they are with their new GE appliances. And their old ones. People actually send us pictures. Just imagine, forty year old refrigerators that are still working! They're out there, and we've seen the snapshots to prove it. We're proud of that, and we believe our founder, Thomas Edison, would be too. GE remains dedicated to the principles upon which it was founded over 100 years ago: innovation, quality and products that set new standards. Especially the innovative designs and new conveniences we offer on all GE appliances. The GE promise, "We bring good things to life," is taken very seriously by everyone at GE. Whether you're building a new home, remodeling or simply updating your kitchen and laundry facilities, you can depend on GE—for classic styling, time-saving conveniences and dependable performance. Give your home a fresh, new look—with all new GE appliances.



***GE Appliances***  
*We bring good things to life.*

# The GE Appliance Lines

*Individuality is the combination of qualities that distinguish one person from all others, making each of us unique.*

*GE Appliances honors this individuality by offering three distinctive lines: the GE Profile Performance Series™, GE Profile™, and GE. So everyone can choose the line that's right for them, from a company they've known and trusted for years.*

*Look for this color-coding system throughout this brochure to easily identify brand, product and features.*

## GE Profile Performance Series™



GE Profile Performance Series™

## GE Profile™



GE Profile™

## GE Appliances



GE

## Visit GE Appliances at [www.ge.com/appliances](http://www.ge.com/appliances)

*We have a brand new look that will make it even easier to discover the advantages of the GE brand family. You'll find great areas like the "Design Center," "What's New" and even "Current Promotions." You can locate nearby stores that carry our appliances, download dimension and installation information, contact Customer Service, design your own kitchen—and more!*



## GE Appliances

GE news

GE business finder

GE products & services



GE Profile™

GE Appliances

HOTPOINT

RCA



# Table of Contents

<i>Product</i>	<i>Page</i>	<i>Specifications/Installation</i>
<b>Side-by-Side Refrigerators</b>		
30 cu. ft. Refrigerators.....	10-12.....	129
“Built-In Style”.....	13-15.....	126-128
Side-by-Side Refrigerators.....	16-22.....	129-130
Bottom-Mount Refrigerators.....	23.....	131
<b>Top-Mount No-Frost Refrigerators.....</b>	<b>24-31.....</b>	<b>131-133</b>
Cycle and Manual Defrost.....	32.....	134
<b>Compact Refrigerators.....</b>	<b>33.....</b>	<b>134</b>
<b>Freezers.....</b>	<b>34-35.....</b>	<b>135</b>
<b>Refrigeration Trim Kits.....</b>		<b>136</b>
<b>Laundry</b>		
Laundry Pairs.....	36-44.....	137-139
Spacemaker® Washers & Dryers.....	44-45.....	140-141
<b>Built-In Cooking Products</b>		
Wall Ovens.....	46-55.....	142-149
Cooktops.....	55-61.....	150-156
Ventilation Options.....	62-63.....	157-159
Slide-In/Drop-In Ranges.....	64-67.....	160-164
<b>Free-Standing Cooking Products</b>		
Electric Ranges.....	68-77.....	165-166
40" Electric Ranges.....	77.....	167
Gas Ranges.....	78-83.....	168-169
<b>Microwave Ovens</b>		
Over-The-Range.....	84-86, 88-89.....	170 and 172
Built-In.....	87.....	171
Countertop.....	90-93.....	173-174
Subcompact.....	94.....	174
Value Line.....	94.....	175
Countertop Microwave Oven Built-In Trim Kits.....	95.....	
<b>Dishwashers</b>		
Built-In.....	96-100.....	176-177
Convertible Spacemaker® Built-In and Undersink.....	101-102.....	178-179
Disposers & Compactors.....	103.....	180
<b>Water Systems</b>		
Filtration Systems.....	104-109.....	181-182
Softening Systems.....	110-113.....	183
<b>Room Air Conditioners</b>		
“J” Series Built-Ins.....	114-117.....	185-186
Deluxe/Value.....	118-119.....	184
Slide-Aire.....	120.....	184
Dehumidifiers.....	120.....	120
<b>Warranty Information.....</b>	<b>122-125</b>	
<b>Nomenclatures.....</b>	<b>187-190</b>	

“WATER BY CULLIGAN™” IS JUST THE TIP OF THE ICEBERG





## GE REFRIGERATORS: A TRADITION OF INNOVATION

It should come as no surprise that GE would combine America's thirst for filtered water with the convenience of the LightTouch! dispenser. Of course GE didn't just add a water filtration system, we went to Culligan, the best known brand in the water-quality industry. GE has been showing the way in refrigeration design since 1927. More recently, in 1995, we introduced the first 30 cu. ft. Side-By-Side, GE's largest free-standing refrigerator. In 1996, we introduced the largest "Built-In Style" Refrigerator. Along the way, GE has set a new standard in the interior design of American refrigerators. Examples are the Spacemaker™ extra deep adjustable door bins, GE's special Spill Proof Shelf, the Refreshment Center, to name a few, and the Quick Space™ Shelf for all those "tall things" that just won't fit in an ordinary refrigerator. You'll find all GE refrigerators are full of innovations. But they keep very quiet about it. The special QuietSound package sees to that.

# GE Profile Performance™ 30

GE's Largest Free-Standing Refrigerator with **water by Culligan**.

*INNOVATION CREATED TO ELEVATE THE STANDARD KITCHEN*

Here comes another big idea from GE: the 30 cu. ft. refrigerator, GE's largest free-standing refrigerator. But this is not just bigger. The real story behind this refrigerator is that it holds more food in virtually the same space as today's GE 27 cu. ft. side-by-side refrigerator. That's because our ingenious design concept puts the extra room where you need it—on the inside, not the outside.



Water by Culligan™ provides cleaner, better tasting water and ice instantly from your LightTouch! dispenser.



The refreshment center provides convenient access to frequently used items.



Spacemaker™ extra-deep adjustable door bins store gallon containers and more with ease.



The Smart Storage System provides adjustable humidity crispers and a convertible meat keeper with cold control that maximizes storage flexibility. Keeps food fresher up to 7 days longer.\* A spill proof shelf tops it off.

\*Compared to GE refrigerators without the Smart Storage System



Today's GE refrigerators use about 50% as much energy as refrigerator models made in 1980.



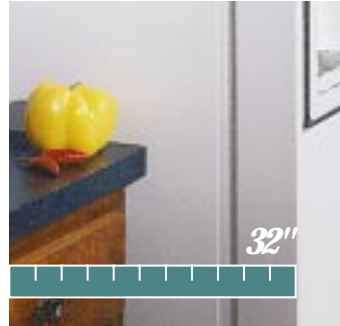
**GE Profile Performance Series™**  
**TFX30PBZ**

Not all features available on all models. For additional features, specifications and color availability, refer to page 129.

# GE Profile Performance™ “Built-In Style”

## A Built-In Look Without The Built-In Expense.

The GE Profile Performance™ and GE Profile™ “Built-In Style” refrigerators provide a built-in look without the built-in expense. If you don’t like the way refrigerators extend several inches beyond the counter, the “Built-In Style” is an ideal solution. It can save up to 6” of floor space. There are two versions to choose from: the contemporary model has a factory-installed trim kit which uses standard or custom panels to blend in with the surrounding kitchen; the other traditional models simply slide in like a free standing unit. Be creative and use your imagination to utilize every inch of your kitchen space, whether you prefer sleek contemporary, cozy country or elegant traditional, these GE Profile Performance™ and GE Profile™ refrigerators will make striking additions to any kitchen. Choose panels to match your cabinets or add a complementary color in high-style.



Standard Side-By-Side Refrigerator



GE Profile™ 21 cu. ft. “Built-In Style” Side-By-Side Refrigerator

### GE Profile™ Performance Series™

#### TPX24PBZ (above)

Exclusive Water by Culligan™ and refreshment center model

#### TPX24SPZ (shown at right)

Stainless Steel model with Water by Culligan™



The GE Profile Performance™ and GE Profile™ 24 cu. ft. “Built-In Style” is GE’s largest “Built-In Style” refrigerator and holds over 3 more bags of groceries than the 21 cu. ft. “Built-In Style” refrigerator.

Not all features available on all models. For additional features, specifications and color availability, refer to pages 126-128.

# GE Profile™ “Built-In Style”

## Acrylic & Custom Panel Refrigerator Options

Create a custom look for your “Built-In Style” refrigerator. Decide from a choice of GE optional pre-cut acrylic panels which slide easily into the factory-applied trim kit, or install your own custom panels.



### GE Profile™ TPX21BRX

shown with a custom wood panel and optional collar trim kit TRMBISWW.  
Also available, Black collar trim kit TRMBISBB or Stainless Steel collar trim kit TRMBISSS.



### GE Profile™ TPX21BRXBB

shown with optional black acrylic panel kit  
TKP21LS

## "Built-In Style" Collar Trim Refrigerator Option



The optional collar trim kit is just another way GE Profile Performance™ and GE Profile™ "Built-In Style" refrigerators integrate easily and dramatically into kitchen settings. Add the optional collar trim to finish off the look of the refrigerator as it completes the built-in look and integrates well with the surrounding cabinets. The collar trim is available in energizing White on white, sleek Black on black and new Stainless Steel appearance to complement your "Built-In Style" contemporary refrigerator.

Models which will accept collar trim:  
TPX21BRX, TPX24SPZBS, TPX24SIYBS, TPX24BPZ, TPX24BIY.

Choose an Option That Best Fits Your Needs.



### TPX21BRXWW

shown with optional  
white acrylic panel kit  
**TKPW21LS**  
Also available as 24 cu. ft.  
model **TPX24BRYWW**



### TPX21BRXBB

shown with custom  
wood panels



### TPX24BRYAA

shown with custom wood  
panels. Only available  
as a 24 cu. ft. model



### TPX24SPZBS

comes with factory-installed  
stainless steel panels



### TPX24SIYBS

comes with factory-installed  
stainless steel panels



### TPX24BPZBB

shown with optional  
black acrylic panel kit  
**TKP24RXBB**



### TPX24BPZWW

shown with optional  
white acrylic panel kit  
**TKP24RXWW**



### TPX24BIYWW

shown with optional  
white acrylic panel kit  
**TKP24IXWW**



### TPX24BIYBB

shown with optional  
black acrylic panel kit  
**TKP24IXBB**

For additional features, specifications and color availability, refer to pages 126-128.

# Side-by-Side 30 to 22 cu. ft. Models

## ALL MODELS FEATURE:

- LightTouch! dispenser delivers chilled water, cubes and crushed ice • Quick Space™ shelf • Two slide out, spill proof glass shelves
- Wire Everwhite slide-out freezer baskets • Smart Storage System • Beverage rack • QuietSound Noise Reduction Package



Water by Culligan™ provides cleaner, better-tasting water and ice instantly from your LightTouch! dispenser.



Refreshment Center provides easy access to frequently-used items.



Smart Storage System offers maximum storage flexibility.



QuietSound Noise Reduction Package significantly reduces noise.

Not all features available on all models. For additional features, specifications and color availability, refer to page 129.



### GE Profile Performance Series™

#### TFX30PBZ

#### GE Profile Performance™ 30

- 29.8 cu. ft. capacity • Exclusive Water by Culligan™ • Electronic Monitor and Diagnostic System • Refreshment Center • 4 Spacemaker™ extra-deep door bins (3 with gallon storage) • Rounded doors
- Slide-out cantilevered freezer baskets



### GE Profile Performance Series™

#### TFX30PPZ

#### GE Profile Performance™ 30

- 29.8 cu. ft. capacity • Exclusive Water by Culligan™
- 4 Spacemaker™ extra-deep door bins with gallon storage (3 adjustable) • Rounded doors • Slide-out cantilevered freezer baskets



### GE Profile Performance Series™

#### TFX27PPZ

- 26.6 cu. ft. capacity • Exclusive Water by Culligan™
- 5 Spacemaker™ door bins (4 adjustable with gallon storage) • Slide-out cantilevered freezer baskets



## ALL MODELS FEATURE:

- *LightTouch!* dispenser delivers chilled water, cubes and crushed ice
- *Quick Space™* shelf
- Two slide out, spill proof glass shelves
- Wire Everwhite slide-out freezer baskets
- *Smart Storage System*
- Beverage rack
- *QuietSound Noise Reduction Package*



*Water by Culligan™ provides cleaner, better-tasting water and ice instantly from your LightTouch! dispenser.*



*Adjustable Modular Door Bins store gallons with ease and flexibility.*



*LightTouch! Dispenser delivers crushed ice, cubes and chilled water through the door.*



*Slide Out Spill Proof Shelves help contain spills for ease of cleaning.*



### GE Profile™

#### TFX27PFX

- 26.6 cu. ft. capacity
- *Electronic Monitor and Diagnostic System*
- *Refreshment Center*
- *Quick Serve™* storage dishes
- 4 *Spacemaker™* door bins (2 adjustable with gallon storage)

#### TFX27PRX (not shown)

- 26.6 cu. ft. capacity



### GE Profile Performance Series™

#### TFX25PPZ

- 25.2 cu. ft. capacity
- *Exclusive Water by Culligan™*
- 4 door shelves, 2 adjustable with gallon storage

#### TFX22PPZ (not shown)

- 21.6 cu. ft. capacity
- *Exclusive Water by Culligan™*



### GE Profile™

#### TFX25PRY

- 25.2 cu. ft. capacity
- 4 door shelves, 2 adjustable with gallon storage

#### TFX25PAY (not shown)

- 25.3 cu. ft. capacity (non-dispenser model)

#### TFX22PRX (not shown)

- 21.6 cu. ft. capacity

*Not all features available on all models.*

*For additional features, specifications and color availability, refer to page 129.*

# Side-By-Side "Built-In-Style" 24 cu. ft. Models

## ALL MODELS FEATURE:

- LightTouch! dispenser delivers chilled water, cubes and crushed ice
- Quick Space™ shelf
- Two slide out, spill proof glass shelves
- Wire Everwhite slide-out freezer baskets
- Smart Storage System
- Beverage rack
- QuietSound Noise Reduction Package



Water by Culligan™ provides cleaner, better-tasting water and ice instantly from your LightTouch! dispenser.



Refreshment Center provides easy access to frequently-used items.



Smart Storage System maximizes storage flexibility.



Sure Grip (soft) Handles are easy-to-clean.

Not all features available on all models. For additional features, specifications and color availability, refer to pages 126-128.



### GE Profile Performance Series™

#### TPX24PBZ

##### "Built-In Style" Traditional Model

- 23.5 cu. ft. capacity
- Exclusive Water by Culligan™
- Electronic Monitor and Diagnostic System
- Refreshment Center
- Rounded doors

#### TPX24BPZ (not shown)

##### "Built-In Style" Contemporary Model

- Exclusive Water by Culligan™
- Factory-installed trim

#### TPX24SPZBS (not shown)

##### "Built-In Style" Contemporary Model

- Exclusive Water by Culligan™
- Factory-installed stainless steel panels



### GE Profile™

#### TPX24BIY

##### "Built-In Style" Contemporary Non-Dispenser Model

- 23.7 cu. ft. capacity
- Equipped with factory-installed icemaker
- Factory-installed trim

#### TPX24SIYBS (not shown)

##### "Built-In Style" Contemporary Non-Dispenser Model

- Factory-installed stainless steel panels



### GE Profile™

#### TPX24PRY

##### "Built-In Style" Traditional Model

- 23.5 cu. ft. capacity
- Rounded doors

#### TPX24BRY (not shown)

##### "Built-In Style" Contemporary Model

- Factory-installed trim

# Side-By-Side "Built-In-Style" 21 cu. ft. Models

## ALL MODELS FEATURE:

• *LightTouch!* dispenser delivers chilled water, cubes and crushed ice • *Quick Space™* shelf • *Spacemaker™* adjustable gallon door bins • Two slide out, spill proof glass shelves • *Wire Everwhite* slide-out freezer baskets • *Smart Storage System* • *Beverage rack* • *QuietSound Noise Reduction Package*



*QuietSound Noise Reduction Package significantly reduces noise.*



*QuickSpace™ Shelf adds flexible storage for tall bottles and containers.*



*Slide-out Freezer Baskets for easy loading and unloading.*



*Beverage Rack for flexible tall bottle storage.*



### GE Profile™

**TPX21PRX**

**"Built-In Style"**

**Traditional Model**

• 20.7 cu. ft. capacity • 4 door bins, 2 *Spacemaker™* with gallon storage • *Sure grip (soft)* handles



### GE Profile™

**TPX21BRX**

**"Built-In Style"**

**Contemporary Model**

• 20.7 cu. ft. capacity • 4 door bins, 2 *Spacemaker™* with gallon storage • *Factory-installed trim*

*Not all features available on all models. For additional features, specifications and color availability, refer to pages 126-128.*

# Side-By-Side "Z" Series 27 to 22 cu. ft. Models

## ALL MODELS FEATURE:

- Fresh food gallon door storage • Sealed snack pan • Adjustable humidity vegetable/fruit crisper
- Adjustable temperature meat pan • Adjustable spill proof glass shelves



Adjustable Humidity Crisper and Adjustable Temperature Meat Pan for maximum storage.



Fresh Food Gallon Door Storage holds gallons and small bottles with ease.



Sealed Snack Pan stores meats, cheeses and hors d'oeuvres.



Adjustable Spill Proof Glass Shelves help contain spills for ease of cleaning



### GE TFX27ZRX

- 26.6 cu. ft. capacity • LightTouch! dispenser delivers cubes, crushed ice and chilled water • 4 fresh food gallon door storage bins (3 adjustable)

- TFX25ZRY (not shown)
- 25.2 cu. ft. capacity • 4 door bins, 2 adjustable with gallon storage



### GE TFX25ZAZ Non-dispenser Model

- 25.2 cu. ft. capacity • 4 door bins, 2 adjustable with gallon storage



### GE TFX22ZRX

- 21.7 cu. ft. capacity • LightTouch! dispenser delivers cubes, crushed ice and chilled water • 4 door bins, 2 adjustable with gallon storage

Not all features available on all models.  
For additional features, specifications and color availability, refer to page 130.

# Side-by-Side "J" Series 25 to 20 cu. ft. Models

## ALL MODELS FEATURE:

- Adjustable temperature meat pan • Adjustable glass shelves



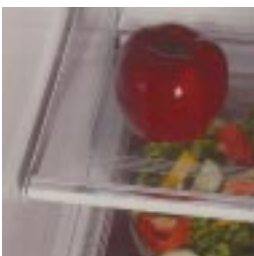
LightTouch! Dispenser delivers crushed ice, cubes and chilled water.



Adjustable Humidity Vegetable/Fruit Crisper (sealed on 20 cu. ft. model) keeps vegetables/fruits fresher longer.



Adjustable Fresh Food Gallon Door Storage (fixed on 20 cu. ft. model) provides flexible storage for gallon containers.



Adjustable Glass Shelves provide flexible storage.



### GE

#### TFX25JRY

- 25.2 cu. ft. capacity • LightTouch! dispenser delivers crushed ice, cubes and chilled water • Adjustable humidity vegetable/fruit crisper
- 4 door shelves, 2 adjustable door bins with gallon storage

#### TFX22JRZ (not shown)

- 21.7 cu. ft. capacity



### GE

#### TFX20JRX

- 19.7 cu. ft. capacity • LightTouch! dispenser delivers crushed ice, cubes and chilled water • Sealed vegetable/fruit crisper • 4 fixed fresh food door bins, 2 with gallon storage

#### TFX20JAX (not shown)

#### Non-dispenser Model

- 19.7 cu. ft. capacity



### GE

#### TFX22JAY

#### Non-dispenser Model

- 21.8 cu. ft. capacity • Equipped for optional automatic icemaker • Adjustable humidity vegetable/fruit crisper
- 4 door bins, 2 adjustable with gallon storage

Not all features available on all models.  
For additional features, specifications and color availability, refer to page 130.

## Side-by-Side "N" Series 20 cu. ft. Model



Classic White Crispers provide easy storage of vegetable and fruits.



Fixed Fresh Food Gallon Door Storage provides maximum storage flexibility.



LightTouch! Dispenser Delivers Chilled Water and Cubes.



**GE**

**TFX20NWX**

- 19.7 cu. ft. capacity • 3 adjustable glass shelves
- LightTouch! dispenser with chilled water and cubes
- Classic white crispers • 4 fixed fresh food door shelves, 2 with gallon storage • Available in white only

## "S" Series 20 cu. ft. Model



Classic White Crispers provide easy storage of vegetable and fruits.



Fixed Fresh Food Gallon Door Storage provides maximum storage flexibility.



Wire Everwhite Shelves minimize shuffling and restacking of fresh food items.



**GE**

**TFX20SAX**

- 19.7 cu. ft. capacity • Equipped for optional automatic icemaker • Classic white crispers • 4 fixed fresh food door shelves, 2 with gallon storage • Wire Everwhite shelves

Not all features available on all models.  
For additional features, specifications and color availability, refer to page 130.

# Bottom-Mount 22 cu. ft. Model



Spill Proof Cantilevered Shelves help contain spills for ease of cleaning.



Beverage Rack offers flexible tall bottle storage.



Adjustable Humidity Vegetable/Fruit Crisper keeps vegetables/fruits fresher longer.



Spacemaker™ Gallon Door Bins provide deep storage for gallons and small bottles.



## GE TCX22ZAX

- 21.7 cu. ft. capacity • Equipped for optional automatic icemaker • 1 sealed, 1 adjustable humidity vegetable/fruit crisper • Sealed snack pan • Adjustable spill proof glass shelves • Wire Everwhite sliding freezer basket





# Top-Mount Refrigerators

## Fully-Featured, Large Capacity Refrigerators

### GE PROFILE™ AND GE TOP-MOUNTS OFFER FLEXIBILITY AND EASY ACCESS.

From QuietSound Noise Reduction to energy savings, these refrigerators provide quality features for more convenient use, more flexible storage, and more economy than ever before. A smarter way to store food—with features not found in other brands. This combination of technological skill and sound design makes GE refrigerators the smart choice!



Slide out, spill proof cantilevered shelves offer adjustable height, slide out convenience, and help contain spills for ease of cleaning.



QuickServe™ Storage Dishes go straight from the refrigerator (or freezer) to microwave to dishwasher.



The tilt-out Quick Store™ bin provides easy access to snacks and fruits. Can be used in fresh food and freezer sections.



GE's Quietest Top-Mount No-Frost Ever!™ The QuietSound Noise Reduction package features redesigned and improved components that significantly reduce noise.

\*19, 22 and 25 cu. ft. GE Profile™ models.



**GE Profile™**  
**TBX22PRYWW**



The Nice Cubes™ icemaker provides rounded-shape ice, designed for better fit into a glass and reduces ice clogging as you drink a beverage.



Adjustable humidity crispers keep vegetables and fruits fresher longer.



Movable Space Snagger™ Clips snap on to adjustable door bins to keep small items secure.



Our Exclusive LightTouch! dispenser is reliable and easy to use. The dispenser conveniently delivers crushed ice, cubes and water through the freezer door.

Today's GE refrigerators use about 50% as much energy as refrigerator models made in 1980.

Not all features available on all models.  
For additional features, specifications and color availability, refer to page 131.

# Top-Mount 25 to 19 cu. ft. Models

## ALL MODELS FEATURE:

- Quick Store™ bin (not on TBX19PAY) • Quick Serve™ storage dishes (not on TBX19PAY) • Slide out, spill proof adjustable glass shelves
- Adjustable humidity vegetable/fruit crispers • Adjustable temperature meat pan • Adjustable modular gallon door storage • Beverage rack
- Utility bin • Sure Grip (soft) handles • QuietSound Noise Reduction package



Slide Out, Spill Proof Cantilevered Shelves help contain spills for ease of cleaning.



QuickServe™ Storage Dishes are ideal for leftovers.



Adjustable Modular Gallon Door Bins store gallons with ease and flexibility.



Tilt-Out Quick Store™ Bin provides easy access to snacks and fruits.



### GE Profile™

#### TBX25PAY

- 24.7 cu. ft. capacity
- Equipped for optional automatic icemaker

#### TBX22PIY (not shown)

- 21.6 cu. ft. capacity
- Equipped with factory-installed Nice Cubes™ icemaker



### GE Profile™

#### TBX25PRY

- 24.6 cu. ft. capacity • LightTouch! dispenser delivers crushed ice, cubes and water

#### TBX22PRY (not shown)

- 21.5 cu. ft. capacity



### GE Profile™

#### TBX22PAY

- 21.6 cu. ft. capacity • Equipped for optional automatic icemaker

#### TBX19PAY (not shown)

- 19.0 cu. ft. capacity

Not all features available on all models. For additional features, specifications and color availability, refer to page 131.

GE's Quietest Top-Mount No-Frost Ever!\*

\*19, 22 and 25 cu. ft. GE Profile™ models.

# Top-Mount "Z" Series 22 to 19 cu. ft. Models

## ALL MODELS FEATURE:

- Adjustable humidity vegetable/fruit crispers
- Adjustable spill proof glass shelves
- Adjustable modular gallon door bins
- Snack pan



Adjustable Modular Gallon Door Bins store gallons with ease and flexibility.



Adjustable Humidity Vegetable/Fruit Crispers keep vegetables/fruits fresher longer.



Snack Pan stores meats, cheeses and hors d'oeuvres.



Adjustable Spill Proof Cantilevered Shelves help contain spills for ease of cleaning.

Not all features available on all models.  
For additional features, specifications and color availability, refer to page 132.



**GE**

**TBX22ZAZ**

- 21.6 cu. ft. capacity
- Equipped for optional automatic icemaker
- 5 gallon storage door bins (4 adjustable)

**TBX22ZIZ** (not shown)

- Equipped with factory-installed Nice Cubes™ icemaker



**GE**

**TBX19ZAZ**

- 19.0 cu. ft. capacity
- Equipped for optional automatic icemaker
- 4 gallon storage door bins (3 adjustable)

**TBX19ZIZ** (not shown)

- Equipped with factory-installed Nice Cubes™ icemaker

# Top-Mount "J" Series 24 to 16 cu. ft. Models

## ALL MODELS FEATURE:

- Adjustable glass shelves
- Sealed Snack Pan
- Clear vegetable/fruit crispers
- Fixed gallon door storage



Adjustable Spill Proof Glass Shelves contain spills for ease of cleaning.



Spacemaker™ Gallon Door Bins provide deep bins for maximum storage flexibility.



Adjustable Humidity Vegetable/Fruit Crispers keep vegetables/fruits fresher longer.



Nice Cubes™ Icemaker provides rounded shaped ice for better fit into a glass.



### GE

#### TBX24JIZ

- 23.6 cu. ft. capacity
- Equipped with factory-installed Nice Cubes™ icemaker
- Adjustable spill proof shelves
- Adjustable humidity vegetable/fruit crispers

#### TBX24JAZ (not shown)

- Equipped for optional automatic icemaker



### GE

#### TBX21JIZ

- 20.6 cu. ft. capacity
- Equipped with factory-installed Nice Cubes™ icemaker
- Adjustable spill proof shelves
- Adjustable humidity vegetable/fruit crispers

#### TBX21JAZ (not shown)

- Equipped for optional automatic icemaker



### GE

#### TBX18JAZ

- 18.2 cu. ft. capacity
- Equipped for optional automatic icemaker
- Sealed vegetable/fruit crispers
- Adjustable spill proof shelves

#### TBX18JIZ (not shown)

- Equipped with factory-installed Nice Cubes™ icemaker

#### TBX16JAZ (not shown)

- 15.6 cu. ft. capacity
- Fixed fresh food gallon door storage
- Equipped for optional automatic icemaker
- Only 28" wide

Not all features available on all models.  
For additional features, specifications and color availability, refer to page 132.

# Top-Mount "D" Series 21 to 14 cu. ft. Models

## ALL MODELS FEATURE:

- Snack pan • Clear vegetable/fruit crispers • Fixed gallon door storage • Adjustable wire Everwhite shelves • Color-matched exterior



Fixed Fresh Food Gallon Door Storage offers gallon and tall bottle storage.



Clear Crispers with Limited Lifetime Warranty.



Wire Everwhite Shelves minimize shuffling and restacking of food.



Nice Cubes™ Icemaker provides rounded shaped ice for better fit into a glass.



### GE

#### TBX21DAX

- 20.6 cu. ft. capacity • Equipped for optional automatic icemaker
- Adjustable humidity vegetable/fruit crisper • 1 glass, 3 wire Everwhite split cabinet shelves • 2 Snugger™ clips



### GE

#### TBX18DIX

- 18.2 cu. ft. capacity • Equipped with factory-installed Nice Cubes™ icemaker • 1 glass, 3 wire Everwhite split cabinet shelves • 2 Snugger™ clips

#### TBX18DAX (not shown)

- Equipped for optional automatic icemaker



### GE

#### TBX16DAZ

- 15.6 cu. ft. capacity • Equipped for optional automatic icemaker • Only 28" wide

#### TBX14DAZ (not shown)

- 14.4 cu. ft. capacity

Not all features available on all models.  
For additional features, specifications and color availability, refer to page 133.

# Top-Mount "S" Series 18 to 10 cu. ft. Models

## ALL MODELS FEATURE:

- Wire Everwhite shelves
- Classic white vegetable/fruit crispers



Wire Everwhite Shelves minimize shuffling and restacking of food.



Classic White Vegetable/Fruit Crispers provide easy storage.



Tall Bottle Storage provides flexible storage for oversized containers.



### GE TBX18SAX

- 18.2 cu. ft. capacity
- Snack pan
- Equipped for optional automatic icemaker
- Fixed gallon fresh food door storage
- 2 split, 1 full-width fresh food shelves

- TBX18SIX** (not shown)
- Equipped with factory-installed Nice Cubes™ icemaker



### GE TBX16SIZ

- 16.4 cu. ft. capacity
- Equipped with factory-installed Nice Cubes™ icemaker

- TBX16SAZ** (not shown)
- Equipped for optional automatic icemaker

- TBX16SYZ** (not shown)
- Equipped for optional automatic icemaker
  - Recessed handles



### GE TBX14SYZ

- 14.4 cu. ft. capacity
- Equipped for optional automatic icemaker
- Recessed handles

- TBX14SIZ** (not shown)
- Equipped with factory-installed Nice Cubes™ icemaker

- TBX14SAZ** (not shown)
- Equipped for optional automatic icemaker



### GE TBX12SAX

- 12.1 cu. ft. capacity
- Two Ice 'N Easy trays
- Two full-width wire Everwhite cabinet shelves
- Equipped for optional automatic icemaker

- TBX10SNX** (not shown)
- 9.8 cu. ft. capacity

Not all features available on all models. For additional features, specifications and color availability, refer to page 133.

# Top-Mount "N" Series 21 to 18 cu. ft. Models

## ALL MODELS FEATURE:

- Adjustable glass shelves, 2 split, 1 full-width • Snack pan • Fixed fresh food gallon door storage



Classic White Crispers provide easy storage for vegetables and fruits.



Glass Shelves offer easy removal and replacement.



### GE

#### TBX18NAZ

- 18.2 cu. ft. capacity
- Equipped for optional automatic icemaker

#### TBX18NIZ (not shown)

- Equipped *with* factory-installed Nice Cubes™ icemaker

#### TBX21NIX (not shown)

- 20.6 cu. ft. capacity
- Equipped *with* factory-installed Nice Cubes™ icemaker

## "T" Series 18 cu. ft. Model



The largest capacity refrigerator—only 28" wide.



Tall Bottle Storage provides flexible storage for oversized containers.



### GE

#### TBX18TAZ

- 17.6 cu. ft. capacity
- Snack Pan • Equipped for optional automatic icemaker
- Clear vegetable crispers

Not all features available on all models.  
For additional features, specifications and color availability, refer to page 133.

# Top-Mount Cycle Defrost Refrigerators

## BOTH MODELS FEATURE:

- Adjustable wire Everwhite cabinet shelves
- Full-width freezer shelf



Wire Everwhite Shelves minimize shuffling and restacking of food.



Full-Width Freezer Shelves for maximum storage flexibility.



### GE

#### TDX11SNY

- 11.0 cu. ft. capacity
- Full-width vegetable/fruit crisper
- 2 modular door bins, 2 stationary shelves
- 3 adjustable cabinet shelves

#### TDX9SNY (not shown)

- 9.0 cu. ft. capacity
- 2 mini Ice 'N Easy trays
- 4 modular door bins, 1 stationary shelf
- 2 adjustable cabinet shelves

## Manual Defrost Refrigerator



Wire Everwhite Shelves minimize shuffling and restacking of food.



Full-Width Vegetable/Fruit Crisper provides easy access to fruits and vegetables.



### GE

#### TAX10SNX

- 9.6 cu. ft. capacity
- 2 adjustable wire Everwhite shelves
- Full-width vegetable/fruit crisper
- Tall bottle storage

Not all features available on all models.

For additional features, specifications and color availability, refer to page 134.



# Compact 6.0 to 1.7 cu. ft. Spacemaker™ Refrigerators



**GE**  
**TAX6SNXWN/WH**  
 • 6.0 cu. ft. capacity • 2 adjustable cabinet shelves • Reversible door  
 • Optional black panel available with TK6 trim kit, or match refrigerator to cabinets • Available in White (WH) or Woodgrain (WN)



**GE**  
**TAX4SNYWH**  
 • 3.7 cu. ft. capacity • 3 cabinet shelves • 1 full-width vegetable/fruit pan • Rounded door • Reversible door  
 • Available in White only



**GE**  
**TAX4ANXWN**  
 • 3.7 cu. ft. capacity • 3 cabinet shelves  
 • 2 door shelves • Available in Woodgrain only



**GE**  
**TAX2SNXWN**  
 • 1.7 cu. ft. capacity • 1 cabinet shelf  
 • 1-1/2 door shelves with retaining rod  
 • Available in Woodgrain only

For additional features, specifications and color availability, refer to page 134.

# Freezers Upright Models

## ALL MODELS FEATURE:

- Cabinet shelves
- Temperature control



Refrigerated Cabinet Shelves keeps items extra cool.



Temperature Monitor with Audible Alarm ensures temperature control.



Adjustable Temperature Control for easy change of temperature.



Safety Lock with Self-Ejecting Key provides security.



**GE**

### FP21DX

- 20.7 cu. ft. capacity • 5 cabinet shelves (1 adjustable)
- 6 door shelves • Interior light • Slide-out basket
- Temperature Monitor with audible alarm • Lock with self-ejecting key

### FP17DX (not shown)

- 17.0 cu. ft. capacity • 4 cabinet shelves (1 adjustable)
- 5 door shelves

### FP14DX (not shown)

- 14.0 cu. ft. capacity • 3 cabinet shelves (1 adjustable)
- 5 door shelves



**GE**

### FP21SX

- 20.7 cu. ft. capacity • 4 cabinet shelves • 6 door shelves
- Drop-front bulk storage retainer • Interior light
- Lock with self-ejecting key

### FF20DX Frost-Free (not shown)

- 20.3 cu. ft. capacity • 5 cabinet shelves • 6 door shelves
- Slide-out basket • Interior light • Temperature Monitor with audible alarm

### FF16DX Frost-Free (not shown)

- 15.7 cu. ft. capacity • 4 cabinet shelves • 5 door shelves



**GE**

### FP14SX

- 14.0 cu. ft. capacity • 3 cabinet shelves • Drop-front bulk storage retainer
- 5 door shelves • Interior light
- Lock with self-ejecting key

### FP15SX (not shown)

- 15.2 cu. ft. capacity • 4 door shelves



**GE**

### FP12SX

- 11.7 cu. ft. capacity • 3 cabinet shelves
- 4 door shelves

Not all features available on all models.

For additional features, specifications and color availability, refer to page 135.



**GE**  
**FP9SX**

- 8.7 cu. ft. capacity • 4 cabinet shelves
- 5 door shelves



**GE**  
**FP5DX**

- 4.8 cu. ft. capacity • 2 cabinet shelves • 3 door shelves
- Bulk storage tray

## Chest Models

### ALL MODELS FEATURE:

- Adjustable temperature control
- Upfront defrost drain
- Removable sliding bulk storage basket(s)



Lift-Out Wire Baskets for easy loading and unloading.



Defrost Drain allows for easy draining.



**GE**  
**FH25DX**

- 24.8 cu. ft. capacity
- 3 removable sliding baskets
- Temperature Monitor with audible alarm
- Interior light
- Built-in lock with self-ejecting key

**FH22DX** (not shown)

- 21.7 cu. ft. capacity
- 2 removable sliding baskets

**FH15DX** (not shown)

- 14.8 cu. ft. capacity
- 2 removable sliding baskets
- Temperature Monitor with audible alarm
- Interior light
- Built-in lock with self-ejecting key

**FH15SX** (not shown)

- 14.8 cu. ft. capacity
- 1 removable sliding basket

**FH10SX** (not shown)

- 10.0 cu. ft. capacity
- Removable sliding bulk storage basket
- Adjustable temperature control



**GE**  
**FH10DX**

- 10.0 cu. ft. capacity
- 1 removable sliding basket
- Temperature Monitor with audible alarm
- Interior light
- Built-in lock with self-ejecting key

**FH7DX** (not shown)

- 7.0 cu. ft. capacity
- Temperature Monitor with audible alarm

**FH5DX** (not shown)

- 5.3 cu. ft. capacity
- Adjustable temperature control

A NEW MEANING TO THE PHRASE, "HANDLE WITH CARE"





## GE'S ULTRA FABRIC CARE SYSTEM GIVES YOUR WASH THE CARE IT DESERVES

GE knows that a load of laundry isn't just a bundle of clothes. Today, it's more likely to be a new silk blouse, a favorite terry cloth robe, a cotton sweater, khakis and a snugly toy. The point is, each laundry load is different and GE's Ultra Fabric Care System gives each the care it deserves. It all starts with the temperature. SensorWash™ regulates water temperatures exactly the way you want them. Matched color-codings on cycle and timer selections make it easy for anyone to do the laundry, and the SpotSoak™ feature makes pre-treating stains a simple matter. Clothing is granted a new lease on life with features like SensorDry™, which shuts off the dryer the minute clothes are dry (prevents wear and fading from over drying). GE washers and dryers have wide openings and super capacities that welcome family-size laundry loads. On top of all this, they're ultra quiet and impeccably styled. With the laundry center's recent move into the home's living area, would you have it any other way? Neither would we.

# GE Profile Performance™ Laundry

*Designed to do so much more than simply wash and dry clothes, the GE Profile Performance Series™ Washer and Dryer treats clothing with the care it deserves. The washer's unique system of fabric care includes features such as SpotSoak™, SensorWash™, GentleWash™ and a Stain Removal Guide on the lid. All work together to extend the life of clothing by washing thoroughly but gently. The dryer, with its QuietDrum™, Extra Care and SensorDry™ operates efficiently and quietly—and it shuts off as soon as clothes are dry, to prevent the wear and fading that can result from overdrying. On both the washer and dryer, ColorLogic™ color-codes fabric selections to the correct wash or dry cycles, making it easy for anyone to do the laundry. All of the above combine to deliver GE's Ultra Fabric Care System.*

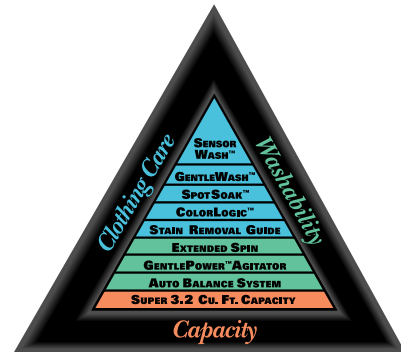


# GE Ultra Fabric Care System

## Washer Features



SensorWash™ senses and adjusts the incoming water temperature for wash and rinse cycles.



## GE Ultra Fabric Care System



SpotSoak™ button provides a 7-second spray of cold water into the washer tub.



ColorLogic™ color-coded cycle buttons allow you to correctly select the temperature and optimum wash/spin speed for each fabric type.



GentleWash™ cycle protects and cleans your most delicate clothes.

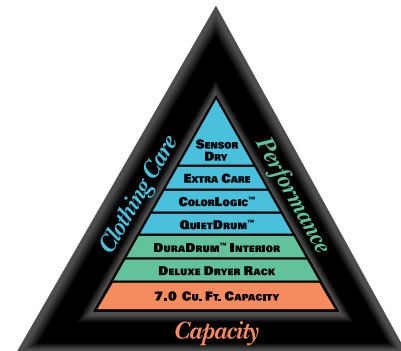


Stain Removal Guide is a clear, concise reference guide located on the inside of the washer lid.

## Dryer Features



ColorLogic™ color-coded cycle buttons allow you to correctly select the desired drying temperature.



## GE Ultra Fabric Care System



QuietDrum™ is wrapped with additional sound-deadening material.



With an amazing 7.0 cu. ft. drum, these dryers offer maximum capacity, saving time and energy for you!



SensorDry™ dries clothes more evenly and efficiently.



Deluxe Dryer Rack is designed to dry a variety of items and is easy to insert and remove.

# GE Profile Performance™ & GE Profile™ Laundry

## ALL WASHERS FEATURE:

- GentlePower™ Agitator • PermaTuf II™ Basket • Self-cleaning filter • Bleach dispenser • Fabric Softener dispenser
- Steel drive transmission • 100% front serviceable



**Super 3.2 Cu. Ft.**  
Capacity washer is one of the largest capacity washers in the world!



**The GentlePower™**  
Agitator adapts to the clothes load providing gentle and effective washing action.



**PermaTuf II™ Basket**  
resists peeling, rusting or flaking for long-term durability.



**GE Profile™ QuietPackage**  
Insulation dramatically reduces noise and vibration.



### GE Profile Performance Series™

#### WPSF4170V

- Super 3.2 cu. ft. capacity • SensorWash™ • SpotSoak™ • ColorLogic™ • GentleWash™ • Stain Removal Guide
- QuickClean controls • Auto Balance Suspension System • 5 automatic fabric care selections • Variable water levels • 17 wash cycles



### GE Profile™

#### WPSQ4160T

- Super 3.2 cu. ft. capacity • 5 automatic fabric care selections • Variable water levels • 16 wash cycles
- Auto HandWash® • Extended spin



### GE Profile™

#### WPSQ3120T

- Super 3.2 cu. ft. capacity • 3 wash/spin speed combinations • 4 wash/rinse temperatures • Variable water levels
- 12 wash cycles



### GE Profile™

#### WPSR3090V

- Super 3.2 cu. ft. capacity • 3 wash/spin speed combinations • 4 wash/rinse temperatures • 4 water levels
- 9 wash cycles • QuietPackage I Insulation

#### WPXQ3090T (not shown)

- Extra-large 2.7 cu. ft. capacity • QuickClean controls

*Not all features available on all models.  
For additional features, specifications and color availability, refer to page 137.*



## ALL DRYERS FEATURE:

- DuraDrum™ interior • Removable up-front lint filter • Reverse-A-Door • 4 heat selections • Deluxe End-Of-Cycle Signal
- Dryer interior light • 100% front serviceable



- An extra-wide opening provides easy access to our 7.0 cu. ft. of total dryer capacity.



- SensorDry™ dries clothes more evenly and efficiently.



- DuraDrum™ interiors provide long-lasting dependability and durability.



- GE Profile™ QuietPackage Insulation dramatically reduces noise and vibration.



### GE Profile Performance Series™

#### DPSF495EV/GV

- Super 7.0 cu. ft. capacity • SensorDry™ • ColorLogic™ • QuietDrum™ • QuickClean controls • Deluxe dryer rack
- 9 drying cycles



### GE Profile™

#### DPSQ495ET/DPSQ495GT

- Super 7.0 cu. ft. capacity • SensorDry™ • 9 drying cycles • Dryer rack • QuietPackage II Insulation



### GE Profile™

#### DPSQ475ET/DPSQ475GT

- Super 7.0 cu. ft. capacity • SensorDry™ • 7 drying cycles • QuietPackage I Insulation



### GE Profile™

#### DPSR473EV/DPSR473GV

- Super 7.0 cu. ft. capacity • Automatic Dry Control • 7 drying cycles • QuietPackage I Insulation

#### DPXQ473ET/DPXQ473GT (not shown)

- Extra-large 6.0 cu. ft. capacity • QuickClean controls

Not all features available on all models.

For additional features, specifications and color availability, refer to pages 138-139.

# GE Laundry

## ALL WASHERS FEATURE:

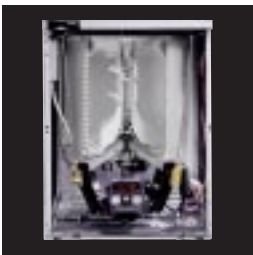
- Auto Balance Suspension System • PermaTuf II™ Basket • Self-cleaning filter • Quiet-By-Design™ • 100% front serviceable



**Super 3.2 Cu. Ft. Capacity washer is one of the largest capacity washers in the world!**



**The GentlePower™ Agitator adapts to the clothes load providing gentle and effective washing action.**



**The Auto Balance Suspension System is designed to virtually eliminate off-balanced loads.**



**PermaTuf II™ Basket resists peeling, rusting or flaking for long-term durability.**



**GE WWSR3090T**  
 • Super 3.2 cu. ft. capacity • 3 wash/spin speed combinations • 9 wash cycles • 4 water levels  
 • 4 wash/rinse temperatures



**GE WKS2100T**  
 • Super 3.2 cu. ft. capacity • 2 wash/spin speed combinations • 10 wash cycles • 3 water levels  
 • 3 wash/rinse temperatures



**GE WJSR2080T**  
 • Super 3.2 cu. ft. capacity • 2 wash/spin speed combinations • 8 wash cycles • 3 water levels  
 • 3 wash/rinse temperatures

**WJXR2080V (not shown)**  
 • Extra-large 2.7 cu. ft. capacity



**GE WBSR1060T**  
 • Super 3.2 cu. ft. capacity • 1 wash/spin speed combination • 6 wash cycles • 3 water levels  
 • 3 wash/rinse temperatures

**WBXR1060T (not shown)**  
 • Extra-large 2.7 cu. ft. capacity

*Not all features available on all models. For additional features, specifications and color availability, refer to page 137.*

## ALL DRYERS FEATURE:

- Removable up-front lint filter • Quiet-By-Design™ • 100% front serviceable



- An extra-wide opening provides easy access to our 7.0 cu. ft. of total dryer capacity.



- Reverse-A-Door dryers have doors that can reverse from right-hand to left-hand swing.



- DuraDrum™ interiors provide long-lasting dependability and durability.



- Up-Front Lint Filter is close at hand for cleaning, optimizing dryer performance.



GE

### DDSR475ET/DDSR475GT

- Super capacity • Sensor Dry™ • 7 cycles • 4 heat selections • End-of-Cycle signal • Dryer Rack



GE

### DJSR473ET/DJSR473GT

- Super capacity • Automatic Dry Control • 7 cycles • 4 heat selections • End-of-Cycle signal • Interior light • Optional Extra Care



GE

### DWXR473ET/DWXR473GT

- Extra-large capacity • Automatic Dry Control • 7 cycles • 4 heat selections • Reverse-A-Door • Interior light

### DWLR473ET/DWLR473GT (not shown)

- Large capacity



GE

### DBXR453ET/DBXR453GT

- Extra-large capacity • Automatic Dry Control • 5 cycles • 4 heat selections • Reverse-A-Door

Not all features available on all models.  
For additional features, specifications and color availability, refer to pages 138-139.

# GE Laundry



**GE**

## **DBLR333ET/DBLR333GT**

- Large capacity • Automatic Dry Control
- 3 cycles • 3 heat selections
- Reverse-A-Door



**GE**

## **DVLR223ET/DVLR223GT**

- Large capacity • Automatic Dry Control
- 2 cycles • 2 heat selections

# Spacemaker® Portable/Stationary Models



**GE**

## **WSKP2060T** 120V Washer

- Portable model • 2 wash/spin speeds • 6 cycles: Regular (Heavy Soil, Medium Soil), Permanent Press (Medium Soil, Light Soil) Delicates and Spin Only • 3 wash/rinse temperatures • 4 water levels • Automatic cool down
- Lint filter • Easy-roll rollers • Unicouple connector quickly attaches to a faucet adaptor • Available in white and almond with black control panel

## **WSKS2060T**

- 120V Washer (not shown)
- Stationary model



**GE**

## **DSKP233ET** 120V Dryer

- Portable/Stationary model • 3 drying cycles: Automatic Regular-Permanent Press, Timed Dry up to 105 minutes and Air Fluff • 2 Heat selections: Normal and No-Heat Air Fluff (in timer) • 15-amp dryer cord attached
- Available in white and almond with black control panel

## **DSKS433ET**

240V Dryer (not shown)

- Stationary model • 3 drying cycles: Auto Regular-Permanent Press, Auto Delicates and Timed Dry up to 140 minutes • 4 Heat selections: Regular (High Heat), Permanent Press (Medium Heat), Delicates (Low Heat) and Air Fluff (No-Heat) • Available in white and almond with black control panel

Not all features available on all models.  
For additional features, specifications and color availability, refer to pages 138-140.

## Unitized Washer/Dryer Models



**GE**

**WSM2700T** Electric

**WSM2780T** Gas

- Full size 27" wide
- Extra-Large Capacity Washer features 3 cycles (Regular, Permanent Press and Delicate), 3 wash temperature options, 3 water level selections
- Dryer features Automatic Dry Control, 4 cycles: Automatic Dry (Medium Heat), Timed Dry (High Heat), Delicate (Low Heat), Air Fluff (No-Heat)
- Available in white and almond with black control panel



**GE**

**WSM2420T** Electric

**WSM2480T** Gas

- 24" wide
- Washer features 3 cycles: Regular, Permanent Press and Delicates, 3 wash/rinse temperatures, 3 water levels
- Dryer features Automatic Dry Control, 4 cycles: Automatic Regular, Automatic Permanent Press, Timed Dry, and Air Fluff
- Available in White on white • Electric model also available in Almond on almond

DESIGN YOUR VERY OWN COOKING CENTER





## START WITH A GENEROUS SERVING OF GE BUILT-IN COOKING PRODUCTS

You can mix them. You can match them. GE built-in cooking products bring you the advantages of cleanability, innovative performance and style. An array of attractive choices awaits you and the possibilities are nearly limitless. Keep in mind that new GE built-in appliances fit into the same cutouts as most old appliances. All GE range tops and cooktops clean-up easily and most GE ovens are self-cleaning. And while we're on that subject, did you know GE invented the self-cleaning oven in the first place?

# Built-In 30" Electric Double Ovens

## ALL MODELS FEATURE

- Flush appearance installation
- Fit most 30" cabinets
- Frameless glass oven doors
- Exclusive Big View windows
- Upfront interior oven lights



SmartSet Electronic Controls are simple to understand and easy to use.



Exclusive Seven Rack Baking provides more usable shelf capacity.



Convection ovens provide even cooking and superior baking.

## Convection Upper/Self-Clean Lower



## GE Profile Performance Series™

### JT950SY

- Stainless steel
- Integrated designer handle
- Control lock capability

### Convection Upper Oven

- Large 3.8 cu. ft. self-cleaning oven with Delay Clean option
- Convection Bake
- Convection Roast
- 3 oven racks
- Exclusive 7 embossed rack positions
- Roasting rack

### Thermal Lower Oven

- Large 4.2 cu. ft. self-cleaning oven with Delay Clean option
- 2 oven racks
- 6 embossed rack positions

**SmartSet Electronic Controls Feature:** Large, easy-to-read display symbols, Convection conversion, Automatic meat thermometer (upper oven), Temperature display, Start pad, Delay Bake option with Cook & Hold, Variable broil, C° or F° programmable, Audible preheat signal, Auto oven shut-off with override, Electronic clock and kitchen timer.

## Convection Upper/Self-Clean Lower



## Self-Clean (Both Ovens)



## GE Profile™

### JTP56WW

- White on white
- Integrated designer handle
- Control lock capability

### Convection Upper Oven

- Large 3.8 cu. ft. self-cleaning oven with Delay Clean option
- Convection Bake
- Convection Roast
- 3 oven racks
- Exclusive 7 embossed rack positions
- Roasting rack

### Thermal Lower Oven

- Large 4.2 cu. ft. self-cleaning oven with Delay Clean option
- 2 oven racks
- 6 embossed rack positions

### JTP56BW (not shown)

- Black on black

### JTP56AW (not shown)

- Almond on almond

**SmartSet Electronic Controls Feature:** Large, easy-to-read display symbols, Convection conversion, Automatic meat thermometer (upper oven), Temperature display, Start pad, Delay Bake option with Cook & Hold, Variable broil, C° or F° programmable, Audible preheat signal, Auto oven shut-off with override, Electronic clock and kitchen timer.

## GE

### JTP45WW

- White on white
- Large 4.2 cu. ft. self-cleaning ovens with Delay Clean option
- Variable broil
- Two oven racks (each oven)
- Six embossed rack positions
- Control lock capability

### JTP45BW (not shown)

- Black on black

### SmartSet Electronic Controls Feature:

Large, easy-to-read display symbols, Temperature display, Start pad, Delay Bake option with Cook & Hold, C° or F° programmable, Audible preheat signal, Auto oven shut-off with override, Electronic clock and kitchen timer

Not all features available on all models. For additional features, specifications and color availability, refer to pages 142-143.





CleanDesign wall ovens have a smooth seamless surface, making cleanup easier than ever.



Sensor Microwave Cooking Controls take the guesswork out of cooking your favorite foods.

## Self-Clean Upper/Standard Lower



### GE

#### JTP27BW

- Black on black • Six embossed rack positions (both ovens)
- Upper Oven**
  - SmartSet Electronic Controls • Large 4.2 cu. ft. self-cleaning oven with Delay Clean option • Variable broil
  - Control lock capability • Two oven racks
- Lower Oven**
  - Large 4.2 cu. ft. standard clean oven • Rotary controls
  - Two oven racks

#### JTP27WW (not shown)

- White on white

#### SmartSet Electronic Controls Feature:

Large, easy-to-read display symbols, Temperature display, Start pad, Delay Bake option with Cook & Hold, C° or F° programmable, Audible preheat signal, Auto oven shut-off with override, Electronic clock and kitchen timer

## Microwave Upper/Convection Lower



### GE Profile™

#### JTP95WW

- White on white
- Microwave Upper Oven**
  - 1.5 cu. ft. cavity • Sensor Cooking Controls for Auto Cook and Reheat • Auto Defrost • Turntable • 900 watts
- Convection Lower Oven**
  - Large, 3.8 cu. ft. self-cleaning oven with Delay Clean option • Convection Bake • Convection Roast • 3 oven racks
  - Exclusive 7 embossed rack positions • Roasting rack
  - Variable broil • Automatic meat thermometer
  - Integrated designer handle • Control lock capability

#### JTP95BW (not shown) • Black on black

#### SmartSet Electronic Controls Feature:

Large, easy-to-read display symbols, Convection conversion, Temperature display, Start pad, Delay Bake option with Cook & Hold, C° or F° programmable, Audible preheat signal, Auto oven shut-off with override, Electronic clock and kitchen timer.

## Microwave Upper/Self-Clean Lower



### GE

#### JTP85WW

- White on white • Designer-style handle
- Microwave Upper Oven**
  - 1.5 cu. ft. cavity • Sensor Cooking Controls for Auto Cook and Reheat • Auto Defrost • Turntable • 900 watts
- Lower Oven**
  - Large, 4.2 cu. ft. capacity • Self-cleaning oven with Delay Clean option • Variable broil • Two oven racks
  - Six embossed rack positions • Control lock capability

#### JTP85BW (not shown) • Black on black

#### SmartSet Electronic Controls Feature:

Large, easy-to-read display symbols, Temperature display, Start pad, Delay Bake option with Cook & Hold, C° or F° programmable, Audible preheat signal, Auto oven shut-off with override, Electronic clock and kitchen timer

Not all features available on all models. For additional features, specifications and color availability, refer to pages 142-143.

# Built-In 27" Electric Double Ovens

## ALL MODELS FEATURE

- Flush appearance installation • Fit 27" cabinet • Frameless glass oven doors



Convection ovens provide even cooking and superior baking.



Flush Installation Appearance integrates into cabinetry and makes cleanup easy.



SmartSet Electronic Controls are simple to understand and easy to use.

### Microwave Upper/Self-Clean Lower



#### GE

**JKP69BY** Available December '97

- Black on black

#### Microwave Upper Oven

- 1.4 cu. ft. cavity • Auto Roast • Auto Cook • Auto Defrost • Double Duty™ shelf

#### Lower Oven

- Self-cleaning oven with automatic oven door lock • Two oven racks • Designer-style handle • Electronic oven control • Variable broil • Audible preheat signal • Electronic clock and kitchen timer • Delay Bake option

### Convection Upper/Self-Clean Lower



#### GE

**JKP69WY** Available December '97

- White on white

#### Microwave Upper Oven

- 1.4 cu. ft. cavity • Auto Roast • Auto Cook • Auto Defrost • Double Duty™ shelf

#### Lower Oven

- Self-cleaning oven with automatic oven door lock • Two oven racks • Designer-style handle • Electronic oven control • Variable broil • Audible preheat signal • Electronic clock and kitchen timer • Delay Bake option

#### GE Profile™

**JKP56BW**

- Black on black

#### Convection Upper Oven

- Self-cleaning oven with Delay Clean option • Convection Bake • Convection Roast • Three oven racks • Sure Grip designer-style handle

#### Thermal Lower Oven

- Self-cleaning oven with Delay Clean option • Two oven racks • Sure Grip designer-style handle

**JKP56AW** (not shown)

- Almond on almond

**JKP56WW** (not shown)

- White on white

**SmartSet Electronic Controls Feature:** Large, easy-to-read display symbols, Convection conversion, Automatic Meat thermometer (upper oven), Temperature display, Start pad, Delay Bake option with Cook & Hold, Variable broil, C° or F° programmable, Audible preheat signal, Auto oven shut-off with override, Electronic clock and kitchen timer.

### Self-Clean (Both Ovens)



**GE**

#### **JKP45WW**

- White on white • SmartSet Electronic Controls
- Designer-style handles • Two self-cleaning ovens with Delay Clean option • Two oven racks (each oven)



**GE**

#### **JKP45BW**

- Black on black • SmartSet Electronic Controls
- Designer-style handles • Two self-cleaning ovens with Delay Clean option • Two oven racks (each oven)

**SmartSet Electronic Controls Feature:** Large, easy-to-read display symbols, Temperature display, Start pad, Delay Bake option with Cook & Hold, Variable broil, C° or F° programmable, Audible preheat signal, Auto oven shut-off with override, Electronic clock and kitchen timer

### Self-Clean Upper/Standard Lower



**GE**

#### **JKP27WW**

- White on white • Designer-style handles

#### *Upper Oven*

- SmartSet Electronic Controls • Self-cleaning oven with Delay Clean option • Variable broil
- Control lock capability • Two oven racks

#### *Lower Oven*

- Standard clean oven • Rotary controls
- Two oven racks

#### **JKP27BW** (not shown)

- Black on black

# Built-In 30" Electric Single Ovens

## ALL MODELS FEATURE

- Flush appearance installation • Fit most 30" cabinets • Frameless glass oven door • Exclusive Big View window • Upfront interior oven light
- Control lock capability



Convection ovens provide even cooking and superior baking.



Exclusive Seven Rack Baking provides more usable shelf capacity.



CleanDesign wall ovens have a smooth seamless surface, making cleanup easier than ever.

## Installation Flexibility

30" wall ovens can be installed in a wall or most 30" cabinets, or undercounter installation with either a gas or electric cooktop above. See pages 144 and 145 for approved cooktop use.

Not all features available on all models. For additional features, specifications and color availability, refer to pages 144-145.

## Self-Clean Convection



### GE Profile Performance Series™ JT910SY

- Stainless steel • Integrated designer handle • Large 3.8 cu. ft. self-cleaning oven with Delay Clean option
- Convection Bake • Convection Roast • 3 oven racks
- Exclusive 7 embossed rack positions • Roasting rack

#### SmartSet Electronic Controls Feature:

Large, easy-to-read display symbols, Convection conversion, Automatic meat thermometer, Temperature display, Start pad, Delay Bake option with Cook & Hold, Variable broil, C° or F° programmable, Audible preheat signal, Auto oven shut-off with override, Electronic clock and kitchen timer.

## Self-Clean



### GE Profile™ JTP18BW

- Black on black • Integrated designer handle • Large 3.8 cu. ft. self-cleaning oven with Delay Clean option
- Convection Bake • Convection Roast • 3 oven racks
- Exclusive 7 embossed rack positions • Roasting rack

#### JTP18WW (not shown)

- White on white

#### JTP18AW (not shown)

- Almond on almond

## GE

### JTP15WW

- White on white • Designer-style handle
- Large 4.2 cu. ft. self-cleaning oven with Delay Clean option • Two oven racks
- Six embossed rack positions

#### JTP15BW (not shown)

- Black on black

#### SmartSet Electronic Controls Feature:

Large, easy-to-read display symbols, Temperature display, Start pad, Delay Bake option with Cook & Hold, Variable broil, C° or F° programmable, Audible preheat signal, Auto oven shut-off with override, Electronic clock and kitchen timer

# Built-In 27" Electric Single Ovens

## ALL MODELS FEATURE

- Flush appearance installation • Fit 27" cabinet • Frameless glass oven door • Control lock capability (except model JKS05BW)

### Installation Flexibility

27" wall ovens can be installed in a wall or 27" cabinet, or undercounter installation with either a gas or electric cooktop above. See pages 148 and 149 for approved cooktop use.

### Self-Clean Convection



#### GE Profile™

##### JKP18WW

- White on white • Self-cleaning convection oven with Delay Clean option • Convection Bake • Convection Roast • Three oven racks • Sure Grip designer-style handle

##### JKP18BW (not shown)

- Black on black

##### JKP18AW (not shown)

- Almond on almond

#### SmartSet Electronic Controls Feature:

Large, easy-to-read display symbols, Convection conversion, Automatic Meat thermometer, Temperature display, Start pad, Delay Bake option with Cook & Hold, Variable broil, C° or F° programmable, Audible preheat signal, Auto oven shut-off with override, Electronic clock and kitchen timer.

### Standard Clean



### Self-Clean



#### GE

##### JKP15WW

- White on white • Designer-style handle • Self-cleaning oven with Delay Clean option • Two oven racks

##### JKP15BW (not shown)

- Black on black

##### JKP15AW (not shown)

- Almond on almond

**SmartSet Electronic Controls Feature:** Large, easy-to-read display symbols, Temperature display, Start pad, Delay Bake option with Cook & Hold, Variable broil, C° or F° programmable, Audible preheat signal, Auto oven shut-off with override, Electronic clock and kitchen timer

#### GE

##### JKS05BW

- Black on black • Designer-style handle • Standard clean oven • Two oven racks

#### SmartSet Electronic Controls Feature:

Large, easy-to-read display symbols, Temperature display, Start pad, Delay Bake option with Cook & Hold, Variable broil, C° or F° programmable, Audible preheat signal, Auto oven shut-off with override, Electronic clock and kitchen timer

Not all features available on all models. For additional features, specifications and color availability, refer to pages 148-149.

# Built-In 24" Electric Double and Single Ovens

## ALL MODELS FEATURE:

- Fit 24" cabinet • Frameless glass oven doors • Designer-style handles • Two oven racks (each oven)



SmartSet Electronic Controls are simple to understand and easy to use.



Self-Clean Ovens provide easy clean convenience. Simply set the controls and the oven cleans itself.

## Self-Clean Upper/Standard Lower



### GE

#### JRP24BW

- Black on black

#### Upper Oven

- Self-cleaning oven with Delay Clean option
- SmartSet Electronic Controls • Control lock capability • Start pad • Delay Bake option with Cook & Hold • Variable broil

#### Lower Oven

- Standard clean oven • Rotary controls

**SmartSet Electronic Controls Feature:** Large, easy-to-read display symbols, Temperature display, C° or F° programmable, Audible preheat signal, Auto oven shut-off with override, Electronic clock and kitchen timer

## Self-Clean Single Ovens



### GE

#### JRP15WW

- White on white • Self-cleaning oven with Delay Clean option • Variable broil • Control lock capability • Start pad • Delay Bake option with Cook & Hold

#### JRP15BW (not shown)

- Black on black

## Standard Clean Single Oven



### GE

#### JRS04BW

- Black on black • Standard clean oven • Variable broil • Start pad • Delay Bake option with Cook & Hold

Not all features available on all models. For additional features, specifications and color availability, refer to pages 146-148.

# Built-In 24" Gas Single Ovens

## ALL MODELS FEATURE:

- Fit 24" cabinet • Electronic pilotless ignition • Frameless glass oven door • Designer-style handle

**SmartSet Electronic Controls Feature:** Large, easy-to-read display symbols, Temperature display, Start pad, Delay Bake option with Cook & Hold, Variable broil, C° or F° programmable, Audible preheat signal, Auto oven shut-off with override, Electronic clock and kitchen timer



**GE**

### JGRP17WEW

- White on white • Self-cleaning oven with Delay Clean option • Control lock capability • In-oven broiling • Storage drawer

### JGRP17BEW (not shown)

- Black on black



**GE**

### JGRS14BEW

- Black on black • Standard clean oven • Separate broiler drawer

# Built-In Induction Cooktops

## ALL MODELS FEATURE:

- One 9", one 8" and two 6" induction heating elements • 10 power levels • Induction element power level indicator • Touchpad controls



**GE Profile™**

### JP693R

- White on white • 36" smooth-surface tempered glass cooktop

### JP692R (not shown)

- Black on black • 36" width

### JP393R (not shown)

- White on white • 30" width

### JP392R (not shown)

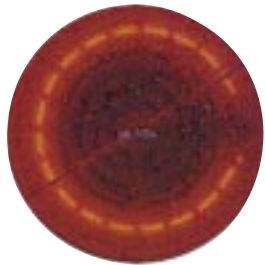
- Black on black • 30" width

Not all features available on all models. For additional features, specifications and color availability, refer to pages 149-150.

# Built-In Cooktops 36" and 30" Electric CleanDesign

## ALL MODELS FEATURE:

- Smooth-surface glass-ceramic CleanDesign cooktop • Fingerprint and scratch resistant patterned glass cooktop



Halogen Heating Elements provide an instantaneous cooking response.



Ribbon Heating Elements direct heat straight up to the pan, providing even heat for uniform cooking.



### GE Profile™

#### JP660BV

- Black on black • 36" cooktop • Five heating elements: one dual (6"/9"), one 7" and two 6" ribbon heating elements, one 8" halogen heating element • Ten-step halogen rotary control • Five hot surface indicator lights

#### JP660WV (not shown)

- White on white

#### JP660AV (not shown)

- Almond on almond



### GE Profile™

#### JP360WV

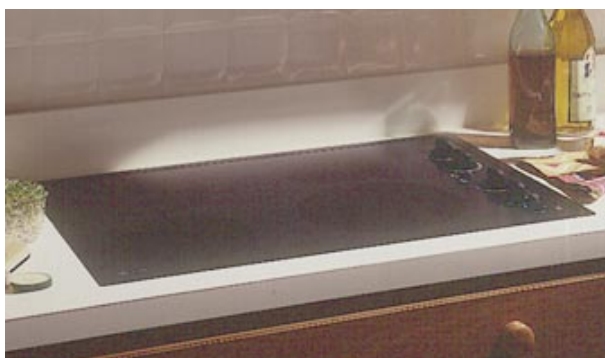
- White on white • 30" cooktop • Four heating elements: One dual (6"/9"), one 8" and one 6" ribbon heating element and one halogen heating element • Ten-step halogen rotary control • Four hot surface indicator lights

#### JP360AV (not shown)

- Almond on almond

#### JP360BV (not shown)

- Black on black



### GE Profile™

#### JP350BV

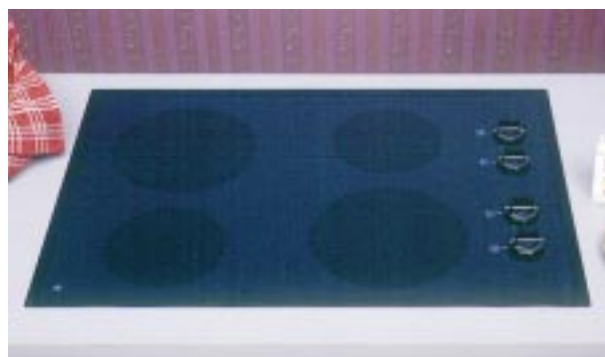
- Black on black • 30" cooktop • Four heating elements: One dual (6"/9"), two 8" and one 6" ribbon heating element • Four hot surface indicator lights

#### JP350WV (not shown)

- White on white

#### JP350AV (not shown)

- Almond on almond



### GE

#### JP340BW

- Black on black • 30" cooktop • Four heating elements: Two 6" and two 8" ribbon heating elements • Surface "ON" light

#### JP340WV (not shown)

- White on white

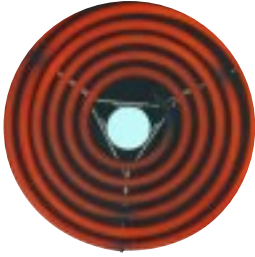
Not all features available on all models. For additional features, specifications and color availability, refer to page 150.



# Built-In Cooktops 36" and 30" Electric Coil

## ALL MODELS FEATURE:

- Porcelain-enameled lift-up cooktop
- Two 8" and two 6" plug-in Calrod® heating elements
- Infinite heat rotary controls



Calrod® Heating Elements provide even heat distribution for better cooking performance.



**GE**

### JP626WV

- White on white
- 36" cooktop
- One-piece chrome drip bowls
- Upfront white glass control panel

### JP626AV (not shown)

- Almond on almond



**GE**

### JP326BV

- Black on black
- 30" cooktop
- One-piece porcelain-enameled drip bowls
- Black glass control panel

### JP326WV (not shown)

- White on white

### JP326AV (not shown)

- Almond on almond

### JP326CV (not shown)

- Brushed-chrome

# Built-In Cooktops 21" Compact



**GE**

### JP201CV

- Brushed-chrome
- 21-1/4" cooktop
- One 8" and one 6" plug-in heating elements
- Infinite heat rotary controls
- Removable one-piece chrome drip bowls
- Heating element "ON" indicator light

### JP200V (not shown)

- White porcelain-enameled
- (Available in White only)

Not all features available on all models.  
For additional features, specifications  
and color availability, refer to page 151.

# Built-In Cooktops 36" and 30" Gas

## ALL MODELS FEATURE:

- Sealed burners (except JGP320EV) • Electronic pilotless ignition



Sealed Burners help contain spills from dripping beneath cooktop for easy cleanup.



Precise Simmer Burner provides more temperature control with low 700 BTU setting.



Maximum Output Burners have high power performance making cooking convenient.



### GE Profile™

#### JGP645BEX

- Black on black • 36" downdraft cooktop
- Tempered glass cooktop • Deluxe cast grates
- Automatic re-ignition • 500 CFM retractable downdraft venting system • Upfront variable speed fan • Use optional GE accessory cover (JXBC55) for outdoor installation of blower
- Detached blower for installation flexibility
- **JXBA55 Downdraft Venting Kit required for installation**

#### JGP645WEX (not shown)

- White on white



### GE Profile™

#### JGP636BEV

- Black on black • 36" cooktop • Tempered glass cooktop • Deluxe cast grates • Five sealed burners • 2 Precise Simmer burners
- Maximum Output burner

#### JGP636WEV (not shown)

- White on white

#### JGP636AEV (not shown)

- Almond on almond



### GE

#### JGP626WEV

- White on white • 36" cooktop • Porcelain-enameled cooktop • Precise Simmer burner
- Standard cast grates

#### JGP626BEV (not shown)

- Black on black

#### JGP626AEV (not shown)

- Almond on almond



### GE Profile™

#### JGP336AEV

- Almond on almond • 30" cooktop
- Tempered glass cooktop • Precise Simmer burner • Maximum Output burner

#### JGP336WEV (not shown)

- White on white

#### JGP336BEV (not shown)

- Black on black

Not all features available on all models. For additional features, specifications and color availability, refer to pages 152 and 156.



Sealed Burners help contain spills from dripping beneath cooktop for easy cleanup.



**GE**

**JGP326BEV**

- Black on black • 30" cooktop • Sealed burners
- Precise Simmer burner • Standard cast grates

**JGP326WEV** (not shown)

- White on white

**JGP326AEV** (not shown)

- Almond on almond

**GE**

**JGP320EV**

- 30" lift-up cooktop • Glass control panel
- Standard porcelain steel grates
- Available in white or black

## Built-In Cooktops *Downdraft Gas Modular*

### ALL MODELS FEATURE:

- Powerful downdraft venting
- Electronic pilotless ignition
- Up-front controls

### Optional Modules

(available at additional cost)

Two-burner gas module for standard burners

JXGB89W—White on white

JXGB89B—Black on black

Gas grill module

JXGG89

Griddle for use with optional Grill module

JXGL89

Grill Cover

JXGC89W—White on white

JXGC89B—Black on black



**GE Profile™**

**JGP389WEV**

- White on white • 30" single modular gas cooktop • Fixed standard gas burners (right side)
  - Left side accepts optional cooking modules
- Shown with optional Grill module JXGG89.

**JGP389BEV** (not shown)

- Black on black

**GE Profile™**

**JGP18BEV**

- Black on black • 18" single modular gas cooktop • Accepts optional cooking modules
- Shown with optional Grill module JXGG89.

Not all features available on all models. For additional features, specifications and color availability, refer to pages 152-153.

# Built-In Cooktops *Downdraft Electric Select-Top Modular*

## ALL MODELS FEATURE:

- Infinite heat rotary controls • Powerful downdraft venting system • Heating element "ON" indicator light



Powerful Downdraft Venting System draws smoke and odors down and out of the kitchen.



### GE Profile™

#### JP389WV

- White on white • 30" dual modular cooktop
- 3-speed fan • Porcelain-enameled cooktop

Shown with optional Ribbon module JXDR50VW and Grill module JXDL44N



### GE Profile™

#### JP389BV

- Black on black • 30" dual modular cooktop
- 3-speed fan • Porcelain-enameled cooktop

Shown with optional Ribbon modules JXDR50VB



### GE

#### JP385WV

- 30" single modular cooktop • White porcelain-enameled cooktop • Fixed 6" and 8" plug-in Calrod® heating elements • Left side accepts optional cooking modules

Shown with optional Grill module JXDL44N



### GE

#### JP385BV

- 30" single modular cooktop • Black porcelain-enameled cooktop • Fixed 6" and 8" plug-in Calrod® heating elements • Left side accepts optional cooking modules

Shown with optional Grill module JXDL44N

#### JP385CV (not shown)

- Brushed-chrome cooktop

Not all features available on all models. For additional features, specifications and color availability, refer to pages 154-155.

# Optional Modules *Select-Top* (available at additional cost)



**Grill Module**  
Front and rear controlled heating element for more cooking flexibility and energy savings. One-piece grill grate and porcelain-enameled reflector pan can be removed for cleaning in sink or dishwasher.



**Griddle Accessory**  
(For use with optional grill module) Place over heating element and reflector pan from optional grill module. Griddle accessory has a non-stick coating and is self-draining.



**Ribbon Module**  
Patterned glass top with one 8" and one 6" ribbon heating element.



**Calrod® Module**  
One 8" and one 6" plug-in Calrod® heating element with removable one-piece drip bowls.

**Grill Cover** (not shown)  
Covers grill area when not in use. Available in Black on black and White on white.

Optional Modules (available at additional cost)	Models				
	JP389WV	JP389BV	JP385WV	JP385BV	JP385CV
Calrod® Module	JXDC44RWH	JXDC43RBL	JXDC44RWH	JXDC43RBL	JXDC41NBC
Ribbon Module	JXDR50VW	JXDR50VB	JXDR50VW	JXDR50VB	JXDR50VC
Grill Module	JXDL44N	JXDL44N	JXDL44N	JXDL44N	JXDL44N
Griddle Accessory	JXDD44R	JXDD44R	JXDD44R	JXDD44R	JXDD44R
Grill Cover	JXDM3	JXDM2	JXDM3	JXDM2	JXDM2

## Built-In Cooktops *Patio Grill*



**GE**

**JP380BV**

- 30" patio grill • Fixed grill elements each side • Infinite heat rotary controls • Powerful downdraft venting system • Heating element "ON" indicator light • Black porcelain-enameled cooktop • Optional grill covers (JXDM4) available at additional cost.

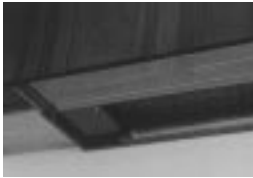
*U.L. approved for outdoor use only.*

# Venting Options

## Slide-Out Hoods

### THESE MODELS FEATURE:

- See-through glass visor slides in and out
- 300 CFM performance with variable speed fan control
- Auto heat sensor
- Compact housing leaves ample shelf space behind cabinet doors
- Vertical exhaust with 3-1/4" x 10" rectangular duct



### GE Profile™

#### JV394S

- Black on black
- 30" vented hood with cooktop light

#### JV395S (not shown)

- White on white

#### JV695S (not shown)

- White on white
- 36" vented hood with cooktop light

#### JV694S (not shown)

- Black on black

## Hoods



GE High Performance and Performance Hoods are designed with an easy-to-clean continuous surface and two large filters that can be cleaned at the sink or dishwasher.

The High Performance hoods are recommended for use with gas cooktops and grill/griddle cooktops. Powerful CFM performance draws smoke and odors up and out of the kitchen.



### GE

#### JV376V High Performance

- 30" vented hood
- Available in White on white or Black on black
- Rotary controls
- 2 cooktop lights
- Night Light setting
- Variable speed fan control
- Vertical or rear exhaust (410/380 CFM)
- 3-1/4" x 10" rectangular duct



### GE

#### JV347X Deluxe

- 30" width
- Available in White on white, Black on black or Almond on almond
- Rotary control
- Three-speed fan
- Cooktop light with Night Light setting
- Light cover
- Convertible exhaust (Shipped in non-vented configuration, convertible to round or rectangular exhaust.)
- Rectangular damper included

JXDA22 round damper accessory, available at additional cost.



### GE

#### JV356V Performance

- 30" width
- Available in White on white, Black on black or Almond on almond
- Rotary controls
- Variable speed fan control
- 250 CFM (max.)
- 2 cooktop lights
- Night Light setting
- Convertible exhaust options (rectangular or non-vented)
- Rectangular damper included

#### JV656V (not shown)

- 36" width



### GE

#### JV327X Standard

- 30" width
- 7" round duct
- Easy-to-use rocker switches
- Two-speed fan
- Cooktop light
- Available in white or almond

JXDA22 round damper accessory, available at additional cost.

#### JV337X (not shown)

- 3-1/4" x 10" rectangular duct
- Rectangular damper included

#### JN327X (not shown)

- Non-vented

Not all features available on all models. For additional features, specifications and color availability, refer to pages 157-158.

## Telescopic Downdraft Systems

### THESE MODELS FEATURE:

- 500 CFM performance • Upfront variable speed fan with slide control • Raises to 8-3/4" over cooktop surface • Retracts when not in use • Ideal for island or peninsula installations • Detached blower assembly for installation flexibility • Use optional GE accessory cover (JXBC55) for outdoor installation of blower



Separate remote switch to raise/lower vent provides installation flexibility and convenience of operation. (only available on JVB66)



#### GE Profile™

##### JVB66WWW

- 36" White on white telescopic downdraft system
- Separate remote switch to raise/lower vent

##### JVB66WBB (not shown)

- Black on black



#### GE Profile™

##### JVB36WBB

- 30" Black on black telescopic downdraft system

##### JVB36WWW (not shown)

- White on white

Note: Approved for use with all GE Profile™ and GE electric and sealed burner gas cooktops. Not approved for use with standard burner gas cooktops.

### THESE MODELS FEATURE:

- 500 CFM performance • Variable speed fan control • Raises to 7" over cooktop surface • Retracts when not in use • Ideal for island or peninsula installations • 3-1/4" x 10" rectangular duct



Raise/lower vent switch provides convenience of operation.



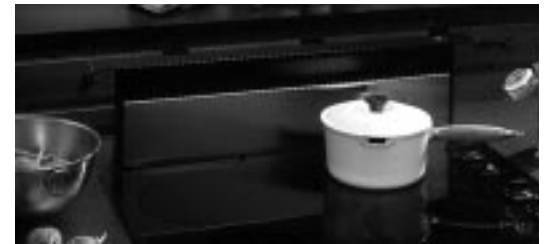
#### GE

##### JVB65S

- 36" white telescopic downdraft system

##### JVB64S (not shown)

- Black



#### GE

##### JVB34S

- 30" black telescopic downdraft system

##### JVB35S (not shown)

- White

Note: Approved for use with all GE Profile™ and GE electric and sealed burner gas cooktops. Not approved for use with standard burner gas cooktops.

Not all features available on all models. For additional features, specifications and color availability, refer to pages 158-159.

# Slide-In 30" Electric Ranges

## THESE MODELS FEATURE:

- Custom built-in look with simple slide-in installation. Note: All models have black painted side panels.



Ribbon Heating Elements provide efficient cooking response.

## CleanDesign



Model shown is shipped with rear filler strip kit.

### GE Profile™

#### JSP40BW

- Black on black • Two 8", one 6" and one dual (6"/9") ribbon heating element • 4 hot surface indicator lights • Fingerprint and scratch resistant patterned glass-ceramic CleanDesign cooktop
- Self-cleaning oven with Delay Clean option
- Frameless glass oven door with window • Sure Grip designer-style handle • Control lock capability

#### JSP40WW (not shown)

- White on white

#### JSP40AW (not shown)

- Almond on almond

#### SmartSet Electronic Controls Feature:

Temperature display, Start pad, Delay Bake option with Cook & Hold, Variable broil, C° or F° programmable, Audible preheat signal, Auto oven shut-off with override, Electronic clock and kitchen timer.

## THESE MODELS FEATURE:

- Lift-up overhanging porcelain-enameled cooktop • Two 8" and two 6" plug-in Calrod® heating elements • Electronic clock and kitchen timer
- Custom built-in look with simple slide-in installation. Note: All models have black painted side panels.

## Coil



### GE

#### JSP34AW

- Almond on almond • Self-cleaning oven with Delay Clean option • Frameless glass oven door with designer-style handle • Control lock capability

#### SmartSet Electronic Controls Feature:

Temperature display, Start pad, Delay Bake option with Cook & Hold, C° or F° programmable, Audible preheat signal, Auto oven shut-off with override

#### JSP34WW (not shown)

- White on white

#### JSP34BW (not shown)

- Black on black

Not all features available on all models. For additional features, specifications and color availability, refer to page 162.



### GE

#### JSP26BW

- Self-cleaning oven with Delay Clean option
- Frameless glass oven door with designer-style handle • Control lock capability • Available in white or almond

#### SmartSet Electronic Controls Feature:

Temperature display, Start pad, Delay Bake option with Cook & Hold, C° or F° programmable, Audible preheat signal, Auto oven shut-off with override

Models shown are shipped with rear filler strip kits.



### GE

#### JSS26BW

- Black on black • Standard clean oven
- Frameless glass oven door with designer-style handle

#### JSS16PW (not shown)

- Standard clean oven • Color-matched oven door
- Visor handle • Available in white or almond



# Slide-In 30" Gas Ranges

## THESE MODELS FEATURE:

- Electronic pilotless ignition
- Self-cleaning oven with Delay Clean option
- Sure Grip designer-style handle
- Glass cooktop
- Storage drawer
- Control lock capability



## GE Profile™

### JGSP44WEY

- White on white
- Sealed burners
- Standard simmer burner
- Maximum output burner
- Deluxe cast grates

### JGSP44BEY (not shown)

- Black on black

### JGSP44AEY (not shown)

- Almond on almond

### SmartSet Electronic Controls Feature:

Temperature display, Start pad, Delay Bake option with Cook & Hold, Variable broil, C° or F° programmable, Audible preheat signal, Auto oven shut-off with override, Electronic clock and kitchen timer.

Model shown with required filler strip provided.

## THESE MODELS FEATURE:

- Electronic pilotless ignition
- Frameless glass oven door
- Designer-style handle
- Interior oven light
- Broiler pan with grid

## Optional Accessory Trim Kits

Enhance the built-in look of these Slide-In Gas ranges with optional accessory trim kits (all models except JGSS05BEW), see page 160.



## GE

### JGSP23WEY

- White on white
- Sealed burners
- Standard Simmer burner
- Self-cleaning oven with Delay Clean option
- Control lock capability
- White porcelain-enameled cooktop
- Standard cast grates
- Storage drawer

### JGSP23BEY (not shown)

- Black on black

### SmartSet Electronic Controls Feature:

Temperature display, Start pad, Delay Bake option with Cook & Hold, Variable broil, C° or F° programmable, Audible preheat signal, Auto oven shut-off with override, Electronic clock and kitchen timer.



## GE

### JGSS05BEW

- Black on black
- Extra-large standard clean oven
- Black porcelain-enameled lift-up cooktop
- Twin rod supports
- Separate broiler drawer with extra-large broiler pan and grid
- Standard porcelain steel grates

Models shown with required filler strip that is provided.

Not all features available on all models. For additional features, specifications and color availability, refer to pages 160-161.

## Slide-In 30" Downdraft Electric Ranges

### BOTH MODELS FEATURE:

- Powerful downdraft venting system • Two-speed fan • Self-cleaning oven
- Glass oven door with window • Designer-style handle
- Electronic clock and minute timer • Delay Bake option
- Dual modular porcelain-enameled cooktop • Storage drawer (half depth)



**GE**

**JSP69WW**

- White on white

**JSP69BV** (not shown)

- Black on black

The modular cooktop on these models allows you to customize the range to suit your convenience and food preparation needs. Downdraft venting allows you to fry, griddle or even grill without an overhead vent hood. These ranges are equipped with a grill module, other modules shown are available at additional cost.



**Radiant Module**

**JXGR63B**—Frameless module has patterned glass top with two 7" radiant heating elements.



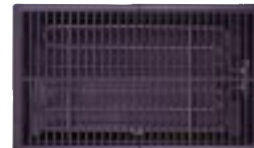
**Griddle Accessory**

**JXGL 90**—(For use with grill module) Place over heating element from grill module. Griddle accessory has a non-stick coating.



**Coil Modules**

**JXGC53W**—White on white, **JXGC53B**—Black on black. One 8" and one 6" plug-in heating element with removable one-piece drip bowls.



**Grill Module**

**JXGG50**—Has two-piece, non-stick coated grates for cooking and cleaning convenience. (One included with each range.)

## Drop-In 30" Electric Ranges

### ALL MODELS FEATURE:

- Lift-up overhanging porcelain-enameled cooktop
- Two 8" and two 6" plug-in heating elements
- Removable one-piece drip bowls • Lift-off oven door
- Frameless glass oven door
- Designer-style handle



**GE**

**JDP39BW**

- Black on black • Self-cleaning oven with Delay Clean option • Control lock capability

**JDP39WW** (not shown)

- White on white

**SmartSet Electronic Controls Feature:** Temperature display, Start pad, Delay Bake option with Cook & Hold, C° or F° programmable, Audible preheat signal, Auto oven shut-off with override, Electronic clock and kitchen timer



**GE**

**JDP36BW**

- Self-cleaning oven with Delay Clean option • Control lock capability • Available with white or almond cooktop

**JDS26BW** (not shown)

- Standard clean oven • Available with white or almond cooktop

Not all features available on all models. For additional features, specifications and color availability, refer to pages 153 and 163.

# Drop-In Spacemaker™ 27" Electric Ranges

## ALL MODELS FEATURE:

- Lift-up overhanging porcelain-enameled cooktop • One 8" and three 6" plug-in Calrod® heating elements
- Frameless glass oven door with window • Chrome drip bowls



Electronic Oven Control provides convenient cooking functions.



Lift-Up Cooktop stays up for easy access to clean the subtop quickly.



Calrod® Heating Elements unplug for easy removal of one-piece drip bowls for cleaning and access to the subtop.

### Optional Backguards

White, black or almond painted finish is available at additional cost for all models.

JX27RWH – White,  
JX27RBK – Black,  
JX27RAD – Almond



### GE Profile™

#### JMP31WW

- White on white • Self-cleaning oven with automatic oven door lock
- Electronic clock and kitchen timer
- Auto oven shut-off • Sure Grip designer-style handle



### GE

#### JMP28BW

- Self-cleaning oven with automatic oven door lock
- White or almond cooktop • Electronic clock and minute timer
- Auto oven shut-off



### GE

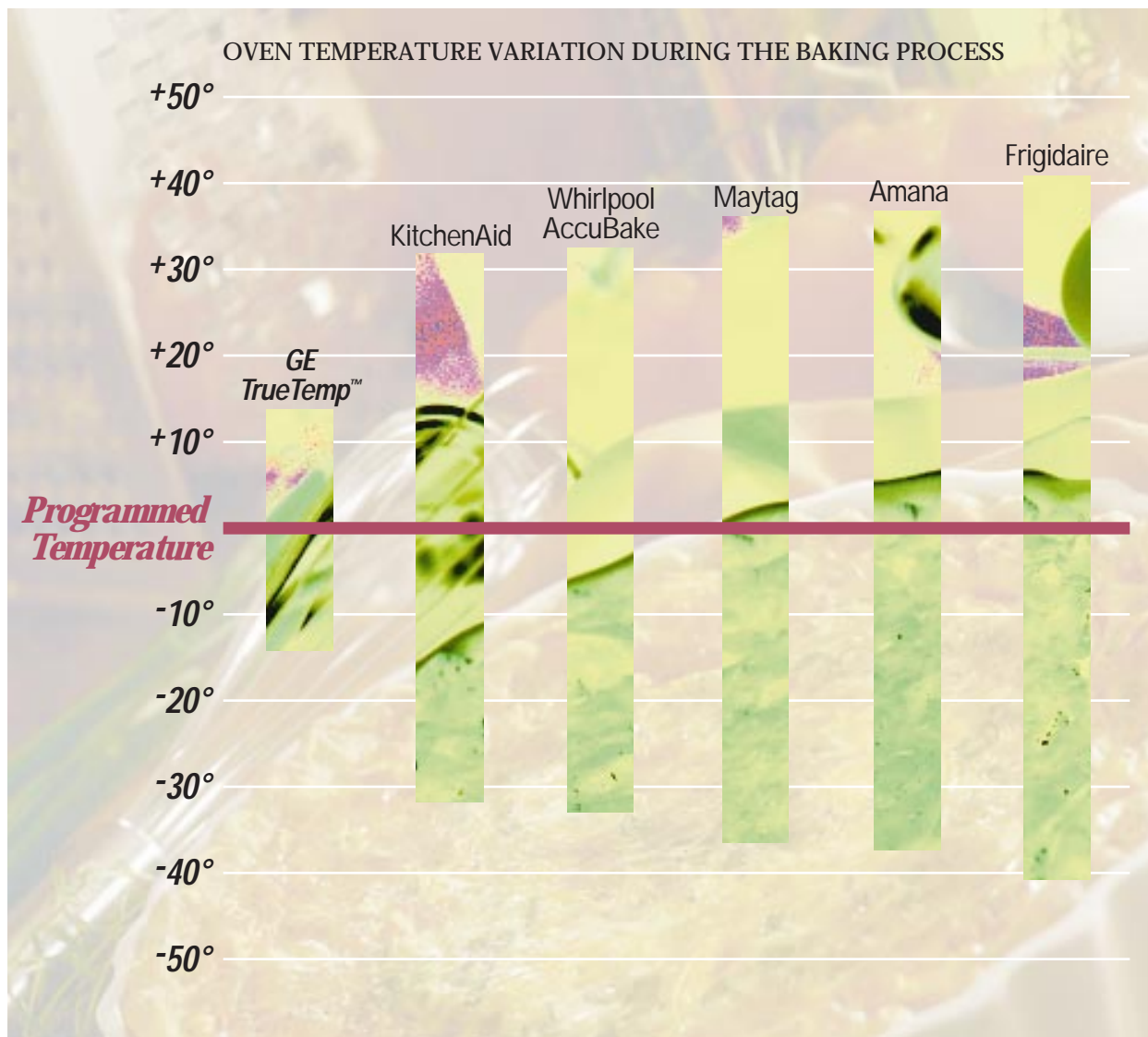
#### JMS08BW

- Standard clean oven • White or almond cooktop
- Rotary oven controls

Not all features available on all models.  
For additional features, specifications  
and color availability, refer to page 164.

GE OFFERS A WHOLE NEW RANGE OF POSSIBILITIES





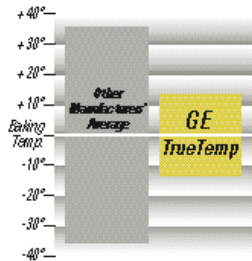
## INTRODUCING TRUETEMP,™ THE MOST ACCURATE OVEN IN AMERICA

GE's new TrueTemp System, available on free-standing electric ranges, is a breakthrough in oven design delivering consistently even oven temperatures for great cooking results. TrueTemp provides industry-leading accuracy among leading brands. It's faster too, accelerating preheat and recovery time 25% faster than prior GE models. The revolutionary TrueTemp oven is available in Profile Performance,™ Profile™ and GE models. TrueTemp isn't the only breakthrough idea you'll find on GE ranges this year. One of the new Profile Performance ranges has a new cooktop design featuring GE's exclusive "bridge burner." This expands your burner options from the conventional four to seven. For example, with the bridge burner, you can use a 17 inch griddle, providing plenty of room for bacon, eggs—and even a pancake or two. GE ranges are designed to give you the control, versatility and easy clean-up you deserve.

# CleanDesign Convection

## ALL MODELS FEATURE:

- TrueTemp™ System • Dual element bake • Six-pass power bake element • SmartLogic™ electronic control • Easy-view hot lights • Patterned glass-ceramic cooktop • One-piece upswept cooktop • Storage drawer • Electronic digital clock and oven controls • Big View window • Exclusive spill retention capacity



SmartLogic™ Electronic Control delivers more consistent oven temperatures for exceptional cooking results.



Bridge Element for total cooking flexibility.



Convection Ovens provide even cooking and superior baking.



Digipad Entry provides digital precision with easy-to-set controls.



### GE Profile Performance Series™

#### JB960WY

- White on white • Self-cleaning convection oven with dedicated third, dual-loop heating element • QuickSet V oven controls with digipad entry; oven function icons; convection conversion; auto oven shut-off with override; start pad; delay clean option; self-clean cool down time display • Two 7" ribbon heating elements with connecting bridge element
- One dual 6" / 9" and one 6" ribbon heating element
- Frameless glass oven door with Sure Grip handle
- Fluorescent night light • Three oven shelves
- Automatic meat thermometer

#### JB960AY (not shown)

- Almond on almond

#### JB960BY (not shown)

- Black on black



### GE Profile Performance Series™

#### JB940BY

- Black on black • Self-cleaning convection oven with dedicated third, dual-loop heating element • QuickSet V oven controls with digipad entry; oven function icons; convection conversion; auto oven shut-off with override; start pad; delay clean option; self-clean cool down time display • One 8", two 6" and one dual 6" / 9" ribbon heating elements • Frameless glass oven door with Sure Grip handle • Fluorescent night light • Three oven shelves • Automatic meat thermometer

#### JB940WY (not shown)

- White on white

#### JB940AY (not shown)

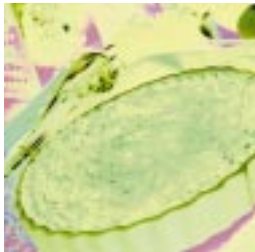
- Almond on almond

## ALL MODELS FEATURE:

• TrueTemp™ System • Dual element bake • Six-pass power bake element • SmartLogic™ electronic control • Easy-view hot lights • Patterned glass-ceramic cooktop • One-piece upswept cooktop • Storage drawer • Electronic digital clock and oven controls • Big View window • Exclusive spill retention capacity



■ ■ ■ Six-Pass Power Bake provides 30% more power, total coverage and even cooking.



■ ■ ■ Dual Element Bake for even baking and roasting.



■ ■ ■ 6" / 9" Dual Element saves energy and provides more efficient cooking.



### GE Profile™

#### JBP79AY

- Almond on almond • Self-cleaning oven • QuickSet IV oven controls with digital temperature display; auto oven shut-off with override; start pad; delay clean option; self-clean cool down time display; control lock capability
- One 8", two 6" and one dual 6" / 9" ribbon heating elements
- Frameless glass oven door with Sure Grip handle
- Fluorescent night light

#### JBP79WY (not shown)

- White on white

#### JBP79BY (not shown)

- Black on black



### GE

#### JBP78WY

- White on white • Self-cleaning oven • QuickSet III oven controls with digital temperature display; delay bake option; auto oven shut-off with override; audible preheat signal
- One 8" and two 6", and one dual 6" / 9" ribbon heating elements
- Frameless glass oven door with new designer-style handle

#### JBP78AY (not shown)

- Almond on almond

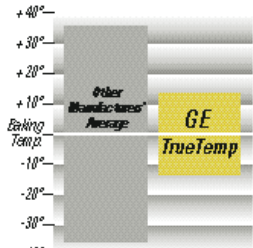
#### JBP78BY (not shown)

- Black on black

# CleanDesign

## ALL MODELS FEATURE:

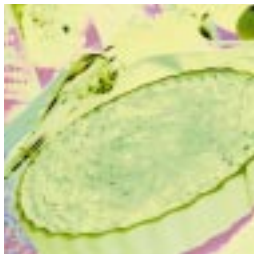
- Self-cleaning oven • Dual element bake • Frameless glass oven door • New designer-style handle
- Exclusive spill retention capacity • Two 8" and two 6" ribbon heating elements



**SmartLogic™ Electronic Control** delivers more consistent oven temperatures for exceptional cooking results.



**Six-Pass Power Bake** provides 30% more power, total coverage and even cooking.



**Dual Element Bake** for even baking and roasting.



**Big View Window** provides easy viewing of oven contents.



### GE JBP75WY

- TrueTemp™ System • SmartLogic™ electronic controls • Big View window • QuickSet III oven controls with digital temperature display; delay bake option; auto oven shut-off with override; audible preheat signal • Six-pass power bake element • Easy-view hot lights

### JBP75AY (not shown)

- Almond



### GE JBP66WY

- TrueTemp™ System • SmartLogic™ electronic controls • White on white • Standard window • QuickSet III oven controls with digital temperature display; delay bake option; auto oven shut-off with override; audible preheat signal • Six-pass power bake element • Easy-view hot lights

Not all features available on all models.  
For additional features, specifications and color availability, refer to page 165.





Exclusive 5-qt. Spill Retention Capacity help contain spills.



Easy-View Hot Lights are easily seen on the backguard, indicating which elements are hot.



Ribbon Elements direct heat directly to the pan and provide even heat for uniform cooking.

### Accessory Information

For easy cleaning of the cooktop, GE provides one scraper and one 2.5-oz. bottle of cleaning creme with each range. For additional supply, call toll-free 1-800-626-2002.



### GE JBP66BY

- TrueTemp™ System • SmartLogic™ electronic controls • Standard window • QuickSet III oven controls with digital temperature display; delay bake option; auto oven shut-off with override; audible preheat signal • Six-pass power bake element • Easy-view hot lights



### GE JBP63BY

- QuickSet II oven controls with digital temperature display; auto oven shut-off with override; audible preheat signal • Easy-view hot lights



### GE JBP60BY

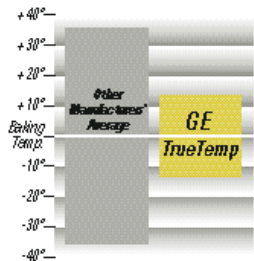
- QuickSet I oven controls with auto oven self-clean
- Easy-view hot lights

Not all features available on all models.  
For additional features, specifications and color availability, refer to page 165.

# QuickClean™ Self-Clean

## ALL MODELS FEATURE:

- Self-cleaning oven • Dual Element Bake • Frameless glass oven door • New designer-style handle • CleanWell™ cooktop system • Lift-up Cooktop
- Plug-in Calrod® heating elements, two 8" and two 6" • Heating element "ON" indicator lights • Removable full-width storage drawer • Four leveling legs with Easy Level System • Removable one-piece drip bowls



**SmartLogic™ Electronic Control** delivers more consistent oven temperatures for exceptional cooking results.



**Six Pass Power Bake** provides 30% more power, total coverage and even cooking.



**Clean-Well™ Cooktop System** contains spills so clean-up is simple.



### GE Profile™

#### JBP48WA

- White on white • TrueTemp™ System • SmartLogic™ electronic controls • Six-pass power bake element
- Big View window • QuickSet IV oven controls with digital temperature display; auto oven shut-off with override; start pad; delay clean option; self-clean cool down time display • Sure Grip handle

#### JBP48AA (not shown)

- Almond on almond

#### JBP48BA (not shown)

- Black on black



### GE

#### JBP30WA

- White on white • TrueTemp™ System • SmartLogic™ electronic controls • Six-pass power bake element
- Big View window • QuickSet III oven controls with digital temperature display; delay bake option; auto oven shut-off with override; audible preheat signal
- New designer-style handle

#### JBP30AA (not shown)

- Almond on almond

#### JBP30BA (not shown)

- Available in white or almond with black glass door



### GE

#### JBP25WY

- White on white • TrueTemp™ System • SmartLogic™ electronic controls • Six-pass power bake element
- QuickSet III oven controls with digital temperature display; delay bake option; auto oven shut-off with override; audible preheat signal

Not all features available on all models. For additional features, specifications and color availability, refer to page 166.



|| Lift-Up Cooktop locks into place for easy cleaning.



|| Calrod® Heating Elements provide even heat distribution for better cooking performance.



|| Digital Temperature Display for accurate temperature readout.



**GE  
JBP24BY**

- Standard window • QuickSet II oven controls with digital temperature display; auto oven shut-off with override; audible preheat signal



**GE  
JBP21BY**

- QuickSet II oven controls with digital temperature display; auto oven shut-off with override; audible preheat signal



**GE  
JBP19BY**

- QuickSet I oven controls with auto self-clean
- Plug-in Calrod® heating elements; one 8" and three 6"

Not all features available on all models. For additional features, specifications and color availability, refer to page 166.

# QuickClean™ Standard & Continuous Clean

## ALL MODELS FEATURE:

- Clean-Well™ Cooktop System • Heating element "ON" indicator light • Removable full-width storage drawer
- Four leveling legs with Easy Level System • Removable one-piece chrome drip bowls



**Lift-Up Cooktop** locks into place for easy cleaning.



**Clean-Well™ Cooktop System** contains spills so clean-up is simple.



**Calrod® Heating Elements** provide even heat distribution for better cooking performance.



### GE JBC27BY

- Continuous cleaning oven • Lift-up cooktop
- Plug-in Calrod® heating elements, two 8" and two 6" • Electronic clock and minute timer
- Frameless black glass oven door with window
- New designer-style handle

**JBS27BY** (not shown)  
• Standard clean oven

**JBS27WY** (not shown)  
• White on white • Standard clean oven

**JBS27AY** (not shown)  
• Almond on almond • Standard clean oven



### GE JBS26W

- Standard clean oven • Plug-in Calrod® heating elements, one 8" and three 6" • Electronic clock and minute timer
- Color-matched oven door with window • Chrome visor handle



### GE JBS07V

- White on white • Standard clean oven • Plug-in Calrod® heating elements, one 8" and three 6"
- Oven door with window • Chrome visor handle

Not all features available on all models. For additional features, specifications and color availability, refer to page 166.

**GE****JBS05Y** (Does not have Clean-Well™ Cooktop System)

- Standard clean oven • Up-front controls • Plug-in heating elements, one 8" and three 6"
- Color-matched oven door with window • Chrome visor handle
- Storage drawer

**GE****JBS03GV**

- Standard clean oven • Plug-in Calrod® heating elements, one 8" and three 6"
- Frameless solid black glass oven door • New designer-style handle

**JBS03V** (not shown)

- Solid color-matched oven door • Chrome visor handle

## 40" Self-Cleaning & Standard Clean

### BOTH MODELS FEATURE:

- Storage drawer • Lift-off oven door with window • Interior oven light • Two 6" and two 8" heating elements



Easy-to-use Electronic Controls provide cooking convenience.

**GE****JCP67Y**

- White on white • Self-cleaning master oven
- Standard clean companion oven • Electronic clock and automatic master oven timer

**JCS57Y** (not shown)

- White on white • Standard clean oven
- Companion storage compartment with shelf
- Electronic clock and timer

Not all features available on all models.  
For additional features, specifications and color availability, refer to pages 166-167.

ONLY GE GAS RANGES HAVE AN APPETITE THIS BIG





## THE LARGEST USABLE OVEN CAPACITY IN 30" FREE-STANDING MODELS\*

There's more oven space inside the GE 30" free-standing gas range—room for a five course meal. Look for yourself. You know, if you moved the ham closer to the casserole dish, you could also warm the rolls. QuickSet touchpad controls make it easy to set the temperature and baking or broiling time. The oven is self-cleaning. As for the top of the range, just wipe with a damp sponge and you're done. Burners are sealed to the cooktop, which keeps spills from seeping below the surface. They're also topped with sturdy, square cast grates. Naturally, the burners have varying degrees of power, allowing you to choose the one most suitable for sautéing, simmering, heating or boiling. GE offers a broad selection of Gas Ranges, including the commercial style with a brushed-chrome finish and mirrored glass backguard. Even though our name is General Electric, don't think for a minute we aren't the leader when it comes to cooking with gas.

*\*Among manufacturer's brands.*

# XL44™ *Self-Cleaning with Sealed Burners*

## ALL MODELS FEATURE:

- Extra-large self-cleaning oven • Electronic clock and automatic oven timer • Auto oven shut-off • Audible preheat signal • Sealed burners
- Precise Simmer burner • Maximum Output burner • Three oven racks • Six embossed rack positions • In-oven broiling • Extra-large broiler pan with grid
- Easy glide storage drawer • Interior oven light • Electronic pilotless ignition



Sealed Burner Design helps contain spills from dripping beneath cooktop for easy clean-up.



Precise Simmer Burner with 600 BTUs allows for low, even heat distribution for delicate foods and sauces.



Maximum Output Burner, with 12,000 BTUs, provides maximum output for fast heat-up and boiling.



### GE Profile™

#### JGBP80MEV Commercial-Style Gas Range

- Brushed chrome styling • Mirrored glass backguard
- Big View electronic oven controls • Fluorescent cooktop night light • Mirrored glass oven door with Big View window
- Professional-style handle and control knobs • One-piece upswept brushed-chrome cooktop • 2 interlocking extra-large cast-iron grates • Continuous grate surface



### GE Profile™

#### JGBP79BEW

- Black on black • Scratch resistant glass backguard • Big View electronic oven controls • Fluorescent cooktop night light • Frameless glass oven door with Big View window
- Sure Grip handle • Designer-style control knobs • One-piece upswept porcelain-enameled cooktop • Square deluxe cast grates with rubber feet • One-piece drip pans

#### JGBP79AEW (not shown)

- Almond on almond

#### JGBP79WEW (not shown)

- White on white



### GE Profile™

#### JGBP75WEY

- White on white • Scratch-resistant porcelain-enameled backguard • Frameless glass oven door with Big View window
- Sure Grip handle • Designer-style control knobs • One-piece upswept porcelain-enameled cooktop • Square deluxe cast grates with rubber feet • One-piece drip pans

#### JGBP75AEY (not shown)

- Almond on almond

#### JGBP75BEY (not shown)

- Black on black

Not all features available on all models. For additional features, specifications and color availability, refer to page 168.



**ALL MODELS FEATURE:**

- Extra-large self-cleaning oven • Six embossed rack positions • QuickSet oven controls • Sealed burners • Electronic pilotless ignition • One-piece, upswept porcelain-enameled cooktop • Frameless glass oven door • Designer-style handle • In-oven broiling • Extra-large broiler pan • Two oven racks • Interior oven light



**GE**  
**JGBP35BEW**

- QuickSet IV oven controls
- Black on black • Precise Simmer burner • Maximum Output burner • Big View window • Storage drawer
- Black standard cast square grates • Black porcelain-enameled drip pans

**JGBP35AEW** (not shown)  
• Almond on almond

**JGBP35WEW** (not shown)  
• White on white



**GE**  
**JGBP30BEW**

- QuickSet III oven controls
- Precise Simmer burner
- Maximum Output burner • Big View window • Storage drawer
- Black deluxe porcelain steel square grates • Black porcelain-enameled drip pans

**JGBP30AEW** (not shown)  
• Almond on almond

**JGBP30WEW** (not shown)  
• White on white



**GE**  
**JGBP28BEW**

- QuickSet II oven controls
- Precise Simmer burner
- Maximum Output burner
- Storage drawer • Black standard porcelain steel square grates • Black porcelain-enameled drip pans



**GE**  
**JGBP27BEW**

- QuickSet II oven controls
- Black standard porcelain steel square grates

Not all features available on all models.  
For additional features, specifications  
and color availability, refer to page 168.

# XL44™

## Self-Cleaning with Standard Burners

### ALL MODELS FEATURE:

- Extra-large self-cleaning oven
- Six embossed rack positions
- Electronic pilotless ignition
- QuickSet oven controls
- Frameless glass oven door with designer-style handle
- Lift-up cooktop
- Square, standard porcelain steel grates
- One-piece, porcelain-enameled cooktop and subtop
- In-oven broiling
- Extra-large broiler pan with grid
- Two oven racks
- Interior oven light



Sixth Embossed Rack Position increases cooking flexibility.



**GE**  
**JGBP26BEW**

- QuickSet III oven controls
- Black porcelain-enameled drip pans
- Storage drawer

**JGBP26AEW** (not shown)

- Almond on almond

**JGBP26WEW** (not shown)

- White on white



**GE**  
**JGBP24BEW**

- QuickSet II oven controls

# XL44™

## Standard Clean with Sealed Burners

### ALL MODELS FEATURE:

- Extra-large standard clean oven
- Six embossed rack positions
- Electronic clock and timer
- Sealed burners
- Porcelain steel square grates
- Electronic pilotless ignition
- One-piece, upswept porcelain-enameled cooktop
- Slide-out broiler drawer
- Extra-large broiler pan with grid



**GE**  
**JGBS23AEW**

- Almond on almond
- Frameless black glass oven door with Big View window
- Designer-style handle
- Precise Simmer burner
- Maximum Output burner
- Taupe porcelain-enameled drip pans
- Interior oven light

**JGBS23WEW** (not shown)

- White on white

**JGBS23BEW** (not shown)

- Black glass door
- Black deluxe porcelain-enameled drip pans



**GE**  
**JGBS22BEW**

- Frameless black glass oven door with window
- Precise Simmer burner
- Maximum Output burner
- Interior oven lights



**GE**  
**JGBS21PEW**

- Solid porcelain-enameled oven door
- Chrome visor handle

Not all features available on all models. For additional features, specifications and color availability, refer to pages 168-169.

### ALL MODELS FEATURE:

- Six embossed rack positions
- Electronic pilotless ignition
- Lift-up cooktop
- Square, standard porcelain steel grates
- Porcelain-enameled cooktop
- Easy-clean porcelain-enameled subtop
- Slide-out broiler drawer
- Extra-large broiler pan with grid
- Two oven racks
- Interior oven light



Extra-Large Broiler Pan with Grid allows for a large capacity broiling area.



**GE**  
**JGBC20BEW**

- Extra-large continuous clean oven
- Electronic clock and timer
- Frameless black glass oven door with designer-style handle
- One-piece upswept cooktop

**JGBC20WEW** (not shown)  
• White on white

**JGBS20BEW** (not shown)  
• Extra-large standard clean oven

**JGBS20WEW** (not shown)  
• White on white



**GE**  
**JGBC17PEW**

- Extra-large continuous clean oven
- Electronic clock and timer
- Color-matched porcelain-enameled oven door with designer-style handle
- One-piece upswept cooktop

**JGBS17PEW** (not shown)  
• Extra-large standard clean oven



**GE**  
**JGBS07PEW**

- White on white
- Extra-large standard clean oven
- White porcelain-enameled oven door with designer-style handle
- Interior oven light



**GE**  
**JGBS04BEW**

- Frameless solid black glass oven door with designer-style handle
- Extra-large standard clean oven

**JGBS04BPW** (not shown)  
• Standing pilot ignition



**GE**  
**JGBS04PEW**

- Solid porcelain-enameled oven door with chrome visor handle
- Extra-large standard clean oven

**JGBS04PPW** (not shown)  
• Standing pilot ignition

**JGBS03PPW** (not shown)  
• Solid porcelain-enameled oven door with chrome visor handle  
• Standing pilot ignition

Not all features available on all models. For additional features, specifications and color availability, refer to page 169.

## SO, WHERE ARE YOU GOING TO PUT THE MICROWAVE?



### GE INVENTED THE SPACEMAKER MICROWAVE OVEN 20 YEARS AGO

Today, GE offers Over-The-Range, Built-In and Countertop models. Spacemaker Over-The-Range models double as a range hood. The venting system is integrated into the advanced design. Installation is easy, too. Over the years, GE innovations have elevated the microwave from a “heat and eat” convenience to a true friend of the modern gourmet cook. And we’re not just talking about a special setting for popcorn!



The remarkable SpacemakerPlus™ offers three ways to cook: microwave, convection and combination—with a combination hi/lo baking feature that bakes and browns in less time. You can even broil and brown foods, using the broil pan supplied with the oven. They also have Sensor Cooking Controls that take the guesswork out of microwaving. The SmartControl System actually has an interactive display. If you're in the market for a microwave oven, remember, GE invented the Spacemaker and the competition has been playing "catch-up" ever since.

# SpacemakerPlus™ Combination Microwave/Convection

## GE Profile Performance Series™ Over-The-Range Microwave Ovens

The ideal companion to a GE gas or electric range, a GE Profile Performance Series™ Over-The-Range Microwave Oven delivers the ultimate in microwave cooking performance. Convection cooking circulates hot air throughout the oven's interior to brown and crisp foods to perfection. The exclusive Sensor Combination feature takes the guesswork out of cooking: Simply press the touchpad corresponding to the food being prepared, and the microwave oven selects the appropriate time and power levels for cooking and browning.

### ALL MODELS FEATURE:

- 1.1 cu. ft. Oven Cavity • 825 watts\* • Sensor Cooking Controls for Popcorn, Beverage, Canned Vegetables, Fresh Vegetables and Frozen Vegetables and Reheat Pads • Combination Microwave/Convection Oven • Sensor Combination (Chicken, Fish, Potato) • Combination Roast (probe) • Combination Bake Hi/Lo • Convection Bake • Auto Defrost/Time Defrost • SmartControl System with Interactive Display • Convection Rack/Broil Pan • Temp Cook (probe)



The Sensor Combination pads take the guesswork out of cooking.



Convection Cooking provides a browned crisp exterior and moist interior.



The Combination Bake/Hi uses 30% microwave power, combined with convection cooking for faster cooking results.

\*IEC-705 Test Procedure

Not all features available on all models. For additional features, specifications and color availability, refer to page 170.



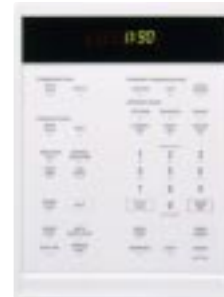
### GE Profile Performance Series™

#### JVM1190WY

- White on white • 1.1 cu. ft. oven cavity
- Sensor Combination Controls (Chicken, Fish and Potato)

#### JVM1190BY (not shown)

- Black on black



### GE Profile Performance Series™

#### JVM1190AY

- Almond on almond • 1.1 cu. ft. oven cavity
- Sensor Combination Controls (Chicken, Fish and Potato)



# Built-In Microwave/Convection

## ALL MODELS FEATURE:

- 1.0 cu. ft. oven cavity • 800 watts\* • Sensor Cooking Controls for Popcorn, Cook, Reheat and Beverage pads • Express Cook



Sensor Controls take the guesswork out of cooking.



The Built-In Microwave/Convection Oven provides a true built-in appearance.



Convection cooking produces brown exteriors and moist interiors.

## Microwave/Convection



### GE Profile™

#### JEB1090BV

- Black on black • Convection Cook
- Combination Roast (probe) • Combination Cooking • Sensor Cooking Controls

#### JEB1090WV (not shown)

- White on white

## Microwave only



### GE Profile™

#### JEB1050WV

- White on white • Sensor Cooking Controls
- Auto Roast (probe)

#### JEB1050BV (not shown)

- Black on black

\*IEC-705 Test Procedure

Not all features available on all models.  
For additional features, specifications and color availability, refer to page 171.

# SpacemakerXL with Sensor Cooking Controls

## ALL MODELS FEATURE:

- 900 watts\* • 1.3 cu. ft. Oven Cavity • CircuWave™ Plus Cooking System • Turntable On/Off • SmartControl System with Interactive Display • Help Pad • Removable Dual Rack • Timer On/Off • Full-View Cooktop Lighting • Programmable Nite Light • Micro Cook I & II • Temp Cook/ Roast (probe) • Sensor Cooking Controls for Popcorn, Beverage, Reheat, Ground Meats, Fish Fillets, Chicken Pieces, Potatoes and Three Vegetable Pads • Auto Defrost/Time Defrost • Add 30 Seconds • Instant On Controls • Beeper Sound Level Control • Child Lock-Out • Powerful Two-Speed, High-Capacity Exhaust Fan • Easy Mount Installation



Sensor Controls automatically eliminate guesswork.



Smart Control System with Interactive Display allows for programming several functions at once.



SpacemakerXL—GE's most powerful over-the-range microwave oven ever.



### GE Profile™

#### JVM1350SY

- Sensor Cooking Controls
- Stainless steel



### GE Profile™

#### JVM1350WW

- Sensor Cooking Controls
- White on white

#### JVM1350BW (not shown)

- Black on black

#### JVM1350AW (not shown)

- Almond on almond



\*IEC-705 Test Procedure

Not all features available on all models. For additional features, specifications and color availability, refer to page 172.



# SpacemakerXL with Convenience Cooking Controls

## ALL MODELS FEATURE:

- 1.3 cu. ft. Oven Cavity • SmartControl System with Interactive Display • Help Pad • Convenience Cooking Controls for Popcorn, Reheat, Beverage, Snacks and Cook Pads • Micro Cook I & II • Auto Defrost/Time Defrost • Express Cook • Timer On/Off • Child Lock Out
- Full-View Cooktop Lighting • Two-speed, High-Capacity Exhaust Fan • Easy Mount Installation



SpacemakerXL—GE's largest over-the-range microwave oven ever.



The combination of the rack and turntable gives you two levels of convenient cooking.



The probe ensures precise internal temperatures for most foods.



### GE

#### JVM1340BW

- Black on black • 900 watts\* • CircuWave™ Plus Cooking System • Turntable On/Off • Removable Dual Rack • Temperature Probe • Temp Cook/Roast • Add 30 Seconds • Instant On Controls • Night Light

#### JVM1341BW (not shown)

- Non-vented model

#### JVM1340WW (not shown)

- White on white

#### JVM1341WW (not shown)

- Non-vented model



#### JVM1340AW

- Almond on almond



### GE

#### JVM1339WW

- 900 watts\*
- White on white

#### JVM1339BW (not shown)

- Black on black



### GE

#### JVM1330BW

- 850 watts\*
- Black on black

#### JVM1331BW (not shown)

- Non-vented model

#### JVM1330WW (not shown)

- 850 watts\*
- White on white

#### JVM1331WW (not shown)

- Non-vented model

\*IEC-705 Test Procedure

Not all features available on all models. For additional features, specifications and color availability, refer to page 172.

# Countertop Microwave/Convection with Sensor Cooking Controls

## BOTH MODELS FEATURE:

- 1.3 cu. ft. oven cavity • 850 watts\* • Sensor Cooking Controls for Beverage, Popcorn, Cook and Reheat pads • Turntable
- Micro Cook I & II • Convection Cook • Combination Cook • Combination Roast • 10 power levels • SmartRack • Auto Defrost
- Kitchen Timer • Delay Start • Express Cook • Deluxe Cookbook • Built-in kit (available at additional cost)



Microwave Cooking is ideal for preparing many foods.



Convection Cooking produces golden brown exteriors and moist interiors.



Combination Cooking combines microwave and convection cooking.



The SmartRack provides two levels of convection cooking.



### GE Profile™

#### JE1390GV

- Black on black

### Built-In Accessory Trim Kits

Built-in accessory trim kits allow installation in a wall or cabinet alone, or over a GE 30" or 27" single electric wall oven. Use a convection wall oven under these convection microwave ovens for a complete convection cooking center.

(See page 175 for dimensional data. Kit available at additional cost.)



### GE Profile™

#### JE1390WV

- White on white



Not all features available on all models. For additional features, specifications and color availability, refer to page 173.

\*IEC-705 Test Procedure

# Countertop with Sensor Cooking Controls

## ALL MODELS FEATURE:

- Scrolling Display • Sensor Cooking Controls for Beverage, Popcorn, Potato, Vegetable, Chicken/Fish and Reheat pads • Time Cook I & II
- Auto Defrost/Time Defrost • Express Cook • Add 30 Seconds • 10 power levels • Instant On Controls • Timer On/Off • Child Lock Out
- Delay Start • Reminder • Cooking Complete Reminder • Variable Beeper Volume



Sensor Controls take the guesswork out of cooking.



**GE**

**JE1550GY**

- Black with greystone case
- Full-size 1.5 cu. ft. oven cavity
- 1000 watts\* • Turntable
- Built-in kit available at additional cost

**JE1550WY** (not shown)

- White on white • Built-in kit available at additional cost



The Scrolling Display is easy to read and a helpful cooking guide.



**GE**

**JE1550WY**

- White on white • Family-size 1.2 cu. ft. oven cavity • 1000 watts\* • Turntable



The ability to build into the wall allows for integrated kitchen appearance.



**GE**

**JEM31WY**

- White on white • Mid-size .9 cu. ft. oven cavity
- 800 watts\* • Scrolling Display

**JEM31GY** (not shown)

- Black with greystone case

\*IEC-705 Test Procedure

Not all features available on all models. For additional features, specifications and color availability, refer to pages 173-174.

# Countertop with Convenience Cooking Controls

## ALL MODELS FEATURE:

- Convenience Cooking Controls for Beverage, Popcorn, Cook, Reheat and Snacks pads • Micro Cook I & II • Delay Start/Reminder
- Time Defrost • Auto Defrost • Express Cook • Add 30 Seconds • 10 power levels • Instant On Controls • Kitchen Timer • Child Lock Out
- Cooking Complete Reminder • Sound On/Off



Powerful 1000 Watts\* to maximize cooking performance.



Auto Defrost/Time Defrost automatically sets defrosting time and power level.



Convenience Cooking Controls allow you to defrost, cook or reheat at the touch of a pad.



Add 30 Seconds extends cooking time without the hassle of reprogramming.

\*IEC-705 Test Procedure

Not all features available on all models. For additional features, specifications and color availability, refer to page 173.



**GE**

**JE1540AW**

- Almond on almond • Full-size 1.5 cu. ft. oven cavity • 1000 watts\* • Built-in kit available at additional cost

**JE1540GW** (not shown)

- Black with greystone case

**JE1540WW** (not shown)

- White on white



**GE**

**JE1340GY**

- Black with greystone case • Family-size 1.3 cu. ft. oven cavity • 1000 watts\*

**JE1340WY** (not shown)

- White on white

**JE1040WY** (not shown)

- White on white • Mid-size 1.0 cu. ft. oven cavity • 1000 watts\*

**JE1040GY** (not shown)

- Black with greystone case



**GE**

**JE740WY**

- White on white • Compact .7 cu. ft. oven cavity • 700 watts\*
- Undercabinet hanging kit available at additional cost

**JE740GY** (not shown)

- Black with greystone case

# Spacemaker II™

## BOTH MODELS FEATURE:

- .9 cu. ft. oven cavity • 800 watts\* • Delay Start/Reminder • Time Defrost • Auto Defrost • Time Cook I & II • Express Cook
- Instant On Controls • Sound On/Off • Built-in or undercabinet hanging kit (available at additional cost)



Easy Under Cabinet Installation leaves counter space free for food preparation.



Popcorn Pad maximizes popping without scorching.



**GE**

### JEM25WY

- White on white • Mid-size .9 cu. ft. oven cavity
- Convenience Cooking Controls for Popcorn, Beverage, Reheat, Snacks and Cook Pads



These countertop microwave ovens, can be installed under kitchen cabinets, or can be built into the wall, creating additional space on your counter. Conveniently store canisters, recipe files, spice racks, or use the counter space for a handy work surface close to the oven.



**GE**

### JEM25GY

- Black with greystone case • Mid-size .9 cu. ft. oven cavity
- Convenience Cooking Controls for Popcorn, Beverage, Reheat, Snacks and Cook Pads



## Undercabinet Mounting Kit

Install Spacemaker II®, Compact and Subcompact microwave ovens in just a few easy steps with an undercabinet hanging kit. The mounting template provides all the necessary measurements for installation. These microwave ovens can be conveniently installed on practically any wood or metal cabinets. Pub. No. 4-A019-4 (For use with Models JEM31WY, JEM31GY, JEM25WY, JEM25GY, JE740GY, JE740WY, JE520BW, JE510BW)

\*IEC-705 Test Procedure

Not all features available on all models. For additional features, specifications and color availability, refer to page 174.

# Subcompact

## BOTH MODELS FEATURE:

- .5 cu. ft. oven cavity • 600 watts\* • Turntable • Undercabinet hanging kit (available at additional cost)



The Turntable rotates the dish constantly and allows for even and thorough cooking. It can also be removed for easy cleaning.



### GE JE520BW

- Subcompact • Electronic touch controls with electronic digital display and clock
- Time Cook • Time Defrost • Cooking Complete Reminder • 10 power levels



### GE JE510BW

- Subcompact
- 15-minute timer

# Value Line

## ALL MODELS FEATURE:

- Turntable • Instant On Controls • Auto Defrost
- Auto Start • Quick Set
- Electronic Digital Display with Clock • Child Lock Out



### GE JE1235WW

- Full-size 1.2 cu. ft. oven cavity • 900 watts\* • Convenience Cooking Controls for Beverage, Popcorn, Frozen Pizza, Dinner Plate, Baked Potato, Vegetables and Soup Pads • Time Preference

- JE835WW (not shown) • Mid-size .8 cu. ft. oven cavity • 800 watts\* • Convenience Cooking Controls for Beverage, Popcorn, Frozen Pizza, Dinner Plate, Baked Potato, Vegetables and Soup Pads • Time Preference

- JE635WW (not shown) • Compact .6 cu. ft. oven cavity • 600 watts\* • Convenience Cooking Controls for Beverage, Popcorn, Frozen Pizza, Dinner Plate, Baked Potato, Vegetables Pads

\*IEC-705 Test Procedure

Not all features available on all models. For additional features, specifications and color availability, refer to pages 174-175.

# Countertop Microwave Oven Built-In Trim Kits



## 30" Deluxe Accessory Trim Kit For 1.5 Microwave Ovens

This trim kit allows for built-in installation of the 1.5 countertop microwave oven in a wall or cabinet alone, or over a GE 30" single electric wall oven as shown. In addition, this deluxe trim kit has smooth rounded corners and is designed to integrate handsomely for a built-in one-piece appearance.

### 30" Deluxe Accessory Trim Kits

JX1530MAW—Almond  
JX1530MBW—Black  
JX1530MWW—White

## 27" Deluxe Accessory Trim Kit For 1.5 Microwave Ovens (not shown)

The 27" deluxe trim kit allows a 1.5 countertop microwave oven to be built into a wall or cabinet alone, or over a GE 27" single electric wall oven for a complete one-piece built-in integrated appearance.

### 27" Deluxe Accessory Trim Kits

JX1527MAW—Almond  
JX1527MBW—Black  
JX1527MWW—White



## Built-In Accessory Trim Kits For 1.3 GE Profile™ Microwave Ovens

Built-in accessory trim kits allow installation of the JE1390 in a wall or cabinet alone, or over a GE 30" single electric wall oven. Use a convection wall oven under these convection microwave ovens for a complete convection cooking center.

### 30" Deluxe Accessory Trim Kits

JX1330MBV—Black  
JX1330MWW—White

### 27" Deluxe Accessory Trim Kits

JX1327MBV—Black  
JX1327MWW—White



## Built-In Accessory Trim Kit For .9 Microwave Ovens

For a custom built-in appearance, this kit allows built-in installation of the Spacemaker II™ microwave oven into a wall or cabinet alone.

### Accessory Trim Kits

JX827BN—JEM31GY, JEM25GY  
JX827WN—JEM31WY, JEM25WY

## IT'S GE'S TURN TO DO THE DISHES







## GE GETS DISHES CLEANER THAN EVER AND KEEPS QUIET ABOUT IT

GE dishwashers go to extremes to please you. Your crystal and china need to be washed gently, but thoroughly. We can do that. Heavily soiled pots and pans need a potscrubbing wash action. We can do that, too. GE dishwashers are designed to wash each dishload as it should be washed. GE's CleanSensor II models go so far as to "sense" the wash requirements, and then adjust water temperature, water usage and cycle time accordingly. The SureClean™ Wash System cleans every dish completely and safely. There's even a StemSafe feature, which provides added protection for stemware. What about pre-rinsing? Our dual or triple filtration and the Piranha,™ GE's anti-jamming hard food disposer, eliminate it. In fact, you no longer have to scrape off baked-on foods, the Power Pre-Soak does it for you. The nylon racks are roomy and flexible, offering "loads" of loading options for dishes of varying shapes and sizes. All this, and the new GE Profile Performance™ dishwashers are the quietest dishwashers among all the leading brands. How nice. The dishes get washed and you don't have to hear about it.

# GE Profile Performance Series™

## BOTH MODELS FEATURE:

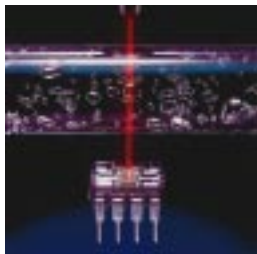
- CleanSensor II • Electronic Controls • SureClean™ Wash System • Piranha™ Anti-Jamming Hard Food Disposer • Glasses Cycle
- China/Crystal Cycle\* • 8-Hour Delay Start • Triple Filtration • SmartBasket • SmartBasket Plus • GE Profile Performance™ Quiet Package
- GE Profile™ QuietMotor • ActiveVent • Quiet Water Valve • Trimless appearance • Child lock



**SureClean™ Wash System**  
cleans dishes completely.



**Triple filtration** eliminates the need to pre-rinse dishloads.



**CleanSensor II** adjusts water usage preventing underwashing or overwashing of dishes.



**Glasses Cycle** saves time, energy and money.

Not all features available on all models. For additional features, specifications and color availability, refer to page 176.



### GE Profile Performance Series™

#### GSD4940ZSS

- Variable cycles/options • Power Pre-Soak option
- Super (nylon) upper rack • SmartShelf with StemSafe • Super12 (nylon) lower rack with 4 rows of fold-down tines

#### GSD4930ZWW (not shown)

- White on white

#### GSD4920ZBB (not shown)

- Black on black

#### GSD4910ZAA (not shown)

- Almond on almond



### GE Profile Performance Series™

#### GSD4620ZBB

- Variable cycles/options • Super upper rack
- SmartShelf • Super12 lower rack with 2 rows of fold-down tines

#### GSD4630ZWW (not shown)

- White on white

#### GSD4610ZAA (not shown)

- Almond on almond

*\*Developed in consultation with Lenox®, the leading manufacturer of fine china.*



# Built-In GE Profile™ QuietPower™ Series

## BOTH MODELS FEATURE:

- SureClean™ Wash System • Electronic Controls • SmartShelf • Piranha™ Anti-Jamming Hard Food Disposer
- POTSCRUBBER Cycle • Hi-Temp Rinse option • Hi-Temp Wash option • Delay Start • SmartShelf
- GE Profile™ QuietMotor • Trimless appearance



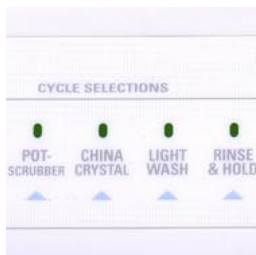
**SureClean™ Wash System** cleans dishes completely.



**Especially for fine china and crystal (GSD4300 series only):\***



**GE Profile™ QuietMotor** is quieter and more energy efficient.



**Electronic Controls** provide reliability and cleanability.

*Not all features available on all models. For additional features, specifications and color availability, refer to page 176.*



### GE Profile™

#### GSD4330ZWW

- 5 cycles/30 options • China/Crystal cycle\*
- Triple filtration • Super12 racks • SmartBasket
- SmartBasket Plus • 8-hour Delay Start option
- QuietPower™ III package • ActiveVent

#### GSD4320ZBB (not shown)

- Black on black

#### GSD4310ZAA (not shown)

- Almond on almond

*\*Developed in consultation with Lenox,™ the leading manufacturer of fine china.*



### GE Profile™

#### GSD4010ZAA

- 4 cycles/26 options • Dual filtration • Super upper rack • Deluxe flat lower rack • Super silverware basket • QuietPower™ II package
- 6-hour Delay Start option

#### GSD4030ZWW (not shown)

- White on white

#### GSD4020ZBB (not shown)

- Black on black



# GE Built-In

## ALL MODELS FEATURE:

- SureClean™ Wash System • Piranha Anti-Jamming hard food disposer • POTSCRUBBER Cycle • Short Wash cycle (on dial)
- Plate Warmer cycle (on dial) • Hi-Temp Wash Option • 6-hour Delay Start option (on dial) • Dual Filter System • Deluxe rack system
- QuietPower™ I Package • GE QuietMotor • Trimless appearance



**SureClean™ Wash System**  
cleans dishes completely.



**Dual Filtration** eliminates the need to pre-rinse dishes.



**GE QuietMotor** is quieter and more energy efficient.



**PermaTuf® Tub** won't chip, peel, crack or rust under normal use.



### GE

#### **GSD3420ZBB**

- 6 cycles/19 options • Light Wash cycle • Rinse Only/Hold cycle (on dial) • Super silverware basket
- Rinse Aid dispenser with indicator

#### **GSD3430ZWW** (not shown)

- White on white

#### **GSD3410ZAA** (not shown)

- Almond on almond



### GE

#### **GSD3210ZAA**

- 5 cycles/14 options
- POTSCRUBBER Cycle
- Hi-Temp Wash option
- Deluxe rack system
- Deluxe silverware basket

- GSD3230ZWW** (not shown) • White on white.
- GSD3220ZBB** (not shown) • Black on black.



### GE

#### **GSD2030ZWW**

- 4 cycles/7 options • Heavy Wash cycle (on dial) • Standard upper rack • Deluxe flat lower rack • Deluxe silverware basket

- GSD2020ZBB** (not shown) • Black on black
- GSD2000ZWH** (not shown) • White front panels/black control panel
- GSD2000ZAD** (not shown) • Almond front panels/black control panel

Not all features available on all models.  
For additional features, specifications  
and color availability, refer to page 177.

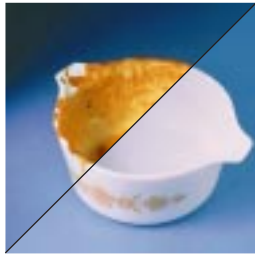
# Convertible

## ALL MODELS FEATURE:

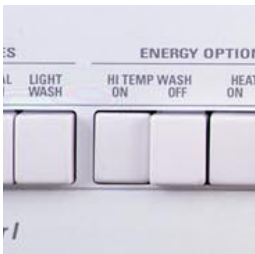
- SureClean™ Wash System • POTSCRUBBER Cycle • Normal Wash cycle • Short Wash cycle (on dial) • Plate Warmer cycle (on dial) • Rinse Only/Hold cycle (on dial) • Heated Dry On/Off option • Hi-Temp Wash option • 3 wash levels • Deluxe rack system • Trimless appearance



SureClean™ Wash System cleans dishes completely.



POTSCRUBBER Cycle removes dried-on and baked-on foods.



Hi-Temp Wash Option brings wash temperatures to proper levels for dissolving food soils.



Portable now



Built-in later



### GE

#### GSC3430ZWW/GSC3400ZBL

- 6 cycles/19 options • Light Wash cycle • Dual Filtration System • 6-hour Delay Start Option (on dial)
- Piranha™ Anti-Jamming Hard Food Disposer • GE QuietMotor • Super silverware basket
- QuietPower™ I Package • Rinse Aid dispenser with indicator



### GE

#### GSC3200ZBL/GSC3230ZWW

- 5 cycles/14 options • Deluxe silverware basket • Standard Quiet Package

Not all features available on all models.  
For additional features, specifications and color availability, refer to page 178.

# GE Spacemaker® Undersink



Single sink bowl



Offset installation for use with disposer

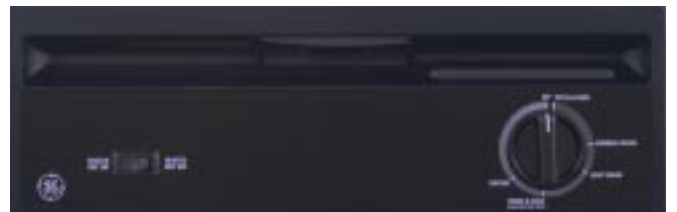


**GE**

**GSM2100ZAD/WH**

- 5 cycles/8 options • POTSCRUBBER Cycle • Normal Wash cycle • Short Wash cycle (on dial)
- Plate Warmer cycle (on dial) • Rinse Only/Hold cycle (on dial) • 2 wash levels • Spacemaker® upper rack • Deluxe flat lower rack • Deluxe silverware basket • PermaTur® interior

# GE Spacemaker® Built-In 18" Dishwasher



**GE**

**GSS1800Z**

- 4 cycles/6 options • 2 wash levels • Pots & Pans cycle • Normal Wash cycle (on dial) • Light Wash cycle (on dial) • Standard silverware basket
- Heated Dry On/Off option • Reversible color panels Black/White/Almond

Not all features available on all models.  
For additional features, specifications and  
color availability, refer to pages 178-179.

# Disposers

## ALL MODELS FEATURE:

- Dishwasher drain connector • Polyester drain housing • Stainless steel flange
- Sink stopper • Manual reset protector • Dual swivel impellers • Precutter



GFC1000Y



GFC800Y



GFC700Y/GFC705Y



GFC300Y/GFC305Y



GFC290Y/GFC295Y



GFB1050V

### GE Continuous Feed Models

#### GFC1000Y

- Rugged 3/4-horsepower motor • 8000 RPM grinding action • Super Deluxe sound insulation • Power Boost feature for heavy loads • Fast Mount installation • Removable splash guard

#### GFC800Y

- 1/2-horsepower motor • 8000 RPM grinding action • Deluxe sound insulation • Fast Mount installation • Removable splash guard

#### GFC700Y

- 1/2-horsepower motor • 8000 RPM grinding action • Sound shield • Fast Mount installation • Removable splash guard

#### GFC705Y

Similar to GFC700Y but has attached line cord.

#### GFC300Y

- 1/2-horsepower motor • 8000 RPM grinding action • Fast Mount installation • Removable splash guard

#### GFC305Y

Similar to GFC300Y but has attached line cord.

#### GFC290Y

- 1/3-horsepower motor • 8000 RPM grinding action • Fast Mount installation • Removable splash guard

#### GFC295Y

Similar to GFC290Y but has attached line cord.

### GE Batch Feed Model

#### GFB1050V

- Rugged 3/4-horsepower motor • 2700 RPM grinding action • Super Deluxe sound insulation • Twist Mount installation

Where local codes permit, any GE Dishwasher and any GE Disposer may be connected to a single 20-amp circuit.

White and Almond flanges are available: GPF71 (White) and GPF72 (Almond).

# Compactors

## ALL MODELS FEATURE:

- 1/3 horsepower • Removable key lock



Not all features available on all models. For additional features, specifications and color availability, refer to page 180.



### GE

#### GCG1530ZWW

- White on white • Hands-free toe opening drawer • Automatic anti-jam feature • Bag caddy
- Rear wheels allow easy movement and installation
- Heavy-gauge steel construction

#### GCG1520ZBB

- Black on black



### GE

#### GCG950T

- Easy-opening drawer
- Bag storage compartment above compactor drawer
- Replaces standard 12-inch base cabinet

IMPROVE THE MOST IMPORTANT ELEMENT IN YOUR HOME







## INTRODUCING GE'S SMARTWATER "WHOLE HOME" WATER SYSTEMS

If you're among the 75% of Americans concerned about the quality of their water, here's some refreshing news.

GE now offers a selection of water filtration and water softening systems. The advantages of a GE SmartWater™ Filtration System is better drinking water. You won't need to buy expensive bottled water for drinking, cooking and it's ideal for making baby formula. GE recommends you install a "Whole Home System," starting with a GE SmartWater Softening System at the point the water enters your home. The softener alone offers tremendous benefits: laundered clothes are cleaner, softer and brighter; dishes will have fewer spots; sinks, tubs and showers are easier to clean; and after a shower or bath, your skin will feel softer and smoother. To top it off, GE SmartWater Softening Systems increase the efficiency of your water heater, saving you money!

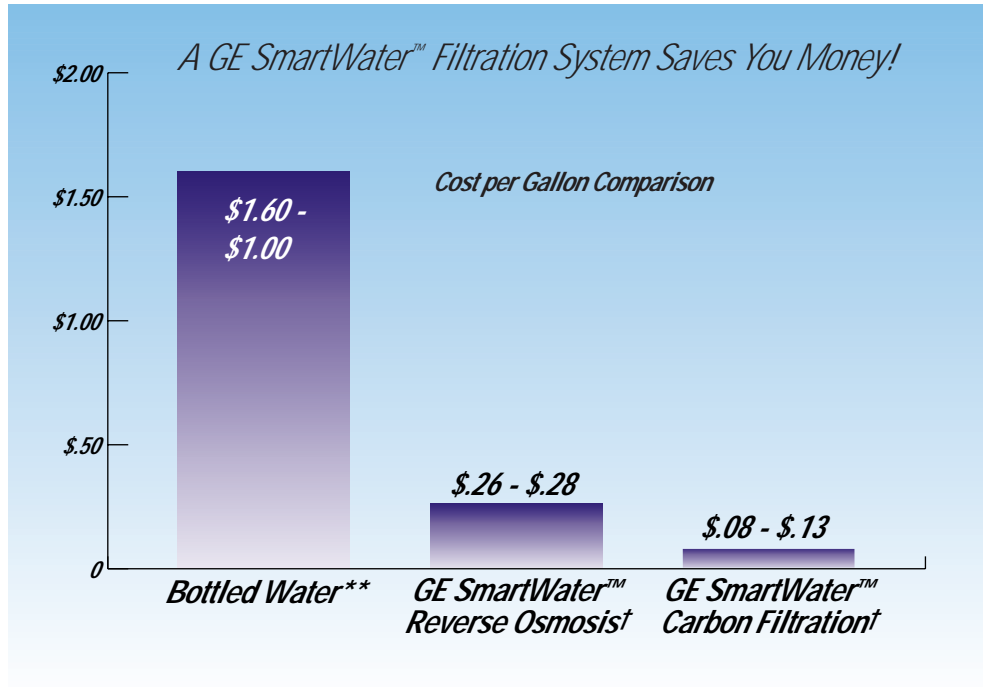
# GE SmartWater™ Filtration Benefits

75% of all Americans are concerned about the quality of their water.\* Homeowners are looking for water solutions from a name they can trust—GE. A GE SmartWater™ Filtration System removes unpleasant tastes and odors from drinking water and reduces undesirable elements that can adversely affect water used for drinking and cooking.

## GE SmartWater™ Filtration Systems vs. Bottled Water



**Saves you money!**  
Eliminates the expense and inconvenience of purchasing bottled water at a store or scheduling home delivery of bottled water.



## GE SmartWater™ Filtration Systems—Quality Water For Drinking And Cooking



Better tasting water for drinking and making beverages such as coffee, tea and juice.



Ideal for use with baby formula. Provides the added assurance of reducing undesirable elements from drinking water.



Cooking with filtered water provides great tasting foods.



Provides for great tasting water and ice. For added convenience of filtered water and ice through your refrigerator dispenser, an optional hook-up kit is available.

\*Source: Water Quality Association

\*\*As compared to \$1.60 per gallon for delivered bottled water and \$1.00 per gallon for bottled water from the store.  
†GE SmartWater™ estimate is calculated by dividing the number of gallons by consumer cost of product, installation and replacement filters.

Not all features available on all models.

# Carbon Filtration Systems *Monitored GE Systems*

## THESE MODELS FEATURE:

**SmartWater™ Faucet with Electronic Monitor** Separate faucet is used only when filtered water is needed, extending filter life. Indicator light on the faucet base shows when filters need replacement.



**Amber "Filter" Light:** Indicates when to replace filters for the highest quality water.

*Note: Batteries are included. Filter Cartridges should be changed every six months, when monitor indicates replacement, or if faucet water pressure drops.*

**Simple Installation** Can be installed easily undercounter, in basement or other convenient location.

**Filter Options** Model specific filters are included with filtration system selected (see options shown); or model is available without filters (Model GXEM01Z).



### GE GXEM01Z (filters sold separately)

- Model is customized based on water quality needs
- Filters must be purchased separately



### GE GNUV10Z (filters included) Chemical Reduction Model

System rated for 500 gallons of water

- Filter I**
- Reduces unpleasant tastes and odors, dirt, rust and sediments
- Filter II**
- Reduces certain organic chemical contaminants as well as pesticides and herbicides\*
  - Reduces 99% chlorine



### GE GNUT05Z (filters included) Taste and Odor Reduction Model

System rated for 3000 gallons of water

- Filter I**
- Reduces unpleasant tastes and odors, dirt, rust and sediments
- Filter II**
- Reduces unpleasant tastes and odors
  - Reduces 99% chlorine



### GE GNUL30Z (filters included) Lead/Cysts Reduction Model

System rated for 1000 gallons of water

- Filter I**
- Reduces unpleasant tastes and odors, dirt, rust and sediments
- Filter II**
- Absolute 1 micron
  - Reduces 99% lead
  - Reduces 99.99% filterable cysts (such as cryptosporidium and giardia)
  - Reduces 99% chlorine

*Not all features available on all models. For additional features, specifications and color availability, refer to page 182.*

*\*See product specification sheet, packed with product, for specific elements reduced by model, or call the GE Answer Center® toll-free, 800.626.2000.*

# Reverse Osmosis Filtration

## Monitored GE Profile™ System

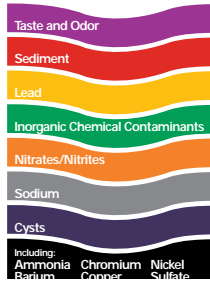
### THIS MODEL FEATURES:

#### Reverse Osmosis (RO)

##### Process

GE's best filtration process, reduces up to 99%\* of the following undesirable elements:

Taste and odor, Sediment, Lead, Inorganic chemical contaminants, Nitrates/Nitrites, Sodium and Cysts (such as cryptosporidium/giardia). For a complete list of undesirable elements reduced, refer to page 181.



**Extra-Large Capacity** provides up to 12 gallons\*\* of high-quality filtered water per day.

#### SmartWater™ Faucet with Electronic Monitor

Monitor conveniently indicates the performance of the unit and when to replace pre-filter, post-filter and membrane. Separate faucet is used only when filtered water is needed, extending filter life. Indicator lights on the faucet base show performance of the unit when the faucet is on and indicate when filters need replacement.

Note: Batteries are included.

#### Amber "Filter" Light:

The pre-filter and post-filter cartridges need replacement. This occurs after 6 months, or 900 gallons of product water use, whichever occurs first.

#### Green Light:

The RO system is providing high-quality drinking water.

#### Amber "RO" Light:

The RO membrane needs replacement.



#### GE Profile™

#### PNRV12ZBL

Reverse Osmosis Filtration System with Chrome on black Faucet and Monitor

**Simple Installation** Can be installed easily undercounter, in basement or other convenient location.

**Optional Accessories** For added capacity, a supplemental tank is available (RVTNK1). For added convenience of filtered water and ice through your refrigerator, a connection kit is available (RVKIT).

\*Elements removed are not necessarily present in your water. See product specification sheet, packed with product, for specific elements reduced by model, or call the GE Answer Center™ toll-free, 800.626.2000.

\*\*As tested and validated by the Water Quality Association using Standard S-300.

Note: Depends on water pressure, temperature and total dissolved solids.

Not all features available on all models.

For additional features, specifications and color availability, refer to page 181.

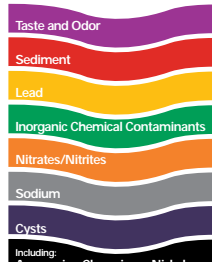
# Reverse Osmosis Filtration

## Monitored GE Profile Performance™ System

### THESE MODELS FEATURE:

**All-In-One System** Space-saving design installs in less space than conventional models.

**Reverse Osmosis (RO) Process**  
 GE's best filtration process, reduces up to 99%\* of the following undesirable elements: Taste and odor, Sediment, Lead, Inorganic chemical contaminants, Nitrates/Nitrites, Sodium and Cysts (such as cryptosporidium/giardia). For a complete list of undesirable elements reduced, refer to page 181.



**Super Capacity** provides up to 18 gallons\*\* of high-quality filtered water per day.

**SmartWater™ Faucet with Electronic Monitor**  
 Monitor conveniently indicates the performance of the unit and when to replace pre-filter, post-filter and membrane. Separate faucet is used only when filtered water is needed, extending filter life. Indicator lights on the faucet base show performance of the unit when the faucet is on and indicate when filters need replacement.

Note: Batteries are included.

**Amber "Filter" Light:**  
 The pre-filter and post-filter cartridges need replacement. This occurs after 6 months, or 900 gallons of product water use, whichever occurs first.



**Green Light:**  
 The RO system is providing high-quality drinking water.

**Amber "RO" Light:**  
 The RO membrane needs replacement.

**Designer-Style Faucet** Allows you to customize the faucet color to complement the kitchen (see right for model/color selections).

**Installation Flexibility** Can be installed vertically or horizontally undercounter, in basement or other convenient location.

**Optional Accessories** For storage and installation flexibility, a cabinet is available (RV18CBNT). For added capacity, a supplemental tank is available (RVTNK1). For added convenience of filtered water and ice through your refrigerator, a connection kit is available (RVKIT).



**GE Profile Performance Series™**  
**PNRV18ZWW**  
 Reverse Osmosis Filtration System with White on white Faucet and Monitor



**GE Profile Performance Series™**  
**PNRV18ZBB**  
 Reverse Osmosis Filtration System with Black on black Faucet and Monitor



**GE Profile Performance Series™**  
**PNRV18ZWH**  
 Reverse Osmosis Filtration System with Chrome on white Faucet and Monitor



**GE Profile Performance Series™**  
**PNRV18ZBL**  
 Reverse Osmosis Filtration System with Chrome on black Faucet and Monitor

\*Elements removed are not necessarily present in your water. See product specification sheet, packed with product, for specific elements reduced by model, or call the GE Answer Center™ toll-free, 800.626.2000.  
 \*\*As tested and validated by the Water Quality Association using Standard S-300.  
 Note: Depends on water pressure, temperature and total dissolved solids.

Not all features available on all models.  
 For additional features, specifications and color availability, refer to page 181.

# GE SmartWater™ Softening Benefits

75% of all Americans are concerned about the quality of their water.\* Homeowners are looking for water solutions from a name they can trust—GE. A water softening system enhances the quality of water throughout the home, from the kitchen to the bath, and from the laundry room to the basement or garage. By reducing hard water and mineral build-up, a water softening system refines one of the most basic essential elements of the home.

## GE SmartWater™ Softening Systems—Quality Water Throughout The Home.



*Provides cleaner dishes, glassware and china by reduced spotting. Reduces detergent use and eliminates hard water-related dishwasher service issues.*



*Clothes are softer, cleaner, brighter and last longer. Reduces detergent use and eliminates hard water-related washer service issues.*



*Reduces hard water build-up (less soap residue) in tub, shower and sink for easier cleaning.*



*Skin feels smoother and softer for a cleaner feeling.*



*Helps reduce build-up in pipes and water-using appliances, providing cost savings. Water heater efficiency on systems using softened water may be increased up to 22% if heating with electricity, up to 29% if heating with gas.\*\**

*\*Source: Water Quality Association*

*\*\*Based on a study conducted by New Mexico State University.*

# Water Softening System *GE System*

## THIS MODEL FEATURES:

- **Large Capacity Means Less Maintenance** A 23,000 grain capacity helps assure an ample supply of soft water and provides for lifestyle changes.
- **Demand-Initiated Regeneration** Softening system monitors water usage to determine proper amount of salt needed using demand-initiated regeneration (system will use only as much salt as needed).
- **High-Efficiency** Large capacity combined with the salt-efficiency of the unit provides cost savings and convenience. Reduces the need for frequent salt replacement.
- **Program and Time Memory** Permanent memory maintains hardness and regeneration time settings even if power is off or unit is unplugged for extended periods. Maintains time for up to 6 hours in case of power failure. No batteries needed, unit recharges itself when power is restored.
- **24-Volt Electronic System** Simplifies installation and maintenance.
- **Installation Kit Included** For installing convenience, a complete installation kit with bypass valve, drain tubing and use & care video is included with product.



**GE**  
**GNSF23Z**



- **Easy-to-Set Electronic Controls** No calculations or complicated programming. Simply turn it on, set time of day and set the hardness level of your water supply.
- **Regenerates Only When Needed** Memory maintains water usage pattern reducing salt usage and assuring an ample supply of soft water.

# Water Softening System *GE Profile™ System*

## THIS MODEL FEATURES:

### **Extra-Large Capacity Means Less Maintenance**

A 30,800 grain capacity helps assure an ample supply of soft water and provides for lifestyle changes.

**Demand-Initiated Regeneration** Softening system monitors water usage to determine proper amount of salt needed using demand-initiated regeneration (system will use only as much salt as needed).

**High-Efficiency** Extra-large capacity combined with the salt-efficiency of the unit provides cost savings and convenience. Reduces the need for frequent salt replacement.

**Program and Time Memory** Permanent memory maintains hardness and regeneration time settings even if power is off or unit is unplugged for extended periods. Maintains time for up to 6 hours in case of power failure. No batteries needed, unit recharges itself when power is restored.

**24-Volt Electronic System** Simplifies installation and maintenance.

**Installation Kit Included** For installing convenience, a complete installation kit with bypass valve, drain tubing and use & care video is included with product.



**GE Profile™  
PNSF31Z**



**Easy-to-Set Electronic Controls** No calculations or complicated programming. Simply turn it on, set time of day and set the hardness level of your water supply.

**Regenerates Only When Needed** Memory maintains water usage pattern reducing salt usage and assuring an ample supply of soft water.



# Water Softening System *GE Profile Performance™ System*

## THIS MODEL FEATURES:

- **Super Capacity Means Less Maintenance**  
*A 38,600 grain capacity helps assure an ample supply of soft water and provides for lifestyle changes.*
- **Demand-Initiated Regeneration**  
*Softening system monitors water usage to determine proper amount of salt needed using demand-initiated regeneration (system will use only as much salt as needed).*
- **High-Efficiency**  
*Super capacity combined with the salt-efficiency of the unit provides cost savings and convenience. Reduces the need for frequent salt replacement.*
- **Easy Reading Backlit LCD Display**  
*Eliminates the need for a flashlight to see display in difficult or dark locations.*
- **Program and Time Memory**  
*Permanent memory maintains hardness and regeneration time settings even if power is off or unit is unplugged for extended periods. Maintains time for up to 72 hours in case of power failure. No batteries needed, unit recharges itself when power is restored.*
- **24-Volt Electronic System**  
*Simplifies installation and maintenance.*
- **Installation Kit Included**  
*For installing convenience, a complete installation kit with bypass valve, drain tubing and use & care video is included with product.*



**GE Profile Performance Series™**  
**P NSF39Z**



- **Easy-to-Set Electronic Controls**  
*No calculations or complicated programming. Simply turn it on, set time of day and set the hardness level of your water supply.*
- **Regenerates Only When Needed**  
*Memory maintains water usage pattern reducing salt usage and assuring an ample supply of soft water.*
- **Systems Monitor**  
*Advanced electronic water management features:*
  - **Capacity Remaining**—The data button will indicate how much capacity is remaining and whether or not to command an extra regeneration.
  - **Gallons Used**—Indicates how many gallons of water have been used per day.
  - **Average Gallons Used**—Indicates the average gallons used over the past seven days.
  - **Flow Rate**—Shows how much water is flowing through the softener.

*Not all features available on all models.  
For additional features, specifications  
and color availability, refer to page 183.*

GE CAN BE A GREAT SOURCE OF COMFORT FOR YOU





## GE ROOM AIR CONDITIONERS, HEAT/COOL MODELS AND HEAT PUMPS

Even when the rest of the house is comfortable, you may have a room or two that need a little help with cooling. GE's window and built-in air conditioners give you quiet, efficient cooling with clean, contemporary styling. A multi-position thermostat allows you to choose the level of cooling desired, and the selector dial offers a choice of high or low fan speeds. You can operate the fan with or without cooling. An Energy Saver switch gives you the option of fan cycle operation, which can pare down your electric bill. GE also offers heat/cool models that provide supplemental electric-resistance heat to warm things up during cold weather. GE has a heat pump, too. It combines cooling with reverse-cycle heating—and back-up resistance heat. All GE units are easy to install and easy to maintain. Filters are easily accessible for cleaning. Season after season, year after year, you can depend on GE quality as a constant source of comfort.

# Built-In "J" Series Slope Top Chassis Only Models

## ALL MODELS FEATURE:

- 10-position thermostat • Fan Cycle switch • 4-way air direction • Up-front, washable air filter • "Fan Only" setting for air circulation



E.E.R. (Energy Efficiency Ratio) shown on the tag of each new unit, compares the air conditioner's cooling output with the electricity it requires for power. The higher the E.E.R. number, the more efficient the unit, and the less costly to operate.

Fan Cycle Switch helps reduce power consumption and operating costs.



### Cool Only Units

Offer a variety of capacities to cool many applications.

### Heat/Cool Units

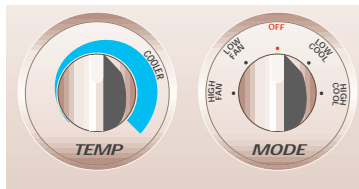
Provide a variety of capacities for summer cooling, plus supplemental heat for cold weather—units combine air conditioning with electric resistance heat.

### Heat Pump Units

Heat pump units offer efficient summer cooling with reverse cycle heating and back-up resistance heat for cold weather.

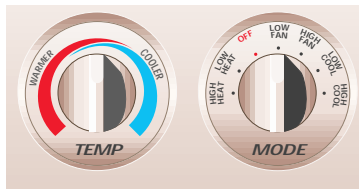
Units include attractive room-side grille of high-impact polystyrene.

These units are chassis-only models and require a separately purchased solid-sided wall case (RAB46, RAB47 or RAB48) and exterior grille (RAG13 or RAG14) for installation.



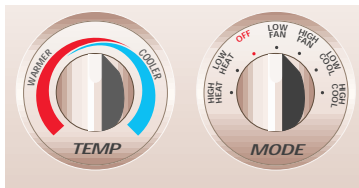
### Cool Only Units

Models	BTUH Cooling	Volts	EER	BTUH Electric Resistance Heating	Wall Case
AJCS06LC	6000	115	9.5	—	RAB46/47/48
AJCS08AC	8000	115	9.2	—	RAB46/47/48
AJCS10AC	9900	115	9.2	—	RAB46/47/48
AJCS09DC	8900/8700	230/208	9.5/9.5	—	RAB46/47/48
AJCS10DC	9900/9700	115	9.2	—	RAB46/47/48
AJCS12DC	11,600/11,400	230/208	9.0/9.0	—	RAB46/47/48



### Heat/Cool Units

Models	BTUH Cooling	Volts	EER	BTUH Electric Resistance Heating	Wall Case
AJES09DC	8900/8700	230/208	9.5	11,600/9,500	RAB46/47/48
AJES10DC	9900/9700	230/208	9.2/9.2	11,600/9,500	RAB46/47/48
AJES12DC	11,600/11,400	230/208	9.0/9.0	11,600/9,500	RAB46/47/48



### Heat Pump Units

Models	BTUH Cooling	Volts	EER	BTUH Electric Resistance Heating	BTUH Reverse Cycle Heating†	Wall Case
AJHS08DC*	8000/7800	230/208	9.2/9.2	11,600/9500	7700/7500	RAB46/47/48
AJHS10DC*	9800/9600	230/208	9.2/9.2	11,600/9500	9700/9500	RAB46/47/48

\*Model includes two-stage heating thermostat.

†At 47°F.

Note: If any "J" Series unit is a replacement unit the existing rear grille should be replaced for better performance with either stamped aluminum (RAG13) grille or architectural louvered extruded aluminum (RAG14).

# Built-In "J" Series Hi-Mount Chassis Only Models

Refrigeration

Laundry

Cooking Products

Microwave Ovens

Dishwashers

Water Systems

Room Air

## ALL MODELS FEATURE:

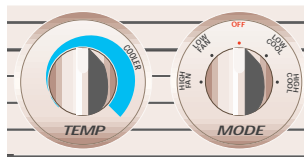
- 10-position thermostat • Fan Cycle switch
- 4-way air direction • Up-front, washable air filter
- Multiple fan speeds



For high-mount installations where control accessibility is difficult, GE offers five "J" Series models with controls located in the lower corner of the room-side cabinet. There are two 115V and two 230V cooling only models, and one 230V model with electric heat.

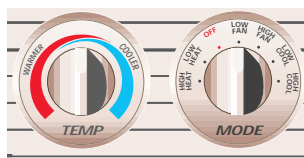
Units include attractive room-side grille of high-impact polystyrene. Each unit requires a solid-sided wall case (RAB46, RAB47 or RAB48) and exterior grille (RAG13 or RAG14) for installation.

## Cool Only Units



Models	BTUH Cooling	Volts	EER	BTUH Electric Resistance Heating	Wall Case
AJCH08AC	8000	115	9.2	–	RAB46/47/48
AJCH10AC	9900	115	9.2	–	RAB46/47/48
AJCH10DC	9900/9700	230/208	9.2/9.2	–	RAB46/47/48
AJCH12DC	11,600/11,400	230/208	9.0/9.0	–	RAB46/47/48

## Heat/Cool Unit



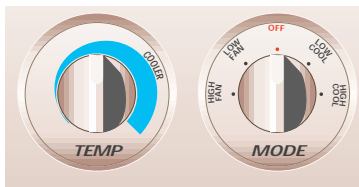
Model	BTUH Cooling	Volts	EER	BTUH Electric Resistance Heating	Wall Case
AJEH12DC	11,600/11,400	230/208	9.0/9.0	11,600/9500	RAB46/47/48

# Built-In "J" Series Window / Wall Mount Models

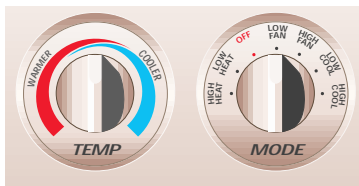


For convenience and efficiency, GE offers a unique line of units that provide cooling only, cooling with electric heat, and cooling with heat pumps, for use in window or through-the-wall application.

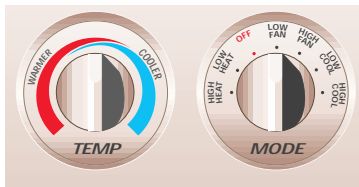
All units include solid-sided sleeve with a slide-out chassis.



Includes sleeve and flexible curtain EZ Mount kit.



Includes sleeve and hard board window mounting kit.



Includes sleeve and hard board window mounting kit.

## Cool Only Units

Models	BTUH	EER	Volts
AJCS06LZ	6000	9.5	115
AJCS08AZ	8000	9.2	115
AJCS10AZ	9900	8.5	115

## Heat/Cool Units

Heat/Cool Models	Cool BTUH	EER	Volts	BTUH Electric Resistance Heating
AJES06LS*	6000	9.5	115	4100
AJES08AS*	8000	9.2	115	4100
AJES10DS	9900/9700	9.2/9.2	230/208	11,600/9500

\*115V units are not intended to be the primary source of heat.

## Heat Pump Unit

Heat Pump Model	BTUH	EER	Volts	BTUH Electric Resistance Heating
AJHS08AS*	8000 (C) 7700 (R)	9.2	115	4100

(C) – Cooling  
(R) – Heat Pump Reverse Cycle Heating with Resistance Back-Up Heating

\*115V units are not intended to be the primary source of heat.

Not all features available on all models. For additional features, specifications and color availability, refer to pages 185–186.

# Room Air Conditioners *Deluxe Series*

Offering stylish appearance and convenience features, the Deluxe line of GE Room Air Conditioners are powerful and efficient units.



Models	BTUH	EER	Volts
AMH06LA	5800	10.0	115



Model	BTUH	EER	Volts
AGH08FA	7,800	10.0	115



Models	BTUH	EER	Volts
AMH10AA	10,000	10.0	115
AMH12AC	11,500	10.0	115



Model	BTUH	EER	Volts
AMD12DB	12,000/11,800	9.1/9.1	230/208



Models	BTUH	EER	Volts
ABM14AA	13,800	10.0	115
ABM15DA	15,000/14,500	9.0/9.0	230/208
ABM18DA	18,000/17,500	9.5/9.5	230/208
ABM22DA	22,000/21,600	8.2/8.2	230/208
ABM24DA	23,500/23,000	8.7/8.7	230/208



Not all features available on all models.  
For additional features, specifications and color availability, refer to page 184.

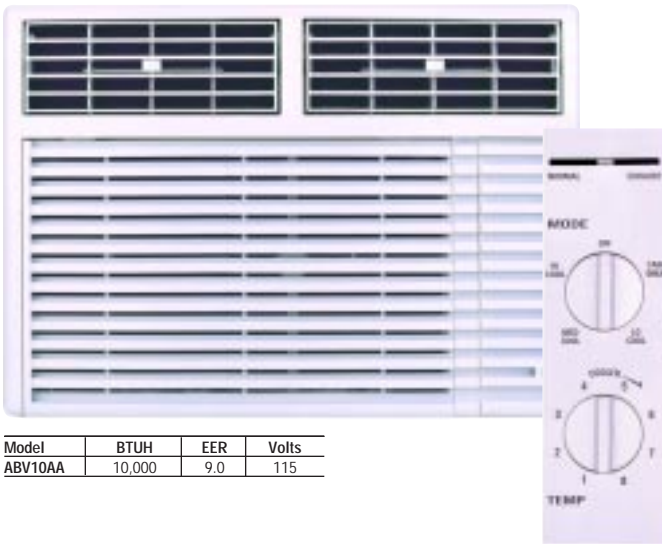
# Value Series



Models	BTUH	EER	Volts
AQV05LA	5000	9.0	115
AQV06LA	6000	9.0	115



Models	BTUH	EER	Volts
AGV08AA	8,000	9.0	115



Model	BTUH	EER	Volts
ABV10AA	10,000	9.0	115



Model	BTUH	EER	Volts
AQV12DA	11,500/11,300	9.0	230/208



Model	BTUH	EER	Volts
AGV12AA	12,000	9.0	115



Model	BTUH	EER	Volts
AGV18DA	17,500/17,200	8.8/8.8	230/208

Not all features available on all models.  
For additional features, specifications and color availability, refer to page 184.

# Room Air Conditioners *Slide-Aire*

Only 14-1/2" wide, GE Slide-Aire units are specially designed for use in casement or sliding windows and narrow double-hung windows. Features a 10-position thermostat, Vertical Slider Kit Panel, 2-way adjustable air direction, three fan speeds for "Cooling" and two "Fan Only" settings.



Models	BTUH	EER	Volts
AVX07FA	7000	8.5	115
AVX10AB	10,000	9.0	115

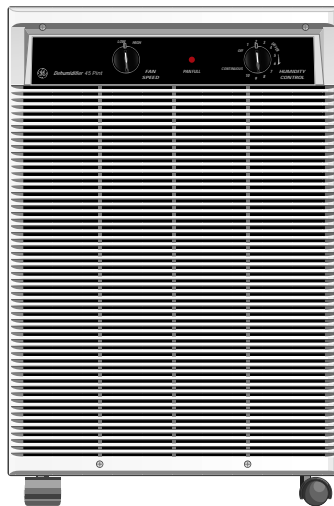
# Dehumidifiers

*Dehumidifies Your Air*

A GE dehumidifier can provide added comfort and help protect your home from the damage excess moisture can cause.

Use anywhere moisture can be a problem—living areas, damp basements, humid laundry rooms and storage areas. GE dehumidifiers help prevent rust, mildew, mold, odors and wood damage.

Four models are available in capacities of 19, 25, 35 and 45 pints to help protect areas up to 2500 square feet. All offer automatic shut-off with signal light, variable humidity control, removable water bucket and easy-roll casters.



Models	GE Profile™		GE	
	AHG20LA	AHF45AA	AHF35FA	AHF25LA
Capacity/Pints /day	19	45	35	25
Electronic Micro Computer Control	●			
Fan speed selections		2	2	1
Bucket type	Front Access	Open/Back	Open/Back	Open/Back
<b>Dimensions (in inches)</b>				
Height of case	22-5/8	20-3/4	20-3/4	20-3/4
Width of case	12-1/4	13-1/2	13-1/2	13-1/2
Depth of case	11-3/4	17-3/16	17-3/16	17-3/16
Carton cube (cu. ft.)		3.70	3.70	3.70
UPC code		08469174719	08469174718	08469174717
Shipping weight (lbs.)	42	56	51	49

Not all features available on all models. For additional features, specifications and color availability, refer to page 184.



# Instant Dimensional & Installation Information

From the speed of a touchtone phone, order installation information to be delivered through your fax machine.

## GE QuickSpecs 1-800-432-3729

This automated fax-on-demand system provides a quick reference to product dimensions for Monogram®, GE Profile Performance Series™, GE Profile™, GE, Hotpoint and RCA appliances.

- **Touchtone activated**

Simply follow the voice prompts to make your selection from any touchtone phone.

- **Model specific installation dimensions**

Select accurate installation dimensions by individual model numbers for virtually every model. Make your selection from the List of Available Documents (available by fax from GE QuickSpecs). Select up to fifteen documents per call.

- **Feature and appearances**

Select product illustrations are included for most models.

- **Fax information to any fax telephone number**

Once you make your selection, you will be asked to enter the fax telephone number where you wish your request to be faxed (your office, job site, customer). It will be faxed to the specified fax number within 15 minutes.

- **Available 24 hour a day, 7 days a week**

# Specifications And Installation Information

## Contents

Warranty Information.....	122-125
"Built-In Style" Refrigerators.....	126-128
Side-By-Side Refrigerators.....	129-130
Bottom-Mount Refrigerator.....	131
Top-Mount No-Frost Refrigerators.....	131-133
Cycle and Manual Defrost Refrigerators.....	134
Spacemaker™ Refrigerators.....	134
Upright and Chest Freezers.....	135
Optional Refrigerator Panels and Trim Kits.....	136
Washers.....	137
Dryers.....	138-139
Spacemaker® Washers and Dryers.....	140
Unitized Spacemaker® Washers and Dryers.....	141
30" Built-In Double Ovens.....	142-143
30" Built-In Single Ovens.....	144-145
27" and 24" Built-In Double Ovens.....	146-147
27" and 24" Built-In Single Ovens.....	148-149
24" Built-In Gas Ovens.....	149
Built-In CleanDesign Cooktops.....	150
Built-In Electric Cooktops.....	151
Built-In Gas Cooktops.....	152
Built-In Downdraft Gas Modular Cooktops.....	153
30" Slide-In Downdraft Ranges.....	153
Select-Top™ Modular Downdraft Cooktops and Patio Grill.....	154-155
Downdraft Gas Cooktops.....	156
High Performance, Performance, Deluxe and Standard Hoods.....	157
Slide-Out Hoods.....	158
Telescopic Downdraft System.....	158-159
30" Slide-In Gas Ranges.....	160-161
30" Slide-In Electric Ranges.....	162
30" Drop-In Electric Ranges.....	163
Spacemaker™ 27" Drop-In Electric Ranges.....	164
30" Free-Standing CleanDesign Electric Ranges.....	165
30" Free-Standing QuickClear™ Electric Ranges.....	166
40" Free-Standing Electric Ranges.....	167
30" Free-Standing Gas Ranges.....	168-169
SpacemakerPlus™ Microwave/Convection Ovens.....	170
Built-In Microwave Ovens.....	171
SpacemakerXL Over-The-Range Microwave Ovens.....	172
Countertop Microwave Ovens.....	173
Spacemaker II™ Microwave Ovens.....	174
Subcompact Microwave Ovens.....	174
Value Line Countertop Microwave Ovens.....	175
Built-In Dishwashers.....	176-177
Convertible/Portable Dishwashers.....	178
Spacemaker® Built-In and Undersink Dishwashers.....	178-179
Disposers and Compactors.....	180
Water Systems.....	181-183
Room Air Conditioners (Deluxe/Value).....	184
"J" Series Units and Heat Pumps.....	185
"J" Series Window Built-In Units and Heat Pumps.....	186
Nomenclatures.....	187-190

Refrigeration

Laundry

Cooking Products

Microwave Ovens

Dishwashers

Water Systems

Room Air

# Warranty Information

The condensed list below is a convenient overview of the written warranties offered on various GE appliances described in this catalog. For complete warranty details on a specific GE appliance model, contact your nearest GE supplier, or call GE Factory Service, toll-free, 800-GE-CARES (800-432-2737).

## Refrigerators (All models except TAX2SNXWN, TAX4ANXWN, TAX4SNYWH)

For The Period Of	GE Will Replace, At No Charge To You:
<b>One Year</b> From the date of the original purchase	<b>Any part</b> in the refrigerator which fails due to a defect in materials or workmanship. During this <b>full one-year warranty</b> , GE will provide all labor and in-home service costs to replace the defective part <b>free of charge</b> .
<b>Five Years</b> From the date of the original purchase	<b>Sealed Refrigeration System or Compressor</b> , if either of these parts should fail due to a defect in materials or workmanship. During this <b>full five-year warranty</b> , GE will also provide all labor and in-home service costs to replace the defective part <b>free of charge</b> .
<b>Lifetime</b> From the date of the original purchase	<b>See-Thru Vegetable/Fruit Pans</b> , if any of these parts should fail due to a defect in materials or workmanship. During this <b>lifetime limited warranty</b> , you will be responsible for service trip and labor charges.

## Refrigerators (Models TAX2SNXWN, TAX4ANXWN, TAX4SNYWH)

For The Period Of	GE Will Replace, At No Charge To You:
<b>One Year</b> From the date of the original purchase	<b>Any part</b> in the refrigerator which fails due to a defect in materials or workmanship. During this <b>limited one-year warranty</b> , you will be responsible for service trip charges.
<b>Five Years</b> From the date of the original purchase	<b>Compressor</b> , if this part should fail due to a defect in materials or workmanship. During this <b>limited five-year warranty</b> , you will be responsible for service trip and labor charges.

## Freezers

For The Period Of	GE Will Replace, At No Charge To You:
<b>One Year</b> From the date of the original purchase	<b>Any part</b> in the freezer which fails due to a defect in materials or workmanship. During this <b>full one-year warranty</b> , GE will also provide all labor and in-home service to replace the defective part <b>free of charge</b> .
<b>Five Years</b> From the date of the original purchase	<b>Sealed Refrigeration System</b> , if this part should fail due to a defect in materials or workmanship. During this <b>full five-year warranty</b> , GE will also provide all labor and in-home service to replace the defective part <b>free of charge</b> .
<b>One Year/Five Years</b> From the date of the original purchase	<b>Food Spoilage</b> . Cumulative limits: \$100—14.9 and smaller, \$150—15.0 and larger. <b>One-year</b> on spoilage from any part failure. <b>Five-year</b> on spoilage from sealed refrigeration system failure.

## Icemakers

For The Period Of	GE Will Replace, At No Charge To You:
<b>One Year</b> From the date of the original purchase	<b>Any part</b> in the icemaker which fails due to a defect in materials or workmanship. During this <b>full one-year warranty</b> , GE will also provide all labor and in-home service to replace the defective part <b>free of charge</b> .

## GE Profile Performance Series™ and GE Profile™ Washers

For The Period Of	GE Will Replace, At No Charge To You:
<b>One Year</b> From the date of the original purchase	<b>Any part</b> in the washer which fails due to a defect in materials or workmanship. During this <b>full one-year warranty</b> , GE will provide all labor and in-home service to replace the defective part <b>free of charge</b> .
<b>Two Years</b> From the date of the original purchase	<b>Any part</b> in the washer which fails due to a defect in materials or workmanship. During this <b>limited two-year warranty</b> , you will be responsible for service trip and labor charges.
<b>Five Years</b> From the date of the original purchase	<b>ArmorGuard Lid &amp; Cover Protection and Auto Balance Suspension System</b> , if any of these parts should fail due to a defect in materials or workmanship. During this <b>five-year limited warranty</b> , you will be responsible for service trip and labor charges.
<b>Ten Years</b> From the date of the original purchase	<b>Steel Drive Transmission, Outer Tub</b> , if either of these parts should fail due to a defect in materials or workmanship. During this <b>ten-year limited warranty</b> , you will be responsible for service trip and labor charges.
<b>Lifetime</b> From the date of the original purchase	<b>PermaTuf II™ Basket</b> , if this part should fail due defect in materials or workmanship. During this <b>lifetime limited warranty</b> , you will be responsible for service trip and labor charges.

## GE Washers

For The Period Of	GE Will Replace, At No Charge To You:
<b>One Year</b> From the date of the original purchase	<b>Any part</b> in the washer which fails due to a defect in materials or workmanship. During this <b>full one-year warranty</b> , GE will provide all labor and in-home service to replace the defective part <b>free of charge</b> .
<b>Five Years</b> From the date of the original purchase	<b>Auto Balance Suspension System, ArmorGuard Lid &amp; Cover Protection and Steel Drive Transmission</b> , if any of these parts should fail due to a defect in materials or workmanship. During this <b>five-year limited warranty</b> , you will be responsible for service trip and labor charges.
<b>Ten Years</b> From the date of the original purchase	<b>Outer Tub</b> , if this part should fail due to a defect in materials or workmanship. During this <b>ten-year limited warranty</b> , you will be responsible for service trip and labor charges.
<b>Twenty Years</b> From the date of the original purchase	<b>PermaTuf II™ Basket</b> , if this part should fail due to a defect in materials or workmanship. During this <b>twenty-year limited warranty</b> , you will be responsible for service trip and labor charges.

## GE Spacemaker® Washers

For The Period Of	GE Will Replace, At No Charge To You:
<b>One Year</b> From the date of the original purchase	<b>Any part</b> in the washer which fails due to a defect in materials or workmanship. During this <b>full one-year warranty</b> , GE will provide all labor and in-home service to replace the defective part <b>free of charge</b> .
<b>Five Years</b> From the date of the original purchase	<b>Transmission</b> , if this part should fail due to a defect in materials or workmanship. During this <b>five-year limited warranty</b> , you will be responsible for service trip and labor charges.

## GE Profile Performance Series™, GE Profile™ and GE Super Capacity and Extra-Large Capacity Dryers

For The Period Of	GE Will Replace, At No Charge To You:
<b>One Year</b> From the date of the original purchase	<b>Any part</b> in the dryer which fails due to a defect in materials or workmanship. During this <b>full one-year warranty</b> , GE will provide all labor and in-home service to replace the defective part <b>free of charge</b> .
<b>Five Years</b> From the date of the original purchase	<b>Dryer Drum</b> , if this should fail due to a defect in materials or workmanship. During this <b>five-year limited warranty</b> , you will be responsible for service trip and labor charges.

## GE Large Capacity and Spacemaker® Dryers

For The Period Of	GE Will Replace, At No Charge To You:
<b>One Year</b> From the date of the original purchase	<b>Any part</b> in the dryer which fails due to a defect in materials or workmanship. During this <b>full one-year warranty</b> , GE will provide all labor and in-home service to replace the defective part <b>free of charge</b> .

## Ranges/Cooktops/Built-In Ovens/Hoods (Excluding CleanDesign Ranges)

For The Period Of	GE Will Replace, At No Charge To You:
<b>One Year</b> From the date of the original purchase	<b>Any part</b> in the cooking product which fails due to a defect in materials or workmanship. During this <b>full one-year warranty</b> , GE will provide all labor and in-home service to replace the defective part <b>free of charge</b> .

## Ranges (CleanDesign)

For The Period Of	GE Will Replace, At No Charge To You:
<b>One Year</b> From the date of the original purchase	<b>Any part</b> in the cooking product which fails due to a defect in materials or workmanship. During this <b>full one-year warranty</b> , GE will provide all labor and in-home service to replace the defective part <b>free of charge</b> .
<b>Five Years</b> From the date of the original purchase	<b>Glass-Ceramic Cooktop, Ribbon Heating Elements and Rubber Seal</b> , if any of these parts should fail due to a defect in materials or workmanship. During this <b>five-year limited warranty</b> , GE will replace the defective part <b>free of charge</b> , you will be responsible for service trips and labor charges (except model JBP60).

## Cooktops (CleanDesign)

For The Period Of	GE Will Replace, At No Charge To You:
<b>One Year</b> From the date of the original purchase	<b>Any part</b> in the cooking product which fails due to a defect in materials or workmanship. During this <b>full one-year warranty</b> , GE will provide all labor and in-home service to replace the defective part <b>free of charge</b> .
<b>Five Years</b> From the date of the original purchase	<b>Glass-Ceramic Cooktop, Ribbon Heating Elements and Rubber Seal</b> , if any of these parts should fail due to a defect in materials or workmanship. During this <b>five-year limited warranty</b> , GE will replace the defective part <b>free of charge</b> , you will be responsible for service trips and labor charges.

## Hoods

For The Period Of	GE Will Replace, At No Charge To You:
<b>One Year</b> From the date of the original purchase	<b>Any part</b> in the hood which fails due to a defect in materials or workmanship. During this <b>full one-year warranty</b> , GE will provide all labor and in-home service to replace the defective part <b>free of charge</b> .

## What GE Will Not Cover:

- Service trips to your home to teach you how to use the product.
- Improper installation.
- Replacement of house fuses or resetting of circuit breakers.
- Failure of the product if it is misused, or used for other than the intended purpose or used commercially.
- Damage to product caused by accident, fire, floods or acts of God.
- Incidental or consequential damage to personal property caused by possible defects with this appliance.
- Problems resulting from service by anyone other than a GE authorized technician.

**Note:** See written warranty for details.

This warranty is extended to the original purchaser and any succeeding owner for products purchased for home use within the USA. In Alaska, the One Year Warranty excludes the cost of shipping, or service calls to your home.

Some states do not allow the exclusion or limitation of incidental or consequential damages. This warranty gives you specific legal rights, and you may also have other rights which vary from state to state. To know what your legal rights are, consult your local or state consumer affairs office or your state's Attorney General.

# Warranty Information (continued)

## Microwave Ovens (Over-The-Range models, Built-In models, JEM31GY/WY, JE1550GY/WY, JE1540GW/WWW/AW, JE1390GV/WW)

For The Period Of	GE Will Replace, At No Charge To You:
<b>One Year</b> From the date of the original purchase	<b>Any part</b> in the microwave which fails due to a defect in materials or workmanship. During this <b>full one-year warranty</b> , GE will provide all labor and in-home service to replace the defective part <b>free of charge</b> .
<b>Ten Years</b> From the date of the original purchase	<b>Magnetron Tube</b> , if this part should fail due to a defect in materials or workmanship. During this <b>nine-year limited warranty</b> , you will be responsible for any labor or in-home service costs.

## Microwave Ovens (Models JE1250WV, JE1340GY/WY, JE1040GY/WY, JEM25GY/WY, JE740GY/WY)

For The Period Of	GE Will Replace, At No Charge To You:
<b>One Year</b> From the date of the original purchase	<b>Any part</b> in the microwave which fails due to a defect in materials or workmanship. During this <b>limited one-year warranty</b> , GE will provide labor and you will be responsible for service trip charges.
<b>Ten Years</b> From the date of the original purchase	<b>Magnetron Tube</b> , if this part should fail due to a defect in materials or workmanship. During this <b>nine-year limited warranty</b> , you will be responsible for any labor or in-home service costs.

## Microwave Ovens (Models JE510BW, JE520BW, JE635WW, JE835WW, JE1235WW)

For The Period Of	GE Will Replace, At No Charge To You:
<b>One Year</b> From the date of the original purchase	<b>Any part</b> in the microwave which fails due to a defect in materials or workmanship. During this <b>limited one-year warranty</b> , GE will provide labor and you will be responsible for service trip charges.
<b>Five Years</b> From the date of the original purchase	<b>Magnetron Tube</b> , if this part should fail due to a defect in materials or workmanship. During this <b>four-year limited warranty</b> , you will be responsible for any labor or in-home service costs.

## Dishwashers (Models GSD4010Z, GSD4020Z, GSD4030Z, GSD4310Z, GSD4320Z, GSD4330Z, GSD4610Z, GSD4620Z, GSD4630Z, GSD4910Z, GSD4920Z, GSD4930Z, GSD4940Z)

For The Period Of	GE Will Replace, At No Charge To You:
<b>One Year</b> From the date of the original purchase	<b>Any part</b> in the dishwasher which fails due to a defect in materials or workmanship. During this <b>full one-year warranty</b> , GE will provide, <b>free of charge</b> , all labor and in-home service to replace the defective part.
<b>Two Years</b> From the date of the original purchase	<b>Any part</b> in the dishwasher which fails due to a defect in materials or workmanship. During this <b>two-year limited warranty</b> , you will be responsible for service trip and labor charges.
<b>Five Years</b> From the date of the original purchase	<b>Racks or Electronic Control Board</b> , if either of these part should fail due to a defect in materials or workmanship. During this <b>five-year limited warranty</b> , you will be responsible for service trip and labor charges.
<b>Twenty Years</b> From the date of the original purchase	<b>PermaTuf® Tub or Door Liner</b> , if either of these parts should fail due to a defect in materials or workmanship. During this <b>full twenty-year warranty</b> , GE will provide, <b>free of charge</b> , all labor and in-home service to repair or replace the defective part.

## Dishwashers (Models GSM2100Z, GSC3200Z, GSC3230Z, GSC3400Z, GSC3430Z, GSD2200Z, GSD2220Z, GSD2230Z, GSD3210Z, GSD3220Z, GSD3230Z, GSD3610Z, GSD3620Z, GSD3630Z, GSD3810Z, GSD3820Z, GSD3830Z)

For The Period Of	GE Will Replace, At No Charge To You:
<b>One Year</b> From the date of the original purchase	<b>Any part</b> in the dishwasher which fails due to a defect in materials or workmanship. During this <b>full one-year warranty</b> , GE will provide, <b>free of charge</b> , all labor and in-home service to replace the defective part.
<b>Two Years</b> From the date of the original purchase	<b>Any part of the Water Distribution System</b> , which fails due to a defect in materials or workmanship. Associated inlet and drain plumbing parts are not covered by this warranty. During this <b>second-year limited warranty</b> , you will be responsible for any labor or in-home service costs.
<b>Ten Years</b> From the date of the original purchase	<b>PermaTuf® Tub or Door Liner</b> , if either of these parts should fail due to a defect in materials or workmanship. During this <b>full ten-year warranty</b> , GE will provide, <b>free of charge</b> , all labor and in-home service to replace the defective part.

## Dishwashers (Models GSD2000Z, GSD2020Z, GSD2030Z, GSS1800Z)

For The Period Of	GE Will Replace, At No Charge To You:
<b>One Year</b> From the date of the original purchase	<b>Any part</b> in the dishwasher which fails due to a defect in materials or workmanship. During this <b>full one-year warranty</b> , GE will provide, <b>free of charge</b> , all labor and in-home service to replace the defective part.
<b>Ten Years</b> From the date of the original purchase	<b>PermaTuf® Tub or Door Liner</b> , if either of these parts should fail due to a defect in materials or workmanship. During this <b>full ten-year warranty</b> , GE will provide, <b>free of charge</b> , all labor and in-home service to replace the defective part.

## Compactors

For The Period Of	GE Will Replace, At No Charge To You:
<b>One Year</b> From the date of the original purchase	<b>Any part</b> in the compactor which fails due to a defect in materials or workmanship. During this <b>full one-year warranty</b> , GE will provide, <b>free of charge</b> , all labor and in-home service to replace the defective part.

## Disposers (Models GFC305Y, GFC300Y, GFC295Y, GFC290Y)

For The Period Of	GE Will Replace, At No Charge To You:
<b>One Year</b> From the date of the original purchase	<b>Any part</b> in the disposer which fails due to a defect in materials or workmanship. During this <b>full one-year warranty</b> , GE will provide, <b>free of charge</b> , all labor and in-home service to replace the defective part.

**Disposers** (Models GFC705Y, GFC700Y)

<b>For The Period Of</b>	<b>GE Will Replace, At No Charge To You:</b>
<b>Two Years</b> From the date of the original purchase	<b>Any part</b> in the disposer which fails due to a defect in materials or workmanship. During this <b>full two-year warranty</b> , GE will provide, <b>free of charge</b> , all labor and in-home service to replace the defective part.

**Disposers** (Model GFC800Y)

<b>For The Period Of</b>	<b>GE Will Replace, At No Charge To You:</b>
<b>Four Years</b> From the date of the original purchase	<b>Any part</b> in the disposer which fails due to a defect in materials or workmanship. During this <b>full four-year warranty</b> , GE will provide, <b>free of charge</b> , all labor and in-home service to replace the defective part.

**Disposers** (Models GFB1050V, GFC1000Y)

<b>For The Period Of</b>	<b>GE Will Replace, At No Charge To You:</b>
<b>Five Years</b> From the date of the original purchase	<b>Any part</b> in the disposer which fails due to a defect in materials or workmanship. During this <b>full five-year warranty</b> , GE will provide, <b>free of charge</b> , all labor and in-home service to replace the defective part.

**GE SmartWater™ Filtration Systems** (Models PNRV18ZWWW, PNRV18ZBB, PNRV18ZWH, PNRV18ZBL, PNRV12ZBL)

<b>For The Period Of</b>	<b>GE Will Replace, At No Charge To You:</b>
<b>One Year</b> From the date of the original purchase	<b>Any part</b> in the unit which fails due to a defect in materials or workmanship ( <b>excludes membrane and/or filters</b> ). During this <b>full one-year warranty</b> , GE will provide, <b>free of charge</b> , all labor and in-home service to replace the defective part.

**GE SmartWater™ Filtration Systems** (Models GNUL30Z, GNUV10Z, GNU05Z)

<b>For The Period Of</b>	<b>GE Will Replace, At No Charge To You:</b>
<b>One Year</b> From the date of the original purchase	<b>Any part</b> in the unit which fails due to a defect in materials or workmanship ( <b>excludes filters</b> ). During this <b>full one-year warranty</b> , GE will provide, <b>free of charge</b> , all labor and in-home service to replace the defective part.

**GE SmartWater™ Filtration Systems** (Model GXEM01Z)

<b>For The Period Of</b>	<b>GE Will Replace, At No Charge To You:</b>
<b>One Year</b> From the date of the original purchase	<b>Any part</b> in the unit which fails due to a defect in materials or workmanship ( <b>excludes filters</b> ). During this <b>one-year limited warranty</b> , GE will provide, <b>free of charge</b> , all labor and in-home service to replace the defective part. You will be responsible for the service trip costs.

**GE SmartWater™ Softening Systems** (Models PNSF39Z, PNSF31Z, GNSF23Z)

<b>For The Period Of</b>	<b>GE Will Replace, At No Charge To You:</b>
<b>One Year</b> From the date of the original purchase	<b>Any part</b> in the unit which fails due to a defect in materials or workmanship. During this <b>full one-year warranty</b> , GE will provide, <b>free of charge</b> , all labor and in-home service to replace the defective part.
<b>Three Years</b> From the date of the original purchase	<b>Electronic Monitor</b> , if this part should fail due to a defect in materials or workmanship. During this <b>three-year limited warranty</b> , GE will provide the part and you will be responsible for labor and service trip charges.
<b>Ten Years</b> From the date of the original purchase	<b>A replacement cabinet (brine tank) and resin tank</b> , if either of these parts should fail due to a defect in materials or workmanship. During this <b>ten-year limited warranty</b> , GE will repair or replace the defective part <b>free of charge</b> , you will be responsible for the service trip and labor charges.

**Room Air Conditioners** (Window, Window Built-In and Built-In Units)

<b>For The Period Of</b>	<b>GE Will Replace, At No Charge To You:</b>
<b>One Year</b> From the date of the original purchase	<b>Any part</b> in the unit which fails due to a defect in materials or workmanship. During this <b>full one-year warranty</b> , GE will provide all labor and in-home service to replace the defective part <b>free of charge</b> .
<b>Five Years</b> From the date of the original purchase	<b>Sealed Refrigeration System</b> , if any of these parts should fail due to a defect in materials or workmanship. During this <b>full five-year warranty</b> , GE will provide all labor and in-home service to replace the defective part <b>free of charge</b> .

**Dehumidifiers** (AHG20LA)

<b>For The Period Of</b>	<b>GE Will Replace, At No Charge To You:</b>
<b>One Year</b> From the date of the original purchase	<b>Any part</b> in the dehumidifier which fails due to a defect in materials or workmanship. During this <b>full one-year warranty</b> , GE will provide all labor and in-home service to replace the defective part <b>free of charge</b> .
<b>Five Years</b> From the date of the original purchase	<b>Sealed System only</b> , if this should fail due to a defect in materials or workmanship. During this <b>five-year warranty</b> , GE will provide all labor and in-home service to replace the defective part <b>free of charge</b> .

**Dehumidifiers** (AHF25, AHF35, AHF45)

<b>For The Period Of</b>	<b>GE Will Replace, At No Charge To You:</b>
<b>One Year</b> From the date of the original purchase	<b>Any part</b> in the dehumidifier which fails due to a defect in materials or workmanship. During this <b>limited one-year warranty</b> , GE will provide labor and you will be responsible for service trip charges.
<b>Five Years</b> From the date of the original purchase	<b>Compressor only</b> , if this should fail due to a defect in materials or workmanship. During this <b>limited five-year warranty</b> , GE will provide labor and you will be responsible for service trip charges.

# GE Profile Performance™ and GE Profile™ “Built-In Style” No-Frost Side-By-Side Refrigerators

	GE Profile Performance Series™			GE Profile™ Series					
	TPX24PBZ	TPX24SPZBS	TPX24BPZ	TPX24PRY	TPX24BRY	TPX24SIYBS	TPX24BIY	TPX21PRX	TPX21BRX
<b>Performance</b>									
Smart Storage System (with spill proof cover)									
Snack pan (top)	Adj. Humidity	Adj. Humidity	Adj. Humidity	Adj. Humidity	Adj. Humidity	Adj. Humidity	Adj. Humidity	Adj. Humidity	Adj. Humidity
Vegetable/fruit crisper (upper)	Adj. Humidity	Adj. Humidity	Adj. Humidity	Adj. Humidity	Adj. Humidity	Adj. Humidity	Adj. Humidity	Adj. Humidity	Adj. Humidity
Meat pan (lower)	Adj. Temp.	Adj. Temp.	Adj. Temp.	Adj. Temp.	Adj. Temp.	Adj. Temp.	Adj. Temp.	Adj. Temp.	Adj. Temp.
Automatic/factory-installed icemaker and ice bin	●	●	●	●	●	●	●	●	●
Light Touch™ dispenser	Cubes, Crushed Ice & Chilled Water	Cubes, Crushed Ice & Chilled Water	Cubes, Crushed Ice & Chilled Water	Cubes, Crushed Ice & Chilled Water	Cubes, Crushed Ice & Chilled Water			Cubes, Crushed Ice & Chilled Water	Cubes, Crushed Ice & Chilled Water
Exclusive Water by Culligan™	●	●	●						
Electronic Monitor and Diagnostic System	●								
Refreshment Center	●								
<b>Capacity</b>									
Total (cu. ft.)	23.5	23.5	23.5	23.5	23.5	23.7	23.7	20.7	20.7
Fresh food (cu. ft.)	14.48	14.48	14.48	14.48	14.48	14.48	14.48	13.0	13.0
Freezer (cu. ft.)	9.05	9.05	9.05	9.05	9.05	9.25	9.25	7.65	7.65
Shelf area (sq. ft.)	23.2	23.2	23.2	23.2	23.2	24.0	24.0	23.0	23.0
<b>Flexibility</b>									
Quick Space™ shelf	●	●	●	●	●	●	●	●	●
Door shelves	4 (1 Adj. with gal. storage)	4 (2 Adj. with gal. storage)	4 (2 Adj. with gal. storage)	4 (2 Adj. with gal. storage)	4 (2 Adj. with gal. storage)	4 (2 Adj. with gal. storage)	4 (2 Adj. with gal. storage)	4 (2 Adj. with gal. storage)	4 (2 Adj. with gal. storage)
Spacemaker™ door bins	●	●	●	●	●	●	●	●	●
Beverage rack	●	●	●	●	●	●	●	●	●
Interior light(s)	2	2	2	2	2	2	2	2	2
Freezer slide-out basket(s)	3 Wire Everwhite	3 Wire Everwhite	3 Wire Everwhite	3 Wire Everwhite	3 Wire Everwhite	3 Wire Everwhite	3 Wire Everwhite	4 Wire Everwhite	4 Wire Everwhite
Cantilevered freezer shelf	1 Wire Everwhite	1 Wire Everwhite	1 Wire Everwhite	1 Wire Everwhite	1 Wire Everwhite	1 Wire Everwhite	1 Wire Everwhite		
Freezer door shelves	4 (2 Adj.)	4 (2 Adj.)	4 (2 Adj.)	4 (2 Adj.)	4 (2 Adj.)	5 (2 Adj.)	5 (2 Adj.)	4	4
Exterior design	Rounded Doors			Rounded Doors					
Door stops	●	●	●	●	●	●	●	●	●
Door handle(s)	Sure Grip (soft)	Stainless Steel Appearance††	Color-Matched Full-Length††	Sure Grip (soft)	Color-Matched Full-Length††	Stainless Steel Appearance††	Color-Matched Full-Length††	Sure Grip (soft)	Color-Matched Full-Length††
Color(s) available†	WW, AA, BB	BS	WW, BB	WW, AA, BB	WW, AA, BB	BS	WW, BB	WW, AA, BB	WW, AA, BB
Adjustable rollers	Front & Back	Front & Back	Front & Back	Front & Back	Front & Back	Front & Back	Front & Back	Front & Back	Front & Back
Coil-free back	●	●	●	●	●	●	●	●	●
Snugger™ Clip(s)	2	2	2	2	2	2	2	2	2
Stainless steel panels	N/A	Factory-Installed	N/A	N/A	N/A	Factory-Installed	N/A	N/A	N/A
Stainless steel appearance, trim and handles	N/A	Factory-Installed	N/A	N/A	N/A	Factory-Installed	N/A	N/A	N/A
<b>Cleanability</b>									
Cabinet shelves (adjustable)	3 Glass	3 Glass	3 Glass	3 Glass	3 Glass	3 Glass	3 Glass	3 Glass	3 Glass
(slide out, spill proof)	2 Glass	2 Glass	2 Glass	2 Glass	2 Glass	2 Glass	2 Glass	2 Glass	2 Glass
Egg bin	●	●	●	●	●	●	●	●	●
Dairy compartment	1 with Glass Butter Dish	1 with Glass Butter Dish	1 with Glass Butter Dish	1 with Glass Butter Dish	1 with Glass Butter Dish	1 with Glass Butter Dish	1 with Glass Butter Dish	1 with Glass Butter Dish	1 with Glass Butter Dish
Textured steel	●	●	●	●	●	●	●	●	●
<b>Economical/Quiet</b>									
QuietSound Noise Reduction Package	●	●	●	●	●	●	●	●	●
Insulation (cabinet and door)	Foam	Foam	Foam	Foam	Foam	Foam	Foam	Foam	Foam
Cabinet liner—Baked Enamel-on-Steel	●	●	●	●	●	●	●	●	●
Door liner—ABS	●	●	●	●	●	●	●	●	●
Automatic Energy Saver (condenser loop)	●	●	●	●	●	●	●	●	●
<b>Accessories</b>									
Factory trim kit attached	N/A	●	Panels Required††	N/A	Panels Required††	●	Panels Required††	N/A	Panels Required††
Black acrylic panels (optional)	N/A	N/A	TKP24RXBB††	N/A	TKP24RXBB††	N/A	TKP24IXBB††	N/A	TKP21LS††
White acrylic panels (optional)	N/A	N/A	TKP24RXWW††	N/A	TKP24RXWW††	N/A	TKP24IXWW††	N/A	TKPW21LS††
Stainless steel panels (optional)	N/A	Factory-Installed	TKP24RXSS††	N/A	TKP24RXSS††	Factory-Installed	TKP24IXSS††	N/A	TKP21RXSS††
Black collar trim (optional)	N/A	N/A	TRMBISBB††	N/A	TRMBISBB††	N/A	TRMBISBB††	N/A	TRMBISBB††
White collar trim (optional)	N/A	N/A	TRMBISWW††	N/A	TRMBISWW††	N/A	TRMBISWW††	N/A	TRMBISWW††
Stainless steel collar trim (optional)	N/A	TRMBISSS††	TRMBISSS††	N/A	TRMBISSS††	TRMBISSS††	TRMBISSS††	N/A	TRMBISSS††
<b>Dimensions</b>									
Height to top of hinge (in.)	69-3/4	69-3/4††	69-3/4 ††	69-3/4	69-3/4	69-3/4 ††	69-3/4††	69-3/4	69-3/4 ††
Height to top of case (in.)	68-3/4	68-3/4	68-3/4	68-3/4	68-3/4	68-3/4	68-3/4	68-3/4	68-3/4
Case depth without door (in.)	23-7/8	23-7/8	23-7/8	23-7/8	23-7/8	23-7/8	23-7/8	23-3/4	23-3/4
Case depth less door handle (in.)	26-3/8	26-3/8	26-3/8	26-3/8	26-3/8	26-3/8	26-3/8	26	26
Case depth with door handle (in.)	28-15/16	28-7/16††	28-7/16††	28-15/16	28-7/16	28-7/16††	28-7/16††	28-1/2	27-5/8
Depth with fresh food door open 90° (in.)	45-5/8	45-5/8	45-5/8	45-5/8	45-5/8	45-5/8	45-5/8	45-5/8	45-5/8
Depth with freezer door open 90° (in.)	40-3/8	40-3/8	40-3/8	40-3/8	40-3/8	40-3/8	40-3/8	39-5/8	39-5/8
Width (in.)	35-3/4	35-3/4	35-3/4	35-3/4	35-3/4	35-3/4	35-3/4	35-3/4	35-3/4
Width with door open 90° with door handle (in.)	38-3/16	38-3/16	38-3/16	38-3/16	38-3/16	38-3/16	38-3/16	37-7/8	37-7/8
Air clearances									
Each Side (in.)	1/8*	1/8*	1/8*	1/8*	1/8*	1/8*	1/8*	1/8*	1/8*
Top (in.)	1	1	1	1	1	1	1	1	1
Back (in.)	1/2	1/2	1/2	1/2	1/2	1/2	1/2	1/2	1/2
Electrical input @ 115V AC 60Hz Amperage	11.6	11.6	11.6	11.6	11.6	7.9	7.9	11.6	11.6
Approx. shipping weight (lbs.)	350	350	350	350	350	350	350	326	336

†Color(s) available: WW = White on white, AA = Almond on almond, BB = Black on black, BS = Black model with stainless steel appearance trim, handle and stainless steel panels.

††Indicates built-in models.

\*If installed against a wall, allow clearance of 11-1/4" on freezer side to remove bin. Clearance required to remove fresh food full size pan without disassembling is 14".

ALL MODELS AVAILABLE IN U.S. AND CANADA.

Today's GE refrigerators use about 50% as much energy as refrigerator models made in 1980.



Total volume and shelf area are calculated by the Association of Home Appliance Manufacturers' standards.



Listed by Underwriters Laboratories



See page 122 for warranty information.

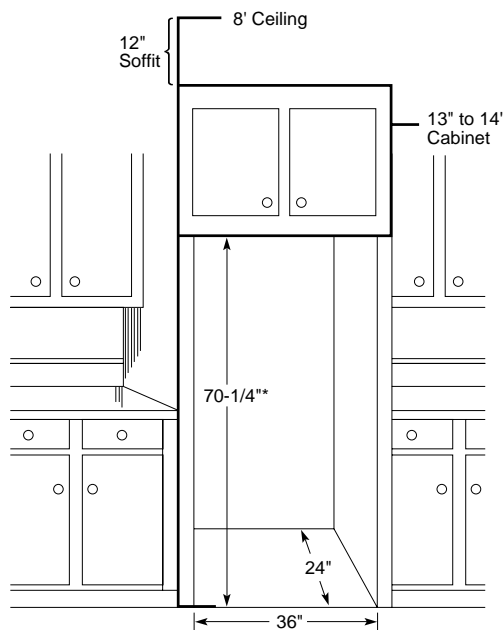
# GE Profile Performance™ and GE Profile™ “Built-In Style” Installation Information and Specifications

## Rough-In Dimensions

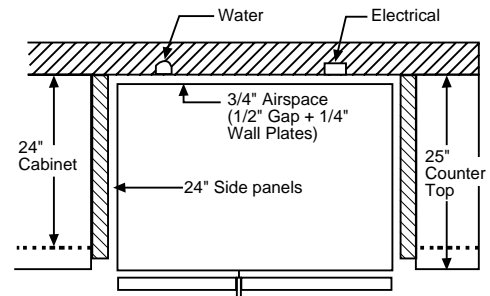
### Standard, New Construction and Replacement Installation

#### Installation Tips to Maximize the Built-In Look

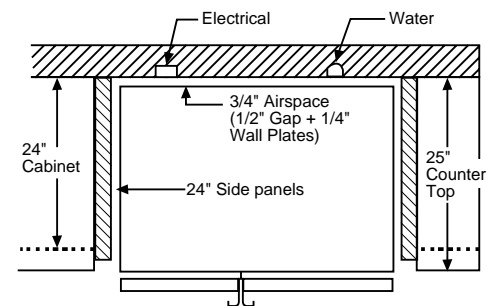
- All wall/floor moulding should be removed prior to installation.
- Water recess on rear wall recommended to prevent water line damage. 48" minimum length 1/4" diameter water line tubing recommended.
- When possible, recess both copper water line and electrical outlet. (See local codes)
- Front and rear leveling legs are adjustable for the “Built-In” look. (See owner’s manual)
- If optional collar trim kit is to be used or anticipated, see collar trim installation on next page for different rough-in dimensions.



\*The rough-in dimension of 70-1/4" is minimum and is measured from the finished floor to top of opening (or the underside of the overhead cabinets). For Models with Trim Kit: If frameless style cabinets are planned for above the refrigerator, you may need to consider adding a maximum of 1/4" (70-1/2") to height of opening to allow additional clearance between cabinet doors and top of refrigerator trim when cabinet doors are in open position.



For 24 cu. ft. models only.



For 21 cu. ft. models only.

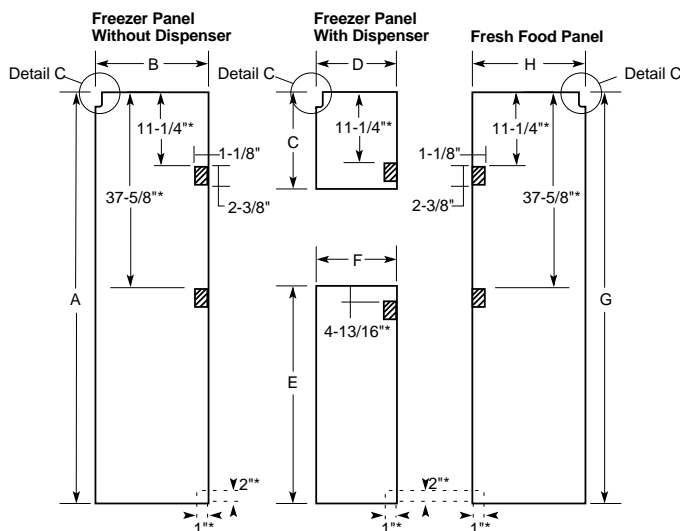
## Door Panel Dimensions

Order your own custom wood panels to match cabinetry or other decor.

	Fresh Food Panels	Freezer Panel With Dispenser	Freezer Panel Without Dispenser
21 cu. ft.	G-65-3/16" H-20-1/16"	C-18-3/4" D-14-5/16"	E-32-3/8" F-14-5/16"
24 cu. ft.	G-67-1/8" H-19-5/16"	C-18-13/16" D-14-1/2"	E-34-5/16" F-14-1/2" A-67-1/8" B-14-1/2"

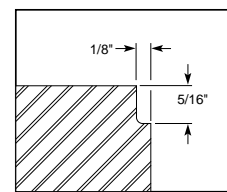
Panels up to 1/4" thick will fit door frame with no special preparation. Add filler behind material thinner than 1/4" for proper fit.

Note: Panels up to 3/4" will require special routing area around handles. Dimensions may vary depending on depth of panel.

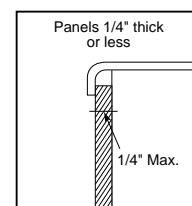


\*For 24 cu. ft. models only

#### Detail C

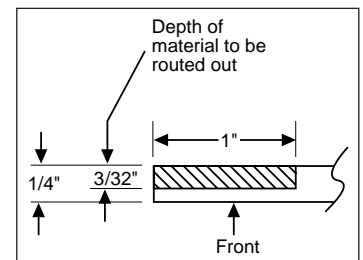


(Fresh Food panel shown)  
Notch required at top corner as noted.



For 24 cu. ft. models only

The areas at the top of the panels need to be cut out of the panels. All other dotted lines indicate areas that must be routed out about 3/16" (5 mm) on the back of side panels 1/4" (6 mm) thick or more. For panels less than 1/4" (6 mm) thick, these areas can be cut out of the filler panel.



**IMPORTANT:** Before finalizing specifications for your GE Profile™ “Built-In Style” Refrigerator, Please NOTE:

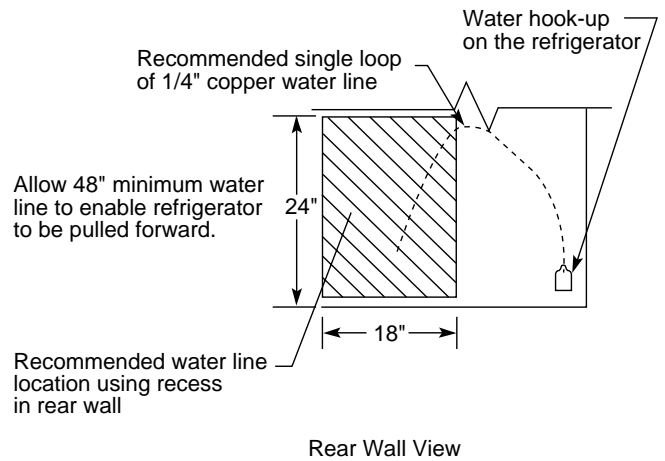
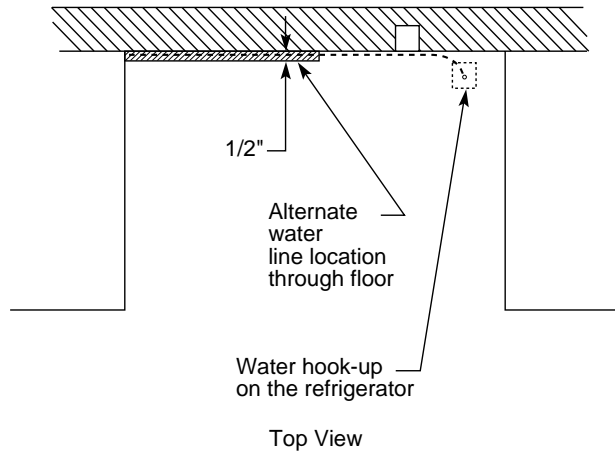
- A minimum of 36" is required for refrigerator installation
- Be sure to allow for 1/2" or 3/4" side panels in addition to the 36" minimum

See page 122 for warranty information.

# GE Profile Performance™ and GE Profile™ “Built-In Style” Installation Information and Specifications

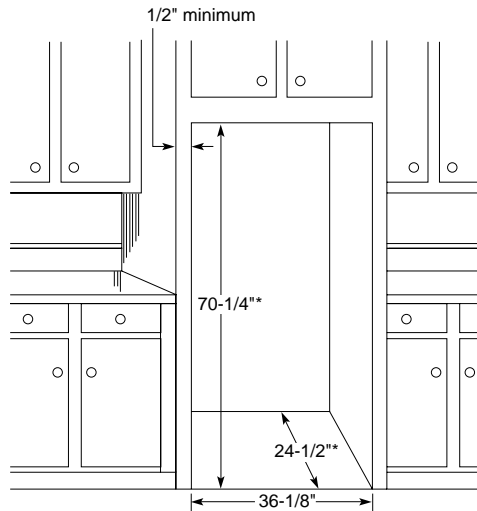
## Installation of Water and Electrical Outlets

For 21 cu. ft. models only.



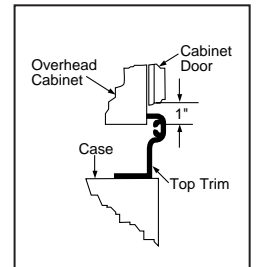
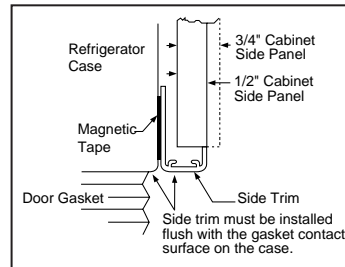
## Collar Trim Installation

An enclosure is **required** to match up to the trim, see Typical Installation. To obtain the most integrated look, the cabinet or soffit above the refrigerator should extend out to the same depth as the side panels. The refrigerator opening must have minimum dimensions of 70-1/4" high x 36-1/8" wide x 24-1/2" deep as shown at right. If there is an overhead cabinet, allow 1" for cabinet door clearance with the top trim piece so the cabinet doors can be opened without hitting the top trim. If 1/2" side panels are used, then side trim and panel will be even. If 3/4" side panels are used, then some of the side panel will extend beyond the trim and must be finished.

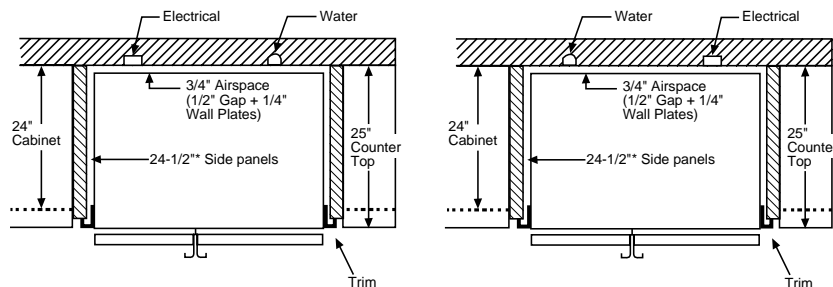
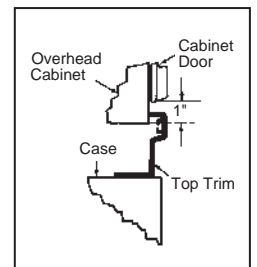
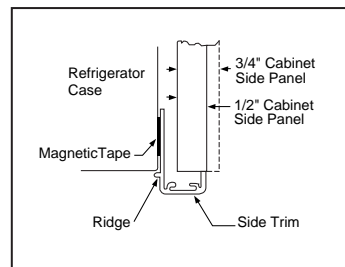


\*The rough-in dimension of 70-1/4" is minimum and is measured from the finished floor to top of opening (or the underside of the overhead cabinets). For Models with Trim Kit: If frameless style cabinets are planned for above the refrigerator, you may need to consider adding a maximum of 1/4" (70-1/2") to height of opening to allow additional clearance between cabinet doors and top of refrigerator trim when cabinet doors are in open position.

For 24 cu. ft. models only.



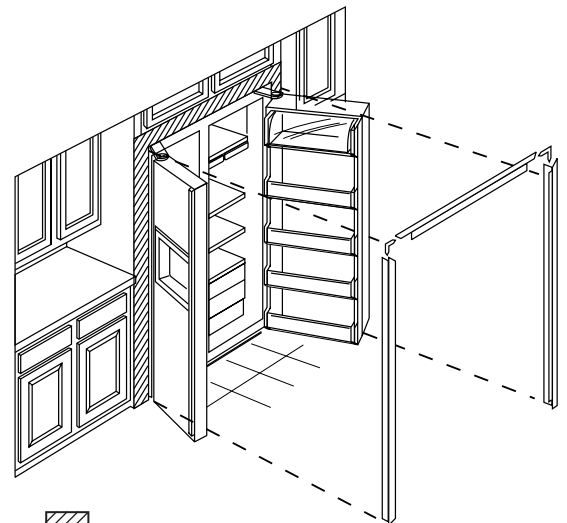
For 21 cu. ft. models only.



\*24-1/2" depth applies only to the refrigerator opening, not the actual cabinet depth.

**IMPORTANT:** Before finalizing specifications for your GE Profile™ “Built-In Style” Refrigerator, Please NOTE:

- A minimum of 36" is required for refrigerator installation
- Be sure to allow for 1/2" or 3/4" side panels in addition to the 36" minimum



**Typical Installation**

Shaded areas represent front surfaces of side panels and overhead cabinet or soffit that contacts trim.



# Side-By-Side Refrigerators

	GE Profile Performance Series™					GE Profile™ Series			
	TFX30PBZ	TFX30PPZ	TFX27PPZ	TFX25PPZ	TFX22PPZ	TFX27PFX TFX27PRX	TFX25PRY	TFX25PAY	TFX22PRX
<b>Performance</b>									
Smart Storage System (with spill proof cover)									
Snack pan (top)	Adj. Humid.	Adj. Humid.	Adj. Humid.	Adj. Humid.	Adj. Humid.	Adj. Humid.	Adj. Humid.	Adj. Humid.	Adj. Humid.
Vegetable/fruit crispers (middle)	Adj. Humid.	Adj. Humid.	Adj. Humid.	Adj. Humid.	Adj. Humid.	Adj. Humid.	Adj. Humid.	Adj. Humid.	Adj. Humid.
Meat pan (lower)	Adj. Temp.	Adj. Temp.	Adj. Temp.	Adj. Temp.	Adj. Temp.	Adj. Temp.	Adj. Temp.	Adj. Temp.	Adj. Temp.
Utility bin	●	●	●	●	●	●	●	●	●
Quick Space™ shelf(s)	●	●	●	●	●	●	●	●	●
Quick Serve™ storage dishes						4 (2 Sm., 2 Lg.)			
Automatic icemaker and ice bin	●	●	●	●	●	●	●	Opt. (IM3)	●
LightTouch! dispenser	Cubes, Crushed Ice & Chilled Water	Cubes, Crushed Ice & Chilled Water	Cubes, Crushed Ice & Chilled Water	Cubes, Crushed Ice & Chilled Water	Cubes, Crushed Ice & Chilled Water	Cubes, Crushed Ice & Chilled Water	Cubes, Crushed Ice & Chilled Water		Cubes, Crushed Ice & Chilled Water
Exclusive Water by Culligan™	●	●	●	●	●	●	●		●
Electronic Monitor/Diagnostic System	●					●			
Refreshment Center	●					●			
<b>Capacity</b>									
Total (cu. ft.)	29.8	29.8	26.6	25.2	21.6	26.6	25.2	25.3	21.6
						16.9			
Fresh food (cu. ft.)	18.15	18.15	16.83	15.92	14.85	16.83	15.92	15.92	14.85
Freezer (cu. ft.)	11.65	11.65	9.72	9.32	6.75	9.72	9.32	9.41	6.75
						28.4			
Shelf area (sq. ft.)	29.8	29.8	27.6	25.2	23.4	27.6	25.2	25.6	23.4
Gallon door storage	●	●	●	●	●	●	●	●	●
Spacemaker™ door bins	Extra-Deep	Extra-Deep	●	●	●	●	●	●	●
<b>Flexibility</b>									
Door shelves	4 (3 w/gal. storage/2 Adj.)	4 w/gal. storage/3 Adj.	5 (4 Adj. w/gal. storage)	4 (2 Adj. w/gal. storage)	4 (2 Adj. w/gal. storage)	4 (2 Adj. w/gal. storage)	4 (2 Adj. w/gal. storage)	4 (2 Adj. w/gal. storage)	4 (2 Adj. w/gal. storage)
Dairy compartment	1	1	1	1	1	1	1	1	1
Beverage rack	●	●	●	●	●	●	●	●	●
Interior light(s)	2	2	2	2	2	2	2	2	2
Freezer storage bin(s) (Wire Everwhite)	1 Sliding	1 Sliding	1 Clear Sliding	1 Clear Sliding	1 Clear Sliding	1 Clear Sliding	1 Clear Sliding	1 Clear Sliding	1 Clear Sliding
Freezer slide-out baskets (Wire Everwhite)	2 Adj.	2 Adj.	3	3	3	3	3	3	3
Freezer compartment shelves (Wire Everwhite)	2 (1 Adj.)	2 (1 Adj.)							
Freezer door shelves	4 (2 Adj.)	4 (2 Adj.)	5	5	5	5	5	6	5
Exterior design	Rounded Doors	Rounded Doors							
Door handle(s)	Sure Grip (soft)	Sure Grip (soft)	Sure Grip (soft)	Sure Grip (soft)	Sure Grip (soft)	Sure Grip (soft)	Sure Grip (soft)	Sure Grip (soft)	Sure Grip (soft)
Color(s) available*	WW, AA, BB	WW, AA, BB	WW, AA, BB	WW, AA, BB	WW, AA, BB	WW, AA, BB	WW, AA, BB	WW, AA, BB	WW, AA, BB
Door stops	●	●	●	●	●	●	●	●	●
Adjustable rollers	●	●	●	●	●	●	●	●	●
Snugger™ Clip(s)	2	2	2	2	2	2	2	2	2
<b>Cleanability</b>									
Cabinet shelves	3 Glass	3 Glass	3 Glass	3 Glass	3 Glass	3 Glass	3 Glass	3 Glass	3 Glass
(adjustable)	3	3	3	3	3	3	3	3	3
(slide out)	2 Glass	2 Glass	2 Glass	2 Glass	2 Glass	2 Glass	2 Glass	2 Glass	2 Glass
(spill proof)	●	●	●	●	●	●	●	●	●
Glass butter dish	●	●	●	●	●	●	●	●	●
Textured steel doors and case	●	●	●	●	●	●	●	●	●
<b>Economical/Quiet</b>									
QuietSound Noise Reduction Package	●	●	●	●	●	●	●	●	●
Cabinet liner—Baked enamel-on-steel	●	●	●	●	●	●	●	●	●
Door liner—ABS	●	●	●	●	●	●	●	●	●
Automatic Energy Saver (condenser loop)	●	●	●	●	●	●	●	●	●
<b>Accessories</b>									
Aluminum trim kit	TK30FXAL	TK30RXAL	TK27RXAL	TK25RXAL	N/A	TK27FXAL TK27RXAL	TK25RXAL	N/A	N/A
Black panels	N/A	N/A	TKP27E	TKP25R	N/A	TKP27E	TKP25R	N/A	N/A
Black acrylic panels and trim kit	N/A	N/A	N/A	TFP25R	TFP22RS	N/A	TFP25R	N/A	TFP22RS
Stainless steel panels	TKP30FXSS	TKP30RXSS	TKP27RXSS	N/A	N/A	TKP27FXSS TKP27RXSS	N/A	N/A	N/A
<b>Dimensions</b>									
Height to top of hinge (in.) A	69-3/4	69-3/4	69-3/4	69-3/4	67-5/8	69-3/4	69-3/4	69-3/4	67-5/8
Height to top of case (in.) B	68-3/4	68-3/4	68-3/4	68-3/4	66-5/8	68-3/4	68-3/4	68-3/4	66-5/8
Case depth without door (in.) C	28-1/2**	28-1/2**	28	28	28	28	28	28	28
Case depth less door handle (in.) D	32-1/4**	32-1/4**	31-5/8	30-1/2	30-1/2	31-5/8	30-1/2	30-1/2	30-1/2
Case depth with door handle (in.) E	34-1/2**	34-1/2**	33-1/2	32-1/2	32-1/2	33-1/2	32-1/2	32-1/2	32-1/2
Depth with door open 90° (in.) F	49-1/4**	49-1/4**	50-1/2	50-5/16	50-5/16	50-1/2	50-5/16	50-5/16	50-5/16
Width (in.) G	35-3/4	35-3/4	35-3/4	35-3/4	33-1/2	35-3/4	35-3/4	35-3/4	33-1/2
Width with door open 90° less door handle (in.) H	39-3/4	39-3/4	38-1/4	36-1/8	34-1/4	38-1/4	36-1/8	36-1/8	34-1/4
Air clearances									
Each side (in.)	1/8†	1/8†	3/4†	3/4†	3/4†	3/4†	3/4†	3/4†	3/4†
Top (in.)	1/8	1/8	1	1	1	1	1	1	1
Back (in.)	5/8	5/8	1	1	1	1	1	1	1
Electrical input @ 115V AC, 60Hz Amperage	11.6	11.6	11.6	11.6	11.6	11.6	11.6	7.9	11.6
						391			
Approx. shipping weight (lbs.)	395	395	386	335	310	386	335	335	310

\*Color(s) available: WW = White on white, AA = Almond on almond, BB = Black on black.  
 \*\*Add 9/16" for water hook-up. Hook-up fits in 5/8" back air clearance when calculating installation depth.  
 †If installed against a wall, allow clearance of 11-1/4" on freezer side to remove ice bin.  
 To remove fresh food pans, remove door bins.  
 Clearances required to remove fresh food full-size pan without disassembling:  
 10-1/2" on 22 cu. ft.; 13-5/8" on 25 cu. ft.; 14" on 27 cu. ft.; 13" on 30 cu. ft.  
 For Built-In Appearance allow height space of 69-3/4" on 25 and 27 cu. ft.  
 Plus, allow additional space for any necessary leveling adjustments.

Note: If the doors cannot be fully opened because of an obstruction or a wall on either side, a door stop should be provided to prevent door or wall damage. If the doors cannot be opened at least 90 degrees, access to the drawers is limited.

ALL MODELS AVAILABLE IN U.S. AND CANADA.



See page 122 for warranty information.

Refrigeration  
Laundry  
Cooking Products  
Microwave Ovens  
Dishwashers  
Water Systems  
Room Air

# Side-By-Side Refrigerators

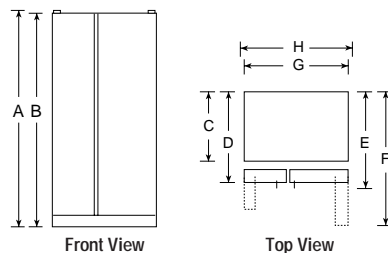
	GE "Z" Series				GE "J" Series					GE "N" Series	GE "S" Series
	TFX27ZR	TFX25ZR	TFX25ZA	TFX22ZR	TFX25JR	TFX22JR	TFX22JAV	TFX20JR	TFX20JAX	TFX20NWX	TFX20SAX
<b>Performance</b>											
Vegetable/fruit crisper (upper)	1 Adj. Humid.	1 Adj. Humid.	1 Adj. Humid.	1 Adj. Humid.	1 Adj. Humid.	1 Adj. Humid.	1 Adj. Humid.	1 Sealed	1 Sealed	2 (1 Sealed)	2 (1 Sealed)
Meat pan (lower)	1 Adj. Temp.	1 Adj. Temp.	1 Adj. Temp.	1 Adj. Temp.	1 Adj. Temp.	1 Adj. Temp.	1 Adj. Temp.	1 Adj. Temp.	1 Adj. Temp.		
Utility bin	●	●	●	●	●	●	●	●	●	●	
Sealed snack pan	●	●	●	●							
Automatic icemaker and ice bin	●	●	Opt. (IM3)	●	●	●	Opt. (IM3)	●	Opt. (IM3)	●	Opt. (IM3)
Ice 'N Easy trays			2				2		2		2
LightTouch! dispenser	Cubes, Crushed Ice & Chilled Water	Cubes, Crushed Ice & Chilled Water		Cubes, Crushed Ice & Chilled Water	Cubes, Crushed Ice & Chilled Water	Cubes, Crushed Ice & Chilled Water		Cubes, Crushed Ice & Chilled Water		Cubes & Chilled Water	
<b>Capacity</b>											
Total (cu. ft.)	26.6	25.2	25.3	21.7	25.2	21.7	21.8	19.7	19.7	19.7	19.7
Fresh food (cu. ft.)	16.88	15.92	15.92	14.92	15.92	14.96	14.92	12.90	12.90	12.90	12.90
Freezer (cu. ft.)	9.72	9.32	9.41	6.75	9.32	6.79	6.89	6.75	6.79	6.75	6.79
Shelf area (sq. ft.)	28.3	25.8	26.3	24.1	24.2	22.8	22.8	20.1	20.4	20.1	20.4
Gallon door storage	●	●	●	●	●	●	●	●	●	●	●
<b>Flexibility</b>											
Door shelves	4 Adj. w/ gal. storage	4 (2 Adj. w/ gal. storage)	4 (2 Adj. w/ gal. storage)	4 (2 Adj. w/ gal. storage)	4 (2 Adj. w/ gal. storage)	4 (2 Adj. w/ gal. storage)	4 (2 Adj. w/ gal. storage)	4 (2 w/ gal. storage)	4 (2 w/ gal. storage)	4 (2 w/ gal. storage)	4 (2 w/ gal. storage)
Dairy compartment	1	1	1	1	1	1	1	1	1	1	1
Interior light(s)	2	2	2	1	1	1	1	1	1	1	1
Freezer storage bin(s)	1 Clear Sliding	1 Clear Sliding	1 Clear Sliding	1 Clear Sliding	1 Clear Sliding	1 Clear Sliding	1 Clear Sliding	1 Clear Sliding	1 Clear Sliding	1 White Sliding	1 White Sliding
Freezer cabinet shelves (Wire Everwhite)	3 Adj.	3 Adj.	3 Adj.	3 Adj.	3 Adj.	3 Adj.	4 (3 Adj.)	3 Adj.	4 (3 Adj.)	3 Adj.	4 Adj.
Freezer door shelves	5	5	5	5	5	5	5	5	5	5	6
Ice storage bin			●					●	●		●
Door handle(s)	Color-Matched	Color-Matched	Color-Matched	Color-Matched	Color-Matched	Color-Matched	Color-Matched	Color-Matched/Black	Color-Matched	Black	Color-Matched
Color(s) available*	WW, AA, BB	WW, AA	WW, AA	WW, AA	WW, AA	WW, AA	WW, AA	WW, AA/WH	WW, AA	WH	WW, AA
Door stops	●	●	●	●	●	●	●	●	●	●	●
Adjustable rollers	●	●	●	●	●	●	●	●	●	●	●
Snugger™ Clip(s)	2	2	2	2	2	2	2	2	2		
<b>Cleanability</b>											
Cabinet shelves (adjustable)	3 Glass	3 Glass	3 Glass	3 Glass	3 Glass	3 Glass	3 Glass	3 Glass	3 Glass	3 Glass	3 Wire Everwhite
(spill proof)	●	●	●	●	●	●	●	●	●	●	●
Butter dish	●	●	●	●	●	●	●	●	●	●	●
Textured steel doors and case	●	●	●	●	●	●	●	●	●	●	●
<b>Economical/Quiet</b>											
Cabinet liner-Baked enamel-on-steel	●	●	●	●	●	●	●	●	●	●	●
Door liner-ABS	●	●	●	●	●	●	●	●	●	●	●
Cabinet and door insulation	Foam	Foam	Foam	Foam	Foam	Foam	Foam	Foam	Foam	Foam	Foam
Automatic Energy Saver (condenser loop)	●	●	●	●	●	●	●	●	●	●	●
<b>Accessories</b>											
Aluminum trim kit	TK27RXAL	TK25RXAL	N/A	N/A	TK25RXAL	N/A	N/A	N/A	N/A	N/A	N/A
Black panels	TKP27E	TKP25R	N/A	N/A	TKP25R	N/A	N/A	N/A	N/A	N/A	N/A
Trim and black acrylic panels	N/A	TFP25R	N/A	N/A	TFP25R	N/A	N/A	TFP20RS	N/A	TFP20RS	N/A
Stainless steel panels	TKP27RXSS	N/A	N/A	N/A	N/A	N/A	N/A	N/A	N/A	N/A	N/A
<b>Dimensions</b>											
Height to top of hinge (in.) A	69-3/4	69-3/4	69-3/4	67-5/8	69-3/4	67-5/8	67-5/8	67-5/8	67-5/8	67-5/8	67-5/8
Height to top of case (in.) B	68-3/4	68-3/4	68-3/4	66-5/8	68-3/4	66-5/8	66-5/8	66-5/8	66-5/8	66-5/8	66-5/8
Case depth without door (in.) C	28	28	28	28	28	28	28	28	28	28	28
Case depth less door handle (in.) D	31-5/8	30-1/2	30-1/2	30-1/2	30-1/2	30-1/2	30-1/2	30-1/2	30-1/2	30-1/2	30-1/2
Case depth with door handle (in.) E	33-1/2	32-1/2	32-1/2	32-1/2	32-1/2	32-1/2	32-1/2	32-1/2	32-1/2	32-1/2	32-1/2
Depth with door open 90° (in.) F	50-1/2	50-5/16	50-5/16	50-5/16	50-5/16	50-5/16	50-5/16	48-5/16	48-5/16	48-5/16	48-5/16
Width (in.) G	35-3/4	35-3/4	35-3/4	33-1/2	35-3/4	33-1/2	33-1/2	31-1/2	31-1/2	31-1/2	31-1/2
Width with door open 90° less door handle (in.) H	38-1/4	38-1/4	38-1/4	34-1/4	36-1/8	32-1/4	34-1/4	32-1/4	32-1/4	32-1/4	32-1/4
Air clearances	Each side (in.)	3/4†	3/4†	3/4†	3/4†	3/4†	3/4†	3/4†	3/4†	3/4†	3/4†
Top (in.)	1	1	1	1	1	1	1	1	1	1	1
Back (in.)	1	1	1	1	1	1	1	1	1	1	1
Electrical input @ 115V AC, 60Hz Amperage	11.6	11.6	11.6	11.6	11.6	11.6	7.9	11.6	7.9	11.6	7.9
Approx. shipping weight (lbs.)	355	335	335	310	345	327	345	327	327	327	296

\*Color(s) available: WW = White on white, AA = Almond on almond, BB = Black on black, WH = White with black handles and dispenser  
†If installed against a wall, allow clearance of 11-1/4" on freezer side to remove ice bin.

To remove fresh food pans, remove door bins.

Clearances required to remove fresh food full-size pan without disassembling is 10-1/2" on 20/22 cu. ft.; 13-5/8" on 25 cu. ft., and 14" on 27 cu. ft. For Built-In appearance, allow height space of 69-3/4" on 25 and 27 cu. ft. Plus, allow additional space for any necessary leveling adjustments.

ALL MODELS AVAILABLE IN U.S. AND CANADA.



Note: If the doors cannot be fully opened because of an obstruction or a wall on either side, a door stop should be provided to prevent door or wall damage. If the doors cannot be opened at least 90 degrees, access to the drawers is limited.

Today's GE refrigerators use about 50% as much energy as refrigerator models made in 1980.



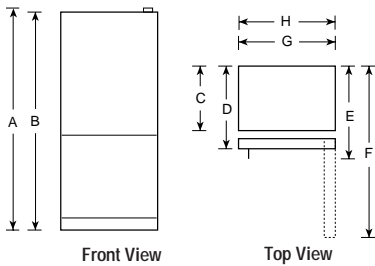
# Bottom-Mount Refrigerator

# GE Profile™ Top-Mount No-Frost Refrigerators

	GE
	TCX22ZAX
<b>Performance</b>	
Vegetable/fruit crisper(s)	1 Sealed, 1 Adj. Humid.
Sealed snack pan	●
Automatic icemaker	Opt. (UK-3S)
Ice 'N Easy trays	2
Ice storage bin	●
<b>Capacity</b>	
Total (cu. ft.)	21.7
Fresh food (cu. ft.)	15.23
Freezer (cu. ft.)	6.51
Shelf area (sq. ft.)	28.6
<b>Flexibility</b>	
Door bins	5 (4 Adj., 2 with gallon storage)
Beverage rack	●
Freezer compartment shelf	1 F/W
Freezer door bins	4
Freezer interior light	●
Freezer storage basket	1 (Sliding)
Ice tray shelf	●
Door stops	●
Reversible doors	●
Adjustable rollers	●
Coil-free back	●
Door handle(s)	Color-Matched
Color(s) available*	WH, AD
<b>Cleanability</b>	
Utility bin	●
Cabinet shelves	4 Glass
(adjustable)	4 Split
(spill proof)	4
Dairy compartments	2
Textured steel doors and case	●
<b>Economical/Quiet</b>	
Cabinet insulation-Foam	●
Door insulation-Foam	●
Cabinet liner-ABS	●
Door liner-ABS	●
<b>Dimensions</b>	
Height to top of hinge (in.) A	68-3/8
Height to top of case (in.) B	67-5/8
Case depth without door (in.) C	28-1/2
Case depth with door (in.) D	32-3/4
Case depth with door handle (in.) E	33-3/4
Depth with door open 90° (in.) F	64-3/8
Width (in.) G	32-3/4
Width with door open 90° less door handle (in.) H	32-3/4
Air clearances	
Each side (in.)	3/4
Top (in.)	1
Back (in.)	1
Electrical input @115V AC, 60Hz Amperage	5.4
Approx. shipping weight (lbs.)	318

\*Color(s) available: WH = White, AD = Almond.

## Bottom-Mount Refrigerator



	GE Profile™ Series					
	TBX25PRY	TBX25PAY	TBX22PRY	TBX22PIY	TBX22PAY	TBX19PAY
<b>Performance</b>						
Vegetable/fruit crisper(s)	2 Adj. Humidity	2 Adj. Humidity	2 Adj. Humidity.	2 Adj. Humidity	2 Adj. Humidity	2 Adj. Humidity
Meat pan	Adj. Temp.	Adj. Temp.	Adj. Temp.	Adj. Temp.	Adj. Temp.	Adj. Temp.
Automatic/factory-installed icemaker	●	Opt. (IM3)	●	●	Opt. (IM3)	Opt. (IM3)
Ice 'N Easy trays		4			4	4
LightTouch™ dispenser	Cubes, Crushed Ice & Water		Cubes, Crushed Ice & Water			
<b>Capacity</b>						
Total (cu. ft.)	24.6	24.7	21.5	21.6	21.6	19.0
Fresh food (cu. ft.)	17.12	17.12	14.96	14.96	14.96	13.61
Freezer (cu. ft.)	7.50	7.60	6.55	6.65	6.65	5.40
Shelf area (sq. ft.)	27.0	31.5	23.9	27.5	28.3	24.8
<b>Flexibility</b>						
Quick Store™ bin	●	●	●	●	●	
Quick Serve™ storage dishes (on door)	●	●	●	●	●	
Beverage rack	●	●	●	●	●	●
Modular gallon door bins	4 (3 Adj. w/gallon storage)	4 (3 Adj. w/gallon storage)	4 (3 Adj. w/gallon storage)	4 (3 Adj. w/gallon storage)	4 (3 Adj. w/gallon storage)	5 (4 Adj. w/gallon storage)
Freezer compartment shelf(s) (Wire Everwhite)	1 Adj.	1 F/W (2-Pos.)	1 Adj.	1 F/W (2-Pos.)	1 F/W (2-Pos.)	1 F/W (2-Pos.)
Freezer adjustable trivet	●	●	●	●	●	●
Freezer door shelves	2 (1 Adj.) Bins	3 (1 Adj.) Bins	2 (1 Adj.) Bins	3 (1 Adj.) Bins	3 (1 Adj.) Bins	3 (1 Adj.) Bins
Ice tray shelf	●	●	●	●	●	●
Interior light(s)	●	●	●	●	●	●
Door stops	●	●	●	●	●	●
Reversible doors	●	●	●	●	●	●
Right or left door opening available	●	●	●	●	●	●
Coil-free back	●	●	●	●	●	●
Adjustable rollers	●	●	●	●	●	●
Leveling legs	●	●	●	●	●	●
Door handle(s)	Color-Matched Sure Grip (soft)	Color-Matched Sure Grip (soft)	Color-Matched Sure Grip (soft)	Color-Matched Sure Grip (soft)	Color-Matched Sure Grip (soft)	Color-Matched Sure Grip (soft)
Color(s) available*	WW, AA, BB	WW, AA, BB	WW, AA, BB	WW, AA, BB	WW, AA, BB	WW, AA, BB
Snugger™ Clip(s)	2	2	2	2	2	2
<b>Cleanability</b>						
Cabinet shelves	4 Glass	4 Glass	4 Glass	4 Glass	4 Glass	4 Glass
(adjustable)	4 Split	4 Split	4 Split	4 Split	4 Split	4 Split
(slide out, spill proof)	4	4	4	4	4	4
Utility (egg) bin	●	●	●	●	●	●
Dairy compartment(s)	1 w/butter trivet	1 w/butter trivet	1 w/butter trivet	1 w/butter trivet	1 w/butter trivet	1 w/butter trivet
Ice storage bin	Dispenser	Pan w/handle	Dispenser	Ice Bucket	Pan w/handle	Pan w/handle
Textured steel doors & case	●	●	●	●	●	●
<b>Economical/Quiet</b>						
QuietSound Noise Reduction Package	●	●	●	●	●	●
Foam cabinet insulation	●	●	●	●	●	●
Door insulation	Foam	Foam	Foam	Foam	Foam	Foam
Cabinet liner	ABS	ABS	ABS	ABS	ABS	ABS
Door liner-ABS	●	●	●	●	●	●
Energy Saver Switch	●	●	●	●	●	●
<b>Accessories</b>						
Aluminum trim kit	N/A	TMK25LL** TMK25K†	N/A	N/A	N/A	N/A
Black panel kit	N/A	TMP25K	N/A	N/A	N/A	N/A
<b>Dimensions</b>						
Height to top of hinge (in.) A	68	67-3/4	67-1/4	67	67	64-3/4
Height to top of case (in.) B	67	67	66	66	66	64
Case depth without door (in.) C	27-1/2	27-1/2	27-1/2	27-1/2	27-1/2	27-1/2
Case depth less door handle (in.) D	31	31	31	31	31	31
Case depth with door handle (in.) E	32-3/4	32-3/4	32-3/4	32-3/4	32-3/4	32-3/4
Depth with door open 90° (in.) F	62-7/8	62-7/8	59-7/8	59-7/8	59-7/8	58
Width (in.) G	34-1/2	34-1/2	31-1/4	31-1/4	31-1/4	29-3/8
Width with door open 90° (in.) H	35-5/8	35-5/8	32-5/8	32-5/8	32-5/8	30-3/4
Air clearances						
Each side (in.)	3/4	3/4	3/4	3/4	3/4	3/4
Top (in.)	1	1	1	1	1	1
Back (in.)	1	1	1	1	1	1
Electrical input @ 115V AC, 60Hz Amperage	10.0	7.0	10.0	7.0	7.0	7.0
Approx. shipping weight (lbs.)	320	298	293	270	270	250

\*Color(s) available: WW = White on white, AA = Almond on almond, BB = Black on black.

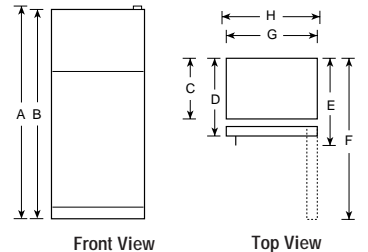
\*\*For use on left-hand door swing.

†For use on right-hand door swing.

Note: Clearance dimensions for any 19 cu. ft., 22 cu. ft., and 25 cu. ft. refrigerators with extra-deep doors, need an additional 3-5/8" for 90° door opening.

MODEL TBX19PAY IS AVAILABLE IN U.S. AND CANADA.

**Note: All Top-Mount No-Frost Right-Hand Refrigerator Doors:**  
As you face the front of the refrigerator, the handle is on your left and the hinges are on your right.  
**All Top-Mount No-Frost Left-Hand Refrigerator Doors:**  
As you face the front of the refrigerator, the handle is on your right and the hinges are on your left.



Refrigeration

Laundry

Cooking Products

Microwave Ovens

Dishwashers

Water Systems

Room Air

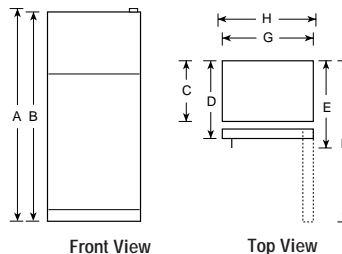
# Top-Mount No-Frost Refrigerators

	GE "Z" Series				GE "J" Series					
	TBX22ZAZ	TBX22ZIZ	TBX19ZAZ	TBX19ZIZ	TBX24JAZ	TBX24JIZ	TBX21JAZ TBX21JIZ	TBX18JAZ	TBX18JIZ	TBX16JAZ
<b>Performance</b>										
Vegetable/fruit crisper(s)	2 Adj. Humid.	2 Adj. Humid.	2 Adj. Humid.	2 Adj. Humid.	2 Adj. Humid.	2 Adj. Humid.	2 Adj. Humid.	2	2	2
Snack pan	●	●	●	●	●	●	●	●	●	●
Automatic factory-installed icemaker	Opt. (IM3)	●	Opt. (IM3)	●	Opt. (IM3)	●	Opt. (IM3)	Opt. (IM3)	●	Opt. (IM3)
Ice 'N Easy trays	2		2		2		2 -	2		2
<b>Capacity</b>										
Total (cu. ft.)	21.6	21.6	19.0	19.0	23.6	23.6	20.6	18.2	18.2	15.6
Fresh food (cu. ft.)	14.96	14.96	13.61	13.61	16.35	16.35	14.25	13.04	13.04	11.69
Freezer (cu. ft.)	6.65	6.65	5.40	5.40	7.20	7.20	6.30	5.13	5.13	3.86
Shelf area (sq. ft.)	26.0	25.2	24.8	23.9	29.2	28.4	26.0 25.2	24.4	23.5	19.6
Adjustable modular gallon door bins	●	●	●	●						
Gallon storage doors	●	●	●	●	Fixed	Fixed	Fixed	Fixed	Fixed	Fixed
<b>Flexibility</b>										
Door shelves	5 w/gal. storage	5 w/gal. storage	4 w/gal. storage	4 w/gal. storage	3 (2 w/gal. storage)	3 (2 w/gal. storage)	3 (2 w/gal. storage)	2 w/gal. storage	2 w/gal. storage	2 w/gal. storage
Dairy compartment(s)	1	1	1	1	1	1	1	1	1	1
Freezer compartment shelf(s) (Wire Everwhite)	1 F/W (2-Pos.)	1 F/W (2-Pos.)**	1 F/W (2-Pos.)	1 F/W (2-Pos.)**	1 F/W (2-Pos.)	1 F/W (2-Pos.)**	1 F/W (2-Pos.)**	1 F/W (2-Pos.)	1 F/W (2-Pos.)**	1
Freezer door shelves	3	3	3	3	2	2	2	2	2	2
Ice tray shelf	●		●		●		● -	●		
Door stops	●	●	●	●	●	●	●	●	●	●
Reversible doors	●	●	●	●	●	●	●	●	●	●
Adjustable rollers	●	●	●	●	●	●	●	●	●	4 Fixed, 2 Level Legs
Coil-free back	●	●	●	●	●	●	●	●	●	●
Door handle(s)	Color-Matched	Color-Matched	Color-Matched	Color-Matched	Color-Matched	Color-Matched	Color-Matched	Color-Matched	Color-Matched	Color-Matched
Color(s) available*	WW, AA	WW, AA	WW, AA	WW, AA	WW, AA	WW, AA	WW, AA	WW, AA	WW, AA	WH, AD
Snugger™ Clip(s)	2	2	2	2	2	2	2	2	2	2
<b>Cleanability</b>										
Cabinet shelves	4 Glass	4 Glass	4 Glass	4 Glass	4 Glass	4 Glass	4 Glass	4 Glass	4 Glass	3 Glass
(adjustable)	4 Split	4 Split	4 Split	4 Split	4 Split	4 Split	4 Split	4 Split	4 Split	2 Split, 1 F/W
(spill proof)	4	4	4	4	4	4	4	4	4	
Utility bin (egg)	●	●	●	●	●	●				●
Butter dish	●	●	●	●	●	●	●	●	●	
Ice storage bin	Utility-White	Ice Bucket	Utility-White	Ice Bucket	Utility-White	Ice Bucket	Utility-White Ice Bucket	Utility-White	Ice Bucket	
Textured steel doors & case	●	●	●	●	●	●	●	●	●	●
<b>Economical/Quiet</b>										
Cabinet insulation	Foam	Foam	Foam	Foam	Foam	Foam	Foam	Foam	Foam	Foam
Door insulation	Foam	Foam	Foam	Foam	Foam	Foam	Foam	Foam	Foam	Foam
Cabinet liner	ABS	ABS	ABS	ABS	ABS	ABS	ABS	ABS	ABS	ABS
Door liner—ABS	●	●	●	●	●	●	●	●	●	ABS
Energy Saver Switch	●	●	●	●	●	●	●	●	●	●
<b>Accessories</b>										
Black Acrylic panel kit	TBP21X	TBP21X	TBP18X	TBP18X	N/A	N/A	TBP21X	TBP18X	TBP18X	N/A
<b>Dimensions</b>										
Height to top of hinge (in.) A	67	67	64-3/4	64-3/4	67-3/4	67-3/4	67	64-3/4	64-3/4	64-1/2
Height to top of case (in.) B	66	66	64	64	67	67	66-1/4	64	64	64
Case depth without door (in.) C	27-1/2	27-1/2	27-1/2	27-1/2	27-1/2	27-1/2	27-1/2	27-1/2	27-1/2	26
Case depth less door handle (in.) D	31	31	31	31	29-13/16	29-13/16	29-13/16	29-13/16	29-13/16	28
Case depth with door handle (in.) E	32-3/4	32-3/4	32-3/4	32-3/4	31-1/2	31-1/2	31-1/2	31-1/2	31-1/2	29-9/16
Depth with door open 90° (in.) F	59-7/8	59-7/8	58	58	62-7/8	62-7/8	59-7/8	58	58	54-1/2
Width (in.) G	31-1/8	31-1/8	29-3/8	29-3/8	34-1/2	34-1/2	31-1/8	29-3/8	29-3/8	28
Width with door open 90° less door handle (in.) H	32-5/8	32-5/8	30-3/4	30-3/4	34-1/2	34-1/2	31-1/4	29-3/8	29-3/8	29-3/4
Air clearances	Each side (in.)	3/4	3/4	3/4	3/4	3/4	3/4	3/4	3/4	3/4
Top (in.)	1	1	1	1	1	1	1	1	1	1
Back (in.)	1	1	1	1	1	1	1	1	1	1
Electrical input @ 115V AC, 60Hz Amperage	7.0	7.0	7.0	7.0	7.0	7.0	7.0	7.0	7.0	6.5
Approx. shipping weight (lbs.)	270	270	250	250	266	266	240	230	230	192

\*Color(s) available: WW = White on white, AA = Almond on almond, WH = White, AD = Almond  
 \*\*Shelf needs to stay in lower position to support ice bucket and icemaker.

Today's GE refrigerators use about 50% as much energy as refrigerator models made in 1980.

**Note:** All Top-Mount No-Frost Right-Hand Refrigerator Doors: As you face the front of the refrigerator, the handle is on your left and the hinges are on your right.  
 All Top-Mount No-Frost Left-Hand Refrigerator Doors: As you face the front of the refrigerator, the handle is on your right and the hinges are on your left.



See page 122 for warranty information.

# Top-Mount No-Frost Refrigerators

	GE "D" Series				GE "S" Series							GE "N" Series		GE "T" Series
	TBX21DAX	TBX18DAX TBX18DIX	TBX16DAZ	TBX14DAZ	TBX18SAX TBX18SIX	TBX16SAZ TBX16SIZ	TBX16SYZ	TBX14SAZ TBX14SIZ	TBX14SYZ	TBX12SAX	TBX10SNX	TBX21NIX	TBX18NAZ TBX18NIZ	TBX18TAZ
<b>Performance</b>														
Vegetable/fruit crisper(s)	2 (1 Adj. Humid.)	2	2	2	2	2	2	2	2	Divided	1 F/W	2	2	2
Snack pan	●	●	●	●	●	●	●	●	●	●	●	●	●	●
Automatic factory-installed icemaker	Opt. (IM3)	Opt. (IM3)	Opt. (IM3)	Opt. (IM3)	Opt. (IM3)	Opt. (IM3)	Opt. (IM3)	Opt. (IM3)	Opt. (IM3)	Opt. (IM3)	●	Opt. (IM3)	Opt. (IM3)	
Ice 'N Easy trays	2	2	2	2	2	2	2	2	2	2	2	2	2	
<b>Capacity</b>														
Total (cu. ft.)	20.6	18.2	15.6	14.4	18.2	16.4	16.4	14.4	14.4	12.1	9.8	20.6	18.2	17.6
Fresh food (cu. ft.)	14.25	13.04	11.69	10.58	13.04	12.58	12.58	10.58	10.58	9.1	7.5	14.25	13.04	13.6
Freezer (cu. ft.)	6.30	5.13	3.86	3.86	5.13	3.86	3.86	3.86	3.86	3.0	2.33	6.30	5.1	4.0
Shelf area (sq. ft.)	26.0	24.2 23.4	19.6	19.6	23.1	17.5	17.5	17.2	17.2	13.6	12.1	26.0	28.3	20.3
Gallon storage doors	Fixed	Fixed	Fixed	Fixed	Fixed	Fixed	Fixed	Fixed	Fixed	Fixed	Fixed	Fixed	Fixed	Fixed
<b>Flexibility</b>														
Door shelves	3 (2 w/gal. storage)	2 w/gal. storage	2 w/gal. storage	2 w/gal. storage	2 w/gal. storage	2	2	2	2	2-1/2	4	3 (2 w/gal. storage)	2 w/gal. storage	2
Dairy compartment(s)	1	1	1	1	1	1	1	1	1	1	1	1	1	1
Freezer compartment shelf(s) Wire Everwhite	1 F/W (2-Pos.)	1 F/W (2-Pos.)	1	1	1 F/W (2-Pos.)	1	1	1	1	1	1 F/W	1 F/W (2 Pos.)	1 F/W (2 Pos.)	1
Freezer door shelves	2	2	2	2	2	2	2	2	2	2	1	2	2	2
Ice tray shelf	●	●	●	●	●	●	●	●	●	●	●	●	●	●
Door stops	●	●	●	●	●	●	●	●	●	●	●	●	●	●
Reversible doors	●	●	●	●	●	●	●	●	●	●	●	●	●	●
Right or left door opening available	●	●	●	●	●	●	●	●	●	●	●	●	●	●
Adjustable rollers	●	●	4 Fixed, 2 Level Legs	4 Fixed, 2 Level Legs	●	4 Fixed, 2 Level Legs	4 Fixed, 2 Level Legs	4 Fixed, 2 Level Legs	4 Fixed, 2 Level Legs	Level Legs	Level Legs	●	●	4 Fixed
Coil-free back	●	●	●	●	●	●	●	●	●	●	●	●	●	●
Door handle(s)	Color-Matched	Color-Matched	Color-Matched	Color-Matched	Color-Matched	Color-Matched	Color-Matched Recessed	Color-Matched	Color-Matched Recessed	Black	White	Color-Matched	Color-Matched	Color-Matched
Color(s) available*	WW, AA	WW, AA	WH, AD	WH, AD	WW, AA	WH, AD	WH, AD	WH, AD	WH, AD	WH, AD	WH	WW, AA	WW, AA	WH, AD
Snuggler™ Clip(s)	2	2	●	●	●	●	●	●	●	●	●	●	●	●
<b>Cleanability</b>														
Cabinet shelves	4 (3 Wire Everwhite, 1 Glass)	4 (3 Wire Everwhite, 1 Glass)	3 Wire Everwhite	3 Wire Everwhite	3 Wire Everwhite	2 Wire Everwhite	2 Wire Everwhite	2 Wire Everwhite	2 Wire Everwhite	2 F/W Wire Everwhite	2 F/W Wire Everwhite	3 Glass	3 Glass	3 Wire Everwhite
(adjustable)	4 Split	4 Split	2 Split, 1 F/W	2 Split, 1 F/W	2 Split, 1 F/W	2 F/W	2 F/W	2 F/W	2 F/W	2 F/W	2 F/W	2 Split, 1 F/W	2 Split, 1 F/W	1 F/W
Butter dish	●	●	●	●	●	●	●	●	●	●	●	●	●	●
Utility bin	●	●	●	●	●	●	●	●	●	●	●	●	●	●
Ice storage bin	Utility-WH	Utility-WH Bucket-WH	●	●	Utility-WH Bucket-WH	●	●	●	●	●	●	Bucket-WH	Utility-WH Bucket-WH	●
Textured steel doors & case	●	●	●	●	●	●	●	●	●	●	●	●	●	●
<b>Economical/Quiet</b>														
Cabinet insulation	Foam	Foam	Foam	Foam	Foam	Foam	Foam	Foam	Foam	Foam	Foam	Foam	Foam	Foam
Door insulation	Foam	Foam	Foam	Foam	Foam	Foam	Foam	Foam	Foam	Foam	Foam	Foam	Foam	Foam
Cabinet liner	ABS	ABS	ABS	ABS	ABS	ABS	ABS	ABS	ABS	ABS	ABS	ABS	ABS	ABS
Door liner	ABS	ABS	ABS	ABS	ABS	ABS	ABS	ABS	ABS	ABS	ABS	ABS	ABS	ABS
Energy Saver Switch	●	●	●	●	●	●	●	●	●	●	●	●	●	●
<b>Accessories</b>														
Black Acrylic panel kit	TBP21X	TBP18X	N/A	N/A	TBP18X	N/A	N/A	N/A	N/A	N/A	N/A	TPX21X	TBP18X	N/A
<b>Dimensions</b>														
Height to top of hinge (in.) A	67	64-3/4	64-1/2	61-1/2	64-3/4	67-1/4	67-1/4	61-1/2	61-1/2	60-5/8	59-1/8	67	64-3/4	67-1/4
Height to top of case (in.) B	66-1/4	64	64	61	64	66-3/4	66-3/4	61	61	60-1/4	58-5/8	66-1/4	64	66-3/4
Case depth without door (in.) C	27-1/2	27-1/2	26	26	27-1/2	26-1/2	26-1/2	26	26	27-7/16	25	27-1/2	27-1/2	26-1/2
Case depth less door handle (in.) D	29-13/16	29-13/16	28	28	29-13/16	29-1/8	29-1/8	28	28	29-11/16	26-3/8	29-13/16	29-13/16	30
Case depth with door handle (in.) E	31-1/2	31-1/2	29-9/16	29-9/16	31-1/2	30-7/8	29-1/8	29-9/16	28	31-7/16	28	31-1/2	31-1/2	31-1/4
Depth with door open 90° (in.) F	59-7/8	58	54-1/2	54-1/2	58	54-3/4	54-3/4	54-1/2	54-1/2	51-9/16	48-3/4	59-7/8	58	55-7/8
Width (in.) G	31-1/4	29-3/8	28	28	29-3/8	28	28	28	28	23-3/8	23-5/8	31-1/4	29-3/8	28
Width with door open 90° (in.) H	31-1/8	29-3/8	29-3/4	29-3/4	29-3/8	30-1/8	29-3/4	29-9/16	28-3/4	23-9/16	24-1/8	31-1/4	29-3/8	30-1/2
Air clearances														
Each side (in.)	3/4	3/4	3/4	3/4	3/4	3/4	3/4	3/4	3/4	3/4	3/4	3/4	3/4	3/4
Top (in.)	1	1	1	1	1	1	1	1	1	2	1	1	1	1
Back (in.)	1	1	1	1	1	1	1	1	1	3/4	1	1	1	1
Electrical input @ 115V AC, 60Hz Amperage	7.0	7.0	6.5	6.5	7.0	6.5	6.5	6.5	6.5	5.0	5.0	7.0	7.0	7.0
Approx. ship. wt. (lbs.)	240	230	187	185	230	190 195	188	174	168	152	157	240	230	196

\*Color(s) available: WW = White on white, AA = Almond on almond, WH = White, AD = Almond.

See page 122 for warranty information.

Refrigeration

Laundry

Cooking Products

Microwave Ovens

Dishwashers

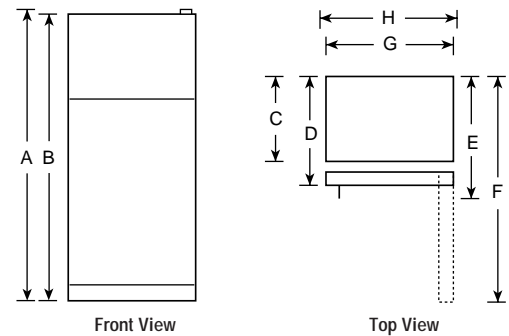
Water Systems

Room Air

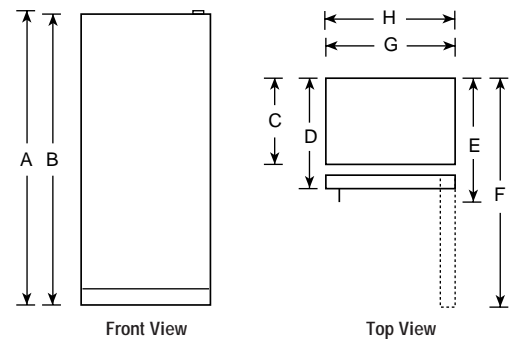
## Cycle and Manual Defrost Refrigerators

	GE Cycle Defrost Two Door		GE Manual Defrost Single Door
	TDX11SNY	TDX9SNY	TAX10SNX
<b>Performance</b>			
Vegetable/fruit crisper	1 F/W	1 F/W	1 F/W
Ice 'N Easy trays	2 Mini	2 Mini	2
Freezer chiller tray with baffle			●
<b>Capacity</b>			
Total (cu. ft.)	11.0	9.0	9.6
Fresh food (cu. ft.)	8.6	6.6	8.64
Freezer (cu. ft.)	2.4	2.4	.94*
Shelf area (sq. ft.)	15.5	15.2	9.88
<b>Flexibility</b>			
Door shelves	2 Modules, 2 Stationary Shelves	4 Modules, 1 Stationary Shelf	3 F/W
Dairy compartment(s)	2	2	1
Freezer compartment shelf(s)	1 F/W	1 F/W	
Leveling legs	2 Front	2 Front	2 Front
Door stop	●	●	●
Reversible doors	●	●	
Right or left door opening			●
Door handle(s)	White	White	Black
Color(s) available	White	White	White/Almond
<b>Cleanability</b>			
Cabinet shelves Wire Everwhite	3 Adj.	2 Adj.	2
Egg storage bin			Pockets
<b>Economical/Quiet</b>			
Insulation (cabinet and door)	Foam	Foam	Foam
Cabinet liner/Door liner	Plastic	Plastic	Plastic
<b>Dimensions</b>			
Height to top of hinge (in.) A	63-1/2	55	58
Height to top of case (in.) B	63	54-1/2	57-9/16
Case depth without door (in.) C	20-1/2	20-1/2	21-3/8
Case depth with door less handle (in.) D	23-1/4	23-1/4	23-1/2
Case depth with door handle (in.) E	24-1/2	24-3/4	24-13/16
Depth with door open 90° (in.) F	46	46	44-13/16
Width (in.) G	23-1/4	23-1/2	23
Width with door open 90° (in.) H	23-3/4	23-3/4	23-1/2
Air clearances Each side (in.)	1/2	1/2	5/8
Top (in.)	2	2	2
Back (in.)	2	2	1
Electrical input @ 115V AC, 60Hz Amperage	2.1	1.9	1.3
Approx. shipping weight (lbs.)	139	126	135

### Cycle Defrost Two Door Refrigerator



### Manual Defrost Single Door Refrigerator

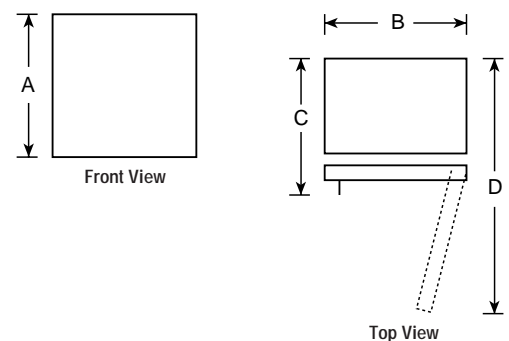


\*Compartment for short-term storage of frozen food. The frozen food compartment of this refrigerator will make ice, and pre-frozen foods can be stored for about **two weeks**. It will not effectively freeze fresh foods or provide long-term storage for meats, poultry, or fish.

## Spacemaker™ Refrigerators

	GE			
	TAX6SNXWH/WW	TAX4SNYWH	TAX4ANXWN	TAX2SNXWN
<b>Capacity</b>				
Total (cu. ft.)	6.0	3.7	3.7	1.7
Fresh food (cu. ft.)	5.51	3.26	3.42	1.51
Freezer (cu. ft.)	.49*	.42*	.34*	.21*
Shelf area (sq. ft.)	8.8	6.0	6.5	2.9
<b>Flexibility</b>				
Door shelves	3 F/W	2 F/W	2 F/W	1-1/2
Vegetable/fruit pan		1 F/W White		
Utility bin				Tray
Ice 'N Easy trays	2 Mini	1 Mini	1 Mini	2 Mini
Manual defrost	●	●	●	●
Leveling legs	●			
Door stop	●			
Reversible door(s)	●	●		
Right or left door opening			Right Hand	Right Hand
Coil-free back	●	●	●	●
Door handles	White Visor Black Visor	Color-Matched Recessed	Color-Matched Recessed	Color-Matched Recessed
Rounded doors		●		
Color(s) available	White, Woodgrain	White	Woodgrain	Woodgrain
<b>Cleanability</b>				
Cabinet shelves	2 (Adj.)	3 F/W (2 wire, 1 glass)	3 F/W wire (1 w/retaining rod)	1
<b>Economical/Quiet</b>				
Insulation (cabinet and door)	Foam	Foam	Foam	Foam
Cabinet liner/Door liner	Polystyrene	Polystyrene	Polystyrene	Polystyrene
<b>Accessories</b>				
Custom trim kit	TK6 Optional†			
<b>Dimensions</b>				
Height (in.) A	34-1/4	34-1/2	34-1/2	18-7/8**
Width (in.) B	23-5/8	18-7/8	18-7/8	18-5/8
Depth with handle (in.) C	25-7/8	20-3/4	20-3/4	19-1/2
Depth with door open 90° (in.) D	47-1/2	39-1/4	39-1/4	37
Air clearances Each side (in.)	0 1/4	1/2	1/2	1/2
Top (in.)	1-1/2	12	12	12
Back (in.)	3/4	5	5	5
Electrical input @ 115V AC, 60Hz Amperage	1.1	1.1	1.1	1.1
Approx. shipping weight (lbs.)	88	68	71	40

### Spacemaker™ Refrigerator



**Note: Right-Hand Refrigerator Door:** As you face the front of the refrigerator, the handle is on your left and the hinges are on your right.  
**Left-Hand Refrigerator Door:** As you face the front of the refrigerator, the handle is on your right and the hinges are on your left.

\*Compartment for short-term storage of frozen food. The frozen food compartment of this refrigerator will make ice, and pre-frozen foods can be stored for about **two weeks**. It will not effectively freeze fresh foods or provide long-term storage for meats, poultry, or fish.

\*\*Height does not include hinge.

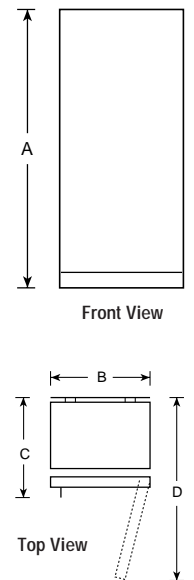
† TK6 trim kit comes with black panel.

†† If installed against a wall, allow 1-1/4" on hinge side to allow for proper door opening.

Today's GE refrigerators use about 50% as much energy as refrigerator models made in 1980.

# Upright Freezers

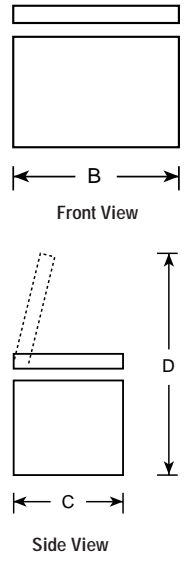
	GE										
	FP21DX	FP21SX	FF20DX	FP17DX	FF16DX	FP15SX	FP14DX	FP14SX	FP12SX	FP9SX	FP5DX
<b>Performance</b>											
Top cold plate		●		●			●	●	●	●	
Bulk storage tray											●
Audible temperature alarm	●		●	●	●		●				
Temperature control	Adjustable	Adjustable	Adjustable	Adjustable	Adjustable	Adjustable	Adjustable	Adjustable	Adjustable	Adjustable	Adjustable
Limited food loss warranty	●	●	●	●	●	●	●	●	●	●	●
<b>Capacity</b>											
Total volume (cu. ft.)	20.7	20.7	20.3	17.0	15.7	15.2	14.0	14.0	11.7	8.7	4.8
Shelf area (sq. ft.)	23.8	23.8	22.7	20.7	18.2	14.7	16.4	16.4	14.2	11.4	8.0
<b>Flexibility</b>											
Drop-front retainer		●				●		●			
Door shelves (total)	6	6	6	5	5	4	5	5	4	5	3
Defrost water drain	●	●		●		●	●	●	●		
Interior light	●	●	●	●	●		●	●			
Lock with self-ejecting key	●	●	●	●	●		●	●	●		
Door stop	●	●	●	●	●		●	●	●	●	●
Adjustable leveling legs	●	●	●	●	●	●	●	●	●	●	●
Coil-free back	●	●	●	●	●		●	●	●	●	●
Color available	White	White	White	White	White	Almond	White	White	White	White	White
<b>Cleanability</b>											
Cabinet shelves (total)	5 (1 Adj.)	4	5	4 (1 Adj.)	4	3	3 (1 Adj.)	3	3	4	2
Refrigerated shelves	4	4		4		3	3	3	3	4	2
Bulk storage basket	Slide-Out		Slide-Out	Slide-Out	Slide-Out		Slide-Out				
Textured steel case and door	●	●	●	●	●	●	●	●	●	●	●
<b>Economical/Quiet</b>											
Defrost	Manual	Manual	Frost-Free	Manual	Frost-Free	Manual	Manual	Manual	Manual	Manual	Manual
Magnetic door gasket	●	●	●	●	●	●	●	●	●	●	●
Cabinet liner	Baked enamel-on-steel	Baked enamel-on-steel	Baked enamel-on-steel	Baked enamel-on-steel	Baked enamel-on-steel	Polymer	Baked enamel-on-steel	Baked enamel-on-steel	Baked enamel-on-steel	Polystyrene	Polystyrene
Wrap-around condenser	●	●	●	●	●	●	●	●	●	●	●
<b>Dimensions</b>											
Height (in.) A	70	70	70	64-1/2	61-1/2	60-1/2	59	59	54-1/2	53-3/8	33-1/2
Width (in.) B	32	32	32	32	32	30	28	28	28	24	21-3/8
Depth (in.) C	28-1/2	28-1/2	28-1/2	28-1/2	26-1/2	27-1/2	28-1/2	28-1/2	26-1/2	26-3/8	26-1/8
Depth with door open 90° (in.) D	59-1/8	59-1/8	59-1/8	57-1/8	57-1/8	55-3/4	55-1/8	55-1/8	53-1/8	49-1/8	45-3/4
Air clearances Each side (in.)	3	3	3	3	3	3	3	3	3	1	1/2
Top (in.)	4	4	4	4	4	4	4	4	4	4	4
Back (in.)	3	3	3	3	3	3	3	3	3	3	4
Approx. shipping weight (lbs.)	235	235	258	213	226	192	188	188	169	120	80



Note: For proper installation of Upright Freezers (except FP9SX and FP5DX), allow clearance of 3" on each side; 4" on top; and 3" on back.

# Chest Freezers

	GE							
	FH25DX	FH22DX	FH15DX	FH15SX	FH10DX	FH10SX	FH7DX	FH5DX
<b>Performance</b>								
Manual defrost	●	●	●	●	●	●	●	●
Audible temperature alarm	●	●	●	●	●	●	●	●
Temperature control	Adjustable	Adjustable	Adjustable	Adjustable	Adjustable	Adjustable	Adjustable	Adjustable
Wrap-around condenser	●	●	●	●	●	●	●	●
Wrap-around evaporator	●	●	●	●	●	●	●	●
Limited food loss warranty	●	●	●	●	●	●	●	●
<b>Capacity</b>								
Total volume (cu. ft.)	24.8	21.7	14.8	14.8	10.0	10.0	7.0	5.3
<b>Flexibility</b>								
Defrost water drain	●	●	●	●	●	●	●	●
Interior light	●	●	●	●	●	●		
Lock with self-ejecting key	●	●	●	●	●	●		
Color available	White	White	White	White	White	Almond	White	White
<b>Cleanability</b>								
Removable sliding bulk storage basket(s)	3	2	2	1	1	1	1	
Storage basket							●	●
Textured steel case and lid	●	●	●	●	●	●	●	●
<b>Economical/Quiet</b>								
Insulation (cabinet and lid)-Foam	●	●	●	●	●	●	●	●
Cabinet liner	Steel Epoxy-Coated	Steel Epoxy-Coated	Steel Epoxy-Coated	Steel Epoxy-Coated	Steel Epoxy-Coated	Epoxy-Coated	Steel Epoxy-Coated	Steel Epoxy-Coated
<b>Dimensions</b>								
Height (in.) A	35	35	35	35	35	35	35	35
Width (in.) B	73-1/4	64-7/8	46-1/8	46-1/8	42-1/8	42-1/8	31-1/2	23-1/2
Depth (in.) C	29-1/2	29-1/2	29-1/2	29-1/2	24-1/4	24-1/4	24-1/4	25-7/8
Height with lid open (in.) D	60-5/8	59-1/2	59-1/2	59-1/2	55	55	55	56
Air clearances Each side (in.)	3	3	3	3	3	3	3	3
Back (in.)	1	1	1	1	1	1	1	1
Approx. shipping weight (lbs.)	234	221	170	170	137	137	115	101



Note: For proper installation of Chest Freezers, allow clearance of 3" on each side and 1" on back.

See page 122 for warranty information.

Refrigeration  
Laundry  
Cooking Products  
Microwave Ovens  
Dishwashers  
Water Systems  
Room Air

## Create a Custom Look for Your Refrigerator

Decide from a choice of GE optional Panels and Trim Kits to create a distinctive appearance for your new refrigerator. Pre-cut panels in Black or White provide an attractive complement for both your new GE Profile™ refrigerator and your kitchen.

### GE Profile Performance Series™ and GE Profile™ “Built-In Style” Refrigerators

#### Acrylic and Stainless Steel Panels

Model No.	Black Acrylic Panels	White Acrylic Panels	Stainless Steel Panels
TPX21BRX	TKP21LS	TKPW21LS	TKP21RXSS
TPX24BIZ	TKP24XBB	TKP24XWW	TKP24XSS
TPX24BPZ	TKP24RXBB	TKP24RXWW	TKP24RXSS

**Note:** For custom panel cut-out dimensions refer to Installation Instructions, Pub. No. 49-6477-1.

#### Collar Trim Kit

Model No.	Black Collar Trim	White Collar Trim	Stainless Steel Collar Trim
TPX21BRX	TRMBISBB	TRMBISWW	TRMBISSS
TPX24BIZ	TRMBISBB	TRMBISWW	TRMBISSS
TPX24BPZ	TRMBISBB	TRMBISWW	TRMBISSS

**Note:** Refer to Installation Instructions, Pub. No. 31-45227-1, for kitchen cabinet dimensions before ordering cabinets or collar trim.

### GE Profile Performance Series™, GE Profile™ and GE Free-Standing Side-By-Side Refrigerators

#### Panels and Aluminum Trim Kits

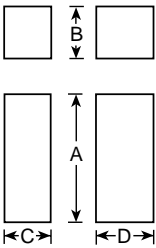
Model No.	Black Panels	Stainless Steel Panels	Aluminum Trim Kits	Custom Panel Insert Cut-Out Dimensions (Inches)				
				A	B	C	D	E
TFX30PBZ			TK30FXAL	33-7/8	17-1/8	13-9/32	18-3/32	
TFX30PPZ		TKP30RXSS	TK30RXAL	65-3/32	17-1/8	33-7/8	13-9/32	18-3/32
TFX27PPZ	TKP27E	TKP27RXSS	TK27RXAL	63-1/4	17-1/32	32	12-3/4	18-7/16
TFX27PFX	TKP27F	TKP27FXSS	TK27FXAL	32	17-1/32	12-3/4	18-7/16	
TFX25PRY	TKP25R		TK25RXAL	63-1/4	17-1/32	32	12-19/32	18-9/32
TFX25PPZ	TKP25R		TK25RXAL	63-1/4	17-1/32	32	12-19/32	18-9/32
TFX27ZRX	TKP27E	TKP27RXSS	TK27RXAL	63-1/4	17-1/32	32	12-3/4	18-7/16

**Note:** Handles **not** included with trim kit.

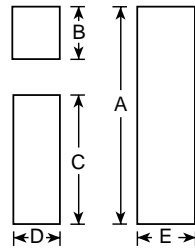
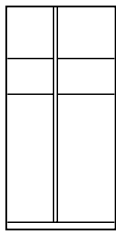
#### Acrylic Panels with Trim

Model No.	Black Acrylic Panels
TFX25PPZ	TFP25R
TFX25PRY	TFP25R
TFX22PPZ	TFP22RS
TFX22PRX	TFP22RS
TFX20JRX	TFP20RS
TFX20NWX	TFP20RS

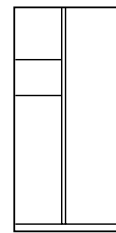
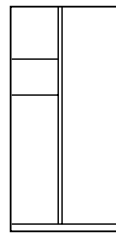
**Note:** Handles **not** included with trim kit.



GE Profile Performance™ and GE Profile™  
Models: TFX30PBZ, TFX27PFX



GE Profile Performance™, GE Profile™ and  
GE Models: TFX30PPZ, TFX27PPZ, TFX27ZRX,  
TFX25PRY, TFX25PPZ



GE Profile Performance™, GE Profile™ and  
GE Models: TFX25PPZ, TFX25PRY, TFX22PPZ,  
TFX22PRX, TFX20JRX, TFX20NWX

### GE Profile™ Top-Mount No-Frost Refrigerators

#### Non-Dispenser Top-Mount No-Frost Refrigerators

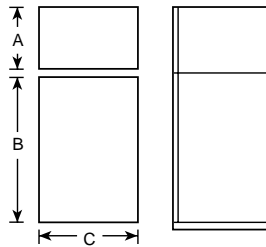
#### Panels and Aluminum Trim Kits

Model No.	Black Panels	Aluminum Trim Kit	Custom Panel Dimensions (Inches)		
			A	B	C
TBX25PAY	TMP25K	TMK25LL*	21-27/32	40-3/32	33-21/32
TBX25PAY	TMP25K	TMK25K**	21-27/32	40-3/32	33-21/32

**Note:** Black handles included with Aluminum trim kit.

\*For use on left-hand door swing

\*\*For use on right-hand door swing



GE Profile™ Model: TBX25PAY

### GE Compact Refrigerator

#### Sanyo TK6 Trim Kit

#### Description:

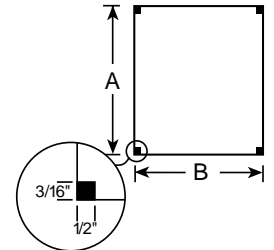
- Panel is black painted aluminum
- Trim is black plastic that covers entire side of door
- 1/4" wood can also be used with the trim

Order your own custom door panel to match cabinetry or other decor.

—Maximum panel thickness 1/4"

—Minimum panel thickness 1/8"

Notch all four corners of panel



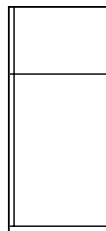
GE Model: TAX6SNX

### GE Top-Mount No-Frost Refrigerators

#### Panels with Trim

GE Model No.	Black Panels
TBX22AZ/ZIZ	TBP21X
TBX19AZ/ZIZ	TBP18X
TBX21DAX/JAZ/JIZ/NIX	TBP21X
TBX18DAX/DIX/SAX/SIX/JAZ/JIZ/NAZ/NIZ	TBP18X

**Note:** Black handle inserts included with trim kit.



#### GE Models:

TBX21DAX/JAZ/JIZ/NIX

TBX18DAX/DIX/SAX/

SIX/JAZ/JIZ/NAZ/NIZ

#### Custom Trim Kit

GE Model No.	Black Trim Kit No.	Custom Panel Insert Cut-Out Dimensions (Inches)	
		A	B
TAX6SNX	TK6	29	22-3/4

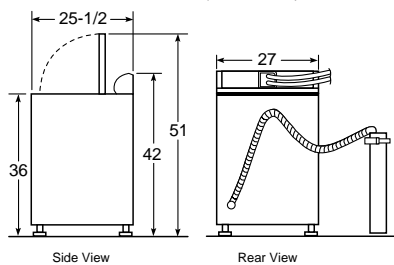


# Washers

	GE Profile Performance Series™					GE Profile™					
	WPSF4170V	WPSQ4160T	WPSQ3120T	WPSR3090V	WPXQ3090T	WWSR3090T	WKS2100T	WJSR2080T	WBSR1060T	WJXR2080V	WBXR1060T
<b>Capacity</b>											
Capacity/Cubic Feet	Super/3.2	Super/3.2	Super/3.2	Super/3.2	Extra-Large/2.7	Super/3.2	Super/3.2	Super/3.2	Super/3.2	Extra-Large/2.7	Extra-Large/2.7
<b>Performance</b>											
QuickClean Controls	●	●	●	●	●	●	●	●	●	●	●
Rotary Controls				●		●	●	●	●	●	●
SensorWash™	●										
Wash/spin speed combinations	5 Automatic Fabric	5 Automatic Fabric	3	3	3	3	2	2	1	2	1
Wash/rinse temperatures	Care Selections	Care Selections	4	4	4	4	3	3	3	3	3
Water levels	Variable	Variable	Variable	4	4	4	3	3	3	3	3
SpotSoak™	●										
GentlePower™ Agitator	●	●	●	●	●	●	●	●			
FlexCare™ Agitator										●	●
Fabric softener dispenser	●	●	●	●	●	●	●	●		●	●
Bleach dispenser	●	●	●	●	●	●	●	●		●	●
Self-cleaning filter	●	●	●	●	●	●	●	●	●	●	●
Deluxe end-of-cycle signal	●	●	● (Locked)								
Number of wash cycles	17	16	12	9	9	9	10	8	6	8	6
<b>Cottons Regular</b>											
Auto Soak (60 min.)	●										
Auto Soak (30 min.)	●			●	●	●					
Power Wash	●	●	●	●	●	●		●		●	
Heavy Soil	●	●	●	●	●	●	●	●	●	●	●
Medium Soil	●	●	●	●	●	●	●	●	●	●	●
Light Soil	●	●	●	●	●	●	●	●	●	●	●
Soak Cycle								●		●	
Optional Extra Rinse	●	●	●	●	●	●					
<b>Easy Care</b>											
Permanent Press	●										
Cottons	●										
Knits	●										
<b>Permanent Press</b>											
Permanent Press Cycle		●	●	●	●	●	●	●	●	●	●
Knits Cycle		●	●	●	●	●	●	●	●	●	●
Delicates Cycle									●		●
Optional Extra Rinse		●	●								
GentleWash™	●										
<b>Delicates</b>											
Delicate Cycle				●	●	●	●	●		●	
Auto HandWash™ Cycle		●	●								
<b>Auto Soak/Prewash</b>											
Auto Soak (60 min.)	●	●									
Auto Soak (30 min.)		●	●				●				
Auto Soak (15 min.)			●				●				
PreWash	●	●	●				●				
Auto Extra Rinse							●				
<b>Extended Spin</b>											
Cottons Regular	●	●									
Permanent Press	●	●									
Auto HandWash™ Cycle	●	●									
Auto Soak/Prewash	●	●									
<b>Dependability</b>											
PermaTuf II™/Snow-White Basket	●	●	●	●	●	●	●	●	●	●	●
Steel Drive Transmission	●	●	●	●	●	●	●	●	●	●	●
ArmorGuard Protection	●	●	●	●	●	●	●	●	●	●	●
<b>Quiet</b>											
QuietPackage II insulation	●	●									
QuietPackage I insulation			●	●	●						
Quiet-By-Design™	●	●	●	●	●	●	●	●	●	●	●
<b>General Features</b>											
ColorLogic™	●										
Color Stain Guide/Instructions	●										
Color Lid Instructions	●	●	●	●	●	●	●	●	●	●	●
Colors available*	WW, AA	WW, AA	WW, AA	WW, AA	WW, AA	WW, AA	WW, AA	WW, AA, WB	WW, AA	WW, AA	WW, AA
100% Front Serviceable	●	●	●	●	●	●	●	●	●	●	●
Approx. shipping weight (lbs.)	160	160	160	160	160	160	160	160	160	160	160

\*Colors available: WW = White on white, AA = Almond on almond, WB = White with Black backsplash.

## Washer Dimensions (in inches)



## Washer Specifications

### Circuit Requirements:

An individual, properly-grounded branch circuit, with a three-prong grounding-type receptacle, protected by a 15 or 20 amp circuit breaker or time-delay fuse is required.

### Electrical Rating:

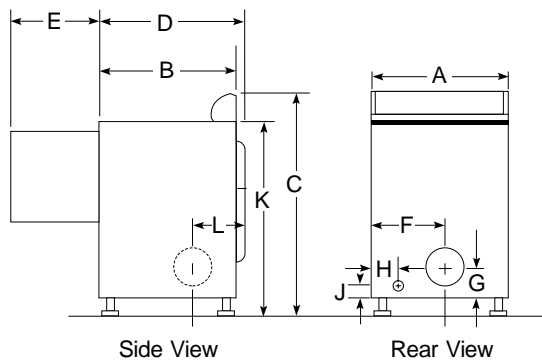
115V, 60Hz, 10A

See page 122 for warranty information.

	GE Profile Performance Series™					GE Profile™							
	Electric	DPSF495EV	DPSQ495ET	DPSQ475ET	DPSR473EV	DPXQ473ET	DDSR475ET	DJSR473ET	DWXR473ET	DBXR453ET	DWLR473ET	DBLR333ET	DVLR223ET
Gas	DPSF495GV	DPSQ495GT	DPSQ475GT	DPSR473GV	DPXQ473GT	DDSR475GT	DJSR473GT	DWXR473GT	DBXR453GT	DWLR473GT	DBLR333GT	DVLR223GT	
Capacity													
Capacity/Cubic Feet	Super/7.0	Super/7.0	Super/7.0	Super/7.0	Ex.-Large/6.0	Super/7.0	Super/7.0	Ex.-Large/6.0	Ex.-Large/6.0	Large/5.4	Large/5.4	Large/5.4	
Performance													
QuickClean controls	●	●	●		●								
Rotary controls				●		●	●	●	●	●	●	●	
SensorDry™	●	●	●			●							
Automatic Dry Control			●	●		●	●	●	●	●	●		
Dryer Rack	●	●				●							
Removable up-front lint filter	●	●	●	●	●	●	●	●	●	●	●	●	
Reverse-A-Door	●	●	●	●	●	●	●	●	●	●	●	●	
Dryer interior light	●	●	●	●	●	●	●	●		●			
Deluxe end-of-cycle signal	●	●	●	●	●	●	●						
Variable end-of-cycle signal						●		●		●			
Heat selections	4	4	4	4	4	4	4	4	4	4	3	2	
Number of cycles	9	9	7	7	7	7	7	7	5	7	3	2	
Automatic Cottons													
Cottons Cycle	●	●	●	●	●	●	●	●	●	●	●	●	
Optional Extra Care	●	●	●	●	●	●	●	●		●			
Automatic Permanent Press													
Permanent Press Cycle	●	●	●	●	●	●	●	●	●	●	●		
Optional Extra Care	●	●	●	●	●	●	●	●		●			
Automatic Delicates													
Delicates Cycle	●	●											
Optional Extra Care	●	●											
Timed Dry													
Actual minutes on timer	80	80	80	80	80	80	80	80	80	80	80	80	
Damp Dry	●	●	●	●	●	●	●	●	●	●	●		
De-Wrinkle	●	●	●	●	●	●	●	●	●	●			
Dependability													
DuraDrum™ interior	●	●	●	●	●	●	●	●	●	●	●	●	
Porcelain drum interior										●	●	●	
Quiet													
QuietDrum™	●												
QuietPackage II insulation	●	●											
QuietPackage I insulation			●	●	●								
Quiet-By-Design™	●	●	●	●	●	●	●	●	●	●	●	●	
General Features													
ColorLogic™	●												
Colors available*	WW, AA	WW, AA	WW, AA	WW, AA	WW, AA	WW, AA	WW, AA	WW, AA	WW, AA, WB	WW, AA, WB	WW, AA	WW, AA	
100% Front Serviceable	●	●	●	●	●	●	●	●	●	●	●	●	
Approx. shipping weight (lbs.)	Electric 117	117	117	112	112	112	112	107	107	107	107	107	
Gas 125	125	125	125	120	120	120	120	115	115	124	124	124	

\*Colors available: WW = White on white, AA = Almond on almond, WB = White with Black backsplash.  
GE electric dryers are available with long-ducting capability.

Dryer Dimensions (in inches)



	Large Capacity	Super Capacity
A	27	27
B	25-1/2*	25-1/2*
C	42	42
D	25-3/4	28-1/4
E	23-1/2	23-1/2
F	11-3/4	11-1/2
G	5-1/2	3-1/2
H	2	2
J	2-1/2	2-1/2
K	36	36
L	4-3/4	8-1/2

\*24-1/2" from the edge of the side panel to the front. 25-1/2" from front to edge of end caps.

Dryer Specifications

**Exhaust options:**  
**Electric:** 4-way via rear, right, left and bottom **Gas:** 3-way via rear, left and bottom. Dryer is shipped exhausted to the rear. Alternate exhausting knockouts are supplied.  
**Circuit Requirements:**  
**Electric:** An individual, properly-grounded branch circuit, protected by a 30 amp circuit breaker or a time-delay fuse is required.  
**Electric Dryer Rating:**  
 120/240V, 3-wire, 5600W, 24A  
 120/208V, 3-wire, 4400W, 22A  
**Gas:** An individual, properly-grounded branch circuit, with a three-prong grounding-type receptacle, protected by a 15 or 20 amp circuit breaker or a time-delay fuse is required.  
**Gas Dryer Electric Rating:**  
 120V, 60Hz, 6A  
**Gas (BTU/HR):** 22,000. Factory-equipped for natural gas. Tested for LP gas. LP gas supply requires a conversion kit. Check installation instructions for correct kit and have a qualified gas technician install a conversion kit. See dryer ducting information for proper installation.  
**Dryer Note:** Dryer wall outlet must be located within 36" of service cord entry and accessible when dryer is mounted in position.

# Dryer Exhausting Information

For complete information see installation instructions packed with dryer.

**Important Note:** GE Kit Number WE14X70 needed when converting rear exhaust to bottom or side. (On large capacity models.)

### Ducting Materials

For best performance, this dryer should be vented with 4" diameter all rigid metal exhaust duct. If "all rigid metal" duct cannot be used, then "flexible all metal" venting can be used, but it will reduce the maximum recommended duct length. The following kit or parts are available from your local service organization.  
 Kit WX8X75—7" aluminum duct and 4' hood, short tail.  
 (OR individual parts):  
 WX8X65 7' aluminum flex duct only  
 WX8X58 4' clamps (2)  
 WX8X67 4' exhaust hood  
 See installation instructions for complete information.  
**Exhaust length calculation:**  
 1. Determine the number of 90° turns needed for your installation. If you exhaust to the side or bottom of dryer, add one turn.  
 2. The maximum length of 4" rigid (aluminum or galvanized) duct which can be tolerated is shown in the table. The maximum lengths for flexible ducts are less than for rigid duct.  
 See table in installation instructions.

A turn of 45° or less may be ignored. Two 45° turns within the duct length should be treated as a 90° elbow. A turn over 45° should be treated as a 90° elbow.

**Exhausting the dryer to the outside is strongly recommended** to prevent large amounts of moisture and lint from being blown into the room. Gas dryers or any dryer located in a closet must be exhausted to the outside.

**Caution:** For personal safety do not terminate exhaust into a chimney, under any enclosed house floor (crawl space), or into an attic, since the accumulated lint could create a fire hazard or moisture could cause damage. Never terminate the exhaust into a common duct or plenum with a kitchen exhaust, since the combination of lint and grease could create a fire hazard.

Exhaust ducts should be terminated in a dampered wall cap to prevent back drafts, bird nesting, etc. The wall cap must also be located at least 12" above the ground or any other obstruction with the opening pointed down. Other terminations, such as louvered wall boxes, are acceptable provided they are equivalent to a 4" opening dampered wall cap.

## Dryer Exhausting Information Use Metal Duct Only

Domestic Dryer Models	Number of 90° Turns	Best Performance			
		Maximum Length of 4" Dia. Rigid Metal Duct		Maximum Length of 4" Dia. Flexible Metal Duct	
		Exhaust Hood Type		Exhaust Hood Type	
		Cat. No. WX8X59 (Preferred) <b>A</b> 4" Opening	<b>B</b> 2-1/2" Opening	Cat. No. WX8X59 (Preferred) <b>A</b> 4" Opening	<b>B</b> 2-1/2" Opening
Full Size All Electric Dryers	0	90 ft.	60 ft.	55 ft.	45 ft.
	1	60 ft.	45 ft.	40 ft.	30 ft.
	2	45 ft.	35 ft.	30 ft.	20 ft.
	3	35 ft.	25 ft.	20 ft.	15 ft.
Full Size All Gas Dryers	0	45 ft.	30 ft.	30 ft.	15 ft.
	1	35 ft.	20 ft.	20 ft.	10 ft.
	2	25 ft.	10 ft.	10 ft.	—
	3	15 ft.	—	—	—
Spacemaker® Models DSKS433ET WSM2780T	0	46 ft.	37 ft.	30 ft.	24 ft.
	1	38 ft.	30 ft.	25 ft.	20 ft.
	2	31 ft.	22 ft.	20 ft.	14 ft.
Spacemaker® Model DSKP233ET	0	43 ft.	36 ft.	30 ft.	24 ft.
	1	33 ft.	26 ft.	24 ft.	18 ft.
	3	23 ft.	16 ft.	16 ft.	10 ft.
Spacemaker® Model WSM2700T	0	56 ft.	42 ft.	30 ft.	22 ft.
	1	46 ft.	36 ft.	22 ft.	14 ft.
	2	34 ft.	28 ft.	16 ft.	10 ft.
Spacemaker® Model WSM2420T WSM2480T	0	43 ft.	36 ft.	30 ft.	24 ft.
	1	33 ft.	26 ft.	24 ft.	18 ft.
	2	23 ft.	16 ft.	16 ft.	10 ft.

**Washer Note:** Washer wall outlet must be located within 36" of service cord entry. Wall outlet must not be located behind dryer.

**Dryer Note:** Dryer wall outlet must be located within 36" of service cord entry and accessible when dryer is mounted in position.



Listed by Underwriters Laboratories

### Special Installation Requirements

#### Alcove or Closet Installation:

- If your dryer is approved for installation in an alcove or closet, it will be stated on a label on the dryer back.
- The dryer **MUST** be exhausted to the outdoors. See EXHAUST INFORMATION above.
- Minimum clearances between dryer cabinet and adjacent walls or other surfaces are:
  - 0" either side
  - 3" front and rear
- Minimum vertical space from floor to overhead cabinets, ceilings, etc. is 52".
- Closet doors must be louvered or otherwise ventilated and must contain a minimum of 60 sq. in. of open area equally distributed. If this closet contains both a washer and a dryer, doors must contain a minimum of 120 sq. in. of open area equally distributed.
- The closet should be vented to the outdoors to prevent gas pocketing in case of a gas leak in the supply line.
- No other fuel-burning appliance shall be installed in the same closet with the dryer.

#### Bathroom or Bedroom Installation:

- The dryer **MUST** be exhausted to the outdoors. See EXHAUST INFORMATION above.
- The installation must conform with the local codes, or in the absence of local codes, with the National Fuel Gas Code, ANSI Z223.

#### Minimum Clearances other than Alcove or Closet Installations:

- Minimum clearances to combustible surfaces:
  - 0" both sides
  - 3" rear

# Spacemaker® Washers and Dryers

Individual Spacemaker® Washers	GE	
	Stationary WSKS2060T	Portable WSKP2060T
<b>Capacity</b>		
Capacity	Compact	Compact
<b>Performance</b>		
Wash/spin speed combinations	2	2
Wash/rinse temperatures	3	3
Water levels	4	4
Number of cycles	6	6
Regular		
Heavy Soil	●	●
Medium Soil	●	●
Perm. Press		
Medium Soil	●	●
Light Soil	●	●
Delicates	●	●
Spin Only	●	●
Automatic cool down	●	●
Bleach dispenser	●	●
Fabric softener dispenser	●	●
<b>Dependability</b>		
Lint filter	●	●
Easy-roll rollers		●
<b>General Features</b>		
Colors available	White and Almond with Black backsplash	White and Almond with Black backsplash
Circuit requirements	120V, 60 Hertz, 15 or 20 Amps	
Dimensions (HxWxD in inches)*	34-1/4 x 22-1/4 x 24	34 x 22-1/4 x 24
Approx. shipping wt. (lbs.)	109	109

\*Depth measured from front of control knob.

To Install These Washers With Matching Dryers, Use Accessory Kit: DSR24RT—Metal rack for stationary dryer with washer rolled beneath.

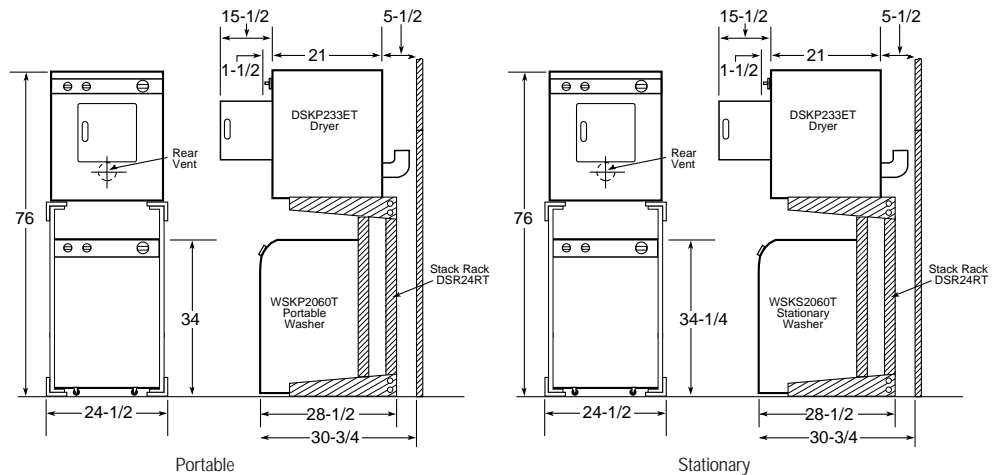
Note: To obtain matching appearance between the washers and dryers, the dryers must be "T" model year. For example, DSKS433ET.

## Accessories

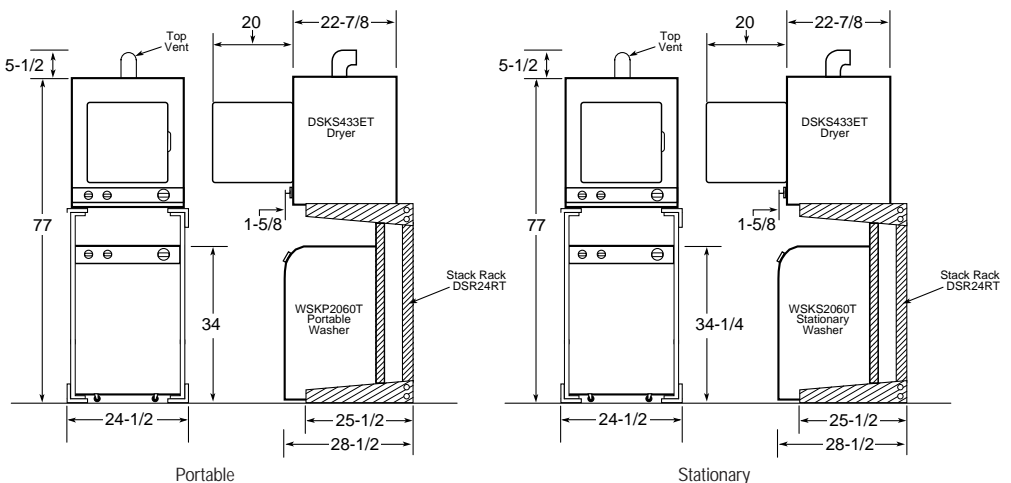
### Stack Rack DSR24RT

For use with stationary dryers and storage of washer WSKP2060T/WSKS2060T underneath.

Stack Rack DSR24RT with DSKP233ET and Portable Washer WSKP2060T or Stationary Washer WSKS2060T Dimensions (in inches)



Stack Rack DSR24RT with DSKS433ET and Portable Washer WSKP2060T or Stationary Washer WSKS2060T Dimensions (in inches)



Individual Spacemaker® Dryers	GE	
	Stationary DSKS433ET	Portable/Stationary* DSKP233ET
<b>Capacity</b>		
Capacity	Compact	Compact
<b>Performance</b>		
Dry control	Automatic	Automatic
Heat selections	4	2 (timer)
Number of dry cycles	3	3
Auto. Reg.— Perm. Press		●
Auto. Perm. Press & Delicate	●	
Auto. Reg.	●	
Timed Regular (min.)	140	105
Air Fluff (min.)	(Heat Selection)	10
Separate start switch	●	●
Control location	Mid-Band	Top
<b>Dependability</b>		
End-of-cycle signal		●
Lint filter	Up-Front	Back of Drum
<b>General Features</b>		
Colors available	White and Almond with Black backsplash	White and Almond with Black backsplash
Exhaust options**	4-Way	Rear
Circuit requirements	240/208V†, 60 Hertz, 30 Amp	120V, 60 Hertz, 15 Amp
Power cord	6 feet	
Dimensions (HxWxD in inches)	33-1/4 x 23-7/8 x 24-1/2	32 x 23-7/8 x 23-5/8
Approx. shipping wt. (lbs.)	108	100

\*Dryer comes equipped with casters and stationary leveling legs.

\*\*DSKS433ET shipped exhausted through the top. DSKP233ET exhausted to rear only.

†120 volt outlet: Rear-mounted outlet on DSKS433ET approved for use only with Washer/Dryer Stack Rack DSR24RT.

Circuit Requirements: An individual, properly-grounded branch circuit of the proper voltage and frequency as specified on the rating plate, with no other appliances or fixtures in circuit, is required.

# Unitized Spacemaker® Washers And Dryers

	GE			
	Electric		Gas	
	WSM2700T	WSM2420T	WSM2780T	WSM2480T
<b>Washer Features</b>	Washer	Dryer	Washer	Dryer
<b>Capacity</b>				
Capacity	X-Large	X-Large	Compact	Compact
<b>Performance</b>				
Wash/spin speed combinations	1		2	
Wash/rinse temperatures	3		3	
Water levels	3		3	
Number of wash cycles	3		3	
Regular	●		●	
Perm. Press	●		●	
Delicates	●		●	
Unbalanced load control	●		●	
<b>Dependability</b>				
Lint filter	●		●	

## Dryer Features

Performance				
Automatic dry control		●		●
Number of dry cycles		4		4
Auto Regular		●		●
Auto Perm Press				●
Delicates		●		
Timed		●		●
Air Fluff		●		●

## General Features

Control location		Mid-Band		Mid-Band
Exhaust options		Rear		Rear/Sides
Dimensions (HxWxD in inches)		75-1/2 x 27 x 30-13/16*		71-3/4 x 23-7/8 x 27-1/4*
Colors available		White/Almond		White on white**
Approx. shipping wt. (lbs.)		300		238

\*Depth dimension assumes water hook-up is recessed in the wall.

\*\*Electric model is also available in Almond on almond.

## Electrical Requirements

**WSM2700T: Electric Dryer**—This appliance should be connected to an individual, properly-grounded branch circuit with 120/240V or 120/208V single-phase 60 Hz electrical service and should be protected by 30-amp time-delay fuses or circuit breakers. This appliance is manufactured with neutral connected to the frame. Power cord should be purchased separately.

**WSM2420T: Electric Dryer**—This appliance should be connected to an individual, properly-grounded branch circuit with 120/240V or 120/208V single-phase 60 Hz electrical service and should be protected by 30-amp time-delay fuses or circuit breakers. This appliance is manufactured with the neutral connected to the frame. Power cord should be purchased separately.

**NOTE:** THESE APPLIANCES ARE NOT APPROVED FOR 120-VOLT OPERATION.

**WSM2480T: Gas Dryer**—This appliance should be connected to an individual, properly-grounded branch circuit with a three-prong grounding-type receptacle and 120-volt single-phase 60 Hz electrical service and should be protected by 15 or 20-amp time-delay fuses or circuit breakers. This appliance is equipped with a 6-foot long flexible U.L. listed 20-amp power cord to match a 15-amp receptacle.

**Gas Rated** input 10,500 BTU/HR. Factory equipped for natural gas. Tested for LP gas.

**WSM2780T: Gas Dryer**—This appliance should be connected to an individual branch circuit with 120-volt single-phase 60 Hz electrical service and should be protected by 20-amp time-delay fuses or circuit breakers. This appliance is equipped with a 4-foot long flexible U.L. listed 20-amp power cord to match a 20-amp receptacle.

**Gas Rated** input 20,000 BTU/HR. Factory equipped for natural gas.

**LP gas supply requires a conversion kit.**

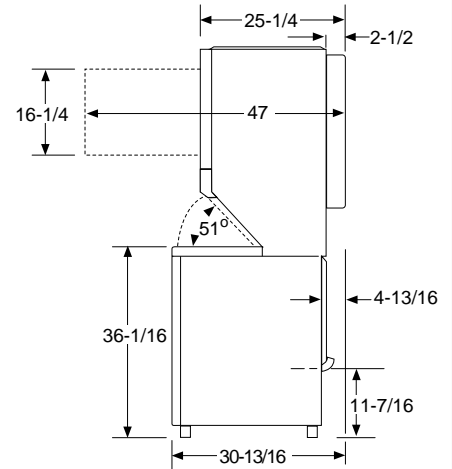
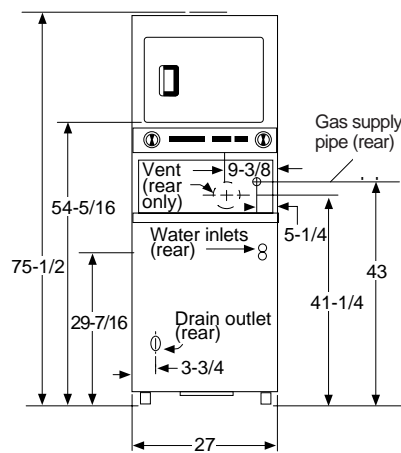
Have a qualified gas technician install a conversion kit before use.

## Exhaust Information

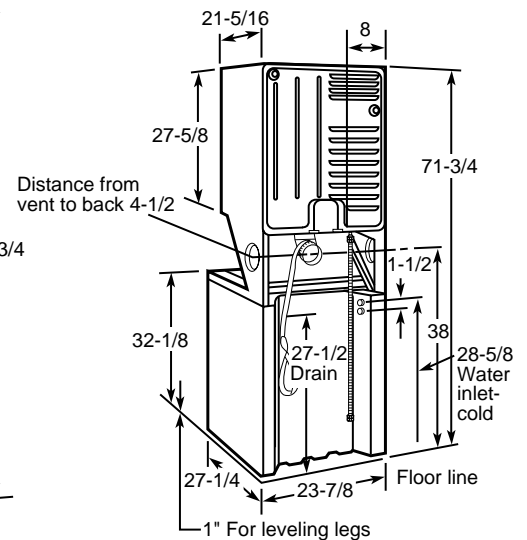
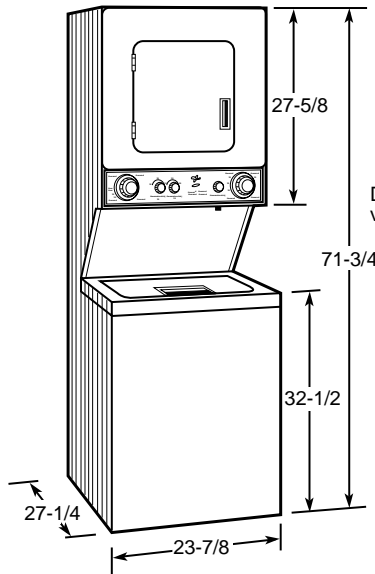
See "Dryer Exhausting Information" on page 139.

For complete information see installation instructions packed with the product.

## Models WSM2700T and WSM2780T Dimensions (in inches)



## Models WSM2420T and WSM2480T Dimensions (in inches)



Refrigeration

Laundry

Cooking Products

Microwave Ovens

Dishwashers

Water Systems

Room Air

# 30" Built-In Double Ovens

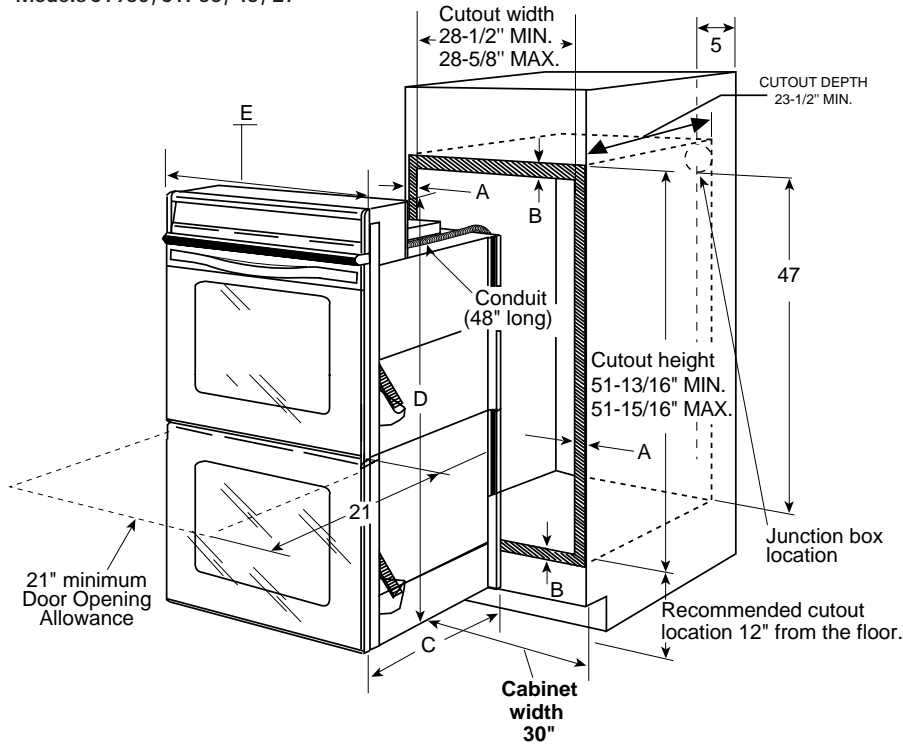
	GE Profile Performance Series™				GE Profile™				GE				
	Convection Double Ovens				Double Ovens				Microwave Double Ovens				
	JT950SY	JTP56AW	JTP56WW	JTP56BW	JTP45WW	JTP45BW	JTP27WW	JTP27BW	JTP95WWW JTP95BW	JTP85WW JTP85BW			
<b>Cleanability</b>													
Frameless glass oven doors	Stainless	Almond	White	Black	White	Black	White	Black	White/Black	White/Black			
Designer-style handles	Integrated	Integrated	Integrated	Integrated	●	●	●	●	Integrated	●			
Self-clean oven w/Delay Clean option	●	●	●	●	●	●	Upper	Upper	Lower	Lower			
Cleaning time	Variable	Variable	Variable	Variable	Variable	Variable	Variable (upper)	Variable (upper)	Variable (lower)	Variable (lower)			
Automatic self-clean oven door lock	●	●	●	●	●	●	Upper	Upper	Lower	Lower			
Lift-off oven doors	●	●	●	●	●	●	●	●	Lower	Lower			
<b>Performance</b>													
	Upper	Conv./Self-Clean	Conv./Self-Clean	Conv./Self-Clean	Conv./Self-Clean	Self-Clean	Self-Clean	Self-Clean	Self-Clean	Microwave	Microwave		
Oven interior	Lower	Thermal/ Self-Clean	Thermal/ Self-Clean	Thermal/ Self-Clean	Thermal/ Self-Clean	Self-Clean	Self-Clean	Standard	Standard	Conv./Self-Clean	Self-Clean		
	Upper	3.8	3.8	3.8	3.8	4.2	4.2	4.2	4.2	1.5	1.5		
Oven capacity (cu. ft.)	Lower	4.2	4.2	4.2	4.2	4.2	4.2	4.2	4.2	3.8	4.2		
Convection Bake	Upper	Upper	Upper	Upper	Upper					Lower			
Convection Roast	Upper	Upper	Upper	Upper	Upper					Lower			
Embossed rack positions	7 Upper/6 Lower	7 Upper/6 Lower	7 Upper/6 Lower	7 Upper/6 Lower	7 Upper/6 Lower	6 Upper/Lower	6 Upper/Lower	6 Upper/Lower	6 Upper/Lower	7 Lower	6 Lower		
Variable broil/Six-pass broil element	●	●	●	●	●	●	●	●	●	Lower	Lower		
Roasting rack	Upper	Upper	Upper	Upper	Upper					Lower	Lower		
<b>Convenience</b>													
SmartSet Controls	●	●	●	●	●	●	Upper	Upper	●	●			
Convection conversion	Upper	Upper	Upper	Upper					Lower				
Automatic meat thermometer	Upper	Upper	Upper	Upper					Lower				
Temperature display	●	●	●	●	●	●	Upper	Upper	●	●			
Start pad	●	●	●	●	●	●	Upper	Upper	●	●			
Delay Bake option with Cook & Hold	●	●	●	●	●	●	Upper	Upper	Lower	Lower			
C° or F° programmable	●	●	●	●	●	●	Upper	Upper	Lower	Lower			
Audible preheat signal	●	●	●	●	●	●	Upper	Upper	Lower	Lower			
Auto oven shut-off w/override	●	●	●	●	●	●	Upper	Upper	Lower	Lower			
Electronic clock and kitchen timer	●	●	●	●	●	●	●	●	●	●			
Control lock capability	●	●	●	●	●	●	Upper	Upper	Lower	Lower			
Oven light pad	●	●	●	●	●	●	●	●	Lower	Lower			
<b>Appearance</b>													
Color appearance*	SS	AA	WW	BB	WW	BB	WW	BB	WW BB	WW BB			
Flush appearance installation	●	●	●	●	●	●	●	●	●	●			
Big view windows	●	●	●	●	●	●	●	●	Lower	Lower			
<b>Microwave Features</b>													
Reheat pad									Sensor	Sensor			
Auto Cook Control									Sensor	Sensor			
Auto Defrost									●	●			
Electronic Timer									●	●			
Electronic MWO touch controls									●	●			
Microwave cooking timer									99-Min./99-Sec.	99-Min./99-Sec.			
Microwave power levels									6	6			
Microwave oven cavity (cu. ft.)									1.5	1.5			
MWO power output watts									900	900			
Turntable									●	●			
<b>General Features/Dimensions</b>													
Oven racks**	Upper Lower	3 2	3 2	3 2	3 2	2 2	2 2	2 2	2 2	1 3	1 2		
Broiler pan with grid		●	●	●	●	●	●	●	●	Lower	Lower		
Broiler/bake wattage		3600/2585	3600/2585	3600/2585	3600/2585	3600/2585	3600/2585	3600/2585	3600/2585	3600/2585	3600/2585		
Convection wattage		2500	2500	2500	2500					2500			
Oven cabinet width required (in.)	←	30							→				
Overall oven interior dimensions (WxD in inches)	Upper	24 x 17-3/8 x 15-3/4			24 x 17-3/8 x 17-19/32			17-1/4 x 11-1/2 x 16-1/4					
Overall dimensions (WxD in inches)	Lower	24 x 17-3/8 x 17-19/32							24 x 17-3/8 x 15-3/4			24 x 17-3/8 x 17-19/32	
Overall dimensions (WxD in inches)	←	30 x 52-15/16 x 23-1/2							29-3/4 x 43-1/2 x 23-1/2				
KW rating @ 240V		7.2	7.2	7.2	7.2	7.2	7.2	8.0	8.0	6.4	6.4		
208V		5.4	5.4	5.4	5.4	5.4	5.4	6.0	6.0	4.8	4.8		
Amps @ 240V		40	40	40	40	40	40	40	40	30	30		
208V		30	30	30	30	30	30	35	35	30	20		
Approx. shipping wt. (lbs.)		260	260	260	260	260	260	260	260	177	177		

\*SS = Stainless Steel, WW = White on white, BB = Black on black, AA = Almond on almond.

\*\*Additional rack kit available at additional cost. (Pub. No. 3-A014).

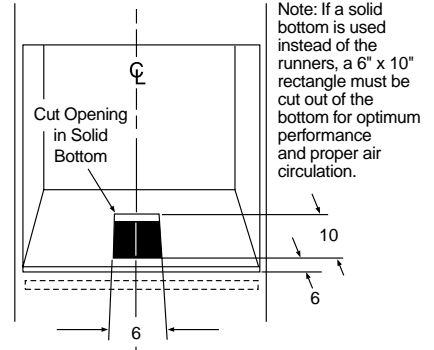
## 30" Built-In Double Ovens (continued)

30" Built-In Double Oven Dimensions (in inches)  
Models JT950, JTP56, 45, 27



MOST 30" WALL CABINETS CAN BE USED WITH THIS UNIT  
THE OPENING BETWEEN THE INSIDE WALLS MUST BE AT LEAST 28-1/2" WIDE

## Recommended for solid bottom installation

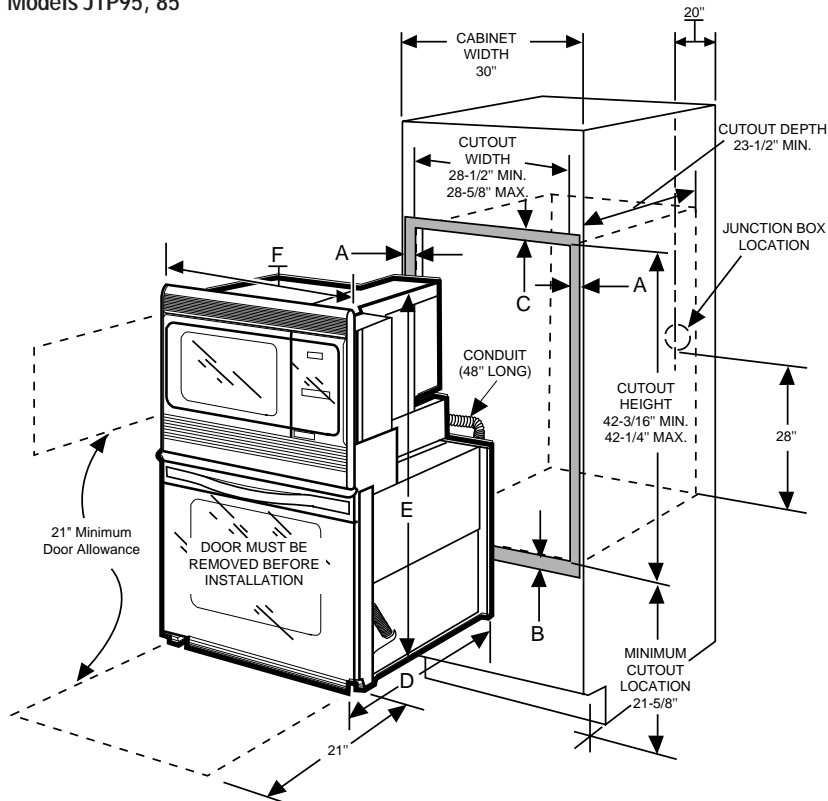


(Must support 275 LBS.)

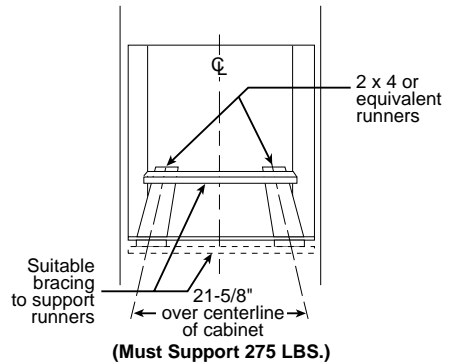
Cabinet	30"
A - Overlap of Oven Over Side Edges of Cutout	11/16" - 3/4"
B - Overlap of Oven at Top and Bottom of Cutout	1"
Oven	
C - Overall Depth	23-1/2"
D - Overall Height	52-15/16"
E - Overall Width	30"

Note: Cabinets installed adjacent to wall ovens must have an adhesion spec of at least 194°.

## 30" Built-In Microwave Double Oven Dimensions (in inches) Models JTP95, 85



MOST 30" WALL CABINETS CAN BE USED WITH THIS UNIT  
THE OPENING BETWEEN THE INSIDE WALLS MUST BE AT LEAST 28-1/2" WIDE



Cabinet	30"
A - Overlap of Oven Over Side Edges of Cutout	11/16"
B - Overlap of Oven at Bottom of Cutout	1"
C - Overlap of Oven at Top of Cutout	1/2"
Oven	
D - Overall Depth	23-1/2"
E - Overall Height	43-1/2"
F - Overall Width	29-3/4"

Note: Cabinets installed adjacent to wall ovens must have an adhesion spec of at least 194°.



Installation Information: Before installing, consult installation instructions [Pub. No. 31-10198 (JTP95/85); Pub. No. 31-10125 (JTP56/45/27)] packed with product for current dimensional data.

See page 123 for warranty information.

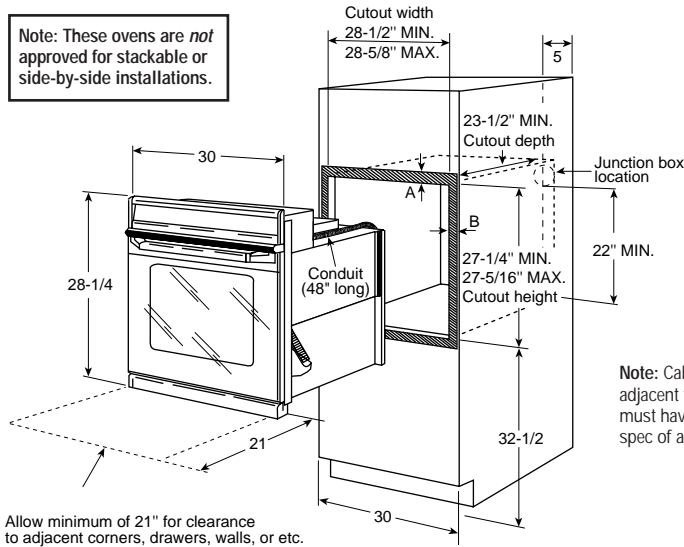
## 30" Built-In Single Ovens

	GE Profile Performance Series™				GE	
	Convection Single Ovens				Single Ovens	
	JT910SY	JTP18AW	JTP18WW	JTP18BW	JTP15WW	JTP15BW
<b>Cleanability</b>						
Frameless glass oven door	Stainless Steel	Almond	White	Black	White	Black
Designer-style handle	Integrated	Integrated	Integrated	Integrated	●	●
Self-clean oven w/Delay Clean option	●	●	●	●	●	●
Cleaning time	Variable	Variable	Variable	Variable	Variable	Variable
Automatic self-clean oven door lock	●	●	●	●	●	●
Lift-off oven door	●	●	●	●	●	●
<b>Performance</b>						
Oven interior	Convection/Self-Clean	Convection/Self-Clean	Convection/Self-Clean	Convection/Self-Clean	Self-Clean	Self-Clean
Oven capacity (cu. ft.)	3.8	3.8	3.8	3.8	4.2	4.2
Convection Bake	●	●	●	●		
Convection Roast	●	●	●	●		
Embossed rack positions	7	7	7	7	6	6
Variable broil/Six-pass broil element	●	●	●	●	●	●
Roasting rack	●	●	●	●		
<b>Convenience</b>						
SmartSet Controls	●	●	●	●	●	●
Convection conversion	●	●	●	●		
Automatic meat thermometer	●	●	●	●		
Temperature display	●	●	●	●	●	●
Start pad	●	●	●	●	●	●
Delay Bake option with Cook & Hold	●	●	●	●	●	●
C° or F° programmable	●	●	●	●	●	●
Audible preheat signal	●	●	●	●	●	●
Auto oven shut-off w/override	●	●	●	●	●	●
Electronic clock and kitchen timer	●	●	●	●	●	●
Control lock capability	●	●	●	●	●	●
Oven light pad	●	●	●	●	●	●
<b>Appearance</b>						
Color appearance*	SS	AA	WW	BB	WW	BB
Flush appearance installation	●	●	●	●	●	●
Big view window	●	●	●	●	●	●
<b>General Features/Dimensions</b>						
Undercounter installation	●	●	●	●	●	●
Oven racks**	3	3	3	3	2	2
Broiler pan with grid	●	●	●	●	●	●
Broiler/bake wattage	3600/2585	3600/2585	3600/2585	3600/2585	3600/2585	3600/2585
Convection wattage	2500	2500	2500	2500	2500	2500
Oven cabinet width required (in.)	30	30	30	30	30	30
Overall oven interior (WxHxD in inches)	24 x 17-3/8 x 15-3/4				24 x 17-3/8 x 17-19/32	
Overall dimensions (WxHxD in inches)	30 x 28-1/4 x 23-1/2					
KW rating @ 240V	3.6	3.6	3.6	3.6	3.6	3.6
208V	2.7	2.7	2.7	2.7	2.7	2.7
Amps @ 240V	20	20	20	20	20	20
208V	20	20	20	20	20	20
Approx. shipping weight (lbs.)	135	135	135	135	130	130

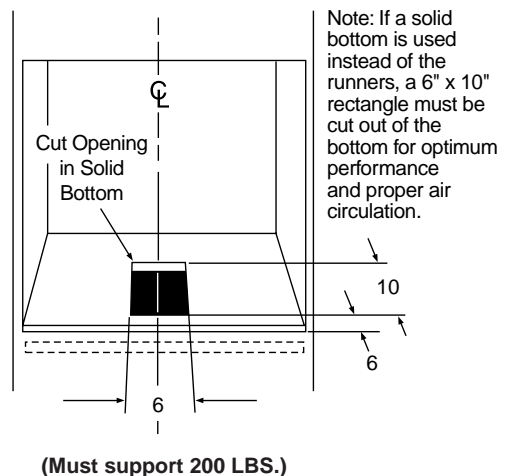
\*SS = Stainless Steel, AA = Almond on almond, WW = White on white, BB = Black on black.  
 \*\*Additional rack kit available at additional cost. (Pub. No. 3-A014)

### 30" Built-In Single Oven Dimensions (in inches)

#### Single Oven Wall-Mount or Cabinet Installation (in inches)



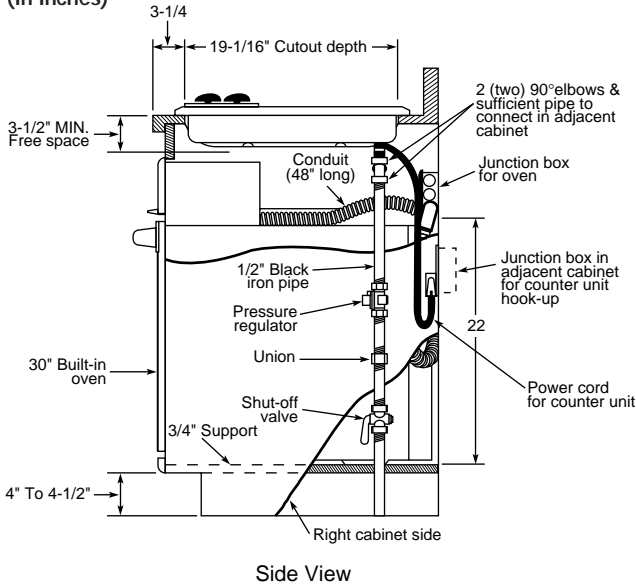
### Recommended for solid bottom installation





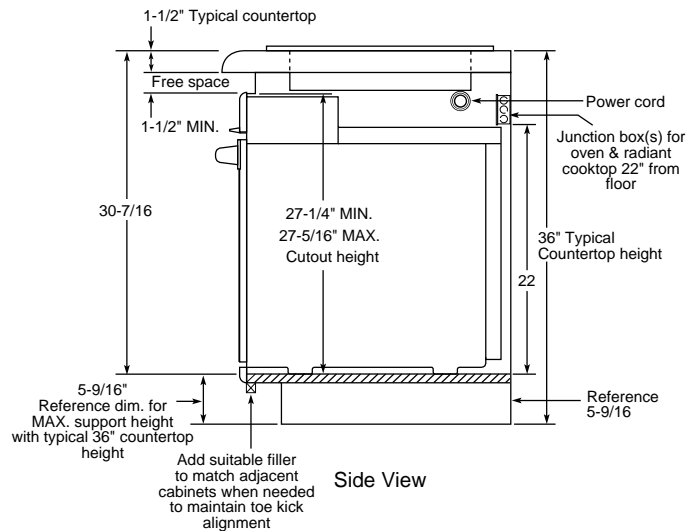
## 30" Built-In Single Ovens (continued)

### Optional Undercounter Installation With 36" Gas Cooktop (in inches)



**Note:** For standard or sealed burner cooktop installation information over the 30" wall oven, refer to 27" wall oven installation, page 149.

### Optional Undercounter Installation With 30" CleanDesign or Sealed Burner Gas Cooktop (in inches)

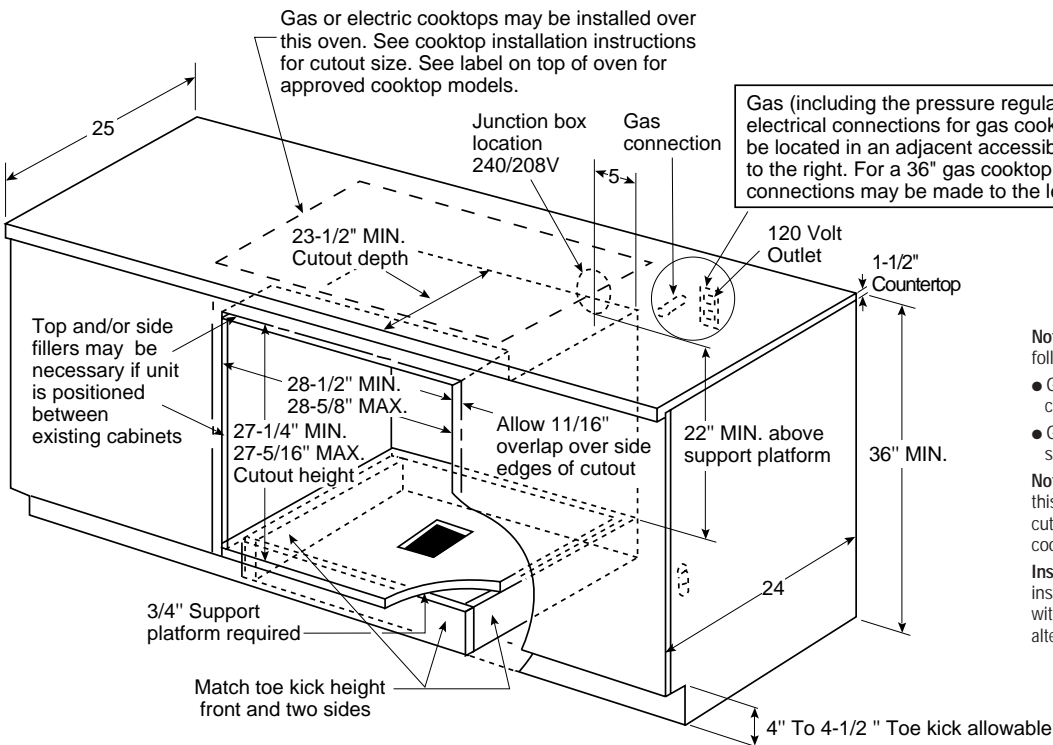


This installation is to achieve minimum gap between bottom of countertop and control panel.

**Note:** For this installation, the bottom trim **will not** be flush with a typical 4" toe kick.

**Note:** Cabinets installed adjacent to wall ovens must have an adhesion spec of at least 194°.

### Undercounter Installation (in inches)



**Note:** Oven is rated for use only under the following cooktops:

- GE 30" and 36" electric coil and CleanDesign cooktops (excludes Induction cooktops)
- GE 30" and 36" gas standard and sealed burner cooktops

**Note:** Gas or electric cooktops may be installed over this oven. See cooktop installation instructions for cutout size. See label on back of oven for approved cooktop models.

**Installation Information:** Before installing, consult installation instructions (Pub. No. 31-10125) packed with product for current dimensional data and for alternate installation options.

## 27" and 24" Built-In Double Ovens

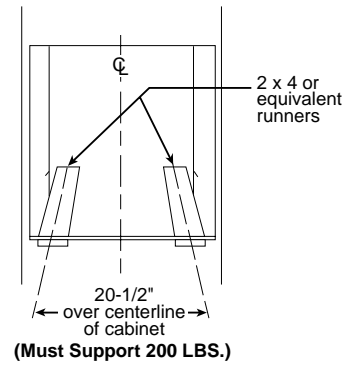
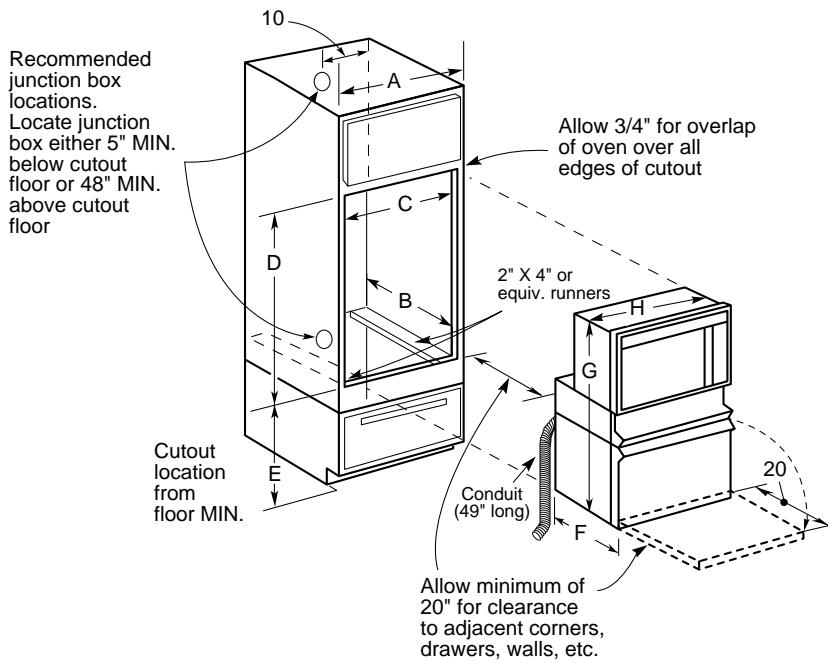
Oven Features	GE		GE Profile™			GE				24" Dbl Oven	
	27" Microwave Double Ovens		27" Convection Double Ovens			27" Double Ovens					
	JKP69WY	JKP69BY	JKP56AW	JKP56WW	JKP56BW	JKP45WW	JKP45BW	JKP27WW	JKP27BW		JRP24BW
<b>Cleanability</b>											
Frameless glass oven doors	White	Black	Almond	White	Black	White	Black	White	Black	Black	
Self-clean oven	Lower	Lower	●	●	●	●	●	Upper	Upper	Upper	
Variable cleaning time	Lower	Lower	●	●	●	●	●	Upper	Upper	Upper	
Delay Clean option	Lower	Lower	●	●	●	●	●	Upper	Upper	Upper	
Automatic self-clean oven door lock	Lower	Lower	●	●	●	●	●	Upper	Upper	Upper	
Lift-off oven door	Lower	Lower	●	●	●	●	●	●	●	●	
<b>Performance</b>											
Oven	Upper Oven	Microwave	Microwave	Conv. (SC)	Conv. (SC)	Conv. (SC)	Self-Clean	Self-Clean	Self-Clean	Self-Clean	Self-Clean
Interior	Lower Oven	Self-Clean	Self-Clean	Self-Clean	Self-Clean	Self-Clean	Self-Clean	Self-Clean	Standard	Standard	Standard
Convection Bake				●	●	●					
Convection Roast				●	●	●					
Variable broil	Lower	Lower	●	●	●	●	●	Upper	Upper	Upper	
Roasting rack			●	●	●						
<b>Convenience</b>											
SmartSet Controls			●	●	●	●	●	Upper	Upper	Upper	
Convection conversion			●	●	●						
Auto. meat thermometer			Upper	Upper	Upper						
Temperature display	●	●	●	●	●	●	●	Upper	Upper	Upper	
Start pad	●	●	●	●	●	●	●	Upper	Upper	Upper	
Cook & Hold	●	●	●	●	●	●	●	Upper	Upper	Upper	
Delay Bake option	Lower	Lower	●	●	●	●	●	Upper	Upper	Upper	
C° or F° programmable			●	●	●	●	●	Upper	Upper	Upper	
Audible preheat signal	Lower	Lower	●	●	●	●	●	●	●	●	
Auto oven shut-off w/override			●	●	●	●	●	Upper	Upper	Upper	
Electronic clock and kitchen timer	●	●	●	●	●	●	●	●	●	●	
Control lock capability			●	●	●	●	●	Upper	Upper	Upper	
Oven light pad	●	●	●	●	●	●	●	●	●	●	
Oven doors with windows	●	●	●	●	●	●	●	●	●	●	
<b>Appearance</b>											
Color appearance*	WW	BB	AA	WW	BB	WW	BB	WW	BB	BB	
Flush appearance installation	●	●	●	●	●	●	●	●	●		
Designer-style handles	●	●	Sure Grip	Sure Grip	Sure Grip	●	●	●	●	●	
<b>Microwave Features</b>											
Dual Wave II™ System	●	●									
Auto Roast (probe)	●	●									
Auto Cook (sensor)	●	●									
Auto Defrost	●	●									
Electronic digital display and clock timer	●	●									
Time-controlled MW/O cooking	●	●									
Temperature Cook/Hold	●	●									
MWO touch controls	Electronic	Electronic									
Microwave cooking timer	99-Min.	99-Min.									
Microwave power levels	10	10									
Double Duty™ shelf	●	●									
Microwave oven cavity	1.4 cu. ft.	1.4 cu. ft.									
MWO power output, watts†	800	800									
<b>General Features/Dimensions</b>											
Oven shelves	1-Upper 2-Lower	1-Upper 2-Lower	3-Upper 2-Lower	3-Upper 2-Lower	3-Upper 2-Lower	2-Each	2-Each	2-Each	2-Each	2-Each	
Broiler pan with grid	●	●	●	●	●	●	●	●	●	●	
Oven cabinet width required (in inches)	27	27	27	27	27	27	27	27	27	24	
Overall oven interior	← 16 x 11-1/8 x 13-3/8 →		← 19 x 15 x 16 →			← 19 x 15 x 18 →				17 x 15 x 18-1/2	
Overall dimensions (WxHxD in inches)	← 16 x 11-1/8 x 13-3/8 →		← 19 x 15 x 16 →			← 19 x 15 x 18 →				17 x 15 x 18-1/2	
Overall dimensions (WxHxD in inches)	← 26-3/4 x 43 x 23-1/2 →		← 26-5/8 x 51-1/8 x 23-5/8 →			← 26-5/8 x 51-1/8 x 23-5/8 →				23-3/4 x 48-5/8 x 23-1/8	
KW rating @ 240V	6.5	6.5	6.8	6.8	6.8	6.8	6.8	7.1	7.1	7.1	
208V	4.9	4.9	5.1	5.1	5.1	5.1	5.1	5.3	5.3	5.3	
Amps @ 240V	30	30	30	30	30	30	30	30	30	30	
208V	30	30	30	30	30	30	30	30	30	30	
Approx. ship. weight (lbs.)	155	155	162	162	162	157	157	157	157	135	

\*WW = White on white, BB= Black on black, AA = Almond on almond.

†IEC-705 Test Procedure.

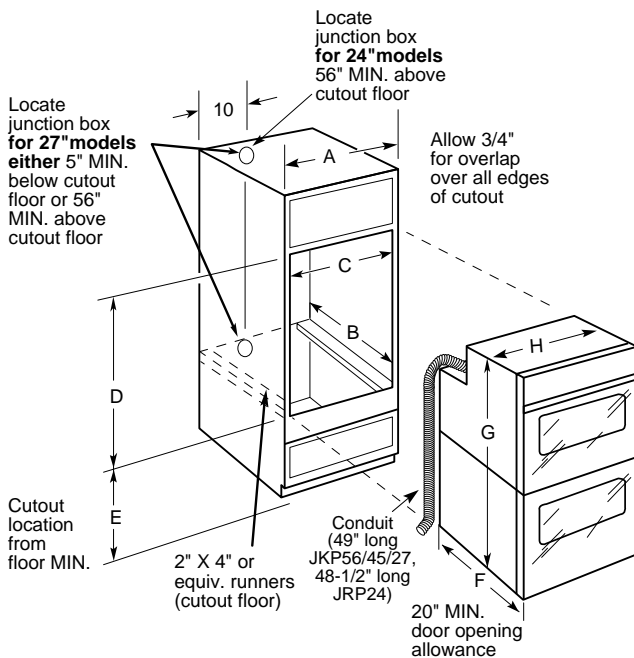
## 27" and 24" Built-In Double Ovens (continued)

### 27" Built-In Microwave Double Oven Dimensions (in inches) Models JKP69

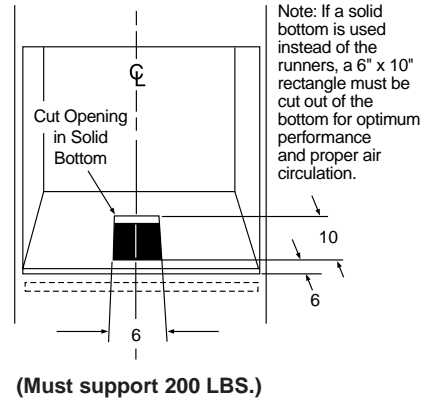


Cabinet	27"
A - Cabinet Width Required	27" min.
B - Minimum Cabinet Depth	23-5/8"
C - Minimum Opening Width	25"
D - Opening Height	41-1/4" max.
E - Minimum Cutout Location from Floor	22"
Oven	
F - Overall Depth	23-1/2"
G - Overall Height	43"
H - Overall Width	26-3/4"

### 27"/24" Built-In Double Oven Dimensions (in inches)



### Recommended for solid bottom installation



Cabinet	JKP56/45/27	JRP24
A - Cabinet Width Required	27" min.	24" min.
B - Minimum Cabinet Depth	23-5/8"	23-1/2"
C - Minimum Opening Width	25"	22-1/2"
D - Opening Height	49-1/2" min.	48-1/8" min.
E - Minimum Cutout Location from Floor	13-1/4"	14"
Oven		
F - Overall Depth	23-5/8"	23-1/8"
G - Overall Height	51-1/8"	48-5/8"
H - Overall Width	26-5/8"	23-3/4"

**Note:** Cabinets installed adjacent to wall ovens must have an adhesion spec of at least 194°.

**Installation Information:** Before installing, consult installation instructions [Pub. No. 31-10117 (JKP69); [Pub. No. 31-10200 (JKP56/45/27); Pub. No. 31-10118 (JRP24)] packed with product for current dimensional data.



Listed by  
Underwriters  
Laboratories

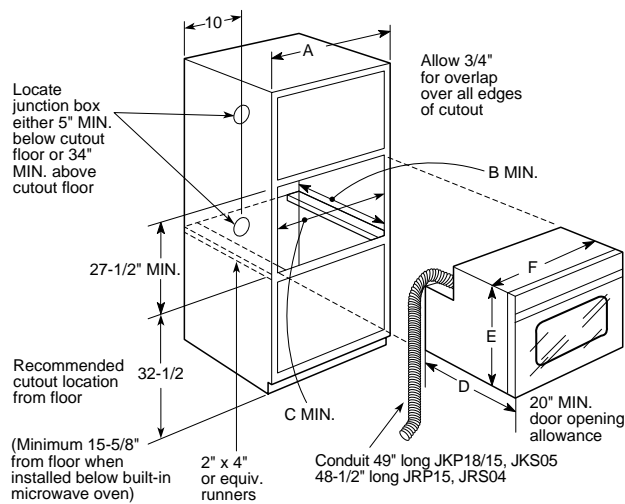
See page 123 for warranty information.

## 27" and 24" Built-In Single Ovens

	GE Profile™			GE							
	27" Convection Single Ovens			27" Single Ovens				24" Single Ovens			
	JKP18AW	JKP18WW	JKP18BW	JKP15AW	JKP15WW	JKP15BW	JKS05BW	JRP15WW	JRP15BW	JRS04BW	
<b>Cleanability</b>											
Frameless glass oven door	Almond	White	Black	Almond	White	Black	Black	White	Black	Black	
Self-clean oven w/Delay Clean option	•	•	•	•	•	•	•	•	•		
Variable cleaning time	•	•	•	•	•	•	•	•	•		
Automatic self-clean oven door lock	•	•	•	•	•	•	•	•	•		
Lift-off oven door	•	•	•	•	•	•	•	•	•	•	
<b>Performance</b>											
Oven interior	Conv./Self-Clean	Conv./Self-Clean	Conv./Self-Clean	Self-Clean	Self-Clean	Self-Clean	Standard	Self-Clean	Self-Clean	Standard	
Convection Bake	•	•	•								
Convection Roast	•	•	•								
Variable broil	•	•	•	•	•	•	•	•	•	•	
Roasting rack	•	•	•								
<b>Convenience</b>											
SmartSet Controls	•	•	•	•	•	•	•	•	•	•	
Convection conversion	•	•	•								
Automatic meat thermometer	•	•	•								
Temperature display	•	•	•	•	•	•	•	•	•	•	
Start pad	•	•	•	•	•	•	•	•	•	•	
Delay Bake option w/Cook & Hold	•	•	•	•	•	•	•	•	•	•	
C° or F° programmable	•	•	•	•	•	•	•	•	•	•	
Audible preheat signal	•	•	•	•	•	•	•	•	•	•	
Auto oven shut-off w/override	•	•	•	•	•	•	•	•	•	•	
Electronic clock and kitchen timer	•	•	•	•	•	•	•	•	•	•	
Control lock capability	•	•	•	•	•	•	•	•	•	•	
Oven light pad	•	•	•	•	•	•	•	•	•	•	
Oven door with window	•	•	•	•	•	•	•	•	•	•	
<b>Appearance</b>											
Color appearance*	AA	WW	BB	AA	WW	BB	BB	WW	BB	BB	
Flush appearance installation	•	•	•	•	•	•	•	•	•	•	
Designer-style handle	Sure Grip	Sure Grip	Sure Grip	•	•	•	•	•	•	•	
<b>General Features/Dimensions</b>											
Undercounter installation	•	•	•	•	•	•	•	•			
Oven racks	3	3	3	2	2	2	2	2	2	2	
Broiler pan with grid	•	•	•	•	•	•	•	•	•	•	
Oven cabinet width required (in.)	27	27	27	27	27	27	27	24	24	24	
Overall oven interior dimensions (WxHxD in inches)	19 x 15 x 16			19 x 15 x 18				17 x 15 x 18-1/2			
Overall dimensions (WxHxD in inches)	26-5/8 x 29-1/8 x 23-5/8							23-3/4 x 28-3/16 x 23-1/8			
KW rating @ 240V	3.4	3.4	3.4	3.4	3.4	3.4	3.4	3.4	3.4	3.4	
208V	2.6	2.6	2.6	2.6	2.6	2.6	2.6	2.6	2.6	2.6	
Amps @ 240V	20	20	20	20	20	20	20	20	20	20	
208V	20	20	20	20	20	20	20	20	20	20	
Approx. shipping weight (lbs.)	98	98	98	93	93	93	91	114	114	82	

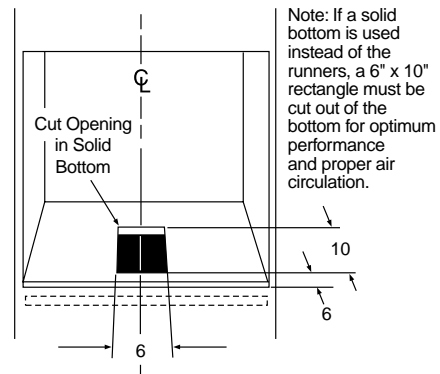
WW = White on white, BB = Black on black, AA = Almond on almond.

### 27"/24" Built-In Single Oven Dimensions (in inches)



Cabinet	JKP18/15, JKS05	JRP15, JRS04
A - Cabinet Width Required	27" min.	24" min.
B - Minimum Cabinet Depth	23-5/8"	23-1/2"
C - Minimum Opening Width	25"	22-1/2"
Oven		
D - Overall Depth	23-5/8"	23-1/8"
E - Overall Height	29-1/8"	28-3/16"
F - Overall Width	26-5/8"	23-3/4"

### Recommended for solid bottom installation



**(Must support 200 LBS.)**

Note: Cabinets installed adjacent to wall ovens must have an adhesion spec of at least 194°.

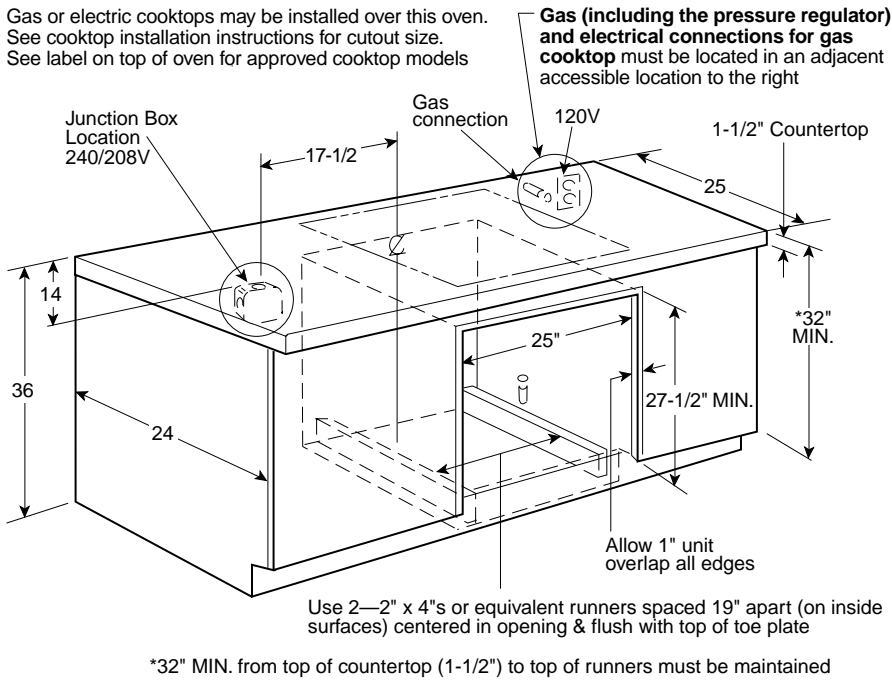
Note: These ovens are not approved for stackable or side-by-side installations.

**Installation Information:** Before installing, consult installation instructions [Pub. No. 31-10200 (JKP18/15, JKS05); Pub. No. 31-10118 (JRP15, JRS04)] packed with product for current dimensional data.

## 27" Built-In Single Ovens (continued)

### Undercounter Installation Dimensions (in inches) Models JKP18, 15 and JKS05

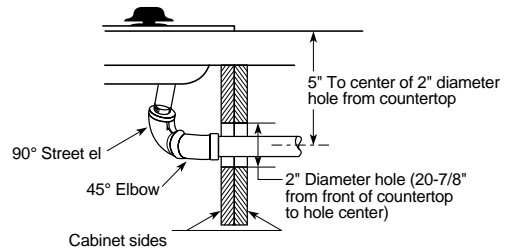
Gas or electric cooktops may be installed over this oven. See cooktop installation instructions for cutout size. See label on top of oven for approved cooktop models



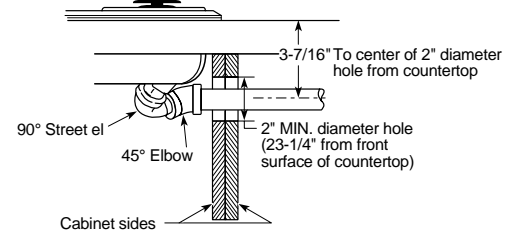
Note: Oven is rated for use only under 30" standard or sealed burner gas and 30" CleanDesign and Calrod® electric cooktops (excludes Induction cooktops).

Installation Information: Before installing, consult installation instructions [Pub. No. 31-10200 (JKP18/15, JKS05)] packed with product for current dimensional data.

### Sealed Burner Gas Cooktop Installation Dimensions (in inches)



### Standard Burner Gas Cooktop Installation Dimensions (in inches)



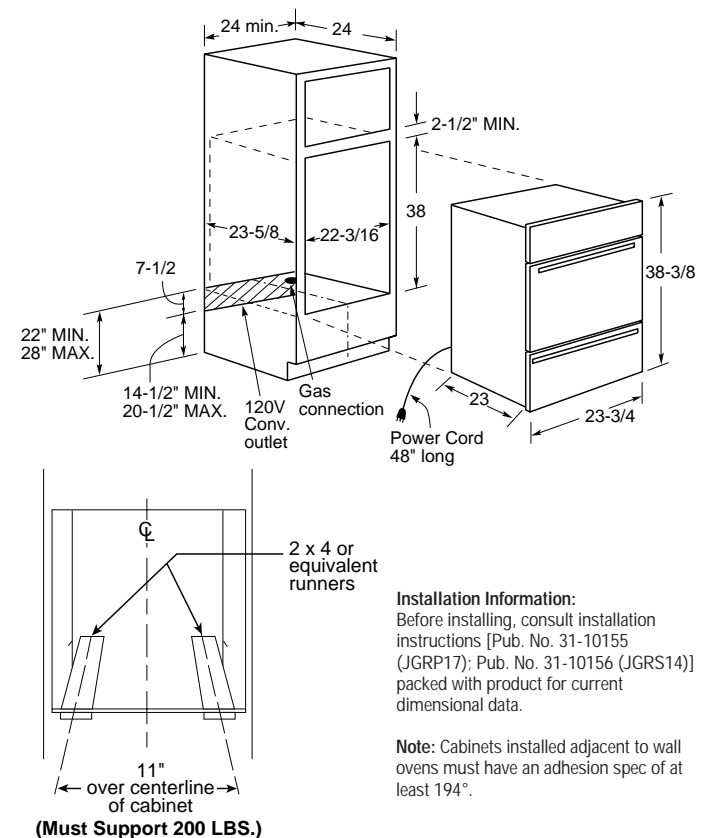
Note: Cabinets installed adjacent to wall ovens must have an adhesion spec of at least 194°.

## 24" Built-In Gas Ovens

	GE		
	JGRP17WEW	JGRP17BEW	JGRS14BEW
<b>Cleanability</b>			
Frameless oven door	White Glass	Black Glass	Black Glass
Designer-style handle	●	●	●
Automatic self-clean oven door lock	●	●	●
Delay Clean option	●	●	
<b>Performance</b>			
Oven interior	Self-Clean	Self-Clean	Standard Clean
In-oven broiling	●	●	
Separate broiler drawer			●
Electronic pilotless ignition	●	●	●
<b>Convenience</b>			
SmartSet Controls	●	●	●
Temperature display	●	●	●
Start pad	●	●	●
Delay Bake option with Cook & Hold	●	●	●
C° or F° programmable	●	●	●
Audible preheat signal	●	●	●
Auto oven shut-off w/override	●	●	●
Electronic clock and kitchen timer	●	●	●
Control lock capability	●	●	●
Oven light pad	●	●	●
Oven door with window	●	●	●
Storage drawer	●	●	●
<b>Appearance</b>			
Color appearance*	WW	BB	BB
<b>General Features/Dimensions</b>			
Oven shelves	2	2	2
Broiler pan with grid	●	●	●
Oven cabinet width required (in inches)	24	24	24
Overall oven interior dimensions (WxHxD in inches)	17 x 15 x 18-7/8		
Overall dimensions (WxHxD in inches)	23-3/4 x 38-3/8 x 23		
Oven/broiler burners (000's BTU's)	14.5 - Oven 13.0 - Broil	14.5 - Oven 13.0 - Broil	14.5
Gas oven electrical rating	120V, 60Hz, 5A		
Approximate shipping weight (lbs.)	144	144	139

\*WW = White on white, BB = Black on black.  
Factory set for Natural Gas.

### Built-In Gas Oven Dimensions (in inches)



**Installation Information:**  
Before installing, consult installation instructions [Pub. No. 31-10155 (JGRP17); Pub. No. 31-10156 (JGRS14)] packed with product for current dimensional data.

Note: Cabinets installed adjacent to wall ovens must have an adhesion spec of at least 194°.

See page 123 for warranty information.

Refrigeration

Laundry

Cooking Products

Microwave Ovens

Dishwashers

Water Systems

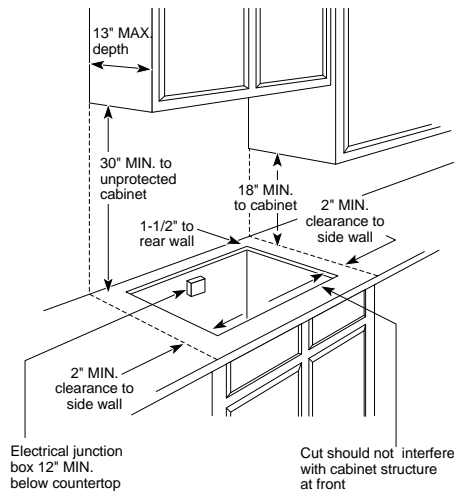
Room Air

# Built-In CleanDesign Cooktops

	GE Profile™					GE
	Induction		Halogen/Ribbon		Ribbon	Ribbon
	JP693R JP692R	JP393R JP392R	JP660WV JP660AV JP660BV	JP360WV JP360AV JP360BV	JP350WV JP350AV JP350BV	JP340BW JP340WV
<b>Cleanability</b>						
Glass-ceramic surface	White Black	White Black	Patterned White Patterned Almond Patterned Black	Patterned White Patterned Almond Patterned Black	Patterned White Patterned Almond Patterned Black	Patterned Black Patterned White
<b>Performance</b>						
Number of elements	4 Induction	4 Induction	1 Halogen 4 Ribbon	1 Halogen 3 Ribbon	4 Ribbon	4 Ribbon
9" heating elements	1 Induction (2200W)	1 Induction (2200W)				
8" heating elements	1 Induction (1800W)	1 Induction (1800W)	1 Halogen (1800W)	1 Halogen (1800W) 1 Ribbon (2000W)	2 Ribbon (2000W)	2 Ribbon (2000W)
7" heating elements			1 Ribbon (1500W)			
6" heating elements	2 Induction (1300W)	2 Induction (1300W)	2 Ribbon (1200W)	1 Ribbon (1200W)	1 Ribbon (1200W)	2 Ribbon (1200W)
Ten-step rotary control			Halogen Element	Halogen Element		
Touchpad controls	10 Power Levels	10 Power Levels				
<b>Convenience</b>						
6 7/9" heating element			1 Dual Ribbon (1000/2500W)	1 Dual Ribbon (1000/2500W)	1 Dual Ribbon (1000/2500W)	
Hot surface indicator lights			5	4	4	1
Power level indicator lights	●	●				
<b>Appearance</b>						
Color appearance*	WW BB	WW BB	WW AA BB	WW AA BB	WW AA BB	BB WV
Frame color	White Black	White Black	White Almond Black	White Almond Black	White Almond Black	Black White
<b>General Features/Dimensions</b>						
Cooktop width (in inches)	36	30	36	30	30	30
KW rating @ 240V	6.6	6.6	8.2	7.5	7.7	6.4
208V	6.6	6.6	6.2	5.6	5.8	4.8
Amps @ 240V	40	40	40	40	40	30
208V	30	30	30	30	30	30
Approx. shipping weight (lbs.)	75	71	44	38	38	35

\*WW = White on white, AA = Almond on almond, BB = Black on black

## Counter Installation Models JP693, 692, 393 and 392 (in inches)



### Installation Information:

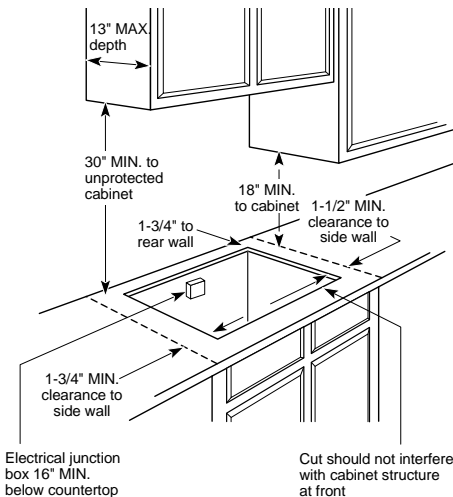
Requires a 5" free area between the bottom of the cooktop to any combustible material, i.e., shelving. Free area not required when installing wall oven underneath cooktop. Refer to installation instructions. Requires an 18" minimum from cooktop to adjacent overhead cabinets. Units are furnished with a 48" flexible armored cable.

Before installing, consult installation instructions [Pub. No. 49-8269 (JP693/692/393/392); Pub. No. 31-10150 (JP660); Pub. No. 31-10153 (JP360); Pub. No. 31-10147 (JP350/340)] packed with product for current dimensional data.

36" Halogen/Ribbon cooktops are approved for use over GE 30" Single Wall Ovens only. 30" Halogen/Ribbon cooktops are approved for use over select GE 27" or 30" Single Wall Ovens. Refer to cooktop and wall oven installation instructions packed with product for current dimensional data.

**Note:** If installing with a GE Profile™ Telescopic Downdraft System, consult both cooktop and downdraft installation instructions packed with product before installing. Cooktop gas/electric supply may need to be re-routed to install downdraft. **A minimum 26" deep cabinet is required for this installation. Most standard cabinets are only 24" deep.**

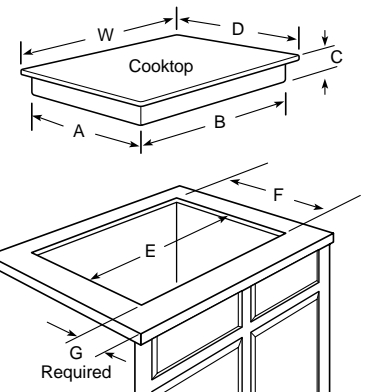
## Counter Installation Models JP660, 360, 350 and 340 (in inches)



**Filler Trim Kit**—When replacing an old GE 30" cooktop (with larger opening) with Models JP360/350/340, use the following one-piece trim kit to fill in the over-size hole. Available at additional cost.

- JXTR30A (Almond)
- JXTR30B (Black)
- JXTR30W (White)

### Cooktop Dimensions (in inches)



### Dimensions (in inches)

Model	Overall					Cutout			To Edge of Front Counter (Min.)
	W	D	A	B	C	E	F	G	
JP693R	35-1/2	20-3/4	19-3/4	34-5/16	7	34-5/8	19-15/16	2	
JP692R	35-1/2	20-3/4	19-3/4	34-5/16	7	34-5/8	19-15/16	2	
JP393R	30	20-3/4	19-3/4	28-13/16	7	29-1/8	19-15/16	2	
JP392R	30	20-3/4	19-3/4	28-13/16	7	29-1/8	19-15/16	2	
JP660WV/AV/BV	35	20	19-1/32	33-13/16	3-3/8*	33-7/8	19-1/16	2-1/2	
JP360WV/AV/BV	29-3/8	20-1/2	19-3/8	28-1/8	3-3/8*	28-1/2	19-5/8	2-1/2	
JP350WV/AV/BV	29-3/8	20-1/2	19-3/8	28-1/8	3-3/8*	28-1/2	19-5/8	2-1/2	
JP340BW/WW	29-3/8	20-1/2	19-3/8	28-1/8	3-3/8*	28-1/2	19-5/8	2-1/2	

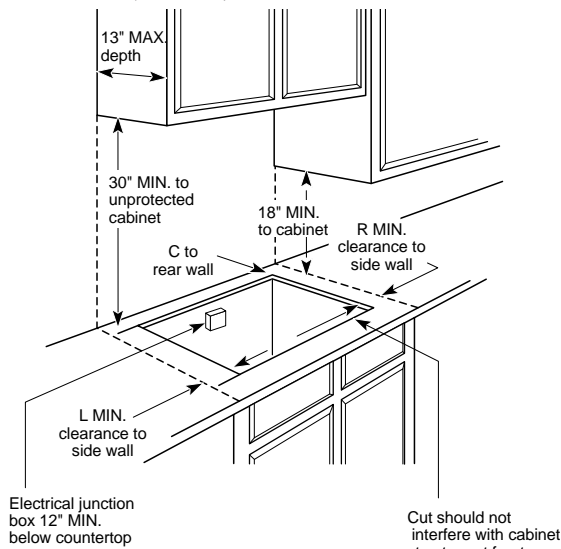
\*Depth of unit at conduit connection location (rear) is 4-3/4".

# Built-In Electric Cooktops

	GE							
	JP626WV	JP626AV	JP326WV	JP326AV	JP326CV	JP326BV	JP201CV	JP200V
<b>Cleanability</b>								
Lift-up cooktop with support rod	●	●	●	●	●	●	●	●
One-piece removable drip bowls	Chrome	Chrome	Chrome	Chrome	Chrome	Black Porc.-Enam.	Chrome	Chrome
<b>Performance</b>								
8" heating elements	2 Plug-In Calrod*	2 Plug-In Calrod*	2 Plug-In Calrod*	2 Plug-In Calrod*	2 Plug-In Calrod*	2 Plug-In Calrod*	1 Plug-In	1 Plug-In
6" heating elements	2 Plug-In Calrod*	2 Plug-In Calrod*	2 Plug-In Calrod*	2 Plug-In Calrod*	2 Plug-In Calrod*	2 Plug-In Calrod*	1 Plug-In	1 Plug-In
Infinite heat rotary controls	●	●	●	●	●	●	●	●
<b>Convenience</b>								
Control panel	Upfront	Upfront	Right Side	Right Side	Right Side	Right Side	Upfront	Upfront
Surface element "ON" indicator light	●	●	●	●	●	●	●	●
<b>Appearance</b>								
Color appearance*	WW	AA	WW	AA	BC	BB	BC	WH
Control panel	White Glass	Almond Glass	White Glass	Almond Glass	Black Glass	Black Glass		
Porcelain-enameled cooktop	●	●	●	●		●		●
Brushed-chrome cooktop					●		●	
<b>General Features/Dimensions</b>								
Cooktop width (in inches)	36	36	30	30	30	30	21-1/4	21-1/4
KW rating @ 240V	7.4	7.4	7.4	7.4	7.4	7.4	3.4	3.4
	208V	5.6	5.6	5.6	5.6	5.6	2.5	2.5
Amps @ 240V	40	40	40	40	40	40	20	20
	208V	30	30	30	30	30	20	20
Approx. shipping weight (lbs.)	38	38	29	29	29	29	18	18

\*WW = White on white, AA = Almond on almond, BB = Black on black, BC = Brushed-Chrome, WH = White.

## Counter Installation Dimensions (in inches)



## Dimensions (in inches)

Model	Overall		Cutout		Minimum Spacing To Nearest Combustible Wall			To Edge of Front Counter (Min.)
	W	D	A	B	C	R	L	F
JP626WV	35-1/2	21	33-7/8	19-1/16	1-3/4	6	6	2-1/2
JP626AV	35-1/2	21	33-7/8	19-1/16	1-3/4	6	6	2-1/2
JP326WV	30-1/4	21-1/4	28-1/2	19-5/8	1-3/4	2	5-1/2	2-1/2
JP326AV	30-1/4	21-1/4	28-1/2	19-5/8	1-3/4	2	5-1/2	2-1/2
JP326BV	30-1/4	21-1/4	28-1/2	19-5/8	1-3/4	2	5-1/2	2-1/2
JP326CV	30-1/4	21-1/4	28-1/2	19-5/8	1-3/4	2	5-1/2	2-1/2
JP201CV	21-1/4	16-5/8	20-1/8	16-1/8	2	2	2	2-1/2
JP200V	21-1/4	16-5/8	20-1/8	16-1/8	2	2	2	2-1/2

**Filler Trim Kit**—When replacing an old GE 30" cooktop (with larger opening) with Model JP326WV, JP326AV, JP326BV or JP326CV, use the following one-piece trim kit to fill in the over-size hole. Available at additional cost.  
 JXTR30A (Almond)  
 JXTR30B (Black)  
 JXTR30W (White)

## Built-In Electric Cooktops

Required 5" free area between the bottom of the cooktop and any combustible material, i.e., shelving. Free area not required when installing wall oven underneath. Requires an 18" minimum from cooktop to adjacent overhead cabinets. Units are furnished with a 48" flexible armored cable.

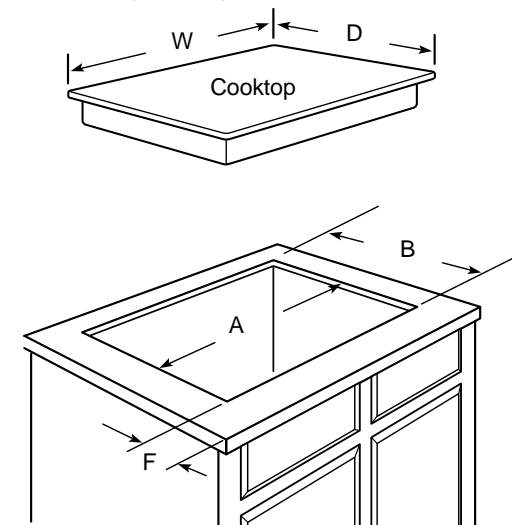
## Installation Information:

Before installing, consult installation instructions [Pub. No. 31-10035 (JP626); Pub. No. 31-10114 (30" electric cooktops); Pub. No. 49-8204 (JP201/200)], packed with product for current dimensional data.

Cooktop models JP326WV/326AV/326BV/326CV are approved for use over select GE 27" or 30" Single Wall Ovens. JP626WV/626AV are approved for use over a GE 30" Single Wall Ovens only. Refer to cooktop and wall oven installation instructions packed with product for current dimensional data.

**Note:** If installing with a GE Profile™ Telescopic Downdraft System, consult both cooktop and downdraft installation instructions packed with product before installing. Cooktop gas/electric supply may need to be re-routed to install downdraft. A minimum 26" deep cabinet is required for this installation. Most standard cabinets are only 24" deep.

## Built-In Cooktop Dimensions (in inches)



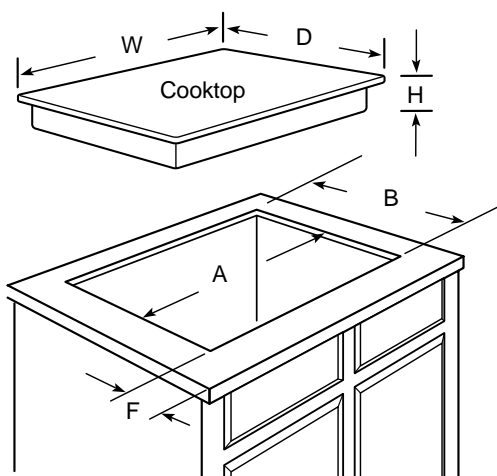
See page 123 for warranty information.

# Built-In Gas Cooktops

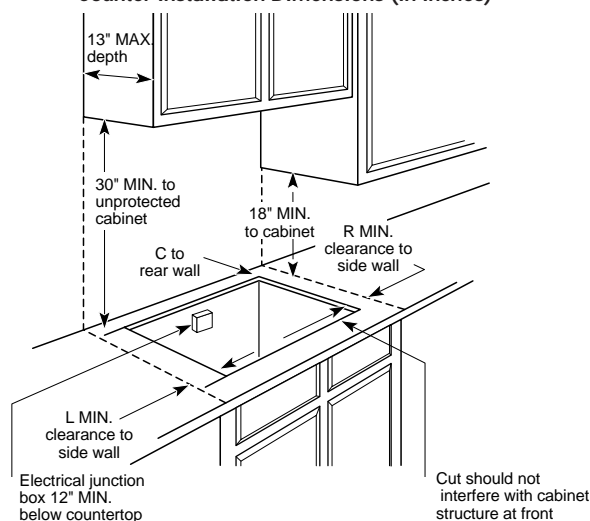
	GE Profile™						GE				
	JGP636WEV	JGP636BEV	JGP636AEV	JGP336WEV	JGP336BEV	JGP336AEV	JGP626WEV JGP626AEV	JGP626BEV	JGP326WEV JGP326AEV	JGP326BEV	JGP320EV
<b>Cleanability</b>											
Cooktop burners	5 Sealed	5 Sealed	5 Sealed	4 Sealed	4 Sealed	4 Sealed	4 Sealed	4 Sealed	4 Sealed	4 Sealed	4 Standard
Removable round burner grates	Deluxe Cast	Deluxe Cast	Deluxe Cast	Deluxe Cast	Deluxe Cast	Deluxe Cast	Std. Cast	Std. Cast	Std. Cast	Std. Cast	Standard Steel
One-piece drip pans	Porc.-Enam.	Porc.-Enam.	Porc.-Enam.	Porc.-Enam.	Porc.-Enam.	Porc.-Enam.	Porc.-Enam.	Porc.-Enam.	Porc.-Enam.	Porc.-Enam.	Chrome
<b>Performance</b>											
Precise simmer burner	2	2	2	●	●	●	●	●	●	●	
Maximum output burner	●	●	●	●	●	●					
Electronic pilotless ignition	●	●	●	●	●	●	●	●	●	●	●
Valves (degree of turn)	270	270	270	210	210	210	270	270	210	210	170
<b>Appearance</b>											
Color appearance*	WW	BB	AA	WW	BB	AA	WW/AA	BB	WW/AA	BB	WH/BL
Glass cooktop	●	●	●	●	●	●	Porc.-Enam.	Porc.-Enam.	Porc.-Enam.	Porc.-Enam.	Porc.-Enam.
Glass control panel	White	Black	Almond	White	Black	Almond	White/Almond	Black	White/Almond	Black	White/Black
Controls	Upfront	Upfront	Upfront	Right Side	Right Side	Right Side	Upfront	Upfront	Right Side	Right Side	Right Side
<b>General Features/Dimensions</b>											
Cooktop width (in inches)	36	36	36	30	30	30	36	36	30	30	30
Burners	(1) 12.0/9.4 (2) 9.5/7.0		(1) 12.0/9.4 (2) 9.5/7.0		(1) 12.0/9.4 (2) 9.5/7.0		(3) 9.5/7.0 (1) 5.0/4.0		(3) 9.5/7.0 (1) 5.0/4.0		(4) 9.1/8.0
Gas cooktop electrical rating	120V, 60Hz, 5A										
Approximate shipping weight (lbs.)	38	38	38	30	30	30	41	41	31	31	31

\*WW = White on white, BB = Black on black, AA = Almond on almond, WH = White, BL = Black.  
 †A set of LP orifices is included with each cooktop for LP conversion. Factory set for Natural Gas.

## Cooktop Dimensions (in inches)



## Counter Installation Dimensions (in inches)



## Dimensions (in inches)

Model	Overall			Cutout		Minimum Spacing To Nearest Combustible Wall				To Edge of Front Counter	
	W	D	H	A	B	C	L	R	F	F	
JGP636WEV/AEV	36	21	3-1/16	33-7/8	19-1/16	2-1/4	3-3/4	3-3/4	3-1/4		
JGP636BEV	36	21	3-1/16	33-7/8	19-1/16	2-1/4	3-3/4	3-3/4	3-1/4		
JGP626WEV/AEV	35-1/2	21	3-5/16	33-7/8	19-1/16	2-1/4	3-3/4	3-3/4	3-1/4		
JGP626BEV	35-1/2	21	3-5/16	33-7/8	19-1/16	2-1/4	3-3/4	3-3/4	3-1/4		
JGP336WEV/AEV	30	21	2-1/2	28-1/2	19-5/8	2-1/4	3-3/4	3-3/4	3-1/4		
JGP336BEV	30	21	2-1/2	28-1/2	19-5/8	2-1/4	3-3/4	3-3/4	3-1/4		
JGP326WEV/AEV	30-1/4	21-1/4	3-9/32	28-1/2	19-5/8	2-1/4	3-3/4	3-3/4	3-1/4		
JGP326BEV	30-1/4	21-1/4	3-9/32	28-1/2	19-5/8	2-1/4	3-3/4	3-3/4	3-1/4		
JGP320EV*	30-1/4	21-1/4	3-9/32	28-1/2	19-5/8	1-3/4	3	3	3-1/4		

\*Allow 5-3/4" depth at rear for electrical and gas connections.

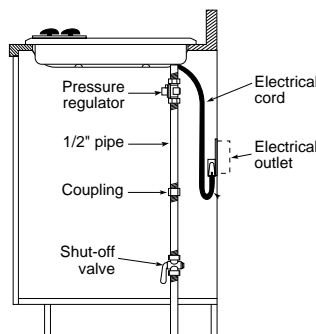
**Note:** All gas cooktop models require 7/16" free area below cooktop height to combustible material. 0" clearance is required between left and right sides of cooktop below countertop. Requires 18" minimum from cooktop to adjacent overhead cabinets.\*

\*AGA requirement.

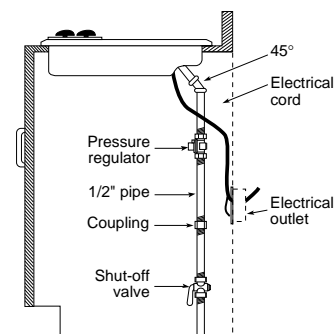
**Note:** If installing with a GE Profile™ Telescopic Downdraft System, consult both cooktop and downdraft installation instructions packed with product before installing. Cooktop gas/electric supply may need to be re-routed to install downdraft. A minimum 26" deep cabinet is required for this installation. Most standard cabinets are only 24" deep.

See page 123 for warranty information.

## Gas Connection Models JGP626 and 636



## Gas Connection Models JGP326, 336, 320



**Installation Information:** Before installing, consult installation instructions [Pub. No. 31-10169 (JGP636/626), Pub. No. 31-10172 (JGP336/326), Pub. No. 31-10004 (JGP320)] packed with product for current dimensional data.

## Installation With Single Wall Oven Information:

30" Gas Cooktops are approved for use over select GE 27" Wall Ovens. 30" and 36" Gas Cooktops are approved for use over 30" Wall Ovens. Refer to cooktop and wall oven installation instructions packed with product for current dimensional data.

## Optional Gas Range Wok Accessory (Available at additional cost)

JXWK = Wok accessory holder sits on top of maximum burner grate to hold a round-bottom wok.



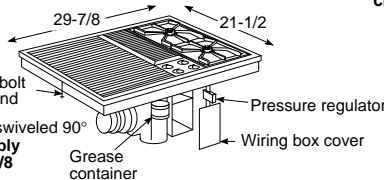
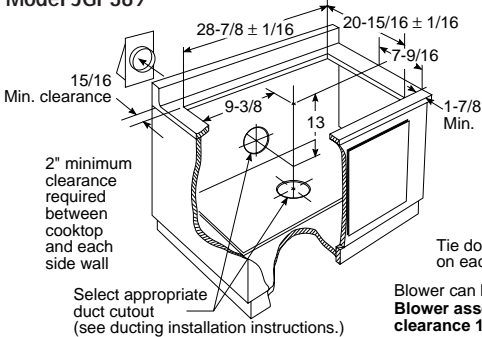
# Built-In Downdraft Gas Modular Cooktops

	GE Profile™		
	JGP389WEV*	JGP389BEV*	JGP18BEV**
<b>Performance</b>			
Downdraft vent fan	●	●	●
Downdraft exhaust (CFM)	375	375	375
Configuration	Single Modular	Single Modular	Single Modular
Electronic pilotless ignition	●	●	●
<b>Appearance</b>			
Color appearance	White on white	Black on black	Black on black
Fixed gas cooktop burners (right side)	Standard	Standard	
<b>Convenience</b>			
Accepts modules	Left Side	Left Side	●
Up-front controls	●	●	●
<b>General Features/Dimensions</b>			
Cooktop width (in inches)	30	30	18
Overall dimensions (W x D in inches)	29-7/8 x 21-1/2	29-7/8 x 21-1/2	18-1/16 x 21-1/2
Right side (burners)	10.0/9.0	10.0/9.0	—
BTU's (000's) Nat/LP Grill Unit	8.0/8.0	8.0/8.0	8.0/8.0
Gas cooktop electrical rating	120V, 60Hz, 15A		
Approximate shipping wt. (lbs.)	58	58	45

\*Models JGP389WEV and JGP389BEV are shipped with fixed standard gas burners, right side. Left side accepts optional modules that must be ordered and are available at additional cost.  
 \*\*Model JGP18BEV is shipped without modules. Optional modules must be ordered and are available at additional cost.

## Installation Information (in inches)

### Model JGP389



## Optional Modules (Available at additional cost)

Two-Burner Gas Module (standard burners)—	Gas Grill Module—JXGG89	Grill Cover—
JXGB89W—White on white	Griddle—JXGL89	JXGC89W—White on white
JXGB89B—Black on black	(use with optional Grill module)	JXGC89B—Black on black

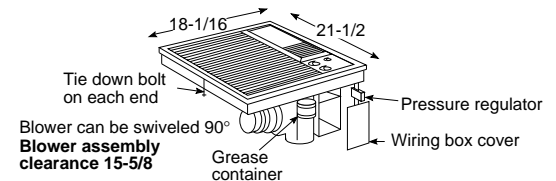
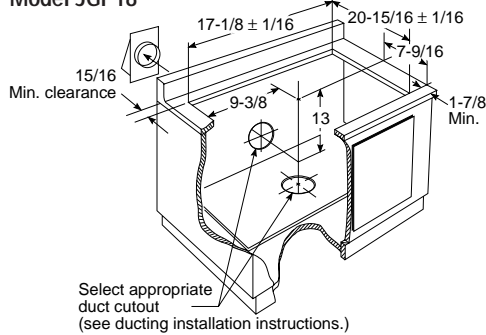


## Installation Information:

Before installing, consult installation instructions (Pub. No. 49-8585) packed with product for current dimensional data.

## Installation Information (in inches)

### Model JGP18



## Slab Installation

For peninsula or island installation and rear wall ducting, PVC duct or locally approved piping should be used if installing under a poured concrete slab.

# 30" Slide-In Downdraft Ranges

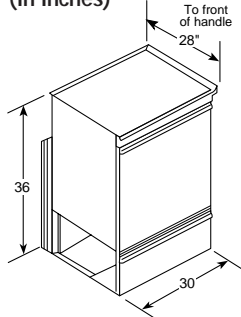
	GE	
	JSP69WV	JSP69BV
<b>Performance</b>		
Self-cleaning oven	●	●
Downdraft venting	●	●
Two-speed exhaust fan	●	●
<b>Convenience</b>		
Porcelain-enameled modular cooktop	●	●
Electronic oven control	●	●
Delay Bake option	●	●
Automatic self-clean oven door lock	●	●
Electronic digital clock and timer	●	●
Preheat signal	●	●
Oven door with window	●	●
Storage drawer (1/2 depth)	●	●
Interior oven light	●	●
<b>Appearance</b>		
Color appearance*	WW	BB
Glass oven door	●	●
Designer-style handle	●	●
<b>General Features/Dimensions</b>		
Oven racks	2	2
Broiler pan with grid	●	●
Overall oven interior dimensions (WxHxD in inches)	23 x 16 x 17	
KW rating @ 240V	14.0	14.0
208V	Not Available	Not Available
Amps @ 240V	40	40
208V	—	—
Approximate shipping wt. (lbs.)	171	171

\*WW = White on white, BB = Black on black.  
 Note: (Shipped with grill module) Optional plug-in modules available.

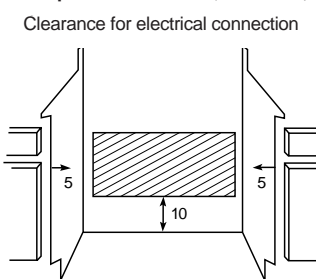
## Optional Modules (Available at additional cost)

Radiant Module—JXGR63B	Coil Modules
Griddle Accessory—JXGL90	JXGC53W—White on white
Grill Module—JXGG50	JXGC53B—Black on black

## Range Dimensions (in inches)

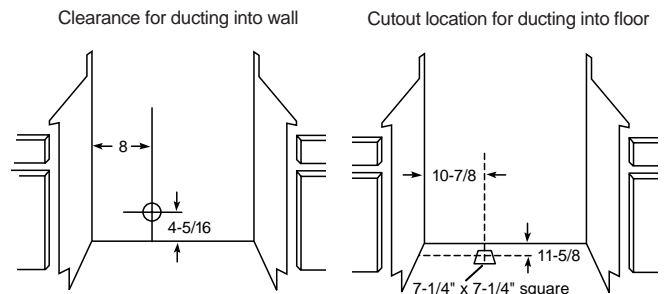


## Receptacle Location (in inches)

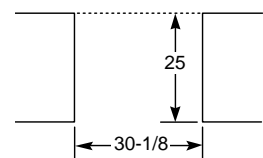


The electrical connection must be located in the shaded area shown.

## Downdraft Installation Dimensions (in inches)



## Counter Cutout Dimensions (in inches)



Note: 30" ranges conform to U.L. requirements for 0" spacing from walls below countertops. However some kitchen cabinet finishes can be damaged by heat from the heating elements. It is recommended that a clearance of at least 1-1/4" be maintained to adjacent walls. Where varnished wood or plastic film finishes are used, a minimum clearance of 6" should be maintained.

Installation Information: Before installing, consult installation instructions [Pub. No. 49-8643 (JSP69WV/69BV)] packed with product for current dimensional data.

See page 123 for warranty information.

Refrigeration

Laundry

Cooking Products

Microwave Ovens

Dishwashers

Water Systems

Room Air

## Select-Top™ Modular Downdraft Cooktops and Patio Grill

	GE Profile™		GE			
	Dual Modular		Single Modular			Patio Grill
	JP389WV	JP389BV	JP385WV	JP385BV	JP385CV	JP380BV
<b>Cleanability</b>						
Removable one-piece drip bowls/trim rings			Chrome	Black Porcelain-Enameled	Chrome	
<b>Performance</b>						
Configuration	Dual Modular	Dual Modular	Single Modular	Single Modular	Single Modular	Outdoor Grill
Fixed plug-in Calrod® elements			One 6" One 8"	One 6" One 8"	One 6" One 8"	Fixed Grill (each side)
Infinite heat controls	Rotary	Rotary	Rotary	Rotary	Rotary	Rotary
Single speed downdraft vent fan			●	●	●	●
Three-speed downdraft vent fan	●	●				
Downdraft exhaust (CFM)	400	400	400	400	400	375
<b>Convenience</b>						
Heating element "ON" indicator light	●	●	●	●	●	●
<b>Appearance</b>						
Color appearance*	WW	BB	WW	BB	BC	BB
Cooktop finish	White Porcelain-Enameled	Black Porcelain-Enameled	White Porcelain-Enameled	Black Porcelain-Enameled	Brushed-Chrome	Black Porcelain-Enameled
<b>General Features/Dimensions</b>						
Cooktop width (in inches)	30	30	30	30	30	30
KW rating @ 240V	8.0	8.0	8.0	8.0	8.0	5.6
Amps @ 240V	40	40	40	40	40	40
Approx. ship. wt. (lbs.)	72	72	75	75	75	68

### Optional Modules (available at additional cost)

Ribbon heating elements (one 8" and one 6")	JXDR50VW	JXDR50VB	JXDR50VW	JXDR50VB	JXDR50VC	
Calrod® heating elements (one 6", one 8" element with removable one-piece bowls)	JXDC44RWH	JXDC43RBL	JXDC44RWH	JXDC43RBL	JXDC41NBC	
Grill Module†	JXDL44N	JXDL44N	JXDL44N	JXDL44N	JXDL44N	
Griddle Accessory	JXDD44R	JXDD44R	JXDD44R	JXDD44R	JXDD44R	
Grill Cover	JXDM3	JXDM2	JXDM3	JXDM2	JXDM2	JXDM4

\*WW = White on white, BB = Black on black, BC = Brushed-Chrome.

†Grill Module includes Calrod® heating element, one-piece Grill Grate, and porcelain reflector pan.

**Note:** These cooktops are U.L. approved for indoor use only.  
Model JP380BV is U.L. approved for outdoor use only.

### Grill Module JXDL44N

Includes front/rear controlled heating element, one-piece grill grate, and porcelain-enameled reflector pan.

### Calrod® Modules

One 8" and one 6" plug-in heating element with one-piece bowls  
JXDC41NBC—Brushed-chrome  
JXDC43RBL—Black porcelain-enameled  
JXDC44RWH—White porcelain-enameled

### Griddle Accessory JXDD44R (Use with optional Grill Module.)

Place over heating element and reflector pan from optional grill module. Griddle accessory has a non-stick coating and is self-draining.

### Ribbon Modules

Patterned glass top with one 8" and one 6" ribbon heating element  
JXDR50VW—White on white  
JXDR50VB—Black on black  
JXDR50VC—Patterned black top with brushed-chrome trim

### Grill Cover

Covers grill area when not in use  
JXDM3—White on white  
JXDM2—Black on black  
JXDM4—Black on black  
(For model JP380 patio grill only.)

### Cooktop Options

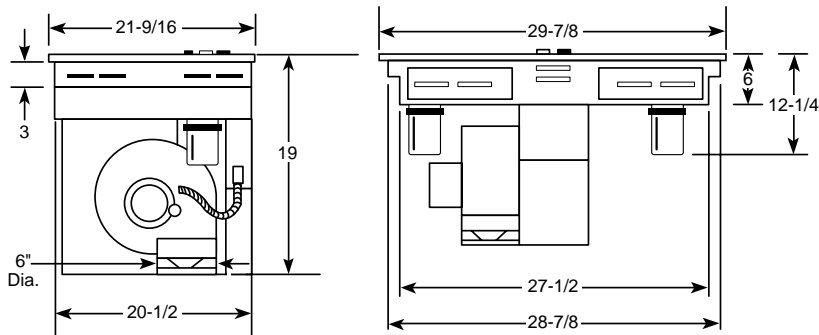
GE lets you customize your cooktop with flexible modules to suit your taste. These optional versatile modules—*Grill, Calrod®, Ribbon, Griddle Accessory and Grill Cover*—are available at additional cost. Simply plug the modules you want into either side of the cooktop (single modular cooktops accept modules on left side only) and unplug them for easy cleaning and storage.

**Note:** See next page for dimensions and installation information.

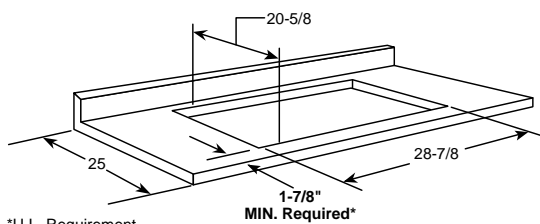
# Installation and Specifications for Select-Top™ Modular Cooktops and Patio Grill

## Built-In Downdraft Cooktops

### Cooktop Dimensions (in inches)



### Cutout Dimensions (in inches)



\*U.L. Requirement.

**Note:** A 6" minimum spacing to adjacent side wall is required

### Wall Installation

Wall installations require 25" countertop depth. When cabinet is flush against the wall, the fan housing can be rotated to the horizontal position for direct venting through rear wall. Make a countertop cutout that is centered in the range cabinet according to unit dimensions and installation type. Duct hole is positioned in back of cabinet for through-the-wall ducting.

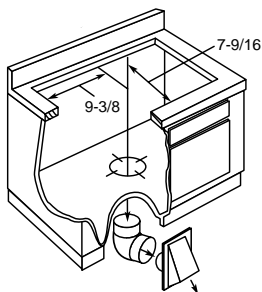
### Peninsula or Island Installation

For peninsula/islands a minimum 26" countertop depth is suggested. Blower should be in vertical position. Island or peninsula cabinets may require adjustment in cutout depth and/or location within the width dimensions. Duct hole is positioned in bottom of cabinet for island or peninsula installation.

### Slab Installation

For peninsula or island installation and rear wall ducting, PVC duct or locally approved piping should be used if installing under a poured concrete slab.

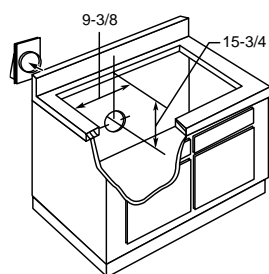
### Downward Venting (in inches)



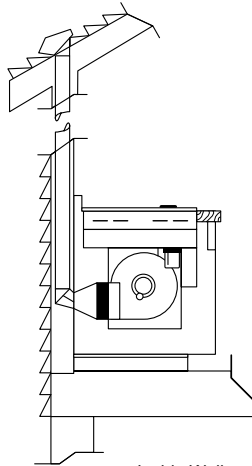
### Installing the Ductwork

Use minimum 26-gauge galvanized or 24-gauge aluminum duct in 6" round or 3-1/4" x 10" size, or combination of both. PVC duct or locally approved piping should be used if installing under a poured concrete slab.

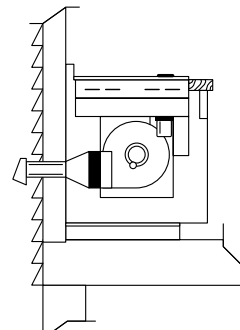
### Rear Wall Venting (in inches)



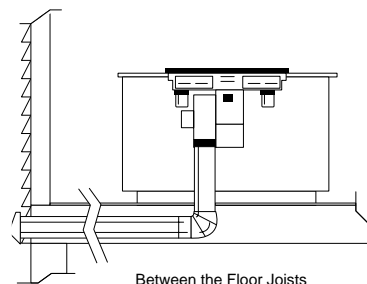
### Venting Options



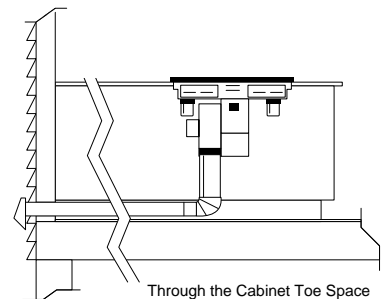
Inside Wall Through Roof



Direct to Outside Straight Duct



Between the Floor Joists

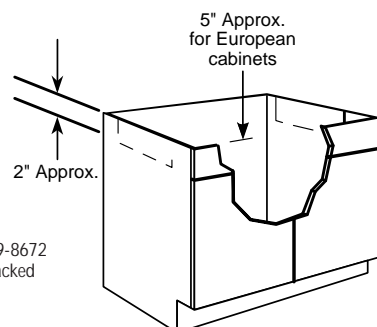


Through the Cabinet Toe Space

**Note:** Ductwork must be vented to outside. Do not vent into a wall, ceiling, crawlspace, attic or any concealed space. Always use an appropriate roof or wall cap with damper. **Laundry-type wall caps should never be used.** For maximum efficiency use the shortest and straightest duct run possible, with as few fittings as possible. For satisfactory performance the duct run should not exceed 100 feet equivalent length. Refer to the table of equivalent lengths (shown in Pub. No. 49-8552) for various duct configurations.

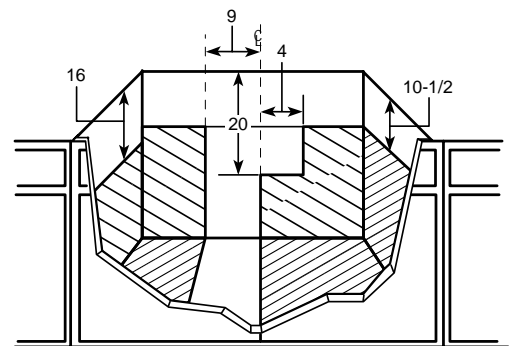
### Preparing the Cabinet for Installation

In some cabinets, the sides may need to be scooped or cut down 2" as shown (right) and the corner braces removed in order to accommodate the cooktop.



**Installation Information:** Before installing, consult installation instructions [Pub. No. 49-8672 (JP389/385); Pub. No. 49-8670 (JP380)] packed with product for current dimensional data.

### Cabinet Dimensions (in inches)



### Receptacle Location

Install an approved junction box within shaded area shown in diagram. Junction box must be at least 10-1/2" below top of cabinet.

Refrigeration

Laundry

Cooking Products

Microwave Ovens

Dishwashers

Water Systems

Room Air

# Downdraft Gas Cooktops

	GE Profile™	
	JGP645WEX	JGP645BEX
<b>Cleanability</b>		
Tempered glass cooktop	White	Black
<b>Performance</b>		
Electronic pilotless ignition	●	●
Automatic re-ignition	●	●
Removable grease filters	●	●
Optional blower mount capabilities	●	●
Upfront variable-speed fan with slide control	●	●
Downdraft exhaust (CFM)	500	500
<b>Convenience</b>		
Cooktop burners	Sealed	Sealed
Burner grates	Heavy-Duty Round	Heavy-Duty Round
Upfront controls	●	●
<b>Appearance</b>		
Color appearance*	WW	BB
Telescopic cover plate	White	Black
Telescopic snorkel assembly	Black	Black
<b>General Features/Dimensions</b>		
Cooktop width (in inches)	36	36
Overall dimensions (WxD in inches)	36 x 22-1/4	
Burners	Natural Gas	11,000/6,000
(000's/BTU's): LP Gas	11,000/6,000 †	11,000/6,000 †
Gas cooktop electrical rating	120V, 60Hz, 5A	120V, 60Hz, 5A
Approximate shipping weight (lbs.)	92	92

\*WW = White on white, BB = Black on black.

†A set of LP orifices is included with each cooktop for LP conversion.

Factory set for Natural Gas.

**IMPORTANT:** Cooktop is shipped with snorkel downdraft vent assembly.

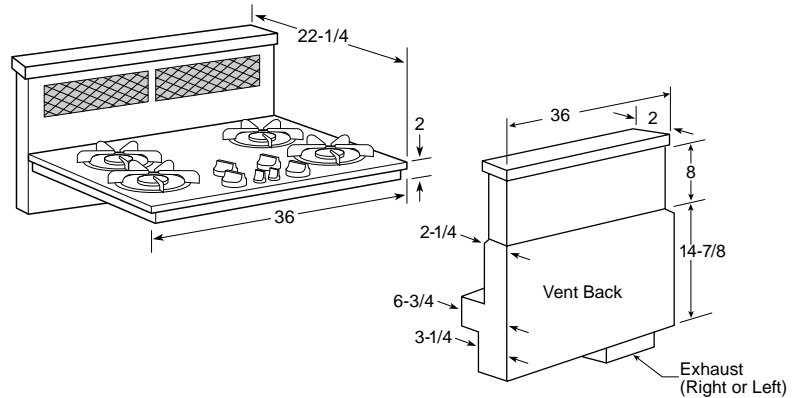
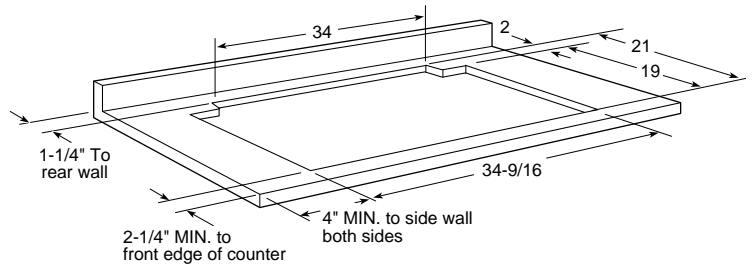
JXBA55 Kit (motor and blower assembly) required. Must be ordered with cooktop.

**JXBC55 Outdoor Cover.** Optional accessory may be ordered for installation of motor and blower assembly on outside wall.

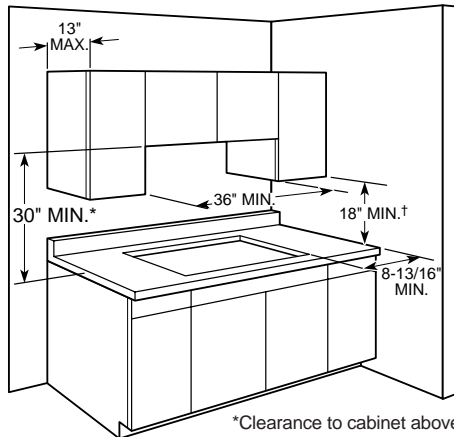
A minimum 36" side-to-side undercounter clearance is required for ease of installation.

Unit is furnished with a 4-foot, 110V electric cord.

## Downdraft Gas Cooktops Dimensions (in inches)

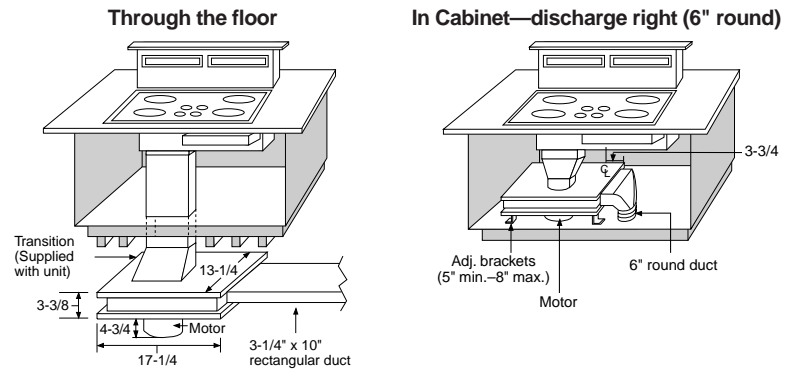


## Cabinet Requirements Dimensions (in inches)



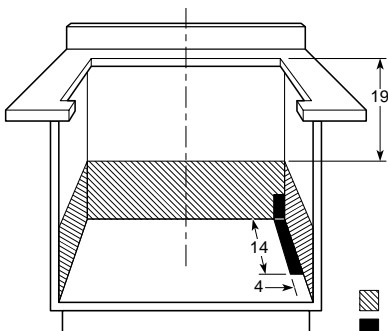
\*Clearance to cabinet above cooktop  
†AGA Requirement

## Venting Options (in inches)



Undercounter duct work represented is not to scale. Enlarged for visibility.

## Gas and Electrical Supply Location Dimensions (in inches)

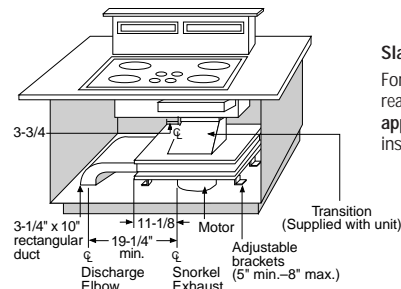


### Gas and Electrical Supply Location

The gas supply pipe and the electrical supply receptacle entering the cabinet should be positioned as shown in the shaded areas. The cooktop is equipped with a 4' power supply cord and should reach any desired location on cabinet walls.

■ Power receptacle  
■ Gas inlet

## In Cabinet—discharge left (rectangular)



### Slab Installation

For peninsula or island installation and rear wall ducting, PVC duct or locally approved piping should be used if installing under a poured concrete slab.

For satisfactory performance, the duct run should not exceed 150 feet equivalent length. Consult Table of Equivalent Lengths on instruction sheet.

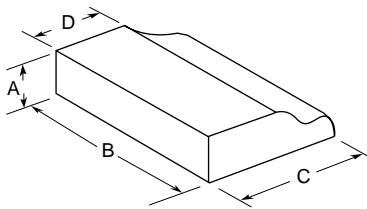
**Installation Information:** Before installing, consult installation instructions (Pub. No. 31-0840) packed with product for current dimensional data.

See page 123 for warranty information.

# Hoods

Dimensions (in inches)

Model	A	B	C	D
JV376V	7	29-7/8	19-3/4	12
JV356V	7	29-7/8	19-3/4	12
JV656V	7	35-7/8	19-3/4	12
JV347X	5-1/2	29-7/8	17-1/2	12
JV337X	5-1/2	29-7/8	17-1/2	12
JV327X	5-1/2	29-7/8	17-1/2	12
JN327X	5-1/2	29-7/8	17-1/2	12



	GE					
	Width	High Performance	Performance	Deluxe	Standard	
30"	JV376V	JV356V	JV347X	JV327X	JV337X	JN327X
36"		JV656V				
<b>Performance</b>						
Variable speed fan control		•	•			
Three-speed fan control				•		
Two-speed fan control					•	•
Vertical exhaust (CFM)		410	250	180	160	
Rear exhaust (CFM)		380	230	160	150	
Sones rating:						
Top exhaust		5.5	5.5	8.0	8.0	
Rear exhaust		5.5	5.5	8.0	8.0	
<b>Convenience</b>						
Cooktop light(s) †		2	2	1	1	1
Night light position on light switch		•	•	•		
Removable grease filters		2	2**	Disposable 1-Pc. Filter	1	1
<b>Appearance</b>						
Color appearance*		WW/BB	WW/BB/AA	WW/BB/AA	Almond or White	Almond or White
<b>Exhaust options</b>						
3-1/4" x 10" rectangular duct		•	Option	Option		•
7" round duct				Option	•	
Non-vented			Option	Option		•
<b>General Features/Dimensions</b>						
Damper included (rectangular)		•	•	•	•	
Optional damper accessory (round)				JXDA22	JXDA22	
Filter size (sq. in.)		162	162/256	90	90	90
Current rating amps @ 120V		2.5	1.4	2.5	2.5	2.5
Approximate shipping weight (lbs.)		43	35	20	14	19

\*WW = White on white, BB = Black on black, AA = Almond on almond

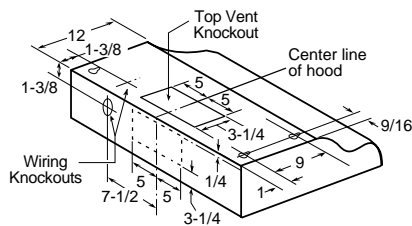
\*\*WB13X5008 removable charcoal filter (for non-vented use) is available at additional cost. Call toll-free 800-626-2002.

†Light bulbs not furnished.

## Hood Dimensions (in inches)

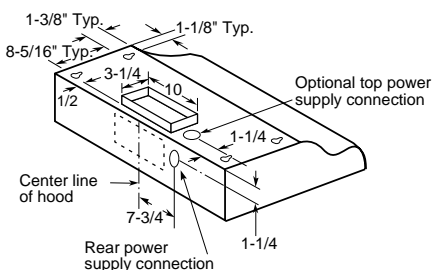
### 1 Models: JV656V, JV376V and JV356V

Exhaust outlet connects to 3-1/4" x 10" rectangular duct. Vent top or rear. Includes rectangular damper.



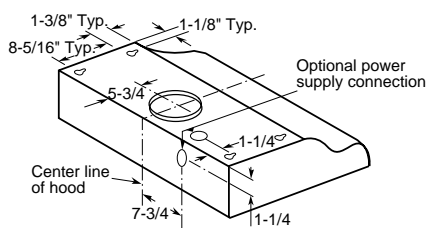
### 2 Models: JV347X\* and JV337X

\*JV347X—Refer to this drawing for rectangular exhaust option. Refer to drawing 3 for round exhaust option. Exhaust outlet connects to 3-1/4" x 10" rectangular duct. Vent top or rear. Includes rectangular damper.

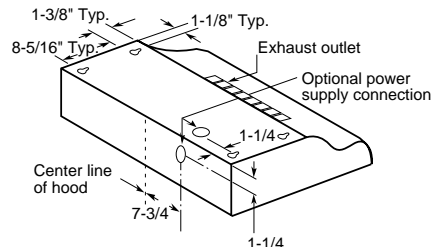


### 3 Models: JV347X\* and JV327X

\*JV347X—Refer to this drawing for round exhaust option. Refer to drawing 2 for rectangular exhaust option. Exhaust outlet connects to 7" diameter duct. Vent top only. Round damper accessory, JXDA22, available at additional cost.



### 4 Model: JN327X



Listed by Underwriters Laboratories

Note: Before installing, consult installation instructions [Pub. No. 49-8646 (JV376); Pub. No. 49-8664 (JV337/327/347/JN327); Pub. No. 49-8645 (JV356/656)] packed with product for current dimensional data.

See page 123 for warranty information.

## Slide-Out Hoods

	GE Profile™			
	JV695S	JV694S	JV395S	JV394S
<b>Performance</b>				
Variable speed fan control	●	●	●	●
Auto heat sensor	●	●	●	●
Vertical exhaust (CFM)	300	300	300	300
<b>Convenience</b>				
Cooktop light	●	●	●	●
Removable grease filter**	●	●	●	●
<b>Appearance</b>				
Color appearance*	WW	BB	WW	BB
<b>General Features/Dimensions</b>				
Width (in inches)	36	36	30	30
Sones rating: Top exhaust	4.5	4.5	4.5	4.5
3-1/4" x 10" rectangular duct	●	●	●	●
Filter size (sq. in.)	147	147	147	147
Current rating Amps @ 120V	3.7	3.7	3.7	3.7
Approximate shipping weight (lbs.)	43	43	40	40

\*WW = White on white, BB = Black on black. \*\*Has washable one-piece smoke/grease filter.

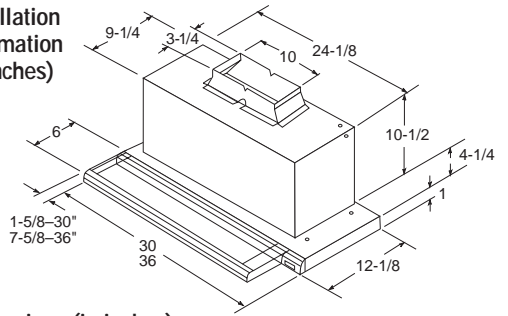
Note: These vented hoods include an installed damper.

Note: The unit is ducted vertically. Horizontal ducting can be accomplished as shown.

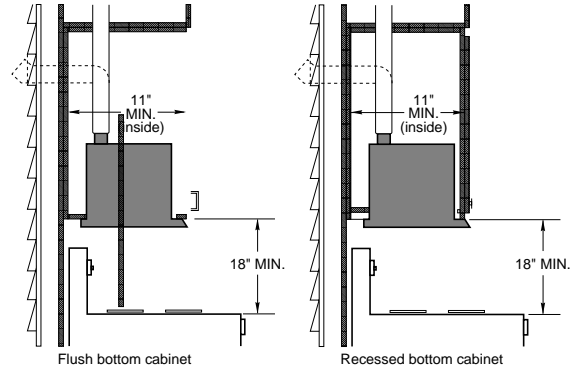
Note: Remove glass visor from unit before installing hood in cabinet to protect visor from damage.

Note: Before installing, consult Use & Care/installation instructions [Pub. No. 49-8464 (JV694/695); Pub. No. 49-8463 (JV394/395)] packed with product for current dimensional data.

### Installation Information (in inches)



### Dimensions (in inches)



## Telescopic Downdraft Systems

	GE			
	JVB65S	JVB64S	JVB35S	JVB34S
<b>Performance</b>				
Variable speed fan control	●	●	●	●
Removable grease filters	●	●	●	●
Downdraft exhaust (CFM)	500	500	500	500
<b>Appearance</b>				
Color appearance	White	Black	White	Black
<b>General Features/Dimensions</b>				
Width (in inches)	36	36	30	30
3-1/4" x 10" rectangular duct	●	●	●	●
Current rating Amps @ 120V	4.0	4.0	4.0	4.0
Approximate shipping weight (lbs.)	62	62	60	60

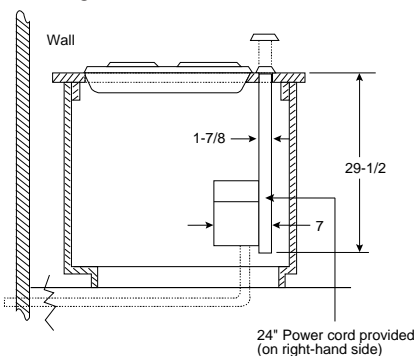
Note: Approved for use with GE electric and sealed burner gas cooktops.

### Accessories:

JXB3WW—30" white trim strip for use with 30" induction cooktop JP393R

JXB6WW—36" white trim strip for use with 36" induction cooktop JP693R

### Venting Island to Outside Wall (in inches)



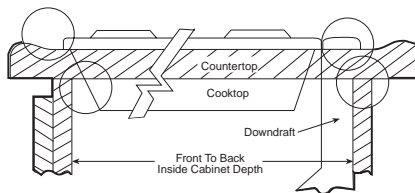
Note: Dimensions shown are for reference only. Before cutting out countertop, refer to instructions packed with downdraft and cooktop.

Note: Duct run not to exceed 100 equivalent feet.

Note: Installation in cabinets/countertops against the wall will not be possible in most applications.

See page 123 for warranty information.

### Counter Cutout Information

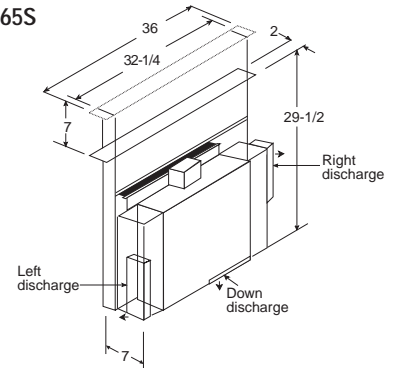


Pay special attention to the 4 areas of potential interference circled above. 2" of FLAT countertop is needed behind rear edge of cooktop to accommodate downdraft vent cover.

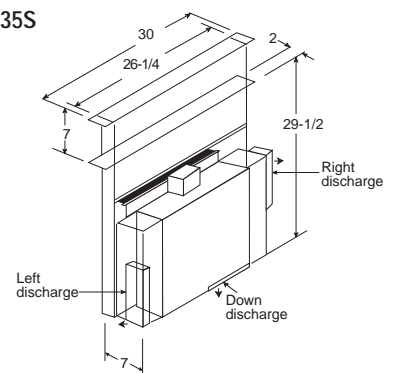
Approved for use with the following GE cooktops—36" and 30" Calrod® models, 36" and 30" radiant models, 30" solid disk models, 36" and 30" gas sealed burner models and 36" and 30" induction models. **Not approved for use with standard burner gas cooktops.**

### Overall Dimensions (in inches)

Models: JVB65S and JVB64S



Models: JVB35S and JVB34S



Installation Information: Before installing, consult installation instructions (Pub. No. 49-8446, 36" and 30" Telescopic Hoods) packed with product for current dimensional data.

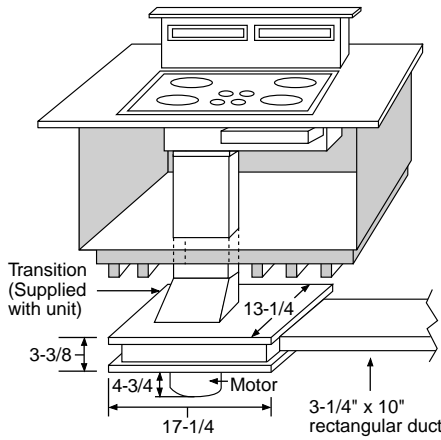
# Telescopic Downdraft Systems

	GE Profile™			
	JVB66WWW	JVB66WBB	JVB36WWW	JVB36WBB
<b>Performance</b>				
Upfront variable speed fan w/slide control	●	●	●	●
Removable grease filters	●	●	●	●
Downdraft exhaust (CFM)	500	500	500	500
Optional blower mount capabilities	●	●	●	●
Separate remote raise/lower switch	●	●		
<b>Appearance</b>				
Color appearance	WW	BB	WW	BB
Cover plate	White	Black	White	Black
Telescopic snorkel assembly	Black	Black	Black	Black
<b>General Features/Dimensions</b>				
Width (in inches)	36	36	30	30
3-1/4" x 10" rectangular duct	●	●	●	●
Minimum 6" round duct capability	●	●	●	●
Current rating Amps @ 120V	4.0	4.0	4.0	4.0
Approximate shipping weight (lbs.)	62	62	60	60

Note: Approved for use with GE Profile™ electric and sealed burner gas cooktops.

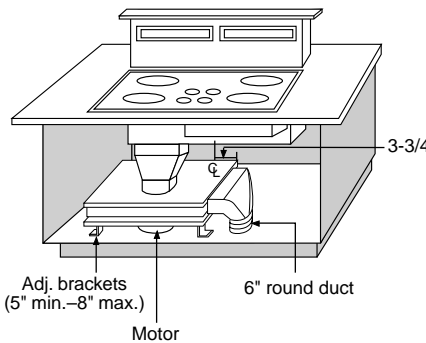
## Venting Options (in inches)

### 36"/30" Through The Floor

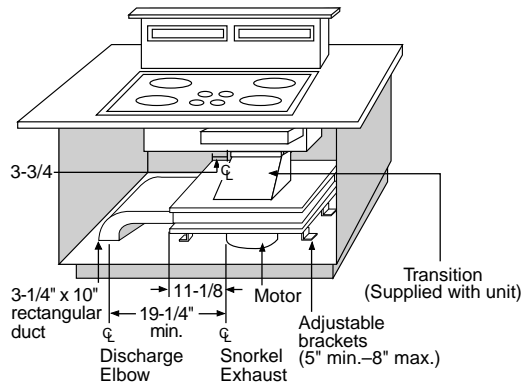


Undercounter duct work represented is not to scale. Enlarged for visibility.

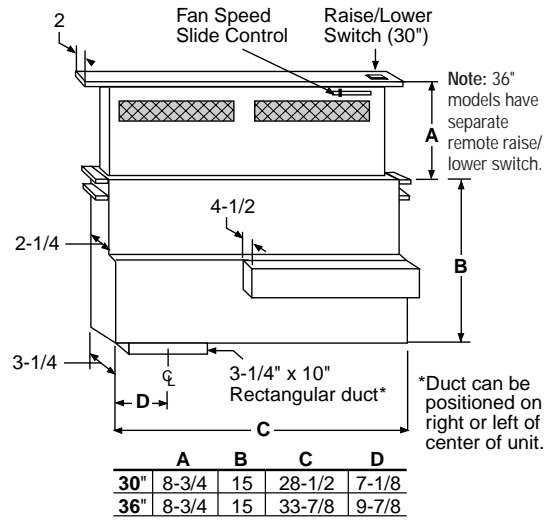
### 36"/30" In Cabinet—discharge right (6" round)



### 36"/30" In Cabinet—discharge left (rectangular)



## Overall Dimensions (in inches)



Approved for use with the following GE Profile™ and GE cooktops—36" and 30" electric models, 36" and 30" gas sealed burner models and 36" and 30" induction models. Not approved for use with standard burner gas cooktops.

Note: A minimum 26" cabinet depth is required in the installation of a telescopic downdraft system. Most standard cabinets are only 24" deep.

Note: Dimensions shown are for reference only. Before cutting out countertop, refer to instructions packed with downdraft and cooktop.

Note: Installation in cabinets/countertops against the wall will not be possible in most applications. Against the wall installations are limited to dimension requirements. Refer to installation instructions packed with product for further details.

JVB36 requires a minimum 30" side-to-side undercounter clearance for ease of installation. JVB66 requires a minimum 36" side-to-side undercounter clearance for ease of installation.

JXBC55 Outdoor Cover. Optional accessory may be ordered for installation of motor and blower assembly on outside wall.

Installation Information: Before installing, consult installation instructions (49-8768) packed with product for current dimensional data.

# 30" Slide-In Gas Ranges

	GE Profile™			GE		
	JGSP44AEY	JGSP44WEY	JGSP44BEY	JGSP23WEY	JGSP23BEY	JGSS05BEW
<b>Cleanability</b>						
Frameless glass oven door	Almond	White	Black	White	Black	Black
Self-Clean oven with Delay Clean option	●	●	●	●	●	Extra-Large Standard Clean
Variable cleaning time	●	●	●	●	●	
Automatic self-clean oven door lock	●	●	●	●	●	
Lift-up cooktop						●
Cooktop burners	Sealed	Sealed	Sealed	Sealed	Sealed	Standard
One-piece drip pans	Porcelain-Enameled	Porcelain-Enameled	Porcelain-Enameled	Porcelain-Enameled	Porcelain-Enameled	
Lift-off oven door	●	●	●	●	●	●
Removable cooktop grates	Deluxe Cast	Deluxe Cast	Deluxe Cast	Standard Cast	Standard Cast	Standard Porcelain Steel
<b>Performance</b>						
Standard simmer burner	●	●	●	●	●	
Maximum output burner	●	●	●	●	●	
Ignition system	Electronic	Electronic	Electronic	Electronic	Electronic	Electronic
In-oven broiling	●	●	●	●	●	
Slide-out broiler drawer						●
<b>Convenience</b>						
SmartSet Controls	●	●	●	●	●	
Temperature display	●	●	●	●	●	
Start pad	●	●	●	●	●	
Delay Bake option with Cook & Hold	●	●	●	●	●	
C° or F° programmable	●	●	●	●	●	
Audible preheat signal	●	●	●	●	●	
Auto oven shut-off with override	●	●	●	●	●	
Electronic clock and kitchen timer	●	●	●	●	●	
Control lock capability	●	●	●	●	●	
Oven door with window	●	●	●	●	●	
Storage drawer	●	●	●	●	●	
Interior oven light	●	●	●	●	●	●
<b>Appearance</b>						
Color appearance*	AA	WW	BB	WW	BB	BB
Cooktop	Almond Glass	White Glass	Black Glass	White Porcelain-Enameled	Black Porcelain-Enameled	Black Porcelain-Enameled
Designer-style handle	Sure Grip	Sure Grip	Sure Grip	●	●	●
<b>General Features/Dimensions</b>						
Oven racks	2	2	2	2	2	2
Broiler pan and grid	●	●	●	●	●	Extra-large
Optional backguard (available at additional cost)	JXS33	JXS31	JXS34	JXS31	JXS34	
Overall oven interior dimensions (WxHxD in inches)	← 22-11/16 x 15-3/16 x 17-1/16 →					24 x 17 x 19
Top burners (000's BTU's) Nat/LP	← (1) 12.0/9.4 (2) 9.5/7.0 (1) 5.0/4.0 →			← (3) 9.5/7.0 (1) 5.0/4.0 →		(4) 9.0/8.0
Oven/broiler burners (000's BTU's) Nat/LP	16.0/16.0	16.0/16.0	16.0/16.0	16.0/16.0	16.0/16.0	16.0/16.0
Gas range electrical rating	← 120V, 60Hz, 5A →					
Approx. shipping wt. (lbs.)	188	188	188	188	188	165

\*WW = White on white, BB = Black on black. AA = Almond on almond.  
 Universal Orifices for Natural or LP Gas. Factory set for Natural Gas. A set of LP orifices is included with each range for LP conversion.

**Optional Kits for Slide-In Gas Ranges:**  
 (Available at additional cost on all models except JGSS05BEW)

**Rear Filler Strip Kits**

- JXS28—Rear Filler Strip Kit (Brushed-chrome)
- JXS62BB—Rear Filler Strip Kit (Black)
- JXS63WW—Rear Filler Strip Kit (White)
- JXS64AA—Rear Filler Strip Kit (Almond)

(Models JGSP44 and JGSP23 are shipped with required "vented" rear filler strip)

**Lower/Side Trim Kits**

- JXS52BB—Lower Trim Kit (Black)
- JXS53WW—Lower Trim Kit (White)
- JXS54AA—Lower Trim Kit (Almond)
- Pub. No. 3-A040 Vertical Side Trim Kit (Brushed-Chrome)

**Accessory Backguards**

- JXS31—White Accessory Backguard
- JXS32—Brushed-Chrome Accessory Backguard
- JXS33—Almond Accessory Backguard
- JXS34—Black Accessory Backguard

**Endcap Kit**

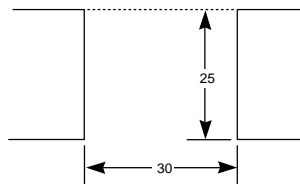
JXS40—Endcap kit to accommodate replacement where countertop may already be notched.

**Optional Gas Range Wok Accessory** (Available at additional cost)

JXWK = Wok accessory holder sits on top of maximum burner grate to hold a round-bottom wok.

See page 123 for warranty information.

**Counter Cutout Dimensions for Models JGSP44 and JGSP23 (in inches)**

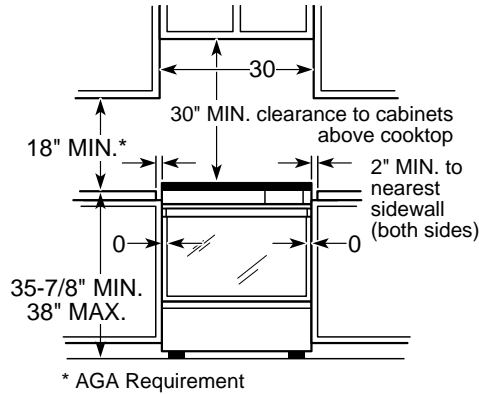
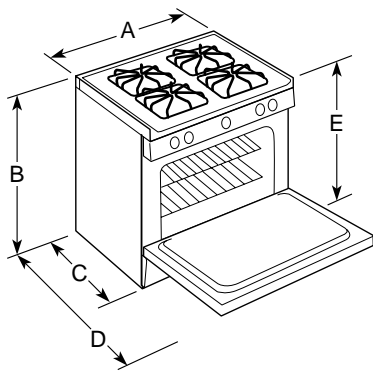


You must use the rear filler strip kit shipped with the range or the optional accessory backguard (JXS31, JXS32, JXS33, JXS34) when installing these ranges.

**Note:** Cabinets installed adjacent to slide-in ranges must have an adhesion spec of at least 194°.



**30" Slide-In Gas Ranges Dimensions (in inches)**  
**Models JGSP44 and JGSP23**



Dimensions (in inches)

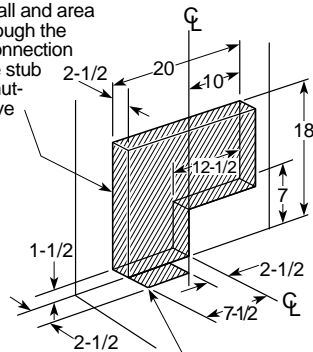
Model	A	B	C*	D	E
JGSP44AEY	30	36-1/4	29-1/2	45-13/16	35-7/8 to 38
JGSP44WEY	30	36-1/4	29-1/2	45-13/16	35-7/8 to 38
JGSP44BEY	30	36-1/4	29-1/2	45-13/16	35-7/8 to 38
JGSP23WEY	30	36-1/4	28-7/8	45-1/8	35-7/8 to 38
JGSP23BEY	30	36-1/4	28-7/8	45-1/8	35-7/8 to 38

\*Depth including handle:  
 26-7/8"—Wall to front of closed oven door  
 26-1/2"—Depth to front top edge of cooktop

Note: Models JGSP44AEY, JGSP44WEY, JGSP44BEY, JGSP23WEY and JGSP23BEY are shipped with special "vented" rear filler strip. Post form countertops may not be used when installing this range. The filler strip (provided) or optional backguard kit is required for installation.

**Installation Information (in inches)**  
**Models JGSP44 and JGSP23**

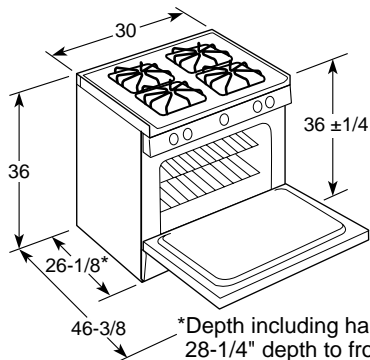
Recommended area for 120V outlet on rear wall and area for through the wall connection of pipe stub and shut-off valve



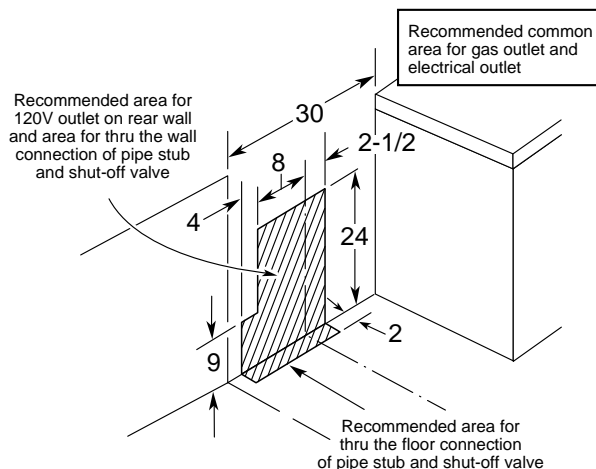
Recommended area for through the floor connection of pipe stub and shut-off valve

**Installation Information:** Before installing, consult installation instructions [Pub. No. 31-10181 (JGSP44AEY, JGSP44WEY, JGSP44BEY, JGSP23WEY and JGSP23BEY) packed with product for current dimensional data.

**30" Slide-In Gas Range Dimensions (in inches)**  
**Model JGSS05**



\*Depth including handle  
 28-1/4" depth to front of closed oven door  
 25-1/4" depth to front top edge of cooktop



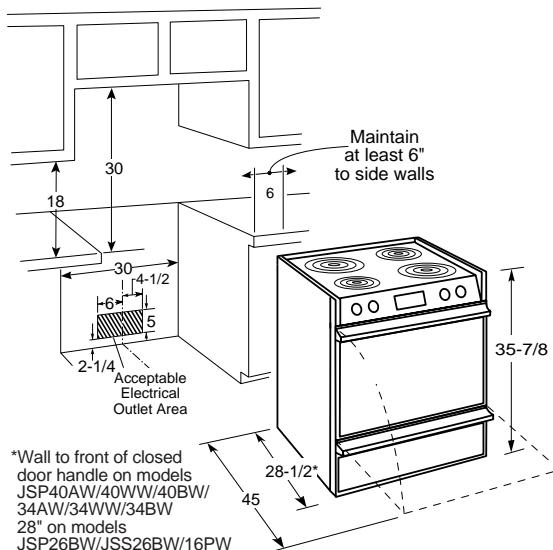
**Installation Information:** Before installing, consult installation instructions [Pub. No. 49-8751 (JGSS05)] packed with product for current dimensional data.

# 30" Slide-In Electric Ranges

	GE Profile™			GE					
	JSP40AW	JSP40WW	JSP40BW	JSP34AW	JSP34WW	JSP34BW	JSP26BW	JSS26BW	JSS16PW
<b>Cleanability</b>									
Frameless glass oven door	Almond	White	Black	Almond	White	Black	CM*	Black	CM* Porc.-Enam.
Self-clean oven with Delay Clean option	●	●	●	●	●	●	●	Standard Clean	Standard Clean
Variable cleaning time	●	●	●	●	●	●	●		
Automatic self-clean oven door lock	●	●	●	●	●	●	●		
Glass-ceramic cooktop	Patterned Almond	Patterned White	Patterned Black						
Lift-up cooktop				Almond Porc.-Enam.	White Porc.-Enam.	Black Porc.-Enam.	CM* Porc.-Enam.	Black Porc.-Enam.	CM* Porc.-Enam.
Overhanging cooktop	●	●	●	●	●	●	●	●	●
Removable one-piece drip bowls				Porc.-Enam.	Chrome	Porc.-Enam.	Porc.-Enam.	Chrome	Chrome
Lift-off oven door	●	●	●	●	●	●	●	●	●
<b>Performance</b>									
Infinite heat controls	●	●	●	●	●	●	●	●	●
8" heating elements	Ribbon**	Ribbon**	Ribbon**	2	2	2	2	2	2
6" heating elements	Ribbon**	Ribbon**	Ribbon**	2	2	2	2	2	2
Plug-in Calrod® heating elements				●	●	●	●	●	●
<b>Convenience</b>									
SmartSet Controls	●	●	●	●	●	●	●		
Temperature display	●	●	●	●	●	●	●		
Start pad	●	●	●	●	●	●	●		
Delay Bake option w/Cook & Hold	●	●	●	●	●	●	●		
C° or F° programmable	●	●	●	●	●	●	●		
Audible preheat signal	●	●	●	●	●	●	●		
Auto oven shut-off w/override	●	●	●	●	●	●	●		
Control lock capability	●	●	●	●	●	●	●		
Electronic clock and kitchen timer	●	●	●	●	●	●	●	●	●
Hot surface indicator lights	4	4	4						
Heating element "ON" indicator light				●	●	●	●	●	●
Oven door with window	●	●	●	●	●	●	●	●	●
Storage drawer	Almond	White	Black	Almond	White	Black	CM*	Black	CM*
Interior oven light	●	●	●	●	●	●	●	●	●
<b>Appearance</b>									
Color appearance*	AA	WW	BB	AA	WW	BB	WH/AD	BB	WH/AD
Designer-style handle	Sure Grip	Sure Grip	Sure Grip	●	●	●	●	●	Visor
<b>General Features/Dimensions</b>									
Oven shelves	2	2	2	2	2	2	2	2	2
Broiler pan with grid	●	●	●	●	●	●	●	●	●
Optional backguard (available at additional cost)	JXS33	JXS31	JXS34	JXS33	JXS31	JXS34	JXS33/31	JXS34	JXS33/31
Overall oven interior dimensions (WxHxD in inches)	← 22-3/4 x 15-3/4 x 17 →								
KW rating @ 240V	11.4	11.4	11.4	10.8	10.8	10.8	10.8	11.6	11.6
208V	8.6	8.6	8.6	8.1	8.1	8.1	8.1	8.7	8.7
Amps @ 240V	40	40	40	40	40	40	40	40	40
208V	40	40	40	40	40	40	40	40	40
Approx. shipping weight (lbs.)	182	182	182	172	172	172	175	160	160

\*WW = White on white, BB = Black on black, AA = Almond on almond, WH = White, AD = Almond. CM = Color-matched indicates color of the oven door matches range cooktop and drawer face (either almond or white).  
 \*\*Two 8", one 6" and one dual 6/9" ribbon heating elements.

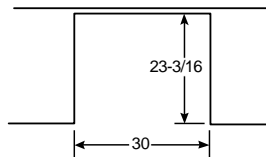
## 30" Slide-In Range Dimensions (in inches)



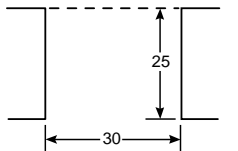
\*Wall to front of closed door handle on models JSP40AW/40WW/40BW/34AW/34WW/34BW 28" on models JSP26BW/JSS26BW/16PW

**Note:** Range may be placed with 0" clearance (flush) at the back wall and side walls if the range side trims extend beyond the cabinet fronts at least 1/4". (Self-clean models only.)

If you are NOT using the optional Filler or Backguard:



If you are using the optional Filler or Backguard:



**Note:** Cabinets installed adjacent to slide-in electric ranges must have an adhesion spec of at least 194°.

## Optional Kits for Slide-In Electric Ranges (Available At Additional Cost)

### Rear Filler Strip Kits

- JXS28—Rear Filler Strip Kit (Brushed-chrome)
- JXS62BB—Rear Filler Strip Kit (Black)
- JXS63WW—Rear Filler Strip Kit (White)
- JXS64AA—Rear Filler Strip Kit (Almond)

Models above are shipped with rear filler strip kit

### Accessory Backguards

- JXS31—White Accessory Backguard
- JXS32—Brushed-chrome Accessory Backguard
- JXS33—Almond Accessory Backguard
- JXS34—Black Accessory Backguard

### Endcap Kit

- JXS40—Endcap kit to accommodate replacement where countertop may already be notched.

### Lower/Side Trim Kits

- JXS52BB—Lower Trim Kit (Black)
- JXS53WW—Lower Trim Kit (White)
- JXS54AA—Lower Trim Kit (Almond)
- Pub. No. 3-A040—Vertical Side Trim Kit (Brushed-Chrome)

**Note:** All 30" Slide-In Ranges conform to U.L. requirements for 0" spacing from range to adjacent walls below countertop. To reduce possibility of scorching of the side wall adjacent to the heating elements, it is recommended a minimum 6" spacing from adjacent side walls be allowed for possible extended high-heat, no-load heating element operation.

**Receptacle Locations:** For all 30" Slide-In Ranges locally approved flexible service cord or conduit must be used because terminals are not accessible after range installation. See shaded area in drawing for location of electrical outlet box. Recommended outlet locations allow range to be installed directly against rear wall.

**Installation Information:** Before installing, consult installation instructions (Pub. No. 31-10070) packed with product for current dimensional data.

# 30" Drop-In Electric Ranges

Refrigeration

Laundry

Cooking Products

Microwave Ovens

Dishwashers

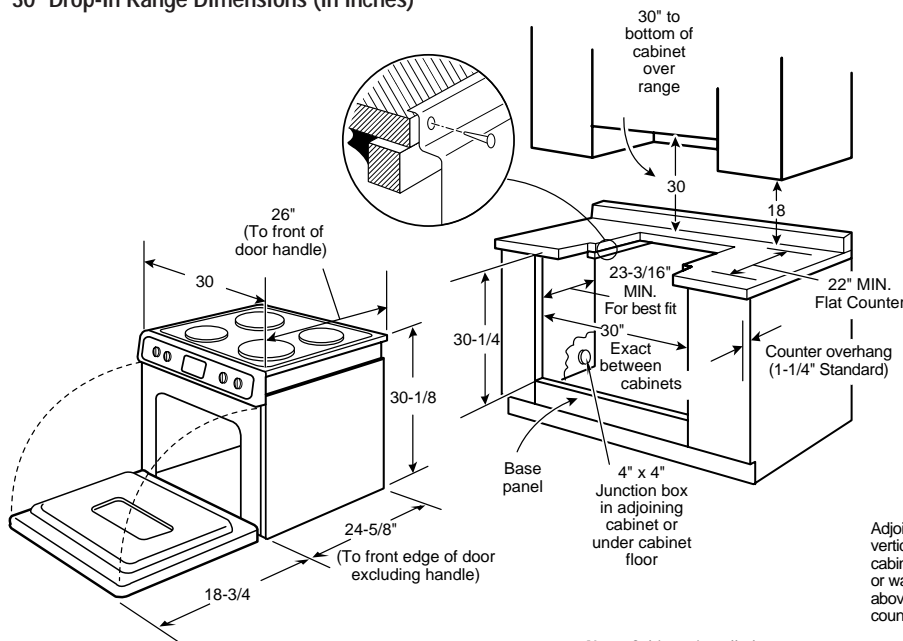
Water Systems

Room Air

GE				
	JDP39WW	JDP39BW	JDP36BW	JDS26BW
<b>Cleanability</b>				
Frameless oven door	White Glass	Black Glass	Black Glass	Black Glass
Self-clean oven w/Delay Clean option	●	●	●	Standard Clean
Variable cleaning time	●	●	●	
Automatic self-clean oven door lock	●	●	●	
Lift-up overhanging cooktop	White Porcelain-Enameled	Black Porcelain-Enameled	White or Almond Porcelain-Enameled	White or Almond Porcelain-Enameled
Removable one-piece drip bowls	Chrome	Black Porcelain-Enameled	Chrome	Chrome
Lift-off oven door	●	●	●	●
<b>Performance</b>				
8" heating elements	2 Plug-in	2 Plug-in	2 Plug-in	2 Plug-in
6" heating elements	2 Plug-in	2 Plug-in	2 Plug-in	2 Plug-in
Infinite heat controls	●	●	●	●
<b>Convenience</b>				
SmartSet Controls	●	●	●	●
Temperature display	●	●	●	●
Start pad	●	●	●	●
Delay Bake option w/Cook & Hold	●	●	●	●
C° or F° programmable	●	●	●	●
Audible preheat signal	●	●	●	●
Auto oven shut-off w/override	●	●	●	●
Electronic clock and kitchen timer	●	●	●	●
Control lock capability	●	●	●	●
Heating element "ON" indicator light	●	●	●	●
Oven door with window	●	●	●	●
<b>Appearance</b>				
Color appearance*	WW	BB	WH/AD	WH/AD
Designer-style handle	●	●	●	●
<b>General Features/Dimensions</b>				
Oven shelves	2	2	2	2
Broiler pan with grid	●	●	●	●
Overall oven interior dimensions (WxHxD in inches)	← 22-3/4 x 15-3/4 x 17 →			
KW rating @ 240V	11.6	11.6	11.6	11.6
208V	8.7	8.7	8.7	8.7
Amps @ 240V	40	40	40	40
208V	40	40	40	40
Approx. shipping weight (lbs.)	144	144	144	128

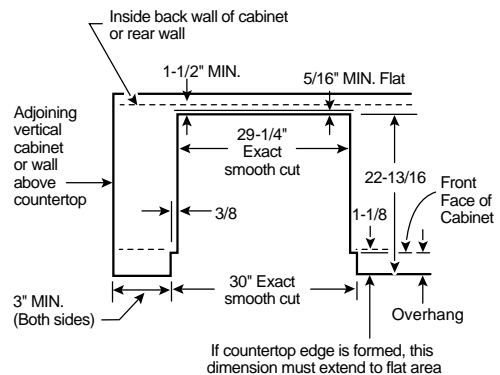
\*WW = White on white, BB = Black on black, WH - White, AD = Almond.

## 30" Drop-In Range Dimensions (in inches)



**IMPORTANT:** 30" DROP-IN RANGES ARE DESIGNED TO HANG FROM THE COUNTERTOP. IT DOES NOT REST ON THE FLOOR. FOR INSTALLATION ALTERNATIVES, REFER TO INSTALLATION INSTRUCTIONS PACKED WITH PRODUCT.

### Countertop Cutout—Top View



**Installation Information:** Before installing, consult installation instructions (Pub. No. 31-10129) packed with product for current dimensional data.

**Note:** 30" Drop-In Ranges conform to requirements for 3" minimum spacing between range and adjacent side walls below countertop.

See page 123 for warranty information.

# Spacemaker™ 27" Drop-In Electric Ranges

	GE Profile™	GE	
	JMP31WW	JMP28BW	JMS08BW
<b>Cleanability</b>			
Frameless oven door	White Glass	Black Glass	Black Glass
Oven cleaning	Self-Clean	Self-Clean	Standard Clean
Variable cleaning time	●	●	
Automatic self-clean oven door lock	●	●	
Lift-up overhanging cooktop	White Porcelain-Enameled	White or Almond Porcelain-Enameled	White or Almond Porcelain-Enameled
Removable one-piece drip bowls	Chrome	Chrome	Chrome
Lift-off oven door	●	●	●
<b>Performance</b>			
8" heating elements	1	1	1
6" heating elements	3	3	3
Plug-in Calrod™ heating elements	●	●	●
Infinite heat controls	●	●	●
<b>Convenience</b>			
Electronic oven control	●	●	
Auto oven shut-off	●	●	
Delay Bake option	●	●	
Electronic clock and kitchen timer	●	●	
Heating element "ON" indicator light	●	●	●
Oven door with window	●	●	●
Interior oven light	●	●	●
<b>Appearance</b>			
Color appearance*	WW	WH/AD	WH/AD
Designer-style handle	Sure Grip	●	●
<b>General Features/Dimensions</b>			
Oven shelves	2	2	2
Broiler pan with grid	●	●	●
Overall oven interior dimensions (WxHxD in inches)	← 19 x 15 x 18 →		
KW rating @ 240V	9.8	9.8	10.1
208V	7.3	7.3	7.6
Amps @ 240V	40	40	40
208V	40	40	40
Approx. shipping weight (lbs.)	119	119	119

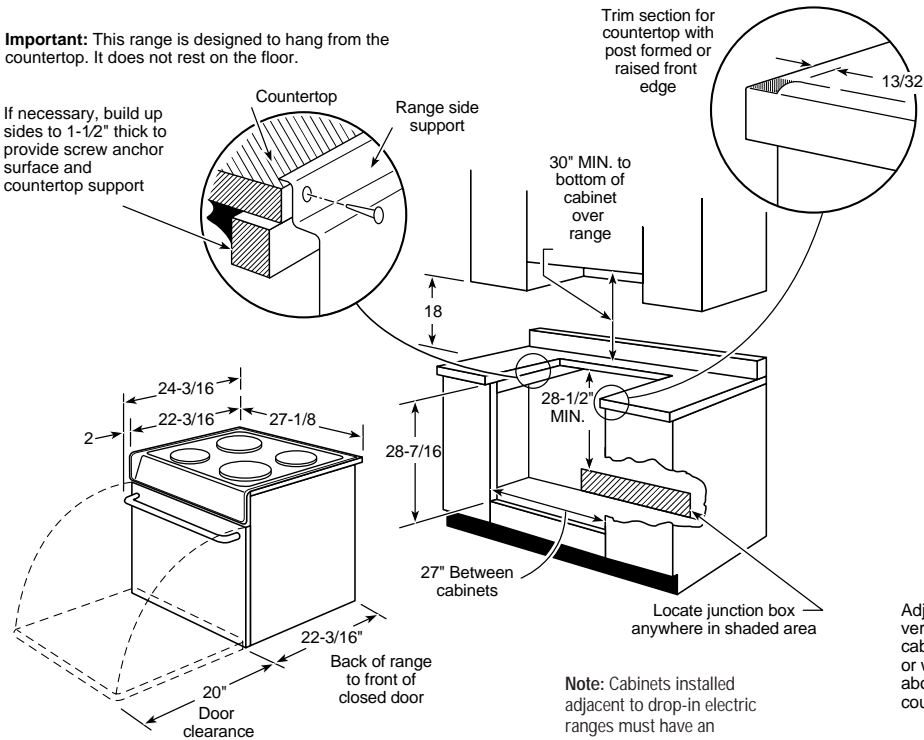
\*WW = White on white, WH = White, AD = Almond.

Optional backguard in white, black or almond is available at additional cost for all models. JX27RWH = White, JX27RBK = Black or JX27RAD = Almond.

## 27" Drop-In Range Dimensions (in inches)

**Important:** This range is designed to hang from the countertop. It does not rest on the floor.

If necessary, build up sides to 1-1/2" thick to provide screw anchor surface and countertop support



**Note:** Cabinets installed adjacent to drop-in electric ranges must have an adhesion spec of at least 194°.

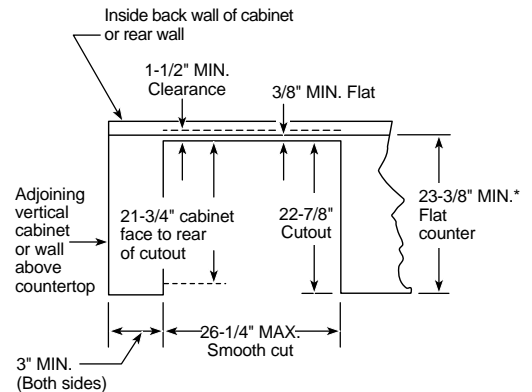
**Note:** All 27" Drop-In Electric Ranges conform to U.L. requirements for minimum spacing between range and side wall below countertop.

**Installation Information:** Before installing, consult installation instructions (Pub. No. 31-10116) packed with product for current dimensional data.

### Optional Backguard

(Available at additional cost)  
 JX27RBK = Black  
 JX27RWH = White  
 JX27RAD = Almond

### Countertop Cutout—Top View



\*If countertop edge is formed, this dimension must extend to flat area

In replacement installation, use JX27R optional backguard, if required





# 40" Electric Ranges

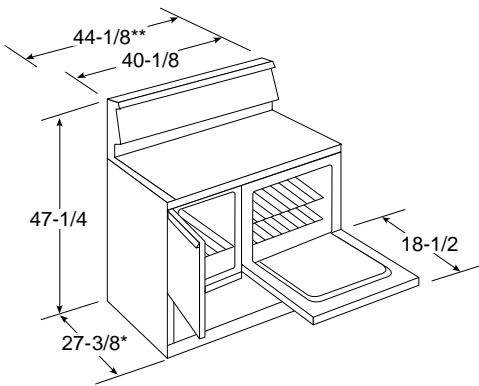
	GE	
	JCP67Y	JCS57Y
<b>Cleanability</b>		
Oven cleaning	Master Oven—Self-Cleaning Comp. Oven—Standard	Standard
Lift-off oven door	Master	●
Removable drip bowls	One-Piece Chrome	One-Piece Chrome
Storage drawer	●	●
<b>Performance</b>		
8" heating elements	2	2
6" heating elements	2	2
<b>Convenience</b>		
Automatic oven timer	Master	
Clock and minute timer	Electronic	Electronic
Heating element "ON" indicator light	●	●
Full-width fluorescent cooktop night light	●	●
Oven cycling light	2	●
Interior oven light	●	●
Oven shelves	Master Oven—2 Comp. Oven—1	Master Oven—2
<b>Appearance</b>		
Color appearance*	WW	WW
Oven door with window	Master Oven	●
<b>Dimensions/General</b>		
Broiler pan with grid	Master Oven—1 Comp. Oven—1	Master Oven—1
Overall oven interior dimensions (WxHxD in inches)	Master Oven— 22-5/8 x 15-7/8 x 18-1/8 Comp. Oven— 9-9/16 x 16 x 19-1/2	22-5/8 x 15-7/8 x 18-1/8
KW rating @ 240V	14.2	12.6
208V	10.7	9.5
Approx. shipping weight (lbs.)	224	197

\*WW = White on white

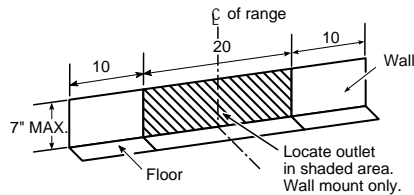
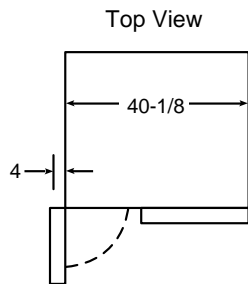
## Warranty Information

Full one-year warranty (parts and labor at no additional charge) applies to the entire range. See written warranty for complete details.

## 40" Range Dimensions and Installation Information (in inches)



\*Dimension from wall to front of closed oven door handle.  
\*\*Includes required 4" door swing allowance for side-hinged oven or storage compartment door.



**Receptacle Locations:** For all 40" Free-Standing Ranges locally approved flexible service cord or conduit must be used because terminals are not accessible after range installation. See shaded area in drawing for location of electrical outlet box. Recommended outlet locations allow range to be installed directly against rear wall.

Refrigeration

Laundry

Cooking Products

Microwave Ovens

Dishwashers

Water Systems

Room Air





# 30" XL44™ Continuous and Standard Clean Gas Ranges

	GE									
	Sealed Burner Models			Standard Burner Models						
	JGBS23WEW JGBS23AEW JGBS23BEW	JGBS22BEW	JGBS21PEW	JGBC20BEW JGBS20BEW	JGBC20WEW JGBS20WEW	JGBC17PEW JGBS17PEW	JGBS07PEW	JGBS04BEW JGBS04BPW	JGBS04PEW JGBS04PPW	JGBS03PPW
<b>Cleanability</b>										
Oven cleaning	Standard Clean	Standard Clean	Standard Clean	Cont. Clean Standard Clean	Cont. Clean Standard Clean	Cont. Clean Standard Clean	Standard Clean	Standard Clean	Standard Clean	Standard Clean
Lift-up cooktop				●	●	●	●	●	●	●
Cooktop burners	Sealed	Sealed	Sealed	Std./Twin	Std./Twin	Std./Twin	Std./Twin	Std./Twin	Std./Twin	Std./Twin
Porcelain-enameled cooktop	One-Piece Upswept	One-Piece Upswept	One-Piece Upswept	One-Piece Upswept	One-Piece Upswept	One-Piece Upswept	●	●	●	●
Porcelain-enameled backguard	●	●	●	●	●	●	●	●	●	●
	Grey Taupe Black									
One-piece drip pans		Opt. Access.	Opt. Access.	Opt. Access.	Opt. Access.	Opt. Access.	Opt. Access.	Opt. Access.	Opt. Access.	Opt. Access.
Easy-clean porcelain- enameled subtop				●	●	●	●	●	●	●
Removable square grates	Deluxe Porcelain Steel	Black Standard Porcelain Steel	Black Standard Porcelain Steel	Black Standard Porcelain Steel	Grey Standard Porcelain Steel	Black Standard Porcelain Steel	Grey Standard Porcelain Steel	Black Standard Porcelain Steel	Black Standard Porcelain Steel	Black Standard Porcelain Steel
<b>Performance</b>										
Maximum output burner (Nat.)	(1) 12,000/ 1,000 BTU	(1) 12,000/ 1,000 BTU								
Precise simmer burner (Nat.)	(1) 5,000/ 600 BTU	(1) 5,000/ 600 BTU								
All-purpose burners (Nat.)	(2) 9,500/ 850 BTU	(2) 9,500/ 850 BTU	(4) 9,500/ 850 BTU							
Ignition system	Electronic	Electronic	Electronic	Electronic	Electronic	Electronic	Electronic	Electronic Pilot †	Electronic Pilot †	Pilot †
Valves (degree of turn)	270	270	270	270	270	270	270	90	90	90
<b>Capacity</b>										
Extra-large 4.4 cu. ft. oven	●	●	●	●	●	●	●	●	●	●
Six embossed rack positions	●	●	●	●	●	●	●	●	●	●
Oven racks	2	2	1	2	2	2	2	2	2	2
Extra-large broiler pan/grid	●	●	●	●	●	●	●	●	●	●
<b>Appearance</b>										
	WW AA WH/AD									
Color appearance*	WH/AD	WH/AD	WH/AD	WH/AD	WW	WH/AD	WW	WH/AD	WH/AD	WH/AD
Designer-style handle	●	●	Chrome Visor	●	●	●	●	●	Chrome Visor	Chrome Visor
Frameless removable oven door*	White Glass Almond Glass Black Glass	Black Glass	Solid CM* Porc.-Enam.	Black Glass	White Glass	CM Porcelain- Enameled	White Porcelain- Enameled	Solid Black Glass	Solid Porcelain- Enameled	Solid Porcelain- Enameled
Oven door with window	Big View	●	●	●	●	●	●	●	●	●
<b>Convenience</b>										
Electronic clock and timer	●	●	●	●	●	●	●	●	●	●
Interior oven light	●	●	●	●	●	●	●	●	●	●
Slide-out broiler drawer	●	●	●	●	●	●	●	●	●	Drop-Down
<b>General Features/Dimensions</b>										
Four leveling legs	●	●	●	●	●	●	●	●	●	●
Overall oven interior dimensions (WxHxD in inches)	← 24 x 17 x 19 →									
Top burners (000's BTU's) Nat/LP	(1) - 12.0/9.5 (1) - 5.0/3.5 (2) - 9.5/7.0	(1) - 12.0/9.5 (1) - 5.0/3.5 (2) - 9.5/7.0	(4) 9.5/7.0	← 9.0/8.0 →						
Oven/broiler burners (000's BTU's) Nat/LP	← 18.0/16.5 →									
LP conversion kit (included)	●	●	●	●	●	●	●	●	●	●
Gas range electrical rating**	← 120V, 60Hz, 5A →									
Approx. shipping weight (lbs.)	225	178	172	178	185	185	177	169	172/169	156

\*WW= White on white, AA = Almond on almond, WH = White, AD = Almond, CM = Color-Matched indicates color of oven door matches cooktop (either White or Almond).

\*\*Electrical rating not applicable to standing pilot models.

†JGBS04BPW, JGBS04PPW and JGBS03PPW have standing pilot ignition.

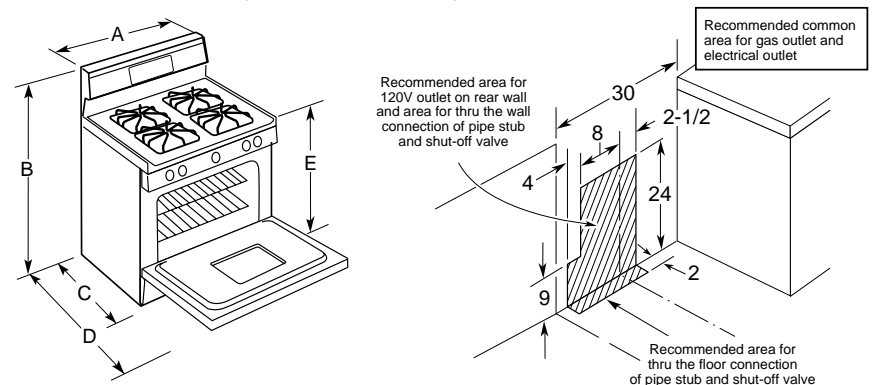
Factory set for Natural Gas. A set of LP orifices is included with each XL44™ range for LP conversion.

Note: Model JGBS03PPW does not have a flamer spreader in broiler compartment.

Model	A	B	C*	D	E
JGBS23BEW/WEW/AEW	30	45-3/4	26-1/4	46-3/8	36 ± 1/4
JGBS22BEW	30	45-3/4	26-1/4	46-3/8	36 ± 1/4
JGBS21PEW	30	45-3/4	26-1/4	46-3/8	36 ± 1/4
JGBC20BEW	30	45-3/4	26-1/4	46-3/8	36 ± 1/4
JGBS20BEW	30	45-3/4	26-1/4	46-3/8	36 ± 1/4
JGBC20WEW	30	45-3/4	26-1/4	46-3/8	36 ± 1/4
JGBS20WEW	30	45-3/4	26-1/4	46-3/8	36 ± 1/4
JGBC17PEW	30	45-3/4	26-1/4	46-1/4	36 ± 1/4
JGBS17PEW	30	45-3/4	26-1/4	46-1/4	36 ± 1/4
JGBS07PEW	30	43-3/4	26-1/4	46-1/4	36 ± 1/4
JGBS04BEW/BPW	30	43-3/4	26-1/4	46-3/8	36 ± 1/4
JGBS04PEW/PPW	30	43-3/4	25-5/16	46-1/4	36 ± 1/4
JGBS03PPW	30	39-7/8	25-5/16	46-1/4	36 ± 1/4

\*Dimension from wall to front of closed door handle is 29". On models JBS04 and JBS03 the dimension is 27-7/16".  
25-1/4"—Depth to front top edge of cooktop

## Installation Information (Dimensions in inches)



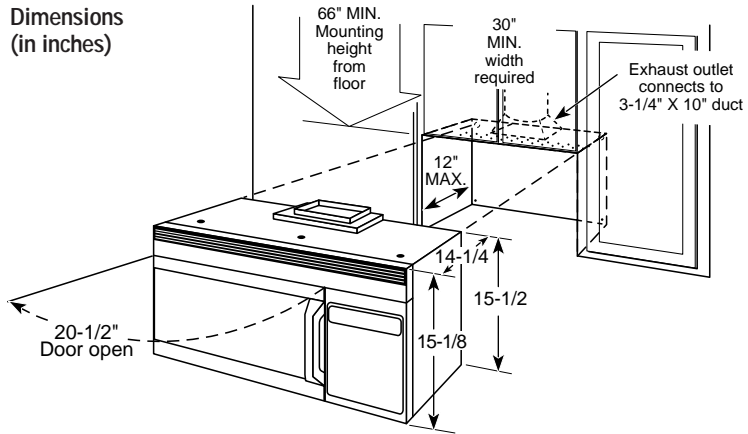
See page 123 for warranty information.

# SpacemakerPlus™ Microwave/Convection Ovens

		GE Profile Performance Series™
		JVM1190WY JVM1190AY JVM1190BY
<b>Capacity</b>		
Oven cavity (cu. ft.)		1.1
<b>Performance</b>		
Watts (IEC-705 Test Procedure)		825
Power levels		10
Time Cook		I & II
Auto Defrost/Time Defrost		●
Convection Controls		
Sensor Combination	Chicken, Fish, Potato	
Convection Broil	Hi/Lo	
Convection Bake	●	
Combination Bake	Hi/Lo	
Combination Roast	●	
Sensor Controls		
Beverage	●	
Popcorn	●	
Reheat	●	
Vegetables (Canned/Fresh/Frozen)	●	
Temp Cook	●	
Surface light	●	
Night Light	●	
Two-speed high-capacity exhaust fan	●	
<b>Convenience</b>		
Electronic Touch Controls	●	
SmartControl System w/Interactive Display	●	
Electronic scrolling digital display w/Clock and AM/PM Pad	●	
Variable Scroll Speed	●	
Help Pad	●	
Concurrent programming	●	
Convection Rack/Broil Pan	●	
Timer On/Off	●	
Reminder	●	
Programmable Night Light	●	
Variable Beeper Volume Control	●	
Display On/Off	●	
Delay Start	●	
Instant On Controls	●	
Express Cook (1-6 minutes)	●	
Add 30 Seconds	●	
Cooking Complete Reminder	●	
Child Lock Out	●	
<b>Appearance</b>		
Designer-style handle	●	
Door Color		White Almond Black
Case color		White Almond Black
<b>General Features/Dimensions</b>		
Full One-Year Warranty*		In-Home
Limited Nine-Year Magnetron Warranty* (10 years total)		●
Frequency (MHz)		2450
Electrical input @ 120V	Watts	1300
	Amperage	12.5
WxHxD	Cavity	18 x 8-1/16 x 12-1/2
(in inches)	Exterior	29-15/16 x 15-1/2 x 14-1/4
Approx. shipping weight (lbs.)		98

\*See written warranty for details.

## Dimensions (in inches)



## Ventilation Options

The SpacemakerPlus™ microwave/convection and SpacemakerXL microwave ovens are designed for adaptation to the following three types of ventilation:

- Outside Exhaust (Vertical—as shown above)
- Outside Exhaust (Horizontal)
- Recirculating (Non-vented ductless—see Filter Kit Drawing)

Requires 120V grounded outlet. Electrical receptacle must be located in cabinet above SpacemakerPlus™ microwave/convection and SpacemakerXL microwave ovens. No additional wiring, venting or cabinet rebuilding necessary in many cases. Complete detailed, easy-to-follow installation instructions and convenient full-size templates are packed with product.

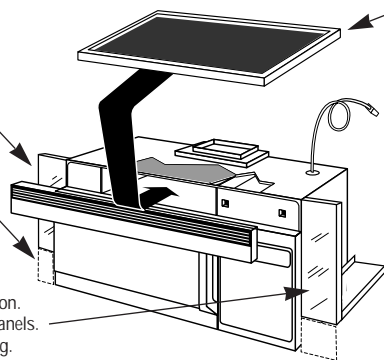
**Important:** When installing these ovens over a range, allow minimum of 2" from bottom of microwave oven to top of range backward to allow for removal of light covers.

## Optional Accessories (Available at additional cost)

**12" Filler Panel Kits**  
JX40AL—Almond  
JX41BL—Black  
JX40WH—White

**15" Filler Panel Kits**  
JX42BL—Black  
JX42AL—Almond  
JX42WH—White

When replacing a 36" or 42" range hood, this kit fills in the additional width to provide a custom built-in appearance. For installation between cabinets only; not for end-of-cabinet installation. Each kit contains two 3"-wide filler panels. Two kits are needed for a 42" opening.



## Filter Kits

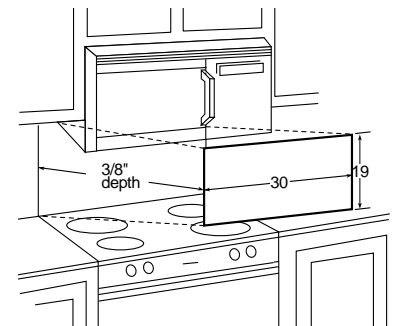
**JX81A—Recirculating Charcoal Filter Kit**

To be used when the SpacemakerXL microwave oven cannot be vented to the outside.

**JX81—Recirculating Charcoal Filter Kit**

To be used when the SpacemakerPlus™ microwave/convection oven cannot be vented to the outside.

Model	Recirculating Charcoal Filter Kit	Filler Panel Kit	Decorative Panel Kit
JVM1190AY	JX81	JX40AL	JX22SS
JVM1190BY	JX81	JX41BL	JX22SS
JVM1190WY	JX81	JX40WH	JX22SS
JVM1350AW	JX81A	JX40AL	JX22SS
JVM1350SY	JX81A	—	JX22SS
JVM1350BW	JX81A	JX41BL/JX42BL	JX22SS
JVM1350WW	JX81A	JX40WH/JX42WH	JX22SS
JVM1340AW	JX81A	JX40AL/JX42AL	JX22SS
JVM1340BW	JX81A	JX41BL/JX42BL	JX22SS
JVM1340WW	JX81A	JX40WH/JX42WH	JX22SS
JVM1339BW	JX81A	JX41BL/JX42BL	JX22SS
JVM1339WW	JX81A	JX40WH/JX42WH	JX22SS
JVM1330BW	JX81A	JX41BL/JX42BL	JX22SS
JVM1330WW	JX81A	JX40WH/JX42WH	JX22SS



## JX22SS—Stainless Steel Decorative Panel Kit

When replacing a Hi/Low range with a SpacemakerPlus™ microwave/convection oven or SpacemakerXL over a range model, this panel kit fills in the area between the microwave and range left by the Hi/Low model.



This information is not intended to be used for installing unit described. Before installing, consult installation instructions packed with product/kit for current dimensional data.

See page 124 for warranty information.

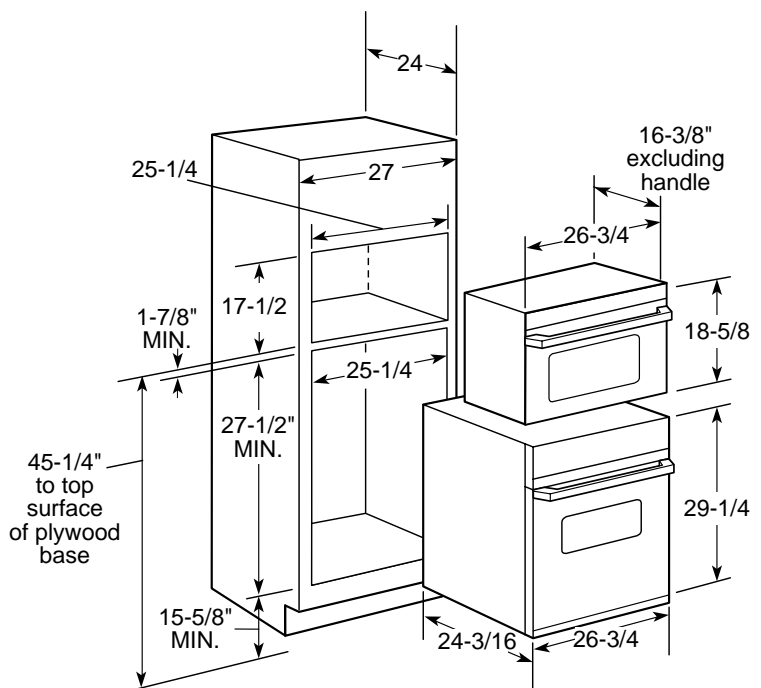
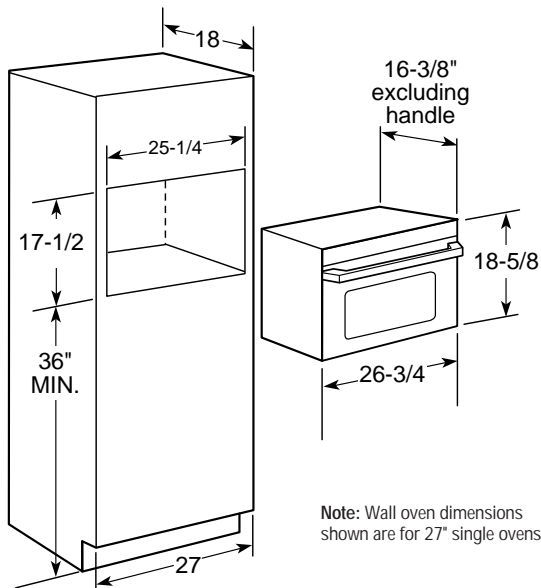
# Built-In Microwave Ovens

	GE Profile™			
	Microwave/Convection Oven		Microwave Oven	
	JEB1090WV	JEB1090BV	JEB1050WV	JEB1050BV
<b>Capacity</b>				
Oven cavity (cu. ft.)	1.0	1.0	1.0	1.0
<b>Performance</b>				
Watts (IEC-705 Test Procedure)	800	800	800	800
Electronic Touch Controls	●	●	●	●
Instant On Controls	●	●	●	●
Power levels	10	10	10	10
Cook	Sensor	Sensor	Sensor	Sensor
Reheat	Sensor	Sensor	Sensor	Sensor
Popcorn	Sensor	Sensor	Sensor	Sensor
Beverage	Sensor	Sensor	Sensor	Sensor
Micro Cook	I & II	I & II	I & II	I & II
Convection Cook	●	●		
Combination Cook	●	●		
Combination Roast (Probe)	●	●		
<b>Convenience</b>				
Electronic digital display w/clock	●	●	●	●
Temp Cook/Hold (Probe)	●	●	●	●
Express Cook	●	●	●	●
Auto Roast (Probe)	●	●	●	●
Add 30 Seconds	●	●	●	●
Minute Pad	●	●	●	●
Delay/Start Reminder	●	●	●	●
Wire oven rack	●	●	●	●
Auto Defrost	●	●	●	●
Time Defrost	●	●	●	●
Cooking Complete Reminder	●	●	●	●
Deluxe cookbook	●	●	●	●
Variable Beeper Volume	●	●	●	●
Program cooking	5 Stage	5 Stage	5 Stage	5 Stage
Kitchen timer	99-M./99-S. Digital	99-M./99-S. Digital	99-M./99-S. Digital	99-M./99-S. Digital
<b>Appearance</b>				
Color appearance*	WW	BB	WW	BB
Designer-style handle	●	●	●	●
<b>General Features/Dimensions</b>				
Full One-Year Warranty**	In-Home	In-Home	In-Home	In-Home
Limited Nine-Year Magnetron Warranty** (10 years total)	●	●	●	●
Frequency (MHz)	2450	2450	2450	2450
Electrical input @ 120V	Watts 1450	1450	1450	1450
	Amperage 13.0	13.0	13.0	13.0
WxHxD (in inches)	18x8-3/16x11-1/2			
	26-3/4x18-5/8x16-3/8			
Approx. shipping wt. (lbs.)	84	84	75	75



\*WW = White on white, BB = Black on black.  
 \*\*See written warranty for details.  
 †Exterior dimensions: depth excludes handle.

## Cut-Out and Dimensional Information (in inches)



This information is not intended to be used for installing unit described. Before installing, consult installation instructions packed with product/kit for current dimensional data.

See page 124 for warranty information.

# SpacemakerXL Over-The-Range Microwave Ovens

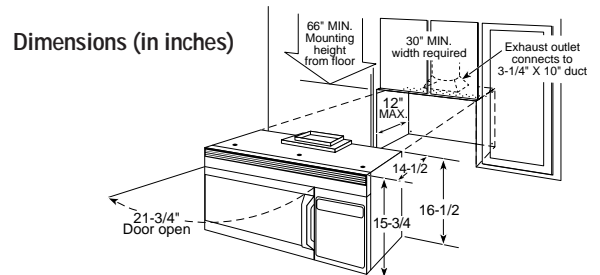
	GE Profile™				GE					
	JVM1350SY	JVM1350AW	JVM1350BW	JVM1350WW	JVM1340AW	JVM1341BW* JVM1340BW	JVM1341WW* JVM1340WW	JVM1339BW JVM1339WW	JVM1331BW* JVM1330BW	JVM1331WW* JVM1330WW
<b>Capacity</b>										
Oven cavity (cu. ft.)	1.3	1.3	1.3	1.3	1.3	1.3	1.3	1.3	1.3	1.3
<b>Performance</b>										
Watts (IEC-705 Test Procedure)	900	900	900	900	900	900	900	900	850	850
Power levels	10	10	10	10	10	10	10	10	10	10
CircuWave™ Plus Cooking System	●	●	●	●	●	●	●	●		
CircuWave™ Cooking System									●	●
Sensor Controls Beverage	●	●	●	●						
Popcorn	●	●	●	●						
Vegetables (3)	●	●	●	●						
Potatoes	●	●	●	●						
Chicken	●	●	●	●						
Fish	●	●	●	●						
Meats	●	●	●	●						
Reheat	●	●	●	●						
Micro Cook	I & II	I & II	I & II	I & II	I & II	I & II	I & II	I & II	I & II	I & II
Auto Defrost/Time Defrost	●	●	●	●	●	●	●	●	●	●
Temp. Cook/Roast (Probe)	●	●	●	●	●	●	●	●	●	●
Full-View cooktop lighting	●	●	●	●	●	●	●	●	●	●
Night light	●	●	●	●	●	●	●	●	●	●
Two-speed high-capacity exhaust fan	300 CFM	300 CFM	300 CFM	300 CFM	300 CFM	300 CFM	300 CFM	300 CFM	300 CFM	300 CFM
<b>Convenience</b>										
Electronic touch controls	●	●	●	●	●	●	●	●	●	●
SmartControl System w/Interactive Display	●	●	●	●	●	●	●	●	●	●
Electronic scrolling digital display w/Clock and AM/PM Pad	●	●	●	●	●	●	●	●	●	●
Variable Scroll Speed	●	●	●	●	●	●	●	●	●	●
Help Pad	●	●	●	●	●	●	●	●	●	●
Concurrent programming	●	●	●	●	●	●	●	●	●	●
Display On/Off	●	●	●	●	●	●	●	●	●	●
Convenience Controls										
Popcorn Pad					●	●	●	●	●	●
Reheat Pad					●	●	●	●	●	●
Beverage Pad					●	●	●	●	●	●
Snacks Pad					●	●	●	●	●	●
Cook Pad					●	●	●	●	●	●
Express Cook (1-6 min.)	●	●	●	●	●	●	●	●	●	●
Add 30 Seconds	●	●	●	●	●	●	●	●	●	●
Instant On Controls	●	●	●	●	●	●	●	●	●	●
Delay Start	●	●	●	●	●	●	●	●	●	●
Reminder	●	●	●	●	●	●	●	●	●	●
Cookbook	●	●	●	●	●	●	●	●	●	●
Child lock out	●	●	●	●	●	●	●	●	●	●
Cooking Complete Reminder	●	●	●	●	●	●	●	●	●	●
Turntable On/Off	●	●	●	●	●	●	●	●	●	●
Dual Rack	●	●	●	●	●	●	●	●	●	●
Timer On/Off	●	●	●	●	●	●	●	●	●	●
Beeper sound level control	●	●	●	●	●	●	●	●	●	●
Programmable nite light	●	●	●	●	●	●	●	●	●	●
Easy Mount Installation	●	●	●	●	●	●	●	●	●	●
<b>Appearance</b>										
Color appearance**	SS	AA	BB	WW	AA	BB	WW	BB WW	BB	WW
Big View window	●	●	●	●	●	●	●	●	●	●
Designer-style handle	●	●	●	●	●	●	●	●	●	●
Case color	Black	Almond	Black	White	Almond	Black	White	Black White	Black	White
<b>General Features/Dimensions</b>										
Full One-Year Warranty†	In-Home	In-Home	In-Home	In-Home	In-Home	In-Home	In-Home	In-Home	In-Home	In-Home
Limited Nine-Year Magnetron Warranty† (10 years total)	●	●	●	●	●	●	●	●	●	●
Frequency (MHz)	2450	2450	2450	2450	2450	2450	2450	2450	2450	2450
Electrical Input	1480	1480	1480	1480	1480	1480	1480	1480	1480	1480
@ 120V	Amperage	15	15	15	15	15	15	15	15	15
WxHxD	Cavity	19 x 9-1/8 x 12-1/2								
(in inches)	Exterior ††	29-7/8 x 16-1/2 x 14								
Approx. shipping weight (lbs.)	70	70	70	70	70	70	70	70	70	70

\*Non-vented model.  
 \*\*SS = Stainless steel, AA = Almond on almond, BB = Black on black, WW = White on white.  
 †See warranty for details.  
 ††Exterior dimensions: depth excludes handle.

**NOTE:** Popcorn Pad designed for use with 3 packages sizes—3.5, 3.0 and 1.75 oz.

This information is not intended to be used for installing unit described. Before installing, consult installation instructions packed with product/kit for current dimensional data.

See page 124 for warranty information.



# Countertop Microwave Ovens

	GE Profile™		GE						
	Microwave/Convection		Full-size		Family-size		Mid-size	Compact	
	JE1390GV	JE1390WV	JE1550WY JE1550GY	JE1540AW JE1540GW JE1540WW	JE1250WY	JE1340WY JE1340GY	JE1040WY JE1040GY	JE740WY JE740GY	
<b>Capacity</b>									
Oven cavity (cu. ft.)	1.3	1.3	1.5	1.5	1.2	1.3	1.0	.7	
<b>Performance</b>									
Watts (IEC-705 Test Procedure)	850	850	1000	1000	1000	1000	1000	700	
Power levels	10	10	10	10	10	10	10	10	
Turntable	●	●	●	●	●	●	●	●	
Electronic Touch Controls	●	●	●	●	●	●	●	●	
Beverage Pad	Sensor	Sensor	Sensor	●	Sensor	●	●	●	
Cook Pad	Sensor	Sensor	Chicken/Fish Potato Vegetable Sensor	●	Chicken/Fish Potato Vegetable Sensor	●	●	●	
Reheat Pad	Sensor	Sensor	Sensor	●	Sensor	●	●	●	
Popcorn Pad	Sensor	Sensor	Sensor	●	Sensor	●	●	●	
Snacks Pad				●		●	●	●	
Micro Cook/Time Cook	●	●	●	●	●	●	●	●	
Convection Cook	●	●							
Combination Cook	●	●							
Combination Roast	●	●							
SmartRack	●	●							
Scrolling Display with Help			●		●				
<b>Convenience</b>									
Express Cook	●	●	●	●	●	●	●	●	
Instant On Controls	●	●	●	●	●	●	●	●	
Temp Cook/Hold (probe)	●	●							
Delay Start/Reminder	●	●	●	●	●	●	●	●	
Add 30 Seconds	●	●	●	●	●	●	●	●	
Kitchen timer	99-M./99-S.	99-M./99-S.	99-M./99-S.	99-M./99-S.	99-M./99-S.	99-M./99-S.	99-M./99-S.	99-M./99-S.	
Electronic digital display w/clock	●	●	●	●	●	●	●	●	
Child lock out	●	●	●	●	●	●	●	●	
Auto Defrost	●	●	●	●	●	●	●	●	
Time Defrost	●	●	●	●	●	●	●	●	
Cooking Complete Reminder	●	●	●	●	●	●	●	●	
Sound On/Off	●	●		●		●	●	●	
Variable Beeper Control			●		●				
<b>Appearance</b>									
Color appearance*	BB	WW	WW BB	AA BB WW	WW	WW BB	WW BB	WW BB	
Door color	Black	White	White Black	Almond Black White	White	White Black	White Black	White Black	
Case color	Greystone	White	White Greystone	Almond Greystone White	White	White Greystone	White Greystone	White Greystone	
<b>General Features/Dimensions</b>									
Optional built-in kit	JX1330MBV/ 1327MBV	JX1330MWW/ 1327MWW	JX1530MWW/ 1527MWW JX1530MBW/ 1527MBW	JX1530MAW/ 1527MAW JX1530MBW/ 1527MBW JX1530MWW/ 1527MWW					
Optional hanging kit								Pub. No. 4-A019-4	
Full One-Year Warranty**	In-Home	In-Home	In-Home	In-Home	Carry-In	Carry-In	Carry-In	Carry-In	
Limited Nine-Year Magnetron Warranty** (10 years total)	●	●	●	●	●	●	●	●	
Frequency (MHz)	2450	2450	2450	2450	2450	2450	2450	2450	
Electric	Watts	1500	1500	1500	1500	1500	1500	1150	
input @ 120V	Amperage	14	14	13.3	13.3	15.0	13.0	10.5	
Cavity	← 14-1/2 x 10-1/8 x 14-1/2 →		← 16-1/2 x 9-3/16 x 16-27/32 →		14-25/32 x 9-1/32 x 15-13/32	15 x 8-11/16 x 16-3/4	13-11/16 x 8-1/2 x 14-15/16	12-1/6 x 7-1/16 x 12-1/16	
WxHxD (in inches)	Exterior †	← 22-1/4 x 14-7/8 x 19-7/8 →		← 23-21/32 x 13-5/16 x 17-21/32 →		21-29/32 x 12-11/32 x 16-11/32	21-5/8 x 12-3/8 x 17-7/16	20-1/2 x 11-7/8 x 15-7/8	19-1/4 x 10-13/16 x 13-9/16
Approx. shipping wt. (lbs.)	64	64	50	50	46.3	43	38.6	32	

\*BB = Black on black, WW = White on white, AA = Almond on almond.

\*\*See written warranty for details.

†Exterior dimensions: height includes feet.

Note: Refer to page 175 for information on Accessory Trim Kits (Available at additional cost)

# Spacemaker II™ Microwave Ovens

	GE			
	JEM31WY	JEM31GY	JEM25WY	JEM25GY
<b>Capacity</b>				
Oven cavity (cu. ft.)	.9	.9	.9	.9
<b>Performance</b>				
Watts (IEC-705 Test Procedure)	800	800	800	800
Electronic Touch Controls	●	●	●	●
Beverage	Sensor	Sensor	●	●
	Chicken/Fish Potato	Chicken/Fish Potato		
Cook	Vegetable Sensor	Vegetable Sensor	●	●
Reheat	Sensor	Sensor	●	●
Popcorn	Sensor	Sensor	●	●
Snacks			●	●
Power levels	10	10	10	10
Time Cook I & II	●	●	●	●
Scrolling Display with Help	●	●		
<b>Convenience</b>				
Add 30 Seconds	●	●	●	●
Electronic digital display w/clock	●	●	●	●
Instant On Controls	●	●	●	●
Express Cook	●	●	●	●
Delay Start/Reminder	●	●	●	●
Child Lock Out	●	●	●	●
Auto Defrost	●	●	●	●
Time Defrost	●	●	●	●
Sound On/Off			●	●
Beeper Volume	●	●		
Kitchen timer	99-M./99-S.	99-M./99-S.	99-M./99-S.	99-M./99-S.
Cooking Complete Reminder	●	●	●	●
<b>Appearance</b>				
Color appearance*	WW	BB	WW	BB
Door color	White	Black	White	Black
Case color	White	Greystone	White	Greystone
<b>General Features/Dimensions</b>				
Hanging kit (Pub. No. 4-A019-4)**	Optional	Optional	Optional	Optional
Optional built-in kit	JX827WN	JX827BN	JX827WN	JX827BN
Full One-Year Warranty†	In-Home	In-Home	Carry-In	Carry-In
Nine-Year Magnetron Warranty† (10 years total)	Limited	Limited	Limited	Limited
Frequency (MHz)	2450	2450	2450	2450
Electrical input	Watts	1300	1300	1300
@ 120V	Amperage	12.5	12.5	12.5
WxHxD	Cavity	16-1/2 x 7-7/16 x 11-1/4		
(in inches)	Exterior ††	23-13/16 x 11-3/16 x 12-5/16		
Approx. shipping wt. (lbs.)		42	42	42

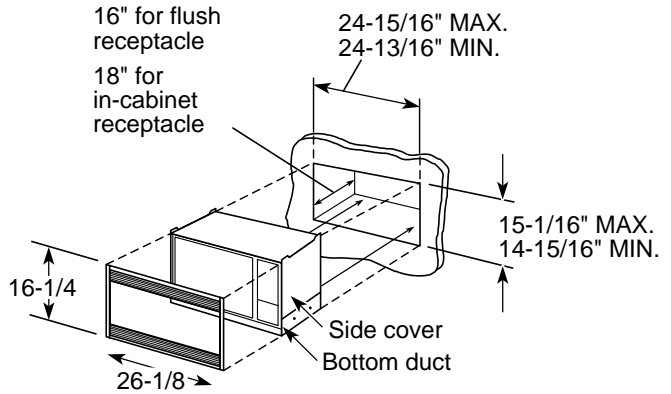
\*BB = Black on black, WW = White on white.

\*\*Pub. No. 4-A019-4 is available at additional cost.

†See written warranty for details.

††Exterior dimensions: height includes feet.

## Cut-Out Dimensions (in inches)

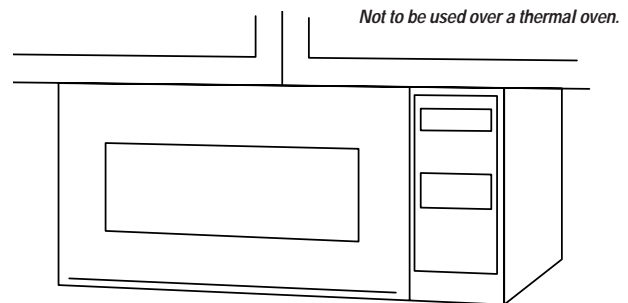


## Accessory Trim Kits for .9 Microwave Ovens (Available at additional cost)

For a custom built-in appearance, this kit allows built-in installation of the Spacemaker II™ microwave oven into a wall or cabinet alone, and is U.L.-approved for installation over a GE single electric wall oven. This kit should not be installed over a gas wall oven.

JX827BN—JEM31GY/JEM25GY, JX827WN—JEM31WY/JEM25WY

## Undercabinet Mounting Kit Pub. No. 4-A019-4 For Spacemaker II™, Compact and Subcompact Microwave Oven Models (Available at additional cost)



### Undercabinet Installation

Install Spacemaker II™, Compact and Subcompact microwave ovens in just a few easy steps with the mounting template, which provides all the necessary measurements.\* These microwave ovens can be installed on practically any wood or metal cabinets.

\*Installation may vary depending on cabinets.

**Note:** 120V, 60-cycle, grounded power receptacle location optional on back within cabinet opening.

This information is not intended to be used for installing unit described. Before installing, consult installation instructions packed with product/kit for current dimensional data.

# Subcompact Microwave Ovens

	GE		
	JE520BW	JE510BW	
<b>Capacity</b>			
Oven cavity (cu. ft.)	.5	.5	
<b>Performance</b>			
Watts (IEC-705 Test Procedure)	600	600	
Turntable	●	●	
Power levels	10	1	
<b>Convenience</b>			
Electronic digital display w/clock (LED)	●		
Time Defrost	●		
Time Cook	●	15 Min.	
Cooking Complete Reminder	●		
<b>Appearance</b>			
Door color	Black	Black	
Case color	Black	Black	
<b>General Features/Dimensions</b>			
Hanging kit (Pub. No. 4-A019-4)*	Optional	Optional	
Full one-Year warranty**	Carry-In	Carry-In	
Four-year Magnetron warranty** (Five years total)	●	●	
Electrical input	Watts	950	
@ 120V	Amperage	8.5	
WxHxD	Cavity	11-3/32 x 6-11/16 x 11-7/32	
(in inches)	Exterior †	18-5/32 x 9-19/32 x 12-11/16	
Approx. shipping wt. (lbs.)		29	29

\*Pub. No. 4-A019-4 is available at additional cost.

\*\*See written warranty for details.

†Exterior dimensions: height includes feet.

# Value Line Microwave Ovens

		GE		
		JE1235WW	JE835WW	JE635WW
<b>Capacity</b>				
Oven cavity (cu. ft.)		1.2	.8	.6
<b>Performance</b>				
Watts (IEC-705 Test Procedure)		900	800	600
Turntable		●	●	●
Electronic Touch Controls		●	●	●
Power Levels		10	10	10
Convenience Cooking Controls	Beverage	●	●	●
	Popcorn	●	●	●
	Frozen Pizza	●	●	●
	Dinner Plate	●	●	●
	Baked Potato	●	●	●
	Vegetables	●	●	●
Soup		●	●	●
<b>Convenience</b>				
Instant On Controls		●	●	●
Auto Defrost		●	●	●
Time Preference		●	●	●
Quick Set		●	●	●
Auto Start		●	●	●
Electronic digital display with clock		●	●	●
Child Lock Out		●	●	●
<b>Appearance</b>				
Door color		White	White	White
Case color		White	White	White
<b>General Features/Dimensions</b>				
One-Year Warranty*		Carry-In	Carry-In	Carry-In
Limited 4-Year Magnetron Warranty* (5 years total)		●	●	●
Frequency (MHz)		2450	2450	2450
Electrical input @ 120V	Watts	1380	1200	920
	Amperage	12.0	10.5	8.0
Cavity	JE1235WW	14-11/16 x 9-3/16 x 14-5/8	12-5/8 x 8-1/2 x 13-3/16	11-3/8 x 7-7/8 x 11-5/8
	JE835WW	22-3/16 x 12-3/16 x 16-5/16	19-1/2 x 11-3/8 x 15-1/8	18-5/16 x 10-13/16 x 13-7/8
WxHxD(inches)	Exterior†	44	38	33
Approx. shipping weight (lbs.)		44	38	33

\*See written warranty for details.

†Exterior dimensions: height includes feet.

## Accessory Trim Kits

### Optional Accessory Trim Kits for 1.3 GE Profile™ Microwave Ovens (Available at additional cost)

For a custom built-in appearance, these kits allow built-in installation of the 1.3 countertop microwave oven into a wall or cabinet alone and are U.L. approved for installation over a GE single electric wall oven. These kits should not be installed over a gas wall oven.

**Note:** 120V, 60-cycle, grounded power receptacle location optional on back within cabinet opening.

#### 30" Deluxe Accessory Trim Kits

JX1330MBV—Black  
JX1330MWW—White

Model	"A"	30" Deluxe Accessory Trim Kit
JE1390GV	29-3/4"	JX1330MBV
JE1390VW	29-3/4"	JX1330MWW

#### 27" Deluxe Accessory Trim Kits

JX1327MBV—Black  
JX1327MWW—White

Model	"A"	27" Deluxe Accessory Trim Kit
JE1390GV	26-3/4"	JX1327MBV
JE1390VW	26-3/4"	JX1327MWW

### Optional Accessory Trim Kits for 1.5 Microwave Ovens (Available at additional cost)

For a custom built-in appearance, these kits allow built-in installation of the countertop microwave oven into a wall or cabinet alone and are U.L. approved for installation over a GE single electric wall oven. These kits should not be installed over a gas wall oven.

#### 30" Deluxe Accessory Trim Kits

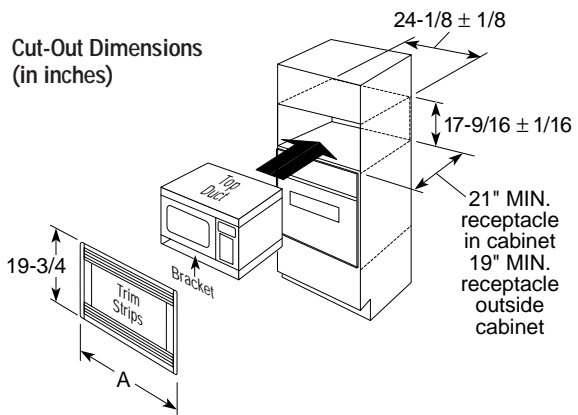
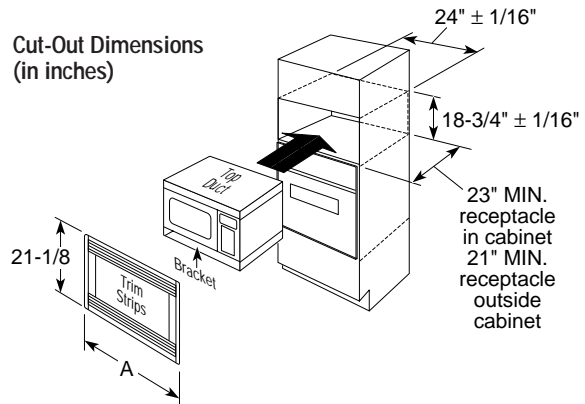
JX1530MAW—30" Almond  
JX1530MBW—30" Black  
JX1530MWW—30" White

Model	"A"	30" Deluxe Accessory Trim Kit
JE1550WV	29-3/4"	JX1530MWW
JE1550GV	29-3/4"	JX1530MBW
JE1540WV	29-3/4"	JX1530MWW
JE1540GV	29-3/4"	JX1530MBW
JE1540AV	29-3/4"	JX1530MAW

#### 27" Deluxe Accessory Trim Kits

JX1527MAW—27" Almond  
JX1527MBW—27" Black  
JX1527MWW—27" White

Model	"A"	27" Deluxe Accessory Trim Kit
JE1550WV	26-3/4"	JX1527MWW
JE1550GV	26-3/4"	JX1527MBW
JE1540WV	26-3/4"	JX1527MWW
JE1540GV	26-3/4"	JX1527MBW
JE1540AV	26-3/4"	JX1527MAW



This information is not intended to be used for installing unit described. Before installing, consult installation instructions packed with product/kit for current dimensional data.

See page 124 for warranty information.

# Built-In Dishwashers

	GE Profile Performance Series™			GE Profile™	
	GSD4940ZSS	GSD4930ZWW GSD4920ZBB GSD4910ZAA	GSD4630ZWW GSD4620ZBB GSD4610ZAA	GSD4330ZWW GSD4320ZBB GSD4310ZAA	GSD4030ZWW GSD4020ZBB GSD4010ZAA
<b>Performance</b>					
SureClean™ Wash System	●	●	●	●	●
Filtration System	Triple	Triple	Triple	Triple	Dual
CircuClean Pump	●	●	●	●	●
Piranha™ Hard Food Disposer	●	●	●	●	●
CleanSensor II	●	●	●	●	●
Cycles/Options	Variable	Variable	Variable	5/30	4/26
Normal Wash Cycle	●	●	●	●	●
Pots and Pans Cycle	●	●	●	●	●
POTSCRUBBER Cycle	●	●	●	●	●
Light Wash Cycle	●	●	●	●	●
China/Crystal Cycle	●	●	●	●	●
Glasses Cycle	●	●	●	●	●
Rinse Only/Hold Cycle	●	●	●	●	●
Power Pre-Soak Option	●	●	●	●	●
Child lock	●	●	●	●	●
Hi-Temp Rinse Option	●	●	●	●	●
Hi-Temp Wash Option	●	●	●	●	●
Heated Dry On/Off Option	●	●	●	●	●
Delay Start Option	8 Hour	8 Hour	8 Hour	8 Hour	6 Hour
Wash levels	3	3	3	3	3
Cycle progress indicators	LEDs	LEDs	LEDs	1 "Clean"	1 "Clean"
Touchpads	11	11	10	11	10
Rinse-Aid Dispenser	w/indicator	w/indicator	w/indicator	w/indicator	w/indicator
<b>Quiet</b>					
Sound insulation package	Profile Performance™	Profile Performance™	Profile Performance™	QuietPower™ III	QuietPower™ II
GE Profile™ QuietMotor	●	●	●	●	●
ActiveVent	●	●	●	●	●
Quiet Water Valve	●	●	●	●	●
Tub collar trim	●	●	●	●	●
<b>Capacity</b>					
Upper rack	Super (Nylon)	Super (Nylon)	Super	Super	Super
SmartShelf	w/StemSafe	w/StemSafe	●	●	●
Lower rack	Super12 w/4 Rows of Fold-Down Tines	Super12 w/4 Rows of Fold-Down Tines	Super12 w/2 Rows of Fold-Down Tines	Super12	Deluxe
Silverware basket	SmartBasket	SmartBasket	SmartBasket	SmartBasket	Super
SmartBasket Plus	●	●	●	●	●
<b>Dependability</b>					
Control type	Electronic	Electronic	Electronic	Electronic	Electronic
1, 2, 5, 20-yr. warranty*	●	●	●	●	●
Lock	●	●	●	●	●
Door	Trimless	Trimless	Trimless	Trimless	Trimless
Color panels Access	Trimless	Trimless	Trimless	Trimless	Trimless
<b>General Features</b>					
Colors available**	Stainless Steel	WW, BB, AA	WW, BB, AA	WW, BB, AA	WW, BB, AA
Requires kit for 1/4" panel capability with trim	N/A	GPF425A/B/W	GPF425A/B/W	GPF425A/B/W	GPF425A/B/W
Requires kit for trimless 3/4" panel capability	N/A	GPF475	GPF475	GPF475	GPF475
Approx. shipping weight (lbs.)	81	81	81	81	81

All GE Profile Performance™ and GE Profile™ Dishwashers are equipped with the following: 120°F inlet water capability, PermaTuf® interior, Easy-Glide roller system, convection drying, 120V/60Hz/8.6A, horizontal mechanism, leveling screws.

\* See written warranty for details.

\*\* Colors available: WW = White on white, BB = Black on black, AA = Almond on almond.

## Warranty Information\*

1, 2, 5, 20-Year Warranty Package:  
Full one-year warranty on entire dishwasher.  
Limited second-year parts warranty on entire dishwasher.  
Limited five-year rack/electronic control board warranty.  
Full twenty-year tub/door liner warranty.  
\*See written warranty for details.

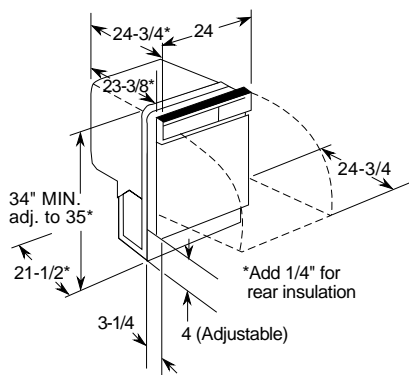


Listed by Underwriters Laboratories

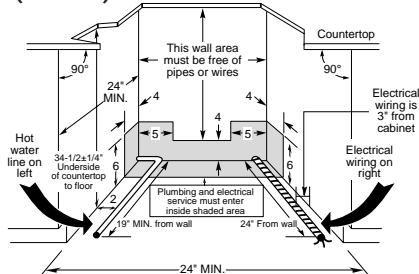
## Electrical Rating

Voltage AC ..... 120  
Hertz ..... 60  
Total connected load amperage ..... 8.6  
Calrod® heater watts ..... 500  
For use on adequately wired 120-volt, 15-amp circuit having 2-wire service with a separate ground wire. This appliance must be grounded for safe operation.

## Built-In Dishwasher Dimensions (in inches)



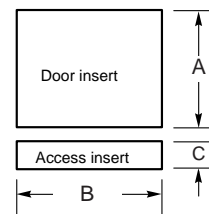
## Built-In Dishwasher Installation Information (in inches)



**Note:** Dishwasher must not be installed more than 10 feet from sink for proper drainage. All plumbing and electrical work must be in accordance with local codes.

**Note:** If a flush look is needed, a 25" base cabinet needs to be used.

## Wood Insert Cut-Out Dimensions



Models/Kit	A	B	C	Panel Thickness
GE Profile Performance™ and GE Profile™ models/GPF425	19-3/4"	23-9/16"	3-11/16"	1/4"
GE Profile Performance™ and GE Profile™ models/GPF475	19-13/16"	23-5/8"	4-1/4" to 3-11/16"***	3/4"

\*Bottom of panel must be notched 1-1/2" x 1/2" to clear across panel.

\*\*Adjustment required to match adjacent cabinet fronts due to leveling adjustment, 4" nominal.



# Built-In Dishwashers

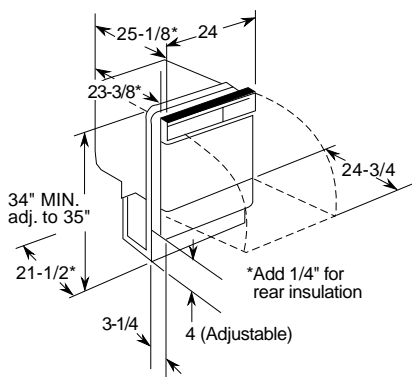
	GE		
	GSD3430ZWW GSD3420ZBB GSD3410ZAA	GSD3230ZWW GSD3220ZBB GSD3210ZAA	GSD2030ZWW GSD2020ZBB GSD2000ZAD/WH
<b>Performance</b>			
SureClean™ Wash System	●	●	●
Filtration System	Dual		
Piranha™ Hard Food Disposer	●		
Cycles/Options	6/19	5/14	4/7
POTSCRUBBER Cycle	●	●	
Normal Wash Cycle	●	●	Dial
Heavy Wash Cycle			Dial
Light Wash Cycle	●		
Short Wash Cycle	Dial	Dial	Dial
Rinse Only/Hold Cycle	Dial	Dial	Dial
Plate Warmer Cycle	Dial	Dial	
Hi-Temp Wash Option	●	●	
Delay Start Option	6 Hour		
Heated Dry On/Off Option	●	●	Rocker
Wash levels	3	3	2
Cycle progress indicators	1 "Cycle On"		
Pushbuttons	7	6	
Rinse-Aid Dispenser	w/indicator	●	●
<b>Quiet</b>			
Sound insulation package	QuietPower™ I	Standard	Standard
GE QuietMotor	●		
<b>Capacity</b>			
Upper Rack system	Deluxe	Deluxe	Standard
Lower Rack system	Deluxe	Deluxe	Deluxe
Silverware basket	Super	Deluxe	Deluxe
<b>Dependability</b>			
Control type	Turn-to-start	Turn-to-start	Turn-to-start
1, 2, 10-yr. warranty*	●	●	
1, 10-yr. warranty*			●
Door Color Panels	Trimless	Trimless	Trimless
Access	Trimless	Trimless	Trimless
<b>General Features</b>			
Colors available**	WW, BB, AA	WW, BB, AA	WW, BB, WH, AD
Requires kit for 1/4" panel capability with trim	GPF325W/B/A	GPF325W/B/A	GPF325W/B/A
Requires kit for trimless 3/4" panel capability	GPF375	GPF375	GPF375
Approx. shipping weight (lbs.)	81	81	81

All GE Dishwashers are equipped with the following: 120°F inlet water capability, PermaTuf® interior, Easy-Glide roller system, convection drying, 120V/60Hz/8.6A, horizontal mechanism, leveling screws.

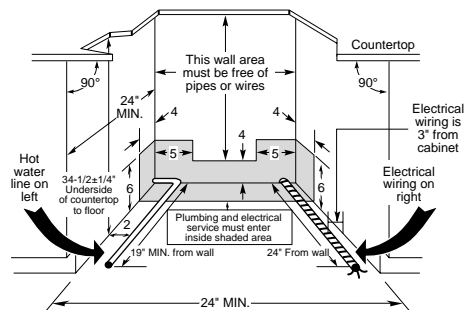
\* See written warranty for details.

\*\* Colors available: WW = White on white, BB = Back on black, AA = Almond on almond, WH = White body w/black control panel, AD = Almond body w/black control panel.

## Built-In Dishwasher Dimensions (in inches)



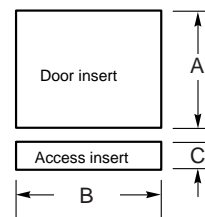
## Installation Information (in inches)



### Dishwasher Rough-In Information

**Note:** Dishwasher must not be installed more than 10 feet from sink for proper drainage. All plumbing and electrical work must be in accordance with local codes.

## Wood Insert Cut-Out Dimensions



Models/Kit	A	B	C	Panel Thickness
GE Models				
GPF325 Kit	18-7/8"	23-9/16"	3-11/16"	1/4"
GPF375 Kit	18-15/16"	23-5/8"	4-1/4" to 3-3/4"***	3/4"

\*Bottom of panel must be notched 1-1/2" x 1/2" to clear across panel.

\*\*Adjustment required to match adjacent cabinet fronts due to leveling adjustment, 4" nominal.

## Warranty Information\*

1, 2, 10-Year Warranty Package:  
Full one-year warranty on entire dishwasher.  
Limited second-year water distribution parts warranty.  
Full ten-year tub/door liner warranty.

1-10 Year Warranty Package:  
Full one-year warranty on entire dishwasher.  
Full ten-year tub/door liner warranty.

\*See written warranty for details.



Listed by  
Underwriters  
Laboratories

## Electrical Rating

Voltage AC.....120  
Hertz .....60  
Total connected load amperage .....8.6  
Calrod® heater watts .....500  
For use on adequately wired 120-volt, 15-amp circuit having 2-wire service with a separate ground wire. This appliance must be grounded for safe operation.

Refrigeration

Laundry

Cooking Products

Microwave Ovens

Dishwashers

Water Systems

Room Air

## GE Convertible/Portable Dishwashers

	GE	
	GSC3430ZWW GSC3400ZBL	GSC3230ZWW GSC3200ZBL
<b>Performance</b>		
SureClean™ Wash System	●	●
Filtration System	Dual	
Piranha™ Hard Food Disposer	●	
Cycles/Options	6/19	5/14
POTSCRUBBER Cycle	●	●
Normal Wash Cycle	●	●
Short Wash Cycle	Dial	Dial
Light Wash Cycle	●	
Rinse Only/Hold Cycle	Dial	Dial
Plate Warmer Cycle	Dial	Dial
Hi-Temp Wash Option	●	●
Delay Start Option	6 Hour	
Heated Dry On/Off Option	●	●
Wash levels	3	3
Cycle Progress Indicators	1 "Cycle On"	
Pushbuttons	7	6
Rinse Aid Dispenser	w/indicator	●
<b>Quiet</b>		
Sound insulation package	QuietPower™ I	Standard
GE QuietMotor	●	
Sealed toe kick	●	
<b>Capacity</b>		
Upper	Deluxe	Deluxe
Rack system Lower	Deluxe	Deluxe
Silverware Basket	Super	Deluxe
<b>Dependability</b>		
Door	Trimless	Trimless
Color panels Access	Trimless	Trimless
1, 2, 10 Warranty†	●	●
<b>General Features</b>		
Colors available*	WW, BL	WW, BL
Approx. shipping wt. (lbs.)	147	147

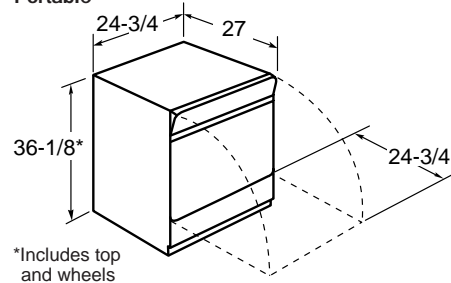
†See written warranty for details.

\*Colors available: WW = White on white, BL = Black control panel and front panels w/almond side panels.

### Dimensions (in inches)

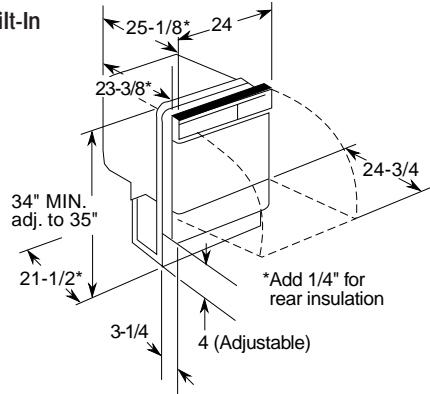
GSC3230ZWW, GSC3200ZBL, GSC3430ZWW and GSC3400ZBL

#### Portable



\*Includes top and wheels

#### Built-In



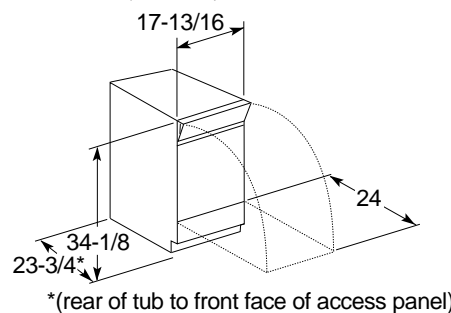
Conversion Kit to Build-In Convertible Dishwashers WD35M34 for Models GSC3430ZWW, GSC3400ZBL, GSC3230ZWW and GSC3200ZBL. Contains built-in dishwasher water valve, hardware and complete instructions for adapting a GE convertible dishwasher for under-the-counter installation.

## GE Spacemaker® Built-In 18" Dishwasher

	GE	
	GSS1800Z	
<b>Performance</b>		
Cycles/Options	4/6	
Pots & Pans Cycle	Dial	
Normal Wash Cycle	Dial	
Light Wash Cycle	Dial	
Rinse Only/Hold Cycle	Dial	
Heated Dry On/Off Option	Rocker	
Wash levels	2	
Cycle/Progress Indicators	Dial	
120°F. Inlet Water Capability	●	
Rinse Aid Dispenser	●	
<b>Quiet</b>		
Sound Insulation	Standard	
<b>Capacity</b>		
Upper	Standard	
Rack system Lower	Standard	
Silverware basket	Standard	
<b>Dependability</b>		
Control Type	Turn-to-Start	
Polypropylene Inner Door	●	
1, 10-yr. warranty†	●	
<b>General Features</b>		
Colors available*	Black/Almond/White	
Amperage Rating (120V/60Hz)	10	
Horiz. Mechanism	●	
Leveling Screws	●	
Approx. shipping weight (lbs.)	77	

†See written warranty for details. \*All have black control panel  
Note: For trim kit to install wood panel up to 3/16" thick on GSS1800Z model only, order Pub. No. 5-A007.

### Dimensions (in inches)



#### Dishwasher Rough-In Information

Note: Dishwasher must not be installed more than 10 feet from sink for proper drainage. All plumbing and electrical work must be in accordance with local codes.

Most of the installation work should be done before the dishwasher is moved into place. First, select a location as close to the sink as possible for ready access to water and drain lines. For proper operation and appearance of the dishwasher, the cabinet opening should be square and have dimensions as shown in Figure 1. If the dishwasher is to be installed in a corner, there must be sufficient clearance to open the door as shown in Figure 2. A minimum clearance of 2" is recommended.

Rough-in the water, electrical, and drain lines before proceeding with the installation. The lines should run straight to their connections on the dishwasher.

Note: Make sure that the lines do not cross in front of the dishwasher motor or its legs.

Figure 1

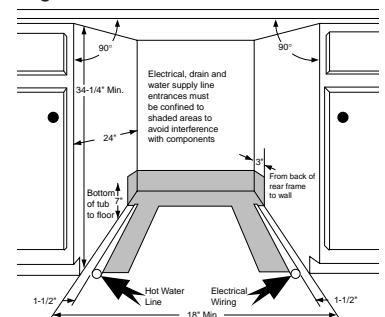
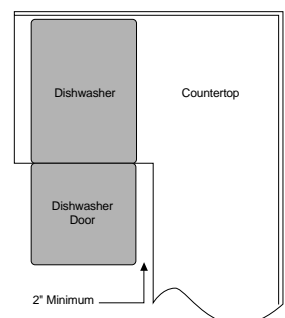


Figure 2

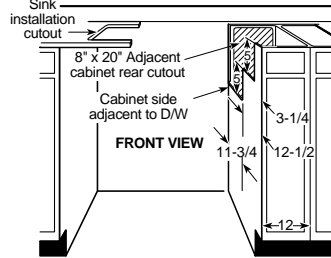


# Spacemaker® Undersink Dishwasher

GE	
GSM2100ZAD/WH	
<b>Performance</b>	
SureClean™ Wash System	●
Cycles/Options	5/8
POTSCRUBBER Cycle	●
Normal Wash Cycle	●
Short Wash Cycle	Dial
Plate Warmer Cycle	Dial
Rinse Only/Hold Cycle	Dial
Heated Dry On/Off Option	●
Wash levels	2
Pushbuttons	4
Rinse-Aid Dispenser	●
<b>Quiet</b>	
GE Motor	●
<b>Capacity</b>	
Upper	Spacemaker®
Rack system Lower	Deluxe
Silverware basket	Deluxe
<b>Dependability</b>	
Control Type	Turn-to-Start
1, 2, 10-yr. warranty†	●
Door	Trimless
Color Panels Access	Trimless
<b>General Features</b>	
Colors available*	AD, WH
Approx. shipping weight (lbs.)	72

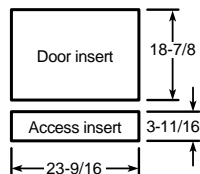
†See written warranty for details.  
\*Colors available: AD = Black control panel with almond front panels, WH = Black control panel with white front panels.

## Cabinet Cut-Out for Sink



Cabinet cutouts for offset single and double bowl sinks. Dishwasher not provided with complete enclosure. Enclosures for sides, top, bottom and back must be provided by installer at time of installation.

Cabinet cut-outs for offset single and double bowl sinks. Dishwasher not provided with complete enclosure. Enclosures for sides, top, bottom, and back must be provided by installer at time of installation.



## Undersink Dishwasher Wood Insert Dimensions (in inches)

Inserts must not exceed 1/4" thickness within 5/16" of edge around full circumference. Order GPF325 kit.

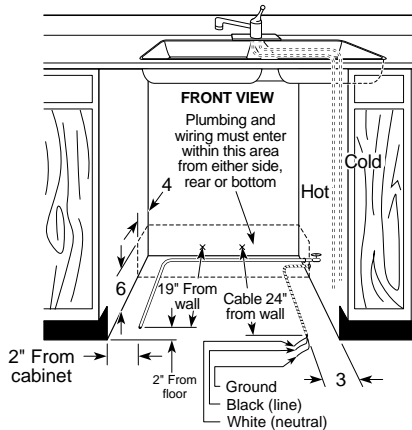
## Stainless Steel Sinks Single and Double Compartment Models (Dimensions in Inches)

Model Number	Overall Size		Inside Each Compartment			
	L	W	L	W	L	D
GPF95 (Single Bowl, R)*	25	21-1/4	21	15-3/4	5	3/8
GPF96 (Single Bowl, L)*	25	21-1/4	21	15-3/4	5	3/8
GPF97 (Double Bowl)	33	21-1/4	14	15-3/4	5	3/8

Model Number	Cutout In Countertop 1-1/2" Radius Corners		No. Of 1-1/2" Dia. Faucet Holes	Ship. Wt. Lbs.
	L	W		
GPF95 (Single Bowl, R)*	24-3/8	20-5/8	3 or 4**	10
GPF96 (Single Bowl, L)*	24-3/8	20-5/8	3 or 4**	10
GPF97 (Double Bowl)	32-3/8	20-5/8	3 or 4**	12-1/2

Note: Drain opening size is 3-1/2". Above models are fully sound deadened. \*Suffix "L" or "R" means drain outlet is located in upper left or right corner of sink compartment. \*\*All have four holes, but one hole has a removable plug.

## Plumbing/Electrical Rough-In



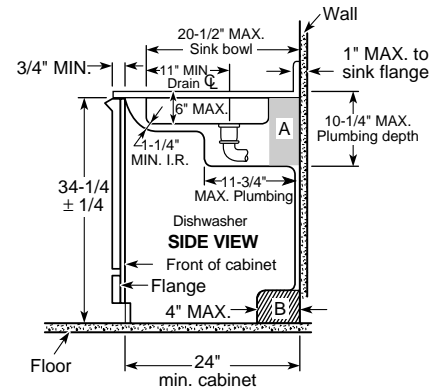
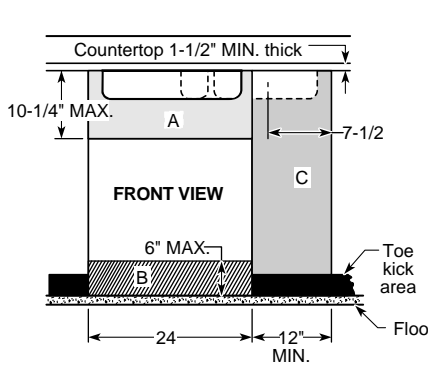
**Plumbing:** Hot Water Only: Use 3/8" O.D. copper tubing or 1/2" O.D. plastic tubing min. inlet line. Water valve has 3/8" internal threads. Hand cut-off valve is recommended.

**Electrical:** Fuse circuit with 15 amp or 20 amp standard fuse or circuit breaker. Total amp load is 8.6. Dishwasher operates on 120V, 60 Hz power. Two-wire cable (14 Ga. Min.) with ground must be installed.

**Note:** All rough-in, both plumbing and electrical, must be completed before the dishwasher is installed. All plumbing and electrical work must be in accordance with local codes.

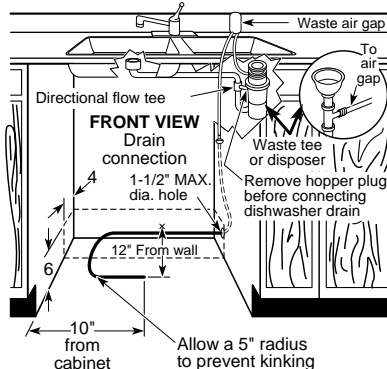
**Specifications:** Inlet Water Temperature Recommended: Minimum 120°F. at dishwasher. Inlet Water Pressure Required: 15 to 120 lbs./sq. in.

## Cabinet Rough-In

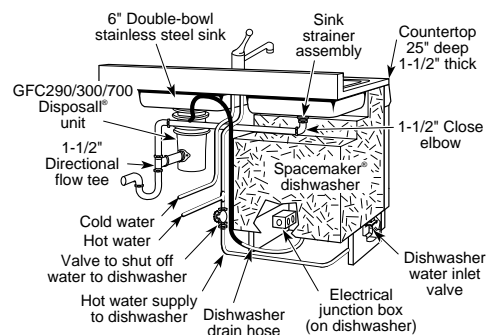


Either single- or double-bowl sink may be used, centered or offset, as shown in the front illustration above. The 20-1/2" max. dimension from wall to front of sink bowl must be accurate if dishwasher is to fit properly under sink. Water lines to sink faucet and drain from sink can be run through area "A." HOT WATER line to dishwasher is installed in area "B." Garbage disposer, water lines to faucet, trap, waste air gap and water cut-off valve are installed in 12" wide cabinet shown in area "C." Sink opening for garbage disposer must be dimensioned as shown in front view, area "C" above (7-1/2"). This will provide clearance for disposer and plumbing in cabinet "C" when using double bowl sink. If the sink bowl is more than 20-1/2" max. specified distance from the wall, or if the base cabinet is less than the 24" min. depth from the wall, a gap between the tub front flange and the front of the base cabinet may result.

## Rough-In for Installation with Disposer



## Rear View Plumbing Arrangement



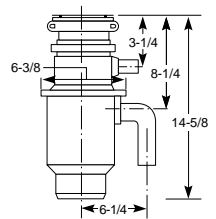
A close-fitting elbow or special shallow sink strainer is necessary to provide clearance between sink drain and dishwasher. Dishwasher furnished with 1/2" I.D. drain hose, 78" long. If using copper tubing, 2" length of 1/2" I.D. rubber hose must be provided to connect copper tubing to pump outlet. Disposer should have 7/8" I.D. dishwasher drain connector.

See page 124 for warranty information.

# Disposall® Food Waste Disposers

	GE									
	Continuous Feed Models								Batch Feed Model	
	GFC1000Y	GFC800Y	GFC705Y	GFC700Y	GFC305Y	GFC300Y	GFC295Y	GFC290Y	GFB1050V	
<b>Dependability</b>										
Sound insulation wrapper	Super Deluxe	Deluxe	Standard	Standard	—	—	—	—	Super Deluxe	
Feed type	Continuous	Continuous	Continuous	Continuous	Continuous	Continuous	Continuous	Continuous	Batch	
Control method	Wall Switch	Wall Switch	Wall Switch	Wall Switch	Wall Switch	Wall Switch	Wall Switch	Wall Switch	Stopper	
Power connection	Direct Wire	Direct Wire	Line Cord	Direct Wire	Line Cord	Direct Wire	Line Cord	Direct Wire	Direct Wire	
Motor horsepower	3/4	1/2	1/2	1/2	1/2	1/2	1/3	1/3	3/4	
Power Boost	●									
Grinding speed (RPM's)	8000	8000	8000	8000	8000	8000	8000	8000	2700	
Volts	115	115	115	115	115	115	115	115	115	
Hertz	60	60	60	60	60	60	60	60	60	
Amperage	6.0	4.5	4.5	4.5	4.2	4.2	4.2	4.2	6.0	
<b>Easy Installation</b>										
Mounting type	Fast Mount	Fast Mount	Fast Mount	Fast Mount	Fast Mount	Fast Mount	Fast Mount	Fast Mount	Twist Top	
Splash guard	Removable	Removable	Removable	Removable	Removable	Removable	Removable	Removable	Non-Removable	
Dishwasher drain connector	●	●	●	●	●	●	●	●	●	
Plastic drain elbow	●	●	●	●	●	●	●	●	●	
Polyester drain housing	●	●	●	●	●	●	●	●	●	
Stainless steel sink flange	●	●	●	●	●	●	●	●	●	
Sink stopper	●	●	●	●	●	●	●	●	●	
Manual reset overload protector	●	●	●	●	●	●	●	●	●	
Permanently lubricated bearing	●	●	●	●	●	●	●	●	●	
Dual swivel impellers	●	●	●	●	●	●	●	●	●	
Jam resistant	●	●	●	●	●	●	●	●	●	
Stainless steel	●	●	●	●	●	●	●	●	●	
Hopper	Polypropylene	Polypropylene	Polypropylene	Polypropylene	Polypropylene	Polypropylene	Polypropylene	Polypropylene	Nylon	
Hopper liner and grinding ring	Stainless Steel	Stainless Steel	Stainless Steel	Stainless Steel	Galvanized	Galvanized	Galvanized	Galvanized	Stainless Steel	
Turntable	Stainless Steel	Galvanized	Galvanized	Galvanized	Galvanized	Galvanized	Galvanized	Galvanized	Stainless Steel	
Precutler	●	●	●	●	●	●	●	●	●	
<b>Performance</b>										
Approx. shipping weight (lbs.)	12.5	10.0	9.8	9.8	8.4	8.4	8.4	8.4	14.0	
Net weight (lbs.)	11	8.8	8.6	8.6	7.6	7.6	7.6	7.6	12.5	
<b>Dimensions</b>										
(A)	←			14-5/8				→		16-9/16
(B)	←			6-1/4				→		5-1/2
(C)	←			3-1/4				→		6-1/2
(D)	←			8-1/4				→		9-5/16
(E)	←			8-1/8				→		8-5/8
Dishwasher inlet diameter (in.)	←			7/8				→		1
Drain outlet diameter (in.)	←			1-1/2				→		

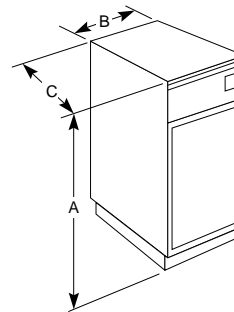
## Disposers



## Compactors

	GE	
	GCG1530ZWW/GCG1520ZBB	GCG950T
<b>Performance</b>		
Cycle time	27 seconds max., 14 seconds min.	70 seconds max., 12 seconds min.
Motor horsepower	1/3	1/3
Compression ratio (average)	75% reduction of volume	75% reduction of volume
Ram force (lb.) (max.)	2,300	5,000
Voltage	120V; 60Hz 6.5A	120V; 60Hz 5.0A
Circuit requirement	120V; 15 Amp Grounded Outlet	120V; 15 Amp Grounded Outlet
<b>General Features</b>		
Bag storage	—	Yes
Custom panel size	14-5/8" wide, 22-15/16" high, 1/4" thick	11-11/16" wide, 20-7/8" high, 1/4" thick
Clearance for drop down drawer side	6" or more on right side	—
Drawer extension for removal	23" or more in front of appliance	22" or more
Container volume	1.41 cu. ft.	1.4 cu. ft.
Total appliance weight	146 Pounds	134 Pounds

## GCG1530ZWW, GCG1520ZBB, GCG950T Convertible Compactors



### Door Panels Included:

GCG1530Z White/Black  
GCG1520Z Black/White  
GCG950T Black/Almond

### Compactor Dimensions (in inches)

Model	A	B	C
GCG1530ZWW	34-1/4	15	24-1/4
GCG1520ZBB	34-1/4	15	24-1/4
GCG950T	34-1/2	12	20-1/4

### Door and Access Panels:

GE: GE Profile Performance™ and GE Profile™:  
GPF300A—Almond GPF400A—Almond  
GPF300B—Black GPF400B—Black  
GPF300W—White GPF400W—White  
GPF400S—Stainless Steel

### Side Panel for All GE Models:

Contains one panel and adjustable toe-kick for end cabinet installation of built-in model. Does not attach to dishwasher. Specify color: GPS5AD—Almond GPS5WH—White

### Optional Dishwasher Accessories

GPF47BK—Black 6" access panel kit  
GPF47WH—White 6" access panel kit  
GPF53—Brackets for under non-wood countertop installation

### Optional Dishwasher Accessories, continued

GPF95—Stainless sink for Spacemaker® dishwasher—single bowl 21-1/4" x 25" Drain hole on right; elbow and strainer included  
GPF96—Stainless sink for Spacemaker® dishwasher—single bowl 21-1/4" x 25" Drain hole on left; elbow and strainer included  
GPF97—Stainless sink for Spacemaker® dishwasher—double bowl 21-1/4" x 33" Elbow and strainer included  
GPF100—Heavy spring kit for custom door panel weighing more than 4 lbs.  
GPF200—Almond/Black/White side tub flange gasket kit

### Wood Panel Capability

GPF325A/B/W—GE 1/4" panel trim kit (door and access)  
GPF375—GE 3/4" trimless panel trim kit (door and access)  
GPF475—GE Profile Performance™ and GE Profile™ 3/4" trimless panel kit (door and access)  
GPF425A/B/W—GE Profile Performance™ and GE Profile™ 1/4" panel trim kit (door and access)

### Disposers:

GPF71 White sink flange and stopper for GFC290/295/300/305/700/705/800/1000Y  
GPF72 Almond sink flange and stopper for GFC290/295/300/305/700/705/800/1000Y  
GPF75 Clamp nut kit

### Compactor:

GSA85 Toe Pedal Opener Kit for GCG950  
GPF80 White/Black Panel for GCG1530  
GPF81 Black/Almond Panel for GCG1520

# GE SmartWater™ Reverse Osmosis Filtration Systems

	GE Profile Performance Series™		GE Profile™
	PNRV18ZWW PNRV18ZBB	PNRV18ZWH PNRV18ZBL	PNRV12ZBL
<b>Appearance</b>			
Style/Unit Color	All-In-One/Grey	All-In-One/Grey	Bracket/Grey
Filter Housing	Opaque	Opaque	Opaque
<b>Convenience</b>			
SmartWater™ Faucet with Electronic Monitor	●	●	Chrome with black
Designer-Style Faucet	White on white Black on black	Chrome with white Chrome with black	
RO Filtration Indicator	●	●	●
Filter Change Indicator	●	●	●
Undercounter Installation (kit included)	●	●	●
Optional Basement Installation (hardware not included)	●	●	●
<b>Performance</b>			
Production Rate (gpd) As Tested by WQA Standard S-300	18 gals.*	18 gals.*	12 gals.
Process Water Used (per gal.)	4	4	4
Storage Tank Capacity	1.9 gals.	1.9 gals.	2.1 gals.
Working Pressure	40 min. - 125 max. psi	40 min. - 125 max. psi	40 min. - 125 max. psi
Max. TDS Removal (ppm)	2000	2000	2000
% TDS Removal** (ppm)	75-92	75-92	75-92
% Cysts Reduction	99.95 effective	99.95 effective	99.95 effective
Max. Hardness	10 grains	10 grains	10 grains
Feed Water pH limits	4-10	4-10	4-10
Operation and Storage Water Temperature	40-100 F°	40-100 F°	40-100 F°
<b>General Features</b>			
RO Membrane	FX18M-Thin Film Polyamid (TFP)	FX18M-Thin Film Polyamid (TFP)	FX12M-Thin Film Polyamid (TFP)
Pre-Filter/Post-Filter	FX18P-Act. Carbon Block/ Gran. Act. Carbon	FX18P-Act. Carbon Block/ Gran. Act. Carbon	FX12P-Carbon Composite
Auto Shut-Off	●	●	●
Faucet Monitor Power Requirement	4 AA batteries (included)	4 AA batteries (included)	4 AA batteries (included)
Supplemental Tank (available at additional cost)	RVTNK1	RVTNK1	RVTNK1
Storage Cabinet (available at additional cost)	RV18CBNT	RV18CBNT	
Icemaker Connection Kit (available at additional cost)	RVKIT	RVKIT	RVKIT
Approximate shipping wt. (lbs.)	16	16	23

\*Output according to ANSI/NSF Standard 58 as tested by Spectrum Labs, Inc. is 14 gals. per day. Feed water over 10 grains of hardness may affect performance of the filtration system.  
 \*\*Feed water = 50 psig, 77°F, pH = 7.5 ± 5 and 750 ppm TDS as sodium chloride. Product water produced, amount of waste and percent rejection will vary with changes in pressure, temperature and total dissolved solids. Feed water over 10 grains of hardness may affect performance of the filtration system.

GE SmartWater™ Reverse Osmosis Filtration Systems reduce the following undesirable elements\*:

Ammonia	Mercury
Barium	Nickel
Bicarbonate	Nitrate
Bromide	Sediment
Cadmium	Selenium
Chlorine (residual)	Sodium
Chromium	Sulfate
Copper	Tannin
Cysts	Zinc
Fluoride	Chloride
Lead	TDS
Magnesium	Nitrite

\*Product water produced and percent rejection will vary with changes in pressure, temperature and TDS. Feed water over 10 grains of hardness may affect performance of RO membrane.

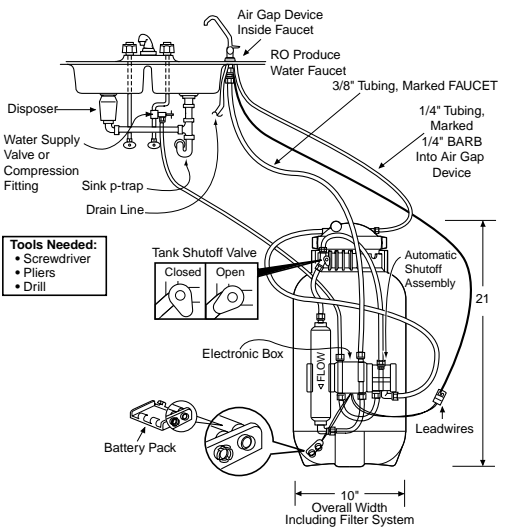


Only GE Reverse Osmosis Models PNRV18Z and PNRV12Z Series are tested and certified to ANSI/NSF Standard 58 for TDS and cyst reduction.

**SPECTRUM LABS INC.**  
 The GE Reverse Osmosis models PNRV18Z and PNRV12Z Series have been quality tested by an independent laboratory, Spectrum Labs, Inc.

**Caution:** Do not use with water that is microbiologically unsafe or of unknown quality, without adequate disinfection before or after the system. Systems certified for cyst reduction may be used on disinfected water that may contain filterable cysts. This reverse osmosis unit contains a replaceable membrane cartridge treatment component critical for effective removal of Total Dissolved Solids. The water should be tested periodically to verify that the system is performing satisfactorily.

## Models PNRV18ZWW/18ZBB/18ZWH/18ZBL Installation Information (in inches)



**Note:** R.O. System can be installed up to 30 feet from point-of-use/faucet.

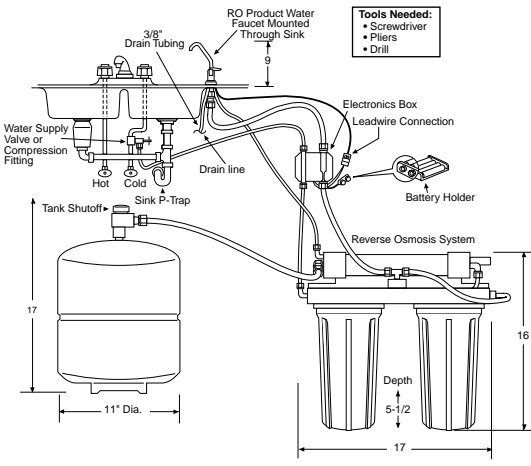
**Replacement Membranes, Pre- and Post-Filters**  
 Call GE Appliance Parts toll-free 800.626.2002 for convenient ordering.

**Water Test Kit**  
 To order a water test kit, Pub. No. 27-X017, call 1-800-848-7722.

**Warranty Information**  
**Full One-Year Warranty** – (parts and labor at no additional charge) applies to entire unit, excluding membrane and filters.

See written warranty, packed with product, for details.

## Model PNRV12ZBL Installation Information (in inches)



**Note:** R.O. System can be installed up to 30 feet from point-of-use/faucet.

**Note:** Can be installed undercounter (as shown), in basement, or other convenient location. See installation instructions packed with product for complete details.

**Replacement Membranes, Pre- and Post-Filters**  
 Call GE Appliance Parts toll-free 800.626.2002 for convenient ordering.

**Water Test Kit**  
 To order a water test kit, Pub. No. 27-X017, call 1-800-848-7722.

**Warranty Information**  
**Full One-Year Warranty** – (parts and labor at no additional charge) applies to entire unit, excluding membrane and filters.

See written warranty, packed with product, for details.

See page 125 for warranty information.

Refrigeration  
Laundry  
Cooking Products  
Microwave Ovens  
Dishwashers  
Water Systems  
Room Air

# GE SmartWater™ Carbon Filtration Systems

	GE			
	GNUL30Z	GNUV10Z	GNUT05Z	GXEM01Z
<b>Appearance</b>				
Style/Unit Color	Bracket/Grey	Bracket/Grey	Bracket/Grey	Bracket/Grey
Filter Housing	Opaque	Opaque	Opaque	Opaque
<b>Convenience</b>				
SmartWater™ Faucet with Electronic Monitor	Chrome w/black	Chrome w/black	Chrome w/black	Chrome w/black
Filter Change Indicator	●	●	●	●
Undercounter Installation (kit included)	●	●	●	●
Optional Basement Installation (hardware not included)	●	●	●	●
<b>Performance</b>				
Feed Water Pressure (psi)	40-125	40-125	40-125	40-125
Feed Water Temperature (F °)	40-100	40-100	40-100	40-100
Max. Filtered Water Flow (gpm)	0.6	0.6	0.6	0.6
<b>Filter I</b> (Sediment/Taste/Odor)	FXUS	FXUS	FXUS	
Filter cartridge	Activated Carbon	Activated Carbon	Activated Carbon	
Filtration retention rating	20 micron	20 micron	20 micron	
Chlorine reduction (% / gals.)	95/1500	95/1500	95/1500	
<b>Filter II</b>	(Lead,Cysts) FXUL	(Organic Chemical Contaminant) FXUV	(Taste/Odor) FXUT	
Filter cartridge	Block Act. Carbon	Gran. Act. Carbon	Gran. Act. Carbon	
Filtration retention rating	Absolute 1 micron	20 micron	20 micron	
Chlorine reduction (% / gals.)	99/1000	99/500	99/3000	
Organic Chemical contaminant reduction (% / gals.)		95/500		
Lead reduction (% / gals.)	99/1000			
Cyst reduction (% / gals.)	99.99/1000			
Turbidity reduction (% / gals.)	99/1000			
<b>General Features</b>				
Faucet Monitor	2 AA batteries (included)	2 AA batteries (included)	2 AA batteries (included)	2 AA batteries (included)
Power Requirement				
Approx. shipping wt. (lbs.)	7	7	7	6

Note: Models GNUL30Z for lead reduction and GNUV10Z for organic chemical contaminants reduction have been tested to ANSI/NSF Standard 53.

Caution: Do not use with water that is microbiologically unsafe or of unknown quality, without adequate disinfection before or after the system. Systems certified for cyst reduction may be used on disinfected water that may contain filterable cysts.



GNUT05Z, GNUV10Z and GNUL30Z are tested and certified to ANSI/NSF Standard 42 for particulate reduction Class 1, chlorine reduction Class 1 and taste and odor reduction.

GNUV10Z is tested and certified to ANSI/NSF Standard 53 for volatile organic chemical reduction.

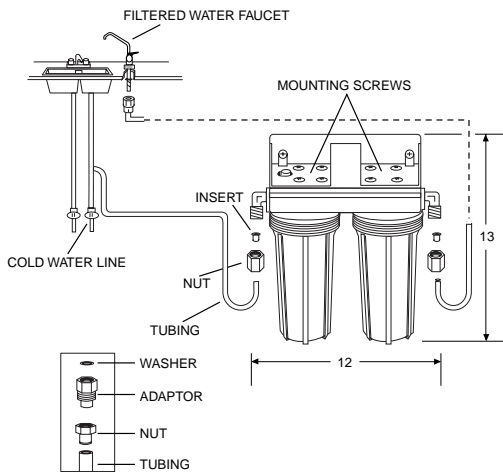
GNUL30Z is tested and certified to ANSI/NSF Standard 53 for cysts, turbidity and lead reduction.



The GE SmartWater™ Filtration Systems (GNUL30Z and GNUV10Z) have been quality tested by an independent laboratory, Spectrum Labs, Inc.

## Models GNUL30Z/GNUV10Z/GNUT05Z/GXEM01Z

### Installation Information (in inches)



Note: Can be installed undercounter (as shown), in basement, or other convenient location. See installation instructions packed with product for complete details.

### Replacement Filters

Call GE Appliance Parts toll-free 800.626.2002 to order replacement filters.

### Water Test Kit

To order a water test kit, Pub. No. 27-X017, call 1-800-848-7722.

### Warranty Information

Models GNUL30Z, GNUV10Z, GNUT05Z, **Full One-Year Warranty** – (parts and labor at no additional charge) applies to entire unit, excludes filters.

Model GXEM01Z

**Limited One-Year Warranty** – parts and labor at no additional charge, (does not include service trip) applies to entire unit, excludes filters.

See page 125 for warranty information.

# GE SmartWater™ Softening Systems

	GE Profile Performance™ Series		
	PNSF39Z	PNSF31Z	GNSF23Z
<b>Appearance</b>			
Style/Unit Color	Cabinet/Grey	Cabinet/Grey	Round/Grey
Electronic-Demand Driven	●	●	●
<b>Convenience</b>			
Systems Monitor	●		
Electronic Controls	Backlit LCD	●	●
Salt Capacity (lbs.)	300	300	200
Permanent Settings Memory	●	●	●
<b>Performance</b>			
Capacity (grains)	Super-38,600*	Extra-Large-30,800*	Large-23,000*
Efficiency (grains per lb.-salt)	5168**	5168**	5168**
Max. Hardness Removal (gpg)	110	95	50
Max. Clear Water Iron Reduction (ppm)	8	5	3
Resin Type	Std. mesh	Std. mesh	Std. mesh
Resin Weight (lbs.)	52.00	41.60	31.20
Resin Quantity (cu. ft.)	1.00	.80	.60
Resin Tank Size (in inches)	10 x 35	10 x 35	8 x 40
Water used for Regeneration (gals.)	43-52	40-45	23-30
Regeneration Time (min.)	Approx. 118	Approx. 118	Approx. 118
Service Flow Rate (at 15 psi drop)	10	10	8
<b>General Features</b>			
Plumbing Connection	1"-NPT	1"-NPT	1"-NPT
Electronic Rating	24V, 60Hz	24V, 60Hz	24V, 60Hz
Approximate shipping wt. (lbs.)	108	95	88

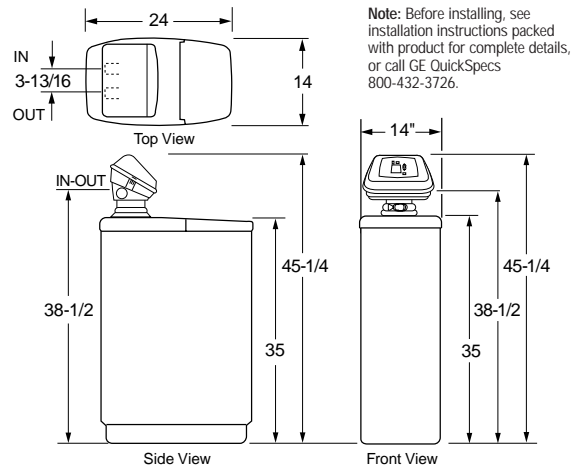
\*PNSF39-Test protocol @ 11.1 lbs. of salt.  
 PNSF31-Test protocol @ 8.9 lbs. of salt.  
 GNSF23-Test protocol @ 6.6 lbs. of salt.  
 \*\*PNSF39-Test protocol @ 2.9 lbs. of salt.  
 PNSF31-Test protocol @ 2.3 lbs. of salt.  
 GNSF23-Test protocol @ 1.8 lbs. of salt.

Included with product: Installation Kit, Bypass Valve and Drain Tubing.

## Water Test Kit

To order a water test kit, Pub. No. 27-X017, call 1-800-848-7722.

## Model PNSF39Z and PNSF31Z Installation Information (in inches)



Note: Before installing, see installation instructions packed with product for complete details, or call GE QuickSpecs 800-432-3726.

**Salt Capacity** – 300 lbs.

### Warranty Information

**Full One-Year Warranty** – (parts and labor at no additional charge) applies to entire unit.

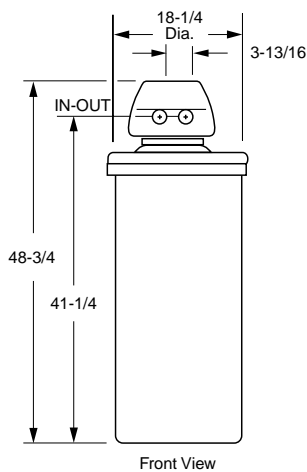
**Limited Three-Year Warranty** – (parts only) applies to electronic monitor.

**Limited Ten-Year Warranty** – (parts only) applies to replacement cabinet (brine tank) and resin tank.

**Important:** All units must be installed according to local plumbing and electrical regulations.



## Model GNSF23Z Installation Information (in inches)



Note: Before installing, see installation instructions packed with product for complete details, or call GE QuickSpecs 800-432-3726.

**Salt Capacity** – 200 lbs.

### Warranty Information

**Full One-Year Warranty** – (parts and labor at no additional charge) applies to entire unit.

**Limited Three-Year Warranty** – (parts only) applies to electronic monitor.

**Limited Ten-Year Warranty** – (parts only) applies to replacement cabinet (brine tank) and resin tank.

**Important:** All units must be installed according to local plumbing and electrical regulations.







# Built-In "J" Series Units and Heat Pumps

Refrigeration

Laundry

Cooking Products

Microwave Ovens

Dishwashers

Water Systems

Room Air

Models		GE									
		Chassis/Cool						Chassis/Cool High-Mount			
		AJCS06LC	AJCS08AC	AJCS10AC	AJCS09DC	AJCS10DC	AJCS12DC	AJCH08AC	AJCH10AC	AJCH10DC	AJCH12DC
Voltage	115	115	115	230/208	115	230/208	115	115	230/208	230/208	
<b>Cooling Capacity</b>											
BTUH-AHAM	6000	8000	9900	8900/8700	9900/9700	11,600/11,400	8000	9900	9900/9700	11,600/11,400	
Amps-AHAM	5.7	7.9	9.7	4.2/4.6	4.9/5.3	5.8/5.3	7.9	9.7	4.9/5.3	5.8/6.3	
Watts input	630	870	1075	935/915	1075/1055	1290/1265	870	1075	1075/1055	1290/1265	
E.E.R.	9.5	9.2	9.2	9.5/9.5	9.2/9.2	9.0/9.0	9.2	9.2	9.2/9.2	9.0/9.0	
Dehumidification (pints/hr.)	1.4	2.0	2.7	2.5	2.6	3.2	2.0	2.7	2.8	3.2	
<b>Features</b>											
Line cord plug	Parallel	Parallel	Parallel	Tandem	Tandem	Tandem	Parallel	Parallel	Tandem	Tandem	
Recommended circuit protection (time delay)	15 Amps	15 Amps	15 Amps	15 Amps	15 Amps	15 Amps	15 Amps	15 Amps	15 Amps	15 Amps	
Fan speeds (Cool/Fan Only)	2/2	2/2	2/2	2/2	2/2	2/2	2/2	2/2	2/2	2/2	
Airflow (cfm) roomside hi/low	250/210	250/210	250/210	250/210	250/210	265/230	250/210	250/210	250/210	265/230	
Air exchange exhaust	●	●	●	●	●	●	●	●	●	●	
Fan cycle switch	●	●	●	●	●	●	●	●	●	●	
Rotary compressor	●	●	●	●	●	●	●	●	●	●	
Slide-out chassis	●	●	●	●	●	●	●	●	●	●	
Installation	Wall	Wall	Wall	Wall	Wall	Wall	Wall	Wall	Wall	Wall	
Wall case required	RAB46/47/48	RAB46/47/48	RAB46/47/48	RAB46/47/48	RAB46/47/48	RAB46/47/48	RAB46/47/48	RAB46/47/48	RAB46/47/48	RAB46/47/48	
<b>Case Dimensions</b>											
Height (in inches) A	← 15-5/8 →										
Width (in inches) B	← 26 →										
Depth (in inches) C	← 16-7/8 →										
Approx. net weight (lbs.)	66	73	82	75	82	84	75	82	84	84	
Approx. shipping weight (lbs.)	75	82	90	84	90	93	84	90	93	93	

Models		GE					
		Chassis/Heat/Cool			Chassis/Heat/Cool High-Mount		Chassis/Heat Pumps
		AJES09DC	AJES10DC	AJES12DC	AJEH12DC	AJHS08DC	AJHS10DC
Voltage	230/208	230/208	230/208	230/208	230/208	230/208	
<b>Cooling Capacity</b>							
BTUH-AHAM	8900/8700	9900/9700	11,600/11,400	11,600/11,400	8000/7800	9800/9600	
Amps-AHAM	4.2/4.6	4.9/5.3	5.8/6.3	5.8/6.3	4.0/4.3	4.9/5.3	
Watts input	935/915	1075/1055	1290/1265	1290/1265	870/850	1065/1045	
E.E.R.	9.5/9.5	9.2/9.2	9.0/9.0	9.0/9.0	9.2/9.2	9.2/9.2	
Dehumidification (pints/hr.)	2.5	2.6	3.2	3.2	2.0	2.6	
<b>Reverse Cycle Heating</b>							
BTUH-AHAM					7700/7500	9700/9500	
C.O.P. @ 47°F.					3.0	3.0	
Amps-AHAM					3.4/3.7	4.3/4.7	
Watts input					750/730	950/930	
<b>Electric Resistance Heating</b>							
BTUH-AHAM	11,600/9500	11,600/9500	11,600/9500	11,600/9500	11,600/9500	11,600/9500	
Amps (Max. connected load)	16.0	16.0	16.0	16.0	16.0	16.0	
Watts output	3400/2780	3400/2780	3400/2780	3400/2780	3400/2780	3400/2780	
<b>Features</b>							
Line cord plug	Perpendicular	Perpendicular	Perpendicular	Perpendicular	Perpendicular	Perpendicular	
Recommended circuit protection (time delay)	20 Amps	20 Amps	20 Amps	20 Amps	20 Amps	20 Amps	
Fan cycle switch	●	●	●	●	●	●	
Fan speeds (Heating/Cooling)	2/2	2/2	2/2	2/2	2/2	2/2	
Fan Only speeds	2	2	2	2	2	2	
Airflow (cfm) roomside hi/low	250/210	250/210	265/230	265/230	250/210	250/210	
Air exchange exhaust	●	●	●	●	●	●	
Rotary compressor	●	●	●	●	●	●	
Slide-out chassis	●	●	●	●	●	●	
Installation	Wall	Wall	Wall	Wall	Wall	Wall	
Wall case required	RAB46/47/48	RAB46/47/48	RAB46/47/48	RAB46/47/48	RAB46/47/48	RAB46/47/48	
Window installation kit	Optional	Optional	Optional	Optional	Optional	Optional	
<b>Case Dimensions</b>							
Height (in inches) A	← 15-5/8 →						
Width (in inches) B	← 26 →						
Depth (in inches) C	← 16-7/8 →						
Approx. net weight (lbs.)	77	84	84	86	75	84	
Approx. shipping weight (lbs.)	86	93	93	95	84	93	

All cooling with electric heat models are corrosion treated. Specifications and design subject to change without notice.

# Window/Built-In "J" Series Units and Heat Pumps

Models	GE						
	Cooling Only Units			Heat/Cool Units			Heat Pump Unit
	AJCS06LZ	AJCS08AZ	AJCS10AZ	AJES06LS*	AJES08AS*	AJES10DS	AJHS08AS*
<b>Cooling Capacity</b>							
BTUH-AHAM	6000	8000	9900	6000	8000	9900/9700	8000
Voltage	115	115	115	115	115	230/208	115
E.E.R. (BTUH/Watt)	9.5	9.2	9.2	9.5	9.2	9.2/9.2	9.2
Rated Cooling Amps AHAM	5.7	7.9	9.7	5.7	7.9	4.9/5.3	7.9
Cooling watts	630	870	1075	630	870	1075/1055	870
Dehumidification (pints/hr.)	1.4	2.0	2.7	1.4	2.0	2.6	2.0
Line cord recommended circuit protection (time delay)	15 Amps	15 Amps	15 Amps	15 Amps	15 Amps	20 Amps	15 Amps
Plug type	Parallel	Parallel	Parallel	Parallel	Parallel	Perpendicular	Parallel
Fan speed selections: Cooling	2	2	2	2	2	2	2
Fan speed selections: Heating				2	2	2	2
Fan Only speeds	2	2	2	2	2	2	2
Airflow (cfm) roomside hi/low	250/210	250/210	250/210	250/210	250/210	250/210	250/210
Air exchange exhaust	•	•	•	•	•	•	•
Thermostat	10-Position	10-Position	10-Position	10-Position	10-Position	10-Position	10-Position
Fan cycle switch	•	•	•	•	•	•	•
Rotary compressor	•	•	•	•	•	•	•
Wall case	Included	Included	Included	N/A	N/A	N/A	N/A
Chassis	Slide-Out	Slide-Out	Slide-Out	Slide-Out	Slide-Out	Slide-Out	Slide-Out
Filter type	Slide-Out	Slide-Out	Slide-Out	Slide-Out	Slide-Out	Slide-Out	Slide-Out
Window mounting/installation	EZ Mount	EZ Mount	EZ Mount	Std. Mount	Std. Mount	Std. Mount	Std. Mount
Window opening height (min.) (in.)	17	17	17	17	17	17	17
Window opening width (min./max.) (in.)	29/41	29/41	29/41	31/42	31/42	31/42	31/42
<b>Case Dimensions</b>							
Height (in inches) A	←			15-5/8 →			
Width (in inches) B	←			26 →			
Depth (in inches) C	←			16-7/8 →			
Net weight (lbs.)	TBD	TBD	TBD	TBD	TBD	TBD	TBD
Approx. shipping weight (lbs.)	TBD	TBD	TBD	TBD	TBD	TBD	TBD
<b>Heating Capacity—Reverse Cycle</b>							
BTUH-AHAM—H.P.							7700
Rated heating amps—AHAM							6.8
COP @ 47°							3.0
<b>Heating Capacity—Electric</b>							
BTUH-AHAM—1°R				4100	4100	11,600/9500	4100
Rating heating amps—AHAM				12.0	12.0	16.0	12.0
Heater watts (maximum connected load)				1200	1200	3400/2780	1200

\*This unit is not intended to be the primary source of heat.



**Parallel**  
115V.  
15 Amp.



**Tandem**  
230/208V.  
15 Amp.



**Perpendicular**  
230/208V.  
20 Amp.



**Large Tandem**  
230/208V.  
30 Amp.

### Wall Outlets

All wiring, including installation of receptacle, must be made in accordance with local electrical codes and regulations. Electrical outlet should be in reach of line cord.

**Note:** Aluminum wiring may pose special problems—consult a qualified electrician.

**Note:** Some models may not be available in your area due to local legislation. Contact your local dealer.

**Note:** When installing slide out chassis units in through-the-wall applications, keep louvers free. Do not restrict air flow areas. Fixed chassis units are not suitable for through-the-wall applications.



Listed by Underwriters Laboratories

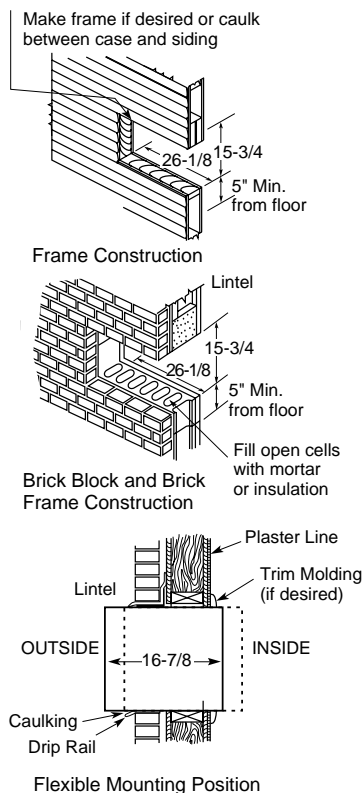


Total capacity and E.E.R. ratings are calculated based on the Association of Home Appliance Manufacturers' standards.

## Built-In Room Air Conditioners Wall Opening for RAB46/47/48 Cases

A finished opening of 26-1/8" x 15-3/4", clear of intrusions, is required. Keep clearance of 4" from side walls. Brick veneer or frame walls should have wood studding surrounding case to provide firm anchoring with screws. Case can be fastened directly to brick or block walls with screws sunk in lead expansion shields.

**Note:** Units should be caulked on all four sides of case to the building exterior to assure building integrity.

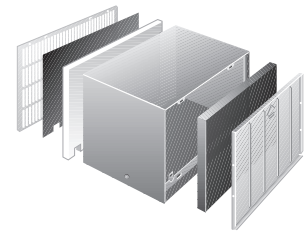


### Two Wall Cases for Tenant Option Installation

When the air conditioner is offered as a tenant option, these wall cases provide protection against outside elements.

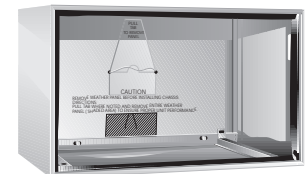
**RAB47**—includes wall case, exterior grille, weather panel and steel closure panels.

**RAB48**—includes wall case, exterior grille, steel closure panel and two layers of insulation.

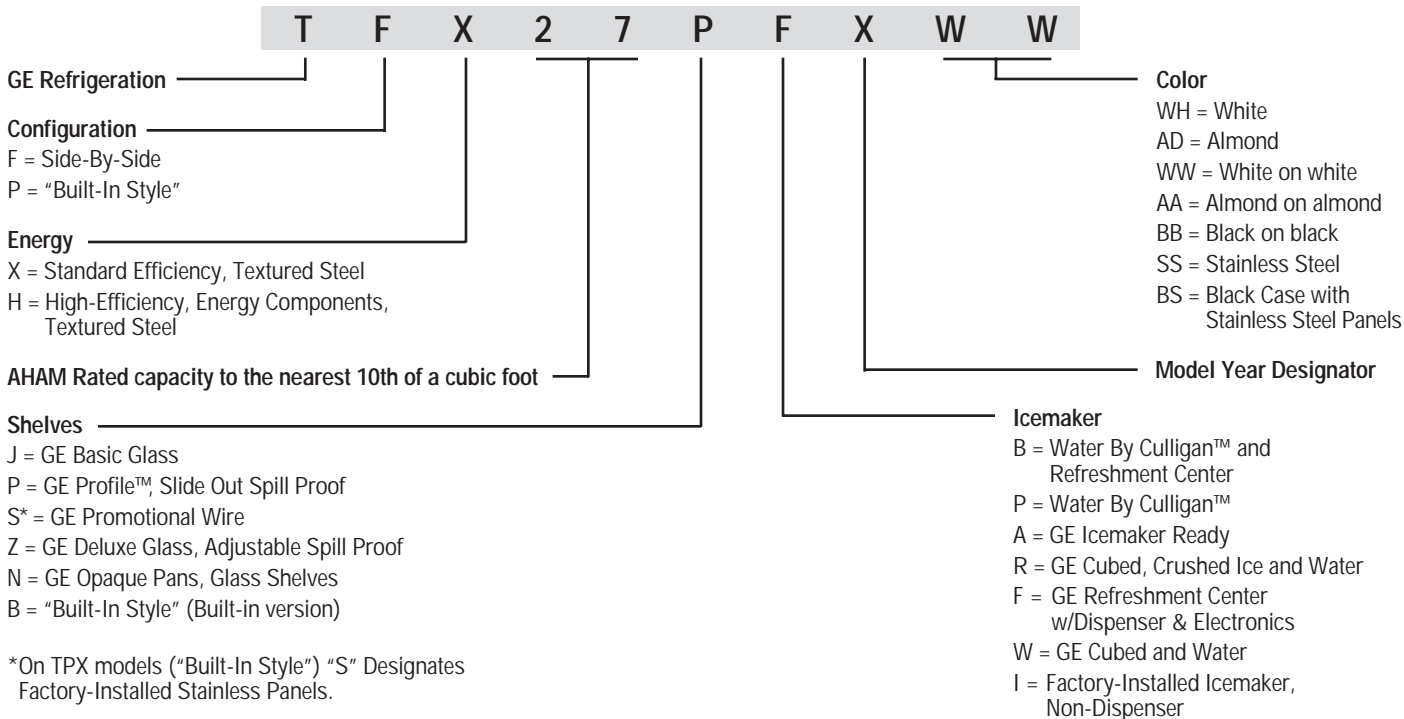


### Standard Wall Case RAB46

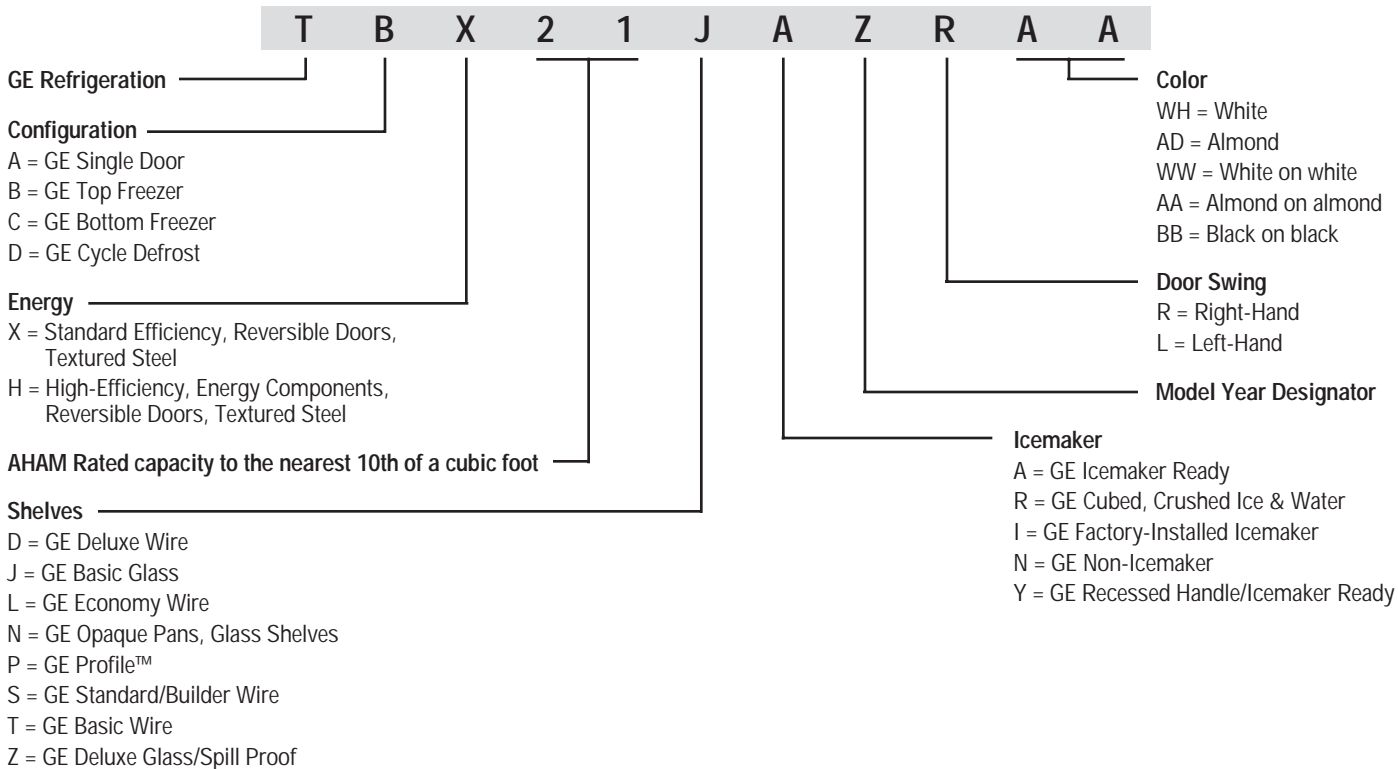
Solid-sided wall case fabricated of galvanized steel with baked enamel finish. Welded areas are coated with a sealing compound to help resist rust and corrosion. Polymer gasket surrounds opening to assure tight weather seal. Aluminum grille (RAG13) is included. Panels on interior and between case and grille provide weather protection prior to installation of chassis.



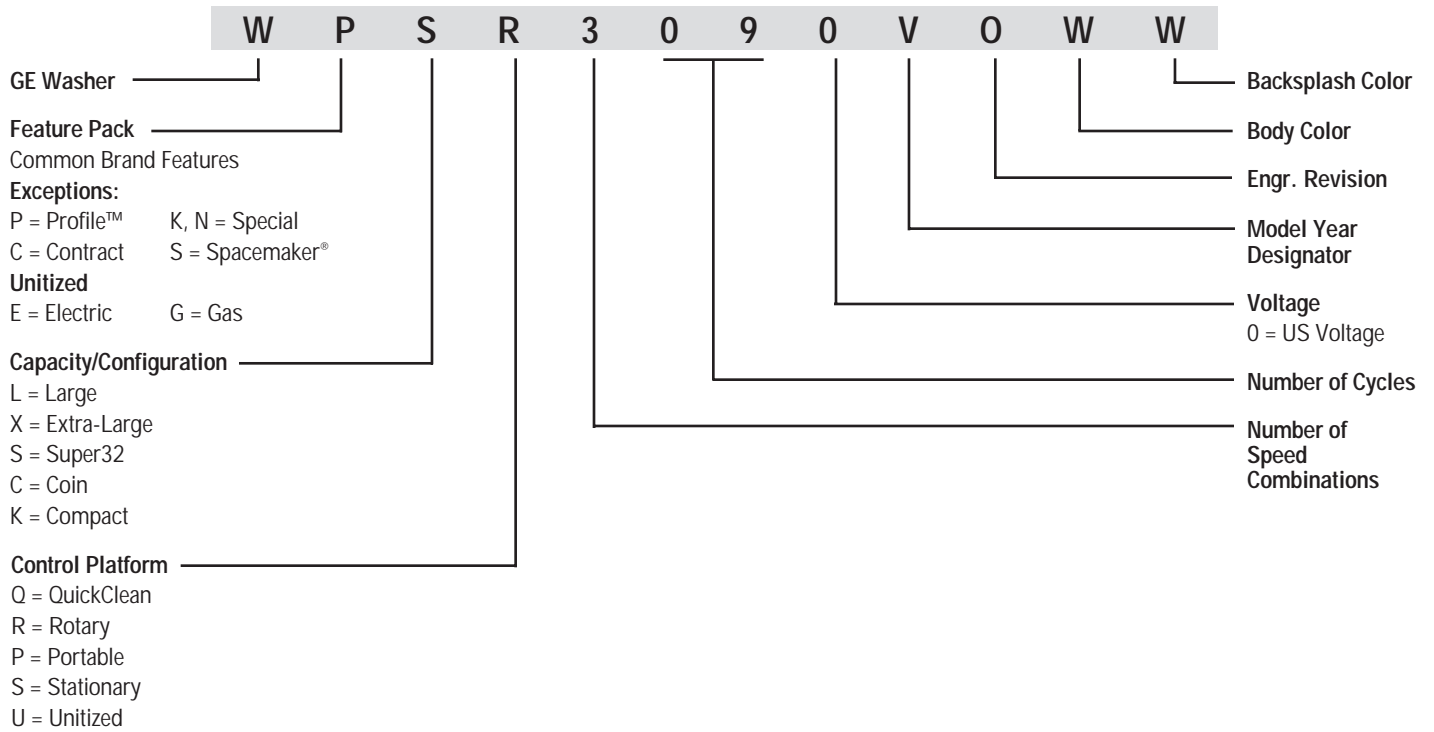
### Reading Side-By-Side Refrigerator Nomenclature



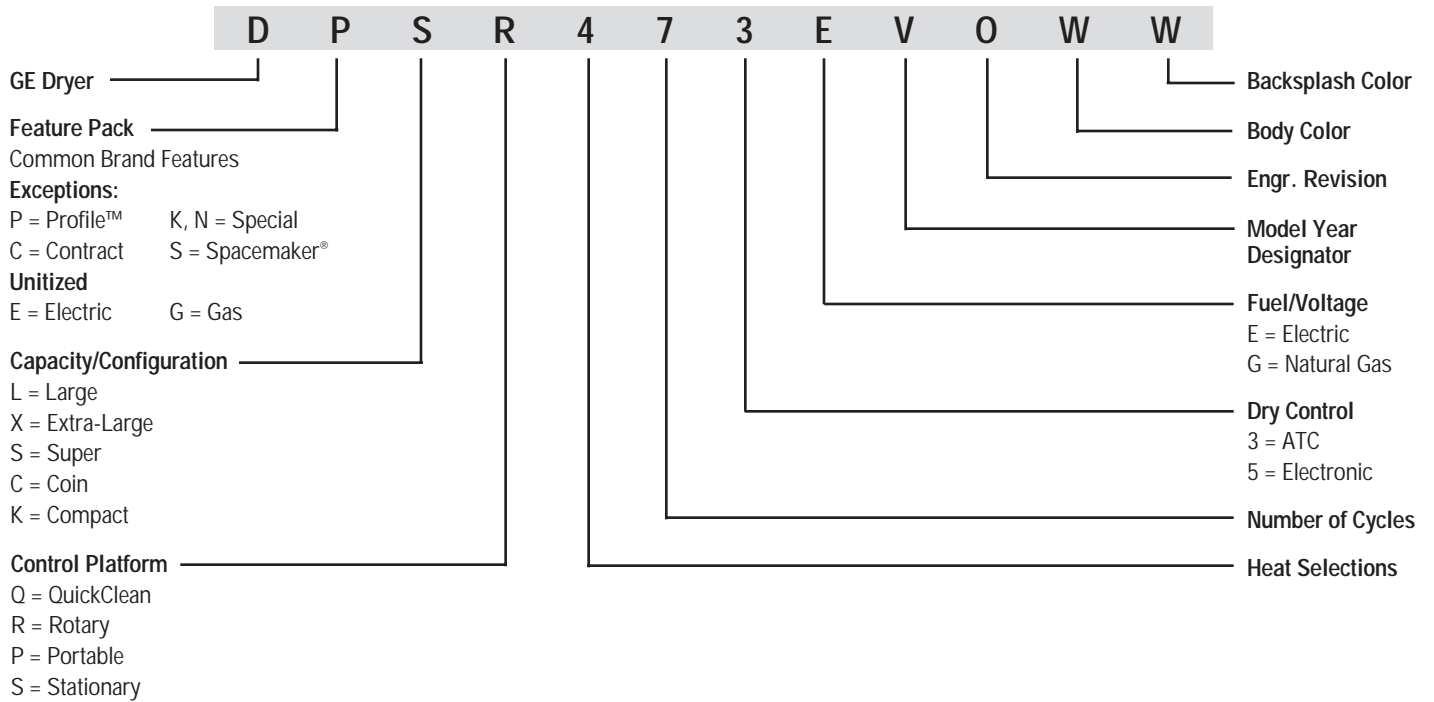
### Reading Top-Mount Refrigerator Nomenclature



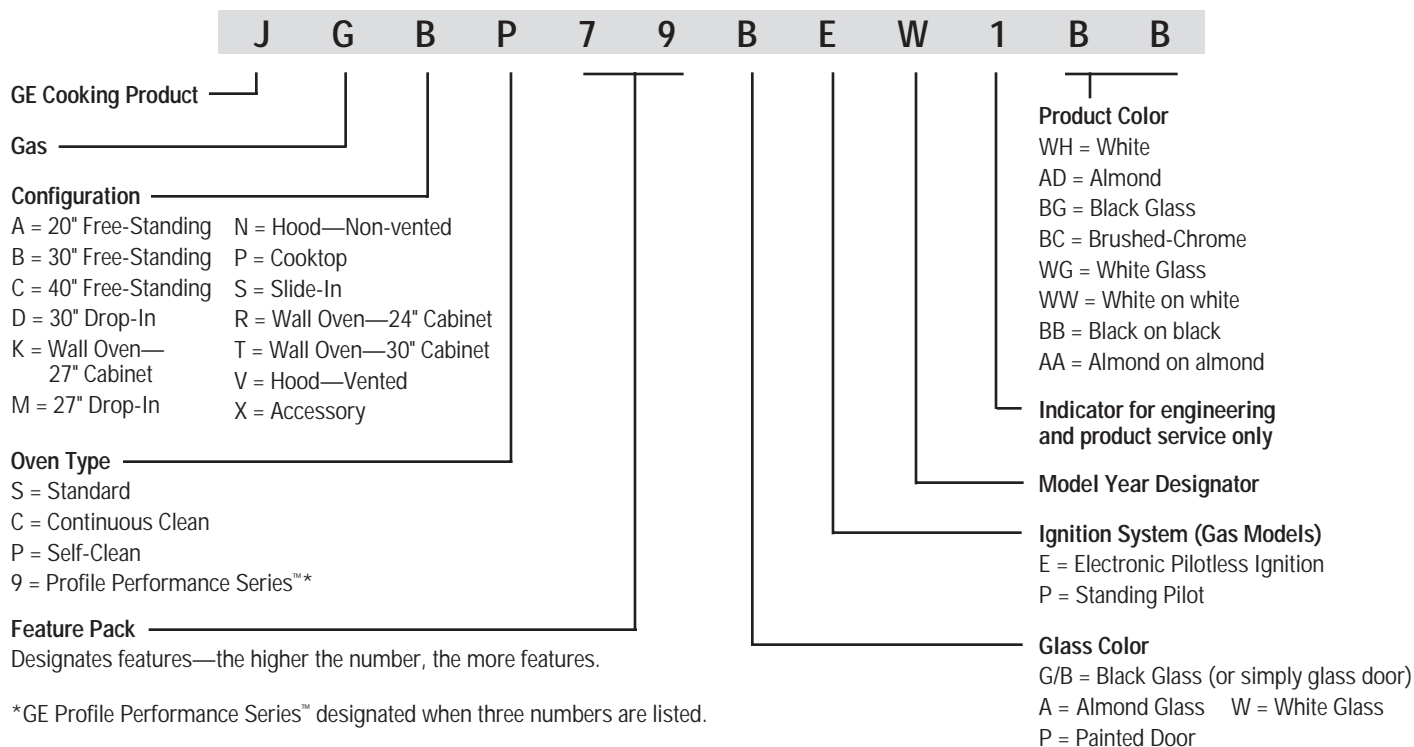
## Reading Washer Nomenclature



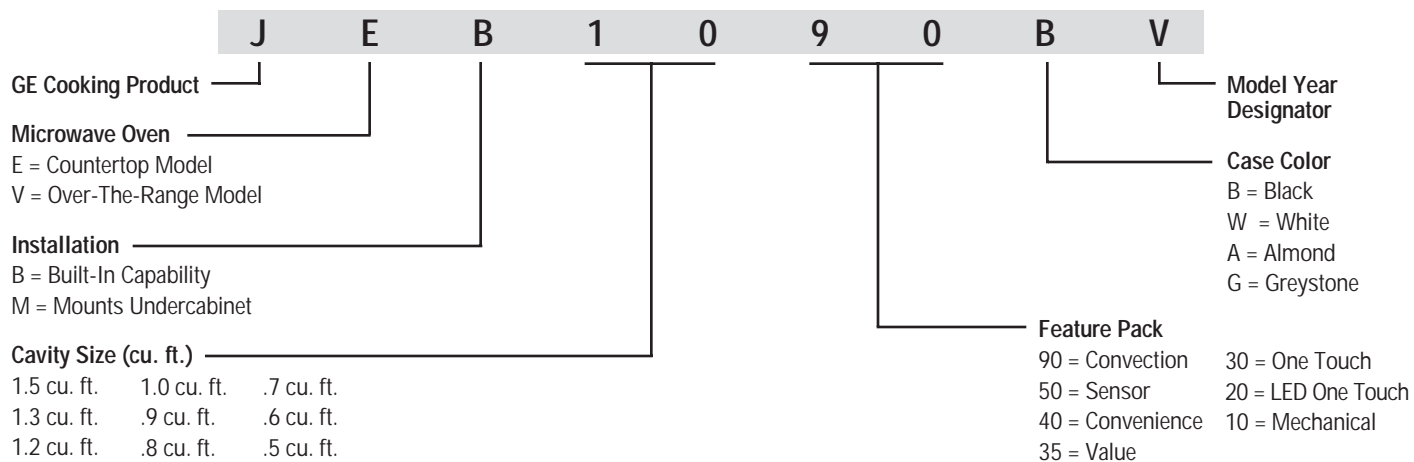
## Reading Dryer Nomenclature



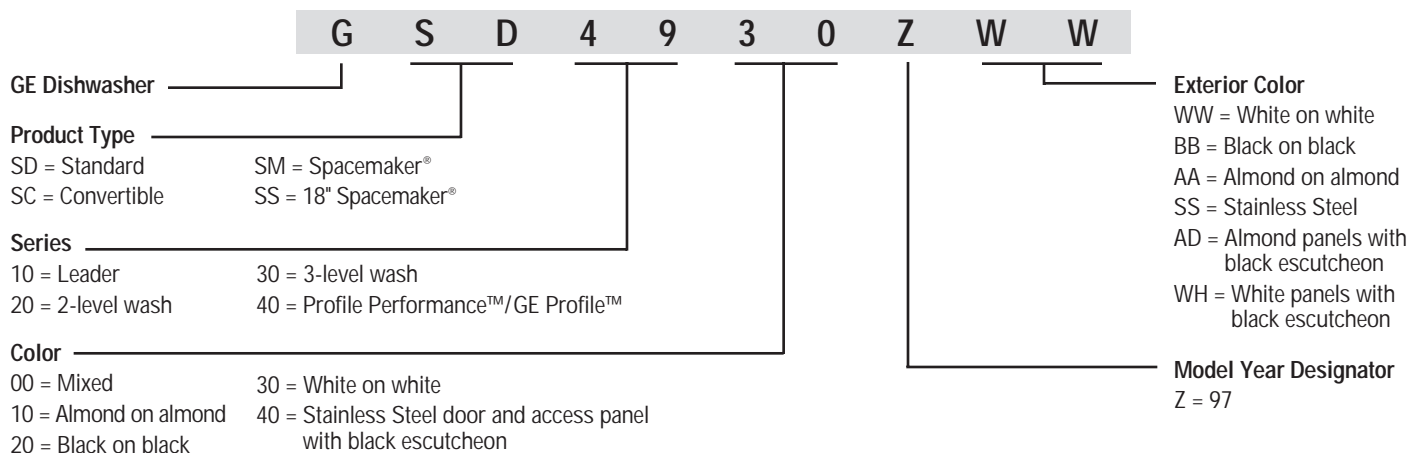
## Reading Cooking Nomenclature



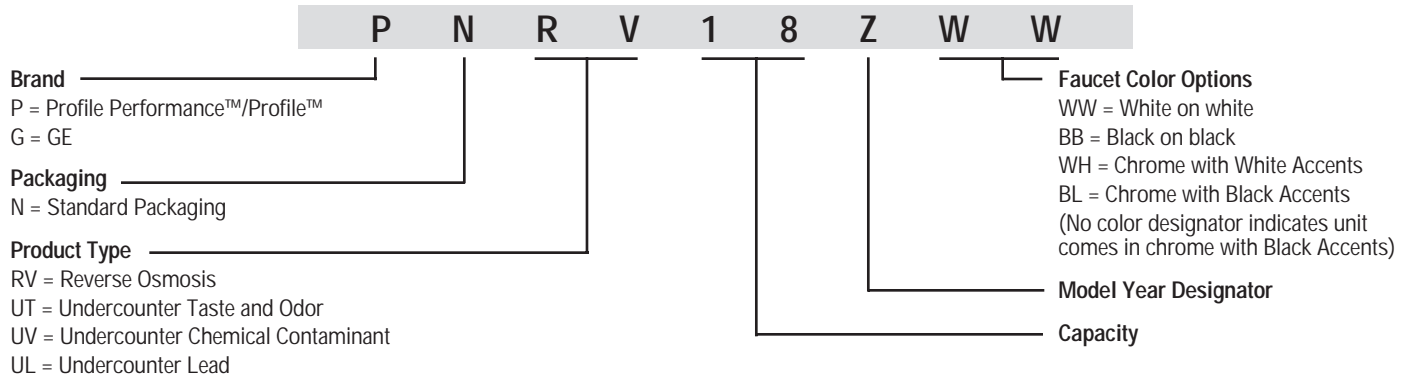
## Reading Microwave Nomenclature



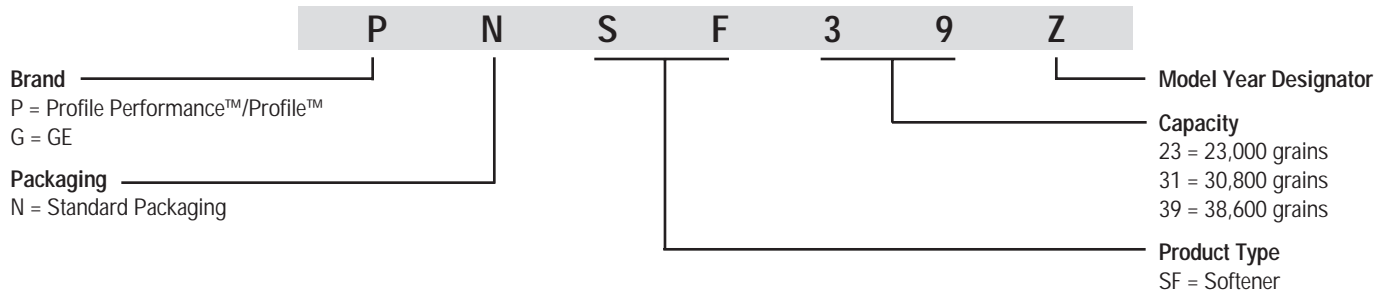
## Reading Dishwasher Nomenclature



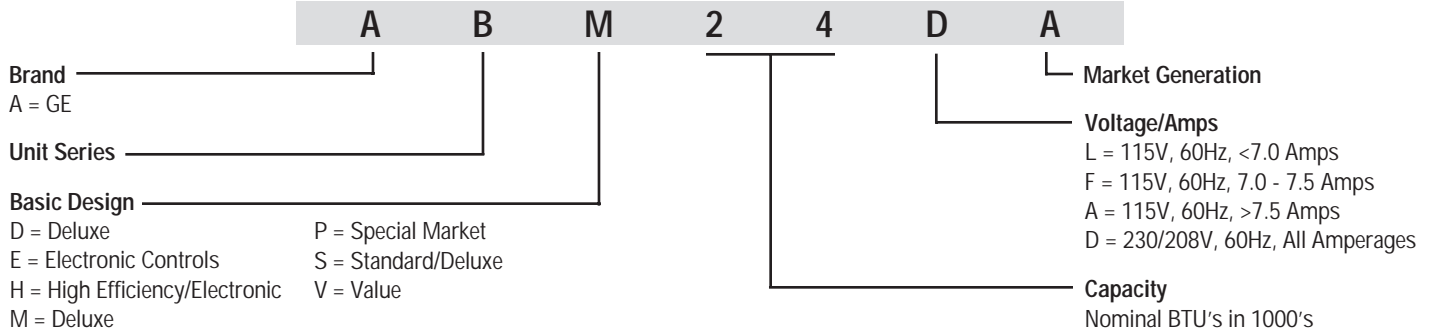
## Reading Water Filtration System Nomenclature



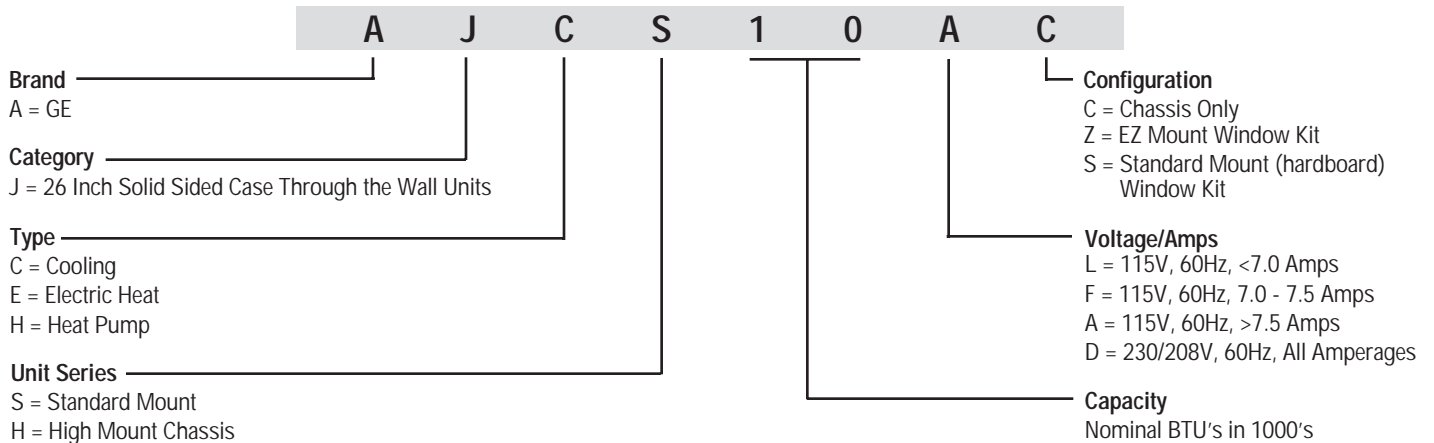
## Reading Water Softening System Nomenclature



## Reading Window Room Air Nomenclature



## Reading Built-In Room Air Nomenclature





## GE PROFILE PERFORMANCE™ LAUNDRY & WATER SOFTENER



*GE Appliances*

*General Electric Company  
Louisville, Kentucky 40225  
[www.ge.com/appliances](http://www.ge.com/appliances)*

*Pub. No. 1-G027 PG8257*