



8" Bridge Saw



Features & Benefits:

- Rips tile 24" square, 18" diagonal
- Powerful 1½HP, 3550 RPM motor
- Linear, diagonal and 45° angle cuts
- Motor trolley unit - rides on 6 Ball Bearings for improved cutting
- Accepts 8" blade with standard 5/8" arbor
- Adjustable leg for set up on uneven surfaces
- UL approved
- Limited 1 year warranty

Includes:

- Water pump
- 8" continuous rim wet diamond blade
- 45° angle cutting guide
- Fold-out stand

Specifications:

Motor: 120V-60Hz
1½HP

RPM: 3,550 (single speed)

AMPS: 9.2

Blade Capacity: 8" (20,3cm)

Arbor: 5/8"

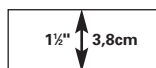
Size: 35¼"L x 20½"W x 20¾"H
(w/legs)

Weight: 99 lbs.

Square Cut: 24"

Diagonal Cut: 18"

Depth of Cut: 1½" (3,8cm)



STK#
83200

Description
8" Bridge Saw

Quantity
1

Packaging
Box



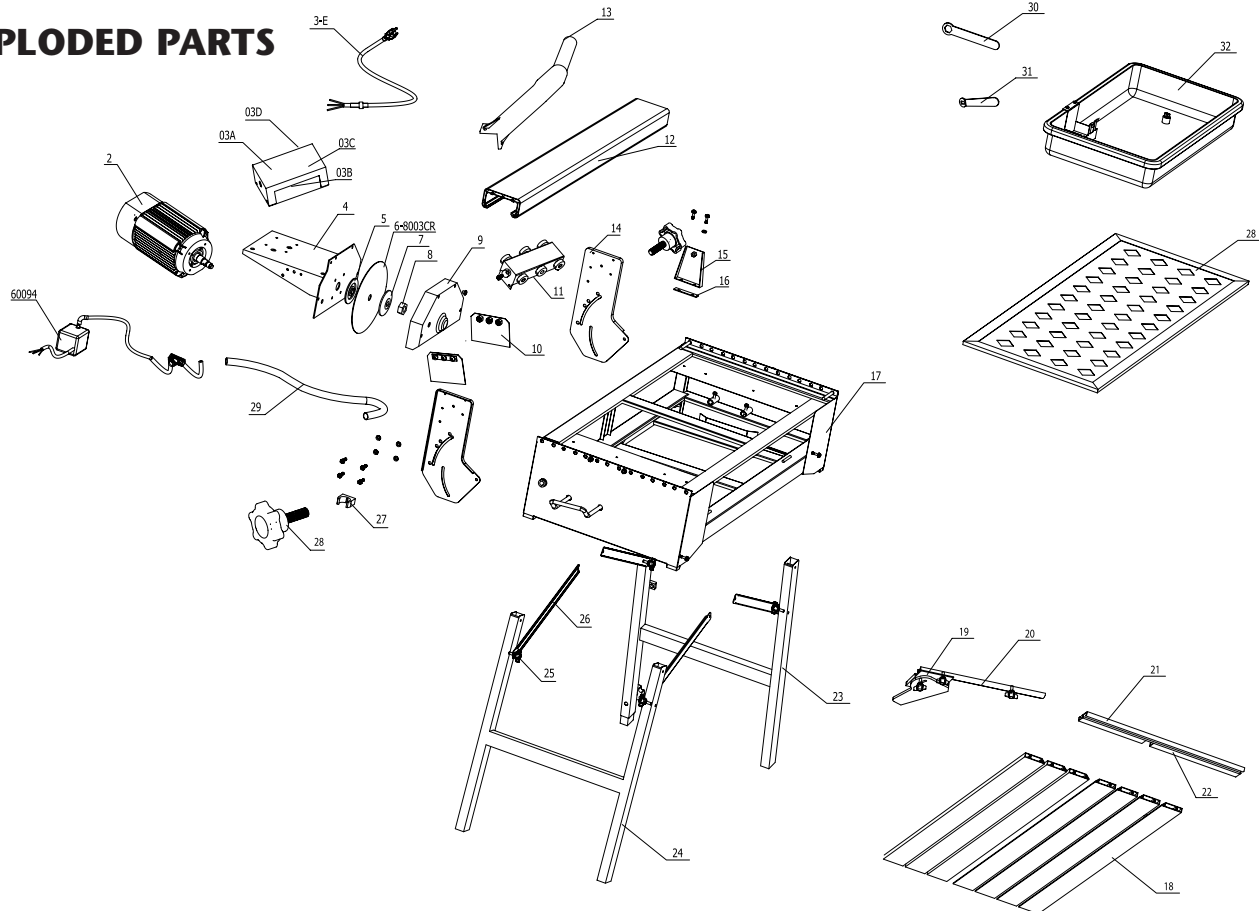
8" Bridge Saw

PARTS LIST

| No. | DESCRIPTION |
|-----------|----------------------|
| 60097 | Water Pump |
| 83200-02 | Motor |
| 83200-03A | Connecting House |
| 83200-03B | Switch |
| 83200-03C | Circuit Breaker |
| 83200-03D | Capacitor |
| 83200-03E | Power Cable and Plug |
| 83200-04 | Motor Fixture |
| 83200-05 | Inside Flange |
| 6-8003CR | 8" Diamond Blade |
| 83200-07 | Outside Flange |
| 83200-08 | Nut |
| 83200-09 | Safety Guard |
| 83200-10 | Water Spray Guard |
| 83200-11 | Motor Trolley Guide |
| 83200-12 | Slide Rail |
| 83200-13 | Handle |
| 83200-14 | Rail Stand |

| No. | DESCRIPTION |
|----------|-------------------------|
| 83200-15 | Rail Stand Fixture (2) |
| 83200-16 | Pad (2) |
| 83200-17 | Main Frame |
| 83200-18 | Table |
| 83200-19 | Angle Cutting Guide |
| 83200-20 | Measuring Guide |
| 83200-21 | Front Spacer |
| 83200-22 | Back Spacer |
| 83200-23 | Stand |
| 83200-24 | Stand |
| 83200-25 | Butterfly Knob (4) |
| 83200-26 | Support Bracket (4) |
| 83200-27 | Plastic Tube Holder |
| 83200-28 | Steel Rack |
| 83200-29 | Protection Plastic Tube |
| 83200-30 | Hexagonal Blade Wrench |
| 83200-31 | Motor Shaft Wrench |
| 83200-32 | Water Tray |

EXPLODED PARTS



Q.E.P. Co., Inc. • Boca Raton, FL 33487 • (800) 777 8665 • www.qep.com

Roberts Company Canada Ltd.
PH: (800) 840 9422

Roberts Holland B.V.
PH: (31) 184 495757

Q.E.P. Australia Pty. Ltd.
PH: (61) 3 9799 7122

Q.E.P. Co., N.Z., Limited
PH: (64) 9 415 9700

Q.E.P. Chile Limitada
PH: 011 562 443 1282