



## LED SHOEBOX WITH PHOTOCELL SENSOR by Hyperikon®



Efficacy  
120 Lm/W



Voltage  
100-277V



IP Rate  
65



Lifespan  
45,000+ Hrs



5-Year  
Unlimited  
Warranty



Dimmable  
0-1V



Beam Angle  
150°



UV and  
Mercury Free



Temperature  
-4 °F to 122 °F

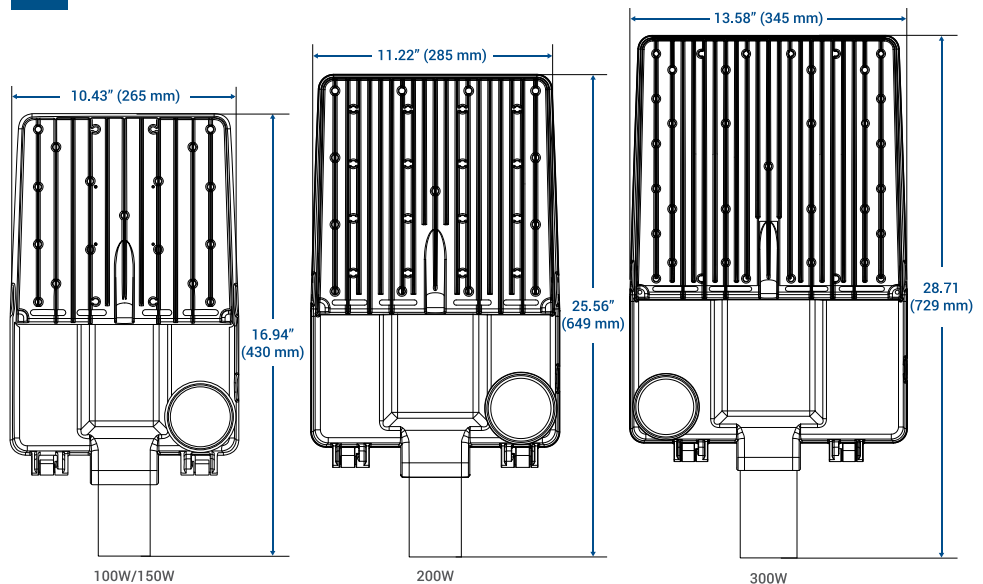
- Device complies with Part 15 of the FCC Rules
- Device has been tested and found to comply with the limits for a class B digital device.

## SPECIFICATIONS

Model Name	Hyperikon Code	Wattage	Voltage	Lumens	Kelvin	CRI	IP Rate	Beam Angle
HyperBox100-57PT	511001057	100W	100-277V	12,000 Lm	5700K	84+	65	150°
HyperBox150-57PT	511151057	150W	100-277V	18,000 Lm	5700K	84+	65	150°
HyperBox200-57PT	511201057	200W	100-277V	24,000 Lm	5700K	84+	65	150°
HyperBox300-57PT	511301057	300W	100-277V	36,000 Lm	5700K	84+	65	150°

Mount Type	SKU
Easy Direct Mount	TM00TBG3
Easy Slip Fitter	SF00TBG3

## MODEL DIMENSIONS



## ACCESSORIES

- Photocell included with all models

## WARNINGS AND CAUTIONS

- Turn power off before inspection, installation or removal. Risk of electric shock - do not use where directly exposed to water or weather.
- Suitable for damp locations outside as well as inside.
- This device is not intended for use with emergency exit fixtures or emergency exit lights.