

# Stand ST-401

Order Code: 100014488

## Stand proud



For stand-alone installations, the ST-401 facilitates a stable secure and stylish stand for the NEC V and P Series Large Format Displays\*. Easy to attach via VESA mounting and two height adjustable positions for each display size; this stand perfectly complements the display and offers a practical application. This is the ideal solution for all applications where permanent installation or a mounting solution is unsuitable, where the display needs to remain mobile or where setting up or servicing of the screen is required.

\* See list of products below



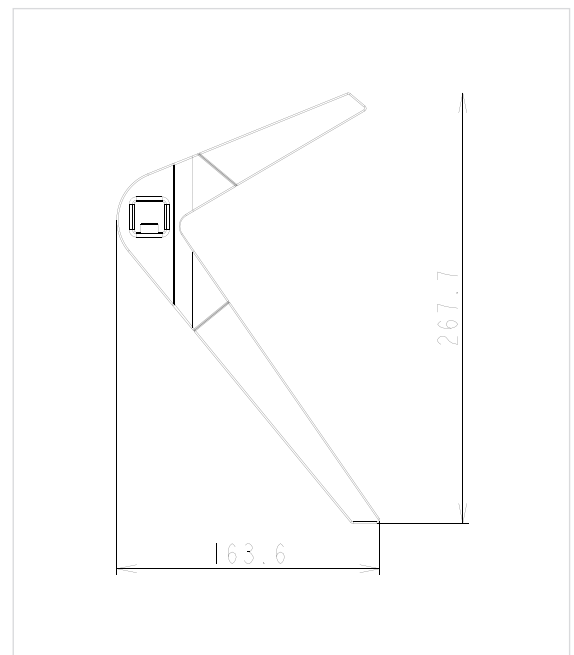
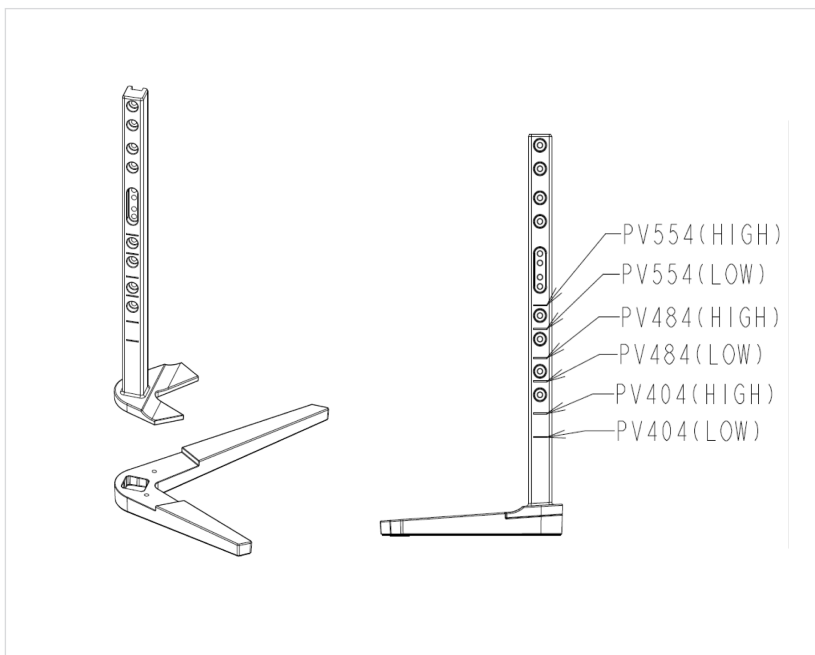
## Delivering Genuine Benefits

- Modern design supports the aesthetic appearance of the display
- Compatible with the V- and P-Series Large Format Displays\* from 40" to 55" in landscape orientation
- Flexible and space-saving installation of the display
- Easy and time-saving installation thanks to smart connectivity to the display's VESA fixing points
- The robust design and light weight is ideal for rental applications and mobile use

## Technical Specifications

Order Codes	
<b>Stand ST-401</b>	100014488
Dimensions (WxHxD)	163.6 x 510.3 - 622.4 x 267.7mm
Compatible with the following displays	V404, V484, V554, P404, P484, P554
Gross weight	2.7kg
Colour	Black (Matte Real Black)
Height adjustment	HIGH and LOW position
For additional pictures and Solutions overview, Visit <a href="http://www.nec-display-solutions.com">www.nec-display-solutions.com</a> for details.	

## Technical Drawings



### NEC Display Solutions Europe GmbH

Landshuter Allee 12-14, D-80637 München

[infomail@nec-displays.com](mailto:infomail@nec-displays.com)

Phone: +49 (0) 89 99 699-0

Fax: +49 (0) 89 99 699-500

[www.nec-display-solutions.com](http://www.nec-display-solutions.com)