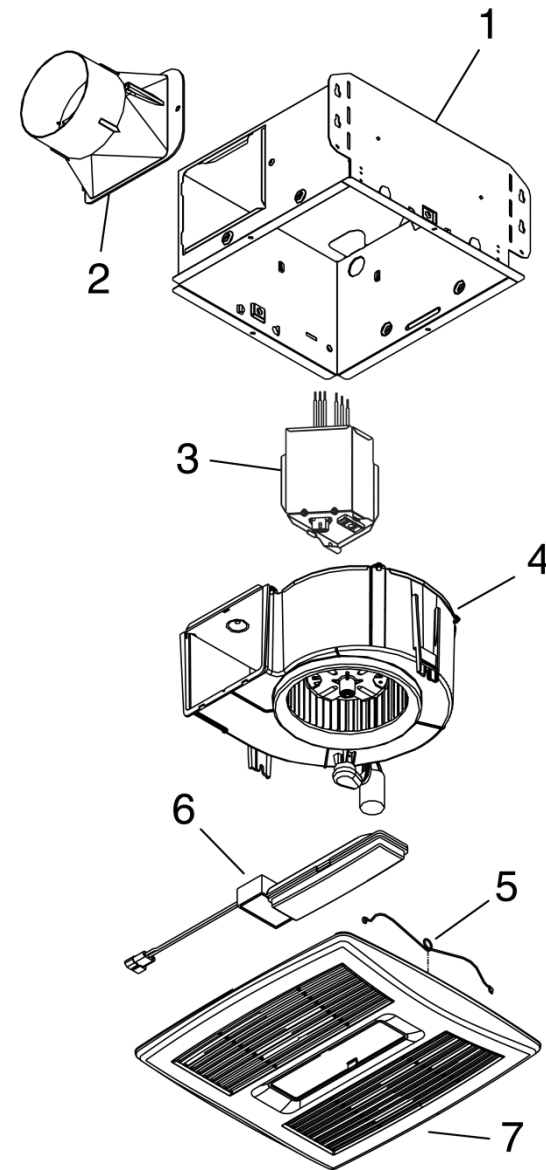


# BROAN InVent™ SERIES FAN / LIGHT SERVICE PARTS

Key No.	Description	Part No.	Models
1	Housing	97019514	(all)
2	Duct Connector – 4"	97019561	AE80L, AE80BL, AER90LC
		97020122	AE110L, AER110L, AER110LC
3	Wire Panel Assembly	97019516	(all)
4	Blower Assembly	97019785	AE80L, AE80BL
		97019786	AE110L, AER110L, AER90LC, AER110LC
5	Grille Spring (2 req'd)	99140214	(all)
6	LED Module	99271529	(all)
7	Grille Assembly <i>(includes key no. 5 &amp; 6)</i>	97019920	(all)
8	Parts Bag <i>(not shown)</i>	97019743	(all)



LIST OF COMPATIBLE DIMMER CONTROLS

MAKE	MODELS	AERN100SN	AEN110L, AEN80BL, AEN80L, AERN110L, AERN110LC, AERN90LC, AER110L, AER110LC, AER90LC, AE110L, AE110SL, AE80BL, AE80L, AE80SL, AEN80BLF, AEN80LF, AE110LF, AE80BLF, AE80LF	791LEDM, 791LEDNTM	MODELS XB50L1, XB80L1, XB110L1, XB110HL1, ZB80L1, ZB80ML1, ZB110L1, ZB110HL1, ZB110ML1, RB80L1, RB110L1
LEVITON	IPL0610Z	Yes	Yes	Yes	Yes
	6672	Yes	Yes	Yes	Yes
	6674-POW	No	Yes	Yes	Yes
	DSL06-1LT	No	No	No	Yes
	SURESLIDE TM Cat.No.6633-P i.e. 6633-PLW	No	No	No	No
	SURESLIDE TM Cat. NO.6615-P i.e. 6615-POW	No	No	No	No
LUTRON	IPL0610Z	Yes	Yes	Yes	No
	6672	Yes	Yes	Yes	No
	CTCL-153P-WH	Yes	Yes	Yes	No
	CTCL-153PDH	Yes	Yes	Yes	No
	SCL-153P	Yes	Yes	Yes	Yes
	MACL-153M	No	Yes	Yes	Yes
	MACL-153MR-WH	No	Yes	Yes	Yes
	TGCL-153PH-WH	No	Yes	Yes	Yes
	DVLV-603P	No	No	Yes	Yes
	LGCL-153P	No	No	No	No
	SKYLARK SF-10P	No	No	No	No
	DV-600P	No	No	No	No
	S-600P	No	No	No	No
	DSL06-1LT	No	No	No	No
	DVF-103P-277	No	No	No	No
PD-6WCL-WH-D	No	No	No	No	
S-603PG-WH	No	No	No	No	