



Hyper TX3i



The Hyper TX series has evolved along with the requirements of mainstream CPUs. The launch of Hyper TX3i marks another milestone with Cooler Master’s Improved Direct Contact technology, further improving cooling performance.

Product Features

- 3 direct contact heat pipes with a base that is engineered to minimize CPU contact gaps – providing excellent heat conduction.
- Option for adding 2nd fan with quick-snap fan brackets to increase cooling performance.
- All-in-one mounting solution supporting Intel® LGA 1150 / 1151 / 1155 / 1156 / 775
- A mere 17 dBA (minimum speed) is accomplished by utilizing a silent 92mm PWM fan with a wide RPM range.

Package Information

EAN Code	4719512049587
UPC Code	884102027505
Package Dimensions	149 x 104 x 210 mm (5.9 x 4.1 x 8.3 inch)
Carton Dimensions	545 x 315 x 249 mm (21.5 x 12.4 x 9.8 inch)
Unit / Carton	10 pcs
Carton / Pallet	48 pcs

Specification

CPU Socket	Intel LGA 1151/1150/1156/1155/775
Dimensions	90 x 79 x 136 mm (3.5 x 3.1 x 5.4 in)
Heatsink Dimensions	90 x 51 x 136 mm (3.5 x 2.0 x 5.4 in)
Heatsink Material	3 Direct contact heatpipes / Aluminum fins
Heatsink Weight	306g (0.68 lb)
Heatpipe Dimensions	Ø6 mm
Fan Dimensions	92 x 92 x 25 mm (3.6 x 3.6 x 1 in)
Fan Speed	800 - 2,200 RPM (PWM) ± 10%
Fan Air Flow	15.7 - 43.1 CFM (26.7 - 70.17 m³/h) ± 10%
Fan Air Pressure	0.35 - 2.63mm H2O ± 10%
Fan Life Expectancy	40,000 hours
Noise Level	17 ~ 30 dBA
Bearing Type	Long Life Sleeve Bearing
Connector	4-Pin
Rated Voltage	12 VDC
Rated Current	0.15A
Power Consumption	1.8W
Fan Weight	73g
Warranty	2 years



Make It Yours.



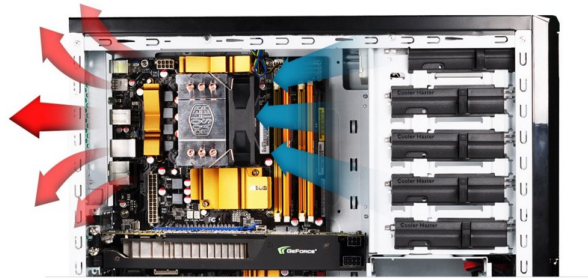
Aluminum fins with 3 direct contact heat pipes provide excellent heat dissipation.



Increase cooling performance by adding an optional second 92mm fan.



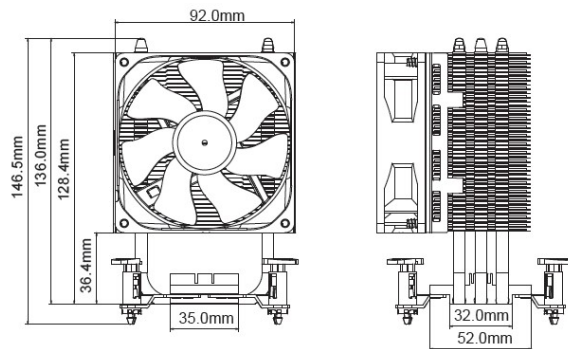
92mm PWM fan with anti-vibration rubber pads and a quick-snap cover for easy fan installation.



Excellent airflow design with compact heat sink dimension



Compatible with Intel® Socket LGA 115X/775



Compact size