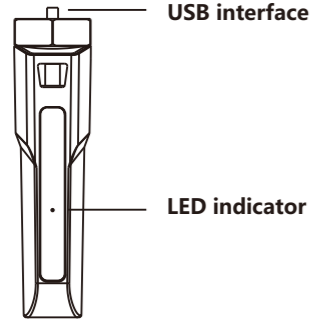


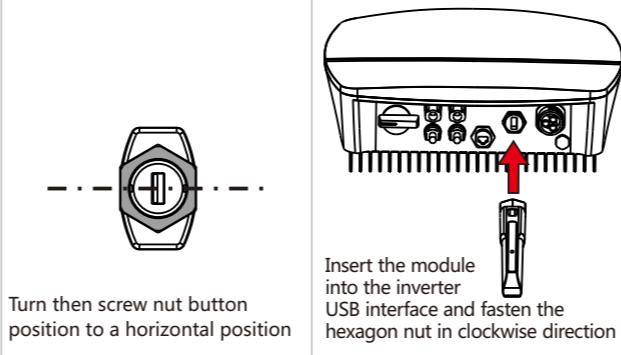
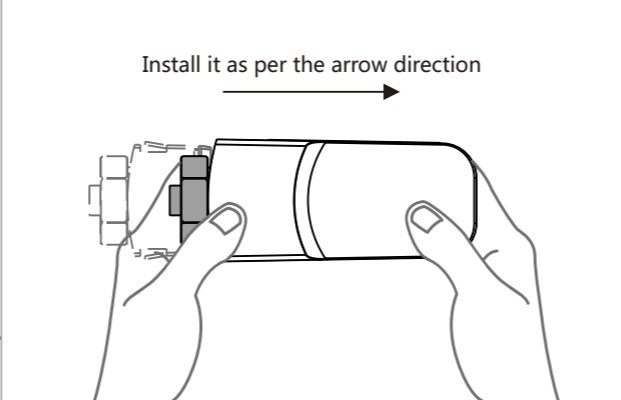
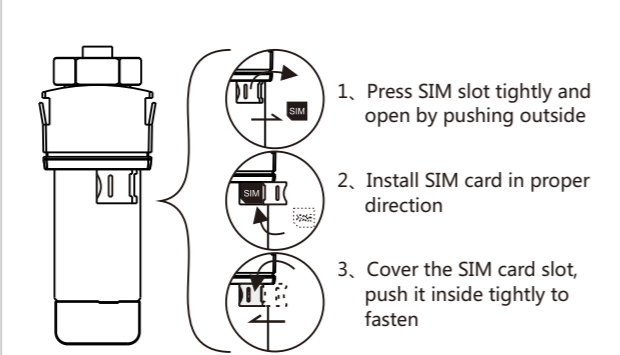
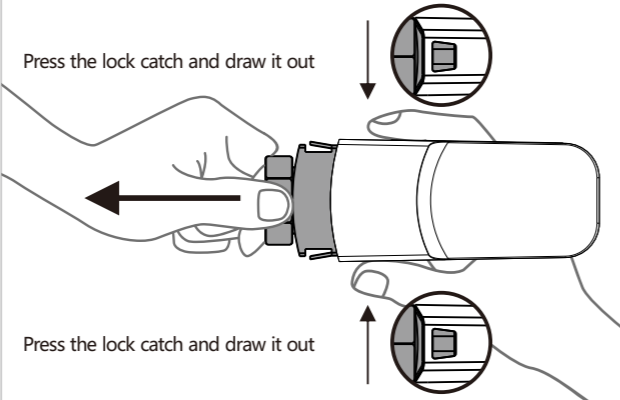


## 1. Installation & connection

### Quick Installation Guide



LED indicator status description		
Green	flicker	GPRS in normal work
	long onlight	GPRS is not connected to the server
Blue	flicker	Bluetooth is connected
Green/blue	off	In communication with equipment or no power supply



## 2. Installer Configuration

**(1) Download eSolar O&M APP and register an account**  
 For iOS system, you could search “eSolar O&M” in App Store to download and install this APP.  
 For Android system, you could search “eSolar O&M” in Google play to download and install this APP.  
 For iOS/Android system, you can directly log in on <https://fop.saj-electric.com> by scanning QR code to install “eSolar O&M” APP.  
 After download, please use the installer account to login.

**(2) GPRS/4G connection**  
 After installation of the module, power on the inverter. Wait for 2 minutes, if the module signal light is green, it means that the module is working normally and sending data to server. If the station is builded, the inverter information can be viewed in APP or website.

**(3) Bluetooth connection**

① Turn on mobile phone's Bluetooth connection.

Fig.3-1 iOS system

Fig.3-2 Android system

② Log in APP→ “My” interface → “Remote control” → “Bluetooth connection” → “Next step” → “Search equipment” → click on the Bluetooth name of the inverter (such as R5-5K-S2:00001)



Fig. 3-3 Bluetooth connection Fig.3-4 Search equipment

③ Bluetooth connected, module signal light is blue→set country and grid code for first start-up→After inverter start, users can view inverter's

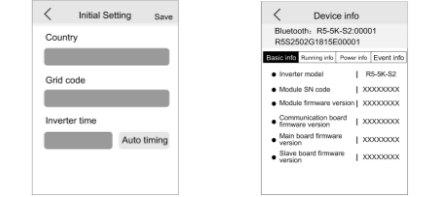


Fig.3-5 Initial Setting Fig.3-6 equipment information

Note: For the end user, please download the “eSolar Air” APP and log in to the APP or SAJ official website to register your account.