

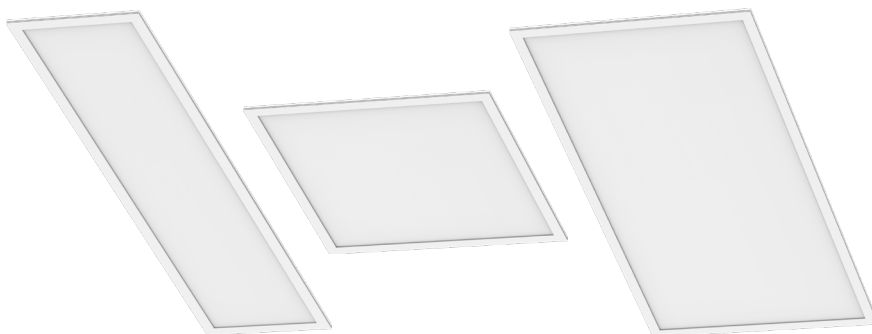
# PAN

## Edge-Lit Flat Panel



### FEATURES

- Slim Low Profile Edge-Lit Design with Seamless Frame
- Aluminum Post Painted Housing
- PMMA LGP Material – Non-Yellowing Lens
- Impact and Scratch Resistant Lens
- NSF Option for Food Prep Applications–Non-Splash Zone
- 1x4, 2x2 & 2x4 sizes
- Recessed, Surface and Skylight Mounting options
- L90=50,000 hours - L80 > 100,000 hours  
- 3x Life of Most Competition
- Advanced Controls Options
- 3500K & 4000K CCT
- 0-10V Dimmable Driver (100% - 10%)
- Bi-Level & Line Voltage Dimming Options
- 120-277V Universal Voltage
- IC Rated for Insulated Ceilings
- 7 Year Warranty
- UL Listed for Dry and Damp Location
- DesignLights Consortium® Premium Qualified Luminaire



### SUITABLE APPLICATIONS

- Education
- Healthcare
- Offices
- Hallway
- Multipurpose Room
- Conference Room
- Food Prep
- Commercial Kitchens

### ORDERING GUIDE:

	SERIES	WATTS	DRIVER	CCT
PAN14	1x4 Edge-Lit Flat Panel	20WLED 30WLED	U 120-277V	40 35
PAN22	2x2 Edge-Lit Flat Panel	20WLED 30WLED		
PAN24	2x4 Edge-Lit Flat Panel	30WLED 36WLED 50WLED 60WLED		

OPTIONS	CONTROLS
Factory Installed	Advanced
NSF SR DR LVD120 <sup>1,9</sup> BLD <sup>1</sup> SD347 <sup>7</sup> WHIP/6FT/3WIRE WHIP/6FT/4WIRE WHIP/6FT/5WIRE/600V WHIP/6FT/6WIRE/600V FI/ILBCP05 FI/ILBCP05/HE FI/ILBCP07 FI/ILBCP07/HE FI/ILBCP10 FI/ILBCP10/HE FI/ILBCP12	SNS200CMP <sup>2,3,4,6,8</sup> 5E/CU/IL <sup>6,8</sup> 5E/CU/CL <sup>6,8</sup> 5E/CU/IOT <sup>6,8</sup> VDO <sup>3,6,8</sup> VRF <sup>3,6,8</sup>
NSF for Food Prep Applications - Non-Splash Zone Sensor Ready Module DALI Ready Module 120V Line Voltage Leading Edge Forward Phase Driver Bi-Level Dimming Module (2 hot leads) 347V Step Down Transformer 6ft MC Cable w/ 3 leads attached to power (non-dimming function) 6ft 4 Wire MC Cable w/ 3 leads attached to power & 1 lead for battery backup (non-dimming function) 6ft 4 Wire MC Cable w/ 3 leads attached to power & 2 lead attached to dimming 6ft 6 Wire MC Cable w/ 3 leads for fixture power & 2 leads for dimming & 1 battery backup 5W LED Factory Installed Battery Backup 5W LED Factory Installed Battery Backup - CEC Title 20 Compliant 7W LED Factory Installed Battery Backup 7W LED Factory Installed Battery Backup - CEC Title 20 Compliant 10W LED Factory Installed Battery Backup 10W LED Factory Installed Battery Backup - CEC Title 20 Compliant 12W LED Factory Installed Battery Backup	EasySense Grouping Ceiling Mount Sensor Enlighted 5E Individual Lighting (IL) Sensor with Control Unit Enlighted 5E Connected Lighting (CL) Sensor with Control Unit Enlighted 5E Internet of Things (IOT) Sensor with Control Unit Lutron Vive DFCSJ-OEM-OCC Daylight & Occupancy Control Lutron Vive DFCSJ-OEM-RF Radio Frequency Communication Only
Ship With Accessories	
FLGK SM <sup>8</sup> SLM <sup>8</sup> ES/PCD <sup>5</sup> ES/WWS/DR	
Flange Kit Surface Mount Kit Skylight Mount Kit EasySense Pre-Programmed Control Device EasySense Dual Rocker Wireless Wall Switch	

<sup>1</sup>120V applications only      <sup>4</sup>Must be used with ES/PCD for commissioning      <sup>7</sup>Does not qualify for DLC  
<sup>2</sup>Can be wired to up to (4) fixtures with SR Option      <sup>5</sup>One needed per project      <sup>8</sup>Does not qualify for NSF Listed  
<sup>3</sup>Must be used with SR Ready Driver      <sup>6</sup>View controls page for more details (page 3)      <sup>9</sup>Not compatible with Advanced Controls options

# PAN

## Edge-Lit Flat Panel



### QUICK SHIP ITEMS:

SERIES	WATTS	DRIVER	CCT
PAN14 1x4 Edge-Lit Flat Panel	20WLED 30WLED	U 120-277V	40 35
PAN22 2x2 Edge-Lit Flat Panel	20WLED 30WLED		
PAN24 2x4 Edge-Lit Flat Panel	30WLED 36WLED 50WLED 60WLED		

LED SYSTEMS INFORMATION <sup>1</sup>	3500K		4000K		Watts <sup>2</sup>	CRI	DLC Listing	Ambient Temp. Range	Replaces
	Part Numbers	Lumens	Efficacy	Lumens					
PAN14-20WLED	2,389 lm	127 lm/W	2,419 lm	128 lm/W	19W	>80	Premium	-4°F - 104°F	2T8
PAN14-30WLED	3,842 lm	126 lm/W	3,894 lm	126 lm/W	31W	>80	Premium	-4°F - 104°F	2T8
PAN22-20WLED	2,617 lm	128 lm/W	2,619 lm	128 lm/W	21W	>80	Premium	-4°F - 104°F	2T8
PAN22-30WLED	3,915 lm	127 lm/W	3,941 lm	127 lm/W	31W	>80	Premium	-4°F - 104°F	3T8
PAN24-30WLED	3,997 lm	126 lm/W	3,999 lm	127 lm/W	32W	>80	Premium	-4°F - 104°F	2T8
PAN24-36WLED	4,519 lm	126 lm/W	4,553 lm	127 lm/W	36W	>80	Premium	-4°F - 104°F	3T8
PAN24-50WLED	6,026 lm	125 lm/W	6,051 lm	126 lm/W	50W	>80	Premium	-4°F - 95°F	4T8
PAN24-60WLED	7,268 lm	130 lm/W	7,491 lm	132 lm/W	60W	>80	Premium	-4°F - 95°F	5T8

<sup>1</sup>Values are nominal, see IES file for more detail

<sup>2</sup>Electrical data at 25C (77F). Actual wattage may differ by +/-10%

## SPECIFICATIONS

### CONSTRUCTION

Extruded aluminum frame for strength and durability. Matte white finish and seamless frame provides polished appearance while preventing light leak in corners and maximizing optimal performance.

### ELECTRICAL

Class 2 LED light engine for high efficacy and long life. Calculated L90 = 50,000 hours with L80 > 100,000 hours. Power Factor > 0.90. Standard 120-277 Vac 0-10V dimmable (10% - 100%). Optional Sensor and DALI ready modules for pairing with controls and integrated controls networks. Optional Bi-level dimming module (50%). Optional 347V.

### INSTALLATION

PAN fits into standard 15/16" T-grid systems. Optional Flange Kit (FLGK) for recessed drywall mounting, recessed Skylight Mount (SLM) and Surface Mount (SM) options available. Access plate installed atop of driver for ease of hardwire power connections. Optional factory installed power flex conduit whip (WHIP) available to reduce electrical installation time.

### WARRANTY

7 Year Warranty (Terms and Conditions apply)

### OPTICS

PMMA light guide plate and lens resists yellowing over the life of the product. Satin white frosted lens with smooth pattern for uniform illumination. Scratch and impact resistant.

### CONTROLS

Field installed Advanced sensor options available. Sensor mounts in ceiling tile adjacent to fixture. Inquire with manufacturer for additional controls options, including customer supplied items.

### CERTIFICATIONS

UL Listed to US and Canadian safety standards. Suitable for insulation contact with Type IC rated. Suitable for dry and damp locations. NSF option for food prep applications - non-splash zone. Title 24 Compliant with sensor options; see local ordinance for qualification information. DLC (DesignLights Consortium) Premium Qualified. Please refer to the DLC Qualified Products List at [www.Designlights.org/QPL](http://www.Designlights.org/QPL) to confirm specific product qualifications.

# PAN

## Edge-Lit Flat Panel

### ADVANCED CONTROLS OPTIONS

#### EASYSENSE

##### SNS200CMP

EasySense sensor combines occupancy sensing, daylight harvesting and institutional tuning in one compact solution. This is an ideal control for any commercial application. Each sensor allows you to turn on/off occupancy and/or daylight harvesting functions as well as set the full light output, background light level, occupancy prolong time, occupancy grace fading time & occupancy time out/hold time. Sensor designed to install in adjacent ceiling tile. Sensor can be wired to up to (4) fixtures with Sensor Ready (SR) Module. Requires use of EasySense Pre-Programmed Control Device (ES/PCD), or approved phone from compatibility list; one needed per project.



##### ES/PCD

Pre-Programmed EasySense Control Device. One needed per project. Sensor can also be programmed with an approved compatible cell phone (listed to the right).

##### Compatible Cell Phones:

- LG G3
- LG G Vista
- LG G4
- Samsung S5
- Samsung S5 WHT
- Samsung Note 4
- Samsung Note Edge
- Samsung Galaxy S7 Edge
- Samsung Galaxy J3
- Samsung Galaxy J7
- Samsung S8
- Samsung Galaxy S9
- Nexus 5X
- Nexus 6P

##### ES/WWS/DR

Optional Wireless / Batteryless Dual Rocker Wall Switch. Up to 100ft range. Functions include: On/Off, dimming and setting of (2) scenes for full room control.



##### Specifications:

- Wireless
- Batteryless
- Dual Rocker
- ZigBee®
- 30 - 100ft Range

##### Functions:

1. On (Hold to brighten up)
2. Off (Hold to dim down)
3. Scene 1
4. Scene 2

#### ENLIGHTED

##### 5E/CU/IL

Bundled System with Enlighted 5E sensor (SU-5E-IL), Control Unit (CU-4E-FM) and Cable (CBL-5E-CU4-30N). Fixtures are controlled based on occupancy and ambient light. Includes ability to group fixtures together and connect to a switch to zone fixtures for group operation. Sensor mounted in adjacent ceiling tile. Control Unit (CU) factory installed. Enlighted system provided by others. Contact factory for more information.



##### 5E/CU/CL

Bundled System with Enlighted 5E sensor (SU-5E-CL), Control Unit (CU-4E-FM) and Cable (CBL-5E-CU4-30N). Fixtures are controlled based on occupancy and ambient light. Includes individual lighting control plus connection to Enlighted Energy Manager. The Energy Manager provides data analysis for all data collected by the Enlighted Smart Sensors for energy, occupancy and environment. Sensor mounted in adjacent ceiling tile. Control Unit (CU) factory installed. Enlighted system provided by others. Contact factory for more information.

##### 5E/CU/IOT

Bundled System with Enlighted 5E sensor (SU-5E-IOT), Control Unit (CU-4E-FM) and Cable (CBL-5E-CU4-30N). Fixtures are controlled based on occupancy and ambient light. Includes individual lighting control plus connection to Enlighted Energy Manager. The Energy Manager provides data analysis for all data collected by Enlighted Smart Sensors for energy, occupancy & environment. Additionally, the IOT functionality takes the data access and function beyond just lighting to a wide range of applications beyond the standard connected lighting controls. Sensor mounted in adjacent ceiling tile. Control Unit (CU) factory installed. Enlighted system provided by others. Contact factory for more information.

#### LUTRON

##### VDO

Vive DFCSJ-OEM-OCC integral fixture control sensor with daylight and occupancy. Vive provides intuitive programming allowing for maximum flexibility providing wireless communication and sensing as desired. Sensor mounted in adjacent ceiling tile. Sensor requires combination with Sensor Ready (SR) Module. Lutron system provided by others. Contact factory for more information.



##### VRF

Vive DFCSJ-OEM-RF integral fixture control with Radio Frequency (RF) communication. Vive provides intuitive programming allowing for maximum flexibility providing wireless communication as desired. Sensor mounted in adjacent ceiling tile. Sensor requires combination with Sensor Ready (SR) Module. Lutron system provided by others. Contact factory for more information.

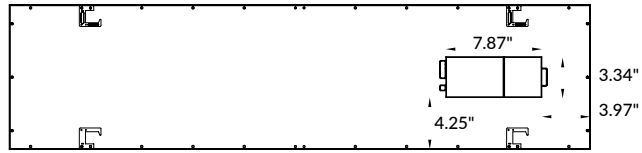
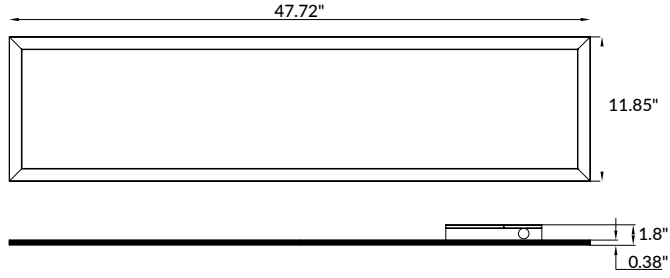


# PAN

## Edge-Lit Flat Panel

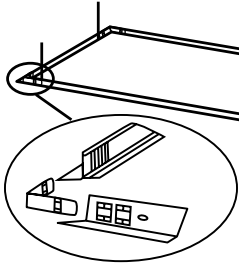
### LINE DRAWINGS

#### 1x4 Dimensions

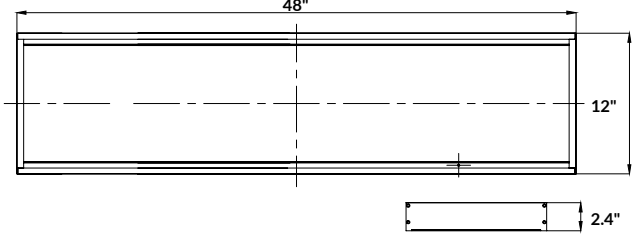


#### 1x4 Flange Kit

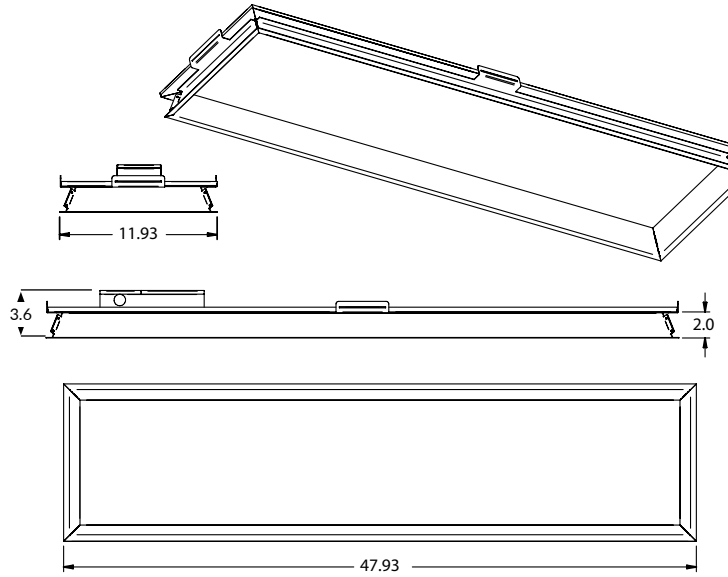
Ceiling opening is 12.25" x 48.25"



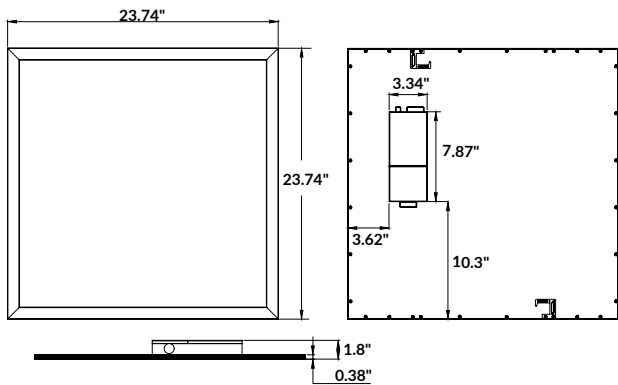
#### 1x4 Surface Mount Dimensions



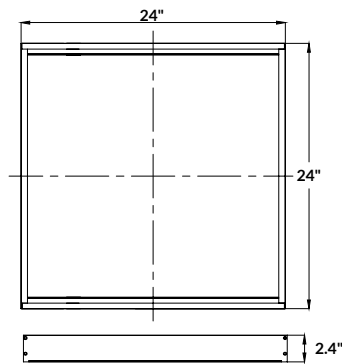
#### 1x4 Skylight Mount Dimensions



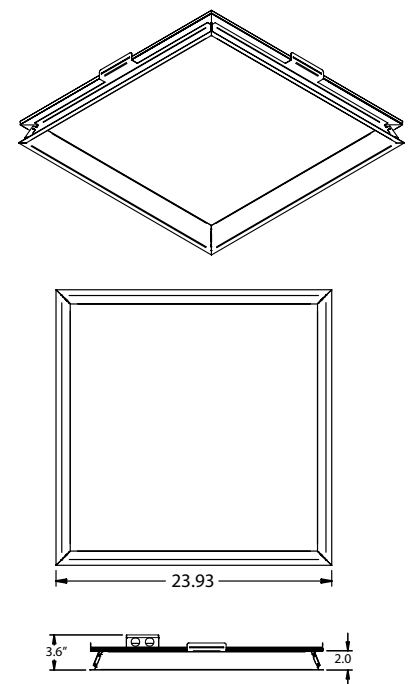
#### 2x2 Dimensions



#### 2x2 Surface Mount Dimensions

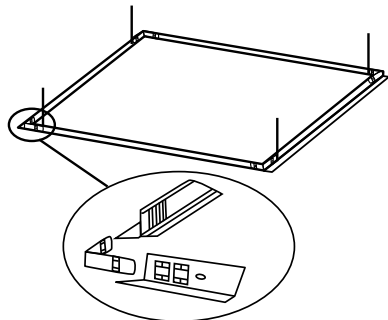


#### 2x2 Skylight Mount Dimensions



#### 2x2 Flange Kit

Ceiling opening is 24.25" x 24.25"

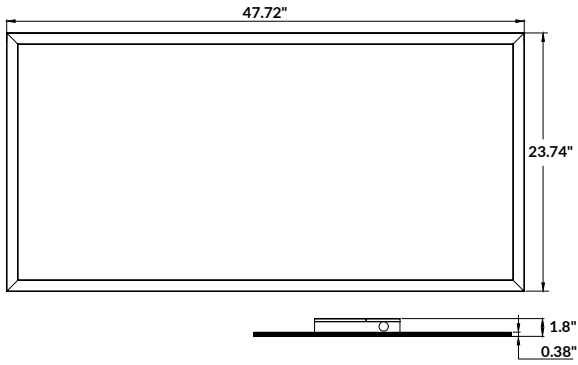


# PAN

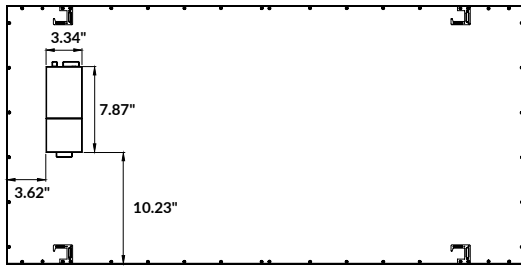
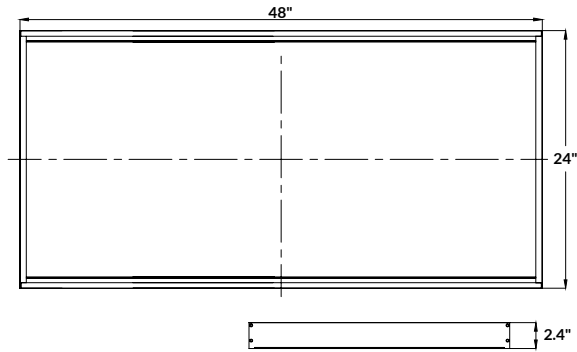
## Edge-Lit Flat Panel

### LINE DRAWINGS

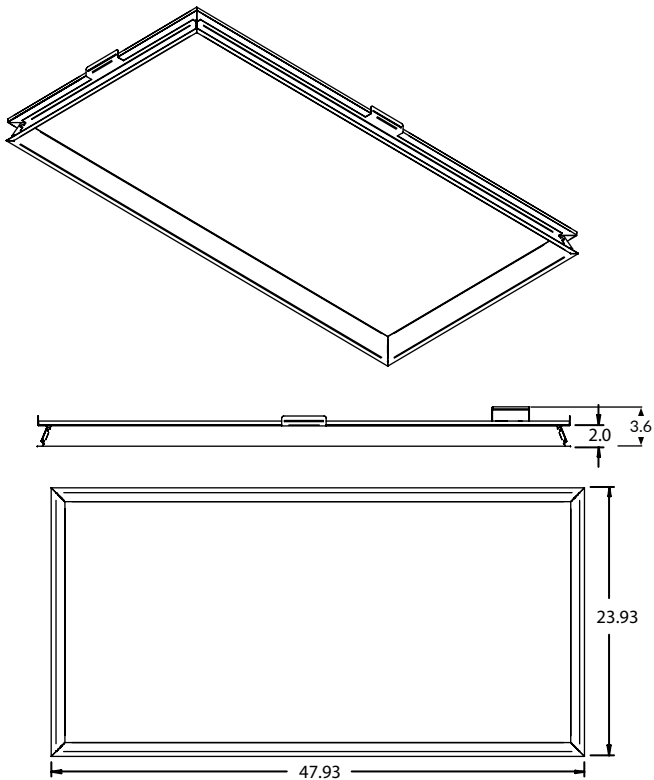
#### 2x4 Dimensions



#### 2x4 Surface Mount Dimensions

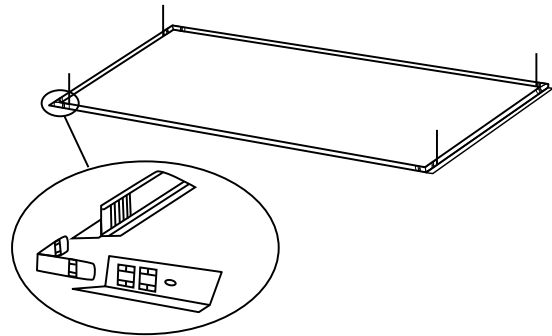


#### 2x4 Skylight Mount Dimensions



#### 2x4 Flange Kit

Ceiling opening is 24.25" x 48.25"



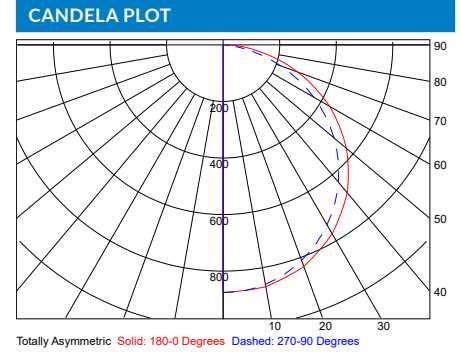
# PAN

## Edge-Lit Flat Panel

### PHOTOMETRIC DATA

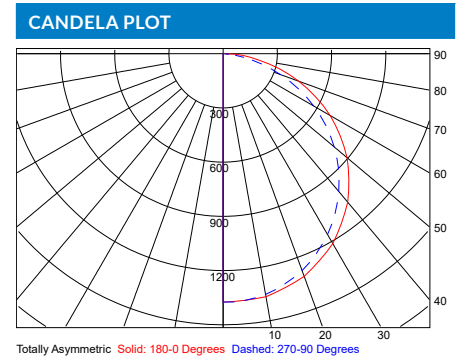
LUMINAIRE DATA	
Part Number	PAN14-20WLED-U-40
Description	Flat 1x4 Panel with a frosted acrylic lens, 2,400 lumens
Fixture Lumens (lm)	2,419 lm
Wattage (W)	19 W
Efficacy (lm/W)	128 lm/W
Mounting	Recessed

ZONAL LUMEN SUMMARY		
Zone	Lumens (lm)	% Fixture
0° - 40°	1,112	45%
0° - 60°	1,968	80%
0° - 90°	2,419	100%
90° - 180°	0	0%
0° - 180°	2,419	100%



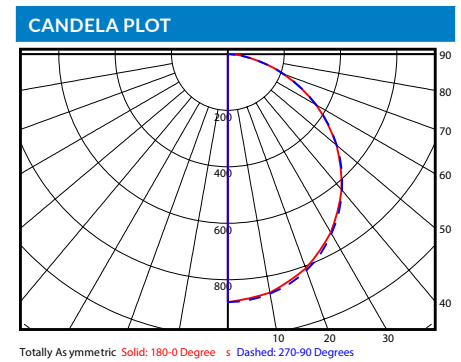
LUMINAIRE DATA	
Part Number	PAN14-30WLED-U-40
Description	Flat 1x4 Panel with a frosted acrylic lens, 3,800 lumens
Fixture Lumens (lm)	3,894 lm
Wattage (W)	31 W
Efficacy (lm/W)	126 lm/W
Mounting	Recessed

ZONAL LUMEN SUMMARY		
Zone	Lumens (lm)	% Fixture
0° - 40°	1,749	45%
0° - 60°	3,094	80%
0° - 90°	3,894	100%
90° - 180°	0	0%
0° - 180°	3,894	100%



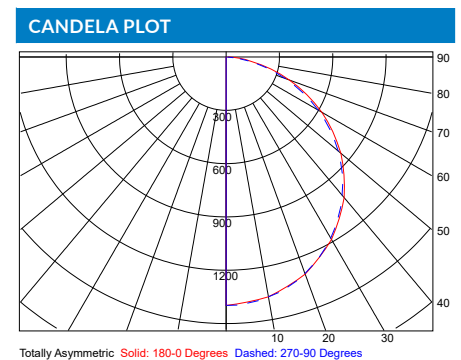
LUMINAIRE DATA	
Part Number	PAN22-20WLED-U-40
Description	Flat 2x2 Panel with a frosted acrylic lens, 2,600 lumens
Fixture Lumens (lm)	2,619 lm
Wattage (W)	21 W
Efficacy (lm/W)	128 lm/W
Mounting	Recessed

ZONAL LUMEN SUMMARY		
Zone	Lumens (lm)	% Fixture
0° - 40°	1,117	45%
0° - 60°	1,968	79%
0° - 90°	2,619	100%
90° - 180°	0	0%
0° - 180°	2,619	100%



LUMINAIRE DATA	
Part Number	PAN22-30WLED-U-40
Description	Flat 2x2 Panel with a frosted acrylic lens, 3,900 lumens
Fixture Lumens (lm)	3,941 lm
Wattage (W)	31 W
Efficacy (lm/W)	127 lm/W
Mounting	Recessed

ZONAL LUMEN SUMMARY		
Zone	Lumens (lm)	% Fixture
0° - 40°	1,777	45%
0° - 60°	3,146	79%
0° - 90°	3,941	100%
90° - 180°	0	0%
0° - 180°	3,941	100%



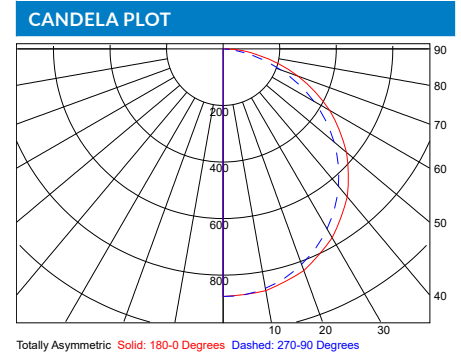
# PAN

## Edge-Lit Flat Panel

### PHOTOMETRIC DATA

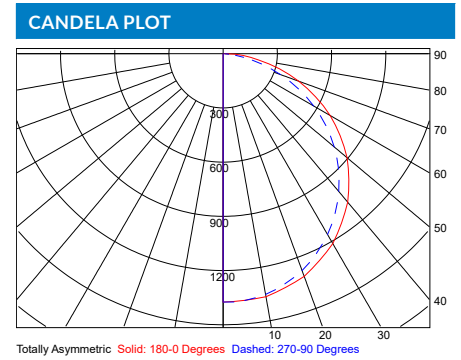
LUMINAIRE DATA	
Part Number	PAN24-30WLED-U-40
Description	Flat 2x4 Panel with a frosted acrylic lens, 4,000 lumens
Fixture Lumens (lm)	3,999 lm
Wattage (W)	32 W
Efficacy (lm/W)	127 lm/W
Mounting	Recessed

ZONAL LUMEN SUMMARY		
Zone	Lumens (lm)	% Fixture
0° - 40°	1,783	45%
0° - 60°	3,167	79%
0° - 90°	3,999	100%
90° - 180°	0	0%
0° - 180°	3,999	100%



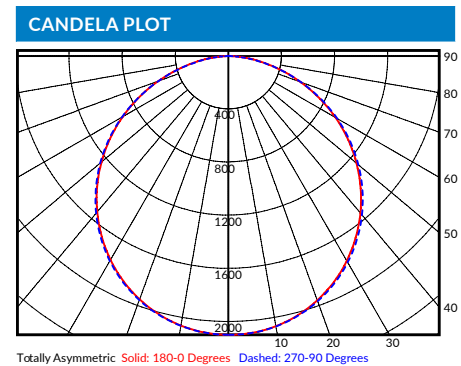
LUMINAIRE DATA	
Part Number	PAN24-36WLED-U-40
Description	Flat 2x4 Panel with a frosted acrylic lens, 4,500 lumens
Fixture Lumens (lm)	4,553 lm
Wattage (W)	36 W
Efficacy (lm/W)	127 lm/W
Mounting	Recessed

ZONAL LUMEN SUMMARY		
Zone	Lumens (lm)	% Fixture
0° - 40°	2,143	44%
0° - 60°	3,808	79%
0° - 90°	4,553	100%
90° - 180°	0	0%
0° - 180°	4,553	100%



LUMINAIRE DATA	
Part Number	PAN24-50WLED-U-40
Description	Flat 2x4 Panel with a frosted acrylic lens, 6,000 lumens
Fixture Lumens (lm)	6,051 lm
Wattage (W)	50 W
Efficacy (lm/W)	126 lm/W
Mounting	Recessed

ZONAL LUMEN SUMMARY		
Zone	Lumens (lm)	% Fixture
0° - 40°	2,684	44%
0° - 60°	4,758	79%
0° - 90°	6,051	100%
90° - 180°	0	0%
0° - 180°	6,051	100%



LUMINAIRE DATA	
Part Number	PAN24-60WLED-U-40
Description	Flat 2x4 Panel with a frosted acrylic lens, 7,500 lumens
Fixture Lumens (lm)	7,491 lm
Wattage (W)	60 W
Efficacy (lm/W)	132 lm/W
Mounting	Recessed

ZONAL LUMEN SUMMARY		
Zone	Lumens (lm)	% Fixture
0° - 40°	3,227	44%
0° - 60°	5,723	79%
0° - 90°	7,491	100%
90° - 180°	0	0%
0° - 180°	7,491	100%

