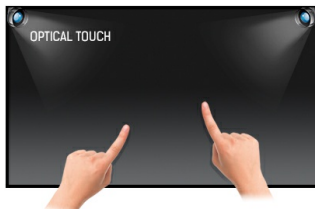




24" dual touch screen, based on Optical touch technology

The ProLite T2453MTS-B1 is based on optical touch technology (2 touch points) with a pure-glass scratch resistive front, offering superior image clarity and screen durability. The screen can be touched with a soft stylus, finger or gloved hand making it suitable for several applications. A solid and steady base supports the touchscreen with an adjustable stand. Multiple inputs (VGA, HDMI, DVI) are available for flexible connectivity along with USB for the touch interface. Also available in 22": [ProLite T2253MTS-B1](#)



Touch technology - Optical

This technology uses cameras. A touch event is registered with great accuracy when light is blocked by a finger or stylus. It's the only touch technology that does not rely on an overlay or substrate to register a touch, so it's impossible to physically "wear out" the touchscreen. In fact you don't really have to physically touch the screen.



OverDrive ON / OFF

When very fast graphics are displayed your monitor can sometimes get blurry. Turning on the OverDrive feature will eliminate that.

01 DISPLAY CHARACTERISTICS

Diagonal	23.6", 59.8cm
Panel	VA LED-backlit
Native resolution	1920 x 1080 (2.1 megapixel Full HD)
Aspect ratio	16:9
Panel brightness	250 cd/m ²
Brightness	220 cd/m ² with touch
Light transmittance	88%
Static contrast	3000:1
Advanced contrast	12M:1
Response time (GTG)	4ms
Viewing zone	horizontal/vertical: 178°/ 178°, right/left: 89°/89°, up/down: 89°/89°
Colour support	16.7mln
Horizontal Sync	30 - 80kHz
Viewable area W x H	521.3 x 293.2mm, 20.5 x 11.5"
Pixel pitch	0.272mm
Bezel colour and finish	black, matte

02 TOUCH

Touch technology	optical
Touch points	2 (HID, only with supported OS)
Touch method	stylus, finger, glove
Touch interface	USB
Supported operating systems	All iiyama monitors are Plug & Play and compatible with Windows and Linux. For details regarding the supported OS for the touch models, please refer to the driver instruction file available in the downloads section.

03 INTERFACES / CONNECTORS / CONTROLS

Analog signal input	VGA x1
Digital signal input	DVI x1 HDMI x1
Audio output	Speakers 2 x 2W
HDCP	yes
USB HUB	x2 (2.0)

04 FEATURES

Glass thickness	1.85mm
Glass hardness	8H
OSD key lock	yes

05 GENERAL

OSD languages	EN, DE, FR, ES, IT, RU, JP, CZ, NL, PL
Control buttons	Power, Menu/ Enter, Scroll up/ Audio, Scroll down/ ECO, Input/ Exit

User controls

auto adjust, picture adjust (brightness, contrast, ECO, Blue Light Reducer, ACR, OD, gamma, X-res technology), geometry (H. position, V. position, pixel clock, phase), colour settings (colour temperature, user preset, hue, saturation, i-Style colour), OSD (OSD H. position, OSD V. position, OSD time, after AC cut), language, recall, miscellaneous (sharp and soft, video mode adjust, opening logo, DDC/CI, display information), input source, audio settings (volume, mute audio, audio input)

Convenience

Kensington-lock™ prepared

Blue light reducer

yes

Plug&Play

DDC/CI, DDC2B

06 MECHANICAL**Tilt angle**

73° up; 3° down

VESA mounting

100 x 100mm

07 ACCESSORIES INCLUDED**Cables**

power (1.8m), USB (1.8m), HDMI (1.8m)

Guides

quick start guide, safety guide

08 POWER MANAGEMENT**Power supply unit**

internal

Power supply

AC 100 - 240V, 50/60Hz

Power usage

23W typical, 0.26W stand by, 0.23W off mode

09 SUSTAINABILITY**Regulations**

CB, CE, TÜV-Bauart, EAC, RoHS support, ErP, WEEE, REACH

Energy efficiency class (Regulation (EU) 2017/1369)

E

REACH SVHC

above 0.1%: Lead, Lead monoxide, Boric acid

10 DIMENSIONS / WEIGHT**Product dimensions W x H x D**

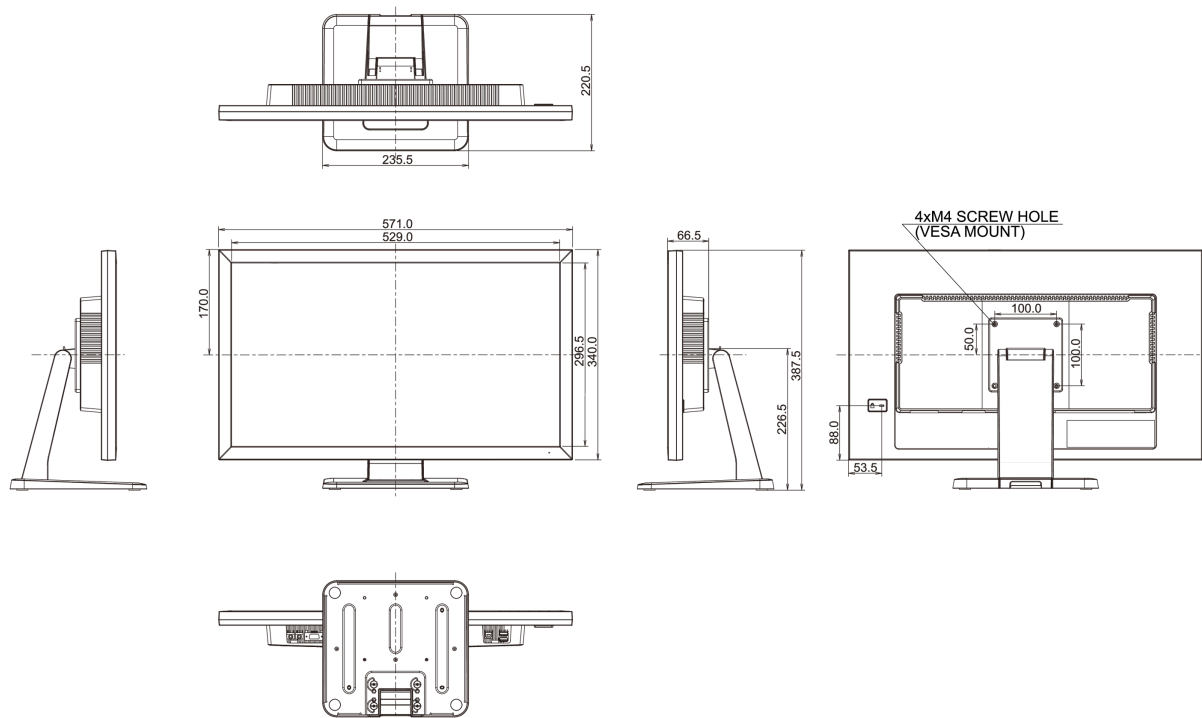
571 x 387.5 x 220.5mm

Weight (without box)

6kg

EAN code

4948570116508



All trademarks and registered trademarks acknowledged. E & O E. Specification subject to change without notice. All LCD's comply with ISO-9241-307:2008 in connection with pixel defects.

© IYAMA CORPORATION. ALL RIGHTS RESERVED