



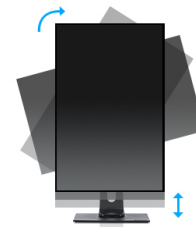
### Full HD LED monitor with VA panel and a USB hub

The ProLite XB2283HSU-B1DP is an excellent 22" Full HD LED-backlit monitor with 1920 x 1080p resolution and VA panel technology guaranteeing accurate and consistent colour reproduction with wide viewing angles. Triple Input support and USB HUB ensure compatibility with the latest installed graphics cards and embedded Notebook outputs. The ergonomic stand offers 13 cm height adjustment with pivot and swivel, making this screen suitable for a wide range of applications and environments where workplace flexibility and ergonomics are key factors. A perfect solution for education, local government, business and finance markets.



VA

VA panel technology offers higher contrast, darker blacks and much better viewing angles than standard TN technology. The screen will look good no matter what angle you look at it.



HAS + Pivot

With a height adjustable stand you will create an ergonomic work posture and position that meets all health and safety requirements. This will not only prevent any health issues but will also increase your productivity. The pivot function allows the screen to rotate from landscape to portrait orientation. This functionality can be useful if the application requires more height than width.

## 01 DISPLAY CHARACTERISTICS

Diagonal	21.5", 54.7cm
Panel	VA LED, matte finish
Native resolution	1920 x 1080 (2.1 megapixel Full HD)
Aspect ratio	16:9
Panel brightness	250 cd/m <sup>2</sup>
Static contrast	3000:1
Advanced contrast	12M:1
Response time (GTG)	5ms
Viewing zone	horizontal/vertical: 178°/178°, right/left: 89°/89°, up/down: 89°/89°
Colour support	16.7mIn (sRGB: 99%; NTSC: 72%)
Horizontal Sync	30 - 80kHz
Viewable area W x H	476.6 x 268.1mm, 18.8 x 10.6"
Pixel pitch	0.248mm
Colour	matte

## 02 INTERFACES / CONNECTORS / CONTROLS

Signal input	VGA x1 DVI x1 DisplayPort x1
USB HUB	x2 (v.2.0)
HDCP	yes

## 03 FEATURES

Blue light reducer	yes
Flicker free	yes
OSD languages	EN, DE, FR, ES, IT, CN, RU, JP, CZ, NL, PL
Control buttons	Power, Menu/ Select, Scroll up/ Volume, Scroll down/ ECO, Exit, Auto
User controls	auto adjust, luminance (brightness, contrast), geometry (H. position, V. position, clock, phase), colour, OSD (H. position, V. position, OSD time), language, recall, miscellaneous (sharpness, DDC/CI, display information, ACR, display mode, OD, opening logo), input select, audio adjust (volume, mute, DisplayPort audio)
Speakers	2 x 1W
Convenience	Kensington-lock™ prepared, DDC/CI, DDC2B, Mac OSX

## 04 MECHANICAL

Display position adjustments	height, pivot (rotation), swivel, tilt
Height adjustment	130mm
Rotation (PIVOT function)	90°
Swivel stand	90°; 45° left; 45° right
Tilt angle	22° up; 5° down
VESA mounting	100 x 100mm

## 05 ACCESSORIES INCLUDED

Cables	power, DVI, USB, DP
Other	quick start guide, safety guide

## 06 POWER MANAGEMENT

Power supply unit	internal
Power supply	AC 100 - 240V, 50/60Hz
Power usage	19W typical, 0.5W stand by, 0.5W off mode

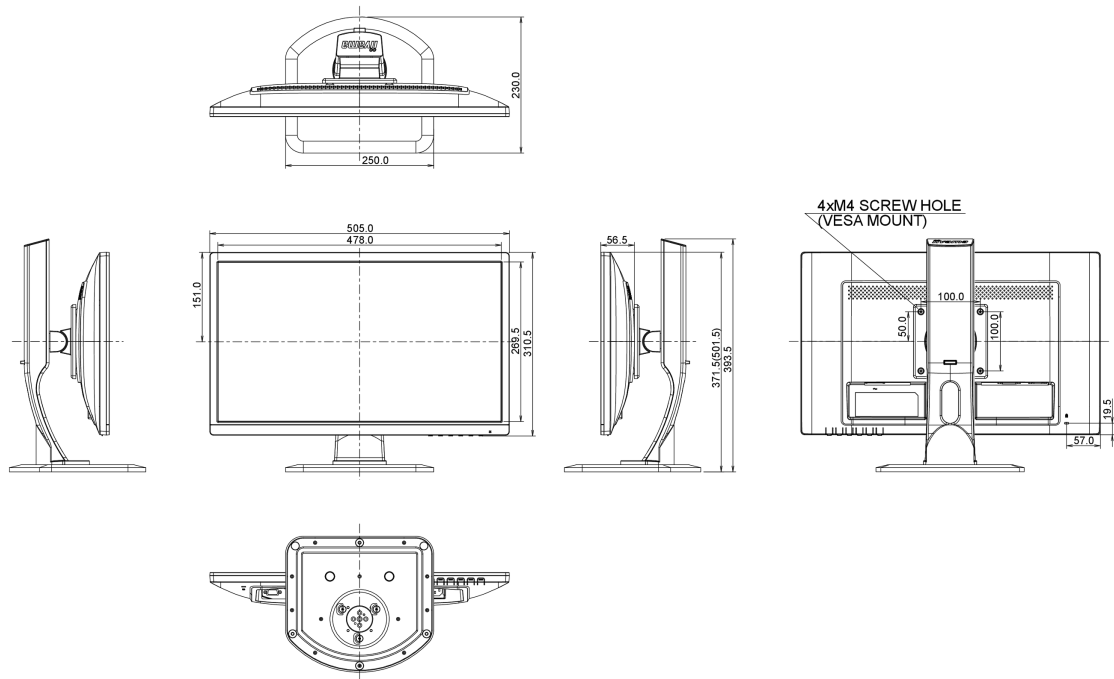
## 07 SUSTAINABILITY

Regulations	CE, TÜV-GS, VCCI-B, RoHS support, ErP, ENERGY STAR®, WEEE, EPEAT, REACH
-------------	---

REACH SVHC	above 0.1%: Lead
------------	------------------

## 08 DIMENSIONS / WEIGHT

Product dimensions W x H x D	505 x 371.5 (501.5) x 230mm
Weight (without box)	4.9kg
EAN code	4948570114436



All trademarks and registered trademarks acknowledged. E & O E. Specification subject to change without notice. All LCD's comply with ISO-9241-307:2008 in connection with pixel defects.

© IYAMA CORPORATION. ALL RIGHTS RESERVED