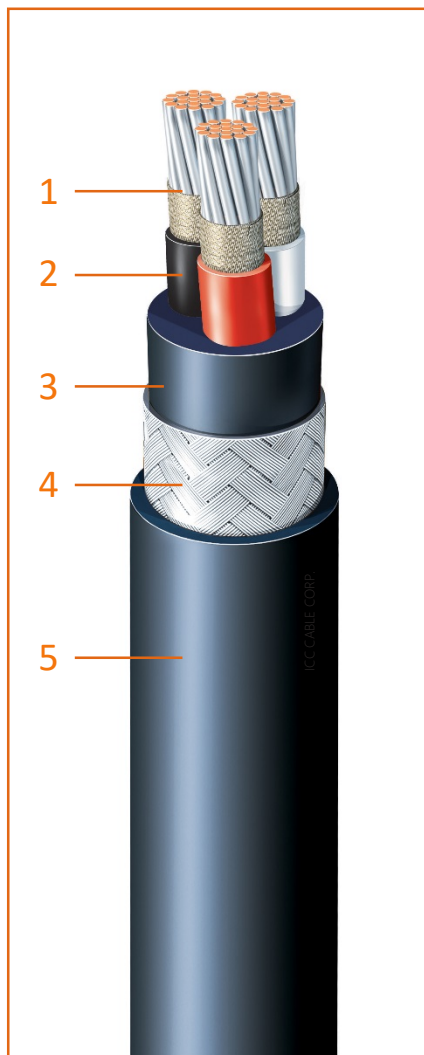


## 0.6/1KV BFOU FIRE RESISTANT, LSZH, MUD RESISTANT CABLE, P5/P12



### PRODUCT DESCRIPTION

0.6/1KV ONE - FIVE CONDUCTOR, MULTI-CONDUCTOR  
MARINE/OFFSHORE POWER & LIGHTING CABLE  
90°C TEMPERATURE RATING  
LOW SMOKE HALOGEN-FREE  
MUD RESISTANT  
FIRE RESISTANT & FLAME RETARDANT  
ABS, DNV-GL, LLOYD, RINA APPROVED

### PRODUCT CONSTRUCTION

#### 1. CONDUCTOR

STRANDED TINNED ANNEALED COPPER WIRE  
MICA/GLASS TAPE FOR FIRE RESISTANT LAYER  
CLASS 5 FLEXIBLE CONDUCTOR OPTIONS AVAILABLE

#### 2. INSULATION

HALOGEN FREE ETHYLENE PROPYLENE RUBBER (EPR)

#### 3. INNER COVERING/BEDDING

FLAME RETARDANT HALOGEN FREE COMPOUND

#### 4. ARMOR

TINNED COPPER WIRE BRAID  
BRONZE WIRE/GALVANIZED STEEL WIRE OPTIONS AVAILABLE

#### 5. SHEATH

SHF MUD (P5/P12)  
BLACK COLOR

LSZH CABLE



### STANDARDS

- DESIGN GUIDE: NEK 606, IEC 60092-353
- CONDUCTOR: IEC 60228 CLASS 2
- INSULATION & SHEATH: IEC 60092-360
- FLAME RETARDANT: IEC 60332-1/3 CAT.A
- FIRE RESISTANT: IEC 60331-1/2/21
- MUD RESISTANT: NEK 606
- HALOGEN FREE: IEC 60754-1,  $\leq 0.5\%$
- LOW SMOKE: IEC 61034,  $>60\%$
- COLD BEND/IMPACT:  
CSA 22.2 NO. 03 (-40°C/-35°C)
- ARCTIC OPTIONS AVAILABLE:  
CSA 22.2 NO. 03 (-65°C/-65°C)

## 0.6/1V BFOU FIRE RESISTANT, LSZH, MUD RESISTANT CABLE, P5/P12

### 0.6/1KV BFOU CABLE: COLOR CODE

# OF CORES (WITHOUT EARTH)	COLOR CODE	# OF CORES (WITH EARTH)	COLOR CODE
1C	WHITE OR BLACK	-	-
2C	WHITE, BLACK	-	-
3C	WHITE, BLACK, RED	2C + E	WHITE, BLACK, GREEN/YELLOW
4C	WHITE, BLACK, RED, BLUE	3C + E	WHITE, BLACK, RED, GREEN/YELLOW
5C	BLACK NUMBER ON WHITE INSULATION	4C + E	WHITE, BLACK, RED, BLUE, GREEN/YELLOW
6C AND OVER	BLACK NUMBER ON WHITE INSULATION	5C + E OR OVER	BLACK NUMBER ON WHITE INSULATION, GREEN/YELLOW

LSZH CABLE

### 0.6/1KV BFOU CABLE: SINGLE CONDUCTOR

PART NO.	CONDUCTOR		NOMINAL OD		WEIGHT		AMPACITY
	# OF CORES	SIZE (MM <sup>2</sup> )	INCHES	MM	LBS/MFT	KG/KM	90°C
NEK-BFOU/B1C1.5	1	1.5	0.39	9.80	114	170	23
NEK-BFOU/B1C2.5	1	2.5	0.40	10.20	128	190	30
NEK-BFOU/B1C4	1	4	0.42	10.70	141	210	40
NEK-BFOU/B1C6	1	6	0.45	11.50	168	250	52
NEK-BFOU/B1C10	1	10	0.49	12.40	208	310	72
NEK-BFOU/B1C16	1	16	0.53	13.40	262	390	96
NEK-BFOU/B1C25	1	25	0.60	15.30	356	530	127
NEK-BFOU/B1C35	1	35	0.65	16.40	437	650	157
NEK-BFOU/B1C50	1	50	0.72	18.40	558	830	196
NEK-BFOU/B1C70	1	70	0.80	20.30	726	1080	242
NEK-BFOU/B1C95	1	95	0.90	22.80	947	1410	293
NEK-BFOU/B1C120	1	120	0.96	24.40	1129	1680	339
NEK-BFOU/B1C150	1	150	1.04	26.40	1344	2000	389
NEK-BFOU/B1C185	1	185	1.14	28.90	1640	2440	444
NEK-BFOU/B1C240	1	240	1.26	32.10	2083	3100	522
NEK-BFOU/B1C300	1	300	1.44	36.50	2661	3960	601

DATA SUBJECT TO NORMAL MANUFACTURING TOLERANCES  
AMPACITY BASED ON 45°C AMBIENT TEMPERATURE; 90°C BASED ON IEC 60092-352 TABLE B.4

## 0.6/1V BFOU FIRE RESISTANT, LSZH, MUD RESISTANT CABLE, P5/P12

### 0.6/1KV BFOU CABLE: TWO CONDUCTOR

PART NO.	CONDUCTOR		NOMINAL OD		WEIGHT		AMPACITY
	# OF CORES	SIZE (MM <sup>2</sup> )	INCHES	MM	LBS/MFT	KG/KM	90°C
NEK-BFOU/B2C1.5	2	1.5	0.56	14.30	222	330	20
NEK-BFOU/B2C2.5	2	2.5	0.59	15.10	255	380	26
NEK-BFOU/B2C4	2	4	0.63	16.10	302	450	34
NEK-BFOU/B2C6	2	6	0.69	17.50	363	540	44
NEK-BFOU/B2C10	2	10	0.77	19.50	443	660	61
NEK-BFOU/B2C16	2	16	0.85	21.50	564	840	82
NEK-BFOU/B2C25	2	25	1.00	25.30	786	1170	108
NEK-BFOU/B2C35	2	35	1.09	27.70	974	1450	133
NEK-BFOU/B2C50	2	50	1.24	31.50	1257	1870	167
NEK-BFOU/B2C70	2	70	1.44	36.50	1761	2620	206
NEK-BFOU/B2C95	2	95	1.63	41.50	2291	3410	249
NEK-BFOU/B2C120	2	120	1.78	45.30	2775	4130	288
NEK-BFOU/B2C150	2	150	1.94	49.30	3293	4900	331
NEK-BFOU/B2C185	2	185	2.13	54.10	3998	5950	377
NEK-BFOU/B2C240	2	240	2.41	61.30	5154	7670	444
NEK-BFOU/B2C300	2	300	2.65	67.30	6256	9310	511

DATA SUBJECT TO NORMAL MANUFACTURING TOLERANCES  
AMPACITY BASED ON 45°C AMBIENT TEMPERATURE; 90°C BASED ON IEC 60092-352 TABLE B.4

### 0.6/1KV BFOU CABLE: THREE CONDUCTOR

PART NO.	CONDUCTOR		NOMINAL OD		WEIGHT		AMPACITY
	# OF CORES	SIZE (MM <sup>2</sup> )	INCHES	MM	LBS/MFT	KG/KM	90°C
NEK-BFOU/B3C1.5	3	1.5	0.59	14.90	249	370	16
NEK-BFOU/B3C2.5	3	2.5	0.62	15.80	289	430	21
NEK-BFOU/B3C4	3	4	0.67	17.10	349	520	28
NEK-BFOU/B3C6	3	6	0.72	18.40	423	630	36
NEK-BFOU/B3C10	3	10	0.81	20.50	538	800	50
NEK-BFOU/B3C16	3	16	0.90	22.90	706	1050	67
NEK-BFOU/B3C25	3	25	1.05	26.70	988	1470	89
NEK-BFOU/B3C35	3	35	1.15	29.30	1243	1850	110
NEK-BFOU/B3C50	3	50	1.35	34.40	1687	2510	137
NEK-BFOU/B3C70	3	70	1.53	38.80	2271	3380	169
NEK-BFOU/B3C95	3	95	1.74	44.20	2984	4440	205
NEK-BFOU/B3C120	3	120	1.90	48.20	3622	5390	237
NEK-BFOU/B3C150	3	150	2.07	52.50	4327	6440	273
NEK-BFOU/B3C185	3	185	2.30	58.50	5382	8010	311
NEK-BFOU/B3C240	3	240	2.58	65.50	6854	10200	366
NEK-BFOU/B3C300	3	300	2.84	72.00	8359	12440	420

DATA SUBJECT TO NORMAL MANUFACTURING TOLERANCES  
AMPACITY BASED ON 45°C AMBIENT TEMPERATURE; 90°C BASED ON IEC 60092-352 TABLE B.4

## 0.6/1V BFOU FIRE RESISTANT, LSZH, MUD RESISTANT CABLE, P5/P12

### 0.6/1KV BFOU CABLE: FOUR CONDUCTOR

PART NO.	CONDUCTOR		NOMINAL OD		WEIGHT		AMPACITY
	# OF CORES	SIZE (MM2)	INCHES	MM	LBS/MFT	KG/KM	90°C
NEK-BFOU/B4C1.5	4	1.5	0.63	16.00	289	430	16
NEK-BFOU/B4C2.5	4	2.5	0.68	17.20	343	510	21
NEK-BFOU/B4C4	4	4	0.72	18.40	410	610	28
NEK-BFOU/B4C6	4	6	0.79	20.00	504	750	36
NEK-BFOU/B4C10	4	10	0.88	22.40	659	980	50
NEK-BFOU/B4C16	4	16	0.98	25.00	867	1290	67
NEK-BFOU/B4C25	4	25	1.15	29.30	1230	1830	89
NEK-BFOU/B4C35	4	35	1.27	32.20	1559	2320	110
NEK-BFOU/B4C50	4	50	1.50	38.10	2170	3230	137
NEK-BFOU/B4C70	4	70	1.68	42.60	2849	4240	169
NEK-BFOU/B4C95	4	95	1.94	49.20	3830	5700	205
NEK-BFOU/B4C120	4	120	2.09	53.20	4603	6850	237
NEK-BFOU/B4C150	4	150	2.31	58.60	5584	8310	273
NEK-BFOU/B4C185	4	185	2.54	64.50	6854	10200	311
NEK-BFOU/B4C240	4	240	2.85	72.40	8756	13030	366
NEK-BFOU/B4C300	4	300	3.15	80.10	10792	16060	420

DATA SUBJECT TO NORMAL MANUFACTURING TOLERANCES  
AMPACITY BASED ON 45°C AMBIENT TEMPERATURE: 90°C BASED ON IEC 60092-352 TABLE B.4

### 0.6/1KV BFOU CABLE: FIVE CONDUCTOR

PART NO.	CONDUCTOR		NOMINAL OD		WEIGHT		AMPACITY
	# OF CORES	SIZE (MM2)	INCHES	MM	LBS/MFT	KG/KM	90°C
NEK-BFOU/B5C1.5	5	1.5	0.69	17.40	336	500	-
NEK-BFOU/B5C2.5	5	2.5	0.73	18.50	396	590	-
NEK-BFOU/B5C4	5	4	0.79	20.00	484	720	-
NEK-BFOU/B5C6	5	6	0.85	21.60	591	880	-
NEK-BFOU/B5C10	5	10	0.96	24.30	779	1160	-
NEK-BFOU/B5C16	5	16	1.07	27.20	1035	1540	-
NEK-BFOU/B5C25	5	25	1.26	32.10	1492	2220	-
NEK-BFOU/B5C35	5	35	1.45	36.70	2023	3010	-
NEK-BFOU/B5C50	5	50	1.65	42.00	2641	3930	-
NEK-BFOU/B5C70	5	70	1.87	47.40	3521	5240	-
NEK-BFOU/B5C95	5	95	2.13	54.00	4657	6930	-
NEK-BFOU/B5C120	5	120	2.34	59.30	5712	8500	-
NEK-BFOU/B5C150	5	150	2.54	64.60	6834	10170	-
NEK-BFOU/B5C185	5	185	2.81	71.40	8426	12540	-
NEK-BFOU/B5C240	5	240	3.17	80.50	10839	16130	-

DATA SUBJECT TO NORMAL MANUFACTURING TOLERANCES  
AMPACITY BASED ON 45°C AMBIENT TEMPERATURE: 90°C BASED ON IEC 60092-352 TABLE B.4

LSZH CABLE

## 0.6/1V BFOU FIRE RESISTANT, LSZH, MUD RESISTANT CABLE, P5/P12

### 0.6/1KV BFOU CABLE: MULTI-CONDUCTOR

PART NO.	CONDUCTOR		NOMINAL OD		WEIGHT	
	# OF CORES	SIZE (MM <sup>2</sup> )	INCHES	MM	LBS/MFT	KG/KM
NEK-BFOU/B2C1.0	2	1.0	0.53	13.50	188	280
NEK-BFOU/B5C1.0	5	1.0	0.65	16.40	282	420
NEK-BFOU/B7C1.0	7	1.0	0.70	17.70	336	500
NEK-BFOU/B8C1.0	8	1.0	0.74	18.90	370	550
NEK-BFOU/B9C1.0	9	1.0	0.80	20.20	410	610
NEK-BFOU/B10C1.0	10	1.0	0.85	21.70	450	670
NEK-BFOU/B12C1.0	12	1.0	0.89	22.50	504	750
NEK-BFOU/B14C1.0	14	1.0	0.93	23.50	551	820
NEK-BFOU/B16C1.0	16	1.0	0.97	24.60	605	900
NEK-BFOU/B19C1.0	19	1.0	1.02	25.90	679	1010
NEK-BFOU/B24C1.0	24	1.0	1.18	29.90	833	1240
NEK-BFOU/B27C1.0	27	1.0	1.21	30.70	907	1350
NEK-BFOU/B30C1.0	30	1.0	1.25	31.70	974	1450
NEK-BFOU/B37C1.0	37	1.0	1.37	34.90	1203	1790
NEK-BFOU/B44C1.0	44	1.0	1.56	39.50	1478	2200
NEK-BFOU/B2C1.5	2	1.5	0.56	14.30	208	310
NEK-BFOU/B5C1.5	5	1.5	0.69	17.40	323	480
NEK-BFOU/B7C1.5	7	1.5	0.73	18.60	383	570
NEK-BFOU/B8C1.5	8	1.5	0.79	20.10	430	640
NEK-BFOU/B9C1.5	9	1.5	0.84	21.30	470	700
NEK-BFOU/B10C1.5	10	1.5	0.91	23.10	524	780
NEK-BFOU/B12C1.5	12	1.5	0.93	23.70	571	850
NEK-BFOU/B14C1.5	14	1.5	0.98	25.00	638	950
NEK-BFOU/B16C1.5	16	1.5	1.03	26.20	706	1050
NEK-BFOU/B19C1.5	19	1.5	1.09	27.60	793	1180
NEK-BFOU/B24C1.5	24	1.5	1.26	31.90	981	1460
NEK-BFOU/B27C1.5	27	1.5	1.32	33.50	1122	1670
NEK-BFOU/B30C1.5	30	1.5	1.36	34.60	1210	1800
NEK-BFOU/B37C1.5	37	1.5	1.48	37.60	1472	2190
NEK-BFOU/B44C1.5	44	1.5	1.66	42.10	1734	2580

DATA SUBJECT TO NORMAL MANUFACTURING TOLERANCES.

LSZH CABLE



# NEK 606 BFOU CABLE

## 0.6/1V BFOU FIRE RESISTANT, LSZH, MUD RESISTANT CABLE, P5/P12

### 0.6/1KV BFOU CABLE: MULTI-CONDUCTOR

PART NO.	CONDUCTOR		NOMINAL OD		WEIGHT	
	# OF CORES	SIZE (MM <sup>2</sup> )	INCHES	MM	LBS/MFT	KG/KM
NEK-BFOU/B2C2.5	2	2.5	0.59	15.10	235	350
NEK-BFOU/B5C2.5	5	2.5	0.73	18.50	376	560
NEK-BFOU/B7C2.5	7	2.5	0.79	20.00	457	680
NEK-BFOU/B8C2.5	8	2.5	0.79	20.00	457	680
NEK-BFOU/B9C2.5	9	2.5	0.91	23.00	564	840
NEK-BFOU/B10C2.5	10	2.5	0.98	24.90	632	940
NEK-BFOU/B12C2.5	12	2.5	1.01	25.60	699	1040
NEK-BFOU/B14C2.5	14	2.5	1.06	26.80	773	1150
NEK-BFOU/B16C2.5	16	2.5	1.11	28.30	860	1280
NEK-BFOU/B19C2.5	19	2.5	1.17	29.60	968	1440
NEK-BFOU/B24C2.5	24	2.5	1.39	35.30	1270	1890
NEK-BFOU/B27C2.5	27	2.5	1.44	36.60	1438	2140
NEK-BFOU/B30C2.5	30	2.5	1.49	37.80	1552	2310
NEK-BFOU/B37C2.5	37	2.5	1.60	40.60	1821	2710
NEK-BFOU/B44C2.5	44	2.5	1.81	45.90	2184	3250
NEK-BFOU/B2C4	2	4	0.63	16.10	269	400
NEK-BFOU/B5C4	5	4	0.79	20.00	457	680
NEK-BFOU/B7C4	7	4	0.85	21.50	558	830
NEK-BFOU/B8C4	8	4	0.91	23.20	625	930
NEK-BFOU/B9C4	9	4	0.98	25.00	699	1040
NEK-BFOU/B10C4	10	4	1.06	26.90	773	1150
NEK-BFOU/B12C4	12	4	1.10	27.90	874	1300
NEK-BFOU/B14C4	14	4	1.15	29.20	974	1450
NEK-BFOU/B16C4	16	4	1.21	30.80	1089	1620
NEK-BFOU/B19C4	19	4	1.27	32.30	1230	1830
NEK-BFOU/B24C4	24	4	1.54	39.10	1680	2500
NEK-BFOU/B27C4	27	4	1.57	39.90	1814	2700
NEK-BFOU/B30C4	30	4	1.63	41.40	1976	2940
NEK-BFOU/B37C4	37	4	1.75	44.50	2325	3460
NEK-BFOU/B44C4	44	4	1.98	50.30	2795	4160

DATA SUBJECT TO NORMAL MANUFACTURING TOLERANCES.

LSZH CABLE

## 0.6/1V BFOU FIRE RESISTANT, LSZH, MUD RESISTANT CABLE, P5/P12

### 0.6/1KV BFOU CABLE WITH EARTH CONDUCTOR

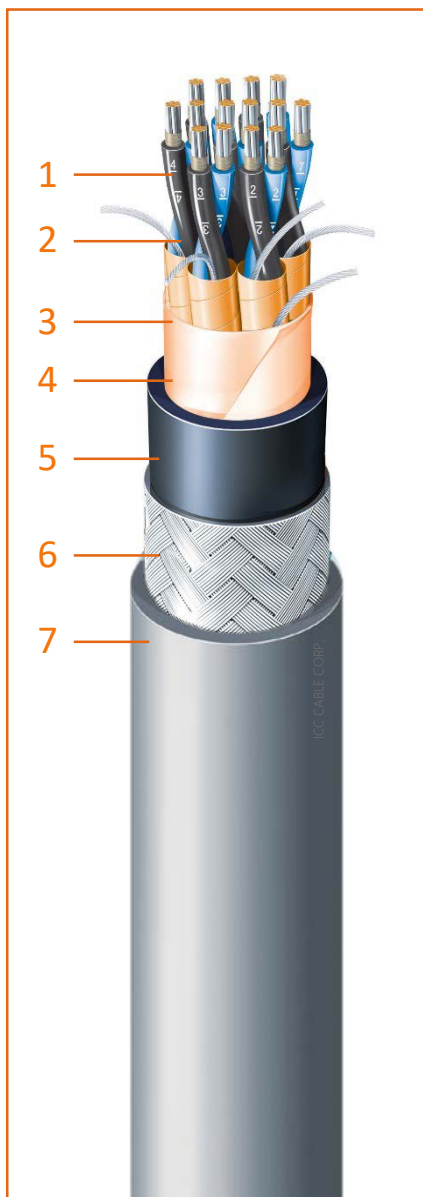
PART NO.	CONDUCTOR		GROUND	NOMINAL OD		WEIGHT	
	# OF CORES	SIZE (MM2)	SIZE (MM2)	INCHES	MM	LBS/MFT	KG/KM
NEK-BFOU/B2C1.5+E	2	1.5	1.5	0.59	14.90	249	370
NEK-BFOU/B2C2.5+E	2	2.5	2.5	0.62	15.80	289	430
NEK-BFOU/B2C4+E	2	4	4	0.67	17.10	349	520
NEK-BFOU/B2C6+E	2	6	6	0.72	18.40	423	630
NEK-BFOU/B2C10+E	2	10	10	0.81	20.50	538	800
NEK-BFOU/B2C16+E	2	16	16	0.90	22.90	706	1050
NEK-BFOU/B2C25+E	2	25	16	1.03	26.10	914	1360
NEK-BFOU/B2C35+E	2	35	25	1.14	28.90	1176	1750
NEK-BFOU/B2C50+E	2	50	25	1.27	32.30	1445	2150
NEK-BFOU/B2C70+E	2	70	35	1.47	37.30	2009	2990
NEK-BFOU/B2C95+E	2	95	50	1.67	42.50	2627	3910
NEK-BFOU/B2C120+E	2	120	70	1.84	46.80	3259	4850
NEK-BFOU/B2C150+E	2	150	95	2.01	51.10	3951	5880
NEK-BFOU/B2C185+E	2	185	95	2.19	55.50	4650	6920
NEK-BFOU/B2C240+E	2	240	120	2.47	62.70	5954	8860
NEK-BFOU/B3C1.5+E	3	1.5	1.5	0.63	16.00	289	430
NEK-BFOU/B3C2.5+E	3	2.5	2.5	0.68	17.20	343	510
NEK-BFOU/B3C4+E	3	4	4	0.72	18.40	410	610
NEK-BFOU/B3C6+E	3	6	6	0.79	20.00	504	750
NEK-BFOU/B3C10+E	3	10	10	0.88	22.40	659	980
NEK-BFOU/B3C16+E	3	16	16	0.98	25.00	867	1290
NEK-BFOU/B3C25+E	3	25	16	1.13	28.80	1163	1730
NEK-BFOU/B3C35+E	3	35	25	1.25	31.80	1492	2220
NEK-BFOU/B3C50+E	3	50	25	1.46	37.10	1996	2970
NEK-BFOU/B3C70+E	3	70	35	1.63	41.40	2601	3870
NEK-BFOU/B3C95+E	3	95	50	1.87	47.60	3467	5160
NEK-BFOU/B3C120+E	3	120	70	2.04	51.90	4240	6310
NEK-BFOU/B3C150+E	3	150	95	2.26	57.40	5221	7770
NEK-BFOU/B3C185+E	3	185	95	2.46	62.40	6196	9220
NEK-BFOU/B3C240+E	3	240	120	2.74	69.70	7849	11680
NEK-BFOU/B4C1.5+E	4	1.5	1.5	0.69	17.40	336	500
NEK-BFOU/B4C2.5+E	4	2.5	2.5	0.73	18.50	396	590
NEK-BFOU/B4C4+E	4	4	4	0.79	20.00	484	720
NEK-BFOU/B4C6+E	4	6	6	0.85	21.60	591	880
NEK-BFOU/B4C10+E	4	10	10	0.96	24.30	779	1160
NEK-BFOU/B4C16+E	4	16	16	1.07	27.20	1035	1540
NEK-BFOU/B4C25+E	4	25	16	1.24	31.60	1418	2110
NEK-BFOU/B4C35+E	4	35	25	1.43	36.40	1955	2910
NEK-BFOU/B4C50+E	4	50	25	1.61	40.80	2446	3640
NEK-BFOU/B4C70+E	4	70	35	1.81	46.00	3252	4840
NEK-BFOU/B4C95+E	4	95	50	2.08	52.70	4314	6420
NEK-BFOU/B4C120+E	4	120	70	2.28	58.00	5342	7950
NEK-BFOU/B4C150+E	4	150	95	2.50	63.50	6471	9630
NEK-BFOU/B4C185+E	4	185	95	2.73	69.30	7755	11540
NEK-BFOU/B4C240+E	4	240	120	3.07	77.90	9918	14760

DATA SUBJECT TO NORMAL MANUFACTURING TOLERANCES.

LSZH CABLE

# NEK 606 BFOU(IC) CABLE

250V BFOU(IC) FIRE RESISTANT, MUD RESISTANT CABLE: SHIELDED PAIRS/TRIADS



## PRODUCT DESCRIPTION

250V SHIELDED PAIRS/TRIADS INSTRUMENTATION  
90°C TEMP. RATING  
LOW SMOKE HALOGEN-FREE  
MUD RESISTANT  
FIRE RESISTANT & FLAME RETARDANT  
ABS, DNV-GL, LLOYD, RINA APPROVED

## PRODUCT CONSTRUCTION

### 1. CONDUCTOR

STRANDED TINNED ANNEALED COPPER WIRE  
MICA/GLASS TAPE FOR FIRE RESISTANT LAYER  
CLASS 5 FLEXIBLE CONDUCTOR OPTIONS AVAILABLE

### 2. INSULATION

HALOGEN FREE ETHYLENE PROPYLENE RUBBER (EPR)

### 3. INDIVIDUAL SHIELD

AL/PS TAPE W/TINNED COPPER DRAIN WIRE

### 4. OVERALL SHIELD

AL/PS TAPE W/TINNED COPPER DRAIN WIRE

### 5. INNER COVERING/BEDDING

FLAME RETARDANT HALOGEN FREE COMPOUND

### 6. ARMOR

TINNED COPPER WIRE BRAID  
BRONZE WIRE/GALVANIZED STEEL WIRE OPTIONS AVAILABLE

### 7. SHEATH

SHF MUD, GRAY COLOR  
BLUE COLOR (IS) OPTIONS AVAILABLE

LSZH CABLE



## STANDARDS

- DESIGN GUIDE: NEK 606, IEC 60092-353
- CONDUCTOR: IEC 60228 CLASS 2
- INSULATION & SHEATH: IEC 60092-360
- FLAME RETARDANT: IEC 60332-1/3 CAT.A
- FIRE RESISTANT: IEC 60331-1/2/21
- MUD RESISTANT: NEK 606
- HALOGEN FREE: IEC 60754-1, ≤0.5%
- LOW SMOKE: IEC 61034, >60%
- COLD BEND/IMPACT: CSA 22.2 NO. 03 (-40°C/-35°C)
- ARCTIC OPTIONS AVAILABLE: CSA 22.2 NO. 03 (-65°C/-65°C)



## 250V BFOU(IC) FIRE RESISTANT, MUD RESISTANT CABLE: SHIELDED PAIRS/TRIADS

### 250V BFOU(IC) CABLE: COLOR CODE

TYPE	COLOR CODE
PAIR	BLACK, LIGHT BLUE
TRIAD	BLACK, LIGHT BLUE, BROWN
MULTI PAIRS/TRIADS	NUMBERING ON INSULATION

LSZH CABLE

### 250V BFOU(IC): INDIVIDUAL & COMMON SHIELDED PAIRS

PART NO.	CONDUCTOR		NOMINAL OD		WEIGHT	
	# OF PAIRS	SIZE (MM <sup>2</sup> )	INPHES	MM	LBS/MFT	KG/KM
NEK-BFOU/B(C)1P0.75	1	0.75	0.47	12.00	161	240
NEK-BFOU/B(IC)2P0.75	2	0.75	0.68	17.20	296	440
NEK-BFOU/B(IC)3P0.75	3	0.75	0.71	18.00	336	500
NEK-BFOU/B(IC)4P0.75	4	0.75	0.77	19.50	396	590
NEK-BFOU/B(IC)5P0.75	5	0.75	0.84	21.30	464	690
NEK-BFOU/B(IC)6P0.75	6	0.75	0.87	22.20	511	760
NEK-BFOU/B(IC)7P0.75	7	0.75	0.87	22.20	524	780
NEK-BFOU/B(IC)8P0.75	8	0.75	0.95	24.00	598	890
NEK-BFOU/B(IC)10P0.75	10	0.75	1.06	26.90	732	1090
NEK-BFOU/B(IC)12P0.75	12	0.75	1.10	28.00	806	1200
NEK-BFOU/B(IC)14P0.75	14	0.75	1.15	29.30	887	1320
NEK-BFOU/B(IC)16P0.75	16	0.75	1.23	31.30	1001	1490
NEK-BFOU/B(IC)19P0.75	19	0.75	1.26	31.90	1082	1610
NEK-BFOU/B(IC)24P0.75	24	0.75	1.49	37.90	1519	2260
NEK-BFOU/B(IC)32P0.75	32	0.75	1.61	40.90	1828	2720
NEK-BFOU/B(C)1P1.0	1	1.0	0.49	12.40	168	250
NEK-BFOU/B(IC)2P1.0	2	1.0	0.71	17.90	323	480
NEK-BFOU/B(IC)3P1.0	3	1.0	0.74	18.70	370	550
NEK-BFOU/B(IC)4P1.0	4	1.0	0.80	20.40	437	650
NEK-BFOU/B(IC)5P1.0	5	1.0	0.89	22.50	524	780
NEK-BFOU/B(IC)6P1.0	6	1.0	0.91	23.20	564	840
NEK-BFOU/B(IC)7P1.0	7	1.0	0.91	23.20	591	880
NEK-BFOU/B(IC)8P1.0	8	1.0	1.00	25.30	679	1010
NEK-BFOU/B(IC)10P1.0	10	1.0	1.12	28.40	827	1230
NEK-BFOU/B(IC)12P1.0	12	1.0	1.16	29.40	907	1350
NEK-BFOU/B(IC)14P1.0	14	1.0	1.22	30.90	1015	1510
NEK-BFOU/B(IC)16P1.0	16	1.0	1.33	33.70	1216	1810
NEK-BFOU/B(IC)19P1.0	19	1.0	1.35	34.30	1310	1950
NEK-BFOU/B(IC)24P1.0	24	1.0	1.58	40.00	1734	2580
NEK-BFOU/B(IC)32P1.0	32	1.0	1.70	43.10	2076	3090

DATA SUBJECT TO NORMAL MANUFACTURING TOLERANCES.

## 250V BFOU(IC) FIRE RESISTANT, MUD RESISTANT CABLE: SHIELDED PAIRS/TRIADS

### 250V BFOU(IC): INDIVIDUAL & COMMON SHIELDED PAIRS

PART NO.	CONDUCTOR		NOMINAL OD		WEIGHT	
	# OF PAIRS	SIZE (MM <sup>2</sup> )	INPHES	MM	LBS/MFT	KG/KM
NEK-BFOU/B(C)1P1.5	1	1.5	0.52	13.30	195	290
NEK-BFOU/B(IC)2P1.5	2	1.5	0.78	19.80	390	580
NEK-BFOU/B(IC)3P1.5	3	1.5	0.82	20.70	443	660
NEK-BFOU/B(IC)4P1.5	4	1.5	0.89	22.60	531	790
NEK-BFOU/B(IC)5P1.5	5	1.5	0.98	25.00	638	950
NEK-BFOU/B(IC)6P1.5	6	1.5	1.02	25.80	692	1030
NEK-BFOU/B(IC)7P1.5	7	1.5	1.02	25.80	719	1070
NEK-BFOU/B(IC)8P1.5	8	1.5	1.11	28.20	833	1240
NEK-BFOU/B(IC)10P1.5	10	1.5	1.25	31.80	1021	1520
NEK-BFOU/B(IC)12P1.5	12	1.5	1.33	33.70	1203	1790
NEK-BFOU/B(IC)14P1.5	14	1.5	1.39	35.20	1337	1990
NEK-BFOU/B(IC)16P1.5	16	1.5	1.50	38.10	1572	2340
NEK-BFOU/B(IC)19P1.5	19	1.5	1.53	38.90	1693	2520
NEK-BFOU/B(IC)24P1.5	24	1.5	1.78	45.30	2211	3290
NEK-BFOU/B(IC)32P1.5	32	1.5	1.93	49.00	2674	3980
NEK-BFOU/B(C)1P2.5	1	2.5	0.57	14.40	235	350
NEK-BFOU/B(IC)2P2.5	2	2.5	0.84	21.20	457	680
NEK-BFOU/B(IC)3P2.5	3	2.5	0.89	22.50	538	800
NEK-BFOU/B(IC)4P2.5	4	2.5	0.96	24.30	638	950
NEK-BFOU/B(IC)5P2.5	5	2.5	1.06	27.00	773	1150
NEK-BFOU/B(IC)6P2.5	6	2.5	1.11	28.10	853	1270
NEK-BFOU/B(IC)7P2.5	7	2.5	1.11	28.10	900	1340
NEK-BFOU/B(IC)8P2.5	8	2.5	1.21	30.70	1035	1540
NEK-BFOU/B(IC)10P2.5	10	2.5	1.39	35.40	1364	2030
NEK-BFOU/B(IC)12P2.5	12	2.5	1.46	37.10	1566	2330
NEK-BFOU/B(IC)14P2.5	14	2.5	1.54	39.00	1747	2600
NEK-BFOU/B(IC)16P2.5	16	2.5	1.64	41.70	1969	2930
NEK-BFOU/B(IC)19P2.5	19	2.5	1.67	42.50	2144	3190
NEK-BFOU/B(IC)24P2.5	24	2.5	1.96	49.70	2809	4180
NEK-BFOU/B(IC)32P2.5	32	2.5	2.11	53.70	3414	5080

DATA SUBJECT TO NORMAL MANUFACTURING TOLERANCES.

LSZH CABLE



# NEK 606 BFOU(IC) CABLE

## 250V BFOU(IC) FIRE RESISTANT, MUD RESISTANT CABLE: SHIELDED PAIRS/TRIADS

### 250V BFOU(IC): INDIVIDUAL & COMMON SHIELDED TRIADS

PART NO.	CONDUCTOR		NOMINAL OD		WEIGHT	
	# OF PAIRS	SIZE (MM2)	INPHES	MM	LBS/MFT	KG/KM
NEK-BFOU/B(C)1T0.75	1	0.75	0.49	12.40	175	260
NEK-BFOU/B(IC)2T0.75	2	0.75	0.71	18.00	329	490
NEK-BFOU/B(IC)3T0.75	3	0.75	0.75	19.00	376	560
NEK-BFOU/B(IC)4T0.75	4	0.75	0.82	20.70	450	670
NEK-BFOU/B(IC)5T0.75	5	0.75	0.89	22.70	538	800
NEK-BFOU/B(IC)6T0.75	6	0.75	1.00	25.30	638	950
NEK-BFOU/B(IC)7T0.75	7	0.75	1.00	25.30	665	990
NEK-BFOU/B(IC)8T0.75	8	0.75	1.06	26.80	739	1100
NEK-BFOU/B(IC)10T0.75	10	0.75	1.19	30.10	900	1340
NEK-BFOU/B(IC)12T0.75	12	0.75	1.25	31.70	1021	1520
NEK-BFOU/B(IC)14T0.75	14	0.75	1.33	33.70	1196	1780
NEK-BFOU/B(IC)16T0.75	16	0.75	1.42	36.00	1391	2070
NEK-BFOU/B(IC)19T0.75	19	0.75	1.53	38.80	1593	2370
NEK-BFOU/B(IC)24T0.75	24	0.75	1.68	42.60	1915	2850
NEK-BFOU/B(IC)32T0.75	32	0.75	1.93	48.90	2500	3720
NEK-BFOU/B(C)1T1.0	1	1.0	0.50	12.70	181	270
NEK-BFOU/B(IC)2T1.0	2	1.0	0.73	18.50	349	520
NEK-BFOU/B(IC)3T1.0	3	1.0	0.77	19.60	410	610
NEK-BFOU/B(IC)4T1.0	4	1.0	0.84	21.20	484	720
NEK-BFOU/B(IC)5T1.0	5	1.0	0.92	23.30	578	860
NEK-BFOU/B(IC)6T1.0	6	1.0	1.03	26.10	692	1030
NEK-BFOU/B(IC)7T1.0	7	1.0	1.03	26.10	726	1080
NEK-BFOU/B(IC)8T1.0	8	1.0	1.09	27.70	806	1200
NEK-BFOU/B(IC)10T1.0	10	1.0	1.23	31.20	1001	1490
NEK-BFOU/B(IC)12T1.0	12	1.0	1.30	33.10	1122	1670
NEK-BFOU/B(IC)14T1.0	14	1.0	1.37	34.80	1310	1950
NEK-BFOU/B(IC)16T1.0	16	1.0	1.47	37.30	1532	2280
NEK-BFOU/B(IC)19T1.0	19	1.0	1.58	40.10	1754	2610
NEK-BFOU/B(IC)24T1.0	24	1.0	1.74	44.30	2117	3150
NEK-BFOU/B(IC)32T1.0	32	1.0	2.00	50.80	2782	4140

DATA SUBJECT TO NORMAL MANUFACTURING TOLERANCES.

LSZH CABLE



# NEK 606 BFOU(IC) CABLE

## 250V BFOU(IC) FIRE RESISTANT, MUD RESISTANT CABLE: SHIELDED PAIRS/TRIADS

### 250V BFOU(IC): INDIVIDUAL & COMMON SHIELDED TRIADS

PART NO.	CONDUCTOR		NOMINAL OD		WEIGHT	
	# OF PAIRS	SIZE (MM2)	INPHES	MM	LBS/MFT	KG/KM
NEK-BFOU/B(C)1T1.5	1	1.5	0.55	14.00	222	330
NEK-BFOU/B(IC)2T1.5	2	1.5	0.82	20.90	443	660
NEK-BFOU/B(IC)3T1.5	3	1.5	0.87	22.10	524	780
NEK-BFOU/B(IC)4T1.5	4	1.5	0.95	24.10	618	920
NEK-BFOU/B(IC)5T1.5	5	1.5	1.04	26.50	739	1100
NEK-BFOU/B(IC)6T1.5	6	1.5	1.17	29.70	894	1330
NEK-BFOU/B(IC)7T1.5	7	1.5	1.17	29.70	934	1390
NEK-BFOU/B(IC)8T1.5	8	1.5	1.25	31.70	1048	1560
NEK-BFOU/B(IC)10T1.5	10	1.5	1.45	36.90	1438	2140
NEK-BFOU/B(IC)12T1.5	12	1.5	1.53	38.90	1626	2420
NEK-BFOU/B(IC)14T1.5	14	1.5	1.59	40.50	1794	2670
NEK-BFOU/B(IC)16T1.5	16	1.5	1.69	42.80	1982	2950
NEK-BFOU/B(IC)19T1.5	19	1.5	1.84	46.60	2359	3510
NEK-BFOU/B(IC)24T1.5	24	1.5	2.02	51.40	2856	4250
NEK-BFOU/B(IC)32T1.5	32	1.5	2.33	59.20	3797	5650
NEK-BFOU/B(C)1T2.5	1	2.5	0.59	15.00	262	390
NEK-BFOU/B(IC)2T2.5	2	2.5	0.89	22.60	531	790
NEK-BFOU/B(IC)3T2.5	3	2.5	0.94	23.80	632	940
NEK-BFOU/B(IC)4T2.5	4	2.5	1.03	26.10	766	1140
NEK-BFOU/B(IC)5T2.5	5	2.5	1.13	28.80	921	1370
NEK-BFOU/B(IC)6T2.5	6	2.5	1.27	32.30	1109	1650
NEK-BFOU/B(IC)7T2.5	7	2.5	1.27	32.30	1169	1740
NEK-BFOU/B(IC)8T2.5	8	2.5	1.38	35.10	1391	2070
NEK-BFOU/B(IC)10T2.5	10	2.5	1.58	40.10	1794	2670
NEK-BFOU/B(IC)12T2.5	12	2.5	1.67	42.30	2029	3020
NEK-BFOU/B(IC)14T2.5	14	2.5	1.74	44.20	2258	3360
NEK-BFOU/B(IC)16T2.5	16	2.5	1.86	47.30	2580	3840
NEK-BFOU/B(IC)19T2.5	19	2.5	2.00	50.80	2977	4430
NEK-BFOU/B(IC)24T2.5	24	2.5	2.23	56.60	3736	5560
NEK-BFOU/B(IC)32T2.5	32	2.5	2.55	64.70	4838	7200

DATA SUBJECT TO NORMAL MANUFACTURING TOLERANCES.

LSZH CABLE