

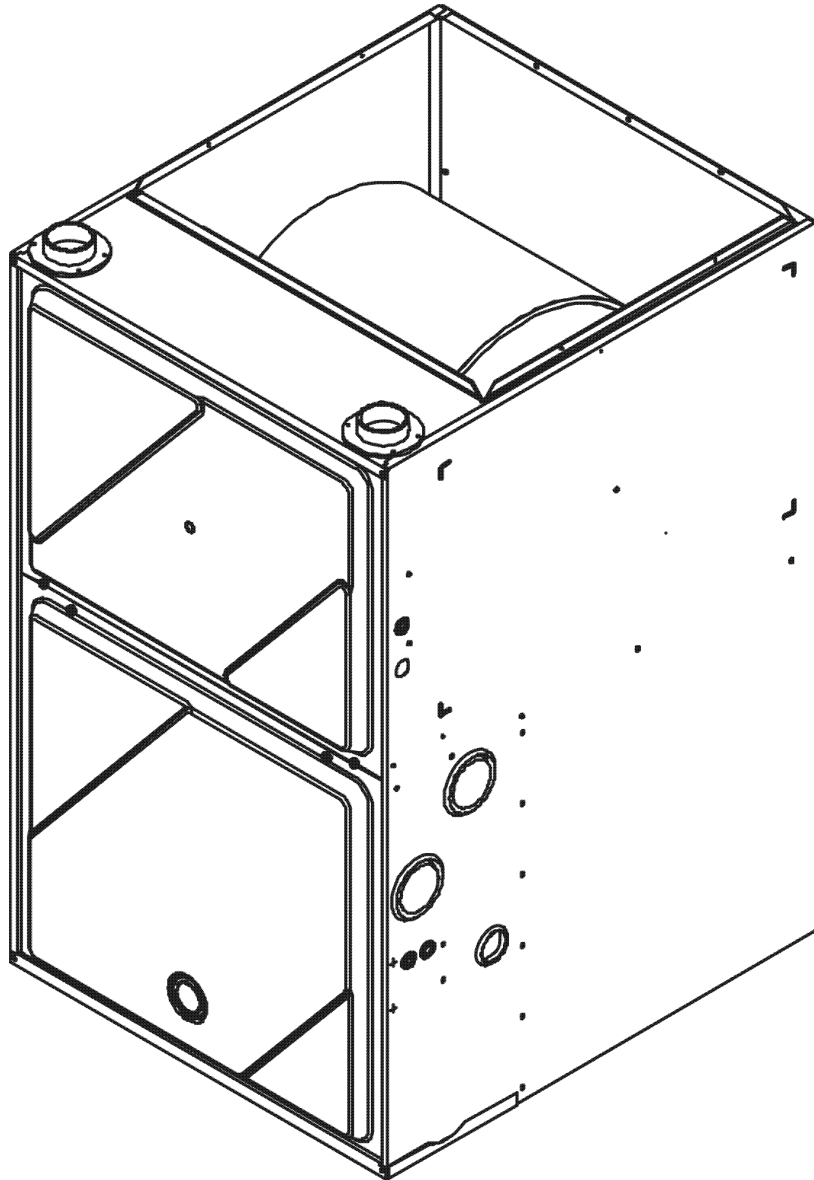
GCSS 92% PSC Counter Flow Furnace

GCSS920402BNAA

GCSS920603BNAA

GCSS920804CNAA

GCSS921005CNAA



This manual is to be used by qualified technicians only.

This manual replaces RP-G2006.

© 2014 Goodman Manufacturing Company, L.P. ♦ 5151 San Felipe St., Suite 500 ♦ Houston, TX 77056

Important Information

Index

| | |
|------------------------------|--------|
| Functional Parts List | 3 |
| Illustration and Parts | 4 - 11 |

Views shown are for parts illustrations only, not servicing procedures

Short 90% Furnace Project

Rev. A: Added Drain Part Bag Assy, Bag Assy, and Decorative Screw

Text Codes:

AR - As Required

NA - Not Available

NS - Not Shown

00000000 - See Note

QTY - Quantity Example (QTY 3) (If Quantity not shown, Quantity = 1)

M - Model Example (M1) (If M Code not shown, then part is used on all Models)

Expanded Model Nomenclature:

| |
|---|
| Example M1 - Model#1 M2 - Model#2 M3 - Model#3 |
|---|

Goodman Manufacturing Company, L.P. is not responsible for personal injury or property damage resulting from improper service. Review all service information before beginning repairs.

Warranty service must be performed by an authorized technician, using authorized factory parts. If service is required after the warranty expires, Goodman Manufacturing Company, L.P. also recommends contacting an authorized technician and using authorized factory parts.

Goodman Manufacturing Company, L.P. reserves the right to discontinue, or change at any time, specifications or designs without notice or without incurring obligations.

For assistance within the U.S.A. contact:
Consumer Affairs Department
Goodman Manufacturing Company, L.P.
7401 Security Way
Houston, Texas 77040
877-254-4729-Telephone
713-863-2382-Facsimile

For assistance outside the U.S.A. contact:
International Division
Goodman Manufacturing Company, L.P.
7401 Security Way
Houston, Texas 77040
713-861-2500-Telephone
713-863-2382-Facsimile

Functional Parts

Part

No: Description:

| | |
|----------------|--|
| 0163F00017 | BECKETT BURNER (QTY 2) |
| 0271F00181 | BLOWER HSG ASSY (M1, M2) |
| 0271F00182 | BLOWER HSG ASSY (M3) |
| 0271F00161 | BLOWER SHELL & WHEEL ASSY (M4) |
| CAP125000370LA | CAPACITOR 12.5/370V (M1, M2) |
| CAP150000370LA | CAPACITOR 15/370V (M4) |
| CAP200000370LA | CAPACITOR 20/370V (M3) |
| 0130F00010 | FLAME SENSOR |
| 0151M00037 | GAS VALVE |
| 0257F00352 | HEAT EXCHANGER ASSY. (M4) |
| 0257F00348 | HEAT EXCHANGER ASSY. (M1) |
| 0257F00349 | HEAT EXCHANGER ASSY. (M2) |
| 0257F00351 | HEAT EXCHANGER ASSY. (M3) |
| 0130F00008 | IGNITOR-SINI 17 SEC |
| 10690402 | INTERLOCK SWITCH |
| 0130F00123 | MANUAL RESET LIMIT (M2) |
| 10123517 | MANUAL RESET LIMIT (M1) |
| 10123534 | MANUAL RESET LIMIT 220°F (M3) |
| 10123539 | MANUAL RESET LIMIT-ORANGE (M4) |
| 0131F00038 | MOTOR, 1/2 HP (M3) |
| 0131F00027 | MOTOR, 1/3HP, 4SP, 6PL (M1, M2) |
| 0131F00031 | MOTOR, 3/4 HP (M4) |
| 0171M00001 | MOTOR-ID, BLOWER |
| PCBBF134 | PCB, IGNITION, HSI, INTEG |
| 0130F00071 | PRESSURE LIMIT SWITCH (M2) |
| 20162901 | PRESSURE LIMIT-RED (M1) |
| 0130F00480 | PRESSURE SWITCH (-.1 / -1.2) (M3, M4) |
| 0130F00477 | PRESSURE SWITCH (-.1 / -1.27) (M1, M2) |
| 0130F00038 | PRIMARY LIMIT - LT BLUE 120° (AUX) (QTY 2) |
| 0130F00036 | PRIMARY LIMIT - PINK (M3, M4) |
| 0130M00140 | TRANSFORMER 120V TO 24V, 40VA |
| 0150M00042 | WHEEL, BLOWER (10 X 10) (M3) |
| 0150M00043 | WHEEL, BLOWER (10 X 8) (M1, M2) |

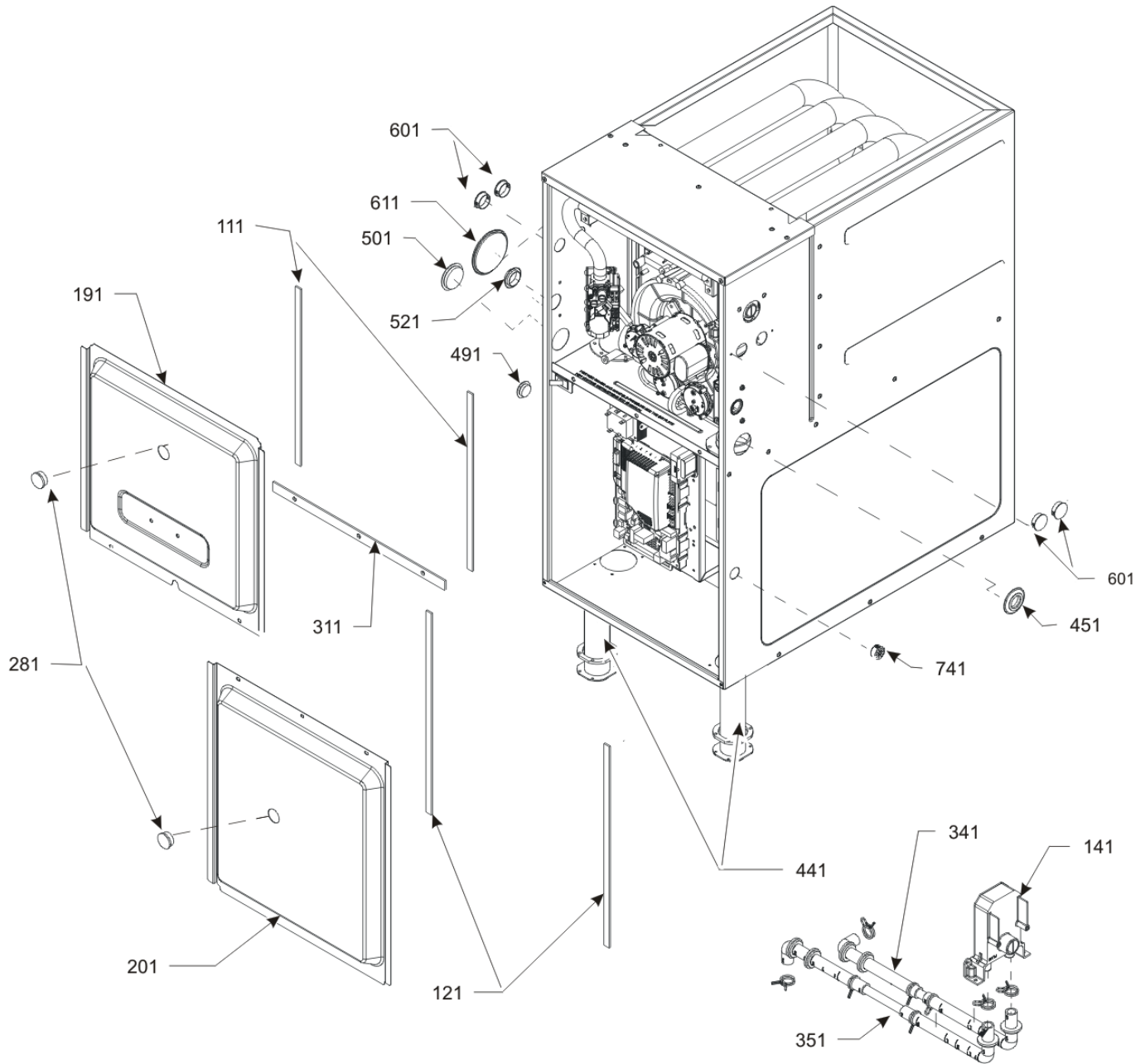
SPECIAL PARTS

0161F00000P GOODMAN NAMEPLATE

Expanded Model Nomenclature

| |
|---------------------|
| M1 - GCSS920402BNAA |
| M2 - GCSS920603BNAA |
| M3 - GCSS920804CNAA |
| M4 - GCSS921005CNAA |

Cabinet



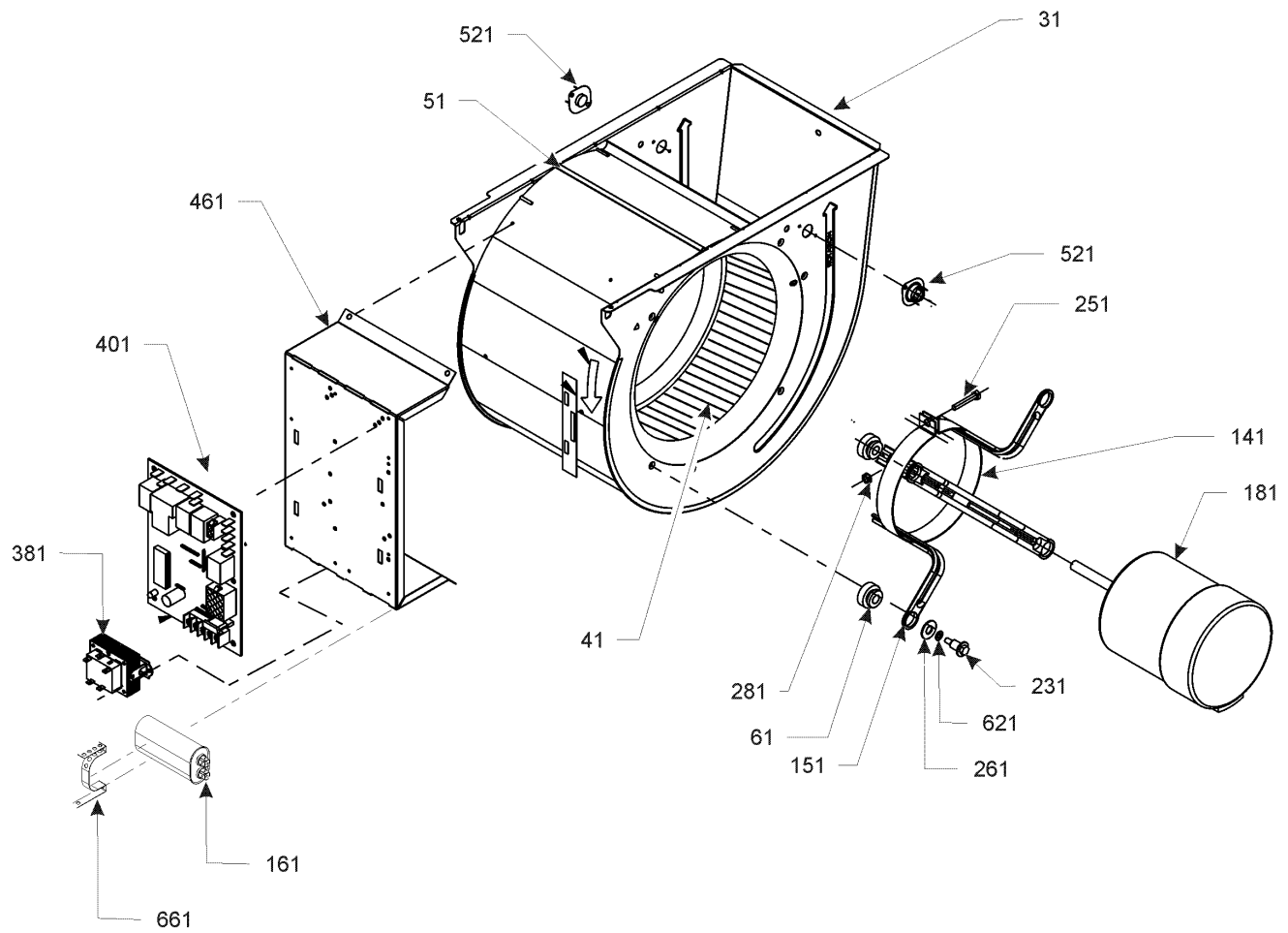
Cabinet

| Ref. Part No: No: | Description: | Ref. Part No: No: | Description: |
|-------------------|--------------|-------------------|---------------------------------------|
| Image 1: | | | |
| 111 | 0154F00024 | | GASKET (QTY 2) |
| 121 | 0154F00025 | | GASKET (QTY 2) |
| 141 | 0161F00046 | | DRAIN TRAP |
| 191 | 0121F00291DG | | DOOR, ACCESS 17.5 PNT (M1, M2) |
| 191 | 0121F00292DG | | DOOR, ACCESS 21 PNT (M3, M4) |
| 201 | 0121F00288DG | | DOOR, BLOWER 17.5 PNT (M1, M2) |
| 201 | 0121F00289DG | | DOOR, BLOWER 21 PNT (M3, M4) |
| 281 | B1392139 | | VIEW PORT BUSHING-BLOWER DOOR (QTY 2) |
| 311 | 0154F00020 | | GASKET, DECK (M1, M2) |
| 311 | 0154F00021 | | GASKET, DECK (M3, M4) |
| 341 | 0270F03125 | | CF DRAIN TUBE ASSY (M1, M2) |
| 341 | 0270F03515 | | CF DRAIN TUBE ASSY (M3, M4) |
| 351 | 0270F03126 | | CF DRAIN TUBE ASSY (M3, M4) |
| 351 | 0270F03514 | | CF DRAIN TUBE ASSY (M1, M2) |
| 441 | 0161F00064 | | PIPE, STRAIGHT CF (QTY 2) |
| 451 | M0501301 | | PIPE GROMMET |
| 491 | M0570808 | | BUTTON PLUG |
| 501 | M0570806 | | BUTTON PLUG (QTY 2) |
| 521 | 0161M00027 | | PLUG, HOLE |
| 601 | B1392021 | | PLASTIC PLUG, 1" (2713-BLK) (QTY 4) |
| 611 | 0163M00049 | | HOSE CLAMP (QTY 2) |
| 741 | B1392104 | | UNIVERSAL BUSHING UB 875 |
| NS | 0270F03139 | | BAG ASSY CF |
| NS | M0310345 | | BUTTON PLUG (QTY 2) |
| NS | M0570807 | | BUTTON PLUG |
| NS | 0270F03141 | | DRAIN PART BAG ASSY CF |
| NS | 0161F00000P | | GOODMAN NAMEPLATE |
| NS | M0209730 | | SCREW-DECORATIVE (QTY 3) |

Expanded Model Nomenclature

| |
|---------------------|
| M1 - GCSS920402BNAA |
| M2 - GCSS920603BNAA |
| M3 - GCSS920804CNAA |
| M4 - GCSS921005CNAA |

Blower Assembly



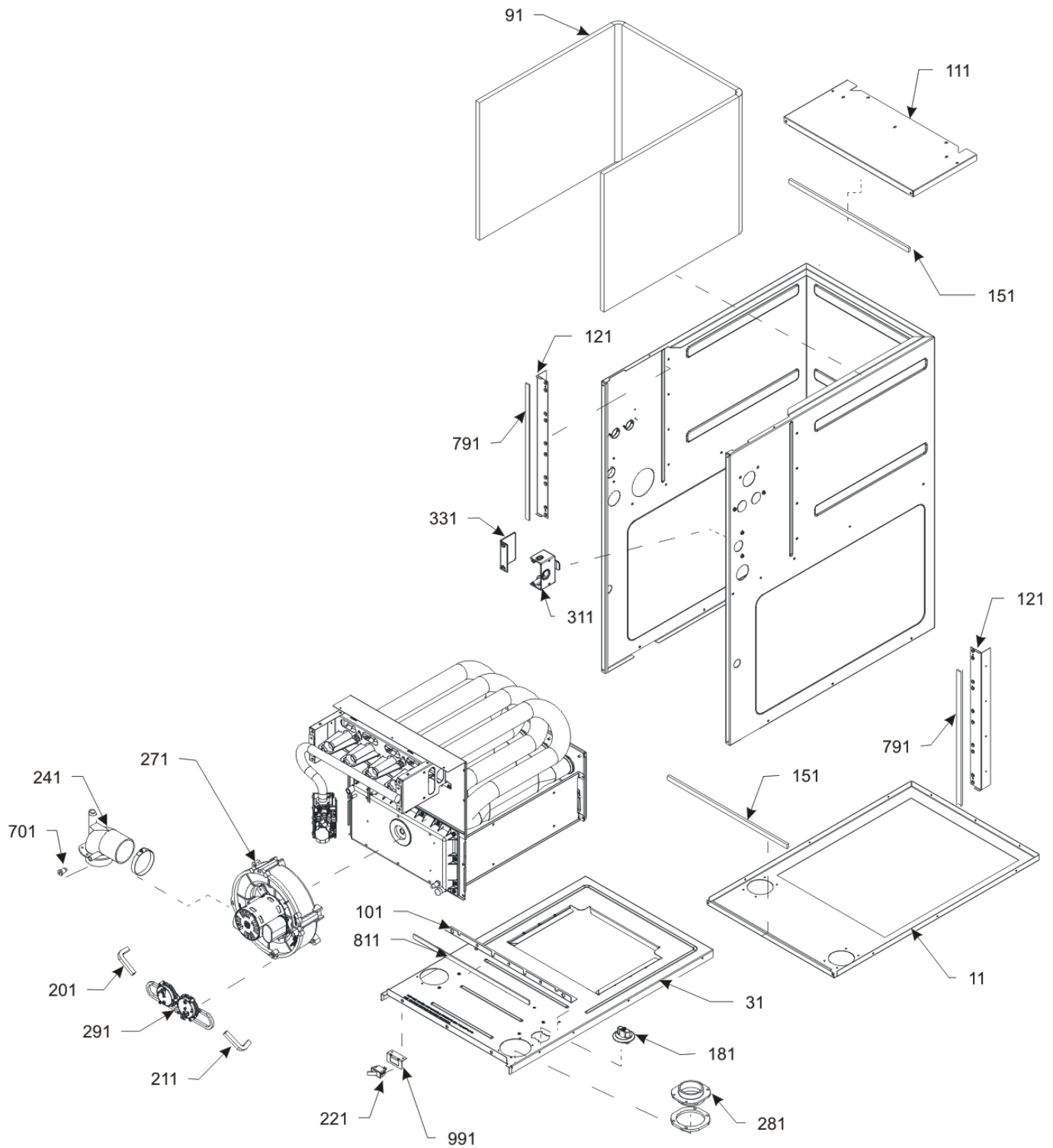
Blower Assembly

| Ref. Part No: No: | Description: | Ref. Part No: No: | Description: |
|-------------------|----------------|-------------------|--|
| Image 1: | | | |
| 31 | 0271F00181 | | BLOWER HSG ASSY (M1, M2) |
| 31 | 0271F00182 | | BLOWER HSG ASSY (M3) |
| 31 | 0271F00161 | | BLOWER SHELL & WHEEL ASSY (M4) |
| 41 | 0150M00042 | | WHEEL, BLOWER (10 X 10) (M3) |
| 41 | 0150M00043 | | WHEEL, BLOWER (10 X 8) (M1, M2) |
| 51 | 764741 | | BLOWER BLOCK-OFF 10 X 10 (M3) |
| 51 | 764740 | | BLOWER BLOCK-OFF 10 X 8 (M1, M2) |
| 61 | A4002702 | | BLOWER MOTOR GROMMET (M4) |
| 141 | 10441601 | | MOTOR MOUNT BAND (M4) |
| 151 | 10441501 | | MOTOR MOUNT ARM (M4) |
| 161 | CAP125000370LA | | CAPACITOR 12.5/370V (M1, M2) |
| 161 | CAP150000370LA | | CAPACITOR 15/370V (M4) |
| 161 | CAP200000370LA | | CAPACITOR 20/370V (M3) |
| 181 | 0131F00038 | | MOTOR, 1/2 HP (M3) |
| 181 | 0131F00027 | | MOTOR, 1/3HP, 4SP, 6PL (M1, M2) |
| 181 | 0131F00031 | | MOTOR, 3/4 HP (M4) |
| 231 | M0221461 | | TC SCREW (M4) |
| 231 | M0250558 | | TC SCREW (M1, M2, M3) |
| 251 | M0267144 | | MACHINE SCREW (M4) |
| 261 | M0274008 | | WASHER-FLAT (M4) |
| 281 | M0282015 | | KEPS NUT (M4) |
| 381 | 0130M00140 | | TRANSFORMER 120V TO 24V, 40VA |
| 401 | PCBBF134 | | PCB, IGNITION, HSI, INTEG |
| 461 | 0121F00464 | | MOUNTING PLATE-CONTROLS |
| 521 | 0130F00038 | | PRIMARY LIMIT - LT BLUE 120° (AUX) (QTY 2) |
| 621 | B1392820 | | WASHER, SPLIT LOCK 1/4 BZ (M4) |
| 661 | 20520901 | | CAPACITOR STRAP |
| NS | B1392021 | | PLASTIC PLUG, 1" (2713-BLK) (M1, M2, M3) |
| NS | 0259F00024 | | WIRE HARNESS-BLOWER |

Expanded Model Nomenclature

| |
|---------------------|
| M1 - GCSS920402BNAA |
| M2 - GCSS920603BNAA |
| M3 - GCSS920804CNAA |
| M4 - GCSS921005CNAA |

Chassis



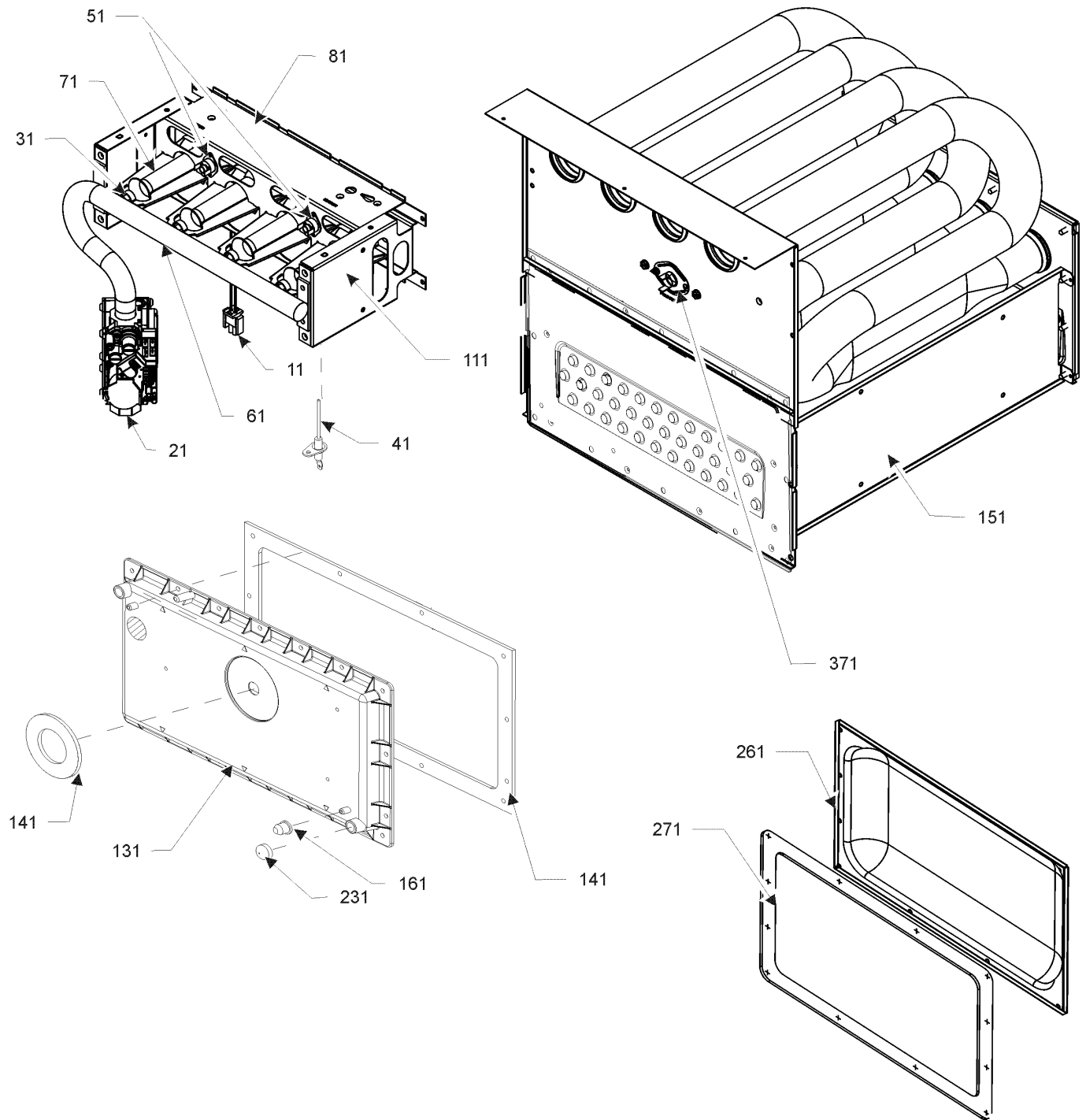
Chassis

| Ref. Part No: No: | Description: | Ref. Part No: No: | Description: |
|-------------------|--------------|-------------------|---|
| Image 1: | | | |
| 11 | 0121F00435DG | | PAINTED BASE PAN-21" C (M3, M4) |
| 11 | 0121F00427DG | | PAINTED BASEPAN-17.5" CF (M1, M2) |
| 31 | 0121F00425 | | DECK-BLOWER, 17.5" CF (M1, M2) |
| 31 | 0121F00433 | | DECK-BLOWER, 21" CF (M3, M4) |
| 91 | 0160F00015 | | INSULATION, HT EXCHANGER 17.5" (M1, M2) |
| 91 | 0160F00016 | | INSULATION, HT EXCHANGER 21" (M3, M4) |
| 101 | 0121F00314 | | ANGLE, DECK (M1, M2) |
| 101 | 0121F00315 | | ANGLE, DECK (M3, M4) |
| 111 | 0121F00426DG | | TOP, PAINTED FURNACE 17.5" CF (M1, M2) |
| 111 | 0121F00434DG | | TOP, PAINTED FURNACE 21" CF (M3, M4) |
| 121 | 0121F00313 | | ANGLE, SIDE (QTY 2) |
| 151 | 20179309 | | GASKET-FA (M1, M2) |
| 151 | 20179310 | | GASKET-FA (M3, M4) |
| 181 | 0159F00044 | | HARNESS-WIRING |
| 201 | 0164M00008 | | HOSE-PRESSURE SW |
| 211 | 0164M00031 | | 14" PRESSURE SWITCH HOSES (M3, M4) |
| 211 | 0164M00015 | | PRESSURE SWITCH HOSE (M1, M2) |
| 221 | 10690402 | | INTERLOCK SWITCH |
| 241 | 0164F00003 | | ELBOW-FLUE, 17.5" CFLOW (M1, M2) |
| 241 | 0164F00004 | | ELBOW-FLUE, 21" CFLOW (M3, M4) |
| 271 | 0171M00001 | | MOTOR-ID, BLOWER |
| 281 | 0161F00037 | | COUPLING |
| 291 | 0130F00480 | | PRESSURE SWITCH (-.1 / -1.2) (M3, M4) |
| 291 | 0130F00477 | | PRESSURE SWITCH (-.1 / -1.27) (M1, M2) |
| 311 | 0161F00042 | | JUNCTION BOX PLA |
| 331 | 0161F00043 | | JUNCTION BOX LID |
| 791 | 0154F00015 | | GASKET (QTY 2) |
| 811 | 0154F00014 | | GASKET (M1, M2) |
| 811 | 0154F00016 | | GASKET (M3, M4) |
| 991 | 0121F00389 | | BRACKET, DOOR SWITCH |

Expanded Model Nomenclature

| |
|---------------------|
| M1 - GCSS920402BNAA |
| M2 - GCSS920603BNAA |
| M3 - GCSS920804CNAA |
| M4 - GCSS921005CNAA |

Heat Exchanger / Manifold / Gas Valve



Heat Exchanger / Manifold / Gas Valve

| Ref. Part No: | Part No: | Description: | Ref. Part No: | Part No: | Description: |
|-----------------|------------|--------------------------------|---------------|----------|--------------|
| <i>Image 1:</i> | | | | | |
| 11 | 0130F00008 | IGNITOR-SINI 17 SEC | | | |
| 21 | 0151M00037 | GAS VALVE | | | |
| 31 | 0163F00004 | ORIFICE (QTY 2) | | | |
| 41 | 0130F00010 | FLAME SENSOR | | | |
| 51 | 0130F00123 | MANUAL RESET LIMIT (M2) | | | |
| 51 | 10123517 | MANUAL RESET LIMIT (M1) | | | |
| 51 | 10123534 | MANUAL RESET LIMIT 220°F (M3) | | | |
| 51 | 10123539 | MANUAL RESET LIMIT-ORANGE (M4) | | | |
| 61 | 0163F00007 | MANIFOLD (M1) | | | |
| 61 | 0163F00008 | MANIFOLD (M2) | | | |
| 61 | 0163F00009 | MANIFOLD (M3) | | | |
| 61 | 0163F00010 | MANIFOLD (M4) | | | |
| 71 | 0163F00017 | BECKETT BURNER (QTY 2) | | | |
| 81 | 0121F00456 | BRACKET-BURNER 2 (M1) | | | |
| 81 | 0121F00455 | BRACKET-BURNER 3 (M2) | | | |
| 81 | 0121F00454 | BRACKET-BURNER 4 (M3) | | | |
| 81 | 0121F00453 | BRACKET-BURNER 5 (M4) | | | |
| 111 | 0121F00469 | ORIFICE BRACKET-BURNER 2 (M1) | | | |
| 111 | 0121F00468 | ORIFICE BRACKET-BURNER 3 (M2) | | | |
| 111 | 0121F00467 | ORIFICE BRACKET-BURNER 4 (M3) | | | |
| 111 | 0121F00466 | ORIFICE BRACKET-BURNER 5 (M4) | | | |
| 131 | 0161F00017 | COVER, FRONT (M4) | | | |
| 131 | 0161F00027 | COVER, FRONT (M3) | | | |
| 131 | 0161F00031 | COVER, FRONT (M2) | | | |
| 131 | 0161F00054 | COVER, FRONT (M1) | | | |
| 141 | 0154F00011 | GASKET, FRONT (M1, M2) | | | |
| 141 | 0154F00012 | GASKET, FRONT (M3, M4) | | | |
| 151 | 0257F00348 | HEAT EXCHANGER ASSY. (M1) | | | |
| 151 | 0257F00349 | HEAT EXCHANGER ASSY. (M2) | | | |
| 151 | 0257F00351 | HEAT EXCHANGER ASSY. (M3) | | | |
| 151 | 0257F00352 | HEAT EXCHANGER ASSY. (M4) | | | |
| 161 | M0326804 | TUBE PLUG | | | |
| 231 | A1781105 | CAP-VINYL .500 | | | |
| 261 | 0121F00317 | COVER, REAR (M1, M2) | | | |
| 261 | 0121F00318 | COVER, REAR (M3, M4) | | | |
| 271 | 0154F00008 | GASKET, REAR CVR (M1, M2) | | | |
| 271 | 0154F00009 | GASKET, REAR CVR (M3, M4) | | | |
| 371 | 0130F00071 | PRESSURE LIMIT SWITCH (M2) | | | |
| 371 | 20162901 | PRESSURE LIMIT-RED (M1) | | | |
| 371 | 0130F00036 | PRIMARY LIMIT - PINK (M3, M4) | | | |
| NS | 0121F00439 | PRIMARY LIMIT-HEAT SHIELD | | | |
| NS | 0121F00355 | SHIELD, COIL (QTY 2) | | | |

Expanded Model Nomenclature

| |
|---------------------|
| M1 - GCSS920402BNAA |
| M2 - GCSS920603BNAA |
| M3 - GCSS920804CNAA |
| M4 - GCSS921005CNAA |