

New Construction BX4QL-120

Line Voltage
LED Downlight Housing
Non-IC Rated
120V

APPLICATIONS:

Suitable for new construction where insulation is not present or is spaced 3" away. The BX4QL-120 is ideal for applications that require a small, concealed source to maintain a clean ceiling plane. Specify the BX4QL-120 to accent items of interest in single level retail spaces, hospitality environments, residentially in bedrooms, living rooms, foyers, and hallways, or to supplement the general illumination in commercial spaces.

INSTALLATION:

Pro-Nail™ bar hangers with integral real nail compatible with common joist systems and materials. Joist alignment tab for rapid and consistent positioning and convenient nail removal features for easy re-positioning. Integral snap-on T-bar grip-lock feature and rigid 24" telescoping bar hanger design. Auxiliary mounting points for additional fasteners or wire suspension to structure. Bar hangers are captive with positive extension stop and locking feature to fix position, and can be reoriented 90° to housing.

HOUSING:

Aluminum housing adjusts vertically to accommodate ceilings up to 2½" thick. Two (2) snap-on covers provide easy access to splices. Integral Romex clamp.

J-BOX:

Prewired steel junction box with preinstalled ground wire. Housing may be removed from plaster frame after installation to provide access to J-box.

LABELS:

CSA C/US approved for all ceiling types. Insulation, if present, must be spaced 3" away from housing. Listed for wet locations and through wiring. Facilitates California Title 24 compliance with LB4A series LED downlight.

LED MODULE INSTALLATION:

QuickLink LED housing easily connects to mating QuickLink connector on the LiteBox LB4A module without a screw base adapter preventing the use of low efficacy incandescent sources.

DATE: _____ TYPE: _____

FIRM NAME: _____

PROJECT: _____

LiteBox 4"

Aperture: Nominal 4"

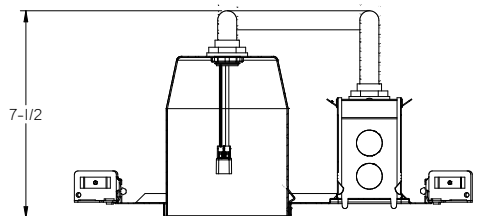
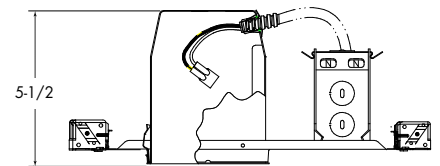
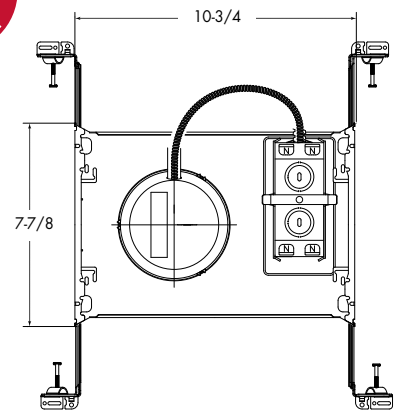
Ceiling Cutout: 4½"

Maximum Ceiling Thickness: 2½"

For conversion to millimeters, multiply inches by 25.4

Not to Scale

Featuring



BX4QL-120 CP

CATALOG NUMBER:

EXAMPLE: BX4QL-120- LB4A6L30K9 WH

Order housing, reflector, and accessories separately

HOUSING	HOUSING OPTIONS	-	TRIMS	-	ACCESSORIES
<input type="checkbox"/> BX4QL-120 4", Non-IC w/ nail bar hanger	<input type="checkbox"/> CP Chicago Plenum		<input type="checkbox"/> LB4A6L30K9 WH 3000K, 90+ CRI		<input type="checkbox"/> ICBOX¹ Recessed enclosure for IC applications. Refer to specifi- cation sheet FT- INC-005

¹Not available with CP option
Refer to www.prescolite.com for photometrics.



In a continuing effort to offer the best product possible we reserve the right to change, without notice, specifications or materials that in our opinion will not alter the function of the product.
Web: www.prescolite.com • Tech Support: (888) 777-4832
701 Millennium Blvd., Greenville, SC 29607 U.S.A. • Phone (864) 678-1000
Copyright ©2017 Prescolite, Inc., a division of Hubbell Lighting, Inc. All Rights Reserved
Specifications subject to change without notice. • Printed in U.S.A. • LB-LED-007 • 07/19/17

LB-LED-007