

VIPER S

OPTICS

STRIKE

SMALL VIPER LUMINAIRE

Cat.#

Job

Type



Approvals

SPECIFICATIONS

Intended Use:

The Beacon Viper luminaire is available with a wide choice of different LED Wattage configurations and optical distributions designed to replace HID lighting up to 400W MH or HPS.

Construction:

- Manufactured with die cast aluminum.
- Coated with a polyester finish that meets ASTM B117 corrosion testing requirements and ASTM D522 cracking and loss of adhesion test requirements.
- External hardware is corrosion resistant.
- One piece optical cartridge system consisting of an LED engine, LED lamps, optics, gasket and stainless steel bezel.
- Cartridge is held together with internal brass standoffs soldered to the board so that it can be field replaced as a one piece optical system.
- Two-piece silicone and micro-cellular polyurethane foam gasket ensures a weather-proof seal around each individual LED.

Electrical:

- 100V through 277V, 50 Hz to 60 Hz (UNV), or 347V or 480V input.
- Power factor is $\geq .90$ at full load.
- Dimming drivers are standard, but must contact factory to request wiring leads for purpose of external dimming controls.
- Component-to-component wiring within the luminaire may carry no more than 80% of rated load and is certified by UL for use at 600VAC at 90°C or higher.
- Plug disconnects are certified by UL for use at 600 VAC, 13A or higher. 13A rating applies to primary (AC) side only.
- Fixture electrical compartment shall contain all LED driver components and shall be provided with a push-button terminal block for AC power connections.
- Surge protection - 20kA.
- Optional 7-pin ANSI C136.41-2013 twist-lock photo control receptacle available. Compatible with ANSI C136.41 external wireless control devices.
- Lifeshield™ Circuit - protects luminaire from excessive temperature. The device shall activate at a specific, factory-preset temperature, and progressively reduce power over a finite temperature range. Operation shall be smooth and undetectable to the eye. Thermal circuit is designed to "fail on", allowing the luminaire to revert to full power in the event of an interruption of its power supply, or faulty wiring connection to the drivers. The device shall be able to co-exist with other 0-10V control devices (occupancy sensors, external dimmers, etc.).

Controls/Options:

- Available with an optional passive infrared (PIR) motion sensor capable of detecting motion 360° around the luminaire. When no motion is detected for the specified time, the Motion Response system reduces the wattage to factory preset level, reducing the light level accordingly. When motion is detected by the PIR sensor, the luminaire returns to full wattage and full light output. Please contact Beacon Products if project requirements vary from standard configuration.
- Available with Energeni for optional set dimming, timed dimming with simple delay, or timed dimming based on time of night (see www.beaconproducts.com/products/energeni).
- In addition, Viper can be specified with SiteSync™ wireless control system for reduction in energy and maintenance costs while optimizing light quality 24/7. For more details, see ordering information or visit: www.hubbellighting.com/sitesync

Installation:

- Mounting options for horizontal arm, vertical tenon or traditional arm mounting available. Mounting hardware included.

Finish:

- IFS polyester powder-coat electrostatically applied and thermocured. IFS finish consists of a five stage pretreatment regimen with a polymer primer sealer and top coated with a thermoset super TGIC polyester powder coat finish.
- The finish meets the AAMA 2604 performance specification which includes passing a 3000 hour salt spray test for corrosion resistance and resists cracking or loss of adhesion per ASTM D522 and resists surface impacts of up to 160 inch-pounds.

Certifications/Ratings:

- DesignLights Consortium (DLC) qualified, consult DLC website for more details: <http://www.designlights.org/QPL>
- Certified to UL 1598, UL 8750 and CSA C22.2 No.250.0
- IDA approved
- This product is approved by the Florida Fish and Wildlife Conservation Commission. Separate spec available at: <http://www.beaconproducts.com/products/vipersmall>

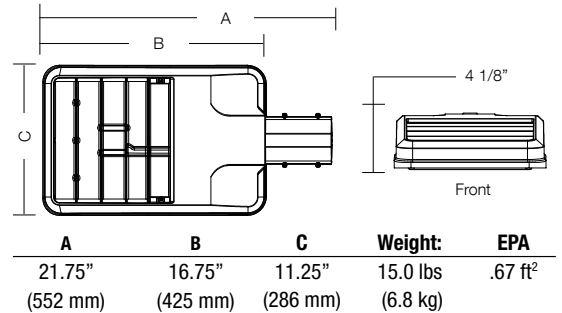
Warranty:

Five year limited warranty for more information visit: www.hubbellighting.com/resources/warranty

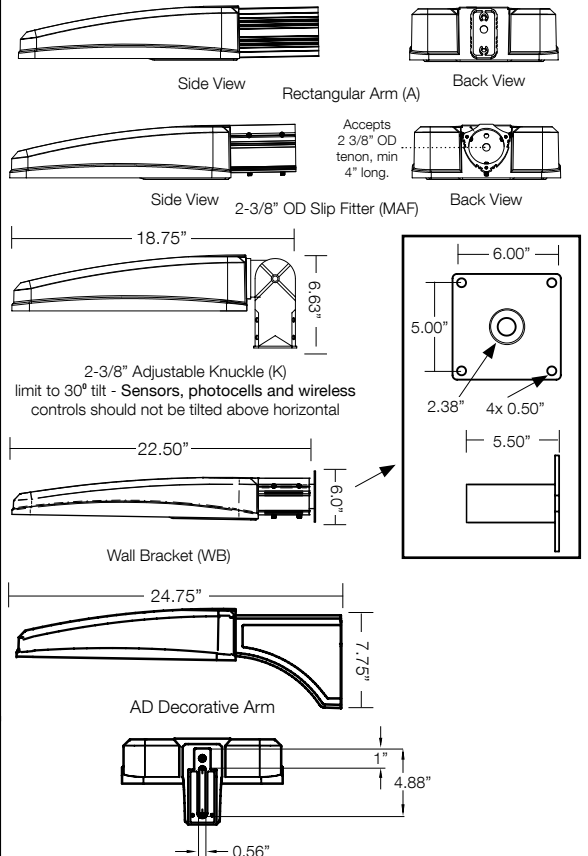
PRODUCT IMAGE(S)



DIMENSIONS



MOUNTING OPTIONS



CERTIFICATIONS/LISTINGS



*3000K and warmer CCTs only



Beacon Products • 2041 58th Avenue Circle East Bradenton, FL 34203 • Phone: 800-345-4928
 Due to our continued efforts to improve our products, product specifications are subject to change without notice.
 © 2019 BEACON PRODUCTS, All Rights Reserved • For more information visit our website: www.beaconproducts.com • Printed in USA APRIL 10, 2019 8:52 AM



ORDERING INFORMATION

ORDERING EXAMPLE: VPS/24L-55/4K7/4W/UNV/A/DBT/7PR-TL/GENI-04/BC

VPS								
SERIES	LED ENGINE	CCT/CRI ⁷	ROTATION	VOLTAGE	COLOR	OPTIONS		
VPS Viper	24L-55 55W, LED array 36L-65 65W, LED array 36L-80 80W, LED array 48L-110 110W, LED array 60L-136 136W, LED array	3K7 3000K, 70 CRI 4K7 4000K, 70 CRI 5K7 5000K, 70 CRI	Leave blank for no rotation L⁵ Optic rotation left R⁵ Optic rotation right	UNV 120-277V 120 120V 208 208V 240 240V 277 277V 347 347V 480 480V	BL Black Textured DB Dark Bronze Textured GYS Light Gray Smooth PS Platinum Silver Smooth WH White Textured CC Custom Color	F Fusing BSP Bird Spikes BC Backshield (available for FR, 2, 3, 4, 4W Optics)		

DISTRIBUTION
FR Type 1/Front Row
2 Type 2
3 Type 3
4 Type 4
4W Type 4 Wide
5QM Type 5QM
5R Type 5R (rectangular)
5W Type 5W (round wide)
TC Tennis Court

MOUNTING
A Rectangular Arm (formerly RA) for square or round pole
MAF Mast Arm Fitter (formerly SF2) for 2-3/8" OD horizontal arm
K Knuckle (formerly PK2) limit to 45° tilt or 2-3/8" OD horizontal arm or vertical tenon
WB Wall Bracket
AD Universal Arm for square pole
AD3 Universal Arm for 2.4"-4.1" round pole
AD4 Universal Arm for 4.2"-5.3" round pole
AD5 Universal Arm for 5.5"-5.9" round pole
AD6 Universal Arm for 6.0"-6.5" round pole

CONTROL OPTIONS
7PR 7-Pin Receptacle only (shorting cap, photo control, or wireless control provided by others)
7PR-SC 7-Pin Receptacle w/Shorting Cap
7PR-TL 7-Pin Receptacle w/Twist Lock photo control
SCP/_F^{1,2,6} Programmable Occupancy Sensor w/ daylight control
GENI-XX³ ENERGENI
SWP^{1,4} SiteSync Pre-Commission
SWPM^{1,2,4} SiteSync Pre-Comm w/ Sensor

HOUSE SIDE SHIELD ACCESSORIES

- HSS/VP-S/90-FB/XXX** 90° shield front or back
- HSS/VP-S/90-LR/XXX** 90° shield left or right
- HSS/VP-S/270-FB/XXX** 270° shield front or back
- HSS/VP-S/270-LR/XXX** 270° shield left or right
- HSS/VP-S/360/XXX** Full shield

(Replace XXX with notation for desired finish color)
(Refer to page 5 for shield images)

MOUNTING ACCESSORIES

- VPL-AD-RPA3** 2.4"-4.1" Round Pole Adapter for AD arm
- VPL-AD-RPA4** 4.2"-5.3" Round Pole Adapter for AD arm
- VPL-AD-RPA5** 5.5"-5.9" Round Pole Adapter for AD arm
- VPL-AD-RPA6** 6.0"-6.5" Round Pole Adapter for AD arm

¹ Not available with other wireless control or sensor options
² Specify mounting height; 8=8' or less, 40=40'
³ Specify routine setting code (example GENI-04). See ENERGENI brochure and instructions for setting table and options. Not available with sensor or SiteSync options.
⁴ Specify group and zone at time of order. See www.hubbellighting.com/sitesync for further details. Order at least one SiteSync interface accessory SWUSB or SWTAB. Each option contains SiteSync License, GUI, and Bridge Node
⁵ Only available with 1A, 2, 3, 4, 4W and 5R distributions
⁶ Order at least one SCP-REMOTE per project location to program and control the occupancy sensor.
⁷ This product is approved by the Florida Fish and Wildlife Conservation Commission. Separate spec available at: http://cdn.beaconproducts.com/content/products/specs/specs_files/Viper_Small_LED_turtle_spec_sheet.pdf

PRECOMMISSIONED SITESYNC ORDERING INFORMATION: When ordering a fixture with the SiteSync lighting control option, additional information will be required to complete the order. The SiteSync Commissioning Form or alternate schedule information must be completed. This form includes Project location, Group information, and Operating schedules. For more detailed information please visit www.hubbell-automation.com/products/sitesync/ or contact Hubbell Lighting tech support at (800) 345-4928.

SiteSync fixtures with Motion control (SWPM) require the mounting height of the fixture for selection of the lens.

Examples: VPS/24L-55/4K7/3/UNV/A/DBT/SWP/ SiteSync only
 VPS/24L-55/4K7/3/UNV/A/DBT/SWPM-40F/ SiteSync with Motion Control

Accessories and Services (Ordered Separately)

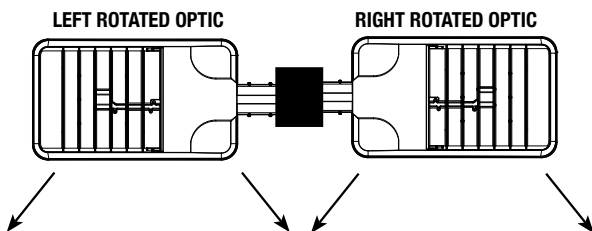
Catalog Number	Description
SWUSB*	SiteSync interface software loaded on USB flash drive for use with owner supplied PC (Windows based only). Includes SiteSync license, software and USB radio bridge node
SWTAB*	Windows tablet and SiteSync interface software. Includes tablet with preloaded software, SiteSync license and USB radio bridge node.
SWBRG	SiteSync USB radio bridge node only. Order if a replacement is required or if an extra bridge node is requested.
SCP-REMOTE	Remote Control for SCP/_F option. Order at least one per project to program and control
SW7PR*	SiteSync 7 Pin on fixture module On/Off/Dim, Daylight Sensor 120-480VAC

* When ordering SiteSync at least one of these two interface options must be ordered per project.
 + Available as a SiteSync retrofit solution for fixtures with an existing 7pin receptacle.

Hubbell Control Solutions - Accessories (sold separately)

Catalog Number	Description	HCS System
NXOFM-1R1D-UNV	On-fixture Module (7-pin), On / Off / Dim, Daylight Sensor with HubbNET Radio and Bluetooth® Radio, 120-480VAC	NX Distributed Intelligence™
WIR-RME-L	On-fixture Module (7-pin or 5-pin), On / Off / Dim, Daylight Sensor with wiSCAPE Radio, 110-480VAC	wiSCAPE® Lighting Control

For additional information related to these accessories please visit www.hubbellcontrolsolutions.com. Options provided for use with integrated sensor, please view specification sheet ordering information table for details.



SiteSync 7-Pin Module



- SiteSync features in a new form
- Available as an accessory for new construction or retrofit applications (with existing 7-Pin receptacle)
- Does not interface with occupancy sensors



Beacon Products • 2041 58th Avenue Circle East Bradenton, FL 34203 • Phone: 800-345-4928
 Due to our continued efforts to improve our products, product specifications are subject to change without notice.



© 2019 BEACON PRODUCTS, All Rights Reserved • For more information visit our website: www.beaconproducts.com • Printed in USA APRIL 10, 2019 8:52 AM

PERFORMANCE DATA

# LED'S	DRIVE CURRENT (MILLIAMPS)	SYSTEM WATTS	DISTRIBUTION TYPE	5K (5000K nominal, 70 CRI)					4K (4000K nominal, 70 CRI)					3K (3000K nominal, 70 CRI)				
				LUMENS	LPW ¹	B	U	G	LUMENS	LPW ¹	B	U	G	LUMENS	LPW ¹	B	U	G
24	700 mA	55W	FR	6357	118	1	0	1	6486	120	1	0	1	5804	107	1	0	1
			2	6132	114	1	0	1	6257	116	1	0	2	5599	104	1	0	1
			3	6015	111	1	0	2	6137	114	1	0	2	5492	102	1	0	2
			4	5921	110	1	0	2	6034	112	1	0	2	5400	100	1	0	2
			4W	5805	108	1	0	2	5921	110	1	0	2	5282	98	1	0	2
			5QM	6022	112	2	0	1	6145	114	2	0	1	5499	102	2	0	1
			5R	6063	112	3	0	3	6187	115	3	0	3	5536	103	3	0	3
			5W	5908	109	3	0	1	6028	112	3	0	1	5908	102	3	0	1
			TC	6183	115	1	0	1	6309	118	1	0	1	5645	105	1	0	1
36	560 mA	65W	FR	7864	121	1	0	1	8041	124	1	0	1	7189	111	1	0	1
			2	7586	117	1	0	2	7757	119	1	0	2	6934	107	1	0	2
			3	7441	114	1	0	2	7609	117	1	0	2	6802	105	1	0	2
			4	7317	110	1	0	2	7482	112	1	0	2	6688	100	1	0	2
			4W	7325	113	1	0	2	7490	115	1	0	2	6696	103	1	0	2
			5QM	7450	115	3	0	1	7618	117	3	0	1	6810	105	3	0	1
			5R	7501	115	3	0	3	7670	118	3	0	3	6857	105	3	0	3
			5W	7309	112	3	0	2	7473	115	3	0	2	6681	103	3	0	1
			TC	7864	121	1	0	1	8041	124	1	0	1	7189	111	1	0	1
36	700 mA	80W	FR	9535	118	1	0	1	9730	120	1	0	1	8706	107	1	0	1
			2	9197	114	1	0	2	9385	116	1	0	2	8398	104	1	0	2
			3	9022	111	1	0	2	9206	114	1	0	2	8238	102	1	0	2
			4	8871	110	1	0	2	9052	112	1	0	2	8100	100	1	0	2
			4W	8707	108	1	0	2	8881	110	1	0	2	7923	98	1	0	2
			5QM	9033	112	3	0	1	9217	114	3	0	1	8248	102	3	0	1
			5R	9095	112	3	0	3	9280	115	3	0	3	8304	103	3	0	3
			5W	8861	109	3	0	2	9043	112	3	0	2	8092	100	3	0	2
			TC	9275	115	1	0	1	9464	118	1	0	1	8468	105	1	0	1
48	700 mA	110W	FR	12713	118	1	0	1	12973	120	2	0	1	11608	107	1	0	1
			2	12263	114	2	0	2	12513	116	2	0	2	11197	104	2	0	2
			3	12029	111	2	0	2	11275	114	2	0	2	10984	102	1	0	2
			4	11828	110	1	0	3	12069	112	1	0	3	10800	100	1	0	2
			4W	11609	108	1	0	3	11841	110	1	0	3	10564	98	1	0	3
			5QM	12044	112	3	0	2	12290	114	3	0	2	10997	102	3	0	1
			5R	12126	112	3	0	3	12374	115	3	0	3	11072	103	3	0	3
			5W	12126	109	4	0	2	12057	112	4	0	2	10789	100	4	0	2
			TC	12366	115	1	0	2	12619	118	1	0	2	11290	105	1	0	2
60	700 mA	136W	FR	15891	117	2	0	2	16216	120	2	0	2	14511	107	2	0	1
			2	15329	113	2	0	2	15642	116	2	0	2	13997	103	2	0	2
			3	15037	111	2	0	3	15344	113	2	0	3	13730	101	2	0	3
			4	14784	109	1	0	3	15086	111	1	0	3	13500	100	1	0	3
			4W	14511	108	2	0	4	14802	110	2	0	4	13205	98	2	0	3
			5QM	15055	111	3	0	2	15362	114	3	0	2	13747	102	3	0	2
			5R	15158	112	4	0	4	15469	114	4	0	4	13841	102	4	0	4
			5W	14781	109	4	0	2	15083	111	4	0	2	13495	100	4	0	2
			TC	15458	115	1	0	2	15834	118	1	0	2	14113	105	1	0	2



PHOTOMETRICS

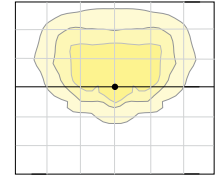
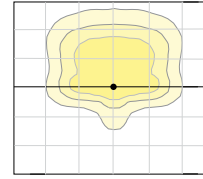
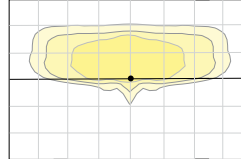
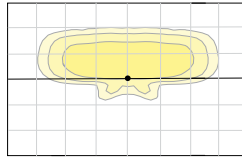
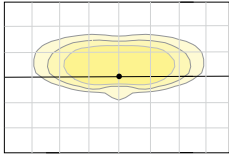
Type FR - Front Row/Auto Optic

Type 2

Type 3

Type 4

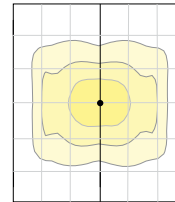
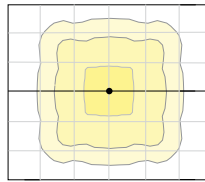
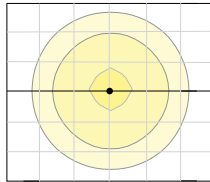
Type 4W



Type 5W

Type 5QM

Type 5R



*Lumen values are from photometric tests performed in accordance with IESNA LM-79-08. Data is considered to be representative of the configurations shown. Actual performance may differ as a result of end-use environment and application.

ELECTRICAL DATA

# OF LEDS	NUMBER OF DRIVERS	DRIVE CURRENT (mA)	INPUT VOLTAGE (V)	SYSTEM POWER (w)	CURRENT (Amps)
24	2	700 mA	120	55	0.5
			277		0.2
			347		0.2
			480		0.1
36	1	560 mA	120	65	0.65
			277		0.28
			347		0.22
			480		0.16
	700 mA	80	120	0.7	
			277	0.3	
			347	0.2	
			480	0.2	
48	1	700 mA	120	110	0.9
			277		0.4
			347		0.3
			480		0.2
60	1	700 mA	120	136	1.1
			277		0.5
			347		0.4
			480		0.3

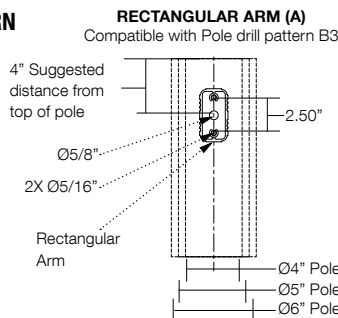
PROJECTED LUMEN MAINTENANCE

AMBIENT TEMP.	0	25,000	50,000	TM-21-11 60,000	100,000	Calculated L70 (HOURS)
25°C / 77°C	1.00	0.97	0.95	0.95	0.92	>377,000

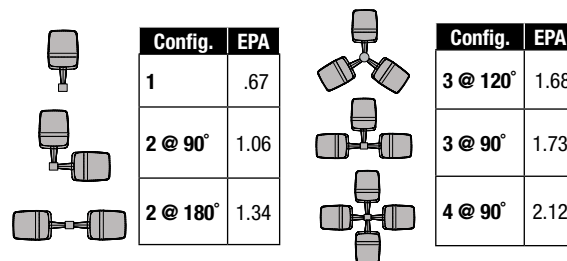
¹ Projected per IESNA TM-21-11

Data references the extrapolated performance projections for the base model in a 25°C ambient, based on 10,000 hours of LED testing per IESNA LM-80-08.

DRILL PATTERN



EPA



TENON TOP POLE BRACKET ACCESSORIES (Order Separately)

(2 3/8" OD tenon)

Catalog Number	Description
SETAVP-XX	Square tenon adapter (4 at 90°) for A - Rectangular Arm mounting option only
RETAVP-XX	Round tenon adapter (4 at 90°) for A - Rectangular Arm mounting option only
TETAVP-XX	Hexagonal tenon adapter (4 at 90°) for A - Rectangular Arm mounting option only
SETA2XX	Square tenon adapter (4 at 90°) for AD - Universal Arm mounting option only
RETA2XX	Round tenon adapter (4 at 90°) for AD3 - Universal Arm mounting option only
TETA2XX	Hexagonal tenon adapter (3 at 120°) for AD - Universal Arm mounting option only



Beacon Products • 2041 58th Avenue Circle East Bradenton, FL 34203 • Phone: 800-345-4928

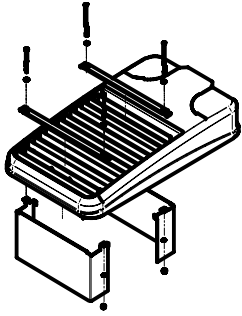
Due to our continued efforts to improve our products, product specifications are subject to change without notice.

© 2019 BEACON PRODUCTS, All Rights Reserved • For more information visit our website: www.beaconproducts.com • Printed in USA APRIL 10, 2019 8:52 AM

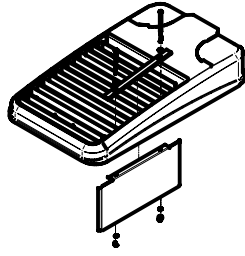


HUBBELL
Lighting

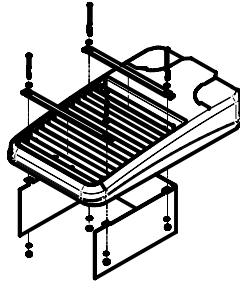
HOUSE SIDE SHIELD FIELD INSTALL ACCESSORIES



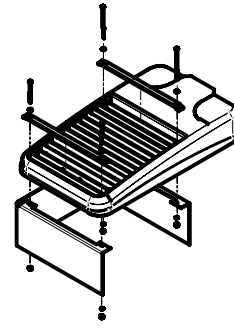
HSS/VP-S/90-FB/XXX
90° shield front or back
(2 shields shown)



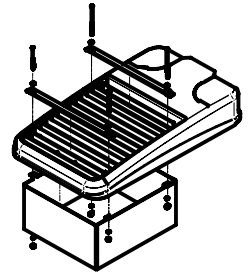
HSS/VP-S/90-LR/XXX
90° shield left or right
(1 shield shown in left orientation)



HSS/VP-S/270-FB/XXX
270° shield front or back
(1 shield shown in back orientation)

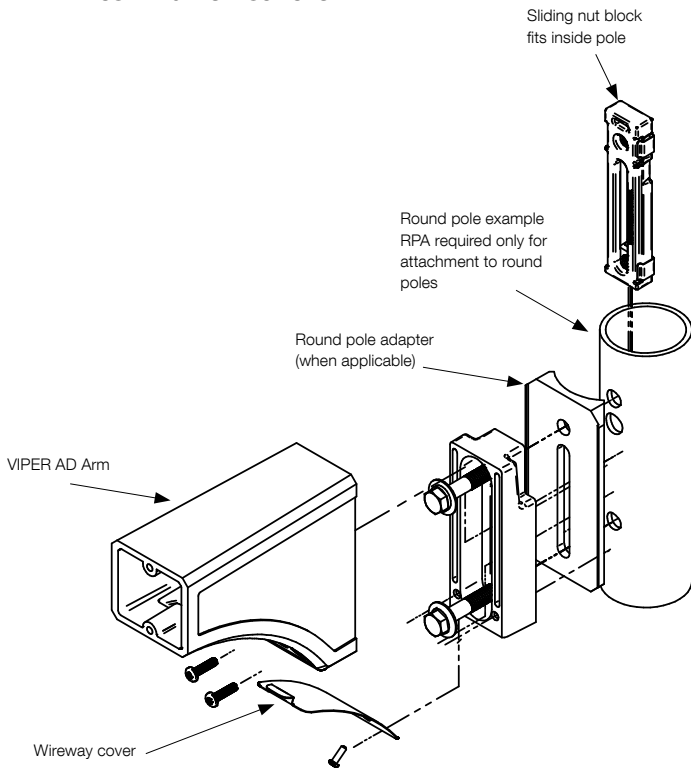


HSS/VP-S/270-LR/XXX
270° shield left or right
(1 shield shown in right orientation)



HSS/VP-S/360/XXX
Full shield (1 shield shown)

AD ARM MOUNTING INSTRUCTIONS



DECORATIVE ARM (AD)

Compatible with pole drill pattern S2

